

30% discount - 1GHz frequency meter for under £70

ELECTRONICS WORLD

Denmark DKr. 65.00

Germany DM 15.00

Greece Dra.760

Holland Dfl. 14

Italy L. 7300

IR £3.30

Spain Pts. 780

Singapore S\$ 12.60

USA \$6.70

A REED BUSINESS PUBLICATION
SOR DISTRIBUTION

+ WIRELESS WORLD

APRIL 1995 £2.10

**ISDN - inside
the world
network**

**Linsley Hood
attenuator
for audio**

**Evidence for
the slew-rate
debate**

**Self-tuning
50Hz filter for
instrumentation**

**Sampling tiny
currents**

**Applications:
programming
PIC processors**



OPTICAL STORAGE - present and pending

NEW!

FROM THE MAKERS OF THE WORLDS BEST SELLING UNIVERSAL PROGRAMMING AND TESTING SYSTEM

- * Ability to program 3 volt devices.
- * Calibration software to comply with ISO9000.
- * Batch software for production programming.
- * High quality 42 pin Textool zero insertion force sockets.
- * Rugged metal housing and heavy duty screened cable.
- * Ground control circuitry using relay switching.
- * Protection circuitry to protect against wrong insertion of devices.
- * Speed optimised range of programming algorithms.
- * Supplied with MICROTEC disassemblers for Z8, 8085, 8048, 8051, 6809 & 68HC11.

- * Programs PIC16 series without adaptor.
- * Software supplied to write own test vectors for custom ICs and ASICs etc.
- * One model covers the widest range of devices, at the lowest cost.
- * Over 2000 different devices (including several hundred MPU's) supported.
- * Tests and or identifies a wide range of logic devices.
- * High speed PC interface card designed for use with all types of PC.
- * No need to tie up a slow parallel port.
- * More Sunshine programmers sold worldwide than any other of its type.
- * UK users include BT, IBM, MOD, THORN EMI, MOTOROLA, SANYO, RACAL.
- * Two year free software update.
- * Free demo disk with device list available.

The Sunshine Expro-80 Universal Programmer and Tester is the 42 pin version of the immensely popular Expro-60/PC-82. Following that success, the Expro-80 is a PC-based development tool designed to program and test more than 2000 ICs. The culmination of over 8 years production experience has resulted in perfecting this rugged, classically designed programmers' programmer.

Volume production has now enabled us to offer this powerful programmer at a very competitive price for a product of such high quality. The Expro-80 has undergone extensive testing and inspection by various major IC manufacturers and has won their professional approval and support. Many do in fact use the Expro-80 for their own use!

The Expro-80 can program E/EPROM, Serial PROM, BPROM, DSP, PLD, EPLD, PEEL, GAL, FPL, MACH, MAX and MPU. It comes with a 42 pin DIP/SDIP socket capable of programming devices with 8 to 42 pins. It even supports EPROMs to 16Mbit, the PIC16 series of MPUs and many many more without the need of an adaptor. Adding special adaptors, the Expro-80 can program devices up to 84 pins in DIP, PLCC, LCC, QFP, SOP and PGA packages.

The unit can also test digital ICs such as the TTL 74/54 series, CMOS 40/45 series, DRAM (even SIMM/SIP modules) and SRAM. Furthermore it can perform functional vector testing of PLDs using the JEDEC standard test vectors created by PLD compilers such as PALASM, OPALjr, ABLE, CUPL etc. or by the user. The Expro-80 can even check and identify unmarked devices.

The Expro-80's hardware circuits are composed of 42 set pin-driver circuits each with control of TTL I/O and "active pull up", D/A voltage output, ground, noise filter circuit and OSC crystal frequency.

New features include negative programming voltages, 3 volt programming ability, protective circuitry for ICs incorrectly inserted, calibration software to comply with ISO9000, new six layer PCB and voltage clamping to banish noise and spikes.

A dedicated plug in card with rugged connecting cable ensures fast transfer of data to the programmer without tying up a standard parallel or serial port. Will work in all types of PC. In addition, there is now the Link-P1 enabling the programmer to be driven through the printer port. Ideal for portables and PC's without expansion capability.

The pull-down menus of the software makes the Expro-80 one of the easiest and most user-friendly programmers available. A full library of file conversion utilities is supplied as standard.

Sunshine's team of over 20 engineers are continually developing the software, enabling the customer to immediately program newly released ICs.

Citadel, a 33 year old company are the UK agents and service centre for the Sunshine range of programmers, testers and in circuit emulators and have a team of engineers trained to give local support in Europe.

NOW ONLY £469



EXPRO-80

ORDERING INFORMATION

Expro-80 complete with interface card, cable, software and manual

only **£469**

Please add £8 carriage (by overnight courier) for UK orders, £30 for export orders and VAT where applicable.

ACCESS, MASTERCARD, VISA or CWO. Official orders are welcome from Government bodies and local authorities.



CITADEL PRODUCTS LTD
DEPT. WW, 50 HIGH ST.,
EDGWARE, MIDDX. HA8 7EP.

Phone now on: 0181 951 1848/9



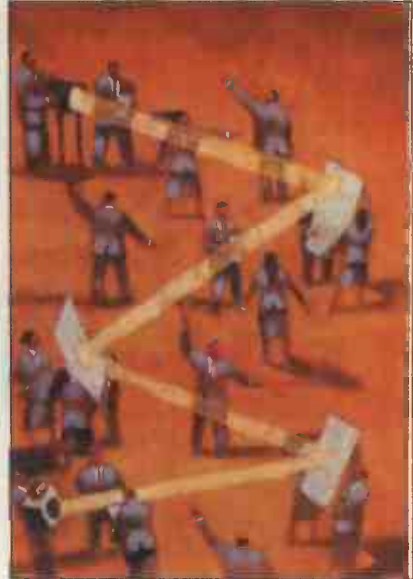
Our stocked range of own manufactured and imported Sunshine products include:

- * Super fast EPROM Erasers.
- * 8Mbit EPROM Programmers:
ie: 1 gang £149
4 gang £229
8 gang £399
- * Battery operated portable EPROM programmers.
- * "In circuit" Emulators.
- * Handy pocket IC testers.





Slew rates become much more important at high levels – Ben Duncan provides evidence on page 303.



Cover Illustration Jamel Akib

FEATURES

276 FRONT-END FILTERING

Notch filters for cancelling 50Hz hum from instrument inputs can suffer from drift. A self-tuning filter is the answer.

280 THE OPTICAL TECHNOLOGY DRIVE

Praveen Asthana of IBM Corp explores the array of optical disk technologies now in use – and those to come.

287 CAPACITOR DISSIPATION

Power dissipation in a capacitor can lead to early failure, yet it is difficult to evaluate and often overlooked.

292 PHASORS AND STANDING WAVES

How currents and voltages are distributed in a standing wave, explained by Geoffrey Billington.

298 SUMMING UP CURRENT

Sampling currents as small as nano-amps, ready for measurement, is made easy with a precision integrator.

303 SIMULATED ATTACK ON SLEW RATES

Ben Duncan presents evidence to show that slew rates need to be much faster than Doug Self suggests.

311 ISDN – WORLDWIDE NETWORKING

Via isdn, anyone with a telephone can communicate voice and speech at up to 144kbit/s. Mike Button explores how.

320 AUDIO ATTENUATOR

By chopping the input signal, Linsley Hood's attenuator achieves 0.005% distortion yet remains easy to implement.

330 FILTERS IMPROVE USING CF OP-AMPS

Current-feedback devices extend the useful frequency limit of op-amp active filters to well beyond 1MHz.

346 WINNING DESIGNS

Three entirely new power control circuits incorporating the IR2151.



Optical storage technologies – present and future – explained, page 280.

REGULARS

267 COMMENT

Matchsticks and magic mushrooms.

268 NEWS

Silicon-carbide semiconductors.

272 RESEARCH NOTES

Satellite tomography.

323 LETTERS

Mosfet versus bipolar; Cable noise

336 CIRCUIT IDEAS

Power supply preregulator; Sample rate testing; NiCd discharger.



New laser technique could result in fewer visits to the dentist – page 272.

Special offer – see page 296

340 APPLICATIONS

Simple parallel port PIC programmer, Power from the 'phone line.

351 NEW PRODUCTS

Pick of the month – classified for convenience.



Exclusive to EW+WW readers is the offer of a high-performance 1.3GHz frequency/period meter, normally costing £134 – yours for just £85.76

Next month:

Free disk offer – Windows circuit simulator.

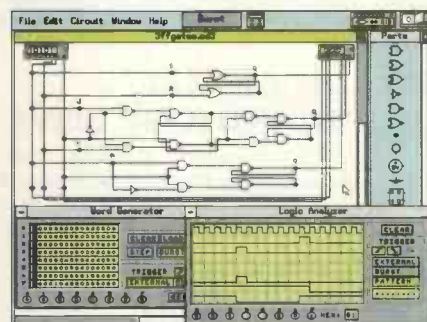
Plus Migrating to C++, Fets vs bipolars in power amps, 3-way microreflex loudspeaker.

MAY ISSUE – ON SALE 27 April

“Electronics Workbench
is the best simulator to
design and verify circuits.”

Gordon MacDonald
Production Engineer Technician

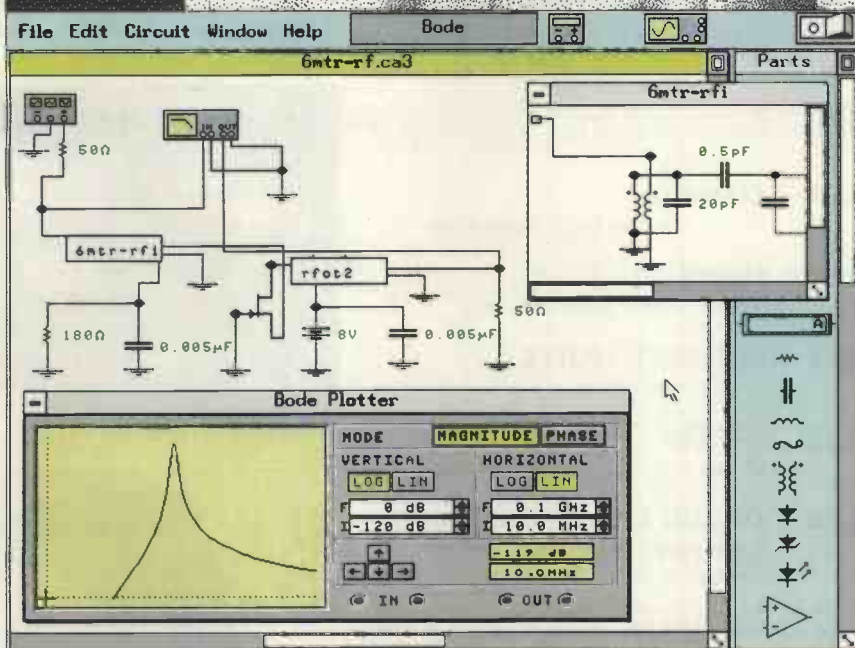
Electronics Workbench is a highly productive bench where you design and verify circuits in a fraction of the time. Connections are always perfect. Wires route themselves. And the simulated components and test instruments work just like the real thing.



Digital Module: Analyzing a logic circuit.

It's faster than building with actual components because you change connections and component values instantly. And since the simulated components are free, you don't need to replace burnt-out parts or keep an extensive inventory. The result: You save precious time and money. Guaranteed!

The standard for simplicity and power for over six years, Electronics Workbench is the most popular tool of its kind. It has gained worldwide acclaim as the ideal complement to any test bench. Fact: Over 90% of our customers recommend it to their friends and colleagues.



Analog Module: Tuning an RF front end.

Electronics Workbench®

The electronics lab in a computer™

Call: 44 0203 233216

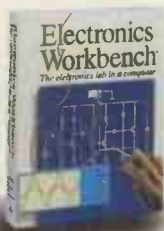
Robinson Marshall (Europe) PLC
Nadella Building, Progress Close, Leofric Business Park, Coventry, Warwickshire CV3 2TF
FAX: (44) 01203 233210

*30-day money-back guarantee.

Shipping charges - UK £4.99. All prices are plus V.A.T.

All trademarks are the property of their respective owners.

**With the purchase of Electronics Workbench. Offer valid until October 15, 1994.



Just £199*
For DOS, Windows or Mac Version.



CIRCLE NO. 103 ON REPLY CARD

EDITOR

Martin Eccles
0181-652 3128

CONSULTANT

Frank Ogden

DESIGN & PRODUCTION

Alan Kerr

EDITORIAL ADMINISTRATION

Jackie Lowe
0181-652 3614

E-MAIL ORDERS

jackie.lowe@rbp.co.uk

E-MAIL ENQUIRIES

martin.eccles@rbp.co.uk

ADVERTISEMENT MANAGER

Richard Napier
0181-652 3620

DISPLAY SALES EXECUTIVE

Malcolm Wells
0181-652 3620

ADVERTISING PRODUCTION

Christina Budd
0181-652 8355

PUBLISHER

Mick Elliott

EDITORIAL FAX

0181-652 8956

CLASSIFIED FAX

0181-652 8956

SUBSCRIPTION HOTLINE

01622 721666
Quote ref INJ

SUBSCRIPTION QUERIES

01444 445566

NEWSTRADE DISTRIBUTION

Martin Parr
0181 652 8171

BACK ISSUES

Available at £2.50
0181 652 3614

ISSN 0959-8332

Matchsticks and magic mushrooms

"We do tend to push the weaker girls towards IT" the headmistress of one of the better girls' schools once confided in me, as we discussed the use of computers in education.

So there it is. IT is the Domestic Science of the 90s, fit only for cotton-heads that ought to be banished and babbled by the time they're sixteen, and would be if their parents weren't so well-to-do. The sort of girl that's lucky to be leaving school with any sort of qualification. So push 'em towards IT. As for the more academically-minded girls, well - who can blame them if they consider computers and everything to do with them beneath their dignity?

I read in a recent issue of CUE Newsletter (Computer-Using Educators, Inc. of Alameda, California): "The dilemma in 1990: we had the technology, we could create powerful, well-designed word-processed documents, charts and graphs, you name it. What power to unleash in a classroom! Unfortunately my students and I shared the same secret - all of these skills only counted in the computer classroom." Schandler, writer of the article entitled *A Goal Without a Plan is a Dream*, goes on to recount how things have changed. "The lab had moved from the place where students were learning skills that had little relevance to their real or academic lives to a studio where tools were made available and creatively used."

Assuming that Ms Schandler is not talking through her sweatband, then by comparison we in the Great Britain of 1995 are stuck in a 1980s timewarp. I didn't say 1990s because in the eighties we were ahead of the Californians in the constructive use of computers in the classroom.

But the world moves on - and it seems Britain doesn't. Chris Abbott, writing in *Educational Computing and Technology*, November 1994, recounts his embarrassment at having to tell erstwhile overseas visitors, who had come to this country to see what had been achieved by the network of LEA centres, that most of them have closed. "The 1993 Education Act suggests that private sector centres will develop overnight, like so many mushrooms, where LEA centres close. No such magical events have taken place." He judges that, "there are only two kinds of organisation which now have the funding, the resourcing and the legal right to develop new structures: the universities and the IT industry."

Both of course have their own agenda. Industry will argue, as its running-dogs have been doing in the correspondence column of *Computing*, that children

must be taught on 'industry standard' software and hardware. "Who'd employ somebody trained on an Acorn?" seems to clinch the matter as far as they were concerned.

Of course there were indignant replies pointing out that children being "trained" now won't be looking for jobs for another ten years - and what price now the industry standards of ten years ago? (Eight-bit computers, five-inch floppies, 64kb of memory, CIS-COBOL, seen as the only way to program a serious commercial application on a pc if you were silly enough to misstep the mainframe). Chris Abbott again: "The only definition of industry standard which has long-term credibility is something like 'fitness for purpose at lowest possible cost'."

If people really believed that, when purchasing for the classroom, they would not buy fashionable industry standard systems which "trained" but time-proven, time-proof ones which "taught". Out would go expensive packages which are supposed to exemplify, as closely as the budget will allow, what is out there in the Real World. In would come modelling media in which the mechanisms of a word processor or a financial package (or genetic engineering or an atomic pile) could be modelled, in terms which the pupil (and even the teacher) could grasp. So it boils down to the choice of a good, cheap durable modelling medium.

Some people build models out of matchsticks. Especially prisoners, who have all the time in the world. Presumably they would use a low level programming language to build a software model. Those of us for whom time (and patience) is in short supply need to model with larger components and subassemblies we could in principle build ourselves - or at least take apart and understand. More like Lego than Lucifers.

Who can manufacture these goodies for us? Universities? When I worked in a university it was academic suicide to be caught making things easy for people with an IQ of less than 100. And as for industry - well! Who's paying? What are they buying?

I'm not being cynical. Both parties play the game by rules which are handed down to them. It's up to our rulers to make rules which are productive and beneficial, supposing they feel sufficiently motivated to do so. Education of the next generation - isn't that sufficiently motivating? Not if your mentality is straight out of "Chitty-Chitty-Bang-Bang".

Ian Clark, *Educational Interfaces*,
Bishop Auckland

Electronics World + Wireless World is published monthly. By post, current issue £2.25, back issues (if available) £2.50. Orders, payments and general correspondence to L333, *Electronics World + Wireless World*, Quadrant House, The Quadrant, Sutton, Surrey SM2 5AS. Tlx:892984 REED BP G. Cheques should be made payable to Reed Business Publishing Group.

Newstrade: Distributed by Marketforce (UK) Ltd, 247 Tottenham Court Road London W1P 0AU 0171 261-5108. Subscriptions: Quadrant Subscription Services, Oakfield House, Perrymount Road, Haywards Heath, Sussex RH16 3DH. Telephone 01444 445566. Please notify change of address. Subscription rates 1 year (normal rate) £30 UK and £43 outside UK.

USA: \$52.00 airmail. Reed Business Publishing (USA), Subscriptions office, 205 E. 42nd Street, NY 10117.

Overseas advertising agents: France and Belgium: Pierre Mussard, 18-20 Place de la Madeleine, Paris 75008. United States of America: Ray Barnes, Reed Business Publishing Ltd, 205 E. 42nd Street, NY 10117. Telephone (212) 867-2080. Tlx 23827.

USA mailing agents: Mercury Airfreight International Ltd Inc, 10(b) Englehard Ave, Avenel NJ 07001. 2nd class postage paid at Rahway NJ Postmaster. Send address changes to above.

Printed by BPC Magazines (Carlisle) Ltd, Newtown Trading Estate, Carlisle, Cumbria, CA2 7NR
Typeset by Wace Publication Imaging 2-4 Powerscroft Road, Sidcup, Kent DA14 5DT

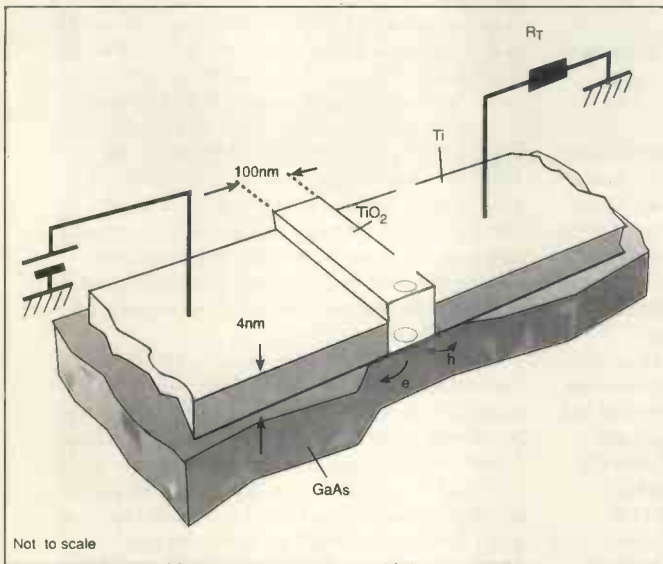
©Reed Business Publishing Ltd 1995 ISSN 0959 8332

Switch for 500Gbit/s data

Researchers at the Electro Technical Laboratory in Japan have recently developed an 'Auston' switch that can produce electrical pulses only 570fs in duration. This very fast electro-optic transducer opens up the prospect of communication at data rates above 500Gbit/s.

The switching element is a gap only 100nm wide between the ends of two titanium strips laid down on the surfaces of a special gallium arsenide substrate. The switch is triggered by a 40fs laser pulse focussed onto the GaAs surface through the gap. The incident energy causes electron hole pairs to be formed in the substrate, briefly connecting the ends of the strips together. The narrow gap and the

A 100nm wide gap between two titanium strips forms the active element of this experimental high-speed switch, developed in Japan.



special cold grown substrate, which ensures that residual pairs recombine rapidly, mean that the switch turns off again in less than 600fs.

Actual measurement of the switch closure time is performed using a lithium-tantulate crystal connected to the switch by a transmission line. The electrical pulse from the switch passes under the crystal, changing its refractive index. This change is detected using light pulses from the same laser.

The switch cannot be used as a receiver in current optical communications systems because light from existing optical fibres has insufficient energy (the wave length is too long) to trigger the switch. Development of an effective optical 'up converter' is needed before the full potential of the switch can be realised. The only current practical use is as a detector in nuclear accelerators where the electron-hole pairs are formed by particles passing through the substrate. Steve Bush, *Electronics Weekly*

● Silicon switching speeds are expected to be pushed close to 100GHz with the launch this Autumn of the first working devices built using 0.1µm lithography. The devices are expected to result from collaboration between Sandia National Laboratories and AT&T Bell Labs. A fast field effect transistor, running at 90GHz, should be the first device produced with a 0.1µm gate (see picture caption story on page 271).

Suppliers pressure BT on high ISDN prices

ISDN equipment suppliers langed up on BT at last week's London ISDN user show, forming a pressure group to force reductions in ISDN charges. They are angry at the high price BT charges for installing basic-rate ISDN lines, claiming it is stifling the ISDN market.

Although BT is running a special offer of a £300 installation fee, down from £400, this is still much higher than France's £80 and Germany's £50. Some suppliers say Mercury should enter the basic rate market (Mercury only supplies primary rate ISDN) and force BT into a price war.

At the show, suppliers held the inaugural meeting of Agis (Action Group of ISDN suppliers), aiming to pressurise BT and exchanging information to ensure interoperability of equipment. Mark Heath, ISDN marketing manager for Chase Research, said: Our intention is not to be a beat-up BT group, although everyone would like to beat them up."

BT agreed to send a representative to an Agis meeting to answer questions. More queries will no doubt be voiced by Dataflex Design, one of the group's founding members, which went into liquidation in mid-February but has now been bought out by Amstrad.

Chip growth beats expectations

Chip boom expectations for the third successive year are causing semiconductor industry analysts to revise their market forecasts for 1995 in a hurry.

Motorola has jacked up its capital expenditure plans this year to \$4.5bn, compared to \$3.3bn last year, forecasting chip market growth between 17 and 21 percent this year.

Jerry Junkins, president of Texas instruments, reckons that the world chip market will grow 21 percent

this year to reach \$124bn compared to \$100bn in 1994.

Mike Glennon of US market analysts Dataquest, which had forecast 14 percent worldwide growth for semiconductors this year said, "My personal opinion is that 14 percent was too low; in Europe we're looking at a 15 to 20 percent rise and world-wide we could be seeing 20 to 25 percent increase this year."

If the forecasts turn out to be

correct, this will be an unprecedented third year in a row for 20 percent plus growth in the semiconductor industry. In 1993 the industry grew 31 percent, says Dataquest, and last year it grew 28 percent.

TI believes the European market will grow 22 percent, the US market 22 percent and the Japanese market 17 percent. But the star of the show will be non-Japanese Asia ('Asia-Pac') with growth of 32 percent.

GRANDATA

K.P. HOUSE, UNIT 15, POP IN COMMERCIAL CENTRE,
SOUTHWAY, WEMBLEY, MIDDLESEX, ENGLAND HA9 0HB

Telephone: 0181-900 2329 Fax: 0181-903 6126

OPEN Monday to Saturday.

Times: Mon-Fri 9.00-5.30 Sat 9.00-2.00

PLEASE PHONE US FOR TYPE NOT LISTED HERE AS WE ARE
HOLDING 30,000 ITEMS AND QUOTATIONS ARE GIVEN FOR
LARGE QUANTITIES

Please send £1 P&P and VAT at 17.5%. Govt. Colleges, etc.
Orders accepted. Please allow 7 days for delivery. Prices quoted
are subject to stock availability and may be changed without notice.
TV and video parts sold are replacement parts.

Access & Visa Card accepted

WE STOCK TV AND VIDEO SPARES, JAPANESE TRANSISTORS AND
TDA SERIES. PLEASE RING US FOR FURTHER INFORMATION.

TRANSISTORS

Part	Price	Part	Price	Part	Price	Part	Price	Part	Price	Part	Price	Part	Price	Part	Price
AA32	9p	BD265	45p	BFY90	45p	MJ2502	100p	2N2102	50p	7815	25p	TIC236D	85p	AN315	210p
AC107	40p	BD267	45p	BLY48	85p	MJ2955	55p	2N2218A	24p	7818	25p	12A400V		AN316	350p
AC125	30p	BD269	45p	BR100	14p	MJ3000	100p	2N2219	24p	7824	25p	TIC246D		AN317	100p
AC126	30p	BD278	50p	BR103	37p	MJ3001	100p	2N2221	23p	7905	25p	16A400V	105p	AN362	140p
AC127	30p	BD311	100p	BR203	85p	MJE29A	30p	2N2222	23p	7906	30p	TIC253D	190p	AN366	150p
AC128K	40p	BD314	100p	BS74	33p	MJE30A	30p	2N2269	15p	7908	30p	20A400V		AN610	160p
AC141K	45p	BD315	150p	BSX20	15p	MJE340	25p	2N2484	15p	7912	30p	TIC263D	205p	AN3312	350p
AF176	22p	BD317	150p	BT100A	70p	MJE350	80p	2N2646	40p	7915	30p	25A400V		AN3821K	600p
ACV18	40p	BD331	40p	BT106	10p	MJE320	30p	2N2904	20p	7918	30p			AN3822K	600p
ACV19	40p	BD332	40p	BT109	30p	MJE312	45p	2N2905	20p	7924	30p			AN3930K	300p
AD149	60p	BD361	60p	BT119	100p	MPSA05	15p	2N2906	18p	78105	24p			AN3991K	400p
AF125	50p	BD362	60p	BT146	90p	MPSA06	15p	2N2907	18p	78108	24p			AN5025	250p
AF139	30p	BD370	30p	BTY79	140p	MPSA13	15p	2N3019	28p	78112	24p			AN5033	400p
AF239	30p	BD371	30p	BU105	80p	MPSA20	15p	2N3053	18p	78115	24p			AN5132	250p
BB105B	18p	BD410	100p	BU108	100p	MPSA42	15p	2N3054	40p	78118	24p			AN5150	400p
BB205B	24p	BD433	28p	BU109	80p	MPSA43	15p	2N3055	38p	78124	24p			AN5161	600p
BC107	40p	BD434	30p	BU110	90p	MPSA70	15p	2N3055H	50p	79105	35p			AN5215	100p
BC108	8p	BD435	31p	BU111	100p	MPSA92	20p	2N3442	85p	79108	35p			AN5256	150p
BC109	8p	BD436	30p	BU124	60p	MPSA93	20p	2N3702	9p	79112	35p			AN5262	175p
BC109C	10p	BD437	28p	BU126	65p	MRS10	35p	2N3703	9p	79115	35p			AN5265	80p
BC140	20p	BD438	36p	BU180	100p	MRS56	35p	2N3704	9p	LM130K	100p			AN5352	550p
BC142	20p	BD439	100p	BU204	100p	OC28	350p	2N3705	9p	LM317T	100p			AN5411	450p
BC143	20p	BD440	40p	BU204	65p	OC29	250p	2N3706	9p	LM323K	350p			AN5421	150p
BC147	8p	BD441	40p	BU205	70p	OC35	250p	2N3707	9p	LM380K	800p			AN5429	420p
BC149	8p	BD533	50p	BU206	100p	OC36	250p	2N3710	12p	79H12KC	700p			AN5512	100p
BC159	8p	BD534	30p	BU208	70p	OC45	50p	2N3711	12p	79H21KC	700p			AN5515	160p
BC160	30p	BD535	38p	BU208A	75p	OC200	180p	2N3712	85p	79H22KC	700p			AN5516	100p
BC171	10p	BD536	38p	BU208AT	200p	R2008	100p	2N3772	85p	79H23KC	700p			AN5520	550p
BC172	10p	BD537	40p	BU208D	130p	R210B	100p	2N3773	100p	79H24KC	700p			AN5521	100p
BC177	14p	BD538	40p	BU209	90p	S2000A3	175p	2N3799	18p					AN5512	200p
BC178	14p	BD643	50p	BU225	120p	S2000AF	175p	2N3819	29p					AN5613	200p
BC179	14p	BD645	50p	BU226	120p	S2055A	175p	2N3903	11p					AN5615	300p
BC182	7p	BD647	50p	BU312	90p	S2055AF	200p	2N3906	11p					AN5620	250p
BC182L	7p	BD649	50p	BU325	60p	S2530A	100p	2N4031	25p					AN5622	275p
BC183	7p	BD675	40p	BU326A	75p	S2800M	72p	2N4401	12p					AN5625	400p
BC183L	7p	BD676	40p	BU406	60p	TIP29	25p	2N4403	12p					AN5712	180p
BC184	7p	BD677	38p	BU406D	85p	TIP29A	22p	2N5061	20p					AN5722	140p
BC184L	7p	BD678	40p	BU407	55p	TIP29C	25p	2N5088	20p					AN5730	160p
BC212	7p	BD679	40p	BU407D	75p	TIP29E	40p	2N5192	50p					AN5732	120p
BC212L	7p	BD680	40p	BU408	60p	TIP29F	25p	2N5241	50p					AN5753	130p
BC213	7p	BD681	45p	BU408D	75p	TIP30C	25p	2N5245	45p					AN5763	450p
BC213L	7p	BD682	45p	BU409	85p	TIP31A	22p	2N5294	30p					AN5790	240p
BC214	7p	BD705	50p	BU426A	70p	TIP31C	27p	2N5296	30p					AN5791	225p
BC214L	7p	BD707	50p	BU500	100p	TIP32	24p	2N5448	12p					AN5836	450p
BC237	7p	BD709	50p	BU505	90p	TIP32A	21p	2N6107	12p					AN5900	130p
BC238	7p	BD711	50p	BU505D	90p	TIP32B	21p	2N6107	12p					AN6135	120p
BC239	7p	BD736	50p	BU505DF	90p	TIP33	50p	2N6385	120p					AN6247	200p
BC300	20p	BD826	50p	BU506	100p	TIP33C	60p	2N6403	160p					AN6270	100p
BC301	20p	BD828	50p	BU506D	70p	TIP34	50p	2N6403	160p					AN6300	400p
BC302	20p	BD839	55p	BU506DF	120p	TIP34C	60p							AN6306	380p
BC303	20p	BD887	50p	BU508A	70p	TIP34C	65p							AN6320	180p
BC304	25p	BD889	50p	BU508B	95p	TIP34C	65p							AN6332	320p
BC327	7p	BD977	50p	BU508D	75p	TIP41A	20p							AN6341	150p
BC328	7p	BDX33	60p	BU508DF	115p	TIP41C	22p							AN6344	440p
BC337	7p	BDX65	80p	BU508V	110p	TIP42A	20p							AN6350	610p
BC338	7p	BDW24	55p	BU508VF	100p	TIP42C	22p							AN6359	500p
BC441	28p	BDW93	50p	BU526	75p	TIP47	40p							AN6360	320p
BC446	8p	BDY34	100p	BU546	125p	TIP50	60p							AN6362	400p
BC477	18p	BDY92	100p	BU608	120p	TIP51	80p							AN6371	1250p
BC516	22p	BF137	35p	BU626	120p	TIP52	80p							AN6387	400p
BC537	25p	BF167	30p	BU705	130p	TIP54	85p							AN6884	200p
BC546	8p	BF181	30p	BU705DF	175p	TIP105	65p							AN7105	170p
BC547	8p	BF183	30p	BU705DF	175p	TIP105	65p							AN7110	75p
BC548	8p	BF189	30p	BU801	70p	TIP107	65p							AN7114	120p
BC549	8p	BF199	30p	BU801	70p	TIP107	65p							AN7115	110p
BC550	8p	BF200	30p	BU806	70p	TIP110	40p							AN7116	90p
BC555	8p	BF225	30p	BU807	60p	TIP111	40p							AN7120	100p
BC557	7p	BF240	16p	BU902	110p	TIP112	35p							AN7130	75p
BC558	7p	BF245	25p	BU903	110p	TIP112H	35p							AN7140	170p
BC559	7p	BF250	25p	BU904	110p	TIP112H	35p							AN7145	195p
BC560	8p	BF255	12p	BU922	110p	TIP116	30p							AN7148	150p
BC567	20p	BF256	18p	BU930	130p	TIP117	30p							AN7154	280p
BC639	20p	BF257	18p	BU2508A	130p	TIP120	37p							AN7156	140p
BC640	20p	BF259	18p	BU2508AF	130p	TIP121	35p							AN7168	200p
BC643	20p	BF262	18p	BU2508B	130p	TIP122	35p							AN7178	180p
BCV30	20p	BF270	15p	BU2508DF	150p	TIP125	30p							AN7222	75p
BCV70	16p	BF273	15p	BU2520AF	225p	TIP126	40p							AN7254	150p
BCV71	16p	BF311	21p	BU2520DF	225p	TIP127	35p							AN7256	250p
BCV72	16p	BF336	20p	BU2525AF	325p	TIP130	30p							AN7310	60p
BD115	30p	BF337	20p	BU1H15	200p	TIP131	30p							AN7311	90p
BD124P	30p	BF344	20p	BU11AF	190p	TIP132	30p							AN7312	90p
BD131	25p	BF362	30p	BU112	80p	TIP141	65p							AN7410	150p
BD132	25p	BF367	13p	BU156A	75p	TIP142	75p							AY3-1270	800p
BD133	50p	BF371	17p	BU18	10p	TIP145	50p							AY3-1350	450p
BD135	20p	BF421	18p	BU18AF	80p	TIP146	70p							AY3-8910	360p
BD136	20p	BF422	21p	BUX10	150p	TIP147	80p							AY3-8912	400p
BD137	20p	BF423	25p	BUX11	200p	TIP150	90p							BA101	55p
BD138	20p	BF455	12p	BUX12	150p	TIP151	60p							BA311	80p
BD139	20p	BF458	19p	BUX20	350p	TIP2955	42p							BA313	60p
BD140	20p	BF462	50p	BUX21	450p	TIP3055	42p							BA333	80p
BD144	90p	BF471	28p	BUX22	450p	TIP3055	42p							BA401	60p
BD157	38p	BF472	28p	BUX37	220p	TIP3055	42p								

SiC grows into power player

Faster power semiconductors, handling substantially higher voltages and temperatures, could be appearing in commercial applications within three years, according to latest Swedish research. The performance breakthrough will come through projected advances in silicon carbide (SiC) technology, from which the new devices will be fabricated.

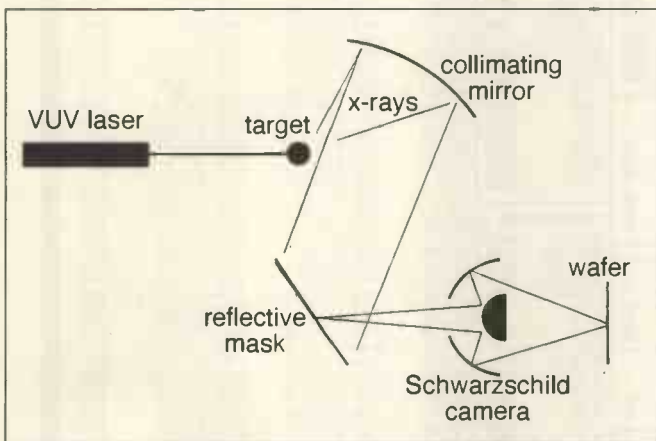
Theoretical advantages of silicon carbide have been known by electronics engineers for some years. But its high melting point and extreme hardness – the very

properties that have given it such popularity in the tooling industry – have made practical electronics application difficult.

Now, findings from a joint power semiconductor research programme conducted by ABB, Industrial Microelectronics Centre and Linköping University, predicts that commercial production of simple devices using SiC will be possible within three to five years. Resultant devices should need less space, have much lower power losses and generate fewer harmonic currents than conventional power semiconductors.

The attraction for power specialist ABB is that the technology could be applied to high-voltage ac (hvac) and possibly high-voltage dc (hvdc) power transmission. But SiC could also enable electronics to be used in environments that have previously proved too extreme, such as car engine and automotive applications and melting furnace sensing.

All three research organisations have now moved into the second phase of their development programme, aimed at commercialising the process. Jonathan Campbell



Above – a production facility for making 0.1µm geometry chips, built by Sandia National Labs, uses ultra-violet laser focused on a target material. A small lump of the material is vapourised turning into ionised gas. As this gas absorbs more laser energy, it heats and the plasma shines X-ray light. The rays are collimated by a mirror and shone on a reflecting mask made of a substrate coated with layered synthetic material. Circuit pattern is drawn on this with a non-reflecting organic material. A 'Schwarzschild camera', using spherical reflecting surfaces instead of lenses, makes a shrunk X-ray image of the mask pattern on the wafer. Special photoresists capable of working with soft X-rays have been developed.

Cellular battle

Mobile communications suppliers Motorola and Interdigital Communications have begun a court battle which could have significant implications for the whole cellular telephone industry. Motorola is the first to contest Interdigital's patent claim over the tdma channel coding protocol forming the basis of most digital mobile 'phone networks, including GSM.

Interdigital is reported to have asked Motorola for a \$200m royalty patent. Motorola claimed the patents were invalid and Interdigital is pressing for increased damages and an injunction to stop Motorola making TDMA phone systems.

AT&T, Siemens and Matsushita have agreed licences with Interdigital, but the world's largest suppliers are awaiting the outcome of Motorola's court case, which is expected to last until April.

Competition for Intel's P6

Cyrix says its M1 microprocessor can take on the Intel P6 and win according to its architect, Mark Bluhm. The firm is readying the microprocessor for a June introduction with samples now being delivered to key customers.

"The figures being put out by Intel show the P6 has about a 33 percent performance advantage over Pentium, given equal clock rates," said Bluhm. "What we are seeing with the M1 is a two times performance increase over the Pentium in some benchmarks and overall a 50 percent advantage."

The current M1 samples run at 100MHz and Cyrix plans a 133MHz version to be available early next year. By the third quarter this year

Cyrix anticipates it will be shipping about 100,000 units a month. The majority of those chips will be manufactured by IBM and delivered to about five key customers.

"We've got a P6 class machine that will be delivering revenues months before Intel," added a Cyrix spokesman. "At least one of the customers we are currently sampling plans to make the M1 their high-end microprocessor."

Cyrix originally planned to introduce the M1 late last year but problems forced it to delay the chip's introduction. The M1 is similar to the P6 in that it uses a super-scalar, super-pipelined design. Tom Foremski and Simon Parry, *Electronics Weekly*.

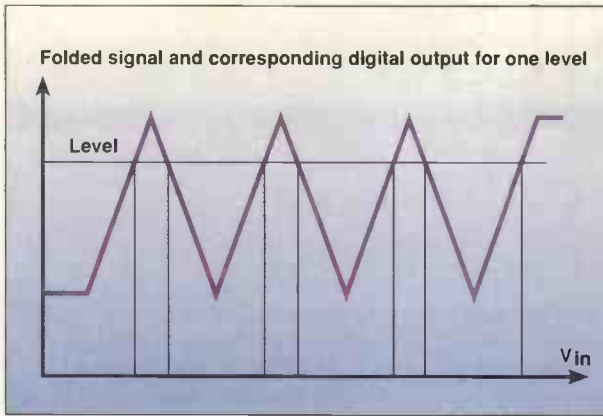
Videoconference standard for analogue lines

Telecommunications manufacturers and operators plan to finalise a videoconferencing standard by the end of the year. It will support videophone and data services over existing analogue telephone lines. The ITU standards committee has approved a first draft of the H324 videoconferencing standard which is the analogue line equivalent of the H320 ISDN-based standard. The intention is to have a final draft ready by November with the first analogue pc videophone cards expected to appear early in 1996. Effectively this will kill off attempts by BT and AT&T to impose proprietary protocols.

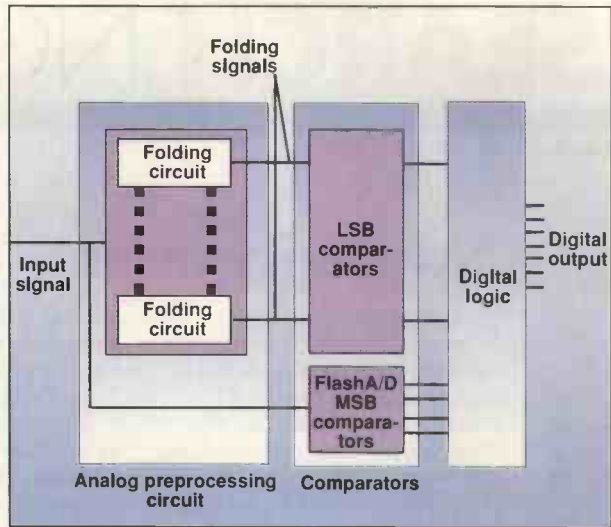
The standard will lean heavily on existing data transmission protocols and silicon. H324 uses the V.34 28.8kbit/s data modem protocol,

and the channel is divided into a 5.3 or 6.3kbit/s audio stream using a new audio compression algorithm. This leaves around 22kbit/s for compressed video. Core video compression is the discrete cosine transform based H.261 algorithm used in H.320. To achieve the level of compression needed to squeeze 30 frames/s video picture into a 20kbit/s stream, an interpolated motion estimation on P and B frames, similar to that used in the MPEG standard, is implemented.

According to Mike Whybray of BT Research's video group at Martlesham, picture quality is still limited by the 20kbit/s bit rate. "It is better than existing analogue videophones but not as good as two channel ISDN videophones", he added.



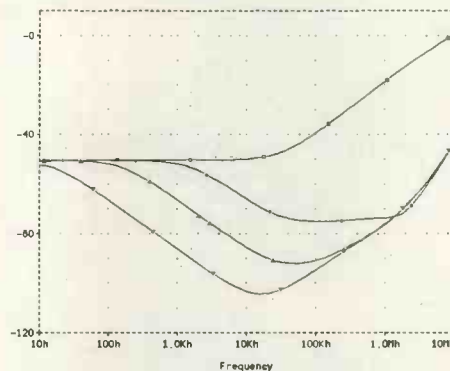
Placing Europe among the leaders in ultra-fast a-to-d converter design, folding interpolating technology uses analogue preprocessing to produce a re-entrant transfer function (above). This reduces the number of comparators needed, which in turn lowers power consumption relative to full flash designs. The re-entrant technique reduces the number of input stages needed since quantisation levels between comparator stages are interpolated. In addition, analogue preprocessing of the input means each comparator detects more than one level of input. UK company Phoenix Design, in collaboration with Thomson,



is currently working on a folding interpolating device capable of converting 8 bits to 1GHz. This type of device is needed for example in spectrum-surveillance radar counter measures. The technique is already being used to produce commercially available byte-wide converters operating to 650MHz. ■

Well off the rails...

Douglas Self's otherwise excellent article on power amplifier distortion derived from the power supply was marred slightly due to the erroneous replacement of Fig. 12 by a duplicate of Fig. 6. Here is the correct Fig. 12. Apologies to you, the readers, and to Douglas of course – ed.



RC filtering of the negative rail is effective at medium frequencies, even with 1000µF of filtering. Resistance R is 10Ω. Top to bottom, curves show 0, 10, 100 and 1000µF decoupling on V-.

Building the Tesla coil?

Malcom Wells, author of the article on Like Lightning in the March edition, has sent us these further notes that will be of interest to anyone thinking of constructing Tesla's coil.

It is interesting to note that the main secondary of Tesla's very large Colorado Springs coil has a height/diameter ratio of 1.25:1. This, according to a table of values compiled by Medhurst, gives an optimally low value for 'H' of 0.46 in the secondary self-capacitance equation of my article. Also, the secondary was mounted well off the ground, which further reduced its capacitance. The very useful formula developed by Medhurst allows a coil to be designed for a predictable resonant frequency, to avoid clashing with radio beacons.

In my article, in the box entitled *Essential Equations*, there was an error in the equation relating to the minimum height per turn for the primary coil. In addition, the equation should have been separated from the text. The equation should have read,

$$\text{Minimum height per turn} = \left[\frac{3V_c}{N_p} + D_{\text{wire}} \right] \text{mm}$$



where V_c = peak primary capacitor voltage in kilovolts, N_p is the number of turns and D_{wire} is the diameter of the pipe – which should be as large as possible – used for the primary coil in millimetres. This gives a minimum clearance of 3mm/kV between turns.

The sphere should be mounted d mm above the secondary, and finally, the toroidal terminal should be mounted $d_1/2$ mm above the coil. ■

RESEARCH NOTES

Jonathan Campbell

No-cavity laser

Few people, outside the most fanatical of curry eaters, will have wondered what it might be like to have their teeth melted. But if scientists from the University of Rochester and Eastman Dental Center reach their goal we could all one day share in that experience – and have healthier mouths into the bargain.

The trick is, say the researchers, to use a specially-tuned CO₂ laser to raise the outermost 5µm of the tooth to 1000°C, instantaneously melting, then fusing, the enamel coating.

Enamel that is more chemically resistant to the acids that cause cavities should be the effect, with fewer fillings needed.

The laser is tuned to 9.3 or 9.6µm, rather than the conventional 10.6µm, as at these wavelengths the light is absorbed almost completely by the enamel. This, and using 25 100µs pulses at a time, enables the surface of the tooth to be melted while its core is unaffected. When the enamel fuses after treatment, it is claimed to be 70-85% more resistant to attack –

a figure reached by dunking treated teeth in acid for 7h then in a saliva-like solution for 17h to simulate conditions in the mouth.

So far the researchers have used only extracted teeth in the laboratory, and more studies are needed before tooth melting is a useable technique for dentists.

But why wait. Just insult the waiter before you order your next chicken madras and try it out for yourself.

And not a laser in sight.

As the laser melts tooth enamel to improve cavity resistance, a computer monitor plots the temperature of the tooth during heating up and cooling. (Picture James Montanus)



Following the road to driverless cars

Fleets of autonomous vehicles effortlessly steering their way between our towns and cities may be the stuff of science fiction. But work being carried out at the Robotics Institute, Carnegie Mellon University, and the National Institute of Standards and Technology (Nist), is bringing that day ever closer. Nist has already linked together a perception system and steering/control on a robotic vehicle.

Now, using a new algorithm (Henry Schneiderman and Marilyn Nashman, *A discriminating feature tracker for vision-based autonomous driving*, IEEE Transactions on robotics and Automation, Vol 10, No 6) the vehicle has been kept centred in its lane, under a variety of conditions,

at speeds of up to 100km/h. It was even able to keep on track in the rain, at dusk and at night with headlights.

The researchers say that their new algorithm is different because it explicitly addresses the uncertainty concerning how quickly the road changes with time, and also takes into account the uncertainty of the visibility of lane markers in each individual image. As a result the vehicle is able to cope with 7m gaps in lane markers (pavements edges, white lines etc) and momentary loss in their visibility.

Though the system is reported to have performed well, the researchers say they must now develop algorithms of increasing reliability and robustness under all driving conditions.

Dope hope for drams

Large doping concentrations required for some elements of high-density drams make *in situ* arsenic doping of polycrystalline silicon an attractive option for vias or substrates. With arsenic, autodoping effects on access devices are lower than with phosphorus-doped polycrystalline silicon.

But transferring arsenic doping development technology into manufacturing reality has been difficult because of slow deposition rates and radial non-uniformity across the wafer caused by addition of the dopant gas.

RPS Thakur and C Turner of Micron Semiconductor look to have found a straight-forward solution using conventional low pressure chemical vapour deposition (*Appl Phys Lett*, Vol 65, (22), pp.2809-2811).

The two researchers have simply used a standard vertical thermal reactor to deposit a stack of doped and undoped layers up to a target thickness.

Redistribution of the dopant is then achieved by post-annealing.

The method could be easily integrated for high volume production of thicker polycrystalline silicon films used for dram access memory cell capacitor plates in cmos semiconductor technology.

Splinter in the eye could be a chip

Successful bench-testing of a prototype microchip retina, designed to be surgically implanted in the eye, is being hailed as real advance in development of a bionic vision system. Such a system could help overcome one of the world's most common forms of blindness.

In a complete system, the ultra-thin microchip will work with a miniature camera and laser fitted on a pair of spectacles. Its purpose is to by-pass defective rods and cones by stimulating healthy nerve cells in the eye directly with tiny electrical currents. If successful, the project could mean a breakthrough for people suffering from retinal diseases where the rod and cone cells – the cells in the eye that receive light – have been destroyed.

Retinitis pigmentosa is the leading inherited form of blindness, affecting about 1.2 million people worldwide. The condition causes a slowly progressive loss that first affects peripheral vision but eventually consumes all vision. Similarly, macular degeneration impairs central vision and removes the ability to read, though peripheral

vision is maintained. In both, the healthy retinal nerve cells that would have passed on the visual signals from the rods and cones cannot transmit that information to the brain. Blindness is the result.

Now, in a project led by Professor John L. Wyatt of Massachusetts Institute of Technology's Department of Electrical Engineering and Computer Science and the Research Laboratory of Electronics, and by Dr Joseph F. Rizzo of the Massachusetts Eye and Ear Infirmary and Harvard Medical School – a wide variety of scientists from different fields is making progress towards a working technology.

So far the team has designed, and successfully bench-tested, a prototype of the microchip, using an external laser. The laser powers the chip via an invisible infrared beam that will also convey the visual information sensed by a tiny electronic camera (the researchers have not yet tested the laser with the camera). Both camera and laser will fit on a pair of spectacles.

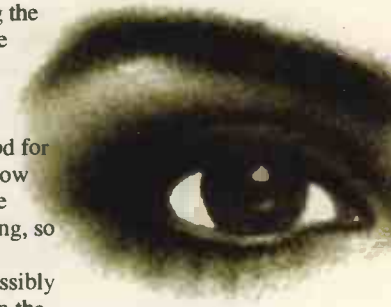
As part of the programme,

researchers have also developed new techniques for implantation and have completed a number of tests to determine the electrical stimulation thresholds of cells in the eye.

Many challenges still lie ahead, with perhaps the greatest being the potential for damage to delicate retinal tissue at the interface between retina and implant.

But the team's immediate objective is to refine the method for applying the silicone coating now used on the implant. Tests have revealed tiny leaks in the coating, so a more reliable encapsulation method must be developed, possibly employing new materials. Even the smallest leak of salt from the eye into the implant would destroy the function of the chip.

So far the researchers have successfully recorded signals from the visual part of animal brains following electrical stimulation to an area of the retina roughly as large as the implant will stimulate. The next major goal will be surgical implant of the completed prosthesis and verification of the brain's response to the implant.



Toning up hearing aid control

Clever design of a small, simple and low power wireless receiver promises to make life a little easier for the hard of hearing. Building the receiver into a hearing aid will allow users to vary their aid volume via simple remote control, while the dual-tone multi-frequency technology exploited is only a small step away from wireless programming of aids to suit individual ear characteristics.

The volume-control receiver measures $1918\mu\text{m}$ by $1109\mu\text{m}$ and is being fabricated in low-threshold-voltage cmos by AMS International of Austria. It has been designed by Alexander Reyes and Edgar Sanchez-Sinencio at Texas A&M University, and J Francisco Duque-Carrillo at the University of Extremadura in Spain (A *Wireless Volume Control Receiver for Hearing Aids*, *IEEE Trans on Circuits and Systems II: Analog and Digital Signal Processing*, Vol 42, No 1, 1995). The design has three main blocks: a detector to select the correct incoming dtmf signals; a decoder to process the frequencies and decide if a valid command is present; and a gain stage which changes the volume of the hearing aid to a new value.

Frequency range for most hearing aids is 100Hz to 8kHz, so audio frequencies are used to activate the receiver, with the dtmf control frequencies selected to avoid harmonics and distortion.

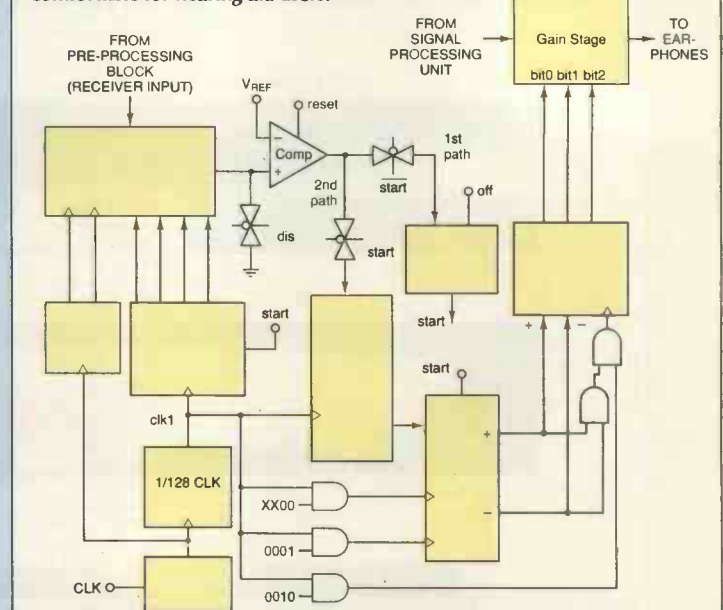
Previously, dtmf receivers have called for at least two filters and usually amplitude detectors, digital logic, voltage references, zero crossing detectors etc. Typically they are implemented in a layout at least 2.4 by 3.2mm and consuming 1.25mW.

But high performance of the new receiver – it detects and decodes audio frequencies within 0.41% of their nominal values – has been obtained by squeezing the most out of each of the various sub-circuits. For example the operational transconductance amplifier (ota) yields a high voltage-gain of 87dB, and dissipates only $9.3\mu\text{W}$, while the single switched capacitor bandpass filter provides high Q and a variable centre frequency control from minimum capacitance area.

Finally, static flip-flops replace other common memory cells, reducing the space needed to implement the control logic.

Using a similar design to decode and store the configuration for hearing aid signal-processing-unit-equalisers could allow the next generation of programmable units to break free of the physical connections now necessary to customise a hearing aid for individual hearing characteristics.

Small-size and low-power dtmf receiver designed to make life more comfortable for hearing aid users.



Squeaks of pleasure

For serious audiophiles already feeling nervously inadequate about how the upper limits of their equipment may be affecting enjoyment (see Ben Duncan's article this issue, and *Letters, passim*), there is good news: cds may no longer be limited to their miserably deficient (??) bandwidths.

Any technique to increase the bandwidth and dynamic range of cds and dat has the problem that it

has to be compatible with current products. Unfortunately, as Mituya Komamura of Pioneer Electronics Corporation reminds us (*Wide-band and wide dynamic-range recording and reproduction of digital audio*, *J Audio Eng Soc*, Vol 43, No 1/2, 1995), previous work has shown that high-frequency components in music above 20kHz induce the activation of α -eeg rhythms and can affect the perception of sound quality. He also points to a wide-band dat recorder, able to record frequency bandwidths up to 44kHz, that has been gaining a good reputation with audio engineers.

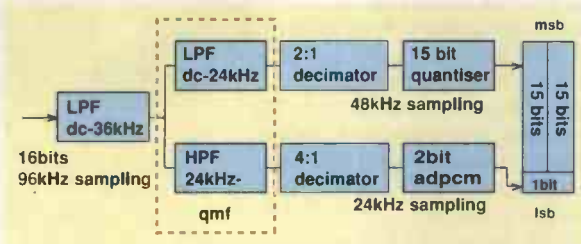
Komamura's solution is that input digital-audio data could be quantised by 16bits at 96kHz sampling frequency, and band-limited up to 36kHz by a low-pass

filter. Low-pass output would be split into two sub-bands (dc to 24kHz and 24-36kHz) by a quadrature mirror filter bank. The 96kHz sampling frequency of the lower band signal could then be divided by two, and the higher one by four, so that the sampling frequencies become 48 and 24kHz.

The higher band signal would then be coded by two-bit adpcm and embedded in the least significant bits of 16bit data slots. Such a system would have a bandwidth 1.5 times that of conventional technology. The lower band, coded by 15bit noise shaping quantisation with subtractive dither, would have a dynamic range wider than of cd and dat but would be compatible.

It makes my α -eeg rhythms syncopate just to think about it.

Encoder in a new dat/cd audio system capable of wringing 50% more bandwidth from conventional cd technology.



Satellite tomography maps out ionospheric disturbances

Joint US and Russian trial of a monitoring method that allows electron densities in the upper atmosphere to be plotted as a 'map' has opened the door to better prediction of the ionospheric storms that disturb radio signals and wreck satellites.

The technique – ionospheric radio tomography – has been around for some years. But it is only as a result of the US/Russian study, directly comparing satellite radio tomography with conventional approaches, that the technique has been shown to give good results (*International Journal of Imaging Systems and Technology*, Vol 5, pp.148-159).

The ionosphere is a highly variable part of the atmosphere between 100-1000km. In radio tomography, a satellite sends radio

signals through the ionosphere to receivers located at intervals on the ground. Analysis of the radio signals once they reach Earth indicates variations in the density of the electrically charged gas that makes up the ionosphere. The variations can be plotted as contour maps that indicate the general structure of the ionosphere, including small-scale phenomena.

Conventionally, the large radar facilities used to produce images of the ionosphere – there are currently six in the world – are expensive to build and operate, precluding a large world-wide network. But radio tomography opens up the real possibility of global maps of the ionosphere because the receivers involved are small and portable, and can be widely distributed.

In the US/Russian experiment, the scientists placed four receivers provided by the Russians in a north-south line along the north-eastern US and eastern Canada. Russian navigation satellites flew over these sites every hour, sending down radio signals to all four receivers simultaneously. The resulting data were then analysed to produce an image of the ionosphere using mathematical algorithms developed by the Russians.

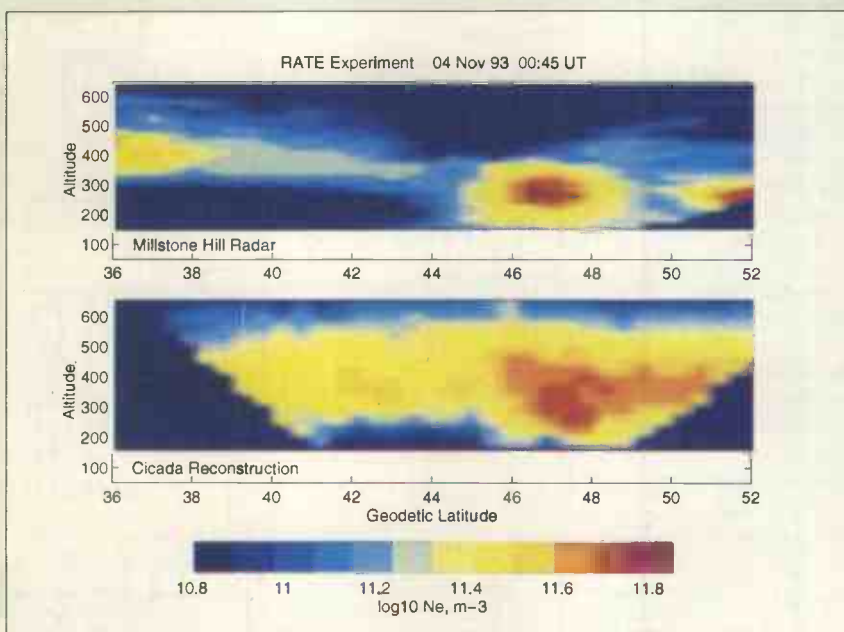
Air Force scientists also placed US receivers at the same four sites and recorded signals from US satellites, analysing the data with their own set of algorithms.

Images produced by the US and Russian experimental tomographic techniques were then compared to actual images of the ionosphere made over the same period from the Millstone Hill radar facility in the America.

The result? Both the tomographic images "compared very well to the Millstone Hill results," according to principal investigator for the work John Foster of the Atmospheric Sciences Group, MIT Haystack Observatory.

A bonus to the experiment is that it coincided with a severe ionospheric storm. The large amount of data on the storm, coupled with the severity of the event itself, means that scientists "will publish many more papers on the geophysics of what took place," concluded Dr Foster.

Radio tomography plot obtained with the Russian Cicada navigation satellite shows good agreement with the conventional plot from the radar station at Millstone Hill. The plots show the situation shortly after onset of the severe storm.



Surplus always wanted for cash!

THE ORIGINAL SURPLUS WONDERLAND!

THIS MONTH'S SELECTION FROM OUR VAST EVER CHANGING STOCKS

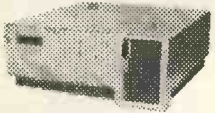
Surplus always wanted for cash!

LOW COST PC's - ALL EXPANDABLE - ALL PC COMPATIBLE

SPECIAL BUY

AT 286

40Mb HD + 3Mb Ram

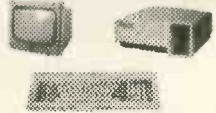


LIMITED QUANTITY only of these 12MHz HI GRADE 286 systems Made in the USA to an industrial specification, the system was designed for total reliability. The compact case houses the motherboard, PSU and EGA video card with single 5 1/4" 1.2 Mb floppy disk drive + integral 40Mb hard disk drive to the front. Real time clock with battery backup is provided as standard. Supplied in good used condition complete with enhanced keyboard, 640k + 2Mb RAM, DOS 4.01 and 90 DAY Full Guarantee. Ready to Run!

ONLY £149.00 (E)
CALL FOR QTY DISCOUNTS

Optional Fitted extras: VGA graphics card	£29.00
1.4Mb 3 1/2" floppy disk drive (instead of 1.2 Mb)	£32.95
NE2000 Ethernet (thick, thin or twisted) network card	£49.00

PC SCOOP COMPLETE COLOUR SYSTEM ONLY £99.00



A massive bulk purchase enables us to bring you a COMPLETE ready to run colour PC system at an unheard of price! The Display Electronics PC99 system comprises of fully compatible and expandable XT PC with 256k of RAM, 5 1/4" 360k floppy disk drive, 12" CGA colour monitor, standard 84 key keyboard, MS DOS and all connecting cables - just plug in and go!! Ideal students, schools or anybody wishing to learn the world of PC's on an ultra low budget. Don't miss this opportunity. Fully guaranteed for 90 Days.

Order as PC99COL £99.00 (E)

Optional Fitted extras: 640K RAM	£29.00
2nd floppy drive, specify 5 1/4" 360k or 3 1/2" 720k	£29.95

Above prices for PC99 offer ONLY.

SPECIAL OFFER

Computer Controlled Laser Video Disk Player



One of the most amazing surplus deals that we ever been able to offer you! The Philips VP410 Laser/Vision player, in as new condition, unit features full computer control, Plays standard 12" LaserVision disks with startling visual and audio quality in two channel stereo or mono. When controlled by a computer, it may also be used as a versatile high quality storage / retrieval medium. It will play back either LaserVision CAV (active play) or CLV (Long Play) discs (which covers most types of commercially available video discs). Some of the many features of this incredible machine are:

- RS-232 INTERFACE
- BNC-SCART INTERFACE
- IR-WIRED REMOTE CONTROL
- RGB / COMPOSITE VIDEO OUTPUT
- PAL / RGB DECODER
- FAST RANDOM ACCESS

FLOPPY DISK DRIVES 3 1/2" - 8"

5 1/4" from £22.95 - 3 1/2" from £24.95

Massive purchases of standard 5 1/4" and 3 1/2" drives enables us to present prime product at industry beating low prices! All units (unless stated) are BRAND NEW or removed from often brand new equipment and are fully tested, aligned and shipped to you with a 90 day guarantee and operate from standard voltages and are of standard size. All are IBM-PC compatible (if 3 1/2" supported on your PC).

3 1/2" Panasonic JU363/4 720K or equivalent	£24.95 (B)
3 1/2" Mitsubishi MF355C-L 1.4 Meg. Laptops only *	£36.95 (B)
3 1/2" Mitsubishi M2894-63 8" 1.4 Meg. Non laptop	£29.95 (B)
5 1/4" Teac FD-55GFR 1.2 Meg	£29.95 (B)
5 1/4" BRAND NEW Mitsubishi MF501B 360K	£22.95 (B)

* Data cable included in price.

Shugart 800/801 8" SS refurbished & tested	£195.00 (E)
Shugart 851 8" double sided refurbished & tested	£250.00 (E)
Mitsubishi M2894-63 8" Double sided NEW	£275.00 (E)
Mitsubishi M2896-63-02U 8" DS slimline NEW	£285.00 (E)

Dual 8" drives with 2 mbyte capacity housed in a smart case with built in power supply. Ideal as exterior drives! £499.00 (F)

HARD DISK DRIVES

End of line purchase scoop! Brand new NEC D2246 8" 85 Mbyte of hard disk storage! Full Industry standard SMD Interface. Ultra hi speed data transfer and access time, replaces Fujitsu equivalent model. Complete with manual. Only £299.00 (E)

3 1/2" FUJII FK-309-26 20mb MFH I/F RFE	£59.95 (C)
3 1/2" CONNER CP3024 20 mb IDE I/F (or equiv.) RFE	£69.95 (C)
3 1/2" CONNER CP3044 40mb IDE I/F (or equiv.) RFE	£89.00 (C)
3 1/2" RODIME R030575 45mb SCSI I/F (Mac & Acorn)	£99.00 (C)
5 1/4" MINISCRIBE 3425 20mb MFH I/F (or equiv.) RFE	£49.95 (C)
5 1/4" SEAGATE ST-238R 30 mb RLL I/F Refurb	£69.95 (C)
5 1/4" CDC 94205-51 40mb HH MFH I/F RFE tested	£69.95 (C)
8" FUJITSU M2322K 160Mb SMD I/F RFE tested	£195.00 (E)

Hard disc controllers for MFH, IDE, SCSI, RLL etc. from £16.95

THE AMAZING TELEBOX

Converts your colour monitor into a QUALITY COLOUR TV!!



TV SOUND & VIDEO TUNER!

The TELEBOX consists of an attractive fully cased mains powered unit, containing all electronics ready to plug into the most of video monitors made by makers such as MICROVITEC, ATARI, SANYO, SONY, COMMODORE, PHILIPS, TATUNG, AMSTRAD etc. The composite video output will also plug directly into most video recorders, allowing reception of TV channels not normally receivable on most television receivers* (TELEBOX MB). Push button controls on the front panel allow reception of 8 fully tuneable 'off air' UHF colour television channels. TELEBOX MB covers virtually all television frequencies VHF and UHF including the HYPERBAND as used by most cable TV operators. A composite video output is located on the rear panel for direct connection to most makes of monitor or desktop video systems. For complete compatibility - even for monitors without sound - an integral 4 watt audio amplifier and low level Hi Fi audio output are provided as standard.

TELEBOX ST for composite video input type monitors	£34.95
TELEBOX STL as ST but with integral speaker	£37.50
TELEBOX MB Multiband VHF-UHF-Cable- Hyperband tuner	£69.95

For overseas PAL versions state 5.5 or 6mhz sound specification. *For cable / hyperband reception Telebox MB should be connected to cable type service. Shipping code on all Teleboxes is (B)

FANS & BLOWERS

MITSUBISHI MMF-D6D12DL 60 x 25 mm 12v DC	£4.95 10 / £42
MITSUBISHI MMF-09B12DH 92 x 25 mm 12v DC	£5.95 10 / £53
PANCAKE 12-3.5 92 x 18 mm 12v DC	£7.95 10 / £69
EX-EQUIP 120 x 38mm AC fans - tested specify 110 or 240 v	£6.95
EX-EQUIP 80 x 38mm AC fans - tested specify 110 or 240 v	£5.95
VERO rack mount 1U x 19" fan tray specify 110 or 240V	£45.95 (E)
IMHOFF B26 1900 rack mnt 3U x 19" Blower 110/240V NEW	£79.95

Shipping on all fans (A), Blowers (B). 50,000 Fans Ex Stock CALL

IC's - TRANSISTORS - DIODES

OBSOLETE - SHORT SUPPLY - BULK

5,000,000 items EX STOCK

For MAJOR SAVINGS - SAE or CALL FOR LATEST LIST

VIDEO MONITOR SPECIALS

Superb quality 14" FOREFRONT MTS-9600 SVGA Multisync - Multitude monitor 0.28" dot pitch with resolution of 1024 x 768. The multi mode input allows direct connection to a host of computers including IBM PC's in CGA, EGA, VGA & SVGA modes, BBC, COMMODORE (including Amiga 1200), ARCHIMEDES etc. The H version will also function with the ATARI in all modes inc HI RES monochrome. Complete with text* switching for WP use (possible minor screen burns) Syncs down to 15 kHz. Supplied in EXCELLENT little used condition with full 90 day guarantee.

Order as MTS-9600 / H for ATARI	£149.00 (E)
All modes as above Order as MTS-9600 / S	£129.00 (E)

ELECTROHOME ECM-1211SBU 12" VGA multisync monitor with resolution 640 x 480. Multi input selection; 9pin CGA/ EGA ; 15 pin VGA or 5 BNC connectors. 0.31 pitch. Compatible with PCs, Amiga, Atari and others. In good used condition (possible minor screen burns) 90 day guarantee. £99.00 (E)

KME 10" high definition colour monitors. Nice tight 0.28" dot pitch for superb clarity and modem styling. Operates from any 15.625 khz sync RGB video source, with RGB analog and composite sync such as Atari, Commodore Amiga, Acorn Archimedes & BBC. Measures only 13 1/2" x 12" x 11". Only £125 (E) Good used condition. 90 day guarantee. **KME 10" as above for PC EGA standard** £145.00 (E)

PHILIPS HCS31 Ultra compact 9" colour video monitor with standard composite 15.625 KHz video input via SCART socket. Ideal for all monitoring / security applications. High quality, ex-equipment fully tested with a 90 day guarantee. In attractive square cream plastic case measuring W10" x H10" x 1 1/2" D. Mains powered. Limited Quantity - Only £79.00 (D)

20" 22" and 26" AV SPECIALS

Superbly made UK manufacture. PIL all solid state colour monitors, complete with composite video & optional sound inputs. Attractive teak style case. Perfect for Schools, Shops, Disco, Clubs, etc. In EXCELLENT little used condition with full 90 day guarantee.

20"£135	22"£155	26"£185 (F)
--------------	--------------	------------------

12" Mono. Philips BM7542 /05G for CCTV NEW £69.95 (C)

DC POWER SUPPLIES

10,000 Power Supplies Ex Stock Call for info / list

Power One SPL200-5200P 200 watt (250 v peak). Semi open frame giving +5v 35a, +5v 1.5a, +12v 4a (8a peak), -12v 1.5a, +24v 4a (6a peak). All outputs fully regulated with over voltage protection on the +5v output. AC input selectable for 110/240 vac. Dims 13" x 5" x 2 1/2". Fully guaranteed RFE.	£85.00 (B)
Power One SPL130. 130 watts. Selectable for 12v (4A) or 24 v (2A), 5v @ 20A, & 12v @ 1.5A. Switch mode. New.	£59.95 (B)
Astec AC-8151 40 watts. Switch mode. +5v @ 2.5a -12v @ 2a. -12v @ 0.1a. 6 1/4" x 4" x 1 3/4" RFE tested	£22.95 (B)
Lambda LYS-PV-12 2000 watt switch mode. +12V DC @ 29a semi enclosed, 10" x 5" x 5". RFE and fully tested.	£95.95 (C)
Conver AC130. 130 watt hi-grade VDE spec. Switch mode. +5v @ 15a, -5v @ 1a, +12v @ 6a, 27 x 12.5 x 6.5cm. New.	£49.95 (C)
Boshart 13090. Switch mode. Ideal for drives & system. +5v @ 6a, +12v @ 2.5a, -12v @ 0.5a, -5v @ 0.5a.	£29.95 (B)
Farnell G6/40A. Switch mode. 5v @ 40a. Encased	£95.00 (C)

SPECIAL INTEREST

INTEL SBC 486/133SE Multibus 486 system. 8Mb Ram	£1975
Zeta 3220-05 A0 4 pen HPGL RS232 fast drum plotter	£1950
3rd VMD - Video Distribution Amps. 1 in 32 out	£375
Trio 0-18 vdc bench PSU. 30 amps. New	£470
Fujitsu M3041 600 LPM band printer	£1950
VG Electronics 1035 TELETEXT Decoding Margin Meter	£3750
Andrews LARGE 3 1 m Satellite Dish + mount (For Voyager!)	£950
RED TOP IR Heat seeking missile (not armed !!)	£1200
KNS EMC / Line interference tester NEW	£1200
Thurby LA 160B logic analyser	£375
GEC 1.5kw 115v 60hz power source	£950
Brush 2Kw 400 Hz 3 phase frequency converter	£850
Anton Pillar 75 kw 400 Hz 3 phase frequency converter	POA
Newton Derby 70 Kw 400 Hz 3 phase frequency converter	POA
COMPONEDX T1000 Portable TELEX tester NEW	£250
Seponic SD 150H 18 channel digital Hybrid chart recorder	£1995
HP 7580A A1 8 pen HPGL high speed drum plotter	£1850
Kenwood DA-3501 CD tester, laser pickup simulator	£350
Computer MCA1613ADPC 16mm auto iris lenses 'C' mount	£125
Seaward PAT 2000 dual voltage computerised PAT tester	£585

SPECIAL PURCHASE Only £399.00 (F)



19" RACK CABINETS

Superb quality 6 foot 40U Virtually New, Ultra Smart Less than Half Price!

Top quality 19" rack cabinets made in UK by Optima Enclosures Ltd. Units feature designer, smoked acrylic lockable front door, full height lockable half louvered back door and removable side panels. Fully adjustable internal fixing struts, ready punched for any configuration of equipment mounting plus ready mounted integral 12 way 13 amp socket switched mains distribution strip make these racks some of the most versatile we have ever sold. Racks may be stacked side by side and therefore require only two side panels to stand singly or in bays

Overall dimensions are: 77 1/2" H x 32 1/2" D x 22" W. Order as:

OPT Rack 1 Complete with removable side panels.	£335.00 (G)
OPT Rack 2 Rack, Less side panels	£225.00 (G)

Over 1000 racks in all sizes 19" 22" & 24" 3 to 44 U. Available from stock !! Call with your requirements.

TOUCH SCREEN SYSTEM

The ultimate in 'Touch Screen Technology' made by the experts - MicroTouch - but sold at a price below cost !! System consists of a flat translucent glass laminated panel measuring 29.5 x 23.5 cm connected to a PCB with on board sophisticated electronics. From the board comes a standard serial RS232 or TTL output. The output continuously gives simple serial data containing positional X & Y co-ordinates as to where a finger is touching the panel - as the finger moves, the data instantly changes. The X & Y information is given at an incredible matrix resolution of 1024 x 1024 positions over the screen size !! So, no position, however small fails detection. A host of available translation software enables direct connection to a PC for a myriad of applications including: control panels, pointing devices, POS systems, controllers for the disabled or computer un-trained etc (a driver is indeed available !!) The applications!! Supplied as a complete system including Controller, Power Supply and Data at an incredible price of only **£145.00 (B)** RFE. Full Software Support Available - Fully Guaranteed

LOW COST RAM & CPU'S

INTEL 'ABOVE' Memory Expansion Board. Full length PC-XT and PC-AT compatible card with 2 Mbytes of memory on board. Card is fully selectable for Expanded or Extended (286 processor and above) memory. Full data and driver disk supplied. In good used condition fully tested and guaranteed. Windows compatible. Order as: ABOVE CARD **£59.95 (A1)** Half length 8 bit memory upgrade cards for PC AT XT expands memory either 256k or 512k in 64k steps. May also be used to fill in RAM above 640k DOS limit. Complete with data. Order as: XT RAM UG. 256k. £32.95 or 512k £38.95 (A1)

SIMM OFFERS

1 MB x 9 SIMM 9 chip 120ns	only £19.50 (A1)
4 MB 70ns 72 pin SIMM module	only £125.00 (A1)

SPECIAL INTEL 486-DX33 CPU few only £79.99 (A1)

NO BREAK UNINTERRUPTIBLE PSU'S

Brand new and boxed 230 volts 1 kVA uninterruptible power supply system from Densel. Model MUD 1085-AHB. Complete with sealed lead acid batteries in matching case. Approx time from interrupt is 15 minutes. Complete with full manual. **£575.00 (B)**

EMERSON ACCUCARD UPS, brand new 8 Bit half length PC compatible card for all IBM XT/AT compatibles. Card provides DC power to all internal system components in the event of power supply failure. The Accusaver software provided uses only 6k of base RAM and automatically copies all system, expanded and video memory to the hard disk in the event of loss of power. When power is returned the machine is returned to the exact status when the power failed !! The unit features full self diagnostics on boot and is supplied brand new, with full, easy fitting instructions and manual. Normally £189.00 NOW! £69.00 or 2 for £120 (B)

Issue 13 of Display News now available - send large SAE - PACKED with bargains!

DISPLAY ELECTRONICS

LONDON SHOP
Open Mon - Sat 9:00 - 5:30
215 Whitehorse Lane
South Norwood
On 68A Bus Route
N. Thornton Heath &
Selhurst Park SR Rail Stations

ALL MAIL & OFFICES
Open Mon-Fri 9.00-5:30
Dept EWW 32 Biggin Way
Upper Norwood
LONDON SE19 3XF

DISTEL © The Original
Free On line Database
Info on 1000's of items
V21, V22, V22 BIS
0181 679 1888

ALL ENQUIRIES
0181 679 4414
FAX 0181 679 1927

All prices for UK Mainland. UK customers add 17.5% VAT to TOTAL order amount. Minimum order £10. Bona Fide account orders accepted from Government, Schools, Universities and Local Authorities - minimum account order £50. Cheques over £100 are subject to 10 working days clearance. Carriage charges (A)=£3.00, (A1)=£4.00, (B)=£5.50, (C)=£8.50, (D)=£12.00, (E)=£15.00, (F)=£18.00, (G)=CALL. Allow approx 6 days for shipping - faster CALL. Scotland surcharge CALL. All goods supplied to our Standard Conditions of Sale and unless stated guaranteed for 90 days. All guarantees on a return to base basis. All rights reserved to change prices / specifications without prior notice. Orders subject to stock. Discounts for volume. TOP CASH prices paid for surplus goods. All trademarks etc acknowledged. © Display Electronics 1995. E & O E. 1/11

CIRCLE NO. 105 ON REPLY CARD

Front-end FILTERING

Interference from the mains can degrade performance in sensitive instrumentation. A simple notch filter will not always remove hum due to frequency and component drifts, but Radhakrishna Rao has designed a self-tuning filter that overcomes the usual problems.

Active notch filters have become indispensable in many applications where a signal is corrupted by a dominant, single-frequency interference signal. Such a signal is the 50Hz power supply hum in bio-medical systems.

The analogue front-end proposed here is for cancelling the 50Hz power line interference and its harmonics from ecg-emg signals in bio-medical applications. The configuration uses only operational amplifiers and matched mosfets. It requires no precision components and is based on a simple frequency-correction scheme using both phase and magnitude comparison. The scheme could be implemented as a monolithic device.

Common problems

When the frequency of the interference signal is fixed and known, a symmetrical narrow-

band notch filter can be used to remove it. For this, the pole ω_p and zero ω_z frequencies of the filter must be made equal to the interference frequency using precision, low-tolerance passive components.

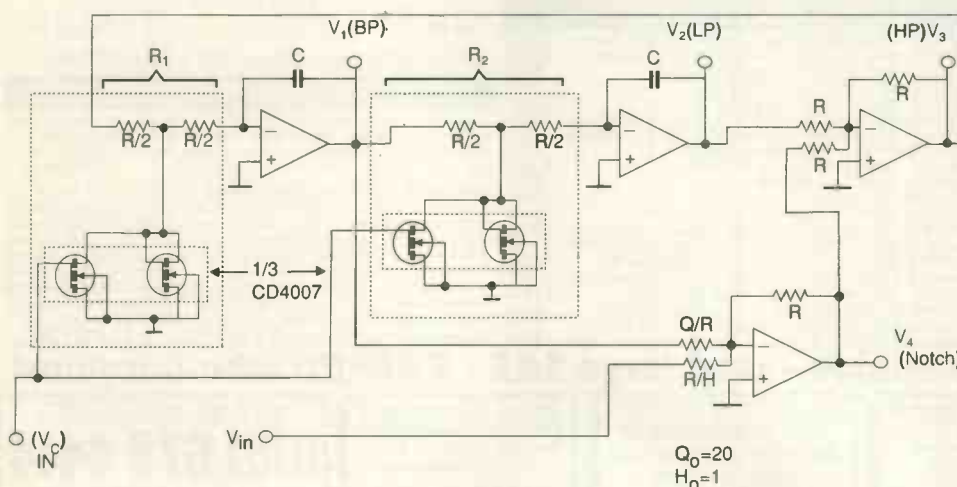
In practice, either there is an uncertainty in the frequency of interference or there is a drift in the values of passive components that determine ω_p and ω_z . Furthermore, the tolerances of passive components cause ω_p to be different from ω_z .

The solution to this problem involves a self-tuning notch filter. Here, the filter is automatically tuned to the incoming interference frequency by making both ω_p and ω_z voltage-controlled.

Power line interference consists of the dominant 50Hz component and its harmonics at 100Hz and 150Hz. The four op-amp modified Kerwin-Huelsman-Newcomb biquad¹ is used for the basic notch filter owing to its low passive and active parameter sensitivities, especially at low frequencies. For this filter, Fig. 1a, both ω_p and ω_z are determined by the same set of passive components. Independent outputs for bandpass, lowpass, highpass and notch are available simultaneously. These are voltages V_1, V_2, V_3 and V_4 respectively.

The filter is tuned to the incoming interference frequency by replacing the frequency-determining resistors with voltage-controlled resistors. The control voltage for these is derived by a frequency-correction scheme. As Fig. 1a shows, the frequency-determining resistors, R_1 and R_2 , have been replaced by voltage-controlled equivalents using matched pairs of linearised CD4007 mosfets². The T-network is used to increase the effective variation in resistance offered by the fet. Since a notch filter needs to be tuned, a scheme for filter zero tuning is more appropriate. This is because zeroes control the significant characteristics for the notch filter. Such a scheme is

Fig. 1. A Kerwin-Huelsman-Newcomb (KHN) biquad notch filter is modified by adding linearised mosfets to form voltage controlled resistors. Error signal to control the mosfets (V_C) is derived by magnitude and phase comparison of the highpass and notch outputs (Fig. 2).



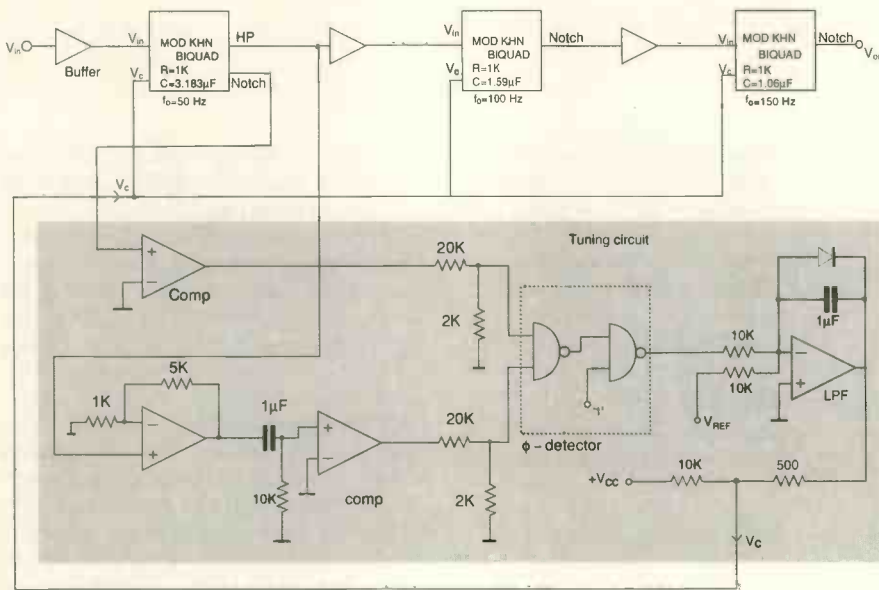


Fig. 2. An error signal is obtained from the phase detector to control the direction of tuning. The magnitude of this error is decided by the difference between the input frequency and the zero frequency. A dc level is then generated by comparing the error signal with a reference voltage.

shown in the lower half of Fig. 2.

Frequency correction in this method is based on both magnitude and phase comparison using notch and highpass or lowpass outputs for deriving the error signal. The magnitude of this error signal is proportional to the difference between the input frequency and the zero frequency to which the filter is to be tuned and is obtained using the notch output.

The direction of tuning is obtained by detecting the phase difference between notch

and highpass outputs. The magnitude of this error signal is then compared with a reference voltage (V_{ref}) in order to generate a dc control voltage (V_0) which is used for varying the voltage controlled resistances in the filter. The above arrangement, thus, forms a stable negative-feedback frequency-correction loop.

The analogue front-end is then developed as shown in Fig. 2. A cascade of three modified KHN biquads with notch frequencies at 50Hz, 100Hz and 150Hz is employed. The first-stage

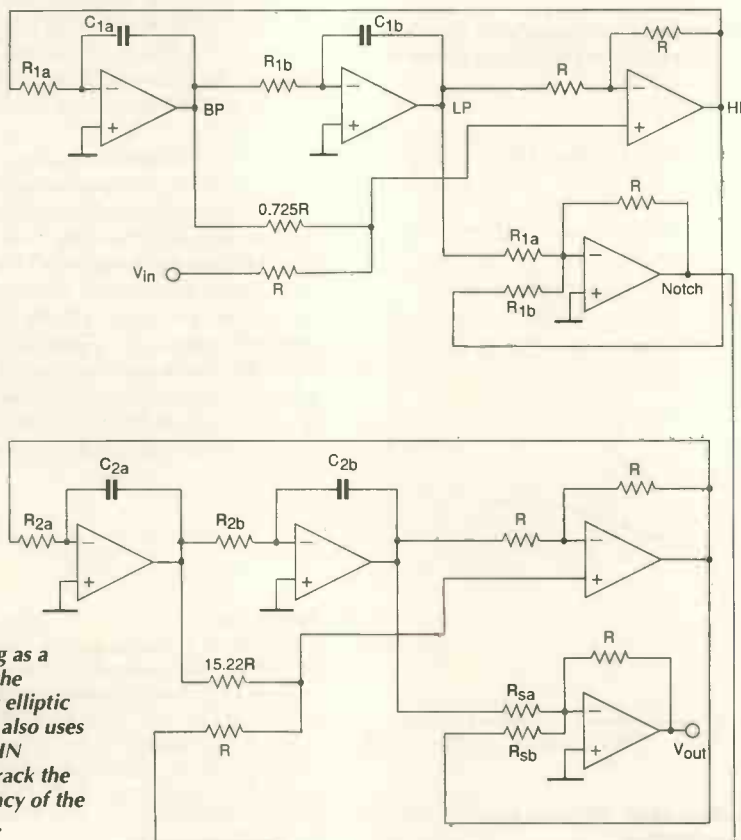


Fig. 3. Acting as a slave filter, the fourth-order elliptic bypass filter also uses cascaded KHN biquads to track the zero frequency of the master filter.

The voltage-controlled resistor

When mosfets are operated in the non-saturating region with small values of V_{DS} , ($V_{DS} \leq V_{GS} - V_T$) the drain-to-source resistance is almost linear and bi-directional. By varying the gate voltage, the drain-to-source resistance can be altered and the device acts as a voltage controlled resistor.

Feeding back half the drain voltage to the gate with two large-value resistors, extends the linear operating range. The advantage of using matched mosfets is that precisely matched resistors can be avoided. Mos theory demonstrates how the drain-source resistance varies.

In the current saturation region where $V_{DS} \geq V_{GS} - V_T$,

$$I_{DS} = K(V_{GS} - V_T)^2$$

In the non-saturating region where $V_{DS} \leq V_{GS} - V_T$,

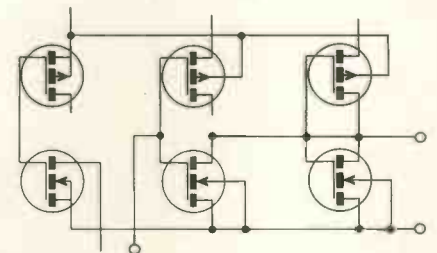
$$I_{DS} = 2K \left[(V_{GS} - V_T)V_{DS} - \frac{V_{DS}^2}{2} \right]$$

$$I_{DS1} = 2K \left[(V_C - V_T)V_{DS} - \frac{V_{DS}^2}{2} \right]$$

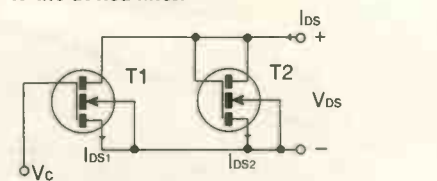
$$I_{DS2} = 2K \left[(V_{DS} - V_T)V_{DS} - \frac{V_{DS}^2}{2} \right]$$

$$I_{DS} = I_{DS1} + I_{DS2}$$

$$r_{DS} = \frac{V_{DS}}{I_{DS}} = \frac{1}{2K(V_C - 2V_T)}$$



Part of a 4007 cmos dual complementary pair is used for its matched mosfets. External connections are made according to the dotted lines.



The resulting circuit is a pair of linearised matched mosfets which are used as a voltage controlled resistor.

notch filter is self-tuned to the incoming interference frequency - the dominant 50Hz component - using the above scheme.

The second and third stage notch filters are self-tuned to their respective notch frequencies (100Hz and 150Hz, these being the harmonics of the 50Hz component) using the master-slave approach³. To this effect, the first-stage filter is taken as the 'master' and the second and third stage filters as the 'slaves'. The fre-

quency determining resistors in the slaves are replaced by voltage controlled resistors of the same value as for the master's. Matched pairs of mosfets are used for this. The control voltage for these resistors is obtained from the same tuning circuit for the master, Fig. 2. With this mechanism the zeroes of the slave filters, which are filters with notches at 100Hz and 150Hz, are made to track the zeroes of the master; a filter with a notch at 50Hz. Notch

frequencies for the slaves are now determined only by the ratios of capacitor values of the slaves to the master's.

Fets rather than multipliers are recommended for voltage controlled resistors. This is because the tuning range obtained using fets can be made just sufficient to cancel the varying frequency components. These are typically 48 to 52Hz for a 50Hz component.

Further applications

The above configuration, therefore, forms an analogue front-end for cancellation of power-line interference in bio-medical systems. The scheme can also be extended to the tuning of other monolithic filters such as the inverse chebyshev and the elliptic. The zeroes of the master, which is a self-tuned notch filter, can be made to tune the zeroes as well as poles of such monolithic filters, which now function as slaves.

As an illustrative example, a fourth-order elliptic lowpass filter using cascaded KHN biquads (for which the pole and zero frequencies can be made different) was used as the slave filter, Fig. 3. The self-tuned modified KHN biquad functioned as the master. The zeroes, f_{z1} and f_{z2} of the slave were made to track the zero frequency f_0 of the master over the entire tuning range of the master, as observed in Fig. 4. Tracking accuracy can be deduced from Fig. 5, The slopes of the plots are given by the ratios of zero frequencies, f_{z1} and f_{z2} of the slave to the master zero frequency, f_0 .

The given configuration is thus shown to be applicable as an analogue front-end as well as for realisation of monolithic filters. The basic filter section employs only single-ended op-amps in inverting mode and all resistor values in it can be made equal. The frequencies of interest are governed only by the ratios of capacitor values. This allows frequency scaling of the filter's response. Tuning of the filter relies on commonly available matched pairs of mosfets. Such an isotopic nature of the filter topology is suitable for its implementation at vlsi level. ■

References

1. Kerwin, W. J., Huelsman, L. P., Newcomb, R. W. *State-variable synthesis for insensitive integrated circuit transfer functions*, IEEE J. Solid-State Circ., vol. SC-2, pp. 87-92, Sep. 1967.
2. Rao, K.R., Sasikumar, A *novel linear voltage-controlled resistor*, Elect. Eng., p.32, Sep.1985.
3. Rao, K.R., Sethuraman, V., Neelakantan, P.K. A novel follow-the-master filter, Proc. IEEE, vol. 63, pp.1725-1726, Dec. 1977.

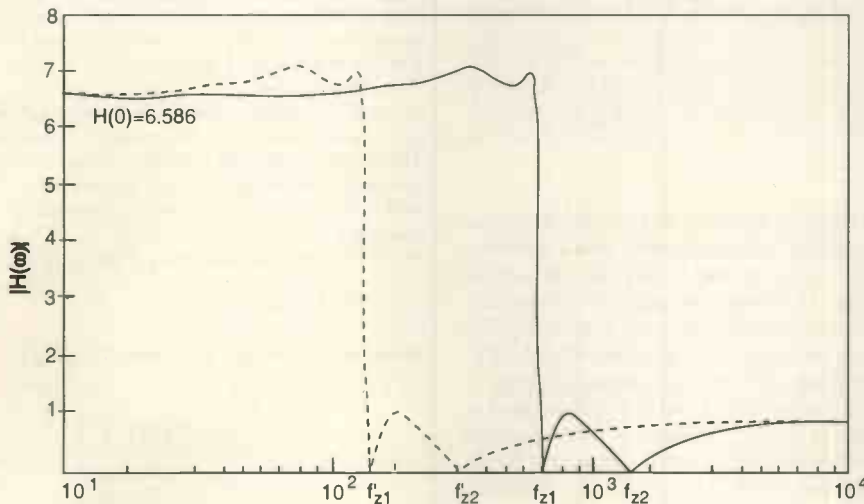


Fig. 4. Tuning ranges for the slave filter are shown in this magnitude response plot. The zeros, f_{z1} and f_{z2} of the slave were made to track the zero frequency f_0 of the master over the entire tuning range of the master.

The master tuning range, $TR_m=1.8kHz$
 Slave ranges are at $f_{z1}=735.6Hz$ and $f_{z2}=1348.7Hz$
 For the band f'_{z1} to f_{z1} this gives $f_{z1}=TR_m \times f_{z1}/f_0$ and for f'_{z2} to f_{z2} , $f_{z2}=TR_m \times f_{z2}/f_0$

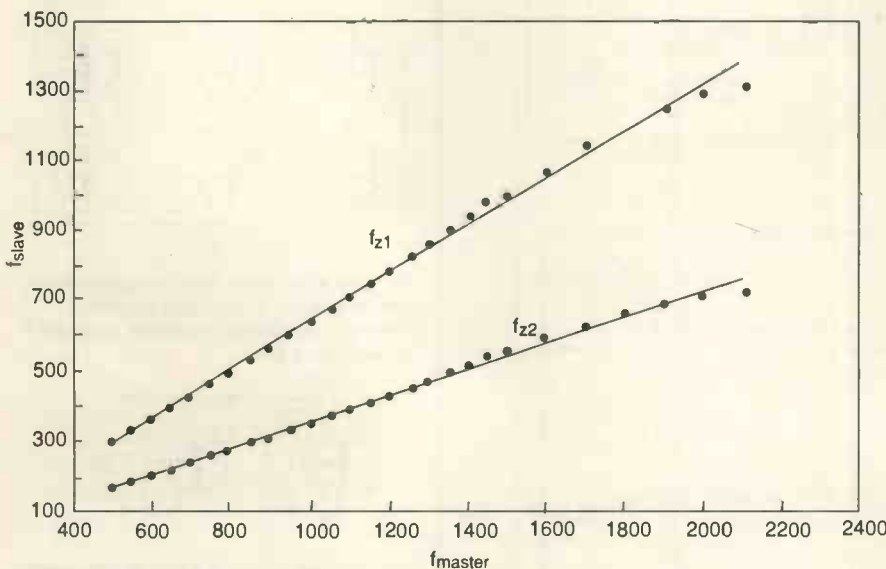


Fig. 5. The tracking accuracy can be determined from these plots; the slope given by the ratio between the the zero frequencies of the slave and the master filters.



®

For all your Power Distribution
Olson offer a varied choice

OLSON Distribution Units

ELECTRONICS LIMITED

OLSON DISTRIBUTION PANELS
FUSED, WITH R.F. FILTER
AND R.C.D. PROTECTION

ELECTRONICS LIMITED

OLSON FUSED WITH RCD
PROTECTION

ELECTRONICS LIMITED

OLSON The Rack Range
mains distribution panels
for 19" rack mounting

ELECTRONICS LIMITED

OLSON Office Furniture
Cable Management
Manufactured to BS 6306

ELECTRONICS LIMITED

OLSON Mains Distribution
Panels with
Non Standard Sockets

ELECTRONICS LIMITED

OLSON

ELECTRONICS LIMITED

OLSON Earth Leakage
Distribution
Units

ELECTRONICS LIMITED

OLSON Distribution
Units

ELECTRONICS LIMITED

OLSON PANELS with 10AMP
CEE22/IEC
SHUTTERED SOCKETS
PANELS SHUTTERED WITH RCD
FILTER AND RCD PROTECTION

ELECTRONICS LIMITED

OLSON

ELECTRONICS LIMITED

OLSON Mains Distribution
Panels
INTERNATIONAL RANGE

ELECTRONICS LIMITED

OLSON FUSED SUPER SLIM
WITH ELECTRAK PLUG
CONDUIT AND DOUBLE
POLE SWITCHED SOCKETS

ELECTRONICS LIMITED

OLSON DATA PROTECTOR

ELECTRONICS LIMITED

OLSON INDUSTRIAL RANGE
16 AMP 110V AND 240V
TO BS 4343/IEC 309

ELECTRONICS LIMITED

OLSON Distribution
Units

ELECTRONICS LIMITED

OLSON 19" FAN TRAYS

ELECTRONICS LIMITED

OLSON The Rack Range
CEE22/IEC
SHUTTERED SOCKETS

ELECTRONICS LIMITED

OLSON SERVICE PILLAR FOR
THE OPEN-PLAN OFFICE

ELECTRONICS LIMITED

OLSON Distribution
Units
FRENCH AND GERMAN STANDARD
16/16 AMP 230 V

ELECTRONICS LIMITED



ELECTRONICS LIMITED

CIRCLE NO. 106 ON REPLY CARD

FOUNTAYNE HOUSE, FOUNTAYNE RD., LONDON N15 4QL
TEL: 0181-885 2884

FAX: 0181-885 2496

The optical drive

Just as you cannot be too thin or too rich, you can never have too much data storage space. The increasing size of application programs, operating systems, and data files has quickly rendered every generation of hard-drive capacity inadequate.

Furthermore, the trend towards multimedia and image-based files has strained the storage capabilities of hard-disk drives. An alternative to continuously buying new and bigger hard drives is provided by optical disk-drive technology.

An optical disk-drive can provide infinite storage capabilities since extra storage space is easily obtained by using additional disk cartridges. These are relatively inexpensive.

Tape is also capable of providing infinite storage in this fashion, but it is far too slow to be a real alternative, especially when the data needs to be accessed randomly.

Optical disks provide the ideal combination of robustness, low cost and performance. The random access capabilities of optical drives are now approaching those of low end magnetic hard drives.

Optical drives are available in four basic types – compact

disk (cd) based, magneto-optic based, phase-change based, and ablative-worm based. While these technologies are all different, the drives do share some similarities in their opto-mechanical technology. I will examine in detail a magneto-optical (MO) drive as it is the most complicated. Designs for the other classes of drives are essentially subsets of the magneto-optical drive design. The recording technologies that define the different optical drives will then be explained.

Optical drive technology has progressed rapidly from curiosity to commodity, but according to Praveen Asthana, the evolution has only just begun...

Praveen Asthana is program manager in business and product strategy at IBM Corporation in Tucson, Arizona.



Optical head technology

The purposes of the optical head are to transmit the laser beam to the optical disk, focus the laser beam to a diffraction limited spot, and to transmit readout signal information from the optical disk to the data and servo detectors.

Whether the recording technology is magneto-optic, ablative 'write-once, read-many', or phase change, the laser diode is the key component in optical storage. The first two generations of optical drives used infrared lasers emitting in the 780nm or 830nm wavelengths. The next generation of drives will use red laser wavelengths emitting at around 690nm. Continuous laser output power is typically around 40mW. In order to ensure good wavefront quality, the lasers need to be index guided.

A schematic of the optical head in a magneto-optic drive is shown in Fig. 2. Output of the laser diode is collimated – i.e. made into a plane wave – by a lens and then passed through beam shaping optics. These adjust the elliptic profile and astigmatism of the beam. The beam then passes through a polarising beam splitter, which reflects some 30% of the beam towards a detector and transmits the rest towards the disk.

The light that is reflected is incident on a light detector. This detector is part of a power servo loop designed to keep the laser at a constant power; output of the detector is connected to the laser driver circuitry. This is very important. Without a power servo loop, the laser power will fluctuate as the laser junction heats up, which can adversely affect the read performance.

The beam transmitted by the beam splitter travels to a turning 90° mirror, called a beam bender, mounted on a movable actuator. During track-seeking operations, this actuator can move radially across the disk. The beam reflected by the turning mirror is incident on an objective lens – also mounted on the actuator – which focuses the light on the disk.

This type of optical head design in which the laser, the detectors, and most of the optical components are stationary while the objective lens and beam bender are movable, is called a split optics design.

In early optical drive designs, the entire optical head was mounted on an actuator and moved during seeking operations. This led to slow seek times of around 200ms because of the mass on the actuator. A split optics design, which is possible because coherent light can be made highly collimated, lowers the mass on the actuator, allowing much faster seek times of around 30ms.

The objective lens also acts as a collector for the light reflected from the disk. This light, used for the servo systems and during reading, contains the readout information. Reflected light follows the incident path up to the fixed optical element. The portion of the light transmitted by the beam splitter is, unfortunately, focused by the collimating lens back into the facet of the laser. Optical feedback affects the laser by causing it to mode-hop randomly, which results in amplitude noise in the laser output beam.

This amplitude noise affects the data signal sufficiently to be considered a major problem. To control the laser noise, injection of high frequency current, also called hfm, into the laser is used in practice. The hfm is usually around 350-500MHz and is of sufficient amplitude to drive the laser below threshold at that frequency. This technique prevents the laser from becoming single mode, because it turns the laser off before it can settle into a single mode. In this way the effects of optical feedback are greatly reduced and the coherence length of the laser is less.

In general, increasing hfm current can decrease the amount of noise. But as a practical matter, the hfm injection current cannot be made too large as it may violate government limits, such as FCC, on allowable electromagnetic radiation from computer accessories.

The light reflected by the first beam-splitter is further split by a second beam-splitter into two components: one for the servo and the other for the data. In this head design, two detectors are shown for data detection. This is specific to magneto-optic read back in which two detectors are needed to implement what is known as differential detection, i.e. the difference in the signals incident on the two detectors is taken.

Phase-change, cd and WORM drives only need one data detector. Light transmitted through the second beam-splitter is incident onto a special multi-element detector which is used to generate the servo signals. The servo system is discussed in more detail later. It is by no means an overstatement to say that the



Fig. 1. This 5.25in Powerbox optical drive, designed as an external SCSI peripheral for pcs and workstations, holds up to 1.3Gbyte per disk. Its 3.5in counterpart holds up to 230Mbyte.

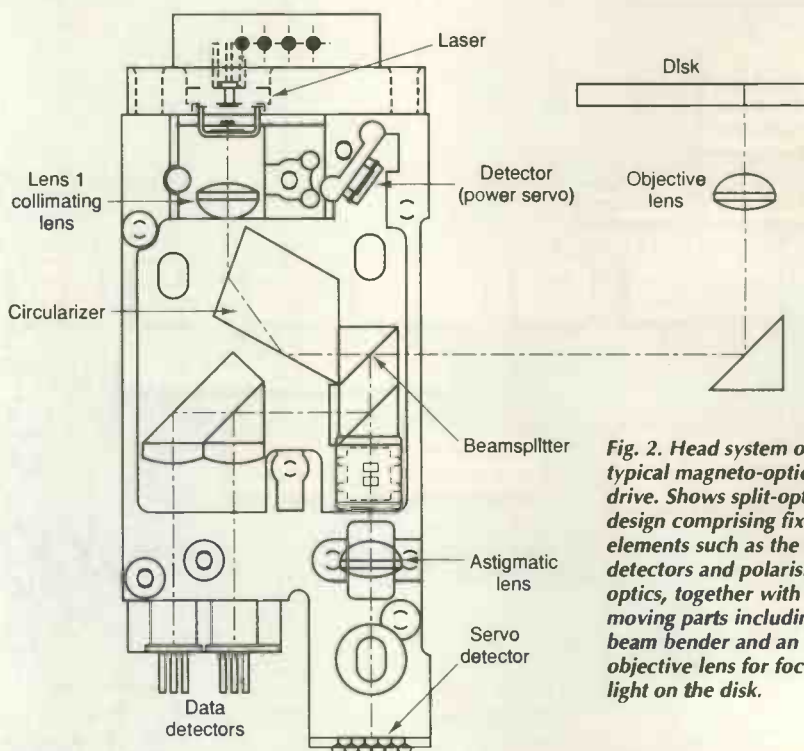


Fig. 2. Head system of a typical magneto-optical drive. Shows split-optics design comprising fixed elements such as the laser, detectors and polarising optics, together with moving parts including the beam bender and an objective lens for focussing light on the disk.

development of high quality servo systems has played a vital role in making high capacity optical disk drives a reality.

The servo system

The servo system is what enables the focused laser spot to be positioned with accuracy on to any of the tracks on the disk. The extremely high track densities of optical disks – in the region of 18 000 tracks per inch – require that the laser spot position is controlled to within a fraction of a micrometer.

To be able to move across the entire disk surface requires a large actuator. But the larger the actuator, the higher the mass that needs to be adjusted to the rapid changes in the track position – due to run-out in the disk – as the disk spins. Consequently, a compound actuator consisting of a coarse actuator and a fine actuator is used to control the radial position of the laser beam on the disk.

The fine actuator, with its very low mass,

can change the spot position rapidly over a limited range. The coarse actuator has a slower response, but has a much wider range of motion and is used for long seek operations. Writable optical disks have a continuous spiral groove, as in a phonograph record, to provide information on the relative track location.

In addition to tracking and seeking, the laser spot in an optical drive must be kept in perfect focus on the disk regardless of the disk's motion. There can be quite a lot of vertical motion if the disk has tilt or is slightly warped. To achieve focus, the objective lens must be constantly adjusted to correct for the axial motion of the disk surface as the media spins.

Lens position is controlled by a focus servo mechanism. A typical focus actuator consists of an objective lens positioned by a small linear voice coil motor. The coils are preferably mounted with the lens to reduce moving mass, while the permanent magnets are stationary. The lens can be supported by either a bobbin

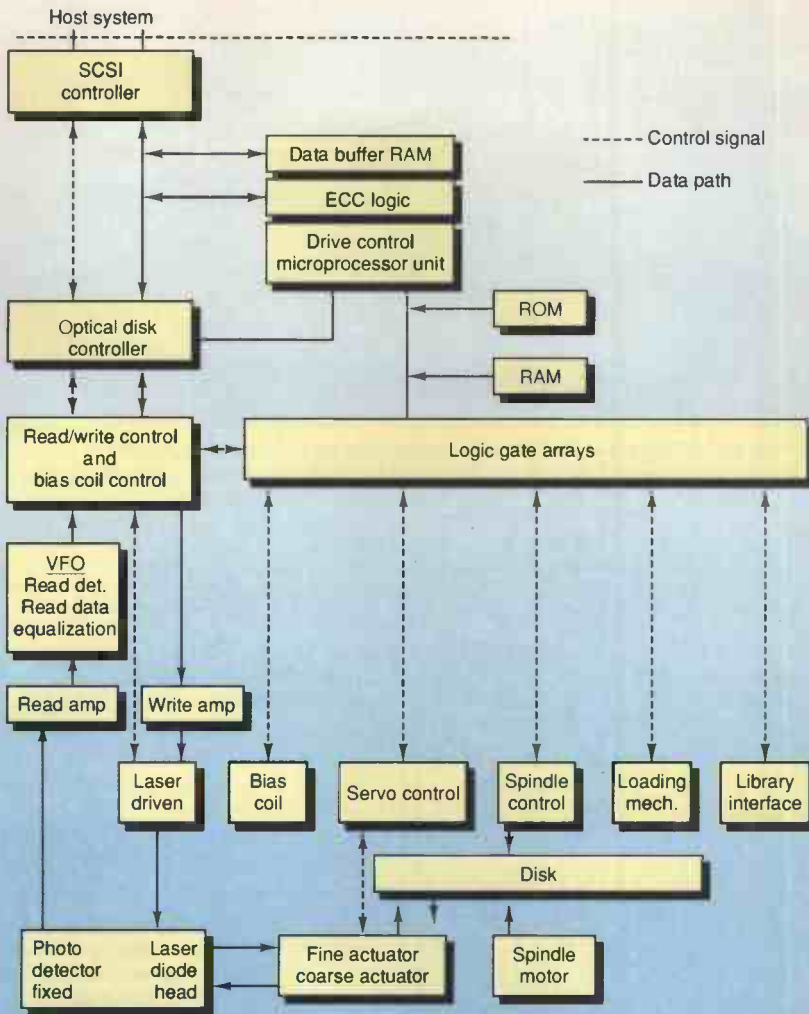


Fig. 3. Key electrical functions and interfaces of an optical drive. The VFO is the variable-field oscillator used to synchronise data.

on a sliding pin or elastic flexures. Critical factors in the design are range of motion, acceleration, freedom from resonances, and thermal considerations.

As mentioned earlier, the tracking mechanism consists of a coarse and a fine actuator. In high performance drives, the coarse actuator consists of a linear voice coil motor driving a rail mounted carriage while the fine actuator acts to produce small radial displacements of the laser spot on the disk. The compound tracking actuator configuration has advantages over a single actuator not only in track following performance, but also when seeking between tracks.

I have discussed the servo and actuator technology required to ensure proper focus as well as the track following and seeking operations of the laser stylus. The optical head, servo, and actuators cover the essential opto-mechanical part of the drive. Next I will consider the formatting, recording, and reading out of data.

The data channel and SCSI

Most optical drives connect to host computer systems using the Small Computer Systems Interface, or SCSI. A schematic block diagram of the functions in an optical drive, based on the IBM 0632 CHA model. This 1.3Gbyte half-high optical drive is shown in Fig. 3.

The SCSI controller handles the flow of information to and from the host – including commands. It also provides arbitration and disconnect/reconnect functions. Through the logic gate arrays, the drive control microprocessor unit controls all the functions of the optical drive. These include,

- servo control
- spindle motor spin up/down
- actuators
- laser driver
- magnetic bias coil – an electromagnet used in magneto-optical recording
- loading mechanism for disk load/unload
- library interface providing control lines useful in a jukebox environment.

The rom is the control storage for the microprocessor while the ram provides the microprocessor working storage. The optical disk controller, odc, is a key controller of the data path. It transfers commands from the SCSI controller to the microprocessor for interpretation. In addition it provides handshake lines to channel data appropriately through the buffer ram to the write channel, or from the read channel to the SCSI output (through the ram buffer).

Buffer ram varies in size from 1Mbyte to 4Mbyte and provides temporary storage of data read out or data to be written. Used appropriately, the buffer ram can enhance performance of the drive by providing read-ahead cache or segmented write-cache capabilities.

Data input to the drive over the SCSI for recording is first broken up into fixed block sizes of, for example, 512Kbyte or 1024Kbyte length. It is then stored in the data buffer ram.

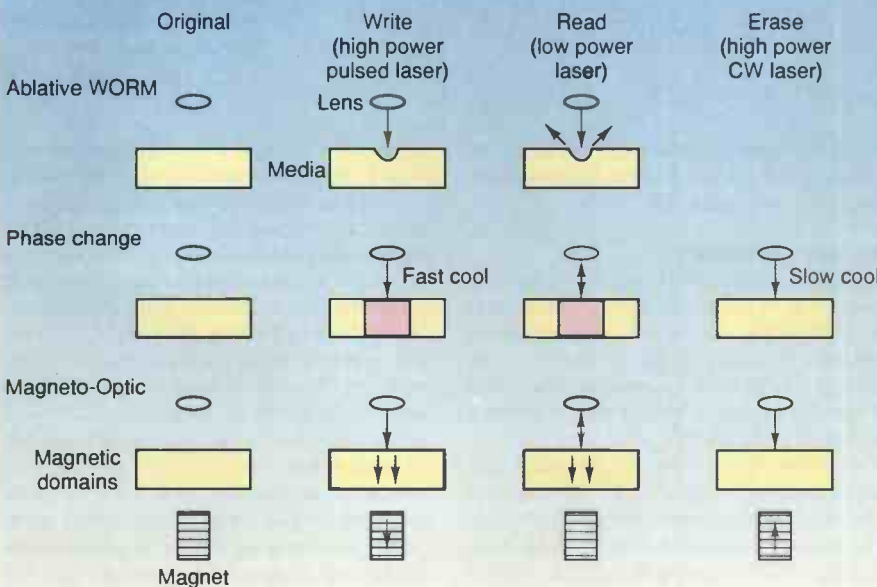


Fig. 4. Optical recording techniques compared. The primary difference is the material used. A magneto-optical drive could record on phase-change or WORM media too.

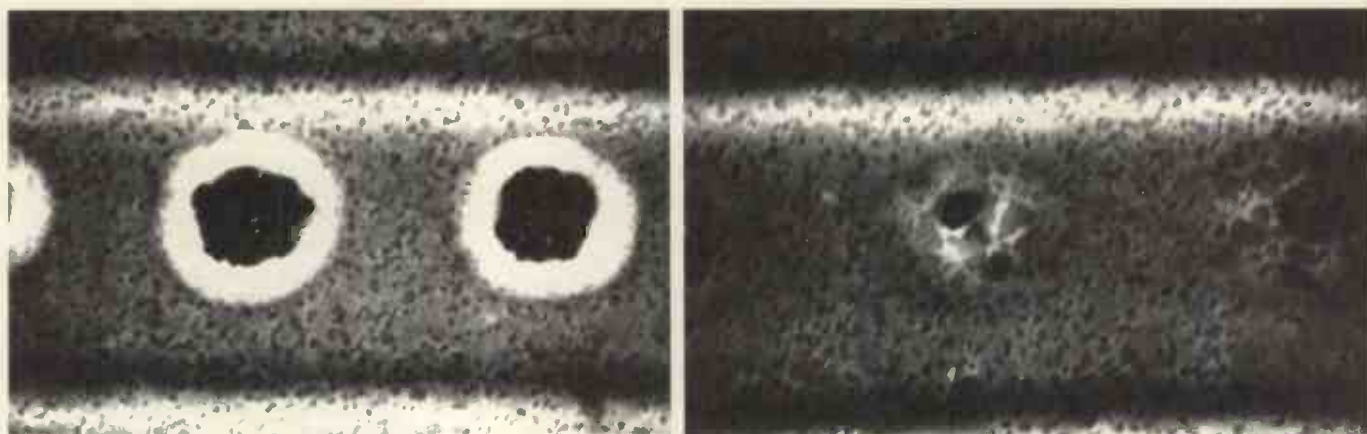


Fig. 5. A good optical recording medium must have a sharp threshold for the onset of writing. This ensures that a lower power beam can read out the information without affecting the written information. Shown is the threshold property of a commercial ablative WORM medium. At 8mW, above, perfect marks are formed, but at 7mW of writing power, right, there is hardly any marking. This means that a read power of 1mW should be perfectly safe.

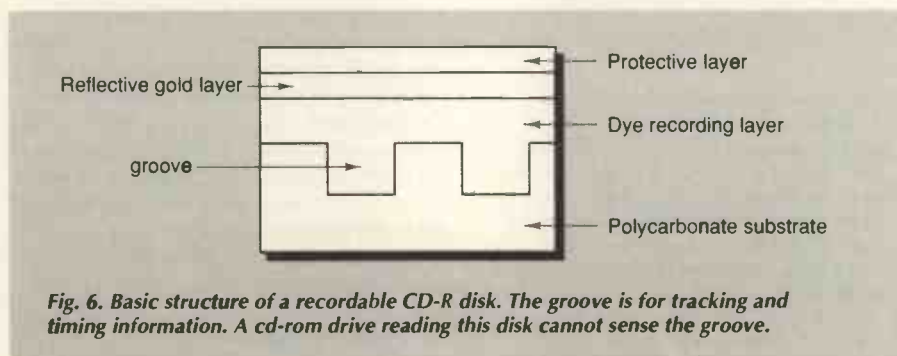


Fig. 6. Basic structure of a recordable CD-R disk. The groove is for tracking and timing information. A cd-rom drive reading this disk cannot sense the groove.

Magneto-optic, phase-change and worm drives can be classified as fixed block architecture technologies in which data blocks are recorded much like in hard drives (Marchant, 1990). Blocks of data can be placed anywhere on the disk in any sequence. The current cd recordable, or CD-R, drive is, on the other hand, an example of a non-fixed block architecture (because its roots are in cd-audio). In current recordable cd drives, input data is recorded sequentially, like a tape player, and can be of any continuous length.

Error correction and control, ecc, bytes are added to each block of data. Optical drives use Reed-Solomon codes which are able to reduce the error rate from 1 in 10^5 to about 1 in 10^{13} . Error-correction encoding and decoding is managed by the optical disk controller.

To extract ones and zeros from the noisy analogue signal from the photodetectors, optical drives use a number of techniques such as equalisation which boosts the high frequencies and thus provides greater discrimination between spots. Using an analogue-to-digital converter, the analogue data signal is converted into channel bits. These channel bits are converted back into customer data bytes using basically the reverse of the encoding process.

Clocking of data coming off the disk is provided by the variable field oscillator, or vfo. Data is clocked into the decoder, which removes the modulation code. Remaining special characters are removed from the data which is then fed into the forty-byte ecc alignment buffer to correct any errors. Once data

has been read from the disk, it is stored in a ram buffer and then output to whatever read-out device is hooked by SCSI to the drive.

Having outlined how data is recorded on a spinning disk, I will now turn to specific topics such as recording physics that delineate the various recording technologies, Fig. 4.

Phase-change recording

Phase-change recording takes advantage of the fact that certain materials can exist in multiple metastable – i.e. normally stable – crystalline phases. Each of these phases has differing optical properties, such as reflectivity. Thermal energy, as supplied by the focused beam of a high power laser, above some threshold can be used to switch from one metastable state to another.

Energy below the switching threshold should have no effect. In this way a low power focused spot can be used to read out the recorded information without affecting it. In any optical recording system, it is critical to have a sharp threshold for the onset of writing in any recording technology to ensure that readout can be performed without degradation of recorded marks. Figure 5 is an example of the sharp threshold for writing.

To achieve this kind of multiple metastable states, phase change materials typically are a mixture of several elements such as germanium, tellurium and antimony ($\text{Ge}_2\text{Sb}_2\text{Te}_5$). In an erasable material, recording is affected by melting the material under the focused spot and then cooling it quickly enough to freeze it

in an amorphous phase. Rapid cooling is critical, so the design of the heat sinking capability of the material is important. Erasing of phase change material is achieved by an annealing process. This involves heating the material to just below the melting point for a long enough period to recrystallise the material and erase any amorphous marks.

Phase-change drives are simpler than magneto-optical drives. They need less complicated optical heads and do not need a bias magnet. However, most rewritable optical drives are based on magneto-optical technology. This is largely because early phase change disks had very limited number of overwrite cycles, of the order of a thousand, while magneto-optical disks were shown to have a million overwrite cycles.

Phase change technology has come a long way since then, even achieving on the order of 100,000 overwrite cycles.

WORM technology

Write-once-read-many technology has a clear place in data storage because it allows permanent archiving capability. Neither magnetic disk storage, nor magnetic tape storage can provide similar write-once capabilities. There are at least four different types of optical write once technologies that are found in commercial products: ablative, moth's-eye, phase-change, and dye-polymer.

Ablative WORM disks consist of tellurium based alloys. Data is written using a high power laser to burn a hole in the material. IBM offers 5.25in drives with current capacities of 1.3Gbyte that use this type of WORM technology.

A second type of WORM material is what is known as textured material, such as in a moth's eye pattern. The material is usually a platinum film. Writing is accomplished by melting the textured film to a smooth film, which changes the reflectivity.

Phase-change technology provides a third type of WORM technology using materials such as tellurium oxide. In the writing process, amorphous (dark) material is converted to crystalline (light) material by applying heat

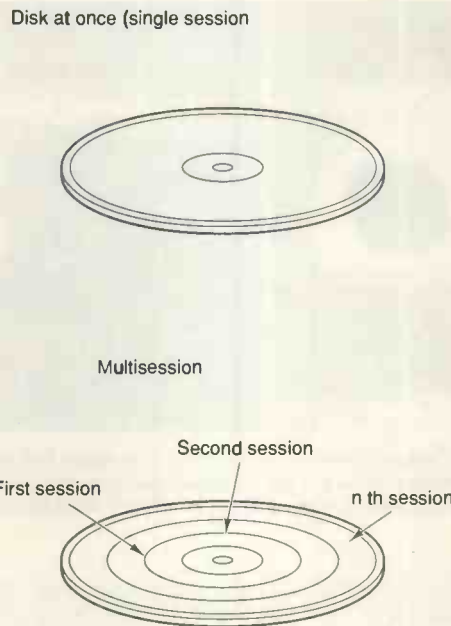
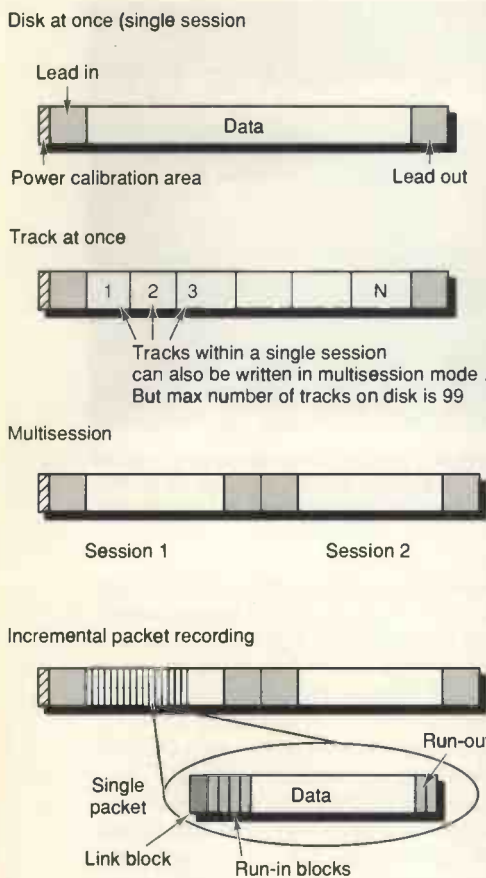


Fig. 7. Recording modes available for recordable cd technology. Incremental packet recording increases flexibility of recordable cd and makes it more suitable as a mass storage device for the desk-top. In packet recording, unlike other modes, there is no limit to the number of recordings – provided that there is space on the disk.

from a focused laser beam. The change cannot be reversed. Dye-polymer media, the fourth type of WORM media, are used in recordable cd drives and is discussed in more detail later.

Magneto-optic technology

In a magneto-optical drive, data recording is achieved through a thermo-magnetic process. This process relies on the threshold properties of the Curie temperature of magnetic materials. Energy within the focused optical spot heats the recording material past its Curie point of about 200°C, a threshold above which the magnetic domains of the material are susceptible to external magnetic fields of the order of 300 gauss.

The external magnetic field is used to set the state of the magnetisation vector in the heated region to either 'up' (a one bit) or 'down' (a zero bit). This vector represents the polarisation of the magnetic domains. When the material cools to below the Curie point this orientation of the magnetic domains is fixed.

This recording cycle has been shown to be highly repeatable – over more than a million cycles – in any given region without degradation of the material.

Magneto-optical disks can be safely read by low power laser beams of about 2mW at the disk surface. This is because the coercivity of a magneto-optic material remains high until very close to the Curie temperature. Near the Curie temperature, at about 200°C, coercivity rapidly drops by two or three orders of magnitude as the magnetic domain structure becomes disordered. Until the Curie point, it is

not affected by magnetic fields or laser light.

During readout, the recorded ones and zeros are sensed by a low power linearly polarised readout beam and by utilising the polar Kerr effect. In this effect the plane of polarisation of the light beam is rotated by 0.5° or so by the magnetic vector. The direction of rotation, which defines whether the bit is a one or a zero is converted by the polarisation optics into an intensity change which is sensed by the readout detectors and channel.

Although the tiny amount of Kerr rotation results in a very small amount of signal modulation riding on a large dc bias, the technique of differential detection permits acceptable signal-to-noise ratio (snr) to be achieved.

Recordable compact disk – CD-R

The writable - i.e. write once - version of the popular cd-rom is known as CD-R and was introduced about four years ago. A CD-R disk can store about 650Mbyte of data. A recorded disk looks very much like a stamped cd-rom, and is playable in most cd-rom players.

Early CD-R drives were very expensive – of the order of \$50,000 each – and were used only by professionals mastering cd-rom disks. Over the next three years, CD-R drive prices fell quickly to around \$10,000 in 1993.

By the end of 1994, the drive price had fallen to less than \$2000, with blank disks costing about \$12 per disk in the shops. The OEM price for CD-R drives has already fallen to less than \$1000 for small quantities. The dramatic drop in prices, combined with the fact that recordable disks were compatible with cd-

rom players has created a great deal of interest in this technology.

A recordable cd is coated with an organic polymer that can change its local reflectivity permanently upon sufficient heating by a laser spot. Structure of a CD-R disk is shown in Fig. 6. When the organic dye polymer is locally heated by the focused spot of a laser beam, polymeric bonds are broken or altered resulting in a change in the complex refractive index within the region. This refractive index change results in a change in the material reflectivity. There are half a dozen organic dye polymers that are commercially being used. Two examples are phthalocyanine and polymethane cyanine.

Like cd-rom drives, CD-R drives have relatively low performance compared with optical or hard drives. Just as in a cd-rom drive, the seek times are on the order of a few hundred milliseconds while the maximum data rate for a quad-speed drive is about 600Kbyte/s.

Seek time is slow because recordable drives spin the disks in constant linear velocity (clv) mode as defined in the Red Book standards. Constant linear velocity means that the disk rotation speed varies with the radius at which the read head is positioned in such a way as to ensure that the linear velocity is constant with radius. In contrast, constant angular velocity devices like optical WORM disks have seek times on the order of 40ms.

Recording CD-Rs

To understand the attributes and limitations of recordable cd, it is important to understand the various recording modes that it can operate in. For fixed block architecture devices such as magneto-optical drives, the question of recording modes never comes up as there is only one mode, but in recordable cd, there are four modes, as in Fig. 7.

The four recording methods in CD-R drives are: disk-at-once, or single session, track-at-once, multisession, and incremental packet recording. In disk-at-once recording, one recording session is allowed on the disk, whether it fills up the whole disk or just a fraction of the disk. The data area in a single session disk consists of a lead-in track, the data field, and a lead out track. Information such as the table of contents is within the track lead-in.

In single-session writing, once the lead-in and lead-out areas are written, the disk is considered 'finalised'. Even if there are blank areas on the disk, further recording cannot take place. After the disk is finalised – and only then – it can be played back on a cd-rom player, which needs the lead-in and lead-out tracks present just to read the disk.

Having only the capability of recording a single session can be a quite a limitation for obvious reasons, so the concept of multisession recording was introduced. An early proponent of multisession recording was Kodak which wanted multisession capability for its PhotoCD products. In multisession recording, each session is recorded with its own lead-in and lead-out areas.

Multisession recorded disks can be played

back in cd-rom drives that are marked multi-session compatible, assuming that each session on the disk has been finalised with lead-in and lead-out areas. Unfortunately, the lead-in and lead-out areas for each session take up lots of overhead; about 15Mbyte. With this kind of overhead, the ultimate maximum number of sessions that can be recorded on a 650Mbyte disk is 45 sessions.

Rather than do multisession recording, the user may opt for track-at-once recording. With this technique, one or more tracks can be written in each session. The maximum number of tracks that can be written on the disk is 99. However the disk or session must be finalised before it can be read on a cd-rom drive.

Because of the way input data is encoded and spread out, it is imperative to maintain a constant stream of information when recording. If there is an interruption in the data stream, it affects the whole file being recorded – not just a sector as in magneto-optical or WORM drives. If the interruption is long enough, it will usually lead to the disk being rendered useless – a 'golden coaster' as it is referred to in the industry. For this reason, it is important to have a fast hard drive capable of feeding data to the drive buffer continuously.

It is inconvenient to use the hard drive of the personal computer to directly feed the CD-R drive, because it ties up the hard drive and basically the whole computer. To address this issue, some CD-R drives come in a package that includes a dedicated 1Gbyte hard drive. This solution, however, raises the cost of using recordable cd.

Many of the above problems or inconveniences can be alleviated through a new recording method just being introduced. Called incremental packet recording, this method involves breaking the input data up into packets of specified size, for example 128Kbyte or 1Mbyte.

Each packet consists of a link block, four run-in blocks, the data area, and two run-out blocks. Run-in and run-out blocks help delineate packets and allow some room for 'stitching' – i.e., providing overlap if perfect synchronisation is not achieved when recording an adjacent packet in a different recordable cd drive.

Packet recording has several advantages. To begin with there is no limit to the number of packets that can be recorded, up to the space available on the disk of course. In this way, limitations imposed by track-at-once, multi-session or disk-at-once can be avoided.

Secondly, if the packet size is smaller than the drive-buffer size – as is likely to be the case – a dedicated hard drive is not needed while recording. Once the packet of information has been transferred to the drive buffer, the computer can do other tasks while the CD-R drive carries out the recording.

With the advent of packet recording, recordable cd technology becomes much more flexible than in the past. As a result, the technology is much more attractive as a general purpose removable data storage device. It can be used for back up purposes as well as for storing smaller files.

Table 1. Optical technologies compared.

	Multifunction Optical 5.25in MO/WORM	3.5in Optical	CD-R/CD-E	Phasewriter Dual (PD)
Disk diameter	130 mm	90 mm	120 mm	120 mm
On-line capacity	650Mbyte ¹	230Mbyte	650Mbyte	650Mbyte
Function	Rewritable and write-once	Rewritable	Write once but CD-E will be rewritable	Rewritable
Performance				
read data rate	1200-2300KB/s ²	600-1300KB/s	700KB/s	870 KB/s
write data rate	400-800KB/s (mag-opt) 660-1200KB/s (WORM)	200-400KB/s	700KB/s	870 KB/s
seek time	30ms	35ms	300ms	200ms (average)
Mean time between failure (MTBF)	180 000 hours	40'000 hours	30 000 hours	–
Current drive price	\$2000	\$700	\$1700	\$1000
Current media price	\$100	\$30	\$12	\$100
Expected drive price (May '96)	\$1500 ³	\$600	\$700	\$700
Key attribute	High performance	Portability (shirt-pocket size disks)	Can read cd-rom Readable in cd drive	Can read cd-roms
Migration path	≥1300MB (early '96)	≥650MB (early '96)	≥3GByte (late '97)	not clear
Upward compatible with next generation drives?	Yes (read/write compatible)	Yes (read/write compatible)	not clear (current CD-R disks not readable in HDCD drives)	not clear

Notes:

- 1) On-line capacity means capacity available without human intervention – i.e. capacity on a single side.
- 2) In constant angular velocity (CAV) drives, linear velocity varies as a function of radius. Thus, data rate varies as a function of the radius of the read/write head because the linear data density is constant as a function of radius. The higher data rate is possible when the head is at the outer radius of the disk, while the lower data rate occurs when the head is at the inner radius.
- 3) These are projections based on industry consultant forecasts.

There is an interchangeability problem with some cd-rom players as they post a hard error when they encounter the link block at the beginning of each packet. To address the problem of interchange with packet written disks, the Optical Storage Technology Association is investigating whether an appropriate device-driver utility will enable older cd-rom drives to accept packet written disks.

An alternative is to use variable sized packets in which the packet size is equal to the file size. This technique is attractive because it reduces the incompatibility with cd-rom drives, but it also has its own problems – further illustrating the point that converting a recordable cd into a mass storage technology will require a certain amount of compromise and reduced expectations.

Cd-rom compatibility issues

One of the key attributes of recordable cd drives is that in principle the disks they write can be read by cd-rom drives. Given the phenomenal success of cd-rom and the rapidly growing installed base of titles and drives, it is clearly advantageous for an optical drive to be cd-rom compatible in some way.

Recordable cd drives can read cd-rom disks, and write recordable cd disks that can be read on cd-rom drives. However these disks are write-once only.

Several companies are working on a new technology called CD-E or compact-disk-erasable which is a recordable cd based on phase-change material. The CD-E drives will supersede CD-R drives since they will have not only all the features of the recordable cd drives but also those of erasable cds. CD-E drives have the potential to become a mass storage medium and to replace the floppy drive on desk top computers.

Recognising the importance of cd-rom compatibility, Matsushita Corporation (Panasonic) recently announced a new rewritable optical drive called phasewriter dual or 'PD'. This

drive has the capability to read cd roms. The phasewriter-dual drive writes to a phase change rewritable media. However, unlike CD-E drives, the disks written by the pd drive cannot be read back by cd-rom drives, and thus cannot take advantage of the installed base of cd-rom drives.

A bewildering array of choice in 1995

How do optical drives available now, or being introduced in 1995, compare with each other? There seems to be a bewildering array of choices for the consumer. Which should the consumer choose? Of course this depends on what is important to the user – capacity and performance or low cost or cd-rom compatibility. A comparison of the various technologies are given in Table 1.

The primary delineators are performance and cost. Magneto-optical/WORM and phase change drives offer much higher performance than recordable cd drives. On the other hand, recordable cd offers cd-rom compatibility and has a greater possibility of being low cost because of the cd-rom base.

Over the next three years, the market will decide in which application segments each of these features is most important.

The next generation: HDCD and DVD

The 650Mbyte capacity of current cd-rom and recordable CD-R drives has remained unchanged since the introduction of cd-rom in 1985. However, the growing interest in putting video on cd is forcing the need to increase the capacity – video is very storage intensive.

The motivation for developing video cds is that they will replace the video tape, just as audio cds replaced the phonograph record and audio tape in the mid eighties. Furthermore the high-capacity cd is also needed in computer applications to replace cd-rom disks.

In December 1994, Philips and Sony proposed a new compact disk standard called HDCD, high-density cd, which can hold

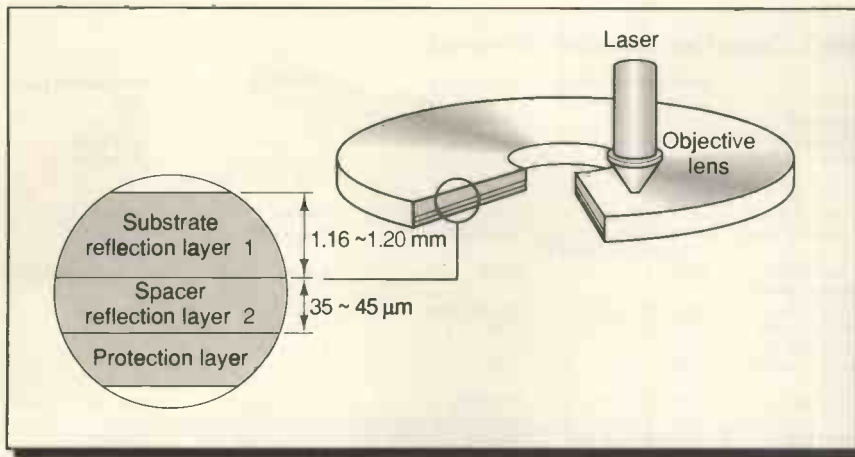


Fig. 8. Announced earlier this year, Sony's new 3.7Gbyte high-density compact disk is claimed to be capable of recording up to 135 minutes of MPEG-2 compressed video.

3.7Gbyte on a single disk. A second version of the HDCD is likely to have two data layers, as shown in Fig. 8, thus doubling the capacity on a single platter to about 7Gbyte.

A two layer HDCD should cost only marginally more than a single layer HDCD. Not to be outdone, Toshiba and Time Warner with support from Matsushita released an alternative standard for a videoCD in January 1995. Toshiba calls it the DVD or digital video disk but it has also been referred to as SD or super disk. This disk is double sided and can store about 5Gbyte per side. A comparison of the two mutually incompatible standards is given in Table 2.

How will the increases to HDCD or DVD capacity be achieved? In any disk based system the main way of increasing capacity is to make the marks smaller and put them closer together since there is no chance of increasing the size of the disk. To go from current cd-rom capacities to HDCD or DVD capacities – a factor of at least five jump in storage density – requires shorter wavelength lasers, higher numerical aperture lenses, tighter track pitches and higher linear densities.

The laser chosen for the next generation cds will be a red emitting type operating at 635nm, as opposed to the 780nm of currently used for cds. However the switch to a red laser leads to a potential problem in compatibility. This is because current dye-polymer media formulations for recordable cds are not compatible at red laser wavelengths. As a result, the recordable disks you are using today will not be read back by the next generation of higher density compact disk drives. Lack of upward compatibility, though not widely advertised, will not be warmly greeted by any

users who are currently archiving data or photos on recordable cd media.

Several US and Japanese media companies are working on recordable cd media that is compatible at both the infra-red laser wavelengths, found in current drives, and the red laser wavelengths. An introduction of such media into the commercial market is imminent and will solve the current upwards-compatibility problem.

The fact that two competing proposals have been introduced for the videoCD standard has caused quite a stir, bringing back memories of the VHS versus Betamax videocassette standard wars. The videoCD standards could well be a replay of the videocassette war unless the two sides get together and compromise on a single standard.

Currently in Toshiba/Time Warner's favour is the fact that several of the Hollywood studios – the 'content providers' – seem to be supporting DVD. Sony and Philips have been lining up the major computer and software makers to support HDCD as the next generation replacement to the immensely popular and widespread cd-rom. Realising the importance of cd rom, Toshiba has agreed to modify its standard so that it will support cd rom, and has begun talks with computer and software companies. Which of the two competing standards the industry will adopt is still up in the air, but hopefully, Sony/Philips and Toshiba can sort out their differences and converge to a single standard.

Optical technology trends

Whichever specific format is adopted, optical drives will continue to see both incremental and radical improvements from a technology

perspective. The incremental improvement process will concentrate on the four core technology elements: the laser, the media, the recording channel, and the opto-mechanics.

The laser will see continual improvements in its operating life and power, which in turn will allow disks to spin faster. Media will see improvements in substrates and active layers. Optics and actuator systems will have improved servo systems to allow finer positioning. In addition there will be reductions in noise, smaller optical components, and lighter actuators for faster seek operations.

The recording channel and electronics will see an increase in the level of electronics integration, a reduction in electronic noise and power consumption, and better signal processing and error correction.

There is a considerable amount of technical growth potential for optical drives, in both performance and capacity. After all, optical drives are a relatively new commercial technology. Remember that the first rewritable optical drives only started being marketed about six years ago.

Acknowledgments

Thanks to Lee Jesinowski of IBM Tucson for the electronic block diagram of the optical drive, and to Blair Finkelstein of IBM Tucson for the photograph on WORM threshold mark formation. ■

Probing further

There is a number of excellent books that provide an overview of optical disk systems. A classic is *Optical Recording* by Alan Marchant (Addison Wesley, Reading, MA, 1990) which provides an overview of the various types of recording as well as the basic functioning of an optical drive. A more detailed study of optical disk drives and their opto-mechanical aspects is provided in *Principles of Optical Disc Systems* by G. Bouwhuis, J. Braat, A. Huijser, J. Pasman, G. van Rosmalen, and K. Schouhamer Immink (Adam Hilger Ltd, Bristol 1985).

For recent developments in the field of optical storage, you are advised to attend the meetings of the International Symposium on Optical Memory (ISOM) or the Optical Data Storage (ODS) Conferences (held under the auspices of the IEEE or the Optical Society of America).

Table 2. Comparison of proposed high density compact video disk standards – Sony/Philips' IDCD versus Toshiba/Panasonic's DVD.

	Sony/Philips HDCD	Toshiba/Panasonic DVD
Number of sides	Single sided (but up to 2 data layers)	Double sided
Disk capacity	3.7GB (7.4GB for 2 layer)	5GB/side (10GB total)
Playing time	135min/layer	142min/side
Track pitch	0.84μm	0.725μm
Laser Wavelength	635nm	635nm
Numerical aperture	0.52	0.6
Plays current cd-rom titles	Yes	not clear

POWER

dissipation in capacitors

Perfect capacitors dissipate no power, but in the real world, many factors combine to reduce efficiency and increase failure rate – as capacitor consultant Cyril Bateman explains.

Capacitors don't take power. So began my lecturer when introducing the topic of capacitor phase angles. I remembered these words only too clearly some years later when investigating capacitor failures occurring in the line time-base circuit of the first all solid state 110° colour televisions.

My experiences as a capacitor designer and applications engineer have clearly demonstrated that all capacitors have a limited power handling capability, similar to the safe operating area of semiconductors.

Directly or indirectly, overstressed capacitors are involved in most circuit failures. Obviously, all components wear out eventually. But overstressed capacitors used with pulse waveforms in power switching circuits can fail very quickly. Worse still, before the capacitor ultimately fails, it can directly contribute to the failure of switching semiconductors, and in doing so, mask the prime failure mechanism.

Manufacturers sometimes determine the power rating of a capacitor by subjecting samples to sinewave stress while monitoring the temperature rise. To confirm long term reliability, this is often supported by stressing at elevated temperature. These results can be related to end-use conditions provided that the capacitor's rms power level in circuit can be measured or calculated.

Why should capacitors cause such problems used with pulse waveforms? Power dissipated

in a capacitor is dependant on $I^2 esr$, alternatively $VI \tan \delta$. While capacitive reactance is inversely proportional to frequency, equivalent series resistance, or esr, is not. Depending on frequency and capacitor type, while esr generally reduces with rising frequency, this is not always the case. In some combinations esr can exceed the capacitive reactance, and can also increase with frequency.

Since the esr of a capacitor is frequency dependent, the capacitor's power dissipation can be measured in circuit only when using sinewave stimulation. Given a mathematically defined waveform, however, power level can be calculated following the classical methods.

This article proposes a method of calculating capacitor power dissipation for any waveform, – demonstrated by two recent applications reported in *Electronics World* – together with

a prototype 'snubber' circuit^{1,2,3}.

In the first of these applications, an article on Cuk converters, Finnegan found that using a standard electrolytic component for the 3.3µF capacitor of Fig. 1 was unsuitable. Equivalent series resistance caused overheating. In the second article, physically small capacitors are needed for C_1 and C_2 of Fig. 2. The choice of ceramic type matters here since some exhibit more losses than others and an incorrect type could easily result in overheating.

According to the Fourier theorem, time and frequency domains interrelate and can be transformed with no loss of information – provided complete waves are used and sufficient harmonics are computed. In theory an infinite number of harmonics is required. In practice fifty harmonics have proved to suffice.

Converting from the time domain into the

Resistance in capacitors

For a capacitor, equivalent series resistance, esr, is a single lumped resistive value representing all real losses. This loss comprises three main sources:

- True series resistance, tsr , comprising the actual metallic resistances.
- R_p comprising:
 - a) Dielectric loss due to molecular and interfacial polarisation.
 - b) Leakage resistance, measured at dc volts.

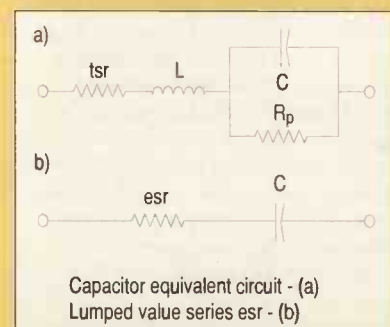
$$esr = tsr + \frac{R_p}{1 + \omega^2 (R_p)^2 C^2}$$

$$esr = \tan \delta \times X_c$$

$$esr = \cos \theta \times |Z|$$

Equivalent series resistance tends to reduce with increasing frequency, but by considerably less than the

theoretical halving for each doubling of frequency. Ultimately attaining a minimum value when $X_c = X_L$, i.e. at the series resonance of the capacitor as a series LCR system.^{8,9,10}



In the capacitor equivalent circuit a), true series resistance is caused by actual metallic resistances inherent in the component make-up. Solving this equivalent circuit mathematically into real and imaginary terms results in the series equivalent model b). This is an equivalent series resistance representing all real capacitor losses.

frequency domain for calculations offers many benefits. Not least of these is the ease with which frequency dependent parameters can be accommodated, since all calculations are also simplified.

With capacitors subjected to non-sinusoidal waveforms, the resulting capacitor current by harmonic depends on the harmonic amplitude multiplied by the harmonic number. Given an ideal capacitor and ideal square wave, the current resulting from each harmonic equals that of the fundamental frequency. For other waveforms it is possible that harmonic currents can exceed that of the fundamental. Since the equivalent series resistance change by harmonic is always less than ideal, the power contributed by a harmonic can considerably exceed that of the fundamental, **Table 1**.

Having established the need to avoid early

capacitor failures, the sequence for calculating capacitor power dissipation is:

- Fourier transformation of the stimulus waveform observed across the capacitor terminals, into the frequency domain, by amplitude and phase.
- Determination of esr for each harmonic frequency, by measurement or from published characteristics.
- Determination of relative capacitor current and phase for each harmonic frequency.
- Complex multiplication of stimulus waveform harmonic amplitude and phase with capacitor current and phase for each harmonic frequency.
- Reverse Fourier transformation (synthesis) back into time domain.

- Calculation of capacitor power by each harmonic and relevant esr, over one period of the fundamental waveform.
- Calculation of rms power dissipated in the capacitor.

A closer look

Many suitable fast Fourier calculation routines have recently been published. The essential requirements are sufficient data points for accuracy, say 256 minimum, the provision of $k(0)$ (mean) data, with sufficient harmonic data by amplitude and phase, such that reverse transformation accurately recovers the original time-domain voltage waveform's shape and amplitude.

I have successfully used an enhanced version of the Larsen-Dyrik *BBC Computer* program adapted to run on the *Archimedes*⁴

Table 1. These results, derived from the 22nF snubber, show that power loss due to harmonics can exceed that of the fundamental.

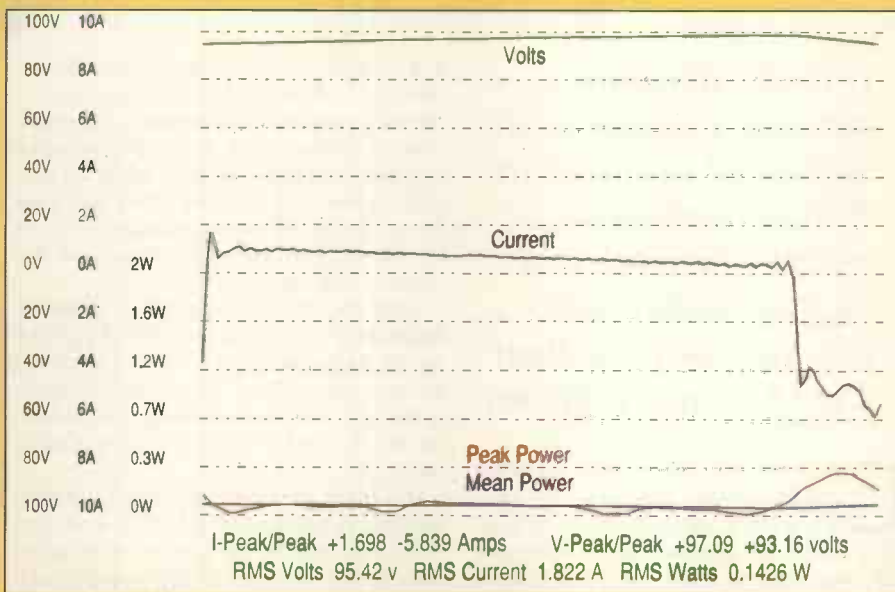
Harmonic number	Amplitude (V)	Phase (°)	Current (A)	Power (W)
k(0) (mean)	113.13	0	0	0
k(1)	118.5	236.9	1.64	3.75
k(2)	89.72	202.5	2.48	4.87
k(3)	53.32	164.5	2.21	2.79
k(4)	21.5	112.7	1.19	0.64
k(5)	9.72	354.3	0.67	0.18
k(6)	14.66	272.4	1.22	0.49
k(7)	14.05	215.1	1.36	0.56
k(8)	10.7	151.2	1.18	0.38
k(9)	8.28	79.05	1.03	0.27
k(10)	6.8	6.96	0.94	0.21

Capacitor performance simulations

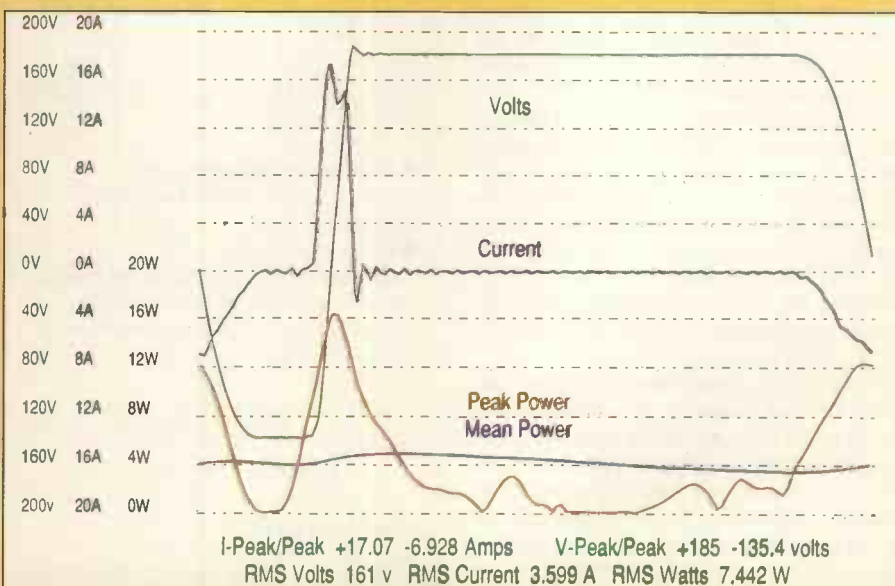
The procedure used to generate these results graphs commenced with time domain simulation of the circuit using *Pspice*. This produced the voltage waveform which would be measured across the capacitor if displayed on an oscilloscope. The 22nF snubber was in fact derived from an oscillogram.

This waveform was digitised into 256 X Y co-ordinates and stored on disk using a custom program. The data file became input to calculation programs running on my *Archimedes*. These are FFT conversion, followed by frequency domain analysis, complex multiply and reverse FFT to restore to time domain.

The results are displayed on screen exactly as shown here. To provide the best resolution, I wrote a dedicated routine to output these curves as a vector datafile in *Archimedes Draw* format. This permits easy conversion to formats compatible with other machines.



Plot 1. Energy transfer for capacitor C₃ of Cuk converter Fig. 1. This 160V rated component is 3.3µF. A Wima MKS4 metallised polyester gives acceptable power loss for long life.



Plot 2. Experimental snubber using 22nF chip capacitors made from X7R ceramic was unsatisfactory. Capacitor seriously overheated and failed - quickly.

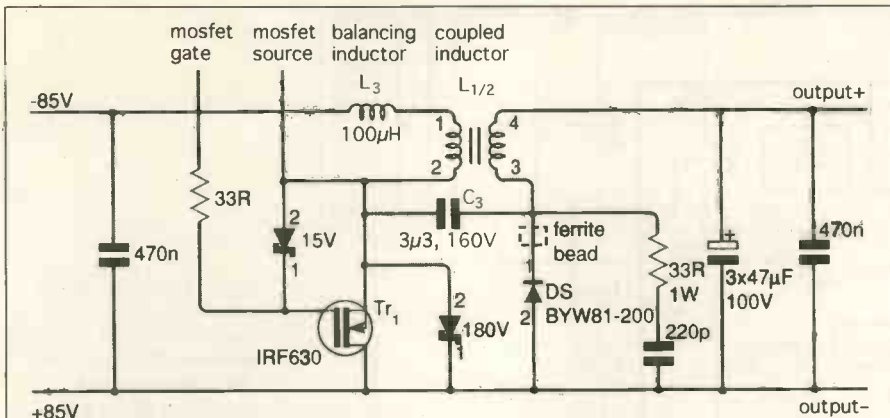
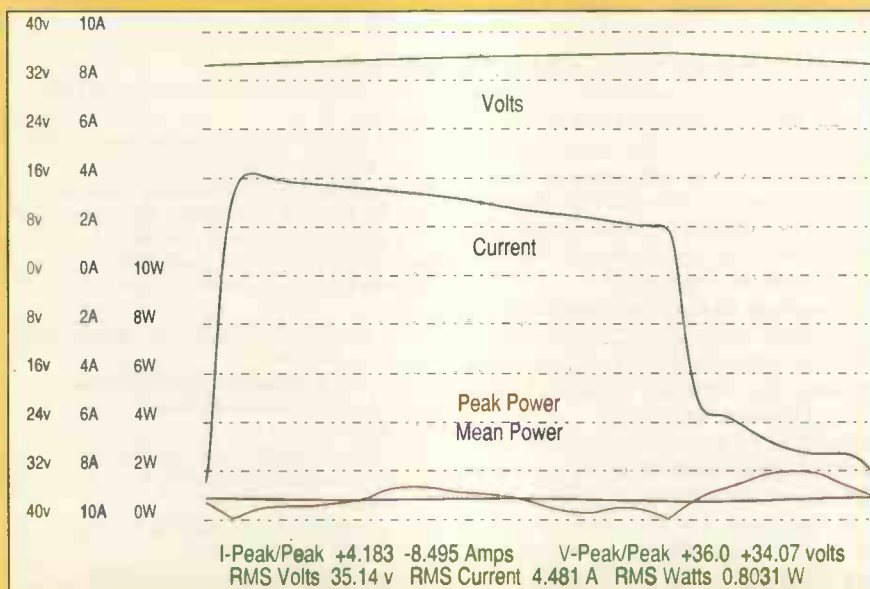
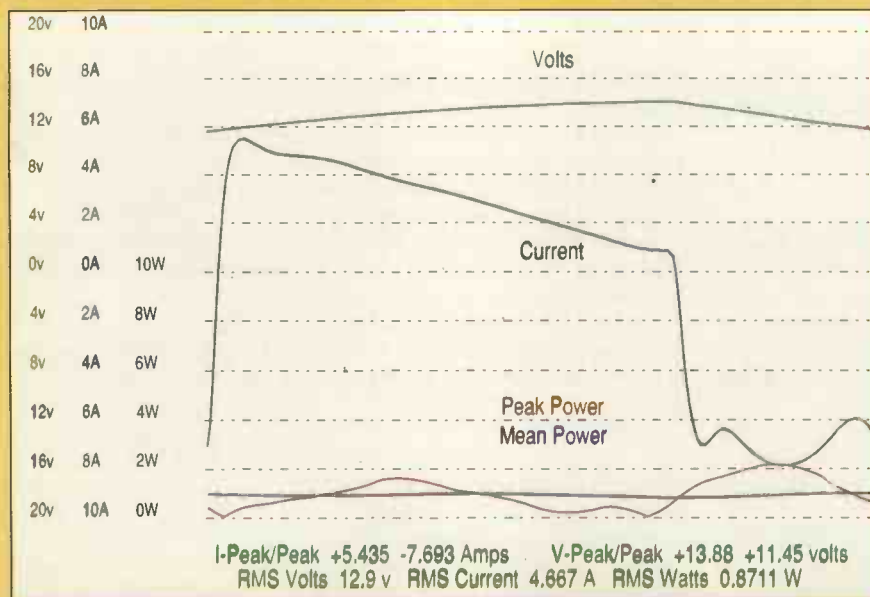


Fig. 1. An important capacitor in this Cuk converter is the 3.3µF device C_3 , coupling pins 2 and 3 of the transformer. Finnegan found that ordinary electrolytic capacitors overheated and low-esr types were not available for such high voltages.



Plot 3. Energy transfer for 1.1µF capacitor C_1 of the Harris/IBM converter, Fig. 2. Photograph in Jan '93 EW+WW, p58, shows parallel capacitors make up these values. With careful choice of ceramic dielectric power spread over 7 surface-mount capacitors should be satisfactory.



Plot 4. Performance of 0.88µF reservoir capacitor C_2 in Harris/IBM converter, Fig. 2. Parallel capacitors make up the value, as for plot three, but here, only six devices are needed.

Before any fast Fourier transform can be run, one period of the waveform must be described, mathematically if feasible, or more generally as X and Y co-ordinates, matching the input needs of the chosen FFT calculation.

Fundamental to this method is the assignment of esr and capacitance values for each harmonic frequency used. Whenever possible these should be interpolated from the nearest practical measured frequency.

Modern LCR bridges can measure at many frequencies to at least 1MHz. At these higher frequencies the best four-terminal measurement techniques must be used, and preferably with short component lead lengths.

At frequencies greater than are possible with LCR bridges, network analysers measuring by $|Z|\angle\theta$ are most appropriate. Since most capacitors of interest will resonate below 10MHz, as an unreducible minimum, a measurement of impedance with frequency can determine the minimal value of equivalent series resistance, at the resonant frequency.

Simulating capacitor performance

Analogue circuit simulators are based either on frequency-domain or time-domain simulation methods. Time-domain based simulators can allow for amplitude dependant anomalies that are typical of semiconductor junctions.

At the University of California, Berkeley, a development grant from Sprague Electric in 1970-71 funded the preliminary development of the Cancer program - from which Spice, subsequently Spice2, developed. This work was specifically targeted to the needs of the integrated-circuits group at the University. Indeed the word Spice derives from 'Simulation Program with Integrated Circuit Emphasis'.

Full details of the development of Spice2 are contained in Laurence Nagel's doctoral thesis, memorandum No. ERL-M520, 9 May 1975.

Spice2-derived simulators comprise small-signal frequency-domain analysis together with time domain transient response and dc transfer functions.

Consequently, although Spice2 based simulators are able to calculate power dissipation, use of the time-domain calculations, inhibits frequency dependency.^{11,12}

While many nodal frequency domain simulators do not support frequency dependency, provided matrix reduction techniques are not used, this enhancement is possible.

With non-sinusoidal waveforms, substantial errors of power result from the capacitor's frequency dependent equivalent series resistance. Eliminate these errors by simulating in the frequency domain and using the appropriate esr values. I have built this capability built into my simulators for the Archimedes.

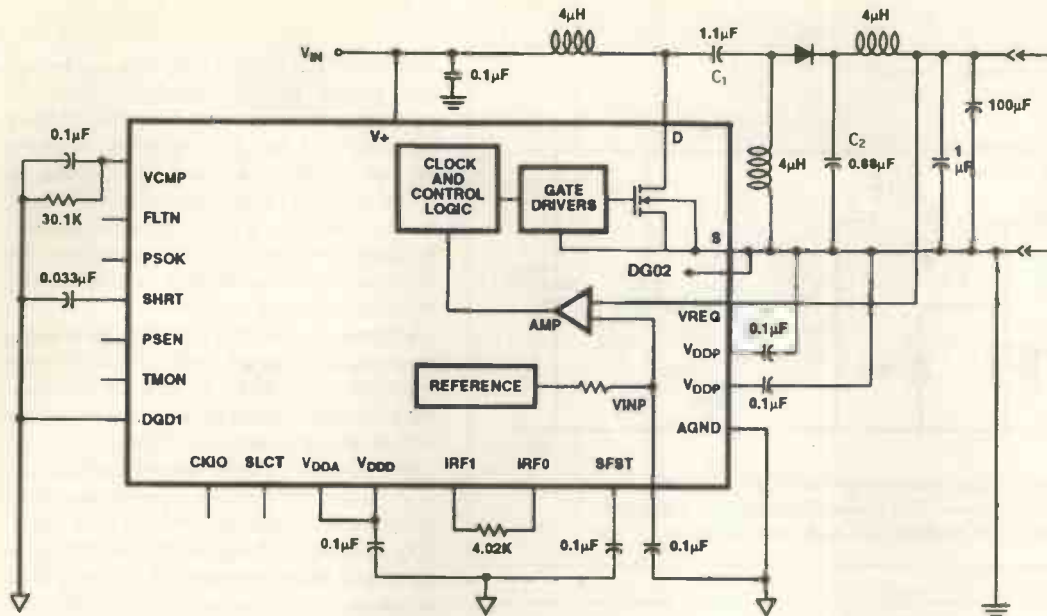


Fig. 2. This single-ended primary-inductance converter, based on a chip produced by Harris and IBM, involves small capacitors which are susceptible to overheating if the wrong ceramic is chosen. In the article here, 36V input and 5V output are assumed.

Provided that the frequency of the highest significant harmonic is below the capacitor self resonance, current and phase by harmonic relative to unity input stimulus can be calculated by many means – including pocket calculator. Should there be any harmonics having significant power above this resonant frequency, then a full capacitor model together with simulation software is preferred. This model has to include inductance and equivalent series resistance.

Complex multiplication of each harmonic component of the stimulus waveform with the relative capacitor current and phase provides the final frequency-domain result. These are output when required. Complex multiplication is simplified if data by magnitude and phase angle is used. In this case multiply the respective magnitudes but add the angles.⁵

Capacitor current in rms can be calculated directly from the above complex multiplied frequency domain results.^{6,7}

The reverse fourier transform or synthesis, provides the time domain capacitor current

waveform and the rms power dissipated by the capacitor. Additionally an estimate of the peak and mean power levels throughout the waveform can be deduced. This can be used to reduce power levels by fine tuning the wave-shape. These capacitor power levels should be calculated by harmonic frequency, amplitude, phase and relevant esr for each of the data points through one waveform.⁶

This proposed method applies not only to switched mode supply simulation. The above sequence is simple and quick, if performed using dedicated computer routines. I have developed some of these myself.

Preparing X, Y data points defining the stimulus waveform is simplified by using a curve fitting routine. All subsequent data transfers can be automated. For any stimulus waveform, data from the fft can be stored as a library file, and reused as needed, until a different stimulus is desired.

Given capacitor data-file libraries, the traditional method of choosing capacitors by trial and error becomes obsolete. ■

References

1. Design Brief: 60W Cuk converter, EW+WW, July 1991.
2. Switched-mode PSU technology runs at 1MHz, EW+WW, January 1993.
3. Intelligent Power ICs Databook, Addendum AN9208, Harris Semiconductor, Camberley.
4. Fast Fourier Transforms using a microcomputer, EW+WW, Sept. 1985.
5. Handbook of Line Communications, Vol. 1, HMSO.
6. Analysis & Synthesis of Electric Circuits, MIR Publishers, Moscow.
7. Advanced National Certificate Mathematics, Vol. 2, English Universities Press.
8. Designer's Guide to RCL Measurements, Application Note 5952-4800, HP, Bracknell.
9. News from Rohde & Schwarz, No 23, Fleet.
10. General Radio EID12.
11. A Guide to Circuit Simulation & Analysis Using Pspice, Prentice Hall.
12. Spice2, Memorandum No ERL-M250, University of California, Berkeley.
13. Reference Data For Radio Engineers, H.Samms & Co.
14. Faster Fourier Transforms, EW+WW, June 1986.

Fourier transforms – forward and reverse

The forward Fourier transform $F(y)$ of a function of the real variable $f(x)$ (where $f(x)$ may be real or complex) is defined by the integral.¹³

$$F(y) = \int_{-\infty}^{\infty} f(x) \exp(-j2\pi xy) dx$$

In the context of this article, the above expression states that a time-domain measurement can be transformed into the frequency domain with no loss of data.

Displaying the sinusoidal component frequencies which comprised the original time domain waveform by their respective amplitudes and relative phases. An example of a time-domain measurement is an oscilloscope displaying amplitude by time.

This transform is subject to certain conditions. The waveform described must be periodic – e.g. one complete cycle of a repetitive waveform. In addition, the waveform must have a finite average value. The waveform must have a finite number of maxima and minima in a period.

Provided that the time-domain waveform sampling rate satisfies Nyquist and the number of samples is a multiple of two, the transform can be mathematically simplified as defined by the fast fourier transform.¹⁴

Note that since each harmonic data pair contains two dimensions, the

number of data pairs is restricted to one half of the number of samples used for the time domain.

Having performed an fft on the waveform, the resulting data is a number of data pairs describing amplitude and phase by harmonic, Table 1.

Having Fourier-transformed the waveform, subsequent calculations can follow the rules of conventional sinewave analysis.

Results from the reverse Fourier transform can be obtained simply by evaluating, harmonic by harmonic from time $t=0$ to 2π radians and by the number of samples the following expressions, where, k is the harmonic number, and ψ is relative phase angle in degrees. Expressions $|Mv(k)|$, $|Pv(k)|$, $|Mc(k)|$ and $|Pc(k)|$ are the magnitude and phase results of the FFT and complex multiply respectively.

- $I(k) = (|Mv(k)| \omega k C) \sin(K\omega t + \psi \pi / 180 + \pi / 2)$ (Ref. 4)
- $I(k) = (|Mc(k)| \sin(tk + |Pc(k)| \pi / 180))$ (Ref. 4-6)
- $V(k) = (|Mv(k)| \sin(tk + |Pv(k)| \pi / 180))$ (Ref. 4-6)
- Current, rms = $((|Mc(k1)| / \sqrt{2})^2 + (|Mc(k2)| / \sqrt{2})^2 \dots)^{0.5}$ (Ref. 4, 10)
- Voltage, rms = $((|Mv(k1)| / \sqrt{2})^2 + (|Mv(k2)| / \sqrt{2})^2 \dots)^{0.5}$ (Ref. 4, 10)
- Watts, rms = $((|Mc(k1)| / \sqrt{2})^2 \text{esr}(k1)) + ((|Mc(k2)| / \sqrt{2})^2 \text{esr}(k2)) + \dots$ (Ref. 4)

High Specification PIC Tools from PARALLAX

ClearView In-Circuit Emulators



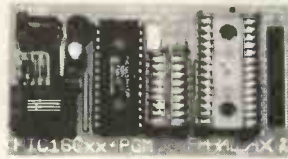
20-MHz in-circuit debugging for PIC 16C5x/64/71/84/...
Set breakpoints, step through code, modify registers.
Friendly DOS and Windows software.

From **£399** (separate units for "5x" and "xx" PICs)

PIC Programmer Pack

Programmer for PIC16C5x/64/71/84/...
Documentation on disk.
User supplied cables and power supply.

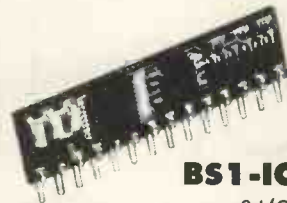
Just £89



Programmer Emulator Assembler Software Simulator
16C5x 16C54 16C71 16C84 17C42 Execution speed (MHz) Programming Adaptors

PIC 16Cxx Programmer	•	•	•	•	•	•	•	•	•	ZIF, SOIC, SSOP
BackDraft 17	•	•	•	•	•	•	•	•	•	PLCC
ClearView '5x	•	•	•	•	•	•	•	•	20	
ClearView 'xx	•	•	•	•	•	•	•	•	20	

Stamp-sized Computer Modules Run BASIC

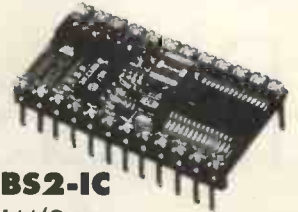


BS1-IC

8 I/O

100 line capacity: 4-MHz Clock

£29



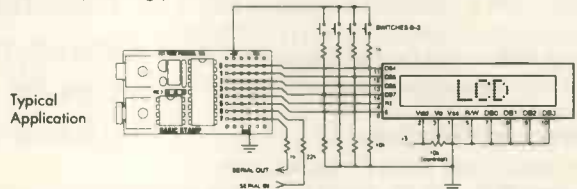
BS2-IC

16 I/O

600 line capacity: 20-MHz Clock

£49

Two **NEW** BASIC Stamp Controllers offering even more flexibility to Industry, Education and the Hobbyist. Both run Parallax "PBASIC" with familiar BASIC commands plus serial I/O, pulse measurement and button debounce. The BS2-IC includes additional support for LCDs, keypad, DTMF encoding/decoding, X-10 transmit and external time clocks. The BASIC Stamp programming package at £66 contains editor software, cables, manual and extensive application notes; everything you need to program Stamps using your PC.



All prices exclude VAT and £3 shipping per order.
For further details on any of these products please phone for our new colour catalogue.

MILFORD INSTRUMENTS

Milford House, 120 High Street,
SOUTH MILFORD, Leeds LS25 5AQ
Telephone 01977-683665 (24 hour) 01977-681465 (Fax)

CIRCLE NO. 107 ON REPLY CARD

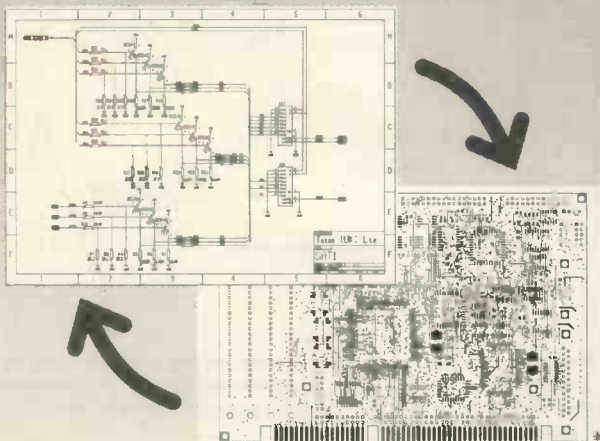
Finally an upgradeable PCB CAD system to suit any budget ...

Board Capture

BoardCapture - Schematic Capture

- Direct netlist link to BoardMaker2
- Forward annotation with part values
- Full undo/redo facility (50 operations)
- Single-sheet, multi-paged and hierarchical designs
- Smooth scrolling
- Intelligent wires (automatic junctions)
- Dynamic connectivity information
- Automatic on-line annotation
- Integrated on-the-fly library editor
- Context sensitive editing
- Extensive component-based power control
- Back annotation from BoardMaker2

£395



BoardMaker

BoardMaker1 - Entry level

- PCB and schematic drafting
- Easy and intuitive to use
- Surface mount support
- 90, 45 and curved track corners
- Ground plane fill
- Copper highlight and clearance checking

£95

BoardMaker2 - Advanced level

- All the features of BoardMaker1 plus
- Full netlist support - OrCad, Schema, Tango, CadStar
- Full Design Rule Checking - mechanical & electrical
- Top down modification from the schematic
- Component renumber with back annotation
- Report generator - Database ASCII, BOM
- Thermal power plane support with full DRC

£395

BoardRouter

BoardRouter - Gridless autorouter

- Simultaneous multi-layer routing
- SMD and analogue support
- Full interrupt, resume, pan and zoom while routing

£200

Output drivers - Included as standard

- Printers - 9 & 24 pin Dot matrix, HPLaserjet and PostScript
- Penplotters - HP, Graphtec, Roland & Houston
- Photoplotters - All Gerber 3X00 and 4X00
- Excellon NC Drill / Annotated drill drawings (BM2)

Contact Tsien for further information on
Tel 01354 695959
Fax 01354 695957



All trademarks acknowledged

Tsien (UK) Ltd Aylesby House Wenny Road Chatteris Cambridge PE16 6UT

CIRCLE NO. 108 ON REPLY CARD

Phasor diagrams and standing waves

Phasor diagrams are extremely useful in combining voltages present at a point on a transmission line from forward and reflected waves. Finding the resulting, measurable voltage at a point is made very much simpler with a phasor parallelogram. This is taken a step further with a novel combined voltage and current diagram which allows currents and impedances to be dealt with.

Power considerations

Once steady state has been reached, power is delivered to the line at a steady rate and dissipated in the load at a steady rate. If the line is loss free, these two rates are equal.

Energy injected into the line before steady state is achieved remains there in the form of the forward and reflected waves. In the steady state, energy stored on the line is continually leaking out at one end and is being continually topped up at the other by the transmitter. The energy returned by the reflected wave helps to maintain the forward wave.

When the generator is switched off, the energy stored on the line will leak rapidly away as the waves echo back and forth.

As both the forward and backward waves are energy carriers, the terms 'forward power' and 'reflected power' are frequently used. Reflected power does not mean wasted power so there is no reason why an ideal line should not transmit energy efficiently even if there is appreciable reflection; a high standing wave ratio. On the other hand, using practical transmission lines, the existence of voltage and current maxima is likely to result in increased energy losses. These losses increase with the

Geoffrey Billington looks at how currents and voltages are distributed in a standing wave and how these can be represented with phasor diagrams.

square of the current in the lines and the square of the voltage between them, so reduced losses at minima will not compensate for increased losses at maxima.

Travelling wave voltages

Imagine a continuous train of periodic waves moving down a long line from left to right. Everyone invariably forms a mental picture of a series of ripples of constant wavelength travelling down the line at a constant speed, but it is important now to think more carefully about what this picture really represents.

To monitor the variation of voltage along the line, let everything happen in slow motion and let centre zero voltmeters be connected at various points, shown in Fig. 1. Each meter swings from side to side over the same range as the wave passes, but there is a phase lag which increases steadily with distance moving down the line. For instance, voltmeter V_2 is playing follow-the-leader with V_1 but lags,

reaching its maximum a little later. Similarly, V_3 lags V_2 , and so on. By the time we reach $V_{\lambda/2}$ the lag has increased to half a cycle, and the lag of V_{λ} is one full cycle; it has come back into step with V_1 . This pattern repeats all along the line. The distance between V_1 and V_{λ} is defined as one wavelength (λ) or the 'repetition distance'.

"For a wave travelling from left to right, the phase lag produced by moving a distance 'L' to the right is L/λ cycles. Moving a distance to the left produces a lead of L/λ cycles." In other words, a movement of one tenth of a wavelength causes a phase shift of one tenth of a cycle. For waves moving in the opposite direction, the above statements apply by simply interchanging the words 'lag' and 'lead'.

Instantaneous and rms measurements

From now on, phrases such as 'the voltage' or 'the current' will normally be referring to rms values, not instantaneous ones.

Standing-wave maxima and minima

At any point on a mismatched line there are two alternating voltage components. One is due to the forward wave and one is due to the reflected wave. What we actually measure with a voltmeter is the resultant of these two components. This depends on the phase difference between the component voltages at that point which varies from point to point.

Providing the line is long enough there will be at least one point where the component voltages are in phase or, strictly speaking, where the phase difference is a whole number of cycles. Suppose P is such a point. If the for-

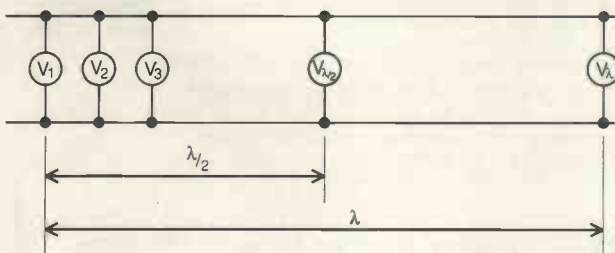


Fig. 1. If the system could be run in slow motion, voltages measured along a transmission line would reveal a follow-the-leader pattern. Travelling along the line to the right, the phase lags that of the previous voltmeter.

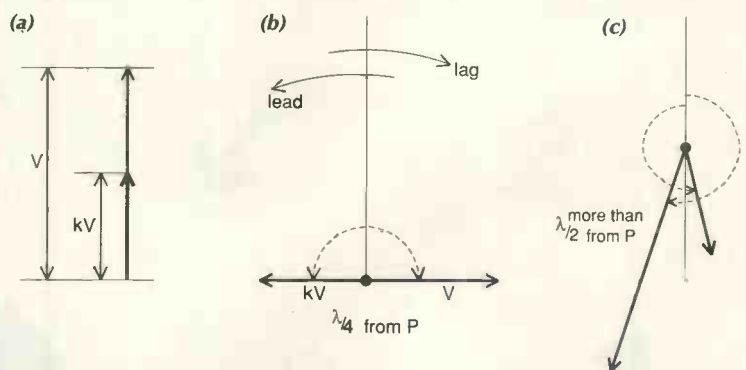


Fig. 2. The relationship between maxima and minima is represented by phasor lengths, (a), and phase by an angle of rotation, (b). Phasors rotate around 360° and cross over as the measuring position on the line moves by more than a full wavelength, (c).

ward-wave voltage component is v and the reflected component is kv , the resultant voltage will have its greatest possible value of $v+kv=v(1+k)$.

Now imagine we move down the line towards the antenna. As the distance increases, the forward wave is delayed an increasing amount while the reflected wave arrives earlier. This means a greater and greater phase difference between the components.

After moving a quarter wavelength, the forward wave will lag on its phase at P by one quarter of a cycle, while the reflected wave will lead by a similar amount. The result will be that the component voltages are half a cycle out of phase, and the resultant voltage will be $v(1-k)$. This is the minimum possible value of the voltage.

A further movement of one quarter wavelength will bring the components into phase and yet another quarter wavelength will bring them into opposition. This stationary pattern will repeat continuously, if the line is long enough, and is termed a 'standing wave'.

All this becomes quite obvious when the component voltages are represented by phasors. Resultant voltage at any point on the line is found by drawing a phasor parallelogram.

Using phasors

The two component voltages are represented by phasors drawn like the hands of a clock. The long hand is v units long and the short hand is kv units. In practice it is often convenient to assume that $v=1$ and that the lengths are 1 and k units.

At a point like P, a voltage maximum, the two hands are both pointing in the same direction. Say both point to 12 o'clock. As we move down the line the hands are rotated through equal angles in opposite directions, the angle representing change in phase; for instance a movement of one quarter of a wavelength is represented by rotating each phasor through 90° . This brings the hands pointing to three o'clock and nine o'clock. Phasor lengths must be subtracted to give $v(1-k)$, a voltage minimum in this case.

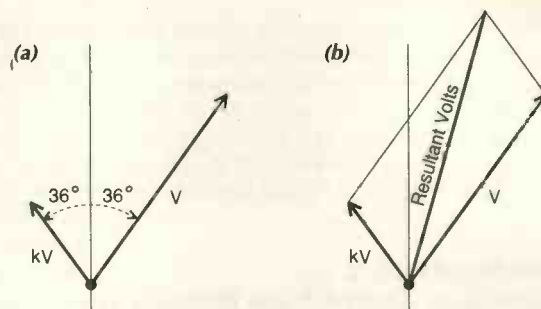
A further quarter of a wavelength will bring both hands pointing to six o'clock, another voltage maximum. However they are pointing in the opposite direction to when they were at 12 o'clock, so the resultant voltage at the new maximum is in antiphase with the original case, Fig. 2a,b,c.

Further movement down the line causes the phasors to cross over and arrive at another voltage minimum after another quarter wavelength, then arrive at their starting position. After a total movement of one full wavelength down the line, the voltage maximum at this point is in phase with the voltage at P.

Rotation convention

In moving down the line towards the antenna the forward wave is delayed, ie lag is introduced, and the reflected wave arrives earlier, ie it leads. Conventionally, lag is represented by a clockwise rotation and lead is represented by an anticlockwise rotation.

Fig. 3. A point $\lambda/10$ from a maximum is represented by two phasors rotated 36° in opposite directions from the zero line, (a). The resultant voltage at this point on the line is found using a phasor parallelogram which combines two components; the voltage due to the forward wave and the voltage due to the reflected wave, (b).



Finding resultant voltage at a point

Suppose that the point of interest is one tenth of a wavelength from a voltage maximum. With the clock hands both at 12 o'clock, rotate each hand through one tenth of a cycle, 36° , in opposite directions, Fig. 3a.

Now construct a parallelogram, Fig. 3b, with the clock hands as sides. The resultant voltage is given by a diagonal drawn from the junction of the clock hands. It should be clear that when the components are in phase or in antiphase, the parallelogram collapses into a straight line. When this happens, the figure still works, giving the same answers as obtained by a straightforward addition or subtraction.

The phasor voltage parallelogram (clock hand diagram) shows how the numerical value and phase of the line voltage varies from point to point. Surprisingly enough it can be easily modified to also give current.

Voltage and current parallelograms

The currents may also be represented by phasors and it is a fairly simple matter to draw current and voltage phasor diagrams side by side with the correct phase relationships.

One thing which holds for both forward and reflected waves is that at all times and all points in the circuit, voltage/current= Z_0 . Note that this is not true for the resultant values of voltage and current.

First think about the forward wave. As $V/I=Z_0$, V and I must be in step and peak at the same instant. We therefore draw the forward-wave current and voltage phasors in parallel, ie the phase difference is zero. The length of this current phasor must be equal to v/Z_0 , where v is the rms voltage.

Now think about the reflected wave. Once again the current must peak at the same instant as the voltage but it has already been pointed out that reversing the direction of the wave reverses the sign of the current relative to the voltage. For the reflected wave, the current phasor must point in the opposite direction to the voltage phasor.

Mathematically speaking, reversing the sign of the current without reversing the sign of the voltage means that $V \times I$ is negative, ie the flow of power is reversed, which is of course true for the backward wave.

The length of the reflected wave current phasor is kv/Z_0 . The resultant current is given by the diagonal drawn from the junction of the current phasors, Fig. 4.

"If the current diagram is scaled up by a fac-

Fig. 4. Current is easily represented on the same phasor diagram as voltage with a small calculation to take into account the line impedance.

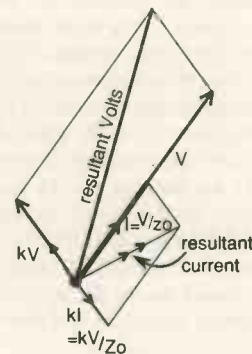
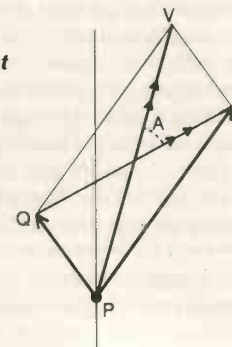


Fig. 5. Placing voltage and current phasors on one parallelogram enables the phase angle, A, between them to be seen. PV=resultant voltage, PI=resultant current $\times Z_0$.



tor Z_0 , it becomes identical to the voltage parallelogram, except that the other diagonal gives the resultant."

Combined voltage-current parallelogram

The voltage parallelogram and the scaled up current parallelogram may be superimposed to give a combined voltage-current parallelogram, Fig. 5. In this the length of the diagonal drawn from the tip of the short clock hand to the tip of the long clock hand represents the current, scaled up by a factor Z_0 . Angle A between the diagonals is equal to the phase difference between voltage and current.

The combined diagram is a very powerful tool. It gives a complete description of the voltage and current at any point on the line, and enables this to be compared with the voltage and current at any other. This is illustrated very well when it is applied to a line terminated in a perfect reflector, ie when $k=1$.

Investigating the case when $k=1$

It is worth while drawing a few diagrams for the case when $k=1$, and thinking about what they mean. For instance, as the sides of the parallelogram are all equal the diagonals are always at right angles no matter what size the figure is. Voltage and current are in quadrature

at all points. The phase of the current also remains constant apart from a sudden reversal on passing a current zero: the voltage behaves in a similar way. You will notice that the electrons in neighbouring half wavelength segments are surging back and forth in opposition, causing maximum voltage fluctuation at the points of zero current.

Line impedance, Z

In general, reflection coefficient, k , have any value between zero and unity. The ratio of voltage to current is termed the line impedance Z , and on an unmatched line Z will vary from point to point. At the output end of the line, reflection must take place so that Z is identical to the terminating impedance. At the transmitter end of the line, Z is the impedance the line presents to the transmitter.

As the diagram allows you to measure the relative magnitudes of line voltage and current and their phase difference, Z may be found at the point in question. ('Line' values of voltage or current means the resultant values). On a matched line, $Z=Z_0$ and does not vary.

Simplifying phasor diagrams

To simplify matters slightly, instead of rotating both clock hands, it is easier if the long hand is kept vertical and the small one is rotated through the double angle. If you do this, the diagrams no longer enable you to compare the phases of voltages and currents at different points on the line. But this is immaterial in finding the line impedance at a given point.

Secondly, the diagram itself may be simplified. Figure 6 shows the voltage and scaled up current parallelograms for a point on the line. They are close together and side by side. Figure 7 shows how unwanted lines can be

omitted to give a single diagram. The scale is immaterial. Vector length $PO=1$ unit and $OV=OI=k$ units. PV represents the resultant voltage while PI represents the resultant current, scaled up by $Z_0 L$. Angle A gives the phase difference between the line voltage and current. Vector VOI acts as an indicator which can be rotated to reveal conditions at any point on the line.

An arrowhead is placed at V . It is helpful to imagine a clock face behind the indicator with the 12 o'clock and 6 o'clock points marked V_{max} and V_{min} respectively. Figure 7 shows the indicator set for a point one tenth of a wavelength from a voltage maximum. This requires a rotation of $2 \times 36 = 72^\circ$ from the 12 o'clock position, Fig. 7. A clockwise rotation is shown in Fig. 7 so the point in question must be on the transmitter side of the voltage maximum. If there is sufficient information to draw the diagram for a given point, then the line impedance, Z at that point can be found.

$$Z = \text{resultant volts/resultant amps}$$

$$\text{Resultant volts} = PV, \text{ Resultant amps} = PI/Z_0$$

$$Z = Z_0(PV/PI) \text{ or } (Z/Z_0) = (PV/PI)$$

Now imagine that the indicator is set at 12 o'clock and then rotated to show the effect of moving along the line. As the indicator is rotated, the diagram changes shape, PV and PI change in length, and the angle between them, A , opens and closes.

Maxima and minima

At 12 o'clock, PV has its maximum length and PI has its minimum length. This point is a voltage maximum and a current minimum. PV and PI lie one on top of the other, so here angle A is zero. Voltage and current are in phase so Z is purely resistive and at its maximum value which is greater than Z_0 . At 6 o'clock, current is at a maximum and voltage at a minimum, so Z has its minimum value which is less than Z_0 , therefore purely resistive. At all other points A is not zero, voltage and current are not in phase, so Z is complex.

Complex values of Z may be represented either by a resistance R_s and a reactance X_s connected in series, or alternatively by a parallel combination of R_p and X_p . Standard ac theory gives:

$$R_s = Z \cos A, \quad R_p = Z / \cos A$$

$$X_s = Z \sin A, \quad X_p = Z / \sin A$$

Provided a suitable rotation convention is used the diagram also shows whether X is inductive or capacitive. If movement along the line away from the transmitter is represented by an anticlockwise rotation and movement towards the transmitter by a clockwise rotation, X will be capacitive if PV is on the right of IV , and inductive if on the left.

A numerical example

One tenth of a wavelength of 50Ω coax is terminated with a 100Ω resistor. The termination is a pure resistance which is greater than Z_0 , so the termination will be a voltage maximum. Standing wave ratio = $100/50 = 2$. This gives:

$$k = (2-1)/(2+1) = 0.33$$

One tenth of a wavelength is represented by a rotation of $2 \times (360/10) = 72^\circ$.

The indicator is initially set to 12 o'clock to represent conditions at the termination, and then rotated clockwise through 72° . Figure 7 should be drawn with $k=0.33$ and could then be used to solve this problem. Vectors PV and PI and angle A are measured and PV/PI is evaluated. Then,

$$PV/PI = 1.2 \text{ and } A = 35^\circ$$

$$Z = Z_0(PV/PI) = 50 \times 1.2 = 60\Omega$$

The series components of Z are:
 $R_s = 60 \cos 35^\circ = 49\Omega, X_s = 60 \sin 35^\circ = 34\Omega$.

The equivalent parallel components are:
 $R_p = 60 / \cos 35^\circ = 73\Omega, X_p = 60 / \sin 35^\circ = 105\Omega$.

As PV is on the right of PI , X is capacitive. This applies to both series and parallel cases.

Alternatively, using the rotation convention, PI leads PV ; the current leads the voltage so 'Z' is capacitive. If the termination of the line had been a resistance of 25Ω (ie $Z_0/2$ instead of $2Z_0$) 'k' and the swr would have been the same numerically, but the termination would have been a voltage minimum so the initial position of the indicator would have been at six o'clock.

The diagram as a visual aid

The real beauty of the diagram is that it reveals and clarifies so many aspects of transmission line behaviour. You only need a few rough sketches without any maths to get a good idea of how impedance, voltage and current and their relative phase all vary along an unmatched line. Try investigating the result of altering 'k', including making it very nearly zero and very nearly unity. Remember that the greater the angle, A , the larger the reactive component compared to the resistive component. When $k=1$, A is a right angle and so Z is a pure reactance.

Comparing phases at different points

I have already pointed out that because one of the phasors is kept fixed, the diagram cannot be used to compare the phase of voltage or current at one point with that of another. If you are interested in making such comparisons, go back to the combined voltage-current parallelogram.

The diagram and the Smith chart

Those of you familiar with the Smith chart may notice that if the diagram had been drawn upside down with P vertically above 'O', giving V_{min} at 12 o'clock and V_{max} at six o'clock, the operating rules become similar to those of the smith chart: 'X' will be inductive when the indicator points to the right, and capacitive when it points to the left. Otherwise the diagram is used exactly as before.

Further reading

'An impedance diagram for transmission lines', *Radio Communication*, January, February 1992.

In *Visualising electron disturbances*, March 1995, the paragraph beginning 'This is because the termination of a line . . .', pp 235, should be preceded by the heading 'Why reflection occurs' - Ed.

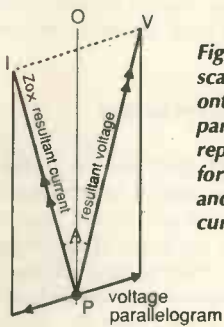


Fig. 6. With current scaled by a factor Z_0 onto the voltage parallelogram, PO represents both the forward wave voltage and the forward wave current.

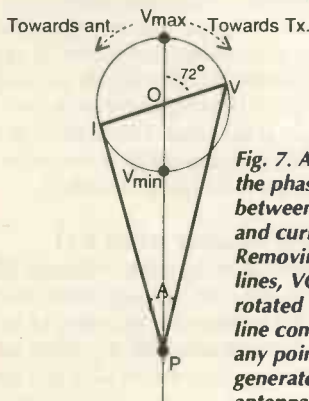


Fig. 7. Angle A gives the phase difference between line voltage and current. Removing unwanted lines, VOI can be rotated to show the line conditions at any point from generator to antenna.



PROGRAM 8 CHIPS IN THE TIME IT TAKES FOR ONE!

At £645 costing around half the price of slower gang programmers, the Speedmaster 8000 gang programmer uses a simple 2 button operation in stand-alone mode. PC operation gives comprehensive file handling and editing functions. Capable of gang and set programming it supports 32 pin EPROMs to 8M with no adaptors required. Programming cycle times of only 23 seconds for 8 27C010's mean your throughput can now be faster than ever before.

ROM/RAM EMULATOR PLUG IN CARDS

Using these expansion cards your programmer can run as if there's an EPROM or RAM plugged into the target socket. Available as 8 bit wide 128k x 8 as standard, upgradable to 512k x 8, and 16 bit capable of emulating 40 pin EPROMs. They can emulate both 5V and 3.3V devices.

PACKAGE ADAPTORS

A full range of package adaptors is available for non DIL devices and parts with more than 40 pins. Prices from £65.

DISTRIBUTORS

BENELUX: +3255313737;
CYPRUS: 02485378;
DENMARK: 048141885;
FINLAND: 070039000;
FRANCE: 0139899622;
GERMANY: 060827421615;
GREECE: 019020115;
ITALY: 02457841;
JAPAN: 053865501;
NORWAY: 063840007;
SINGAPORE: 04831691;
SOUTH AFRICA: 0119741211/1521;
SPAIN: 013270614
USA: Distributors required.

FREE SOFTWARE UPGRADES! - KEEP UP TO DATE WITH NEW DEVICES

Before you choose your programmer, check out the cost of ownership. While other manufacturers charge for every update or require expensive libraries and modules, ICE Technology programmers

support the whole range of devices at no extra charge*. And keeping up to date is FREE for life at no charge on our BBS service.

Just dial on: +44(0) 1226761181, and download the latest version.

Disk based upgrades are available free in the first year, and a small administration charge made for each subsequent disk.

* for DIL up to 40 pins.

AT LAST, AN AFFORDABLE 3V AND 5V UNIVERSAL PROGRAMMER!



FEATURES

- ◆ Widest ever device support including: EPROMs, EEPROMs, Flash, SPROMs, BPROMs, PALs, MACH, MAX, MAPL, PEELs, EPLDs Microcontrollers, etc.
- ◆ High speed, programmes a PIC16C54 in 0.5 secs (Micromaster LV).
- ◆ Up to 84 pin device support with adaptors.
- ◆ Connects directly to parallel port - no PC cards needed
- ◆ Built in chiptester for 7400, 4000, DRAM, SRAM.
- ◆ Lightweight and operates from mains or battery.
- ◆ Optional 8 or 16 bit wide ROM/RAM emulator.
- ◆ Designed, built and supported in the UK.
- ◆ FREE software device support upgrades via bulletin board.
- ◆ Next day delivery.

The latest universal programmers from ICE Technology, the Micromaster LV and Speedmaster LV, now support programming and verification of 3.3V devices, now you can test devices at their actual operating voltage.

They offer wider device support than ever before, the majority requiring no adaptor. They will operate from battery or mains power,

making them flexible enough whatever your programming needs.

Not only that, as new devices come onto the market we give free software upgrades and the units' modular design, with easy upgrade path, protects your investment.

Available now and priced from £495 they are everything you'll need for programming, chiptesting and ROM emulation.

CIRCLE NO. 109 ON REPLY CARD

Speedmaster LV

Programmes 3 and 5V devices including memory, programmable logic and 8748/51 series micros. Complete with parallel port cable, software, recharger and documentation.

£495

MicromasterLV

As above plus support for over 90 different micro controllers without adaptors, including PICs, 89C51, 87C751, MC68HC705, ST6, Z86 etc.

£625

8 bit Emulator card

Expansion card containing 8 bit wide ROM RAM emulator, includes cable and software. 128K x 8.

£125

16 bit Emulator card

Expansion card containing 16 bit wide ROM RAM emulator, includes cable and software. 128K x 16.

£195



Call now to place your order, for more details or a free demo disk, or call our bulletin board to download the latest demo. Alternatively clip the coupon or circle the reply number.

Name:
Position:
Company:
Address:
Tel:
Fax:

EWV APR

ICE Technology Ltd. Penistone Court, Station Buildings, Penistone,
South Yorkshire, S30 6HG, UK.

Tel +44(0)1226767404, Fax +44(0)1226370434, BBS +44(0) 1226 761181



SpiceAge competition results

Here are solutions to the competition held in the February 1995 edition of *EW+WW*.

The two best entries answered all the questions correctly and completed the tie breaker with interesting and viable applications for *SpiceAge*.

Congratulations to winners, Andrew Pate of Keighley and R. Smedley of London who will each be receiving a copy of *SpiceAge for Windows Level 3*.

Q1. SpiceAge for Windows is written in which country: USA, Germany, UK, Israel, Australia, Japan?

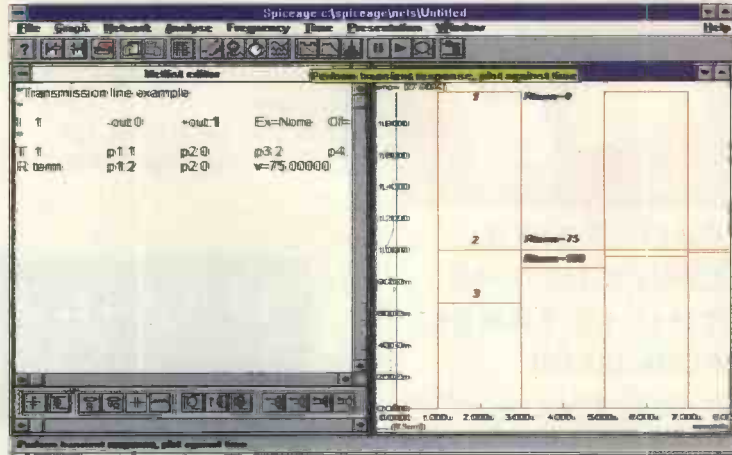
A1. In the UK by Graham Baxter.

Q2. In a lossless circuit, resonance is given by $\omega=1/(LC)^{0.5}$ rad/s. Write down the analogous expression for a mechanical spring + mass system. Please define completely the terms within your expression.

A2. $\omega=(k/m)^{0.5}$ where ω is angular velocity (for example in rad/s), k is spring stiffness (for example in N/m) and m is mass (for example in kg). Frequent wrong answers included some dependency on the gravitational constant and hence orientation of the system. (May be that's why upright pianos sound different from grands!)

Q3. Which of the following traces which show the current in the terminating resistor is the correct response of a 75Ω transmission line terminated with a 150Ω resistor to which a current of 1A is suddenly applied.

A3. Working man's answer is that it cannot be trace 2 as that corresponds to a matched terminating resistor. It cannot be trace 1 which is showing no dissipation in the system (the output is in fact short circuited). It must be trace 3.



Which of the following traces showing current in a terminating resistor is the correct response of a 75Ω transmission line terminated with a 150Ω resistor to which a current of 1A is suddenly applied? See Q3.

Q4. You are on site repairing a board for which you need a 20kΩ 5% resistor. You have just dropped your ohmmeter in a puddle and your toolkit contains only one each of 5% values fitting the 10, 12, 15, 18, 22, 33 and 47 decade multipliers between 1kΩ and 47kΩ. What do you do to keep within the original value to three significant figures?

A4. The tolerances are of course a red herring because it is the same for both the target and element values. The problem may thus be reduced to finding the simplest (series and/or parallel) combination of nominal values. There are several solutions but the exact answer is given by $18k + ((2.2k)^{-1} + (22k)^{-1})^{-1}$. Only one person found this solution!

Unique *EW+WW* reader offer

30% discount on TTI's PFM1300 1.3GHz frequency meter

5Hz to 1.3GHz hand-held frequency/period meter for just £85.76, fully inclusive – almost a third lower than the normal price of £134.55.

With a resolution of 0.0001MHz, the professional PFM1300 hand-held frequency meter from Thurlby Thandar measures from 5Hz to 1.3GHz with very high sensitivity at all frequencies.

This battery-powered instrument also features a reciprocal counting technique providing superior accuracy, and a push-to-measure function with auto power down. Readings to eight digits are shown on a large eight-digit display and the meter incorporates a full range of annunciators.

Measurement – range A

Frequency range 5-25MHz
Resolution 10^{-7} Hz to 10Hz
Accuracy ± 1 digit + timebase error

Measurement – range B

Frequency range 20MHz-1.3GHz
Resolution 1Hz to 1kHz
Accuracy ± 1 digit + timebase error

Period

Frequency range 5-25MHz
Resolution 10^{-7} ns to 1μs
Accuracy ± 1 digit + timebase error

Note: resolution depends on measurement time and input frequency.

Input A, 5Hz-25MHz

Impedance $1M\Omega/25pF$
Sensitivity sine, 15mV rms, 10Hz to 20MHz

Input B, 20MHz-1.3GHz

Impedance 50Ω
Sensitivity 10mV rms, 20MHz to 700MHz, 50mV rms to 1.3GHz

Input A/B limits

Abs. maximum i/p voltage 250V dc, 250V rms
50Hz to 400Hz i/ps A,B,
1V rms >1MHz i/p A, 1V rms 20MHz to 1.3GHz for i/p B.

Detailed specifications available – send s.a.e. marked Meter Details to *EW+WW*, Room L330 Quadrant House, The Quadrant, Sutton, Surrey SM2 5AS.



The PFM1300 – the hand-held frequency meter with bench-top performance.

Fully-inclusive price UK £85.76 Europe £90.44 Rest of world* £97.46 Cheques payable to Reed Business Publishing Group Ltd please, and posted to address above

Name _____ Total _____

Card Holders Address _____

Credit Card name, no _____

Expiry date _____ Tel: _____

Signed _____ Date _____

*We regret that this offer is not open to readers in North America.

It will be...PRECISELY!

It's common knowledge that the average PC Clock is not the most accurate time-keeping device. Until the DC-76 Atomic Controlled Clock!

Now your PC can be accurate to \pm one second in a million years. Synchronised to the atomic clock at Frankfurt Germany within a radius of 2,500 Km. Choose between serial/game-port versions. Software for Windows and DOS is standard. Drivers for Novel, OS/2, Warp, LAN Server, LINUX and SCO UNIX are optional. Installation is as easy as connecting a new mouse!

The DC-76 is complete, consisting of, receiver, connecting cable with software and user manual.

It's only available from ON-TIME SYSTEMS and fully supported right here in the UK! Call now to place your order! VISA and MasterCard accepted.



**£79.00
+ Carr
& VAT**

**ON-TIME SYSTEMS – Unit C5, Worth Corner,
Turners Hill Road, Pound Hill, West Sussex RH10 7SL
Tel: 01293 886820 Fax: 01293 886821
Barnes Elliott Limited, Trading as ON-TIME SYSTEMS**

CIRCLE NO. 110 ON REPLY CARD

KENWOOD

**TEST & MEASURING INSTRUMENTS
A SUPERB RANGE OF OVER 100
QUALITY INSTRUMENTS.
Available from
B.K. ELECTRONICS**



FM-AM Signal Generators ★ Colour Pattern Generators ★ Video Signal Analyser ★ Video Timing Analyser ★ Video Noise Meter
★ Distortion Meter ★ Waveform Monitors
★ Vectorscopes ★ Audio Generators ★ Wow and Flutter Meters ★ Electronic Voltmeters
★ Digital Multimeters ★ Function Generators
★ Frequency Counters ★ Bus Analyser
★ Resistance Attenuator ★ Oscilloscopes ★ Fully Programmable Digital Storage Oscilloscopes
★ Regulated D.C. Power Supplies

A free, 50 page colour brochure, including price list, is available on request. Please make your request on company headed notepaper, by post or by fax, to:

**B.K. ELECTRONICS
Unit 1 Comet Way,
SOUTHEND-ON-SEA,
Essex, S82 6TR.
Tel: 01702-527572
Fax: 01702-420243**



CIRCLE NO. 111 ON REPLY CARD

RF EQUIPMENT

★ ★ ★
★ NEW ★
★ ★ ★

WIDEBAND AMPLIFIERS

TYPE 9301 100KHz–500MHz. NF 2dB at 500MHz. Gain 30dB. Output 12.5dBm, 18 mW. 50 ohms	£175
TYPE 9302 10MHz–1GHz. NF 2dB at 500MHz. Gain 30dB. Output 12.5dBm, 18mw. 50 ohms	£175
TYPE 9008 Gasfet. 10MHz–2GHz. NF 2.5dB at 1GHz. Gain 10dB. Output 18dBm, 65mW. 50 ohms	£175
TYPE 9009 Gasfet. 10MHz–2GHz. NF 3.8dB at 1GHz. Gain 20dB. Output 20dBm, 100mW. 50 ohms	£195

TELEVISION LINEAR POWER AMPLIFIERS

Tuned to your specified channel in bands I, III, IV or V	
TYPE 9252 10mW input, 500mW output	£390
TYPE 9254 50mW input, 2 watts output	£435
TYPE 9259 500mW input, 3 watts output	£416
TYPE 9263 2–3 watts input, 12 watts output	£700
TYPE 9364 3 watts input, 22–25 watts output	£1370
TYPE 9266 10 watts input, 50 watts output. Integral forced air cooling & output transistor protection.....	£2110
TYPE 9367 50 watts input, 150 watts output. Integral forced air cooling & output transistor protection.....	£4345

PULSE TELEMETRY AMPLIFIER

Tuned to your specified frequency in the range 250–470MHz	
TYPE 9127 100mW input, 5 watts output	£575
TYPE 9128 500mW input, 10 watts output	£575

AUTOMATIC TRANSMIT/RECEIVE SWITCHING AMPLIFIERS

Tuned to your specified frequency in the range 400–470MHz	
TYPE 9405 100mW input, 5 watts output	£775 (Inc. gasfet preamp..... £960)
TYPE 9406 500mW input, 10 watts output	£795 (Inc. gasfet preamp..... £980)
TYPE 9407 3W input, 25 watts output	£895 (Inc. gasfet preamp..... £1080)

NARROW AND BROADBAND GASFET LNA's 5MHz–2GHz

TYPE 9006 5–250MHz. B/W up to 40% of CF. Gain 10–40dB variable. 50 ohms. NF 0.6dB	£195
TYPE 9304 250–1000MHz. NF 0.7dB. Gain 25dB. 50 ohms	£250
TYPE 9303 As above with active stripline filter. B/W 1% to 10% of CF	£295
TYPE 9308 1–2GHz. NF 0.7dB. Gain 20dB. 50 ohms	£350
TYPE 9305 As above with active stripline filter. B/W 1% to 10% of CF	£395
TYPE 9035 Transient protected mains power supply for above preamps	£65
TYPE 9010 Masthead weatherproof unit for preamplifiers	£18

PHASE LOCK LOOP FREQUENCY CONVERTER

TYPE 9115 Up/down converter. I/p & o/p frequencies 20MHz–2GHz. B/W up to 50MHz. NF 0.7dB. Gain 60dB variable. O/p up to 10mW, +10dBm. AGC	£750
--	------

PHASE LOCK SIGNAL SOURCES 20–2000 MHz

TYPE 8034 Freq. as specified in the range 20–250MHz. O/p 10mW	£250
TYPE 9036 Freq. as specified in the range 250–1000MHz. O/p 10mW	£350
TYPE 9038 Freq. as specified in the range 1–2GHz. O/p 10mW	£420
TYPE 9282 FM up to \pm 75KHz max. Freq. as specified in the range 30–2000MHz. O/p 10mW	£465

TELEVISION TRANSMISSION MODULES

TYPE 9169 Voltage tunable T/V modulator. Bands I or III or IV or V. O/p 50mW. Sound channel	£395
TYPE 9269 PLL T/V exciter. Single channel. Bands I, III, IV or V. O/p 10mW	£750
TYPE 9115B PLL T/V transposer. Up to 10 adjacent channels in bands I, III, IV or V. O/p 10mW	£750

Prices are ex-VAT & ex-P&P.

RESEARCH COMMUNICATIONS LTD

Unit 1, Aerodrome Industrial Complex, Aerodrome Road, Hawkinge, Folkestone, Kent CT18 7AG

Tel: 01303 893631

Fax: 01303 893838

CIRCLE NO. 112 ON REPLY CARD

SUMMING UP CURRENT

Using variable integration, the ACF2101 switched integrator has a wide dynamic range, measuring currents down to a few nanoamps.

Douglas Clarkson discusses using the device for detecting currents at photodiode levels.

As the number of applications involving currents generated by sensing devices increases, so also are refinements being sought in measurement circuits. With photodiodes, for example, where the induced current is proportional to received signal levels, current measurement may be over a broad range. It may also vary significantly with time.

Where photodiodes are measuring light levels directly or indirectly in the case of ionising radiation there is often the requirement to measure the total amount of a pulse of light or a pulse of radiation. Manufactured by Burr-Brown, this precision dual integrator can be used to undertake precision integration in a variety of modes to cater for such measurements.

The advantages of such a device are com-

compactness and low droop voltage with time. Such units can be controlled with standard ttl logic levels.

General applications include current to voltage conversion, photodiode signal integration, current measurement, charge measurement, ct scanner front end and general medical, scientific and industrial instrumentation.

Device basics

Figure 1 shows the block diagram of the ACF2101, which is designed to operate on +5V and -15V supplies and draws typically 3mA on the negative supply and 12mA on the positive supply. Control of the device is basically undertaken by means of hold and reset logic pins, shown in Fig. 2. When hold is high and reset low (*on* condition), input current is

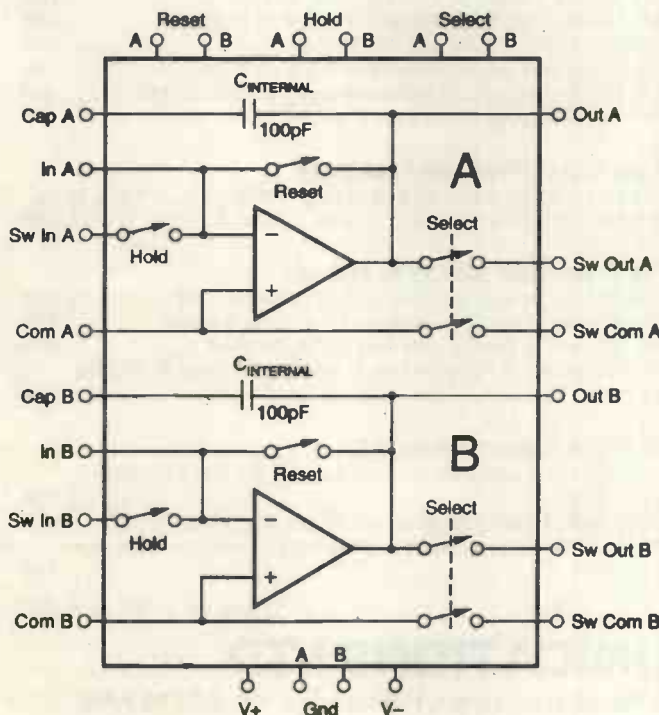


Fig. 1. Functional diagram of the ACF2101, precision integrator from Burr-Brown. Features include droop characteristics of 1nV/ μ s and integrate slew rates of 3V/ μ s.

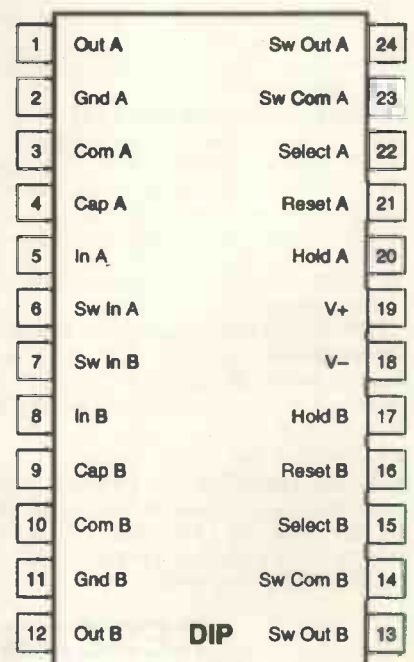
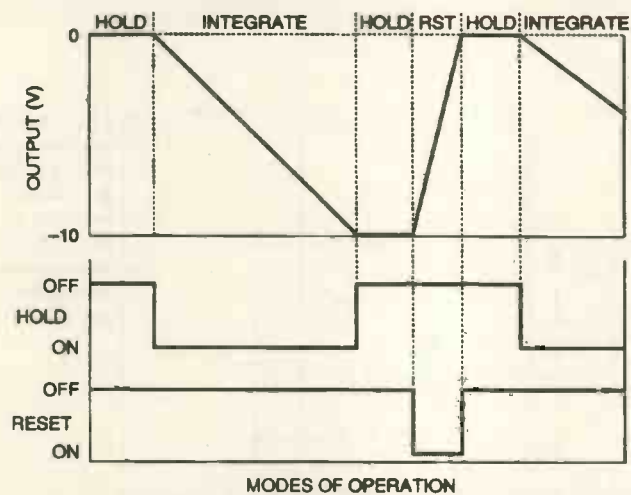


Fig. 2. Pinout of the ACF2101 dip. The pins are arranged this way to allow for the stray-current guard rings.



SWITCH	MODE OF OPERATION		
	Integrate	Hold	Reset
Hold Switch	ON	OFF	ON/OFF
Reset Switch	OFF	OFF	ON

ON: Switch shorted; Logic 0 input, OFF: Switch open; Logic 1 input.

Fig. 3. Input current is integrated when the hold line is high and reset line is low.

integrated and the output voltage falls below 0V. The limit to negative integration voltage is -10V. Logic control is outlined in Fig. 3.

The device has an internal precision 100pF capacitance for each channel selectable using the circuit connections of Fig. 4. Where larger currents need to be integrated, a separate external capacitor can be included in each circuit as shown in Fig. 5.

Using the relationship,

$$V_{out} = -\frac{I_{in} \times dt}{C}$$

where I_{in} is the input current, dt is the time of integration and C is the integrating capacitor, values of I_{in} , dt and C can be calculated for a full scale value of V_{out} of -10V.

In applications in optical measurement, data can be required to be captured rapidly in micro seconds or over longer time periods, up to several 50Hz cycles. For longer periods, if a signal is being sampled over 50 half cycles at 10ms per half cycle then the sample time is 0.5s. With a typical photodiode current of 5µA the required capacitance will be 0.5µF.

It is important that the capacitance used is of sufficiently good quality. A high performance polypropylene type will minimise leakage losses, for example. Such integrators are valuable for example in measuring levels of light from sources which are varying rapidly, such

as fluorescent tubes. The integrator can be switched on for a set period in order to capture an integral number of cycles of visible or ultra-violet light output.

In addition each output amplifier has an output select switch which allows for multiplexing of devices using an instrumentation amplifier as shown in Fig. 6. For all devices unselected, the integrated charge is held in each device and the output is not connected. For selection of a device, the output is communicated to the instrumentation amplifier. In this way a series of channels can be controlled by a common set of logic signals and individual integrated channels can then be selected.

Functional use

Normally the cycle of operation will be: *reset* - clear residual charge, *hold*, *integrate*, *hold* - maintain final voltage and read value. Data would normally be read at some point during the hold cycle. Voltage droop taking place during the hold cycle is given by

$$droop = \frac{200 fA}{C}$$

where C is integration capacitance in farads and fA is femto amps.

For a 100pF capacitance and with no additional leakage currents this is equivalent to 2mV/s or 2nV/µs.

The logic switching of hold and reset will

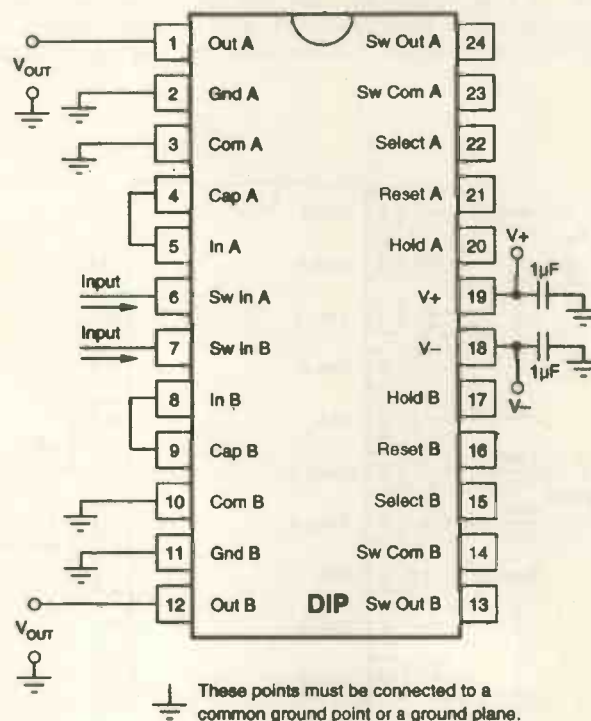


Fig. 4. Connections to the IC when using the internal precision capacitances is very straightforward.

Table 1. Values of input current integration time and integration capacitance to achieve full scale output of -10V.

I_{in} (µA)	dt(s)	C(pf)
0.01	0.1	100
0.1	10m	100
1	1m	100
10	100µ	100
100	10µ	100
10	1m	1000
100	1m	10000

cause charge transfer to take place. It will be of a sign which is a function of the sign of the transition - positive going or negative going. The magnitude of this switch is typically 0.1pC and this corresponds to a voltage offset of 1mV for a 100pF capacitance. Where this effect becomes significant, its impact can be minimised by ensuring that the reset and hold logic transitions cancel out.

These effects of voltage droop and charge transfer are reduced for larger values of capacitance. Thus for 10,000pF the voltage droop will be 0.2mV/sec and the charge transfer voltage 10µV.

Timing control

Control of the ACF2101's integration time is a key element of successful use of the device. Timing needs to be accurate for a set config-

MEASUREMENT

uration, but options should be available to select various integration times. Thus reproducibility of integration period needs to be good. There are many ways in which such consistency and control of timing can be achieved. Some of them are considered here. Assuming a logic level transition is used to initiate a timing sequence, a device such as the

4538 dual retriggerable monostable multivibrator provides a convenient way of producing an reproducible integrating pulse width, as shown in Fig. 7. With an input low to high transition on pin 4, the inverse output on pin 6 gives the required logic transition for time t where $t=0.7RC$. Table 1 indicates how a range of values of t can be configured.

Table 1. Value of pulse duration with cmos 4538 monostable.

Value R	Value C	Time t
10k	0.1 μ F	0.7ms
100k	0.1 μ F	7ms
1M	0.1 μ F	70ms

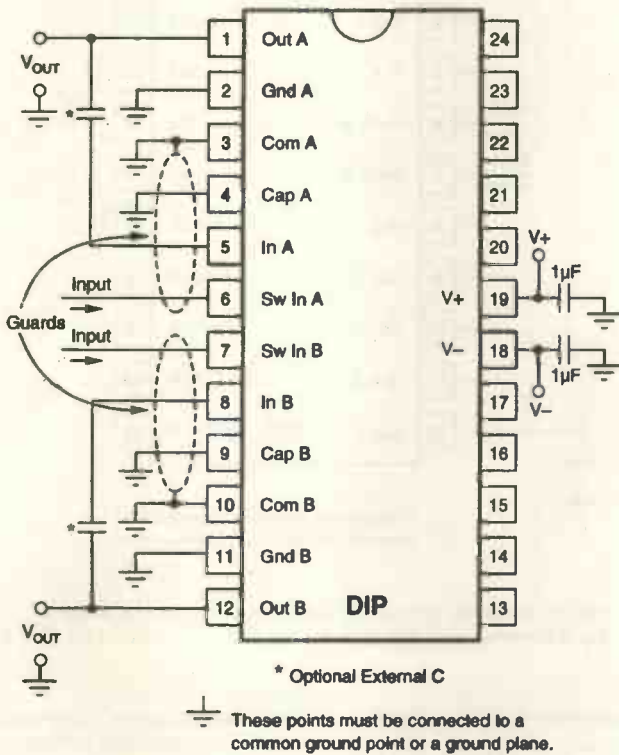


Fig. 5. Precision capacitances with low leakage current are used externally from the ic to alter the time constant of the integrator.

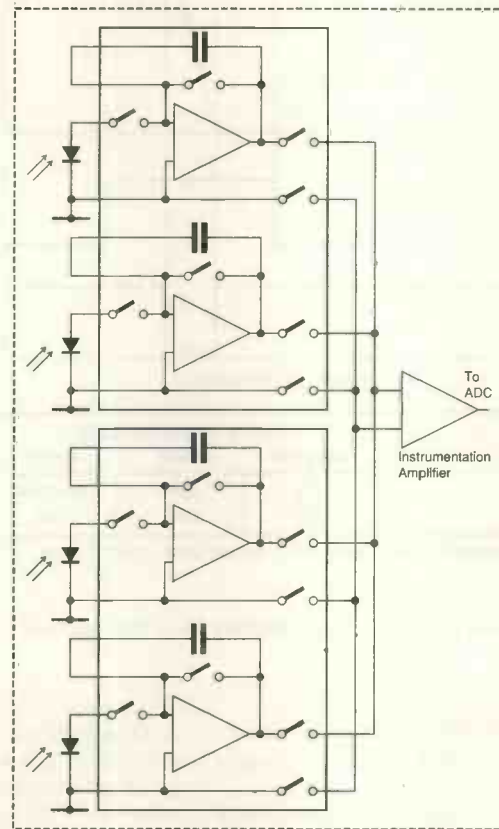


Fig. 6. Signals may be multiplexed using the output switches of the ACF2101 and an instrumentation amplifier.

Fig. 7. An integrating pulse is provided by a simple stand alone retriggerable monostable.

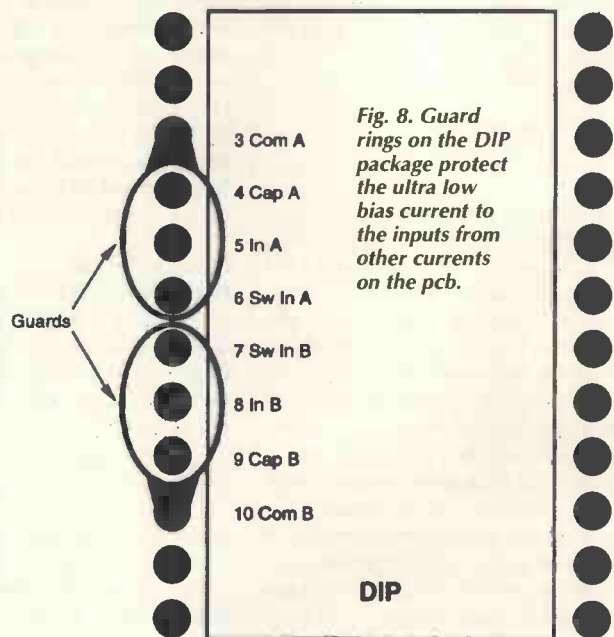
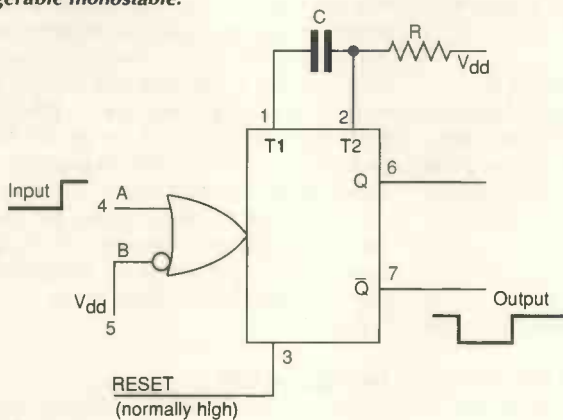


Fig. 8. Guard rings on the DIP package protect the ultra low bias current to the inputs from other currents on the pcb.

In this configuration the timing is a function of the specific values of *R* and *C*. There is also the short term problem of temperature drift and long term problem of device aging. For a resistor with a temperature coefficient of +500ppm (parts per million) a 10° rise in temperature will result in a change of value of 0.5%. For a few extra pence per component, resistors with a temperature coefficient of +50ppm can be obtained – reducing the percentage change in value for a 10° rise in temperature to 0.05%.

Stable capacitors such as polypropylene have a negative coefficient of around -200ppm while types such as polyester have values of around +300ppm. Where possible, temperature coefficients should be of equal magnitude but of opposite sign. Often, however, more control is required over timing – both for accuracy and range of values. The circuit of Fig. 7. can be triggered with a value of *RC* large enough to complete long pulses of several seconds, but with an external timing transition to reset the output. This output can be, for example, a timing line derived from a crystal of value 32.642kHz and divided down by a 4020 14-stage binary counter. The positive going start pulse could initialise the counter and set the inverted output of the 4538 monostable low as a long pulse (several seconds is triggered).

Choice of integration period can be influenced by the nature of the signal being captured. Where, for example visible or ultra violet light levels from fluorescent sources are being measured, then the light output takes the form of rectified sine waves. At 50Hz cycles, the period of each positive cycle is 10ms. It would be appropriate to use a 250ms or 500ms integration pulse width with such signals to minimise problems of signal aliasing.

Circuit design using ACF2101 devices

The ultra low operational amplifier bias current of around 100fA, requires careful pcb design. Figure 8 indicates how so called guards are required to protect the inputs. Current which could flow from other tracks to the input track is instead trapped at the guard track. Handling boards can also increase voltage droop. Cleaning boards using solvents and de-ionised water minimises this effect.

Summary

The ACF2101 device has wide application in circuits measuring currents over a wide dynamic range. Care is needed with circuit layout in order to prevent leakage currents being picked up by the device as 'current signal'. Obtain a current data sheet on the device and not a preliminary one. ■

Further reading

AC2101 data sheet, Burr Brown International, 1 Millfield House, Woodshots Meadow, Croxley Centre, Watford, Herts, WD1 8YD.

the new

CRICKLEWOOD Electronics
Very Interesting CATALOGUE

**ASTRONOMICAL RANGE AT
DOWN TO EARTH PRICES**

- TRANSISTORS+ICs+SEMICONDUCTORS
- RESISTORS+CAPACITORS+INDUCTORS
- SURVEILLANCE+SECURITY+SECURITY
- PLUGS+SOCKETS+LEADS+CONNECTS
- TV & VIDEO SPARES (inc Video Heads)
- HIFI+DISCO+HIFI GADGETS+SPEAKERS
- AUDIOPHILE COMPONENTS (inc Capacitors)
- IN CAR AUDIO+SPEAKERS (inc Bass tubes)
- COMPUTER ACCESSORIES+BOARDS
- TOOLS+TEST EQUIPMENT+BENCHWARE

& much much much more (over 10,000 lines).

SEND TODAY FOR THE VERY INTERESTING CATALOGUE
Pay by PO, Cheque, Credit Card or tape Coins to Paper

Please send mecopies of the 1995 Cricklewood Catalogue.
I enclose £2.50 per copy (UK & Europe). £5.00 overseas

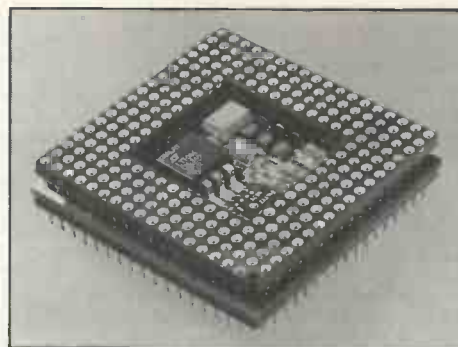
Name.....
Address.....
.....
.....

Please Charge my Credit Card.no.....
Expiry Date.....Tel no..... WW

Cricklewood Electronics Ltd, 40-42 Cricklewood Broadway
London NW2 3ET Tel 0181 450 0995 Fax 0181 208 1441

CIRCLE NO. 113 ON REPLY CARD

UPGRADE YOUR 68040!



ARIES Electronics Upgrade Socket (57-S68060) allows you to upgrade from 68040 to 68060 seamlessly, thus taking advantage of its faster speed and lower power consumption.

Aries Electronics (Europe)

Unit 3, Furtho Court, Towcester Road
Old Stratford, Milton Keynes MK19 6AQ
Tel: +44 1908 260007 Fax: +44 1908 260008

CIRCLE NO. 114 ON REPLY CARD

MONO VGA MONITORS

Some with slight screen burns but OK at £19.95 Ref EF40 and some without burns at £29.95 Ref EF39.

A4 DTP MONITORS Brand new, 300 DPI. Complete with diagram but no interface details. (so you will have to work it out!) Bargain at just £12.99 each!!!!
OSTER MONITORS 9" mono monitor, fully cased complete with rasterboard, switched mode psu etc. CGA/TTL input (15way D), IEC mains. £15.99 ref DEC23. Price including kit to convert to composite monitor for CCTV use etc is £21.99 ref DEC24

PC CONTROLLED 4 CHANNEL TIMER Control (on/off times etc) up to 4 items (8A 240v each) with this kit. Complete with Software, relays, PCB etc. £25.99 Ref 95/26

COMPLETE PC 300 WATT UPS SYSTEM Top of the range UPS system providing protection for your computer system and valuable software against mains power fluctuations and cuts. New and boxed, UK made. Provides up to 5 mins running time in the event of complete power failure to allow you to run your system down correctly. SALE PRICE just £119.00.

RACAL MODEM BONANZA! 1 Racal MPS1223 1200/75 modem, telephone lead, mains lead, manual and comms software, the cheapest way onto the net all this for just £13 ref DEC13.

HOW LOW ARE YOUR FLOPPIES? 3.5" (1.44) unbranded. We have sold 100,000+ so ok! Pack of 50 £24.99 ref DEC16

BRITISH TELECOMM MULTIMETERS SA9083 These are 'returns' so they may have faults but look ok. Complete with new leads and leather case. Price for two meters & 1 case is £10 ref DEC89.

6mw LASER POINTER. Supplied in kit form, complete with power adjuster, 1.5mw, and beam divergence adjuster. Runs on 2AAA batteries. Produces thin red beam ideal for levelling, gun sights, experiments etc. Cheapest in the UK! Just £39.95 ref DEC49

SHOP WOBBLERS! Small assemblies designed to take D size batteries and 'wobble' cardboard model signs about in shop windows! £3.99 Ref SEP42P2.

RADIO PAGER Brand new, UK made pocket pagers clearance price is just £4.99 each 100x40x15mm packed with bits! Ref SEP5.

BULL TENS UNIT Fully built and tested TENS (Transcutaneous Electrical Nerve Stimulation) unit, complete with electrodes and full instructions. TENS is used for the relief of pain etc in up to 70% of sufferers. Drug free pain relief, safe and easy to use, can be used in conjunction with analgesics etc. £49 Ref TEN/1

COMPUTER RS232 TERMINALS. (LIBERTY) Excellent quality modem units, (like wyse 50, s) 2xRS232, 20 function keys, 50 thro to 38,400 baud, menu driven port, screen, cursor, and keyboard setup menus (18 menus). £29 Ref NOV4.

OMRON TEMPERATURE CONTROLLERS (E6C2). Brand new controllers, adjustable from -50 deg C to +1,200 deg C using graduated dial, 2% accuracy, thermocouple input, long life relay output 3A 240v o/p contacts. Perfect for exactly controlling a temperature. Normal trade £50+, ours £15. Ref E5C2.

ELECTRIC MOTOR BONANZA! 110x60mm. Brand new precision, cap start (or spin to start), virtually silent and features a moving outer case that acts as a fly wheel. Because of their unusual design we think that 2 of these in a tube with some homemade fan blades could form the basis for a wind tunnel etc. Clearance price is just £4.99 FOR A PAIR! (note - these will have to be wired in series for 240v operation Ref NOV1).

MOTOR NO 2 BARGAIN 110x90mm. Similar to the above motor but more suitable for mounting vertically (ie tumble etc). Again you will have to wire 2 in series for 240v use. Bargain price is just £4.99 FOR A PAIR!! Ref NOV3.

OMRON ELECTRONIC INTERVAL TIMERS.

Minute adjustable timers, 4 pole e/o output 3A 240v, HY1230S, 12vDC adjustable from 0-30 secs. £9.99
HY1210M, 12vDC adjustable from 0-10 mins. £9.99
HY1260M, 12vDC adjustable from 0-60 mins. £9.99
HY2460M, 24vAC adjustable from 0-60 mins. £5.99
HY241S, 24vAC adjustable from 0-1 secs. £5.99
HY2460S, 24vAC adjustable from 0-60 secs. £5.99
HY243H, 24vAC adjustable from 0-3 hours. £8.99
HY2401S, 240v adjustable from 0-1 secs. £9.99
HY2405S, 240v adjustable from 0-5 secs. £9.99
HY24060M, 240v adjustable from 0-60 mins. £12.99

PC PAL VGA TO TV CONVERTER Converts a colour TV into a basic VGA screen. Complete with built in psu, lead and s/ware. £49.95. Ideal for laptops or a cheap upgrade. We also can supply this in kit form for home assembly at £34.95 ref EF54.

DRINKING BIRD Remember these? hook onto wine glass (supplied) and they drink, standup, drink, standup ETC! £4 each Ref EF1
EMERGENCY LIGHTING UNIT Complete unit with 2 double bulb floodlights, built in charger and auto switch. Fully cased. 6v 8AH lead acid req'd. (secondhand) £4 ref MAG4P11.

GUIDED MISSILE WIRE. 4,200 metre reel of ultra thin 4 core insulated cable, 28lbs breaking strain, less than 1mm thick! Ideal alarms, intercoms, fishing, dolls house's etc. £14.99 ref MAG15P5
300v PANEL METER 70X60X50MM, AC, 90 degree scale. Good quality meter. £5.99 ref MAG 6P14. Ideal for monitoring mains etc.

ASTEC SWITCHED MODE PSU BM41012 Gives +5 @ 3.75A, +12 @ 1.5A, -12 @ 4A, 230V/110, cased, BM41012. £5.99 ref AUG6P3.

TORRODIAL TX 30.0-30.480VA. Perfect for Mosfet amplifiers etc. 120mm dia 55mm thick. £18.99 ref APR19.

AUTO SUNCHARGER 155x300mm solar panel with diode and 3 metre lead fitted with a dgpr plug. 12v 2watt. £9.99 ea ref AUG10P3.

FLOPPY DISCS DSDD Top quality 5.25" discs, these have been written to once and are unused. Pack of 20 is £4 ref AUG4P1.

ECLATRON FLASH TUBE As used in police car flashing lights etc, full spec supplied, 60-100 flashes a min. £9.99 ref APR10P5.

24v AC 96WATT Cased power supply. New. £13.99 ref APR14.

MILITARY SPEC GEIGER COUNTERS Unused anstraight from Her Majesty's forces. £50 ref MAG 50P3.

STETHOSCOPE Fully functioning stethoscope, ideal for listening to hearts, pipes, motors etc. £6 ref MAR6P6.

OUTDOOR SOLAR PATH LIGHT Captures sunlight during

the day and automatically switches on a built in lamp at dusk. Complete with sealed lead acid battery etc. £19.99 ref MAR20P1.

ALARM VERSION Of above unit comes with built in alarm and pir to deter intruders. Good value at just £24.99 ref MAR25P4.

CARETAKER VOLUMETRIC Alarm will cover the whole of the ground floor against forced entry. Includes mains power supply and integral battery backup. Powerful internal siren, will take external bell if req'd. Retail £150+, ours? £49.99 ref MAR50P1.

TELEPHONE CABLE White 6 core 100m reel complete with a pack of 100 clips. Ideal 'phone extns etc. £7.99 ref MAR8P3.

MICRODRIVE STRIPPER Small cased tape drives ideal for stripping, lots of useful goodies including a smart case, and lots of components. £2 each ref JUN2P3.

SOLAR POWER LAB SPECIAL You get TWO 6"x6" 6v 130mA solar cells, 4 LED's, wire, buzzer, switch plus 1 relay or motor. Superb value kit just £5.99 REF: MAG6P8

SOLID STATE RELAYS Will switch 25A mains. Input 3.5-26v DC 57x43x21mm with terminal screws £3.99 REF MAG4P10

BUGGING TAPE RECORDER. Small voice activated recorder, uses microcassette complete with headphones. £28.99 ref MAR29P1.

ULTRAMINI BUGH MIC 6mmx3.5mm made by AKG, 5-12v electret condenser. Cost £12 ea, Ours? Just 4 for £9.99 REF MAG10P2.

RGB/CGA/EGA/TTL COLOUR MONITORS 12" In good condition. Back anodised metal case. £79 each REF JUN79

ANSWER PHONES Returns with 2 faults, we give you the bits for 1 fault, you have to find the other yourself. BT Response 200's £18 ea REF MAG18P1. PSU £5 ref MAG5P12.

SWITCHED MODE PSU ex equip, 60w +5v @ 5A, -5v @ 5A, +12v @ 2A, -12v @ 5A 120/220v cased 245x88x55mm IEC output socket £6.99 REF MAG7P1

PLUG IN PSU 9V 200mA DC £2.99 each REF MAG3P9

PLUG IN ACORN PSU 19v AC 14w . £2.99 REF MAG3P10

POWER SUPPLY fully cased with mains and o/p leads 17v DC 300mA output. Bargain price £5.99 ref MAG6P9

ACORN ARCHIMEDES PSU +5v @ 4.4A on/off sw uncased, selectable mains input, 145x100x45mm £7 REF MAG7P2

GEIGER COUNTER KIT Low cost professional twin tube, complete with PCB and components. Now only £19 REF AUG19.

9v DC POWER SUPPLY Standard plug in type 150mA 9v DC with lead and DC power plug. price for two is £2.99 ref AUG3P4.

AA NICAD PACK encapsulated pack of 8 AA nicad batteries (tagged) ex equip, 56x32x22mm. £3 a pack. REF MAG3P11

13.8V 1.9A psu cased with leads. Just £9.99 REF MAG10P3

PPC MODEM CARDS. These are high spec plug in cards made for the Amstrad laptop computers. 2400 baud dial up unit complete with leads. Clearance price is £5 REF: MAG5P1

INFRA RED REMOTE CONTROLLERS Originally made for hi spec satellite equipment but perfect for all sorts of remote control projects. Our clearance price is just £2.15 REF: MAG2

200 WATT INVERTER Converts 10-15V DC into either 110v or 240v AC. Fully cased 115x36x156mm, complete with heavy duty power lead, cigar plug, AC outlet socket. Auto overload shutdown, auto short circuit shut down, auto input over voltage shutdown, auto input under voltage shut down (with audible alarm), auto temp control, unit shuts down if overheated and sounds audible alarm. Fused reversed polarity protected. output frequency within 2%, voltage within 10%. A extremely well built unit at an excellent price. Just £64.99 ref AUG6S.

UNIVERSAL SPEED CONTROLLER KIT Designed by us for the C5 motor but ok for any 12v motor up to 30A. Complete with PCB etc. A heat sink may be required. £17.00 REF: MAG17

MAINSCABLE Precut black 2 core 2 metre lengths ideal for repairs, projects etc. 50 metres for £1.99 ref AUG2P7.

COMPUTER COMMUNICATIONS PACK Kit contains 100m of 6 core cable, 100 cable clips, 2 line drivers with RS232 interfaces and all connectors etc. Ideal low cost method of communicating between PCs over a long distance. Complete kit £8.99.

MINI CYCLOPS PIR 52x62x40mm runs on PP3 battery complete with shrill sounder. Cheap protection at only £5.99 ref MAR6P4.

ELECTRIC MOTOR KIT Comprehensive educational kit includes all you need to build an electric motor. £9.99 ref MAR10P4.

VIEWDATA SYSTEMS made by Phillips, complete with internal 1200/75 modem, keyboard, psu etc RGB and composite outputs, menu driven, autodialler etc. £18 each REF EF88.

BOOMERANG High tech, patented poly propylene, 34cm wing span. Get out and get some exercise for £4.99 ref EF83

AIR RIFLES. 22As used by the Chinese army for training purposes, so there is a lot about! £39.95 REF EF78. 500 pellets £4.50 ref EF80.

PEANUT TREE Complete kit to grow your own peanuts! full instructions supplied. £3 REF EF45.

PLUG IN POWER SUPPLYS Plugs in to 13A socket with output lead. three types available, 9vdc 150mA £2 ref EF58, 9vdc 200mA £2.50 ref EF59, 6.5vdc 500mA £3 ref EF61.

VIDEO SENDER UNIT. Transmits both audio and video signals from either a video camera, video recorder, TV or Computer etc to any standard TV set in a 100' range! (tune TV to a spare channel) 12V DC op. Price is £15 REF: MAG15 12v psu is £5 extra REF: MAG5P2

***FM CORDLESS MICROPHONE** Small hand held unit with a 500' range! 2 transmit power levels. Reqs PP3 9v battery. Tuneable to any FM receiver. Price is £15 REF: MAG15P1

LOW COST WALKIE TALKIES Pair of battery operated units with a range of about 200'. Ideal for garden use or as an educational toy. Price is £8 a pair REF: MAG 8P1 2 x PP3 req'd.

***MINATURE RADIO TRANSCEVERS** A pair of walkie talkies *SOME OF OUR PRODUCTS MAY BE UNLICENSEABLE IN THE UK

VIDEO SENDER UNIT. Transmits both audio and video signals from either a video camera, video recorder, TV or Computer etc to any standard TV set in a 100' range! (tune TV to a spare channel) 12V DC op. Price is £15 REF: MAG15 12v psu is £5 extra REF: MAG5P2

***FM CORDLESS MICROPHONE** Small hand held unit with a 500' range! 2 transmit power levels. Reqs PP3 9v battery. Tuneable to any FM receiver. Price is £15 REF: MAG15P1

LOW COST WALKIE TALKIES Pair of battery operated units with a range of about 200'. Ideal for garden use or as an educational toy. Price is £8 a pair REF: MAG 8P1 2 x PP3 req'd.

***MINATURE RADIO TRANSCEVERS** A pair of walkie talkies *SOME OF OUR PRODUCTS MAY BE UNLICENSEABLE IN THE UK

VIDEO SENDER UNIT. Transmits both audio and video signals from either a video camera, video recorder, TV or Computer etc to any standard TV set in a 100' range! (tune TV to a spare channel) 12V DC op. Price is £15 REF: MAG15 12v psu is £5 extra REF: MAG5P2

***FM CORDLESS MICROPHONE** Small hand held unit with a 500' range! 2 transmit power levels. Reqs PP3 9v battery. Tuneable to any FM receiver. Price is £15 REF: MAG15P1

LOW COST WALKIE TALKIES Pair of battery operated units with a range of about 200'. Ideal for garden use or as an educational toy. Price is £8 a pair REF: MAG 8P1 2 x PP3 req'd.

***MINATURE RADIO TRANSCEVERS** A pair of walkie talkies *SOME OF OUR PRODUCTS MAY BE UNLICENSEABLE IN THE UK

VIDEO SENDER UNIT. Transmits both audio and video signals from either a video camera, video recorder, TV or Computer etc to any standard TV set in a 100' range! (tune TV to a spare channel) 12V DC op. Price is £15 REF: MAG15 12v psu is £5 extra REF: MAG5P2

***FM CORDLESS MICROPHONE** Small hand held unit with a 500' range! 2 transmit power levels. Reqs PP3 9v battery. Tuneable to any FM receiver. Price is £15 REF: MAG15P1

LOW COST WALKIE TALKIES Pair of battery operated units with a range of about 200'. Ideal for garden use or as an educational toy. Price is £8 a pair REF: MAG 8P1 2 x PP3 req'd.

***MINATURE RADIO TRANSCEVERS** A pair of walkie talkies *SOME OF OUR PRODUCTS MAY BE UNLICENSEABLE IN THE UK

VIDEO SENDER UNIT. Transmits both audio and video signals from either a video camera, video recorder, TV or Computer etc to any standard TV set in a 100' range! (tune TV to a spare channel) 12V DC op. Price is £15 REF: MAG15 12v psu is £5 extra REF: MAG5P2

***FM CORDLESS MICROPHONE** Small hand held unit with a 500' range! 2 transmit power levels. Reqs PP3 9v battery. Tuneable to any FM receiver. Price is £15 REF: MAG15P1

LOW COST WALKIE TALKIES Pair of battery operated units with a range of about 200'. Ideal for garden use or as an educational toy. Price is £8 a pair REF: MAG 8P1 2 x PP3 req'd.

***MINATURE RADIO TRANSCEVERS** A pair of walkie talkies *SOME OF OUR PRODUCTS MAY BE UNLICENSEABLE IN THE UK

with a range of up to 2km in open country. Units measure 22x52x156mm. Including cases and earpieces. 2xPP3 req'd. £30.00 pr. REF: MAG30

COMPOSITE VIDEO KIT. Converts composite video into separate H sync, V sync, and video. 12v DC. £8.00 REF: MAG8P2.

LQ360 PRINTER ASSEMBLIES Made by Amstrad they are entire mechanical printer assemblies including printhead, stepper motors etc etc in fact everything bar the case and electronics, a good stripper! £5 REF: MAG5P3 or 2 for £8 REF: MAG8P3

LED PACK of 100 standard red 5m leds £5 REF MAG5P4

UNIVERSAL PC POWER SUPPLY complete with flyleads, switch, fan etc. Two types available 150w at £15 REF: MAG15P2 (23x23x23mm) and 200w at £20 REF: MAG20P3 (23x23x23mm)

GYROSCOPE About 3" high and an excellent educational toy for all ages! Price with instruction booklet £6 REF EF15.

FUTURE PC POWER SUPPLIES These are 295x135x60mm, 4 drive connectors 1 mother board connector. 150watt, 12v fan, iec inlet and on/off switch. £12 Ref EF6.

VENUS FLYTRAP KIT Grow your own carnivorous plant with this simple kit £3 ref EF34.

PC POWER SUPPLIES (returns) These are 140x150x90mm, o/ps are +12, -12, +5 and -5v. Built in 12v fan. These are returns so they may well need repairing! £3.50 each ref EF42.

***FM TRANSMITTER KIT** housed in a standard working 13A adapter! the bug runs directly off the mains so lasts forever! why pay £700? or price is £15 REF: EF62 Transmits to any FM radio. (this is in kit form with full instructions.)

***FM BUG KIT** New design with PCB embedded coil for extra stability. Works in any FM radio. 9v battery req'd. £5 REF: MAG5P5

***FM BUG BUILT AND TESTED** superior design to kit. Supplied to detective agencies. 9v battery req'd. £14 REF: MAG14

TALKING COINBOX STRIPPER originally made to retail at £7.95 each, these units are designed to convert an ordinary phone into a payphone. The units have the locks missing and sometimes broken hinges. However they can be adapted for their original use or used for something else?? Price is just £3 REF: MAG3P1

TOP QUALITY SPEAKERS Made for Hi Fi televisions these are 10 watt 4R Jap made 4" round with large shielded magnets. Good quality. £2 each REF: MAG2P4 or 4 for £6 REF: MAG6P2

TWEETERS 2" diameter good quality tweeter 140R (ok with the above speaker) 2 for £2 REF: MAG2P5 or 4 for £3 REF: MAG3P4

AT KEYBOARDS Made by Apricot these quality keyboards need just a small mod to run on any AT, they work perfectly but you will have to put up with 1 or 2 foreign keycaps! Price £6 REF: MAG6P3

HEADPHONES Ex Virgin Atlantic. 8pairs for £2 REF: MAG2P8

DOS PACKS Microsoft version 3.3 or higher complete with all manuals or price just £3 REF: MAG5P8 Worth it just for the very comprehensive manual! 5.25" only.

GAS HOBS Brand new made by Optimus, basic three burner suitable for small flat etc bargain price just £29.95 ref EF73.

GAT AIR PISTOL PACK Complete with pistol, darts and pellets £12.95 ref EF82 extra pellets (500) £4.50 ref EF80.

CHRISTMAS TREE KIT Start growing it now! £3 ref EF53.

DOS PACK Microsoft version 5 Original software but no manuals hence only £5.99. 3.5" only.

PIR DETECTOR Made by famous UK alarm manufacturer these are hi spec, long range internal units. 12v operation. Slight marks on case and unboxed (although brand new) £8 REF: MAG8P5

MOBILE CARPHONE £6.99 Well almost complete in car phone excluding the box of electronics normally hidden under seat. Can be made to illuminate with 12v also has built in light sensor so display only illuminates when dark. Totally convincing! REF: MAG6P6

ALARM BEACONS Zenon strobe made to mount on an external bell box but could be used for caravans etc. 12v operation. Just connect up and it flashes regularly! £5 REF: MAG6P11

6"x12" AMORPHOUS SOLAR PANEL 12v 155x310mm 130mA. Bargain price just £5.99 ea REF MAG6P12.

FIBRE OPTIC CABLE BUMPER PACK 10 metres for £4.99 ref MAG5P13 ideal for experimenters! 30m for £12.99 ref MAG13P1

HEATSINKS (finned) TO220, designed to mount vertically on a pcb 50x40x25mm you can have a pack of 4 for £1 ref JUN1P11.

STROBE LIGHT KIT Adjustable from 1 hz right up to 60hz! (electronic assembly kit with full instructions) £16 ref EF28.

ROCK LIGHTS Unusual things these, two pieces of rock that glow when rubbed together! belived to cause rain! £3 a pair Ref EF29.

NEW HIGH POWER LASERS

15mW, Helium neon, 3 switchable wave lengths, 63um, 1.15um, 3.39um (2 of them are infrared) 500:1 polarizer built in so good for holography. Supplied complete with mains power supply 790x65mm. Use with EXTREME CAUTION AND QUALIFIED GUIDANCE. £349+vat.

NEW HIGH POWER LASERS

15mW, Helium neon, 3 switchable wave lengths, 63um, 1.15um, 3.39um (2 of them are infrared) 500:1 polarizer built in so good for holography. Supplied complete with mains power supply 790x65mm. Use with EXTREME CAUTION AND QUALIFIED GUIDANCE. £349+vat.

NEW HIGH POWER LASERS

15mW, Helium neon, 3 switchable wave lengths, 63um, 1.15um, 3.39um (2 of them are infrared) 500:1 polarizer built in so good for holography. Supplied complete with mains power supply 790x65mm. Use with EXTREME CAUTION AND QUALIFIED GUIDANCE. £349+vat.

NEW HIGH POWER LASERS

15mW, Helium neon, 3 switchable wave lengths, 63um, 1.15um, 3.39um (2 of them are infrared) 500:1 polarizer built in so good for holography. Supplied complete with mains power supply 790x65mm. Use with EXTREME CAUTION AND QUALIFIED GUIDANCE. £349+vat.

NEW HIGH POWER LASERS

15mW, Helium neon, 3 switchable wave lengths, 63um, 1.15um, 3.39um (2 of them are infrared) 500:1 polarizer built in so good for holography. Supplied complete with mains power supply 790x65mm. Use with EXTREME CAUTION AND QUALIFIED GUIDANCE. £349+vat.

NEW HIGH POWER LASERS

15mW, Helium neon, 3 switchable wave lengths, 63um, 1.15um, 3.39um (2 of them are infrared) 500:1 polarizer built in so good for holography. Supplied complete with mains power supply 790x65mm. Use with EXTREME CAUTION AND QUALIFIED GUIDANCE. £349+vat.

NEW HIGH POWER LASERS

15mW, Helium neon, 3 switchable wave lengths, 63um, 1.15um, 3.39um (2 of them are infrared) 500:1 polarizer built in so good for holography. Supplied complete with mains power supply 790x65mm. Use with EXTREME CAUTION AND QUALIFIED GUIDANCE. £349+vat.

NEW HIGH POWER LASERS

15mW, Helium neon, 3 switchable wave lengths, 63um, 1.15um, 3.39um (2 of them are infrared) 500:1 polarizer built in so good for holography. Supplied complete with mains power supply 790x65mm. Use with EXTREME CAUTION AND QUALIFIED GUIDANCE. £349+vat.

NEW HIGH POWER LASERS

15mW, Helium neon, 3 switchable wave lengths, 63um, 1.15um, 3.39um (2 of them are infrared) 500:1 polarizer built in so good for holography. Supplied complete with mains power supply 790x65mm. Use with EXTREME CAUTION AND QUALIFIED GUIDANCE. £349+vat.

NEW HIGH POWER LASERS

15mW, Helium neon, 3 switchable wave lengths, 63um, 1.15um, 3.39um (2 of them are infrared) 500:1 polarizer built in so good for holography. Supplied complete with mains power supply 790x65mm. Use with EXTREME CAUTION AND QUALIFIED GUIDANCE. £349+vat.

NEW HIGH POWER LASERS

15mW, Helium neon, 3 switchable wave lengths, 63um, 1.15um, 3.39um (2 of them are infrared) 500:1 polarizer built in so good for holography. Supplied complete with mains power supply 790x65mm. Use with EXTREME CAUTION AND QUALIFIED GUIDANCE. £349+vat.

NEW HIGH POWER LASERS

15mW, Helium neon, 3 switchable wave lengths, 63um, 1.15um, 3.39um (2 of them are infrared) 500:1 polarizer built in so good for holography. Supplied complete with mains power supply 790x65mm. Use with EXTREME CAUTION AND QUALIFIED GUIDANCE. £349+vat.

NEW HIGH POWER LASERS

15mW, Helium neon, 3 switchable wave lengths, 63um, 1.15um, 3.39um (2 of them are infrared) 500:1 polarizer built in so good for holography. Supplied complete with mains power supply 790x65mm. Use with EXTREME CAUTION AND QUALIFIED GUIDANCE. £349+vat.

BULL ELECTRICAL

250 PORTLAND ROAD HOVE SUSSEX

BN3 5



Simulated attack on slew rates

Slew rate limits based on Baxandall's 2.2kHz criterion may be true of classical music recorded with dynamic mics, analogue taped and cut onto vinyl with twenty year old technology. But for most music reproduced by power amplifiers today that limit is patently false.

Take live performances: a glance at the spectrum analyser during an Iron Maiden gig – engineered by my colleague Doug Hall – would show the 20kHz led lit almost solidly throughout numerous concerts over the past decade or so.

Consistently high hf levels, with amplitudes as large as the loudest bass notes, are unexceptional with certain genres of music. Iron Maiden achieves them with nothing more than traditional (if heavily thumped) percussion instruments.

Low mass modern capacitor microphone capsules and local buffering to reduce hf attenuation and loading dips in stage-to-mixer cabling have boosted the acquisition of percussive edges with quasi-fundamentals of 15kHz and above¹. Live sound and recording consoles have equalisers on every input channel, and most are in use. But I have measured none that does not also increase ultrasonic frequencies when any kind of boost is dialled up on the hf control(s), pushing frequencies above 4kHz. This unadvertised – and not readily avoidable – ultrasonic boosting can at least counter, if not overwhelm, rf filtration and band-limiting in the system. In

Late last year, Douglas Self discussed some practical limits for slew rates. But were his arguments relevant to modern music?

"No," says Ben Duncan, and sets out his simulations to prove it.

this way, unexpectedly high level ultrasonic signals can appear at the power amplifiers' inputs.

As for recorded replay in studios and homes, cd and dat can handle full level at 20kHz. While for direct-cut vinyl recordings, the bandwidth above which no additional musically significant cues are heard can range, for some listeners, to 200kHz.

Unfortunately, old data ignores the break-neck development in the past seven years, such as fm synthesis of electronically generated, manipulated and sample-based music. In effect new 'virtual instruments' have been created to add to the family employed by mainstream music, untrammelled by

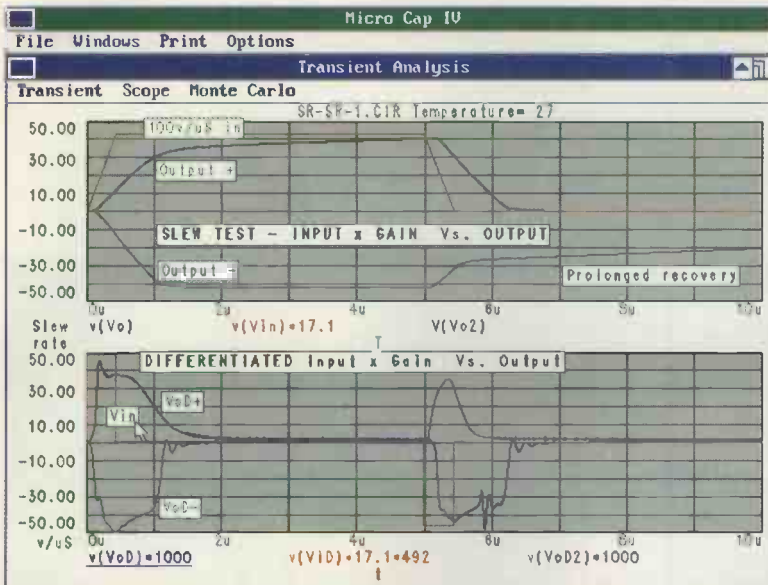


Fig. 1. Benchmarking Self's slew analysis with MicroCAP IV begins with the generic circuit, using ideal current sources. The upper panel shows (uppermost) the input test step magnitude, which rises at 100V/ μ s, multiplied by the gain, followed by the amplifier's output responses. The lower panel is scaled in V/ μ s. Unlike physical test circuits, testing can be simultaneously carried out with both +V and -V signals. Note the negative output signal (lowermost) is worryingly prolonged.

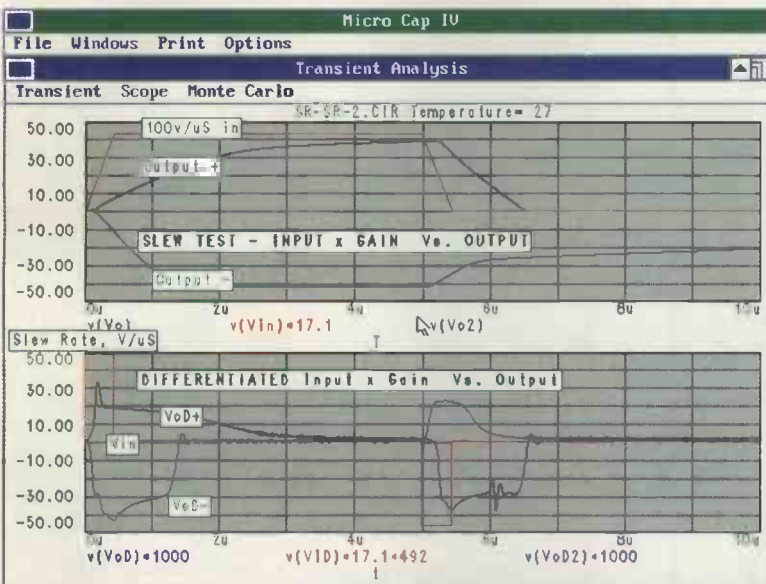
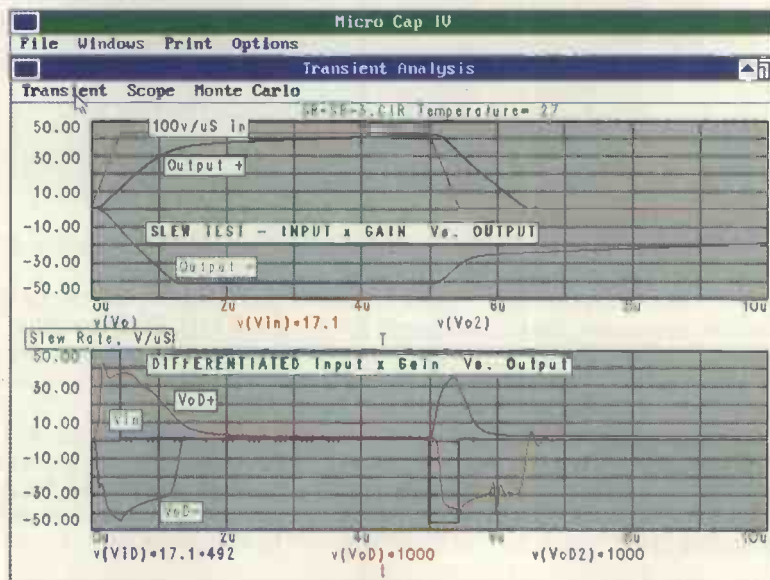


Fig. 2. MicroCAP's ideal current sources are exchanged for the current source circuitry in Self's Fig. 1 (EW+WW, Sept, 1994). The negative recovery problem persists. Both output polarity amplitudes are near to clip but still safely short of it.

Fig. 3. Self's current source improvements are installed. This gets positive slew performance back to Fig. 1 but does little to fix the asymmetry and does nothing for the messy peaking, and chewing-gum negative recovery.



the limits of wood and metal.

Many of these new sounds and 'instruments' can include or produce full (0dB) levels at 20kHz. Even the breathy sounds of close-miked vocals can become unacceptably sibilant when handled live by some bipolar power amplifiers – a problem widely experienced as disappearing when faster mosfet amplifiers are substituted.

RF filtration

Must an amplifier have rf filtration on its input port?

The ideal per-stage bandwidth for high quality music reinforcement, monitoring and reproduction should be at least 100kHz and ideally no more than -3dB at 200kHz³. Above this, input filtration is positively desirable. Without it, whether the incoming program can slew at a rate that taxes the amplifier is not an issue. Radio frequency can (and regularly does) make egress in the cabling preceding most power amplifiers. Self's design (his Fig. 1 in ref. 2) omits input filtration, yet a 900MHz mobile phone signal need only peak at 100mV to slew at 500V/ μ s. Just 11mV peak ingress would out-slew even a 50V/ μ s capability.

Radio frequency filtration does not slow fast edges; it just reduces the amplitude portion of the 'rate' or amplitude-frequency product. So input (and other portal) rf filtering (cf interior band-limiting) only protects an amplifier with a marginal slew rate if rf levels are below a certain threshold.

In the real world, the ubiquitous rf debris that is part of urban living may be less obliging. Fast-edged 'clicks' caused by dust particles on vinyl striking a stylus can also tax amplifiers harder than the toughest programme.

Rateable values

The foregoing shows why higher slew limits than those needed to reproduce a 20kHz – let alone 2kHz – sine wave at 0dB, can be justifiable. For any given degree of hf filtration, more-than-adequate-slew limits alone can distance the ears from the very unpleasant and ear-fatiguing distortion that can begin when an amplifiers' slew limit is approached by a factor of two, or even a ten. At the point where visible slewing begins, when signal slew is equal to the amplifier's limit, thd is already about 1% and the damage – with grating high harmonics – has already been done.

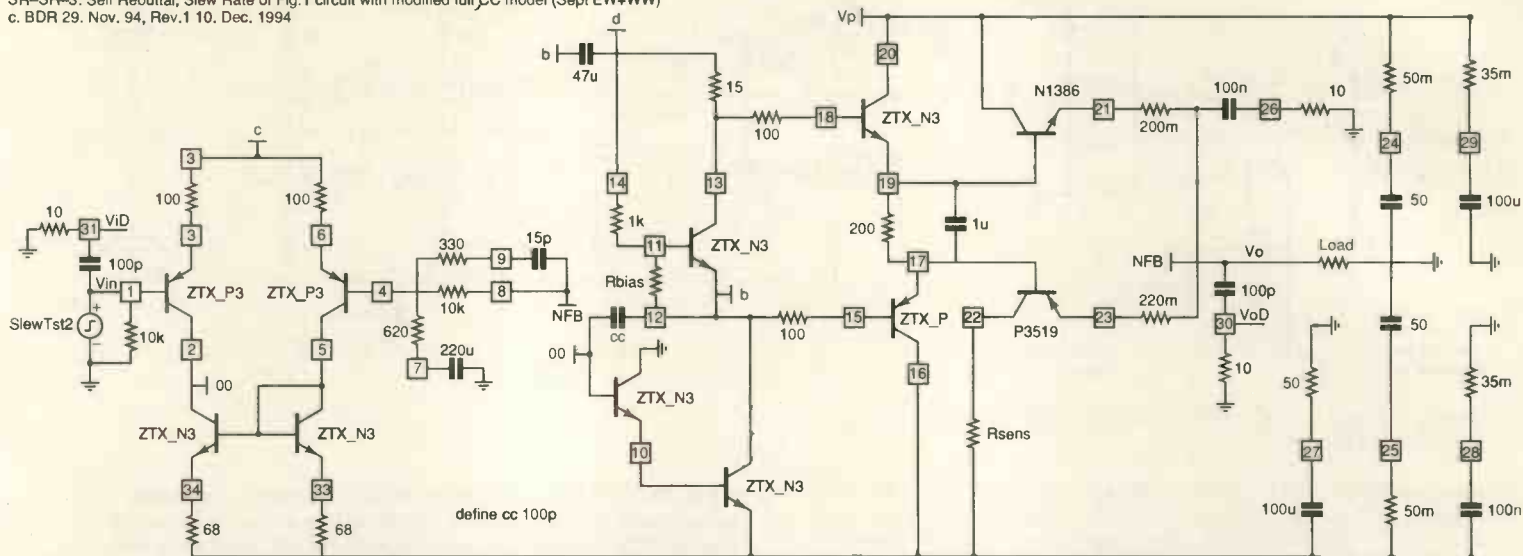
These events may happen rarely in many systems and situations, and in others not at all. But no-one should not dismiss the validity of higher-than-expected slew rates as being beneficial to sonic quality because a difference could not be heard with casual listening. No-one would remove the rear fog lamps from a car on the grounds that other vehicles had never run into it.

Walt Jung's original and in-depth work on slewing⁴ covered this ground 18 years ago and should be compulsory reading for anyone writing on this topic.

Slewing can trigger prolonged indigestion in amplifiers. Even when it doesn't, as little as 1-2s of gross distortion due to slew-limitation during a performance can effect listener enjoyment for several minutes afterwards – an effect analogous to gross video corruption when watching a spell-binding film.

The upshot is that prudent minimum slew limits for quality audio should be at

SR-SR-3: Self Rebuttal, Slew Rate of Fig. 1 circuit with modified full β CC model (Sept EW+WW)
 c. BDR 29. Nov. 94, Rev. 1.10. Dec. 1994



```
.MODEL Slewtst2 PUL (VONE=2.50 P1=10n P2=438n P3=5u P4=5.45u
P5=10.01u)

.MODEL ZT_XP3 PNP (BF=250 BR=50 XTB=1.5 IS=382.06F CJC=45.5P
CJE=278P RB=40M RC=65M VAF=154 TF=780P TR=30N MJC=453.4M VJC=577.4M
MJE=347.71M VJE=281.65M CJS=1F VAR=38 NF=1.0025 NR=1.0012 ISE=103.5F
ISC=700F IKF=1.15 IKR=420M NE=1.3642 NC=1.19 RE=87.5M IRB=1 RBM=100M
VTF=1K MJS=500M)

.MODEL ZTX_N3 NPN (BF=200 BR=33 XTB=1.5 IS=320.07F CJC=80P CJE=350P
RB=87M RC=70M VAF=76 TF=860P TR=24N MJC=489.6M VJC=767.6M MJE=376.61M
VJE=440.67M CJS=1F VAR=51 NF=1.0041 NR=1.0008 ISE=80F ISC=60F IKF=1.6
IKR=450M NE=1.57 NC=1.079 RE=80M IRB=1 RBM=100M VTF=1K MJS=500M)

.MODEL N1386 NPN (BF=43 XTB=1.5 IS=33.69F CJC=352P CJE=13.4N RB=400M
RC=13M VAF=75 TF=4.54N TR=1000P MJC=336.47M MJE=500M VJE=800M CJS=1F
VAR=100 ISE=6.279P ISC=0.1F IKF=21.3 IKR=1K RE=100M IRB=500M RBM=100M
VTF=1K MJS=500M)

.MODEL P3519 PNP (BF=169.339 BR=10 XTB=1.5 IS=956.328F CJC=1.06282N
CJE=151.61P RB=370.37M RC=359.275M VAF=100 TF=3.90097N TR=76.5695N
MJC=468.399M VJC=775.989M MJE=330.622M VJE=781.588M CJS=1F VAR=100
ISE=4.36566P ISC=0.0000121848F IKF=6.06776 IKR=1K NE=1.33389
NC=2.77489 RE=44.2091M IRB=1 VTF=10 ITF=111.342M XTF=499.973M
MJS=500M)

.define load 8
.define Rbias 320
.define Rsens 1m
```

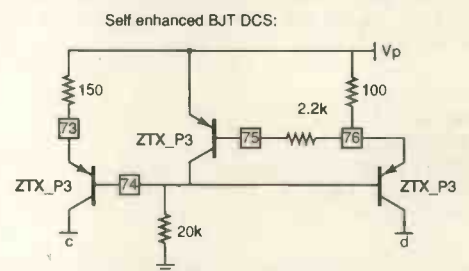
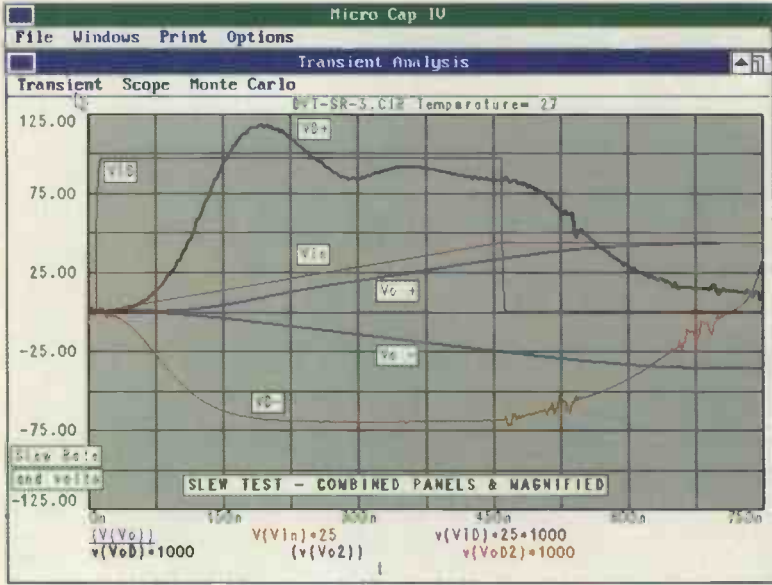


Fig. 4. Simulation circuit used for Fig. 3 precisely follows Self's own Fig. 1 schematic. British semiconductor models are used for the small signal bjts; Zetex (ex-Ferranti) is the only general semiconductor maker in the world so far to issue Level 3 (Gummel-Poon) bjt data. Output devices are modern, fast (20MHz), T03P. Models were created with extra data supplied by the Japanese maker. This was entered into MicroCap's refined parametric extraction program (PEP), to derive the Level 3 parameters. The sister circuits used to plot Figs. 1 and 2 differ as follows:

In Fig. 1, all the current source circuitry is replaced by ideal, independent sources. In Fig. 2, current source circuitry connections are as shown in Self's Fig. 1. In all three circuits, differentiator RC values have been scaled to permit accurate results up to 500V/ μ s.

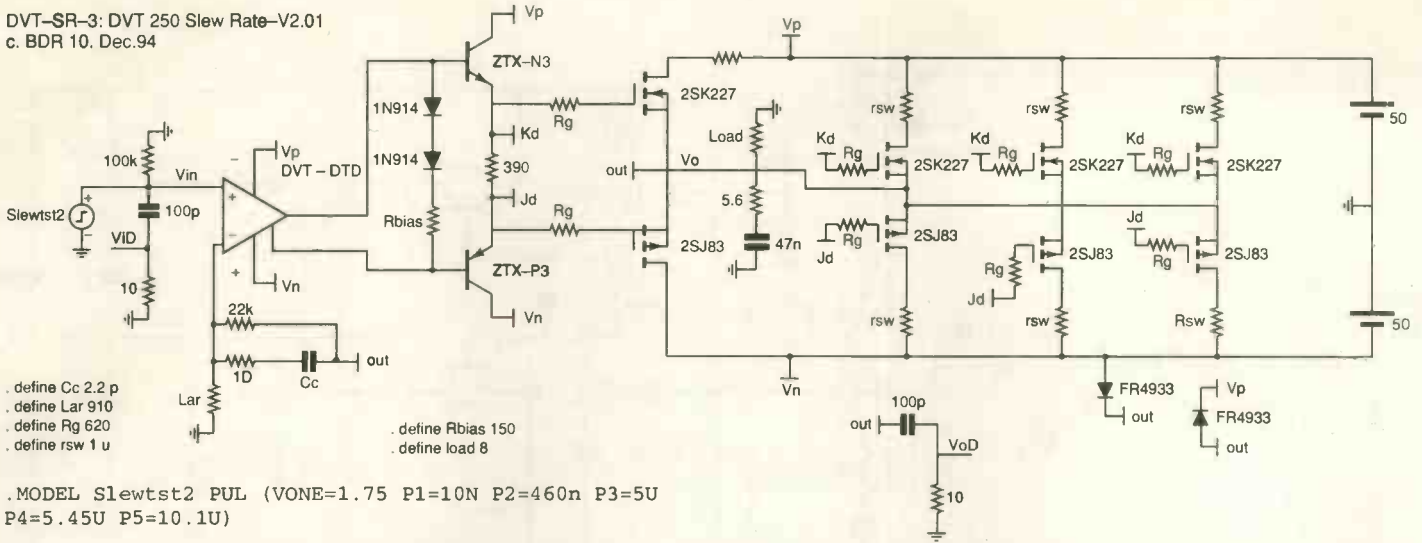
least Walt Jung's 18 year old recommendation of 0.5V/ μ s per peak output volt (pk V_o). This allows an 80kHz power bandwidth (referred to 1% distortion) and remains almost safe for a great deal of reproduced sound: by a factor of four for cd and dat, and at least five for live BBC (vhf, fm) broadcasts. The 55V/ μ s per 40V rms cited of Pass amounts to 1.4V/ μ s per pk V_o and corresponds to 200kHz bandwidth. That figure, independently established by Rupert Neve, is ideal both for live music reproduction and a first rate recording chain. Taking Jung's criteria as the reference for today's highest quality design, then a 75W into 8 Ω (i.e. 35V peak swing)

Fig. 5. When launched in 1984, the Rauch DVT250s was the fastest slewing professional power amplifier. The plot demonstrates at least +80 and -70V/ μ s, this before any speed-up emitter degeneration resistors are added. For magnified detail, upper and lower panels have been combined, so the Y scale reads both magnitude of the inner three plots in volts; and slew rates in V/ μ s of the three outermost plots (V_{id} & V_{oD+} , V_{oD-}).



AUDIO

DVT-SR-3: DVT 250 Slew Rate-V2.01
c. BDR 10, Dec.94



```
.define Cc 2.2 p
.define Lar 910
.define Rg 620
.define rsw 1 u
```

```
.define Rbias 150
.define load 8
```

```
.MODEL Slewst2 PUL (VONE=1.75 P1=10N P2=460n P3=5U
P4=5.45U P5=10.1U)
```

```
.MODEL 2SK227 NMOS (VTO=-284M KP=20U L=2U W=36.6M
GAMMA=0 PHI=600M LAMBDA=8.47M RD=338M RS=52M
CGSO=358.7P CGDO=358.7P TOX=100N NSUB=0 NSS=0 TPG=1
UO=600 KAPPA=200M)
```

```
.MODEL 2SJ83 PMOS (VTO=168.5M KP=20U L=2U W=38.5M
GAMMA=0 PHI=600M LAMBDA=50.4M RD=26U RS=396M
CGSO=358.7P CGDO=358.7P TOX=100N NSUB=0 NSS=0 TPG=1
UO=600 KAPPA=200M)
```

```
.define Cc 2.2p
.define Lar 910
.define Rg 620
.define rsw 1u
.define Rbias 150
.define load 8
```

Fig. 6. The DVT has simpler drive circuitry than Self's, coupled to complementary power mosfets. The drive IC is a macro of a fast op-amp built from discrete components (DT). For fair comparison with Figs 1-3, the 8Ω load, gain and differentiator values (10 Ω and 100pF) are identical. Switch resistors 'rsw' allow $3/4$ of the output mosfets to be disconnected to view the performance of one mosfet pair.

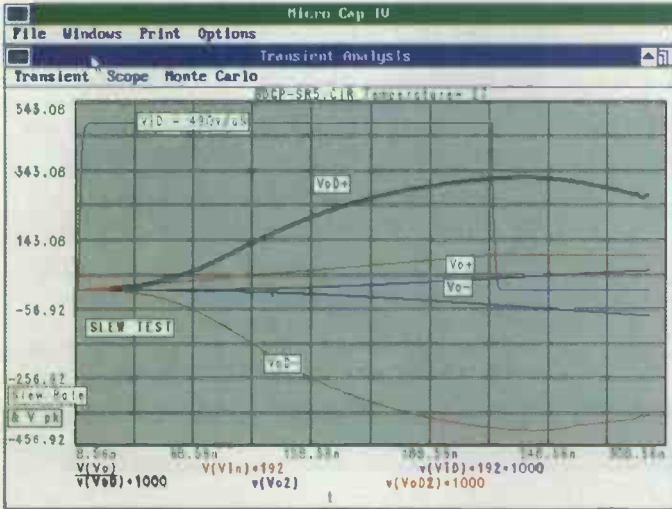


Fig. 7. Testing the high speed topology with a 485V/ μ s step yields about +315, -405V/ μ s. The mild asymmetry is academic, with nearly 2V/ μ s/V_o pk available for 160V swings (800W into 16 Ω). Speed is readily increased further. Physical (as opposed to simulated) slew testing of this order needs care, as aside from the usual high speed traps [7] the low resistance differentiator networks shown dissipate heavily.

Virtual spectrum analysis

Using MicroCap IV as a spectrum analyser is straightforward, requiring just the Harm operator (Harm[v[nn]]) where nn is usually the output) an analysis period that is an integer of the stimulus period, and adequate memory. Here, just over 1MB (of 4MB system memory) was free for use. A 486-DX with Dos-6 is a sensible minimum. Even with MicroCap IV - the fastest pc software simulator - each high-accuracy run will offer you a minute or two to spare.

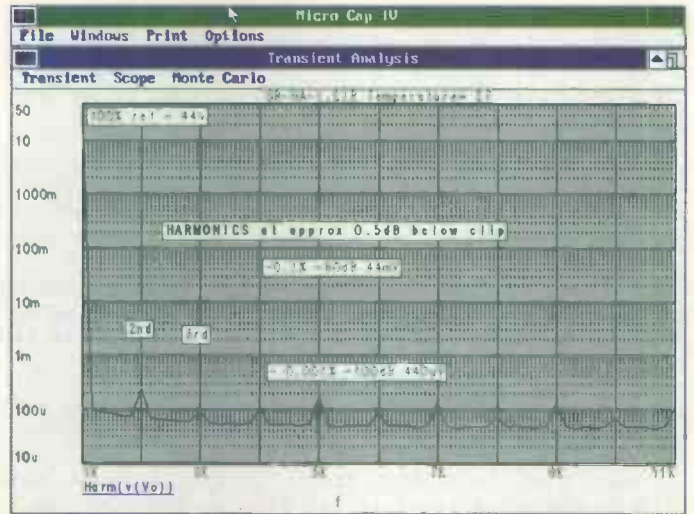


Fig. 9. Simulated harmonics in Self's Fig. 1 circuit, 0.5dB below clip. The top left marker tells us that the 1kHz fundamental is at 44V (discovered by using MicroCap's cursor function). So the ugly ninth harmonic, at 115 μ V, is about 0.0003%. This is audibly more significant than it appears.

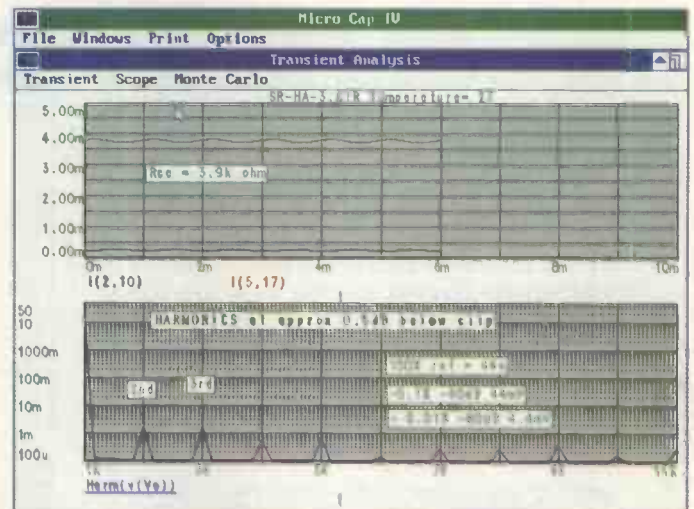


Fig. 10. With the input stage current unbalanced 'by uninspired guesswork', here increasing R_c to 3.9k Ω , the harmonic structure changes. Here, the evens are strengthened over Fig. 9, but not enough.

BDR-SR-4: BDR/CP Amp, Slew Rate
c. BDR 30. Nov.94; rev 10. Dec.94

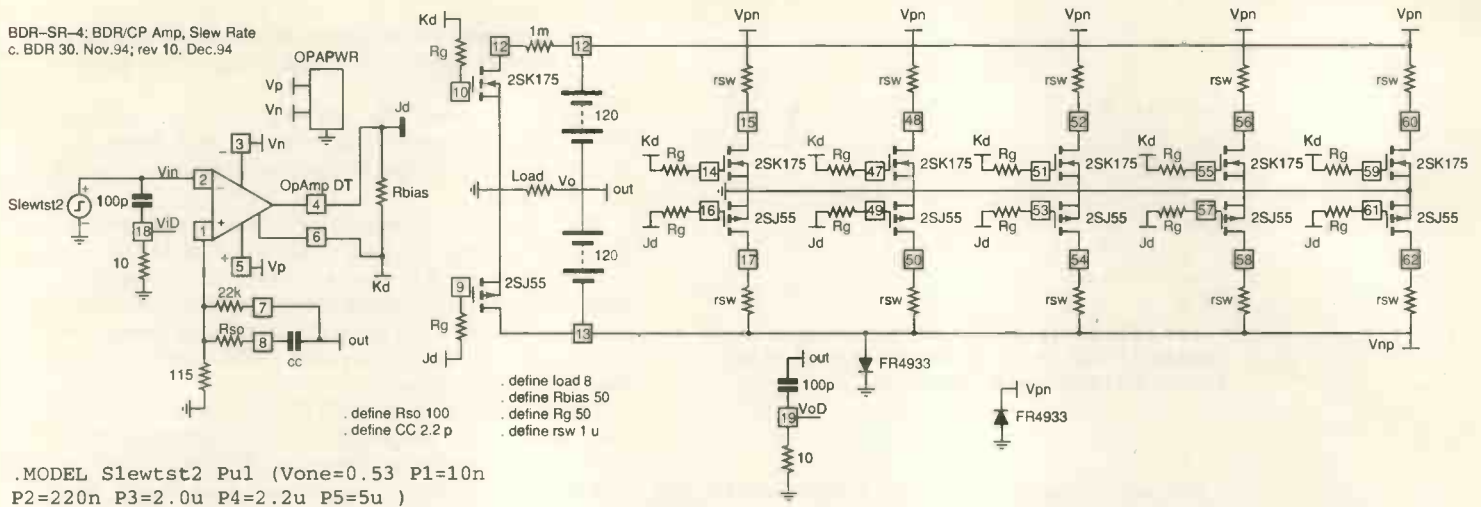


Fig. 8. The high speed topology again employs lateral mosfets. Also like the DVT, it has a discrete op-amp drive stage. The number of mosfets does have an effect on slew limit, and besides, six are needed to comfortably drive 8Ω speakers at 113V rms. In real use, the fast recovery diodes are important for spike protection. The 'OPAPWR' box is a dual psu macro for the driver op-amp stage.

```
.MODEL Slewstst2 Pul (Vone=0.53 P1=10n
P2=220n P3=2.0u P4=2.2u P5=5u )
```

```
.MODEL 2SK175 NMOS (VTO=-284M KP=20U
L=2U W=36.6M GAMMA=0 PHI=600M
LAMBDA=8.47M RD=338M RS=52M
CGSO=358.7P CGDO=358.7P TOX=100N
```

```
NSUB=0 NSS=0 TPG=1 UO=600 KAPPA=200M)
```

```
.MODEL 2SJ55 PMOS (VTO=168.5M KP=20U L=2U
W=38.5M GAMMA=0 PHI=600M LAMBDA=50.4M RD=26U
RS=396M CGSO=358.7P CGDO=358.7P TOX=100N NSUB=0
NSS=0 TPG=1 UO=600 KAPPA=200M)
```

```
.MODEL FR4933 D (IS=139.577N RS=14.1313M
TT=100P CJO=1.10199N VJ=217.281M M=380.094M
EG=850M XTI=2 BV=270 RL=1000G)
```

```
.define Rbias 50
.define load 8
.define rsw 1u
.define Rso 100
.define Rg 50
.define CC 2.2p
```

amplifier, even modified to $\pm 50V/\mu s$, is just about acceptable. But it is certainly unsuited for the higher swings often required into inefficient speakers that are the domestic norm. And also for today's weight- and volume-challenged live music monitoring and reinforcement amplification.

In practice, with advanced hf drive units (both dome tweeters and compression drivers) used in professional live music monitoring able to handle music transients above 165V without tearing, serious listeners can safely use amplifiers with swings much higher than the 35V on offer.

Like a powerful car in experienced hands, the headroom is demonstrably safer for drive units and ears alike – no matter how counter-intuitive this seems.

The present record of about 160V_o pk output per channel is set by one of my own designs – made by a UK company – and two similarly rated units from US competitors. Their seemingly outrageous one-and-a-bit kilowatts into 8Ω/channel provides about 2dB of headroom when full range monitor speakers are called on to replay at live-performance spls. Using the Pass criterion, and assuming these goliath amplifiers are intended to handle full range music signals, then their slew limit needs to be over of 220V/μs.

In his article, Self comments: "There was an isolated claim of 200V/μs, but I doubt it". This is undoubtedly a reference to an unpublished circuit drawing I supplied to aid Doulas's research. It did indeed show an amplifier slewing at 200V/μs.

Using simulation, I will now put the slew limitations of the Self amplifier in perspective.

Out-slewn

Figure 1 shows the slewing performance of Self's Fig. 1¹ based – with one crucial simplification – on an earlier circuit⁵. Upper panel of the transient analysis plot shows the output signal – which should eventually reach 42V – and the input test signal multiplied by the 1kHz (midband) gain.

At 5μs, where the positive output has nearly settled, hf roll-off caused by C_f (C₇) and C_{dom} (C₃) accounts for the difference in actual 40V and predicted 42V amplitudes.

Lower panel shows input and output signals as above, but with the voltage differentiated so the Y scale is in V/μs. In MicroCap, these rate-of-change graphs can be achieved by simply entering D(v(nn)) where nn is either the node name (in this instance ViD and VoD, meaning differentiated V_{in} or V_{out}), or the automatic node number. This is MicroCAP's equivalent of Self's "Agricultural Spice" plots in his Figs 4 and 5¹. But to include the effect of loading the output with the differentiation network needed for real physical measurements, the differentiated signals are all derived from simulated RC differentiators.

Simulated differences

The circuitry entered in MicroCap IV to produce Figs. 1 - 3 differs from Self's explicit circuit in only minor respects which will not greatly affect the predictions.

The supply comprises perfect dc from 50V batteries, albeit with 30mΩ series resistance, so the rails do drop slightly when loaded.

All transistor parameters are perfectly matched between identically named individuals.

Protection diode D₁ and the input dc blocking cap C₁ are excluded, and electrolytic capacitors C₂ and C₄ are modelled as ideal non-polar components. All the small signal bipolar transistors are Level 3 (Gummel-Poon) models.

All simulations were carried out at 27°C, the default temperature. Stepping over more realistic operating temperatures – up to 80°C in some cases – is straightforward but requires individual graphs for clarity.

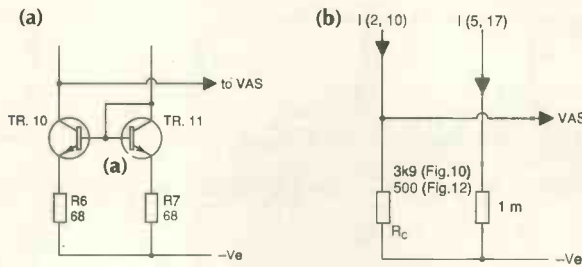


Fig. 11a. Sub-circuit simulated in Fig. 9. Network b) is employed in Figs 10 and 12. Putting a single R_C in the forward leg causes a major imbalance.

The output referred 100V/ μ s test signal would be well above the scale maximum of 50V/ μ s. Multiplication by 492 rather than 1000 – the factor needed to get the differentiator outputs converted so each volt = 1V/ μ s – brings it into visibility.

According to the model, the topology used by Self is slewing at +37V/ μ s in the main flattish region, though peak slew is +45V/ μ s. Negative slew rate has no flat region, but peaks at over -50V/ μ s, and asymptotes about -37V/ μ s.

Only one exception to a full, frank simulation was used to achieve these results: ideal current sources were used in place of $T_{r1,6}$ and $T_{r1,4}$ and surrounding parts (see *Simulated differences panel*).

In Fig. 2 the current-sources were re-entered exactly as in Self's circuit. Here, the flat portion of the positive slew limit reduces to +18V/ μ s, and the peak to about +32V/ μ s. Negative slew (V_{o-}) peaks at -43V/ μ s, and if there were a flat region, it would be about -30V/ μ s.

After rewiring with Self's Fig. 7 current-source improvements (Figs. 3 and 4) we are back to +36V/ μ s or a peak of +42V/ μ s, and as much as -45V/ μ s. This is not quite the ± 50 V/ μ s claimed by Self, but it is near enough, and follows the right pattern. The feedthrough 'braking' effect on positive slewing is real and undisputed.

What is disputed is the ability of other designs to outpace the Lin topology employed by Self, which dates back forty years. Quality-conscious designers have long ago moved on,

Fig. 12. With the input stage almost perfectly re-balanced without the current mirror, the harmonic structure is once again different, and the seventh is thankfully reduced. Note inter-collector current waveform discrepancies in the upper panel. In the top panel, the lighter curve is 5, 17 while the darker is 2, 10.

having discovered that as soon as one aspect of this cantankerous topology is perfected, another collapses into disorder or asymmetry.

Figure 5 shows the slewing of the DVT250s 440W/4 Ω /channel professional mosfet amplifier, Fig. 6, first produced in 1984 by Rauch Precision, a company founded by Jerry Mead.

When launched, its slew performance was exceptional, though the circuitry was fairly conventional. In the later version simulated here it employs six transistors – excepting the output mosfets, current source and mirror. Distortion is higher than Self's. But it still meets the essential raw criterion of well below 0.1% thd into any rated load at any level below clip, at any audio frequency.

The plots confirm that the DVT's slew rate is about +85 and -70V/ μ s in the flat portion, ie. at least 0.88V/ μ s per pk V_o for the 62V peak swing. Peak slew is 120V/ μ s.

Tellingly, second-hand samples are much sought after today and reach high resale prices. An oft cited reason is effortless treble quality that sound engineers have realised they are not experiencing in more recent amplifiers.

In the past decade, leading designers charged with creating quality high-power amplifiers for music have had to develop topologies to ease provision of the higher slew rates needed for high swings, above 90V.

Figure 7 demonstrates graceful and only mildly asymmetrical slewing in excess of ± 300 V/ μ s, in response to the 485V/ μ s test signal – a performance achieved with my 160Vpeak-capable design as well as Fig. 8. Speed can readily be pushed higher, yet percentage thd is not being traded: at over 1300W into 8 Ω , it can be as good as 0.02% at 20kHz. In all cases, mosfets are used. Bipolar junction devices would be vapourised without added anti-saturation circuitry.

When amplifiers with such a high swing and high slew are bare-tested with rf filtration removed, even heavy-gauge pvc cabling made for 50Hz mains can melt, demonstrating the gross energy abstraction of pvc as dielectric. Naturally, this does not occur with 'audiophile' cables of ptfе construction.

Harmonic argument: Self rebuttal

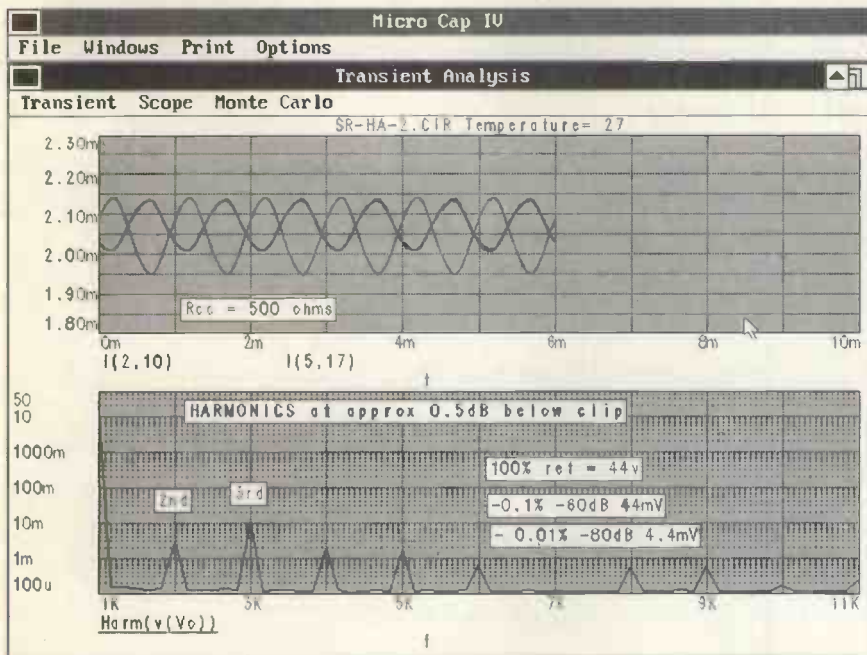
In *Distortion in Power Amplifiers*⁵, Self describes the thd-reducing effect of perfectly balancing the collector currents in the input differential pair transistors. He makes no mention of a classic EW+WW article⁶ on this topic however. Instead, he infers that some practices in this area are 'misguided': for example when the collector resistor (i.e. R_C in his Fig. 7a) is set for pair current imbalance. But simulation can demonstrate that there is method in the apparently wayward component values used in some highly-rated amplifier designs.

Figure 9 shows MicroCAP-IV's powerful spectral analysis being used to give a second opinion on the same very high order (below three parts per million) spectral resolution carried out with the Audio Precision System One test set. As before (Figs. 3, 4), the circuit being simulated is Self's, with full current source modifications.

The amplifier is being driven about 0.5dB below true clip, with a near perfect pure dc power supply (batteries), and a 1kHz stimulus, into an 8 Ω load. This is one of the most benign conditions a real power amplifier can expect.

The amplifier does indeed demonstrate low harmonics in this static domain. But notice that while the second is the greatest, the next largest are the scarcely benign fifth and the positively metallic sounding seventh harmonics.

Even harmonics are depressed by comparison, and the second is not good at masking this. Worse, the real order – to our ears – greatly emphasises the high harmonics, including some distinctly grating components above the tenth, not plotted here for clarity. While small, these are not necessarily masked by much higher, but paradoxically less audible lower order distortions created by loudspeakers.



In Fig.10, the current mirror (Fig. 11a) used to enforce close current balancing has been removed and replaced with Self's original arrangement⁵, a single R_c in the forward leg. Here (Fig.11b) it is 3.9k Ω , which causes a major imbalance. The upper plot shows how the forward leg current ($I(2,10)$ seen lowermost, is about 250 μ A, starving the voltage amplification stage of current drive.

Although thd has increased (try summing the heights of the triangles) the sonic qualities will be different and, to many ears, more pleasant and more rounded. The reason is that the odd and even harmonics are almost evenly paired, with the exception of the recessed sixth and tenth. These same considerations have been used for centuries by musical instrument makers to adjust timbre.

Lastly, Fig. 12 shows what happens when R_c is readjusted for near perfect balance without the current mirror. Note how the much-magnified current plots in the upper panel show how the current waveforms, while dc matched, are dissimilar in amplitude and harmonic content, making a nonsense of perfect quiescent matching.

Once again, the harmonics are different. The seventh is below the noise floor, the tenth is nearly masked, while the second is recessed. Overall, a hard, nasal sound would be predicted by the harmonically conversant.

So much for balancing.

Douglas Self's series on amplifiers provides a lucid insight

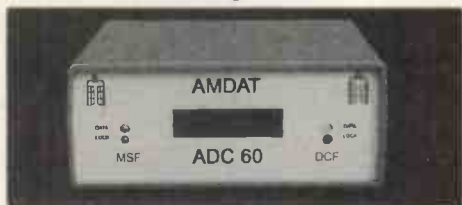
into the nth degree static linearity of low frequency amplifiers for industrial loads, test equipment satisfaction and low common denominator 'consumer audio'.

But in the context of true high fidelity audio and what analogue electronics can offer to the unfettered reproduction of all kinds of music, it falls far short. ■

References

1. D. Self, *High speed audio power*, EW+WW, Sept 1994.
2. B. Duncan, *Restoring stage mic performance*, *Line Up (Journal of Institute of Broadcast Sound)*, Sept 1992.
3. B. Duncan, *Signal chain*, *Studio Sound*, Jun 1991.
4. W. Jung, M. Stephens and C. Todd, *Slewing induced distortion and its effects on audio amplifier performance*, 57th AES, May 1977; also *Slewing induced distortion*, parts 1-4, *Audio Amateur*, 1977, and *An overview of sid and tim*, *Audio*, Jun-Aug 1979.
5. D. Self, *Distortion in power amplifiers*, Part 2, EW+WW, Feb 1994.
6. E. F. Taylor, *Distortion in low noise amplifiers*, EW+WW, Aug 1978.
7. J. Williams, *High speed amplifier techniques*, *Linear Technology*, AN-47, Aug 1991.

THE clock for your computer



The ADC-60 brings the accuracy of a time standard to your computer. It provides a data source which can be used by any system which has a serial port such as a PC, MAC or mainframe. The ADC-60 offers improved reliability by using both the British MSF and German DCF time standards. If one of the signals cannot be received the other source will automatically be used.

Other ADC-60 Features include:

- LCD display showing current time and date together with the lock status of the unit.
- Provides GMT or Local time outputs together with the date
- Serial output in ASCII or BCD format
- Includes 2 software packages, the first is a TSR which runs under DOS, the second runs as a minimised window in Microsoft Windows

Contact us today for further information on this superb product

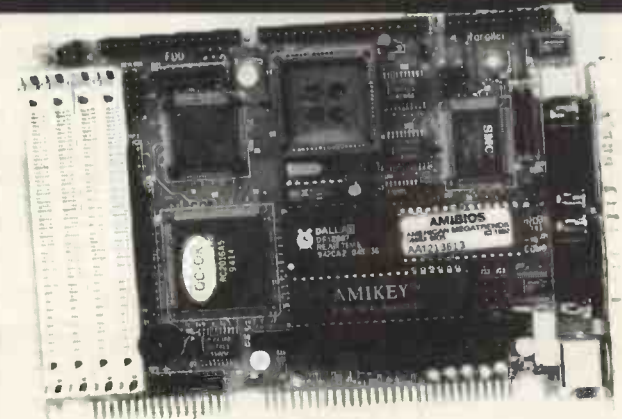
AMDAT

4 Northville Road, Northville
Bristol BS7 0RG

Tel: 01179 699352 Fax: 01179 872228

CIRCLE NO. 116 ON REPLY CARD

COMPONENTS & SYSTEMS FROM IOSIS



INDUSTRIAL SPEC COMPONENTS AND SYSTEMS

386SX-40 All-in-one CPU Board on PC half card from £215. Requires only display adapter and RAM to complete the core of a PC-compatible system. PC/104 or ISA bus expansion. PC/104 display adapter from £135. Desktop LCD mono VGA monitor with display adapter and passive backplane from £499. Please enquire for complete systems. Prices exclude VAT and carriage.

2c Chandos Road, Redland, Bristol BS6 6PE, UK
Tel: 0117 973 0435 Fax: 0117 923 7295

CIRCLE NO. 117 ON REPLY CARD

COMPUTER ICs

TMS 9900NL-40 PULLS	£20 ea
S9900 NEW AMD EQUIVALENT	£30 ea
TMS 9901NL-40 PULLS	£20 ea
MC6802 PROCESSOR	£2 ea
8742 1 SHOT	£8
8742 WIPEO	£5
TMS320	£5
TMS320 1 SHOT	£3
AM27C020-125L1 SURFACE MOUNT EPROM USED/WIPEO	£1.50
MM16450 UART CHIP	£5 ea
P8271 BBC DISC CONTROLLER CHIP EX EOPT	£25
SAA5050 TELETEXT CHIP EX EOPT	£5
2817A-20 (2Kx8) EEPROM ex eqpt	£2
D41256C-15 256Kx1 PULLS	9 FOR £5
80C31 MICRO	£2
P8749H MICRO	£8
D8751 8-BAY	£10
MK48Z02-20 ZERO POWER RAM EQUIV 6116LP	£4
NEW 4164-15	£1
USED 41256-15	£1
USED 4164-15	60p
BBC VIDEO ULA	£10
8051 MICRO	£1.25
8 x 4164 SIF MODULE NEW	£8
FLOPPY DISC CONTROLLER CHIPS 1771	£16
FLOPPY DISC CONTROLLER CHIPS 1772	£17.50
68000-8 PROCESSOR NEW	£6
H06384-8	£5
ALL USED EPROMS ERASED AND BLANK CHECKED	
2716-45 USED	£2 100/£1
2732-45 USED	£2 100/£1
2764-30 USED	£2 100/£1
27C256-30 USED	£2
27C512 USED	£3.50
1702 EPROM EX EOPT	£5
2114 EX EOPT 50p 4116 EX EOPT	70p
6264-15 8K STATIC RAM	£2
GR281 NON VOLATILE RAM EQUIV 6116	£5
280A SIO-O	£1.25
7126 3 1/2 DIGIT LCD DRIVER CHIP	£2 ea
2816A-30 HOUSE MARKED	£16
USED TMS253JL	£2.50
2708 USED	£2
HM6167LP-8	65p
68000-10 PROCESSOR	£6
8255-5	£1
2114 CMOS (RCA 5114)	£1.50
M27C4001-12 USED/WIPEO 4M EPROM	£5
WD16C550-PC UART	£9

REGULATORS

LM338K	£6
LM323K 5V 3A PLASTIC	£3
LM323K 5V 3A METAL	£3
78H12ASC 12V 5A	£5
LM317H T05 CAN	£1
LM317T PLASTIC T0220 variable	£1
LM317 METAL	£2.20
7812 METAL 12V 1A	£1
7805/12/15/24	30p
7905/12/15/24	30p
CA3085 TO99 variable reg	2/£1
78HGASC+79HGASC REGULATORS	£30 ea
LM123 ST93 5V 3A T03 REGS	£3 ea
UC3524AN SWITCHING REGULATOR IC	60p

CRYSTAL OSCILLATORS

2M4576 3M6854 5M0 5M76 6M144 7M000 7M3728 8M000 12M000	
14M3181 17M6256 16M257 18M000 20M000 23M587 24M000	
25M175 27M0 27M036 28M322 32M000 33M330 33M4816 40M000	
44M444 44M900 48M000 64M000 1M000 1M8432 4M000 10M000	
16M000 18M432000 19M0500 20M0500 38M10000 56M092 76M1	
84M00	£1.50 ea

CRYSTALS

4M0256 10M368 17M6256 18M432 25M000 28M4694 31M4696	
48M000 55M500 111M80 112M80 114M318 114M80 1M0 1M8432	
2M000 2M4576 2M77 3M00 3M2768 3M579545 3M58564 3M93216	
4M000 4M19304 4M433619 4M608 4M9152 5M000 5M0688 6M0000	
6M400 8M000 8M488 9M8304 10M240 10M245 10M70000 11M000	
12M000 13M000 13M270 14M000 14M381818 15M000 16M000	
16M8888 17M000 20M000 21M300 21M855 22M1184 24M000	
34M368 36M75625 36M76875 36M78125 36M79375 36M80625	
36M81875 36M83125 36M84375 36M900 49M504 54M19166	
54M7416 57M7583 60M000 60M455 69M450 8M 26M095	
RD27M045 OR27M095 YW27M145 GN27M195 BL27M245	
3M225	£1 ea

TRANSISTORS

MPSA92	10/£1
2N2907A	10/£1
BC477, BC488	10/£1
BC107 BC170 PREFORMED LEADS	
full spec	£1 £4/10 £30/100
BC557, BC238C, BC308B	£1.30 £3.50/100
2N3819 FETS short leads	4/£1
2N2907 PLASTIC CROPPED	£1/15 £4/100

POWER TRANSISTORS

OC29	£1.35 ea
P POWER FET IRF9531 8A 60V	3/£1
N POWER FET IRF531 8A 60V	2/£1
2SC1520 sim BF259	3/£1 100/£22
TIP 112 £1 ea TIP 112/42B	2/£1
SE9301 100V 10A DARL SIM TIP121	2/£1
PLASTIC 3055 OR 2955 equiv 50p	100/£35
BUZ31 POWER FET TO-220 20V 12.5A	2/£1

TEXT TOOL ZIF SOCKETS

28 PIN USED	£3
40 PIN NEW	£10
SINGLE IN LINE 32 WAY CAN BE GANGED FOR USE WITH ANY	
DUAL IN LINE DEVICES... COUPLING SUPPLIED	2/£1.50

NEW BITS

2 VOLT 920 A/hr LEAD ACID CELLS, UNUSED, UNFILLED 18" HIGH	
12" x 7", WEIGHT 48kg each, RUBBERISED CASE, GAULTLEDED	
TUBULAR PLATE CONSTRUCTION, FOR DEEP CYCLE, HIGH	
CURRENT USE, MADE FOR BRITISH NAVY, 800 CELLS	
AVAILABLE, PHONE FOR PRICING ALSO AVAILABLE FILLED &	
CHARGED	
Narrow angle infra red emitter LED5C	2/£1
UM6116M-2L surface mount 1000 available	£1
280B P10 7000 available £1 each, qty. price	30/50p
CN665 OPTO ISOL 3000 available	50p
OPTO ICs also available TLP550 TLP666GF	
68 way PLCC CK SKT 1500 available	£1 each
100 wa PLCC SKT 100 available	£1.50 each
12500F POSTAGE STAMP COMPRESSION TRIMMER	£1
XL593CS4P-3 serial Eprom 10,700 available	£1,600/lot £25/100, £1/3
LM324 (Quad 741)	4/£1

KEYTRONICS

TEL. 01279-505543
 FAX. 01279-757656
 P O BOX 634
 BISHOPS STORTFORD
 HERTFORDSHIRE CM23 2RX

MISCELLANEOUS

MINIATURE FERRITE MAGNETS 4x4x3mm	10/£1
ALPS MOTORIZED DUAL 47K LOG pots with spindle, works on	
6v-12v	£1.50 ea
TL071 LO NOISE OP AMP	5 for £1
TL081 OP AMP	4 for £1
47000u 25v SPRAGUE 36D	£3.50 (£2)
12 way dil sw	£3 for £1
100NF 63V X7R PHILIPS SURFACE MOUNT 100K	
available	£30/4000
SWITCHED MODE PSU 40 WATT UNCASED QTY.	
AVAILABLE +5v 5A, +12V 2A, 12V 500mA FLOATING	
	£9.95 (£2)
220R 2.5W WIREWOUND RESISTOR 60K AVAILABLE	
	£50/1000
CMOS 555 TIMERS	2/£1
2/3 AA LITHIUM cells as used in compact cameras	2/£1.50
ICM7126CPL CMOS 3 1/2 DIGIT LCD DRIVER CHIP	£2 ea
LITHIUM CELL 1/2 AA SIZE	2 FOR £1
PASSIVE INFRA RED SENSOR CHIP + MIRROR + CIRCUIT	£2 ea
	£25 ea

EUROCARD 21-SLOT BACK PLANE 96.96-WAY	
"PROTONIC 24 VARIBUS" 16.7"x5" FIBREGLASS	
MULTILAYER PRH PCB	
EUROCARD 96-WAY EXTENDER BOARD 290x100mm	£10 ea
"PROTONIC 24" CW 2 SWITCH ARMS/EJECTORS.	
DIN 41612 96-WAY A/B/C SOCKET PCB RIGHT	
ANGLE	£1.30
DIN 41612 96-WAY A/B/C SOCKET WIRE WRAP PINS	£1.30
DIN 41612 64-WAY A/C SOCKET WIRE WRAP PINS	£1
DIN 41612 64-WAY A/C PCB RIGHT ANGLE	£1
DIN 41612 64-WAY A/B SOCKET WIRE WRAP (2-ROW BODY)	£1
BT PLUG + LEAD	3/£1
MIN. TOGGLE SWITCH 1 POLE c/o PCB type	5/£1
LCD MODULE sim. LM018 but needs 150 to 250V AC for display	
40 x 2 characters 182x35x13mm	£10
6-32 UNC 5/16 POZI PAN SCREWS	£1/100
NUTS	£1.25/100
PUSH SWITCH CHANGEOVER	2/£1
RS232 SERIAL CABLE D25 WAY MALE CONNECTORS	
	£5.90 ea (£1.30)
25 FEET LONG, 15 PINS WIRED BRAID + FOIL SCREENS	
	INMAC LIST PRICE £30
AMERICAN 2/3 PIN CHASSIS SOCKET	2/£1
WIRE ENDED FUSES 0.25A	30/£1
NEW ULTRASONIC TRANSDUCERS 32KHz	£2/pr
Also available 28 slot van-bus backplane same size +	
Price	NEW
POWERFUL SMALL CYLINDRICAL MAGNETS	3/£1
BNC 500MH SCREENED CHASSIS SOCKET	2/£1
SMALL MICROWAVE DIODES AE1 OC1026A	2/£1
D.I.L. SWITCHES 10-WAY £1 8-WAY 80p 4/5/6-WAY	80p
180VOLT 1WATT ZENERS also 12V & 75V	20/£1
MIN GLASS NEONS	10/£1
RELAY 5V 2-pole changeover looks like RS 355-741 marked	
STC 47W8ost	£1 ea
MINIATURE CO-AX FREE PLUG RS 456-071	2/£1
MINIATURE CO-AX PCB SKT RS 456-093	2/£1
PCB WITH 2N2646 UNIJUNCTION WITH 12V 4-POLE RELAY	£1
400 MEGOHM THICK FILM RESISTORS	4/£1
STRAIN GAUGES 40 ohm Full type polyester backed balco gnd	
alloy	£1.50 ea 10+ £1
ELECTRET MICROPHONE INSERT	2/£1
Linear Hall effect IC Micro Switch no 613 SS4 sim RS 304-267	
	£2.50 100+ £1.50

HALL EFFECT IC UG53040 + magnet	£1
1 pole 12-way rotary switch	4/£1
AUDIO ICS LM380 LM386	£1 ea
555 TIMERS £1 741 OP AMP	6/£1
ZN414 AM RADIO CHIP	80p
COAX PLUGS nice ones	4/£1
COAX BACK TO BACK JOINERS	3/£1
INDUCTOR 20µH 1.5A	5/£1
1.25" PANEL FUSEHOLDERS	3/£1
CHROMED STEEL HINGES 14.5x1" OPEN	£1 ea
12V 1.2W small w/e lamps fit most modern cars	10/£1
STEREO CASSETTE HEAD	£2
MONO CASS. HEAD £1 ERAE HEAD	50p
THERMAL CUT OUTS 50 77 85 120°C	£1 ea
THERMAL FUSES 220°C/121°C 240V 15A	5/£1
TRANSISTOR MOUNTING PADS TO-5/TO-18	£3/1000
TO-3 TRANSISTOR COVERS	10/£1
PCB PINS FIT 0.1" VERO	200/£1
TO-220 micas + bushes	10/50p 100/£2
TO-220 micas + bushes	15/£1
Large heat shrink sleeving pack	£3
IEC chassis plug filter 10A	£2
POTS SHORT SPINDLES 2K5 10K 25K 1M 2M5	4/£1
40k u/s TRANSDUCERS EX-EOPT NO DATA	£1/pr
LM3352 10Mv/degree C	£1
LM2342 CONST. CURRENT I.C.	£1
BNC TO 4MM BINDING POST SIM RS 455-961	£1
MIN PCB POWER RELAYS 10.5v COIL 6A CONTACTS 1 pole	
c/o	£1
BANDOLIERED COMPONENTS ASSORTED Rs, Cs, ZENERS	£5/1000

LCD MODULE 16 CHAR. X 1 LINE (SIMILAR TO HITACHI	
LM10)	£5
OP11264A 10Kv OPTO ISOLATOR	£1.35 ea 100+ £1 ea
"LOVE STORY" CLOCKWORK MUSICAL BOX MECHANISM	
MADE BY SANKYO	£1 ea
Telephone cable clips with hardened pins	500/£2
10,000uF 16V PCB TYPE 30mm DIAx31mm	2/£1
EC CHASSIS FUSED PLUG B-LEE L2728	3/£1
2A CERAMIC FUSE 1.25" QB	10/£1
40 WAY IDC RIBBON CABLE 100 FOOT REEL	£5 + CARR
20mm PCB FUSEHOLDER	5/£1
IEC CHASSIS FUSED PLUG B-LEE L2728	3/£1
ASTEC MODULATOR VIDEO + SOUND UM1287	£2.25
BARGRAFF DISPLAY 8 RED LEADS	£1.50
NE567 PHASE LOCKED LOOP	2/£1
NE564	£1
P8749H USED WIPEO	£2

SEND £1 STAMPS FOR CURRENT IC + SEMI STOCK LIST - ALSO AVAILABLE ON	
3 1/2" FLOPPY DISK	
MAIL ORDER ONLY	
MIN. CASH ORDER £5.00. OFFICIAL ORDERS WELCOME	
UNIVERSITIES/COLLEGES/SCHOOLS/GOVT. DEPARTMENTS	
MIN. ACCOUNT ORDER £10.00	
P&P AS SHOWN IN BRACKETS (HEAVY ITEMS) OTHERWISE 95p	
ADD 17 1/2% VAT TO TOTAL	
ELECTRONIC COMPONENTS BOUGHT FOR CASH	

DIODES AND RECTIFIERS

A115M 3A 600V FAST RECOVERY DIODE	4/£1
1N5407 3A 1000V	8/£1
1N4148	100/£1.50
1N4004 5D4 1A 300V	100/£3
1N5401 3A 100V	10/£1
BA158 1A 400V fast recovery	100/£3
BY254 800V 3A	8/£1
BY255 1300V 3A	6/£1
6A 100V SIMILAR MR751	4/£1
1A 600V BRIDGE RECTIFIER	4/£1
4A 100V BRIDGE	3/£1
6A 100V BRIDGE	2/£1
10A 200V BRIDGE	£1.50
25A 200V BRIDGE £2.50	10/£1.8
25A 400V BRIDGE £2.50	10/£2.2
2KBP02 IN LINE 2A 200V BRIDGE REC	8/£1

SCRS

PULSE TRANSFORMERS 1:1+1	£1.25
TICV106D 800mA 400C SCR 3/£1	100/£1.15
MEU21 PROG. UNIJUNCTION	3/£1

TRIACS	DIACS 4/£1
NEC TRIAC AC08F 8A 600V TO220	5/£2 100/£30
TXAL225 8A 500V 5mA GATE	2/£1 100/£35
BTA 08-400 ISO TAB 400V 5mA GATE	90p
TRIAL22300 30A 400V ISOLATED STUD	£5 ea
TRIAC 1A 800V TLR3811T 16k AVAILABLE	5 FOR £1 £15/100

CONNECTORS

D25 IDC PLUG OR SOCKET	£1
34-way card edge IDCCONNECTOR (disk drive type)	£1.25
CENTRONICS 36 WAY IDC PLUG	£2.50
CENTRONICS 36 WAY IDC SKT	£4.00
BBC TO CENTRONICS PRINTER LEAD 1.5M	£3
CENTRONICS 36 WAY PLUG SOLDER TYPE	£4
USED CENTRONICS 36W PLUG+SKT	£3
14 WAY IDC BLOCK HEADER SKT	5/£1

PHOTO DEVICES

HI BRIGHTNESS LEDS COX24 RED	5/£1
SLOTTED OPTO-SWITCH OPCOA OPB815	£1.30
2N5777	50p
TL181 PHOTO TRANSISTOR	£1
TIL38 INFRA RED LED	5/£1
4N25, OP12252 OPTO ISOLATOR	50p
PHOTO DIODE 50P	6/£2
MEL12 (PHOTO DARLINGTON BASE IVc)	50p
LED'S RED 3 or 5mm 12/£1	100/£6
LED'S GREEN OR YELLOW 10/£1	100/£6
FLASHING RED LED 5mm 50p	100/£4.00
HIGH SPEED MEDIUM AREA PHOTODIODE RS651-995	£10 ea

STC NTC BEAD THERMISTORS

G22 220R, G13 1K, G23 2K, G24 20K, G54 50K, G25 200K, RES 20°C	
DIRECTLY HEATED TYPE	£1 ea
FS225W NTC BEAD INSIDE END OF 1" GLASS PROBE RES 20°C	
200R	£1 ea
A13 DIRECTLY HEATED BEAD THERMISTOR 1kr. ideal for audio	
Wien Bridge Oscillator.	£2 ea

CERMET MULTI TURN PRESETS 3/4"

10R 20R 100R 200R 250R 500R 2K 2K2 2K5 5K 10K 47K 50K 100K	
200K 500K 2M	50p ea

IC SOCKETS

14/16/18/20/24/28/40-WAY DIL SKTS	£1 per TUBE
6-WAY DIL SKTS	£2 per TUBE
3-WAY TURNED PIN SKTS	3 for £1
SIMM SOCKET FOR 2x30-way SIMMS	£1

POLYESTER/POLYCARB CAPS

330F 10% 250V AC X2 RATED PHILIPS TYPE 330	£20/100
100n, 220n 63V 5mm	20/£1 100/£3
10n/15n/22n/33n/47n/66n 10mm rad	100/£3.50
100n 250V radial 10mm	100/£3
100n 800V Sprague axial 10/£1	100/£6 (£1)
2u2 160V rad 22mm, 2u2 100V rad 15mm	100/£10
10n/23n/47n 250V AC rated 15mm	1/£1
1u 600V MIXED DIELECTRIC	50p ea
1u 100V rad 15mm, 1u 20mm rad	100/£6
0.22u 250V AC X2 RATING	4/£1
0.22u 900V	4/£1

RF BITS

SAW FILTERS SW662/SW661 PLESSEY SIGNAL TECHNOLOGY	
379.5 MHz	£1.50 ea
FX3286 FERRITE RING ID 5mm OD 10mm	10 for £1
ASTEUM UM1233 UHF VIDEO MODULATORS (NO SOUND) 1250	
STOCK	£1.50
MARCONI MICROWAVE DIODES TYPES DC2929, DC2962.	
DC4229F1/2	£1 EA
XTAL FILTERS 21M4 55M0	£2 ea
ALL TRIMMERS	3 for 50p
VIOLET	5-105pF
YELLOW 5-65pF RED 10-110pF GREY 5-25pF	
SMALL MULLARD 2 to 22pF	3 FOR

ISDN

Integrated services digital network – isdn – makes it possible for anyone with a telephone line to communicate digitised speech and data world-wide at up to 144kbit/s. Mike Button explains how.

the worldwide network

The demand for data traffic in today's high technology world has fuelled an incredible growth in the requirement for data-communications equipment, which includes fax, telex, X25 packet switching, lans and modems.

Data communication requires either its own separate digital network or modems that convert digital information for transmission over analogue telephone lines. Modems give access via the world-wide telephone network, but are slow and inefficient. Separate digital networks are more efficient but expensive to install. In addition they are generally proprietary offering little or no equipment portability.

Digitization of the telephone network began in the 1960s on the trunk lines between public exchange switches. Around a decade later the first digital telephone exchanges appeared. Currently, the only part of the network remaining exclusively analogue is the subscriber line connecting the telephone to the public or private telephone exchange. The majority of today's telephone lines are still analogue, optimized for transmission in the voice spectrum of 300Hz to 3.4kHz, but this is changing.

The digital future

Tomorrow's telephone network, available now, will be digitized from end to end. It will provide integration of voice and data communications giving an efficient and compatible world wide network. Transmission rates will increase dramatically while errors decrease to a negligible level, making communications faster and more efficient.

More than one signal may be sent simultaneously on a single telephone line. Both voice and a wide variety of data services will be available to users over one network with standard interfaces and recognised set-up procedures without the expense of additional or special lines. Ultimately this will bring cheaper equipment and a wider range of services. This network is called isdn.

Standards for inter-connectability

The international telegraph and telephone consultative committee, CCITT – a United Nations organization began working on standards for isdn in 1978. It published a series of recommendations that have become a world-wide industry standard.

Fundamentals of the isdn structure are specified

I	Integrated Telecommunications and data communications services together on one system.
S	Services Voice, data, text, pictures, video, telex, facsimile, telemetry and alarms.
D	Digital Transmission from end to end using digital techniques with voice digitization handled at the terminal.
N	Network One world-wide network, based on existing public telephone lines, providing standard interfaces and call procedures.

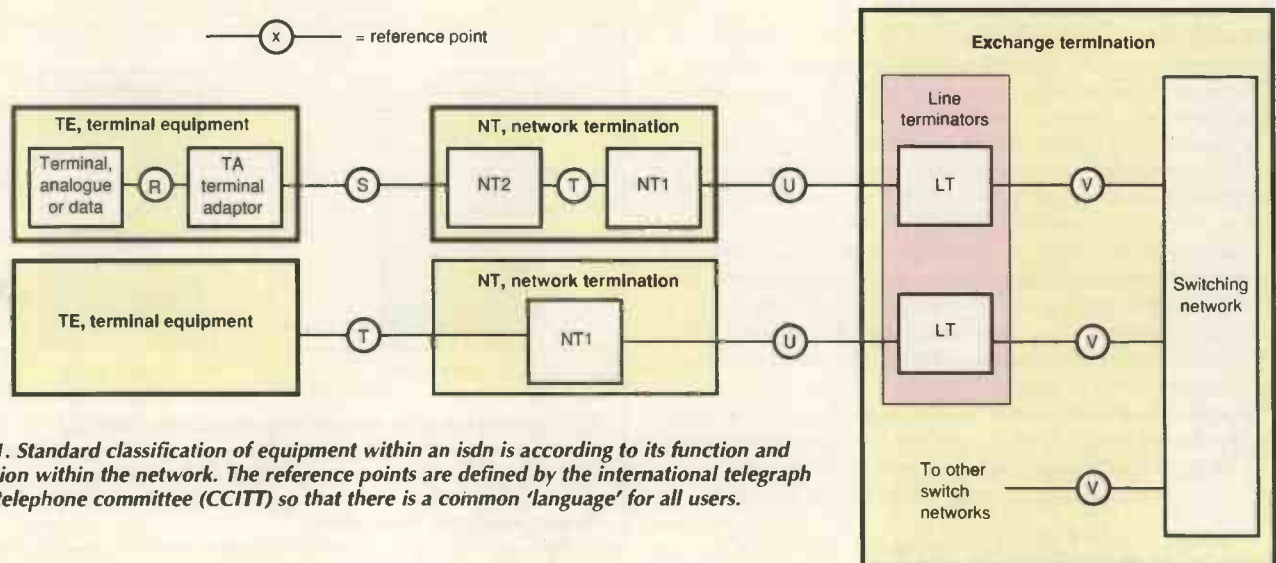


Fig. 1. Standard classification of equipment within an isdn is according to its function and position within the network. The reference points are defined by the international telegraph and telephone committee (CCITT) so that there is a common 'language' for all users.

in the CCITT I.411 recommendation which assumed a network architecture using the existing analogue telephone network. It is based on a 64kbit/s channel where the analogue voice signals are converted to an 8bit byte transmitted at 8kbytes/s. One of the features of isdn is that it retains, in general, this transmission rate and allows either voice or data to be carried on the channel.

The isdn definitions specify two classes of service each with a different transmission rate. See the panel on services for a description.

Isdn features

One of the main features of isdn is its flexibility. Once a connection has been made, two or more compatible terminals can process the data in any chosen manner. Analogue voice signals can be mixed with data in any combination but communicating terminals must know what each other is doing.

Both the basic rate and the primary rate transfer channels of data at an effective rate of 8kbytes/s. The basic rate handles an 18-bit word (18 x 8000 = 144K) and the primary rate a 248bit word (256 x 8000 = 2.048M). For example, the basic rate can be partitioned in ways other than '2B plus D'. Both the 'B' channels could be combined to give 16kbit data at 8kHz which would be adequate for a high definition slow scan television picture. Alternatively the full bandwidth of the primary rate can be employed to give a 1.92Mbit/s 'H12' channel. The permutations are endless.

Isdn architecture according to CCITT

In order that users may have a common language to express and define their requirements the CCITT has a set of definitions which all users can 'understand'. The hardware is divided into several segments called 'termination equipment' and the functionality of the network is defined by 'reference points'. Isdn configuration does not depend on whether the basic or primary rate is employed.

Figure 1 shows the topography of the network identifying specific classes of equipment at CCITT defined reference points. The isdn equipment, listed below, is classified by its function and location within the network.

Termination equipment. The exchange termination is the interface between the telephone switching network and other parts of the exchange. This includes the interface to the line termination and to other parts of the switching network. The line termination is located at the telephone exchange and performs osi physical layer functions for the 'B' and 'D' channels plus the osi layer two and three for the 'D' channel. See panel below for details on the osi reference model.

Network termination, NT, is divided into two types; type NT1 performs such functions as line length extension and two-to-four wire conversion (U to S interface).

Termination NT1 deals only with layer one of the osi model and as such has no intelligent logic. NT2 types are intelligent devices that

Isdn services

Basic rate. The basic rate runs at 144kbit/s and provides two 64kbit/s bearer channels for either voice or data and one 16kbit/s data channel for signalling or data. This '2B plus D' arrangement is the standard service provided to the user. This basic rate service is now available from BT as 'Isdn 2'.

Primary rate, Europe. The primary rate runs at 2.048Mbit/s and provides 30 bearer channels, one data channel and one synchronization/control channel - all at 64kbit/s. This '30B plus D' arrangement is provided when more traffic or data handling capacity is required. In North America and Japan the primary rate runs at 1.544Mbit/s and is configured as '23B plus D'. The primary rate is used to connect private branch exchanges to public exchanges or to interconnect basic rate services within and between exchanges. Private branch exchanges can be interlinked to form large private networks and computers can be interconnected via telephone networks. Local area networks have been developed using the primary rate to interface with other lans. This primary rate service is now available from BT as 'Isdn 30'.

actively participate in call routing and control functions. They can be connected, simultaneously, to multiple isdn line types. Network terminations often form the boundary between

The open system interconnect (osi) model for networks

In the early 1970s data communications had no recognised standard and hence there was no compatibility between product vendors. It soon became apparent, as the market for data communications grew, that it was in everyone's interest to have the capability to interconnect equipment from different manufacturers.

In 1978 the International Standards Organization (ISO) commenced work on the open system interconnect reference model to provide the framework for orderly communication across different data networks. The work of this committee was supported by the CCITT in their recommendation, X.200.

The model chosen by the ISO is a seven layer structure in which each layer provides particular logic services that belong to each other.

1 The physical layer, the lowest layer in the CCITT X.200 architecture, provides mechanical and electrical functions and procedures for the installation and maintenance of power supply, hardware clock and timing, provision of connectors and so on.

2 The data link layer residing immediately above the physical layer provides for the transfer of units of information between the two ends of the physical link such as framing, flow control and error detection. In isdn the CCITT Q.921, lapd (link access procedure d), is the key layer 2 protocol for signalling on the 'D channel'. Examples of data link layer protocols are - bisynchronous, and synchronous data link control (sdlc) of IBM's sna, digital communications message protocol (ddcmp) of DEC's Decnet, Ethernet's local area network (lan) IEEE standard. ISO's high level data link control (hdlc), a subset of which is known as lapb (link access procedure balance).

3 The network layer is responsible for addressing, switching and routing functions that are needed to set up a path for transparent transmission.

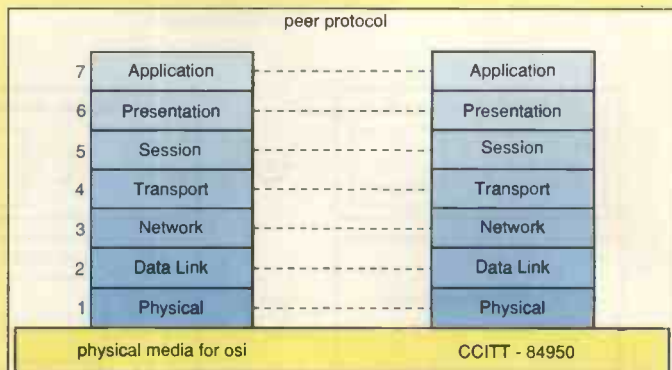
4 The transport layer is responsible for providing the required performance at a minimum cost based on the current state of the network.

5 The session layer co-ordinates the interaction of the application processes at each end. It controls session establishment, management and release together with error reporting.

6 The presentation layer provides for code conversion data between different types of termination.

7 The application layer is the layer that is application specific and communicates directly with its opposite number.

The main objective of the osi definitions is to simplify the communication between different layers. Each layer is defined to provide services to the next higher osi layer. Adjacent layers interact with predetermined requests and responses called primitives. At each layer there is a 'peer' protocol to govern the layer interaction.



Each layer of the open systems integration (osi) model only communicates with the layers directly above and below it. Despite this, the system behaves transparently as if the layers are connected directly to their counterpart at the receiving end, shown here by the dotted lines.

M & B RADIO (LEEDS)

THE NORTH'S LEADING USED TEST EQUIPMENT DEALER

SPECTRUM ANALYSERS

HP3580A 5Hz-50kHz Audio spectrum analyser (as new)	£1000
HP3581A 15Hz-50kHz Wave analyser	£750
HP3581C 15Hz-50kHz Selective voltmeter	£650
HP8903A 20Hz-100kHz Audio analyser	£3000
BOONTON 1120 20Hz-100kHz Audio analyser	£3000
BRUEL & KJAER 2033 10Hz-20kHz	£2250
TEKTRONIX 7L12 10kHz-1800MHz Analyser/7000 mainframe	£2500
HP1021/8553B 10MHz-1500MHz Spectrum analyser	£1400
HP1407/8552B/8553B 1kHz-110MHz Spectrum analyser	£450
HP1417/8552B/8553B + 8443A Tracking generator/manuals (as new)	£1000
HP1417/8552B/8554B 100kHz-1250MHz + (8553B unit)	£1000
HP1417/8552B/8555A 10MHz-18GHz + (8553B unit)	£1700
FARNELL 352C 300kHz-1000MHz Spectrum analyser	£1350

SIGNAL GENERATORS

HP8616A 1 8kHz-4.5GHz Generator	£195
HP8605B 0.3Hz-20MHz Pulse generator	£200
HP8007B 10Hz-100MHz Pulse generator	£250
HP8620C Sweeper mainframe (as new)	£300
HP8620C/86290B 2GHz-18GHz Sweeper	£2500
HP8018A Serial data generator	£250
HP8406A Comb generator	£275
HP3325A 1kHz-21MHz Synthesizer/function generator	£1200
HP3335A 200Hz-81MHz Synthesizer/Level generator	£3000
HP3336A 10Hz-21MHz Synthesizer/level generator (75/124/135/600 ohm)	£650
HP3336C 10Hz-21MHz Synthesizer/level generator (5075 ohm)	£750
HP3586A 50Hz-32.5MHz Selective level meter	£1850
HP8400A 500kHz-512MHz signal generator	£500
HP8483D 2.3GHz-1.3GHz OPT100/303 Solid state generator (as new)	£4500
HP8627A 2GHz-18GHz Synthesized signal generator	£6000
MARCONI TF2068 10kHz-510MHz Generator/sweeper	£250
MARCONI TF2015/2171 10MHz-520MHz with synchronizer	£325
MARCONI TF2015 10MHz-520MHz Generator	£195
MARCONI TF2016 10kHz-120MHz Generator	£175
MARCONI TF2019A 80kHz-1.9GHz Synthesized signal generator	£1950
MARCONI TF2022E 100kHz-0.1GHz Synthesized generator (new)	£1850
MARCONI 6055 850MHz-2150 Signal source	£150
GIGA GR101A 12GHz-1.8GHz Pulse generator (as new)	£650
POLARAD 1106E 1.8GHz-4.6GHz with modulator	£400
SAYROSA MA30 10Hz-10kHz Oscillator	£150
ADRET 2230A 200Hz-1MHz Synthesized source	£200
LINSTEAD G1000 10Hz-10MHz Synthesized oscillator	£200
EXACT 5012C 1Hz-5MHz Function generator	£195
WAYTEK 102A 1Hz-4MHz Function generator	£195
FARNELL S5G2000 10kHz-2GHz Synthesized generator (new)	£2250

OSCILLOSCOPES

TEKTRONIX 2445A 150MHz 4 channel cursor readout (as new)	£1550
TEKTRONIX 2445 150MHz 4 channel cursor readout	£1300
TEKTRONIX 2215 60MHz 2 channel delayed sweep	£400
TEKTRONIX SC504/TM503/DH501 80MHz scope/digital multimeter	£450
TEKTRONIX 465 100MHz 2 channel delayed sweep	£350
TEKTRONIX 7403/7A/18/7A/18/7B/53A Scope	£400
TEKTRONIX 7433/7A/18/7A/18/7B/53A Storage Scope	£500
TEKTRONIX 5113 Dual beam storage mainframe (new)	£295
TEKTRONIX T922R 15MHz 2 channel rackmount scope	£175
IWATSU S55704 20MHz 2 channel scope	£195
IWATSU S55122 100MHz 4 channel cursor readout	£895
HP1722B 275MHz Delta time measurements	£700
HP1743A 100MHz Delta time measurements	£500
HP180 50MHz 2 channel scope	£150

LEADER LB0524L 40MHz Delayed sweep	£300
GOULD OS300 20MHz 2 channel scope	£175
GOULD OS508B 15MHz 2 channel scope	£100
PHILIPS PM3217 50MHz 2 channel delayed sweep	£300
PHILIPS PM3217 50MHz With X10 probes/manual (as new)	£375
PHILIPS PM3244 50MHz 4 channel delayed sweep	£450
PHILIPS PM3254 75MHz portable	£500
PHILIPS PM3305 35MHz Digital storage scope	£350

TEST EQUIPMENT

TEKTRONIX 1141/PG11/TSG11 Pal generator	£1750
TEKTRONIX 521A Pal vector scope	£350
TEKTRONIX 6042 50MHz Current probe	£225
TEKTRONIX P6015 High voltage scope probe	£95
TEKTRONIX TM501/DH501 Gen. multimeter	£135
SYSTEMS VIDEO 2360 Component video generator	£1500
PHILIPS PM5567 Pal vector scope	£295
PHILIPS PM5509 Pal TV pattern generator	£295
PHILIPS PM8252A Dual pen recorder	£225
FLUKE 3330B Prog constant current/voltage calibrator	£250
FLUKE 103A Frequency comparator	£195
EXACT 334 Precision current calibrator	£195
BALLANTINE 6125C Prog time/amplitude test set	£400
HALCYON 500B/521A Universal test system	£400
BRADLEY 192 Oscilloscope calibrator	£400
AI TECH 5332-11 Calibrator 1 HP355C/1 HP355D Attenuator inc.	£300
GAY MILANO Fast transient monitor	£150
HEWLETT 11Hz-100kHz Phase meter (new)	£150
SCHLUMBERGER 7702 Digital transmission analyser	£995
BRUEL & KJAER 2511 Vibration meter	£750
BRUEL & KJAER 2203 Precision sound level meter/VB0812 filter	£450
BRUEL & KJAER 1032 Beat frequency oscillator	£100
BRUEL & KJAER 4709 Frequency response analyser	£250
BRUEL & KJAER 2305 Level recorder	£200
BRUEL & KJAER 2425 0.5Hz-500kHz Electronic voltmeter	£195
BRUEL & KJAER 2971 Phase meter	£450
HP5342A 500MHz-1.8GHz Microwave frequency meter OPT001/003	£1500
HP3779A Primary multiplex analyser	£500
HP3780A Pattern generator/error detector	£350
HP3762A Data generator	£300
HP11667A DC-1.8GHz Power splitter (new)	£495
HP8405A 1mHz-100MHz Vector voltmeter	£300
HP3400A True RMS voltmeter (analogue)	£145
HP3403C True RMS voltmeter (digital)	£150
HP3406A 10kHz-1200MHz Broadband sampling voltmeter	£200
HP3465A 4.5 Digit multimeter (LED)	£150
HP3466A 4.4 Digit autorange multimeter (LED)	£200
HP3468A 3.5 Digit multimeter/electronic auto calibration	£400
HP5004A Signature analyser	£200
HP5005A Signature multimeter	£400
HP8750A Signature normaliser	£350
HP355D DC-1000MHz VHF attenuator 50 ohm 0-120db	£150
HP11710A Down converter	£250
HP423A 10MHz-12.4GHz Crystal detector	£150
HP110529A Logic comparator	£75
HP1600A/1607A 32 Bit logic analyser	£100
HP436A Digital RF power meter	£650
HP432A/478A 10MHz-10GHz Power meter	£350
HP435A/8482H 100kHz-4.2GHz Power meter	£550
HP435B/8481A 10MHz-18GHz Power meter	£650
HP435B/8481A/8484A/11708A 10MHz-18GHz supplied new in hp case/manuals	£1200
MARCONI 6950/6910 10MHz-20GHz	£1800
MARCONI 6593A VSWR indicator	£495
MARCONI 6440/6421 10MHz-12.4GHz	£250

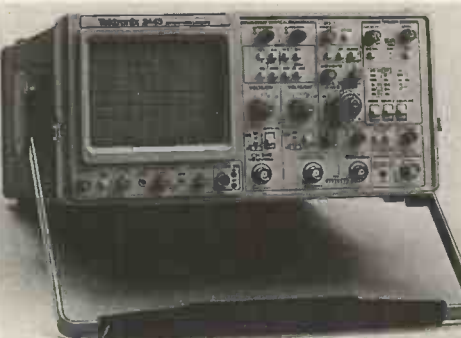
MARCONI TF2432A 10Hz-560MHz Frequency counter	£150
MARCONI TF2331A Distortion factor meter	£175
MARCONI TF2308B Modulation meter 1200MHz	£200
MARCONI TF2306 Programmable interface unit	£400
MARCONI TF2913 50Hz-1500MHz RF millivoltmeter	£75
MARCONI TF2160 20Hz-20kHz Monitored AF attenuator	£50
MARCONI TF2910/4 TV linear distortion analyser	£250
MARCONI TF2913 Test line generator/insertor	£250
MARCONI TF2914A insertion signal generator	£250
BIRD 43 Thru-line wattmeters	£75
BIRD 818 Terminal 80 watt coaxial resistor	£85
BIRD 8341 Tenu-line 500Hz-1500MHz RF millivoltmeter	£175
BIRD 8325 Coaxial 500 watt 30db attenuator	£200
BIRD 8329 Coaxial 2000 watt 30db attenuator	£500
DYMAR 200AF power meter	£175
FARNELL RB 1030/35 Electronic load	£495
FARNELL TMB 10kHz-1000MHz True RMS sampling RF meter (as new)	£350
FARNELL TOPS 3D Triple output digital power supply	£225
FARNELL LAS20 1.5MHz-520MHz RF amplifier	£150
FARNELL L30 0-30V lamp Dual power supply	£65
FARNELL L30E 0-30V lamp power supply	£85
TEKTRONIX 318 50MHz 16 channel logic analyser	£400
SYSTEMS VIDEO 1152/1155 Compact 19" waveform monitor + video scope	£1000
WAYNE KERR CT496 LCR meter battery portable	£95
RADIOMETER TRB11 RLC Component comparator	£150
WANDEL & GOLTERMAN P5519 Level generator	£650
NARDA 7676A 150 watt 6db attenuator	£65
NARDA 3001 450MHz-950MHz Directional coupler 10db 20db or 30db	£100
NARDA 3044B-20 3.7GHz-8.3GHz 20db Directional coupler	£150
NARDA 3004-10 4-10GHz 10db Directional coupler	£195
IWATSU SC7104 10Hz-1000MHz Frequency counter (new)	£295
SAYROSA AMH 1.5MHz-2GHz Automatic modulation meters	£195
SIEMENS U2233 Phosphor meter (new)	£400
SIEMENS D2108 200kHz-30MHz Level meter	£650
SIEMENS W2108 200kHz-30MHz Level meter	£650
RACAL 9063 Two tone oscillator	£225
RACAL 9009 1500MHz Automatic modulation meter	£275
RACAL DANA 9904M 50MHz Timer counter	£100
RACAL DANA 9914 10Hz-200MHz Frequency counter	£125
RACAL DANA 9915 10Hz-560MHz Frequency counter	£150
RACAL DANA 9900 10Hz-512MHz Microprocessing timer counter	£175
RACAL DANA 9916 10Hz-560MHz Frequency counter	£200
RACAL DANA 9919 10Hz-1100MHz Frequency counter	£300
RACAL DANA 9921 10Hz-3GHz Frequency counter	£425
RACAL DANA 6000 Microprocessing digital voltmeter	£250
RACAL DANA 9303 True RMS RF level meter LCD	£450
RACAL DANA 9322 Dual output power supply 0-30 volt 0-2amp	£150
RACAL DANA 488 IEEE-STD Bus analyser	£125
RACAL DANA 1002 Thermal printer	£100
POLAR B2000A up Bus tester	£125
RACAL RA1218 30MHz Communications receiver	£350
AYO 8 MKS Testmeters with test probes/case	£75
RACAL 9008 1.5MHz-9GHz Automatic modulation meters	£275

ALL PRICES PLUS VAT AND CARRIAGE · ALL EQUIPMENT SUPPLIED WITH 30 DAYS WARRANTY

86 Bishopgate Street, Leeds LS1 4BB
Tel: (0532) 435649 Fax: (0532) 426881

CIRCLE NO. 118 ON REPLY CARD

Tektronix 2445



Oscilloscopes

150 MHz Four Channel
On Screen Crt Readout

Volts / Time Cursors

Supplied fully tested in as new condition. With 30 days parts

£1,150 + P&P + VAT

and labour warranty .

M&B Radio DEALERS IN SURPLUS ELECTRONIC TEST EQUIPMENT

86 BISHOPGATE STREET LEEDS LS1 4BB

TEL:01132 435649 FAX:01132 426881

CIRCLE NO. 119 ON REPLY CARD

the subscriber equipment and public exchange.

Terminal equipment can be telephone instruments, computers and faxes that are directly compatible with isdn. Terminal adapters are provided to connect non isdn compatible equipment to the network. They convert the communications protocol used by non isdn equipment to either the basic or primary rate. The DP2000 isdn telephone, available from BT, is piece of terminal equipment with a combined terminal adapter for additional data or voice equipment.

Reference Points

Reference points identify the connection points between equipment classes only. They

do not specify any implementation or protocol of this inter-connection. Reference point 'R' is the boundary between non isdn compatible equipment and the network. Reference point 'S' is the boundary between the NT2 equipment and the terminal equipment/adapter. If there is no NT2 equipment then the reference point 'S' will not exist. Reference point 'T' is the boundary between the NT2 equipment and either the NT1 or terminal equipment. Reference point 'U' is the boundary between line termination and network termination. Reference point 'V' is the boundary between the exchange switch and the line termination (LT). The 'R' reference point is defined as an interface between the isdn and a non isdn

world. Various standard data interfaces are possible at the 'R' point, for example RS232, X.25 and X.21. A non-isdn subscriber terminal needs a terminal adapter (TA) to connect to the isdn world. The S-interface is the user interface into the isdn network.

Termination of the public network, NT1, ensures the conversion between the U and the T interfaces. These functions are bit rate conversion, clock and frame re-synchronization, frame conversion and power supply. NT2 is an intelligent module which carries out the conversions between the T-interface and the S-user interface. It also provides the interconnection between the subscriber terminals both at the physical layer and the software level. When the S and T interface correspond to the same port, NT2 is not needed. NT1 and NT2 may also be combined to ensure a direct conversion from the public network (U-interface) to the user interface (S-interface).

Integrated circuits for isdn

There is a host of integrated circuits available from different manufacturers. To give a list and function summary of all types is beyond the scope of this article. For more information, interested parties should contact either the manufacturer direct or one of the many distributors. Mitel, AMD, Philips and GEC have

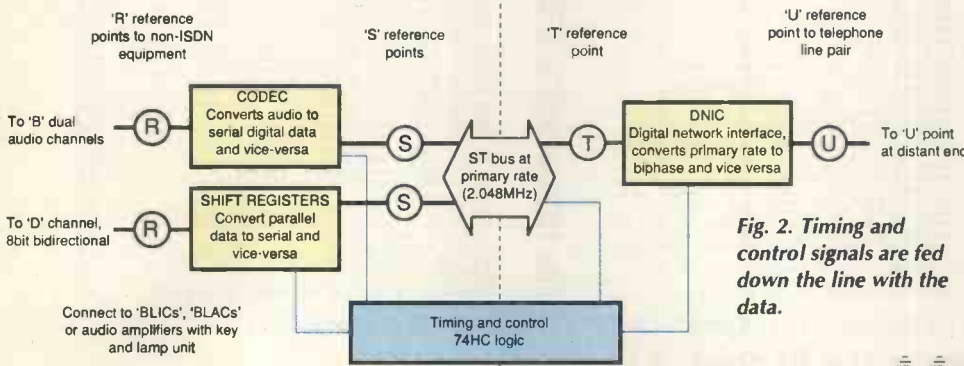


Fig. 2. Timing and control signals are fed down the line with the data.

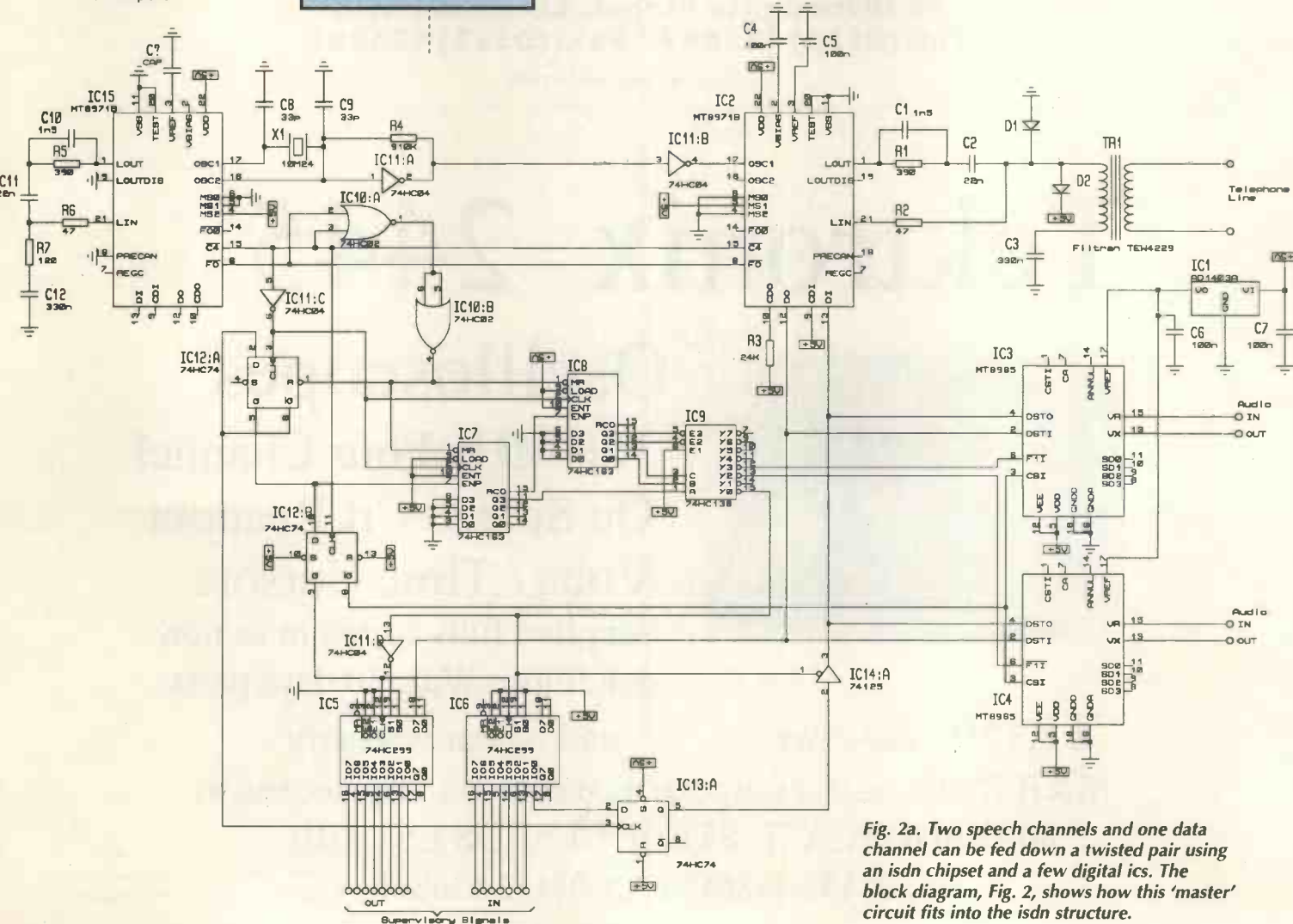


Fig. 2a. Two speech channels and one data channel can be fed down a twisted pair using an isdn chipset and a few digital ics. The block diagram, Fig. 2, shows how this 'master' circuit fits into the isdn structure.

data books on their range of isdn integrated circuits and I have found the distributor, Electronics 2000, very helpful. The more common circuits are given below.

Coder decoder. A codec provides the conversion between the voice-band analogue signals from the telephone instrument and the digital signals required by a pcm (pulse code modulation) signal as used by isdn. It is manufactured as a single integrated circuit incorporating digital to analogue and analogue to digital converters operating at a sample rate of 8kHz to accommodate the 300Hz to 3.4kHz audio bandwidth. Codecs from different manufacturers vary slightly in function but they all have the following features in common:

- Operation at basic and/or primary rate.
- Analogue input with corresponding digital output.
- Digital input with corresponding analogue output.
- Chip select or synchronization input.
- A non-linear analogue to digital companding, A-law or μ -law.

In order to maintain an acceptable dynamic range the analogue signal is converted to or from an eight-bit digital signal in a non linear manner. There are two companding (conversion) laws presently *en vogue*. Generally the A-law is used in Europe and the μ -law in North America, Table 1.

Subscriber line interface circuit, slic
This device, normally a hybrid circuit, provides all the 'borsch' functions (battery feed,

Table 1. European and North American codec companding laws convert the analogue signal to an eight-bit digital signal, made up of a sign bit, (S), three cord bits, (C) and four step bits (D).

Companded digital signal								European A-law		North American μ -law	
7	6	5	4	3	2	1	0	Chord Value (mV)	Step Value (mV)	Chord Value (mV)	Step Value (mV)
S	C	C	C	D	D	D	D				
0	0	0					0	0.0	1.221	0.00	0.613
0	0	1					1	20.1	1.221	10.11	1.226
0	1	0					2	40.3	2.44	30.3	2.45
0	1	1					3	80.6	4.88	70.8	4.90
1	0	0					4	161.1	9.77	151.7	9.81
1	0	1					5	332.0	19.53	313.0	19.61
1	1	0					6	645.0	39.1	637.0	39.2
1	1	1					7	1289.0	78.1	1284.0	78.4

Examples								Cord = 3	
S	C	C	C	D	D	D	D		
1	0	1	1	0	1	0	0	80.6+(4x4.88)	70.8+(4x4.9)
								=+100.12mV	+90.4mV

Examples								Cord = 2	
S	C	C	C	D	D	D	D		
0	0	1	0	0	1	1	1	40.3+(7x2.44)	30.3+(7x2.45)
								=-57.38mV	=-47.45mV

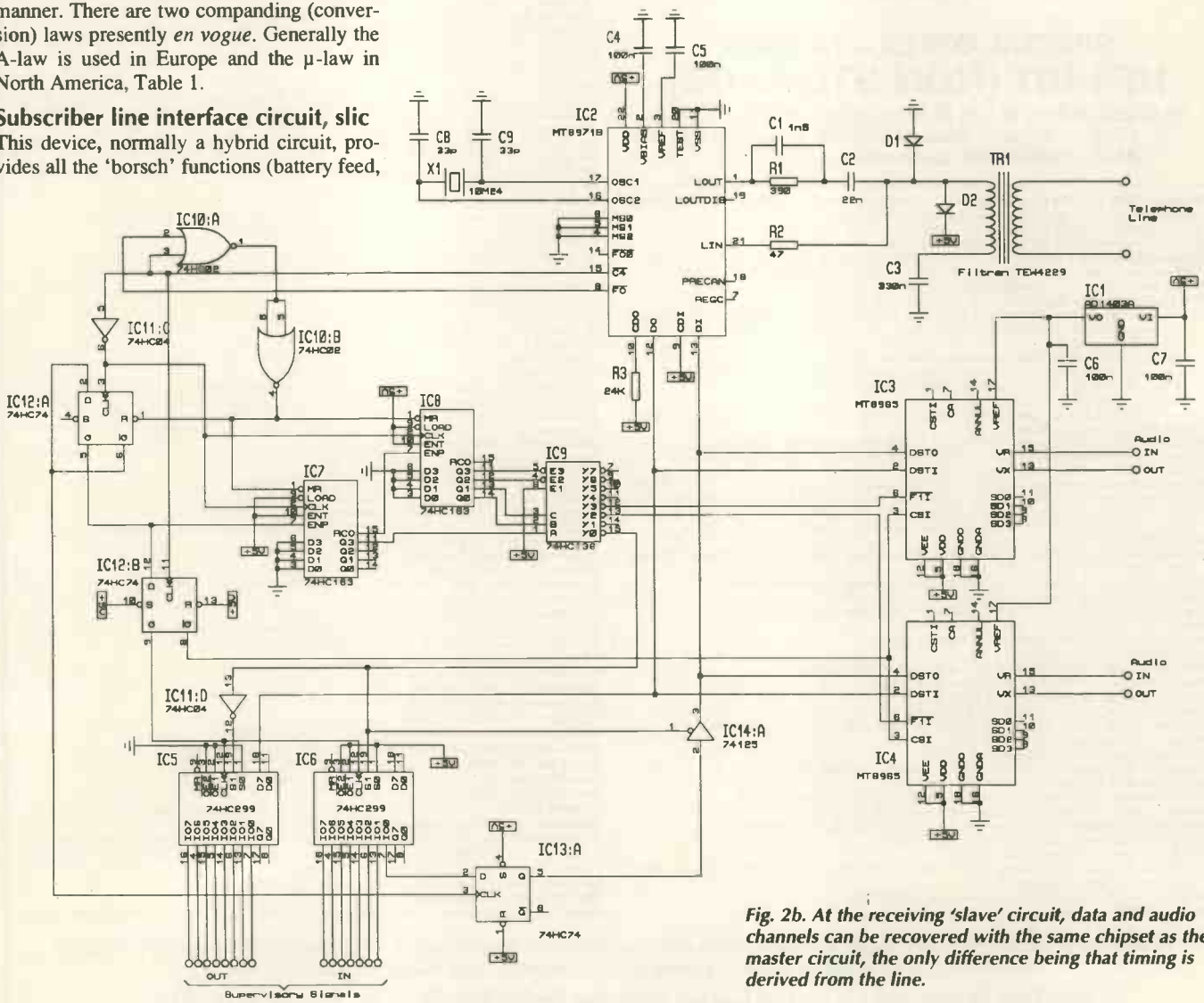


Fig. 2b. At the receiving 'slave' circuit, data and audio channels can be recovered with the same chipset as the master circuit, the only difference being that timing is derived from the line.

NEW LOW PRICE - NEW COLOUR HP141T SPECTRUM ANALYSERS TESTED

- HP141T + 8552A or B IF - 8553B RF - 1kHz - 110Mc/s - A IF £600 or B IF - £700.**
HP141T + 8552A or B IF - 8554B RF - 100kHz - 1250Mc/s - A IF £800 or B IF - £900.
HP141T + 8552A or B IF - 8555A RF - 10Mc/s - 18GHz - A IF £1400 or B IF - £1600. The mixer in this unit costs £1000, we test every one for correct gain before despatch.
HP141T + 8552A or B IF - 8556A RF - 20Hz - 300kHz - A IF £600 or B IF - £700.

HP ANZ UNITS AVAILABLE SEPARATELY NEW COLOUR - TESTED

- HP141T Mainframe - £350 - 8552A IF - £200 - 8552B IF - £300 - 8553B RF - 1kHz - 110Mc/s - £200 - 8554B RF - 100kHz - 1250Mc/s - £400. 8555A RF - 10Mc/s - 18GHz - £1000. 8556A RF - 20Hz - 300KHZ - £250.**
HP8443A Tracking Generator Counter - 100kHz - 110Mc/s - £300 - £400.
HP8445B Tracking Pre-selector DC - 18GHz - £400-£600 or HP8445A - £250.
HP8444A Tracking Generator - £750 - 1300Mc/s.
HP8444A Opt 059 Tracking Generator - £1000 - 1500Mc/s.

SPECIAL OFFER - 14 ONLY HP140T (NON-STORAGE)

- Mainframe Plus 8552A IF Plug-In Plus 8556A RF Plug-In 20Hz - 300kHz Plus 8553B RF Plug-In 1kHz - 110Mc/s. Tested with instructions - £700.**

Marconi TF2008 - AM-FM signal generator - also sweeper - 10Kc/s - 510Mc/s - from £250 - tested to £400 as new with manual - probe kit in wooden carrying box.
 HP Frequency comb generator type 8406 - £400.
 HP Vector Voltmeter type 8405A - £400 to £600 - old or new colour.
 HP Sweep Oscillators type 8690 A & B + plug-ins from 10Mc/s to 18GHz also 18-40GHz. P.O.R..
 HP Network Analyzer type 8407A + 8412A + 8501A - 100Kc/s - 110Mc/s - £500 - £1000.
 HP Amplifier type 8447A - 1-400Mc/s £200 - HP8447F, 1-1300Mc/s £400.
 HP Frequency Counter type 5340A - 18GHz - 110Mc/s - rear output £800.
 HP 8410 - A - B - C Network Analyzer 110Mc/s to 12GHz or 18GHz - plus most other units and displays used in this set-up - 8411a - 8412 - 8413 - 8414 - 8418 - 8419 - 8740 - 8741 - 8742 - 8743 - 8746 - 8650. From £1000.
 Racal/Dana 9301A - 9302 RF Millivoltmeter - 1.5-2GHz - £250-£400.
 Racal/Dana Counters 9915M - 9916 - 9917 - 9921 - £150 to £450. Fitted FX standards.
 Racal/Dana Modulation Meter type 9009 - 8Mc/s - 1.5GHz - £250.
 Marconi RCL Bridge type TF2700 - £150.
 Marconi/Saunders Signal Sources type - 6058B - 6070A - 6055A - 6059A - 6057A - 6056 - £250-£350. 400Mc/s to 18GHz.
 Marconi TF1245 Circuit Magnification meter + 1246 & 1247 Oscillators - £100-£300.
 Marconi microwave 6600A sweep osc., mainframe with 6650 PI - 18-26.5GHz or 6651 PI - 26.5-40GHz - £1000 or PI only £600. MF only £250.
 Marconi distortion meter type TF2331 - £150. TF2331A - 200.
 Tektronix Plug-Ins 7A13 - 7A14 - 7A18 - 7A24 - 7A26 - 7A11 - 7M11 - 7S11 - 7D10 - 7S12 - S1 - S2 - S6 - S52 - PG506 - SC504 - SG502 - SG503 - SG504 - DC503 - DC508 - DD501 - WR501 - DM501A - FG501A - TG501 - PG502 - DC505A - FG504 - 7B80 + 85-7B92A
 Gould J3B test oscillator + manual - £200.
 Tektronix Mainframes - 7603 - 7623A - 7613 - 7704A - 7844 - 7904 - TM501 - TM503 - TM506 - 7904 - 7834 - 7104 - 7623 - 7633.
 Altech 757 Spectrum Analyser - 001 22GHz - Digital storage + readout - £2000.
 Marconi 6155A Signal Source - 1 to 2GHz - LED readout - £400.
 Barr & Stroud Variable filter EF3 0.1Hz - 100Kc/s + high pass + low pass - £150.
 Marconi TF2163S attenuator - 1GHz. £200.
 Farnell power unit H60/50 - £400 tested. H60/25 - £250.
 Racal/Dana 9300 RMS voltmeter - £250.
 HP 8750A storage normalizer - £400 with lead + S.A or N.A Interface.
 Marconi TF2330 - or TF2330A wave analysers - £100-£150.
 Racal/Dana signal generator 9082 - 1.5-520Mc/s - £500.
 Racal/Dana signal generator 9082H - 1.5-520Mc/s - £600.
 Tektronix - 7S14 - 7T11 - 7S11 - 7S12 - S1 - S2 - S39 - S47 - S51 - S52 - S53 - 7M11.
 Marconi mod meters type TF2304 - £250.
 HP 5065A rubidium vapour FX standard - £2.5k.
 Systron Donner counter type 6054B - 20Mc/s - 24GHz - LED readout - £1k.
 Racal/Dana 9083 signal source - two tone - £250.
 Systron Donner - signal generator 1702 - synthesized to 1GHz - AM/FM - £600.
 Tektronix TM515 mainframe + TM5006 mainframe - £450 - £850.
 Rhodes & Schwartz power signal generator SLRD-280 - 2750Mc/s - £250-£600.
 Ball Efratom rubidium standard PT256B-FRKL - £1000.
 Farnell electronic load type RB1030-35 - £350.
 Racal/Dana counters - 9904 - 9905 - 9906 - 9915 - 9916 - 9917 - 9921 - 50Mc/s - 3GHz - £100-£450 - all fitted with FX standards.
 HP4815A RF vector impedance meter c/w probe - £500-£600.
 Marconi TF2092 noise receiver. A, B or C plus filters - £100-£350.

Marconi TF2091 noise generator. A, B or C plus filters - £100-£350.
 HP180TR, HP182T mainframes £300-£500.
 Fluke 8506A thermal RMS digital multimeter. £400.
 Philips panoramic receiver type PM7900 - 1 to 20GHz - £400.
 Marconi 6700A sweep oscillator + 6730A - 1 to 2GHz - £500.
 HP8505A network ANZ + 8503A S parameter test set + 8501A normalizer - £4k.
 Racal/Dana VLF frequency standard equipment, Tracer receiver type 900A + difference meter type 527E + rubidium standard type 9475 - £2750.
 HP signal generators type 626 - 628 - frequency 10GHz - 21GHz.
 HP 432A - 435A or B - 436A - power meters + powerheads - Mc/s - 40GHz - £200-£1000.
 Bradley oscilloscope calibrator type 192 - £600.
 Barr & Stroud variable filter EF3 0.1Hz - 100Kc/s + high pass + low pass - £150.
 Marconi TF2370 spectrum ANZ - 110Mc/s - £900.
 Marconi TF2370 spectrum ANZ + TK2375 FX extender 1250Mc/s + 1st gen - £1.5k.
 HP8614A signal generator 800Mc/s - 2.4GHz, new colour £400.
 HP8616A signal gen 1.8GHz - 4.5GHz, new colour £400.
 HP 3325A syn function gen 20Mc/s - £1500.
 HP 3336A or B syn level generator - £500-£600.
 HP 3586B or C selective level meter - £750-£1000.
 HP 3575A gain phase meter 1Hz - 13Mc/s - £400.
 HP 8671A syn microwave 2 - 6.2GHz - £2k.
 HP 8683D S/G microwave 2.3 - 13GHz - opt 001 - 003 - £4.5k.
 HP 8660 A-B-C syn S/G. AM + FM + 10Kc/s to 110Mc/s PI - 1Mc/s to 1300Mc/s - 1Mc/s to 2500Mc/s - £750-£2800.
 HP 8640B S/G AM-FM 512Mc/s or 1024Mc/s. Opt 001 or 002 or 003 - £800-£1250.
 HP 8656A S/G AM-FM 0.1 - 950Mc/s - £1500.
 HP 8622B Sweep PI - 01 - 2.4GHz + ATT - £1750.
 HP 8629A Sweep PI - 2 - 18GHz - £1000.
 HP 86290B Sweep PI - 2 - 18GHz - £1250.
 HP 86 Series PI's in stock - splitband from 10Mc/s - 18.6GHz - £250-£1k.
 HP 8620C Mainframe - £250. IEEE - £500.
 HP 8615A Programmable signal source - 1MHz - 50Mc/s - opt 002 - £1k.
 HP 8601A Sweep generator .1 - 110Mc/s - £300.
 HP 4261A LCR meter + 16038A test leads - £400.
 HP 4271B LCR meter 1MHz digital meter + 16063A test adaptor - £950.
 HP 4342A Q meter 2kHz - 70Mc/s 16462A + qty of 10 inductors - £850.
 HP 3488A HP - IB switch control unit - £500 + control modules various - £175 each.
 HP 3561A Dynamic signal ANZ - £3k.
 HP 8160A 50Mc/s programmable pulse generator - £1400.
 HP 853A MF ANZ + 8558B - 0.1 - 1500Mc/s - £2500.
 HP 8349A Microwave Amp 2 - 20GHz Solid state - £1500.
 HP 3585A Analyser 20Hz - 40Mc/s - £4k.
 HP 8569B Analyser. 01 - 22GHz - £5k.
 HP 3580A Analyser 5Hz - 50kHz - £1k.
 HP 1980B Oscilloscope measurement system - £600.
 HP 3455A Digital voltmeter - £500.
 HP 3437A System voltmeter - £300.
 HP 3581C Selective voltmeter - £500.
 HP 5370A Universal time interval counter - £450.
 HP 5335A Universal counter - 200Mc/s - £500.
 HP 5328A Universal counter - 500Mc/s - £250.
 HP 6034A System power supply - 0 - 60V - 0 - 10 amps - £500.
 HP 3960A 3964A Instrumentation tape recorders - £300-£500.
 HP 1510A Thermal printer - £250.
 HP 1645A Data error analyser - £150.
 HP 4437A Attenuator - £150.
 HP 3717A 70Mc/s modulator - £400.
 HP 3710A - 3715A - 3716A - 3702B - 3703B - 3705A - 3711A - 3791B - 3712A - 3793B microwave link analyser - P.O.R.
 HP 3730A + B RF down converter - P.O.R.
 HP 3552A Transmission test set - £400.
 HP 3763A Error detector - £500.
 HP 3764A Digital transmission analyser - £600.
 HP 3770A Amp delay distortion analyser - £400.
 HP 3780A Pattern generator detector - £400.
 HP 3781A Pattern generator - £400.
 HP 3781B Pattern generator (bell) - £300.
 HP 3782A Error detector - £400.
 HP 3782B Error detector (bell) - £300.
 HP 3785A Jitter generator + receiver - £750-£1k.
 HP 8006A Word generator - £100-£150.
 HP 8018A Word generator - £250.
 HP 8170A Logic pattern generator - £500.
 HP 59401A Bus system analyser - £350.
 HP 59500A Multiprogrammer HP - IB - £300.
 Philips PM5390 RF syn - 0.1 - 1GHz - AM + FM - £1250.
 Philips PM5519 Colour T.V. pattern generator - £250.
 S.A. Spectral Dynamics SD345 spectroscope 111 - LF ANZ - £2500.
 Tektronix R7912 Transient waveform digitizer - programmable - £400.
 Tektronix 496 Analyzer 1kHz - 1.8GHz - £3.5k.
 Tektronix TR503 + TM503 tracking generator 0.1 - 1.8GHz - £1k - or TR502.
 Tektronix 576 Curve tracer + adaptors - £900.
 Tektronix 577 Curve tracer + adaptors - £900.
 Tektronix 1502/1503 TDR cable test set - £1000.
 Tektronix 7L5 LF analyser - 0 - 5Mc/s - £800. OPT 25 - £1000.
 Tektronix AM503 Current probe + TM501 m/frame - £1000.
 Tektronix SC501 - SC502 - SC503 - SC504 oscilloscopes - £75-£350.
 Tektronix 465 - 465B - 475 - 2213A - 2215 - 2225 - 2235 - 2245 - 2246 - £250-£1000.
 Kikusui 100Mc/s Oscilloscope CO56100M - £350.
 Farnell PSG520 Signal generator - £400.
 Nicolet 3091 LF oscilloscope - £1000.
 Racal 1991 - 1992 - 1988 - 1300Mc/s counters - £500-£900.
 Tek 2445 150Mc/s oscilloscope - £1400.
 Fluke 80K-40 High voltage probe in case - BN - £100.
 Racal Recorders - Store 4 - 4D - 7 - 14 channels in stock - £250 - £500.
 Racal Store Horse Recorder & control - £400-£750 Tested.
 EIP 545 microwave 18GHz counter - £1200.
 Fluke 510A AC ref standard - 400Hz - £200.
 Fluke 355A DC voltage standard - £300.
 Schlumberger 5229 Oscilloscope - 500Mc/s - £500.
 Solartron 1170 FX response ANZ - LED display - £280.
 Wiltron 610D Sweep Generator + 6124C PI - 4 - 8GHz - £400.
 Wiltron 610D Sweep Generator + 61084D PI - 1Mc/s - 1500Mc/s - £500.
 Time Electronics 9814 Voltage calibrator - £750.
 Time Electronics 9811 Programmable resistance - £600.
 Time Electronics 2004 D.C. voltage standard - £1000.
 HP 8699B Sweep PI YIG oscillator. 01 - 4GHz - £300. 8690B MF - £250. Both £500.
 Schlumberger 1250 Frequency response ANZ - £2500.
 Dummy Loads & power att up to 2.5 kilowatts FX up to 18GHz - microwave parts new and ex equipment - relays - attenuators - switches - waveguides - Yigs - SMA - APC7 plugs - adaptors, etc.
 B&K Items in stock - ask for list.
 W&G Items in stock - ask for list.
 Power Supplies Heavy duty + bench in stock - Farnell - HP - Weir - Thurby - Racal etc. Ask for list.

ITEMS BOUGHT FROM HM GOVERNMENT BEING SURPLUS. PRICE IS EX WORKS. SAE FOR ENQUIRIES. PHONE FOR APPOINTMENT OR FOR DEMONSTRATION OF ANY ITEMS, AVAILABILITY OR PRICE CHANGE. VAT AND CARRIAGE EXTRA
 ITEMS MARKED TESTED HAVE 30 DAY WARRANTY. WANTED: TEST EQUIPMENT-VALVES-PLUGS AND SOCKETS-SYNCRS-TRANSMITTING AND RECEIVING EQUIPMENT ETC.

Johns Radio, Whitehall Works, 84 Whitehall Road East, Birkenshaw, Bradford BD11 2ER. Tel. No: (01274) 684007. Fax: 651160

overvoltage protection, ringing feed, line supervision and 2 to 4 wire conversion) needed to connect a telephone instrument to a telephone line. It receives the audio signals from the codec and is controlled by the 'D' channel.

Subscriber line audio circuit, slac

This device, normally a hybrid circuit, is called a central office interface by the Americans. It provides a complete audio and signalling link between a telephone exchange line circuit and a telephone line. It looks and behaves like a telephone instrument providing loop seize and ringing detector circuits. It takes and receives the audio signals from the codec and is controlled by the 'D' channel.

Digital network line circuits (dnic, dsic, dsc, isac-s)

The connection between the telephone exchange and an isdn terminal is normally a twisted pair line. To transmit isdn data over this medium some form of electrical conversion is needed to enable both data detection and synchronization. A number of interface circuits have been devised to provide a variety of signalling codes over both two-wire and four-wire circuits. Some of the more common signalling codes used by these devices are described below.

2B1Q – Two binary to one quaternary. This takes two bits of isdn code and converts them to a four level signal. It halves the transmitted baud rate.

4B3T – Four binary to three ternary. This takes four bits of isdn code and converts to a three level signal. It reduces the transmitted baud rate by three quarters.

Biphase. Converts the isdn signal into level transitions. (Binary '0' = falling edge and binary '1' = rising edge, similar to 'Manchester code'). It does not reduce the transmitted baud rate but does have the feature of concentrating the power spectrum in a relatively narrow bandwidth.

Data rate adapters. These provide the means whereby low speed signals such as RS232 can be converted to the basic rate. They have similar functions to a codec except that they handle serial/parallel data signals instead of analogue signals.

Digital Switches. Within a telephone exchange digital switches are used to cross connect basic and primary rate signals.

Circuit example

Most integrated circuit manufacturers now produce chip sets to provide isdn facilities. It is now relatively easy to use this technology to produce equipment to access isdn.

The circuit example given in Figs 2(a) and 2(b), taken from an existing design, show how a single twisted pair line can be used to carry two speech channels and one data channel at distances up to one kilometre. Figure 2 gives details of how this circuit fits into the isdn scheme. Figures 2(a) and 2(b) give actual circuit details. This circuit pair could be used, for

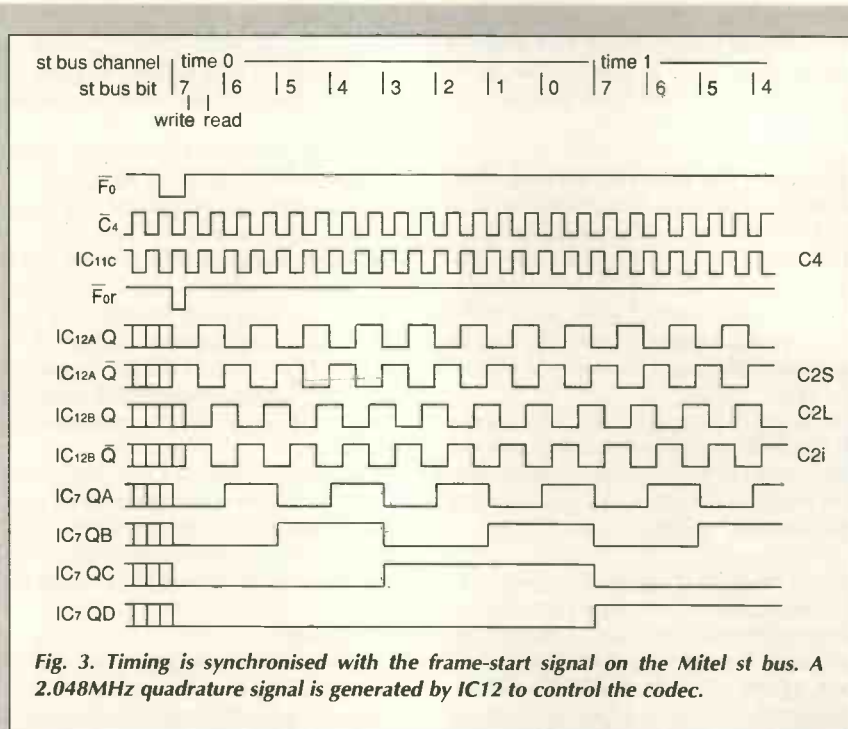


Fig. 3. Timing is synchronised with the frame-start signal on the Mitel st bus. A 2.048MHz quadrature signal is generated by IC12 to control the codec.

Design overview

The dnic operates in either a 'master' or 'slave' mode. When used as a 'slave' all timing and framing information is derived from the line signals and these pins are configured as outputs. The distant end 'master' must generate these timing signals and therefore needs the clock and framing signals as inputs. At the 'master' end a second dnic provides a low cost source for these signals. Apart from these differences the two circuits have the same logic and control circuit.

The dnic assumes the data input (DI pin) and output (DO pin) are at the primary rate and uses the well defined Mitel st bus. The channels used for the speech and signalling data are predefined by the dnic. Channel '0' is used for the signalling data and channels '2' and '3' for the analogue data. (Channel '1' is allocated to dnic control functions not employed in this example.)

The complex analogue signals on the line pair are fed via the transformer TR_1 into the L_{IN} and L_{OUT} of the dnic (IC_2). These are in the frequency range of 10kHz to 500kHz. The network comprising R_1 , R_2 , C_1 and C_2 provides the necessary feedback to enable the on-board digital signal processor to control the internal phase locked loop circuit and obtain timing and framing signals. The 10.24MHz signal is either generated by a phase locked loop controlling a crystal oscillator at the 'slave'

example, to enhance the facilities of a field telephone at fêtes and galas.

For simplicity, circuits for the termination equipment are not given. The analogue signal inputs and outputs could be connected to buffer amplifiers to drive operator's headsets

end or via IC_{15} , double buffered by IC_{11A} and IC_{11B} , at the 'master' end.

The frame start signal on the st bus, \bar{F}_0 is gated via IC_{10A} and IC_{10B} with the C_4 clock to produce a frame start reset. The connection on the dnic C_4 pin is fed, via an inverter, into a d-type flip-flop IC_{12A} which, together with IC_{12B} , generates a quadrature 2.048MHz signal. The output of IC_{12B} is connected to 74163 counters IC_7 and IC_8 which, with the 74138 decode IC_9 , generate the Mitel st bus timing signals. A timing diagram is given in Fig. 3.

Timing uncertainty only applicable during the period when there is no synchronization between the master and slave end. Output \bar{Q} of IC_{12B} is connected to the codec C21 input and controls the codec ($MT8965$). A rising edge causes the codec to present data to the DI bus and the falling edge causes the Codec to read signals from the DO bus. Output Q of IC_{12B} clocks the signals in and out of the shift registers (74299). Output \bar{Q} of IC_{12A} clocks the 7474 buffers at the start of each st bus bit. Outputs of the 4 bit counters IC_7 and IC_8 (74138) are connected to a three-to-eight bit decoder, IC_9 (74138), which generates the channel time signals for the st bus. Channel time 0 ($IC_9 Y_0$) is the data channel. ('D' port). Channel time 2 ($IC_9 Y_2$) is the first audio channel (B_1 port). Channel time 3 ($IC_9 Y_3$) is the second audio channel (B_2 port).

or two slac standard telephone instruments may be connected at each end.

The data inputs and outputs may be connected, via suitable buffers, to a key and lamp unit or directly to a slac control input.

Integrated circuits used to provide isdn facil-

ities are supplied by Mitel; a brief description of these circuits is given below. Full details of the dnic and codec are available in data sheets of the devices, available from Mitel or their distributors.

Digital network interface circuit, dnic

The *MT8971B* device is intended for use as an interface for the integrated services digital network. It may be used in practically any application requiring high speed basic rate duplex data transmission over two wires. It is a multi-function device capable of providing transfer of speech or data over a distance of a kilometre or more.

With the more expensive *MT8972B* and a loop extender circuit distances of up to seven kilometres can be achieved. An adaptive echoing technique is used by the on-circuit digital signal processor to transfer data in a '2B' + 'D' format.

Several modes of operation are available. In this example, modes two and six are used for transferring speech and data in master and slave mode. In order to provide framing and control signals, extra bits are added to the serial data stream and the data plus synchronisation signals are transmitted at 160kbit/s.

The *MT8965* coder decoder

This device provides the conversion interface between the voiceband analogue signals and the digital signals required in a digital pcm-switching system. An 'A-law' encoding and decoding is provided to CCITT specifications.

Line signalling

The line signalling 'D' channel is controlled by two universal shift registers *IC₅* and *IC₆*. Output *Y₀* from *IC₉* performs the following functions.

The tri-state buffer is enabled which presents the output of *IC_{13A}* to the di bus.

IC₆ is changed from the parallel load mode to the 'shift right' mode.

Next, *IC₅* is changed from the 'hold' mode to the 'shift left' mode.

At the rising edge of output Q of *IC_{12A}* (which occurs at the start of each bit period) data from *IC₆* is clocked into the 'd-type latch' *IC_{13A}* (7474), the output of which is then presented to the DI bus via the enabled tri-state buffer *IC_{14A}*.

At the rising edge of Q of *IC_{12A}* which occurs three quarters through each bit period, *IC_{5&6}* are clocked and the data present is shifted left once. This process continues during the period that output *Y₀* from *IC₉* is active (0V).

Availability

BT is currently offering an isdn service to its customers. Both basic rate and primary rate services are available, together with compatible terminal equipment. Akin with the early days of the Post Office telephone service, the installation and rental charges will prohibit installation of isdn to all those but the most affluent or those with a real need.

The installation charge for a single line basic rate service is £400 with a quarterly rental of £84. The provision of a primary rate service

starts at an installation charge of £594 with a quarterly rental of £508. A telephone type terminal suitable for these services is £699.

All these charges are excluding vat. Full information is available from BT on their freephone number 0800 181514.

Prospective users with a high volume of data traffic will see savings on call connection charges as data can be sent at a much higher rate than currently available from modems. This, of course, assumes the distant end also has the isdn service connected. ■

Mike Button is a consultant design engineer with TDR Ltd. He can be contacted on 01666 577 464.

Further reading

- Henshaw J. OSI Explained: End-to-End Computer Communications Standards*, John Wiley & Sons, 1988.
- Brewster, R.L. Telecommunications Technology*, John Wiley & Sons, 1986.
- Reference model of Open System Interconnection for ccitt Applications*, CCITT Recommendation X.200.
- Open System Interconnection Layer Service Definition Conventions*, CCITT Recommendation X.210.
- Isdn Protocol Reference Model*, CCITT Recommendation I.320.
- Semiconductor Digital & Analog Communications Handbooks*, Mitel.
- IC Handbook*, GEC Plessey Telecoms.
- Products Data Book*, SGS Telecommunications.
- ICs for Communications Handbook*, Siemens Telecom.
- AMD Isdn Data Book*.

FREE TO SUBSCRIBERS

Electronics World offers you the chance to advertise ABSOLUTELY FREE OF CHARGE!

Simply write your ad in the form below, using one word per box, up to a maximum of twenty words (remember to include your telephone number as one word). You must include your latest mailing label with your form, as this **free** offer applies to private subscribers only. Your ad will be placed in the first available issue.

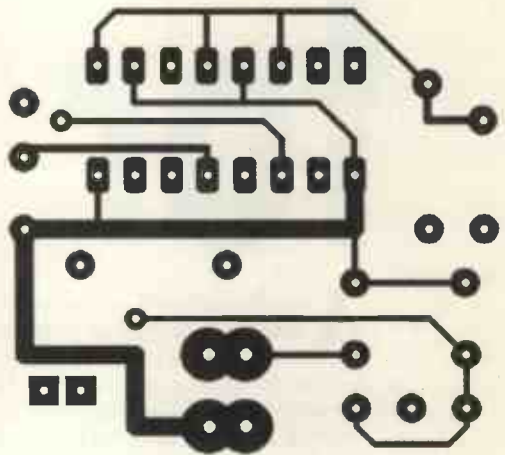
This offer applies to private sales of electrical and electronic equipment only. Trade advertisers should call **Malcolm Wells on 0181-652 3620**

All adverts will be placed as soon as possible. However, we are unable to guarantee insertion dates. We regret that we are unable to enter into correspondence with readers using this service, we also reserve the right to reject adverts which do not fulfil the terms of this offer.

Please send your completed forms to:
Free Classified Offer: Electronics World, L329, Quadrant House, The Quadrant, Sutton, Surrey SM2 5AS

PROFESSIONAL SCHEMATIC CAPTURE AND PCB SOFTWARE FOR WINDOWS *NEW!*

At last, professional schematic and PCB design software for Microsoft Windows is available at prices that won't break the bank. CADPAK for Windows offers entry level schematic and PCB drafting whilst PROPAK for Windows adds netlist integration, multi-sheet schematics, highly effective autorouting, power plane generation and much more.



ISIS Illustrator

ISIS Illustrator was the first schematic drawing package for Windows and it's still the best. Illustrator's editing features will enable you to create circuit diagrams as attractive as the ones in the magazines.

- Runs under Windows 3.1.
- Full control of drawing appearance including line widths, fill styles, fonts, colours and more.
- Automatic wire routing and dot placement.
- Fully automatic annotator.
- Comes complete with component libraries; edit your own parts directly on the drawing.
- Full set of 2D drawing primitives + symbol library for logos etc.
- Exports diagrams to other applications via the clipboard.

ARES for Windows

ARES for Windows provides all the functionality you need to create top quality PCB layouts under Microsoft's GUI. Combining the best of our DOS based PCB layout technology with the best of Windows, this package is our most powerful and easy to use PCB design tool to date.

- True 32 bit application under Windows 3.1.
- Advanced route editing allows modification or deletion of any section of a track.
- Unlimited number of named pad/track styles.
- Comprehensive package library for both through hole and SMT parts.
- Full imperial & metric support including all dialogue forms.
- Gerber, Excellon and DXF outputs as well as output via Windows drivers. Also includes Gerber viewer.
- Multi-strategy autorouter gives high completion rates; power plane generator creates ground planes with ease.

LOW PRICES!

CADPAK for Windows	£149
CADPAK for DOS	£79
PROPAK for Windows	£495
PROPAK for DOS	£395

labcenter

E l e c t r o n i c s

Prices exclude postage (£5 for UK) and VAT. All manufacturers trademarks acknowledged.

Call us today on 01756 753440 or else fax 01756 752857 for a demo pack - please state DOS or Windows as these products are available for both platforms.

CIRCLE NO. 121 ON REPLY CARD

53-55 Main St. Grassington, N. Yorks. BD23 5AA

Low distortion attenuator for hi-fi

A number of circuit arrangements have been proposed to allow the magnitude of an audio signal to be controlled by an externally applied dc voltage. Most of them, however, introduce a relatively high level of harmonic distortion into the signal being controlled.

A typical layout, using a junction fet as a voltage controlled resistor in one limb of a resistive attenuator, is shown in Fig. 1. Unfortunately the channel resistance is modulated by changes in the gate-drain potential. This leads to substantial signal distortion.

The classic method of minimising this is by introducing some negative feedback from the drain circuit. A typical layout for this, from Siliconix application note AN73-1, is

Using two separate monolithic matched pairs is not satisfactory. The Precision Monolithics circuit philosophy is also applied, in simplified form, in the Motorola MC3340. At one time, this device was widely used as the basis for remote volume controls in televisions. It was claimed that the IC had a thd figure of 0.6% at less than 0.5V rms. Unfortunately, this performance is only achievable at low attenuation levels. At 50dB attenuation the quoted thd has worsened to greater than 3%.

A better and more modern circuit is the National Semiconductors LM1040 for which a thd figure, at 300mV and 1kHz, of 0.06-0.03% is claimed. This device is intended for use as a voltage controlled gain, tone and balance sys-

With a distortion figure of just 0.005% over most of the audio range, this switch-mode attenuator designed by John Linsley Hood removes the transistor matching problems normally associated with high-performance attenuators.

shown in Fig. 2. The resistor ratio suggested by Siliconix is $R_2=R_3 \geq (10R_1 // r_{ds(max)} // R_L)$. This reduces the distortion at 1V rms and 1kHz from 10-15% to 1-1.5%. Although this value decreases as the signal level is reduced, it is not good enough for hi-fi applications, where ideally a thd figure of less than 0.01% is sought.

Figure 3, from Precision Monolithics application note AN-105, 1/86 is a much better arrangement. In this design, input signal voltage is caused to modulate the stage current of two matched long-tailed pairs comprising a matched quad-transistor array. Even-order harmonic distortion, caused by the curvature of the transistor V_{th}/I_c characteristics, is minimised by driving the two halves of the circuit in push-pull.

A thd of less than 0.03% is claimed, at an unspecified signal level or operating frequency. Experimentation indicates that achieving this performance demands a very high degree of matching of all four transistors.

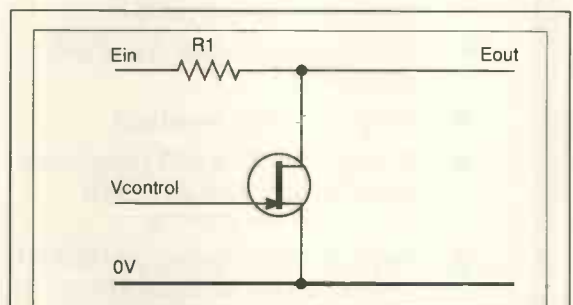


Fig. 1. Simple attenuators made from fets suffer from channel resistance modulation due to changes in gate-drain potential. The result is substantial distortion.

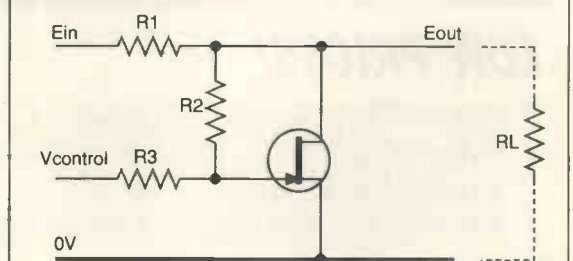
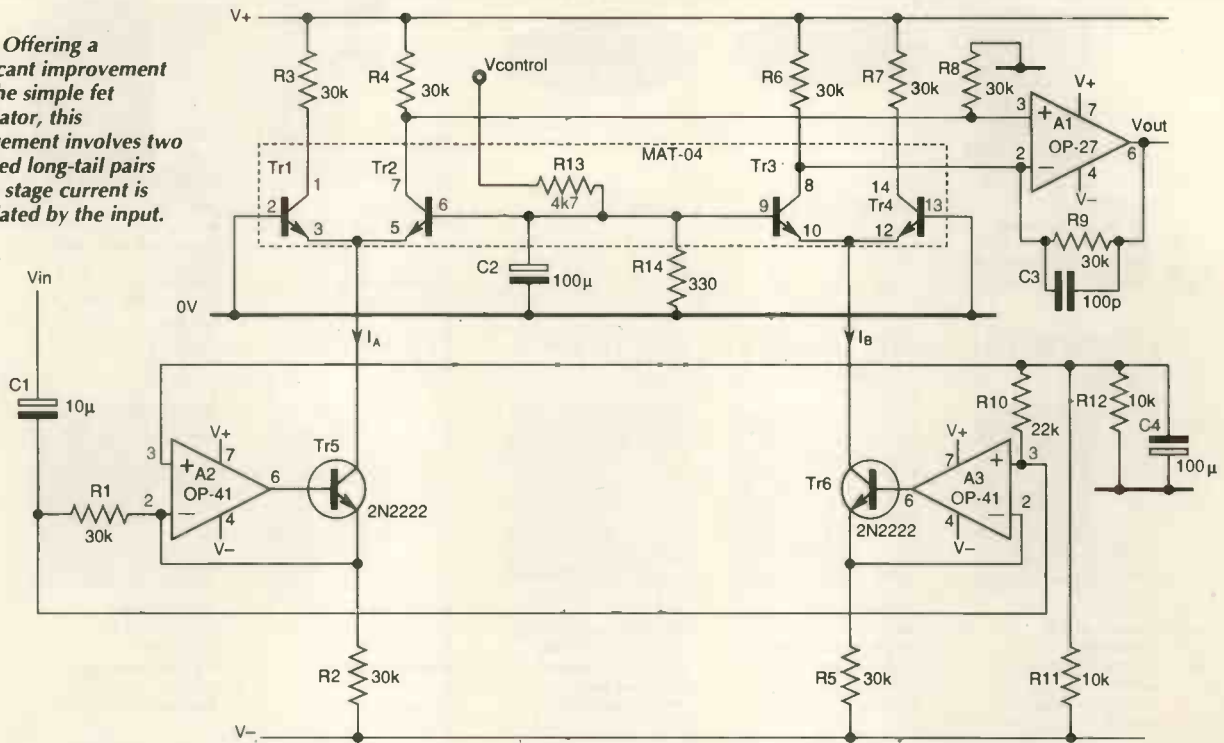


Fig. 2. Introducing negative feedback from the drain helps linearise the fet attenuator, but this does not reduce distortion to levels acceptable for hi-fi.

Fig. 3. Offering a significant improvement over the simple fet attenuator, this arrangement involves two matched long-tail pairs whose stage current is modulated by the input.



tem for an audio pre-amplifier. It incorporates a very similar balanced long-tailed pair gain control circuit to the PMI MAT-04.

Problems raised by the necessity for matched components can be avoided by using the switch-mode attenuator system shown in Fig. 4. Here, the output signal level after removing the switching waveform depends on the ratio of the 'open' to 'closed' durations of the switch.

If the switching frequency is sufficiently high, the removal of the switching artifacts can be done without the need for excessively steep-cut low-pass filtering. In the circuit proposed the chopping frequency is 130kHz. This is adequately separated from either the 44.1kHz cd sampling frequency or the 176kHz four-times over-sampling frequency used in cd players to avoid possible trouble on this account. On the other hand, the chopping frequency is high enough to permit the full 20Hz to 20kHz audio pass-band to be transmitted.

A rectangular-wave signal with adjustable mark-to-space ratio can be generated by a hex inverter IC. Figure 5 shows a configuration with a CD4060 hex inverter running from a +12V supply line. In this example, IC₁ and IC₂ form a bistable latch. This latch is caused to flip backwards and forwards between its two stable modes when the phase-inverted triangular waveform generated by IC₃ overrides the voltage derived from IC₂ via R₁.

The resulting triangular voltage waveform and an input dc control voltage are summed at the input of a chain of inverters, IC₄₋₆. This produces a rectangular waveform output whose mark-to-space ratio can be made to lie within the range 5%:95% to 95%:5% depending on the dc input voltage and the relative values of R₄ and R₅. Output waveform is then fed to a switching fet, such as the NS J111, to give the final voltage controlled attenuator layout shown schematically in Fig. 6.

At 1V rms, over the range 100Hz to 10kHz, the thd was of the order of 0.005%, and not

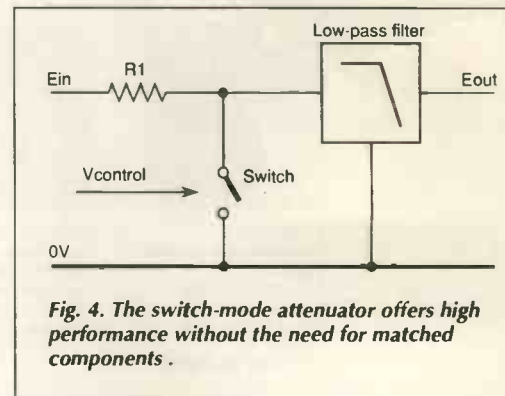


Fig. 4. The switch-mode attenuator offers high performance without the need for matched components.

greatly increased at higher attenuation levels. The effect of the circuit on a 1kHz square wave input was only that to be expected from the pre- and post-chopping low-pass filtration. In the prototype, this was provided by a cascaded pair of third order unity-gain Sallen and Key low-pass filters with an f_T of 23kHz. ■

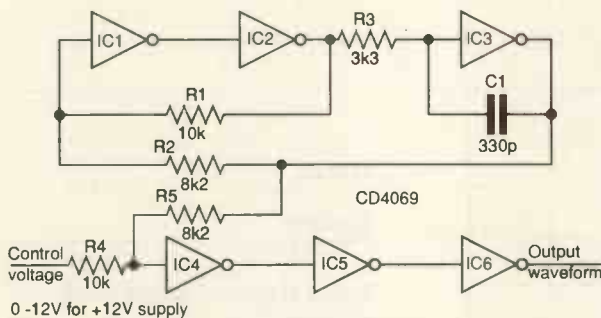


Fig. 5. A cmos hex inverter chip is ideal for producing the rectangular waveform needed to drive the chopping attenuator.

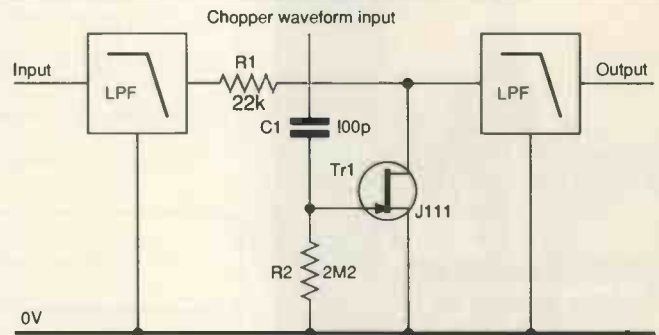


Fig. 6. Over the range 100Hz to 10kHz, this high-performance chopping attenuator for audio produces a thd figure in the region of 0.005% for a 1V rms input.

LETTERS

Letters to "Electronics World + Wireless World" Quadrant House, The Quadrant, Sutton, Surrey SM2 5AS.

Statistically significant

In his reply to my letter (February, *EW + WW*) Douglas Self questioned the "statistical evidence" that mosfets in general have lower distortion than bipolars, in reference to audio circuitry: I thought he'd never ask.

Take first the Hitachi power mosfet data book 1-15a in which two 100W amplifiers are described, one of hybrid design, the other, all fet.

The hybrid offers 0.01% distortion at 100kHz, but within the audio range offers 0.002% at 1kHz, and 0.003% at 20kHz.

The all fet version offers 0.01% distortion at 50kHz and within the audio band falls to under 0.002% at 1kHz and about 0.0035% at 20kHz. But these distortion figures are largely unchanged at full power, at the rated output of the amplifiers: 100W, 8Ω load.

There is also the series of amplifiers by J P Rimmer, formerly of Pantechnic. These used Hitachi type circuitry but with selected transistors in the driver stage in which the overall distortion was slightly better than the Hitachi version. Results were 0.002% at 1kHz and better than 0.005% anywhere in the audio band (20Hz -

20kHz) and any power up to 150W for the PFA200 version.

A confirmation of this kind of performance was given in a review by Gordon J King (*ETI*, June 1978) of the Hitachi commercial amplifier HMA7500 (80W/channel). It was severely tested by King using 15kHz/16kHz tones into 5Ω modules of impedance and 60° phase angle at 16kHz (for inter-modulation tests). The two tone signal at the output of the amplifier had a peak value of 28V across the complex load.

Second order product of the difference frequency (1kHz) was -78dB or 0.012%, while distortion measured under normal testing was typically -90dB, 0.003% at 80W.

Moving on to the *ETI5000* design by Dave Tilbrook (*ETI*, June, 1982), distortion is almost non-existent at 0.0007% at 1kHz and 100W and 0.003% at 10kHz and 100W.

John Linsley Hood's mosfet design (*ETI*, July, 1984) showed a distortion at 80W (full power) of -94dB at 1kHz, about 0.002%, and at 10kHz 0.021% at 80W. Hood's amplifier had a greater input sensitivity than others quoted and would probably give better distortion figures, gain for gain. Also, the description implies that the low levels of distortion were mainly from the signal source itself.

Excellent linearity was demonstrated by the David Hafler *DH200*, *DH220*, *DH500* series of amplifiers. The oldest, *DH200*, offered 0.0015% at 1kHz, 0.005% at 10kHz and 0.01% at 20kHz, 100W, 8Ω load. The design is now some 20 years old, and figures would be improved with a more substantial power supply.

The American Company, Musical Design - where circuits bore a remarkable similarity to the David Hafler, except for fet drivers - offered low distortion from its *D140* and *D180* amplifiers: typically 0.006% at 1kHz and 140W.

Moving on to Sage Audio and the Supermos series, these amplifiers were exceptional at 0.0002%, 1kHz and rated power.

Of course some designs have given poorer distortion figures. But the statistical evidence is overwhelmingly in favour of the lower distortion variety.

Distortion in bipolar amplifiers is

much more markedly distinguished with increased power and frequency.

One amplifier that should be considered is that by Edward Cherry whose 60W nested differential feedback loop amplifier (*ETI*, May, 1983) produced 0.002% at rated output and 1kHz, falling to 0.015%, 2nd and 3rd harmonic at 6kHz. But the circuit was complicated and required special earthing arrangements on the board. By contrast the simple Hitachi mosfet configuration must be a clear winner in every respect, barring the cost of mosfets.

All the circuits I have described, except the Sage modules, have used Hitachi mosfets and as such have been set for 100mA bias current per pair of output devices. The Hafler circuits used slightly more quiescent at 275mA for two pairs. In my earlier letter I suggested that the low 45mA quiescent value in Self's mosfet circuit would be significantly contributing to the crossover distortion artefacts observed.

I also can not agree with Self's comment regarding the independence of slew-rate limit and bandwidth. In absolute terms it is difficult to separate one from the other. Any amplifying device fed with a signal of changing rate will suffer from an upper limit at which it can reproduce that rate of change, thus encompassing both bandwidth and slew-rate. There is surely no mystery in mosfet amplifiers having vastly superior slew rates simply because they can be used at much higher frequencies (implying wider bandwidths).

Returning to distortion and early rate of roll off of frequency in bipolars, the major source of distortion comes from the relationship between current gain and collector current. In power bipolars this is a graph shaped like a parabola - ie very non-linear, showing the gain varying according to the collector current. Variation is marked, offering quite a gain spread, with the lowest at low and high currents and highest at intermediate currents. Added to this is the relationship between gain and frequency in which the power bipolar rapidly loses gain as the frequency increases. Using typical figures of $F_T = 2\text{MHz}$ and gain of 100 this device will only offer a gain

of 1 at 20,000Hz. Clearly, as the frequency rises the normal overall feedback decreases, and so distortion rises.

The situation is quite different with mosfets. Here the V_g/I_d characteristic is very linear and since the devices are much faster they have less trouble coping with high frequencies - provided they are driven by low impedances. Distortion tends to fall as the drain current (I_d) increases (run at 100mA+ please). Bipolars also suffer 'notch' distortion due to storage of minority charge carriers.

I have said before that in my experience, going back 25 years of reading test reports from most of the major journals, I have found with few exceptions that amplifiers containing bipolar output devices regularly roll off at around 15kHz at full power, many starting before this frequency. This experience is a matter of public record and the evidence is there for anyone who cares to sift through all of the reports in the same way I have done.

The reasons for this behaviour are, as I have shown, that output devices are being selected which are simply too slow: that is also a statistical fact. Faster devices are less rugged and more expensive.

I have most of the articles and literature referred to for mosfet amps if further doubt is expressed.

V J Hawtin
Middlesex

Defence or attack

If it were true, as Colin Long (*Letters*, January) seems to imply, that high military spending makes good economic sense then we might reasonably expect to see the major industrialised military economies outperforming their non-military competitors.

In fact we see the reverse, because such activity is bad for any economy, whether an autocratic command system of the (old) USSR or the democratic demand economy of the USA. Even with rich oil and mineral reserves, they are so obviously outperformed by Germany and Japan, as indeed is the UK.

Mr Long questions why the MoD has come in for such criticism. It is because it has compounded the

Shifted search

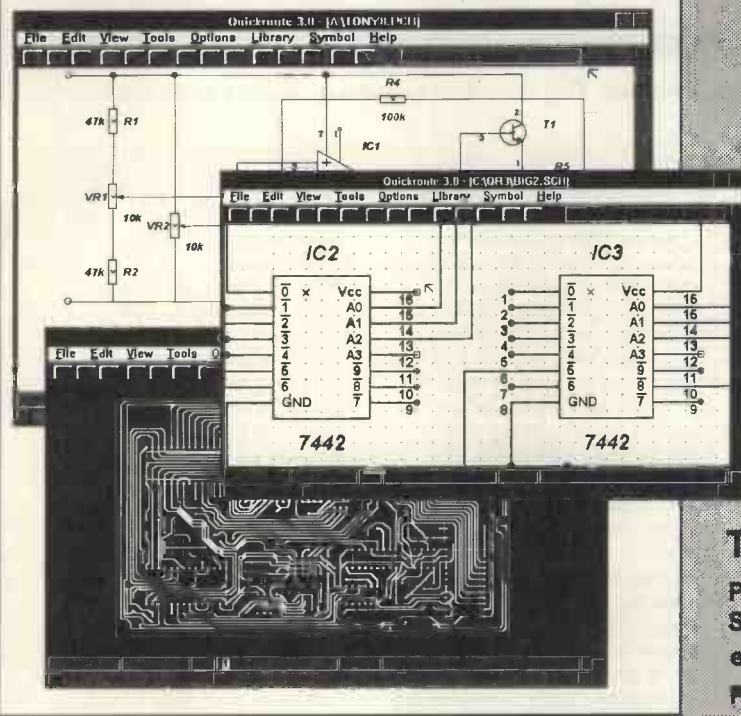
Can any reader help me? I have been looking, with little success, for a number of months for a frequency shifter circuit diagram.

My aim is to construct a frequency shifter with a microphone input, having the capacity to shift the frequency down to 1Hz and up to 25,000Hz. The output would be to a socket so that a loudspeaker or recording equipment could be plugged in. Stepping of the shifted frequency should be smooth not doubled or in octaves etc, and I need the circuit diagram to be fairly idiot proof - I am a fairly competent constructor but no expert.

PH Cope
6 Marlborough House
Langton Close
Lincoln
LN2 2HJ

Quickroute 3.0

Integrated Schematic & PCB Design for Windows



"moving from schematic to layout could not be easier". Electronics World & VW Jan 95

"For some time Quickroute has been one of the leading PCB CAD software packages. The latest Windows version is well worth examining"

Everyday with Practical Electronics Feb 95

PRO £199

*Schematic & PCB Design *Schematic Capture
*Integrated Rats-Nest Generation *Auto-router
*Net-List Export *Support: Windows printers/plotters
*CAD-CAM outputs.

PRO+ £299

As the PRO but also includes *Advanced Schematic Capture (Busses, Power rails, etc) *Larger Schematic & PCB Designs *Gerber file IMPORT for File Exchange.

Also available - the low cost DESIGNER series, starting at just £99.00!

Tel/Fax 0161 449 7101

POWERware, 14 Ley Lane, Marple Bridge, Stockport, SK6 5DD, UK.

email info@powerware.demon.co.uk

Prices exclude VAT and P+P.

**DEMO
DISK
Available**

CIRCLE NO. 122 ON REPLY CARD

JPG Electronics

High quality stepping motor kits (all including stepping motors) 'Comsep' independent control of 2 stepping motors by PC (Via the parallel port) with 2 motors and software..... Kit £27.00
Ready built..... £99.00
Software support and 4 digital inputs kit..... £27.00
Power interface 4A kit..... £36.00
Power interface 8A kit..... £46.00
Stepper kit 4 (manual control) includes 200 step stepping motor and control circuit..... £25.00
We are now stocking a range of stepping motors and kits to drive them, please ask for the stepping motor data sheet for full information.

Inverter toroidal transformers 225VA 10.5-0-10.5 primary 0-260-265 secondary..... £29.95
LEDs 5mm or 3mm red or green..... 7p each
Yellow..... 11p each
Cable ties, 1p each, £5.95 per 1000, £49.50 per 10,000
High quality photo resist copper clad epoxy glass boards

Dimensions	single sided	double sided
3x4 inches	£1.09	£1.23
4x8 inches	£2.75	£2.99
6x12 inches	£9.30	—
12x12 inches	£12.25	—

Rechargeable Batteries
AA (HP7) 500mAh..... £0.99
AA 700mAh..... £1.75
C 2AH with solder tags..... £3.60
D 4AH with solder tags..... £4.95
12AA with solder tags..... £1.35
AAA (HP16) 180mAh..... £1.75

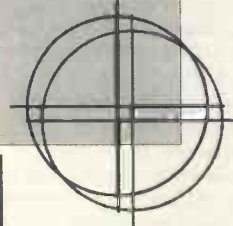
Standard charger charges 4 AA cells in 5 hours or 4Cs or 4Ds in 12-14 hours + 1xPP3 (1, 2, 3 or 4 cells may be charged at a time)..... £5.95
High power charger as above but charges the Cs and Ds in 5 hours. AAs, Cs and Ds must be charged in 2s or 4s..... £10.95
Nickel Metal Hydride AA cells high capacity with no memory, 1000mAh..... £3.50
1200mAh..... £3.75
Special offers, please check for availability.
Stick of 4 42x16mm Nicad batteries 171x16mm dia with red & black leads 4.8v..... £5.95
Computer grade capacitors with screw terminals 3700uf 50v..... £4.95
115V AC 80V DC motor 4x22mm shaft 30mm dia x 60 long body (excluding the shaft) it has a replaceable thermal fuse and brushes..... £1.95 each (£3.95 100+) (£9.95 10+, £7.95 100+)
7 segment common anode led display 12mm..... £0.43
LM357K TO3 case variable regulator..... £1.95
GAs FET low leakage current 58873..... £12.95 each
BS250 P channel mosfet..... £0.45
BC839 transistor..... £3.95 per 100
74LS05 hex inverter..... £10.00 per 100
Used 8748 Microcontroller..... £3.50

All products advertised are new and unused unless otherwise stated. Wide range of CMOS TTL 74HC 74F Linear Transistors kits. Rechargeable batteries, capacitors, tools etc always in stock. Please add £1.95 towards p.p.p. VAT included in all prices.

JPG Electronics, 276-278 Chatsworth Road, Chesterfield S40 2BH
Access/Visa (01246) 211202 Fax: 550959 Callers welcome

CIRCLE NO. 123 ON REPLY CARD

CROSSWARE



CROSS DEVELOPMENT SOFTWARE TOOLS FOR DOS

**C · COMPILERS
CROSS · ASSEMBLERS**

FULLY SUPPORTED QUALITY SOFTWARE

You might only need a simple absolute cross assembler for your first project. Later you might decide that you need the sophistication of a fully relocatable package (and of course you will want your existing source code to migrate effortlessly with you). You might decide to make C your primary language, with full IEEE floating point maths available whenever you need it. If you do, you will certainly want to keep your options open by being able to integrate C and assembler.

Whatever your choice you will want the benefit of a user friendly environment with a sophisticated multi-file, multi-window editor/workbench and comprehensive on-line help.

That's why we have configured our product range the way we have.

XPC series: absolute cross assemblers @ £99.00 each
XDS series: relocatable cross assemblers @ £169.00 each
PSDS series: C compilers & cross assembler @ £349.00 each

	68000	68020	8051	8048	Z80	8085	6301	6305	6809	65C02	7401	68hc11	8086
XPC	✓	✓	✓	✓	✓	✓	✓	✓	✓	✓	✓	✓	✓
XDS	✓	✓	✓	✓	✓	✓	✓	✓	✓	✓	✓	✓	✓
PSDS	✓	✓	✓	✓	✓	✓	✓	✓	✓	✓	✓	✓	✓

Further information from: (prices exclude VAT and delivery)
CROSSWARE PRODUCTS
Melbourn, Royston, Herts, SG8 6BA, UK
Tel: +44 (0) 1763 261539, Fax: +44 (0) 1763 262983
BBS: +44 (0) 1763 261716 (8-N-1), Internet: sales@crossware.com

CIRCLE NO. 124 ON REPLY CARD

problem through damaging interference. Using a variety of devices, including its 'massive purchasing power', the MoD has taken a vigorous and broad-based electronics industry and reduced it to a single, essentially military, supplier. An industry that once supplied a rich variety of products to its domestic market is now reduced to a critical dependence on the taxpayer.

Like Mr Long, I also want to see Britain at the top, with British products in the high street again, designed and manufactured by British industry using British components.

I want to see our industry competing in foreign markets, with self respect restored. But the remedy is not to spend larger amounts of tax-payers' money on more armament manufacture.

Dwight D Eisenhower, possibly this century's greatest warrior, summarised the situation: "...we must guard against the acquisition of unwarranted influence, whether sought or unsought, by the military-industrial complex, we must never let the weight of this combination endanger our liberties or our democratic progress".

Pacifism Mr Long. No, pragmatism.

R M Burfoot
Avon

Follow the leader

Research Notes has always received my best attention, being an inspirational source of new ideas. But the "Voltage follower that gives the lead" (January, p.12) immediately brought up memories of a similar circuit, titled "Feed-forward floating power supply (High-response-speed equalizer circuit)" by Eiichi Funasaka and Hikaru Kondou, *Journal of the Audio Engineering Society*, Vol 30, No.5, May 1982, p.324-329.

With due respect to the remarkable work of Mr Lidgely, it is surprising not to see the early reference mentioned.

Erik Margan
Slovenia

Percentage player

As a fascinated bystander in the debate on audio amplifier distortion, may I request a stronger distinction be made between harmonic and non-harmonic distortions?

Most musical sounds, including the voice, are generated by physical mechanisms which produce a harmonic series, the relative amplitudes of which determine the characteristic 'sound' of the instrument. A variation of a few percent in the absolute level of these harmonics is generally perceived (if at all) as a subtle change in timbre or

brightness, of the kind also produced by a great many non-electronic effects including room acoustic. So provided that an amplifier produces harmonic distortions which drop sufficiently quickly with increasing order n to avoid masking the genuine harmonics of typical signal sources, can we not virtually ignore its thd figure?

In my experience the overall 'sound' of a good amplifier is far more affected by slight frequency response deviations from flatness than purely harmonic distortions – or, for that matter, phase distortions.

In contrast, non-harmonic distortions are audible even in very small amounts. Intermodulation distortion in particular multiplies with the complexity of the musical signal to produce a thick muddy or tinny background which obscures musical detail and can make listening quite unpleasant.

If, as I would suggest, the non-harmonic distortion of an amplifier is much more audible than the harmonic, then it follows that the preoccupation of your recent contributors with harmonic distortion is misplaced, even if an entirely (harmonically) distortionless amplifier would in principle produce no intermodulation distortion. Furthermore, should not distortions produced by non-linearity be directly dependent on signal level (as in rf mixers), and percentage distortion figures therefore strictly meaningless?

Perhaps we should abandon the increasingly irrelevant % thd figure and standardise on one of the various multiple-tone intermodulation measures available, preferably with a graph of measured signal to noise+distortion ratio, in decibels, versus signal level?

A New
Bristol

Cables and cars

I was interested to read in Barry Gillebrand's article, 'Interfacing piezoelectric cable', January, pp. 21-23, that the type of cable we used some 40 years ago in an application for traffic speed measurement, has now become a fully fledged product.

My colleague Joop van der Kam had discovered that if insulated wire

Worse performance...

I was intrigued to read the item in *Research Notes* (February, *EW + WW*) concerning electronics making us worse drivers. From bitter experience I can report that although "we all expect shorter stopping distances", under adverse conditions the ABS system will reduce the stopping distance from what it might have been without ABS, but will not reduce it to what it would have been under normal or dry surface conditions.

My experience only cost me an increased insurance premium. What is more worrying is the phenomenon of the side-road speeder who can be seen approaching a stop sign at an almost insupportable rate of deceleration, because he does it every morning under normal conditions. I just hope the morning there is a film of black ice on the road is the morning I go a different way to work.

Incidentally, recent experience in Montreal indicates that drivers quickly lose their caution after the first snowfall and become careless on adverse surfaces. This appears to parallel the learning mechanism for drivers of ABS equipped cars.

That is until you find out the hard way.

Nic Houslip
Birmingham

...from electronic systems

Research Notes (February, *EW + WW*) posed the question: "Does electronics make us worse drivers?"

I would like to take the point further. Not only does electronics make us worse drivers but it also has the capability to make us worse pilots, worse managers, worse designers and even worse mothers and fathers!

For example how many parents can say with hand on heart that we have not used the technology of the TV and video recorder just a little too much to give us that occasional peace and quiet. Indeed, how many of us can cope with the modern technology of the video recorder at all. A four year old child may be able to deal with the situation but isn't the technology supposed to be designed for the users irrespective of age?

Anything, used to excess can be damaging, and the same is true of technology. Whether it be video recorders that have too many glossy features, or industrial manufacturing systems that are supposed to be the 'solution' to all business ills.

The answer to these far-reaching problems lies with engineers. It is high time we stopped doing things right (just because it is technologically possible) and started doing the right things!

Andrew Ainger
Berkshire

is squeezed in a vice, a voltage is generated between its core and the metal of the vice. In fact any cable insulated with modern plastic materials generates electric noise when flexed¹ and special measures have to be taken to get rid of unwanted flexural noise in cables used for low-level electrical signal sources, such as microphones, etc.

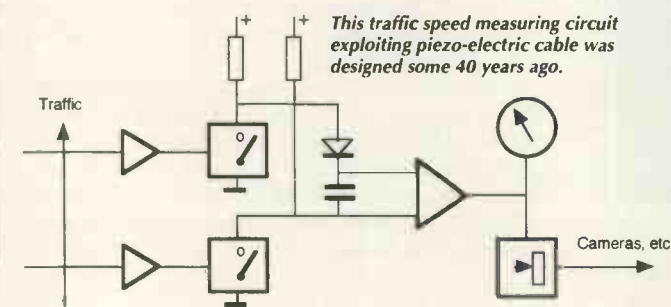
Cause of the noise is separation of electrical charge that takes place when two different materials are brought in close contact. This can easily be demonstrated by pressing a

coin onto a plastic bag. When the coin is removed, the deposited electrical charge can be made visible by dusting the plastic with fine particles (flour, pencil lead filings, etc), revealing the coin's features.

The discovery led to development of a traffic speed measuring apparatus in 1957². It became rather popular because its cost was only some 10% of the competing radar device (in the era of the radio valve and klystron) and the prosecuting authorities liked the easy proof of 'whodunit' because of the direct physical contact between car and cables. A radar device relies of course on an invisible beam and unless the conditions were ideal, you could never be completely sure whether the return signal had been influenced by it reflecting off buildings or other traffic participants.

Today I would design the traffic speed meter with digital electronics, but in 1957 we did it as depicted in the figure.

Two, toughened coaxial cables



were laid at 2m distance across the road. Given the high input impedance of radio valves there was no particular cable interfacing problem to solve. The input amplifiers triggered two thyratrons, one of which started, while the other stopped, the charging of a low-loss capacitor when the front wheels of a vehicle crossed the cables. Thus the voltage across the capacitor was directly related to the time interval between the cable signals and hence to the vehicle's speed.

Voltage was measured by a high input impedance amplifier connected to a meter and a level discriminator. The scale of the meter in km/h (or mile/h) could be calculated from a simple exponential function and calibration was very straightforward. Adjustment of the level discriminator allowed the apparatus to be reset automatically for vehicles below a set speed limit, while trespassers would initiate automatic action such as triggering a camera or alerting a police officer down the road.

On completion of an operational cycle, the capacitor would be discharged, the thyratrons extinguished and the apparatus would be ready for the next measurement. Counters could be connected for automatic traffic analysis and the unit could be powered from a car battery.
Joop van Montfoort
Somerset

References

1. R A Rasmussen. "Flexural noise in cables", *Bell Lab Rec*, 37, 8, p.305, August 1959
2. J C van der Kam and J E van Montfoort. *Een Electronische Verkeersnelheidmeter*, 13.8.1958 (unpublished internal report Philips, Eindhoven).

Bye-bidirectional I²C

Jean-Paul Brodier (*Letters*, February) is incorrect in stating that the SCL line in an I²C system needs to be bidirectional to handshake properly. I²C handshaking is done via acknowledge bits on the SDA line. The only time a bidirectional SCL line is needed is in a multi-master system, which also calls for additional hardware for arbitration.

Correction: in editing my *Circuit Idea* the word *programmed* was left out of the following phrase:

"...writes 01 to a location programmed as 00 in the eeprom..."

Mike Harrison
White Wing Logic
Essex

Figured out

In Fig. 6 of the article 'Analogue design with a 5V supply' (February, *EW + WW*, pp.162-165) by Walt Jung and James Wong the equations should read:

for $G=100$,

$$(R_1+R_2)/R_3=(R_5+R_6)/R_4=99$$

for $G=10$,

$$R_1/(R_2+R_3)=R_6/(R_4+R_5)=9$$

These respective resistor ratios should match to 0.01% or better.

Laurence Marchini
Oxon

Cathode ray conundrum

I am intrigued by the possibility that a cathode ray tube is capable of generating a reactionless force.

Consider what happens in an oscilloscope when the trace is directed towards the top of the screen. First, a beam of electrons is deflected upwards by deflector plates. These electrons then will have a small upwards momentum

which is balanced by a downwards force on the deflector plates in accordance with Newton's equations of motion.

It occurs to me that what happens next is unusual and we cannot safely use our experience of mechanical systems to predict the precise effects. The beam of electrons is accelerated forwards towards the screen through a high potential, usually over 10,000V. Such voltages are sufficient to impart a velocity to the electrons which is a significant proportion of the velocity of light, c . According to Relativity theory, the electrons will undergo an increase in mass. Assuming their upwards velocity is not affected by this sideways acceleration, they will have acquired increased upwards momentum without any increase in the downwards reaction force. This will be realised as a net reactionless upwards force on the entire device when they hit the cathode.

I understand that when this particular problem is considered in text books, the answer given is that the vertical velocity of the electrons is somehow reduced (in the absence of any downwards force and contrary to Newton's second law) so that Newton's third law should be preserved in some form. This is an answer I had already considered and rejected. The trouble is that the amount that the vertical velocity of the electrons would have to change is a function of the vertical velocity of the reference frame from which the problem is considered – even when that velocity is an insignificant proportion of c . This would be absurd. I may have made a mistake but I am unaware that the conventional view has been tested by experiment, and unlike some other ideas that have been put forward on these pages, this idea is

definitely testable. In any case, I don't see why Newton's second law should be so readily discarded to save his third law.

I do not suggest it might be possible to measure this force in an oscilloscope. I calculate that for a typical oscilloscope (Tektronix 2235), the magnitude of the reactionless force (if it existed) would be sufficient to produce an apparent weight reduction of only 0.3µg for 1mA of anode current. I have made enquiries about getting a purpose-designed thermionic device built where the level of predicted weight loss would rise to milligrams and so unambiguous measurements could be made. Building of a suitable device to do this seems to be possible, but it is unfortunately beyond my resources.

Has the idea been experimentally tested before or would anyone be interested in helping test it?

Interestingly, one of the few other places where this force might be expected to arise is in a force precessed gyroscope, although once again the level would only amount to a weight change less than one µg for any practical system, and it would not be practical even to attempt to measure it this way.

The possibility of this force has nothing to do with precession, which is in fact a nuisance.

Unfortunately, even if this force exists, I do not see many practical applications for it. However, if it were implemented, the amount of kinetic energy that would have to be stored in a device in order for it to be able to lift its own weight would be enormous and certainly beyond any technologies we have at present. Nevertheless, it has a certain theoretical interest.

R Lerwill
Clwyd

SOFT INDEX ON DISK



A computerised index of *Electronics World+Wireless World* magazine is now available. It covers the five years 1990 to 1994 – volumes 96 to 100 – and contains over 1400 references to feature articles, circuit ideas and applications, with a synopsis for each. The software is easy to use and very quick. It runs on any IBM or compatible PC with 512K ram and a hard disk. Each disk is scanned before shipping with the current version of Dr Solomon's Anti-Virus Toolkit.

For the UK, the five year index is priced at £20. Please specify 5 1/4 or 3 1/2 in format. This price includes UK postage and VAT. Add an extra £1 for overseas EC orders or £5 for non-EC overseas orders.

Photo copies from back issues of *EW+WW* are available at 50p per page plus VAT (in EC) and a flat postage charge of 50p UK, £1 rest of EC, and £2 rest of world. For enquiries about photo copies send an sae to Video Interface Products.

Please allow up to 28 days for delivery. Cheques should be made payable to **Video Interface Products**, not *EW&WW* or Reed Business Publishing.

Please post your request to **Video Interface Products Ltd, 1 Vineries Close, Cheltenham GL53 0NU, UK.**

SECOND USER TEST EQUIPMENT & COMPUTERS

- ▶ Broad Product Range?..... *No Problem*
- ▶ DC to Light?..... *No Problem*
- ▶ BS5750 Registered?..... *No Problem*
- ▶ Onsite NAMAS Lab?..... *No Problem*
- ▶ Sale Or Return?..... *No Problem*
- ▶ Full Warranty?..... *No Problem*
- ▶ Part Of Livingston Hire?..... *No Problem*
- ▶ Outstanding Service?..... *No Problem*

- ◆ Analytical & Environmental
- ◆ Calibrators
- ◆ Communications Test
- ◆ Component Analysers
- ◆ Computers & Peripherals
- ◆ Digital Design & Test
- ◆ Electrical & Power
- ◆ EMC Test
- ◆ Frequency Counters
- ◆ Noise Source / Measure
- ◆ Oscilloscopes
- ◆ Power Meters
- ◆ Power Supplies
- ◆ Radio Comms
- ◆ Recorders & Data Acquisition
- ◆ Signal Analysers
- ◆ Signal Sources
- ◆ Voltmeters & Multimeters

Call now or check the card for your monthly copy of our Measurement & Computing Catalog - Europe's most comprehensive guide to second user Test Equipment and Computers

0181-943 4477  **carston**
ELECTRONICS

2-6 Queens Road, Teddington, TW11 0LR *The Intelligent Alternative to New*



CIRCLE NO. 125 ON REPLY CARD

DID YOU KNOW?!

The world's largest producer of BIOS, American Megatrends Inc., produces a complete range of hardware too?

- ◆ For 486, PENTIUM,™ P5, P54C
- ◆ Motherboards EISA-VLB-PCI
- ◆ PCI SCSI RAID Controllers
- ◆ MULTIMEDIA – TeleCom Adapters
- ◆ SCSI & Graphics Adapters
- ◆ PCMCIA Adapters & Software
- ◆ Diagnostics Hard & Software

Best of all, did you know that we have an office right here in the U.K. to serve you. Call us for more information!

The first 500 callers get a **FREE** copy of AMIDIag 4.5 (trial) for evaluation!

American Megatrends Intl. Limited

Unit C5, Worth Corner, Turners Hill Road
Pound Hill, Crawley, West Sussex RH10 7SL

Tel: 01293 882288

Fax: 01293 886550



CIRCLE NO. 126 ON REPLY CARD

ADVANCED ACTIVE AERIAL



The aerial consists of an outdoor head unit with a control and power unit and offers exceptional intermodulation performance: SOIP +90dBm, TOIP +55dBm. For the first time this permits full use of an active system around the lf and mf broadcast bands where products found are only those radiated from transmitter sites.

- General purpose professional reception 4kHz-30MHz.
- - 10dB gain, field strength in volts/metre to 50 Ohms.
- Preselector and attenuators allow full dynamic range to be realised on practical receivers and spectrum analysers.
- Noise - 150dBm in 1Hz. Clipping 16 volts/metre. Also 50 volts/metre version.

- ★ Broadcast Monitor Receiver 150kHz-30MHz.
- ★ Stabilizer and Frequency Shifters for Howl Reduction
- ★ Stereo Variable Emphasis Limiter 3
- ★ 10-Outlet Distribution Amplifier 4
- ★ PPM10 In-vision PPM and chart recorder
- ★ Twin PPM Rack and Box Units.
- ★ PPM5 hybrid, PPM9 microprocessor and PPM8 IEC/DIN -50/+6dB drives and meter movements
- ★ Broadcast Stereo Coders
- ★ Stereo Disc Amplifiers
- ★ Peak Deviation Meter.

SURREY ELECTRONICS LTD

The Forge, Lucks Green, Cranleigh, GU6 7BG.

Telephone: 01483 275997. Fax: 276477.

INTERFACING WITH C



HOWARD HUTCHINGS

If you have followed our series on the use of the C programming language, then you will recognise its value to the practising engineer.

The book is a storehouse of information that will be of lasting value to anyone involved in the design of filters, A-to-D conversion, convolution, fourier and many other applications, with not a soldering iron in sight.

To complement the published series, Howard Hutchings has written additional chapters on D-to-A and A-to-D conversion, waveform synthesis and audio special effects, including echo and reverberation. An appendix provides a 'getting started' introduction to the running of the many programs scattered throughout the book.

This is a practical guide to real-time programming. The programs having been tested and proved. It is a distillation of the teaching of computer-assisted engineering at Humberside Polytechnic, at which Dr Hutchings is a senior lecturer.



A disk containing all the example listings used in this book is available, Please specify size required

Please supply _____ copies of **INTERFACING WITH C** Price **£14.95**

Please supply _____ copies of **Disk containing all the example listings** £29.96

Remittance enclosed £ _____

Interfacing with C can be obtained from Jackie Lowe, Room L333, Quadrant House, The Quadrant, Sutton, Surrey, SM2 5AS

Cheques should be made payable to Reed Business Publishing Group Ltd

Please debit my credit card as follows:
Access/Master Barclay/Visa Amex Diners

Credit Card No. _____

Exp date _____

NAME (Please print) _____

ADDRESS _____

POST CODE _____

DATE _____ TELE _____

SIGNATURE _____

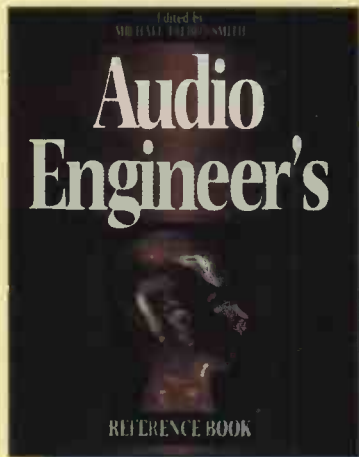
VAT No. _____

If in the UK please allow 28 days for delivery. All prices are correct at time of going to press but may be subject to change.

**Credit card orders accepted by phone.
Call 0181 652 3614.**

Reference books to buy

For Audio Engineers



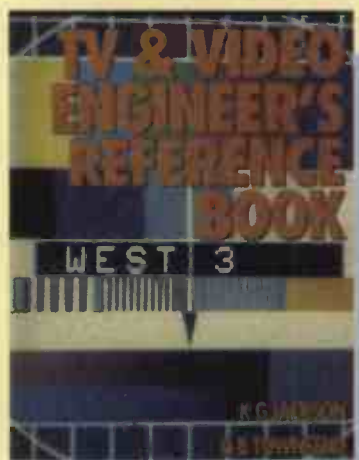
Subjects include

Recording, microphones and loudspeakers
Digital audio techniques
Basic audio principles
Acoustics and psychoacoustics
Audio and television studios and their facilities
Radio and telephony

- Comprehensive – over 600 pages
- Written by leading authorities from the audio world
- Easy to read, compiled for maximum accessibility
- Concise and authoritative
- Covers topics from noise measurement to studio installation

Invaluable reference work for anyone involved with audio – from broadcast consultant to serious enthusiast. *Audio Engineer's Reference Book* is written by an international team of experts and edited by Michael Talbot-Smith – previously a trainer of audio engineers at BBC Wood Norton and now a freelance audio consultant and technical writer.

For TV & Video Engineers



Subjects include

Fundamentals of colour TV
TV studios
High definition TV
Satellite broadcasting
Distribution of broadband signals
TV receiver servicing
Video and audio recording and playback
Teletext

- Over sixty chapters on the latest techniques in video and television
- Up to date reference on EMC requirements, DBS and HDTV
- Easy-to-use reference, eminently suitable for students
- Topics range from materials and construction to medical and defence applications of television.

The *TV & Video Engineer's Reference Book* will be of immense value to anyone involved with modern tv & video techniques – in particular broadcast engineers. The new format makes it an excellent reference for students. Edited by KG Jackson and GB Townsend from contributions written by acknowledged international experts.

Please supply me _____ copies of the

Audio Engineer's Reference Book,

(ISBN 0 7506 0386 0)

Fully-inclusive price – UK £62.50, Europe £68, Worldwide £78. Please add vat at local rate where applicable.

Please supply me _____ copies of the

TV & Video Engineer's Reference Book,

(ISBN 0 7506 1953 8)

Fully-inclusive price – UK £42.50, Europe £48.00, Worldwide £58.00, Please add vat at local rate where applicable.

Remittance enclosed £ _____

Cheques should be made payable to Reed Business Publishing Group Ltd

Please return to: Jackie Lowe, Room L333, Quadrant House, The Quadrant, Sutton, Surrey, SM2 5AS

Please debit my credit card as follows:

Access/Master Barclay/Visa Amex Diners

Credit Card No. _____

Exp date _____

NAME (Please print) _____

ADDRESS _____

POST CODE _____

DATE _____ TEL _____

SIGNATURE _____

VAT RATES

6% Belgium, 25% Denmark, 5.5% France, 7% Germany, 4% Greece, 4% Italy, 3% Luxembourg, 6% Netherlands, 5% Portugal, 3% Spain. FOR COMPANIES REGISTERED FOR VAT, PLEASE SUPPLY YOUR REGISTRATION NUMBER BELOW (customers outside the EEC should leave this part blank)

VAT NO. _____

If in the UK please allow 28 days for delivery. All prices are correct at time of going to press but may be subject to change.

Please delete as appropriate. I do/do not wish to receive further details about books, journals and information services.

Business purchase: Please send me the book listed with an invoice. I will arrange for my company to pay the accompanying invoice within 30 days. I will attach my business card/letterhead and have signed the form below. Guarantee: If you are not completely satisfied, books may be returned within 30 days in a resalable condition for a full refund.

Credit card orders accepted by 'phone. Call 0181 652 3614

Filters improve using of op-amps

Historically, analogue designers have relied on passive filters for applications involving frequencies greater than a megahertz. But with current feedback op-amps designers can now make active filters capable of working at a megahertz and above, as Doug Smith explains.

Until recently, designing viable active filters with cut-off frequencies at 1MHz or greater was difficult because voltage feedback amplifiers with sufficient gain-bandwidth products and short propagation delays were simply too expensive.

The emergence of current feedback or transimpedance amplifiers has significantly changed this picture. Using these amplifiers, together with a conscientious design and pcb layout, you can design active filters that operate at high frequencies. Active-filter applications are no longer restricted to the audio-frequency range.

Active RC filters have many advantages over passive filters, these becoming increasingly important as frequency increases. For example, there is no insertion-loss penalty and you can even have power gain if needed.

A doubly-terminated passive filter would attenuate the signal by at least 50%. The elimination of inductors is the biggest advantage offered by active filters. This advantage doesn't involve size considerations alone.

Passive inductors are only linear for low power levels, much like transistors with no negative feedback. As you pump more current through the inductor, the magnetic core material begins to saturate and the inductor generates its own harmonic-distortion terms. The filter's transfer response will not necessarily suppress these signals. In an active RC filter, the amplifier quality and design sophistication set the dynamic range. Theoretically, designers have a good deal of control over both of these parameters.

As a case study, consider three situations – a low-pass antialiasing filter, a band-pass filter, and a high-Q notch filter – in which active filters that incorporate current-feedback amplifiers provide a viable alternative to passive filters. All three filters will be designed around the Burr-Brown OPA603.

You could implement the three designs using carefully selected, video-speed conventional op-amps. However, current feedback amplifiers more readily satisfy the low transit time and large bandwidth at high gain require-

ments for the example circuits. Let's start with the design of an antialiasing filter, Fig. 1, to drive the input of an ADC603 – a 12-bit, 10MHz a-to-d converter.

When dealing with a-to-d converters in filter work, the Nyquist theorem states that if any converter input harmonic frequency is greater than half the sampling rate, those frequencies must alias, or fold back, into the passband. Normally, this condition is not desirable. To skirt the issue, you must suppress any input frequencies that exceed the Nyquist rate before the converter sees them.

The result of this manoeuvre is that the required attenuation becomes a function of converter resolution. It is also important for the filter to roll off as fast as possible. An elliptic response is the best choice because the addition of transmission zeros in the stop band creates the sharpest roll-off theoretically possible for a particular number of poles without having to rely on mutual inductance.

The first step in designing the filter is calculating the attenuation requirements. You can do so by estimating the theoretical signal-to-noise ratio, snr, using the expression

$$\text{snr}=6.02N+1.8\text{dB},$$

where N is the number of bits. For the ADC603, the expression yields,

$$\text{snr}=6.02\times 12+1.8=74.04\text{dB}.$$

The calculation shows that the guaranteed stop-band attenuation must be greater than 74dB. A search of standard design tables shows that a fifth-order elliptic lowpass response is a reasonable compromise between the transition width and the filter order. The general transfer function for this filter is,

$$T(s)=\left(H_a\frac{s^2+b_{0a}}{s^2+a_{1a}s+a_{0a}}\right)\left(H_a\frac{s^2+b_{0b}}{s^2+a_{1b}s+a_{0b}}\right)\left(\frac{a_0}{s+a_0}\right)$$

This article first appeared in EDN.

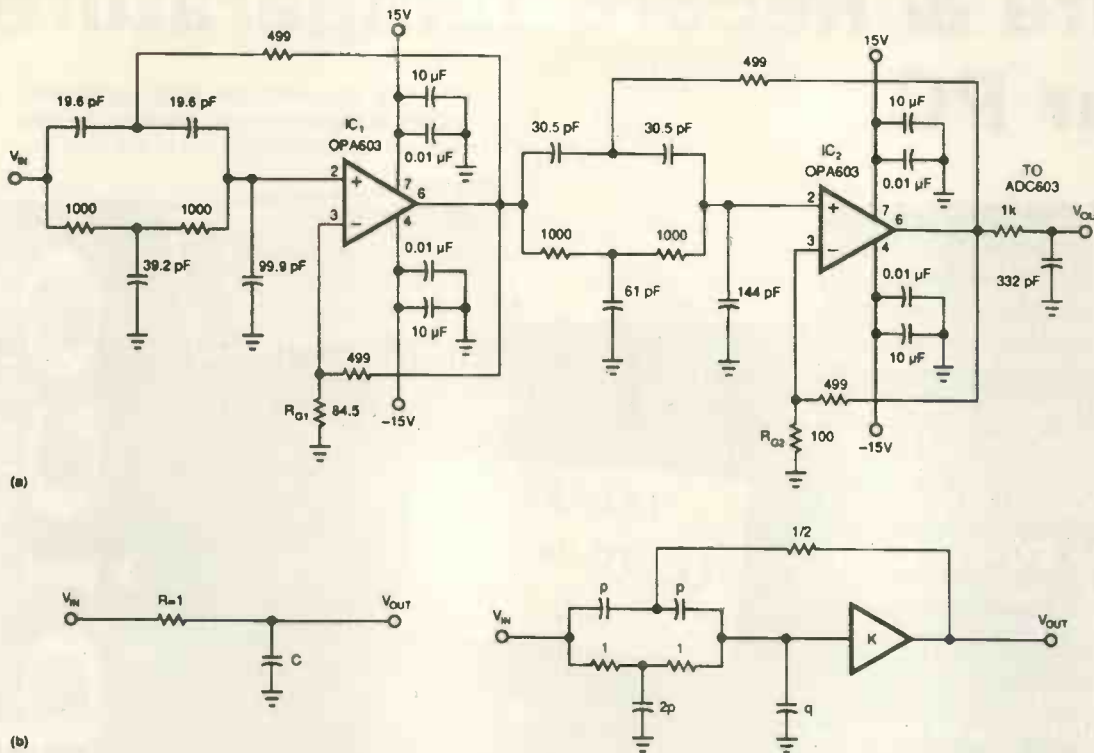


Fig. 1. You need an anti-aliasing lowpass filter when you're driving an A/D converter. A fifth-order elliptic design (a) proves to be the best choice in such an application. You can use two second-order sections and one first-order section (b) to form the necessary filter.

You can now form the filter by cascading two second-order sections and one first-order section, Fig. 1b. The essential equations for the second-order sections are,

$$T(s) = H(s^2 + b_0)/s^2 + a_1s + a_0$$

$$p = \frac{1}{\sqrt{b_0}}$$

$$q = \frac{(b_0/a_0) - 1}{2\sqrt{b_0}}$$

$$K = 2 + \frac{(b_0/a_0) - 1}{2} - a_1\sqrt{b_0}$$

The essential equations for the first-order section are,

$$T(s) = a_0/s + a_0$$

$$a_0 = 1/RC.$$

The task is to design a fifth-order elliptic anti-aliasing filter Fig. 1a with a guaranteed stop-band attenuation of 75dB and no more than 3dB of passband ripple. In addition, the maximum attenuation should begin at 5MHz, which is half the sampling rate. Transfer coefficients¹ for this case are

- $a_{1a} = 0.096035$
- $a_{0a} = -0.945044$
- $b_{0a} = 10.47185$
- $a_{1b} = 0.285481$
- $a_{0b} = 0.413907$
- $b_{0b} = 4.328514$
- $a_{0c} = 0.191095.$

Corresponding component values are,

- $p_a = 0.309021$
- $q_a = 1.557592$
- $K_a = 6.875982$
- $p_b = -0.480652$
- $q_b = 2.272930$
- $K_b = 6.011362$
- $R = 1$
- $C = 5.232999.$

This filter prototype has an f_3 bandwidth of 0.15912 (1rad/s), and its maximum attenuation begins at a stop-band frequency of 0.3171. In this case, you have to scale the frequency to the stop-band frequency, rather than to f_3 . In addition, you can arbitrarily scale the impedance to 1kΩ. Multiply each resistor by this impedance value; divide every capacitor value (p , q and C) by the frequency-impedance scaling factor, K_f ,

$$K_f = 1k(5 \times 10^6 \text{Hz}) / 0.3171 \text{Hz} = 1.577 \times 10^{10}.$$

Final component values, rounded to three significant figures, are,

- $p_a = 19.6 \text{pF}$
- $q_a = 98.8 \text{pF}$
- $K_a = 6.88$
- $p_b = 30.5 \text{pF}$
- $q_b = 144 \text{pF}$
- $K_b = 6.01$
- $C = 332 \text{pF}.$

Using a feedback resistance of 499Ω you can choose the closest 1% values for gain resistors, $R_{G1} = 84.5\Omega$ and $R_{G2} = 100\Omega$.

High-Q bandpass filters have many uses. One is isolating a particular harmonic of a distorted sine wave before amplifying the signal to more easily measure the magnitude. Many common active filter configurations run into

problems in such applications because the value of Q is highly sensitive to changes in the gain – and thus the frequency response – of the amplifier. One of the best filter topologies in this situation is an extension of the basic Sallen-Key circuit Fig. 2a². Adding a second amplifier can raise the potential value of Q by two orders of magnitude.

For stable operation, K_1 should be greater than zero and K_2 should be less than zero. The transfer function is,

$$T(s) = K_1 \times K_2 s / ((1 - K_1 K_2) s^2 + (4 - K_1) s + 2).$$

From this expression, you can determine that,

$$Q = \sqrt{\frac{2(1 - K_1 K_2)}{4 - K_1}}$$

$$\omega_0 = \sqrt{\frac{2}{1 - K_1 K_2}}$$

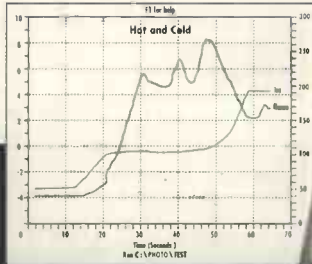
Sensitivities of most concern involve the variations of Q when the gain of either amplifier changes. Analysis shows that,

$$S_{K1}^Q = K_1(1 - 4K_2) / (4 - K_1)(1 - K_1 K_2)$$

$$S_{K2}^Q = K_1 K_2 / (1 - K_1 K_2).$$

You can neglect S_{K2}^Q because it is approximately equal to 1 and is not a serious limitation. Although its probably not obvious, there's a tradeoff between K_2 and S_{K1}^Q . The higher the gain of K_2 , the lower the value of S_{K1}^Q . In a voltage type op-amp, higher gain inherently means lower bandwidth. However, a transimpedance amplifier has the ability to maintain its bandwidth at high gains. This characteristic gives current feedback amplifiers a clear advantage in this situation.

Measure & Record Temperature on your PC.



PicoLog Advanced data logging software. Samples can be taken every second or as slow as one per hour and displayed in real time.

Pico's **NEW TC-08** is a 8 channel thermocouple to PC converter. Supplied with PicoLog datalogging software it is designed to allow simple yet accurate temperature recording onto a computer.

TC-08 has provision for up to 8 thermocouples -B,E,J,K,R,S and T types. For type K the resolution over -270°C to +1300°C is better than 0.1°C and accurate to ±0.1°C.

NEW from Pico TC-08 £ 199.00

complete with PicoLog, software drivers and connecting cable. A range of thermocouple probes is available.

Call for your Guide on 'Virtual Instrumentation' and Release your PC Potential.



PICO
Technology Limited



Pico Technology Ltd. Broadway House, 149-151 St Neots Rd, Hardwick, Cambridge. CB3 7QJ UK.

Tel: 01954 - 211716 Fax: 01954 - 211880



Phone or FAX for sales, ordering information, data sheets, technical support. All prices exclusive of VAT. Carriage Overseas £9

CIRCLE NO. 127 ON REPLY CARD

'OFF-AIR' FREQUENCY STANDARD



Varlants from
£195+VAT

- ★ Provides 10MHz, 5MHz & 1MHz
- ★ Use it for calibrating equipment that relies on quartz crystals, TCXOs, VXCOs, oven crystals
- ★ Phase locks to DROITWICH (rubidium controlled and traceable to NPL)
- ★ For ADDED VALUE also phase locks to ALLOUIS (cesium controlled and traceable to OP — French eq to NPL)
- ★ British designed and British manufactured
- ★ Options available include enhanced receiver, sine wave outputs and 13MHz output for GSM. Prices on application.

Output frequencies — 10MHz, 5MHz, 1MHz
Short term stability — better than 1×10^{-9} (1 sec)
Typical — 4×10^{-9} (1 sec)
Long term — tends to 2×10^{-12} (1000 sec)

Call for 'Off-Air' Standard list

TEST EQUIPMENT

We are well known for our quality, new and used Test Equipment. Our list is extensive, the following will give some idea of our range and prices:

TIME 404S Precision mV source	£95	PHILIPS 5716 pulse generator	£495
TIME 2003N DCV Pot/Cal, 0-10V, null, etc	£249	FEEDBACK DPM609 10Hz-100Hz phase meter	£125
TIME 2004 DC Volt standard 0.005%	£945	FEEDBACK SSO603 1MHz sine/square oscillator	£125
HP134CA X-Y displays	£95	TEKTRONIC 2465 300MHz 4 trace, dual delay T/B	£1950
E.V. EV4020A NTSC V/scope	£395	TEKTRONIC 2215 60MHz dual trace, dual delay T/B	£450
LEADER LG398 NTSC pattern generator	£395	MARCONI TF2370 100MHz spectrum analyser	£995
PHILIPS 5509 PAL pattern generator	£195	DRAKE MN2700 ATU/PSU	£380
PHILIPS 5519 PAL pattern generator	£295	ADRET 740A 0.1MHz-1.2GHz sig. gen. AM/FM/PM	£1450
PHILIPS PM5134 function generator	£1495		

Call for Equipment list

ONE ONLY OFFER

One only, mint condition VIDEO/COMPUTER PROJECTOR as used in AV theatres, and similar large screen or wall projection applications. Can be ceiling or bench mounted. This is a very high quality instrument, new price upwards of £10k, serious offers only.



HALCYON ELECTRONICS



423, KINGSTON ROAD, WIMBLEDON CHASE, LONDON SW20 8JR
SHOP HOURS 9-5.30 MON-SAT. TEL 0181-542 6383. FAX 0181-542 0340

CIRCLE NO. 128 ON REPLY CARD

Field Electric Ltd.

Tel: 01438-353781 Fax: 01438 359397

Mobile: 0836-640328/0860-213370

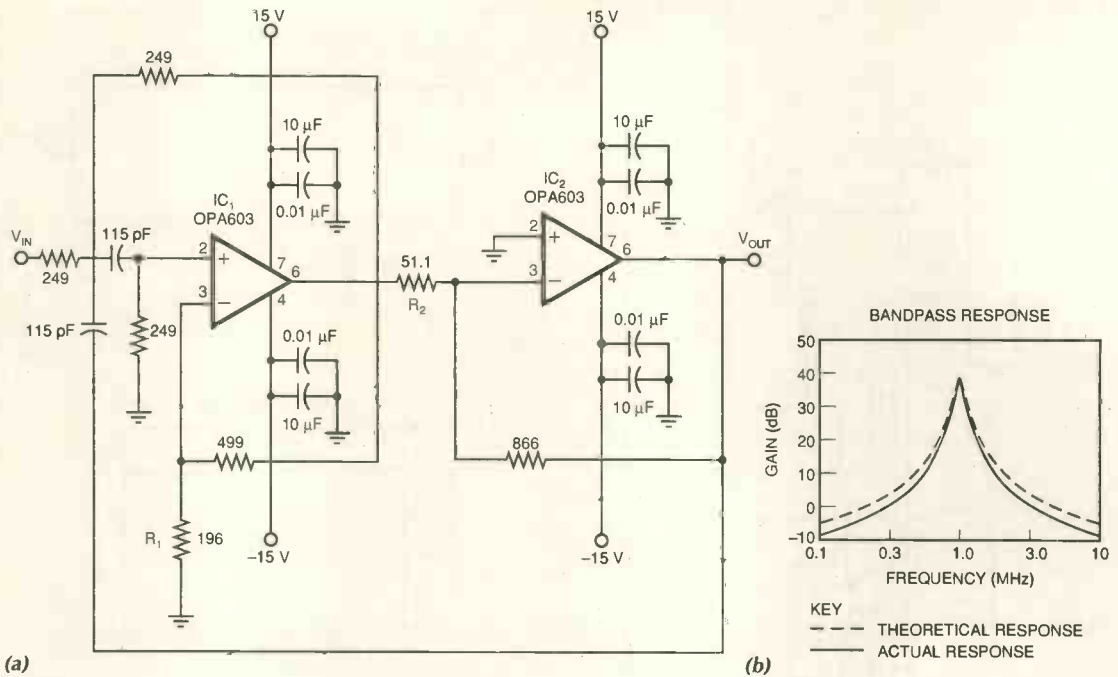
Unit 2, Marymead Workshops,
Willows Link, Stevenage, Herts, SG2 8AB.

7 colour monitor, cased. Low voltage 12VDC with data	£24 c/p £8.00
Sony Panasonic 1.44Mb reformat disk drives	£130
14" SVGA monitor 1024x768 2B dot pitch refurbis 1st brand	£190
360/720K 5.25" TEAC BBC compat. disk drives	£9.50 C/P £3.50
High quality 750HM video cable 100 metre+ reel	£22.00 C/P £6.00
Sony 9" colour monitor Trinitron super fine pitch model KTM 1000ub Cased with data for RGB	£50
102 key AT enhanced keyboard with PS2 type plug	£10 C/P £4
Intel flash memory cards 1Mb to 4Mb from	£80
Test equipment; please ring for C/P details	
HP 431C power meter cable and head	£195
HP X532B frequency meter	£185
HP 1740A 100MHz oscilloscope dual chn: with 3rd chn	£300
HP 1332 X-Y display with options 215/300/315/570/631	£150
HP 693D sweep oscillator 4-8 GHz	£95
HP 10013A probe	£24.50 C/P £3.50
HP 331A distortion analyser	£150
HP 415E SWR meter	£195
HP 9872A 4 pen plotter	£225
HP 3550B test set	£275
HP 3551A transmission test set	£725
HP 1610B Logic State Analyzer with Pods	£135
HP 1611A Logic State Analyzer	£125
TEK: 06 7-502 standard amplitude calibrator	£100
TEK: swept frequency converter 015-0107-00	£59
TEK: 7D12 A/D converter plug in	£115
TEK: 455 o'scope 50MHz delay	£310
TEK TM504 mainframe	£125
TEK 184 time mark generator	£95
TEK: 2215A 60MHz o'scope with carry case	£395
TEK: D10 o'scope mainframe	£95
TEK: DAS9100 digital analysis system	£295
TEK: 0670508 00. 50 ohm amplitude cal.	£95
TEK: 146 NTSC test signal gen.	£475
TEK: 7S11 sampling unit	£140
TEK: 453 o'scope 50MHz dual beam	£220
Greibach hist. AC/DC microamp meter	£35
Pirelli Focum multiport repeater 5709	£140
Singer Gertsch phase angle voltmeter c/w 400Hz module	£125
Paratronics inc System 5000 PI-540 logic analyzer	£190
Optimization inc Model AC125 calibrator	£90
Caltec ZN1232 Desk PSU	£95
Fluke 8010A digital multimeter	£105
Sorensen SRL 40-12 0-4 VDC 0-12 metered 115 VAC input	£95
Syston Donner pulse gen: 100C	£95
EH microwave swept oscillator 574-1 7-12.4GHz	£250
Hydrostatic stability indicator	£425
Hughes Model 639 scan conversion memory	£300
Complot series 7000 digitizer tablet with Complot series 7000 digitizer	£225
Philips PM 8940 isolation amp etc	£85
Wayne Kerr VHF admittance bridge B801	£85
DLI delay gen: DG100	£80
Marconi TP 2602 diff: DC voltmeter	£95
Bromma LKB 2210 recorder 1-channel	£90
SLG-SYN HS25 stepper motor new & boxed 45oz in torque	£8.95 C/P £4.00
Fluke 893A AC-DC diff voltmeter	£250
General Radio 1433-H decade resistor	£135
Borg-Warner SWR Ind: M401	£120
Honeywell 1806A Viscorder	£95
Barr & Stroud Argon Ion SW laser system with PSU/Dye laser etc	£1250

PLEASE ADD 17.5% V.A.T. TO ORDER. RING FOR C/P PRICES NOT SHOWN: OFFICIAL ORDERS AND OVERSEAS ENQUIRIES WELCOME

CIRCLE NO. 129 ON REPLY CARD

Fig. 2. To develop high-Q bandpass filters, you can add a second amplifier to the basic KRC circuit (a) to raise the potential Q by orders of magnitude. The actual bandpass response of the filter is very close to the theoretical value (b), although the response shows a slightly lower gain.



Putting theory into practice

Choosing a bandpass filter with a centre frequency of 1MHz and a -3dB bandwidth of 40kHz, the sensitivity to variations in gain should be no greater than 9.

First, the required value of Q is,

$$Q = f_0 / BW = 1\text{MHz} / 40\text{kHz} = 25.$$

Simultaneously solving the equations for Q and $S_{K1}Q$ gives $K_1 = 3.556357$ and $K_2 = -17.01347$. The corresponding centre frequency for this prototype is then $f_0 = 0.287996$. This centre frequency needs to be scaled to 1MHz. Arbitrarily choosing a value of 1kΩ for the resistors gives a final value of $C = 115.3\text{pF}$. The required K_1 gain can be realised using a 499Ω resistor for the feedback and a 196Ω resistor for R_1 .

Gain, K_2 is a different situation because the feedforward resistor of the second amplifier is the load resistance of the first amplifier. As a result, the feedforward resistor value needs to stay reasonably large. If you limit the second feedforward resistance to 50Ω, the second stage feedback resistor will be 866Ω and R_2 will equal 51.1Ω.

The dynamic range of high-frequency, moderately priced spectrum analysers is often less than 80dB. However, you can effectively increase the measurement range by suppressing the fundamental frequency of the input signal by a known amount without affecting the rest of the frequency spectrum. This application doesn't require a high-order, band-reject filter – a low order high Q notch filter will work well.

The classic twin-T network, Fig. 3a is a promising candidate for the job. The transfer function of this network is,

$$T(s) = s^2 + \omega_0^2 / s^2 + 4\omega_0 s + \omega_0^2.$$

This circuit has two drawbacks – it is somewhat sensitive to passive component toler-

ances, and it has an intrinsic Q value of 0.25. The first drawback creates no problem but the second drawback must be overcome. You can substantially increase circuit Q value by adding a second amplifier to the network³. The new transfer function is now,

$$T(s) = s^2 + \omega_0^2 / s^2 + 4\omega_0(1-K)s + \omega_0^2$$

and the Q value is now a function of K,

$$Q = 1/4(1-K).$$

As K approaches 1 from below, Q increases in an unlimited fashion. If K is greater than 1, however, the circuit is unstable. Although wide bandwidth at high gain is not as important here as it was in example Fig. 2, the comparatively lower transit time of a current-feedback amplifier should yield superior performance in this application.

A specific example will prove the point. The task is to design a 1.5MHz notch filter that has a -3dB bandwidth of 225kHz. The first step is to calculate Q using the expression,

$$Q = f_0 / BW_{-3\text{dB}} = 1.5\text{MHz} / 225\text{kHz} = 6.66.$$

You can use this value to calculate,

$$K = 1 - (1/4Q) = 0.9625.$$

If R_1 is set equal to 1kΩ then,

$$C = 1/2\pi f_0 R_1.$$

If you let R_2 also equal 1kΩ then $(1-K)R_2 = 37.5$ and $KR_2 = 962.5$. Figure 3b shows the final notch filter design. Both amplifiers are configured as unity gain buffers, and the feedback resistance is set at 499Ω. The actual response, Fig. 3c shows a slight excess attenuation beyond the notch frequency, but the performance is still good.

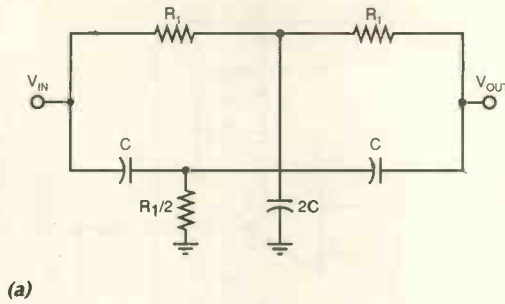
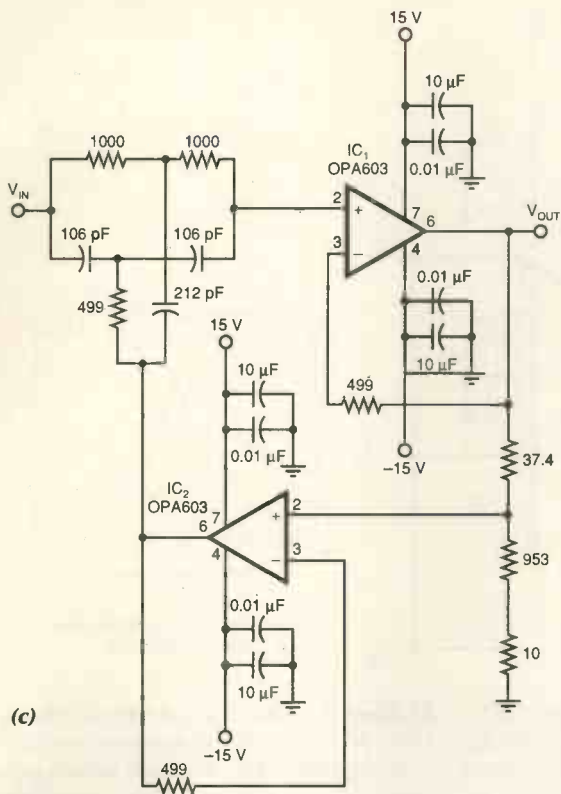
Making the case for current feedback

Don't get the idea that something is inherently wrong with voltage feedback, even at high speed. In fact, voltage-feedback amplifiers generally have a lower noise-floor specification than current feedback amplifiers. However, when comparing voltage and current feedback amplifiers, you must take the application into consideration. Current feedback, or transimpedance, amplifiers have some distinct performance advantages as waveform speed gets higher and higher. These advantages can translate into higher-performance active filters.

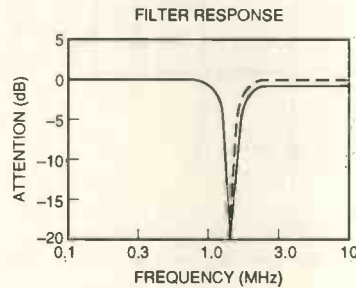
The most striking difference between voltage feedback and transimpedance op-amps is that with a fixed feedback resistor, the current feedback amplifier has very low gain bandwidth tradeoff. Transimpedance amplifiers maintain bandwidth at high gain settings – an advantage in active filter topologies because a large gain is needed to minimise sensitivity.

In addition, transimpedance amplifiers have very high slew rates compared with those of conventional voltage op-amps. A typical slew rate for a video-speed voltage feedback amplifier is in the 200 to 300V/μs range. A comparable current feedback amplifier might slew as fast as 2500V/μs. This slew-rate disparity is easy to explain. In a conventional amplifier, the slew rate is the ratio of the bias current flowing through the slewing node to the capacitance that can be referred back to that node.

In a transimpedance amplifier, the feedback current mirrors and adds to the bias current flowing through the slew-rate limiting node. Because more current is available to charge the capacitance, the slew rate increases. The feedback current is proportional to V_{OUT} , which is proportional to V_{IN} . So the harder you drive a current feedback amplifier, the faster it slews. In practice, this effectively eliminates slew rate as a limiting factor in high speed, active filter design.



(a)



(b)

KEY
 --- THEORETICAL RESPONSE
 — ACTUAL RESPONSE

Fig. 3. When you need a high-Q notch filter, the classic twin-T network (a) is a good starting point. By adding a second amplifier (b), you can substantially raise circuit Q. The actual response of the filter (c) shows a slight excess attenuation beyond the notch frequency.

One final factor that favours the transimpedance amplifier is settling time. Designers often choose a filter transfer function for best time-domain response. Therefore, ensuring that the amplifier settles to the required level substantially faster than the filter has to settle is crucial. High speed amplifiers are complicated devices and acceptable ac response does not necessarily ensure an acceptable settling time. Many conventional voltage feedback op-amps use internal pole-zero cancellation to increase their bandwidths. Analysis shows that a small mismatch in the pole-zero cancellation has a negligible effect on frequency response, but the scheme can dramatically boost settling time. Transimpedance amplifiers have settling time problems too. Although transimpedance amplifiers settle to

0.1% (10 bits) or 0.02% (12 bits) in as little as 15ns, the settling time to 0.01% can be relatively long. The same current flow that increases the slew rate of a transimpedance amplifier also upsets the amplifier's bias point slightly, and a finite amount of time is required for the bias point to return to equilibrium. This effect is small, but it can often extend the 0.01% settling time to several microseconds. ■

References

1. Kerwin, W J, 'An Active RC Elliptic Function Filter', *IEEE Region Six Conference Record, Volume 2*, April 1966, p647.
2. Kerwin, W J, *Linear Active Circuit Design, Part 4, Course Notes for ECE-553*, University of Arizona, Spring 1987, p. 51.
3. Williams, Arthur B, *Electronic Meter Design Handbook*, McGraw-Hill, New York, 1981, p6.

EDN Designer's Companion is available by postal application to room L333 EW+WW, Quadrant House, The Quadrant, Sutton, Surrey, SM2 5AS. Please make cheques out to Reed Business Publishing Group Ltd. Credit card orders accepted by 'phone on 0181 652 3614. 254pp hardback ISBN 0 7506 1721 7 Price £25.00+£2.50 UK postage, £5 Europe, £8 worldwide.

EDN

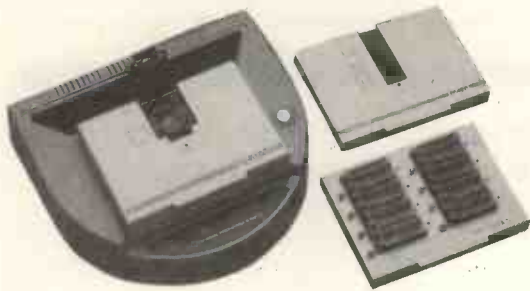
DESIGNER'S COMPANION

Series for Design Engineers

EDITED BY
IAN HICKMAN & BILL TRAVIS

- Digital Techniques
- Analog Technology
- A/D Conversion
- Test and Measurement
- Standards
- Oscillators
- Generators
- Power Sources
- Motor Control
- Clocks

Programming Solutions



Universal Programmer

- ◆ Uses standard pc printer port works with notebook and handbook pc's
- ◆ Pin driver expansion can drive up to 256 pins.
- ◆ Supports over 2000 IC's - 3 and 5 volt devices. EPROMs, E²PROMs, Bipolars, Flash, Serial EPROMs over 150 microcontrollers, WSI/Philips PSDs, PLDs, EPLDs, PEELs, PALs, GALs, FPGAs including MACH, MAX, MAPL & Xilinx parts
- ◆ Universal DIL (up to 48 pins), PLCC and gang PACs
- ◆ Powerful full colour menu driven software.
- ◆ Approved by AMD, TI, NatSemi, etc...
- ◆ Tests TTL, CMOS and SRAM devices (including SIMMS)

ONLY
£595

Multi-Device Programmer

- ◆ EPROMs, E²PROMs, Flash EPROMs, Serial E²PROMs, PLDs, GALs, PEELs, EPLDs, MACHs & WSI PSDs Micros - Intel, Microchip, Motorola, Zilog
- ◆ Fast programming algorithms.
- ◆ Connects direct to pc printer port.
- ◆ Simple full colour software.
- ◆ No expensive adapters.

ONLY
£325

Eprom Programmer

EPROMs, E²PROMs, Flash and 8748/51 micros.
Fast programming algorithms. Simple colour menu operation.

ONLY
£139

EMULATORS • SIMULATORS • COMPILERS • ASSEMBLERS
PROGRAMMERS • 8051 8085 Z8 68020 77C82 80C552
320C25 68HC11 6301 6502 87C751 65816 Z80 6809
PIC 7720 MIPS etc.

SMART
COMMUNICATIONS

2 Field End • Arkley • Barnet • Herts • EN5 3EZ • England
Telephone +44 (0)181 441 3890 Fax +44 (0)181 441 1843



CIRCLE NO. 130 ON REPLY CARD

KESTREL ELECTRONIC COMPONENTS LTD

- ☆ All items guaranteed to manufacturers' spec.
- ☆ Many other items available.

'Exclusive of V.A.T. and post and package'

	1+	100+		1+	100+
27C64-15	2.00	1.45	628128LP-80	8.30	7.20
27C128-15	2.40	1.80	62256LP10	3.00	2.20
27C256-15	2.20	1.65	6264LP-10	2.10	1.40
27C512-15	2.20	1.65	MM58274CN	4.90	3.75
27C010-15	4.00	2.20	ULN2003A	0.43	0.25
27C020-15	6.00	3.99	LM555	0.30	0.18
27C040-15	8.60	6.45	MAX232	1.35	0.88
80C31-12	2.10	1.65	7406	0.35	0.23
80C32	3.00	2.40	7407	0.35	0.23
80C85ARS	2.90	2.30	74HCT244	0.35	0.27
82C55-5	3.25	2.70	74HCT245	0.35	0.27
D8748H	4.30	3.35	74HCT373	0.35	0.26
D8749H	4.40	3.45	74HCT374	0.32	0.26

74LS, 74HC, 74HCT Series available
Phone for full price list

All memory prices are fluctuating daily, please phone to confirm prices

**178 Brighton Road,
Purley, Surrey CR8 4HA
Tel: 081-668 7522. Fax: 081-668 4190.**

CIRCLE NO. 131 ON REPLY CARD

SYSTEM 200 DEVICE PROGRAMMER



SYSTEM: Programs 24,28,32 pin EPROMs, EEPROMs, FLASH and Emulators as standard, quickly, reliably and at low cost.

Expandable to cover virtually any programmable part including serial EEPROMs, PALs, GALs, EPLDs and microcontrollers, in many different packages.

DESIGN: Not a plug in card but connecting to the PC serial or parallel port; it comes complete with powerful yet easy to control software, cable and manual.

SUPPORT: UK design, manufacture and support. Same day dispatch, 12 month warranty. 10 day money back guarantee.



MQP ELECTRONICS Ltd.
Park Road Centre

Malmesbury, Wiltshire SN16 0BX, UK
TEL. 01666 825146 FAX. 01666 825141



**ASK FOR FREE
INFORMATION
PACK**

IRELAND 1-2800395
GERMANY 089/4602071
NORWAY 0702-17890
ITALY 02 92 10 35 54
FRANCE 1 69 30 13 79
SWEDEN 08 590 32185
Also from ELECTROSPEED UK

CIRCLE NO. 132 ON REPLY CARD

Do you have an original circuit idea for publication? We are giving **£100** cash for the month's top design. Additional authors will receive **£25** cash for each circuit idea published. We are looking for ingenuity in the use of modern components.

Power supply preregulator with no moving parts

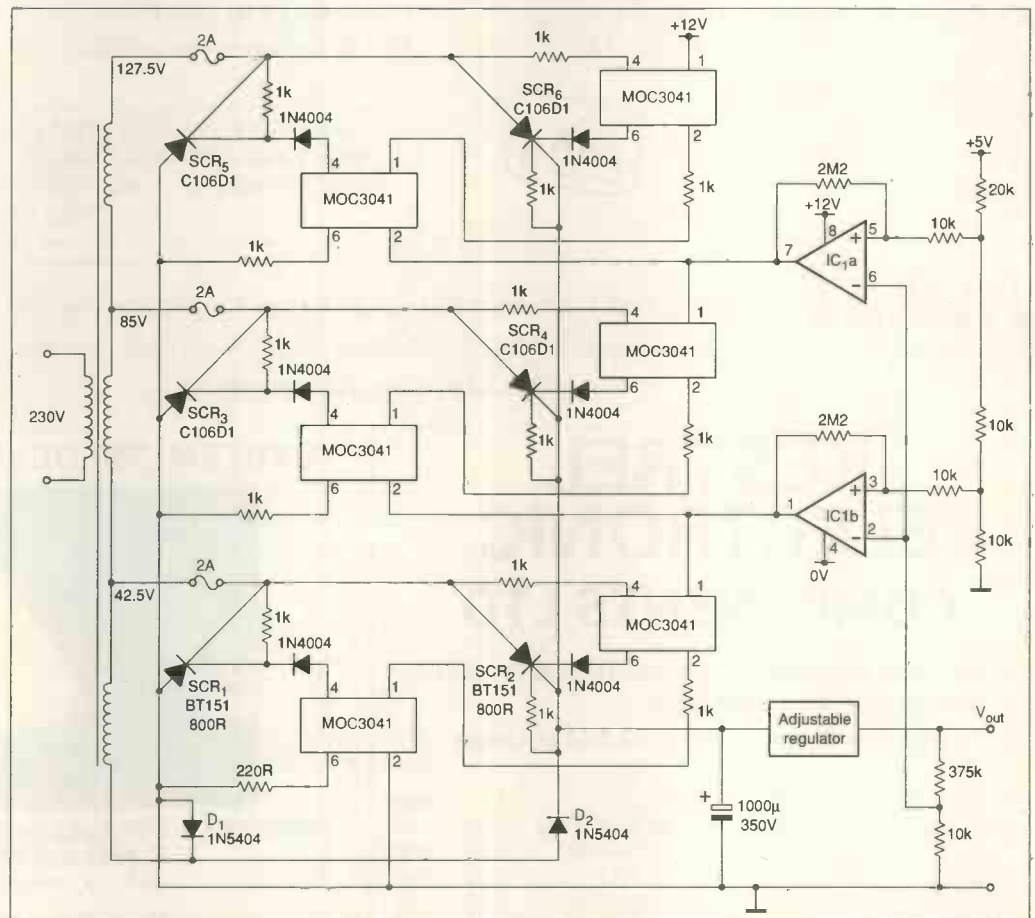
Using no relays, this circuit switches the ac input to a series of full-wave bridge rectifiers, providing smoothed and regulated dc output.

At switch-on, the op-amp outputs are both high and $SCR_{1,2}$ fire alternately to form a full-wave bridge driven from the 42.5V transformer tap. When V_{out} increases above about 48V, IC_{1b} output goes low, allowing $SCR_{3,4}$ to fire alternately, the 85V tap now driving the bridge. Similarly, as V_{out} reaches 96V, both op-amp outputs are low and $SCR_{5,6}$ fire to form a bridge driven by the 127.5V tap. Optocouplers *MOC3041* enable zero crossing triggering of the scrs.

If the output is short-circuited, only $SCR_{1,2}$ fire to minimise dissipation.

Gregory Freeman Nairne
South Australia

Series of scr bridges replaces relays on a tapped transformer secondary.



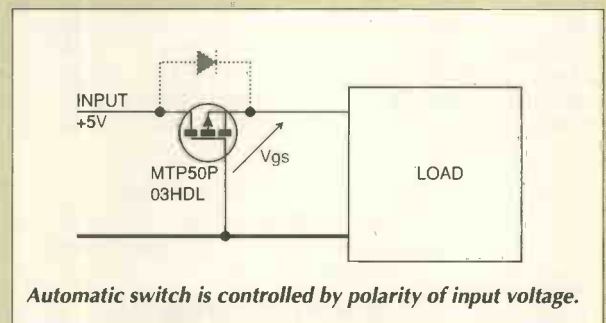
Polarity-dependent switch

Depending on the polarity of the input voltage, this low-loss mosfet connects or disconnects the supply to the load; it is used as a polarity discriminator or simply as a self-synchronising switch.

With a positive input, the parasitic diode across the mosfet conducts, the positive feedback causing the mosfet to saturate to an $R_{ds(on)}$ of 30mΩ. When the input is negative, no current flows and V_{gs} remains at zero, the input voltage possibly reaching the mosfet rated breakdown, in the case of the *MTP50P03HDL* 30V.

Do not allow the positive excursion of input voltage to exceed the 10V gate/source voltage of the mosfet.

Kristen Ellegard
Oslo, Norway



YOU COULD BE USING A 1GHZ SPECTRUM ANALYSER ADAPTOR!

Got a good idea? Then this Thurlby-Thandar Instruments TSA1000 spectrum analyser adaptor could be yours.

Covering the frequency range 400kHz to over 1GHz with a logarithmic display range of 70dB \pm 1.5dB, it turns a basic oscilloscope into a precision spectrum analyser with digital readout calibration.

Recognising the importance of good design, TTI will be giving away one of these excellent instruments every six months to the best circuit idea published in the preceding period until further notice. This incentive will be in addition to our £100 monthly star author's fee, together with £25 for all other ideas published.

Our judging criteria are ingenuity and originality in the use of modern components – with simplicity particularly valued.



Testing sampling rate

For correct sampling of a sinusoid, samples must be taken at least twice per cycle – the Nyquist rate. This circuit gives a positive indication as to whether this is taking place.

Transistor Tr_1 behaves as an emitter follower when Tr_2 is off and as a diode when Tr_2 is on, it being controlled by V_s in Fig. 2c, itself derived from the sampling pulse.

When a sampling pulse arrives during a negative half-cycle, Tr_2 is off and V_{in} appears at V_p , which is shown in Fig. 2d for a correctly sampled wave and at Fig. 2e for an incorrect one.

Voltage V_p goes to comparators $OA_{1,2}$, $D_{1,2}$ clamping the negative outputs to ground; OA_1 output is high during positive half-cycles, but OA_2 goes high only when a negative-going pulse appears. Bistable

device FF_1 is reset at the start of each half-cycle and set at the first negative pulse. Bistable FF_2 is set by $OA_{3,4}$ at the start of negative half-cycles.

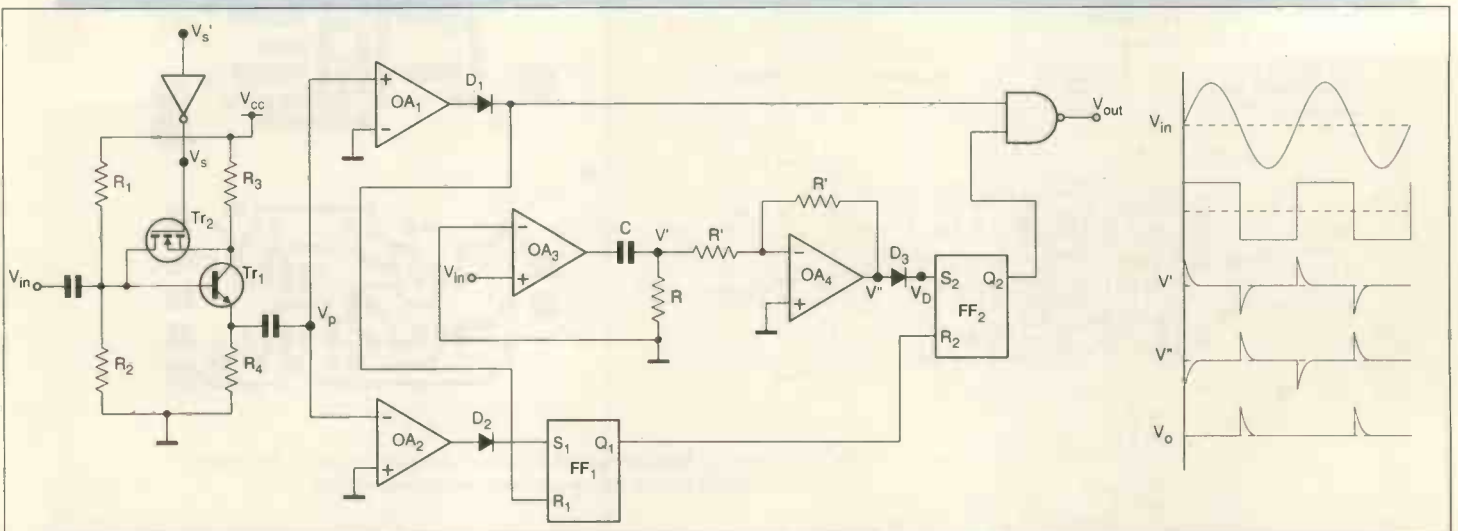
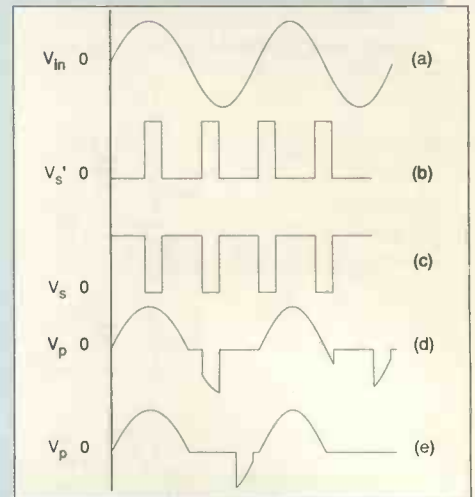
Since FF_2 depends for its reset pulse on the setting of FF_1 , which itself is set by the appearance of a negative pulse, Q_2 will remain high and V_{out} low if the pulse does not arrive, indicating that incorrect sampling is taking place.

If sampling rate equals input frequency exactly, the circuit fails since the negative half-cycle may be sampled each time.

*K N Sunil Kumar
Visakhapatnam
India*

If sampling rate of a sinusoid is below Nyquist rate ($2f_{in}$), this arrangement, below and right, provides a constant low at the output.

£100 WINNER



Noise source from an optocoupler

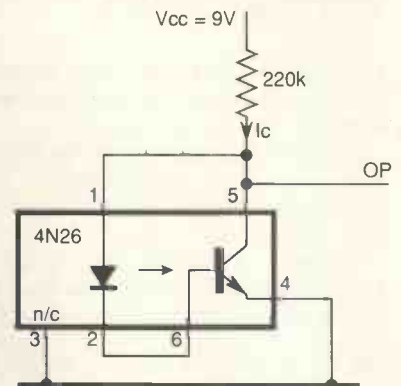
Output from this photoelectric noise source is typically $12\mu\text{V}$, which is about 28dB above thermal noise; some samples of 4N26 opto-isolators give a much greater output. Noise output was measured over a 10kHz bandwidth, in which $1/f$ or flicker noise is likely to be large.

Connected as shown, the led controls the transistor working point accurately. Output impedance is $1/(20I_c)$ or about $1.4\text{k}\Omega$ in this

case and the output can be matched to loads of $50\text{-}600\Omega$ or more. Grounding pin 3 reduces hum pickup.

*W Gray
Farnborough
Hampshire*

Noise source, after Hickman (EW+WW, November 1993) uses opto-isolator which also controls transistor working point.



High-speed buffer features low input-capacitance

An input capacitance of 1.2pF or 2.7pF , depending on devices, and a bandwidth of 50MHz with 10mV offset come from the use of a bootstrapped fet input buffer, as described by Horowitz and Hill*.

Both the OPA620 or the EL2070 op-amps have been tried as bootstrap driver,

with no discernible difference in performance, although the EL2070 is a current-feedback type and needs at least 220Ω in the feedback path to ensure stability. Since the OPA620 is a voltage-feedback op-amp, the feedback resistor could be shorted.

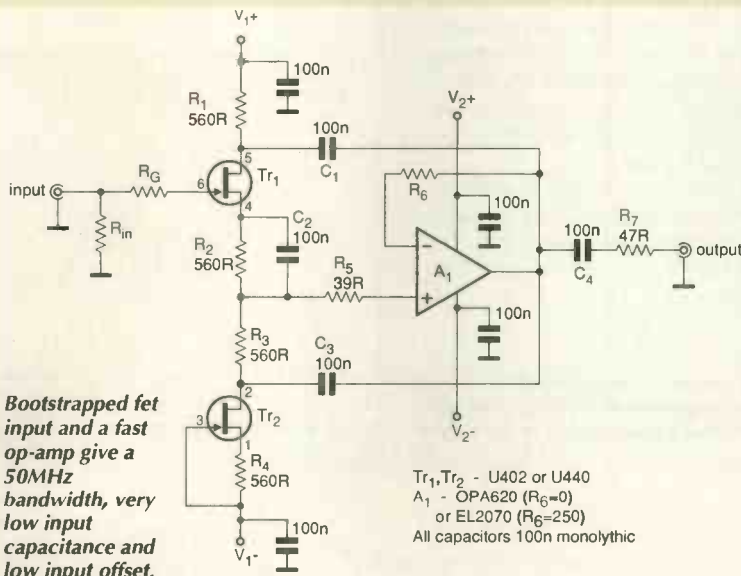
Output impedance is 50Ω in the circuit

shown, but the RC output circuit could be dispensed with to avoid the 6dB loss in gain due to the resistor and to obtain a dc response; at dc, resistor R_4 should be adjustable to maintain a reasonable input offset. No output snubbing is needed to stop oscillation with a reactive load if load impedance is $50\text{-}200\Omega$ and resistive, otherwise the resistance should be over 20Ω .

Both U402 and U440 dual fets work well in the circuit. Using the U402, bandwidth is more than 50MHz and input capacitance with R_C at $10\text{k}\Omega$ is 2.7pF . The U440 gave an input C of 1.3pF , but with a greater input offset.

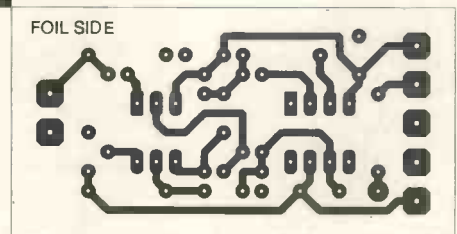
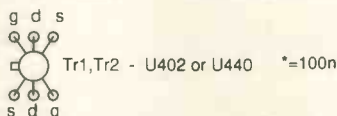
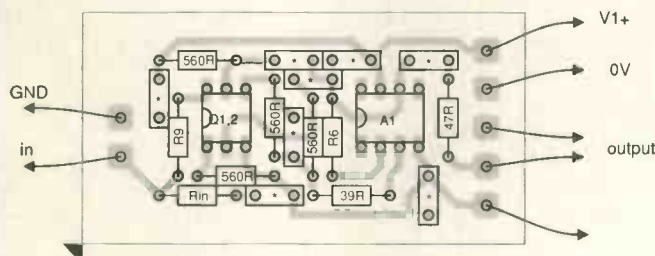
*Phil Dennis
University of Sydney
NSW
Australia*

Reference
Horowitz and Hill. *The Art of Electronics*, second edition, p.135.



Bootstrapped fet input and a fast op-amp give a 50MHz bandwidth, very low input capacitance and low input offset.

Tr₁, Tr₂ - U402 or U440
A₁ - OPA620 (R₆=0)
or EL2070 (R₆=250)
All capacitors 100n monolythic



Due to the high speeds involved, the pcb for the buffer needs careful layout. These patterns are approximately 1:1.

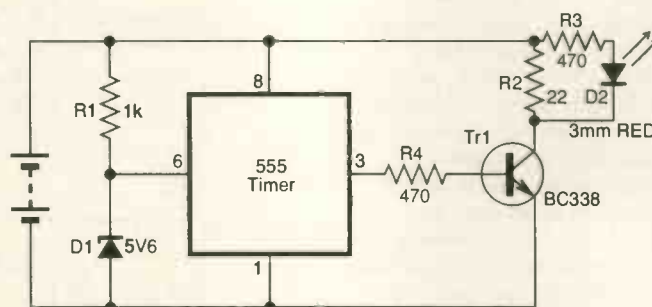
Safe NiCd battery-pack discharger

Although nickel-cadmium batteries need regular charge/discharge cycles, the discharge must be limited to avoid reverse charging of weak or partially discharged cells in the pack. This circuit limits the discharge of an eight-cell pack to a 1V terminal voltage per cell.

Connecting the battery takes pin 6 to the 5.6V zener voltage, the transistor conducts and the led indicates discharge. When battery voltage reaches $1.5V_{ZD1}$, pin 3 goes low, the transistor turns off and battery discharge stops: the led turns off.

To take any number of cells up to a maximum of 12, the zener voltage should be $\frac{2}{3}$ the final terminal voltage and zener current adjusted by R_2 to 0.5A.

Bill Hume
Newmilns
Ayrshire



NiCd battery-pack discharger, for up to 12 cells, limits discharge to avoid damage to less than perfect cells.

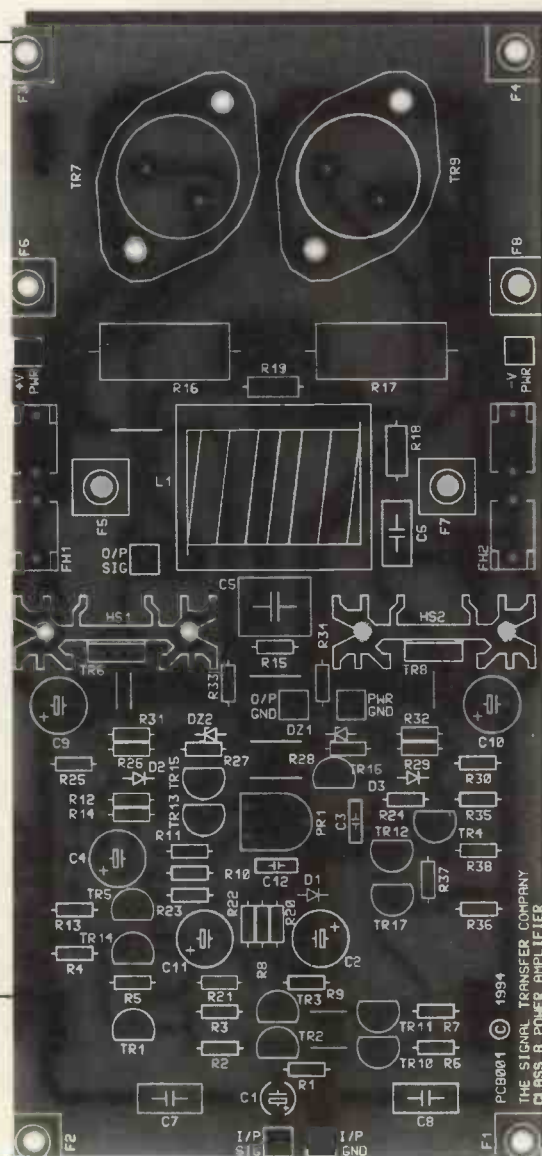
PCBs for Douglas Self's power amplifier series

Circuit boards for Douglas Self's high-performance power amplifier are now available via *EW+WW*.

Detailed on page 139 of the February 1994 issue, Douglas Self's state-of-the-art power amplifier is the culmination of ideas from one of the most detailed studies of power amplifier design ever published in a monthly magazine. Capable of delivering up to 100W into 8Ω , the amplifier features a distortion of 0.0015% at 50W and follows a new design methodology.

Designed by Douglas himself, the fibreglass boards have silk-screened component IDs and solder masking to minimise the possibility of shorts. Sold in pairs, the boards are supplied with additional detailed constructional notes.

Each board pair costs £45, which includes VAT and postage, UK and overseas. Credit card orders can be placed 24 hours on 0181-652 3614. Alternatively, send a postal order or cheque made payable to Reed Business Publishing to *EW+WW*, Quadrant House, The Quadrant, Sutton, Surrey SM2 5AS.



APPLICATIONS

Please mention *Electronics World + Wireless World* when seeking further information.

Power from the 'phone

This power supply, from Maxim's *Engineering Journal*, volume 17, is useful in portable systems that connect to domestic telephone lines. Such systems are modems and telephone test sets. For apparatus needing 150mW or less, the circuit eliminates the need for batteries and mains adapters. It draws power from the telephone jack without affecting voice signals.

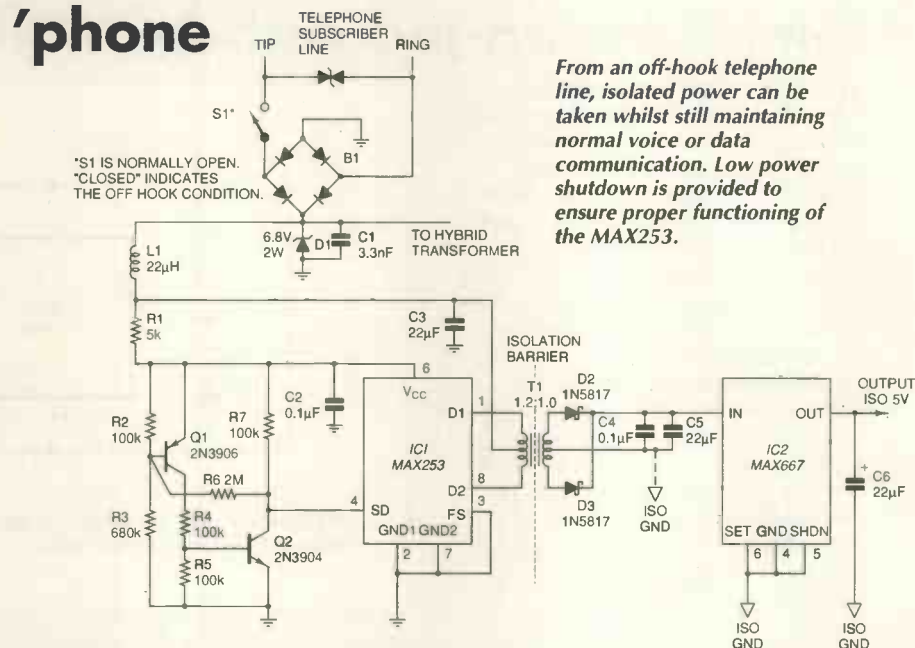
Built into peripheral equipment such as pcmodem cards, it can spare the battery in a host computer. Line current available to a telephone in the off-hook state is limited not by regulations or code, but by the sum of impedances in the central-office battery and intervening phone lines. These line impedances vary greatly in proportion to distance from the central office, so the customary practice of matching impedances for maximum power transfer is impractical. But, the zener-clamp termination, D_1 works well for line impedances to 1k Ω and for worst-case conditions. It also meets the one condition imposed on line current by the phone system: off-hook current must exceed 20mA to ensure activation of a network-access relay in the central office.

5V isolated supply

Diode D_1 provides approximately 6.8V to the center tap of T_1 and 5V to the V_{cc} terminal of IC_1 . A 400kHz oscillator driving a flip-flop, inside IC_1 , generates two push-pull, 50% duty-cycle, 200kHz square waves that drive internal, ground-referenced switches. In turn, these connect to the primary of T_1 . Isolated power on the secondary side is first rectified by schottky diodes, D_2 and D_3 , and then regulated to 5V by the low-dropout linear regulator IC_2 .

Transformer, T_1 has a center-tapped winding whose ET product (a voltage-time product of 25V μ s) is sufficient to prevent saturation under worst-case conditions. Similarly, the turns ratio should provide the minimum-required output voltage for maximum load and minimum input voltage. This calculation must assume worst-case losses in D_2 and D_3 . This turns ratio produces a much higher secondary voltage for best-case conditions and, for some applications, that is acceptable. Otherwise, add the linear regulator, IC_2 , as shown.

For isolated 5V outputs, the ideal turns ratio is 1.2 ct:1.0 ct (ct is center tapped). The transformer should be wound on Magnetics Incorporated 'W', Fair-Rite "76" or other high-permeability magnetic material. To minimize radiated noise, choose a pot core,



From an off-hook telephone line, isolated power can be taken whilst still maintaining normal voice or data communication. Low power shutdown is provided to ensure proper functioning of the MAX253.

E/I/U type core, toroid, or other geometry with closed magnetic paths.

Consider a typical toroid such as the 40603-TC from Magnetics, Inc. (0.125" thick with a 0.230" outside diameter). For 6.8V inputs this core should have a 48 turn primary (24 turns on either side of the centre tap), which yields a nominal, end-to-end primary inductance of 8mH. The secondary can be scaled for any reasonable output voltage required. Forty turns, for example, (20 either side of the centre tap) delivers 5.2V minimum as required by the linear

regulator to maintain a regulated 5V supply.

Transistors Q_1 , Q_2 , and the associated resistors assure a low-power shutdown mode for IC_1 until its supply voltage can sustain a full power-up. IC_1 's supply current is fairly constant, so light filtering, provided by L_1 and C_3 , is sufficient to prevent noise from entering the hybrid transformer.

Maxim Integrated Products Ltd,
21C Horseshoe Park, Pangbourne,
Reading RG8 7JW.
Tel 01734 845 255, fax 01734 843 863.

In-circuit programmer from LPT1

With the capability of programming a $PIC16C84$ microcontroller without removing the device from the target circuit, this low-cost serial programmer is controlled using a pc parallel port. Microchip's application note AN589 describes a circuit which can also read back internal PIC data. This feature is very useful where changes in program code or constants are necessary to compensate for other system features.

For example, an embedded control system may have to compensate for variances in a mechanical actuator performance or loading. The basic program can be programmed and tested in design. The final program and control constants can be easily added later in the production phase without removing the microcontroller from the circuit.

Automatic software and performance upgrades can also be implemented via in-system programming. Upon receiving new

system software via disk or modem, a control processor with the included programming code could perform an in circuit reprogramming of other microcontrollers in the system.

This programmer can load program code, part configuration, and eeprom data into the $PIC16C84$. In read back mode, it can verify all data entries.

Parallel interface

The $PIC16C84$ microcontroller is put into programming mode by forcing a logic low level on RB_7 , pin 13 and RB_6 , pin 12. Pin 4, Line $MCLR$, is first brought low to reset the device and then brought to the program/verify voltage of 12V to 14V, where it remains for the rest of the programming or verification time. After entering programming mode, RB_7 is used to serially enter programming modes and data

APPLICATIONS

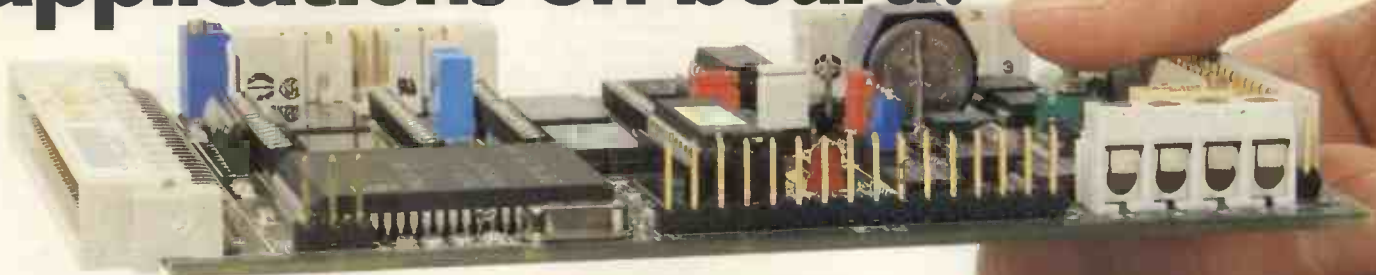
```

#define PROGRAM_MODE      65          // initialize program mode
#define RUN                66          // electrically disconnect programmer
#define PIC_PROG_ERROR    -1
#define PROGMR_ERROR      -2
#define PTR                0          // use device #0

int ser_pic16c84(int cmd, int data)  // custom interface for pic 16c84
{
    int i, s_cmd;
    if(cmd <=MAX_PIC_CMD)           // all programming modes
    {
        biosprint(0,8,PTR);         // set bits 001000, output mode, clock & data low
        s_cmd = cmd;                 // retain command "cmd"
        for (i=0;i<6;i++)           // output 6 bits of command
        {
            biosprint(0, (s_cmd&0x1) +2+8,PTR); // set bits 001010, clock hi
            biosprint(0, (s_cmd&0x1) +8,PTR);   // set bits 001000, clock low
            s_cmd >>=1;
        }
        if ((cmd ==INC_ADDR) || (cmd ==PARALLEL_MODE)) // command only, no data cycle
            return 0;
        else if (cmd ==BEGIN_PROG) // program command only, no data cycle
        {
            delay(10);               // 10ms PIC programming time
            return 0;
        }
        else if((cmd ==LOAD_DATA) || (cmd ==LOAD_DATA_DM) || (cmd ==LOAD_CONFIG)) // output 14 bits of data
        {
            for (i=200;i;i-)         // delay between command & data
                biosprint(0, 2+8, PTR); // set bits 001010, clock hi; leading bit
            biosprint(0, 8,PTR);     // set bits 001000, clock low
            for (i=0;i<14;i++)       // 14 data bits lsb first
            {
                biosprint(0, (data&0x1) +2+8,PTR); // set bits 001010, clock hi
                biosprint(0, (data&0x1) +8,PTR);   // set bits 001000, clock low
                data >>=1;
            }
            biosprint(0,2+8,PTR);     // set bit s001010, clock hi; trailing bit
            biosprint(0, 8,PTR);     // set bits 001000, clock low
            return 0;
        }
        else if((cmd ==READ_DATA) || (cmd ==READ_DATA_DM)) // read 14 bits from part, lsb first
        {
            biosprint(0,4+8,PTR);     // set bits 001100, clock low, tri state data buffer
            for (i=200;i;i-)         // delay between command & data
            {
                biosprint(0,2+4+8,PTR); // set bits 001110, clock hi, leading bit
                biosprint(0, 4+8,PTR);   // set bit 001100, clock low
                data =0;
            }
            for (i=0;i<14;i++)       // input 14 bits of data, lsb first
            {
                data >>=1;           // shift data for next input bit
                biosprint(0,2+4+8,PTR); // set bits 001110, clock hi
                biosprint(0, 4+8,PTR);   // set bits 001100, clock low
                if(!(biosprint(2,0,0)&0x40)) data += 0x2000; // use ack line for input, data lsb first
            }
            biosprint(0,2+4+8,PTR);   // set bits 001110, clock hi,trailing bit
            biosprint(0, 4+8,PTR);     // set bits 001100, clock low
            return data;
        }
        else return PIC_PROG_ERROR; // programmer error
    }
    else if(cmd == RESET)           // reset device
    {
        biosprint(0,32+16+4,PTR);     // set bits 110100, MCLR=low (reset PIC, programmer disconnected)
        delay(1);                     // 1ms delay
        biosprint(0,32 +4,PTR);       // set bits 100100, MCLR=high
        return 0;
    }
    else if (cmd ==PROGRAM_MODE)    // enter program mode
    {
        biosprint(0,32+16+4,PTR);     // set bits 110100, Vpp off, MCLR= low (reset PIC16C84)
        delay(10);                    // 10ms allowing programming voltage to stabilise
        biosprint(0,8,PTR);           // set bits 001000, Vpp on, MCLR=13.5V, clock and data connected
        delay(10);                    // 10ms allowing programming voltage to stabilise
        return 0;
    }
    else if (cmd ==RUN)             // disconnects programmer from device
    {
        biosprint(0, 32+4,PTR);       // set bits 100100
        return 0;
    }
    else return PROGMR_ERROR;       // command error
}

```


The power to take BIG applications on board!



The NEW CMS Mini-Module

A UNIQUE LOW COST HIGHLY DEVELOPED MODULE

The Mini-Module is a small 100 x 118 mm all CMOS microcontroller containing a 32 bit microprocessor, 32 digital I/O, 4 analogue in, 1 analogue out, direct output to LCD displays, keyboard input, serial port, 1°C port, 512k EPROM space, 128K SRAM, RTC, Timers, plus much more. The board, on its own, or in combination with other peripheral cards, is capable of outstanding performance.

The programming environment is very simple to use. When connected to an IBM PC, programs can be written from

most word processors and can be downloaded into the module. The module will compile the program into very fast executable code.

- PROGRAM IN C, C++ OR MODULA-2.
- CHOICE OF OPERATING SYSTEMS OS9 68K OR MINOS.
- IDEAL FOR ONE OFF APPLICATIONS
- EASY TO USE, VERY FAST DEVELOPMENT.

The Mini-Module provides the complete solution to many applications and can be customised or expanded to suit your needs.

CMS

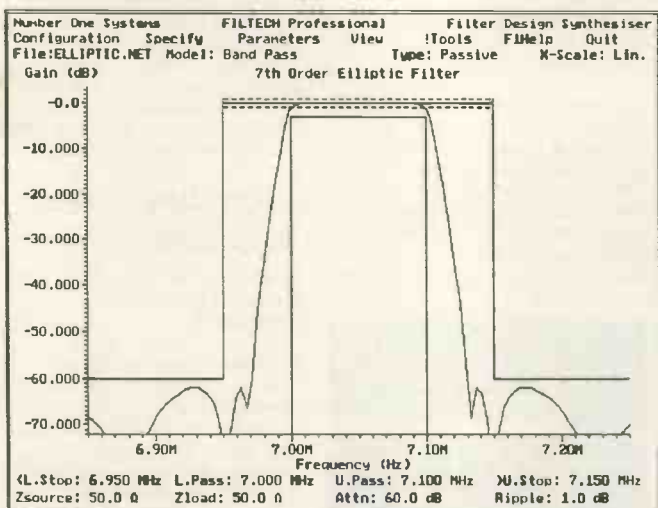
**Cambridge Microprocessor
Systems Limited**

Unit 17-18, Zone 'D', Chelmsford Road Ind. Est.,
Great Dunmow, Essex, UK. CM6 1XG
Phone 01371 875644 Fax 01371 876077

CIRCLE NO. 134 ON REPLY CARD

Electronic Designs Right First Time?

NEW!- FILTECH Professional Active and Passive Filter Design



Only £245!

Visa, Delta, Switch, MasterCard
and American Express welcome

Affordable Electronics CAD

LAYAN: Electromagnetic Layout Simulator. Links to EASY-PC Pro' XM and ANALYSER III Pro'.	£495.00
EASY-PC Professional: Schematic Capture and PCB CAD. Links to ANALYSER III and PULSAR.	From £195.00
PULSAR: Digital Circuit Simulator	From £98.00
ANALYSER III: Linear Analogue Circuit Simulator	From £98.00
Z-MATCH for Windows: Smith Chart based problem solving program for R.F. Engineers	£245.00
FILTECH: Active and Passive Filter design	£145.00
FILTECH Professional: Enhanced Filter Design Program including Elliptic Filters (up to 12th order)	£245.00
EASY-PC: Entry level PCB and Schematic CAD	£98.00

Technical Support FREE for life! Prices exclude P&P and VAT.

Special discount schemes for education

Number One Systems Ltd.

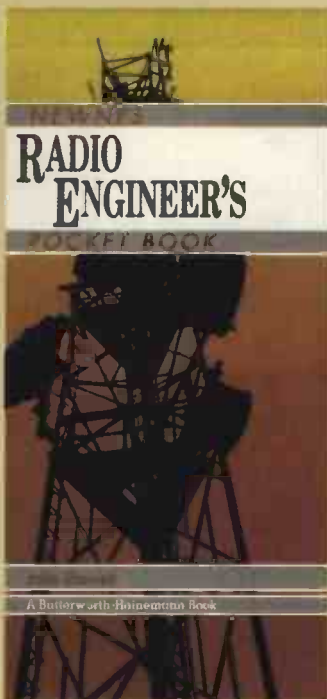
Ref: WW, Harding Way, St. Ives,
Huntingdon, Cambs. PE17 4WR, UK.

For Full Information Please Write, Phone or Fax.

Tel: +44 (0) 1480 461778

Fax: +44 (0) 1480 494042

CIRCLE NO. 134 ON REPLY CARD



Radio Engineer's Pocket Book

by John Davies, 240pp, hardback
Order – ISBN 0 7506 1738 1
Price £12.99

Contains: Propagation; decibel scale; transmission lines; antennas; resonant circuits; oscillators; piezo-electric devices; bandwidth requirements and modulation; frequency planning; radio equipment; Microwave comms; Information privacy and encryption; multiplexing; speech digitisation and synthesis; vhf and uhf mobile communication; signalling; channel occupancy, trunking; mobile systems; base station management; instruments; batteries; satellite comms; connectors and interfaces; broadcasting; abbreviations and symbols; tables and data; glossary.

Covers all aspects of radio and communications engineering from very low frequencies to microwaves, with particular emphasis on mobile communications. Wave principles and the decibel scale, instrumentation and power supplies, equipment types and encryption methods, connectors and interfaces, are all included in this book.

Audio Recording and Reproduction

Michael Talbot-Smith, 204pp, paperback
Order – 0 7506 1917 1
Price £12.99

Contains: Physics of sound waves; hearing; basic acoustics; microphones; loudspeakers; public address; stereo; simple mixing equipment; recorders; Introduction to digital audio; music and sound effects; miscellaneous data.

This book gives a simple and straightforward approach to audio techniques, detailing technical and practical information for those with no specific training in the subject.

Circuit Designer's Companion

by T Williams, 320pp, paperback
Order – 0 7506 1756 X
Price £15.99

Contains: grounding and wiring; printed circuits; passive components; active components; linear integrated circuits; digital circuits; power supplies; electromagnetic compatibility.

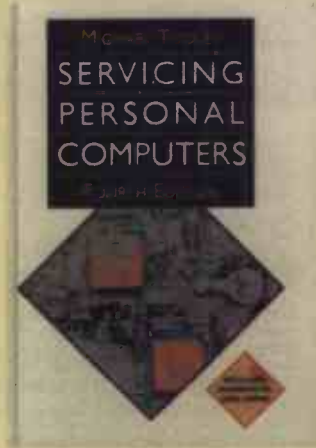
Valued by linear and digital designers alike, this guide explains and outlines solutions that take into account the imperfect behaviour of real components, interconnections and circuits.

Servicing Personal Computers

by Michael Tooley, 304pp, hardback
Order – ISBN 0 7506 1757 8
Price £25.00

Contains: Microcomputer systems; test equipment; fault diagnosis; tape and disk drives; printers and monitors; servicing IBM pc compatibles and 68000-based computers.

This completely rewritten fourth edition still covers the whole range of microcomputer equipment but now also includes a guide to developments and trends such as the new generation of diagnostic software – code included – and applications such as serial communication, and memory and hard disk management.



Newnes Audio and Hi-Fi Handbook

by Ian Sinclair, 656pp, hardback
Order – ISBN 0 7506 0932 X
Price £40.00

Contains: Sound waves and acoustics; studio acoustics; microphones; sound synthesis; introduction to digital principles; compact disc technology; other digital systems – DAT, NICAM, DCC, MD – analogue tape recording; noise reduction systems; LP records; disc reproduction; tuners and radio receivers; preamps and inputs; voltage amplifiers/controls; loudspeakers and enclosures; Headphones; public address; in-car audio; Interconnections; the future.

Covers a wide perspective of high-quality sound reproduction, including reproduction under adverse circumstances, from less conventional sources and with regard to the whole technology from studio to ear.

TV & Video Engineer's Reference Book

by Boris Townsend, 876pp, paperback
Order – ISBN 0 7506 1953 8
Price £40.00

Contains: Materials; components and construction; colour tv fundamentals; broadcast transmission; distributing broadband; DBS; tv studios; mobile and portable equipment; tv sound; tv receivers; servicing tvs; video recorders; teletext etc; HDTV; other applications of tv; performance measurements.

Covers information on every aspect of modern broadcast technology. Of value to all practicing engineers and managers involved with broadcast, cable and satellite services.

Masts, Antennas and Service Planning

by Geoff Wiskin, 256pp, hardback
Order – ISBN 0 240 51336 3
Price £49.50

Contains: Antennas; antenna support structures; service planning.

Covers all aspects of information conveyance via radio-wave transmission. Invaluable to anyone planning for broadcast and mobile-radio coverage, or designing, installing and maintaining antenna systems.

Operational Amplifiers

by Jiri Dostal, 400pp, hardback
Order – 0 7506 9317 7
Price £40.00

Contents: The operational amplifier; basic concepts; operational amplifier parameters; operational amplifier properties; the operational circuit; the ideal operational circuit; analysis of the real operational circuit; static and dynamic errors in the frequency domain; dynamic errors in the time domain; input and output impedances;

offset; noise; stability; good laboratory practices.

Presents an extensive treatment of applications and a practically oriented, unified theory of operational circuits. Provides the reader with practical knowledge necessary to select and use operational amplifier devices.

Servicing Video Cassette Recorders

by Steve Beeching, 250pp, hardback
Order – ISBN 0 7506 0935 4
Price £25.00

Contains: Vcr systems; azimuth tilt; Frequency modulation; servo mechanisms; colour systems; systems control; long play; VHS-C & camcorders; a-v sockets.

Written for students and people involved with vcr servicing, this book is an invaluable guide and reference covering all aspects of modern vcrs. Contains new material on basic magnetic theory to C&G 224

Principles of Transistor Circuits

by S W Amos, 384pp, paperback
Order – 0 7506 1999 6
Price £17.99

Contains: Semiconductors and junction diodes; basic principles of transistors; common-base and common-gate amplifiers; common-emitter and common-source amplifiers; common-collector and common-drain amplifiers; bias and dc stabilisation; small-signal af amplifiers; large-signal af amplifiers; dc and pulse amplifiers; rf and if amplifiers; sinusoidal oscillators; modulators, demodulators, mixers and receivers; pulse generators; sawtooth generators; digital circuits; further applications of transistors and other semiconductor devices.

This seminal work has now been presented in a clear new format and completely updated to include the latest equipment such as laser diodes, Trapatt diodes, optocouplers and GaAs transistors, and the most recent line output stages and switch-mode power supplies.

Logic Designer's Handbook

by Andrew Parr, 488pp, paperback
Order – 0 7506 0535 9
Price £30.00

Contains: Simplified data on a comparative basis of ttl and cmos ics; storage devices; logic circuits; timers; counters; drivers; interface circuits; logic gates; definitions of ic characteristics; event driven logic; communication and highways; analogue interfacing; practical considerations; summaries by function of all relevant circuits; individual pin-out diagrams.

Easy-to-read, but nonetheless thorough, this book on digital circuits is for use by students and engineers, and is a readily accessible source of data on devices in the ttl and cmos families.



The Art of Digital Audio

John Watkinson, 490pp, hardback
Order – 0 240 51320 7
Price £49.50

Contains: Why digital?; conversion; AES/EBU; digital audio coding and processing; digital compact cassette (DCC); advanced digital audio processing; digital audio interconnects; digital recording and channel coding; error correction; rotary head recorders; stationary head recorders; NAGRA and data reduction; Digital Audio Broadcasting (DAB); the compact disc/mini disc.

New edition, completely updated to include all the latest developments, including DCC, the mini disc and digital audio broadcasting.

Microphone Engineering Handbook

by Michael Gayford, 384pp, hardback
Order – 0 7506 1199 5
Price £65.00

Contains: Microphone techniques; precision microphones; optical microphones; high quality of microphones and systems; radio microphones and ir systems; microphone testing; ribbon microphones; microphone preamplifiers; stereo microphones; microphone standards.

Comprehensive and authoritative book for engineers, technicians, students and anyone else concerned with the design and use of microphones.

MIDI Systems and Control

by Francis Rumsey, 256pp, paperback
Order – 0 240 51370 3
Price 19.95

Contains: Introduction to principles and terminology; synchronisation and external machine control; common implementations; systems control sequences and operating systems; implementation of midi with peripheral devices; practical systems designs.

Second edition is updated and enlarged to take MIDI evolution into account. More examples of real implementations, more diagrams and the whole book has been rewritten to include a far greater practical element, to complement its existing technical strengths. Several completely new sections and complete chapters have been added including a new opening chapter as an introduction to principles and terminology; MIDI timecode; librarians and editors.

Loudspeaker and Headphone Handbook

by John Borwick, 224pp, hardback
Order – 0 240 51371 1
Price £35.00

Contains: This book brings together in a single volume every aspect of loudspeaker and headphone theory and practice in sufficient depth to equip students and practitioners alike with a solid working knowledge of the subject. A comprehensive technical reference on the theory and practice of loudspeaker and headphone performance, design and operation.

The Art of Linear Electronics

by John L Hood, 400pp, paperback
Order – 0 7506 0868 4
Price £16.99

Contains: Electronic component symbols and circuit drawings; passive components; active components based on thermionic emission; active components based on semi-conductors; practical semi-conductor components; dc and low frequency amplifiers; feedback negative and positive; frequency response; modifying circuits and filters; audio amplifiers; low frequency oscillators and waveform generators; tuned circuits; high frequency amplifiers/oscillators; radio receiver circuitry; power supplies; noise and hum; test instruments and measurements.

This practical handbook gives a complete working knowledge of the basics and technology of linear electronics – with application examples in such fields as audio, radio, instrumentation and television.

Servicing Audio and Hi-Fi Equipment

by Nick Beer, 304pp, hardback
Order – 0 7506 2117 6
Price £25.00

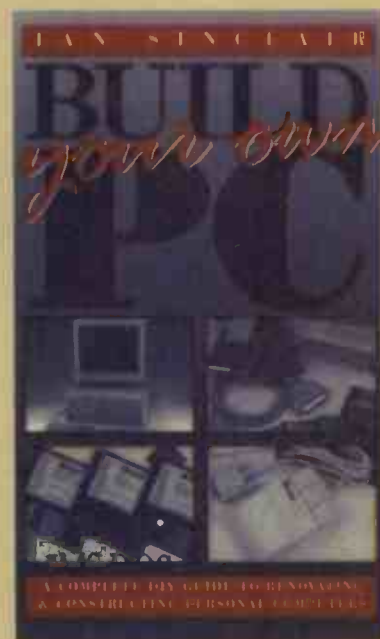
Contains: Introduction; tools and test equipment; radio receivers; amplifiers; power supply circuits; portable audio; cassette deck mechanics; cassette electronics; turntables; system control; motors and servo circuits; compact disc; mini disc; digital audio tape; digital compact cassette; speakers, headphones and microphones; repair, addresses.

As a bench-side companion and guide, this work has no equal. Its purpose is to ease and speed up the processes of fault diagnosis, repair and testing of all classes of home audio equipment: receivers, amplifiers, recorders and playback machines.

EMC for Product Designers

by Tim Williams, 304pp, hardback
Order – ISBN 0 7506 1264 9
Price £25.00

Contains: What is EMC? standards; EMC measurements; interference coupling mechanisms; circuits; layout and grounding; interfaces; filtering and shielding.



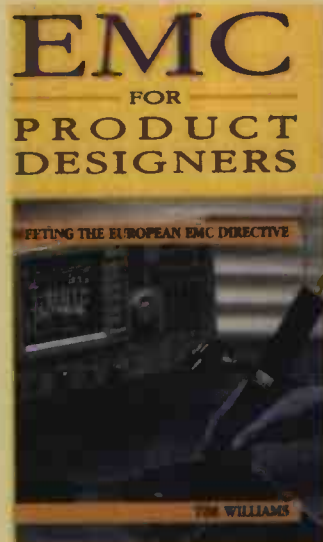
'This book is likely to become essential reading for those designing electronic products for the European market,' according to *New Electronics*. Widely regarded as the standard text on EMC, providing all the information needed to meet requirements of the EMC Directive.

Build Your Own PC

by Ian Sinclair, 256pp, paperback
Order – ISBN 0 7506 2006 4
Price 16.95

Contains: Assembly from scratch – mainly for masochists; fundamentals and buying guide; case, motherboard and keyboard; disk-drive details; Improvers and modifiers for graphics and i/o; DOS operation and hints; Windows; connecting printers; glossary.

Covers Building your own pc from scratch or from modules. Written at a level suitable for beginners and those with experience of computers or electronics. In addition, this work provides a useful guide for anyone wanting to save money by upgrading their pc themselves.



Return to Jackie Lowe, Room L333, Quadrant House, The Quadrant, Sutton, Surrey, SM2 5AS

Please supply the following titles:

Qty	Title or ISBN	Price

Please add £2.50 UK Postage, £5.00 Europe £7.50 Rest of World

Total _____

Name _____

Address _____

Post code _____ Telephone _____

Method of payment (please circle)

Access/Mastercard/Visa/Cheque/PO

Cheques should be made payable to Reed Business Publishing

Credit card no _____

Card expiry date _____

Signed _____

Winning designs II

Three more winning power control circuits representing the best of many excellent entries submitted for the **International Rectifier design competition**, featured in the *October 1994 issue*.

Fourth prize - 50Hz/60Hz inverter uses a single IC

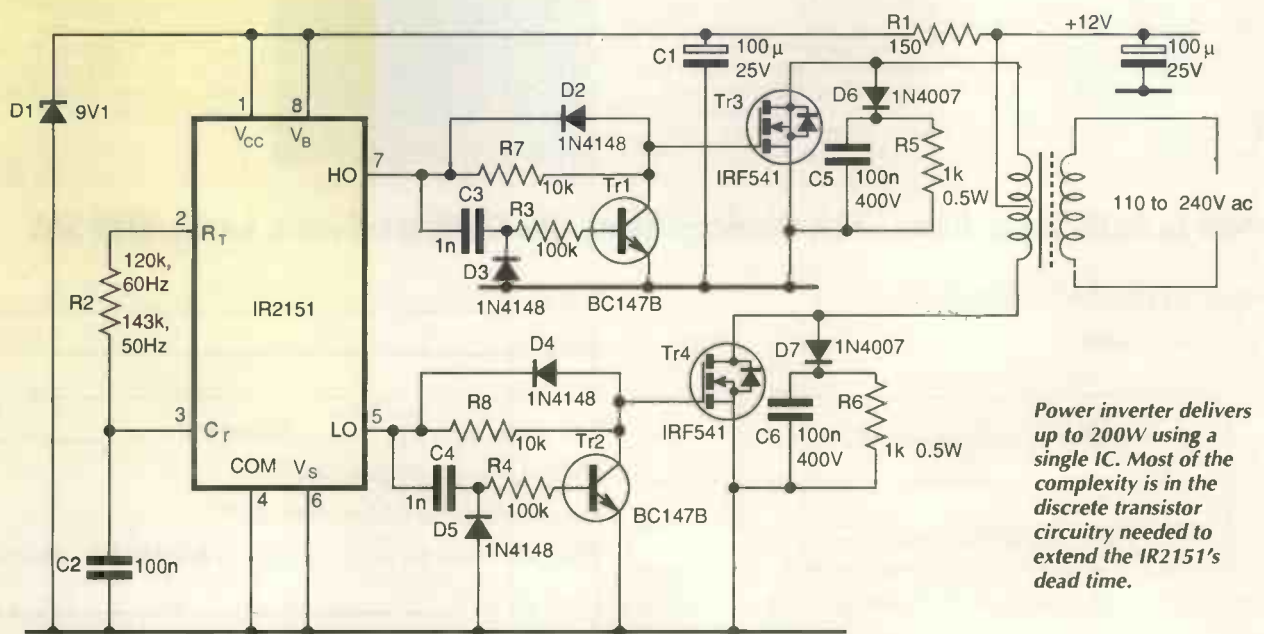
A rugged and efficient square-wave inverter for use in automobiles and boats can be constructed around the *IR2151* self-oscillating half-bridge driver. This inverter works on a 12V automobile battery and provides an output of 200W at 50Hz or 60Hz with a 220V or 110V output.

This inverter makes use of the following features of the IC.

- Complementary square waves at HO and LO outputs
- Frequency of square waves immune to supply voltage variations.
- Square waves with 50% duty cycle.
- Under-voltage lockout.

Lockout in the event of low battery voltage is a very important feature. Without it, under low battery voltage conditions, the power mosfets would not conduct fully and would dissipate power. This in turn reduces inverter efficiency and could result in damage. When battery voltage falls below 8V, both power mosfets are switched off.

Although the dead time of about 1µs generated by the IC is sufficient to prevent the cross conduction of the mosfets, it is not sufficient to allow the transformer ringing signals to be dissipated in the appropriate snubber circuits. Fortunately, dead time can be increased to the desired value by adding a few inexpensive



Power inverter delivers up to 200W using a single IC. Most of the complexity is in the discrete transistor circuitry needed to extend the IR2151's dead time.

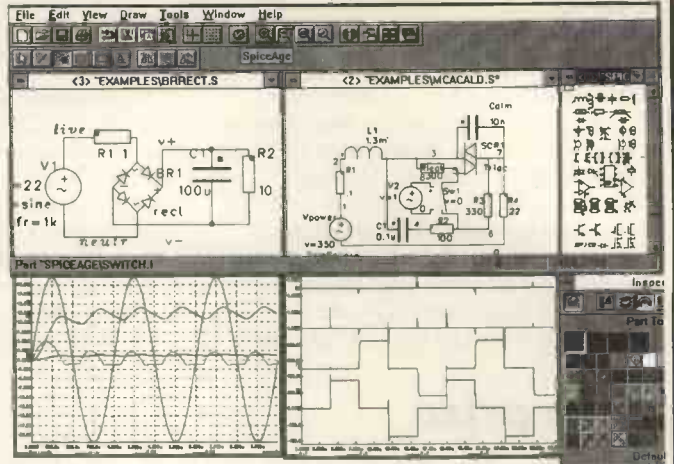
The new schematic capture program *Geswin* (GESECA for Windows™) adds more than a pretty face to *SpiceAge*. Upgrade for £100+ VAT*

- *Geswin* DDE links with *SpiceAge* to provide instant circuit editing. Because this link enables *SpiceAge* to retain all its simulation settings, the schematic (produced by *Geswin*) is uncluttered so that you can create clean drawings that may be clipboarded into your other Windows applications.
- You can clipboard sections of your netlist from *SpiceAge* back into *Geswin*'s attribute Inspector if you wish to use patches of existing circuits.
- *Geswin* has inherited *GESECA*'s speed and ease of use. You will find it's best-loved "bucket of bits" components' store waiting for your instant use from a special self-replenishing window.
- The *SpiceAge* component library has been expanded and re-drawn into "stubbies". The new symbols allow more components to fit within a given screen area without compromising clarity.
- Multiple windows allow you to scratch pad your designs (simulating as you work) and clipboard them into a fair copy window.
- File compatible with *GESECA*: schematics and components from *GESECA* may be read.
- Comprehensive HELP provides reference material; tutorial style manual reassures you of your own intuition.
- *Geswin* automatically invokes (or switches to) *SpiceAge*; you can also invoke *Geswin* from *SpiceAge*.

Please contact Those Engineers Ltd, 31 Birkbeck Road, LONDON NW7 4BP.

Tel 0181-906 0155, FAX 0181-906 0969.

*upgrade price from *GESECA*; £295 + VAT new



Those
Engineers Ltd



CIRCLE NO. 135 ON REPLY CARD

TELFORD ELECTRONICS

HP 8750A Storage Normalizer	£350	Marconi TF2438 520MHz Universal counter/timer	£250	Racal HF Receiver RA329B consisting of RA2170 receiver and MA323 FSN loudspeaker terminating unit. Frequency range 1-30MHz. All mode reception	£275
HP 8553B Spectrum Analyzer plug-in 110MHz	£200	Marconi TF2016 AM/FM 10Hz-110MHz Sig. generator	£170	Marris automatic antenna coupler 1.6-30MHz	£500
HP 8556A Spectrum Analyzer plug-in 300MHz	£200	Racal 8301A RF Millivoltmeter 10MHz-510MHz	£225	Bird 43 Thru-line watt meter	£100
HP 99313A A/D converter	£250	Racal MA1720 Drive unit	£500	Rhode & Schwartz O-2000MHz UHF attenuator 50ohm 0-140dB	£125
HP 11683A Range Calibrator	£250	Racal 9082 synthesized signal generator 1.5-520MHz	£480	Tektronix 454 150MHz Dual trace scope	£150
HP 8788B Synchronizer	£200	Racal Dana 9932 instrument interface	£120	Tektronix 455 100MHz Dual trace scope	£150
HP 3406A Broadband sampling voltmeter	£150	Racal Dana 9915M frequency meter 10Hz-520MHz (fitted FX Standard)	£125	Tektronix 475 200MHz delay sweep/dual trace	£450
HP 5156A Thermal printer	£150	Racal Dana 9904 universal counter/timer 50MHz	£100	Tektronix 465 100MHz delay sweep/dual trace	£375
HP 3400A RMS Voltmeter 10MHz	£115	Racal Dana 9300 RMS voltmeter	£250	Tektronix 2215A 60MHz delay sweep/dual trace	£375
HP 489A Microwave amplifier 1-2GHz	£275	Racal Dana 5001 digital multimeter	£250	Tektronix 7854 cw 7511 plug-in/7111 fitted with S1 sampling heads - 1GHz	£1600
HP 491C Microwave amplifier 2-4GHz	£275	Racal Dana 202 logic state analyzer	£300	Tektronix 482 spectrum analyser 500Hz-18GHz	£4500
HP 4204A Oscillator 10Hz-1MHz	£150	Racal Dana 205 logic state analyzer	£300	Tektronix curve tracer 577	£750
HP 8443A Tracking Generator/counter	£400	Racal Dana 4800 Digital voltmeter	£50	Crotech 3131 15MHz Dual trace scope	£125
HP 8755 Sweep amplitude analyzer cw heads	£750	Racal Dana 9904N 50MHz counter/timer	£100	Gould 05250A 15MHz Dual trace scope	£120
HP Spectrum analyzer 1821 main frame cw 8558B plug-in 100MHz-1.5GHz cw HP 8750A	£2000	Racal Dana 9914 VHF Frequency counter 10Hz-200MHz (fitted FX standard)	£125	Gould 05255 15MHz Dual trace scope	£170
Storage normalizer	£200	Racal Dana 9918 UHF Frequency counter 10Hz-560MHz (fitted FX standard)	£200	Gould 05300 20MHz Dual trace scope	£175
HP1740A 100MHz Dual trace/storage scope	£325	Racal Dana 1392 Universal counter 1-9GHz	£700	Gould 053500 60MHz Dual trace scope	£200
HP1741A 100MHz Dual trace/storage scope	£340	Racal 9104 RF power meter	£125	Gould 053600 100MHz Dual trace scope	£275
HP1742A 100MHz Dual trace/storage scope	£350	Racal instrument recorder store 7DS	£500	Gould 138 10Hz-100kHz LF Oscillator	£150
HP180A 100MHz Dual trace scope	£175	Philips PM7832 SWR meter	£175	SE LABS 111 15MHz Dual trace scope	£85
HP1201B 500MHz Dual trace scope	£125	Philips PM 7841 power meter	£125	Tequipment D1011R 10MHz Dual trace scope	£75
HP5004A Signature Analyser	£200	Philips PM5132 function generator 0.1Hz-2MHz NEW	£350	Tequipment DM63 50MHz 4 trace storage scope	£150
HP3710B Telephone line analyser	£400	Philips PM3055 50MHz Dual trace scope	£250	Tequipment DB7 25MHz Dual trace scope	£75
HP8405A Vector voltmeter 1MHz-1000MHz	£250	Philips PM3282 100MHz Dual trace scope	£250	Tequipment DM64 10MHz Dual trace scope	£75
HP4190 DC null voltmeter	£150	Philips PM5715 Pulse Generator 1Hz-50MHz	£150	Tequipment DS1866A 20MHz Dual trace scope	£150
HP435A power meter cw HP8401A	£750	Philips PM5508 Colour TV pattern generator	£450	CDU150 35MHz delay timebase scope	£95
HP432A power meter cw HP478A	£280	Philips PM5839 Colour TV pattern generator	£450	Kemo phase meter DPL	£95
HP432A cw HP446 20.5-400Hz waveguide	£500	Philips SWR meter PM7842	£200	Siemens 78B4303 Wattmeter	£300
HP2908 DC PSU 0-320V/0-1A	£75	Farnell P.S.U. TSV70 Min11 0-35V/0-10A + 70V/0-5A	£250	Radiometer AFM3B mod. meter	£300
HP6291A CD PSU 0-40V/0.5A	£100	Wayne Kerr auto balance universal B642	£200	Aslab 8550 500VA variable frequency converter	£800
HP6111A CD PSU 0-20V/0-1A	£70	Wayne Kerr universal bridge B224	£200	Avo RM215-F71 insulation resistance and breakdown tester	£250
HP3591A Selective voltmeter	£125	Wayne Kerr component meter B424/N resistance/capacitance/inductance	£195	Peginesser 200Hz-620kHz Model D2155	£500
HP3586B Selective level meter	£800	Wayne Kerr automatic LCR meter model 4225	£300	Fluke 800DA Digital multimeter	£45
HP5342A Microwave frequency counter 18GHz	£1400	Norma precision voltmeter D4155	£350	Time CD Millivolt pot source Model 404N cw DC current source Model 505	£250
HP5308A 75MHz Timer/counter	£100	Norma multi function meter D4135A	£300	Nagra T Instrumentation tape recorder	£1200
HP5305A 1100MHz counter	£275	Norma Model D5155 AC Power analyser	£800	Datron 1061A Automatic digital multi meter True RMS AC-Current	£700
HP854B signal generator 10MHz-520MHz	£400	EIP 575 source locking microwave counter opt. 02.04 10Hz-18GHz	£1650	Datron 1051 Multifunction meter	£85
HP855A signal generator 10MHz-520MHz	£350	Syston Donner 80548 microwave counter 20Hz-18GHz	£650	Datron 1059 DC Voltmeter	£65
Marconi TF21635 UHF attenuator DC-10Hz	£100	Thandar TA2160 20MHz logic state analyser	£275	Datron 1030A RMS Voltmeter	£65
Marconi TF2015 AM/FM signal generator 10MHz-520MHz	£165	Schlumberger 7055 microprocessor voltmeter	£50	Datron 1030 RMS Voltmeter	£65
Marconi TF2016A AM/FM signal generator 100Hz-120MHz	£165	Schlumberger A200 Digital voltmeter	£50	Datron 1030 RMS Voltmeter	£65
Marconi TF2700 Universal Bridge (battery op.)	£125	Schlumberger A220 Digital voltmeter	£50	Leader LCR Bridge LCR resistance/capacitance/inductance D, Q measuring range: 9V operation	£150
Marconi TF2700 Universal Bridge (battery op.)	£300	Schlumberger A220 Digital voltmeter	£50	Haven temperature calibrator OTDS oil/water bath	£500
Marconi TF2008 AM/FM signal generator 10Hz-520MHz	£800	Schlumberger 7055 microprocessor voltmeter	£250	Haven thermal i.a. thermocouple simulator/calibrator	£600
Marconi TF2370 Spectrum analyser 30Hz-110MHz	£300	Wavetek 20MHz sweep microprocessor generator type 193	£250	Avo 8 Mn 5 + 6 cw case, leads, prods. etc. (low cal cert. NPL)	From £85
Marconi signal source 6059A 12-186Hz cw levelling amp. 6587	£215	Wavetek Model 3000 Sig. generator 1-520MHz	£300	Avo CT160 valve tester cw valve data book	£75
Marconi signal source 6058B 8-12.56Hz cw levelling amp. 6587	£215	Wavetek Sweep generator Model 164 30MHz	£300		
Marconi TF2363 PNA/M Mod. meter	£225	Reddon synthesized R1001 15kHz-30MHz all modes	£500		
Marconi TF2684 Electronic voltmeter	£45	Reddon R500 Brand New (back in) HF	£750		
Marconi TF2431 200MHz Digital frequency meter	£150	Reddon VLF/LF (in current use with Royal Navy Submarines)	£750		

AN EXTENSIVE RANGE OF TEST EQUIPMENT IS AVAILABLE. PLEASE SEND FOR OUR NEW CATALOGUE
Postage and packing must be added. Please phone for price. VAT @ 17½% to be added to all orders. Please send large SAE for details.

Telford Electronics, Old Officers Mess, Hoo Farm, Humbers Lane, Horton, Telford TF6 6DJ
Tel: 01952 605451 Fax: 01952 677978

CIRCLE NO. 136 ON REPLY CARD

DESIGN

components to the basic inverter circuit.

Supply voltages V_{cc} and V_B , and hence the outputs HO and LO, are limited to 9.1V by components R_1 , C_1 and D_1 . Oscillator frequency is set by components R_2 and C_2 . When high side output HO goes high, transistor Tr_1 holds the gate of power mosfet Tr_3 low for a dead period of about 300 μ s, determined by components R_3 and C_3 .

Diode D_2 discharges the gate capacitance

of Tr_3 instantaneously when the HO output goes low. Although the turn-on time of Tr_1 with this arrangement increases to about 30 μ s, it is a very small part of the period of this inverter output.

Components Tr_2 , C_4 , D_5 , R_4 , D_4 and R_8 provide an equal dead period to the low side output LO. Components R_5 , C_5 , D_6 and R_6 , C_6 , D_7 provide the snubber action for $Tr_{1,2}$.

This circuit configuration is not just

limited to 50/60Hz inverter. High-frequency inverters with ferrite-core transformers, and having proper dead times, could form elements of electronic ignition systems and dc-to-dc converters.

By changing R_1 , the inverter can be powered by batteries of other voltages.

M. S. Nagaraj
ISRO Satellite Centre
Bangalore

Fifth prize

Electroluminescent lamp driver for automobiles

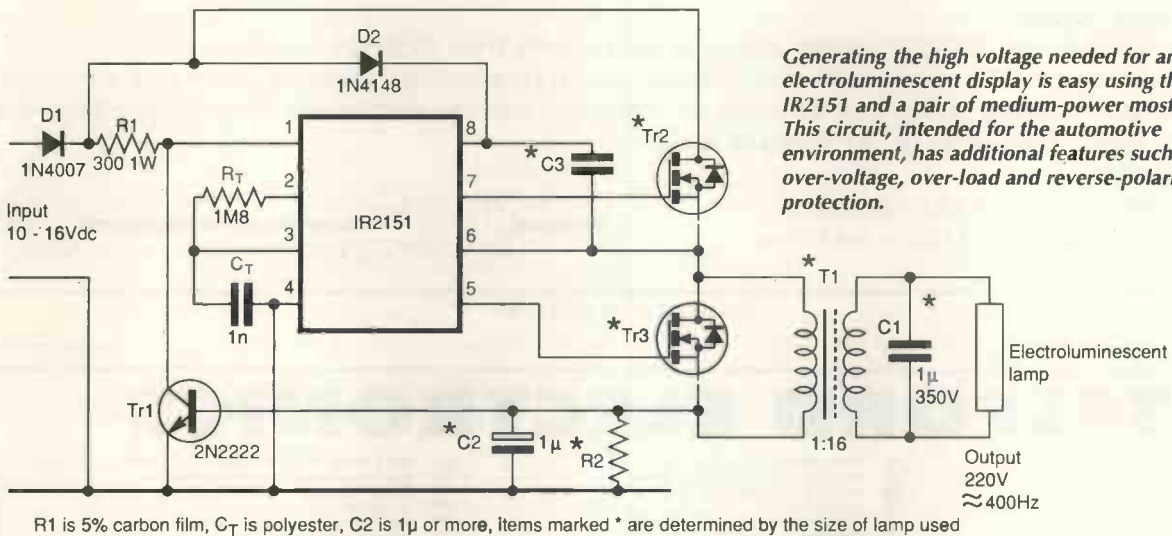
This driver for electroluminescent displays incorporates all the features normally needed for automotive electronic circuits. Diode D_1 serves as protection against reverse polarity. In the event of an overload on the output transformer, Tr_1

robs V_{cc} of voltage and disables the circuit. Capacitor C_1 takes care of radio-frequency interference.

Values quoted for C_T and R_T cause astable operation at 400Hz, which is suitable for this type of lamp. Over-voltage

protection is taken care of by the IR2151's internal zener diode.

Clyve J. Caines
Nairobi
Kenya



Generating the high voltage needed for an electroluminescent display is easy using the IR2151 and a pair of medium-power mosfets. This circuit, intended for the automotive environment, has additional features such as over-voltage, over-load and reverse-polarity protection.

R_1 is 5% carbon film, C_T is polyester, C_2 is 1 μ or more, items marked * are determined by the size of lamp used

Sixth prize

1-to-3 phase converter

Rotary speed of a three-phase motor depends on the frequency of the applied voltage. The motor is linked to the converter by six power transistors contained in a type MP6750 module from Toshiba, a third of which is shown bottom right in the diagram.

Inductance of the motor windings acts as an integrator that converts the pulses of varying widths into a sinusoidal signal.

The converter is based on three IR2151 timer circuits. Each voltage supplied to the three pairs of power transistors is phase shifted by 120°. This is done by reducing the timing capacitors of each IR2151 progressively by a third, i.e. C , $2/3C$, $1/3C$.

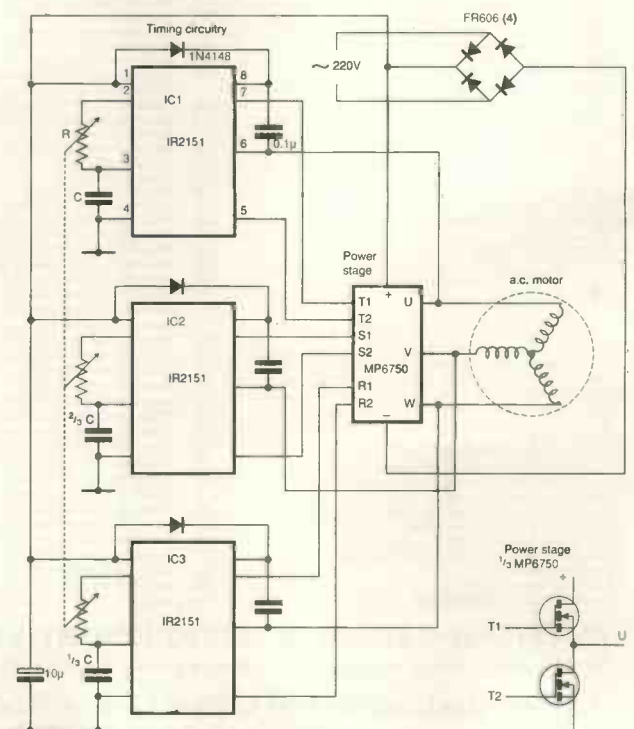
Frequency of the timing circuit, and hence the speed of the motor, is set to a desired value by altering the resistance of three equal resistors, R , only. This method of converting single-phase mains to three-phase can be used to control small three-phase motors up to approximately 700W, irrespective of whether they are synchronous or asynchronous types.

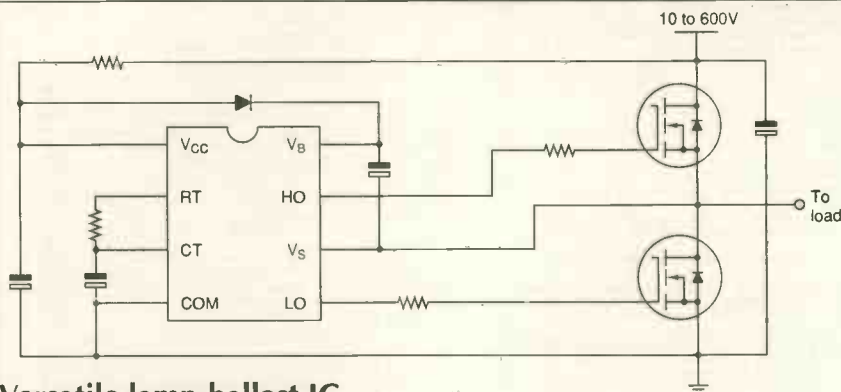
Kamil Kraus

Rokycany

Czech Republic

This 1-to-3-phase mains converter is suitable for driving small motors up to 700W, regardless of whether they are synchronous or asynchronous.





Typical connections for the IR2151 in self-oscillating mode show that the device needs few external components. Power for the high-side switch gate comes from a 1µF bootstrap capacitor. This is charged to around 14V whenever V_s is pulled low during low-side power switch conduction. The fast-recovery bootstrap diode blocks dc bus voltage when the high-side switch conducts.

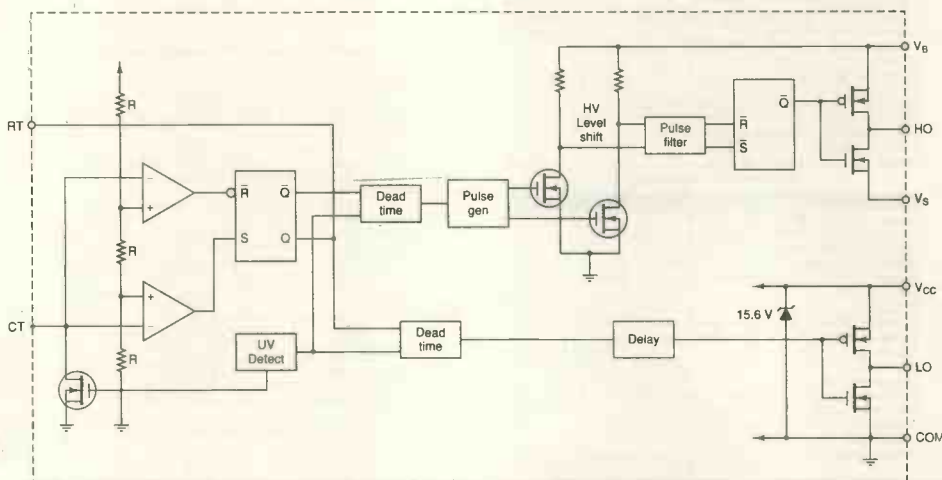
At the front end of the IR2151 is a timing circuit that is very similar to the established 555. Two timing pins are available externally, opening up the possibility for numerous applications other than lamp ballasting. Dead-time generators are incorporated to ensure that the two power mosfets being driven by the device do not conduct simultaneously.

Versatile lamp-ballast IC

The IR2151 is a fluorescent lamp ballast but, as you can see from the three designs presented here and those shown last month, the device has many potential uses. As the top diagram illustrates, the 2151 is essentially a 555 timer with integral level shifting and power-mosfet drive circuitry. A typical application circuit is shown in the lower diagram.

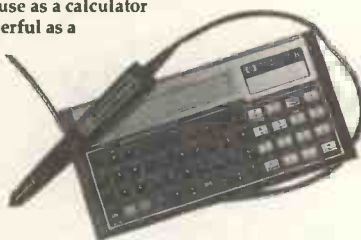
Features of the device are,

- Floating channel bootstrappable
- Operates to 600V
- Tolerant to negative transients
- dV/dt immune
- Undervoltage lockout
- Programmable oscillator frequency
- Matched channel propagation delay
- Low side in phase with RT pin



HEWLETT PACKARD HP71B

As easy to use as a calculator but as powerful as a computer



BARCODE READER

Smart wand

Automatically recognises and decodes all major bar-code standards.

- A powerful set of basic functions, statements and operators – over 230 in all – many larger computers don't have a set of basic instructions in this complete.
- Advanced statistics functions enabling computations on up to 15 independent variables.
- Recursive subprograms and user defined functions.
- An advanced internal file system for storing programs and data – the HP71 has continuous memory – when you turn the computer off it retains programs and data.
- A keyboard that can be easily customised for your specific application.
- HP-1L Interface pre-installed to create a system that can print, plot, store, retrieve and display information. Control or read instruments or speak to other computers, 5000 bytes/sec. Built in ROM includes 46 separate commands. Interface to HP-1L, HP-1B, RS232C, GPIO or series 80. Includes connection cables

These are second user systems ex NHS are fully tested and working but have no programming (THAT IS UP TO YOU)

HP71B	£29.95
Bar-code Reader	£12.95
AC Power Supply	£4.95
(Works from batteries normally)	
Keyboard Overlay	£1.00
(Limited quantities)	
Unknown Program – Memory Modules (2 different types)	£3.00
(Limited quantities)	
Complete kit of HP71B, Bar-code Reader and power supply	£39.50
(Prices include VAT – delivery next day £3.00)	

(Currently selling in USA for >£500)
INTERCONNECTIONS LTD
 Unit 41, InShops, Wellington Centre
 Aldershot, Hants GU11 5DB
 Tel: (01252) 341900
 Fax: (01293) 822786

Please rush me

HP71B Powerful Calc/Computer @ £29.95

Bar-code Reader @ £12.95

Power Supply @ £4.95

Keyboard overlay @ £1.00

Memory module @ £3.00

Complete kit of HP71B, Bar-code Reader and Power Supply @ £39.50

Total payment £ + £3 delivery = £

Please debit credit card No. Exp.

Name:

Address:

Postcode:

Tel:

We accept MasterCard, Visa, cheques or money orders – please post the above form to us, or fax it, or telephone with a verbal credit card order.

CIRCLE NO. 137 ON REPLY CARD

MICRO-ENGINE MCS80C31/51 Development board.

Tiny 72mm x 42mm PCB contains socketed 44 pin CPU, Turned pin Rom socket, 12 Mhz xtal and Ports 1,3 output on IDC connector. Ideal for stand alone projects or development work. Supplied with CIRCUIT & MCS8051/52 development software. £49.95

PIC ICE II* In Circuit Emulator for PIC16C54-55-56-57-71-84.

Replaces all 18 or 28 pin PICs. All ports Bi-directional, OSC2 output, RTCC input. On board A/D converter for PIC16C71. Supplied with PICDEV54 and PICDEV71 software, manual, connecting leads and headers, ASM examples and hardware circuit projects. £159.95

PIC ICE 18P In-Circuit Emulator for 18 pin PICs only no A/D. Plugs into the printer port appears to the target system as a normal Pic device including OSC2 and RTCC in/out.

Runs in real time from the IBM PC changes made to File registers reflected on target. Supplied with Development software PicDev 54-57 and PicDev 71/84 £69.95

PICPROG* Programs Pic 16C54-55-56-57-71-84. Centronics port interface.

Powerful editing software to Read, Write & Copy Pic devices including data memory in Pic16C84. Top quality components used throughout including production ZIF socket. Now includes a Text Editor/Assembler for all above PICs. £79.95

Requires external power 15-20v AC or DC @ 250 ma. (optional extra £6.50).

MEGAPROM programmer. EPROMS, E2PROMS, and FLASH memories from 2k (2716) to 8 Meg (27C080).

Runs on IBM PC via the centronics port using standard printer cable. Works on all PC compatibles, laptops, and notebooks. No special port requirements. Uses approved programming algorithms. Very fast program & verify 27C512 = 45 seconds. Full screen editor software supports Bin, Intel Hex, Motorola S and Asc formats. Top quality components used throughout including production ZIF socket. £99.95

Requires external power supply 18-25v AC or DC @ 250ma. (optional extra £6.50).

EPROM EMULATOR Works on ANY computer with centronics printer port. Data sent to the printer appears in the target board Eprom socket. Emulates from 1k to 32k Byte (27C256) roms, board switchable.

Very fast download. Works with or without our Development software. £59.95

DEVELOPMENT SOFTWARE £19.95

Develop software on your IBM PC for other Microprocessors, Controllers, Pic's etc. Software has fully integrated Text Editor, Assembler, Disassembler, and Simulator. The Simulator displays all registers along with disassembled code program counter, Condition code register. The user can single-step, go with breakpoints, watch memory, etc. change any/all registers/memory locations at any time (on the fly). Code can be Saved to disk and/or downloaded directly to our EPROM Emulator. All software supplied with sample. ASM files, and user documentation/manual. Very powerful software as supplied to universities, colleges ITECS and Industry. Available for the following:-

MCS8051/52/552 MCS8048/49 PIC16C71/84

PIC16C54/5/6/7 HD63/6809 R6502

Starred items also available from FARNELL (Leeds).

All hardware carries a 12 months parts and labour Guarantee. No Vat payable. Please add £1.50 for Carriage.

CREDIT CARD ORDERS SAME DAY DESPATCH

JOHN MORRISON DEPT WW
4 REIN GARDENS, TINGLEY,
WEST YORKSHIRE WF3 1JR
TEL (or FAX) 01132 537507



CIRCLE NO. 138 ON REPLY CARD



8 CAVANS WAY,
BINLEY INDUSTRIAL ESTATE,
COVENTRY CV3 2SF
Tel: 01203 650702
Fax: 01203 650773
Mobile: 0860 400683

(Premises situated close to Eastern-by-pass in Coventry with easy access to M1, M6, M40, M42, M45 and M69)

OSCILLOSCOPES

Gould OS4000, OS4200, OS4020, OS245	from £125
Gould OS3000 - 40MHz dual ch.	£250
Gould 4035 - 20MHz digital storage	£600
Gould 4050 - 35MHz digital storage	£750
Gould 5110 - 100MHz intelligent oscilloscope	£950
Hewlett Packard 1707A, 1707B - 75MHz dual ch.	from £275
Hewlett Packard 1740A, 1741A, 1744A, 100MHz dual ch.	from £350
Hewlett Packard 54201A - 300MHz digitizing	£1950
Hewlett Packard 5450A - 400MHz digitizing (As new)	£3500
Hilachi V-212 - 20MHz dual trace	£175
Hilachi V-422 - 40MHz dual ch.	£300
Nipollet 3091 - Low freq D.S.O.	£1100
Philips 3315 - 50MHz D.S.O.	£750
Tektronix 468 - 100MHz D.S.O.	£800
Tektronix 2213 - 60MHz dual ch.	£425
Tektronix 2215 - 60MHz dual ch.	£450
Tektronix 2235 - 100MHz dual ch. (portable)	£800
Tektronix 2335 - 100MHz dual ch. (portable)	£750
Tektronix 464/466 - 100MHz storage	from £350
Tektronix 465/465B - 100MHz dual ch.	from £350
Tektronix 7313, 7603, 7613, 7623, 7633, 100MHz 4 ch.	from £300
Tektronix 7704 - 250MHz 4 ch.	from £650
Tektronix 7834 with 7B42, 7B80, 7B85 - Plug-Ins (Storage 400MHz)	£1500
Tektronix 7904 - 500MHz	from £850
Telesquipment D68 - 50MHz dual ch.	£200
Philips 3206, 3211, 3212, 3217, 3226, 3240, 3243, 3244, 3261, 3262 (2ch + 4 ch.)	from £125 to £350
Philips PM3208 - 20MHz dual channel	£200
Philips PM3295A - 400MHz dual channel	£1950
Philips PM3296 - 350MHz dual channel	£1800

SPECTRUM ANALYSERS

Hewlett Packard 3580A - 5Hz - 50KHz	£995
Hewlett Packard 3582A - 25KHz analyser, dual channel	£2500
Hewlett Packard 3585A - 20Hz - 40MHz	£3750
Hewlett Packard 8590A - 10MHz - 1.5GHz (as new)	£4300
Hewlett Packard 182T with 8559A (10MHz - 21GHz)	£3750
Marconi 2370 - 110MHz	£995
Marconi 2371 - 30Hz-200MHz	£1250
Rohde & Schwarz - SWOB 5 Polyscop 0.1 - 1300MHz	£2750
Schlumberger 1250 - Frequency response analyser	£2500
Alltech 727 - 22.4GHz	£2000
Alltech 7027 - Tracking Generator for 727 (10KHz-12.4GHz)	£995
Texascom ALS1A - 1GHz	£2000
Tektronix 7L14 with 7603 - Mainframe (1.8GHz)	£1500
Tektronix 7L12 with 7603 mainframe (1.8GHz)	£2950
Tektronix 7L18 with 7603 mainframe (1.8GHz)	£1500
Polarad 641-1 10MHz - 18GHz	£1500
Hewlett Packard 35601A - Spectrum Analyser Interface	£1000

MISCELLANEOUS

Anritsu MG642A Pulse pattern generator	£1500
Ballantine 323 True RMS voltmeter	£350
Datalab DL 1080 - Programmable Transient Recorder	£350
E.I.P. 331 18GHz frequency counter	£850
Farnell RB 1030-35 Electronic load 1Kw	£450
Farnell 2081 R/F Power meter	£350
Farnell TSV70 MkII - Power Supply (70V-5A or 35V-10A)	£225
Ferragraph RT52 Audio test set with ATU1	£500
Fluke 5101A - Calibrator AC/DC	£3500
Fluke 5101B - Calibrator AC/DC	£6500
Fluke 5220A - Transconductance Amplifier (20A)	£3000
Fluke 720A - Kelvin - Varley Voltage Divider	£450
Fluke 750A - Reference Divider	£450
Heiden 1107 - 30v-10A Programmable power supply (IEEE)	£650
Gould K100D - 100MHz Logic Analyser with PODS	£350
Hewlett Packard 436A Power meter + 8481A sensor	£950
Hewlett Packard 3437A System voltmeter	£350
Hewlett Packard 3438A Digital multimeter	£200
Hewlett Packard 3490A Digital multimeter	£250
Hewlett Packard 3586A - Selective level meter	£1750
Hewlett Packard 3702B/3705A/3710A/3716A Microwave link analyser	£1500
Hewlett Packard 3711A/3712A/3791B/3793B Microwave link analyser	£3500
Hewlett Packard 3760/3761 Data gen + error detector	each £300
Hewlett Packard 3762/3763 Data gen + error detector	each £350
Hewlett Packard 3764A Opt.002 - Digital Trans. Analyser	£3500
Hewlett Packard 3777A Channel selector	£250
Hewlett Packard 3799A/3799C Primary mult. analyser	£600/£1000
Hewlett Packard 4261A - LCR Meter	£400
Hewlett Packard 4271B - LCR Meter	£900
Hewlett Packard 5150A Thermal printer	£275
Hewlett Packard 5316A - Universal counter HPIB	£550
Hewlett Packard 5316B - Universal counter HPIB	£750
Hewlett Packard 5385A - Frequency counter 1GHz (HPIB) with Opts 001/003/004/005	£995
Hewlett Packard 59501B HP IB isolated D/A power supply programmer	£150
Hewlett Packard 6181C D.C. current source	£150
Hewlett Packard 6261B Power supply 20V-50A	£600
Hewlett Packard 6453A - Power supply 15V-200A	£1250
Hewlett Packard 7402 Recorder with 17401A x 2 plug-ins	£300
Hewlett Packard 8005B Pulse generator	£250
Hewlett Packard 8011A Pulse gen. 0.1Hz - 20MHz	£500
Hewlett Packard 8443A Tracking gen/counter with IEEE	£300/£400
Hewlett Packard 8620C Sweep oscillator mainframe	£400
Hewlett Packard 8750A Storage normaliser	£375
Hewlett Packard 8657B - Synthesised Sig. Gen. (2060MHz)	£850
Hewlett Packard 3456A Digital voltmeter	£750
Hewlett Packard 3488 - HP-IB switch and control unit	£500
Hewlett Packard 6623A - Tmpie output system power supply	£1950
Hewlett Packard 6624A - Quad output system power supply	£2250
Hewlett Packard 8903B - Audio Analyser (20Hz - 100KHz)	£2750
Hewlett Packard 8984A - 5.4GHz to 12.5GHz Sig Gen	£3000
Hewlett Packard 3785A - Filter Generator + Receiver	£1150
Hewlett Packard 6832A - System Power Supply (HPIB)	£500
Hewlett Packard 8662A - 10KHz - 1280MHz Synth. Signal Gen	£5750
Hewlett Packard 8640B - AM/FM Signal Gen. (512MHz)	£850
Hewlett Packard 8340A - 18GHz Frequency Counter	£900
Hewlett Packard 4324A - Power Meter (with 478A Sensor)	£275
Hewlett Packard 435A or B - Power Meter (with 8481A/8484A)	from £750
International Light - IL 1700 research radiometer with Erythral sensor head	£1250
Leader LCR745G - LCR Meter	£1150

Lyons PG73N/PG75/PG2B/PG Pulse generator	from £225
Marconi 2306 Programmable interface	£500
Marconi 2337A Automatic dist. meter	£150
Marconi 2356 20MHz digital oscillator	£300
Marconi 2432A 500MHz digital freq. meter	£200
Marconi 2830 Multiplex tester	£1000
Marconi 2831 Channel access switch	£400
Marconi 8571B AF power meter	£325
Multicore "Vapourrette" bench top vapour phase SMD soldering machine (new and unused) (£1100+ new)	£650
Oystron Donner 6054B or D - 18GHz or 24GHz Freq. Counter	from £800
Philips PM 5167 10MHz function gen.	£400
Philips PM 5190 LF synthesizer w/HP GPIB	£800
Philips 5390 1GHz signal gen.	£1250
Philips PM 5716 Pulse generator high freq. mos	£600
Philips PM 6572 1GHz timer/counter WF 1EEE	£650
Philips PM 8272 XYT chart recorder	£500
Racal 9301A True RMS R/F millivoltmeter	£300
Racal Dana 1992 - 1300MHz frequency counter opts 4B+55	£800
Racal Dana 3100 40 - 1300MHz synthesiser	£750
Racal Dana 5002 Wideband level meter	£650
Racal Dana 5003 Digital nmeter	£150
Racal Dana 9000 Microprocessing timer/count. 52MHz	£250
Racal Dana 9009A Modulation meter (new version)	£300
Racal Dana 9081 Synth. sig. gen. 520MHz	£550
Racal Dana 9084 Synth. sig. gen. 104MHz	£450
Racal Dana 9242D Programmable PSU 25V-2A	£300
Racal Dana 9246S Programmable PSU 25V-10A	£400
Racal Dana 9301A/9302 R/F Millivoltmeter	from £300
Racal Dana 9303 True RMS/R/F level meter	£650
Racal Dana 9341 LCR data base	£250
Racal Dana 9500 Universal timer/counter 100MHz	£200
Racal Dana 9921 3GHz frequency counter	£450
Rohde & Schwarz BN36711 Digital Q meter	£400
Rohde & Schwarz LFM2 Sweep generator 0.02 - 60MHz	£1500
Rohde & Schwarz SCUO Radio code test set	£1500
Rotek 3980A - AC/DC Precision Calibrator with Rotek 350A High Current Adaptor	£900
Schlumberger SI 4040 - Stabloc, high accuracy 1GHz radio test set	£9500
Schlumberger 4923 - Radio Code Test Set	£2000
Schlumberger 2720 - 1250MHz Freq. Counter	£600
Systems Video 1258 Waveform analyser + 1255 vector monitor + 1407 differential phase & gain module + 1270 remote control panel	£2250
Tektronix DA59100 Senes Logic Analyser	£500
Tektronix 577 Curve Tracer with Fixtures	£950
Tektronix - Plug-ins - Many available such as PG508, FG504, SC504, SWS03, SG 502 etc.	
Time 9811 Programmable resistance	£600
Time 9814 Voltage calibrator	£750
W&G MUJ Test point scanner	£500
W&G PCM3 Auto measuring set for telephone channels	£950
Watanabe WTR211 3 pen plotter	£250
Weiler D900 Desoldering station	£150
Wiltron 352 Low freq. differential input phase meter	£350
Wiltron 560 Scalar Network analyser	£900

MANY MORE ITEMS AVAILABLE - SEND LARGE S.A.E. FOR LIST OF EQUIPMENT ALL EQUIPMENT IS USED - WITH 30 DAYS GUARANTEE. PLEASE CHECK FOR AVAILABILITY BEFORE ORDERING - CARRIAGE & VAT TO BE ADDED TO ALL GOODS

CIRCLE NO. 139 ON REPLY CARD

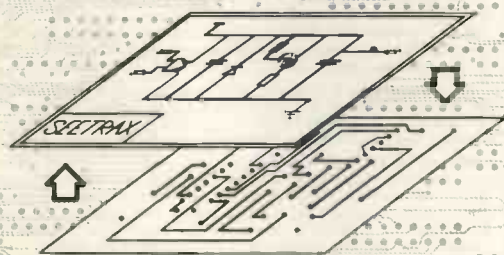
SEETRAX CAE - RANGER - PCB DESIGN

Ranger £100

Ranger2 £599

- * Schematic capture linked to PCB
- * Parts and wiring list entry
- * Outline (footprint) library editor
- * Manual board layout
- * Full design rule checker
- * Back annotation (linked to schematic)
- * Power, memory and signal autorouter - £50

- All the features of Ranger1 plus
- * Gate & pin swapping (linked to schematic)
- * Track highlighting
- * Auto track necking
- * Copper flood fill
- * Power planes (heat-relief & anti-pads)
- * Top-up & re-try autorouter



Ranger3 £3500

- All the features of Ranger2 plus
- * UNIX or DOS versions
- * 1 Micron resolution and angles to 1/10th degree
- * Hierarchical or flat schematic
- * Unlimited design size
- * Any-shaped pad
- * Split power planes
- * Optional on-line DRC
- * 100% rip-up & re-try, push & shove autorouter

All systems upward compatible. Trade-in deals available.

Call Seetrax CAE for further information/demo packs.
Tel 01705 591037 Fax 01705 599036

Seetrax CAE, Hinton Danbury House, Broadway Lane,
Lovedean, Hampshire, PO8 0SG

All trademarks acknowledged.

Outputs to:

- * 8/9 and 24 pin dot-matrix printers
- * HP Desk/Laser Jet, Canon BJet, Postscript (R3 only)
- * HP-GL, Houston Instruments plotters
- * Gerber photoplotters
- * NC Drill Excellon, Sieb & Meyer
- * AutoCAD DXF

CIRCLE NO. 140 ON REPLY CARD

NEW PRODUCTS CLASSIFIED

Please quote "Electronics World + Wireless World" when seeking further information

ACTIVE

A-to-d and d-to-a converters

10MHz sampling a-to-d. Datel's *ADS-119* is a 12-bit, 10MHz sampling converter with guaranteed no missing codes over the military range of temperatures. Signal-to-noise is 69dB and thd -68dB, both around 6dB better than other devices available. It is usable in military and industrial areas and contains a sample/hold amplifier, control and timing logic and error correction. Datel (UK) Ltd. Tel. 01256 880444; fax 01256 880706.

Discrete active devices

Power rectifiers. Surface-mounted bridge rectifiers by Shindengen handle reverse voltage up to 800V. *S1Z* types are contained within a 5.9 by 2.6mm footprint, 3mm thick, and are believed to be the smallest and lightest available. Somewhat larger and 30% cheaper are the *S1N* series

DSP modules. First in LSI's new range of digital signal-processing modules based on the Texas *TMS320C44* are the *MDC44T* and *MDC44S*. LSI's hardware provides more functions on the single-width TIM-40 standard, so that the *C44* is used to the full. Both modules possess increased memory - in the case of the *MDC44S*, 8Mbyte of sram, more than five times that of the earlier *MDC40S*. In the *44T*, two 50MHz *C44* processors allowing improved access to the global memory bus increase flexibility and the true Harvard architecture, which enables simultaneous data and program fetches, maximises the exploitation of the *C44*'s processing capabilities. *MDC44S* has one processor and is expected to find application in graphics and imaging, where large zero-wait-state memory is essential. Both 40MHz and 50MHz grades are to be available to provide maximum operating speeds of 50Mflop/s. Loughborough Sound Images Ltd. Tel., 01509 634300; fax, 01509 634333.

with ratings from 100V to 800V. Flint Distribution. Tel., 01530 510333; fax 01530 510275.

Digital signal processors

PC104 DSP board. *OROS-SP104* is a digital signal-processing board using the TI *TMS 320LC31* processor, the low-power version of the *'C31* taking 120mA at 33Mflops or 20mA when idle. It is in the *PC104* format, with 128Kbyte-1Mbyte of ram and can be programmed in C for which a set of development tools is provided. An interface in the host pc is also used for initial program loading. Oros. Tel. (France), 00 33 76 90 62 36; fax 00 33 76 90 51 37.

Linear integrated circuits

GaAs MMIC amplifier. Samsung's *SMP-11206* microwave IC is for use in applications up to 5.5GHz in the industrial, scientific and medical bands. It provides 12dB of gain at 2.4GHz, working from one 4V-9V rail, at a low voltage-standing-wave ratio. Dc blocking is provided on the radio-frequency output. Anglia Microwaves Ltd. Tel., 01277 630000; fax 01277 631111.

Logic

Caller ID chip. Mitel has introduced the *MT8843* caller line identification circuit, intended for the caller line display service announced by BT and for similar services elsewhere. It provides all alerting tone detection required by BT and in caller line ID on call-waiting systems. Guard time is programmable and the device meets BT's requirement for loop-reversal detection, which is used in applications other than BT's caller ID to provide a ringing detector. Mitel Semiconductor. Tel., 01291 430000; fax 01291 430400.

Memory chips

'Densest' serial memory. At 128Kbit, Xicor's *X25128* is claimed to be the world's densest serial eeprom. It is meant to support the *Serial Peripheral Interface* and has a 2MHz bus frequency, 2.7-5.5V working and a current requirement of less than 1µA. Memory can be partitioned into blocks, with a feature called block lock, with levels of write protection, so that access is allowed to some portions while data in others is protected. Micro Call Ltd. Tel., 01844 261939; fax 01844 261678.

Thin sram. EDI has a number of 4Mbit static rams in the Thinpack ceramic package, which is only 1.9mm high, for use in military or high-reliability applications. Leads of the package are trimmed and formed and compatible with the plastic TSOP Type II pack. Micro Call Ltd. Tel., 01844 261939; fax 01844 261678.

Mixed-signal ICs

Battery capacity monitor. Meeting the requirements of the Intel/Duracell System Management Bus and Smart Battery Data, Benchmark's *bq2040* capacity monitor is for use with NiCd, NiMH and lithium-ion batteries, sending information on mAh capacity on the SMBus or indicating capacity directly by leds. The device is in a 16-pin SOIC. Sequoia Technology Ltd. Tel., 01734 258000; fax 01734 258020.

Avalanche photodiode. InGaAs/InP avalanche diodes in the *EG&G C30644* and *C30645* series are available in the UK. Featuring a gain of 10, they are intended for use in optical-fibre communications operating at 1300-1550nm. Fibre pigtailed can be supplied with both devices, the *C30644* with a monomode pigtail and low back reflection or with a grin lens and multimode pigtail. Quantum efficiency is 85% and responsivity 8.9A/W at 1300nm. Pacer Components Ltd. Tel., 01734 845280; fax 01734 845425.

Laser diodes. AlGaInP red laser diodes by Sanyo are now obtainable here. The 635nm diode has a threshold current of 50mA, an optical power output of 5mW and operating temperature 50°C, while the 670nm type works at 30mA and 60°C and has a high-speed response. Jayex Components Ltd. Tel., 01734 810799; fax 01734 810844.

Programmable logic arrays

135MHz PLDs. Lattice Semiconductor's *ispLSI* and *pLSI 2032* are 32-macrocell E²CMOS, high-density programmable logic arrays, the 'isp' meaning in-system programmability. They are both 80MHz, 110MHz or 135MHz, 7.5ns devices, supporting the *Pentium* and *Power PC* processors. Each has 32 registers and universal *i/os*, two dedicated inputs, three dedicated clock inputs and a dedicated global output enable, all being connected by a global routing pool. Micro Call Ltd. Tel., 01844 261939; fax 01844 261678.



Single-chip solutions

Rf receiver. Integrating all the components of a receiver's r/f strip, the *AD607* and *AD608* from Analogue Devices feature an ultra low-power architecture. The two ics are designed for wireless systems using a minimum supply voltage of just 2.7V down to -25°C and consume less than 25mW. They are suitable for applications using protocols such as GSM, cdma or tdma. The *AD607* has a linear IF amplifier with 100dB range whereas the *AD608* has a logarithmic amplifier with 90dB of RSSI range and limited output. Both devices have low noise mixers with 500MHz bandwidth as the first stage with an internal preamplifier which requires only -16dBm of LO drive. The mixer output will drive an industry standard 10.7MHz 330Ω filter. Am, fm, cw and ssb are all demodulated by the *AD607* with the *AD608* providing fm and pm demodulation capability. Analogue Devices. Tel 01932 232222

Please quote "Electronics World + Wireless World" when seeking further information

PASSIVE

Passive components

Modem transformer. Integrity Technology introduces the *T14Z* telephone line-matching transformer, for a transmission speed to 28.8Kb/s in V.34. Using an EI, 14mm alloy core and a phenolic bobbin, the transformer is contained in a package about 0.5in cube with hard copper pins. It is designed to connect directly to 600Ω lines with zero bias. Primary winding is rated at 80mA continuous and 125mA in the ringing cycle. Integrity Technology Corporation. Tel., (USA) 00 408 262-8640; fax 00 408 262-1680.

Pulse transformer. Occupying a mere 0.625in square of board space, the same as an earlier single type, DDC's dual pulse transformer is meant for use in MIL-STD-1553 dual redundant data bus systems. It is in diallyl phthalate encapsulation and is available in through-hole, surface-mount or flat-pack versions. All types have centre-tapped primaries and multiple taps on secondaries to cope with existing systems. Data Device Corporation. Tel., 01635 40158; fax 01635 32264.

Metal-film chip resistors. Gothic Crellon has a series of precision metal-film resistors that offer good pulse stability in single pulses up to 200W for 1µs. Resistance range is 100Ω-100kΩ at ±0.1% in the E24 or E96 series of values. Temperature coefficient is less than 2.5×10^{-5} K, power dissipation 0.125W maximum, voltage rating 100V dc or rms maximum and thermal resistance 170K/W. Gothic Crellon Ltd. Tel., 01734 788878; fax 01734 776095.

Connectors and cabling

SM wire-to-board connector. Claimed to be the smallest available, the *Molex 53261* connector has a mounted height of 8.5mm on a 1.25mm pitch, with a 250V, 1.2A rating per contact. Connectors are supplied in tapes and reels and there is a cable assembly service on offer. Flint Distribution. Tel., 01530 510333; fax 01530 510275.

Network outlets. MOD-TAP's range of very low profile wall and floor outlets are for use in boxes of 16mm depth and are compatible with Euromod and Modsnap accessories. They can be floor-mounted to either flat metal or plastic faceplates with an 18mm clearance. MOD-TAP Ltd. Tel., 01703 701919; fax 01703 704063.

Pcb terminals. Pcb terminals pitched at 3.5mm and 3.81mm from *Wieland* come in standard and pluggable versions, with the standard type as a vertical or horizontal connection, this having a fixing cam. Pluggable units

Sensors

Thermocouples. A package that includes the *PicoLog* datalogging software, Pico's *TC-08* is a thermocouple to pc interface. The unit requires no power supply and connects to the pc via the serial port. Eight different thermocouples can be accommodated (B, E, J, K, R, S, A and T types) and the software allows samples as fast as once a second and as slow as one per hour. Advanced temperature processing functions include filetring, min/max detection and alarm setting. A real time display is available in either graphical or text format. Pico Technology Ltd. Tel. 01954 211716

are of pin-strip or edge-card connection and plug-and-socket. Ratings cover 6A/125V to 12A/125V. Wieland Electric Ltd. Tel., 01483 31213; fax 01483 505029.

Static control connectors. For establishing connection between different connector types, 4mm and 10mm for example, in static control applications, TBA has a range of kits. Where no ground point is present, a hand tool enables the user to fit studs to make the connection to accept 4, 7 or 10mm studs and banana plugs. TBA Industrial Products Ltd. Tel., 01706 47422; fax 01706 46170.

DIN 41612 connectors. *Apfel* DIN 41612 connectors in the *U/L* range are now obtainable from Westfield. Types available include *B, C, Q* and *R* (including half types), pcb-mounting solder, wire-wrap, press-fit and idc ribbon models in 16-96 ways. Contacts are of the dual-beam type in a number of forms. Westfield Distribution Ltd. Tel., 01488 685183; fax 01488 685430.

Displays

Contrasty LCDs. Hitachi's *LMG7380* graphic/alphanumeric liquid-crystal display has a contrast ratio of 18:1, a six-times improvement over the earlier *LMG6380*, achieved by the use of a film-retardation layer and a fluorescent backlight. Size is 160 by 68 by 11mm. Other units in the range include the *LMG5738XUFC-OOT* VGA display and the *LM9520RPCC* 320 by 240 colour and IC controller. Eiger Technologies Ltd. Tel. 01928 579009; fax 01928 579123.

Filters

Piezo IF filter. Narrow-passband filters from Murata, the *SFE10.7MV5* and *SFE10.7MT* for fm radio and am up-conversion, use the second overtone vibration mode to achieve ±13kHz bandwidth and 35dB spurious response suppression. Murata Electronics (UK) Ltd. Tel. 01252 811666; fax 01252 811777.

SAW filters. Surface transversal acoustic wave filters by GPS are on quartz and offer a -20°C to 80°C temperature range, compared with the 0-40°C range in other materials; group delay is less than 150ns. First available is the *DW9249*, intended for use in the IF in DECT digital cordless telephones, operating at a centre frequency of 112.32MHz with a -3dB passband of 1.152MHz. Adjacent-channel rejection is 20dB. GEC Plessey Semiconductors Ltd. Tel. 01793 518510; fax 01793 518582.

Hardware

Sealed cases. Meeting the IP54 rating, instrument cases in ABS by *Serpac* are suited to use outside and in hostile industrial applications. They come in sizes from 57 by 92 by 38mm to 83 by 143 by 64mm and are sealed by a gasket between the box and lid, which is secured by four or six self-tapping screws, and O-rings for the

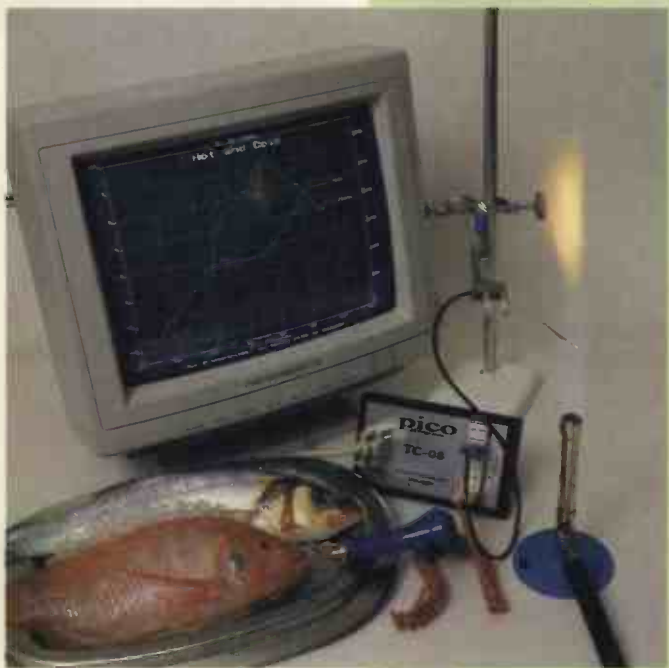
Personal DSOs. Tektronix has produced a range of digitising storage oscilloscopes at a price low enough that they can be considered personal instruments while retaining lab. instrument accuracy and performance. The range of *TDS 400A* instruments encompasses bandwidths from 200MHz to 400MHz with sampling to 100Msample/s and offers, when coupled with a range of accessories, an array of features for all kinds of electrophysical measurement. Both new models have a graphical user interface and offer automatic measurement of 25 parameters; there is also an FFT/maths option and a 3.5in floppy drive to allow results to be saved and imported to Windows and Macintosh applications. One of the accessories is the *P5200* high-voltage differential probe, which allows the 'floating' measurement of voltages up to 1300V when no ground point is available, the *P5200* converting the floating voltage to a ground-referred one with no capacitance penalty. Record length is 120K to allow a complete sight of a long signal while retaining the ability to see detail. Tektronix UK Ltd. Tel., 01628 486000; fax. 01628 474799.

screw holes. Options include the I series with a recessed top for a membrane keypad, the standard type with a flat top and a slanted model for wall mounting, all with pcb mounting pillars. OKW Enclosures Ltd. Tel. 01489 583858; fax 01489 583836.

Instrumentation

Sound-intensity probe. Improvements to *Bruel & Kjaer's* sound intensity probes increase physical robustness and extend

Snap-in bezels. *RMF* bezel/filter assemblies snap into a suitable panel aperture without the assistance of screws or fasteners of any kind. The ABS bezels are available in a range of sizes to match most types of display, black being standard and colours available to order. Combined coloured filters have a non-glare surface and come in red and clear for leds and lcds, colour again being available to order. Panel thickness required is 0.04-0.125in. and the range of sizes is from 1.343 by 1.906in to 1.656 by 8.531in. UV-Tec Ltd. Tel., 01252 844880; fax, 01252 844885.



Please quote "Electronics World + Wireless World" when seeking further information

frequency range. A stainless steel alloy brace replaces all the existing mechanical parts, doing away with adaptors and angle pieces and placing the probes in the IEC 1043 Class I. They come with a pair of microphones matched in phase and amplitude, a spacer allowing a 7.1kHz frequency range. Upgrade kits for types 3545, 3547 and 3548 are available. Bruel & Kjaer (UK) Ltd. Tel. 0181 954 2366; fax 0181 954 9504.

350MHz DSO. Gould's new *DataSYS 940* is a low-noise digital storage oscilloscope with a 350MHz bandwidth. This figure is guaranteed on all ranges from 5V/div to 2mV/div. Display modes include refresh, persistence, roll, X/Y and pre-trigger and live zoom. Each of four channels has a 50,000-word memory. There are also measurement and analysis functions, configurable to user requirements. Gould Instrument Systems Ltd. Tel. 0181 500 1000; fax 0181 501 0116.

Power analyser. *Dranetz PP1*, now for hire from Livingston, is a troubleshooter for power-line problems such as those causing motors to burn out and computers to crash when, according to chart recorders, all seems well. The *PP1* reports on individual cycle problems with voltage and current, monitoring trends in voltage, current, power, volt-amps, power factor, harmonics, kilowatt-hours and demand, being programmed from any of these or from external events such as the switching of equipment. Livingston Hire Ltd. Tel. 0181 943 5151; fax 0181 977 6431.

Stepper drive. Digiplan's *PDHX* is a 4000step/rev ministepper drive, combining all motion-control facilities and power supply in one unit, intended to supply the requirements of point-to-point applications needing good dynamics, smooth, low-speed rotation down to 0.001rev/min and fast response; it reacts to a registration signal from a sensor in under 15µs. An optically isolated 24V i/o interface allows input from thumb-wheel switches, remote controls and plcs. The self-adaptive, switched-mode psu handles 100-250V input and supplies a 70V, 5A bus for high-speed torque at speeds up to 50rev/min. Indexing is powered by the built-in supply and is programmable over an RS232C serial link from any computer in Parker's X-code control language, which has over 160 high-level commands, maths functions, subs and constructs such as IF-THEN-ELSE and REPEAT loops. Parker Hannifin plc, Digiplan Division, Tel., 01202 699000; fax, 01202 695750.

Programmable function generator. Providing full digital control by way of a GPIB interface, TTI's *TG1304* analogue function generator's output frequency is accurate to within 0.01%. Two separate function generators in the instrument cover 0.01Hz-13MHz from 50Ω and 0.005Hz-50kHz from 600Ω, the lower-frequency circuit being mainly intended to sweep and modulate the other, although it is suitable for use on its own for sine, square and triangle waves. Both generators output 2mV-20V pk-pk. Thurlby Thandar Instruments Ltd. Tel. 01480 412451; fax 01480 450409.

Audio analyser. Trio-Kenwood has introduced the *VA 2230*, a microprocessor-controlled combination instrument including a 0.005% distortion, 5Hz-100kHz audio generator; voltmeter for ac and dc reading in volts, dBu and watts; a distortion meter giving total distortion, harmonic distortion and its analysis; and a frequency counter. S/n, channel ratio and sinad are also given. The 100-point programmable memory and GPIB port are provided. Trio-Kenwood UK Ltd. Tel. 01923 816444; fax 01923 819131

Video test generator. *VG-812* is an rgb programmable video test generator by Ginsbury that has a 40-program memory. It is intended for testing computer monitors and can be programmed for timing, colour and pattern by the user, a high-speed clock allowing the evaluation of high-resolution monitors. It has an RS-232 port for remote control by a PC. Ginsbury (UK) Ltd. Tel. 01634 290903; fax 01634 290904.

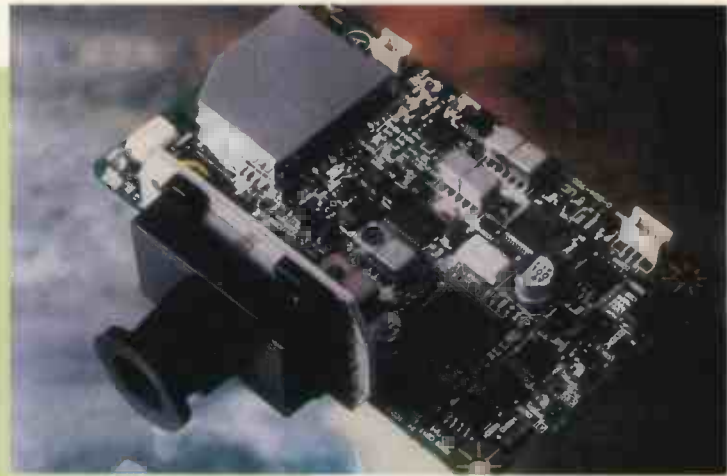
Clamp meters. Clamp meters by Yokogawa have both digital and analogue displays, the analogue readout being in the form of a fan-shaped bar graph to simulate a moving-coil meter. As well as the usual current measurements found on clamp instruments, these provide digital multimeter functions, a peak-hold function being available and analogue output for recording. Martron Instruments Ltd. Tel. 01494 459200; fax 01494 535002.

Electric-field meter. Holaday has the *HI-3638* to measure ELF/VLF electric fields in the 5Hz-400kHz range. Its sensor is cable connected to the digital readout to give complete isolation and fields from 0.4V/m to 40kV/m can be measured. Holaday Industries. Tel. 01628 478155; fax 01628 476871.

Microwave leakage monitor. For continuous monitoring of microwave fields, the *HI-2602 Microwave Interlock Monitor* takes input from a single remote sensing probe. Relay contacts close and a led illuminates if microwave level exceeds a preset limit up to 1mW/cm². Holaday Industries. Tel. 01628 478155; fax 01628 476871.

Interfaces

Analogue-input VME. *DVME-614* analogue-input VME boards by Del



Vision systems

Camera on a card. Sony's *CCB-GC5/P* series of cameras are card mounted (54 by 86mm) providing a 330-line resolution from a 1/3in imager in both NTSC and PAL formats, automatic exposure control and auto tracing white balance. Options include a choice of lens, a Y/C output and cables to allow the ccd head to be up to 150mm away from the board. Similar in other respects, the *CCB-GC7YC/P* gives a 470-line resolution through the Y/C output. Supply is 7-13V. Sony Computer Peripherals & Components. Tel., 01932 816000; fax, 01932 817001.

have dual, high-speed a-to-d converters to avoid phase skew in synchronous channels. In the *614F*, two channels are sampled at up to 2MHz each at 12-bit resolution, while the *614G* variant has two 1MHz, 14-bit channels. Both have fifo memory options to prevent data loss by sending bursts of samples to the host while conversion proceeds. Datel (UK) Ltd. Tel. 01256 880444; fax 01256 880706.

16-channel analogue i/o. LSI's *PC16IO8* simultaneously samples 16 12-bit analogue inputs at up to 25kHz and up to 48kHz with fewer channels, each channel having its own a-to-d converter for speed and phase alignment. Eight analogue outputs come from two 12-bit d-to-a converters at update rates of up to 100kHz. There is a *DSPLink* parallel interface for control and to enable the *PV16IO8* to be used with peripherals and other i/o boards. Eight buffered ttl-level digital i/o channels allow integration with the host dsp. Loughborough Sound Images Ltd. Tel. 01509 634300; fax 01509 634333

Literature

Op-amps. Harris's *High-performance Op-amps and Buffers* brochure gives full details of the voltage and current feedback op-amps and buffers with bandwidths in the 45-858MHz range introduced since the company's 1993-

4 databook. As well as performance figures, there are details of the special features of op-amp design. Harris Semiconductor UK. Tel. 01276 686886; fax 01276 682323.

Connector catalogues. Four catalogues from *Robinson Nugent* describe interconnection products. There is a pga socket brochure on sockets for the *Pentium*; a catalogue on *PAK 5* and *PAK 8* smt fine-pitch board-to-board connectors; a third on *MEMPAK* PCMCIA connectors; and one on 2mm products. Robinson Nugent (Europe) Ltd. Tel. 0031 4990 75755; fax 0031 4990 77155.

Noise suppression. *Panasonic* offers a catalogue of noise suppression and filtering components for power line, signal line and surge pulse protection. Components described include line filters, ceramic-disc and chip capacitors, chokes, emi filters and bead cores and inductors. There is also an introduction to the law and regulations on noise and the principles of its suppression. Panasonic Industrial (Europe) Ltd. Tel. 01344 853827; fax 01344 853803.

Gas plasma displays. A colour brochure from *Cherry* describes the company's latest range of gas plasma displays, including the *Plasmadot* family of full-field dot-matrix types and a series of interface controllers and dc-to-dc converters. Technical details and some application information are included. Cherry Electrical Products Ltd. Tel. 01582 763100; fax 01582 768883.

Light measurement. Instruments for light measurement, applications and the basics of radiometry and photometry are all described in a new catalogue from *International Light of Massachusetts*, which also includes tutorial information. International Light Inc. Tel. (USA), 00 508 465 5923; fax 00 508 462 0759.

Flexible circuit material. Rogers Corporation offers a colour brochure describing, in general terms, its capabilities in the manufacture of flexible pcb substrates in polyimide-based laminates or all-polyimide material and adhesive types in acrylic, butyral phenolic and epoxy. Copper

NEW PRODUCTS CLASSIFIED

Please quote "Electronics World + Wireless World" when seeking further information

Energy management

controller. Microchip says its new *MTE1122* IC, developed in partnership with Coast Energy Management, will reduce power consumption in consumer and industrial equipment using ac motors by up to 30% by the use of the company's *PIC16/17* 8-bit, risc-based microcontroller. Motor load is digitally monitored several thousand times per second and power consumption controlled as required by varying the ac signal to allow a constant speed at reduced power. Arizona Microchip Technology Ltd. Tel., 01628 851077; fax, 01628 850259.

cover is rolled annealed or electro-deposited. Rogers Corporation. Tel. (USA), 00 203 774 9605; fax 00 203 774 9630.

Sensors. The *Sensor Technology Sourcebook* lists and describes companies and organisations involved with sensors of all kinds by application and alphabetically, with names and telephone/fax numbers, lists databases, technology transfer specialists and commercial products. Technical Insights Inc. (USA). Tel. 00 201 568 4744; fax 00 201 568 8247.

Materials

EMI/RF seals. At prices not much more than those for ordinary dust and moisture seals, James Walker's *Shieldseal 107* conductive elastomer in standard or custom profiles achieves IP65 rating and provides broadband shielding with an attenuation of 120dB E-field at 1MHz, 90dB at 100MHz and 50dB plane wave at 10GHz. Volume resistivity is 6 Ω /cm. James Walker & Co. Ltd. Tel. 01483 757575; fax 01483 755711.

CFC-free foam. *Jiffycel* foam packaging protection is now made without chlorofluorocarbons or other harmful chemicals, while retaining its physical properties of reusable resilience and capability of being recycled. Jiffy Packaging Co. Ltd. Tel. 01606 551221; fax 01606 592634.

Power supplies

Fixed-f smps. Using fixed-frequency switching to meet EN55022 level B EMI needs, XP's *NFN 25* and *40* universal-input units are available in 25W and 40W versions and various output voltages including 5, 12, 15 and 24V singles and 5V with $\pm 12V$, 5V with 12V and $-5V$, and 5V with $\pm 15V$. Universal input handles 85-264V, 47-440Hz. XP plc. Tel. 01734 845515; fax 01734 843423.

PCMCIA power controllers. Micrel's range of controllers now includes the *Micrel 2561*, a low-cost device in 14 or 16 pin SOIC packaging. It will switch between the three V_{cc} voltages off, 3.3V and 5V and the five V_{pp} voltages off, 1V, 3, 3V, 5V and 12V, selection being by means of two

digital inputs for each output. Output current is up to 750mA for V_{cc} and 200mA for V_{pp} . There is full protection for equipment and power supply. Hawke Components Ltd. Tel. 01256 880800; fax 01256 880325.

'Smallest' ldo regulator. Described by National Semiconductor as the smallest and highest-performing low dropout regulator family, the 50mA *LP2980* is one of the company's TinyPak series in the 8.2 mm² SOT-23 package. Dropout voltage is 120mV at 50mA and 7mV at 1mA; quiescent current 375 μ A/80 μ A. Input voltage is $-0.3V$ to 16V and output voltage, 3V, 3.3V or 5V, accurate to within $\pm 0.5\%$. National Semiconductor GmbH. Tel. 01049 814110382; fax 01049 814103515.

Efficient regulator. Having a 4-40V operating range, Linear's *LTC1159* high-frequency, synchronous, switching regulator is 90%-95% efficient with loads in the 0.02-2A range while providing 5V from a 10V input. Two external mosfets are driven at frequencies to 250kHz, the unit automatically switching between continuous and burst operation for higher efficiency. Quiescent current is 250 μ A and 20 μ A when shut down and dropout is 200mV at 1A and 100% duty cycle. Micro Call Ltd. Tel. 01844 261939; fax 01844 261678.

Radio communications products

Satellite receiver. R L Drake of Ohio has introduced the *ESR410*, a miniature, rack-mounted satellite receiver using synthesised tuning and block conversion. Frequency range is 950-2050MHz and the unit is meant for master-antenna television, commercial or industrial audio, video and data. For audio, there is noise reduction and Wegener stereo compatibility, audio subcarriers in the 5-9MHz range being tuned at the front panel and the unit has three selectable audio IF bandwidths. R L Drake Company. Tel. 00 513 866 2421; fax 00 513 866 0806.

Switches and relays

Photovoltaic relays. Relays in IR's *PVT412* series are designed to meet telecom and electrical safety requirements of the major countries

without the need for adaptation. They are single-pole, normally-open solid-state relays using an IC photovoltaic generator and IR's Hexfet power mosfets as output switch. Switching performance is $\pm 400V$ ac peak or dc at up to 140mA ac and 210mA dc; input/output isolation is 4000V rms. Active internal current limiting in the *PVT412L* meets the FCC Part 68 lightning-surge requirement up to 200A. International Rectifier. Tel. 01883 713215; fax 01883 714234.

Fused isolators. Expanding its range of *Slimline NH* fused isolators, Rittal can now achieve fused protected power distribution to 630A by the use of fuse links NH00, 1, 2 and 3 in widths of 100mm. The range uses double interruption per phase and double arcing chambers; line feed is either from top or bottom and the units fit directly to busbars on 185mm centres. Rittal Ltd. Tel. 01709 704000; fax 01709 701217.

Surface-mounted switches. Jeil offers a range of surface-mounted switches for 12V working, having a contact resistance at 50mA of 100m Ω . Travel is 0.25mm and operating force is chosen from the

100, 160 or 260g range. Height from the board is between 13mm and 1.6mm and overall size is 5.7 by 4mm to 10 by 6mm. A dust-proof type, the *JTP 1290*, is also available. Pedoka Ltd. Tel. 01462 422433; fax 01462 422233.

Cashpoint keyboards.

Programmable keyboards for shops, made by DED are protected from liquid spills and are of the membrane type with feel. *POS-Page 854/865* have 120 keys, covered by a transparent sheet which forms a menu page to indicate each key's function, the page being produced using software supplied and the keyboard itself or simply marked up by pen. Each key can be programmed to generate a macro of up to 16 characters on one level or on each of four concurrent levels. Several options for interfacing to computers, scales and printers are provided. DED Ltd. Tel. 01797 320636; fax 01797 320273.

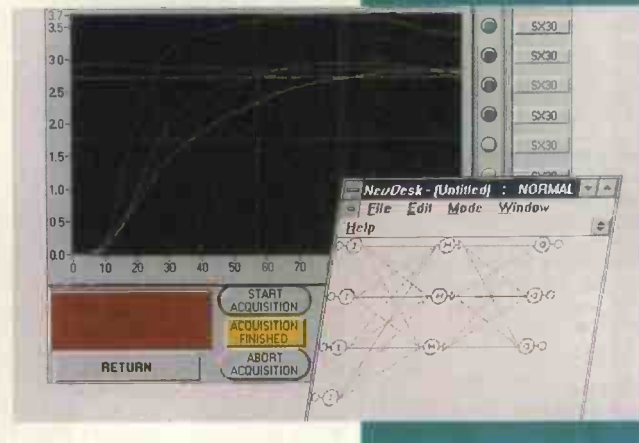
Transducers and sensors

Piezoelectric film sensors. Strain sensors from Pro-Wave, based on polyvinylidene fluoride film, offer improved sensitivity over ceramic types. A two-pin, pcb-mounted unit, the *FS-2513P*, measures 13 by 25mm, is encased in a moisture-resistant coating and has a sensitivity of 0.5mV/g with a 25-70Hz frequency range. Capacitance and output impedance at 1kHz are 1.5nF and 100k Ω . Quantelec Ltd. Tel. 01993 776488; fax 01993 705415.

Electret microphones. Future Components handles the complete range of Panasonic's electret capacitor microphone cartridges in the *WM-034* and *WM-54* series, intended for use in both industrial and consumer application. *WM-54B* is a new, 4.5mm deep model with a choice of sensitivity in the $-46dB$ to $-40dB \pm 2dB$ or $\pm 3dB$, working in the 20-16000Hz range at 2.5V. *WM-034B/C* are commonly used types operating at 4.5V with $-46dB$ to $-38dB \pm 3dB$ sensitivity, while *WM-034D* is a 1.5-10V model and *WM-034F* a 1.5V type for 100-5000Hz working with high and low frequency roll-off for telephone use. Future Components Ltd. Tel. 01279 758999; fax 01279 757676.

Neural network for smart noses.

Windows-based neural network by NCS, the *NeuRun*, is in use by the French firm AlphaMOS to add automatic decision making to the *Fox 2000* electronic nose, little effort having been needed to embed artificial intelligence in Fox's LabView-based software. *NeuRun* is compatible with pc and windows dos software and hardware, so that it can be used to construct and upgrade applications in a modular manner without the need to program or redesign existing software. In this case, *NeuRun* is embedded as a background task behind *LabView*, odour samples being analysed by *NeuRun*, a decision on the sample made and the decision transferred back for display in less than one second. Neural Computer Sciences Ltd. Tel., 01703 667775; fax, 01703 663730.



COMPUTER

Data communications

Plug-and-play IEEE 488.2 controller. National Instruments's IEEE 488.2 controller board is now available in a ready-to-wear, jumperless version. *AT-GPIB/TNT(PnP)* fits 16-bit ISA plug-in slots and is designed for true plug-and-play operation in compatible systems, in which hardware settings are automatically in place at switch-on. In a non-compatible system, the

board provides configuration by means of the NI-488.2 software configuration facility that is supplied with the board, in addition to dos and Windows drivers. It is compatible with LabVIEW, LabWindows/CVI and LabWindows applications packages. National Instruments UK. Tel. 01635 523545; fax 01635 523154.

RS232 voltages from transceiver. Linear's *LTC1348* RS232 transceiver IC delivers true RS232 voltages from one 3.3V supply. It is a three-driver, five-receiver DTE unit drawing 500µA and needing only three 0.1µF capacitors for the RS232 voltages. It has four current-saving modes of operation, including a 10µA 'receiver-keep-alive' mode and full protection from esd and overvoltage. *LTC1348* supports data rates up to 120kbaud. Linear Technology (UK) Ltd. Tel. 01276 677676; fax 01276 64851.

Development and evaluation

8051 emulator. *TX51* is a low-cost emulator supporting all rom-less variants of the 8051, including the Dallas *DS320*, up to an oscillator frequency of 30MHz and can be configured for 3V working. The single-cable ROMlink can also be available for the unit. *HITOP* development environment is used, in which one can debug code in C, PLM or Pascal

at source level, and view and modify variables while the program runs. On offer is a free information pack and demo disk. Hitex (UK) Ltd. Tel. 01203 692066; fax 01203 692131.

Programming hardware

Dual programmer. *SMS Sprint Dual* is a twin programmer for both development and production, its most popular version being capable of handling 48-pin dips PLCCs up to 84 pins and a JTAG connector for in-circuit programming. For production, the instrument will program devices in parallel, speed of operation being enhanced by the use of the host pc's cpu and ram. Concentrated Programming Ltd. Tel. 01279 600313; fax 01279 600322.

Software

Windows XRAY Monitor. Microtec offers a Windows version of the *XRAY Monitor* debugger for the Motorola 68000 family, using all the short-cut facilities of windows for speed, including a button bar for common commands and icon dragging. Assembler and high-level source code are visible together and there is context-sensitive help. Configuration to target hardware is easy and even the faster target processors run at full speed. Microtec Research Ltd. Tel. 01256 575551; fax 01256 575553.

Mixed-mode circuit simulation. Windows-based *IsSpice4* by Intusoft is an advance on Spice 3 in that it will now simulate both analogue and digital circuitry in the same .EXE. The event-driven *IsSpice4* algorithm supports 12-state digital data, and also real, integer and user-defined data, so that it is capable of simulating, say, dsp functions and sampled data filters in an analogue environment. Real data is handled by the event-driven simulator, so that the sampled-data filter can be simulated quicker than in an analogue model. Intusoft. Tel. (USA) 010 310 833-0710; fax 010 310 833-9658.

Graphics. Numerical Algorithms Group now distributes template Graphics Software packages, from two-dimensional presentations to high-level three-dimensional visualisation. *FIGraph*, a 2D/3D charting system for Fortran and C generates line, bar, pie and contour graphs on graphics terminals, IBM mainframes and the *X Window* system. *FIGARO+* ANSI/ISO PHIGS+ is for graphics in cad/cam on workstations, mainframes and *Windows NT*. TGS is a licensee of the *OpenGL* software interface for 3D applications, and *Open Inventor*, a C++ authoring system based on OpenGL. These products complement NAG's *IRIS Explorer*. Numerical Algorithms Group. Tel. 01865 511245; fax 01865 310139. ■

WE HAVE THE WIDEST CHOICE OF USED OSCILLOSCOPES IN THE COUNTRY

TEXTRONIX 7000 SERIES OSCILLOSCOPES AVAILABLE FROM £200. PLUG-INS SOLD SEPARATELY

TEXTRONIX 7245A 4 Channel 100MHz Cursors/Volmeter etc.	£1250
TEXTRONIX 7245A 4 Channel 100MHz Cursors etc.	£1000
TEXTRONIX 475 Dual Trace 200MHz Delay Sweep	£500
TEXTRONIX 465 Dual Trace 100MHz Delay Sweep	£400
TEXTRONIX 5250A Dual Trace 80MHz in 1MS/0.1S As new	£500
NIWATSU S55711C 4 Channel 100MHz Delay Sweep with DMM	£500
TRIO CS2070 4 Channel 70MHz Delay Sweep	£450
TEXTRONIX 7215 Dual Trace 50MHz Delay Sweep	£400
PHILIPS VM50F Dual Trace 60MHz Delay Sweep	£350
TEXTRONIX PM2217 Dual Trace 50MHz Delay Sweep	£400
TELEquipment 083 Dual Trace 50MHz Delay Sweep	£200
GOULD OS1100 Dual Trace 30MHz with Delay	£240
GOULD OS1100S1 Dual Trace 30MHz	£200
HITAONI 412 Dual Trace 20MHz Trig to 40MHz Delay	£225
GOULD CS300 Dual Trace 20MHz	£200
TEXTRONIX T922 Dual Trace 15MHz	£200
GOULD CS250B Dual Trace 15MHz	£175
NIWATSU S55702 Dual Trace 20MHz	£400
TRIO CS1566A Dual Trace 20MHz	£200
LC CROF 9400 Dual Trace 125MHz Digital Storage	£1000
HITAONI V03045 Dual Trace 100MHz 40MHz Cursors Digital Storage	£1100
PHILIPS PM3035 4 Trace 35MHz Digital Storage	£650
TEXTRONIX 466 Dual Trace 100MHz Analogue Storage	£400
H.P. 1741A Dual Trace 100MHz Analogue Storage	£350
GOULD CS4000 Dual Trace 100MHz Digital Storage	£200

THIS IS JUST A SAMPLE. MANY OTHERS AVAILABLE

HEWLETT PACKARD 1740A Oscilloscopes 100MHz Dual Trace Delay Sweep	only £350
MARCONI 2018 Synthesised AM/FM Sig Gen 80MHz - 520MHz	£750
H.P. 8640C Sig Gen 20Hz - 102MHz	£1000
H.P. 8620C Sweep Oscillator with 86245A S.G. - 12.4GHz	£400
SYSTRON DOWNER 1702 Syn AM/FM Sig Gen 100Hz - 1GHz	£800
RACAL 9081 Synthesised AM/FM Sig Gen 5 - 520MHz	£500
FARNELL S56520 Synthesised AM/FM Sig Gen 10 - 520MHz	£400
MARCONI TF2015 AM/FM Sig Gen 10 - 520MHz	£200
MARCONI TF2015 with Synchroniser TF2173 (Lock Box)	£250
MARCONI TF2016 AM/FM Sig Gen 10MHz - 120MHz	£250
MARCONI TF2016 with Synchroniser TF2173 (Lock Box)	£375
H.P. SMITH ANTENNA type 12-602-4	£2000
RACAL INSTRUMENTATION RECORDER type Store 40N	£500
H.P. 3575A Gain Phase Meter 1Hz - 1MHz	£400
MARCONI TF2337 Automatic Distortion Meter	£200
RAIFORD LD04 Low Distortion Oscillator	£300
RAIFORD LDMS2 Low Distortion Measuring Set	£300
TEXTRONIX CP250 Triple Output PSU 2x20V/0.5A Va; 5V/2A Fixed	£225
TEXTRONIX CP250 Function Gen 0.2Hz - 20Hz Sine/Sqr/Tri/TTL	£180
TEXTRONIX CDN250 Digital Multimeter 3 1/2 digit LED	£180

H.P. 3456A DVM 6 1/2 digit DC/True RMS AC/Res HP/IB	£600
H.P. 5341A Frequency Counter 50MHz - 1.5GHz LED	£300
MARCONI 2435 Digital Frequency Meter 20Hz	£400
RACAL 1508 Frequency Counter 1.30Hz (Options: GPIB & High Stab)	£500
RACAL DANA 1931 Universal Counter/Timer 150MHz 9 digit	£800
MARCONI 2437 Universal Counter/Timer DC - 100MHz 8 digit	£175
MARCONI 2431A Frequency Counter 10Hz - 200MHz 8 digit	£150
MARCONI 2430A Frequency Counter 10Hz - 80MHz 8 digit	£150
RACAL 9918 Frequency Counter 10Hz - 50MHz 9 digit	£200
RACAL 9913 Frequency Meter 10Hz - 200MHz 8 digit	£125
DAYTON 1051A 1 1/2 digit Auto/Multimeter True RMS AC/Current	£650
H.P. 3430A 5 1/2 digit Multimeter AC/DC/Ohms	£200
H.P. 3435A 3 1/2 digit Multimeter AC/DC/Ohms/Current LED	£200
PHILIPS PM2334 Multi Function DMM 3 1/2 - 4 1/2 digit GPIB/IEEE	£450
SOLARTON T150 6 1/2 - 3 1/2 digit DMM with IEEE	£400
SOLARTON 7045 4 1/2 digit Multimeter Volts/Amps/Ohms	£80
WAYNE KERR 8905 Automatic Precision Bridge 0.05%	£900
MARCONI TF270 Universal Bridge Battery Operated	£150
MARCONI TF1313A Universal LCR Bridge 9 1/2%	£125
WAYNE KERR 8424 Digital Component Meter LCR	£200
HEATMIX IB RLC Bridge	£60
BRADLEY 192 Oscilloscope Calibrator	£600
WILTRON 560 Scaler Network Analyser with Detectors	£1000
FARNELL H30 100 0 - 30 Volts 0 - 100 Amps Metered	£800
FARNELL TV670 Wx2 70 Volts 5 Amps/50 Volts 10 Amps Metered	£200
FARNELL R30/10 30 Volts 10 Amps Vane	£200
FARNELL L3E 0 - 30 Volts 0 - 5 Amps Metered	£175
FARNELL P1 3200MD 30V 2A Twice Digital	£200
TRUBLY P1 320 30V 2A Digital	£120
MARCONI (WEIR) TF2154 0 - 30V 1A 0 - 15V 2A 0 - 7.5V 5A Metered	£66
H.P. 8516A 0 - 30V 1A - 5MA Metered	£70
BRANDEBURG Model 472R +/- 2KV Metered	£200
FEEDBACK F6500 Sine/Sqr/Tri 0.01Hz - 100KHz	£60
BLACK STAR Meter 100 - 100MHz - Frequency Counter	£70
BLACK STAR Jupiter 500 - 500MHz Fun Gen Sine/Sqr/Tri/TTL	£170
FARNELL PG101 Pulse Gen 100nsSecs 10MHz (1 Sec Lin)	£125
LINDOS LA1 MZ20 Audio Analyser	£500
UNIMAX BP21 Audio Analyser	£500
PHILIPS PM518 Colour TV Pattern Generator	£1800
H.P. 4275A Multi Freq LCR Component Meter	£300
H.P. 5340A Automatic Microprocessor Counter 10Hz - 18GHz	£500
TRANDAR TG501 Fun Gen 0.0005Hz - 5MHz Sine/Sqr/Tri/Ramp/Pulse etc	£200
MARCONI TF2331 Distortion Factor Meter 20Hz - 200Hz 0.05%	£150
MARCONI TF2333 Attenuator DC - 1GHz	£140
MARCONI TF2938 Audio Power Meter Snd	£250
H.P. 16300 Logic Analyser 43 Chn	£750
H.P. 8405A Vector Voltmeter 1 - 1000MHz	from £300
RACAL 9104 RF Power Meter 1MHz - 1GHz 10mW - 300W	£400
RACAL 9100 Absorption Wattmeter 1 MHz - 520MHz 300mW	£100

NEW EQUIPMENT

NAMEC OSCILLOSCOPE HM1005 Triple Trace 100MHz Delay Timebase	£847
NAMEC OSCILLOSCOPE HM104 Dual Trace 50MHz Delay Sweep	£653
NAMEC OSCILLOSCOPE HM203 7 Dual Trace 20MHz Component Tester	£362
NAMEC OSCILLOSCOPE HM205 3 Dual Trace 20MHz Digital Storage	£653

All other models available - all oscilloscopes supplied with 2 probes

BLACK STAR EQUIPMENT (P&P all units £5)

APOLLO 100-100MHz Counter/Timer Ratio/Period/Time Interval etc.	£222
APOLLO 100 100MHz (As above with more functions)	£375
NETEOR 100 FREQUENCY COUNTER 100MHz	£119
NETEOR 600 FREQUENCY COUNTER 600MHz	£119
NETEOR 1000 FREQUENCY COUNTER 100Hz	£119
JUPITOR 500 FUNCTION GEN 0.1Hz-500MHz Sine/Sqr/Tri	£119
DRUM COLOUR BAR GENERATOR Pal/TV/Video	£229

All other Black Star Equipment available

OSCILLOSCOPE PROBES Switchable x1 x10 (P&P £3)

SPECTRUM ANALYSERS

H.P. 8565A 0.01 - 220Hz	£5000
H.P. 3580A LED 5Hz - 50KHz	£1000
POLARAD 641-1 10MHz - 180Hz	£1500
ANDI AC281 with AC2811 1700MHz	£1500
H.P. 182 with 8558B 100KHz - 1500KHz	£1500
H.P. 1411 with 8554B & 8552B 200KHz - 1200KHz	£1200
H.P. 1411 with 8553B & 8552A 1KHz - 1100KHz	£800
MARCONI T22370 30Hz - 110MHz	£1000
H.P. 8443 Tracking Generators Available from	£300
H.P. 1411 Main Frames only. Good Tubes.	£225

Used Equipment - GUARANTEED. Manuals supplied if possible.
This is a VERY SMALL SAMPLE OF STOCK. SAE or Telephone for lists. Please check availability before ordering.
CARRIAGE all units £16. VAT to be added to Total of Goods and Carriage.

STEWART of READING
110 WYKEHAM ROAD, READING, BERKS RG6 1PL
Telephone: (01734) 268041. Fax: (01734) 351696
Callers Welcome 9am-5.30pm Monday to Friday (until 8pm Thursday)

MEJDAF Europe Ltd

INTRODUCE

★ 'ENGINEER' brand professional tools from Futaba Tool Manufacturing Co. Ltd. Japan for Electrical/Electronic Engineering Industry.

★ 'GOOT' brand soldering equipment from Taiyo Electric Industrial Co. Ltd. Japan.

We offer competitive prices for these exceptionally high quality products.

For descriptive literature please contact:

MEJDAF EUROPE LIMITED
196 Preston Road,
Wembley, Middlesex
Tel: 0181 904 9671
Fax: 0181 904 9546

We feel that most readers will know these kits but if you want more information about them, then we have the official Smart catalogue available. This gives circuit diagrams and illustrations. The price is £1 or free if you order kits to the value of £20 or more, the prices include VAT. You can send a cheque or postal order or ring and quote your credit card number and please add £3 service charge if the order is under £25.

CAT. NO.	DESCRIPTION	PRICE £	CAT. NO.	DESCRIPTION	PRICE £
1002	VU meter with led display	4.60	1070	Hi-fi preamplifier	7.47
1003	5 watt electronic siren	2.53	1071	4 input selector	6.90
1004	Light switch	3.22	1073	Voice activated switch	3.45
1005	Touch switch	2.87	1074	Drill speed controller	2.76
1006	800 watt music to light	2.76	1077	100 watt hi-fi amplifier	12.50
1007	Stabilized powr supply 3.30v/2.5A	6.90	1080	Liquid level sensor - rain alarm	2.30
1008	SF function generator	6.90	1082	Car voltmeter with leds	7.36
1010	5 input stereo mixer with monitor output	19.31	1083	Video signal amplifier	2.76
1012	Reverberation unit	5.52	1084	TV line amplifier	1.84
1014	3x700 watt wireless music to light	5.98	1085	DC converter 12v to 6 or 7.5 or 9v	2.53
1015	Mosquito repeller	2.07	1086	Music to light for your car	4.60
1016	Loudspeaker protection unit	3.22	1087	Thyristor/triac tester	2.76
1017	30 watt linear CB	14.71	1088	Kitt scanner	10.12
1020	0-5 minute timer	2.99	1089	Led Flasher/555 tester	1.61
1025	7 watt hi-fi power amplifier	2.53	1090	Stress meter	3.22
1026	Running lights	4.60	1091	Guitar preamplifier	4.14
1027	Nicad battery charger	3.91	1093	Windscreen wiper controller	3.68
1030	Light dimmer	2.53	1094	Home alarm system	12.42
1032	Stereo tone control	4.14	1095	Lead acid battery charger	4.60
1033	60 watt hi-fi power amplifier	7.82	1096	2-30v 5A stabilized variable	11.04
1034	Car battery checker	1.61	1098	Digital thermometer with lcd display	11.50
1035	Space sound effects	2.30	1100	2x18 watt interated amplifier	18.39
1038	AM FM aerial amplifier	1.61	1101	Doller tester	4.60
1039	Stereo VU meter	4.60	1102	Stereo VU meter with 14 leds	6.67
1040	10 watt hi-fi power amplifier	2.76	1103	Led power meter	1.84
1041	25 watt hi-fi power amplifier	4.60	1106	Thermometer with leds	6.90
1042	AF generator 250Hz - 16KHz	1.70	1107	Electronic 1x2	3.68
1043	Loudness stereo unit	3.22	1109	40 watt hi-fi amplifier	7.36
1044	Graphic equalizer	7.13	1110	Oscilloscope component tester	2.53
1045	Sound effects generator	3.68	1111	Logic probe	2.07
1046	2x25 watt stereo booster & sink.	8.05	1112	Loudspeaker protection with delay	4.60
1047	Sound switch	5.29	1113	2x18 watt power amplifier	5.98
1048	Electronic thermostat	3.68	1114	Electronic lock	4.14
1049	Ultrasonic radar	8.28	1115	Courtesy light delay	2.07
1050	3 input hi-fi stereo preamplifier	12.42	1117	TV pattern generator	5.06
1051	Touch dimmer with memory	4.60	1118	Time switch with triac 0-10mins	4.14
1052	3 input mono mixer	6.21	1122	Telephone call relay	3.68
1053	Electronic metronome	3.22	1123	Morse code generator	1.84
1054	4 input instrument mixer	2.76	1124	Electronic bell	2.76
1055	FM receiver incorporation TDA7000	6.90	1125	Telephone lock	3.68
1056	8-20v 8A stabilized power supply	12.42	1126	Microphone preamplifier	4.60
1057	Cassette head preamplifier	3.22	1127	Microphone tone control	4.60
1058	Electronic car ignition	7.82	1128a	Power flasher 12v DC	2.53
1059	Telephone amplifier	4.60	1131	Robot voice	3.68
1060	+40v 8A power supply	8.28	1133	Stereo sound to light	5.26
1061	12v 0.5A stabilized power supply	2.76			
1062	5v 0.5A stabilized supply for TTL	2.30			
1063	12v 2A power supply	2.30			
1064	+12v 0.5A stabilized supply	3.22			
1066	Motorbike intercom	7.82			
1067	Stereo VU meter with leds	9.20			
1068	18v 0.5A stabilized power supply	2.53			
1069	Fluorescent tube unit from 12v DC	2.99			

M&B ELECTRICAL SUPPLIES LTD
Pilgrim Works (Dept. WW),
Stairbridge Lane, Bolney, Sussex
RH17 5PA. Tel: (01444) 881965

CLASSIFIED

TEL 0181 652 3620

FAX 0181 652 8956

ARTICLES FOR SALE

VALVES, and CRTs FOR SALE

ONE MILLION VALVES stocked for Audio, Receiving, Transmitting & RF Heating. Rare brands such as Mullard & GEC available. Also MAGNETRONS, KLYSTRONS, CRTs and SOCKETS.

Large stocks of Russian & Sovtek items.

Please ask for our free catalogues of valves or CRTs.

VALVES, etc. WANTED

All types considered but especially KT88/PX4/PX25 (£45), KT66 (£30), KT77/EL34/EL37 (£10), ECC81/ECC83 (£3). Valves must be UK manufacture to achieve prices mentioned. All VALVE-ERA EQUIPMENT such QUAD, LEAK, GARRARD 301.

If possible, send a written list for a prompt decision.

BILLINGTON EXPORT LTD., 1E Gillmans Ind. Estate, Billingshurst, Sussex RH14 9EZ.

Tel: 01403 784961 Fax: 01403 783519

VISITORS STRICTLY BY APPOINTMENT.

MINIMUM ORDER £50 plus VAT



Cooke International SUPPLIER OF QUALITY USED TEST INSTRUMENTS

ANALYSERS, BRIDGES, CALIBRATORS,
VOLTMETERS, GENERATORS, OSCILLOSCOPES,
POWER METERS, ETC. ALWAYS AVAILABLE

ORIGINAL SERVICE MANUALS FOR SALE
COPIES ALSO AVAILABLE

EXPORT, TRADE AND U.K. ENQUIRIES WELCOME,
SEND LARGE "A3" S.A.E. + 50P POSTAGE FOR LISTS
OF EQUIPMENT AND MANUALS.

ALL PRICES EXCLUDE VAT AND CARRIAGE
DISCOUNT FOR BULK ORDERS SHIPPING ARRANGED

OPEN MONDAY-FRIDAY 9AM-5PM

Cooke International

ELECTRONIC TEST & MEASURING INSTRUMENTS
Unit Four, Fordingbridge Site, Main Road, Barnham,
Bognor Regis, West Sussex, PO22 0EB

Tel: (+44) 01243 545111/2

Fax: (+44) 01243 542457

EQUIPMENT & ACCESSORIES PURCHASED

CIRCLE NO. 149 ON REPLY CARD

TURN YOUR SURPLUS TRANSISTORS, ICS ETC, INTO CASH

Immediate settlement.

We also welcome the opportunity to
quote for complete factory clearance.

Contact:

COLES-HARDING & CO, Unit 58,
Queens Road, Wisbech, Cambs. PE13 2PQ
ESTABLISHED OVER 15 YEARS

Buyers of Surplus Inventory

Tel: 01945 584188 Fax: 01945 475216

RECRUITMENT

Immediate Start

Person required with
good knowledge of R.F.
design and product
manufacture up to
48Ghz, products for the
security industry
excellent prospects for
the right person
including partnership.

Tel: Bob Clark
0305 786268

EPROM PROGRAMMER Dataman
S4, £350. Tel: 0181 591 0572.

ARTICLES WANTED

WE WANT TO BUY !!

**IN VIEW OF THE EXREMELY
RAPID CHANGE TAKING PLACE
IN THE ELECTRONICS
INDUSTRY, LARGE QUANTITIES
OF COMPONENTS BECOME
REDUNDANT. WE ARE CASH
PURCHASERS OF SUCH
MATERIALS AND WOULD
APPRECIATE A TELEPHONE
CALL OR A LIST IF AVAILABLE.
WE PAY TOP PRICES AND
COLLECT.**

R.HENSON LTD.

**21 Lodge Lane, N.Finchley,
London N12 8JG.**

5 Mins, from Tally Ho Corner.

TELEPHONE

081-445-2713/0749

FAX 081-445-5702.

WANTED

High-end Test Equipment, only
brand names as Hewlett-Packard,
Tektronix, Rhode & Schwarz,
Marconi etc. Top prices paid.
Please send or fax your offer to:

HTB ELEKTRONIK

Alter Apeler Weg 5,
27619 Schiffdorf, West Germany

TEL: 01049 4706 7044

FAX: 01049 4706 7049

WANTED

High-end Test, Communication &
Computer Equipment. Top prices paid.

Please send or fax your offer to:

Steigerwald GmbH
Neusserstrasse 9, 80807 Munich
South Germany

Tel: 01049 89 3615833

Fax: 01049 89 3615899

WANTED

Test equipment, receivers, valves,
transmitters, components, cable
and electronic scrap and quantity.
Prompt service and cash.

M & B RADIO

86 Bishopgate Street,
Leeds LS1 4BB

Tel: 0532 435649

Fax: 0532 426881

9956

SERVICES

DESIGN SERVICES

Software Design: High and Low Level.
Hardware Design: Analogue, Digital,
Micro and Embedded.
PCB, Schematic and Production Drawings.
Prototyping and Feasibility services.

Archimedes Custom

Equipment: Tel 0974 282670



**Hepworth &
Hatcher**

25 Shackstead Lane
Godalming, Surrey GU7 1RL
Tel/Fax: 01483 420595

- Specialists in custom embedded systems
- Software and hardware
- 8031/51 • PIC • 680xx • 80x86

CLASSIFIED

TEL 0181 652 3620

FAX 0181 652 8956

DISTRIBUTORS

AN5521	1.35	STK4352	6.20	STRD6008	10.00	TEA2026C	4.50
AN5732	1.40	STK4372	5.65	TA7227	1.85	TEA5170	1.40
AN6327	9.85	STK4803	7.05	TA7271	2.50	TUA2000-4	4.25
AN6677	8.50	STK4843	7.05	TA7280	2.25	U8849	2.35
BA5114	1.55	STK5315	5.85	TA7281	2.20	U4606B	5.50
BA6218	1.85	STK5332	1.90	TA7698	5.00	UAA1008	3.00
BA6219	1.20	STK5338	3.25	TA8200	3.50	UPC1178	1.05
HA11423	1.65	STK5361	4.15	TA8210	3.00	UPC1182H	5.15
HA13119	2.50	STK5372	2.85	TA8214	3.00	UPC1278H	2.20
KA6210	4.99	STK5372H	4.15	TA8215	3.00	UPD1420	4.50
LA3220	0.60	STK5412	3.75	TA8205	3.95	UPD1937	3.00
LA4183	1.35	STK5471	3.85	TA8659	13.00	25A814	0.71
LA4445	1.90	STK5490	4.95	TA75339	0.75	25A839	1.40
LA4495	1.40	STK6732	14.00	TD A1908A	2.00	25A1062	1.00
LA4588	2.55	STK7226	7.50	TDA2170	3.00	BU426A	1.10
LA7835	2.35	STK7308	4.05	TDA2270	2.50	BU500	2.45
LB1416	2.25	STK7348	4.05	TDA3562A-TFK	3.25	BU506D	1.50
LM301	0.25	STK7356	4.75	TDA3562A-SG	3.00	BU508A(PHIL)	0.80
LM317T	1.50	STK7404	6.50	TDA3645	8.00	BU508AF(PHIL)	1.00
M4918BI	4.75	STK73410	5.15	TDA3650	8.99	BU508DF(PHIL)	1.25
M4948BI	6.75	STK73410/2	5.95	TDA3850	18.99	BU806A	1.40
M51393	5.95	STK73605	4.50	TDA4400	1.75	BU907	0.85
M58655	3.30	STR441	14.75	TDA4505A	4.10	BU908	1.15
MB3730	1.70	STR451	25.00	TDA4505B	4.10	BU932	1.50
MB3756	8.00	STR3125	5.50	TDA4505E	4.00	BUK444/500	2.15
STK078	6.00	STR4211	5.50	TDA4505M	6.80	BUK454/600	1.95
STK435	4.00	STR4090	11.15	TDA4505K	6.15	BUT11A	0.70
STK461	6.00	STR2005	5.00	TDA4660	4.50	BUT11AF(PHIL)	1.20
STK2250	7.45	STR40090	4.00	TDA4950	1.40	BUT11F	1.20
STK4121/2	7.00	STR50103A	3.85	TDA5660P	2.50	BUT12A	1.10
STK4141/2	5.50	STR54041	3.75	TA07072	3.99	BUT12AF	1.10
STK4142/2	6.50	STR58041	3.75	TA8370	14.00	BUT56A	0.80
STK4162/2	6.25	STR80001	6.00	TDA8405	8.00	BUT76A	1.05
STK4171/2	8.10	STR1706	4.75	TA8732	5.95	BUV48C	3.10
STK4191/2	8.50	STRD1806	4.50	TEA2018A	1.50	BUW13	1.50

When you have been let down
by the rest come and try us for
fast friendly service.



Please phone us for the types not listed. Please add 60p
post & packing and then add 17.5% VAT to the total.
Callers by appointment only.

J.J. COMPONENTS

63 THE CHASE, EDGWARE,
MIDDX. HA8 5DN, ENGLAND

Hotline No: 081-381 1700/081-952 4641
Free fax orderline ONLY: 0800 3 18498
General Fax: 081-381 1700

RECRUITMENT

Operations Engineer

INTERACTIVE TELEVISION

Two Way TV Ltd is a dynamic and growing force in the arena of new entertainment services.

Our requirement is for an enthusiastic, resourceful and responsible individual to join our exceptional technical staff. You will soon play a significant role in the Technical Operations team, helping to keep our Operations Centre running smoothly.

Successful candidates will have a working knowledge of the following areas:

- * PC and Apple hardware and software
- * Communications and computer networks
- * Video, audio-visual and television equipment

Apply in writing to:

The Personnel Officer,
Two Way TV Ltd, The Chiswick Centre,
414 Chiswick High Road, London W4 5TW

Fax: 081-995 1664

NO AGENCIES PLEASE

ARTICLES WANTED

PURCHASE FOR CASH

SURPLUS - OBSOLETE - REDUNDANT - EXCESS stocks of electronic, electrical components/accessories, part processed and/or finished products. Please submit preliminary information or lists for immediate response to:

**K.B. COMPONENTS, 21 Playle Chase, Gt Totham,
Maldon, Essex CM9 8UT
Telephone 0621-893204. Facsimile 0621-893180.**

INDEX TO ADVERTISERS

	PAGE		PAGE
Amdat	309	Kestral Electronic Co	335
AMI	327	Keytronics	310
Aries Electronics	301	Lab Center	319
Barnes Elliott Ltd	297	M & B Electrical	356
BK Electronics	297	M & B Radio (Leeds)	313
Bull Electrical	301	MEJDAF Europe Ltd	355
Carston Electronics	327	Millford Instruments	291
Citadel Products Ltd	IFC	MQP Electronics	335
CMS	343	Number One Systems	343
Cricklewood Electronics	301	Olson Electronics Ltd	279
Crossware Products	324	Pico Technology	332
Dataman	BC	Powerware	324
Display Electronics Ltd	275	Ralfe Electronics	360
Field Electric Ltd	332	Research Communications	297
Grandata Ltd	269	Robinson Marshall (Europe) Ltd	266
Halcyon Electronics Ltd	332	Seetrax Ltd	350
ICE Technology Ltd	295	Smart Communications	335
Interconnections	349	Stewart of Reading	355
IOSIS	309	Surrey Electronics	327
John Morrison (MICROS)	349	Telford Electronics	347
Johns Radio	316	Telnet	350
JPG Electronics	324	Those Engineers Ltd	347
		Tsien Ltd	291
		Ultimate Technology	IBC

CONTRACT VACANCIES

ATE Engineer	Burn in and RF functional test	Notts	BC0489
ATE Engineer	Special to type, HP Basic, C Pascal	Berks	BC0476
RF Design	Mobile comms	Essex	BC0490
RF Design	Mobile comms	Hants	BC0401
RF Design	Commercial applications	N. France	EC0150
RF Design	Mobile comms	Middx	BC0373
Software Engineer	System 12, GSM	Germany	EC0202
RF Design	2GHz, military application	Hants	SC0259
Senior Engineer	GSM handset, comms satellite	Notts	BC0450
Systems test	On GSM releases	Wilts	BC0448
Systems Support	Management of network systems	Netherlands	EC0106
PCB Layout	Mentorgraphics v8	Surrey	BC0488
Applications Eng	Embedded processor and digital	Hants	BC0484
RF Design	To 1GHz, mobile comms	Cambs	BC0478
ATE Engineer	HPBasic/HP VEE fibre optics	Essex	BC0447

ALL CONTRACTORS PAID WEEKLY BY BACS

PERMANENT VACANCIES

RF Design Engineer	Circuit des (1GHz), telecomms	£30k	Various	BP0251
Test Engineer	RF PCB fault-find mobile comms	£17k	Hants	BP0224
System Test Engineer	GSM/DCS systems	£neg	M4 corridor	BP0287
Snr Design Engineer	HF/EHF	£neg	M4 corridor	BP0204
Digital VLSI Design	GSM, PCN, VHDL, ASICS	£neg	Wilts	SP0268
RF IC Design	Filters, low noise/IF amps	£neg	Wilts	SP0268
Analogue IF Design	High level modelling, BICMOS	£neg	Wilts	SP0268
Product Systems Des	Hardware systems design, GSM	£neg	Hants	SP0281

CALL TO DISCUSS OTHER PERMANENT OPPORTUNITIES

Latest Vacancies on Internet; <http://www.cityscape.co.uk/users/ci87/index.html>.

92 Broadway
Bracknell
Berks RG12 1AR
Tel: 01344 489489
Fax: 01344 489505
E.Mail: ci87@cityscape.co.uk

161 Bitterne Road West
Southampton
Hants SO18 1BH
Tel: 01703 229094
Fax: 01703 220326

Offices in London, Brussels, Manchester, Birmingham,
Bracknell, Stevenage, Southampton, Crawley

CLIVEDEN

Technical Recruitment

Cliveden Consultancy Services plc



Established 1977.

FRES MEMBER.

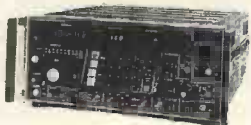
Managing Director: Roger Howard C. Eng. M.I.E.E.

SPECTRUM ANALYSERS



- HP8590A portable spectrum analyser with npib & H18 (1.8 GHz) option £5000
- HP141T 18GHz system (8552B, 8555A) £2000
- HP3580A 5Hz-50kHz audio frequency spectrum analyser £1500
- HP3582A audio frequency ft analyser dual-channel £2500
- HP8559A 21 GHz span an in 853A digital mainframe HPIB £4500
- ANRITSU MS62B 1700MHz £2000
- TEKTRONIX 492 21GHz spectrum analyser with 02/03 options (digital storage & 100Hz resolution) 1 left only £5000
- TEK 495P, programmable (GPIB) 1.8GHz portable spectrum analyser £5500

MARCONI INSTRUMENTS

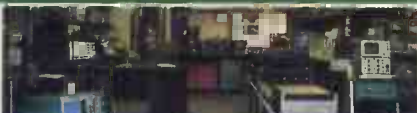


- 2356/2357 20MHz evel generator/meter, pair £350
- 2305 modulation analyser 50kHz-2.3GHz £3750
- 2828A/2829 digital simulator/analyser £1000
- 2955 mobile radio test set all sold £3000
- 2955A as above with pocsag. All sold
- 605X-series signal sources all in range
- 6460/6421 power meter & sensor 10MHz-12.4GHz
- 6500 amplitude analyser c/w 2 c 6514 waveguide detectors
- 0A2805A pcm regenerator test set
- TF2910/4 non-linear distortion (video) test set
- TF2910 TV interval timer

RALFE ELECTRONICS

36 EASTCOTE LANE, S. HARROW, MIDDLESEX HA2 8DB
TEL: 0181-422 3593, FAX: 0181-423 4009

NOW
IN
40th
YEAR

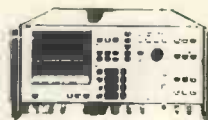


DISTRIBUZIONE E ASSISTENZA, ITALY: TLC RADIO, ROMA (06) 871 90254

TEST EQUIPMENT

- ANRISU ME518A portable error rate test set £2000
- BRUEL & KJAER 2511 vibration meter (file set 1621 filter) £2000
- BRUEL & KJAER 2307 level recorder £500
- BRUEL & KJAER 2317 portable level recorder £1500
- BRUEL & KJAER 2635 charge amplifier £950
- BRUEL & KJAER 2318 graphics printer £750
- BRUEL & KJAER 2308 analogue X-Y pen recorder £750
- DATRON 1065 digital multimeter £500
- FARNELL 2081/100 RF power meter to 100W & 1GHz £325
- FOTEK M200 fibre optic lcd power meter & test source £250
- HITACHI V509 portable 50MHz scope with battery pack £500
- KIKUSUI 8520 frequency response analyser 20Hz-200KHz £750

HEWLETT PACKARD



- 1640B serial data analyser £500
- 334A distortion meter £300
- 3325A function generator £1600
- 3400A voltmeter, analogue 10Hz-10MHz £250
- 3456A digital multimeter £750
- 3552A transmission test set £750
- 3581C selective voltmeter £1250
- 3586A selective level meter £2000
- 3762A/3763A data generator/error detector, pair £1000
- 4140B pA/meter, DC voltage source £3250
- 415E swr meter £200
- 4275A multi-frequency lcr meter £4000
- 432A/R486A uWave power mer waveguide 26-40GHz £500
- 436A microwave power meter c/w 8481A detector HPIB opt £1000
- 5335A 200MHz frequency counter w ops 20 & 40 £2000
- 5370B universal time-interval counter £2000
- 6012A power supply 0-60V 0-50A 1000W £650
- 6033A system power supply 0-20V 0-30A £1250
- 6038A system power supply 0-60V 0-10A £1250
- 6253A dual power supply 0-20V 0-1A twice £250
- 6443B power supply 0-120V 0-2.5A £400
- 6825A bipolar power supply/amplifier -20V +20V 0-1A £350
- 8011A pulse generator 0.1Hz-20MHz £500
- 8116A 50MHz pulse generator £2000
- 816A slotted line 1.8-18GHz with carriage 809C and 447B £500
- 8444A tracking generator with option 059 £1500
- 8671A synthesized signal generator 2-6.2GHz £2500
- 8672A synthesized signal generator 2-18GHz £6000
- 8673B synthesized signal generator 50MHz-26GHz £7500

ralfe electronics exclusively professional T&M

★★ TELECOM & DATACOM TEST ★★
HP37721A DIGITAL TRANSMISSION ANALYSERS
Some basic, some with options 001/003 £3250/£3500

★★ HP NETWORK ANALYSER 6GHz ★★
Only 1 IN STOCK, 8753C/06/010 (6GHz opt & time domain) with 85047A 6GHz S-Parameter test set £29500

PLEASE REQUEST OUR LATEST UPDATED STOCK LISTS.
FULL EXPORT SERVICE AVAILABLE. WE FAX LISTS & SHIP
FULLY GUARANTEED INSTRUMENTS WORLDWIDE

- £4000 PHILIPS PM3264 100 MHz 4-trace oscilloscope £500
- £500 RACAL V-STORE 16, 16-channel instrumentation tape (VHS) recorder £3500
- £500 RACAL-DANA 1992 frequency counter 1.3GHz £600
- £350 SCHLUMBERGER 1250 frequency response analyser £3000
- £2500 SYSTRON-DONNER 6054B frequency counter 20Hz-24GHz GPIB £1250
- £750 TEKTRONIX 1503 lcr cable tester with printer & battery options £1000
- £750 TEKTRONIX transistor curve tracer type 576 & 577 ea £1500
- £500 TAU-TRON M302/M302N bit error rate tester £1000
- £250 UHER report 4200 portable tape recorder £350
- £250 WAYNE KERR SR268 source & detector

PLEASE NOTE: ALL OUR EQUIPMENT IS NOW OPERATION-VERIFICATION TESTED BEFORE DESPATCH BY INDEPENDENT LABORATORY

We would be pleased to handle all grades of calibration or NAMAS certification by same laboratory at cost price. All items covered by our 90-day parts and labour guarantee and 7-day 'Right to Refuse' (money back) warranty.

ALL PRICES SUBJECT TO ADDITIONAL VAT AND CARRIAGE

CIRCLE NO. 144 ON REPLY CARD

ELECTRONIC UPDATE

Contact Malcolm Wells on
0181-652 3620

A regular advertising feature enabling
readers to obtain more information
on companies' products or services.

mqp UNIVERSAL PROGRAMMING SYSTEM 2000

Models S2200 and S2400

Gang and Set Programmers for 24, 28 & 32 pin EPROMs, EEPROMs, FLASH, Emulators and OTPs up to 8M bit.

The system 2000 is an ideal programmer for the production environment. Fast programming results in high throughput and rigorous verification leads to improved quality control. Single key functions and checks against misoperation facilitates its use by unskilled staff.

MQP ELECTRONICS LTD.

Tel: 0666 825146

Fax: 0666 825141

CIRCLE NO. 145 ON REPLY CARD

**NATIONAL INSTRUMENTS
1995 CATALOGUE**

The 1995 National Instruments catalogue describes more than 900 software and hardware products. Engineers and scientists can use these to develop integrated instrumentation systems for test and measurement process monitoring and control, using industry-standard personal computers and workstations.

**NATIONAL INSTRUMENTS
FOR FURTHER
INFORMATION CALL
01635 523545**

CIRCLE NO. 146 ON REPLY CARD

1995 MASTER PRODUCT CATALOGUE

MODEL PC AND PS2

BRAIN BOXES

ISO 9001

**1995 MASTER PRODUCT
CATALOGUE NOW OUT!**

Test and instrument control solutions. 48 pages of full description and technical data on our own range of solutions to your PC and PS2 interfacing problems; IEEE488 (GPIB) * DIO * Timer/Counters * RS232 * RS422/485 * A/D * D/A * plus Opto Isolated versions. New Parallel/Serial RS232, Opto Dual RS232, Motion Control, Converter and Repeater for 1995! ISO 9001 Quality guarantee ✓ UK design and manufacture ✓ 36 month no-quibble warranty ✓ Telephone hotline support ✓ Competitive pricing on the page ✓ Intelligent solutions — friendly service ✓

BRAIN BOXES

Unit 3f Wavertree Boulevard South
Wavertree Technology Park
Liverpool L7 9PF

CIRCLE NO. 147 ON REPLY CARD

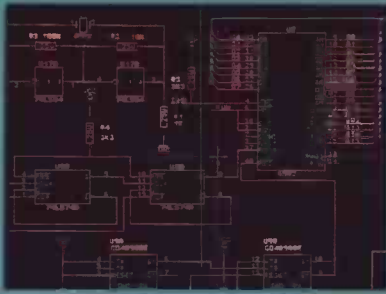
**COMPACT AND LOW
COST EPROM ERASER**

- Capacity for up to five 24/28/32-pin DIP devices or four 40-pin DIP devices
- Adjustable timer: 0-60 mins
- Anti-static foam lined device drawer
- Power indicator lamp
- Safety interlock on drawer — prevents accidental exposure to U-V light

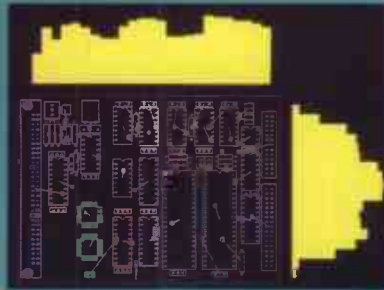
**Slag Programmers Limited
Martinfeld, Welwyn Garden City,
Hertfordshire AL7 1JT, UK
Tel: 0707-332148
Fax: 0707-371503**

CIRCLE NO. 148 ON REPLY CARD

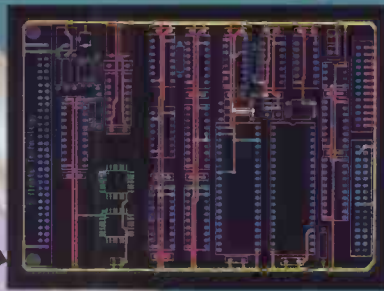
FROM CONCEPT TO ARTWORK IN 1 DAY



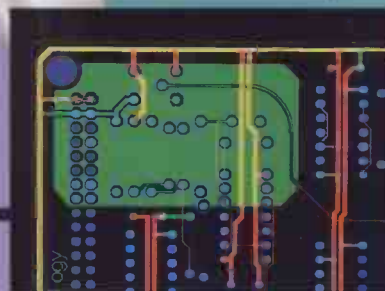
Your design ideas are quickly captured using the ULTIcap schematic design Tool. ULTIcap uses REAL-TIME checks to prevent logic errors. Schematic editing is painless; simply click your start and end points and ULTIcap automatically wires them for you. ULTIcap's auto snap to pin and auto junction features ensure your netlist is complete, thereby relieving you of tedious netlist checking.



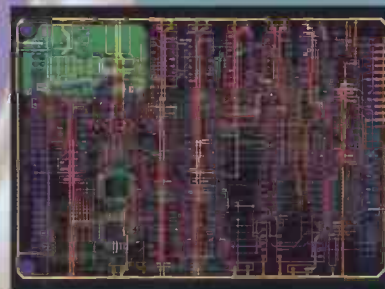
ULTIshell, the integrated user interface, makes sure all your design information is transferred correctly from ULTIcap to ULTIboard. Good manual placement tools are vital to the progress of your design, therefore ULTIboard gives you a powerful suite of REAL-TIME functions such as, FORCE VECTORS, RATS NEST RECONNECT and DENSITY HISTOGRAMS. Pin and gate swapping allows you to further optimise your layout.



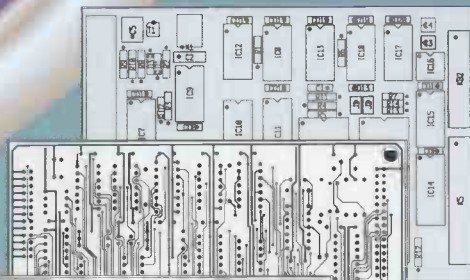
Now you can quickly route your critical tracks. ULTIboard's REAL-TIME DESIGN RULE CHECK will not allow you to make illegal connections or violate your design rules. ULTIboard's powerful TRACE SHOVE, and REROUTE-WHILE-MOVE algorithms guarantee that any manual track editing is flawless. Blind and buried vias and surface mount designs are fully supported.



If you need partial ground planes, then with the Dos extended board systems you can automatically create copper polygons simply by drawing the outline. The polygon is then filled with copper of the desired net, all correct pins are connected to the polygon with thermal relief connections and user defined gaps are respected around all other pads and tracks.

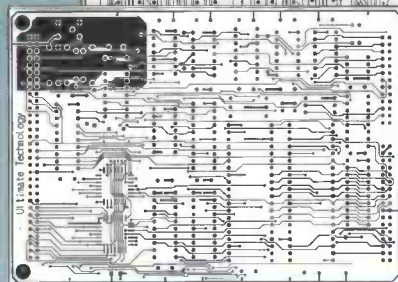


ULTIboard's autorouter allows you to control which parts of your board are autorouted, either selected nets, or a component, or a window of the board, or the whole board. ULTIboard's intelligent router uses copper sharing techniques to minimise route lengths. Automatic via minimisation reduces the number of vias to decrease production costs. The autorouter will handle up to 32 layers, as well as single sided routing.



ULTIboard's backannotation automatically updates your ULTIcap schematic with any pin and gate swaps or component renumbering. Finally, your design is post processed to generate pen / photo plots, dot matrix/laser or postscript prints and custom drill files.

CIRCLE NO. 101 ON REPLY CARD



ULTIboard PCB Design/ULTIcap Schematic Design Systems are available in low-cost DOS versions, fully compatible with and upgradable to the 16 and 32 bit DOS-extended and UNIX versions, featuring unlimited design capacity.

NEW

ULTIboard/ULTIcap evaluation system:

- all features of the bigger versions
- full set of manuals
- design capacity 500 pins

Price incl. S & H, excl. VAT:

£95

Purchase price is 100% credited when upgrading to a bigger version. • Also suitable for study & hobby

The European quality alternative

ULTICAP + ULTIBOARD = MAXIMUM PRODUCTIVITY

S4 The best by design!

Credit card holders call now for special bundle deals

S4'S VITAL STATISTICS:

- **Totally handheld programmer/emulator**
- **Fast approved programming algorithms;**
eg. program and verify:
National 27C512 in 16 seconds
AMD 29F010 in only 90 seconds
- **EPROMs to 8Mbit, 5v, 12v and BOOT-BLOCK FLASH, EEPROMs and PEROMs**
- **Three year parts and labour guarantee**
- **Free next day delivery (UK only)**
- **30 day trial available (UK only)**
- **Full 24 byte on-screen editor**
- **Continuous programming whilst charging (nonstop operation)**
- **Moulded designer case - feels as good as it looks**
- **Rubberised colour-coded full travel keypad**
- **Big, easy-view 80 character supertwist LCD**
- **Optional modules available to program PICs, 8751, 16-bit EPROMs, Toshiba 4-bit, Hitachi H8**
- **Optional sockets for programming and emulating PLCC devices**

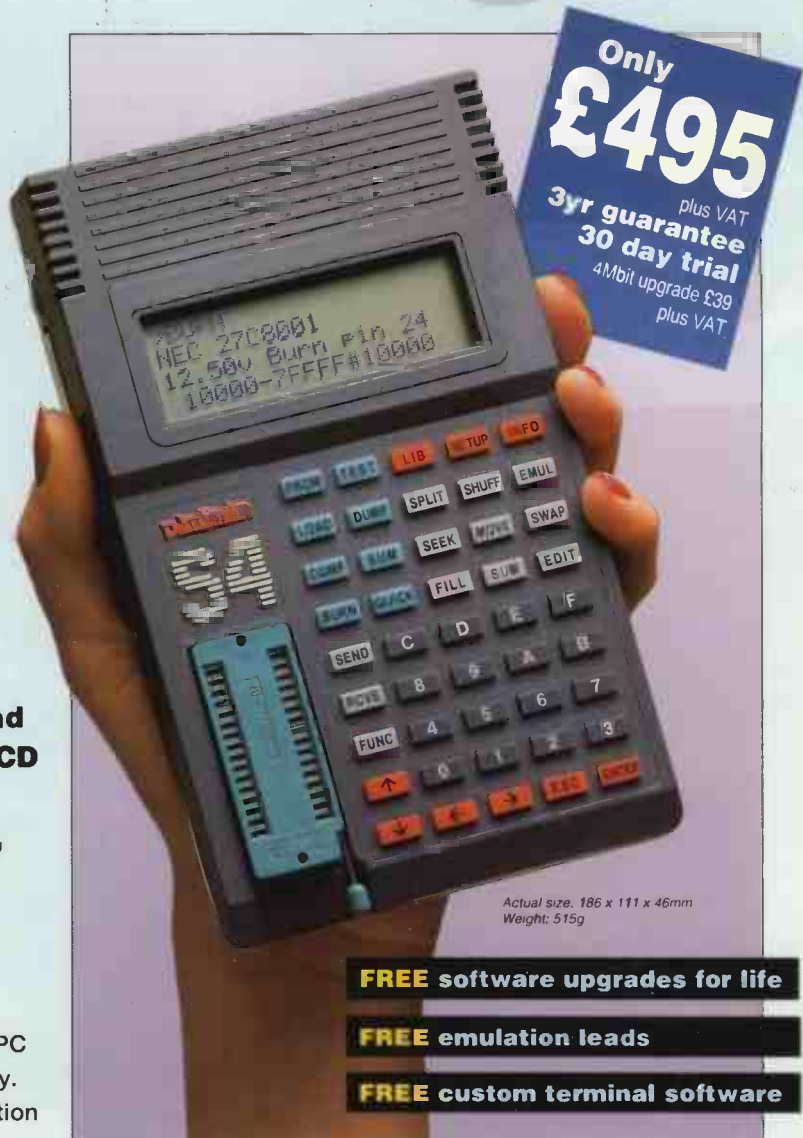
S4's 32 pin ZIF socket programs a huge library of 8 & 16bit EPROMs, EEPROMs, FLASH, PICs and other popular microcontrollers using manufacturers approved algorithms. Our free and easily updatable device library enables users to always have the latest software installed. During our sixteen years of designing and selling innovative and fast programming solutions to industry, Dataman has *never* charged for software updates or technical support.

Built In emulation enables you to see your code running before committing yourself to an EPROM. Load your program from an EPROM or download

code from your PC into S4's memory. Plug S4's emulation lead into the target system, press the emulation key and run the system. Changes can be made using S4's powerful editor, and you can re-run the code to test and confirm changes. When the code is proved to be working, it can then be programmed to a fresh ROM.

The S4 package comes complete with mains charger, emulation leads, organiser-style instruction manual, PC software and a three year guarantee.

S4 is always available off the shelf and we ship worldwide on a daily basis. Call now for delivery tomorrow!



Actual size: 186 x 111 x 46mm
Weight: 515g

FREE software upgrades for life

FREE emulation leads

FREE custom terminal software

Bona-fide UK customers can try S4 for thirty days without risk. 18,000 satisfied users worldwide can't be wrong!

DATAMAN

Dataman Programmers Ltd

Station Road, Malden Newton
Dorset, DT2 0AE, UK.
Tel: 01300 320719 Fax: 01300 321012
Telex: 418442 BBS: 01300 321095
Modem: V.34/V.FC/V.32bis

22 Lake Beauty Drive, Suite 101
Orlando, FL 32806, USA
Tel: (407) 649-3335 Fax: (407) 649-3310
BBS: (407) 649-3159 24hr
Modem V32bis/16.8K HST

CREDIT CARD
HOTLINE **01300 320719** for same-day dispatch

