

ELECTRONICS WORLD

Denmark DKr. 70.00
Germany DM 15.00
Greece Dra.760
Holland Dfl. 14
Italy L. 7300
IR £3.30
Spain Pts. 780
Singapore S\$ 12.60
USA \$6.70

+ WIRELESS WORLD

SOR DISTRIBUTION

A REED BUSINESS PUBLICATION

SEPTEMBER 1993 £1.95

FREE BOOK OFFER:

*Exclusive to EW+WW readers:
complete 4-book microprocessor
library for £37.50 price of three!*

NEWS SPECIAL

**FM broadcasts
to end?**

APPLICATIONS

**Bar graph
pressure
gauge**

DESIGN

**The mos
controlled
thyristor**

HISTORY

**Technology of
the S-Phone**

AUDIO

**Front end
distortion**



**VOICE LINK
WITH SPREAD
SPECTRUM
RADIO**

PC ENGINEERING

**Electronic Workbench
reviewed**





THE WORLDS No.1 BEST SELLING UNIVERSAL PROGRAMMING AND TESTING SYSTEM.

The PC82 Universal Programmer and Tester is a PC-based development tool designed to program and test more than 1500 ICs. The latest version of the PC82 is based on the experience gained after a 7 year production run of over 100,000 units.

The PC82 is the US version of the Sunshine Expro 60, and therefore can be offered at a very competitive price for a product of such high quality. The PC82 has undergone extensive testing and inspection by various major IC manufacturers and has won their professional approval and support. Many do in fact use the PC82 for their own use!

The PC82 can program E/EPROM, Serial PROM, BPROM, MPU, DSP, PLD, EPLD, PEEL, GAL, FPL, MACH, MAX, and many more. It comes with a 40 pin DIP socket capable of programming devices with 8 to 40 pins. Adding special adaptors, the PC82 can program devices up to 84 pins in DIP, PLCC, LCC, QFP, SOP and PGA packages.

The unit can also test digital ICs such as the TTL 74/54 series, CMOS 40/45 series, DRAM (even SIMM/SIP modules) and SRAM. The PC82 can even check and identify unmarked devices.

Customers can write their own test vectors to program non standard devices. Furthermore it can perform functional vector testing of PLDs using the JEDEC standard test vectors created by PLD compilers such as PALASM, OPALjr, ABLE, CUPL etc. or by the user.

The PC82's hardware circuits are composed of 40 set pin-driver circuits each with TTL I/O control, D/A voltage output control, ground control, noise filter circuit control, and OSC crystal frequency control. The PC82 shares all the PC's resources such as CPU, memory, I/O hard disk, keyboard, display and power supply.

A dedicated plug in card with rugged connecting cable ensures fast transfer of data to the programmer without tying up a standard parallel or serial port. Will work in all PC compatibles from PC XT to 486.

The pull-down menus of the software makes the PC82 one of the easiest and most user-friendly programmers available. A full library of file conversion utilities is supplied as standard.

The frequent software updates provided by Sunshine enables the customer to immediately program newly released ICs. It even supports EPROMs to 16Mbit.

Over 20 engineers are employed by Sunshine to develop new software and hardware for the PC82. Not many competitors can boast of similar support!

Citadel, a 32 year old company are the UK agents and service centre for the Sunshine range of programmers, testers and in circuit emulators and have a team of engineers trained to give local support in Europe.

- * More sold worldwide than any other of its type.
- * UK users include BT, IBM, MOD, THORN EMI, MOTOROLA, SANYO, RACAL
- * High quality Textool or Yamaichi zero insertion force sockets.
- * Rugged screened cabling.
- * High speed PC interface card designed for use with all PC models from XT to 486.
- * Over 1500 different devices (including more than 100 MPU's) supported.
- * Tests and or identifies a wide range of logic devices.
- * Software supplied to write own test vectors for custom ICs and ASICs etc.
- * Protection circuitry to protect against wrong insertion of devices.
- * Ground control circuitry using relay switching.
- * One model covers the widest range of devices, at the lowest cost.
- * No need to tie up a slow parallel port.
- * Two year free software update.
- * Speed optimised range of programming algorithms.



NOW SUPPLIED WITH SPECIAL VALUE ADDED SOFTWARE (worth over £300 if bought seperately):

- * MICROTEC disassemblers for Z8, 8085, 8048, 8051, 6809 & 68HC11.

- * NATIONAL SEMICONDUCTOR OPALjr PAL/PLD development software.

- * BATCH SOFTWARE for production programming.

Our stocked range of own manufactured and imported Sunshine products include:

- * Super fast EPROM Erasers.
- * 1, 4 & 8 gang EPROM 8Mbit production programmers.
- * Battery operated portable EPROM programmers.
- * "In circuit" Emulators.
- * Handy pocket IC testers.



ORDERING INFORMATION

PC82 complete with interface card, cable, software and manual only **£395**

Please add £7 carriage (by overnight courier) for UK orders, £20 for export orders, and VAT where applicable.

ACCESS, MASTERCARD, VISA or CWO. Official orders are welcome from Government bodies & local authorities.

Free demo disk with device list available.



CITADEL PRODUCTS LTD
DEPT. WW, 50 HIGH ST.,
EDGWARE, MIDDX. HA8 7EP.

Phone now on: 081 951 1848/9



CONTENTS

FEATURES

VOICE LINK OVER SPREAD SPECTRUM RADIO716

Spread spectrum techniques in GPS, and now cellular phones, will be followed by many other civil applications. James Vincent examines the technology by describing an experimental direct sequence voice transmission system.

AUDIO INDUCTION TECHNOLOGY FOR THE DEAF723

Magnetic induction loops provide an electronic communication channel for deaf people. J P Wilson details the essential design data for induction audio systems.

DOWNWARD TREND IS GOOD NEWS FOR DESIGNERS 727

Designers are being forced to rethink their device supply levels. Rupert Baines reports on an industry in transition.

DISTORTION IN POWER AMPLIFIERS: THE INPUT STAGE.....730

Input stage design is not something to be taken lightly for minimal amplifier distortion. Even the fine details of current distribution at this point can have a surprisingly powerful effect on distortion. By Douglas Self.

USING MOMENTUM TO DETHRONE EINSTEIN.....738

John Ferguson sends forth an iconoclastic Mechanistic theory into the searing light of the relativistic world.

CAN TEACHERS WAVE BYE TO THE LAB BENCH?744

Electronics Workbench could be ideal for colleges wanting to try electronic simulation and schematic capture – if they can afford the hardware to run it, says John Anderson.

THE REAL CHOICE FOR ACTIVE FILTERS758

Op-amp parameters can have a drastic effect on filter response. Steve Winder analyses op-amp characteristics.

PROFESSIONAL SERVICES OFFER

Microprocessor Pocket Library: Newnes Microprocessor Pocket Book, Newnes Z80 Pocket Book, Newnes 8086 Pocket Book and Newnes 68000 Pocket Book. Normal price £52.50. Special price to *EW* + *WW* readers £37.50 inc P&P. See reader reply card between pp. 760-76.

THE SECRET RADIO THAT KEPT RESISTANCE LIFELINES OPEN772

Good communication and reliable parachute drops of supplies were vital for coordinating Resistance fighters in occupied Europe. Charles Bovill describes how the S-Phone met both needs – and the enemy never knew.

REGULARS

COMMENT707

Putting pen to paper

UPDATE708

FM stations may close in spectrum shake-up, Mercury to launch new mobile phone service, Apple cuts to Newton licence, Signal set to "go" for DLR, Woolies pick 'n' mix.

RESEARCH NOTES713

Gate opens for molecular logic, Soft electrons for a smoother etch, Magnetic fields that upset the brain, STM puts electrons in the picture, Computer has designs on its own patent rights, Optical switch that needs no power.

LETTERS747

Nervous energy, Mortals with golden ears, CFA death exaggerated, Bring on the de-jaggers, Getting the wind up, Pinching electrons in the ether, Catt's Difficulty, Beware! Danger from falling satellites, Einstein has the last laugh.

CIRCUIT IDEAS756

Gyrator acts as electronic choke, High-power class-A amplifier, Pulse width detector, Tweaking a D-to-A converter, Auto-reverse motor control, Line ramp generator.

UTILITIES761

About to design a linear regulator circuit or amplifier power pack? Take a look at A M Wilkes' utility first.

DESIGN BRIEF763

The MCT combines the versatility of a transistor, the low forward conduction losses of a thyristor and the gate characteristics of a mosfet. Ian Hickman puts a new type of high power switching device into a test bed.

NEW PRODUCTS767

Round up of all that's new in electronics.

APPLICATIONS778

Fast 10-bit converter with power-down mode, Pressure gauge with bar indicator. Slotted ferrites for non-contact current measurement, Planar power inductors – lower profile and higher efficiency, GaAs tuner for VHF and UHF.

A GUIDE TO INTEGRATION782

Integration is fundamental to electronics. In this extract from his book *Understand Electrical and Electronics Maths*, Owen Bishop shows how to go about it.

In next month's issue: The top ten audio IC power amplifier chips are put to the Ben Duncan test. We present a detailed, independent assessment of distortion performance using the test equipment normally reserved for the best in hi-fi equipment. Also in this issue: Cold Fusion warms up.
OCTOBER ISSUE IS ON SALE SEPTEMBER 30

PORTABLE APPLIANCE TESTING

SEAWARD

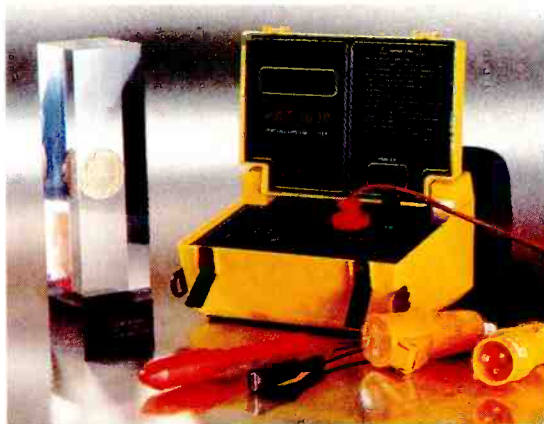


MEET THE MAN WHO DIDN'T TALK TO SEAWARD ELECTRONIC

Health & Safety requirements encourage all organisations which use electrical appliances to implement regular testing procedures. Keeping and maintaining regular records of every appliance in an organisation can be a major headache. Now, for the first time, an instrument is available which not only simplifies the testing process, but which also automatically records results in its memory - eliminating all unnecessary paperwork. Seaward's award winning and competitively priced PAT1000 is the world's first microprocessor controlled Portable Appliance Tester.

- Simple to use, the PAT1000 Portable Appliance Tester guides the user through the test sequences.
- All test results are recorded in a microprocessor memory enabling recall or printing out, giving the user evidence that the correct tests have been performed at the right time on every appliance.

- Provides protection to the user and the equipment with electronic interlocks.
- Tests insulation, earth bonding, flash tests, load tests and earth leakage.
- Offers comprehensive test facilities for Class 1 and 2 appliances.
- Available for testing all appropriate Australian and other International standards.



SETTING
HIGHER
STANDARDS



Everytime

For further information contact
EMONA ENTERPRISES PTY LTD, 86 Parramatta Road, P.O.Box 15, Camperdown, NSW 2050
For all other countries contact

SEAWARD ELECTRONIC, Bracken Hill, South West Industrial Estate, Peterlee, Co. Durham. SR8 2JJ, England

CIRCLE NO. 105 ON REPLY CARD

EDITOR

Frank Ogden
081-652 3128

DEPUTY EDITOR

Jonathan Campbell
081-652 8638

CONSULTANT

Derek Rowe

DESIGN & PRODUCTION

Alan Kerr

EDITORIAL ADMINISTRATION

Lorraine Spindler
081-652 3614

ADVERTISEMENT MANAGER

Carol Nobbs
081-652 8327

SALES EXECUTIVES

Pat Bunce
081-652 8339

ADVERTISING PRODUCTION

Shirley Lawrence
081-652 8659

PUBLISHER

Susan Downey

EDITORIAL FACSIMILE

081-652 8956

CLASSIFIED FACSIMILE

081-652 8931

SUBSCRIPTION HOTLINE

0622721666
Quote ref INJ

SUBSCRIPTION QUERIES

0444 445566

NEWSTRADE ENQUIRIES

Martin Parr
071 261 5108

BACK ISSUES

Available at £2.50
081-652 3614



Putting pen to paper

As a freelance technical journalist I am constantly invited to put the latest technology to the test. It strikes me that companies often pursue technology as much for its own sake than for fulfilling a genuine need. The computer sector seems especially prone to this.

Take PDAs, for example. The Personal Communicators, or Personal Digital Assistants, either available or coming from Apple, EO, Amstrad and Casio. Without doubt Apple's Newton is a remarkable piece of technology. It recognises cursive script, which in plain English means joined-up writing. It plays a clever trick to make users teach it the peculiarities of their writing, by challenging them to a game.

But there were glum faces at Apple in Cupertino when I was asked for honest comments and asked in reply for good reasons why I would want to use a \$700+ PDA, rather than a 50p notepad and pen. Writing on the LCD screen is nowhere near as easy as on paper.

Because of the communications feature, came the reply. You can write notes on the move and send them electronically. For another \$150 extra for the modem feature, Newton can send faxes or electronic mail. (Provided of course that you can find a friendly phone socket).

OK, I said, let's use Newton to log into Telecom Gold, via Tymnet. No go. Newton has no terminal emulation. This shuts off the market for on-the-movers who have spent the last ten years learning email and Hayes AT commands, and have grown one arm longer than the other by humping round a keyboard PC with big enough batteries to keep it running for

longer than a short-haul hop.

Software houses appear just as indifferent to real needs; new does not necessarily mean better. The thick manuals that come with new software equate to a lost weekend. The latest version of IBM's OS/2 comes on 25 disks, and sentences anyone willing to try it to a whole new world of unexpected compatibility problems while learning a new command vocabulary.

I would try Hayes' new version of Smartcom if it came with a utility that automatically converts all the telephone directories and logon scripts from my existing comms software.

I would upgrade to the warring Word or Wordperfect if either had a simple utility to convert a decade's worth of text files stored in an old format, without the hassle of going through ascii export routines. But instead of writing in facilities that people actually want, the purveyors of this modern software have spent their time on piling in fancy features that most users will never discover, let alone need, want or use. In so doing they have missed the simple trick of winning new customers who are currently trapped into continuing with old software.

They miss the trick because, in their mad rush to innovate, the innovators do not stop to think what people might actually want. They have lost sight of the purpose of innovation, and the object of the whole exercise.

All of which prompts a thought. Perhaps the best thing to come out of the recession is the buying public's growing resistance to things that are new for the sake of being new.

Barry Fox.

Electronics World + Wireless World is published monthly. By post, current issue £2.25, back issues (if available) £2.50. Orders, payments and general correspondence to **L333, Electronics World + Wireless World, Quadrant House, The Quadrant, Sutton, Surrey SM2 5AS.** Telex:892984 REED BP G Cheques should be made payable to Reed Business Publishing Group

Newstrade: IPC Marketforce, 071 261-5108

Subscriptions: Quadrant Subscription Services, Oakfield House, Perrymount Road, Haywards Heath, Sussex RH16 3DH. Telephone 0444 441212. Please notify a change of address. Subscription rates 1 year (normal rate) £30 UK and £35 outside UK. **USA:** \$116.00 airmail. Reed Business Publishing (USA), Subscriptions office, 205 E. 42nd Street, NY 10117.

Overseas advertising agents: France and Belgium: Pierre Mussard, 18-20 Place de la Madeleine, Paris 75008. United States of America: Ray Barnes, Reed Business Publishing Ltd, 205 E. 42nd Street, NY 10117. Telephone (212) 867-2080. Telex 23827.

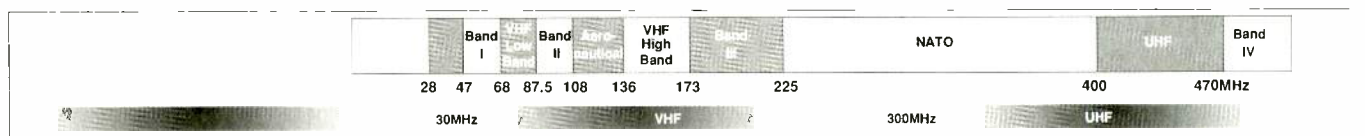
USA mailing agents: Mercury Airfreight International Ltd Inc, 10(b) Englehard Ave, Avenel NJ 07001. 2nd class postage paid at Rahway NJ Postmaster. Send address changes to above.

Printed by BPCC Magazines (Carlisle) Ltd, Newtown Trading Estate, Carlisle, Cumbria, CA2 7NR

Typeset by Marlin Graphics 2-4 Powerscroft Road, Sidcup, Kent DA14 5DT

©Reed Business Publishing Ltd 1992 ISSN 0959 8332

FM stations may close in spectrum shake-up



FM broadcasting by BBC and commercial stations could come virtually to a stop in little more than 15 years, if plans to supersede it with digital technology are put into effect. The proposal is expected to be among the recommendations of Sir Colin Fielding's independent spectrum review committee, which is preparing an assessment of present and future use of the 28-470MHz spectrum.

If the Government follows its practice with previous spectrum reviews, it will accept and implement most of the committee's conclusions.

Terrestrial digital audio broadcasting, T-DAB, could open in a temporary parking band in about two years. But the committee proposes a strict timetable for rehousing it in Band II: from 2007 onwards, national and

regional FM transmitters would close to make room, leaving only a few community stations on FM. The remainder of Band II would be occupied by ancillary services such as programme links and talkback.

Broadcasting was just one of the areas of spectrum activity discussed by committee members when they presented their emerging conclusions at a seminar in London. A major problem facing them is lack of time: the CEPT is beginning its own Euro-study of the VHF and UHF bands, and the DTI wants to have the UK report ready as input for it.

Specific issues on which the committee has focused include finding a suitable temporary band for T-DAB; identifying military frequencies which can be released to meet demand from civilian users;

Services in the band under review include broadcasting, aviation, business radio networks, the emergency services — a bit of almost everything other than television and cellular telephones

relieving the overcrowding of business radio in the private mobile radio (PMR) bands, especially in London (described by a committee member as "a disaster area"); and deciding how the current regulatory regime might be improved.

Of the 800,000 or so mobile radio users, 77% of licences were for systems with 10 mobiles or fewer. Radio is vital to the business of these smaller users, who might be unwilling to move to shared (trunked) systems if it meant losing control of their communications. But to what extent would they shift to public networks over the next 10 to 15 years as services such as cellular and the PCNs became cheaper?

The role of the Radiocommunications Agency had attracted adverse criticism, the most damning of all from the RA's main consultative body on mobile radio, which accused it of "lack of strategic direction, lack of openness, regulatory culture, lack of available data and inappropriate performance measures."

Sir Colin Field said at a seminar in July that there was clearly a case for having a single spectrum management authority for the UK, for which the RA had some of the credentials. However, there ought to be independent oversight of spectrum management, with wide consultation in the radio community.

One major problem is lack of time: the CEPT is beginning its own Euro-study of the VHF and UHF bands, and the DTI wants to have the UK report ready as input for it.

Virtually every user of the band would like more channels, even the armed services, which, despite the ending of the cold war, are sitting on no less than 55% of the band. The Ministry of Defence view is that the world is still a turbulent place and that British forces are needed to maintain a high state of readiness.

Signal set to "go" for DLR

When the Docklands Light Railways' Beckton extension opens in October, it will be controlled by the most advanced signalling system currently available. It replaces the traditional block working — admitting one train at a time to a

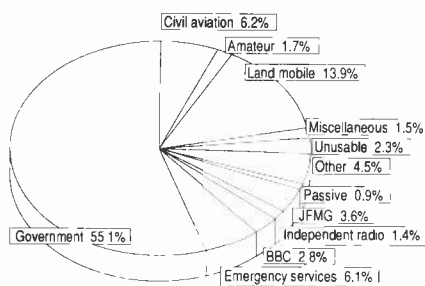
section of track — with a software-controlled "moving block" system which maintains a distance, variable according to speed, between trains. When extended to the rest of the railway it will increase capacity fourfold.

The new system, Seltrac, designed by Candian firm Alcatel, is part of an £800m upgrade designed to rid the the DLR of the stigma of failure and ridicule which has dogged it — built on a £77m shoestring in 1985 — since development in the area overtook capacity. Reliability fell to an ignominious 66% in 1991.

Signalling is something of a misnomer, since the computer controls the driverless trains like a life-size model railway, communicating with their on-board computers through induction loops laid between the rails. An independent computer system keeps track of train locations by counting axle revolutions. This device has been introduced to prevent a repetition of Seltrac's worst moment, when the Vancouver Sky Train system went down. All trains had to be manually driven to known points — an operation lasting four hours — before it could be restarted.



More than half of the 28-470MHz region is occupied by the armed services: is it time now for a peace dividend?



No major concession would be possible without the joint agreement of the Nato powers, since much of the military spectrum was under the control of Nato HQ in Belgium. However, there is room for manoeuvre, for example, many ancillary radio systems are similar to civilian PMR installations. Sharing of frequencies could well be possible since civilian users were concentrated in the towns while military activity was mainly in the country.

This may go some way towards soothing the civil mobile radio community, who, because of the complexity of their requirements and their current overcrowding, present the committee with one of its toughest jobs.

One block of channels Nato seems prepared to concede is in the 380 to 400MHz region. This is under consideration as a home for Tetra, – a new European digital trunked radio technology and the Home Office's choice for future emergency services networks – and as a means of solving a long-standing and troublesome continental interference problem.

This nuisance, which affects users as much as 100 miles inland, is due to a slip-up years ago by which split-frequency duplex UHF mobile networks in England and Wales were misaligned with Europe. Thus, police patrols calling their control rooms are competing for attention not with faint continental mobiles but with well-sited, high-powered, continental base stations.

The consultants hired by the Radiocommunications Agency concluded that the only certain solution was to reverse the entire band – with immense cost and disruption. But, given frequencies in which to resettle existing users, the Home Office could at last make a start.

Richard Lambley, *Mobile and Cellular*

● *The Radio Spectrum Review Secretariat can be contacted at the Radiocommunications Agency, Room 506, Waterloo Bridge House, Waterloo Road, London SE1 8UA. Telephone 071-215 2157; fax 071-215 0992.*

Mercury to launch new mobile phone service

Mercury, British Telecom's main rival in the British telecommunications market, is now embarking on its biggest gamble yet. Mercury is launching a cellular phone service, called One-2-One, to rival the established networks, BT's Cellnet and Vodafone. Although the potential rewards are high, Mercury is in uncharted waters.

Mercury is allowed by law to sell its service direct to subscribers, whereas Cellnet and Vodafone must sell through a third party layer of "service providers". This gives Mercury a price advantage. But it will be short-lived because the DTI plans to change the rules for Cellnet and Vodafone. Also, while Mercury has to build a completely new network of base stations, Cellnet and Vodafone already have them and can easily slash prices to undercut One-2-One.

At the same time Mercury faces a completely new set of technical problems, never before faced by any cellphone operator. Whereas the existing services use analogue technology to carry the speech signals, Mercury's One-2-One service will use new all-digital technology. By unhappy coincidence Mercury's launch comes just as the main cellular operator in the US, Ameritech, announces the results of a long term trial which has convinced Ameritech that digital technology is not yet ready to offer the public.

One-2-One's technology was born from the mess of incompatibility between the existing cellphone services in Europe.

Cellnet and Vodafone launched their UK services in January 1985, using the Total Access Communications System. TACS was based on technology developed in the US. Although the control signals which set up calls, and switch them from cell to cell, are digital, the speech is analogue. All the other services in Europe are analogue, but differ from country to country.

In the mid eighties all European governments agreed on a new pan-European standard, called Global System for Mobile communications. GSM is all-digital. Speech is converted into digital code before transmission. Eight speech channels are then squeezed into one transmission channel using a technique called Time Division Multiple Access. TDMA relies on the natural spaces between words of human speech. Each digitally coded conversation is chopped into short bursts, and the code bursts interleaved. The receiver stitches them together again.

Both Cellnet and Vodafone are obliged, by

European Memorandum of Understanding, to co-operate in providing a pan-European GSM service, using frequencies (at around 900MHz) reserved for GSM in all countries. This will eventually let travellers use their cellphones anywhere in Europe. The service is already behind schedule, because GSM cellphones are heavier and more expensive than analogue phones, and consume more battery power.

Mercury's new service will use GSM technology, but at a higher frequency (around 1800 MHz). It realises a dream enjoyed by Lord Young in January 1989 while Secretary of State for Trade and Industry. In his White Paper, *Phones on the Move*, Lord Young proposed a new Personal Communication Network of small wireless phones, providing an "office in the pocket", with freedom from wires.

The DTI granted three licences to run PCN services, to Mercury, and two other consortia, Microtel and Unitel. So far only Mercury has pursued the dream, after merging with Unitel. Instead of spending the billion pounds needed to build base stations all round the UK, Mercury is cutting costs to a third by offering a service only within the M25 ring, with around 300 base station sites. Mercury will then push slightly outside the M25, to cover 24% of the population by next April.

GSM/PCN technology uses a clever trick to limit power drain, and so let a phone work longer on each battery charge. When the phone sets up a call it automatically tests the strength of the signal coming from the nearest base station, and then adjusts the strength of the signal it transmits to the base station to the lowest level for reliable communication.

Since May, Mercury's engineers have been touring the M25 coverage area, testing the consistency of signal strength from the base stations. Mercury now feels confident to launch, but dares advertise only for business customers because it does not yet have enough phones from suppliers Motorola, Siemens and NEC to meet the demand which a consumer campaign might generate.

GSM/PCN uses smart cards (credit cards with built-in computer chips). As sold, the phones are useless. They have a slot for a card which makes them work. This lets high street stores sell the phones like hi-fi or video.

As the first company to introduce a high profile digital cellphone service, Mercury knows it must cope with questions about the electrical interference which digital phones

will produce, with new and thus potentially puzzling results for sufferers. The square wave pulses that convey the digitally coded speech inevitably generate high frequency harmonics. These will break through into the circuits of a nearby tv set, hearing aid or car radio, to create mysterious buzzing noises or blips on the picture.

Nokia of Finland, Europe's leader in GSM, has studied the problem and found that it will be worst indoors or in a car, where the phone is partially shielded from the base station and must thus work at high power to communicate. The interference will also be worst whenever the phone is switched on, and goes through the automatic procedure of testing local signal strengths.

Nokia's engineers have also tested digital phones with car air bag safety devices, following scare stories in Scandinavia of bags triggering by interference from digital phones. The scare has been hardened by warnings issued by car firms not to use digital phones in cars with air bags. "Extremely unlikely" says Nokia, which makes air bag electronics as well as digital phones. "So far it is all just supposition". To try and dispel rumours, Mercury is now running tests with the British car manufacturers.

Both Cellnet and Vodafone already have contingency plans to cut prices if One-2-One looks likely to be a commercial success. Mercury's publicity will in reply remind potential customers for One-2-One that their calls will be completely secure against the eavesdropping which is so easy with analogue phones. This will also create problems for Mercury.

Because PCN uses the same technology as GSM, it uses the same encryption system as GSM. This is so secure that the British government has banned its export to most countries outside Europe, for fear of giving unfriendly armies the chance to use it for military communication. The US government has rejected it, for fear of giving terrorists, criminals and drug dealers the chance to talk without being overheard by the police and security services. Mercury can thus expect to be criticised for offering a service which is ideal for the underworld.

The digital system proposed for use in the US uses much weaker encryption, but relies on the same TDMA technology. Leading cellphone operator Ameritech now says that TDMA is not yet ready for commercial use. The company loaned TDMA phones to customers, provided a trial service and asked for comments. Over 40% were not satisfied with performance. Mercury argues that although both the US and European technologies use TDMA, Europe's GSM/PCN technology is better and ready for use. **Barry Fox**

Woolies pick 'n' mix

Multimedia in retailing parlance usually means nothing more exciting than an electronic catalogue, but a more rewarding interactive system, now on trial in a handful of Woolworths stores, uses digital video and audio to allow customers to sample movie and CD titles.

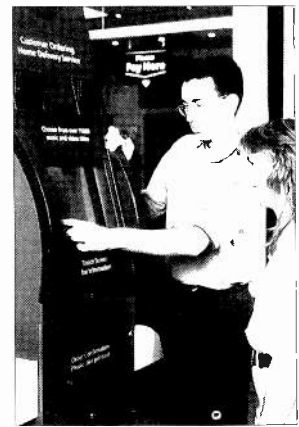
Now being evaluated in a handful of Woolworths stores, it is claimed to be the first public-access multimedia system in the UK High Street, and the first fully-digitised hard-disk system in the world.

The touch-screen system has been described by a Woolworths manager as "easier to use than a bank's cash machine - and more fun." The same cannot be

said of its appearance, which calls to mind an arcade game designed by the East German government. It is eventually planned to hold details of every CD, tape and video produced in Britain. Titles not in stock in the store (the vast majority, presumably) can be ordered for mailing to home.

The system - which recently won a Silver Award from the British International Multimedia Association was designed for Woolworths by Julia Schofield Consultants, a small (18 staff) outfit based in Richmond-on-Thames which specialises in interactive systems.

Some 16,000 titles are stored, with clips for about a quarter of them. Part-screen



full-motion video clips, entered using a VideoLogic MediaSpace card, last around 15 seconds, in addition to a 4.5-minute intro sequence.

Based on a 486 PC with 32 megabytes of RAM and 3 gigabytes of disk storage, the system uses a VideoLogic MediaSpace card.

Apple cuts to Newton licence

The news in July that Apple was sacking 2500 of its 16,000 employees worldwide, contained a coded message. The one division spared the axe is the division which is ploughing a new furrow on licensing policy, and thereby proving that Apple now accepts that its current predicament is born from past strategic blunders. Significantly Apple clammed up, ducking the simple question of how many people work in its Personal Interactive Electronics division, soon after letting it slip that PIE would be untouched by the cuts.

Officially Apple blames its job cuts on the bitter price war between Apple's Macintosh range and the wide variety of rival IBM-format models which have dropped in price by 40% over the last year. But there is now widespread recognition inside Apple's workforce that they are paying the price for a basic error made by their company ten years ago.

When Apple launched the Mac in 1984 it refused to licence the technology which made the computer so easy to use. Apple has continued to refuse Mac licences every since. This has created the competition from IBM-format personal computers which is now crippling Apple.

Apple has now changed its policy and will licence others to use the new technology for Newton, the new hand-held personal communicator which works with a pen and pressure-sensitive screen instead of a keyboard. PIE developed Newton and is actively licensing it to third parties.

In the early 80s Apple developed a computer called the Lisa which was very easy to use, and then refined it into the Mac. When Apple refused even to consider licensing the technology, IBM chose another US software company, Microsoft, to provide the control software or "operating system". Microsoft developed the MS-DOS operating system which was very awkward to use, and has spent the last ten years perfecting Windows, a refinement which now makes an IBM-PC look and feel like an Apple Mac. PIE has already licensed four companies, Motorola, Siemens, Sharp and Matsushita (under its brand name Panasonic) to use the Newton technology and make rival model communicators which adhere to the Newton standard. PIE is now talking with other electronics companies in Europe and Japan, including Philips and Sony, in an effort to make Newton a new *de facto* standard. Apple will then collect royalties under patents, software copyright and a trade mark logo depicting a stylised light bulb and the word Newton.

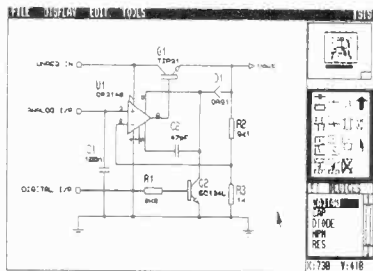
Licences will not be required to use the Apple logo, though.

"This is a completely new experience for us" says Subra Iyer, in charge of licencing Newton. "In the past we had complete control of all hardware and software. But the old way was proven wrong. Now we have to find a new way of ensuring that anything with the Newton trade mark is compatible with anything else, regardless of who makes it and where. But we don't want licencing control to be a bottleneck".

EASY FAST & POWERFUL CAD SOFTWARE THAT GIVES YOU THE EDGE

ISIS - SCHEMATIC CAPTURE

Easy to use yet extremely powerful schematic entry system with all the features you need to create input for ARES or other CAD software. Now available in a super-fast 32 bit version capable of handling huge designs even on A0-sized sheets.



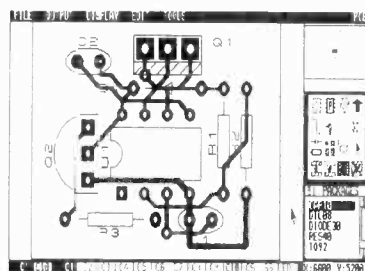
- Graphical User Interface gives exceptional ease of use - two mouse clicks will place & route a wire.
- Automatic wire routing, dot placement, label generation.
- 2D drawing capability with symbol library.
- Comprehensive device libraries.
- Heterogeneous devices (e.g. relay and coil) allowed in different places on the schematic.
- Special support for connector pins - put each pin just where you want it.
- Output to printers, plotters, Postscript.
- Export designs to DTP and WP packages.
- Netlist formats for most popular PCB & simulation software.
- Bill of Materials and Electrical Rules Check reports.
- Multi-sheet and hierarchical design support.
- Automatic annotation/packaging.
- ASCII data import database facility.

from

£275

ARES - PCB DESIGN

Advanced netlist based PCB layout software newly updated to version 2.5. Major new features include SMT library, real time snap (for those tricky SMT spacings), thermal relief power planes and enhanced autorouting.



- Graphical User Interface.
- Real time snap.
- Auto track necking.
- Curved, 45/90 or any angle tracks.
- Extensive through hole and SMT package libraries as standard.
- 2D drawing capability with symbol library.
- Connectivity highlight.
- Output to printers, plotters, Postscript, Gerber and NC drill.
- Gerber View facility.
- Graphics export for DTP etc.
- Advanced netlist management with forward design modification.
- Component renumber and back-annotate to ISIS.
- Full physical and electrical design rule checks.
- Autorouter handles single, double or multi layer boards.
- Power plane generator with reliefs.
- Strategy & DRC information loadable from ISIS.
- Gerber import utility available.

from

£275

ISIS ILLUSTRATOR

Schematic capture for MS Windows 3.1 - produces high quality schematics like you see in the magazines with your choice of line thicknesses, fill styles, fonts, colours etc. Once entered, drawings can be copied to most Windows software through the clipboard.

New version 2 includes netlisting, bill of materials, hierarchy, and much more. An ideal front end for Windows Simulation and PCB design.

new low prices from

£99

CADPAK - BUDGET PRICE CAD

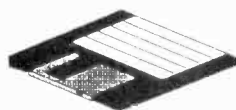
Two programs - ISIS SUPERSKETCH and PCB II - for the price of one.

CADPAK has everything you need to produce circuit diagrams and PCBs on your PC and is exceptionally easy to use.

superb value at only

£79

Labcenter
Electronics



Call us today on 0274 542868 or fax 0274 481078 for a demo pack. Combination, multi-copy and educational discounts available. Prices exc P&P and VAT.

14 Marriner's Drive, Bradford, BD9 4JT.

MICROWAVE CONTROL PANEL. Mains operated, with touch switches. Complete with 4 digit display, digital clock, and 2 relay outputs one for power and one for pulsed power (programmable). Ideal for all sorts of precision timer applications etc. **Now only £4.00** ref 4P151. Good experimenters board.

FIBRE OPTIC CABLE. Stranded optical fibres sheathed in black PVC. Five metre length £7.00 ref 7P29R or £2 a metre.

12V SOLAR CELL. 200mA output ideal for trickle charging etc. 300 mm square. Our price £15.00 ref 15P42R. Gives up to 15v.

PASSIVE INFRA-RED MOTION SENSOR. Complete with daylight sensor, adjustable lights on timer (8 secs - 15 mins), 50' range with a 90 deg coverage. Manual override facility. Complete with wall brackets, bulb holders etc. Brand new and guaranteed. **Now only £19.00** ref 19P29

Pack of two PAR38 bulbs for above unit £12.00 ref 12P43R

VIDEO SENDER UNIT. Transmit both audio and video signals from either a video camera, video recorder or computer to any standard TV set within a 100' range (tune TV to a spare channel). 12v DC op. £15.00 ref 15P39R Suitable mains adaptor £5.00 ref 5P191R. Turn your camcorder into a cordless camera!

FM TRANSMITTER. Housed in a standard working 13A adapter (bug is mains driven). £26.00 ref 26P2R. Good range.

MINIATURE RADIO TRANSCEIVERS. A pair of walkie talkies with a range of up to 2 kilometres. Units measure 22x2x155mm. Complete with cases and earpieces. £30.00 ref 30P12R

FM CORDLESS MICROPHONE. Small hand held unit with a 500' range! 2 transmit power levels. Reqs PP3 battery. Tuneable to any FM receiver. Our price £15 ref 15P42AR

12 BAND COMMUNICATIONS RECEIVER. 9 shortbands. FM, AM and LW DX/local switch, tuning 'eye' mains or battery. Complete with shoulder strap and mains lead. £19 ref 19P14R. Ideal for listening all over the world.

CAR STEREO AND FM RADIO. Low cost stereo system giving 5 watts per channel. Signal to noise ratio better than 45db. wow and flutter less than .35%. Neg earth. **£19.00** ref 19P30

LOW COST WALKIE TALKIES. Pair of battery operated units with a range of about 200'. Our price £8.00 a pair ref 8P50R. Ideal for garden use or as an educational toy.

7 CHANNEL GRAPHIC EQUALIZER plus a 60 watt power amp! 20-21KHZ 4-8R 12-14v DC negative earth. Cased. £25 ref 25P14R

NICAD BATTERIES. Brand new top quality. 4 x AA's £4.00 ref 4P44R. 2 x C's £4.00 ref 4P73R. 4 x D's £9.00 ref 9P12R. 1 x PP3 £6.00 ref 6P35R. Pack of 10 AAA's £4.00 ref 4P92R

TOWERS INTERNATIONAL TRANSISTOR SELECTOR GUIDE. The ultimate equivalents book. New ed. £20.00 ref 20P32R

GEIGER COUNTER KIT. Complete with tube, PCB and all components to build a battery operated geiger counter. £39.00 ref 39P1R

FM BUG KIT. New design with PCB embedded coil. Transmits to any FM radio. 9v battery req'd. £5.00 ref 5P158R. 35mm square.

FM BUG. Built and tested superior 9v operation. £14.00 ref 14P3R

COMPOSITE VIDEO KITS. These convert composite video into separate H sync, V sync and video. 12v DC. £8.00 ref 8P39R

SINCLAIR C5 MOTORS. 12v 29A (full load) 3300 rpm 6"x4" 1/4" O/P shaft. New. £22.00 ref 20P22R. Limited stocks.

As above but with fitted 4 to 1 inline reduction box (800rpm) and toothed nylon belt drive cog £45.00 ref 40P8R. 800 rpm

ELECTRONIC SPEED CONTROL KIT. For C5 motor. PCB and all components to build a speed controller (0-95% of speed). Uses pulse width modulation. £17.00 ref 17P3R. Potentiometer control.

SOLAR POWERED NICAD CHARGER. Charges 4 AA nicads in 8 hours. Brand new and cased. £6.00 ref 6P3R. 2x C cell model. £6.00.

ACORN DATA RECORDER ALF503. Made for BBC computer but suitable for others. Includes mains adapter, leads and book. £15.00 ref 15P43R

VIDEO TAPES. Three hour superior quality tapes made under licence from the famous JVC company. Pack of 10 tapes. New low price £15.00 ref J15P4

PHILIPS LASER 2MW HELIUM NEON LASER TUBE. BRAND NEW FULL SPEC £40.00 REF 40P10R. MAINS POWER SUPPLY KIT £20.00 REF 20P33R READY BUILT AND TESTED LASER IN ONE CASE £75.00 REF 75P4R.

12 TO 220V INVERTER KIT. As supplied it will handle up to about 15w at 220v but with a larger transformer it will handle 80 watts. Basic kit £12.00 ref 12P17R. Larger transformer £12.00 ref 12P41R

WIND UP SOLAR POWERED RADIO FM/AM. Radio takes rechargeable batteries. Complete with hand charger and solar panel. £14.00 REF 14P200RA.

BARGAIN NICADS AAA SIZE 200MAH 1.2V PACK OF 10 £4.00 REF 4P92R, PACK OF 100 £30.00 REF 30P16R

FRESNEL MAGNIFYING LENS 83 x 52mm £1.00 ref BD827R. 12V 19A TRANSFORMER Ex equipment £20 but OK

POWER SUPPLIES. Made for the Spectrum plus 3 give +5 @ 2A, +12 @ 700mA & -12 @ 50mA. £8 ref Q8P3

UNIVERSAL BATTERY CHARGER. Takes AA's, C's, D's and PP3 nicads. Holds up to 5 batteries at once. New and cased, mains operated. £6.00 ref 6P36R

IN CAR POWER SUPPLY. Plugs into cigar socket and gives 3,4,5,6,7,5,9, and 12v outputs at 800mA. Complete with universal spider plug. £5.00 ref 5P167R

QUICK CUPPA? 12v immersion heater with lead and cigar lighter plug. £3.00 ref 3P92R. Ideal for tea on the move!

LED PACK. .50 red, 50 green, 50 yellow all 5mm £8.00 ref 8P52

MINIMUM GOODS ORDER £5.00. TRADE ORDERS FROM GOVERNMENT, SCHOOLS, UNIVERSITIES, & LOCAL AUTHORITIES WELCOME. ALL GOODS SUPPLIED SUBJECT TO OUR CONDITIONS OF SALE AND UNLESS OTHERWISE STATED GUARANTEED FOR 30 DAYS.

RIGHTS RESERVED TO CHANGE PRICES & SPECIFICATIONS WITHOUT PRIOR NOTICE. ORDERS SUBJECT TO STOCK. QUOTATIONS WILLINGLY GIVEN FOR QUANTITIES HIGHER THAN THOSE STATED.

THIS MONTHS SPECIAL OFFERS

AMSTRAD MP3 #19.00

VHF/UHF TV Receiver, converts RGB or composite monitor into colour TV. Brand new and cased.

#19.00 each. REF: EW19P1

EMERGENCY LIGHTING #5.00

Fully cased units with two swivel lamps mounted on the top. Just add a 6V sealed lead acid battery and you have a complete automatic system.

Gives about 3 hours of light as soon as the mains fail.

Our Price #5.00. REF: EW5P1

MAINS CABLE WITH PLUG from 30p each

You can have a 2 Mtr length of mains cable with a fitted 13A plug (with sleeved pins) for just 30p!

Minimum quantity: PKT 10 #3.00 REF: EW3P1 or you can have PKT 100 #27.00 REF: EW27P2

CORDLESS PHONES (non working)

#30.00 for 3

These are BT Curlews. They are not new and have been stored in sunlight so the plastic cases are discoloured. They also have handset aerial missing. This is a standard telescopic aerial - piece of wire will do! These are NON RETURNABLE.

Our Price PKT 3 for #30.00. REF: EW30P1

ANSWER PHONES from only

#18.00

Yes its true BT approved push button dialling. These are customer returned units and have two faults. We will supply you with a chip to cure one of the faults then you have to sort out the other problem! NON RETURNABLE.

Price #18.00 each REF: EW18P2

or #60.00 PKT 4 REF: EW60P2

ANSWER PHONES - HIGH SPEC LCD DISPLAY

Once again, BT approved push button dialling answerphones. LCD display, digital speech chip, fast rewind, memories plus all the features found on a BT Response 400 machine. Again, we will supply you with a chip to cure one of the faults then you have to sort out the other problem! NON-RETURNABLE.

Price #28.00 each REF: EW28P2

or #100.00 PKT 4 REF: EW100P1

POWER SUPPLIES for ANSWER PHONES above

If you need a DC plug in power supply for the above answer phones they are #4.00 each.

Price #4.00 each REF: EW4P5

SOME OF OUR PRODUCTS MAY BE UNLICENSABLE IN THE UK

BULL ELECTRICAL

250 PORTLAND ROAD HOVE SUSSEX BN3 5QT

MAIL ORDER TERMS: CASH PO OR CHEQUE WITH ORDER PLUS £3.00 POST PLUS VAT.

PLEASE ALLOW 7 - 10 DAYS FOR DELIVERY

TELEPHONE ORDERS WELCOME

TEL: 0273 203500
FAX: 0273 323077



PC CORNER

286 PC PACKAGE
you get.....

286 PC with 1mb RAM
MONO MONITOR
102 KEYBOARD
1 FLOPPY DRIVE
40MB HARD DRIVE
DESKTOP CASE

COMPLETE SYSTEM
READY TO GO

OUR PRICE JUST
£299.00 !

PC CASES Desktop case +psu £51.60 ref BPC01, Deluxe slimline case +psu £60.00 ref BPC02, Minitor case +psu £51.60 ref BPC03, Deluxe midi case +psu £90.00 ref BPC04

MONITORS Mitac 14" SVGA 39DP £174 ref BPCM02, Mitac 14" SVGA 28DP £202 ref BPCM01

MEMORY 256K 1mm 70ns £8.40 ref BPCM11, 1MB 1mm 70ns £26.40 ref BPCM12, 4MB 1mm 70ns £96 ref BPCM13

MICE 2 button serial mouse with 3.5" s/ware. £8.40 ref BPCM16, 3 button serial mouse with 3.5" s/ware £9.60 ref BPCM17

KEYBOARDS 102 AT UK standard keyboard £18.60 ref BPCM14, Deluxe keyboard 102 AT UK £26.40 ref BPCM15

SOFTWARE MS DOS V5 OEM version. £39.60 ref BPCM18, MS WINDOWS V3.1 OEM version. £42 ref BPCM19

MOTHERBOARDS 286-16 Headland chipset £46.80 ref BPCMB1, 386SX-33 Acer chipset £82.80 ref BPCMB2, 386SX-40 UMC with 64k cache £110 ref BPCMB3, 486SX-25 UMC with 64k cache £191 ref BPCMB4, 486DX-33 UMC with 256k cache £378 ref BPCMB5, 486DX-66 UMC with 256k cache £515 ref BPCMB6

FLOPPY DRIVES 1.44mb 3.5" drive £32.34 ref BPCDD05, 1.2MB 5.25" drive £38.40 3.5" mounting kit £5 ref BPCDD07

HARD DRIVES 42MB IDE 17ms £99 ref BPCDD01, 89MB IDE 16ms ref BPCDD02, 130MB IDE 15ms £215 ref BPCDD03, 213MB IDE 14ms £298 ref BPCDD04

VIDEO CARDS 256k C&T 8 bit SVGA card £19.20 ref BPCVC01, 512k Trident 9000 16 bit SVGA card £31.20 ref BPCVC02, 1MB Trident 8900 16 bit SVGA card £45 ref BPCVC03, 1MB Cirrus AVGA3 16.7M colours £48 ref BPCVC04, 1MB Tseng multimedia £82.80 ref BPCVC05

ADD ON CARDS Multi I/O card 2 serial, 1 parallel, 1 game, 2 floppy, 2 IDE hard drives £11 ref BPCAOC01, ADLIB sound card with speakers £37 ref BPCAOC02, Orchid sound card with speakers £63 ref BPCAOC03

EXAMPLES OF COMPLETE SYSTEMS

386SX-33 SYSTEM

386SX-33 board at £82.80, case £51.60, 2MB ram £52.80, 42MB drive £99, 512SVGA card £31.20, 3.5" FDD £32.34, multi I/O card £11, SVGA colour monitor £174, 102 kboard, £25 build fee if required. Total £579.34

486DX-33 SYSTEM

486DX-33 board £378, case £51.60, 2MB ram £52.80, 89MB drive £166, 512 SVGA card £31.20, 3.5" FDD £32.34, multi I/O card £11, SVGA monitor £174, 102 kboard £18.60, £25 build fee if required. Total £939.64

ALL PC PARTS AND SYSTEMS ARE GUARANTEED FOR 1 YEAR PARTS AND LABOUR.

IN SUSSEX? CALL IN AND SEE US!

TURN YOUR SURPLUS STOCK INTO CASH. IMMEDIATE SETTLEMENT. WE WILL ALSO QUOTE FOR COMPLETE FACTORY CLEARANCE.

MUCH MUCH MORE IN OUR 1993 CATALOGUE. PLEASE SEND 41P, A4 SIZED SAE FOR YOUR FREE COPY.

RESEARCH NOTES

Gate opens for molecular logic

A team in the Department of Chemistry at Queen's University, Belfast, has developed the world's first molecular AND gate. It is a derivative of anthracene and is able to produce a photonic output in response to two separate ionic inputs.

Dr A P de Silva and his colleagues say (*Nature*, Vol 364, No 6432) that the gate was developed from a variety of single-input molecular switches known for some years. These are essentially molecules that fluoresce in the visible part of the spectrum in the presence of a particular ionic species, eg hydrogen ions. The "power supply" is usually a beam of ultraviolet light.

When powered by UV, the molecular gate normally provides no visible light output. Nor is there any output in the presence of just hydrogen ions (protons) or just sodium ions. But when both ions are present, the anthracene-based molecule will emit blue fluorescence. A truly "wire-less" AND gate!

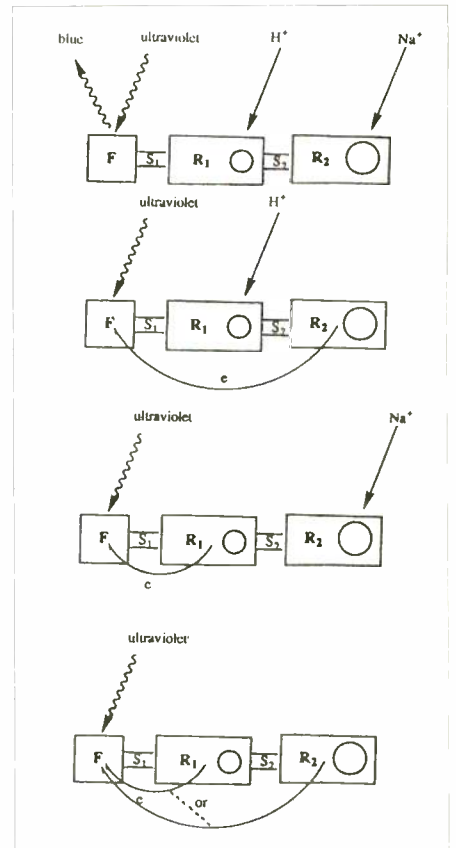
The molecule itself contains two recognition sites, corresponding to the two inputs of a silicon AND gate. When both recognition sites are satisfied, the output part of the molecule – a

fluorophore – generates the logical response.

Dr de Silva emphasises that the AND gate and other related molecules provide only a rudimentary foundation for future molecular photonic devices. A molecular computer is "well on the horizon, if not over it". Nevertheless, the fact that a useful logic function can be performed at the level of a single molecule must offer considerable impetus in this area. Experiments to implement a molecular OR function are already advanced.

Practical obstacles to the further development of molecular computing systems include the need to make electrical interfaces with switching devices – creating some form of molecular "wire". Alternatively it might be possible to operate in the wet chemical domain as at present: much human brain logic clearly operates very satisfactorily in this way.

In the short term, de Silva and his co-workers have found some very practical applications for their molecular logic. Interestingly enough they give a foretaste of how such devices could interface with the human body, either in the true thinking sense, or as biochemical sensors looking for malfunctions.



Chemical AND gate: Only when the two ions are both present does the and molecule emit blue light

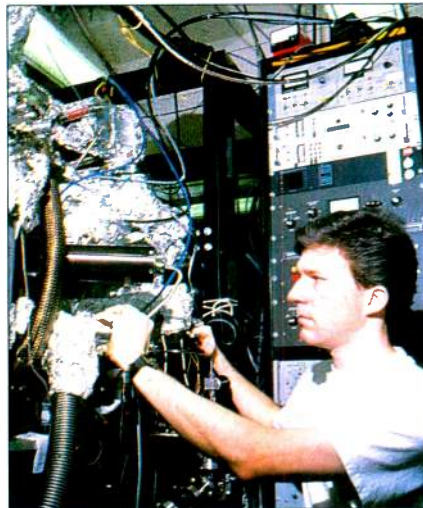
De Silva envisages his AND gate being used as an agent to spot the simultaneous presence of two ions that might, for example, be diagnostic of a particular illness. A sort of intelligent thermometer?

Soft electrons for a smoother etch

An electron assisted etching technique being developed may allow routine fabrication of nanometre scale microelectronic devices without the surface damage caused by current etching systems.

GeorgiaTech researchers hope that nanometre devices will fuel the next wave of development in the microelectronics industry. The technology may also find use in electro-optic devices, optical processing, and radiation devices.

Conventional ion-beam etching can damage surfaces altering optical and electronic properties and potentially limiting how the devices can be used. Because of their mass and high kinetic energy, the ion particles can disrupt the crystalline structure of the semiconductor surface and introduce unwanted materials.



The new process, however, uses low energy electrons (10 to 500eV) with reactive hydrogen to cut the electronic features through the patterning process. Because the

electrons are lighter and carry less energy, there is less damage to the surface.

Dr HP Gills, an associate professor working on the project said: "If we can make this process work commercially, it will help enable the routine fabrication of these quantum scale devices."

He added: "The impact on the microelectronics industry is tied to the ultimate impact of these quantum well devices, which will be quite important in the future."

According to Gills, it is easy to disorder the surface of a material so that it no longer functions properly as a transistor junction.

But one worry is the potential surface effects from the reactive hydrogen.

Gills explained: "It remains to be seen whether hydrogen has any detrimental effects in our process. But hydrogen is attractive because the chemistry is simple compared to the species used in the conventional technique."

He estimated that there is at least two years of work to go before the research produces a practical process that can be used routinely.

Magnetic fields that upset the brain

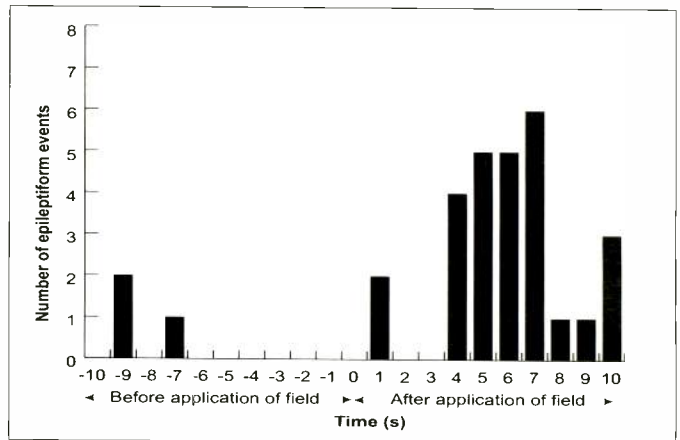
Nerve activity in brains of patients with epilepsy has been shown by an international team of scientists to be triggered by weak external magnetic fields. And it is the presence of magnetic particles in the brain that could be what makes the organ sensitive to magnetism.

Investigations into the safety of electromagnetic fields have rightly concentrated on the interactions of AC fields with biological tissue, whether in test-tubes or in people. If the amplitude is big enough and the frequency high enough, an AC field can cook: but the effects of smaller signals are much less clear.

Static fields, whether electric or magnetic, have not been addressed to anything like the same extent. Such fields are a permanent feature of the Earth's atmosphere; they rarely drop below 100V/m even in settled weather conditions. Animal studies suggest that exposures as high as 340kV/m have no effect on physiology or reproductive capability. The only adverse effects on human health appear to be the micro-shocks than can result from surface charges.

As for static magnetic fields, we are all constantly exposed to the Earth's magnetic field, varying from 30-70 μ T over the surface of the planet. Even large static fields of 1-2T seem to have no adverse effects on health – at least not in the short term. In a report published last year, the National Radiological Protection Board concluded that although static magnetic fields might have effects on biological enzyme reactions, any health implications have yet to be established.

But the new twist to the story comes with publication of a US/Swiss study showing that external magnetic fields can trigger nerve activity in brains of patients with epilepsy. A team from the University of California, Santa Barbara, the Institut für Geophysik in Zurich and the University Hospital in Zurich have shown that fields only 100 times stronger than the Earth's can trigger brain cell discharges associated with epileptic seizures. At a meeting of the American Geophysical Union, evidence was also produced for the presence of magnetic particles in the same



Anomalous activity in the 10s periods prior to and following the field charge. Random activity is represented by the incidence of events in the 10s intervals prior to field applications.

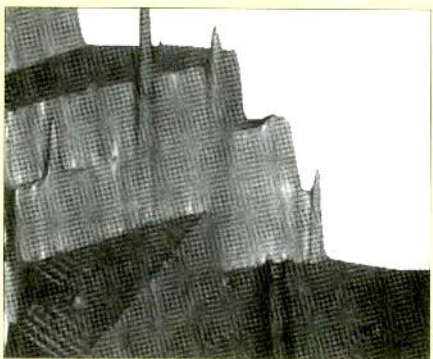
region of the brain. Although there is no proven link, these particles would be a plausible means by which the magnetic field exerts its effect.

Not only do these discoveries shed new light on the extent of human sensitivity to magnetic fields, they may also provide a new tool that neurosurgeons could use in the treatment of drug-resistant epileptics. Being able to induce epileptic firing to order will make sit easier to identify the precise area affected. That in turn would greatly increase the precision of any subsequent surgery.

The question remains as to whether smaller fields, such as those generated by commonplace consumer devices

could trigger an epileptic seizure. The Swiss and US team say no. They argue that such devices generate fields about ten times too small to bring about the effect observed. Yet there remains strong evidence from animal and human studies that biological systems can detect magnetic fields as small as the Earth's – that may be how pigeons (and some humans) can navigate.

Being able to detect something and being affected by it are two very different things. But if a biological system can respond in any way at all to an external stimulus, it must at least be worth asking a few more questions about the health implications of regular exposure.



STM that puts electrons in the picture

flowing from one atom to another, the electrons in the conduction bands of the atoms.

Don Eigler, one of the IBM team, says that the ripples on this surface are created when electrons bounce off surface features.

The electron ripples – to give some idea of the scale – are about a thousand times smaller than a single atom. They are also, without doubt, the smallest things that have ever been “seen”. Better still, they provide a direct visual demonstration of the wave nature of the electron. IBM has long been at the forefront of atomic imaging. It was an IBM team in Zurich who won the Nobel Prize for their invention in 1981 of the tool that made it all possible – the scanning tunnelling microscope or STM. This now-universal atomic probe works by suspending a metal needle a few atomic diameters above the surface to be scanned. If a small potential is then applied between the two, a tiny

current tunnels its way across the gap, a current critically dependent on the spacing.

To make the STM into a practical instrument, the vertical drive of the needle is incorporated into a feedback loop that seeks to preserve a constant tunnelling current. If the needle is then moved horizontally across the surface of a sample, the feedback loop generates an error signal corresponding to the surface topography. In practice these data are fed into a computer that generates the spectacular pictures we now see.

IBM says this apparently “blue-skies” research is essential because the ability to resolve quantum mechanical interference patterns of surface electrons is the most powerful means yet of studying defects on metallic surfaces. Understanding such defects, which are important in regulating film growth and surface catalysis, will be a vital step in the development of new quantum devices, especially sensors.

The thought of being able to magnify electrons enough to see them is mind-boggling in the extreme. But that in effect is what has been done by an IBM team at their Almaden Research Division in California.

The team has produced a computer generated picture (*Nature*, Vol 363, No 6429) showing waves and ripples, together with what look like ranges of mountain peaks and flights of steps. The intervening flat surfaces represent a “sea” of electrons

Computer has designs on its own patent rights

A computer program has submitted a patent application for some of its own inventions, according to the June issue of *Chemistry In Britain*. The program called *Invention* is named as the primary applicant, along with its developer Todd Wipke of the University of California, Santa Cruz.

Zany perhaps, but *Invention* has now designed a whole series of morphine analogues that have the same overall chemical structure as the natural substance. The fact that none of these compounds exists and none has yet been synthesised is immaterial: they could well form the basis of some of tomorrow's pharmaceutical drugs.

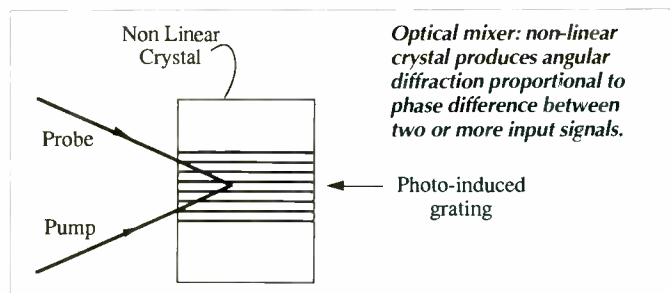
Invention took a whole day to churn out hundreds of morphine

look-alikes and has chosen the three best ones for the patent disclosure. The University has yet to decide on whether to submit a full patent application.

Wipke says that in future, computer programs are far more likely than human chemists to invent new chemicals. He believes that, like their white-coated counterparts, computer programs are more able to make inventive leaps and are less constrained by preconceived ideas. More importantly still, they have no problems visualising complex three-dimensional chemical structures.

Invention will now be harnessed to the task of trying to think up potential new AIDS drugs.

Optical switch that needs no power

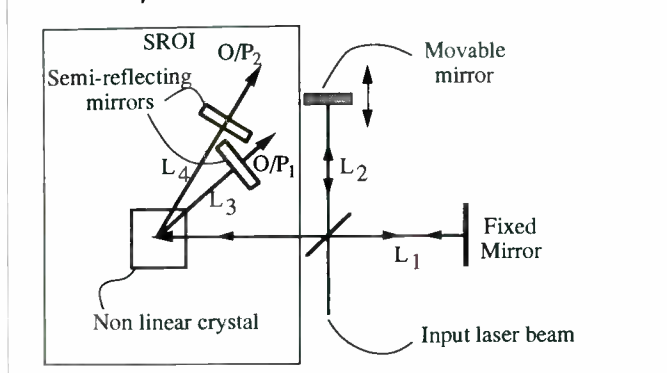


Researchers in the Department of Electrical and Electronic Engineering at King's College London has demonstrated an all-optical switch, at a recent summer exhibition of the Royal Society. It is a novel method of routing optical signals to different destinations without the need for mechanical or electronic switching. At the moment it is still very much at the laboratory stage, but the new device demonstrates clearly the potential for locating optical data switches away from the main switching centres traditionally employed in electronic data networks. Jeremy Everard, one of the team, says there is no reason in principle why an optical routing switch could not be located in the middle of the Atlantic.

Secret of the optical switch is that it dispenses with the traditional "three-terminal" approach; there is no external signal to control the switch. Instead, the switching signal is coded in the data itself. So when a stream of data reaches the switch, the switch is able to recognise where, of maybe ten different destinations, it is meant to go.

The switch itself relies on the

Experimental system, demonstrated at the Royal Society, switching to different outputs, by changing the phase between two samples of a laser beam.



fact that when two laser beams are applied to an optically non-linear crystal (barium titanate), they give rise to a three-dimensional diffraction grating. What happens then is complex. The "pump" beam is created, not by a second laser, but by a process of phase conjugation within the crystal. This, together with the addition of semi-reflecting mirrors at varying distances from the non-linear crystal enables the system to route an input signal only to (and through) the mirror that reflects a

beam that is phase-coherent with the input beam. The angle of routing is determined in practice by superimposing on the input signal a slightly delayed version of the same signal.

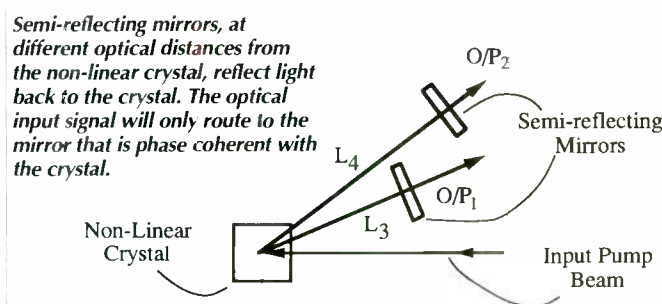
In the experimental system, demonstrated at the Royal Society, routing to two different outputs was achieved by creating the delayed signal using a second set of mirrors. Jeremy Everard is

electronically at source. In this way the switch itself could be buried under the streets, maybe miles away from the source. Instead of being a bench-top arrangement of lasers, mirrors and crystals, it would be miniaturised inside an integrated optic package only a few millimetres across.

Looking even further ahead, Dr Everard sees the possibility of cascading these switches in such a way that it might be possible to code an input signal so that it would route itself automatically to any one of hundreds of different destinations.

At the moment this remains a dream; the experimental switch is still cumbersome and slow. But with new crystal materials and integration technologies, the day is not too far off when thousands of tv or data channels could be routed almost anywhere with total reliability and without the overheads of electrically switched networks. ■

Research Notes is written by John Wilson of the BBC World Service.





Until quite recently spread spectrum techniques were almost exclusively in the military domain. Their use in GPS and the latest cellular phones will be followed by many other civil applications. This article, the first of three parts, examines the technology by describing an experimental direct sequence voice transmission system as a worked example.

By James Vincent.*

Voice link over spread spectrum radio

1: basic principles

Most Communication Engineers are used to minimising transmission bandwidths. The trend has been to use narrower bandwidths, as with the transition from double sideband to single sideband modulation. It is quite obvious that narrower bandwidths permit more communication channels to be packed into a defined frequency band.

However the rationale of using the very wide bandwidths required by Spread Spectrum systems needs explanation. Claude Shannon produced a ground breaking paper on the mathematical theory of communication in

1949. Shannon's resulting theorem can be expressed as:

$$C = W \log_2 \left[1 + \frac{S}{N} \right] \text{ bits}^{-1}$$

where C = data rate in bits per second, W = bandwidth (Hz), S = average signal power (W), N = mean white gaussian noise power (W). It can be seen from the equation that the only options available to increase a channel's capacity are to increase either the bandwidth (W) or the signal to noise ratio (S/N).

An increase in the signal to noise ratio requires an increase in transmitter power as

*James Vincent G1PVZ works for a major aerospace company.

the noise within the channel is beyond our control! Thus we can either trade power or bandwidth to achieve a specified channel data rate. Because of the logarithmic relationship, increasing the power output is often unrealistic. However if frequency allocation constraints permit, the bandwidth can be increased. An appreciable increase in data capacity or signal to noise ratio (for a fixed data rate) can then be achieved.

Spread spectrum systems utilise very wide bandwidths and low signal to noise ratios. From Shannon's theorem:

$$C = W \log_2 \left[1 + \frac{S}{N} \right]$$

$$\frac{C}{W} = \log_2 \left[1 + \frac{S}{N} \right]$$

changing bases

$$\text{As } \log_a P = \frac{\log_b P}{\log_b a}$$

$$\therefore \log_b P = \log_b a \log_a P$$

$$\frac{C}{W} = \log_2 e \times \log_e \left[1 + \frac{S}{N} \right]$$

$$\text{Now } \log_a b = \frac{1}{\log_b a}$$

$$\frac{C}{W} = \frac{1}{\log_e 2} \times \log_e \left[1 + \frac{S}{N} \right]$$

$$\frac{C}{W} = 1.44 \log_e \left[1 + \frac{S}{N} \right]$$

By logarithmic expansion

$$\log_e \left[\frac{S}{N} \right] = \frac{S}{N} - \frac{1}{2} \left[\frac{S}{N} \right]^2 + \frac{1}{3} \left[\frac{S}{N} \right]^3 - \frac{1}{4} \left[\frac{S}{N} \right]^4 + \frac{1}{5} \left[\frac{S}{N} \right]^5 \dots \text{ etc}$$

In a spread spectrum system the signal to noise ratio (S/N) is typically small, much less than 0.1

$$\frac{C}{W} = \frac{1.44S}{N} \text{ thus } W \approx \frac{NC}{S}$$

From the derived relationship it can be clearly seen that a desired signal to noise ratio for a fixed data rate C, can be achieved by increasing the transmission bandwidth.

For example, assume a data rate of 32Kbits⁻¹ and a signal to noise ratio of 0.001 (-30dB)

$$W \approx \frac{CN}{1.44S}$$

$$\text{thus } W \approx \frac{32 \times 10^3 \times 1000}{1.44} \approx 22\text{MHz}$$

So for a data rate of 32Kbits⁻¹, operation at the very low S/N ratio of -30db is achievable by spreading the signal over a bandwidth of 22MHz. By using a very much wider bandwidth than that of the original data it is possible to maintain data capacity without increasing the transmitter output power. It is an extreme example of a power-bandwidth trade off.

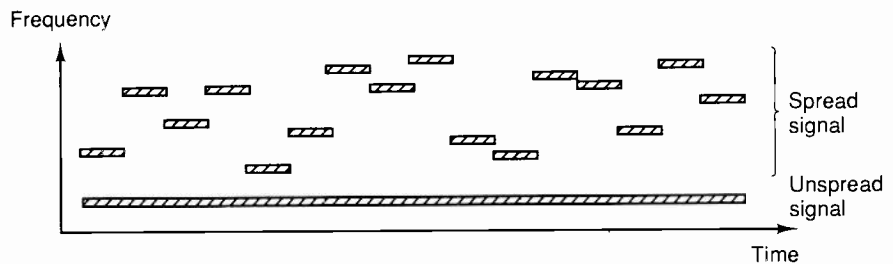


Fig. 1. Frequency hopping spread spectrum provides anti-jam communications. The transmission frequencies change periodically in discrete, pseudorandom steps, the sequence of which is known only by the intended receiver. Multiple users interleave transmissions.

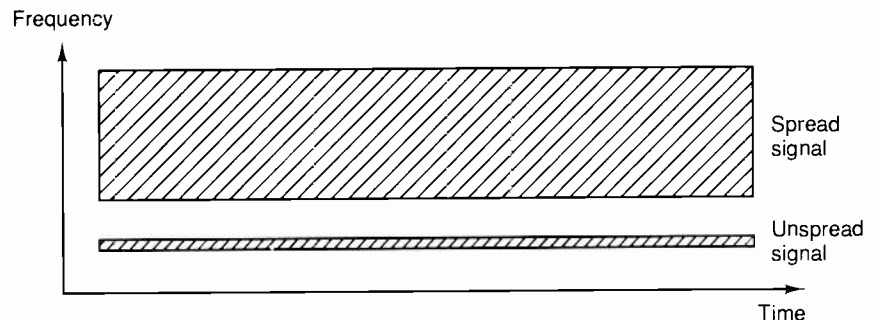


Fig. 2. Direct sequence spread spectrum. An RF carrier modulated with this pseudorandom code will be spread into a wide bandwidth continuous spectrum signal which looks like noise. At the receiver, the same pseudorandom code is used to correlate and hence despread the signal. Many transmissions may use the same frequency simultaneously; signals using different pseudorandom codes do not correlate and hence look like an addition to the background noise.

Two criteria (see Dixon) for a spread spectrum system are:

- that the transmitted bandwidth is much greater than the bandwidth or rate of the information being sent; and
- that some function other than the information being sent determines the resulting radio frequency bandwidth.

The two major techniques used in spread spectrum systems are frequency hopping (fh) and direct sequence (ds). Of the two, frequency hopping is perhaps the easiest to visualise. In a frequency hopping system the frequency or channel in use is changed rapidly. The transmitter hops from channel to channel in a pre-determined but pseudo-random sequence (see Fig. 1). The receiver has an identical list of channels to use (the hop set) and an identical pseudo-random sequence generator to that of the transmitter. A synchronising circuit in the receiver ensures that the pseudo-random code generator in the receiver synchronises to the one in the transmitter. When the transmitter and receiver are synchronised the user is unaware that the transmitter and receiver are rapidly changing frequency.

However should the receiver not be synchronised to the transmitter or a conventional receiver be used, nothing will be heard unless the transmitter hops onto the receiver's tuned frequency. As a frequency hopping transmitter typically hops over tens to thousands of frequencies per second (the hop rate), the time it stays on a particular channel (the dwell time) is very short and as a result the signal would appear as a burst of interference.

The other major spread spectrum technique is known as direct sequence or pseudo-noise. In this technique a pseudo-random code

directly phase shift keys the carrier increasing its bandwidth (see Fig. 2). In a typical direct sequence system a double-balanced mixer (DBM) is driven by the pn code to switch a carrier's phase between 0° and 180°. This is known as biphasic shift keying (BPSK) or sometimes phase reversal keying (PRK). Unlike a frequency hopping transmitter where the pseudo-random sequence commands a synthesiser to change frequency, the direct sequence signal is directly generated by the pseudo-random sequence.

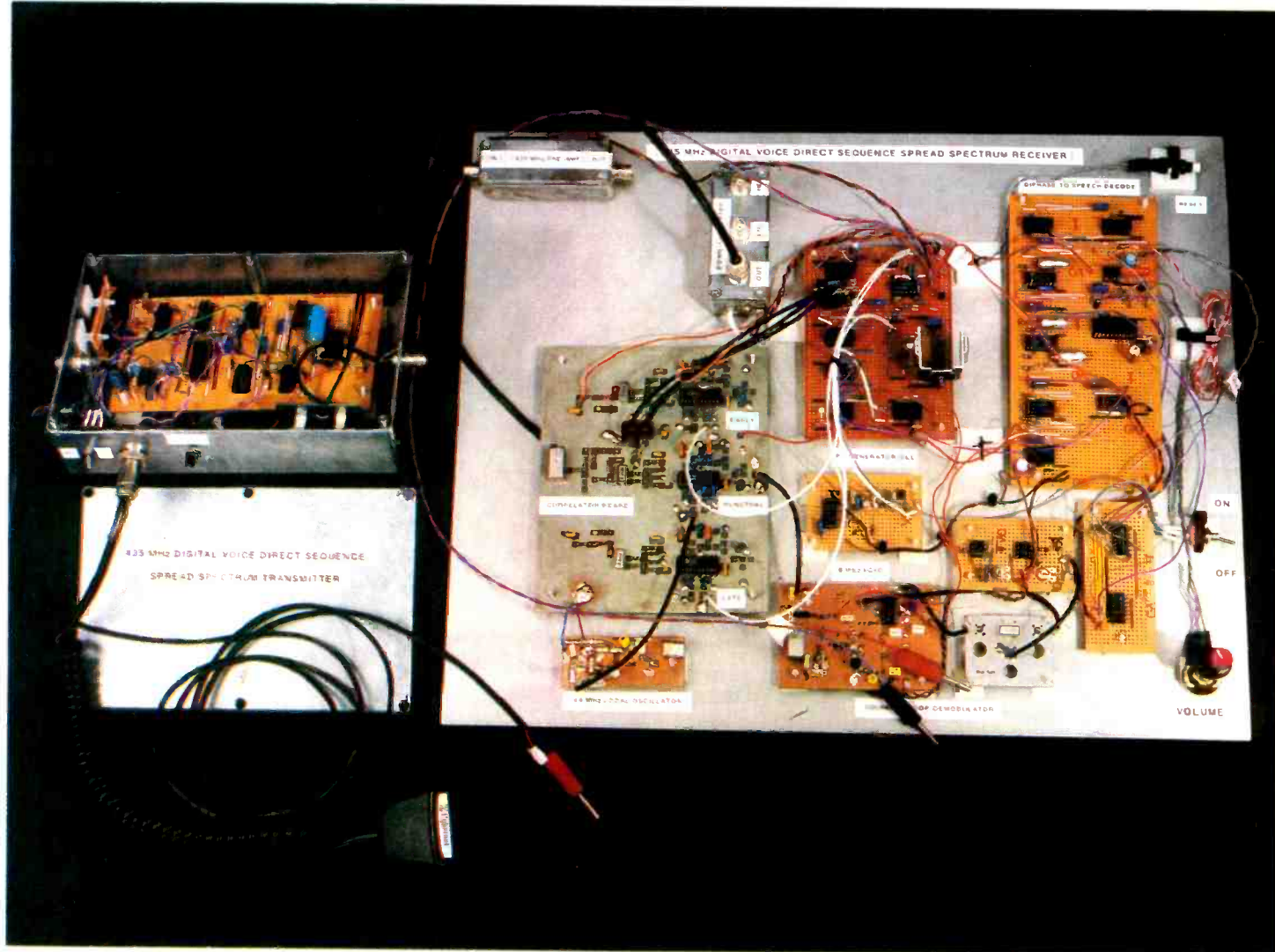
The receiver despreads this wideband signal by using an identical synchronised pseudo-random code to that in the transmitter. As with the frequency hopper, the receiver must use a circuit to adjust its clock rate so that the receiver's pseudo-random code is at the same point in the code as the transmitter. A tracking circuit is necessary to maintain synchronism once it has been attained.

Sending data with spread spectrum

Spread spectrum signals (whether direct sequence, frequency hopping or their hybrids) can support any conventional analogue or digital modulation scheme to impress data onto the spread spectrum carrier.

Obviously some modulation formats are less suitable than others. Amplitude modulation and its derivatives are the least desirable as their use will destroy the signal's uniform power spectral density. This constant carrier envelope is very desirable for spread spectrum systems designed for covert usage.

Frequency modulation (frequency shift keying for data) is often used in frequency hopping systems, but is infrequently used in direct sequence systems. This is because when a direct sequence signal passes through a squar-



Prototype direct sequence spread spectrum exciter and receiver system for 435MHz. Detailed circuitry will be appear in the next two issues of Electronics World

ing or frequency doubling circuit, a carrier at twice the signal's centre frequency is produced. This twice frequency narrowband carrier will contain any modulation impressed on the direct sequence signal. Thus with analogue modulation it is possible for the signal to be demodulated without any prior knowledge of the pseudo-random spreading code.

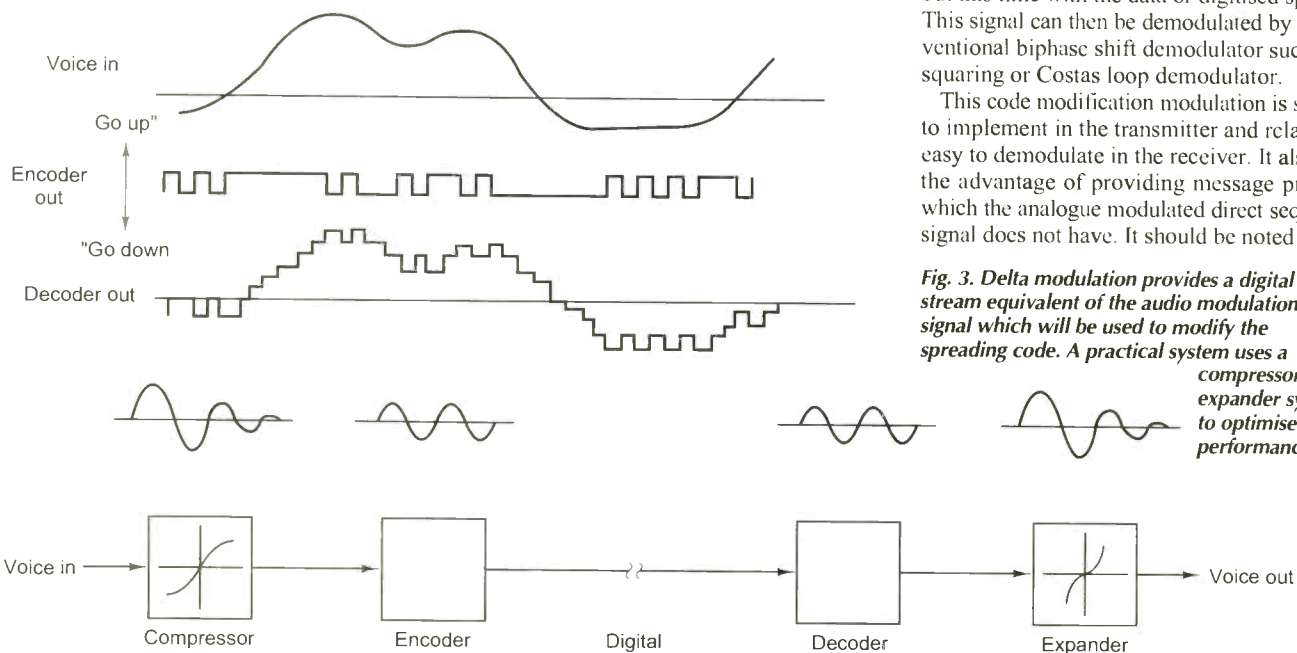
One of the commonest modulation tech-

niques used in conjunction with direct sequence is known as code inversion or modification. The digitised voice or digital data is exclusive ORed with the pn spreading code. This will invert the pn code sequence if the data is a "1" or pass the pn code unmodified if it is a "0". Provided that the data stream is synchronised with the pn code, the correlation properties of the code are unaffected.

Assuming synchronisation at the receiver, the unmodified code despreads the direct sequence signal. This produces a narrowband signal which is still biphase shift modulated, but this time with the data or digitised speech. This signal can then be demodulated by a conventional biphase shift demodulator such as a squaring or Costas loop demodulator.

This code modification modulation is simple to implement in the transmitter and relatively easy to demodulate in the receiver. It also has the advantage of providing message privacy which the analogue modulated direct sequence signal does not have. It should be noted that it

Fig. 3. Delta modulation provides a digital bit stream equivalent of the audio modulation signal which will be used to modify the spreading code. A practical system uses a compressor/expander system to optimise performance.



is possible to directly demodulate uncorrelated spectral components of an analogue modulated direct sequence signal should the demodulating receiver be very close to the transmitter. In addition the code modification technique preserves the constant power envelope of the direct sequence signal.

One disadvantage of code modification is that voice or other analogue signals require digitisation. As in any system design, the selection of the digitisation technique is very important. The technique selected must use the lowest possible data rate as data rate is inversely proportional to the process gain of the system. The technique selected for the system described uses an enhanced form of delta modulation to digitally encode the voice into a serial data stream.

Delta modulation

Delta modulation is a variation of pulse-code modulation. It compares successive signal samples and transmits only their differences, rather than the actual amplitude as in PCM. This reduces the number of bits required to code the speech. The continuous audio signal is sampled at periodic intervals. The sampled value is then compared with a staircase approximation of the output signal. If the sampled waveform exceeds the staircase approximation, a positive pulse is generated. If the sampled waveform is less than the staircase approximation, a negative pulse is generated. This output pulse, positive or negative, forms the next step in the staircase approximation, i.e. the sum of the binary pulse train at the output of the encoder produces the delta-modulated waveform (see Fig. 3).

At the receiver, the transmitted pulses are integrated and passed through a lowpass filter to remove unwanted high frequency components. The output consists of the original analogue signal together with some additional noise somewhat similar to quantisation noise.

Continuously variable slope delta modulation (CVSD) takes advantage of the fact that voice signals do not change abruptly and that there is only a small change from one sample to the next. A reasonably good reproduction can be obtained by transmitting in a given interval whether the output signal should increase or decrease. A linear delta modulated system has the undesirable feature that there is one input level which maximises the signal to noise ratio. In CVSD this is overcome by compressing the large amplitude in the signals relative to the smaller ones prior to encoding using a compressor circuit. In this way the input level to the encoder can be maintained close to the value which gives the maximum signal to noise ratio.

The receiver decodes the delta modulated binary stream and passes the analogue signal through an expander to counteract the effects of the transmitter compressor. Companding is optimised for the human voice. CVSD is considerably more effective than standard delta modulation and also exhibits less serious sound degradation in the presence of digital noise interference than PCM.

Auto-Correlation and Cross-Correlation

The main basis of spread spectrum communications is the correlation function, a measure of the similarity between functions. For the autocorrelation function:

$$\Psi_A(\tau) = \int_{-\infty}^{+\infty} f(t) \times f(t - \tau) dt$$

A time dependent function (such as Sin ωt) is compared with an identical replica time shifted by a magnitude and summed (integrated) for all values of t. This function has a maximum at $\tau = 0$ which shows that (obviously) a function is most similar to itself when it has not been time-shifted. For periodic functions, further maxima appear for a multiple of this period.

The response of the correlation function at other values than $\tau = 0$ determines how well the original function $f(t)$ can be found again by variation of the time shift τ . It is also possible to compare various functions $f(t)$ and $g(t)$ using the cross-correlation function:

$$\Psi_K(\tau) = \int_{-\infty}^{+\infty} f(t) \times g(t - \tau) dt$$

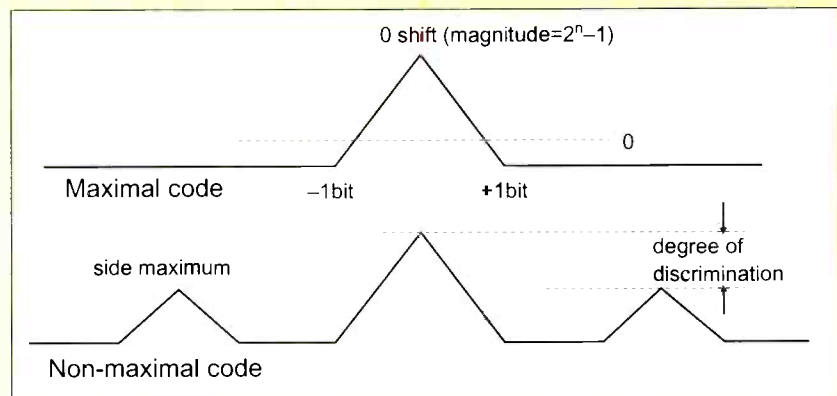
This cross-correlation function is a measure of the degree of agreement between functions. Since the functions to be compared are different $\Psi_K(\tau)$ may never achieve the maximum value of $\Psi_A(\tau)$. It is an indication that the functions are different when a certain threshold (-1 in the case of a binary code) is not exceeded.

In the correlation of binary code sequences, the result for cross-correlation will be +1 if the functional values coincide and -1 if they do not. The integration then forms a summing of all bits of the code. The correlation value for a certain phase-shift can therefore be simply calculated by placing the bits over another and comparing them bit by bit. The correlation rate is the sum of agreements and disagreements.

For example, the maximal code sequence 1110010 is compared with itself in the seven possible phase-shifts.

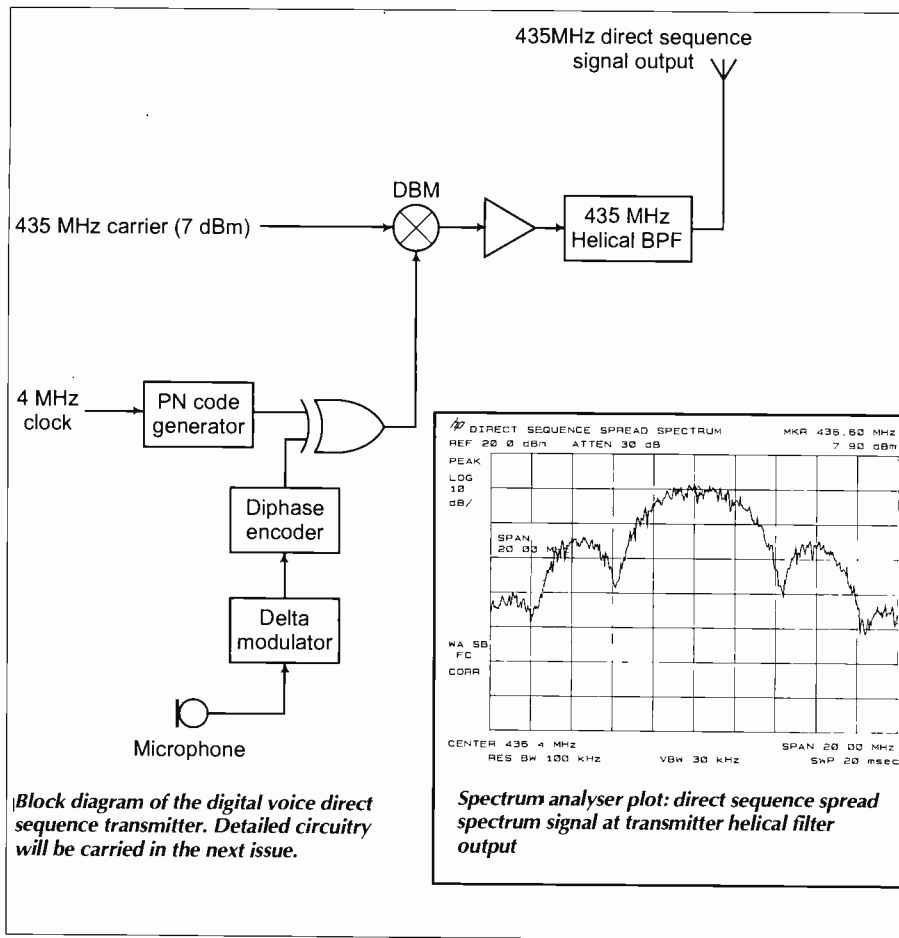
shift	sequence	agreements	disagreements	agreements minus disagreements
0	1110010	-	-	-
1	0111001	3	4	-1
2	1011100	3	4	-1
3	0101110	3	4	-1
4	0010111	3	4	-1
5	1001011	3	4	-1
6	1100101	3	4	-1
7	1110010	7	0	+7

As can be seen the auto-correlation function value is always -1, except for the case of coincidence, where it is a maximum. The greater the length of the code, the higher the auto-correlation amplitude and the greater the code discrimination or cross-correlation response. The auto-correlation function for maximal and non-maximal codes are shown in the drawing below. As shown in the figure, maximal codes have only one auto-correlation



maximum, whereas non-maximal codes have side maxima as well.

When non-maximal codes are used it is important to ensure that a sufficiently large spacing exists between the main and side maxima. Despite these disadvantages, non-maximal codes are used to exploit their main advantages of rapid synchronisation and message security.



Circuit description

The system is described in functional blocks. First, the transmitter direct sequence modulator. The exciter's clock frequencies are provided by a master 4MHz crystal oscillator and a divider. Power-up reset (with manual override) is configured around a Schmidt-trigger.

A shift register and exclusive OR gates are configured as a 4MHz 127 chip (code bit) long maximal pseudo-random code generator (see section *pseudo-random codes and generation*).

Microphone audio is amplified by the vograd (voice operated gain adjusting device) to the optimum level for the input of the delta modulator. The delta modulator converts the audio into a 32Kbits⁻¹ serial data stream. This serial binary data stream must be coded into a format which is polarity insensitive because the receiver demodulator cannot recover the despread data's absolute phase. Only data transitions are recovered at the receiver, hence there is no way of determining whether the output data stream is inverted or not.

The digitised audio is converted from a non return to zero (NRZ) format into a polarity insensitive diphase (biphase-mark) data stream. This subcircuit produces a diphase signal (Fig. 4), where a logic 1 has start, mid-bit and end transitions and a logic 0 has only start and finish transitions.

In addition to providing phase insensitive data transmission, the format also makes clock recovery at the receiver relatively easy, as unlike NRZ even a continuous stream of diphase encoded 0's results in many start and finish data cell transitions. The diphase encoded delta modulated digital voice signal is XORed with the pseudo-random code producing a code modified pn spreading code.

The data modified pn code from the output of the exclusive-OR gate provides a balanced drive ($\pm 24mA$ as an AC logic family device has equal sink and source currents) via a coupling capacitor and 50Ω matching pad, to a double balanced mixer (DBM) configured as a biphase shift keyer.

The pn code output alternately sinks and sources current, causing the diodes in the DBM to alternately switch on and off producing 180° phase reversals in the 435MHz carrier signal (see Fig. 5). The output spectrum consists of a series of symmetrical sidebands which have a Sinc²x distribution due to the many frequency components of the pseudo-random code.

As the spreading code has a pseudo-random character, the occurrence of a particular frequency is pseudo-random in time and the direct sequence output appears as noise on a spectrum analyser. The spread spectrum signal has a main lobe bandwidth of 8MHz (twice the pn code clock rate for BPSK). This is amplified by a MAR8 MMIC (monolithic microwave integrated circuit) and further amplified to around 100mW by a Motorola CA4812 class A amplifier module. Helical band pass filtering is used to ensure that the output signal is within the permitted bandwidth before free-space transmission.

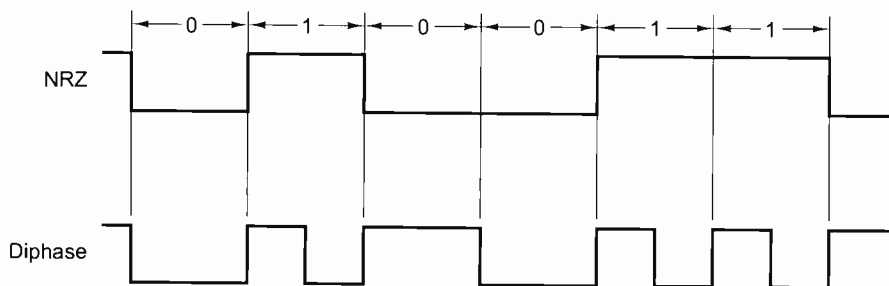


Fig. 4. The transmitted signal must be insensitive to phase. Digitised audio in phase-sensitive NRZ is converted to its diphase equivalent for transmission enabling the receiver to recover the data with the correct polarity. This diphase code is exclusive-ORed with the pseudorandom spreading code to provide a drive signal for the double balanced modulator of the sort shown below.

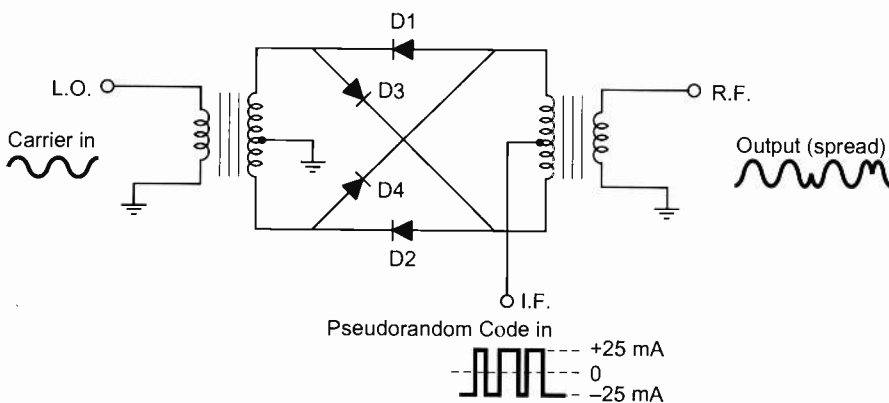


Fig. 5. The biphase modulator. Diode pairs D₁, D₂ and D₃, D₄ alternately switch with the pseudorandom code signal causing phase reversal between the local oscillator and output ports

Spread spectrum terminology

Process gain (G_p) is a fundamental concept in spread spectrum systems. The process gain indicates the gain or signal to noise improvement exhibited by a spread spectrum system by nature of the spreading and despreading process. Process gain can be estimated by the following empirical relationship:

$$\text{Process Gain} = \frac{G_p}{R_{info}} = BW_{RF}$$

$$\text{Process Gain} = 10 \log_{10} \left[\frac{BW_{RF}}{R_{info}} \right] \text{dB}$$

where

BW_{RF} = 3dB bandwidth of the transmitted spread spectrum signal (Hz). R_{info} = data rate of the information transmitted (bits per second).

For a direct sequence signal, BW_{RF} is assumed to be equal to the 3dB bandwidth of the spectrum (which is 0.88 times the pseudo-random code clock rate for a biphasic shift keyed direct sequence system). For a frequency hopping system BW_{RF} is equal to m times the channel bandwidth where m is the number of frequency channels available

Jamming Margin. Although the process gain is directly related to the interference rejection properties a more indicative measure of how a spread spectrum system will perform in the face of interference is the jamming margin (M_j). The process gain of a system will always be greater than its jamming margin.

$$M_j = G_p - \left[L_{system} + (S/N)_{out} \right] \text{dB}$$

where

L_{system} = system implementation losses (dB); G_p = process gain (dB); $(S/N)_{out}$ = signal to noise ratio at the information output (dB).

A spread spectrum system with a 30dB process gain, a minimum required output signal to noise of 10dB and system implementation loss of 3dB would have a jamming margin of 30-(10+3)dB which is 17dB. The spread spectrum system in this example could not be expected to work in an environment with interference more than 17dB above the desired signal.

Power spectral density. By nature of the spreading process, the output power of the spread spectrum transmitter is spread over typically many megahertz of bandwidth. The spectral density is the number of Watts of radio frequency power present per Hertz of bandwidth. Thus for a direct sequence transmitter of 1W output and a spread bandwidth of 8MHz the power spectral density is:

$$\frac{1}{8,000,000} \text{ W / Hz} = 125 \text{ nW / Hz}$$

For a conventional AM transmitter,

power spectral density is around

$$\frac{1}{6000} \text{ W / Hz} = 166 \mu\text{W},$$

some 31dB greater

The advantage to the military user is that the signal strength apparent to a conventional narrowband receiver is very, very low and would probably not be recognised as a communications signal, hence the expression "Low Probability of Intercept" and "Low Probability of Recognition".

Glossary

Antijamming (AJ): Techniques used to minimise the effects of jamming or unintentional interference.

Auto-correlation: This is a measure of similarity between a signal and a time shifted replica of itself. Auto-correlation is a special case of cross-correlation. The auto-correlation function is the fundamental theoretical basis of spread spectrum communications.

Biphase Shift Keying (BPSK): A phase shift keying technique where the carrier phase changes between 0° and 180° (0 and π radians) under the control of a binary code. BPSK is frequently used to generate direct sequence spread spectrum signals, where the binary code is a pseudo-random sequence.

Chip: A single element of the spreading code. This may be one or more of the pn code bits, depending on the modulation technique used. For BPSK one chip represents one code bit, whereas for quadrature phase shift keying (QPSK) one chip represents two code bits.

This is because there are four states for QPSK ($0^\circ, 90^\circ, 180^\circ$ and 270°) and only two states for BPSK (0° and 90°). Obviously two binary bits are required to represent four states and only one bit for two states.

Code: The term code usually refers to the pseudo-random code used to control the modulation technique used to spread the carrier.

Code Division Multiple Access (CDMA): A multiplexing technique where each user is given a different pseudo-random spreading code. To communicate with a particular user, the sender must select the code assigned to that user.

If the CDMA codes are carefully selected to ensure good correlation properties, then unwanted CDMA transmissions will not be correlated and hence rejected as wideband interference (up to the limit of the jamming margin M_j of the system). This technique can permit many users to operate simultaneously on the same frequency.

Correlator: A device to measure the similarity of two signals. Sometimes referred to as a de-spreader in direct sequence systems.

Costas Loop: A compound phase locked loop sometimes called an I-Q (In-phase/Quadrature phase) loop. It is used for demodulating double-sideband suppressed carriers (DSBSC) which is the modulation format of a biphasic phase-shift keyed signal.

Cross-correlation: This is a measure of the similarity of two signals.

Delay Locked Loop: A tracking circuit which ensures the direct sequence receiver pn clock tracks (follows) any variation in the transmitter's pn clock rate once synchronisation has been achieved. (See column The Delay Locked Loop).

Delta Modulation: A analogue to digital conversion technique (see column Sending Data with Spread Spectrum).

Diphase (biphase-mark): A polarity -insensitive waveform, where a transition occurs at the beginning of every data period. A logic 1 is represented by a transition one half period later. There is no second transition for a logic 0.

Direct Sequence (ds): A spread spectrum modulation technique where a pseudo-random code directly phase modulates a carrier, increasing the bandwidth of the transmission. The resulting signal has a noise-like spectrum. The signal is despread by correlating with a pseudo-random code identical to and in synchronism with the code used to spread the carrier at the transmitter.

Frequency Hopping (fh): A spread spectrum modulation technique where the transmitter frequency hops from channel to channel in a predetermined but pseudo-random manner. The signal is de-hopped at the receiver by a frequency synthesiser controlled by a pseudo-random sequence generator synchronised to the transmitter's pseudo-random generator.

Jamming Margin (M_j): A measure of a spread spectrum system's resistance to jamming or un-intentional interference, (see column Spread Spectrum Terminology).

Linear Codes: Pseudo-random codes generated using only modulo-2 addition or subtraction, (see column Pseudo-random Codes and their Generation).

Maximal Code: A maximal code is the longest that can be generated with a feedback type pseudo-random generator (see column Pseudo-random Codes and Generation).

Process Gain (G_p): The measure of the gain or signal-to-noise improvement exhibited by a spread spectrum system by nature of the spreading and de-spreading process.

Pseudo-noise: Code sequences which have noise-like properties. The term pseudo-noise (pn) is often used for direct sequence systems which use such codes to spread the carrier.

Sinc x: Sinc x is the mathematical term for the following expression:

$$\text{sinc } x = \frac{\sin x}{x}$$

A BPSK spread spectrum has a Sinc $2x$ power spectrum.

Squaring Loop: A BPSK (or DSBSC) demodulator which regenerates the suppressed carrier through a frequency squaring (or doubling) process. This doubling process produces a twice frequency unmodulated carrier, which when divided by two can be multiplied with the input BPSK signal to recover the data.

In next month's issue: detailed transmitter circuitry.

Audio induction technology for the deaf

Magnetic induction loops are valuable to hearing aid users because they effectively bring the ears much closer to the source of the sound so reducing the muddling effects of reverberation.

Sound intensity decreases according to the inverse square law and the direct sound pressure P_{dir} is inversely proportional to the distance r and is given by $P_{dir} = (\rho_0 c W / 4\pi r^2)^{0.5}$; W is the acoustical source power and $\rho_0 c = 415 \text{ Pa s m}^{-1}$, the characteristic air impedance.

A room acts like an acoustic hall of mirrors in which the sound energy density builds up until the rate of sound absorption by the walls and furnishings equals the source power W . The absorbing properties can be expressed as an equivalent area A of perfect sound absorber equal to the total surface area S times the mean absorption coefficient a . The resulting reverberant sound pressure is given by $P_{rev} = (4\rho_0 c W / A)^{0.5}$, where A can be calculated from the reverberation time, T , and the volume of the room, V , by $A = 4\ln 10^9 V / cT = 0.161 V / T$.

If we choose a distance r_{crit} , where $P_{rev} = P_{dir}$, substitution in the above equation gives $r_{crit} = (V/312T)^{0.5}$. For distances less than r_{crit} the direct sound pressure will be greater and speech will be clear whereas beyond r_{crit} the reverberant sound will suffer, particularly for those with hearing difficulties.

The purpose of a loop system is in effect to place the ears of the user within this critical distance, which might typically be, say, 2m.

Two other factors influence this critical distance. First, the presence of other sound sources can drastically reduce it so, at a party

Magnetic induction loops provide an electronic communications channel for deaf people. J P Wilson details the essential design data for induction audio systems.

with 100 people talking together, the critical distance would be reduced by $100^{0.5}$ corresponding to 0.2m in this example.

Secondly, the use of a directional microphone can improve matters substantially. Cardioid and figure of eight patterns each pick up only a third of the reverberant power and therefore increase the critical distance by a factor of 1.73 and, better still, noise cancelling microphones are insensitive to the plane waves of the reverberant field. Although the message here is to get close to the microphone, its penalty is undue sensitivity to speaker distance and, for directional microphones, a distance dependent emphasis of the lower frequencies.

But using a voice operated gain adjusting device (vogad) accommodates different speaker distances and voice strengths, letting a less powerful amplifier produce the required mean

current without clipping, and avoiding the need for critical adjustment of gain setting.

Magnetic basis of the loop system

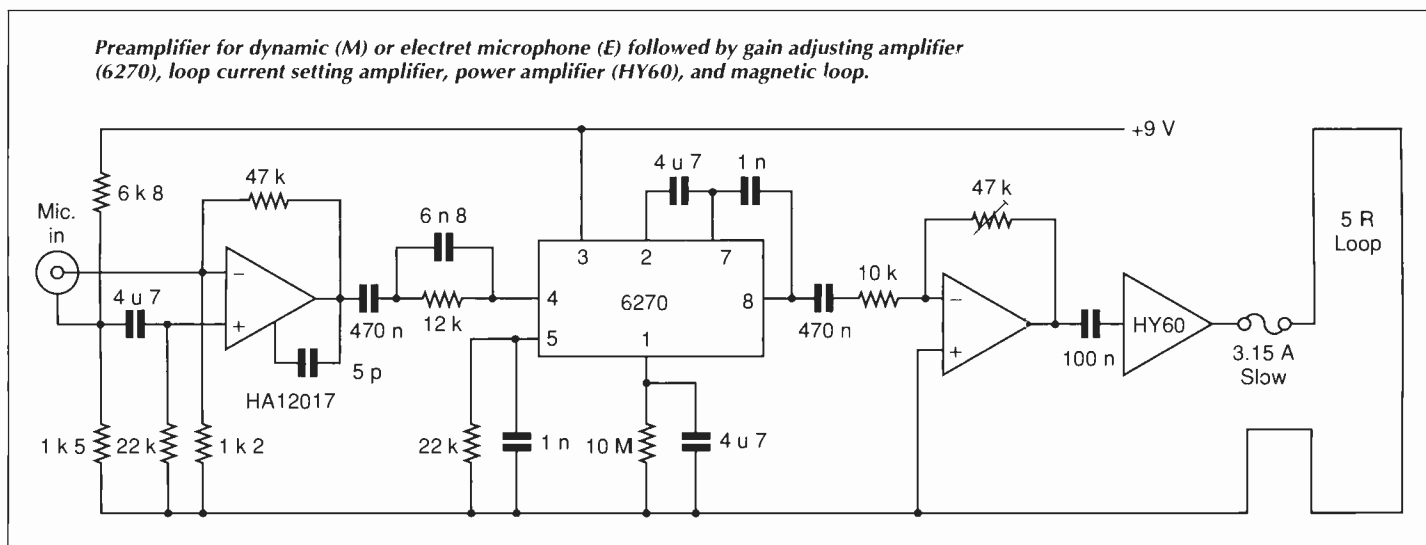
A loop works by direct magnetic induction and does not involve conversion to radio frequencies or infra red light. The system acts as a transformer whose primary winding is the horizontal loop and whose magnetic core with secondary winding is vertical in the hearing aid. This replaces the internal microphone when the aid is on the T (telephone) setting.

The loop is normally one or more turns of wire surrounding the area concerned and connected in place of a loudspeaker to a normal audio power amplifier. The average magnetic field specified for the loop system is 0.1 Am^{-1} (IEC118, part 4, 1981, BS6084).

Any practical layout can usually be typified as either a singular circular turn of diameter d and current I , where the field at the centre is I/d , or as a pair of parallel wires separated by b , where the field halfway between is $2I/\pi b$.

Excessive vertical field components near the conductor can be avoided by mounting the loop at a distance h above or below the receiver, giving a volcano shaped field profile with a null just outside the loop. For the field to remain within $\pm 3\text{dB}$ the rim must not exceed the crater by more than 6dB, which requires $d/h < 13$. A maximally flat top (mesa) will be obtained under the Helmholtz-coil condition of $d/h = 4$, and a rounded top for lower values of d/h . But lower values need higher currents.

Empirical equations, correct to within a few percent for $2 < d/h < 20$, for the field 3dB



below the rim or peak, and therefore covering the greatest area within $\pm 3\text{dB}$, are given by $H = 0.19(d/h)^{0.7}I/d$, for a circular loop and for a rectangular loop of the same area with sides a and b [giving $d = (4ab/\pi)^{0.5}$]. But when $a \gg b$ a similar approximation for parallel wires gives $H = 0.14(b/h)^{0.7}I/b$.

The field specification implies frequency independence for loop current with a resistive load, giving a pick-up voltage proportional to frequency in the receiving coil; this is corrected in the aid. A loop also has self inductance estimated from the length l and diameter d of the conductor from $L(\mu\text{H}) = 0.4\log_4 l/d$ for single turn layouts. The inductance produces a 6dB/oct cutoff for frequencies above $f_c = R/2\pi L$, which if moderate can be corrected without loss of available power, due to the reduced level of high frequencies in speech.

Multiple turns N will increase field strength proportionately but, if closely spaced as in multicore cable, will reduce cutoff frequency by the same factor ($R \propto N$, $L \propto N^2$). Wire gauge and number of turns should be chosen so that R matches amp impedance and $f_c > 1\text{kHz}$. Loops used in adjacent rooms need a more complex multiple loop geometry to minimise crosstalk¹⁻³.

Electronic design

The circuit has a universal preamp for low impedance dynamic and electret microphone inputs, 6270 vogad and HY60 power amp. As the vogad's output is only 90mV sine or

30mV long term speech average, extra gain of about 4.5 x is needed to fully drive the power amp module without clipping, giving a speech average of 5V. The 47k preset feedback resistor is set for the mean loop current needed. The 12k coupling resistor determines the level at which compression starts, and reducing it excessively renders ambient noise and microphone noise obtrusive in the absence of signal.

The parallel 6n8 capacitor is set for loop inductance correction at 2kHz and should be adjusted according to requirements. The attack time of the vogad is determined by the capacitor from pin 1 to earth and the recovery time

by the combination of this capacitor and resistor. Overall the response covers 70Hz to 10kHz $\pm 3\text{dB}$ and subjectively gives high quality reproduction of speech and music. ■

References

1. D Bosman and LJM Josten: "A new approach to a space confined magnetic loop induction system", IEEE Trans AU-13, pp47-51, 1965.
2. E de Boer: "Analytical design of magnetic loop induction systems", IEEE Trans AU-13, pp51-61, 1965.
3. FW Umbach: "Loop-induced magnetic fields with negligible side lobes", Acustica 33, pp55-58, 1975.

BOOK REVIEW

The Multiplexer Reference Manual, by Gilbert Held, is concerned with the multiplexer in communications, rather than the more usual connotation in our field of input multiplexers for signal processing.

The first chapter sets the scene, describing the reasons for the existence of the devices, going on to recount the early uses of multiplexing in telephony and to specify the evolutionary development of the subject from frequency division to optical fibre time division.

Each of the methods of multiplexing is given a chapter to itself: frequency and time division, statistical multiplexers, packet assemblers/disassemblers, T-carrier multiplexers and optical fibres, in all cases comparing the alternatives. In the last chapter, Held looks at

currently evolving methods, including fast packet multiplexing and low bit-rate voice digitisation.

Networks are, of course, an important aspect of multiplexing and are accorded their rightful share of attention, while perhaps the most important section are those on statistical and T1 multiplexers, which are given extensive treatment.

Engineers concerned in any way, however peripherally, with communications and networking will find the book a valuable reference, although the style is rather unattractive. A more extensive use of the active voice would have helped to make it a little more appealing, but this is a personal preference and in no way detracts from the value of the work.

John Wiley, 188 pages, hardback, £24.95.
Phil Darrington

Finally an upgradeable PCB CAD system to suit any budget ...

Board Capture

BoardCapture - Schematic Capture

- Direct netlist link to BoardMaker2
- Forward annotation with part values
- Full undo/redo facility (50 operations)
- Single-sheet, multi-paged and hierarchical designs
- Smooth scrolling
- Intelligent wires (automatic junctions)
- Dynamic connectivity information
- Automatic on-line annotation
- Integrated on-the-fly library editor
- Context sensitive editing
- Extensive component-based power control
- Back annotation from BoardMaker2

£395

NEW

Board Maker

BoardMaker1 - Entry level

- PCB and schematic drafting
- Easy and intuitive to use
- Surface mount support
- 90, 45 and curved track corners
- Ground plane fill
- Copper highlight and clearance checking

£95

BoardMaker2 - Advanced level

- All the features of BoardMaker1 plus
- Full netlist support - OrCad, Schema, Tango, CadStar
- Full Design Rule Checking - mechanical & electrical
- Top down modification from the schematic
- Component renumber with back annotation
- Report generator - Database ASCII, BOM
- Thermal power plane support with full DRC

£295

Board Router

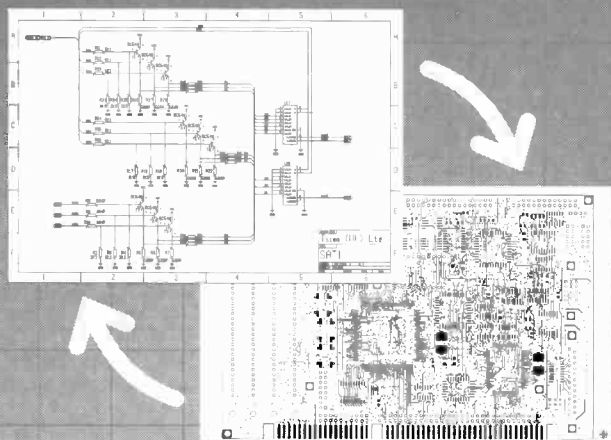
BoardRouter - Gridless autorouter

- Simultaneous multi-layer routing
- SMD and analogue support
- Full interrupt, resume, pan and zoom while routing

£200

Output drivers - Included as standard

- Printers - 9 & 24 pin Dot matrix, HPLaserjet and PostScript
- Penplotters - HP, Graphtec, Roland & Houston
- Photoplotters - All Gerber 3X00 and 4X00
- Excellon NC Drill / Annotated drill drawings (BM2)



Call for info or FREE evaluation kit:
Tsien (UK) Limited
Phone: (0223) 277 777
Fax: (0223) 277 747

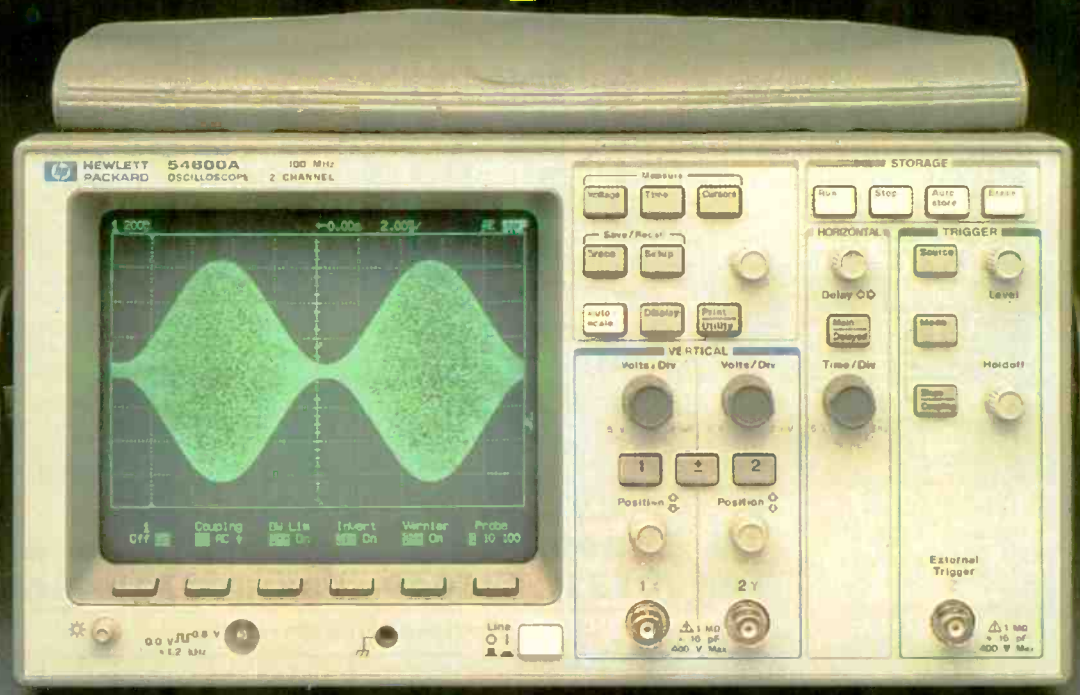


All trademarks acknowledged

Tsien (UK) Ltd, Cambridge Research Labs, 181A Huntingdon Road, Cambridge CB3 0DJ

CIRCLE NO. 109 ON REPLY CARD

Your best design could win you this £2500 H-P Oscilloscope



THIS Hewlett-Packard oscilloscope combines the feel and display of a top line analogue instrument with the precision and programmability of digital electronics. This DSO is easy to use because it was designed by electronics engineers for electronics engineers.

Electronics World is looking for freelance authors who can bring applied electronics design alive for other electronics professionals through their writing. We want to commission articles on circuit design using the wealth of modern components now available to electronics engineers. Possible areas of interest could be RF, microwave, audio, video, consumer electronics, data acquisition, signal processing and computer peripherals.

All articles accepted for publication will be paid for – in the region of several hundred pounds for a typical design feature.

The author of the best script received over the period June 1, 1993 to May 30, 1994 will receive an HP54600A oscilloscope in addition to the normal author's fee.

The judging panel will be drawn from Electronics World and Hewlett-Packard.

A Hewlett-Packard
HP54600A
100MHz digital
storage scope could
be yours when you
write for **Electronics
World + Wireless
World**,
the journal that
design engineers pay
to read.

*For further details about our quest for
the best call or write to:*

Frank Ogden, Editor, **ELECTRONICS WORLD**

Quadrant House, The Quadrant, Sutton
SM2 5AS. Tel 081-652 3128

M & B RADIO (LEEDS)

THE NORTH'S LEADING USED TEST/EQUIPMENT DEALER

OSCILLOSCOPES

TEKTRONIX 2445A 150MHz GPIB	£1500
TEKTRONIX 2445A 150MHz	£1000
TEKTRONIX 475 200MHz DUAL TRACE WITH PROBES	£400
TEKTRONIX 466 100MHz STORAGE	£395
TEKTRONIX SC504/7M503/DMS01 PORTABLE 80MHz SCOPE + DVM	£650
IWATSUI TS8123 STORAGE OSCILLOSCOPE	£495
KIKUSUI CO6100 100MHz 5 CHANNEL	£500
IWATSUI S56122 100MHz 4 TRACE CURSOR READOUT	£900
PHILIPS PM317 50MHz DUAL TRACE WITH PROBES/MANUAL	£375
HITACHI V222 20MHz DUAL TRACE WITH MANUAL	£225
GOULD O54000 10MHz DIGITAL STORAGE	£195
GOULD O52508 15MHz DUAL TRACE	£135
FARNELL DT12 12MHz DUAL TRACE/COMPONENT TESTER	£175
FARNELL DT12/5 12MHz DUAL TRACE	£150
HAMEG 204/2 20MHz	£255
HP 1722B 275MHz MICROPROCESSOR CAL MEASUREMENTS	£750
HP 1725A 275MHz OSCILLOSCOPES (AS NEW)	£600

SIGNAL GENERATORS

MARCONI 2019 80kHz TO 1040MHz	£1900
MARCONI 2018A 80kHz TO 520MHz	£1250
MARCONI 2018 80kHz TO 520MHz SYNTHESIZED	£750
MARCONI 2008 10kHz TO 520MHz INC. RF PROBE KIT MANUAL	£300
MARCONI 2015/2171 SYNCHRONIZER 10MHz TO 520MHz (AS NEW)	£325
MARCONI 2015 10MHz TO 520MHz AM/FM SIGNAL GENERATOR	£195
HP 8640B 500kHz TO 1024MHz OPT 001 002 003	£1000
HP 8640B 500kHz TO 550MHz OPT. 001	£650
HP 8616A 1.8GHz TO 4.5GHz	£295
HP 3310B 0.005Hz TO 5MHz	£250
ADRET 740A 10kHz TO 1.1GHz SYNTHESIZED	£1500
FARNELL S5G2000 10kHz TO 2GHz SYNTHESIZED (AS NEW)	£2250
FARNELL S5G1000 10kHz TO 1GHz SYNTHESIZED (AS NEW)	£1500
FARNELL S5G520 10MHz TO 520MHz & TTS 520 TRANSMISSION TEST SET	£800
ADRET 20230A 1MHz SYNTHESIZED SOURCE	£195
POLRAD 1104ET 1.8 TO 4.5GHz WITH MODULATOR	£400
ROHDE & SCHWARZ TYPE SMC1 4.8GHz TO 12.4GHz	£500
WAVETEK 193 20MHz SWEEP FUNCTION GENERATOR	£295
MARCONI 2020 50kHz TO 520MHz SYNTHESIZED	£500
MARCONI 2000 20kHz TO 20kHz WITH METRED ATTENUATOR	£125
TEXSCAN V560B SWEEP GENERATOR	£250
SATROSA FREQUENCY OSCILLATOR MA30 10Hz TO 10kHz	£250

TEST EQUIPMENT

EFRATOM FRT ATOMIC FREQUENCY STANDARD	£2500
---------------------------------------	-------

HP 5065A RUBIDIUM VAPOR FREQUENCY STANDARD	£2000
MARCONI 2955 COMMUNICATIONS TEST SET	£3000
MARCONI 2305 MODULATION METER	£2000
MARCONI TF2300B MODULATION METER	£395
MARCONI 2331 DISTORTION FACTOR METER	£250
MARCONI 2700 LCR BRIDGE	£145
FARNELL LA520 RF AMPLIFIER 1.5MHz TO 520MHz	£150
FARNELL LFM4 AUDIO OSCILLATOR	£200
FARNELL TM8 TRUE RMS SAMPLING RF METER (AS NEW) 1GHz	£350
TEKTRONIX 521A PAL VECTORSCOPE	£1000
AMBER 4400A MULTIPURPOSE AUDIO TEST SET	£450
DYMAR 2095 AF POWER METER	£225
BIRD TENULINE 8343 100W 4dB ATTENUATOR (NEW)	£100
NARDA 3022 B1 DIRECTIONAL COUPLER 1GHz TO 4GHz	£250
NARDA 3001-30 DIRECTIONAL COUPLER 460MHz TO 960MHz	£100
GRUNDIG FG7 COLOUR BAR GENERATOR	£295
AVO RM215 L/2 AC/DC BREAKDOWN TESTER	£300
ROTEK AC/DC PRECISION CALIBRATOR	£650
EXACT 334 CURRENT PRECISION CALIBRATOR	£195
HP 3488A SWITCH CONTROL UNIT	£600
HP 11667A POWER SPLITTER (NEW) 18GHz	£300
HP 11681A POWER METER CALIBRATOR	£300
NARDA 769/6 150W 6dB HIGH POWER ATT. (NEW)	£100
RACAL DANA 5002 WIDEBAND LEVEL METER	£700
RACAL DANA 9303 TRUE RMS RF LEVEL METER	£700
RACAL DANA 6000 MICROPROCESSING DVM	£300
RACAL DANA 9000 MICROPROCESSING TIMER COUNTER	£275
RACAL DANA 488 IEEE STD 488 BUS ANALYSER	£250
RACAL DANA 1002 THERMAL PRINTER	£150
RACAL DANA 9302 RF MILLIVOLTMETER 10kHz TO 1500MHz	£400
RACAL 9301A RF MILLIVOLTMETER 10kHz TO 1500MHz	£250
RACAL 9008 MODULATION METER	£300
RACAL DANA 1998 1.3GHz FREQ COUNTER/TIMER	£750
RACAL 9841 3GHz FREQ COUNTER	£225
RACAL 9921 3GHz FREQ COUNTER	£400
RACAL 9903 TIMER COUNTER	£100
RACAL 9904 TIMER COUNTER	£150
RACAL 9915 10Hz TO 520MHz FREQ COUNTER	£150
RACAL 9919 1.1GHz FREQ COUNTER/TIMER	£325
HP 435A POWER METER 8482H HEAD	£650
BICC/TEST T431M CABLE TEST SET	£250
BICC/TEST 437 CABLE LOGGER	£250
FARNELL B30/5 POWER SUPPLY 0-30VOLT 5AMP	£45
FARNELL B30/20 POWER SUPPLY 0-30VOLT 20AMP	£100
RACAL 9063 TWO TONE GENERATOR	£250
FARNELL P5G520 PORTABLE 520MHz SYNTHESIZED GENERATOR	£300
FARNELL ELECTRONIC LOAD RB 1030/35	£495
FARNELL TRIPLE OUTPUT POWER SUPPLY TOPS 3D	£225
FARNELL L5005 5AMP POWER SUPPLY	£95
MARCONI TF2910/4 TV LINEAR DISTORTION ANALYSER	£750
MARCONI TF2913 TEST LINE GENERATOR + INSERTER	£750

MARCONI TF2914A INSERTION SIGNAL ANALYSER	£750
FLUKE 103A FREQUENCY COMPARATOR	£300
LYONS PG73 PULSE GENERATOR	£145
FEEDBACK 550403 SINE/SQUARE AUDIO OSCILLATOR	£85
FEEDBACK 402 VARIABLE PHASE OSCILLATOR	£145
FEEDBACK SF6411 12MHz SWEEP FUNCTION GENERATOR	£245
FEEDBACK TFA TRANSFER FUNCTION ANALYSER	£295
FEEDBACK EF604 ELECTRONIC WATTMETER	£195
HP 3455A HIGH STABILITY VOLTMETER GPIB	£1200
HP 8405A VECTOR VOLTMETER & ACCESSORIES	£850
HP 8406A COMB FREQUENCY GENERATOR	£250
HP 3468D DIGITAL MULTIMETER	£400
HP 3466A DIGITAL MULTIMETER	£200
HP 8750A STORAGE NORMALIZER	£395
HP 333A DISTORTION METER	£225
HP 3400A TRUE RMS VOLTMETER	£145
HP 3403C TRUE RMS VOLTMETER DIGITAL	£150
HP 394A VARIABLE ATTENUATOR 1GHz TO 2GHz	£85
HP 3406A SAMPLING VOLTMETER	£225
HP 5005B SIGNATURE ANALYSER	£225
HALCYON 500B/521A UNIVERSAL TEST SYSTEM	£650
TEKTRONIX 576 CURVE TRACER & 172 PROGRAMMEABLE TEST FIXTURE	£650
PSI A1001 WAVEFORM GENERATOR	£225
HP 10529A LOGIC COMPARATOR	£85
IWATSUI 1GHz FREQUENCY COUNTER	£325
HP 5006A SIGNATURE ANALYSER	£395
KEMO DP1 PHASE METER 1Hz TO 100kHz	£150

SPECTRUM ANALYSERS

HP 8558B 10MHz TO 1.5GHz WITH 182T MAINFRAME	£1800
HP 141T 8552B IF 8554B/8553B RF UNITS	£2000
HP 3580A 5kHz TO 50kHz ANALYSER (NEW)	£1750
BK 2033 AUDIO ANALYSER 1Hz TO 20kHz	£2750
MARCONI 2370 110MHz ANALYSER	£950
HP 141T 8553B/8552B 110MHz WITH 8443A TRACKING GENERATOR (AS NEW)	£2000
HP 8444A TRACKING GENERATOR 0.5 TO 1300MHz	£1000
TEKTRONIX 492 50kHz TO 18GHz PORTABLE	£5500

RADIO EQUIPMENT

RACAL RA1792 HF RECEIVERS	£1600
RACAL RA2309B/RA2295 90MHz TO 400MHz	£900
PHILIPS 88MHz TO 108MHz BROADCAST TX 10KW	£3000

BULK PURCHASE SPECIALS

HP 180 50MHz OSCILLOSCOPES	£145
MARCONI 1101 RC OSCILLATOR 20Hz TO 20kHz	£45
ADCOLA 777 DESOLDERING STATION	£100
RACAL 9059 560MHz FREQUENCY COUNTER WITH FREQ STANDARD	£95

ALL PRICES PLUS VAT AND CARRIAGE

86 Bishopgate Street, Leeds LS1 4BB
Tel: (0532) 435649 Fax: (0532) 426881

CIRCLE NO. 110 ON REPLY CARD

BENCH POWER SUPPLIES

from DIAWA INDUSTRY CO



	PS120	PS140	PS304	RS40X
I/P VOLTAGE	230/117	230/117	230/117	230/117
O/P VOLTAGE	3-15	13.8	1-15	1-15
O/P CURRENT	12	14	30	40
MAX RATED	9.2	12	24	32
RIPPLE	3MV	3MV	3MV	3MV
SIZE (WHD)	128x104x225	128x104x225	175x150x225	280x140x225
WEIGHT	5KG	5KG	8KG	10KG
PRICE INC VAT*	69.96	65.00	129.95	189.00

*Carriage extra

- Compact and lightweight
- Cost efficient
- Rapid delivery



SOUTH MIDLANDS COMMUNICATIONS LIMITED
 S M House, School Close, Chandlers Ford Ind Est.
 Eastleigh, Hampshire, SO5 3BY
 Tel: (0703) 255111 Fax: (0703) 263507

CIRCLE NO. 111 ON REPLY CARD

ADVANCED ACTIVE AERIAL



The aerial consists of an outdoor head unit with a control and power unit and offers exceptional intermodulation performances: SOIP +90dBm, TOIP +55dBm. For the first time this permits full use of an active system around the lf and mf broadcast bands where products found are only those radiated from transmitter sites.

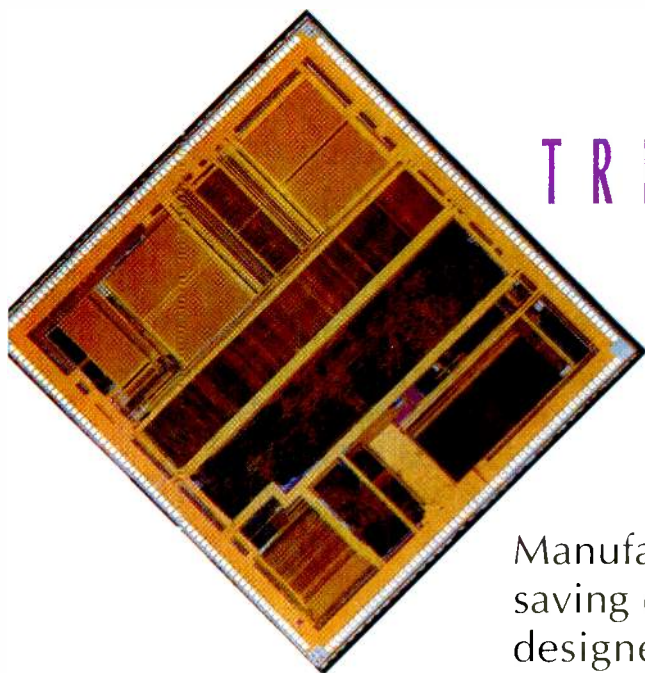
- General purpose professional reception 4kHz-30MHz.
- -10dB gain, field strength in volts/metre to 50 Ohms.
- Preselector and attenuators allow full dynamic range to be realised on practical receivers and spectrum analysers.
- Noise -150dBm in 1Hz. Clipping 16 volts/metre. Also 50 volts/metre version.

- ★ Broadcast Monitor Receiver 150kHz-30MHz.
- ★ Stabilizer and Frequency Shifters for Howl Reduction
- ★ Stereo Variable Emphasis Limiter 3
- ★ 10-Outlet Distribution Amplifier 4
- ★ PPM10 In-vision PPM and chart recorder.
- ★ Twin Twin PPM Rack and Box Units.
- ★ PPM5 hybrid, PPM9 microprocessor and PPM8 IEC/DIN -50/+6dB drives and meter movements
- ★ Broadcast Stereo Coders.
- ★ Stereo Disc Amplifiers
- ★ Peak Deviation Meter.

SURREY ELECTRONICS LTD
 The Forge, Lucks Green, Cranleigh, GU6 7BG
 Telephone: 0483 275997. Fax: 276477.

DOWNWARD

TREND IS GOOD NEWS FOR DESIGNERS



Manufacturing constraints combined with power-saving demands of the portable market are forcing designers to rethink their device supply levels. **Rupert Baines** reports on an industry in transition.

Traditionally, you could be fast, but you were power-hungry – increasing a device's switching speed required a proportionate boost in power consumption. But manufacturers are now finding different ways to improve on the established compromises by releasing chips running off lower voltages.

Many are offering device variants for different supply rails, optimised for particular markets. AMD's release of 3.3V-supply 386 clones was a deliberate attempt to offer something different to Intel. But designers are gradually abandoning the general standard of the revered 5V V_{cc} altogether. DEC's new *Alpha* is only available in a 3.3V form, and while Intel's *Pentium* may be available in either 3.3 or 5V versions, future processors in the line will solely operate at 3.3V or less.

The reasoning stems from the physics of the devices that make up the chip.

A processor such as *Alpha* (100MHz, true 64 bit) has to squeeze a massive number of transistors (1.7 million of them) onto a single 230mm² die. For reliable manufacture, the die – and its components – must be as small as possible, demanding finer connections that are able to withstand less electrical stress. So the voltage that can be withstood is lower, and the designer must reduce the supply rail.

Happily, that helps power consumption. In a CMOS circuit, most of the power is needed at transitions to charge and discharge capacitances within the gates (in contrast to TTL or, even worse, ECL, which need current continually).

Reduce the voltage and proportionately less energy is needed to charge the capacitor,

reducing power consumption. For the *Alpha*, already throwing off 30W, 3.3V operation is crucial if the chip is not to burst into flames.

Finally, chips designed for this supply can be faster. Voltage range from logic 0 to 1 is reduced, so the transition time can be cut too.

Margins cut

Of course the gains do not come without cost. The reduced voltage level makes design more difficult by cutting down device noise margins, a situation worsened by the higher frequencies involved.

But all future "super processors" are likely to be based on low voltage operation. Indeed, 3.3V may be too high – the successor to the *Alpha* is rumoured to run at 300MHz on 2.5V. 100MHz chips are here now, and we are likely to see 500MHz PCs by year 2000.

There is a second, parallel track in this market. While the new super-processors are using 3.3V from necessity, manufacturers are releasing low voltage versions of existing designs, such as the 386 or 68030, through choice. These are intended for the portable market, where power consumption is a premium.

The chip is merely a variant of the existing 5V standard rather than being expressly designed with smaller geometries. Same mask and geometry as the original are used, but the chemical doping levels, and hence the electrical characteristics, are slightly different, allowing for different energy densities and switching levels. But as the geometry, designed to withstand 5V, is unchanged, they are actually too large for the new supply. As a result, the chip runs much slower, primarily because of

the proportionately larger capacitances that need to be charged, with less voltage to do so.

For example, Motorola's 68340V, at 3.3V, draws 140mW at 8MHz, whereas its 5V counterpart (the plain 68340) needs four and a half times as much power to operate at twice the speed (650mW at 16MHz). Or you can build a faster basic design, but run it on a lower voltage to slow it down to a standard speed: AMD's 386DX-40, and 386SX-25 operate on 3.3V, and dissipate 28% less power than their 5V counterpart running at the same clock frequency.

The shift to lower voltages also affects other components, especially memory.

A dram cell consists of very little more than a single capacitor. Speed is determined by how quickly the cell can be charged, and so the attraction of low voltage operation is reinforced. Hitachi have just announced a prototype dram that runs off just 1.5V.

Serial notes

Computers do not exist in isolation and must communicate with other equipment. The RS232 serial interface (the "standard" that exists in more varieties than any other), specifies a maximum data rate of 20kbaud/s, and minimum output levels of $\pm 5V$.

Given the move to a lower supply rail, it is not surprising that a new version of 232 has been developed to suit the demand for more efficiency. EIA562 has been specified by the EIA (electrical industry association) as an improved version of the old standard. It is compatible such that a laptop with the new link will work with a printer or modem using

TELEVISION TRANSMITTERS AND TRANSPOSERS



- ★ High stability crystal locked output
- ★ Phase lock loop and saw filter technology
- ★ 5W, 10W, 15W and 30W systems also available
- ★ Transposers can up or down convert in bands I, III, IV or V.

- ★ Up to 50 Watts RF output
- ★ Studio, Satellite or RF input
- ★ Single channel, Bands I, III, IV or V
- ★ Pal System B,G,H or I
- ★ Automatic Output Protection
- ★ Output Power Meter
- ★ Integral forced air cooling
- ★ Integral power supply
- ★ Dimensions 4 Units high 19" panel
- ★ Prices from £2,650 (5W) to £4,950 (50W) ex-works & ex-VAT

RESEARCH COMMUNICATIONS LTD

Unit 1, Aerodrome Industrial Complex, Aerodrome Road, Hawkinge, Folkestone, Kent CT18 7AG, UK
 Tel: (UK) 0303 893631 (Overseas) 44 303 893631 Fax: (UK) 0303 893838 (Overseas) 44 303 893838

CIRCLE NO. 112 ON REPLY CARD

R.S.T. LANGREX SUPPLIES LTD R.S.T.

One of the largest stockists and distributors of electronic valves, tubes and semiconductors in this country

Over 5 million items in stock covering more than 6,000 different types, including CRT's camera tubes, diodes, ignitrons, image intensifiers, IC's, klystrons, magnetrons, microwave devices, opto electronics, photomultipliers, receiving tubes, rectifiers, tetrodes, thyratons, transistors, transmitting tubes, triodes, vidicons.

All from major UK & USA manufacturers.

Where still available.

Obsolete items a speciality. Quotations by return. Telephone/telex or fax despatch within 24 hours on stock items. Accounts to approved customers. Mail order service available.

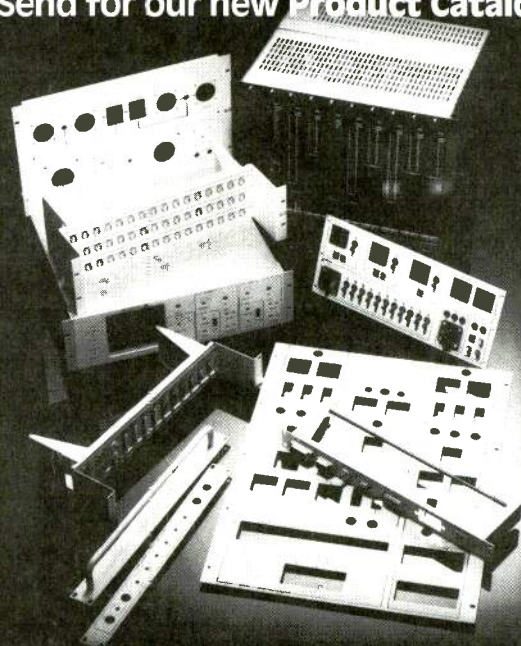
LANGREX SUPPLIES LTD
 1 Mayo Road, Croydon, Surrey CR0 2QP
 Tel: 081-684 1166
 Telex: 946708
 Fax: 081-684 3056

CIRCLE NO. 113 ON REPLY CARD

Custom metalwork — good & quick!

Plus a wide range of rack-mounting cases etc. from stock.

Send for our new Product Catalogue.



ipk
IPK BROADCAST SYSTEMS

IPK Broadcast Systems
 3 Darwin Close Reading Berks RG2 0TB
 Tel: (0734) 311030 Fax: (0734) 313836

CIRCLE NO. 114 ON REPLY CARD

the old standard. But it uses less power and allows faster transmission rates and at up to 64Kb/s is more than three times as fast).

The uprating has been achieved by having a maximum slew rate of 30V/ μ s (making the pulses trapeziums rather than rectangles) and tighter rules on waveform shape and allowable ripple, <5% of voltage swing, enabling faster transmission and a reduction in error rate.

But major change has been in the levels. Whereas 232 had levels of $\pm 5V$, the 562 specifies a minimum output level at the driver of $\pm 3.7V$. The receiver's sensitivity remains unchanged at $\pm 3.0V$. As a result the minimum power required by the new driver will be just 55% of the power delivered to the load by a 232 driver. These power savings will be there whether the receiver uses the old standard or the newer one, as power consumption is fixed by the transmitting device.

Disadvantage of reducing levels is that the noise margin (the space between the minimum output of the driver, and the sensitivity of the receiver) is lessened. It has now dropped to just 0.7V, rather than the 2.0V of 232, making the new standard more sensitive to corruption from external interference, cross-talk from other cables, or ground loops. But the problem should not prove too important. For a start it will be somewhat balanced by the benefits of waveform shape. Also, the difference between the two noise margins is not that significant in

POWER POLITICS

There is growing concern about the power consumption of computer systems as a whole. In the US, President Clinton has announced that the US government will give preference to items meeting the Energy Star standard. To qualify, a computer, monitor or printer must have an idle mode in which it consumes 30W or less (45W for colour printers and some other special items). Conventional components use 200-250W.

Given that computer equipment is estimated to use between 5 and 10% of commercial energy use, the potential for saving is clear; the EPA (Environmental Protection Agency) believes that widespread adoption of Energy Star could save \$1bn a year.

Though computer users could make even more savings. According to the EPA, 30-40% of commercial machines are left running 24h/day. As the number of networks increases, even more PCs will be left switched on "in case someone needs to access my disk".

Switching off before leaving work would be vastly more effective (and would mean that air conditioning need only be set to comfortable, rather than "arctic" so making more savings).

However, where there is a bandwagon, people are going to jump on it. The latest PC Expo was full of "Green PCs", which - of course - were no such thing. Instead they were conventional pieces of equipment, upgraded with a timer circuit and a suitable exorbitant price.

One machine that takes a more thorough approach is IBM's PS2/E, using the power saving ideas of a portable in desktop machine; flat screen, smart power management (eg sending the hard drive to sleep) and low power PCMCIA expansion cards.

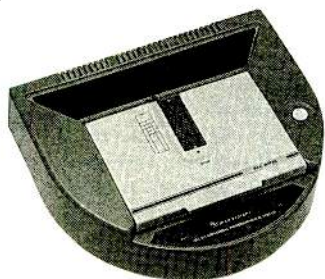
Of course, it still has an exorbitant price tag, and the misleading "Green" motif. A truly green PC would go far further, reducing "whole life" energy consumption, improving recycling and

practice: if you have problems with 562, you would probably have had them anyway with 232. The solution is the same, involving shorter cables, lowering the baud rate, and moving equipment to the same power source to eliminate ground loops.

If corruption remains, moving to a more robust protocol - RS485 for example, differ-

ential not single ended - might be the answer.

Most of the major manufacturers (Maxim, Linear, TI etc) are producing interface chips for 562. Increasingly commonly, these contain internal charge pumps to generate the required voltages, allowing them to operate from the single 3.3V supply.

NEW**UNIVERSAL PROGRAMMER**

only **£595**

- ✓ Supports over 2000 ICs:-
EPROMs, E²PROMs, Bipolars, Flash, Serial PROMs over 150 microcontrollers - including PIC17C42 PLDs, EPLDs, PEELs, PALs, GALs, FPGAs including MACH, MAX and MAPL parts
- ✓ Very few adapters
Universal Adapter PACs for:
40 pin DIL and 44,68,84 PLCC parts
Also 4 and 8 gang PACs
- ✓ 256 pin drive capability for future expansion
- ✓ Uses standard pc printer port
- ✓ Powerful full colour menu driven software
- ✓ Regular updates

Contact SMART Communications for our full range of Programmers Emulators, Cross-Assemblers, Compilers and Simulators

Tel: 081-441 3890
Fax: 081-441 1843

SMART
COMMUNICATIONS

CIRCLE NO. 115 ON REPLY CARD

SHERWOOD Data Systems



The
Firefly

Single Board Controller

- Single Eurocard • CMOS technology • 2 serial ports • 4 parallel ports • Standard industrial I/O connector • 4 counter timers • Battery back-up • Power fail detection • Watchdog timer • LCD and keyboard Interfaces •
- Options: Debug monitor and Basic • 5V only power converter • various connector options.

for information contact:

Sherwood Data Systems Ltd.,

Tel: 0494 464264

Fax: 0494 445374

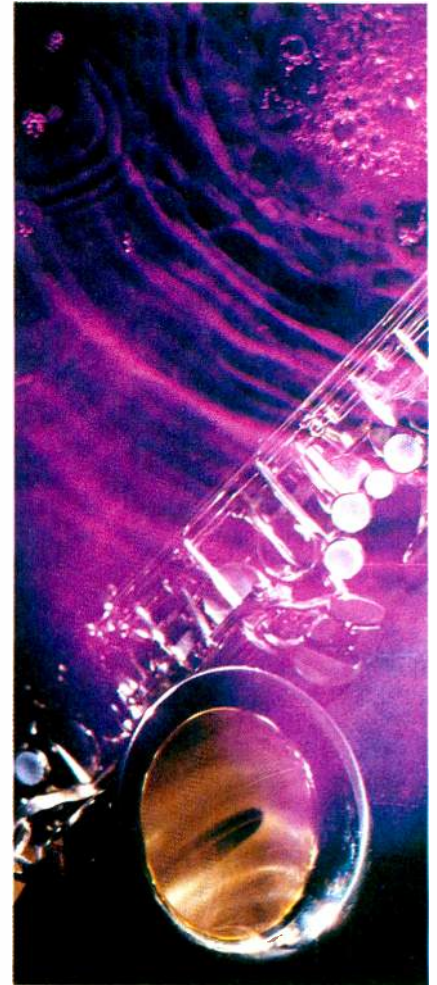
CIRCLE NO. 116 ON REPLY CARD

Input stage design is not something to be taken lightly for minimal amplifier distortion. Even the fine details of current distribution at this point can have a surprisingly powerful effect on distortion.

By Douglas Self.

Distortion in power amplifiers

2: the input stage



The input stage of an amplifier performs the critical duty of subtracting the feedback signal from the input, to generate the error signal that drives the output. It is almost invariably a differential transconductance stage; a voltage-difference input results in a current output that is essentially insensitive to the voltage at the output port. Its design is also frequently neglected, as it is assumed that the signals involved must be small, and that its linearity can therefore be taken lightly compared with that of the voltage amplifier stage (VAS) or the output stage. This is quite wrong, for a misconceived or even mildly wayward input stage can easily dominate HF distortion performance.

The input transconductance is one of the two parameters setting HF open-loop (o/l) gain, and thus has a powerful influence on stability and transient behaviour as well as distortion. Ideally the designer should set out with some notion of how much o/l gain at 20kHz will be safe when driving worst-case reactive loads – a precise measurement method of open-loop gain was outlined last month – and from this a suitable combination of input transconductance and dominant-pole Miller capacitance can be chosen.

Many of the performance graphs shown here are taken from a model (small-signal stages only) amplifier with a Class-A emitter-

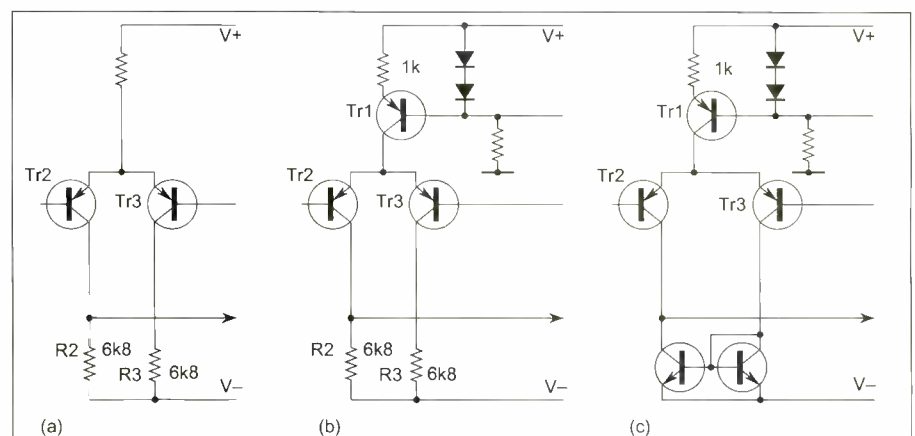
follower output, at +16dBu on $\pm 15V$ rails. However, since the output from the input pair is in current form, the rail voltage in itself has no significant effect on the linearity of the input stage. It is the current swing at its output that is the crucial factor.

Vive la differential

The primary motivation for using a differential pair as the input stage of an amplifier is usu-

Fig. 1: Three versions of an input pair: a) Simple tail resistor; b) Tail current-source; c) With collector current-mirror to give inherently good I_c balance.

ally its low DC offset. Apart from its inherently lower offset due to the cancellation of the V_{be} voltages, it has the added advantage that its standing current does not have to flow through the feedback network. However a second powerful reason is that its linearity is far superior to single-transistor input stages. Figure 1 shows three versions, in increasing order of sophistication. The resistor-tail version at 1a has poor CMRR and PSRR and is generally a false economy; it will not be further considered. The mirrored version at 1c has the best balance, as well as twice the transconductance of 1b.



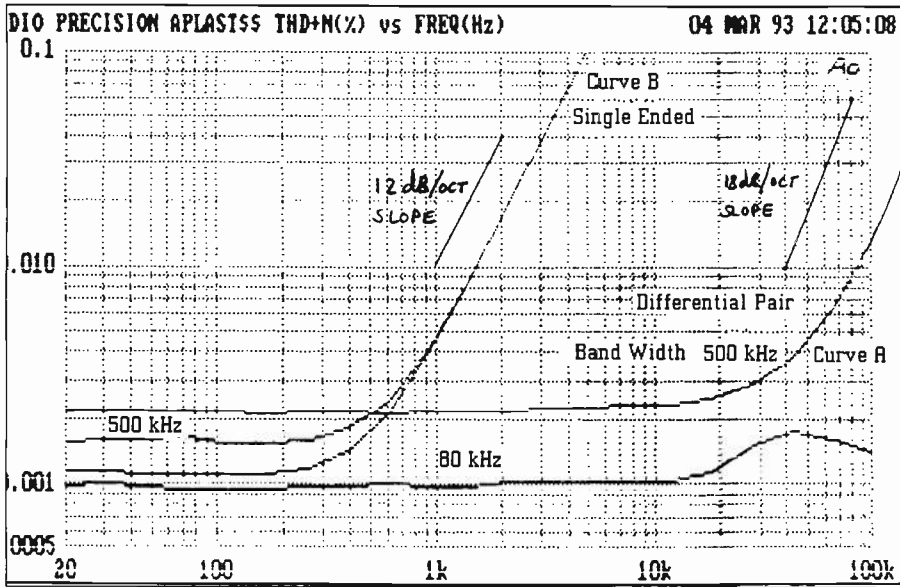


Fig. 2: Distortion performance of model amplifier differential pair at A compared with singleton input at B. The singleton generates copious second-harmonic distortion

Intuitively, the input stage should generate a minimal proportion of the overall distortion because the voltage signals it handles are very small, appearing as they do upstream of the vas that provides almost all the voltage gain. However, above the first pole frequency P1, the current required to drive C_{dom} dominates the proceedings, and this remorselessly doubles with each octave, thus:

$$I_{pk} = 2\pi F \cdot C_{dom} \cdot V_{pk} \quad (\text{Eqn 4})$$

For example the current required at 100W, 8Ω and 20kHz, with a 100pF C_{dom} is 0.5mA peak, which may be a large proportion of the input standing current, and so the linearity of transconductance for large current excursions will be of the first importance if we want low distortion at high frequencies.

Fig. 2, curve A, shows the distortion plot for a model amplifier (at +16dBu output) designed so that the distortion from all other sources is negligible compared with that from the carefully balanced input stage. With a small-signal class A stage this essentially reduces to making sure that the vas is properly linearised. Plots are shown for both 80kHz and 500kHz measurement bandwidths to show

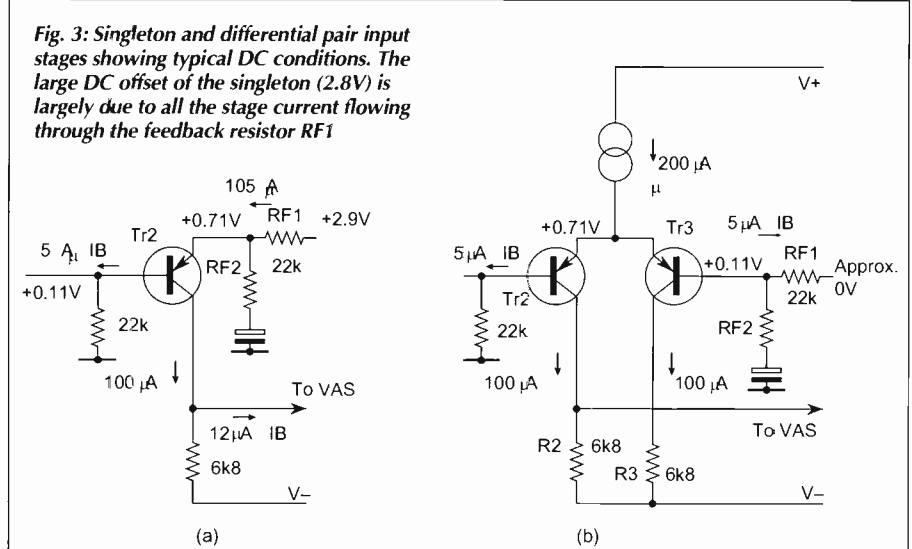


Fig. 3: Singleton and differential pair input stages showing typical DC conditions. The large DC offset of the singleton (2.8V) is largely due to all the stage current flowing through the feedback resistor RF1

both HF behaviour and LF distortion. It demonstrates that the distortion is below the noise floor until 10kHz, when it emerges and heaves upwards at a precipitous 18dB/octave. This rapid increase is due to the input stage

falling at 6dB/octave since we are almost certainly above the dominant pole frequency P1. The combined effect is an 18dB/octave rise. If the vas or the output stage were generating distortion, this would be rising at only 6dB/octave and would look quite different on the plot.

This form of non-linearity, which depends on the rate-of-change of the output voltage, is the nearest thing to what we normally call TID, an acronym that now seems to be falling out of fashion. SID (slew-induced-distortion) is a better description of the effect.

If the input pair is *not* accurately balanced, then the situation is more complex. Second as well as third harmonic distortion is now generated, and by the same reasoning this has a slope of closer to 12dB/octave. This vital point requires examination.

Input stage in isolation

The use of a single input transistor (Fig. 3a) sometimes seems attractive, where the amplifier is capacitor-coupled or has a separate DC servo; it at least promises strict economy. However, the snag is that this singleton con-

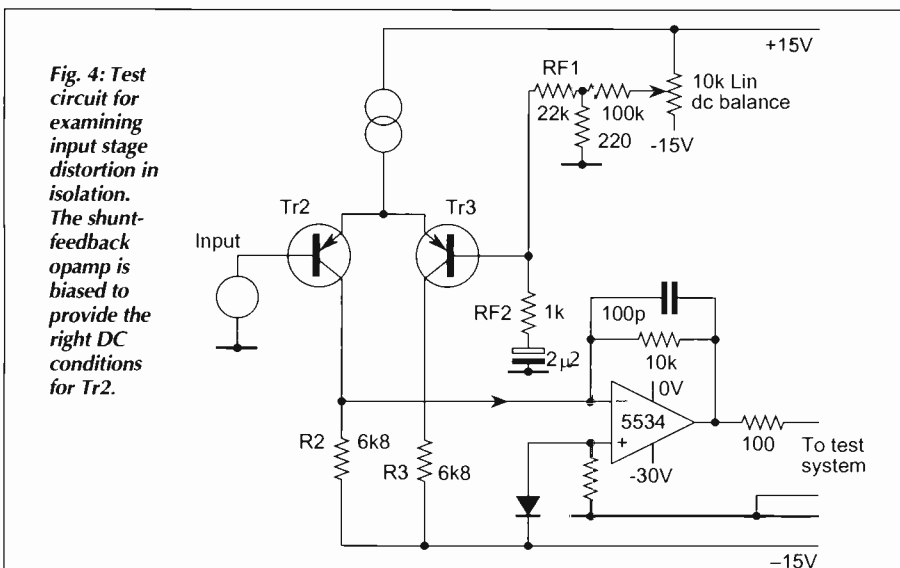


Fig. 4: Test circuit for examining input stage distortion in isolation. The shunt-feedback opamp is biased to provide the right DC conditions for Tr2.

YOUR AD WORKING FOR YOU

POWERware
14 Ley Lane
Marple Bridge
Stockport
SK6 5DD
Tel 061 449 7101

Dear Ms Pat Bunce,

Following on from the review of Quickroute 2.0 for Windows 3/3.1 in the June 1993 issue of Electronics World and Wireless World, we have experienced a tremendous surge in sales at POWERware, much of which can be attributed to the review. We have received enquiries from as far afield as Brazil, China, Africa, and New Zealand, as well as North America, Canada and Europe. Sales have been made to universities, colleges, schools, small and large businesses, as well as individual users in the professional, semi-professional and hobbyist markets.

Many of our customers are looking for cost effective, professional design tools and as such we feel that EW&WW provides a good forum for selling Quickroute in both Windows and DOS versions. EW&WW seems to be particularly successful at reaching professional electronic engineers both in the UK and abroad.

Quickroute has enjoyed healthy sales through advertisements in EW&WW over the past few years, and we look forward to many more years of business through the magazine.

Yours faithfully,



Dr Ian R. Frost B.Sc. (Hons), Ph.D(UMIST), Business Manager POWERware Software Design.

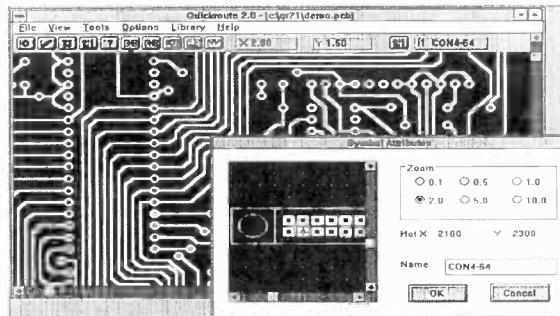
Call Pat Bunce on 081-652 8339 for advertising rates

CIRCLE NO. 117 ON REPLY CARD

"... there is no doubt that running under *Windows* puts it ahead of the field and makes it a visually attractive package." **Electronics World + Wireless World July 1993**

High Quality PCB and Schematic Design for Windows 3/3.1 and DOS

- Supports over 150 printers/plotters including 9 or 24 pin dot-matrix, DeskJet, LaserJet, Postscript, and HPGL. Professional Edition imports GERBER files, and exports GERBER and NC-DRILL files.
- Up to 200,000 pads/track nodes depending on memory. Simple auto-router and schematic capture tools with SPICE compatible net-list output.
- Low cost DOS version (reduced features) also available. Ring for full details!



"Quickroute provides a comprehensive and effective introduction to PCB design which is a pleasure to use" **Radio Communication May 1993.**



POWERware, Dept EW, 14 Ley Lane, Marple Bridge, Stockport, SK6 5DD, UK.
Ring us on 061 449 7101 or write, for a full information pack.
Quickroute is available for Windows 3/3.1 in Professional (£99.00) and Standard (£59.00) editions, and for DOS with reduced features (£39.00). All prices inclusive. Add £5 P+P outside UK.

Quickroute

from
£39

CIRCLE NO. 118 ON REPLY CARD

figuration has no way to cancel the second-harmonics generated by its strongly-curved exponential V_{in}/I_{out} characteristic¹. The result is shown in Fig. 2 curve B, where the distortion is much higher, though rising at the slower rate of 12dB/octave.

Although the slope of the distortion plot for the whole amplifier tells much, measurement of input-stage nonlinearity in isolation tells more. This may be done with the test circuit of Fig. 4. The op-amp uses shunt feedback to generate an appropriate AC virtual earth at the input-pair output. Note that this current-to-voltage conversion op-amp requires a third -30V rail to allow the i/p pair collectors to work at a realistic DC voltage - ie about one diode's-worth above the -15V rail. R_f can be scaled to stop op-amp clipping without effect to the input stage. The DC balance of the pair may be manipulated by VR_f ; it is instructive to see the THD residual diminish as balance is approached until, at its minimum amplitude, it is almost pure third harmonic.

The differential pair has the great advantage that its transfer characteristic is mathematically highly predictable². The output current is related to the differential input voltage V_{in} by:

$$I_{out} = I_e \times \tanh(-V_{in}/2V_t)$$
 where V_t is the usual "thermal voltage" of about 26mV at 25°C and I_e the tail current.

This equation demonstrates that the transconductance, g_m , is highest at $V_{in}=0$ when the two collector currents are equal, and that that the value of this maximum is proportional to the tail current, I_e . Note also that beta does not figure in the equation, and that the performance of the input pair is not significantly affected by transistor type.

Fig. 5a shows the linearising effect of local feedback or degeneration on the voltage-in/current-out law. Fig. 5b plots transconductance against input voltage and demonstrates a reduced peak transconductance value but with the curve made flatter and more linear over a wider operating range. Adding emitter degeneration markedly improves input stage linearity at the expense of noise performance. Overall amplifier feedback factor is also

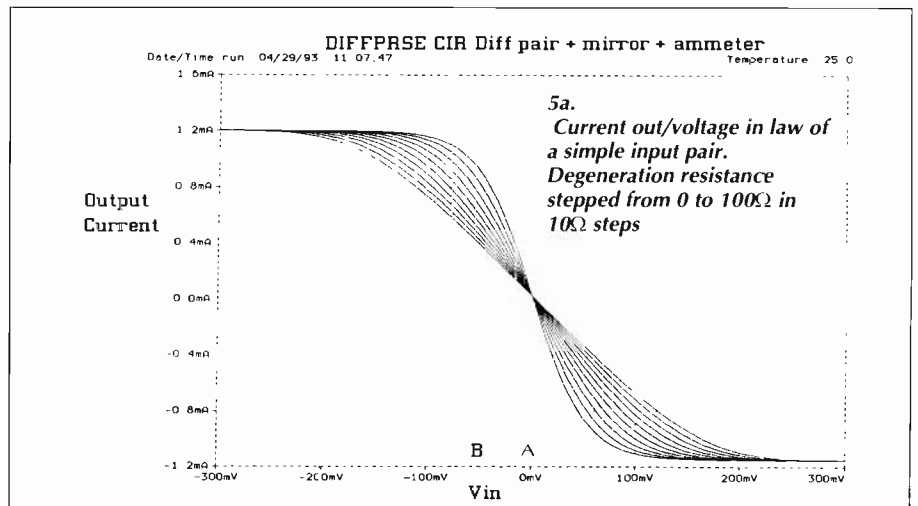
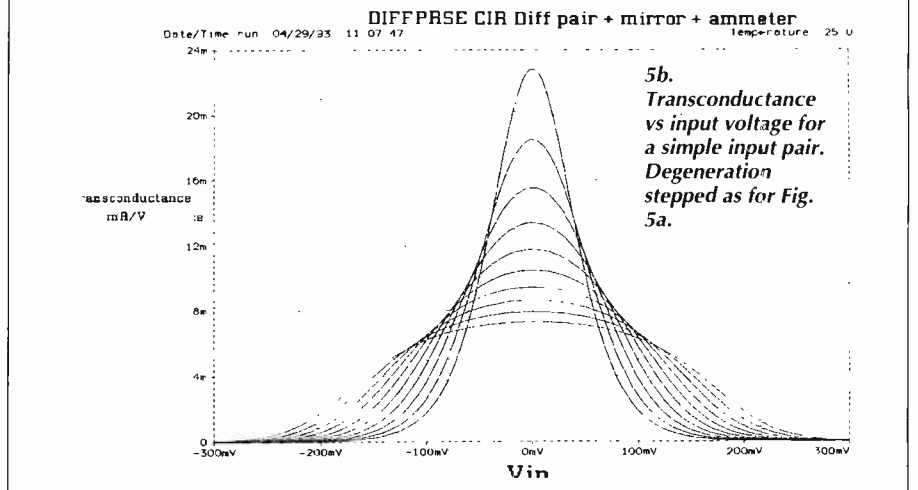


Fig. 5: Effect of degeneration on input pair V/I law, showing how transconductance is sacrificed in favour of linearity. (SPICE simulation)



reduced since the HF closed-loop gain is determined solely by the input transconductance and the value of the dominant-pole capacitor.

Input stage balance

One relatively unknown property of the dif-

ferential pair in power amplifiers is its sensitivity to exact DC balance. Minor deviations from equality of I_c in the pair seriously upset the 2nd-harmonic cancellation by moving the operating point from A in Fig. 5a to B. Since the average slope of the characteristic is greatest at A, serious imbalance also reduces the

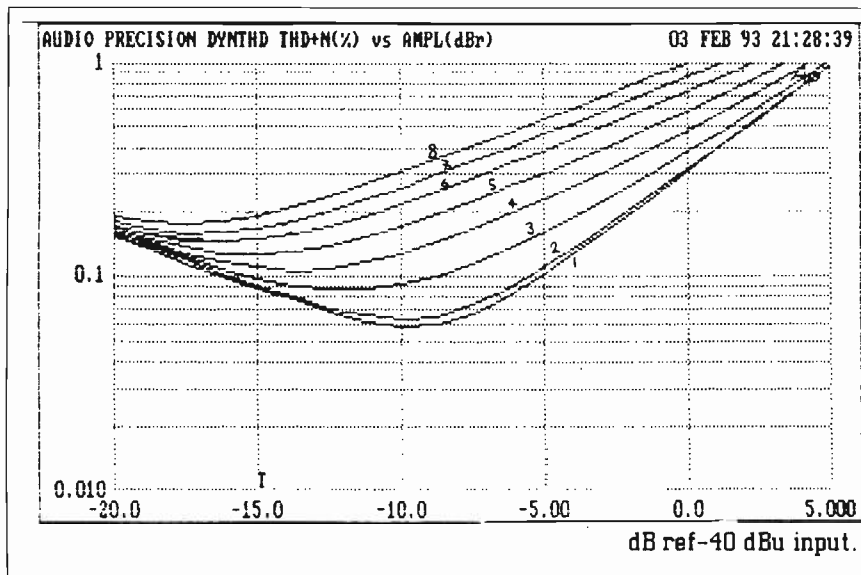


Table 1. Key to Fig. 6.

Curve No.	I_c Imbalance
1	0%
2	0.5%
3	2.2%
4	3.6%
5	5.4%
6	6.9%
7	8.5%
8	10%

Imbalance defined as deviation of I_c (per device) from that value which gives equal currents in the pair.

Fig. 6: Effect of collector-current imbalance on an isolated input pair; the 2nd harmonic rises well above the level of the 3rd if the pair moves away from balance by as little as 2%.

open-loop gain. The effect of small amounts of imbalance is shown in Fig. 6 and Table 1: for an input of -45dBu a collector current imbalance of only 2% increases THD from 0.10% to 0.16%; for 10% imbalance this deteriorates to 0.55%. Unsurprisingly, imbalance in the other direction ($I_{c1} > I_{c2}$) gives similar results.

This gives insight⁴ into the complex changes that accompany the simple changing the value of R_2 . For example, we might design an input stage as per Fig. 7a, where R_1 has been selected as 1k Ω by uninspired guesswork and R_2 made highish at 10k Ω in a plausible but misguided attempt to maximise o/l gain by minimising loading on Tr_1 collector. R_3 is also made 10k Ω to give the stage a notional "balance", though unhappily this is a visual rather than electrical balance. The asymmetry is shown in the resulting collector currents: this design will generate avoidable second harmonic distortion, displayed in the 10k Ω curve of Fig. 8.

However, recognising the importance of DC balancing, the circuit can be rethought as per Fig. 7b. If the collector currents are to be roughly balanced, then R_2 must be about 2 x R_1 , as both have about 0.6V across them. The effect of this change is shown in the 2.2k Ω curve of Fig. 8. The improvement is accentuated as the o/l gain has also increased by some 7dB, though this has only a minor effect on the closed-loop linearity compared with the improved balance of the input pair. R_3 has been excised as it contributes little to stage balance.

The joy of current mirrors

While the input pair can be approximately balanced by the correct choice of R_1 and R_2 ,

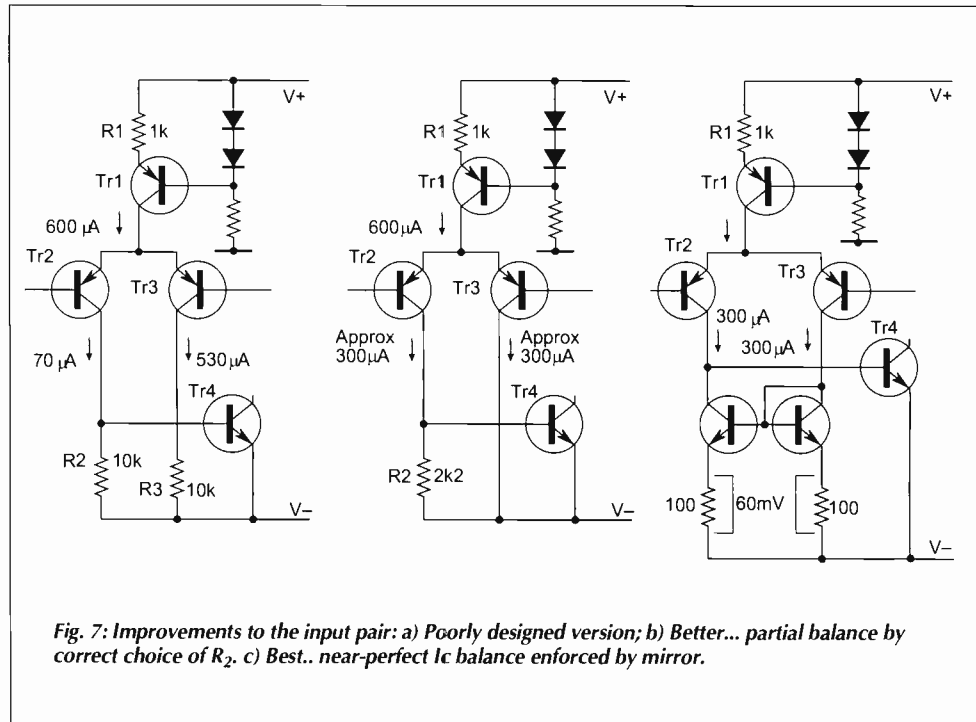


Fig. 7: Improvements to the input pair: a) Poorly designed version; b) Better... partial balance by correct choice of R_2 ; c) Best.. near-perfect I_c balance enforced by mirror.

other circuit tolerances are significant and Fig. 6 shows that balance is critical, needing to be accurate to at least 1% for optimal linearity. The standard current-mirror configuration shown in Fig. 7c forces the two collector currents very close to equality, giving proper cancellation of 2nd harmonic. The resulting improvement shows up in the current-mirror curve of Fig. 8. There is also less DC offset due to unequal base currents flowing through input and feedback resistances; we often find that a power-amplifier improvement usually gives at least two separate benefits. This sim-

bled output occurs at the same distortion level as for the single-ended version, as linearity depends on the input voltage, which has not changed. Alternatively, to get the same output we can halve the input which, with a properly balanced pair generating only third harmonic, will produce just one-quarter the distortion, a pleasing result.

A low cost mirror made from discrete transistors forgoes the V_{be} matching available to IC designers, and so requires its own emitter degeneration for good current-matching. A voltage drop across the mirror emitter resistors in the range 30-60mV will be enough to make the effect of V_{be} tolerances on distortion negligible. If degeneration is omitted, there is significant variation in HF distortion performance with different specimens of the same transistor type. Adding a current mirror to a reasonably well balanced input stage will increase the total o/l gain by at least 6dB, and by up to 15dB if the stage was previously poorly balanced. This needs to be taken into account in setting the compensation. Another happy consequence is that the slew-rate will be roughly doubled, as the input stage can now source and sink current into C_{dom} without wasting it in a collector load. If C_{dom} is 100pF, the slew-rate of Fig. 7b is about 2.8V/ μ s up and down, while 7c gives 5.6V/ μ s. The unbalanced pair at 7a displays further vices by giving 0.7V/ μ s positive-going and 5V/ μ s negative-going.

Improving linearity

Now that the input pair has been fitted with a mirror, we may still feel that the HF distortion needs further reduction; after all, once it emerges from the noise floor it goes up eight times with each doubling of frequency, and so it is well worth pushing the turn point as far as possible up the frequency range. The input pair shown has a conventional value of tail-current. We have seen that the stage transcon-

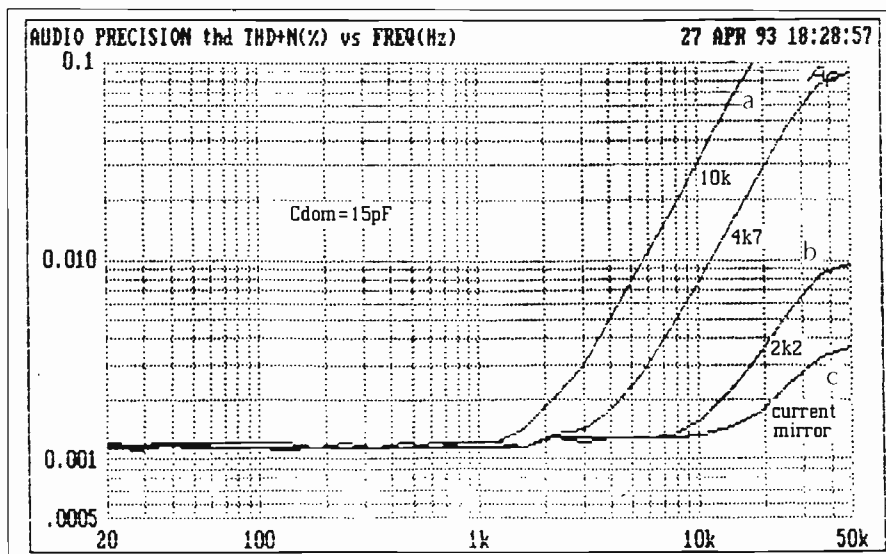


Fig. 8: Distortion of model amplifier: a) Unbalanced with $R_2=10k\Omega$; b) Partially balanced with $R=2.2k\Omega$; c) Accurately balanced by current-mirror.

ple mirror has its own residual base current errors but they are not large enough to affect distortion.

The hyperbolic tangent law also holds for the mirrored pair³, though the output current swing is twice as great for the same input voltage as the resistor-loaded version. This dou-

ductance increases with I_c , and so it is possible to increase the g_m by increasing the tail-current, and then return it to its previous value (otherwise C_{dom} would have to be increased proportionately to maintain stability margins) by applying local NFB in the form of emitter-degeneration resistors. This ruse powerfully improves input linearity despite its rather unsettling flavour of something-for-nothing. The transistor nonlinearity can here be regarded as an internal nonlinear emitter resistance r_e , and what we have done is to reduce the value of this (by increasing I_c) and replace the missing part of it with a linear external resistor, R_e .

For a single device, the value of r_e can be approximated by:

$$r_e = 25/I_c \text{ ohms (for } I_c \text{ in mA)}$$

Our original stage at Fig. 9a has a per-device I_c of 600 μ A, giving a differential (ie, mirrored) g_m of 23mA/V and $r_e=41.6\Omega$. The improved version at Fig. 9b has $I_c=1.35$ mA and so $r_e=18.6\Omega$. Emitter degeneration resistors of 22 Ω are required to reduce the g_m back to its original value, as $18.6+22=41.6$. The distortion measured by the circuit of Fig. 4 for a 40dBu input voltage is reduced from 0.32% to 0.032%, which is an extremely valuable linearisation, and will translate into a distortion reduction at HF of about five times for a complete amplifier. For reasons that will emerge later the full advantage is rarely gained. The distortion remains a visually pure third harmonic so long as the input pair remains balanced. Clearly this sort of thing can only be pushed so far, as the reciprocal-law reduction of r_e is limited by practical values of tail current. A name for this technique seems to be lacking; "constant- g_m degeneration" is descriptive but rather a mouthful.

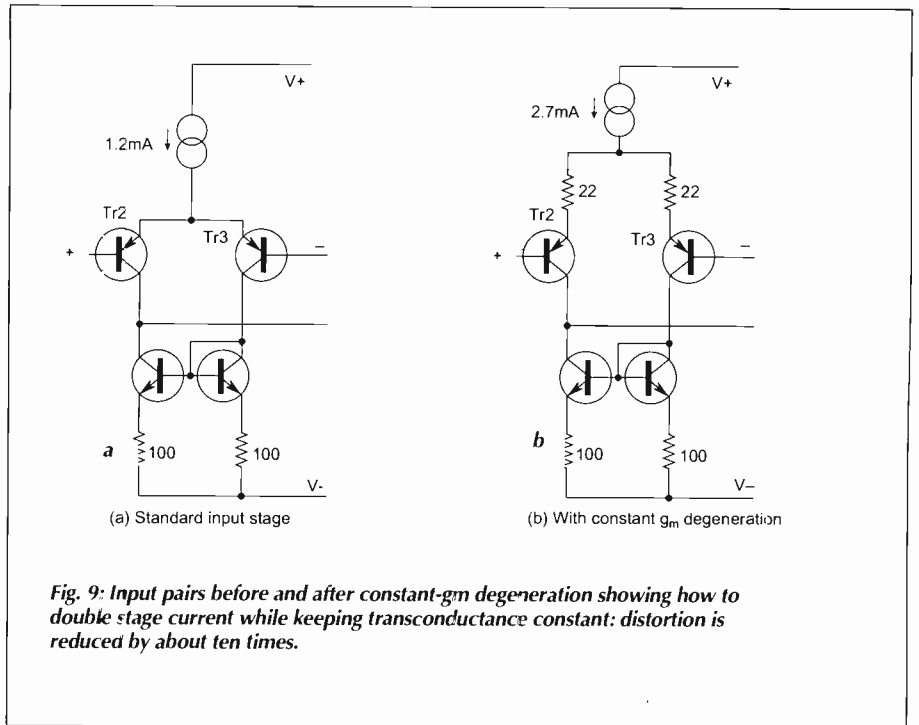


Fig. 9: Input pairs before and after constant- g_m degeneration showing how to double stage current while keeping transconductance constant: distortion is reduced by about ten times.

Since the standing current is roughly doubled so has the slew rate: 10V/ μ s to 20V/ μ s. Once again we gain two benefits for the price of one modification.

For still better linearity, various techniques exist. When circuit linearity needs a lift, it is often a good approach to increase the local feedback factor, because if this operates in a tight local NFB loop there is often little effect on the overall global-loop stability. A reliable method is to replace the input transistors with complementary-feedback (CFP or Sziklai) pairs, as shown in the stage of Fig. 10a. If an

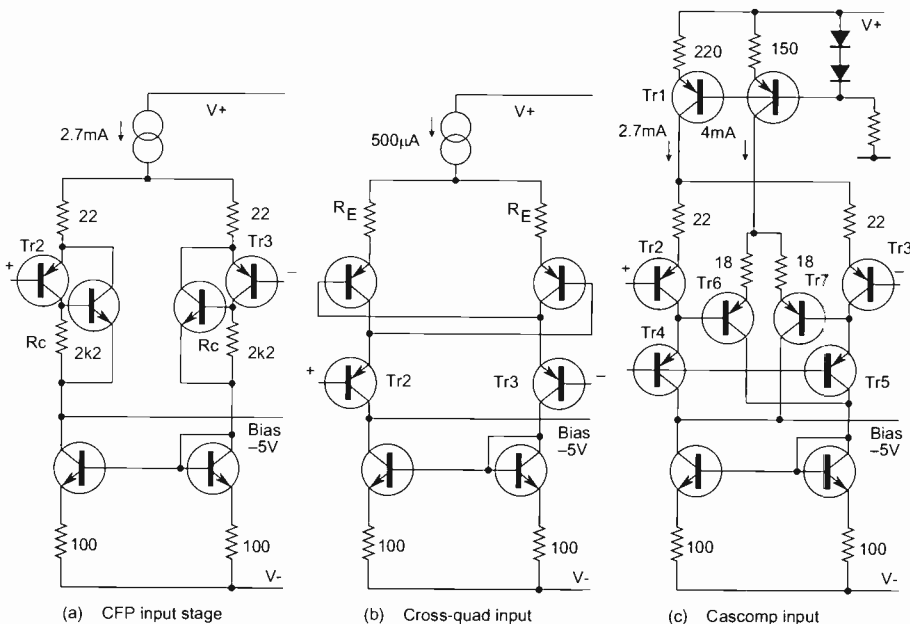
isolated input stage is measured using the test circuit of Fig. 4, the constant g_m degenerated version shown in Fig. 9b yields 0.35% third-harmonic distortion for a -30dBu input voltage, while the CFP version gives 0.045%. Note that the input level here is 10dB up on the previous example to get well clear of the noise floor. When this stage is put to work in a model amplifier, the third-harmonic distortion at a given frequency is roughly halved, assuming other distortion sources have been appropriately minimised. However, given the steep slope of input stage distortion, this extends the low distortion regime up in frequency by less than an octave. See Fig. 11.

The CFP circuit does require a compromise on the value of R_c , which sets the proportion of the standing current that goes through the NPN and PNP devices on each side of the stage. In general, a higher value of R_c gives better linearity, but more noise, due to the lower I_c in the NPN devices that are the inputs of the input stage, as it were, causing them to match less well the relatively low source resistances. 2.2k Ω is a reasonable compromise.

Other elaborations of the basic input pair are possible. Power amp design can live with a restricted common-mode range in the input stage that would be unusable in an op-amp, and this gives the designer great scope. Complexity in itself is not a serious disadvantage as the small-signal stages of the typical amplifier are of almost negligible cost compared with mains transformers, heatsinks, etc.

Two established methods to produce a linear input transconductance stage (often referred to in op amp literature simply as a transconductor) are the cross-quad⁵ and the cascomp⁶ configurations. The cross-quad (Fig. 10b) gives a useful reduction in input distortion when operated in isolation but is hard to incorporate in a practical amplifier because it relies on very

Fig. 10: Some enhanced differential pairs: a) The complementary feedback pair; b) The cross-quad; c) The cascomp.



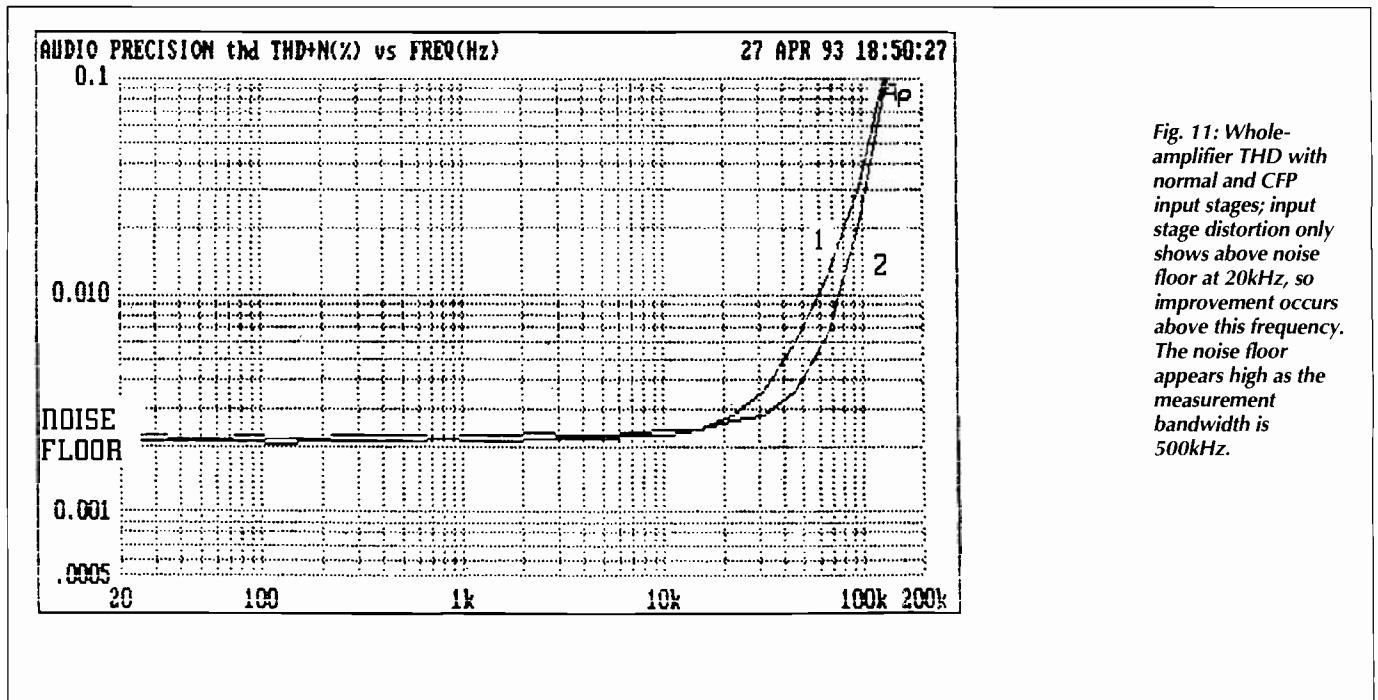


Fig. 11: Whole-amplifier THD with normal and CFP input stages; input stage distortion only shows above noise floor at 20kHz, so improvement occurs above this frequency. The noise floor appears high as the measurement bandwidth is 500kHz.

low source resistances to tame the negative conductances inherent in its operation. The cross-quad works by imposing the input voltage to each half across two base-emitter junctions in series, one in each arm of the circuit. In theory the errors due to non-linear r_c of the transistors is divided by beta, but in practice things seem less rosy.

The cascomp (Fig. 10c) does not have this snag, though it is significantly more complex to design. Tr_2, Tr_3 are the main input pair as before, delivering current through cascode transistors Tr_4, Tr_5 (this does not in itself affect linearity) which, since they carry almost the same current as Tr_2, Tr_3 duplicate the input V_{be} errors at their emitters. This is sensed by error diff-amp Tr_6, Tr_7 whose output currents are summed with the main output in the correct phase for error-correction. By careful optimisation of the (many) circuit variables, distortion at -30dBu input can be reduced to about 0.016% with the circuit values shown. Sadly, this effort provides very little further improvement in whole-amplifier HF distortion over the simpler CFP input, as other distortion mechanisms are coming into play – for instance the finite ability of the VAS to source current into the other end of C_{dom} .

Power amplifiers with pretensions to sophistication sometimes add cascoding to the standard input differential amplifier. This does nothing to improve input stage linearity as there is no appreciable voltage swing on the input collectors; its main advantage is reduction of the high V_{ce} that the input devices work at. This allows cooler running, and therefore possibly improved thermal balance; a V_{ce} of 5V usually works well. Isolating the input collector capacitance from the vas input often allows C_{dom} to be somewhat reduced for the same stability margins, but it is doubtful if the advantages really outweigh the increased complexity.

Other considerations

As might be expected, the noise performance of a power amplifier is set by the input stage, and so it is briefly examined here. Power amp noise is not an irrelevance: a powerful amplifier is bound to have a reasonably high voltage gain and this can easily result in a faint but irritating hiss from efficient loudspeakers even when the volume control is fully retarded. In the design being evolved here the EIN has been measured at -120dBu, which is only 7 or 8dB inferior to a first-class microphone preamplifier. The inferiority is largely due to the source resistances seen by the input devices being higher than the usual 150Ω microphone impedance. For example, halving the impedance of the feedback network shown in pt1 (22kΩ and 1kΩ) reduces the EIN by approx 2dB.

Slew rate is another parameter usually set by the input stage, and has a close association with HF distortion. The amplifier slew rate is proportional to the input's maximum-current capability, most circuit configurations being limited to switching the whole of the tail current to one side or the other. The usual differential pair can only manage half of this, as with the output slewing negatively half the tail-current is wasted in the input collector load R_2 . The addition of an input current-mirror, as advocated, will double the slew rate in both directions. With a tail current of 1.2mA, the slew rate is improved from about 5V/μs to 10V/μs. (for $C_{dom} = 100pF$) The constant g_m degeneration method of linearity enhancement in Fig. 9 further increases it to 20V/μs. The mathematics of voltage-slewing is simple:

Slew rate = I/C_{dom} in V/μs for maximum I in μA, C_{dom} in pF.

The maximum output frequency for a given slew rate & voltage is:

$$F_{max} = S_r / 2\pi V_{pk} = S_r / 2\pi \times \sqrt{2} \times V_{rms}$$

Likewise, a sinewave of given amplitude has a maximum slew-rate (at zero-crossing) of:

$$S_{r\ max} = dV/dt = \omega_{max} \times V_{pk} = 2\pi F V_{pk}$$

So, for example, with a slew rate of 20V/μs the maximum frequency at which 35V rms can be sustained is 64kHz, and if C_{dom} is 100pF, then the input stage must be able to source and sink 2mA peak.

A vital point is that the current flowing through C_{dom} must be sourced/sunk by the vas as well as the input pair. Sinking is usually no problem, as the vas common-emitter transistor can be turned on as hard as required. The current source or bootstrap at the vas collector will however have a limited sourcing ability, and this can often turn out to be an unexpected limitation on the positive-going slew rate. ■

Next month: the voltage-amplifier stage.

References

1. Gray & Meyer *Analysis & Design of Analog Integrated Circuits*. Wiley 1984, p172 (exponential law of singleton)
2. Gray & Meyer, *ibid*, p194. (tanh law of simple pair)
3. Gray & Meyer, *ibid*, p256. (tanh law of current-mirror pair)
4. Self. *Sound Mosfet Design Electronics & Wireless World*, Sept 1990
5. Feucht. *Handbook of Analog Circuit Design* Academic Press 1990, p432.
6. Quinn. *IEEE International Solid-State Circuits Conference*. THPM 14.5, p188 (Cascomp).

APPROVED Standard Range of Toroidal Transformers to EN 60742

We are pleased to announce our twelve standard ranges of toroidal transformers approved to EN 60742.

EN 60742

The European Standard EN 60742 (based on the international standard IEC 742), covers the requirements for Isolating Transformers and Safety Isolating Transformers. It was ratified in 1988 by CENELEC, giving the standard the status of a national standard without any alteration for CENELEC members.

The standard is recognised as a national standard by each of the eighteen member countries of CENELEC and is known as BS 3535 in the UK and VDE 0551 in Germany.

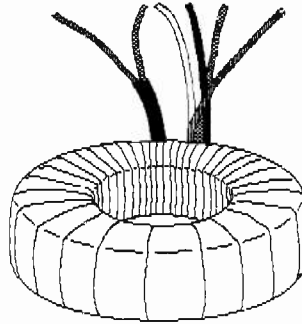
AS EN 60742 is derived from IEC 742, it is in the main identical to any other national standard derived from IEC 742, such as the Australian standard AS 3108.

Twelve Power Ratings

We currently manufacture twelve approved power ratings of toroidal transformers:- 15VA, 30VA, 50VA, 80VA, 120VA, 160VA, 225VA, 300VA, 500VA, 625VA, 800VA & 1kVA!

KEMA Approval

Our transformers were tested and approved by N.V.KEMA the national CENELEC body of the Netherlands. KEMA KEUR agreement 919691. We are also approved to ISO 9003.



Additional product lines include:-

- Audio Grade Transformers
- 100V Line Transformers
- Inverter Transformers
- Autotransformers
- Fully Potted Transformers
- Low Profile Transformers
- Designs to UL & CSA Standards
- Medical Equipment Transformers (IEC 601 / BS 5724)
- Valve Output Transformers

Design Options :-

- Electrostatic Screens
- Safety Screens
- Magnetic Shields
- Low Mechanical Noise
- Low Stray Field
- Potted Centres

Custom Designs from 15VA to 3kVA

Antrim Transformers Ltd

25 Randalstown Road, Antrim,

Co Antrim, N. Ireland, BT41 4LD

Tel: 08494 28734

Fax: 08494 68745

CIRCLE NO. 119 ON REPLY CARD

**Z8 Z80 Super8
6502 65816
68HC11
68000...
8051...
from only £49
and many more**

COMPILERS
CROSS-
ASSEMBLERS
SIMULATORS

Call for data sheets

Tel: 081-441 3890
Fax: 081-441 1843

SMART
COMMUNICATIONS

CIRCLE NO. 120 ON REPLY CARD

TELNET

OSCILLOSCOPES	TEKTRONIX		TEKTRONIX	
COULDS 054200-DIGITAL STORAGE	453-100MHz DUAL CHANNEL	£250	475-200MHz DUAL TRACE	£500
HEWLETT PACKARD 1740A-100MHz DUAL CHANNEL	7313-100MHz 4 CHANNEL WITH ANALOGUE STORAGE	£350	7603-100MHz 4 CHANNEL	from £350
HEWLETT PACKARD 1741A-100MHz DUAL CHANNEL WITH ANALOGUE STORAGE	7623-100MHz 4 CHANNEL WITH ANALOGUE STORAGE	£350	7904-500MHz 4 CHANNEL	from £350
HEWLETT PACKARD 1744A-100MHz DUAL CHANNEL WITH ANALOGUE STORAGE	TEKTRONIX 7904-500MHz 4 CHANNEL	£350	TEKTRONIX 465 100MHz DUAL TRACE	£400
PHILIPS 3212-15MHz DUAL CHANNEL	from £150		TEKTRONIX 465B 100MHz DUAL TRACE	£450
PHILIPS 3226-15MHz DUAL CHANNEL	from £250		TEKTRONIX 468 100MHz DIGITAL STORAGE DUAL TRACE	£850
PHILIPS 3241-50MHz DUAL CHANNEL	from £250		TEKTRONIX 468 100MHz STORAGE	£490
PHILIPS 3281-120MHz DUAL CHANNEL	from £325		TEKTRONIX 7704 250MHz 4 CHANNEL	from £650
SOLARTROP SCHLUMBERGER CD1740-20MHz 4 CHANNEL	£250			
RACAL DANNA				
5100 SYNTHESIZER 40-130 MHz	£750		9500/9515 UNIVERSAL COUNTER/TIMER 512MHz	£200
5002 WIDEBAND LEVEL METER	£650		9520 FREQUENCY COUNTER 10MHz	£75
5003 DIGITAL MULTIMETER	£150		9824 UHF FREQUENCY METER - 0-560MHz	£190
5006 MICROPROCESSOR TIMER/COUNTER 500MHz	£275		9839 FREQUENCY COUNTER (UHF) - 560MHz	£180
5081 SYNTHESIZED SIGNAL GENERATOR - 520MHz	£600		9901 50MHz UNIVERSAL COUNTER TIMER	£100
9083 2 TONE SIGNAL SOURCE	£225		9903 50MHz UNIVERSAL COUNTER TIMER	£100
9242D PROGRAMMABLE POWER SUPPLY 25V-2A	£250		9905 FREQUENCY COUNTER - 200MHz	£125
9245 PROGRAMMABLE POWER SUPPLY 25V-10F	£400		9912 FREQUENCY METER (VHF FREQ) COUNTER - 560MHz	£175
9300B RMS VOLTMETER	£275		9919 FREQUENCY METER (UHF FREQ COUNTER)	£275
9300 RMS VOLTMETER	£250		9932 INSTRUMENT INTERFACE	£125
9341 LCR DATA BRIDGE	£250		9303 TRUE RMS R/F LEVEL METER	£650
9084 SYNTHESIZED SIGNAL GENERATOR	£500			
9475 RUBIDIUM FREQUENCY STANDARD	£3.5K			
HEWLETT PACKARD				
1615A LOGIC ANALYSERS	£200		415 E SWR METER	£275
1807R WITNESS/SWEEP - SWEEP AMPLITUDE ANALYSER (TRAC) CURVED	£350		5342A MICROWAVE FREQUENCY COUNTER - 1.8 GHz	£1250
3300A FUNCTION GENERATOR WITH 3306A SWEEP LOG-IN	£190		6511 TEST OSCILLATOR 0-10MHz	£150
3400A RMS VOLTMETER	£190		7010B X-Y RECORDER	£150
3406A BROADBAND SAMPLING VOLTMETER	£175		8620C SWEEP OSCILLATOR (MAIN FRAMES)	£250
3710A IF BANDWIDTH TRANSMITTER FITTED WITH 3716A 3/8 TX	£1.5K/for both		8690B SWEEP OSCILLATOR WITH 864 PLUG-IN (8-12.4 GHz)	£500
3702B IF BANDWIDTH RECEIVER FITTED WITH 3705A (DIFFERENTIAL PHASE DETECTOR)	£1.5K/for both		8750A STORAGE NORMALISERS	£400
3710A AND 3702B MAKE UP MICRO WAVE LINK ANALYSER	£1.5K/for both		3580A 4MHz-50kHz AUDIO SPECTRUM ANALYSERS	£1250
3762B DATA GENERATOR	£750/pair		3582A DUAL CHANNEL 2SKHz SPECTRUM ANALYSER	£3000
3763A ERROR DETECTOR	£750/pair		3585A 20Hz-40MHz SPECTRUM ANALYSER	£5K
3964A INSTRUMENTATION RECORDER (AS NEW DIMACULATE CONDITION)	£500		3760A DATA GENERATOR	£650/pair
400 FT/FW AC VOLTMETER	£190		3761A ERROR DETECTOR	£11k
400 F AC VOLTMETER	£150		3779A PRIMARY MULTIPLEX ANALYSER	£500
400 E AC VOLTMETER	£150		8443A TRACKING GENERATOR COUNTER	£750
			8445A AUTOMATIC PRESSURIZED	£50
			8011A PULSE GENERATOR	£500
MARCONI				
TF C79 5A MILLIWATT POWER METER	£250		TF 2091B (WHITE) NOISE GENERATOR	£200
TF 131 UNIVERSAL BRIDGE 0.1%	£100		TF 2092B (WHITE) NOISE RECEIVER	£200
TF 893A AF POWER METER	£50		TF 2098 AM/FM SIG GEN	£350
TF 1066B/6 FM SIGNAL GENERATOR	£100		TF 2131 V-X DISPLAY	£200
TF 1043 R.F. ATTENUATOR 0-100dB	£70		TF 2300 FM-AM MODULATION METER	£195
TF 1243 R.F. METER	£250/for both		TF 2308 FM-AM MODULATION METER	£200
TF 1247 20-300MHz OSCILLATOR	£250/for both		TF 2330 WAVE ANALYZER 50Hz-50KHz	£100
TF 2016A AM/FM SIGNAL GENERATOR 10KHz	£175		TF 2370/1 110MHz SPECTRUM ANALYSER	£1250
TF 2081/4 DIGITAL ERROR DETECTOR	£250		TF 2432A 960MHz DIGITAL FREQUENCY METER	£200
			TF 2600A VIDEO VOLTMETER	£75
			TF 2600 SENSITIVE VALVE VOLTMETER	£75
MISCELLANEOUS			DATRON	
ADRETT 740A 512MHz SYNTHESISER	£1250		4700 WITH OPTIONS 20 AND 90	£5.5K
ANFRIST MISC MICRO WAVE SYSTEM ANALYSER	£3.5K		AVO RM215-L12 BREAKDOWN, LEAKAGE & IONISATION TESTER	£600
DATMARK AUTOMATIC TRANSISTOR TESTER (NEW £50) NOW	£6K		PHILIPS 6309 DISTORTION METER	£250
			PHILIPS 5167 100MHz FUNCTION GENERATOR	£400
			WAVEFER 650 5MHz VARIABLE PHASE SYNTHESISER	£18K
			SEND LARGE SAE FOR LIST OF EQUIPMENT, TOO NUMEROUS TO LIST HERE	
			ALL EQUIPMENT IS USED, WITH 30 DAYS GUARANTEE	
			PLEASE CHECK AVAILABILITY BEFORE ORDERING. CARRIAGE + VAT TO BE ADDED TO ALL GOODS	
			TELNET COVENTRY CV3 2SF	
			(Premises situated close to Eastern Bypass in Coventry with easy access to M1, M6, M40, M69)	
			Telephone: 0203-650702 Fax: 0203-650773	

CIRCLE NO. 121 ON REPLY CARD

Using momentum to dethrone Einstein?

Stepping out from behind the towering shadows of Maxwell, Einstein and Bohr takes nerve. John Ferguson sends forth an iconoclastic Mechanistic theory into the searing light of the relativistic world.

Quantum mechanics

During the years 1905-1925 it seemed that the concept of photons could not be reconciled with the wave theory of light. A possible solution came via the work of Louis de Broglie, who pointed out that if Universal laws exhibit symmetry, then "matter" might be expected to have properties similar to those of waves.

At first, de Broglie's idea was ignored. But experiments showed that sub-atomic particles such as electrons can behave either as waves or particles. One type of experiment will demonstrate projectile behaviour with clearly defined trajectories, others will show wave characteristics, with peaks and troughs adding or cancelling to produce interference effects. As yet, no experiment has shown both simultaneously.

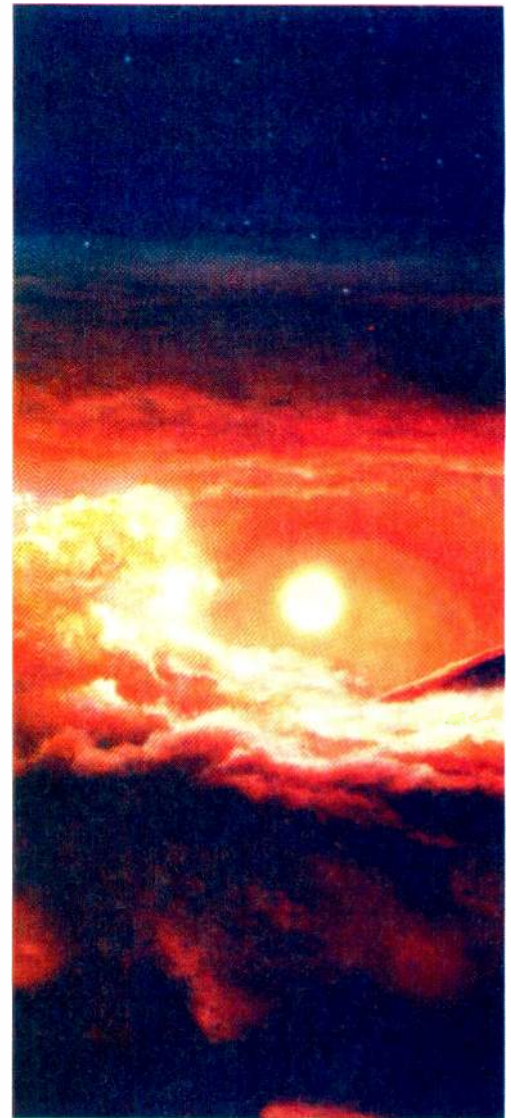
Common sense says that it is impossible for something to be both a wave and a particle. But quantum mechanics say light and similar entities can behave either as

waves or as particles, depending on the experiment.

It is this dual wave/particle property of sub-atomic particles that is the central mystery of the theory of quantum mechanics.

An explanation of the theory was offered by Heisenberg's Uncertainty principle, which states that the so-called "complementary properties" of a quantum object cannot be determined simultaneously. For instance, if we measure a quantum object's position in space with absolute certainty, then there is infinite uncertainty in its momentum.

It is fair to add that regardless of the dual nature of quantum entities, and their illogical dependence on observers for their existence, quantum mechanics has been remarkably successful in describing the behavior of the sub-atomic world.



NASA

Electronic engineering is grounded in exact science. So it is not surprising that some electronic engineers are not entirely convinced by the enigmatic concepts making up the theory of light. Neither is it any wonder that, after reading about Special Relativity theory and quantum mechanics, a few students will abandon science and engineering altogether.

Seventy years ago, when the theory of light was being formulated, it was generally believed that beyond our galaxy lay nothing but dust, gas and a few isolated stars. We now know that there are millions of other galaxies, each containing billions of stars. So should we be asking ourselves if the theory of light might be wrong?

Many theoretical physicists find it unthinkable that anyone should question the theories of Maxwell, Einstein and Bohr: but that is my intention.

Until relatively recently, the theory of light was of little concern to elec-

tronic engineers. But ever-increasing numbers of new optical components – lasers, displays, optical fibres, discs and switches – are steadily being developed for use with electronics.

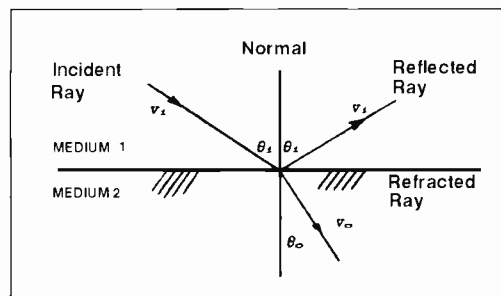
Light pulses used to transmit signals are faster and less subject to distortion than electrical pulses. They can cross each other without interference and can be sent from component to component via optical fibres and mirrors.

So tomorrow's electronic engineers will require a knowledge of the theory of light: Huygens' principle, Snell's law, Fermat's principle, Relativity theory, Maxwell's equations, Uncertainty principle, wave-particle duality and quantum mechanics. (Readers wanting to remind themselves how the theory of light has evolved should see the various boxes.)

Mechanistic theory of light

Light is a unique form of energy; it can interact with matter and be transformed into mechanical, thermal, electrical or even chemical energy. The Mechanistic theory attempts to explain its behaviour in mechanical, rather than electromagnetic terms.

The theory assumes that light is generated as particles which are bunched at the source into photons, and radiated in waves of different frequencies. White light, for example, consists of a beam of velocity-modulated bunches of particles, radiated together at the various frequencies of the spectrum.



The Mechanistic theory can explain the laws of reflection and refraction, and also permit calculation of the fraction of light that is reflected at an interface.

Reflection and refraction

If a beam of light is incident upon a surface separating two transparent media, a fraction (α) of the light is reflected back into the first medium and the remainder ($1-\alpha$) refracted into the second.

If an element of the incident ray has mass m then the law of

Using Conservation of Momentum to derive Snell's law

Conservation of Momentum requires that the momentum of the incident element is equal to the total momentum of the reflected and refracted portions of the element. Therefore

$$mv_i \sin \theta_i = \alpha mv_r \sin \theta_r + (1-\alpha)mv_o \sin \theta_o$$

$$v_i/v_o = \sin \theta_o/\sin \theta_r = \mu$$

known as Snell's law. Also

$$mv_i \cos \theta_i = (1-\alpha)mv_r \cos \theta_r - \alpha mv_o \cos \theta_o$$

So

$$\cos \theta_o/\cos \theta_r = \mu(1+\alpha)/(1-\alpha)$$

These equations, obtained without reference to Fermat's principle, or Maxwell's equations, enable us to calculate, for each value of θ_i , the

angle of refraction (θ_o) and the fraction (α) of the light reflected at the interface. They show that at an air-to-glass interface, for angles of incidence (θ_i) up to about 50°, less than 10% of the light energy is reflected at the interface. But for angles of incidence near to 90°, most of the light is reflected.

The Mechanistic theory differs from Einstein's in that it makes no postulates concerning the observed speed of light. So, an observer approaching the source with velocity v would measure the velocity of the

Wave theory

Dutch physicist, Huygens, postulated that light was a wave, the speed of which varied from one medium to another. He showed that if all points on a wavefront were regarded as sources for production of secondary wavelets, a geometrical construction would enable the future position of a wavefront to be deduced.

His theory gained support during the

18th century, where experiments by Thomas Young and Augustin Fresnel showed that light can round sharp edges and spread out after passing through slits, producing interference patterns similar to those formed by waves on water. Unlike the corpuscular theory, waves offered an explanation for interference patterns, and so it supplanted that theory.

EM radiation

Faraday suggested that light was electromagnetic in origin – an idea that was later developed by Maxwell, who summarised the laws of electromagnetism in a set of equations. He predicted that the speed (c) of such waves would be $c = 1/\sqrt{\mu_0 \epsilon_0}$ where μ_0 is the permeability constant and ϵ_0 is the permittivity. The predicted speed of electromagnetic (em) waves, calculated from electrical and magnetic constants measured in a laboratory, was found to match the observed value of the speed of light. Maxwell concluded that light comprised em waves of very high frequency, and explained the reflection and refraction of light.

The theory also explained interference effects, and correctly predicted what fraction of the incident light was reflected at the interface of two media.

Einstein compared Maxwell's equations with the classical laws of motion and saw some inconsistency between the two. But his solution was to take the surprising step of revising the well-proven laws of motion, rather than Maxwell's em theory.

Prior to Einstein, mathematicians had accepted the concepts of absolute space and absolute time, which allowed any physical event such as the collision in space of two objects, to be assigned a set of coordinates to define its position (x, y, z) and time (t).

If the event involved motion, the equations describing the motion in one frame of reference could be transformed

into another reference frame by using Galilean transformations.

For example, an observer measures the coordinates of an event in space to be (x, y, z, t) from the origin (O) of the coordinate system where they are located. If a second observer, travelling with constant velocity v along the common X-axis, measures the coordinates of the same event coordinates obtained would be (x', y', z', t').

If the first observer measured the velocity of the event to be u along the X-axis, then according to Galilean velocity transformations, the second observer would measure the velocity of the event to be $u' = u + v$.

Einstein questioned use of this method on the grounds that Maxwell's equations were not invariant under Galilean transformations.

The reasoning behind his objection is made clear by an example where a light source is observed by two observers, one of whom measures the speed of the light to be c . If the second observer is travelling towards the source with a speed v , according to Galilean transformations they would measure the speed of the light to be $(c + v)$.

Other observers travelling at different speeds towards the source would all obtain different results. So which observer measures the correct speed of light? (which Einstein assumed was that predicted by Maxwell)

EASY-PC, SCHEMATIC and PCB CAD

Over 17,000 Installations
in 70 Countries World-wide!

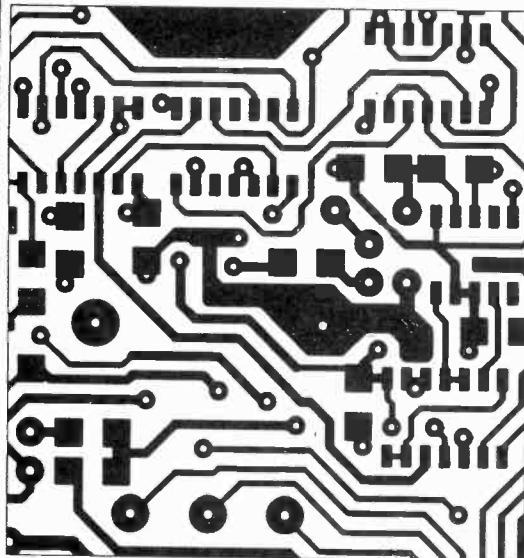
Still
Only
£98.00!

Plus P&P+VAT

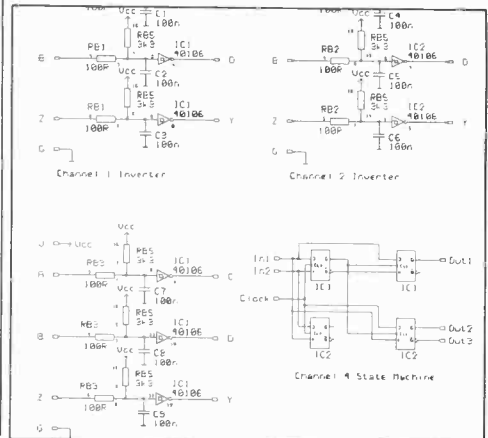
**BRITISH
DESIGN**

AWARD

1989



- Runs on:- PC/XT/AT/286/386/486 with Hercules, CGA, EGA or VGA display and many DOS emulations.
- Design:- Single sided, Double sided and Multi-layer (8) boards.
- Provides full Surface Mount support.
- Standard output includes Dot Matrix / Laser / Ink-jet Printer, Pen Plotter, Photo-plotter and N.C. Drill.
- Tech Support - free.
- Superbly easy to use.

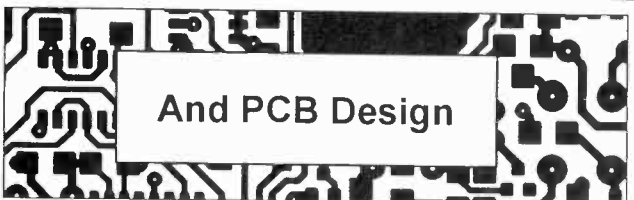
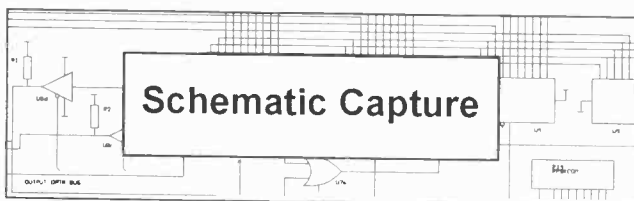


Options:-500 piece Surface Mount Symbol Library £48,
1000 piece Symbol Library £38, Gerber Import facility £98.

Electronic Designs Right First Time?

Ask for our fully functional Integrated Demo

Integrated Electronics CAD



For Less than £400/\$775!

Affordable Electronics CAD

EASY-PC: Low cost, entry level PCB and Schematic CAD.	\$195.00	£98.00
EASY-PC Professional: Schematic Capture and PCB CAD. Links directly to ANALYSER III and PULSAR.	\$375.00	£195.00
PULSAR: Low cost Digital Circuit Simulator ~ 1500 gate capacity.	\$195.00	£98.00
PULSAR Professional: Digital Circuit Simulator ~ 50,000 gate capacity.	\$375.00	£195.00
ANALYSER III: Low cost Linear Analogue Circuit Simulator ~ 130 node capability	\$195.00	£98.00
ANALYSER III Professional: Linear Analogue Circuit Simulator ~ 750 node capability.	\$375.00	£195.00
Z-MATCH II: Smith Chart program for RF Engineers - direct import from ANALYSER III.	\$375.00	£195.00
<i>We operate a no penalty upgrade policy. You can upgrade at any time to the professional version of a program just for the difference in price.</i>	<i>US\$ prices include Post and Packing.</i>	<i>Sterling £ prices exclude P&P and VAT</i>

For full information, Write, Phone or Fax:-

Number One Systems Ltd.

REF: WW, HARDING WAY, ST.IVES, HUNTINGDON, CAMBS, ENGLAND, PE17 4WR.

Telephone: 0480 461778 (7 lines) Fax: 0480 494042

International: +44 480-461778, Fax:+44-480-494042



- TECHNICAL SUPPORT FREE FOR LIFE!
- PROGRAMS NOT COPY PROTECTED.
- SPECIAL PRICES FOR EDUCATION.

ACCESS, AMEX, MASTERCARD, VISA Welcome.

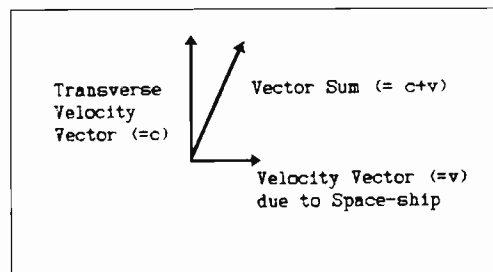
approaching wavefront to be the vector sum ($c + v$), where c is the velocity at which the wavefront is radiated by the source.

To demonstrate the particle nature of light, return to the space-ship example. From the observer's point of view, the laser pulses will have a velocity vector (v) in the direction of

the space-ships's motion, and a transverse velocity vector (c).

If the pulse returned to the first space-ship after time 2τ (ie τ in each direction) the astronaut would calculate the distance of separation of the space-ships to be $c\tau$.

An observer measuring the space-ship's velocity, v , would calculate the



Drawing 2. Vector factor that underlines the Mechanistic theory of light.

speed of the laser pulse to be the vector sum ($c + v$) and would compute the distance travelled by the pulse to be $\tau(c + v)$.

But like the astronaut, the observer would calculate the distance of separation to be $c\tau$ and there is no reason to invoke time dilation or to suppose time is affected by speed.

Red-shift

In the 1920s, astronomer Edwin Hubble discovered that the wavelength of light from distant galaxies is shifted towards the red end of the spectrum. According to his theory, such galaxies are receding at speeds proportional to their distances of separation. The frequency shift was at first explained as a Doppler effect. But if there is no ether, and if the speed of light is independent of the speed of the source as postulated by Einstein, then why should wavelengths change?

Cosmologists tell us that 15 billion years ago, there was a 'big bang', after which space inflated faster than light, and the Universe grew from the size of a grapefruit to its present size. Relics of the big bang can, we are told, still be measured as background radiation and observed as "ripples in space".

The Mechanistic theory offers a more down-to-Earth solution.

If a light source emits bunches of particles in waves of frequency f_m and velocity c the distance between the wave crests is $\lambda_m = c/f_m$.

An observer directly approaching the source with velocity v would measure the frequency of the wave crests to be f_o and the speed at which they approached would be $c_o = (c + v)$.

So the wave crests would reach the observer at time intervals of $\tau = \lambda_m/c_o = c/f_m(c + v)$

who would measure the frequency as $f_o = 1/\tau$. Therefore:

$$f_o/f_m = (c + v)/c \quad (1)$$

But during time τ , the observer moves a distance (τv) towards the source, reducing the distance that each wave crest has to travel. It would appear to the observer that the distance between the wave crest was

$$\begin{aligned} \lambda_o &= \lambda_m - v\tau \\ &= c/f_m - v/c f_m(c + v) \\ \lambda_o/\lambda_m &= c/(c + v) \quad (2) \end{aligned}$$

Whither the ether

During the 19th-century, physicists believed that the whole of space was permeated by a medium known as the ether through which electro-magnetic light waves were propagated.

Some observers were assumed to be at rest with respect to the ether, and these "privileged observers" would measure the speed of light to be that predicted by Maxwell.

But when Michelson and Morley built an apparatus to measure the motion of the Earth through the ether, they failed to detect it. Einstein doubted the existence of the ether or privileged observers. So in his Principal of Relativity he postulated that

the laws of physics must be the same for all observers.

He further suggested that, *in vacuo*, the speed of light is that predicted by Maxwell's equations, independent of the motion of either the source or the observer.

Einstein saw this postulates as incompatible with Galilean transformations. So he used the Lorentz transformations in conjunction with Maxwell's equations. The outcome was his Special Theory of Relativity which formulated some controversial new laws concerning the measurement of time.

Time dilation

Measurement of "time" is central to the problem of presenting an alternative theory of light.

Newton assumed that both time and space could be defined absolutely, without reference to each other.

Einstein took a different view. According to his Special Theory of Relativity, time is neither constant nor absolute and is subject to "dilation" – a concept illustrated by the following example:

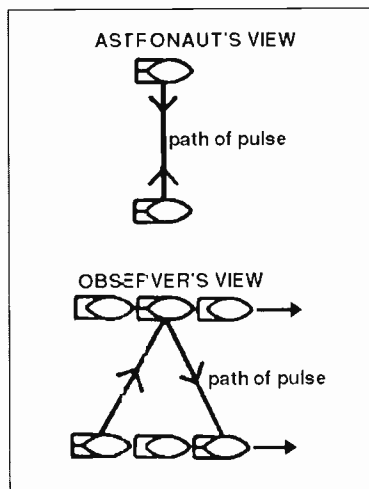
Suppose that two space-ships are flying side by side at a constant speed, watched by an observer on Earth. An astronaut in one spaceship sends out a laser pulse travelling at the speed of light, and to determine the distance between the two space-ships, his equipment measures the time taken for the pulse to travel between the space-ships. As far as the astronaut is concerned, the laser pulse travels to and from the adjacent space-ship by the shortest direct route. But an observer on Earth sees things differently. From his point of view, while the laser pulse is creating space, the second space-ship continues to travel forward. So the pulse will have to travel at slanting angles to reach its target and then be reflected back to the first space-ship.

It appears that the path beneath the laser pulse, as calculated by the observer, is longer than the length as calculated by the astronaut.

Einstein's postulate – that the speed of light is the same for all inertial observers implies that the astronaut and the observer

would calculate different times of travel for the laser pulse.

But according to Relativity theory, time as measured aboard the fast-moving space ship would run more slowly than time as measured by the observer on Earth. So if the astronaut and the ground observer calculated the distance between the two space ships, the effect of time dilation would be that they would obtain the same answer.



An earth-based versus space based view of the same light beam. Is the path really longer?

HYPOTHESIS

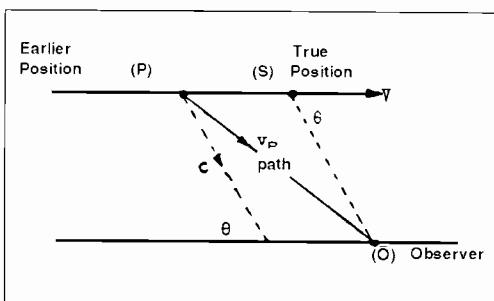
Expressed in plain English, Eq 1 and Eq 2 show that if a source is directly approaching an observer with speed v then the observer would find that frequency had increased by a factor $(c + v)/c$ and the wavelength of the light had decreased by a factor $c/(c + v)$.

For example, if a galaxy were approaching at a speed equal to half the speed of light, the frequencies in the spectrum of its light would be increased by a factor 1.5 and wavelengths would be decreased by a factor 2/3. Conversely, if the galaxy were receding at a similar speed, the wavelengths would increase by a factor 1.5 which astronomers would observe as a "red-shift".

Doppler equation

If a source is moving at an angle θ to the line-of-sight of the observer, then the Doppler equation can be derived.

Suppose a spaceship travelling at speed v relative to Earth, transmits laser pulses at a pulse repetition



frequency f towards an observer at an angle.

Since the speed of light (c) is finite, the observer would not see the spaceship at its true position (S), but at an earlier position (P) such that the time taken for the spaceship to travel from P to S is equal to the time taken for a laser pulse to travel from P to O .

The pulse's velocity from P to O can be resolved into three vectors:

V in the direction of ship's motion
 $c \cos \theta$ in the direction of ship's motion

$c \sin \theta$ transverse to direction of ship's motion

The speed of the pulse from P to O is v_p where:

$$v_p^2 = (V^2 + 2Vc \cos \theta + c^2)$$

Therefore the observer would measure the repetition frequency of the pulse as:

$$f_o = f_p/c = f[V^2/c^2 + (2V/c) \cos \theta + 1]^{0.5}$$

which is the Doppler equation.

The Doppler equation derived from the Mechanistic theory differs from that derived from the Special Theory

Doppler equation obtained from a mechanistic analysis.

The theory of relativity was not taken seriously for some years, during which time Einstein studied the photoelectric effect.

His work led him to conclude that the results of many optical experiments could best be described by a theory of "photons" – which he regarded as localised concentrations of energy, not too unlike Newton's corpuscles.

During that same period, Planck studied the way in which light is emitted by hot bodies. Like Einstein, he concluded that energy is only emitted in "quanta" i.e. multiples of an energy unit, the size of which depended on the wavelength of the radiation.

Photons could explain the photoelectric effect: the wave theory could not. So the entire theory of light was thrown into confusion.

According to the Special Theory of Relativity, the relativistic energy of a free

particle mass is given by:

$$E = \frac{mc^2}{\left(1 - \frac{v^2}{c^2}\right)^{0.5}}$$

For a photon, $v =$ speed of light (c). It follows that the rest mass of a photon must be zero.

According to some books, the relativistic mass (m) is $m = E/c^2$ though not all agree on that point.

If light has mass, then a beam at right angles to a gravitational field would be deflected, and according to the General theory of Relativity, the deflection would be about twice that calculated using Newton's theory.

To find out which theory was correct, an attempt was made in 1919 to measure the deflection of star light by the Sun's gravitational field. The measurement appeared to favour Relativity theory, though in recent years, the claim has been disputed.

Corpuscular light

Newton believed that light consisted of tiny corpuscles reflected by mirrors in much the same way as balls bounce off walls. He assumed that all corpuscles could penetrate a transparent medium such as glass, but his experiments showed that part of the incident light was reflected while the remainder was refracted into the glass. He then assumed that corpuscles representing one kind of light were not all of the same size, in which case the structure of the glass would filter out a fraction of the incident light.

But tests using a beam of monochromatic light falling directly on a sheet of glass showed that a fraction was always reflected.

If the transmitted fraction was then allowed to fall on a second sheet of glass, as before, the same fraction was reflected at the surface of the second sheet.

Newton concluded that all corpuscles are capable of both reflection and transmission, but that they have "fits of reflection" and "fits of transmission" and so their behavior cannot be predicted.

of Relativity, which requires the speed (v_p) of the laser pulse from P to O , as measured by the observer, should be c regardless of the spaceship's speed.

Wave-particle duality

The Mechanistic theory assumes light is a beam of particles, modulated at source by a presently-unknown mechanism and radiated in bunches, which we can call photons.

If the theory is correct, and if suitable test equipment were available, light could be detected either as waves of photons, or as individual photons, or even as the "particles" which go to make up a photon.

The theory offers a possible explanation for most optical effects, such as interference, pressure of light,

photo-electric and Compton effects, laser action and the Sagnac effect.

Surprisingly, the concept is in accord with the centuries-old Huygens principle, that all points on a wavefront can be regarded as sources for the production of secondary wavelets – and it also goes some way towards solving the modern mystery of wave/particle duality. ■

After completing a post-graduate course in electronics at the University of Southampton (1955), the author has spent a number of years working as an aerospace engineer on military projects in Canada, the USA, Germany and England.

PRODUCTION/A.T.E. SECOND USER EQUIPMENT HUGE SAVINGS ON NEW PRICES

SPECIAL OFFER - SCOOP PURCHASE

TETRONIX 2236-100 MHz Counter/Timer/DMN, Dual Trace Portable Oscilloscope Integrated Counter/Timer DMN, Lightweight easy to use 2mV sensitivity 5ns/Division Sweep Rate, 100 MHz counter, Gated Counter Measurements, Time Channel AC & DC Volts. £895
Manual & Probes extra

ENVIRONMENTAL TEST

SMARTREE Soak Test Room £5,750
8x8 ft Internal Dimensions. Service and UK Installation included
MONTFORD TSPK2ELM2 Thermal Shock Chamber 70 C to -200 C £2,475
GALLENKAMP OVR Humidity Oven Ambient to -60 C Humidity 0-95% Volume 190 Litres £1,500
ALTIITUDE TEST CHAMBER, Temperature Humidity/Vacuum. Configured to suit £Call
GALLENKAMP TGC200, 70 C to -200 C, 225 Litres, Digital Programming £POA
RINGWAY 250/380 Climatic Chamber £POA

MISCELLANEOUS

MARCONI 2871 Data Analyser £1,750
MARCONI 8938 AF POWER £275
KANE MAY 1000 Infra-Red Thermometer
0c to +100c; Carry Case £395
SIGMA MECHANICAL COMPARATOR MODEL 201-13 £500
EPROM ERASER UV141 Timing Period 5-50 min £45
Emin Eraser Stag SE100 Large Capacity, Accept 60 Eproms in Quick Action Slide in Drawer Timer, up to 60 min. £175
EPROM PROGRAMMERS Universal Editing GP P600 & AP100 £150
Portable Safety Isolating Transformer 500VA Input 240VAC - Output 110VAC £35
Line Voltage Condition for Micro and PC Computers input 204-276v - output 240v - 6% at 2.5A £99.50
HP8410C/8412B Network Analyser/Phase Magnitude Display £420
HP8410B/8412A Network Analyser/Phase Magnitude Display £420
HP8447D RF Amplifier £275
HP8441A Frequency Converter £100
HP8447C Amplifier £50
HP33601A Spectrum Analyser Interface £150
HP 11729B Carrier Noise Test Set £100
TEK 576 Curve Tracer System £2,250

SOLDERING MACHINES

SOLBRAZE RD3 Solder Pot with Solder £295
ROTADIP RD6 Solder Pot with Solder £495
HOLLIS Astra Dual Wave Solder Machine for SMT. Foam Fluxer, 16 Board, Air Knife £4,450
SOLDERABILITY TESTER CEMCO £475
HOT AIR Rework Station 1000 £495
HOLLIS FUTURE 1 SMT Dual Wave Solder Machine Temperature control, Foam Fluxer with Fluxer Airknife, Adjustable Finger, Conveyor £Call
EPH HD327 Bond Top, Pallet, Foam Fluxer with S.G. Controller, 3 Phase Solder Machine £4,750
SENSEBY LGC-400 CU, Gemini Wave, 18 Board Automatic Solder Filling, Foam Fluxing Station with Circulation Pump, Automatic Solder Refill £POA

WIRE BONDER

HUGHES 2460-III TAB Bonder New 1990 Excellent Condition £34,950
KULICK & SOFFA 1419-3, Gold Wire Bonder Software DHB2m 4x4x7 Table £320A Zsachnel Ultrasonic Generator, 815-100 Crosshair CCTV System, Camera & Monitor, Borch & Lomb Stereovision 4 Microscope Fibre Optic Light Source £4,950

POWER SUPPLIES

FARNELL TOPS1 Power Supply £60
FARNELL G6-40A £45
FARNELL G12-30A £45
FARNELL G6-20S £35
FARNELL G5-5M £25
FARNELL COUNTANT GPE 1000/12 £35

MAINS MONITORING

CLAUDE LYONS 'Compline' Line Condition Monitor, LCN1 245, 240V Printer As New With Transit Case £395

CLEANING PLANT

KERRY USC400/2PF £Call
ICI 'Cleanline 2' Vapour Cleaning System £Call
KERRY 1500/2HP Ultrasonic Cleaner with Automatic Hoist £8,500

TEK 222 handheld Rugged 10 MHz Digital Storage Oscilloscope Battery Operation
Size 66.3 x 34 x 49.9" Depth TOTAL Weight 4.4lbs. Is the Optimum Oscilloscope for Field Service. Several Powerful Features Including Auto Ac-cup, RS232, Full Programmability and Floating Measurements 10 MS/s, Dual Digitizers 100 Ns Giltch Capture, Auto Trigger, Save Reference Memory: Floatable to -400V/CH, Complete With Carrying Case and Battery Charger, Power Adapter
KERRY 1500/4HP Four Stage Ultrasonic Cleaning System £995
KERRY USC300/2HP Two Stage Ultrasonic Cleaner £1,800

PLOTTER

SCHLUMBERGER 1834-S, A1 Plotter £1,500
OCE 613 DIE LINE PRINTER, Perfect for Plans/Circuit Digs. £950
AIRCUT 202 Dye Line £795

PCB ASSEMBLY

PANASONIC AV NM2011B Axial Inserter. New 1991, 6,000 Hrs Run Time. Loader/Unloader £POA
PANASONIC RH NM8205B Radial Inserter. New 1990, 7,500 Hrs Run Time. Loader/Unloader £POA
ROYONIC 401 Assembly Tables with Programmer £Call
MAMIYA ECM 8400 Automatic High Precision IC Pacer with Vision System & Board Conveyor £Call
MAMIYA ECM 83NW, Table Top Machine with Computer £Call
MAMIYA ECM 8300, With Glue Dispensing Head. Component Squaring & PC Computer £Call
MFP7000, Small Manual Pick & Place Machine £Call
SIEMENS H51 80 Line: High Speed Surface Mount Assembly Line with Screen Printer and IR Oven £9,000
SVECIA SSM Screen Printer £9,000
SIEMENS MS72 Automatic Pick & Place Machine Feeder Package £Call
SIEMENS MS90 Automatic Pick & Place Machine with Feeder £Call
UNIVERSAL MULTIMOD 6772A £18,500
AMHSTAR A16448 Automatic Sequencer Axial Lead Inserter £Call
ROBIN AMBOTECH Axial/DIL Inserter £Call
ASSEMBLY WORKFRAMES From £45
BLAKELL LS300 Assembly Station £4,500
ELECTRONIC COUNTING SCALES ACS £235
COAXIAL CABLE CUT & STRIP Bench Top £995
AXIAL Lead Forming Machine £295
HELLER 715 Axial Lead Forming Machine. Completely refurbished £3,950
DEK 245 Semi Automatic Screen Printer £3,950

SIGNAL SOURCES

HP3325A 0-21MHz Function Generator £1,645
HP3335A 200Hz to 81 MHz Synthesized/Level Generator £3,450
HP8662A 10KHz to 1280MHz Signal Generator £9,750
HP8350A 84200Hz - 8.6GHz Sweep Generator £4,950
HP8408B 0.5 to 512MHz Signal Generator - From £995
HP54501A Digitizing £2,450
TEK2201 Digital Storage £695
TEK322 10MHz DSO Batt Portable £995
TEK2336 100MHz £975
TEK2445 150MHz £1,350
TEK2465A 350MHz £2,495
PHILIPS 3230 200MHz DSO £2,495
HP 54120T 20GHz Digital £7,950

OSCILLOSCOPES

HP3325A 0-21MHz Function Generator £1,645
HP3335A 200Hz to 81 MHz Synthesized/Level Generator £3,450
HP8662A 10KHz to 1280MHz Signal Generator £9,750
HP8350A 84200Hz - 8.6GHz Sweep Generator £4,950
HP8408B 0.5 to 512MHz Signal Generator - From £995
HP54501A Digitizing £2,450
TEK2201 Digital Storage £695
TEK322 10MHz DSO Batt Portable £995
TEK2336 100MHz £975
TEK2445 150MHz £1,350
TEK2465A 350MHz £2,495
PHILIPS 3230 200MHz DSO £2,495
HP 54120T 20GHz Digital £7,950

SPECTRUM ANALYSERS

HP3582A 0.02Hz-25.5KHz £3,750
HP3585A 20Hz-40MHz £5,750
MARCONI 2380/2382 400MHz £4,950

ATE SYSTEMS

GENRAD 227X Systems. Can be configured to suit most applications. £POA
MARCONI 510 Call for Details £POA
HP3065 Configured to suit £From £3,000
TERADYNE Z875 Board Test £POA
TERADYNE L210 Call for details
ZEHNTel 850 Configure to suit £POA
FACTRON 333 Board Test £POA
GENRAD 2272/2276 Systems £POA

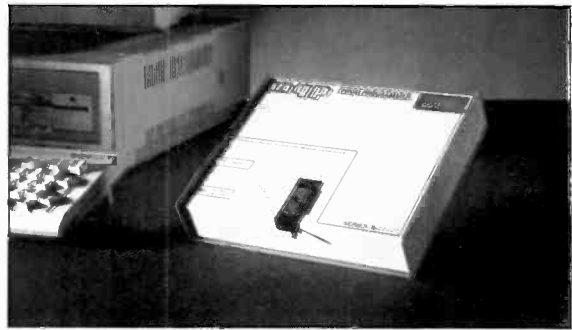
METERS

RACAL 9919 UHF Frequency Meter £295
FLUKE 8520A GPIB Multimeter £495
HP4378A HP1B Multimeter £495
HP5350B 20GHz Counter £2,975

TV TEST

TEKI 411 Gen. TSP11, TSG15, SP612, TS611, TS613, TS616 PAL £3,500
SYSTEMS VIDEO GENCODER 2461 £Call
ABACUS ARTA 600 £Call
CAMERA & LENS CTV £200

SYSTEM 200 DEVICE PROGRAMMER



SYSTEM: Programs 24,28,32 pin EPROMS, EEPROMS, FLASH and Emulators as standard, quickly, reliably and at low cost.

Expandable to cover virtually any programmable part including serial E², PALS, GALS, EPLD's and microcontrollers from all manufacturers.

DESIGN: Not a plug in card but connecting to the PC serial or parallel port; it comes complete with powerful yet easy to control software, cable and manual.

SUPPORT: UK design, manufacture and support. Same day dispatch, 12 month warranty. 10 day money back guarantee.

mqp

MQP ELECTRONICS Ltd.
Park Road Centre

Malmesbury, Wiltshire. SN16 0BX, UK
TEL. 0666 825146 FAX. 0666 825141



ASK FOR FREE INFORMATION PACK

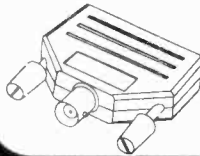
GERMANY 089/4602071
NORWAY 071-17890
ITALY 02 92 10 35 54
FRANCE (1)69.30.13.79
Also from VEROSPEED UK

CIRCLE NO. 124 ON REPLY CARD

Low cost data acquisition for IBM PCs & compatibles

All our products are easy to install - they connect directly to either the printer or serial port and require no power supply. They are supplied with easy to use software which collects data for either display or print-out.

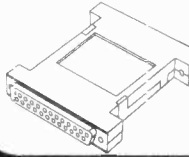
ADC-10



- 8-bit resolution
- one channel
- 10-25K samples per second
- Oscilloscope/Voltmeter software
- 0-5V input range
- Connects to printer port

£49

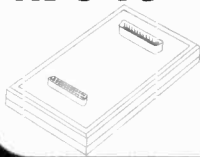
ADC-11



- 10-bit resolution
- 11 channel
- 5-10K samples per second
- Data logger software
- 0-2.5V input range
- Connects to printer port

£75

ADC-16



- 8, 12, 16-bit resolution + sign
- 8 s/e or 4 differential inputs
- 216 or 300 8-bit samples per second
- ± 2.5V input range
- Data logger software
- Connects to serial port

£99

All prices exclusive of V.A.T.

PKO TECHNOLOGY LTD

Broadway House, 149 - 151 St Neots Road, Hardwick, Cambridge CB3 7QJ



VISA TEL: 0954 - 211716 FAX: 0954 - 211880

CIRCLE NO. 125 ON REPLY CARD

WANTED

If you have manufacturing equipment to sell, give us a call. We can turn your under-utilised assets into cash.

Subscribe Now for Your FREE Copy

See latest issue of Buyers News for full listing and Terms & Conditions. Prices exclude VAT. Buyers Premium not included

ALTERNATIVE DISTRIBUTION (UK) LTD

Tel: 071-284 4074 (UK) Fax: 071-267 7363 (UK)

146 Camden Street, London NW1 9PF

CIRCLE NO. 123 ON REPLY CARD

Can teachers wave bye bye to the lab bench?

Electronics Workbench could be ideal for hard pressed colleges wanting to try electronic simulation and schematic capture – if they can afford the hardware to run it, says John Anderson

Three stage amplifier with function generator and scope. Scope trace can be blown up to about a quarter of the screen area for viewing. Its "signal" comes from clicking on the appropriate circuit node.

Electronics Workbench is a grandly named software simulation system with integral schematic capture. Target market is the educational user, though whether the well-trodden principle of lower specification (and lower prices) for education compared with industry actually assists education is questionable. But on its own terms, how does this educational package compare with its full scale industrial rivals?

Two modes of operation are possible – distinguished by typing either "analogue" or "digital" at the dos prompt – and the resulting screen (in a tasteful shade of yellow) is the workbench where the circuit is "constructed" and "tested".

Never one for reading instructions first, I immediately started editing – and found the package a delight to use, being almost totally intuitive. A ribbon of components appears on the right hand side of the screen and these can be selected and dragged across to the display area using the mouse.

Components connections are made when the cursor is within range: a little black square appears at the connection node allowing a simple visible "snap" during the node connecting process. Connections can follow simple paths. Workbench will decide on its own route between two nodes – which may not be the best visually – but editing is very fast and a complete schematic can be put together more quickly than almost any of the industrial schematic capture programs (and this on the first time of using).

Values for individual components are input by double clicking on the component, entering the mantissa part of the value and then moving the mouse to set the exponent. The methodology is rather awkward, but usable.

Bring on the scope

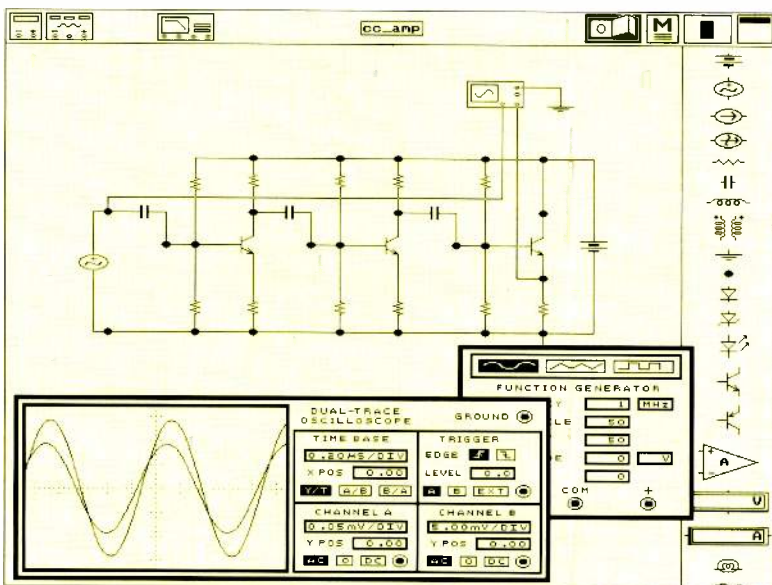
Testing with an "oscilloscope" is made easy. The scope icon is picked up from the icon ribbon at the top of the screen and dragged on to the workbench where it is connected to the circuit in the same manner that the circuit is constructed. Double clicking on the icon increases its size to about a quarter of the screen area so that the trace can be viewed.

Other analogue instruments can be brought into the test, including DVM, Bode analyser and function generator. All are used in the same neat intuitive manner, picking them up moving them onto the workbench and connecting to the circuit.

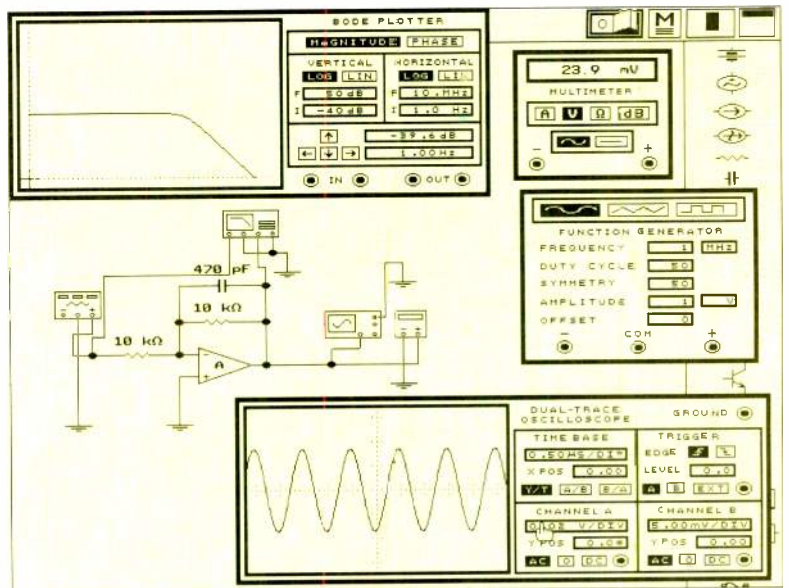
Instruments are adjusted for amplitude, gain etc by clicking on the control and moving the mouse up or down to increase or decrease that particular setting – unfortunately somewhat more cumbersome in practice than it sounds. But seeing sufficient detail on the scope and Bode analyser displays can be a problem, as even when the scope icon is maximised, it fills less than a quarter of the display. The same is also true of other instruments.

Slow simulation

A toggle switch at the top of the screen is used to "power-on the circuit" and start the simulation. Instruments are updated as the simulation progresses so that, for example, the oscil-



Add all the instruments and you have a cluttered workbench – just like the real thing.



oscope trace advances throughout the test. This is just as well because simulation run speed is lamentably slow and so it is comforting to know that something is happening.

Even so on a 25MHz 386 the simulation was so slow as to be unacceptable, and on a 33MHz 486 platform the simulation of a relatively simple op-amp circuit took several seconds. Perhaps this is the difference between professional and educational software, but it should not be so. No user should have to wait unnecessarily.

A further test using a simple two transistor circuit also took a very long time to run. Indeed for certain component values it failed to complete the simulation at all, reporting a (non-existent) connection error. The flip side of the slow simulation coin is that there is no evidence of poor simulation due to aliasing or too large a step size in solving the time equations.

Digital Workbench

In the digital mode, the editing scheme is identical to the analogue system, but the choice of library components is severely restricted. The list of components boils down to a number of basic gates, flip-flops and a BCD counter.

Simulation is also desperately slow. This might be helpful to students, showing the operation at a human speed, but the slow speed means that it is impractical to use the simulation system for any real application.

Test gear available for digital operation includes a multi-meter, a word generator and a logic analyser.

Cleverest facility is the "truth table instrument" which, apart from sounding like a medieval torture, is a very neat digital synthesis tool. A truth table is entered into the tool, accomplished by selecting variables, and digital *Workbench* then generates a list of all the Boolean combinations.

Users can edit the output node for each of the combinations. With the truth table input completed, a reduction algorithm is run to produce an output expression (eg $A'+BC$) which in turn may be converted directly to an array of gates entered directly into the schematic. Very nice!

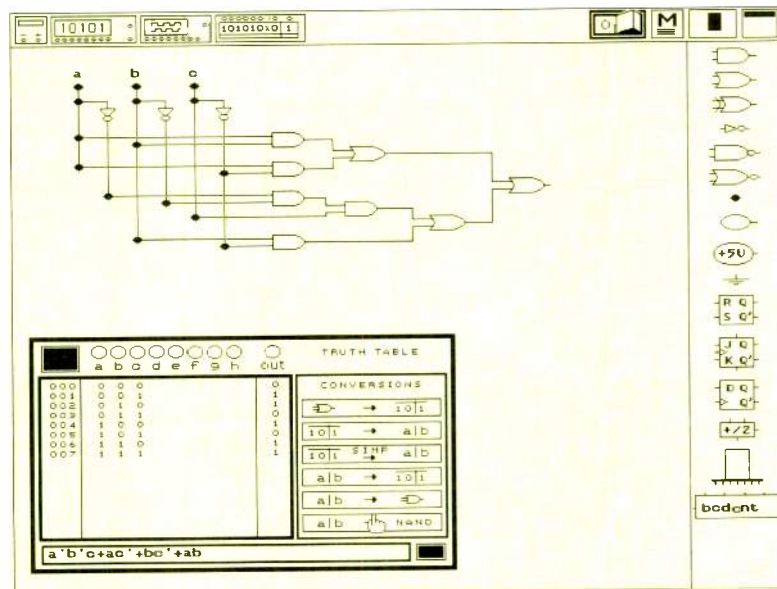
On the debit side the scheme only works for a single output and cannot support flip flops or logic state machines.

Alternative to lab work

An excellent schematic editor and a truly novel approach to simulation are reduced to almost ineffectualness because of slow simulation, poor results detail and very limited libraries.

Of these problems, the limited component library is probably acceptable in the educational environment. But slow simulation and poor results detail are not.

The product tested was optimistically described as the



Input the truth table, and *Workbench* will simplify the Boolean expression, select $a'b \rightarrow$ circuit and – the logic circuit is drawn.

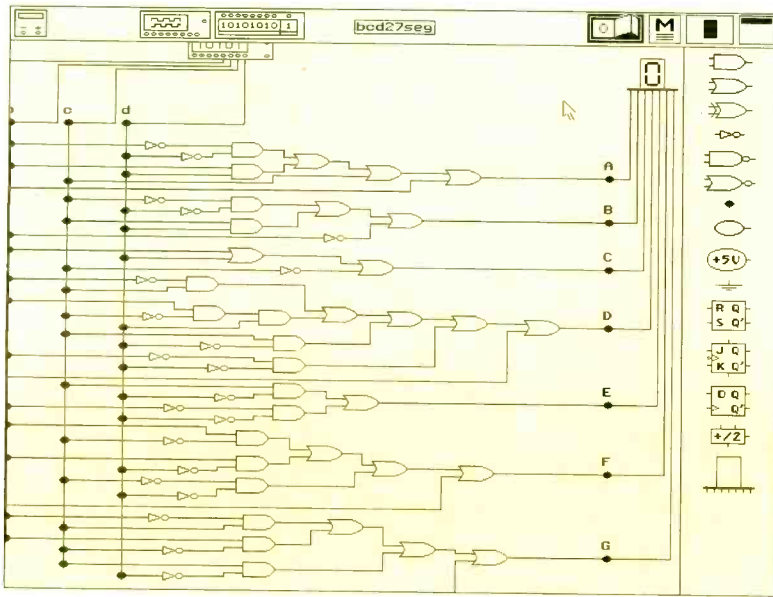
EASY INSTALLATION

The professionally produced loose leaf manual contains a complete tutorial as well as detailed operational details: a useful touch is a technical exposition covering the mathematical background to the modelling system.

Installation is quick and simple, with the name of the person or establishment installing being written back onto the master disc. There is nothing intrinsically wrong with this approach, but as a matter of principle I always write-protect master discs and so caused the installation to terminate early.

WHAT THE CRITICS SAY

The advertising material includes some glowing testimonials from Jerry Pournelle (erstwhile author of the "Chaos Manor" column in *Byte* magazine) and other notables from various magazines and companies. But although these laudatory remarks are very positive they are not in any way comparative. So despite the critics, I would recommend that the electronics educator who is a prospective purchaser look at professional simulators before buying.



A complete BCD to seven-segment decoder and display leads to a very full screen.

"professional version", but, with the exception of the simplest circuits, this is in no way a practical professional tool.

So can it provide a useful alternative to lab work for students of electronics? The answer is undoubtedly yes, qualified by the need for a college to invest in high performance PCs to run the package. Any such electronics modelling education will have to be supplemented with real lab work so that students are made aware of the differences between sim-

SYSTEM REQUIREMENTS

- Dos 3.3 or later
- 640K memory
- 2Mbyte of hard disc
- Mouse
- Maths co-processor (optional)
- CGA, EGA, VGA or Hercules display
- Dot matrix, HPGL plotter or Laser Jet printer

SUPPLIER DETAILS

Electronics Workbench, By Interactive Image Technologies Inc, Toronto, Canada. £189. Available from Robinson Marshall (Europe), 17 Middle Entry, Tamworth, Staffs B79 7NJ. Tel: 0827 66212 Fax: 0827 58533.

plifications of components for simulation and the real world.

Cost is an important issue in all colleges, and the relative costs, depreciation and value for money need to be weighed against educational benefit. In the end, the cost of a good PC and *Electronic Workbench* is likely to be significantly less than purchasing lab equipment.

That said, many cash strapped colleges are still struggling with 8086/80286 machines and with *Workbench* running too slowly even on a 80486, the performance is woefully inadequate on more ancient hardware.

A pity, because in some senses the ideas behind *Electronics Workbench* are way ahead of its industrial cousins.

WE HAVE THE WIDEST CHOICE OF USED OSCILLOSCOPES IN THE COUNTRY

TEKTRONIX 7000 SERIES OSCILLOSCOPES
Dual Trade Plug-in with TB from £200
Many Plug-in options available. 4 Traces; Differential etc. **PLUG-INS SOLD SEPARATELY**

PHILIPS 3065 2+1 Channels 100MHz Dual TB Delay Sweep	£700
KIKUSUI CS06100M 3 Channel - Ch4 Ch5 Trig View 100MHz Delay Sweep	£600
TEKTRONIX 475 Dual Trace 200 MHz Delay Sweep	£550
H.P. 1715A Dual Trace 200MHz Delay Sweep	£500
H.P. 1740A Dual Trace 100MHz Delay Sweep	£400
HITACHI V525 Dual Trace 50MHz CRT Readout/Cursors	£475
PHILIPS PM3217 Dual Trace 50MHz Delay Sweep	£400
HITACHI V630F Dual Trace 60MHz Delay Sweep	£400
HITACHI V425 Dual Trace 40MHz	£325
TELEQUIPMENT D83 Dual Trace 50MHz Delay Sweep	£200
GOULD OS3000A Dual Trace 40MHz Delay Sweep	£200
KIKUSUI 5530 Dual Trace 35MHz	£180
GOULD OS1100 Dual Trace 30MHz	£160
GOULD OS3000 Dual Trace 20MHz	£200
GOULD OS250B Dual Trace 15MHz	£125

THIS IS JUST A SAMPLE. MANY OTHERS AVAILABLE

PHILIPS PM5193 Programmable synthesizer/Function Generator 0.1MHz-50MHz IEEE 488 As new	£1500
MARCONI 2019 Synthesized AM/FM Sig Gen 80kHz-1040MHz	£2000
MARCONI 2022 AM/FM Sig Gen 10kHz-1GHz	£1200
MARCONI 2018 Synthesized AM/FM Sig Gen 80kHz-520MHz	£950
EIP/OMA 35.0 Microwave Frequency Counter 20Hz-18GHz	£950
RACAL 9921 Frequency Counter 3GHz	£300
H.P. 339 Distortion Measuring Set 10Hz-110kHz	£1500
RACAL/DANA 1991 Nanosecond Universal Counter	£800
RACAL 9302 Millivoltmeter True RMS 10kHz-1.5GHz	£450
RACAL 9301A RF Millivoltmeter True RMS 10kHz-1.5GHz	£300
RACAL 9009 Automatic Mod Meter 10MHz-1.5GHz Wide Deviation	£250
H.P. Pulse Generator type 214B	£750
LYONS PG33N Pulse Gen PRF 1Hz-20MHz	£150
MARCONI 2610 True RMS Voltmeter	£800
GOULD Bicimation K50000 Logic Analyser	£500
FARNELL PDS20H Synthesized Sig Gen AM/FM 100kHz-520MHz	£600
LEADER SS216 AM/FM Sig Gen 0.1-30MHz & 75-115MHz	£400
KEITHLEY 197 S1Z dual Autorange Microvolt DMM with IEEE	£250

SPECTRUM ANALYSERS

HP 141T with 8555A & IF Plug-in 10MHz-180Hz	£2000
HP 141T with 8554B & 8552B 500kHz-1250MHz	£1300
HP 1401 with 8554A & 8552A 500kHz-1250MHz	£1000
HP 141T with 8556A & 8552B 20Hz-300kHz	£1000
HP 1401 with 8553L & 8552A 1kHz-110MHz	£800
MARCONI FT2370 30Hz-110MHz	£1500
HP 182L with 8558B 100kHz-1500MHz	£1500
HP 3582A 0.02Hz-25.5MHz	£2000

DATRON 1061A - 6 1/2 digit True RMS AC/Current	£1250
DATRON 1065 Multimeter 5 1/2 digit AC/DC/Ohms IEEE	£600
NEWLETT PACKARD 3490A Bench Multimeter 5 1/2 digit AC/DC/Ohms	£200
PHILIPS PM2534 Multifunction DMM 6 1/2 digit GPIB/IEEE	£450
MARCONI Digital Frequency Meter 2430A 10Hz-80MHz	£125
MARCONI Digital Frequency Meter 2431A 10Hz-200MHz	£150
MARCONI Universal Counter Timer 2437DC-100MHz	£275
MARCONI Universal Counter Timer 2438DC-500MHz	£275
HP 3311A Function Generator 0.1Hz-1MHz Sine Sq/Tri	£125
HP 3312A Function Generator 0.1Hz-1MHz Sine Sq/Tri	£70
FEEDBACK F5000 Sine/Sq/Tri 0.01Hz-500kHz	£60
MULTIMETERS Hand Held M2355-32 ranges AC DC 10 Amps Diode Transistor Tester, Freq counter	£32.50
FARNELL ELECTRONIC LOAD RB1030 35.1kw 30Amp 35 Volt	£600
HP 8590 Sweep Osc with 86974 Plug-in 26.5-400Hz	£300
RACAL/DANA RF Power Meter 5104	£400
RACAL/DANA 9341 Databridge Automatic LCR & Q	£350
WAYNE KERR B905 Automatic Precision Bridge 0.05%	£900
WAYNE KERR B605 Automatic Component Bridge 0.1%	£350
FARNELL PSU TV570MK2 70V 5A 30V 10A	£300
FARNELL PSU H60 25 0-60V 0-25Amps Metered	£400
FARNELL PSU L30E 0-30V 0-5Amps Metered	£80
FARNELL B30 10 0-30V 20Amps	£250
FARNELL B30 10 0-30V 10Amps	£200
H.F. 6255A 0-40V 0-1.5Amps Twice Metered	£130
H.P. 6209B 0-320V 0-0.1Amps Metered	£125
MARCONI FT770 Universal LCR Bridge Battery from	£150
AVO Characteristic Meter VOM163	£300
RACAL LA520 RF Power Amp 1.5-520MHz 300mW	£175
RACAL 9100 Absorption Wattmeter 1MHz-1GHz 3W	£100

FARNELL Vulating Transformers

GUS50 240v 500VA unused	£50
-------------------------	-----

NEW EQUIPMENT

HAMEG OSCILLOSCOPE HM1005 Triple Trace 100MHz Delay Timebase	£847
HAMEG OSCILLOSCOPE HM504 Dual Trace 60MHz Delay Sweep	£650
HAMEG OSCILLOSCOPE HM203 7 Dual Trace 20MHz Component Tester	£362
HAMEG OSCILLOSCOPE HM205 3 Dual Trace 20MHz Digital Storage	£550

All other models available - all oscilloscopes supplied with 2 probes

BLACK STAR EQUIPMENT (P&P all units £5)

APOLLO 10-100MHz Counter Timer Rate/Period/Time interval etc	£222
APOLLO 100-100MHz (As above with more functions)	£325
METOR 100 FREQUENCY COUNTER 100MHz	£109
METOR 600 FREQUENCY COUNTER 600MHz	£135
METOR 1000 FREQUENCY COUNTER 1GHz	£178
JUPITOR 500 FUNCTION GEN 0.1Hz-500kHz Sine/Sq/Tri	£110
ORION COLOUR BAR GENERATOR PA/TM/Video	£229

All other Black Star Equipment available

OSCILLOSCOPE PROBES Switchable x1 x10 (P&P £3) £11

Used Equipment - GUARANTEED. Manuals supplied if possible.
This is a VERY SMALL SAMPLE OF STOCK. SAE or Telephone for lists. Please check availability before ordering.
CARRIAGE all units £16. VAT to be added to Total of Goods and Carriage.

STEWART OF READING
110 WYKEHAM ROAD, READING, BERKS RG6 1PL
Telephone: (0734) 268041. Fax: (0734) 351696
Callers Welcome 9am-5.30pm Monday to Friday (until 8pm Thursday)

BROADCAST TRANSMISSION EQUIPMENT

COMMUNITY BROADCAST TRANSMITTER, 88-108MHz band, 0.5W RF output. Wideband FM, meets the requirements of the DTI Restricted Service Licence. Synthesized 40 channel in 50kHz steps giving a 2MHz portion of the broadcast band. Portion of the band is preset at manufacture to suit the customer. Audio passband 50Hz to 15kHz. Diecast box 171 x 121 x 55mm. Power requirements 13.5V DC at 200mA. Type CTX100, boxed built and tested. **£110.00**

Variable output power version giving 0-0.6W, type CTX100V otherwise as above **£135.00**

TRANSMIT AMPLIFIER, 88-108MHz band, 0.5W maximum input, 25W minimum output, class C amplifier designed to complement the Community Broadcast Transmitter. Tuned to a specific 2MHz portion of the 88-108MHz broadcast band. Diecast box with heat-sink, size 171 x 121 x 105mm overall. Power requirements 13.5V DC at 5A. Type TA100C3, boxed built and tested. **£110.00**

POWER SUPPLY, 250V AC input, 13.5V DC 10/14A. Well regulated with only 10mV ripple at 5amps continuous. Suitable for use on continuous service with the transmitter and amplifier detailed above. **£52.50, carriage £5 extra**

AERIAL, Omnidirectional folded "J". Tuneable over the range 87-108MHz. 1.5Bd gain with good all-round low angle radiation pattern. 2 metre overall height when assembled. **£30.00 inc P&P**

LINK TRANSMITTER. Based on the Community Transmitter design with PLL synthesizer but preset to one frequency in the 48MHz or 52MHz link frequency band. Typically 1W output with deviation of ±25kHz. Can be licensed on a consecutive weekly basis at low cost. Diecast box size 171 x 121 x 55mm. **£106.00**

LINK RECEIVER. Single channel in the band 48MHz or 52MHz to suit the Link Transmitter detailed above. Sensitivity 0.6uV full quieting and has 90dB rejection of adjacent band signals. Has its own monitor speaker and volume control independent of the 2V p-p audio output port. Signal meter gives near logarithmic readout for signal strengths between 1uV and 100uV. Supplied in attractive grey and white or black and white cabinet. **£150.00**

LINK AERIALS, to suit the link transmitters and receivers. Three element yagi with 6dBd. Overall element length about 3 metres, boom length about 2 metres. **£45.00, carriage £5.00**

VAT inc prices. Catalogues with other Amateur Radio and CB kits and modules available free of charge upon receipt of SAE.

SPECTRUM COMMUNICATIONS
Unit 4, Grove Trading Estate, Dorchester, Dorset
Tel: 0305 262250
Opening times: 9-1, 2-5 Tue-Fri, 9-1 Sat. Closed Sun and Mon.

Nervous call for help

The letter from John Carver (*EW + WW*, July) is of some interest to me. Some 30 years ago I made some inconclusive attempts to speed the healing of fractures by the use of pulsed electromagnetic fields. The work was not completed because of lack of interest by my surgical colleagues.

Carver is of course correct in his statement that many biological processes are carried out via an electro-chemical action. A typical example is the transmission of pain sensations from the periphery to the brain interrupted by the chemicals known as local anaesthetics.

I believe that it is possible to stop pain transmission by electrical reversal of the waveform in peripheral nerves. I suggested this line of research to Professor Sykes of Hammersmith who pointed out that peripheral nerves have many fibres all having many fibres all transmitting electro-chemical waves which are not in phase. This wave form is extremely slow compared with an electrical current in a wire.

I would like to hear from your readers as to the feasibility of producing local anaesthesia by reversal of the electrical impulses in such nerves using modern equipment not available when the suggestion was first made some 20 years ago.

V Keating
Nailsworth
Gloucestershire

Mortals with golden ears

In response to the letters by Stan Curtis and Stephen Merrick (*EW + WW*, July) regarding our letter (May) concerning super-cables, it was never our intention to deny the effect that a grossly inappropriate cable link might have on listening quality.

Moreover, we mortals concede that there are those with golden ears who believe they are far more subjectively sensitive than we are to subtle flaws in sound quality caused by system inadequacies.

However, the central point of our letter remains simple. We say that there is no justification for the

outrageous quasi-scientific claims made by the super-cable manufacturers who supply a product falsely specified and wildly over priced. We say that the same performance can be obtained by using standard good quality cable. If, as some audiophiles claim, they can hear a difference between two electrically appropriate cables, then we must presuppose that some other factor is involved.

Having spent effort and possibly large sums of money in a re-wiring exercise, few of us are likely to admit that it was an expensive waste of time. We convince ourselves otherwise and our wish for a positive outcome to our endeavours is fulfilled.

Merrick points out that he discerned an improvement after re-wiring his speakers, but this doesn't support super-cables, merely that there may have been an initial inadequacy in the manufacturers' conductors or connections that Merrick appears to have corrected. In this context, there is no adequate substitute for double blind tests carried out ideally by three people – one to set the conditions, one to select them, and one to listen. In this way even the person selecting one particular set of connections or cables does not know which he or she is selecting so there is no possibility of significant pre-warning being perceived by the listener.

Regarding Curtis' letter, one

Bring on the de-jaggers

With regards to Peter Chadwick Gregory's reply (*EW + WW*, July) to my letter (May), the question is ~~are~~ we comparing like with like? Has Gregory heard a modern cassette player? His reference to noise with a capital N seems odd/ outdated. It's been years since I've heard tape hiss on a cassette even using full (up to CD level) equalisation. It used to be a problem, but not any more.

His reference to Ferrograph amused me. Oh my, those horrid controls! ~~Wotta~~ clatter!

As for CD distortion, the type I was wanting information about is the kind that if you hear it once then you always do. I was making a plea for someone to evaluate to a degree that I cannot myself.

Meanwhile, Gregory and I do hear an assortment of vinyls, CDs and cassettes on radio in (hopefully) silent background stereo. Can he honestly say he can tell which is which - even given the tiny clues which station engineers spend so much time in trying to prevent? Maybe someday we shall get de-jagged D/A decoders in domestic players.

Curious how little is said about CD quirks such as the odd jumping disc, the miscuing, not forgetting the traditional bit of fluff on the head.

Far be it for me to make a blanket condemnation of CDs. The strange fact is that there are a remarkable number of new devices which seem to be hanging fire.

Ronald G Young
Peacehaven
East Sussex

wonders whether he really was surprised that he could hear a difference when a 1Ω series resistor was inserted in the tweeter circuit. After all, he was affecting just one part of the system's response range – and with resistance many times greater than that of any suitable cable. We quote 0.04dB for the difference between ideal and good but this says nothing about inappropriate and inadequate conductors. No one (sensibly) would employ 1mm iron conductors would they?

Dr BC Blake-Coleman
Dr R Yorke
Southampton

CFA death exaggerated

With regards to the article by Colin Davies "CFA – RIP" (*EW + WW*, May) on cross field antennas, perhaps you may know that the CFA originated from my PhD research program in 1986, followed by a joint patent from Maurice Hatley and myself.

Since the CFA is a two field reaction control device, it does not follow the present Maxwell's equations or present antenna art. The CFA macroscopic field dynamics follow the corrections of Maxwell's equations which is clear in our IEEE paper in October 1990.

Consequently, up to date measuring equipment could not discover or get the CFA into

operation, because this equipment is current functioning, not field functioning as in a CFA; that good radiation on a CFA does not come from all input resistances.

This is why the CFA is sometimes a dummy load, poor radiator or good radiator. Of course, there are many important points about the CFA not mentioned in our articles regarding antenna design, field reaction formulas, equivalent circuit, input resistance control, the steps of setting the antenna for good radiation and so on.

The reason why Colin Davis failed to get his CFA to work was that his antenna is not CFA.

Following the CFA discovery, many scientific and more rigorous research work has been carried out with quantitative results and successful radiation, in the UK and Egypt, with different power radiation CFAs used for different purposes.

The theory of the CFA has been the subject of lectures and projects for BSc and MSc in Egyptian Universities since 1987.

Here at the Egyptian CFA Research Team, we welcome visits to our stations to confirm that the CFA is a good radiator, radiating as good as (or better) than high conventional mast antennas in regard to bandwidth and signal strength.

The radiation begins from the near field, that is $1/R$ dependence (R is the distance from the antenna), with no heat loss from any component of the CFA system. Almost all input power is radiated at an efficiency between 85 and 93%.

FM Kabbary
Cairo
Dr Kabbary supplied tabular results to support aspects of this letter – Ed.

Getting the wind up

The letter "Have the twins gone with the wind" (*EW + WW*, July) was like a breath of fresh air. At last someone has been very careful in their choice of words when discussing relativity. The use of electronics to clarify the points made showed an understanding of how to communicate difficult ideas.

If this does not put the wind up the relativists nothing will.

CL Wee
Bagilt, Clwyd

SMALL SELECTION ONLY LISTED - EXPORT TRADE AND QUANTITY DISCOUNTS - RING US FOR YOUR REQUIREMENTS WHICH MAY BE IN STOCK

Marconi TF2008 - AM-FM signal generator - Also sweeper - 10Kc/s - 510Mc/s - from £350 tested to £500 as new with manual - probe kit in wooden carrying box.
HP Frequency comb generator type 8406A - £400
HP Sampling Voltmeter (Broadband) type 3406A - £200
HP Vector Voltmeter type 8405A - £400 to £600 - old or new colour.
HP Synthesiser/signal generator type 8672A - 2 to 18GHz £4000.
HP Oscillographic recorder type 7404A - 4 track - £350.
HP Plotter type 9872B - 4 pen - £300.
HP Sweep Oscillators type 8690 A & B + plug-ins from 10Mc/s to 18GHz also 18-40GHz P O R.
HP Network Analyser type 8407A + 8412A + 8601A - 100Kc/s - 110Mc/s - £500-£1000.
HP Down Converter type 11710B - .01-11Mc/s - £450.
HP Pulse Modulator type 11720A - 2-18GHz - £1000.
HP Modulator type 8403A - £100-£200
HP Pin Modulators for above-many different frequencies - £150
HP Counter type 5342A - 18GHz - LED readout - £1500
HP Signal Generator type 8640B - Opt001 + 003 - 5-512Mc/s AM/FM - £1000.
HP Amplifier type 8447A - 1-400Mc/s £200 - HP8447F 1-1300Mc/s £400.
HP Frequency Counter type 5340A - 18GHz £1000 - rear output £800.
HP 8410 A - B - C Network Analyser 110Mc/s to 12GHz or 18GHz - plus most other units and displays used in this set-up - 8411A - 8412 - 8413 - 8414 - 8418 - 8740 - 8741 - 8742 - 8743 - 8746 - 8650. From £1000.
HP Signal Generator type 8660C - 1-2600Mc/s AM/FM - £3000 1300Mc/s £2000.
HP Signal Generator type 8656A - 0-1-990Mc/s AM/FM - £2000
HP 8699B Sweep PI - 0-1-4GHz £750 - HP8690B Mainframe £250.
Racal/Dana 9301A-9302 RF Millivoltmeter - 1-5-2GHz - £250-£400.
Racal/Dana Counters 9915M - 9916 - 9917 - 9921 - £150 to £450. Fitted FX standards.
Racal/Dana Modulation Meter type 9009 - 8Mc/s - 1-5GHz - £250.
Racal - SG Brown Comprehensive Headset Tester (with artificial head) Z1A200/1 - £350
Marconi AF Power Meter type 893B - £200
Marconi RCL Bridge type TF2700 - £150
Marconi/Saunders Signal Sources type - 6058B - 6070A - 6055B - 6059A - 6057B - 6056 - £250-£350. 400Mc/s to 18GHz
Marconi TF1245 Circuit magnification meter + 1246 & 1247 Oscillators - £100-£300
Marconi microwave 6600A sweep osc. mainframe with 6650 PI - 18-26.5GHz or 6651 PI - 26.5-40GHz - £1000 or PI only £600
Marconi distortion meter type TF2331 - £150, TF2331A - £200
Microwave Systems MOS/3600 Microwave frequency stabilizer - 1GHz to 40GHz £1k
Tektronix Plug-ins 7A13 - 7A14 - 7A18 - 7A24 - 7A26 - 7A11 - 7S11 - 7D10 - 7S12 - S1 - S2 - S6 - S52 - PG506 - SC504 - SG502 - SG503 - SG504 - DC503 - DC508 - DD501 - WR501 - DM501A - FG501A - TG501 - PG502 - DC505A - FG504 - P O R
Ailtech Stoddart receiver type 17/27A - 01-32Mc/s - £2500.
Ailtech Stoddart receiver type 37/57 - 30-100Mc/s - £2500.
Ailtech Stoddart receiver type NM65T - 1 to 10GHz - £1500
Gould J3B Test oscillator - manual - £200.
Infra-red Binoculars in fibre glass carrying case - tested - £100. Infra-red AFV sights £100.
ACL Field intensity meter receiver type SR - 209 - 6. Plus-ins from 5Mc/s to 4GHz - P O R.
Tektronix 491 spectrum analyser - 1.5GHz-40GHz - as new - £1000 or 10Mc/s 40GHz
Tektronix Mainframes - 7603 - 7623A - 7633 - 7704A - 7844 - 7904 - TM501 - TM503 - TM506 - 7904 - 7834 - 7104
Knott Polyskanner WM1001 + WM5001 + WM3002 + WM4001 - £500.
Ailtech 136 Precision test RX + 13505 head 2 - 4GHz - £350.
SE Lab Eight Four - FM 4 Channel receiver - £200.
Ailtech 757 Spectrum Analyser - 001 22GHz - Digital Storage + Readout - £3000.
Dranetz 606 Power line disturbance analyser - £250
Precision Aneroid barometers - 900-1050MB - mechanical digit readout with electronic indicator - battery powered. Housed in polished wood carrying box - tested - £100-£200-£250 1, 2 or 3.
HP141T SPECTRUM ANALYSERS - ALL NEW COLOURS TESTED WITH OPERATING MANUAL.
 HP141T + 8552A or B IF-8553B RF - 1kHz-110Mc/s A IF - £1300 or B IF - £1400
 HP141T + 8552A or B IF-8554B RF - 100kHz-1250Mc/s A IF - £1400 or B IF - £1500
 HP141T + 8552A or B IF-8555A RF - 10Mc/s-18GHz A IF - £2400 or B IF - £2500.
 HP141T + 8552A or B IF-8556A RF - 20Hz-300kHz A IF A IF - £1200 or B IF - £1300.
 HP8443A tracking generator/counter - 100kHz-110Mc/s - £500
 HP8445B tracking pre-selector DC-18GHz - £750.
HP ANZ UNITS AVAILABLE SEPARATELY - NEW COLOURS - TESTED.
 HP141T mainframe - £550 - 8552A IF - £450 - 8552B IF - £550 - 8553B RF - 1kHz-110Mc/s - £550 - 8554B RF - 100kHz-1250Mc/s - £650 - 8555A RF - 10Mc/s-18GHz - £1550.
HP 3580A LF-spectrum analyser - 5kHz to 50kHz - LED readout - digital storage - £1600 with instruction manual - internal rechargeable battery.
Tektronix 7D20 plug-in 2-channel programmable digitizer - 70 Mc/s - for 7000 mainframes - £500 - manual - £50.
Datron 1065 Auto Cal digital multimeter with instruction manual - £500
Racal MA 259 FX standard. Output 100k/s-1Mc/s-5Mc/s - internal NiCad battery - £150
Aerial array on metal plate 9" x 9" containing 4 aerials plus Narda detector - .100-11GHz. Using N type and SMA plugs & sockets - ex eqpt - £100.
EIP 451 microwave pulse counter 18GHz - £1000
Marconi RF Power Amplifier TF2175 - 1.5Mc/s to 520Mc/s with book - £100.
Marconi 6155A Signal Source - 1 to 2 GHz - LED readout - £600
Schlumberger 2741 Programmable Microwave Counter - 10Hz to 7.1GHz - £750
Schlumberger 2720 Programmable Universal Counter 0 to 1250Mc/s - £600
HP 2225CR Thinkjet Printer - £100
TEK 576 Calibration Fixture - 067-0597-99 - £250
HP 8006A Word Generator - £150
HP 1645A Data Error Analyser - £150
Texscan Rotary Attenuators - BNC/SMA 0-10-60-100DBS - £50-£150
HP 809C Slotted Line Carriages - various frequencies to 18GHz - £100 to £300.
HP 532-536-537 Frequency Meters - various frequencies - £150-£250.
Barr & Stroud variable filter EF3 0.1Hz-100k/s - high pass + low pass - £150.
S.E. Lab SM215 Mk11 transfer standard voltmeter - 1000 volts.
Ailtech Stoddart P7 programmer - £200.
H.P. 6941B multiprogrammer extender. £100
Fluke Y2000 RTD selector + **Fluke 1120A IEEE-488-translator** + **Fluke 2180 RTD digital thermometer** + 9 probes. £350 all three items.
H.P. 6181 DC current source. £150
H.P. 59501A - HP-IB isolated D/A power supply programmer
H.P. 3438A digital multimeter.
H.P. 6177C DC current source £150.
H.P. 6207B DC power supply
H.P. 741B AC/DC differential voltmeter standard (old colour) £100
H.P. 6209B DC power unit.
Fluke 80 high voltage divider
Fluke 431C high voltage DC supply.
Tektronix M2 gated delay calibration fixture. 067-0712-00.
Tektronix precision DC divider calibration fixture. 067-0503-00.
Tektronix overdrive recovery calibration fixture. 067-0608-00.
Avo VCM163 valve tester - book £300
H.P. 5011T logic trouble shooting kit. £150
Marconi TF2163S attenuator - 1GHz. £200.
PPM 8000 programmable scanner.
Fluke 730A DC transfer standard.
B&K 4815 calibrator head.

B&K 4812 calibrator head.
Farnell power unit H60/50 - £400 tested
H.P. FX doubler 938A or 940A - £300
Racal/Dana 9300 RMS voltmeter - £250.
H.P. sweeper plug-ins - 86240A - 2-8.4GHz - 86260A - 12.4-18GHz - 86260AH03 - 10-15GHz - 86290B - 2-18.6GHz. 86245A 5.9-12.4GHz.
Tequipment CT71 curve tracer - £200
H.P. 461A amplifier - 1k-150Mc/s - old colour - £100.
H.P. 8750A storage normalizer.
Tektronix oscilloscopes type 2215A - 60Mc/s - c/w book & probe - £400.
Tektronix monitor type 604 - £100.
Marconi TF2330 or TF2330A wave analysers - £100-£150.
HP5006A Signature Analyser £250 + book.
HP10783A numeric display £150.
HP 3763A error detector. £250.
Racal/Dana signal generator 9082 - 1.5-520Mc/s - £800.
Racal/Dana signal generator 9082H - 1.5-520Mc/s - £900.
Claude Lyons Compuline - line condition monitor - in case - LMP1 + LCM1 £500
Efratom Atomic FX standard FRIT - FRK - 1-1-5-10Mc/s. £3K tested.
Racal 4D recorder - £350 - £450 in carrying bag as new.
HP8350A sweep oscillator mainframe + **HP11869A RF PI adaptor** - £1500.
Ailtech - precision automatic noise figure indicator type 75 - £250.
Adret FX synthesizer 2230A - 1Mc/s £250.
Tektronix - 7S12-7S14-7T11-7S11-S1-S52-S53.
Rotek 610 AC/DC calibrator. £2K + book.
Marconi TF2512 RF power meter - 10 or 30 watts - 50 ohms - £80.
Marconi multiplex tester type 2830
Marconi digital simulator type 2828A.
Marconi channel access switch type 2831.
Marconi automatic distortion meter type TF2337A - £150.
Marconi mod meters type TF2304 - £250
HP 5240A counter - 10Hz to 12.4GHz - £400.
HP 3763A error detector.
HP 8016A word generator.
HP 489A micro-wave amp - 1-2GHz
HP 8565A spectrum analyser - 01-22GHz - £4k.
HP 5065A rubidium vapour FX standard - £5k.
Fluke 893A differential meters - £100 ea.
Systron Donner counter type 6054B - 20Mc/s-24GHz - LED readout - £1k.
Takeda Riken TR4120 tracking scope + **TR1604P digital memory**
EG&G Parc model 4001 indicator + 4203 signal averager PI.
Systron Donner 6120 counter/timer A + B + C inputs - 18GHz - £1k.
Racal/Dana 9083 signal source - two tone - £250
Systron Donner signal generator 1702 - synthesized to 1GHz - AM/FM.
Systron Donner microwave counter 6057 - 18GHz - Nixey tube - £600.
Racal/Dana synthesized signal generator 9081 - 520Mc/s - AM-FM. £600.
Farnell SSG520 synthesized signal generator - 520Mc/s - £500.
Farnell TTS520 test set - £500 - both £900.
Tektronix plug-ins - AM503 - PG501 - PG508 - PS503A.
Coletronik TM515 mainframe + **TM5006 mainframe**
Cole power line monitor T1085 - £250
Claude Lyons LCM1P line condition monitor - £250.
Rhodes & Schwarz power signal generator SLRD-280 - 2750Mc/s £250-£600.
Rhodes & Schwarz vector analyser - ZPV+E1+E3 tuners - 3-2000Mc/s.
Bell & Howell TMA3000 tape motion analyser - £250.
Ball Efratom PTB-100 rubidium standard mounted in Tek PI.
Ball Efratom rubidium standard PT2568-FRKL.
Trend Data tester type 100 - £150.
Farnell electronic load type RB1030-35.
Fairchild interference analyser model EMC-25 - 14kc/s-1GHz.
Fluke 1720A instrument controller - keyboard.
Marconi 2442 - microwave counter - 26.5GHz - £1500
Racal/Dana counters - 9904 - 9905 - 9906 - 9915 - 9916 - 9917 - 9921 - 50Mc/s - 3GHz - £100-£450 - all fitted with FX standards.
B&K 7003 tape recorder - £300
B&K 2425 voltmeter - £150
B&K 4921 + 4149 outdoor microphone.
Wiltron sweeper mainframe 610D - £500
HP3200B VHF oscillator - 10-500Mc/s - £200.
HP3747A selective level measuring set.
HP3586A selective level meter
HP5345A electronic counter
HP4815A RF vector impedance meter c/w probe £500-£600
Marconi TF2092 noise receiver. A, B or C plus filters.
Marconi TF2091 noise generator. A, B or C plus filters.
Tektronix oscilloscope 485 - 350Mc/s - £500
HP180TR, HP182T mainframes £300-£500.
Bell & Howell CSM2000B recorders.
HP5345A automatic frequency converter - 015-4GHz.
Fluke 8506A thermal RMS digital multimeter.
HP3581A wave analyser
Philips panoramic receiver type PM7800 - 1 to 20GHz
Marconi 6700A sweep oscillator + 6730A - 1 to 2GHz
Wiltron scaler network analyser 560 + 3 heads £1k
R&S signal generator SMS - 0.4-1040Mc/s - £1500
HP8558B spectrum ANZ PI - 1-1500Mc/s - o/c - £1000. N/C - £1500 - To fit HP180 series mainframe available - £100 to £500.
HP8505A network ANZ + 8503A S parameter test set + 8501A normalizer - £4k.
HP8505A network ANZ + 8502A test set - £3k.
Racal/Dana 9087 signal generator - 1300Mc/s - £2k.
Racal/Dana VLF frequency standard equipment. Tracor receiver type 900A + difference meter type 527E + rubidium standard type 9475 - £2750.
Marconi 6960-6960A power meters with 6910 heads - 10Mc/s - 20GHz or 6912 - 30kHz - 4.2GHz - £800-£1000
HP8444A-HP8444A opt 59 tracking generator £1k-£2k.
B&K dual recorder type 2308
HP8755A scaler ANZ with heads £1k
Tektronix 475 - 200Mc/s oscilloscopes - £350 less attachments to £500 c/w manual, probes etc.
HP signal generators type 626 - 628 - frequency 10GHz-21GHz.
HP 432A-435A or B-436A - power meters + power heads - 10Mc/s-40GHz - £200-£280
HP3730B down convertor - £200
Bradley oscilloscope calibrator type 192 - £600
Spectroscope SD330A LF realtime ANZ - 20Hz-50kHz - LED readout - tested - £500.
HP8620A or 8620C sweep generators - £250 to £1k with IEEE.
Barr & Stroud variable filter EF3 0.1Hz-100k/s - high pass + low pass - £150
Tektronix 7L12 analyser - 1Mc/s-1.8GHz - £1500 - 7L14 ANZ - £2k
Marconi TF2370 spectrum ANZ - 110Mc/s - £1200-£2k
Marconi TF2370 spectrum ANZ + **TK2373 FX extender** 1250Mc/s + trk gen - £2 5k-£3k.
Racal receivers - RA17L-RA1217-RA1218-RA1772-RA1792 - P O R.
Systron Donner microwave counter 6057 - 18GHz - nixey tube - £600
HP8614A signal gen 800Mc/s-2.4GHz old colour £200. new colour £400.
HP8616A signal gen 1.8GHz-4.5GHz old colour £200. new colour £400.

ITEMS BOUGHT FROM HM GOVERNMENT BEING SURPLUS. PRICE IS EX WORKS. S.A.E. FOR ENQUIRIES. PHONE FOR APPOINTMENT OR FOR DEMONSTRATION OF ANY ITEMS. AVAILABILITY OR PRICE CHANGE. VAT AND CARR., EXTRA.
 ITEMS MARKED TESTED HAVE 30-DAY WARRANTY. WANTED: TEST EQPT - VALVES - PLUGS & SOCKETS - SYNCROS - TRANSMITTING & RECEIVING EQPT. ETC.

Johns Radio, Whitehall Works, 84 Whitehall Road East, Birkenshaw, Bradford BD11 2ER. Tel. No. (0274) 684007. Fax 651160.

Pinching electrons in the aether

Few of your readers will have heard of a phenomenon discovered by William Hooper. Hooper died in 1971. His discovery was later confirmed by researchers at Montana State University, USA.

Imagine a straight conductor bent back on itself to form a noninductive bifilar circuit configuration which has two closely adjacent oppositely directed identical current flows. It should develop no magnetic or electric field at radial distances that are significantly larger than the cross-sectional dimensions of the circuit.

Hooper incorporated 4020 such conductors in a non-inductive circuit assembly and passed up to 30A through the circuit. He encased the assembly in a stainless steel cylindrical capacitor, with the inner conductor grounded and the outer conductor connected to a high impedance voltmeter. He found that whether he used AC or DC, and even though the circuit was screened by the inner conductor of the capacitor, he obtained a DC voltage across the capacitor that was a function of the current.

I suggest that the Hooper experiment replicates in each conductor strand an action that occurs in a lightning discharge by which a filamentary pinch action on electrons develops a radial electric field within the conductor. The vacuum medium, the aether, spins in response to set up a radial electric field that cancels the effect. The effect could have escalating features causing the spin to build in strength as charge is held at the conductor surface. The actions of all the currents are additive so that the net external effect is an aether spin which can break out and spread beyond the confines of the source conductors. This would set up the radial electric DC field in the cylindrical capacitor that Hooper measured.

In thunderstorms the same action is the source of the spherical plasma balls that we sometimes see and which we term thunderballs. One may even wonder if this is a source of an invisible menace, the quasi-stable carriers of those killing fields we imagine are associated with overhead power lines.

I have thought for many years that the action of the aether in developing this spin response is powered by energy that is tapped from the vast energy resource, the quantum spin state of the vacuum itself. On the 30th of June this year a company Raum-Quanten-Motoren AG of Rapperswil, Switzerland, distributed a prospectus announcing the marketing of a revolutionary new energy generating technology in the form of solid-state apparatus

BEWARE! Danger from falling satellites

The proof that the earth rotates that RG Elmendorf requests (EW + WW, August) is as follows. If the earth does not rotate then geo-stationary satellites are not rotating either. If they are not rotating then there is nothing to stop them falling to earth unless they are held there by the combined faith of those who believe the earth rotates.

● On the subject of audio, I recall many years ago someone writing to say that he had added a switch in his speaker leads which reversed the polarity of both speakers (together). A loudspeaker will produce positive pressure when moving out and negative pressure when moving in.

He argued that in the case of an impulse such as may be produced by a symbol or a drum it is important that what started out as a positive pressure should come out of the loudspeaker as positive pressure and vice versa because the ear is not a linear transducer (and there is no reason why it should be).

If true then two amplifiers with same measurable quality could sound different if one was inverting relative to the other.

John Kennaugh
Cornwall

in two types of 30 and 210kW. The technical literature indicates that the device harnesses Hooper's discovery.

Can it be that we are destined to have our electrical power supplied to us freely by the aether? Having written a book in 1972 called "Modern aether science", a book which stresses the need to learn from the thunderball as an aether phenomenon, and even suggests that the sun itself is powered in this way, I should not be surprised by this Swiss development.

However, the prospect seems too daunting to be credible and yet, if ever such an invention were to intrude on the energy scene, what is more likely than that it would make its entry in this way? Certainly, no respectable energy authority would risk giving support to a proposal seen as perpetual motion. Nor indeed will I, in the absence of more information, dare to venture any opinion on that Swiss initiative.

H Aspden
Southampton

Catt's Difficulty

I wonder if Ivor Catt's conceptual difficulty (EW + WW, June) stems from a rather outdated picture of the electron, and of physics generally.

Around 1980, you published an interesting article by Professor Jennison, called "What is an electron". Jennison's team of researchers, recognising that the quantum mechanical picture of the electron is expressed in a rather high level language (in the sense that it does not say anything about the electron's physical structure), had been working on the idea that the electron is like a resonant cavity which contains energy that is oscillating back and forth at the velocity of light.

On the basis of such a picture, there might not be any problems with apparently slow-moving electrons transferring energy at

velocities far in excess of their average velocity.

Catt might also be interested in learning that according to quantum electrodynamics (see for example "QED - the strange theory of light and matter" by Professor RP Feynman) electrons keep station by photon exchanges that take place at the velocity of light. So there would be no problems there with energy transferring very fast but electrons remaining relatively stationary.

Catt could respond by pointing out that he is concerned primarily with the removal of what to his mind seems to be an obvious contradiction within existing theory, but I think it would be far wiser to accept the theory in the form it is, rather than try to improve it on the basis of concepts that might not have a very long life expectancy.

And, after all, existing theory has served well, as evidenced by impressive technological achievements.

G Berzins
Camberley
Surrey

Pull of the aether

We are taught that energy may be stored in a capacitor by virtue of the strain in its dielectric: an electric field is the manifestation of this phenomenon. Duality exists with respect to the magnetic field. In both cases the dielectric can be a vacuum (that is space or absence of everything). Thus we have a device, a capacitor or inductor capable of storing energy by virtue of a field in nothing. This takes some believing!

It gets worse. If a device is constructed that creates such electric and magnetic fields alternating and in relative space quadrature, energy is radiated from such a device (for example a dipole). This phenomenon is described mathematically by James Clerk-Maxwell. Thus in this same nothingness (space) we have energy

passing by virtue of electromagnetic fields.

Ever since the ancient Greek philosophers, the idea of an aether pervading space was established. Such hypothesis can explain the paradox of energy storage and transmission. However, when put to the test by the Michelson-Morley experiment the scientific community agrees that aether drift effect of the earth moving through space not only is not proven but as the experiment has been refined shown not to exist.

I have always believed that this null result was due to a philosophical error in the interpretation of the experiment rather than in the negation of the existence of the aether per se. Strange that this experiment was being conducted at the time Einstein's theories were being expounded because if these are correct then a null result would be exactly what would be expected, aether or not.

Relativity theory predicts that there is no relative velocity between light emitted from moving bodies; everywhere in space light travels at its own speed irrespective of the speed of its source. Thus M & Ms counter-moving light sources somehow radiate light into the aether at this fixed speed so no Doppler effect can be measured by comparing the two returning beams.

We still have a paradox but at least M & M and Einstein are rendered mutually consistent and furthermore the aether is not ruled out. I have never wavered from the view that the universe is filled with a medium; how can a void have measurable properties? For the capacitor we have ϵ_0 ; the inductor μ_0 .

What is more remarkable is that: $\epsilon_0 \times \mu_0 = c^{-2}$ (equation 1) where c is the speed of light. So not only can space have properties that can be measured but these properties have dimensions which are non-rational (not simply ratios of classical dimensions). Though the aether's presence is not proven, there is overwhelming circumstantial evidence for it. It is even more so when engineers on earth assume it exists and design high speed logic circuit boards that prove that equation (1) holds when ϵ and μ are local values determined by materials and c is the local speed of transmission.

Radio engineers know that, $\sqrt{\epsilon/\mu}$ has the dimensions of impedance and for space the value is $120\pi\Omega$. For circuit boards the same equation, but not value, holds.

Now for the clever part! Light is reputed to be bent in a gravitational field (here is yet another example of energy being represented by a field) and red shifted. The expression gravitational lens is used to describe the effect. Now we know that light bends when it passes through optical

devices. We know why too. The waves slow down in the (optically) denser medium. Here again we accept the idea of a medium being involved. Perhaps then, for some reason, in areas of space where matter is concentrated, light slows just as in a glass lens. The only difference being that the transition is not abrupt but occurs gradually.

If ϵ_0 and μ_0 are not invariant throughout space but increase in areas of space where matter is concentrated we have a common sense explanation. Provided both constants increase at the same rate, ϵ/μ , and hence space impedance remains fixed so no mismatching occurs as the radiation enters or leaves regions of different aether density, no telltale reflections will be generated.

This is a common-sensical explanation of what others describe as distortion of the space-time continuum but leads to a different conclusion as to its cause.

We do have one conceptual problem to overcome. Speed (velocity) is defined as distance divided by time. My postulate is that the velocity of light is not constant throughout space while the passage of time is. I adopt this position because it follows more readily from the way we customarily think but for the purpose of this hypothesis it could just as well be vice versa.

If light slows down in areas of matter concentration, distances travelled in a given time are less, so any linear (distance) measurement based on light velocity and time will be distorted by this phenomenon (qv Lorenz compression). Thus wherever we are in space, then times, distances and speeds are related in the same way and thus we have no way of knowing if ϵ_0 and μ_0 have changed.

Because of this slowing, any modulation that light passing close by a heavy body possesses will be red shifted due to the Doppler effect. This is just what astronomers observe. Doppler shift is a fixed (offset) shift of all frequencies. Colour temperature is a scale change of frequencies. It is therefore possible to distinguish them.

But why should we get this aether compression? My hypothesis is that mass too is energy stored by virtue of a field as a strain of the aether. As this energy is located in a region of space the aether compresses to make room for it. Gravity is therefore the aether squeezing the matter together rather than matter particles attracting others towards them. Just as Maxwell stated "We reverse this", my hypothesis reverses the Newtonian principle of gravitational attraction though it doesn't alter its veracity as a tool.

While I imagine the above may be a little difficult to swallow, the *coup de grace* is much worse. Not only

Einstein has the last laugh

Martin Berner may not have received many replies to his query (*EW + WW*, July), which I must say is surprising, do any physicists read *EW + WW*? Fortunately, the answers can be found in almost any text on special relativity, which will explain the relativistic Doppler shift. However, for the sake of completeness, there is no paradox regarding the invariance of the speed of light and the longitudinal Doppler shift.

Consider a source, in an inertial frame such that special relativity is valid, emitting pulses of light with frequency ν_0 as measured in that frame. To an observer moving away from this source at velocity u , or vice-versa, the situation is symmetric in this instance, the light pulses must cover an increasing distance to reach the observer and so an increased wavelength is observed.

A few hours careful working through decent introductory texts will introduce sufficient material to allow the derivation of the frequency measured by the observer, ν , to be:

$$\nu = \nu_0 \sqrt{\frac{c-u}{c+u}}$$

If I can do it, and it's been a few years since this engineer did basic physics, anyone can. All that is required is the invariance of the velocity of light, as predicted by Maxwell ($1/\sqrt{\epsilon_0\mu_0}$), and some careful thought (but no sleight of hand).

As with all special relativity results, this must be derived rigorously from postulates of special relativity. One cannot convert Newtonian mechanics to special relativity by changing $c + v$ to cs and so on, this only generates self-inconsistent Newtonian mechanics, and has absolutely nothing to do with special relativity - and one should

does the velocity of light change with proximity to matter, it also does so if its emitter is moving. Imagine a spherical body moving through the aether. In its direction of travel the aether is further compressed while in the opposite direction it is rarified. Because of the compression c is lower so the radiation is launched at a lower velocity than from a static source. Could it be that this exactly compensates for the relative forward motion? What basis exists for such a postulate? All forms of energy so far discussed can be explained as strains of the aether. We have not yet accounted for kinetic energy. With the aether distorted like the bow-wave and wake of a ship this is the manifestation of kinetic energy.

Let's readers think this is too esoteric. Steven Hawking has stated that matter and speed tell space how to bend. My hypothesis is consistent with this opinion but provides a

beware any such derivations which claim to be special relativity.

It is possible to derive Newtonian mechanics from special relativity when $u \ll c$. However, this is the correspondence principle, and is one of the strengths of special relativity - it does degenerate into the common-sense of very low velocity everyday experience at low velocities.

Please note that the above expression relies upon the second postulate and is only applicable to electromagnetic radiation. Stillwell and Ives confirmed this expression (as opposed to the Newtonian version, much to their disappointment) as early as 1938 using an ingenious experimental arrangement (see for example "Special relativity" by AP French).

In regard to John Ferguson's query (*Letters*, April) about the transverse Doppler shift, this too has been confirmed by experiment (for example to within 1.2% experimental error by W Kundig in 1968) to be in agreement with special relativity. Moreover, special relativity predicts a shift even when the source and observer are passing at 90°, which is not even predicted by classical theory, but which is observed. Again, French's introduction to special relativity discusses this effect mathematically and phenomenologically.

Moving on to David Chalmer's problem (*Letters*, July), acceleration cannot be ignored in the twin paradox no matter how little a fraction of the journey time it encompasses, and has nothing to do with quantum mechanics. Indeed, it has long been known that the acceleration effects are the key to the solution. Only one twin experiences real accelerating forces (the one who gets up, goes,

turns around and returns then stops), so breaks the symmetry by changing reference frames, leading to the unequal time intervals predicted to special relativity theory, though obviously the proposed experiment cannot (easily) be performed.

No experimental evidence, only "common-sense", a "I think not" and a knowledge of electronics which seemingly gives insight into nature, is given to justify a statement that both clocks will read the same on return. However, accurately measured particle decay in nuclear accelerators is in agreement with Einstein's time dilation, so Albert has the hard experimental results from many closely related experiments in this instance.

Time is very well defined in special relativity - indeed any introduction to special relativity begins with a very careful examination of just what is meant by time and distance to an observer - an essential base for any rigorous study. This old paradox has been flogged to death in attempts to discredit special relativity, and repeating old arguments which have been resolved and hoping for non-relativistic experimental behaviour does not change the result. It does not matter if your clock is "Gone with the wind", a blob of plutonium, or came free with cereal. Nor does special relativity say anything about modifying nuclear decay, only the consequences of measuring it as an observer in relative motion.

If we engineers refuse, on the grounds of common-sense, to accept the experimentally tested answer, preferring to cling to Newton - nature, Einstein and the rest of the world are having a good laugh on us.

Andrew Myles
Edinburgh

better mental image of the process from which others may progress the science of space. One thing not explained is radioactive decay. It would seem that the aether is not homogenous but has the odd tear distributed randomly throughout it. It is their meeting with these tears that cause isotopes to revert to base. Could this process be the Sieve of Erastheneses?

Yet more controversially, all these phenomena are fields in space. All establish themselves throughout space instantaneously (action at a distance). At least instantaneously in proportion to the energy they represent. However, such a process is rate limited. We can't change a capacitor's charge instantaneously. Thus a gravity field (not the same as a gravity wave) acts instantaneously throughout the whole universe. If this were not so, space scientists and astronomers would have to make

allowance for the time taken for the pull of a body on another as it moved. Newton's force of attraction makes no such assumption.

If this hypothesis be correct then a true black hole can't exist. There is no event horizon. Light may be greatly slowed by the high aether density but it can still eventually escape. How much simpler this may make astrophysics! Not only that, but because aether pervades the smallest particle (maybe not superstrings), particle physicists may get a new perspective of their science and simplify their theories too. What appear to be short lived particles may be manifestations of the aether as energy changes form within it. Such physicists may in fact be observing the nature of the aether rather than of matter *per se*.

JS Churchill
Stroud

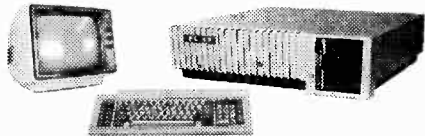
Surplus always
wanted for cash!

THE ORIGINAL SURPLUS WONDERLAND!

Surplus always
wanted for cash!

LOW COST PC SPECIALISTS - ALL EXPANDABLE - ALL PC COMPATIBLE

8088 XT - PC99



- 256k RAM - expandable to 640k
- 4.7 Mhz speed
- 360k 5-1/4" floppy
- 2 serial & 1 parallel ports
- MS-DOS 4.01
- Factory burnt-in
- Standard 84 key keyboard
- 12" green screen included
- In good used condition

Optional FITTED extras: 640K RAM £39. 12" CGA colour monitor with card £39. 2nd 5-1/4" 360K floppy £29.95. 20 mbyte MFM hard drive £99.

Only £99.00 (F)

FLOPPY DISK DRIVES

5 1/4" from £22.95 - 3 1/2" from £21.95!

Massive purchases of standard 5 1/4" and 3 1/2" drives enables us to present prime product at industry beating low prices! All units (unless stated) are removed from often brand new equipment and are fully tested, aligned and shipped to you with a 90 day guarantee and operate from standard voltages and are of standard size. All are IBM-PC compatible (if 3 1/2" supported).

- 3.5" Panasonic JU363/4 720K or equivalent £29.95(B)
- 3.5" Mitsubishi MF355C-L, 1.4 Meg. Laptops only £29.95(B)
- 3.5" Mitsubishi MF355C-D, 1.4 Meg. Non laptop £29.95(B)
- 5.25" EXTRA SPECIAL BRAND NEW Mitsubishi MF501B 360K. Absolutely standard fits most computers £22.95(B)

Data cable included in price.

- Shugart 800/801 SS refurbished & tested £175.00(E)
- Shugart 851 double sided refurbished & tested £275.00(E)
- Mitsubishi M2894-63 double sided switchable hard or soft sectors - BRAND NEW £250.00(E)

Dual 8" drives with 2 mbyte capacity housed in a smart case with built in power supply! Ideal as exterior drives! £499.00(F)

End of line purchase scoop! Brand new NEC D2246 8" 85 megabyte of hard disk storage! Full CPU control and industry standard SMD interface. Ultra high speed transfer and access time leaves the good old ST506 interface standing. In mint condition and comes complete with manual. Only £299(E)

THE AMAZING TELEBOX!

Converts your colour monitor into a QUALITY COLOUR TV!!



TV SOUND & VIDEO TUNER!

The TELEBOX consists of an attractive fully cased mains powered unit, containing all electronics ready to plug into a host of video monitors made by manufacturers such as MICROVITEC, ATARI, SANYO, SONY, COMMODORE, PHILIPS, TATUNG, AMSTRAD and many more. The composite video output will also plug directly into most video recorders, allowing reception of TV channels not normally receivable on most television receivers (TELEBOX MB). Push button controls on the front panel allow reception of 8 fully tuneable 'off air' UHF colour television or video channels. TELEBOX MB covers virtually all television frequencies VHF and UHF including the HYPERBAND as used by most cable TV operators. Composite and RGB video outputs are located on the rear panel for direct connection to most makes of monitor. For complete compatibility - even for monitors without sound - an integral 4 watt audio amplifier and low level Hi Fi audio output are provided as standard.

- Telebox ST for composite video input monitors £32.95
- Telebox STL as ST but with integral speaker £36.50
- Telebox MB as ST with Multiband tuner VHF-UHF-Cable. & hyperband For overseas PAL versions state 5.5 or 6mhz sound specification. £69.95
- Telebox RGB for analogue RGB monitors (15khz) £69.95

Shipping code on all Teleboxes is (B)
RGB Telebox also suitable for IBM multisync monitors with RGB analog and composite sync. Overseas versions VHF & UHF call. SECAM / NTSC not available.

No Break Uninterruptible PSU's

Brand new and boxed 230 volts uninterrupted power supplies from Densel. Model MUK 0565-AUAF is 0.5 kva and MUD 1085-AHBH is 1 kva. Both have sealed lead acid batteries. MUK are internal, MUD has them in a matching case. Times from interrupt are 5 and 15 minutes respectively. Complete with full operation manuals.....MUK.....£249 (F) MUD.....£525 (G)

286 AT - PC286



- 640k RAM expandable with standard SIMMS
- 12 Mhz Landmark speed
- 20 meg hard disk
- 1.2 meg 5-1/4" floppy
- 1.4 meg 3-1/2" floppy
- EGA driver on board
- 2 serial & 1 parallel ports
- MS-DOS 4.01
- Co-processor socket
- Enhanced 102 key keyboard
- Clock & calendar with battery back up

BRAND NEW AND BOXED!

Only £249.00 (F)

The Philips 9CM073 is suggested for the PC286 and the CM8873 for the PC386. Either may use the SVGA MTS-9600 if a suitable card is installed. We can fit this at a cost of £49.00 for the PC286 and £39.00 for the PC386.

POWER SUPPLIES

Power One SPL200-5200P 200 watt (250 w peak). Semi open frame giving +5v 35A, -5v 1.5A, +12v 4A (8a peak), -12v 1.5A, +24v 4A (6a peak). All outputs fully regulated with over voltage protection on the +5v output. AC input selectable for 110/240 vac. Dims 13" x 5" x 2.5". Fully guaranteed RFE. £85.00 (B)

Power One SPL130. 130 watts. Selectable for 12v (4A) or 24 v (2A). 5v @ 20A. ±12v @ 1.5A. Switch mode. New. £59.95(B)

Astec AC-8151 40 watts. Switch mode. +5v @ 2.5A, +12v @ 2A, -12v @ 0.1A. 6-1/4" x 4" x 1-3/4". New £22.95(B)

Greendale 19AB0E 60 watts switch mode. +5v @ 6A, ±12v @ 1A, +15v @ 1A. RFE and fully tested. 11 x 20 x 5.5cms. £24.95(C)

Conver AC130. 130 watt hi-grade VDE spec. Switch mode. +5v @ 15A, -5v @ 1A, ±12v @ 6A, 27 x 12.5 x 6.5cms. New. £49.95(C)

Boshert 13090. Switch mode. Ideal for drives & system. +5v @ 6A, +12v @ 2.5A, -12v @ 0.5A, -5v @ 0.5A. £29.95(B)

Farnell G6/40A. Switch mode. 5v @ 40A. Encased £95.00(C)

Farnell G24/5S. As above but 24v @ 5A. £65.00(C)

BBC Model B APM Board

WIN £100 CASH!

£100 CASH FOR THE MOST NOVEL DEMONSTRATABLE APPLICATION!

BBC Model B type computer on a board. A major purchase allows us to offer you the PROFESSIONAL version of the BBC computer at a parts only price. Used as a front end graphics system on large networked systems the architecture of the BBC board has so many similarities to the regular BBC model B that we are sure that with a bit of experimentation and ingenuity many useful applications will be found for this board!! It is supplied complete with a connector panel which brings all the I/O to 'D' and BNC type connectors - all you have to do is provide +5 and ±12 v DC. The APM consists of a single PCB with most major ic's socketed. The ic's are too numerous to list but include a 6502, RAM and an SAA5050 teletext chip. Three 27128 EPROMS contain the custom operating system on which we have no data. On application of DC power the system boots and provides diagnostic information on the video output. On board DIP switches and jumpers select the ECONET address and enable the four extra EPROM sockets for user software. Appx. dims: main board 13" x 10". I/O board 14" x 3". Supplied tested with circuit diagram, data and competition entry form.

Only £29.95 or 2 for £53 (B)

SPECIAL INTEREST

- Trio 0-18 vdc bench PSU. 30 amps. New £ 470
- Fujitsu M3041 600 LPM band printer £2950
- DEC LS/02 CPU board £ 150
- Rhode & Schwarz SBUF TV test transmitter 25-1000mhz. Complete with SBTf2 Modulator £6500
- Calcomp 1036 large drum 3 pen plotter £ 650
- Thurly LA 160B logic analyser £ 375
- 1.5kw 115v 60hz power source £ 950
- Anton Pillar 400 Hz 3 phase frequency converter 75Kw POA
- Newton Derby 400 Hz 70 Kw converter POA
- Nikon PL-2 Projection lens meter/scope £750
- Sekonic SD 150H 18 channel Hybrid recorder £2000
- HP 7580A A1 8 pen high speed drum plotter £1850
- Kenwood DA-3501 CD tester, laser pickup simulator £ 350

BRAND NEW PRINTERS

- Microline 183. NLQ 17x17 dot matrix. Full width. £139 (D)
- Hyundai HDP-920. NLQ 24x18 dot matrix full width. £149 (D)
- Qume LetterPro 20 daisy. Qume QS-3 interface. £39.95 (D)
- Centronics 152-2 9 x 7 dot matrix. Full width. £149 (D)
- Centronics 159-4 9 x 7 dot matrix. Serial. 9-1/2" width £ 99 (D)

386 AT - PC386



- 2 meg RAM expanded by slots
- 20 Mhz with 32k cache. Expandable to 64k
- 40 meg hard disk
- 1.2 meg 5-1/4" floppy
- VGA card installed
- 2 serial & 1 parallel ports
- MS-DOS 4.01
- Co-processor socket
- Enhanced 102 keyboard
- Kwik Disk Accelerator Software - FREE

BRAND NEW AND BOXED!

Only £425.00 (F)

MONITORS

14" Forefront Model MTS-9600 SVGA multisync with resolution of 1024 x 768. 0.28 pitch. "Text" switch for word processing etc. Overscan switch included. Ideal for the PC-386 or PC-286 with SVGA card added. Also compatible with BBC, Amiga, Atari (including the monochrome high resolution mode), Archimedes etc. In good used condition (possible minor screen burns). 90 day guarantee. 15" x 14" x 12". Only £159(E)

14" Philips Model CM8873 VGA multisync with 640 x 480 resolution. CGA, EGA or VGA, digital/analog, switch selectable. Sound with volume control. There is also a special "Text" switch for word processing, spreadsheets and the like. Compatible with IBM PC's, Amiga, Atari (excluding the monochrome high resolution mode), BBC, Archimedes etc. Good used condition (possible minor screen burns) 90 day guarantee. 15" x 14" x 12". Only £139(E)

Philips 9CM073 similar (not identical) to above for EGA/CGA PC and compats. 640 x 350 resolution. With Text switch with amber or green screen selection. 14" x 12" x 13-1/2" £99(E)

KME 10" high definition colour monitors. Nice tight 0.23" dot pitch for superb clarity and modern styling. Operates from any 15.625 khz sync RGB video source, with RGB analog and composite sync such as Atari, Commodore Amiga, Acorn Archimedes & BBC. Measures only 13.5" x 12" x 11". Also works as quality TV with our HSB Telebox. Good used condition. 90 day guarantee. Only £125 (E)

KME as above for PC EGA standard.....£145 (E)

Brand new Centronic 14" monitor for IBM PC and compatibles at a lower than ever price! Completely CGA equivalent. Hi-res Mitsubishi 0.42 dot pitch giving 669 x 507 pixels. Big 28 Mhz bandwidth. A superb monitor in attractive style moulded case. Full 90 day guarantee. Only £129 (E)

NEC CGA 12" IBM-PC compatible. High quality ex-equipment fully tested with a 90 day guarantee. In an attractive two tone ribbed grey plastic case measuring 15" x 13" x 12"H. The front cosmetic bezel has been removed for contractual reasons. Only £69 (E)

20", 22" and 26" AV SPECIALS Superbly made UK manufacture. PIL all solid state colour monitors, complete with composite video & sound inputs. Attractive teak style case. Perfect for Schools, Shops, Disco, Clubs. In EXCELLENT little used condition with full 90 day guarantee. 20"£135 22"....£155 26"....£185 (F)

CALL FOR PRICING ON NTSC VERSIONS! Superb Quality 6 foot 40u

19" Rack Cabinets

Massive Reductions Virtually New, Ultra Smart! Less Than Half Price!

Top quality 19" rack cabinets made in UK by Optima Enclosures Ltd. Units feature designer, smoked acrylic lockable front door, full height lockable half louvered back door and removable side panels. Fully adjustable internal fixing struts, ready punched for any configuration of equipment mounting plus ready mounted integral 12 way 13 amp socket switched mains distribution strip make these racks some of the most versatile we have ever sold. Racks may be stacked side by side and therefore require only two side panels or stand singly. Overall dimensions are 77-1/2"H x 32-1/2"D x 22"W. Order as:

- Rack 1 Complete with removable side panels.....£275.00 (G)
- Rack 2 Less side panels.....£145.00 (G)

DISPLAY

MAIL ORDER & OFFICES
Open Mon-Fri 9.00-5.30
Dept WW, 32 Biggin Way,
Upper Norwood,
London SE19 3XF.

LONDON SHOP
Open Mon-Sat 9-5.30
Thursday till 9.00pm
215 Whitehorse Lane,
South Norwood,
London, SE25 .

DISTEL © The Original
Free dial-up database!
1000's of items - info on line
V21, V22 & V22 bis
081-679-1888

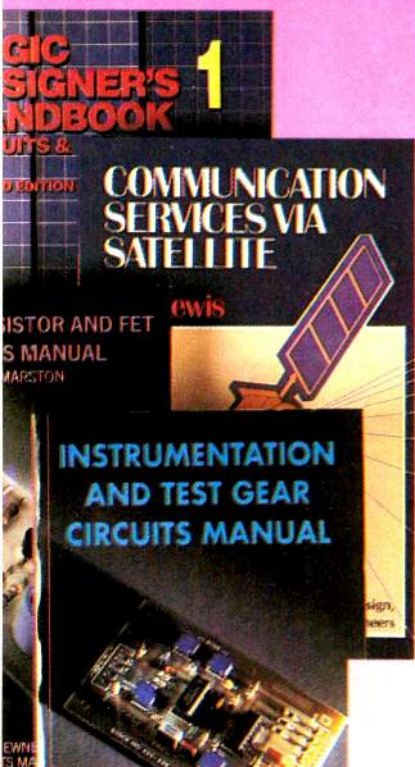
ALL ENQUIRIES
081-679-4414
Fax: 081-679-1927



-ELECTRONICS-

All prices for UK Mainland, UK customers add 17.5% VAT to TOTAL order amount. Minimum order £10. PO orders from Government, Universities, Schools & Local Authorities welcome - minimum account order £30. Carriage charges (A)=£2.00. (A1)=£2.75. (B)=£5.50. (C)=£8.50. (D)=£11.50. (E)=£14.00 (F)=£18.00 (G)=Call. Scotland surcharge: call. All goods supplied subject to our standard Conditions of Sale and unless otherwise stated guaranteed for 90 days. All guarantees on a return to base basis. Rights reserved to change prices & specifications without prior notice. Orders subject to stock. Quotations willingly given for higher quantities than those stated. Bulk surplus always wanted for cash!

BOOKS TO BUY



in grasping electrical and electronics theory. This book has been written to help such students to understand the mathematical principles underlying their subject so that they can go on with confidence to tackle problems in practical circuits. Paperback 256 pages.
Price £14.95 0 7506 0924 9

CIRCUIT MANUALS

Ray Marston

A series of books dealing with their subjects in an easy-to-read and non-mathematical manner, presenting the reader with many practical applications and circuits. They are specifically written, for the design engineer, technician and the experimenter, as well as the electronics student and amateur. All the titles are written by Ray Marston, a freelance electronics design engineer and international writer.

Op-amp Circuits Manual

Paperback 224 pages
Price £13.95 0 434 912077

Audio IC Circuits Manual

Paperback 168 pages
Price £13.95 0 434 912107

CMOS Circuits Manual

Paperback 192 pages
Price £13.95 0 434 912123

Electronic Alarm Circuits Manual

Paperback 144 pages
Price £13.95 0 7506 00640

Timer/Generator Circuits Manual

Paperback 224 pages
Price £13.95 0 434 912913

Diode, Transistor and FET Circuits Manual

Paperback 240 pages
Price £13.95 0 7506 0228 7

Instrumentation and Test Gear Circuits Manual

Ray Marston
Modern instrumentation and test gear circuits of value to the industrial, commercial, or amateur electronic engineer or designer make up this book. Almost 500 outstandingly useful and carefully selected practical circuits are in here. This is one book you must have if you need access to practical working circuits ranging from simple attenuators and bridges to complex digital panel meters, waveform generators, and scope trace doublers. Paperback 400 pages.
Price £16.95 0 7506 0758 0

Logic Designers Handbook

Andrew Parr
Easy to read, but none the less thorough, this book on digital circuits is for use by students and engineers and provides an accessible source of data on devices in the TTL and CMOS families. It's a 'Designers Handbook' that will live on the designer's bench rather than on the bookshelf. The basic theory is explained and then supported with specific practical examples. Paperback 488 pages.
Price £25.00 0 7506 0535 9

Digital Audio and Compact Disc Technology

Luc Baert, Luc Theunissen & Guido Vergult
Essential reading for audio engineers, students and hi-fi enthusiasts. A clear and easy-to-follow introduction and includes a technical description of DAT (digital audio tape). Contents includes principles of digital signal processing, sampling, quantization, A/D conversion systems, codes for digital magnetic recording, principles of error correction, the compact disc, CD encoding, optoelectronics and the optical block, servo circuits in CD players, signal processing, digital audio recording systems, PCM, Video 8, R-DAT and S-DAT. Paperback 240 pages.
Price £16.95 0 7506 0614 2

NEWNES POCKET BOOKS

A series of handy, inexpensive, pocket sized books to be kept by your side and used every day. Their size makes them an ideal 'travelling' companion as well.

Newnes Electronics Engineer's Pocket Book

Keith Brindley
Hardback 319 pages
Price £12.95 0 7506 0937 0

Newnes Electronics Assembly Pocket Book

Keith Brindley
Hardback 304 pages
Price £10.95 0 7506 0222 8

Newnes Television and Video Engineer's Pocket Book

Eugene Trundle
Hardback 384 pages
Price £12.95 0 7506 0677 0

Newnes Circuit Calculations Pocket Book

T Davies
Hardback 300 pages
Price £10.95 0 7506 0195 7

Newnes Data Communications Pocket Book

Michael Tooley
Hardback 192 pages
Price £12.95 0 7506 0427 1

Newnes Telecommunications Pocket Book

JE Varrall & EA Edis
Hardback 400 pages
Price £12.95 0 7506 0307 0

Newnes Z80 Pocket Book

Chris Roberts
Hardback 185 pages
Price £12.95 0 7506 0308 9

Newnes 68000 Pocket Book

Mike Tooley
Hardback 257 pages
Price £12.95 0 7506 0309 7

Newnes Electrical Pocket Book

21st edition
E A Parr
Paperback 526 pages
£12.95 0 7506 05138

Newnes Electric Circuits Pocket Book Linear IC

Ray Marston
Hardback 336 pages
Price £12.95 0 7506 0132 9

Newnes Guide to Satellite TV

D J Stephenson
A practical guide, without excessive theory of mathematics, to the installation and servicing of satellite TV receiving equipment for those professionally employed in the aerial rigging/TV trades. Hardback 256 pages.
Price £17.95 0 7506 0215 5

Newnes Practical RF Handbook

Ian Hickman
Pressure on the RF spectrum has never been greater and it's people with knowledge and skills of RF design who are now in demand in the electronics industry to design, produce, maintain and use equipment capable of working in this crowded environment. This practical introduction to modern RF circuit design will equip you with the necessary RF knowledge and skills to enable you to compete effectively in the industry. Paperback 320 pages.
Price £16.95 0 7506 0871 4

Troubleshooting Analog Circuits

R A Pease
Bob Pease is one of the legends of analog design. Over the years, he's developed techniques and methods to expedite the often-difficult tasks of debugging and

Programmable Logic Handbook

Geoff Bostock

Logic circuit designers are increasingly turning to programmable logic devices as a means of solving problems. This book, for the established electronics engineer, student and technician, is a thorough introduction to programmable logic. Geoff Bostock will take you to a level where you, as a designer, can take full advantage of the growing product range of ASICs and other self-programmable arrays used in computer and control systems. Paperback 256 pages.

Price £19.95 0 7506 0808 0

Understand Electrical and Electronic Maths

Owen Bishop

People who find maths difficult often have, as a result, difficulty

troubleshooting analog circuits. Now, Bob has compiled his 'battle-tested' methods in the pages of this book. Based on his immensely popular series in EDN Magazine, the book contains a wealth of new material and advice for Digital/Analog electronics engineers on using simple equipment to troubleshoot. Paperback 217 pages.

Price £14.95 0 7506 16326

PC-Based Instrumentation and Control

M Tooley

Do you need information to enable you to select the necessary hardware and software to implement a wide range of practical PC-based instrumentation and control systems? Then this book is for you. Paperback 320 pages.

Price £14.95 0 7506 1631 8

Electronic Circuits Handbook

M Tooley

Provides you with a unique collection of practical working circuits together with supporting information so that circuits can be produced in the shortest possible time and without recourse to theoretical texts. Paperback 345 pages.

Price £24.95 0 7506 0750 5

Communication Services via Satellite

G E Lewis

DBS is already with us, and will create a series of new technical problems for engineers/technicians in television and communication services. This book gives you the solutions to these problems by:

explaining how the system functions; describing several actual systems and giving several analyses and design rules. You can't afford to be without this invaluable technology update if you're a systems design engineer, service engineer or technician. Paperback 400 pages.

Price £25.00 0 7506 0437 9

Digital Logic Design

Brian Holdsworth

As one of the most successful and well established electronics textbooks on digital logic design, this book reflects recent developments in the digital fields. The book also covers new functional logic symbols and logic design using MSI and programmable logic arrays. Paperback 448 pages.

Price £19.50 0 7506 0501 4

The Circuit Designers Companion

T Williams

This compendium of practical wisdom concerning the real-world aspects of electronic circuit design is invaluable for linear and digital designers alike. Hardback 320 pages.

Price £25 00 0 7506 1142 1

Credit card orders accepted by phone 081 652 3614

Return to: Lorraine Spindler, Room L333, Quadrant House, The Quadrant, Sutton, Surrey SM2 5AS

Please supply the following titles:

Qty	Title	ISBN.....	Price
	Programmable Logic Handbook	07506 0808 0	19.95
	Understanding Electrical & Elec Maths	07506 0924 9	14.95
	Op-amp Circuits Manual	0434 912077	13.95
	Audio IC Circuits Manual	0434 912107	13.95
	CMOS Circuit Manual	0434 912123	13.95
	Electronic Alarm Circuits Manual	07506 0064 0	13.95
	Power Control Circuits Manual	07506 06908	13.95
	Timer/Generator Circuits Manual	0434 91291 3	13.95
	Diode, Transistor & FET Circuits Man	07506 0228 7	13.95
	Instrumentation & Test Gear Circuits Man	07506 0758 0	16.95
	Logic Designers Handbook.....	07506 0535 9	25.00
	Digital Audio and Compact Disc	07506 0614 2	13.95
	Newnes Elec Engineers Pkt Bk	0 7506 0937 0	12.95
	Newnes Elec Assembly Pk Bk	07506 0222 8	10.95
	Newnes TV and Video Eng Pkt Bk	07506 0677 0	12.95
	Newnes Circuit Calculations Pkt Bk.....	07506 0619 2	10.95
	Newnes Data Communications Pkt Bk.....	07506 0308 9	12.95
	Newnes Telecommunications Pkt Bk	07506 0307 0	12.95
	Newnes Z80 Pkt Bk	07506 0308 9	12.95
	Newnes 68000 Pkt Bk	07506 0309 7	12.95
	Newnes Electrical Pk Bk	07506 0513 8	12.95
	Newnes Electric Circuits Pocket Bk.....	07506 0132 9	12.95
	Newnes Guide to Satellite TV	07506 0215 5	17.95
	Newnes Practical RF Handbook	07506 0471 4	16.95
	Troubleshooting Analog Circuits.....	07506 16326	14.95
	PC-Based Instrumentation and Control	07506 1631 8	14.95
	Electronic Circuits Handbook	07506 0750 5	24.95
	Communication Services via Satellite	07506 0437 9	25.00
	Digital Logic Design	07506 05014	19.50

PLEASE ADD £2.50 FOR POSTAGE
 Add VAT at local rate
 NB ZERO RATE FOR UK & EIRETOTAL

Business purchase: Please send me the books listed with an invoice. I will arrange for my company to pay the accompanying invoice within 30 days. I will attach my business card/letterhead and have signed the form below.

Guarantee: If you are not completely satisfied, books may be returned within 30 days in a resaleable condition for a full refund.

Remittance enclosed £
 Cheques should be made payable to **Reed Book Services Ltd.**
 Please debit my credit card as follows:

Access/Master Barclav/Visa Amex Diners

Credit Card No. _____ Exp date _____

NAME (Please print) _____

ORGANISATION _____

STREET _____

TOWN _____

COUNTY _____ POST CODE _____ COUNTRY _____

DATE _____ TELEPHONE NUMBER _____

SIGNATURE _____

T3000

VAT RATES

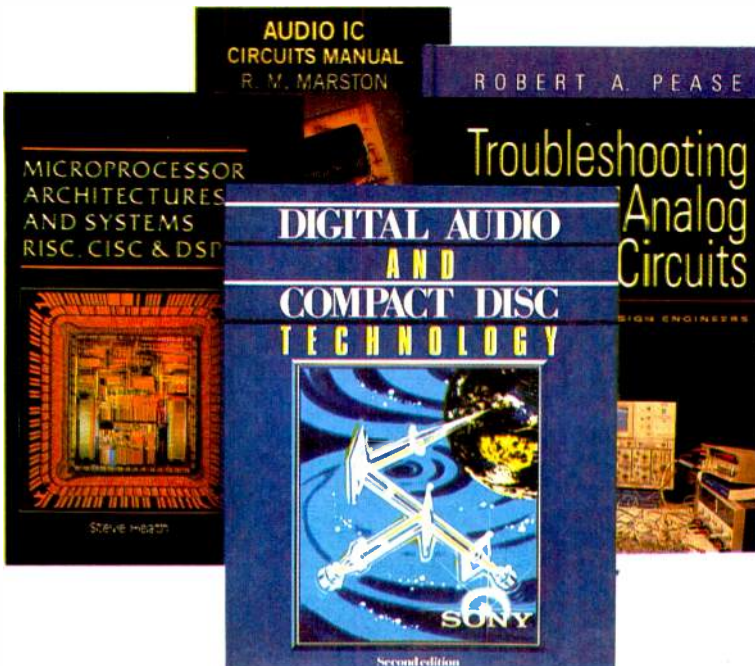
6% Belgium, 25% Denmark, 5.5% France, 7% Germany, 4% Greece, 4% Italy, 3% Luxembourg, 6% Netherlands, 5% Portugal, 3% Spain. FOR COMPANIES REGISTERED FOR VAT, PLEASE SUPPLY YOUR REGISTRATION NUMBER BELOW (customers outside the EEC should leave this part blank)

VAT NO. _____

If in the UK please allow 28 days for delivery. All prices are correct at time of going to press but may be subject to change.

Please delete as appropriate I do/do not wish to receive further details about books, journals and information services.

Reed Business Publishing - Registered Office - Quadrant Hse The Quadrant Sutton Surrey SM2 5AS Registered in England 151537



CIRCUIT IDEAS

SEND YOUR CIRCUIT IDEAS TO THE EDITOR, ELECTRONICS WORLD, QUADRANT HOUSE, THE QUADRANT, SUTTON, SURREY SM2 5AS

**DO YOU HAVE A
£100 CIRCUIT?,
EACH MONTH'S TOP
CIRCUIT IDEA
AUTHOR WILL
RECEIVE £100. ALL
OTHER PUBLISHED
IDEAS WILL BE
WORTH £25. WE ARE
LOOKING FOR
INGENUITY AND
ORIGINALITY IN THE
USE OF MODERN
COMPONENTS**

**£100
IDEA**

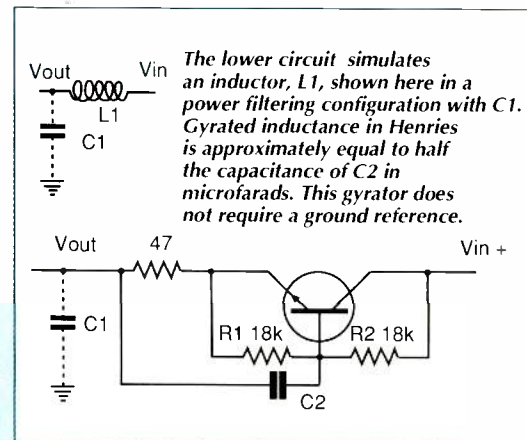
Gyrator acts as electronic choke

A gyrator can take the place of a straight resistor or inductor in filtering out noise and ripple on a power supply bus. Like the inductor which it simulates, it passes DC current with minimal voltage drop across its two terminals while providing a high impedance to AC.

The maximum level of AC noise and ripple which it can deal with is determined by the DC voltage drop across the transistor, itself determined by the ratio of R_1 to R_2 . The simulated inductance relates directly to the size of C_2 and has a value in henries of about half the value of C_2 in μF .

The gyrator may also be used to hold down a PSTN line while providing a high impedance path to the 600 Ω audio.

P Strict
Reigate
Surrey



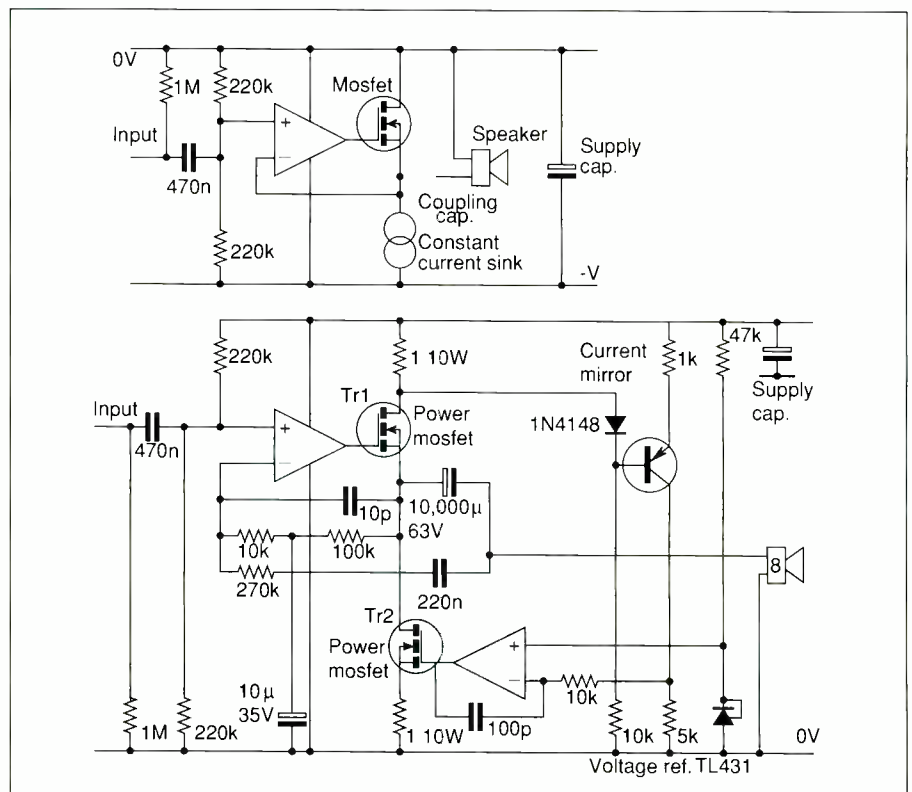
High-power, class-A amplifier

To draw only direct current from the supply, to provide high power and to eliminate crossover distortion were the aims of this design.

Main circuitry is concentrated around IC_1 , which has AC and DC feedback and provides a gain of 28 from 2Hz to 59kHz at a power output of 50W. Power transistor Tr_2 completes the DC feedback loop from the drain of Tr_1 to maintain constant current flow in the upper power transistor, taking as much current from the supply as may be needed to do that. The driver mosfet thereby acts as an ideal transistor.

A M Wilkes
Glasgow.

Class-A amplifier in which the driver mosfet operates in ideal mode; in which crossover distortion is negligible; and which becomes a class-AB type at higher powers



Pulse-width detector

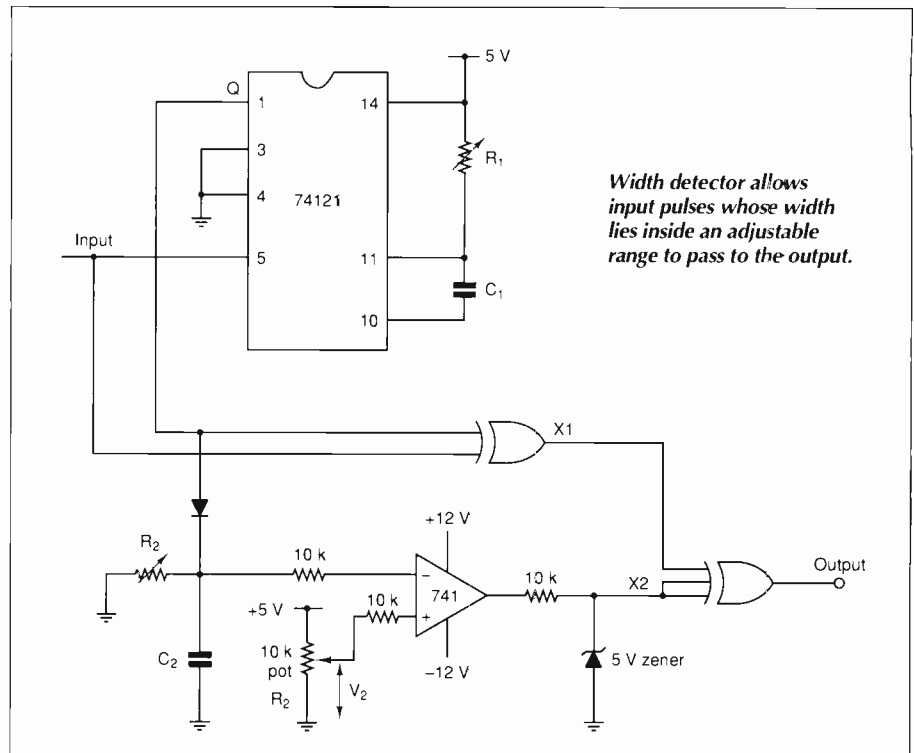
Pulses whose width is within an adjustable window pass to the output of this circuit. Positive-going edges of input pulses trigger the 74121 monostable, output Q going high for a period $t_1 = 0.7R_1C_1$. This output and the input pulse go to the 2-input Xor, the monostable output also charging C_2 to 5V. Voltage V_2 is a variable reference between zero and 5V.

While Q is high, X1 is low, X2 is low and the circuit output remains low. When the monostable times out after t_1 , X1 is in the same state as the input, this being passed to the circuit output via the 3-input Xor. Capacitor C_2 starts to discharge through R_2 and, at time $t_2 = R_2C_2 \ln(5/V_2)$ after Q collapses, X2 goes high. Since two inputs of the 3-input Xor are high, circuit output is low.

Pulses of width greater than t_1 and less than $t_1 + t_2$ pass to the output, the limits being adjustable by R_1 and R_2 .

KV Madanagopal

Madras
India



Tweaking a D-to-A converter

It is possible to improve the linearity of a cheap digital-to-analogue converter by means of two resistors.

Ramping the input of the D-to-A from zero and viewing the output on an oscilloscope shows that the major non-linearity appears half-way, when the code changes from 0111...111 to 1000...000, secondary discontinuities coming at each quarter, **Fig. 1**. Since the end of the second quarter is the half-way point, it is simplest to start by correcting first and third quarters.

Ramp up the D-to-A and select R_m in **Fig. 2** to make the two halves linear; then choose R_n to align the halves with each other. Resistor R_n will probably need readjustment, but the procedure is simple – if a number of high-value resistors are available. Alternatively, feed static codes to the input and use a precise DVM in place of the oscilloscope; this may be more accurate, but the first method is visual and quick.

The offset resistor R_o compensates for V^+ current through the two linearising resistors and is optional. Since linearity errors can be either positive or negative $R_{n,m}$ must pull up or down; hence the Xors or possibly Nands. Do not move the non-inverting op-amp input, since this would vary gain with input-code changes.

If the D-to-A has built-in latches, the state of the two MSBs must be stored separately in a dual flip-flop updated with the D-to-A.

CJD Catto
Cambridge

Fig. 1. In general, D-to-A non-linearities appear at quarter-scale major code changes

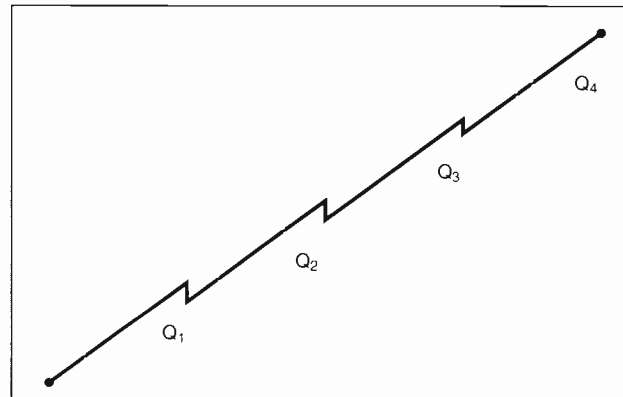
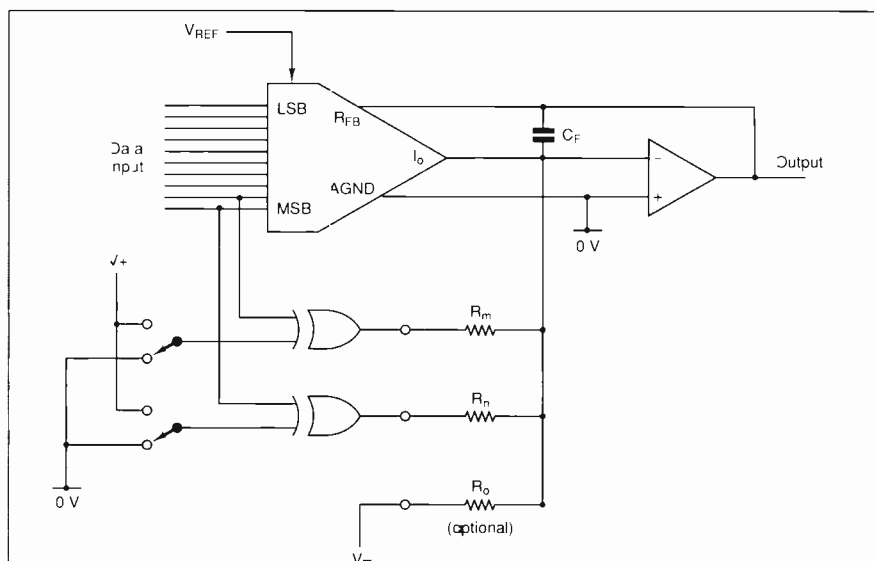
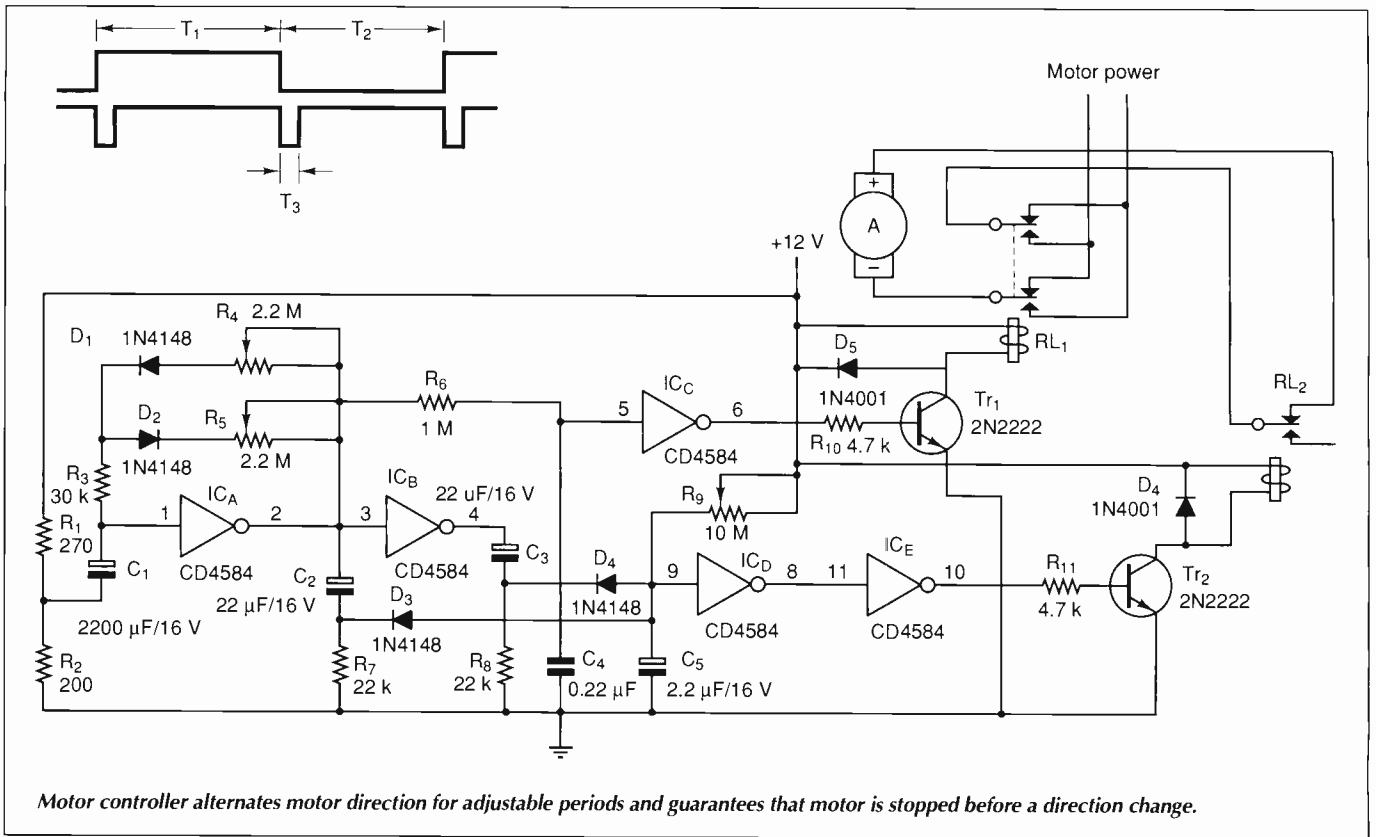


Fig. 2. Simple method of linearising D-to-A converter. Resistors $R_{m,n}$ compensate for largest discontinuities.





Auto-reverse motor control

This one-chip circuit not only runs a motor in alternate directions for adjustable times, but stops it on reverse to avoid damage.

An oscillator based on IC_A is adjustable in period and duty cycle, R_4 controlling its output duration at high level and R_5 that at low level, both between 10s and 10min. The

levels themselves control direction via IC_C , Tr_1 and RL_1 . Resistors $R_{1,2}$ avoid the need for C_1 to charge from zero at switch-on, causing a longer high-level period. Narrow pulses formed by $C_{2,3}$, $R_{7,8}$ and $D_{3,4}$ from the edges of the IC_A waveform discharge C_5 at each direction change, turning off Tr_2 and relay RL_2 to stop the

motor for a time adjustable up to 10s by R_9 . Resistor R_6 and C_4 delay direction changes until the motor has stopped.

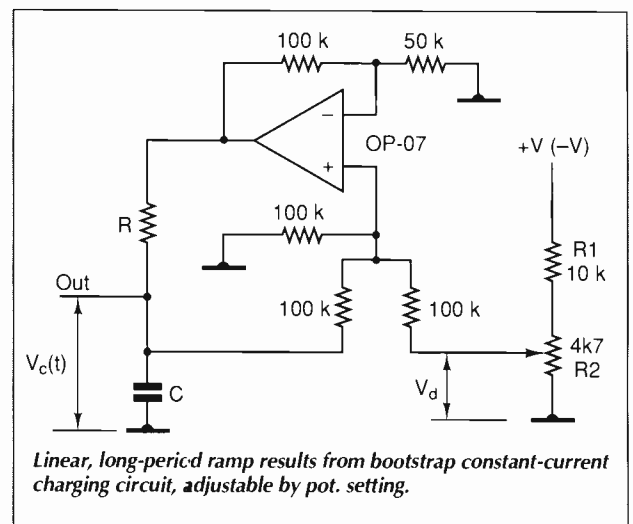
Yongping Xia
Torrance
California
USA

Linear ramp generator

Linearising an ordinary RC integrating circuit produces a long-period, adjustable ramp for use in timers.

As C charges, the voltage across it is applied to one input of the resistive summer, the other input being taken from the R_1R_2 tapping point. Voltage at the non-inverting op-amp input and, since the op-amp provides a gain of 2 to make good the loss in the summer, at the top of R, is therefore $V_d + V_{c(t)}$. Voltage at the lower end of R is $V_{c(t)}$, so that the voltage across it is $VR = V_d + V_{c(t)} - V_{c(t)} = V_d$, the bootstrap voltage providing constant current through R and therefore linear charging. This voltage sets the ramp time, with no RC timing circuit adjustment needed. A negative-going ramp is formed by a negative voltage on the voltage divider.

Valery Georg Chkalov
Oblinsk
Russia



£1 BARGAIN PACKS

In fact...cheaper than £1 because if you buy 10 you can choose one other and receive it free!

- 1 x 12v Stapper Motor. 7.5 degree. Order Ref: 910.
- 1 x 10 pack Screwdrivers. Order Ref: 909.
- 2 x 5 amp Pull Cord Ceiling Switches. Brown. Order Ref: 921.
- 5 x reels Insulation Tape. Order Ref: 911.
- 4 x 14mm Bull-races. Order Ref: 912.
- 2 x Cord Grip Switch lamp Holders. Order Ref: 913.
- 1 x DC Voltage Reducer. 12v-6v. Order Ref: 916.
- 1 x 10 amp 40v Bridge Rectifier. Order Ref: 889.
- Lightweight Stereo Headphones. Moving coil so superior sound. Order Ref: 896.
- 2 x 25W Crossovers. For 4ohm loudspeakers. Order Ref: 22.
- 2 x nicad Constant Current Chargers. Easily adaptable to charge almost any nicad battery. Order Ref: 30.
- 10m Twin Screened Flex. White pvc cover. Order Ref: 122.
- 2 x White Plastic Boxes. With lids, approx. 3" cube. Lid has square hole through the centre so these are ideal for light operated switch. Order Ref: 132.
- 2 x Reed Relay Kits. you get 8 reed switches and 2 coil sets with notes on making relays and other gadgets. Order Ref: 148.
- 1 x Big Pull Solenoid. Mains operated. Has 1/2" pull. Order Ref: 871.
- 1 x Big Push Solenoid. Mains operated. Has 1/2" push. Order Ref: 872.
- 1 x Mini Mono Amp. 3W into 4 ohm speaker or 1W into 8 ohm. Order Ref: 268.
- 1 x Mini Stereo 1W Amp. Order Ref: 870.
- 1 x In-Fight Stereo Unit. Is a stereo amp. Has two most useful mini moving coil speakers. Made for BOAC passengers. Order Ref: 29.
- 1 x 0-1mA Panel Meter. Full vision fact 70mm square Scaled 0-100. Order Ref: 756.
- 2 x Lithium Batteries. 2.5V penlight size. Order Ref: 874.
- 2 x 3m Telephone Leads. With BT flat plug. Ideal for phone extensions, fax, etc. Order Ref: 552.
- 1 x 12V Solenoid. Has good 1/2" pull or could push if modified. Order Ref: 232.
- 4 x In-Flex Switches. With neon on/off lights, saves leaving things switched on. Order Ref: 7.
- 2 x 16V 1A Mains Transformers. Upright mounting with fixing clamps. Order Ref: 9.
- 2 x Humidity Switches. As the air becomes damper, the membrane stretches and operates a micro switch. Order Ref: 32.
- 5 x 13A Rocker Switch. Three tags so on/off, or changeover with centre off. Order Ref: 42.
- 2 x Flat Solenoids. You could make your multi-tester read AC amps with this. Order Ref: 79.
- 1 x Suck or Blow-Operated Pressure Switch. Or it can be operated by any low pressure variation such as water level in tanks. Order Ref: 67.
- 1 x 6V 750mA Power Supply. Nicely cased with mains input and 6V output lead. Order Ref: 103A.
- 2 x Stripper Boards. Each contains a 400V 2A bridge rectifier and 14 other diodes and rectifiers as well as dozens of condensers, etc. Order Ref: 120.
- 12 Very Fine Drills. For PCB boards etc. Normal cost about 80p each. Order Ref: 128.
- 5 x Motors for Model Aeroplanes. Spin to start so needs no switch. Order Ref: 134.
- 6 x Microphone Inserts. Magnetic 400 ohm, also act as speakers. Order Ref: 139.
- 6 x Neon Indicators. In panel mounting holders with lens. Order Ref: 180.
- 1 x In-Flex Solderstat. Keeps your soldering iron etc always at the ready. Order Ref: 196.
- 1 x Mains Solenoid. Very powerful as 1/2" pull, or could push if modified. Order Ref: 199.
- 1 x Electric Clock. Mains operated. Put this in a box and you need never be late. Order Ref: 211.
- 4 x 12V Alarms. Makes a noise about as loud as a car horn. All brand new. Order Ref: 221.
- 2 x (6"x4") Speakers. 16 ohm 5 watts, so can be joined in parallel to make a high wattage column. Order Ref: 243.
- 1 x Panostat. Controls output of boiling ring from simmer up to boil. Order Ref: 252.
- 2 x Oblong Push Switches. For bell or chimes, these can switch mains up to 5A so could be foot switch if fitted in pattress. Order Ref: 263.
- 50 x Mixed Silicon Diodes. Order Ref: 293.
- 1 x 6 Digit Mains Operated Counter. Standard size but counts in even numbers. Order Ref: 28.
- 2 x 6V Operated Reed Relays. One normally on, other normally closed. Order Ref: 48.
- 1 x Cabinet Lock. With two keys. Order Ref: 55.
- 1 x Magnetic Brake. For stopping a motor or rotating tool. Order Ref: 66.
- 1 x Shaded Pole Mains Motor. 3/4" stack, so quite powerful. Order Ref: 85.
- 2 x 5 Aluminium Fan Blades. Could be fitted to the above motor. Order Ref: 86.
- 1 x Case. 3 1/2x2 1/4x1 1/4 with 13A socket pins. Order Ref: 845.
- 2 x Cases. 2 1/2x2 1/4x1 1/4 with 13A pins. Order Ref: 565.
- 4 x Luminous Rocker Switches. 10A mains. Order Ref: 793.
- 4 x Different Standard V3 Micro Switches. Order Ref: 340.
- 4 x Different Sub Min Micro Switches. Order Ref: 313.

BARGAINS GALORE

Medicine Cupboard Alarm. Or it could be used to warn when any cupboard door is opened. The light shining on the unit makes the bell ring. Completely built and neatly cased, requires only a battery. £3. Order Ref: 3P155.

Don't Let it Overflow! Be it bath, sink, cellar, sump or any other thing that could flood. This device will tell you when the water has risen to the pre-set level. Adjusts able over quite a useful range. Neatly cased for wall mounting, ready to work when battery fitted. £3. Order Ref: 3P*56.

Very Powerful Mains Motor. With extra long (2 1/2") shafts extending out each side. Makes it ideal for a reversing arrangement for, as you know, shaded pole motors are not reversible. £3. Order Ref: 3P157.

Solar Panel Bargain. Gives 3v at 200mA. Order Ref: 2P324.

£1 Super Bargain

12V axial fan for only £1, ideal for equipment cooling, brand new, made by West German company. Brushless so virtually everlasting. Needs simple transistor drive circuit, we include diagram. Only £1. Order Ref: 919. When we supply this we will include a list of approximately 800 of our other £1 bargains.

A 63mm Axial Fan for £1. Sounds incredible doesn't it? But that is what we can now offer. It's really beautifully made by a West German company. Uses a brushless motor and is operated by a simple transistor 12v circuit, details of which we supply. It thus would make a good equipment cooling fan. Also, with a simple handle it could be used for cooling in the car. It's nine-bladed so a very good air mover. We have a large quantity of these, the price is £1. Order Ref: 919. Quantity price, if you buy 100, 75p each plus VAT or 1,000, 65p each plus VAT.

PC Operating Systems. Fully user documented and including software. MS-DOS 3.20, with 5" disk, £5. Order Ref: 5P076; MS-DOS 3.3 with 3 1/2" disk, £5. Order Ref: 5P208; MS-DOS 4.01, with 3 1/2" disk, £0. Order Ref: 10P99.

45A Double Pole Mains Switch. Mounted on a 6x3 1/2 aluminium plate, beautifully finished in gold, with pilot light. Top quality, made with MEM, £2. Order Ref: 2P316.

Amstrad 3" Disk Drive. Brand new and standard replacement for many Amstrad and other machines. £20. Order Ref: 20P28.

High Quality Key Switch. This is a single pole, 2 position switch, changeover or on/off. Ideal for mounting through a front panel when it would be secured by a hexagonal nut. It's a Yale type switch and comes complete with 2 keys. Good British make, normally retails at £3, our price £1.50. Order Ref: 1.5P12.

12V DC Brushless Axial Fan. Japanese made, battery operated, 93mm diameter, optimum is 12V but performs equally well at only 6V and its current then is only 100mA so it could be made into a hand-held dry battery-operated cooler. Or, on your desk operated by a PSU or in the car using the lighter socket. Snip price only £4. Order Ref: 4P65. Mains power unit to operate this at variable speeds £2. Order Ref: 2P3.

Movement Alarm. Goes off with the slightest touch. Ideal to protect car, cycle, doorway, window, stairway, etc. Complete with Piezo shrieker, ready to use, only £2. (PP3 battery not supplied). Order Ref: 2P282.

Project Box. A first-class, Japanese two-part moulding, size 95mmx68mmx23mm. Held together by 2 screws, this will hold a PP3 battery and a PCN and is ideal for many projects. To name just one, the washer bottle described in September's issue of E.E. This is nicely finished and very substantial. You get 2 for £1. Order Ref: 876.

AM-FM Radio Chassis. With separate LCD module to display date and time. This is complete with loudspeaker, £2.50. Order Ref: 3.5P5.

2, 3 and 4 Way Terminal Blocks. The usual grub screw types. Parcel containing a mixture of the 3 types, giving you 100 waves for £1. Order Ref: 875.

12/24 DC Solenoid. The construction of this is such that it will push or pull, as the plunger is a combined rod and piston. With 24V this is terrifically powerful but is still quite good at 12V and of course, it can be operated by any intermediate voltage. £1. Order Ref: 877.

2m 3-Core Lead. Terminating with flat pin instrument socket. £1. Order Ref: 879. Ditto but with pug on the other end so that you could use this to extend an instrument lead. £1.50. Order Ref: 1.5P10.

20W 5" 4 Ohm Speaker mounted on baffle with front grille. £3. Order Ref: 3P145. Matching 4 ohm 20W tweeter on separate baffle. £1.50. Order Ref: 1.5P9.

LCD 3 1/2 Digit Panel Meter

This is a multi range voltmeter/ammeter using the A-D converter chip 7106 to provide 5 ranges each of volts and amps. Supplied with full data sheet. Special snip price of £12. Order Ref: 12P19.

Solar Energy Educational Kit. It shows how to make solar circuits and electrical circuits, how to increase voltage or current, to work a radio, calculator, cassette player and to charge nicad batteries. The kit comprises 8 solar cells, one solar motor, fan blades to fit motor and metal frame to hold it to complete a free-standing electric fan. A really well written instruction manual. Price: £8.00. Order Ref: 8P42B.

High Power Switch Mode PSU. Normal mains input, 3 outputs: +12V at 4A, +5V at 16A and -12V at 1/2A. Completely enclosed in plated steel case, brand new. Our special offer price of £9.50. Order Ref: 9.5P1.

Multi-core Cables. All with 8A 230V cores so suitable for disco and other special lighting effects. With earthable woven screen and thick pvc outer, 3 core, 30p per metre, 25 core, £1 metre and 36 core, £1.50 per metre.

Ultra Thin Drills, actually 0.3mm. To buy these regular costs a fortune. However, these are packed in half dozens and the price to you is £1 per pack. Order Ref: 797B.

You Can Stand On It! Made to house GPO telephone equipment, this box is extremely tough and would be ideal for keeping your small tools in. Internal size approx. 10 1/2"x4 1/2"x6" high. Complete with carrying strap, price £2. Order Ref: 2P283B.

Ultra Sonic Transducers. Two metal cased units, one transmits, one receives. Built to operate around 40kHz. Price £1.50 the pair. Order Ref: 1.5P/4.

BARGAINS GALORE

Safety Leads. Curly coil so they contract but don't hang down. Could easily save a child from being scalded. 2 core, 5A, extends to 3m. £1. Order Ref: 846. 3 core, 13A, extends to 3m £2 each. Order Ref: 2P290.

Power Supply with Extras. Mains input is fused and filtered and the 12V DC output is voltage regulated. Intended for high class equipment, this is mounted on a PCB and, also mounted on the board but easily removed, are two 12V relays and Piezo sander. £3. Order Ref: 3P80B.

100W Mains Transformers. Normal primaries 20-0-20 at 2.5A, or 30V at 3.5A. £4. Order Ref: 4P24. 40V at 2.5A. £4. Order Ref: 4P59. 50V at 2A. £4. Order Ref: 4P60.

Phillips 3" High Resolution Monitor. Black and white in metal frame for easy mounting. Brand new, still in maker's packing, offered at less than price of tube alone, only £15. Order Ref: 15P1.

16 Character 2-line Display. Screen size 85mmx36mm, alphanumeric LCD dot matrix module with integral micro processor made by Epson, their ref: 16027AR. £8. Order Ref: 8P*8.

Insulation Tester with Multimeter. Internally generates voltages which enable you to read insulation directly in megohms. The multimeter has four ranges. AC/DC volts, 3 ranges DC millamps, 3 ranges resistance and 5 amp range. These instruments are ex-British Telecom but in very good condition, tested and guaranteed OK, probably cost at least £50, yours for only £7.50 with leads, carrying case £2 extra. Order Ref: 7.5P/4.

Mains 230V Fan. Best make "PAPST", 4 1/2" square metal blades. £8. Order Ref: 8P8.

2MW Laser. Helium neon by Philips, full spec £30. Order Ref: 30P1. Power supply for this in kit form with case is £15. Order Ref: 15P16, or in larger case to house tube as well £18. Order Ref: 18P2. The larger unit, made up, tested and ready to use, complete with laser tube £69. Order Ref: 69P1. 1/2hp 12V Motor - The Famous Sinclair C5 Brand new, £15. Order Ref: 15P8.

Solar Charger. Holds 4AA nicads and recharges these in 8 hours, in very neat plastic case £6. Order Ref: 6P3.

Ferrite Aerial Rod. 8" long x 3/8" diameter, made by Mullard Complete with two coils, 2 for £1. Order Ref: 832P.

Air Spaced Trimmer Caps. 2-20pF, ideal for precision tuning VHF circuits, 4 for £1. Order Ref: 818B.

Mains Isolation Transformer. Stops you getting "to earth" shocks. 230V in and 230V out. 150 watt, £7.50. Order Ref: 7.5P/5 and a 250W version is £10. Order Ref: 10P97.

5 RPM Mains Driven. This is a shaded pole motor, £5. Order Ref: 5P54.

Amstrad Power Unit. 13.5V at 1.9A or 12V at 2A encased and with leads and output plug, normal mains input £6. Order Ref: 6P23.

Atari 65XE. At 65K this is quite powerful, so suitable for home or business, unused and in perfect order but less PSU, only £19.50. Order Ref: 19.5P/5B.

80W Mains Transformer. Two available, good quality, both with normal primaries and upright mounting, one is 20V 4A. Order Ref: 3P106, the other 40V 2A. Order Ref: 3P107, only £3 each.

Project Box. Size approx. 8"x4"x4 1/2" metal, sprayed grey, louvred ends for ventilation otherwise undrilled. Made for GPO so best quality, only £3 each. Order Ref: 3P74.

Water Valve. 230V operated with hose connections, ideal for auto plant spray or would control air or gas into tanks etc. £1 each. Order Ref: 370.

BT Power Supply Unit. Output 9.5V AC at 600mA, in black plastic case with 13A plugs to go straight into socket, and approximately 3 metres of twin output lead. Price £1.50. Order Ref: 1.5P7.

500V Bridge Megger. Developed for GPO technicians, the Ohmster 18B is the modern equivalent of the bridge megger. 9V battery operated, it incorporates a 500V generator for insulation testing and a null balance bridge for very accurate resistance measurement ex BT, £45. Order Ref: 45P2.

Experimenting with Valves. Don't spend a fortune on a mains transformer, we can supply one with standard mains input and secs. of 250-0-250V at 75mA and 6.3V at 3A. £5. Order Ref: 5P167.

15W 8 Ohm 8" Speaker & 3" Tweeter. Made for a discontinued high quality music centre, gives real hi-fi and only £4 per pair. Order Ref: 4P57.

Water Pump. Very powerful, mains operated, £10. Order Ref: 10P74.

0-1mA Full Vision Panel Meter. 2 3/4" square, scaled 0-100 but scale easily removed for re-writing. £1 each. Order Ref: 756.

VU Meter. Illuminate this from behind becomes on/off indicator as well, 1 1/2" square, 75 each. Order Ref: 366.

Edge-wise Panel Meter. Ideal when short of panel space, only 40x14mm, also have built-in LED, 500uA f.s.d., scaled 0-5. £1 each. Order Ref: 131.

Prices include VAT. Send cheque/postal order or ring and quote credit card number. Add £3 post and packing. Orders over £25 post free.

M&B ELECTRICAL SUPPLIES LTD

Pilgrim Works
(Dept. WW),
Stairbridge Lane, Bolney,
Sussex RH17 5PA

Telephone (0444) 881965 -
phone for Fax
Callers to 12 Boundary Road,
Hove, Sussex.

THE REAL CHOICE FOR ACTIVE FILTERS

Op-amp parameters can have a drastic effect on filter response. Steve Winder shows how analysis of op-amp characteristics will give a better indication of filter performance.

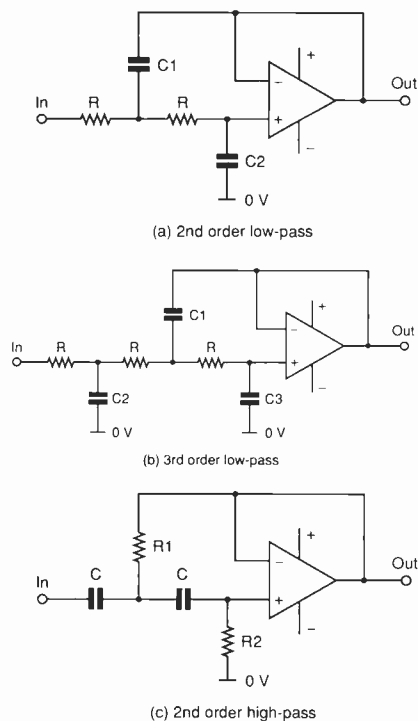


Fig. 1. Using op-amps connected as unity gain buffers. (a) 2nd order low-pass, (b) 3rd order low-pass, (c) 2nd order high-pass, (d) 3rd order high-pass.

Butterworth and Chebychev response filters are reasonably simple to design using tables given in a number of text books, including Williams¹. Passive component values obtained using these tables should give the desired response. But identifying the correct passive component is only part of the story: the active device can also play an important part. Using the wrong op-amp for a filter can result in poor performance, high insertion loss, excessive ripple in the pass band or an incorrect cut-off frequency.

Basic op-amp theory says that a device connected to form a unity gain buffer, with its output tied to its negative input pin, has the characteristics of high input impedance, low output impedance and a bandwidth of typically 1MHz or more.

In reality devices have input resistance and capacitance. They also have an output impedance which rises with frequency and approaches the open-circuit output resistance at the unity gain bandwidth.

Operational amplifiers have a very high open-loop gain but also an open-loop bandwidth of a few hertz. Generally devices with higher open-loop gains have lower bandwidths deliberately applied by the manufacturer to ensure stability. All these characteristics have an effect on the filter response.

Examples of op-amp characteristics are given

in Table 1. Butterworth and Chebychev filters use op-amps that are connected as unity gain buffers (Fig. 1). But it would be wrong to assume that the cut-off frequency of a filter using these devices could be as high as the unity gain bandwidth. Positive feedback is also present due to the capacitor which connects the op-amp output to the RC network at the input.

Computer analysis

The effect of op-amp parameters on the overall filter performance has been simulated by a computer program. The program calculates component values and creates a netlist which can be read by the proprietary software ECA².

Filter modelling is necessary because of the large number of designs and frequencies involved.

Butterworth and Chebychev filters in high-pass and low-pass configurations have been modelled, covering all orders from two to nine. Each of the designs has been tried with the four op-amps described, so that 128 designs must be tested at several frequencies to find the limit of acceptable performance.

The limit of acceptable performance has been arbitrarily chosen as the frequency where pass-band ripple or insertion loss is not greater than 2dB. Performance is unacceptable if the cut-off frequency is not at its design frequency – even if the loss or ripple is less than the

Table 1. Examples of op-amp characteristics.

Device type	741	OP-42	NE5532	TLE2027
Input resistance	2M Ω	1T Ω	100k Ω	2M Ω
Input capacitance	2pF	5pF	2pF	8pF
Open-loop bandwidth	10Hz	45Hz	200Hz	1Hz
Open-loop gain	200k	250k	100k	40M
Closed-loop bandwidth	1MHz	10MHz	10MHz	15MHz
Open-loop output resistance	75 Ω	45 Ω	100 Ω	50 Ω

The TLE2027 is available from Texas Instruments and is an improved OP-27.

Table 2. Results obtained for Butterworth filters.

Butterworth Order	741		OP42 LPF		5532		2027	
	LPF	HPF	LPF	HPF	LPF	HPF	LPF	HPF
2	700k	500k	3.5M	2M	5M	4M	5M	4M
3	100k	100k	400k	400k	800k	800k	2.5M	1M
4	200k	100k	1M	700k	2M	2M	2M	800k
5	150k	80k	600k	400k	1M	1M	1.5M	750k
6	100k	60k	500k	300k	800k	800k	1.2M	700k
7	80k	50k	300k	250k	600k	500k	1M	700k
8	60k	40k	250k	200k	500k	400k	800k	600k
9	40k	30k	180k	150k	400k	350k	600k	500k

LOW COST RANGER1 PCB DESIGN FROM SEETRAX

- Circuit Schematic
 - Circuit Capture
 - PCB Design
 - Host Of Outputs
- All-In-One Design System**

£100

Fully Integrated Auto Router
£50

Ask Us About Trade-In Deals

Call Now For Demo Disk on 0705 591037

Seetrax CAE • Hinton Daubnay House

Broadway Lane • Lovedean • Hants • PO8 0SG

Tel: 0705 591037 • Fax: 0705 599036

REDUCED PRICE!

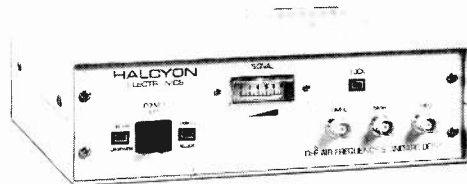
What The Press Said About RANGER1
For most small users, Seetrax Ranger1 provides a sophisticated system at an affordable price. It is better than EasyPC or Tsien's Boardmaker since it provides a lot more automation and takes the design all the way from schematic to PCB - other packages separate designs for both, that is, no schematic capture. It is more expensive but the ability to draw in the circuit diagram and quickly turn it into a board design easily makes up for this.
Source JUNE 1991 Practical Electronics

Pay by Visa or Access



CIRCLE NO. 131 ON REPLY CARD

NEW THE DEFINITIVE 'OFF-AIR' FREQUENCY STANDARD



Only **£195. + VAT** carriage extra

- Provides 10MHz 5MHz & 1MHz
- Use it for calibrating equipment that relies on quartz crystals, TCXOs, VCOs, oven crystals
- Phase locks to DPO/TWICH (rubidium controlled and traceable to NPL)
- For ADDED VALUE also phase locks to ALLOUIS (cesium controlled and traceable to OP — French eq to NPL)
- British designed and British manufactured

Output frequencies — 10MHz 5MHz 1MHz
Short term stability — better than 1×10^{-9} (1 sec)
Typical — 4×10^{-9} (1 sec)
Long term — tends to 2×10^{-12} (1000 sec)

ECG MONITOR SEM430 WITH SEM4202	£75	PHILIPS PM6456 FM STEREO GENERATOR	£195
TV PATT GENERATORS PAL 625 405	from £20	MARCONI TF2333 M.F OSC LEVEL METER	£95
EDDYSTONE EP15 PAN ADAPTOR	POA	7SEG 12" & 9" DISPLAYS DIGITEX/SIGNAL EX	£15 & £10
QUAD TUNER & 22 CONTROL UNIT	POA	VALVE TESTERS AVO MK 1, 2, 3, 4	from £49 to £149
TEKTRONIX 453A 60MHZ 2 TRACE DEL T/B	£450	FEEDBACK FG600 FUNC GEN SIN/SQ/TRI	£125
TEKTRONIX 453A 50MHZ 2 TRACE DEL T/B	£249	TIME 2003S VOLTAGE CALIBRATOR	£195
TELEQUIPMENT S62 SINGLE TRACE 5MHZ SCOPE	£95	100V 1.0 MULTIPPLIER FOR ABOVE	£95
H.P. 8405A VECTOR V/METER 1GHZ	£595	MARCONI TF2300 FM AM MODULATION METER	£195
PHILIPS PM3226 15MHZ DUAL TRACE	£175	NASCOM/GEMINI CARDS, VARIOUS	POA
LEADER LB0522 20MHZ DUAL TRACE	£225	CASELLA TEMP RECORDER 7 DAY	£99
SE LABS SM111 18MHZ DUAL TRACE	£149	MCKENZIE 7 DAY TEMPHUMIDITY RECORDER	£95
TELEQUIPMENT D61A 10MHZ DUAL TRACE	£129	19" RACK CASE 20U x 31" DEEP	£99
TEK 465B 100MHZ DUAL TRACE DEL T/B	£475	FEEDBACK SS0603 1MHZ SINE SQ OSC	£125
TEKTRONIX 520 521A PAL V/SCOPE	£395 & £895	KAY DEE, PNEUMO UV EXP UNIT 390 x 250mm	£95
TELEQUIPMENT D67A 25MHZ 2T, DEL T/B	£215	FARNELL E350 0-350V 100mA, 2 x 6.3V	£49 to £69
H.P. 1700A 35MHZ DUAL TRACE	£249	FARNELL FGI FUNC GEN 2-2 2MHZ	£129
HITACHI VC 6015 10MHZ DIGITAL STORAGE	£345	COMMUNICATIONS RECEIVERS VARIOUS	POA
H.P. 1340 X-Y DISPLAYS	£149	LOR MARCONI TF1313 0.25%	£95
TEK 545/585 SERIES PLUG-INS	from £10	LOR COMPONENT COMPARTOR AVO CZ45/S	£95
WANDEL/GOLTERMANN SPM-2 LEVEL METER	£169	LEVELL TM6B MICRO V-METER 450MHZ	£95
WANDEL/GOLTERMANN SPM-3 LEVEL METER	£189	LEVELL TM8B MICRO V-METER 3MHz	£95
WANDEL/GOLTERMANN PS-3 SIGNAL GEN	£169	OERTLING V20 SINGLE PAN BALANCES 200G	£85
MARCONI TF2304 AM/FM MOD METER PR/TBL	£249	ANALYTICAL BALANCES WITH WEIGHTS 350gM	£69
MARCONI TF2330 ANALYSER 20HZ-50KHZ	£149	VACUUM PUMPS 1.5 & 2.8cu m/hr	£125 & £149
H.P. 5315A 1GHZ F/CTR, OPT S 1 2 & 3	£750	TOPAZ 91007-11.75KVA 120/240-120/240 SO	£175
CONSTANT VOLTAGE TRANSF'S 150VA-2KV	POA	KINGSHILL NS1540 15V 40A PSU'S CASEL, AC NEW	£195

LIST AVAILABLE BUT 1000'S OF UNLISTED BARGAINS FOR CALLERS. ALL PRICES EXC. OF P&P & 40 VAT
QUALITY ELECTRONIC EQUIPMENT ALWAYS WANTED

HALCYON ELECTRONICS
423, KINGSTON ROAD, WIMBLEDON CHASE, LONDON SW20 8JR
SHOP HOURS 9-5.30 MON-SAT. TEL 081-542 6383. FAX 081-542 0340

CIRCLE NO. 132 ON REPLY CARD

LEDs 3mm or 5mm, red or green..... 60 each	Yellow..... 110 each	High intensity red, green or yellow 5mm 30p each	Cable ties, 1p each, £5.95 per 1000, £49.50 per 10,000
Stepping motor 4 phase 12v 7 step 50 ohms	£8.95	SAA027 stepping motor driver chip..... £4.95	High quality photo resist copper clad epoxy glass boards
3x4 inches, single sided	£0.95, double sided	£1.07, 4x8 inches, single sided	£2.40, double sided
6x12 inches, single sided	£5.37, 12x12 inches, single sided	£10.66	Rechargeable batteries
AA (HP7) 500mAh	AA 500mAh with solder tags..... £1.55	AA 700mAh..... £1.95	C(HP11) 1.8AH..... £2.20
C 2AH with solder tags..... £3.60	PP3 8.4V 110mAh..... £4.95	D 4AH with solder tags..... £4.95	1/2AA with solder tags 1/3 AA with tags (Ph lips CTV)..... £1.95
AAA (HP1E) 180mAh..... £1.75	Standard charger charges 4 AA cells in 5 hours or 4Cs or Cs in 12-14 hours + 1xPPS (1, 2, 3 or 4 cells may be charged at a time)..... £5.95	High power charger as above but charges the Cs and Ds in 5 hours, AAs, Cs and Ds must be charged in 2s or 4s..... £10.95	Special offers, please check for availability.
F cells 32diax87mm F cell with solder tags..... £3.95	1.2v..... £4.30	42x 16mm dia 1.2v..... £1.45	Stick of 4 171mmx16mm dia with red & black leads 4.8v..... £5.95
4 cell battery 94x25mm dia (1/2 C cells)..... £3.50	Computer grade capacitors with screw terminals 38000uf 20v..... £2.50	87 0 0 0 uf 10v..... £1.35	68 0 0 0 uf 15v..... £2.95
10000uf 16v..... £1.50	58000uf 60v..... £4.95	7 segment common anode led display 12mm..... £0.45	LM2931AT5.0 low drop out 5v regulator T0220 package..... £0.85
7812 and 7812 12v 1A regulators..... £20.00 per 100	LM337K T02 case variable regulator..... £1.60 (£1.10 100+)	GaAs FET low leakage current S8873..... £12.95 each (£9.95 10+, £7.95 100+)	BS250 P channel mosfet..... £0.45
BC559 transistor..... £3.95 per 100	Used 8745 74LS05 hex inverter £10.00 per 100	Used 8745 Microcontroller..... £3.50	Hour counter used 7 digit 240v ac 50 Hz..... £1.45
SL952 UHF Limiting amplifier LC 16 surface mounting package with data sheet..... £1.95	A M 27 S 02..... £1.25 each	90p 100+ CD4007UB..... 10p 100+(6p, 1000+)	TV mains switch 4A double pole with momentary contacts for remote control pack of 10, £3.95
Box of 60..... £19.95	DC-DC converter Reliability model V12PS 12v in 5v 200ma out 300v input to output isolation with data..... £4.95 each or pack of 10..... £39.50	QWERTY keyboard 58 key good quality switches new..... £5.00	Airpax AB2903-C large stepping motor 14v 7.5 step 27ohm 68mm dia body 6.3mm shaft, £8.95 or £200.00 for a box of 30
Polyester capacitors box type 22 5mm lead pitch 0.9uf 250Vdc 18p each 14p, 100+ 9p, 1000+ 1uf 250Vdc..... 20p each 15p, 100+ 10p, 1000+ 2.2uf 250Vdc..... 30p each 20p 100+ 15p, 1000+ 3.3uf 100Vdc 30p each 20p, 100+ 15p, 1000+ 1uf 50v bipolar electrolytic axial leads..... 15p each 7.5p, 1000+	0.22uf 250v polyester axial leads..... 15p each 7.5p 100+	Philips 123 series solid aluminum axial leads - 33uf 10v & 2.2uf 40v..... 40p each 25p 100+	Philips 108 series 22uf 6.3v axial..... 30p each 15p, 1000+
Multilayer AVX ceramic capacitors all 5mm pitch 100v 100Vf, 150pf, 220pf, 10,000pf (10n)..... 10p each 54p, 100+ 3.5p, 1000+	500pf compression trimmer..... 60p	40 uf 370vac motor start capacitor (dielectric type containing no PCBs)..... £5.95 or £49.50 for 10	Welwyn W23 9W 120ohm..... 35p each 20p 100+
680 ohm 2W metal film resistor..... 4p 100+ 2p 1000+	Solid carbon resistors very low inductance ideal for RF circuits - 27ohm 2W, 68ohm 2W..... 25p each 15p each 100+	We have a range of 0.25w 0.5w 1w and 2w solid carbon resistors, please send SAE for list	Intelligent 4 digit alphanumeric (5x7 dot 0.145") red LED display 12 pin 0.6 inch wide package Siemens type DLR1414..... £2.50 each £2.00, 30+ Data sheets..... £1.00
AMD 27256-3 Eproms..... £2.00 each £1.25, 100+ DIP switch 3PC0 12 pin (ERG SDC-3-023)..... 60p each 40p, 100+	Disk drive boxes for 5.25 disk drive with room for a power supply, light grey plastic, 67x268x242mm..... £7.95 £49.50 for 10	Hand held ultrasonic remote control..... £3.95	CV2486 gas relay, 30x10mm dia with 3 wire terminals, will also work as a neon light..... 20p each £7.50 per 100
A23 12v battery for car alarms or lighters..... 75p each	£50.00 per 100		

All products advertised are new and unused unless otherwise stated.
Wide range of CMOS TTL 74HC 74F Linear Transistors kits. Rechargeable batteries, capacitors, tools etc always in stock. Please add £1.25 towards p&p. VAT included in all prices.

JPG Electronics, 276-278 Chatsworth Road, Chesterfield S40 2BH
Access/Visa **(0246) 211202** Callers welcome

CIRCLE NO. 133 ON REPLY CARD

2dB limit. Clearly the results obtained are subjective, but errors are minimised by double checking.

Butterworth filters

Results show (Table 2) that the filter cut-off frequency range increases with increasing amplifier open-loop gain and open-loop bandwidth. The cut-off frequency range falls as the square of the filter order. High-pass filters have a lower cut-off frequency range when compared with low-pass filters of the same order and which use the same op-amp. Filters of the third order often have a lower frequency range than fourth order designs. As a guide, the following empirical formula gives the acceptable bandwidth:

$$\text{Butterworth frequency range} = \frac{\text{open-loop gain} \times \text{open-loop bandwidth}}{(\text{filter order})^2}$$

Butterworth example 1: 7th order filter using 741 op-amp

- Frequency range limit = $200k \times 10\text{Hz}/49 = 40.8\text{kHz}$.
- Limits using Table 2: 80kHz for LPF and 50kHz for HPF.

Butterworth example 2: 5th order filter using an OP42 op-amp.

- Frequency range limit = $250k \times 45\text{Hz}/25 = 450\text{kHz}$
- Limits using Table 2 = 600kHz for LPF and 400kHz for HPF

The formula given for working out the frequency range is moderately accurate in both examples – particularly for the high-pass filter. To find the frequency range limit for third order filter designs, which do not agree with the general pattern, determine the second order filter limit and divide it by five.

Chebyshev filters

Chebyshev designs have a lower acceptable frequency range than the comparable Butterworth filters (Table 3). Again the frequency range is approximately proportional to the product of open-loop gain and open-loop bandwidth, and inversely proportional to more than the cube of the filter order. But unlike the Butterworth designs, Chebyshev high-pass filters generally have a higher acceptable cut-off frequency range than their low-pass counterparts. An empirical formula for determining the acceptable frequency range of

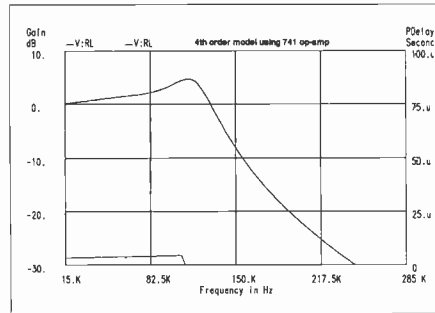


Fig. 2. 4th order model using 741 op amp.

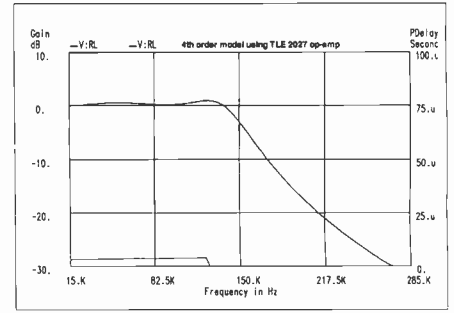


Fig. 3. 4th order model using TLE2027 op amp

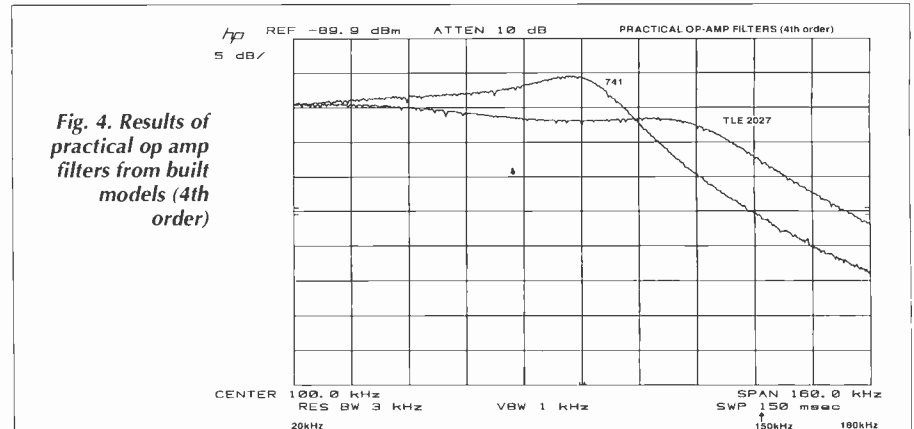


Fig. 4. Results of practical op amp filters from built models (4th order)

Chebyshev filters is given by:

$$\text{Chebyshev frequency range} = \frac{\text{open-loop gain} \times \text{open-loop bandwidth}}{(\text{filter order})^{3.2}}$$

Chebyshev example 1: 6th order filter using NE5532 op-amp

- Frequency range = $100k \times 200\text{Hz}/309 = 64.7\text{kHz}$
- Limits using Table 3: 40kHz for LPF and 100kHz for HPF.

Chebyshev example 2: 9th order filter using TLE2027 op-amp

- Frequency range = $40M \times 1\text{Hz}/1131 = 35.4\text{kHz}$.
- Limits using Table 3 = 30kHz for both HPF and LPF.

The formula given for determining the Chebyshev frequency range limit is also reasonably accurate.

Chebyshev third order filters do not follow the general pattern, and their limit is found by dividing the second order limit by twenty.

Testing validity of models

The results give an idea of what characteristics an operational amplifier must have to provide the expected performance of an active filter. The limits of acceptable performance were arbitrarily chosen for my own purposes, and if better performance is needed the frequency ranges could be much lower than those tabulated. Choice is really a case of balancing performance against bandwidth. The performance unacceptable by the criterion used here, may be satisfactory in some applications.

Validity of the filter models was tested against the results of built designs. A 150kHz low-pass filter was designed using both 741 and TLE2027 op-amps. The practical results of built designs (Figs. 2, 3, 4) show slightly worse performance than the modelled response in both cases.

References

1. "Handbook of Filter Design", A B Williams and F J Taylor, McGraw-Hill, ISBN 0-07-070434-1
2. ECA (Electronic Circuit Analysis), Those Engineers Ltd.

Chebyshev Order	741	OP42 LPF	5532 LPF	2027
2	500k 500k	2M 2M	3M 3M	3M 5M
3	30k 30k	40k 50k	100k 150k	300k 300k
4	25k 30k	120k 200k	200k 500k	250k 300k
5	10k 25k	50k 100k	50k 150k	150k 250k
6	5k 10k	40k 60k	40k 100k	60k 200k
7	4k 5k	15k 25k	20k 50k	50k 100k
8	2k 3k	10k 20k	15k 35k	40k 60k
9	1.5k 2k	6k 8k	10k 15k	30k 30k

Table 3. Results obtained with Chebyshev filter designs.

Filter characteristics

Filters have a pass band, which is the range of frequencies that should be passed without attenuation. They also have a skirt response, which is where the attenuation increases as the frequency moves further from the cut-off point, outside the pass band.

Butterworth filters have a frequency response which is flat within the pass band. Chebyshev filters have a small amount of pass band ripple which can be defined at the design stage. The filter skirt response is steeper if more pass band ripple is allowed in the design.

Simulating capacitor ripple

Are you about to design a linear regulator circuit, switched mode power supply or amplifier power pack? Take a look at a simple program from A M Wilkes first.

My program calculates the peak and trough voltages on the dc rail of an ac-to-dc mains supply, simulating the reservoir capacitor ripple. A sinusoidal supply is assumed. Full wave rectification is simulated and the output is smoothed by a capacitor.

Load may be a constant current, a constant resistance or a constant power and so the program can be useful in designing linear regulator circuits, switched mode power supply front ends and amplifier power supplies.

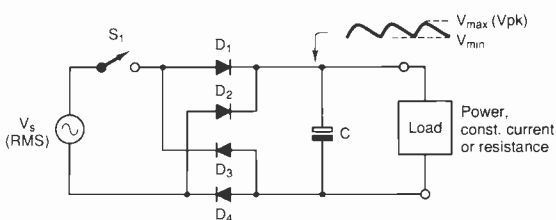
Coding is in Pascal and should be easy to follow for non-Pascal users since it is heavily commented, remarks enclosed between curly brackets.

The program body is a sequence of procedure calls at the end of the listing enclosed between begin and end statements.

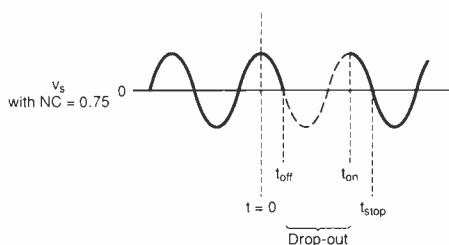
Seven variables may be edited by the user to suit a problem. To simulate half-wave rectification, the value of NC (number of missing cycles) should be set to 0.5, and as the diode drop will be one so V_d should be set to, say, 0.8

When the program is run it simply lists the adjustable parameters and the result – peak voltage and trough voltage across the reservoir capacitor.

General form of the simulated circuit.



FULL WAVE $V_d = V_{forward}$ of $(D_1 + D_4)$ or $V_{forward}$ of $(D_2 + D_3)$
 HALF WAVE $V_d = V_{forward}$ of D_1 or D_2
 $S_1 =$ missing cycles (drop-out) switch



```

program CapacitorRipple; { Simulates the capacitor ripple voltage of
a bridge rectifier circuit. }
uses Crt;
type
  LoadType = ( Power , Current , Resistive );
var
  { Global variables }
  C, Vs, F, Value, NC, Vpk, Vd : Real;
  Load : LoadType;

procedure InitialiseValues;
{ Edit these values to your liking }
begin
  C := 1500; { Reservoir capacitor value in microfarads }
  Vs := 15; { Source voltage (Vrms) }
  F := 50; { Frequency of source voltage in hertz }
  Load := Current; { Type of load: Power, Current or Resistive (All
constant) }
  Value := 1; { Load value in Watts, Amps or Ohms }
  NC := 0; { Number of cycles to skip ( 0.5 for half-wave rectification )
}
  Vd := 1.6 { Total of diode drops }
end;

procedure ListValues;
begin
  ClrScr; { Clear the screen }
  WriteLn('Capacitive supply filter simulator. By A.M. Wilkes.
1993');
  WriteLn;
  WriteLn;
  WriteLn('Capacitor Value in Microfarads = ',C :6 :0);
  WriteLn('Input Voltage in Volts = ',Vs :6 :0);
  WriteLn('Supply Frequency in Hertz = ',F :6 :0);
  Write('Load value in ');
  case Load of
    Power : Write('Watts');
    Current : Write('Amps ');
    Resistive : Write('Ohms ');
  end;
  WriteLn(' = ', Value :6 :1);
  WriteLn('Number of cycles to skip = ',NC :6 :1);
  WriteLn('Total of diode drops in volts = ',Vd :6 :1);
  WriteLn;
end;

procedure Calculate; { Do the work }
const dT : Real = 0.0001; { Time step = 0.1 milli seconds }
var { Local variables }
  Kv, Ke, P, dE, Ecap, Vcap, Vmin, Vsine, Period, T, Toff, Ton, Tstop :
Real;
begin
  Period := 1 / F; { 1 / Frequency }
  Kv := 2 * Pi * F; { Constant usec for calculating sine wave }
  Vpk := Sqrt(2) * Vs - Vd; Peak source voltage minus diode drop
}
  Ke := 0.5 * C * 1e-6; { Const used in calculating capacitor
energy }
  Vcap := 0; { Initial capacitor voltage }
  Vmin := Vpk; { Initialise trough voltage }
  Toff := Period / 4; { Start of missing cycles }
  Ton := Toff + Period * NC; { End of interval of missing cycles }
  if Period > Ton then { Set stop time for calculations }
    Tstop := Period { 1 cycle }
  else Tstop := Ton + Toff; { Resumption of supply + 1/4 cycle }
  T := 0; { Initialise start time }
  repeat { *** Start of loop *** }
    { Calculate change in capacitor energy for time step dT }
    case Load of { Find load power (P) }
      Power : P := Value; { Power = Watts }
      Current : P := Vcap * Value; { Power = V x I }
      Resistive : P := Sqrt(Vcap / Value); { Power = V x V / R }
    end;
    dE := P * dT; { Energy change = power x time change }
    { Discharge cap }
    Ecap := Ke * Sqrt(Vcap) - dE;
    if Ecap < 0 then Ecap := 0; - Test for complete discharge }
    Vcap := Sqrt(Ecap / Ke); { Calculate new cap voltage }
    { Get value of source voltage at time T }
    if (T < Toff) OR (T >= Ton) then { If supply is present }
      Vsine := Vpk * Abs( Cos(Kv * T) ) { Full wave rectified cosine
wave }
    else
      Vsine := 0; { Cycle has been cut so supply voltage = 0 }
      if Vsine > Vcap then Vcap := Vsine; { Charge cap }
      if Vmin > Vcap then Vmin := Vcap;
    { Detect minimum cap voltage }
    T := T + dT; { Increment time
}
  until T > Tstop; { *** Loop then
display result *** }

```

**A M Wilkes, 70 Arundel Road,
Harwood Park, Bromsgrove,
Worcestershire B60 2HN.**

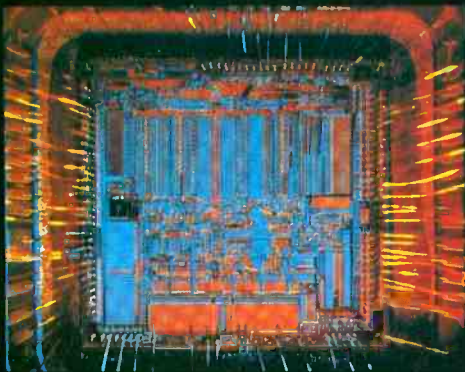
ELECTRONIC ENGINEERS REFERENCE BOOK

6th Edition
F F Mazda

This reference book is divided into five parts: techniques, physical phenomena, materials and components; electronic design and applications. The sixth edition was updated throughout to take into account changes in standards and materials as well as advances in techniques, and was expanded to include new chapters on surface mount technology, hardware and software design techniques, semi-custom electronics and data communications.

6th Edition

ELECTRONICS ENGINEER'S REFERENCE BOOK



Edited by **F F Mazda**

Fraidoon Mazda has worked in the electronics and telecommunications industry for over twenty years, and is currently Product and Operations Manager, Generic Network Management, with Northern Telecom. He is the author of six technical books (translated into four languages) and the editor of the Communications Engineers Reference Book published by Butterworth-Heinemann.

CONTENTS:
Techniques
Trigonometric functions and general formulae;

Calculus; Series and transforms; Matrices and determinants; Electric circuit theory; Statistics. **Physical Phenomena**
Quantities and units; Electricity; Light; Radiation; The ionosphere and troposphere. **Materials and components** Resistive materials and components; Dielectric materials and components; Magnetic materials; Inductors and transformers; Relays; Piezoelectric materials and components; Connectors; Printed circuits; Power sources; Discrete semiconductors; Microwave semiconductor devices; Optical digital integrated circuits; Linear integrated circuits; Semiconductor memories; Microprocessors; Application-specific integrated circuits; Electron microscopy; Digital design; Software engineering; Digital systems analysis; Control systems; Antennas and arrays; Noise management in electronic hardware; Noise and communication; Computer aided design; Television and sound broadcasting. **Applications**
Communication satellites; Point-to-point communication; Fibre-optic communication; The integrated services digital network (ISDN); Local area networks; Radar systems; Computers and their application; Videotape recording; Office communications; Medical electronics.

1006 pages PAPERBACK ISBN 07506 0809 9
£42.50 (inc post & packaging)

Please return to: Lorraine Spindler, Room L333,
Quadrant House, The Quadrant, Sutton, Surrey SM2 5AS

- * Now available to Electronics World & Wireless World readers in paperback.
- * Expert coverage of all aspects of electronics
- * Over 50 contributors
- * For electronic engineers, technicians and students

Please supply me _____ copies of the **ELECTRONIC ENGINEERS REFERENCE BOOK (ISBN 07506 0809 9) @ £42.50 (INC POST & PACKAGING)**

Add VAT at local rate _____
NB ZERO RATE FOR UK & EIRE TOTAL _____

_____ **Business purchase:** Please send me the books listed with an invoice. I will arrange for my company to pay the accompanying invoice within 30 days. I will attach my business card/letterhead and have signed the form below.

Guarantee: If you are not completely satisfied, books may be returned within 30 days in a resalable condition for a full refund.

Remittance enclosed £ _____
Cheques should be made payable to **Reed Book Services Ltd.**

Please debit my credit card as follows:

Access/Master _____ Barclay/Visa _____
Amex _____ Diners _____

Credit Card No. _____ Exp date _____

NAME (Please print) _____

ORGANISATION _____

STREET _____

TOWN _____

COUNTY _____ POST CODE _____

COUNTRY _____

DATE _____ TELEPHONE NUMBER _____

SIGNATURE _____

T3000

VAT RATES

6% Belgium, 25% Denmark, 5.5% France, 7% Germany, 4% Greece, 4% Italy, 3% Luxembourg, 6% Netherlands, 5% Portugal, 3% Spain. FOR COMPANIES REGISTERED FOR VAT, PLEASE SUPPLY YOUR REGISTRATION NUMBER BELOW (customers outside the EEC should leave this part blank)
VAT NO. _____

If in the UK please allow 28 days for delivery. All prices are correct at time of going to press but may be subject to change.

Please delete as appropriate. I do/do not wish to receive further details about books, journals and information services.

Credit card orders
accepted by phone.
Call 081 652 3614.

The MCT combines the versatility of a transistor, the low forward conduction losses of a thyristor and the gate characteristics of a mosfet. Ian Hickman puts a new type of high power switching device into a test bed.

THE MOS CONTROLLED THYRISTOR

Thyristors and triacs have developed to the point where they can handle hundreds of amps and volts, but can need quite a hefty pulse of current to trigger them on. The exceptions are the mos based devices. One type is similar to an N channel

power mosfet but with an additional P layer in series with the drain, resulting in a four layer device. Thus when conducting, the usual fet majority carriers are augmented by the injection of minority carriers resulting in a lower bottoming voltage. These devices are variously known as comfets, gemfets etc. depending on the manufacturer and, like the power mosfets from which they are derived, can be turned on or off by means of the gate.

Not so the mos thyristor, which has the usual four layer structure of an SCR with its very low forward volt drop when conducting, and like them must be turned off by reducing the current through it to zero by external means. However, unlike SCRs, it does not require a sizeable current pulse to turn it on. The GTO (gate turn-off) thyristor can be switched off again by means of the gate, but the drive power needed to do so is considerable. The main characteristics are summarised in Fig. 1.

A recent development has resulted in yet another variation on the thyristor theme, possessing many of the best points of all the various device types mentioned so far - this is the MCT (mos controlled thyristor; not to be confused with the mos thyristor). As Fig. 2a shows, this is basically an SCR, but instead of the base of the NPN section being brought out as the gate terminal the device is controlled by two mosfets, one n-channel and one p-channel. These are connected to the anode of the

<p>SCR Silicon controlled rectifier 4kV-4kA</p>		
<p>ASCR Asymmetric silicon controlled rectifier 2kV-1.5kA</p>		
<p>GTO Gate turn off 4kV-2kA</p>		
<p>TRIAC Triode AC switch 600V-40A</p>		
<p>Mos Thy Mos thyristor 500V-20A</p>		

Fig. 1 Variations on the Silicon Controlled Rectifier theme. (Reproduced by courtesy of Motorola Inc.)

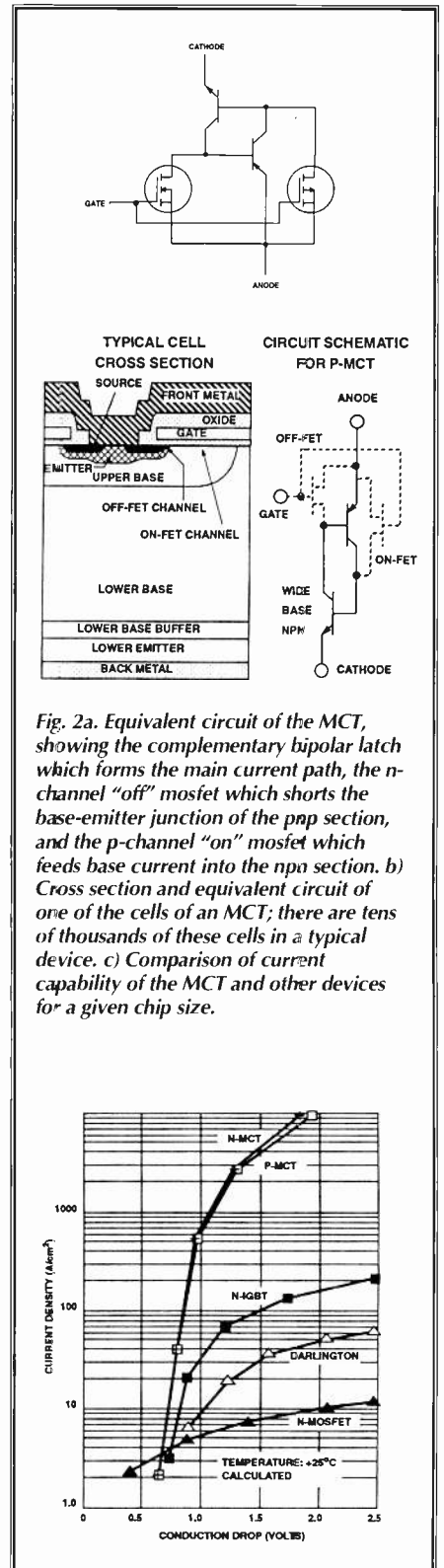


Fig. 2a. Equivalent circuit of the MCT, showing the complementary bipolar latch which forms the main current path, the n-channel "off" mosfet which shorts the base-emitter junction of the npn section, and the p-channel "on" mosfet which feeds base current into the npn section. b) Cross section and equivalent circuit of one of the cells of an MCT; there are tens of thousands of these cells in a typical device. c) Comparison of current capability of the MCT and other devices for a given chip size.

MCT, making it a p-MCT and in effect a high side switch. The p-channel mosfet can turn the device on by feeding current into the base of the npn section of the complementary latch, while the n-channel mosfet can turn it off again by shorting the base of the pnp section to its emitter. To turn the device on, the p-channel mosfet has only to feed enough current into the base of the npn section to cause the loop gain of the npn-pnp pair to exceed unity, consequently it does not need a very low on resistance. But to turn the device off, the n-channel mosfet needs to take over the main current, and pass it with a volt-drop lower than the forward V_{be} of the pnp section. This description of the operation applies not only to the device as a whole, but also to each and every one of the many thousands of constituent cells, Fig. 2b. If carrying a heavy current, the base-emitter shorting fet's must be turned on uniformly and rapidly to ensure that all MCT cells turn off essentially the same current. If the gate voltage rises slowly, the current will redistribute among the cells, reaching a value in some cells that cannot be turned off.

Taking the simplest possible view, the main current path via the four layer pnp-npn latch should be either on or off, depending upon which of the controlling mosfets was last in conduction.

An MCTV75P60E1 in its five lead TO-247 package was connected up as in Fig. 3a, the base connections and circuit symbol being shown in b. Now the device's input capacitance C_{iss} , that is to say the capacitance looking in at the gate pin with respect to the gate return pin, is listed as the not inconsiderable figure of 10nF, so to ensure that the gate received almost the full $\pm 18V$ pulses which are recommended, the value of C_3 in Fig. 3a was set at 100nF. When the supplies were switched on, the device did not conduct. Momentarily connecting point X to the -15V

rail switched it on, and likewise connecting point X to the +15V rail switched it off again.

The device's holding current (the minimum needed to keep the device in conduction, below which the loop gain falls below unity and the device turns off) is not stated on the data sheet and is merely indicated in the applications notes as being "mA". With the device switched on, the voltage of the +24V supply was slowly reduced. At 12V, the voltage across the 1k resistor suddenly collapsed to zero, indicating a holding current of 12mA for this particular sample at room temperature.

Since the drive was obtained via a capacitor, the drive circuit did not need to be referenced to the gate return pin - this was verified by

breaking the circuit at point K and returning the junction of the two 10uF capacitors to the negative end of the 24V supply. Thus in certain relatively low power applications, the device could be used as a high side switch without the need for any auxiliary supplies referenced to the high side voltage. It is true that spikes on the main supply could then be coupled to the gate, but due to the large ratio of the 100Ω gate resistor to the 8.2kΩ recharging resistor, unintentional switching from this cause is not likely, nor is it likely from stray capacitive coupling given the very large internal gate capacitance. However, this is not the recommended mode of operation for the following reason. The circuit of Fig. 3a barely

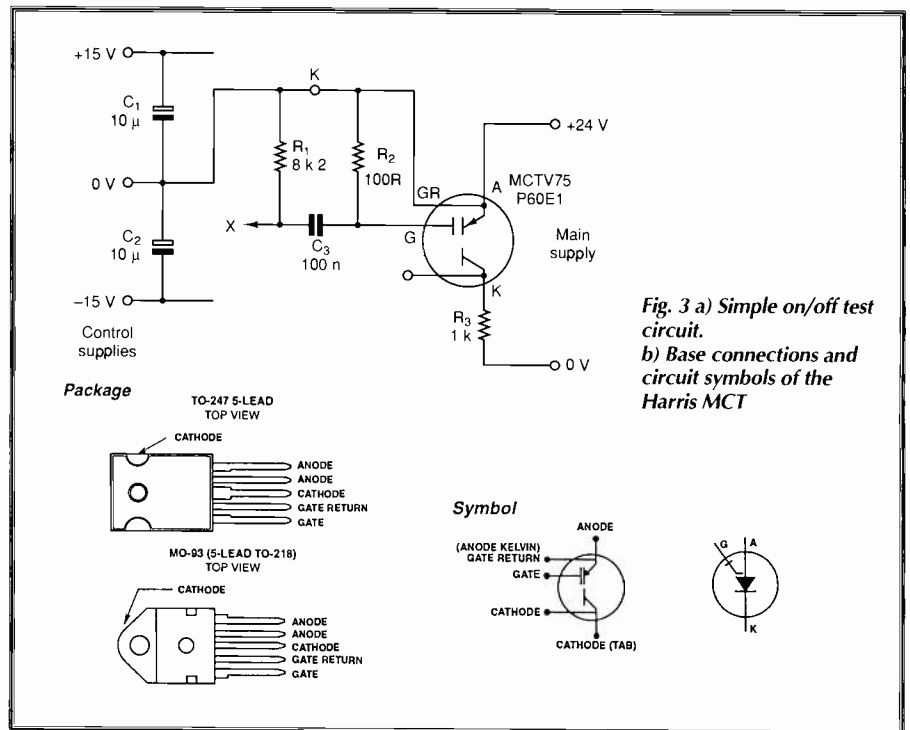


Fig. 3 a) Simple on/off test circuit. b) Base connections and circuit symbols of the Harris MCT

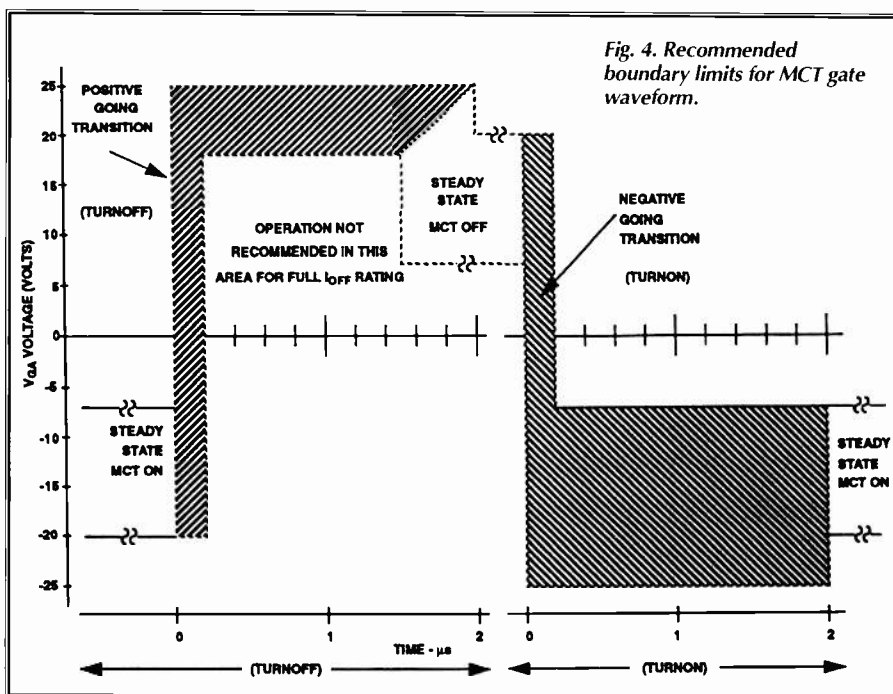


Fig. 4. Recommended boundary limits for MCT gate waveform.

tickles the device, given its 600V blocking capability and 75A continuous cathode current rating (at 90°C). Therefore the device leakage current was only microamps, way below the current at which the loop gain exceeds unity. Thus the off condition could persist, despite the fact that the bases of the two internal bipolar devices were floating. However, at a case temperature $T_c=150^\circ C$, the peak off-state blocking current I_{DRM} (with $V_{KA} = -600V$) could be as much as 3mA, even with the n-channel mosfet fully enhanced ($V_{GA} = +18V$). If the n-channel mosfet were not fully enhanced, or even off completely, the collector leakage current of the npn bipolar section could result in the loop gain exceeding unity; the device would turn on, its blocking ability would have failed. For this reason, the recommended switching and steady state gate voltages are as shown in Fig. 4.

To meet these requirements, the circuit of Fig. 5a was sketched out, using a 2N5859 (npn) and 2N4406 (pnp). Both types are switching transistors, rated at 2A and 1.5A

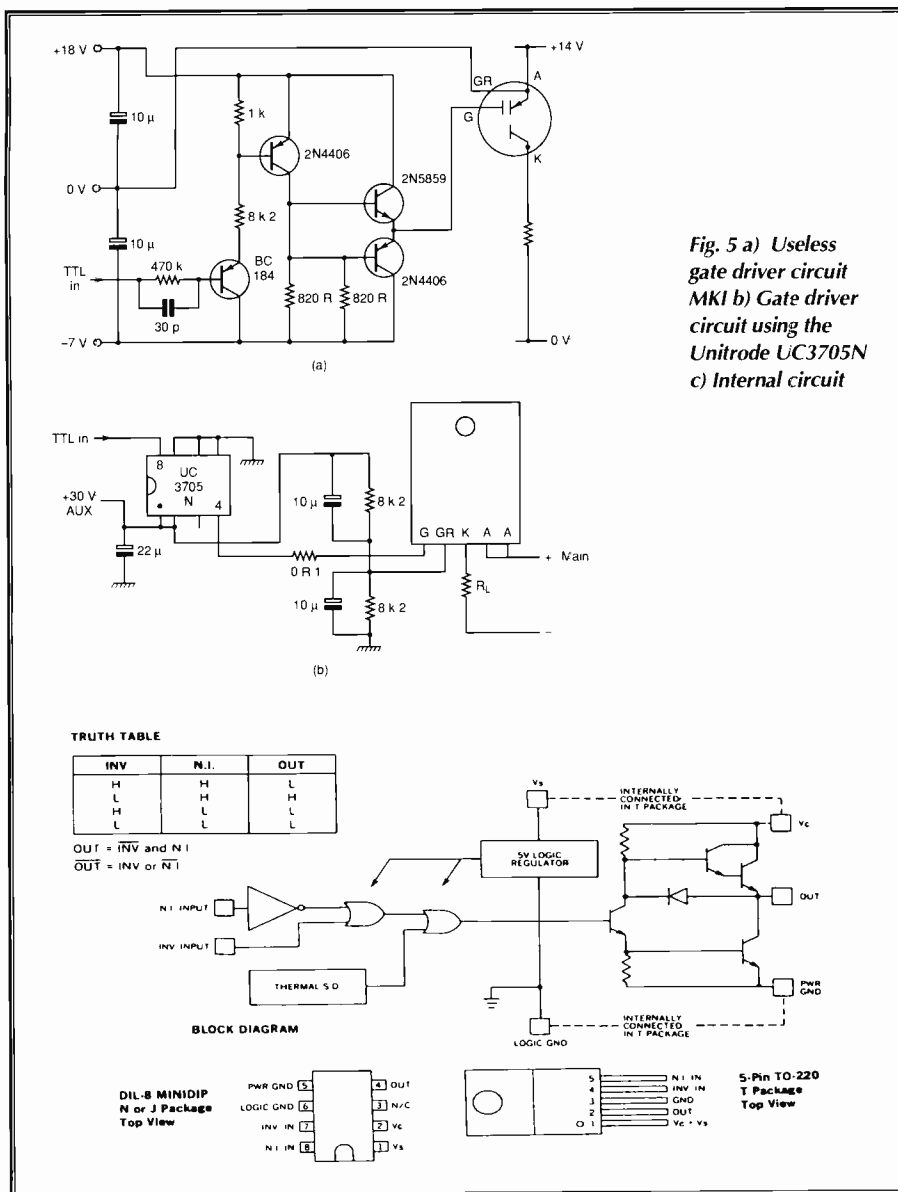


Fig. 5 a) Useless gate driver circuit MKI b) Gate driver circuit using the Unitorde UC3705N c) Internal circuit

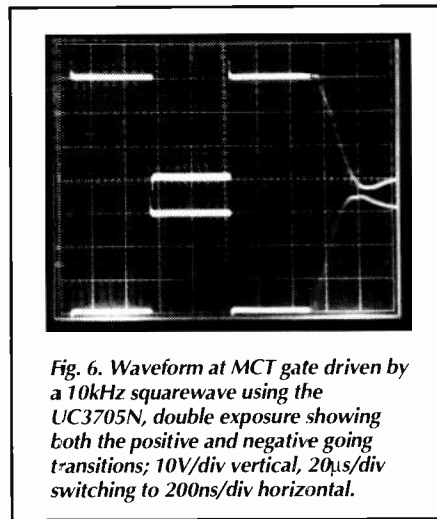


Fig. 6. Waveform at MCT gate driven by a 10kHz squarewave using the UC3705N, double exposure showing both the positive and negative going transitions; 10V/div vertical, 20µs/div switching to 200ns/div horizontal.

stored energy being dissipated in the UC3705N switch, well within the 20µJ rating of the n-package and with the 200ns rise/fall time in Fig. 6, the peak current is within the n-package's ±1.5A peak rating. At 10kHz the average dissipation is 20000 x 4.5µJ = 90mW, again well within the 1W (25°C) rating.

Note that while the UC3705X series are specified for operation over the range 0 to 70°C, it incorporates an internal over-temperature shutdown operating at 155°C typical. Shutdown drives the output low, which would turn the MCT on – this will usually be undesirable if not fatal. There are various possible solutions, such as making sure that an external shutdown (perhaps associated with the MCT's heatsink) shuts the whole system down before the driver nears its shutdown limit. A simpler solution is to use one of the other devices in the series such as the UC3706X which has complimentary outputs; using the inverted output will result in shutdown turning the MCT off.

continuous collector current respectively, so they seemed at first sight a plausible choice since to charge a C_{iss} of 10nF through 25V in 200ns requires just 1.25A. (Note that the MCT's C_{iss} is relatively constant; it is not augmented during switching by the Miller effect unlike a power mosfet). The circuit was a resounding failure, being quite incapable of swinging the MCT's gate through 25V in 200ns. This was presumably due to the fall of current gain of the driver transistors with increasing collector current, and the absence of suitable speed-up capacitors.

Changing from a discrete driver approach to a Unitorde minidip UC3705N High Speed Power Driver (also available in a 5-pin TO-220 package) in the circuit of Fig. 5b) rectified the problem; 5c shows this device's internal arrangement. Fig. 6 shows the gate waveform with a 10kHz squarewave applied to the input of the driver chip, the double exposure showing both positive and negative transitions on mix timebase (10V/div vertical, 20µs/div switching to 200ns/div horizontal.) A 30V swing across 10nF results in the 4.5µJ

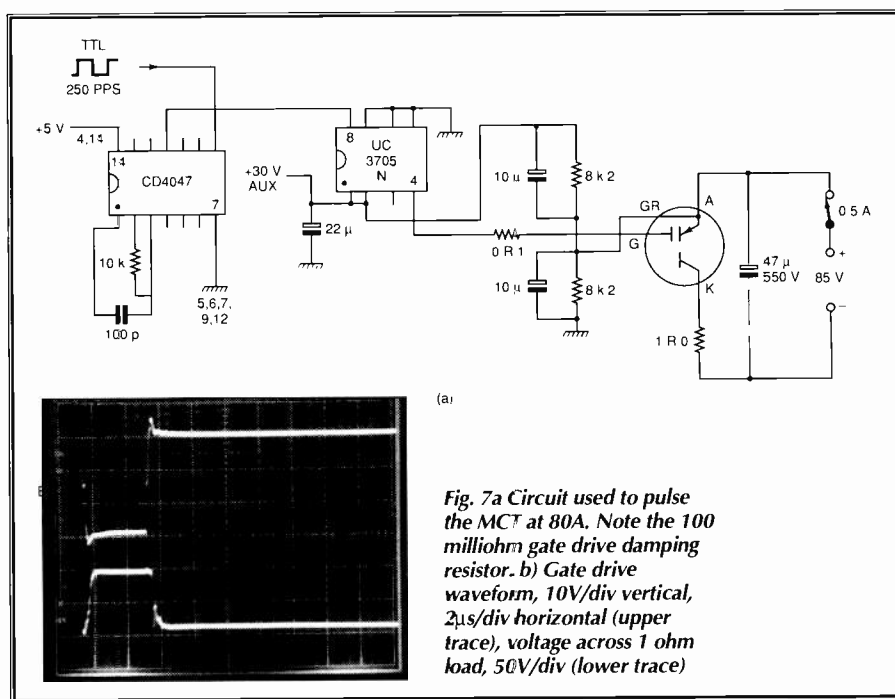


Fig. 7a) Circuit used to pulse the MCT at 80A. Note the 100 milliohm gate drive damping resistor. b) Gate drive waveform, 10V/div vertical, 2µs/div horizontal (upper trace), voltage across 1 ohm load, 50V/div (lower trace)

A satisfactory driver circuit allowed operation of the MCT nearer its limits. With its 600V 85A rating, it is capable of controlling over 50kW and indeed the manufacturer has produced modules containing 12 paralleled devices with a megawatt capability. To keep the average power within bounds, the device was pulsed on for 4µs at a 250pps rate – a 0.1% duty cycle – as in Fig. 7a. Messing about with 600V on the lab bench is not a thing to be undertaken lightly, so I settled for a modest +85V from raw supplies. With the mains to the supplies was wound up with a Variac, the MCT happily passed pulses of current through the 1Ω load resistor, the voltage across which is shown in Fig. 7b, lower trace, the upper trace being the gate drive waveform. My experiments showed that the MCTV75P60E1 is reliable and easy to use. In applying these devices, one must seek to obtain maximum advantage from their good points, which include a very low forward voltage drop even compared to other minority carrier devices such as IGBTs - let alone mosfets

- while working within their limitations. As a double injection device - both p-and n-emitters - the MCT conduction drop is well below that of the insulated gate bipolar transistor, especially at high peak currents (Fig. 8a). Clearly their turn-off time will be longer than a mosfet which conducts purely by majority carrier action, although they can be used at higher frequencies than power Darlingtons.

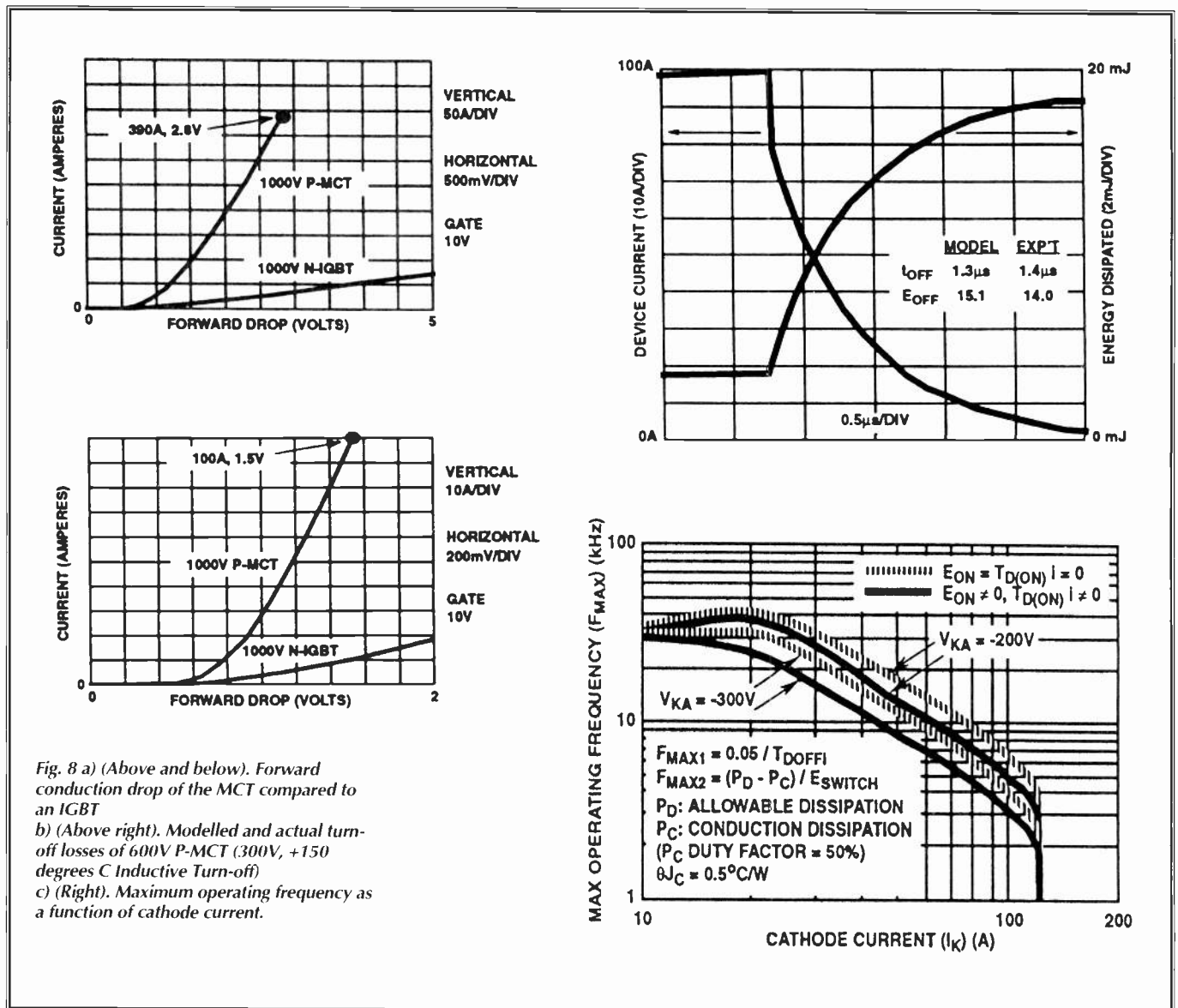
Spice models for the devices, Fig. 8b, show the close agreement between measured and predicted turn-off dissipation. With the present models, a notional snubber network may be needed to reduce numerical noise in the simulation, but then a snubber may be required for real, depending on the application. This is because the p-MCT's safe operating area is rated at half the device's breakdown voltage rather than 80% typical of an n-type power device. If an application involves hard switched inductive turn-off above the SOA and a snubber is not cost effective, then the MCT is not the best choice. Furthermore, if with a snubber the switching losses now

approach the conduction loss, there may be little advantage in using an MCT.

On the other hand, with their minimal conduction losses, these devices are ideal in soft switched or resistive load circuits and above all in zero current switched applications such as resonant circuits. The maximum operating frequency F_{max} depends upon both the conduction and switching losses, and can be defined in more than one way, Fig. 8c (note that "E" here indicates energy, not emf). From this it will appear that in most applications, the operating frequency will be 30kHz or lower. A point to bear in mind is that the peak reverse V_{KA} is +5V, so that in a bridge or half bridge circuit with an inductive load, anti-parallel commutation diodes should be fitted to provide a path for the magnetising current at the start of each half cycle, when operating at low loads.

References

MCTV75P60E1, MCTA75P60E1, Harris Semiconductor, File Number 3374 MCT User's Guide, Harris Semiconductor, Ref. DB307A.



NEW PRODUCTS CLASSIFIED



A-to-D & D-to-A converters

Low-noise A-to-D. A 10-bit analogue-to-digital converter with an on-board track-and-hold amplifier, voltage reference and timing, Analog's *AD9040* needs only an encode signal to give sampling rates up to 40Msample/s. Sinad ratio is 54dB with a 10.3MHz input sampled at 32Msample/s. Power consumption is 940mW. An evaluation board is available. Analog Devices Ltd, 0932 253320.

Four-channel A-to-D. National's *ADC08234C/MF* is a 20mW, 2µs serial 8-bit analogue-to-digital converter with four channels in a thin shrink small outline package intended for the PCMCIA disk-drive application. Its four-channel multiplexer operates in single-ended, differential and pseudo-diff. modes, the device also containing a 2.5V reference. National Semiconductor, 0793 697428.

Low-power A-to-D converter. CS5389 stereo 18-bit delta-sigma A-to-D converter has an S:N ratio of 107dB and sinad better than 100dB. Crystal's new chip needs no extra components and includes digital anti-aliasing filtering, sample-and-hold and a voltage reference. Phase and magnitude responses of the filter are flat from 0-22kHz, stop-band rejection being more than 80dB and ripple in the pass-band ±0.01dB. Sequoia Technology Ltd, 0734 311822.

Discrete active devices

Dual-gate mosfet. *BF904* from Philips is a 12V dual-gate mosfet with a 25mS transfer admittance, 2.2pF input and 2dB noise figure. It also has an internal bias circuit that removes the need for external components while allowing adjustment of quiescent drain current. It can be turned off at any electrode. *BF908* has 35mS transfer admittance and a 1.5dB noise figure at 800MHz, but no bias circuit. Philips Semiconductors, 071-436 4144.

Power transistors. Zetex claims its *FZT850/950* power transistors to be

the world's best performers in SOT223 packages. Saturation voltage is 33mV at a continuous current of 7A and the devices exhibit a gain of 100. The range includes n-p-n and p-n-p types, some with collector ratings to 60V and all handling 20A peak. Zetex plc, 061-627 4963.

Hyperabrupt varactors. Zetex's range of SM voltage-controlled capacitors will tune frequencies in the 0-2GHz range. Control voltages of 4-20V or 0-60V tune over an octave. Devices in the 22V *ZC840* series vary from 0.7pF to 5pF and in the 12V *ZC930* range the variation is 3-95pF. At a reverse voltage of 4V and at 50MHz, Q is 600 minimum. Zetex plc, 061-627 4963.

Digital signal processor

Audio processor. All the filtering, companding and analogue control circuitry needed by an analogue cellular telephone fit into TI's new *TCM 8000* audio processor chip. Current consumption from the single supply is 14mA. Filters are programmable to comply with AMPS, TACS or NMT standards. Texas Instruments, 0234 223252.

Linear integrated circuits

Video difference amplifier. For use in systems where high common-mode and noise must be rejected, Analog's *AD830* video difference amplifier has a unity-gain bandwidth of 100MHz, CMRR of 100dB at DC and 60dB at 4MHz and ±2.3V clipping. Common-mode range is +13V to -11.5V, settling time of 35ns to 0.1%, diff. gain phase error of 0.05%/0.08% and gain flatness of 0.1dB to 15MHz. Analog Devices Ltd, 0932 253320.

10V reference. *REF01* by Burr-Brown is an improved version of the standard *REF01*, giving a 30% accuracy enhancement to ±0.2% and 75% lower noise at 5µV pk-pk from 0.1Hz to 10Hz. Stabilisation and regulation are 0.002% and 0.001%. Burr-Brown International Ltd, 0923 233837.

Variable-gain amp. Comlinear's *CLC522* is a DC-coupled two-quadrant multiplier with differential voltage input and single-ended output, with two input buffers and an op-amp output. Gain control is by way of a high-impedance voltage input. Maximum gain is set by two resistors from 2 to 100 with control over a 40dB

range. Bandwidth is 165MHz. Comlinear Europe Ltd, 0203 422958.

850MHz buffer. Harris's current-feedback, closed-loop buffer, the *HFA1113*, exhibits an 850MHz -3dB bandwidth, 2050V/µs slewing rate, 11ns settling time to within 0.1% and 0.075dB gain flatness over 200MHz. There is a programmable output clamp to protect succeeding circuitry and programmable gain of +2, +1 and -1. Output current is 60mA and third-harmonic distortion -80dBc. Harris Semiconductor (UK), 0276 686886.

Analogue multipliers. Two high-speed, four-quadrant multipliers by Harris for use in mixer and AGC applications are 65MHz (*HA-2556*) voltage output and 100MHz (*HA-2557*) current output devices, the latter needing an off-chip amplifier. *HA-2556* offers 420V/µs slewing, 0.2dB gain tolerance to 8.5MHz, -50dB feedthrough, 0.1% error and 0.1 differential phase error. Harris Semiconductor (UK), 0276 686886.

DC converter. Maxim's *MAX1743* is a 5V in, ±12V or ±15V out power supply module that needs no extra components. Output voltage is within 4% of the strap-selected value for all specified input, output and temperature conditions and current is 125mA or 100mA, depending on output voltage. Protection is included. Maxim Integrated Products Ltd, 0734 845255.

RF amplifiers. In six-pin SOT23 packages, NEC's µPC27XX wide-band RF amplifiers cover the 1GHz-3GHz range and use the MMIC technique. The amplifiers are meant for use in low-cost gain and buffer stages in cellular and PCM telephones, GPS receivers, DBS tuners and test gear. The range comprises 3.4V, 15.3mW types working at 1.8GHz and 1.2GHz; low-noise 5V amplifiers, producing 3dB-12dB noise figures at 1GHz; and medium-power 5V types at 1.5GHz-3GHz with saturated power outputs of 10dBm-13.5dBm. NEC Electronics (UK) Ltd, 0908 691133.

FM IF amplifiers. Two FM chips by Sony are in SOP and VSOP packages with a view to reducing space and parts count. *CXA1474* is for use in single-conversion pagers and the *CXA1484* has a second on-chip mixer and oscillator for use in double-conversion systems. Both devices use a single 1-4V supply with current drains of 920µA and 1.4mA.



4-Mbit flash memory. Atmel has a 3V, 4-Mbit flash memory, claimed to be the world's first of its type. *AT29LV040* needs only the 3V supply for both read and write and, with an 83mW requirement, offers a 70% power saving over a 5V-only flash. It is organised as 512K by 8-bit and individual sectors can be written to in 20ms. Atmel (UK) Ltd, 0276 686677.

Sensitivities are 17dBµV and 7dBµV with input bandwidths of 1MHz and 20MHz. Sony Semiconductor Europe, 0784 466660.

Logic building blocks

Programming module. A 14-pin module which contains a complete flash-memory programming supply, the Maxim *MAX1732* occupies only 0.25in² and provides 120mA at 12V from 4.5-6V input. Load regulation is ±4%. Normal 1.7mA quiescent current reduces to 70µA in digitally actuated shutdown mode. Maxim Integrated Products Ltd, 0734 845255.

Reset monitors. The *MAX709* supervises a microprocessor's supply voltage and issues resets if it falls below a trip threshold, versions to handle 3V, 3.3V and 5V systems being available. The reset output remains low for 200ms after the supply is restored. Devices are in 8-pin dip and SO packages and need no extra components. Maxim Integrated Products Ltd, 0734 845255.

SCSI termination. TI has a single-ended terminator for SCSI-based computer systems, which contains the external components on one chip and will handle the proposed Fast SCSI III 100Mbyte/s speed. The nine-channel *TL2218-285* uses current-mode termination, in which a constant high current is supplied to the SCSI cable

Please quote "Electronics World + Wireless World" when seeking further information

during transitions to give a faster digital signal with fewer distortions. Output capacitance is 6pF. Texas Instruments, 0234 223252.

Memory chips

Eeproms. New technique used by Silicon Storage Technology to make their 28EE010/1 eeproms offers sector erasing, a single 3.3V or 5V supply and fast erasing, while retaining Jeduc pinouts for byte-wide memories. Both are 128K by 8 devices with 10-year data retention, access times down to 120ns and standby current of 15µA. Byte-write time is 39µs and pre-loading of data enables the whole memory to be written in 5.2s. Microelectronics Technology, 0844 278781.

Video rams. Two three-port rams for television use are available from Sony. CXK1206AM is a 1.2Mbit ram with a 4-bit word, while CXK4832Q is a 2.4Mbit device with 8-bit organisation to make it capable of storing an 8-bit Pal or NTSC field. Each has one write port and two read ports, all transfers between i/o and memory blocks being controlled internally. Both recursive and non-recursive modes are available. CXK4832Q has write and read times of 50ns and 30ns. Sony Semiconductor Europe, 0784 466660.

Microprocessors and controllers

Micros for portables. Three 32-bit microprocessors from Motorola, 68341, 68349 and 68040, are meant for low-power, high-performance portable equipment, all having 3.3V (V) versions. 341 is for the CD-I market, working up to 16MHz and having additional instructions to provide up to six VAX Mips of performance. 68040 is for lap-top and notebook computers with a speed of 33MHz and a dissipation of 1.5W. 68349 dissipates 300mW and has a 32-bit core processor, 32-bit DMA controllers, dual serial comms port, power management and a system interface. This is the highest performing device of the three. Motorola Ltd, 0908 614614.

2V, 4-bit controllers. New members of the NEC µCOM75X family of cmos single-chip microcontrollers operate from supplies down to 2V. The 74004/6/8 series have 4, 6 or 8K of rom and 512 byte of ram. There are 34 i/o lines, four external and four internal interrupts, three 8-bit timers and a serial comms port. Clock speed is 1-5MHz, giving an instruction cycle time of 0.95µs. Devices using LCDs have on-chip drivers for 34 by 4 segment displays. Sunrise Electronics Ltd, 0908 263999.

Mixed-signal ICs.

GSM synthesisers. Dual bimos PLL synthesisers for the GSM and

CT1/CT1+ telephone market are the first devices in the AMS 1.2µm bimos process. AS3520 has two PLL synthesisers with VCO, RF buffer, prescaler and filter amplifier and are meant for the 900MHz range, although the synthesiser spans 800-1100MHz. Both 5V and 3V versions are available. Current drain is 35mA. Austria Mikro Systeme Int Ltd, 0276 29353.

Video analogue input interface. The GPS VP8708 is intended for use in PC cards to perform video overlays on graphics displays in multi-media systems, but can also be used in frame grabbing, digital picture processing etc. Output is selectable between binary and twos-complement. The device is compatible with the Philips TDA8708. GEC Plessey Semiconductors, 0793 518510.

Teletext decoder. GEC Plessey's MV1815 single-chip teletext 625-line standard. The cmos chip has an on-board data slicer, dual page acquisition, direct memory addressing and up to 254 display pages stored in external dram. It has an IIC bus and multi-language capability. Gothic Crellon Ltd, 0734 788878.

Digital video processing. Digital Transient Improvement ICs from ITT make television and computer systems compatible for multimedia work and are also suitable for high-quality, multi-standard and multi-format television receivers. DT12250/1 versions are usable as 4:1:1 YUV systems with software-selected function. DT12260 improves picture quality by interpolating chroma signals from 4:1:1 to 4:2:2 and processing via a digital colour transient improvement filter. The devices' skew compensation allows the DIGIT2000 television system to produce computer-compatible "square" pixels. ITT Semiconductors, 0932 336116.

CT2 processor. VP23070 is a CT2 processor providing a full Common Air Interface base-band function but using only 15mW at 3V. VLSI's design has a burst-mode controller, data clock and sync extractor with a fully compliant G721 ADPCM transcoder and interfaces for most handset and base-station use in domestic cordless telephone and Telepoint application. VLSI Technology Ltd, 0908 667595.

Optical devices

Blue leds. Temic-Telefunken's TLHB range are blue silicon-carbide leds emitting at 470nm. Measuring 3mm or 5mm, they are clear or diffused with luminous intensities of 3.5-15mcd. ITT Multicomponents, 0753 824212.

Oscillators

Directly heated crystal osc.

Contained in one cubic inch, Anglia's DHXO has its heater deposited on the crystal blank itself to provide rapid warm-up. The technique also improves ageing, phase noise and vulnerability to vibration compared with larger, oven oscillators. Frequency range is 7-20MHz at a stability of 2 parts in 10⁷ from -20 to 70°C, with 1 part in 10⁷ per year ageing. Phase noise is -153dBc/Hz at 10kHz. Anglia Microwaves Ltd, 0277 630000.

SM oscillators. Surface-mounted oscillators in a new range by Murata are 40% smaller than earlier ones. MQE series of voltage-controlled oscillators cover frequencies for EAMPS, ETACS, NMT and GSM carriers, with more types in the pipeline. Carrier-to-noise ratio is 73dB and output is -2dBm minimum. Murata Electronics (UK) Ltd, 0252 811666.

Small rubidium oscillator. Steatite's System Electronics Division believes its FE-5650 rubidium frequency standard to be the smallest atomic oscillator available. Measuring 3in by 3in by 1.4in, it consumes less than 7.5W, warming up in less than four minutes, exhibiting low phase noise with low spurious content and harmonics. Frequencies are factory-set in the range 10kHz-20MHz to within 2 parts in 10¹². Steatite Group, 0630 873571.

Capacitance meter. Boonton's 7200 capacitance meter calculates and displays equivalent parallel or series resistance, series C, dissipation factor and Q in the range 0-2000pF, or to 4000pF with auto-zero, with strays compensated. Accuracy is 0.25% of reading plus 0.2% FSD. Internal 100V or external 200V bias voltages can be used for biased devices and capacitance can be displayed as a deviation from a preset reference in percentage or pF. Aspen Electronics Ltd, 081-868 1311.

Power semiconductors

Low-R Hexfets. HEX 6 power mosfets from IR range from 60V devices with an on resistance of 9mΩ to 600V types offering 400mΩ. Drain current for the 60V type is 70A at case temperature of 130°C. International Rectifier, 0883 713215.



Passive components

SM inductors. Waycom's range of surface-mounted inductors includes low-profile coils, transformers and power inductors made by Sumida. The CLS63 DC-to-DC converter transformer has a maximum inductance of 1.8mH, works up to 500kHz and 200mW. CDR power inductors cover the 1µH-820µH range at 3.8A to 0.36A, with resistances of 0.033-2Ω. Cases are 3-5.4mm high and 4-12.6mm diameter. Acal Electronics Ltd, 0344 727272.

Electrolytic capacitors. Philips' PLL-SI 058/059 power electrolytics offer a 33-150,000µF range of values, operating at temperatures of -40°C to 105°C, and affording a life of 10,000h at the higher temperature. Diameters are 22mm to 33mm and cases are between 25mm and 50mm long, with snap-in terminals. Gothic Crellon Ltd, 0734 788878.

Electrolytics. KL series electrolytics by Nichicon exhibit a leakage current of 0.2µA at working voltages of 6.3V-100V, in values from 0.1µF to 10,000µF. Ripple is 1.9A and load life 32,000 hours at 55°C. Nichicon (Europe) Ltd, 0276 685393.

Film chip capacitors. In the capacitance range 0.47pF-0.047µF, Panasonic's ECH-U components provide better than 0.5%/year stability. Size is 3.2 by 2.5 by 1.6mm and the capacitors can be flow or



reflow soldered. Panasonic Industrial UK Ltd, 0344 853827.

Filters

2.5GHz filter. For front-end filtering in GPS, cellular telephones and RF data exchange, Toko's 2.5GHz surface-mounted filter measures 9.4mm by 4mm by 4mm and, in spot frequencies between 1.3GHz and 2.5GHz offers a 100MHz -1 dB bandwidth, less than 0.5dB ripple and 1.5dB insertion loss. Impedances are 50 Ω . Cirkit Distribution Ltd, 0992 444111.

Hardware

EMC cabinet. Eurorack HF2 from Schroff is an electromagnetic compatibility cabinet with individually plugged stainless steel contact springs, mounted at any interval, to tailor the characteristic for any application. Widths and depths are 600mm to 800mm and heights from 16U to 43U, the units being protected to IP20. Schroff UK Ltd, 0442 240471.

Instrumentation

Field-strength meter. ITT's VX600 television field-strength meter performs measurements in all VHF

Multimeters. Escort EDM-88/89 offer dynamic recording in both auto ranging and manual modes. Accuracy is within -0.1% on direct volts, bandwidth 20kHz AC is true RMS. The display is a 5000-count type and includes a 53-segment bar graph. Other features include a 10MHz counter, capacitance measurement and dBm with selected reference impedance. Feedback Instruments Ltd, 0892 653322.

and UHF TV bands, including satellite, and the FM band: acts as a TV monitor for sound and vision testing; and performs spectrum analysis. Sensitivity is 20dB μ V and there is a scart connector for an external D2mac or video. The VX600 meets both IEC and VDE safety and EMC standards. Amplicon Liveline Ltd, 0800 525 335.

Dielectric measurement. H-P's HP 85070M is a software/hardware system designed to perform dielectric measurement for the food and chemical industries. HP 85071B is the software used to control a 3GHz HP 8752A or 20GHz HP 8720C network analyser, which makes swept, high-frequency stimulus/response measurements, then translated into the relevant terminology and format. Measurements include dielectric constant, permeability, loss factor and loss tangent. Software runs under Windows in MS-dos format for PCs or HP Basic for HP workstations. The system includes all peripherals, including a 486 computer, Hewlett-Packard Ltd, 0344 362277.

Universal counter. Hewlett-Packard's HP 53131A counter uses a technique developed by H-P for modulation-domain analysers to provide extremely high resolution at very high speeds, displaying 10 digits in 1s. Bandwidth is 225MHz or 3GHz with an optional channel and facilities include 500ps single-shot time interval; all standard counter functions including phase angle, peak voltage and rise time; an analogue display; measurement statistics; and single-key recall for measurement set-ups. Hewlett-Packard Ltd, 0344 362277.

Microwave power meter. Although a portable, cordless instrument, Marconi's 6970 RF power meter provides benchtop functions in the range 30kHz-40GHz at power levels



of -70 dBm to 35dBm (100pW-3W). The optional 0dBm 50MHz power reference is traceable to national standards and gives a ± 0.2 dB accuracy. Marconi Instruments Ltd, 0727 59292

Dialled port access. Multilog from Mutek allows dial-in access to multiple serial ports in PABX or computer systems. It is battery-backed and there is an optional internal modem and large buffer for data capture or remote access. Dialling selects one of five serial ports and several isolated single-line inputs and outputs. Mutek Ltd, 0225 866501.

Digital oscilloscope. Hitachi's VC7104 DSO has 150MHz analogue bandwidth and samples at 100Ms/s on four channels simultaneously. Memory cards up to 2Mbyte are accepted to provide storage of up to 200 waveforms of 8K each in dos format for PC use. The built-in printer automatically records waveforms and there is a plotter output. Programming is by way of GPIB and RS 232 interfaces. Thurlby-Thandar Instruments, 0480 412451.

10-trace oscilloscope. A 10-trace, four-channel 100MHz oscilloscope from Kenwood has 100-step programming and Pal/NTSC line counter. The CS6030 offers on-screen readout and a delayed timebase allowing independent A and B sweep trigger setting. Vertical sensitivity is 1mV/division at a sweep speed of 20ns-50ms/div on B and 20ns-500ms on A. Accelerating voltage is 17kV. Trio-Kenwood UK Ltd, 0923 816444.

Literature

Data acquisition. Features of Amplicon Liveline's 200 series data acquisition systems are described in a new brochure. Amplicon Liveline Ltd, (Free)0800 525 335.

SM leds Dialight has a colour guide to their range of surface-mounted led, which includes top-view and right-angle configurations in colours from blue to infrared, and photodetectors.

Pulse generator. Models 240 and 233 pulse generators by Levell are 0.5Hz-50MHz instruments, the 233 being a dual type with independent rate and width control and the facility of running the two outputs independently, paralleled, summed, in series or with one channel running as an oscillator to give a burst function. Rise and fall times are independently adjustable in the 240. Levell Electronics Ltd, 0992 501231.

The *microLED* 597 series are claimed to be the smallest available leds and the *PRISM CBI* the first true right-angle mounted SM led with integral optics. BLP Components Ltd, 0638 665161.

SM devices. Murata has a new catalogue detailing the company's range of surface-mounting components such as chip ceramic capacitors, trimmer pots, EMI suppression devices, ceramic filters, coax, connectors, isolators and VCOs. There is a section on a bulk feed system for the components. Murata Electronics (UK) Ltd, 0252 811666.

Power supplies

200W DC-to-DC modules. Single and triple output converters from Advanced Power Conversion use a current-fed push-pull converter circuit switching at a fixed 500kHz rate, the units being usable alone or in series and parallel and can be synchronised to a clock. The units are fully protected and are made to ISO 9000 QC in chassis or PCB mountings. Advanced Power Conversion Ltd, 0252 371036.

Long-life cells. Lithium coin cells from Fuji, the GR series are meant for battery backup, the CR2450, for example, providing five years of life at 10 μ A drain. All cells give 3V nominal



NEW PRODUCTS CLASSIFIED

Please quote "Electronics World + Wireless World" when seeking further information

and capacities are in the 70mAh-550mAh range. Smallest in the range measures 20mm by 1.6mm. Price is about one-sixth that of thionyl chloride cells. Suvicon Ltd, 021-643 6999.

Bench power supply. Trio-Kenwood's *PD 110-5* PSU gives 0-110V at 0-5A, having a phase-control circuit with a pre-regulator to give rapid response and high-stability large currents. Remote sensing is used and remote control of outputs is included, as is over-voltage protection. Trio-Kenwood UK Ltd, 0923 816444.

DC-to-DC converter. 15W and 30W DC-to-DC converters from Computer Products in the *WR15* and *WR30* series are intended for three particular markets: telecomms; industrial electronics; and test/mobile equipment. They are pin-compatible with standard WR units, but smaller. Outputs are in three ranges: 9-18V, 18-36V and 36-75V. The modules meet the relevant international standards in the three classes. XP plc, 0734 845515.

Radio communications

Miniature radio receiver. For remote-control and alarm applications, the Celmi hybrid regenerative receivers measure 38.1mm by 13.7mm in a 15-pin sil package. They are self-quenching and modules are either fixed or tuneable in the range 200-450MHz. Sensitivity is -105dB and supply is 5V or 8V at 4mA. Acal Electronics Ltd, 0344 727272.

SM VCO. A surface-mounted voltage-controlled oscillator by Z-Comm is only 0.5in by 0.5in by 0.2in and covers the 1.2-2.4GHz band in response to a 0-26V control voltage. Drawing 35mA from 5V, *C-600M* puts out 3dBm into 50Ω, with second-harmonic 10dB down. Phase noise at 1kHz from carrier is -76dBc/Hz and -98dBc at 10kHz. Eurosource Electronics Ltd, 081 977 1105.

Chirp synthesiser. Improving on the often non-linear FM chirp signals used in various forms of radar, Sciteq's *DCP-1* chirp synthesiser provides a linear sweep, wide bandwidth and excellent spectral purity. Frequency range is 1-230MHz, step size less than 30Hz, spurious signals -55dB and 2ns update. Lyons Instruments Ltd, 0992 467161.

Keyfob transmitter. Quantelec's *SPTXM-418/RS* is a small FM transmitter working at 418MHz for telemetry and control in both domestic and industrial applications. It is UK type-approved. Radiated power is -8dBm from one *MN21/GP23A* alkaline battery to give a range of 100m outdoors and 50m in buildings. A positive data bit is transmitted if battery voltage falls below 7.5V to warn that only 200 operations are left. Quantelec Ltd, 0993 776488.

Switches and relays

Tough PCB connectors. Two-part PCB connectors in the SPF range

from Hypertac were developed for aerospace and military use and are suitable for use in hostile surroundings. A moulded top shroud protects the pins and guides ensure accurate connection. The units are available in two or three row versions with up to 160 contacts rated at 170V at 4A. Hypertac Ltd, 081-450 8033.

Transducers and sensors

Load cell. A load cell measuring 13mm high and between 15mm and 25mm diameter, the *Mini-UTC* by Control Transducers is for both tension and compression loads in ranges from 50g to 5000kg to within ±0.3%. Optional spherical bearings avoid off-axis loading and overload protection is 150% of full scale. Output from the 10V bridge is 2mV/V. Control Transducers, 0234 217704.



Computer board level products

Virtual voltmeter for PCs. Operating as a virtual voltmeter on a PC, CIL Microsystems's *PC-Precise* comes in single or dual channel versions and is essentially an A-to-D converter plug-in card providing up to 21-bit resolution from 20mV to 20V analogue input. The virtual instrument software and other software for calibration and sampling rate variation are included. CIL Micro Systems Ltd, 0903 765225.

Software

Schematic capture. *TopNET*, introduced by CRaG Systems, is a schematic capture program for Spice,



running from the control shell of *TopSPICE* and generating a *Spice* netlist. Symbols for standard *Spice* components and *TopSPICE* digital elements plus a few others are available; an extended library is to come. A PC with VGA is needed. CRaG Systems, 0635 868557. ■

Filter design.

FILDES software from CRaG assists in the design of low-pass, high-pass, band-pass, band-stop and GP filters using Butterworth, Tchebychev, Cauer, Bessel, general-purpose biquad and other functions. After menu-assisted specification entry, the program displays magnitude, phase and delay against frequency. Component values are shown and the design is output in ascii format. CRaG Systems, 0635 868557.

Development and evaluation Universal programmer.

Latest addition to Smart's range of programmers is the truly universal *ALL-07* which, connected to a standard PC printer port, programs all current and, says Smart, future devices; it drives up to 256 pins. In addition to memory chips, it also handles memory cards, logic arrays including MACH, MAX and MAPL families, and a range of microcontrollers including Motorola's new *PIC17C42*. An eight-gang adaptor and single-key operation make it suitable for low-to-medium volume production use. Smart Communications, 081-441 3890.

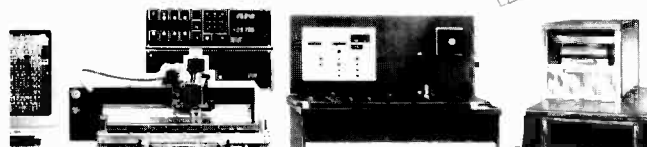
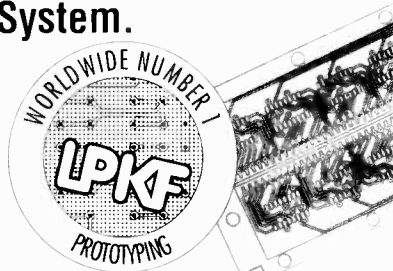


Prototypes manufactured directly in your own Lab in only a few hours.

LPKF offers a complete solution: Professional periphery for every CAD System.

Time spec sheet

of a 4 layer multilayer
milling inner layer: 45 min
pressing: 120 min
drilling: 10 min
through plating: 105 min
milling outer layer: 60 min
operating time: 5 hrs. 40 min

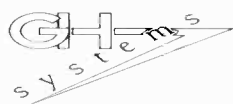


CAD Milling/Drilling Prototype Through Plating MULTIPRESS

For prototype production LPKF Mill/Drilling machines have proven its merits in thousands of installations all over the world. CAD data can be downloaded from any CAD system and prototypes are manufactured automatically either through the mill/drilling machine or by means of our latest laser technology.

The CONTAC through plating system and the MULTIPRESS completes the system. Suitable for any CAD system!

Request info material or call:



GH Systems, 12 Coningsby,
Bracknell, Berkshire, RG12 4BE, U.K.
Tel: 0344 860420/55046 Fax: 0344 411346
Telex: 849462 TELEFAC G

CIRCLE NO. 134 ON REPLY CARD

PORTBLE VIDEO DISTRIBUTION AMPLIFIER - TYPE PGP1



- DIFFERENTIAL INPUT
- OUTPUT GAIN AND EQ. ADJUSTMENT (600 METRES)
- 3 ISOLATED OUTPUTS

- ★ VIDEO OPTICAL ISOLATORS
- ★ 4 CHANNEL VIDEO EQ PCB
- ★ SOUND-IN-SYNC BLANKERS
- ★ 3 O/P PORTABLE VIDEO DA
- ★ MICROPHONE C/O UNITS
- ★ VIDEO & AUDIO MATRICES – 4x1, 10x1, 16x4, 32x4, 12x2
- ★ MIXER/MATRIX AUDIO SYSTEM
- ★ TV TX PI EQUIPMENT
- ★ 8 BIT VICS ENC/DECODERS
- ★ DESIGN AND MANUFACTURE OF SPECIALS

All equipment to full broadcasting specifications

INVOTRON LIMITED

P.O. Box 55, Bray, Co. Wicklow, Ireland

Tel: (Intl + 353 1) 2863725/2863759

Fax: (Intl + 353 1) 2863484

CIRCLE NO. 135 ON REPLY CARD

FREE TO SUBSCRIBERS

Electronics World offers you the chance to advertise

ABSOLUTELY FREE OF CHARGE!

Simply write your ad in the form below, using one word per box, up to a maximum of twenty words (remember to include your telephone number as one word). You must include your latest mailing label with your form, as this **free** offer applies to private subscribers only. Your ad will be placed in the first available issue.

This offer applies to private sales of electrical and electronic equipment only.

Trade advertisers should call **Pat Bunce on 081-652 8339**

All adverts will be placed as soon as possible. However, we are unable to guarantee insertion dates. We regret that we are unable to enter into correspondence with readers using this service, we also reserve the right to reject adverts which do not fulfil the terms of this offer.

Please send your completed forms to:

Free Classified Offer: Electronics World, 11th Floor, Quadrant House, The Quadrant, Sutton, Surrey SM2 5AS



Homing S-Phone: Halifax leaving the drop zone during an actual operation.

The secret radio that kept Resistance lifelines open

Good communication and reliable parachute drops of supplies were vital for coordinating Resistance fighters in occupied Europe. Charles Bovill describes how the S-Phone met both needs – and the enemy never knew.

In a Europe occupied by the German Army, and a Britain under threat, Winston Churchill issued a directive to “Set Europe ablaze”. Until the return of the Allies to Europe, that was an instruction that could only be accomplished by formation of a Resistance movement, organised by patriotic nationals – often in conjunction with agents from Britain who infiltrated occupied countries. Armaments, explosives and agents were parachuted in by the RAF, and the work of the Resistance was to harass the Occupying Forces, mainly by sabotage.

But for the work to be effective, good communications between Resistance Groups and allied agents was essential.

Low-powered HF equipment was in use – and was entirely successful. But for parachute drops, a specially designed communication system with a homing component was needed. The S-Phone, developed by Captain H Lane, was the answer.

Captain Lane, of Royal Signals, was engaged in radio work for the Inter-Service Research Bureau, later to become the Special Operations Executive (SOE). He knew that suitable equipment had to be small and very simple to operate. Reliability was an extremely high priority too, as equipment repair was practically impossible in the field.

Lane’s basic idea was to use a new approach to secure communications built on the line of sight performance of UHF, with operational range depending on the relative heights of the sending and receiving stations. So an aircraft flying thousands of feet above the ground station could communicate over considerable distances. The generally used formula for the horizon distance, upon which the idea was based is $D = \sqrt{H_1 + H_2}$ where D = distance of the horizon in miles, H_1 is the height in ft of the aircraft and H_2 is the height in ft of the ground equipment.

In a typical case the horizon distance between an aircraft flying at 3000ft and a ground station would be about 50 miles for an S-Phone at 100 feet ASL. In practice, this meant that with the low power available from the ground station the range, under favourable conditions, would be about 20 miles – an adequate range for its intended use. But as a by-product, the system was extended to intelligence work communications where it was extensively used almost as soon as the system became operational.

At short ranges, various effects severely restricted ground-to-ground communication. Over normal terrain, the range was not more than a maximum of one mile, with a power output of 200mW. Experiment indicated that

the S-Phone should operate in the 400-450MHz band. But why did SOE not use the already developed VHF? The answer is that communications equipment had to be compact. It was also known that the enemy carried out extensive monitoring on the VHF band, but very little on UHF – though they did operate communication links on UHF.

For the period in question, fifty years ago, miniaturisation was hardly an option. Only valves were available and for VHF, suitable types were rare and mostly absorbed for radar development.

Ground S-Phone

The ground S-Phone prototype hardly changed throughout the war. It consists of the transmitter-receiver unit, in a contoured metal case, a dipole antenna plugged in and a belt to which the unit was clipped and which also contained rechargeable batteries and a vibrator HT generator.

By present day standards the circuit arrangement used is very simple and consists of a free-running UHF oscillator and Heising modulator for the transmitter. The oscillator valve, an *RL18* is fed into the antenna inductively and provides an output of about 200mW. The vibrator, driven by 6V from the battery belt, provides 200V for the HT of all valves in the

The lightweight self-contained SPhone enabled communication between ground and air while minimising the chance of transmissions being picked up on the ground.

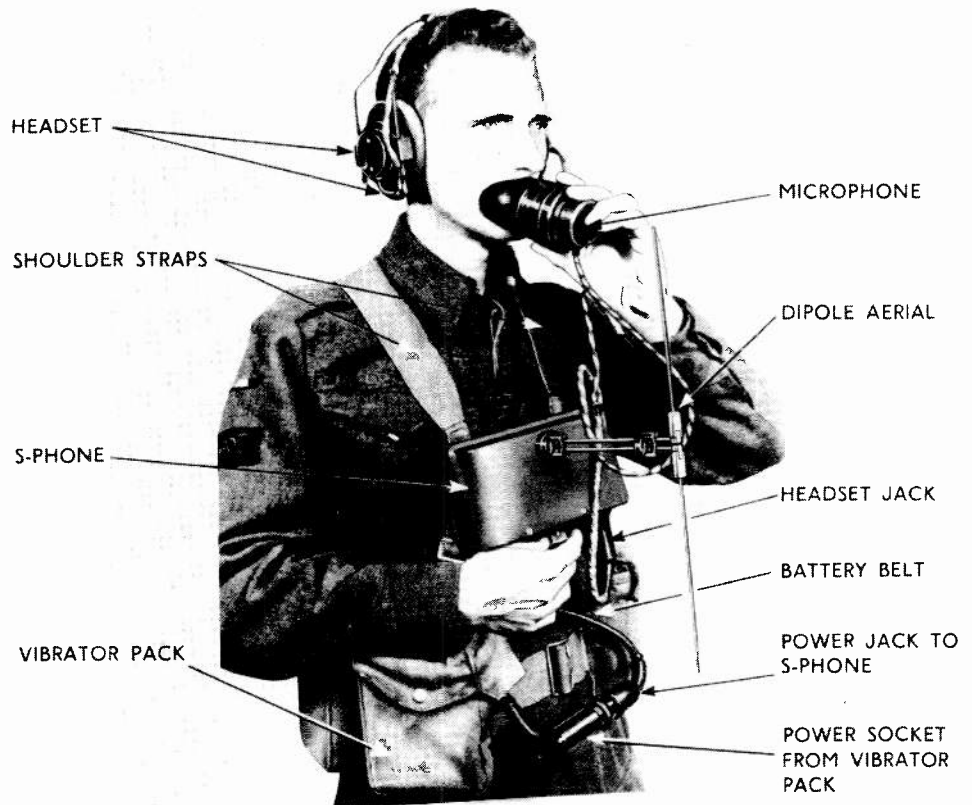
transmitter and receiver sections. Batteries provide about 4h of continuous operation and a charger operating from the 110 or 220V mains was supplied.

The receiver uses a super-regenerative detector, also an *RL18*-type of valve, and audio is fed to an amplifier, using *Hivac* valves. A tuning control provides an adjustment of $\pm 5\text{MHz}$ to take up transmitter and receiver frequency drift.

The detector is connected to the antenna inductively. Closeness of the transmitter circuits to the receiver input results in a side-tone signal.

The microphone is a normal RAF air crew type and gave good quality. Intelligibility was deemed essential during the experimental period as, in many cases, the ground operator and opposite number on the aircraft did not always share the same first language. Repeating signals were not desirable, because of the risk of night fighter activity.

Overall, the S-Phone, using duplex, had been conceived to resemble a normal telephone as far as possible. With correct operation on the part of the aircraft and ground operators it went near to fulfilling the task.



Crash setback

The airborne equipment presented less development difficulty in and, in the first days of trials, consisted of a transmitter of similar type to the ground model but using a superheterodyne receiver. Within a few days of the completion of the prototype, the Whitley aircraft in which it was installed crashed at Stradishall, with the loss of the crew and total destruction of the S-Phone equipment

The situation was particularly serious because the S-Phone was urgently needed and

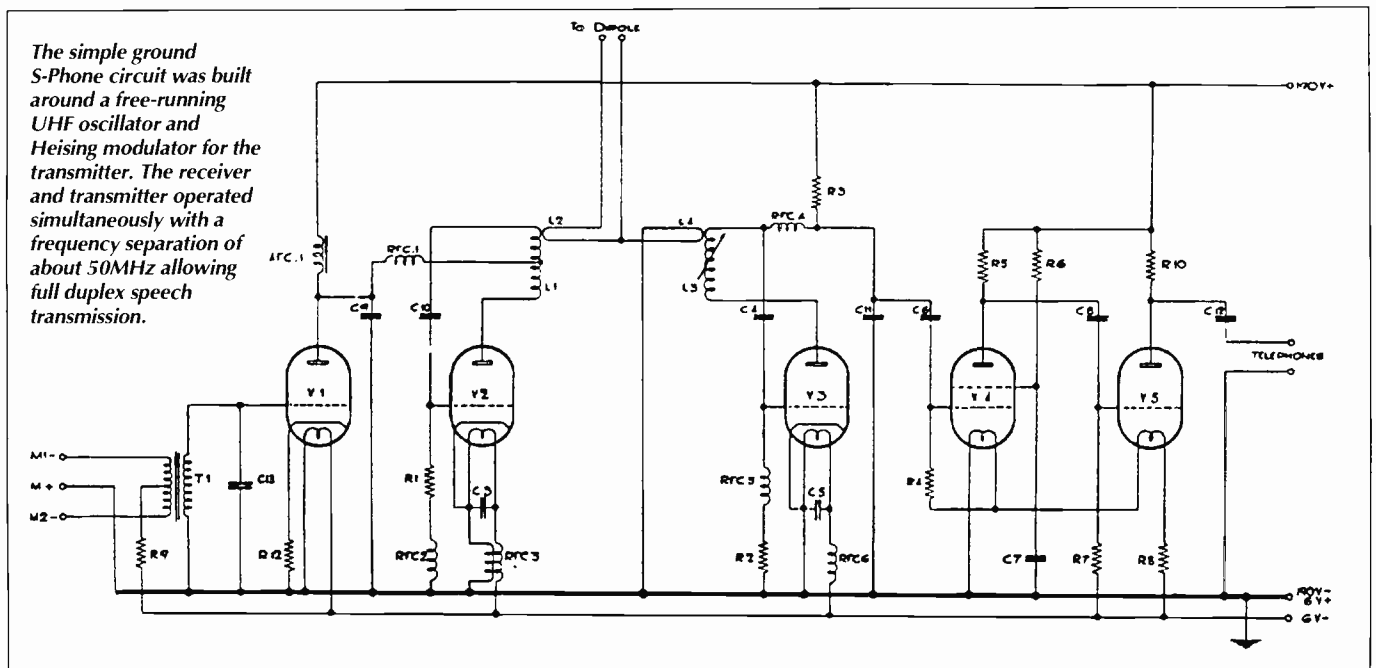
the equipment destroyed had been the only one in existence. Worse, it was then discovered that no drawings of circuits had been prepared.

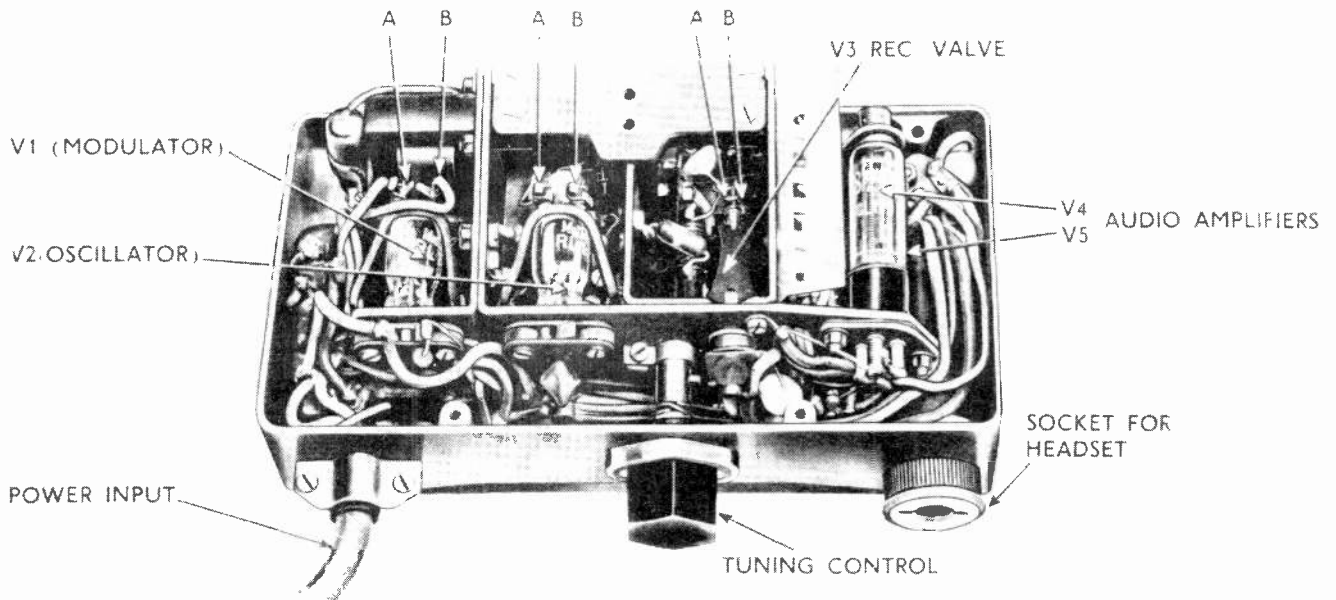
But such was the attitude and the "press on" spirit during the war that, on the evening of the crash, work was immediately put into hand and new equipment was available for airborne tests within three days.

The new airborne unit altered the receiver to a super-regenerative type using tuned lines, as

did the transmitter, both with good performance – the receiver had a sensitivity of the order of $5\mu\text{V}$ for "a loud and clear signal". Transmitter power was also increased.

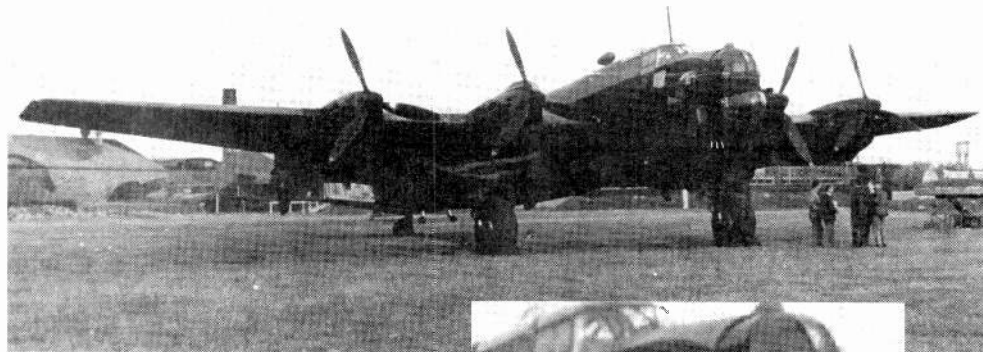
Because of the unusual conditions attached to parachute dropping, the speech output from the transmitter and the receiver were connected to the intercommunication circuits of the aircraft, facilitating operations and eventually saving several aircraft and crew on dangerous missions.





Inside the ground S-Phone.

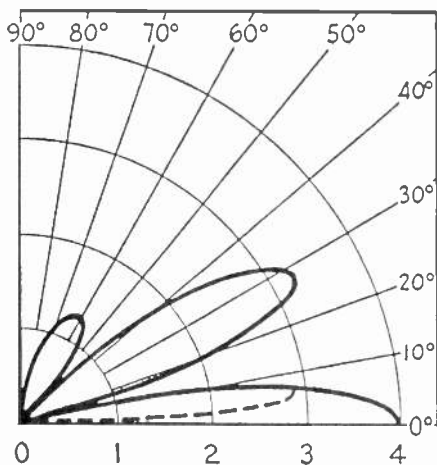
(Right). Many Halifaxes were fitted with the S-Phone. Inset shows a close up of the S-Phone antenna, poking out from under the fuselage. The three-quarter wave antenna provided a bearing facility onto a ground S-Phone set.



Antenna fine-tuning

The airborne installations – in the first instance on Whitley, Wellington and Halifax bombers, converted for dropping parachutes – hit problems with the antennas. Fitting the antennas on the lower surface of the fuselage seemed to be the most suitable solution for ground-to-air communication.

But on the first test flight, with the aircraft at a low altitude, received signals experienced severe distortion from the ground, due to the inherent radiation of a super-regenerative receiver reflected back from the ground below.



Lobes of radiation from the ground S-Phone were not as expected. The gaps were used to guide aircraft to a drop.

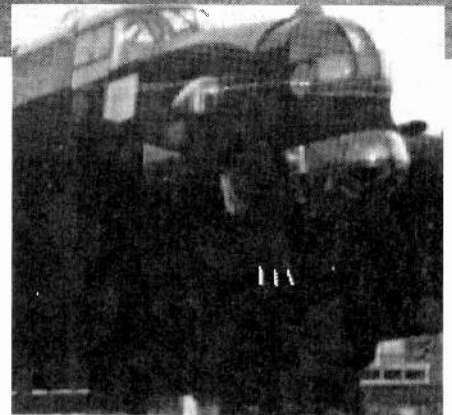
Further experiments showed that the difficulty could be overcome by mounting the antenna – a quarter wave type – on top of the fuselage.

The best position was not determined until several flight tests had been made, because, at some angles of flight, such as steep banking and climbing, the antenna was shielded.

During these experiments developers noted that in some positions of the antenna, distortion of signals occurred, only to be eliminated when the aircraft was flying directly towards the ground transmitter. The effect was in fact due to reflections from the airscrews, an unsophisticated but practical homing system. It was never adopted and better solutions were to come into service later.

The combined characteristics of the ground and airborne antennas added together in quite a fortunate manner. Lobes of radiation from the ground S-Phone were not what is found in textbooks, mainly because of the position, and basic nature of the antennas. The result was several radiation lobes at low angles, causing gaps which, when flown through at relatively low altitudes, were distinctly noticeable by the drop in signal strength, followed by a clear "cone of silence" when signals were not heard.

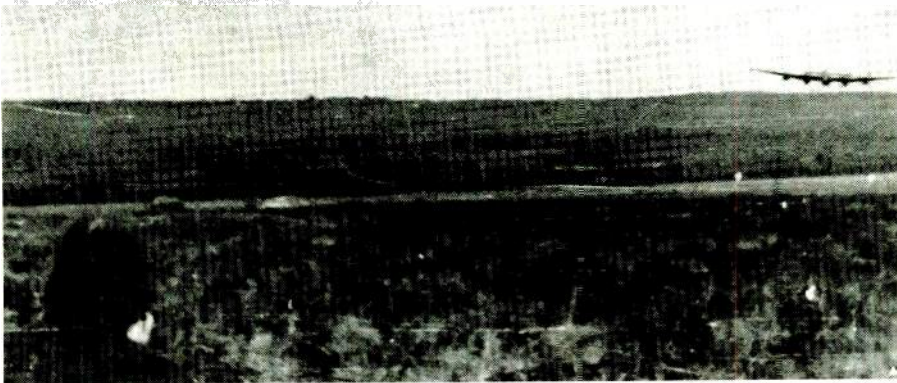
These special conditions were exploited in dropping operations. The aircraft would fly towards the DZ (drop zone) and the levels of



signal strength would be noted by the pilots and the dispatcher – the crew member responsible for the release of the parachutes. Although crude by today's standards, the method was frequently used and was, in its way, successful. When the S-Phone homing system was developed and in operational use, the pilots and the dispatcher were assisted by a signal strength meter which gave accurate indications for a precise drop.

Receiver and DF units were far more advanced than the super-regenerative receiver which had been used on S-Phone operations for the previous years – the super-regenerative receiver being unsuitable for a homing system.

The transmitter remained the same, but by this time, successful UHF superheterodyne designs were available and a reliable sensitive



Halifax leaving drop zone at tree top height to avoid radar detection.

receiver was produced. In essence, the homing receiver was associated with a phase comparison unit, signals being received on three spaced dipole antennas located below the nose of the aircraft

Examination of the equipment reveals some strange techniques in implementation. But the extreme shortage of components and time available had to be taken into consideration. The main consideration was that it all worked.

Transmitting and receiving antenna

During development of the S-Phone ground equipment, one of the main difficulties was the antenna. Position of the dipole made it necessary to use vertical polarisation. Tip of the lower element was about a quarter of a wavelength from the ground, producing a slightly abnormal radiation in the vertical plane which was actually an operational advantage. In addition, the antenna – being forward of the operator – had poor back to front performance, with considerable loss of signal if the operator was not facing towards the transmitting and receiving aircraft.

Attempts were made to rectify this operational weakness but, short of mounting a quarter wave antenna on the operator's head, no practical solution was found and the original antenna layout was retained until the end of the war.

The weakness did lead to some operational failures. An operator knew beforehand the direction from which the aircraft should arrive at the DZ. But in many cases enemy action caused the aircraft to make a detour and probably arrive on a reciprocal bearing. In this case it would not be contacted until it was almost overhead. Usually, the operator placed stones on the ground indicating the cardinal points of N, S, E and W. While waiting for the arrival of the aircraft, the operator searching for signals by pointing the antenna in various directions. When the signals were heard, directional characteristics of the S-Phone would guide the aircraft to the DZ.

How secure were S-Phone operations?

Air-ground S-Phone operations do not seem to have been detected or seriously interfered with by the enemy – which is surprising, because Germany did have UHF systems. Clearly the aircraft transmissions would be detectable over an area of at least 400 square miles. But

they were not heard, or were not felt to be of significance to the very well organised German Abwehr. Finding the ground sets, unless sought by detection units on the ground or in the air, would have involved a considerable organisation.

A reference² to S-Phones is made – though not by name – by the former Chief of Military Counter Espionage in Holland, Belgium and Northern France, Major H J Giskes, author of "London Calling North Pole".

Although primarily engaged in the "English Game" operation, he states that "he had heard from Berlin that progress had been made in the design of VHF sets for agents' use. It is quite possible that the enemy is using them and our normal interception service can't pick them up".

Later in his book, he reports the capture of a Dutch SOE agent with an S-Phone, although again not specified as such, who reported that

Pregnant technology

Trials and operations re-commenced and included demonstrations at night. On one of these tests, to a most secret military organisation, Colonel Lord Sandhurst was critical that, when worn under an overcoat, the operator looked pregnant. The quick-witted SOE Flight Lieutenant handling the presentation, instantly replied that this was an advantage as it was a standing order that, in the presence of pregnancy, a German soldier must avert his eyes and salute.

the radio telephone was for communication with English ships at sea. He reports later that tests showed the equipment was capable of: "... communicating over 5km – quite a good performance at the time".

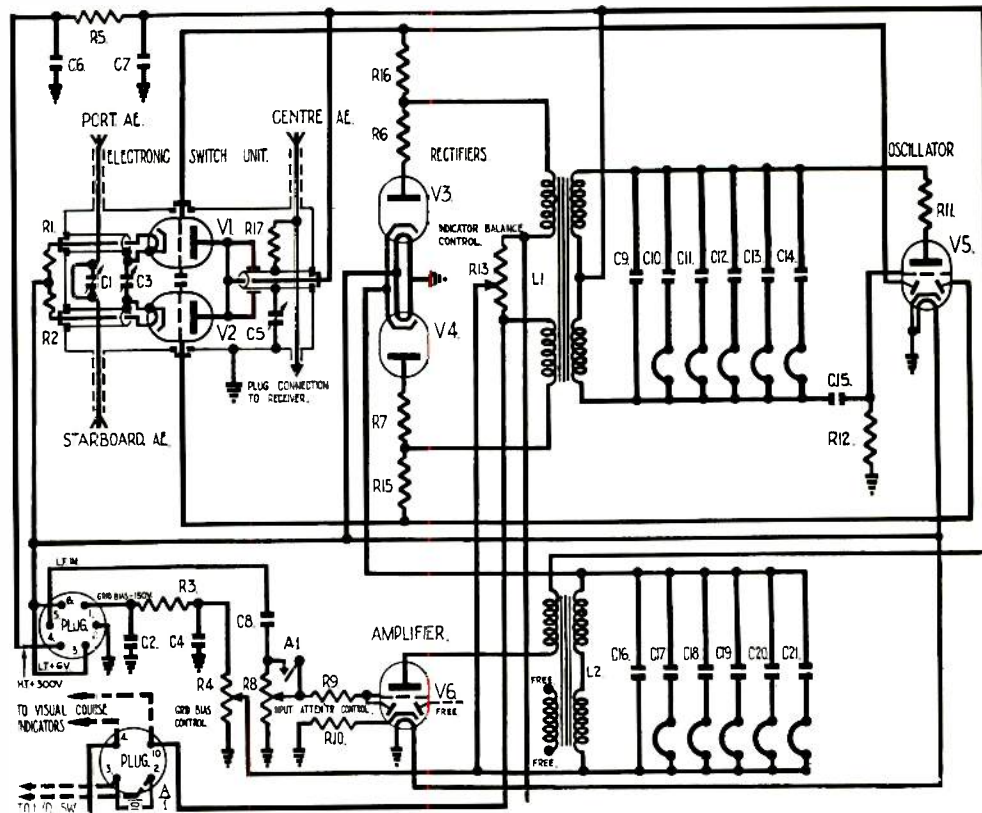
There does not seem to be a record of the capture of agents or saboteurs while using S-Phones, except in the case mentioned.

Proved by history

In these days there is a rather unfortunate tendency for authors and journalists to find fault with military operations. But the S-Phone has not yet suffered in this way and it can be concluded that the development and operations were worth the effort.

The system saved lives and was of great assistance to the valiant agents and Resistance groups in many countries.

In Holland, when the Germans had retreated to the north of the Maas river, an air-ground



Airborne S-Phone homing unit making use of phase difference between three nose-mounted aeriels. In operational use pilots were aided by a signal strength meter.



The Auster was normally used for spotting artillery, but the SOE had them fitted with the S-Phone (in front of seat).

Intelligence gathering network was set up and operated for the period leading up to the last day of the war.

Necessary ground equipment for the activities were smuggled into enemy occupied territory by a few courageous Dutch men and women. Aircraft used were of two types: DH Mosquitoes and the smallest plane flying with the RAF – the Auster.

Normal role of the Auster was artillery spotting, but for the SOE they were fitted with the S-Phone. The aircraft only operated at short ranges and were mainly employed in "orches-

trating" and organising the crossing of the Maas and other rivers, by people leaving the Arnhem battle.

The deep-penetrating intelligence-gathering Mosquitoes flew over Germany at great altitudes collecting valuable information at speeds which made them difficult for the Luftwaffe to intercept.

Airborne equipment was the normal type but the antenna arrangements were unusual. Tests showed that attenuation from the wooden fuselage was negligible at 450MHz, and for aerodynamic and concealments reasons, the antenna was placed inside the fuselage and towards the tail.

Polar diagrams of this arrangement were satisfactory and the range over which communication was possible – theoretically about 150 miles, but in practice nearer to 100 miles – adequately covered the whole area of Occupied Holland and into Germany.

10,000 in use

Estimating how many S-Phone operations were carried out in all of the theatres of war during the years of conflict is difficult, largely due to the very strict security maintained by the RAF, USAF and SOE. Keeping personal diaries was a court martial offence and few existed. Official records – and equipment – were efficiently destroyed, especially by SOE, in 1946.

From the small amount of information available, mainly from the memories of persons actually involved, the number is of the order of 10,000 in Europe and Asia.

The aircraft equipped were Wellingtons, Halifaxes, Whitleys, Hudsons, C47, Fortresses, Liberators, Mosquitoes, Stirlings and Austers. Sorties were made very frequently so the 10,000 estimate seems reasonable.

Operations were, in the main, successful and

Tangible proof of drop accuracy

S-Phone homing and "blind" dropping was demonstrated in the winter of 1943 before a distinguished assembly of officers. The night chosen was considered to have the worst weather that even an English winter could produce, with zero visibility, driving rain and low cloud.

The airborne operator, having complete belief in the system's ability to act as a beacon for the drop, warned observers not to remain closer to the S-Phone than 200 yards. In the event, the bad weather prompted the observers to stay in their cars – which were very close to the S-Phone. The S-phone was simply switched on, without the operator so that the drop could be automatic, and the homing run started some 30 miles from the DZ. Entering the cone of silence, the dispatcher released six containers, and this was followed by a cessation of signals.

The outcome was that the containers, having landed within a few yards of the S-Phone, had inflicted alarm and expensive damage on the distinguished gathering sheltering in their cars.

Accuracy of the homing system was also demonstrated to the US Air Force with a DC3 aircraft of the 60th Group Troop Carriers. The aircraft carried out an initial drop followed at half-hour intervals by further drops. At the end of the exercise, the parachutes from each drop were lying together in an impressive heap.

were, from the beginning of 1944, assisted by the Eureka-Rebecca 200MHz guidance system which provided a homing and distance facility.

The marine activity using S-Phones was considerable in all theatres of war and assisted in many clandestine landings of agents from small boats and submarines. The only comparable system to the S-Phone was the American Joan Eleanor, first used in late 1943. An operation with this system is described in detail by V J Layton in an article "Above Intercept" which appeared in "73 for Radio Amateurs" during October 1985. ■

S-Phone in action

One spectacular operation using the S-Phone was when an enemy headquarters was – to use the present day term – bugged.

Ground equipment was infiltrated into the building and a remote microphone installed in an office where discussions of interest to the Allies were to take place.

For the remainder of the war, an aircraft carrying out routine flights was able to cover conversations through the S-Phone link.

In Denmark, valuable use was made of the S-Phone in establishing a link between Helsingfors and a listening post on the adjacent coast of Sweden.

The Resistance realised that an ancient high tower near Helsingfors could provide an S-Phone transmitter and receiver site for direct communication with Sweden. To meet the requirement special mains-operated equipment was designed and air dropped complete with all associated accessories. After installation on the tower, it was put into operation and regular communication was carried out until the cessation of hostilities. The tower's already-existing telephone-system was connected to the S-Phone enabling information to be passed at will and without interception. After the war, the general excitement and relief of peace resulted in the installation being completely forgotten and it was not until some years after that an ex-SOE radio engineer, who had designed the equipment, discussed the system with an ex-Danish Resistance operator. The tower was later visited and the S-Phone was found to be in perfect working order. Now the equipment is still serving a useful purpose – in a museum in Copenhagen.

Considerable use was made of S-Phones for secret landings from small boats on enemy coasts. For several years the "Shetland Express" transferred agents to and from Norway with the aid of the system. Similarly, a service was in operation between Devon and the north coast of France. In this instance, not only were the ships kept in contact with each other, but also with the aircraft which maintained a watch over them. The antennas on the ships were concealed at the top of the masts and the S-Phone equipment in the bilges. The S-Phone range over the sea from the 25ft masts was well within the horizon distance, owing to the favourable over-sea path.

Further reading

1. "Clandestine Armament" (Also entitled in USA "Secret Warfare"), by Col P Lorain, published by Orbis Publishing, London.
2. "London Calling North Pole", by Major Giskes, published by W. Kimber, 40 Wilton Place, London.

As F/Lt. Bovill, Charles Bovill designed and tested the first widely used airborne homing S-Phone set. He remained intimately involved with clandestine radio operations throughout the war. Charles Bovill is still active as a counter surveillance consultant.

TELEVISION

Subscribe to the magazine that experienced electronics professionals never miss

Whatever your interest in the world of television electronics, there's a wealth of news, advice and hard information for you in *TELEVISION*.

TELEVISION offers you a definitive guide to today's TV electronics business, keeping you up-to-date with new developments in TV, video and satellite – whilst furnishing you with 'hands-on' advice and information on the latest equipment.

EVERY MONTH – EVERYTHING YOU NEED TO KNOW

Once you are a subscriber to *TELEVISION* you'll enjoy a great information advantage. You'll be ahead of all of the latest product developments – you'll receive inside information on important techniques and time-saving work methods – and, importantly, you'll have access to the most comprehensive marketplace for components and services in the UK.

Quite simply *TELEVISION* is the 'bible' of the television electronics industry – if you want to keep up with the competition, you can't afford to be without it.

SUBSCRIBING IS SIMPLE

Complete the coupon and return it to us at *TELEVISION*, Reed Business Publishing, FREEPOST, 9th Floor, Quadrant House, The Quadrant, SUTTON, Surrey SM2 5BR

- *Servicing solutions*
- *TV fault finding*
- *New Products*
- *VCR clinic*
- *Satellite TV*
- *Equipment reviews*
- *Readers' letters*
- *CD players casebook*
- *Components*
- *News and comment*
- *And much more!*

Please send me **TELEVISION**

- One Year at a cost of £26**
- Two Years at a cost of £49 SAVE £3**
- Three Years at a cost of £70 SAVE £8**

Name _____

Job Title _____

Company _____

Address _____

Postcode _____

Telephone No. _____

Fax No. _____

Reed Business Publishing
Company Registered in England
(registered number 151537)
VAT no: 235723565



CIRCLE NO. 136 ON REPLY CARD

4 WAYS TO PAY

1 I enclose a cheque for £_____ made payable to Reed Business Publishing

2 Please charge my:
 Access Visa
 Diners Club American Express
Expiry Date _____

3 Please invoice me/my company
Order No. _____

4 Or alternatively just ring our credit card hot-line on **0622 721666** and quote reference *RJ3*

Are you registered for VAT, Yes No
If yes, please supply your registration Number

Please send a VAT receipt

Signature _____ Date _____

Prices apply to UK, Isle of Man, and Channel Islands only.

RJ3

APPLICATIONS

Fast 10-bit converter with power-down mode

In power-down mode, the 10-bit analogue-to-digital converter used in this battery-monitor for lap-top computers consumes only 20µW.

In a lap-top computer, battery parameters that need to be measured are positive and negative terminal voltages, average current drain and battery-case temperature. Once digitised, these parameters can be used by the keyboard microcontroller to control battery charging circuits. They also provide a means of indicating battery-charge status.

Battery-case temperature rises rapidly when an NiCd or nickel-metal hydride cell reaches full charge. In this circuit, temperature is sensed by an LM34. Resistor R₃ provides a voltage representing battery

current drain. To prevent false readings, this voltage is averaged by a low-power op-amp.

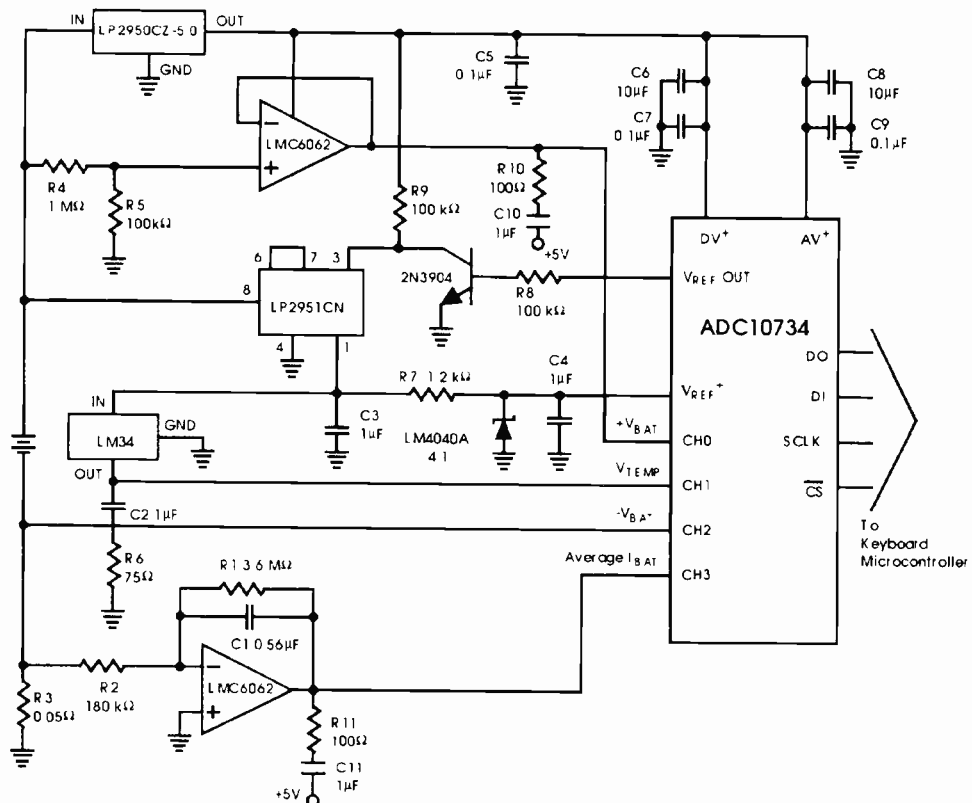
Communication with the keyboard microcontroller is serial via a four-wire link. Power-down mode is initiated by the controller via this link. Since battery parameters are only needed once a second, the converter spends most of its time powered down so battery drain is minimised.

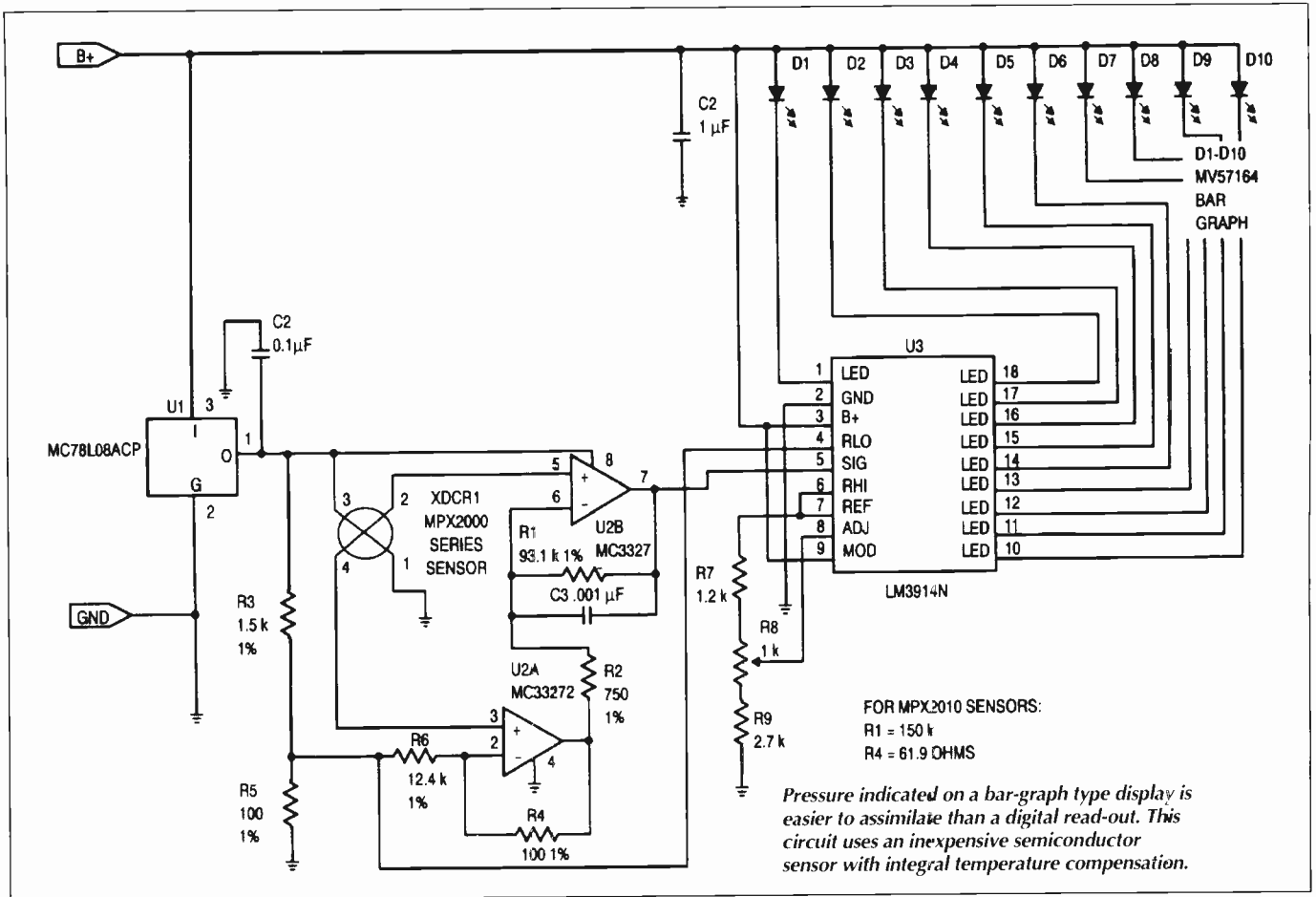
Powering down the data converter also shuts down its 2.5V reference output. This in turn powers down the LP2951 voltage regulator, the temperature sensor and the LM4040 reference. Because the battery current reading is averaged, the LMC6062 cannot be shut down.

Conversion time of the ADC10734 is 5µs maximum. The design is from National Semiconductor's *Leading Edge* bulletin. Also outlined in the bulletin are circuits including a four-channel data acquisition system, a MIL specification analogue monitor, rail-to-rail op-amps, a shunt reference for portables and a high-performance modulator, demodulator and synthesizer. There is also a description of a low component count 3.3V switching IC, the LM2574M.

National Semiconductor Ltd, The Maple, Kembrey Park, Swindon, Wiltshire SN2 6UT. Telephone 0793 614141.

In a lap-top computer, precise battery monitoring is essential. This circuit provides the lap-top keyboard controller with full battery voltage information and cell-case temperature to indicate end of charge.





Pressure gauge with bar indicator

According to application note AN1322 from Motorola, interfacing pressure sensors to bar-graph display drivers, microcomputers and voltage monitors is straightforward. Called *Applying Semiconductor Sensors to Bar Graph Pressure Gauges*, the note outlines all three type of interface.

Temperature compensation is provided by the bar-graph pressure gauge shown but the note also contains a non-compensated option

involving no additional op-amps. This simpler circuit uses a different sensor, an MPX5100.

Drive to the bar-graph IC is 0.5 to 4.5V, proportional with pressure. The op-amps provide gain and level-shifting. Reference input R_{LO} of the bar-graph IC is held at 0.5V, the zero-pressure output voltage, by tying it to reference divider R_3/R_5 . Full scale is set via potentiometer R_8 .

Full details of how the op-amp circuit

works are given in the note. There is also a block diagram of the bar driver IC, a microcomputer bar pressure gauge circuit and a three-segment pressure indicator for at-a-glance OK, high and low display.

Motorola Ltd, European Literature Centre, 88 Tanners Drive, Blakelands, Milton Keynes MK14 5BP. Telephone 0628 585000.

Slotted ferrites for non-contact current measurement

On their own, Hall effect sensors are not usually sensitive enough for detecting current carried in a cable. It is however possible to obtain toroidal ferrites with a radial slot cut into them, although there are few sources. Passing the conductor through such a ferrite ring and placing the detector in the slot greatly increases the flux density available to the Hall effect sensor. Winding the conductor around the core increases effectiveness even further.

Neosid's note *Slotted Ferrite Ring Cores for use with Hall Effect Devices in Current Sensing Applications* describes how to

design such non-contact current sensors. As the following example illustrates, there is enough detail in the booklet to allow engineers to choose the right ferrite – selecting the right ferrite is normally a complex procedure. Tabular data for a small number of appropriate cores however makes selection a relatively simple task.

In this example, maximum anticipated current in the cable is 12A. Space available is 40mm by 40mm and the conductor diameter is 1.5mm. For the Hall-effect device, maximum flux density is 30mT (300 gauss).

Best results are obtained when the gap is

as small as possible. Some sensors currently available are 1.69mm thick, so a gap of 2mm is acceptable.

For the number of turns N of the conductor around the core there is a central equation,

$$N = (B \cdot 10^3 / \mu_0 I) \cdot (e / \mu_e)$$

where μ_0 is the permeability of free space ($4\pi \cdot 10^{-7}$), B is maximum flux density in teslas, I is maximum trip current in amps, e is effective path length of the core in millimetres and μ_e is the effective permeability of the core.

APPLICATIONS

For a 63/ core the following holds good:

$$\epsilon/\mu_c=2.091$$

and the winding area W_a is 81mm^2 . As a result, the equation for the number of turns is now

$$N=(0.03/4\pi 10^{-7}\times 12)\times 2.091\times 10^{-3}$$

$$=1989.44\times 2.091\times 10^{-3}$$

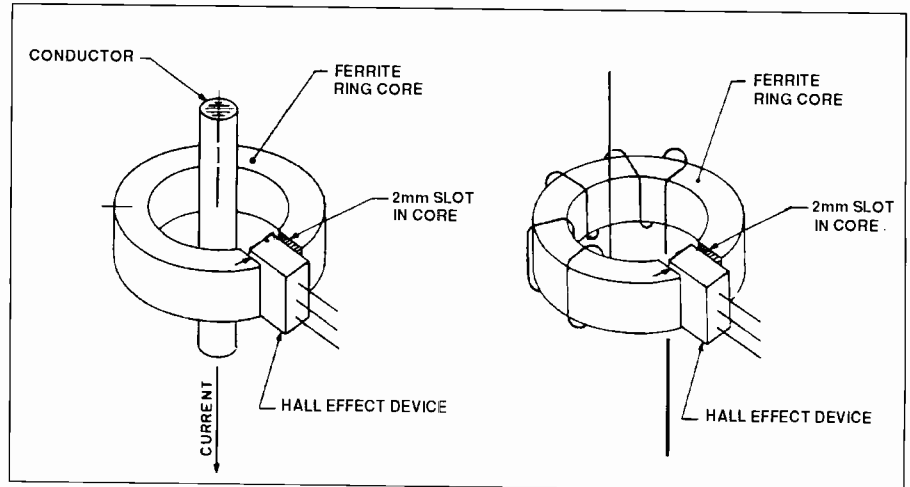
This reduces to 4.16 turns.

To calculate A_c , the number of square millimetres of copper winding area in the core,

$$A_c=(\pi d^2 N)/4$$

where d is the conductor diameter millimetres, ie 1.5mm. This equates to 7.07mm^2 , which is considerably lower than the figure for the winding area W_a at 81mm^2 .

Further information in the booklet describes how the effects of rounding off the number of turns can be calculated. The basis of the central equation is also explained.



MMG Neosid, Icknield Way West,
Letchworth, Hertfordshire SG6 4AS.
Telephone 0462 481 000.

In most applications, Hall-effect sensors alone are not sensitive enough to provide a useful indication of cable current. Adding a ferrite core with a slot focuses the magnetic field produced by the current in the cable on the sensor. Winding the cable around the core increases the field intensity even further.

Planar power inductors – lower profile and higher

Theoretically, the physical size of DC-to-DC converter and switch-mode power supply circuits decreases proportionally with switching frequency. In the past, transistor switching time usually limited the practical operating speed of power switching circuits. Now that power

transistors capable of efficient switching at well above 100kHz are common, losses from inductive components become increasingly significant.

Higher operating frequencies increase the rate of flux change in the inductor. This in turn increases eddy and hysteresis losses in

the inductor core. Winding losses due to proximity and skin effect increase too. Common solutions to these problems include twisted pair windings, Litz wire and other elaborate methods.

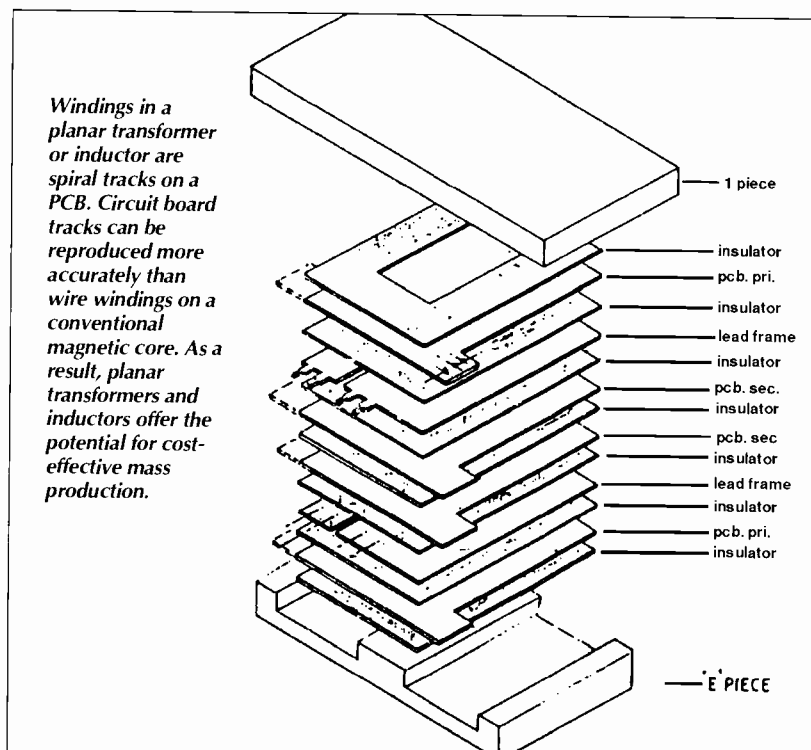
At powers to 250W and switching frequencies to 2MHz, planar magnetics could well offer an alternative solution, as suggested in Magdev's *Planar Magnetics Technical Bulletin TB/001*.

Planar transformers can have a very low profile since their windings are printed on double-sided PCB. Core material is chosen to combine high permeability with high flux density. Material for the winding PCB is selected for its dielectric permittivity to minimise high-frequency losses.

With planar technology, square-section winding geometry results in increased magnetic coupling and lower losses due to skin effect relative to conventional transformers. Leakage inductance is claimed to be low because of improved magnetic coupling and the ease of connecting windings in parallel.

Having a well defined construction, planar transformers are also said to offer consistent and easily determined inductance, interwinding capacitance, flux linkage and losses. The ability to increase operating frequency reduces winding resistance and subsequently copper losses.

Being physically a low, flat block, planar transformers offer the opportunity for mounting in direct contact with the host circuit board. This improves their ability to

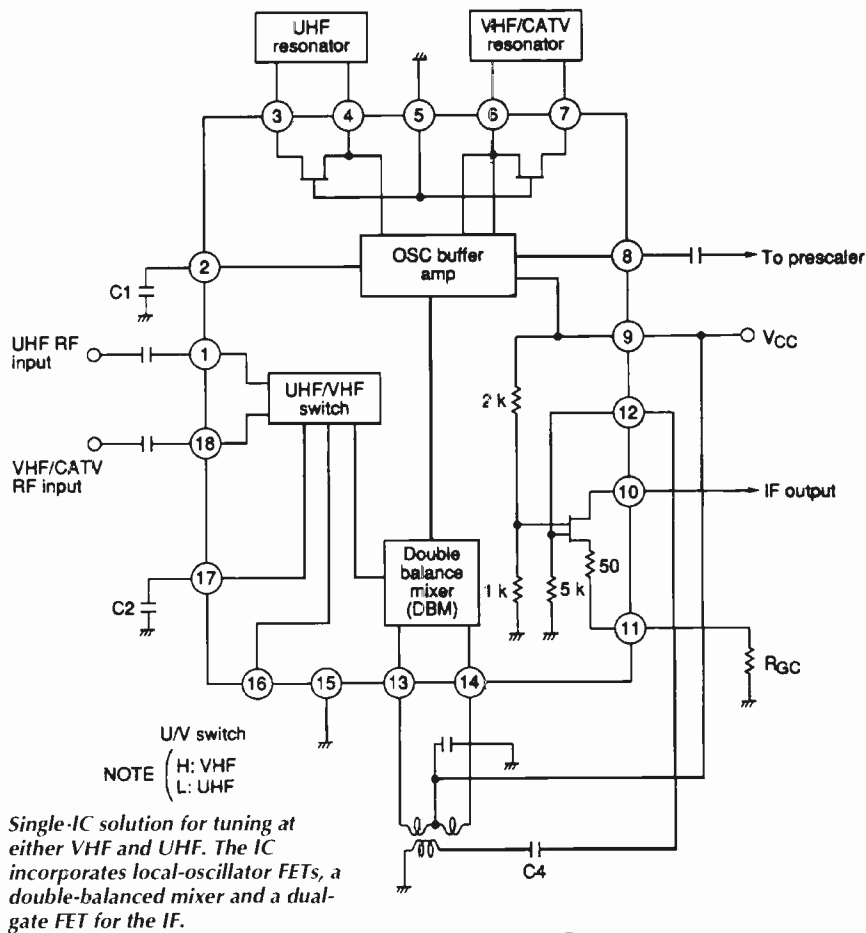


Windings in a planar transformer or inductor are spiral tracks on a PCB. Circuit board tracks can be reproduced more accurately than wire windings on a conventional magnetic core. As a result, planar transformers and inductors offer the potential for cost-effective mass production.

GaAs tuner for VHF and UHF

This is a complete 95 to 550MHz tuner system using a single GaAs chip, the HA21001. It is an evaluation circuit from Hitachi's Ultra-High Frequency Devices data book. Specifications for the IC are given but apart from a few performance curves there are no further details on this particular circuit.

Hitachi Europe Ltd, Electronic Components Division, Whitebrook Park, Lower Cookham Road, Maidenhead, Berkshire SL6 8YA. Telephone 0628 585000.



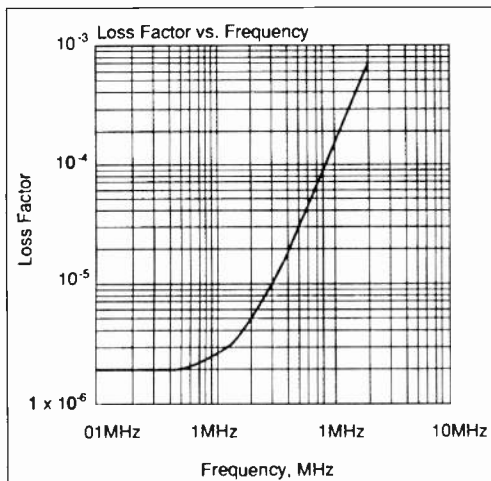
Single-IC solution for tuning at either VHF and UHF. The IC incorporates local-oscillator FETs, a double-balanced mixer and a dual-gate FET for the IF.

efficiency?

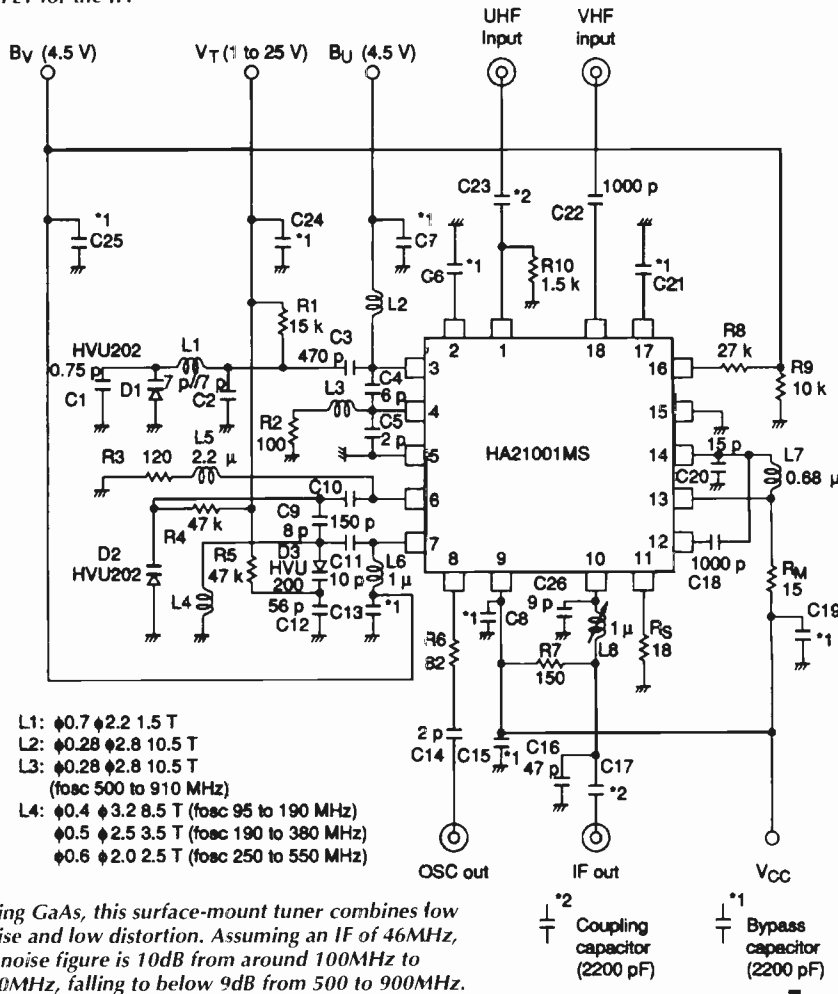
withstand physical shock relative to conventional PCB-mounting inductors and transformers, which usually need raising off the PCB.

In addition to an outline on planar transformer technology, the bulletin contains technical specifications for evaluation kits that allow designers to prototype 50, 125 or 250W inductors or transformers.

Magdev, Unit 26, Ketley Business Park, Ketley, Telford. Telephone 0952 243822.



Low-profile planar transformers and inductors can reduce SMPS losses at high SMPS switching frequencies. Ferrite and winding materials resulting in this graph were optimised for operating frequencies to 2MHz.



- L1: $\phi 0.7 \phi 2.2$ 1.5 T
- L2: $\phi 0.28 \phi 2.8$ 10.5 T
- L3: $\phi 0.28 \phi 2.8$ 10.5 T (fosc 500 to 910 MHz)
- L4: $\phi 0.4 \phi 3.2$ 8.5 T (fosc 95 to 190 MHz)
 $\phi 0.5 \phi 2.5$ 3.5 T (fosc 190 to 380 MHz)
 $\phi 0.6 \phi 2.0$ 2.5 T (fosc 250 to 550 MHz)

Being GaAs, this surface-mount tuner combines low noise and low distortion. Assuming an IF of 46MHz, its noise figure is 10dB from around 100MHz to 400MHz, falling to below 9dB from 500 to 900MHz.

SUMMING IT UP: a guide to integration

From totalling the charge accumulating on a capacitor to analysing the waveform of signals, integration is fundamental to many aspects of electronics. In this extract from his book Understand Electrical and Electronics Maths, Owen Bishop shows how to go about it.

Let's look at the relationship that exists between the curves of a function and of its derivative. Take as an example; $y = x^2 + 10$. This is the upper curve in Fig. 1. Below it is the curve for its derivative: $dy/dx = 2x$. The derivative is also a function and we call this function u : $dy/dx = u$. There is a region ABCD beneath the graph of u , from $x_1 = 3$ to $x_2 = 5$. The aim is to calculate the area A of this region. If the graph is a straight line, as it is here, the area is easily calculated by using the formula for a trapezium:

$$A = CD \times \frac{(AD + BC)}{2} = 2 \times \frac{(6 + 10)}{2} = 16$$

This gives us the result we are aiming for, but we need a more general method for finding A , which works with a graph of any function. Think of the area as being divided into a large number of narrow vertical strips. In the diagram these are alternately black and white to make them show up clearly. Given that the width of a strip is Δx (a very small distance in the x direction) and that its height is u , the area of the strip is about $u\Delta x$.

The total area of ABCD is the sum of the areas of all the strips. In maths this is written:

$$A = \sum_{x_1}^{x_2} u\Delta x \quad (1)$$

The symbol \sum means the sum of all terms similar to the following term. The x_1 and x_2 indicate that this is to be done for the area starting at x_1 and finishing at x_2 .

Now we leave the strips for the moment and look at the line EF at the top left of the figure. This is divided into line segments, alternately black and white. The segments in order from E to F correspond with the strips in order from AD to BC. The figure shows the correspondence for one of the strips. Its width is projected up on to the function curve, and then across on to EF to give the length of the segment. The length of the segment is Δy , a very small distance in the y direction. Since they correspond with the segments of varying widths and since the curve is not straight, the segments are not necessarily of equal length.

The total length of the line EF is the sum of the lengths of all the segments. This is written:

$$EF = \sum_{x_1}^{x_2} \Delta y \quad (2)$$

At this stage there are two equations, (1) for the total area ABCD and (2) for the total length EF. The final step is to link these together. Figure 2 shows how this is done. This is an enlargement of the part of the curve circled in Fig. 1.

The gradient of the curve is approximately that of the straight line NL and equals $LM/NM = \Delta y/\Delta x$. But the gradient of the curve is also given by the value of the derivative, u :

$$\Rightarrow \frac{\Delta y}{\Delta x} = u \quad \Rightarrow \Delta y = u\Delta x$$

Summing both sides of this equation for all segments and strips:

$$\sum_{x_1}^{x_2} \Delta y = \sum_{x_1}^{x_2} u\Delta x$$

Looking back at the summing equations (1) and (2), we see that this equation means that the length of EF is equal to the area of ABCD. This is an extremely important result. To show that it works in this case, for an area from $x_1 = 3$ to $x_2 = 5$, we use the function $y = x^2 + 10$ to calculate the corresponding values of $y_1 = 19$ and $y_2 = 35$. The length of $EF = y_2 - y_1 = 35 - 19 = 16$. This is equal to the result calculated from the trapezium formula.

Tidying up

Two approximations were made in the above discussion. First, the area of the strips was calculated as if they were rectangular, but they are not. Secondly, the gradient of the curve in Fig. 2 was calculated as if it is the same as the straight line LN, which it is not.

These approximations gradually disappear as Δx and Δy are made smaller and smaller. As the strips become narrower they become less and less different from rectangles. The line LN becomes less and less different from the curve. Taking the calculations to the limit, as Δx and Δy approach zero, removes the errors due to the approximation. When working at the limit,

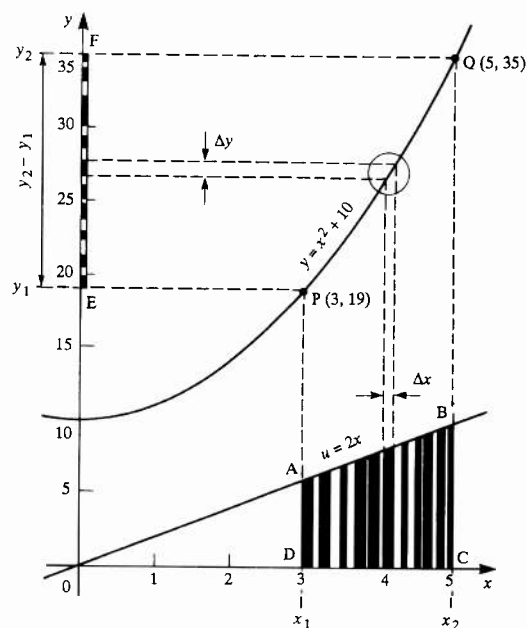


Fig. 1. The curve for $y = x^2 + 10$ (top) and the curve for its derivative (bottom).

with Δx and Δy infinitely small, the Greek letter S, or sigma Σ , which stands for sum, is replaced by the long S, \int . Equation (2) becomes:

$$A = \int_{y_1}^{y_2} dy$$

The Δy is replaced by dy , as in differentiation, to indicate that limiting values are involved. Another word meaning almost the same as summation is integration. This is done to individual components when an integrated circuit is made. We have done it here, putting the strips together to make a whole area, or putting the segments together to make a whole line. The expression above is called an integral. It is the integral with respect to y between the limits y_1 and y_2 . Here the term limit is used to mean the lower and upper values of y .

Working in reverse

The result of this can be expressed as follows: Given the curves of the two functions, one of which is the derivative of the other, the area under the curve of the derivative from x_1 to x_2 is given by the difference of the y coordinates ($y_2 - y_1$) of the other curve.

In practice, this is usually looked at from another viewpoint. We are given a function and want to know the area under part of its curve. The function we are given is the derivative. Before we can calculate y_2 and y_1 we have to find a function with this derivative. In other words we have to differentiate in reverse. Integration is sometimes called anti-differentiation.

On the other hand, anti-differentiation implies that the process is one based on the reverse of differentiation. The box shows how to integrate a simple expression of the form ax^n .

If the function to be integrated has a constant as a multiplier or divisor, that constant applies to every one of the strips that are being integrated. It therefore applies to the whole area and so may be written in front of the integral sign. For example:

$$\int 5x^2 dx = 5 \int x^2 dx$$

$$\int \frac{x^3}{2} dx = \frac{1}{2} \int x^3 dx$$

The rules for integration are simply the inverse of the rules for differentiation with the extra condition that we have to add a constant c , the constant of integration. Given a polynomial with a constant term not involving x , we lose that term when differentiating. For example, the following terms all differentiate to $dy/dx = 4x + 3$: $y = 2x^2 + 3x$; $y = 2x^2 + 3x + 4$; $y = 2x^2 + 3x + 7$; and $y = 2x^2 + 3x + 99$.

The constant makes no difference to the value of the derivative. When reverse differentiating $4x + 3$ there is no way of knowing whether the constant in the original function was 4, 7, 99, or any other value, or if there was a constant at all. We just call it c with the possibility that $c = 0$. Here are some examples of using the rules for integration:

Function	Integral
$2x$	$x^2 + c$
$4x^2$	$(4x^3/3) + c$
$6x^2 + 7x$	$2x^3 + (7x^2/2) + c$
$5/x^2 (= 5x^{-2})$	$-5/x (= -5x^{-1}) + c$
$2/x^4 (= 2x^{-4})$	$-2/3x^3 [= -2x^{-3}/3] + c$
$3\sqrt{x} (= 3x^{1/2})$	$2(\sqrt{x})^3 (= 2x^{3/2}) + c$

These examples can be checked by differentiating the functions in the right column to yield the functions in the left column. Fractional and negative indices follow the rules, the only exception being the index -1 , in a term such as $x^{-1} (= 1/x)$. Applying the rules, the new index is 0, and the term has to be divided by zero, giving an indeterminate result. The function which has $1/x$ as its derivative is $\ln x$. Therefore the integral of $1/x$ is $\ln x + c$.

Standard integrals

The box lists common functions and their integrals. When integrating a function, examine it to see if it is a standard integral. The examples above are all variations of the standard form. The terms of a polynomial are integrated individually, as in an examples above. If an expression (or integrand, as we call a function that is to be integrated) is not standard, it may be possible to make it standard before integrating it. For example, take $\int x(2x - 6)dx$. The integrand is the product of the two functions. If the expression is multiplied out, we obtain a polynomial, the terms of which can be integrated individually as standard integrals:

$$\int x(2x - 6)dx = \int (2x^2 - 6x)dx = \frac{2x^3}{3} - 3x^2 + c$$

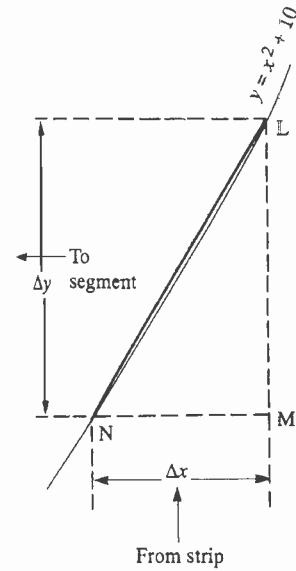


Fig. 2. Enlargement of the circled part of Fig. 1.

Rules for integrating simple functions

Provided that the index of x is not -1 : Add 1 to the index, divide the term by the new index, and add c , the constant of integration. Summarising:

$$y = ax^n \Rightarrow \int y dx = \frac{ax^{n+1}}{n+1} + c \quad (n \neq -1)$$

Standard integrals

(add c to all integrals)

Funct.	Integral	Example	
		Funct.	Integral
ax^n	$(ax^{n+1})/(n+1)$	$3x^4$	$(3x^5)/5$
a/x	$a \ln x$	$5/x$	$5 \ln x$
$\sin ax$	$(-\cos ax)/a$	$\sin 5x$	$(-\cos 5x)/5$
$\cos ax$	$(\sin ax)/a$	$\cos 3x$	$(\sin 3x)/3$
e^{ax}	e^{ax}/a	e^{2x}	$e^{2x}/2$

Integrating with time

A constant current I flows into a capacitor, capacitance C , for a time t . Assuming that the capacitor has no charge when timing begins, the charge q stored in the capacitor is given by $q = It$.

In words, the charge is the product of the current and the length of time for which it has been flowing. We can represent this as a graph (Fig. 3a) in which charge, being the product of current and time, is represented by the area beneath the curve. This idea can be extended to a varying current i since, for any short instant of time Δt , the accumulating charge Δq equals $i\Delta t$ (Fig. 3b); compare with the strips of Fig. 1.

Suppose that we pass a current which varies according to a given function in which t is the independent variable. The area under the current-time graph represents the accumulated charge. This area is found by evaluating the definite integral of the function for the period of time concerned.

For example, a capacitor begins uncharged, but is then charged by a current i for which $i = \sin 20t$. How much charge accumulates on the capacitor in a period of 1.2s? Integrate the function i with respect to t from $t_1 = 0$ to $t_2 = 1.2$ (4dp):

$$q = \int_0^{1.2} \sin 20t dt = \left[\frac{-\cos 20t}{20} \right]_0^{1.2}$$

$$= \left[\frac{-\cos(20 \times 1.2)}{20} \right] - \left[\frac{-\cos 0}{20} \right]$$

$$= -0.0212 - (-0.0500) = 0.0288$$

The charge is 0.0288C. Note that the angle $20t$ after 1.2s is 24rad. This is $24/2\pi = 3.82$ cycles. The capacitor is subject to charging and discharging three times, finishing with 0.0288C when 0.82 of the way through the fourth cycle.

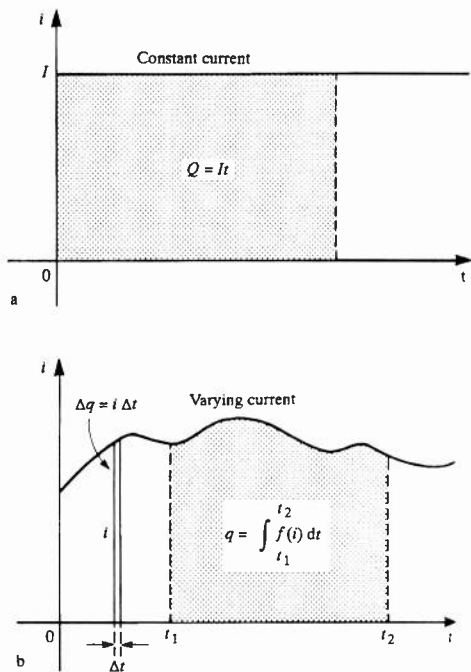


Fig. 3. Graph showing constant current (top) and varying current (bottom).

The integral of a quotient may sometimes be found by first dividing out the integrand:

$$\int \frac{x^3 + 1}{x^2} dx = \int \left(x + \frac{1}{x^2} \right) dx = \frac{x^2}{2} - \frac{1}{x} + c$$

Not all integrals lend themselves to this approach. Other methods are described later.

Dealing with the constant of integration

In the example above, the integral has had no limits attached to it. Such an integral is called an indefinite integral. It is evaluated by substituting a given value of x , or other variable that the integral is in respect to. But there is still the constant of integration. To find this, more information is needed such as the value of the integral for a given value of x . For example, let us evaluate the integral of $4x + 3$, given that, when $x = 2$, the value of the integral is 10:

$$\int (4x + 3) dx = 2x^2 + 3x + c$$

When $x = 2$:

$$\int (4x + 3) dx = 2 \times 2^2 + 3 \times 2 + c = 14 + c$$

Put this equal to the given value so $14 + c = 10$, giving $c = -4$. The integral is $2x^2 + 3x - 4$

In the earlier discussion of integration, the area under the curve (Fig. 1) was to be evaluated between x_1 and x_2 . Such an integral with limits is called a definite integral:

$$A = \int_{x_1}^{x_2} 2x dx = [x^2 + c]_{x_1}^{x_2}$$

The integral is written in square brackets with the limits outside the right bracket. Evaluating the contents for $x = x_1$ and $x = x_2$ gives y_1 and y_2 ; their difference, $y_2 - y_1$, is the area:

$$A = [x_2^2 + c] - [x_1^2 + c] = x_2^2 - x_1^2$$

Given $x_1 = 3$ and $x_2 = 5$, then $A = 5^2 - 3^2 = 25 - 9 = 16$.

Note that c appears in both brackets and so cancels out. Consequently, when we are evaluating definite integrals, the constant of integration can be ignored. In Fig. 1 it can be seen that the value of c is 10, this being the y intercept of the curve $y = x^2 + 10$. However, it does not matter what it is. Giving c a different value merely shifts the parabola vertically up or down the page without affecting the length of EF.

When integrating $1/x$, the constant of integration can be expressed differently. Normally we would write $\int 1/x = \ln x + c$. Using an alternative expression, we write $\int 1/x = \ln kx$. The constant, now called k , is included in the logarithm. Addition of logarithms is equivalent to the multiplication of ordinary numbers: $\ln kx = \ln k + \ln x$. Differentiating:

$$\frac{d}{dx} (\ln kx) = \frac{d}{dx} (\ln k + \ln x) = 0 + \frac{1}{x} = \frac{1}{x}$$

The integral of $1/x$ can be considered to be $\ln kx$. This is useful in differential equations.

Integrating ratios

If the integrand is in the form of a quotient, it may be possible to integrate it after dividing out the quotient. For example, find:

$$\int \frac{2x + 3}{x + 2} dx$$

Divide $(2x + 3)$ by $(x + 2)$:

$$\begin{array}{r} 2 \\ x + 2 \overline{) 2x + 3} \\ \underline{2x + 4} \\ -1 \end{array}$$

$$\frac{2x + 3}{x + 2} = 2 - \frac{1}{x + 2}$$

$$\int \left(2 - \frac{1}{x + 2} \right) dx = 2x - \ln(x + 2) + c$$

Note that the logarithm of a negative number is indeterminate. If the expression $(x + 2)$ has a negative value, the logarithm cannot be found. For this reason it is the absolute value of the expression which must be used when evaluating the logarithm. The result of the integration should be written: $2x - \ln |x + 2| + c$.

Integration by substitution

Substitution should be tried when an integrand is not standard, and can't be simplified or multiplied out to make it standard. The idea is to put everything in terms of a different variable, to make it easier. For example finding $\int (4x - 3)^3 dx$. This could be integrated by expanding it and then integrating the terms individually, but we will use substitution instead. The variable of the new integral is to be u . First we replace the integrand by u , by making:

$$u = 4x - 3 \tag{3}$$

The choice of what to make u is straightforward in this example, though it is not always as easy. Usually it is best to try substituting for the most complicated part of the integrand and, if this fails to give a solution, to try other parts. The original integral also has dx in it, so we must find a substitute for this in terms of u . Differentiating equation (3) gives $du/dx = 4$.

Although dy/dx (or du/dx in this case) is a symbol expressing limiting rates of change, implying that it must always be written as a whole, we find in practice that we can separate the dx from the du , treating them as individual quantities. This is why we can change the subject of the equation to give $dx = du/4$. Now we are ready to assemble the new integral by substituting the equivalents of $(4x - 3)^3$ and dx :

$$\int (4x - 3)^3 dx = \int u^3 \frac{du}{4} = \frac{1}{4} \int u^3 du = \frac{u^4}{4 \times 4} + c = \frac{u^4}{16} + c$$

This gives the integral in terms of u but we need it in terms of the original variable x . Use equation (3) to replace u by $(4x - 3)$:

$$\int (4x - 3)^3 dx = \frac{(4x - 3)^4 + c}{16}$$

This integral has the form of $ax + b$, with $a = 4$ and $b = -3$. The box shows a general rule which the result above confirms. This rule applies to any of the standard forms. Examples are:

$$\int \sin(3x + 2) dx = -\frac{1}{3} \cos(3x + 2) + c$$

$$\int e^{5x - 2} dx = \frac{1}{5} e^{5x - 2} + c$$

$$\int \frac{1}{6x + 2} dx = \frac{1}{6} \ln|6x + 2| + c$$

More examples of substitution

The next example is slightly different and involves finding $\int x(2x + 3)^4 dx$. We have two functions in the integrand, x and $(2x + 3)^4$. As stated above, the best approach is to try putting u equal to the more complicated function:

$$u = 2x + 3 \tag{4}$$

Find a substitute for dx : $du/dx = 2$, which gives $dx = du/2$. In this example we also need a substitute for the first function of the integrand, the x . This can be done by changing the subject of equation (4) to give $x = (u - 3)/2$. Now assemble the new integrand by substituting the equivalents of x , $(2x + 3)^4$, and dx :

$$\int x(2x + 3)^4 dx = \int \left(\frac{u - 3}{2}\right) u^4 \frac{du}{2} = \frac{1}{4} \int (u - 3)u^4 du$$

Multiplying out:

$$= \frac{1}{4} \int (u^5 - 3u^4) du = \frac{1}{4} \left(\frac{u^6}{6} - \frac{3u^5}{5} \right) + c = \frac{u^6}{24} - \frac{3u^5}{20} + c$$

Replacing terms in u with their equivalents in x :

$$= \frac{(2x + 3)^6}{24} - \frac{3(2x + 3)^5}{20} + c$$

Now it is a matter of simplifying the expression, starting by taking out $(2x + 3)^5$:

$$= (2x + 3)^5 \left(\frac{2x + 3}{24} - \frac{3}{20} \right) + c$$

Add the fractions, over the HCF of their denominators, 120:

$$= (2x + 3)^5 \left(\frac{5(2x + 3) - 18}{120} \right) + c = \frac{(2x + 3)^5 (10x - 3)}{120} + c$$

Integrating by parts

This is another technique to be tried when the integrand is not standard. The technique is based on the rule for differentiating a product. Under this rule, if the function to be differentiated is the product of u and v , both of which are functions of x , then:

$$\frac{d}{dx}(uv) = \left(\frac{du}{dx} \times v \right) + \left(\frac{dv}{dx} \times u \right)$$

Reversing the order of the factors on the right makes no difference to the values of the terms:

$$\frac{d}{dx}(uv) = \left(v \times \frac{du}{dx} \right) + \left(u \times \frac{dv}{dx} \right)$$

Integrating by substitution

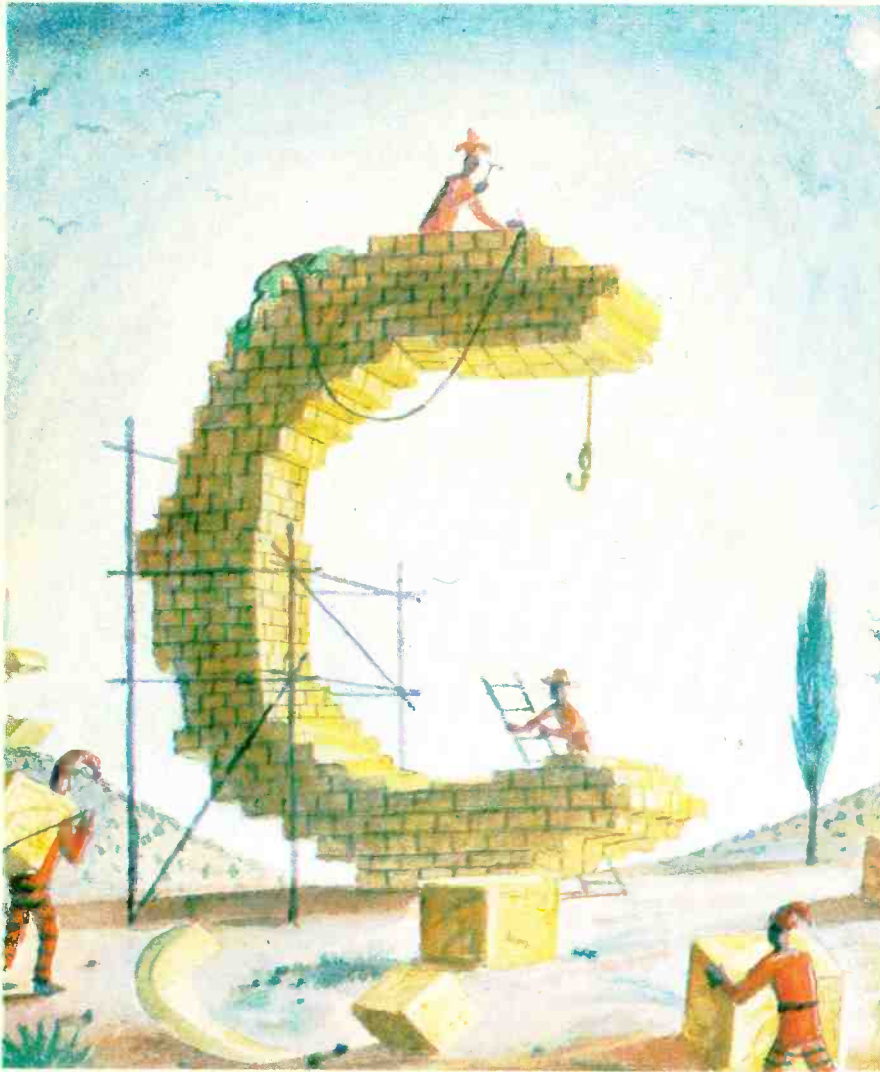
Put u equal to (one of) the function(s) of x . Find du/dx or dx/du (whichever is easier), then change subject to get substitute for du . If necessary find a substitute for other term in x .

Assemble the new integral by substitution and simplify if possible. Integrate.

Replace u with original function of x . Simplify if possible.

Putting $(ax + b)$ into the standard form

Instead of x , write $ax + b$ in the standard integral. Multiply the result by $1/a$.



INTERFACING WITH C

by
HOWARD HUTCHINGS

Interfacing with C can be obtained from Lorraine Spindler, Room L333, Quadrant House, The Quadrant, Sutton, Surrey SM5 2AS.

Please make cheques for £14.95 (which includes postage and packing) payable to Reed Business Publishing Group.

Alternatively, you can telephone your order, quoting a credit card number. Telephone 081-652 3614.

A disk containing all the example listings used in this book is available at £29.96. Please specify size required.

C HERE!

If you have followed our series on the use of the C programming language, then you will recognise its value to the practising engineer.

But, rather than turning up old issues of the journal to check your design for a digital filter, why not have all the articles collected together in one book, *Interfacing with C*?

The book is a storehouse of information that will be of lasting value to anyone involved in the design of filters, A-to-D conversion, convolution, Fourier and many other applications, with not a soldering iron in sight.

To complement the published series, Howard Hutchings has written additional chapters on D-to-A and A-to-D conversion, waveform synthesis and audio special effects, including echo and reverberation. An appendix provides a "getting started" introduction to the running of the many programs scattered throughout the book.

This is a practical guide to real-time programming, the programs provided having been tested and proved. It is a distillation of the teaching of computer-assisted engineering at Humberside Polytechnic, at which Dr Hutchings is a senior lecturer.

Source code listings for the programs described in the book are available on disk.

Changing the subject:

$$u \times \frac{dv}{dx} = \frac{d}{dx}(uv) - \left(v \times \frac{du}{dx} \right)$$

Integrating both sides:

$$\int u \times \frac{dv}{dx} dx = \int \frac{d(uv)}{dx} dx - \int v \times \frac{du}{dx} dx$$

But:

$$\int \frac{d(uv)}{dx} dx = uv + c$$

So:

$$\int u \times \frac{dv}{dx} dx = uv - \int v \times \frac{du}{dx} dx$$

Where is c , the constant of integration obtained when we integrate uv ? This is amalgamated with the c which we will obtain when integrating v . We have to consider the integrand as being made up of two parts, one corresponding to u and the other to dv/dx . For example, let us find $\int x \cos x dx$. The integrand has two parts, x and $\cos x$. Make x equal to u , and $\cos x$ equal to dv/dx . As well as u and dv/dx , the equation contains du/dx and v , which we must calculate. If u equals x , then du/dx equals 1. If dv/dx equals $\cos x$, then v equals $\sin x$ (integrating or anti-differentiating with respect to x). Now substitute these values in the equation:

$$\begin{aligned} \int x \cos x dx &= \int u \frac{dv}{dx} dx = uv - \int v \frac{du}{dx} dx \\ &= x \sin x - \int \sin x dx = x \sin x + \cos x + c \end{aligned}$$

Another example is to find $\int x^2 \ln x dx$. If u equals x^2 , then du/dx equals $2x$. If dv/dx equals $\ln x$, there are problems; this is not a standard form which can be integrated easily. Trying the alternative approach, if u equals $\ln x$, then du/dx equals $1/x$. If dv/dx equals x^2 , then v equals $x^3/3$ (a standard integral). Substituting:

$$\begin{aligned} \int x^2 \ln x dx &= \int u \frac{dv}{dx} dx = uv - \int v \frac{du}{dx} dx \\ &= \frac{x^3}{3} \ln x - \int \frac{x^3}{3} \times \frac{1}{x} dx = \frac{x^3}{3} \ln x - \frac{x^3}{9} \end{aligned}$$

A third example is to find $(1/L) \int mte^{Rt/L} dt$, where L , m , and R are constants. First bring m before the integral sign, then integrate by parts with u equal to t , du/dt equal to 1, dv/dt equal to $e^{Rt/L}$, and v equal to $(L/R)e^{Rt/L}$. Substituting:

$$\begin{aligned} \frac{m}{L} \int te^{\frac{Rt}{L}} dt &= \frac{m}{L} \left(t \frac{L}{R} e^{\frac{Rt}{L}} - \int \frac{L}{R} e^{\frac{Rt}{L}} dt \right) = \frac{m}{L} \left(t \frac{L}{R} e^{\frac{Rt}{L}} - \frac{L}{R} \times \frac{L}{R} e^{\frac{Rt}{L}} \right) \\ &= \frac{m}{L} \left(t \frac{L}{R} e^{\frac{Rt}{L}} - \frac{L^2}{R^2} e^{\frac{Rt}{L}} \right) = \frac{m}{R^2} e^{\frac{Rt}{L}} (Rt - L) \end{aligned}$$

Integration and averages

Currents and voltages often vary with time. The voltage v in **Fig. 4a** falls steadily with time. At t_1 the voltage is v_1 and at t_2 it is v_2 . Since v is falling at an average rate we can say that the average voltage v_{av} is $(v_1 + v_2)/2$. The area under the graph of **Fig. 4a** from t_1 to t_2 is the same as the area of **ABDC** of **Fig. 4b**: the shaded areas above and below **AB** being exactly equal. The area of a rectangle is its height multiplied by its base. In the case of **ABDC** this area equals $v_{av}(t_2 - t_1)$. Changing the subject gives v_{av} equal to the area divided by $(t_2 - t_1)$.

To average a varying voltage we have to find the area under the graph and divide by the length of the base. In **Fig. 4**, finding the area is a matter of geometry but, if the line is more complex, we can use integration. The curve in **Fig. 5**, from its shape, must represent a complicated function. Without saying precisely what the function is, we can say that v is a function of time, or $v = f(t)$. It is possible to draw a rectangle having the same area as the area under the graph between t_1 and t_2 . It is easy to calculate $(t_2 - t_1)$, so the main problem in calculating v_{av} is to find the area. The area is the definite integral of $v = f(t)$ from t_1 to t_2 :

$$\text{area} = \int_{t_1}^{t_2} v dt$$

Putting this into the equation above we arrive at an equation for v_{av} :

$$v_{av} = \frac{1}{t_2 - t_1} \int_{t_1}^{t_2} v dt$$

For example, given the function $v = t^2 - 5$, calculate the mean value of v over the range $t_1 = 3$ to $t_2 = 5$. **Figure 6** shows the curve and the area beneath it. From the equation above:

$$\begin{aligned} v_{av} &= \frac{1}{5-3} \int_3^5 (t^2 - 5) dt = \frac{1}{2} \left[\frac{t^3}{3} - 5t \right]_3^5 \\ &= \frac{1}{2} \left[\frac{125}{3} - 25 \right] - \left[\frac{27}{3} - 15 \right] = 11.33 \text{ (4sf)} \end{aligned}$$

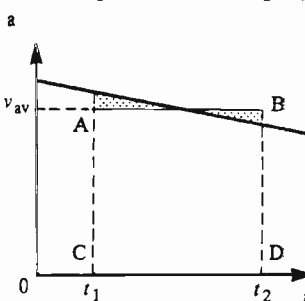
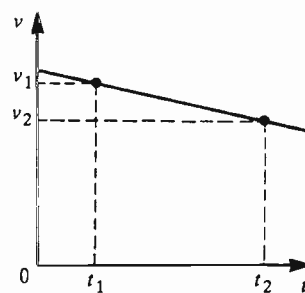


Fig. 4. Graphs showing voltage varying with time.

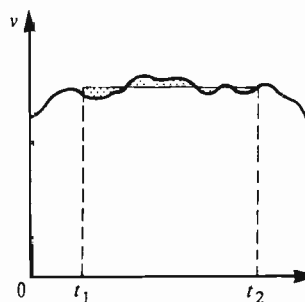


Fig. 5. Curve of a complicated function.

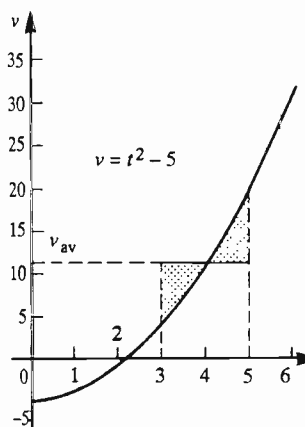


Fig. 6. Curve for $v = t^2 - 5$.

The mean can be taken over part of the curve where v is negative. For example, integrating from $t_1 = 0$ to $t_2 = 5$ gives v_{av} equal to $(1/5)(50/3) = 3.33$ (3 sf). Although the range of t is greater than before, v_{av} is less because it includes values of v which are negative. In terms of area, the area below the x axis is negative area.

Integrating sine waves

The equation for the average value of v can be applied when v is a trig function. The simplest case is $v = \sin t$. This is the equation for a sine wave in which amplitude $A = 1$ and angular velocity $\omega = 1$. The period of one cycle is $P = 2\pi/\omega = 2\pi$. This corresponds to a frequency of $1/2\pi = 0.16\text{Hz}$. We will find the average value of v during one cycle. Applying the equation:

$$v_{av} = \frac{1}{2\pi} \int_0^{2\pi} \sin t dt = \frac{1}{2\pi} [-\cos t]_0^{2\pi} = \frac{1}{2\pi} [-\cos 2\pi + \cos 0]$$

$$= \frac{1}{2\pi} [-1 + 1] = \frac{1}{2\pi} [0] = 0$$

The average value is zero because the positive values of v from 0 to π are exactly cancelled out by the negative values of v from π to 2π . This is the same situation as we mentioned in connection with the curve of Fig. 6.

For comparison, calculate the value of v for a half cycle, from $t_1 = 0$ to $t_2 = \pi$. Incidentally, all the examples we have looked at relate to varying voltage but they could equally well deal with varying current and its average i_{av} . For a sine wave voltage during a half cycle:

$$v_{av} = \frac{1}{\pi} [-\cos t]_0^{\pi} = \frac{1}{\pi} [-\cos \pi + \cos 0] = \frac{1}{\pi} [1 + 1] = \frac{2}{\pi}$$

The result applies when amplitude $A = 1$. If we include A in the equation, it becomes $v = A \sin t$. Integrating this from 0 to π gives $v_{av} = 2A/\pi$. We can adapt the equation further to cover other frequencies, when $\omega \neq 1$. The function then becomes $v = A \sin \omega t$. Integrating:

$$v_{av} = \frac{1}{t_2 - t_1} \int_{t_1}^{t_2} A \sin \omega t dt$$

$$\Rightarrow v_{av} = \frac{A}{(t_2 - t_1)\omega} [-\cos \omega t]_{t_1}^{t_2}$$

Calculate the average voltage when $v = 24 \sin 50\pi t$, for period $t_1 = 0$ to $t_2 = 0.01$ s. Examining the function, we find that $A = 24$ and $\omega = 50\pi$. Applying the equation for v_{av} :

$$v_{av} = \frac{24}{0.01 \times 50\pi} \{[-\cos(50\pi \times 0.01)] - [-\cos 0]\} = 15.28$$

The curve in Fig. 7 might be the voltage output of a thyristor controlled power supply. To simplify the calculation, let $A = 1$ and $\omega = 1$. Now we have to integrate from $t_1 = \theta$ to $t_2 = \pi$:

$$v_{av} = \frac{1}{\pi} [-\cos t]_{\theta}^{\pi} = \frac{1}{\pi} [-\cos \pi + \cos \theta] = \frac{1}{\pi} (1 + \cos \theta)$$

The result shows, if the voltage is switched on when $\theta = 0$, the average is $2/\pi$, as found previously. If θ is increased gradually from 0 to π , the average value gradually falls to zero.

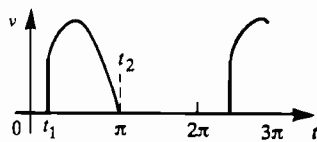


Fig. 7. Modified sine wave as may be found in the voltage output of a thyristor controlled power supply.

Root mean square (rms) values

The root mean square of an alternating voltage or current is the square root of the mean of the squares of the instantaneous value of the voltage or current. Because it is equal to the steady DC voltage or current that dissipates the same power in a resistance, it is an important quantity in electronics. The definition sounds involved but the calculation is similar to the calculation of the average value given above, except that we square the function before we integrate it, then take the square root of the result. In symbols:

$$v_{rms} = \sqrt{\frac{1}{t_2 - t_1} \int_{t_1}^{t_2} v^2 dt}$$

Compare this with the equation given earlier for v_{av} . In this expression, v is any function of t , but most practical calculations are concerned with sine waves. For a sine wave of amplitude A and angular frequency ω , $v = A \sin \omega t$. To obtain an rms value we have to integrate v^2 , but $v^2 = A^2 \sin^2 \omega t$. This means we have to integrate $\sin^2 \omega t$ using the trig identity $2 \sin^2 \omega t \equiv 1 - \cos 2\omega t$. Without going into details, the integration yields this result:

$$v_{rms} = \sqrt{\frac{A^2}{2(t_2 - t_1)} \left[t - \frac{\sin 2\omega t}{2\omega} \right]_{t_1}^{t_2}} \quad (5)$$

Over a whole cycle, from $t_1 = 0$ to $t_2 = 2\pi$, we find:

$$v_{rms} = \sqrt{\frac{A^2}{4\pi} \{ [2\pi - 0] - [0 - 0] \}} = \sqrt{\frac{A^2}{2}} = \frac{A}{\sqrt{2}}$$

This is often expressed to 3sf in the equivalent form $v_{rms} = 0.707A$. By integrating over part of the cycle, equation (5) is used for finding v_{rms} for waveforms such as those of Fig. 7. ■

Owen Bishop's book "Understand Electrical and Electronics Maths" is aimed at people who find maths difficult, making it hard to grasp electrical and electronics theory. This 256 page book is available by postal application to **Lorraine Spindler, EW + WW, Quadrant House, The Quadrant, Sutton, Surrey SM2 5AS. Cost £15.95.** including postage and packing. Cheques made payable to Reed Books Services, Credit card orders accepted by phone (081 652 3614). Published by Butterworth Heinemann.

CLASSIFIED

TEL 081 652 8339

FAX 081 652 8931

ARTICLES FOR SALE



Cooke International SUPPLIER OF QUALITY USED TEST INSTRUMENTS

ANALYSERS, BRIDGES, CALIBRATORS,
VOLTMETERS, GENERATORS, OSCILLOSCOPES,
POWER METERS, ETC.
ALWAYS AVAILABLE

ORIGINAL SERVICE MANUALS FOR SALE
COPY SERVICE ALSO AVAILABLE

EXPORT, TRADE AND U.K. ENQUIRIES WELCOME.
SEND S.A.E. FOR LISTS OF EQUIPMENT AND
MANUALS.

ALL PRICES EXCLUDE VAT AND CARRIAGE
DISCOUNT FOR BULK ORDERS. SHIPPING ARRANGED

OPEN MONDAY-FRIDAY 9AM-5PM

COOKE INTERNATIONAL
ELECTRONIC TEST & MEASURING INSTRUMENTS

Unit Four, Fordingbridge Site, Main Road, Barnham,
Bognor Regis, West Sussex, PO22 0EB

Tel: (+44) 0243 545111/2 Fax: (+44) 0243 542457

★ HIGH END TEST & COMMUNICATIONS EQUIPMENT PURCHASED ★

APPOINTMENTS

THE PAPUA NEW GUINEA UNIVERSITY OF TECHNOLOGY

Lae

Department of Electrical and Communications
Engineering

ELECTRONIC SERVICE UNIT

PRINCIPAL TECHNICAL OFFICER (VIDEO AND TELEVISION SPECIALIST)

Applications are invited for this challenging position which will complement the other specialists in this highly regarded unit. The unit primarily provides electronics workshop repair facilities to all University departments. It also makes its expertise and services (which are almost unique within the country) available commercially to many outside organisations. Consequently the range of equipment supported is very broad indeed.

Duties will include the bench repair of a wide range of video equipment comprised of professional and domestic VCRs, Monitors, Cameras and Televisions; and the supervision and training of Technical Officers both at the bench and through the provision of "in-house short courses".

Applicants should be qualified to HNC Electronics level or equivalent, have sound theoretical knowledge and substantial experience in the repair of the equipment listed above. It is essential that the applicant be versatile and able to pass on his/her knowledge.

Base Salary IMA (International Market Allowance)

K12,435 plus K13,750 = K26,185 per annum

K12,930 plus K14,310 = K27,240 per annum

K13,430 plus K14,900 = K28,330 per annum

(Level of appointment will depend upon qualifications and experience.)

Initial contract period is normally for three years but shorter periods can be negotiated. Other benefits include a gratuity of 30% in the 1st year, 35% in the 2nd year and 40% in the 3rd year taxed at 28%, support for approved research, appointment and repatriation fares, leave fares for staff member and family after 18 months of service, settling-in and settling-out allowances, six weeks' paid leave per year, education fares and assistance towards school fees; free housing, salary protection plan and medical benefit schemes are available. Staff members are also permitted to earn from consultancy up to 50% of earnings annually.

Detailed applications (two copies) with curriculum vitae and the names and addresses of three referees including telephone numbers and indication of earliest availability to take up appointment should be received by: The Registrar, PNG University of Technology, Private Mail Bag, LAE, Papua New Guinea by **13 September 1993**.

Applicants resident in the United Kingdom should also send one copy to Appointments (41983), Association of Commonwealth Universities, 36 Gordon Square, London WC1H 0PF (tel 071 387 8572 ext. 206; fax 071 383 0368) from whom further information may be obtained.

LOUDSPEAKER DESIGN ENGINEER

The applicant should have several years experience in the design of drive units and complete loudspeaker systems. He or she should be open to new ideas and be able to work to deadlines as part of a small team.

LOUDSPEAKER JUNIOR DESIGN ENGINEER

The applicant should hold a recognised qualification in a relevant subject and have at least one years practical experience in the design of loud-speaker or drive units and complete systems. This is an exciting opportunity for the man or woman who wants to make a career in the audio industry.

Applicants should send their CV and current salary details to:

Mrs Anne Oliver

Wharfedale Loudspeakers Limited, Sandless Way, Crossgates, LEEDS LS15 8AL

TURN YOUR SURPLUS TRANSISTORS, ICS ETC, INTO CASH

Immediate settlement.
We also welcome the opportunity to quote for complete factory clearance.

Contact:

COLES-HARDING & CO. 103 South Brink
Wisbech, Cambs PE14 0RJ.
ESTABLISHED OVER 15 YEARS
Buyers of Surplus Inventory
Tel: 0945 584188 Fax: 0945 475216

BIG BUYERS' BARGAINS

12v Brushless fan, Japanese-made £3
3 1/2" 50 ohm Speakers 38p
FM Band Radio Mike £6
6 1/2" 8 ohm Speaker 70p
12v Mini Stepper Motor 75p
Philips Laser £18
12v 2A Power Supply £5

VERY MANY MORE, LIST AVAILABLE
Minimum order £200, but can be mixed

J&N Factors
Pilgrim Works, Stairbridge Lane,
Bolney, Sussex RH17 5PA.
Tel or Fax (0444) 881965

ADVERTISERS PLEASE NOTE

For all your future enquiries
on advertising rates,
please contact Pat Bunce on:

Tel: 081-652 8339

Fax: 081-652 8931

ARTICLES WANTED

WE WANT TO BUY !!

**IN VIEW OF THE EXREMELY
RAPID CHANGE TAKING PLACE
IN THE ELECTRONICS
INDUSTRY, LARGE QUANTITIES
OF COMPONENTS BECOME
REDUNDANT. WE ARE CASH
PURCHASERS OF SUCH
MATERIALS AND WOULD
APPRECIATE A TELEPHONE
CALL OR A LIST IF AVAILABLE.
WE PAY TOP PRICES AND
COLLECT.**

R.HENSON LTD.

**21 Lodge Lane, N.Finchley,
London N12 8JG.**

5 Mins, from Tally Ho Corner.

TELEPHONE

081-445-2713/0749

FAX 081-445-5702.

TENDER SALE

Upon Instructions from P. B. Wood, Liquidator
REL ELECTRONICS LTD
TUNSTALL, STOKE-ON-TRENT, STAFFS
Subcontractors to the electronics industry

**Sale by Tender of
HOLLIS 206225
FLO SOLDER MACHINE
HOLLIS POLYCLEAN
AUTO CLEANING SYSTEM**

Details available from:
HINSON PARRY & CO - CHARTERED SURVEYORS
8 Queen Street, Newcastle, Staffs ST5 1ED
Tel: (0782) 713444

FREE CLASSIFIED

FOR SALE HP 8556A 1F. Section HP8553B 110MHz plug in units for 141T mainframe. Excellent condition. O.I.R.O. £550. 0442-842457.

MULTICORE VAPOUR PHASE Soldering machine. Philips PM5518 multistandard pattern generator both unused. offers. 3 phase 4 amp variac, needs brushes. £20. 0295 810859.

WANTED PRE-WAR Television. Good price paid, can collect. Jac Janssen, Hoge Ham 117D, NL-5104 JD Dongen, Netherlands 010-31 1623 18158.

WANTED: GERMAN WW2 Ex-Service equipment, parts, literature. Also resistance radio sets, SAS/SOE etc, OZ8RO, RAG Otterstad, Hosterkbovej 10, DK-3460 Birkerod. Tel 011-45-42815205.

Z88 LAPTOP COMPUTER. 128K RAM, serial/parallel printer cable, PC link software and cable, carrying case and manuals. Kitching 0642-722812.

FOR SALE AS NEW Heybrook TT2 turntable, logic datum II arm. York 0751 32615.

EX-ARMY WIRELESS SET No. 18 and two No. 38 sets, one unceased. All with junction boxes, handsets, microphones, etc. Offers to 0590 676708.

ARTICLES WANTED

WANTED

High-end Test Equipment, only brand names as Hewlett-Packard, Tektronix, Rhode & Schwarz, Marconi etc. Top prices paid.

Please send or fax your offer to:

HTB ELEKTRONIK

Alter Apeler Weg 5, 2858 Schiffdorf,
West Germany

TEL: 01049 4706 7044
FAX: 01049 4706 7049

WANTED

Receivers, Transmitters, Test Equipment, Components, Cable and Electronic, Scrap Boxes, PCB's, Plugs and Sockets, Computers, Edge Connectors.
TOP PRICES PAID FOR ALL TYPES OF ELECTRONICS EQUIPMENT

A.R. Sinclair, Electronics, Stockholders,
2 Normans Lane, Rabley Heath, Welwyn,
Herts AL6 9TQ. Telephone: 0438 812 193.
Mobile: 0860 214302. Fax: 0438 812 387

WANTED

Test equipment, receivers, valves, transmitters, components, cable and electronic scrap and quantity. Prompt service and cash.

M & B RADIO

86 Bishopgate Street,
Leeds LS1 4BB

Tel: 0532 435649
Fax: 0532 426881

9956

STEWART OF READING

110 WYKEHAM ROAD,
READING, RG6 1PL.
TEL: 0734 268041
FAX: 0734 351696

**TOP PRICES PAID FOR ALL
TYPES OF SURPLUS TEST
EQUIPMENT, COMPUTER
EQUIPMENT,
COMPONENTS, etc.
ANY QUANTITY**

103

ARTICLES FOR SALE

PURCHASE FOR CASH

SURPLUS - OBSOLETE - REDUNDANT
EXCESS Stocks of electronic, electrical components/accessories, part processed and/or finished products. Please submit preliminary information or lists for immediate response to:

K.B. COMPONENTS

21 Playle Chase, Gt. Totham, Maldon, Essex CM9 8UT
Telephone: 0621 893204 Facsimile: 0621 893180

BOOKS & MANUALS

CELLULAR TELEPHONE MODIFICATION HANDBOOK

How are hackers making cellular phone calls for free?

- How to have two phones with the same number
- Techniques for decoding & changing cellular phones' NAMS
- Descriptions of cellular phones's vulnerabilities!
- Cellular phone manufacturers ESN codes

Complete Manual only £ 50

SPY Supply, 108 New Bond Street
London W1Y 9AA
(US) 617-327-7272

Sold for educational purposes only



SERVICES

REPRINTS

A READY MADE SALES AID

If you are interested in a particular article or advertisement, you should take advantage of our reprint service. We offer an excellent, reasonably priced service. For further details and quotation (minimum no. 250) contact:

Jan Crowther, Room 1006,


**Quadrant House, The Quadrant, Sutton, Surrey,
SM2 5AS**

Telephone: 081-652 8229 Fax: 081-652 4278

ELECTRONIC UPDATE

Contact Pat Bunce on
081-652 8339

A regular advertising feature enabling
readers to obtain more information
on companies' products or services.



MQP
UNIVERSAL PROGRAMMING SYSTEM 2000

Models S2200 and S2400

Gang and Set Programmers for
24, 28 & 32 pin EPROMs, EEPROMs,
FLASH, Emulators and OTPs up to 8M bit.

The system 2000 is an ideal programmer for the production environment. Fast programming results in high throughput and rigorous verification leads to improved quality control. Single key functions and checks against misoperation facilitates its use by unskilled staff.

MQP ELECTRONICS LTD.
Tel: 0666 825146
Fax: 0666 825141
CIRCLE NO. 142 ON REPLY CARD

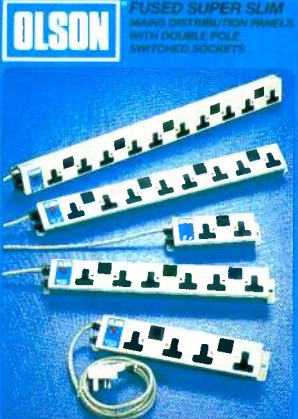


Controllers
Stanners
Software

FREE VXI BROCHURE

The National Instruments VXI brochure describes the company's embedded PC and GPIB controllers, MXIbus interface kits for multiple platforms, and NI-VXI, LabWindows, and LabVIEW software for developing and controlling VXI instrumentation systems.

NATIONAL INSTRUMENTS
Tel: 0800 289877
CIRCLE NO. 146 ON REPLY CARD



OLSON FUSED SUPER SLIM
MEANS DISTRIBUTION PANELS
WITH DOUBLE POLE
SWITCHED SOCKETS

OLSON ELECTRONICS LIMITED is a leading manufacturer in the field of mains distribution panels of every shape and size to suit a variety of needs. For use in Broadcasting, Computing, Data Communications, Defence, Education, Finance, Health etc. All panels are manufactured to BS5733. BRITISH AMERICAN, FRENCH, GERMAN CEE22/IEC and many other sockets. Most countries catered for.

All panels are available ex-stock and can be bought direct from O-SON.

Olson Electronics Limited
Tel: 081 885 2884
Fax: 081 885 2496
CIRCLE NO. 143 ON REPLY CARD



DATAUPDATE

DATAUPDATE is Electronics Weekly's section for advertisers to market their product information. From catalogues to newsletters Data Update is designed to present your product information in a clear and attractive manner, whilst our colour coded enquiry numbers help readers to obtain the information they need fast.

CIRCLE NO. 147 ON REPLY CARD



IR GROUP
FIRST FOR QUALITY AND SERVICE

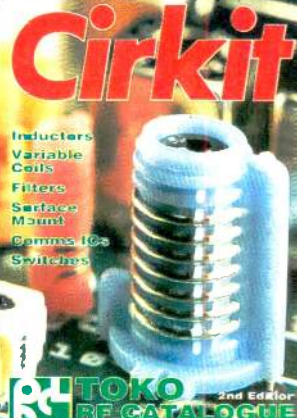
TRIED AND TESTED USED EQUIPMENT

LONDON MANCHESTER
0753 670000 061 973 6251
0753 677000 061 905 276

APRIL 1992

IR Group, Europe's leading supplier of used instrumentation, has published the latest update of models available. With a range from power supplies to network analysers, most items are available on short delivery and come with a 12 month parts and labour warranty. For a detailed quotation call

0753 670000.
CIRCLE NO. 144 ON REPLY CARD



Cirkit

Inductors
Variable Coils
Filters
Surface Mount
Comms ICs
Switches

TOKO RF CATALOGUE 2nd Edition

2nd EDITION TOKO RF CATALOGUE

Cirkit have just published the 2nd Edition of the Toko RF Catalogue, featuring details of Tokos' extensive range of RF coils, inductors, filters and comms ICs.

The 128 page catalogue includes many new products such as; Surface mount high current inductors, surface mount multilayer inductors, helical filters at 2.5GHz and a new section of push button and tact switches.

Cirkit Distribution Ltd, Park Lane, Broxbourne, Herts, EN10 7NQ
Tel: (0992) 441306
Fax: (0992) 441306
CIRCLE NO. 148 ON REPLY CARD



ELECTRONICS WORLD
+ WIRELESS WORLD

MAY 1993 £7.95

ALSO
Cheap DSP to transform audio amp design

DESIGN
Working with switched capacitor filters

HISTORY
Germany's imperial wireless system

RF ENGINEERING
Tests discredit CFA theory

CIRCUIT ENGINEERING
Squashing parasitic oscillations

SPECIAL FEATURE BUILDING BLOCKS FOR PHASE LOCKED LOOPS

ELECTRONIC UPDATE is Electronic World and Wireless World's section for advertisers to market their product information. From catalogues to newsletters, Data Update is designed to present your product information in a clear and attractive manner while our "CIRCLE NUMBERS" help readers to obtain the information they need fast.

CIRCLE NO. 145 ON REPLY CARD



£295.00 + vat

High Speed EPROM & FLASH Programming from your PC

- Programs EPROMs to 4 Mbits/32-pins
- Superfast 8, 16 & 32-bit programming
- Approved algorithms
- Menu driven software included
- Sophisticated editor functions
- Easy file management
- FREE demo disk available

Stag Programmable Limited
Marlfield Welwyn Garden City,
Hertfordshire, AL7 1JT UK
Tel: (0707) 332148
Fax: (0707) 371503

CIRCLE NO. 149 ON REPLY CARD

SPECTRUM ANALYSERS



B&K 2031 narrow band audio analyser £1500
 HP3580A 5Hz-50kHz audio spectrum analyser £1500
 HP3582A dual-channel 25kHz analyser £3500
 HP3585A 20Hz-40MHz GPIB analyser £4500

HP8558B/182C 1500MHz analyser £1500
 HP182C/8559A 0.01-21GHz spectrum analyser £4500
 HP8565A 0.01-22GHz (or 40GHz with ext mixers) £4500
 HP8569B 10MHz-22GHz (external mixing to 115GHz) HPIB £7000
 MARCONI TF2370 110MHz £1750
 MARCONI TF2370/2373 as above but extended to 1250MHz £3000
 TEKTRONIX 2710 1.8GHz spectrum analyser £4000
 TEKTRONIX 496P as above with tracking generator TR503 & frequency counter installed in GPIB-main frame TM5006 £6000

MARCONI INSTRUMENTS

2017 signal generator £2000
 2019A synthesized signal generator 80kHz-1040MHz £2250
 2955A/2960 (TACS BAND III) mobile radio test set £6500
 2828A/2829 digital simulator/analyser £1000
 2830 multiplex tester £1500
 2955/2960 test set with cellular adapter options 30 & 50 £5500
 2956 NMT cellular adapter, latest issue software £1250
 6059A signal source 12-18GHz £750
 6140 GPIB adapter £100
 6460/6420 power meter 10MHz-12.4GHz 0.3uW-10mW £350

RALFE ELECTRONICS

36 EASTCOTE LANE, S HARROW, MIDDLESEX HA2 8DB
 TEL: 081-422 3593, FAX: 081-423 4009

NOW
 IN
 40th
 YEAR



DISTRIBUZIONE E ASSISTENZA, ITALY: TCL RADIO, ROMA, (06)690763

TEST EQUIPMENT

BRUEL & KJAER 3634 sound & vibration field measuring set comprising 2231 SLM/4155, 1625 filter set, 4230 etc. £3500
 BRUEL & KJAER 2511 vibration meter set/1621 filter £2250
 BRUEL & KJAER 2610 measuring amplifier £1000
 BRUEL & KJAER 2307 level recorder £1000
 BRUEL & KJAER 2217 portable level recorder £1850
 BRUEL & KJAER 1818 band pass filter £750
 BRUEL & KJAER 3204 tapping machine £1000

*** MUCH MORE, ASK FOR FULL B&K STOCK LIST ***

AVO RM215L-2 insulation & breakdown tester £650
 DATRON 1065 digital multimeter £750
 DRANETZ 626 mains disturbance analyser (2 x PA-6001) £1250
 DRANETZ 606-3 line disturbance analyser £275
 FLANN MICROWAVE 27072 frequency meter 73-113GHz £225
 FLUKE 8050A 4 1/2-digit bench DMM £430
 KEITHLEY 192 programmable dmm £130
 MAURY MICROWAVE 8850E TNC-calibration kit £2000
 NAGRA IV - SJ tape recorder £1500
 PHILIPS PMS193 synthesized function generator £2000
 PHILIPS PM2534 digital multimeter £450
 RACAL 9008 automatic modulation meter £325, 9009 £300
 RACAL 9081 synthesized AM/FM sig gen 5-250MHz £650
 RACAL 9300 RMS voltmeter -80dB to +50dB £325
 RACAL 9341 LC data bridge component tester £350
 RACAL-DANA 9302 RF millivoltmeter 1.5GHz £430

HEWLETT PACKARD



331A distortion meter £200
 339A distortion meter (option 01) £1500
 3406A sampling voltmeter £250
 355C attenuator DC-1GHz 0-11dB & 355D 0-120dB £125

3325A synthesizer/function generator £1500
 3325B synthesizer/function generator £2700
 3335A synthesizer/level generator with option 01 £1500
 3552A transmission test set £1250
 3575A gain/phase meter 1Hz-13MHz dBV & ratio & 0 opt 01 £1250
 3711A/3712A microwave link analyser (MLA) with 3793B & 3730B/3736B RF down-converter (1.7-4.2GHz) £4000
 3781A pattern generator £1250
 3782A error detector £1250
 400FL mV-meter 100uV-300V vs. 20Hz-4MHz £325
 415E swr meter £350
 4274A multi-frequency (100Hz-100kHz) LCR component meter £4000
 4276A/001 LCZ meter £1750
 432A/478A microwave power meter 10MHz-10GHz £400
 432A/R486A microwave power meter 26.5-40GHz (waveguide) £600
 5005B signature multi-meter, programmable £500
 532A (R) frequency meter 26.5-40GHz waveguide WG28 £150
 5342A 18GHz frequency counter HPIB option £1500
 6253A dual power supply 0-20V 0-3A twice £225
 6825A bipolar power supply/amp -20 to +20Vdc 0-1A £350
 70300A tracking generator plug-in unit £2000
 70907A external mixer for 70000-ser spectrum analyser £1750
 7035B X-Y single pen analogue chart recorder £350
 7790 dual-directional coupler 1.7-12.4GHz (also others) £350
 8011A pulse generator 0.1Hz-20MHz £500
 816A slotted line 1.8-18GHz with carriage 809C & 447B £500
 8405A vector voltmeter, voltage & phase to 1000MHz £950
 8406A comb generator £1000
 8447A RF amplifier 0.1-1300MHz, 22dB gain, 0.1W o/p £500
 8505A network analyser system including 8503A S-parameter test set and 8501A storage normaliser £5000
 8601A 110MHz sweep generator £500
 8620C sweep generator, many plug-in units available £call
 8671A synthesized signal generator 2-6.2GHz £2500

PLEASE NOTE: ALL OUR EQUIPMENT IS NOW OPERATION-VERIFICATION TESTED BEFORE DESPATCH BY INDEPENDENT LABORATORY

We would be pleased to handle all grades of calibration or NAMAS certification by same laboratory at cost price. All items covered by our 90-day parts and labour guarantee and 7-day 'Right to Refuse' (money back) warranty.

ALL PRICES SUBJECT TO ADDITIONAL VAT AND CARRIAGE

MANY MORE FULLY RE-FURBISHED, FULLY GUARANTEED TEST INSTRUMENTS AVAILABLE FROM STOCK. PLEASE ASK FOR OUR CURRENT LISTING. WE CAN FAX LISTS & SHIP GOODS WORLDWIDE. HIGH-END EQUIPMENT ALWAYS WANTED FOR STOCK. "CALL US NOW"

6460/6423 power meter 10MHz-12.4GHz 0.3mW-3W £400
 6600A sweep generator 26.5-40GHz £1000
 6700B sweep oscillator 8-12.4GHz & 12.4-18GHz £1000
 6960/6910 digital RF power meter 10MHz-20GHz GPIB £1000
 6912 power sensor 30kHz-4.2GHz for above series £150
 8938 audio power meter £350
 OA2805A PCM regenerator test set £750
 TF2015/2171 signal generator AM/FM 10-520MHz £400
 TF2304 automatic modulation meter £350
 TF2370 110MHz spectrum analyser £1750
 TF2910/4 non-linear distortion (video) analyser £1000
 TF2914A TV insertion signal analyser £1250
 TF2910 TV interval timer £530

RACAL-DANA 9303 level meter, digital £1030
 ROBERTS & ARMSTRONG f/c-cable end-cut measure unit £540
 SCHAFFNER NSG430 static discharge simulator £1030
 TEKTRONIX TM503/SG503/TG501/PG506 scope calibrator £2230
 TEKTRONIX J16 digital photometer £275
 TEKTRONIX 1485R full spec. TV waveform monitor £1000
 TEKTRONIX 1503B/3034 TDR cable tester £2950
 TEKTRONIX 2213 50MHz dual-trace oscilloscope £325
 TEKTRONIX 2235 100MHz o'scope £850
 TEKTRONIX AA501A distortion analyser (plug-in) unit £850
 TEKTRONIX 7000-series MANY CONFIGURATIONS, PLEASE CALL
 TELONIC 1205A 1-1500MHz sweep generator £1250
 WAVE TEK 2000 0-1400MHz sweep generator £950
 WAYNE KERR B905 automatic precision bridge £1150
 WAYNE KERR RA200 ADS1 frequency response analyser £850

CIRCLE NO. 137 ON REPLY CARD

INDEX TO ADVERTISERS

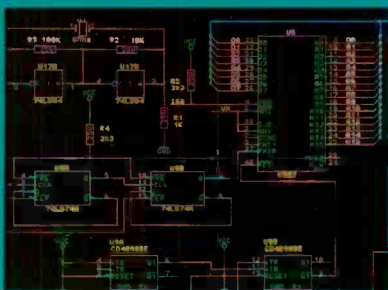
	PAGE		PAGE
Alternative Distribution (UK) Ltd ..	743	M&B Radio (Leeds)	726
Antrim Transformers Ltd	737	MQP Electronics	743
Bull Electrical	712	Number One Systems Ltd	740
Citadel Products Ltd	IFC	Pico Technology Ltd	743
Dataman Programmers Ltd	OBC	Powerware	732
Display Electronics Ltd	751	Ralfe Electronics	792
GH Systems Ltd	771	Research Communications	728
Halcyon Electronics Ltd	759	Seetrax Ltd	759
Invotron Ltd	771	Seeward Elect	706
IPK Broadcast Systems	728	Sherwood	729
Johns Radio	748	Smart Communications	737
JPG Electronics	759	SMC Ltd	726
Keytronics	722	Spectrum Communications	746
Labcentre	711	Stewart of Reading	746
Langrex Supplies Ltd	728	Surrey Electronics Ltd	726
M & B Electrical Supplies Ltd	757	Telnet	737
		Tsien Ltd	724
		Ultimate Technology	IBC

OVERSEAS ADVERTISEMENT AGENTS

France and Belgium: Pierre Mussard, 18-20 Place de la Madeleine, Paris 75008.

United States of America: Jay Fenman, Reed Business Ltd., 205 East 42nd Street, New York, NY 10017 - Telephone (212) 867 2080 - Telex 23827.

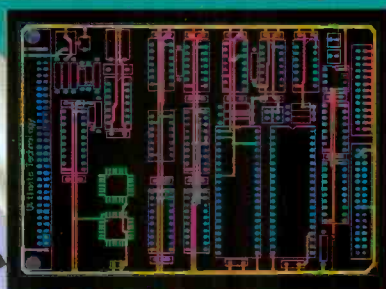
FROM CONCEPT TO ARTWORK IN 1 DAY



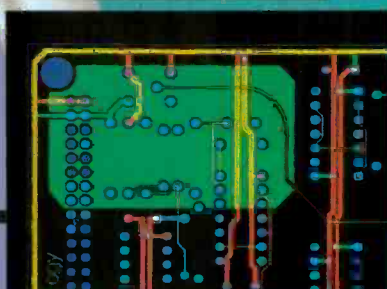
Your design ideas are quickly captured using the ULTIcap schematic design Tool. ULTIcap uses REAL-TIME checks to prevent logic errors. Schematic editing is painless; simply click your start and end points and ULTIcap automatically wires them for you. ULTIcap's auto snap to pin and auto junction features ensure your netlist is complete, thereby relieving you of tedious netlist checking.



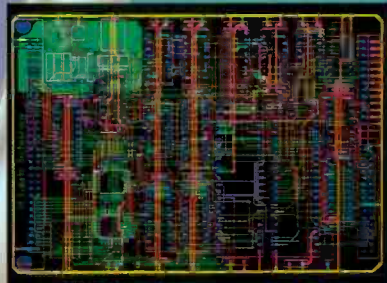
ULTIshell, the integrated user interface, makes sure all your design information is transferred correctly from ULTIcap to ULTIboard. Good manual placement tools are vital to the progress of your design, therefore ULTIboard gives you a powerful suite of REAL-TIME functions such as, FORCE VECTORS, RATS NEST RECONNECT and DENSITY HISTOGRAMS. Pin and gate-swapping allows you to further optimise your layout.



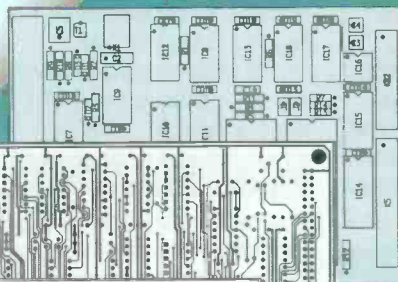
Now you can quickly route your critical tracks. ULTIboard's REAL-TIME DESIGN RULE CHECK will not allow you to make illegal connections or violate your design rules. ULTIboard's powerful TRACE SHOVE, and REROUTE-WHILE-MOVE algorithms guarantee that any manual track editing is flawless. Blind and buried vias and surface mount designs are fully supported.



If you need partial ground planes, then with the Dos extended board systems you can automatically create copper polygons simply by drawing the outline. The polygon is then filled with copper of the desired net, all correct pins are connected to the polygon with thermal relief connections and user defined gaps are respected around all other pads and tracks.



ULTIboard's autorouter allows you to control which parts of your board are autorouted, either selected nets, or a component, or a window of the board, or the whole board. ULTIboard's intelligent router uses copper sharing techniques to minimise route lengths. Automatic via minimisation reduces the number of vias to decrease production costs. The autorouter will handle up to 32 layers, as well as single sided routing.



ULTIboard's backannotation automatically updates your ULTIcap schematic with any pin and gate swaps or component renumbering. Finally, your design is post processed to generate pen / photo plots, dot matrix/laser or postscript prints and custom drill files.

CIRCLE NO. 100 ON REPLY CARD

NEW

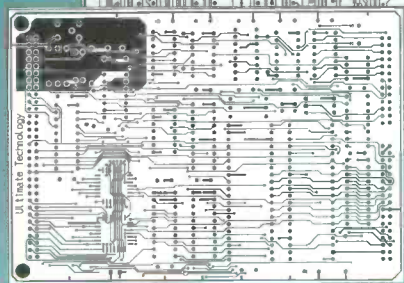
ULTIboard/ULTIcap evaluation system:

- all features of the bigger versions
- full set of manuals
- design capacity 350 pins

Price incl. S & H, excl. VAT:

£ 75

Purchase price is 100% credited when upgrading to a bigger version. • Also suitable for study & hobby



ULTIboard PCB Design/ULTIcap Schematic Design Systems are available in low-cost DOS versions, fully compatible with and upgradable to the 16 and 32 bit DOS-extended and UNIX versions, featuring unlimited design capacity.

The European quality alternative

ULTICAP + ULTIBOARD = MAXIMUM PRODUCTIVITY

ULTimate Technology UK Ltd. • 2 Bacchus House, Calleva Park, Aldermaston Berkshire RG7 4QW • Fax: 0734 - 815323 • Phone: 0734 - 812030

The smallest, most powerful personal programmer you can buy!

Owning the worlds best selling portable programmer/emulator is just a phone call away. From engine management to Antarctic survey teams, the powerful and versatile S4 goes where others get left behind.

A 32 pin ZIF socket programs a huge library of EPROMs, EEPROMs and FLASH devices up to 8Mbit. And our unique user loadable Library means that new parts can be added quickly, and at no cost. All software upgrades are free and available for 24hr download from our high speed bulletin boards.

Emulation

See your code running before committing yourself to an EPROM. With S4's powerful and easy-to-use internal emulation system, download your code to S4, press 'EMULATE', and your target system runs in real time as if an EPROM was plugged in to the socket. Use S4's 'EDIT' command to make minor alterations to your code and see the changes happen *immediately* - just one reason why S4 is used by the world's car manufacturers to develop advanced engine management systems in real time! With S4 emulation there's no need for trailing cables or external power sources; earth loop problems are a thing of the past. S4 even emulates RAM.

Remote Control

As well as being totally stand alone and self contained, S4 can be operated remotely via it's serial port at speeds up to 115,200 Baud. We supply you with a FREE disk containing custom terminal software and a pop-up TSR communications utility.

The Company

If you are looking for a supplier with longevity and stability, then you'll be pleased to learn that

Dataman has been designing and selling innovative programmers world-wide for over 15 years. As well as having sales and support offices in both the UK and the USA, we supply the world demand for our products via a network of approved dealers stretching from Norway to Australia.

The Package

S4 comes fully charged and configured for immediate use. You get a mains charger, emulation lead, write lead, personal organiser instruction manual, MS-DOS communications software, spare Library ROM and a 3 year guarantee. Optional modules available for serial EPROMs, 40 pin EPROMs and microcontrollers.

Availability

S4 is always in stock. Phone through your credit card details to ensure *next working day* delivery. Full 30 day no-risk refund.

Only
£495
plus VAT
4 Mbit upgrade £95
plus VAT
Full 30 day money
back guarantee!

Size:
186 x 111 x 46mm
Weight: 515g

DATAMAN
Dataman Programmers Ltd

Credit card hotline:
0300 320719
for same-day dispatch

