

157 ELECTRONICS & Wireless World

12 10.00
15.00 September 1985 85p
SARAWAT

Electronic music

Burglar alarm

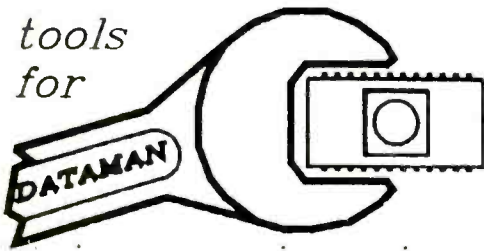


Waveform analyser



Australia	AS	3.30	Italy	L	4200
Denmark	DKr	38.00	Spain	Pts	370.00
Germany	DM	7.00	Switzerland	SFr.	8.00
Greece	Dra	24.00	Singapore	MS	7.00
Holland	DFI	9.00	U.S.A.	\$	4.00

tools
for



micro engineering

CIRCLE 1 FOR FURTHER DETAILS.

DATAMAN

Lombard House, Cornwall Road,
DORCHESTER, Dorset DT1 1RX

phone 0305 68066 telex 418442



FAST EPROM PROGRAMMER

Copies eight EPROMS at a pass
all 25 and 27 series up to 27256
EPROM type is set by switches
erasure is checked automatically
control is simple - two keys
Alpha liquid crystal display
checksum facility 6 hex digits
FAST or NORMAL programming
PLUS VERSION also has:

serial RS232 program & check
CTS or DSR handshake
ASCII, SIMPLE HEX, INTELHEX
MOTOROLA S or TEKHEX

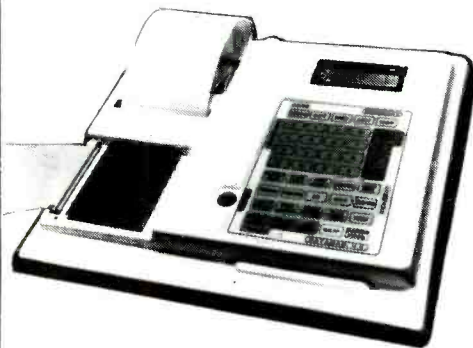
GANG-OF-EIGHT £395

GANG-OF-EIGHT plus £445

AFFORDABLE ATE

Diagnoses bus troubles
Helps mend micro boards
Z80, 6502, 6800, 8085
All covered by one product
Disassemblers included
Plugs into micro socket
Hand-held probe identifies
ADDRESS, DATA and CONTROL
lines at a touch.

Prints a memory map
of an unknown system
showing ROM, RAM, I/O
and EMPTY ADDRESSING SPACE



LOGS all tests and responses
on PRINTER and ALPHA LCD
Non-volatile memory
retains test sequences
CHECKSUMS, RAMTESTS,
READS/WITES MEMORY & I/O
Reports location of SHORTS
on ADDRESS and DATA busses
Prints out memory contents
in ASCII, HEX or SOURCE CODE

You cannot expect to mend
microprocessor products with
a meter and a scope.
How many repairs would
pay for your SuperDOC?

SuperDOC.. £395

EPROM EDITOR

Displays HEX on standard TV
with text-editing facilities
inserts and deletes
shifts and copies
bytes and blocks of code
EMULATES EPROM in circuit
using romulator lead supplied



Uploads and downloads
using serial and parallel
routines - RS232, Centronics
PROGRAMS & EMULATES
2716 2732 2532

Useful for development
particularly for piggy-back
single-chip micros

Adaptor is available
to program 2764 & 27128

"Our expensive equipment
stays on the shelf
for weeks - but SOFTY
is used every day"
- says big-budget customer

SOFTY.. £195

ADAPTOR... £25

less postal expenses, if goods returned intact within 14 days

PRODUCT IS USUALLY IN STOCK
TODAY DESPATCH IS POSSIBLE
PHONE FOR A LITERATURE PACK
VAT must be added to prices

Z80 TUTOR

Designed for Schools Council
to teach Z80 machine code
MENTA uses TV for display
shows STACK & PROGRAM in HEX

Editing facility includes
direct keyboard ASSEMBLER
RS232-output DISASSEMBLER

Used to write & debug
short machine-code routines
MENTA is a complete
controller with 24 bits of I/O
used for ROBOTICS

TEACHER'S GUIDE, PUPIL READER
MODULES (e.g. A to D) available

MENTA .. £99

COMPUTER BARGAINS

-ring for our BEST OFFER

OLIVETTI M21, M24
with 10MB hard disk if req.
AUTO-CAD & M24 created this AD
also EPSON PX8

EPROM ERASERS from £39

BUY IT AND TRY IT

REFUND GUARANTEED

VISA

WIRELESS WORLD ELECTRONICS &

over 70 years in independent electronics publishing

CONTENTS

September 1985

Volume 91 number 1593

Editor
PHILIP DARRINGTON

Deputy Editor
GEOFFREY SHORTER, B.Sc.
01-661 8639

Technical Editor
MARTIN ECCLES
01-661 8638

Projects Editor
RICHARD LAMBLEY
01-661 3039 OR 8637

News Editor
DAVID SCOBIE
01-661 8632

Drawing Office
ROGER GOODMAN
01-661 8690

BETTY PALMER
Advertisement Manager
BOB NIBBS, A.C.I.I.
01-661 3130

MICHAEL DOWNING
01-661 8640

ASHLEY WALLIS
01-661 8641

Northern and Midland Sales
BASIL MCGOWAN
021-356 4838

Group Classified Manager
BRIAN DURRANT
01-661 3033

Assistant Classified Manager
MIKE RATCLIFFE
01-661 8161

Classified Supervisor
IAN FAUX
01-661 3033

Production
BRIAN BANNISTER
(Make-up and copy)
01-661 8648

Current issue price 85p, back issues (if available) £1.06, at Retail and Trade Counter, Units 1 & 2, Bankside Industrial Centre, Hopton Street, London SE1. Available on microfilm; please contact editor.

By post, current issue £1.30, back issues (if available) £1.40, order and payments to EEP Sundry Sales Dept., Quadrant House, The Quadrant, Sutton, Surrey SM2 5AS. Tel.: 01-661 3378.

Editorial & Advertising offices:
Quadrant House, The Quadrant, Sutton, Surrey SM2 5AD.

Telephones: Editorial 01-661 3614. Advertising 01-661 3130.

Telex: 892084 BISPRS G (EEP)

Facsimile: 01-661 2071 (Groups II & III)

Beeline (300 baud): 01-661 8978 (Type EWW to start, NNNN to end).

Subscription rates: 1 year £15 UK and £19 outside UK.

Student rates: 1 year £10 UK and £12.70 outside UK.

Distribution: Quadrant House, The Quadrant, Sutton, Surrey SM2 5AS. Telephone 01-661 3248.

Subscriptions: Oakfield House, Perrymount Road, Haywards Heath, Sussex RH16 3DH, telephone: 0444 59188. Please notify a change of address.

USA: \$49.40 surface mail, \$102.60 airmail. Business Press International (USA), Subscriptions Office, 205 E. 42nd Street, NY 10017.

USA mailing agents: Expeditors of the Printed World Ltd, 527 Madison Avenue, Suite 1217, New York, NY 10022, 2nd class postage paid at New York.

© Business Press International Ltd 1985.

ISBN 0043 6062.

FEATURES

Domestic microelectronic controller by J.L. Gordon Intelligent alarm and controller.	17	Oscilloscope display of input, r.m.s., and mean voltages by S. Kirby Simultaneous presentation on one trace, with optional d.v.m.	64
Electronic mailbox by M. Allard Self-contained electronic message system hardware.	24	Nickel-cadmium cells by R. Cooper Hints on constructing the charger.	73
Sampled-data servo systems by M. Taub	27	The tale of the long-tail pair by F.J. Lidgley The first of two articles on the characteristics of a versatile circuit.	74
Bubble memory interface by J.C. Kanaar Three-i.c. interface for an existing 120 Kbyte memory board.	32	Fast Fourier transforms using a microcomputer by T. Larsen and G. Dyrik Spectral analysis of periodic waveforms for the amateur.	80
Digital polyphonic keyboard by D.G. Greaves Versatile keyboard instrument producing many organ, piano and synthesizer sounds.	37	Human communications — a new discipline by R.E. Young Penultimate in the series of articles on innovation in electronics.	83
Communications receivers by R. Lambley Survey of h.f. receivers available on the UK market.	43		

REGULARS

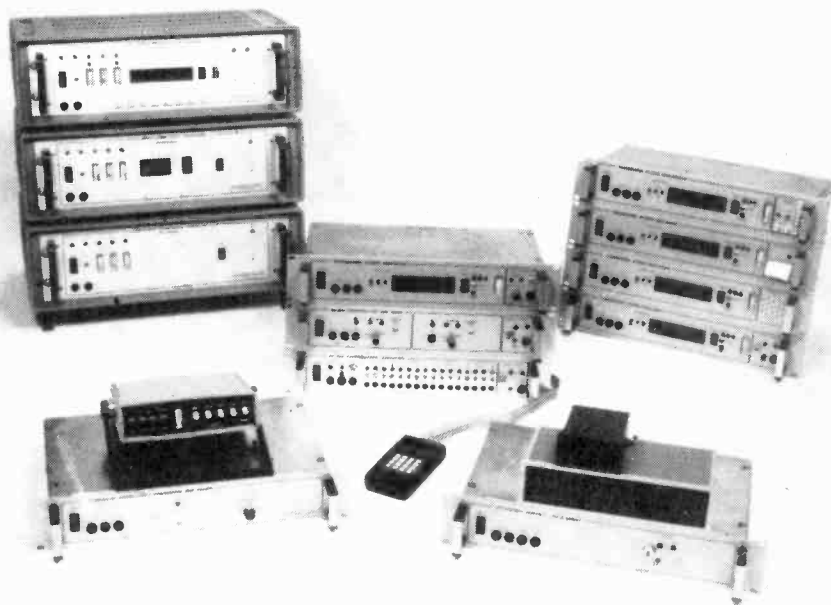
News commentary Electronics, bread and games Cuts at the Beeb Cellular TACS could go Community radio in London	6	Circuit ideas 1Hz-30MHz v-to-f converter Loudspeaker measurement Fluorescent lamp inverter Stepping a motor	55
Feedback Correspondence Wireless? Relatively boring? Light, distance and time	34	Communications	69
		New products P.c.b. photoplottter Thermocouple logger IEEE488 interface	89



Front cover shows the digital, polyphonic keyboard, described on page 37. Cover design by Richard Newport.

RADIOCODE CLOCKS LTD

SPECIALISTS IN ATOMIC TIME, FREQUENCY AND SYNCHRONISATION EQUIPMENT



NEW PRODUCTS

- **MINIATURE RUBIDIUM OSCILLATOR MODULE**
Lower power, fast warm up, optional output frequencies, programmable frequency offsets.
- **RUBIDIUM FREQUENCY STANDARD**
High performance, compact and rugged instrument. 2U rack or 1/4 ATR case options.
- **INTELLIGENT OFF-AIR FREQUENCY STANDARDS**
Microcomputer controlled instruments, directly traceable to N.P.L., precision ovened local oscillator, comprehensive monitoring and status information, real time synchronisation.
- **LOW COST MSF FREQUENCY STANDARD**
Instant operation, directly traceable to N.P.L., self-contained portable unit, no scheduled frequency changes, 24 hr transmission, real time synchronisation

- Off-air frequency standards
- Intelligent time systems
- Caesium/Rubidium based clocks & oscillators
- Master/slave systems

- Time code generators/readers
- Record/replay systems
- Intelligent display systems
- Precision ovened oscillators
- Time/frequency distribution systems

Radiocode
Clocks Ltd*

Unit 19, Parkengue,
Kernick Road Industrial Estate, Penryn,
Falmouth, Cornwall. Tel: Falmouth (0326) 76007

(*A Circuit Services Associate Co.)

CIRCLE 39 FOR FURTHER DETAILS.

OSCILLOSCOPES

TEKTRONIX 465 Dual Trace 100MHZ Sweep	Delay	£1000
HEWLETT PACKARD 1707B Dual Trace 75MHZ Delay Sweep Mains/Battery		£750
TELEQUIPMENT D75 Dual Trace 50MHZ Sweep	Delay	£350
COSSOR CDU150 Dual Trace 35MHZ Sweep	Delay	£200
S. E. LABS S111 Dual Trace 18MHZ AC or external DC operation		£150
TELEQUIPMENT S54A Single Trace 10MHZ Solid State		£110
TELEQUIPMENT D43 Dual Trace 15MHZ		£100
TELEQUIPMENT S43 Single Trace 25MHZ		£75

SIGNAL GENERATORS

HEWLETT PACKARD 616B 1.8-4.2GHZ	£350
MARCONI TF2008 AM/FM 10MHZ-510MHZ	£1200
MARCONI TF1066B/1 AM/FM 10MHZ-470MHZ	£375
MARCONI TF995A/2 AM/FM 1.5 - 220MHZ	£200
MARCONI TF144H/4 10KHZ - 72MHZ	£65
ADVANCE type SG63E AM/FM 4 - 230MHZ	£150
ADVANCE type SG63 AM/FM 7.5 - 230MHZ	£75
ADVANCE type SG62B AM 150KHZ - 220MHZ	£70
ADVANCE type 62 AM 150KHZ - 220MHZ	£35

MULTIMETERS

AVO 8 Mk IV and AVO 9 Mk IV. Complete with batteries and leads for only	£65
AVO TEST SET No 1. (Similar to AVO 8 Mk3). Complete with Batteries, leads & carrying case	£80
AVO Model 73 Pocket Multimeter (Analogue) 30 ranges. Complete with batteries & leads	£25
AVO 72 - Similar to above but no AC Current range with Batteries & Leads	£18

PHILIPS DIGITAL MULTIMETERS

4 digit Auto ranging. Un-used, complete with batteries and leads (P&P E5)	£75
Type PM 2517E (L E D)	£95
Type PM 2517X (L C D)	

5 1/4" FLOPPY DISK DRIVES

TANDON Height Brand New Single Sided Double Density	£60
Double Sided Double Density P&P all drives E5	£100

All above instruments in Working Order and Supplied with Manual

NEW EQUIPMENT

HAMEG OSCILLOSCOPE 605. Dual Trace 60MHZ Delay Sweep Component Tester	£515
HAMEG OSCILLOSCOPE 203.5 Dual Trace 20MHZ Component Tester	£270
BLACK STAR FREQUENCY COUNTERS P&P £4	
Meter 100 - 100 MHZ	£99
Meter 600 - 600 MHZ	£126
Meter 1000 - 1GHZ	£175
BLACK STAR JUPITOR 500 FUNCTION GENERATOR Sine/Square/Triangle 0.1HZ - 500KHZ. P&P £4.	£110
HUNG CHANG DMM 6010. 3; digit. Hand held 28 ranges including 10 Amp AC/DC. Complete with batteries & leads. P&P £4	£33.50

OSCILLOSCOPES PROBES. Switched X1; X10. P&P £2.

HEWLETT PACKARD LOGIC ANALYSER

1600S - 32 bits £450
(Consisting of HP1600A and HP1607A - can be sold separately). Specification on request

MARCONI RF MILLIVOLTMETER TF2603 50KHZ-15MHZ 1mV-3V FSD	£175
MARCONI ELECTRONIC VOLTMETER TF2604 20HZ-1500MHZ. AC/DC/OHMS AC 300mV-300V FSD	£95
MARCONI VALVE VOLTMETER TF2600 10HZ-10MHZ. 1mV 300V FSD	£40

AVO TRANSISTOR ANALYSER CT446

Suitcase style - battery operated. (Batteries NOT SUPPLIED)
With information only £20 each.

AVO TRANSISTOR TESTER TT169

Handheld GO/NO GO for In-situ testing Complete with batteries, leads & instructions. Now Only £12 p&p £3.

PROFESSIONAL MONITORS

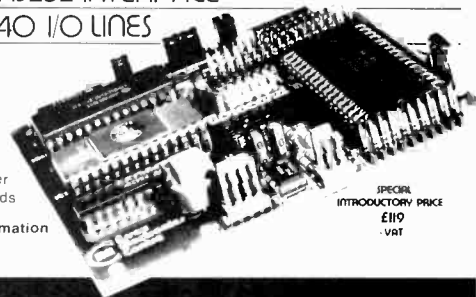
COTRON 12" GREENSCREEN UN-USED	£60
KGM 9" GREEN SCREEN USED GOOD CONDITION	£40
CHERRY KEYBOARD - SERIAL/ASCII. STANDARD QUERY WITH NUMERIC PAD. NEW CASED WITH CIRCUIT (P&P £4)	£15

This IS A VERY SMALL SAMPLE OF STOCK, SAE Or Telephone for LISTS
Please check availability before ordering.
Carriage all units £12
VAT to be added to Total of Goods & Carriage

NEW
forth
microcard

80 x 100mm

R65P12 MICROCOMPUTER
POWERFUL FORTH KERNEL
RAM EPROM SPACE
RS232 INTERFACE
40 I/O LINES



Our small size, low cost FORTH target system could be the answer to your control needs

send for full information



Essex Electronics Centre
Wivenhoe Park, Colchester, Essex CO4 3SQ
Telephone: Colchester (0206) 865089

Also available from: RCS Microsystems, 01-979-2204

CIRCLE 65 FOR FURTHER DETAILS.

ELECTRONICS & WIRELESS WORLD SEPTEMBER 1985

STEWART OF READING Telephone: 0734 68041

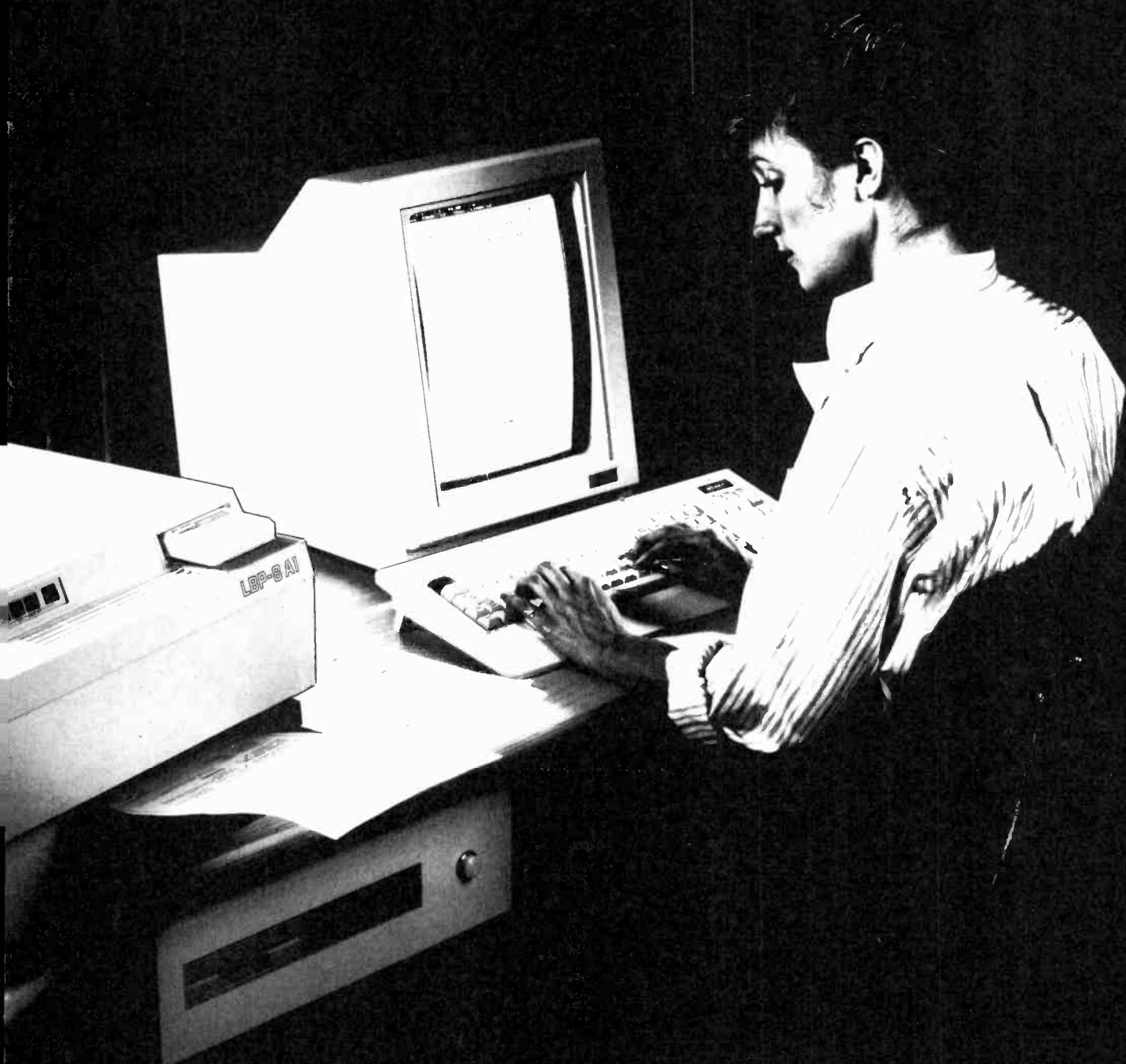
110 WYKEHAM ROAD, READING, BERKS RG6 1PL

Callers welcome 9 a.m. to 5.30 p.m. Monday to Saturday inclusive

CIRCLE 30 FOR FURTHER DETAILS.

Series 70 Systems for printing, office automation and communications with comprehensive supporting software.

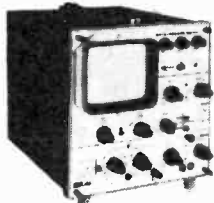
Eliminate your printing problems with the Advent approach to full page, full feature word processing—laser quality printing for that professional image to all your work—correspondence, scientific and technical documents, forms design and foreign languages.



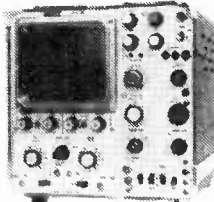
Merlin Way, Bowerhill, Melksham,
Wiltshire SN12 6TJ. Tel: (0225) 706289.

CIRCLE 80 FOR FURTHER DETAILS.

**SMALL SELECTION ONLY LISTED
RING US FOR YOUR
REQUIREMENTS WHICH MAY BE
IN STOCK**



Portable Battery or Mains Oscilloscope. SE Laboratories 111 Oscilloscope — Solid State — General purpose — Bandwidth DC to 18/20MC/S at 20MV/CM — Dual Channel — Rise time 19NS — Calibrated Sweep — Calibrator — Display 10CMSx8CMS — Power AC — 95 Volts to 100-190 Volts to 260 or 24 Volt DC battery — Size: W 25.5 CM — H 25.5 CMS — 56CMS Deep — WT 11.4KG — Carrying handle — Tested in fair condition with operating instructions £120.00.



Latest Bulk Government Release — Cossor Oscilloscope CDU150 (C7531/3) £150 only. Solid state general purpose bandwidth DC to 35MHz at 5MV/CM — Dual Channel — High brightness display (8x10cm) Full delayed time base with gated mode — Risetime 10NS — Illuminated graticule — Beam linder — Calibrator 1KHz squarewave — Power 100 — 120V. 200V — 250 volts AC — Size W 26CM — 41CM deep — WT 12.5 K.G. carrying handle — colour blue — protection cover front containing polarized viewer and camera adaptor plate — probe (1) — Mains lead. Tested in fair condition with operating instructions — £150.00.

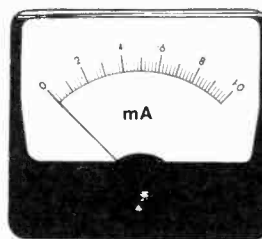
Communication Receivers: Rascal 500KC/S to 30MC/S in 30 bands 1MC/SWIDE — RA17 MK11 £125. RA17L £150. RA117E £200. New Metal Loured Cases for above £25. All receivers are air tested and calibrated in our workshop — supplied with dust cover — operation instructions — circuit — in fair used condition. Rascal Synthesizers (Decade frequency generators) MA350B Solid State for use with — MA79 — RA217 — RA1218

Etc £100 to £150. MA250 — 1.6MC/S to 31.6 MC/S £100. MA1350 for use with RA17 receiver £100. MA2596 Precision frequency standard 5MC/S — 1MC/S — 100KHz £100 to £150. Panoramic Adaptor RA66 £150. RA137 and RA37 £40 to £75 LF converters 10 to 980KC/S. RA218 Independent SSB unit £50 RA98 SSB-ISM Converter £50. RA121 SSB-ISM converter £75. EC964/7K Solid state — single channel — SBB — mains or battery — 1.6 to 27.5 MC/S and 400 to 535KHz £100 with manual Plessey PR1556 Solid State 60KC/S — 30MC/S £400. Creed 75 teleprinters — Fitted tape punch and gearbox for 50 and 75 bauds — 110volts AC supply — in original transport tray sealed in polythene like new £15EA. Redifon TT11 Audio Teleprinter converter receiver solid state — supply 110 or 240AC — Made for use with above teleprinter enabling print-out of messages received from audio input of communication receiver £15 with circuit tested. Redifon TT10 Converter as above but includes transmit facilities £20. Oscilloscopes — stocks always changing Tektronix 465 — 100MC/S £750. FM Recorder Sanghmd Sabre 111 14 channels £350. Transtel Matrix printers — AF11R — 5 level Baudot Code — up to 300 Bauds — for Print out on plain teleprinter paper £50 to £100. Transtel AH11R — As above but also 8 level ASCII (CITT No 2 and CITT No 5) Like new £100. Army field telephone sets. Type F — L and J — Large quantity in stock £6 to £15 depending on type and quantity P.O.R. Don 10 Telephone Cable — half mile canvas containers £20. Night viewing infra-red AFV periscopes — Twin Eyepiece — 24 volt dc supply £100ea. Original cost to government over £11,000ea. Static invertors — 12 or 24 volt input — 240 volt AC sinewave output — various wattages P.O.R. XY Plotters and pen recorders various — P.O.R. Ferrograph series 7 Tape recorders mono £100. stereo £150. Signal Generators various — TF995/A3 £60. TF801D/8s — 10MC/S to 465MC/S £90 TF144H/A4 £90. TF1060/2 £60. HP606A — £90 £140 HP608 £50 HP614A £100 HP618B £100 HP620A £100. Marconi TF1064B/5 £100 TF791 Deviation meter £100 TF893A Power meter £50 Aerial mast assembly 30ft high complete with 16ft whip aerial to mount on top — guyropes — insulators — Base and Spikes etc. in heavy duty carrying bag — new £30. Rascal frequency counter type 836 £50 Tektronix plug-ins — 1A1 £50. 1A2 £40. 1A4 £100 ME50. All items are bought direct from H.M. Government being surplus equipment. Price is Ex works. S.A.E. for enquiries. Phone for appointment for demonstration of any items. Also availability or price change. V.A.T. and carriage extra.

**EXPORT TRADE AND QUANTITY
DISCOUNTS GIVEN
JOHNS RADIO (0274) 684007
WHITEHALL WORKS,
84 WHITEHALL ROAD,
EAST BIRKENSHAW, BRADFORD
BD11 2ER**

WANTED: REDUNDANT TEST EQUIPMENT —
RECEIVING AND TRANSMITTING EQUIPMENT —
VALVES — PLUGS — SOCKET'S SYNCHROS
ETC

METER PROBLEMS?



137 Standard Ranges in a variety of sizes and stylings available for 10-14 days delivery. Other Ranges and special scales can be made to order.

Full Information from:
HARRIS ELECTRONICS (London)
138 GRAY'S INN ROAD, W.C.1 Phone: 01-837 7937
Telex: 892301 HARTRO G

CIRCLE 22 FOR FURTHER DETAILS.

Lynwood GD1 VDUs: Intelligent Green micro controlled, RS232, printer port, 101 key k/b. Full Video enhancements. ONLY £149 + £15 P&P (S/H)

Burroughs MT686/7/TD710: Intelligent Green 12" VDU with 3 micros and 64K store. RS232. Programmable. ONLY £199 new or £149 S/H + £15 P&P

Open Chassis Video Monitors from above VDUs £40 + 7.00 p&p

Multirail Switching PSUs from above 5v 4A 12v + 24v. £25 + £1.50

Data General 6012 VDU's very attractive display working RS232 with integral 73 key k/b either dumb terminal mode or page buffered. ONLY £120.00 + £15.00 p&p

Centronics 306 Line printers: Professional fast (120 cps), superb quality 80 column printer. Parallel i/f. ONLY £99 + £15.00 P&P

Osborne Executive Portable CP/M system with oodles of software. Twin floppy drives. £900 + £15 p&p

Diablo 630 Daisywheel printer. OEM i/f. NEW £599 + £15 P&P

Calcomp 565 Drum Plotter, 101hou steps. ONLY £450 + £10 P&P

BECKENHAM PERIPHERALS LTD

Callers welcome by appointment

01-486 5582
34 Rodway Road, Bromley
Kent BR1 3JL

We also buy redundant peripherals

CIRCLE 40 FOR FURTHER DETAILS.

Richardson Electronics (Europe) Ltd.



We are the leading suppliers of R.F. Power Transistors and Electronic Tubes for the communications and industrial markets. With our parent company we represent all the major manufacturers and from our nine million pounds worth of stock we can supply virtually any form of tube or R.F. Transistor of American manufacture or its European equivalent. We can normally dispatch your requirements on a same day service.

Send for further information to

Dean Road, Outer Circle Road Industrial Estate Lincoln, England LN2 4DV

Telex 0522 42631 Telex 56175 REEL UK

CIRCLE 8 FOR FURTHER DETAILS

Electronics, bread and games

If community radio is legalized in the UK, as seems likely, it will be a confirmation that electronic communications has something to offer even village-sized groups of people.

At the same time, electronic data communication is revolutionizing financial services like banking and stockbroking. As such it demonstrates its potential for any activity where quick decisions have to be made in response to rapidly updated information.

And now the electrical data sent via telecommunications systems is providing another kind of information beyond that of symbols written on v.d.us and printers — namely, video-conferencing over narrow-band links. Facial expressions, gestures and body-language are all meaningful components of human communication. The fact that video-conferencing is now commercially viable demonstrates the reality of the need for visual clues added to spoken words.

Undoubtedly this technology will help industry and commerce: it is a phenomenon of advanced capitalism — perhaps of the 'post-industrial' society so often discussed these

days. A question worth considering, though, is whether it could also improve the quality of life in societies to which it is available. In particular, could modern data communications, with perhaps the addition of telemetry and telecontrol, allow more people to work either at home or very near their homes? This is not a luxury but an urgent social need in a rapidly industrializing world. Some big cities are rotting on the inside, some on the outside. Inner-city slums and outer-city shanty-towns are wretched places to live and bring up children. They are squalid, overcrowded, insanitary and violent. Yet people have actually migrated to them, in search of a better standard of living, because rural poverty was even harsher. This happened in Europe and North America in the 19th century and a similar process is occurring in Africa, Asia and Latin America in the present century. In some cities, like Calcutta, living conditions have become so bad that the migration is going into reverse, indicating a kind of equilibrium of rural and urban misery. With over a million people being added to the world's population

every five days, this situation will not improve.

Slums, shanty-towns and the more salubrious but dreary suburbs all exist because workers have to live within reasonable distances of their places of work. If many work-places could be decentralized by the use of modern data communications, the wretchedness of urban poverty might be alleviated. In advanced industrialized countries the village could be rejuvenated. Instead of being virtually a dormitory suburb it could be once again a place for working as well as living. At one time economically based on rural crafts and industries, it would now support some inhabitants through the local 'mill' of a data communications station.

Who would pay for the extensive electronic systems needed? There would be considerable savings on the fuel at present wasted by daily commuting, and economies on health care, crime prevention, emergency services, urban land costs and big-city administration. People might even work better and hence more productively.

And the cities themselves would remain as centres of art and entertainment, learning and culture, sport and circuses, exhibitions, fairs and carnivals — in short, as places where people gather together because they want to, not because they have to.

Plasma etching at Harwell

Thought to be the key element in the manufacture of sub-micron integrated circuits, plasma etching is to be investigated at Harwell in an Alvey-backed programme. The system involves the selective removal of material by reaction with chemically active gases formed in a glow discharge.

Like all the Alvey projects, there is a close link between academic and industrial research and the process is to be studied using the latest laser and emission spectroscopy techniques by UKAEA at Harwell and by Oxford University. They will examine electrode materials, etching gas composition, resists and glow discharge characteristics. Special gases are to be provided by BOC Ltd, resists by Johnson Matthey Chemicals. Plasma Technology Ltd. are to develop emission spectroscopy techniques for monitoring and controlling the etching process and use the information to design new plasma etching machines. The major part of the work will be carried out in the Microelectronics Materials Centre of Harwell Laboratory.

BBC plans to save money

Thwarted in its attempt to get a much higher licence fee, the BBC has undertaken a 'fundamental re-examination' to provide the best service whilst staying within its income. The chief saving is to be made by "thorough reorganization and reduction of the central support services which, together with other economies, will permit a redeployment of resources and enhance the quality of programmes for listeners and viewers to network, regional and local services."

£6million more is to be spent on making BBC-1 an all-day service and cash for national

and regional news and current affairs magazines is to be increased by 20%. Regional stations are to play a greater role in creating programmes for the networks, with some having their specialist areas strengthened. At present 20 hours of tv production a year is produced outside the BBC and it is planned that this be increased to 150 hours by 1988. Extra funds are also to be provided for tv drama.

Radio services are looking urgently into providing a v.h.f. channel for Radio 1; the completion of the chain of local radio stations and the possible blending of Radio 2 with English local radio services, possibly sharing the schedules for evening programmes.

The principle source of saving is in cuts in permanent staff. The proposal is that there should be a ratio of 75:25 of

permanent to contract staff, with 25% as a minimum for contract staff. Further savings are to be found in streamlining the administrative and support services, again a loss of jobs.

A comprehensive restructuring of the Schools and continuing education broadcast areas is proposed with the departments to be brought together on a single site as a unified multi-media group.

Output departments are to become more autonomous with the formerly central operations being devolved to them.

It was agreed amongst the Corporation's Board that the BBC should rely much more on standard equipment, rather than units made or modified to its special requirements. The design of equipment by the BBC will be reduced and its manufacturing facility will be closed. Studio planning,

installation and architectural requirements will normally be carried out under external contract with a greatly reduced staff of BBC specialists acting as advisors. House and office services are to be devolved to the specific departments that use them and all support areas such as catering, office cleaning, security and building amaintenance may be contracted out if it is found to be economically advantageous. A target reduction of 10% is sought in secretarial and clerical effort. Out of a total of 25 000 staff it is thought that a reduction of 4000 could be possible. Cuts are also planned in senior dining rooms, expence and hospitality costs. Travel and duty allowances are to be frozen for the current licence period and canteen subsidies to be reduced.



The Acorn Cambridge Workstation, a 32-bit desktop computer with the power of a super-mini, it should help Acorn's financial recovery.

Acorn rescued again

Olivetti has bailed Acorn Computers out of financial trouble for a second time and now own nearly 80% of the company. Chris Curry and Herman Hauser, the co-founders of Acorn, remain on the Board. The new managing director is Canadian, Brian Long, who confesses that he knows little about computers. Alex Uboldi from Olivetti told us that their investment was chiefly in the Acorn R&D laboratories, which can add significantly to their pool of expertise. Unix 4.2 programmes. Acorn claims that the software alone purchased for other workstations and mainframes would cost more than the whole workstation package.

In its simplest version at

£1399 the workstation comes as a co-processor add-on for the BBC Micro, with 512KBytes of Ram. A complete 1MByte workstation without discs starts at £3595 and the top of the range is a 4MByte system for £7895 and that includes a 20Mbyte hard disc, a floppy disc and a high-resolution colour screen.

The workstation is fully compatible and can run any BBC micro application.

The announcements were made at the launching of a new product, the Cambridge Workstation which is a 32-bit computer designed for scientists and engineers.

Based around the 32016 processor, the computer is claimed to have the computational power of a super-mini computer such as the DEC VAX 11/750, and can run many mainframe applications. It comes packaged with Fortran 77, ISO Pascal, 'C', Cambridge Lisp and BBC Basic as well as 32000 Assembler. BCPL will become available soon and the operating system is Acorn's own PANOS which will also run

Weather satellite recovers

The recovery of the presumed dead NOAA-8 weather satellite will increase the odds for saving the lives of people whose planes have crashed or whose ships are in peril. The search and rescue (SARSAT) equipment on board the satellite will now be able to resume its operation of picking up distress signals from victims of aviation and navigational mishaps.

According to Gerald W. Longanecker, NASA's Meteorological Satellites Project Manager; "the restabilization of the satellite, which began tumbling out of control last June when an oscillation in the spacecraft's attitude control system failed, is now in full operation with the exception of one detector on an infrared radiometer that measures temperatures from the Earth's surface to 25 miles altitude. The instrument has three detectors, however, and the

loss of one means only a minor loss of data."

The government/industry team of engineers reacted swiftly to stabilize the NOAA-8 satellite when a backup oscillator came back on line unexpectedly.

The satellite restabilization means that the search and rescue equipment will resume operations as part of an international program, begun in September 1983, which uses satellites to save the lives of people in downed airplanes or on ships in distress. Since the program began, nearly 400 lives have been saved. Principal participants in the international rescue program are Canada, France, the Soviet Union and the United States.

During the 11 months of NOAA-8 malfunction, three Soviet and one U.S. satellite have been circling the Earth picking up distress signals and relaying them to ground rescue stations.

The satellite recovery was the result of engineering teamwork aided by NASA and NOAA ground stations plus a French station at Lannion which provided data on the recovery as it developed.

Mobile radio on old tv Bands

The private mobile radio lobby has won the day, and will be granted the whole central section of Band III, made vacant by the demise of 405-line, black-and-white tv. The band will be used to establish private mobile radio on a nationwide basis.

Five small local networks are to be licensed in London. Ten local networks in areas of greatest demand outside London will be allowed. There may be a limited degree of interconnection between the local networks and the PSTN. Other uses for the band are the business use of cordless telephones and the possibility of two-way mobile data systems is being investigated.

Only a limited number of

frequencies have been allocated in Band I while other claims for use are being considered. The 50 to 50.5MHz band is to be set aside for amateur radio. 0.5MHz is allocated to on-site paging services. The 49.82 to 49.9MHz band will be used for low-power devices.

The same report was used to announce the extension of wide-area radio paging at 153 and 454MHz frequencies. British Telecom will not be allowed to apply for wide-area paging licences, in the interests of competition. Voice as well as tone and data is to be permitted on one of the 454MHz services.

In brief

Latest issue of *Which?* (July) includes a table listing portable colour tvs and monitors. Of the monitors listed — there are many omissions — the Microvitec 1441 and the Novex 1416 are given as 'best' ratings, while the magazine identifies two tv/monitors as having 'best' picture quality and at the same time an adequate RGB rating — Philips 2007 and Grundig P40.

Cellular TACS could go

The full licences for the two cellular radio services, Vodaphone and Cellnet have been issued. There are a few differences between them and the draft licences issued last February: one addition allows the customer a choice in routing the calls over inter-connected public systems; another extends

the obligation of both services to be useable with each other. Before erecting any new transmission masts, the licencees should investigate the possibilities of using existing masts or masts designed for joint use.

Tucked into Condition 37 of Schedule 1 is the provision for a mechanism to change the UK system from total access communication system (TACS) to European Community standards.

Cellnet has recently announced it 10,000th customer.

Electronic blue pencil

Apart from the headaches caused by hackers to electronic communications systems, there has been an increasing use of obscene words on bulletin boards and it is thought that this could offend. To the rescue comes Tim Clarkson, who has devised a naughty-words editor. This includes a glossary of all the forbidden words and

automatically checks all messages. If an offensive word or phrase is encountered, the message is put into abeyance and may then be re-checked by an operator. The operation of the system is quite complicated as many rude words occur quite harmlessly within other words or phrases. So the glossary must include permitted contexts for the words as well as exclusions. The system is to be tried out on MicroLink, a nationwide bulletin board for micro users.

Londoners want community radio - but not pirates

The Greater London Council commissioned a poll of Londoners to find out what local radio services would appeal to them. A 62% majority said that they would like some form of community radio. A similar proportion was unhappy with the local services of the broadcasting authorities and would prefer that a local service should be run on a local basis by a committee representing several interest groups. There was quite a high demand for radio stations that catered for specific sections of the

community, such as ethnic minorities.

The only source for really local news was often found to be advertisements in news-agents' windows.

Advertising was thought to be the best way of paying for the services, but some form of non-commercial control should keep the service from being too commercial.

There are no plans for any specific services yet. The Government has announced the pilot launch of some community radio stations but these are very few in number and are unlikely to meet the demand.

Pirate radio gets a resounding thumbs down from the survey. The stations were thought to be too similar to ILR transmissions and covered too wide an area. Only 7% of those asked said that they listened to pirate stations most often.

The survey was carried out under the auspices of the Broadcasting Research Unit, a multi-funded body set up as an independent source of thinking and research into future broadcasting policies.

What future for BBC engineering?

In the present frenzy of cost-cutting at the BBC, it is sad to note that the principal casualty is to be the corporation's engineering division.

Design work by the BBC will be greatly reduced, studio planning and installation will be dealt with by outside contractors, whilst in-house equipment manufacture will cease altogether.

The BBC's need for home-grown technology is undoubtedly much less than it was in the days when there was no other customer in Britain for broadcast equipment. And indeed manufacturers already satisfy most of its requirements.

But much of the BBC's reputation for technical excellence depends on its having exactly the right tools for the job. And experience has shown that good tools cannot always be obtained off-the-shelf. Left to find its way in the

commercial market-place, the BBC may have to put up with tape machines on which you can't edit properly, record-players with inaccessible controls and studio mixers where the transmission-mode switch is heart-stoppingly close to the one that turns off the mains.

As a major buyer, the BBC has up to now been able to tidy up such infelicities by discussion with the manufacturer, to the benefit of both parties.

Details of the cuts are still being worked out, it seems. But it is to be hoped that the BBC's administrators will use the axe with discrimination. For at present, it looks as if their engineering staff are in danger of being whittled away into little more than a maintenance crew.

In their first half-century, BBC engineers gained over 350 patents, many of them landmarks of their time: such as



those relating to the slot aerial, the ribbon microphone, bandwidth compression, pulse-code and numerous other devices and techniques.

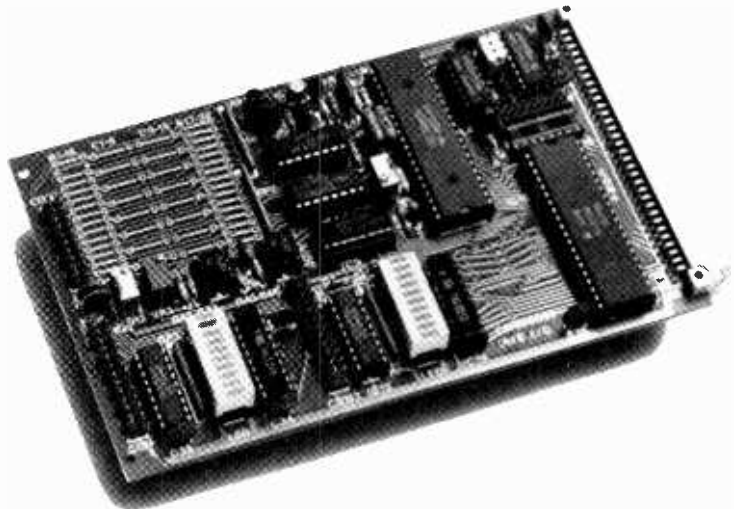
It is right that priority should be given to financing programmes rather than peripheral activities. But it will be a pity if, in its haste to scrape together enough money to pay for daytime television, the BBC allows this distinguished record of engineering innovation to lapse.

This audio mixing console, the SL4000E from Solid State Logic, is intended for controlling live broadcasts and recorded sound. It can handle inputs from up to 120 microphones and offers extensive signal processing routing and monitoring, and yet can be controlled by one engineer.

HIGH PERFORMANCE 13 BIT DATA ACQUISITION CARD

Ideal for Industrial Control, Data Logging or Teaching Applications:

- 16 – High Performance 13 bit Analogue Inputs
- 12 Bit Analogue Output with offset and gain
- 16 – Digital Outputs capable of 50V @ ½ amp.
- LED Indication of output status
- 4 digital input lines of up to 100V DC input
- 2 programmable timers
- 6809 software in PL9.
- 6502 Multi-Basic 85 software
- Unipolar or Bipolar operation
- Acorn BUS compatible



£189
plus VAT

Move over to CMS today

CMS

44a Hobson Street
Cambridge CB1 1NL
(0223) 324141

Cambridge
Microprocessor
Systems Limited

CIRCLE 11 FOR FURTHER DETAILS.

TEST EQUIPMENT

Tequipment D61 Oscilloscope 10Mhz Dual Channel.....	£110
Tequipment D54 Oscilloscope 10Mhz Dual Channel.....	£150
Tequipment D65 Oscilloscope 15Mhz Dual Channel.....	£165
Tequipment D66 Oscilloscope 25Mhz Dual Channel.....	£195
Tequipment D67 Oscilloscope 25Mhz Dual Channel.....	£195
Tequipment D67A Oscilloscope 25Mhz Dual Channel.....	£215
Tequipment D75 Oscilloscope 50Mhz Dual Channel.....	£265
Tektronix 463 Oscilloscope 75ZMhz Dual Channel.....	£565
Tektronix 568 Oscilloscope + 3T5 & 3S5 Plug-ins.....	£200
Tektronix 5440 Oscilloscope Mainframe 50Mhz.....	£400
Tektronix 5A48 Oscilloscope Plug-in 50Mhz.....	£250
Tektronix 5B42 Timebase Plug-in.....	£250
Tektronix TM504 Mainframe with DC503, PS503A, FG502 & DM502 Plug-ins.....	£1,095
HP 1610A Logic Analyser with pods.....	£750
HP 1615A Logic Analyser with pods.....	£950
HP 1640B Serial Data Analyser complete.....	£1,350
HP 1600A Logic Analyser with pods.....	£295
Biomation K100D Logic Analyser with pods.....	£1,500
Systron-Donner 4.5 Ghz Frequency Counter Type 6244A.....	£700
Biomation X-Y-Z Display.....	£75
Wayne Kerr B641 Autobalance Digital Bridge.....	£250
HP 8558B Spectrum Analyser.....	£3,500
HP 182T Oscilloscope Mainframe.....	£1,000
HP 141T Spectrum Analyser with 8554B & 8552B Plug-ins.....	£4,950
HP 141T Spectrum Analyser with 8555A & 8552B Plug-ins.....	£4,995
Tektronix 106 Pulse Generator.....	£60
Tektronix 191 Constant Amplitude Signal Generator.....	£75
Tektronix 184 Time Mark Generator.....	£75
HP 86230A Sweeper Plug-in.....	£295
HP 3701A & 3702A Microwave Link Analyser.....	£495

All equipment working and calibrated.
VAT and carriage extra.



TIMEBASE Q-TEQ

94 ALFRISTON GAROENS, SHOLING, SOUTHAMPTON SO2 8FU
TELEPHONE: (0703) 431323
Callers welcome. Access/Barclaycard: Telephone your order



CIRCLE 84 FOR FURTHER DETAILS.

FIELD ELECTRIC LTD

3 SHENLEY RD, BOREHAMWOOD, HERTS. TELEPHONE 01-953-6009
OFFICIAL ORDERS/OVERSEAS ENQUIRIES WELCOME
OPEN 6 DAY'S A WEEK 9.00am/5.00pm THUR 9.00am/1.00pm



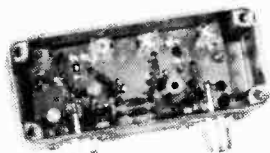
TEKTRONIX INC TYPE 568 O'SCOPE C/W 3T2 PLUG-IN RANDOM SAMPLING SWEEP C/W 3S2 PLUG-IN SAMPLING UNIT/S3 SAMPLING HEADS	£350.00
TEKTRONIX INC TYPE 230 DIGITAL UNIT	£125.00
TEKTRONIX INC TYPE 241 PROGRAMMER	£125.00
TEKTRONIX INC TYPE 178 LINEAR I C TEST FIXTURE	£500.00
HEWLETT PACKARD 5325B UNIVERSAL COUNTER	£200.00
HEWLETT PACKARD 5450B MULTIFUNCTION METER	£250.00
HEWLETT PACKARD 6824A D C POWER SUPPLY/AMPLIFIER +/-50 +/-1 AMP	£75.00
HEWLETT PACKARD 180A O'SCOPE 1801A DUAL CHN VERT AMP 50MHZ 1820A TIME BASE	£475.00
HEWLETT PACKARD 9825A DESKTOP C/W 6940B MULTIPROGRAMMER 59500A MULTIPROGRAMMER INTERFACE H.P.-IB INTERFACE	£2,000.00
MARCONI TF2600 SENSITIVE VALVE VOLTMETER	£45.00
MARCONI TF 1370 WIDE RANGE R-C OSCILLATOR	£75.00
MARCONI TF 801D/1/S AM SIG GENERATOR	£85.00
BELL 610 GAUSSMETER C/W PROBE	£125.00
VENNER DIGITAL TIMER TYPE TSA 6014	£20.00
ADVANCE HIGH POWER L F OSCILLATOR 5HZ-125KHZ	£145.00
DATA TECHNOLOGY MODEL 30 D V M C/W LEATHER CASE	£85.00
RACAL MODULATION METER TYPE 409	£200.00
POLARAD WIDE DISPERSION SPECTRUM ANALYZER 10-63.660 MC	£490.00
OPTIMIZATION INC AC 125 CALIBRATOR FREQ RANGE 100Hz-1MHZ VOLT RANGE 10MV-100V	£450.00
SPECIAL OFFER 9" GREEN PHOS 75Ω COMP VIDEO MONITORS IN CASE 240V HIGH RES TESTED C/P £5 00	£36.00
STC HEADPHONES 200Ω IDEAL FOR COMMUNICATIONS C/P £1 00	£4.50
AURALITE LIGHT WEIGHT HEADSET WITH BOOM MIC C/W. EARPIECES/CASE ETC C/P £1 75	£20.00
12 V D C 100 WATT/QUARTZ BULBS 30MM/10MM INC CARR/PACKING	£2.00
PLESSEY 2/4 MEGABYTE (MAX) GENERAL PURPOSE RANDOM ACCESS MEMORY SYSTEM CAN BE USED FOR MAINFRAME MINI MICRO NEW & BOXED WITH DATA C/P PLEASE RING	£200.00
2x6V 40AMP S M P S U 230V 2IN SERIES 12V 40AMP +/-5% 175x160x90MM C/P £5 00	£70.00

PLEASE RING FOR C/P DETAILS NOT SHOWN
ALL PRICES INC V A T UNLESS STATED

CIRCLE 83 FOR FURTHER DETAILS.

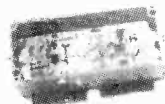
RESEARCH COMMUNICATIONS LTD.

UNIT 3, DANE JOHN WORKS, GORDON ROAD, CANTERBURY, KENT CT1 3PP
TELEPHONE: CANTERBURY (0227) 456489



TYPE 9002

TYPE 9002 Two stage Gasfet preamplifier. N.F. 0.7dB. Gain 25dB. High Q filter. Tuned to your specified channels in bands IV or V £85 + £2 p&p
TYPE 9004 UHF two stage Gasfet preamplifier. N.F. 0.6dB. Gain 25dB. High Q filter. Aligned to your specified frequency in the range 250-550MHz £85 + £2 p&p
TYPE 9012 Gasfet preamplifier mains power supply unit £24.50 + £3 p&p
TYPE 9010 Masthead weatherproof unit £9.50 + £2 p&p



TYPE 9152

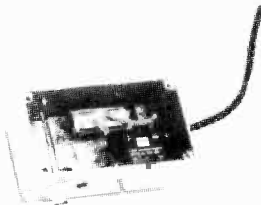


TYPE 9159

TELEVISION LINEAR POWER AMPLIFIERS Tuned to you specified channels in bands IV or V (or 400-900 MHz)
TYPE 9061 150mV input, 10mW output £140 + £10 p&p
TYPE 9152 10mV input, 500mW output £180 + £10 p&p
TYPE 9159 500mV input, 5 watts output £210 + £10 p&p



TYPE 9006

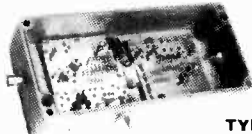


TYPE 9035

GASFET RF PREAMPLIFIERS. Aligned to your specified frequency in the range 30-250 MHz Masthead or local use.
TYPE 9006 N.F. 0.6dB. Gain 10-40dB. variable £65 + £2 p&p
TYPE 9006FM As above. Band II 88-108 MHz £65 + £2 p&p
TYPE 9035 Mains power supply unit for above types £24.50 + £3 p&p



TYPE 8034



TYPE 9105

TYPE 8034 PHASE LOCKED SIGNAL SOURCE using low frequency reference crystal. Specify output in the range 1-600MHz. Output 10mW + 10dBm £84.50 + £2 p&p
TYPE 9086 FM TRANSMITTER 88-108 MHz. 50 watts RF output. 24V. + supply. Complete modular system £480 + £30 p&p
TYPE 9087 As above with integral mains power supply unit £540 + £40 p&p

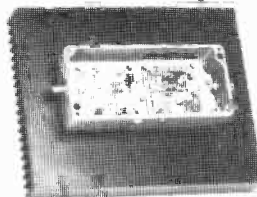


TYPE 9051



TYPE 9046

TMS WIDEBAND LINEAR POWER AMPLIFIERS 4/10/20 watts RF output. Without tuning. Power gain 10dB. 24V + supply.
TYPE 9046 100KHz - 100MHz. 4 watts £84.50 + £3.50 p&p
TYPE 9051 15MHz - 200MHz. 4 watts £84.50 + 3.50 p&p
TYPE 9171 15MHz - 200MHz. 10 watts £140 + £20 p&p
TYPE 9172 As above with integral mains power supply unit £200 + £30 p&p
TYPE 9174 15MHz-200MHz. 20 watts £180 + £20 p&p
TYPE 9175 As above with integral mains power supply £240 + £30 p&p



TYPE 9155



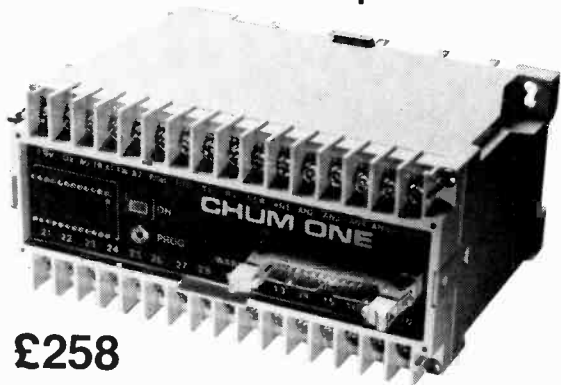
TYPE 9157

TIMOS RF LINEAR POWER AMPLIFIERS. Tuned to your specified frequency in the range 10-250MHz.
TYPE 9105 10mV input, 3 watts output. 24V + supply £160 + £15 p&p
TYPE 9155 3 watts input, 30 watts output. 240V + supply £240 + £25 p&p
TYPE 9156 As above with integral mains power supply unit £320 + £30 p&p
TYPE 9106 100mV input, 10 watts output. 24V + supply £180 + £15 p&p
TYPE 9158 10 watts input, 80 watts output. 24V + supply £320 + £25 p&p
TYPE 9157 As above with integral mains power supply unit £400 + £30 p&p

PLEASE ADD 15% V. A. T. ON TOTAL

CIRCLE 98 FOR FURTHER DETAILS.

CHUM ONE A Industrial Computer



£258

- ★ Control BASIC and Z80 Assembler Language
- ★ On Board EPROM Programmer
- ★ Detachable Hand-Held Keyboard and Display
- ★ 4K Bytes of Battery Backed Memory
- ★ Up to 64 Relay Outputs
- ★ Up to 64 Opto-Coupled Inputs
- ★ 4 Analogue Inputs
- ★ 1 Analogue Output
- ★ RS232 Interface
- ★ Cassette Back-Up Memory
- ★ Real Time Clock

The Chum One A offers the complete solution to all measurement and control problems. Programs can be written, tested and modified in RAM then at a touch of a switch blown into an EPROM.

**WARWICK DESIGN GROUP, 12 ST. GEORGE'S ROAD
LEAMINGTON SPA CV31 3AY (0926) 34311**

CIRCLE 56 FOR FURTHER DETAILS.

The CM1600 Measurement and Control Interface from IMS Electronics



**Unique construction allows flexibility
Four module positions, each with four channels**

Each module may be selected from an ever increasing list including:

- ± 10 volt outputs, 16 bit resolution
- ± 10V, 1V, 100 mV (Software Selectable) inputs, 16 bit resolution
- Thermocouple inputs (linearised)
- Single pole change over relays (mains rated)

**CHOICE OF IEEE-488 or RS 232C INTERFACE
Z80 MICROPROCESSOR BASED**

Optional extras include:

- Dot matrix panel printer (as illustrated)
- 32K RAM for assistance in data acquisition



IMS Electronics

Unit R6, Riverside Industrial Estate, Bridge Road,
Littlehampton, West Sussex BN17 5DF

SALES TELEPHONE (0903) 723492

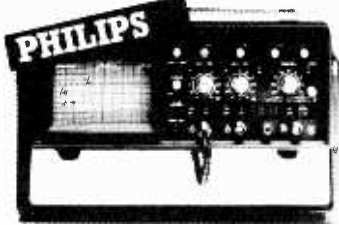
CIRCLE 78 FOR FURTHER DETAILS.

AUTHORISED DISTRIBUTOR

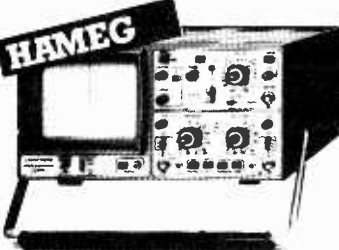
For the Leading Brands of Electronic Test & Measurement Equipment

From Philips, Fluke, Hameg, ICE, Thandar, Thurlby, GP Industrial, Claude Lyons, Coline, Compact Instruments

OSCILLOSCOPES



Philips PM 3206 £286
15MHz, compact portable, dual trace, 5mV sensitivity, auto and TV triggering, variable time base speed, Z modulation.



Hameg HM 203-5 £270
20MHz, dual trace, add and invert, maximum sensitivity 2mV, automatic and normal triggering, X-Y operation, component tester.
Thandar SC 110A £175
10MHz, battery powered portable, bright line and economy triggering for battery conservation, TV frame and line triggering. Sensitivity 10mV to 50V.

BENCH & HANDHELD DMMs



Philips PM 2519/01 £299
4 1/2 digit, LCD with analogue bar graph, auto/manual ranging, frequency to 1MHz, true RMS, dB, relative reference.

Philips PM 2518X/11 £199
4 digit, LCD with electroluminescent display, auto/manual ranging, true RMS, dB, relative reference, current to 20A, PM 2518X/01 without illumination £145.

Fluke 8010A £243
3 1/2 digit, LCD, 10A current range, seven functions include conductance, diode test, true RMS, DC accuracy 0.1%. 8010A Ni-Cd battery version £279.

Fluke 8060A £306
4 1/2 digit, LCD, ten functions include conductance, diode test, continuity, dB, frequency, true RMS, DC accuracy 0.04%, relative reference mode.

Fluke 8062A £245
4 1/2 digit, LCD, seven functions include diode test and continuity, relative reference, DC accuracy 0.05%, true RMS, self diagnosis test.

Fluke 8024B £220
3 1/2 digit, LCD, eleven functions include peak hold on voltage and current, audible and visual logic level detection, DC accuracy 0.1%

Fluke 8026B £172
3 1/2 digit, LCD, eight functions include conductance, audible continuity, true RMS, DC accuracy 0.1%, all 20 series DMMs have 2 year warranty.

Fluke 8020B £173
3 1/2 digit, LCD, eight functions include conductance, diode test, audible continuity, DC accuracy 0.1%, extensive over-load protection.

Fluke 8021B £139
3 1/2 digit, LCD, seven functions include diode test and high speed audible continuity, DC accuracy 0.25%, safety test leads provided

Fluke 8022B £114
3 1/2 digit, LCD, six functions include diode test, DC accuracy 0.25%, optional accessories available to enhance all DMM measuring capabilities.

Fluke JF 77 £110
3 1/2 digit, LCD with analogue bar graph, auto/manual ranging, DC accuracy 0.3%, touch and hold facility, supplied with carrying holster.

Fluke JF 75 £88
3 1/2 digit, LCD with analogue bar graph, auto/manual ranging, DC accuracy 0.5%, seven functions include diode test and audible continuity.

Fluke JF 73 £72
3 1/2 digit, LCD with analogue bar graph, auto ranging, DC accuracy 0.7%, six functions include diode test, all 70 series DMMs have 3 year warranty.

Fluke JF 25 £193
3 1/2 digit, LCD with analogue bar graph, sealed ruggedized construction, auto ranging, DC accuracy 0.1%, touch-hold facility, extensive overload protection



Fluke JF 27 £216
3 1/2 digit, LCD with bar graph, ruggedized construction, auto ranging, DC accuracy 0.1%, touch-hold facility, min-max and relative mode operation

Thandar TM 351 £115
3 1/2 digit, LCD, 29 ranges of measurement, DC accuracy 0.1%, diode test, battery life typically 4000 hours, complete with batteries and test leads

Thandar TM 451 £195
4 1/2 digit, LCD display with function legends, auto/manual ranging, DC accuracy 0.03%, sample/hold facility on all ranges, audible continuity.

Thandar TM 355 £85
3 1/2 digit, 0.5" bright LED, 29 ranges of measurement, DC accuracy 0.25%, battery or mains operation, diode check, supplied with test leads.

ANALOGUE MULTIMETERS

Philips PM 2505 £165
62 measuring ranges, 10M Ω input impedance, linear resistance ranges, audible continuity, automatic polarity indication, low power consumption.

I.C.E. 680R £32
80 measuring ranges, sensitivity 20k Ω /V, DC accuracy 1%, 12cm mirror scale, overload protection

I.C.E. 680G £25
48 measuring ranges, sensitivity 20k Ω /V, DC accuracy 2%, 10cm mirror scale, overload protection.

I.C.E. M80 £19
40 measuring ranges, sensitivity 20k Ω /V, DC accuracy 2%, wide range of accessories extend measuring capabilities.

PULSE, FUNCTION, PATTERN GENERATORS

Philips PM 5503 £155
Pattern generator, 5 test patterns for mono and colour, video output for CCTV and monitors, RF output in VHF and UHF range, 1kHz tone for sound checks.

Thandar TG 101 £110
Function generator 0.02Hz to 200kHz, sine, square, triangle, variable DC offset, TTL output, external sweep, 10Vpp output into variable 600 Ω .

Thandar TG 102 £160
Function generator 0.2Hz to 2MHz, sine, square, triangle, TTL output, variable DC offset, external sweep, 20Vpp output into variable 50 Ω .

Thandar TG 105 £105
Pulse generator 5Hz to 5MHz, 10nS, amplitude 0.1V to 10V into 50 Ω , free-run, gated or triggered modes, TTL output, pulse width variable 100nS to 100mS.

Thandar TG 501 £295
Function generator 0.005Hz to 5MHz, sine, square, triangle, ramp, pulse, TTL, variable DC offset, variable start/stop phase, 20Vpp into variable 50 Ω .

COUNTERS & COUNTER/TIMER



Thandar TF 200 £175
Counter, 10Hz to 200MHz, 8 digit LCD, battery powered, 10mV sensitivity, time average period, totalize and reset, TP 600 pre-scaler, 40MHz to 600MHz available at £45

Thandar PFM 200A £76
Counter, 20Hz to 200MHz, 8 digit bright LED, battery powered, 10mV sensitivity, resolution 0.1Hz, selectable gate times, mains adaptor and TP 600 pre-scaler available

POWER SUPPLIES

Thurlby PL 154 £159
0 to 15V, 0 to 4A, bench power supply, twin LED displays meter voltage and current, high stability and resolution, remote sense facility



Thurlby PL 320 £155
0 to 30V, 0 to 2A, bench power supply, constant current or constant voltage, precise current limit control and monitor system, nipple and noise <1mV

Thurlby PL 310 £125
0 to 30V, 0 to 1A, bench power supply, meter accuracy 0.1%, resolution 0.01V and 0.001A, DC output switch, load regulation <0.01% for 50% load change

MISCELLANEOUS PRODUCTS



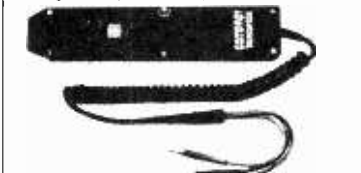
Thandar TH 302 £80
Thandar digital thermometer, LCD display of $^{\circ}$ C and $^{\circ}$ F, range -40 $^{\circ}$ C to 1100 $^{\circ}$ C, resolution 0.1 $^{\circ}$ and 1 $^{\circ}$, for use with type K probes (bead supplied)



Thurlby OM 358 £179
Thurlby multiplexer expands any oscilloscope to 8 channels, displays analogue or digital signals, triggering from any channel, band width 35MHz, precision calibrated attenuator



Thurlby CM 200 £89
Thurlby digital capacitance meter, 4 1/2 digit LCD, 1pF to 2500 μ F range, accuracy 0.2%, fast setting, battery or mains operation



Tachoprobe £70
Compact tacho-probe for use with DMMs or frequency counters, 2 speed ranges from 100 to 20,000 RPM, accuracy 1%, non-contact range 1m

EB90 £7
x 1 oscilloscope probe

EB91 £10
x 10 oscilloscope probe

EB95 £13
x 1 and x 10 oscilloscope probe

LINE CONDITIONERS

Claude Lyons LVC 250 £271
2.5A, 600VA rating, line voltage conditioner fast response (typically 1 1/2 cycles), isolated input/output, compact and portable for easy installation

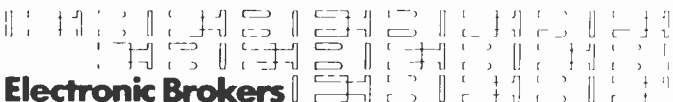
Claude Lyons LVC 65 £186
0.65A, 156VA rating, line voltage conditioner, unaffected by frequency variations, transient and noise suppression. All LVC units have 2 year warranty

EPROM PROGRAMMERS

GP Electronics UV 141 £88
EPROM eraser, variable electronic timer, powerful UV source, up to 14 device capacity, convenient tray loading with safety interlock

Electronic Brokers are leading suppliers of electronic test & measurement equipment. Our Distribution Division handles the major names in the industry and all products are stocked in depth in our spacious new premises at Camden Town, ready for prompt despatch to all parts of the country.

Electronic Brokers offer full technical support and expert advice on all aspects of electronic test and measuring.



CIRCLE 204 FOR FURTHER DETAILS.

Visitors are welcome to our showrooms where all products are on display and demonstration. For customers wishing to order by phone, we offer a 24 hour answering service.

All prices are exclusive of VAT and correct at time of going to press. Carriage and packing charges extra on all items unless otherwise stated. A copy of our trading conditions is available on request.

Electronic Brokers Ltd
140-146 Camden Street London NW1 9PB
Telephone 01-267 7070 Telex 298694

More power for your elbow ... less from your supply

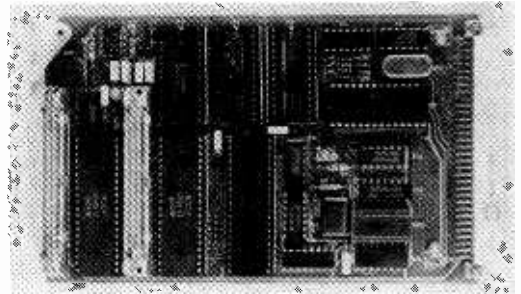
The SBM C02 is a powerful Eurocard CMOS single board computer featuring the R65C00 Processor and Peripheral family from Rockwell.

Forty I/O and handshake lines are available along with a programmable baud rate RS232 port and 3 x 28 Pin RAM/ROM sockets. The I/O can readily be expanded using bus and four 256b chip select signals available at the DIN41612 connector.

Fully static operation permits the user to implement "wake-up" or reduced clock-rate operation for particularly low power applications.

Features:

- * CMOS — Low power consumption
- * 40 I/O and handshake lines
- * RS232 with programmable baud rate
- * 2Kb or optionally 8Kb RAM fitted
- * 16Kb ROM/EPROM
- * 2 x 16 bit timer/counters
- * Simple I/O Expansion
- * FORTH Language available



R.C.S. MICROSYSTEMS LIMITED

THE KINGS ARMS,
141, UXBRIDGE ROAD,
HAMPTON HILL,
MIDDLESEX.
TW12 1BL

Tel No. 01-979-2204
Telex: 8951470 RCS MIC

CIRCLE 88 FOR FURTHER DETAILS.



115 TO 165 MHZ NARROW BAND VFO RECEIVER KIT No 627

Specification

Frequency coverage in two sections. 115 to 135 Mhz or 140 to 165MHz
Sensitivity: 0.5uV for 20dB
Double conversion: First IF 10.7Mhz, second IF 455Khz
First IF limiting: 5uV for 12dB SINAD
Input impedance: 50R
Operating volt.: 10 to 14V DC
S-meter out
Audio out. 1W

Description

Uses latest ICs for best results
All coils ready made (T Ko) as well special Varicaps for best linearity
Wide Band hybrid in the front end as RF amplifier. Can easily adopted for AM reception. All circuit on a 18 x 6cm double sided p. c. board
AGC included in front end

FREQUENCY SYNTHESIZER 22 TO 37 MHZ IN 100 KHZ STEPS KIT No 634

The first in our range of Frequency synthesisers! It uses the famous HCTRO320 chip by Hughes as well as the MC12061, MC1648, and 11C90. Everything included on the p.c. board, measuring 10 x 5cm. Direct frequency setting by BCD thumbwheels. No alignment or trimming to look after!
PLEASE ASK FOR OUR FREE CATALOGUE ON OUR FULL RANGE OF ELECTRONIC KITS.

C & A ELECTRONIC O.E.
PO Box 25070 Athens 10026
GREECE Tel:5242867. Tlx:210798 CAGR

CIRCLE 91 FOR FURTHER DETAILS.

pantechnic

■ design manufacture and supply

**POWER AMPLIFIERS
HIGH POWER ASSEMBLIES
CONTROL CIRCUITRY**

■ for application in

**INDUSTRY
PUBLIC ADDRESS
HI-FI**

■ available

**OFF THE SHELF
CUSTOMISED
C A D DESIGNED**

tel. 01.361.8715 132 High Road
telex 266 873 New Southgate
PANTEC G LONDON N11 1PG.

CIRCLE 32 FOR FURTHER DETAILS.

ELECTRONICS & WIRELESS WORLD SEPTEMBER 1985

THE SOURCE OF ALL GOOD USED TEST EQUIPMENT

SAVE up to 50%



OSCILLOSCOPES

Hewlett Packard		
182T	Scope Mainframe	£1850
1332A	Display (As new)	£950
1809A	4 channel p/in for 180	£1250
1821A	Timebase p/in for 180	£750
Tektronix		
212	Portable Scope 500KHz	£650
2213	Scope	£675
475	Scope	£2750
634/1/20	Monitor (As New)	£950
465B	Scope 100MHz	£1650
466	Storage Scope 100MHz	£3500
434	25MHz Storage Scope	from £1950
5223	Scope Mainframe	£3600
5403/D41	Scope Mainframe	£1950

TEKTRONIX 7000 SERIES

7603	Scope Mainframe	£1950
7613	Scope M/F Storage	£3950
7854	Waveform Processing Scope	£12500
7904	Scope M/F 500MHz	£6950
7A11	FET P/In	£1600
7A18	D T Amp	£800
7A19	600MHz Amp	£1600
7A24	D T P/In	£1950
7A26	D T P/In	£1650
7B50A	Timebase	£575
7B53A	Timebase	£585-£985
7B85	Timebase	£925
7B87	Timebase	£1435
7D11	Digital Delay	£1400
7D14	525MHz Digital Counter	£850
7M11	Delay Line	£750
7S11	Sampling Plug In	£1850
7S14	TDR Sampler	£4500
7T11	Sampling Timebase	£4000
S1	Sampling Head	£950
S54	Pulse Generator Head	£600

ANALYSERS

Hewlett Packard		
332A	Distortion Analyser	£850
1615A	Logic Analyser	£2500
8559A	Spectrum Analyser Plug-in	£8250
Marconi		
TF2300A	Modulation Meter	£795
TF2330A	Wave Analyser	£1095
TF2331	Distortion Factor Meter	£695
Tektronix		
308/01	Data Analyser	£2500
308	Data Analyser	£2250
7D01/DF2	Logic Analyser	£1900
491 opt 02	Spectrum Analyser 1.5GHz + from	£3000
TR502	Tracking Generator	£3500
TR503	Tracking Generator	£4250
7D02 opt 01	Logic Analyser	£3000
PM102	Personality Module	£500
PM108	Personality Module	£850

RF SIGNAL GENERATORS

EHLabs		
139B	Pulse Generator 50MHz 10V	£750

Farnell		
SSG520	AM/FM Signal Generator	£1500
Hewlett Packard		
214A	Pulse Generator 100V	£750
612A	UHF Generator 450-1230MHz	£950
8011A	Pulse Generator	£625
8007B	Pulse Generator 100MHz	£1650
8015A	Pulse Generator Dual 50MHz	£1950
8018A	Serial Word Generator	£2000
8601A	Sweep Generator	£1950
8600A	Digital Marker	£950
8616A	Signal Generator 1.8-4.5GHz	£4000
Marconi		
6058B	Signal Source 8-12.5GHz	£850
TF2002AS	AM/FM Signal Generator	£950
TF2002B	AM/FM Signal Generator	£950
TF2016A +	AM/FM Signal Generator +	
TF2173	Synchroniser 120MHz	£1350

AF SOURCES

Hewlett Packard		
4204A	Decade Osc (New)	£595
Marconi		
TF2000	Signal Source 20Hz-20KHz	£450
Wavetek		
185	Sweep Generator	£650
184	Sweep/Function Generator 5MHz	£750
166	Pulse/Function Generator 50MHz	£1950

TEKTRONIX GPT & M EQUIPMENT

AM501	Op Amp	£300
DC508A	Counter 1.3GHz	£995
DC509	Counter/Timer 135MHz	£995
DD501	Digital Delay	£500
DM 501/02	DMM	£200
FG501	1MHz Function Generator	£325
FG502	1MHz Function Generator	£565
FG503	3MHz Function Generator	£395
FG504	40MHz Function Generator	£1650
MR501	X-Y Display	£200
PG501	Pulse Generator	£330
PG502	Pulse Generator	£1650
PG505	Pulse Generator	£450
PG506	Calibration Generator	£1950
PG508	Pulse Generator	£1250
RG501	Ramp Generator	£250
SC501	Scope	£500
SC502	Scope	£900
SC504	Scope	£995
SG502	Signal Generator	£525
SG504	Signal Generator 245-1050MHz	£2100
TG101	Time Mark Generator	£1750
TM501	Mainframe	£275
TM504	Mainframe	£375
TM515	Mainframe	£400

COUNTERS & TIMERS

Fluke		
7220A	Communications Counter 1.3GHz (Quantities available)	£595
	Counter 80MHz	£150
Hewlett Packard		
1900A		
5341A	Microwave Counter 10Hz-4.5GHz	£1500
5300B +		
5305B	Counter 1.3GHz	£650

Marconi		
2431A	200MHz Counter	£295
2437A	100MHz Counter/Timer	£395
2438	520MHz Counter/Timer	£650
Racal		
9514	100MHz IEEE Counter/Timer	£750

BRIDGES

Hewlett Packard		
4271B	Digital LCR Meter	£3950
4342A	'Q' Meter	£2100
Marconi		
TF1245A	'Q' Meter	£1200
TF1246	Oscillator	£650
TF1247	Oscillator	£650
TF1313A	LCR Bridge	£775
TF2700	Bridge	£350
TF2702	Inductor Analyser	£1500

GENERAL PURPOSE T & M

Avo		
	Multimeters model 8's & 9's	£80-£85
Fluke		
515A	Calibrator	£1650
887AB	Diff. Voltmeter	£1500
731B	Std Cal	£750
931B	Diff Voltmeter	£850
Hewlett Packard		
4815A	Vector Impedance Meter	£3950
3437A	Systems DMM	£1750
3465A	DMM	£350
3468A	DMM	£495
3406A	Sampling Voltmeter	£1500
8405A	Vector Voltmeter	£2000
467A	Amplifier	£725
11692D	Direct Coupler	£1500
Marconi		
6460/1	RF Power Meter	£1500
TF2603	RF Millivoltmeter	£650
TF2905/8	TV Pulse Generator	£750
TF2333	Trans Test Set	£850
TF2356 +		
TF2357A	S.L.M.S.	£3600
TF2807A	PCM Tester	£1350
TF2904	Colour Gain Test Set	£495
TF2905/8	Radio Test Set	£1550
TF2809	Data Line Analyser	£950
TF2828	Simulator	£1250
TF2829	Digital Analyser	£1250
TF2915	Data Monitor	£1200
Tektronix		
8540/03	Integrating Unit	£8500
576	Curve Tracer	£9000
178	Fixture	£1500
A6901	Ground Isolation Monitor	£275

HEWLETT PACKARD COMPUTERS

2631B	Printer	£1450
7221B	Plotter	£1200
82160A	Interface Cassette	£55
82161A	Digital Cassette	£250
9825A	Desktop	£2950
9862A	Plotter	£750
9872C	Plotter	£750
9885S	Disk Drive	£950

Electronic Brokers Guarantee

Unless otherwise stated, all test equipment sold by us carries a 12 month warranty. When you buy from Electronic Brokers you know the equipment is in 'top notch' condition. It is refurbished in our own service laboratories and checked to meet the original manufacturer's sales specifications. And it's serviced by our own highly qualified technicians.

All prices exclusive of VAT. Carriage and packing charges extra on all items unless otherwise stated.

A copy of our trading conditions is available on request.

Electronic Brokers Ltd
140-146 Camden Street London NW1 9PB
Electronic Brokers Telephone 01-267 7070 Telex 298694

CIRCLE 201 FOR FURTHER DETAILS.



GENERATORS

TG101 FUNCTION GENERATOR £110+VAT
 < .02Hz to 200kHz; Sine, Square, Triangle Waveforms; Variable DC offset; Variable 600 Ω output; TTL output; External Sweep Mode

TG102 FUNCTION GENERATOR £160+VAT
 < 0.2Hz to 2MHz; Sine, Square, Triangle Waveforms; Variable DC offset; Variable 50 Ω output; TTL output; External Sweep Mode

TG105 PULSE GENERATOR £105+VAT
 5Hz to 5MHz, Free-run, Gated or Triggered Modes; Squarewave, Complement, Variable 50 Ω output; TTL output; Sync output.

For further information contact:

Thandar Electronics Ltd.
 London Road, St Ives
 Huntingdon, Cambridgeshire PE17 4HJ
 Telephone: (0480) 64646. Telex: 32250.



CIRCLE 54 FOR FURTHER DETAILS.

ESTABLISHED 1931

STRETTONS

CHARTERED SURVEYORS

LONDON, E17.

16 NEW INDUSTRIAL UNITS
 EACH 1250 sq.ft.

Exceptionally well appointed
 new factories built
 to a high specification.

Available to let now.

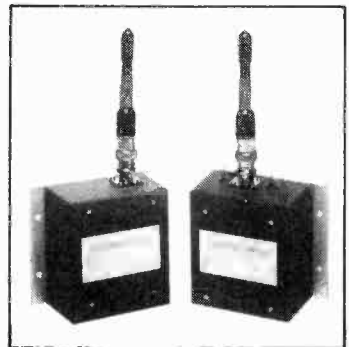
Particulars from Strettons.

Tel: 533-1212.

CIRCLE 90 FOR FURTHER DETAILS.

173MHz FM TELEMETRY RADIO LINK

- Range up to 100 metres
- Modular, Wall Mounting
- Transmitter + Receiver
- Direct Baseband Inputs + Outputs (3kHz B/W)
- Operates to MPT1309
- Each Module 86x104x45mm + requires only 30mA dc at 7.2V
- Selective Baseband signalling by 'add on' modules available shortly.



ADENMORE LTD

27 Longshot Estate, Bracknell, Berks. RG12 1RL Tel: 0344 52023

CIRCLE 97 FOR FURTHER DETAILS.

NEW DISCO ELECTRONIC CENTRE

BAKER LOUDSPEAKERS	Post £2 p/ch	150 WATT DISCO twin deck system	£360 carr £30				
MODEL	INCHES	OHMS	WATTS	TYPE	PRICE	120 WATT DISCO + twin speakers	£300 carr £30
Disc/Group	10	8-16	50	PA	£18	Console only	£145; 120 watt £199; carr £10
Midrange	10	8	100	MID	£25	PA CABINET SPEAKERS 4 or 8 or 16 ohm 75 watt 24x17x11in. £56	
Wgtr	12	4-8-16	30	HI-FI	£18	90 watt 32x17x11in. £75; 150 watt £94; 200 watt £100; 400 watt	
Suprb	12	8-16	30	HI-FI	£28	£150; 300 watt MID N. TOP £125; carr £10 each	
Wgtr	12	8	80	HI-FI	£18	RCY SOUND LIGHT Ready Built Deluxe 4 Channel 4,000 watt with	
Audiotum	15	8-16	60	Bass	£39	chrser - speed - programme controls £69. Post £2 New Model	
Disc/Group	12	4-8-16	45	PA	£18	MkII with special 16 programmes. 4 channel 4,000 watt £89. Post £2	
Disc/Group	12	4-8-16	75	PA	£22	DELUXE STEREO DISCO MIKER/EQUALIZER I & D V.U. displays 5	
Disc/Group	12	8-16	100	PA	£28	band graphic equaliser, left/right fader, switchable inputs for phono/	
Disc/Group	15	8-16	100	PA	£39	line, mike/line Recording Output £129. DELUXE ET45. Post £2	
BAKER MICROPHONE VOCAL GROUP AMPLIFIER £129 p.p. £3						PROJECT CASES Black vinyl top and sides	
PA 150 watt 4 channel mixing, 8 inputs, dual impedance 50K-600						6x4x1. £3.60 8x5x2inE4. 11x6x5 £9 9x5x2in £4.80 11x6x3	
ohm, volume fiddle, Bass, Presence controls on each channel						£5 50 13x8x4. £11	
Master volume control, echo, send return socket, Slave sockets.						ALUMINIUM BOXES 4x4x1, £1.50, 4x2x2 £2.10; 3x2x1 £1;	
BAKER 150 watt MIXER AMPLIFIER 4 inputs £99						6x4x2 £1.90; 7x5x2 £2.90; 8x6x3 £3; 10x7x3 £3.60; 12x5x3	
Disc/Group, Vocal, Public Address Speaker outlets for 4, 8 or 16						£3.60; 12x8x3 £4.30; 24x4x4 £2.20; 4x4x2 £1.60	
ohms. Four inputs, 20 mv, 50K ohm, individual volume controls Four						ALUMINIUM PANELS 6x4 55p, 6x6 90p; 14x3 90p; 10x7 £1.15;	
channel mixing, Slave output 16 "X"K5"; Wt -14lb; Master volume						12x8 £1.30; 16x6 £1.30; 14x9 £1.75; 12x12 £1.80; 16x10 £2.10.	
control, 240V A.C. Post £2						H+H 1000w mono, 500w stereo quality amplifiers £5000	
100 Volt Line Model, 150 watt £114 SLAVE 150 watt £80 p.p. £2						reconditioned, guaranteed £275 p.p. £5	
Baker Stereo Slave 150 + 150 watt per channel (300 watt Mono)						RADIO COMPONENT SPECIALISTS	
Heavy Duty Model £125. Post £4						337 WHITEHORSE ROAD	
BAKER MOBILE PA AMPLIFIER All transistor, 80 watt RMS, 12v DC						CROYDON, SURREY, U.K.	
& 240V AC, 4 inputs 50k Aux + 2 mics + 1 phono loudspeaker Output						TEL 01-684 1665	
4-8-15 ohms + 100 volt line. £89 Post £2						ACCESS VISA	
WATERPROOF HORNS 8 ohms, 25 watt £20, 30 watt £25, 40 watt						Same Day Despatch, Closed Wed. Lates 34p minimum p.p. 65p	
£29, 20W plus 100 volt line £38. Post £2							
BAKER PA systems amplifier, mike + two speakers							
MkI Mobile 80w, 240v AC + battery 12v							
MkII 150w, 240v AC complete							
MkIII 150w, Transistor Mixer Amplifier with separate Treble, Bass							
Presence & Volume Controls for each of its four channels. Plus Master							
Volume Control, Mains 240v, Two PA Speaker Cabinets each with							
Two 12in Baker Units, Microphone and leads (Delivery extra £20 per							
system) £269 Complete							

CIRCLE 89 FOR FURTHER DETAILS.

Domestic microelectronic controller

Intarlec: intelligent alarm and partial control of the electrical installation.

by J.L. Gordon

Microprocessor-based alarm systems are now a popular addition to the many alarm control boards that are available from various sources. Generally it seems from conversations with some alarm installers, that electronic alarm control boards have been suspect as far as false alarms are concerned. However, more modern and perhaps expensive boards are indeed more reliable: some of the latest boards have microprocessor-controlled designs containing a processor that is rather under-worked in a domestic alarm system.

A microprocessor in such a system could service each alarm call through an interrupt network, the delay in servicing being only a few microseconds. However, there may be nothing for the microprocessor to be interrupted from, so a loop program can be chosen. Each contact or zone may be interrogated at regular intervals within a continuous loop, and decisions made as to the state of the system. Even this option provides for extremely rapid interrogation frequencies, which are not required. A pressure mat, for instance, would miss nothing if interrogated every 10 or even every 100 microseconds, as opposed to every 500 microseconds as should be possible in a domestic system.

The use of a microprocessor allows the advantages available in more expensive electronic systems, such as being able to take an average reading from peripherals so that noise may be eliminated and the ability to mask out faulty contacts under programmed criteria. In addition, the system would become more flexible, allowing functional modifications through programming.

Using a loop-type program, it should be possible to fit additional processing into the loop and still be able to interrogate

contacts at a more than adequate frequency. The additional work should be related in cost terms to the cost of the alarm system. For example, it would make little sense to spend thousands of pounds on servo control equipment that would supplement an alarm system costing only a few hundred pounds. The servo control system would probably be self contained, and a separate alarm system chosen.

The unit described aims to provide control options that complement each other and extend the ability of the whole system. The control of certain lights in the premises can be effected through the microprocessor and be entirely automatic. This requires a light-level sensor but also enables the controller to simulate house occupation during holidays. The contact system could be extended to allow the controller to distinguish between rooms in the house. Additional internal sounders can be used as door bell repeaters and the door bell itself can allow silent access for the consumer when the alarm is armed.

The description that follows was intended for the operator and is not an extensive technical description. In the hardware and software descriptions that follow the unit is referred to as Intarlec, which with some poetic licence, is intended to represent "intelligent alarm and partial control of the electrical installation."

Intarlec is intended to provide the householder with a useful control and an alarm at a price that compares with other alarm systems. The system consists of a central control unit which is actually a small computer. Intarlec monitors peripherals located around the premises to detect the presence of a person. When the alarm mode is requested the information can be used by the computer to determine the appropriate action, given the

input conditions. In this respect, it is little different from many other systems. However other systems have the alarm function as their only objective. Intarlec is useful in other ways, even when not operating as an alarm.

Intarlec will have control of a small number of lights in the premises. This is essential to the main program. Suitable lights for control are those which serve a functional purpose such as hall, stairs, landing, kitchen and outside lights.

Taking the half light as an example, Intarlec monitors the outside light level and will therefore not activate the hall light during the day. However override facilities exist to allow for occasional events such as decorating where more light is needed during the day. During the evening it uses the same monitoring facilities that are used for the alarm, to detect the presence of a person in the hall. When programmed conditions are satisfied Intarlec will activate the hall light without any direct request from the consumer other than presence. Someone entering the premises by the front door will be greeted immediately by a well-lit hall and so avoid having to reach for a switch in the dark. Intarlec appears to provide character to an otherwise lifeless house. This kind of reasoning can be applied to other areas and lights. However the consumer is not advised to have this facility installed in areas such as living rooms, bedrooms etc., where lighting is not always functional and may depend on mood.

Three basic modes

— Mode 1. Normal mode as previously described.

— Mode 2. A request to arm the alarm but to inform Intarlec that house occupants are going to bed.

— Mode 3. This is maximum alert where all presence is inter-

preted as hostile.

Mode 2. When all householders are retiring for the evening mode two should be selected. Initially the alarm program is activated and then de-activated for about three minutes to allow people to clear hostile areas. During the deactivate period, hall and landing lights are turned on to allow safe passage to bed. When these lights go out, the consumer will know that Intarlec has re-activated the alarm program.

If the consumer needs to get up during the night. Intarlec deduces that it is not a burglar and promptly turns on hall and landing lights and deactivates the alarm for about five minutes. If the consumer stays for longer than this mode two should be cancelled and re-established when required. After five minutes, and presumably when the consumer is safely back in bed, Intarlec turns off the lights and re-activates the alarm. In the morning, mode one should be requested whilst the alarm is de-activated. If an intruder is detected in mode two, an internal alarm will sound, and all lights under computer control will be turned on.

Mode 3. When the consumer goes out, mode three should be selected. Intarlec allows about 1½ minutes for the premises to be cleared and the alarm will then be armed. If an intruder is detected Intarlec initially responds by sounding an internal alarm and flashing all house lights to attract attention. During this time Intarlec establishes the validity of the call and when sure of an intrusion will add the external alarm. The alarm automatically resets and re-arms after about five minutes.

Mode three cannot be cancelled externally but entrance can be gained silently with programmed criteria (not discussed here). Mode three also offers a simulate facility for use when the premises remains unattended for

Communication unit operating instructions

Switch-on.

On power-up Intarlec starts in mode three, but will be deactivated to allow mode setting.

Mode 1. This is normal mode with no alarm. To select this mode, press button number one. A '1' will appear on the right hand display.

Mode 2. This is alarm request for occupied premises. To select this mode, press button number two. A '2' will appear on the right hand display.

Mode 3. This is alarm request, maximum alert. To select this mode, press button number three. A '3' will appear on the right hand display after a short delay. Simulate may be requested by holding in button number three until PP is seen on the display. After a short delay, 'S' will appear on the right hand display to show 'Simulate' has been activated.

The computer can be seen to be working normally by observing the rapid pulsing of any blank display segments.

When in mode one

All other key facilities are available:

Key 8 — override. Press key 8 then hold down the key for the light required until OK is seen on the display. Normal operation will be resumed.

Key 7 — set up. Key 7 re-starts the program as if power-up has just occurred. All edited registers will be set to normal.

Key 6 — lights out. Key 6 turns off any lights that are on.

Key 5 — edit. Key 5 is used to edit working registers. Pressing this key starts the editor. The following keys work in edit mode

- 1 — Increments address or data.
- 2 — Decrements address or data.
- 3 — Selects address of register.
- 4 — Selects content of register.
- 6 — Exit from edit mode to normal.
- 7 — Rapid test of simulate routine.

This facility should only be used after proper instruction, and with a register map.

When in mode two, the keyboard will not respond unless the alarm has been automatically deactivated. This prevents an intruder from cancelling the alarm.

Any mode request automatically cancels other modes.

When in mode three, the keyboard will not respond unless the alarm is deactivated by the user. If the alarm is activated by accident, it may be cancelled by a special procedure.

longer periods. When this routine is requested Intarlec controls internal lights when the premises are empty. Dusk initiates the simulate routine each day of absence. Lights then operate to simulate movement around the premises for as long as required. The consumer can determine the exact nature of this facility, so that the routine will be individually tailored to the consumer's needs. It is hoped that the simulate facility will deter breaks in so that the alarm function is not required. However, simulate in no way impairs Intarlec's ability to detect intruders.

When modes two or three are selected the last contact facility will read 0 unless a contact is operated. A non-zero reading means that a fault exists on that circuit or a door is open etc.

Other facilities

Lights under computer control will not normally have switches, and as Intarlec never forgets to turn lights off, electricity may be conserved.

The communications unit will normally show the mode of operation and the last point

Fig. 1. The central controller can service up to eight mains lights, 12 inputs from various sensors, a five-tone internal sounder and special connections such as light level and auto reset prevention. Six port bits are used for user interface, allowing a reasonable length connection cable to the controller.

where a presence has been detected, on two displays. It is therefore possible to trace movement around the premises by studying the control panel.

Any lights under computer control may be turned on or off from the keyboard. Even when lights have been overridden in this way, Intarlec turns them off automatically after about two hours, in case you forget.

Some functions can be edited from the keyboard. However this requires more extensive knowledge of the system and is not recommended for the unpracticed. If editing wrong, the system may be easily re-set to normal. In the event of a power failure or other temporary problem, a separate electronic circuit monitoring computer functions automatically re-starts in maximum alert mode, but deactivates for a short period to allow correct mode selection.

Hardware description

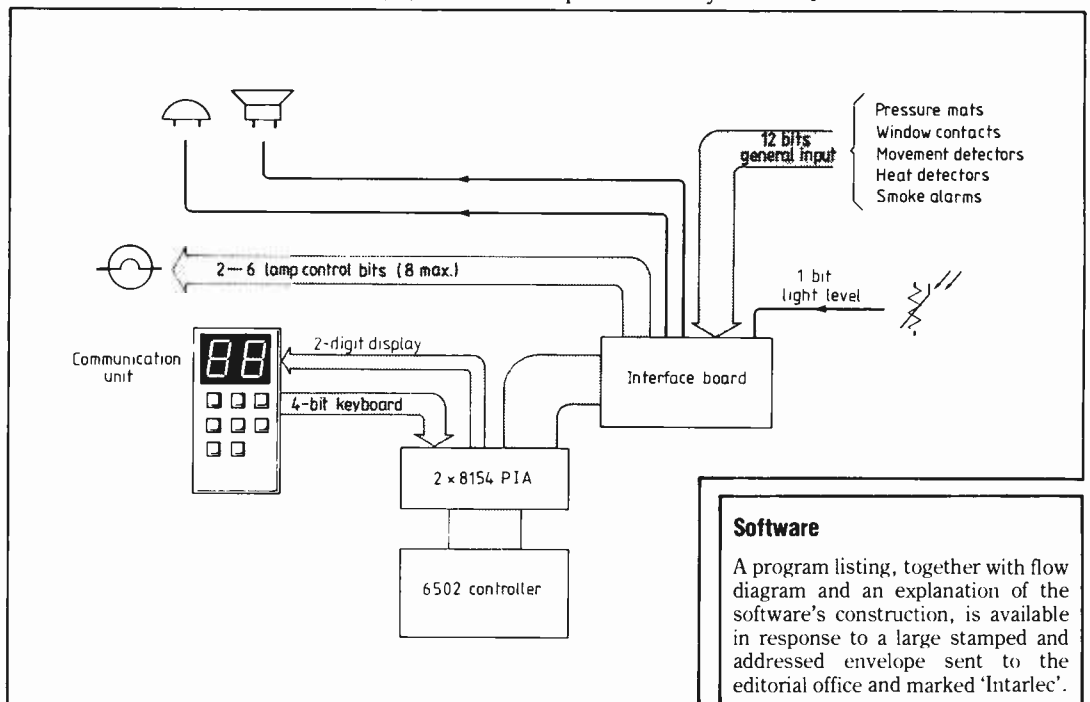
Figure 1 shows the overall arrangement of the hardware required for a working system. A 12V d.c. power unit is required rated at about 2A; separate 5V regulators are used for the 6502 controller, the interface board, and the communication unit. This arrangement is not essential but has worked successfully in the prototype unit.

The controller board consists of a 6502 microprocessor, 1K of ram (2x2114), one 2716 eeprom containing the system software, two 8154 p.i.as, chip select logic and a 1MHz clock provided for by

the 6502. The original board was bought from Acorn Computers for £46, and was their System 1 board without monitor roms. Such a board may easily be constructed on a suitable i.c. breadboard if a commercial board cannot be found. The main feature of the Acorn board that prompted its use was the provision of two 8154 p.i.as for i/o and a 2716 2K eeprom socket for the controller firmware. Although the construction of the controller is straightforward, one point of importance is that the 8154 and 6502 belong to different families of i.cs. The main problem is that the 8154 requires 'not read strobe' (NRDS) and 'not write strobe' (NWDS) lines, whilst the 6502 provides a 'read/not write' (R/W) line for the same purpose. A solution is to split R/W with an inverter and then to NAND each of the two new signals with 'Theta 2' (theta two) clock producing the required 'NRDS' and 'NWDS', which are only low during 'Theta 2' and the correct level of R/W.

All input to, and output from, the microprocessor is done through two 8154 p.i.as. These chips are useful because they allow single-bit read and write operations to any one of 16 bits, as well as two 8-bit port addresses. Single bits can be set or cleared through a unique address for each operation on each bit. The chip also contains 128 by 8 bits of ram, but has no timer. The timing of events is done within the main loop of the program.

It is possible to use a controller



Software

A program listing, together with flow diagram and an explanation of the software's construction, is available in response to a large stamped and addressed envelope sent to the editorial office and marked 'Intarlec'.

board which includes the more common 6522 v.i.a. A simple arrangement using a minimal 6502, 2716 eeprom, 2x2114 ram and 1x6522 v.i.a. has been built and tested successfully using an i.c. breadboard (such as RS 434-021). A working board would of course require two v.i.as, but it should be possible to include the extra one on the breadboard. The use of 6522s would reduce the cost of the unit but would not allow individual addressing of separate port bits.

Setting and clearing individual bits will require slightly more complex instructions in the firmware of a 6522-based controller:

For 8154

STA bit4set-porta/set bit 4
STA bit4clear-porta/clear bit 4

For 6522

LDA porta/to clear a bit
AND #%11101111/clear bit 4
STA porta
LDA porta/to set a bit
ORA #%00010000/set bit 4
STA porta

Reading a bit requires similar additions.

The Acorn board enabled its p.i.as at \$0900 and \$0E00. The rest of the text assumes that this is the case for any controller used.

Signal processing is done by the interface board, with the exception of the communication unit. It is possible to construct a controller board on suitable i.c. stripboard (eq.RS434-021). The

design of such a board can not be included here but a simple arrangement using a minimal 6502, 2716 eeprom, 2x2114 ram and a 6522 p.i.a. has been built and tested successfully using the board stated. A working board would of course require two p.i.as, but it should be possible to include the extra one on the strip board. The use of 6522s would reduce the cost of the unit but would not allow individual addressing of separate port bits.

The communication unit is connected directly to six bits of one of the p.i.as. The purpose of this unit is to permit the transfer of information between the user and the controller. Eight numbered keys are encoded by a 74LS148 to give three bits of data. A further bit (EO) is used to detect a key press. GS may also be used to detect a key press; this is active low which may be more secure if connecting wires are cut in that the severed keyboard will not be read when the port bit floats high.

To reduce interfacing cost and allow for the maximum number of bits on the 8154s to be used for control purposes, it was decided to use serial data transfer for the display. Two eight-bit shift registers are provided, which contain the information for the two seven segment displays. The information is shifted into the registers by a subroutine in the main program controlling the clock and data inputs to the shift register. The

clock and data are not sent at the maximum frequency available to the program to allow for trailing leads connecting the communication unit. The clock frequency will be about 36kHz for the sub routine shown, and the information for the two digits of the display is sent about five times per second or once every 240 cycles of the main loop of the program.

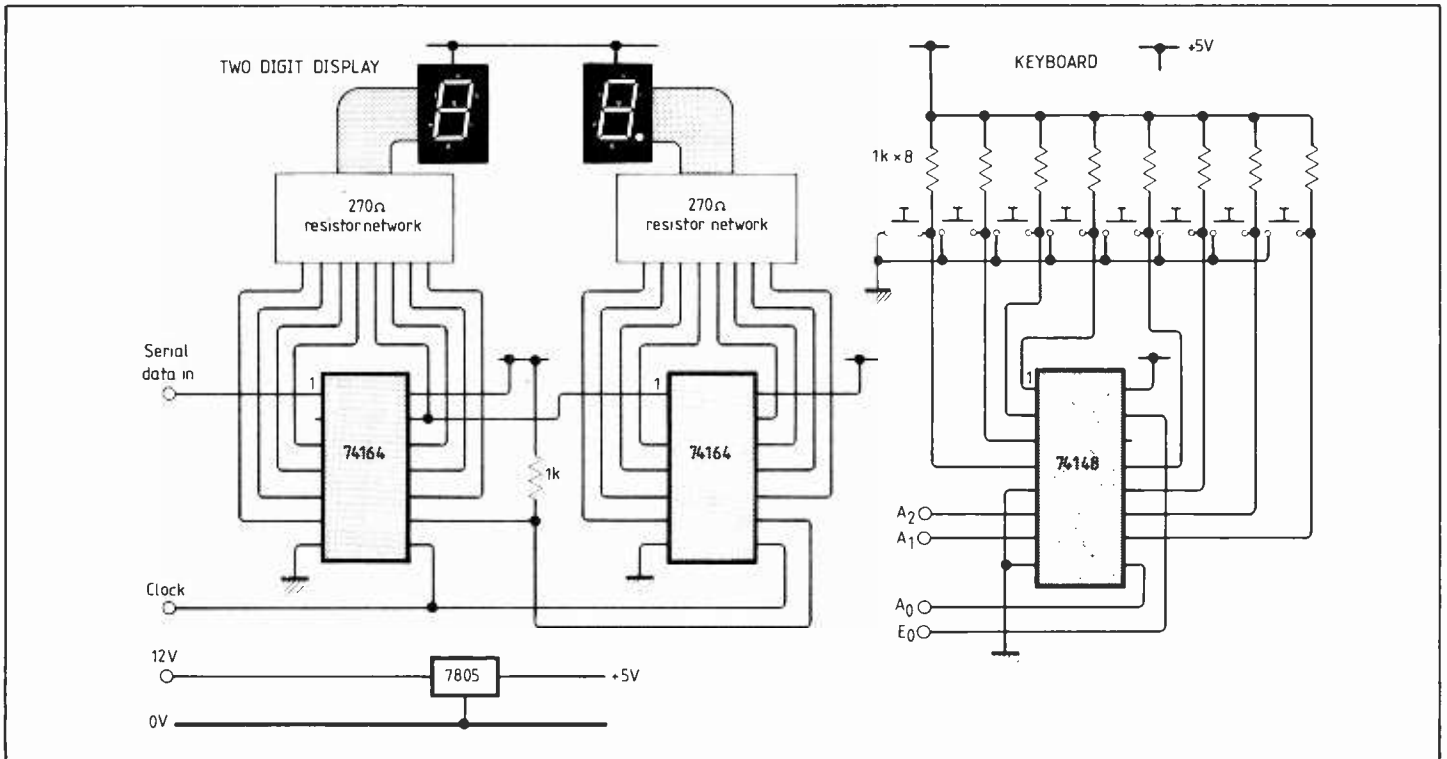
The 74164 shift registers are used to drive common-anode displays through suitable resistor networks. Common-cathode displays may also be used with minor alterations to the drive subroutine.

As previously stated, other input and output is done through the interface board. The tone selector handles alarm sounding. The three control bits and the 74138 provide eight possible conditions. Address '0' is used as an off condition, '7' is also not connected to an alarm as it may be activated in the event of a fault if pins 1 to 3 on the 74138 float high during system reset. Address '6' is used to activate the outside alarm bell through the interface shown in Fig. 6. Lines 1 to 5 are used to provide five different tones for the internal sounders. These sounders are loud speakers driven from the output transistor shown. The tones are derived from a 7493 binary counter which divides the pulses from a 2096Hz oscillator. Each note is gated as shown using and logic. The lowest frequency note also

provides reset pulses for the auto-reset circuit.

These pulses are independant of the microprocessor clock. The auto-reset circuit monitors the pulses provided by the processor; in the event of a failure of the pulses, the 74123 re-triggerable monostable will return to a low output, which in turn will allow the reset pulses to appear at the reset pin of the processor. The main program should provide a set pulse for the monostable within 200µs of the first reset pulse. This prevents any further reset pulses and the reset line remains high. Fig. 4 also shows a resistor-capacitor-diode circuit at the input of the inverter which allows reset at the earliest instant on power-up: reset will not have to wait for the timing of the monostable on this occasion. In the event of a fault on the controller board, it is likely that all lights will turn on and alarms off, due to the fact that the 8154's ports will reset as inputs and the gate inputs controlling lights etc. will tend to float high.

Fig. 2. User interface should be as straightforward as possible. Only eight key inputs are provided but the system may be driven from just three keys for minimal operation 'Day' 'Sleep' and 'Out' ('1', '2' and '3'). Two seven-segment displays provide contact and mode of operation information which is frequently updated.



there is no existing bell. The simple pressure mat buffer of Fig. 5 would read from a push.

Fig. 6 shows a small circuit that is used to activate the outside alarm bell. Many bells available work on 6 to 12V and 300mA d.c. so the Darlington arrangement can drive the bell provided that protection is included from inductive transients. A pulse stretching circuit is also included because the bell will be sounded as well as the internal tone. As both internal tone and bell are activated through the 74138 of Fig. 3, they cannot be on together without this addition. This circuit, along with the battery supply to the bell, would be suitably housed in a box situated just inside the building near the bell.

Great care should be taken when installing the light switches. Safety precautions should be observed so that the mains supply remains entirely separate from the low voltage control circuit. In addition, it should be possible to arrange disconnection of the supply for maintenance to ceiling rose etc., and for changing lamps. The two circuits shown in Fig. 8 will both allow low voltage control of the lamps whilst isolating from the mains.

The opto-triacs were obtained from RS components. Their data sheet quotes an insulation resistance at 500V of 10E11 ohms. However the 15th Edition of the IEE Wiring Regulations states that semiconductor devices should not be used as isolators. One possible solution to this would be to fit a lock type switch and install the opto triac unit behind it. This would allow disconnection of the supply to an individual light whilst still giving the controller total control for much of the time. The relay switch circuit will provide the required isolation and comply with the regulations. The regulations would also require insulation to low voltage and barriers if the relay or opto-isolator is to be housed in the existing switch box or ceiling rose. The way that this is done is not specified and the local electricity board may be consulted. The relay shown in Fig. 8 from Diamond Electronics would have an insulating barrier and p.v.c. sleeving could be used where the control cable enters the box. If method 1 is used than the interface board will require a 7405, and if method 2 is chosen, a Darlington driver should be used. The UNL2003 etc. should be a

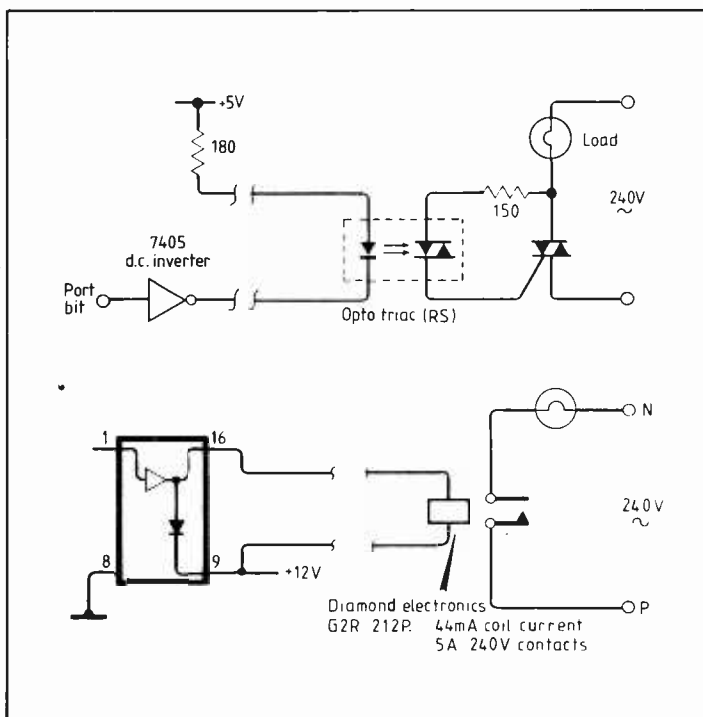
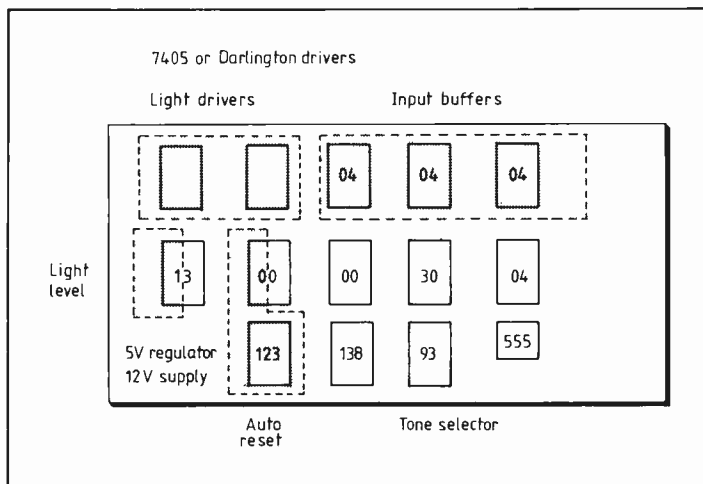
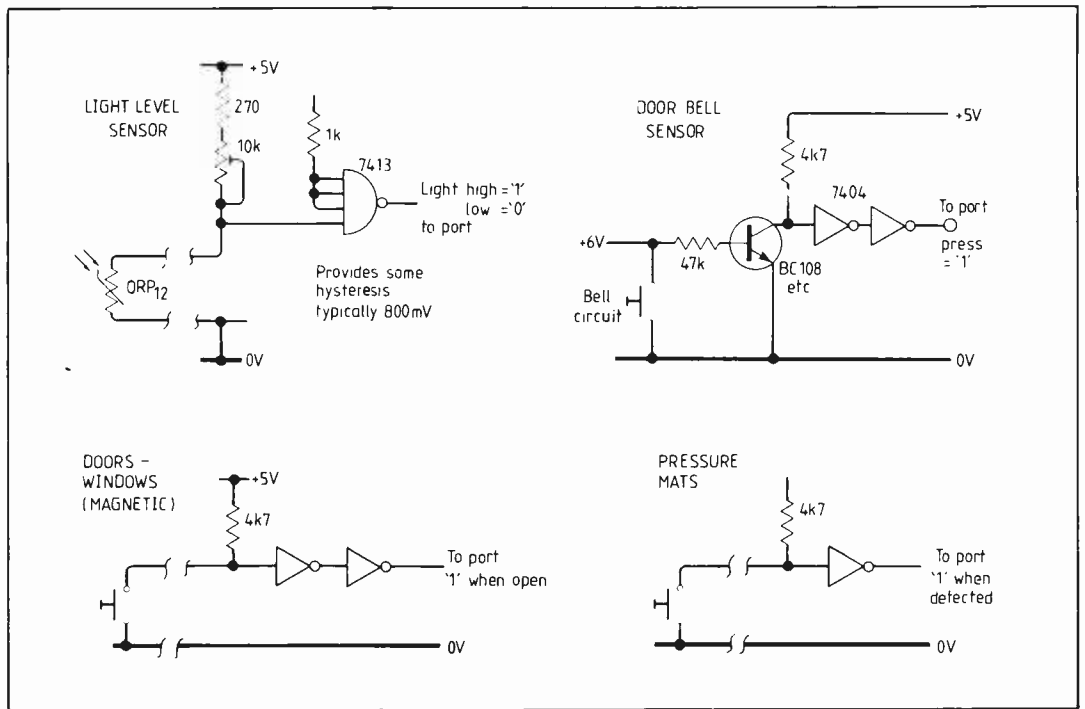


Fig. 5. Several types of very simple interface are incorporated in the interface board which provide connection between controller and peripheral.

Fig. 7. Interface buffering is accomplished by using several t.t.l. i.c.s on a suitable i.c. patchboard such as those found in the RS or Maplin catalogue. The prototype was constructed on a 30-i.c. board from RS Components.

Fig. 8. Mains light buffering must provide adequate electrical isolation and comply with the 14th edition of the IEE regulations. The use of an opto-triac provides isolation and simplicity of interface, whilst the use of a miniature relay removes the need to switch with a semiconductor device.

suitable driver.

Allowing the unit such total control of some lights may seem drastic, but if the software is implemented correctly and the hardware is reliable, no difficulties should be experienced. The original system implementation has in fact been moved to a different premises. Changing an original installation back to its normal state will prove easy if mains controllers have been installed at the light switch positions and blanking plates fitted instead of the switches. The change-over will simply involve removing the controllers and replacing the switches.

BBC Micro Computer System BBC Computer & Econet Referral Centre BBC Computers:

Model B: £299 (a) BBC B Plus: £409 (a) B+DFS: £346 (a)
Model B+Econet: £335 (a) B+Econet+DFS £399 (a)
BBC B Plus (available from stock) £409 (a)
ACORN 2nd Processors: 6502: £175 (a) Z80: £348 (a)
TORCH UNICORN: Z80 Card: £275 (a) Z80 Disc Pack: £550 (a)
TORCH Graduate G800/2 £899 (a)
20 Mbyte Hard Disc+400K Floppy: £1950 (a)

We stock the full range of ACORN hardware and firmware and a very wide range of other peripherals and firmware for the BBC. For detailed specifications and pricing please send for our leaflet.

PRINTERS

EPSON: RX80T+£210 (a); RX80FT+£220 (a); RX100+£345 (a);
FX80+£315 (a); FX100+£430 (a); JX80 Full Colour Printer £499 (a)
EPSON LX80 £242 (a); Optional Tractor Feed £20 (c)
KAGA TAXAN: KP810 £255 (a); KP910 £359 (a)
BROTHER: HR15 £340 (a); JUKI 6100 £340 (a).
GRAPHICS PLOTTER WORKSTATION Complete £490 (a)
Basic Plotter £270 (a); HI-Plotter £399 (a)

ACCESSORIES

EPSON. FX80 plus sheet feeder £129(b)
Paper Roll Holer £17(d) FX80 Tractor Attachment £37(c).
Interfaces: 8143 RS232 £28(c); 8148 RS232 + 2K £57(c); 8132 Apple II £60(c);
8165 IEEE + Cable £65(c).
Serial & Parallel interfaces with larger buffers available.
Ribbons: RX/FX/MX80 £5.00(d); RX/FX/MX 100 £10(d); LX80 £6(d);
FX80 Dustcover £4.50(d); LX80 Tractor Unit £20(c); Spare pens for H180 £7.50/set(d)
KAGA TAXAN: RS232 Interface + 2K buffer £78(c); p Ribbon KP810/910 £6(d)
JUKI: RS232 Interface £65(c); Spare Daisy Wheel £14(d); Ribbon £2.50(d); Sheet Feeder
£182(a) Tractor Feed Attach £129(a)
BROTHER HR15: Sheet Feeder £189(a) Ribbons Carbon or Nylon £4.50(d)
Tractor Feed £99(a)
BBC Printer Lead: Parallel (42") £7(d); Serial £7(d)
Printer Leads can be supplied to any other length.
Plain Fanfold Paper with extra fine perforation (Clean Edge):
2000 sheets 9.5" x 11" £13(b) 2000 sheets 14.5" x 11" £18.50(b)
Labels per 1000s: Single Row 3" x 1 7/16" £5.25(d) Triple Row 2-7/16" x 1 7/16" £5.00(d)

BT Approved Modems

MIRACLE WS2000:
The ultimate world standard BT approved modem covering all common BELL and CCITT standards up to 1200 Baud. Allows communication with virtually any computer system in the world. The optional AUTO DIAL and AUTO ANSWER boards enhance the considerable facilities already provided on the modem. Mains powered. £129 (c) Auto Dial Board/Auto Answer Board £30 (d) each (awaiting BABT approval). Software lead £4.50
BUZZBOX:
This pocket sized modem complies with V21 300/300 Baud and provides an ideal solution for communications between users, with main frame computers and bulletin boards at a very economic cost. Battery or mains operated. £62 (c) Mains Adaptor £8 (d) BBC to Modem data lead £7

SOFTY II

This low cost intelligent eeprom programmer can program 2716, 2516, 2532, 2732, and with an adaptor, 2564 and 2764. Displays 512 byte page on TV — has a serial and parallel I/O routines. Can be used as an emulator, cassette interface.
Softy II £195.00(b)
Adaptor for 2764/2564 £25.00

ATTENTION

All prices in this double page advertisement are subject to change without notice.

ALL PRICES EXCLUDE VAT
Please add carriage 50p unless indicated as follows:
(a) £8 (b) £2.50 (c) £1.50 (d) £1.00

ACORN IEEE INTERFACE

A full implementation of the IEEE-488 standard, providing computer control of compatible scientific & technical equipment, at a lower price than other systems. Typical applications are in experimental work in academic and industrial laboratories. The interface can support a network of up to 14 other compatible devices, and would typically link several items of test equipment allowing them to run with the optimum of efficiency. The IEEE Filing System ROM is supplied £282

INDUSTRIAL PROGRAMMER

EP8000:
This CPU controlled Emulator Programmer is a powerful tool for both Eprom programming and development work. EP8000 can emulate and program all eproms up to 8Kx8 bytes, can be used as stand alone unit for editing and duplicating EPROMS, as a slave programmer or as an eeprom emulator £695(a)

I.D. CONNECTORS

No of ways	(Speedblock Type)		
	Header	Recept	Edge Conn
10	90p	85p	120p
20	145p	125p	195p
26	175p	150p	240p
34	200p	160p	320p
40	220p	190p	340p
50	235p	200p	390p

D CONNECTORS

	No of Ways			
	9	15	25	37
MALE:				
Ang Pins	120	180	230	350
Solder	60	85	125	170
IDC	175	275	325	—
FEMALE:				
St Pin	100	140	210	380
Ang Pins	160	210	275	440
Solder	90	130	195	290
IDC	195	325	375	—
St Hood	90	95	100	120
Screw	130	150	175	—
Lock	—	—	—	—

TEXT TOOL ZIF

SOCKETS	24-pin £7.50
28-pin	£9.00
	40-pin £12.00

EDGE CONNECTORS

2 6-way (commodore)	0.1	0.156
2 10-way	—	300p
2 12-way (vic 20)	150p	—
2 18-way	—	140p
2 23-way (Zx81)	175p	220p
2 25-way	225p	220p
2 28-way (Spectrum)	200p	—
2 36-way	250p	—
1 x 43-way	260p	—
2 42-way	190p	—
2 43-way	395p	—
1 x 77-way	400p	500p
2 x 50-way (S100conn)	600p	—

EURO CONNECTORS

DIN 41612	Plug	Skt
2 x 32 way St Pin	230p	275p
2 x 32 way Ang Pin	275p	320p
3 x 32 way St Pin	260p	300p
3 x 32 way Ang Pin	375p	400p
IDC Skt A + B	400p	—
IDC Skt A + C	400p	—

For 2 x 32 way please specify spacing (A + B, A + C).

CONNECTOR SYSTEMS

AMPHENOL CONNECTORS

36 way plug Centronics (solder) 500p (IDC) 475p
36 way skt Centronics (solder) 550p (IDC) 500p
24 way plug IEEE (solder) 475p (IDC) 475p
24 way skt IEEE (solder) 500p (IDC) 500p
PCB Mtg Skt Ang Pin
24 way 700p 36 way 750p

GENDER CHANGERS

25 way D type
Male to Male £10
Male to Female £10
Female to Female £10

RS 232 JUMPERS

(25 way D)
24' Single end Male £5.00
24' Single end Female £5.25
24' Female Female £10.00
24' Male Male £9.50
24' Male Female £9.50

DIL SWITCHES

4-way 90p 6-way 105p
8-way 120p 10-way 150p

TELEPHONE CONNECTORS

4-way plug 110p
6-way plug 180p
6-way rt ang skt 160p
Flexible cable
4-way 50p/m
6-way 72p/m

RIBBON CABLE

(grey/metre)
10-way 40p 34-way 160
16-way 60p 40-way 180
20-way 85p 50-way 200
26-way 120p 64-way 280

DIL HEADERS

	Solder	IDC
14 pin	40p	100p
16 pin	50p	110p
18 pin	60p	—
20 pin	75p	—
24 pin	100p	150p
28 pin	160p	200p
40 pin	200p	225p

MISC CONNS

21 pin Scart Connector 200p
8 pin Video Connector 200p

DISC DRIVES

TECHNOMATIC drives are fitted with high quality slimline Mitsubishi mechanisms and are available with or without integral mains power supply. The dual drive power supplies are switch mode type and are generously rated. All drives with integral power supply are fitted with a mains indicator.

All drives are supplied with all the necessary cables, manual and a formatting disc. All drives are capable of operating in single or double density modes.

Single Drives: With integral psu.
1 x 100K 40T SS: TS100 £85(b) PS100 £120(b)
1 x 400K 80/40T DS: TS400 £125(b) PS400 £145(b)
Dual Drives: (with integral psu)
Stacked Version: Plinth Versions:
PD200 2 x 100K 40T SS £190(a) PD200P £215(a)
PD800 2 x 400K 80/40T DS £265(a) PD800P £289(a)
3.5" Drives: TS35 1 x 400K 80T DS £99(b)
TD35 2 x 400K 80T DS £175(b)

Note: We can supply drives with Shugart mechanisms at considerably lower prices. Please phone for details.

The mechanisms are 80 track double sided and are capable of both single and double density operation.

Authorised Distributor Data Recording Products



3M FLOPPY DISCS

Industry Standard floppy discs with a lifetime guarantee Discs in packs of 10
40 Track SS DD £13 (c) 40 Track DS DD £18 (c)
80 Track SS DD £22 (c) 80 Track DS DD £24 (c)
3 1/2" discs. Pack of ten £38 (c)

FLOPPICLENE DRIVEHEAD CLEANING KIT

FLOPPICLENE Disc Head Cleaning Kit with 28 disposable cleaning discs ensures continued optimum performance of the drives. £14.50 (b)

DRIVE ACCESSORIES

Single Disc Cable £6 (d) Dual Disc Cable £8.50 (d)
10 Disc Library Case £1.80 (d) 30 Disc Storage Box £6 (c)
30/40 Disc Lockable Box £14 (c) 100 Disc Lockable Box £19 (c)

MONITORS

MICROVITEC 14in. & 20in RGB
1431 Std Res £165 (a); 1431 Ap std Res PAL/Audio £205 (a);
1451 Med Res £240 (a); 1451 AP Med Res £280 (a); 1441 Hi Res £389 (a);
Swivel Base for Plastic 14" Microvitecs £20 (c)
2030CS Std Res £380 (a); 2040CS Hi Res £685 (a)
Plinth for 14in. Monitors £8.50.
Microvitec Monitors with TTL/Linear Inputs also available.

KAGA TAXAN 12in. RGB

SANYO CD 3125 NB 14in. RGB Std Res £159 (a)
Vision II Hi Res £225 (a); Vision III Super Hi Res £325 (a)
Green Screens; KAGA 12G £99 (a); SANYO DM811 112CX £90 (a);
Swivel Stand for Kaga Green £21 (c)
BBC Leads: KAGA RGB £5 Microvitec £3.50; Monochrome £3.50 (d)

UV ERASERS

UV1T Eraser with built-in timer and mains indicator. Built-in safety interlock to avoid accidental exposure to the harmful UV rays
It can handle up to 5 eproms at a time with an average erasing time of about 20 mins. £59 + £2 p&p.
UV1 as above but without the timer. £47 + £2 p&p.
For Industrial Users, we offer UV140 & UV141 erasers with handling capacity of 14 eproms. UV141 has a built in timer. Both offer full built in safety features
UV140 £61, UV141 £79, p&p £2.50.

PRINTER BUFFER

This printer sharer/buffer provides a simple way to upgrade a multiple computer system by providing greater utilisation of available resources. The buffer offers a storage of 64K. Data from three computers can be loaded into the buffer which will continue accepting data until it is full. The buffer will automatically switch from one computer to next as soon as that computer has dumped all its data. The computer then is available for other uses. LED bargraph indicates memory usage. Simple push button control provides. REPEAT, PAUSE and RESET functions. Integral power supply. £205 (a).
Cable set £30

TECHNOLINE VIEWDATA SYSTEM. TEL: 01-450 9764

Using 'Prestel' type protocols. For information and orders — 24 hour service, 7 days a week

answered if there is anybody at home, before answering itself.

In order to take advantage of cheap rate telephone calls for non-urgent mail, this is sent at night. It is assumed that not many ordinary telephone calls are received between the hours of 4 and 5 a.m., so this period is used for mail transmission. To ensure that sleep is not disturbed, the mail system answers any call received in this hour immediately, within the first cycle of

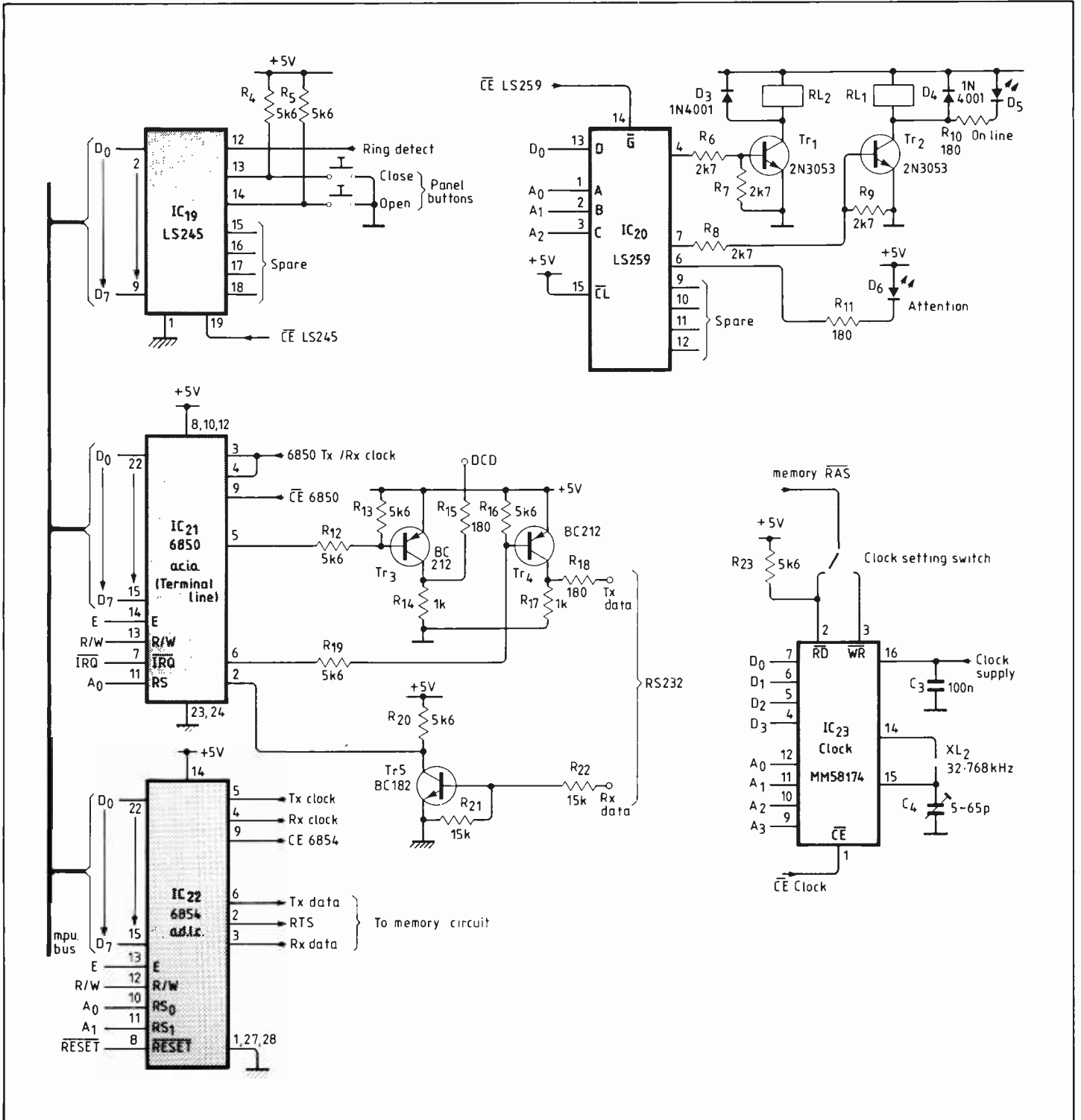
ringing current, and the telephone bell makes little or no sound.

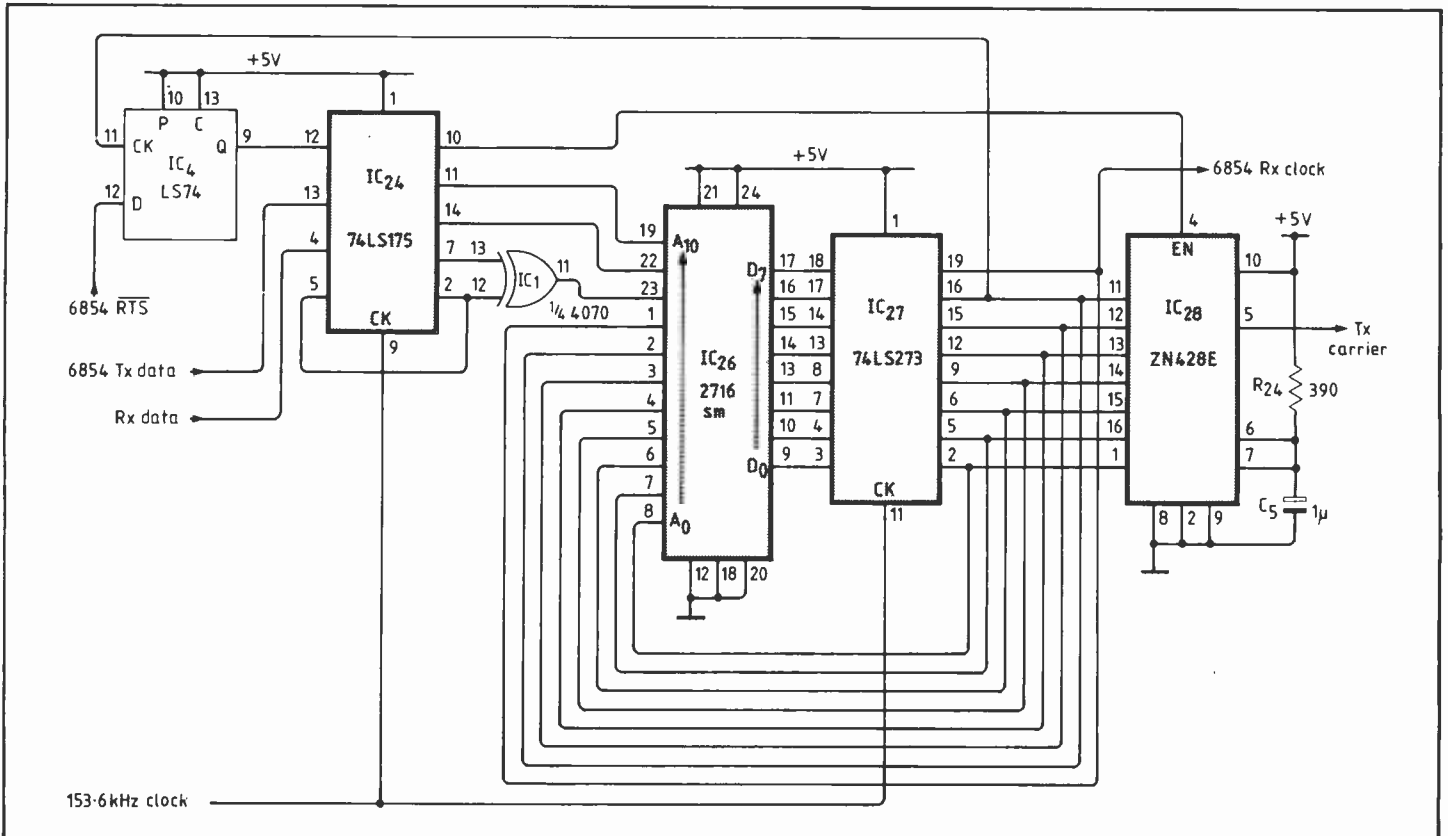
Each node that has second-class mail to send starts making calls soon after 4 a.m. In order to reduce the risk of calls from two nodes to each other being attempted at the same moment and hence colliding, the first call is made at a random number of minutes past the hour, and further attempts are made at random intervals until 5 a.m. When

this program was first written, it was with some dismay that I realized that I could only debug the code by staying up all night!

Not only is this arrangement compatible with normal use of the telephone, but it is also possible to leave an answering machine connected to the same line and still allow electronic mail to be received in the overnight mode as well. This feature relies on the fact that most telephone answering machines do not respond for

Digital interfaces. The asynchronous communications interface adaptor, a.c.i.a., is for data going to and from the computer or terminal used to enter the messages. A second serial interface device, the 6854 advanced data-link controller, is for modem communications. Time in seconds to leap years is counted by the 58174 clock.





The modem circuit includes a rom containing sinewave values. Each value in the rom represents not only the level of a sample to be sent to the 428 d-to-a converter but also the address of the next value in the eprom. Notice that the eprom data lines feed the eprom address lines through a latch.

Both batteries and the power supply can be seen on the left of this prototype. Line interfacing is on the right and the processor/memory in the centre.

at least two rings. This means that the machine will reply during the day, but the mail system will get there first during its own special hour.

Hardware

The MC6802 microprocessor used has the virtue of being cheap, and it is quite powerful enough for this application. If I were to start the project again I would use a more advanced processor just to make the program development easier, but now that the program exists (39 pages of assembly language) this is not an issue.

To reduce the amount of logic required, an eprom is used as an

address decoder. The 64Kbytes of dynamic ram is refreshed every 2ms simply by an interrupt service routine containing 128 consecutive 'no-operation' instructions. Interrupts are also used for the terminal input, but terminal output and the line protocol are handled without them, using a simple form of process scheduling which has the side effect of generating random numbers.

Apart from the real-time clock, which runs from its own 32.768kHz quartz crystal, all timings on the card are derived from a single 2.4576MHz crystal. This includes the processor clock, the line and terminal interface data rates, and the modem tones.

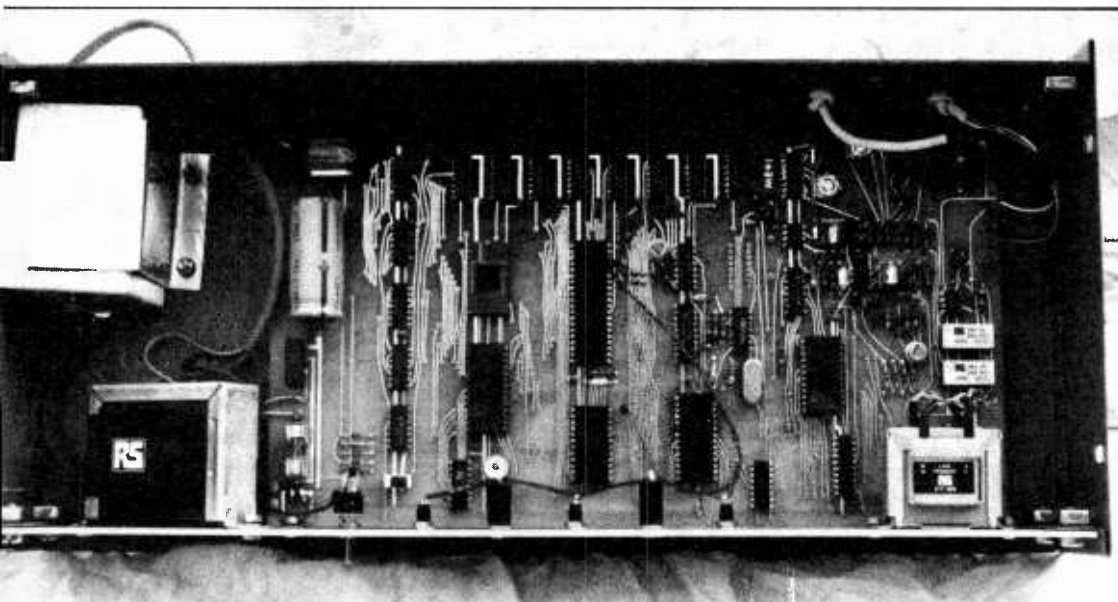
The real-time clock is operated

from a small float-charged NiCd battery with an endurance of several weeks without power. This avoids the tedious task of resetting the clock when the system is moved. An internal switch must be operated to allow the clock to be set. Four spare inputs and four spare outputs are brought to a socket for future accessories.

The mailbox is of course designed to be continuously powered. Three leds are fitted to the front panel; a green power indicator, a yellow one indicating line connection, and a red led marked attention. This attention led flashes when there is incoming mail which has not yet been read, and also if there has been a power failure since the mailbox was last used. It has a further function in that it comes on when a connection is made, and goes out as soon as the transport protocol has been established — a useful confirmation that the link is operating.

The heart of the modem is a finite-state machine with two purposes, consisting of a rom and a clocked latch, which is used in both transmit and receive modes. When transmitting, in conjunction with a d-to-a converter the state machine becomes a phase-continuous sinewave f.s.k. generator.

Consider the case of the transmitted data being continuously in



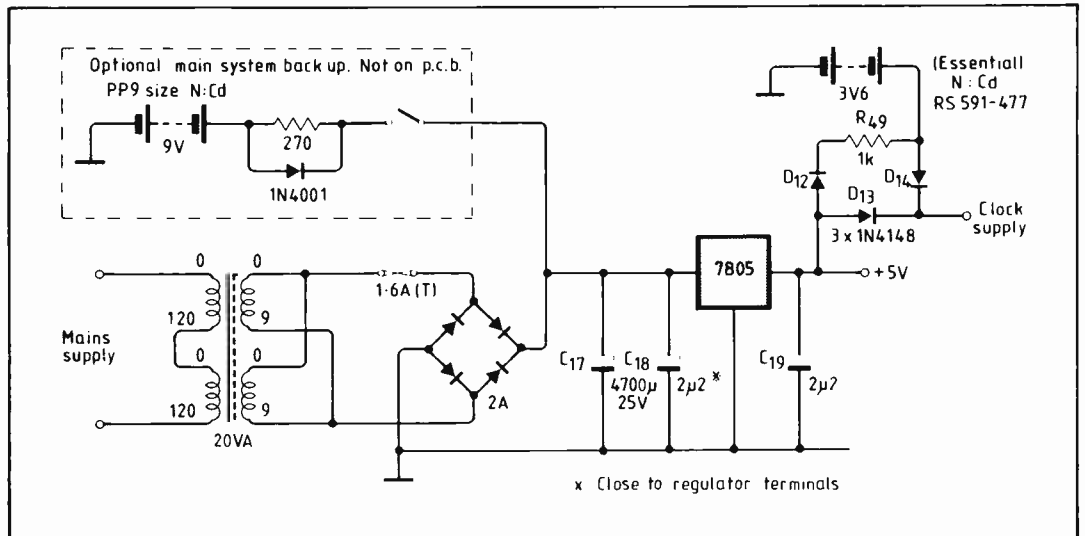
one state, so that a steady tone is produced. Each entry in the rom represents the level of the next sample to be output by the d-to-a converter in order to follow a sinewave at this tone frequency. This number is also used as the address in the rom of the next entry to be used. Unused addresses are filled with copies of the last valid entry in the addressing sequence. So if the latch starts with an arbitrary number, it will conform to the sequence within a clock period.

Since the same values will occur in both the ascending and descending half cycles it is necessary for an extra bit representing the half-cycle polarity to be used in the state machine but not taken to the converter. It is also essential that each sample is a different value, otherwise the machine would get stuck. In practice this necessitates a one-sample departure from the sine shape at the peaks of the cycle, which is easily removed by a subsequent RC filter.

When the data stream changes to the other state, it switches the rom address into a section containing a corresponding sinewave pattern for the other tone frequency. The starting point in this pattern is the voltage level and half-cycle polarity at which the first tone was interrupted, so any discontinuity is limited to the difference between two adjacent samples in the new tone sequence.

Use of a clock frequency of 153.6kHz permits the CCITT V23 standard tones of 1300Hz and 2100Hz to be reproduced to seven-bit accuracy with a frequency tolerance of 4Hz. The RTS signal from the h.d.l.c. serial interface i.c. is used to switch the direction of the half-duplex link. To avoid generating switching transients on the line it is arranged that the transmit tone always starts and ends on a zero-crossing point.

The receive side of the modem starts with a limiter, followed by a pulse generator and a pulse-counting discriminator. Where are the filters, you may well ask? Well there aren't any, and it works remarkably well. It is essential to preserve symmetry of the zero crossings through the limiter whatever the received signal level. Various experiments with multi-stage limiters led to the conclusion that the best approach was to use just one stage and to maximise its sensi-



tivity by balancing out its offset.

After the limiter, a circuit using an exclusive-or gate generates pulses on both edges of the waveform. These are used to trigger a precision non-retriggerable monostable i.c., the pulse train from which is integrated and then sliced. The maximum data frequency is 600Hz, and it does not take an elaborate filter to separate the 1300Hz tone from this to an adequate extent.

The receiver clock-recovery system consists of the same state machine used in a different mode without the d-to-a converter. When there are no transitions in the incoming data stream the state machine 'free runs' and generates a simple incrementing count at the 1200Hz data rate, the most significant bit of which is used as the receiver clock.

Each transition is detected by a circuit comprising a one clock-cycle latch delay and an exclusive-or gate. For one cycle following each data transition the rom address is changed to point into a table of numbers corresponding to the locking characteristics of a phase-locked loop. The amount by which the normal count sequence will be disturbed is determined by the contents of the entry accessed in this table. So if the loop happens to be in exact phase with the data stream there will be no change to the sequence, but otherwise the count will be altered by an amount proportional to the phase error. The exact characteristic is a compromise between noise immunity and a reasonably short worst-case locking time.

The interface to the telephone line (circuit follows in next article) is designed to comply with the requirements of BS6320, but

it should be pointed out that approval cannot be given to a design, only to a complete apparatus. Shunt relay RL₂ is used to suppress bell tinkle at the opening and closure of a connection as well as during dialling. Transients on a telephone line can be substantial, and it is important that the line wiring is led straight out of the cabinet. The only operational problems experienced with the system have been traced to the line wires running too close to the 64K rams, with the result that the processor crashed during dialling.

Operation of the mail system is dependent upon the clocks remaining within a few minutes of each other. For this reason a float-charged NiCd battery is essential for the clock supply. Rather than making provision for the protection of memory in the event of a power failure, it is simpler to provide battery backup for the whole system, since it runs from one +5V supply.

The circuit shown is capable of sustaining full operation for about 90 minutes without mains. Whether it is needed or not depends upon local conditions, but power cuts of one or two seconds during the night are surprisingly frequent even in cities.

Because of the single +5V supply the terminal output levels are not strictly RS232. A voltage converter could be added to provide the correct rails, but there is a tacit understanding between designers of many pieces of equipment today that this is not worthwhile. Any terminal using an MC1489 or similar device as a line receiver will function correctly, and I have yet to find a terminal which fails to operate with these levels.

Two backup batteries are used in the power supply, one for the real-time clock and a larger one for powering the whole system for about 90 minutes in the event of a mains failure.

Construction and uses of the system are discussed in the next article.

Sampled data servos - a new analysis

by D.M. Taub,
M.Sc., Ph.D.

Final instalment calculates response within the continuous-signal portion of the loop.

The method explained in July's article can be used to find the sample values at X (Fig. 21) which represents the input to the continuous-signal portion of the loop. Knowing the signal at this point it is straightforward to calculate the signal at other points in the continuous-signal portion, particularly the input and output signals of the plant at C and D respectively.

One way of making the calculation is to use the Fourier transform. If the samples at X at successive sampling instants have the values $x(0)$, $x(1)$, $x(2)$ etc., this signal can be expressed in terms of frequency by taking its Fourier transform as follows (ref. 5, section 4.3):

$$X(j\omega) = x(0) + x(1)e^{-jT\omega} + x(2)e^{-j2T\omega} + \dots$$

Suppose we are calculating the signal at D. The gain between X and D is the product of the hold-circuit gain $H_{XA}(j\omega)$ given by equation 3.2, the gain associated with the time delay $H_{AB}(j\omega)$ given by equation 4.1, the gain of any continuous-signal compensation $H_{BC}(j\omega)$, and the gain of the plant $H_{CD}(j\omega)$. Calling the overall gain between X and D $H_{XD}(j\omega)$ the signal at D as a function of frequency will be

$$D(j\omega) = X(j\omega) \cdot H_{XD}(j\omega) \dots 6.1$$

The corresponding time function $d(t)$ is found by taking the inverse Fourier transform of $D(j\omega)$:

$$d(t) = \frac{1}{2\pi} \int_{-\infty}^{\infty} D(j\omega) e^{j\omega t} d\omega \dots 6.2$$

(ref. 5, section 3.3). Unfortunately this method cannot be used under all circumstances, in particular when the output signal contains a d.c. component. The

reason is that the plant will generally contain at least one stage of integration, so that its zero-frequency gain will be infinite; also the zero-frequency component of the signal at X will generally be zero. Therefore, applying equation 6.1 at $\omega = 0$ involves multiplying 0 by ∞ , which gives an indeterminate result.

One way of overcoming the difficulty is to find the d.c. component of the output otherwise than through equation 6.1; for instance, we know that the d.c. component at D will be the same as at the input R. A more general way, however, is to use the Laplace transform instead of the Fourier transform. It is worth digressing for a moment to explain the difference between the two.

The Fourier transform of a signal represents that signal as a function of frequency; that is to say, the signal is regarded as the sum of a large number (ideally infinite) of sinusoids each of which has a constant peak value. With the Laplace transform, on the other hand, the signal is expressed as a function of complex frequency s , where s has a real part σ and an imaginary part $j\omega$. The signal can now be looked on as the sum of a large number (again ideally infinite) of sinusoids whose peak values are changing exponentially with time as shown in Fig. 30. The interesting feature here is that there is an infinite number of ways in which a given signal can be built up from components of this kind.

Consideration of the complex-frequency plane (Fig. 31) makes this point clearer. The Fourier transform of a signal represents that signal as a function of points along the $j\omega$ -axis: at each point along this axis the function will have some value $D(j\omega)$ which will in general be complex.

To convert this back to a function of time, we apply equation 6.2 which can equally well be written

$$d(t) = \frac{1}{j2\pi} \int_{-\infty}^{\infty} D(j\omega) e^{j\omega t} dj\omega \dots 6.3$$

in other words, integrating the product $D(j\omega) \cdot e^{j\omega t}$ along the $j\omega$ -axis.

The Laplace transform of a signal, on the other hand, represents it as a function of all points on the s -plane; at every point s , the function will have some value $D(s)$, which will again be complex. These points of course include the $j\omega$ -axis, and so in a sense the Laplace transform contains the Fourier transform within it.

To convert the signal back to a time function we apply the inverse transformation:

$$d(t) = \frac{1}{j2\pi} \int_{-\infty}^{\infty} D(s) \cdot e^{st} ds \dots 6.4$$

This is very like the inverse Fourier transform, 6.3, except that the path of integration is no longer confined to the $j\omega$ -axis. The path has to conform to certain conditions (see ref. 8, chapters 5 and 7), but even within these conditions the number of permissible alternatives is infinite. The path chosen determines the particular elements that are added to form the time function;

Fig.31. Path of integration in the s-plane.

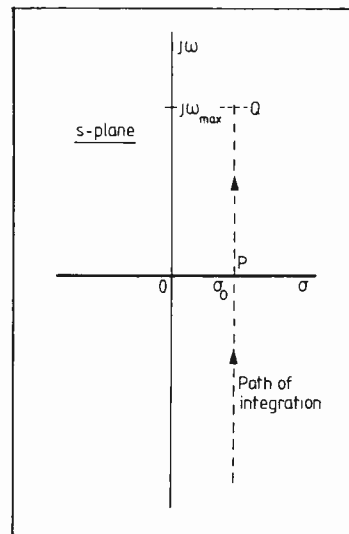
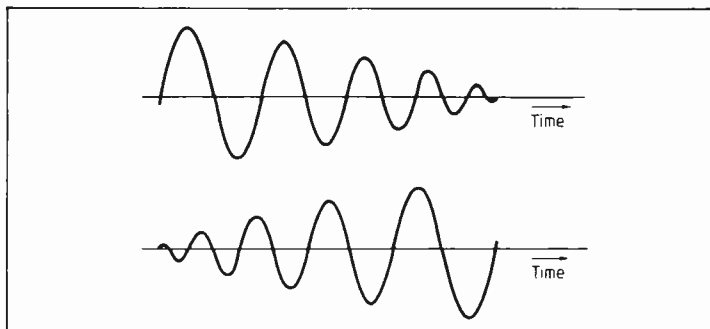


Fig.30. Exponentially decreasing and increasing sinusoids



REFERENCES

1. J.J. Distefano, A.R. Stubberud and I.J. Williams, 'Feedback and Control Systems' (Schaum's Outline Series, McGraw-Hill, New York, 1976).
2. M. Healey, 'Principles of automatic control', (Hodder and Stoughton, London, 1975).
3. M.K. Haynes, 'Magnetic recording techniques for buried servos', *IEEE Transactions on Magnetics*, Vol. MAG 17, 1981 pp 2730-4.
4. N.H. Hansen, 'Head-positioning system using buried servo', *ibid* pp 2735-8.
5. P.A. Lynn, 'Introduction to the analysis and processing of signals' (Macmillan, London, 1973).
6. B.C. Kuo, 'Analysis and synthesis of sampled-data control systems' (Prentice-Hall, Englewood Cliffs, NJ, 1963)
7. A.M. Tropper, 'Matrix theory for electrical engineering students' (Harrap, London, 1962).
8. S. Goldman, 'Transformation calculus and electrical transients', (Prentice-Hall, New York, 1949).
9. D.M. Taub, 'Programs for computing sampled-data servo performance', IBM Technical Report no.12.199, (IBM United Kingdom Laboratories, Hursley, May 1982).

we could choose a different path, implying that different elements are being added, but the result would be the same.

Now to return to the practicalities of computing the plant output $d(t)$, the same general considerations applying also to the plant input $c(t)$. As regards the path through the s -plane it is permissible, and convenient from a computational point of view, to choose a path parallel to the $j\omega$ -axis and lying to its right. The real part of s is thus held constant at a positive value σ_o , as shown by the dashed line in Fig. 31. Strictly, the integration in equation 6.4 should be carried out for values of s between $\sigma_o - j\infty$ and $\sigma_o + j\infty$, but in practice $D(s)$ falls to such a low value when the imaginary part of s exceeds 2 or 3 times $j\omega_s$, that the integration can be truncated. The value of ω at which it is truncated is denoted by ω_{max} .

A further point concerning the integration in (6.3) is that values of the integrand at equal distances above and below the real axis are the complex conjugates of one another. Therefore, instead of integrating between $\sigma_o - j\omega_{max}$ and $\sigma_o + j\omega_{max}$, we need

only cover the region $\sigma_o + j0$ to $\sigma_o + j\omega_{max}$ as follows:

$$d(t) = \frac{1}{j2\pi} \int_{\sigma_o - j\infty}^{\sigma_o + j\infty} \{ D(s).e^{st} + \text{conj} [D(s).e^{st}] \} ds$$

When a complex quantity is added to its conjugate, the imaginary parts cancel and we are left with twice the real part. The integration therefore becomes

$$d(t) = \frac{1}{j\pi} \int_{\sigma_o - j\infty}^{\sigma_o + j\infty} \text{Real} [D(s).e^{st}] ds \quad \dots 6.5$$

Procedure for computing $d(t)$

1. A set of points is chosen equally spaced δs apart along the line PQ in Fig. 31. These points represent the values of s at which the computation will be carried out; the closer the spacing, the more accurate the result. Choice of σ_o is a compromise. Making it too small introduces errors in the integration of equation 6.5 because of the rapid variation of $D(s)$ with s near the real axis, while making it too large introduces errors at large values of t because the terms being added in the integration are increasing rapidly with time. A good compromise is to make σ_o numerically equal to 3 times δs .

2. $H_{XD}(s)$ is computed for all the above values of s . This is the product of the hold-circuit gain $H_{XA}(s)$ given by equation 3.1, the gain of the time delay, $H_{AB}(s)$, ($= e^{-s\Delta t}$), and the gains of any continuous-signal compensation and the plant, $H_{BC}(s)$ and $H_{CD}(s)$ respectively.

3. The Laplace transform of $x(t)$ is computed from the expression (ref. 5, section 4.3)

$$X(s) = x(0) + x(1)e^{-Ts} + x(2)e^{-2Ts} + \dots + x(n)e^{-nTs}$$

$X(s)$ is a periodic function like $X(j\omega)$, and so there is no need to apply this at all the chosen values of s . It is applied at the values from $\sigma_o + j0$ to $\sigma_o + j\omega/2$, and the remainder of the function obtained as explained in the April article, page 58.

4. Corresponding values of $X(s)$ and $H_{XD}(s)$ are multiplied together to give $D(s)$ at the chosen values of s .

5. Equation 6.5 is applied at the desired values of t , to give the time function $d(t)$.

Example

The procedure has been applied to the system used in the earlier examples (in the June and July issues). ω_{max} was set at $3\omega_s$ at $j\omega/50$ and σ_o at $3\omega_s/50$. The input to the system (point R in Fig. 21) was assumed to be a step function of unit height, so that, bearing in mind the properties of the sampler (April article), the sample values at U will be equal to the sampling period T, as they were in the July example. $d(t)$ was computed at intervals of $T/5$, giving the time response plotted in Fig. 32. Also shown in this Figure, for comparison, are the sample values at Y copied from Fig. 28. The effect of the 2750Hz plant resonance can be clearly seen; also, the values of $d(t)$ at the sampling instants and the sample values at Y are seen to correspond closely, confirming the accuracy of the method. The relevant programs are presented in ref. 9.

Software availability

These articles have developed a way of analysing linear sampled-data servos based on theory and concepts with which electrical engineers will be familiar, and are complemented by programs in a companion paper [ref. 9]; readers may find them useful in the development of sampled-data servos generally. They are available from the author at IBM UK Laboratories Ltd, Hursley Park, Winchester, Hampshire.

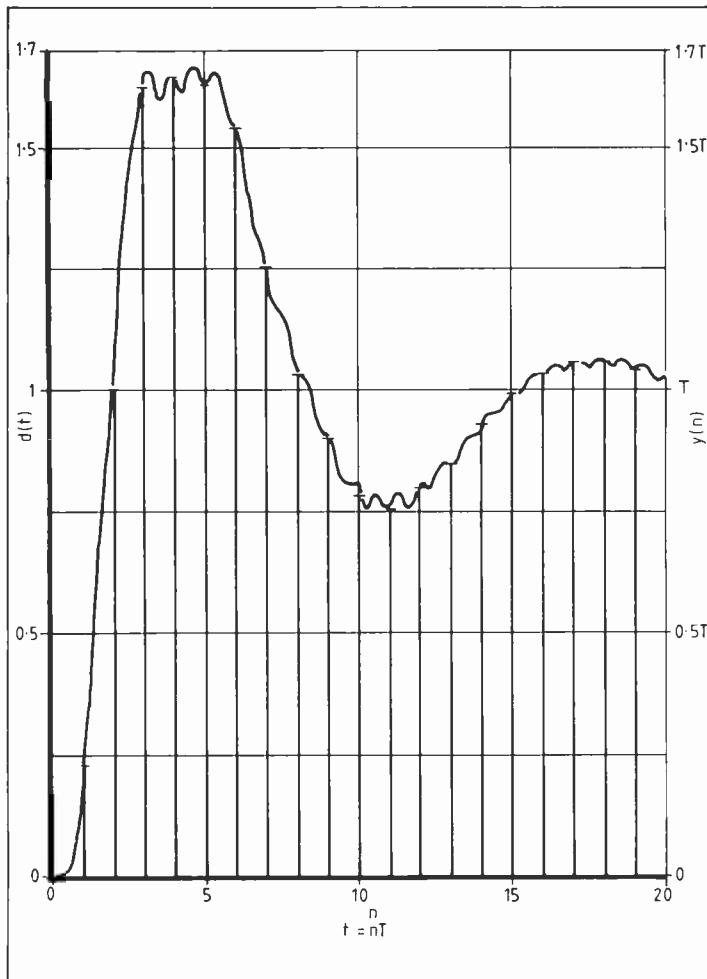
Corrections

Part 2 equations, April. The uppercase phi (Φ) is to be taken as the lower-case form (ϕ), to agree with the text. But in Fig.6 caption please substitute zero for phi. In the appendix, 'Sampled cosine wave,' should be inserted prior to equation (2.6).

Part 4 appendix, June, should show the variables as $(j\omega)$ and $(m\omega_c + \omega_c)$ respectively.

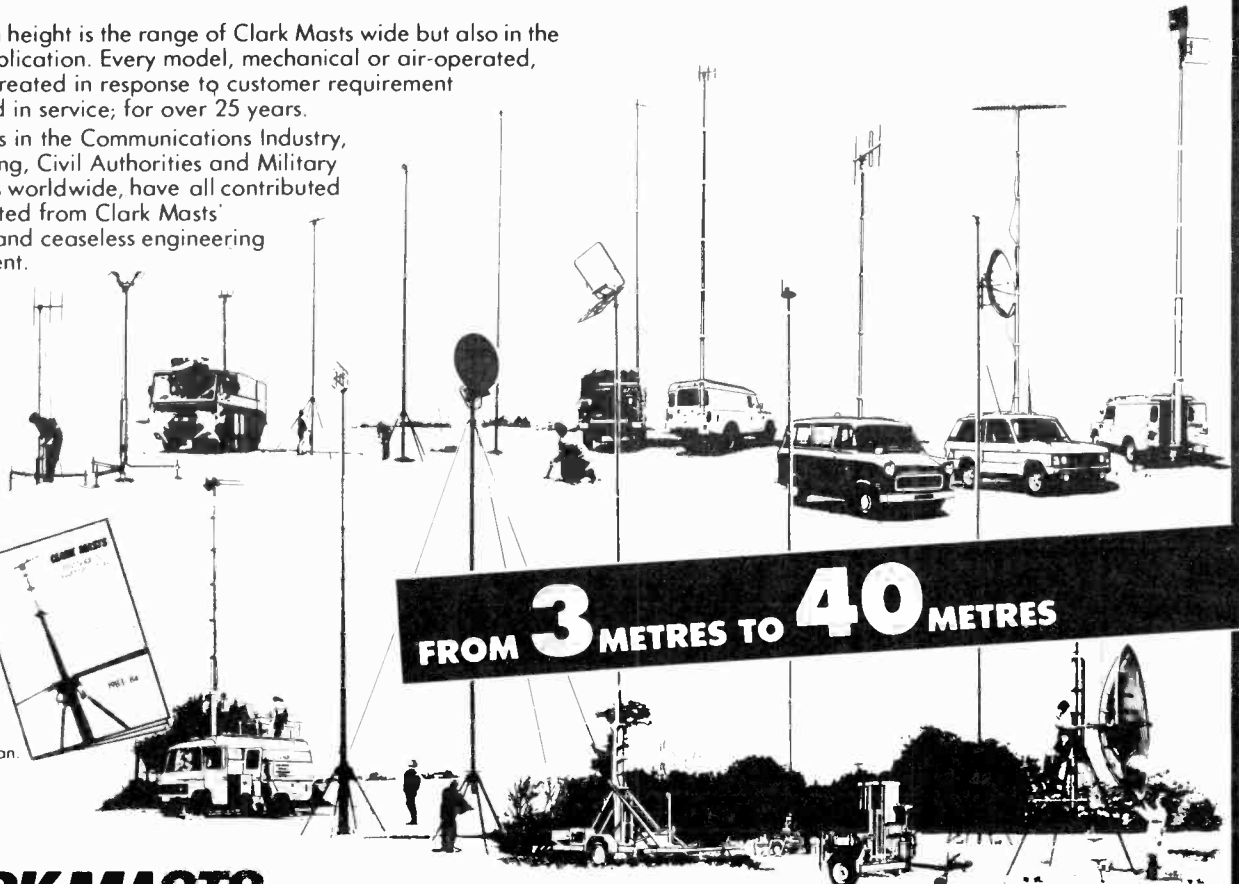
Part 5. The left-hand side of equation 5.6, accidentally omitted, should be $H_1(z) =$, and the greek characters gamma and xi should have been shown as multipliers and not as superscripts in this and equations 5.7 and 5.8. In the expression for $y(n)$ on page 61 please substitute u for v and for the word 'points' in column 3 please read 'poles'.

Fig.32. Response at D and Y to step function input.



Not only in height is the range of Clark Masts wide but also in the field of application. Every model, mechanical or air-operated, has been created in response to customer requirement and proved in service; for over 25 years.

Major users in the Communications Industry, Broadcasting, Civil Authorities and Military Commands worldwide, have all contributed and benefited from Clark Masts' reliability and ceaseless engineering improvement.



FROM 3 METRES TO 40 METRES

Write for your copy of Clark Masts' "Fast Guide to Mast Selection" and see what we mean.



CLARK MASTS

UK CLARK MASTS Ltd. (WV), Binstead, Isle of Wight, England. Tel. (0983) 63691. Telex. 86686

EUROPE GENK TECHNICAL PRODUCTS N.V. (WV), Woudstraat 21, 3600 Genk, Belgium. Tel. 011/38.08.31. Telex. 39354

CIRCLE 31 FOR FURTHER DETAILS.

You can depend on

ELECTROVALUE

to supply the fine range of test & measurement gear by

thandar

Made in U.K.

FREE 44 PAGE PRICED AND ILLUSTRATED CATALOGUE ON REQUEST
● Over 6000 items stocked

- counters
- multimeters
- scopes
- signal generators etc.

ELECTROVALUE LTD 28 St. Jude's Road, Englefield Green, Egham, Surrey TW20 0HB Phone Egham (0784) 33603. Telex 264475
North Branch, 680 Burnage Lane, Manchester M19 1NA
Telephone 061 432 4945
Please mention this publication when replying

BRITAINS FOREMOST QUALITY COMPONENT SUPPLIERS
CIRCLE 48 FOR FURTHER DETAILS.

PHOTO ACOUSTICS LTD

58 High Street, Newport Pagnell, Bucks MK16 8AQ. Tel: 0908-610625

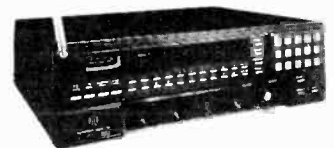
FOR ALL YOUR COMMUNICATIONS NEEDS:-

ICOM R71E



PROFESSIONAL RECEIVER

SX400N



PROFESSIONAL SCANNER

R2000 RECEIVER



GENERAL COVERAGE

R600 RECEIVER



GENERAL COVERAGE

AR2001 SCANNER 25-550MHZ



NOW AVAIL. 25-550+800-1.3GHZ

FRG9600 VHF/UHF



60-905MHZ



CREDITCHARGE INSTANT FINANCE.



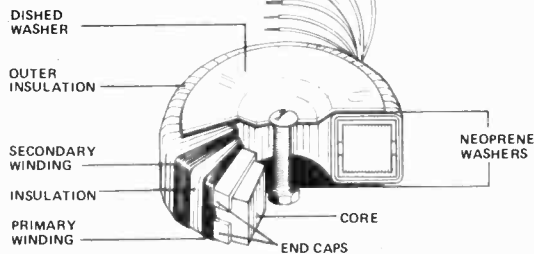
CIRCLE 92 FOR FURTHER DETAILS.

ELECTRONICS & WIRELESS WORLD SEPTEMBER 1985

TOROIDALS

The toroidal transformer is now accepted as the standard in industry, overtaking the obsolete laminated type. Industry has been quick to recognise the advantages toroidals offer in size, weight, lower radiated field and, thanks to I.L.P., PRICE.

Our large standard range is complemented by our SPECIAL DESIGN section which can offer a prototype service within 14 DAYS together with a short lead time on quantity orders which can be programmed to your requirements with no price penalty.



15 VA 62 x 34mm Regulation 19%		50 VA 80 x 35mm Regulation 13%		120 VA 90 x 40mm Regulation 11%		225 VA 110 x 45mm Regulation 7%		500 VA 140 x 60mm Regulation 4%	
SERIES	SECONDARY No	VA	RMS Current						
0x010	6+6	6.6	1.25	2x010	6+6	4.16	4x010	6+6	10.00
0x011	9+9	9.9	0.83	2x011	9+9	2.77	4x011	9+9	6.66
0x012	12+12	12.12	0.63	2x012	12+12	2.08	4x012	12+12	5.00
0x013	15+15	15.15	0.50	2x013	15+15	1.66	4x013	15+15	4.00
0x014	18+18	18.18	0.42	2x014	18+18	1.38	4x014	18+18	3.33
0x015	22+22	22.22	0.34	2x015	22+22	1.13	4x015	22+22	2.72
0x016	25+25	25.25	0.30	2x016	25+25	1.80	4x016	25+25	2.40
0x017	30+30	30.30	0.25	2x017	30+30	0.83	4x017	30+30	2.00
(encased in ABS plastic)				2x028	110	0.45	4x018	35+35	1.71
				2x029	220	0.22	4x028	110	1.09
				2x030	240	0.20	4x029	220	0.54
				2x030	240	0.20	4x030	240	0.50
30 VA 70 x 30mm Regulation 18%		80 VA 90 x 30mm Regulation 12%		160 VA 110 x 40mm Regulation 8%		300 VA 110 x 50mm Regulation 6%		625 VA 140 x 75mm Regulation 5%	
1x010	6+6	6.6	2.50	3x010	6+6	6.64	5x011	9+9	8.89
1x011	9+9	9.9	1.66	3x011	9+9	4.44	5x012	12+12	6.66
1x012	12+12	12.12	1.25	3x012	12+12	3.33	5x013	15+15	5.33
1x013	15+15	15.15	1.00	3x013	15+15	2.66	5x014	18+18	4.44
1x014	18+18	18.18	0.83	3x014	18+18	2.22	5x015	22+22	3.63
1x015	22+22	22.22	0.68	3x015	22+22	1.81	5x016	25+25	3.20
1x016	25+25	25.25	0.60	3x016	25+25	1.60	5x017	30+30	2.66
1x017	30+30	30.30	0.50	3x017	30+30	1.33	5x018	35+35	2.28
				3x028	110	0.72	5x026	40+40	2.00
				3x029	220	0.36	5x028	110	1.45
				3x030	240	0.33	5x029	220	0.72
							5x029	220	1.36
							5x030	240	0.66
							7x017	30+30	5.00
							7x018	35+35	4.28
							7x026	40+40	3.75
							7x025	45+45	3.33
							7x033	50+50	3.00
							7x028	110	2.72
							7x029	220	1.36
							7x030	240	1.25
							9x017	30+30	10.41
							9x018	35+35	8.92
							9x026	40+40	7.81
							9x025	45+45	6.94
							9x033	50+50	6.25
							9x042	55+55	5.68
							9x028	110	5.68
							9x029	220	2.84
							9x030	240	2.60

Why a Toroid?

- * Smaller size & weight to meet modern 'slimline' requirements.
- * Low electrically induced noise demanded by compact equipment.
- * High efficiency enabling conservative rating whilst maintaining size advantages.
- * Lower operating temperature.

Why ILP?

- * Ex stock delivery for standard 240V range
- * Fast prototype service available
- * 3 weeks despatch for special orders
- * 2 year no quibble guarantee
- * No price penalty for call-off order

Prices including P & P and VAT

VA	Size	£	VA	Size	£
15	0	7.06	160	5	12.17
30	1	7.67	225	6	13.75
50	2	8.90	300	7	14.97
80	3	10.06	500	8	19.50
120	4	10.65	625	9	22.30

For 110V primary insert 'O' in place of 'X' in type number
 For 220V primary (Europe) insert '1' in place of 'X' in type number.
 For 240V primary (UK) insert '2' in place of 'X' in type number.
IMPORTANT: Regulation — All voltages quoted are FULL LOAD
 Please add regulation figure to secondary voltage to obtain off load voltage.

Mail Order — Please make your crossed cheques or postal orders payable to ILP Electronics Ltd.

Trade — We will open your credit account immediately upon receipt of your first order.

Post to: ILP Electronics Ltd., Dept. 3
 Graham Bell House, Roper Close,
 Canterbury, Kent. CT2 7EP
 Tel: (0227)454778 Telex: 965780



ILP ELECTRONICS LTD.

CIRCLE 44 FOR FURTHER DETAILS.

HM 102 BZ
£13.00

ANALOGUE

HM-102BZ
10ADC Range, 20kV/VDC, Buzzer, Battery Test Scale. **£13.00**
19 measuring ranges

HM-102R
Low end voltage & current ranges, Jack for Audio o/p Voltages. **£11.00**
20 measuring ranges.

HM-1015
Rugged, Pocket sized meter, for general purpose use **£7.50**
16 measuring ranges
Battery, Test Leads and Manual included with each model.

AFFORDABLE ACCURACY
QUALITY MULTIMETERS FROM ARMON

DIGITAL

HC-6010 0.15% Accuracy. Standard Model **£33.50**
HC-5010T 0.25% Accuracy. TR Test Facility **£39.50**

All models have full functions and ranges and feature:

- 3 1/2 digit 0.5" LED display
- Low battery indication
- Auto zero & Auto polarity
- ABS Plastic Casing & Trill Stand
- DC AC 10amp Range
- Overload Protection on all ranges
- Battery, Spare Fuse, Test Leads and Manual

HC 5010
0.25% accuracy
£36.50
rotary

HC 7030
0.1% accuracy
£39.50
push button

FULL DETAILS ON APPLICATION FROM:-
ARMON ELECTRONICS LTD
 DEPT. A HERON HOUSE, 109 WEMBLEY HILL ROAD, WEMBLEY, MIDDLESEX HA9 8AQ
 TELEPHONE 01-902 4321 TELEX 923965
 PLEASE ADD 15% to your order for VAT. P&P Free of charge. Payment by cheque with order
 Offer applicable to mainland UK only

Trade enquiries invited Please allow 28 days for delivery

CIRCLE 34 FOR FURTHER DETAILS.

IN VIEW OF THE EXTREMELY RAPID CHANGE TAKING PLACE IN THE ELECTRONICS INDUSTRY, LARGE QUANTITIES OF COMPONENTS BECOME REDUNDANT. WE ARE CASH PURCHASERS OF SUCH MATERIALS AND WOULD APPRECIATE A TELEPHONE CALL OR A LIST IF AVAILABLE. WE PAY TOP PRICES AND COLLECT.

R. Henson Ltd.

21 Lodge Lane, N. Finchley, London, N.12. 5 mins. from Tally Ho corner

Telephone 01 445 2713/0749

CIRCLE 43 FOR FURTHER DETAILS.

4 + 11GHz SATELLITE TV RECEIVING EQUIPMENT
 LNA's LNC's RECEIVERS, FEED HORNS ETC.

Dealer enquiries welcome
 For further details contact

HARRISON ELECTRONICS
 22 MILTON ROAD, WESTCLIFF-ON-SEA, ESSEX SSO 7JX Tel: (0702) 332338

CIRCLE 72 FOR FURTHER DETAILS.

Bubble memory interface

This three-i.c. interface allows a 128Kbyte bubble memory kit to run on SC84's Z80 bus. Being non-volatile, wear-free and suitable for use in hostile environments, bubble memory is an alternative to disc storage in many applications.

Bubble memories have been around since the late sixties but prices have precluded their use by many. Their main attraction is their non-volatility, but bubble memories also have no moving parts and offer immunity to hostile environments (dust and vibration). Articles appear from time to time outlining operation and applications of these memories¹ but very little practical information is published.

A bubble memory requires quite complex support circuits, as Fig. 1 shows, and because low-level signals are in close proximity to high-level drive signals, careful design of circuit boards is required. These problems are overcome by using a prototyping kit from Intel known as the BPK72A. This is a 1Mbit unit, i.e. 128Kbyte, designed to operate at ambient temperatures between 15 and 35°C. Its cost is about the same as that of a double-sided 5 $\frac{1}{4}$ in disc drive.

The kit comes with a wealth of information about bubble memories, starting with a primer on the subject² and progressing through

the operation of all parts of the support circuits. Design considerations for multiple bubble-memory units and their printed circuit boards are also included. In the past this was a true kit which the buyer had to build and test but it now comes completely assembled and tested, although the useful assembly instructions are still included.

Interfacing to a microprocessor, information for which is supplied in the kit, requires a few additional components depending on which data-transfer method is chosen. Data transfer can be carried out through direct memory access, which requires use of a separate controller, or by using interrupt or polling systems.

The easiest to implement of these three methods — the method used here — is polling which relies entirely on software to control data transfer. Only a simple hardware interface to SC84 is needed to decode two i/o ports and provide switching and buffering for the data lines. Operation of the bubble memory unit as an SC84 peripheral is transparent to the user because of the support circuits and operating program.

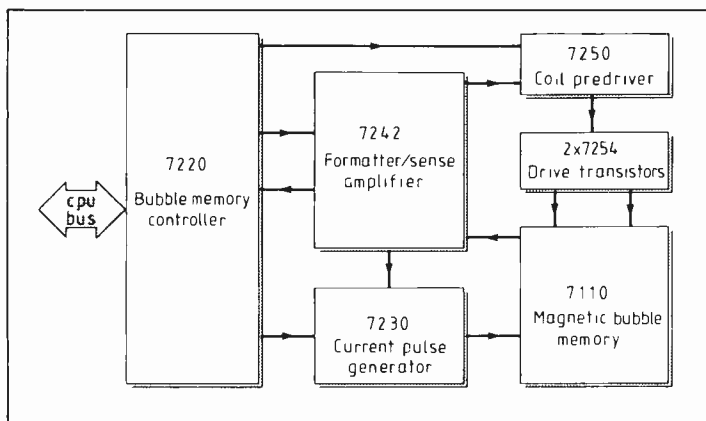
tions to initialize, read and write data to and from bubble memory are issued by the command register; information about the execution of commands and the state of the controller is provided by the status register.

The parameter registers are used to determine how the controller will respond to these commands, i.e. the amount of data to be transferred, if error correction is to be applied and which bubble memory to use. The data register is a first-in-first-out data buffer used in conjunction with the 8bit port to transfer data to and from the bubble memory. It is necessary in order to reconcile timing differences between the parallel data transfer used by the microprocessor and the serial data transfer employed in the bubble memory.

In the 7110 bubble memory, a 'major-track/minor-loop' architecture is used in which magnetic bubbles are propagated along the major input and output tracks and are stored in minor loops. This design gives good manufacturing yields and permits creation of redundant storage loops. Defective loops are detected during manufacture; one loop, called the boot loop, is used to store a record of the usable loops.

During read operations, low-level signals from the bubble detectors are amplified by the 7242 formatter/sense amplifier. During write operations, this amplifier supplies control signals to the current-pulse generator. It also formats data passing between the controller and memory, handles error correction if instructed and arranges storage in usable loops of the memory by

Fig. 1. Elements of the 128Kbyte bubble-memory kit. Data passes to and from the computer through a simple parallel interface, Fig. 2, mainly under control of software within the computer. Data inside the bubble memory unit is transferred in serial form using what is called a major-track/minor-loop architecture — hence the need for controlling and formatting circuits.



Bubble memory communication

All communication with the bubble memory is carried out through the 7220 bubble-memory controller which has one 8bit bidirectional port allowing access to internal registers. One port address line is used to select either command/status or parameter/data registers. Instruc-

reference to the boot loop information.

The 7230 current-pulse generator is controlled by the formatter/amplifier during write operations and sends current pulses to the memory to generate magnetic bubbles with the aid of timing signals supplied by the controller. Power supply monitors are included to carry out an orderly shutdown without loss of data if either supply falls below a certain threshold level.

Current required to form the magnetic field responsible for moving the bubbles is supplied by the 7250 coil predriver and 7254 v-mos drive transistors under control of the controller and formatter/amplifier.

Interface circuit

Figure two shows the circuit for linking SC84 to the bubble memory unit. Unfortunately, the memory unit is too large to be mounted conveniently on a single Eurocard but it can be mounted horizontally if space is available. I used a piece of 150mm² Veroboard to mount the memory unit connector and interface i.c.s. This board plugs into a connector supplying the necessary bus signals from the SC84 boards.

Since the kit is built and tested, any problems that you encounter will probably be due to timing or interface circuit malfunctions. Using a 4MHz clock in the SC84 should not present any problems. There are enough instructions in the kit to allow you to write programs for verifying that it is possible to write and read to and from the bubble memory. This should be done first.

Having reached this stage you will have to determine how the memory unit is to be used. Mounted in a pluggable container it could form part of a remote data acquisition system. The memory unit containing information would then be transferred to the computer for data processing. Alternatively, a number of memory units could be used instead of disc drives in a compact portable system.

My computer uses disc drives and so I decided to incorporate the memory into the disc operating system, designating it unit 'D'. Again, there is enough information in the literature to allow a bubble driver program to be assembled in Z80 code.

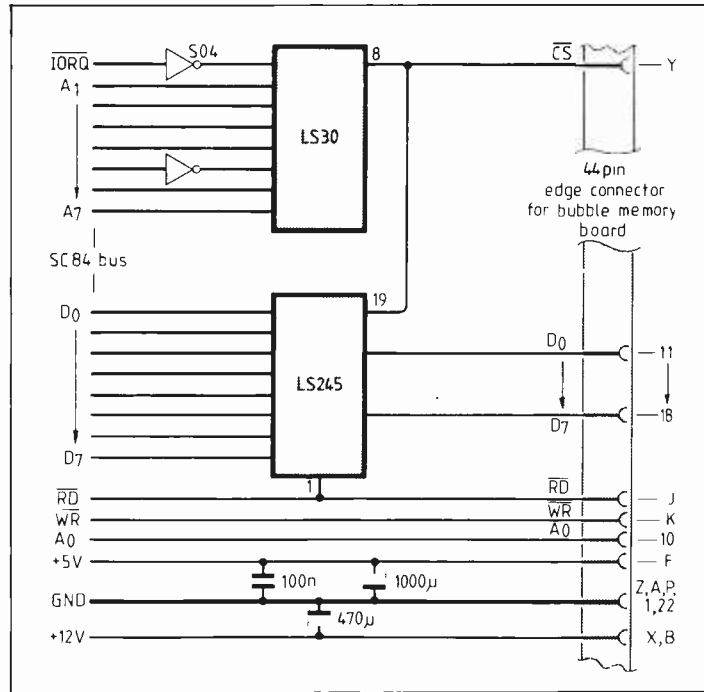
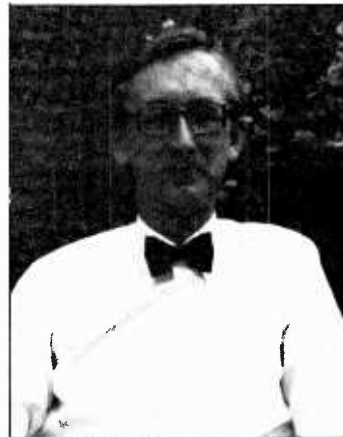


Fig. 2. Complete bubble-memory unit interface consisting of i/o port decoding and a bidirectional data buffer. Using a polling technique allows the interface to remain simple.

The software consists of a bubble-memory installation program, used at the start of every disc boot, which is patched into the operating system cold-start address. Subroutines are used for loading the parameter registers, resetting the first-in-first-out memory and for bubble-memory reading/writing.

Space is also required for patching the existing disc functions. Some functions are not required by the bubble memory and Read and Write Disc functions need to transfer operation to the appropriate bubble memory when unit 'D' is called. Before either of these functions takes place, it is necessary to convert the track and sector number to a bubble-memory page number and place it in the parameter block. This is simplified by using the bubble memory in error correction mode. In this mode each page contains 64 bytes which multiplies easily into the existing operating system's 512 byte sectors.

After allowing for some error messages in the event of a failure in the bubble-memory system, the additional code was incorporated in the disc operating system so that it loads from DD00 to E000 when the disc is booted. One point to bear in mind if this path is followed is that the bubble memory should be loaded with E5. The operating system will produce some irregular output if the directory area is not so loaded.



John Kanaar is a keen electronics enthusiast with a C&G Full Technological Certificate earned through a correspondence course. He enjoys building circuits most — he started constructing just after the war when most of the effort was in making holes for valve holders and avoiding lethal operating voltages. An interest in RTTY led to his study of computers. At work, John is involved with administration and accounts in the food industry.

Copies of the author's machine-code can be obtained by sending a large s.a.e. to our editorial offices. Please mark your outgoing envelope with bubbles.

Rapid Recall Ltd. is offering the BPK72A bubble-memory evaluation kit to *E&WW* readers at special price of £126 excluding v.a.t. To take advantage of this offer, fill in the coupon on page 92.

References

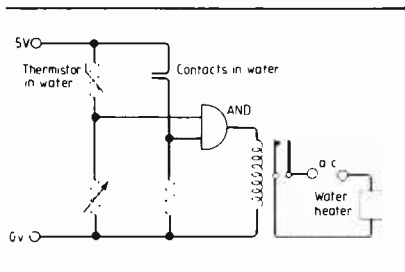
1. A review of magnetic bubble memories and their applications, K.F. Baker, *The Radio and Electronic Engineer*, March 1981.
2. Memory components handbook, Intel Corporation, 306 Bowers Avenue, Santa Clara, CA95051, USA.

SAFETY LAST

The Midland Examining Group, which includes some very senior exam boards, has recently produced its syllabus for the new GCSE physics exam. The section dealing with electronics first establishes that the thermistor shown below is of the usual negtempco variety (p. 30). Indeed, no other type is discussed. Then the following is offered, as a safety-conscious circuit for a water heater.

If there is no water, the contacts are open circuit, and there is no heating. What happens if there is water is rather more interesting. One might spend a pleasant lunchtime raising questions for the examiners. Would they, for example, propose to call the fire brigade before or after switching on the above circuit? And how far, in their estimation, might this safety-conscious circuit blow its constructor?

I. Pepperpot
Steam Bomb Company
(address supplied — Ed).



LIGHT, DISTANCE AND TIME

The origin of the controversy about the Special Theory of Relativity lies with the absurdity that was contrived in 1887*. This initial absurdity was further extended by Einstein in 1905 when he contrived to distort Nature in a manner which would have had Dr Frankenstein green with envy. As far as I can tell none of your contributors has identified the errors.

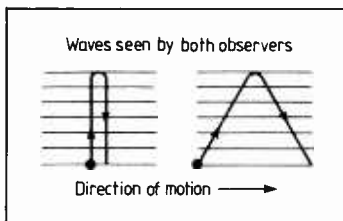
I would start by asking author Scott-Murray, correspondents C.F. Coleman and A. Watson, and James Burke, who recently demonstrated Michelson's Monster on television, a simple question: "How do I use an interferometer to measure the difference in the arrival time of two rays of light?" In the explanation which follows I

assume c to be a physical constant but I lay great stress on the fact that I do not consider it to be a velocity; that was a major error which I shall explain in a moment.

If I walk round a source of monochromatic light, say a sodium flame, then I see the same frequency from all directions. Had it been otherwise then surely I would have seen a beat frequency at the M.M. interferometer. Since I did *not* see a beat frequency then I think I am entitled to assume that, within a specified distance, there will be a certain number of waves in any particular direction; numerical isotropy. That is the view of the observer who is at rest with respect to the M.M. experiment.

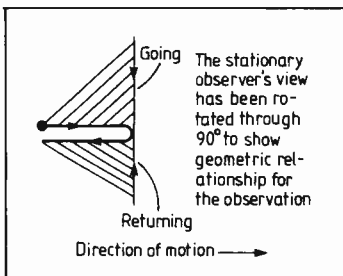
There was now introduced a second observer who was to be at rest relative to the aether (this was assumed, quite improperly, to be a 'rest frame' associated with the sun). What both observers saw was to be compared and we must never lose sight of the fact that in each axis both observers were to look at a unique thing, the same ray of light.

The relativity of observation between the two observers in the transverse axis is



and we see instantly that whilst the number of waves for both observers is invariant, the wavelength for the stationary observer is extended by an amount that conforms to the Lorentz transform.

In the longitudinal axis the relativity of the observation is



and for the stationary observer the wavelength is extended by the Lorentz factor as

recommended by Einstein ('Einstein's universe' by Nigel Calder).

Because of the colour invariance of a sodium flame there can be no doubt that physical length is velocity-invariant. Had it been variant then M.M. would have seen their desired result for all of the wrong reasons. But there is one further thing to consider about this experiment.

The transverse axis treats with the phenomenon of aberration, and without the presence of an aether the phenomenon of aberration cannot occur.

Putting to one side M.M.'s personal error we must surely accept that the experiment showed (a) the additive theory to be true (in any case any other alternative runs counter to common sense), (b) the aether to exist and (c) that light moves at constant velocity to the aether.

This leaves us with what, at first sight, seems to be an ambiguity.

How can c be constant for all observers and yet constant with respect to the aether? To avoid this confusion I shall give light a dual aspect and we shall see Einstein's great mistake emerge — he simply did not understand what he was doing when he applied some of his mathematical symbols to Nature.

The term v/c is a hybrid, rather like mixing apples and pears. As there is unit time both above and below the line this may be cancelled. We are left with what at first sight seems to be a simple quotient of two distances. So it is *on paper*, but when we come to use it to predict the behaviour of moving objects we find that our predictions go horribly wrong.

On the top of the term we have a distance that may extend to infinity. On the bottom we have a choice; we may say that the length is simply part of the infinite scale of the upper line, in which case we must accept that the term v/c is just a specification as to the magnitude of the units of velocity in an infinite Newtonian scale of possible velocities (this is the length that is involved with the velocity of propagation of light: it is part of the scale of human anticipation). The

alternative view of the lower term is to differentiate between the limited length that *was* constructed within unit time and the distance *within* which it was constructed. The *was* is finite, whereas the *within* implies potential infinity.

By failing to distinguish between a Euclidean abstract distance and the length of a physical entity Einstein did science no service at all because, when it is *applied* to Nature, the term v/c is ambiguous. Hence the paradoxes of relativity.

I am sure that at this point some defender of relativity is likely to suggest that the two lengths for c are numerically the same so how can they be ambiguous. I would agree about the distance but the ray of light is a physical thing that has things attached other than simply distance.

Firstly, because inertia, gravity and the strong force are a simple consequence of the radiation pressure of light, in unit time no physical interaction may occupy a distance greater than c ; this is due to Doppler.

Secondly, because the radiation pressure of light is in direct proportion to the frequency, all physical interactions vary linearly if judged by the light-related scale of motion.

The Lorentz transform removes the ambiguity from v/c by adjusting v into conformity with the light-related scale which is linear and finite. It is the mathematical escape from the inevitable error inherent to the admixture of light, distance and time. We see that all Hafele and Keating did was to show that the pi meson decayed in a distance that was in direct proportion to its light-related velocity. If *any* relativist thinks otherwise then I will show him a pair of clocks that do not allow him to follow Einstein into error.

If the transform is assigned to any place other than the proper one, say to time, then a paradox such as the 'twins' will appear because v/c is inevitably released back into ambiguity.

Here stand I at rest in the aether (heresy?) and I see a ray of light that has been constructed in unit time rushing toward me. I note, after it has passed, that it comprised N waves of wavelength D the

product of which is the distance c . Knowing by now that $c + v$ and $c - v$ are going to cause me confusion I say "I shall move toward the source and away from the source half the distance c in unit time in each case to find out what happens". In each case I see both N and D vary but find that the product ND is always c . I find that I *can* have addition, subtraction and constancy all at the same time but, only if I avoid the Newtonian scale of velocity and stick to light as the basis.

Alex Jones
13 Little Street
Alderney

*Michelson and Morley, *Philosophical Magazine* December 1887.

ROBOTS

With reference to your August 1985 issue and the article entitled "Robots for learning and fun", I would like to point out a couple of errors regarding the software for the Cyber 310 Educational Robot.

The article states that our applications package is "small", and costs £150. Not at all: the software is supplied free with the Cyber 310, and is far from small. Apart from the Towers of Hanoi routine mentioned in the article, the applications software also allows automatic zeroing of the robot, Cartesian input, polar cylindrical input, and direct steering and programming of the robot to emulate industrial learning boxes. Coupled with the Forth and RoboForth control software, this adds up to a very powerful free program package.

The only extra software not supplied free is the demonstration package that accompanies our Robotics Course, and the cost of this entire course is only £50.

David Atkinson
U.K. Sales & Marketing
Manager
Cyber Robotics Ltd

LOGIC SYMBOLS

Mr Hayward's letter (May 1985) rings like a resonant bell in a swamp of grinding and grating. Whereas I am *not* a circuit designer (which I presume Mr Hayward is) and therefore must sit on the fence regarding the adoption of the new logic symbols, his comments regarding

Government committees and the growing madness to re-invent hieroglyphics are poignant to say the least.

It seems to me that today there is a lemming-like tendency on the part of power-wielding bodies to attempt to impose arbitrary standards on all and sundry to a point of stupidity, to a stage where what an engineer does becomes subordinate to the units and terms he uses to describe it. In this country, for example, we have a Bureau of Standards which seems to have only two concerns: that we write everything in Afrikaans as well as in English, and that we write, for example "m² rather than "sq. metres" I am employed by a major water supply authority, which is absolutely soaked in this sort of nonsense.

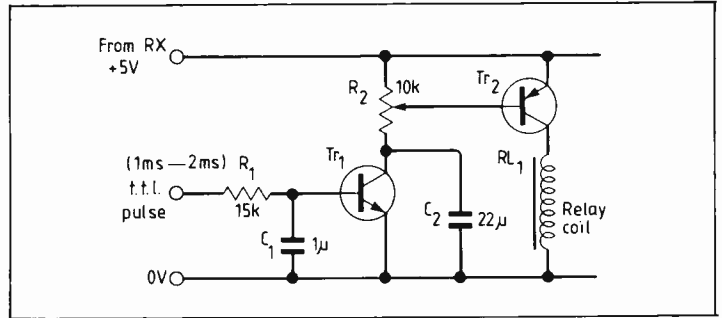
Is it too late to call for reason? To suggest that the most important feature in, say, a specification for a mobile radio system, is that the system works, and not just that the currently fashionable terms dreamed up by a combination of university academics and Government bureaucrats are used to describe the coating on the surface of a mast? I have coined two terms: ACACRAT and BUREAUDEMIC, to describe this sort of nonsense. I hasten to shrink from suggesting that they become standard (!) terms but I think your readers will know what I mean.

P.L.J. Allcock
Kempston Park
Transvaal
South Africa

BATTERY- SAVING RELAY SWITCH

The circuit shown on p. 66 of the July issue seems to be overly complicated. This circuit is designed to operate a relay (for forward/reverse) from a radio control proportional channel, using minimum component count. The response time is about $\frac{1}{4}$ second, which is adequate for many applications.

Time constant R_1, C_1 prevents Tr_1 turning on at minimum pulse-width input, allowing C_2 to charge via R_2 , holding Tr_2 and therefore RL_1



off. (R_2 is adjusted to achieve this.) At maximum pulse-width input, Tr_1 is turned on by the input pulse removing sufficient charge from C_2 (current-limited by R_1) to turn on Tr_2 and RL_1 . The hysteresis of the relay avoids instability.

Tr_1 collector will follow the input in a reasonably proportional manner and could be used for (say) a simple "proportional" speed control, if Tr_2 was replaced by an emitter follower.

D. Hutchinson
Harlow
Essex

RELATIVELY BORING?

H. Morgan of Tonbridge, in your issue of July 1985, asks you to try to find the most respected scientific figure in the world and get him to pronounce once and for all a verdict on arguments about relativity.

I gave a brief and simple account of special relativity mathematics in 1963 in a routine textbook "Physics for Engineers", although at that date there was very little interest in the subject. Most people — including myself — did not *really* understand pressure of radiation and the relativistic increase of mass of the electron when travelling very fast, both of which phenomena were apparently measurable, according to then-current scientific literature; and there was also to be considered the subject of energy derived from mass loss in nuclear reactions. The non-relativistic explanation of radiation pressure seemed completely unsatisfactory at that date.

As the "most respected scientific figure" I would humbly suggest Professor D.A. Bell, a perservering and long-established contributor to your columns. I remember with interest that when I was his

laboratory partner in 1931, studying then-electronics consisting of 900 volt oscillators, Lecher lines, etc. in the late Professor Townsend's electrical laboratory, he was much enamoured of a magazine which I had not then heard of, called *The Wireless World*, most of which also I could not understand, though his abounding enthusiasm induced me to buy it occasionally to try to get up to date in "wireless", then an up-and-coming subject. Professor Townsend, as he will remember, was a noted disbeliever in Quantum theory. Whether he believed in relativity perhaps Professor Bell would know.

George Lewin
South Ascot
Berks

I can well understand Mr Morgan's objections (*EW* 85-7 p. 79) to the "continuous welter of statement and counter-statement, argument and bad-tempered knocking" on subjects of theoretical physics. He might have added objections to writers who often show inability or unwillingness to listen to argument.

But why is it published in *Electronics and Wireless World*? Simply because this unwillingness to listen has led editors of possibly more suitable publications to refuse to print the ideas of scientists they do not agree with. I am happy that *EW* has not been so narrow-minded.

Science is not religion; there is no divine revelation in science. There is no way to establish facts but observation and experiment, experiment and observation. That is why all 'thought experiments' should be viewed with great suspicion. They leave no room for the emergence of the unexpected and the unknown. That is also why the authority of a "respected scientific figure"

cannot provide a resolution. I'm afraid that the editor with his comment, valid as it was, did not really strike at the heart of Mr Morgan's letter.

Every theoretical and practical physicist would do well to remind himself of two things. One is that we do not really know much: we have no understanding of the things we are playing with; what is time; what is gravity; what is matter? The other is that even an accepted and well tried theoretical system (as far as it goes) is no more than a model of the reality that we are part of. The map is not the territory. P.G. van Dijk
Zwolle
Netherlands

I have followed the articles and letters on relativity and the rest of the 'modern physics' circus since the article by L. Essen in October 1978, which so impressed me that I started buying *Wireless World* instead of reading it in the library.

I would like to see more of the subjects which bore H. Morgan (Letters, July). You ask who is competent to decide who is right. I ask where else we can read open debate on these matters if you go back to being just another electronics magazine, printing inoffensive S-level 'physics for electronics engineers' — in *New Scientist*?

If I was a professional physicist, I think I would be ashamed to admit it to a lay person whose idea of what I did might well have been formed from television programmes full of starry-eyed academics quoting from T S Elliot and a background of loud jarring music. . . Why do all the worst BBC science programmes have this? Is it to drown the words? I might have claimed to be a psychologist and hoped to be taken for a tough behaviourist.

Of course the truth always comes out eventually. Where are the reputations of Freud, Cyril Burt and Lysenko now? Remember, all founded powerful, seemingly unchallengeable orthodoxies. Humpty Dumpty has a great fall. . . Roderick Saunders
Birmingham

Some time ago I formulated two maxims which recent correspondence in your journal

reminded me of.

1) Everyone with a superficial understanding of relativity and electromagnetism or quantum mechanics will construct their own versions, complete with all paradoxes resolved, the elimination of 'unnecessary axioms' and thoroughly tested by 'thought experiment'.

2) These people will either
a) continue to study and develop a deeper understanding,
b) forget it, or
c) try to persuade the Establishment of its errors by writing lots of letters.

A couple of years ago I had the pleasure of meeting a man who was not only a specialist in relativity but had also appeared on television from time to time. I enquired as to whether he ever got eccentric letters as a result of this exposure. It transpired that he had and initially spent much time writing detailed replies. In spite of valiant efforts, at last sheer volume had swamped him. His solution was to pair up authors of similar viewpoint and send each a copy of the other's letter with a covering note suggesting that they correspond with each other. The result was invariably an aggrieved reply from each wanting to know why on earth he had suggested that they discuss their ideas with "that nutcase".

Charles Williams
University of Durham

WIRELESS?

I have been a reader of *Wireless World* for about 55 years, and must gently complain that your title doesn't appear to justify the content as precisely as was its wont.

There is little in the magazine now which is 'wireless' or radio and any reader picking the title up for the first time could be forgiven for thinking that the paper is for computer buffs. I have used computers longer than anybody on your staff and still cannot see why they generate so much excitement. After "Three Mile Island" I would have thought that a serious review of the uselessness of computers was apparent and that the enormous risks in the vulnerability of

military computers should prohibit the use thereof. Nor do I acknowledge the hightech minds which are accorded to children: sure they can solve computer problems; they can also do Monopoly and play cards better than I can.

My interest in radio is stronger than ever and I am amazed at the sangfroid shown by the young in the easy acceptance of the technical miracles which are handed to them on a golden plate. Generally, the young have not the deeper technical interests in the technology which previous generations had. Not for them the taking care not to have a wiped dry joint, or chasing an intermittent capacitor fault somewhere. Or second or third-channel break though via a whisker of wire which resonates, or a girl's necklace which heats up when she operates an r.f. welder, or power which leaks along a work bench and appears on the top as a r.f. spark a foot long.

Modern radio receivers are not a bit as good as the older valve types. It is unusual to hear a radio which does not have high background hiss. It is unusual to hear a commercial radio with adequate selectivity: this is avoided by using after filters with a cutoff. There is not a commercial receiver available with the all round performance of the GEC BRT400, or its predecessor. I had one with pushpull outputs via two PX4s, driven by MHL4s, and the range was from 9metres to 5,500 metres without a break in the range at all. I once heard a ham transmitter from Moscow one November who was using two watts aerial power. Alas the set was sold when I was an expat. abroad. If I could get the specs I would rebuild that set myself. The tonal quality even on shortwave reception was marvellous. I would suggest that you could generate radio interest in radio if you republished the set with diagrams and constructional details. I am using A Sanyo, a Panasonic, a Bush, a homebrew, an Eddystone, a Pioneer, a Vega and all because I haven't got my old GEC!!!

John D. Beud
Whitchurch
Cardiff

CORRESPONDENCE

May I suggest that the insoluble "paradox" of Mr Michael resides solely in his head. Our brain does not perform "triangulation", using as baseline lateral or time separation of sensor images, to determine the spatial relationship of objects within a visual field. Intelligently, since it is a skill learnt by practice, we perform in analogue neuron networks an almost immediate weighing process using techniques similar to Probability theory (not geometry), combined with Flicker-comparator-like matching processes, to memory-map image sets to determine whether or not an object exists, and then further to determine whether or not the same found object really exists where it appears to exist in a single or a multiple-image field. Two quite separate tests! Should one test fail or should conflict arise between test results we invariably then have an illusion, but not an insoluble one. Indeed if the "paradox" is insoluble, we could then be continually bumping into each other.

Fortunately for us, Mr Michael has now quite brilliantly presented the proof of this prospect. He proposes that object-to-sensor distance is a prime paralogism in the Correspondence problem when performing or trying to perform "triangulation" to analyse a multiple image field; in that, until one object is identified (for example by an infant) as being unique within a multiple-image field, then it is impossible to instruct limb motor centres to "triangulate" and grasp the object, even with a stereoscopic image pair — sadly this is not his digital Quantum Leap.

Perhaps Mr Michael, after correcting his input-output algorithm could further amplify his intriguing proposition. Can we start bumping or not? I eagerly await his reply. Work on Mr Michael; I could be wrong.
A.J.P. Ferro F.C.T.
London N4

Digital polyphonic keyboard

Digipoly is a versatile keyboard instrument capable of producing many electronic organ, piano and synthesizer sounds. It is entirely digital, with a Midi interface, and includes an 8088-based control processor and a high-speed t.t.l. signal processor with other potential applications.

Most current electronic keyboard instruments use a combination of digital and analogue circuits. Output of these instruments is typically generated by sixteen conventional analogue oscillators whose frequency, and subsequent filtering/amplification, is digitally controlled.

Digipoly is the outcome of an investigation into the possibilities of producing a musical instrument using entirely digital note generation techniques. The result is a useful piece of equipment capable of synthesizing many conventional electronic organ sounds and also many synthesizer and electronic-piano sounds. However, the basic instrument is not capable of producing any voice for which the harmonic structure of the sound changes during the note.

The main advantage of Digipoly over older analogue designs is the simplicity and versatility of its digital circuits. A standard Midi (musical-instrument digital interface) bus connection is included so that Digipoly can be used with other instruments, sequencers and under remote computer control.

Figure one shows the interconnection of Digipoly's various parts. On its own board at the heart of the system is an 8088 microprocessor which controls all instrument functions. It has an 8Kbyte eeprom for its program and look-up tables and 2Kbyte of cmos

ram with battery back-up to retain user settings for user-defined voices when the main power source is removed.

The 8088 microprocessor controls all of the instrument through 16 eight-bit parallel i/o ports. This means that for development and debugging purposes, the complete microprocessor board can be removed from the instrument and replaced by a cable to a microcomputer which addresses the same 16 ports. Software for Digipoly was developed in this way on an 8088-based computer.

Front panel controls of the instrument are polled by the microprocessor. For economy, I chose a simple front panel with push buttons and leds, Fig.2. Two rotary controls are also used, one for the master volume setting and the second, connected to the a-to-d converter, whose function depends on the push-button selection.

The sprung-action keyboard is a standard 61-note C-to-C plastic one. It is scanned every 2ms by the microprocessor and appears as an array of 61 ones and zeros reflecting the state of

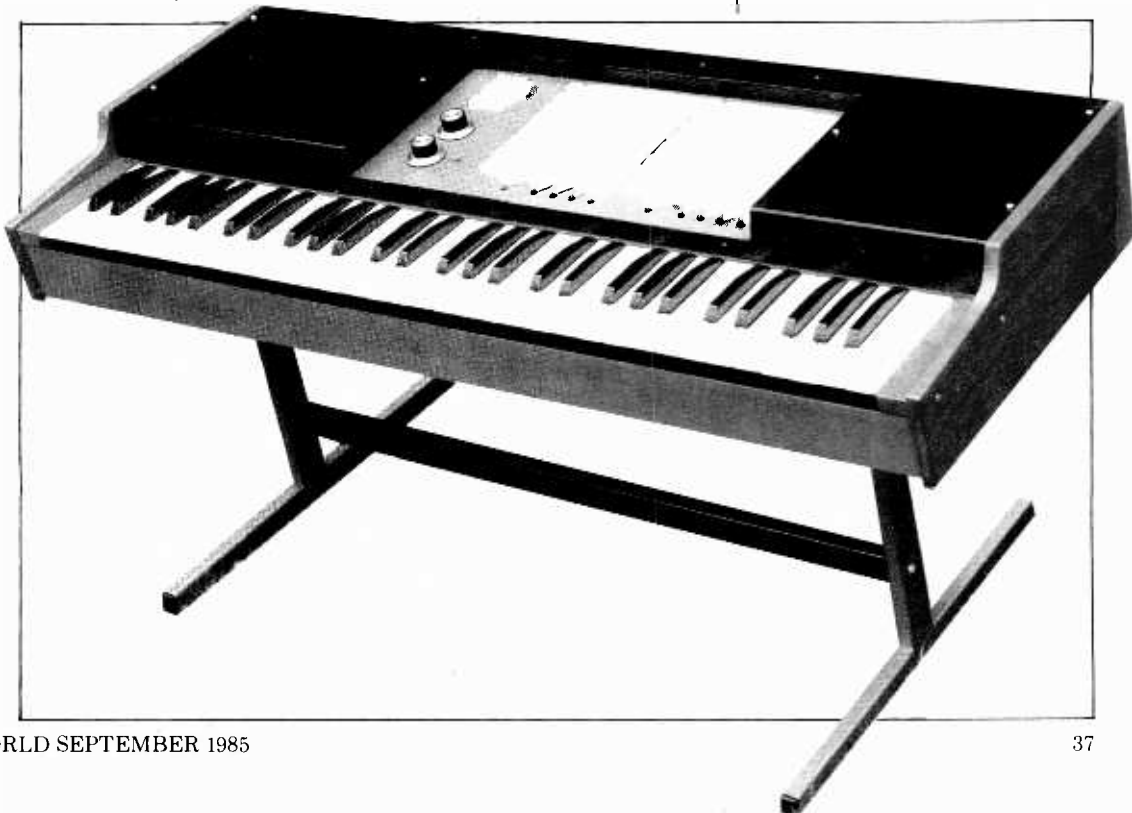
by D.J.Greaves B.A.



David Greaves is a postgraduate research student at St John's College Cambridge working with new computer architecture, in particular on natural language processing algorithms.

David is three time a winner of the Esso-sponsored Design Technology competition, holder of an IEE Jubilee Scholarship and a former contestant on BBC tv's Young Scientist of the Year programme. He plays the guitar and, being a lover of most types of music, is fascinated by anything that combines electronics, music and computer algorithms.

His many designs include a digital spectrum analyser, several digital sound effect units and an ever growing computer which he started building in 1977. This 200Kbyte computer with hard disc drives runs home-written software including a Basic interpreter, BCPL compiler and assemblers.



DIGITAL KEYBOARD

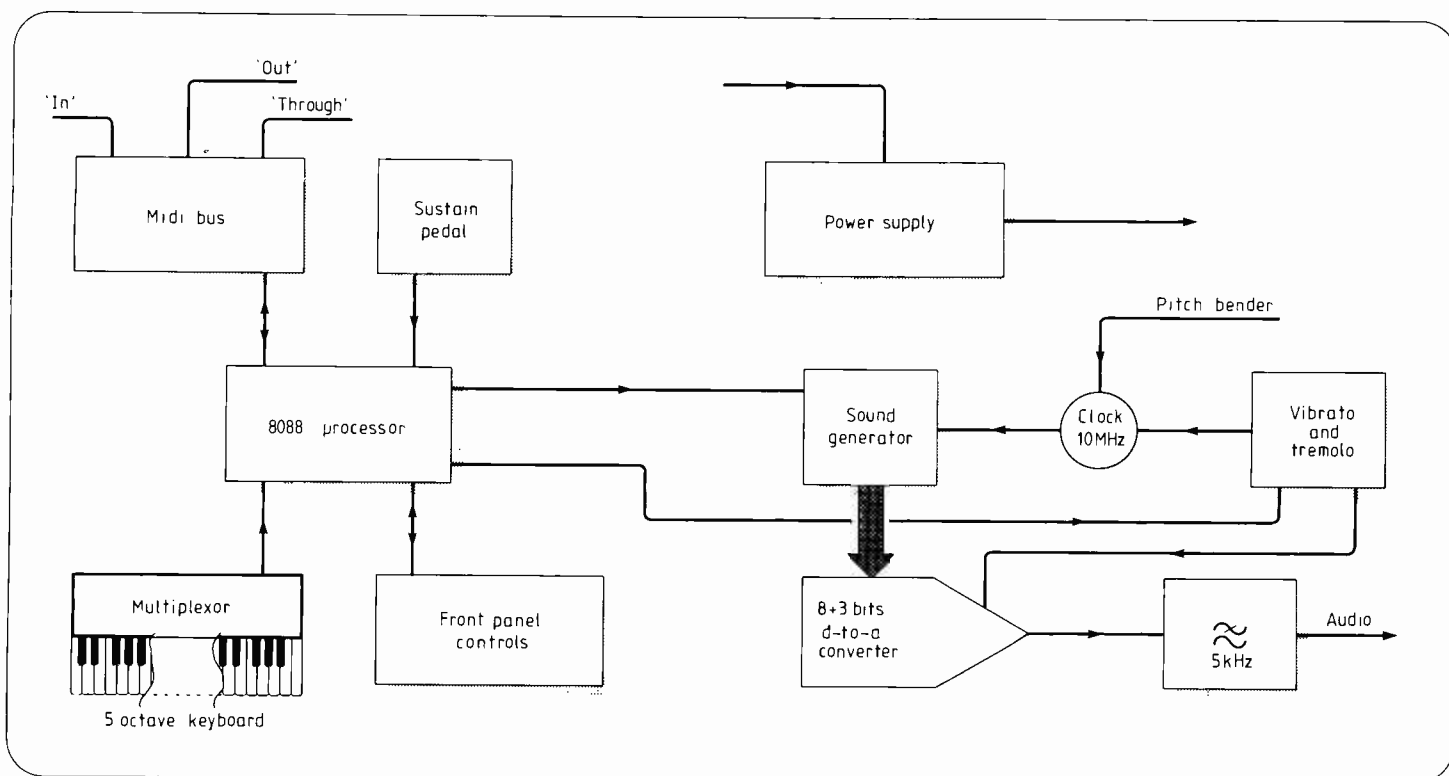
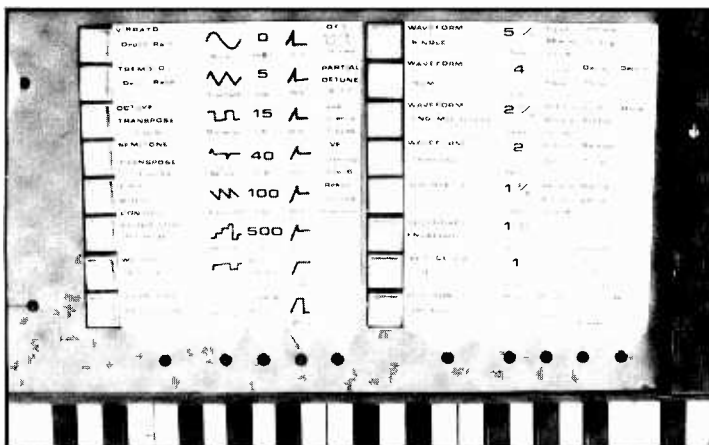


Fig. 1. Block diagram of the digital polyphonic keyboard instrument. All control functions are handled by the 8088 microprocessor.

the keys. Front-panel controls allow keyboard pitch to be stepped up or down over six octaves and also transposed up and down by six semitones. Absolute pitch can be varied over one semitone to allow tuning to other instruments.

Digipoly is equipped with a midi interface which is a fast serial data link to other instruments. Bit serialization is performed by the 8088 microprocessor and timed using software delays from the processor's 15MHz crystal. Received-data start bits are used to interrupt the microprocessor whose interrupt routine then assembles a byte which is stored in a queue in memory. This queue is polled by the main program for new commands which are then interpreted according to the Midi standard.

Fig. 2. Front panel legend. There is a variable-context button by each row in the two legend sections. A led under each column indicates when a column is in use.



Sound generation is performed by a microcode program running on a simple processor built from discrete t.t.l. i.cs. This processor, performing around five million instructions each second, simulates eight asynchronous oscillators whose frequency can be varied in 0.5Hz steps from zero to 16kHz. Waveforms of these oscillators are stored digitally in a 129-by-256 element array and their amplitude is adjustable over 64 linear steps. Each oscillator sends a new value to the output digital-to-analogue (d-to-a) converter at about 35kHz.

Having eight separate note channels within the instrument means that it is normally possible to hold eight keyboard keys together and hear all eight notes polyphonically. The 8088 microprocessor automatically assigns a new channel for each key. In 'double-up' mode, which is selected from the front panel, two channels are used for each key so only four keys may be used together. Reduction in the number of channels available is also sometimes caused by the automatic arpeggio effect, the Midi bus and the sustain pedal.

Output from the d-to-a converter is fed through a three-pole low-pass filter with a 5kHz cut-off frequency which remove steps from the digital waveform and sums the eight

oscillators. The d-to-a converter is eight bits wide and used eight times for each sample, giving an effective dynamic range for all voices of 66dB; when no key is pressed, converter output is zero so the signal-to-noise figure is generally better than this figure. Filter output is fed through the volume control to a 1/4in jack output socket.

Figure 3 shows some of the envelope possibilities. A variable 0.1 to 5Hz sinewave oscillator is included to apply vibrato and tremolo modulation to the output; speed and depth of these effects are controlled digitally by the 8088 microprocessor.

Frequency synthesizer

Figure 4 shows a notegeneration channel. Eight such channels are implemented by the t.t.l. microprocessor in microcode and each channel has two sixteen-bit registers, P and F. Frequency of the oscillator is determined by the F register and is set by the 8088 processor before a note starts. In each channel, the P register holds the current phase of the oscillator and has the contents of the F register added to it at regular intervals of 28µs.

The rate at which the P register overflows and returns to zero is the fundamental frequency of the note being

produced by the channel. Being 16bits, the P register can count up to 65536; if the F register holds unity then the synthesized frequency is $(1/0.000028)/65536$ which is 0.5Hz. Hence the frequency of the channel is 0.5Hz multiplied by the value in the F register.

Indexing of the waveform table is carried out by the P register's eight most-significant bits. The waveform table, held in an array in the t.t.l. processor address space,

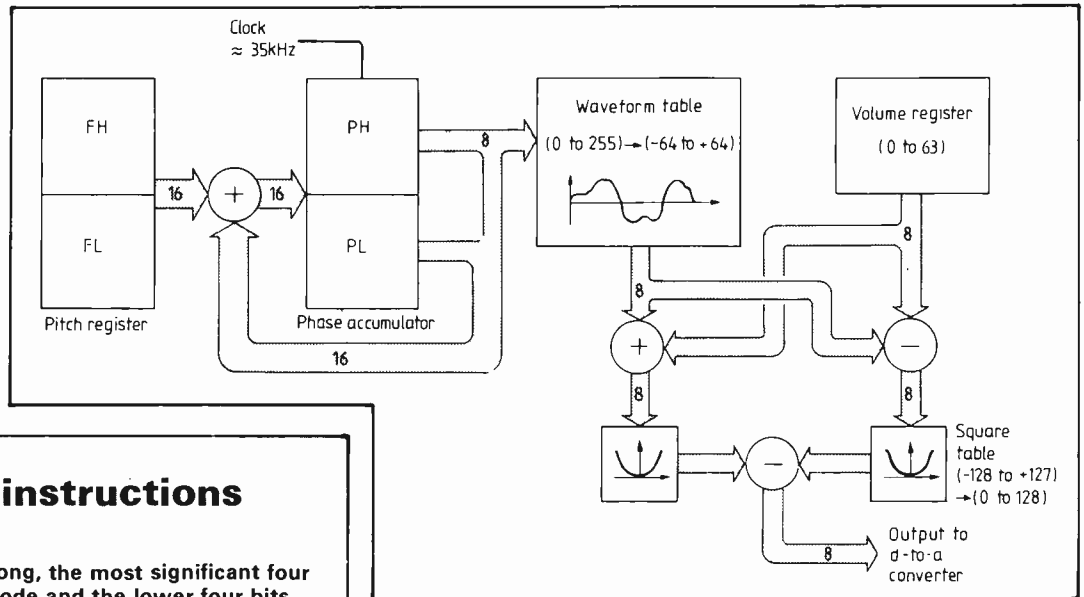


Fig. 4. Note generating system. Microcode in the t.t.l. processor runs eight of these systems. A pitch register is repeatedly added to an accumulator which is used to index a stored waveform. The waveform is multiplied by a volume factor using the 'quarter squares' method and then sent to the output d-to-a converter.

T.t.l. processor instructions

All instructions are one byte long, the most significant four bits giving the instruction opcode and the lower four bits giving the addressing mode where pertinent.

For instructions that do not specify an m value, the low-order four bits of the opcode should be zero. The INCV instruction adds one to the V register modulo n where n is the number of sound channels that the Digipoly has. This is set by links to eight. The INCV instruction has the same opcode as the HOST instruction so that the two can be performed at once. Other unused opcodes are decoded in hardware and so can easily be used to add new features to the instruction set.

Bit patterns for the opcodes are

0000	LOAD m	load m into the accumulator
1000	STORE m	store the accumulator at m
0001	ADD m	add the m into the accumulator
0101	ADC m	as add but include the carry bit in the result
0110	SUB m	subtract m from the accumulator
0011	CLEAR	zero the accumulator
1010	LOOP	execute the next instruction and jump to zero
1011	INCV	increment the V register
1011	HOST	enable 8088 d.m.a. into memory
1111	NOP	no operation

The addressing mode bit patterns (m) are

0000	PL,V	Low order byte of the P array using V
0001	PH,V	high order byte of the P array using V
0010	FL,V	low order byte of the F array using V
0011	FH,V	high order byte of the F array using V
0100	VOL,V	volume array using V
0101		Not used
0110	DAC0	DAC0
0111	DAC1	DAC1
1000	SQ,A	square table indexed by the accumulator
1010	WV,A	waveform indexed by the accumulator
1100	E0	register E0
1101	E1	register E1
1110	E2	register E2
1111	E3	register E3

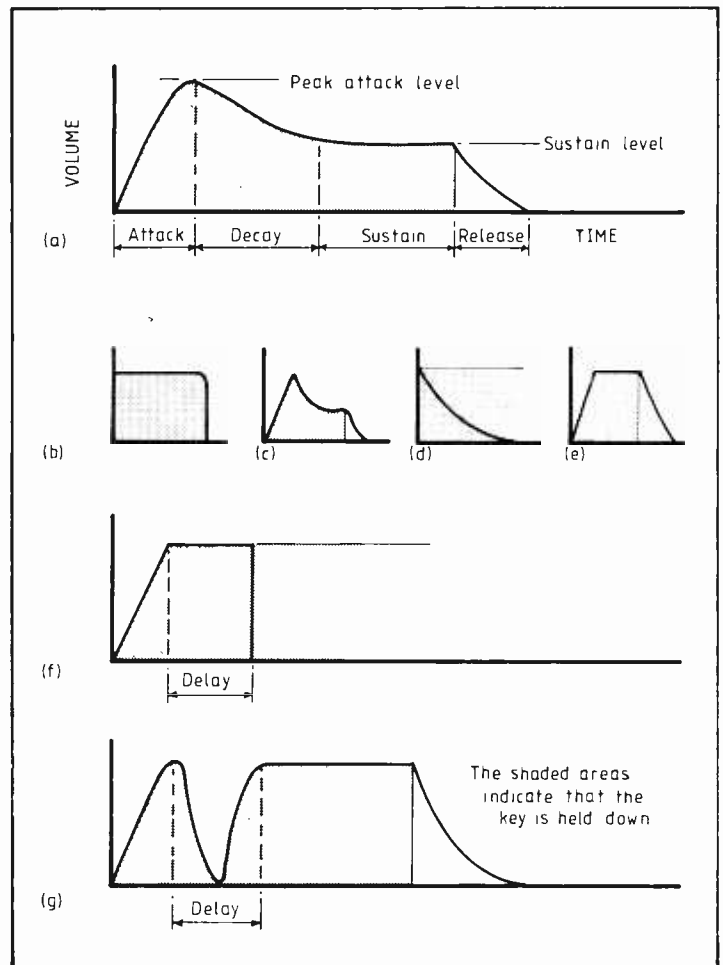


Fig. 3. Envelope profiles. The general a.d.s.r. (attack-decay-sustain-release) envelope is shown in (a), preset envelope profiles are shown in (b-e), and (f) is a non-a.d.s.r. profile which produces pulses. A pre-echo profile similar to the general a.d.s.r. form but with two attacks is shown in (g). Shaded portions indicate the time that a key is held.

Versatower:

A range of telescopic towers in static and mobile models from 7.5 to 36 metres with tilt-over facility enabling all maintenance to be at ground level.

Designed in accordance with CP3 Chapter V; part 2; 1972 for a minimum wind speed of 140 kph in conditions of maximum exposure and specified by professionals world-wide where hostile environments demand the ultimate in design, quality and reliability.

Suitable for mounting equipment in the fields of:

Communications

Security surveillance – CCTV

Meteorology

Environmental monitoring

Geographical survey

Defence range-finding

Marine and aero navigation

Floodlighting

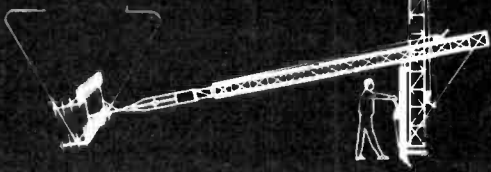
Airport approach lighting

Further details available on request.



STRUMECH ENGINEERING LIMITED

Portland House, Coppice Side, Brownhills
Walsall, West Midlands WS8 7EX, England
Telephone: Brownhills (05433) 4321
Telex: 335243 SEL G



CIRCLE 23 FOR FURTHER DETAILS.

E.M.S. POWER SYSTEMS



Solve all your Power Problems by contacting E.M.S.

E.M.S. specialise in systems to eliminate your power problems.

Products range from 35VA switched square wave Power Packs to 1KVA fully uninterruptible sine wave systems.

E.M.S. also manufacture chargers which range up to 60 amps.

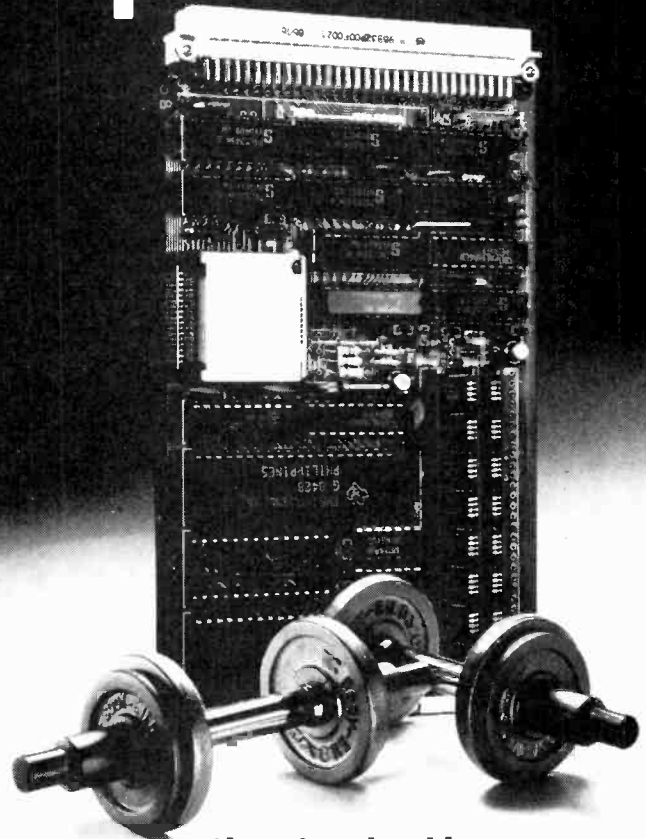
For further details please contact:

E.M.S. Manufacturing Limited
Chairborough Road
High Wycombe
Bucks
Tel: (0494) 448484

CIRCLE 42 FOR FURTHER DETAILS.

ELECTRONICS & WIRELESS WORLD SEPTEMBER 1985

Powerhouse processor



on the standard bus

An 8MHz 80188 processor, 256 kbytes dynamic RAM, serial I/O and PROM – for £680! It can run concurrent CP/M 86, and it interfaces to the STE bus, the new IEEE P1000 standard for instrumentation and systems designers. STE is a modern alternative to buses like STD, but with many advanced features: processor-independence, 1 Mbyte memory addressing, 4 kbytes of I/O space, and multiprocessor facilities. It's equally cost-effective in single-processor designs or high-performance systems that many would consider VME for.

Call for details.

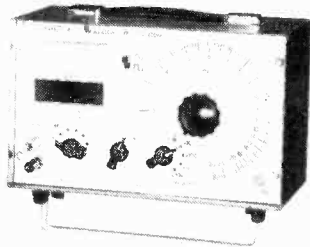
Arcom

CONTROL SYSTEMS LTD

Arcom Control Systems Limited
Unit 8, Clifton Road, Cambridge, CB1 4WH
Phone (0223) 242224

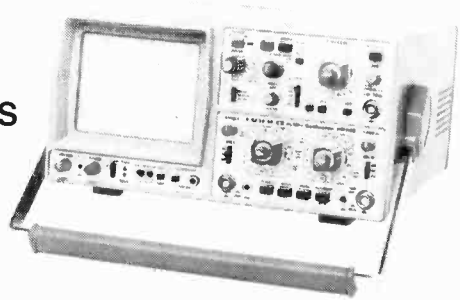
Distributors:
Dage (0296) 33200, **New-Tek** (0223) 211211

CIRCLE 55 FOR FURTHER DETAILS.



LEVELL OSCILLATORS, FUNCTION GENERATORS, AC/DC VOLTMETERS, FREQUENCY COUNTERS, DECADE R/C BOXES, DIGITAL THERMOMETERS, TRANSISTOR TESTERS and INSULATION TESTERS.

CROTECH OSCILLOSCOPES
HAMEG OSCILLOSCOPES
HITACHI OSCILLOSCOPES



THURLBY POWER SUPPLIES, MULTIPLEXERS, DIGITAL MULTIMETERS, CAPACITANCE METERS and LOGIC ANALYSERS.

LEVELL DELIVER FREE IN THE UK.
CATALOGUE, PRICE LIST and QUANTITY DISCOUNTS ON REQUEST

LEVELL ELECTRONICS LTD.

Moxon Street, Barnet, Herts., EN5 5SD, England
Telephone: 01-440 8686 & 01-449 5028

CIRCLE 17 FOR FURTHER DETAILS.

Happy Memories

Part type	1 off	25-99	100 up
4116 200ns	1.25	1.15	1.10
4164 150ns Not Texas	.99	.89	.84
4128 150ns	5.45	4.99	4.70
4256 150ns	3.65	3.35	3.10
2114 200ns Low Power	1.75	1.60	1.55
2016 150ns	2.45	2.30	2.20
6264 150ns Low power	5.00	4.45	4.00
2716 450ns 5 volt	3.85	3.45	3.30
2732 450ns Intel type	4.75	4.25	4.10
2732A 350ns	5.25	4.69	4.50
2532 450ns Texas type	3.85	3.45	3.30
2764 300ns Suit BBC	2.95	2.65	2.50
27128 300ns Suit BBC	3.95	3.55	3.35

Low profile IC sockets: Pins 814 16 18 20 24 28 40
Pence 12 13 14 16 18 24 27 38

Available now — The ROAM BOARD for the BBC Micro. Reads Roms via a Low Insertion Force Socket and saves their contents as files, then reloads a file into its sideways Ram as required. Full details on request.

74LS series TTL, wide stocks at low prices with DIY discounts starting at a mix of just 25 pieces. Write or phone for list.

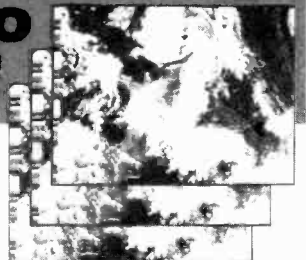
Please add 50p post & packing to orders under £15 and VAT to total. Access orders by phone or mail welcome.

Non-Military Government & Educational orders welcome., £15 minimum.

HAPPY MEMORIES (WW),
Newchurch, Kington,
Herefordshire HR5 3QR.
Tel: (054 422) 618

CIRCLE 33 FOR FURTHER DETAILS.

Weather monitoring at a down to earth price!



COLOUR ENHANCEMENT providing Red, Green, Blue outputs to display satellite images in colour

HIGHLIGHTING of interesting temperature or brightness features making for easier interpretation.

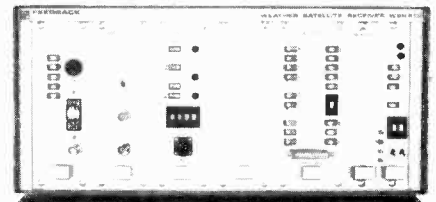
625/50Hz PICTURES STANDARD enabling you to enjoy the benefit of video tape storage and CCTV capability.

COMPUTER CONTROL as an optional extra allows automatic operation from most of the popular microcomputers via an interface in the Feedback MICA series

TAPE RECORDER INTERFACE available as an optional extra allows analogue signals to be stored on cassette tape via a cassette recorder.

- Satellite Communication ■ Meteorology
- Oceanography ■ Environmental Sciences
- Remote Sensing ■ Geography

WSR513/515
WEATHER
SATELLITE
RECEIVING
SYSTEM



FEEDBACK INSTRUMENTS LTD

Park Road, Crowborough, E. Sussex, TN6 2QR, England.
Telephone: (08926) 3322. Telex: 95255.

CIRCLE 26 FOR FURTHER DETAILS.

Communications receivers

A survey of general-coverage sets

A generation ago, a communications receiver was for countless engineers, whether amateur or professional, the pride of the workbench. Not so long ago, electronics was radio, and a high-performance general-coverage set was one of the most complex pieces of electronics it was possible to own.

Today, when there is a digital watch on almost every wrist and a computer-controlled washing machine in quite a few kitchens, radio equipment has lost its pre-eminence. But communications receivers continue to retain their usefulness.

For keeping in touch with the world, their value is greater than ever. International broadcasting is big business and the thousands of high-frequency transmitters now in operation around the world are added to every year. And investment in receiving equipment grows correspondingly.

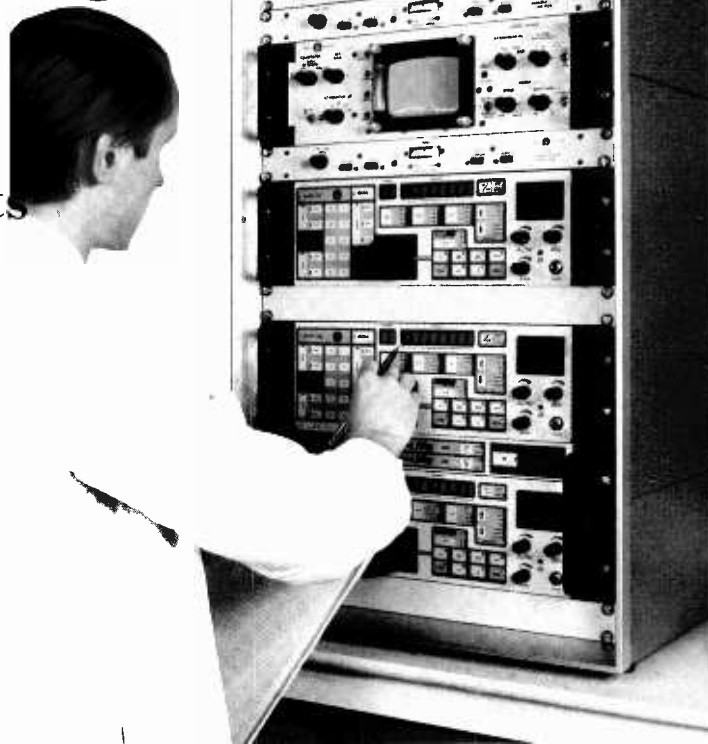
Even the smallest and poorest countries feel the need to make their voice heard abroad. The largest may broadcast hundreds of hours of programmes every day in dozens of languages, from Afar and Albanian to Yoruba and Zulu. Their transmission schedules are

listed annually in that short-wave listener's bible, the World Radio TV Handbook, which now runs to no less than 600 pages of small print. To cope with the growing babel, additional frequency allocations were agreed in 1979 and are gradually taking effect.

Some countries use the international airwaves merely for political propaganda, but by no means all. So for anyone who can put up with the lack of pictures and with a sound quality that is inevitably rather less than hi-fi, short-wave radio can be a fascinating source of news, entertainment and information.

However, in recent years many non-broadcast users of the h.f. spectrum have moved to alternative methods of transmission. International telephone traffic, for example, is carried now mostly by satellite or cable. But there remains a great deal of other activity: for example, clandestine transmissions, data, radio-teleprinter code from foreign news agencies, military transmissions and, of course, radio amateurs.

For many years an apprenticeship served before an h.f. receiver, possibly of the war-surplus variety, was considered an indis-



This professional monitoring set-up from Eddystone includes three model 1650 receivers and a panoramic display module.

pensible qualification for obtaining a transmitting licence. But besides its use as an adjunct to an h.f. transmitter, a communications receiver has its place in the modern amateur station as a building block for operations on much higher bands. Converters are available to extend coverage into the v.h.f. range and even into the microwave bands, where the tuning and accuracy and stability of the basic receiver can give important performance advantages.

In addition, the communications receiver can make a useful piece of test equipment in its own right as a tunable r.f. microvoltmeter. Digital frequency meters read only the largest signal present; but a receiver can detect sidebands and harmonics over several octaves and may be as much help as a spectrum analyser. To check its accuracy, you need do no more than tune in to one of the standard frequency and time stations maintained by the world's observatories and standards authorities.

Virtually all the receivers listed in the accompanying table incorporate synthesized tuning, the introduction of which in recent years has led to greatly improved convenience in use — at a cost, in

lower-priced sets at least, of some sacrifice of r.f. performance. The synthesized oscillator may be noisy and so provoke spurious responses; whilst an untuned front-end is prone to overloading by unwanted strong signals.

It is nevertheless a surprise to find so few synthesized sets among the mass-market portables, since inevitably there must come a point at which silicon becomes cheaper than the mechanisms it replaces. By contrast, tv set makers seem to have had no difficulty in making the switch to electronic tuning — with a little help from the semiconductor industry.

In a synthesized set, it is a fairly simple matter to include remote control of the main receiver functions. Thus even some of the relatively low-priced sets aimed at the amateur are now offered with a computer interface, enabling the enthusiast to automate his routine band-scanning.

Remote control is widely used in professional receiving installations, where it is common practice to station the operators in an office or listening room and to group the receivers out of sight in racks elsewhere. In extreme

Grundig's Satellit 600: a multi-feature portable for the enthusiast, or the traveller with strong arms.





Vigilant's Micon receivers, designed to meet the 1983 MPT specification, offer automatic scanning of 200 stored channels.

cases, the receivers may even be in another country. Sets designed for this purpose may be offered by with dedicated remote-control units or with interfaces for control by serial port or by GPIB or IEEE-488 bus.

Certain receivers for professional applications are too highly specialized in nature to warrant detailed coverage in a feature such as this; however, we have included a few in the table for the purposes of comparison. Among them are measuring receivers (some more were listed in our GPIB feature last December), surveillance receivers and military sets.

Finally, for those with shallow pockets, or of an adventurous turn of mind, it may be worth not-

ing that the home design and construction of short-wave receiver is still possible - although it would take a lot of ingenuity and experiment to match the performance and facilities of the average commercial set.

A recent published design was the RX-80 s.s.b.-c.w. receiver by A.L. Bailey, which appeared in *Radio Communication* (Radio Society of Great Britain) in 1981. One kit we have come across is the FCR-130 from Comutech (see address list): intended for the beginner, this four-stage t.r.f. receiver gives a.m., c.w. and s.s.b. reception.

In the table, filled blocks denote features offered with the

standard model; empty blocks or entries in square brackets relate to optional extras.

Price: does not include v.a.t.

H.f. range: tuning range of the basic receiver. Many models have, or can be fitted with, further ranges not shown here.

Modes: the column headed 'fm' refers to narrow-band frequency modulation. Wide-band f.m. capability is indicated separately.

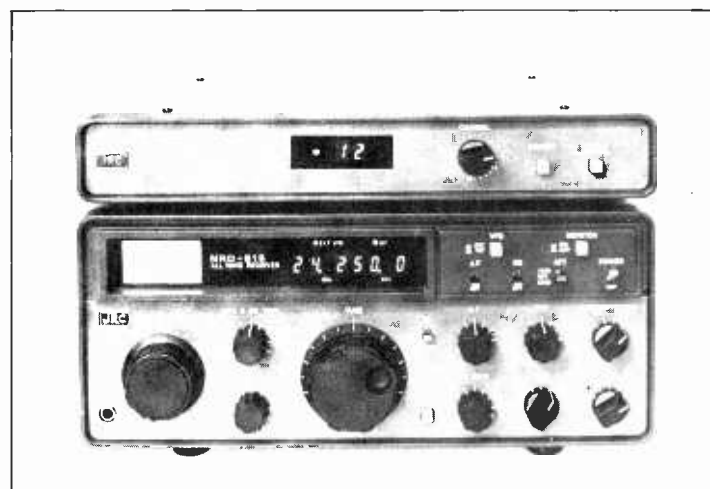
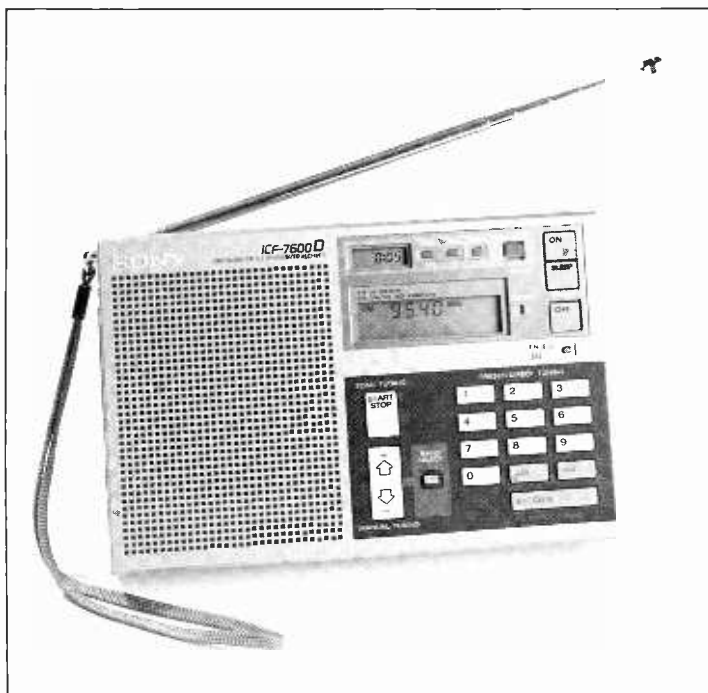
Mems: the number of memory locations available for storage and

The sets

AOR (sold also as **Regency**): Japanese v.h.f.-u.h.f. keypad-controlled scanners covering in addition the upper h.f. range. Optional converter extends coverage to 1.2GHz. Available from A.R.E. Communications, Lowe Electronics, South Midlands Communications and others.

Bearcat: range of scanners from Uniden includes the multi-mode DX-1000 for the short-wave enthusiast. Available from Radio

This compact synthesized portable by Sony gives full h.f. and v.h.f. coverage and even has a digital clock.



For the DX-er: JRC's synthesized set with traditional-style rotary controls. The memory unit is optional.

recall of receive frequency and any associated settings.

Sensitivity: figures relate, as far as possible, to a normal a.m. signal in the h.f. band giving a signal-to-noise ratio of 10dB. Many sets can be supplied with built-in r.f. amplifiers for more gain.

Power: note that a few d.c.-powered sets require a 24V supply rather than 12V.

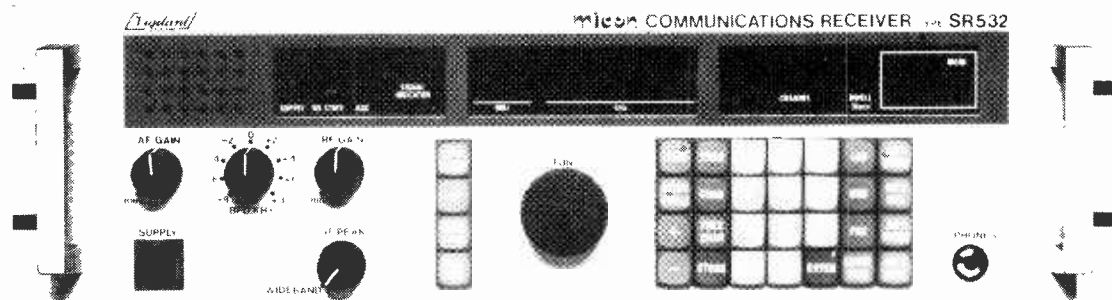
Shack, E.M.A. etc.

Drake: popular non-synthesized amateur radio work-horse, still available from Radio Shack. Accessory board provides up to eight additional crystal-controlled frequencies. Optional digital readout.

Eddystone: now part of Marconi Communications Systems. High-performance sets for monitoring,

Vigilant **micon** HF Communications Receivers MICROPROCESSOR CONTROLLED RECEIVERS

Type SR 530 USB/CW/AM/Telex – 10 Hz Steps (Marine)
Type SR 532 USB/LSB/AM/CW – 10 Hz Steps (Static/Transportable)
Type SR 531 USB/LSB/AM/CW – 100 Hz Steps (Static/Transportable)



DESIGNED AND MANUFACTURED TO HIGHEST INTERNATIONAL SPECS

Freq. Range : 50 KHz to 30 MHz
Increments : 10 Hz or 100 Hz Steps
Stability : ± 1 Part in $10^7/^\circ\text{C}$
Tuning : Keypad and Spin Wheel
Power Supplies : 110/240V AC and 24V DC
FULLY MODULAR 'PLUG IN' CONSTRUCTION

Memory : 200 Channels Freq/Mode/Filter
Scanning : Full memory or discreet parts
Automatic or Manual Stop
Manual step on or Reverse
Dwell : Variable from Keypad 1 to 9 seconds
KEYPAD FUNCTIONS INDICATED BY DISPLAYS

NOW AVAILABLE AT HIGHLY COMPETITIVE PRICES

Send for Technical Brochure to:
Vigilant Communications Ltd.

Tel: (0344) 885656
Telex: 849769 Vigcom G

Unit 5, Pontiac Works, Fernbank Road, Ascot, Berks SL5 8JH, England

CIRCLE 6 FOR FURTHER DETAILS.

TRIO, quality PMR equipment.



TK801S

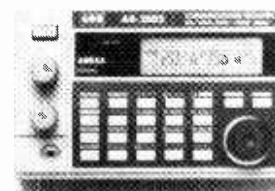
Now from TRIO, the eagerly awaited range of high quality, purpose designed, VHF and UHF mobile radio transceivers.

Built with uncompromising quality in mind, these fully synthesised transceivers use a completely diecast backbone chassis for reliability and ease of use. Up to 32 channels are held in PROM and frequency changes or additions can be carried out without delay to the customer.

The transceivers will handle all current frequency allocations including UHF community repeater channels and, plug in CTCSS modules allow 5 minute installation time with no wiring necessary.

CTCSS encoder/decoder units are available with 37 tone DIP switch programming, or PROM programming when you wish to allocate different tones on different channels. If you deal in radiotelephones, the TRIO range is designed for you. Remove your installation and service headaches by contacting the sole distributor right now for further details. You will not be disappointed.

AOR, monitoring & surveillance.



AR2002

The NEW AR2002 from AOR combines the well known performance of the AR2001 with improved operating features. Improvements are an easier to use press button key board, the addition of a signal strength meter, up/down frequency stepping by knob as well as push button, a headphones jack on the front panel and a socket for remote control on the rear panel. An additional frequency range from 800 to 1300 MHz has also been included.

• General off air monitoring • Spot frequency monitoring/measurement • Selective multi frequency analysis • Spectrum surveillance • Detection of unwanted transmissions • (Bug hunting) . . . and much more!

Frequency coverage is continuous from 25 to 550 MHz and from 800 to 1300 MHz, in selectable increments of 5, 12.5, or 25 KHz, and modes of AM, FM (wide), or FM (narrow). Any mode can be used at any frequency or channel spacing. A further facility is the ability to search between two user programmed limits with high to low or low to high searching. Twenty memory channels are provided, with easy keyboard entry and recall. Each memory channel stores frequency and mode information without any restrictions. The memories can be recalled manually, or may be automatically scanned in sequence for unattended monitoring.

AR2002 . . . monitor receiver . . . £326.09 plus vat

LOWE ELECTRONICS LIMITED

Chesterfield Road, Matlock, Derbyshire DE4 5LE
Telephone: 0629 2817, 2430, 4057, 4995 Telex: 377482

CIRCLE 86 FOR FURTHER DETAILS.

B. BAMBER ELECTRONICS

RADIO TELEPHONE EQUIPMENT

Pye Base Station Type F30 AM High Band & Low Band	£220
Pye Base Station Type F401 AM High Band	£350
Pye Base Station Type F4001 AM High Band	£550
Pye Reporter Type MF6 AM High Band & Low Band	£90
Pye Europa Type MF5FM High Band	£90
Pye Olympic Type M201 AM High Band	£65
Pye Motofone Type MF5AM High Band & Low Band	£45
Pye Westminster Type W15AM High Band & Low Band	£50
Pye M294 FM High Band	£200
Pye Base Station Type F9U UHF	£90
Pye Base Station Type F9AM High Band	£90
Pye Base Station Type F17FM High Band	£250
Pye Base Station Type F412 UHF	£200
ITT Base Station Type 30LRU43A UHF	£150
Pye Pocketfone Type PF2FM High Band & Low Band	£80
Pye Pocketfone Type PF2AM High Band & Low Band	£80
Pye Pocketfone Type PF2UB UHF	£80
Pye Pocketfone Type PF5 UHF	£40
Pye Pocketfone Type PF8 UHF	£80
Pye Pocketfone Type PF9 UHF	£80
Pye Mains Power Unit Type AC15	£25
Pye Mains Power Unit Type AC200	£120
Pye Power Amp. Type A200 High Band	£50
Pye Controllers Type PC1	£85
Pye Controllers Type M81	£195
Pye Westminster Type W30 AM High Band & Low Band	£25
Pye Westminster Type LW15 FM High Band	£40
Pye Base Station Type F30FM Mid Band	£200
Pye Europa Type MF5FM Mid Band	£60

PLEASE NOTE all sps are solid less crystals, mikes, speakers, power leads etc. unless otherwise stated.
CARRIAGE on RT equipment — Mobiles £2.00 each. Base Stations £15.00 each. Red Star available at cost.

Pye F450 UHF Base Station Receiver. Crystaled Controlled. Single Channel. Mains Operated. Ideal for Monitoring your local UHF Repeater. Supplied Complete with Circuits etc. £15 plus £5 p.p. plus VAT

LOGIC ANALYSERS

Fluke Model 3010A Programmable PCB Logic Tester	£1,500
Fluke Model 3020A Programmable PCB Logic Tester	£2,500

Tektronix Storage Oscilloscope Type 564	£250
Tektronix Oscilloscope Type 567 c/w 3S76 & 3T77 Plug-ins	£450
Tektronix Oscilloscope Type 661 c/w 453 Plug-in	£180
Tektronix Oscilloscope Type 585 c/w Type 86 Plug-in	£120
Tektronix Oscilloscope Type 454 150MHz	£675
Tektronix Oscilloscope Type 515A	£100
S.E. Labs Oscilloscope Type SM 111 Dual Trace 18 MHz	£180
Dynamco Oscilloscope Type DF100	£290
Teleguipment Oscilloscope Type 551	£75
Teleguipment Oscilloscope Type 543	£85
Tektronix Time Mark Generator Type 180A	£90
Marconi Valve Voltmeter Type TF 1041B	£40
Marconi Power Meter Type TF 893A	£50
Marconi RF Attenuator Type TF 1073A	£25
Marconi RF Power Meter Type TF 1070A	£65
Marconi Universal Bridge Type 868B	£90
Marconi Universal Bridge Type 868A	£60
Marconi Delay Generator Type TF 1415	£60
Marconi Signal Generator Type TF 8010/8S 10mHz to 485 mHz	£90
Marconi Signal Generator Type TF 144H/4 10 kHz to 72mHz	£90
Marconi AM/FM Signal Generator Type TF 995A/5 1.5 mHz to 220 mHz	£120
Marconi AM/FM Signal Generator Type TF 995B/5 200 kHz to 220 mHz	£220
Marconi Signal Generator Type TF 1064B 68 to 108, 118 to 185 & 450 to 470 mHz	£100
Marconi UHF Signal Generator Type TF 1060/2 450 mHz to 1200 mHz	£60
Marconi FM Signal Generator Type TF 1066B/1 10mHz to 470 mHz	£325
Marconi Deviation Meter Type TF 7910	£100
Rohde & Schwarz Power Signal Generator Type BN 41001 0.1 to 30 mHz	£150
Rohde & Schwarz Standard Signal Generator Type BN 41409 4 to 300 mHz AM/FM	£150
Rohde & Schwarz UHF Signal Generator Type BN 41022 300 to 1000 mHz	£150
Rohde & Schwarz Decade Signal Generator Type BN 41104 0.3 mHz to 500 mHz	£850
Rohde & Schwarz T.V. Demodulator Type BN 46453 170 mHz to 220 mHz	£150
Marconi RC Oscillator Type TF 1101 20 Hz to 200 kHz	£65
Marconi % Universal Bridge Type TF1313	£220
Hewlett Packard DC Power Unit Type 62688 0 to 40volt \pm 30 amp	£1,300
Hewlett Packard Sweep Oscillator Type 86908 with 2 to 4 GHz Plug-in. also available square plug-ins for above 1-2 GHz, 4-8 GHz & 8-12 GHz	£300 each
Hewlett Packard SHF Signal Generator Model 620A 7 to 11 GHz	£220
EEL 245 Microwave Generator 2.45 GHz 20 to 100 W output	£150

Artech UHF Filter Duplexer 3 Cavity Type Model M450-3A/14	£25
Hewlett Packard Thermal Printer Type 5150A	£65
Hewlett Packard Power Unit 5 volt \pm 48 amp Type 62005E	£30
Hewlett Packard Power Unit 5 volt \pm 60 amp Type 62605L	£85
Electronic Instruments Twenty Million Megohmmeter Model 29A	£95
Multicore Model S Solderability Test Machine Mark 2	£150
Tektronix Transistor Curve Tracer Type 575	£95
Avo Meters Model 7	£40
Avo Meters Model 8	£80
General Radio VHF Oscillator Type 1363 55-500MHz	£50
Wayne Kerr A.F. Signal Generator 10 kHz-120 Khz	£40
General Radio Audio Oscillator Type 1311A 50 Hz-10KHz	£50
Armed Oscillator Type 858 30KHz-30MHz	£65
EH Pulse Generator Model 139LB	£45
Solartron Pulse Generator Model GO 1101	£25
Armed Oscillator Type 304A 50 Khz-100MHz	£85
Armed Modulation Meter Type 409	£90
Armed Modulation Meter Type 210A	£40
Ad-Yu Precision Phase Meter Type 405H	£85
Bruel & Kjaer Microphone Amplifier Type 2604	£50
Dawe Phase Meter Type 632A	£40
Dawe Vibration Meter Type 1433A	£55
Ferroglyph Series 7 Mono Tape Recorders	£100
60 amp. Alternator & Generator Noise Filters.	£1
Tektronix Oscilloscope Probes	£10
Mullard Var-cap Tuners Type ELC2003 Ex Brand New Equip	£3.50
Pye Cambridge/Vanguard 18 Way Control Leads	£4
BNC Plugs 75 ohm	£90p
Circulators 590-720 Mhz 'N' sockets	£25
Transistors Type 2N3055 Brand New	4 for £1
Transformers 30 volt \pm 1 amp	£1
Transformers 36 volt \pm 1.5 amp	£1
10.7 Mhz SSB Xtal Filters (2.4 kHz Bandwidth) Low imp. type. Carrier and unwanted sideband rejection min -30db (needs 10 69835 & 10.70165 xtals for USB/LSB not supplied) Size approx 2in x 1in	£10

"DIGITALKER"

Speech Synthesiser Unit Based on The National Semiconductors "Digitalker" System Chip Set. The Unit is Mains Powered and Included are a 700 Hz and 200 Hz Filter, Power Amp, Loudspeaker and NASBUS/RS232C Interface Circuitry. £20 Plus £2 p.p. Plus VAT. Speech Synthesiser Cards less "Digitalker" Chips £3 Plus £1 p.p. Plus VAT

PYE POCKETFONE PF1 UHF RECEIVER

440-470 MHz, Single Channel, int. speaker and aerial. Supplied complete with rechargeable battery and service manual. £6 each plus £1 p.p. plus V.A.T.

BREAKING TEK 545A SCOPES FOR SPARES

CRT type T543 P2 £18 each. Mains Transformers T601 £15. High Voltage Transformer T801 with valves £25. Also Switches, Knobs, Fans, Capacitors and Metalwork.

RADIOSONDE RS21 METEOROLOGICAL BALLOON TRANSMITTER

with Water Activated Battery, contains all-weather sensors, fully solid state, ££ each plus £1 p.p. plus V.A.T.

P. & P. or Carriage and V.A.T. at 15% on total must be added to all orders.

Callers very welcome, strictly between 9 a.m. and 1 p.m. and 2 and 5 p.m. Monday to Friday inc.

Barclaycard and Access taken. Official orders welcome ww27



5 STATION ROAD, LITTLEPORT, CAMBS CB6 1QE
PHONE: ELY (0353) 860185



CIRCLE 82 FOR FURTHER DETAILS.

- QUARTZ CRYSTALS/FILTERS -

MP Types, close tolerance and low TC and ageing types. 2-Pole and 4-Pole Filters. Many OEM's and in Common Market have chosen us as their supplier due to our competitive prices and excellent service. We would be pleased to have an opportunity to quote for your bulk requirements.

We also supply a range of passive components incl. capacitors, fuses/thermal fuses, trimmers, heat shrink sleeving, etc.

Europa Components & Equipment Ltd. Barnet Lane · Elstree · Herts WD6 3RD
Tel:(01)953 2379 Tx 929 507 ECE

CIRCLE 77 FOR FURTHER DETAILS.

Liniplex

HF Broadcast Relay Receivers

"... less degradation from the effects of fading and interference than is possible with nearly any other receiver available."

— World Radio TV Handbook 1985

Phase Track Ltd.,
132 Queens Road,
Reading, RG1 4DG.
Tel: 0734 53933



CIRCLE 59 FOR FURTHER DETAILS.

QUARTZ CRYSTALS IN 24 HOURS ANY FREQUENCY 2-50 MHz FOR £5.50 inc (C.W.O. only)

Ultra-stable, cold weld holders only—No solder or flux—and types equivalent to HC-6/U, HC-18/U, HC-25/U and HC-33/U. State holder required. Tight tolerance, low ageing **commercial crystals** 1-100 MHz also available in 7 day emergency or 2/3 week standard delivery. S.A.E. with enquiries please.



McKnight Crystal Company Limited
Hardley Industrial Estate, Hythe, Southampton SO4 6ZY
Telephone: 0703 848961 Telex: 47506 Crystl G.

CIRCLE 68 FOR FURTHER DETAILS.

COMMUNICATIONS RECEIVERS

Maker, model	Basic price	hf range, MHz	Modes							Meas	Sens. a.m.	Display	Computr i/face	Power ac dc	Comments
			am	cw	ssb	isb	fsk	fm	other						
AOR AR-2001	295	25-550	■	■	■	■	■	■	wbfb	20	0.5µV	l.c.d.	□	■	low-cost v.h.f./u.h.f. scanner
Bearcat DX-1000	300	0.01-30	■	■	■	■	■	■		10	1µV	led	□	■	portable/table-top scanner
Drake R7A	1387	0.01-30	■	■	■	■	■	■		[8]	<1.2µV	[led]	□	■	available while stocks last
Eddystone 1650/1	2750	0.01-30	■	■	■	■	■	■	usb	99		led	□	■	MPT-approved maritime receiver;
1650/3		0.01-30	■	■	■	■	■	■		99		led	□	■	commercial, profess'l, military
1837/2		0.1-30	■	■	■	■	■	■			1.5µV	led	□	■	gen'l purpose, marine reserve
1995/1	5500	20-470	■	■	■	■	■	■	pulse	99	1.5µV	led	□	■	rebroadcast, surveillance;
1995/2	7100	20-1100	■	■	■	■	■	■	pulse	99	1.5µV	led	□	■	available at end of 1985
Grundig															
Yacht Boy 700	96	1.5-26[30]	■	■	■	■	■	■				dial/l.c.d.	■	■	portable with lw/mw/fm bands
Satellit 300	113	3.9-22	■	■	■	■	■	■		35		l.c.d.	■	■	portable with lw/mw/fm bands
Satellit 600	304	1.6-26.1	■	■	■	■	■	■		60		l.c.d.	■	■	portable with lw/mw/fm bands
Icom R70	547	0.1-30	■	■	■	■	■	■			<0.5µV	fluor	□	■	
R71A	634	0.1-30	■	■	■	■	■	■		32	<0.5µV	fluor	□	■	options include voice synthesizer
JRC NRD-515	839	0.1-30	■	■	■	■	■	■		[99]	<2µV	led	□	■	gen'l purpose; memory unit, £230
Panasonic RFB600	415	1.6-30	■	■	■	■	■	■		9	~2µV	fluor	□	■	portable with lw/mw/fm
RFB3100	212	1.6-30	■	■	■	■	■	■				fluor	□	■	portable with lw/mw/fm
Phase Track															
Liniplex F1	525	2-26.5	■	■	■	■	■	■		9	1.5µV	none	■	■	portable model; see text
Liniplex F1-2	1222	2-26.5	■	■	■	■	■	■		18	1.5µV	none	■	■	dual version; rebroadcast uses
Plessey 2282		0.01-30	■	■	■	■	■	■		100	3µV	led	[GPIB]	■	high-performance modular system
Racal RA1792		0.1-30	■	■	■	■	■	■		100	3µV	l.c.d.	[GPIB]	■	high performance, transportable
RA1794		2-512	■	■	■	■	■	■		100	1µV	led	□	■	military transportable
RA1795		20-512[1000]	■	■	■	■	■	■		100	~1.3µV	led	[GPIB]	■	military/surveillance uses
RA1796		2-1000	■	■	■	■	■	■		100	1µV	led	□	■	electronic warfare, transportable
Regency MX7000	347	25-550	■	■	■	■	■	■	wbfb	20	1.5µV	l.c.d.	□	■	opt. converter for 800-1300MHz
Rohde & Schwarz															
ESM 500A		20-1000	■	■	■	■	■	■		99		led	GPIB	■	panoramic monitoring option
EK 070		0.01-30	■	■	■	■	■	■		30		led	GPIB	■	panoramic option
Sony ICF-7600D	156	0.153-30	■	■	■	■	■	■		10		l.c.d.	□	■	compact portable; unusually wide
(in US, ICF 2002)														■	f.m. broadcast range, 76-108MHz
ICF-2001D	287	0.15-30	■	■	■	■	■	■		32		l.c.d.	□	■	synchronous detector on a.m.; air
(in US, ICF-2010)														■	band; 76-108 f.m.; 4-event timer
Trio R-600	260	0.15-30	■	■	■	■	■	■			<5µV	led	□	■	basic table model
R-2000	417	0.15-30	■	■	■	■	■	■		10	<4µV	fluor	□	■	full-feature model; optional con-
Uniden CR-2021	165	0.15-30	■	■	■	■	■	■		6		l.c.d.	□	■	verter (£111) for 118-174MHz
Vigilant SR502		0.05-30	■	■	■	■	■	■		6	1µV	decade switches	■	■	portable; f.m. band 76-108MHz has
Micon SR530		0.05-30	■	■	■	■	■	■		200	1.5µV	led	□	■	six more memories.
Micon SR532		0.05-30	■	■	■	■	■	■		200	1.5µV	led	□	■	low cost, high performance
SR721		0.05-30	■	■	■	■	■	■		200	1µV	decade switches	□	■	MPT-approved marine receiver
Yaesu FRG8800	486	0.15-30	■	■	■	■	■	■	[wbfb]	12	4µV	l.c.d.	□	■	similar model for static use
FRG9600	413	60-905	■	■	■	■	■	■	wbfb, acssb	100	1µV	fluor	□	■	remote-controlled receiver;
														■	three other models
														■	gen'l purpose; optional converter
														■	(£78) for 118-174MHz
														■	mobile receiver; optional NTSC
														■	video i.f. unit

rebroadcast, maritime, commercial and military use. Options include panoramic frequency display, remote control etc.

Grundig: large range of portables includes three models for the enthusiast. Yacht Boy is not synthesized but has a digital frequency display.

Icom: Japanese receivers for the enthusiast. Options for the R71A include infra-red remote control, additional filters, voice-synthesizer for frequency indication. From Thanet Electronics, A.R.E. etc.

Japan Radio Co. (JRC): table-top synthesized receiver for the keen s.w.l. Options: memory unit storing 96 channels in groups of 24, c.w. filters for improved reception of morse code. From Lowe, SMC and others.

Panasonic: audio range includes two multi-band synthesized portables for the enthusiast.

Phase Track: unusual, easy-to-use portable receiver for the traveller. Crystal-controlled for optimum front-end performance.

Frequencies supplied are selected to give round-the-clock reception of the BBC World Service; alternatives can be provided on request. Special tracking phase-locked demodulator gives exceptional audio quality on s.s.b., d.s.b. and a.m. Dual rack-mounted version for broad-

cast relay applications allows pre-fade monitoring without interruption of the programme being relayed. M.f. versions available.

Plessey: high-performance receiver family for monitoring, surveillance, rebroadcasting,

direction-finding and coastal radio services. Modular construction for easy upgrading. Options include diversity operation.

Racal: complex, high-performance receivers for civil and mili-

Sacrificing coverage to gain audio quality: the unique Liniplex portable h.f. receiver from Phase Track.





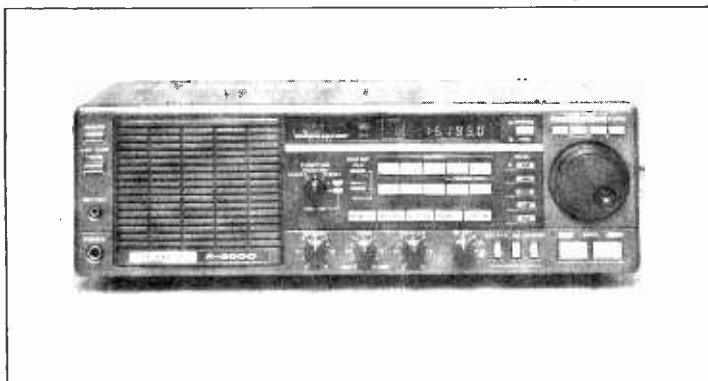
tary uses. Options include panoramic frequency display, remote control.

Rohde & Schwarz: comprehensive range of monitoring, direction-finding and analysing receivers, of which two examples are listed here. The company has published an attractive illustrated booklet describing the design and use of test receivers: it is available to professional readers under the title Special 1, Signal strength and interference measurements.

Sony: range of multi-band portables includes an exceptionally compact synthesized model.

Trio: (sold overseas as Kenwood): two Japanese-made receivers for the keen amateur. Accessories for the R-2000 include a v.h.f. converter and c.w. filter.

This all-mode set from Trio covers 150kHz to 30MHz in 30 bands. A v.h.f. converter can be fitted internally.



Uniden: portable set resembles the earlier Sony ICF-2001.

Vigilant: high-performance, general-purpose sets. Options include remote control, RS232/RS423 control, dual-diversity operation.

Yaesu: Japanese-made sets for the keen amateur. Interfaces available for Apple II and NEC PC-8001 computers or for any computer with an RS-232C-compatible serial port. Options for the FRG8800 include an active antenna. Available from several amateur radio dealers, including Amateur Electronics, A.R.E. Communications and South Midlands Communications.

Addresses

Amateur Electronics, 510 Alum

For servicing, receivers from Plessey's PRS2280 family can be stripped of all their modules leaving only the case.

Rock Road, Birmingham B8 3HX.

A.R.E. Communications Ltd, 38 Bridge Street, Earlestown, Newton-le-Willows, Merseyside WA12 9BA.

Comutech (Devon) Ltd, 12 Edgecumbe Way, St. Anne's Chapel, Gunnislake, Cornwall PL18 9HJ.

Eddystone Radio Ltd, Alvechurch Road, Birmingham B31 3PP.

E.M.A. Telecommunications Engineers, Orford, Woodbridge, Suffolk IP12 2LX.

Grundig International Ltd, Mill Road, Rugby, Warwickshire CV21 1PR.

Low Electronics, Chesterfield Road, Matlock, Derbyshire DE4 5LE.

Panasonic U.K. Ltd., 300 Bath Road, Slough, Berkshire SL1 6JB.

Phase Track Ltd, 127 Queens Road, Reading, Berkshire RG1 4DG.

Plessey Radio Systems, Martin Road, West Leigh, Havant, Hampshire P09 5DH.

Racal Communications Ltd, Bracknell, Berkshire, RG12 1RG.

Radio Shack Ltd, 188 Broadhurst Gardens, London NW6 8AY.

Rohde & Schwarz UK Ltd., Roebuck Road, Chessington, Surrey

KT9 1LP.

Sony (U.K.) Ltd, South Street, Staines, Middlesex TW18 4PF.

South Midlands Communications Ltd. (SMC), Rumbridge Street, Totton, Southampton SO4 4DP.

Thanet Electronics, 143 Reculver Road, Herne Bay, Kent.

Uniden (UK) Ltd., Uniden House, Parnell Court, East Portway Industrial Estate, Andover, Hampshire SP10 3LX.

Vigilant Communications Ltd, Unit 5, Pontiac Works, Fernbank Road, Ascot, Berkshire SL5 8JH.

Further information

World Radio TV Handbook, 39th edition by J.M. Frost. Billboard A.G., soft covers, 600 pages. Available in Britain through Pitman Publications, £17.95.

Wireless World Guide to Broadcasting Stations, Newnes Technical Books, 1983, £7.50.

The Radio Society of Great Britain, Lambda House, Cranbourne Road, Potters Bar, Hertfordshire EN6 3JW.

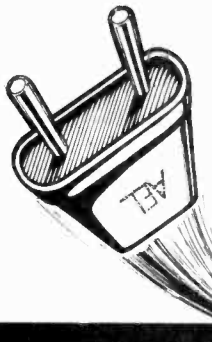
European DX Council, P.O. Box 4, St. Ives, Huntingdon PE17 4FE.

International Short Wave League, 88 The Barley Lea, Coventry CY3 1DY.

AEL

AT

SPEED



TO BE CRYSTAL CLEAR

AEL CRYSTALS LTD

GATWICK HOUSE · HORLEY · SURREY · RH6 9SU
TEL: 0293 785353 TELEX: 87116 AERO G

CAA approved

CIRCLE 61 FOR FURTHER DETAILS.

SOUTH MIDLANDS COMMUNICATIONS



COVER THE SPECTRUM. . .



FRG 9600 £449
60-905MHz Continuous
NBFM, WBFM, AM(W+N) & SSB*
100 Memory Channels
7(W) x 3(H) x 8 1/2(D) ins
* SSB up to 460MHz

Both Yaesu Receivers feature keyboard frequency entry and spin tune VFO as standard and optional computer control.



FRG 8800 £475
0.15-30MHz (118-174MHz)*
AM/W, AM/N, SSB, CW/W, CW/N
NBFM Standard (WBFM Option)
12 Memory Channels
* Optional Unit.

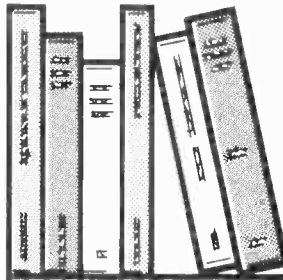
COVER THE WORLD. . .

NRD 515 £998 MS 8400A £219 SX 7000 £399



SEND LARGE SAE FOR DETAILS
SM HOUSE, RUMBRIDGE ST, TOTTEN
SOUTHAMPTON SO4 4DP, ENGLAND. TEL: (0703) 867333

CIRCLE 87 FOR FURTHER DETAILS.



RSGB BOOKS

HOW TO PASS THE RAE by George Benbow G3HB.

Perhaps the easiest and cheapest way of getting through that all-important radio amateurs' examination!

The scope of this recent RSGB book is best described by a list of chapters: What is a multiple-choice examination? Tackling the multiple-choice RAE; Mathematics for the RAE; Preparing for the RAE; Sample multiple-choice examination papers with answers (there are nine of these).

It is a guide for the would-be RAE student, who may not have tackled examinations of this sort before.

Price only £3.62.

RADIO AMATEURS' EXAMINATION MANUAL

This book has established itself over the years as the standard textbook for the RAE. It is now in its 10th edition. Price: £4.07

Other RSGB publications:

- NEW! World Prefix Map.
- NEW! Amateur Radio Operating Manual
3rd edition £6.51
- NEW! Radio Data Reference Book
5th edition..... £8.45
- NEW! Locator Map of Western Europe
(new grid layout)..... £3.24
- 1985 World Radio TV Handbook.... £20.98
- VHF/UHF Manual..... £11.20
- A Guide to Amateur Radio..... £5.69
- Morse Code for Radio Amateurs £1.74
- Test Equipment for the Radio
Amateur £6.79

Worthwhile discounts on book prices for RSGB members.

The RSGB is the national society representing all UK radio amateurs. Membership is open to all interested in the hobby, including listeners. The Society publishes a range of books, log books and maps for the radio amateur. A large selection of other radio and electronics books is also stocked, and a full list is available on request. Contact the membership services section for more information about amateur radio, the RSGB and its publications. All publications sold by the RSGB are available at discounted prices to members.



RSGB Publications

Cranborne Road, Potters Bar,
Hertfordshire EN6 3JW

CIRCLE 60 FOR FURTHER DETAILS.

HAMEG

MORE THAN JUST ONE STEP UP

HM208 £1300.

Dual Trace, Digital Storage 2mV – 20V/cm
20 MHz Bandwidth Algebraic Add, Invert
X – Y, 4 × 1k Stores, 20 MHz Clock,
Roll, Refresh, Pre-trigger

HM605 £515.

Dual Trace 1mV – 20 V/cm
60 MHz Bandwidth Algebraic Add, Invert
X – Y; Single Shot Delay Sweep,
Var Hold-off Component Tester, 14kV CRT

HM204–2 £365.

Dual Trace 1mV – 20 V/cm
20 MHz Bandwidth Algebraic Add, Invert
X – Y; Single Shot Delay Sweep,
Var Hold-off Component Tester

HM203–5 £270.

Dual Trace 2mV – 20 V/cm
20 MHz Bandwidth Algebraic Add, Invert
X – Y Component Tester

2 Year Warranty

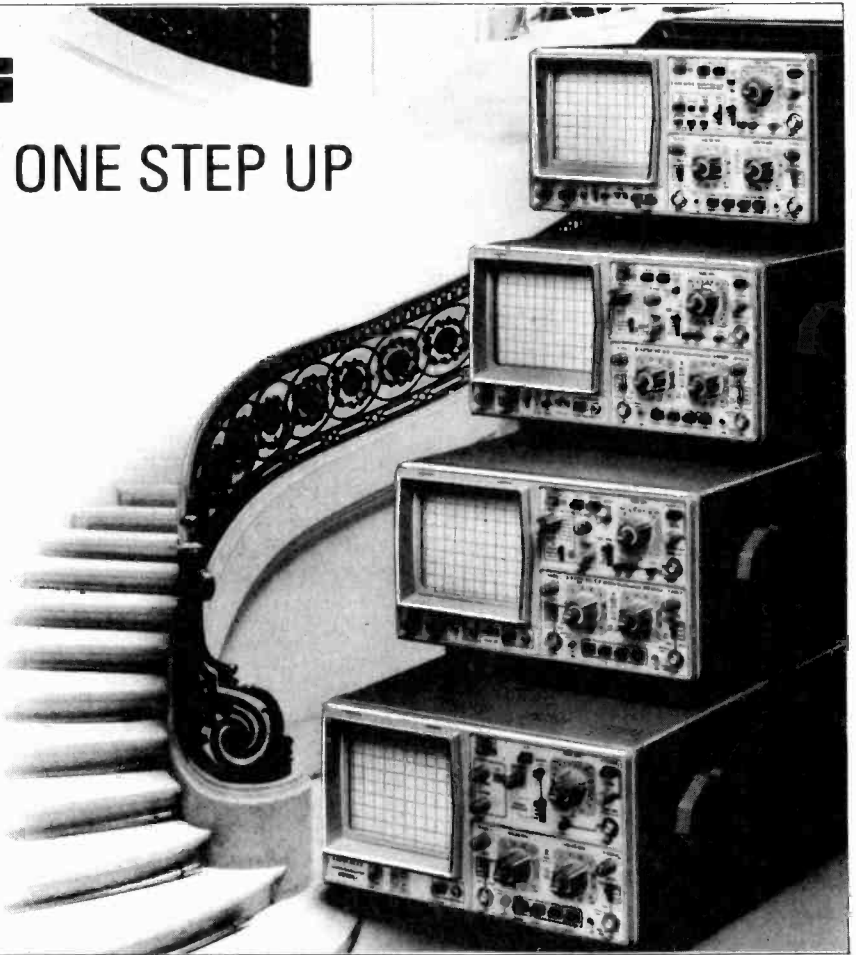
Prices U.K. list ex. VAT

HAMEG

FOR THOSE WHO COMPARE

74–78 Collingdon St. Luton, Beds, LU1 1RX

Tel: (0582) 413174 Telex 825484



CIRCLE 10 FOR FURTHER DETAILS.

EXTRACTOR FANS – MAINS OPERATED

Woods extractor.

5" – £5.75, Post £1.25.

6" – £6.95, Post £1.25.

5" Plannair extractor

£6.50, Post £1.25.

4" × 4" Muffin 115v.

£4.50 230v.

£5.75, Post 75p.

All the above ex-computer,

those below are unused.

4" × 4" £8.50, Post 75p.

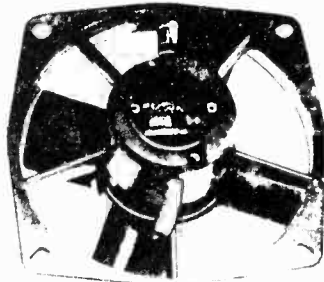
9" American made £11.50, Post

£2.00.

Tangential Blower 10 × 3 air

outlet, dual speed £4.60.

Post £1.50.



MICRO SWITCHES V3 type all 250V 10 amp SpST 15p

1000 – £100 Spdt 20p 1000 – £150, very low torque Spdt

30p 1000 for £200

ROCKER SWITCHES Standard size fit 11.5 × 28 mm cut out.

Single pole on/off – 10p each 1000 for £75. Single pole changeover 20p

each – 1000 for £100. Single pole changeover with centre off – 25p each –

1000 for £125. Single pole on/off with neon – 36p – 1000 for £180.



MINIATURE WAFER SWITCHES

2 pole, 2 way – 4 pole, 2 way – 3 pole, 3 way –

4 pole, 3 way – 2 pole, 4 way – 3 pole, 4 way –

2 pole, 6 way – 1 pole, 12 way.

All at 25p each or 100 for £20.

12 volt MOTOR BY SMITHS

Made for use in cars, etc. these are very powerful and easily reversible. Size 3 1/2" long by 3" dia. They have a good length of 1/2" spindle –

Price £3.45 or 100 for £250.



■ N.B. ELECTRONIC SUPPLIES ■

34 America Lane, Haywards Heath, Sussex RH16 3QU

Phone 0444 454563 for Access or B.C.

Please add £1 if order under £20.

CIRCLE 81 FOR FURTHER DETAILS.

LOW COST UNIVERSAL PROGRAMMER EPROMS EEPROMS MICROS

- Completely self contained unit
- No personality modules required.
- Controlled via RS232 serial interface.
- Supports intel, Motorola and Ascii hex data formats.
- Easily controlled by most computers.
- Fast and standard programming modes.
- Low and high byte programming for 16 bit data.
- Byte, block and chip erase for Eeproms.

- Eproms:
2508/16/32/64
2758
2716/32/32A/64/64A/128/
128A/256/512/513
27C16/32/64/128/256/512
68732/64/66

- Eeproms:
2816A/64A 52B13/23/33 48Z02

- Micros:
8748/48H/49/49H

Price uncased £295 plus VAT.

Micro Concepts

Tel: 0242 510525

8 Skillicorne Mews · Queens Road · Cheltenham · Glos · GL50 2NJ

CIRCLE 27 FOR FURTHER DETAILS.

ELECTRONICS C.A.D. "ANALYSER I & II"

PERFORMANCE ANALYSIS of LINEAR CIRCUITS using the BBC MODEL B AND SINCLAIR SPECTRUM 48K MICRO'S.

Simulates Resistors, Capacitors, Inductors, Transformers, Bipolar and Field effect Transistors, and Operational Amplifiers in any circuit configuration.

Performs FREQUENCY RESPONSE ANALYSIS on Circuits with up to 30 Nodes and 100 Components, for Phase and Gain/Loss, Input Impedance and Output Impedance

Ideal for the analysis of ACTIVE and PASSIVE FILTERS, AUDIO, WIDEBAND and R.F. AMPLIFIERS, LINEAR INTEGRATED CIRCUITS etc., etc.

"ANALYSER" can greatly reduce or even eliminate the need to breadboard new designs.

USED BY INDUSTRIAL AND UNIVERSITY R&D DEPARTMENTS WORLD WIDE.

VERY EASY TO USE. PRICES FROM £20 ACCESS OR AMERICAN EXPRESS

WELCOME...

For further details write or phone NUMBER ONE SYSTEMS LIMITED

DEPARTMENT WW
9A CROWN STREET, ST IVES
HUNTINGDON
CAMBS, U.K. PE17 4EB
TEL: 0480 61778 TELEX: 32339

CIRCLE 35 FOR FURTHER DETAILS.

ELECTRONICS & WIRELESS WORLD SEPTEMBER 1985

DEWSBURY



ELECTRONICS

**NEW FROM
DEWSBURY ELECTRONICS**



Following on from the success of the POCOMTOR AFR-2000, Dewsbury Electronics is proud to announce the introduction of the AFR-8000, featuring fully automatic (or manual) decoding of, CW, RTTY (BAUDOT) and TOR (Sitor, Spector, Amtor etc.) the received text is displayed on the built in LCD display, composite video output is available as an option. Both serial and centronics compatible printer interfaces are fitted as standard. Full details on request from Dewsbury Electronics.

STOP PRESS:- CW Option available for AFR-2000.

Visit our newly opened larger showroom same address same people.

Dewsbury Electronics offer a full range of Trio Equipment always in stock
We are also stockists of DAIWA-WELTZ-DAVTREND-TASCO TELEREADERS-MICROWAVE MODULES
ICS AMTOR-AEA PRODUCTS-DRAE-BNOS



Dewsbury Electronics, 176 Lower High Street, Stourbridge, West Midlands.
Telephone: Stourbridge (0384) 390063 / 371228. Open Monday thru Saturday.
Instant H.P. subject to status, Access, Barclaycard and real money.



CIRCLE 70 FOR FURTHER DETAILS.

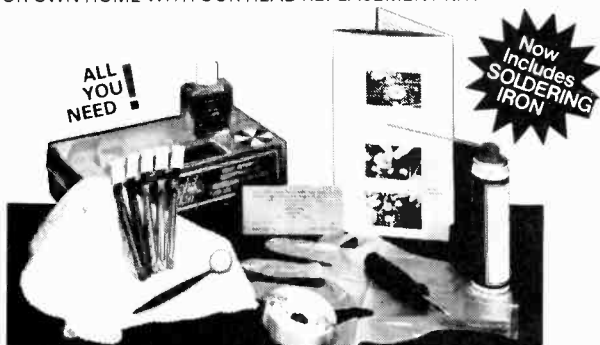
LOOK AHEAD!

WITH MONOLITH MAGNETIC TAPE HEADS
VIDEO HEAD REPLACEMENT KIT

DOES YOUR VCR GIVE WASHED OUT NOISY PICTURES - IT'S PROBABLY IN NEED OF A NEW HEAD - FAST FROM OUR EX-STOCK DELIVERIES.

SAVE £££s ON REPAIR CHARGES.

OUR UNIVERSAL REPLACEMENT VIDEO HEADS FIT ALL MODELS OF VHS OR BETAMAX VCRs. FOLLOWING OUR REPLACEMENT GUIDE AND WITH A PRACTICAL ABILITY, YOU CAN DO THE WHOLE JOB IN YOUR OWN HOME WITH OUR HEAD REPLACEMENT KIT.



ALL YOU NEED!

Now Includes SOLDERING IRON

KIT CONTAINS - NEW VIDEO HEAD, 5 CLEANING TOOLS, HEAD CLEANING FLUID, CAN OF AIR BLAST, INSPECTION MIRROR, ANTI-STATIC CLOTH, VHS/BETAMAX MAINTENANCE MANUAL, CROSS HEAD SCREWDRIVER, HANDLING GLOVES, MOTOR SPEED DISC, SERVICE LABEL, HEAD REPLACEMENT GUIDE.

VHS KITS £63.25, BETAMAX KIT £75.25. Prices include P&P and VAT

HOW TO ORDER: PLEASE STATE CLEARLY THE MAKE AND MODEL OF YOUR RECORDER. THERE ARE TWO VERSIONS OF THE VHS HEAD AND YOUR ORDER CAN BE PROCESSED FASTER IF YOU CHECK THE SIZE OF THE CENTRE HOLE OF THE HEAD WHICH WILL BE EITHER 5mm OR 15mm DIAMETER.

CATALOGUE: For our full Catalogue of Replacement Video and Audio Cassette/Reel to Reel Heads, Motors, Mechanisms, etc. Please forward 50p P&P.

THE MONOLITH ELECTRONICS CO. LTD.
5-7 Church Street, Crewkerne, Somerset TA18 7HR, England
Telephone: Crewkerne (0460) 74321
Telex: 46306 MONLTH G



CIRCLE 58 FOR FURTHER DETAILS.

ELECTRONICS & WIRELESS WORLD SEPTEMBER 1985

11 Ghz SATELLITE TV RECEPTION.

THE FOLLOWING TV TRANSPONDERS ARE AVAILABLE NOW FROM ECS/INTELSAT:-

Premiere (UK film channel). Screen Sport (UK Sports channel). Mirrorvision (UK film channel). Childrens Channel (UK). RAI (Italy). Teleclub (Switzerland). Olympus (Pan European TV). Film Net (Belgium, mainly American films). WPN (World Public News). SAT (Germany). TV5 (France). Worldnet (U.S. info). New World Channel (Norway - religious, multi language). SKY. Music Box (Stereo pop video channel). Norway (C-Mac system). Additional channels late 85 - Cable News Network. Life Style channel, plus all TV transponders on ECS 3 due for August launch.

A typical system consists of our 1.6m dish in either fixed, AZ/EL or Polar mount. Scalar horn & feed in Aluminium, brass or phosphor bronze. Low noise block downconverter (2.2 - 3.0 dB noise figures) converting the 10.9 - 11.7Ghz signal to 950 - 1750Mhz IF feed to the indoor unit. Demodulator, gives audio & video output to feed a colour monitor or a VCR.

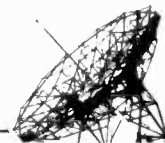
Package price for a complete system from £1550 plus VAT & carr.

Private TVRO installations are now licenced by the Home Office. (Fee £10 indefinite).

TRADE ENQUIRIES WELCOME

The Company has supplied systems to:- Foreign Embassies, British Government, Overseas Hotels, Universities, Research Organisations, TV retail Trade and the Public.

**TO DISCUSS YOUR REQUIREMENT,
CONTACT:- D.J. STANDEN.**



North East Satellite Systems

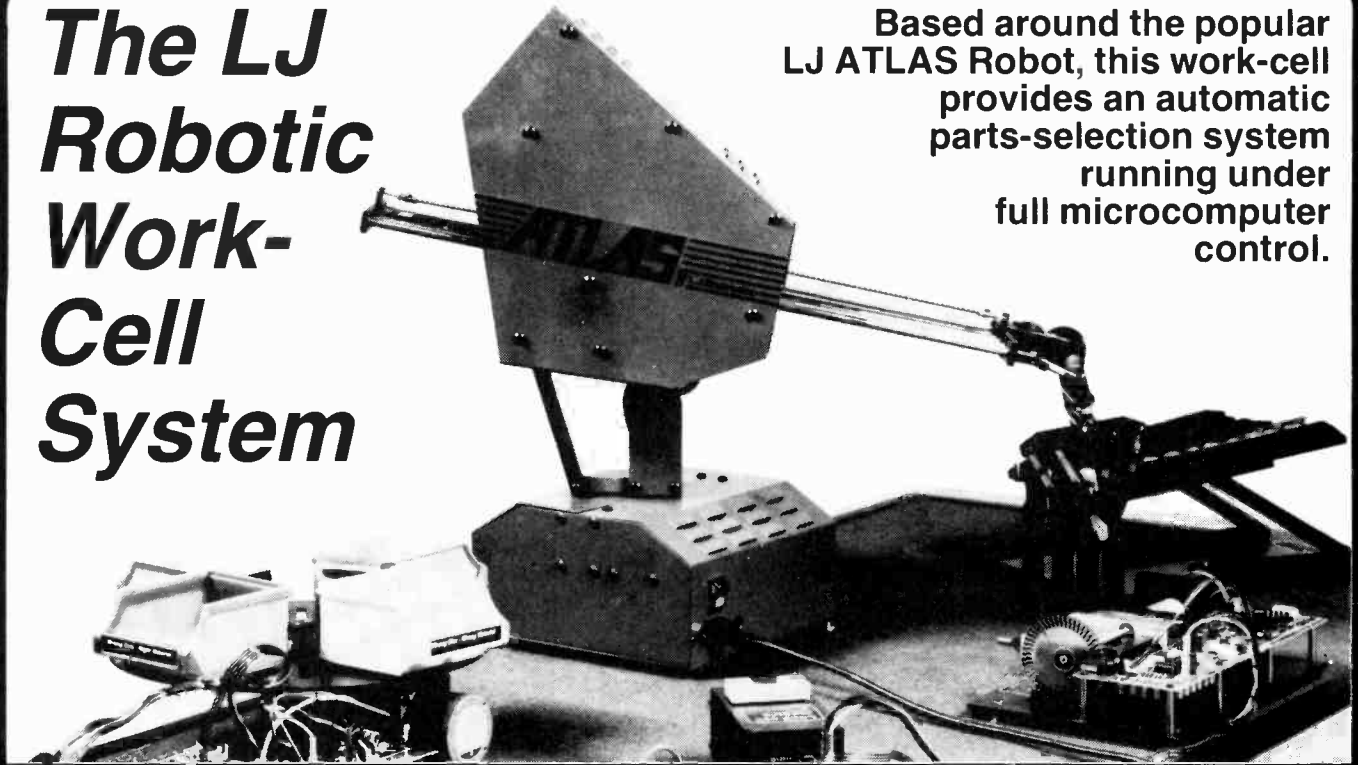
Manufacturers of Microwave Dishes, Feed Horns and Specialised Electronics
Suppliers of Satellite Systems and Closed Circuit T.V. Equipment

**CROPTON, PICKERING, NORTH YORKSHIRE YO18 8HL
TEL: LASTINGHAM (07515) 598
VAT No. 347 557132**

CIRCLE 16 FOR FURTHER DETAILS.

The LJ Robotic Work- Cell System

Based around the popular LJ ATLAS Robot, this work-cell provides an automatic parts-selection system running under full microcomputer control.



LJ Electronics Ltd
Technical Teaching Systems
for Microelectronics,
Microprocessors
and Robotics

Francis Way
Bowthorpe Industrial Estate
Norwich, NR5 9JA, England
Tel:(0603) 748001. Telex: 975504

CIRCLE 20 FOR FURTHER DETAILS.

CRICKLEWOOD ELECTRONICS LTD



It's no secret...

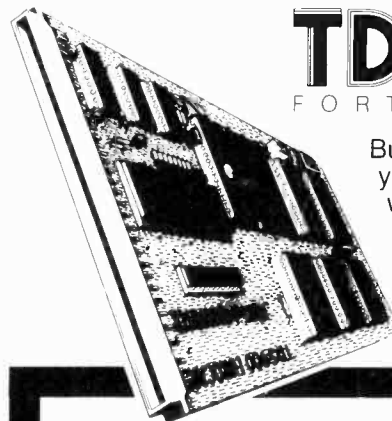
that there is a *real difference* at *Cricklewood Electronics*. That's why you should never be without the *FREE CRICKLEWOOD ELECTRONICS COMPONENTS CATALOGUE*, for sheer variety, *competitive prices* and *service* from the U.K.'s number one 100% component shop. No gimmicks, no gadgets or computers, just components, millions of them, all easily available by mail order, calling or credit card telephone orders. (Just pick up the phone for a pen!) to get your *FREE* copy now (no SAE required). You have nothing to lose.

CRICKLEWOOD ELECTRONICS LIMITED
40 Cricklewood Broadway, London NW2 3ET

Tel: 01-450 0995/01-452 0161
Telex: 91 4977



CIRCLE 38 FOR FURTHER DETAILS.



TDS900 FORTH COMPUTER

Build the TDS 900 into your products, program it with a VDU and your forecasts become fact.

NOW FROM
£99

- ☆ Single board computer. 12k RAM and 8k ROM (expandable).
- ☆ All C-MOS for lower power. FORTH language. Compiled and fast. On-board screen-editor, compiler and debug facilities.
- ☆ Easy connection with serial and parallel channels, A/D, D/A converters, triacs, printers, keyboards and displays.



Triangle Digital Services Limited
100a Wood St., Walthamstow, London E17, England
Telephone: 01 520 0442 Telex: 262284 (Ref: 775)

Agents in USA, France, Switzerland, Netherlands, S Africa, Australia

CIRCLE 21 FOR FURTHER DETAILS.

The Oscilloscope you've been waiting for



The Gould 1425 – the low-cost compact Digital Storage Oscilloscope that's really *big* on performance.

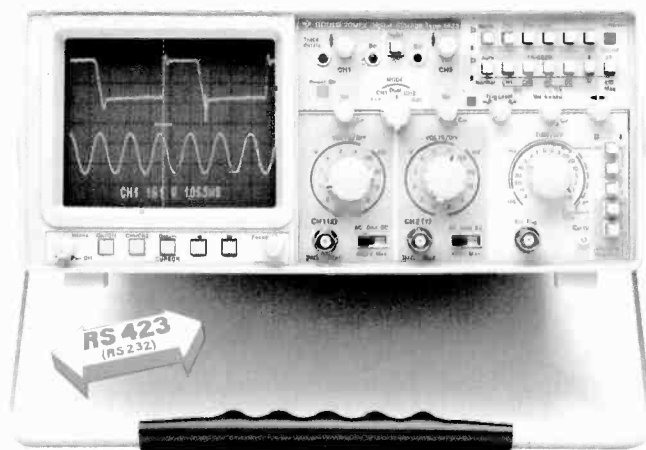
With built-in computer power:

Fast, accurate measurements, made automatically with simple push-button control and on screen alphanumeric. This already versatile instrument is further enhanced by the remote 'waveform processor' which will store additional waveforms, recall them to the screen and compare them with live signals. It can reposition and rescale traces. Stored waveform data can be manipulated mathematically for easy baseline compensation and display of power characteristics from current and voltage waveforms.

System noise can be reduced by a post-storage filtering facility and averaging of up to 256 signals.

Interface direct to external computer:

Send waveform data direct to your computer for mass storage, or user-defined processing, or read data direct from the computer to set up comparison tests on the 1425 display. Send control settings from computer to oscilloscope for semi-automatic test routines and show user-defined messages on the 'scope's display.



CHECK POINTS

- ★ Realtime and storage bandwidths up to 20MHz on both channels.
- ★ Automatic measurements.
- ★ Waveform processing.
- ★ Personal computer interface.
- ★ Digital plotter interface.

Simply more oscilloscope for your money from Gould Electronics Ltd., Roebuck Road, Hainault, Ilford, Essex IG6 3UE. Telephone: 01-500 1000. Telex: 263785.



11146

CIRCLE 74 FOR FURTHER DETAILS.

GOULD
Electronics

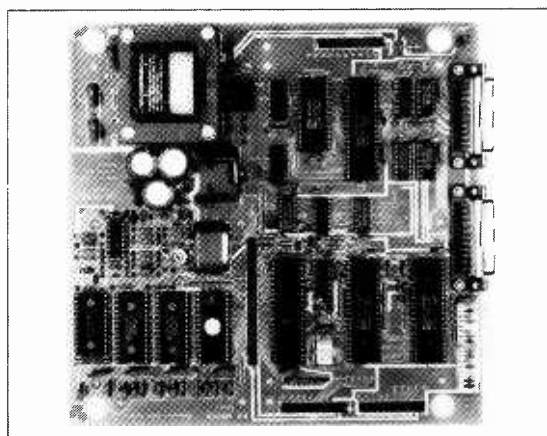
The Archer Z80 SBC

The **SDS ARCHER** — The Z80 based single board computer chosen by professionals and OEM users.

- ★ High quality double sided plated through PCB
- ★ 4 Byte-wide memory sockets — upto 64k
- ★ Power-fail and watchdog timer circuits
- ★ 2 Serial ports with full flow control
- ★ 4 Parallel ports with handshaking
- ★ Bus expansion connector
- ★ CMOS battery back-up
- ★ Counter-timer chip
- ★ 4 MHz. Z80A

OPTIONS:

- ★ SDS BASIC with ROMable autostarting user code
- ★ The powerful 8k byte SDS DEBUG MONITOR
- ★ On board 120 / 240 volt MAINS POWER SUPPLY
- ★ Attractive INSTRUMENT CASE — see photo.
- ★ 64k / 128k byte DYNAMIC RAM card
- ★ 4 socket RAM — ROM EXPANSION card
- ★ DISC INTERFACE card



Sherwood Data Systems Ltd

Sherwood House, The Avenue, Farnham Common, Slough SL2 3JX. Tel. 02814-5067

CIRCLE 37 FOR FURTHER DETAILS.

FREQUENCY COUNTERS

HIGH PERFORMANCE
HIGH RELIABILITY
LOW COST

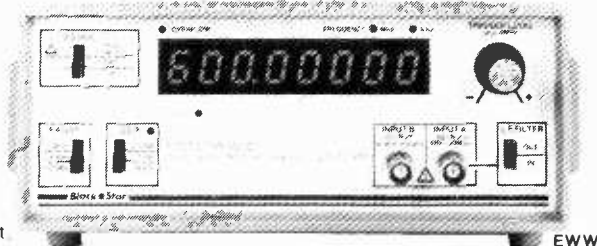
The brand new Meteor series of 8-digit Frequency Counters offer the lowest cost professional performance available anywhere.

- | | |
|------------------------------------|------------------------------------|
| ★ Measuring typically 2Hz – 1.2GHz | ★ Low Pass Filter |
| ★ Sensitivity <50mV at 1GHz | ★ Battery or Mains |
| ★ Setability 0.5ppm | ★ Factory Calibrated |
| ★ High Accuracy | ★ 1 Year Guarantee |
| ★ 3 Gate Times | ★ 0.5" easy to read L.E.D. Display |

PRICES (Inc. adaptor/charger, P & P and VAT)

METEOR 100	(100MHz)	£117.30
METEOR 600	(600MHz)	£148.35
METEOR 1000	(1GHz)	£204.70

NOW AVAILABLE WITH
T.C.X.O. OPTION
Illustrated colour brochure
with technical specification
and prices available on request



Designed and
manufactured
in Britain

Black★Star

BLACK STAR LTD, Dept. WW, 4 Stephenson Road, St Ives,
Huntingdon, Cambs PE17 4WJ, England.
Tel: (0480) 62440 Telex: 32339

CIRCLE 25 FOR FURTHER DETAILS.

RF POWER

U.S. supplier of RF POWER DEVICES.
Prices LOWER than current domestic prices.
Query us for immediate needs.

A quality source for a complete range of RF POWER devices — From 2-30MHz, SSB 12.5V 7 28V transistors — 14-30 MHz CB/AMATEUR 27-50 MHz, low band FM — 66 — 88MHz, mid band FM — 66 — 88MHz, mid band FM — 156 — 162MHz VHF MARINE RADIO FM — 130 — 175MHz HI-BAND VHF FM — 108-152MHz VHF AIRCRAFT AM — 225 40MHz UHF 28V — 407 — 512 UHF CATV/MATV CLASS A linear transistors — A SMALL indication of types are listed below. SEND FOR OUR FREE BROCHURE AND/OR CONTACT FOR IMMEDIATE QUOTES.

MRF450 MRF453 MRF646 BLY88A BLY90 BLY93A
.2N3553 .2N4933 .2N5109 .2N3375 .2N5016 .2N5589
.2N4128 .2N5070 .2N5591 .2N6080 .2N4427 .2N5090
.2N5634 .2N6083 .2N4431 .2N5102 .2N5918 .2N6084

TIC Semiconductor Inc.

18 WEST 21st STREET NEW YORK, N.Y. 10010 U.S.A.
TEL: (212) - 675 6722 TELEX: 284564 TICS UR

CIRCLE 12 FOR FURTHER DETAILS.

MEDICAL MAGNETICS LTD

19 Norwood Drive, Chester, Cheshire.
0244-678244.

MAGNETOMETER Transducer + p.c.b.
£65 + £1 p.p.

Applications — Low field surveys
(Sensitivity — Educational
15nT/mV) — Multi-axis

FLUXGATE COMPASS (2 axis + electronics) —
P.O.A.

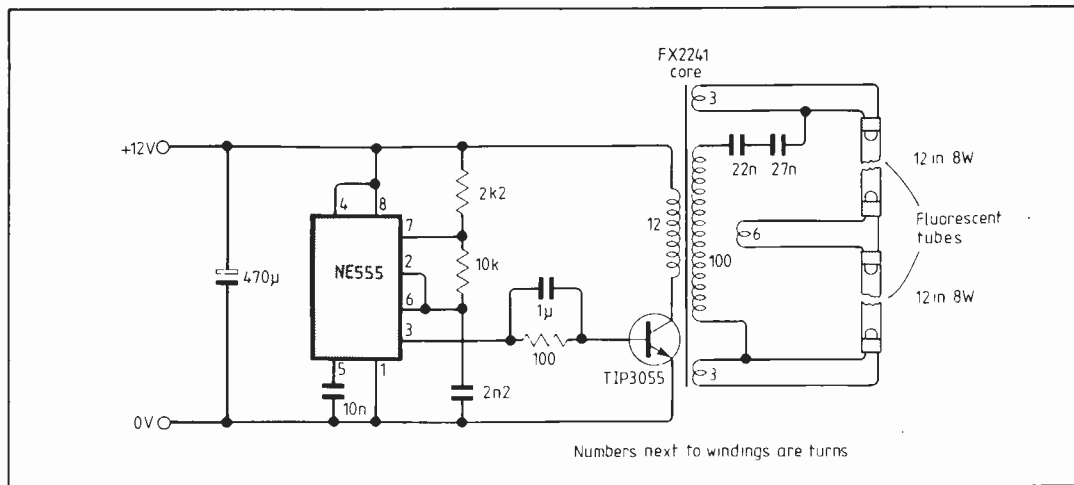
INCLINOMETER Full scale ± 60°
Accuracy 1 degree.
£125 + £1 P.P.

CIRCLE 15 FOR FURTHER DETAILS.

Fluorescent lamp inverter for 12V supply

Rather than using the usual power oscillator, my fluorescent lamp inverter has a 2N3055 power transistor driven by a 555 timer acting as an oscillator with a 1:1 mark/space ratio. This makes the circuit simple, efficient and easy to adapt for different tubes up to 20W. As shown, the inverter drives two 8W, 300mm tubes.

The transformer is wound on an FX2241 pot core with the 12-turn primary next to the core. Next is the main 100-turn secondary winding in three or four neatly-wound layers, followed by three cathode heating coils, two of three turns and one of six. A small paper



'air' gap should be formed between the core segments and adjusted to give maximum lamp brightness. Larger cores such as the FX2242 should work equally well.

To run other sized lamps,

just alter the number of secondary turns and the size of the ballast capacitor, while keeping an eye on current consumption, light output and ease of starting. As shown the circuit takes about 1.6A. A

Thorn-EMI 16W 2D lamp could also be used with its starter and capacitor removed, but at £7.50 they are rather expensive.

P.G. Bennett
Bristol

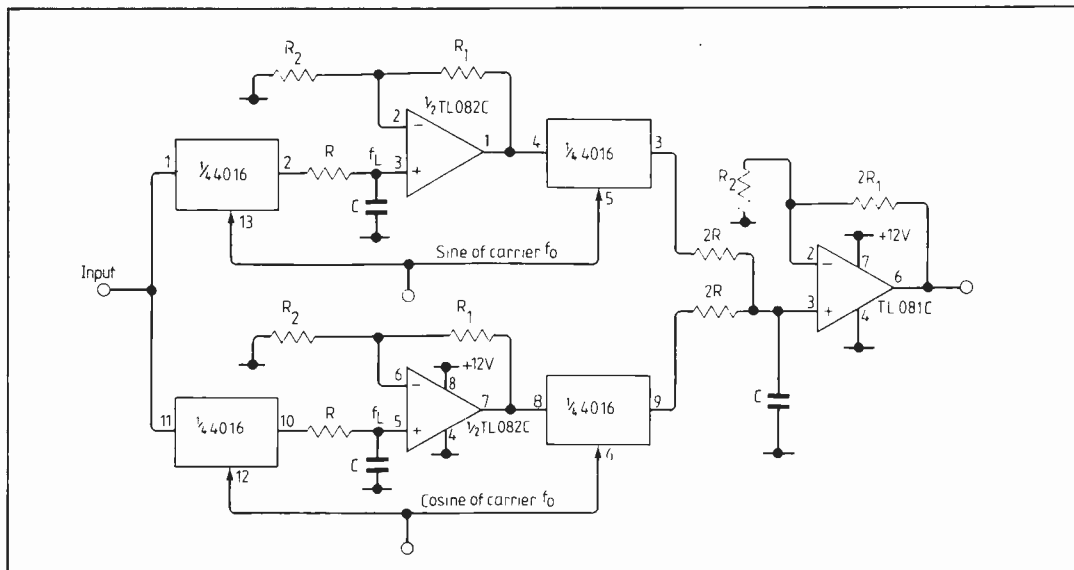
Bandpass filter

Many telecommunications systems require bandpass with a Q factor which can be set to a desired value without changing the circuit. This solution is a quadrature amplitude modulator consisting of two identical balanced mixers which operate under control of sine or cosine-related carriers of the desired pass-band centre frequency, f_0 .

Operation of the circuit is similar to that of an n-path filter, Q-factor is around 100 and small variations in Q due to changing f_0 are negligible.

Two low-pass filters with cut-off frequency f_L only pass, unattenuated, input components from the mixers within $\pm f_L$ of centre frequency f_0 . After low-pass filtering, each signal is remodulated by the same carrier frequency f_0 in quadrature. Another low-pass filter at the output of the summing point removes higher harmonics resulting from the second mixing.

Hence bandwidth Δf is determined by cut-off frequency f_L and the Q factor can be set by the choice of f_0 only. For example, choosing an f_L of 10kHz and f_0 of 10MHz yields $\Delta f = 2f_L = 20\text{kHz}$, resulting in $Q = f_0/\Delta f = 500$. The value of Q is thus controlled by f_0 with Δf fixed. Values of R and C determine the pass bandwidth. Kamil Kraus
Rokycany
Czechoslovakia



Rate indication using LM3914 bargraph i.c.

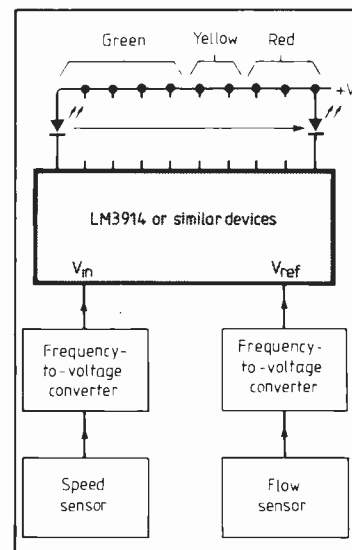
In some applications it is desirable to indicate a product or ratio. The popular LM3914 bargraph can be used for this purpose, the number of leds lit being proportional to V_{in}/V_{ref} .

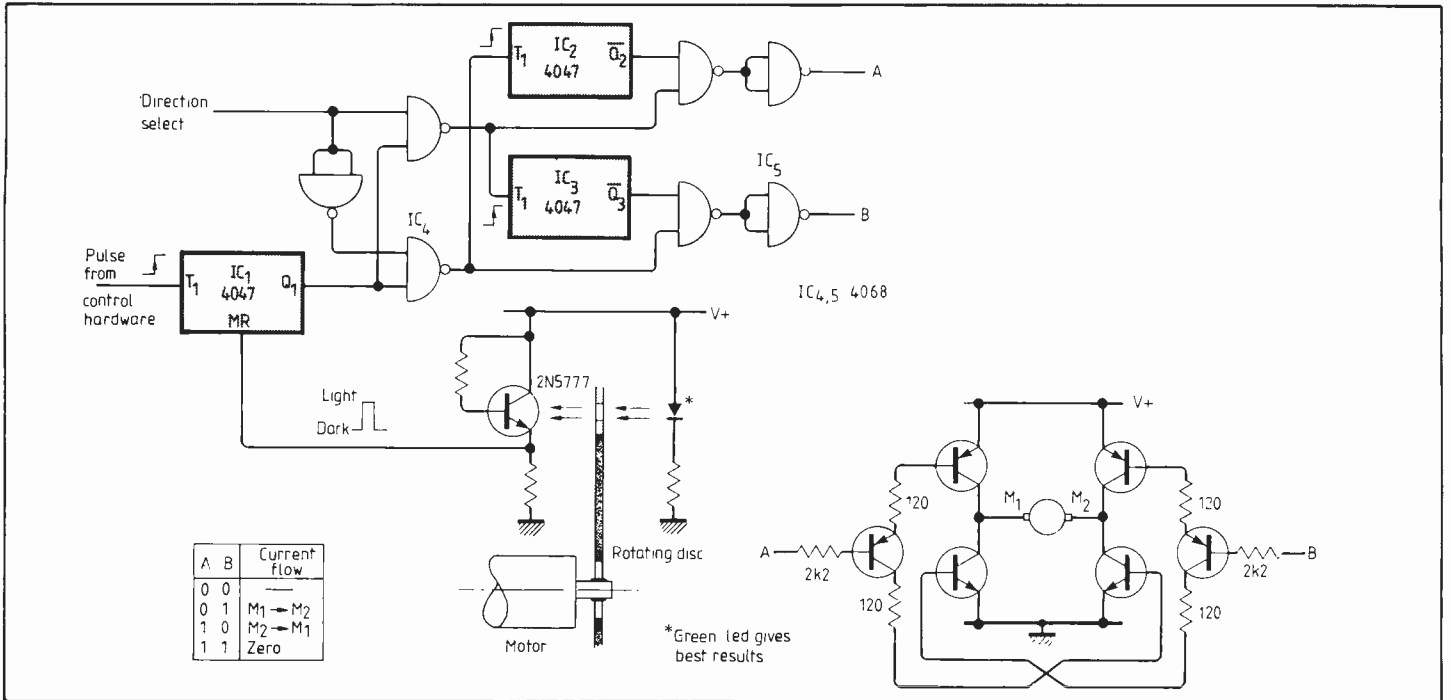
Displaying petrol consumption directly in a car is inconvenient, possibly even a dangerous distraction; a bargraph indication using different colours can be noticed even when one is not looking directly at it.

Feeding, say V_{in} with a

voltage representing km/h and V_{ref} with a representation of 1/h, the bargraph could indicate km/l. I have tried the principle by feeding the two inputs with variable voltages and it works fine.

Bart Scholten
Lerenskog
Norway





Stepping a d.c. motor

Using a digital control circuit, a d.c. motor can be made to act as a stepping motor provided that it has the requisite high starting torque, low armature time constant and high braking torque — features that usually go hand in hand. This single-supply control and drive circuit allows stepping in both directions.

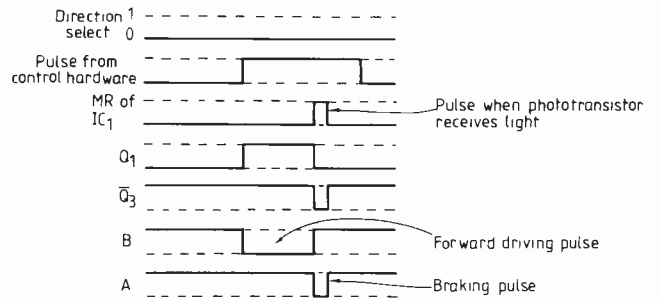
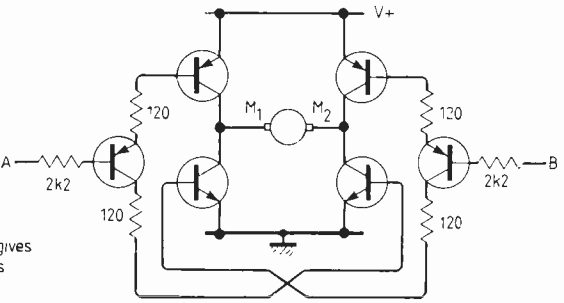
Time taken for the motor to rotate through a given angle depends on the load so drive pulses have to be load dependent. This is difficult to implement directly so I used rotational position feedback with the aid of a disc with equally-spaced radial holes (a dark X-ray plate will do). Light

through the disc holes is sensed by a fixed photo-transistor.

Output from the sensor feeds the master reset input of a monostable device, IC₁. As a hole passes the sensor, the reset input of IC₁ goes high. The Q output of IC₁ goes low, forcing the outputs of IC_{4,5} high, and IC₂ is triggered to give a short low pulse, assuming that the direction select input is zero.

Pulse width at A depends on the motor used and is determined by trial and error. The pulse from IC₁ should be wide enough to rotate the motor through the desired angle (i.e. a single step) with the greatest load. I used a 15V supply and cmos digital i.c.s.

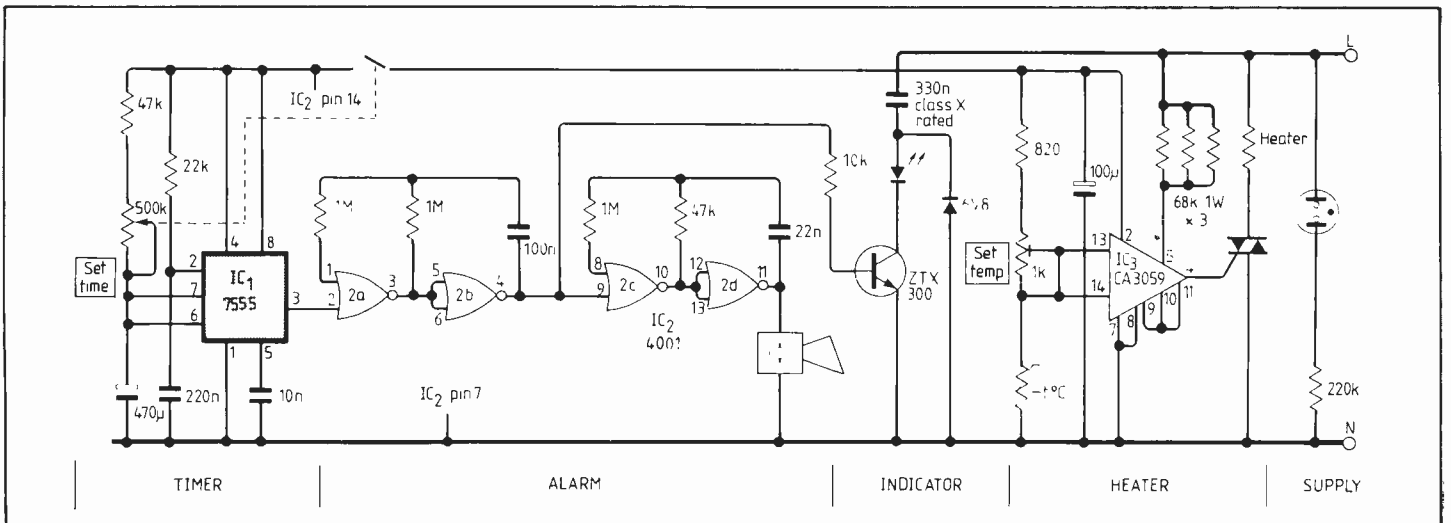
S. Mitra
West Bengal
India



Oven timer/alarm

Using the CA3059 zero-voltage switch as the basis of a circuit for controlling the temperature of a small oven is a conventional application. However, using the regulated

d.c. output of this device to supply low-power i.c.s for timer and alarm facilities means that no additional power supply components are required.
M.R. James
Sherborne
Dorset



Economical oscilloscope timebase

In this timebase for small cheap oscilloscope tubes, sawtooth waveforms are generated by a relaxation oscillator which uses hysteresis of a t.t.l. Schmitt trigger. The circuit provides up

to 350V pk-pk at sweep frequencies rising to a few hundred kilohertz. Owing to the small amplitude required and the high voltage on the sweep potentiometer, charging of the timing capacitor is quite linear.

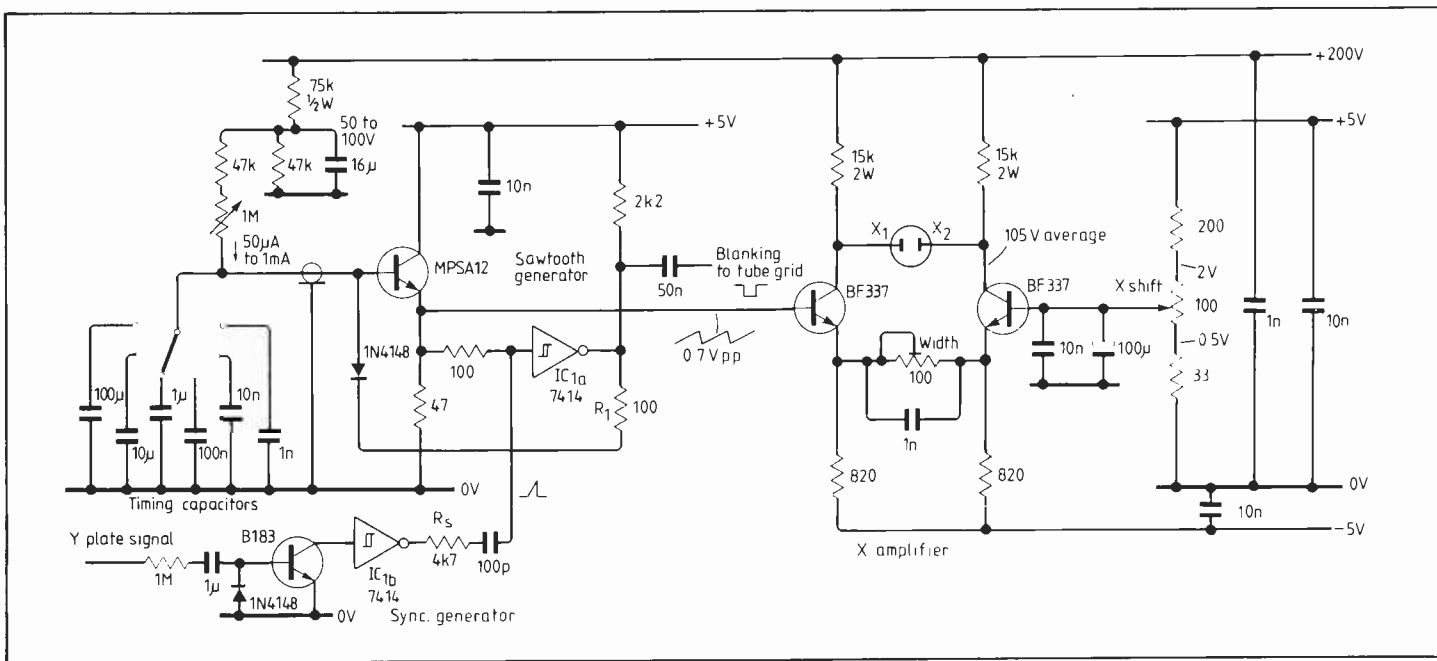
Feedback resistor R_1 slows down flyback so that the deflection amplifier can follow it at the highest speeds. This reduction in flyback discharge

current also eliminates voltage steps on the capacitor due to series resistance. The width control is shunted by a compensating capacitor which affects operating speed.

Synchronization comes from a simple wave squarer fed by a signal from a Y plate. The 100pF capacitor and 4.7kΩ resistor feed a small fast pulse to IC_{1a} which causes a slightly

early flyback if the sweep is nearly finished, but otherwise has no effect. A 5V signal is also available for flyback blanking.

The transistors do not require heat sinks. With stage gains of 400, reasonable care is needed with layout. D.H. Potter Axminster Devon



Phase sequence network

An ideal three-phase supply has three voltages of equal magnitude and separated in phase by 120°. Although only balanced voltages are generated, unbalanced loads and faults can cause unbalance

in voltage magnitude or phase at the consumer terminals. Such imbalances have little or no effect on single-phase supplies, but they can cause overheating in three-phase motors.

Output of this circuit can be made proportional to either to positive or negative phase-sequence of the three-phase supply. The positive phase sequence is a kind of vectorial mean of the three-phases that do useful work in a motor. The negative phase sequence is the

main cause of overheating during loss of a line connection. Reversing any two inputs switches the circuit from one function to the other.

The three-phase voltages are divided and fed to three op-amps connected in series to produce output voltage,

$$V_o = -k(V_a + a(V_b + aV_c))$$

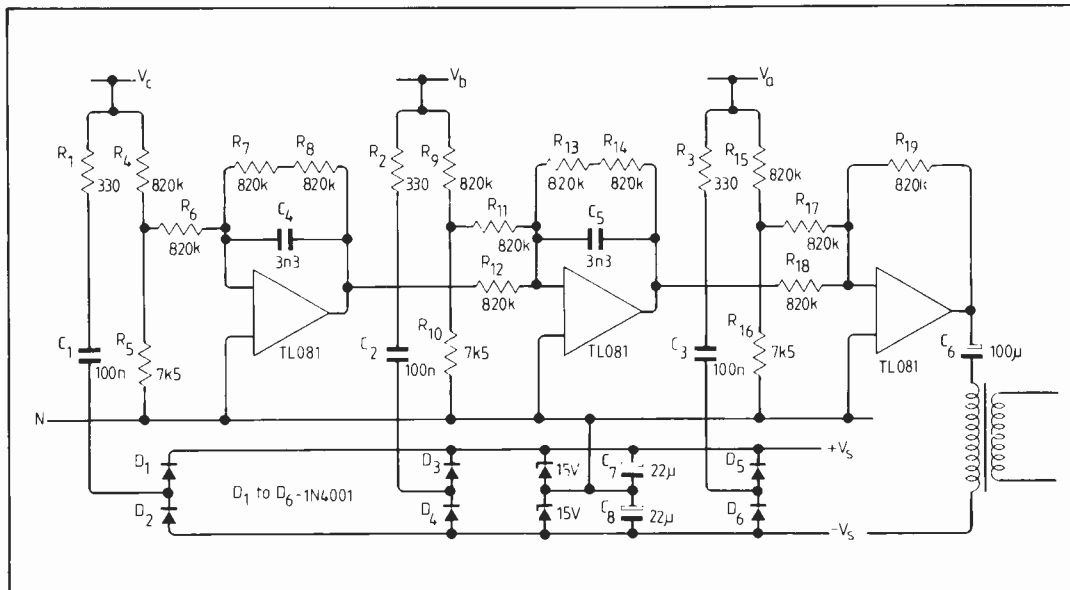
where a is the phasor

$$a = \exp(j.2.\pi/3).$$

Since each op-amp introduces inversion or 180° phase shift, a capacitor bridging the feedback resistor can be selected to introduce a further 60° phase shift at 50Hz. This makes total phase shift 240° lagging or 120° leading, as required by the second equation.

Power supply for the op-amps is taken from the mains through capacitors C_{1-3} . In principle, the circuit requires a neutral connection but it works without one. A small transformer isolates output from the mains-connected circuit.

A. Refsum
Queen's University of Belfast



Loudspeaker impedance measurement

Impedance of a low-frequency loudspeaker is represented by output voltage of this constant-current audio power amplifier with bridge output.

Amplifier IC₁, connected as a straightforward non-inverting circuit, amplifies test signal V_{in} to about the supply-rail level. If the non-inverting input of IC₂ is taken as ground, this amplifier operates as a standard inverting circuit, maintaining a virtual ground at its input. The portion of IC₁ output across R₄ must then also appear across R₇, the input resistor of IC₂, and output

of IC₂ varies oppositely and in proportion to Z_m, its feedback impedance.

But for the small drop across R₇, Z_m is connected between the complementary outputs of amplifiers IC_{1,2}, making a signal of nearly twice the supply voltage available for measurement. Since

$$V_{oa1} = V_{ia}((R_4 + R_5 + R_6)/R_6),$$

where V_{oa1} is output voltage of IC₁ and V_{ia1} is input voltage of IC₁,

$$V_{ia2} = V_{oa1}((R_4/(R_4 + R_5 + R_6)))$$

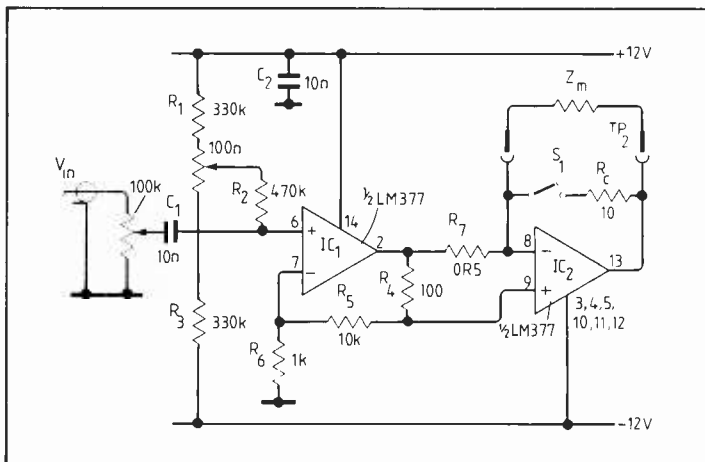
$$\text{and } V_{oa2} = V_{ia2} \times (Z_m/R_7)$$

then

$$V_{oa2} = V_{in} \times (R_4/R_6) \times (Z_m/R_7),$$

or, if the offset potentiometer is adjusted for V_{in} = 0.5V,

$$Z_m = 10V_{oa2}.$$



In practice, with the switch momentarily closed, the input potentiometer nulls the tester output with no input then the offset potentiometer is adjusted so that there is 1V

across calibration resistor R_c with a signal present.

N.J. Dennis
Ontario
Canada

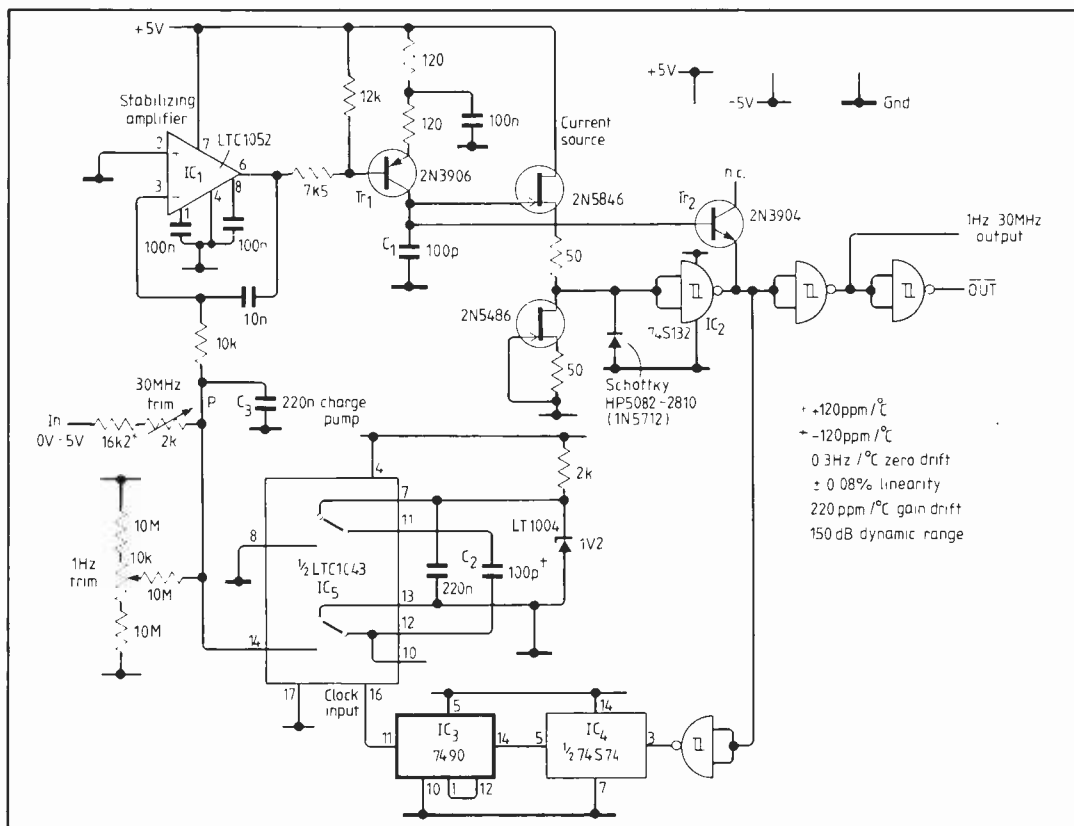
1Hz to 30MHz voltage to frequency converter

For an input of 0-5V, this circuit produces frequencies from 1Hz to 30MHz with ±0.08% linearity error, approximately 20ppm/°C drift and a zero error of 0.3Hz/°C.

Using charge-feedback allows the amplifier to close the loop around the entire converter which enhances linearity and stability but introduces loop settling time into the overall system step response. Main elements of the circuit are a chopper-stabilized op-amp, the LTC1052, and a switched-capacitor 'building block', the LTC1043 (both Linear Technology).

Positive V_{in} sends output of IC₁ negative, causing current source Tr₁ to charge C₁ positively. Schmitt-trigger inverter IC₂ changes state when the ramp passes the upper threshold, thereby removing charge from C₁ through diode-connected Tr₂. Input-voltage hysteresis of this gate sets the limits which the oscillator will run between. Circuits IC_{3,4} provide a division by 20 to make the feedback frequency range acceptable to the LTC1043.

During the oscillator ramping interval, IC₅ pins 11 and 12 are connected to pins 7 and 13, charging C₂ to the LTC1004 1.2V reference voltage. When



output of IC₃ goes low, charged capacitor C₂ appears at pin 14 of IC₅. Thus each time that IC₃ pulses, a fixed charge is dispersed into junction P with a polarity which opposes the positive input current.

Capacitor C₃ integrates the discrete charge dumps and amplifier IC₁ controls Tr₁ to run the oscillator at a frequency necessary to force the non-inverting input of IC₁ to 0V. In this way, drift and non-linear response in the oscillator

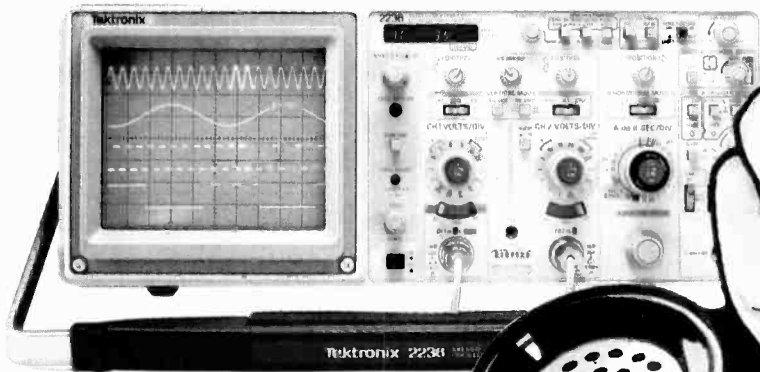
section are compensated for by the closed-loop control.

This mode of control results in very low output jitter and noise over the whole 150dB operating range. Jitter stays below 0.01% down to 20kHz, rising to 1% at 30Hz and 10% at 1Hz. As operating frequency decreases towards IC₁ feedback-loop roll-off, the loop dominates jitter characteristics. In the higher frequency ranges, the loop poles are not a factor and current source and schmitt-

trigger noise dominate.

To trim the circuit, input should be grounded and the 1Hz-trim potentiometer adjusted to the point where oscillation occurs. Apply 5.000V and set the 30MHz-trim potentiometer for 30.00MHz output. Repeat this procedure until both end points are fixed.
Keith Williams
Microcall
Thame
Oxon

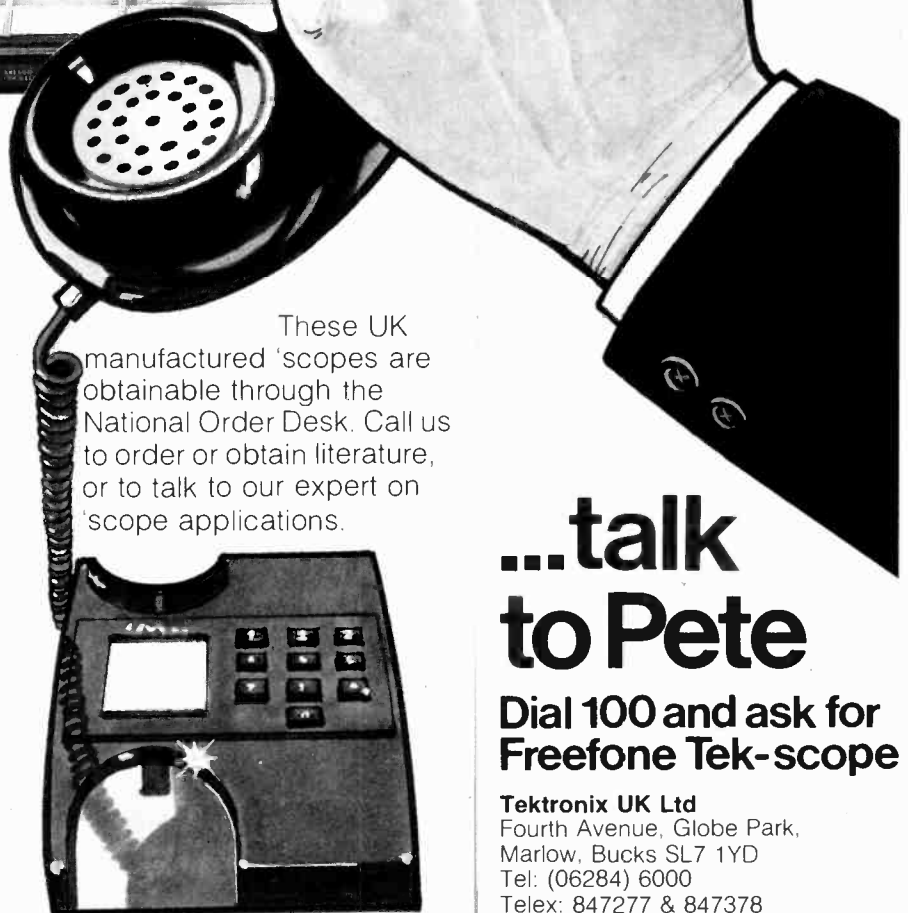
**Now! Tek quality
and expert advice
are just a free
phone call away...**



Our National Order Desk line gets you fast delivery of the industry's leading value/performance portables... and technical advice from experts!

The 60MHz 2213A, 2215A and the 100MHz 2235 and 2236 offer unprecedented reliability and affordability, plus the industry's first 3 year warranty on labour and parts, CRT included.

All 2200 series scopes have the bandwidth for digital circuits and sensitivity for low signal analogue measurement. The sweep speeds for fast logic families, and delayed sweep for fast, accurate timing measurement. The top of the range 2236 combines a counter/timer/DMM with the scope to provide fast, easy measurements for voltage, resistance and temperature.



These UK manufactured 'scopes are obtainable through the National Order Desk. Call us to order or obtain literature, or to talk to our expert on 'scope applications.

**...talk
to Pete**

**Dial 100 and ask for
Freefone Tek-scope**

Tektronix UK Ltd
Fourth Avenue, Globe Park,
Marlow, Bucks SL7 1YD
Tel: (06284) 6000
Telex: 847277 & 847378

The Company reserves the right to modify designs, specifications and change prices without notice.

CIRCLE 73 FOR FURTHER DETAILS.

Tektronix
COMMITTED TO EXCELLENCE

ORYX

connect with quality

The Oryx name means a range of soldering tools and accessories designed to meet any modern requirement. Our comprehensive range includes lightweight, cordless rechargeable soldering irons, the famous "Super" and "Viking" standard designs and lightweight and temperature-controlled models. All with a wide selection of tip designs and sizes. The unique Portasol butane gas soldering iron completes the range. Oryx also supply the largest range of SR desoldering tools, including the new anti-static pump, power supply units, safety stands and solder pots.



Oryx - advanced design at an ordinary price

GREENWOOD ELECTRONICS DISTRIBUTORS

Toolrange 0734 22245 Reading, S.T.C. Electronic Services 0279 26777 Harlow, Verospeed 0703 641111 Eastleigh, Electroplan 0763 41171 Royston, Engineering and Electronic Supplies 0639 54162 Wales, Cabbies 01-699 2282 London, Buck & Hickman U.K. Anglia Components 0945 63281 Cambridge, E.I.C. Ltd. 0727 36311 St. Albans, Willowvale Electronics 0734 860158 Reading, Langs 09328 61241 Surrey.

Please telephone or write for further information to:

Greenwood Electronics Portman Road, Reading, Berkshire, RG3 1NE
Tel: Reading 0734 595844. Telex: 848659

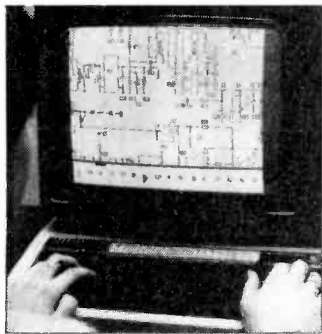
CIRCLE 7 FOR FURTHER DETAILS.

PINEAPPLE SOFTWARE

Programs for the BBC model 'B' with disc drive with FREE updating service on all software

DIAGRAM

• A program which allows you to store very large diagrams - up to 39 mode 0 screens - and view or edit them by SCROLLING the computer screen around over any part of the diagram.



FEATURES

- Draw diagrams, schematics, plans etc., in any aspect ratio, e.g. 10*3, 2*12 screens.
- Access any part of the diagram rapidly by entering an index name, e.g. TR6, R5 etc., to display a specific section of the diagram, and then scroll around to any other part of the diagram using the cursor keys.
- Up to 128 icons may be predefined for each diagram, e.g. Transistors, resistors etc., in full mode 0 definition, up to 32 pixels horizontally by 24 vertically.

£28⁷⁵
all inclusive

Supplied only on disc - 40T/80T compatible

All orders sent by return of post.

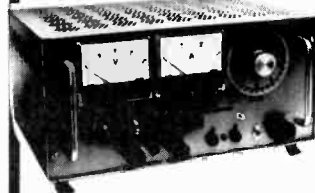
- Hard copy printouts in varying print sizes up to 9 mode 0 screens on an A4 size sheet, compatible with most dot matrix printers
- Many other features including, selectable display colours, comprehensive line drawing facilities, TAB settings, etc.
- Disc contains sample diagrams and two versions of the program, one of which will work from a 16k sideways RAM.
- Comprehensive instruction manual.

**PINEAPPLE SOFTWARE, 39 Brownlea Gdns.
Seven Kings, Ilford, Essex IG3 9NL**

CIRCLE 45 FOR FURTHER DET

Valradio

AC-DC POWER SUPPLIES



Available with 3 variable outputs. Input 200-250V. 50Hz or 100-120V. 60Hz to order
Output 1: 0-30V 25A. DC
Output 2: 0-70V 10A. AC
Output 3: 0-250V 4A. AC

ALL CONTINUOUSLY VARIABLE

Other units are also available with outputs of:

0-60V 12A. 0-120V 6A. 0-240V 3A.
Fixed output models 12, 24 or 50V

AC-AC Frequency Changers

For changing 60Hz AC mains to 50Hz or 50Hz mains to 60Hz. Input 100-127V or 200-250V, 50 to 400Hz, Single Phase. Output 100-127V or 200-250V, Single Phase. Six different models are available; 60, 120, 200, 300, 500 or 1000VA. Also special fixed/variable frequency models available.

DC-DC Converters

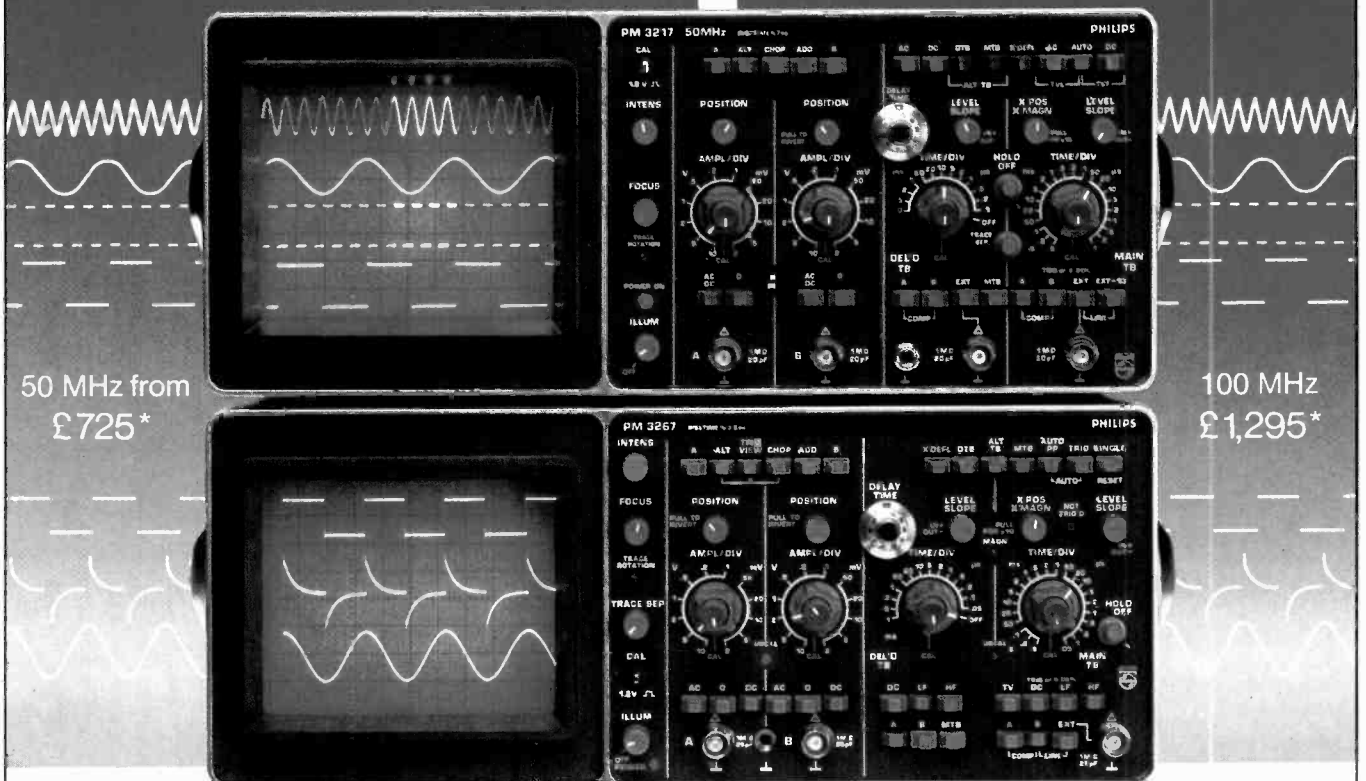
Isolate DC input from DC output. To provide DC output levels different than that of DC input.

VALRADIO POWER LIMITED
AK INTERNATIONAL BUILDING, LAWRENCE ESTATE,
GREEN LANE, HOUNSLOW, MIDDX TW4 6DU
ENGLAND. Tel: 01-570 5622

TACKLING POWER SUPPLY PROBLEMS SINCE 1937

CIRCLE 9 FOR FURTHER DETAILS.

PERFORMANCE PRICE & QUALITY



50 MHz from
£725*

100 MHz
£1,295*

(We mind our P's and Q's)

Paying close attention to its P's and Q's is how Philips is able to offer Europe's finest value in 50 and 100 MHz oscilloscopes.

Use this checklist to compare their performance and quality against any competitive instrument and you'll realise what an outstanding investment they represent.

■ Triggering capability (main and delayed time base; TV)

- Design and construction (low power consumption, low heat output, no ventilation required)
- Ease of use (display quality, panel layout, control configuration)
- Facilities and options (24 V input, 50 MHz single or dual time base and rackmount options, 100 MHz trigger filtering as standard)

- Environmental specs. (rigorous temperature, humidity, vibration tests)

Take a more detailed look by circling reader inquiry no. 220.

Authorized distributor:
Electronic Brokers (01-267 7070)

**Philips Test and Measurement
Pye Unicam Ltd
York Street Cambridge CB1 2PX
Tel (0223) 358866 Telex 817331**

* Prices exclude VAT and are correct at time of going to press.

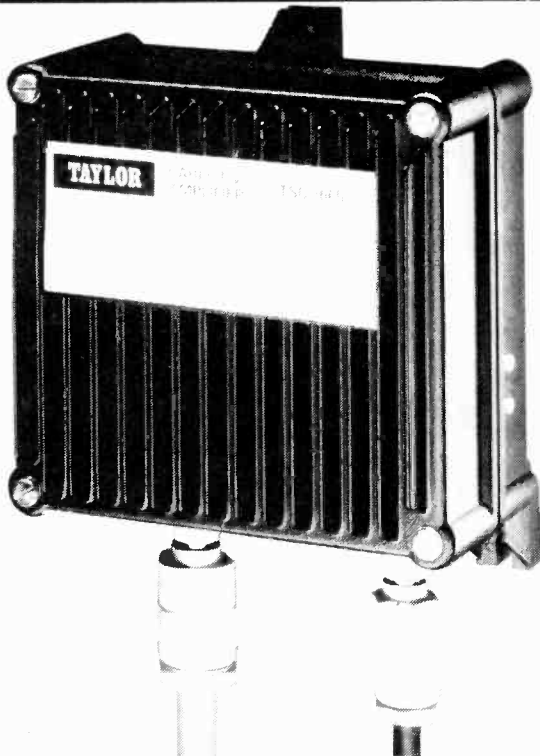
OS18



**Test &
Measurement**

PHILIPS

CIRCLE 220 FOR FURTHER DETAILS.



Application other than Cable T.V. includes C.C.T.V. (up to 26 Channels 8MHz wide on V.H.F. Repeaters, and up to 65 Channels 8MHz wide on U.H.F./V.H.F. Repeaters). Suitable for outdoor mounting.

TYPE	FREQUENCY RANGE MHz	GAIN dB ADJUSTABLE	MAXIMUM OUTPUT dBmV	FREQ. RESPONSE FLATNESS	INTERNAL SLOPE ADJUSTMENT	POWER REQUIREMENT
TSC3060	40-300	10-30	60dB (1000mV)	+ or - 5dB	5dB	27-42V 10VA-
TSC3060SM	40-300	10-30	60dB (1000mV)	+ or - 5dB	5dB	25-45V 7VA-
TSC3660	40-300 470-860	10-30VHF 16-36UHF	60dB (1000mV)	+ or - 5dB	5dB VHF — UHF	27-42V 18VA-
TSC3660SM	40-300 470-860	10-30VHF 16-36UHF	60dB (1000mV)	+ or - 5dB	5dB VHF — UHF	25-45V 13VA-
TSC3665	40-300 470-860	10-30VHF 16-36UHF	60dB (1000mV) VHF 65dB (1800mV) UHF	+ or - 5dB	5dB VHF — UHF	24-42V 24VA-
TSC3665SM	40-300 470-860	10-30VHF 16-36UHF	60dB (1000mV) VHF 65dB (1800mV) UHF	+ or - 5dB	5dB VHF — UHF	25-45V 18VA-

Variations of the above are available on request, i.e. 240V mains powered; 54-84V line powered; trunk distribution amplifier with one trunk line and one distribution line out.

INTERNAL PLUG IN EQUALISERS (OPTIONAL)

TYPE	FREQUENCY RANGE MHz	ATTENUATION 40MHz	ATTENUATION 300MHz	TYPE	FREQUENCY RANGE MHz	ATTENUATION 470 MHz	ATTENUATION 860MHz
EZV6	40-300	6dB	1dB	EZU6	470-860	6dB	1dB
EZV9	40-300	9dB	1dB	EZU9	470-860	9dB	1dB
EZV12	40-300	12dB	1dB	EZU12	470-860	12dB	1dB

TYPE	COAXIAL CABLE CONNECTORS	
A	SCP14	Screw on coaxial plug for 14mm Outside Diameter cable.
B	SCP10	Screw on coaxial plug for 10mm Outside Diameter cable
C	SCP	Screw on coaxial plug for 5-9mm Outside Diameter cable
D	SAC	Screw on right angled connector
E	SFC	Screw on female line connector
F	SMC	Screw on male line connector
	HS1.14	Heat shrink sleeve for SCP14
	HS1.10	Heat shrink sleeve for SCP10

TAYLOR BROS (OLDHAM) LTD
BISLEY STREET WORKS, LEE STREET,
OLDHAM, ENGLAND.
TELEPHONE: 061 652 3221 TELEX: 669911

CIRCLE 47 FOR FURTHER DETAILS.

Parthia
 Beckhampton,
 Nr. Marlborough,
 Wilts.
 Tel. Avebury (067 23) 219

MARTIN ASSOCIATES

sales



ANALYSERS		
Dranetz	626	Mains Disturbance Analyser M/F. 1 yr. old. Manf. Price £5470. Our Price £3500.00
Dranetz	626	Single Phase Plug In for 626 M/F. With Current Transformer. Manf. Price £1904. Our Price £1200.00
Dranetz	626	Three Phase Plug In for 626 M/F. Unused. Manf. Price £1904. Our Price £1200.00
Racal-Dana	488	GP1B Analyser c/w RS 232 Interface Cable. Manf. Price £660. Our Price £425.00
Solartron	1250	Freq. Response Analyser. 10uHz-65KHz. Two Independent channels 1uV-300V RS 232 & IEEE. Manf. Price £9000. Our Price £5250.00
GENERATORS		
Marconi	995A/3S	AM/FM Signal Generator 1.5MHz-220MHz. c/w I.F. Amplifier. £180.00

USED ELECTRONIC EQUIPMENT

Philips	PM.5770	Pulse Generator 1Hz-100MHz o/p 10V into 50 ohms. £175.00
Taylor Advance	62A.Mk2	AM/FM Signal Generator 4MHz-120MHz o/p 1uV-10mV. £75.00
Dawe	6292A	Soniclean Automatic Generator. 25KHz High Intensity o/p. £150.00
Tektronix	106	Square wave Generator 10Hz-1MHz T.T.P. £175.00
Tektronix	067-0502-01	Amplitude Calibrator Comparator 0.2V-100V. £175.00
Farnell	PG.5222	Pulse Generator 5MHz Dual Channel. £125.00

METERS		
Levell	TM.28	AC Voltmeter £25.00
Levell	TM9B	DC Voltmeter & Picoammeter + Null Detector + Amp + Ohmmeter. £110.00
Solartron	7055	Microprocessor Voltmeter. Programmable. From £225.00
Keithley	135	4 1/2 digit Handheld DMM AC/DC V & I & Resistance almost new. £125.00
Marconi	TF.2604	Electronic Voltmeter 20Hz-1.5GHz. £170.00
OSCILLOSCOPES		
Kikusui	COS.5020	DC-20MHz Dual Trace 1mV/div 15MHz NEW. £335.00
Kikusui	COS.5100	DC-100MHz 3 Channel 1mV/div 20MHz. Delay Sweep. 2TB NEW. £995.00
Telequip-ment	D61	DC-10MHz Dual Trace 10mV/div. £140.00

THE ABOVE IS A SAMPLE OF OUR STOCK SEND S.A.E. FOR CURRENT LIST ALL ITEMS SUBJECT TO AVAILABILITY, CARRIAGE & V.A.T.

CIRCLE 62 FOR FURTHER DETAILS.

RUGBY TIME?

MSF CLOCK is EXACT

8 DIGIT display of Date, Hours, Minutes and Seconds.
SELF SETTING at switch-on, never gains or loses, automatic GMT/BST and leap year, and leap seconds.
EXPANDABLE to Years, Months, Weekday and Milliseconds and use as a **STOPCLOCK** to show when an event happened.
COMPUTER or **ALARM** output also, parallel BCD (including Week-day) and audio to record and show time on playback.
DECODES Rugby 60KHz atomic time signals, superhet reciever (available separately), built-in antenna, 1000Km range.
LOW COST, fun-to-build kit (ready-made to order) with receiver.
ONLY £89.80 includes ALL parts, 5x8x15 cm case, pcb, by-return postage and list of other kits. **TIME RIGHT.**

CAMBRIDGE KITS

45(WJ) Old School Lane, Milton, Cambridge, Tel 860150.

TWIN PPM BOX



Also: PPM2, PPM3 and 20 pin DIL hybrid PPM5 drivers and Ernest Turner movements.

Stereo Disc Amplifier 3 and 5
 10 Outlet Distribution Amplifier 3

Stabilizer and Frequency Shifter circuit boards

Broadcast and Communications Receiver 150kHz-30MHz

Stereo Microphone Amplifier

Moving Coil Preamplifier
 Peak Deviation Meter and Chart Recorders

Advanced Active Aerial
SURREY ELECTRONICS LTD
 The Forge, Luckes Green, Cranleigh
 Surrey GU6 7BS. Tel: 0483 275997

FLATIRON

CHOICE OF PROFESSIONALS
COMPACT LATTICE TOWERS and
SLIMLINE TUBULAR MASTS

TELESCOPIC—TILTOVER, FIXED—MOBILE FROM 6m UP TO 36m

Suitable for a wide range of civil and military applications such as:

RADIO COMMUNICATION
SURVEILLANCE & CCTV
METEOROLOGICAL MONITORING
AMATEUR RADIO
AERO & MARINE NAV AIDS
FLOODLIGHTING, ETC.

Purpose designed using 4.5m and 3m section modules for low retracted heights and cost effective shipment. Engineered to B.S.I. Standards and hot dip galvanized to BS729 for protection. Wind loads are based on B.S.C.P.3. Chap V. PT2, 1972 for wind speeds up to 100 mph/160 kph.

RELIABILITY QUALITY KNOW HOW

WE DESIGN, WE MAKE, WE SELL DIRECT

PRICES RANGE FROM £253.00 incl. VAT & UK DELIVERY SAE FOR MORE DETAILS, PLEASE

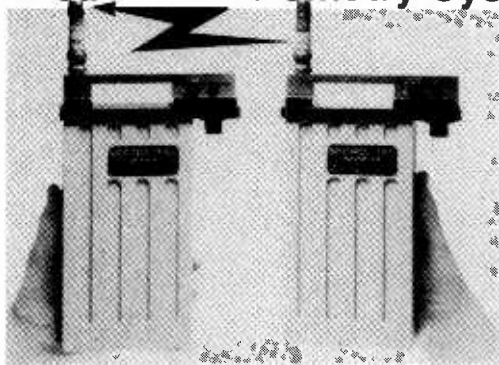
Allweld Engineering
 Factory 6, 232 Selsdon Road,
 South Croydon, Surrey, CR2 6PL, G.B.
 Tel: 01-680 2995 (24 hr) 01-681 6734

Normally despatched within 7 days

CIRCLE 13 FOR FURTHER DETAILS.

MICRO-TEL

Universal Microtelemetry System



Micro-tel is a system of integrated UHF radio/modems ruggedly constructed and suitable for a wide range of 'line of sight' data communications applications.

Features:

- UHF Home Office type approved radio (MPT 1309)
 - 5 Radio Channels
 - 1200 BAUD INTERNAL MODEM
 - 12 Volts/250 m A
 - RS232 Data Input/Output
 - Small size 145 x 210 x 60 mm
 - SPECIALS TO CUSTOMER SPEC. ALSO AVAILABLE
- Micro-tel offers a simple and reliable solution for:**
- Building to building computer comms
 - Instrument to computer data links
 - Industrial systems data links
- Dealer and OEM enquiries welcome.

MDL MEASUREMENT DEVICES LIMITED
 Silverburn Crescent, Bridge of Don Industrial Estate, Aberdeen,
 AB2 8EW Telephone: (0224) 824141 Telex: 739506 (MDLAB)

CIRCLE 36 FOR FURTHER DETAILS.

PC/XT - PERIPHERALS

MAINBOARD B—103 4-Layer PC/XT £295
 MEGA Mainboard PC/XT £249
 SUPER Mainboard PC/XT £249
 256K M/FUNCT. 1par, 1ser,cl/cal,OK £169
 384K M/FUNCT. 6-WAY (SEE ILL), OK £225
 512K RAM EXPAND (2 DIP SWITCH), OK £95
 PARALLEL Printer Card £39
 PARALLEL with 64K buffer (OK).... £109
 MONOCHROME (text) display card. £119

COLOUR/GRAPHICS Card (2 layer)
 640 × 200 b/w + 320 × 200 4 colour
 160 × 100 16 colour + light pen I/F
 text: 80 × 25 & 40 × 25 will drive TTL
 MONO / COMPOSITE MONO
 COMPOSITE COLOUR / RGB

Monitors £149
 SUPER COLOUR/GRAPHICS Card (4 layer) 64K Display Memory — TTL mono spec:

640 × 350 b/w with 2 pages 640 × 350 single colour 16 intensities 80 col × 25 rows with 32 pages.

COLOUR / GRAPHICS specifications:

640 × 400 mono with 2 pages
 640 × 200 16 colour 2 pages
 640 × 400 16 colour
 TEXT 40col × 50 row
 40col × 50 row with 32 pages mono
 PC, PC-XT, PC-AT COMPATIBLE... £399
 MONOCHROME GRAPHIC CARD
 VERSION II 720 × 348 graphic display, 2K static RAM buffer eliminates scroll flicker single parallel port standard £229

MULTI I/O CARD — 5 WAY!!!
 Dual floppy controller interface
 Asynchronous RS232 serial comms port
 Parallel printer port, games adapter Clock/Cal with battery backup £249

EPROM WRITER CARD up to 128K. £175
 MODEM CARD V21/V23 CCITT AA/AD £169

FLOPPY DRIVE CONTROLLER (4 DRIVES) £75
 TEAC FD-55B half ht 320K floppy dr £155
 RS232 SERIAL I/Face, 1port 50-9600. £49
 SERIAL Async RS232C, 2port 50-9600 £69
 GAMES ADAPTER £39
 AD/DA 12bit 16ch-A/D, 1ch-D/A... £139

TRANS-NET NETWORKING BOARD £450
 NetMAIL Software £550
 NetSPOOL Software £250
 NetDISK Disk Server Software £150
 NetDMS Data Management Software £175
 NET BOOT ROM for floppyless ops . £50
 NET STARTER KIT £975

DX45 lockable 100pc DISKETTE BOX £17
 DX50 lockable 50pc DISKETTE BOX. £15

(NOTE: We can supply most of the above as UNPOPULATED boards for constructors.)

384K MULTIFUNCTION CARD — SIX WAY!!

- 64K to 384K RAM Memory
 - RS232C Serial Port
 - Real Time Clock / Calendar with Battery Backup
 - RAMDISK & PSPOOL Software
 - Optional games port
- Built & Tested £225.00

4-LAYER PC/XT MAINBOARD

- 64K to 1MB ON BOARD
 - 8 Fully Compatible Slots
- Built & Tested £295.00

RAM CHIP SALE !!!

- 4164 64K DRAMS 150ns (Upgrade PC/XT and compatibles). £1.33 each
- 41256 256 K RAMS 150 ns (Upgrade OLIVETTI M24, COMPAQ, DESKPRO etc.) £5.59 each
- 4128 128 KD RAM 150ns (Upgrade IBM PC/-AT £5.50 each

PC/XT CASE

- 8 - Slot
 - Hinged lid
 - Includes hardware
- £99.00

PC to XT CONVERSION KITS FOR IBM AND COMPATIBLES

- NEW FAST CONTROLLER!!!
- WESTERN DIGITAL 1002 SWX-2 SEGATE ST-506 STANDARD... £249.00
- 10 MEGABYTE MR-521 5 1/4" WINCHESTER HARD DRIVE, 2-HEADS, AVERAGE ACCESS 85ms £399.00
- 20 MEGABYTE MR522 5 1/4" WINCHESTER HARD DRIVE, 4-HEADS, AVERAGE ACCESS 85ms £579.00
- HARD DRIVE CABLE SET... £25.00
- UPGRADE 130WATT POWER SUPPLY £149.00

Prices exclude VAT and DELIVERY — for terms see our other advertisements.

DIGITASH

Business Systems Ltd.

Unit M, Charlwoods Business Centre,
 Charlwoods Road,
 East Grinstead,
 West Sussex, RH19

(0342) 24631 tlx: 957547

CIRCLE 67 FOR FURTHER DETAILS.

by S. Kirby*

*Analog Devices Ltd.

Oscilloscope display of mean, peak or r.m.s. values

Simultaneous display on a single-channel oscilloscope

When working with random signals such as audio or white noise, it is often difficult to estimate from an oscilloscope screen their mean, peak or r.m.s. values. However, these are just those quantities required when developing circuitry that filters or manipulates such signals.

This compact instrument provides a display of all, or any combination of V_{in} , V_{peak} , $V_{r.m.s.}$, as horizontal lines on the oscilloscope simultaneously with the input voltage, while using only a single oscilloscope channel. As an optional extra a low-cost, built-in d.v.m. can provide a numerical readout of the mean, peak or r.m.s. value of the input voltage, from 20mV to 20V f.s.d.

A block diagram of the instrument (Fig.1), shows that it separates neatly into three sections: analogue signal processing; digital channel switching; and a digital voltmeter. The analogue section produces the four required

voltages at the input to a four-channel multiplexer. To keep the digital circuitry as simple as possible, a mechanical switch is used to select either $+V_{peak}$ or $-V_{peak}$. The digital section sequentially selects any combination of the input signals that have been chosen by the user from four push buttons. If the button is pushed the corresponding signal is displayed; another push turns the signal off.

A separate, three-push-button unit selects which signal the d.v.m. measures.

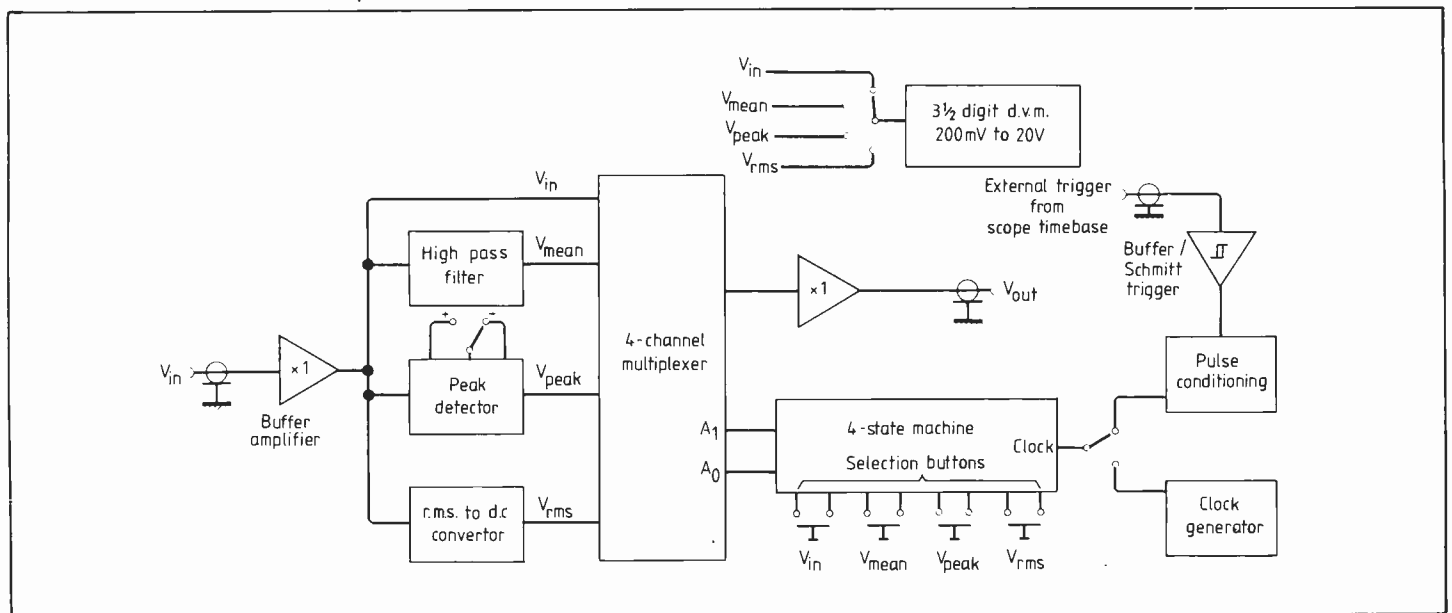
Analogue circuit

The incoming signal is buffered by IC_{1a} , (Fig.2) with an input resistance set by R_1 to $1M\Omega$, matching that of a standard oscilloscope input, so ordinary oscilloscope probes can be used with the instrument. A straight-forward RC low-pass filter with a one second time constant gives the

mean signal value, buffered by IC_{1b} . The positive and negative signal peaks are captured by conventional op-amp peak detectors, $IC_{2,}$ with a decay time constant set to one second. This allows the peak value of a signal whose average amplitude over time is changing to be followed. R_4, R_6 could be switched out to provide the peak voltage over a much longer time, set by the input bias current of $IC_{2b,c}$ and the reverse leakage of $D_{2,4}$. The value of C_4, C_6 is a compromise between catching fast peaks, as set by the maximum output current capability of $IC_{2a,c}$ and the droop rate. D_1, D_3 clamp the outputs of $IC_{2a,c}$ when the input signal is less than the currently held peak value, reducing the voltage slew rate required from the op-amps and minimizing reverse-bias-caused leakage currents through D_1, D_3 .

An Analog Devices true r.m.s. i.c. (AD536) calculates the r.m.s. values of V_{in} , using the implicit

Fig. 1. System block diagram of signal analyser.



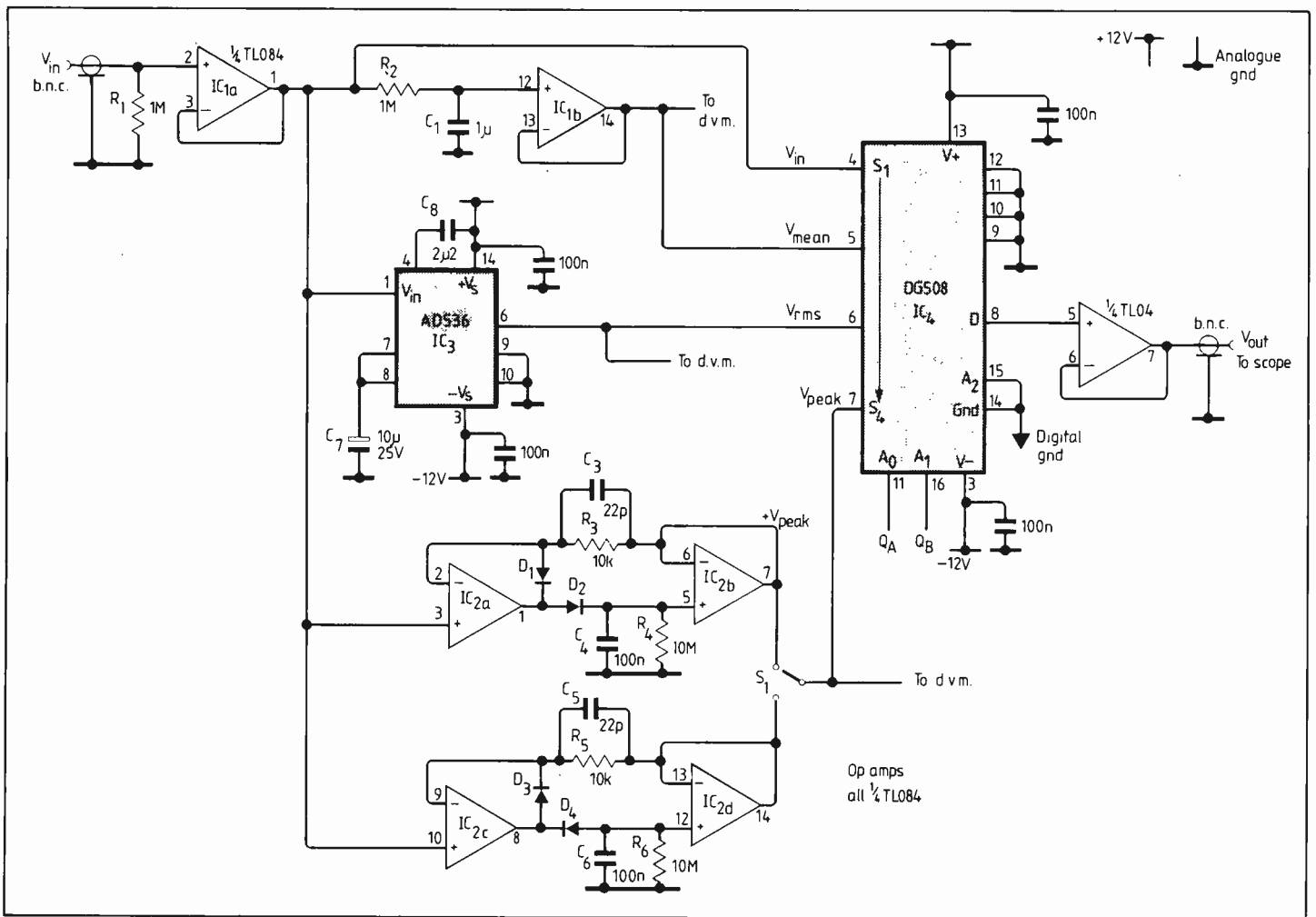


Fig. 2. Circuit diagram analogue sub-section.

computation method, shown schematically in Fig.3. The low pass filter output is the r.m.s. value, feedback to the multiply/divide stage to scale down the V_{in}^2 product by V_{out} , so avoiding potentially very large square term products (e.g. $V_{in}^2 = 100$ if $V_{in} = 10V$). The output settles to the r.m.s. value of the input, averaged over a time period set by RC (the "mean" in root mean square). The AD536 works internally in a current mode, but the principle is identical to that shown here.

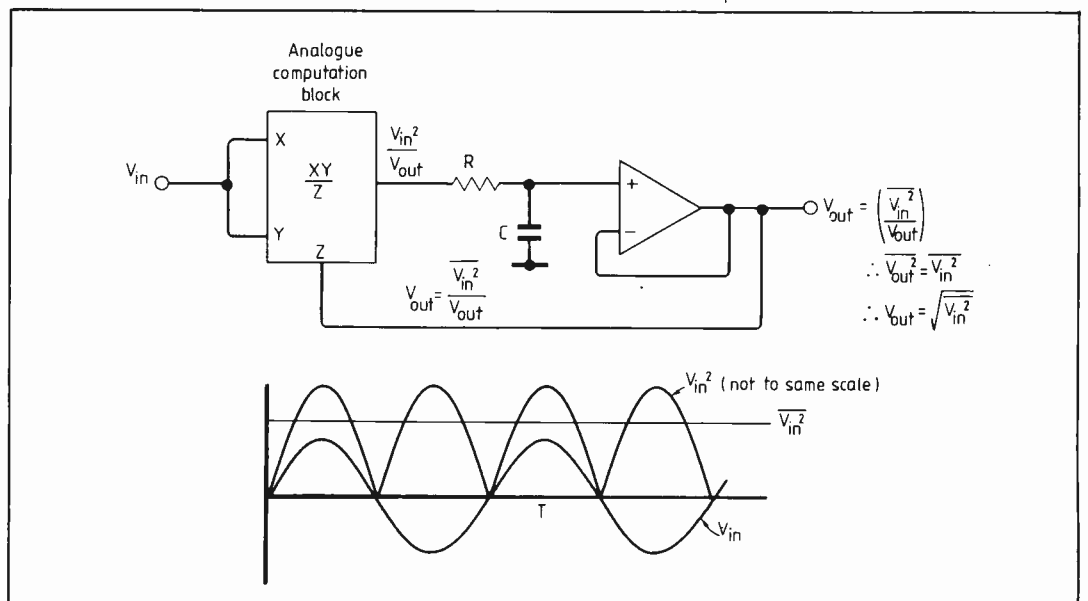
There are two sources of error in the r.m.s. calculation; static error and dynamic error. Static error is due to non-idealities in the XY/Z operation, offset errors i.e. $V_{rms} = 0$ when $V_{in} = 0$, and absolute gain errors, i.e. $V_{rms} = K\sqrt{V_{in}^2}$, where K is not unity. Offset and gain errors can be trimmed out. Even without these trims, the AD536J version is specified to have a combined total maximum error of 0.5% of the r.m.s. value $\pm 5mV$, quite adequate for the oscilloscope display. Static errors occur for all frequencies of V_{in} ; dynamic errors depend on the waveshape, (parti-

cularly the crest factor = $V_{in(peak)}/V_{r.m.s.}$ and the input signal frequency relative to the period over which the mean is taken.

If V_{in} is a sine wave, for example, then $V_{in}^2/V_{r.m.s.}$ has a double frequency ripple component (see Fig.3) which is low-pass filtered below a corner frequency of $1/(2\pi RC)Hz$. To reduce the mag-

nitude of this ripple (or drop for pulse-type waveforms) it is necessary to increase RC. This, however, increases the time required for $V_{r.m.s.}$ to settle to its true value following a step change in the magnitude of V_{in} . A better compromise is to place another first-order low-pass filter external to the implicit feedback loop.

Fig. 3. Root-mean-square calculating i.c.



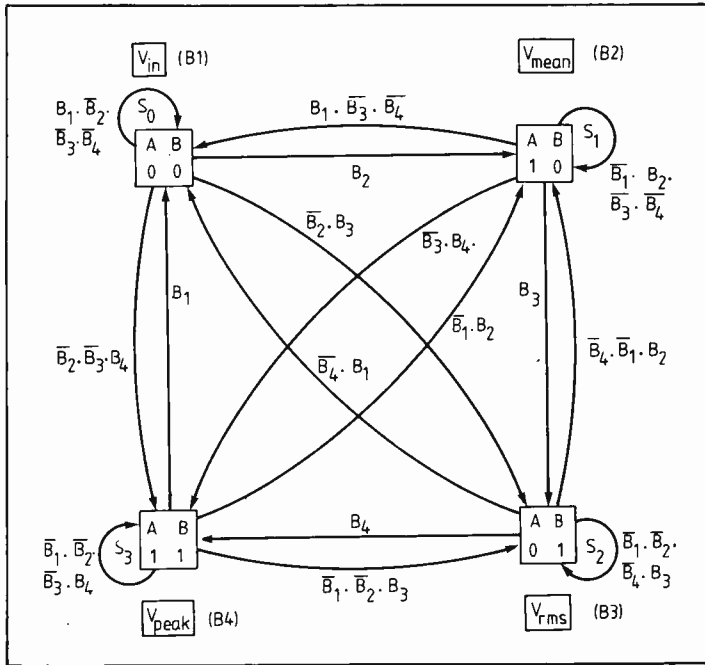


Fig. 4. State table for sequential four-state machine.

This reduces the magnitude of the ripple, without proportionally increasing the settling time. For the values of C_{av} and C_7 (Fig. 2) used here the settling time to 1% of the step change input amplitude is about 3 seconds. The lowest frequency sine wave that can be measured to within 1% of the true r.m.s. is 10Hz, compatible with the overall 0.1 second time constant of the instrument. Many other compromises and configurations are possible: Analog Devices has a booklet available describing the various trade-offs involved. Note that the AD536 is able to cope with $\pm 20V$ peak transient inputs without damage, but the nominal full scale r.m.s. output is 2V, i.e. $V_{p-p} = 5.6V$. The quoted accuracy is maintained to well over 1MHz.

All four derived voltages are sent to an 8-to-1 multiplexer IC_4 , which has a fast switching time, and approximately constant on resistance of 60Ω , plus a wide range of input signal voltages, easily coping with the design range of $\pm 10V$. The channel-select logic inputs are t.t.l. compatible and the output is buffered by IC_{1c} to provide a low-impedance drive to the oscilloscope.

Digital section

The digital section's function is to sequentially switch one of the four voltage inputs through to the oscilloscope, if and only if the button corresponding to that

input has been activated. For this a logical four-state machine is used, the state switching diagram for which is shown in Fig. 4. Each button toggles a flip-flop, ($IC_{12,13}$, Fig. 5), which are all cleared on power up. The first push of a button sets the flip-flop Q output high, denoted on the state diagram by variables B_n ; another push sets it low, shown as \bar{B}_n . If only a single button was set (indicated to the user by the l.e.d. in the button coming on), e.g. V_{in} , the four-state machine would cycle continually through a single state, $A = 0$ and $B = 0$ in this example. These internal state variables A and B are also used as output variables: they are simply the two-bit binary code selecting which input is switched through to the output in IC_4 .

When the user wishes to display more parameters of the input signal, e.g. V_{rms} , the r.m.s. button is pushed, B_2 set, and the machine cycles between states S_0 and S_2 . The machine changes state on every clock pulse, which comes either from an oscilloscope time-base synchronous pulse, giving an alternate sweep display of V_{in} and V_{rms} , or from a free-running oscillator, giving a chopped display. The labels on the arrows show the state of the button flip-flops for that particular path to be taken. All possible paths must be indicated on the diagram. From these change of state paths the set and reset conditions for the state machine internal variables A and B (which electronically are the Q outputs of the J-K flip flops in IC_{11} are derived:

Set $A = S_0 \cdot B_2 + S_2 \cdot B_2 \cdot \bar{B}_1 \cdot \bar{B}_4 + S_2 \cdot B_4 + S_0 \cdot \bar{B}_2 \cdot \bar{B}_3 \cdot \bar{B}_4$
 Reset $A = S_1 \cdot B_1 \cdot \bar{B}_3 \cdot \bar{B}_4 + S_3 \cdot B_1 + S_3 \cdot \bar{B}_1 \cdot \bar{B}_2 \cdot B_3 + S_1 \cdot B_3$
 Set $B = S_1 \cdot B_3 + S_0 \cdot \bar{B}_2 \cdot B_3 + S_1 \cdot \bar{B}_3 \cdot B_4 + S_0 \cdot \bar{B}_2 \cdot \bar{B}_3 \cdot B_4$
 Reset $B = S_3 \cdot B_1 + S_3 \cdot \bar{B}_1 \cdot B_2 + S_2 \cdot \bar{B}_4 \cdot \bar{B}_1 \cdot B_2 + S_2 \cdot \bar{B}_4 \cdot B_1$

These equations can be tidied up to:

Set $A = S_0 \cdot (B_2 + B_4 \cdot \bar{B}_3 \cdot \bar{B}_2) + S_2 \cdot (B_4 + B_2 \cdot \bar{B}_1 \cdot \bar{B}_4)$
 Reset $A = S_1 \cdot (B_3 + B_1 \cdot \bar{B}_3 \cdot \bar{B}_4) + S_3 \cdot (B_1 + B_3 \cdot \bar{B}_1 \cdot \bar{B}_2)$
 Set $B = S_0 \cdot (B_3 \cdot \bar{B}_2 + B_4 \cdot \bar{B}_2 \cdot \bar{B}_3) + S_1 \cdot (B_3 + B_4 \cdot \bar{B}_3)$
 Reset $B = S_2 \cdot (B_1 \cdot \bar{B}_4 + B_2 \cdot \bar{B}_1 \cdot \bar{B}_4) + S_3 \cdot (B_1 + B_2 \cdot \bar{B}_1)$

And the internal states are defined as: $S_0 = \bar{A}\bar{B}$, $S_1 = A\bar{B}$, $S_2 = \bar{A}B$, $S_3 = AB$.

Following Zissos in Ref. 1 the set and reset equations for a JK type flip-flop with outputs A and \bar{A} are:

$$\begin{aligned} \text{Set } A &= \bar{A} \cdot J A \\ \text{Reset } A &= A \cdot K A \end{aligned}$$

So when AB values are substituted for S_0 then the set and reset conditions for the two flip-flops can be derived by simply dropping the A and \bar{A} (or B and \bar{B}) from the appropriate expression. When this is done we get:

$$\begin{aligned} \text{Set } A &= \bar{B} \cdot (B_2 + B_4 \cdot \bar{B}_3) + B \cdot (B_4 + B_2 \cdot \bar{B}_1) & 1 \\ \text{Reset } A &= \bar{B} \cdot (B_3 + B_1 \cdot B_4) + B \cdot (B_1 + B_3 \cdot \bar{B}_2) & 2 \\ \text{Set } B &= (B_4 + B_3) \cdot (B_2 + A) = \bar{B}_4 \cdot \bar{B}_3 + B_2 \cdot \bar{A} & 3 \\ \text{Reset } B &= (B_1 + B_2) \cdot (\bar{B}_4 + A) = \bar{B}_1 \cdot \bar{B}_2 + B_4 \cdot \bar{A} & 4 \end{aligned}$$

The gating shown in Fig. 5 derives these functions. Expressions 1 and 2 can be recognised as a selection depending on B between two combinatorial functions, implemented with a 4053 multiplexer. The negated form of 3 and 4 has been derived so that a dual, four-input And-Or-Not gate 4085 IC_{10} can be used to drive JK B IC_9 . The complete four-state machine can be made up with only five i.cs and has been found completely reliable and glitch free in use.

The clock source for the four state machine comes from a dual comparator IC_5 used as a free running 20kHz oscillator with a t.t.l. compatible output, and as a level comparator with hysteresis to bring the oscilloscope time-base gate or flyback pulse to a standard t.t.l. level. The 1k

preset R_1 should be adjusted to suit the oscilloscope used, and the input 10k/1k attenuator may need altering. Note the four-state machine changes on the rising edge of the clock pulse. Front panel switch S_2 selects alternate or chop.

The displayed parameter select push buttons are debounced by IC_{11} , whose outputs drive four D-types wired to toggle. The four red leds mounted on the push buttons give a clear indication of exactly what is being displayed. Of course this is all, perhaps, an electronic over-indulgence: a simple mechanical toggle switches could be used instead, with invertors to provide true and complement outputs.

Digital voltmeter. Having gone to some trouble to derive mean, peak and r.m.s. values of a waveform it seems worthwhile to include a voltmeter in the instrument to give a digital readout of their long term values. Note that the oscilloscope display is even more versatile than an analogue meter; quite short term trends in the three parameters (depending on the time constants used) and their causes can be observed simultaneously.

The dynamic range of the input signals of interest in audio work is liable to be quite large. A d.v.m. has, therefore, been selected with a capability of resolving down to $100\mu V$ levels. The i.c. chosen, the Ferranti ZN451, has $3\frac{1}{2}$ digits, based on a charge-balancing circuit, with a digital auto-zero and external amplifier offset cancellation facilities. With careful design it is able to work at a remarkable $2mV$ f.s.d., i.e. a resolution of $1\mu V$. Here the ranges selected are 19.99V, 1.999V and 199.9mV f.s.d. The single-chip d.v.m. directly drives a $3\frac{1}{2}$ -digit liquid-crystal display.

A rotary switch S_7 selects an output from the 100k input attenuator, which is buffered by op-amp IC_{14} . The ZN451 cancels the offset voltage of this op-amp by regularly reversing the polarity of signal the chip voltage-input pins see, using a cmos switch IC_{14} . First, the chip measures $V_{in} + V_{offset}$, then $-V_{in} + V_{offset}$, digitally adds the two together, and divides by two, so the offset voltage is cancelled.

The ZN451 runs from a single +5V rail, and the common-mode input voltage range is $\pm 1V$ centred on +2.5V. To measure bipolar signals of $\pm 20mV$ range the chip power rails are shifted to

nominally $-2.5V$ (using a simple single-transistor regulator) and $+2.5V$ (using the on-chip $+5V$ regulator, which maintains a $5V$ differential between V_{cc} and V_{gnd}). The cmos switch control signals PH1 and PH2 hence run between $\pm 2.5V$, which is sufficient to activate them, as they have a $+1.4V$ t.t.l.-compatible logic input threshold.

A second section of the switch together with the Ex-Or gates in IC₁₅ (for backplane a.c. drive) set the decimal point position on the display, and a third switch section controls two leds for "V" or "mV" indication.

Calibration of the d.v.m. is quite straightforward if a current

source with a very high output impedance ($>10M\Omega$) such as that in Fig.7 is used. The bottom resistor is nominally $1k$. Adjust R_2 in the current source so that $199mV$ is dropped across it, preferably measured by an external $4\frac{1}{2}$ digit d.v.m. Do not alter R_2 subsequently! Switch S_7 to the $199.9mV$ range and adjust R_3 for a $199mV$ reading. Using the changeover switch S_9 you can check for a $-199mV$ reading. Now switch to the $1.999V$ range, and adjust R_4 for a $1.99V$ reading on the ZN451; do not alter R_2 . Similarly switch to the $19.99V$ range and adjust R_5 , leaving R_3 and R_4 alone.

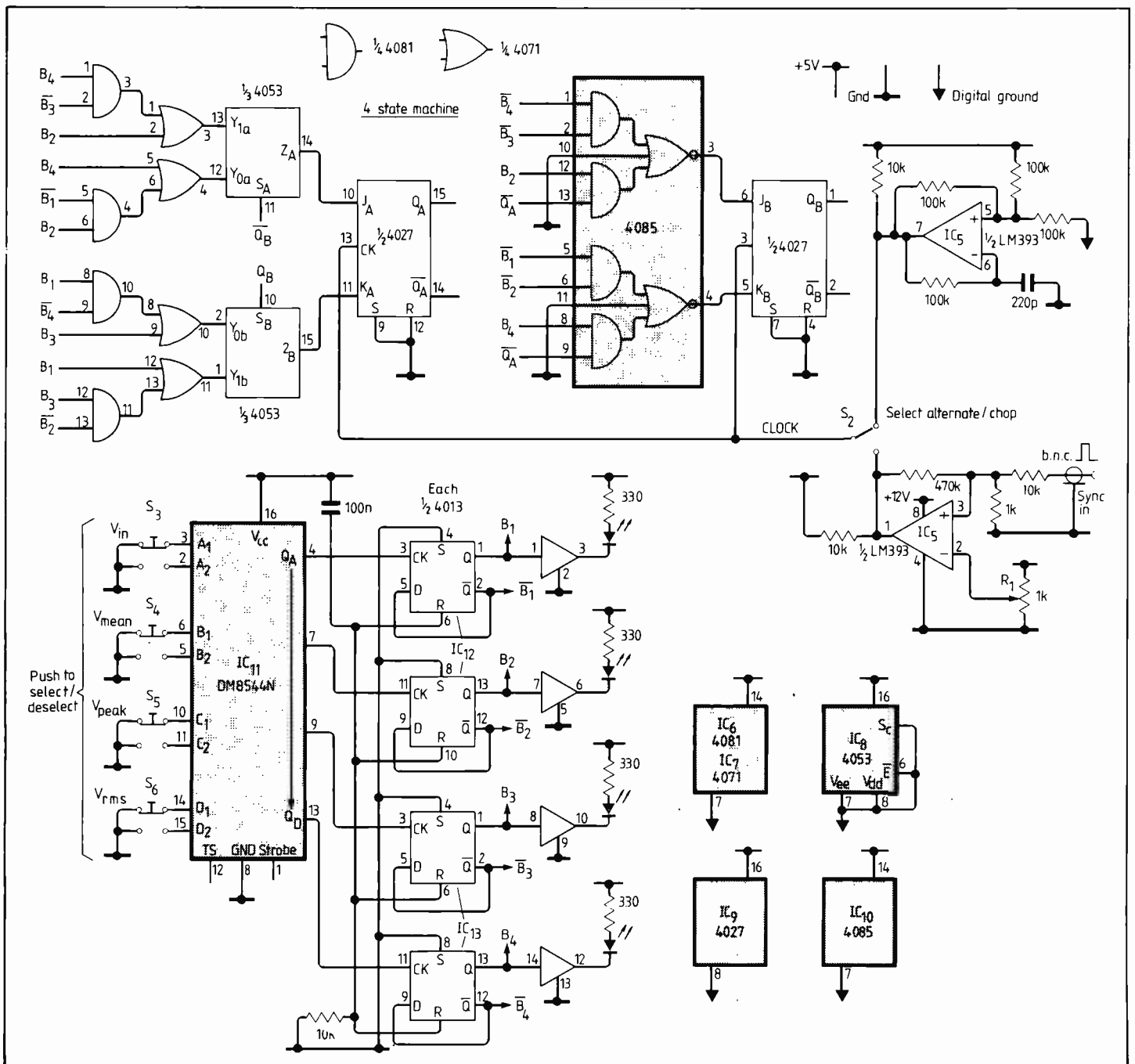
The meter incorporates inter-

nal digital auto-zero, so with the attenuator input shorted to ground there should be no bottom-digit flicker. If a range is overloaded the display is blanked, except for a leading "1". The internal oscillator clock rate is set by R_{osc} and C_{osc} so that the measurement interval is $500ms$, a whole number of mains pick up rejection. R_{osc} could be trimmed if necessary. Note that for $100\mu V$ resolution decoupling and wiring layout around the ZN451 should be carefully attended to.

Use and construction

The prototype of the instrument

Fig. 5. Digital sub-section circuit diagram.



OSCILLOSCOPE DISPLAY

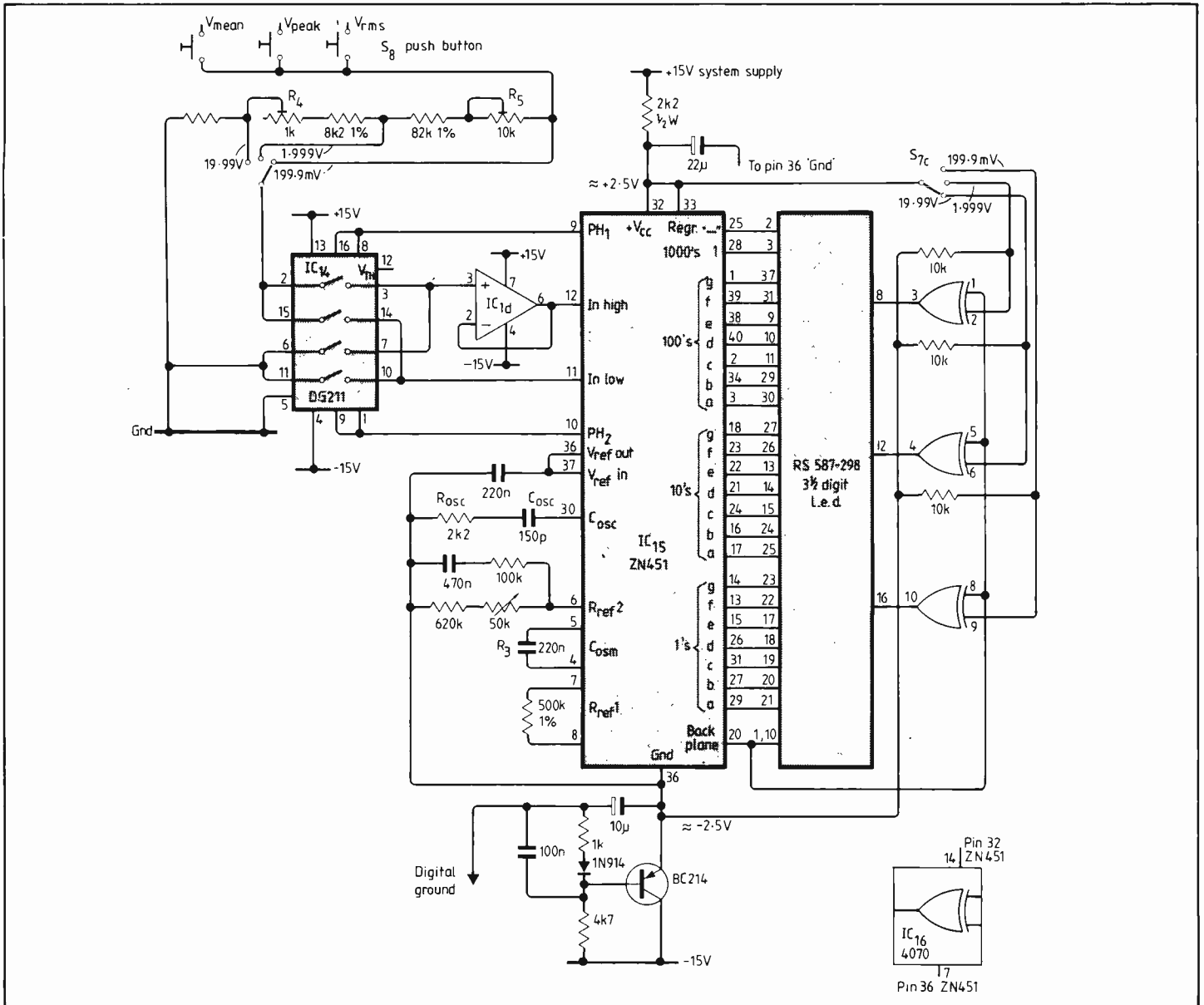


Fig. 6. Digital voltmeter circuit diagram, previously published in *Electronic Product Design*, Dec. 1984.

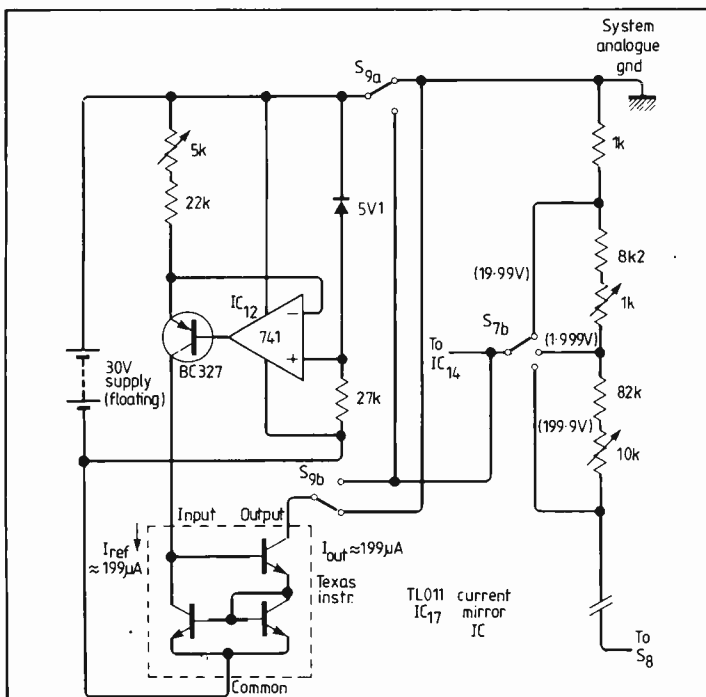


Fig. 7. Calibration current source.

was constructed in a 180×120×70mm plastic Vero case, on square-pad Veroboard, using point-to-point wiring. A mains to ±15V and +5V p.s.u. is included, using the 6VA slim-line 15-0-15V transformer available from RS Components Ltd. (RS 208-282). The usual 78/79 series regulators were used, only a small heat sink being necessary as the circuitry is generally designed around low-power devices. The front panel switches are of the piano-key type, drilled to accept sub-miniature leds. The

d.v.m. range switch is placed on the rear panel.

The instrument is very easy to use: the signal source is routed to the input rear panel BNC, output going to one oscilloscope channel. On some instruments there may be problems with triggering, especially in chop mode when it is easiest to run the input signal directly to the external trigger, as well as to the analyser. No input overvoltage protection is provided and the user may wish to add Zeners/resistors as necessary. The linear range is nominally ±10V, with a 1% accuracy. The r.m.s. chip is, however, limited to peak-to-peak swings of 5.6 volts, before the accuracy falls off.

Reference
1. Zissos, D., Duncan, F.G., *Problem and Solutions in Logic Design*. Oxford Science Publications, Oxford University Press, 1979.

Eliminating stereo hiss?

A major problem for listeners and broadcasters has existed since 1961, when the FCC officially adopted the Zenith/General Electric (pilot-tone) system of stereo broadcasting. This is the significant difference, amounting to a penalty of some 25dB, between the signal that needs to be applied to a receiver or tuner to receive noise-free stereo, compared with the much lower signal strength required for satisfactory mono reproduction. In engineering terms it is UK practice to designate the 60dB (μ V) field strength contour as the limit of stereo coverage and 48dB for mono, and to advise listeners that at least a two-element outdoor antenna is recommended for good stereo.

For national networks it is possible, although costly, to plan for a minimum field strength of 60dB in all areas, but for local stations there will inevitably be large areas where only mono reception is satisfactory. This can mean that in some topographic situations noise-free stereo is achieved over only about a quarter of the mono coverage area, unless listeners are prepared to install multi-element roof-top antennas.

Over the past decade a number of techniques for stereo noise reduction have been proposed by Dolby and others, but these have highlighted the problem of introducing new techniques into broadcasting services without affecting the quality of reception on existing high-quality receivers. European broadcasters, in particular, have tended to reject signal-processing techniques in much the same way as they have, in the past, given thumbs down to extra channels carried piggy-back on stereo transmissions, despite the widespread use of s.c.a. (subsidiary communications authorization) in the USA. Interest in s.c.a. techniques, however, is currently reviving in the UK and a new series of tests are planned. The problem of compatibility is closely related to multipath distortion.

Meanwhile in the USA, the CBS Technology Centre, in collaboration with the National

Association of Broadcasters (NAB), has developed a new noise-reduction technique for stereo ("FMX extended range stereo system") claimed to provide, with the North American pre-emphasis of 75 microseconds, a noise reduction of up to 23dB, while maintaining full compatibility with the existing pilot-tone stereo transmissions. This employs linked compression and expansion techniques (i.e. similar to Lincompex) by using the main 38kHz d.s.b.s.b. signal as a decoding reference for processing a second heavily-compressed 38kHz sub-carrier radiated in phase-quadrature to the first. Existing receivers, it is claimed, simply ignore the quadrature signals but FMX decoders automatically expand the companded stereo signal and so overcome stereo hiss. At the transmitter, a re-entrant compressor reduces the compression ratio at high signal levels and so prevents overmodulation resulting from summation of the two 38kHz signals.

It is claimed that in large-quantity production a suitable FMX decoder chip could cost less than £1. New circuitry in the encoder would add around £2500 to the cost. Field trials at WPKT, Meriden, Connecticut were held earlier this year and the system was originally described at the June 1985 International Conference on Consumer Electronics. More trials by a number of American broadcasters are planned.

Potentially such a system could be a major step forward for v.h.f. stereo, but European broadcasters would need to be convinced that the heavily compressed quadrature signal would have no effect on existing tuners and receivers even under pronounced multipath conditions.

DTI to "specify" CB radios

In a written reply on June 28, Geoffrey Pattie, Secretary of State at the DTI, revealed that illegal forms of CB radios and cordless telephones would be "specified" later this year. This will have the effect of prohibiting sale, manufacture, hire and importation of equipment not in accordance

with British regulations. However an exception is to be made for f.m. C.B. equipment designed to operate in the band 26.960 to 27.410MHz which is expected to become available in 1987 as part of the move towards "harmonization" with Europe, and where the equipment otherwise meets the UK technical specification.

S.s.b. broadcasting

Details of Japanese-developed experimental receiver-adaptors suitable for use on transmissions having the carrier reduced by up to 12dB have been published by M. Ohara of NHK in the *EBU Reveiw-technical* of April 1985. These have included the use of phase-locked loop synchronous detection and also the use of two-phase synchronous detection with a crystal filter to extract the carrier. Such systems can also be used as interference-rejection demodulation of double-sideband a.m. transmissions by providing sideband selection. The p.i.l. detector seems to be slightly the more effective.

Using Bands I and III

In a separate answer, Mr Pattie described the initial plans for the use in the UK of the former v.h.f. "television" Bands I and III, and forecast that some frequencies would be allotted for mobile s.s.b. radio telephones. Broadcasters will be relieved to have confirmation that six blocks each 0.7MHz wide will be made available in Band III, and two of 0.35MHz in Band I.

It was also confirmed that British radio amateurs will soon be given 24-hour access to 50 to 50.5MHz subject only to some restrictions intended to prevent interference to European television. This move has been warmly welcomed by the RSGB who point out that the band is suitable for new forms of propagation research. 49.82 to 49.90MHz will be available for the use of general low power devices which have minimal potential for causing interference, such as toys and

telemetry equipment. Wide-area paging will be permitted about 153MHz and 454MHz.

Jutland and Room 40

The first casualty of war, it is often said, is truth. Churchill believed that in war truth has to be surrounded by a bodyguard of lies. Fair enough, but unless one is careful, some wartime "deceptions" become firmly established as "history".

The 1914 Russian troops "with snow on their boots", the 1941 carrot-eating night-fighter pilots, and most of the many "sibs" that were officially put into circulation have long been discredited. But the recent IEE "50th anniversary of radar" seminar provided at least one example of fiction long regarded as fact, capable of misleading even such a distinguished historian of radio technology as Professor Charles Susskind of the University of California.

In his interesting "Who invented radar?" paper, he included in passing the well-established story of how the naval battle of Jutland on May 31, 1916 was brought about by the d/f stations (built by H.J. Round of the Marconi company) detecting a tiny change in bearings of the transmissions of the German warships in the Jade estuary near Wilhelmshaven over 300 miles away, representing a change of bearing of only about one degree: This story has been widely accepted even since the end of the Great War. It was not until recently that the true story emerged in Patrick Beesly's "Room 40".

Whereas the success of Alan Turing in 1942 in cracking the four-rotor German enigma cipher remained secret for 30 years, the astonishing degree to which Admiral Hall's "Room 40" cryptanalysts were able to read German naval ciphers virtually throughout the first World War remained hidden for over 60 years.

Patrick Beesly shows that the intention of the German fleet to put to sea was obtained from a series of messages from May 28, 1916 onwards, including traffic via Bruges informing German U-Boats to reckon with their own ships being at sea on May 31 and June 1. There can be no-doubt that it was the

decoding of the messages rather than super-accurate d/f bearings that provided the intelligence that led to the Grand Fleet sailing to intercept the German warships and so bringing about the last major clash of battleships — 35 British and 21 German — in an action in which no less than 248 vessels were involved. Although British naval losses were the higher, the main German fleet returned to port and never ventured out again during the Great War.

This amended story does not deny due credit to H.J. Round, since his sensitive receivers were used for interception as well as d/f.

At the seminar I mentioned this to Dr Susskind and he graciously admitted that he had long had reservations about the d/f story. His wife also found my version credible as she was actually involved in decoding German naval traffic in World War 2.

Wireless World and radar

Professor Susskind also suggested that possibly the last reference to radar techniques in the open literature until the end of WW2 was the *Wireless World* description of the crude collision-avoidance system fitted (not entirely successfully) to the crack French passenger-liner Normandie in 1935. This encouraged me to check library copies and, sure enough, I found in the June 26, 1936 issue, pages 623-4, "Feelers' for ships — new micro-wave equipment described" a detailed follow-up to a news item "Ratio feeler" in the issue of November 8, 1935.

It was prophetically noted that: "Any device which may serve to increase the security of ocean travel deserves special notice and the micro-wave apparatus described here seems to offer great possibilities in this field." It was claimed that the 16cm (1875MHz) continuous-wave system could "discover the presence of an obstacle in its path, such as an iceberg or another vessel which, by reason of fog or other obstruction to vision, might otherwise not be detectable."

The equipment was made by the Société Française Radio-Electronique and known as the

SFR obstacle detector.

Unfortunately, as other papers at Savoy Place made clear, its use on the Normandie was less successful than during earlier trials in the English Channel and it was subsequently taken off the vessel.

By 1936 several teams of engineers were furiously working in secret on radar systems for the detection of aircraft. The open publication of this article must have come as a shock to such teams, although the idea of using radio reflections from ships dates back to about 1906.

Car electronics

The vulnerability of the increasing amount of electronic equipment in modern vehicles to strong local signals, circulating electric currents, switching transients, etc. is at last attracting the attention and concern of the industry. High-power mobile transmitters with r.f. outputs of over 100 watts, as used legally by some radio amateurs and illegally by some c.b. operators with linear amplifiers, can cause severe e.m.c./r.f.i. problems not only in the vehicle in which they are carried but also to the electronics of nearby vehicles, including vital vehicle control systems. Part of the trouble is due to cost-cutting exercises which leave the electronics unshielded, with interconnections unfiltered or with leaky connectors. Some engineers see a future solution in the use of fibre-optics within vehicles. Electronic braking systems also now face increasing competition from improved hydraulic systems that imitate the "pumping" of electronic anti-skid systems by regulating the flow of braking fluid in step with the angular momentum of the wheels — and do this at lower cost than electronics. Guidance, navigational and terrain-mapping systems are still found more in laboratories than on the roads.

The possibility of failure or inducing latch-ups in some c.mos memory devices by the light from photographic flash-guns or lasers has been investigated by British Telecom research engineers at Martlesham. In extreme cases

an intense photographic flash has been shown to result in destructive latch-up while output latching can occur at much lower light levels when using inadequately protected c.mos uveprom devices.

Amateur Radio

Old-style rigs

The vast majority of amateurs now use modern transceivers, some of them hybrid (valve/semiconductor) designs but increasingly all-solid-state. Yet at the same time there is a revival of interest in the simple, classic type of crystal-controlled transmitters that were popular in the 1930s, including their use with simple wire antennas supported by trees and/or houses.

Recently on 3.5MHz I contacted Phil Evans, GW8WJ, who has the distinction that since he acquired his licence in October 1937 he has never used a transmitter exceeding 10 watts input in conjunction with an 84 ft end-fed antenna with counterpoise (the W3EDP design of the mid-thirties). Yet his "tritet" crystal oscillator plus power amplifier (6L6 formerly 42E) still puts out a useful signal that has brought him a fair share of long-distance contacts, including Australia and New Zealand on 3.5MHz. His antenna is strung up to a neighbours chimney and the 17 ft counterpoise, with a switch at 6.5 ft for some bands, is run around the skirting board of his upstairs "shack". Receiver is a wartime HRO. Phil Evans, who is 70 years old this month, says "I can't understand this mania for big antennae-support towers that run into so many local-authority planning problems."

On h.f. at 5 w.p.m.

Proposals for a new class of UK amateur licence that would permit Class B (v.h.f. only) licensees to operate c.w. on a restricted basis on the 1.8, 21 and 28MHz bands after passing

a five words per minute Morse test have been submitted by the RSGB to the DTI and are currently being considered.

The RSGB do not regard their proposals as constituting a "novice" licence since they still require the applicant to pass the Radio Amateurs' Examination. The new permit would allow the use of transmitter powers of up to 9dBW output and it is interesting to speculate how such a limit, which is significantly below the minimum output of most widely available h.f. transceivers, could be effectively enforced.

Nevertheless many c.w. enthusiasts will welcome this new incentive in the belief that those who gain experience of manual Morse in this way will find it an attractive mode and continue to use it after acquiring a Class A licence by taking a 12 w.p.m. morse test.

The DTI have been set something of a poser by Tom Maclean, whose exploits on lonely Rockall have included "unlicensed" amateur radio operation under the self-assigned callsign GR1TM. Apparently the Radio Investigation Service decided, wisely enough, to wait for his return to the mainland before making official enquiries — and so forfeiting an attempt themselves to effect a landing to obtain firm evidence of his radio activities.

In brief

Forthcoming mobile rallies include: August 25, Preston rally at Lancashire University, BARTG rally at Sandown Park, Esher and Torbay rally at STC Social Club, Old Brixham Road, Paignton. September 1, Lincoln Hamfest at Lincolnshire Showground 4 miles north of Lincoln. September 8, Galashiels Open Day, Focus Centre, Livingstone Place. September 15, Vange rally, Nicholas School, St Nicolas Lane, Basildon also Peterborough rally, Wirrina Sports Stadium, Bishops Road. September 21, Amateur Radio Car Boot Sale at Shuttleworth Collection, Old Warden Aerodrome, nr Biggleswade. September 22, Harlow Sports Centre, Hammarskjold Road, Barlow.

PAT HAWKER, G3VA

ANOTHER GOOD CONNECTION IN THE JUNGLE



The small bird is in no danger; though its menacing host might be, if the bird moved on.

In return for food and security the Egyptian Plover renders an important service; warning the crocodile of impending danger, removing parasites and even cleaning its teeth.

It's a classic *symbiotic* relationship; one in which each partner needs (and greatly enhances the performance of) the other.

And, as such, it parallels the relationship between PSP and ITT Cannon.

WHAT'S GOOD FOR US IS GOOD FOR YOU

Our advice and service is based on nearly 20 years specialised knowledge of connector distribution.

Combine that with Cannon's circular, rack & panel, micro-miniature, audio, environmental, high temperature, printed circuit and many other connectors – and it's to everyone's benefit.

So remember, to avoid the dangers inherent in the electronics jungle, there's no better connection than PSP.

PSP Electronics Ltd, Unit 2, 2 Bilton Road, Perivale, Greenford, Middlesex, UB6 7DX. Tel: 01-998 9061.



ITT CANNON

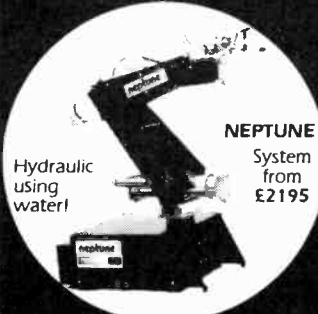


CIRCLE 79 FOR FURTHER DETAILS.

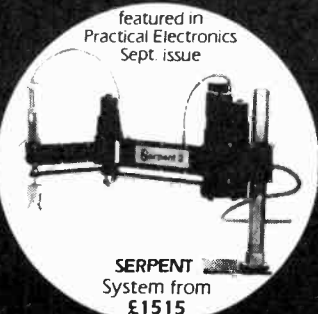
ROBOTS for EDUCATION TRAINING and INDUSTRY



MENTOR
System
from
£495



NEPTUNE
System
from
£2195



featured in
Practical Electronics
Sept. issue

SERPENT
System from
£1515

MENTOR DC servo desktop robot. 8 bit control system; 300gm capacity; 420 reach.

NEPTUNE I/II 6/7 axes 8/12 bit control system 2.5kg capacity. 1120mm reach.

SERPENT I/II 5 axes 12 bit control system 2 kg capacity 400/650mm reach.

Robots programmed from keyboard or hand-held simulator (model robot).

Robots may also be taught by 'lead by the nose' method.

Extensive software is supplied free with each robot.

Leads available for connection to BBC, ZX Spectrum, Apple IIe, Commodore 64 and VIC 20.

Most other micros are also easily usable with these robots.

Robots available as kits or ready built.



Please phone for brochure: 0264 50093
West Portway Industrial Estate, Andover SP10 3WV.
A private and independent company giving prompt, personal service.

CIRCLE 41 FOR FURTHER DETAILS.

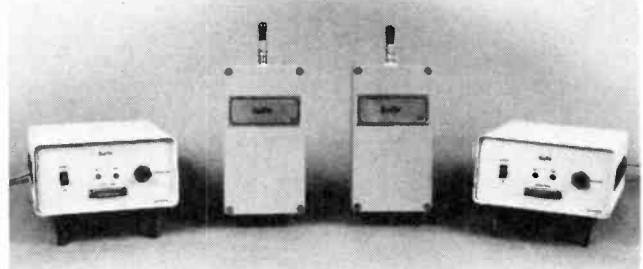
ELECTRONICS & WIRELESS WORLD SEPTEMBER 1985



MICROPROCESSOR BASED DESIGN
ELECTRONIC EQUIPMENT MANUFACTURE

SurTel

UHF RADIO TELEMTRY



HOME OFFICE APPROVAL TO MPT 1309

- ★ RANGE LINE OF SIGHT
- ★ TRANSMISSION RATE 1200 BAUD
- ★ SERIAL INPUT/OUTPUT
- ★ ROBUST WEATHERPROOF HOUSINGS (IP65)
- ★ OPERATES FROM 12 VOLT D.C.
- ★ LOW POWER DRAIN 250mA
- ★ OPTIONAL BASE INTERFACE UNITS

— LINK COMPUTER/COMPUTER/PERIPHERAL/INSTRUMENTATION —
— COST EFFECTIVE UHF RADIO MODEM —

**MICROMAKE
ELECTRONICS**

1 THE HOLT
HARE HATCH
UPPER WARGRAVE
BERKS RG10 9TG

TEL: 073522 3255
TLX: 849462 TELFAC G
FAX: 0628 74928

CIRCLE 95 FOR FURTHER DETAILS.

8

New Circuitmate Multimeters

Feature-packed multimeters at very low prices

From Beckman Industrial comes a new range of eight low-cost 3 1/2 digit multimeters — the 'Circuitmate' series.

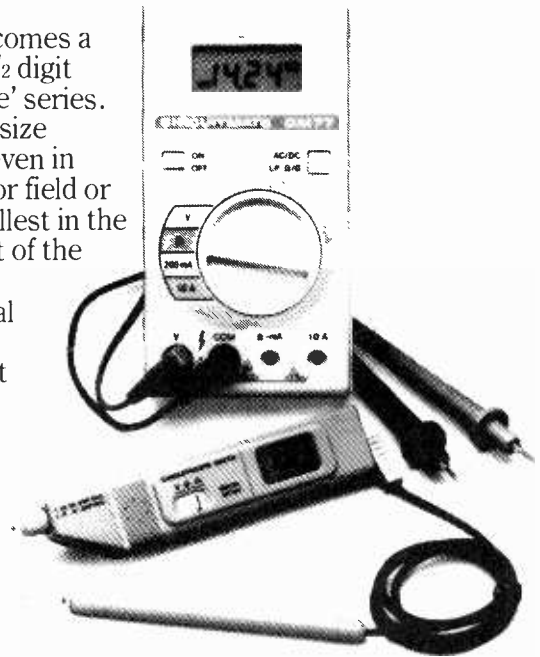
They include three pocket-size models with extras not found even in most large multimeters, two full-size handheld instruments for field or bench use, two autoranging models, including one of the smallest in the world, and an extra-compact, extra low-cost model with most of the features of the bigger meters.

All are readily available from your local Beckman Industrial distributor.

Send for full details of a new range which cuts cost without cutting quality.

Beckman Industrial™

Beckman Industrial Ltd
Electronic Technologies Division, UK Sales & Marketing Organisation
Mylan House, 11 Wagon Lane, Sheldon, Birmingham B26 3DU
Tel: 021-742 7921 Telex: 336659



CIRCLE 63 FOR FURTHER DETAILS.

AUDIO DISTRIBUTION CONSOLE MODEL RTM4-100

The following distribution facilities are provided

1. Single channel radio distribution from integral variable AM/FM tuner
2. Single channel cassette tape distribution from integral cassette player
3. Four channel mixed speech distribution from any standard 200 ohm impedance microphones

Note that the output of all facilities can be mixed if required and that bass and treble control is provided on the mixed output

RECORD FACILITY

The integral cassette tape recorder can be used to record the mixed output of the four microphone channels and the radio distribution channel

CONSOLE

DIMENSIONS	465mm High x 435mm wide x 330mm deep approximately
POWER SUPPLY	200/250 Volts A.C. 50 Hz.
AMPLIFIER	100 Watts RMS 100 Volt line output

PRICE £556 inc. VAT and Delivery (Mainland only)

Ultrasonic Burglar Alarm

Portable — wooden finish with internal alarm — easily installed — mains/battery option. Provision for window contacts — pressure mat. External horn and bell unit. Sample units £39.00 + £2.00 pp (£47.13 inc. VAT each), 5 units £35.00 + £2.00 pp £42.55 inc. VAT each, 10 units £33.00 + £2.00 pp £40.25 inc. VAT each.

External Horn

Sample unit £7.50 + £2.00 pp £10.93 inc. VAT each, 5 units £6.75 + £1.50 pp £9.49 inc. VAT each, 10 units £6.37 + £1.50 pp £9.05 inc. VAT each.

Burgess E61

Sub-miniature microswitch with common NO-NC contacts. Rated at 5 amps on 125-250V AC. Internal heavy duty contact gold plated for long life. £15 For 100 + VAT, £67.50 for 500 + VAT, £125 for 1,000 + VAT. £550 for 5,000 + VAT. Sample 10 sent for £2.00 + 50p pp (£2.88 inc. VAT).

TERMS C.W.O. export enquiries welcome. We find it impossible to advertise all we stock. Please telephone, write or telex for further enquiries. Personal callers always welcome.

ELECTRONIC EQUIPMENT Co.

SPRINGFIELD HOUSE
TYSSEN STREET
LONDON E.8. 2ND
TEL NO. 01-249 5217
TLX: 8953906 EECO G

CIRCLE 76 FOR FURTHER DETAILS.



MITSUBISHI

MGF-1402
MGF-1403
MGF-1412
MGF-1801

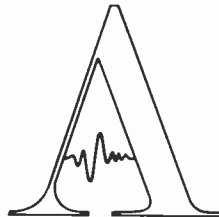
GaAs FETs

FROM STOCK

Aspen Electronics Limited

UK representative for Mitsubishi Electric

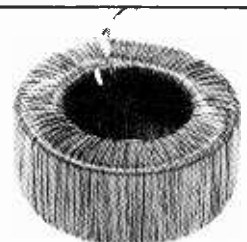
2/3 Kildare Close, Eastcote, Ruislip
Middlesex HA4 9UR
Tel: 01-868 1188 Tlx: 8812727



CIRCLE 71 FOR FURTHER DETAILS.

Toroidal Transformers

as manufacturers we are able to offer a range of quality Toroidal Transformers at highly competitive prices and fast delivery.



Mail Order Price List

15VA 6.92. 30VA 7.18. 50VA 8.86. 80VA 9.92. 120VA 10.59. 160VA 12.10. 22VA 13.69. 300VA 14.77. 500VA 19.20. 625VA 22.09. 750VA 26.17. 1KVA 42.22. 1.2KVA 46.79. 1.5KVA 52.06. 2KVA 68.95. price includes p-p & vat.
Available from stock in the following voltages:—6-0-6-9-0-9, 12-0-12, 15-0-15, 18-0-18, 22-0-22, 25-0-25, 30-0-30, 35-0-35, 40-0-40, 45-0-45, 50-0-50, 110, 220, 240(max. 10 amp). Primary 240 volt.

Quantity Prices and delivery on request
(we also manufacture conventional E1 type transformers)



Airlink Transformers.

Unit 6, The Maltings, Station Road,
Sawbridgeworth, Herts. Tel: 0279-724425.

CIRCLE 93 FOR FURTHER DETAILS.

NiCd cells — part 4

by Rod Cooper

A practical assessment together with hints on construction

The charging system has been operational for almost two years, during which time 15 NiCd D-cells, three F-cells and variable numbers of C-cells have circulated through it. Most of my own instruments have had their 6 or 9V batteries, whether primary or secondary replaced by single NiCd cells and d.c./d.c. converters. The lower cost of single cells relative to the previous miscellany of batteries permitted a reservoir of cells to be held permanently in the charger on a 15½ day cycle, sometimes extended to 31 days, without increasing the budget. Besides being used in single-cell d.c. converter combinations, cells taken from the charger stock were used in batteries in two pieces of domestic gear equipped with low-voltage cut-outs.

None of these cells has shown any symptoms of dendrite formation or any other recharge-related symptom. The failure rate prior to this over a similar period using a conventional constant-current battery charger accounted for nearly half the available NiCd capacity.

Some of the improvement must be credited to the different way in which the cells are discharged most of the time, i.e. with d.c. converters, and this should be taken into account as like is not being compared with like.

However it can be said without qualification that the technique of holding a stock of cells in a guaranteed minimum state of charge for instant replacement of discharged cells, instead of waiting for recharge, does work extremely well in practice.

If this record of reliability continues, the extra cost of the charger will be recouped very shortly. The pay-back time obviously depends on the rate of use of cells, higher rates of use reducing the pay-back time, and it also helps if the number of cells held in the charger, and thus the size and cost of the charger itself, is tailored to suit one's needs. Having two banks of four cells each will not make economic sense if the

usage is only one or two cells a month, but the design is highly adaptable and the charger shown in the photograph for example has only two banks of two cells each.

To my surprise, a charger situated in a well-insulated garage indicated that the temperature cut-out operated several times during the winter months. This occurred despite the fact that the garage shared a common warm wall with the house, but a check with a maximum-minimum thermometer confirmed that the cut-out was justified. This leaves me to wonder what would have happened without such a cut-out.

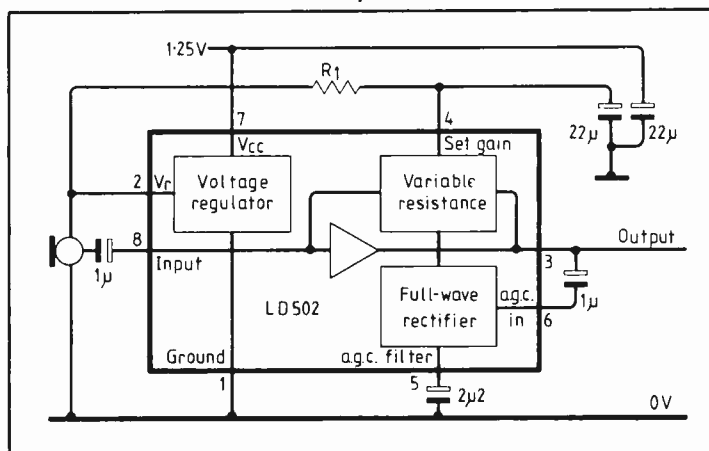
Building a practical charger

The following table gives values of R_a and R_b for the circuit shown on page 35 of the July issue.

R_a (Ω)	R_b (Ω)	cell size	comment
82 or 91	8.2	AA	uses a C/3 charging rate
68 or 75	6.8	C	
47	3.9	D	
33	2.2	F	replace D_{10} with 3A diode

Resistor b should be a generously rated power resistor, such as a four or seven watt type from RS Components ceramic range. R_a can be a two-watt carbon type. These two resistors must be mounted in a position where they cannot set up strong convection currents inside the case. Do not, for example, mount them near the bottom of the case. To reduce the effect of convection, a screen can be interposed between the resistors and the sensing diode strings. These two sensors must be placed as close together as practical construction will allow, and remote from the heat sources such as the mains transformer and these resistors.

There are two critical components in the charger system, namely the cell holder and the mains transformer. Unfortunately RS Components do not stock a full range of single-cell holders, but the reference numbers for those that are stocked are cell size AA: ref. 507-551 cell size D: ref. 507-539



transformers: 12VA ref. 207-627
20VA ref. 207-122
50VA ref. 207-239

To solve the problem, and for those would-be constructors without access to RS Compo-

ponents, a full range of single-cell holders including C and F sizes, the mains transformers, a suitable metal case and a set of printed circuit boards are available from J. Biles Engineering, 120 Castle Lane, Solihull, West Midlands B92 8RN.

Single-cell working

In response to enquiries about the LD502 i.c. mentioned in the May article, here is some more information about this little-known device.

The LD502 is an a.g.c. audio pre-amp in an 8-pin Minipac. The supply voltage range is 1.05 to 3V, open-loop gain 60dB and the a.g.c. range up to 65dB. Suitable applications are in microphone amplifiers, tape recorder equalization circuits and voltage-controlled amplifiers. The block schematic is shown below in a typical buffered electret microphone application.

The LD502 can be used with other devices in the range such as

the LC507, which is a three-stage linear class-A amplifier operating from 1.0 to 3V, to form recording and playback circuits for cassette recorders. (Record circuit available on request.)

The i.c.s are manufactured by Linear Technology Incorporated of Canada (not to be confused with Linear Technology Corporation of California) and are distributed by Steatite Microelectronics, Hagley House, Hagley Road, Birmingham B16 8QW. There are more than 20 devices listed which operate from 1.0V. There is no doubt that these low-voltage i.c.s will cause radical changes in the way designers specify circuits for portable equipment. Although they cost more than standard i.c.s, this is outweighed by the technical and economic merits of avoiding batteries, as highlighted in the May and June articles.

Corrections

Two errors occurred in the articles, neither the author's fault, the first on page 60 of the June issue, when the words "Even charging 10C can result in a doubling of the usual overcharge pressure" did not refer to 10 × capacity, but should have read 10°C. And the second was in the July issue, page 35, when diode D_1 was shown connected the wrong way round. (An omission in the page 35 circuit has since been discovered — connect T_7 collector to the l.e.d. cathode.)

by John Lidgley†

†Dr F.J. Lidgley is Principal Lecturer in Electronics, Department of Engineering, Oxford Polytechnic

The tale of the long-tail pair

The operation and applications of the extremely versatile long-tail pair circuit are examined in two articles. In this first article the characteristics of the pair are analysed and applications in op-amp and high frequency circuits reviewed.

Probably the single most important circuit in analogue electronics is the emitter-coupled pair, often referred to as the long-tail pair. It is the basis of many circuits, most notably the input stage of operational amplifiers, high-frequency voltage-controlled amplifiers, analogue logarithmic and antilog circuits, full four-quadrant multipliers, and emitter coupled logic (e.c.l.)

In this article the main features and operation of the emitter coupled amplifier will be reviewed with the objective of obtaining a sound understanding of these circuits. The results of this exercise are then used to analyse a number of important applications.

Static characteristics

The emitter-coupled amplifier is termed a long-tail pair when connected as shown in Fig.1. The name 'long-tail' was coined many years ago when the current sink, I_0 , was realised using a large-value resistor connected between the emitters of Tr_1 and Tr_2 and the negative voltage supply.

In the forward active region the collector current of a bipolar

junction transistor (b.j.t.) is related to the base-emitter voltage by the empirical relationship,

$$I_C = I_S (e^{V_{BE}/V_T} - 1) \quad (1)$$

where I_S , typically $10^{-13}A$, is a constant for a fixed temperature and dependent upon the device geometry and structure, and V_T is the thermal voltage, which is linearly related to absolute temperature and about 25 mV at a nominal 290°K room temperature.

When used with a value of V_{BE} significantly higher than V_T , (1) reduces to

$$I_C \simeq I_S e^{V_{BE}/V_T} \quad (2)$$

This exponential relationship holds for about six decades of collector current and is the basis of analogue logarithmic and exponential (antilog) circuits.

Returning to the circuit of Fig.1, assuming that both transistors are well matched in device parameters and of exactly the same temperature (e.g. a single chip pair) if $V_{B1} = V_{B2}$, then $I_{C1} = I_{C2}$ as both transistors have identical values of V_{BE} . Clearly, a common base-to-ground potential $V_{B1} = V_{B2} \neq 0$ will not alter the collector currents as long as the current sink, I_0 , is not affected and Tr_1 and Tr_2 both have sufficient reverse bias on V_{CB} to keep them in the active region.

However, if $V_{B1} \neq V_{B2}$, then the share of emitter current will no longer remain equal at half of I_0 . Using (2) we may obtain the expression,

$$\begin{aligned} V_{B1} - V_{B2} &= V_{BE1} - V_{BE2} \\ &= V_{T1} \ln \left(\frac{I_{C1}}{I_{S1}} \right) - V_{T2} \ln \left(\frac{I_{C2}}{I_{S2}} \right) \quad (3) \end{aligned}$$

However, since the transistors are a single-chip pair, which for convenience shall be denoted as $Tr_1 \equiv Tr_2$, the additional horizontal line on the normal three equivalent sign implying precise temperature matching as well as device matching, then

$$V_{T1} = V_{T2} = V_T$$

and

$$I_{S1} = I_{S2} = I_S$$

and (3) reduces to

$$\left(\frac{V_{BE1} - V_{BE2}}{V_T} \right) = \ln \left(\frac{I_{C1}}{I_{C2}} \right) \quad (4)$$

But the current sink at the emitter node forces the sum of the two emitter current to equal the constant current I_0 .

Alternatively in terms of collector current,

$$I_{C1} + I_{C2} = \alpha I_0 \quad (5)$$

and so (4) may be separately solved for I_{C1} and I_{C2} , giving

$$\frac{I_{C1}}{\alpha I_0} = \frac{1}{(1 + e^x)} = y_1 \quad (6)$$

$$\text{and } \frac{I_{C2}}{\alpha I_0} = \frac{1}{(1 + e^{-x})} = y_2 \quad (7)$$

where $x = (V_{B1} - V_{B2})/V_T$. These equations are best illustrated graphically and are shown plotted in Fig.2.

The transconductance of a circuit is the ratio of output current change in response to an input voltage change. If the input voltage of the long-tail pair is $(V_{B1} - V_{B2})$ the output current change may be taken from either Tr_1 or Tr_2 or the difference between them. It is interesting to note from (5) that the change of collector current, though not always linearly related to input voltage change, is always equal and opposite in the two transis-

Fig. 1. Elements of the long-tail pair. The tail was originally a large-value resistor.

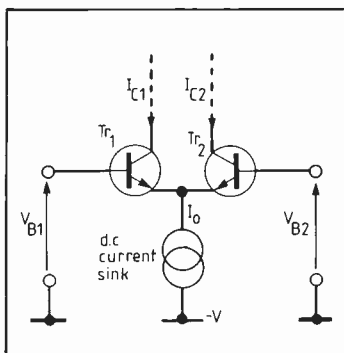
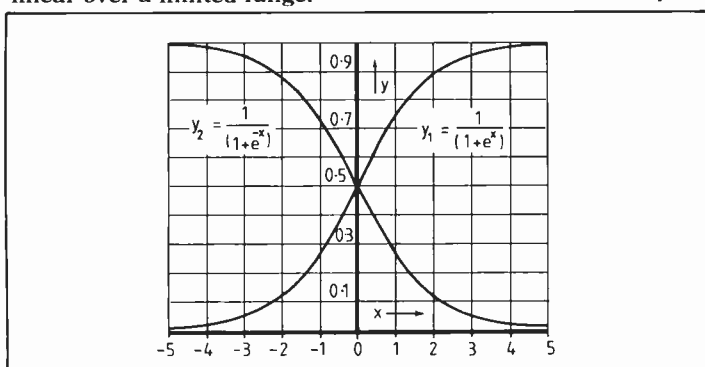


Fig. 2. Collector currents are linear over a limited range.



tors. One can see from the curvature of the characteristics of Fig. 2 that, if x ranges outside ± 1 then significant non-linear distortion occurs. Translated to input voltage changes, if $|V_{B1} - V_{B2}| \leq 25\text{mV}$, then the circuit operates reasonably linearly. If $V_{B1} \geq (V_{B2} + 4V_T)$ then Tr_2 is effectively cut-off and Tr_1 collector current reaches a maximum of I_0 , this current limiting not being the same effect as taking a b.j.t. into saturation by forward bias on V_{CB} . Similarly if $V_{B2} \geq (V_{B1} + 4V_T)$ the reverse effect occurs, Tr_1 being cut-off and Tr_2 collector current limiting at I_0 . In these extremes it can be seen from Fig. 2 that there is no longer any change of collector currents outside the range $|V_{B1} - V_{B2}| \leq 4V_T$; the circuit behaving as a current limited switch and not an amplifier.

Transconductance

Temperature stability. One of the most significant features of this circuit is that the transconductance, given by the slope of Fig. 2 at any particular bias point, is almost temperature independent and not at all strongly dependent upon the exact characteristics of the particular b.j.t.s used. The maximum transconductance is clearly obtained when the circuit is biased about $V_{B1} = V_{B2}$ and is given by

$$\left| \frac{dI_C}{d(V_{B1} - V_{B2})} \right| = |g_m|_{\text{max}} = \frac{I_0}{4V_T} \quad (8)$$

Although the circuit of the long-tail pair responds to a difference in potential between the bases it may be used as a single-ended input stage simply by connecting one base to ground. To fully appreciate the merits of the long-tail pair circuit, one should consider a simple directly coupled common-emitter stage, such as is shown in Fig. 3.

Ignoring any practical difficulties of obtaining a bias battery of value V_{BEQ} , from (2) the quiescent collector current is given by,

$$I_{CQ} = I_S e^{V_{BEQ}/V_T}$$

and it can be shown that in order to maintain a constant value of I_{CQ} then V_{BEQ} should be reduced by about 2.5 mV per degree centigrade temperature rise.

If V_{BEQ} is held at a constant value then the quiescent collector current will rise by a factor of $e^{0.1} \approx 1.1$ for each degree centigrade temperature rise. The transconductance g_m is given by

$$g_m = I_{CQ}/V_T$$

Thermal voltage V_T is directly proportional to absolute temperature and consequently increases by around 0.33% per degree centigrade at room temperature; however, this increase is much less than the increase in I_{CQ} and, as a result, g_m will rise by about 10% per degree centigrade temperature rise. Returning to the long-tail pair, (8) shows that, provided that the current sink I_0 is designed to be almost temperature independent, then the long-tail pair transconductance will be much less temperature-dependent than that of a single common-emitter amplifier.

Related to the relative stability of g_m when comparing the long-tail pair amplifier with a simple common-emitter circuit, such as that shown in Fig. 3, is the fact that for zero-point signal, the quiescent collector currents in the long-tail pair remain almost at $I_0/2$, whereas the single common-emitter collector current increases by about 10% per °C. Inputs to both these circuits may be directly coupled for operation down at d.c. However, as the collector-base potential must be positive to keep the b.j.t.s active, it is necessary to use some form of d.c. voltage-level shifting circuit to enable either to be used with directly coupled loads. Because of the strong temperature dependence of I_{CQ} , the single common-emitter amplifier is almost impossible to use in practice. Figure 4, shows a typical long-tail pair amplifier with a voltage level shifting circuit based on an emitter-follower buffer Tr_3 , with a constant current sink bias, I_0 .

The output of this circuit can now be taken to a grounded load. The long-tail pair is not really being used to maximum advantage in this amplifier as collector current changes in Tr_1 do not contribute to the voltage gain of the system; the next circuit of Fig. 5 overcomes this limitation.

Applications

As stated earlier the applications are many, ranging from linear amplifiers through to high-speed logic gates. We will now review arguably the most important application of the long-tail pair as the differential input stage of an operational amplifier.

Basic op-amp input stage. The circuit shown in Fig. 4 is typical of the early, first-generation op-amp structures. However, a significant improvement in open-loop voltage gain is achieved by the circuit of Fig. 5, which is typical of commercial op-amp designs such as the LM324 and others.

Tr_1 and Tr_2 are a p-n-p long-tail pair and Tr_3 and Tr_4 present an active current-mirror type load to the collector of Tr_1 and Tr_2 . The output is taken from the collector of Tr_2 to a second gain stage shown schematically. On the diagram are the currents flowing in response to an input signal which makes the potential of the base of Tr_2 greater than the potential of

Tr_1 . The collector current of Tr_1 rises by δI and Tr_2 falls by δI . Tr_3 is connected as a diode and Tr_1 mirrors the collector current of Tr_3 . The net result is that the current changes of both Tr_1 and Tr_2 are summed at the output node X and drive the second gain stage with current $2\delta I$. This configuration achieves the maximum voltage gain for the input stage, which is important for good signal to noise ratio as well as high open-loop (before negative feedback) gain.

High-frequency 'triple' circuit. The circuit of Fig. 6(a) is the basic arrangement of a high-frequency triple such as the LM3026/

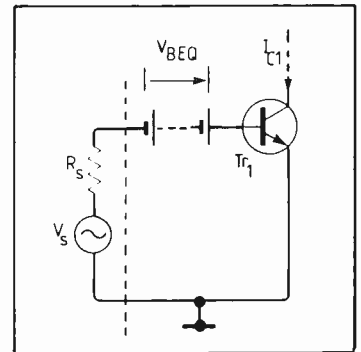


Fig. 3. Simple d.c.-coupled common-emitter stage.

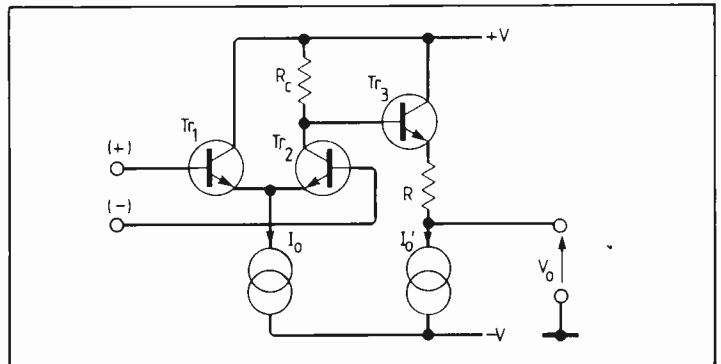
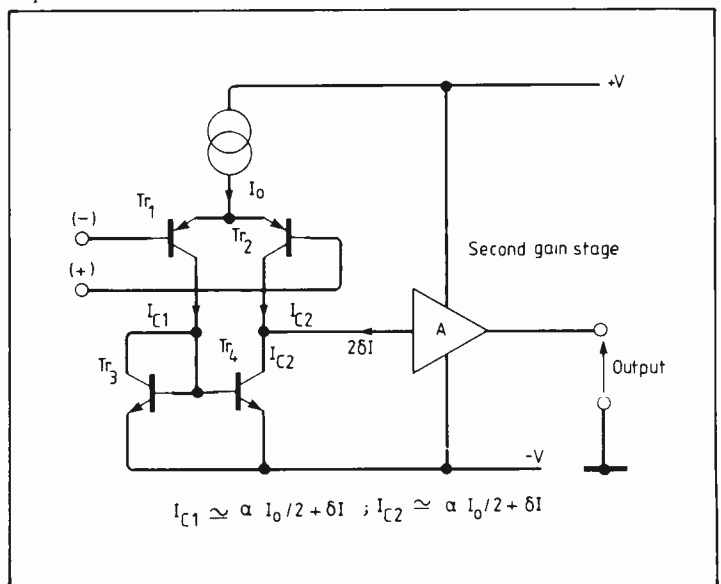


Fig. 4. Voltage-level shifter allows long-tail pair to drive a directly coupled load. Only half the circuit contributes to stage gain.

High-frequency 'triple' circuit. The circuit of Fig. 6(a) is the basic arrangement of a high-frequency triple such as the LM3026/

Fig. 5. Typical op-amp version of long-tail pair, both Tr_1 and Tr_2 contributing to stage gain.



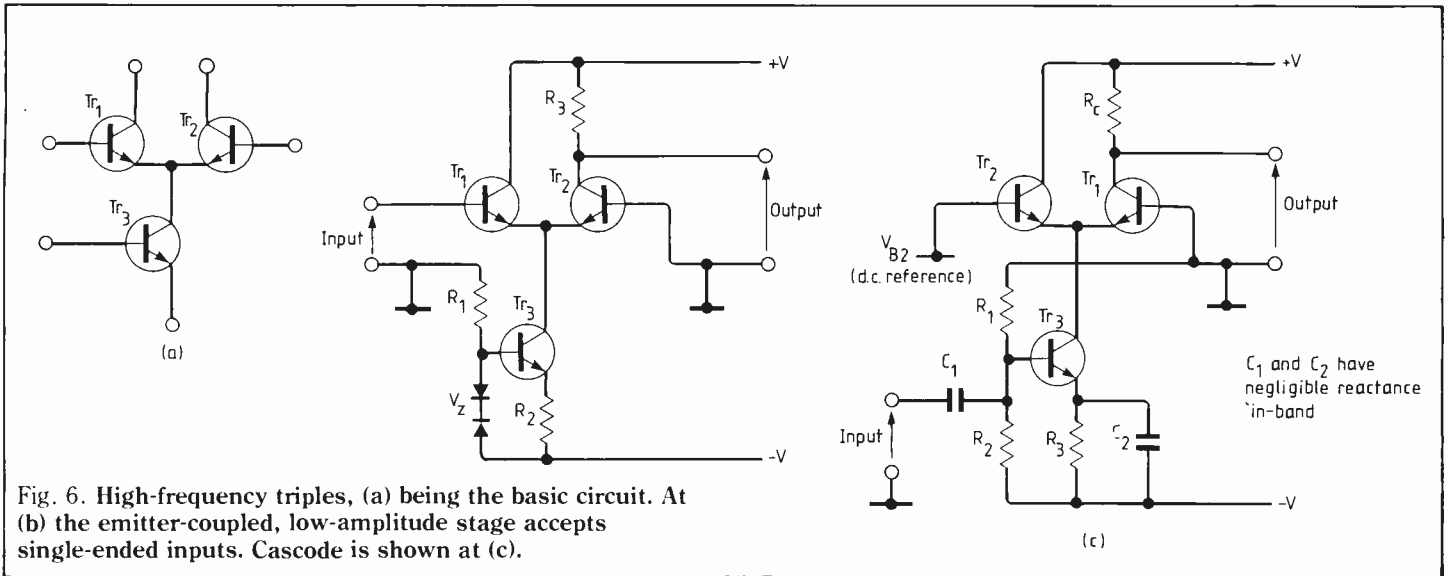


Fig. 6. High-frequency triples, (a) being the basic circuit. At (b) the emitter-coupled, low-amplitude stage accepts single-ended inputs. Cascode is shown at (c).

LM305H. Possible application configurations for useful high-frequency performance are shown in Fig.6(b) and (c). The first circuit of Fig.6(b) is referred to as an emitter-coupled amplifier and is used for low-amplitude single-ended (one side common ground) inputs. It is essentially that of a two-stage amplifier comprising a common-collector stage feeding a common-base stage. It can be shown fairly easily¹ that the high-frequency performance of this pair is extremely good, compared with a common-emitter, mainly because neither the common-collector nor the common-base produce the same Miller capacitance multiplication that occurs for the common-emitter.

The long tail current is given approximately by:-

$$I_0 = \alpha \cdot V_z / R_2$$

$$\text{where } \alpha = \beta / (\beta + 1)$$

As drawn, the input needs to be directly coupled to the base of Tr_1 . Alternatively, a bias network of two equal valued resistors, connected in series between the power supplies with the centre

connection taken to the base of Tr_1 can be used if the input is to be a.c. coupled through a series capacitor.

The voltage gain of the stage is given by,

$$A_v = + \alpha \cdot R_3 \cdot I_0 / 2V_T$$

Gain is the same magnitude as that of Fig.4, which is half the full differential gain of a long-tail pair.

If, instead of grounding the base of Tr_2 it is taken to a variable direct voltage of low impedance, then altering this voltage will change the quiescent current share between Tr_1 and Tr_2 , resulting in a variation of gain. Clearly, if the base potential of Tr_2 is sufficiently high, then although Tr_1 will be active with quiescent collector current of I_0 , Tr_2 will be cut-off and the voltage gain is therefore reduced to zero. Similarly, if the base potential is too low Tr_2 will become cut-off and again the voltage gain falls to zero.

The graph of Fig.7 shows this gain variation as a function of base potential on Tr_2 , the gain being a maximum for the configuration shown in Fig.6(b). Thus, the circuit may be used as a high-frequency voltage-controlled gain stage, suitable for applications such as automatic gain control in receivers where the d.c. potential of the base of Tr_2 is controlled by the average signal amplitude obtained following the detector stage.

A similar application of the high-frequency 'triple' is shown in Fig.6(c), where the input signal is a.c. coupled into the base of Tr_3 . This circuit is often without Tr_2 and is known as a cascode amplifier. It is essentially a common-emitter, feeding directly into a common-base stage operating

with the same collector current as Tr_3 . The common-emitter operates into the relatively low input impedance of the common-base stage, yielding a voltage gain of only -1 , hence Miller multiplication effects are minimized. Of course, the common-emitter provides high current gain and the common-base stage, which cannot give a gain of greater than unity, provides the voltage gain of the two transistor amplifier. The net performance is almost the same power gain as a single common-emitter but operating over a much broader bandwidth. This increase in gain-bandwidth produce is very significant and the circuit has many useful applications at high frequencies.

The additional transistor Tr_2 can be used as a signal-robbing common-base circuit. As the d.c. base potential of Tr_2 is increased with respect to the base of Tr_1 then the current share between Tr_1 and Tr_2 alters and the gain of the amplifier falls. Figure 8 shows the voltage gain as a function of the control potential. Unlike Fig.7 the curve is not symmetrical, as the gain maximizes not when the base potentials are equal but when Tr_2 is cut-off.

The remainder of the tail

In the second article four further important applications of the long-tail pair will be reviewed; these being log and antilog circuits, linear differential transconductive amplifiers, the full four-quadrant multiplier and emitter coupled logic gates.

Reference

1. Gray P.R. and Meyer R.G., "Analysis and Design of Analogue Integrating Circuits", John Wiley, 1977, 1984. Chapter 7.

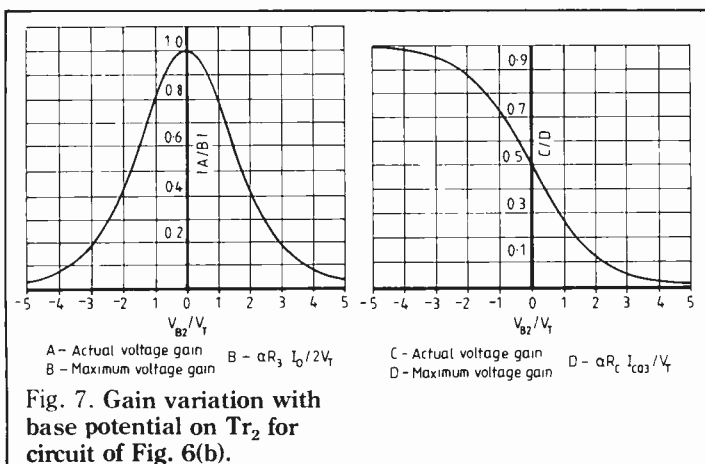


Fig. 7. Gain variation with base potential on Tr_2 for circuit of Fig. 6(b).

LANGREX SUPPLIES LTD

RST Climax House, Fallsbrook Rd., Streatham, London SW16 6ED **RST**
 Tel: 01-677 2424 Telex: 946708

SEMICONDUCTORS

AA119 0.10	AA327 0.90	BC177 0.15	BD137 0.30	BF259 0.30	KS100A 0.45	OC23 10.00	R2008R 1.95	IN4002 0.04	2N2202 0.22	2N9005 0.10
AA330 0.10	AA328 2.20	BC180 0.28	BD138 0.30	BF336 0.30	MJE340 0.75	OC24 3.00	R2009 2.25	IN4003 0.04	2N2222 0.22	2N9008 0.10
AA333 0.30	AA316 2.00	BC179 0.15	BD139 0.30	BF337 0.30	MJE370 0.75	OC25 1.75	R2010 2.00	IN4004 0.04	2N2232 0.20	2N4058 0.12
AA334 0.30	AA317 1.60	BC182 0.11	BD140 2.00	BF338 0.30	MJE520 0.75	OC26 5.50	TIC44 0.48	IN4005 0.04	2N2252 0.20	2N4059 0.20
AA335 0.30	AA320 4.50	BC183 0.09	BD141 0.75	BF339 0.30	MJE521 0.75	OC29 4.40	TIP226D 1.20	IN4006 0.04	2N2262 0.20	2N4060 0.12
AA336 0.30	AA321 4.75	BC184 0.11	BD142 0.35	BF340 0.30	MJE522 0.23	OC35 4.00	TIP294A 0.35	IN4009 0.06	2N2484 0.25	2N4062 0.12
AA337 0.30	AA322 4.75	BC185 0.11	BD143 0.35	BF341 0.30	MJE523 0.23	OC36 4.00	TIP30A 0.36	IN4018 0.03	2N2486 0.75	2N4124 0.13
AA338 0.55	AA323 3.50	BC186 0.11	BD144 0.35	BF342 0.30	MJE524 0.23	OC37 1.20	TIP31A 0.25	IN4040 0.10	2N2494 0.30	2N4126 0.13
AA339 0.35	AA324 3.50	BC187 0.11	BD145 0.91	BF343 0.30	MJE525 0.23	OC38 1.50	TIP32A 0.25	IN4041 0.10	2N2494A 0.30	2N4284 0.15
AA340 0.35	AA325 3.50	BC188 0.11	BD146 0.91	BF344 0.30	MJE526 0.23	OC41 1.25	TIP33A 0.53	IN4042 0.10	2N2494B 0.30	2N4284 0.15
AA341 0.35	AA326 3.50	BC189 0.11	BD147 0.91	BF345 0.30	MJE527 0.23	OC44 1.25	TIP34A 0.60	IN4043 0.10	2N2494C 0.30	2N4284 0.15
AA342 0.40	AA327 3.50	BC190 0.11	BD148 0.91	BF346 0.30	MJE528 0.23	OC45 0.85	TIP41A 0.38	IN4044 0.10	2N2494D 0.30	2N4284 0.15
AA343 0.40	AA328 3.50	BC191 0.11	BD149 0.91	BF347 0.30	MJE529 0.23	OC47 0.65	TIP42A 0.42	IN4045 0.10	2N2494E 0.30	2N4284 0.15
AA344 0.40	AA329 3.50	BC192 0.11	BD150 0.91	BF348 0.30	MJE530 0.23	OC71 0.65	TIP43A 0.42	IN4046 0.10	2N2494F 0.30	2N4284 0.15
AA345 0.40	AA330 3.50	BC193 0.11	BD151 0.91	BF349 0.30	MJE531 0.23	OC72 2.20	TIP44A 0.42	IN4047 0.10	2N2494G 0.30	2N4284 0.15
AA346 0.40	AA331 3.50	BC194 0.11	BD152 0.91	BF350 0.30	MJE532 0.23	OC73 1.40	TIP45A 0.42	IN4048 0.10	2N2494H 0.30	2N4284 0.15
AA347 0.40	AA332 3.50	BC195 0.11	BD153 0.91	BF351 0.30	MJE533 0.23	OC74 1.40	TIP46A 0.42	IN4049 0.10	2N2494I 0.30	2N4284 0.15
AA348 0.40	AA333 3.50	BC196 0.11	BD154 0.91	BF352 0.30	MJE534 0.23	OC75 1.40	TIP47A 0.42	IN4050 0.10	2N2494J 0.30	2N4284 0.15
AA349 0.40	AA334 3.50	BC197 0.11	BD155 0.91	BF353 0.30	MJE535 0.23	OC76 1.60	TIP48A 0.42	IN4051 0.10	2N2494K 0.30	2N4284 0.15
AA350 0.40	AA335 3.50	BC198 0.11	BD156 0.91	BF354 0.30	MJE536 0.23	OC77 2.75	TIP49A 0.42	IN4052 0.10	2N2494L 0.30	2N4284 0.15
AA351 0.40	AA336 3.50	BC199 0.11	BD157 0.91	BF355 0.30	MJE537 0.23	OC81 0.90	TIP50A 0.42	IN4053 0.10	2N2494M 0.30	2N4284 0.15
AA352 0.40	AA337 3.50	BC200 0.11	BD158 0.91	BF356 0.30	MJE538 0.23	OC82 0.95	TIP51A 0.42	IN4054 0.10	2N2494N 0.30	2N4284 0.15
AA353 0.40	AA338 3.50	BC201 0.11	BD159 0.91	BF357 0.30	MJE539 0.23	OC83 1.40	TIP52A 0.42	IN4055 0.10	2N2494O 0.30	2N4284 0.15
AA354 0.40	AA339 3.50	BC202 0.11	BD160 0.91	BF358 0.30	MJE540 0.23	OC84 1.40	TIP53A 0.42	IN4056 0.10	2N2494P 0.30	2N4284 0.15
AA355 0.40	AA340 3.50	BC203 0.11	BD161 0.91	BF359 0.30	MJE541 0.23	OC85 1.40	TIP54A 0.42	IN4057 0.10	2N2494Q 0.30	2N4284 0.15
AA356 0.40	AA341 3.50	BC204 0.11	BD162 0.91	BF360 0.30	MJE542 0.23	OC86 1.40	TIP55A 0.42	IN4058 0.10	2N2494R 0.30	2N4284 0.15
AA357 0.40	AA342 3.50	BC205 0.11	BD163 0.91	BF361 0.30	MJE543 0.23	OC87 1.40	TIP56A 0.42	IN4059 0.10	2N2494S 0.30	2N4284 0.15
AA358 0.40	AA343 3.50	BC206 0.11	BD164 0.91	BF362 0.30	MJE544 0.23	OC88 1.40	TIP57A 0.42	IN4060 0.10	2N2494T 0.30	2N4284 0.15
AA359 0.40	AA344 3.50	BC207 0.11	BD165 0.91	BF363 0.30	MJE545 0.23	OC89 1.40	TIP58A 0.42	IN4061 0.10	2N2494U 0.30	2N4284 0.15
AA360 0.40	AA345 3.50	BC208 0.11	BD166 0.91	BF364 0.30	MJE546 0.23	OC90 1.40	TIP59A 0.42	IN4062 0.10	2N2494V 0.30	2N4284 0.15
AA361 0.40	AA346 3.50	BC209 0.11	BD167 0.91	BF365 0.30	MJE547 0.23	OC91 1.40	TIP60A 0.42	IN4063 0.10	2N2494W 0.30	2N4284 0.15
AA362 0.40	AA347 3.50	BC210 0.11	BD168 0.91	BF366 0.30	MJE548 0.23	OC92 1.40	TIP61A 0.42	IN4064 0.10	2N2494X 0.30	2N4284 0.15
AA363 0.40	AA348 3.50	BC211 0.11	BD169 0.91	BF367 0.30	MJE549 0.23	OC93 1.40	TIP62A 0.42	IN4065 0.10	2N2494Y 0.30	2N4284 0.15
AA364 0.40	AA349 3.50	BC212 0.11	BD170 0.91	BF368 0.30	MJE550 0.23	OC94 1.40	TIP63A 0.42	IN4066 0.10	2N2494Z 0.30	2N4284 0.15
AA365 0.40	AA350 3.50	BC213 0.11	BD171 0.91	BF369 0.30	MJE551 0.23	OC95 1.40	TIP64A 0.42	IN4067 0.10	2N2495A 0.30	2N4284 0.15
AA366 0.40	AA351 3.50	BC214 0.11	BD172 0.91	BF370 0.30	MJE552 0.23	OC96 1.40	TIP65A 0.42	IN4068 0.10	2N2495B 0.30	2N4284 0.15
AA367 0.40	AA352 3.50	BC215 0.11	BD173 0.91	BF371 0.30	MJE553 0.23	OC97 1.40	TIP66A 0.42	IN4069 0.10	2N2495C 0.30	2N4284 0.15
AA368 0.40	AA353 3.50	BC216 0.11	BD174 0.91	BF372 0.30	MJE554 0.23	OC98 1.40	TIP67A 0.42	IN4070 0.10	2N2495D 0.30	2N4284 0.15
AA369 0.40	AA354 3.50	BC217 0.11	BD175 0.91	BF373 0.30	MJE555 0.23	OC99 1.40	TIP68A 0.42	IN4071 0.10	2N2495E 0.30	2N4284 0.15
AA370 0.40	AA355 3.50	BC218 0.11	BD176 0.91	BF374 0.30	MJE556 0.23	OC100 1.40	TIP69A 0.42	IN4072 0.10	2N2495F 0.30	2N4284 0.15
AA371 0.40	AA356 3.50	BC219 0.11	BD177 0.91	BF375 0.30	MJE557 0.23	OC101 1.40	TIP70A 0.42	IN4073 0.10	2N2495G 0.30	2N4284 0.15
AA372 0.40	AA357 3.50	BC220 0.11	BD178 0.91	BF376 0.30	MJE558 0.23	OC102 1.40	TIP71A 0.42	IN4074 0.10	2N2495H 0.30	2N4284 0.15
AA373 0.40	AA358 3.50	BC221 0.11	BD179 0.91	BF377 0.30	MJE559 0.23	OC103 1.40	TIP72A 0.42	IN4075 0.10	2N2495I 0.30	2N4284 0.15
AA374 0.40	AA359 3.50	BC222 0.11	BD180 0.91	BF378 0.30	MJE560 0.23	OC104 1.40	TIP73A 0.42	IN4076 0.10	2N2495J 0.30	2N4284 0.15
AA375 0.40	AA360 3.50	BC223 0.11	BD181 0.91	BF379 0.30	MJE561 0.23	OC105 1.40	TIP74A 0.42	IN4077 0.10	2N2495K 0.30	2N4284 0.15
AA376 0.40	AA361 3.50	BC224 0.11	BD182 0.91	BF380 0.30	MJE562 0.23	OC106 1.40	TIP75A 0.42	IN4078 0.10	2N2495L 0.30	2N4284 0.15
AA377 0.40	AA362 3.50	BC225 0.11	BD183 0.91	BF381 0.30	MJE563 0.23	OC107 1.40	TIP76A 0.42	IN4079 0.10	2N2495M 0.30	2N4284 0.15
AA378 0.40	AA363 3.50	BC226 0.11	BD184 0.91	BF382 0.30	MJE564 0.23	OC108 1.40	TIP77A 0.42	IN4080 0.10	2N2495N 0.30	2N4284 0.15
AA379 0.40	AA364 3.50	BC227 0.11	BD185 0.91	BF383 0.30	MJE565 0.23	OC109 1.40	TIP78A 0.42	IN4081 0.10	2N2495O 0.30	2N4284 0.15
AA380 0.40	AA365 3.50	BC228 0.11	BD186 0.91	BF384 0.30	MJE566 0.23	OC110 1.40	TIP79A 0.42	IN4082 0.10	2N2495P 0.30	2N4284 0.15
AA381 0.40	AA366 3.50	BC229 0.11	BD187 0.91	BF385 0.30	MJE567 0.23	OC111 1.40	TIP80A 0.42	IN4083 0.10	2N2495Q 0.30	2N4284 0.15
AA382 0.40	AA367 3.50	BC230 0.11	BD188 0.91	BF386 0.30	MJE568 0.23	OC112 1.40	TIP81A 0.42	IN4084 0.10	2N2495R 0.30	2N4284 0.15
AA383 0.40	AA368 3.50	BC231 0.11	BD189 0.91	BF387 0.30	MJE569 0.23	OC113 1.40	TIP82A 0.42	IN4085 0.10	2N2495S 0.30	2N4284 0.15
AA384 0.40	AA369 3.50	BC232 0.11	BD190 0.91	BF388 0.30	MJE570 0.23	OC114 1.40	TIP83A 0.42	IN4086 0.10	2N2495T 0.30	2N4284 0.15
AA385 0.40	AA370 3.50	BC233 0.11	BD191 0.91	BF389 0.30	MJE571 0.23	OC115 1.40	TIP84A 0.42	IN4087 0.10	2N2495U 0.30	2N4284 0.15
AA386 0.40	AA371 3.50	BC234 0.11	BD192 0.91	BF390 0.30	MJE572 0.23	OC116 1.40	TIP85A 0.42	IN4088 0.10	2N2495V 0.30	2N4284 0.15
AA387 0.40	AA372 3.50	BC235 0.11	BD193 0.91	BF391 0.30	MJE573 0.23	OC117 1.40	TIP86A 0.42	IN4089 0.10	2N2495W 0.30	2N4284 0.15
AA388 0.40	AA373 3.50	BC236 0.11	BD194 0.91	BF392 0.30	MJE574 0.23	OC118 1.40	TIP87A 0.42	IN4090 0.10	2N2495X 0.30	2N4284 0.15
AA389 0.40	AA374 3.50	BC237 0.11	BD195 0.91	BF393 0.30	MJE575 0.23	OC119 1.40	TIP88A 0.42	IN4091 0.10	2N2495Y 0.30	2N4284 0.15
AA390 0.40	AA375 3.50	BC238 0.11	BD196 0.91	BF394 0.30	MJE576 0.23	OC120 1.40	TIP89A 0.42	IN4092 0.10	2N2495Z 0.30	2N4284 0.15
AA391 0.40	AA376 3.50	BC239 0.11	BD197 0.91	BF395 0.30	MJE577 0.23	OC121 1.40	TIP90A 0.42	IN4093 0.10	2N2496A 0.30	2N4284 0.15
AA392 0.40	AA377 3.50	BC240 0.11	BD198 0.91	BF396 0.30	MJE578 0.23	OC122 1.40	TIP91A 0.42	IN4094 0.10	2N2496B 0.30	2N4284 0.15
AA393 0.40	AA378 3.50	BC241 0.11	BD199 0.91	BF397 0.30	MJE579 0.23	OC123 1.40	TIP92A 0.42	IN4095 0.10	2N2496C 0.30	2N4284 0.15
AA394 0.40	AA379 3.50	BC242 0.11	BD200 0.91	BF398 0.30	MJE580 0.23	OC124 1.40	TIP93A 0.42	IN4096 0.10	2N2496D 0.30	2N4284 0.15
AA395 0.40	AA380 3.50	BC243 0.11	BD201 0.91	BF399 0.30	MJE581 0.23	OC125 1.40	TIP94A 0.42	IN4097 0.10	2N2496E 0.30	2N4284 0.15
AA396 0.40	AA381 3.50	BC244 0.11	BD202 0.91	BF400 0.30	MJE582 0.23	OC126 1.40	TIP95A 0.42	IN4098 0.10	2N2496F 0.30	2N4284 0.15
AA397 0.40	AA382 3.50	BC245 0.11	BD203 0.91	BF401 0.30	MJE583 0.23	OC127 1.40	TIP96A 0.42	IN4099 0.10	2N2496G 0.30	2N4284 0.15
AA398 0.40	AA383 3.50	BC246 0.11	BD204 0.91	BF402 0.30	MJE584 0.23	OC128 1.40	TIP97A 0.42	IN4100 0.10	2N2496H 0.30	2N4284 0.15
AA399 0.40	AA384 3.50	BC247 0.11	BD205 0.91	BF403 0.30	MJE585 0.23	OC129 1.4				

ERS — PRINTERS — PRINTERS — PRINTERS

SUPER DEAL? NO — SUPER STEAL THE FABULOUS 25 CPS "TEC STARWRITER"

Made to the very highest spec the **TEC STARWRITER FP1500-25** features a very heavy duty die cast chassis and **DIABLO** type print mechanism giving superb registration and print quality. Micro-processor electronics offer full **DIABLO/QUEME** command compatibility and full control via **CPM WORDSTAR ETC.** Many other features include bi-directional printing, switchable 10 or 12 pitch, full width 381mm paper handling with up to 163 characters per line, friction feed rollers for single sheet or continuous paper, internal buffer, standard **RS232** serial interface with handshake. Supplied absolutely **BRAND NEW** with 90 day guarantee and **FREE** daisy wheel and dust cover. Order **NOW** or contact sales office for more information. Optional extras **RS232** data cable £10.00. Tech manual £7.50. Tractor Feed £140.00. Spare daisy wheel £3.50. Carriage & Ins. (UK Mainland) £10.00.



SUMMER OFFER ONLY £399.99!!

DIY PRINTER MECH

Brand New surplus of this professional printer chassis gives an outstanding opportunity for the **Student, Hobbyist or Robotics constructor** to build a **printer - plotter - digitiser** etc, entirely to their own specification. The printer mechanism is supplied ready built, aligned and pre tested but **WITHOUT** electronics. Many features include all metal chassis, phosphor bronze bearings, 132 character optical shaft position encoder, **NINE** needle head, 2 x two phase 12V stepper motors for carriage and paper control, 9.5" Paper platten etc. etc. Even a manufacturer's print sample to show the unit's capabilities!! Overall dimensions 40 cm x 12 cm x 21 cm.

Sold **BRAND NEW** at a **FRACTION** of cost **ONLY £49.50 + pp £4.50.**

TELETYPE ASR33 DATA I/O TERMINALS

Industry standard, combined ASCII 110 baud printer, keyboard and 8 hole paper tape punch and reader. Standard **RS232** serial interface. Ideal as cheap hard copy unit or tape prep. for CNC and NC machines. **TESTED** and in good condition. Only **£235.00** floor stand **£10.00.** Carr & Ins. **£15.00.**

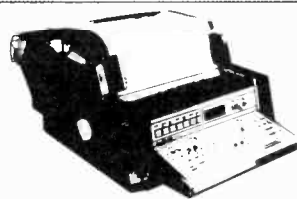
EX NEWS SERVICE PRINTERS

Compact ultra reliable quality built unit made by the **USA EXTEL Corporation.** Often seen in major Hotels printing up to the minute News and Financial information, the unit operates on **5 UNIT BAUDOT CODE** from a Current loop, **RS232** or **TTL** serial interface. May be connected to your micro as a low cost printer or via a simple interface and filter to any communications receiver to enable printing of worldwide **NEWS, TELEX** and **RTTY** services.

Supplied **TESTED** in second hand condition complete with **DATA, 50 and 75 baud xtals** and **large paper roll.**

TYPE AE11
50 Column **ONLY £49.95**
Spare paper roll for AE11 **£4.50**
TYPE AF11R 72 Col.
+ Ribbon **£65.00**
TYPE AH11R 80 Col.
ASCII/BAUDOT **£185.00**
Carriage and Insurance **£7.50**

GE TERMIPRINTER



A massive purchase of these desk top printer terminals enables us to offer you these quality **30 or 120 cps** printers at a **SUPER LOW PRICE** against their original cost of over **£1000.** Unit comprises of full **QWERTY**, electronic keyboard and printer mech with print face similar to correspondence quality typewriter. Variable forms tractor unit enables full width - up to 13.5" 120 column paper, upper - lower case, standard **RS232** serial interface, internal vertical and horizontal tab settings, standard ribbon, adjustable baud rates, quiet operation plus many other features. Supplied complete with manual. Guaranteed working **GE30 £130.00. GE1200 120 cps £175.00.** Untested **GE30 £65.00.** Optional floor stand **£12.50.** Carr & Ins. **£10.00.**

SEMICONDUCTOR 'GRAB BAGS'

Mixed Semis amazing value contents include transistors digital, linear, IC's, triacs, diodes, bridge recs, etc etc. All devices guaranteed brand new full spec with manufacturer's markings, fully guaranteed.

50+ £2.95 100+ £5.15
TTL 74 Series. A gigantic purchase of an "across the board" range of **74 TTL series IC's** enables us to offer **100+** mixed "mostly TTL" grab bags at a price which two or three chips in the bag would normally cost to buy. Fully guaranteed all IC's full spec. **100+ £6.90, 200+ £12.30, 300+ £19.50**

CENTRONICS 710 PRINTERS

Ex **RENTAL** Heavy duty full width carriage printer up to **132 columns** on 17" fan fold sprocket fed paper. 60 cps print speed with standard **RS232** or 20 mA loop interface. Supplied in **TESTED** used condition with data. **ONLY £85.00** carriage and insurance **£10.00.**

MAINS FILTERS

CURE those unnerving hang ups and data glitches caused by mains interference with professional quality filters. **SD5A** match-box size up to **1000 watt 240 V** Load **ONLY £5.95.** **L12127** compact completely cased unit with 3 pin fitted socket up to **750 watts ONLY £9.99.**

EPROM COPIERS

The amazing **SOFTY 2** The "Complete Toolkit" for copying, writing, modifying and listing **EPROMS** of the **2516, 2716, 2532, 2732** range. Many other functions include integral keyboard, cassette interface, serial and parallel I/O UHF modulator ZIF socket etc. **ONLY £195.00 + pp £2.50.**

"GANG OF EIGHT" intelligent Z80 controlled 8 gang programmer for ALL single 5v rail **EPROMS** up to 27128. Will copy 8 27128 in **ONLY 3 MINUTES.** Internal LCD display and checking routines for **IDIOT PROOF** operation. **Only £395.00 + pp £3.00.**

"GANG OF EIGHT PLUS" Same spec. as above but with additional **RS232** serial interface for down line loading data from computer etc. **ONLY £445.00 + pp £3.00**

Data sheets on request

20,000 FEET OF ELECTRONIC AND COMPUTER GOODIES

ENGLAND'S LARGEST SURPLUS STORE - SEEING IS BELIEVING!!

DEC CORNER

PDP 1140 System comprising of CPU, 124k memory & MMU 15 line RS232 interface. **RP02 40 MB** hard disk drive. **TU10 9 track 800 BPI** Mag tape drive, dual track system. **VT52 VDU, etc. etc. Tested and running. £3,750.00**
BA11-MB 3.5" Box, PSU, LTC **£395.00**
DH11-A 16" x RS232 DMA interface **£1,900.00**
DLV11-J4 x EIA interface **£350.00**
DLV11-E Serial, Modem support **£190.00**
DUP11 Synch. Serial data I/O **£650.00**
DQ200 Dialog - multi RK controller **£495.00**
DZ11-B 8 line RS232 mux board **£650.00**
KDF11-B M8189 PDP 1123 PLUS
LA30 Printer and Keyboard **£1,100.00**
LA36 Dcwriter EIA or 20 mA loop **£80.00**
MS11-JP Unibus 32kb Ram **£80.00**
MS11-LB Unibus 128kb Ram **£450.00**
MS11-LD Unibus 256kb Ram **£850.00**
PDP11/05 Cpu Ram, I/O etc **£450.00**
PDP11/40 Cpu, 124k MMU **£1,850.00**
RT11 ver 3B documentation kit **£70.00**
RK05-J 2.5 Mb disk drives **£650.00**
KL8 JA PDP 8 async I/O **£175.00**
M18E PDP 8 Bootstrap option **£75.00**
VT50 VDU and Keyboard - 20 mA **£175.00**
VT52 VDU and RS232 interface **£250.00**

Give your **VT100** a Birthday!!!
Brand New **VT100** Keyboards only **£85.00**

1000's of **EX STOCK** spares for **DEC PDP8, PDP8A, PDP11** systems & peripherals. Call for details. All types of Computer equipment and spares wanted for **PROMPT CASH PAYMENT.**

MAG TAPE DRIVES

Many **EX STOCK** computer tape drives and spares by **PERTEC, CIPHER, WANGO, DIGIDATA, KENNEDY** etc. Special offer this month on **DEI** Cartridge tape drives **ONLY £450.00 each.**

CALL FOR DETAILS

COMPUTER/SYSTEM CABINET & PSU

All in one quality computer cabinet with integral switched mode PSU, mains filtering, and twin fan cooling. Originally made for the famous **DEC PDP8** computer system costing thousands of pounds. Made to run 24 hours per day the psu is fully screened and will deliver a massive **+5v DC at 17 amps, +15v DC at 1 amp and -15v DC at 5 amps.** The complete unit is fully enclosed with removable top lid, filtering, trip switch, power and run leds mounted on all front panel, rear cable entries, etc. etc. Units are in good but used condition - supplied for 240v operation complete with full circuit and tech. man. Give your system that professional finish for only **£49.95 + carr. 19"** wide 16" deep 10.5" high. Useable area 16" w 10.5" h 11.5" d.

Also available less psu, with fans etc. Internal dim. 19" w, 16" d, 10.5" h. **£19.95. Carriage £8.75**

66% DISCOUNT ON ELECTRONIC COMPONENTS EQUIPMENT

Due to our massive bulk purchasing programme, which enables us to bring you the best possible bargains, we have thousands of IC's, Transistors, Relays, Caps, PCB's, Sub-assemblies, Switches etc. etc. surplus to OUR requirements. Because we don't have sufficient stocks of any one item to include in our ads we are packing all these items into the **BARGAIN OF A LIFETIME.** Thousands of components at giveaway prices. Guaranteed to be worth at least 3 times what you pay. Unbeatable value and perhaps one of the most consistently useful items you will ever buy!!! Sold by weight.

2.5kls **£5.25 + pp £1.25**
10kls **£11.25 + pp £2.25**

5 kls **£6.90 + £1.80**
20kls **£19.50 + pp £4.75**

1000's of other EX STOCK items including POWER SUPPLIES, RACKS, RELAYS, TRANSFORMERS, TEST EQUIPMENT, CABLE, CONNECTORS, HARDWARE, MODEMS, TELEPHONES, VARIACS, VDU'S, PRINTERS, POWER SUPPLIES, OPTICS, KEYBOARDS etc. etc. Give us a call for your spare part requirements. Stock changes almost daily.

Don't forget, **ALL TYPES and QUANTITIES** of electronic surplus purchased for **CASH**

CIRCLE 66 FOR FURTHER DETAILS.

COMPUTER WAREHOUSE

1000's OF BARGAINS FOR CALLERS

THE "ALLADINS" CAVE OF COMPUTER AND ELECTRONIC EQUIPMENT

EX-STOCK INTEGRATED CIRCUITS

4164 200ns D RAMS 8 for £14.95 4116 300 ns £1.50
2112 £10.00 2114 £2.50 2102 £2.00 6116 £2.50
EPROMS 2716 £4.50 2732 £3.00 2764 £4.95
27128 £5.50 6800 £2.50 6821 £1.00 68A09 £8.00
6B09 £10.00 8085 £5.50 8086 £15.00 8251 £7.00
8748 £15.00.
Thousands of IC's EX STOCK send SAE for list.

RECHARGEABLE BATTERIES

Dry Fit MAINTENANCE FREE by Sonnenschein & Yuasa
A300 07191315 12v 3ah as RS 591-770 NEW £13.95
A300 07191312 6v 3ah as RS 591-360 NEW £9.95
A300 07191202 6-0-5v 1.8ah as RS 591-382 Ex Equip
£5.99 3.6v 100 mah PCB mount as RS 591-477 NEW £1.00

DISK DRIVES

Japanese Half height, 80 track double sided disk drives by TEAC, TOSHIBA etc. Sold as NEW with 90 day guarantee ONLY £125.00.
SUGART SA400 SS FH 35 TRK £55.00
SIEMANS FDD100 SS FH 40 TRK £75.00 carriage on 5 1/4" drives £5.50
Brand NEW metal cases with internal PSU etc for above drives, below cost!!!
DSKC 1 for 2 HH or 1 FH 5 1/4" drive £39.95 + pp £4.50
DSKC 2 for 1 HH or 1 FH 5 1/4" drive £29.95 + pp £4.50
8" Refurbished standard units.
SUGART 801 SS £175.00 + pp £8.50
SUGART 851 DS £250.00 + pp £8.50
DRE 7100 SS as seen £125.00
TWIN SUGART 851 in smart case, complete with PSU etc. £595.00
8" DRIVE PSU for 2 drive units £45.00

Hard Disk Drives
DRE/DIABLO Series 30 2.5 Mb front load, £525.00. Exchangeable version £295.00
ME3029 PSU for above £95.00
DIABLO 44/DRE4000A, B 5+5 Mb from £750.00
CDC HAWK 5+5 Mb £795.00
CDC 9762 8 Mb RM03 etc £2500.00
PERTEC D3422 5+5 Mb £495.00
RODIME 10MB ST506 Winchester NEW £299.00
BASF 6172 23Mb Winchester, as seen £199.00
Carriage on other drives £10.00.
Unless stated all drives are refurbished with 90 day guarantee. Many other drives and spares in stock - call sales office for details.

MODEMS

Join the communications revolution with our super range of DATA MODEMS, prices and specifications to suit all applications and budgets.
BRAND NEW State of the art products.
DACOM DSL2123 Multi standard 300-300, 1200-75 Auto answer etc. £288.00
DACOM DSL2123AD Auto dial smart modem with multi standard AUTO SPEED detect, and data buffer with flow control etc. £365.00
DACOM DSL2123GT THE CREAM of the intelligent modems, auto dial, auto call, index, buffer etc etc. £498.00
STEEBECK SB1212 V22 1200 baud FULL DUPLEX, sync or async, optional auto dial, £485.00
TRANSDATA 307A Acoustic coupler 300 baud full duplex, originate only, RS232 £49.00

Ex BRITISH TELECOM full spec, CCITT, ruggedised, bargain offers. Sold TESTED with data. Will work on any MICRO or system with RS232 interface.
DATEL 2B 300 Baud Modem see SPECIAL OFFER.
MODEM 13A 300 baud unit, only 2" high fits under phone. CALL mode only £45.00
MODEM 20-1. 75-1200 baud. Compact unit for use as subscriber end to PRESTEL. TELECOM GOLD, MICRONET etc. £39.95 + pp £6.50
MODEM 20-2 1200-75 baud. Same as 20-1 but for computer end. £65.00 + pp £6.50
DATEL 2412 Made by SE labs for BT this two part unit is for asynchronous data links at 1200 or 2400 baud using 2780/3780 protocol etc. Many features include 2 or 4 wire working, self test, auto answer etc.
COST OVER £800 Our price ONLY £199 + pp £8.00
DATEL 4800, RACAL MPS4800 baud modem, EX BT good working order, ONLY £295.00 + pp £8.00

SUMMER OFFER
MODEM TG2393. Ex BT, Up to 1200 baud, full duplex over 4 wire or half duplex over 2 wire line. ONLY £85.00 PER PAIR + pp £10.00

For more information CONTACT OUR SALES OFFICE

HOT LINE DATA BASE

DISTEL
The ORIGINAL FREE OF CHARGE dial up data base. Buy, browse or place YOUR OWN AD for goods or services to sell. 1000's of stock items, spares and one off bargains. Updated daily.
ON LINE NOW. CCITT, 8 bit word, no parity.
For 300 baud modems call 01-679 1888
For 1200-75 baud modems call 01-679 6183

PRINTER / TERMINAL SCOOP

A MASSIVE purchase of these attractive stand alone terminal units enables a SUPER BARGAIN offer. Made by the US GENERAL ELECTRIC CORPORATION the GE MODEL 30 features a standard QWERTY 80 key electronic keyboard coupled to a quality built matrix printer with variable 3" to 9.5" forms tractor. The printer is capable of continuous duty printing, with up to 120 characters per line. Standard RS232 interface accepts ASCII data at 110, 150 or 300 baud. Ideal for Terminals, Data loggers, local label printing, or just as a printer! Sold TESTED with data ONLY £95.00. Also available with TWIN MAGTAPE CASSETTE unit for data capture, data preparation etc £150.00 Carriage £10.00.

COOLING FANS

Keep your hot parts COOL and RELIABLE with our range of COOLING FANS
ETRI 126LF21 240v 5 blade equipment fan Dim. 80 x 80 x 38mm £9.95
ETRI 88XU01 Dim. 92 x 92 x 25mm 240v equipment fan, complete with finger guard NEW £9.95
GOULD JB-3AR Dim. 3" x 3" x 2.5" compact very quiet running 240v operation. NEW £6.95
BUHLER 69.11.22 8-16v DC micro miniature reversible fan. Uses a brushless servo motor for extremely high air flow, also silent running and guaranteed 10,000 hr life. Measures only 62 x 62 x 22mm. Current cost £32.00. OUR PRICE ONLY £12.95 complete with data.
MUFFIN-CENTAUR Standard 4" x 4" x 1.25" fans 110v OR 240v NEW at £10.50 or tested EX EQUIPMENT 240v £8.25 or 110v £4.95
1000's of other fans Ex Stock.
Call for Details. Post & Packing on all fans £2.00

QWERTY KEYBOARDS

Manufacturer's BRAND NEW surplus
ALPHAMERIC 7204/60 Full travel ASCII, 60 key with parallel output and strobe. £39.95
DEC LA34 Un-coded keyboard with 67 quality gold plated switches on X-Y matrix - ideal micro conversions etc. £24.95
AMKEY MPNK-114 Superb word processor chassis keyboard on single PCB with 116 keys. Many features such as On board Micro, Single 5v rail, full ASCII coded character set with 31 function keys, Numeric keypad, cursor pad and 9600 baud SERIAL TTL ASCII OUTPUT!! ONLY £69.00 with data.



Carriage on all Keyboards £3.50

PLESSEY VUTEL

Manufactured by PLESSEY Ltd this compact unit, only slightly larger than a telephone, features an all in one TELEPHONE. 24 x 40 character CRT screen, VIEWDATA - PRESTEL modem.
Keypad and electronics to run as a fully fledged PRESTEL terminal or telephone. Ready to plug direct into a BT 600 type jack socket and instantly connect you to PRESTEL etc. Many other features include Memory dialling, Recall button, Off line screen data storage, Picture expand, Standard Mullard LUCY chip set, Integral 5" JVC crt monitor, etc etc. Designed to sell to the EXECUTIVE at over £600!! But from DISPLAY, BRAND NEW and BOXED at only £99.00 for DTMF tone dial or £140.00 for standard DIAL PULSE version. Carr. £8.00.

SPECIAL 300 BAUD MODEM OFFER

Another GIGANTIC purchase of these EX BRITISH TELECOM, BRAND NEW or little used 2B data modems allows US to make the FINAL REDUCTION, and for YOU to join the exciting world of data communications at an UNHEARD OF PRICE OF ONLY £29.95. Made to the highest POST OFFICE APPROVED spec at a cost of hundreds of pounds each, the 2B has all the standard requirements for data base, business or hobby communications. All this and more!!

- 300 baud full duplex
- Full remote control
- CCITT tone standards
- Supplied with full data
- Modular construction
- Direct isolated connection
- CALL, ANSWER and AUTO modes
- Standard RS232 serial interface
- Built in test switching
- 240v Mains operation
- 1 year full guarantee
- Just 2 wires to comms. line

BT 600 Jack plug and cable £2.25 Carriage and Ins. £10.00

COLOUR AND MONOCHROME MONITOR SPECIALS

'SYSTEM ALPHA' 14" COLOUR MULTI INPUT MONITOR made in the UK by the famous REDIFFUSION Co. for their own professional computer system this monitor has all the features to suit your immediate and future monitor requirements. Two video inputs: RGB and PAL Composite Video, allow direct connection to the BBC and most other makes of micro computers and VCR's. An internal speaker and audio amplifier may be connected to your systems output or direct to a VCR machine, giving superior sound quality. Many other features included PIL tube, Matching BBC case colour. Major controls on front panel, Separate Contrast and Brightness - even in RGB mode. Two types of audio input, Separate Colour and audio controls for Composite Video input, BNC plug for composite input, 15 way 'D' plug for RGB input, modular construction etc etc.

This Must be ONE OF THE YEAR'S BEST BUYS
Supplied BRAND NEW and BOXED, complete with DATA and 90 day guarantee. SUPPLIED BELOW ACTUAL COST - ONLY £149.00

DECCA 80 16" COLOUR monitor. RGB input.
Little or hardly used manufacturer's surplus enables us to offer this special converted DECCA RGB Colour Video TV Monitor at a super low price of only £99.00, a price for a colour monitor as yet unheard of!! Our own interface, safety modification and special 16" high definition PIL tube, coupled with the tried and tested DECCA 80 series TV chassis gives 80 column definition and picture quality found only on monitors costing 3 TIMES OUR PRICE. In fact, WE GUARANTEE you will be delighted with this product, the quality for the price, has to be seen to be believed. Supplied complete and ready to plug direct to a BBC MICRO computer or any other system with a TTL RGB output. Other features are: internal speaker, Modular construction, auto degaussing circuit, Attractive TEAK CASE, compact dimensions only 52cm W x 34 H x 24 D, 90 day guarantee. Although used, units are supplied in EXCELLENT condition, ONLY £99.00 + Carr.

DECCA 80, 16" COLOUR monitor. Composite video input. Same as above model but fitted with Composite Video input and audio amp for COMPUTER, VCR or AUDIO VISUAL use. ONLY £99.00 + Carr.
REDIFFUSION MARK 3, 20" Colour monitor. Fitted with standard 75 ohm composite video input and sound amp. This large screen colour display is ideal for shops, schools, clubs and other AUDIO VISUAL applications. Supplied in AS NEW or little used condition ONLY £145.00 + Carr.

BUDGET RANGE EX EQUIPMENT MONOCHROME video monitors.

All units are fully cased and set for 240v standard working with composite video inputs. Units are pre tested and set up for 80 column use on BBC micro etc. Even when MINOR screen burns exist - normal data displays are unaffected.
12" KGM 320-1 B/W high bandwidth input, will display up to 132 x 25 lines. £32.95
12" GREEN SCREEN version of KGM 320-1 Only £39.95
9" KGM 324 GREEN SCREEN fully cased very compact unit Only £55.00
9" HITACHI VM-906E/K Black and White screen £49.95
Carriage and insurance on all monitors £10.00

D.C. POWER SUPPLY SPECIALS

GOULD OF443 enclosed, compact switch mode supply with DC regulated outputs of +5v @ 5.5a, +12v @ 0.5a, -12v @ 0.1a and -23v @ 0.02a. Dim 18 x 11 x 6 cm. 110 or 240v input. BRAND NEW only £14.95
GOULD G6-40A 5v 40 amp switch mode supply NEW £130.00
GREENDALE 19A-BOE Switch mode 60 watt open PCB with a fully regulated DC output of 5v @ 6 amps, and three semi regulated outputs of +12v, -12v +15v @ upto 1 amp. Dim only 11 cm x 20 cm x 5.5 cm. Similar to RS 591-994. 110 or 240v AC input. TESTED ex equipment. Only £24.95
AC-DC Linear PSU for DISK drive and SYSTEM applications. Constructed on a rugged ALLOY chassis to continuously supply fully regulated DC outputs of +5v @ 3 amps, -5v @ 0.6 amps and +24v @ 5 amps. Short circuit and overvoltage protected. 110 or 240 V AC input. Dim 28 x 12.5 x 7 cm NEW £49.95.
Carriage on PSU's £3.00

VDU TERMINALS

Standard VDU data entry terminals at give away prices!!
QUME QVT108. Current product, state of the art terminal with detachable keyboard, 12" green screen, 2 page RAM, TVI 925 emulation, 25 x 80, Clock Swivel and tilt base, Printer port, Function keys etc. BRAND NEW and BOXED AT ALMOST HALF PRICE ONLY £425.00
A510 - EX RENTAL, Z80 controlled 15" green screen 24 x 80 display, graphics, cursor addressing, printer port etc. Very good condition TESTED complete with manual only £225.00
ADD5520 - Dumb terminal, used, 12" b/w screen RS232 interface and printer port. TESTED. ONLY £125.00
Carriage on terminals £10.00
100's of other terminals in stock
CALL for more details.

DISPLAY ELECTRONICS
All prices quoted are for U.K. Mainland, paid cash with order in Pounds Sterling PLUS VAT. Minimum order value £2.00. Minimum Credit Card order £10.00. Minimum BONA FIDE account orders from Government Depts, Schools, Universities and established companies £20.00. Where post and packing not indicated please ADD £1.00 + VAT. Warehouse open Mon-Fri 9.30-5.30. Sat 10.30-5.30. We reserve the right to change prices and specifications without notice. Trade, Bulk and Export.
32 Biggin Way, Upper Norwood, London SE19 3XF
Telephone 01-679 4414 Telex 894502 Data 01-679 1888

Fast Fourier transforms using a microcomputer

by Terje Larsen and Gisle Dyvik

Gisle K. Dyvik followed his masters degree from the department of applied physics at the Technical University of Norway in 1954 by post-graduate studies at Birmingham College of Advanced Technology. He has since worked as a development engineer in Norway and research physicist in the USA. In 1961 he joined the teaching staff at Horten Ingeniørhøgskole, Norway, where he now lectures in electronics. He has published papers on dielectric properties of polymers in relation to molecular structure and authored didactic books on physical topics. Terje Larsen graduated as an electronics engineer at Horten Ingeniørhøgskole. Previously educated as an electronics technician, he has been working in various related activities, including service and maintenance of electronic equipment, the last few years in the department of medical electronics at Haukeland Regional Hospital, Bergen. He has developed an extensive interest for, and knowledge of, the BBC Micro as a versatile electronics tool, and is presently commercializing a flexible terminal emulator of his own design, packaged as a paged rom for the BBC.

Personal computers make spectral analysis of periodic wavetrains feasible for a much wider audience than hitherto

There is one field where the impressive computational power of the modern PC/home computer can be put to a particular demanding test: the spectral analysis of periodic waveforms. When such a train of pulses has been sampled and digitized appropriately, the data can be treated with the Fourier transform technique to yield an equivalent sum of sinusoidal waves. This involves the calculation of a large number of amplitudes corresponding to the fundamental frequency occurring in the signal as well as higher the higher harmonics. To achieve a reasonably good resolution the number of samples representing a given signal should be as high as possible. The computational work involved, however, increases rapidly — with the square of the

number of samples to be treated — therefore some kind of practical compromise is needed.

The present work is a program designed to take advantage of the speed and power of the BBC Micro, as applied to 256 sample points. By the application of the straight Fourier transform technique this would imply the calculation of no less than 264,144 multiplications — a cumbersome process, even on the BBC Micro! Fortunately, such digitized sample values lend themselves to being treated by a simplified variety of the Fourier technique: the fast Fourier transform, developed to take advantage of inherent redundancies, and thus reducing the computational effort drastically*. In the present case this means that the number of multiplications is reduced to

some 16,384.

Even, so, the time lapse involved remains a factor of considerable interest. We have sought to optimize our program as far as could reasonably be done on the basis of the BBC Basic. And in particular we draw attention to the machine code routine labelled "mirror", generated by PROCassemble (List 1). As part of the FFT treatment the amplitude terms of the arrays have their array numbers changed (scrambled) to resemble their own binary mirror images: thus 1 translates into 128 because the mirror image of 00000001 is 10000000 for example. This could be achieved by means of a BBC Basic exponential expression, but there was considerable time to be saved in using machine code for this important routine.

```

10 REM *****
20 REM *
30 REM * FAST FOURIER TRANSFORM *
40 REM * (FFT) *
50 REM * by *
60 REM *
70 REM Terje Larsen & Gisle K Dyvik
80 REM * Horten Ingeniørhøgskole *
90 REM *
100 REM *****
110 DIR mirror 20
120 PROCassemble:MODE 0
130 PROCinitiate:TIME=0
140 PROCgetdata
150 PROCscreen
160 FOR Ix=1 TO Lx
170 Qx=0 : Rx=Jx
180 FOR Kx=1 TO Px
190 Yx=Qx/Jx : Sx=USR(mirror)DIV AFFFF
AND AFF
200 Z1=R(Sx):Z2=S(Sx)
210 FOR Mx=Qx TO Rx-1
220 A1=D(Mx):A2=E(Mx):Ux=Mx+Jx
230 B1=Z1+D(Ux)-Z2+E(Ux):B2=Z2+D(Ux)+
Z1+E(Ux)
240 D(Mx)=A1+B1: E(Mx)=A2+B2: D(Ux)=A1
-B1: E(Ux)=A2-B2
250 NEXT
260 Qx=Qx+Zx:Jx : Rx=Rx+Zx:Jx
270 NEXT
280 PRINTTAB(42+Ix,18)";":Jx=JxDIV2:
Px=Px/2
290 NEXT
300 Bx=0
310 FOR Kx=0 TO MxDIV2
320 Yx=USR(mirror)DIV AFFFF AND AFF
330 Q(Kx)=SQR(D(Kx)*D(Yx)+E(Yx)*E(Yx))
340 IF Q(Kx)>Bx THEN Bx=Q(Kx)
350 NEXT
360 PRINTTAB(15,18)StkInG$(40," ");Tx=
60
370 VDUs:Qx=2^(11-Lx):K=100/Bx
380 FOR Zx=0 TO MxDIV2
390 Hx=INT(Q(Zx)*K+.5)
400 MOVE Tx,160: PLOT 1,0,4,2+Hx
410 IF Hx>LIM THENPLOT 0,-2D,40:PRINT
Hx
420 Tx=Tx+Qx
430 NEXT
440 PROCkeyboard
450 END
460
470
480 DEFPROCinitiate
490 REM=====
500 Lx=8: Mx=256: Px=1: Jx=Mx/2: Fx=Mx-1: H
x=PxDIV2: Gx=HxDIV2+1
510 DIR D(Fx),E(Fx),Q(Jx),R(Hx),S(Hx)
520 VDUI3,248,24,24,24,24,24,126,60,24
530 INPUTTAB(10,10)" Which data file t
o be used? (<RTN> gives F.EXAMPLE) "H#
540 CLS: IF H#="" THEN H#="F.EXAMPLE"
550 INPUTTAB(10,10)" Lower limit for p
ercentage? (<RTN> gives 10) "LIM
560 CLS: IF LIM=0 THEN LIM=9
570 VDUI 23:8202:0:0:0:
580 ENDPROC
590
600 DEFPROCassemble
610 REM=====
620 Pk=mirror:
630 OPT 2
640 CLC
650 TXA
660 STA #70
670 LDX #8
680 LOOP
690 LDA #70
700 ROL A
710 STA #70
720 TYA
730 ROR A
740 TAY
750 DEK
760 SRE LOOP
770 RTS
780 }
790 ENDPROC
800
810 DEFPROCgetdata
820 REM=====
830 A=OPENIN H#
840 INPUT#A,F:H=0:FOR Zx=0 TO Fx
850 INPUT#A,D(Zx):H=H+D(Zx):NEXT:CLOSE
#A
860 MEAN=H/Hx
870 FOR Zx=0 TO Fx:D(Zx)=D(Zx)-MEAN:NE
XT
880 FOR Ix=0 TO Gx:R(Ix)=COS(Ix*PI/128
): NEXT
890 FOR Ix=0 TO Gx:S(Ix)=R(Gx-Ix):NEXT
900 FOR Ix=Gx TO Hx:R(Ix)=-S(Ix-Gx):S(
Ix)=R(Ix-Gx):NEXT
910 ENDPROC
920
930 DEFPROCscreen
940 REM=====
950 Bx=M020207:F= F/Hx
960 PRINTTAB(21,2)"*** FAST FOURIER T
RANSFORM ***
970 PRINTTAB(21,3)" (BBC BASIC/HYBRI
D VERSION)"
980 MOVE 50,150: DRAM 1100,150: MOVE 5
0,150: DRAM 50,650
990 PROCframe(0,0,1279,1023)
1000 PROCframe(255,703,1024,831)
1010 PRINTTAB(69,27)"FREQ."
1020 PRINTTAB(1,11)"AMPL."
at "CHR$(248)" :
1030 PRINTTAB(17,18)"COMPUTATIONS IN PR
OCRESS:
1040 PRINTTAB(43,18)STRING$(Lx+1,"s")
1050 VDUs: MOVE 50,142 : PRINT"FREQUENC
Y INTERVAL: ";F;"Hz"
1060 VDUI4: MOVE 256,768
1070 FOR Kx=0 TO Fx
1080 DRAM Kx*3+255,768+D(Kx)
1090 NEXT
1100 Bx=M0302
1110 ENDPROC
1120
1130 DEFPROCframe(rx,ax,tx,ux)
1140 REM=====
1150 MOVE rx,ax: DRAM rx,ax
1160 DRAM tx,ux: DRAM tx,ax
1170 ENDPROC
1180
1190 DEFPROCkeyboard
1200 REM=====
1210 VDUI4: PRINTTAB(53,11)"Time: ";TIME
/100;"
1220 VDUs:Kx=200:Yx=200:*FX4,1
1230 *FX11,5
1240 *FX12,1
1250 *FX229,1
1260 MOVEKx,Yx:GCOL3,7: VDUI248
1270 REPEAT: Kx=GET: VDUs: VDUI248
1280 IF Kx=9 THEN GCOL0,1: VDUs: VDUI248
: PROCprintout:ENDPROC
1290 IF Kx=136 THEN Kx=Kx-2 ELSE IF Kx=
137 THEN Kx=Kx+2
1300 IF Kx=138 THEN Yx=Yx-2 ELSE IF Kx=
139 THEN Yx=Yx+2
1310 IF Kx<54 THEN Yx=54 ELSE IF Kx=107
8 THEN Kx=1078
1320 IF Yx<200 THEN Yx=200 ELSE IF Yx>6
30 THEN Yx=630
1340 VDUI4 : PRINTTAB(30,11)INT((Kx-54)/
84F+.5)" Hz": VDUI5
1350 UNTIL FALSE
1360 ENDPROC
1370
1380 DEFPROCprintout
1390 REM Insert your screen-dump
1400 REM routine here, e.g.
1410 *GDUMP
1420 REM To call it, press <TAB>.
1430 ENDPROC

```

*The Fast Fourier Transform by E. Oran Brigham. Prentice Hall, Englewood Cliffs, New Jersey.

The remarkable ease with which the BBC Micro allows such hybridization of 'bottle neck' segments is very commendable. The result is that the program now runs in some 38 seconds, as opposed to the original time lapse of about 98 seconds for our first Basic version, written in a fairly traditional manner. Just how well the BBC Micro serves is perhaps best illustrated by the observation that a similar program written in Applesoft needed some eight minutes to execute!

When run, the program first asks for the name of a data file to be used, and then for the lower limit of percentage numbers to be printed out. Pushing 'RTN' when asked for the data file will load the default F.EXAMPLE. 'RTN' for the percentage number will set the lower limit at 10%. If the default file F.EXAMPLE is chosen, the percentage should preferably be set to 100, which will suppress percentage print-out altogether. As supplied, this file consists of data sampled and digitized from the output of a heart simulator (the typical cardiogram shape of the curve will be recognized by many). The vertical lines shown represent the amplitudes of the various sinusoidal components in the original signal (Fig.1). By means of the cursor keys, a little arrow can be moved around, showing the frequency represented by any particular frequency line. The spectrum is crowded, with a fairly complicated overall shape. Quite possibly, the presence of an abnormal heart condition might be betrayed by the appearance of characteristic patterns, superimposed over the normal spectrum.

In strong contrast to this, loading F.EX2DATA and pushing 'RTN' for the percentage number, gives a strikingly different result (Fig.2). This file contains data for five periods of an ideal sinusoidal wave — samples at a rate of 256 points per second (meaning that the window shown represents a total time of one second). The FFT analysis gives the logical result that this particular curve only contains one single component wave: i.e. itself at 5Hz!

Next, F.EX3DATA represents five periods of a rectangular wave train, sampled at the same rate of 256 points per second (Fig.3). The line spectrum found contains a sinusoidal component at the fundamental frequency of 5Hz, as expected, but also higher har-

monics at 15Hz, 25Hz, 35Hz. . . This is in complete agreement with the Fourier transform theory, as are indeed the amplitude values printed out (normalized in relation to the maximum value). Theory predicts that the amplitudes should fall off successively in the ratios 1/1, 1/3, 1/5, 1/7, 1/9. . . — which is exactly what we see.

In F.EX4DATA five periods of a corresponding sawtooth wave train have been included (Fig.4). This type of pulse is much richer in higher harmonics than the square-wave type, and the FFT analysis bears this out in a rather striking manner: all the spectral lines are seen to be present, but with additional lines in between — just as predicted by the Fourier theory. The amplitude ratios now expected are 1/1, 1/2, 1/3, 1/4, 1/5, 1/6, 1/7. . . — again confirmed by the computational results found.

Finally, data for an interference pattern generated by mixing three sinusoidal waves of equal amplitudes but different frequencies are given in F.EX5DATA. From Fig.5, the three component waves at 8Hz, 16Hz and 32Hz are completely resolved by the program.

The frequency-dependent representation thus found is strictly complementary to the original time-dependent signal input. The logical extension of this — but in the opposite direction — is that only slight modifications are necessary in the present program to make it remove one or more of the sinusoidal components present in such a periodic signal. The components that remain can then be superimposed again, thus reproducing the original pulse train with the unwanted components digitally filtered away.

In our quest for speed and efficiency we came to wonder what could be gained from using Forth as the programming language instead. We have therefore made a version of the FFT program for Skyway's Multi-Forth 83. To our great surprise we found that it took a considerably longer time than the BBC Basic! In spite of the fact that the same degree of machine code hybridization has been introduced, the Multi-Forth 83 version is definitely slower, needing 46 seconds of running time after the compilation stage has first been completed. A corresponding version for the J.W.B. Forth V2.5, also with machine code hybridization, was

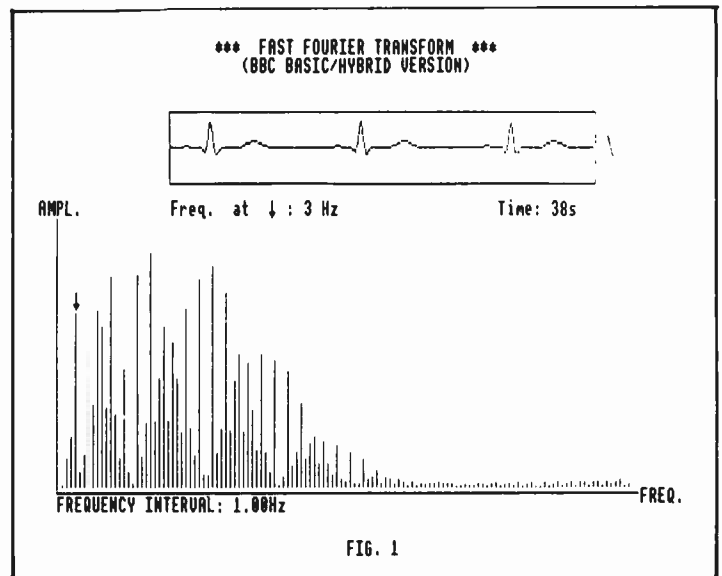


FIG. 1

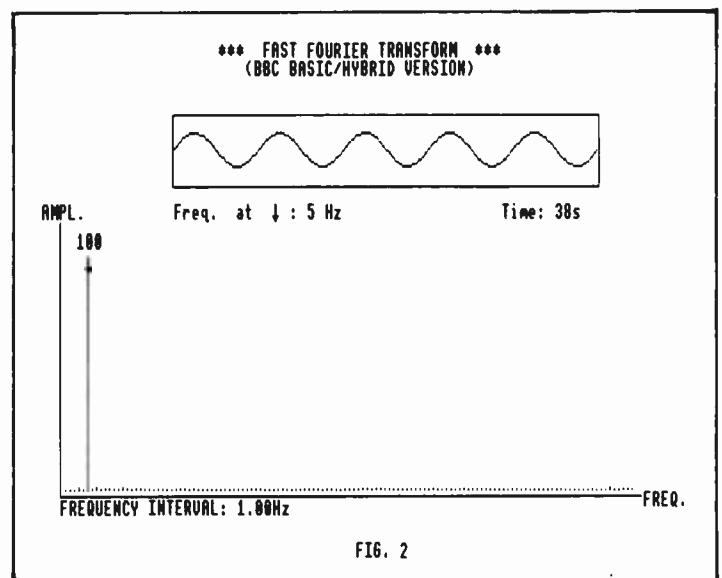


FIG. 2

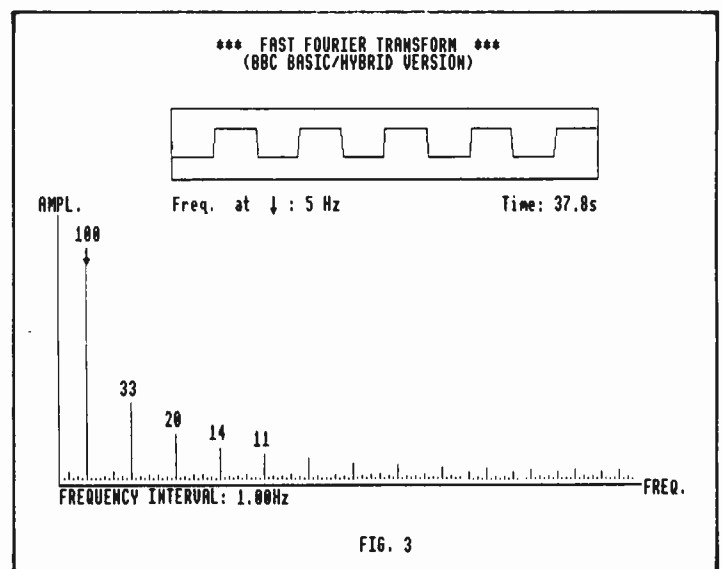


FIG. 3

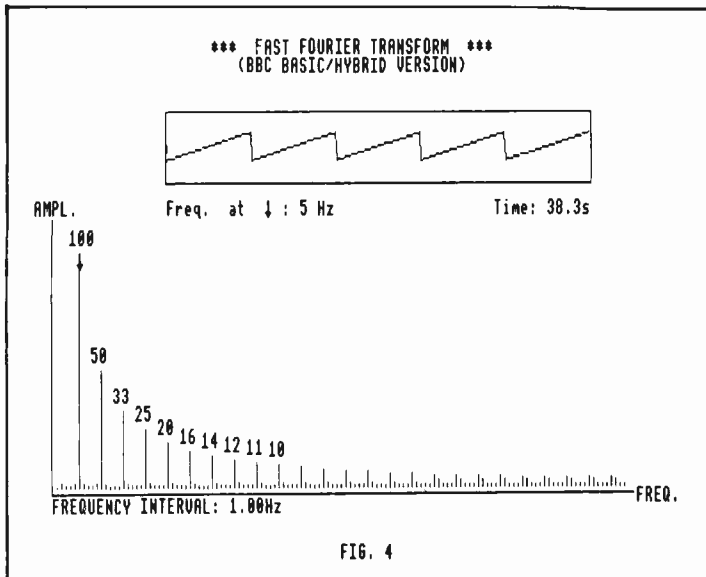


FIG. 4

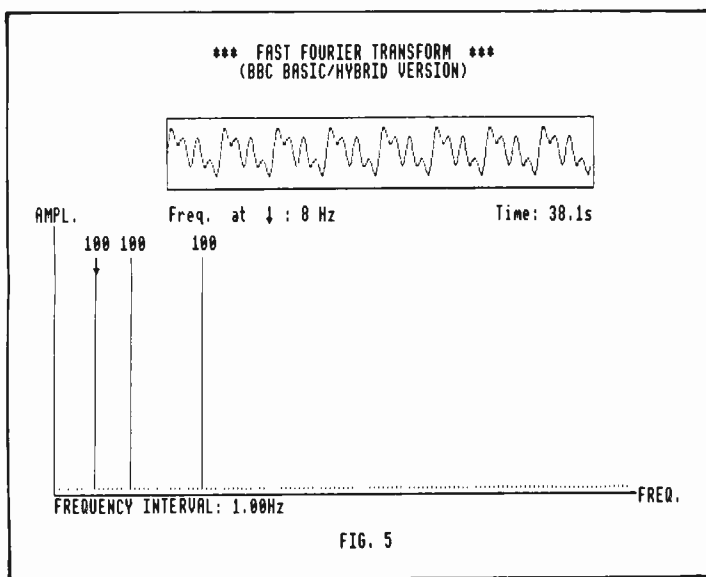


FIG. 5

a little faster (36s), but still surprisingly close to the BBC Basic.

If the `ESC` button is pressed, the FFT program expects to find a suitable machine-language screen dump routine called `PRINTER` on the disc. As Mode 0 is used by our program, it will need some kind of memory expansion to be run in the given form (like the Aries B-20 a.o.). It is completely compatible with the 6502 second processor, and will then execute in 26 seconds. However, for the program to be run on any standard Model B, we have also produced a compacted version, which we will be happy to make available.

With a little practice in random file technique you should have no trouble in generating data files for testing and demonstration purposes. But note the following points.

- The program expects to find as the first item of such a data file a number giving the sampling fre-

quency (for instance 256, corresponding to 256 samples per second — if that would be the case). Then all the 256 numbers constituting the actual sample points follow.

- After reading the data in from disc, the average of all the sample values is subtracted from each: the d.c.-component is thus 'filtered' off. This makes the data generation easier, as only the a.c. part of the signal will matter anyway.

As an extension of the present program, one of us has recently been working on and started testing out a machine code version of it, that actually executes in about 1 second. This means that it is now feasible to do on-line signal spectral analysis, practically in real time on a shoestring budget. We hope that the publication of this BBC Basic program might serve as the starting point and source for similar inspirations to many of your ardent readers.

Literature received

The instruments catalogue from Keithley covers their range of hand-held and bench multimeters and includes programmable IEEE and systems models. There are current/voltage sources, Nanovoltmeters and the DAC500 Data Acquisition and Control system used in conjunction with Apple IIe or IBM personal computers. Keithley Instruments Ltd, Boulting Road, Reading, Berks RG2 0NL. EWW250

The Rifa range of subminiature, high power d.c./d.c. converters are detailed in leaflets from Campbell Collins Ltd, 162 High Street, Stevenage, Herts SG1 3LL. The PKA range of converters fit in a square package only 76mm wide and 17mm high and yet can provide up to 40W of power conversion. Different versions cater for input voltage ranges. EWW251

A technical manual that describes the KD32-AA and KD42-AB central processing units used in the Microvax I system is available free from distributors Rapid Recall. The *Microvax I CPU Technical Description* includes a system overview and sections describing the programming interface and module configuration. Other chapters deal with data path microcode, and the data pack module, memory controller microcode and module and the Q22 bus controller. There are a number of appendices. Rapid Recall Ltd, Denmark Street, High Wycombe, Bucks HP11 2ER. EWW252

A data acquisition manual includes an introduction to the products of Maxim, which include a-to-d converters, op-amps, display drivers and more. All the products are fully compatible with the 71xx range and with c-mos amplifiers Maxim Integrated Products UK Ltd, Whitchurch Road, Pangbourne, Berks RG8 7BP. EWW253

A useful stock and price list of Japanese semiconductor products comes from Impulse who hold franchises from Hitachi, Mitsubishi, NEC and Toshiba. The products are listed, together with a brief description and prices. Featured are the c-mos eeproms from Mitsubishi-Impulse Electronics Ltd, Hammond House, Caterham, Surrey CR3 6XG. EWW254

A brochure from Rendar introduces the Spikebloc mains protector which has been developed for the protection of sensitive electronic equipment, particularly microprocessor-based, from the hazards of electrically noisy

environments. The devices offer protection against surges, spikes and r.f.i. Rendar Ltd, 7 High Street, Ringwood, Hants BH24 1AB. EWW255

Used test equipment can be bought from Carston, who have produced a leaflet describing the available equipment. The company has expanded into the computer field and have a number of development systems, terminals and peripheral equipment. All second-hand instruments are guaranteed for 12 months. Carston Electronics Ltd, 99 Waldegrave Road, Teddington, Middlesex TW11 8LL. EWW256

A wide range of solid-state relays are produced in California by Opto 22 and are detailed in a catalogue from the UK distributors System Devices Ltd, 26 Such Close Ind. Estate, Works Road, Letchworth, Herts SG6 1JF. EWW257

Printer buffer memory i.cs

Mike Catherwood's printer buffer, described in the May and July issues, is designed to give a 2ms dynamic-ram refresh cycle (ras-only refresh). Texas Instruments 64Kbit d-rams require a 4ms refresh cycle and will not work with the printer buffer as it stands.

There is a modified version of the software giving a 4ms refresh cycle in the top half of the eeprom supplied by Technomatic. This software is brought into play by tying address line A_{10} high; it should work with Texas rams, although it has not been tested. Normally the software is in the lower half of the eeprom.

Access time of the 2716 eeprom was quoted as 250ns, but more readily available 350ns devices should suffice. On many types of eeprom, pin 21 should be tied high and not left floating as it is on the boards supplied by Combe Martin Electronics.

Radar in retrospect — correction

Readers baffled by the picture of the 'cavity magnetron' on p.75 of the August issue will be relieved to know that *WW* is not trying to change history. The device shown is the Caracal sine-wave inverter, mentioned on p.78, where the magnetron was transferred in error. Apologies to Tom Ivaldi, Caracal and any readers who didn't happen to spot the mistake.

Human communications - the new discipline

R.E. Young's seventh article in his series on British invention, innovation and electronics looks at the progress made in communications between people, especially with regard to mental handicap.

By its very nature, and by the way in which it developed, 'Human Communications' would almost certainly lose rather than gain by formal definition. Also when the recognition of its constituting a "New Discipline" was put on record in the first article of this series¹, much of the original work contributing to the final concept had already been carried out and reported. For example, in a previous article on Human Communications², it was shown how interchange of vital information was built up between the fields of mental handicap (hyperautism) and that of control under extreme emergency conditions.

It is relevant to compare this with the radar and television case as given in the second article in this series. Two points of special interest arise here. The first is that unique conditions existed for them in the UK which almost certainly could not have been found elsewhere. Thus, for example, personnel with extensive training and experience were available for transfer from television to radar at the beginning of World War II.

A number of factors entered into the success achieved with this transfer, notably British adaptability; and this quality can be seen fully in the parallel case with transfer of technological thinking to the field of mental handicap, particularly to research into "this most mysterious of all human complaints".

A programme of technologically-based research in this field was introduced in the two-part article on Crisis Control²; and is at the centre of a companion arti-

cle on mental handicap which appeared in the September 1983 issue of *Wireless World*.

As will be seen, this issue had two linked features, additional to the article itself, which made a significant contribution to it, not only in the immediate context of the transfer of technological thinking to mental handicap, but also in that of the even more fundamental matter of throwing light on the mental handicap condition — the second point of interest mentioned earlier. Thus this aspect of throwing light is embodied almost literally in the special cover picture of this issue. With remarkable insight — which justifies being called inspired — the artist has caught the person living underneath the handicap, and usually revealed, if at all, by only a 'flash glance'. As indicated in the article, that people, as isolated individuals, had recognized that this was a 'false handicap' is indeed difficult to believe; but, in a sense, the foundations of the research programme lay in finding this to be so which thereupon continued as a 'bringing-together' of people and evidence.

This process has, of course, continued and developed over the past two years; but by the start of this period it had already been put forward and had become accepted that "... even the most severely handicapped autistic has a latent capability and can be assisted to break the shell (of hyperautism) by a deeply understanding approach — one which recognizes that communication is the basic problem and that removal of stress and help in carrying

out even simple actions to achieve some kind of pride in performance are beneficial, particularly when previously considered to be impossible".

This extract from the Editorial in the *Wireless World* for September 1983, and under the heading 'Technology and people', represents an invaluable summary of the basic — humanitarian — approach described in the accompanying article on mental handi-

by R.E. Young
B.Sc(Eng),
F.I.E.E.,
M.R.Ae.S.

Articles in this series

- British invention, innovation and electronics (March)
- Radar and television — interchange and spin-off (April)
- The post war stride into aerospace (May)
- R & D management and economics (June)
- Big system automation and telemetry (July)
- Vehicle instrumentation (August)
- Human communications
- The future

The artwork for the cover of *Wireless World* in which "the artist has caught the person living under a handicap, and usually revealed by only a 'flash glance'."



cap associated with the ultimate establishment of the research care unit approved in principle for Warwickshire⁴.

It is particularly encouraging and rewarding to find similar endorsement coming some two years later in 1985, but from an entirely different type of source. This was in connection with the general approach put forward for research care, initially for the mentally handicapped.

Although on a small scale, development of research care has been maintained over this period, either essentially on the voluntary basis as noted in the earlier article² or from 'supported' units within the voluntary ambit; and endorsement has come from both of these areas, and outstandingly, in terms of human communications, from a Centre falling into the latter category. In a note summarizing progress made with the 'new thinking' (human communications) approach to care, in its widest sense, the Head of this Centre reports on the success which they have achieved in "transporting" the thinking and methods evolved for mental handicap to "... several (other) fields". With the unit set up originally to provide care for the physically handicapped, this had been the first of these fields in which these ideas had been tried out; but within a surprisingly short time mental handicap has been added together with certain aspects of geriatric care.

The importance of these statements arises on several counts. Foremost amongst them is the confirmation (endorsement) of its being possible to bring together, as it were, the two kinds of handicap by taking advantage of the common ground of human communication. Such possibilities had been shown to exist by the project work described earlier in the September 1983 article, with the salient points brought out in the project flow chart for the specialized Research Care Unit. Specific examples include the reference to correlation with 'outside' areas (relative to mental handicap) such as geriatric care made on the chart for 'Phase 4'.

Another relevant reference is made at the end of that article to the aim of obtaining information which would be of value in fields such as ordinary autism and geriatric care (helping with ability to speak). It may be noted that these possibilities as exemplified

by geriatric care were introduced in the first article on crisis control in relation to interchange of information.

A brief digression should be made here. It will be noted that the term 'Human electronics' is used in the quoted article. This ante-dated the recognition that this whole subject represented a new discipline, and the suggestion that it demanded a title commensurate with the breadth of the fields covered. That this is a wide subject will be seen from the section headings in the rest of the article; but this introduction is made almost exclusively in relation to mental handicap because the advances that had been made and have led to this recognition were in this field with the bulk of the work having been carried out in it; and full acknowledgement must be made to all those who — either as individuals or in groups — have contributed so much to it.

Reverting to the note dealing with the progress made with 'common ground' care of the handicapped, one of the greatest services it does is to show how utterly vital it is to establish communication with the handicapped, that every effort should be made, and continue to be made, to do this whatever the degree of handicap; and that, with full understanding, and the right conditions, the person under the handicap will be revealed. The difficulties are not underestimated, rather the reverse; but it comes out quite clearly that this is a team with a quite unusual capacity to absorb — and act upon — new ideas, and, in this case, to persist with the task of bringing out the concealed person whatever the odds.

This is, of course, an expression of a major principle which has been built up, and consolidated particularly over the last two years. It is embodied in the four letters M H S M. These initial letters, standing for 'Mentally Handicapped (of) Sound Mind', coming from an acute and penetrating observer, give an objective assessment of this condition. This is at variance with the conventional view of these disadvantaged people based on the admitted lack of knowledge³ of the nature of the complaint and the understandable confusion with the defined mental (stress) illnesses, but has found more than an answering chord in a number of people with

interest in, and experience of, mental handicap.

High technology and hyperautism

As indicated in the first article on Crisis Control, and subsequently, interchange of information has been going on for some time between the two areas of mental handicap care and technologically-based analysis of this 'completely intangible' human problem. Even by early 1983 it had become clear that this interchange had developed to the point where technological thinking was giving an entirely new picture of the hyperautistic condition; and, furthermore, that it offered not only engineering techniques for tackling the problem, but also that it gave explanations of the mechanisms involved. Much of the latter were derived from 'system modelling', and this forms the subject of a later section in this article; but as shown in the 1983 publication containing the project flow chart, it had become accepted by then that these explanations were valid and could be used to form part of the foundations of a coordinated research programme.

That this programme has continued in what can only be called a typically British way, with contributions coming from both technical and non-technical 'associates' and organisations, has been indicated in the preceding section; but it is perhaps even more significant that the period of consolidation of the last two years has shown that high technology ideas and concepts generally can be adapted and applied successfully to practical use in the care and development of the mentally handicapped.

'High technology' has been adopted here to give depth and meaning to this new — composite — approach. The definition "Advanced engineering permeated by electronics", as evolved for complex system and comparable development engineering activity, has severe limitations when faced with the intangibilities of mental handicap. On the other hand it offers a basic 'terms of reference' title, familiar to most, which can be given to this overall approach. Thus by substituting 'human communications' for 'electronics' (the importance of this original substitution in relation to the concept of a new discipline has already been noted) and with expansion, the

defining title becomes 'System research engineering permeated by human communications'.

This may seem to be a statement of the unimportant, but as already indicated, experience shows that acting upon 'half-a-story' can be dangerous to the point of producing failure when embarking upon a new technologically based project. Thus, as in the case where the work is undertaken by a team with a variety of backgrounds and training, it is utterly vital to lay down lines of action in words which are without ambiguity and are *fully understood* by all.

To a certain extent this process corresponds to 'separating-out the factors' with a project where the fact has to be faced that progress is not being maintained; and that this is due to the existence of one — or probably more than one — obscure faults which are, in effect, completely concealing the true position. Classic examples of this, quoted earlier¹ are the radar installation which appears to be working, and yet is actually 'blind', and the fault on a piece of instrumentation which is literally hidden by its failure to provide information. Also, although the individual fault — when finally found — is almost invariably simple in the extreme, reaching the solution is a complex and protracted task which in essence depends on achieving this segregation of factors.

Now, with the final clearance of trouble, it should be possible, in this instance, to produce a clear statement which gives the staff a picture, hitherto denied to them, of the state of the project; and which, if suitably drafted, should result in much more effective project flow being achieved by virtue of "everyone being informed" and — quite vital in such cases — being informed in the 'same language'.

These principles, seen from the R & D Management point of view, take on even more importance for this Human Communications research programme. Apart from anything else, this was a true research project with every aspect of it being new; and on this score alone, it is essential that all those taking part be given a picture of the position reached with the programme of such a nature that they are helped to take the right technical decision on the course to be followed when presented with one of the so-called minor problems which arise

almost every day in this work. This is, of course, one of the main aims of endeavouring to make sure that staff are enabled to feel that they are being kept fully informed of any developments which may bear upon the work of the team; and are being put to them in such a manner that the way ahead is being cleared to the maximum for them to 'get it right'. This does, of course, represent an ideal world; but with projects like the one under discussion, the chances of a false trail being followed are so high that a close management/staff understanding is vital for this to be avoided. A corollary is that with a fully integrated team, interchange and the general contact which is maintained can prevent more than one variable being altered at a time. Violation of this ground rule i.e. for members of a team to make major technical changes in isolation, can pose a very real threat to the project.

Although it has been pointed out that a period of consolidation has been reached in the programme, this does not mean that the scale of research and investigation in this sphere should be reduced — there is still an enormous amount of ground to be covered as shown e.g. in the proposals for a new Research Care Unit for the mentally handicapped⁴.

There is, in fact, one area in particular where a great deal of progress has already been made — that of explanation of the hyperautism of mental handicap — but where expansion of effort and resources would be well justified. This explanation has a dual character where high technology has been applied in two widely different ways; the first, developed over the years, may be called 'direct' and is fundamentally observational, while the second, an indirect approach, is based on specialized Human Communications (advanced engineering) techniques produced as part of the natural evolution of the project.

Two divisions therefore exist coming under the headings of 'Observation and the build-up of evidence' and, slightly over-simplified, 'System modelling'. These two divisions, under these headings, are examined in more detail in the next two sections; but it is felt that it would be valuable to refer at this point to a far-reaching principle which has come out of this work, that

underlying the correlation of observation and system analysis to give increased insight into the hyperautism of mental handicap.

'Hyperautism' is used here because of its technical connotation. As many will know from experience, the whole issue of reduced, and especially of no, communication is usually totally obscured by the consequent lack of tangible evidence (of the existence of the 'concealed person'). As has been shown the initial strength of the project lay in the quality of the observers and of their evidence, and in the fact that it was possible to gather and collate this information over a long period. As the number of those taking part increased so did the speed of acquisition, but the basic problem of the long intervals between 'sightings' of the concealed person always remains; and it was not until results from work on communication parallels became available that a practicable programme of research with (at last) a finite time scale could be envisaged.

Actually as soon as the transfer of (comparison) information had become established, it rapidly

turned into a two-way interchange with 'spin-off' in both directions. It was not long before definite project lines could be discerned, but it also became abundantly clear that this was a classic example of a project where 'separating-out the factors' was imperative for the maximum advantage to be taken of the data that was beginning to be accumulated. Of even greater significance was that if 'separating-out' could be done in the right way, this would mean that acceptable sub-project divisions could be identified within the informal organisation which is still maintained on this basis as a background to this work.

That this process was carried out successfully and the correct divisions selected was due in great measure to the strength of the contributions made by associate coupled with the way in which the overall project was built up. Thus, looking at this as a conventional R & D project in the UK, many of its (constituent) elements fell into place almost naturally; but, as seen in the other examples, the 'hidden strengths' in the country came into the pic-

ture. One of these, quoted earlier³, becomes especially significant in this instance. The facilities which already existed in Britain, and had been set up by the medical authorities with such sound judgement, provided an environment which, as a minimum gave the equivalent of a flying start to this work.

Again, it may seem that undue emphasis is being put on an issue which is less than crucial. However as with the design development of any complex control system, this question of identifying the unknowns and establishing the divisions in which they will fall is crucial; and it will be realised that with 'human' and technological investigations and analysis being carried out simultaneously, this requirement becomes over-riding. This process, which can be described as one of sorting-out and allocation, is perhaps best illustrated in terms of a typical sub-project which made itself manifest during the course of the programme.

The sub-project concerned — 'delay in response'³ — is associated with 'thinking fatigue' which has been written up in an



A shared viewpoint reinforces a cooperative approach in a complex environment as here, and with helpers and patients.

earlier article on crisis control², so that a separation had been affected between the two. It should be pointed out that this separation was only in time to begin with and that it was followed in the form of individual recognition somewhat later. This order of events was controlled and the major principle emerges that if this order had been reversed, at best an appreciably longer term would have elapsed before identities became clear, and at worst, the two issues would have obscured each other to the extent that they could have remained unrecognised for an indefinite period. This is, of course, a danger which always exists and — it will be realised — increases progressively with the complexity of the project. When, as in this instance, there is a strong possibility that spin-off contributions can be made to other fields (delay in response and thinking fatigue are not confined to the mentally handicapped), failure to evolve what amounts to a correctly 'marshalled' management structure can result in losses, particularly of time, which are impossible to assess. The word 'marshall' is used here advisedly, and because it leads into the concept of data marshalling^{2,3} and its relevance to the whole question of the new (technological) approach offered by human communication to problems in the 'ordinary' world, and in particular to that of mental handicap. From the next two sections, and from the reference already given, it will be seen that data marshalling, defined as the separation, streaming and systematic presentation of 'masses of data', is a key concept in this work and as exemplified by system modelling and the process of collection of evidence which preceded, and then became coordinated with it. Also, and as a concluding statement it can be said that it is equally true that the same applies to data marshalling in the various areas of research control which were covered earlier.

Observation and the build-up of evidence

Although, by force of circumstances and events, the great part of the work on human communications has been done in the general context of the hyperautism of mental handicap, its origins in the personal observation of human

behaviour under the stress of unexpected emergencies, specifically with the operational control of what can fairly be called high technology systems, mainly in World War II. That such systems were involved meant that these observations were made under 'multi-channel thinking' conditions which linked in with the results of later work and also provided an elementary form of reference standard for evaluation purposes. One aspect of this has been covered in the WW article on crisis control where two categories of behaviour (Conditions A and B) are introduced in relation to comparable effects seen with the mentally handicapped.

The most important conclusion reached from these observations and from comparison which followed was that when the non-handicapped went into condition B — where the ability to take action virtually disappears, they returned comparatively quickly to the A condition as soon as the emergency had passed. (Condition A is when, despite severe stress, the person thinks and takes action — as far as outside appearances are concerned — exactly as before the incident occurred.)

Now the other main observation made under full crisis conditions was that the change to Condition B was accompanied by a change in facial expression to the blank look of mental handicap. Obviously a number of inferences can be drawn from these observations, and this has been done progressively as more evidence became available. Equally obviously, one is heavily dependent on this evidence when reaching conclusions, and considerable caution has to be exercised in doing this. Methods of obtaining uninfluenced evidence developed e.g. for investigating obscure radar faults have been used; but, as indicated earlier, it has been possible to ensure that evidence comes from a number of independent sources, while the dependability (quality) of the observers has already been stressed. Also a number of forms of cross-checking do exist or have been set up, in this case, among them the fact that information (and thinking) come from two entirely different fields. Another form of cross-checking has been provided more recently — by the system modelling of the next section.

It will be realised that this facil-

ity of cross-checking is only one element in the general process of interchange between the two fields of full crisis control and the research care and education of the mentally handicapped. The scope and influence of this interchange can be seen in an illustration based on the human communications aspect of control room design for emergency conditions (Ref. 5) stemming in turn from the observations made of actual incidents.

A feature which comes to be common to all these incidents is the way in which the operating staff almost sub-consciously arrange themselves in a 'two-tier' control structure as shown in several publications notably on the front cover of the *Wireless World* containing the first part of the crisis control article, and — of still more immediate interest in relation to mental handicap — in the photograph taken at CEB's Nuclear Power Training Centre. Notice the positions taken up by the staff where they are alongside each other and are looking at a common point. It may seem more than strange that this advanced work can be brought into the context of hyperautism; but this general disposition of two people in particular has been found to be especially favourable to establishing communication between the mentally handicapped and, say, an instructor. Surprisingly good results can be obtained with this technique, even with the severely handicapped, and it serves as an example of how the alternative — 'confrontation' — approach is to be avoided, something which appears to be of value to conventional education.

In passing, it may be noted that the degree of success obtained in communicating with the hyperautistic (in both directions) has two major implications: it represents confirmation of the existence of the 'concealed person'; and also shows that this whole subject is of an extremely complex nature, and not something which should be dismissed as not requiring attention of the highest calibre.

Finally, in this connection, there have been clear indications of a marked correspondence between the 'subliminal' methods of teaching found to be effective with the mentally handicapped and those suggested for the training of personnel in preparation for dealing with unforeseen emergencies². Yet again this

may seem surprising, but it emphasises to an even greater extent the complexity of the thinking mechanisms (and interactions) lying underneath mental handicap.

System modelling is, in a sense, self defining as a means of providing technological explanations of effects such as 'thinking fatigue' and 'delay in response' and even in predicting, for example, the 'inversion' of speech — seen in the non-handicapped in the transposition of syllables (the Spoonerism) or of individual digits in a telephone number. The number of ramifications of this work are clearly near-infinite; so it is proposed to take one example only to show how, information can be brought together to produce a desired 'model'.

As part of an examination of the problems of 'fast sampling' of pulse waveforms⁶, Poole has found that the uncertainty (indeterminate element) resulting from the sampling action is dependent upon the position along the original signal waveform at which the sample is taken. (Other factors, of course, enter into this.) It is understood that as part of this research, Poole found that the uncertainties in 'search sampling' were reduced in some circumstances by reversing the direction of sampling in time — colloquially by sampling 'backwards' in time and not moving forwards increasingly with it. Now system modelling has shown that sampling and 'back-comparison' effects appear in hyperautism and this has been seen in other pieces of system modelling, and as part of the associated theoretical work it does appear that the results obtained by Poole can be linked with speech inversion as quoted above.

REFERENCES

1. R.E. Young; British invention, innovation and electronics. *Electronics & Wireless World*, March 1985.
2. R.E. Young; Crisis Control. *Wireless World*, June, July 1982.
3. R.E. Young; Mental Handicap and electronics. *Wireless World*, September 1983.
4. R.E. Young; Mental Handicap — proposals for South Warwickshire Specialised Unit, Communication to the South Warwickshire Health Authority.
5. R.E. Young; Control in Hazardous Environments, Peter Peregrinus, Stevenage 1982.
6. Poole, S; Telemetry sampling phenomena. *Electronic Engineering*, May 1964.

AUDIO · VIDEO · DATA

A superb range of innovative loading
and duplicating technology
· Worldwide ·



the leaders

Tape Automation Ltd, Unit 2, River Way, Harlow, Essex CM20 2DN.
Telephone (0279) 442946, Telex 265871 MONREF G quoting Ref: 84:AUL001.

EUROPE · USA · JAPAN · UK · INDIA



CIRCLE 49 FOR FURTHER DETAILS.

A NEW CONCEPT IN TEST EQUIPMENT



- ★ Identifies and tests over 1000 devices from TTL, CMOS, Memory & Interface families
- ★ No programming necessary — in "CHIP SEARCH" mode even the device number can be omitted
- ★ Highly cost-effective design ensures maximum benefits at minimum cost

The A.B.I. Digital IC Tester

A.B.I. Electronics Ltd., Unit 21 Aldham I.E., Barnsley, S.Yorks, S73 8HA
Telephone: Barnsley (0226) 751639 Telex: 547376 CEAG G (for A.B.I.)

CIRCLE 69 FOR FURTHER DETAILS.

VIDEO TERMINAL BOARD

★ 80 characters × 24 lines ★

Requires ASCII encoded keyboard and monitor to make fully configurable intelligent terminal. Uses 6802 micro and 6845 controller. Program and character generator (7 × 9 matrix with descenders) in two 2716 EPROMs. Full scrolling at 9600 baud with 8 switch selectable rates. RS232 interface.

Bare board with 2 EPROMS and program listing — £48 plus VAT. Assembled and tested — £118 Send for details or CWO to:



AM Electronics
Wood Farm, Leiston, Suffolk IP16 4HT
Tel: 0728 831131

CIRCLE 28 FOR FURTHER DETAILS.

Newrad

NEWRAD INSTRUMENT CASES LTD
Unit 19, Industrial Estate, Gore Road
New Milton, Hants BH25 6SJ
Tel: New Milton 0425 621195

HEIGHT	DEPTH	PRICE
1U	250	£18.84
1U	300	21.35
2U	250	22.05
2U	300	24.69
3U	250	25.22
3U	300	27.99

19 inch Rack Mounting enclosures complete with chassis and top and bottom covers. Front, Side and Rear panels are aluminium and flat for easy machining. These panels are located with heavy duty aluminium extrusions. Front and Rear panels are satin anodised. Covers are finished in cream.

4U heights and depths of 400mm are available in minimum quantities of 10

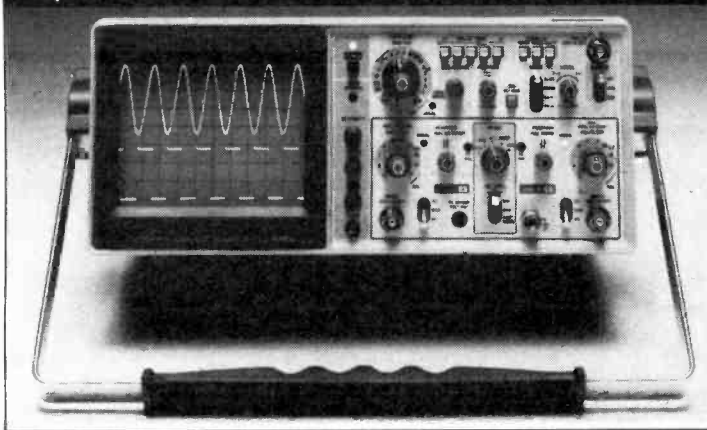
PRICES ARE EXCLUSIVE OF VAT. P&P £2.50.

CIRCLE 29 FOR FURTHER DETAILS.



Hitachi Oscilloscopes

the highest quality from **£329**
the most competitive prices + VAT



Hitachi Oscilloscopes provide the quality and performance that you'd expect from such a famous name, with a newly-extended 14 model range that represents the best value for money available anywhere.

V-212/222	20MHz Dual Trace	V-650	60MHz Dual Timebase
V-223	20MHz Sweep Delay (illustrated)	V-1050	100MHz Quad Trace
V-209	20MHz Mini-Portable	V-1070	100MHz Four Channel
V-422	40MHz Dual Trace	V-1100	100MHz DMM/Counter
V-423	40MHz Sweep Delay	V-134	10MHz Tube Storage
V-509	50MHz Mini-Portable	VC-6015	10MHz Digital Storage
		VC-6041	40MHz Digital Storage

Prices start at £329 plus vat (20MHz dual trace) including a 2yr. warranty. We hold the range in stock for immediate delivery.

For colour brochure giving specifications and prices ring (0480) 63570
Thurlby-Reltech, 46 High Street, Solihull, W. Midlands, B91 3TB.

CIRCLE 51 FOR FURTHER DETAILS.

The world's most advanced low-cost bench multimeter!



Thurlby 1905a £349 + VAT

A complete high performance bench DMM

- 5 1/2 digits; 0.015% acc; 1µV, 1mΩ, 1nA.
- Full ac and current functions as standard

A sophisticated computing and logging DMM

- Linear scaling with offset; null/relative
- Percentage deviation; running average
- dBV, dBm general logarithmic calculations
- Limits comparison; min and max storage
- 100 reading timed data logging
- RS232 and IEEE-488 interface options

Thurlby Electronics Ltd
New Road, St. Ives, Cambs. PE17 4BG
Tel: (0480) 63570



CIRCLE 52 FOR FURTHER DETAILS.

Now Thurlby makes logic analysis affordable! from the Thurlby LA-160 **£395** + vat



- 16 data channels, expandable to 32
- Clock rates up to 20MHz
- 2,000 word data acquisition memory
- Non-volatile reference memory
- Data state and logic timing displays
- Binary, octal, decimal or hex formats
- Powerful search and compare facilities
- Hard copy data print
- Wide range of microprocessors

Now with optional microprocessor disassemblers!

An essential instrument

An oscilloscope and logic probe are not enough to unravel the complexities of today's electronic equipment. A logic analyser has become the essential tool for both hardware and software engineers. Indeed a logic analyser is as important for the observation of logic signals as an oscilloscope is for the observation of analogue signals.

Unfortunately the high cost has made logic analysers unavailable to many who could benefit from them, but now the Thurlby LA-160 puts a sophisticated and versatile logic analyser within the reach of everyone.

- Disassembles popular microprocessors - Intel's standard mnemonics used
- 6502, Z80 and 6800 presently available
- Simple connection to the microprocessor
- Full capture using 32 data channels
- All memory/stack operations are shown
- Branch addresses are calculated
- Extra uncommitted channels available

Now, with the launch of uP disassemblers, a complete 32 channel logic analyser system with disassembler software and personality module is available for £658.

Contact us now for full technical data and prices.



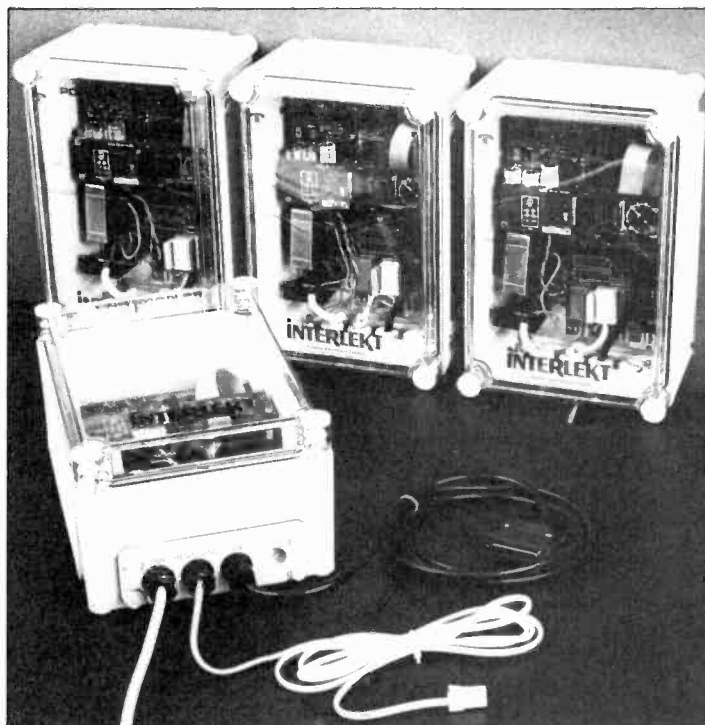
Thurlby Electronics Ltd
New Road, St. Ives, Huntingdon, Cambs.
PE17 4BG, England. Tel: (0480) 63570

CIRCLE 53 FOR FURTHER DETAILS.

Modem for the wet

The first waterproof modem to receive BAPT approval is Interlekt's Portman 66, which comes in a sealed plastics box and is built on p.c.bs coated with fungicidal varnish. The first buyer is the Department of Transport, which will install it in roadside cabinets as part of a national system for the automatic collection of traffic data.

Other products from Interlekt include a range of more conventional high-speed and low-speed modems. Prices begin at £125 (plus v.a.t.), which buys a multi-speed V.21/V.23 modem suitable for home or business use. Interlekt Electronics Ltd, 24 Portman Road, Reading RG3 1LU. EWW211



Calculator/dialler

This pocket calculator not only adds up your expenses — it also helps you 'phone the office. Inside is a tone dialler which activates a box connected to your company's switchboard. By keying the right code, you get an instant connection to the extension you want without waking up the operator. And if the extension is busy, you can try another.

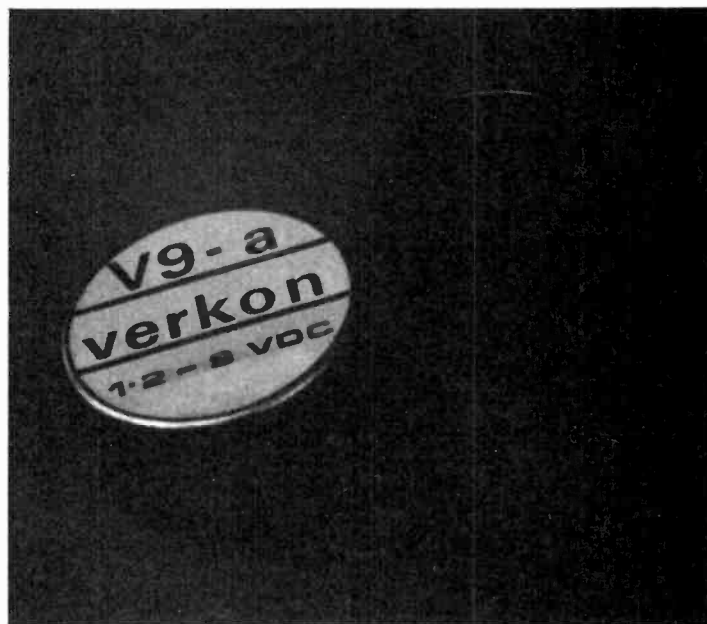
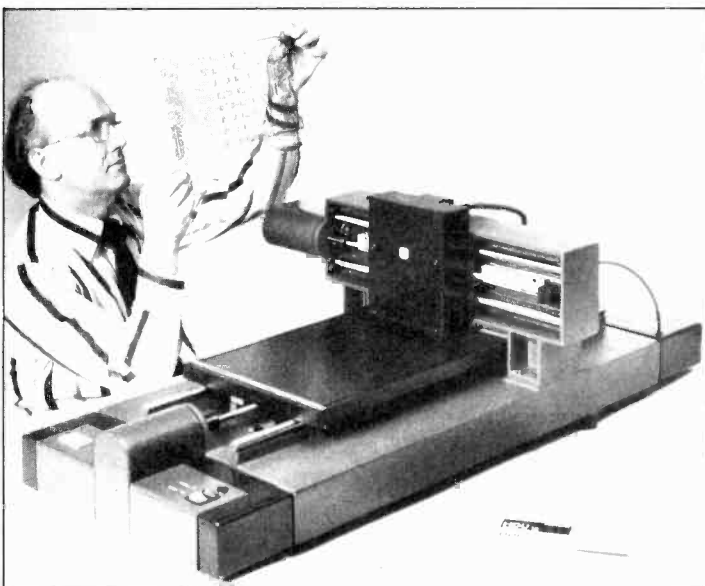
The IQD Phonethru unit is available from IQD Ltd, North Street, Crewkerne, Somerset TA18 7AR. A basic system costs £445. IQD have a range of other products using telephone d.t.m.f. signalling, including radio auto-patch units and devices for the supervision and control of remote equipment. EWW210

Pcb photoplotter

Artwork for printed circuit boards up to a size of 300 by 500mm can be produced automatically on the Flashcan photoplotter system. The design does not use aperture discs and slides or analogue variations in the light intensity. Instead it has a processor which controls the variable aperture lens and the flash rate of a xenon lamp. The basic image projected onto the film is octagonal and the flash rate controls overlap between successive octagons to produce lines. Servo positioning, using feedback from optical gratings

parallel to the axes, ensures a resolution of 0.01mm and an accuracy of of less than 0.005mm.

With u.v.-sensitive paper it is possible to produce a plot rapidly without development. The overall plotting speed is 150mm/s including flashing octagonal pads 'on the fly'. The system can be used with many of the recognised c.a.d. formats or through an RS232C port, from disc or from tape or even remotely through a modem. At £22 000 it is claimed to be less than half the price of comparable systems. Cescom Electronics Ltd, Harrow Road, Leytonstone, London E11. EWW209



Dc power source

Used in combination with a sealed single NiCd cell, the Verkon V9-a provides a 9V d.c. output with a current rating up to 100mA. The V9-a is designed to replace PP9, PP7 and other batteries as the power source for low-power electronic circuits, small motors and other applications.

In a diameter of 31mm and a height of 16mm, there is packaged a variable drive switch-mode step-up d.c. to d.c. converter. The circuit is fully encapsulated in resin and housed in a steel case and is

therefore screened and very rugged. The use of Schottky semiconductors results in low conversion losses and obviates the need for heat sink. The single cell NiCd has the advantage of not suffering from reverse charging, overcharging, dendrite formation or electrolyte leakage, and can achieve up to 2000 charge/discharge cycles; so there are several good reasons for using single cells in combination with a V9-a, in place of a NiCd battery. £5.25 (inc. v.a.t.) from J. Biles Engineering, 120 Castle Lane, Solihull, W. Midlands B92 8RN. EWW201

IEEE 488 interface

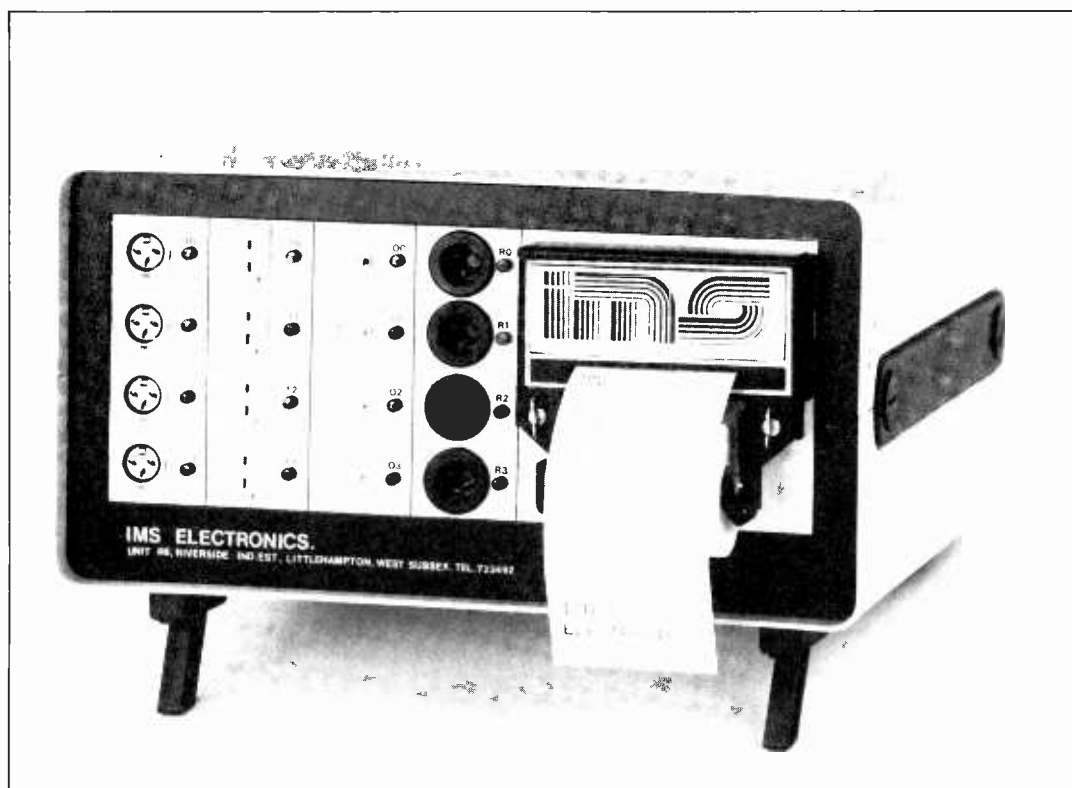
Full GPIB controller functions are available on the BBC Microcomputer by using the Electroplan interface. The unit is self-contained, with its own power supply, and plugs into the 1MHz bus port on the micro. The computer can be linked to 14 independently addressed peripheral units, including data acquisition systems, A.t.e. stations and programmable instrumentation. Full talk/listen/control functions are allowed, including multiple controller with 'pass' control. A maximum data transfer rate of 64Kbytes/s is possible.

A library of software routines is provided along with a comprehensive tutorial manual enabling the software to be tailored to a specific function. Electroplan Ltd, PO Box 19, Orchard Road, Royston, Herts SG8 5HH. EWW205



CP/M development package

For some of the newer low-cost computers able to run CP/M operating systems, such as the Tatung Einstein and the Amstrad CP464, HiSoft have developed a suite of development software at a similarly low price. Devpac80 comes as three packages: ED80 is a fast full-screen editor that has a number of help screens instantly available and permits 'cut and paste' editing, wild card search and replace, the recovery of deleted text and many other features. GEN80 is a two-pass assembler that can handle over 4000 source lines a minute. The disc includes library files, full textural macros, conditional assembly and full mathematical functions. MON80 is single-stepping monitor and debugger. It can disassemble onto disc, to produce a file ready for ED80 or GEN80, multiple breakpoints may be set, patterns may be found either as bytes or mnemonics and there are many more features. The whole suite is available in CP/M 2.2 format for £39.95 inclusive. HiSoft, 180 High Street, Dunstable, Beds LU6 1AT. EWW207



Thermocouple logger

Up to 16 thermocouples may be monitored at once on the CM1600 measurement and control interface. Cold junction compensation and linearization are performed automatically and the readings are transmitted

through an RS232C link to a host computer.

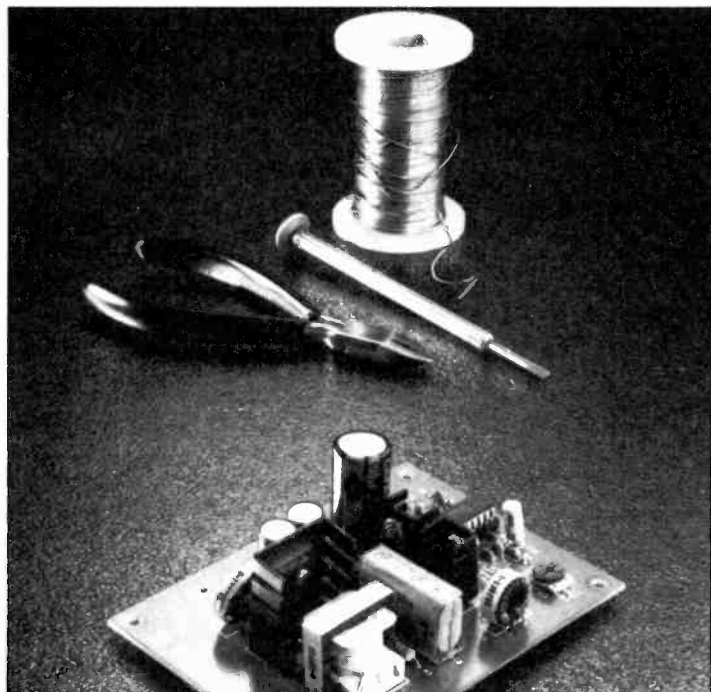
If all 16 thermocouples are not required then it is possible to reconfigure any channel as a voltage input or output or a switching relay for up to mains voltage. Optional extras include the dot matrix panel printer fitted into the instrument as

shown, and a 32K ram expansion. An IEEE488 interface may be fitted instead of the RS232C at no extra cost, which works out to around £795 for an average set-up. IMS Electronics, Unit R6, Riverside Industrial Estate, Littlehampton, W. Sussex BN17 5DF. EWW206

150kHz switcher kit

This kit of components for a switching power supply offers an introduction to high-frequency switching techniques. The supply is based around the Siliconix PWM125 controller i.c. and the kit includes a p.c.b. and all the components necessary to build the supply. Although the controller is switched in this circuit at a

frequency of 150kHz, there is provided a separate oscillator sync terminal and can be used over a range from 100 to 500kHz. The circuit has adjustable deadtime control, internal soft-start, input undervoltage lock-out, latching p.w.m. to prevent multiple pulses and works over a range of 8 to 35V output. Dage (GB) Ltd, Eurosem Division, Rabans Lane, Aylesbury, Bucks HP19 3RG. EWW202



Rent a meter

A 7 $\frac{1}{2}$ -digit multimeter may be more precise than is needed for day-to-day use, but could be helpful at the development and prototyping stages of a project. Such an instrument is the Datron 1081 which has a short-term stability of 0.25ppm and a linearity of 0.5ppm. Measurements to 10nV resolution are possible. The 10 to 100kHz a.c. range uses true r.m.s. for measurement and can accommodate a dynamic

input range of 1 to 200%. A Bessel active filter extends the low-frequency range down to 0.1Hz. The instrument may be calibrated through the front panel and there is a button to re-standardize all functions to the internal reference circuitry or a prime reference source. The instrument along with a range of other instruments may be hired on a weekly basis from Microlease plc, Forbes House, Whitefriars Industrial Estate, Harrow, Middlesex HA3 5SS. EWW203

Interference simulator

Designed to perform tests in accordance with existing and proposed standards, the Schaffner NSG 200 is capable of simulating almost all kinds of interference encountered in both a.c. and d.c. power lines. It simplifies the task of checking the susceptibility of equipment and systems to interference and also the effectiveness of suppression devices.

The instrument consists of two sections; a main unit and a number of plug-in modules, one of which may be used at a time and each of which is capable of generating a different type of interference. With these supply voltage variations and interruptions or superimposed pulses of various type can be generated. Schaffner EMC Ltd, 1 Ashville Way, Molly Millar's Lane, Wokingham, Berks RG11 2PL. EWW208



Improving your Epson

The print quality of dot-matrix printers has improved greatly in the past four or five years, and many owners of earlier models must be regretting bitterly that they hadn't waited a little longer before buying.

But if you have one of the popular Epson FX, JX or RX+ printers you can now upgrade to the latest standards by adding Epson's Special Font Set. The two p.b.bs fit inside the printer case without soldering and provide 'near letter quality' (NLQ) characters with a resolution of up to 15 dots by 18.

Several permutations of size and style are possible (we've used the roman face in emphasised mode to print the FFT program listing in this month's issue) and the software permits fine adjustment of the spacing between characters or

words. The proportional spacing mode gives access to italics, superscript and subscript characters and an attractive sans-serif font. There are variants for 11 languages or countries.

A 6K ram buffer helps reduce delays in printing and part of it can be used to store NLQ character sets downloaded by the user (as seen in our table on page 47). All functions and modes of the basic printer remain accessible under software control.

The Special Fonts Set is available with parallel or serial interfacing and costs about £130 plus v.a.t.

For the current FX80+ and FX100+ printers, a word-processing card (£113) offers similar NLQ options plus some formatting commands: text can be centred or right-hand justified by the printer itself.

Epson UK Ltd, Dorland House, 388 High Road, Wembley, Middlesex HA9 6UH. EWW213

More talk from the BBC

The Acorn speech upgrade for the BBC Micro gives the most realistic-sounding speech to be heard from any microcomputer. The sounds it produces come from a real voice — that of Kenneth Kendall, the former BBC-tv newsreader, frozen on silicon. But through lack of rom space his vocabulary is inevitably rather sparse: it's limited to about 150 words of computerese plus the names of the characters on the keyboard.

But now this restriction can be overcome by the addition of some firmware from Computer Concepts. The Speech Rom plugs into one of the computer's paged rom sockets and controls

the Texas speech processor chip directly.

It uses the phoneme system — phonemes are the units of sound which speech is composed. Southern English has 54 of them and each is represented in the rom's command list by a single letter or a two-letter group. The speech quality is good (the voice is not Kenneth Kendall's, but is male and sounds English rather than American) and programming it is surprisingly easy to learn:

*UTTER <1> W I U H L e S
W E R L D

The command allows much subtlety of emphasis and intonation and with a little experience you can obtain excellent results: a good ear is

Bubble memory — special offer

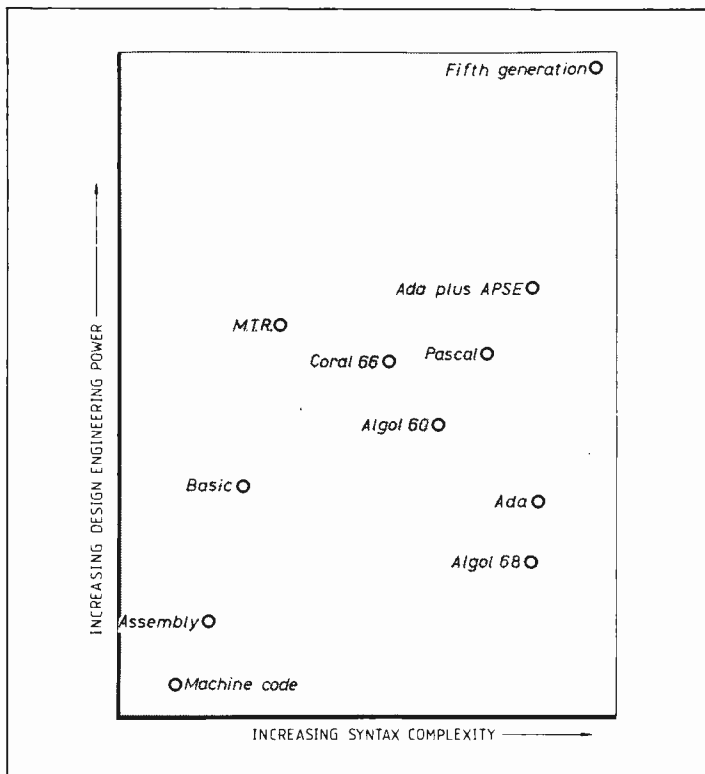
(see article, Page 32)

Cut out this coupon, fill in your name and address and send it with a cheque for £144.90 to Tony Greco, Rapid Recall, Rapid House, Denmark Street, High Wycombe, Bucks HP11 2ER.

Name

Address

Post code



Multi-language compiler

A small UK company called Space, known for its Intel development system rental service, is producing a range of software which allows programs to be developed, written and compiled into any one of a

number of high or low-level languages. Once source code is written using the new language, called MTR, one simply selects the working language required from a menu. The package is intended for software engineers working in military, industrial and scientific design fields.

Initial products in the range are the MTR language for writing source programs and the MTR compiler for converting source code into Coral 66, Ada, 'C', Pascal or ASM80. New compiling options promised during 1985 at the rate of one per month are Fortran, Basic, ASM86 and PL/M.

Future releases of the compiler will include options for producing logic maps for superimposing on commercially available u.c.l.as. The compiler currently runs on any Intel series three or four development system. Vax and IBM p.c. versions are promised and the licence fee is £2900 per site.

According to the designers, syntax of the minimum textual representation language, MTR, is almost as simple as Basic. Currently, MTR can be compiled into Coral 66, Ada, Pascal or ASM80 and a further five target languages are promised for this year. Space, Old Coach House, Court Road, Upton upon Severn, Worcest. EWW219.

helpful!

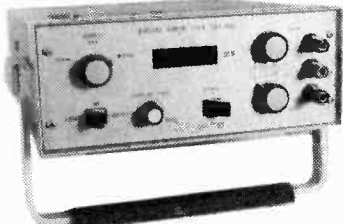
The Speech Rom cannot be used at the same time as Kenneth Kendall, though it can be synchronised with the computer's sound generator. It can even sing along in the key of C, though it cannot manage sharps and flats. The price is £33.35 including v.a.t. and postage. Computer Concepts, Gaddesden Place, Hemel Hempstead, Hertfordshire HP2 6EX. EWW212

HART KIT

This month we feature some fantastic bargains. Our standard range of professional quality kits and cassette decks is still expanding, along with new lines in Video heads and power supplies. Our FREE list gives details of these and many other lines.

ALL BARGAIN ITEMS INCLUDE VAT & POST.

EX PO DIGITAL TIMER TRT 340



Mains/12V DC powered precision timer with full 4-digit display. 3 ranges up to 9999 mS. Sharp LED display holds until reset or cancels after user variable display time. Timing start and stop independently controllable by any of 4 types of input. Display test button on rear. Complete unit is housed in an elegant case with carrying handle/stand. These cost the PO many hundreds of pounds, our price to you only £29.78

LIQUID CRYSTAL DISPLAY WATCH MODULE

With LCD display. 2 pieces of Polarising material, backlight diffuser, micro lamp, precision crystal, trimmer, battery contacts and open microcircuit. Untested. 5 for £1

PLESSEY MAINS INTERFERENCE SUPPRESSORS

Filter unit for mains borne interference. Max current 1.5A. Our Price, brand new only £2.27
Same item, Store soiled only £1.61

10W POWER AMPLIFIER MODULE

Mullard LP1173 Amplifier module. Needs 24V DC Supply to gives 10 watts into 4 ohm speaker. Size 112 X 70 X 29mm. Complete with heat sink. Only £2.40 complete with Data

ALPS FF317U FM FRONT END

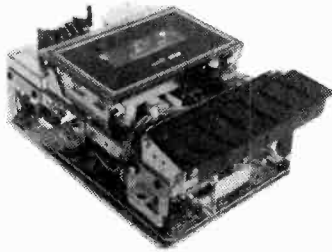
Beautiful, precision made High Quality variable capacitor tuned FM Front End with Dual-gate MosFet. Covers full FM range of 87 to 109 MHz. 12v supply. ONLY £5.15 Circuit if required 35p.

CAR RADIO FM IF AND STEREO DECODER

Miniature PCB with 10.7MHz ceramic filters, 2-transformer ratio detector, AX010 noise suppression IC and TCA4500A advanced stereo decoder IC. Only needs front end to make FM tuner or car radio. Complete with circuit. Incredible value at Only £1.99

TOP LOADING STEREO CASSETTE MODULES

Limited quantity of brand new stereo cassette units, as used in hi-fi music centres etc. All have auto stop.



Deck type 858B. 12v DC motor. 3-digit counter £29.32
Deck type 811C. As above but with Dolby noise reduction. Fully wired with twin VU meter, level controls, pilot lights and DIN socket. £44.73
Deck type 828A. Deck mechanism only as used in both above, produced by one of Japan's top manufacturers. Fitted high quality stereo R/P head and Ferrite erase. 12V DC electronically governed motor. £11.27
Cassette Door to fit any above £4.02
Deck type 111D. Complete module with record and play electronics. 3-digit counter. AC drive motor and cassette door. £21.73

COMPLETE STEREO TUNER MODULE

3 Band. LW/MW/FM Stereo Tuner fully assembled on PCB 165 X 85mm. Supplied with Ferrite Rod Aerial, stereo LED and band switch fully wired. 12v DC Supply, TU560 - Tuner. Price Only £7.99
Drive accessories with 2 knobs, tuning drum, window and scale £2.99
Special price for both items bought together £9.70

PANEL METERS

Special front design that can be mounted on, or behind a front plate. Front 60mm X 45mm. Two types, FSD 50V DC & 1A DC ideal for power supply. Both the same price £6.21 each.

CLOCK/TIMER/FREQUENCY METER PARTS

Special offer of the fabulous MSM5524 clock, timer and frequency meter chip. MSL2318 prescaler chip and 6LT09 5-Digit fluorescent display. These are the 3 primary components for a complete timing and frequency display system covering the long, medium, short and FM wavebands. Total cost of these parts is normally over £25. OUR SPECIAL OFFER PRICE ONLY £13.68
INF230 Data on MSM5524 and MSL2318 70p
INF260 Application Circuit 20p
Crystal 3276.8 KHz £2.18

VIDEO HEADS

Heads to suit all VHS, BETA and PHILIPS video cassette recorders. Do not take chances with 'near equivalents' there are nine different VHS heads and seven BETAMAX. Write or ring with the make and model number of your recorder for quotation. Prices start at £47.25 for VHS and £57.75 for Beta. Plus Vat

HIGH QUALITY REPLACEMENT CASSETTE HEADS



Do your tapes lack treble? A worn head could be the problem. Fitting one of our replacement heads could restore performance to better than new! Standard mountings make fitting easy and our TC1 Test Cassette helps you set the azimuth spot-on. We are the actual importers which means you get the benefit of lower prices for prime parts. Compare us with other suppliers and see! The following is a list of our most popular heads, all are suitable for use on Dolby machines and are ex-stock.

HC20 Permalloy Stereo Head. This is the standard head fitted as original equipment on most decks £5.11
HM50 High Beta Permalloy Head. A hard-wearing, higher performance head with metal capability £8.06
HS16 Sendust Alloy Super Head. The best head we can find. Longer life than Permalloy, higher output than Ferrite, fantastic frequency response £9.91
HQ551 4-Track Head for auto-reverse or quadrophonic use. Full specification record and playback head £9.73
Please consult our list for technical data on these and other Special Purpose Heads.
MA481 Latest version Double Mono (2/2) Record/Play head. Replaces R484 £8.90
SM166 Standard Mounting 2/2 Erase head. Compatible with above or HQ551 4 Track head £5.90
HS24 Standard Erase Head. Semi double gap, high efficiency £1.50
H561 Metal Tape Erase Head. Full double gap £4.90

HART TRIPLE-PURPOSE TEST CASSETTE TC1

One inexpensive test cassette enables you to set up VU level, head azimuth and tape speed. Invaluable when fitting new heads. Only £4.66 plus VAT and 50p postage.

Tape Head De-magnetiser. Handy size mains operated unit prevents build up of residual head magnetisation causing noise on playback £4.54
Curved Pole Type for inaccessible heads £4.85

Send for your free copy of our LISTS. Overseas please send 2 IRCs to cover surface Post or 5 IRCs for Airmail.
Please add part cost of post, packing and insurance as follows:

INLAND

Orders up to £10 - 50p
Orders £10 to £49 - £1
Orders over £50 - £1.50

OVERSEAS

Please send sufficient to cover Surface or Air Post as required.

**HART
KIT**
HART ELECTRONIC KITS LTD
PENYLLAN MILL
OSWESTRY, SHROPSHIRE
SY10 9AF

Personal callers are always very welcome but please note that we are closed all day Saturday

24hr SALES LINE
(0691) 652894

ALL PRICES EXCLUDE VAT UNLESS STATED

From Shure, a microphone system that mixes automatically.

Presenting a remarkable breakthrough from Shure — microphones, mixer and logic technology all combined in one totally integrated system of quite astounding aural quality.

Each microphone has complete independence within the system, eliminating all unwanted sounds

AMS 24

outside a specially tailored 120 degree acceptance window. And continuously analysing its own local acoustic environment allowing each channel to adapt itself autonomously as audio conditions change.

In fact, the AMS (Automatic Microphone System) is so simple to use that an operator's only

concern is pre-setting the individual volume levels.

Its mixers (4- and 8-channel available) can easily be linked to control over 200 separate microphones.

Which makes the AMS absolutely ideal for conferences and symposiums (though it performs equally impressively in churches, courtrooms, teleconferencing and broadcasting).

And advanced logic terminals provide unprecedented flexibility for including

privacy buttons, free discussion or single speaking facilities — and many other important capabilities.

The AMS offers a choice of four effective types of microphone for all purposes: the unobtrusive Low-Profile AMS22; the AMS28 Lavalier for wearing round the neck; the adaptable AMS26 Probe for table, floor stand or gooseneck mounting; and the AMS24

Condenser specifically designed for the gooseneck unit.

In short, the AMS represents a major advance in sound technology. For further information or a demonstration, simply contact Shure at the address below.

AMS 22

AMS 26

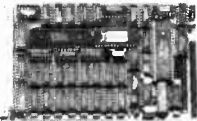
AMS by SHURE

HW International 3-5 Eden Grove London N7 8EQ Tel 01-607 2717

CIRCLE 96 FOR FURTHER DETAILS.

PROF-80

Processor
RAM
Floppy
card

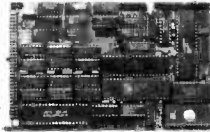


- ▶ Z80-CPU, 4 or 6 MHz, 128 KBRAM, 8 KB
- ▶ EPROM memory management logic; realtime clock
- ▶ High sophisticated Floppy controller for 4 drives
- ▶ SD/DD, SS/DS; 3.5", 5.25", 8" mixed
- ▶ ECB-BUS, buffered, full interrupt/DMA ability
- ▶ 2 RS232 interfaces, up to 9600 Baud

finished card 4 MHz	£241.60
finished card 6 MHz	£266.00
Empty board + EPROM + Manual	£ 48.40
manual only (will be credited)	£ 6.80
CP/M 3.0 for PROF 80 (without handbook)	£162.30
CP/M 2.0 for PROF 80 (without handbook)	£108.00

GRIP-3

Graphic
I/O
Processor

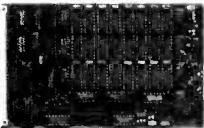


- ▶ graphic 768 × 560, text up to 96 × 35; Z80-Slave-CPU
- ▶ accessible like TVI/Tektronix-Terminal via ECB-BUS or RS 232; 4096 colours optionally
- ▶ 9 charactersets incl. greek; 14 user characters
- ▶ 5 attributes; sub/superscript
- ▶ clock, lightpen input, soundgenerator
- ▶ Keyboard-connection with hardcopy-function

finished card	£203.60
Empty board + Manual + EPROM	£ 66.50
manual only (will be credited)	£ 6.80

GRIP-COLOR

supplement
for
colour
graphics

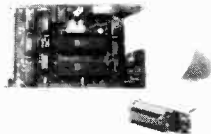


- ▶ attachable to GRIP 2 or GRIP 3
- ▶ 4096 colours via look-Up-Table
- ▶ up to 768 × 560 pixels
- ▶ 16 simultaneous colours increaseable up to
- ▶ 128 colour graphics without loosing speed
- ▶ all functions of GRIP are supported

finished card	£203.60
Empty board + manual	£ 26.60
Manual only (will be credited)	£ 4.10

PROMMER-80

EPROM
programmer
card

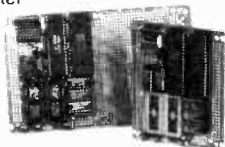


- ▶ programs 2716, 2732, 2764, 27128
- ▶ three selectable programming voltages
- ▶ voltage converter is on the board
- ▶ fast programming-mode
- ▶ everything adjustable per Software
- ▶ ECB-BUS-connector and front panel adapter

finished card with software	£119.50
Empty board + Manual	£ 18.80
Software on diskette	£ 13.30

EPAC-80

single-board
all-purpose
computer

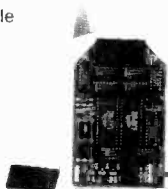


- ▶ Z80 CPU, 2.5-6.0 MHz
- ▶ two bidirectional ports (Z80-PIO)
- ▶ 16 latches, optionally with 250 mA drivers
- ▶ 8 signal-inputs
- ▶ interrupt or watchdog timer (14 Bit)
- ▶ 2 RAM/EPROM-Sockets for 2-16 KByte
- ▶ ECB-BUS-connection; wrap-field optionally

finished card	£ 35.00
Empty board plus Manual	£ 10.60
manual only (will be credited)	£ 4.10
with wrap-field-option — extra charge	£ 5.50

PEPS

programmable
EPROM
simulator



- ▶ ideal for developing programs
- ▶ simulates the EPROMS 2716, 2732, 2764, 27128
- ▶ simple control via parallel interface
- ▶ (4 Bit Port or centronics)
- ▶ only two seconds for programming time overhead (for 16 KB)
- ▶ employable to any system

finished card 16 KByte	£ 67.90
Empty board plus manual	£ 13.10
manual only (will be credited)	£ 4.10

All products are to be paid cash in advance plus £4.90 packing and postage. We still need dealers abroad. Would you be interested in representing our firm in the U.K.? If so, we would be glad to hear from you!

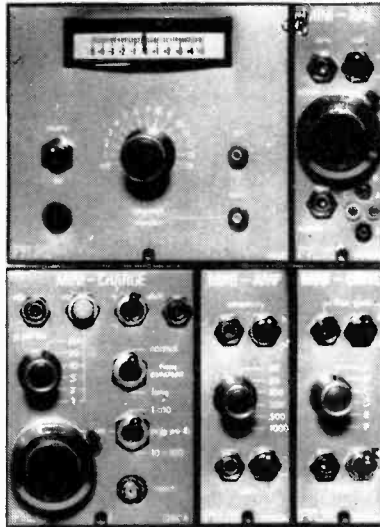
Please contact:
Conitec
Grafenstr. 31
D-6100 Darmstadt — West Germany
Telephone: 01049-6151/26013
Telex: 4197298 conid

 **CONITEC**

CIRCLE 75 FOR FURTHER DETAILS.

FYLDE

TRANSDUCER and RECORDER AMPLIFIERS and SYSTEMS



reliable high performance & practical controls. individually powered modules—mains or dc option single cases and up to 17 modules in standard 19" crates small size—low weight—realistic prices.

FYLDE

Fylde
Electronic
Laboratories
Limited.

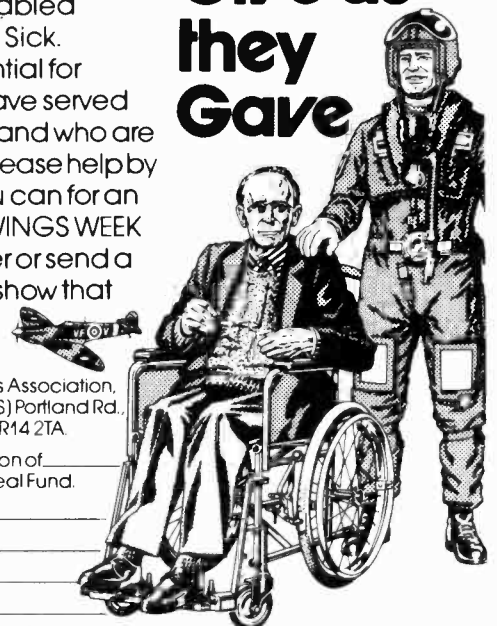
49/51 Fylde Road Preston
PR1 2XQ
Telephone 0772 57560

CIRCLE 14 FOR FURTHER DETAILS.

The Wings Appeal Fund helps to maintain the RAF Association Home for Disabled and Chronic Sick. Care is essential for those who have served their country and who are in need. So please help by giving all you can for an emblem in WINGS WEEK in September or send a donation to show that you care.



Give as they Gave



To: Royal Air Forces Association, Appeals Dept., (DS) Portland Rd., Malvern, Worcs. WR14 2TA.

I enclose a donation of _____ for the Wings Appeal Fund.

Name _____

Address _____

Please tick if receipt required
or information on RAFA Membership

Space donated by
Electronics & Wireless World

Appointments

Advertisements accepted up to 12 noon August 3 for September issue

DISPLAYED APPOINTMENTS VACANT: £21 per single col. centimetre (min. 3cm).
 LINE advertisements (run on): £4.50 per line, minimum £30 (prepayable).
 BOX NUMBERS: £7 extra. (Replies should be addressed to the Box Number in the advertisement, c/o Quadrant House, The Quadrant, Sutton, Surrey SM2 4AS).
 PHONE: IAN FAUX. 01 661 3033 (DIRECT LINE)
 15% VALUE ADDED TAX NOT INCLUDED
 Cheques and Postal Orders payable to BUSINESSPRESSINTERNATIONAL LTD. and crossed.



THE BEST APPROACH

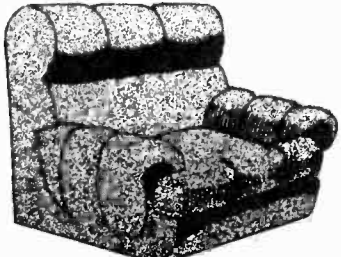
£7,000-£30,000 + CAR

- ★ **Where does your interest lie:** Graphics; CAD; Robotics; Simulation; Image and Signal Processing; Medical; Automation; Avionics; Acoustics; Weapons; Comms; Radar; Opto and Laser?
- ★ **Experienced in:** VLSI; Microprocessor Hardware or Software; Digital and Analogue circuitry; RF and Microwave techniques?
- ★ **There are hundreds of opportunities in:** Design; Test; Sales and Service for Engineers and Managers
- ★ **For free professional guidance:** Call: 0638 742244 (till 8pm most evenings) or write (no stamp needed) to

ELECTRONIC COMPUTER AND MANAGEMENT APPOINTMENTS LIMITED
 FREEPOST, The Maltings, Burwell, Cambridge, CB5 8BR.

(1926)

Professional Career Opportunities



The Easy Way to look for your new job from the comfort of your own armchair. Our well qualified consultants will carefully match your requirements against appropriate vacancies.

We have many clients seeking Engineers and Technicians at all levels and we are particularly interested in hearing from you if you have experience in the following:-

- Signal Processing
- Radar Systems
- Technical Sales
- RF Development
- ATE Programming
- Real Time Software

Your next step is to complete and return the attached coupon or telephone **John Prodger** on 0442 47311 or one of our duty consultants on 0442 212650 during evenings or weekends.



Executive Recruitment Services

THE INTERNATIONAL SPECIALISTS IN RECRUITMENT FOR THE ELECTRONICS, COMPUTING AND DEFENCE INDUSTRIES
 Maylands Avenue, Hemel Hempstead, Herts HP2 7LD



✂

NAME (Mr/Miss/Mrs)

ADDRESS

POST CODE

TEL NO:

QUALIFICATIONS AGE

NONE CG/HNC DEGREE OTHER

SALARY

0-£6000 £6-10000 £10-15000 £15000+

JOB

(15)

Appointments

JUST THE TICKET!

Clipping this advert could be your ticket to a better career. We have a wide selection of the best appointments in Digital, Analogue, RF, Microwave, Micro-processor, Computer, Data Comms and Medical Electronics, and we're here to serve *your* interests.

Call us now for posts in Design, Test, Sales or Field Service, at all levels from £6,000 — £18,000.



11 Westbourne Grove, London W2. Tel: 01-229 9239. (1935)

ELECTRONICS DESIGN & DEVELOPMENT ENGINEERS

Required by small, rapidly expanding company. Must be qualified to HNC, HND, or degree level and have experience across the whole spectrum of Engineering: Viz analogue, digital and Z80 microprocessor based systems. Engineers must be self motivated and capable of working alone.

Apply in writing to: Mr S.D. Lawrence,
PD Systems Ltd.,
Survey House,
Pool Close,
West Molesey,
KT8 ORN

(31)

Electronic Engineers and Technicians

They're asking for you in Alexandria.

Voluntary Service Overseas is looking for experienced and qualified Electronic Engineers and Technicians to work with and help train members of third world communities in Egypt (University of Alexandria Research Centre) and in Sri Lanka (Chilaw Diocesan Industrial Centre).

Applicants should be aged between 20 and 65, without dependants and willing to accept no more than the 'local' rate of pay.

If you have the right qualities and experience and you're free to go, please believe you're needed urgently!

(For more information, complete and return the coupon now.)



**VOLUNTARY
SERVICE
OVERSEAS**

Why not?

I'm interested in volunteering, my qualifications or experience are.

Name: _____

Address: _____

EWW/3/85

Post to: Enquiries Unit, Voluntary Service Overseas, 9 Belgrave Square, London SW1X 8PW (S A E appreciated) Charity No. 313757. (34)

London Borough of Bromley RAVENSBORNE COLLEGE OF ART AND DESIGN

School of Television and Broadcasting

Current Course developments and the introduction in September 1985 of a new B/TEC HND course in Television Programme Operations have created the following staff appointments:

1. SENIOR LECTURER IN TELEVISION BROADCAST ENGINEERING

The Senior Lecturer will be responsible for teaching most aspects of video engineering technique in current use for broadcasting. The successful applicant is likely to have specialist knowledge of one specific aspect of television engineering with a good background knowledge of other areas. A working knowledge of digital and micro-processor techniques is essential since the applicant will be responsible for their development in the curriculum.

Applicants should hold an advanced level engineering qualification to at least HND level. This requirement may be waived if considerable broadcast experience is offered. An essential requirement of the post is that the person appointed is capable and interested in developing their interests and skills as part of the continuing course development.

2. SENIOR ELECTRONICS MAINTENANCE TECHNICIAN

An Electronics Maintenance Technician is required to maintain the broadcast equipment in use by the Department. Duties will include major fault finding in all types of studio equipment and some supervision of part-time technicians together with some administration duties. The postholder will report to the Board of Studies.

The successful applicant should offer several years' experience in the maintenance of electronic systems including techniques involving micro processor systems and digital techniques. Some television experience would be useful but, if a good electronics ability is demonstrated, the postholder should quickly develop the required skills for television engineering. It is expected that the successful applicant would hold an advanced level qualification in telecommunications or electronic engineering to at least HNC level or equivalent.

SALARIES (including London Weighting):

Senior Lecturer: £11,853 to £14,739

Technician (Scale 6) £9,189 to £9,771

Starting salary will depend upon qualifications and experience.

Application forms and further details from The Registrar, Ravensbourne College of Art and Design, Walden Road, Chislehurst, Kent BR7 5SN. (25)

Inner London Education Authority

LEARNING RESOURCES BRANCH,

Production Division,
Television and Publishing Centre,
Thackeray Road,
London SW8 3TB

Television Camera Operators (ST1/2) (Two Vacancies)

Salary Range £6222 to £9327 plus £1419 London Weighting Allowance.

The Television Centre produces a range of educational programmes distributed in the form of videocassettes, sound cassettes and 16mm film. It has a colour studio equipped to professional standards (Link 110 cameras, Cox mixer, Neve sound mixer, Ampex VPR2's etc.) a mobile unit and battery portable camera.

Two vacancies have arisen for television camera operators to work principally in the studio but also on location video recording, the mobile unit and, on occasion, with other technical sections.

Full job description and application forms from EO/Estab 1B, Room 366, The County Hall, London SE1 7PB. (Please enclose S.A.E.).

Further details of the posts are available from the Chief Engineer's Office at the Television Centre (622 9966).

The closing date for completed application forms is 25.10.85.

Suitable for Job-share.

ILEA IS AN EQUAL OPPORTUNITIES EMPLOYER (8)

CLIVEDEN

TEST ENGINEERS

For full systems test on data-communications networks.
£8,000 + Wokingham

FIELD SERVICE ENGINEERS

USA training on ATE systems. Suit experienced repair technician.
£10,000 + car Woking

TECHNICIAN ENGINEER

To maintain VAX PDP11 & flight simulation systems.
to £11,000 Middlesex

TEST ENGINEER

Fault-find data-processing equipment to component level. Some systems involvement.
c£10,500 Herts.

SERVICE ENGINEER

Mobile radiocommunications equipment.
£8,000 + car Hants. & Central London

FIELD SERVICE ENGINEER

Digital/fibre optic communications network. Full training provided.
£12,000 + car S.E.London

Phone/write/call Roger Howard C.Eng MIEE, Cliveden Technical Recruitment Consultants, 92 The Broadway, Bracknell, Berks RG12 1AR. Tel: Bracknell (0344) 489489 (six lines)

(2598)

BLOOMSBURY HEALTH AUTHORITY
UNIVERSITY COLLEGE HOSPITAL
**DEPARTMENT OF MEDICAL PHYSICS
AND BIOENGINEERING**

INSTRUMENT TECHNICIAN (MPTIV)

The post is for a Technician to work for the Instrumentation Group of the Department. The Group designs and constructs a wide range of microprocessor based instrumentation. In addition the Group is involved in the provision of first line service to the Hospital's Ultrasound Department, the Pathology Laboratories and the Geriatric Unit. The successful applicant will be involved in all of these activities. A good working knowledge of electronics and a practical aptitude are essential.

Appointment, according to qualification and experience: Medical Physics Technician IV £6,488 - £8,188 inclusive London Weighting.

Application form and job description available from the Personnel Department on 01-387 2374 (24 hour service) quoting reference number RT69.

Closing date: 2nd September, 1985.

AN EQUAL OPPORTUNITIES EMPLOYER.

(29)

OPPORTUNITIES IN THE SOUTH EAST

Sales Executives

10.6k basic + 6k OTE + car.

Sell Telecom Equipment in the city and N.W.London

Test Engineers

c9.5k

All rounder with Analog Digital and some Microwave experience. Working In-house.

Service Engineer

c8k.

Experience on Micro Processor Equipment to component level working In-house and in the field.

In-house repair and systems support vacancies. Salary Neg. Working for a leading Data Comms Company.

Field Service Engineer

c8k + car.

To service and repair Micro Computers in the field.

Technical Support

10k plus.

Supplying Technical Support to customers on Digital Hardware

Plus wide range of other Design Servicing and Tech Support vacancies.

c.v.'s to:

Ian Darch,
Garnet Professional Services (AGY)
10 Queen Victoria Street, Reading,
or Tel: Reading (0734) 588485

(3)

Service Engineer

Professional Video & Audio Staines £ five figure

Sony's name needs little introduction. Our reputation is built around well designed, high quality and high performance electronics products for both the consumer and commercial markets.

As a result of internal promotion, we are now looking to recruit an additional Service Engineer to work in our well-equipped service department in Staines. As part of the small team providing service back-up for our Non-Consumer products (cameras, projectors, monitors, U-Matic, etc) you will be fault finding and repairing, on the bench, the complete product range. Qualified at least to City and Guilds 224, and ideally to HND level, you will have had at least five years' experience in servicing non-domestic video products (U-Matic format) and video cameras.

In return, we offer an excellent salary, lunch allowance, 23 days holiday and a range of other benefits which are everything you would expect from a company like Sony.

To apply, please write, with full details of your qualifications and experience to date, to Patricia Casey, Sony (UK) Limited, Sony House, South Street, Staines, Middlesex TW18 4PF. Alternatively, phone her for an application form on Staines (0784) 61688.

(14)

SONY®

HARLOW COUNCIL Tenders for Supply of Radio Equipment

The Council is in the process of renewing obsolete radio equipment, and application are invited from suitable companies to supply this equipment.

Applications, in writing, should be submitted to the General Manager, Central Services Department, Harlow District Council, Town Hall, Harlow, Essex, by noon, August 27.

Please mark your envelope "Radio Equipment".

(5)

SCHOOL OF ORIENTAL AND AFRICAN STUDIES (University of London)

CHIEF TECHNICIAN

Experienced audio-visual aids technician required with electronics background and qualifications, preferably to HNC level. Supervisory experience combined with the ability to work well under pressure in a service

environment is essential, as is wide practical technical knowledge. Good working conditions. Salary on scale £8798 - £10,265 inclusive. For application form contact Mr.

J.M.M. Dixon, School of Oriental and African Studies (University of London), Malet Street, London

WC1E 7HP. Tel: 637 2388, Ext. 237.

(7)

Appointments

Inner London Education Authority
LEARNING RESOURCES BRANCH,
Production Division,
Television and Publishing Centre,
Thackeray Road, SW8.

Television Maintenance Engineer (ST1/2)

Salary Range £8238 - £9327 + £1419 London Weighting Allowance. Plus £192 shift allowance.

A maintenance engineer is required to work at the Television and Production Centre which is equipped to professional colour TV broadcasting standards. The engineer will work in a section of four which is responsible for maintaining a high level of performance of a wide range of sound and vision equipment.

Full job description and application forms are available from EO/Estab 1B, Room 366, The County Hall, London SE1 7PB. Please enclose S.A.E.

The closing date for completed application forms is the 25.10.85.

This post is suitable for Job-share.

Re-advertisement.

ILEA IS AN EQUAL OPPORTUNITIES EMPLOYER

(9)

Medical Physics Technician

GRADE III

To assist with the maintenance and repair of electronic and electromechanical equipment. Must be capable of a logical and analytical approach to fault diagnosis under all conditions of urgency.

Salary £6,408 to £8,283 per annum (increase pending). Minimum qualification O.N.C. or current equivalent.

Application form and job description available from District Works Office, St. James' Hospital, Exton's Road, King's Lynn, Norfolk. Telephone: King's Lynn (0553) 766266 ext. 764/798. Closing date for applications: 6th September 1985. (23)



**West Norfolk
& Wisbech
Health Authority**

BIOMEDICAL ENGINEERING DEPARTMENT

Requires Technician. Duties involve the maintenance and repair of a wide variety of interesting equipment. Considerable electronics and mechanical expertise necessary, or a willingness to learn. Previous NHS experience relevant study.

Salary scale (dependent on experience) £6488 - £9367 pa inclusive.

Job descriptions and application forms from the Personnel Department, The Hospital for Sick Children, Great Ormond Street, London WC1N 3JH. Tel: 01-405 9200 ext 266.

Closing date 2nd September (30)

Experienced Video Design Engineer

A fast moving video manufacturing company requires a design engineer with both analog and digital experience to support existing design team involved in interesting and challenging projects.

The successful applicant will have several years experience in design and development (some of which will have been in the video industry). Be educated to degree level in electronics self-motivated and possess good communication skills.

Salary neg. depending on experience. In the first instance contact: Deborah Levene on 01-391 5678

(33)

SYSTEM PLANNING ENGINEERS **Newbury, Berkshire** **ATTRACTIVE SALARIES** **RELOCATION ASSISTANCE**

Cabletime is a member of the UEI Plc group which includes innovative high technology companies such as Quantel and Link Electronics.

Cabletime is involved with the design, development and installation of advanced switched star interactive cable TV networks with head end computer control and data communication networks.

Cabletime is seeking to recruit SYSTEM PLANNING ENGINEERS to assist in the design of cable television distribution and Broadband data communication systems.

The work involves interpreting customer requirements in conjunction with area mapping information to produce suitable network designs, providing technical support to the sales and project teams and evaluating electronic distribution equipment to be used within the networks.

Essential requirements area; a knowledge of data communication networks and television transmission, the ability to communicate with customers at a technical level and some skill in technical writing.

You should be qualified to HND/HTC level with a high degree of self motivation, and the ability to follow projects from their conception through to commissioning.

If you are interested in this position, please write or telephone for an application form to: The Personnel Officer, Cabletime Limited, 17 West Mills, Newbury, Berkshire. Tel. Newbury (0635) 48222. (20)

cabletime

UEI
company

ELECTRONICS/SOFTWARE



TECHNICAL AUTHORS

Howard Engineers produce maintenance and user manuals, to a high standard, for a wide variety of products, from large electronics systems to software for personal computers.

We currently have vacancies for both trainee and experienced Technical Authors. The work involves liaison with our clients, developing a detailed understanding of the product, organising and writing the handbook and co-ordinating the production of the finished text and illustrations.

Prospective trainees should have a sound knowledge of electronics or computer software, acquired from formal education, job experience or a serious leisure activity, plus the ability to express themselves concisely in the written word.

The company offers varied and interesting work, a pleasant working environment and a salary commensurate with your knowledge and experience.

Vacancies exist at our Gosport, Southampton and Wokingham offices. Apply in the first instance to:

Carolyn Hatch
HOWARD ENGINEERS LTD
 Grosvenor House
 Cumberland Place
 Southampton
 Hampshire
 SO1 2BD
 Tel: (0703) 334332



(6)

B&W

LOUDSPEAKERS STEYNING SUSSEX

Rare opportunities to join our progressive research team developing high-end audio products.

SENIOR PROJECT ENGINEER

Candidates should have a good degree and at least five years R&D experience in high quality drivers and loudspeaker systems, and be capable of original thinking as well as following projects through to conclusion.

AUDIO ENGINEER

To work with Project Engineers in developing high quality drivers and systems. Some previous experience is desirable, but graduates will be considered depending on ability and initiative.

Working conditions are extremely pleasant, complete with computer and laser interferometry facilities.

BUPA membership, canteen and other fringe benefits. Salary commensurate with ability/experience. We are looking for dedication and ambition recognising success with a bonus scheme.

Please apply initially in writing to the Managing Director.

B&W LOUDSPEAKERS LTD

Elm Grove Lane, Steyning, West Sussex BN4 3SA (18)



PAPUA NEW GUINEA

SOUTH PACIFIC JOB OPPORTUNITIES

**PAPUA NEW GUINEA
 DEPARTMENT OF CIVIL AVIATION
 GROUND FACILITIES DIVISION**

REQUIRES—

CHIEF ENGINEER

Ref No VIS/CA/53

SENIOR ENGINEERS RADIO AND ELECTRICAL

Ref.No. VIS/CA/54

TELECOMMUNICATIONS AND ELECTRICAL TECHNICIANS

Ref No VIS/CA/55

TECHNICAL INSTRUCTORS RADIO AND ELECTRICAL

Ref No VIS/CA/56

DRAFTSMEN ELECTRONIC AND ELECTRICAL

Ref No VIS/CA/57

SALARY PACKAGE

Engineers C£23000 — £24200
 Technicians, Instructors and Draftsmen C£18000 — £22000

BENEFITS

Three year contract with possibility of renewal.
 Free **MARRIED/SINGLE** accommodation.
 Six weeks annual leave.
 Return leave fare once per contract.

EXPERIENCE

Extensive background in Aviation Ground Facilities preferred. May consider those from allied areas if they have proven staff management and training experience particularly in a developing country.

QUALIFICATIONS

Degree, HNC/ONC or equivalent.

Closing date for applications 20th September 1985

For full details and application forms please write or telephone the Recruitment Dept. Papua New Guinea High Commission, 14 Waterloo Place, London SW1R 4AR. Telephone: 01-930 0922 Telex: Kundu 25827 (17)

Inner London Education Authority

LEARNING RESOURCES BRANCH,

Production Division,

Television and Publishing Centre,

Thackeray Road,

London SW8 3TB

TELEVISION ENGINEER

for Master Control Section (ST1/2)

This post is involved with the bulk production of colour videocassettes from 1" Ampex submasters. The successful candidate will be expected to operate the 1" machine, cassette machines (VHS, Betamax and U-matic) and label and check copies. He/she will have a good working knowledge of colour television principles and suitable experience and/or technical background.

Salary within the scale £6222 to £9327 + £1494 London Weighting Allowance.

Further details, including full job description and application forms from EO/Estab 1B, Room 366, The County Hall, London SE1 7PB. (Please enclose S.A.E.) The closing date for completed application forms is 30.9.85.

This post is suitable for Job-share.

This is a re-advertisement.

ILEA IS AN EQUAL OPPORTUNITIES EMPLOYER. (16)

Appointments

RADIO COMMUNICATIONS SPECIALISTS

Service Engineer Required

For Private Mobile Radio Company

Good career prospects with expanding young business

Contact:-

Frank Stafford on 01-801 6457

Unit 7, Mill Mead Centre

London N17 9QU

(2637)



CAPITAL APPOINTMENTS LTD

THE UK's No. 1 ELECTRONICS AGENCY

If you have HNC/TEC or higher qualifications and are looking for a job in design, test, customer service, technical sales or similar fields:

Telephone now for our free jobs list
We have vacancies in all areas of the UK
Salaries to £15,000 pa

01 808 3050
(24 hours)

CAPITAL APPOINTMENTS LTD
76 WILLOUGHBY LANE, LONDON N17 0SF

(291)

ELECTRONICS ENGINEER

The Polygram Recording Studio and Copying Suite require an electronics engineer.

Applicants should have an interest and experience in the field of modern recording and digital electronics. Ability to operate and implement a fault diagnosis and repair procedure is essential.

Experience within a recording studio or similar environment involving maintenance of electronic, electro-mechanical and digital systems would be an advantage.

The successful applicant must have a flexible approach and be able to fit into a busy working studio. There is a requirement for some overtime and weekend working to meet recording studio deadlines.

Applicants should have a degree or HNC in a relevant discipline.

Please send a detailed C.V. with covering letter to:

Veronica Spicer, Personnel Officer,
PolyGram Record Operations Ltd.,
54, Maddox St., London W1.
01 491 4600

(4)

ELECTRONIC DESIGN ENGINEERS

We have permanent and contract positions for experienced engineers based in Berkshire and Hampshire. Excellent financial rewards.

TEST TECHNICIANS

We have vacancies for experienced Electronics Repair/Test Technicians in the local area. Minimum City & Guilds or TEC part qualified. Salary £6K+.

**FOREST
ENGINEERING**

11/12 Gun Street
Reading RG2 7TJ

17 years Recruitment Service

(2641)

Brent Health Authority Central Middlesex Hospital Electronics Technician (MPT GRADE II)

Salary: £7718-9627 + £648

London Weighting

A technician is required to service and maintain a wide range of electro-medical equipment used within this Health Authority's district. Applicants should possess an HNC or equivalent in Electronic Engineering plus four years relevant experience.

For a job description and application form, please contact the District Personnel Department, Central Middlesex Hospital, Acton Lane, London NW10 7NS, Tel: 01-965-5733 Ext 2976.

For further information, please contact Michael Trand (Chief Electronics Technician) on Ext 2385.

Brent Health Authority working for Equal Opportunities. (11)

FM & MW BROADCAST EQUIPMENT

A special range of high quality transmitters, power amplifiers, stereo encoders, UHF repeater links, compressors, antennas.

Powers 10w to 1kw.

Built to high specifications at an economic price. Meets IBA & Home Office specifications.

Full catalogue available.

Cyberscan International, 3 Eastcote View, Pinner, Middx HA5 1AT.

Tel: 01-866 3300

(40)

TECHNICIAN ENGINEERS COMMUNICATIONS AND ELECTRONICS

A Planned Career in Technology in the Cotswolds

Salaries up to £11,445

- **VACANCIES** at both **TECHNICIAN ENGINEER** and **ENGINEERING TECHNICIAN** level.
- **CHALLENGING WORK** in the development and support of highly sophisticated communications and computer systems.
- **OPPORTUNITIES** for gaining experience in a wide variety of technical roles.
- **EXTENSIVE ENGINEERING FACILITIES**
- **CAREER PLANNING** aided by regular assessments of performance.
- **ADVANCEMENT** opportunities on the basis of proven ability.
- **OVERSEAS** service (voluntary).
- **FLEXIBLE** working hours with up to six weeks leave.
- **RELOCATION EXPENSES** in most cases.

Applicants for the higher grade of **TECHNICIAN ENGINEER** should normally possess a BTEC Higher National Certificate/Diploma in electronics or other relevant subject; or a City and Guilds Full Technological Certificate, or an equivalent qualification. An aggregate of at least 8 years relevant training and experience is required. Registration as a Technician Engineer (T.Eng) would be an advantage.

Salary Scale: £9,113 – £11,445

Applicants with BTEC ONC or equivalent and at least 4 years relevant training and experience are eligible for posts at the **ENGINEERING TECHNICIAN** level for which a structured training programme is provided.

Salary Scale: £6,599 – £9,135

INTERESTED? Then for either post send for full details and application form to the address below, quoting Ref: T/6523/85



GCHQ

THE RECRUITMENT OFFICE, GCHQ, ROOM A/1108
OAKLEY, PRIORS ROAD, CHELTENHAM, GLOS GL52 5AJ
OR TELEPHONE (0242) 32912/3

2599

**THE PAPUA NEW GUINEA
UNIVERSITY OF TECHNOLOGY Lae**
**DEPARTMENT OF ELECTRICAL
AND COMMUNICATION ENGINEERING**

**SENIOR TECHNICAL OFFICER
PRINCIPAL TECHNICAL OFFICER**

Applications are invited for the above position in the Electronic Service Unit which provides a maintenance, repair and advisory service for various University Departments

Duties include the maintenance, repair and commissioning of a wide range of electronic equipment and the training and supervision of junior technical staff

Applicants should be well qualified and have substantial experience in electronic workshop techniques including digital equipment. Experience with audio visual and television equipment would be an advantage

Salary, Senior Technical Officer K16,285 - K18,180 per annum, Principal Technical Officer K19,405 per annum (Level of appointment will be dependent upon qualifications and experience)

The initial contract period is for three years. Benefits include a gratuity of 24% taxed at 2%, appointment and repatriation fares, leave fares for the staff member and family after 18 months of service, settling-in and settling-out allowances, six weeks paid leave per year, education fares and assistance towards school fees, free housing, Salary protection plan and medical benefit schemes are available.

Detailed applications (two copies) with curriculum vitae together with the names and addresses of three referees, and indicating earliest availability to take up appointment, should be received by the Registrar, Papua New Guinea University of Technology, Private Mail Bag, Lae, Papua New Guinea, by 27 September 1985.

Applicants resident in the United Kingdom should also send one copy to the Association of Commonwealth Universities (Apts), 36 Gordon Square, London WC1H 0PF, from whom further general information may be obtained. (10)

**UNITED NATIONS ASSOCIATIONS
INTERNATIONAL SERVICE**

3 Whitehall Court, SW1A 2EL
(01) 930 0679

Applications are invited for the post of Radio Technician for community project in Bolivia. Write for application form to the administrator. (28)

**Andromica (T.V.) Ltd.,
Senior
Installation Engineer**

Working directly for senior management, the successful applicant will be responsible for installations of CCTV and security equipment using monochrome and colour CCTV equipment. A proven background in the field of top quality systems installation together with an ability, when required, to take charge of small teams of engineers is a requirement. Overseas travel is a possibility although the work will mainly be UK/London based.

An excellent employment package is on offer to a flexible, hard working person with a good ability to communicate.

Apply in writing to

**ANDROMICA (TV) Ltd.,
34 Rockingham Road, Uxbridge, Middlesex UB8 2TZ.
or ring Mr John Tucker on 0895-57971**

(2626)

**Radio Relay ★ Ground Radio ★
Telecommunications**

**However you communicate
with us, the reception
will always be good.**

If you are an Engineer or Technician who has tried to communicate your career details recently, you may have had a less than ideal reception.

But that won't happen if you communicate them to us.

That's because we have a massive and on-going commitment to assist the Royal Saudi Arabian Air Force with the operation and maintenance of its ground-based communications and, at the same time, undertake the training of local personnel in all aspects of this work.

Which means we have immediate opportunities for Engineers (with a degree, HND, HNC, FTC or Forces equivalent and 5 years experience) and Technicians (with apprenticeship

C&G or forces equivalent and at least 7 years experience).

We can offer very attractive tax-free salaries and a range of benefits including generous annual leave with free return flights to the UK ★ free accommodation ★ free medical and life assurance ★ excellent sports and recreational facilities ★ substantial end-of-contract bonus

To find out how good the reception can be at our end of the communications link, contact The Recruitment Executive. Please quote Ref. G238.

IAL Manpower Services, Aviation Services,
Aeradio House, Hayes Road, Southall, Middlesex
UB2 5NJ. Telephone: 01-574 5000.

(2631)



Aviation Services • Manpower Services

A MEMBER OF THE STC PLC GROUP

TECHNICAL MANAGER

**Colour T.V. Tube Re-Building Factory
Casablanca Morocco**

Required to manage a colour T.V. tube re-building factory in Casablanca. Including training local staff in production techniques. Must have production and management experience and be conversant with current technology. Contract is for 12 months, extendable. Accommodation suitable for married couple is included, also use of company car and paid holiday flight to U.K. Knowledge of French is useful but not necessary.

Salary £12,000-£15,000 p.a.

In first instance send full c.v. to

Edicron Ltd., 1/7 Wesley Ave, London NW10 7BZ.

(2647)

RECORDING STUDIO MAINTENANCE ENGINEER

An engineer experienced in sound studio equipment (preferably Studer/SSL) is required to join a team of three to cover four studios in West London. The successful applicant will have to be able to work under pressure at times and be willing to work irregular hours.

Phone: LOLA JACKMAN on 229 1229

(2639)

Classified

ARTICLES FOR SALE

VARIOUS P.C.B.'s Chassis disk drives and cables for data general Nova 820 family of computers. Tel: 01-328 7987. (21)

TELEQUIPMENT SCOPES, Spares, Manuals. Ockremill Technical Services Ltd. Stone (0785) 814643. (12)

LINSLEY HOOD DESIGNS

- Amplifiers • Signal Generators
- THD Analyser • Millivoltmeter

Details from:

TERLERADIO ELECTRONICS

325 Fore Street, Edmonton,
London. N.9. OPE. (24)

BRIDGES waveform/transistor analysers. Calibrators, Standards. Millivoltmeters. Dynamometers. KW meters. Oscilloscopes. Recorders. Signal generators — sweep, low distortion, true RMS, audio, RM, deviation. Tel. 040 376236. (1627)

FERRANTI ZN1034 E TIMER IC. £1.05 each. OVA Relay 24 volt DC PC mount, SPCO 0.25p each. VMZ8 200 volt DIL Bridge 0.56p each. TEC 103D 0.25p each. All brand new. Minimum order £25. UK postage free, add VAT. 051-647 5171. (32)

Selinger precision capacitance bridge £45. Universal Bridge £98. Stabilised PSU's, various, £12-£59. Precision, dial indicating, air/gas flow meter £35. Chart recorders. Sweep generators. Printed circuit board design table, full X-Y calibrated movements, tools, cutters £95. FM/AM Generator £89. FM Deviation/AM Modulation meter £85. Precision matching transformer, four decades, £45. Avo Power Meter £35. TV Sweep Generator £69. Centrifuge £49. Pulse Generator. Tektronix Time/Mark Generator £85. Valve Tester. DVM. Recall portable Transistorised Distortion meter £35. EEL Densitometer £35. Hygrometer. Calcomp Head Alignment meter £25. Epsylon Crystal Millivoltmeter £29. Cambridge Thermocouple Millivoltmeter £25. Oscilloscopes. Heavy Duty Stabilised PSU, dc, 0-15/20. A, 0-50 v., £85. H-P 525.C 500 MHz Frequency Converter Plug-in £35. 1" reels recording tape, 10" £5. 040-376236. (2616)

QUARTZ CRYSTALS OSCILLATORS AND FILTERS of all types. Large stocks of standard items. Specials supplied to order. Personal and export orders welcomed — SAE for lists please. OEM support thru: - design advice, prototype quantities, production schedules. Colledge Electronics, Merriott, Somerset TA16 5NS. Tel: 0460 73718 (2472)

WAVEGUIDE, Flanges and dishes. All standard sizes and alloys (new material only) from stock. Special sizes to order. Earth Stations, 01-228 7876, 22 Howie Street, London SW11 4AR. (2099)

ELECTRONICS EQUIPMENT & VALVES. Clear out sale (Private sale). For list S.A.E.: - 97 Blackberry Lane, 41, Four Marks, Alton, Hampshire. (13)

CIRCOLEC
THE COMPLETE ELECTRONIC SERVICE

Artwork, Circuit Design, PCB Assembly, Test & Repair Service, Q.A. Consultancy, Prototypes, Final Assembly. Full PCB Flow Soldering Service.
Quality workmanship by professionals at economic prices.
Please telephone **01-646 5686** for advice or further details.

TAMWORTH MANOR
302-310 COMMONSIDE EAST, MITCHAM (1391)

SHEETMETAL FOLDERS vice or bench model. 24" x 16G £45. Leaflet 01-890 7838 anytime (2558)

**TO MANUFACTURERS, WHOLESALERS
BULK BUYERS. ETC.**

**LARGE QUANTITIES OF RADIO, TV AND
ELECTRONIC COMPONENTS FOR DISPOSAL**

SEMICONDUCTORS, all types, INTEGRATED CIRCUITS, TRANSISTORS, DIODES, RECTIFIERS, THYRISTORS, etc. RESISTORS, C/F, M/F, W/W, etc. CAPACITORS, SILVER MICA, POLYSTYRENE, C280, C296, DISC CERAMICS, PLATE CERAMICS, etc. ELECTROLYTIC CONDENSERS, SPEAKERS, CONNECTING WIRE, CABLES, SCREENED WIRE, SCREWS, NUTS, CHOKES, TRANSFORMERS, etc.

ALL AT KNOCKOUT PRICES — Come and pay us a visit ALADDIN'S CAVE

TELEPHONE: 445 0749/445 2713
R. HENSON LTD.
21 Lodge Lane, North Finchley, London, N.12
(5 minutes from Tally Ho Corner) (1613)

DOLCH LOGIC ANALYZER LAM3250, 50MHz, 48 channel; 32 data, 2 external clocks, 6 clock qualifiers and 8 trigger qualifiers. TTL & ECL thresholds. 5ns Glitch capture. Including 6ALP88 active logic pods. £2,500 Tel: Bordon (04203) 7194. (2582)

GWM RADIO LTD, 40/42, Portland Road, Worthing, Sussex. Tel: 0903 34897. Cossor CDU150 Oscilloscope £175. TF144H Signal Generator £95, Deviation Meter TF791D £100, callers collect, many one-off items on shelf. AVO Test Meter Model 8 (Military) in canvas case £70 inc p&p. Wayne Kerr Universal Bridge Type CT492 £80 inc p&p. Pye W15V VHF Mobile Set £35 Control Gear £15 inc. F461 Base Station £55 inc p&p All prices include VAT. (22)

**GLOUCESTER
FOR SALE**

As a going concern
Established Electrical & Electronic
Component Retail Business
Freehold shop with self-contained flat
turnover £39,000 p.a.
£65,000 + S.A.V.
Ref. JAC/SPF

**Sandoe
Luce Panes**

29/31 BRUNSWICK ROAD, GLOUCESTER
TEL: Gloucester (0452) 32222 (27)

WANTED

WANTED

All types of surplus electronic components and equipment.
We specialise in factory clearance.
SGS Electronics,
The Vineyard, Bowley Lane,
Boddenham, Herefordshire
HR1 3LF. Tel (056) 884 532 (2541)

E C COMPONENTS

We buy large and small parcels of surplus I/C, transistors, capacitors and related electronic stock. Immediate settlement.
Tel: 01-208 0766
Telex: 8814998 (2491)

TURN YOUR SURPLUS i.c.s transistors etc. into cash, immediate settlement. We also welcome the opportunity to quote for complete factory clearance. Contact COLES-HARDING & CO, 103 South Brink, Wisbech, Cambs. 0945 584188. (9509)

WANTED

**SURPLUS ELECTRONIC
COMPONENTS AND
EQUIPMENT**

We also welcome the opportunity to quote for complete factory clearance
B. BAMBER ELECTRONICS
5 STATION ROAD, LITTLEPORT, CAMBS.
Phone: Ely (0353) 860185 (2483)

**When replying to classified
advertisements, readers are
recommended to take steps
to protect their interests
before sending money**

(2519)

WANTED

Test equipment, receivers, valves, transmitters, components, cable and electronic scrap and quantity. Prompt service and cash. Member of A.R.R.A.

M & B RADIO
86 Bishopsgate Street
Leeds LS1 4BB
0532 435649 (9956)

Electronics Training Professional

£14,000 to £18,000

**Excellent benefits package,
including stock option
and relocation assistance.**



Cathy Tracey & Associates Ltd

attracts the best!

This is one of those rare opportunities to move into leading edge technology whilst combining your skills in education and electronics.

Cadnetix is a dynamic US corporation with an exceptional growth record. We design, manufacture, market and support advanced interactive systems combining CAE and PCB CAD. The recent launch of our European operation has led to the creation of new customer training positions within the Head Office Team.

These key positions will demand first class interpersonal skills and a high level of self confidence. Your responsibilities will be developing and presenting courses and will lead to excellent career development opportunities in this interesting and demanding environment.

For a confidential discussion please call **Peter Brown** on **0625 530804** (24 hour answering service) or on **06632 2747** (evenings and weekends). Alternatively submit a detailed cv to the Wilmslow office quoting reference number 197.

ASCOT
Coworth Park House,
Coworth Park, Ascot,
Berks SL6 7SF
Tel: (0990) 26212
Fax: 0990 27348

WILMSLOW
Emerson Court,
Alderley Road,
Wilmslow,
Cheshire SK9 1NX
Tel: 0625 530804
(2638)

ALL-TIME CP/M MICROCOMPUTER SYSTEM BARGAIN!

Fantastic bulk purchase of a major European manufacturer's entire stock of this top-quality machine enables us to retail it at far below its manufacturing cost. **ALL FEATURES LISTED are INCLUDED as STANDARD:**

- COMPLETE with EITHER single or double (as illustrated) TEAC half-height 5¼" double-sided, double-density floppy disc drives. Formatted capacity: 320Kb per drive.
- 4 MHz Z80A CPU
- 64Kb RAM (in 4164 chips)
- 28Kb EPROM containing monitor & MICROSOFT BASIC
- CP/M Version 3.01
- 80 x 24 display with colour block-mode graphics
- Exceptionally high quality styled keyboard with numeric keypad & 6 function keys
- Centronics parallel interface
- RS232/V24 serial interface selectable 300-9600 Baud
- UHF Modulator for TV & composite video output
- ROM port. (A Word-Processor ROM is available at extra cost)
- 6 month full guarantee

Available ONLY from: **COMPUTER APPRECIATION**, 16 Walton Street, Oxford OX1 2HQ. (0865) 55163 TELEX: 838750
MATMOS Ltd., 1 Church Street, Cuckfield, W. Sussex RH17 5JZ. (0444) 414484 454377 (0444) 73830
 PLEASE NOTE: from 5th September Computer Appreciation's new address is 111 Northgate, Canterbury, Kent. Tel: (0227) 470512.



PRICES (monitor not included):
 With DUAL floppy: **£347.00 (£399.05 incl. VAT)**
 With SINGLE floppy: **£250.00 (£287.50 incl. VAT)**
 CARRIAGE: **£9.50 (incl. VAT)** Visa & Barclaycard accepted

CIRCLE 19 FOR FURTHER DETAILS.

Wireless world

INDEX TO ADVERTISERS

Appointments Vacant Advertisements appear on pages 95—103

PAGE		PAGE		PAGE	
ABI Electronics.....	87	Feedback Instrument Ltd.....	42	Pantechnic.....	12
Adenmore Ltd.....	16	Field Electric Ltd.....	94	Phase Track Ltd.....	46
Advent Data.....	3	Fylde Electronic Laboratories.....	94	Pinapple Software.....	60
AEL Crystals.....	49			Photo Acoustics Ltd.....	30
Airlink Transformers.....	72	Global Specialist Corporation.....	5	PM Components.....	14/15
Allweld Engineering.....	63	Gould Instruments.....	53	PSP Electronics Ltd.....	71
AM Electronics.....	87	Greenwood Electronics.....	60	Pye Unicam.....	61
Antex Ltd.....	Inside back cover				
Arcom Control Systems.....	41	Hameg Ltd.....	50	Radio Code Clocks Ltd.....	2
Armon Electronics.....	31	Happy Memories.....	42	Radio Component Specialists.....	16
Aspen Electronics.....	72	Harris Electronics.....	4	Radio Society of Great Britain.....	49
		Harrison Electronics.....	31	RCS Micro Systems.....	12
B. Bamber Electronics.....	46	Hart Electronics.....	93	Research Communications.....	10
Beckman Instruments.....	72	Henson Ltd (R).....	31	Richardsons Electronics.....	4
Beckenham Peripherals.....	4	HW International.....	93		
Black Star Ltd.....	54			Sherwood Data Systems.....	54
Ball, J. (Electrical) Ltd.....	50	ILP Electronics.....	31	South Midland Communications.....	49
		IMS Electronics.....	10	Stewart of Reading.....	2
C&A Electronics.....	12	Johns Radio.....	4	Strettons.....	16
Cambridge Kits.....	62	Langrex Supplies.....	77	Strumech Engineering.....	41
Cambridge Microprocessor Systems.....	9	Levell Electronics.....	42	Surrey Electronics.....	62
Clarkmasts Ltd.....	30	LJ Electronics.....	52		
Computer Appreciation.....	104	Low Electronics.....	45	Tape Automation.....	87
Conitec.....	94	Martin Associates (Electrical) Ltd.....	62	Taylor Bros (Oldham) Ltd.....	62
Cricklewood Electronics.....	52	McKnight Crystal Co Ltd.....	46	Technomatic Ltd.....	22/23
Cybernetic Applications.....	71	Measurement Devices Ltd.....	63	Tektronix UK Ltd.....	59
		Medical Magnetics.....	54	Thandar Electronics.....	16
Dataman Design.....	Inside front cover	Micromake Electronics.....	71	Thurby Electronics.....	88
Dewsbury Electronics.....	51	Micro Concepts.....	50	TIC Semi Conductor.....	54
Digitask Business Systems.....	63	Monolith Electronics.....	51	Time Base Ltd.....	9
Display Electronics.....	78/79			Triangle Digital Services.....	52
		Newrad Instrument Cases.....	87	Valradio Power Ltd.....	60
Electronic Brokers.....	11/13	North East Satellite Systems.....	51	Vigilant Communication.....	45
Electronic Equipment.....	72	Number One Systems.....	50		
Electrovalue.....	30			Warwick Design Group.....	10
EMS Mfg.....	41			Wings Appeal.....	94
Essex Electronic Centre.....	2				
Europa Computer & Equipment.....	46				
European Electronic Systems.....	Back cover				

OVERSEAS ADVERTISEMENT AGENTS

France and Belgium: Pierre Mussard, 18 - 20 Place de la Madeleine, Paris 75008.

Hungary: Ms Edit, Bajusz, Hungexpo Advertising Agency, Budapest XIV, Varosliget.
 Telephone: 225 008 - Telex: Budapest 22-4525
 INTFOIRE

Italy: Sig C. Epis, Etas-Kompass, S.p.a. - Servizio Estero, Via Mantegna 6, 20154 Milan.
 Telephone: 347051 - Telex: 37342 Kompass.

Japan: Mr Inatsuki, Trade Media - IBPA (Japan), B.212, Azabu Heights, 1.5-10 Roppongi, Minato-ku 106.
 Telephone: (03) 585 0581.

United States of America: Jay Feinnan, Business Press International Ltd, 205 East 42nd Street, New York, NY 10017 - Telephone (212) 867-2080 - Telex: 23827.
 Jack Farley Jnr., The Farley Coi, Suite 1584, 35 East Walker Drive, Chicago, Illinois 60601 - Telephone (312) 63074.
 Victor A. Jauch, Elmatex International, P.O. Box 34607, Los Angeles, Calif, 90034, USA - Telephone (213) 821-8581 - Telex: 18-1059.

Jack Mantel, The Farley Co., Suite 650, Ranna Building, Cleveland, Ohio 44115 - Telephone (216) 621 1919.
 Ray Rickles, Ray Rickles & Co., P.O. Box 2028, Miami Beach, Florida 33140 - Telephone (305) 532 7301.
 Tim Parks, Ray Rickles & Co., 3116 Maple Drive N.E., Atlanta, Georgia 30305. Telephone (404) 237 7432.
 Mike Loughlin Business Press International, 15055, memorial Ste 119, Houston, Texas - Telephone (713) 783 8673.

Canada: Colin H. MacCulloch, International Advertising Consultants Ltd., 915 Carlton Tower, 2 Carlton Street, Toronto 2 - Telephone (416) 364 2269.
 *Also subscription agents.

Printed in Great Britain by Index Printers Ltd., Oldhill, Dunstable, and typeset by Legendary Characters, South Street, Lancing, for the proprietors, Business Press International, Quadrant House, The Quadrant, Sutton, Surrey SM2 5AS. © Business Press International 1985. *Wireless World* can be obtained abroad from the following: AUSTRALIA and NEW ZEALAND: Gordon & Gotch Ltd. INDIA: A.H. Wheeler & Co. CANADA: The Wm. Dawson Subscription Service Ltd., Gordon & Gotch Ltd. SOUTH AFRICA: Central News Agency Ltd; William Dawson & Sons (S.A.) Ltd. UNITED STATES: Eastern News Distribution Inc., 11th Floor, 111 Fifth Avenue, New York, N.Y. 10011

ANTEX a world of soldering

Tomorrows Soldering Technology Today.

ANTEX has a worldwide reputation for quality & service & for many years has been one of the best known & most popular names in soldering. Always at the forefront of technology, ANTEX is continually researching new and better ways of achieving more accurate, reliable, and cost effective soldering. On ANTEX Soldering Irons, the advanced design of the interface between the element & the bit allows more efficient heat transfer to the bit and improved stability of the temperature at the point of contact with the work. Indeed, experiments have shown that an XS25 watt iron can be used for tasks where a 40 watt iron would normally have been required.

ANTEX Soldering Irons exhibit exceptionally low leakage currents & hence are suitable for use on Static Sensitive Devices. Sophisticated temperature controlled soldering units have recently been added to the ANTEX range.



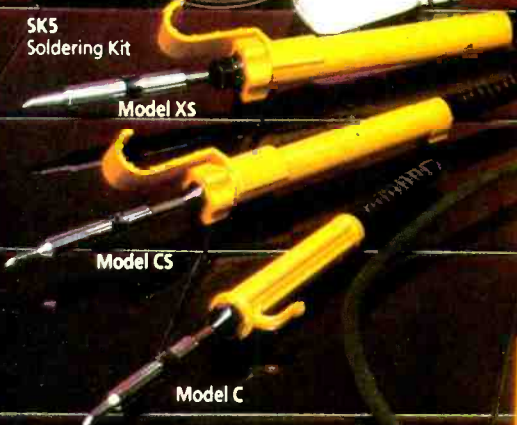
SK5 Soldering Kit



ST4 Stand



TCSU1 Soldering Unit



Model XS

Model CS

Model C



TCSU-D Temperature-Controlled Soldering Unit

Model C
- 15 Watts. Available for 250, 220, 115, 100, 50 or 24 volts.

Model XS
- 25 Watts. Available for 240, 220, 115, 100, 50, 24 or 12 volts.

Model XS-BP
- 25 Watts. 240 volts, fitted with British Plug.

ST4 Stand
- To suit all irons.

SK5 Soldering Kit. Contains model CS 240v Iron, an ST4 Stand and solder.

SK6 Soldering Kit. Contains model XS240v Iron, an ST4 Stand and solder.

SK5-BP and SK6-BP Soldering Kits as above with British Plug.

Model CS
- 17 Watts. Available for 240, 220, 115, 100, 50, 24 or 12 volts.

Model CS-BP
- 17 Watts. 240 volts, fitted with British Plug.

TCSU1
- Very robust temperature controlled Soldering Unit, with a choice of 30 Watt (CSTC) or 40 Watt (XSTC) miniature irons. Range 65°C to 420°C. Accuracy 2%

TCSU-D
Elegant Temperature Controlled Soldering Unit with 50 W Iron (XSD) and built around FERRANTI custom-made ULA. Range Ambient to 450°C. Accuracy $\pm 5^\circ\text{C}$. Zero crossing switching Detachable sponge tray.

ANTEX Made in England
ANTEX (Electronics) Ltd. Tel: 0752 667377 Telex: 45296
 Mayflower House, Plymouth, Devon. Tel: 0752 667377
 Please send literature, price list and my nearest stockist to:
 Name _____
 Address _____
 Telephone _____
 EWW9J85

CIRCLE 2 FOR FURTHER INFORMATION

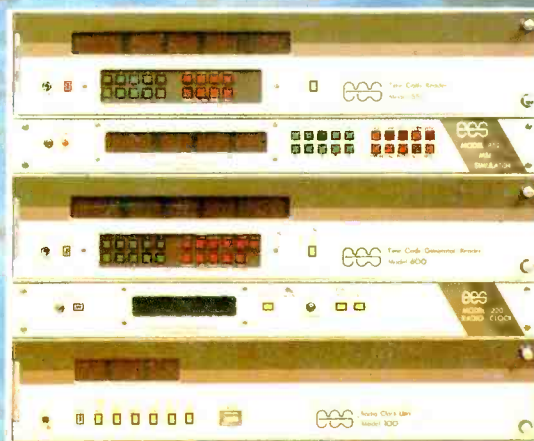
Spot On!

Time has been our business since 1974.
Precision has been our aim.
We have experience in display,
code generation, off air time,
off air frequency and
frequency standards.
Single units to the largest system.

Our time is at your disposal.



**European Electronic
Systems Limited,**
Woodham Mortimer Place,
Maldon, Essex. CM9 6SW.
Telephone: 024541-5911.
Telex: 995917



Time Code Reader.

MSF Rugby Simulator.

Tape Search System.

Radio Clock (5 mSec)

Radio Clock (500 μ Sec)