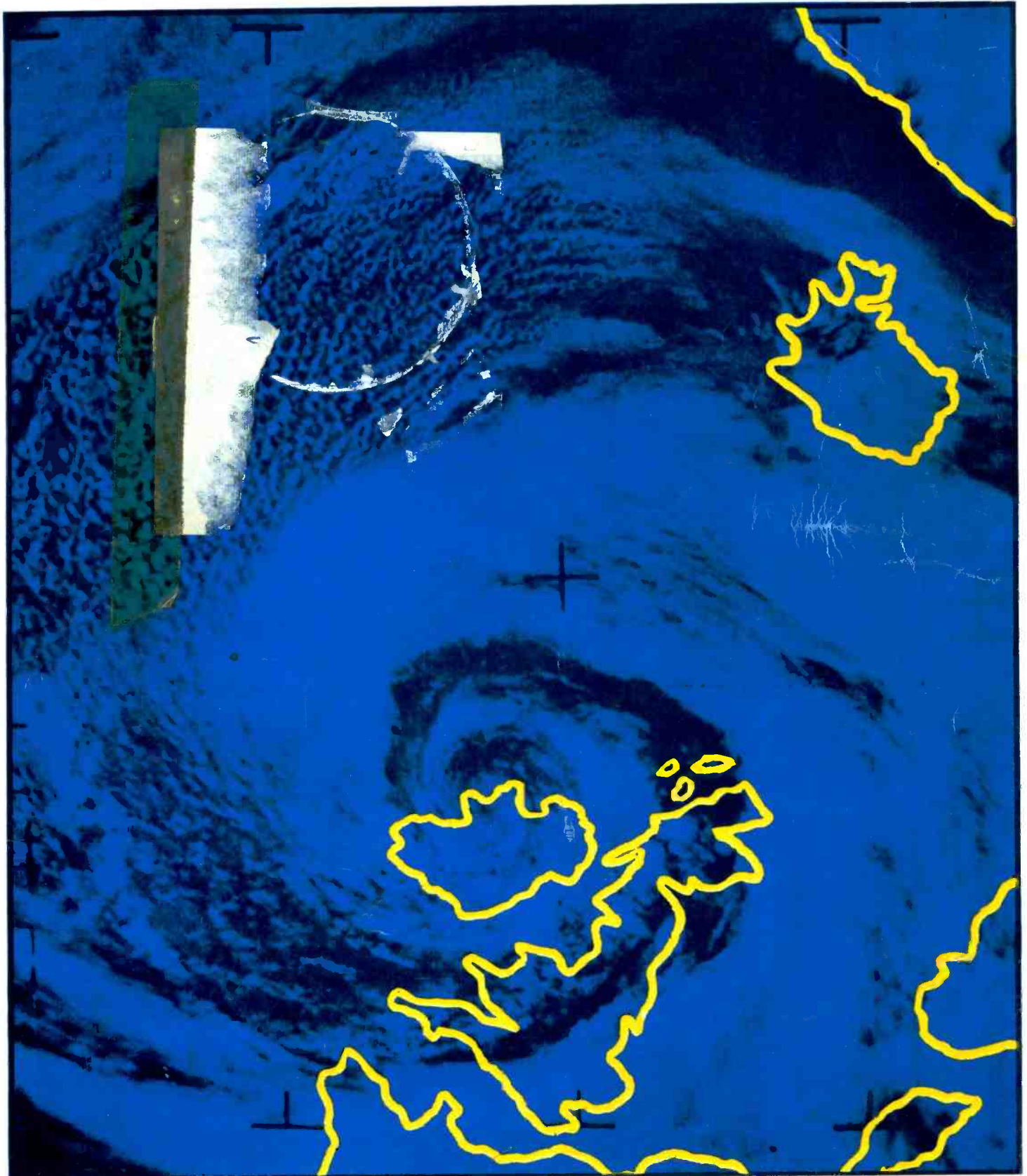


Wireless World

October 1971 17½p

Weather satellite receiver

Making a turntable



Thank you gentlemen.

Department of Trade & Industry, British Rail, Port of London Authority, United Kingdom Atomic Energy Authority, Carphones Ltd., Caledonian//British United Airways, Central Electricity Generating Board, Automobile Association, C.W.S. Limited, Chubb Alarms Ltd., City of London Police, Turriff Construction Corp., Marks & Spencers Ltd., Prestcold (Southern) Ltd., Wasco Electronics Ltd., Appledore Shipbuilders Ltd., Boots Pure Drug Co. Ltd., British Steel Corporation—Tubes Division, Calor Gas (Ireland) Ltd., Helsinki Transport Board (HKL), Esso Petroleum Co. Ltd., Ford Motor Co. Ltd., Imperial Chemical Industries Ltd., Kellogg & Co. Ltd., Kodak Ltd., Mobil Oil Co. Ltd.,

Pilkington Bros. Ltd., Spanish Police, St. Etienne Taxi Union, Reed Group Ltd., Shell-Mex & B.P. Ltd., Royal Malaysian Police, Vauxhall Motors Ltd.,

Court Line Aviation Ltd., Iberia Airlines of Spain, Hawker Siddeley Aviation Ltd., K.L.M. Royal Dutch Airlines, Pan American World Airways, Council of the Stock Exchange, Chrysler United Kingdom Ltd., Dartford Tunnel Joint Committee, East African External Telecommunications Co. Ltd., Kuwait Oil Co., London Transport Executive, Trust Houses Forte Limited, Zambian Electricity Supply Corporation. All use STAR mobile or Starphone pocket radiotelephones.

And they've helped to make us one of the world's leading radiotelephone companies.

So thanks again, gentlemen.

If you'd like STAR, too, write to: ITT Mobile Communications Limited, Radlett Works, Colney St., St. Albans, Herts. Tel: Radlett 4711



Cementation Construction Ltd., R. Costain & Sons Ltd., George Wimpey & Co. Ltd., London Borough of Lambeth, Abbey Car Hire Ltd., Ambassador Radio Cars Ltd., Avis Rent-A-Car Ltd., Rickards Tours Ltd., British European Airways, James Burrough Ltd. (Beefeater Gin),

ITT Mobile

Designers specify them for their reliability and modern styling.
Buyers choose them for their competitive prices and delivery.

Taylor panel meters

are selected by equipment manufacturers everywhere.



Vista Series

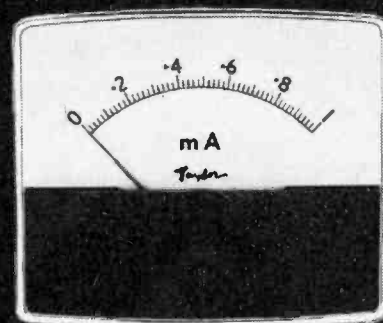
Popular, reliable panel meters with robust phenolic mouldings and scale lengths from 1½ in to 4½ in. This range combines compact functional styling with easy readability and excellent performance. Mechanically interchangeable with the Fynellne series.

new



Edgewise Series

Here's the latest in the range of three Edgewise panel meters, the Model 330 with a 2½ in scale length. Ideal for today's crowded instrument panels, other scale lengths are 1⅞ in (Model 11) and 1¾ in (Model 220).



Fynellne Series

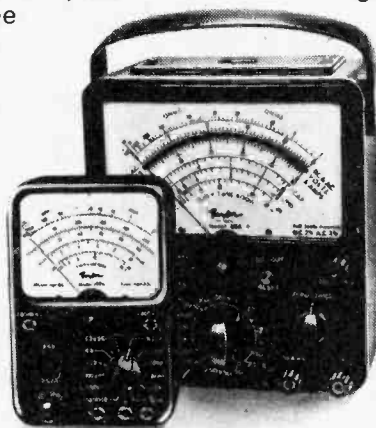
Adaptable versatile series with scale lengths from 1½ in to 4½ in. Contemporary styling and clear shadow-free readings ensure maximum readability. This modern range maintains the Taylor reputation for reliability and sensitivity.

Taylor offers a comprehensive range of moving-coil and moving-iron panel meters. The moving-coil meters feature the proven Taylor centre-pole movement with practically friction-free operation, inherent magnetic shielding

and high torque/weight ratio. They are sensitive, accurate instruments that conform generally to BS 89/54 with contemporary or conventional styling. Ask for the Panel Meter Shortform Catalogue.

Taylor makes test equipment too!

Two typical models are Taylor Model 88B, a robust, wide-range multimeter with automatic cut-out and polarity reversal facility, and the



popular Taylor Type 127A, a pocket-sized multimeter for the service engineer and hobbyist. Ask for the Instrument Shortform Catalogue.

Taylor



Taylor Electrical Instruments Limited

Archcliffe Road, Dover, Kent. Tel: Dover 2634 Telex: 96283

A member of the Thorn Group. Measurement Control and Automation Division.

WW—006 FOR FURTHER DETAILS

Not only beautiful, but...

- * Lightweight
- * Tropicalised
- * Practically unbreakable
- * High level phones
- * Carbon or Magnetic level
- * Extremely comfortable
- * Simple to service

The Astrolite headset is a unique design which brings together elegant appearance, high performance and reliability. Communications or high fidelity versions available.

For all the other desirable features write or telephone:-

AMPLIVOX
COMMUNICATIONS
LIMITED

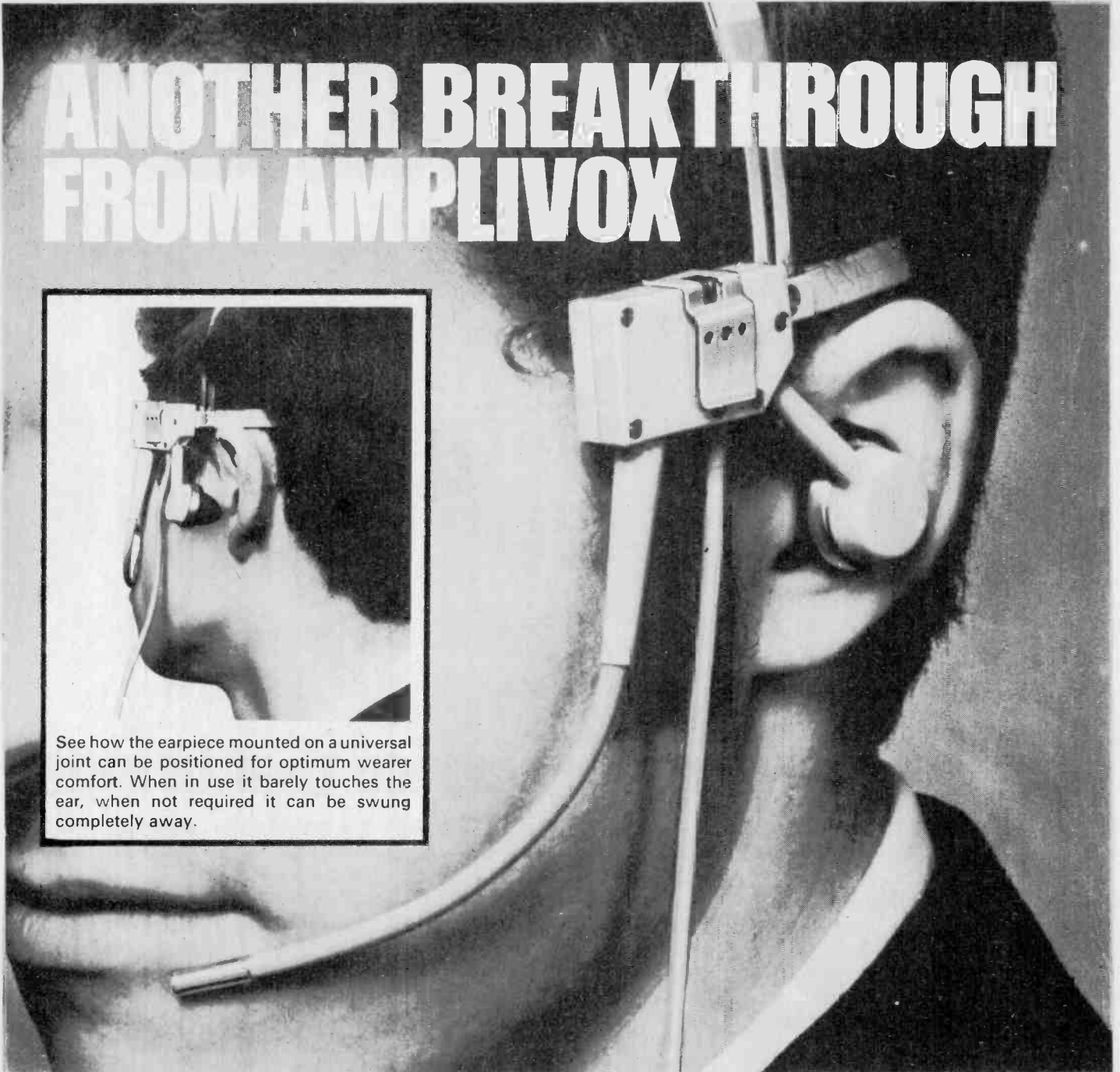
BEFESFORD AVENUE WEMBLEY, MIDDLESEX
TELEPHONE 01-902 8991
GRAMS AND CABLES AMPLIVOX, WEMBLEY



HIGH FIDELITY MOVING COIL STEREO HEADPHONES (TYPE LS43) Now available from DAYSTROM LTD. GLOUCESTER

WW-007 FOR FURTHER DETAILS

ANOTHER BREAKTHROUGH FROM AMPLIVOX



For the first time — a new Amplivox headset offering full communications facilities yet under 2oz in weight.

The New Amplivox MINILITE — a breakthrough in super-lightweight headset design. MINILITE is feather light. No wearer fatigue. No wearer discomfort. New acoustic techniques have led to an earpiece that need barely touch the ear. So it's hygienic as well as comfortable. MINILITE is so light that it can be attached to the frame of a normal pair of spectacles. The telescopic 'Boom' is an acoustic tube that gives highest speech intelligibility. For all situations where the wearer has to use a headset continuously

MINILITE pays off handsomely in terms of performance, comfort and operator satisfaction at a truly economical price.

Minilite is Wearer Right

Send for full MINILITE details straight away.



BERESFORD AVENUE, WEMBLEY, MIDDX., HA0 1RU.
Telephone: 01-902 8991. Cables: Amplivox Wembley.

WW—008 FOR FURTHER DETAILS

annou blue

The new distribution service that brings together six market leaders under one cover!

Now there's a faster more reliable way to get hold of electronic components. It's called BLUELINE. It covers almost all your everyday needs with a selective top quality range. And backs it with a service so efficient and friendly that BLUELINE quickly becomes an extension of your own purchasing department.

Six top manufacturers

BLUELINE is unique in its teaming together of the six market leaders in component manufacture. They give a quality concentration that enables you to meet most of your everyday needs for components.

In depth stocks

BLUELINE holds quantity stocks for every component. So it doesn't matter whether you need single items for a prototype or a batch for a production run. BLUELINE can cope with stocks off the shelf...or deliver to your scheduled requirement.

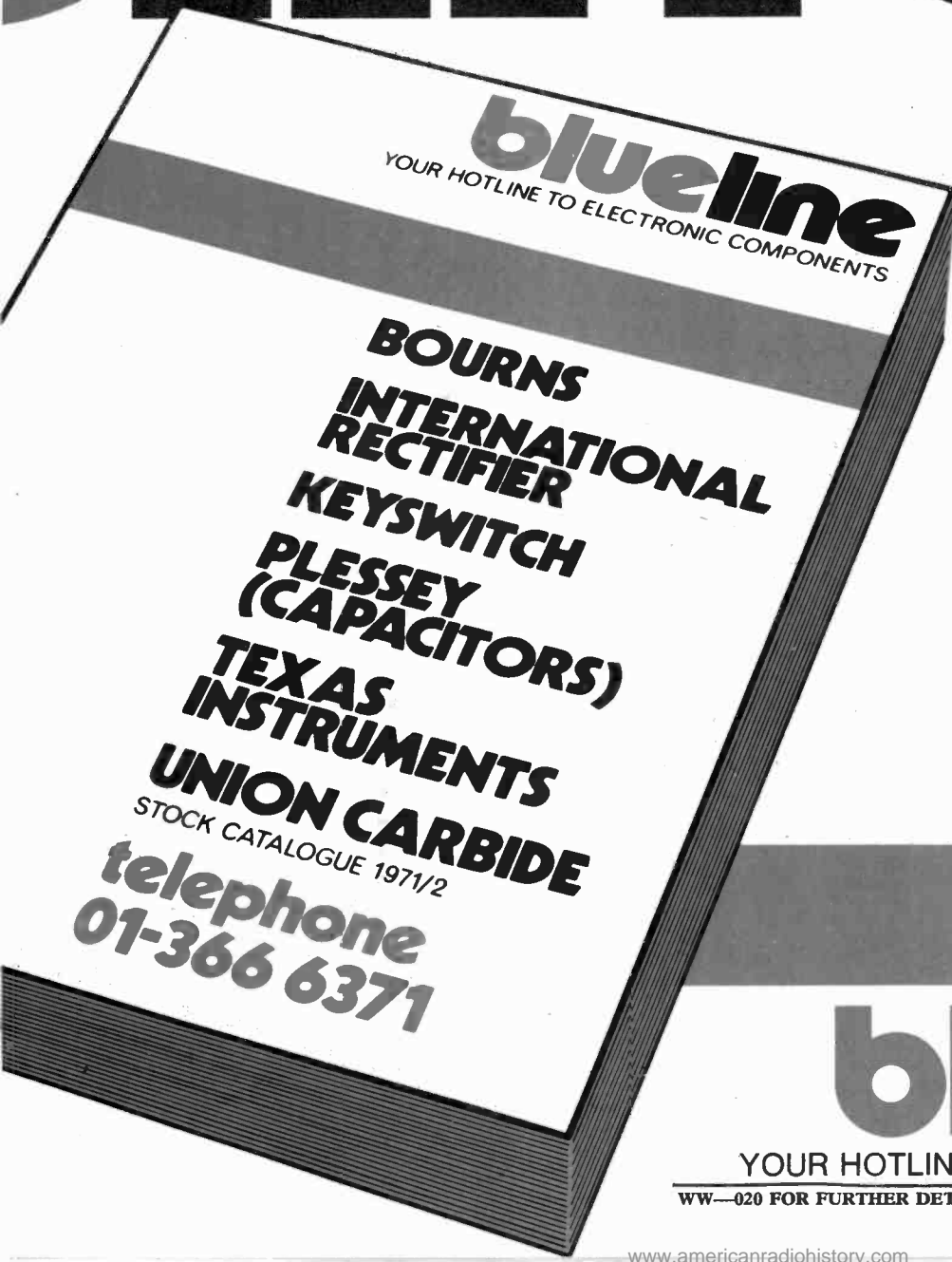
Computerised stock control

The BLUELINE ICL 1903A computer forecasts demand and prints out a stock list daily - a feature that means orders can be confirmed immediately they're received and delivery on time guaranteed.

On-the-spot handling of orders

Order by post if you like. Or if you really want to get things moving, by telephone or telex. BLUELINE girls on the sales desk can give you the up-to-the-minute position on any component in the catalogue, handle your queries, confirm prices and give you a delivery date. And they're backed by five engineers throughout the country to help with queries and special orders on-the-spot.

ancing line



Compact, comprehensive catalogue
The complete BLUELINE range is covered in this catalogue. If you haven't yet received your copy, please write – or better still, phone 01-366 6371 and get a preview of the friendly way we make ourselves indispensable to your organisation.

Blue line Electronic Components
Refuge House, River Front
Enfield, Middlesex
Tel: 01-366 6371 Telex: 22196

blue line

YOUR HOTLINE TO ELECTRONIC COMPONENTS

WW-020 FOR FURTHER DETAILS



now! try the DMM2 digital multimeter-free!

£99 and it's yours-for keeps!

Fill in the coupon, send it together with your company's order, and we'll send you a DMM2 Digital Multimeter.

Examine the performance:-

Clear non-ambiguous digital reading of: Volts AC and DC 200mV—1,000V f.s.

Resistance 200Ω—2MΩf.s.

Current AC and DC 200μA f.s. (200μA—2A with optional SP2 shunts £16)

L.S.I. reliability. Push button range selection.

Maximum reading 1999 with decimal point.

Overrange and reverse polarity indication.

Lightweight (3½ lbs.) portability.

Operation from AC supply, external 12V DC or optional rechargeable battery pack (£35).

DMM2 DIGITAL MULTIMETER

from **ADVANCE**



**ADVANCE
ELECTRONICS
LIMITED**

INSTRUMENT DIVISION SALES OFFICE

Raynham Road,
Bishop's Stortford, Herts.
Telephone:
Bishop's Stortford (0279) 55155.
Telex: 81510.

I am enclosing my company's order for a DMM2 Digital Multimeter. If after the fortnight's free trial period I do not wish to keep the instrument I will return it to Advance Electronics Ltd. and my order will be cancelled.

NAME TITLE

COMPANY

ADDRESS

WW 10

WW-011 FOR FURTHER DETAILS

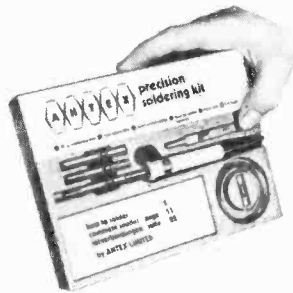
cut out the coupon and answer your soldering problems



£2-75

SK1 SOLDERING KIT

In rigid plastic "tool box" containing Model CN - 15 watts - 240 volts miniature iron fitted $\frac{3}{16}$ " bit. Spare bits $\frac{5}{32}$ " and $\frac{3}{32}$ ". Reel of resin-cored solder, heat sink, cleaning pad, stand and booklet "How to Solder".



SK2 Soldering Kit

In polystyrene pack, containing 15 watt miniature soldering iron, 240 volts fitted with $\frac{3}{16}$ " bit, 2 spare bits $\frac{5}{32}$ " and $\frac{3}{32}$ ". Coil of resin-cored solder, heat sink, 1A fuse and booklet "How to Solder".

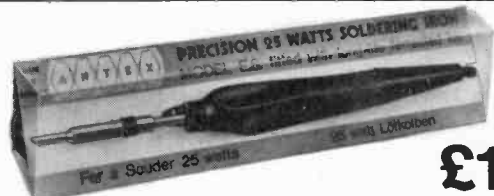
£2-40



Model CN 240/2
15 watts - 240 volts

£1-70

Fitted with nickel plated $\frac{3}{32}$ " bit and packed in handy transparent box.



ES240 D 25 watt
soldering iron

In transparent display pack, fitted with long life iron-coated bit $\frac{1}{8}$ " diam.

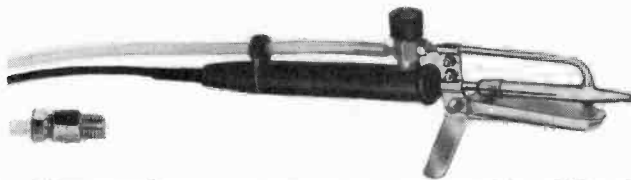
£1-83

Interchangeable spare bits $\frac{3}{32}$ ", $\frac{3}{16}$ ", $\frac{1}{4}$ " (extra) available. Improved design to ensure strong and reliable high speed iron. Heats up in 2 minutes.

GSS Desoldering Tool
Model GSS with $\frac{3}{32}$ " tip diameter

£4-67

De-soldering tool working on compressed air for industrial use with an air line or occasional use with foot pump. Efficient, self-cleaning operation on Venturi principle. Split-second action. Press valve control.

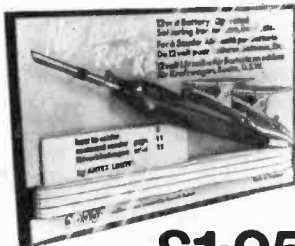


ESS Desoldering Tool
Model ESS with $\frac{5}{32}$ " tip diameter

£4-67

Model ESS or GSS
complete with
foot pump

£5-65



£1-95

M.E.S. Battery-operated 12 volt soldering iron

Complete with 15 ft (4.50m) lead, 2 heavy gauge clips for instant connection to car battery and a guide 'How to Solder'. Packed in strong plastic wallet.



from electrical and radio shops or by Free Post (No stamp required) from ANTEX Ltd., FREE POST, PLYMOUTH, PL1 1BR. Tel (0752) 67377/8.

- Please send the ANTEX colour catalogue.
- Please send the following:

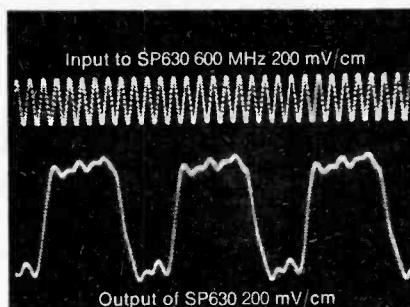
I enclose cheque/P.O./Cash (Giro No. 2581000)

NAME _____
ADDRESS _____

WW10

Here are some outstanding ICs from the wide Plessey standard range.
As European leaders in MOS and Bipolar technology
Plessey also offers you the most experienced
custom/customer design service available —
proven by more than 400 successfully completed designs.

Ultra-High-Speed ECL Dividers



WW—250 for further details.

SP602 ÷ 2 500MHz
SP620 ÷ 5 400MHz
SP630 ÷ 10 600MHz

These three circuits form part of an expanding range of dividers. Power consumption from only 60mW. Operating temperature from -55°C to $+125^{\circ}\text{C}$.

They are the only dividers available with full temperature range at this speed. Commercial and military applications are already nearing production.

Unique LSI Computing Circuits

These DTL/TTL compatible circuits were initially developed for process control applications in ICI. Now generally available, they feature the following:

SP520 5-Bit Reversible Gray Code Counter

A 5-bit up-down counter with non-overflow facility with both Gray and binary outputs. The Gray code o/p's can be inhibited—effectively open-circuiting. This makes them ideal for 'addressed parallel highway wired-OR applications'. Reset to zero facility is also provided.

SP521 5-Bit Binary Rate Multiplier

Basically an arithmetic unit capable of multiplying

together a frequency and a binary number. Has two-phase capability, is infinitely cascadable and eliminates the need for capacitors and other components, all as a result of internal Gray code operation.

SP522 Divider, Phase Lock and Comparator

Divides the master clock frequency (8F) by 8 giving two interlaced o/p's (1F). These can be used to clock the SP521. There is also an o/p at 2F. Locks the phase of any i/p signal to that of the master clock. Max. i/p frequency to phase lock circuit is 3.2F.

The comparator is a 5-bit up-down counter with reset facility to the central symmetrical state.

WW—251 for further details.

Quad decade complements MOS counter range

WW—252 for further details.

Device Number	Single or Quad Decade	Single or Dual Power Supply	BCD or Decimal Output	Current (I) or Voltage (V) Output	Carry Facility	Package
MP107B	S	S	BCD	V	✓	10 lead TO.5
MP108B	S	S	BCD	I	✓	10 lead TO.5
MP120B	Q	D	BCD	I	✓	16 lead DIL
MP123B	S	D	BCD	V		10 lead TO.5
MP124B	S	D	Decimal	V		16 lead DIL
MP125B	S	D	BCD	V	✓	14 lead DIL
MP126B	S	D	Decimal	I		16 lead DIL
MP127B	S	D	BCD	I	✓	14 lead DIL

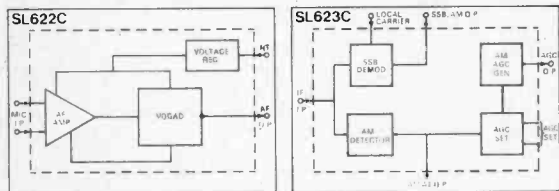


PLESSEY

Plessey Semiconductors
Cheney Manor, Swindon, Wiltshire
Telephone: Swindon (0793) 6251
Telex: 44375

Detectors, Demodulators & AGC Circuits

The SL622C, a microphone amplifier plus VOGAD and the SL623C, an SSB demodulator, low level AM detector and AM AGC generator are the latest additions to the successful range of SL600 communications circuits. This fully compatible series operates from a single power rail, has low power consumption, full AGC facilities and operates up to 140MHz.



WW—253 for further details.

1GHz Transistor Pair

The SL360 is a monolithic matched pair of transistors capable of being used at frequencies up to 1GHz. The particularly good low current betas make this device suitable for a wide range of applications.

Typical characteristics:

BV_{CE0}	15V	($I_C = 10\mu A$)
h_{FE}	65	($V_{CE} = 2V, I_E = 5mA$)
f_T	2.5 GHz	($V_{CE} = 5V, I_E = 5mA$)
f_T	3.2 GHz	($V_{CE} = 5V, I_E = 25mA$)
$V_{BE(1)} - V_{BE(2)}$	3mV	($V_{CE} = 2V, I_E = 1mA$)
$h_{FE(1)}/h_{FE(2)}$	1.1	($V_{CE} = 2V, I_E = 5mA$)
$V_{CE(Sat)}$	0.25V	($I_E = 10mA, I_B = 1mA$)

These characteristics make the SL360 an ideal element for the design and manufacture of more complex UHF circuits.

WW—254 for further details.

Low Noise GaAs Microwave FET'S

Featuring high transconductance, low capacitance and operating frequency up to 4.5GHz.

GAT1	10dB gain at 1GHz	4dB noise figure
GAT2	8dB gain at 3GHz	5dB noise figure

Ideal for use in low noise front-end amplifiers.

WW—255 for further details.

Television and Audio Circuits

Colour TV on 2 Chips

The SL435C and SL436B combined form the complete colour signal processing section of a colour television receiver (PAL system).

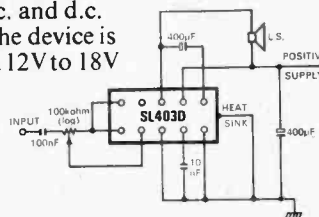
The following functions are incorporated:

- Chroma amplification
- PAL switch
- Colour killer
- Gated burst amplifier with 45° switch
- Internal stabilisation
- Reference amplifier
- Matrixing for red, green and blue outputs
- R-Y, B-Y balanced demodulator

6W Audio Amplifier

The SL403D is a 6W (3W rms) audio amplifier incorporating a.c. and d.c. short-circuit protection. The device is designed to operate from a 12V to 18V supply into loads from 3Ω to 15Ω. Total harmonic distortion at full output is typically less than 0.3%.

WW—256 for further details.



OPTO Character Recognition

The OPT6 is a linear array of 72 integrating elements designed for OCR, code recognition and position sensing applications where high data rates and high definition are required.

The 72 elements operate in current recharge mode and integrate for one line period. Two clock pulses and one data input pulse are required for scanning the shift register which will operate typically in the range 10KHz to 7MHz.

The 0.2" x 0.08" chip is mounted in a 3/4" glass windowed flat pack and dissipates about 300mW at maximum bit rate.

WW—257 for further details.

Product Summary

If you would like details of the full range of Plessey IC's please ask for our Product Summary. This includes details of nearly 300 standard bipolar and MOS IC's, package diagrams, MOS logic diagrams and bipolar logic diagrams.

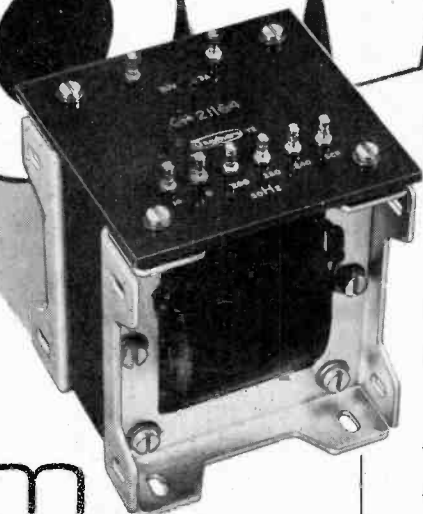
WW—258 for further details.

Semiconductors

UK Distributors:
Farnell Electronic Components Limited
Canal Road, Leeds LS12 2TU
Tel: (0532) 636311

SDS-WEL Components Limited
Hilsea Industrial Estate, Hilsea, Portsmouth Hampshire. Telephone: (0705) 65311
5 Loverock Road, Reading, Berkshire Telephone: (0734) 580616

TRANSISTOR POWER



Another range of standard transformers from Gardners – acknowledged leaders in electronic transformers – TRANSISTOR POWER SUPPLY TRANSFORMERS.

You can select from more than fifty standard types and be sure of finding something suitable for any contemporary transistor power requirement – and most probably from stock! Write for GT.25.

from GARDNERS

There are nine other GT Brochures and we'll be pleased to mail any in which you are interested if you will post us this coupon.

- GT.1 POWER CONTROLLING SATURABLE RE-ACTORS 50W to 1kW with application notes.
- GT.5 AUDIO TRANSFORMERS including Microphone and line matching.Driver,output and impedance matching transformers.
- GT.12 LILLIPUT SERIES OF MICROMINIATURE TRANSFORMERS including Inverter, A.F. and wide-band carrier matching A.F. Driver and pulse types, miniature smoothing and A.F. inductors.
- GT.16 ALPHA SERIES OF ASSEMBLIES for filters, delay lines, modulators, etc.
- GT.17 LOW VOLTAGE, ISOLATING AND AUTO TRANSFORMERS in nearly two hundred ratings, 6v. to 440v. and 5vA to 2kVA in six assembly styles.
- GT.21 MANUAL OF INVERTER TRANSFORMERS AND MODULES.
- GT.23 INDUCTORS, including heavy current and commutation types.
- GT.24 POWER TRANSFORMERS for use with tube type circuits (including obsolescent types) and E.H.T. and Magnetron Supply Transformers.
- GT.25 TRANSISTOR POWER SUPPLY TRANSFORMERS.
- GT.100 GENERAL REFERENCE CATALOGUE with data sheets of assemblies available for specially designed transformers.



GARDNERS TRANSFORMERS LIMITED

Christchurch, Hampshire, BH23 3PN, England

Tel: Christchurch 2284 (STD 0201 5 2284) Telex: 41276 GARDNERS XCH

Please indicate your requirement by circling the number/s below

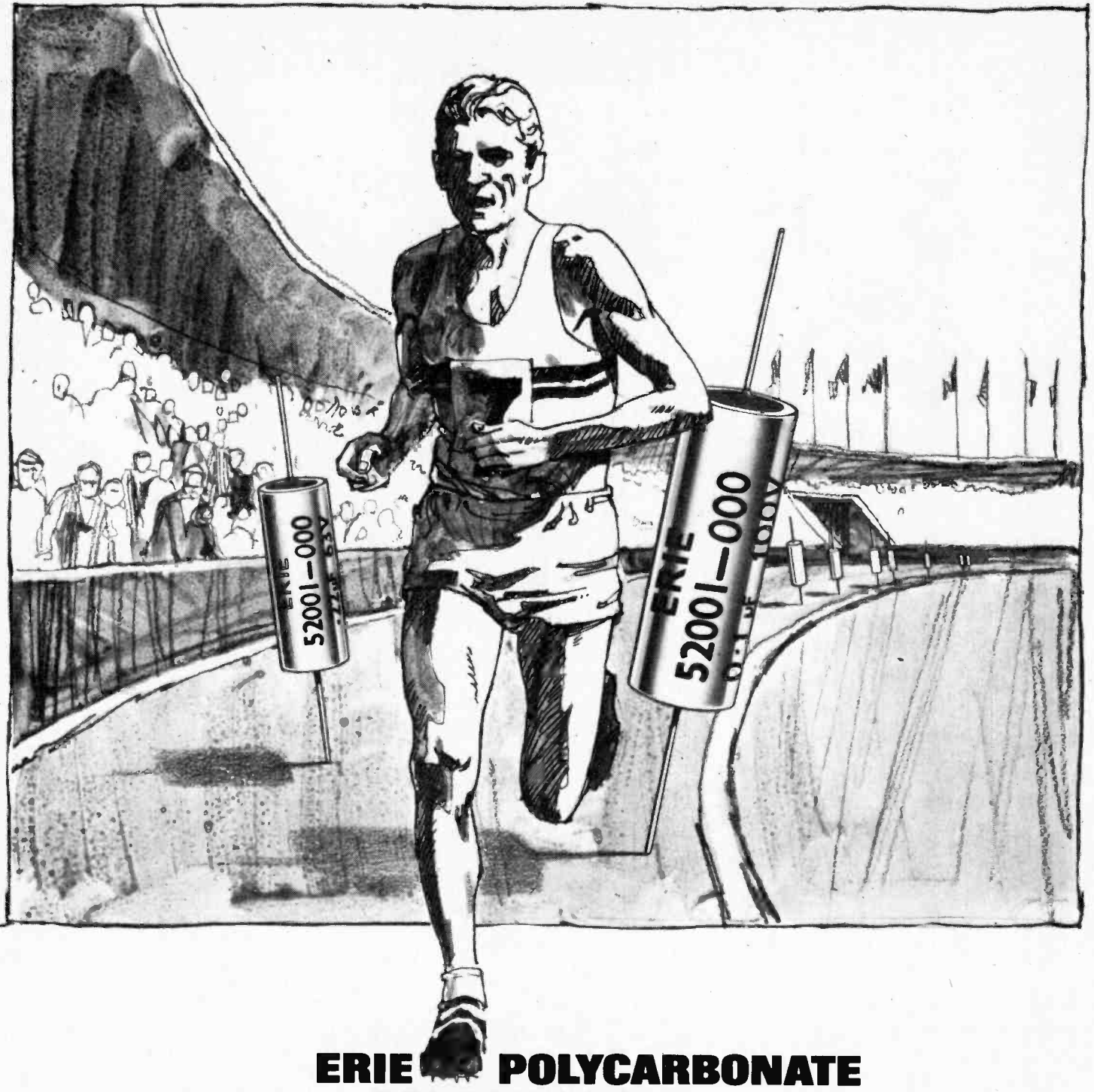
1 5 12 16 17 21 23 24 25 100

NAME _____

ADDRESS _____

WW10

WW—014 FOR FURTHER DETAILS



ERIE POLYCARBONATE CAPACITORS

The range with the Marathon endurance

Highly stable and tailored for today's technology, Erie Polycarbonates pack capacitance values from 0.1 to 10 μ F into a slender, compact tube. Erie's unrivalled experience in processing and winding ultra thin dielectric film, results in ranges of 63V d.c. and 100V d.c. rating with a standard tolerance of \pm 5%. Alternative tolerances of

\pm 2% and \pm 1% are no bother either. Temperature range is from -55 to $+70^{\circ}\text{C}$ and humidity performance is first class; up to 56 days long term damp heat.

You'll save space, weight and money: and gain a great deal in long-term reliability by sending for the data sheet. Why not do it now?



WW-015 FOR FURTHER DETAILS

P11/71



**Over 3,500
specific
types**

• FOR EXPORT

For quality, reliability
and world-wide
availability you can
rely on Haltron valves . . .
and on Hall Electric's speed,
intelligence and reputation.
Ministry of Technology EID approval
Air Registration Board approval.

HALTRON
Radio Valves and Tubes

Hall Electric Limited
Haltron House, Anglers Lane
London, N.W.5.
Telephone: 01-485 8531 (10 lines) Telex: 2-2573
Cables: Hallettric, London, N.W.5.

WW-016 FOR FURTHER DETAILS

In just 2 minutes, find out how you can qualify for promotion or a better job in Engineering . . .

That's how long it will take you to fill in the coupon below. Mail it to B.I.E.T. and we'll send you full details and a free book. B.I.E.T. has successfully trained *thousands* of men at home - equipped them for higher pay and better, more interesting jobs. We can do as much for YOU. A low-cost B.I.E.T. Home Study Course gets results fast - makes learning easier and something you look forward to. There are no books to buy and you can pay-as-you-learn on 'SATISFACTION - OR REFUND OF FEE' terms. If you'd like to know how just a few hours a week of your spare time, doing something constructive and enjoyable, could put you out in front, post the coupon today. No obligation.

WHICH SUBJECT WOULD INTEREST YOU?

Mechanical
A.M.S.E. (Mech.)
Inst. of Engineers
Mechanical Eng.
Maintenance Eng.
Welding
General Diesel Eng.
Sheet Metal Work
Eng. Inspection
Eng. Metallurgy
C. & G. Eng. Crafts
C. & G. Fabrication

Draughtsmanship
A.M.I.E.D.
Gen. Draughtsmanship
Die & Press Tools
Elec. Draughtsmanship
Jig & Tool Design
Design of Elec. Machines
Technical Drawing
Building

Electrical & Electronic
A.M.S.E. (Elec.)
C. & G. Elec. Eng.
General Elec. Eng.
Installations & Wiring
Electrical Maths.
Electrical Science
Computer Electronics
Electronic Eng.

Radio & Telecomms.
C. & G. Telecomms.
C. & G. Radio Servicing
Radio Amateurs' Exam.
Radio Operators' Cert.
Radio & TV Engineering
Radio Servicing
Practical Television
TV Servicing
Colour TV
Practical Radio & Electronics (with kit)

Auto & Aero
A.M.I.M.I.
MAA/IMI Diploma
C. & G. Auto Eng.
General Auto Eng.
Motor Mechanics
A.R.B. Certs.
Gen. Aero Eng.

Management & Production
Computer Programming
Inst. of Marketing
A.C.W.A.
Works Management
Work Study
Production Eng.
Storekeeping
Estimating
Personnel Management
Quality Control
Electronic Data Processing
Numerical Control
Planning Engineering
Materials Handling
Operational Research
Metrication

Constructional
A.M.S.E. (Civ.)
C. & G. Structural
Road Engineering
Civil Engineering
Building
Air Conditioning
Heating & Ventilating
Carpentry & Joinery
Clerk of Works
Building Drawing
Surveying
Painting and Decorating.
Architecture
Builders' Quantities

General
C.E.I.
Petroleum Tech.
Practical Maths.
Refrigerator Servicing.
Rubber Technology
Sales Engineer
Timber Trade
Farm Science
Agricultural Eng.
General Plastics

General Certificate of Education
Choose from 42 'O' and 'A' Level subjects including:
English
Chemistry
General Science
Geology
Physics
Mathematics
Technical Drawing
French
German
Russian
Spanish
Biology
B.I.E.T. and its associated schools have recorded well over 10,000 G.C.E. successes at 'O' and 'A' level.
WE COVER A WIDE RANGE OF TECHNICAL AND PROFESSIONAL EXAMINATIONS.

Over 3,000 of our Students have obtained City & Guilds Certificates. Thousands of other exam successes.

THEY DID IT— SO COULD YOU

"My income has almost trebled . . . my life is fuller and happier." - Case History G/321.

"In addition to having my salary doubled, my future is assured."—Case History H/493.

"Completing your Course meant going from a job I detested to a job I love." - Case History B/461.

FIND OUT FOR YOURSELF

These letters—and there are many more on file at Aldermaston Court—speak of the rewards that come to the man who has given himself the specialised know-how employers seek. There's no surer way of getting ahead or of opening up new opportunities for yourself. It will cost you a stamp to find out how we can help you.

Free!

Why not do the thing that really interests you? Without losing a day's pay, you could quietly turn yourself into something of an expert. Complete the coupon (or write if you prefer not to cut the page). We'll send you full details and a FREE illustrated book. No obligation and nobody will call on you . . . but it could be the best thing you ever did.

BRITISH INSTITUTE OF ENGINEERING TECHNOLOGY

Dept B7, Aldermaston Court, Reading RG7 4PF.

(Write if you prefer not to cut this page)

POST THIS COUPON TODAY



To: B.I.E.T., Dept B7, Aldermaston Court, Reading RG7 4PF
Please send me book and details of your Courses in

Name..... Age.....

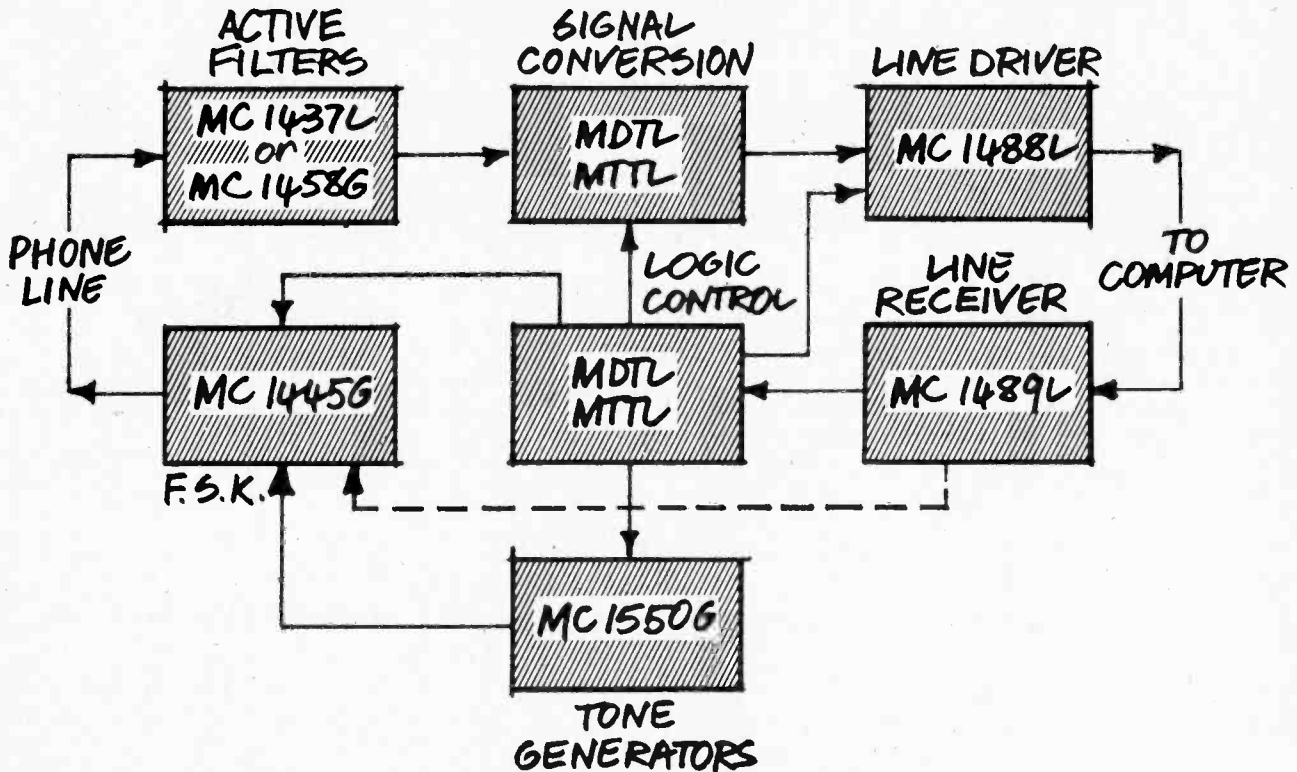
BLOCK CAPITALS PLEASE

Address.....

Occupation.....

B.I.E.T - IN ASSOCIATION WITH THE SCHOOL OF CAREERS - ALDERMASTON COURT, BERKSHIRE

An RS-232C Integrated Modem System



MODEM.

Motorola make the complete system.

Here's how Motorola give you the complete Modem system. With: **RS-232C Quad Line Drivers and Receivers.**

The first and only monolithic quads in the industry to meet this stringent EIA spec. They're designated MC1488L and MC1489L.

Because they are quads they give you more board space, lower package count and they have direct compatibility with MDTL and MTTL logic circuits.

Op Amps for Active Filters.

The MC1437P (a dual MC1709C) and the brand new MC1458G (a dual MC1741C) are your ideal choices. The latter is internally compensated for frequency response. Both reliable devices cost considerably less than two single-packed op amps and compare favourably with mechanical resonators or reed systems.

Frequency-Shift Keyer.

The MC1445G is a dual-input, logic-controlled video switch that can connect either of two tone generators to an output line. It also has a low-impedance emitter-follower output stage.

Tone generators.

The MC1550G is a high-frequency differential amplifier that makes an ideal, ultra-stable oscillator with built-in bias circuitry at little more than the cost of a transistor.

Digital Logic.

MDTL or MTTL can be used to control the frequency-shift keyer and to perform other MODEM logic functions. Motorola offers a complete line in both families.

For full details of the Motorola Modem system and what it can mean to you write to:

**Motorola Semiconductors, Dept. WW5,
York House, Empire Way, Wembley,
Middlesex. Telephone: 01-903 0944.**



MOTOROLA Semiconductors

MANUFACTURING FACILITY AT EAST KILBRIDE, SCOTLAND

Distributors: Celdis Ltd, Reading. GDS (Sales) Ltd, Slough. Jermyn Industries Ltd, Sevenoaks.
A. M. Lock & Co Ltd, Oldham. Semicomps Ltd, Alperton.

WW-018 FOR FURTHER DETAILS

News of the Decade

Capacitance boxes available from 20pf.-140uf. Accuracies up to 0.05%

Inductance

Air space 1mH-1H
Accuracy 5%

Resistance Boxes

from 0.1-10 MΩ
Average accuracy 0.1%

Resistance Elements suitable for use up to 1MHz.



High Dissipation Resistance Boxes

Five Decade		
HD1	0 to 1,111,100 ohms by 10 ohm steps 1% Tolerance	£45.00
HD5	0 to 1,111,100 ohms by 10 ohm steps 5% Tolerance	£35.00
HD1/L	0 to 111,110 ohms by 0.1 ohm increments 1% Tolerance	£47.00

Jay-Jay Inductance Boxes

Cat. Ref.	Description	Price
L1	3 Decade 1 mH to 1 Henry	£37.00
L2	2 Decade 1 mH to 100 mH	£26.00
L3	2 Decade 10 mH to 1 Henry	£29.45

Jay-Jay "Point One" Resistance Boxes

Average Accuracy 0.1%		
Four Decade		
R5	0 to 111,100 ohms by 10 ohm steps	£24.00
R4	0 to 11,110 ohms by 1 ohm steps	£24.50
R3	0 to 1,111 ohms by 1/10 ohm steps	£25.00
Five Decade		
R11	0 to 10 meg ohms by 100 ohm steps	£34.50
R7	0 to 1,111,100 ohms by 10 ohm steps	£29.25
R9	0 to 111,110 ohms by 1 ohm steps	£29.75
R10	0 to 11,111 ohms by 1/10 steps	£30.25
Six Decade		
R20	0 to 1,111,110 by 1 ohm steps	£36.00
R21	0 to 111,111 by 0.1 ohm steps	£36.50
R22	0 to 11,111.1 by 0.01 ohm steps	£37.00

Jay-Jay Junior Decade Resistance Boxes

Average Accuracy 0.4%		
Six Decade		
J60	Range 0 to 1,111,100 ohm by 1 ohm steps	£18.90
Five Decade		
J1	Range 0 to 1,111,100 by 10 ohm steps	£15.60
J2	Range 0 to 111,110 by 1 ohm steps	£15.40
Four Decade		
J3	Range 0 to 111,100 by 10 ohm steps	£12.40
J4	Range 0 to 11,110 by 1 ohm steps	£12.20
Three Decade		
J5	Range 0 to 11,100 by 10 ohm steps	£9.95
J6	Range 0 to 1,110 by 1 ohm steps	£9.90

Jay-Jay Capacitance Boxes

Cat. Ref.	Description	Tolerance	Price
Three Decade Model			
C3	100 pf. to 0.111 mfd.	1% Tolerance	£22.00
PC3	100 pf. to 0.111 mfd.	½% Tolerance	£31.50
Four Decade Model			
C4	100 pf. to 1.111 mfd.	1% Tolerance	£35.00
PC4	100 pf. to 1.111 mfd.	½% Tolerance	£48.00
Switched Capacitance Boxes			
C100	1 mfd. to 100 mfd.	5% Tolerance	£65.00
C140	1 mfd. to 140 mfd.	5% Tolerance	£75.00
C60	0.1 mfd. to 61 mfd.	5% Tolerance	£59.00
C60P	0.1 mfd. to 61 mfd.	1% Tolerance	£110.00
Air Spaced Capacitors			
VC1	10 to 160 pf.	1% Tolerance	£12.00
Variable Capacitors			
VC2	20 to 1130 pf.	1% Tolerance	£22.00
VC4	50 pf. to 0.1114 mfd.	1% Tolerance	£28.75
VC5	50 pf. to 1.1114 mfd.	1% Tolerance	£43.00
Precision Air Spaced Capacitors			
PVC1	5 to 200 pf.	½% Tolerance	£36.00
Precision Variable Capacitor			
PVC2	15 to 100 pf.	½% Tolerance	£44.00
Precision Incremental Capacity			
PVC4	±0.5 pf. and ±5 pf.	1% Tolerance	£36.00
Precision Variable Capacitor			
SVC5	50 pf. to 1.1114 mfd. ±0.05% tolerance—major decade		£230.00

Jay-Jay Junior Decade Capacitance Boxes

Cat. Ref.	Description	Accuracy	Price
JC1	3 Decade 100 pf. to 0.111 mfd.	1%	£12.90
JC2	3 Decade 30 pf. to 10,140 pf.		£13.70

Most ranges available from stock.
Write for descriptive leaflet or demonstration.



J.J. Lloyd
Instruments Limited
Brook Avenue, Warsash, Southampton SO3 6HP.
Tel: Locks Heath 4221

WW—019 FOR FURTHER DETAILS

Power-Packed Performance With Gentle Finger Pressure— It's **TRIO's** 220-watt KR-7070 Auto-Tuning Receiver

"Outstanding" is the word that sums up TRIO's 220-watt (Both channels at 8 ohms) KR-7070 auto tuning stereo receiver. It's full-balanced three-way tuning (auto, manual and remote) gives it immediate operating versatility. Also a 3-FET, 4-gang tuning condenser FM front end for distinctive FM reception. Over-all amazing selectivity with 4 IC's and crystal filter FM IF stages. Many exemplary extras throughout.

SPECIFICATIONS OF KR-7070

- Continuous Power: 90/90 watts at 8 ohms
- Frequency Response (Main Input): 5Hz—120,000Hz (± 1.5 dB)
- Usable Sensitivity (IHF): $1.5\mu\text{V}$
- Dimensions: 17"(W), 6-1/2"(H), 15"(D).



220-WATT (IHF 80) AUTO TUNING AM/FM STEREO TUNER AMPLIFIER KR-7070

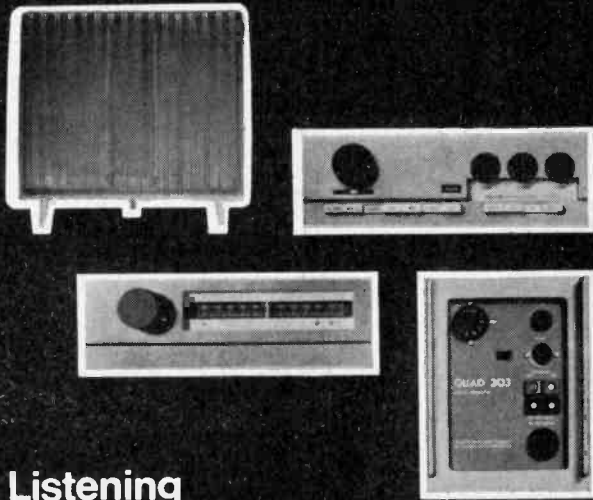
the sound approach to quality—

TRIO
 TRIO ELECTRONICS, INC.
 TOKYO, JAPAN

Sole Agent for the U.K.
 B.H. MORRIS & CO., (RADIO) LTD. 84/88, Nelson Street, Tower Hamlets, London, E.1. Phone: 01-790 4824
 Sole Agent for the South Africa: *supima* corporation (pty.) limited
 Johannesburg: P.O. Box 7720, Tel. 24-6121 Cape Town: P.O. Box 4112,
 Tel. 55-9371 Durban: P.O. Box 1171, Tel. 31-6381 Port Elizabeth:
 P.O. Box 3207, Tel. 44860 Bloemfontein: P.O. Box 2232, Tel. 77824
 Windhoek: P.O. Box 2152, Tel. 3527



WW—009 FOR FURTHER DETAILS



Listening to music in the home

When we listen we become engrossed in the music and, with good equipment, we can often obtain the same satisfaction that we would enjoy in the concert hall. Of course, there are differences between the real and the reproduced. Many of these we recognise as such; we come to terms with them and they do not intrude.

More serious perhaps are the distortions which we do not consciously notice but which are nevertheless continuously producing a contradiction between the actual and the imagined. They produce listening fatigue, a condition detrimental to the true objective. These distortions have little to do with the popular conceptions of HI-FI or LO-FI sound; on the other hand they have much to do with good or bad engineering.

See and hear QUAD on
STAND NO. 43,
THE INTERNATIONAL AUDIO FESTIVAL & FAIR
OLYMPIA. 25th-30th OCTOBER 1971

QUAD

for the closest approach to
the original sound

Send postcard for illustrated leaflet to Dept. WW

Acoustical Manufacturing Co. Ltd., Huntingdon, Tel: (0480) 2561. QUAD is a Registered Trade Mark.

WW—010 FOR FURTHER DETAILS



**SME**

The best pick-up arm in the world

SME precision pick-up arms offer a standard of design and engineering which has earned them many distinctions. Throughout the world thousands are used daily by enthusiasts, professionals, and broadcasting and recording companies, who appreciate a specification that is eminently suited to the needs of modern high-quality sound reproduction.

Write to SME Limited · Steyning · Sussex · England

WW—021 FOR FURTHER DETAILS

Send for Heathkit – and send for the best

The best in hi-fi; the best in short-wave;
the best in domestic, marine and auto equipment;
the best in everything electronic.



The new AR 2000

Heathkit comes direct from the world's leading suppliers of top-quality electronic equipment. You assemble your components using the unique Heathkit 'step-and-check' method and there's a team of experts ready to help and advise you on any problem. But you won't need them. Hardly anyone does!
Send for your FREE catalogue – NOW.

Please send me details of your complete range of kits.
Name _____
Address _____

HEATH (GLOUCESTER) LIMITED,
GLOUCESTER, GL2 6EE

a Schlumberger Company
WW 10

WW—022 FOR FURTHER DETAILS

The problem-solvers.

Say hello to these nifty compacts from Sansui, and say goodbye to the problem of obtaining a quality receiver at a reasonable price.

These beauties have got what it takes, and you don't have to mortgage the farm to own one.

Let's start with the 300. 36 rousing watts. An expensive new FET frontend with 5-stage IF amplifier for superb FM sensitivity and selectivity. Wide linear scale FM tuning dial against a dramatic blackout window panel. Fully automatic AM/FM stereo switching, plus a new FM stereo noise canceler. The 300's power bandwidth is a wide 30 to 25,000Hz, and as for distortion, no problem. It's less than 1% at rated output. There's probably not another compact receiver in the world that offers so much for so little.

But the 200 comes close. Created especially for the person who's just beginning to get his feet wet in stereo appreciation, this handy little component is—at 13.2 lbs. —actually lighter than a good many conventional AM-only radios. Yet it pulls in rich FM stereo broadcasts as well, and does so with extraordinary clarity. Its many big receiver features include automatic FM stereo/mono switching, an FET FM frontend for rare sensitivity and selectivity, and a wide dial linear scale for the FM band. Its power bandwidth is a wide 30 to 25,000Hz, and distortion is limited to 1% or less.

If you've been wrestling with the problem of obtaining a professional quality receiver at a price to suit your budget, stop in at your nearest authorized Sansui dealer and say hello to the problem-solvers.

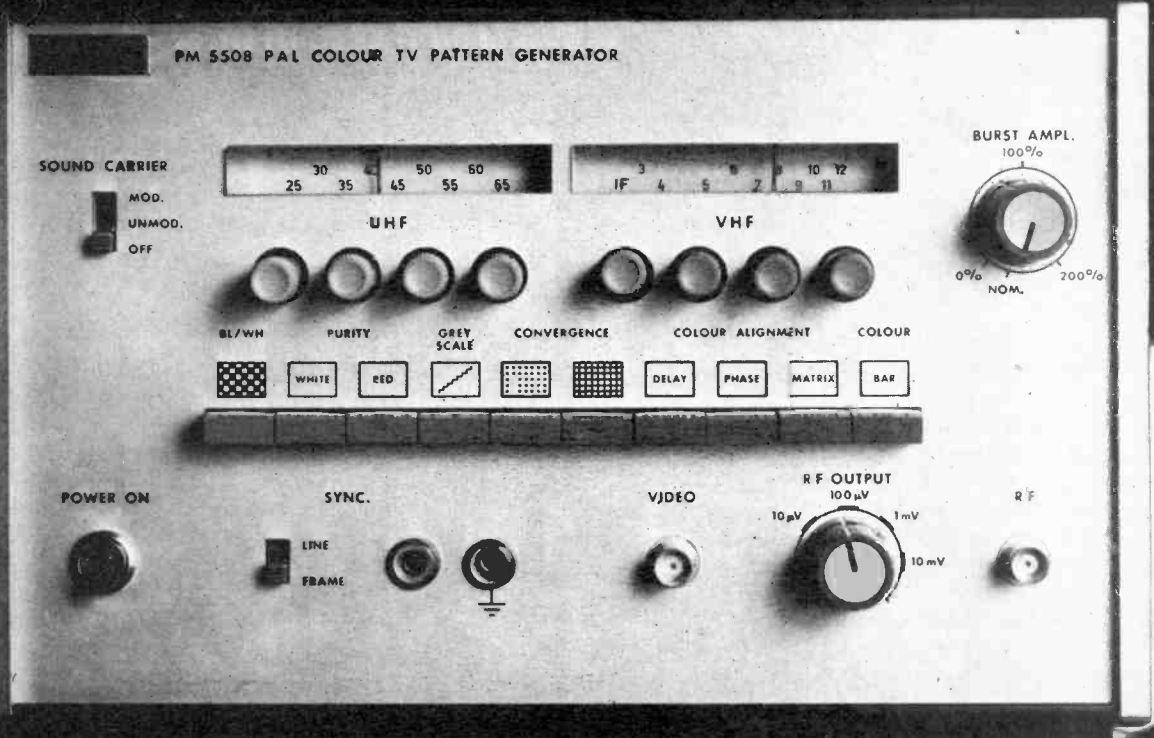


Sansui

England: VERNITRON (UK) LTD. Thornhill Southampton SO9 5QF Tel: Southampton 44811 / Ireland: INTERNATIONAL TRADING GROUP LTD. 5 Cope Street, Dame Street, Dublin 2 / West Germany: COMPO HI-FI G.M.B.H. 6 Frankfurt am Main, Reuterweg 65 / Switzerland & Liechtenstein: EGLI, FISCHER & CO. LTD. ZURICH 8022 Zurich, Gotthardstr. 6, Claridenhof / France: HENRI COTTE & CIE 77, Rue J.-R. Thorelle, 77, 92-Bourg-la-Reine / Luxembourg: LUX Hi-Fi 3, rue Glesener, Luxembourg / Austria: THE VIENNA HIGH FIDELITY & STEREO CO. A 1070 Wien 7, Burggasse 114 / Belgium: MATELECTRIC S.P.R.L. Boulevard Léopold II, 199, 1080 Brussels / Netherlands: TEMPOFOON N.V. Tilburg, Kapitein Hatterasstraat 8, Postbus 540 / Greece: ELINA LTD. 59 & 59A Tritis Septemvriou Street, Athens 103 / Italy: GILBERTO GAUDI s.a.s. 20121 Milano, Corso Di Porta Nuova, 48 / South Africa: GLENS (PTY) LTD. P.O. Box 6406 Johannesburg / Cyprus: ELECTROACOUSTIC SUPPLY CO., LTD., P.O. Box 625, Limassol / Portugal: CENTELEC LDA. Avenida Fontes Pereira de Melo, 47, 4.º dto., Lisboa-1 / Malta: R. BRIZZI 293, Kingsway, Valletta / Canary Islands: R. HASSARAM Calle la Naval, 87, Las Palmas / SANSUI AUDIO EUROPE S.A. Diacem Bldg., Vestingstraat 53-55, 2000 Antwerp, Belgium / SANSUI AUDIO EUROPE S.A. FRANKFURT OFFICE 6 Frankfurt am Main, Reuterweg 93, West Germany / SANSUI ELECTRIC CO., LTD. 14-1, 2-chome, Izumi, Suginami-ku, Tokyo 168, Japan

WW-023 FOR FURTHER DETAILS

PHILIPS



Philips for the best 'PAL' you could have

Colour television can win or lose you your friends – and your profits. Fast, efficient and reliable installation and after sales service will make sure you're on the winning side. Philips PM 5508 PAL Colour Pattern Generator provides your engineers with all the facilities for on-the-spot colour TV (and monochrome) service – for many adjustments you don't even need an oscilloscope; just use the receiver's picture tube instead.

Of course, though, a sensitive, 10 MHz double-beam oscilloscope, such as the Philips PM 3230, could increase your advantage further – even over the competition.

If you want to make friends and influence people just contact Pye Unicam straight away. Ask for a leaflet

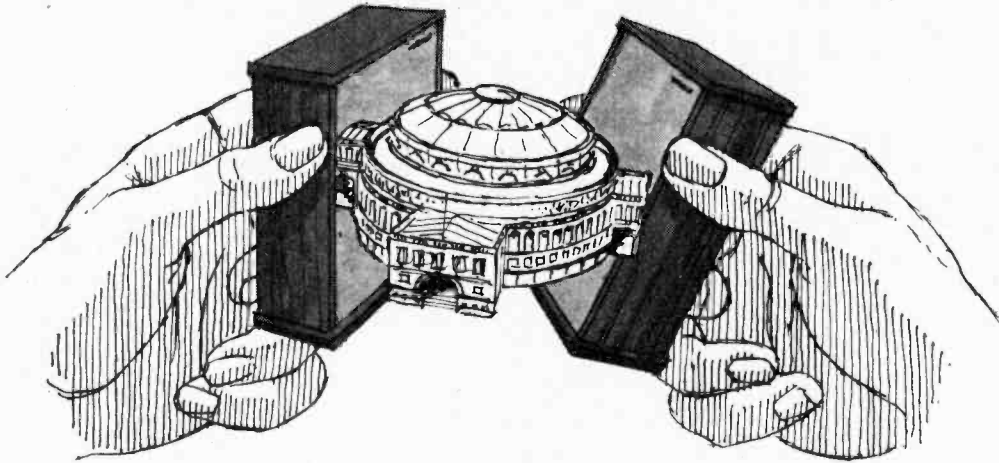


giving more information on the Philips PM 5508 PAL Colour TV Pattern Generator, the PM 3230 Oscilloscope and other radio and TV service equipment in the Philips range.

Pye Unicam Ltd
Ycrk Street Cambridge CB1 2PX
England
Telephone (0223) 58866 Telex 81215



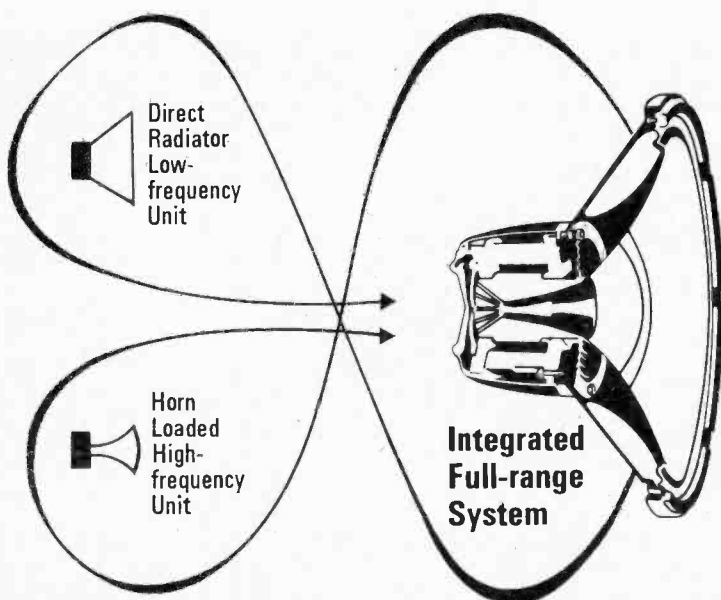
PYE UNICAM LTD



it's all a **great illusion . . .**

Stereosound is one of the best technical tricks of the century, and Tannoy Monitor Gold loudspeakers help the illusion along. The piano won't seem eighteen feet wide, you won't hear the violins left, right and centre, in fact the illusion will be as good as the recording engineer can make it. (He probably used Tannoy monitors in the studio.)

our own contribution to the magic—
two into one will go!



THE *Monitor*
GOLD*
DUAL CONCENTRIC

Frequency Response: 30-20,000 Hz. Power Handling Capacity: 15" 50 watts, 12" 30 watts. III LZ 15 watts.
Impedance: 8Ω nominal, 5Ω minimum.

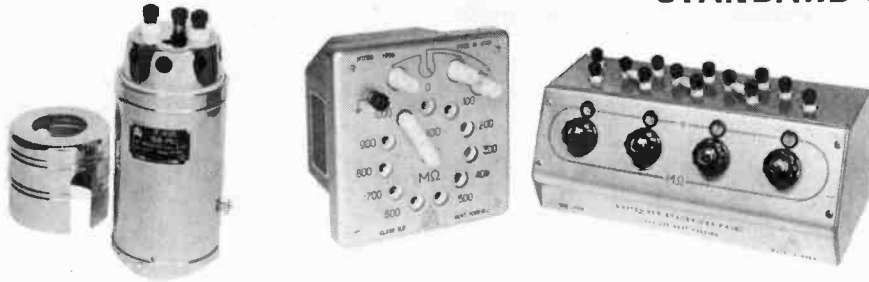
Available from the best dealers in a wide range of enclosures including the **NEW CHATSWORTH**

TANNOY®

TANNOY PRODUCTS · NORWOOD RD · WEST NORWOOD SE27. TEL: 01-670 1131

WW—025 FOR FURTHER DETAILS

STANDARD REFERENCE RESISTANCES



STANDARD MEGOHMS
 Type P401, 1M Ω nominal \pm .05% £52
 Type P406, 100M Ω nominal \pm .02% £75
 Type P4010, 1M Ω nominal \pm .02% £60
 Type P4020, 10M Ω nominal \pm .02% £60
 PLUG-IN 'HI-MEGOHM' DECADE RESISTANCE BOX
 TYPE P400
 Ten 100M Ω Steps \pm 2% £190
 SWITCHED 'MEGOHM' RESISTANCE BOX TYPE P4002
 Four decades .01-10-1.0-10 M Ω \pm .05% ... £98

FULL INFORMATION ON REQUEST



STRIP CHART RECORDERS

HIGH SPEED RECORDERS TYPE H320

Moving coil mechanism with natural frequency of oscillation of 5Hz and sensitivity of 8mA FSD. Syphon ink-pen with large reservoir capacity. Paper footage indicator. 8 chart speeds from 1.2 to 3000mm per hour selected by push buttons. Width of recording channel 80mm.

SINGLE CHANNEL RECORDER H320-1 £55
 THREE CHANNEL RECORDER H320-3 £90

MULTI-RANGE UNIVERSAL PORTABLE AC/DC VOLTAMMETER TYPE H390

8 AC/DC current ranges 5mA to 5 Amps
 6 AC/DC voltage ranges 5-500V
 6 Chart speeds 20 to 5400mm per hour.
 Chart width 100mm
 PRICE £78

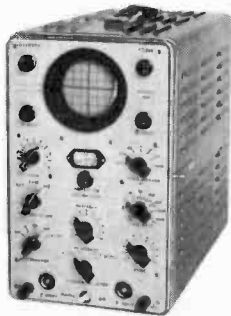
PORTABLE RECORDING MILLIAMMETER H352

Sensitivity 1mA DC. D.C. resistance of the movement 10570 ohms. Chart width 100mm. Six chart speeds 20 to 5400mm per hour.
 PRICE £52

SWITCHBOARD TYPE TEN CHANNEL EVENT RECORDER TYPE H30

Instruments provides permanent record of duration and sequence of up to ten operation Syphon pens with large ink reservoirs are mounted on rotary relays energized from a 12V D.C. source. Six chart speeds 20 to 5400mm per hour.
 PRICE £52

FOR IMMEDIATE DELIVERY



OSCILLOSCOPES

SYNCHROSCOPE C1-5

3-in. tube. Built-in time base calibrator. Voltage measurement scale. 10mc/s pass-band. Sensitivity 300mV per mm. Nine pre-set triggered sweep rates from 1 to 3000 μ sec. Free-running time base 20Hz to 200 kHz. Input alternator 1-10-100 times.

PRICE £38



DOUBLE BEAM OSCILLOSCOPE C1-16

Double gun rectangular tube giving display size of 40 x 100mm. Passband 5mc/s for 3db down. Sensitivity 500mm per Volt. 18 pre-set calibrated sweep durations from 0.2 μ sec/cm to 100m sec per cm. Free running time base 50Hz to 1mc. Built-in amplitude calibrator. Crystal time base marker.

PRICE £87

FULL SERVICING FACILITIES

WHEATSTONE BRIDGES



WHEATSTONE BRIDGE TYPE P316

Portable Bridge of 0.2% to 0.5% accuracy. Four decades of 1-10-100-1000 μ steps. 10 position multiplier arms switch. Take range 0.00001 μ to 1m μ . Internal power supply unit 230V/115V A.C. Built-in galvanometer of 0.12 μ A/mm sensitivity.

PRICE £49



WHEATSTONE BRIDGE AND CABLE FAULT LOCATOR TYPE P333

Portable dry battery operated instrument providing the following facilities: Measurements of resistance from 0.005 Ω to 1m Ω

Location of cable faults by Murray or Varley Loop Method.

Measurement of asymmetry of wires. Use of four decade section as a resistance box. Accuracy for 1 Ω to 100K 0.5% £4.

Built-in galvanometer of 0.3 μ A/mm sensitivity.
 PRICE £41

Z & I AERO SERVICES LTD.

44A WESTBOURNE GROVE, LONDON W.2

Tel: 727-5641

Telex 261306

NOTE: THE ABOVE EQUIPMENT IS OF USSR MANUFACTURE

OUR STANDARD RANGE OF TRANSMITTING TRANSISTORS IS MADE FOR SPECIALISED NEEDS

The comprehensive range.

The first to meet special requirements with line-ups of standard u.h.f. and v.h.f. devices.

Includes more than 30 types of r.f. power semiconductor device for use from the lowest r.f. up to 1GHz. With c.w. power available from single devices ranging from 50W at h.f. to 20W at the highest u.h.f. Suitable for mobiles, base stations and pocket portables, because it's designed specifically for them.

And it's because we've made each device compatible with the next that they can be built in as line-ups.

Which was how we field tested them.

For example, we designed a 17W class B f.m. amplifier to operate at

470MHz, using a three stage 'line-up'. It worked very well indeed. So did the others we designed. Even under the most punishing conditions and temperature extremes.

But that didn't surprise us.

As we handle all the manufacturing processes ourselves.

Which means we're able to control materials, geometry, diffusion and bonding a whole lot more accurately. And, at the same time, design in quality at every stage. Consequently every Mullard transmitting transistor is inherently stronger. Or, to put it another way, ruggedised from raw material through to finished product.

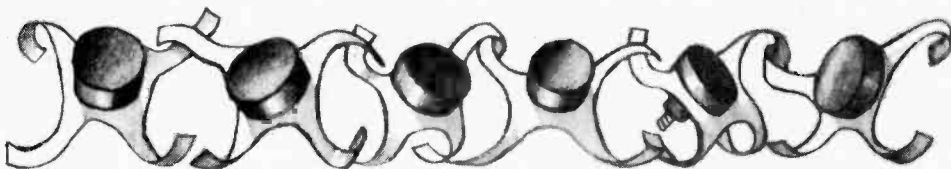


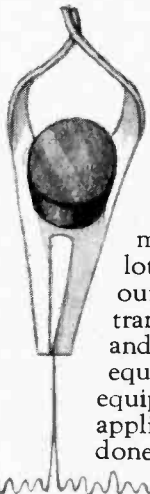
The proof is in their performance.

Take our 12V devices. Designed to operate from a 12V battery, they can withstand repeated accidental over-voltages of up to 16.5V. An overdrive of up to 20%. And any mismatching—given VSWRs of up to 50:1 at any phase. Devices designed to operate from other supplies also perform to the same high standards.

Which brings us to applications.

Continuous performance under the most punishing conditions





means, of course, a lot of people will use our transmitting transistors in military and paramilitary equipment and in equipment for civil applications. We've done a great deal of

research on both kinds. And can offer in-depth advice, whether it's a.m., f.m. or s.s.b. that's required.

And that brings us to us.

Most you already know. Although it's worth remembering that, being UK based, we're somewhat nearer than most transmitting transistor manufacturers. Many devices in our range are available ex-stock. And we can offer fast delivery on those that aren't.

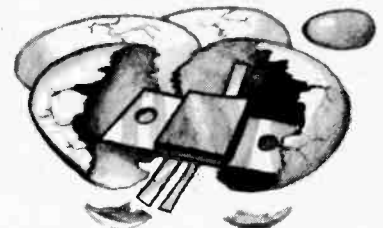
Then there's our technical advisory service. It's good.

Very good. And staffed by experts who are always glad to help. However big or small the problems:



We're taking care of tomorrow too.
Developing sophisticated devices for sophisticated needs. Such as the new range of u.h.f. broadband

modules with bandwidths of 380 to 512MHz, 50Ω input and output impedances and encapsulations that simplify module packing. And then there's the modules we're making for military use . . .



Design engineers who would like more information, write to Mullard (on your company notepaper please).

Mullard



Mullard Limited, Mullard House,
Torrington Pl., London WC1E 7HD
Telephone: 01-580 6633

IED364



Make contact with Teonex

For electronic valves (a really comprehensive range), neon indicator tubes, semi-conductors (a wide variety), integrated circuits.

Teonex offers more than 3,000 devices. They are competitively priced and they are superlative in performance, because the company imposes strict quality control. Teonex concentrates entirely on export and now operates in more than sixty countries, on Government or private contract. All popular types in

the Teonex range are nearly always available for immediate delivery.

Write now for technical specifications and prices to Teonex Limited, 2a Westbourne Grove Mews, London W11, England. Cables: Tosupply London W11. Telex: 262256

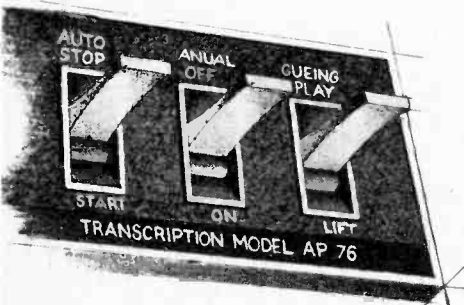
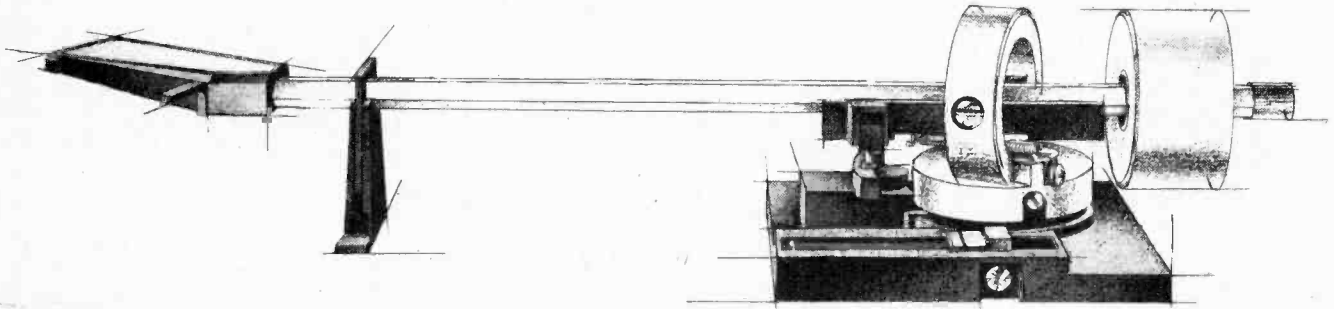
Electronic valves, neon indicator tubes, semi-conductors and integrated circuits for expert



sounds international

WW—027 FOR FURTHER DETAILS

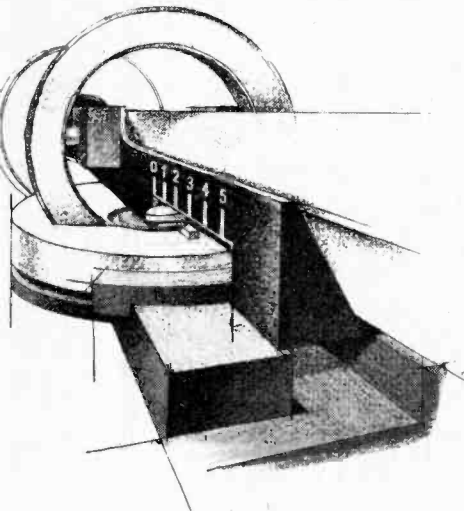
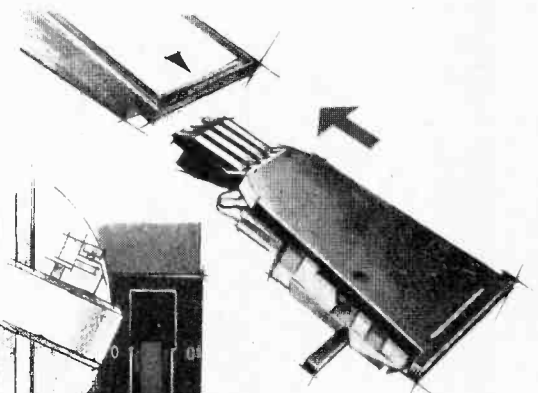
The Garrard AP76 transcription quality deck gives you a good deal to think about:



Forget the price for a moment, look at the features.

- Offers automatic play (start, stop and return) of single records at 33 $\frac{1}{3}$, 45 and 78 rpm.
- Tab controls for viscous damped cue and pause, start/stop, manual/auto.
- Hexagonal, low resonance, aluminium pickup arm.
- Resiliently mounted counterbalance weight.
- Stylus force adjustment, calibrated 0 to 5 grams.
- Bias compensation calibrated for spherical and elliptical styli.
- Combined record speed and size selector.
- Slide-in cartridge carrier.
- 11 $\frac{1}{2}$ inch non-magnetic turntable driven by 4-pole induction motor.
- Performance: wow and flutter better than 0.10% rms. Rumble (relative to 1.4 cm/sec at 100Hz) better than -49dB. This performance betters DIN 45-500 Hi-Fi standard.
- Black and silver finish as standard.

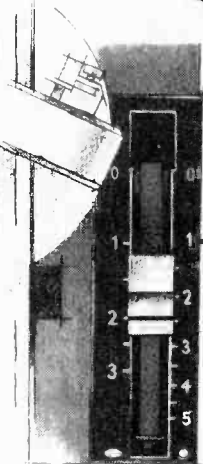
Wooden base and rigid plastic cover available.



These are hard facts (and compare them with what the competition offers). Add in true quality engineering and the reliability based on 50 years' leadership in record players.

Now look at the price—recommended at £27.85. Fully £10 cheaper than the good competitive decks having the same features. Only Garrard can do it—by long experience and their comprehensive production programme across a whole range of quality players.

At £27.85 the AP76 gives you transcription quality. Return the coupon below for full details of this and other Garrard decks—or ask your Hi-Fi dealer for a demonstration today.



Please send me free copies of Garrard literature

NAME _____

ADDRESS _____

W W 10

Garrard
A PLESSEY QUALITY PRODUCT

Garrard, Newcastle Street, Swindon, Wiltshire.

When Brookdeal launch an oscillator...

Brookdeal 471 Signal Source

Wide frequency range
0.001Hz to 1MHz

Continuously
programmable over
4 decades

Sine wave distortion
<0.05%

No bounce

Square wave rise
time 30ns.

Quadrature outputs
for two-phase
lock-in systems

Outputs isolated
from chassis

Outputs duplicated
on back panel

Calibrated output
down to 1 μ V

**suddenly, all
the other specs
look shorter!**

We took the design team that won a world reputation for advanced signal recovery instrumentation . . . and set them to work on an oscillator. Result, Brookdeal 471 — a superb all-purpose instrument with a list of features longer than your arm. If you know Brookdeal, you'll know it's time to throw your old ideas on oscillator price/performance overboard. We're giving you more performance . . . ! How much more? Enter the W.W. No. below on the reader enquiry service card and we'll reveal all . . .

Brookdeal Electronics Limited,
Market Street, Bracknell, Berks, England.
Telephone 0344 23931.

See the new Brookdeal 471 at:
Melex, Manchester 5th—8th October.
Interkama, Dusseldorf 14th—20th October.
E.P.G. Bristol 12th—14th October.
Het Instrument Exhibition,
Amsterdam 29th September to 7th October.

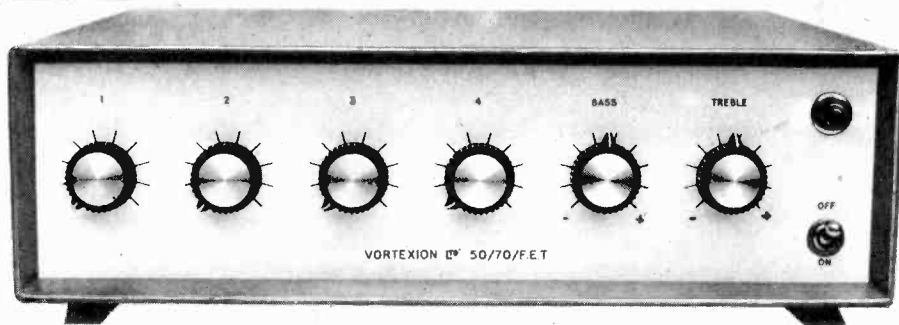
WW—029 FOR FURTHER DETAILS

Vortexion

50/70 WATT ALL SILICON AMPLIFIER WITH BUILT-IN 4-WAY MIXER USING F.E.T.s.

This is a high fidelity amplifier (0.3% intermodulation distortion) using the circuit of our 100% reliable 100 Watt Amplifier with its elaborate protection against short and overload, etc. To this is allied our latest development of F.E.T. Mixer Amplifier, again fully protected against overload and completely free from radio breakthrough.

The mixer is arranged for 2-30/60 Ω balanced line microphones, 1-HiZ gram input and 1-auxiliary input followed by bass and treble controls. 100 volt balanced line output or 5/15 Ω and 100 volt line.



50/70 WATT ALL SILICON AMPLIFIER WITH BUILT-IN 5-WAY MIXER USING F.E.T.s

This is similar to the 4-way version but with 5 inputs and bass cut controls on each of the three low impedance balanced line microphone stages, and a high impedance (10 meg) gram stage with bass and treble controls plus the usual line or tape input. All the input stages are protected against overload by back to back low noise, low intermodulation distortion and freedom from radio breakthrough. A voltage stabilised supply is used for the pre-amplifiers making it independent of mains supply fluctuations and another stabilised supply for the driver stages is arranged to cut off when the output is overloaded or over temperature. The output is 75% efficient and 100V balanced line or 8-16 Ω output are selected by means of a rear panel switch which has a locking plate indicating the output impedance selected.

100 WATT ALL SILICON AMPLIFIER. A high quality amplifier with 8 ohms-15 ohms or 100 volt line output for A.C. Mains. Protection is given for short and open circuit output over driving and over temperature. Input 0.4 V on 100K ohms.

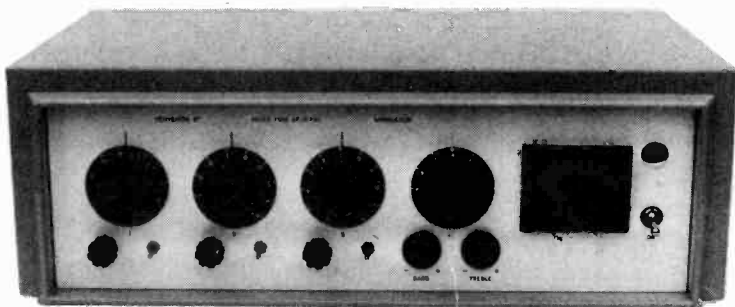
THE 100 WATT MIXER AMPLIFIER with specification as above is here combined with a 4 channel F.E.T. mixer, 2-30/60 Ω balanced microphone inputs, 1-HiZ gram input and 1-auxiliary input with tone controls and mounted in a standard robust stove enamelled steel case. A stabilised voltage supply feeds the tone controls and pre amps, compensating for a mains voltage drop of over 25% and the output transistor biasing compensates for a wide range of voltage and temperature. Also available in rack panel form.

CP50 AMPLIFIER. An all silicon transistor 50 watt amplifier for mains and 12 volt battery operation, charging its own battery and automatically going to battery if mains fail. Protected inputs, and overload and short circuit protected outputs for 8 ohms-15 ohms and 100 volt line. Bass and treble controls fitted.

Models available with 1 gram and 2 low mic. inputs, 1 gram and 3 low mic. inputs or 4 low mic. inputs.

200 WATT AMPLIFIER. Can deliver its full audio power at any frequency in the range of 30 c/s-20 Kc/s \pm 1 dB. Less than 0.2% distortion at 1 Kc/s. Can be used to drive mechanical devices for which power is over 120 watt on continuous sine wave. Input 1 mW 600 ohms. Output 100-120 V or 200-240 V. Additional matching transformers for other impedances are available.

F.E.T. MIXERS and PPM's



Since we have been supplying professional mixers for 25 years we have delayed the introduction of solid state units until they were at least as good as their valve counterparts. (Which will continue where required.)

The various sections of the FET mixers and BBC type PPM's have been performing successfully for several years in other equipments with complete reliability. The PPM also uses an FET in its time constant circuit so that polyester capacitors can be used. The response from the 600 Ω output (25 Ω source impedance) is level 20 Hz to over 30 kHz with very low intermodulation distortion to zero level +12dB. The input signal voltage range is over twice that of the valve unit and the noise at least halved.

VORTEXION LIMITED, 257-263 The Broadway, Wimbledon, S.W.19
Telephone: 01-542 2814 and 01-542 6242/3/4

Telegrams: "Vortexion, London S.W.19"

WW-030 FOR FURTHER DETAILS

ONKYO

JAPAN'S LEADING Hi-Fi EQUIPMENT



COMPLETE STEREO SYSTEMS

SM-10 Modular 20 Watts Total Output.
Dynamic Four Component Series.

28 Watts Total Output.

Multiac 50D Special 4-AMP System.

Multiac 60D Special 4-AMP System.

INTEGRA SERIES

725. Integrated Stereo Amplifier 22/22 W.

723. Integrated Stereo Amplifier 33/33 W.

225. Stereo Receiver 22/22 W.

423. Stereo Tuner.

A section from the range of accessories and equipment to provide complete audio installations including loudspeakers—cassette and cartridge tape decks—headphones, etc.

PHOTOGRAPH:

D.F. 700 Complete Component Stereo System
—28 Watts Total Output.

**Suggested retail price £152.91 inclusive
of Purchase Tax.**

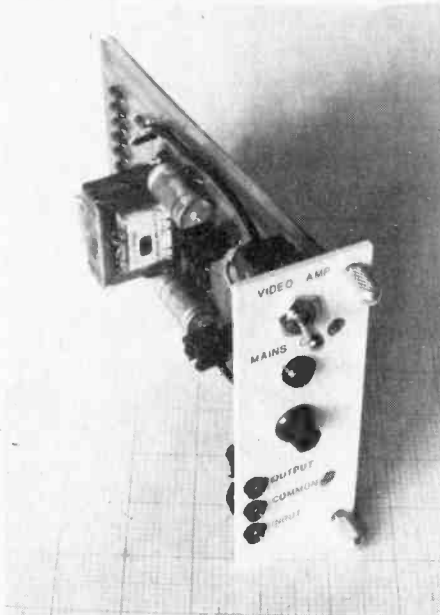
Trade enquiries are invited at the Showrooms of the sole U.K. distributors:

J. PARKAR & Co. (London) Ltd.

Parkar House, 1 Paul Street, London, E.C.2. Telephone 01-628 4577

WW—031 FOR FURTHER DETAILS

5 OUTPUT VIDEO/PULSE DISTRIBUTION AMPLIFIER



28 MHz bandwidth
Fully Integrated Circuit
15K Ω input, 5 x 75 Ω output
Twin Stab. Mains Power Supply

J. D. Jackson Electronics



7" VIDEO/VIEWFINDER MONITOR



10 MHz bandwidth
Fully Solid State
Line by line clamp
Range includes 11" 15" 20" & 24"

EGGLESTON WORKS, LOMBARD STREET, NEWARK, NOTTS.
TELEPHONE: NEWARK 5718

WW—032 FOR FURTHER DETAILS

Portraits in profile of seven Wayne Kerr Bridges

This range of bridges covers the audio, video and VHF bands.

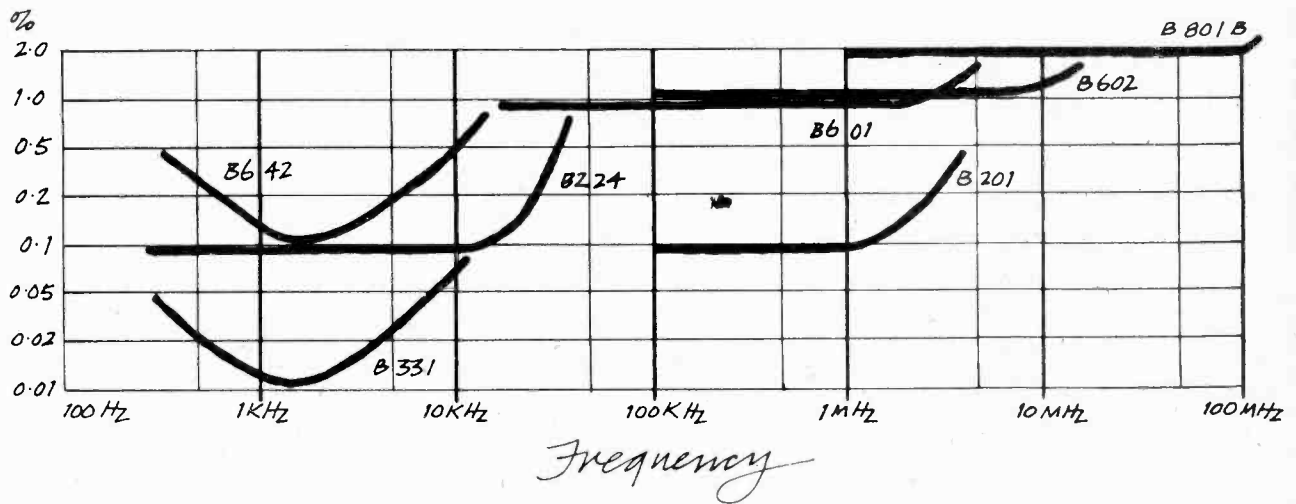
Each design is based on the transformer ratio-arm principle and enables accurate and highly stable impedance or admittance measurements to be made on both balanced and unbalanced systems.

At low frequencies small values of capacitance or high values of resistance can be measured at the end of very long cables.

At all frequencies three terminal measurements can be made using the guard facility of a transformer bridge to isolate one component from a complex network.

The complete range of WAYNE KERR bridges includes single frequency bridges designed for special purposes such as component batch selection and production process control.

General Accuracy



Automatic Balancing Bridges

B421	1kHz
B541C	1kHz
B641	1591.6Hz (Manual 200Hz to 20kHz)
B642	1591.6Hz (Manual 200Hz to 20kHz)
B700	1kHz
B331	1591.6Hz (Manual 200Hz to 20kHz)

Manual Bridges

B500	2 x line freq and 1kHz
B224	200Hz to 50kHz
B201	100kHz to 5MHz
B601	15kHz to 5MHz
B602	100kHz to 10MHz
B801B	1MHz to 100MHz

For more information, either call David O'Grady on 01-399 6751 or write to him at the address below:

WAYNE KERR

Tolworth Close, Tolworth, Surbiton, Surrey
Telex: 262333. Cables: Waynkerr Surbiton
A member of the Wilmot Breeden group

JACKSONS

Radio and Electronic Components
(Made in England)

Accelerator Spinwheel

for that Extra Long Scale

- ★ Smooth nylon to brass gears
- ★ Rapid travel over a long scale
- ★ No need for larger or heavier Flywheel
- ★ One hole ($\frac{3}{8}$ " dia.) fixing
- ★ Complete with nut and lock washer



The latest addition to the JACKSON range of

P.T.F.E. Dielectric Tubular Trimmers

- ★ Several models available
- ★ UHF Tuning
- ★ Panel mounting, Vertical P.C. Board Mounting or Horizontal P.C. Board Mounting
- ★ Various capacities from 1/4 pF—8pF to 2pF—30pF
- ★ Power factor less than .0005 at 1MHz
- ★ High Test Voltage

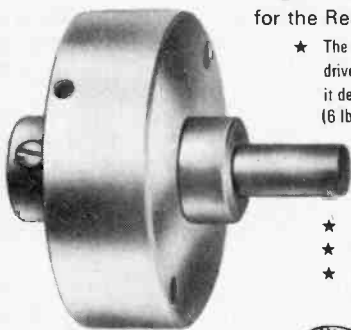


Style 330 H.P.C.
P.T.F.E. Trimmer 30pF
Cat. No. #252/HPC

Heavy Duty Epicyclic Drive

for the Really Heavy Job

- ★ The main housing of this powerful friction drive is only $1\frac{1}{2}$ " diameter and $\frac{1}{2}$ " deep yet it delivers an output torque of 100 oz. ins. (6 lb. ins.).



- ★ The reduction ratio is 6:1
- ★ The complete assembly weighs only 3 oz.
- ★ Essential parts are hardened and ground to provide long life.



It's reliable if it's  made by Jackson!

Write for literature

JACKSON BROTHERS (London) LTD.

DEPT. W. W. KINGSWAY, WADDON
CROYDON, CR9 4DG

Phone: 01-688 2754-5 Grams: Walfilco, Croydon

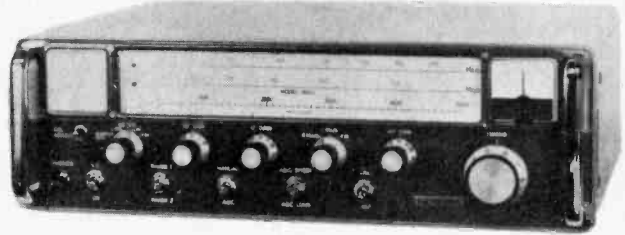
U.S. office: M. Swedgal, 258 Broadway, N. York, N.Y. 10007

WW-034 FOR FURTHER DETAILS

Eddystone solid-state VHF/UHF communication receivers



MODEL 990S



Single conversion receiver for AM and FM with continuous coverage from 230MHz to 870MHz.

Exceptional stability and sensitivity.

Crystal calibrator.

Fixed or mobile operation.

Operation from standard AC mains or 12V DC supply.

MODEL 990R



VHF Receiver with continuous coverage from 27MHz to 240MHz. CW, AM and FM reception.

Crystal filter to suit 12.5kHz, 25kHz, or 50kHz channel spacing to customer requirements.

Designed for fixed or mobile point-to-point services, broadcast monitoring purposes, meteorological services, radio astronomy, aerial investigations, civil aviation and in radio laboratories.

Operation from standard AC mains or 12V DC supply.

Illustrated brochures obtainable from:

Eddystone Radio Limited

Alvechurch Road, Birmingham B31 3PP.
Telephone: 021-475 2231 Telex: 337081

A member of Marconi Communication Systems Limited

LTD/ED 88

WW-035 FOR FURTHER DETAILS

VARIABLE TRANSFORMERS ARE ALWAYS AVAILABLE FROM STOCK AT THE LOWEST PRICES



Fully shrouded variable transformers—input 250VAC output 0-260VAC

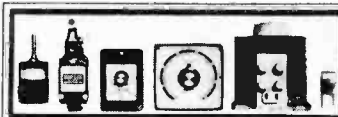
1 amp	£7.00	10 amp	£22.50
2.5 amp	£8.05	12 amp	£23.60
5 amp	£11.75	20 amp	£49.00
8 amp	£15.90		



Constant voltage transformer stabilises mains voltage to $\pm 1\%$ output 240VAC $\pm 1\%$ input 240VAC $\pm 20\%$ capacity 250 Watts price £12.50 with quantity discounts



New solid state variable voltage control input 240VAC output 25-240VAC
5 amp £9.50
10 amp £15.20



IMO. PRECISION CONTROLS LTD.

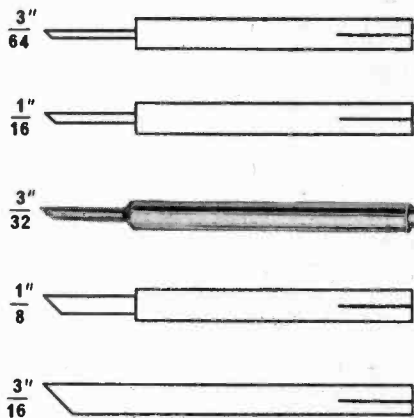
U.K. SPECIALISTS IN AUTOMATIC CONTROLS & SWITCHING

313 Edgware Rd., London W.2
Telephone 01-723 2231

WW—036 FOR FURTHER DETAILS

MINIATURE

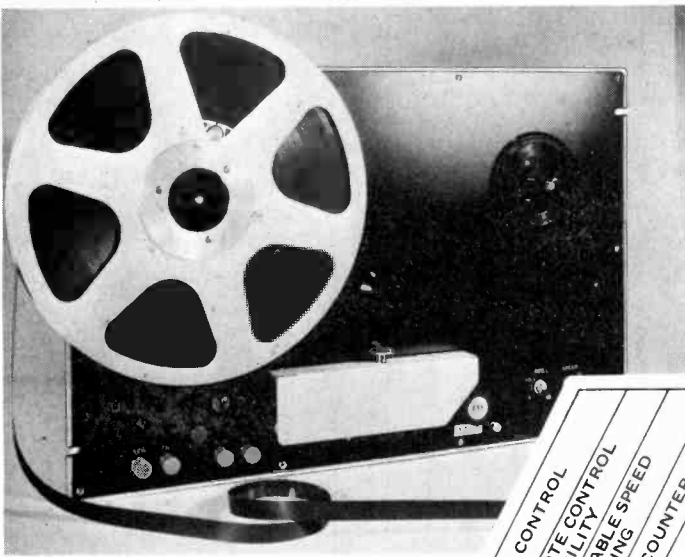
SOLDERING ?



Want a really slender featherweight soldering Iron? Do you need a bit with a tip about the diameter of a pin? A range of interchangeable bits up to $\frac{3}{16}$? A soldering performance equal to most 25 watt irons? Try the ADAMIN Model 15. One of the world's smallest irons. With slip-on bits, copper and long-life, and fully enclosed element. Your operators will be amazed—and more efficient. Clip the 24 volt version across any handy power unit, or use the mains version. Miniature price—£1.63 (list). Ask for leaflets 5/1005/7

LIGHT SOLDERING DEVELOPMENTS LTD.,
28 SYDENHAM ROAD, CROYDON, CR9 2LL
Telephone 01-688 8589 & 4559

WW—037 FOR FURTHER DETAILS



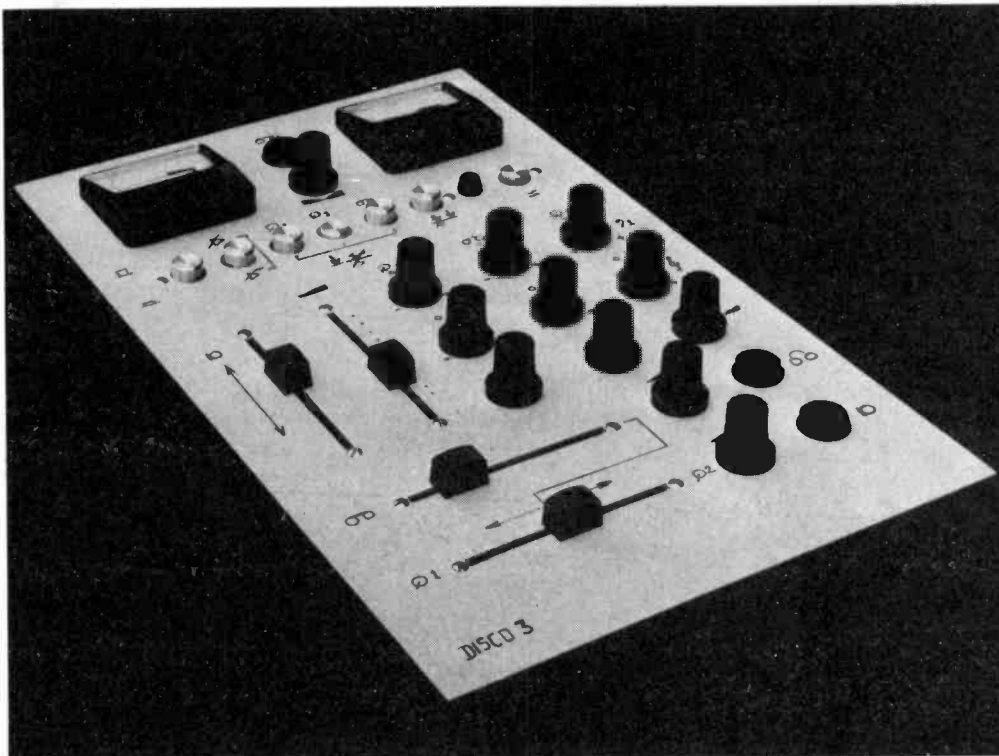
THE POINT FIVE TAPE TRANSPORT

SETTING A NEW HIGH IN STURDY, DEPENDABLE PROFESSIONALISM
 Eight standard formats, with custom variations if required. . . . Cine or NAB reels, 11½ inch max. diam. . . . quick interchangeability between ½ and ¼ inch tape . . . plug in heads, electronics, relays and motors . . . pushbutton operation, solenoid actuation, solid state and relay control . . . fully remoteable . . . studio and broadcast versions complete with electronics and consolette ready for operation in one self-contained package . . . 19" panel, 12¼" high. Available with or without electronics.

Model	Application	LOCAL CONTROL CAPABILITY	REMOTE CONTROL	VARIABLE SPEED SPOOLING	TIME COUNTER	ARBITRARY COUNTER	CUE CONTROL	PAUSE	REEL SIZE SELECTION	DUAL SPEED	CONTROLLED BRAKING	TAUT SYSTEM	FAST-TO-PLAY/RECORD SYSTEM	ERASE & RECORD-HEAD TAPE LIFT	PLUG-IN HEAD-HEAD	QUICK-CHANGE WIDTH SYSTEM	REEL-IN REELS TAPE	ELECTRONIC MOTORS OF START CYCLE CONTROL	TORQUE & TENSION
.51	General Purpose & Hi-Hi-Fi	*	*		*		*	*	*				*	*	*	*	*	*	*
.52	Recording Studio	*	*	*	*	*	*	*	*				*	*	*	*	*	*	*
.53	Editing	*	*	*	*	*	*	*	*				*	*	*	*	*	*	*
.54	Broadcast	*	*	*	*	*	*	*	*	*	*	*	*	*	*	*	*	*	*
.55	Duplicating		*					*	*					*	*	*	*	*	*
.56	Theatre Effects	*				*		*	*				*	*	*	*	*	*	*
.57	Machine Control & Industrial		*					*						*		*	*	*	*
.58	Long Play/Record Auto-reversing		*					*	*					*	*	*	*	*	*

Prices and literature from **JOHN STEED RESEARCH LTD., 220 Edgware Road, London W.2, England. Phone: 01-723 5066**

WW-038 FOR FURTHER DETAILS

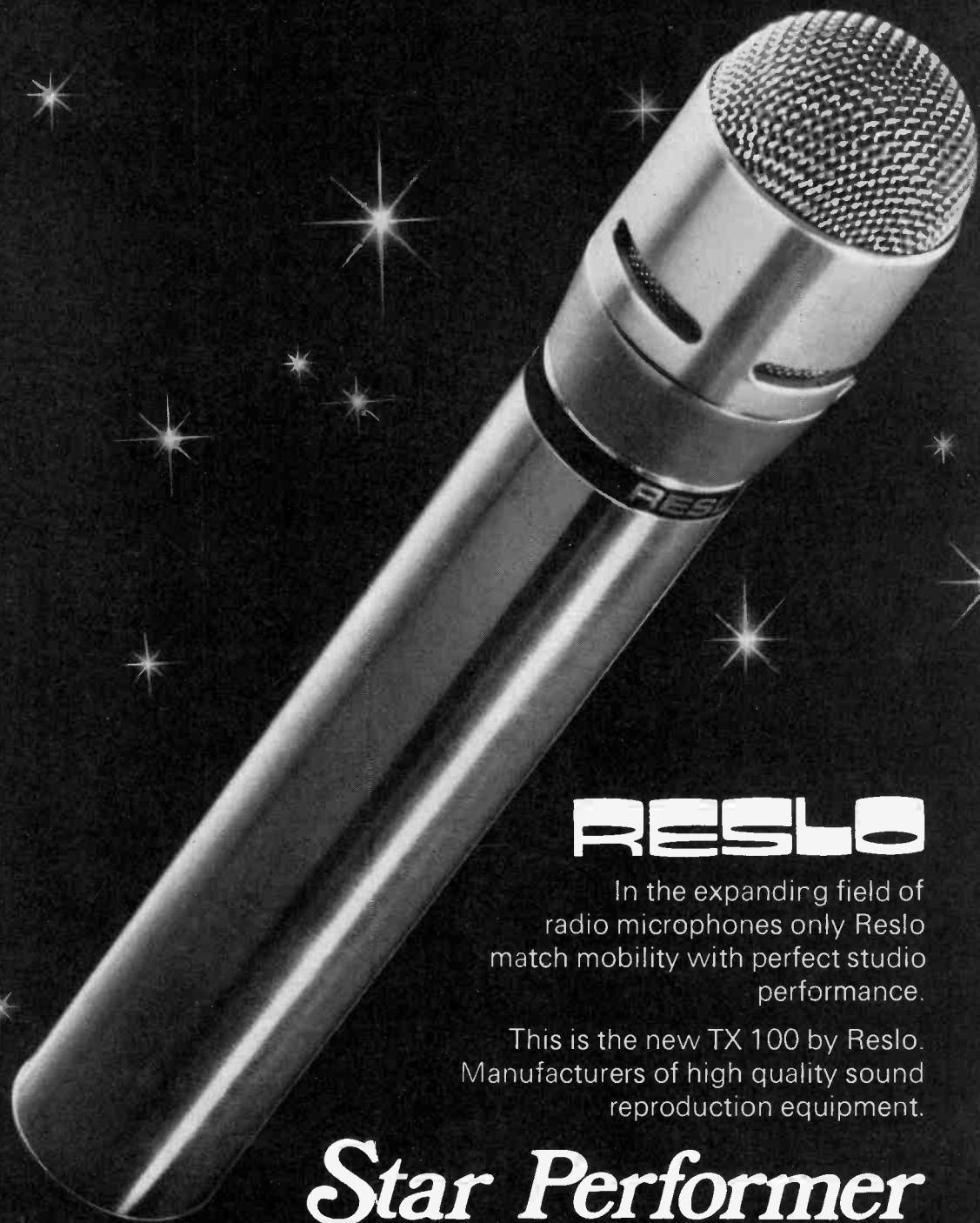


ANOTHER WINNER FROM MILLBANK—THE DISCO III MIXER

Millbank Electronics
BELLBROOK ESTATE, UCKFIELD, SUSSEX
 Telephone: Uckfield 4166 (0825 4166)



WW-039 FOR FURTHER DETAILS



RESLO

In the expanding field of radio microphones only Reslo match mobility with perfect studio performance.

This is the new TX 100 by Reslo. Manufacturers of high quality sound reproduction equipment.

Star Performer

RESLOSOUND LTD, SPRING GARDENS, LONDON ROAD, ROMFORD, ESSEX, TEL: ROMFORD 61926.

WW—040 FOR FURTHER DETAILS

Music at midnight

Midnight is a time for listening. Let the music be as late and as loud as you like; with headphones, it disturbs no one. Let the headphones be A.K.G. and you will find the quality staggeringly good. Made by a company whose professional microphones are known throughout the world and much used in this country, A.K.G. stereo headphones reflect the same fine quality of design and meticulous manufacture. They are just about as good as anything you can buy at any price. Go to the dealer displaying the A.K.G. Superhead and hear for yourself, without obligation. Shown here, Model K.60 R.R.P. £15.00



A.K.G. Equipment Ltd.

Eardley House

182-184 Campden Hill Rd. W8 7AS



WW-041 FOR FURTHER DETAILS

JERMYN 50p BARGAIN PACKS

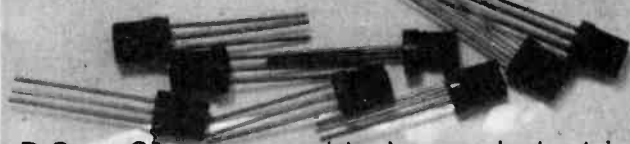
All fully coded, all from well-known manufacturers and now available, while stocks last, at better than bulk-buyer's prices! Cash with order only.

THIS MONTH:

1N4148	Signal Diode (=1N914)	18 for 50p
1N5060	1 Amp Rectifier 400V (=A14D) avalanche protected	7 for 50p
2N2926	NPN Silicon Transistor (Red) hfe 55 - 110	8 for 50p
2N2923	NPN Silicon Transistor hfe 90 - 180	7 for 50p
2N3721	Gen. Purpose Transistor	8 for 50p

Post and packing 10p for 1 or 2 packs; 3 packs or more post free.

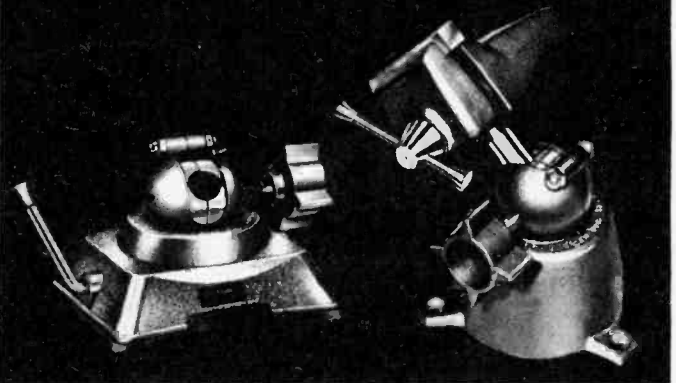
Order any quantity, till sold (but we regret packs cannot be subdivided).



P.O. or Cheque payable Jermyn Industries,
Vestry Estate, Sevenoaks, Kent.

WW-042 FOR FURTHER DETAILS

COLBERT WORK POSITIONERS-300 SERIES



Colbert Pana-Vise WORK POSITIONERS are specially designed to quickly and easily achieve the most CONVENIENT, COMFORTABLE and TIME-SAVING work position. Available with vacuum clamp or screw-on base. They can be ROTATED, TIPPED, TILTED,

Distributors:

Special Products Distributors Limited

81 Piccadilly, London, W.1. Tel: 01-629 9556

Cables: Specipro London

(made in U.S.A.)

WW-043 FOR FURTHER DETAILS

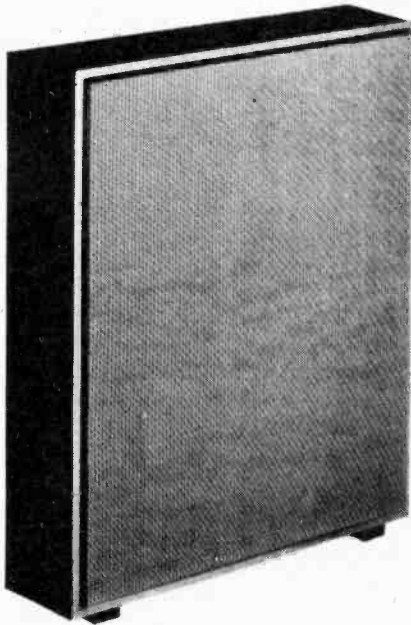
ANGLED, ELEVATED, LOWERED. The required work position is firmly secured with a patented ONE KNOB CONTROL, a unique feature of COLBERT POSITIONERS. A series of special holders is available for various types of work. Full details available on request.

Stentorian

SPEAKER SYSTEMS

These superb new speaker systems make available even higher standards of performance in sound reproduction and uphold the high reputation gained by Whiteley Stentorian speakers throughout the world.

Attractively designed and soundly constructed, they are available in either Teak or Rosewood finish.



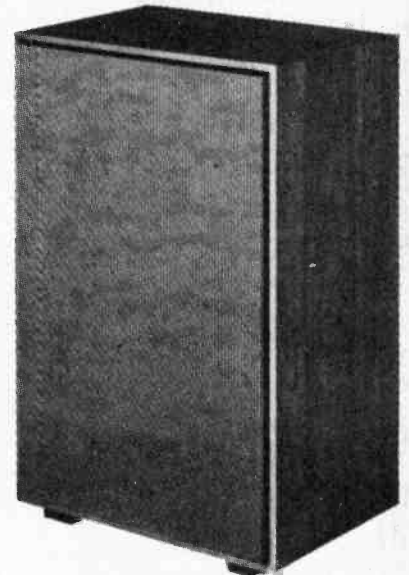
LC93

A 19" x 12½" x 8½" completely enclosed acoustically loaded cabinet housing a 9" graded melamine paper cone with siliconized cambric suspension giving a frequency response of 60Hz to 20KHz.



LC94

A 29½" x 23½" x 6½" acoustic Labyrinth enclosure fitted with acoustic resistance in the pipe, using the same highly efficient 9" speaker unit used in the LC 93. Frequency response 45Hz to 20KHz.



LC95

The LC95 loudspeaker system is an acoustically loaded Bass Reflex cabinet, measuring 31½" x 20½" x 13½", fitted with two loudspeakers and a crossover network. The bass loudspeaker being used is a newly developed 12" unit having a Melamine treated paper cone with a cambric surround. The middle and high frequency unit is a new 8" loudspeaker having a Melamine treated paper ribbed cone and surround.

These products can be seen and heard in our showrooms at 109 Kingsway, London WC2.

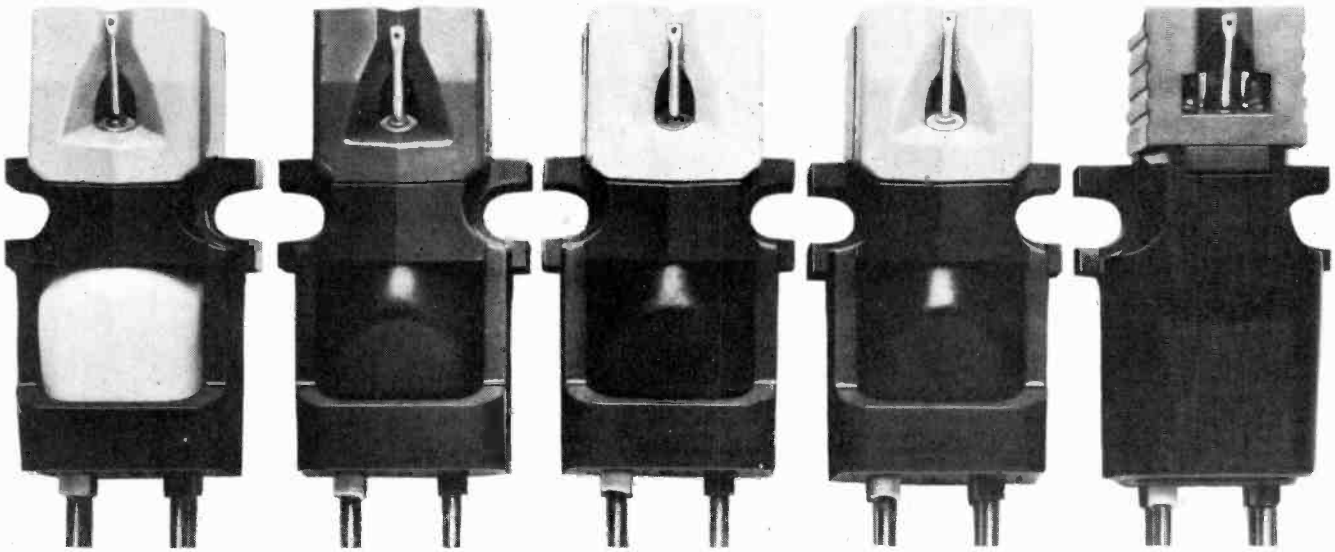


WHITELEY ELECTRICAL RADIO CO. LTD.

MANSFIELD · NOTTS · ENGLAND · Tel: Mansfield 24762

London Office: 109 Kingsway, W C 2. Tel: HOLborn 3074

We're sensitive to everyone's needs.



Different people have very different requirements in Hi-Fi, so Goldring developed a comprehensive range of stereo magnetic cartridges that are superb in performance and realistic in price.

From the G800 Super E for those who seek perfection down to the G850 for systems on a budget, the Goldring range offers unsurpassed quality and value.

See the full Goldring range on stand 53 at the Audio fair

Your request will bring full details of these and other Goldring products.

Goldring Manufacturing Company (GB) Limited,
10 Bayford Street, Hackney, London E8 3SE.

Tel: 01-985 1152.

Goldring Series 800

Stereo Magnetic Cartridges.

WW—045 FOR FURTHER DETAILS

TRANSIPACK[®] INDUSTRIAL RANGE

($\frac{1}{2}$ —100 Kilowatts)

REGULATED AC-DC
POWER UNITS

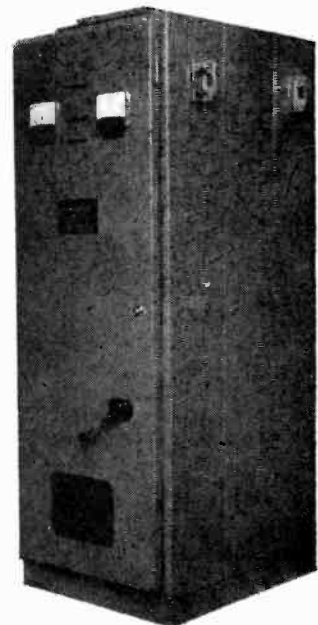
DC-AC STATIC
INVERTERS

AC-AC FREQUENCY
CHANGERS

STATIC EMERGENCY
POWER SYSTEMS



INDUSTRIAL
INSTRUMENTS
LIMITED

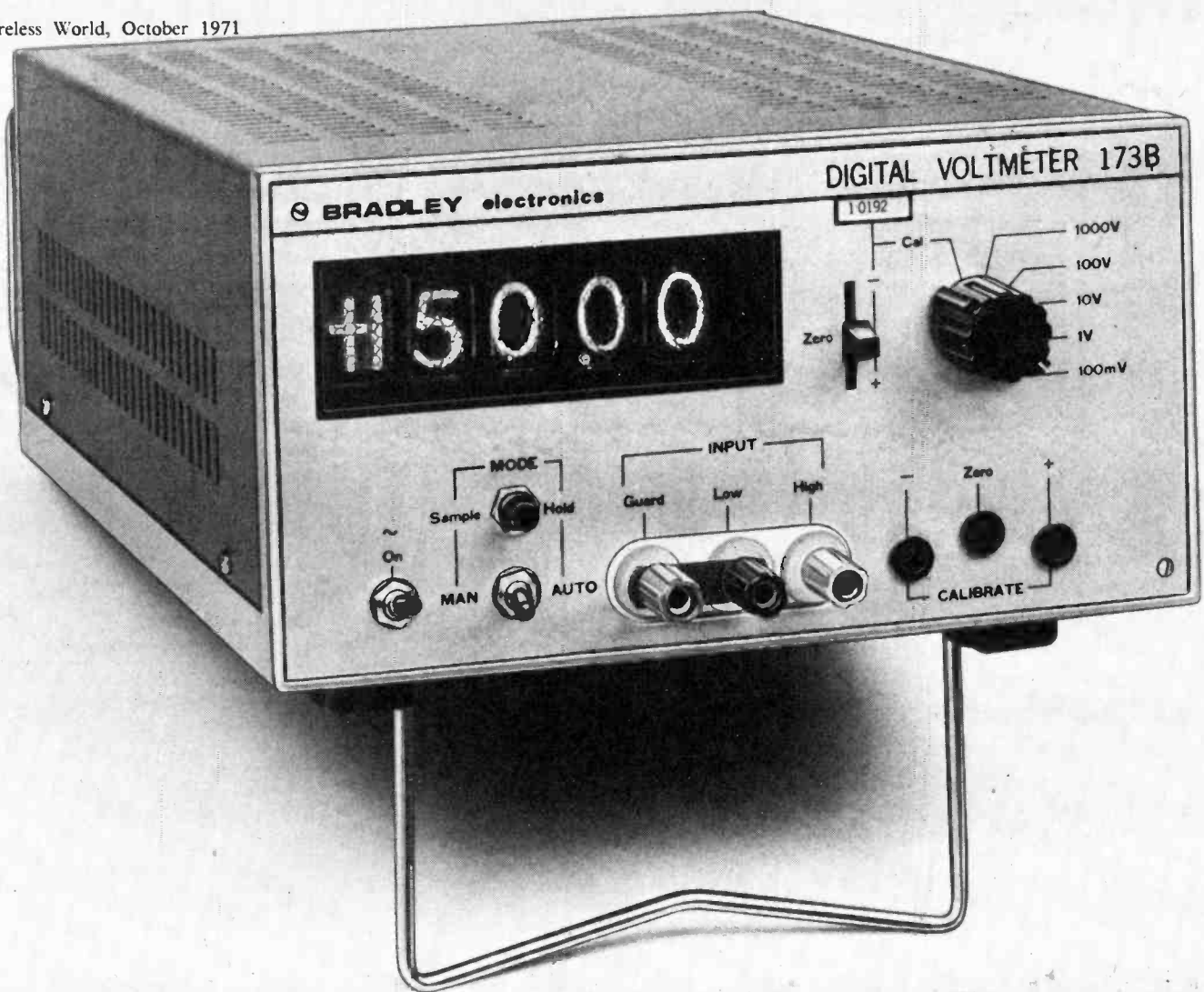


SALES & LABORATORIES: STANLEY ROAD, BROMLEY, KENT. TEL: 01-460 9212/3
01-464 5813

TELEGRAPHIC ADDRESS: TRANSIPACK BROMLEY

FACTORY: PONSWOOD INDUSTRIAL ESTATE, HASTINGS, SUSSEX
TEL: HASTINGS 7344/5/6

WW—046 FOR FURTHER DETAILS



From Bradley.
A £360 DVM
now with 10 μ V
resolution.

Bradley's compact 173B Digital Voltmeter will cost you only £360 in the U.K.

And at that price you mightn't expect any extras.

The 173B gives you six.

For instance, there's a scale length of 10 μ V to 1000 V d.c. and with 50% overrange, maximum reading is 1500 V d.c. with an accuracy of 0.01%.

There's guarded input giving high common mode rejection - 140 dB at line frequency.

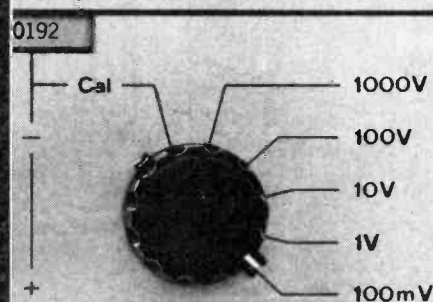
There's display storage.

And 1-2-4-8 BCD data output.

There is a standard unsaturated cell as an internal calibration reference. And the 173B gives you automatic indication of polarity.

In one small package, the 173B gives you a lot of DVM for your money.

DIGITAL VOLTMETER 173B



G. & E. BRADLEY LTD.
Electral House, Neasden Lane,
London NW10.
Telephone: 01-450 7811 Telex: 25583

A Lucas Company

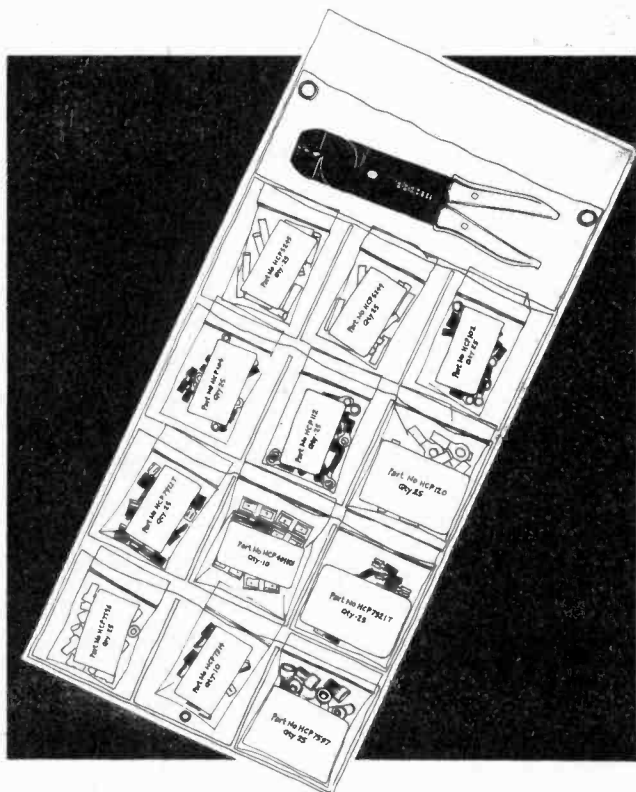


All Bradley instruments can be supplied with a British Calibration Service Certificate from our own B.C.S. approved standards laboratory.

Terminate your wiring problems

Use Hellermann-GKN Compression Terminal Kits. They're ideal for general maintenance work on electrical and electronic equipment — domestic or industrial — and one of the Kits is specially made for automobile electronics.

Take your pick from three different Kits, each one containing 12 of the most popular compression terminals. With or without a hand crimping tool. The terminal packets are re-sealable, and fit into the pockets of the plastic wallet that can either be hung on a wall or folded neatly into a tool bag.



UNIVERSAL with pre-insulated terminals for general electrical maintenance and domestic appliances.

Kit No. 1. — without tool: £6.15 Kit No. 1-CT — including tool: £8.30

MAINTENANCE with pre-insulated terminals for factory and general maintenance.

Kit No. 2 — without tool: £6.15 Kit No. 2-CT — including tool: £8.30

GARAGE with non-insulated terminals and covers used on most automobiles.

Kit. No. 3 — without tool: £3.25 Kit No. 3-CT — including tool: £5.40

All prices are subject to quantity terms. Each of these Kits can be made up to customers' requirements, subject to quantity.

Write for descriptive leaflet to:

NETTLEFOLD & MOSER LTD

170-194, Borough High Street, London, SE1 1LA.
Tel: 01-407 7111.



WW-048 FOR FURTHER DETAILS

“NO



I'D RATHER HAVE A MINITEST™

The SEI MINITEST has made a remarkable impact in the pocket-sized multi-range meter market, by making itself a firm favourite with discerning people in the industry.

Let's look into the reasons why.

First, the appearance. Diminutive, neat, wipe-clean cyclac case with shock and magnetic field proof steel liner. Controls are simple and easy to use.

Second, the range. The Minitest measures a.c. and d.c. voltages d.c. current and resistance over 20 ranges to a sensitivity of 20,000 and 2,000 ohms per volt d.c. and a.c. respectively. Third, high voltage probes. These extend the range to 25 or 30kV d.c. Little wonder the Minitest is preferred!



**SALFORD ELECTRICAL
INSTRUMENTS LTD**

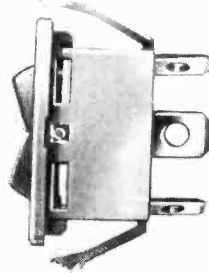
Peel Works, Barton Lane, Eccles,
Manchester M30 0HL
Telephone 061-789 5081 Telex 667711
A Member Company of GEC Electrical
Components Ltd.

SEI

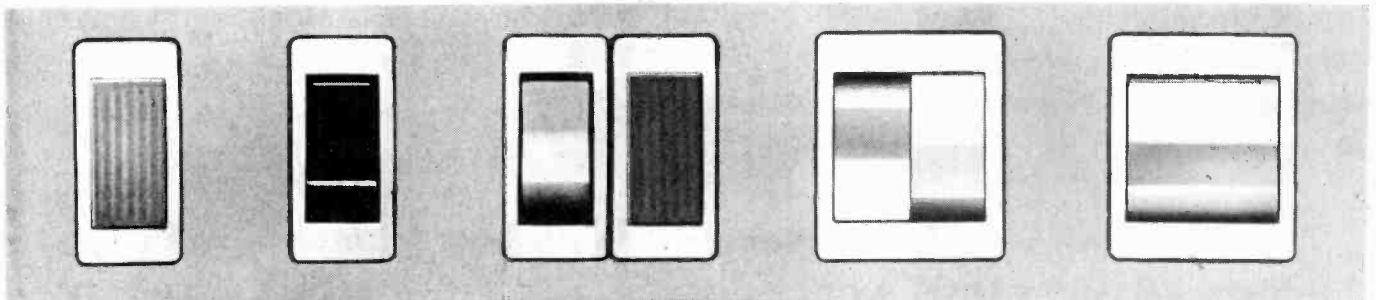
S&C

WW-049 FOR FURTHER DETAILS

MY VITAL STATISTICS ARE 30mm.X14mm.X33mm. 250V 10AMP A.C. SINGLE POLE SNAP-IN FIXING



now meet the family



1109

1100

1100/1109

1100 twins

1110

Being a snappy little 1100 rocker who is getting around fast, I am often asked about my family. Now, having managed to persuade them to have their photograph taken with me, I have much pleasure in introducing them.

1109—often seen around with me, is a most illuminating little pilot light with a variety of colour lenses. At times we are very close and can often be seen working together very harmoniously on a wide range of appliances and equipment.

The 1100 twins are going to be very popular and you can expect to see them on many companies' panels soon.

1110, the fat one, is double pole and the clever member of the family, he can operate two circuits at a time.

Like to know more about us? Give us a ring at 01-574 2442, we would certainly like to meet YOU some time. P.S. I have just been awarded my BS.3955 approval certificate.



ARROW ELECTRIC SWITCHES LTD.

BRENT ROAD • SOUTHWALL, MIDDLESEX, ENGLAND • PHONE: 01-574 2442

subsidiary of

Telex: 23332 Cables: ARROWHART LONDON

Scottish office: 13 Murray Place, Stirling Phone: 0786 3823

Distributors: Comway Electronics Ltd., Downshire Way, Bracknell, Berks. RG12 1ND. Phone: Bracknell 24765
 ITT Electronic Services Ltd., Industrial Estate, Edinburgh Way, Harlow, Essex. Phone: 0279-6 26777



WW—050 FOR FURTHER DETAILS

SPECIAL OFFER! Something all i.c. users should know....



Our I.C. Patchboard Educational Pack Type CK2/E is down in price!
For a limited period only, that is.

The educational pack comes complete with patchboard for twelve dual-in-line integrated circuits, input switches, output indicators, clock, internal power supply, patch leads, a selection of ten digital integrated circuits, and a comprehensive logic instruction book. And as a bonus you also get the new handsome cabinet in which it is housed. Absolutely free.

At the special offer price of only £57, you save £5 per pack by ordering before 30th October 71. The basic patchboard type CK2/S is exceptional value too at only £48. Ask us for further information *NOW*.

Limrose Electronics Ltd, Lymm, Cheshire, England.
Tel. Lymm 3019 (STD 092-575-3019)

WW—051 FOR FURTHER DETAILS

Jack Plugs, 201, 310, 316, 309, 404

Jack Strips 310, 320, 510, 520, 810

Line Transformers

Resistor Lamps and Holders

Jack sockets 300, 500, 800

Resistor Bobbins, coils and spools

Bells and Bell Transformers 6V or 12V

Low Pass Filters

U Links and Sockets

Fuse mountings 4028 and Mounting H.15B.

Mountings Protector Strip H.40

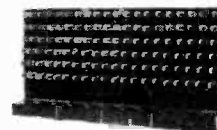
Patching and switchboard Cords

Patch Panels

Terminal Blocks and Strips

Uniselectors and Miniature Uniselectors

Ringing Generators



Large stock of GPO Type Components available for prompt delivery

COMMUNICATION ACCESSORIES and EQUIPMENT LIMITED

77, AKEMAN STREET, TRING, HERTS.

TELEPHONE: TRING 3476.

TELEX: 82362.

WW—052 FOR FURTHER DETAILS

All you can buy from Vitality are miniature lamps because that's all Vitality makes.

You get personal service from the people at Vitality because lamps and only lamps are their life.

Miniature lamps at the rate of one million a week in dozens of different sizes.

This means you can be sure of getting exactly the lamp you're looking for when you ask for Vitality.

Miniature lamps from 3mm diameter upwards in voltages from 1.5 to 50V with all forms of bases.

When you're looking for a lamp ask Vitality first — they're Europe's miniature lamp specialists.

Write for your copy of the Vitality catalogue



VITALITY BULBS LIMITED

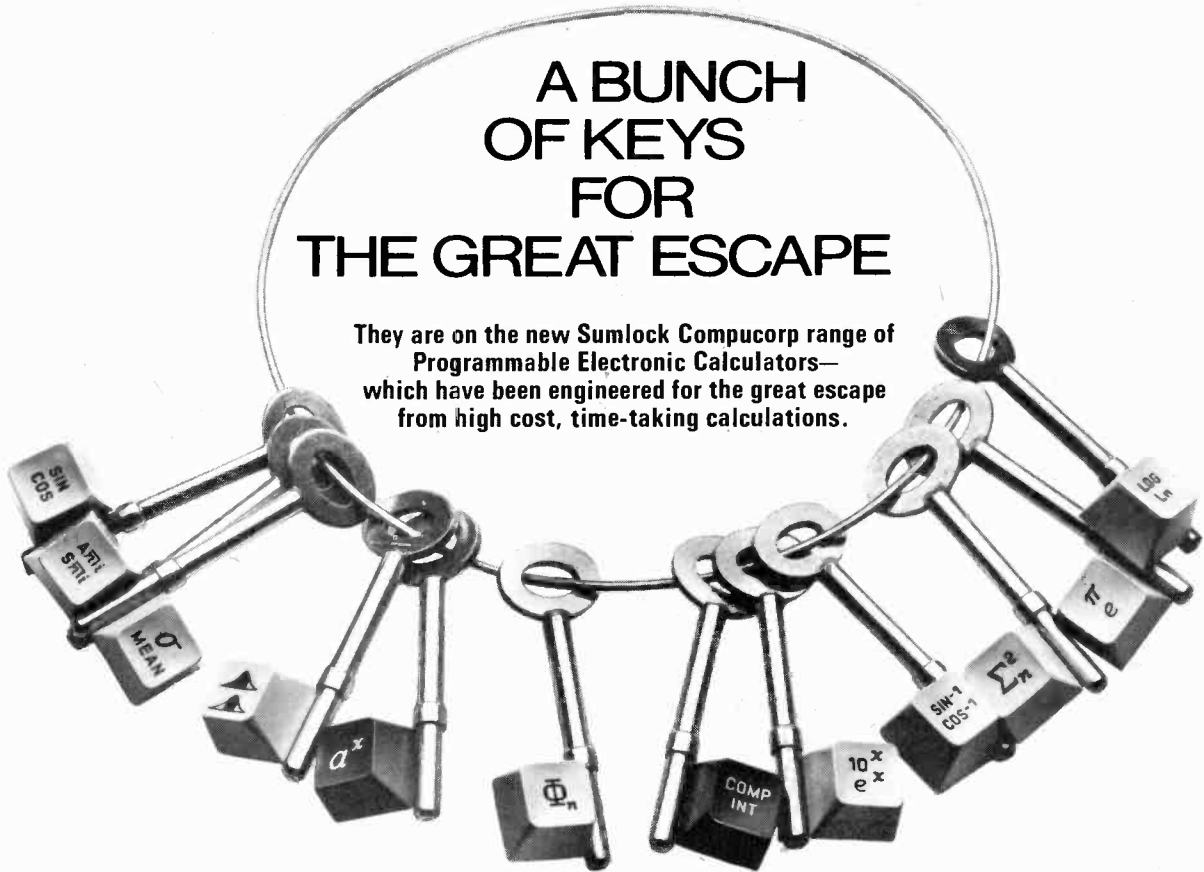
Beetons Way, Bury St. Edmunds, Suffolk, England. Tel: 0284-2071, Telex: 81295.

A member of the Electro-optical Products Group

WW—053 FOR FURTHER DETAILS

A BUNCH OF KEYS FOR THE GREAT ESCAPE

They are on the new Sumlock Compucorp range of Programmable Electronic Calculators— which have been engineered for the great escape from high cost, time-taking calculations.



For example, look what you get as a scientist or engineer:— square root, a^x (including negative and fractional powers), log base 10 and base e, antilog base 10 and base e, reciprocal, factorial, rectangular to polar, polar to rectangular, sine and cosine, arcsine and arccosine, hyperbolic sine/cosine, arcsine/arccosine, and e entry, integer/fraction, statistical summation (x , x^2 , n), radians to degrees, exponent entry.

On the other hand

if you're a statistician you might like to automatically accumulate n count, item summations and sum-squares for single and grouped entries, then have standard deviation and mean, do linear regression analysis, normal probability and such recondite things.

Then again

if you're in banking or insurance you can have keys that instantly figure compound interest, present and future values of loans and investments and suchlike.

Remember, Sumlock is British which means Sumlock Compucorp Calculators get round-the-clock support from no less than 34 sales and service points throughout the United Kingdom and Ireland. We're always glad to advise you on choosing the right machine for the job as well as provide keen and realistic after sales care. Now fill in the coupon.

See us on Stand no 156 Business Efficiency Exhibition Olympia 5th-13th October



SUMLOCK COMPUCORP

Programmable and non-programmable models available

Please supply me with full information on your new range of SUMLOCK COMPUCORP CALCULATORS.

NAME _____
COMPANY _____
ADDRESS _____

WW/10/71

TELEPHONE NO. _____



SUMLOCK COMPTOMETER LTD.,

Head Office:
ANITA HOUSE, ROCKINGHAM ROAD, UXBRIDGE,
MIDDLESEX. TEL: UXBRIDGE 51522

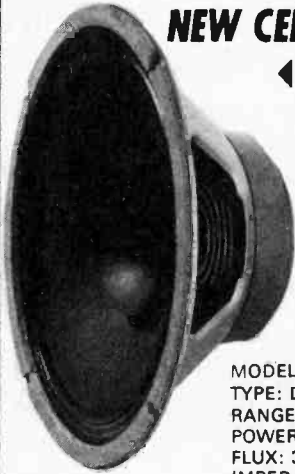
 Lamson Industries Group

WW-054 FOR FURTHER DETAILS

Celestion



NEW CELESTION LOUDSPEAKERS



MODEL: PS12 TC 1798
(15 ohms)
PS12 TC 1920
(8 ohms)

TYPE: DUAL CONE 12"
RANGE: 40Hz-12KHz
POWER: 20 WATTS RMS
FLUX: 128,000 MAXWELLS
IMPEDANCE: 15 or 8 OHMS
PRICE (R.R.P.) £9.00



MODEL: PS8 TC 947D
TYPE: DUAL CONE 8"
RANGE: 50Hz-12.5KHz
POWER: 6 WATTS RMS
FLUX: 38,500 MAXWELLS
IMPEDANCE: 15 OHMS
PRICE (R.R.P.) £2.85

* Both recommended for Unilex

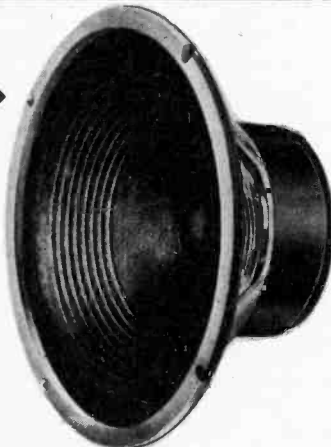


NOW AVAILABLE
The Celestion "Ditton 120"

Placed in top Hi-Fi class by reviewers
Supplied in matched pairs—Teak or Walnut
Superb Performance—Economical Price **£57.70** pair

CELESTION 'POWER RANGE'

MODEL: G12M
RANGE: 40Hz - 8KHz
POWER: 25 WATTS RMS
FLUX: 145,000 MAXWELLS
IMPEDANCE: 8 or 15 OHMS
PRICE (R.R.P.) £12.95



MODEL: G12H
RANGE: 40Hz - 8KHz
POWER: 30 WATTS RMS
FLUX: 180,000 MAXWELLS
IMPEDANCE: 8 or 15 OHMS
PRICE (R.R.P.) £15.75

'POWER RANGE'

The finest Loudspeakers made for electronic guitars

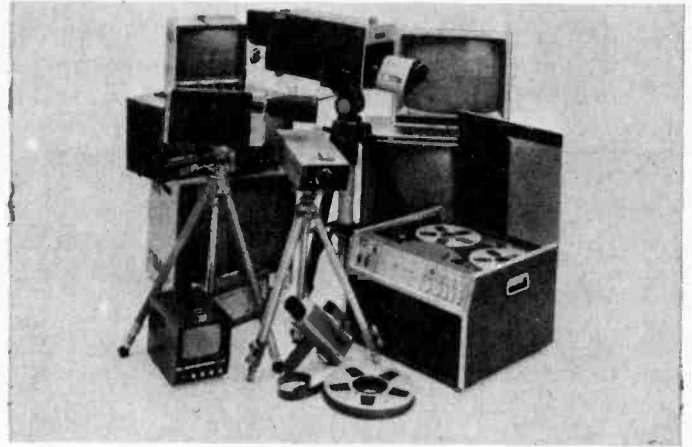
**STOP
PRESS
NEWS!**

Hear the New Celestion
'DITTON 44' Monitor at the
INTERNATIONAL AUDIO FESTIVAL & FAIR
at OLYMPIA from 25-30 October

ROLA CELESTION LIMITED

DITTON WORKS, FOXHALL ROAD, IPSWICH, SUFFOLK IP3 8JP
Telephone (0473) 73131 Telex 98365

WW-055 FOR FURTHER DETAILS



If you think closed circuit television is complicated, come to Dixons

As distributors of every famous name in TV equipment, Dixons can offer you totally unbiased advice on every problem connected with CCTV.

The service we offer is complete: consultation, quotation, supply and installation. Come to our showrooms and we'll show you the very latest equipment in this field. From ITC mini-CCTV at £99.95 for a camera and monitor to a comprehensive system selling at £50,000.

When you've chosen the system best suited to your requirements, we can offer you a choice between outright purchase, contract hire, hire purchase and short term rental.

Our full-time staff technicians will check the equipment you buy before installation and give you unbeatable after sales service. So don't make a move in CCTV without us. Call in or send us the coupon for more information or a particular quotation. Or phone us at 01-437 8811.

TO: Dixons CCTV Ltd., 3 Soho Square, London W.1.

ww5

I am interested in CCTV.
Please send me details by return of post.

NAME

ADDRESS

Main agents
for Memorex
video tape

**Dixons
CCTV.**

WW-056 FOR FURTHER DETAILS



Audio Connectors

Broadcast pattern jackfields, jackcords, plugs and jacks

Quick disconnect microphone connectors

Amphenol (Tuchel) miniature connectors with coupling nut

Hirschmann Banana plugs and test probes

XLR compatible in-line attenuators and reversers

Low cost slider faders by Ruf

Future Film Developments Ltd.

**38 Hereford Road,
London W2 5AJ.**

01-229 8054 or 01-229 9111

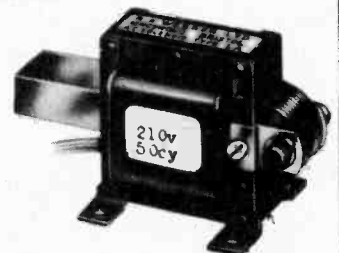


WW-057 FOR FURTHER DETAILS

ENCAPSULATION -

low tool cost method for cylindrical coils and potting. Enquiries also for:—

**REED RELAYS
SOLENOIDS
COIL WINDING
TRANSFORMERS
to 10 k.V.A.**



A.C. SOLENOID TYPE SAM/T.

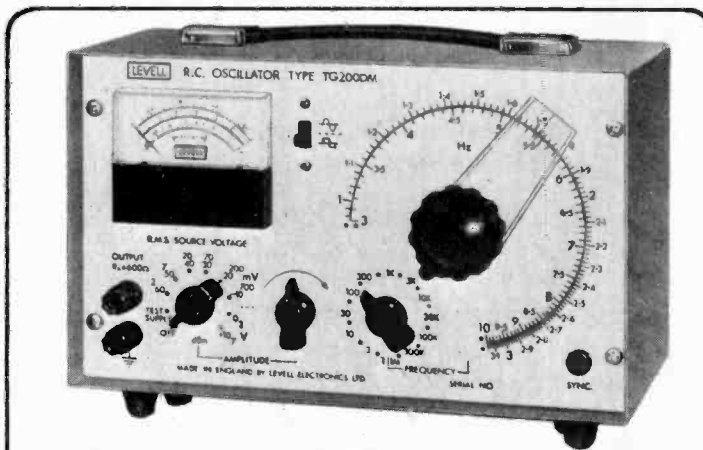
R. A. WEBBER LTD.

9 Knapps Lane, Bristol 5. 0272 657228

WW-058 FOR FURTHER DETAILS

the choice is yours

ANALOGUE or DIGITAL 1Hz to 1MHz R.C. OSCILLATORS



FREQUENCY 1 Hz to 1 MHz in 12 ranges. Acc. $\pm 2\% \pm 0.03\text{Hz}$.

SINE OUTPUT 7V r.m.s. down to $<200\mu\text{V}$ with $R_s = 600\ \Omega$

DISTORTION $<0.1\%$ to 5V, $<0.2\%$ at 7V from 10 Hz to 100 kHz.

SQUARE OUTPUT 7V peak down to $<200\mu\text{V}$. Rise time $<150\text{nS}$.

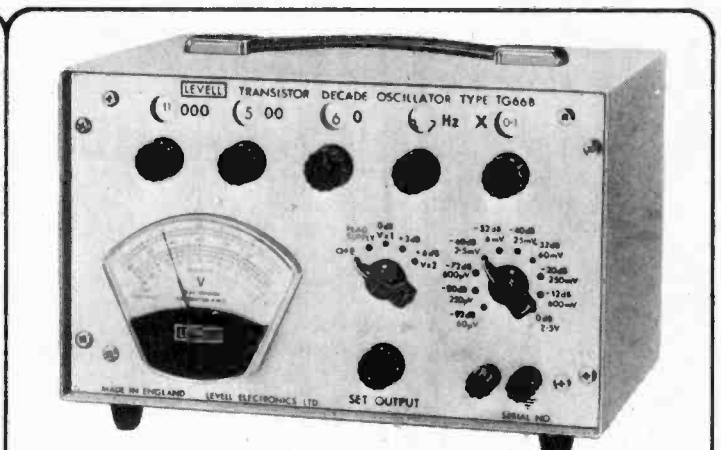
SYNC. OUTPUT $> 1\text{V}$ r.m.s. sine in phase with output.

SYNC. INPUT $\pm 1\%$ freq. lock range per volt r.m.s. input.

METER SCALES 0/2V, 0/7V & $-14/+6\text{dBm}$. on TG200M & DM only.

SIZE & WEIGHT 7" high x $10\frac{1}{2}$ " wide x $5\frac{1}{2}$ " deep. 10 lbs.

TG200	TG200D	TG200M	TG200DM
£42	£45	£52	£55
Sine O/P	Sine & Sq. O/P.	Sine O/P + meter.	Sine & Sq. O/P + meter.



FREQUENCY 0.2 Hz to 1.22 MHz on four decade controls.

ACCURACY $\pm 0.02\text{Hz}$ below 6 Hz, $\pm 0.3\%$ from 6 Hz to 100 kHz, $\pm 1\%$ from 100 kHz to 300 kHz, $\pm 3\%$ above 300 kHz.

SINE OUTPUT 5V r.m.s. down to $30\mu\text{V}$ with $R_s = 600\ \Omega$

DISTORTION $<0.15\%$ from 15 Hz to 15 kHz. $<0.5\%$ at 1.5 Hz and 150 kHz.

METER SCALES 2 Expanded voltage & $-2/+4\text{dBm}$.

SIZE & WEIGHT 7" high x $10\frac{1}{2}$ " wide x 7" deep. 12 lbs.

TG66B	TG66A
£120	£150
Batteries only.	Mains unit & batteries incl.

Prices include batteries with 400 hour life.
Mains power units £10 extra. Leather cases £6 extra.

VISIT US AT M.E.L.E.X.
STAND 21, 5TH-8TH OCT. AND
ELECTRONIC INSTRUMENTS
EXHIBITION, BRISTOL,
STAND 5, OCT. 12TH-14TH



LEVELL
PORTABLE INSTRUMENTS

R.C. OSCILLATORS

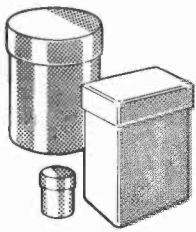
Levell Electronics Ltd., Park Road, High Barnet, Herts. Tel: 01-449 5028

Send for literature covering our full range of portable instruments.

WW-059 FOR FURTHER DETAILS

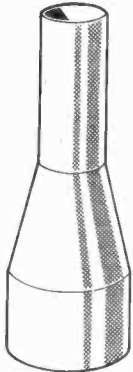
Magnetic shielding problems?

TELCON OFFER THREE SIMPLE ANSWERS



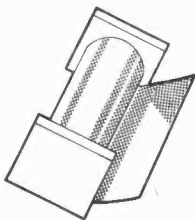
Standard shields

Telcon Metals offer an extensive standard range of high efficiency Mumetal shields, which fit most cathode ray, photo multiplier and radar tubes, together with a selection of boxes and cans for microphones pick-ups, transistors and transformers. These are normally supplied stove enamelled in hammer grey externally and matt black internally. Other finishes can be supplied by arrangement.



Fabricated shields

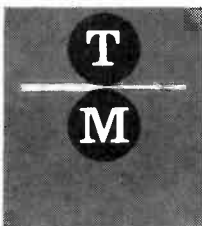
Telcon Metals offer complete facilities for fabricating special shields in Mumetal and composite shields in Mumetal/Radiometal to customers' individual requirements. All Telcon shields are made to close tolerances and have excellent finish and appearance. For the highest efficiency and extra close fitting tolerances, the 'Telform' technique is recommended. These shields can be produced in complex shapes with a minimum of welded seams and very close uniformity throughout batches. A comprehensive design/advice service is available to assist all customers.



'Telshield' wrap-around foil

'Telshield' is an easy to use, ferromagnetic shielding foil, which can be cut with scissors, wound into cylinders, cones, etc., and fixed with adhesive tape, clips or spot welds, to provide a permanent efficient shield. It is economical to use, especially for research, development and short-run applications which do not merit the tooling involved in the production of fully fabricated shields. 'Telshield' is supplied in a standard thickness of 0.05 mm, in widths of 150, 50 and 25 mm in convenient packs costing approximately £5. Other thicknesses and widths are available by arrangement.

Please send for further information to



TELCON

Telcon Metals Ltd.,
Manor Royal, Crawley, Sussex.
(Crawley 28800)

WW-060 FOR FURTHER DETAILS

"To get better quality components, look for superior breeding"



Fine breeding in electrical components is like good breeding in dogs: it takes a long time, but the results are well worth the trouble.

Rendar Instruments have the experience and the technical know-how in standard, miniature and sub-miniature components, equal to a first-class pedigree. Enough to gain Ministry of Defence Approval.

You could benefit from this if you are dogged by small component troubles. Using components from the well-bred Rendar range could bring about a substantial improvement in the reliability of the equipment you are handling.

You will find this in the sound design, the first class materials, the precise machining and careful assembly of all the Rendar components you use.

And the cost will probably be little more than you are paying now.

Why not send today for further details about the complete range of Rendar components?

RENDAR COMPONENTS OF THE MONTH

(These illustrations are all life size)

Miniature and standard size jack plugs and sockets.

Plugs in both R-32300 screened and

unscreened versions;

socket bodies in high melting point

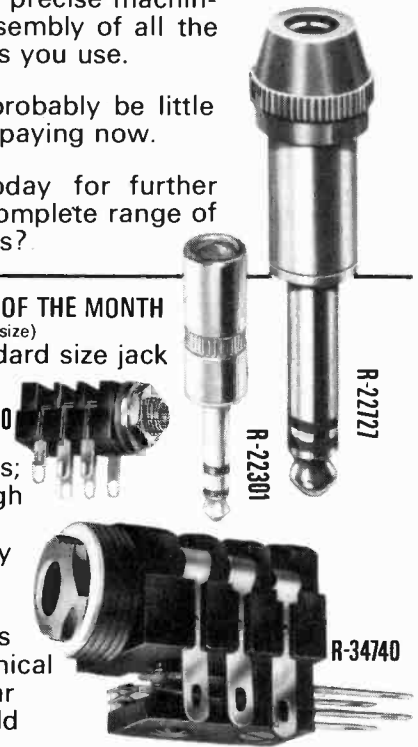
thermoplastic; many other interesting

specifications and performance figures

(see individual technical data sheets). Rendar

were first in the field with 3.5 mm probe

miniature jack plugs!



RENDAR FOR RELIABILITY



RENDAR

INSTRUMENTS LTD
BURGESS HILL, SUSSEX, ENGLAND
TELEPHONES: BURGESS HILL 2642-4
CABLES: RENDAR, BURGESS HILL

WW-061 FOR FURTHER DETAILS

Head in the clouds

The Versatower System offers a range of telescopic, tilt-over towers from 25 to 120 feet for lighting and radio communication in static, portable and fully mobile forms. The Versatower stands alone in offering full interchangeability. This gives complete freedom of application at any time for the towers to be adapted, simply and quickly, to a different purpose or size according to the users new requirements.

Continuing development of the system will bring added flexibility and an even wider range of applications.

Send today for further details to:-
Strumech Engineering Limited,
Coppice Side, Brownhills, Walsall, Staffs.
Telephone: Brownhills 3651.

STRUMECH
VERSATOWER
SYSTEM





ZERO-100 S
now the world's most advanced
Hi-Fi deck as a single player.

Garrard Zero-100, the new concept in transcription turntables is now in a new version.

The Zero-100S, single player.

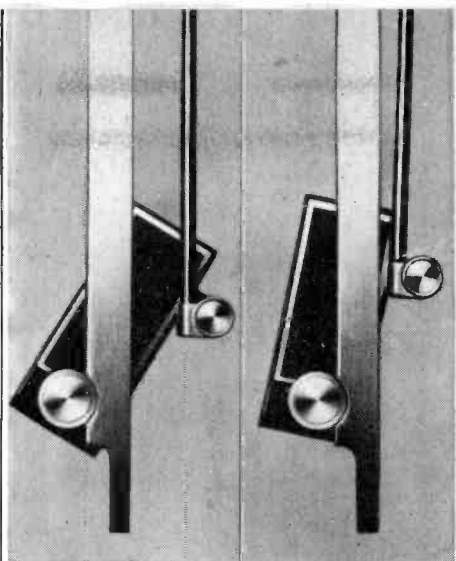
So now you can buy it

as a single player or auto-changer.

Both offer automatic play of single records at 33 or 45 revs. per minute.

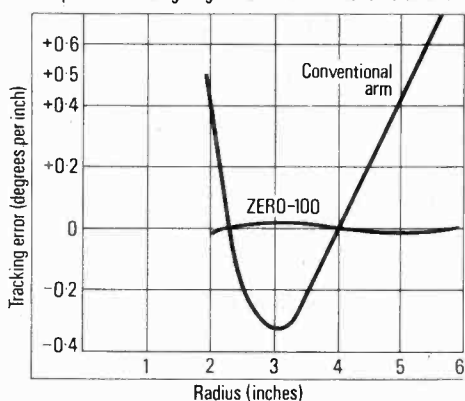
And, of course, both have the revolutionary pickup arm that virtually eliminates tracking error and the associated distortion.

The cartridge housing on the arm is pivoted at a point directly above the stylus tip. It continuously changes angle as the arm moves across the record, so that the centre line of the housing is maintained at a tangent to the groove. This action is achieved by a lever mechanism using a control rod parallel to the pickup arm.



The pivoting head at the start and end of a playing cycle. See the Zero-100 and the other models in the range at the Audio Fair, Olympia, October 25-30.

Comparison-tracking diagram Zero-100 vs. Standard tone arm



Take a look at the diagram and you'll get an idea of the tracking accuracy.

There are a whole lot of other features that go to make up the remarkable Zero-100.

Magnetic bias compensation, which employs the principle that like poles repel each other. A shield can be moved between the magnets and, according to the setting of the shield, a controlled bias is exerted on the pickup arm. The scale is calibrated for both spherical and elliptical styli.

Since there are no moving parts or mechanical links between the pickup arm and compensator there is no friction, wear or distortion.

Precision stylus force adjustment, achieved by moving a weight along a 3-inch scale, is calibrated from 0 to 3 grammes in $\frac{1}{2}$ gramme steps.

Stroboscopic speed check, stroboscopic markings on the underside of the turntable are illuminated by a high intensity neon lamp and are viewed through a window in the base plate, enabling an immediate check to be made on turntable speed.

Fine speed control, giving a variation of $\pm 3\%$ (a semitone in all), provides facility for adjustment of pitch.

Tab controls give quick, easy operation of automatic, manual, reject, replay, cue and pause (fluid damped) and stop.

Synchro-Lab motor. The Zero-100 is fitted with the Garrard Synchro-Lab motor, which combines the best features of both induction and synchronous motors, guaranteeing smooth running and constant speed.

Add to these features, performance figures such as: wow and flutter better than 0.1 r.m.s., rumble (relative to 1.4 cm/sec @ 100Hz) better than -51 dB and you'll see how it's easy to get enthusiastic about the remarkable Zero-100.

The pickup arm housing and assembly, showing the magnetic bias compensator calibrated for spherical and elliptical styli.

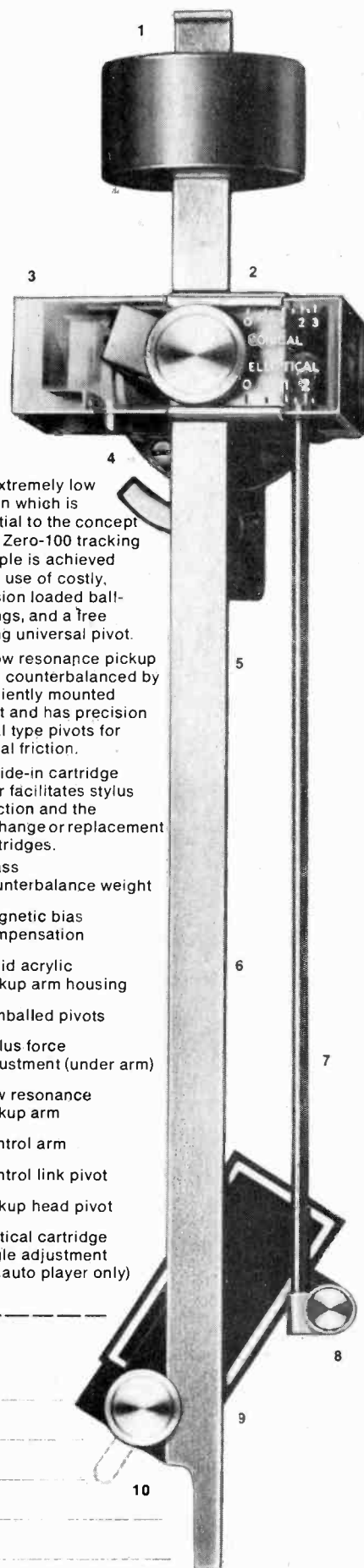


The extremely low friction which is essential to the concept of the Zero-100 tracking principle is achieved by the use of costly, precision loaded ball-bearings, and a free floating universal pivot.

The low resonance pickup arm is counterbalanced by a resiliently mounted weight and has precision gimbal type pivots for minimal friction.

The slide-in cartridge carrier facilitates stylus inspection and the interchange or replacement of cartridges.

- 1 Brass counterbalance weight
- 2 Magnetic bias compensation
- 3 Rigid acrylic pickup arm housing
- 4 Gimballed pivots
- 5 Stylus force adjustment (under arm)
- 6 Low resonance pickup arm
- 7 Control arm
- 8 Control link pivot
- 9 Pickup head pivot
- 10 Vertical cartridge angle adjustment (on auto player only)



Please send me copies of the Garrard Zero-100 and Range brochures.

Name _____

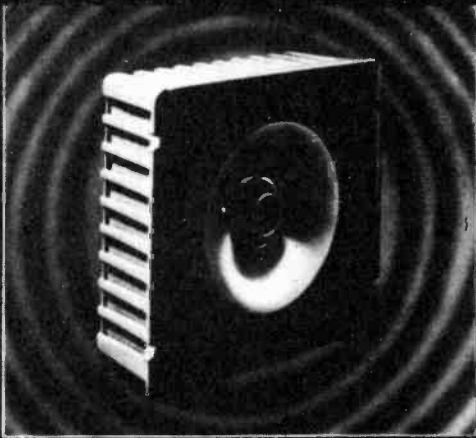
Address _____

WW-063 FOR FURTHER DETAILS

Garrard
A PLESSEY QUALITY PRODUCT

Garrard, Dept. W W 10,
Newcastle Street,
Swindon, Wiltshire.

THE SIMPLEST HI-FI LOUDSPEAKER KIT IN THE WORLD!



**JUST ONE FULL RANGE
JORDAN-WATTS DRIVING UNIT—
20 Hz—20,000 Hz 12 watts**

HERE FOR ONLY £13 IS RICH FULL
BASS AND SPARKLING CLARITY
THROUGHOUT—AT LESS COST
THAN A TWEETER ASSEMBLY

*Send for Constructor's Brochure free from your
Hi-fi Dealer or*

BOOSEY & HAWKES (Sales) LTD
Deansbrook Road,
Edgware, Middx.

JORDAN-WATTS LTD
Benlow Works,
Silverdale Road,
Hayes, Middx.

PLEASE
SEND DETAILED LITERATURE
NAME

ADDRESS

JORDAN WATTS
LOUDSPEAKERS
THE VOICE OF HIGH FIDELITY

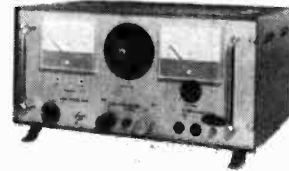
WW-064 FOR FURTHER DETAILS

POWER UNITS

Valradio

Now available with 3 OUTPUTS making these units
more versatile for:

DEVELOPMENT PRODUCTION TESTING SERVICING



Type VRU/30/20*—£144.35

*OUTPUT 1, 0-30V 20A DC.

Will provide accumulator performance from AC
mains for production testing and servicing of
battery operated equipment. Output continuously
variable 0-30V at up to 20A.

*OUTPUT 2, 0-80V 10A AC.

For the testing and development of low voltage AC
equipment.

*OUTPUT 3, 0-260V 4A.

Continuously variable AC mains supply voltage for
testing equipment at various voltages.

Send for publication WPU9

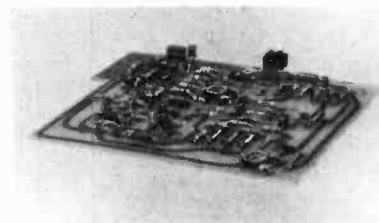
VALRADIO LTD.

Dept. WPU9, BROWELL'S LANE, FELTHAM, MIDDLESEX, ENGLAND
Telephone: 01-890 4242

WW-065 FOR FURTHER DETAILS



W.H.M.
WOW AND
FLUTTER
METER
(R.M.S.)
MODEL III
1967



**LOW-NOISE
SOUND
RECORDING
MODULE (Prov. Pat.)**

FULL FREQUENCY RANGE
ADVANTAGE: 14dB UNWEIGHTED
LOW DISTORTION
NO SIDE EFFECTS

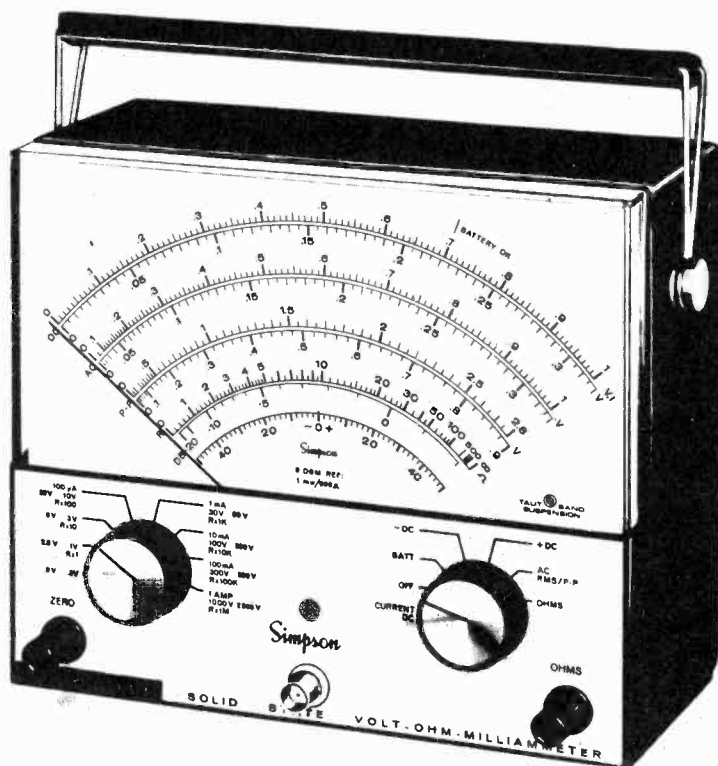
For full details write:

**SYDNEY HOUSE, 35 VILLIERS ROAD, WATFORD
WD1 4AL**

WW-066 FOR FURTHER DETAILS

Simpson Electronic Multimeters

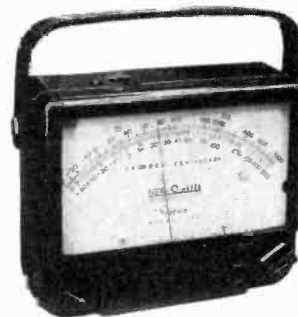
New Model 313 with taut band movement



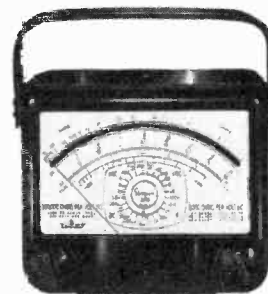
The model 313 has the input impedance and sensitivity of an Electronic Multimeter combined with the features of a battery operated Conventional Multimeter. And it's more stable than both. The FET input handles large overloads without damage, and the Taut Band meter movement is varistor protected from even 200,000% overloads. The 313 operates for over 300 hours on easily obtained inexpensive batteries and a switch allows the battery condition to be checked instantly. The large 7-inch scale is designed for fast and accurate readouts. Rugged construction combined with built-in frequency and temperature compensation gives the 313 Simpson's famous "stay accurate" dependability.

BACH-SIMPSON LIMITED

331 UXBRIDGE ROAD, RICKMANSWORTH, HERTS. WD3 2DS Telephone Rickmansworth 76900



MODEL 388-3L TEMPERATURE TESTER



MODEL 269 100,000Ω/V



MODEL 260-5P TRANSISTOR SWITCH PROTECTED



MODEL 635 INDUSTRIAL HIGH ACCURACY

ADCOLA Soldering Instruments add to your efficiency

THE NEW 'INVADER'

ADCOLA L.646

for Factory Bench Line Assembly






A precision instrument—supplied with standard 3/16" (4.75 mm) diameter, detachable copper chisel-face bit*.

Standard temp. 360°C at 23 watts.




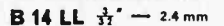
Special temps. from 250°C—410°C.

***Additional Stock Bits**
(illustrated) available

COPPER

-  **B 38** 1/4" — 3.2 mm CHISEL FACE
-  **B 14** 3/8" — 2.4 mm CHISEL FACE
-  **B 24** 5/16" — 4.75 mm SCREWDRIVER FACE
-  **B 12** 5/16" — 4.75 mm EYELET BIT
-  **B 58** 1/2" — 6.34 mm CHISEL FACE

LONG LIFE

-  **B 42 LL** 5/16" — 4.75 mm CHISEL FACE
-  **B 38 LL** 1/4" — 3.2 mm CHISEL FACE
-  **B 14 LL** 3/8" — 2.4 mm CHISEL FACE
-  **B 44 LL** 5/16" — 4.75 mm SCREWDRIVER FACE

PRICE
£1.85



Don't take chances. We don't. All our ADCOLA Soldering Instruments are of impeccable quality. You can depend on ADCOLA day after day. That's why they're so popular. You get consistent good service... reliability... from our famous thermally controlled ADCOLA Element and the tough steel construction of this ideal production tool.



** Write for price list and catalogue*

ADCOLA PRODUCTS LTD.,
(Dept.ww), ADCOLA HOUSE, GAUDEN RD., LONDON, S.W.4.
Telephone: 01-822 0291/3 • Telegrams: Soljoint London Telex • Telex: Adcola London 21851

WW—068 FOR FURTHER DETAILS



STOCKISTS

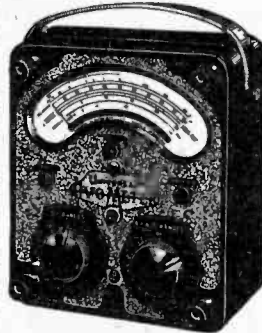


MULTIMINOR MK. IV

REPAIR SERVICE
7-14 DAYS

We specialise in repair, calibration and conversion of all types of instruments, industrial and precision grade to BSS.89.

Release notes and certificates of accuracy on request.



MODEL 8 MK. III

Suppliers of Elliott, Cambridge and Pye instruments

LEDON INSTRUMENTS LTD

76-78 DEPTFORD HIGH STREET, LONDON, S.E.8

Tel.: 01-692 2689

G.P.O. APPROVED

CONTRACTOR TO H.M. GOVT.

WW—069 FOR FURTHER DETAILS

Logic Power Supply



New, compact plug-in 5V power unit designed to supply IC logic such as DTL, TTL etc.

Mains input 110, 220, 240V 50-60 Hz

Regulation < 0.1% line and load, Ripple < 2.5mV p-p

Transient recovery time 40 µSec

Full short circuit protection — re-entrant current limit

Output spike clipper and optional overvoltage "crowbar"

Dimensions 95 x 108 x 55mm 5V1A, 95 x 175 x 70mm 5V2A

Price 5V1A 1 off £14.00, 5 off £12.00, 50 off £10.00

Add £2 for 5V2A Add £2 for Crowbar

Add £2 for cased units Immediate Delivery

Weir

Weir Electronics Ltd Durban Rd Bognor Regis Sussex
Bognor Regis 5991 Grams Electron Bognor Regis

WW—070 FOR FURTHER DETAILS

Brandenburg

high voltage engineers



We designed the 472R
to a specification
exactly suited to
the photomultiplier user
—and the price added
down to only £144.00

The 472R is selling on quality, reliability and performance; the unexpectedly low price is a bonus resulting from exact fitness to purpose and the Brandenburg policy of 'production orientation'; we even make our own HV plugs and sockets and mould our own thermo-plastic components.

Look at that ergonomically designed control panel; just turn a knob and push an adjacent button and you have the output voltage you want, at very high stability. Exclusive all solid state circuitry and patented automatically regulated transformer. Ask for the 472R data sheet.

Output Voltage	100-2100 Volts DC
Output Current	5mA Max.
Ripple	1mV peak to peak
Stability	1 part in 10^4 against $\pm 7\frac{1}{2}\%$ mains change
Drift	5 parts in 10^5 per hour
	1 part in 10^4 per day
Polarity	Push-button reversal

Apart from the 472R, Brandenburg make stabilised high voltage supplies for outputs up to 100kV. Let us know your particular application.

Brandenburg Limited

939 London Road, Thornton Heath, Surrey,
CR4 6JE, England.
Tel: 01-689 0441 Telex 946149.

P3627

•WW—071 FOR FURTHER DETAILS

OSCILLOSCOPES

E.M.I. WM16. Complete with Dual Trace Plug-in Amp/Differential Plug-in Amp. £175
 Solartron CD.1220. With Wide Band unit. £190
 Solartron CD.1220. With Dual Trace unit. £220
 Solartron CD.1220. With Differential Amp unit. £240
 Solartron CD.711S.2. Double beam. £60
 Cawkell Remscope SO.1. Storage Oscilloscope. £200
 E.M.I. WM8. Complete with amplifier Type B. £55

TEST GEAR

Wayne Kerr Universal bridge. Type B.221. £65
 Marconi Q Meter. Type TF.329G. £45
 Marconi Video Oscillator. Type TF.885A. 25Hz-5MHz. £45
 Marconi Vacuum Tube Voltmeter. TF.1041A. £60
 Marconi FM/AM Signal Generator. TF.995A/4. £175
 Power Unit. 240V. A.C. I/P D.C. output 400V. 170 mA/6.3V. 3A. £10
 R.F. Generator. 200 MHz. 275 watts. £25
 R.F. Generator. 25 watts. £15
 Servomex Controls Ltd. Motor Controller. Type MC.47. Complete with motor. £65

T.V. CAMERA LENSES

Rank Taylor Hobson Vidital Lenses. Standard "C" Mounts. Focal lengths 2 cm., 5 cm., 8 cm. £25 each
 R.C.A. AR.88 Receiver. £40

MINIATURE GEARED MOTORS

1 r.p.m. Hayden. 240V. A.C. Clockwise rotation. 80p
 1/2 r.p.m. Crouzet. 240V A.C. Anticlockwise rotation. 80p
 2 r.p.m. Crouzet. 20V. A.C./12V. D.C. Anticlockwise rotation. 80p

RELAYS

Siemens/Varley Plug-in. Complete with transparent dust-cover. 2 pole c/o. 35p each
 4 pole c/o. 50p each
 S.T.C. Miniature Sealed Relays. 6V., 12V., 24V., 48V. 2 pole c/o. 50p each
 G.P.O. Relays. 2000Ω. 2 pole c/o. 50p each
 4 pole c/o. 60p each
 Heavy Duty Relays. 5A and 10A contacts. 12V., 24V., D.C. 110V., 240V. A.C. 2 pole c/o. 90p each
 Latching Relays. B. & R. Type HO2/T498 2 pole c/o. 98p each

SOLENOIDS

12V. D.C. 2 1/2 in. x 1 1/2 in. dia. 50p each

WIRE WOUND POTENTIOMETERS

Colvern, Reliance. All values from 1Ω-100KΩ. Brand new. 19p each
 360° Wire Wound Pots. Colvern. £1-50 each
 CLR/6505/418 10KΩ. £1-50 each
 CLR/6605/18 100KΩ. £1-50 each
 Bourns. 10 Turn Pots. 10KΩ ±5%. Lin.0.25%. £1-98 each

ILLUMINATED PUSH-BUTTON SWITCHES
 Non-locking only. 2 pole c/o. 35p each

PUSH-BUTTON SWITCHES

Multibank push-button switch assemblies now in stock. Any combination, latching, non-latching, push-push, push to change over, push to hold, etc.
 2 pole c/o. 20p per button
 4 pole c/o. 30p per button
 6 pole c/o. 40p per button

MULTIPIN PLUGS AND SOCKETS

Painton/Jones. 2/4/6/8/12/18/24/33 way. P.E.T., B.N.C., Amphenol, Cannon, D.I.N.; plus complete audio range.

TRANSFORMERS

D. C. Tibbles & Co. Pri. 0-100-110-220-240V. Sec. 12V. 20A. £6-50 each
 Miniature Transformers. 2 in. x 1 1/2 in. x 1 1/2 in. Pri. 240V. Sec. 12V. 100mA. All types 65p
 Pri. 240V. Sec. 0, 20V, 30V, 100mA }
 Pri. 240V. Sec. 0, 18, 36, 0, 18, 36 100mA } each
 Shrouded Transformers
 Pri. 0-120-240 V. Sec. 24V. 1/2A. £1-25 each
 Pri. 0-240V. Sec. 26V. 1A. £1-60 each
 C-Core Transformers. Pri. 240V. Sec. 0, 7 1/2, 15V. 1A. £1-20 each
 Heater Transformers. Pri. 0-110-200-220-240V. Sec. 6-3V. 3A. £1-00 each

ALARM BELLS

Suitable for burglar alarms. Agro. Type 4145. 200/250V. A.C. £3-50 each

PANEL METERS

Sifam Moving Coil. 1mA. Size 4 1/2 in. x 4 in. £3-25 each
 Sifam Moving Coil. 100μA. Size 3 1/2 in. x 3 in. £3-00 each
 Taylor Moving Coil. 50-0-50μA. Edgewise. 2 1/2 in. scale. £4-25 each
 Ernest Turner. 270° Movement/Centre zero. Circular. 0-5-0-5mA. 2 1/2 in. dia. £3-00 each
 Ernest Turner. 270° Movement/Centre zero. Circular. 1-0-1mA. 3 1/2 in. dia. £4-25 each
 Sangamo-Weston Illuminated Meter. 500μA. F.S.D. 4 1/2 in. x 3 1/2 in. £3-90 each
 Sangamo-Weston. 50μA. F.S.D. 4 1/2 in. x 3 1/2 in. £4-75 each

We also have a large number of assorted meters of different shapes/sizes/movements in stock.

SOUND-TO-LIGHT MODULES SUITABLE FOR DISCOTHEQUES, ETC.

Single channel. 750 watt Model. £6-00 each
 Three channel Model. £18-00 each
 150 watt Liquid Oil Wheel Projectors
 Complete with wheel. £35-00 each
 Extra wheels 6 in. dia. £6-00 each

COMPONENTS

Metal Oxide Resistors. 2% 1/2 watt. TR5. Complete range always in stock. 1 off 5p each; 100 off 3 1/2p each
 Mullard Electrolytic Capacitors. Complete range always in stock.
 Mullard Polyester Capacitors. Complete range always in stock.
 Lemco Silver Mica Capacitors. Complete range always in stock.
 Polystyrene Capacitors. Complete range always in stock.
 Wirewound Resistors. 1W, 3W, 6W, 12W, 15W, 30W. Complete range always in stock.
 Semiconductors. Transistors, Diodes, Rectifier Blocks, Thyristors, U.J.Ts., Diacs, Triacs, F.E.Ts., Zeners, Photocells, etc.

10% on any cash sale for 10% DISCOUNT customers presenting this advertisement. DISCOUNT

C. T. ELECTRONICS

267 ACTON LANE, LONDON, W.4 01-994 6275

Nearest Underground—Chiswick Park (District Line); Acton Town (Piccadilly Line). Bus Routes: E3, 88, 207, 15, 7, 260.

Please Note: As yet we do not have a catalogue available. Any queries please phone or call at the above address

Business Hours: MONDAY to SATURDAY 9.30 a.m. to 6 p.m. WEDNESDAY 9.30 a.m. to 1 p.m.

WANTED. SURPLUS OR REDUNDANT COMPONENTS AND TEST EQUIPMENT

WW-072 FOR FURTHER DETAILS

PRECISION POTENTIOMETER

TYPE P.10⁻⁷

ACCURACY: 5 ppm

RESOLUTION: 0.1μV

RANGE: 0 to 1.1 volts



- 7 DIAL IN LINE READ OUT
- SCREENED AND GUARDED
- TRUE ZERO CONTROL
- 6 DIAL CURRENT REGULATOR
- 4 TEST CIRCUITS

Request full details from:

CROYDON PRECISION INSTRUMENT COMPANY

Hampton Road, CROYDON (Postal Code: CR9 2RU)
 Telephone 01-684 4025 and 4094

WW-073 FOR FURTHER DETAILS

BRADEWICK Dry De-Soldering Wick

THE INSTANT, POCKETABLE DE-SOLDERING AID



Enables all types and sizes of joints to be completely de-soldered in seconds, using just a soldering iron. Special dry flux impregnation gives superior solder adsorption. Supplied in four sizes, in handy dispenser packs containing approx. 5 ft. (Use size 3 for general purposes) Price: 90p (list) Leaflet B/5 free on request.

LIGHT SOLDERING DEVELOPMENTS LTD
 28 Sydenham Road, Croydon, CR9 2LL
 Telephone 01-688 8589 & 4559

WW-074 FOR FURTHER DETAILS



The large connector is in production for HF 2MW broadcasting stations

... we're the specialists!

We're not the largest connector and cable assembly manufacturers—yet; most of our regular customers think we're among the best — which keeps us on our toes.

That's why, in addition to high quality, competitive prices and reliable delivery, we add another vital ingredient: first-class service and personal attention.

Whether you're large or small, whether your requirements are large or small, you'll get V.I.P. treatment all the way. We'll supply RF connectors and cables from stock and cable

assemblies to your precise requirements (we've a fast-action section making cable assemblies of all types).

It's all part of our service, which includes a wide range of technical data publications, all available on request. They're well worth keeping in your current file.

Just pick up the phone — we're waiting to help you . . .

Contractors to the Industry, the Post Office, Armed Services, Broadcasting & Television Authorities.



RF Connectors, Cables and Cable Assemblies

Transradio Ltd. 183 Park Avenue London NW10 · Phone: 01-965 6281 Telex: 923004

Subsidiary of Felten & Guilleaume Kabelwerke A. G. KÖLN-MÜLHEIM

WW—075 FOR FURTHER DETAILS

A QUALITY BENCH POWER SUPPLY FOR JUST £25!

For only £25, Farnell have produced a bench power supply with a high performance:

Line Stability

±10% mains change output change < 2 mV

Load Stability

zero-full load change output change < 3 mV

Ripple and Noise

at 80 KHz bandwidth < 1 mV r.m.s.

The output can be switched to provide either 0-30V, 0.5A or 0-15V, 1A with full current capability over the entire voltage range. Precise levels of voltage and current are monitored by a large clear scale meter. The power supply is protected from overload by current limiting circuitry.

This compact general-purpose unit is ideally suited for Industrial and Educational laboratories with limited budgets.

THE E30 FROM Farnell Instruments Ltd.
Sandbeck Way,
Wetherby LS22 4DH.
Tel: 0937 3541/6.
Full details on request.



WW-076 FOR FURTHER DETAILS

Hatfield will break your resistance



with their New inexpensive Resistance Decade Box type 2901 using metal film resistors that provide high accuracy over 6 decades with steps from 1Ω to $100K\Omega$. Step accuracies are 0.1% on the 4 highest decades: 0.2% on the 10Ω decade and 1% on the 1Ω decade. Dimensions: 327 m.m. x 71.2 m.m. x 87.6 m.m.

only £21.00 ex works.

Send for full details of Hatfield Resistor Decade Boxes and a copy of our Short Form Catalogue.



HATFIELD

forward thinking
in electronics

HATFIELD INSTRUMENTS LIMITED

Burrington Way, Plymouth PL5 3LZ, Devon.
Tel. Plymouth (0752) 72773/4 Grams; Sigjan, Plymouth. Telex: 45592
South-East Asia: for prompt service and deliveries, contact:
Hatfield Instruments (NZ) Ltd., P.O. Box 561, Napier, New Zealand

WW-077 FOR FURTHER DETAILS

US 100/105 MULTIMETERS

20,000/50,000n/V.
10amps AC/DC.
Overload protection.
Shock-proof meter.
Leathercase.

JEMCO MULTIMETERS

821 VTVM

VALVE MULTIMETER

30,000V DC.
Input resistance 11Mn.
1,500 RMS AC.
Resistance range 10Mn.
HV and RF probes available
on request.

1 year warranty—full after sales service.

RAYLEIGH INSTRUMENTS LIMITED

271 Kiln Road, Benfleet, Essex, SS7 1RX. Telephone: Southend 559451/2/3

WW-078 FOR FURTHER DETAILS

Best value in Variable Filters

Some customers

- British Broadcasting Corporation
- British Rail
- Central Electricity Generating Board
- Chelsea College of Science & Technology
- Chemical Defence Establishment
- Government Communications Headquarters, Cheltenham
- Imperial Chemical Industries Ltd
- Imperial College
- Marconi Space & Defence Systems Ltd
- Military Vehicles & Engineering Establishment
- National Physical Laboratory
- The Post Office
- Queen Mary College
- Rank Precision Industries Ltd
- The Rover Co. Ltd
- Royal Air Force College
- Royal Armament Research & Development Establishment
- Royal Military College of Science
- Royal Navy Physiological Laboratory
- Shell Research Ltd
- Unilever Ltd
- United Kingdom Atomic Energy Authority
- University of Essex
- University of Liverpool
- University of Salford
- University of Strathclyde

Sales prove it



Our specification

- Two independent low pass/high pass filter channels
- Frequency cut-off range from 0.1 Hz to 100 kHz
- Frequency tolerance $\pm 5\%$ except at the limits of the range
- Attenuation slope 36 or 72 dB/octave
- Maximum attenuation greater than 75 dB
- Combined channels providing band pass, band stop or band separation modes
- Mode switching without the use of external links
- Digital selection of cut-off frequency giving accurate repeatability
- Response switchable to 'normal', 'narrow' or 'damped' condition
- Up to 20 dB gain provided in 'narrow' condition
- 6th order response achieved as a result of computer aided design
- Operation either from mains or external batteries
- Output protection against damage from external short circuit
- Price—£350 (UK)

Please write for pamphlet No. 1652/WD



BARR & STROUD LIMITED

Anniesland, Glasgow W3

Telephone: 041-954 9601 Telex: 778114

Kinnaird House, 1 Pall Mall East, London SW1

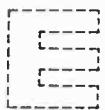
Telephone: 01-930 1541 Telex: 281877

WW—079 FOR FURTHER DETAILS

No. 1 in Solder

ENTHOVEN offers you Europe's Widest Range

One good reason for soldering with Enthoven — whatever your needs — is the Enthoven range. It gives you a wide choice of high quality products developed for use with modern techniques. It includes Flux Cored Solder Wires, Solder Pre-forms, Solid Solders, selective Fluxes, solder specialities, materials for printed Circuitry and for soldering Aluminium. For complete technical details of Europe's widest range, ask Enthoven Solders Limited, Dominion Buildings, South Place,



London EC2M 2RE. Telephone 01-628 8030; telex 21457; cables: ENTHOVEN LONDONEC2

SOLID SOLDERS

PLUMBERS BARS—CAR BODY FILLERS
TINSMITHS

STICKS —BLOW PIPE STICKS

INGOTS IN A VARIETY OF WEIGHTS

WIRE IN ALL GAUGES

—1 lb. & 7 lb. REELS

FASHION JEWELLERY CASTING

ALLOYS

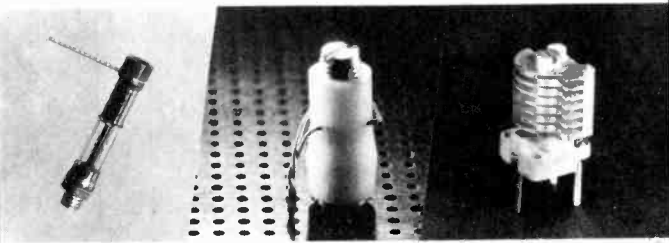
SHEET—RIBBON

Available in a wide range of alloys—standard or custom-made. Certificates of analysis provided.

WW—080 FOR FURTHER DETAILS

TUNE IN TO OXLEY

WITH OUR ESTABLISHED AND MOST RECENTLY DEVELOPED TRIMMER CAPACITORS



- ★ P.T.F.E. tubular trimmers.
- ★ Quartz tubular trimmers.
- ★ Plastic base P.T.F.E. and air dielectric trimmers.
- ★ Ceramic trimmers.
- ★ Temperature compensating trimmers.
- ★ Ceramic base P.T.F.E. and air dielectric trimmers.
- ★ Maximum capacitance values from 2pF to 100pF.

We feel sure we can meet your most exacting requirements for precision trimmer capacitors.

For further details contact:

OXLEY DEVELOPMENTS CO. LTD
 PRIORY PARK, ULVERSTON, N. LANCs.
 TEL: ULVERSTON 2621. TELEX 6541.
 CABLES: OXLEY ULVERSTON



WW—081 FOR FURTHER DETAILS

READ MOISTURE IN 'DRY' GAS OR AIR IN 5 SECONDS



Tomorrow's Hygrometer is here today!

The most Phenomenal Hygrometer Breakthrough Ever!

Range, 1 to 1000 parts per million of water vapour. Automatic, Portable, Accurate, Automatic Dry Down. No Purging needed, Simple, Reliable, Unique. Write for complete details of all our Hygrometers, or Phone Bradford 33582: STD 0274. Telex 51598.

SHAW MOISTURE METERS,
 Rawson Road, Westgate, BRADFORD, ENGLAND.

World's Largest Hygrometer Sales.

WW—082 FOR FURTHER DETAILS

nombrex



MODEL 35
STABILISED POWER SUPPLY
Price £21.50

- ★ Voltage variable 1-30 Volts.
- ★ Current variable 0-1 amp.
- ★ Output ripple and noise less than 10 mV.
- ★ Short Circuit Protection.

Other Models in our range:—

- Model 29-X R.F. Generator: 150 KHz-220 MHz. Integral 1 MHz Crystal Calibrator.
- Model 30 Audio Generator: 10 Hz-100 KHz.
- Model 31 R.F. Generator: 150 KHz-350 MHz.
- Model 32 Capacity/Resistance Bridge: 1Ω-10 MΩ, 1pF-100 F.
- Model 33 Inductance Bridge: 1μH-100 H, Q from 0.1-1000.

Trade and Export enquiries welcome. Send for full technical leaflets. Post and Packing 35p extra.

NOMBREX (1969) LTD., EXMOUTH, DEVON
 Tel: 03-952 3515

WW—083 FOR FURTHER DETAILS

S.G. BROWN

MILITARY · INDUSTRIAL
 COMMERCIAL · EDUCATIONAL

Fine Audio Equipment



HAWKER SIDDELEY COMMUNICATIONS

S. G. BROWN LTD., KING GEORGE'S AVENUE, WATFORD, HERTFORDSHIRE
 TEL: WATFORD 23301 TELEX 23412 TELEGRAMS RADIOLINK WATFORD
 Hawker Siddeley Group supplies mechanical, electrical and aerospace equipment with world-wide sales and service.

A wide range of mobile and fixed station Microphones Headsets and Amplifiers.

Send now for Literature to Dept:—ww,

WW—084 FOR FURTHER DETAILS

J E S AUDIO INSTRUMENTATION



Illustrated the Si 451 Millivoltmeter — pk-pk or RMS calibration with variable control for relative measurements. 40 calibrated ranges **£35.00**

- Si 452 **£30.00**
 - Si 453 **£40.00**
 - Distortion Measuring Unit. Low distortion Oscillator.
 - 15 c/s — 20 Kc/s — .01% Sine — Square — RIAA
- J. E. SUGDEN & CO., LTD.** Tel. Cleckheaton (OWR62) 2501
BRADFORD ROAD, CLECKHEATON, YORKSHIRE

WW—085 FOR FURTHER DETAILS

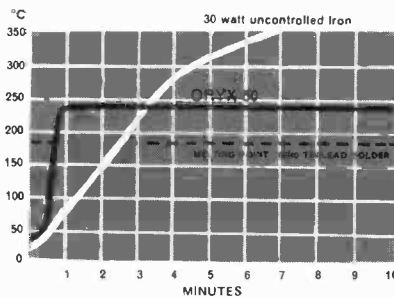
NEW temperature controlled soldering iron.



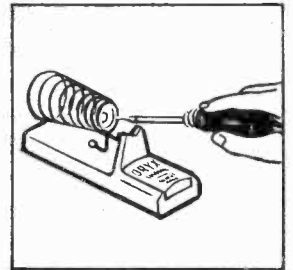
THE ORYX 50

- *Screw adjustment range 200°C to 400°C.
- *Heat settings accurate to $\pm 2\%$.
- *One tip for all temperatures.
- *Temperature adjustable whilst iron is on.
- *Cool, comfortable handle.
- *Standard tip — long life iron coated.
- *Choice of 11 tip sizes.
- *Built-in indicator lamp — thermostat controlled.
- *Rated at 50 watts.
- *12, 24, 50, 115 or 210/250v. a.c. models.

TYPICAL CURVE OF THE ORYX 50



Price
with long life tip.
£3.75
STAND:
£1.25

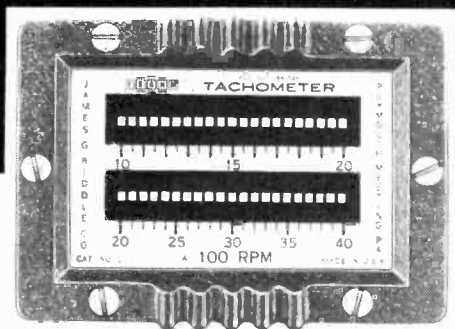


Send for Technical Literature to

W. GREENWOOD ELECTRONIC LIMITED
21 Germain St. Chesham, Bucks, England. Tel: Chesham 4808/9. Telex 83647. Cables: Greenelec, Chesham.

WW—086 FOR FURTHER DETAILS

Accurate and direct measurement of speed without coupling to moving parts



FRAHM resonant reed TACHOMETERS

for hand use or permanent mounting
Ranges and combinations of ranges from 900 to 100,000 r.p.m.
Descriptive Literature on Frahm Resonant Reed Tachometers and Frequency Meters available from the sole U.K. Distributors. Manufacture and Distribution of Electrical Measuring Instruments and Electronic Equipment. The largest stocks in the U.K. for off-the-shelf delivery.

Anders means meters

ANDERS ELECTRONICS LIMITED
48/56 Bayham Place, Bayham Street,
London NW1. Tel: 01-387 9092

WW—087 FOR FURTHER DETAILS

TELEPRINTERS · PERFORATORS REPERFORATORS · TAPEREADERS DATA PROCESSING EQUIPMENT

SALE OR HIRE



2-5-6-7-8 TRACK AND MULTIWIRE EQUIPMENT

Special Codes Prepared



TELEGRAPH AUTOMATION AND COMPUTER PERIPHERAL ACCESSORIES
DATEL MODEM TERMINALS, TELEPRINTER SWITCHBOARDS

Picture Telegraph, Desk-Fax, Morse Equipment: Converters and Stabilised Rectifiers; Line Transformers and Noise Suppressors; Tape Holders, Pullers and Fast Winders; Governed, Synchronous and Phonic Motors; Teleprinter Tables and Cabinets; Silence Covers; Distortion and Relay Testers; Send/Receive Low and High Pass Filters; Teleprinter, Morse, Teledeltos Paper, Tape and Ribbons; Polarised and specialised Relays and Bases; Terminals V.F. and F.M. Equipment; Telephone Carriers and Repeaters; Diversity; Frequency Shift, Keying Equipment; Racks and Consoles; Plugs, Sockets, Key, Push, Miniature and other Switches; Cords, Connectors, Wires, Cables, Jack and Lamp strips, and Switchboard Accessories; Teleprinter Tools; Stroboscopes and Electronic Forks; Cold Cathode Matrices; Test Equipment; Miscellaneous Accessories, Teleprinter and Teletype Spares.



W. BATEY & COMPANY

Gtety Works, Akeman Street, Tring, Herts
Tel: Tring 3476 (STD 0442 82) Cables: RAHNO TRING
Telex: 82362, A/B BATEY TRING

WW—088 FOR FURTHER DETAILS

LOW COST

DUAL BEAM

EASY TO USE

PORTABLE

The D51 incorporates all the current requirements of a general purpose oscilloscope. Of strong construction and simple controls, the D51 can be easily operated by non-technical personnel and is an ideal oscilloscope to satisfy the demands of A-level syllabuses and the needs of Technical Colleges.

Look at these features and then send for full details NOW!!!

- True Dual Beam
- Large display area 6 x 10 cm
- Wide Bandwidth (DC-6MHz channel 1, DC-3MHz channel 2)
- 10 mV/cm Sensitivity (DC-2MHz)
- Exceptionally Bright Trace
- Small Size - Lightweight
- All this for only £105.00

TELEQUIPMENT



Telequipment, 313 Chase Road, Southgate, London, N.14. 6JJ. Telephone: 01-882 1166. Telex: 262004.
A division of Tektronix U.K. Ltd.

WW-089 FOR FURTHER DETAILS

Wireless World

Electronics, Television, Radio, Audio

Sixty-first year of publication

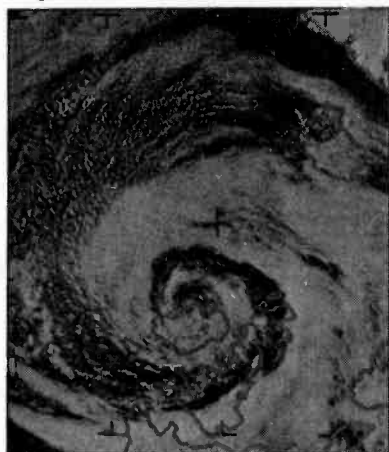
October 1971

Volume 77 Number 1432

Wireless World

Weather satellite-receiver
Making a turntable

October 1971 17p



Our cover photograph is a satellite weather picture, received by the weather satellite station at Ambassador College, St. Albans, showing a depression centred over the west coast of Ireland. The equipment used at the college is more complex, and hence gives better results, than the simple system described in this issue.

IN OUR NEXT ISSUE

Pickup arm for home construction. This design complements R. Ockleshaw's turntable in this issue. Detailed drawings show how to make and assemble the parts.

Electrostatic headphones—constructional details of a very high-quality constant charge push-pull design using easily obtained components.

Tape recording survey—progress report on tape quality, reel-to-reel and cassette recorders, and noise reduction systems.

ibpa

International Business
Press Associates

I.P.C. Electrical-Electronic Press Ltd

Managing Director: George Fowkes

Publishing & Development Director
George H. Mansell

Advertisement Director: Roy N. Gibb
Dorset House, Stamford Street, London, SE1

© I.P.C. Business Press Ltd, 1971

Brief extracts or comments are allowed provided acknowledgement to the journal is given.

Contents

- 463 The Domestic Receiver Scene
- 464 Receiving Weather Pictures from Satellites—1 by *J. M. Osborne*
- 469 Conferences & Exhibitions
- 470 Television Receiver Review
- 473 Turntable Design for Home Construction by *R. Ockleshaw*
- 478 October Meetings
- 479 Digital TV Synchronizers and Converters by *S. M. Edwardson & A. H. Jones*
- 483 Letters to the Editor
- 484 H. F. Predictions
- 485 News of the Month
- 486 Quadraphony and Home Video Steal the Berlin Show
- 489 Dual-trace Oscilloscope Unit—3 by *W. T. Cocking*
- 493 Announcements
- 494 Artificial Intelligence and All That by *I. Aleksander*
- 496 International Audio Fair
- 497 Field Sequential Colour Television Receiver—2 by *T. J. Dennis*
- 502 Electronic Building Bricks—16 by *J. Franklin*
- 503 Elements of Linear Microcircuits—12 by *T. D. Towers*
- 506 Personalities
- 507 New Products
- 511 World of Amateur Radio
- 512 Circuit Ideas
- 513 Literature Received
- 514 Real & Imaginary by 'Vector'
- A111 APPOINTMENTS VACANT
- A126 INDEX TO ADVERTISERS

Published monthly on 3rd Monday of preceding month, 17p (3s 6d).

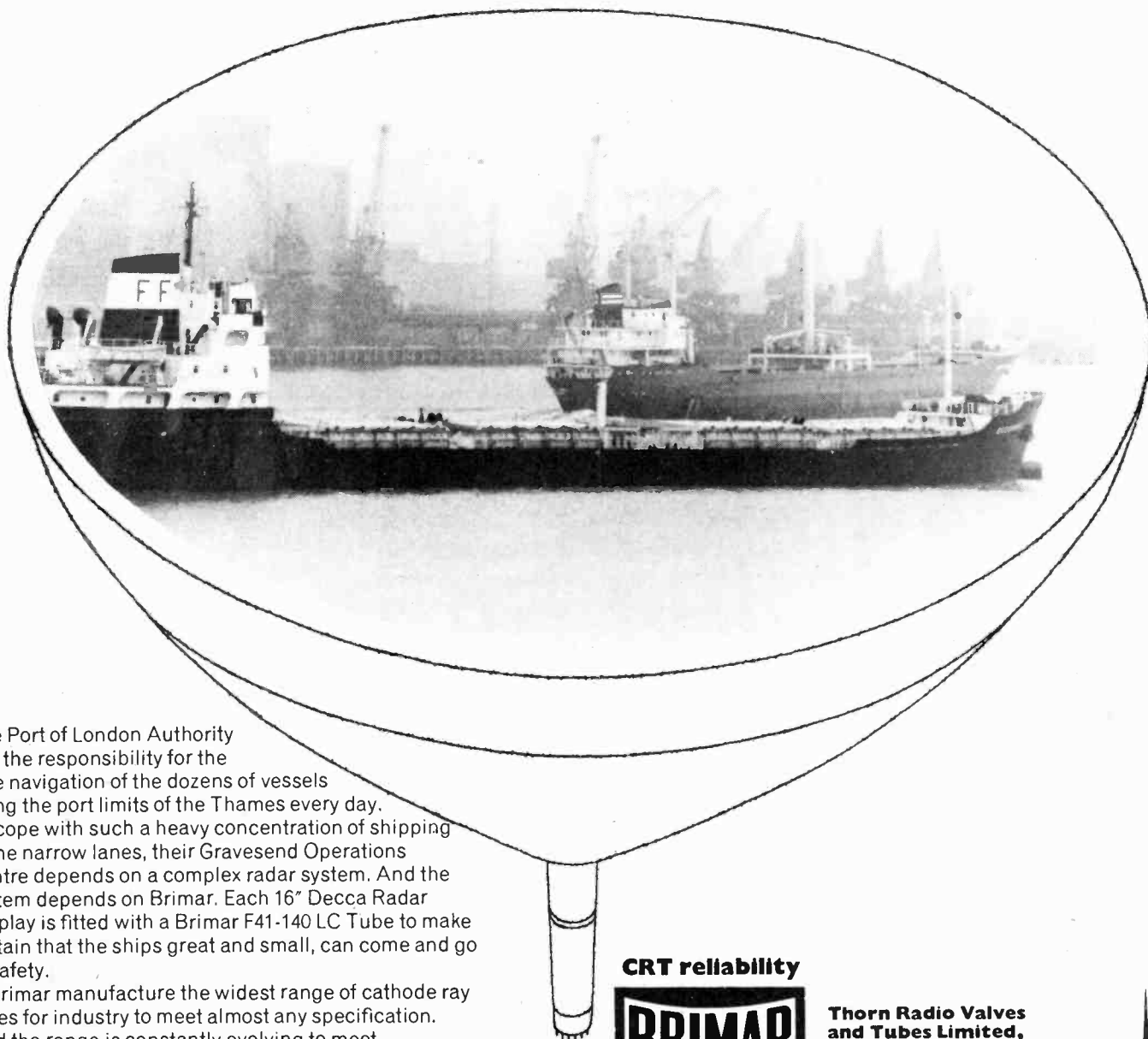
Editorial & Advertising offices: Dorset House, Stamford Street, London S.E.1. Telephone 01-928 3333. Telegrams/Telex, Wiworld Bisnespres 25137 London. Cables, "Ethaworld, London S.E.1."

Subscription & Distribution offices: 40 Bowling Green Lane, London E.C.1. Telephone 01-837 3636. Subscribers are requested to notify a change of address four weeks in advance and to return envelope bearing previous address.

Subscription rates: *Home*, £4.00 a year. *Overseas*, 1 year £4.00; 3 years £10.20 (U.S.A. & Canada 1 year \$10, 3 years \$25.50).

SAFE 'TRAVEL

through BRIMAR



The Port of London Authority has the responsibility for the safe navigation of the dozens of vessels using the port limits of the Thames every day. To cope with such a heavy concentration of shipping in the narrow lanes, their Gravesend Operations Centre depends on a complex radar system. And the system depends on Brimar. Each 16" Decca Radar Display is fitted with a Brimar F41-140 LC Tube to make certain that the ships great and small, can come and go in safety.

Brimar manufacture the widest range of cathode ray tubes for industry to meet almost any specification. And the range is constantly evolving to meet tomorrow's new and more complex demands. It's the kind of progress that keeps Brimar ahead.

CRT reliability



Thorn Radio Valves and Tubes Limited,
7 Soho Square, London, W1V 6DN.
Tel: 01-437 5233



BPT-4

WW-090 FOR FURTHER DETAILS

Wireless World

The Domestic Receiver Scene

Editor-in-chief:

W. T. COCKING, F.I.E.E.

Editor:

H. W. BARNARD

Technical Editor:

T. E. IVALL, M.I.E.R.E.

Deputy Editor:

B. S. CRANK

Assistant Editors:

J. GREENBANK, B.A.

G. B. SHORTER, B.Sc.

Drawing Office:

L. DARRAH

Production:

D. R. BRAY

Advertisements:

G. BENTON ROWELL (*Manager*)

G. J. STICHBURY

G. DONOVAN (*Classified Advertisements*)

Telephone: 01-928 3333 Ext. 533 & 246.

Traditionally our October issue must include a review of domestic receivers and this one is no exception. This tradition stems from the days when Radiolympia, usually held in the autumn, was the annual focal point of the British radio industry. Those hey days of the U.K. radio trade have long since passed and manufacturers now satisfy themselves, and presumably the traders, with a multiplicity of individual trade shows held in London hotels. Not so in Germany, however. Instead of the biennial national show, which was reintroduced a few years after the war, Germany has this year held its first international show. This, as did Radiolympia, had the unstinting support of the broadcasting organizations and the Post Office and the radio industry put on as big a show as ever—some individual companies taking the whole of one of the many halls at the exhibition centre in West Berlin. A staff report on the Berlin show, included in this issue, is devoted mainly to the subject of quadraphonic reproduction which stole the show.

Our review of domestic receivers on the U.K. market, this year surveys only television sets; there being little, if anything, new in sound receivers.

In this issue we also publish a letter from a reader who complains, as others have done from time to time, of the appalling lack of quality in the sound output of television receivers. He also mentions manufacturers' apparent disregard of the desire of many viewers to enjoy a standard of sound quality compatible with the vision quality and comparable with that of their audio equipment.

Designers, or perhaps more correctly the marketing men, have adopted the attitude that the audio output of a television receiver is secondary and, therefore, any cost pruning must be carried out in the audio circuits and the transducer.

No one is unmindful of the fact that television manufacturers are in business to sell sets at a profit and the pruning of what are considered non-essentials in order to market equipment at a competitive price is understandable. What we cannot understand is why set manufacturers, or at least most of them, do not cater for the discerning minority who would be willing to pay for something above average. As is well known, there are manufacturers who produce receivers in period cabinets, at a price, for those who want to camouflage the ubiquitous 'goggle box', but it is generally a standard chassis which is used and few, if any, make any pretence of giving a superior performance.

Our correspondent complains that the manufacturer—incidentally the one with the largest output of receivers in the U.K.—was unwilling to modify his set to provide an improved audio output. We can fully appreciate that to undertake such modifications for an individual set owner would be economically unacceptable—we would ourselves be shocked if we accurately calculated what it costs to answer an individual reader's technical enquiry let alone undertaking to modify equipment! What we cannot understand, however, is why provision is not made in at least some receivers for the audio output to be fed to a viewer's own audio equipment. We know there are problems of isolation etc, but they are not insurmountable.

We return to our opening remarks regarding the present state of the British radio and television industry. We believe it is the apathetic attitude of the industry which is responsible for the present recession and has opened the gates for the ever-increasing flood of imported equipment. The industry seems to rely on temporary boosts, such as that being given by colour television, to maintain its momentum. Something much more stable is required. Could not Britain's undoubted international reputation in the field of hi-fi be used on which to build a new image for the industry as a whole—high quality in sound and vision.

This new 'image' might provide the justification for reviving Radiolympia.

Receiving Weather Pictures from Satellites

1. A very simple receiving station

by J. M. Osborne*

There are several American weather satellites in orbit and, at the time of writing, one is continuously transmitting weather pictures. It is possible for an amateur to receive these signals and make pictures from them.

There is no mystery about orbits as a brief description should make clear. Common sense and arithmetic should enable anyone to predict satellite transits for weeks ahead. The satellites which concern us are in simple circular orbits at a height of 1400 km above the surface of the earth. From Newton's Law of Gravitation it follows that the time to circle the earth at this height is 115 minutes.

A satellite will circle in the same plane

* Westminster School

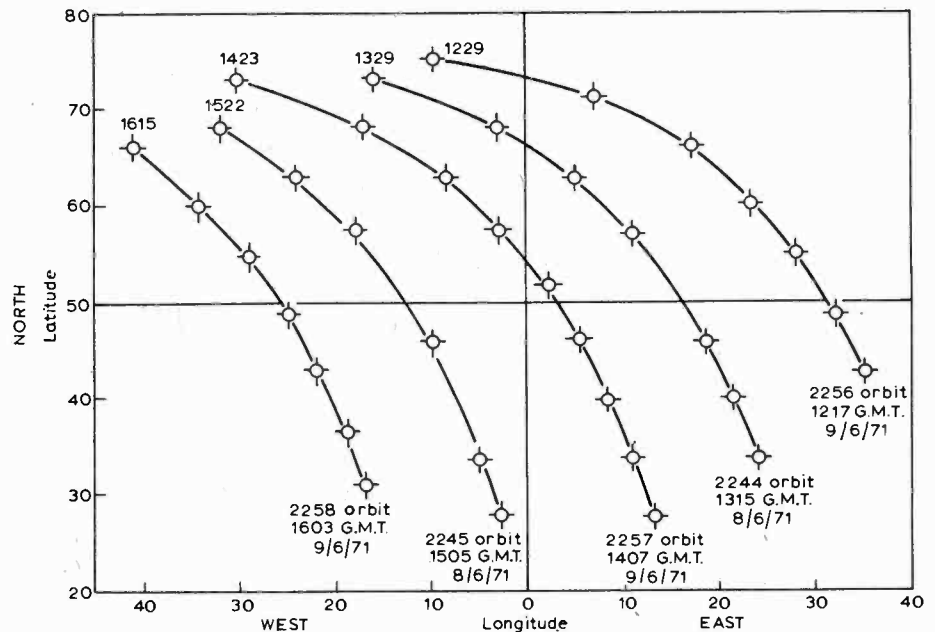


Fig. 2. The two orbits from Table 1 together with three orbits from the next day plotted at two-minute intervals which give an idea of where to point the aerial. The nearer the satellite the higher the aerial elevation needs to be.

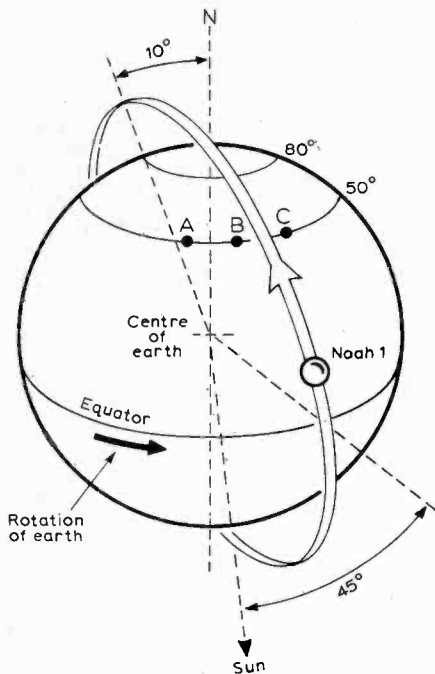


Fig. 1. The satellite's orbit shown relative to the earth. The orbit and the sun remain fixed while the earth rotates about its axis. As the satellite orbits every 115 minutes, a point on the earth's surface (London) moves successively from A to B and then C. From B the satellite is high to the east; from C high to the west.

indefinitely. The orbit has been chosen to make about 10° with the earth's axis of rotation. Hence the satellite crosses the equator at an angle of 80° and so reaches polar latitudes of 80° as shown in Fig. 1. As the earth rotates, each point on its surface between 80° N and 80° S will pass twice through this plane at the same time each day, e.g. once by day and once by night. In the example of Fig. 1 a point on the equator will cross three hours (45°) after passing the sun (after noon), that is 15.00 hr local time by the sun, e.g. 16.00 hr B.S.T. To within about 15 minutes this also holds for all points on the earth's surface between 50° N and 50° S.

A satellite is always somewhere on the circle of its orbit. Since 115 minutes per orbit is not an exact number per day, each day it will be at a different place in the orbit at the time the given point on the earth's surface passes through the plane. As an example let us consider London and a typical satellite NOAH 1 on 8th June 1971. At 11.26 hours the satellite crosses the latitude 52° N going north. As shown in Fig. 1 London at this time is in position

A. For an observer in London the satellite is below the eastern horizon. 115 minutes later, at 13.21 hours, the satellite will again be crossing latitude 52° . The earth having rotated 29° in the meantime (since it rotates 360° in 24 hrs), London will now be in position B in Fig. 1. For the observer the satellite is now high in the eastern sky moving from south to north and it will be above the horizon from about eight minutes before this time until about eight minutes later when it sets in the north.

115 minutes later, at 15.16 hours, the satellite will again cross latitude 52° N but by now London will be in position C in Fig. 1 and the satellite will be high in the western sky. A set of predictions for these two transits has been extracted from those prepared by the Radio and Space Research Station and is reproduced in Table 1. From these the latitude and longitude positions of the satellite have been plotted for an area corresponding to Europe (Mercator's projection) at two minute intervals in Fig. 2.

While an observer could never 'see' a satellite 1500 to 3000 km away, he can

receive signals from the satellite's 5W solar-powered v.h.f. transmitter. As the beam width of a simple aerial may be 50° tracking is not a critical process.

The two orbits discussed for 8th June were numbers 2244 and 2245 from launch. Also shown in Fig. 2 are orbits 2256 to 2258 on the following day. Orbit 2256 occurs 12 x 115 minutes after orbit 2244 and so on.

To generalize, this satellite will always move from south to north and be to the east of the observer between 12.00 and 14.00 each day and to the west between 14.00 and 16.00. Each day the transit will be about 1 hour (earlier or later) different from the day before. Assuming that one knows the time of crossing a given latitude, the track can be seen or interpolated on Fig. 2.

Everything said about the orbits applies to local time throughout the world. Furthermore the 80° inclination of the orbit (to the equator) is chosen because this results in a precession of the orbit of 1° per day; that is 360° or one revolution each year like the sun. So the times given apply to solar time throughout the year.

Pictures of the ground below the satellite are sent every few minutes by a slow-scan television system known as automatic picture transmission (a.p.t.). Each picture takes about three minutes to send at four lines per second. There is a short interval between pictures during which NOAH 1 sends infra-red pictures as it does also during the night. The pictures taken during orbits 2244 and 2245 are shown in Fig. 3. Each picture overlaps with its neighbours as can be seen on close inspection. As the camera is looking at a spherical earth and as the orbits converge towards the poles, the overlaps are not exact. By sticking the photographs together carefully, a best fit can be obtained as shown in Fig. 4. Europe from the Mediterranean to Scandinavia is clearly visible. Countries are often shown by cloud cover or snow on the mountains, but if the sky is clear coastlines can also be seen at lower contrast.

These pictures were taken with the very simple apparatus described in this article and are not of good quality due to receiver noise and low definition presentation. However, they might be good enough for an amateur weather forecaster. The block diagram is shown in Fig. 5. Working from left to right, the aerial is a home-made six-element Yagi for 137MHz, which is light enough to be held in the hand. A proper aerial for satellite tracking would be either a helical or a crossed Yagi to accept a rotating plane of polarization. However, a practised tracker using the portable aerial can rotate the aerial about its long axis at about a quarter of a revolution per minute to keep the signal strength meter reading maximum.

Aerial and receiver

I described a very simple aerial for satellite signal reception in the February 1971 issue of *The Short Wave Magazine*, essential details of which are reproduced in Fig. 6. Readers who require a full

constructional description should refer to the original article.

The receiver is a cheap domestic f.m. tuner, type TCC A1005, which has to be modified to cover 137MHz. The receiver

may be obtained from G. W. Smith Ltd for a little under £7. The modification consists of removing one turn from the r.f. and oscillator coils and removing 25% of the turns on the r.f. choke as shown in the

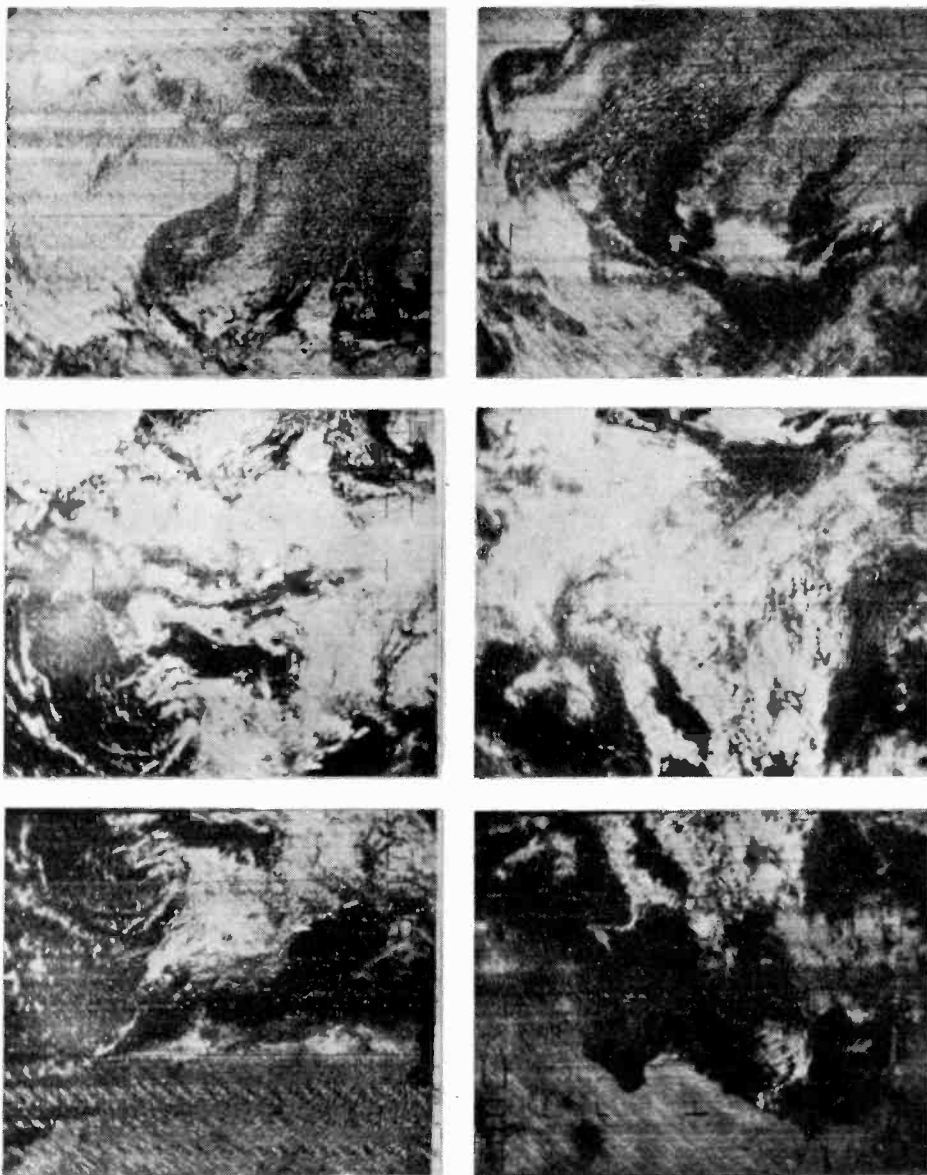


Fig. 3. Pictures taken, using the simple equipment described, during the orbits 2244 and 2245 tabulated in Table 1 and plotted in Fig. 2. They show, bottom right, the Nile delta and Italy; top right, Scandinavia and the Baltic; bottom left, Spain, Gibraltar and North Africa; and a practised eye could spot Scotland emerging from the cloud over the U.K. in the top left picture

TABLE 1. Satellite Predictions

time	azimuth	elevation	lat. N	long. E	height	range
						km
Orbit No. 2244 date 8-6-71						
13.15.1	125	12.3	33.73	23.99	1.472	3.419
13.17.1	118.3	21.7	39.77	21.47	1.476	2.800
13.19.1	106.3	33.4	45.76	18.58	1.480	2.271
13.21.1	82.4	45.4	51.68	15.12	1.484	1.921
13.23.1	43.4	48.3	57.49	10.78	1.488	1.858
13.25.1	12.6	38.5	63.13	5.02	1.491	2.108
13.27.1	357	26.2	68.47	356.81	1.493	2.579
13.29.1	348.8	16	73.25	344.18	1.495	3.171
Orbit No. 2245 date 8-6-71						
15. 8	183.8	14.4	27.65	357.5	1.467	3.265
15.10	190.8	24.5	33.73	355.26	1.472	2.652
15.12	203.7	37.3	39.77	352.74	1.476	2.135
15.14	231.3	50.6	45.76	349.85	1.480	1.809
15.16	276.8	52.1	51.68	346.39	1.484	1.783
15.18	308	39.8	57.49	342.05	1.488	2.068
15.20	322.6	26.6	63.13	336.29	1.491	2.559
15.22	330.4	16.2	68.47	328.08	1.493	3.156

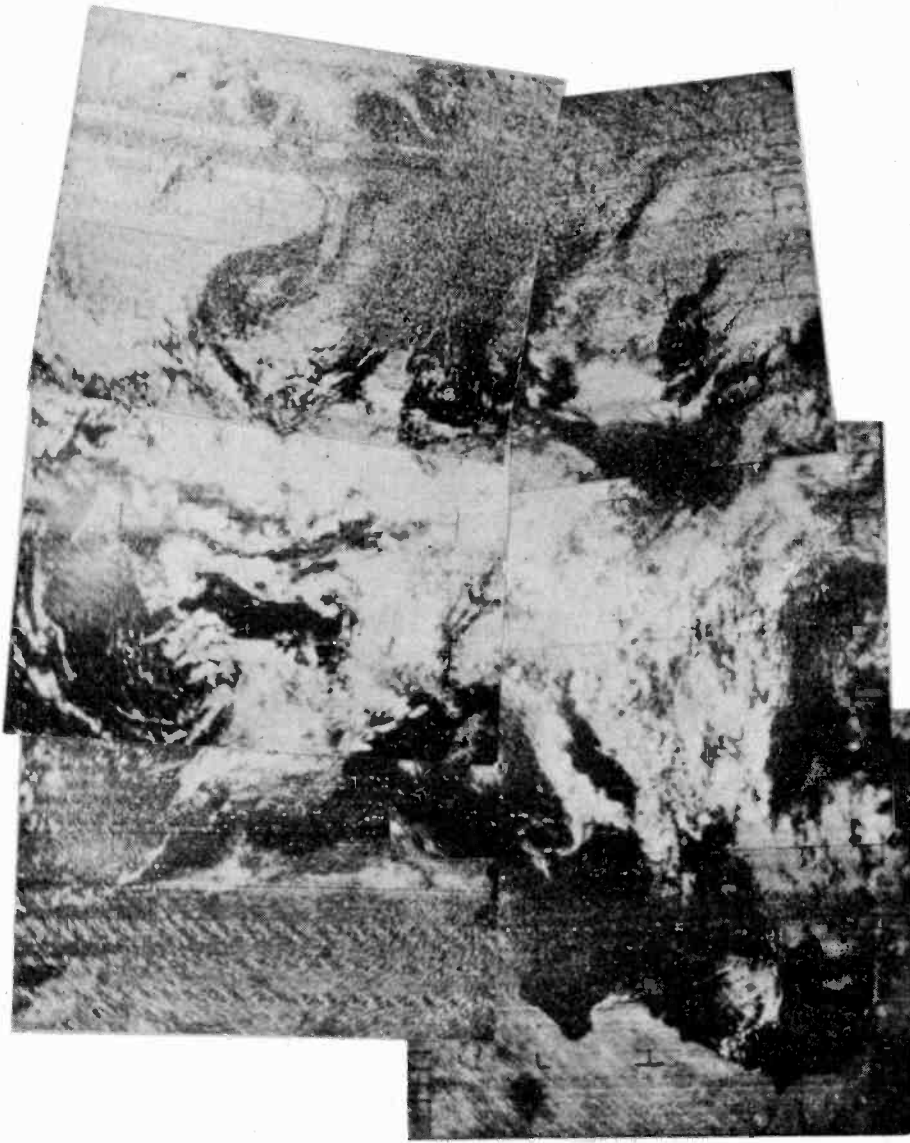


Fig. 4. The pictures of Fig. 3 overlapped to make a best fit mosaic, showing Europe and the Middle East from Suez to Iceland.

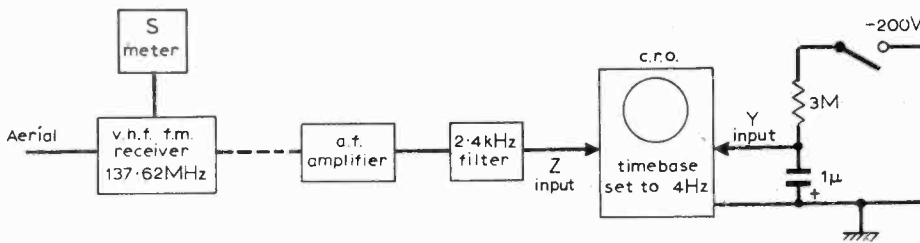


Fig. 5. Block diagram of the apparatus used for taking the pictures given in Figs. 3 and 4. The one-shot vertical sweep circuit is shown in full.

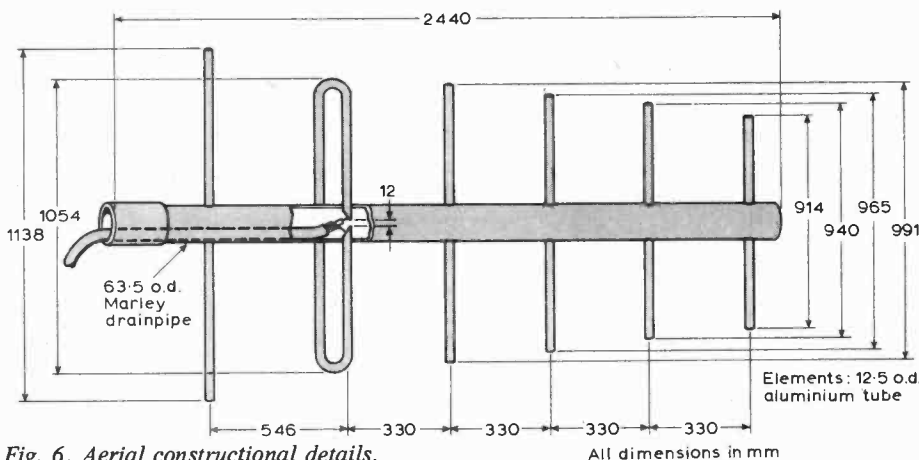


Fig. 6. Aerial constructional details.

circuit diagram in Fig. 7. It is useful to have some way of checking that the frequency of the tuned circuits is correct and a dip oscillator is a useful tool for this purpose. The only satellite transmitting at present, ESSA 8, operates on 137.62 MHz. It is desirable to have this point marked on the dial with some precision, possibly by using harmonics of a crystal oscillator as markers. The satellite is in range for only fifteen minutes at a time so tuning cannot be left to chance. The discriminator in addition to demodulating the f.m. signal provides a signal-dependent voltage which is connected to a signal-strength meter. An AVO Multiminor on the 2.5V range or any 10k Ω /V meter will do. It is an advantage to have a large scale instrument so that it can be easily seen by the person operating the aerial.

Oscilloscope Z modulation

As implied, the picture information is conveyed by means of frequency modulation of the carrier so that its strength is independent of the varying range and attitude of the satellite. The modulation is carried out at a fixed frequency of 2.4kHz and this sub-carrier is easily recognized on the monitor speaker as an audible note. Its intensity, but not its frequency, fluctuates as the picture information is used to amplitude modulate the sub-carrier. A typical line of this amplitude modulated 2.4kHz sub-carrier is shown in Fig. 8. To improve the signal-to-noise ratio a tuned audio filter is used following the audio amplifier as shown in Fig. 9. This audio is sufficient to modulate the spot brightness on a standard school oscilloscope (Telequipment S51E). Because the cathode of the oscilloscope is at negative e.h.t. the Z modulation is applied via an internal capacitor. As d.c. coupling is not possible, the raw audio frequency is fed to the Z input, only the positive half of each cycle brightening the spot.

Line time-base and synchronization

The internal time-base of the oscilloscope can provide a 4Hz line sweep. It is just about possible to get recognizable pictures with a free running time-base and an example is given in Fig. 10. The white edge of the picture appears at random and wanders from line to line. There is no synchronizing in the picture signal and this raises the biggest technical problem for the amateur. The solution which I have adopted is to use a 100kHz quartz oscillator followed by i.c. dividers to produce a very stable 4Hz source of trigger pulses. These are injected into the Y input of the scope at the base of a 1 μ F capacitor and used to trigger the sweep as shown in Fig. 12. The inductance is in no way critical and a winding of a small a.f. transformer suffices. With the trigger control on the S51E set correctly perfect synchronization is possible.

The crystal clock consists of a 100kHz quartz crystal oscillator followed by an

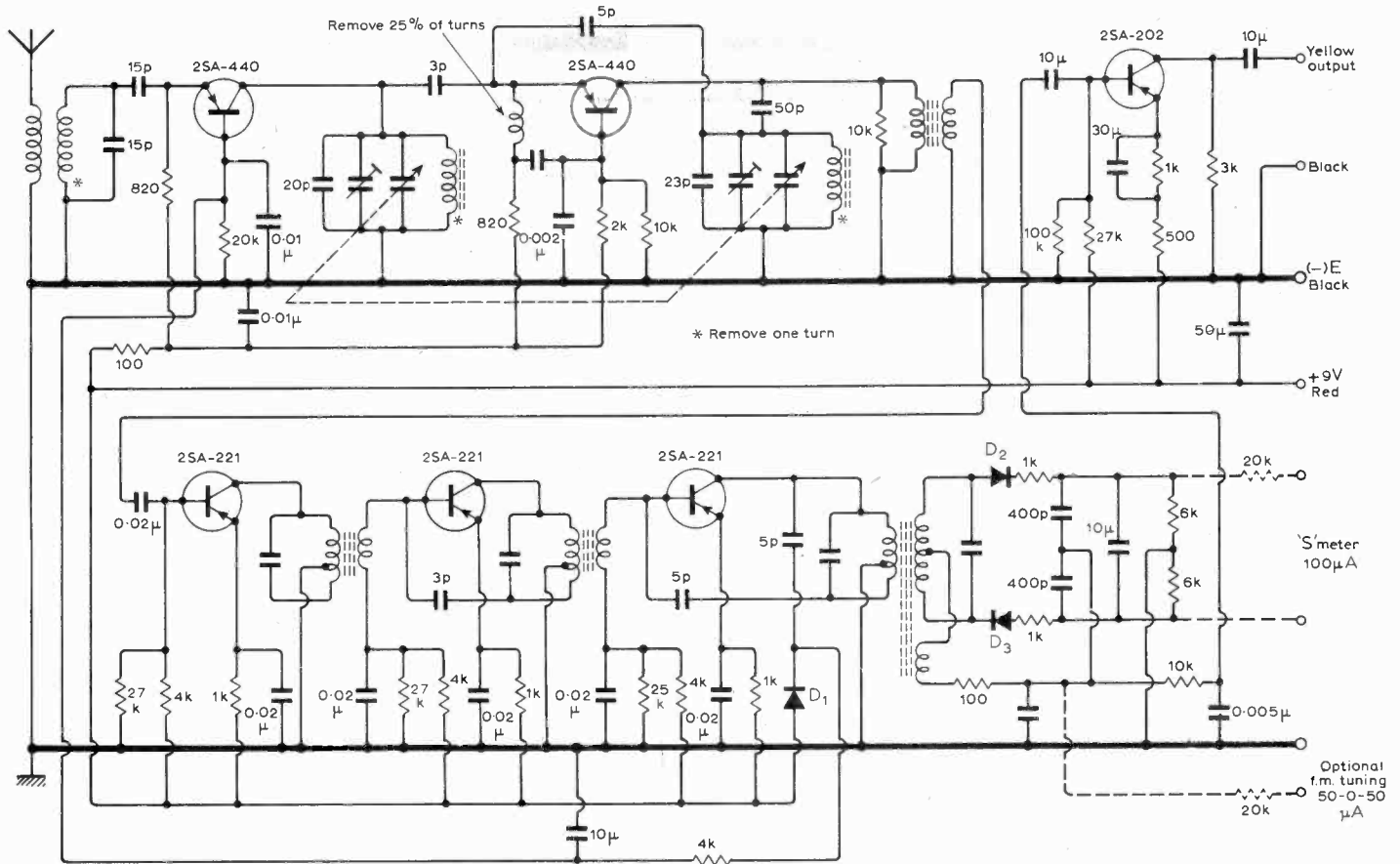


Fig. 7. The circuit diagram of the f.m. tuner showing how the S meter is connected and which coils to alter. Transistor types are given as a guide; alternative types may be fitted. Extra parts are shown dotted.

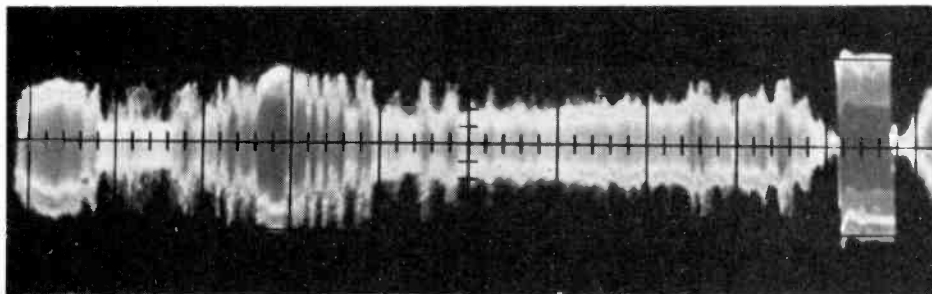


Fig. 8. An oscilloscope trace showing a typical line (250ms) of the amplitude modulation of the 2.4kHz subcarrier. The rectangular section near the end is the 12.5ms white edge of the picture.

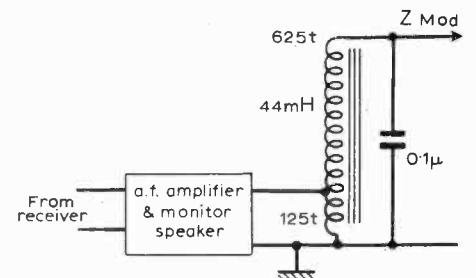
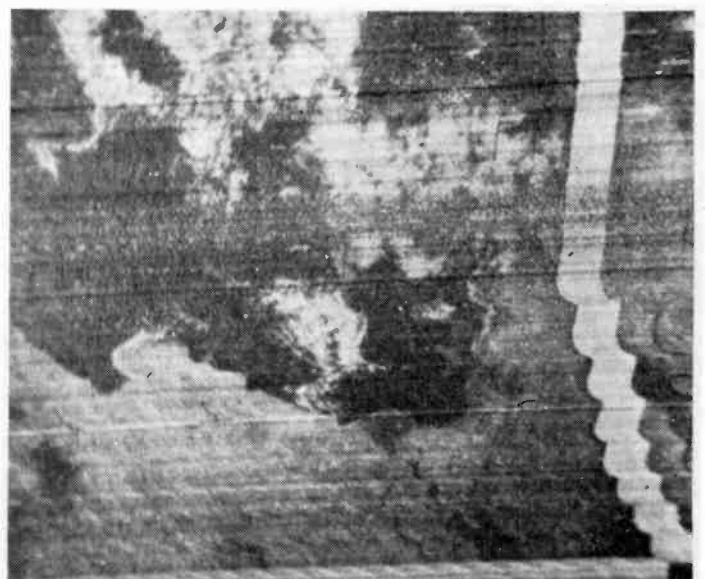


Fig. 9. The tuned audio filter is a simple device which steps up the signal voltage but, more important, gives considerable improvement in the signal-to-noise ratio.

i.c. divider chain (Fig. 11). The oscillator circuit is conventional but a high beta transistor should be selected for easy starting. The crystal frequency is adjusted by the trimmer TC. The simplest and completely effective calibration relies on the use of a radio with a long-wave band. This is tuned to the standard frequency 200kHz Radio Two transmitter. If the radio is placed near the crystal oscillator enough second harmonic exists to beat with the 200kHz signal. The trimmer is set to give one beat per second or better. The radio should be orientated to give a weak signal from the broadcast station. The receiver noise, as the a.g.c. operates on beats, and is helpful in making the final setting. A beat frequency of 0.2Hz is possible and the long term stability is probably better than 1 in 2×10^5 . Once set the crystal clock needs no further attention. The second transistor is also a

Fig. 10. This shows the picture at the bottom right of Fig. 3 as it appears without synchronization and a free running time base. The white wavy line is the edge of the picture.



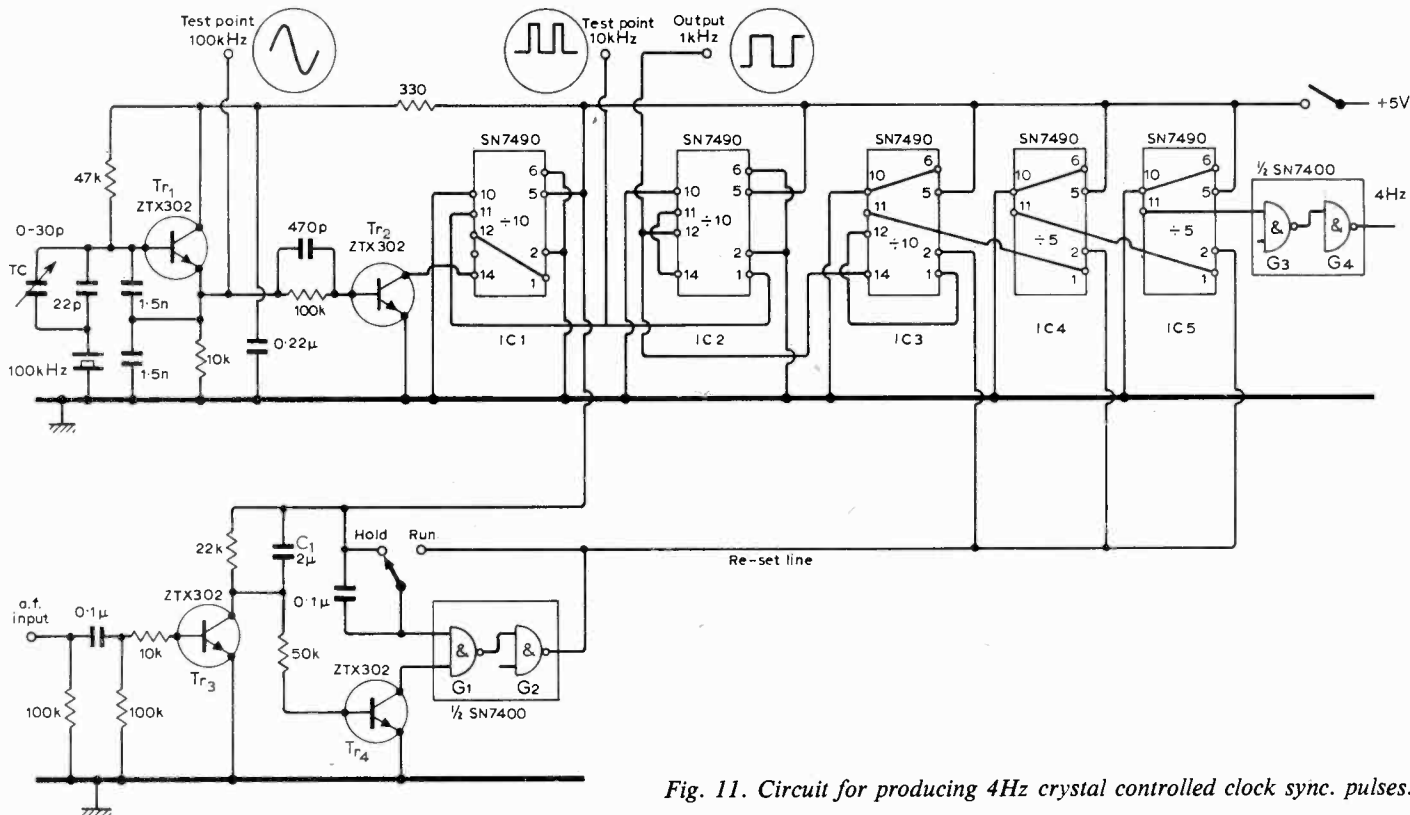


Fig. 11. Circuit for producing 4Hz crystal controlled clock sync. pulses.

high beta type to switch the i.c. decade divider without noticeably loading the crystal oscillator.

The divider chain provides outputs at 10kHz and 1kHz which may be used as test points or as frequency standards in other equipment.

A gate on the reset line of the counters is operated by the sync. pulse train which is transmitted before the picture information. This resets the divider to start in time with a gap in the pulse train (the gaps occur at 4Hz). Hence the first sync. pulse occurs in the next gap and, as the clock is accurate, the synchronization of the whole picture will be correct.

The starting procedure is as follows. Just before the sync train arrives the transmitter sends a few seconds' warning burst of a 600Hz tone. This warning that the picture is about to begin is easily recognized. The operator at this time throws the reset switch up, thus taking the reset line from all three dividers to the positive line. This sets and holds all counters to zero. At the end of the tone the sync. train arrives. The operator now moves the switch to the run position. In the meantime the signal arriving has charged C_1 which holds Tr_4 off so counting does not start. On the arrival of the next gap in the carrier C_1 discharges and so switches on Tr_4 . This puts the input 1 of gate 1 to ground causing the output of the gate to go positive. This causes the output of gate 2 to go down taking the reset line to zero and counting starts. The reset line also goes to input 2 of gate 1 thus holding the situation after the end of the gap and indeed indefinitely until the reset switch is next raised.

The line time-base is triggered by a negative-going pulse. This could be

obtained directly from the last divider. However, these dividers show a small step down in output voltage during the 'on' stage. This does not affect the logic but could conceivably produce a false negative trigger pulse. As a safety precaution the output is taken via the two remaining gates of the SN7400; as the final gate is either on or off no ambiguous pulses can occur.

Vertical time-base.

The frame time-base is a one-shot device and consists of two components only. A switch connects a $1\mu F$ capacitor to a $-200V$ supply via a $3M\Omega$ resistor. The Y input to the oscilloscope is arranged to give a 1V/cm sensitivity so that 10V across the capacitor gives full vertical deflection, this takes about 200 seconds and is adjustable by varying the supply voltage or the $3M$ resistor. It is

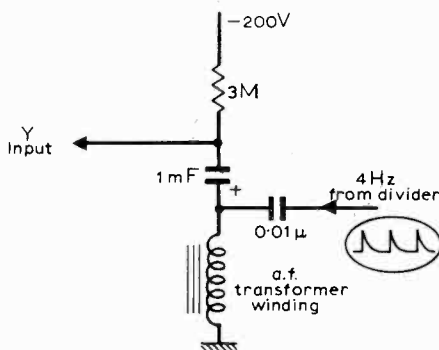


Fig. 12. The circuit used to introduce the synchronizing pulses from a quartz crystal clock into the Y input of the 'scope.

important to turn off the switch at the end of a sweep to avoid exceeding the working voltage of the capacitor. The circuit of the vertical time-base can be seen in both Figs. 5 and 12.

Photography

The slow scan picture can be seen on the screen of the oscilloscope and a general idea of the cloud cover in Europe could be estimated by watching the scan, line by line. Unless one has a very long-persistence screen, i.e. 3 minutes, it is necessary to integrate the picture by photography. The camera is focused on the c.r.t. with the shutter open while the picture is being made. Almost any camera will do but a supplementary lens is generally needed to focus down to 20cm. Almost any lens of about 20cm focal length will do and it can be held over the camera lens with insulating tape. The camera must be fixed in a rigid mount in front of the screen with the stop wide open, say $f/2.8$, and the shutter on bulb. It is more convenient to black out the room than to exclude light from the camera and 'scope. One can have very subdued lighting while making the picture and so do the switching etc. and also see what is going onto the film. The camera used by the writer is a Kodak Retina employing Tri-X film.

An idea of the layout can be obtained from the photograph, Fig. 13. The camera faces the c.r.t. screen, the supplementary lens being held in a piece of wood just visible in front of the camera. Behind is the h.t. unit which supplies $-200V$ d.c. adjustable, while in the foreground is the tuned filter passing the picture signal to the Z modulation on the 'scope.

One operator outside tracks the aerial

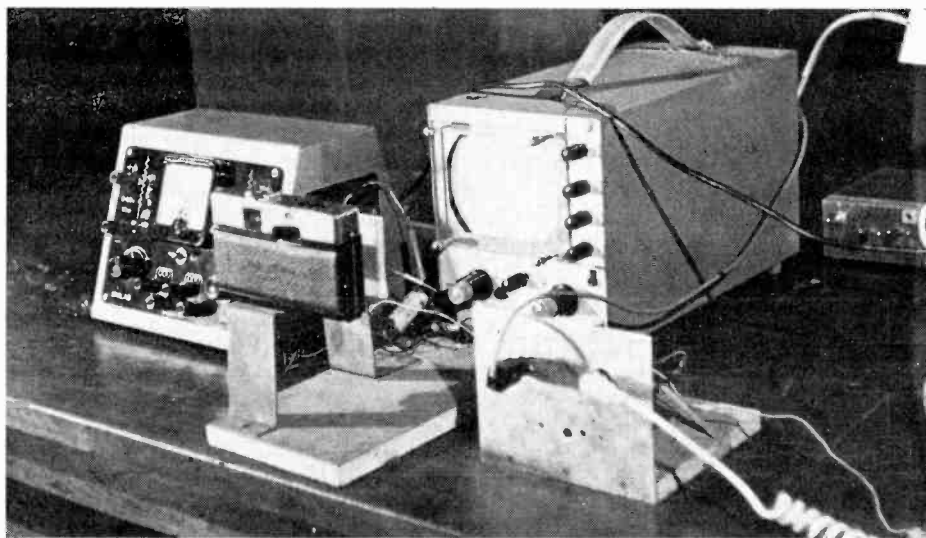


Fig. 13. The picture making end of the apparatus set up ready for use. The camera facing the screen is in the centre of the picture. To the right is the audio filter and to the left the 200V supply. The capacitor and resistor of the vertical sweep are attached to the Y input of the 'scope.

watching the S meter and monitoring the audio signal on a loudspeaker. The first audio amplifier and loudspeaker is seen near the feet of the operator in Fig. 14. Indoors, in a darkened room, the audio signal arrives via a screened cable, is amplified and fed to the 2.4-kHz filter and the 'scope Z input. The brightness control is set so that the sweep is just visible with no Z input. The modulation brings up the brightness to a value which will make an image on the film. The vertical deflection control is used to set the sweep at the top of the screen with the capacitor discharged.

A 3-second burst of a 600-Hz tone warns the operators that a picture sequence is about to start. The aerial operator concentrates on keeping the signal steady. The indoor operator switches on the vertical sweep and opens the camera shutter. At the same time phasing of the line sync. dividers is carried out as previously described. As soon as the picture finishes the shutter is closed and the vertical time-base switched off. The film is wound on ready for the next picture and the capacitor discharged through a $1k\Omega$ resistor to bring the sweep back to the top of the screen. After the transit the film is cut off the cassette in a photographic darkroom and loaded into a tank, developed and printed in the usual way. A Polaroid camera can be used to give instant pictures.

My thanks are due to Dereck Slater, of Kettering Grammar School, for the original suggestion to use an S51E, to Geoffrey Perry of the same establishment for information on earlier satellites, to the Radio and Space Research Station at Slough for current prediction and the Met Office Tracking Station Operator for up-to-date information on new satellites and dead ones. My thanks also to the National Aeronautics and Space Administration of America, that mammoth organization capable of putting such

sophisticated machinery into orbit, who are still able and willing to send me information directly.

ESSA-8, the only satellite transmitting at present transmits on 137.62MHz and transits north to south in the mornings. We pass through the plane of the orbit around 11.00 hours. It operates in daylight only and sends a continuous note between pictures. Next month a more advanced station will be described.

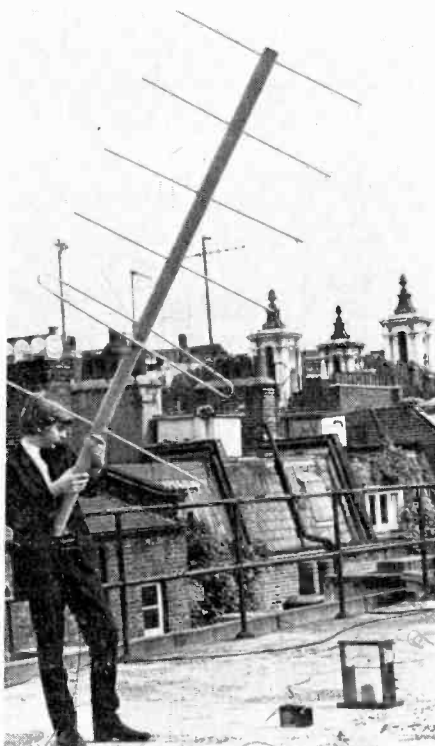


Fig. 14. The aerial and S meter. The coaxial cable leads to the aluminium box containing the receiver. The black box contains the first audio amplifier and monitor speaker.

Conferences and Exhibitions

LONDON

- Oct. 12-15 R.H.S. New Hall
Engineering Inspection & Control Exhibition & Conference
 (Business Conferences & Exhibitions, Mercury House, Waterloo Rd., London S.E.1)
- Oct. 25-28 Olympia
Research & Development Exhibition & Conference
 (R. W. Boardman (Exhibitions), 8 Leicester St., London WC2H 7BN)
- Oct. 25-30 Olympia
Audio Fair
 (International Audio Festival & Fair, Dorset House, Stamford St., London S.E.1)

BRIGHTON

- Oct. 19-21 Hotel Metropole
Inter/Nepcon
 (P. G. Saville, 21 Victoria Rd, Surbiton, Surrey)

BRISTOL

- Oct. 12-14 New Bristol Centre
Electronic Instruments Exhibition
 (Industrial Exhibitions, 9 Argyll St., London W1V 2HA)

MANCHESTER

- Oct. 5-8 City Hall
MELEX—Manchester Electronics Exhibition
 (Industrial Exhibitions, 9 Argyll St., London W1V 2HA)

NEWCASTLE

- Oct. 5-7 Exhibition Centre
Engineering Exhibition
 (Engineering Industries Assoc., 15 Walker Tce., Prince Consort Rd., Gateshead-on-Tyne 8)

OVERSEAS

- Oct. 4-6 Toronto
Electrical & Electronics Conference
 (Conference Office, 1819 Yonge St, Toronto 7, Ontario)
- Oct. 6-8 Washington
Electronic & Aerospace Systems
 (M. B. Thorpe, Bell Aerospace, 1000 Connecticut Ave., Washington, D.C. 20036)
- Oct. 6-9 Mexico City
Seminar on Telecommunications
 (J. Alberty, Siemens Mexicana, S.A., Poniente 116, 590, Col Industrial Vallejo, Mexico 16)
- Oct. 7 & 8 Montreal
Video Cartridge, Cassette & Disc Player Systems
 (S.M.P.T.E., 9 East 41st St, New York, N.Y. 10017)
- Oct. 11-13 Washington
Electron Devices
 (I.E.E.E., 345 East 47th St, New York, N.Y. 10017)
- Oct. 11-13 Chicago
One World of Microelectronics
 (International Society for Hybrid Microelectronics, Suite 102, 1410 Higgins Rd, Park Ridge, Illinois 60068)
- Oct. 12-17 Ljubljana
Modern Electronics Exhibition
 (Gospodarsko Razstavisce, Ljubljana, Titova 50, Yugoslavia)
- Oct. 14-20 Dusseldorf
Interkama
 (Düsseldorfer Messgesellschaft mbH—Nowea—4 Düsseldorf 10, Postfach 10203)
- Oct. 15-24 Prague
Audio, Video & Radio Exhibition
 (AVRO Praha '71, 10 Rimska, Praha 2)
- Oct. 18 & 19 Chicago
Consumer Electronics Symposium
 (W. Luplow, Zenith Radio Corp., 1851 Arthur Ave., Elk Grove Village, Ill. 60007)
- Oct. 18-20 Chicago
Fall Electronics Conference
 (I.E.E.E., 345 East 47th St, New York, N.Y. 10017)
- Oct. 18-20 Lausanne
Eurocon 71—I.E.E.E. Convention
 (Eurocon 71, 24 Chemin de Bellerive, CH-1007 Lausanne)

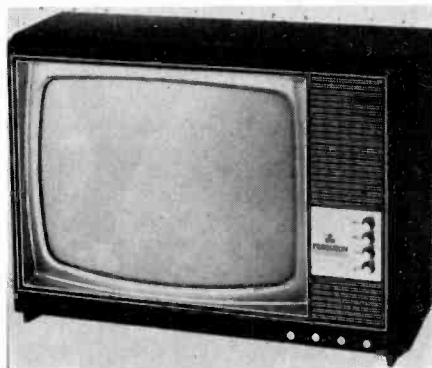
Television Receiver Review

Circuit developments in new sets

If one had to sum up the trend in television receivers since our last report (October 1970) one might reasonably say that it has been the year of the *smaller* set. Not small set, for these have been with us for a long time—the use of transistors and integrated circuits having made it possible to design neat mains/battery portable monochrome sets with screen sizes from 10in (Sanyo) down to 3in (Standard). It would seem that British and European tube and receiver manufacturers have decided that the 26in screen is about as large as they can go with the present technology, and are now concerned with fostering an apparent demand for lower-priced receivers with smaller screens. (This demand may well have been started by the influx of the Japanese portables.) The 'smaller set' category might well be identified by a range of screen sizes of 17in (monochrome and colour), 15in (colour), 13in (monochrome only). Most of these receivers are described by their makers as 'portable', but some people might consider this applicable only to the smallest sets, which can be powered from batteries as well as from the mains.

Meanwhile existing designs of large (20in-26in) hybrid receivers have been continuing in production because they have been found successful both in price competitiveness and reliability. G.E.C., I.T.T.-KB, Philips, Pye Group and Rank-Bush-Murphy are among the major groups which have reported 'no change'. A newcomer to Britain with hybrid receivers is Grundig, a firm which claims to be Germany's largest television set manufacturer. They have introduced three monochrome receivers and one 26in colour set, which uses integrated circuits for sound i.f. colour decoding and tuner stabilization.

Technically the most interesting of the smaller sets is the Sony 13-in colour receiver type KV-1320UB. This has a new type of tri-colour tube called the Trinitron which, as we reported in our March 1971 issue, p.108, uses, instead of a shadow-mask and phosphor-dot pattern, a metal plate with vertical slits and vertical phosphor stripes. The three electron beams emerge from a single electron gun in a 'horizontal-in-line' formation, as distinct from the triangular formation of a shadow-mask tube. Apart from this the receiver has a type of colour decoder which operates on



Example of this year's new sets—a Ferguson 17-inch colour receiver using the B.R.C. type 8000 chassis mentioned in the text.

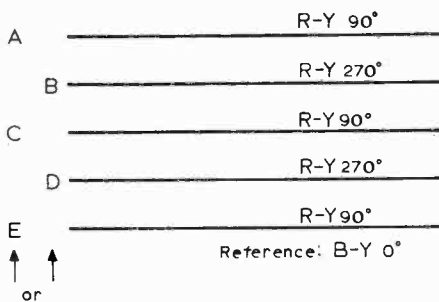


Fig.1. Successive lines of a television field, showing the phase of the R-Y colour information alternating between 90° and 270°.

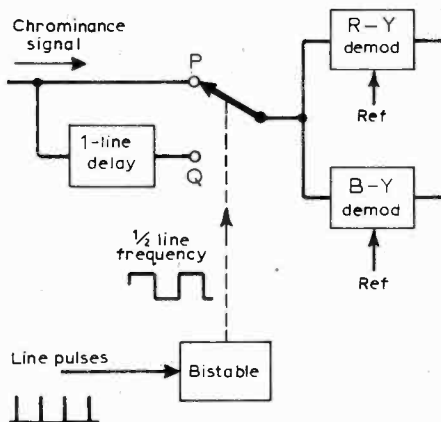


Fig.2. Basic principle of decoder used in Sony 13-inch colour receiver.

a different principle from that of a conventional PAL receiver and therefore, according to the manufacturers, does not infringe the AEG-Telefunken patents on PAL. (Sony do not have a licence from AEG-Telefunken to make PAL receivers.)

What in fact this decoder does is to convert the PAL chrominance signal available at the detector into an N.T.S.C. type of chrominance signal—that is, one without phase alternation line by line by the R-Y component. Thus the receiver does not make use of the essential feature which distinguishes the PAL system from N.T.S.C.—the cancellation of phase (and hence hue) errors introduced in the transmission path.

The phase reversal of the R-Y component on alternate lines of the transmitted signal is cancelled by the simple expedient of omitting the colour information in every other line of each field. Thus in Fig.1, if the R-Y information in lines A, C, E, etc., is omitted, the R-Y information in lines B, D, etc., is retained and always has the same phase angle (270°) with respect to the B-Y phase reference (0°). Alternatively, if the R-Y information in lines B, D, etc., is omitted, that in A, C, E, etc., is retained and again always has the same phase angle (90°) with respect to the reference. This process is achieved electronically by the system shown in Fig.2. An electronic switch is operated by a bistable circuit giving a square wave at half the line scanning frequency. Thus if the switch is in position P at the beginning of line A (Fig.1) the chrominance signal is passed directly to the R-Y and B-Y demodulators throughout line A. At the end of line A the bistable moves the switch to position Q, but the chrominance information transmitted during line B does not reach the demodulators because it is held back by the 64µs (one line period) delay unit. Instead, while the switch is at Q, the demodulators receive a delayed version of line A chrominance information. Before the line B chrominance information starts to emerge from the delay unit the electronic switch has moved back to position P where it remains for the duration of line C . . . and so on. In practice it does not matter which position the switch starts from when the set is turned on, the R-Y chrominance information will always have the same phase (permanently 90° or permanently 270°). The phase of the B-Y

component is not changed in the PAL-transmitted signal, so this fixed phase information is passed to the demodulators in both positions, P and Q, of the electronic switch; but, as with the R-Y component, the demodulators receive the B-Y component directly when the switch is at P and then a delayed version of it when the switch is at Q. Thus the demodulators receive the chrominance information as transmitted only during alternate lines (e.g. lines A, C, E, etc.) and during the 'between' lines (e.g. lines B, D) they receive repeated versions of that information.

R-Y and B-Y demodulation is achieved in the normal way by synchronous detectors using local reference oscillators in phase quadrature operating at the colour subcarrier frequency. The phases of these reference oscillations are controlled by the colour sync bursts in the transmitted signal, and these swing $\pm 45^\circ$ in phase (with respect to the B-Y phase reference, 0° , plus 180°), in synchronism with the R-Y component phase reversals. The controlling burst is used in the normal way for the B-Y reference oscillator, but because of the signal switching system described above the burst phase must be reversed for the R-Y reference oscillator on one line out of two to obtain the 90° shift in the mean burst phase. This is achieved by a further electronic switch, operated by the bistable, which switches in a phase inverter when the Fig.2 switch is at position P.

A simplified version of the actual circuitry is shown in Fig.3. It will be seen that the electronic switch in Fig. 2 is formed by two diodes which are turned on and off by positive and negative d.c. voltages from the bistable (the points equivalent to the switch terminals are shown at P and Q). The 220pF capacitors are simply to isolate the d.c. operating voltages from the previous signal paths. A similar two-diode circuit is used for switching the phase of the burst. As can be seen the 'phase inverter' referred to in the previous paragraph is obtained by means of a centre-tapped transformer, the two signal voltages between the c.t. and the secondary terminals being always 180° out of phase.

It would seem that the use of the non-PAL decoder has two main disadvantages. First, because of the omission principle of Fig.1, half of the transmitted chrominance information in the vertical direction is not displayed. (However, there is also a loss of vertical chrominance information in a standard PAL delay line decoder, because the colour information from any two adjacent lines is averaged by the action of the delay line.) Secondly, because the PAL signal is converted into an N.T.S.C. type of signal, hue errors introduced by phase shifts in the transmission path are not automatically cancelled (and in fact the Sony receiver is provided with a manual hue control for this very reason). On a 13-in screen the first disadvantage does not show up to any extent, but it will be interesting to see what is the picture quality of a forthcoming receiver using an 18-in Trinitron tube.

Another new colour receiver is the British Radio Corporation's type 8000

chassis, which has a 17-in (shadow-mask) colour tube. This set is interesting in a number of respects. First the price is below £200 (in fact £189.75); secondly it has an all solid-state circuit; thirdly the designers have dispensed with the e.h.t. voltage tripler used in most colour sets and reverted to an overwind on the line scanning transformer and single rectifier to provide the 21kV e.h.t. for the colour tube; fourthly the detector is a synchronous type instead of

the usual envelope detector, and finally the power supply uses a thyristor voltage stabilizer.

The makers have abandoned the e.h.t. tripler mainly on grounds of cost, thereby helping to keep the price of the set down. Although in the past overwinds for 20kV or more have been found prone to breakdown through shorting of turns, sometimes starting fires, the designers of the receiver state that they have achieved better reli-

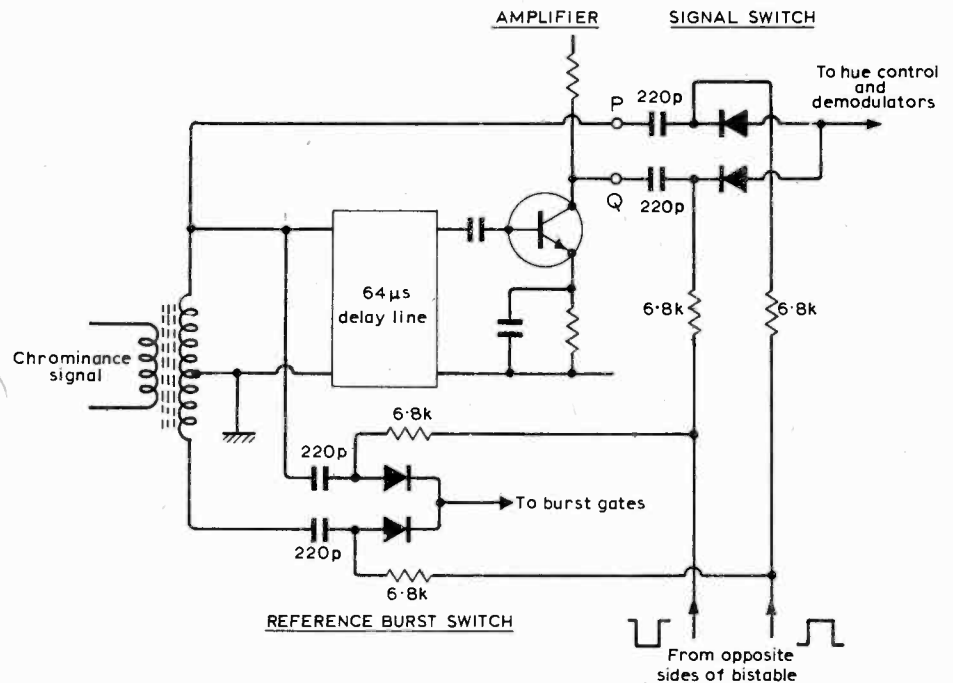


Fig.3. Simplified circuitry of the Sony colour decoder shown in Fig.2. The points P and Q correspond to the "switch contacts" P and Q in Fig.2.

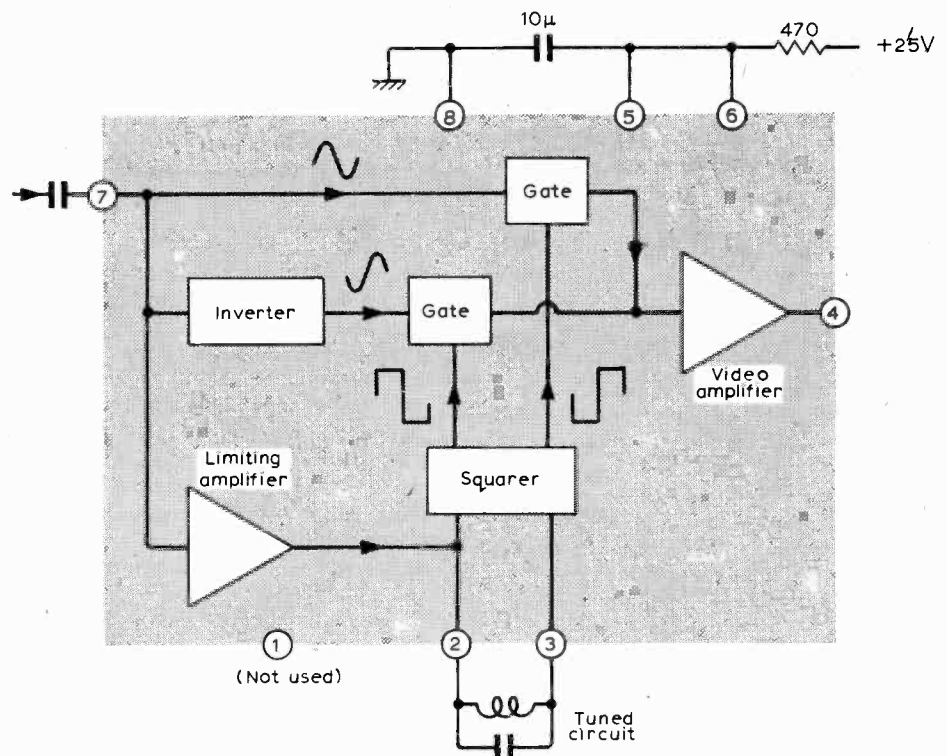


Fig.4. Functions and terminals of integrated circuit synchronous detector used in B.R.C. 17-inch colour receiver and Decca 12-inch monochrome set (Motorola MC1330P)

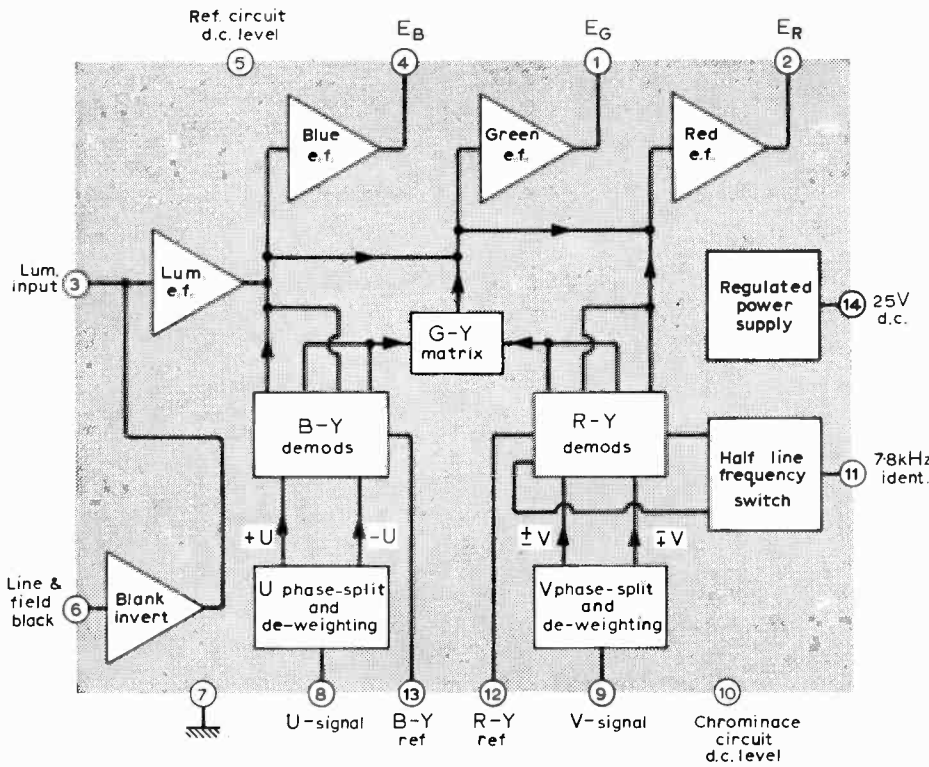


Fig. 5. Functions and terminals of chrominance decoding integrated circuit (Motorola MC1327) used in B.R.C. and Decca 17-inch colour receivers.

bility by a winding technique involving impregnation with silicone rubber insulation. Decca, in their latest 17-inch colour receiver, the CS1730, have decided on an intermediate arrangement, by using a 10kV overwind and a voltage doubler. This doubler has selenium rectifiers and is housed near the bottom of the chassis to keep it cool.

A synchronous detector, operating at the low signal voltage of 50mV, is used in the B.R.C. set, and in a Decca monochrome receiver to be described later, because of its inherently high linearity in comparison with the simple diode envelope detector. The advantages of this high linearity include less need for sound trapping, less critical tuning and more stable i.f. performance at high receiver sensitivities,

as the i.f. and video gain partitioning can be re-apportioned to reduce the need for high gain at i.f. The synchronous detector is certainly more complicated, but it is available in integrated circuit form and so is not unduly expensive or difficult for the set maker to use. Fig. 4 shows the internal functions of the Motorola MC1330P used by B.R.C. and Decca. To provide the fixed local oscillation required for synchronous detection the incoming i.f. signal is passed through a limiting amplifier, removing the modulation, to an external tuned circuit (connected to terminals 2 and 3) which is tuned to the carrier frequency 39.5MHz. The resulting oscillation is applied to a squaring circuit which produces the square waves needed for opening and closing the gates. With the arrangement shown, two gates with an inverter in one signal path, the input signal is chopped at 39.5MHz and one half cycle is inverted. The result is a train of uni-directional, half-sinewave pulses proportional in amplitude to the carrier level and hence to the modulation. This is passed through a video amplifier within the i.c. and the result is an output (at terminal 4) with a d.c. component of about 7V and a video signal component of up to 4V peak-to-peak.

In the B.R.C. receiver the line timebase works at the high supply voltage (for transistor circuits) of 180V, and this allows a fairly simple regulated power supply to be used. In this a thyristor acting as a triggered switch is inserted between one mains input terminal and the 180V terminal to be voltage regulated. The time during the positive half cycle of the mains supply, when the thyristor is triggered is varied in accordance with the load on the regulated

supply, so that the energy removed by the load is balanced by the energy restored to the reservoir capacitor during the period of thyristor conduction. The time of triggering is determined by the rate of rise of ramp voltage across a capacitor, this rate being made a function of the output voltage of the supply.

In both this set and Decca's 17-inch colour receiver the chrominance decoding circuitry is greatly simplified by the use of an integrated circuit. This is the Motorola MC1327, and the functions it performs are shown in Fig. 5. It accepts luminance and chrominance signals, the 4.43MHz reference oscillations for demodulation, the 7.8kHz identification signal and line and field blanking pulses. The chrominance signals are demodulated and matrixed so that the i.c. produces R, G and B signals.

Another new solid-state receiver is a 12-inch mains/battery monochrome set just introduced by Decca, the type MS1210. This receiver uses four integrated circuits: the MC1352 giving i.f. amplification and a.g.c., the MC1330 synchronous detection and video amplification, the TBA750 intercarrier sound detection and a.f. pre-amplification, and the TAA611B audio power amplification. The last two devices, in fact, provide the whole of the sound channel—no discrete active devices being used. The TBA750 intercarrier sound i.f. receives its input signal from the MC1330 vision detector via a ceramic filter. An interesting point about the power supplies is that a 120V rail required for the vision amplifier is obtained from a winding on the line output transformer.

An unusual circuit in the scanning section is the vertical deflection output stage. This is similar to a class B complementary symmetry output stage but does not in fact use a p-n-p power transistor, which would be unduly expensive to perform the functions required of it. Instead the output stage uses two ATES n-p-n transistors as shown in Fig. 6, the lower one of which, the BD216, although it has a high breakdown voltage, is a low cost device. The two phases of the class B type of operation are: 1st phase, Tr_1 producing one half of the output waveform with Tr_2 acting as its driver; 2nd phase, Tr_2 alone producing the other half of the output waveform. The positive going ramp of the sawtooth waveform applied to the base of Tr_2 in both the phases produces an increasing collector current via R_1 . This in turn causes the base current of Tr_1 to fall,

$$I_b(Tr_1) = I_{R1} - I_c(Tr_2),$$

and hence the collector of Tr_1 falls, going from a maximum to a minimum. The path of I_c is as shown by the loop. Eventually a point is reached when V_{be} of Tr_1 goes negative, no further base current flows in Tr_1 and D_2 is now forward biased. This is the end of phase 1 and the start of phase 2 in which Tr_2 acts on its own as the output transistor with R_1 as its collector load; the waveform at the collector passing through D_2 , C_1 and the vertical deflection coils. The sawtooth waveform applied to the base of Tr_2 drops off rapidly at the end of the ramp, cutting off Tr_2 , and as a result the back e.m.f. generated by the deflection coils appears across Tr_2 .

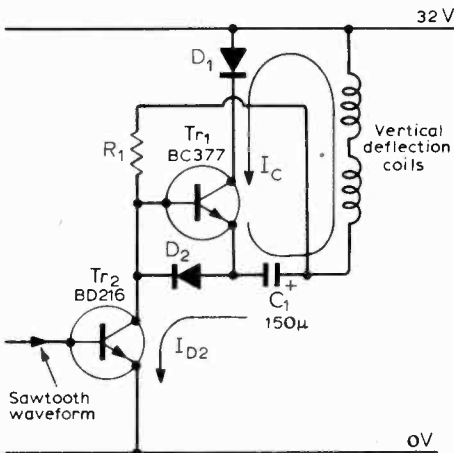


Fig. 6. Simplified vertical deflection circuit of Decca 12-inch monochrome set.

Turntable Design for Home Construction

by R. Ockleshaw

In three articles the author describes a turntable, pickup arm and wow and flutter meter for home construction. The turntable, believed to be the first complete design for home construction and described in this issue, has a rumble level of -36dB relative to 1cm/s r.m.s. recorded velocity and peak wow and flutter of $\pm 0.25\%$. Ready-turned parts are available for those without access to a lathe. Detailed drawings show how the parts are made and assembled and the article also shows how the mechanical filtering system is derived. Cost of the turntable and pickup arm is between £20 and £25. The second article will describe the construction of the pickup arm and the third will show how to check turntable performance and describes a novel wow and flutter meter using a phase-locked loop.

Although several designs for pickup arms have been published, I do not know of a constructional project that included a turntable. Perhaps the reason for this is obvious—it is mechanics on the grand scale, not normally suitable for the amateur with a limited range of tools.

To produce certain parts for this project within a satisfactory tolerance a lathe has to be used, but I have been careful to ensure that lathe-work can be accomplished on medium-sized or even small machines, the type most likely to be available. Provided one has the basic ability to use a lathe, gaining access should be easy. Model societies may have one—almost certainly some of the members—local schools or colleges that run evening metal-work courses might be persuaded to allow the occasional use of a lathe, or may even encourage it. Those that do may charge a nominal fee. There are only three parts for which the use of a lathe is essential. Use of a lathe for certain other parts

simplifies their manufacture, but if made by other means will only affect the finish and not the performance. (Ready-made turned parts can be obtained from the address given in the parts list.)

Filtering wow and rumble is discussed towards the end of this article where it may be better appreciated in the light of practical knowledge.

Styling is functional and in keeping with modern design, and performance, in relative terms, should satisfy all but the most critical. Although the design contains most features normally desired in a 'transcription' unit it is essentially simple both in concept and in detail.

The unit features a 10-in diameter machined cast-aluminium turntable driven by a self-starting synchronous motor through a resilient rubber belt. There is a choice of two speeds using a simple manual change. The matching pickup arm is protected against vibration and acoustic pick-up by integral mechanical filters. A

pickup-arm lowering device is featured. Provided instructions are followed, wow and flutter will be 0.5% pk-pk and rumble -36dB relative to a recorded velocity of 1cm/s r.m.s.

Construction

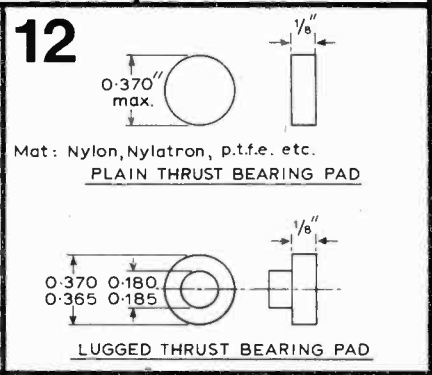
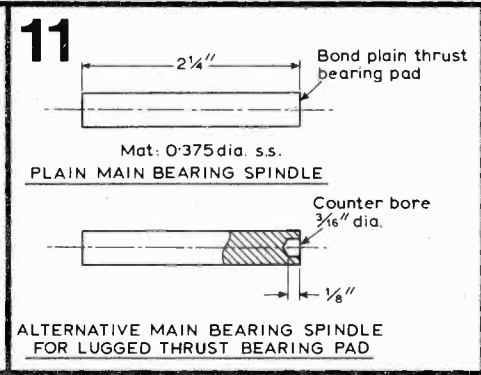
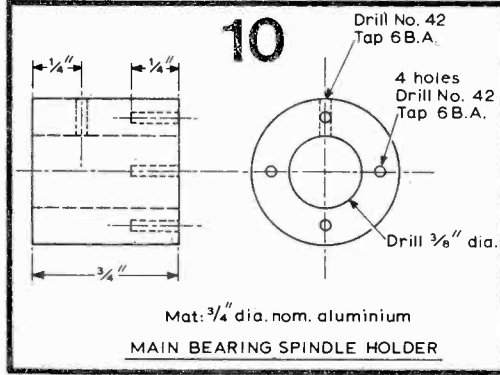
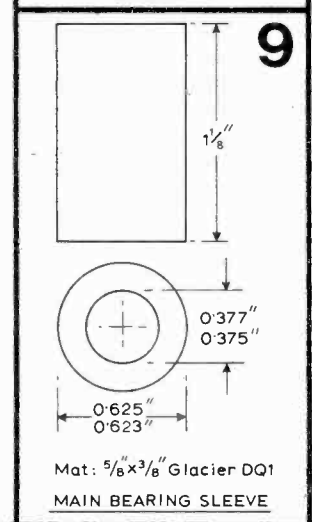
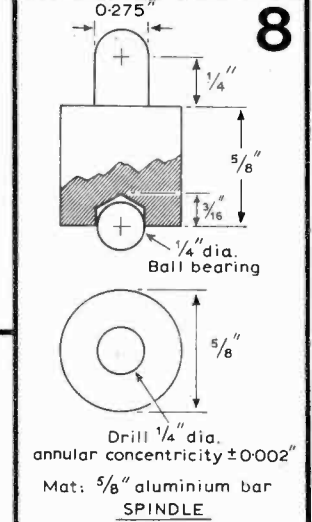
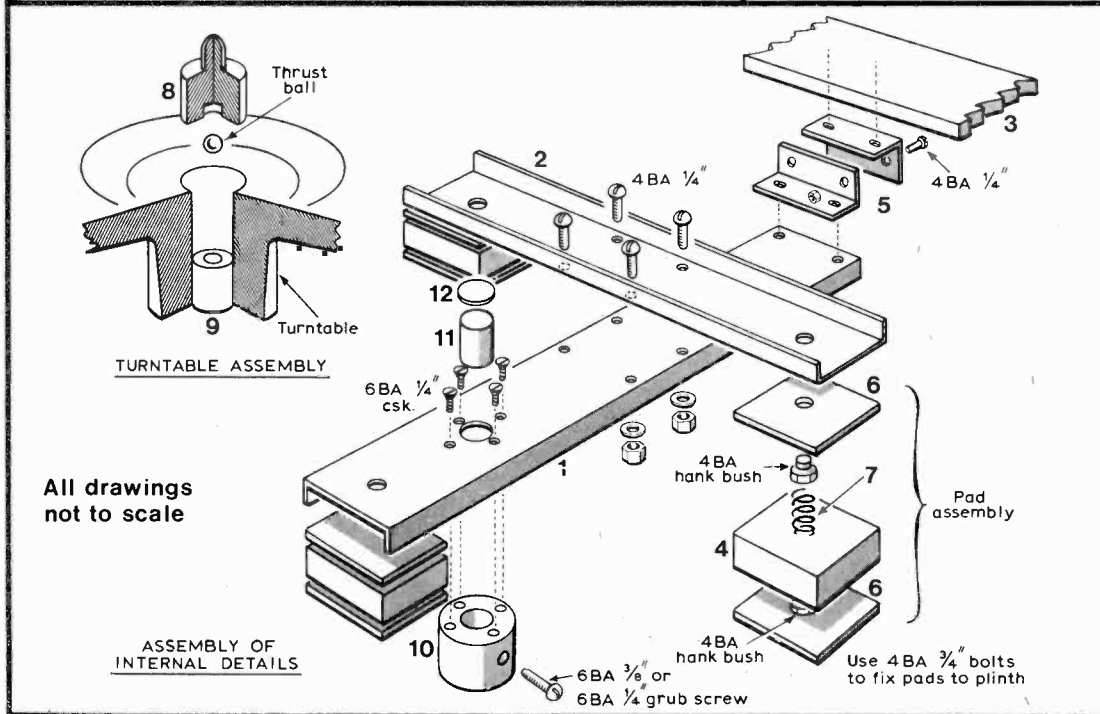
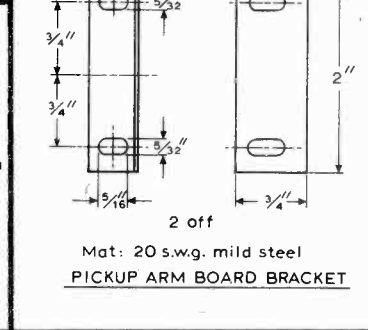
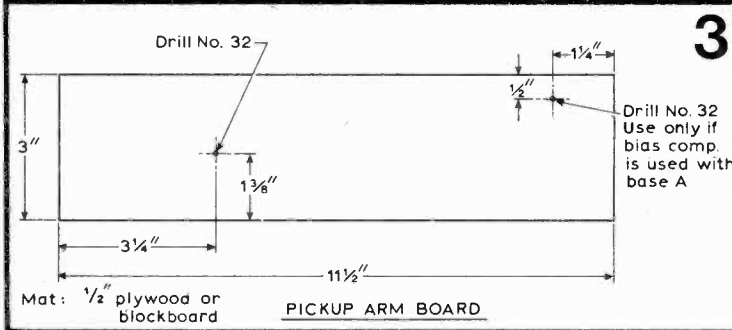
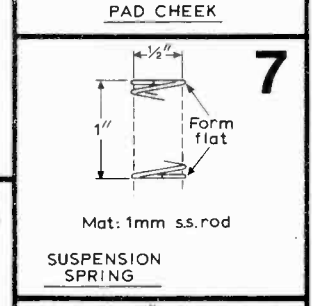
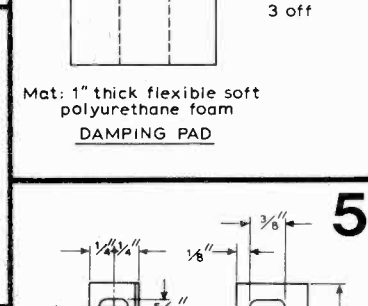
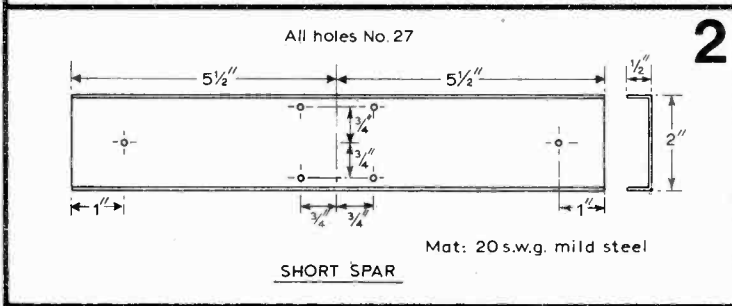
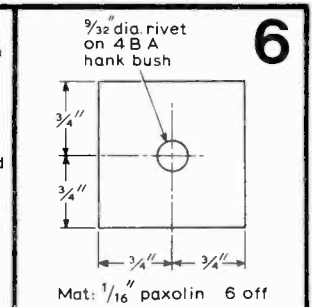
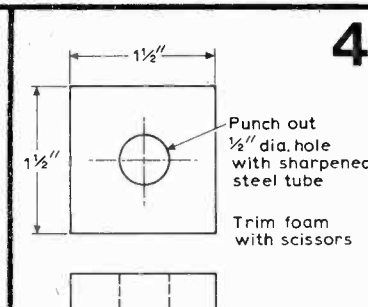
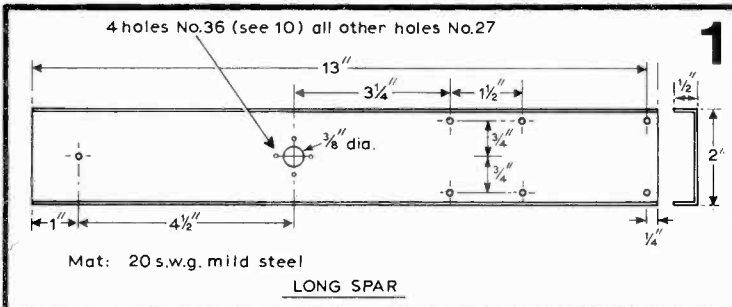
Motor board. The motor board should be to hand when assembling the plinth as it can be used as a jig to ensure that the plinth is square. Make from $\frac{1}{2}$ -in plywood, or blockboard, the apertures being cut by jig-saw, coping saw, etc. In following the accompanying diagrams, note that the area around the aperture for the switch body is recessed to accommodate the switch mounting plate and screws. Veneer or paint the top surface. Other ideas are matt-black Formica, or if you paint the plinth, a contrasting colour. Finish also the exposed edge adjacent to the pickup-arm board.

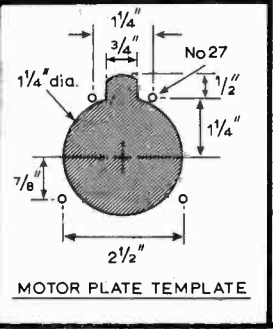
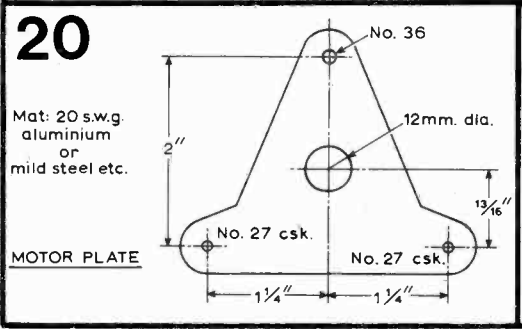
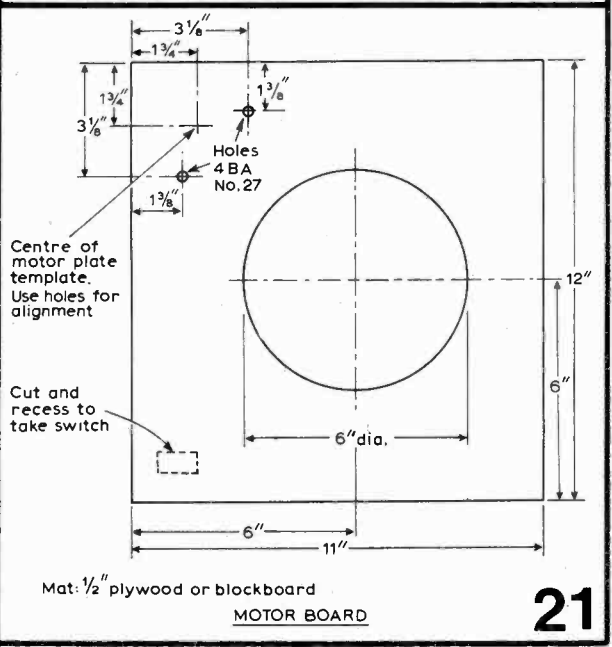
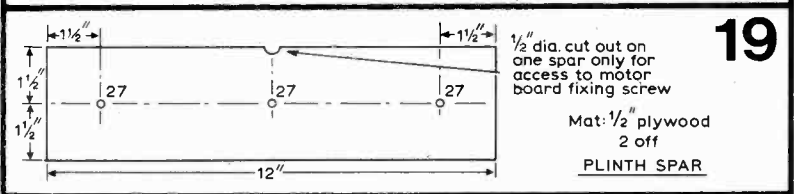
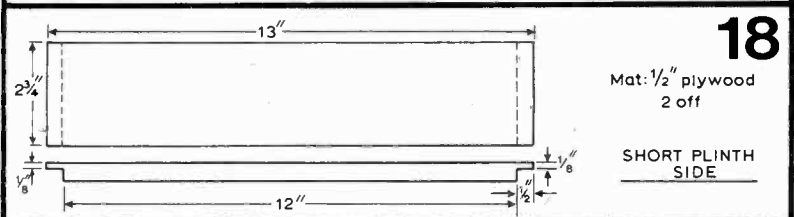
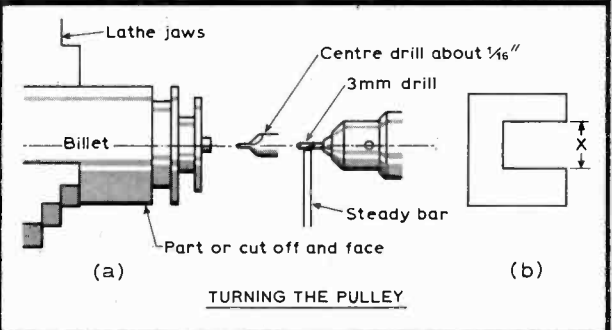
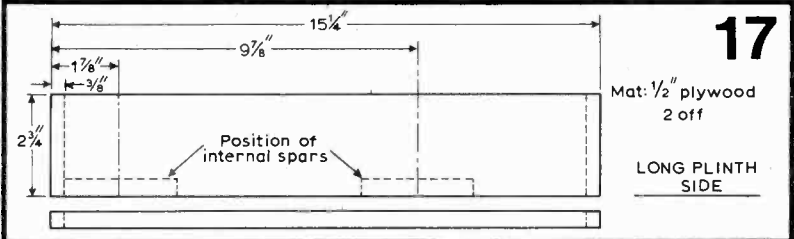
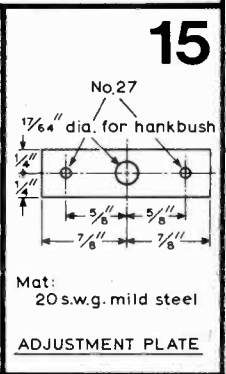
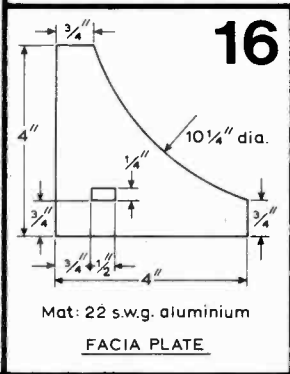
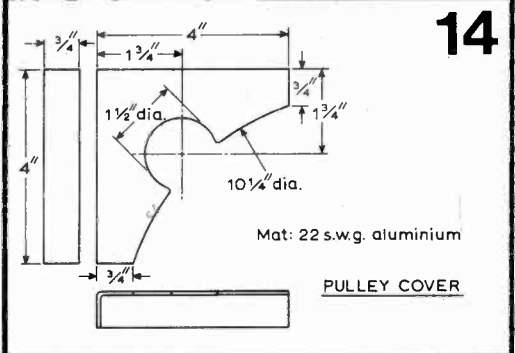
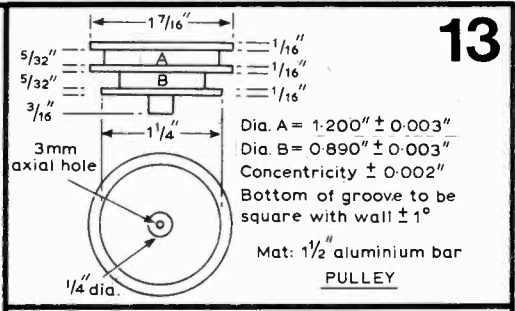
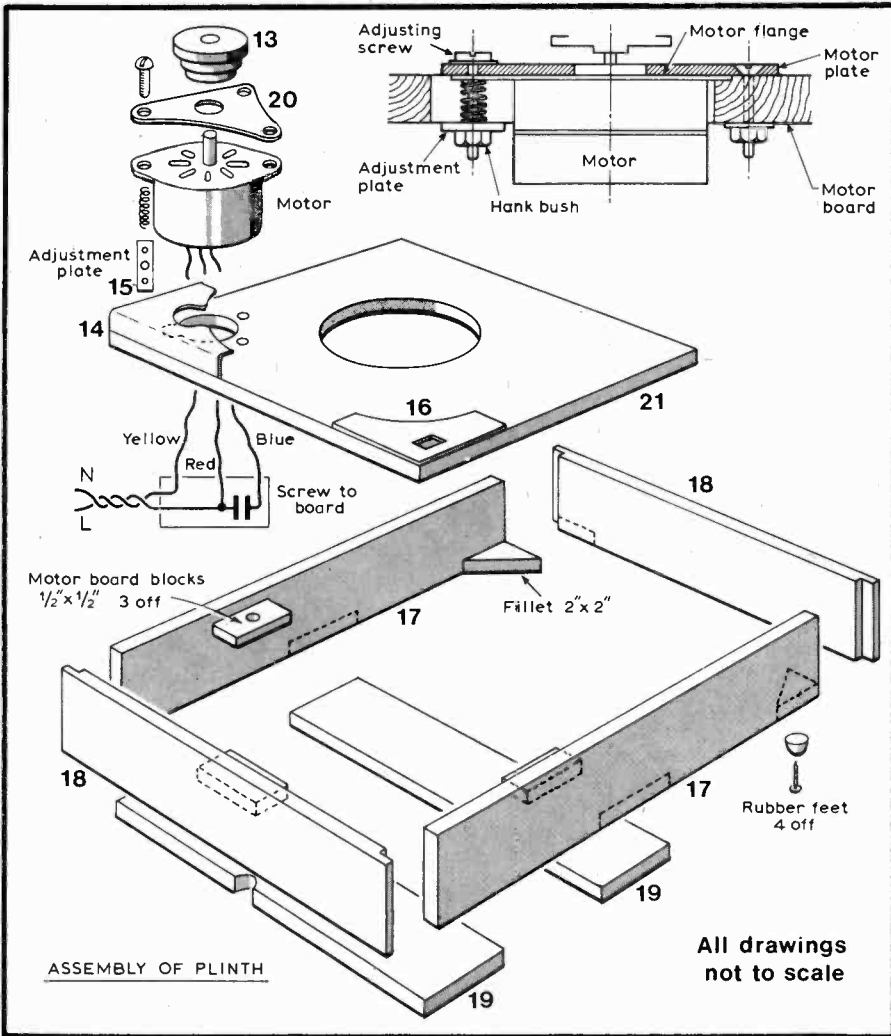
Plinth. Make the three duplicated parts in the plinth from $\frac{1}{2}$ -in high-density plywood to the dimensions indicated and assemble as shown together with fillets and blocks. Use a good-quality synthetic glue (Evo-de Resin W, Cascamite, etc.) for the joints, these being held by veneer pins (use motor board as jig) while the glue sets. Rubber feet, obtainable from hardware or do-it-yourself shops, can be screwed or glued underneath. Finish as desired.

Next, make the motor plate, adjustment plate and pickup-arm board. Although a captive nut (hank bush) is specified for the adjustment plate, in practice a shakeproof washer and nut may be a useful alternative. Evostik impact adhesive can be used to fix the motor to the motor plate.

Turntable. The 3-lb turntable is a faceplate for an industrial sanding machine. It is produced by Picador Engineering Co. Ltd, a well-known firm of tool makers, and can be obtained through tool shops. It is essentially a sandcasting and may have slight casting flaws when received but these will be generally of little consequence. Complete the turntable by inserting the main bearing sleeve (see later) thrust bearing assembly (see later) and turntable mat. As a cheaper alternative to the mat, glue six rubber pips (mine came from a moulded rubber car mat) onto the turntable—preferably into drilled recesses.







All drawings not to scale

(The inner three pips in the photograph are for 7-in discs.)

Main bearing spindle. Silver steel is supplied to a high degree of tolerance: ± 0.0005 -in of the nominal size. It is ground to this accuracy giving a finish considered more suitable for bearing surfaces than a turned one. After cutting to size, face the ends on a lathe. If a lathe is not available, rough file one end and grind with a rolling jig and oil stone.

Harden the spindle by heating to cherry red and then quenching in water. Polish with fine emery cloth and finally metal polish while rotating the spindle in the lathe or drill chuck. Carefully preserve the spindle surface prior to hardening as any attempt to remove blemishes by polishing may prove futile. These blemishes will cause excessive bearing wear. Round off top edges to prevent the bearing sleeve being scored when placing the turntable over it.

It is more important that the top surface of the nylon thrust-bearing pad is square than the top of the spindle. In this case bond the nylon thrust bearing pad to the top of the spindle with Araldite after hardening and grind square if necessary.

Main bearing sleeve. The main bearing sleeve is made from a p.t.f.e.-compound dry bearing material. This retains most of the desirable features of p.t.f.e. but is much easier to machine. The material is quite soft and convenient to use, if a trifle dirty, but care should be exercised to prevent bearing surfaces being damaged. This compound, in common with many plastics, has a high coefficient of linear expansion. Indeed, p.t.f.e. at 20°C exhibits a so-called phase change resulting in a sharp dimensional increase, which may be used to advantage. The bearing material is supplied as a tube with nominal $\frac{3}{8}$ -in inside and $\frac{5}{8}$ -in outside diameter. As the inside hole is a little too small, use successive reamers to bore the material to correct size. Hold the reamers in a tail-stock chuck (the work in the main chuck of course) and rotate the work by hand or at least at a very low speed. Then carefully turn down the outside of the bearing sleeve to the correct size.

Fit the bearing sleeve into the turntable. At this stage the main bearing spindle may still not fit the hole or it may be too stiff. This may be because of the squeezing action of a tight fit of the sleeve into the turntable. In this case carefully run-through the reamer to bring it to the correct size. If the tolerance of the main bearing spindle is on the high side this still may not be sufficient to give a perfectly free-running bearing. (Test at normal room temperatures, not straight from the lathe or after being held in the hand.) To give increased bearing clearance place the turntable together with the fitted bearing sleeve in a refrigerator for a few minutes, followed by reaming. Use a reamer in reasonable condition—it is important that the surface should be free from scores. Always feed the reamer with a rotating action.

Thrust-bearing spindle. Construction of the thrust-bearing spindle is more straightforward. No tight tolerances apply except that it is as well to check that the spindle

fits the hole in the middle of a new record as these rapidly wear. The thrust ball may be held in the assembly by over-swaging with a centre punch or with Araldite. The thrust-bearing ball should rest on the exact centre of the nylon thrust bearing pad to reduce rumble. No difference in performance should result if this part is made in other materials, like nylon or p.v.c.

Long and short spars. Bend the two spars from 20-s.w.g. mild steel (galvanized or passivated if possible) to give adequate stiffness. If a bending machine is not available careful work with a mallet and vice should be adequate remembering that this part is unseen and finish is unimportant.

Pulley. The pulley is possibly the most difficult part to make. The tolerances given must be strictly adhered to if performance is not to be impaired. Measuring the internal diameter of the grooves when turning the pulley is facilitated by using a simple gauge (see drawing 'Turning the pulley'), the groove being too narrow for a normal micrometer. (Set dimension X with a template.) To start the hole in the pulley, use a centre drill and ensure the drill does not deviate inside the pulley by using a bar to steady the drill.

The pulley cover (drawing 14) can alternatively be made without the angled sides, instead using $\frac{1}{2}$ -in thick wood for the two sides (as in the photograph). By making the height slightly greater than the pulley height, the $\frac{1}{2}$ -in dia. cut can be avoided.

Damped suspension pads. For the suspension pads, three springs are required, made by winding 13in of 1-mm silver-steel wire on a $\frac{1}{2}$ -in dia. former. After removing from the former, even out the spring and form as shown. Compress with fingers until it 'bottoms'. After removing pressure it should be 1-in long. To give a clean $\frac{1}{2}$ -in hole in the pads to take the springs, punch out using a sharpened piece of thin-walled $\frac{1}{2}$ -in stainless-steel pipe (as used in the lifting device). Make the pads larger than necessary and trim on assembly. Use Evostik for bonding.

Assembly

Assemble the main bearing spindle with its bottom flush with its holder. Use the grub screw to lock it in place temporarily as adjustment will follow. Place the suspension cruciform comprising the long and short spars, with the pickup-arm board fixed by brackets, in the plinth before screwing on the motor board from underneath. Additional pad cheeks can be used

as packing to make the turntable top parallel with the motor board.

Assemble the bonded motor plate and motor to the motor board together with the adjustment plate and spring. (The spring must be strong enough to allow the end of the motor plate to rise above the board.) Screw the capacitor holder to the underside of the motor board.

Wire the motor to the switch before screwing the motor board to the plinth, earthing the motor casing. Assembling the pulley to the motor may require a little persuasion as it has been designed as an 'interference' fit. Heat the pulley in hot water for a few minutes—expansion should then allow a fit. Do not ream the hole to size and do not unnecessarily pull off the pulley once fitted as this may cause enlargement of the hole and consequent slipping. Lower or raise the main bearing spindle to align the top of the pulley with the top of the turntable.

Designing to avoid rumble

Rumble generally is generated by two sources in a turntable unit—the motor and turntable main bearing—and may be described as noise the spectral content of which lies within the range of about 10 to 200Hz. Apart from a comparatively small amount of noise due to mechanical displacement in the motor bearings, its contribution arises from 'stepping' or 'cogging'—the tendency to rotate in discrete steps rather than in a uniform way. If a synchronous motor is held loosely in the hand and allowed to rotate this 'cogging' vibration is felt quite strongly. Thus if the motor is coupled to the turntable it must always be through some kind of mechanical vibration filter—for example a resilient belt or rubber-tyred wheel.

Unfortunately it is more difficult to mechanically filter rumble generated by the turntable main bearing. This kind of rumble is generally random (except perhaps when the turntable is blessed with ball bearings) unlike the discrete motor vibrations that are related to mains frequency. It is caused by imperfections on the bearing surfaces.

Motor rumble

In this design, vibrations from the motor can be transmitted to the turntable by two paths—the drive belt and the motor mountings—and a mechanical filter is necessary in both paths (Fig. 1).

The electrical equivalent—Fig. 2—shows the motor as a two-dimensional

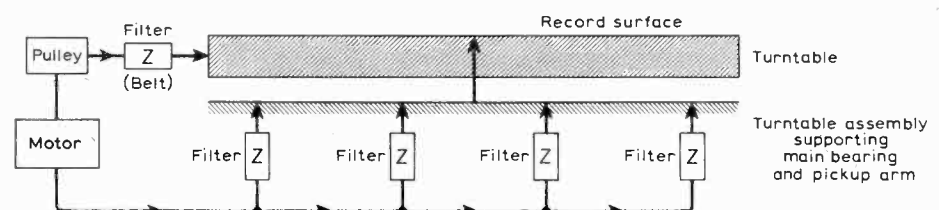


Fig. 1. Rumble from the motor is transmitted to the turntable by two paths (motor mounting and pulley) which must be separately filtered.

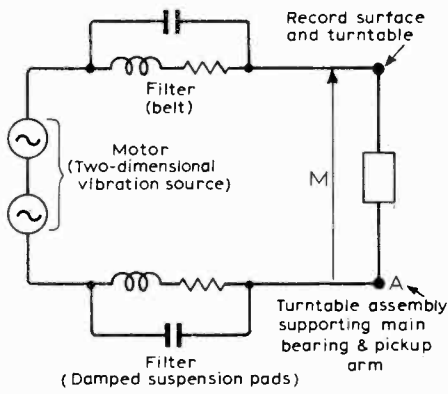


Fig. 2. Electrical equivalent of Fig. 1. Motor produces rumble through the belt in a lateral plane and through the mounting in a vertical plane. The lateral vibration can produce vertical vibration if the turntable is not stiff enough.

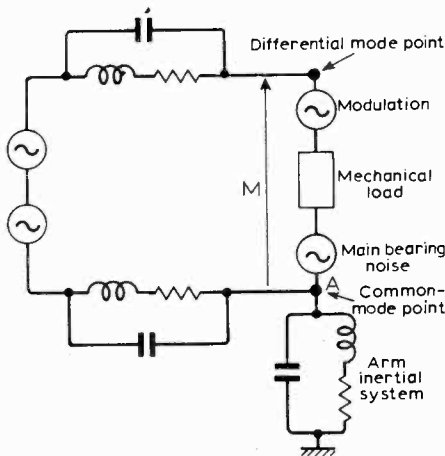


Fig. 3. Inertial grounding effect of pickup arm creates common and differential-mode points. Common-mode response can be eliminated by grounding point A.

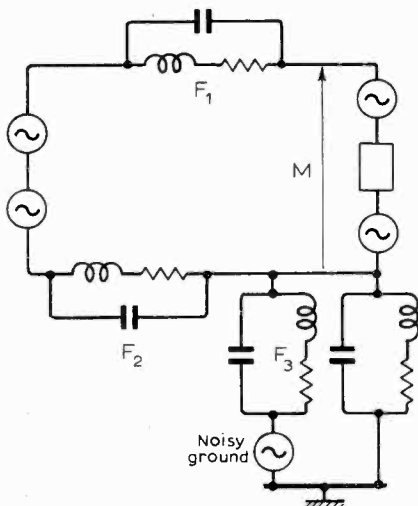


Fig. 4. Mounting a turntable unit on a 'noisy ground'—a non-rigid shelf for example—introduces noise and one solution is to use a 'lockable in transit' type of spring mounting for F₃.

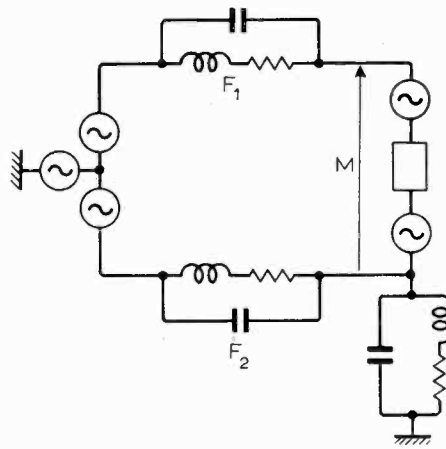


Fig. 5. In the belt-driven unit, F₂ can be made effective enough to eliminate F₃ and the motor casing can be grounded.

vibration source. Relative to the ground plane, vibration through the turntable mountings will be in a vertical plane while that from the belt will be predominately in a lateral plane. However, this lateral vibration can give rise to vertical vibrations if the turntable is not sufficiently stiff or adequately damped.

The main responses of a stereo cartridge will be at 45° to the plane of this vertical displacement and will thus reproduce a component of any vertical displacement relative to the pickup-arm mounting point. This is why it is always desirable to mechanically couple the pickup arm as close to the turntable as possible to reduce

as much as possible any differential movement.

But, however much we may reduce the differential displacement, the common-mode displacement may still have an effect on the pickup output because the pickup is essential an inertial system and will therefore have a common-mode response. What response it does have obviously depends on the design of the pickup arm.

We therefore should modify the electrical model to that of Fig.3 and it is obvious that any common-mode response can be eliminated by grounding (literally!) at point A. Unfortunately, if the ground is noisy due to the unit being placed on a shelf, then the pickup will produce an output in sympathy with the displacement. This is one common cause of acoustic feedback.

Many turntable units are grounded at this point but the manufacturers are always careful to ensure that effective filtering eliminates any displacement that might excite the common-mode response of the pickup arm Fig. 4.

The design of belt-drive units is not so mechanically restrictive as some jockey-wheel-driven types, and allows the use of more efficient filters for F₁ and F₂ (Fig. 4)—the belt and turntable suspension pads respectively—and it becomes possible to combine F₂ and F₃ and ground the motor casing (mechanically). The resulting, chosen, arrangement is shown in Fig. 5.

Main bearing rumble

The prime cause of bearing rumble is imperfection of bearing surfaces. The

Parts List

All parts, including cover, for both pickup arm and turntable are available as raw materials or ready-turned where appropriate from Longdendale Technological Products, Hadfield, Hyde, Cheshire.

Part	description/material	source
motor	Berger RSM 50/8	Longdendale Technological Products (LTP)
turntable	Picador 10-in sanding disc 3/8-in shaft	most good tool shops
belt	rubber	LTP
main bearing sleeve	Glacier DQ1 5/8 x 1/8 in nom.	Glacier Bearing Co. Ltd.
main bearing spindle	3/8-in dia. silver steel	sold in most tool shops & engineers' suppliers in 13-in lengths
suspension springs	1-mm dia. silver steel	" " "
motor alignment spring	3/4 x 1/4 in o.d.	LTP
damping pads	1-in thick polyurethane foam	upholstery dealers
long and short spars	20-s.w.g. mild steel	ferrous metal dealers
turntable mat	rubber	Metrosound, C. Watts
pad cheeks	1/16-in Paxolin	radio hobby shops
pulley	1 1/2-dia., 2-in long aluminium bar	radio hobby shops
facia plate, pulley cover, motor plate, adjustable slate	20-s.w.g. aluminium	non-ferrous metal dealers
switch	2-pole c/o slider	Radiospares etc.
thrust bearing pad	1/4-in dia. x 1/2-in long nylon	LTP
thrust ball	1/4-in dia. ball bearing	cycle shops, motor accessory shops
spindle	5/8-in dia. p.v.c. rod x 1 1/2-in	LTP
main bearing spindle holder	3/4-in dia. 1/2-in long aluminium rod	non-ferrous metal dealers

Miscellaneous

Captive nuts (hank bushes, six 4BA one 6BA), screws (six 4BA 1/2-in cheesehead, four 4BA 3/4-in countersunk head, four 6BA 1/4-in cheesehead, six 4BA 1/2-in cheesehead), nuts, rubber feet. From usual sources or LTP.

obvious approach is to make them as perfect as possible. This is quite reasonable but there is a limit and mechanical filtering techniques must be used to reduce the effect further.

It is well known that the less dense a material the greater is the attenuation to the passage of sound and noise. Here in lies the key. The bearings should be made of a material with a density that is as low as possible. The energy then generated, which can be quite high, suffers a great deal of attenuation in its passage to the stylus. The reproduction of rumble can also be affected by resonance phenomena in the pickup arm, about which more later.

Most modern plastics fall into the low-density category but not all are suitable bearing materials. Of those that are, nylon and p.t.f.e. are most common. Unfortunately p.t.f.e. is virtually impossible to machine, nylon is difficult but machinable, and p.v.c. while not an ideal material from the wear viewpoint is easier still to machine. Better still are some compound materials that have p.t.f.e. as a base. They retain all or most of the desirable properties but are easy to machine. They are known under proprietary names like Glacier DQ1, used in this design.

Wow and flutter

Wow is caused by slow variations in record speed, flutter by fast variations. Like rumble, it cannot be eliminated completely, merely reduced to an acceptable level. In the simple arrangement of a slow-speed motor directly driving a revolving turntable, wow and flutter could be caused by sticky main bearing, belt slip, motor cogging and pulley eccentricity. (Wow can also be caused by a badly eccentric or warped record but this is outside our control.) But note that only one of these points really indicates a design problem, that is motor cogging, and this is really tied up with rumble. If the belt is an efficient filter this source of flutter is eliminated.

The most usual way of preventing wow and flutter is to prevent the remaining three imperfections occurring due to bad manufacture, or dirt and grease being smeared on the belt, and to provide a turntable with a high inertia. Care must be taken that any turntable inertia is not overcome by too tight a coupling of the drive motor. This most certainly would occur if a synchronous motor was used with a rim-drive jockey-wheel system. The speed of a synchronous motor is fixed and does not depend on the load as with an asynchronous motor.

A second article will describe construction of a pickup arm.

Correction

R. J. Ward, author of the article 'Swept-frequency audio oscillator' in the September issue, has asked us to point out that the 4.7-nF capacitor in Fig. 11 should be omitted. We regret omitting the label F, to correspond to E in the multivibrator of Fig. 5. There was a printer's omission on p.417—'Power supplies are required at +10V and -10V' should have appeared in the text gap.

October meetings

LONDON

6th. IERE—"Components—past, present and future" by G. W. A. Dummer at 18.00 at London School of Hygiene, Keppel Street, W.C.1.

7th. RTS—"Satellite broadcasting" Part 1: Basic satellite technology by G. Lewis at 19.00 at I.T.A., 70 Brompton Road, S.W.3.

12th. AES—"Developments in audio instrumentation" by J. Kuehn at 19.15 at the Mechanical Engineering Dept., Imperial College, Exhibition Road, S.W.7.

13th. IERE/IEE—"A blood analyser using the PDP-8/L" by E. T. Oram at 18.00 at 8-9 Bedford Sq., W.C.1.

14th. SERT—"The BRC 8000 television receiver" by A. Martinez at 19.00 at I.T.A., 70 Brompton Road, S.W.3.

18th. BCSR Statistical Soc.—Babbage memorial lectures at 14.30 at I.E.E., Savoy Pl., W.C.2.

20th. IERE—"Application of satellite relayed communications to civil aviation and maritime use" by D. Hirst and J. D. Parker at 18.00 at 8-9 Bedford Sq., W.C.1.

21st. RTS—"Satellite broadcasting" Part 2: Satellite design by G. K. C. Pardoe at 19.00 at I.T.A., 70 Brompton Road, S.W.3.

27th. IERE—"Innovation in industry—a factor for growth" by R. H. Jones at 18.00 at 8-9 Bedford Sq., W.C.1.

ABERDEEN

13th. IERE/RTS—"Colour film for television" by Dr. Boris Townsend at 19.30 at Robert Gordon's Institute of Technology, St. Andrews Street.

20th. IERE—"Hi-Fi tape recording" by R. West at 19.30 at Robert Gordon's Institute of Technology, St. Andrews Street.

BATH

13th. IERE—"Signal processing and computation using pulse rate techniques" by J. D. Martin at 18.00 at The University.

BIRMINGHAM

5th. IERE—"World competition in the electronics industry of 1970—a challenge for the engineer" by Dr. F. E. Jones at 19.15 at the Department of Electronic and Electrical Engineering, The University, Pritchets Road.

21st. SERT—"Video tape, the manufacture and requirements" by R. Waldie at 19.30 at University of Aston, Gosta Green.

BOLTON

14th. IERE—"Computer-aided design" by E. Wolfendale at 18.15 at the Institute of Technology, Deane Road.

BOURNEMOUTH

5th. SERT/IEETE—"Radar ornithology—the engineer's point of view" by H. R. J. Smith at 19.45 at College of Technology, The Lansdowne.

BRISTOL

21st. SERT—"Curve tracers" by R. Watson at 19.30 at the Polytechnic, Ashley Down.

27th. IERE—"The continuing education and development of professional engineers" by Dr. K. G. Stephens at 19.00 at The Polytechnic, Ashley Down.

CAMBRIDGE

28th. IERE—"The problem of addressing new display materials" by A. Colchester at 18.30 at the University Eng. Labs., Trumpington St.

CARDIFF

6th. SERT—"Demonstration and lecture on the Sony Trinitron television tube" at 19.30 at Llandaff Technical College, Western Avenue.

20th. IEETE—"Electronic variable speed drives" by C. J. Teece at 19.30 at University of Wales Institute of Science & Technology, Cathays Park.

CHATHAM

28th. IERE—"Electronic video recording and reproduction" by B. T. Pickstock at 19.00 at Medway College of Technology.

CHELMSFORD

13th. IERE—"Comparison of p.c.m. and f.d.m./f.m. microwave radio relays" by S. G. Allen at 18.30 at the Civic Centre.

COVENTRY

28th. IERE—"Reliability" by R. C. Winton at 19.15 at Lanchester Polytechnic.

DUNDEE

7th. IEETE—"Technician engineers and technicians—their role, their status, their future" by E. A. Bromfield and "The Engineers Registration Board and composite register" by M. W. Leonard at 19.00 at the University, Fulton Bldg.

DURHAM

13th. IEETE—"Modern telecommunications" at 19.30 at University Science Labs, South Rd.

EDINBURGH

6th. IERE—"The development of a colour TV service" by J. Dunlop at 19.00 at Carlton Hotel, North Bridge, 1.

12th. IEE—"Setting up an educational micro-electronics laboratory" by N. Milne at 18.00 at Carlton Hotel, North Bridge, 1.

GLASGOW

7th. IERE—"The development of a colour TV service" by J. Dunlop at 19.00 at The Institution of Engineers and Shipbuilders, 183 Bath Street, C.2.

11th. IEE—"Setting up an educational micro-electronics laboratory" by N. Milne at 18.00 at The Institution of Engineers and Shipbuilders.

HARLOW

22nd. IERE—"Fibre optics in telecommunications" by Dr. N. Chown at 19.30 at Harlow Technical College.

LIVERPOOL

12th. IERE—"Finance and engineering" by J. Cuckney at 19.00 at the Department of Electrical Engineering and Electronics, The University.

13th. IERE—"Electronics in Medicine" by Dr. D. W. Hill at 19.00 at the Department of Electrical Engineering and Electronics, The University.

MANCHESTER

21st. SERT—"Pulse width modulation" and demonstration of IVC colour video recorder by A. Parkinson at 19.00 at Renold Building, U.M.I.S.T., Sackville St.

MIDDLESBROUGH

26th. SERT—"Philips solid-state colour receiver" by N. Cunniff at 19.30 at Cleveland Scientific Institution.

NEWCASTLE-UPON-TYNE

6th. SERT—"Engineering development in colour TV" by K. R. Harris at 19.15 at Charles Trevelyan Technical College, Maple Terrace.

13th. IERE—"A new look at data logging" by T. Kinnear at 18.00 at Ellison Building, The Polytechnic, Ellison Place.

READING

21st. IERE—"Developments in transistor circuit design" by Prof. E. A. Faulkner at 19.30 at The University, Whiteknights Park.

SOUTHAMPTON

20th. IERE—"The design and application of digital filters" by Dr. D. R. Wilson, D. R. Corraill and B. D. Dollimore at 18.30 at Lanchester Theatre, The University.

STEVENAGE

20th. IEETE—"Electronics usages in commercial vehicles" at 19.30 at College of Further Education, Monkswood Way.

SWANSEA

20th. IERE—"Replanning aspects of medium-wave broadcast service" by Dr. R. C. V. Macario and J. F. Craine at 18.15 at Department of Applied Science, University College.

THURSO

19th. IERE—"Hi-Fi tape recording" by R. West at 19.30 at Thurso Technical College.

Digital TV Synchronizers and Converters

Advantages of field storage technique for synchronizing different picture sources and for standards conversion

by *S. M. Edwardson**, M.I.E.E., and *A. H. Jones**, B.Sc.

One of the ways in which the presentation of television programmes has improved in recent years is that, as far as possible contributions from a multiplicity of picture sources are now arranged to be synchronous. One reason for this is to provide an uninterrupted train of synchronizing pulses so that viewers are not disturbed by frame 'roll-overs' or other momentary synchronization defects when changes are made between different sources. Continuity of the synchronizing pulses is important to the broadcaster as well, particularly when the programme is being recorded on video tape, because the subsequent replay from a video tape machine can be seriously disturbed for several seconds following any discontinuity in the recorded synchronizing pulse train. A further advantage of synchronous sources is that special effects are possible, such as the so-called 'split-screen' technique (in which a single picture contains simultaneous contributions from two or more sources). In addition, source synchronism enables programme makers to wipe, mix and dissolve rather than simply cut between different sources.

When the different television sources are all located within a single building there is no great difficulty in achieving synchronism, since they all can be fed from a common pulse generator and, by adjusting the timings of the pulse feeds to individual sources, precise and virtually permanent synchronism of the video signals is obtained. This is not possible, however, when some sources are remote.

This article considers the ways used by broadcasters to achieve synchronism between relatively remote television sources. Emphasis is placed upon the most modern method—the field-store synchronizer—and the practicality of making a relatively cheap, high-performance version using digital techniques¹. The article also considers the application of such techniques to standards converters.

Existing methods of source synchronization used by the B.B.C. fall into three main categories.

Genlock. Here the signal from the remote source is regarded as the 'master' signal and the synchronizing pulses at the

studio centre are adjusted automatically to synchronize with the pulses of the master.² This is simple and convenient, but has the disadvantage that the synchronizing operation must be carried out slowly to avoid disturbance to viewers' receivers and other apparatus. Furthermore, only one remote source at a time can be used as master and it is necessary to use signals from a local source (e.g. a studio) for a period, while re-locking to a further remote source is carried out.

Natlock.[†] Here the central source (e.g. B.B.C. Television Centre) is the master, to which all other contributing sources are locked³. At the master, the phase of the synchronizing signals from one (or more) remote sources is compared with that of the master and digitized correction signals are fed back to each remote source so as to bring and maintain them in synchronism. The whole network is highly stable and uses narrow-band audio circuits for the correction signals.

The field-store synchronizer. This is essentially a variable video delay interposed in the path of a television signal, the value of delay being such that the output signal is in precise synchronism with a master signal. Precise synchronism between two television signals is achieved when the phases of their field synchronizing pulses, line synchronizing pulses and colour subcarriers are the same. Where a difference in frequency (changes of these phase relationships with time) exists between the television signal to be synchronized and the master signal, the delay in the synchronizer steadily increases or decreases to maintain synchronism; ultimately, the delay reaches a maximum or minimum value, at which point it is reset, to repeat its cycle of variation. A convenient value of maximum delay is equal to the duration of one field; thus, when the cycle of variation is repeated, one television field is omitted or duplicated according to the direction of delay variation. An interesting effect occurs in a field-store synchronizer when the cycle repeats, since the picture information carried by the train of output

television fields, normally 'odd, even, odd, even, etc.' becomes, for example, 'odd, even, odd, odd, even, etc'. Two fields of the same kind, with regard to picture content, then occur successively and the output picture is seen to move vertically or 'hop' by one picture-line spacing. A hop in the other direction takes place at the next re-cycling. This effect is found in practice to be not very obvious and, in the majority of synchronizing applications, occurs only very rarely.

Only one field-store synchronizer exists at present and is in service at the B.B.C.'s Television Centre in London. Its variable delay is formed from a switched cascade of ultrasonic delay-lines similar to those in an electronic field-store standards converter—in fact, this synchronizer is a modified standards converter. Fig. 1 indicates one of the ways in which it is used.

Applications of synchronizers

PAL to PAL synchronization is the most common use of a synchronizer within the United Kingdom, where a colour television signal from a remote source is synchronized to, say, the signals at the studio centre. In most respects PAL to-PAL synchronization presents the simplest problem, because of the tight tolerance to which the subcarrier and scanning frequencies are held (± 0.45 part per million when the PAL signals originate in other countries using the PAL system). SECAM-to-PAL synchronization is particularly useful when importing signals from SECAM countries because, after processing by the synchronizer and transcoding, the signal conforms to the PAL specification in all respects, despite the wide range of scanning frequencies that the SECAM specification permits.[‡]

The synchronization of monochrome signals creates a special problem despite the simpler nature of the signals to be handled. The wide range of scanning frequencies likely to be encountered with imported monochrome signals can exceed the capacity of the present synchronizer

[‡] French exported SECAM signals are held to a tolerance of ± 0.5 part per million; this helps a great deal but would nevertheless result in a non-standard, transcoded PAL signal, unless a synchronizer were used.

* B.B.C. Research Department.

[†] The National Slavelocking System used by the B.B.C.

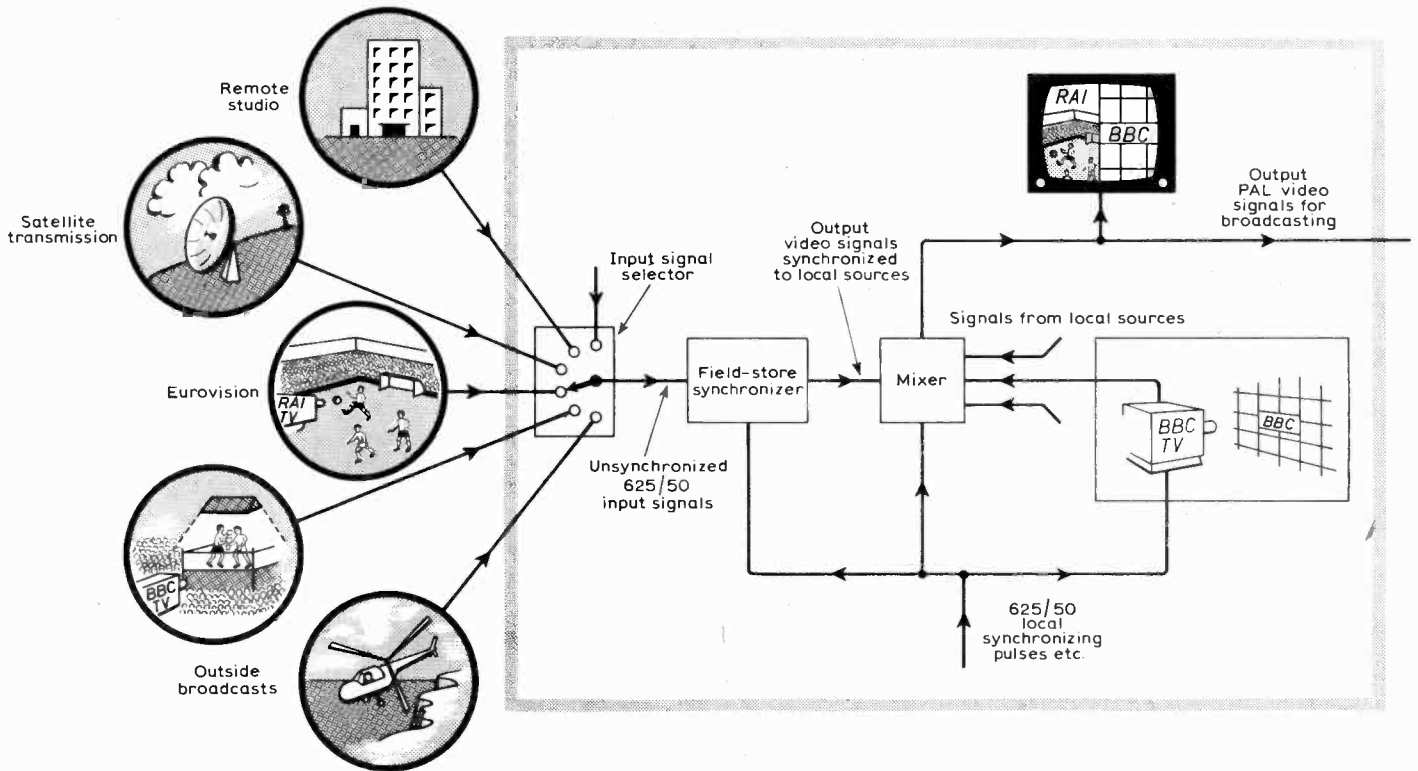


Fig. 1. Action of field-store synchronizer.

(±400 parts per million) and an optical standards converter must, at present, be used to achieve synchronism. Future non-optical synchronizers will occasionally be required to handle wide-tolerance monochrome signals. It was mentioned earlier that a vertical hop occurs every time the synchronizer's delay system re-cycles and, for input signals with scanning frequencies differing greatly from those of the output signal, hopping would occur very frequently and would be subjectively annoying. To handle such signals, therefore, additional storage capacity equal to one television field might be required, so as to ensure the emergence of an undisturbed train of 'odd, even, odd, even, etc.' fields from the synchronizer.** In this case re-cycling would occur half as frequently and a complete picture (i.e. two fields) would be omitted or duplicated each time.

Pros and cons of synchronizers

The field-store synchronizer has the advantages that a television source can be synchronized without disturbing the synchronizing pulses of the master station and without using feedback to the point of origination. It provides a continuous train of output synchronizing pulses (even with no input signal) and it permits rapid 'cutting' from one remote source to another, producing a correct output within a small fraction of a second of the arrival of a new input signal. The ability to synchronize without feedback is particularly valuable when overseas sources are considered.

A disadvantage of the synchronizer arises from the fact that it operates by delaying the video signal and hence can cause video-signal distortions whereas, in the cases of Genlock and Natlock, synchronism is achieved through operations on only the synchronizing pulses. In the case of the synchronizer at present in service with the B.B.C., the distortion is small but is not imperceptible—an important consideration for a device intended to be used frequently in the television broadcasting chain.

Digital techniques now offer a solution to the problem of video distortion, as well as having other important advantages.

It is well known that the information contained in any analogue signal can be conveyed by sampling the signal at at least twice the highest frequency present; the magnitude of each of the samples may be sent as a binary number which is described by the presence or absence of

each of a group of pulses. Fundamental work on the application of pulse-code modulation⁴ to broadcast-quality colour television signals has concluded that a sampling frequency of three times the colour subcarrier frequency (i.e. about 13MHz) should be used and that each of the samples should be described by eight binary digits, corresponding to 256 equispaced quantizing levels; this leads to a serial bit-rate of about 100M-bits per second. However, the serial digit stream may be subdivided so as to use a number of parallel channels working at a correspondingly reduced bit-rate. It is possible, for example, to use 8 channels working at about 13M-bits per second, or 24 channels working at about 4M-bits per second. This subdivision transforms the digital signal into a form in which it can be processed by readily obtainable integrated circuits and storage devices. The advantages of digital processing are high accuracy and reliability, immunity to noise

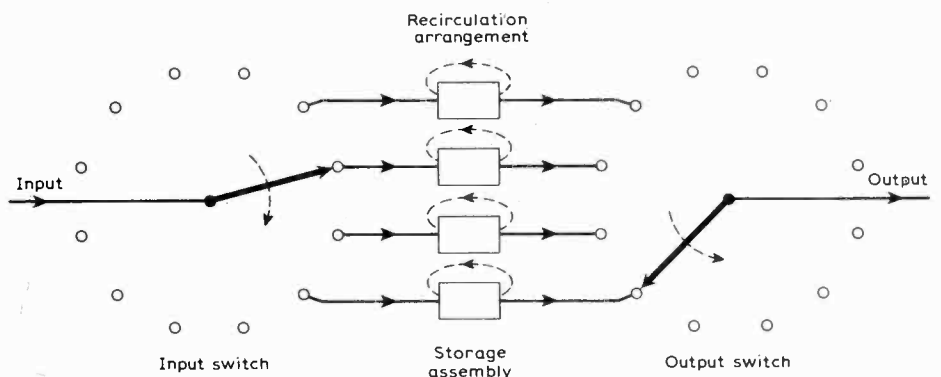


Fig. 2. Basic form of digital field store synchronizer.

** The 'hop' could also be removed by simpler means, but at the expense of impaired vertical resolution.

and interference, with freedom from drift and from the necessity for careful setting-up and adjustment.

This last advantage makes digital processing particularly attractive for those parts of the television signal in which complicated processing is carried out. Experimental digital line-store converters have already been built⁵ and it is reasonable to expect the practical application of digital processing to field-store synchronization and standards conversion. The costs involved in applying digital techniques have fallen in recent years to the extent that a digital solution to a requirement can now often compete, on economic grounds, with the analogue equivalent. It is estimated that the cost of a future digital field-store synchronizer will be appreciably less than that of the corresponding analogue equipment.

Methods of digital synchronization

Present-day analogue synchronizers make use of ultrasonic delay-lines for signal storage. These lines have the property that a signal inserted into them emerges at the output terminal after a specified time interval. For synchronization, and a number of other applications, however, it would be preferable to use devices into which 'blocks' of signal may be written and stored for a variable interval depending on the relative phasing of the input and output synchronizing pulses. Fortunately, the storage devices used in digital systems are generally of this type and their application to the television synchronization problem, in place of delay-lines, leads to a considerable simplification in the ancillary circuits.

Thus with a storage system consisting of a series of 'pigeon-holes', which can be filled and emptied as required, it is possible to envisage field-store synchronizer whose basic form is shown in Fig. 2.

The storage assembly is subdivided into a number of individually accessible units; these may have any convenient size, but it is desirable that the information contained in a television field should be accommodated within a whole number of units. The total capacity of the storage assembly must be at least equal to that required for one television field.

Writing and reading from the storage units is effected by means of the input and output switches shown diagrammatically in Fig. 2. The stores are emptied in sequence via the output switch which is controlled by the output synchronizing-pulse train. The input switch is controlled by the input synchronizing pulses and directs each block of incoming information to the storage unit to which the output will be connected when that particular information is required; the stores are controlled by input clock-pulses during writing and by output clock-pulses when reading. The reading process is preferably made non-destructive (perhaps by 'read-restore' action), the stored information remaining available until replaced by the writing-in ('overwriting') of new information.

By this overwriting technique it is

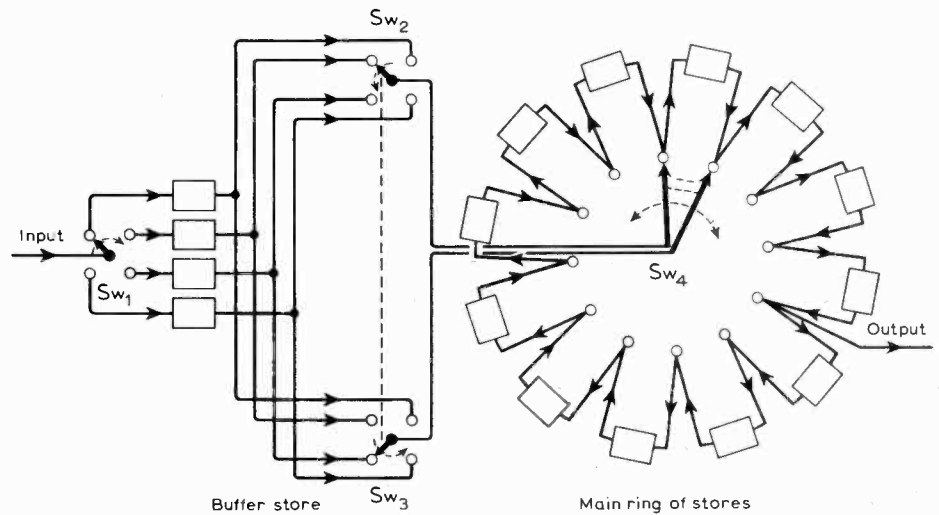


Fig. 3. Alternative form of synchronizer.

possible to deal with non-synchronous cuts in the input signal without causing any visible disturbance at the output.* If the position on the raster of the beginning of a new signal were known, say by indicating the 'line-number' to the input switching system, the signal could immediately be routed to the appropriate store location. In practice, this cannot occur and it will be necessary to arrest the writing process until the first of the new field-synchronizing pulses arrives; in this case, that part of the input signal which was written into the stores during the field immediately preceding the cut would be repeated at the output. If the writing process were stopped altogether, say by the removal of the input signal, the output would produce a stationary picture.

In general, however, the input and output switches provide access to the storage units in an orderly sequence but, of course, at slightly different rates. Now digital storage arrays are generally constructed in such a way that the writing and reading processes are carried out by the same circuits. Thus writing and reading cannot take place simultaneously in any one storage unit, if the two clock rates are different, as indeed they may have to be in a synchronizer.

This restriction can be overcome by incorporating more storage units than are necessary to accommodate only the information corresponding to a field. Then if, say, writing 'catches up' with reading, the reading switch can be arranged to omit a field. If reading catches up with writing, the reading switch will correspondingly cause the previous field to be repeated. This process is identical to the delay re-cycling process mentioned earlier. In practice, it may be advantageous to use a number of extra storage units sufficient to provide backlash; in this way frequent vertical picture hops may be avoided in the circumstances when the phase

difference between the input and output signals wanders about zero.

At present, the obvious choice of storage device for a synchronizer of this type is the m.o.s. dynamic shift-register. This device will not store information reliably for more than a short time interval, but this problem can be overcome by recirculating the information within each storage unit, at either input or output clock rate, during the interval between writing and reading. Another way of coping with the problem posed by dynamic registers is to cycle the information through the storage units connected as a ring. If this were done under the control of, say, the output clock it would be possible to derive the output from a fixed point in the ring of stores, with the signal inserted at an appropriate point. In this form, the ring may be regarded as a tapped delay with the addition of a recirculation path to allow for the repetition of information when required. A subsidiary buffer store would be required at the input, however, so that new information could be inserted into the appropriate point of the ring at the appropriate time, under the control of the output clock pulses. This leads to arrangements of the type shown in Fig. 3. Each of the storage units comprising the buffer store on the left-hand side of this diagram has a capacity equal to that of each of the units in the main ring of stores. Sw₁ directs input information into the buffer store as it arrives; this process is, of course, clocked at input rate. The reading of the buffer store and all subsequent switching and clocking operations are locked to the output standard. Sw₂ and Sw₃ are ganged; their purpose is to provide access, during the period of each signal block, to information that has been written into the buffer and is ready to be transferred to the ring. During any one such period, signals flow down one or both, or neither of the two wires leading to Sw₄. The wipers of Sw₄ are ganged and are positioned, at the beginning of each signal block, to feed information into the appropriate (adjacent) pair of terminals on the ring so as to replace the signal block(s)

* This assumes that the fact that a cut has been made is conveyed to the synchronizer; if not then, between the time of the cut and the appearance of the next field synchronizing pulse at the input, information may be displayed in the wrong position on an otherwise standard output raster.

that would, otherwise, have circulated through that particular section of the ring. Information is discarded or repeated at the output when the wipers of Sw_4 move past the output connection. The size of the buffer store, and the motion of Sw_2 and Sw_3 may be arranged so that frequent discarding and repeating of information is avoided when the input and output synchronizing waveforms are hovering near synchronism. If the main ring holds only one field, ancillary circuits can be connected at the output to ensure that the output signal is presented in correct phase during successive fields.

Other arrangements can be envisaged; for example, it would be possible to connect the input signal to the main storage ring, with a subsidiary buffer store at its output. The final choice of block diagram will depend on detailed design considerations.

Complications arise when field-store synchronization is attempted with a storage capacity limited to about one television field. The properties of a PAL colour signal are such that an 8-field cycle is involved; this arises because of the interlaced fields, the V-axis (PAL) switching at half-line frequency, and the arithmetical relationships between the colour subcarrier and the scanning

switching sequence will be wrong. During the development of the present-day synchronizer, various methods of overcoming this problem were examined and the method finally adopted was to change, when necessary, the synchronizer, delay by one complete television line so as to bring the V-axis switching sequence into step †. This method, known as 'line-slipping', results in a picture that has been moved bodily up or down by one line and means that a further loss of one line of video information can occur; this was considered less serious than the degradation of picture quality which would accompany alternative solutions. It is likely that a similar method will be necessary in a digital synchronizer.

Extension to field-store conversion

A field-store converter is required to produce an output signal whose field phasing is constantly varying relative to the input. A field-store synchronizer must, of course, be capable of dealing with such variations. However, in the case of the converter, the variation is much more rapid, and the conversion process, in general, also involves a change in the number of lines per picture. These requirements may be satisfied by

however, as it does for analogue field-store standards conversion. A problem arises because the phase of the colour subcarrier changes from line to line and field to field in a manner which can prevent information being taken directly from different lines and fields of the signal. Analogue standards converters avoid this difficulty by using an intermediate system of colour signal coding, rather like N.T.S.C., having a specially chosen colour subcarrier frequency which is an integral multiple of the input line frequency. This means that, for a given colour, the phase on any line of any field is always the same and interpolation is thereby simplified. It is possible that a similar kind of intermediate colour system may be necessary in digital field-store standards converters.

Acknowledgements

The authors wish to acknowledge the contributions and help received from their colleagues in the B.B.C. Research Department; they also wish to thank the Director of Engineering of the B.B.C. for permission to publish this article.

REFERENCES

1. Patent applied for.
2. *E.B.U. Review*, Pt. A, 107, February 1968.
3. *S.M.P.T.E.*, 78, 8 August 1969.
4. Lord, A. V. 'Digital Methods Applied to Television', *Journal Royal Television Society*, Vol. 12, No. 2, Summer 1968, pp 27-36.
5. 'Digital TV Line Standards Converters', *W.W.* May 1971 p.238.

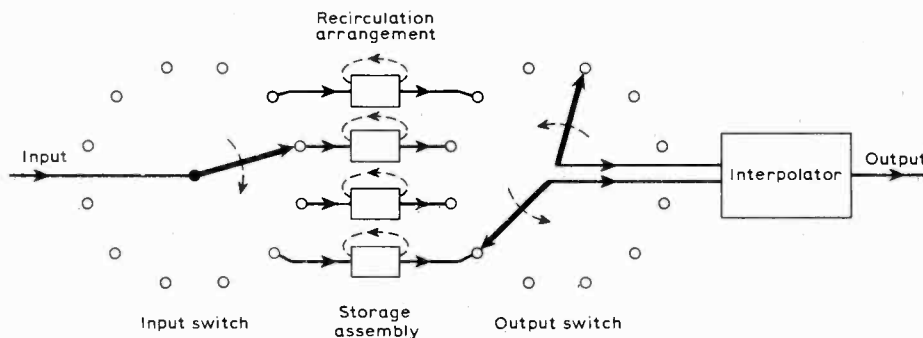


Fig. 4. Extension of Fig. 2 to provide facilities for field-store standards conversion.

frequencies. Each of the eight fields is separately identifiable and a synchronizer would, ideally, have a storage capacity sufficient for eight fields, in order to match precisely any incoming field to one from the master signal; even the synchronization of monochrome signals ideally requires two-field storage. There is no need, however, for such storage capacity in practice since the difficulties can be overcome without serious penalties. There are two main effects involved.

First, when the timing of the input signal requires that 'odd' fields at the input be displaced to become 'even' fields at the output, or *vice versa*, picture information will be absent from half of one television line at the bottom or top of the output picture.

A second, and more serious, problem arises in connection with the polarity of the V-axis (PAL) switching. Once the corresponding lines of the nearest incoming field have been aligned, there is a 50% chance that the polarity of the PAL

arrangements similar to those given in Figs 2 and 3 with the addition of circuits that interpolate between a number of input lines (possibly derived from successive input fields) to produce information suitable for display on the output raster, together with the additional storage capacity required for interpolation.

Fig. 4 is an extension of Fig. 2 to provide these extra facilities. In this example the interpolator takes information from one line in each of two successive fields, and the two output switch wipers are driven accordingly. The total storage capacity required would somewhat exceed that corresponding to two fields. Circuits already developed, could be used to carry out the processing required in a digital interpolator of this type.

The presence of the colour subcarrier complicates the interpolation process,

† Since PAL switching occurs at half-line-frequency rate, the opposite switching polarity must always exist on adjacent lines.

Communication 72

This is the title of an international radio and data transmission conference being organized for 13th-15th June next year in the Metropole Convention Centre, Brighton. It is being jointly sponsored by *Electronics Weekly* and *Wireless World* and will provide a meeting ground for the manufacturers and users (both military and civil) of communications equipment. A steering committee including representatives of Government Departments, the industry and user organizations has been set up and a call for papers will be issued shortly.

Considerable interest has already been shown by manufacturers in the supporting international exhibition which has the backing of the Electronic Engineering Association and is being organized by P. Gordon Saville, 21 Victoria Rd., Surbiton, Surrey. Present plans provide for about 150 stands.

Letters to the Editor

The Editor does not necessarily endorse opinions expressed by his correspondents

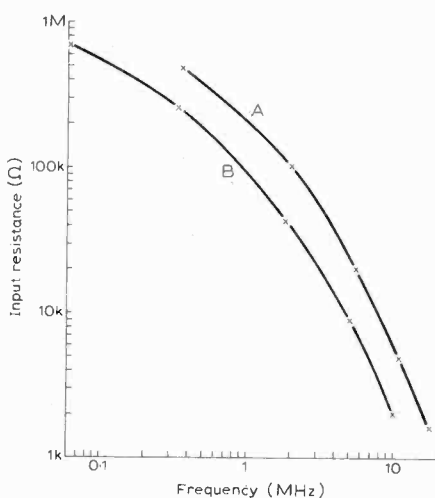
Dual-trace oscilloscope unit

I would like to comment on some of the points made by W. T. Cocking in his article 'Dual-trace Oscilloscope Unit'.

A continuously variable gain control I consider unnecessary and I do not use it on an ordinary oscilloscope in which the gain varies in steps of 1:2:5:10. On the other hand, I would not consider the purchase of an oscilloscope which lacked direct coupled amplifiers. There are rare occasions when the a.c. and d.c. components differ so much that I have to put a dry battery in series with the input, but this is acceptable for experimental work.

Most people believe that the input resistance of an oscilloscope is about $1M\Omega$ shunted by a capacitance of 30 to 50 pF because this is stated in the instruction manual. In fact this is true only at low frequencies. At high frequencies the shunt resistance falls to perhaps $2k\Omega$. This may not be important when used with switching circuits but it will probably be disastrous if connected across the tuned circuit of an oscillator.

The graph shows the resistive component of the input impedance measured with a Q meter. Above 100kHz the resistance is inversely proportional to the square of the frequency. The resistance will vary slightly from one attenuator position to



Input resistance of oscilloscopes. (A) Advance OS2100 (transistor amplifier); (B) Telequipment D53, amplifier C2 (valve).

another but the two curves are representative. One oscilloscope (B) uses valve amplifiers and the input resistance varies only slightly when the mains supply is switched off. There are series resistances such as grid stoppers in the input attenuator and these probably cause the very low equivalent shunt resistance. Measurements were made with short (approx. 6 inch) wires between oscilloscope and Q meter.

I must emphasise that the graphs do show the shunt resistance. They are not curves of capacitive reactance.

M. D. SAMAIN,
University of Salford.

The author replies:

The points about gain control and a d.c. response are surely personal ones. I am used to a continuous gain control and would not willingly do without one. On the other hand, I have rarely found any use for the d.c. input of an oscilloscope.

I am most interested in the figures for the input resistance of oscilloscopes at high frequencies. I made a rough measurement on an oscilloscope at 10MHz and found the resistance to be of the order of $7k\Omega$ only. The c.r.o. so loaded a tuned circuit, however, that the resulting Q was too low to measure accurately with the meter available and I would not rely on my figure to better than $\pm 50\%$! It does, however, give confirmation of a low input resistance at high frequencies.

The suggestion that it is caused by the use of series stopping resistors is probably the chief cause. At 10MHz, 22Ω in series with 30pF has a parallel equivalent of $12.8k\Omega$ in shunt with 30pF.

W. T. COCKING.

Television sound quality

I recently purchased a new 24-inch single-standard TV set. I have subsequently found that although the picture quality is very good the sound is dreadful, speech quite frequently being unintelligible and music invariably not worth listening to. When I complained to the retailer I was told that the poor sound was common to most sets and was due to the fact that the manufacturers had provided more for the money on the vision side. I said that the sound

quality was as important as the visual quality to my enjoyment and that I was prepared to pay either to have the sound taken through my high-fidelity amplifier and speaker system, or, alternatively to buy an entirely separate tuner to use with my high-fidelity system. I was told that they were forbidden by the manufacturers to do the former (it was done on a previous TV set), and that there was no such thing as a separate tuning unit for TV sound.

I then communicated with the manufacturer (B.R.C.) pointing out that the sound quality was much worse than on one of their own portable transistor sets I had bought for a little over £20. They said that they were sure my TV set was faulty and should be returned to their factory. I perforce went through the lengthy procedure of doing this, at the same time stating that I would much rather put the sound through my other equipment either from the TV set or a separate tuning unit, or failing that, and since the set was being returned to them anyway, would willingly pay anything within reason for them to fit a better quality amplifier and/or speaker. In the event they insisted that none of these things was possible and returned my set with a note that a capacitor had been changed.

The quality of the sound reception is minimally improved but remains quite unacceptable by any reasonable standard.

In common with many other families, we use our television set for more hours of the week than either the radio or record player. Despite the fact that I have very expensive equipment for sound reproduction, I am obliged to tolerate sound on our major source of entertainment which spoils our pleasure in the programmes. Although I am prepared to spend whatever additional money is necessary to obtain good sound quality I am told that this is not available at any price.

R. SEAR,
London N.W.3.

Optimum scale integration

In 'News of the Month' in your July issue (page 340) you comment on the use by Plessey of the term 'Optimum Scale Integration'.

When designing complex linear integrated circuits – for example colour processing systems – the limit to the amount that may be integrated is rarely set by chip size. The factors controlling chip complexity are usually stability (when high gains are involved) and overall system price – bearing in mind that the cost of an integrated circuit increases very rapidly with the number of external connections that are made to it. A digital system may well have less connections if it is integrated on a single huge l.s.i. chip than on several smaller chips but the same does not apply to linear systems, which need coupling, decoupling and tuning, most of which are accomplished with non-integrated components.

Thus, several years ago, Plessey Microelectronics coined the term 'optimum

scale integration', or o.s.i., to describe the integration of linear systems into the most economic number of functions per chip. It was a contrast with digital l.s.i. where the most economic number of functions per chip is usually the largest.

JAMES M. BRYANT,
Plessey Company,
Components Group,
Swindon, Wilts.

In reply:

Mr. Bryant quite rightly points out that the problems of designing linear and digital i.c.s are different but to imply that digital i.c.s do not have to be optimized is stretching things a bit. Minimizing the number of interconnecting leads can be done only if the chip is being designed for a particular system. In most cases the chips (digital) are intended as building bricks in some system to be designed by the customer and not known to the i.c. manufacturer. Digital i.c.s, like most other manufactured products, are the result of a process of optimization and compromise. The term o.s.i. seemed to stem from the need to make the devices sound different for publicity purposes—hence our quip.—ED.

The asymmetric long-tailed pair

The long-tailed pair is, arguably, the most versatile basic circuit scheme ever conceived—all credit to the perceptive genius of A. D. Blumlein—and the advent of monolithic silicon integrated circuit technology, with its active device oriented circuit design philosophy, has vastly extended its use. So far, however, attention has concentrated on the 'symmetric' long-tailed pair, i.e. a balanced scheme in which the active devices are made, intentionally, as near-identical as possible. As far as I am aware no attention has been paid to the case where the devices are intentionally fabricated with a significant, controlled, asymmetry, i.e. the asymmetric long-tailed pair. It is the purpose of this letter to point out briefly, the possible advantage of such a configuration; in the case discussed here bipolar junction transistors are dealt with.

Consider the circuit of Fig. 1 in which transistors Tr_1 and Tr_2 , made in close

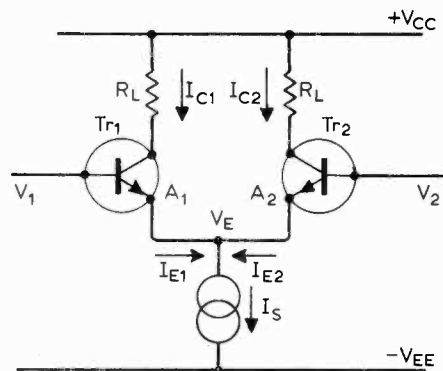


Fig. 1. Basic long-tailed pair.

proximity on the same semiconductor wafer, have emitter areas A_1, A_2 units respectively. If, (i) the saturation current density of the emitter base junctions of both devices is J_0 , (ii) operation is at a current level $\gg I_{CBO}$ (typically $< \ln A$), and (iii) the common-base d.c. current gain of each device is α , then

$$I_{C1} = \alpha I_{E1} = \alpha A_1 J_0 \exp \left\{ \frac{V_1 - V_E}{V_T} \right\} \quad (1)$$

$$I_{C2} = \alpha I_{E2} = \alpha A_2 J_0 \exp \left\{ \frac{V_2 - V_E}{V_T} \right\} \quad (2)$$

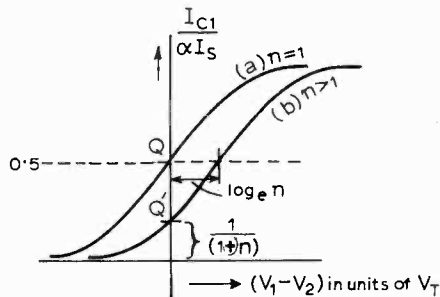


Fig. 2. Long-tailed pair transfer characteristics.

where V_T = thermal voltage = $KT/q \approx 25$ mV at $T = 300^\circ K$.

$$\text{Furthermore, } I_S = I_{E1} + I_{E2} \quad (3)$$

Routine algebraic manipulation of (1), (2), (3) gives,

$$\left(\frac{I_{C1}}{\alpha I_S} \right) = \frac{1}{1 + n \exp \left\{ -\frac{V_1 - V_2}{V_T} \right\}} \quad (4)$$

where $n = (A_2/A_1)$. A similar expression holds for $(I_{C2}/\alpha I_S)$.

A more convenient form of (4) is,

$$\left(\frac{I_{C1}}{\alpha I_S} \right) = \frac{1}{1 + \exp \left\{ \frac{V_{OS} - V_1 + V_2}{V_T} \right\}} \quad (5)$$

in which,

$$V_{OS} = V_T \log_e n \quad (6)$$

Equation (5) is sketched in Fig. 2. Curve (a) corresponds to $n = 1$ (symmetric case); curve (b) corresponds to $n > 1$ (asymmetric case). Clearly the effect of area difference is to shift the transfer characteristic parallel to itself along the horizontal axis by the amount of the offset voltage, V_{OS} . (In the intentionally symmetric case there is always the possibility of some undesired small offset voltage because of fabrication tolerances: thus a 2% area difference between Tr_1, Tr_2 yields, via (6), $V_{OS} = 0.5$ mV).

For the linear amplification of small signal voltages bipolar with respect to a specified reference level V_2 a symmetric scheme is suitable. With the quiescent point at Q the transfer characteristic is substantially linear for $\Delta V_1 = \pm V_T$. Suppose, however, that it is required only to amplify signals positive going with respect to V_2 . In such a case the choice $n \neq 1$ would appear preferable: in fact, the input signal range for linear amplification is extended by a factor of 2 if the transistors are designed so that,

$$V_{OS} = V_T \log_e n = V_T \quad (7)$$

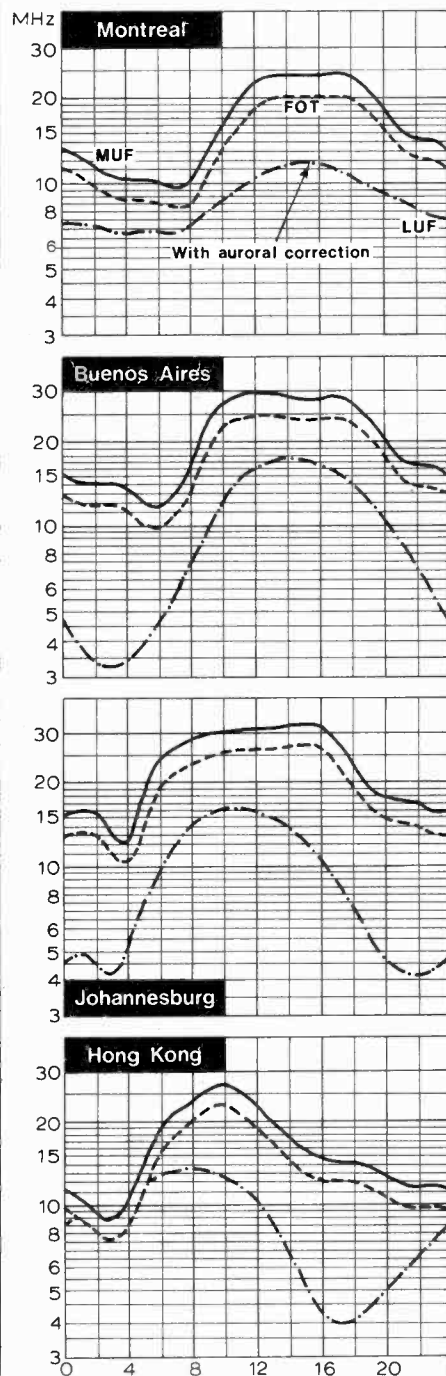
or, $n \approx 2.7$.

For this condition the quiescent point is Q' . Obviously, the configuration is equally suitable for the amplification of negative going signals only if they are applied to the base of Tr_2 .

B. L. HART,
London E.15.

H.F. Predictions—October

Path MUFs are determined by the two-control-point method of calculating MUFs for 4000km range from each terminal along the great circle between them and taking the lower value as the MUF for the path. When the terminals are widely separated in latitude the MUF difference can be considerable, for example on Hong Kong/London during 00.02 to 00.04 G.M.T. it is 23MHz. Operation above path MUF is often observed under these conditions accompanied by a change in direction of arrival away from the great circle bearing towards the equator. Similar effects, due to ground reflection scattering and ionospheric layer tilts, are observed on many long-distance circuits and have diurnal and seasonal variations.



News of the Month

New radio-telescope

A detailed design for a radio-telescope, to be known as the Mark VA, is to be commissioned by the Science Research Council at a cost of some £250,000. In 1967 the Council announced two preliminary design studies for a large steerable radio-telescope to be operated by remote control from the Nuffield Radio Astronomy Laboratory of Manchester University, at Jodrell Bank. The new design announced by the Council will carry these preliminary studies a stage further and lead to the consideration of tenders for construction of all the major components of the telescope in about a year's time. The Engineering Division of the United Kingdom Atomic Energy Authority Reactor Group will be the S.R.C.'s agent; Husband and Company, of London and Sheffield, will be the consulting engineers. The specification is for a telescope of about 114m aperture, with a solid membrane, the elements of which can be adjusted by remote control during operation. The membrane will be carried on a large steel structure pivoted in elevation on bearings carried on a beam supported from a reinforced concrete turntable. It is planned that the site of the telescope, if approved, will be at Meifod in Montgomeryshire in Wales. If constructed the Mark VA would operate at wavelengths down to a few centimetres and be used in conjunction with the existing Mark I, currently being repaired and modified, to form an interferometer with a base-line some fifty miles long.

Automatic buoy

Europe's first fully-automatic unmanned navigational buoy has replaced the Shambles lightship off Portland Bill, Dorset. Lanby (large automatic navigational buoy) has just undergone a year of intensive testing which followed its delivery by the manufacturers, Hawker Siddeley Dynamics, to Trinity House. The buoy consists of a main light beacon 12m above sea level which can be seen for sixteen miles and a powerful fog signal which can be heard more than three miles away. At a later date radar and radio beacons may be fitted, and there is provision for accommodating meteorological or oceanographic data-reporting equipment if required. The automatic operation of the buoy and its power

supplies, three 5kW diesel-powered generating sets, is monitored every thirty minutes by a shore station via a radio telemetry link. Should any failure occur, standby services operate automatically, and indication of the fault is relayed to the shore station. Shore control can carry out 40 separate checks on the equipment and can control 22 different operations. It is estimated that the buoy will cost 90% less to operate than the £29,000 per year required to keep a light vessel at sea.

Small airfield 'control tower'

A compact equipment (NP8) designed by Rohde & Schwarz for small airfields is not only an accurate direction finder but also provides two-way v.h.f. communication on any one of up to six channels. A technique known as the wide aperture Doppler method is used for the direction finding process.

The pilot of an aircraft wishing to land at an airfield equipped with the NP8 selects the airfield approach frequency on his normal v.h.f. transmitter and calls the control tower. The NP8 receives the signal and provides the controller with a digital indication of the airfield's bearing from the aircraft (QDM) to within one degree and also gives a rough indication (within 10°) of the aircraft's bearing from the airfield (QDR). The controller also hears the transmission and reply using the NP8's transmitter.

The direction finder aerial consists of 16 dipoles arranged in a circle of 3.3m diameter which are electronically commutated at 170Hz and simulate a single aerial rotating around a circle of 3.3m diameter. The communications aerial is a single dipole mounted at the centre of the 16 d.f. dipoles.

The outputs of the two aerial systems are fed to two separate receivers which have a common crystal-controlled local oscillator. The output of the communications receiver is detected and used to feed an audio amplifier and speaker. It is also used to compensate for frequency differences between transmitter and receiver and to prevent an f.m. signal from upsetting the d.f. process by comparing the communications receiver output with the d.f. receiver output to obtain a correction signal.

The d.f. receiver's output is frequency modulated by a 170Hz signal which is

caused by the 'rotation' of the aerial relative to the aircraft's transmitter and has a phase which when compared with the original 170Hz commutating signal yields the bearing of the aircraft.

The phase shift of the bearing signal is averaged over a period of 180 simulated aerial rotations before being displayed but for a very short transmission a bearing indication is available after 36 rotations.

Naval gun used to produce ferrite parts

New ferrite components are being developed at the Billericay factory of Marconi Communication Systems using an unusual production process. The basis of the new process is a 6-inch naval gun with the barrel cut short and sealed. Soft rubber moulds, containing powdered ferrite material from which all the air has been evacuated, are immersed in a hydraulic fluid in the gun barrel, and the breach of the gun is closed. The fluid is then pumped up to a pressure of over 15 tons per square inch, and the powder is forced into a solid block inside the moulds. Since the pressure is applied evenly in all directions by the fluid in the gun barrel, the compressed powder is almost completely free from stresses which might distort the block of ferrite in the furnace.

The ferrite is then fired at a high temperature in an electric furnace, during which time it becomes nearly molten, and shrinks by one fifth of its size. At the end of the process the component is hard enough to cut glass, and is accurate in size to within 0.5%. This unusual method of compressing ferrite powders eliminates lengthy cutting and grinding operations, which normally have to be carried out using diamond cutting tools on the finished ferrite blocks. It also saves a considerable wastage of off-cut material, which cannot be re-used after it has been fired. In the case of the more expensive ferrites, this saving can be considerable.

I made it myself

The communications division of Motorola have taken a step in the right direction by adding an important commodity to one of their radio paging receivers. Each receiver is assembled, tested and packed by one assembly technician. Gone is the production line where each worker did the same job over and over again with little idea of what the final product looked like. The assembly workers are now completely involved. They are responsible for the quality and reliability of the receivers they have each made and an extra something is added which is called pride in one's work. A signed note with the receiver tells the customer who made it.

The receiver in question, called the Pageboy-2, uses only 80 components (if a hybrid i.c. can be called a component) and makes the one-person production technique possible. Motorola are so pleased with the results of the exercise they are now looking at other areas where the idea could be applied.

Quadraphony and Home Video steal the Berlin Show



The 27th German-based radio and television exhibition, held this year in Berlin (Aug. 27-Sept. 5), was international for the first time. So we are justified in presenting some developments from outside Germany this time. The enlarged exhibition area held 263 exhibitors, with nearly half from countries other than Germany. There were 14 British manufacturers represented, 20 from the U.S.A. and 38 from Japan. Main developments were in quadraphonic sound systems and home video equipment.

Four-channel systems

There was a lot to see in four-channel equipment. If you're confused by what's happening in four-channel sound systems, we don't blame you. The situation is confusing because of the variety of systems and in particular a lack of agreement about which to use for what purpose. The jargon doesn't help the outsider to four-channel thinking either.

As well as the basic four-channel arrangement of four microphones feeding four speakers independently ('4-4' system) there are simulated systems—which can be merely ambience-enhancing techniques—for creating four speaker signals from two channels ('2-2-4' system) and '4-2-4' systems for processing four-channel information over two-channel links (e.g. discs). Then there is the question of what to do about compatible tapes, discs and broadcasts for four channels of information (at least ten systems have been proposed for broadcasting).

Some are tempted to dismiss it all as commercial gimmickry, if not trickery, but out of all this comes a theme we have heard before with mono vs stereo and monochrome vs colour television—those who have heard the better four-channel systems say they don't want to go back to conventional stereo.

Ambience is what is mostly lost through stereo reproduction, and is the reverberant sound of the playing room which arrives later than the direct sound and with an almost random directionality. To get an impression of this one has to perceive sound in the listening room on the same basis as in the original room. To do this

means arranging to get sounds in the room which follow on from the original sound in an incoherent way but at the same time do not reduce the stereo directional property. Using the findings of Haas (which incidentally related to *speech* pulses) it is maintained that delays of about 1 to 30ms do not reduce directionality—the first-heard sound locating the source—and the delayed pulses merging to reinforce the first sound (provided the level difference is less than 10dB). Thus it has been proposed to introduce delays (of around 10ms) between front and back speakers (in a two-channel stereo system), arranging the back speakers to get the best ambience effect—level with the ears. Getting these delays can be inconvenient because of the delay mechanism needed, e.g. displaced tape heads, sound propagation tubes, etc. The alternative of using four appropriately spaced microphones can achieve the required delay, but requires the co-operation of the recording director and a 4-2-4 system. Consequently simpler ways of achieving an ambience effect have and are being adopted.

The Körting Multisound 600, Siemens RS172 and RS302, a unit by AudioSon, and the Elac 3400T are based on the old argument that the difference between two stereo channels carries reverberant sound (which is less masked than in the sum signal) and can be used to reproduce an enhanced reverberation effect. Körting use a differential amplifier to produce antiphase difference signals, ($\pm I-R$), which are fed through separate amplifiers to two rear speakers. The 180° phase difference is intended, the makers say, to prevent a sound image being formed midway between the rear speakers. But the effect of this may be disturbing to some in a similar way to the effect of anti-phase speakers in a conventional stereo setup, and can give reduced l.f. response through cancellation. Although these two signals could be provided more economically using either one extra amplifier with antiphase speakers or by matrixing the *L* and *R* signals, Körting—in common with many other manufacturers of such black boxes—are anticipating availability of four-channel discs or tapes.

Pioneer equipment shown had two modes of operation—one using a matrix for four-channel discs (coded stereo discs) and one

using a phase difference circuit for ordinary stereo discs. The phase difference method provides a differential *L-R* signal for the rear speakers with a 90° phase difference to provide a diffused rear sound source. The matrix mode is intended to be used with coded discs, i.e. two-channel discs derived from four main microphone channels. The Sansui QS-500 also includes a matrix and it is interesting that makers have decided to adopt a particular kind of matrix before there is any agreement on what system will eventually be used for disc coding.

The Sansui equipment is unique in that it includes phase modulators to give a presence effect which acts on each of the rear channels to give 'randomly' varying phase differences between 0 and 180°. Both rear channel signals, derived by matrixing, are phase shifted prior to this phase modulation—the specification shows 90° at 300Hz for the left and 90° at 600Hz for the right. The significance of these frequencies is not explained.

A '4-2-4' system proposed for use with such units has a four-microphone arrangement feeding a linear matrix coder to produce two channels from the four. The resulting left channel output comprises mainly signals from the left front and back microphones together with a difference signal from the right front and back microphones, and conversely for the right output. These two composite signals can then be applied to a stereo disc cutter in such a way as to rotationally modulate the groove by appropriate choice of coefficients in the matrix, rotation of the cutter *x-y* axes corresponding in theory to 'panning' a sound source around 360°.

In practice of course the cutter—or pickup stylus—is not physically rotated, the desired effect being achieved by giving suitable coefficients to the cutter signals. When the matrixed or 'coded' signals are retrieved from a disc, and 'de-matrixed' it turns out that when, say, the left front microphone only is providing a signal, three speakers are energized, the left front with a full signal and the two adjacent speakers with a signal 3dB down. As it stands, this system is clearly not a 'discrete' system, and it would seem there is a reduction in front left-right separation.

But it is argued that most programmed material would not demand four discrete channels. When discrete reproduction is important it is possible to apply gain control to the two flanking channels to reduce their effect using circuitry which recognizes the appropriate kinds of signals. This basic idea, similar to that of Scheiber, is the basis of a variety of commercial four-channel playback units, including those by Pioneer, Sansui, Electro-Voice, Lafayette.

While it may be true that conventional stereo discs can be reproduced with added realism, such a coded disc will not be very compatible—a two-channel stereo setup will have reduced separation. Also, to improve this front right-left separation means an expensive decoder because of the need for additional gain control circuitry. As a centre-back signal corresponds to a vertical stylus motion, this would be lost when playing such a disc in the mono mode. A way round this is to provide a 90° phase difference (actually ±45°) between the two composite channels and thus their sum is equal to the square root of the sum of the squares of the two signals, thus giving mono compatibility.

Bauer* has pointed out that there is directional ambiguity as a result of using a one-dimensional matrix i.e. one in which the output signals are linearly related to the input with real coefficients, claimed to be overcome in the CBS system by using a two-dimensional matrix with complex coefficients—see later.

One method of putting four channels of information onto a disc is the modulated subcarrier technique used by the Victor Company of Japan. In this a matrix produces the signals $L_F + L_B, L_F - L_B, R_F + R_B, R_F - R_B$. The two difference signals are separately angle modulated onto a sub-carrier of 30kHz with a total passband of 20-45kHz. (Difference signals below 800Hz are frequency modulated and above 800Hz are phase modulated onto the carrier.) The two sum signals are then added, so the two composite signals (representing the left channels and the right channels) are modulated onto the disc groove in the normal way. Fig. 1(a) shows a typical groove modulation. The level of the modulated difference signals is kept to 20dB less than the maximum level of the sum (audio) channels. By this means crosstalk figures of 20dB (both front-to-back channels) and 25dB (both left-to-right channels) are obtained.

This kind of system was investigated by CBS—except that the carrier was at 22kHz with an a.m. upper sideband extending to 38kHz—but a number of snags were found. So that the stylus can trace the finer groove modulations the base-band signal has to be reduced in level resulting in a 6 to 8dB drop in s/n ratio in the stereo mode. Also there are difficulties in tracking which would mean restricting the inner groove radius to about 15cm. Then there is the cost of pickups designed for use up to 40kHz.

The system eventually adopted by CBS—called SQ (stereo/quadrasonic) and re-

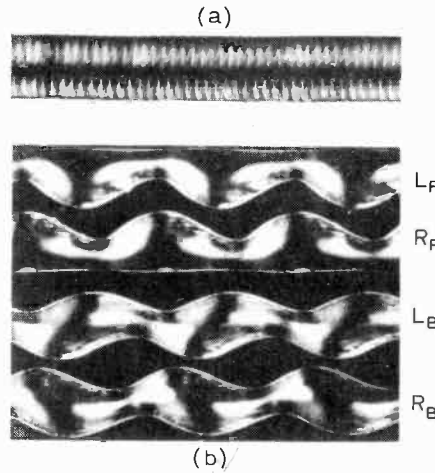


Fig. 1. Grooves of four-channel discs using subcarrier technique (a) and using CBS matrix technique (b).

cently demonstrated in London as well as in Berlin—uses a linear matrixing technique which gives improved performance in some respects over other matrixing methods. Starting with the disc cutter, the method of getting the additional directional information onto the disc is similar to the system already discussed. The front signals are as for a conventional stereo disc. The left back channel is associated with a clockwise circular motion in the groove and the right back channel with an anti-clockwise motion. The left back signal is applied equally to both groove walls with a 90° phase lag on the right, and the right back signal is applied equally with a 90° phase lead on the right. The back channels are thus orthogonal—as are the front channels—signals in one back channel being unaffected by a signal in the other back channel. Thus, in theory, infinite separation is available between the front pair and the back pair of channels. (Not so between the left and right pairs, where separation can be as little as 3dB.) Equal front signals give a lateral groove modulation, equal back signals give a vertical modulation and a source at other points around a microphone square would give elliptical modulation. Fig. 1(b) shows four 45-45 grooves with modulation by each channel. The 90° phase difference between the two wall modulations is clearly seen.

The matrixing process has the following relation:

$$L = L_F + aR_B - jaL_B$$

$$\text{and } R = R_F - aL_B + jaR_B$$

where $a = \sin 45^\circ = \cos 45^\circ = \frac{1}{\sqrt{2}} = 0.707$.

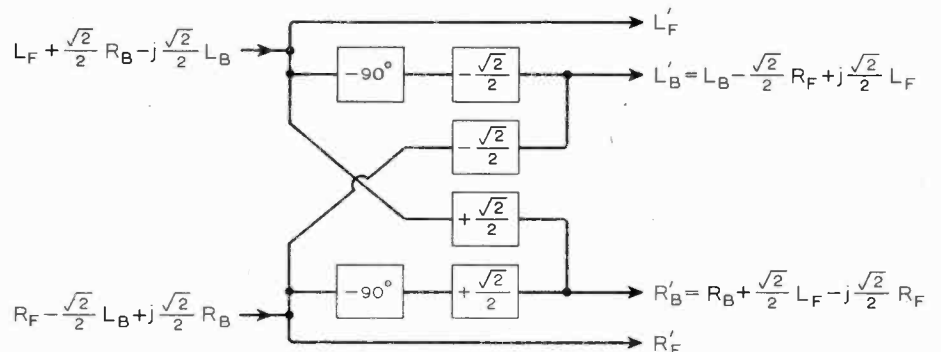


Fig. 2. Simplified decoder matrix used in CBS SQ system using wideband 90° phase-shift circuits. Modified form of matrix can give improved separation between centre front and back signals at the expense of left-right separation.

(The terms prefixed with j are formed with wideband 90° phase-shift circuits.)

In the 'de-matrixing' process (Fig. 2) the outputs will be:

$$L'_F = L_F + aR_B - jaL_B$$

$$R'_F = R_F - aL_B + jaR_B$$

$$L'_B = L_B - aR_F + jaL_F$$

$$R'_B = R_B - aL_F - jaR_F$$

Thus the front-left speaker, for example, produces no front-right signal, but has an in-phase back-right component and a back-left signal shifted in phase by -90°. By inspection of the other equations it can be seen the front and back pairs have the theoretically infinite separation while front signals are transferred with reduced amplitude in the rear and vice versa. High front separation is most useful for maintaining compatibility with two-channel stereo equipment and is a distinguishing feature of the system—Fig. 3(a). This figure also shows the signal amplitudes resulting from a front left signal in the other systems for comparison at (b). (It is achieved at the expense of slightly more power being radiated from the opposite direction of the dominant sound source than in the system using all real coefficients in the matrix—Fig. 3). Using a different kind of matrix with the system will reduce separation and alter sound distribution.

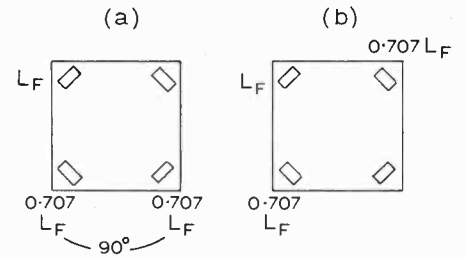


Fig. 3. Speaker outputs when a front-left microphone only is energized using the CBS matrix method (a) and typical output using other matrices (b).

In the example of Fig. 3(a), the rear signals have negligible effect on perceived direction, only contributing to the total loudness. The human hearing system favours sounds from the front, and as sounds for the back reach the ear largely by reflection (in a room) and are therefore delayed, the Haas effect prevents any effect of reflected sound on directionality. This rule doesn't seem to apply when the back

* Letter to the editor, *J. Audio Eng. Soc.* vol.19 1971 pp.315/6.

signals are dominant. In the case of a back left signal, the signals in the front speakers are in quadrature and it has been shown that the image from two such signals is displaced toward the leading signal (front left). It turns out that this is at about the same angle as the perceived sound from the back speaker—which is about $\frac{1}{3}$ of the angle between two speakers. (Perceiving incoherent stereo signals from behind narrows the separation angle.) So the front image tends to 'blend' with the back image, and because the back signal is the stronger the sound is perceived from the back. A feature of the system is that the same effect occurs if the listener turns round and faces the back.

When playing a four-channel disc on a two-channel system, the sounds corresponding to equal signals in quadrature are shifted towards the leading phase speaker. Thus a back left signal appears displaced toward front left, which helps to convey some sense of identification between the four and two-speaker reproductions.

The reduced-amplitude (or 'side-effect') signals are perceived when a listener turns through 90° , reducing apparent front-back separation. A refinement to the system therefore is to use controlled-gain amplifiers in each of the four channels, whose action is to attenuate the side-effect signals whenever they have equal amplitudes and a $0, 90$ or 180° phase difference in adjacent channels. (Gain of the remaining two amplifiers is correspondingly increased to maintain constant power.) Given such a system, performance is claimed to be virtually identical to that of the original master tape.

CBS say that the first quadrasonic discs—about 20 titles—will be released in the U.S.A. in November, costing about \$1 more than two-channel discs. Sony are the first licensee for hardware outside the U.S.A. and showed two decoders at the exhibition. They are expected to be available in Europe early in 1972, when no doubt CBS will start pressing discs in the U.K. Cost of decoders is expected to range from about £20 for a matrix-only type to around £60 for a model with gain control circuitry. Other manufacturers and record companies are being licenced in Europe, and we expect announcements to be made later this year.

Home video

The Philips VCR video cassette recorder had its premiere at the exhibition. Demonstration models using this system (under licence) were seen on a number of stands—Bosch/Blaupunkt, Loewe Opta, Grundig, Nordmende and Philips—and other companies have also agreed to use the system, including Telefunken, Saba, Lenco, Zanussi (Italy), Revox and Thorn. A feature of the VCR machines is the inclusion of a u.h.f. receiver, enabling broadcasts to be recorded independently of the playback receiver. On some models, a timer is included to operate the recorder at a preselected time. Philips machines are expected to cost about £290 and are now planned to be marketed in April or May

1972. Despite the wide agreement on the VCR system for the PAL system, there still does not appear to be a standard for N.T.S.C., 60Hz areas. In Japan and the U.S.A. ten different tape systems have been announced.

Most of the proposed domestic video machines are running behind schedule—our table (page 529 November 1970 issue) showing dates of introduction of the competing systems is now out of date. The Teldec video disc is now expected in 1973 and problems with RCA's Selectavision mean that a launch date cannot be given.

Nordmende demonstrated their CCS Super 8-mm film system. Like the EVR system this uses the flying-spot technique to convert film pictures for display on a television receiver.

The most interesting system technically is the video disc, and the colour version of the Teldec (Telefunken-Decca) video disc player was demonstrated for the first time. To get picture information onto a disc with a reasonable playing time clearly needs a revolutionary technique not only in pickup design but also in getting the required information density. Information theory shows that for a 3-MHz bandwidth with a signal-to-noise ratio of 40dB, a channel capacity of 4×10^7 bit/s is required, which amounts to a storage density of 500,000 bit/mm² at 1500 rev/min—two orders of magnitude greater than a microgroove disc!

To get this kind of density means that normal lateral groove modulation is out of the question and constant-width grooves are used less than $8\mu\text{m}$ wide. The sound and picture information is frequency modulated onto a carrier of between 3 and 4MHz, with a ratio of minimum to maximum wavelength of 1:2.66. The signal is cut into the 150° grooves in hill and dale fashion. In retrieving this modulation from the disc the wave crests are impressed against the piezoelectric pickup (fixed in relation to the groove, thus avoiding the problem of pickup inertia) by an air film no greater than $50\mu\text{m}$ (see illustrations in "The video disc" by J. C. Gilbert, *Wireless World* vol.76 1970 pages 377/8). Pickup output is proportional to wavelength, and as the disc is rotating at constant speed, the wavelength-frequency 'constancy' varies as the pickup traverses the disc because of increase in groove velocity. The resulting fall in output is equalized prior to demodulation and subsequent u.h.f. modulation. Pickup response is limited to about 5MHz by a resonance which occurs when the acoustic half-wavelength in the transducer is comparable with its dimensions. Transducer mass and compliance of the elastic mounting give a low-frequency resonance at about 100kHz. This allows a pickup-arm bandwidth of five to six octaves to be achieved, presumably necessary because of the low modulation index, producing sidebands outside the deviation band.

The big question is how has colour been added to this system? Teldec engineers argued that vertical resolution is unnecessarily high and to match the

horizontal resolution, considerably less than 625 lines per frame can be used. Hence, the red, green and blue picture content is recorded in sequence, so that red information is given every three lines. On playback, delay elements are used so that all three signals are available at the same time. This mixing process is used only for low-frequency picture information—up to 1MHz—so sharpness is not lost. Only two kinds of disc are necessary, a 1500 rev/min type for 625 lines, 50Hz and a 1800 rev/min type for 525 lines, 60Hz. Differences within the 625-line standard are catered for in the processing circuitry.

Although playing time per disc is short, about 5min, cartridges have been developed to take a stack of discs, which are automatically removed from their covers. Both monochrome and colour versions of the equipment are now scheduled for marketing in 1973.

Tape noise reduction

Philips showed a prototype cassette 'hi-fi' recorder (model N2510) whose performance is claimed to meet DIN45 500 standards. Using high-coercivity-tape cassettes, improved magnetic heads and their dynamic noise limiter technique (see *Wireless World* July 1971 issue pp.339/40) it is scheduled for release mid-1972.

While in Berlin we thought we would follow up a rumour that three Japanese companies—Sony, Matsushita (National) and Victor—had jointly developed a rival to the Dolby system. Sony dissociated themselves from this and said they were still negotiating with Dolby.

National, who have been using a noise reduction circuit on their cassette tape recorders (rather like the Sanyo type), claim to have developed a new 'double-ended' system, i.e. one which requires signal processing prior to recording. According to National literature, they obtain a 6-dB improvement in signal-to-noise ratio with this and together with their 'noise-free device' single-ended circuit they claim an overall improvement of 20dB! It seems they have not yet decided whether to market this, one governing factor being development of the Philips system. They have also been involved in discussions with Dolby Laboratories over the B-type system.

The Victor company (Japan) claim to have a system competitive and compatible with the Dolby system—their published curves in fact are identical to Dolby's—without patent infringement. A possible reason for the emergence of these other systems may be the royalty price Dolby is asking. According to Dolby Laboratories it has recently been reduced to about four pence per processor as a result of an increased number of licensees. There are now 63 licensees of consumer Dolby products, including 22 in the USA, 13 in Japan and 12 in the U.K. Latest cassette machines seen using the Dolby system are made by Hitachi and Sansui.

Dual-trace Oscilloscope Unit

3. Bipolar transistors

by W. T. Cocking*, F.I.E.E.

The two previous parts of this article have dealt with the requirements for a dual-trace oscilloscope unit and have discussed in detail the design of an amplifier incorporating a field-effect transistor for its input stage. It was shown that the main practical difficulty with an f.e.t. arises out of the very large tolerances on this type of semiconductor. Additionally, however, there is a lack of definite information on the temperature coefficient. In view of the gain control requirements, this makes it impossible to be sure that a design is satisfactory without lengthy tests on a great many f.e.t.s.

It is a fact that the provision of a continuous control of gain is a major design problem. It was clear from the start that the most satisfactory solution would probably be to use a differential amplifier with the gain control resistor connected between the two emitters. This is a well-known circuit, but for good maintenance of the balance it requires complete symmetry. This means, in particular, that as far as d.c. is concerned everything connected between one base and the bias source must be duplicated between the other base and its bias source.

This virtually rules out the use of the f.e.t. as an input device, for a matched pair would be required to achieve the necessary symmetry and with their normal large tolerances this is more easily specified than secured. How then otherwise can we achieve an adequately high input resistance? It must be around 5 M Ω as a minimum and is better 10 M Ω , so that it causes negligible error by its shunting effect on the 100 k Ω resistor which is supposed to define the input resistance.

An emitter-follower has an input resistance of approximately $h_{fe}R_E$ and a typical transistor, such as the BC107, has a minimum h_{fe} of about 100. To obtain an input resistance of 10 M Ω , therefore, an emitter load of 100 k Ω is needed. Now the input resistance of a differential stage is unlikely to be much more than 10 k Ω , so a second emitter follower is needed. A second stage with an emitter load of 1 k Ω , which is small compared with 10 k Ω , will have an input resistance of 100 k Ω to form the emitter load of the first stage.

Thus, a preliminary check indicates that a double emitter follower is needed to

obtain the required input impedance, and for symmetry, it must be duplicated on the other side of the differential amplifier. This solution thus requires rather a large number of transistors. This was why initially we investigated other arrangements and we returned to it only when we found those other arrangements to be unsatisfactory for gain control.

According to the text-books the input resistance of the double emitter follower is lower than one expects because the input resistance of Tr_2 is shunted by the collector-emitter differential resistance of Tr_1 (Fig. 1.) Further, it is usually advised that a coupling resistor be connected from the emitter of Tr_1 to $-V_{CC}$, which provides a further reduction of the emitter load. The reason for providing this coupling resistance is to ensure that Tr_1 is not cut-off by the I_{CO} of Tr_2 . This is possible even with silicon transistors under some conditions.

However, I_{CO} is unlikely to exceed 0.05 μ A even at high temperature and the trouble is most simply avoided by making I_{B2} , and hence I_{C1} , large in comparison. The BC107

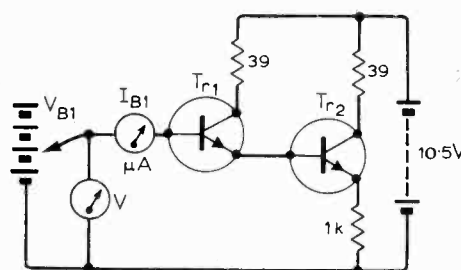


Fig. 1. Circuit for measuring the input current-voltage relation for a double emitter follower.

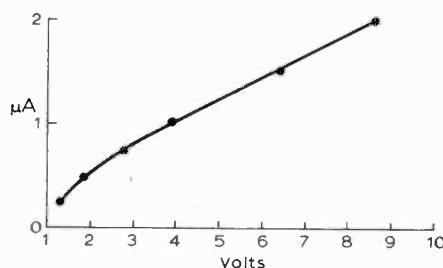


Fig. 2. Plot of current-voltage for the circuit of Fig. 1.

is rated for an h_{FE} of 110 to 450. In the worst case, if I_{C2} is at least 3 mA, I_{B2} is not less than $3/450 = 0.00665$ mA = 6.65 μ A, and this is adequately large in comparison with any likely value of I_{CO} . A current of 3 mA or more is also desirable to minimize the risk of the emitter follower cutting off on negative-going signals. There is always shunt capacitance to any coupling and it cannot change its charge instantly.

In order to assess the input resistance we need to know the collector a.c. resistance of Tr_1 at a collector current of the order of 6–30 μ A, the latter figure being appropriate for $h_{FE2} = 110$. The published transistor data is of no help here and so we resorted to experiment. We rigged up the circuit shown in Fig. 1 using a pair of 2N3706 transistors. These are not the most suitable, for they have a minimum h_{FE} of only 30, but they happened to be at hand. We varied the base bias in steps and noted the base current and plotted the figures as a curve (Fig. 2). Above about 8.6 V the base current rose very rapidly because of the approach of Tr_1 to saturation. For $V_{B1} = 8.6$ V, $I_{B1} = 2$ μ A and for $V_{B1} = 2.8$ V, $I_{B1} = 0.75$ μ A; thus, the a.c. input resistance is

$$(8.6 - 2.8)/(2 - 0.75) = 4.63 \text{ M}\Omega.$$

Similar measurements with a pair of BF194 transistors gave a resistance of 7.2 M Ω . This showed it to be practicable to obtain an adequately high input resistance from a double emitter follower.

The general form of the circuit follows almost automatically and is shown in Fig. 3. Transistors Tr_1 and Tr_2 form the input emitter follower; Tr_3 and Tr_4 are the differential pair; and Tr_5 and Tr_6 are a duplicate emitter follower. The output stage is Tr_8 with Tr_9 to switch it on and off. Because the base voltage of Tr_8 is much lower than the collector voltage of Tr_3 , the p-n-p stage Tr_7 is interposed. It also enables a shift control to be provided which does not affect the gain. This is R_8 acting as a variable resistance. The free end is connected into the other amplifier so that the component acts as a differential shift control, moving one trace upwards and the other downwards at the same time. This is necessary because independent shift controls can lead to grossly incorrect bias on Tr_8 .

The bias supplies for Tr_1 and Tr_6 are obtained from R_2 and R_3 which are fed

* Editor-in-chief, *Wireless World*

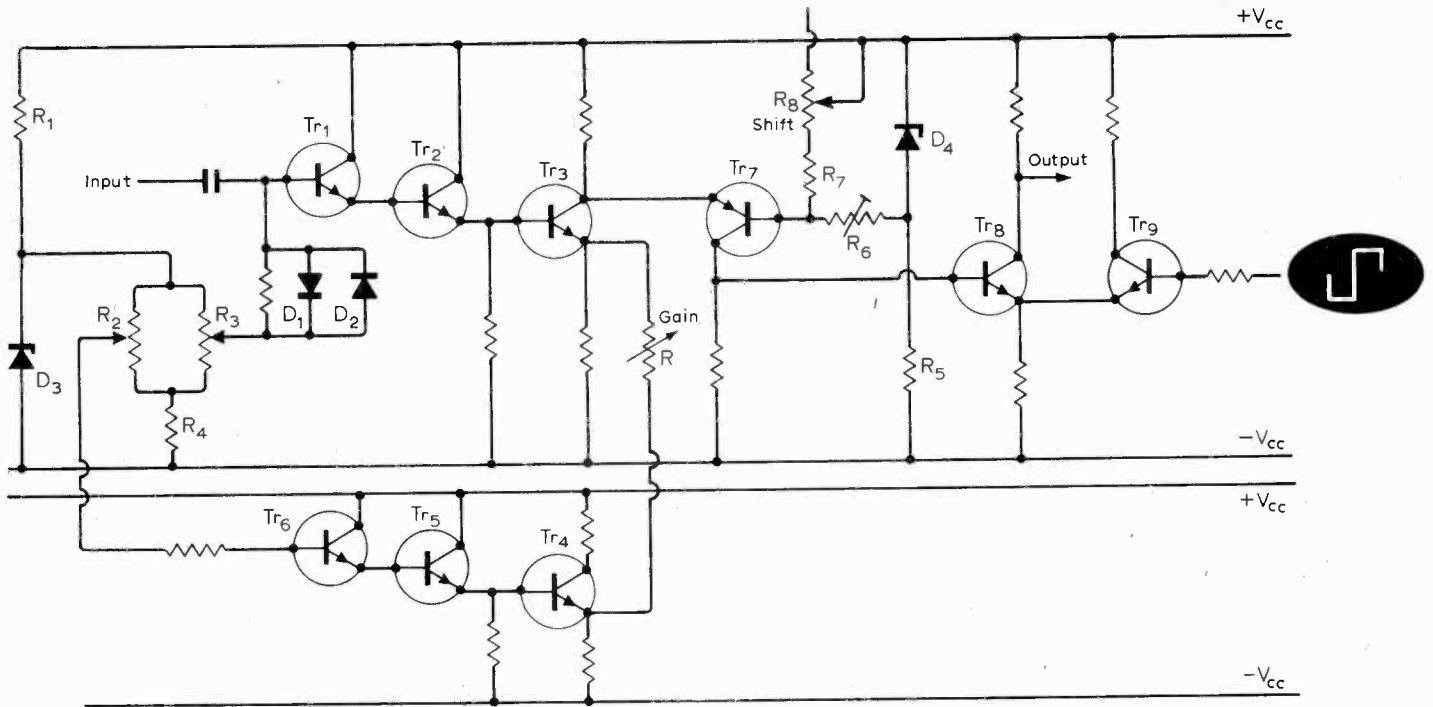


Fig. 3. Basic circuit of amplifier. Tr_3 and Tr_4 form a differential amplifier with the gain-control resistor R between the emitters. Tr_1 and Tr_2 have a high input resistance, so that the actual input resistance of the amplifier is defined by R_{B1} (see text for explanation of the terminology). Tr_5 and Tr_6 are a duplicate emitter follower and are necessary only to preserve the balance of the differential stage. Tr_7 is used primarily to give a change of d.c. level between Tr_3 and Tr_8 but it also enables 'shift' to be obtained without affecting gain. Tr_8 is the output stage which is switched on and off by Tr_9 .

from the zener diode D_3 . Stabilized bias supplies are essential unless the main supply is stabilized; even if it were, the bias supply resistors would have to be of $\pm 1\%$ tolerance. In practice, R_3 is adjusted to bring the voltage across R_{E3} to a design value and then R_4 is adjusted for zero voltage across R ; R_7 is adjusted with R_{10} at its mid position for a design value of $V_{C7} = V_{B8}$.

Before proceeding further, it may be as well to clarify the nomenclature and conventions used. To simplify the diagram base, emitter and collector resistors are not labelled in Fig. 3; they are all R_B , R_E or R_C with a numerical subscript for the particular transistor to which they belong. Thus, R_{E3} is the resistor between the emitter of Tr_3 and $-V_{CC}$. The resistor between the collector of Tr_3 and $+V_{CC}$ can be designated as R_{C3} or R_{E7} as desired; similarly, the one between the collector of Tr_7 and $-V_{CC}$ can be called R_{C7} or R_{B8} .

For n-p-n transistors, all voltages which have a single letter subscript (e.g., V_B , V_E , V_C) have also a numerical subscript to indicate the particular transistor, and the voltages are measured with respect to $-V_{CC}$. If measured with respect to some other point, there is a double letter subscript. Thus V_{C8} is the collector voltage of Tr_8 with respect to $-V_{CC}$; V_{CE8} is the collector voltage with respect to the emitter of Tr_8 .

In the case of p-n-p transistors, the voltages are normally measured with respect to $+V_{CC}$. They should, therefore, strictly have a minus sign, but this is inconvenient. V_{C3} is the collector voltage of Tr_3 and is also clearly the emitter voltage of Tr_7 with respect to $-V_{CC}$. However, V_{E7} is the emitter voltage of Tr_7 with respect to $+V_{CC}$. Collector voltage V_{C3} is positive,

V_{E7} is actually negative (because of the different point from which it is measured) but is referred to here without the minus sign.

After this explanation, we can return to Fig. 3. The diodes D_1 and D_2 are essential protective devices. They ideally have no effect on the normal signal performance. Their purpose is to prevent damage to the equipment if the probe is accidentally connected to a high voltage. We take this high voltage to be the supply mains, which can reach ± 360 V peak. For 10:1 input attenuation of the probe and R_{B1} together, the probe resistance is 900 k Ω and even without the diodes the maximum input to Tr_1 is ± 36 V peak. With the diodes, the base voltage of Tr_1 is limited to at most a volt more than the diode return voltages. Because of component tolerances a close control of voltages is impracticable and it is necessary to design so that safe conditions exist throughout the amplifier, not merely in the first stage. In particular, V_{EBO} for any transistor must not exceed 6 V for the BC107 type.

In the development, we naturally omitted D_1 and D_2 initially and we rigged up the circuit of Fig. 3 on the bench to check its performance. This did, in fact, prove admirable. We found it readily possible to obtain a -6 dB bandwidth of 10 MHz, a gain of 10 times, a gain control range of 3.5:1, and good stability of the d.c. balance. Although not perfect, this last was far superior to that of any other circuit tried. When we came to add protective diodes, however, we found that Tr_3 and Tr_7 were in some danger and we had to do some redesign to avoid this. This is why we now take them into account from the beginning.

Before considering the design in detail,

it is advisable to be clear about a few important facts about transistors. The first is that for d.c. V_{BE} is virtually a constant except for tolerances and temperature. For the BC107 it is 0.55 to 0.7 V as a manufacturing tolerance, and it decreases with rising temperature at the rate of 2 mV/ $^{\circ}$ C. For the BC157 p-n-p transistor V_{BE} is 0.6 to 0.75 V and decreases in magnitude at 2 mV/ $^{\circ}$ C.

Because of this, when there is appreciable external emitter resistance, the emitter voltage bears an almost constant relation to the base voltage. It is a very low impedance point. In Fig. 3, for example, if V_{B7} is fixed, V_{E7} is also fixed at a magnitude lower by V_{BE7} . This means that the total current in $R_{C3}(R_{E7})$ is constant; therefore, if I_{C3} increases I_{C7} decreases by the same amount.

For a.c., the internal differential resistance of the base-emitter junction must sometimes be taken into account. This is designated r_e and has the rough value of $26/I_c$ ohms with I_c in mA. It is usually additive to the external emitter resistance R_E and we shall call $r_e + R_E$ the total effective emitter resistance R_e . The voltage amplification is then R_C/R_e and the input resistance measured between base and earth is $h_{fe}R_e$.

The maximum normal output required from Tr_8 (with Tr_9 off) is 1 V peak-to-peak. With two traces on the c.r.o. fully separated it can be only one-half of this. To allow a large factor of safety for drift and to obtain good linearity we shall design for an output of 2 V peak-to-peak. We previously chose $R_{C8} = R_{E8} = 330 \Omega$ on the grounds of nominally unity gain and the required frequency response. We also decided on $V_{B8} = 2.7$ V.

Deducting V_{BE8} ($= 0.55$ to 0.7 V), V_{E8} is 2 to 2.15 V. The collector current (assuming the base current to be negligibly small in comparison, as is usually the case) is V_{E8} divided by R_{C8} , which is 330 Ω nominal. With a $\pm 5\%$ tolerance, the resistance lies between the limits of 314 and 347 Ω . Therefore, the limits on collector current are $2/0.347 = 5.75$ mA and $2.15/0.314 = 6.84$ mA.

The internal emitter resistance $r_{e8} = 26/I_C$ and so ranges from 3.8 Ω to 4.5 Ω . From the signal point of view, this plus R_{E8} equals R_{e8} , the effective total emitter resistance, which is thus 318.5 to 350.8 Ω . The collector resistance R_{C8} is also nominally 350 Ω , but ranges from 314 to 347 Ω . Now R_{e8} and R_{C8} are uncorrelated and the limits are with one high and the other low. Therefore, the voltage amplification R_{C8}/R_{e8} is $347/318.5 = 1.09$ to $314/350.8 = 0.895$.

The input resistance is

$$h_{fe8}R_{e8} = 125 \times 0.3185 = 40 \text{ k}\Omega$$

as a low limit with $h_{fe} = 125$. In fact, h_{fe} may be as high as 500 for the BC107 transistor, so the input resistance may be as high as 160 k Ω . We can do nothing to prevent this variation, but we can make its effect trivial by making R_{C7} small compared with its lowest value. As we shall see later, R_{C7} is 1.2 k Ω . With a $\pm 5\%$ tolerance its value is 1.16 to 1.26 k Ω . Now 1.16 k Ω shunted by 40 k Ω is 1.13 k Ω and 1.26 k Ω shunted by 160 k Ω is 1.25 k Ω . These are the values which should strictly be taken in assessing the gain of the Tr_3 , Tr_7 combination. The maximum error caused by ignoring it is only 3%, however.

The calculations for Tr_8 have been given in detail to illustrate the method employed. The same procedure is followed for the other stages but it would be tedious to give it in full. The results only are, therefore, summarized in Table 1.

In general, we need not in this case calculate V_{CE} nor the collector dissipation, because they are so far below the limits that it is unnecessary. However, as an example, we shall do so for Tr_8 . We assume

$$V_{CC} = 12 \text{ V} \pm 1.5 \text{ V},$$

making $V_{CC} = 10.5$ to 13.5 V. From the point of view of V_{CE} , the worst case is when R_C and R_E are off tolerance in the same direction. The collector-emitter circuit resistance is thus 628 to 694 Ω and I_{C8} is 5.75 to 6.84 mA so that the voltage drop is $5.75 \times 0.694 = 3.99$ V to $6.84 \times 0.628 = 4.3$ V.

The currents and voltages are taken this way because low current results from high resistance and vice versa. The minimum V_{CE} is thus $10.5 - 4.3 = 6.2$ V and the maximum is $13.5 - 3.89 \approx 9.5$ V. The collector dissipations are $6.2 \times 6.84 = 42.5$ mW and $9.5 \times 5.75 = 54.6$ mW. The latter is not necessarily the maximum dissipation, but in this case it probably is. It is so far below the limit of 400 mW for the transistor that we need not worry about it.

The figures are for continuous operation. However, Tr_8 is switched on and off for equal periods. As a result, the mean current and the mean dissipation are one-half of the above figures.

Table 1

	Low	Normal	High	
V_{BB}	—	2.7	—	V
V_{BE8}	0.55	0.625	0.7	V
V_{E8}	2	2.075	2.15	V
I_{C8}	5.75	6.27	6.84	mA
r_{e8}	4.5	4.14	3.8	Ω
R_{e8}	318.5	334.1	350.8	Ω
R_{C8}	314	330	347	Ω
A_8	0.895	0.985	1.09	
R_{C7}	1.14	1.2	1.26	k Ω
I_{C7}	2.15	2.25	2.37	mA
$V_{E3} = V_{E4}$	—	2.7	—	V
V_{B1} and V_{B6}	4.35	4.575	4.8	V
R_{E3} and R_{E4}	2.09	2.2	2.31	k Ω
I_{C3} and I_{C4}	1.17	1.23	1.29	mA
R_{C4}	1.14	1.2	1.26	k Ω
$I_{C4} R_{C4} = V_{B10}$	1.34	1.475	1.63	V*
$I_{C3} + I_{C7}$	3.32	3.48	3.6	mA
R_{C3}	446	470	494	Ω
V_{E7}	1.485	1.64	1.78	V*
V_{BE7}	0.6	0.675	0.75	V
V_{B7}	2.085	2.515	2.53	V*
r_{e7}	12.1	11.6	10.95	Ω
r_{e3} and r_{e4}	20.1	21.1	22.2	Ω
V_{B10}	1.35	1.48	1.63	V*
V_{E10}	0.75	0.8	0.88	V*
$I_{C10} + I_{C11}$	1.52	1.7	1.97	mA
I_{C10}	0.26	0.284	0.358	mA
I_{C11}	1.162	1.416	1.71	mA
R_{C11}	1.425	1.5	1.575	k Ω
$I_{C11} R_{C11}$	1.66	2.12	2.7	V
V_{C11}	2.41	2.92	3.58	V*
V_{CE11}	11.09	9.08	7.12	V

* Voltage below $+V_{CC}$

Our next concern is the input capacitance Tr_8 . The stage gain is about unity, so the portion of the input capacitance due to Miller effect is only twice C_{bc} . Because of R_{E8} , the portion caused by C_{bc} will be only a small fraction of C_{bc} . Values of these elements are not quoted for the BC107. Nor is C_{ce} for the BF157 used for Tr_7 . We have to guess that the total capacitance across R_{C7} is unlikely to exceed 5 pF.

When considering the output stage Tr_8 in Part 1 we found that the combination of 330 Ω and 55 pF gave a response down by 3.61 dB at 10 MHz. For the same response here with 5 pF, R_{C7} can be

$$330 \times 11 = 3,630 \Omega.$$

For $R_{C7} = 1.5$ k Ω , the response will be -0.87 dB; for 1.2 k Ω it will be -0.6 dB. This is, therefore, the sort of value which we should use on a frequency response basis, and is so low in comparison with the input resistance of Tr_8 that we can forget the latter.

From the point of view of frequency response the lower the value of R_{C7} the better, but there is clearly not much advantage in making it less than 1.2 k Ω . For a required gain, say, 10 times, $R_{E7}/R_{e3} \approx 10$, making $R_{e3} = 120 \Omega$ for $R_{C7} = 1.2$ k Ω . The input resistance of Tr_3 is $h_{fe}R_{e3}$ and this must be large compared with $R_{E2} = 1$ k Ω . We have thus to strike a balance between frequency response and a large enough input resistance for Tr_3 . With $h_{fe} = 125$, the input resistance is $125 \times 0.12 = 15$ k Ω which is certainly large compared with 1 k Ω . As h_{fe} varies so much, it may actually be four times as large.

Before deciding on 1.2 k Ω for R_{C7} we have to check that I_{C7} will be sufficient to handle the signal. The current is

$$I_{C7} = V_{BB}/R_{C7} = 2.7/1.26 = 2.15 \text{ mA}$$

minimum with a high tolerance resistor. For a 1 V peak signal, the signal current will be $1/1.26 = 0.794$ mA. There is thus adequate signal-handling capacity and we

can decide definitely to make $R_{C7} = 1.2$ k Ω .

The next step is to estimate the gain of the input emitter follower Tr_1 and Tr_2 . We saw earlier that for the required input resistance R_{E2} must be about 1 k Ω and that I_{C2} should be something like 3 mA. Taking these figures, $r_{e2} = 26/3 = 8.6 \Omega$. The gain of Tr_2 is thus $1000/1008.6 \approx 0.99$. Now Tr_1 works into a load h_{fe} times as great and has $1/h_{FE}$ times the current; h_{fe} and h_{FE} are usually similar in magnitude, although not necessarily equal. It follows that the gain of Tr_1 will be about the same as that of Tr_2 and the overall gain about 0.98.

Since the gain of Tr_8 is 0.895 to 1.09, the overall gain apart from Tr_3 and Tr_7 is 0.879 to 1.07. We require the overall gain to be 10 times, therefore Tr_3 and Tr_7 together must provide an amplification of 9.35 to 11.4 times. This gain is actually

$$\frac{R_{C7}}{R_{e3}} \frac{R_{C3}}{R_{C3} + r_{e7}}$$

Here r_{e7} is the internal emitter resistance of Tr_7 and depends on I_{C7} ; it is given in Table 1 and is around 11 Ω . The requirement for R_{C3} is that it be very large compared with r_{e7} , but not so large that it drops too much voltage with I_{C3} and I_{C7} in it. A value of 470 Ω suggests itself. If I_{C3} , which we do not yet know, is about the same as I_{C7} , the drop will be about 2.1 V, which seems reasonably low. The factor

$$R_{C3}/(R_{C3} + r_{e7})$$

is thus about $470/481 = 0.975$. It is not worth while here to bother taking tolerances into account. We now find that R_{C7}/R_{e3} must be 9.62 to 11.7.

Before we can proceed further we have to consider the input conditions and, in particular, how we can protect the amplifier against an accidental overload. As mentioned earlier we are taking the maximum input at the probe to be ± 360 V. The probe resistance is 900 k Ω and so the maximum possible overload current is 0.4 mA. At this current, the forward drop of a diode is unlikely to be more than 1 V at most and is more probably 0.5–0.6 V. If the diodes are unbiased, as shown in Fig. 3, they will limit the input to Tr_1 to ± 1 V about its bias voltage. This will certainly do no harm in the early stages.

Now the normal maximum signal at the output is 0.5 V peak and with a gain of 10 times this becomes 0.05 V at the input. The gain control range is 3.33:1 minimum and so to obtain full output at low gain, the input must be $0.05 \times 3.33 = 0.167$ V peak. The diodes are in shunt with R_{B1} and must have a resistance very large in comparison if the input resistance is to be well-defined by R_{B1} . This resistance should be 20 M Ω per diode when forward biased by 0.167 V, the peak signal.

The normal diode data does not help in selecting a suitable type, nor in deciding whether bias is necessary or not. The BZY145 appears to be suitable but it is necessary to resort to experiment. A trial quickly showed bias to be essential. This raises problems of how to obtain it. Trial showed about 0.5 V back bias to be sufficient.

It is practicable to connect one diode

between the base of Tr_1 and $-V_{CC}$. On overload V_{B1} will then be taken to -0.5 V or thereabouts. This will cut-off Tr_1 , Tr_2 and Tr_3 , but this need not harm any of these three transistors. We cannot, however, safely return the other diode to $+V_{CC}$, for this will result in V_{B1} reaching about $V_{CC}+0.5$ V on overload. At least Tr_1 will saturate and probably Tr_2 also. There is a probability that the base current would be dangerously high.

We now assume that the back bias on the diode should not be less than 0.5 V. If we use a BZY88/C5V6 zener diode for D_3 its voltage will be 5.3 to 6 V. If the diode is returned to this, V_{B1} must not exceed 4.8 V for 0.5 V or more back bias on the diode. With maximum tolerances on V_{BE} for Tr_1 , Tr_2 and Tr_3 , V_{E3} must be at least 2.1 V lower. Thus, $V_{E3} = 4.8 - 2.1 = 2.7$ V as a maximum. It is a coincidence that this is the same as V_{B8} , but a convenient one if it is otherwise satisfactory.

For a forward voltage drop of 0.5 V, V_{B1} will rise to 5.8 to 6.5 V above $-V_{CC}$ depending on the zener used. With low tolerance V_{BE} , V_{E3} will rise at most to $6.5 - 1.65 = 4.85$ V.

Tests which were later carried out with $V_Z = 5.6$ V and $V_{B1} = 4.7$ V ($V_{E3} = 2.7$ V), which corresponds to a back bias of 0.9 V on the diode, were quite satisfactory. It was noticed that changing the diode bias affected the frequency compensation of the probe appreciably. This is to be expected because diode capacitance changes with voltage. The practical variations, however, are caused by tolerances and are taken up by initial adjustments. The main changes in the life of the equipment are caused by temperature and are likely to be very small.

When the equipment was completed, the adequacy of the protection was tested by connecting the input across the 240 -V supply mains. Naturally, nothing on the equipment was earthed. No harm whatever resulted. Having thus chosen

$$V_{E3} = V_{E4} = 2.7 \text{ V,}$$

we can proceed to design the Tr_3 stage. The first thing to notice is that if signals are applied in the same phase to Tr_3 and Tr_4 , there is ideally no current in R and R does not affect the gain for these signals. Such signals are those resulting from the effects of temperature on Tr_1 to Tr_6 . The in-phase gain is approximately R_{C7}/R_{E3} and can be made less than unity if R_{E3} is greater than R_{C7} . However, for fixed V_{E3} , I_{C3} falls as R_{E3} is increased and it must be large enough to handle the signal. We previously found the signal current in R_{C7} to be 0.79 mA and allowing for the small loss in the coupling to Tr_7 we can take it as being 0.8 mA in Tr_3 . The collector current of Tr_3 should thus be 1.2 mA or more for reasonable linearity. This means that R_{E3} should not exceed 2.25 k Ω . We thus choose 2.2 k Ω for R_{E3} and, (Table 1) I_{C3} is 1.17 to 1.29 mA.

We have now chosen the main circuit values except for the gain control R . Before we do this, which is a little complicated, let us check the overload conditions after the first stage. It is quite possible to have a condition in which the first stage is safe, but some later stage is not.

On overload, V_{B1} goes to a maximum of $+6.5$ V or a minimum of -0.5 V. In the first case V_{E3} rises to a maximum of $6.5 - 1.65 = 4.85$ V and if R is small it pulls the emitter of Tr_4 up to almost the same voltage. Now V_{B6} will be at its normal 4.38 to 4.8 V and V_{B4} will be 3.25 to 3.4 V, therefore Tr_4 will be cut off. Considering R as negligibly small, we then have

$$V_{E3} = V_{E4} = 4.85 \text{ V}$$

with an emitter load comprising R_{E3} and R_{E4} in parallel. This is 1.1 k Ω nominal, 1.045 k Ω minimum. Therefore,

$$I_{C3} = 4.85/1.045 = 4.64 \text{ mA max.}$$

Because I_{C3} increases above its normal value, I_{C7} will decrease. The increase of I_{C3} is $4.64 - 1.17 = 3.47$ mA at most, while I_{C7} is 2.37 mA (a little more because of shift conditions yet to be discussed). It follows that Tr_7 will be cut-off and V_{B8} will be zero. The drop across R_{C3} will be

$$4.64 \times 0.494 = 2.3 \text{ V}$$

and so the IR drops of Tr_3 will be

$$4.64 + 2.3 = 6.94 \text{ V,}$$

making $V_{CE} = 9.5 - 6.94 = 2.56$ V as a minimum. Thus Tr_3 will not saturate and this makes the calculations valid ones. It is clear also that Tr_4 will not have excessive reverse base-emitter bias. It is well under the 6 V limit.

To make everything safe all we have to do is to ensure that Tr_9 cannot pull the emitter of Tr_8 more than 6 V above $-V_{CC}$.

Now consider a negative overload. This takes V_{B1} to about -0.5 V and Tr_1 , Tr_2 and Tr_3 are cut off. If there is no R_{E1} , as in Fig. 3, the potential of the emitter of Tr_1 and base of Tr_2 is indeterminate. It is wise, therefore, to fix it at $-V_{CC}$ by a resistor of 1 M Ω or so. With Tr_3 cut-off, Tr_7 acts as a common-emitter stage with R_{C3} as its emitter resistor. As V_{B7} has its normal value, so will V_{E7} have a normal value. Therefore, the total current in R_{C3} does not change, but I_{C7} rises to the normal $I_{C3} + I_{C7}$, or 3.6 mA maximum. This increases V_{B8} to 4.55 V maximum, and so V_{E8} is 0.55 V less, or 4 V.

An additional shift of ± 0.5 V is required on V_{B8} and V_{E8} , which makes the maximum emitter voltage of Tr_8 4.5 V. When Tr_9 has its base at $-V_{CC}$, this is reverse base-emitter bias on Tr_9 . It is under the 6 V rating and so is safe.

We can now return to consider the gain control. We require a minimum range of $3.33:1$ and a gain of 9.62 to 11.7 times. With low tolerance R_{C7} is 1.14 k Ω and R_{E3} must be $1140/11.7 = 97 \Omega$; with high tolerance it must be $1260/9.62 = 131 \Omega$. To reduce the gain to $1/3.33$, these values must be 3.33 times or 323Ω to 437Ω .

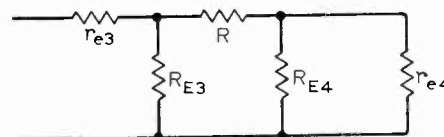


Fig. 4. This shows the equivalent circuit of the emitter circuit of Tr_3 .

Now R_{E3} is the complex network shown in Fig. 4. As r_{e3} and r_{e4} vary only by $\pm 1 \Omega$, it is good enough to take $r_{e3} = r_{e4} = 21 \Omega$ constant. The elements apart from r_{e3} must thus be 77 to 111Ω and 303 to 417Ω . Since R_{E4} is 2.2 k Ω it can be neglected as a shunt on r_{e4} of 21Ω .

The required figures are thus to be given by R_{E3} and $R + r_{e4}$ in shunt; whence

$$R + r_{e4} = \frac{R_{E3}R'}{R_{E3} - R'}$$

where R' is the required resistance. Working this out for $R_{E3} = 2.09$ k Ω , we get for $R + r_{e4}$, 80 – 117Ω and 355 – 522Ω ; with $R_{E3} = 2.31$ k Ω , we get 79.6 – 116.5Ω and 348 – 509Ω . Deducting $r_{e4} = 21 \Omega$, we get for R , 59 – 96Ω and 334 – 501Ω in the first case, and 58.6 – 95.5Ω and 327 – 488Ω in the second. It is thus clear that R can consist of 100Ω and 500Ω variable resistors in series, one as a preset to fix the maximum overall gain at unity, and the other as a panel gain control. Variable resistors usually have a tolerance of $\pm 10\%$, so the maximum values may be only 90Ω and 450Ω . The latter is a little low, but if we include a 22Ω fixed resistor we have for the preset a minimum range of 22 – 112Ω and the minimum required values of 58.6Ω plus the 450Ω of the gain control gives 508.6Ω which is greater than the maximum of 501Ω needed.

We shall not here go into detail about the bias networks. They are straightforward and the only difficult thing is to obtain the required range of control, despite tolerances, with standard value components. Two controls are provided for Tr_7 ; R_6 is a preset which is adjusted to bring V_{B8} to 2.7 V with the shift control R_8 at its mid-setting. The required output shift is ± 0.5 V to separate the traces fully. At the base of Tr_7 it is under ± 0.2 V because it is subject to the gain of Tr_7 as a base-input amplifier, which is about 2.5 times.

It will be realized that d.c. shift is permissible in spite of a.c. coupling to the oscilloscope because the switching process breaks up the different levels on the two output stages into a square wave which is passed by the a.c. coupling. Nothing has so far been said about temperature and we shall now deal with this.

It is very laborious to do this taking all tolerances into account and, in any case, we have not sufficient information to do it accurately. We take all transistors as having a temperature coefficient of 2 mV/ $^{\circ}$ C which acts to increase the collector current. At 5.6 V, the zener diode D_3 will have a coefficient of -0.2 mV/ $^{\circ}$ C. The mean value of $V_{B1} = V_{B6}$ is 4.575 V (Table 1). This is $4.575/5.6 = 0.816$ of the zener voltage and the effective temperature coefficient of V_{B1} and V_{B6} is $-0.2 \times 0.816 = -0.163$ mV/ $^{\circ}$ C. The combined coefficients of Tr_1 , Tr_2 and Tr_3 are 6 mV/ $^{\circ}$ C and so the coefficient of V_{E3} is $6 - 0.163 = 5.837$ mV/ $^{\circ}$ C. Both sides of the differential amplifier are alike and so it is the same for V_{E4} . At all temperatures, therefore, V_{E3} and V_{E4} move together and there is no current in R . Balance is maintained. Notice, however, that this demands equal temperatures and temperature co-

efficients on the two sides, and this may not be achieved in practice.

Because there is no current in R_1 , the effective gain for temperature effects is not the signal gain of R_{C7}/R_{E3} but

$$R_{C7}/R_{E3} = 1200/2200 = 0.545.$$

This is a very great advantage of the differential stage; the gain for in-phase signals can be small while the gain for push-pull or single-sided inputs can be large. The effective temperature coefficient, due to the circuits prior to Tr_7 , at the base of Tr_8 is thus $5.84 \times 0.545 = 3.18 \text{ mV}/^\circ\text{C}$. In Tr_3 , an increase of temperature increases the current, but this reduces the current in Tr_7 and so a negative sign is required, to make the voltage at Tr_8 base $-3.18 \text{ mV}/^\circ\text{C}$.

Now in Tr_7 , the temperature coefficient of V_{BE7} is $2 \text{ mV}/^\circ\text{C}$ acting to increase I_{C7} and so acting at the base of Tr_8 in opposition to the previous one. If D_4 is a 4.7 V zener its temperature coefficient is $-1.55 \text{ mV}/^\circ\text{C}$. The normal value of V_{BE7} is 2.515 V (Table 1). The bias reduction factor is $2.515/4.7 = 0.535$ and so the effective temperature coefficient of the zener diode at the base of Tr_7 is

$$-1.55 \times 0.535 = -0.83 \text{ mV}/^\circ\text{C}.$$

This acts to reduce the collector current and so the total effective temperature coefficient of Tr_7 referred to its base is $2 - 0.85 = 1.15 \text{ mV}/^\circ\text{C}$.

This is subject to the gain of the stage, which is $1200/470 = 2.55$ times, making the contribution of Tr_7 at the base of Tr_8 $1.15 \times 2.55 = 3.05 \text{ mV}/^\circ\text{C}$. Combined with the $-3.18 \text{ mV}/^\circ\text{C}$ from the early circuits the total resultant is $-0.13 \text{ mV}/^\circ\text{C}$. Virtually, therefore, we have a nominally zero temperature coefficient at the base of Tr_8 . This is partly a happy chance, but only partly, for although we have not mentioned it, we chose a zener voltage for D_4 which would lead to a temperature coefficient suitable for theoretical overall cancellation. Of course, Tr_8 itself has the usual $2 \text{ mV}/^\circ\text{C}$ coefficient affecting its collector current.

The tolerances on the zener temperature coefficients are actually quite large. However, the major factors in achieving a low overall coefficient remain. These are the differential stage which attenuates rather than amplifies the combined coefficients of the early stages and the fact that Tr_7 temperature coefficient acts in opposition. We have not worked it out in detail, but in the worst case we should not expect the coefficient at the base of Tr_8 to exceed $\pm 3 \text{ mV}/^\circ\text{C}$, which we consider to be reasonably small.

The switching process prevents 'internal sync' from being used. For the Marconi Instruments oscilloscope used in development the minimum signal at up to 1 MHz for 'external sync' is 0.2 V peak. The normal maximum output for fully-separated traces is 0.25 V peak. Clearly a sync output signal of around 1 V is desirable. An additional sync amplifier with a gain of about four times is needed.

Ideally, the collector loads of Tr_3 and Tr_4 do not affect the balance of this stage. In practice, they have some small effect. Tr_3 has a very low impedance load to a.c.

for it is mainly the emitter input resistance of Tr_7 , about 11Ω . This is important in that signal voltages on the collector of Tr_3 are negligible and Miller effect is absent, which keeps the input capacitance of Tr_3 low.

In the interests of simplicity we have chosen to make R_{C4} give about the same voltage drop as R_{C3} and it turns out that this requires $1.2 \text{ k}\Omega$, so that the signal on the collector of Tr_4 is of the same amplitude as that on the base of Tr_8 . As Table 1 shows the IR drops in the collector of Tr_4 are a little lower than those in the collector of Tr_3 (compare V_{E7} with V_{B10}). The amplifier which follows is of the type described in Part 2, but using a p-n-p transistor followed by an n-p-n, and its circuit is shown in Fig. 5.

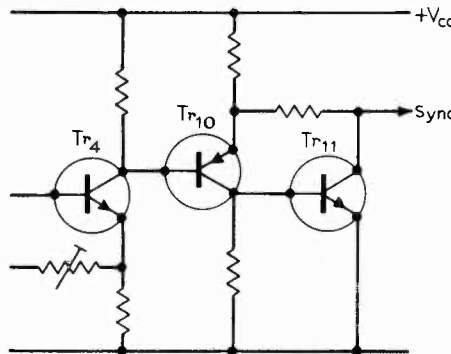


Fig. 5. An extra two-stage amplifier is used and fed from Tr_4 to provide a greater output than the main amplifier and one which is isolated from the switching signals for synchronizing the oscilloscope timebase.

Values of V_{E10} and $I_{C10} + I_{C11}$ are readily found and appear in Table 1. If $R_{C10} = 2.2 \text{ k}\Omega$ and $V_{BE11} = 0.625 \text{ V}$, the current in R_{C10} must be

$$0.625/2.2 = 0.284 \text{ mA},$$

and, neglecting the base current, this is I_{C10} , whence $I_{C11} = 1.7 - 0.284 = 1.416 \text{ mA}$. The remaining figures are worked out in Table 1.

It is now necessary to consider what happens on a severe overload. In one sense of overload Tr_4 is cut-off. Then V_{B10} is zero and both Tr_{10} and Tr_{11} are cut-off, and no harm is done. In the other sense, Tr_3 is cut-off, so effectively Tr_4 has normal bias to keep $V_{E4} = 2.7 \text{ V}$, but the effective emitter resistance is $R_{E4}/2$, or 1.045 to $1.16 \text{ k}\Omega$ and it passes 2.33 to 2.59 mA . The drop across R_{C4} is then 2.66 to 3.39 V . Therefore, V_{B10} can be 3.39 V below $+V_{CC}$. In the worst case with $V_{BE10} = 0.6 \text{ V}$, V_{E10} must be 2.79 V below $+V_{CC}$ and the current in R_{C10} can be $2.79/0.146 = 6.25 \text{ mA}$.

Let us assume that Tr_{11} saturates, so $V_{CE11} = 0.2 \text{ V}$. Then with $V_{CC} = 10.5 \text{ V}$ the drop across R_{C11} must be

$$10.5 - 0.2 - 2.79 \approx 7.5 \text{ V},$$

and the current in it may be only

$$7.5/1.575 = 4.76 \text{ mA}.$$

This leaves a balance of

$$6.25 - 4.76 = 1.49 \text{ mA}$$

for I_{C10} . Now V_{BE11} will change but little and so the current in R_{C10} will not change much, so the difference

$$1.49 - 1.16 = 0.33 \text{ mA}$$

must be I_{B11} .

With $V_{CC} = 13.5 \text{ V}$, the drop across R_{C11} is 10.5 V , and the current in it can be 7.35 mA . This is greater than the 6.25 mA total in R_{C10} and so in this case Tr_{11} will not saturate. In either case, the conditions seem safe ones.

We have still to consider the possibilities of danger arising in the connections to the oscilloscope, the attenuator details and, of course, the switching waveform generator. Space prevents their discussion here, and these matters will be deferred to Part 4.

Announcements

For the fourteenth year a 27-lecture evening course on **colour television engineering** is being held at the Polytechnic of North London, Holloway N.7, beginning on 4th October. Fee £6. a good fundamental knowledge of monochrome techniques is assumed.

A post-graduate evening course entitled **Integrated Circuit Electronics** (Application Techniques) is to be held at North East London Polytechnic commencing 21st October. Details from The Registrar, Faculty of Engineering, North East London Polytechnic, Longbridge Rd, Dagenham, Essex RM8 2AS. Fee £5.

The following weekly evening courses are to be held at **Hendon College of Technology**, The Burroughs, London N.W.4. Electronics for non-electrical engineers, 16 meetings commencing 12th October; the construction and operation of digital computers, 16 meetings commencing 13th October; and hi-fi sound reproduction, 9 meetings commencing 11th October.

Two ten-evening courses entitled '**Basic Electronics**' are to be held at Twickenham College of Technology, commencing 14th October this year and 13th January 1972. Fee £10 per course. Further details from Twickenham College of Technology, Egerton Road, Twickenham, Middx.

An evening course of eight lectures on **microelectronic design techniques** will be held at Enfield College of Technology, Queensway, Enfield, Middx. commencing 5th October. Fee £6.

The Plessey Company Ltd have acquired the **instrument landing systems** interests of Standard Telephones and Cables Ltd which will consolidate Plessey's activities in the navaid's field.

Marconi International Marine Co. Ltd are to supply a complete **v.h.f. radiotelephone network** to link the ferries, pier offices and head office of the Caledonian Steam Packet Co. Ltd of Gourrock, Renfrewshire. The system comprises 18 Corvette 20S v.h.f. radiotelephone transceivers and a 20W v.h.f. base station.

Standard Telephones and Cables Ltd have been awarded orders by the British Post Office to the value of £400,000. for installation of eight **TXE2 electronic telephone exchanges**.

F.W.O. Bauch Ltd, 49 Theobald Street, Boreham Wood, Herts, announce that hiring facilities are now available for the **ARP 2600 electronic music synthesizer**. The rate is £25 per day including instruction which takes place on the Bauch premises.

FR Electronics, Wimborne, Dorset BH21 2BJ. have announced a marketing and technical collaboration agreement with Hathaway Instruments Inc., of Colorado, U.S.A.

International Audio Fair

Olympia, October 26th-30th

On this page is a list of product names which will be seen at the Audio Fair, and a list of the 20 lecture demonstrations arranged as last year but taking place in a specially built 'hi-fi theatre' on the second floor of the Empire Hall.

Wireless World will be sponsoring five events—four lectures and one recital of recorded music.

The lectures will be further explorations of ever-important questions relating to audio engineering, and may well help in establishing a more honest connection between engineering specifications and the listening experience.

The recital (4 p.m. on the Saturday) will consist of selected gramophone recordings played over a pair of small corner-horn loudspeakers based on a design published in *Wireless World* last year. The Fair is open from 10 a.m. to 9 p.m. each day.

Lecture demonstration programme

Tues. 26th Oct.

- 2 p.m. Acoustics of rooms
by Roger Driscoll
- 4 p.m. Processing of gramophone records
by E. B. Pinniger
- 6 p.m. The musical value of synthesizers
by Tristram Cary (*W.W.* presentation)
- 8 p.m. Live, recorded, dead or alive?
by Adrian Hope

Wed. 27th Oct.

- 2 p.m. Producing classical recordings
by Christopher Bishop
- 4 p.m. Tape troubles
by H. W. Hellyer
- 6 p.m. The progress of sound reproduction
by Ralph West (*W.W.* presentation)
- 8 p.m. Women and Hi-Fi. (A bird's eye view 'brains trust'!)

Thurs. 28th Oct.

- 2 p.m. The development and practical use of dynamic and electrostatic headphones
by Howard Souther
- 4 p.m. Loudspeakers—why the weakest link?
by Arthur Bailey (*W.W.* presentation)
- 6 p.m. An eccentric look at the record repertoire
by Donald Aldous
- 8 p.m. Silence and music
by R. Berkovitz

Fri. 29th Oct.

- 2 p.m. Multi-channel recording
by Robert Auger
- 4 p.m. Record rejuvenating
by A. C. Griffith
- 6 p.m. Design problems in audio amplifiers
by J. L. Linsley Hood (*W.W.* presentation)
- 8 p.m. 'Feed-back chat'. (A 'brains trust')

Sat. 30th Oct.

- 2 p.m. Audio tape cassettes and cartridges
by Walter Woyda
- 4 p.m. Recital of recorded music (*W.W.* presentation)
- 6 p.m. From all directions. Microphone problems discussed by R. H. Fisher

Readers who hope to attend one or more of the *Wireless World* presentations may care to send questions on the subjects to be explored. A selection of queries received will be put to each lecturer at the end of his discourse. Submissions should be brief, preferably broadly based, and addressed to The Editor, *Wireless World*, Dorset House, Stamford St., London S.E.1.

On the *Wireless World* stand at the Fair will be working demonstrations of audio equipment built to designs published in the journal. It is planned to interconnect the various items and provide a rank of good quality headphones for the use of visitors.

AKG
Agfa-Gevaert
Akai
Amstrad
Armstrong
Audio Technica

BSR MacDonald
Bang & Olufsen
BASF
Bell & Howell (AR)
Bib
Brahms/Medway
Bush (Arena)

Celestion
Connoisseur

Decca
Dynatron Radio

EMI
Emco
Enquiry Recorder Systems

Ferguson
Ferroglyph

Garrard
Goldring
Goodmans
Grosvenor
Grundig

HMV
Hacker
Harman-Kardon
Heathkit
Howland-West

ITT/KB

KEF
Keletron
Kellar
Koss

Lansing
Leak
Luxor

MB Mikrofonbau
Marconiphone
Markovits
Metrosound
Musonic

National Panasonic
Nivico

Onkyo
Ortofon

Paddock Tidy Recorders
Philips
Pickering
Pioneer
Precision Tapes
Pye

Quad

R. C. A.
Reslosound
Revox
Rota
Rotel

SME
STE-MA
Sansui
Sanyo
Scotch
Sennheiser
Sharp
Shure
Sinclair
Sonotone
Sony
Stax

Tandberg
Tannoy
Telefunken
Thorens
Trio

Uher
Ultra
Unlimited Sound

Wharfedale
Wien

Field-sequential Colour Television Receiver

2—Circuit details

by T. J. Dennis, B.A.

The automatic phase control system used for synchronizing the rotation of the colour wheel is straightforward in operation. Its circuit is shown in Fig. 1. The design finally adopted is heavily dependent on the motor used and the torque it is required to produce; that shown here should be used only as a guide.

The prototype motor came from a piece of domestic equipment, and was intended for series operation from a.c. mains. Access to field and armature windings separately was obtained, and tests showed that the motor would produce adequate torque at 1000r.p.m. with 12V on the field winding and 19V on the armature, at 600 and 200mA respectively. The control circuit (Tr_{6-11}) was therefore designed to give the latter output voltage for an input at the base of Tr_5 of 6 volts. Silicon diodes D_{5-7} are voltage droppers, giving a total drop of approx. 2 volts.

In operation either field sync or flyback pulses (negative going) trigger the emitter-coupled astable (1)*, consisting of Tr_1 and Tr_2 , at 16.75Hz. The emitter-coupled variant was chosen as it enables large mark-space ratios to be obtained, and gives a current output which can be heavily loaded without affecting frequency.

The negative going output pulse of approx. 8ms duration is fed to a phase splitter (6) consisting of Tr_3 and Tr_4 . Complementary transistors are used to ensure that when the output is on 'sample' both are saturated, with the result that the pulses fed to the four-diode discriminator (7) through R_{13} and R_{14} are truly symmetrical. The negative edge of the pulse from Tr_4 is also used elsewhere in the system.

The pick-up coil L_1 (12) should consist of 500-1000 turns of 28 gauge enamelled wire wound on a U-shaped limb. Construction is not critical, provided a peak-peak output of at least 1V is obtained. The actual magnitude (in fact dV/dt on the edges) of the voltage affects the gain of the system, and therefore its transient response: excessive amplitude will cause hunting, while a low level will result in a weak and sloppy phase lock.

In operation, the output from L_1 is taken in series with a variable d.c. from R_{22}

for speed control to emitter follower Tr_5 , which provides a low impedance feed to the discriminator.

On receipt of the 8ms gating pulses, all four diodes of the discriminator conduct, and by balanced bridge action a path exists between Tr_5 emitter and Tr_6 base. Over a small number of cycles, C_8 charges to the potential of Tr_5 emitter, and preserves it—more or less—over the non-sampling period of 52ms. This is because the input impedance of the next emitter follower,

Tr_6 , is very high (approx. 600k Ω assuming Tr_6 beta= 50, which gives an 8% loss over 52ms). A further emitter follower, Tr_7 , reduces again loading effects on C_8 .

Next come the voltage adjusting diodes, followed by a voltage amplifier with gain 2, whose main purpose is to provide the working voltage for the motor armature plus the V_{be} drops of the three impedance-reducing emitter followers, Tr_9 , Tr_{10} & Tr_{11} . As Tr_{11} has to handle appreciable current, particularly on starting, a 2N3055 is used.

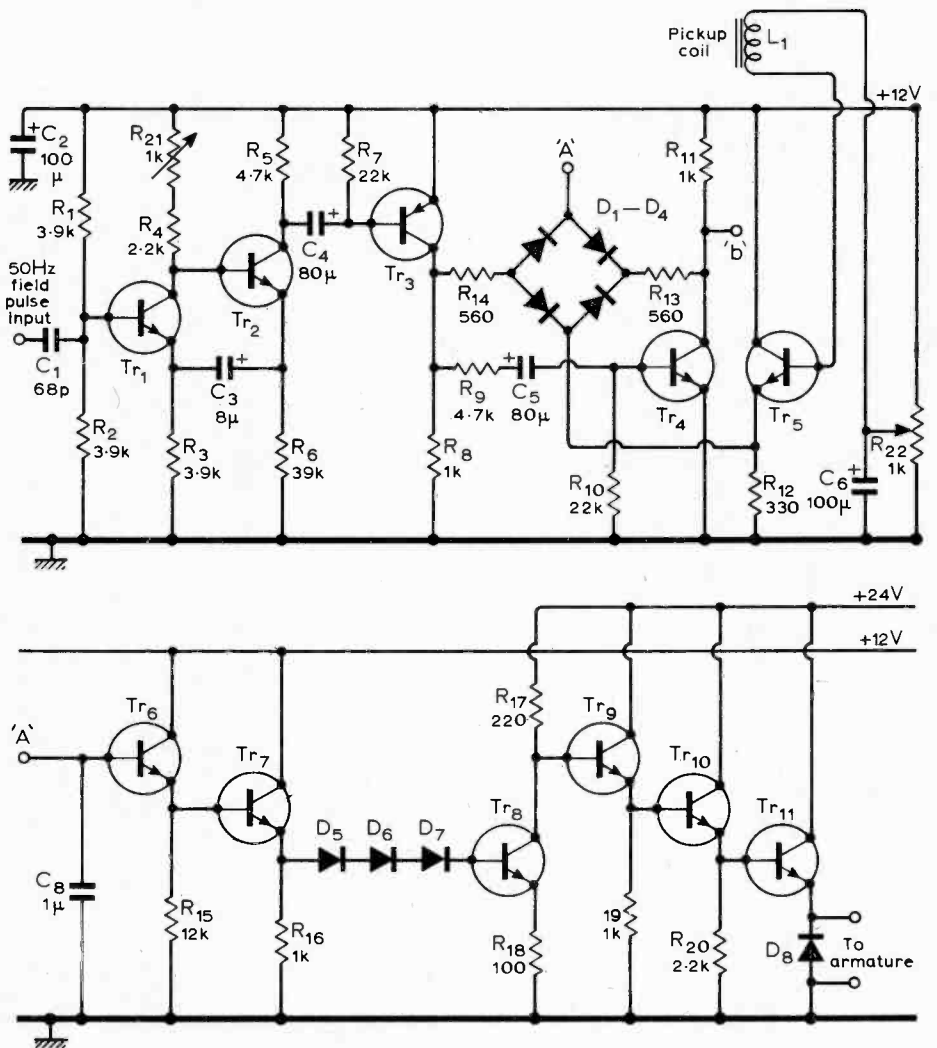


Fig. 1. Motor control system. Motor field winding is connected across 12V. $Tr_1, Tr_2, Tr_4, Tr_6, Tr_7, Tr_8, Tr_9$, ZTX300; Tr_3 , ZTX500; Tr_5, Tr_8, Tr_{10} , 2N697; Tr_{11} , 2N3055; D_1-D_7 1N914; D_8 , BY100.

*Numbers in brackets refer to the block diagram of Fig. 1, Part 1.

Diode D_8 is essential to suppress the negative voltage transients which will appear across the largely inductive armature at switch-off.

It should be pointed out that the above circuitry is suitable only for relatively small motors driving colour wheels of the simple type described last month. Once the diameter of the disc becomes much greater than, say, 15 inches, windage accounts for a considerable power loss, and a larger motor is required. The problem was overcome in the case of the writer's 23in. wheel by the use of a d.c. shunt-wound motor, intended for 220V at 0.5A. This is supplied

with 300V for its field, while the armature is fed from a typical variable series-regulated feedback-stabilized high-voltage power supply. The lower limb of the voltage controlling potentiometer on this unit is replaced by a pentode valve whose grid is fed directly from Tr_8 collector, Fig. 1. Adjustment of R_{22} , and the cathode resistor of the pentode enables a mean output of 160 volts to be obtained, which will run the motor at 2000 r.p.m. Coupling to the colour wheel shaft is effected by means of a 2:1 reduction belt drive.

The low level parts of the a.p.c. system are retained unchanged.

Colour switching circuits

The gating pulses generator consists of three identical monostable multivibrators, the circuit of the first being shown in Fig. 2 (2R). On receipt of a negative edge from Tr_4 , Fig. 1, the circuit produces complementary pulses at its outputs, of width dependent on the time constant of $R_6 + R_1$ and C_2 . Variable resistor R_6 is adjusted to obtain pulses of as near as possible 20ms. Diode D_1 is included to sharpen up the trailing edge of the negative going output from Tr_2 , which would otherwise be partially exponential as C_2 would have to recharge, once Tr_2 turns off after the quasi-stable period of 20ms, through R_2 . This task is now performed by R_3 , D_1 being immediately cut off by the positive excursion of Tr_2 collector.

The trailing edge of the positive pulse from Tr_1 collector is differentiated by C_4 and used to trigger the following monostable, which in turn, on completion of its 20ms pulse triggers the third, the resulting waveforms being as shown in Fig. 3. The next input edge then appears at Tr_1 base, and the sequence is repeated.

Fig. 4 shows the circuit of one of the three gate units and the output circuitry.

The colour difference inputs come directly from the collectors of the first stage amplifiers of the May 1969 *W.W.* article, Fig. 1. These amplifiers are operated at full gain, independent gain control being provided at the gate inputs.

Emitter follower Tr_1 is mounted on the decoder board with R_{19} on a small panel nearby, as are the other two colour-difference gain controls. Its main purpose is to isolate the matrixing stages. As the d.c. levels of the decoder outputs are rather high, 12V zener diodes provide a suitable drop. The amplitude controlled input is a.c. coupled to emitter follower Tr_2 which sets up the correct mean d.c. condition for the gate proper, Tr_3 & 4 and provides a low-impedance source.

When the gate is closed, Tr_3 base is forward biased through R_8 from the relevant monostable, now in its stable state. The bias of approx 1mA is suffi-

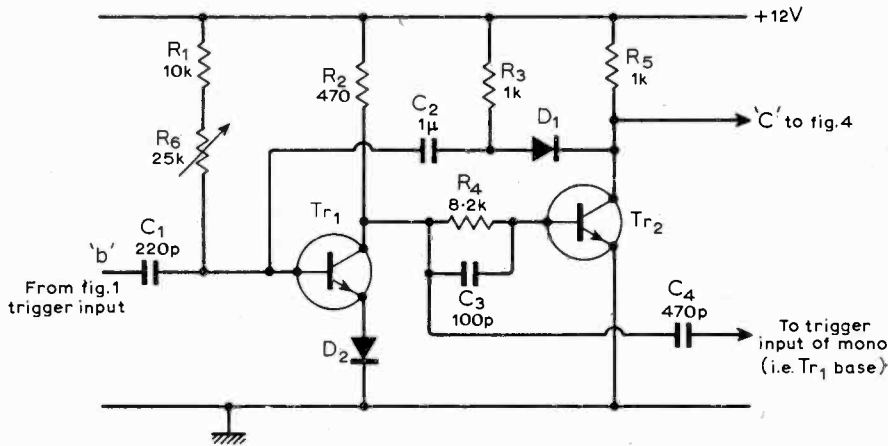


Fig. 2. Red gating pulse generator. Tr_1, Tr_2 , ZTX300; $D_1, OA91$.

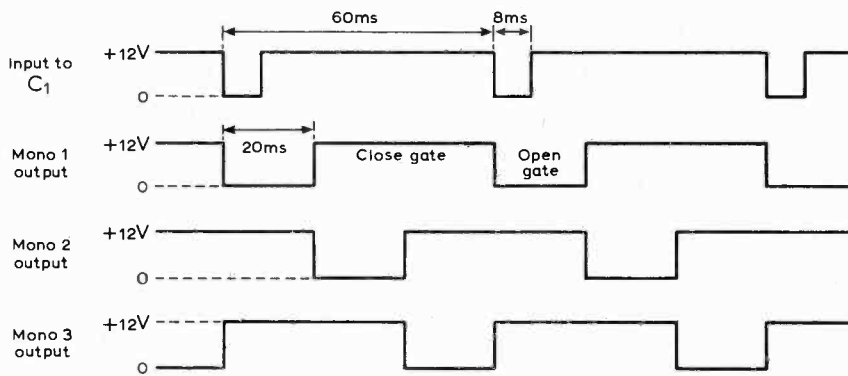


Fig. 3. Ideal monostable outputs.

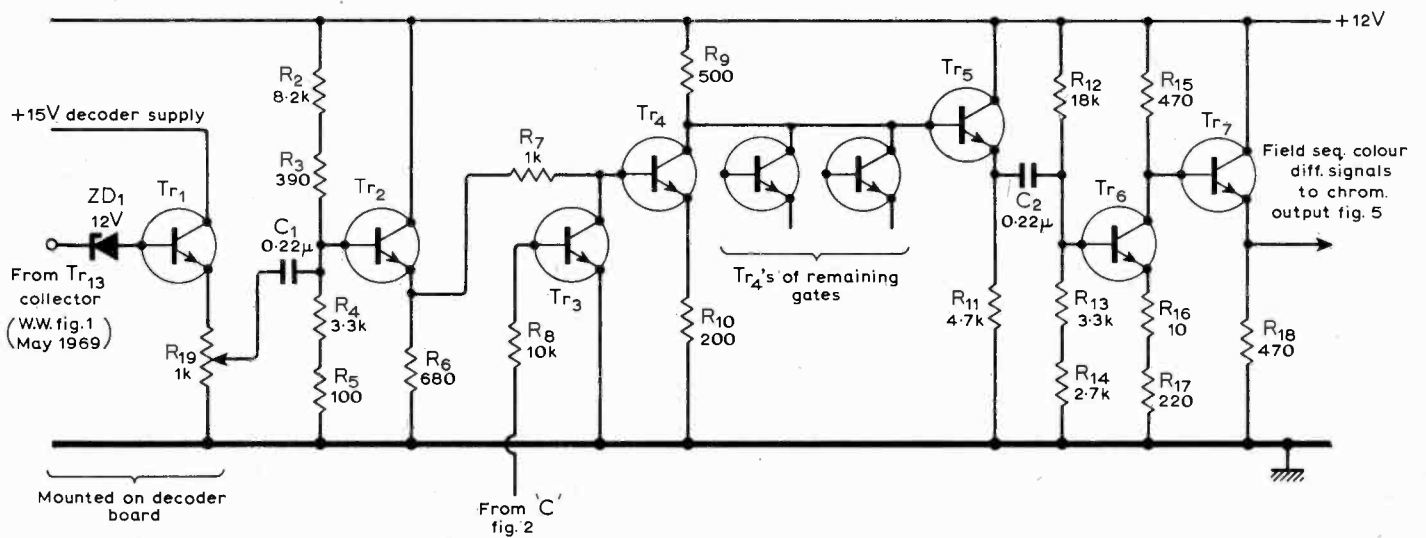


Fig. 4. Colour gating circuitry (only R-Y gate shown in full). $Tr_1, Tr_2, Tr_3, Tr_4, Tr_6, Tr_7$, ZTX300; Tr_5, Tr_7 , 2N697.

cient to cause Tr_3 to bottom, with its collector load of R_7 fed from a 2.7V source. The base of Tr_4 is thus clamped at zero volts and the transistor is cut off. No signal can then reach the common load R_9 . Once the monostable changes to its 20ms quasi-stable state, Tr_3 is cut off, and Tr_4 behaves as a conventional series feedback amplifier, with collector load R_9 and theoretical gain 2.5.

It should now be clear how the complete system operates: the Tr_3 s are switched off in turn, enabling the required colour difference signal to appear at the output.

Theoretically there should be no change in the d.c. level at Tr_3 emitter as colour changeover occurs, as the gate circuits are identical. However, some differences are unavoidable due to component tolerances. Small potentiometers of the order of 100 ohms can be included in the d.c. setting bias chains at the inputs, and adjusted for minimum pedestals on the output waveform with no signal input.

An effect which will almost certainly occur is that due to incorrect setting of the pulse width controls in the monostables. This results in a positive or negative pulse at Tr_3 emitter according as the total period of the monostables is less than or greater than 60ms. The pulse will occur between the completion of one colour sequence and the initiation of the next; its effect may be eliminated by ensuring that the period is slightly too long, when the negative pulse is inverted twice, by Tr_6 and the valve chrominance output stage, to cause beam cutoff at the c.r.t. grid.

Long term stability of the monostables has proved sufficient for the application, provided a stabilized power supply is used; logic circuits to generate the gating pulses were considered, but rejected in favour of the simplicity of the above arrangement.

Fig. 5 shows the chrominance output circuit to drive the c.r.t. grid and is based on that of the June 1969 *W.W.* article, Fig. 1. The choice of valves is purely because they were to hand. An ECL84 or PCL84 could replace either.

The chief modification is in the facility for varying the clamping potential of the triode for brilliance control by means of R_9 , this system has proved more efficient in operation than that described in the relevant *W.W.* article, and enables a conventional 'video amplifier' to be used in the luminance channel.

The luminance output stage is the original monochrome circuit with the addition of the luminance delay line. Fig. 6 shows the circuitry round the latter.

Transistor Tr_1 is a phase splitter, with 1k collector load to match the delay line impedance. Chrominance is taken from the emitter circuit, which includes a 4.43MHz trap, L , C_2 . Video is also taken from this point to the additional sync separator providing PAL switching pulses and timing for the burst gating pulse.

Losses in the unit are counteracted by inclusion of networks R_3 , C_3 and R_{11} , C_6 which adjust the gains of the two amplifiers. D/C. restoration is provided at the video amplifier grid by C_7 , R_{12} and D_1 .

The circuit of Fig. 6 was inserted directly in the feed to the v.f. output stage of the monochrome receiver after the existing 6MHz sound take-off coil.

Auxiliary sync separator

It is not feasible to use the existing receiver sync separator in place of what is to be described, since the pulses extracted therefrom carry the 600ns delay imposed by the luminance delay line.

Fig. 7 shows the complete burst-gating pulse generator, used to operate a four-diode bridge placed in series with C_7 and Tr_3 base of Fig. 2, *W.W.* April 1969. P_3 is then connected to a decoupled potential divider at approx 4 volts. Capacitor C_0 is then connected to the C_7 side of the bridge.

Referring to Fig. 7, Tr_1 is an inverting amplifier feeding the sync separator proper, Tr_2 & 3 . Transistors Tr_4 and Tr_5 constitute a monostable giving a pulse (of width sufficient to encompass the colour burst) triggered from the trailing edge of the line sync pulse. This pulse is amplified to 15V, and phase inverted twice to provide gating current for the burst gating bridge.

The negative pulse at Tr_5 emitter is also used for triggering the PAL bistable in the decoder, and gating out the burst at D_1 of Fig. 1, *W.W.*, May 1969.

Power supplies

For simplicity it was decided to operate all solid-state sections of the system from rail voltages of 12 and 24V, deriving all other levels from these as required.

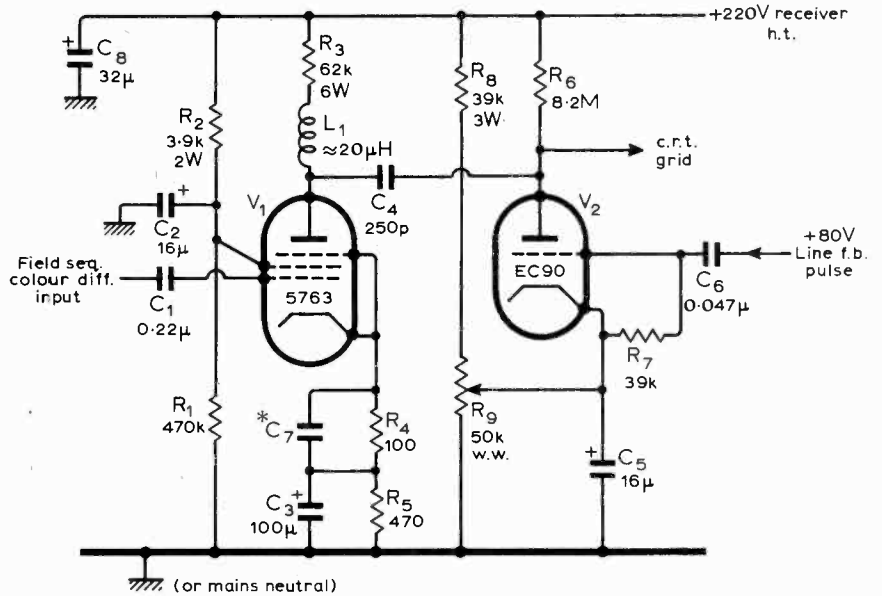


Fig. 5. Colour difference output stage. The +80V line pulse can be obtained from a winding of about six turns of p.v.c. insulated wire on the line output transformer. * C_7 should be adjusted for optimum frequency response.

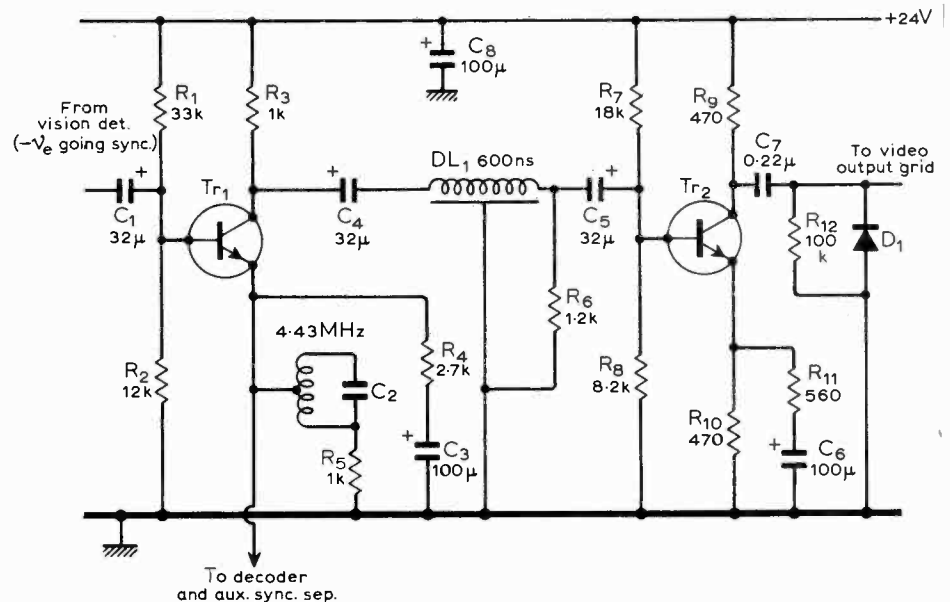


Fig. 6. Luminance delay line. Tr_1 , ZTX300; Tr_2 , 2N697; D_1 , 1N914.

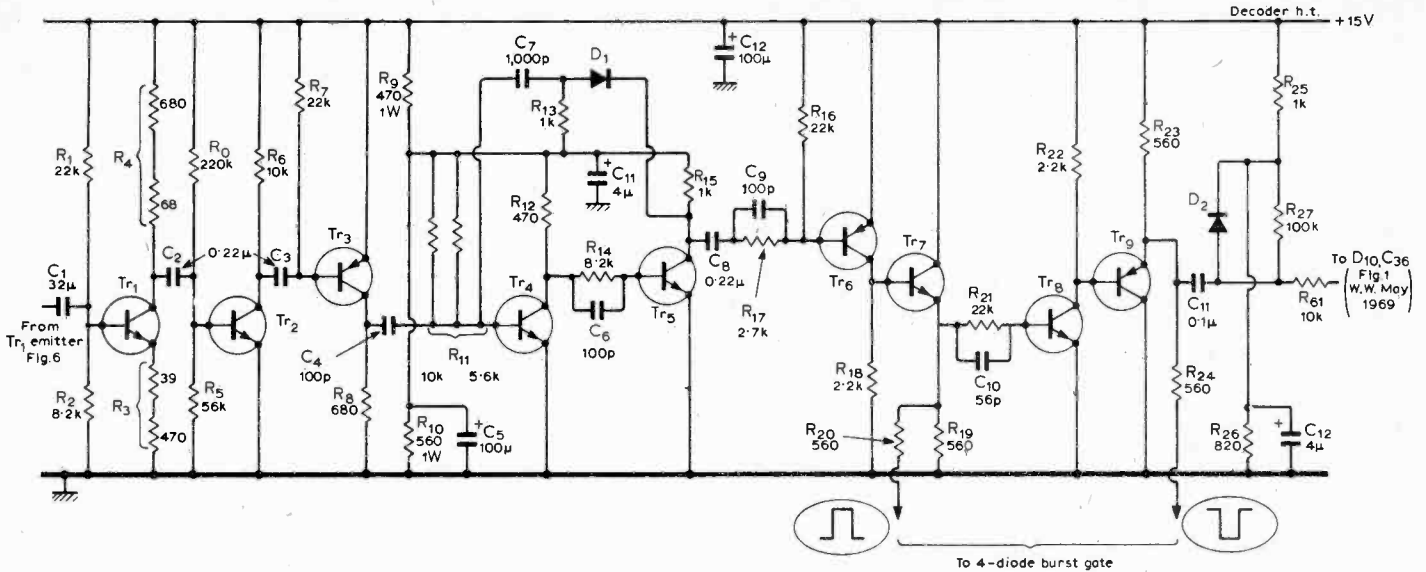


Fig. 7. Auxiliary sync separator and burst gating pulse generator. $Tr_1, Tr_2, Tr_4, Tr_5, Tr_8, ZTX300$; $Tr_3, Tr_6, ZTX500$; $Tr_7, 2N697$; $Tr_9, MM1614$; $D_1, 1N914$; $D_2, OA91$.

The basic voltages came from two 12-V series stabilizers, in series and fed from isolated windings on one transformer.

Fig. 8 shows the circuit, based on a Ferranti 'E-line' transistors application report, of one of the supplies; it is conventional in form, the output voltage sets itself to that defined by the zener voltage plus the $0.7V_{be}$ of Tr_1 .

Transistor Tr_5 is a crude, but adequate, current limiter operating at approx 2.1A; i.e., that current required to drop 0.7V across 0.33 ohm. The 2N3055 (Tr_4) must be mounted on a suitable heat sink.

The +15V supply for the decoder is derived from the +24V rail by a third series stabilizer, identical to that of Fig. 8, but with the omission of Tr_4, Tr_5 and R_4 . ZD_1 (now a 15V specimen) and the load are connected to the emitter of Tr_3 .

The +20V supply for the decoder was obtained from a single 20V zener fed via a 470Ω resistor from +24V.

The -20V necessary for the colour difference amplifiers and other parts of the decoder circuit presented some problems, however. The rather complex solution of Fig. 9 was finally adopted. It consists of an astable multivibrator running freely somewhere below line frequency, its complementary outputs being buffered by two emitter followers, Tr_3 and Tr_4 , from a pair of peak rectifying circuits, D_{5-8} . The circuit provides a no-load output of 24V, the internal impedance being set by the 560Ω emitter loads of Tr_3 and Tr_4 . No physical zener series resistance is therefore provided for ZD_1 , which stabilizes the output at -20V; the demanded current is approx 3mA.

Setting-up

The basic assumptions made here for setting-up are that the constructor has access to a double-beam oscilloscope and a reliable source of colour difference signals, as well as line flyback, composite video and field sync.

(1). The master astable, Tr_1 and Tr_2 of

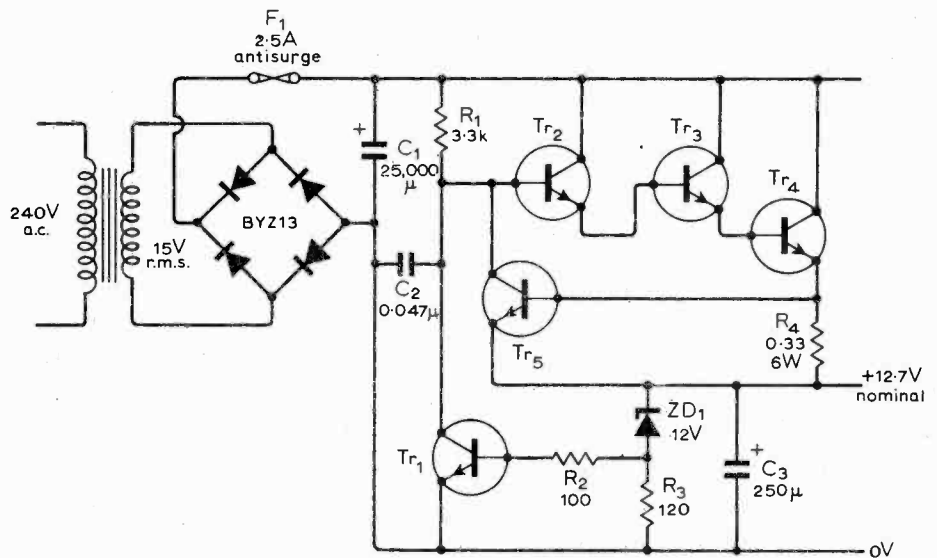


Fig. 8. 12V stabilized power supply. $Tr_1, Tr_5, ZTX300$; $Tr_2, Tr_3, 2N697$; $Tr_4, 2N3055$.

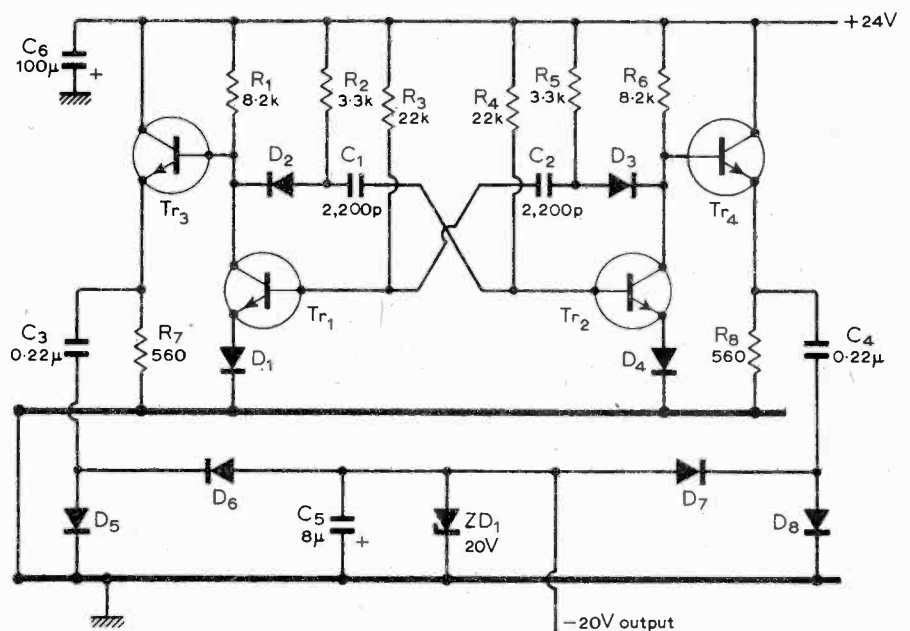


Fig. 9. -20V power supply. $Tr_1, Tr_2, ZTX300$; $Tr_3, Tr_4, 2N697$; $D_{1-8}, OA91$.

Fig. 1 must be set to divide by three the incoming 50Hz field frequency. Operation in a division mode depends on the amplitude of the sync pulse used, and this should be adjusted experimentally to obtain the maximum range on R_{21} within which the division ratio is maintained. The input pulses must also be entirely free from line frequency transients, which will seriously impede synchronization.

The best method is to take the separated field sync pulse from the monochrome set used through a simple RC low-pass filter to a limiting amplifier, thence (negative going) to the astable.

(2). Check that Tr_3 and Tr_4 produce positive- and negative-going 8ms 12V pulses respectively at their collectors, and that both transistors remain saturated during the pulse period.

(3). With R_{22} set to give 6V at Tr_5 base, check the voltage at Tr_7 emitter, where it should be approx 3.9V. Also check that this voltage varies with variation of the setting of R_{22} .

(4). Having previously tested the motor under operating conditions for the voltages required for running at 1000 r.p.m., make suitable variations in R_{17} and R_8 , and the presence or absence of $D_{3,7}$ to obtain the required armature voltage at Tr_{11} emitter. *Note 1.* A rheostat can also be included in series with the field winding if necessary, but remember that a reduction in field current, while increasing the speed of an ideal shunt wound motor, also increases the armature current proportionately. Torque remains constant.

Note 2. The velocity of the motor can best be determined by making use of the waveform from L_1 . Trigger the oscilloscope from the $16\frac{2}{3}$ Hz pulses from the master astable (itself running correctly) and display them on one trace. The second trace carries the coil waveform which is visually compared in period and phase with the 60ms of the timing trace.

(5). With L_1 disconnected and R_{22} slider (Fig. 1) connected directly to Tr_5 base, adjust R_{22} until the motor runs as nearly as possible in synchronism (using the method of Note 2.). L_1 should then be brought into circuit, when the motor phase should move to a locked position after a few damped oscillations. If oscillations continue experiment with the gain of the control circuit, and the value of C_8 . A convenient means of reducing the effective gain is to move the pickup coil away from the rotating magnet.

(6). The angular position of the magnet relative to the coil must be adjusted to ensure that the correct coloured filter is moving past the c.r.t. at the correct time. A rough positional guide is to place the bar magnet so that one of its ends points to an angular position on the wheel just ahead of the commencement of the first colour in the sequence, which in the prototype is the red. See also step 13.

(7). Adjustment of monostable periods. With one trace of the oscilloscope displaying at least three field flyback or sync pulses, and the other the quasi-stable period of the first monostable, trigger the 'scope on the $16\frac{2}{3}$ Hz pulses.

Adjust R_6 , Fig. 2, until the pulse period of the monostable is equal to that between two field sync pulses.

Check that the second monostable is being triggered reliably by the trailing edge of the first, and repeat the adjustment for width. If triggering is unreliable or absent, increase the value of C_4 to 560pF.

The 'scope should then be reconnected to display the first monostable output on trace (1) and the third on trace (2). Trigger from the trailing edge of the first monostable output. Adjust the period of the third monostable so that it overlaps with the beginning of the next sequence by an amount not greater than the field blanking period of the incoming video. This ensures that there is no interference with the picture between sequences.

(8). With the decoder switched on, and the transmitter carrying colour bars, check that the waveforms at the emitters of the Tr_2 's transistors (Fig. 4) for R-Y, B-Y and G-Y are as they should be, and not distorted or clipped, up to full settings of the saturation control on the decoder, and R_{19} .

During this test, the free ends of the R_8 's should be taken to +12V to ensure that all gates are cut off.

(9). Connect the R_8 's of the three colour gates to the relevant monostable outputs and with the R_{19} 's at minimum, check the waveform at Tr_5 emitter for pedestals as colour change-over occurs; this is apart from the negative pulse which will be obtained between sequences if the monostables have been set up as above. If marked pedestals are obtained, suitable adjustments should be made to the bias chains at the Tr_2 bases.

(10). With the R_{19} 's at full gain and a moderate saturation adjustment, the 'scope being triggered from a line frequency source, check the waveform at Tr_7 emitter, where all three colour difference signals should be visible simultaneously, with a marked flicker.

(11). With the input to C_1 , Fig. 5, disconnected, check the operation of R_9 as a brilliance control with +80V line-flyback clamping pulses on V_2 grid.

(12). Check the operation of the luminance delay line circuit, Fig. 6, and that the video waveform is not clipped by Tr_1 or Tr_2 when contrast is high. With the 'scope input on d.c., check that the waveform is being d.c. restored correctly by D_1 .

(13). Connect C_1 of Fig. 5 to Tr_7 emitter, Fig. 4, when coloured areas of the picture will flicker with an intensity proportional to their saturation. View the picture through the locked colour wheel, when if colours are incorrect (e.g., blue faces), re-check step 6 and reverse the connections to the pickup coil. Once the wheel is in roughly the correct phase, make fine adjustments of the relative angular positions of magnet and coil. The direction of movement necessary will become apparent through experience or common sense.

(14). With the decoder saturation control set to give a reasonable signal output, preferably with colour bars, adjust the R_{19} 's of Fig. 4 to obtain colours which 'look' right. These adjustments are un-critical and straightforward.

It is best to have the saturation control high and the R_{19} 's low rather than vice-versa, as this arrangement ensures a good s/n ratio in the displayed colour picture. (15). If the circuit of Fig. 7 is incorporated in the decoder, the operation of the sync separator, Tr_2 and Tr_3 , should be checked to ensure that line pulse output continues independently of picture content. Trouble will occur if Tr_1 clips the incoming waveform on highlights, with the result that burst gating pulses are lost.

The gain of Tr_1 has to be a compromise, in that it must provide adequate gain for clean sync separation on low contrast settings, but must not clip when contrast is high.

(16). The only problem likely to be encountered in setting-up the power supplies is with Fig. 9. Astables of this type sometimes fail to start oscillating on switch-on, since a stable state exists with both transistors saturated. This effect was encountered when the prototype was powered from two 12-V car batteries, the astable being started then by shorting one of the bases of Tr_1 or Tr_2 to earth. The effect does not occur with the mains power supplies of Fig. 8.

Conclusions

These articles have been written to present sufficient information on a field sequential colour TV system built by the writer to enable interested readers to do the same.

Although quite a considerable amount of circuitry is involved, none of it is particularly critical in design or construction, and is no doubt amenable to criticism, modification and improvement.

The only specialized electronic components required are the two delay lines, and the 4.43MHz crystal for the decoder.

The filters were purchased as $21 \times 49 \times 0.01$ in sheets (smaller areas are available) from Rank Strand Electric, Ltd., of 250 Kennington Lane, London, S.E.11, and are their "Cinemoid" stage lighting filters, numbers 6, 20 and 39, primary red, green and blue. This size cost 63p per sheet.

Perspex sheet is obtainable from any good builders' merchant, and can sometimes be cut to shape on request. Suitable motors were, in the author's case retrieved from the yard of a local scrap dealer.

The basic monochrome receiver used was a home-built affair, which, however, contains commercial u.h.f. tuner and i.f. plus sound and vision output units.

It is suggested that the monochrome receiver be used initially with its existing c.r.t., and a simple colour wheel, to gain experience of the behaviour of the system, before the necessary tube replacement and remounting is carried out for a larger spiral wheel. Suitable small 110° tubes are the A28-14W, giving an 11in picture, or any portable set tube. These will take the existing scan coils without modification, although width, and e.h.t. may need adjustment.

Thanks are due to the Department of Electrical Engineering Science at the University of Essex, particularly Dr. J. A. Turner.

Electronic Building Bricks

16. The Quantizer

by James Franklin

Signals originating from analogue transducers—such as a television camera or an electrical strain gauge—sometimes have to be converted, for information processing purposes, into digital form. This means that the successive values of the signal become represented by numbers (Part 4), which might be decimal, binary or based on any other radix. We have already met the idea of considering a signal as a sequence of separate values (Part 2) and the use of this concept for measuring information (Part 15).

Now a practical requirement of an analogue-to-digital converter is that it needs a certain amount of time to produce each number. Electronically each number is represented by a pattern, either in time (e.g. a sequence of pulses), or in space (e.g. an array of on/off states of electronic switches), and some interval of time, however small, is necessary to enable each pattern to be formed and distinguished from those preceding and following it. Clearly such a converter cannot operate directly on an analogue signal, which is a continuously varying quantity (i.e. has infinitely small time intervals between successive values). The best that can be done, to keep the digital representation as close as possible to a continuously varying quantity, is to convert values of the signal to numbers at a very high rate—say a million conversions per second. In practice we use the rate necessary for the job.

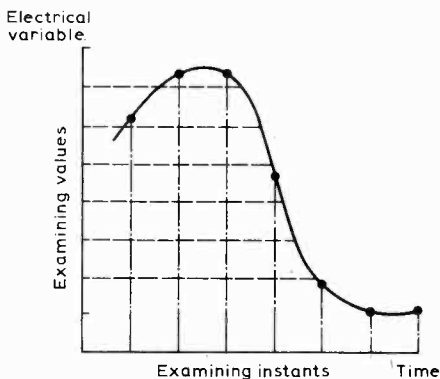


Fig. 1. Showing how a signal can be examined at regular intervals of time (indicated by dots on graph) or regular intervals of the variable which constitutes the signal.

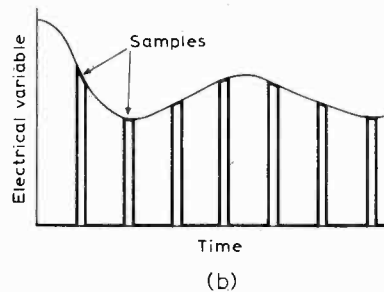
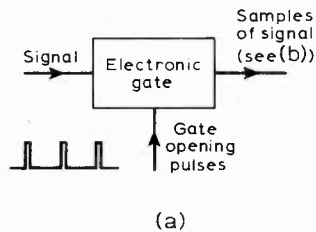


Fig. 2. Quantization by sampling, using an electronic gate (a) which is opened and closed to the signal by short duration pulses. The resulting output waveform is shown by the thick line in (b).

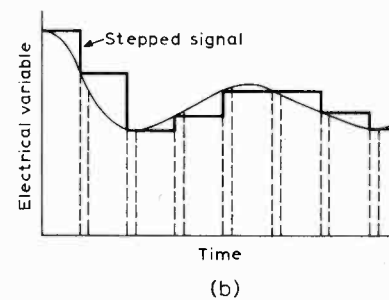
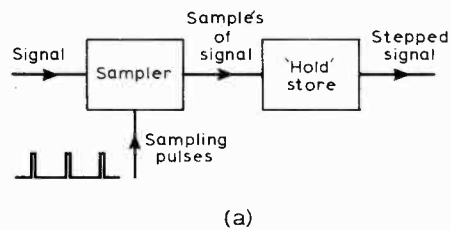


Fig. 3. Quantization by the 'sample-and-hold' method. The 'sampler' in (a) is an electronic gate as in Fig. 2. The resulting output (b) is a series of steps roughly following the original signal.

What this is depends on the accuracy of digital representation of the signal we need for a particular application. Any clock using an escapement mechanism does not indicate time continuously but it is near enough to continuous for most human purposes.

Thus the continuously varying signal must be examined at intervals. This examination could be at regular intervals of time or at regular intervals of value, e.g. voltage, of the signal (in which case the time intervals will be irregular). Both methods are illustrated in Fig. 1. This general process is known as quantization, because what was originally continuously varying is now represented as a series of discrete quantities, or quanta.

Two methods of achieving quantization of a signal are shown in Figs. 2 and 3. In Fig. 2(a) the signal is passed through an electronic 'gate' which is opened for short periods by regularly occurring pulses (from an electronic 'clock' or oscillator). What emerges from the gate, shown in (b), is a train of pulses of different amplitudes—thin 'slices' or 'samples' of the original signal. These samples may be usable as such in information processing equipment even though the tops of the pulses are sloping. If not—perhaps because the samples are of too short duration—the method shown in Fig. 3(a) may be used. Here the signal waveform is sampled as before but the initial value of each sample is stored* until the next sample is taken. Thus the information available from the store is in the form of a series of steps roughly following the graph of the original analogue signal, as can be seen in (b). This is known as the 'sample-and-hold' method.

How accurately the quanta—the samples in Fig. 2 or the steps in Fig. 3—follow the original signal graph depends on the fineness of quantization, that is, the time intervals or value intervals between samples. We have already discussed this idea in terms of the number of levels required for measuring the information in a signal in bits (Part 15). Generally speaking it is more difficult and costly to sample rapidly than to sample slowly, so engineers use the slowest rate of sampling that will define the signal to the accuracy they need for a particular purpose. To obtain the maximum possible accuracy of signal definition the sampling rate required is given by a simple formula based on mathematical analysis† of the shape of the signal graph.

One example of the use of quantizers is in an advanced type of telephone trunk transmission system now being introduced in various parts of the world. This is called pulse code modulation and it requires that the voice signals be quantized to enable them to be coded into digital form.

*e.g. as charge in a capacitor

† Fourier analysis of the signal into component sinewaves. For full accuracy of definition the sampling rate must be at least twice that of the highest frequency sinewave that is a component of the signal.

Elements of Linear Microcircuits

12: Television receivers

by T. D. Towers*, M.B.E.

In the 1960s transistors ousted valves from most circuit positions in domestic television receivers and now we are seeing linear microcircuits in their turn displacing transistors.

Although the U.S.A. has led the world in development of military and industrial i.c.s, Western Europe has led in consumer i.c.s (at least in monolithics, since in hybrids Japan has forged ahead). In Europe the main stream of i.c. development for television receivers has come from Western Germany with devices from Valvo (Philips), Siemens, Telefunken, and Intermetall (I.T.T.). Plessey in the U.K., S.G.S. in Italy and Secosem in France have also entered the field, while across the Atlantic Motorola, R.C.A., Texas Instruments and Fairchild are active.

To date the different semiconductor manufacturers have tended to adopt different approaches to partitioning the television receiver for linear i.c. substitution. As a result, second source supplies are not usually available to the set maker.

Good receiver partitioning aims at using the advantages of monolithic techniques up to a point where the replacement cost of any microcircuit is not prohibitive. A single microcircuit covering all the electronics of the receiver is possible but economically prohibitive. It looks as if the number of microcircuits in a receiver will ultimately settle at between four and eight.

Until now linear i.c.s have been most widely used in the sound channel, the post-video-detector signal processing, and the colour decoder. Limited frequency, voltage and power handling capabilities have restricted their applications in other areas. Your understanding of the problems of the change-over to i.c.s might well be helped by a study of my book 'Transistor Television Receivers' (Iiffe Books, 1963).

Sound channel

A natural development of the early op-amp linear i.c. was an amplifier microcircuit which gave the typical 66dB voltage gain needed in an f.m. intercarrier sound i.f. strip (200kHz bandwidth round

6MHz). The Mullard TAA350, with four current-driven, balanced, long-tail pairs giving efficient limiting and high a.m. rejection, was an example of this.

Fig. 1 (a) is a practical circuit (from the Pye 691 single-standard 625-line colour chassis) using the TAA350. The input is from an AA119 intercarrier sound detector via two 6MHz tuned circuits. Output is via an OA90 sound detector to a volume control and an a.f. amplifier.

It is relatively easy to integrate a detector stage into a monolithic amplifier, and we find many commercial examples of

this such as the Mullard TAA380, Plessey SL432A and Telefunken TAA930. All the basic f.m. detector types (discriminator, ratio, quadrature, differential peak, pulse counting and phase locked loop) have been tried. Anyone interested in the merits (or demerits) of the different detector systems should consult 'A Comparison of Integrated-circuit Television Sound Systems by L. Blaser and D. Long in *I.E.E. Transactions on Broadcast and Television Receivers*, Feb., 1971, Vol. BTR-17, No. 1, pp. 35-43.

The long-tail pair makes it simple to

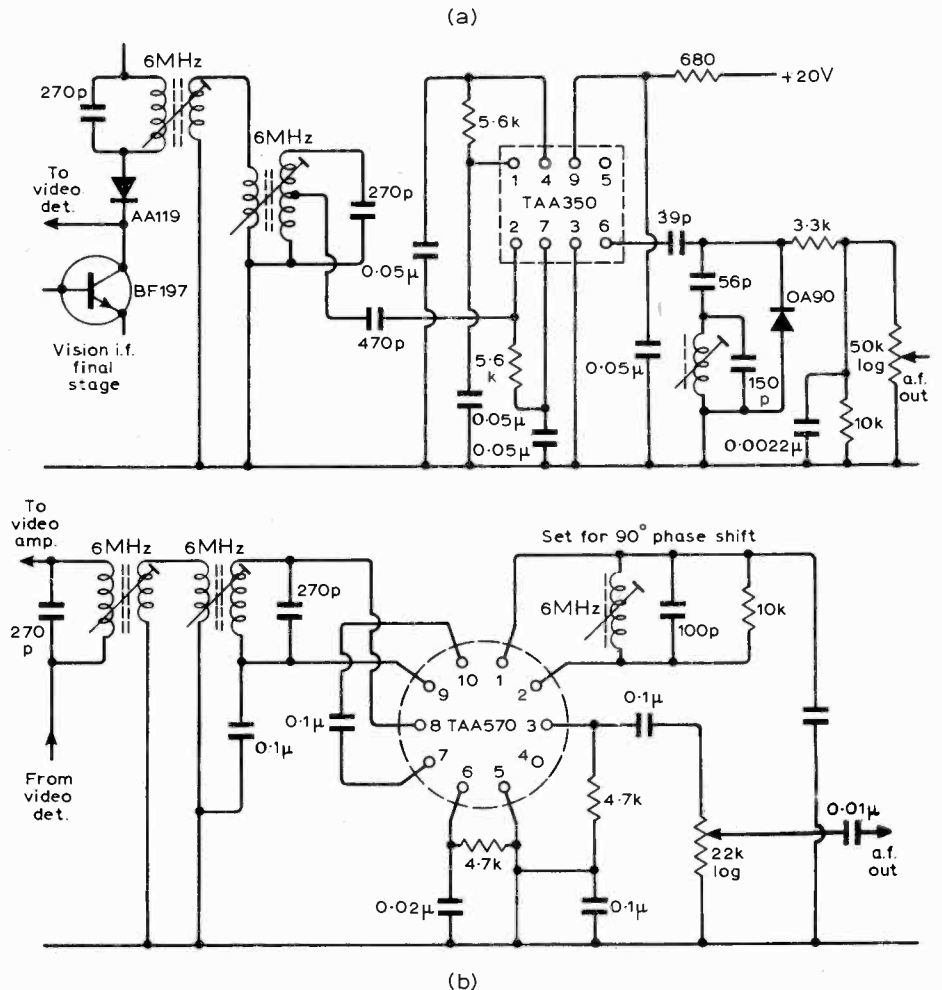


Fig. 1. Typical sound channel microcircuits. (a) Connections used with the Mullard TAA350 amplifier-limiter; (b) use of the TAA570 with integral detector.

* Newmarket Transistors Ltd

vary voltage gain by varying the d.c. bias voltage on the base of one of the transistors of the pair, and we find a group of amplifier-limiter-detector i.c.s with a d.c. volume control facility that enables the volume control potentiometer to be located some distance from the microcircuit. Typical of this type of i.c. are the Mullard TAA450 and TAA570 (Plessey pin-compatible SAA570), Siemens TBA120, and SGS TBA261. Fig. 1 (b) shows how the TAA570 has been used in the Pye 169/769 monochrome (625-line only) television chassis. Sound i.f. input comes via two 6MHz tuned circuits from the video detector, detection is by a single-tuned quadrature detector, and the audio output drives a two-stage valve amplifier. (The remote d.c. volume control available at pin 4 of the TAA570 has not been used in this case.)

Extra transistors are easy to fabricate in monoliths, so that the next development was to add an audio pre-amplifier stage to the limiter amplifier. This extra stage you will find in the Mullard TAA640, TAA750 and TBA480, and in the RCA3065.

Two audio stages (a pre-amplifier and driver) appear in such amplifier-limiter microcircuits as the SGS TBA581 (to drive class AB complementary transistor power output stages) and TBA591 (for class A transistor or valve output).

All the intercarrier sound i.c.s described above require some form of external audio amplifier to complete the drive to the loudspeaker. These outboard audio amplifiers are still usually discrete transistor or valve designs, but microcircuit versions are available.

Monolithic audio amplifiers up to 3W output are now fairly common. Typical

examples are the Telefunken TAA900 (2W) and SGS TAA621 (3W). By suitable heat-sinking, conventional monolithic designs can be pushed up to 5W, and we are already seeing new designs (e.g. from Sony) capable of 20W r.m.s. output.

Thick film add-on audio power amplifiers from 3-50W output are now produced by many Japanese firms such as Mitsubishi, N.E.C., Sanken, Sanyo and Toshiba, and will compete strongly with monoliths.

One interesting development that seems to point the way to the final solution to integrating into a single package the whole intercarrier sound channel is the SGS monolith TBA631, which combines the functions of limiter-amplifier, detector and 3W audio amplifier into a single chip with an integral heatsink.

Jungle chips

The post-video-detector circuitry of the television receiver has received much attention from i.c. manufacturers. It has been found possible to integrate in one chip the following video signal processing functions: video pre-amplification, keyed a.g.c. detection, a.g.c. amplification for both tuner and vision i.f. control, noise cancellation for a.g.c. and sync. circuits, sync. separation, automatic horizontal sync. and, finally, vertical sync. pulse separation. This video signal processing i.c. is variously known as the 'signal processing circuit' or, affectionately and obviously, as the 'jungle chip'.

The best known example is the Mullard TAA700 (now superseded by the

set out in detail here but Mullard can supply data to prospective users.

The TAA700 is designed for TV receivers equipped with transistors or valves in the deflection and video output stages, with n-p-n transistors in the tuner and i.f. amplifier, and with negative modulation. It works on a nominal 12V d.c. supply rail.

Sound/vision i.f.

Sound/vision i.f.s present special problems in applying i.c.s because the first i.f. stage must have a.g.c., and the requirement for many tuned bandpass and rejector circuits has tended to give the monolithic i.c., for sound/vision i.f. only applications, no advantage over discrete transistor assemblies. Away back in 1967 Fairchild brought out the μ A 717 for just such a purpose, but it was never widely adopted at least on this side of the Atlantic.

An i.c. combining the sound/vision i.f. amplifier with some later stages of the receiver can, however, make integration an economic proposition. One interesting example of this is the RCA CA3068 shown in section block diagram in Fig. 2.

The CA3068 provides a high gain (75dB typical) 45MHz wideband i.f. amplifier with 50dB a.g.c., a video detector, a 12dB video pre-amp., an impulse noise limiter, keyed a.g.c. with noise immunity, delayed a.g.c. for the tuner, buffered automatic fine tuning for varicap tuner control, separate sound i.f. amplification, sound carrier detector, 4.5MHz sound intercarrier pre-amplifier and isolated zener reference diode for regulated voltage supply. The connection diagram of Fig. 2 illustrates the simplicity of use of this i.c., particularly when the needs of the serviceman are remembered.

Another interesting approach to sound/vision i.f. microcircuitry was described in 'A Thick-film Television Video I.F. Amplifier Using Compatible Components' by R. Weber and J. Prabhakar in *I.E.E.E. Transactions on Broadcast and Television Receivers*, Nov. 1967, Vol. BTR13, No.3, pp.7-12. In this, thick film techniques were used with printed capacitors and surface mounted toroidal coils, both capacitors and coils being adjustable on test by abrasive (powder jet blast) techniques. While this approach has not been widely adopted, it has attractions because it can produce a pre-aligned plug-in i.c. requiring no adjustment by the set maker or serviceman.

Tuner

The frequencies (up to 900MHz) handled by the tuner are well beyond current monolithic i.c. capabilities. Hybrid (thick or thin film) techniques show some promise as explained in 'The New Thick-film Hybrid Integrated Circuit Module for V.H.F. Television Tuners' by K. Williams in *I.E.E.E. Transactions on Broadcast and Television Receivers*, July, 1968, Vol. BTR-14, No. 2, pp. 111-115. Plugged into the appropriate passive tuning networks, the resultant i.c. provides

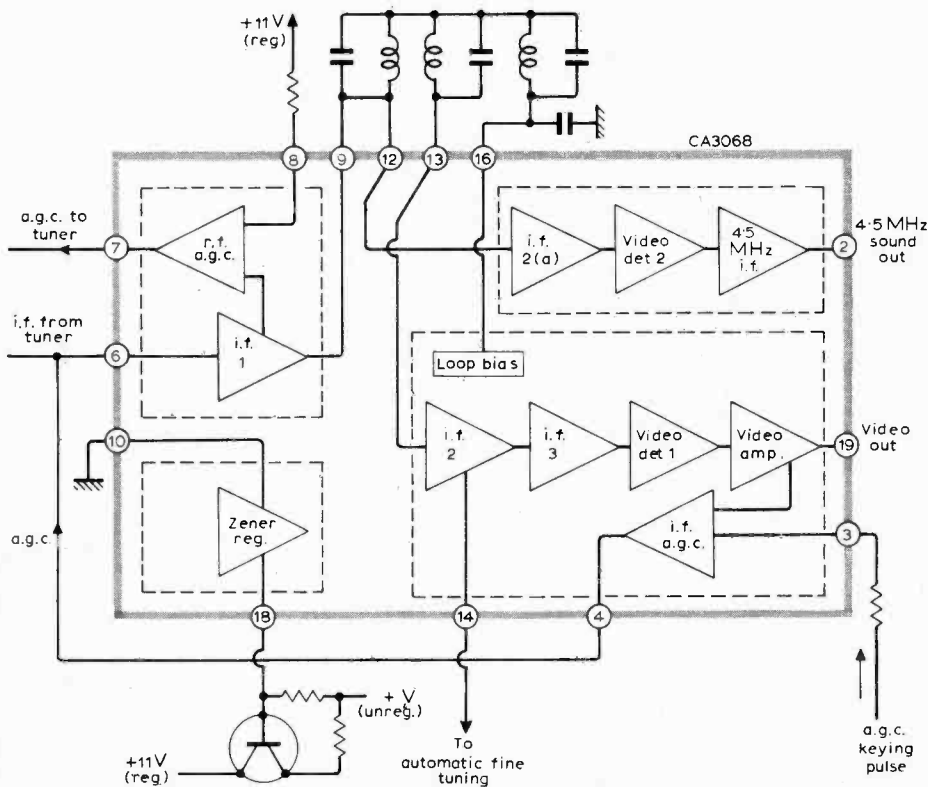


Fig. 2. Combined sound/vision i.f. microcircuit type CA3068.

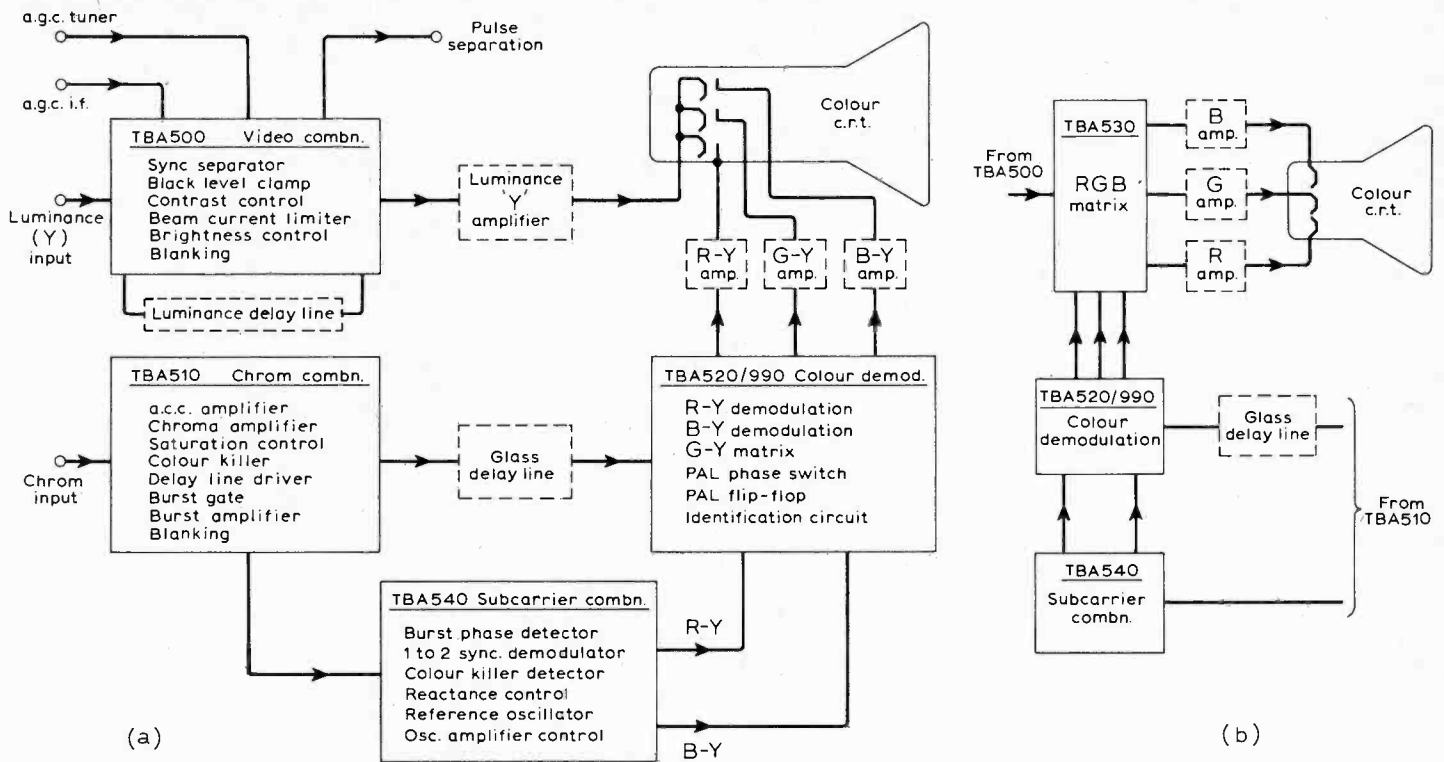


Fig. 3. Using the Mullard TBA500 series in colour receivers. (a) Colour difference arrangement; (b) RGB drive.

all the active circuitry for a v.h.f. tuner which is competitive with discrete device assemblies on the score of both performance and cost.

Most new European television receivers are now varicap-tuned, and although it has not been possible to produce a commercially viable tuner i.c., several firms have produced a self-contained voltage regulator i.c. to provide the very stable 30V or so required for varicap tuning. Typical of these is the Mullard TAA550 and Telefunken TBA940.

Colour television receivers

Some of the microcircuits described earlier, such as the tuner-varicap regulated supply, the sound/vision i.f., the sound channel, and the video processing jungle i.c., can be used in monochrome or colour sets. But a special breed of microcircuits has also been developed for colour signal processing.

There are several different approaches to the problem of handling colour signals with i.cs. The Mullard set of i.cs consists of the TBA500 video combination, TBA510 chrominance combination, TBA520 (TBA990) colour demodulator, TBA530 RGB matrix and TBA540 colour subcarrier combination. Space prevents a full description here of the internal circuitry and design problems of this family which is constantly being updated. However, for conventional colour difference drive to the c.r.t. grids, a practical system uses four of the i.cs . . . the TBA 500, 510 520 and 540 . . . as shown in Fig. 3(a). Essentially, the luminance (Y) input to the TBA500 (which could come from the TAA700 described earlier) is amplified, delayed and

fed into the Y amplifier to drive the c.r.t. cathodes. The TBA 510 takes the chrominance input, centred about 4.43MHz, separates off the chrominance (R-Y, B-Y) information and feeds it via a 64 s glass delay line to the colour synchronous demodulator, TBA520. At the same time it isolates the 4.43MHz colour subcarrier information and feeds it to the TBA540 where it controls the 4.43MHz crystal carrier reinsertion local oscillator to produce a correct phase and frequency output to feed the synchronous demodulator TBA520, also taking into account the

PAL phase reversal on alternate lines. In the TBA520, the demodulated R-Y and B-Y inputs are combined (matrixed) to give a G-Y signal. The three colour-difference signals are then fed through separate discrete-component amplifiers to the c.r.t. grids.

Where an RGB drive to the separate c.r.t. cathodes is desired, the fifth i.c. of the set, the TBA530 is interposed between the luminance and colour-difference outputs on the one hand and the c.r.t. RGB drive amplifiers on the other as shown in Fig. 3(b).

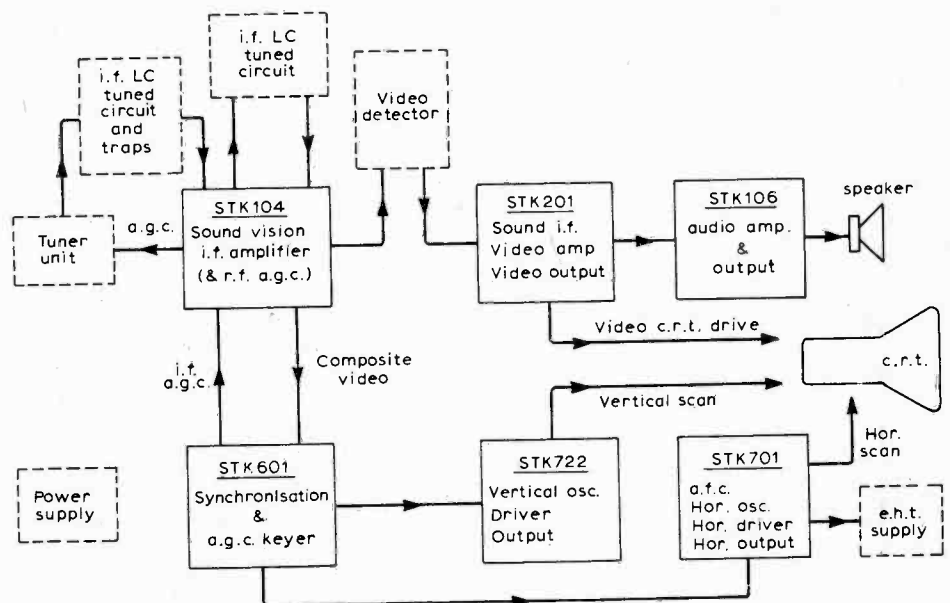


Fig. 4. Six thick film hybrid microcircuits from Sanyo provide most of the circuitry for this 17in receiver.

Interesting alternative approaches to colour signal processing can be found in 'Integrated M.T.O.S. Circuits for Colour TV Applications' by M. M. Mitchell and W. Sheets in *I.E.E.E. Transactions on Broadcast and Television Receivers*, July, 1968, Vol. BTR-14, No. 2, pp. 28-33, and in 'Colour Command—A Digital Method for Extracting the Colour Information from the N.T.S.C. Signal' by R. Weber and T. T. Fu in the same journal, July 1968, Vol. BTR-14, No. 2, pp. 52-57.

Going back to Fig. 3, it will be seen that the drive circuits to the c.r.t. are discrete component, transistor or valve. Thick film hybrids are now available to replace these, as for example in the 'Accucircuit' plug-in microcircuits produced by RCA.

Future of i.c.s in television receivers

Monolithic i.c.s predominate in the microcircuits for TV receivers described so far, but thick-film hybrids are beginning to offer strong competition. Fig. 4 shows in block form the use of six thick-film i.c.s

which provide most of the circuitry for a 17in v.h.f. receiver designed by Tokyo Sanyo Ltd. Using an insulated-metal-substrate, Sanyo can meet the high voltage and power requirements of output stages without separate amplifiers. As a result, the count of 25 transistors, 246 other parts and 553 solder joints for conventional discrete assembly is reduced to 6 i.c.s, 58 other parts and 198 solder joints. For fuller discussion, you should consult 'Development of All-i.c. 17in Black-and-white Line-operated TV Receiver' by Sadao Kondo, et. al. in *I.E.E.E. Transactions on Broadcast and Television Receivers*, May, 1971, Vol. BTR-17, No. 2, pp. 98-104.

The shape of things to come can also be seen in the Matsushita (Panasonic) pocket-size receiver using eight thick film hybrids providing the functions sound i.f. and detector, audio and a.g.c., vision i.f., video detector and amplifier, sync. separator and a.f.c., vertical deflection, horizontal deflection and power supply filtering.

Finally we can expect to see a mixing of i.c. technologies as foreshadowed in a colour TV design developed at the Kansai Electronic Industry Development Centre in Japan and organized by five TV manufacturers, seven component producers, four universities and two institutes in the Osaka area. While the design uses a discrete u.h.f. tuner, the v.h.f. tuner uses a thin film r.f. amplifier and a monolithic mixer/oscillator. The 3W audio amplifier is monolithic, as are the vertical and horizontal oscillators. In the colour section, thick film is used for the chrominance bandpass amplifier, the chrominance demodulators, the matrix pre-amplifier and the subcarrier reactance oscillator, with monolithics for the colour killer, and colour burst amplifier. Both thick and thin film are used in the colour phase detector circuit.

Development is now so rapid that a pundit in the U.S.A. has been quoted as going on record that in five years time 75% of the circuitry of the television set will be integrated in only three i.c.s.

Personalities

Professor J. F. Coales, O.B.E., M.A., appointed president of the I.E.E. for 1971/2, is professor of engineering, Cambridge University, where he has been in charge of post-graduate studies in control engineering since 1952. Professor Coales, who is 64 and a graduate of Sidney Sussex College, Cambridge, held various appointments in the Admiralty Department of Scientific Research and Experiment from 1929 until 1940 when he took charge of the development of naval gunnery radar. Six years later he became research director of Elliott Brothers Ltd where he stayed until his academic appointment at Cambridge.

R. H. Barker, Ph.D., F.I.E.E., deputy director of the Royal Armament Research and Development Establishment, is the 1971/2 chairman of the Control and Automation Division of the I.E.E. Dr. Barker, a physics graduate of University of Hull, joined Standard Telephones and Cables as a physicist in 1938 and from 1941 to 1954 worked at the Signals Experimental Establishment (later the Signals Research and Development Establishment). He was made assistant director, Ministry of Supply, with responsibilities for airborne radar, navigational aids, maritime devices and air communications in 1954. Three years later he became superintendent of research at the

Signals Research and Development Establishment and in 1959 was appointed deputy director of the Central Electricity Research Laboratory. Dr. Barker was technical director of R. B. Pullin & Company from 1962 until his appointment to his present position in 1965.

Peter E. Trier, M.A., M.I.E.R.E., director of Mullard Ltd, is the new chairman of the Electronics Division of the I.E.E. Mr. Trier, who is 52, graduated at Trinity Hall, Cambridge, and was on the staff of the Admiralty Signal and Research Establishment from 1941 until he joined the Mullard Research Laboratories in 1950. He became manager of the laboratories in 1953 and a director in 1957. His inaugural lecture, on October 20th, is on computer-aided design in electronics.

R. M. Hill, Ph.D., F. Inst. P., who was at one time head of the Electronics Department at the Electrical Research Association, Leatherhead, and is now reader in physics at Chelsea College of Science and Technology, is to supervise an investigation being undertaken at the College on conduction mechanisms in thick films. The work, for which a grant of £18,000 (renewable annually over three years) has been made, is being carried out on behalf of the Ministry of Defence (Aviation

Supply). Dr. Hill, who is 38 and a graduate of the Royal College of Science and Technology, Glasgow, spent three years in Australia in the Commonwealth Scientific and Industrial Research Organisation and a further year as research fellow in the Clarendon Laboratory, Oxford, before joining the E.R.A. Electronics Department in 1962 as deputy head.

G. W. Mackenzie, M.I.E.R.E., has become chief engineer, B.B.C. Regions, in succession to **J. D. MacEwan**, B.Sc., F.I.E.E., M.I.E.R.E., A.Inst.P., who was recently appointed chief engineer, radio broadcasting. Mr Mackenzie joined the B.B.C. in 1941 and from 1954 until 1969 was on the staff of the Engineering Training Centre, latterly as head of technical operations section. Since September 1969, he has been in Northern Ireland, first as head of engineering and later head of programme services and engineering.

William A. Kinsman, F.I.E.E., is appointed managing director, Thorn Radio Valves & Tubes Ltd, and Thorn Colour Tubes Ltd. Until recently Mr. Kinsman was managing director of the Pressed Glass Division, Pilkington Brothers Ltd. At his own request, **C. C. McCallum**, who is 61, has relinquished the post of chief executive of both companies and will be retiring from full-time activities at the end of March 1972. After that, he will continue to serve on the boards in a part-time capacity. **J. C. King**, F.I.E.R.E., and **G. P. Thwaites**, B.Sc., F.I.E.E., F.I.E.R.E., have

been appointed to the board of Thorn Radio Valves & Tubes Ltd., and Mr King, who has been engineering manager (products development), assumes the responsibility of general manager.

Arthur E. Crump, who has contributed several articles to *W.W.*, and **A. G. Witts**, B.Sc., have formed Custom Electronics (Poole) Ltd whose first product is a logic probe which can also be used as an analogue comparator and spike detector. Mr. Crump, who is managing director, was instrumentation manager at CETA Electronics and formerly principal engineer on remote control systems at Plessey Automation. Mr. Witts was also at CETA where he was responsible for design and production engineering, and previously was in the research laboratory of Plessey Automation.

E. Marland, F.I.E.E., has joined Dubilier Ltd as managing director in succession to **J. H. Cotton**, M.B.E., who has retired after over 40 years with the company. Mr. Marland was previously managing director A. H. Hunt (Capacitors) Ltd and a director of Erie Technological Products Ltd. The company has also announced the appointment of **B. V. Sargent** to the board as marketing director. He joined the company 14 months ago as marketing manager having previously held executive positions with Electrosil, M.E.C. and Plessey. The other members of the board, of which **S. Soames** became chairman earlier in the year on the retirement of **F. J. Hurn**, are **R. Davidson**, B.Sc., M.I.E.E., chief engineer and technical director, and **G. W. Wilks**.

New from Ferrograph

For the maintenance of professional recording equipment.

Now, for the first time, all the major parameters of a magnetic recording system can be measured on a single, inexpensive instrument. The Ferrograph RTS1 Recorder Test Set.

Consisting of 4 basic sections—variable frequency audio generator, millivoltmeter with associated attenuator, peak-to-peak wow and flutter meter, and distortion measuring network—this instrument will measure frequency response, distortion, crosstalk, erasure, input sensitivity, output power and signal/noise ratio.

Completely solid state and lightweight, it may be used in the field as well as the laboratory,

operating on voltages of 100-120, 200-250 volts at 50 or 60 hz.

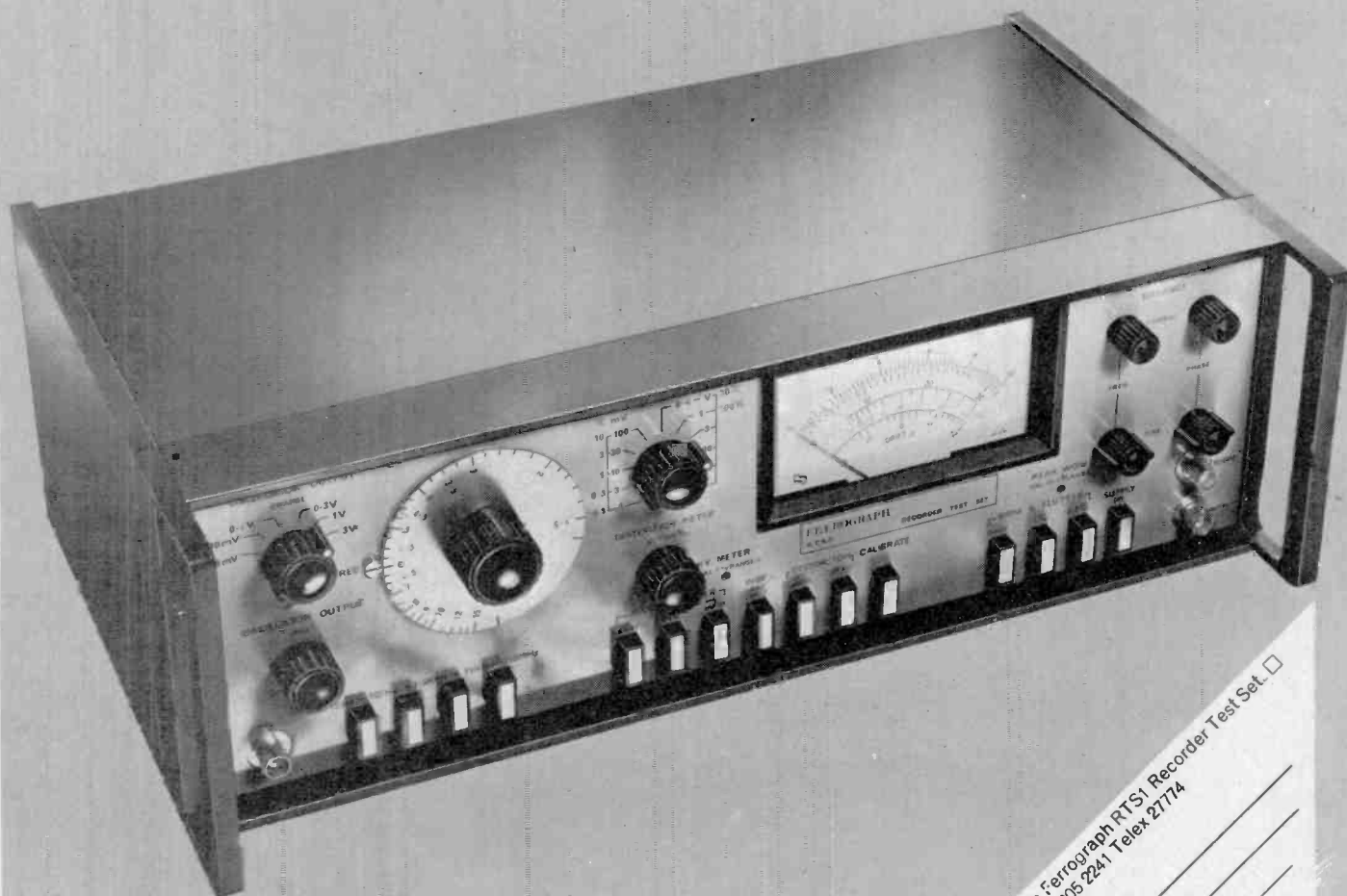
It is developed specially for those people who have to operate, maintain or service all types of tape recorders, sound-on-film equipment and audio apparatus.

The Ferrograph RTS1.
Made to stand the test.

Why not write for further details?

FERROGRAPH

SOUNDS GOOD



Please send me full details on the Ferrograph RTS1 Recorder Test Set.

NAME _____

ADDRESS _____

The Ferrograph Company
Limited, The Hyde,
Edgware Road,
Colindale,
London
NW9

WW—091 FOR FURTHER DETAILS

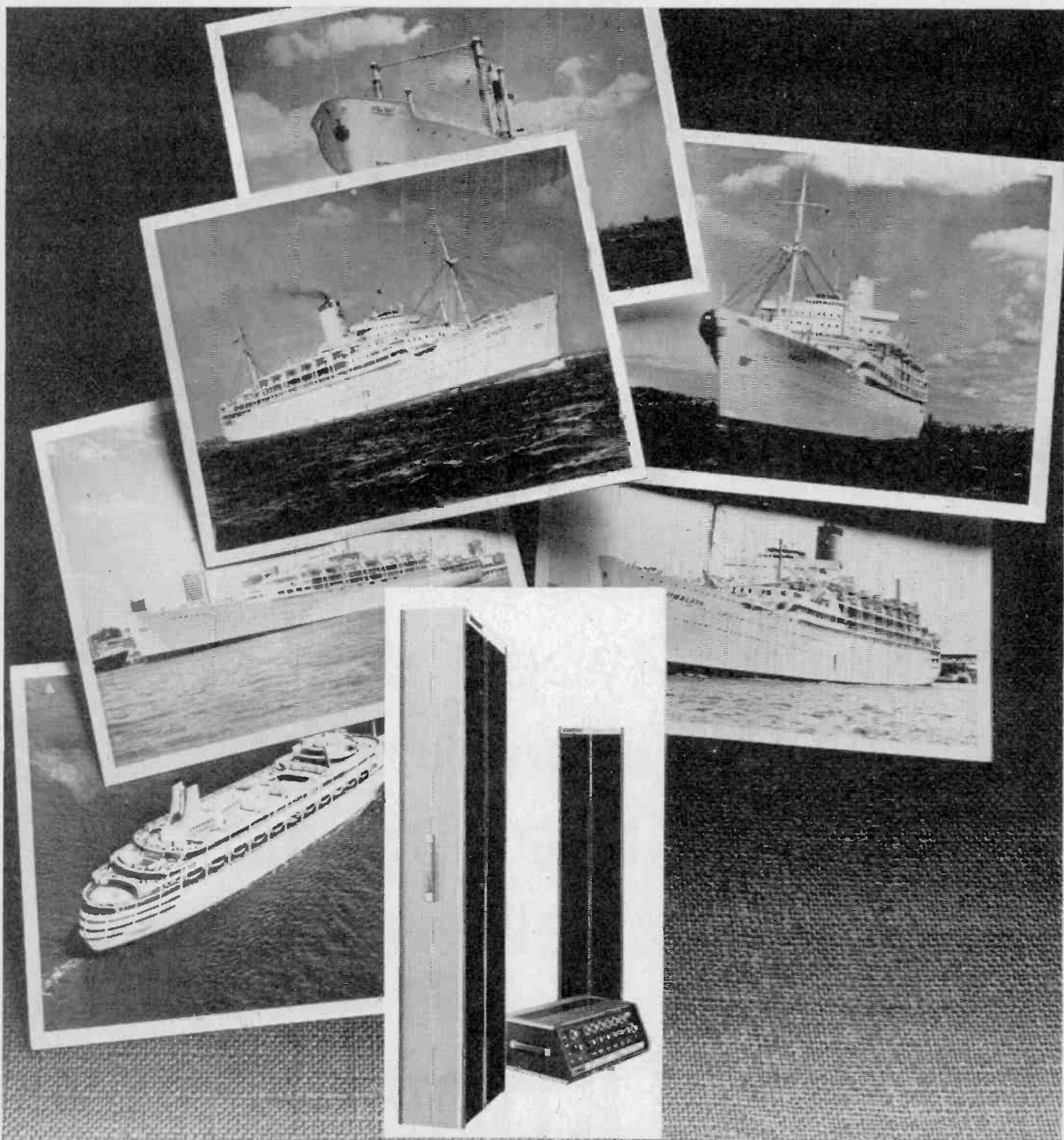
EEV is still producing
EEV is still developing
EEV is still selling

**image orthicons.
image orthicons.
image orthicons.**

3" and 4½" types
are available now at
competitive prices and
on quick delivery.

EEV know how.





All sound and shipshape

P. & O. Lines provide top-grade artistes to entertain passengers in their luxury cruise liners. Now P. & O. have selected the Shure Vocal Master Sound System to enable the passengers to enjoy every nuance of the performances to the full. The Shure Vocal Master Vocal

Projection System provides studio quality sound reproduction at sea or on land, indoors or outdoors, with completely flexible control and is fully portable. Send now for full information on the Shure Vocal Master Model VA302-E.

Please send me full information on the SHURE Model VA302-E:

Name _____

Address _____

SHURE
W.V.E.

Shure Electronics Limited, 84 Blackfriars Road, London, SE1 8HA Telephone 01-928 3424 Telex 22443

WW-093 FOR FURTHER DETAILS

New Products

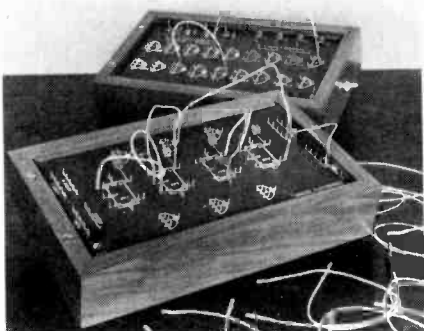
CCTV camera

A solid-state television camera for closed circuit operation is now available from the Industrial Imports Division of Dodwell & Co. It can be connected directly to a domestic television set which is then used as a monitor. Automatic light compensation for varying light levels between 50 and 8000 lux provides stable operation over the range of 50 to 500 lux minimum. Type 7735A vidicon used in the camera has a resolution of 500 lines, and random interlace scanning is provided. The output signal is composite video/r.f. modulated at 1.5V peak-to-peak into 75Ω . Horizontal frequency is 15.75Hz, and the vertical frequency 50/60Hz. Ambient operating range is 32° to 104°F. A 220V, 50/60Hz operating voltage is required with a power consumption of 12.5VA. Weight is 6.8lb and the dimensions are 86 × 241 × 137mm. Price £101.90. A range of lenses is available. Remote control pan, tilt and zoom facilities can be provided. Viewing monitors are also available. Dodwell & Co. Ltd., Industrial Imports Division, 18 Finsbury Circus, London EC2M 7BE.

WW326 for further details

Logic tutors

A Combinational Logic Tutor from Limrose Electronics uses i.c.s to provide a selection of AND, OR, NAND and NOR gates, together with input switches and output indicators, in a compact unit. Also new is the Sequential Logic Tutor designed for painless teaching of the principles of 'sequential' circuits such as binary and non-binary counters and shift registers. Both synchronous and asynchronous types



of sequential circuits can be constructed on this unit. The unit also uses integrated circuits and consists of a selection of J-K flip-flops, NAND gates, a low-speed clock unit and a manual pulse generator. The outputs of the flip-flops are permanently connected to logic indicator lamps to continuously monitor their logical states. In both units, all electronic components and integrated circuits are mounted behind the front panel. This results in a 'student-proof' design which cannot be easily damaged mechanically or electrically in normal usage. Prices from £23.50. Limrose Electronics Ltd, Lymm, Cheshire.

WW327 for further details

Recorder with extra low tape speed

A multi-channel communications recorder which can record for 72 hours continuously on 31 separate channels simultaneously, is one of three new machines available from Pye TVT. Manufactured by Philips, the recorders are claimed to be the first to employ a standard tape speed of 15/32 i.p.s. Tape heads are of Ferroxcube, and there is a self-adjusting tape guide system. Three basic versions of the recorder are: (a) for 31 simultaneous channels on 1 in tape; (b) for 15 simultaneous channels on $\frac{1}{2}$ in tape; and (c) for 7 simultaneous channels on $\frac{1}{4}$ in tape.

Each version is fitted with twin tape decks. A third deck can be added to 15- and 31-channel installations. An edge track is used to record a time reference signal as well as a pilot signal. The complete installation is normally housed in a standard 19-inch rack and has lockable glass fronted doors. Pye TVT Ltd, Coldhams Lane, Cambridge CB1 3JU.

WW 324 for further details

Digital audio delay system

The Gotham Delta-T 101 digital audio delay system converts audio information into digital form, stores it in this state and retrieves it at some later time controlled by switches on the front panel. Since there is no decay of the digital data while in

storage, the delayed outputs maintain identical signal quality for all settings of the delay selector switches. The Delta-T101 is available as a single channel device, with the amount of time delay selectable in 5ms steps up to a maximum of 40ms. Additional plug-in output taps, up to a maximum of five, may be added at any time. Each of these will have its independent delay selection switches as well as a by-pass switch. Seven additional delay cards of 40ms each may also be plugged into the frame to bring the unit up to its maximum 320ms delay capability. Overall timing is controlled by a stable crystal oscillator. Integrated circuit operational amplifiers are used in the analogue portions of the unit. Except for the input and output transformers, direct coupled circuits are used with resultant intermodulation and harmonic distortion under 1%, even at maximum signal levels. Frequency response is 20Hz—12kHz \pm 2dB. Power requirement: 115/230V, 50/60Hz (100W max.) Size: standard 19in rack panel, 7in high and 17in behind panel. Gotham Audio Corporation, 2 West 46th Street, New York, N.Y. 10036, U.S.A.

WW316 for further details

Heat conducting compound

Thermaflow 2001 from Jermyn can be applied as a thin film between a heat dissipating device and heat sink to reduce the thermal resistance by as much as 50%. Electrically non-conductive, the compound will withstand a temperature of 200°C for 24 hours with a volatility of only 1%. The



compound is available in disposable syringes containing 14g (A30S—52½p each), and in jars containing 140g (A30J—£1.62½p). Jermyn Industries, Vestry Estate, Sevenoaks, Kent.

WW311 for further details

Tape noise reduction unit

The Dolby B tape hiss reduction system is now available from Kellar Electronics in the form of the KDB1 noise reduction unit. Its use as a record and replay tape signal processor results in 10% less tape hiss than the recorder would normally produce. This is achieved, it is claimed, without affecting frequency response or adding distortion. Such a system will make a large difference to cassette (1½ i.p.s.) and 3¼ i.p.s. reel-to-reel machines when reproducing a wide



range of frequencies and dynamic levels. Inputs are 25mV into 20k Ω (record) and 25mV into 30k Ω (replay) for outputs of 580mV. Channel separation is quoted as 50dB at 1kHz and s/n ratio (including hum) better than 70dB referred to 580mV unweighted. Operation is from the a.c. mains. Price £49.50. Kellar Electronics Ltd, 6 Bycullah Avenue, Enfield, Middlesex.

WW318 for further details

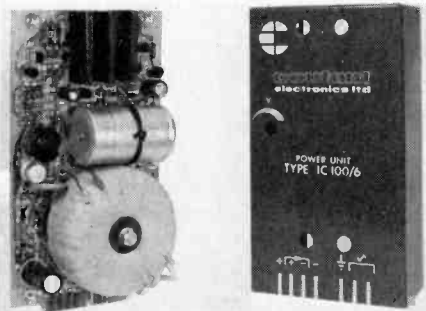
Miniature resistors

A range of carbon film resistors, type R_{sx} 00 intended for miniaturized equipment, is available from Steatite Insulations. Each resistor measures only 0.7mm dia. \times 2.5mm long. Values are from 10 Ω —4.7M Ω , with tolerances of $\pm 10\%$ and $\pm 20\%$. Steatite Insulations Ltd, Hagley House, Hagley Road, Birmingham 16.

WW317 for further details

Power supply for logic circuits

IC100 miniature power supply from Coutant supplies an output adjustable between 5 and 6V at 1A. Over-voltage protection set at 6.8V is included, along with re-entrant circuitry for overload protection. Change in output is 0.02% for a $\pm 10\%$ input voltage change, and load regulation changes 0.1% (output voltage) for a no-load to full-load change. Ripple on the output is less than 1.5mV peak-to-peak and the unit operates over a temperature range of 0 to 55°C with a temperature coefficient of 0.03% change in output voltage for each °C change in ambient temperature. A.C. input is 100 to 132 or 200 to 264V. The unit measures 80 \times 133

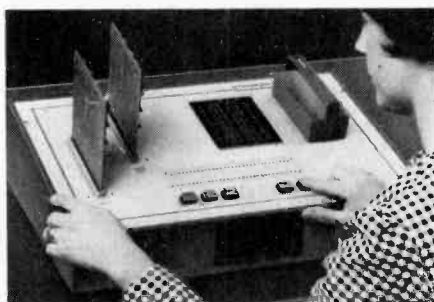


\times 42mm. Connection to equipment is either by printed circuit edge connector or by 4mm fixing screws and soldered connections to turret lugs. Price is £14.50. Coutant Electronics Ltd, 3 Trafford Road, Reading RG1 8JR.

WW309 for further details

Swift digital tester

An 'in-house' need for a quick and simple means of testing logic circuit cards led to the design of this general purpose digital test set by the Test Systems Division of Honeywell. The equipment has its limitations and is mainly intended for tests on combinational circuits, but in certain circumstances sequential circuits can be accommodated. Testing is carried out by comparing a suspect circuit with a known good circuit. The 'master circuit' card is



plugged into a socket on the front panel. For 'one off' tests a patch panel is used to connect the d.c. power supplies and the test set outputs to the logic card inputs. All unspecified pins are assumed by the machine to be outputs. The suspect circuit card is plugged into a second socket on the front panel. The machine applies every possible binary combination to the card inputs and compares all the outputs of the two cards. If a difference occurs the sequence is stopped and a GaAs lamp display shows at which output pin an error was detected. The machine can be restarted if required whereupon it will cycle through the remaining tests. When a number of identical cards have to be tested, the patch cords can be replaced by a pre-wired plug which fits into a front panel socket. Cards to be tested can have up to 28 inputs and output fault patterns are indicated on a bank of 64 GaAs lamps. Various adaptors are available enabling different sized cards and single integrated circuits to be

tested. Tests are carried out at a rate of one per μ s and input and outputs are 5V t.t.l. Price is £890. Honeywell Ltd, Test Systems Division, Eton Rd, Industrial Estate, Hemel Hempstead, Herts. WW301 for further details

Schottky barrier diode

Schottky barrier diode, type BAV46 from Mullard, has been developed for use in Doppler radar systems requiring a diode that has a low flicker noise at frequencies close to the carrier frequency, and a high conversion efficiency with or without d.c. bias when driven by low-level signals from the local oscillator. The overall noise figure is typically 10dB at 1kHz from the carrier frequency. Under typical operating conditions, forward current would be 30 μ A and the r.f. level 1 μ W at 9.375GHz. Its conversion efficiency is typically 1 μ A/ μ W. When operated as a microwave video detector with a forward bias current of 50 μ A and a video amplifier bandwidth of 2MHz, the BAV46 has a tangential sensitivity of -52dB and X-band frequencies (7-12 GHz). The device can be mounted across an X-band waveguide. If required, it can be supplied with a reversible end collet, type 56321, that makes the diode then conform to the DO-22 outline. The encapsulation is hermetically sealed. The operating temperature range is -55 to +150°C. Mullard Ltd, Mullard House, Torrington Place, London W.C.1.

WW308 for further details

Lightweight headset

A micro-miniature headset from Amplivox Communications, and called the Minilite, has an adjustable earphone housing which enables the user to receive incoming signals with the earphone unit resting lightly against the ear. The earphone housing is adjustable in all directions to enable the earphone to operate as a miniature speaker without physical contact. The housing rotates through 180° to enable the headset to be used on left or right ears. An acoustic tube-type microphone is used



which has telescopic adjustment for length, and also rotates for correct positioning near the mouth. The whole assembly is supplied complete with a new type of integral sliding headband. The headset can alternatively be mounted on spectacles. Weight with headband is 43.7g. Amplivox Communications Ltd., Beresford Avenue, Wembley, Middx, HAO 1RU.
WW333 for further details

High performance 42-track data recorder

An instrumentation tape recording system from SE Labs, designated SE data Series 5000, employs an eight-speed bi-directional tape transport, with a low mass integral capstan/motor assembly in a phase-lock servo. Arms produce sufficient tape tension around the capstan to dispense with pinch-rollers. These arms also act as sensors for the positional servo system controlling supply and take-up motors. Record and reproduce data amplifiers are common to all configurations of the Series 5000. Direct and f.m. modules are interchangeable. The direct reproduce module accepts up to eight plug-in equalizers which are switched automatically when the tape speed is changed. The f.m. system operates without adjustment in I.R.I.G. low, intermediate and wideband group 1 modes with eight-speed automatic switching. Flat amplitude or optimum transient filter response is selected manually by the position of the plug-in filter with respect to its socket. The 42-track recording heads of the 5000C maintain inter-track spacing at $3.81\text{cm} + 2.54\mu\text{m}$ ($1.5000\text{in} \pm 0.0001\text{in}$) and gap scatter 2.5 m (100 in). The basic price of the system is about £7,000. SE Laboratories (Engineering) Ltd, North Feltham Trading Estate, Feltham, Middx.
WW334 for further details

Reel-to-cassette duplicator

Series 235CS-1 reel-to-cassette duplicating system made by Telex, of Minneapolis, and available in the U.K. from Avcom Systems, comprises an open reel master transport and cassette slave modules. Frequency response is 30Hz -10kHz $\pm 3\text{dB}$ at $1\frac{7}{8}$ i.p.s, and t.h.d. less than 1% at 1kHz at '0' VU at $7\frac{1}{2}$ i.p.s. Bias frequency is 300kHz. Wow and flutter is given as 0.25% r.m.s. Crosstalk rejection at 1kHz: half track, two-channel, 50dB; quarter track, two-channel, 30dB stereo channel separation; and quarter-track four-channel, 30dB stereo-channel separation, with 45dB for adjacent stereo programmes. Signal-to-noise ratio is within 3dB of master tapes. All mechanical movements are solenoid controlled with operation from the master transport by momentary contact push buttons. Equalization for various combinations of tape speeds can be pre-set by clearly



identified controls. This system, with six slaves, will produce 84 C-30 cassettes per hour. A typical duplication station, with six slaves, is priced at £1,295. Avcom Systems Ltd, Newton Works, Stanlake Mews, Stanlake Villas, London W12 7HA.

WW 320 for further details

25MHz storage oscilloscope

Oscilloscope type 2200 from Advance has a main frame with three operating modes: normal, with P31 phosphor; variable persistence; and store. A stored trace can be retained almost indefinitely and even displayed after the instrument has been switched off for a period. A range of plug-in X and Y modules are available for this new main frame:—

- OS2001Y Single trace unit.
- OS2007Y Dual trace unit—with a sensitivity of 10mV/cm from d.c. to full bandwidth.
- OS2004Y High gain differential unit—bandwidth d.c. to 2MHz—sensitivity 50 μ V/cm.
- OS2001X X amplifier unit—for X-Y operation.
- OS2003X Standard timebase unit.
- OS2005AX Sweep delay unit—sweep speeds 19 ranges from 200ms/cm to 40ns/cm.
- OS2006X Wide range/delay timebase unit—sweep speeds in 23 ranges from 2s/cm to 20ns/cm in 1.2.5.

Advance Electronics Ltd, Raynham Road, Bishop's Stortford, Herts.
WW312 for further details

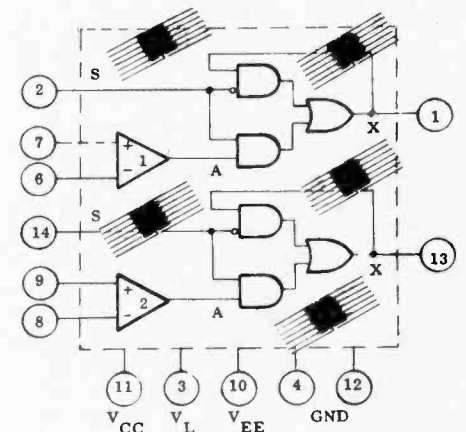
Range of trimmer pots

The Contelec T-84 series of single-turn, humidity-proof trimmers from Kynmore has a power rating of 0.5W at 70°C, with

an operating temperature range -55 to +150°C. Size is TO-5. The standard version of the series has a dial printed on the top of the case, and an arrow on the adjuster, giving the location of the wiper on the track. Contacts are of precious metal. Solder pins are nickel- and gold-plated. Stops are provided at each end of travel. Screwdriver adjustment provides the electrical settings. The resistance range is from 10 Ω to 20k Ω . Special resistance values and close tolerances are available to order. Kynmore Engineering Co. Ltd., 19 Buckingham Street, London W.C.2.
WW 307 for further details

Dual voltage comparator f.e.t.

A high-speed (90ns delay) dual-channel voltage comparator f.e.t. type L132, for analogue-to-digital conversion, has been announced by Siliconix. The device comprises two isolated comparison channels, each with a separate strobed latch on the output. Each latch is a t.t.l. type circuit, capable of driving t.t.l. inputs. The latch can change state only when the strobe is raised to the 1 level. Amplifier



comparison input error is 2mV. Common mode range is $\pm 5V$. Typical input current is $3\mu A$, and differential input voltage 10V maximum. Supply current is 10mA maximum. The device is available as L132 CL in a TO-86 flat pack or L132 CK in a TO-116 dual in-line package. Siliconix Ltd., Saunders Way, Sketty, Swansea, SA2 8BA.

WW305 for further details

Capacitance and inductance meters

Model C1, capacitance meter, available from Sintrom Europe, has a measuring range of 0 to $30\mu F$ in twelve ranges. The ranges are in a 1-3-1 sequence with 100pF full scale as the lowest range. Nominal full-scale accuracy is 1%. The maximum voltage seen by the capacitor is 11V d.c.

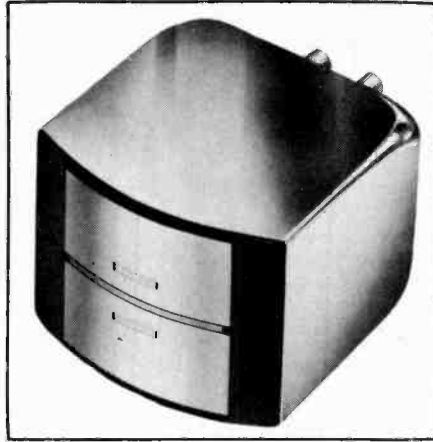


Model L1, inductance meter (illustrated), has a measuring range of $100\mu H$ to 100H in twelve ranges. Nominal accuracy is 1% for inductances with a Q greater than 10. The voltage across the inductor is 50mV to reduce errors due to core magnetization. The instruments, made by Russell Laboratories in the U.S.A., are available in the U.K. from Sintrom Europe Ltd, 2 Arkwright Road, Reading RGS OLS.

WW304 for further details

Magnetic recording head

The Y28 recording head from Marriott Magnetics has been designed to meet the requirements of multi-track applications for use with standard recorded 8-track stereo cassettes. It has a rear plug suitable for interchangeable replacement with the standard of plug adopted in America. Outer dimensions of the head have also been standardized to facilitate interchangeability with other types. The head has a thick outer case of mumetal, and internal screening provides channel separation of 55dB. It is designed for a track width of 0.020in and is based on the X type using a nickel-silver headface.



Specification:

Inductance at 1kHz	400mH $\pm 20\%$
resistance (d.c.)	450 Ω
impedance at 1kHz	2600 Ω
track spacing, centre-centre	0.127in
Output from Ampex ref. type 01-31331-01 120 μs (uncompensated)	
500Hz (reference level)	0.55mV ± 2 dB
1kHz (-10dB)	0.23mV ± 2 dB
7.5kHz (-10dB)	greater than +1dB above 1kHz level

The outputs of channel pairs are quoted as within 2dB of each other at any frequency in the range 100Hz to 7.5kHz.

Output from own recording using 3M175 tape at $3\frac{3}{4}$ i.p.s.

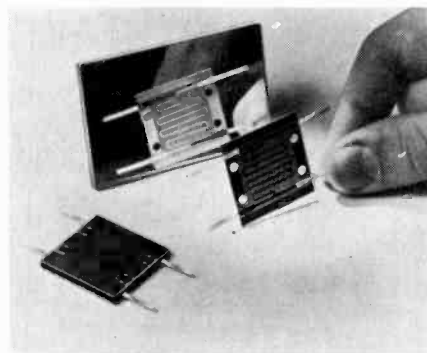
bias current at 50kHz	0.25mA
record current	20 μA
500Hz output	0.55mV ± 2.5 dB
1kHz	0.74mV ± 2.5 dB
7.5kHz	better than 8dB below 1kHz level.

Marriott Magnetics Ltd., Penryn, Cornwall.

WW 319 for further details

U.H.F. quadrature coupler

The outputs of several devices may be combined, transmission continuity retained and mismatches isolated using the quadrature coupler type MIC 5830-31 3-dB from Motorola. Mismatch problems are overcome because the application of a reflected signal at either of the output ports of the coupler results in signals at the input port attenuated by 20dB. Insertion loss is as low as 0.25 to 0.30dB, phase balance $\pm 1.5^\circ$ to 3.0° , amplitude balance 0.5 to 0.7dB, and the v.s.w.r. is 1.2:1. Transmission capability is maintained should one of a number of combined output r.f. transistors fail. Usable frequency ranges are 225-



400MHz, and 450-512MHz. The stripline devices are $31.8 \times 31.8 \times 3.6$ mm and are constructed from sealed fibreglass board. Price under £10 each. Motorola Semi-conductors Ltd, York House, Empire Way, Wembley, Middx.

WW 321 for further details

Double balanced mixers

Two sub-miniature double balanced mixers, types 1759 and 1760, from Hatfield Instruments occupy approximately one eighth of a cubic inch. The units can be used over the frequency range 100kHz to 500MHz (1759) and 10kHz to 150MHz (1760). Separate port earths are provided to reduce problems associated with common earth currents. Types 1759 and 1760 are priced at £19.80 each. Hatfield Instruments Ltd., Burrington Way, Plymouth, Devon. PL5 3LZ.

WW 303 for further details

Metal-oxide resistors

Metal-oxide films resistors, type WK, from Steatite Insulations are available horizontally or vertically preformed, with resistance values ranging from 1Ω to 100k Ω , with standard 2% and 5% tolerances. Temperature coefficients are either 200 or 400 p.p.m. Three body sizes are available: WK5, 6mm dia. \times 16mm long; WK8, 9mm dia. \times 20mm long; WK83, 9mm dia. \times 32mm long. Power ratings at 70°C are 1.5, 4 and 6 W respectively. Steatite Insulations Ltd, Hagley House, Hagley Road, Birmingham, 16.

WW310 for further details

Marine communication receiver

Receiver HR 600-601/602 manufactured in America by National Radio Company is available in the U.K. from Ericsson Marine. The main frame of the receiver contains all the signal path circuits—from aerial inputs to line and speaker audio outputs, including aerial attenuator, slot filter assemblies, frequency converters, i.f. amplifiers, i.f. filters, a.m. and product detectors and audio amplifiers. The main frame also includes a frequency synthesizer for first mixer injection, a beat-frequency oscillator and can operate from 115-230V a.c. 47-420Hz. Two frequency-control plug-in units are available, and when augmented by one of these units, the receiver is capable of operating at any frequency between 10kHz and 30MHz in a.m., c.w., s.s.b. and f.s.k. modes. Crystal filter i.f. bandwidths are automatically matched to the reception mode selected. A wide range of accessories will be available. Ericsson Marine, Crown House, London Road, Morden, Surrey.

WW328 for further details

World of Amateur Radio

Impact of integrated circuits

Amateurs in many parts of the world are now developing and describing constructional projects based on the use of linear and digital integrated circuits. One notes especially the wide use of the Plessey SL-600 series, the CA types (RCA) and the high-gain Motorola balanced mixer type MC1596G for communications receivers and compact transceivers. The advantages of the SL621 a.g.c. generator have crossed the Atlantic, and is used, for example, in a recent 3.5-MHz receiver described in *Ham Radio* by the Canadian amateur Paul Hrivnak, VE3ELP, in conjunction with such linear devices as the SL610 r.f. amplifier, the MC1596G and the General Electric PA237 a.f. amplifier plus discrete field-effect transistors for the oscillators.

Crystal calibrators and digital frequency meters are using digital t.t.l. devices including the popular SN7490N decade dividers. Digital logic is also being used in electronic keyers and automatic senders. Also attracting increasing attention are the sophisticated integrated-circuit phase-locked loop synchronous demodulators such as the Signetics NE561 and NE565 (M565N) devices. The CA302A is proving useful as a combined speech amplifier and balanced modulator for s.s.b. generation and also as a linear amplifier providing up to about 1W p.e.p. output to drive a valve power amplifier.

A case for more power?

One of Britain's leading h.f. long-distance operators, Dr John Allaway, G3FKM, recently voiced the growing feeling that the maximum power limits of the British amateur licence need to be up-dated.

Since 1946, except for occasional special tests, the power limits imposed on all British stations have been 150W d.c. input for c.w. or a.m. operation or 400W peak envelope power output for s.s.b. (A3A or A3J) on the majority of bands. Most amateurs would agree that these limits are, in themselves, reasonable (although it is puzzling why s.s.b. should be given more power than c.w.). These powers permit regular DX operation with or without high-gain beam aerials.

The present problem is that much amateur DX operating is of a competitive nature: the rarer contacts tend to go to the stations which can put the strongest signals into the distant country. In these circumstances, the top power permitted in other European countries becomes of importance to British amateurs—and, in this respect, there is little doubt that Dr Allaway has grounds for asking for the subject to be reconsidered. Looking through recent pages of my log book, I find that more and more high power operation is being permitted in Europe (the limit in North America has always been 1kW). I have worked West German c.w. stations using 250, 500 and 750W, Swedish stations up to 500W, Swiss 400W, Polish 250W, French 175W, Italian 300W, many Russians using 200W, while the operator of a Hungarian club station recently gave his power as 1kW.

It must be admitted that it is widely believed that a number of British stations are using more than their permitted power (these operators may not be pleased to learn that in some regions the Post Office has restarted routine inspections). Much of the popular factory-built equipment has to be 'throttled back' to get down to the British power limits. It would surely be better to issue licences for higher power than to tolerate some amateurs obtaining an advantage by disregarding the licence terms. So while the majority of British amateurs would be happy to continue with present limits if only other European amateurs were similarly restricted, there is likely to be a growing desire that Minpostel should look again at the power restrictions.

70th anniversary of transatlantic radio

Plans are afoot to mark the 70th anniversary of the spanning of the Atlantic by Marconi (12th December 1901). These may include an international get-together of radio amateurs connected by history or location with the early days of radio. A special station, using the call VB1MSA, is reported to have begun operation in Newfoundland and is active on 3.5, 14 and 21 MHz. In this country, the event is

being organized by the Cornish Amateur Radio Club (in whose county the 1901 transmitter was set up), and among those who have promised support is the Derby society, which, as the country's oldest radio society, is planning to run a demonstration station during the weekend December 11-12.

Death of a noted blind amateur

The death took place during August of a well known sightless amateur—James Illingworth, G3EPL, of St Bees, Cumberland. A former headmaster, he had held his licence for several years when, in 1956, he lost his sight. After only a short break he returned to his amateur operating and for many years has been a notable example of what can be done by the keen amateur to overcome physical handicaps, as well as encouraging other handicapped people to find satisfaction in this hobby. In 1963, Illingworth became the recipient of a Mullard Award, the citation for which recorded: "The courage which he has shown in overcoming his handicap has been a source of inspiration to amateurs everywhere. By his knowledgeable advice and persistent encouragement over the air, he has helped many other amateurs to modify and improve their own equipment."

In brief

A little-noted decision of the recent I.T.U. Geneva space conference (WARC-ST) may have a greater impact on amateur radio than the actual space allocations—this was the overwhelming rejection of a proposal by Argentina to reduce from 144 to 50 MHz the frequency above which licences may be issued without a c.w. test. . . . There was a record attendance of some 2500 at the R.S.G.B. 1971 Mobile Rally at Woburn Abbey. . . . A joint entry by the Surrey Radio Contact Club and the Croydon R.S.G.B. group (stations G3BFP/P and G6LX/P) gained the overall victory in the 1971 National Field Day, runners-up being Norfolk Amateur Radio Club. Stockport Radio Society won the Bristol Trophy for the leading single-station entry. Altogether 118 local clubs and groups competed, an increase of 14 on 1970. . . . A 144 MHz station, G3UGF/MM, is regularly active from the East Coast coastal tanker, *Esso Inverness*. . . . JY6RS is the station of the Royal Jordan Amateur Radio Society. . . . P. J. Smith, G3XJE, of Peterhouse, Cambridge, would welcome reports of long-delayed echoes (see 'W.o.A.R.' last month) as part of new Cambridge University research into this phenomenon. Reports should give delay period, strength of echo, date and time of observation, frequency of signal and any possible frequency shift of the echo. . . . The 70 MHz beacon station, ZB2VHF, at Gibraltar is again in operation and has been received in the U.K. . . . The prefix 8Q6 is now being used in the Maldivé Islands.

PAT HAWKER, G3VA

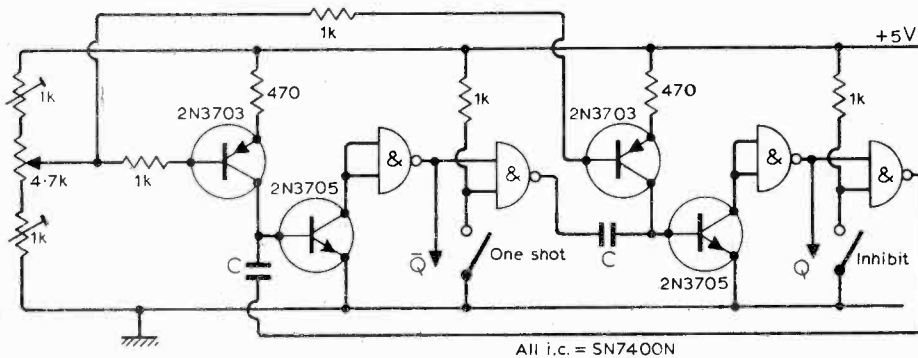
Circuit Ideas

Variable astable multivibrator

The circuit was devised to fulfil the following requirements:

- (a) Square wave generation in the range 1-30Hz.
- (b) Operation from a 5V supply and t.t.l. compatibility.

To obtain a wide frequency variation the conventional timing resistors of a multi-



vibrator were each replaced by a p-n-p transistor whose currents are controlled by the linear single gang potentiometer. It was found possible to get a frequency variation of 500:1 by this method. The pre-set resistors were adjusted to get the required frequency range of 1-30Hz. With this coverage the relationship between frequency and rotation of the potentiometer is virtually linear. The prototype would oscillate in any frequency band between 0.167Hz and 350kHz by choosing suitable values of capacitor. At 0.167Hz $C = 33\mu F$ (tantalum) and at 350kHz $C = 5000pF$. The upper limit could probably be appreciably increased by using fast switching transistors, and selecting components to suit them.

The second requirement was met by using a quad two-input NAND as a twin 360° inverter. This considerably reduced the rise and fall times and enabled the incorporation of inhibit and single shot facilities as described later. The n-p-n transistors acted as current sinks for the NANDS.

The circuit proved very satisfactory for symmetrical square waves and for mark-space ratios of up to 10:1. Normal (Q) and complementary (Q) outputs are

available and the rise time of both outputs when driving a single t.t.l. load was measured to be 25ns.

When the inhibit line is switched to earth the oscillator stops. If the single shot button is then pressed a single square wave is generated at the normal output only. If the single shot button is operated when the oscillator is running this merely produces an inhibit function.

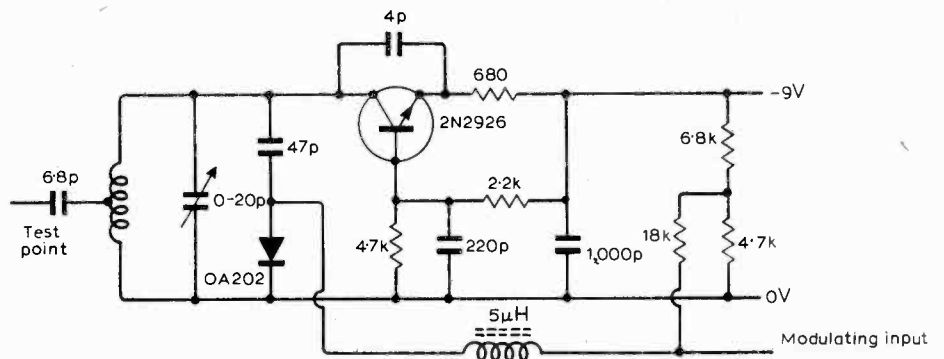
None of the components is at all critical.

The supply should be $5V \pm 0.5V$ and for maximum frequency stability should be stabilized.

C. C. WARD,
University of Exeter.

Simple v.h.f./f.m. oscillator

A 2N2926 yellow-spot transistor oscillates readily in the circuit shown. The tuning coil consists of four turns of 16 s.w.g. tinned copper wire and is 0.4in dia. by 0.4in long. The variable capacitor can



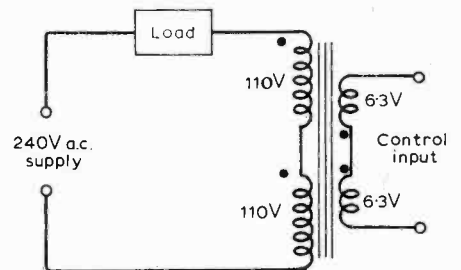
be a 20pF trimmer. An OA202 is used in place of a 'varactor'. An inverse polarizing voltage of 4V is about optimum and is obtained from a potential divider across the supply. To prevent shunting of v.h.f. voltages by the signal generator the modulating signal is applied to the diode via a $5\mu H$ miniature choke, and the collector end of the tuning circuit is connected to the diode by a capacitor of a value sufficiently small to 'block' currents at audio and somewhat higher frequencies. The components are mounted on a small piece of Veroboard having widely spaced strips of short length (to avoid undue self capacitance). This in turn is mounted on sheet aluminium bent to provide screening and to which earthy points are connected.

To check the functioning of the oscillator a low-voltage rectifier voltmeter, fitted with point contact diodes, may be connected through a small capacitor to a tapping on the tuning coil. Alteration of the collector/emitter capacitor will affect the amount of oscillation. Amplitude modulation may be achieved by applying the modulating voltage to the base of the transistor.

W. H. H. KELK,
Farnborough, Hants.

Variable power source using magnetic amplifier

Two mains transformers with 110V taps can be connected in series and in phase on the mains side, and in series but out of phase on the l.t. side, to provide a variable voltage supply. The l.t. windings are fed



with a d.c. control of 1-3V, derived from a separate transformer. The amplifier can be used to supply a further transformer (as load) to provide a variable voltage supply.

W. B. PICKLES,
St. Albans,
Herts.

Literature Received

For further information on any item include the appropriate WW number on the reader reply card

ACTIVE DEVICES

A folder is available from Sintrom Electronics Ltd, 2 Arkwright Rd, Reading, Berks., which contains data on analogue-to-digital converters, a fast follow-and-hold amplifier, eight-channel multiplexers and a range of operational amplifiers all manufactured by the Dynamic Measurements Corp., of Massachusetts WW401

British Brown-Boveri Ltd, Albany House, 41 High St, Brentford, Middlesex, have published a catalogue—and an associated price list—covering diodes, thyristors and triacs WW402

MCP Electronics Ltd, Alperton, Wembley, Middlesex HAO 4PE, have sent the following literature to us which describes products distributed by them:

BF377/378. Data sheet dealing with transistors manufactured by Telefunken intended to replace the BFY90. Static characteristics are identical but the gain bandwidth product is 1.3GHz at 5V and 25mA. The 800MHz noise factor at 5V and 2mA is 5.5dB (200MHz, 2dB) WW403

AHY10A/B. Data sheet for a germanium magnetic field sensitive diode for control applications (Telefunken) WW404

CGY11/12/13, A/B. Data sheet describes a family of six GaAs Gunn-effect diodes for the X- and KU-band. Efficiencies are around 1.5 to 2% WW405

BP300. Data and application information on a microelectronic two-pole active filter manufactured by TRW of America ($f=0.1\text{Hz}$ to 2kHz; $Q=1$ to 200, stability = $\pm 0.005\%/^{\circ}\text{C}$) WW406

MV/MX Series (TRW). Hybrid v.h.f. and u.h.f. power microcircuits with outputs from 0.75 to 12W WW407

Microsystems International Ltd, 1 Great Cumberland Place, London W1H 7AL, have produced a short-form catalogue which lists operational amplifiers, m.o.s. memories and zener diodes WW408

GDS (Sales) Ltd, Michaelmas House, Salt Hill, Bath Rd, Slough, Bucks., have supplied us with data on two high-voltage avalanche rectifiers (S80HT1A and S100HT1A) manufactured by Westinghouse. (8 and 10kV at 1A at 25°C derating to 0.55A at 70°C, 50 to 400Hz, overload capability 45A for 10ms) WW409

PASSIVE COMPONENTS

Home Radio (Components) Ltd, 240 London Rd, Mitcham, Surrey, CR4 3HD, have published a new edition of their catalogue (the seventh) which contains 311 pages and lists a wide range of components and equipment mainly intended for the home constructor price 50p

We have received the following leaflets from GDS (Sales) Ltd, Michaelmas House, Salt Hill, Bath Rd, Slough, Bucks.:

Painton trimmers WW410
Eddystone die-cast boxes WW411
Keyswitch relays WW412
CGS Resistor Co. & Guest International Resistors WW413

Pye TMC Ltd, Components Division, Roper Rd, Canterbury, Kent, have published a leaflet describing a range of illuminated push-button switches which are called type 1 WW414

Catalogue 102 from Cambion Electronic Products Ltd, Cambion Works, Castleton, Nr. Sheffield S30 2WR, lists solder terminals, r.f. chokes and connectors WW415

Henry's Radio Ltd, Edgware Rd, London W.2, have published the tenth edition of their catalogue. It contains 352 pages and gives details of electronic components, communications equipment and devices for producing electronic music and lighting price 40p

New product bulletin 671DL/1U available from Special Products Distributors Ltd, 81 Piccadilly, London W1V 0HL, describes a range of magnetic nut drivers manufactured in America by Xcelite Ltd. WW417

Pye TMC Ltd, Capacitor Division, Oldmedow Rd, Hardwick Trading Estate, King's Lynn, Norfolk, have a leaflet available which describes extended foil polystyrene capacitors WW418

An eight-page booklet gives the NATO stock numbers of oxide resistors to BS9111-N-002. Electroil Ltd, Pallion, Sunderland, Co. Durham, SR4 6SU WW419

The components stocked by Lugton & Co. Ltd, Radio House, 209-212 Tottenham Court Rd, London W1A 2BN, are listed in the short-form catalogue of the Industrial Division WW420

The August/November catalogue of RS Components (formerly Radiospares), P.O. Box 427, 13-17 Epworth St, London EC2P 2HA, is available WW421

Handles, locks, catches, hinges, feet, ventilation rings, lifting eyes, castors, clips and other parts for equipment cabinets are described in the 'Handles and Accessories' catalogue from Imhof-Bedco, Colne Way Trading Estate, By-Pass, Watford, Herts WD2 4NE WW422

The Components Division of Ferranti Ltd, Dunsinane Ave, Dundee DD2 3PN, have supplied us with two catalogues:

Radar systems components WW423
Communications components WW424

We have obtained a great deal of literature from FR Electronics, Wimborne, Dorset BH21 2BJ:

Reed switch catalogue (contains some useful applications information) WW425
Reed switch price list WW426
Reed switch accessories (coils and magnets) WW427
Logcell data sheets. Very small mercury wetted relays available as basic switches or in monostable, latching, non-latching, i.c. compatible, coaxial, dual-in-line packaged and high-speed forms WW428
Logcell price list WW429
'Pinlite' catalogue. Alphanumeric and other character display modules WW430

Solid-state relays capable of handling up to 7A manufactured by Darpan Controls Ltd, Bridge Mills, Derby Rd, Long Eaton, Nottingham NG10 4QA, are the subject of a catalogue. They are designed to be operated directly by logic i.c.s and operational amplifiers; the operating power required being only 750µW WW432

Miniature incandescent lamps manufactured in Germany by Micro Glühlampen Gesellschaft are described in a catalogue obtainable from H. F. Collision-Goodwell Ltd, Coleshill, Birmingham 338024 WW433

APPLICATION NOTES

Information sheet No. 209 from Integrated Photo-matrix Ltd, The Grove Trading Estate, Dorchester, Dorset, describes how a dual-ramp digital panel voltmeter can be made using only four i.c.s and a number of discrete components. Range and accuracy is 0 to 1.999V (positive or negative) $\pm 0.1\% \pm 1$ digit. The range can of course be extended using suitable multipliers WW434

A Multicore Solders leaflet (Bulletin P.C.1) which describes batch printed circuit soldering techniques is available from GDS (Sales) Ltd, Michaelmas House, Salt Hill, Bath Rd, Slough, Bucks. WW435

A paper, 'The versatility of the h.r.c. fuse in protecting semiconductor equipments' by J. Feenan, may be obtained from English Electric Fusegear Ltd, East Lancashire Rd, Liverpool L10 5HB .. WW436

The National Research Development Council, Kingsgate House, 66-74 Victoria St, London S.W.1, have sent us details of some patent applications:

41470/68. Band-pass filter sets WW437
51137/69. Low-noise tachometer generator WW438
56771/70. Out-of-circuit d.c. ammeter ... WW439
52193/69. A novel cycloconverter WW440

EQUIPMENT

We have received literature describing an audio equalizer which has a lift/cut control for each octave from 20 to 20,480Hz (10 in all) intended for matching audio systems to room conditions. Stereo versions are available. Soundcraftsmen, 1320 E. Wakeham Ave, Santa Ana, California 92705, U.S.A. WW443

The Quickdraw Company Ltd, 10 Beechdale, Winchmore Hill, London N.21, have produced a new protractor head for technical drawing which is described in a leaflet WW444

An American welder which electrically disassociates oxygen and hydrogen from distilled water and then uses these gases to produce a flame with a temperature of at least 3,316°C is described in a leaflet. The welder has to be connected to a mains power supply. The smallest model runs for twelve hours on 0.8 pints of water. Details from Special Product Distributors Ltd, 81 Piccadilly, London W1V 0HL WW445

GENERAL INFORMATION

'Catalog No. C13.10:350. Time and frequency: A bibliography of NBS literature published July 1955–Dec. 1970' published by the American National Bureau of Standards may be obtained from: Superintendent of Documents, U.S. Government Printing Office, Washington, D.C. 20402, U.S.A. price (inc. p & p) U.S. \$0.69

'About Patents' is a free booklet which describes the information retrieval services provided by the Patent Office. The Sales Branch, The Patent Office, Orpington, Kent BR5 3RD.

A 1971/72 prospectus may be obtained from The Registrar (Admissions), Cranfield Institute of Technology, Cranfield, Bedford.

The work of the National Economic Development Council (Neddy) and the 16 Economic Development Committees (Little Neddies) is described in a booklet 'What is Neddy?'. An associated catalogue 'Neddy in Print' gives a list of Neddy publications. Publications Dispatch, National Economic Development Office, Millbank Tower, Millbank, London SW1P 4QX.

'Approach and landing at Heathrow—a layman's guide' has been published by BEA and International Aeradio Ltd. It is a folder containing charts and explanatory matter which describes airline landing procedures, 'stacking', radio beacons, 'talkdowns', taxi-ing and parking at Heathrow. It is available from V. Windett, International Aeradio Ltd, Hayes Rd, Southall, Middlesex price 60p

Real and Imaginary

by "Vector"

Initial Suggestions

Periodically (if you will forgive the pun) the newspaper world experiences a silly season when nothing much seems to be happening and editors have to scrape the bottom of the barrel. At such times photographs tend to become larger and what is left of the sheet is filled with banner headlines.

The problem is much more acute for the hapless contributor to an electronics journal, for he has to grapple with an industry which has a perpetual silly season. At this particular moment, for example, nothing much is happening except that the Almighty Dollar has flipped to sabotage our export market, the Japs are hypnotizing our home market into committing hari-kiri and our microcircuit industry has fallen flat on its expensively-lithographed epitaxial (as predicted on this page in March 1967, though it gives me no joy to say so). Not to mention the circumstance that the Labour Exchange now has a decided leer on its stucco'd countenance whenever we steal past it.

In short, in the immortal words of the poet who wrote 'over the wire the message came, he is not better, he is much the same', the electronics industry is ticking over pretty much as usual and company chairmen with ruin staring them in the face are staring back and buying yet another estate in the Bahamas. So, upon the well-known precedent of fiddling while Rome is burning I thought I might do worse than pass away the time by setting you a quiz on the same general lines as those by L. Ibbotson which used to appear in *W.W.* under the heading "Test Your Knowledge". So here, without further ado, it is:—

- (1) What is AVRO?
 - (a) A well-known multi-tester?
 - (b) A famous name in aviation?
 - (c) An estate agent's contraction for "average-sized-room"?
- (2) What is MELEX?
 - (a) A poultry food?
 - (b) A Chinaman telling us his name is Rex?
 - (c) A luncheon voucher for executives?
- (3) What is ILMAC?
 - (a) A Sassenach asking a Scotsman if he's under the weather?
 - (b) A waterproof coat for invalids?
 - (c) A brand of throat sweets?

- (4) What is/are SEMINEX?
 - (a) A new method of family planning?
 - (b) The Old Boys' Association of a school of theology?
 - (c) a breed of short-necked giraffes?
- (5) What is SICOB?
 - (a) A method of expressing the energy of a horse in S.I. units?
 - (b) A mentally deranged male swan?
 - (c) A computer language?
- (6) What is INTERNAVEX?
 - (a) An international trade union for belly dancers?
 - (b) The medical term for solar plexus?
 - (c) A NATO Navy Week?

If you haven't had much luck so far, perhaps you might care to try the following for size:—IMAS, IMEX, EMCON, EASCON, INTER/NEPCON—come on that lad at the back, put some effort into it! All right then, I'll hand it to you on a plate with WESCON and EUROCON. No, Einstein Minor, the last-mentioned is not an organization dedicated to conning Britain into the Common Market. Full marks to all the others for twigging that these are all exhibitions, congresses, conventions, seminars or symposia. Incidentally, I have yet to find out the actual difference between events bearing the latter four titles.

This is the in-cult of the acronym to which the trendy boys in the exhibitions world have latched on. Bourgeois reactionaries may complain that these titles are not only meaningless but in some cases downright misleading, and enquire bitterly whether an electronics engineer must not equip himself with a crystal ball to find out that MELEX is the Manchester Electronics Exhibition. Such carping critics may count themselves lucky that they live in a tolerant democracy and not in an area where Luddite opposition to progress is short-circuited to the saltmines.

Personally, my only complaint is that the notion is rather *arrière-garde* and dated, for acronyms have been with us for a long time now. Couldn't the organizers of exhibitions and conferences take a leaf out of the book of those other natural disasters, hurricanes, and use given names for their functions? It would somehow make the thing so much more personal if we could

go to an exhibition called Frieda or Janice or Laureen. Then if the organizers were fortunate enough to catch the ear of the Editor on one of his better days they might persuade him to publish a key in, say, the January issue or the Diary, so that even such an arrested mental development as mine could effect a translation.

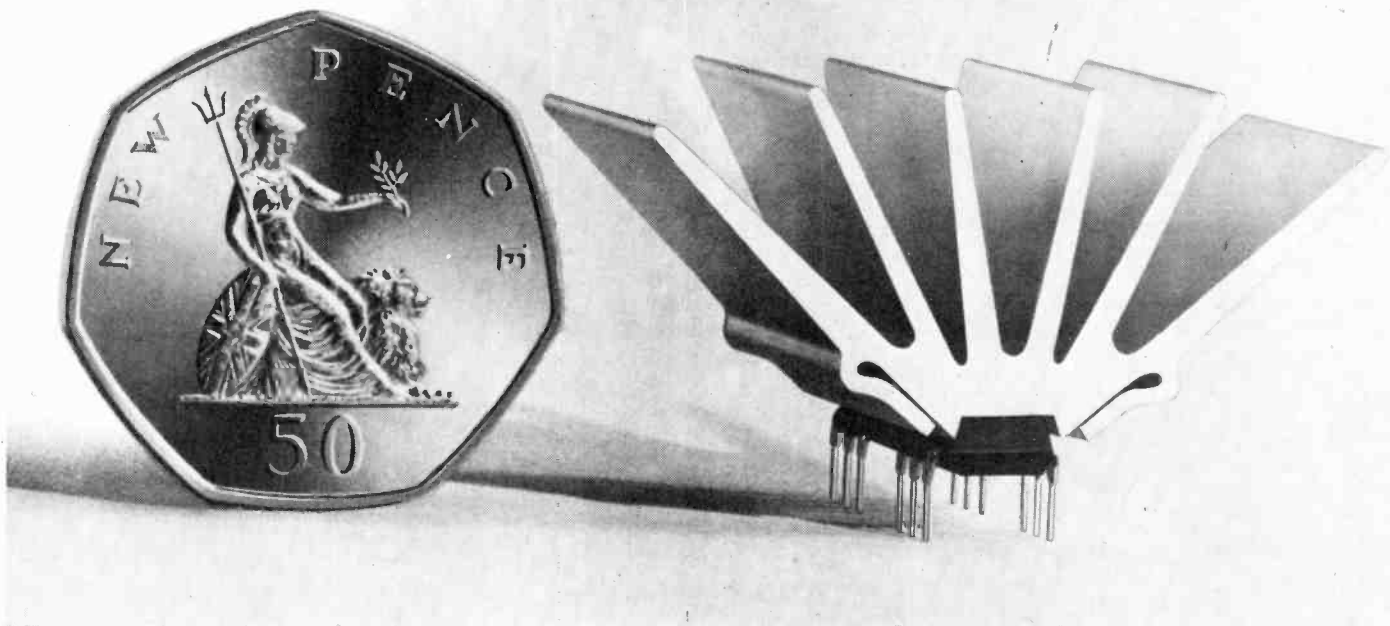
But of course even this is not the real McCoy (whoever he was). It was our own Post Office which was courageous enough to provide us with a clear directive by ditching those emotive telephone exchange names (and what fantasies could be woven concerning the girl operators at Bluebell, Cherrywood or Virginia?). But where was I? Oh yes—when they discarded those exchanges and paid us the compliment of expecting us to memorize a gaggle of ten-digit numbers. That was sheer good thinking on the part of some anonymous soul at the Ministry of Incomprehensibility and it behoves us one and all to benefit by example.

So, why not go the whole hog and sling out all these out-moded acronyms in favour of transistor-type codification? At the same time the electronics manufacturers should be urged to discard their trade names in favour of allocated serial numbers. Just think of the time saving effected by mentioning to a colleague that you were off to visit 123SE2095 instead of having to say 'I'm going to take a butcher's at the Semiconductor and Allied Technologies Seminar and Exhibition'. That's what I'd call Progress with a capital 'P'.

Even this need be only a halfway house toward the ultimate goal of scrapping the decimal system in favour of binary and digitizing not only exhibitions but everything else—railway stations, airports, strip-tease shows, Labour Exchanges—the lot. With all these in binary code stupendous new electronics markets would be opened up for portable back-pack computers for the general public who cannot be relied upon to recall, off-hand, that 1011101011 is Euston station. On a larger canvas the approach would give useful employment for all those highly expensive computers which the larger business houses have been conned into buying and which now serve no more useful function than providing rest homes for aged and infirm spiders.

new

Super IC-12



High fidelity Monolithic Integrated Circuit Amplifier

Two years ago Sinclair Radionics announced the World's first monolithic integrated circuit Hi-Fi amplifier, the IC.10. Now we are delighted to be able to introduce its successor, the Super IC.12. This 22 transistor unit has all the virtues of the original IC.10 plus the following advantages:

1. Higher power.
2. Fewer external components.
3. Lower quiescent consumption.
4. Compatible with Project 60 modules.
5. Specially designed built-in heat sink. No other heat sink needed.
6. Full output into 3, 4, 5 or 8 ohms.
7. Works on any voltage from 6 to 28 volts without adjustment.
8. NEW 22 transistor circuit.

Output power 6 watts RMS continuous (12 watts peak).

Frequency Response 5 Hz to 100KHz \pm 1 dB.

Total Harmonic Distortion Less than 1%. (Typical 0.1%) at all output powers and all frequencies in the audio band.

Load Impedance 3 to 15 ohms.

Power Gain 90dB (1,000,000,000 times) after feedback.

Supply Voltage 6 to 28 volts (Sinclair PZ-5 or PZ-6 power supplies ideal).

Size 22 x 45 x 28 mm including pins and heat sink.

Input Impedance 250 Kohms nominal.

Quiescent current 8mA at 28 volts.

With the addition of only a very few external resistors and capacitors the Super IC.12 makes a complete high fidelity audio amplifier suitable for use with pick-up, F.M. tuner etc. Alternatively, for more elaborate systems, modules in the Project-60 range such as the Stereo 60 and A.F.U. may be added. The comprehensive manual supplied with each unit gives full circuit and wiring diagrams for a large number of applications in addition to high fidelity. These include car radios, oscillators etc. The very low quiescent consumption makes the Super IC.12 ideal for battery operation.



Price, inc. FREE printed circuit board for mounting.

£2.98 Post free

Sinclair Radionics Ltd, London Rd, St. Ives
Huntingdonshire PE17 4HJ
Telephone St Ives (048 06) 4311

sinclair

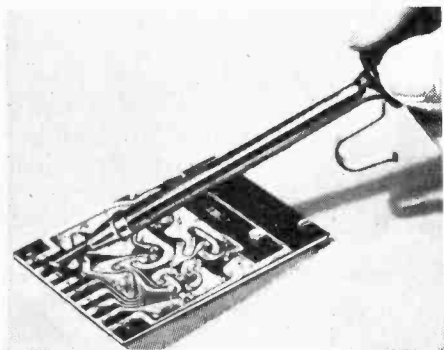
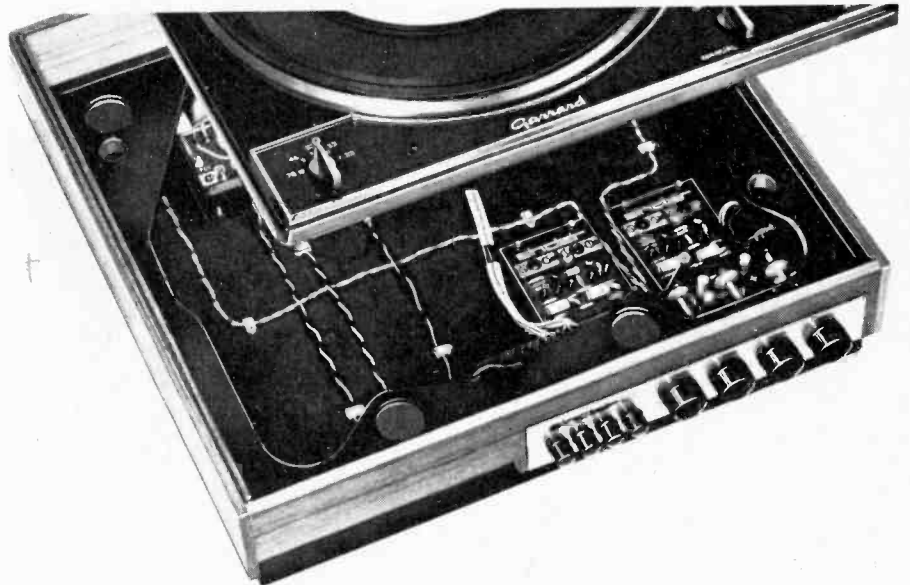
SINCLAIR GENERAL GUARANTEE

Should you not be completely satisfied with your purchase when you receive it from us, return the goods without delay and your money will be refunded in full, including cost of return postage, at once and without question. Full service facilities are available to all Sinclair customers.

WW—094 FOR FURTHER DETAILS

Sinclair Project 60

The World's leading range of high fidelity modules



Project 60 offers more advantage to the constructor and user of high fidelity equipment than any other system in the world. Performance characteristics are so good they hold their own with any other available system irrespective of price or size.

Project 60 modules are more versatile – using them you can have anything from a simple record player or car radio amplifier to a sophisticated and powerful stereo tuner-amplifier. Either power amplifier can be used in a wide variety of applications as well as high fidelity. The Stereo 60 pre-amplifier control unit may also be used with any other power amplifier system, as can the AFU filter unit. The stereo FM tuner operates on the unique phase lock loop principle to provide the best ever standards of sensitivity and audio quality. Project 60 modules are very easily connected together by following the 48 page manual supplied free with all Project 60 equipment. The modules are great space savers too and are sold individually boxed in distinctive white and black cartons. With all these wonderful advantages, there remains the most attractive of all – price. When you choose Project 60 you know you are going to get the best high fidelity in the world, yet thanks to Sinclair's vast manufacturing resources (the largest in Europe) prices are fantastically low and everything you buy is covered by the famous Sinclair guarantee of reliability and satisfaction.

Typical Project 60 applications

System	The Units to use	together with	Cost of Units
Simple battery record player	Z.30	Crystal P.U., 12V battery volume control	£4.48
Mains powered record player	Z.30, PZ.5	Crystal or ceramic P.U. volume control etc.	£9.45
20 + 20 W. stereo amplifier for most needs	2 x Z.30s, Stereo 60, PZ.5	Crystal, ceramic or mag. P.U., F.M. Tuner, etc.	£23.90
20 + 20 W. stereo amplifier with high performance spkrs.	2 x Z.30s, Stereo 60, PZ.6	High quality ceramic or magnetic P.U., F.M. Tuner, Tape Deck, etc.	£26.90
40 + 40 W. R.M.S. de-luxe stereo amplifier	2 x Z.50s, Stereo 60 PZ.8, mains trsfmr	As above	£34.88
Indoor P.A.	Z.50, PZ.8, mains transformer	Mic., guitar, speakers, etc., controls	£19.43

F.M. Stereo Tuner (£25) & A.F.U. Filter Unit (£5.98) may be added as required.

Sinclair Radionics Limited, London Road,
St. Ives, Huntingdonshire PE17 4HJ.
Tel: St. Ives (048 06) 4311

sinclair

from a simple amplifier to a complete stereo tuner amplifier with Project 60 modules

Z.30 & Z.50 power amplifiers



The Z.30 and Z.50 are of advanced design using silicon epitaxial planar transistors to achieve unsurpassed standards of performance. Total harmonic distortion is an incredibly low 0.02% at full output and all lower outputs. Whether you use Z.30 or Z.50 amplifiers in your Project 60 system will depend on personal preference, but they are the same size and may be used with other units in the Project 60 range equally well.

SPECIFICATIONS (Z.50 units are interchangeable with Z.30s in all applications).

Power Outputs

Z.30 15 watts R.M.S. into 8 ohms using 35 volts; 20 watts R.M.S. into 3 ohms using 30 volts.

Z.50 40 watts R.M.S. into 3 ohms using 40 volts; 30 watts R.M.S. into 8 ohms using 50 volts.

Frequency response: 30 to 300,000Hz ± 1 dB.

Distortion: 0.02% into 8 ohms.

Signal to noise ratio: better than 70dB unweighted.

Input sensitivity: 250mV into 100 Kohms.

For speakers from 3 to 15 ohms impedance.

Size: 14 x 80 x 57 mm.

Z.30

Built, tested and guaranteed with circuits and instructions manual. **£4.48**

Z.50

Built, tested and guaranteed with circuits and instructions manual. **£5.48**

Project 60 Stereo F.M. Tuner



First in the world to use the phase lock loop principle

The phase lock loop principle was used for receiving signals from space craft because of its vastly improved signal to noise ratio. Now, Sinclair have applied the principle to an F.M. tuner with fantastically good results. Other original features include varicap diode tuning, printed circuit coils, an I.C. in the specially designed stereo decoder and squelch circuit for silent tuning between stations. Good reception is possible in difficult areas, and often a few inches of wire are enough for an aerial. In terms of a high fidelity this tuner has a lower level of distortion than any other tuner we know. Stereo broadcasts are received automatically as the tuning control is rotated, a panel indicator lighting up as the stereo signal is tuned in. This tuner can also be used to advantage with any other high fidelity system.

SPECIFICATIONS—Number of transistors: 16 plus 20 in I.C. **Tuning range:** 87.5 to 108 MHz. **Capture ratio:** 1.5dB. **Sensitivity:** 2 μ V for 30dB quieting; 7 μ V for full limiting. **Squelch level:** 20 μ V. **A.F.C. range:** ± 200 KHz. **Signal to noise ratio:** > 65dB. **Audio frequency response:** 10 Hz – 15 KHz (± 1 dB). **Total harmonic distortion:** 0.15% for 30% modulation. **Stereo decoder operating level:** 2 μ V. **Cross talk:** 40dB. **Output voltage:** 2 x 150mV R.M.S. **Operating voltage:** 25-30 VDC. **Indicators:** Mains on; Stereo on; tuning. **Size:** 93 x 40 x 207 mm.

Built and tested. Post free.

£25

Stereo 60 Pre-amp/control unit



Designed for Project 60 range but suitable for use with any high quality power amplifier. Again silicon epitaxial planar transistors are used throughout, achieving a really high signal-to-noise ratio and excellent tracking between channels. Input selection is by means of push buttons and accurate equalisation is provided for all the usual inputs.

SPECIFICATIONS—Input sensitivities: Radio – up to 3mV. Mag. p.u. 3mV; correct to R.I.A.A curve ± 1 dB: 20 to 25,000 Hz. Ceramic p.u. – up to 3mV; Aux – up to 3mV. **Output:** 250mV. **Signal to noise ratio:** better than 70dB. **Channel matching:** within 1dB. **Tone controls:** TREBLE + 15 to -15dB at 10 KHz; BASS + 15 to -15dB at 100Hz. **Front panel:** brushed aluminium with black knobs and controls. **Size:** 66 x 40 x 207mm. **£9.98**
Built tested and guaranteed.

Power Supply Units

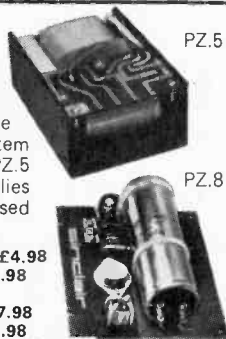
Designed special for use with the Project 60 system of your choice. Use PZ.5 for normal Z.30 assemblies and PZ.6 where a stabilised supply is essential.

PZ.5 30 volts unstabilised **£4.98**

PZ.6 35 volts stabilised **£7.98**

PZ.8 45 volts stabilised (less mains transformer) **£7.98**

PZ.8 mains transformer **£5.98**



A.F.U. High & Low Pass Filter Unit



For use between Stereo 60 unit and two Z.30s or Z.50s, and is easily mounted. It is unique in that the cut-off frequencies are continuously variable, and as attenuation in the rejected band is rapid (12dB/octave), there is less loss of the wanted signal than has previously been possible. Amplitude and phase distortion are negligible. The A.F.U. is suitable for use with any other amplifier system. Two filter stages – rumble (high pass) and scratch (low pass). Supply voltage – 15 to 35V. Current – 3mA. H.F. cut-off (-3dB) variable from 28KHz to 5KHz. L.F. cut-off (-3dB) variable from 25Hz to 100Hz. Distortion at 1 KHz (35V. supply) (0.02% at rated output. **Size:** 66 x 40 x 90 mm. **£5.98**
Built tested and guaranteed.

The Sinclair Guarantee

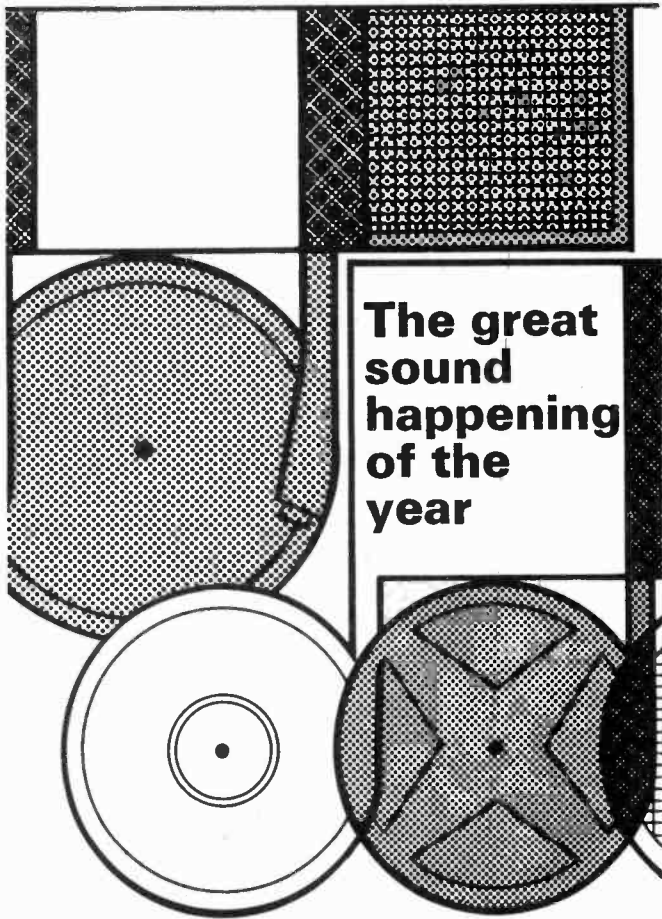
If within 3 months of purchasing Project 60 modules directly from us, you are dissatisfied with them, we will refund your money at once. Each module is guaranteed to work perfectly and should any defect arise in normal use we will service it at once and without any cost to you whatsoever provided that it is returned to us within 2 years of the purchase date. There will be a small charge for service thereafter. No charge for postage by surface mail. Air-mail charged at cost.

To: SINCLAIR RADIONICS LTD LONDON ROAD ST. IVES HUNTINGDONSHIRE PE17 4HJ

Please send _____ Name _____
 _____ Address _____

 I enclose cash/cheque/money order.

WW 10



The great sound happening of the year

THE 1971 INTERNATIONAL AUDIO FESTIVAL AND FAIR

October 26-30

You must see and hear the most comprehensive demonstration of Hi-Fi ever staged in Europe. Come to Olympia and see the big names of the Sound Industry displaying the latest reproduction equipment. Tape recorders, Cassette Players and Cassettes, Loudspeakers and Earphones, VHF radios, Stereo Multiplier Receivers, Tapes and Discs — you can hear them all in action in 100 specially constructed Audio Studios.

And you can relax in the comfortable Hi-Fi Theatre with daily presentations, lectures and discussions by the industry's top names.

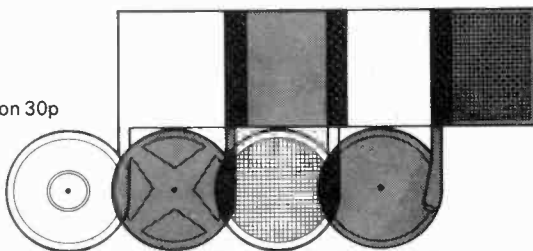
Everyone interested in Hi-Fi must come. This is the greatest event in the history of sound techniques.

OLYMPIA

Tuesday to Saturday 10 - 9 daily

LONDON

Admission 30p




Opportunities Unlimited in RADIO, TELEVISION, ELECTRONICS

C & G Telecommunication Techns' Certificate
Radio Amateurs' Examination
General Certificate of Education, etc.

Which one would qualify you for higher pay?

International Correspondence Schools provide specialized training courses for all these certificates, and with the help of the Schools' experienced tutors you can be sure of early success. You will have the advantage of building on your practical experience and ensuring that you have the technical knowledge so essential for success in electronics.

And the result? You'll soon be qualified in your field of electronics, and in a position to choose your opportunity.

Find out how ICS can help you. Send for our *free* prospectus right away.

ALL EXAMINATION STUDENTS ARE COACHED UNTIL SUCCESSFUL

NOW—COLOUR TV SERVICING COURSES

As the demand for colour TV increases, so does today's demand for trained servicing engineers. You can learn the techniques of servicing colour and monochrome TV sets through new home study courses specially prepared for the practical TV engineer.

SELF-BUILD RADIO COURSES

We'll teach you both the theory and practice of valve and transistor circuits, as well as how to service them, while you build your own 5 valve receiver, transistor portable and high grade test instruments. You build equipment of real practical use!

POST TODAY FOR FULL DETAILS OF ICS COURSES IN RADIO, TV AND ELECTRONICS

International Correspondence Schools, Dept. 221, Intertext House, Stewarts Road, London, SW8 4UJ

Please send me *free* and *without any obligation* the ICS Prospectus

(State subject or Exam)

Name Age

(BLOCK CAPITALS PLEASE)

Address



10 71

INTERNATIONAL CORRESPONDENCE SCHOOLS



'Brightlife' NEONS

'Brightlife' neons give greater brightness and 25,000 hours average life. The 1/8" diameter neons are moulded in polypropylene which diffuses the light and the 3/8" diameter neons are moulded in polycarbonate which gives higher light transmission. Both types give a glow behind the panel to warn maintenance staff. Units are one hole fixing 1/8" and 3/8" diameter clearance.

The very low cost of these neon/resistor assemblies makes them ideal for safety uses, particularly in transistorised equipment where most voltages are safe to be handled. Usually the mains transformer has the only dangerous terminals and for a few pence these indicators can be soldered 'on' directly as a warning light. Unlike incandescent indicators these can be fitted and forgotten.

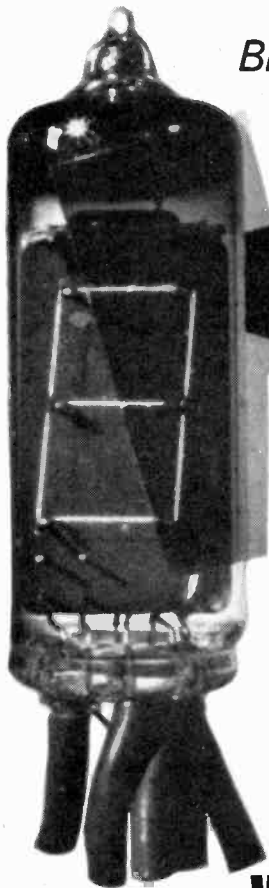
	10 off	100 off	1000 off
6" PC, 6" PP, 110PC, 110PP, T, K	0.15	0.14	0.12
30" PC, 30" PP, R	0.17	0.16	0.14
PP/G, PP/H, Q, Alpha numeric	0.20	0.18	0.16
M or M110	0.05	0.04	0.04
N	0.05	0.04	0.03
PP/I, PP/J, L. Spare caps & bodies	0.03	0.02	0.01

Post and Packing—15p any quantity



WEST HYDE DEVELOPMENTS LIMITED, RYEFIELD CRESCENT, NORTHWOOD HILLS, NORTHWOOD, MIDD., HA6 1NN. Telephone: Northwood 24941/26732 Telex: 923231

WW—097 FOR FURTHER DETAILS



Bright daylight viewing from any angle up to 140° with

ATRON READOUT TUBES

- (1) 5V, 23mA per segment.
- (2) Large, bright, 12mm high display.
- (3) Compatible with IC decoder/driver, 7447.
- (4) Operates on A.C. or D.C.
- (5) Rugged construction.
- (6) Long life expectancy, (100,000 hour accelerated life test).
- (7) Any desired colour with filters.

SIMPLE LEGIBLE LETTER FORMS

- (8) Visibility curve ideally suited to the human eye.
- (9) Sharp contrast (Black background).
- (10) Numerals, decimal point, A.C.E.F.H.J.L.P.U.C. =
- (11) Subminiature size permits compact design of equipment.
- (12) Filter materials red, green, blue, daylight and neutral.
- (13) TTL decoder/drivers 7747, divide 10 BCD 7490, Quad Latch 7475.
- (14) Atron 1 @ £1.60, 10 @ £1.50, 1000 @ £1.25, P & P 5p.
- (15) Special offer—4 Atron + filter samples £6 C.W.D.
- (16) Atron including decimal point as above + 5p.
- (17) Atron +, — and 1 only as above less 10p.



SEND FOR LITERATURE AND PRICES TO: WEST HYDE DEVELOPMENTS LTD., RYEFIELD CRESCENT, NORTHWOOD HILLS, NORTHWOOD, MIDD., HA6 1NN. Telephone: Northwood 24941/26732 Telex: 923231 WEST HYDE NTHWD.

WW—097 FOR FURTHER DETAILS



'Brightcase' INSTRUMENT CASE

"Brightcase" as an ideal housing for the new Rhodes Batch Flowmeter

NEW GOOD LOOKS

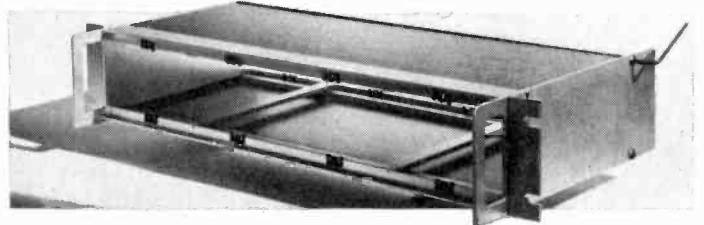
A drastically reduced number of parts and the smart look of anodised aluminium and black P.V.C. coated steel, combine to create a beautiful new case with a marked reduction in cost. Of standard 19" rack size, the Brightcase can be used freestanding, or one on top of another, or racked, using separate mounting brackets.

- (1) The Brightcase improves the appearance of any equipment.
- (2) The Brightcase is stable on any face. The front handle protrusion protects knobs, meters, etc. Protrusion at the rear protects connectors, cables, etc.
- (3) The Brightcase can be stacked vertically.
- (4) The Brightcase top and bottom panels are of textured black PVC coated steel.
- (5) The Brightcase is ideal for modular systems.
- (6) The Brightcase arrives completely assembled, in its special pack.
- (7) The Brightcase, 1 @ £7.80; 5 off @ £7.70; P & P 45p.

WEST HYDE



New simple construction

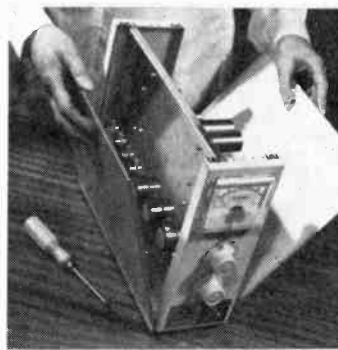


Send for literature and prices

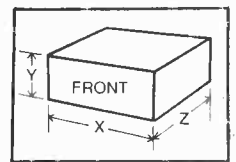
WEST HYDE DEVELOPMENTS LTD., RYEFIELD CRESCENT, NORTHWOOD HILLS, NORTHWOOD, MIDD., HA6 1NN. Telephone: Northwood 24941/26732

Telex: 923231 WEST HYDE NTHWD.

WW—097 FOR FURTHER DETAILS



CONTIL MOD-2



Contil Mod-2 instrument cases are ideal for development and cheaper for production. Made with PVC coated materials there is no paint to scratch, the surface is scuff resistant and easy to clean. Coated aluminium front and back panels gives easy cutting with rigidity and coated steel top, bottom and sides gives strength and ease of assembly. Three heights of cases, four widths and two depths give 48 different cases. Mod-2 means modern design, low cost, off the shelf delivery.

	X	Y	Z	1 off	P & P		X	Y	Z	1 off	P & P
A	4.5	3	6.5	1.90	15p	N	4.5	7	13	3.05	28p
B	4.5	7	6.5	2.20	28p	O	4.5	10	13	4.00	35p
C	4.5	10	6.5	2.75	28p	P	9	3	13	3.05	28p
D	9	3	6.5	2.75	28p	Q	9	7	13	4.00	35p
E	9	7	6.5	3.05	28p	R	9	10	13	4.00	35p
F	9	10	6.5	3.05	28p	S	13	3	13	4.00	35p
G	13	3	6.5	3.05	28p	T	13	7	13	4.00	35p
H	13	7	6.5	3.05	28p	U	13	10	13	4.00	35p
I	13	10	6.5	3.00	35p	V	18	3	13	6.00	45p
J	18	3	6.5	3.00	28p	W	18	7	13	6.00	45p
K	18	7	6.5	4.90	35p	X	18	10	13	7.60	45p
L	18	10	6.5	6.00	45p	G	Woodgrain		4.00	28p	
M	4.5	3	13	2.20	28p		Sires in inches				

Kit of Sinclair hardware inc. capacitors, plugs, sockets, screws, wire heat sink, fuse, fuse holder, etc. £3.40 P & P 22p. Sinclair punched case and chassis, Mod 2 type G in wood grain, £4.25 P & P 28p

Type G is now available in simulated teak in wood grain finish and ideally suited for domestic equipment. Also available ready punched for Sinclair Project 60, with or without A.F.U. It is available with a set of fitting plugs, sockets, fuses, etc.



WEST HYDE DEVELOPMENTS LIMITED, RYEFIELD CRESCENT, NORTHWOOD HILLS, NORTHWOOD, MIDD., HA6 1NN. Telephone: Northwood 24941/26732 Telex: 923231

WW—097 FOR FURTHER DETAILS

Radio and Audio Servicing Handbook

2nd Edition

Gordon J. King AssocIERE, MIPRE, MRTS.

This book is a practical guide to the servicing of radio receivers and audio equipment of all types, and is intended especially for the service technician. Many others, however, find it of absorbing interest, among them students, hi-fi and recording enthusiasts, amateur experimenters, radio dealers and sound engineers.

0 408 00018 X 284 pages illustrated 1970 £3-00 (60s)

Radio Valve and Transistor Data

9th Edition

Edited by A. Ball

First published in 1949 this book has become an indispensable source of information for all those interested in electronic engineering, from the home constructor to the research worker. Exhaustively revised and updated, the useful and comprehensive information contained in this new edition will add to the already considerable reputation enjoyed by this highly successful book.

0 592 05796 6 256 pages illustrated 1970 £0-75 (15s)

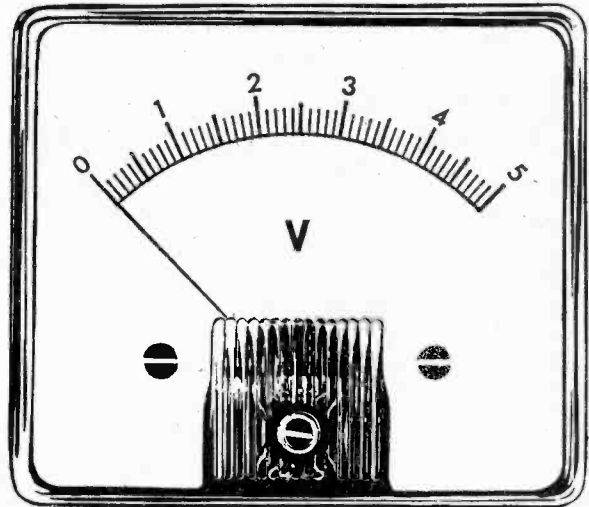
Available from leading booksellers or



The Butterworth Group

88 Kingsway, London WC2B 6AB

METER PROBLEMS?



A very wide range of modern design instruments is available for 10/14 days' delivery.

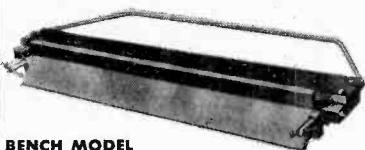
Full Information from:

HARRIS ELECTRONICS (London)

138 GRAYS INN ROAD, W.C.1 Phone: 01/837/7937

WW-099 FOR FURTHER DETAILS

PARKER SHEET METAL FOLDING MACHINES



Forms channels and angles down to 45 degrees which can be flattened to give safe edge. Depth of fold according to height of bench.

BENCH MODEL

36" x 18 gauge capacity..... £30-00
24" x 16 gauge capacity..... £29-00
Carriage Free

Also the well-known vice models of

36" x 18 gauge capacity..... £15-00
24" x 18 gauge capacity..... £10-00
18" x 16 gauge capacity..... £10-00
Carriage Free

One year's guarantee. Money back if not satisfied.

Send for details:

A. B. PARKER

FOLDING MACHINE WORKS,
UPPER GEORGE STREET,
HECKMONDWIKE, YORKS.

Telephone 3997

WW-100 FOR FURTHER DETAILS

IN 15 MINUTES YOU COULD HAVE CAPACITIVE DISCHARGE ELECTRONIC IGNITION FITTED TO YOUR CAR.

Capacitive Discharge Ignition is recognised as being the most efficient ignition system and will give you—

- CONTINUAL PEAK PERFORMANCE
- UP TO 20% REDUCED FUEL CONSUMPTION
- EASIER ALL-WEATHER STARTING
- INCREASED ACCELERATION & TOP SPEED
- LONGER SPARK PLUG LIFE
- INCREASED BATTERY LIFE
- CONTACT BURN ELIMINATED
- PURER EXHAUST GAS EMISSION
- RADIO INTERFERENCE SUPPRESSED



For all petrol engines—cars boats etc. Guaranteed for 5yrs.

Complete Installation Kit for 12 volt vehicles £12.95 + 35p P&P. State earth polarity of vehicle—POSITIVE or NEGATIVE earth. Unit Construction Kit also available for the radio/electronics constructor £9.95 + 35p P&P. The construction kit includes instructions and all components for wiring as positive or negative earth, and is complete with the stove enamelled steel case and aluminium base. All components are available separately.

ELECTRONICS DESIGN ASSOCIATES

82 BATH ST., WALSALL WS1 3DE.

WW-101 FOR FURTHER DETAILS



MODEL 380-CE

SANWA MULTI TESTERS

USED THROUGHOUT THE WORLD, SANWA'S EXPERIENCE OF 30 YEARS ENSURES ACCURACY, RELIABILITY, VERSATILITY, UNSURPASSED TESTER PERFORMANCE COMES WITH EVERY SANWA

6 Months' Guarantee	Excellent Repair Service
Model P.2-B..... £4.87	Model K130THD..... £12.60
Model JP-5D..... £5.87	Model F-80TRD..... £13.75
Model U-50DN..... £8.00	Model 380-CE..... £16.00
Model 360-YTR..... £8.25	Model N-101..... £18.50
Model A-303TRD..... £11.00	Model 460-ED..... £21.75
Model AT-1..... £11.37	Model EM-700..... £45.00
	Model R.1000CB..... £60.00

Cases available with most meters

Please write for illustrated leaflets of these Sanwa meters

SOLE IMPORTERS IN U.K. QUALITY ELECTRONICS LTD.

47-49 HIGH STREET, KINGSTON-UPON-THAMES, SURREY. Tel: 01-546 4585

WW-102 FOR FURTHER DETAILS

Thermistors

F. J. Hyde, DSc, MSc, BSc.

The aim of this book is to give for the first time a comprehensive account of the properties and applications of both positive and negative temperature coefficient (NTC and PTC) types of thermistors, in order that their potential usefulness in a wide range of instrumentation and measurement may be made evident. It will prove to be an indispensable reference book for all those interested in the application of this extremely useful circuit component.

0 592 02607 0 208 pages illustrated 1971 £3-20

Available from leading booksellers or:



The Butterworth Group

88 Kingsway London WC2B 6AB

Showrooms and Trade Counter

4-5 Bell Yard London WC2

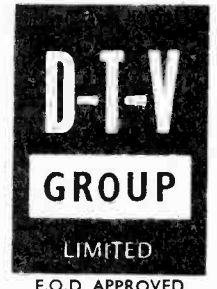
NOW ONE OF THE LEADING FRANCHISED SEMICONDUCTOR DISTRIBUTORS OFFERS NEW BRANDED DEVICES AT INDUSTRIAL TRADE PRICES

MULLARD, INTERNATIONAL RECTIFIER, SENSITRON, S.G.S., NATIONAL SEMICONDUCTOR

THIS IS THE FIRST TIME D.T.V. GROUP LTD. HAVE EXTENDED SALES OF THIS RANGE TO PRIVATE READERS OF WIRELESS WORLD

BULK QUANTITY PRICES ON REQUEST

WE HOLD ONE OF THE LARGEST SEMICONDUCTOR STOCKS IN THE U.K.



LOW COST DIGITAL TTL 7400 RANGE FROM FRANCHISED DISTRIBUTOR STOCK

Compare these prices!		(0°C to +70°C)		
		Silicone Moulded Package	1-24 £p	25-99 5p
DM7400N (SN7400N)	Quad Two-Input Gate	0.250	0.200	0.167
DM7401N (SN7401N)	Quad Two-Input Gate (Open Collector)	0.250	0.200	0.167
DM7402N (SN7402N)	Quad Two-Input NOR Gate	0.250	0.200	0.167
DM7403N (SN7403N)	Quad Two-Input Gate (Open Collector)	0.250	0.200	0.167
DM7404N (SN7404N)	Hex Inverter	0.275	0.225	0.188
DM7405N (SN7405N)	Hex Inverter (Open Collector)	0.275	0.225	0.188
DM7410N (SN7410N)	Triple Three-Input Gate	0.250	0.200	0.167
DM7420N (SN7420N)	Dual Four-Input Gate	0.250	0.200	0.167
DM7430N (SN7430N)	Eight-Input Gate	0.250	0.200	0.167
DM7440N (SN7440N)	Dual Four-Input Buffer	0.250	0.200	0.167
DM7450N (SN7450N)	Expandable Dual AND-OR-INVERT Gate	0.250	0.200	0.167
DM7451N (SN7451N)	Dual AND-OR-INVERT Gate	0.250	0.200	0.167
DM7453N (SN7453N)	Expandable AND-OR-INVERT Gate	0.250	0.200	0.167
DM7454N (SN7454N)	AND-OR-INVERT Gate	0.250	0.200	0.167
DM7460N (SN7460N)	Dual Four-Input Expander	0.250	0.200	0.167
DM7472N (SN7472N)	J-K Master Slave Flip Flop	0.325	0.263	0.221
DM7473N (SN7473N)	Dual J-K Flip Flop	0.525	0.417	0.350
DM7474N (SN7474N)	Dual D Flip Flop	0.450	0.363	0.300
DM7476N (SN7476N)	Dual J-K Flip Flop with Preset and Clear Inputs	0.563	0.450	0.375
DM7486N (SN7486N)	Quad Exclusive-OR Gate	0.575	0.488	0.425
DM74107N (SN74107N)	Dual J-K Flip Flop with Vcc and GND on Corners	0.525	0.417	0.350

TRANSISTORS

LARGE QUANTITY—PRICES ON APPLICATION

	1-24	25+	1-24	25+
BC 107	10p	8p	2N1132	25p
BC 108	10p	8p	2N1303	16p
BC 109	10p	8p	2N1304	22p
BC 113	15p	10p	2N1305	22p
BC 114	14p	12p	2N1613	20p
BC 115	16p	14p	2N2193	27p
BC 116	15p	13p	2N2218	23p
BC 116A	19p	16p	2N2219	23p
BC 118	10p	8p	2N2221	23p
BC 125	20p	17p	2N2222	23p
BC 126	20p	18p	2N2269	15p
BC 147	10p	9p	2N2369A	18p
BC 148	9p	8p	2N2484	27p
BC 149	13p	12p	2N2904	31p
BC 153	18p	16p	2N2907	30p
BC 154	20p	17p	2N2924	13p
BC 178	26p	23p	2N2925	14p
BC 182	10p	9p	2N2926	8p
BC 183	11p	10p	2N3011	15p
BC 184	11p	9p	2N3053	18p
BCY 58	25p	20p	2N3055	78p
BCY 59	27p	22p	2N3133	22p
BCY 70	17p	12p	2N3134	23p
BCY 71	22p	15p	2N3135	23p
BCY 72	12p	10p	2N3136	27p
BF 115	18p	15p	2N3390	30p
BF 167	21p	17p	2N3391	20p
BF 173	24p	20p	2N3391A	22p
BF 180	35p	28p	2N3392	13p
2N697	15p	12p	2N3393	14p
2N699	29p	22p	2N3414	14p
2N706	11p	9p	2N3415	16p
2N708	16p	14p	2N3643	27p
2N722	79p	67p	2N3646	26p
2N918	42p	36p	2N4392	£1.40
2N929	17p	12p	2N4393	£1.42
2N930	17p	12p		

POWER DEVICES, SENSITRON GUARANTEED. INDUSTRIAL STOCK ITEMS

	1-99	100-999		1-99	100-999
2N3054	467	362	IN5171	171	121
2N3055	629	525	IN5172	183	129
2N3232	417	375	IN5173	237	167
2N3235	667	467	IN5174	300	212
2N3441	925	800	IN5400	162	112
2N3442	£1.700	£1.375	IN5401	183	129
2N3715	£1.467	£1.300	IN5402	204	146
2N3716	£1.637	£1.375	IN5403	221	154
2N3771	£1.700	£1.400	IN5404	267	187
2N3772	£1.800	£1.500	IN1199	392	308
2N3773	£2.875	£2.475	IN1202	775	633
2N4347	£1.050	875	IN1183	667	533
2N4348	£1.625	£1.375	IN1186	£1.108	887
STS1134	£2.950	£2.525			
IN5170	133	096			

Quantity Prices are Available on Request

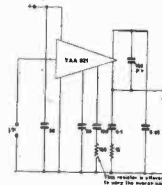
YOUR SMALL AUDIO AMPLIFIER PROBLEMS SOLVED WITH S.G.S. INTEGRATED CIRCUITS

Audio Amplifier TAA 621

Designed for use in mains operated T.V. sets and record players as an audio amplifier. The supply voltage range is from 6 to 24V and the device can deliver up to 4W output power.

Absolute Maximum Rating

Max. Supply Voltage (no signal): 27V; Power dissipation (TA=60°C) 1.06W; Input Voltage: -0.5 to 1.5Vp; Peak Output Current: 0.8A; Storage Temperature: -25 to 100°C; Junction Temperature: 125°C. 1-24 £2.025; 25-99 £1.755.



EA 1000

NEW COMPLETE MODULE

3 Watts min. output power; 50Hz—25Hz bandwidth. Signal to noise ratio—86dB.

Complete with Capacitors and Resistors on 76 x 65 mm printed board: 1-24 £2.625; 24-99 £2.275.

Supplied with data sheet and application report.

ZENER DIODES

BZY95 Series 40p 32p 28p
1-19 20-99 100+

1.5 Watt ±5%

10 Volt-75 Volt

BZX70 Series 24p 20p 17p
1-24 25+

3-3 Volt-8.2 Volt 1 Watt ±10%

1 Watt ±5%

1ZMT10 15p 13p

9-1 Volt-33 Volt 17p 14p

1ZMT5 25p 21p

3-3 Volt-8.2 Volt 1 Watt ±5%

1ZMT10 15p 13p

9-1 Volt-33 Volt 17p 14p

1ZMT5 25p 21p

TRIACS

SENSITRON AT NEW LOW PRICES

Current P.I. Amps Volts 1-99 100-999

SSC41B 6 200 0.865 0.693

*SSC40B 6 200 1.016 0.814

SSC41D 6 400 1.146 0.915

*SSC40D 6 400 1.302 1.050

SSC46B 10 200 1.167 0.932

*SSC45B 10 200 1.318 1.050

SSC46D 10 400 1.520 1.218

*SSC45D 10 400 1.675 1.398

SSC51B 15 200 1.201 0.966

*SSC50B 15 200 1.352 1.075

SSC51D 15 400 1.806 1.444

*SSC50D 15 400 1.953 1.562

*SSC61B 25 200 2.108 1.701

*SSC60B 25 200 2.297 1.822

*SSC61D 25 400 3.008 2.402

*SSC60D 25 400 3.192 2.541

All 1/2 in. Press Fit. * 1/2 in. Press Fit Stud

SILICON RECTIFIERS, 1 AMP WIRE-ENDED PLASTIC

Type	P.I.V.	1-100	100+	1000+
IN4001	50	7p	6p	4p
IN4002	100	8p	7p	4p
IN4003	200	10p	9p	5p
IN4004	400	10p	9p	5p
IN4005	600	12p	10p	7p
IN4006	800	14p	12p	9p
IN4007	1000	16p	13p	10p

FOR INDUSTRIAL TRADE "SWIFT SERVICE" 60 PAGE CATALOGUE. SEND 35p. TERMS C.W.O. OR C.O.D. EXCEPT FOR EST. ACCOUNTS, GOVERNMENT DEPTS., ETC. PLEASE ADD 10p P. & P. (U.K.), 50p OVERSEAS

As these are trade prices it is regretted that we have to impose a minimum order value of £2.50 U.K., £5 overseas. Orders to:

D.T.V. GROUP LTD (Dept. M/OI), 126 HAMILTON ROAD, LONDON SE27 9 SG Tel: 01-670 6166 Telex 262415

Special offer of AMPEX professional tape heads, mu-metal shrouded. (Designed for model AG20). Full track record, or playback, £3.00. Erase head £2.00. Set of 3 with mounting bracket and cover £7.50. Half track record only, £3.00 each. Carriage paid.



OXLEY P.T.F.E. BARB TERMINALS. Stand off 1/8" or 1/4". £2.75 box of 100.

HARWIN. Tapped (6 Ba) high voltage "stand off" insulators, length 3/4", tapped (8 Ba) 3/4" long. £2.00 per 100. Carriage Paid.

"BENSON BROS." 12v. D.C. **HEAVY DUTY SOLENOID.** Size: 3" overall x 1 1/4" x 1". Very powerful. Cont. rated. £1.00 each. P. & P. 15p

"DECCO" MAINS SOLENOID. Compact and very powerful. 16 lb. pull. 3/4" travel which can be increased to 1" by removing captive-end-plate. Overall size 2" x 2 1/2" x 2 1/2" high. £1.50. P. & P. 25p

WEBBER MAINS SOLENOID. Robust and strong. On this item the plunger travel is 1 1/2". Performance: 6 lb. pull at 1 1/2"; 8 lb. at 1"; 10 lb. at 3/4". The non-captive plunger has a fixing eye to take up to 1/2" bolt. Size: 2 1/2" high x 2" x 2". £1.25 plus 25p P. & P.

MAINS SOLENOID BY MAGNETIC DEVICES LTD. A beautifully constructed solenoid at half normal price. A two-sided bracket is incorporated for vertical or horizontal mounting. Size: 2" x 1 1/4" x 1 1/4". Pull is approx. 2 lb., plunger travel 1 1/4". Fixing eye takes up to 1/2" bolt. Plunger non-captive. New in original makers boxes. 75p each, plus 25p P. & P. Large number available, special price for quantity.

RELAYS
Perspex enclosed, plug in., with base. Size 1 1/2" x 1 1/4" x 2". MQ 308 600 Ohm 24v. 4 c/o. 60p ea., £5.00 per doz. MQ 508 10,000 Ohm 100v. 4 c/o. 50p ea., £4.50 per doz.

S.T.C. Midget Sealed Relay type 4109EC. 12v. 40 mA 170 Ohm, single H.D. make. 53p each.

"B. & R." 3 c/o. 10 amp. contacts (silver) operates on 2 volts D.C. Draws approx. 1 amp. Size: 2" x 1 1/2" x 1 1/2". £1.00.

"OMRON" OCTAL BASE. A.C. mains. 2 x 5 amp. C/O contacts. Perspex enclosed. 88p.

A.E. Perspex enclosed, plug in., 50 Ohm 6v. 2 c/o. 63p ea. 470 Ohm 12v. 4 c/o. 73p ea. 2,780 Ohm 48v. 4 c/o. 73p ea. 1,260 Ohm 48v. 6 c/o. 83p ea.

E.R.G. 1,000 Ohm 6v. DC. 1 make encapsulated reed type. Size: 3/4" x 3/4" x 1 1/4". 4 for £1.00.

NEW "F.I.R.E." PLUG-IN RELAY.—115v. Coil 50/60 c.p.s. 3 heavy duty silver change-over contacts. Very robust. 63p.



NEW "ISKRA" 240v. A.C. RELAY.—3 x 6 amp Changeover contacts. 63p.



SIEMENS HIGH SPEED RELAY. Type 89L. 1,700 Ohm + 1,700 Ohm coil. New 63p each.

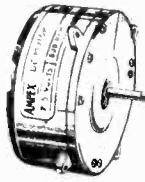


"TEDDINGTON" CONTROLS THERMOSTAT.—Adjustable between 75° and 100°C. A further internal adjuster takes the maximum up to 120°C. Circuit cuts in again at 3° below cut-out setting. 42" capillary and sensor probe. The thermostat actuates a 15 amp. 250v. c/o switch. A second single pole on/off switch is incorporated in the adjustment mechanism. 88p.

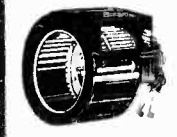
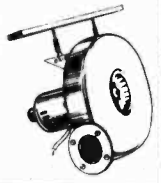


"SRBP" COPPER CLAD. Sizes: 7 1/2" x 4 1/2" x 1 1/2", 16 for £1.00. 14 1/2" x 5 1/2" x 1 1/2", 8 for £1.00. 19 1/2" x 7 1/2" x 1 1/2", 4 for £1.00.

MOTORS
AMPEX 7.5v. D.C. MOTOR. This is an ultra-precision tape motor designed for use in the AMPEX model AG20 portable recorder. Torque 450GM/CM. Stall load at 500ma. Draws 60ma on run. 600 rpm. 5" speed adjustment, internal AF/RF suppression. 1" dia. x 1" spindle, motor 3" dia. x 1 1/2". Original cost £16.50. Our price £4.25. P. & P. 25p. Large quantity available (special quotations). Mu-metal enclosure available 75p each.

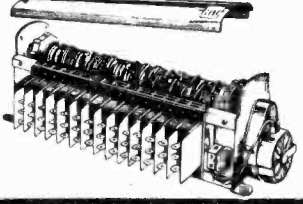


Brand New "DISCUS" Centrifugal Blower by Watkins & Watson. 240v. 50 Hz. Powered by A.E.I. continuous rating 2850 rpm motor. Cowl diameter 10". Outlet flange 2" I.D. Coupling flange supplied. These superb precision units are ideally suited for **Organ construction.** Offered at approx. half makers price £12.50. Carriage £1.50.



"PRECISION FAN CO." (Smiths Industries) DOUBLE ENTRY CENTRIFUGAL FAN/BLOWER. This is a beautifully balanced, particularly quiet running, unit giving approx. 90 cubic ft./min. The motor is a 2 pole shaded pole 240v. Mycalex, drawing only 240ma on run. Weight 2 1/2 lb. Sizes: Case dia. 3 1/2 in., width (case only) 3 1/2 in., width overall (inc. motor) 5 1/2 in., aperture 3 1/2 in. by 1 1/2 in. Offered well below makers price at £2.95 P. & P. 25p.

PROGRAMME TIMER BY HONEYWELL
A bank of 15 micro-switches are each independently operated by 15 pairs of cams which in turn are individually adjustable to give switching periods of zero to 12 seconds with infinitely variable combinations. A mains synchronous motor drives the cam shaft at 1 rev. per 12 seconds (5 R.P.M.). Designed originally for vending machines at a cost of £1500 plus. Many applications where continuous sequence programmes are required, such as lighting effects etc. New in original makers cartons. First class value at £5.75 plus 25p P. & P.



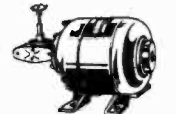
ELECTROLYTIC CAPACITORS MULLARD. 900 uF 100v. heavy ripple screw terminals 1 1/2" dia. x 3 1/2" 70p ea., £6.00 per doz. 1,600 uF 64v. 1 1/2" dia. x 3 1/2" 38p ea., £3.50 per doz. 10,000 uF 10v. 1 1/2" dia. x 3 1/2" 38p ea., £3.50 per doz. 1,250 uF 25v. 1" dia. x 2" 50p ea., £4.50 per doz.

HUNTS 1,000 uF 50v. 1 1/2" dia. x 2", 25p ea., 10,000 uF 6v. 1 1/2" dia. x 2", 30p ea., £3.00 per doz. 16 uF 350v. 1/2" x 1 1/2" wire ends, £2.00 per doz. 1,000 uF 50v. 1" dia. x 3", 30p ea., £3.00 per doz. 32-32 uF 275v. 1" dia. x 2", 38p ea. 100 uF 100v. 1" dia. x 2", 25p ea.

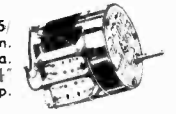
ERIE. Ceramic capacitor. Type CHV411P. 500 P.F. 30KV Size 1 1/5" dia. x 1 1/4" long. 50p ea. Carriage paid.

HIGH CAPACITY ELECTROLYTICS. Cylinder type with screw terminals on top. Average size 3" dia. x 4 1/2" high. "Mallory" 20,000 uF 30v. D.C. 45v. D.C. surge. "Mallory" 25,000 uF 25v. D.C., 40v. D.C. surge. "Mallory" 35,000 uF 15v. D.C., 20v. D.C. surge. "Mallory" 40,000 uF 10v. D.C., 12v. D.C. surge. "Sprague" 40,000 uF 10v. D.C., 12v. D.C. surge. "General Electric" 46,500 uF 25v. D.C., 30v. D.C. surge. "General Electric" 50p each. Minimum order £1.00 on these items. P. & P. 10p each.

GEARED MOTORS
"Parvalux" Reversible 100 RPM Gearing Motor. Type S.D.14. 230/250v. A.C. 22 lb./in. 1/2" spindle. 1st class condition. £7.50 each. P. & P. 50p. Also limited number only as above.
Brand New. £12.50 each P. & P. 50p.
ELECTRO CONTROL (CHICAGO). Shaded pole 240v. 50 Hz. 200 rpm 10 lb./in. £2.50. P. & P. 25p.
MYCALEX. Open frame, shaded pole motors. 240v. 50 Hz. 7 rpm. 28 lb./in. 80 rpm. 12 lb./in. £2.25 each. P. & P. 25p.



"CROUZET" Type 965. 115/240v. 50 Hz. 47/68 watts. 50 rpm. Stoutly constructed. Size: 2 1/2" dia. x 3 1/2" long, plus spindle 1" x 3/4" dia. Anti-clock. £2.75. P. & P. 25p.



TYPE 955. Same as above, but 3 rpm. £3.00. P. & P. 25p.

SYNCHRONOUS MOTORS. 220/380 v. 50/60 Hz. 250-300 rpm. 75p each.

MYCALEX MAINS. Shaded pole, 1425 rpm. 1 1/2" spindle. 2 for £1.25. Carriage Paid.

MAINS INDUCTION MOTOR. Open frame. 1/2" spindle, weight 1 lb. Powerful. 88p each. P. & P. 12p

E.M.I. PROFESSIONAL TAPE MOTOR. 110/240 v. 50 Hz. 1500 rpm, reversible, silent running. 4 1/2" dia. 4 1/2" long. Spindle 3/4" x 2". Weight 6 lbs. £3.50 each or £6.00 per pair. P. & P. 50p each.

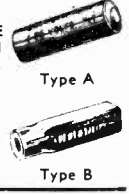
"FIBRE GLASS" COPPER CLAD. Top grade. One size only. 7 1/2" x 4 1/2" x 1/4". 3 panels £1.00. 12 panels £3.50. P. & P. 15p.

BELLING & LEE FUSEHOLDERS

TYPE L1382. Size 0. Rating 7A. Breakdown voltage (DC): > 10 kV. List price 71p. Our price £2.00 per doz.

TYPE L1744. Size 0. Takes 1/4" fuses. Connecting posts suitable for soldering or solderless snap-on connectors (3/32" x 0.032"). Current rating 30A max. List price 30p. Our price £1.50 per doz.

"MALLORY" LONG LIFE BATTERIES. Type A. RM12 cell 1.35v. 3,600 ma/H. CAP. 250/300 ma cont. current. Size: 2" x 3/4". 5 for £1.00 or £2.00 per doz. Carr. Paid. Type B. Comprises 8 x RM 625 cells. Nom. volts. 1.35 each 10.5v. Overall. 350 ma/H. CAP. 20/25 ma cont. current. Size: 2 1/2" x 3/4" x 3/4". 3 for £1.00 or £3.00 per doz. Carr. Paid.



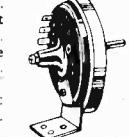
A.C./D.C. M/IRON AMMETERS. 0.5 amps or 0.8 amps (suitable battery chargers etc.). Perspex front. Size: 1 1/2" x 1 1/2". Any 2 for £1.10. Carr. Paid.



CURRENT FLOW INDICATOR. Ideal for all types of battery operated equipment (portable machines, tape recorders etc.). Four white segments appear when current flows. Coil is 600 Ohm 6/12v. Drawing only 8 ma or function. Neat in appearance. Size: dia. 1 1/2" x 1 1/2" deep. Fixing centres 1 1/2". £1.25 each. Carr. Paid.



"GOYEN" PRESSURE SWITCH. Incorporating differential adjustment between 2" and 12" water gauge (a max. of approx. 1/2 p.s.i.). A single pole change-over switch rated 15 amps. 250v. is actuated. Air inlet tube 1/2" dia. Projection 1/2". Overall size: dia. 3 1/2", depth 2" plus 1 1/2" (air tube). £1.25.



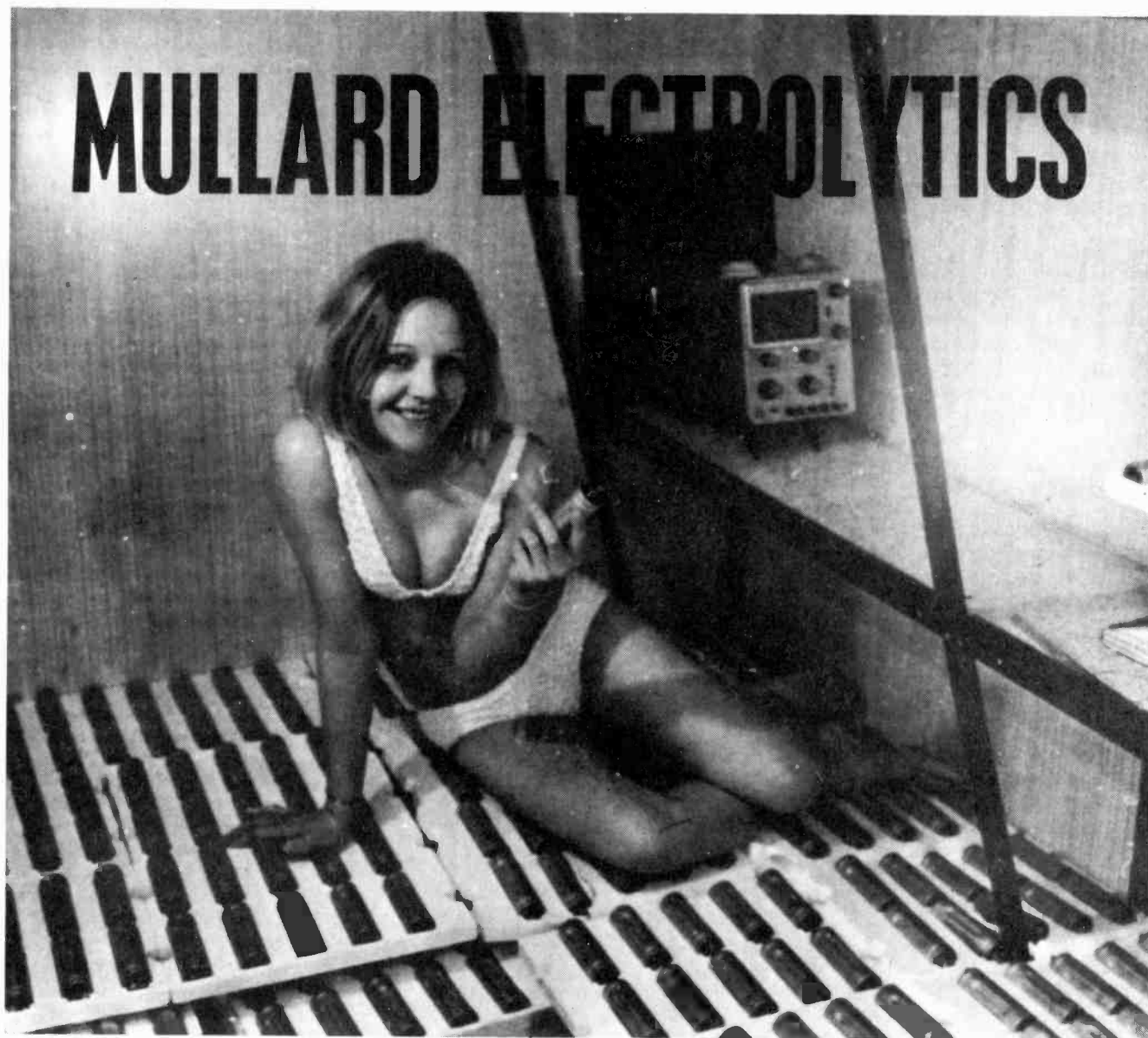
We welcome orders from established companies, educational depts., etc., a surcharge of 50p to cover cost of invoicing must be made on any order amounting to less than £2.50 unless remittance with order.

ELECTRO-TECH SALES BUSINESS HOURS: 264 PENTONVILLE ROAD, LONDON, N.1 9.30-6 (1p.m. Sats.) (ONE MIN. FROM KINGS X STATION) Tel. 01-837 7401/2

4-STATION INTERCOM
 Our Price Only **£6.75**
Solve your communication problems with this new 4-Station Transistor Intercom system (1 master and 3 subs), in de luxe plastic cabinets for desk or wall mounting. Call/talk/listen from Master to Subs and Subs to Master. Operates on one 9 v. battery. On/off switch. Volume control. Ideally suitable to modernise Office, Factory, Workshop, Warehouse, Hospital, Shop, etc., for instant inter-departmental contacts. Complete with 3 connecting wires, each 66 ft. and other accessories. Nothing else to buy. P. & P. £0.40 in U.K.

INTERCOM/BABY ALARM
 OUR PRICE ONLY **£3.35**
A top quality DE-LUXE transistorised intercom consists of MASTER and SUB for desk/wall mounting. Call, talk or listen from either unit. On/Off switch, volume control. Ideally suitable as "BABY SITTER" or Door Phone. A boon for spastics and invalids. Useful in the home, surgery or business for instant 2-way conversations, effective range 300ft. Unsurpassed in QUALITY AND PERFORMANCE. Complete with 66ft. connecting lead. Battery £0.14. extra. P. & P. £0.25. Price Refund if not satisfied in 7 days.

Transistor TELEPHONE AMPLIFIER
 £2.99
Why not increase efficiency of Office, Shop and Warehouse with this incredible De-Luxe Portable Transistor TELEPHONE AMPLIFIER which enables you to take down long telephone messages or converse without holding the handset. A useful office aid. A must for every telephone user. Useful for hard of hearing persons. On/off switch. Volume Control. Operates on one 9 v. battery which lasts for months. Ready to operate. P. & P. £0.22 in U.K. Add £0.14 for Battery. Full price refunded if returned in 7 days



2200MFD : 100v : 10A (50°C)

75p each

BRAND NEW

LARGE REDUCTION FOR QUANTITY

CHILTMHEAD LTD

7/9 ARTHUR ROAD, READING, BERKS. (rear Tech. College) Tel.: Reading 582605/65916

VALVES

B12H	1-76	ECF84	0-45	PCF800	0-47
CV31	0-36	ECI200	0-82	PCF801	0-48
DAF96	0-38	ECL80	0-45	PCF802	0-48
DF96	0-37	ECL82	0-42	PCF804	0-47
DK96	0-41	ECL83	0-65	PCF808	0-76
DL92	0-32	ECL86	0-82	PCF810	0-30
DL94	0-40	EF96	0-45	PCF82	0-33
DL96	0-41	EF97A	0-45	PCF84	0-46
DM70	0-30	EF99	0-40	PCF86	0-57
DY86	0-30	EF40	0-50	PCF200	0-77
DY97	0-32	EF41	0-62	PCF201	0-77
DY902	0-48	EF80	0-25	PCF801	0-48
EB8CC/01	1-80	EF83	0-55	PCF802	0-48
E180CC	0-42	EF85	0-32	PCF805	0-72
E1810C	0-90	EF86	0-31	PCF806	0-65
E192CC	1-05	EF89	0-28	PCF808	0-72
EABC80	0-32	EF91	0-15	PCI200	0-70
EAF42	0-50	EF92	0-37	PC181	0-47
EB91	0-15	EF95	0-30	PC182	0-37
EB93	0-50	EF183	0-32	PC183	0-65
EB94	0-52	EF184	0-35	PC184	0-42
EB98	0-30	EF190	0-75	PC185	0-42
EBF80	0-42	EL34	0-57	PC186	0-42
EBF83	0-42	EL41	0-57	PF1200	0-57
EBF89	0-30	EL42	0-53	PL36	0-83
EC81	0-30	EL44	0-23	PL81	0-50
EC82	0-28	EL85	0-40	PL82	0-40
EC83	0-30	EL86	0-40	PL83	0-42
EC84	0-30	EL90	0-35	PL84	0-35
EC85	0-40	EL95	0-35	PL84	0-35
EC86	0-50	EL900	0-65	PL500	0-73
EC88	0-37	FM31	0-25	PL504	0-75
ECI89	0-52	FM80	0-35	PY33	0-60
ECF80	0-35	EM84	0-35	PY80	0-35
ECF82	0-35	EY51	0-45	PY81	0-27
ECF83	0-75	EY86	0-30	PY82	0-27
ECF801	0-62	EY81	0-35	PY83	0-35
ECF802	0-62	EY85	0-40	PY88	0-37
ECH35	0-60	EZ80	0-25	PY800	0-52
ECH42	0-65	EZ81	0-27	PY801	0-52
ECH81	0-28	GZ34	0-52	QQVO	
ECH83	0-42	KT66	1-60		3-10 1-25

TELEPHONE ENQUIRIES FOR VALVES 749 3542

MARCONI VHF OSCILLATOR
TYPE TF 924/1. Complete with power unit Type TM 4230. Frequency range 2,100 MHz to 3,750 MHz, output power 10 to 50mW, Klystron Osc with automatic tracking. Facilities for reflection modulation. £125. Carriage £2.

MARCONI VHF ALIGNMENT OSCILLOSCOPE TF 1104. Combined sweep generator and CRO for VHF IF and analysis. RF ranges 41-216kHz. IF range 10-40MHz. VF range 5kHz to 10MHz. Output 10uV to 250mV continuous at 50 ohms. Sweep 500kHz to 10MHz. £89-50. Carr. £1.

MARCONI R/C OSCILLATOR TYPE TF 1101. Frequency range 20Hz to 200kHz. Accuracy ± 1%, distortion less than 0.5%. Stabilised Oscillator, no zero setting required. £72-50. Carriage £1-50.

VALVE VOLTMETER TYPE TF 958 Measures AC 100mV; 20 c/s to 100 m/s, DC 50mV to 100V, multiplier extends ac range to 1.5kV. Balanced input and centre-zero scale for DC. AC up to 100MHz. £32-50.

MARCONI SIGNAL GENERATOR TYPE TF 801B/3/S

Frequency range 12-485 Mc/s in five ranges. Directly calibrated frequency dial. Output waveform: C.W. sine wave A.M., pulse A.M. (from ext. source only). Internal modulation frequency 1,000 c/s. Output: a, normal—continuously variable directly calibrated from 0-1uV.—0.5v. b, high; up to 1 v. modulated for 2 v. unmodulated, output impedance 50 ohms. Fine frequency tuning control carrier, on/off switch, built-in crystal calibration for 2 Mc/s and 10 Mc/s. Stabilised voltage supply. In excellent "as new" condition. Laboratory checked and guaranteed. Including necessary connectors, plugs and instruction manual. Price on application.

INTEGRATED CIRCUITS

MANY OTHERS IN STOCK

CA 3005 wide band R.F. Ampl.	£1-20
CA 3012 wide band ampl. 150mW diss.	£0-90
CA 3020 Audio power ampl.	£1-37
CA 3036 Audio pre-ampl.	£0-90

General Electric PA 230 £1-40; PA 234 £1; PA 237 £2-10

Mullard TAA 300 £1-75; TAA 320 £0-73

REDIFON Twinplex combiner type AFS 13 £65

Twinplex converter type AFS 12 with P.S.W. £85

F.S.K. unit type GK185A £58-50.

VALVES & TRANSISTORS
PHONE 01-743 4946

KT88	£-15	QVQO	£	UBC41	£-047	VR150/30	£-035	5B254M	£-220	6AQ5	£-035	6C4	£-030	6K7G	£-020	
N78	1-25	6-40A	5-25	UBF80	0-35	Z759	1-65	5P255M	1-75	6AQ5W	0-50	6C8	0-25	6K8GT	0-45	
OA2	0-35	R17	0-45	UBF89	0-35	Z801U	1-80	5R4GY	0-60	6AR6	0-37	6CH6	0-55	6K25	0-70	
OB2	0-35	R19	0-37	UCC85	0-40	Z803A	1-26	6U4G	0-32	6AR7G	0-80	6CL5	0-49	68A7	0-40	
PABC80	0-37	STV		UCF80	0-55	Z800T	0-75	5V4G	0-40	6AT7	0-30	6D6	0-20	68ATGT	0-32	
PC97	0-40	280/40	3-00	UCH81	0-55	1R3	0-35	6Y3GT	0-35	6AX4GT	0-40	6F23	0-75	68G7	0-35	
PC900	0-47	280/80	9-00	UCL82	0-85	1R1	0-25	6Z4	0-75	6AX5GT	0-65	6F33	1-50	68J7	0-37	
PC97	0-40	TT91	2-75	UCL83	0-80	1R5	0-24	6ZAGT	0-40	6B7	0-40	6H6M	0-20	68K7GT	0-32	
PCF800	0-47	UV41	0-50	1T4	0-50	1T4	0-22	6AB7	0-30	6BK7	0-40	6J4W	0-75	68L7GT	0-33	
PCF801	0-48	U26	0-75	UF80	0-36	1X2A	0-40	6AC7	0-15	6BA6	0-25	6J5	0-40	68M7GT	0-35	
PCF802	0-48	U26	0-75	UF89	0-35	1X2B	0-40	6AB5	0-30	6BG6G	0-55	6J6GT	0-25	68Q7	0-38	
PCF804	0-46	U27	0-50	UL84	0-30	3A4	0-30	6AK6	0-32	6BJ6	0-45	6J6	0-20	68Q7GT	0-35	
PCF808	0-76	UY91	0-70	UL5	0-55	3D6	0-15	6AL5	0-15	6BQA	0-35	6J7G	0-35	6V6GT	0-32	
PCF82	0-33	U801	1-00	UY41	0-45	3Q4	0-37	6AL5W	0-40	6BR7	0-80	6J7M	0-40	6X4	0-21	
PCF84	0-46	UABC80	0-35	UY85	0-30	384	0-35	6AM6	0-30	6BW6	0-80	6K6GT	0-56	6X6G	0-25	
PCF86	0-57	UAF42	0-60	VR103/30	0-35	3V4	0-45	6AN8	0-50	6BW7	0-70	6K7	0-32	6X5GT	0-62	
PCF200	0-77													6Y6G	0-30	
PCF201	0-77													6Z4	0-75	
PCF801	0-48													6-30L2	0-70	
PCF802	0-48													6Z4	0-32	
PCF805	0-72													7B7	0-45	
PCF806	0-65													7C5	0-85	
PCF808	0-72													7C6	0-40	
PC1200	0-70													7-7	0-32	
PC181	0-47													7-4	0-60	
PC182	0-37													CR81/30	0-40	
PC183	0-65													CR81/35	0-43	
PC184	0-42													CR81/40	0-48	
PC185	0-42													CR85/05	0-30	
PC186	0-42													CR85/20	0-38	
PC187	0-57													CR83/30	0-43	
PL36	0-83													CR825/025	0-43	
PL81	0-50														0-75	
PL82	0-40														CR83/40	0-50
PL83	0-42														GET103	0-25
PL84	0-35														GET115	0-45
PL500	0-73														GET116	0-50
PL504	0-75														GET117	0-50
PY33	0-60														GEX66	1-00
PY80	0-35														25A7	0-30
PY81	0-27														25A7G	0-29
PY82	0-27														25V6	0-30
PY83	0-35														25V6	0-30
PY88	0-37														25V6	0-30
PY800	0-52														25V6	0-30
PY801	0-52														25V6	0-30

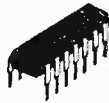
SPECIAL OFFER TRANSISTORS, ZENER DIODES

OA5	0-20	OC29	0-62	IN21	0-17	2N5109	2-05	AF127	£-017	CR81/30	0-40
OA10	0-25	OC35	0-50	IN21B	0-25	4036Z	0-62	AF139	0-30	CR81/35	0-43
OA70	0-10	OC38	0-42	IN25	0-60	8230S	0-50	AF178	0-48	CR81/40	0-48
OA71	0-10	OC44	0-17	IN43	0-10	3F100	0-82	AF186	0-40	CR85/05	0-30
OA73	0-10	OC45	0-15	IN70	0-07	3FR3	0-32	AFY19	0-13	CR83/20	0-38
OA74	0-10	OC70	0-12	IN702-7250-36		3N128	0-87	ASV26	0-25	CR83/30	0-43
OA79	0-15	OC71	0-15	1N823A	1-30	3N139	1-75	ASV28	0-25	CR825/025	0-43
(6D15)	0-10	OC72	0-25	1N4785	0-50	3N140	0-97	ASV77	0-48		
OA81	0-10	OC73	0-30	1N2M75	0-35	3N154	0-95	BAW19	0-28	CR83/40	0-50
OA91	0-07	OC75	0-25	1ZMT10	0-33	3N169	1-45	BC107	0-12	GET103	0-25
OA200	0-07	OC76	0-25	1ZT5	0-67	6PR3	0-45	BC108	0-12	GET115	0-45
OA202	0-10	OC81	0-25	1ZT10	0-63	12FR60	0-78	BC113	0-25	GET116	0-50
OA210	0-25	OC81D	0-20	2G385	0-61	10D1	1-18	BC118	0-38	GEX66	1-00
OA211	0-37	OC81DM	0-20	2G385	0-61	40954	1-37	BCY72	0-15	NKT222	0-20
OA2200	0-55	OC82	0-26	2G403	0-51	40959	1-37	BF115	0-25	NKT304	0-50
OA2201	0-50	OC82DM	0-30	2N918	0-37	40965	1-45	B2173	0-30	SD918	0-26
OA2202	0-50	OC83	0-25	2N1304	0-25	40969	1-35	B2173	0-30	SD928	0-31
OA2206	0-42	OC88B	0-15	2N1306	0-25	40969	1-35	BFO32	0-23	SD938	0-32
OA2307	0-47	OC84	0-25	2N1307	0-25	AC126	0-25	BF055	0-38	SD94	0-21
OA2308	0-47	OC122	0-50	2N1307	0-25	AC127	0-25	B8	0-45	SD988	0-46
OA2213	0-32	OC139	0-25	2N2147	0-75	AC128	0-25	B82	0-47	V405A	0-40
OA2223	0-50	OC140	0-37	2N2904A	0-32	AC176	0-25	BAY29	0-35		
OA2225	0-50	OC170	0-25	2N3053	0-25	ACY17	0-30	BU100	1-80	12KGT	0-30
OC16	0-50	OC171	0-30	2N3054	0-50	ACY28	0-17	BVZ13	0-25	12KGT	0-30
OC22	0-50	OC172	0-37	2N3055	0-76	AD149	0-50	BVZ16	0-53	128GT	0-35
OC25	0-37	OC200	0-40	2N3730	0-50	AD181	0-37	CR81/10	0-25	1A87	0-75
OC26	0-25	OC201	0-60	2N3731	0-75	AP118	0-62	CR81/20	0-38	19A3	0-40
OC28	0-62	OC206	0-80							19G3	4-25

M

The largest selection

74 Series TTL I.C.'s DOWN AGAIN IN PRICE



Check our 74 Series List before you buy any I.C.'s. Our prices are the lowest possible. All devices ex-stock. Full spec. guaranteed.

BI-PAK Order No.	Description	Price and Qty.	Prices
		1-24	25-99 100 up
BP 00 = 7400	Quad. 2-input NAND Gate	15p	14p 12p
BP 01 = 7401	Quad. 2-input Pos. NAND Gate (with open collector output)	15p	14p 12p
BP 02 = 7402	Quad. 2-input Pos. NOR Gates	15p	14p 12p
BP 03 = 7403	Quad. 2-input Pos. NAND Gates (with open collector output)	15p	14p 12p
BP 04 = 7404	Hex Inverters	15p	14p 12p
BP 05 = 7405	Hex Inverter (with open collector output)	15p	14p 12p
BP 10 = 7410	Triple 3-input Pos. NAND Gates	15p	14p 12p
BP 13 = 7413	Dual 4-input Schmitt Trigger	29p	26p 24p
BP 20 = 7420	Dual 4-input Pos. NAND Gates	15p	14p 12p
BP 30 = 7430	8-input Pos. NAND Gates	15p	14p 12p
BP 40 = 7440	Dual 4-input Pos. NAND Buffers	15p	14p 12p
BP 41 = 7441	BCD to decimal nixie driver	67p	64p 58p
BP 42 = 7442	BCD to decimal decoder (4-10 lines, 1 of 10)	67p	64p 58p
BP 46 = 7446	BCD-to-Seven-Segment Decoder/Driver	£2.00	£1.75 £1.50
BP 47 = 7447	BCD-7-Seg. Decoder/Drivers (15-V out-puts)	97p	94p 88p
BP 48 = 7448	BCD-to-Seven-Segment decoder Driver	97p	94p 88p
BP 50 = 7450	Expandable dual 2 Input AND-OR-INVERT	15p	14p 12p
BP 51 = 7451	Dual 2-Wide 2-Input NAND-OR-INVERT Gates	15p	14p 12p
BP 53 = 7453	Quad 2 Input Expandable NAND-OR-INVERT	15p	14p 12p
BP 54 = 7454	4-Wide 2-Input NAND-OR-INVERT Gates	15p	14p 12p
BP 60 = 7460	Dual 4-Input Expander	15p	14p 12p
BP 70 = 7470	Single-Phase J-K Flip-Flop	29p	26p 24p
BP 72 = 7472	Master-Slave J-K Flip-Flop	29p	26p 24p
BP 73 = 7473	Dual Master Slave J-K Flip-Flop	37p	35p 32p
BP 74 = 7474	Dual D Type Flip-Flop	37p	35p 32p
BP 75 = 7475	Quad Latch	47p	45p 42p
BP 76 = 7476	J-K with Pre-Set & Clear	47p	45p 42p
BP 80 = 7480	Gated Full Adders	87p	84p 88p
BP 81 = 7481	16-Bit Read-Wright Memory	97p	94p 88p
BP 82 = 7482	2-Bit Binary Full Adders	97p	94p 88p
BP 83 = 7483	Quad Full Adder	£1.10	£1.05 95p
BP 86 = 7486	Quad 2-Input Excl. Nor Gates	32p	30p 28p
BP 90 = 7490	BCD Decoder Counter	67p	64p 58p
BP 91 = 7491	8-Bit Shift Register	87p	84p 78p
BP 92 = 7492	Divide-by-Twelve Counter	67p	64p 58p
BP 93 = 7493	4-Bit Binary Counter	67p	64p 58p
BP 94 = 7494	Dual Entry 4 Bit Shift Register	77p	74p 68p
BP 95 = 7495	4 Bit Up-Down Shift Register	77p	74p 68p
BP 96 = 7496	8-Bit Parallel Shift Register	77p	74p 68p
BP100 = 74100	8-Bit Bistable Latches	£1.75	£1.65 £1.55
BP104 = 74104	Single J-K Flip-Flop equiv. 9000 Series	97p	94p 88p
BP105 = 74105	Single J-K Flip-Flop equiv. 9001	97p	94p 88p
BP107 = 74107	Dual Master Slave Flip-Flops	40p	38p 35p
BP110 = 74110	Gates Master-Slave Flip-Flops	55p	53p 50p
BP111 = 74111	Dual Data Lock-out Flip-Flop	£1.25	£1.15 £1.00
BP118 = 74118	Hex Set-Reset Latches	£1.75	£1.65 £1.55
BP119 = 74119	Hex Set-Reset Latches 24 pin	£1.35	£1.25 £1.10
BP121 = 74121	Monostable Multivibrators	67p	64p 58p
BP141 = 74141	BCD-to-Decimal Decoder/Driver	67p	64p 58p
BP145 = 74145	BCD-to-Decimal Decoder/Driver. O/C	£1.50	£1.40 £1.30
BP150 = 74150	10-10 Bit Data Selector	£1.80	£1.70 £1.60
BP151 = 74151	8-Bit Data Selector (with strobe)	£1.00	95p
BP153 = 74153	Dual 4-Line-to-1-Line Data	£1.20	£1.10 95p
BP154 = 74154	4 to 16 Line Decoder	£1.80	£1.70 £1.60
BP155 = 74155	Dual 2 to 4 Line Decoder	£1.40	£1.30 £1.20
BP156 = 74156	Dual 2 to 4 Line Decoder O/C	£1.40	£1.30 £1.20
BP160 = 74160	Synch. Decade Counter	£1.80	£1.70 £1.60
BP161 = 74161	Synch. 4-Bit Binary Counter	£1.80	£1.70 £1.60
BP190 = 74190	Synch. Up-Down BCD Counter	£3.50	£3.25 £3.00
BP191 = 74191	Synch. Binary Up-Down Counter (single clock line)	£3.50	£3.50 £3.50
BP192 = 74192	Synch. Up-Down Decade Counter	£2.10	£1.95 £1.75
BP193 = 74193	Synch. Binary Up-Down Counter (two clock lines)	£2.10	£1.95 £1.75
BP196 = 74196	Pre-settable 50 MHz Decade Counter	£2.80	£2.70 £2.60
BP197 = 74197	Pre-settable 50MHz Binary Counter	£1.80	£1.70 £1.60
BP198 = 74198	8-Bit Parallel L-R Shift Register	£5.50	£5.00 £4.00
BP199 = 74199	8-Bit Parallel Access Shift Register	£5.50	£5.00 £4.00

Devices may be mixed to qualify for quantity price. Larger quantities—prices on application. (TTL 74 Series only.)

Data is available for the above series of I.C.'s in booklet form. PRICE 13p.

TTL INTEGRATED CIRCUITS

Manufacturers' "Full outs"—out of spec. devices including functional units and part function but classed as out of spec. from the manufacturers' very rigid specifications. Ideal for learning about I.C.'s and experimental work.

PAK No.	PAK No.	PAK No.
UIC00 = 12 x 7400N 50p	UIC42 = 5 x 7450N 50p	UIC80 = 5 x 7480N 50p
UIC01 = 12 x 7401N 50p	UIC50 = 12 x 7450N 50p	UIC82 = 5 x 7482N 50p
UIC02 = 12 x 7402N 50p	UIC61 = 12 x 7461N 50p	UIC83 = 5 x 7483N 50p
UIC03 = 12 x 7403N 50p	UIC60 = 12 x 7460N 50p	UIC86 = 5 x 7486N 50p
UIC04 = 12 x 7404N 50p	UIC70 = 8 x 7470N 50p	UIC90 = 5 x 7490N 50p
UIC05 = 12 x 7405N 50p	UIC72 = 8 x 7472N 50p	UIC92 = 5 x 7492N 50p
UIC10 = 12 x 7410N 50p	UIC73 = 8 x 7473N 50p	UIC93 = 5 x 7493N 50p
UIC20 = 12 x 7420N 50p	UIC74 = 8 x 7474N 50p	UIC94 = 5 x 7494N 50p
UIC40 = 12 x 7440N 50p	UIC75 = 8 x 7475N 50p	UIC95 = 5 x 7495N 50p
UIC41 = 5 x 7441AN 50p	UIC76 = 8 x 7476N 50p	UIC96 = 5 x 7496N 50p

UICX1 = 25 x Ass'd 74's £1.50
Packs cannot be split but 20 assorted pieces (our mix) is available as PAK UICX1. Every PAK carries our BI-PAK Satisfaction or money back GUARANTEE.

DTL 930 SERIES

Type No.	Function	Price
		1-24 25-99 100 up
BP930	Expandable dual 4-input NAND	12p 11p 10p
BP932	Expandable dual 4-input NAND buffer	13p 12p 11p
BP933	Dual 4-input NAND	13p 12p 11p
BP935	Expandable Hex Inverter	13p 12p 11p
BP936	Hex Inverter	13p 12p 11p
BP944	Dual 4-input NAND expandable buffer without pull-up	13p 12p 11p
BP945	Master-slave JK or RS	25p 24p 22p
BP948	Master-slave JK or RS	25p 24p 22p
BP951	Monostable	40p 35p 35p
BP962	Triple 3-input NAND	12p 11p 10p
BP9093	Dual Master-slave JK with separate clock	40p 35p 35p
BP9094	Dual Master-slave JK with separate clock	40p 35p 35p
BP9097	Dual Master-slave JK with Common Clock	40p 35p 35p
BP9099	Dual Master-slave JK Common Clock	40p 35p 35p

Devices may be mixed to qualify for quantity price. Larger quantity prices on application. (DTL 930 Series only.)

"Q" PAKS QUALITY TESTED SEMICONDUCTORS

Pack No.	Description	Price
Q 20	Red spot trans. P.N.P.	50p
Q 21	White spot R.F. trans. P.N.P	50p
Q 3	OC 77 type trans.	50p
Q 4	Matched trans. OC44/45/81/81D	50p
Q 5	OC 75 transistors	50p
Q 6	OC 72 transistors	50p
Q 7	AC 128 trans. P.N.P. high gain	50p
Q 8	AC 126 trans. P.N.P.	50p
Q 9	OC 81 type trans.	50p
Q 10	OC 71 type trans.	50p
Q 11	AC 127/128 Comp. pairs PNP/VN	50p
Q 12	AF 116 type trans.	50p
Q 13	AF 117 type trans.	50p
Q 14	OC 171 H.F. type trans.	50p
Q 15	2N2926 Sil. Epoxy trans.	50p
Q 16	2N2926 low noise Germ. trans.	50p
Q 17	2N1711 & 2N1714	50p
Q 18	Matt's 2 MAT 100 & 2 MAT 120	50p
Q 19	Matt's 2 MAT 101 & 1 MAT 121	50p
Q 20	OC 44 Germ. trans. A.F.	50p
Q 21	AC 127 NPN Germ. trans.	50p
Q 22	NKT trans. A.F. R.F. coded	50p
Q 23	OA202 Sil. diodes sub-min.	50p
Q 24	OA 81 diodes	50p
Q 25	IN941 Sil. diodes 75 PIV 75mA	50p
Q 26	OA95 Germ. diodes sub-min. IN69	50p
Q 27	10A 000 PIV Sil. Rects. 18425R	50p
Q 28	Sil. power rect. BYZ 13	50p
Q 29	Sil. trans. 2 x 2N696, 1 x 2N697, 1 x 2N698	50p
Q 30	Sil. switch trans. 2N706 NPN	50p
Q 31	Sil. switch trans. 2N708 NPN	50p
Q 32	PNP Sil. trans. 2 x 2N1131	50p
Q 33	Sil. NPN trans. 2N1711	50p
Q 34	Sil. NPN trans. 2N2369, 500MHZ	50p
Q 35	Sil. NPN TO-5 2 x 2N2904 & 1 x 2N295	50p
Q 36	2N3646 TO-18 plastic 300MHZ NPN	50p
Q 37	2N3053 NPN Sil. trans.	50p
Q 38	PNP trans. 4 x 2N3703, 3 x 2N3702	50p
Q 39	NPN trans. 4 x 2N3704, 3 x 2N3705	50p
Q 40	NPN trans. 4 x 2N3707, 3 x 2N3708	50p
Q 41	Plastic NPN TO-18 2N3904	50p
Q 42	6 NPN trans. 2N5172	50p
Q 43	BC 107 NPN trans.	50p
Q 44	NPN trans. 4 x BC108, 3 x BC109	50p
Q 45	BC 113 NPN TO-18 trans.	50p
Q 46	BC 115 NPN TO-5 trans.	50p
Q 47	6 NPN high gain 3 x BC107, 3 x BC168	50p
Q 48	BCY70 PNP trans. TO-18	50p
Q 49	4 NPN trans. 2 x BFY51, 2 x BFY52	50p
Q 50	8BY 28 NPN switch TO-18	50p
Q 51	8BY 95A NPN trans. 300MHZ	50p
Q 52	8BY100 type sil. rect.	£1
Q 53	Sil. & germ. trans. mixed all marked new	£1.50

TRANSISTOR EQUIVALENTS BOOK. NEW EDITION '71. A complete cross reference and equivalent book for European, American and Japanese Transistors. Exclusive to BI-PAK. 90p each.

NEW LOW PRICE TESTED S.C.R.'s

PIV 1A	3A	7A	10A	16A	30A
TO5	TO6	TO6	TO6	TO4	TO4
50 23p	47p	50p	53p	£1.15	£1.40
100 25p	33p	53p	58p	83p	£1.40
200 35p	37p	57p	61p	75p	£1.60
400 43p	47p	87p	75p	93p	£1.75
600 53p	57p	77p	97p	£1.25	£1.50
800 63p	70p	90p	£1.20	£1.50	£4

2A POTTED BRIDGE RECTIFIERS

SIL. G.P. DIODES	Price
300mV	30p
40PIV (Min.)	50p
Sub-Min.	50p
Full Tested	100p

Ideal for Organ Builders.

PRINTED CIRCUITS EX-COMPUTER

Packed with semiconductor and components. 10 boards give a guaranteed 30 trans and 30 diodes. Our price 10 boards 50p + 10p p. & p. 100 boards £3 + 30p p. & p.

DUAL-IN-LINE LOW PROFILE SOCKETS

Order No.	Price each
TS014 1 pin type	1-24 25-99 100 up
	33p 27p 25p
TS016 6 pin type	43p 37p 34p

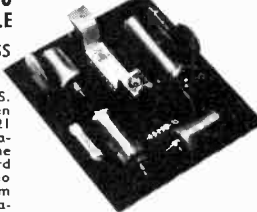
CADMIUM CELLS	FET's
ORP12 43p	2N3819 40p
ORP60, ORP61 40p ea.	2N3820 50p
	MPP105 43p

PHOTO TRANS	BY130
OCPT7 Type	400 Piv 500 mA Sil. Rects.

JUMBO COMPONENT PAKS. Mixed Electronic Components. Exceptionally Good Value (no rubbish). Resistors, capacitors, pots, Electrolytics & Coils + many other useful items. Approximately 3 lb. in weight. Price inc. P. & P. £1.50 only. Plus our Satisfaction or money back guarantee.

ANOTHER BI-PAK FIRST!

THE NEW S.G.S. EA1000 AUDIO AMPLIFIER MODULE



*GUARANTEED NOT LESS THAN 3 WATTS RMS

Especially designed by S.G.S. incorporating their proven Linear I.C. Audio Amp. TA621 providing unlimited applications for the enthusiast in the construction of radios, record players, Audio and Stereo units, also ideal for intercom systems, monitoring applications and phone answering machines. OTHER USES—portable applications where supply rails as low as 9v are of prime importance.

- Sensitivity 40mV for 1 watt VOLTAGE GAIN 40dB but can be varied up to 73dB for some applications.
- Signal to Noise Ratio 86dB.
- Frequency response better than 50 Hz to 25 KHz for —3dB.
- Normal supply Voltage 9-25V.
- Suitable for 8-16 Ohm Loads.

● Overall Size 2 x 3 x 1/2"
● Typical Total Harmonic distortion at 1 Watt less than 1%
● Supply Voltage (Vs) = 14V 15 ohm load.

Module Tested and Guaranteed.
Qty. 1-9 10-25
Price each £2.63 £2.28
Larger quantities quoted on request.

Full hook-up diagrams and complete technical data supplied free with each module or available separately at 10p each.

SUPER PAKS NEW BI-PAK UNTESTED SEMICONDUCTORS

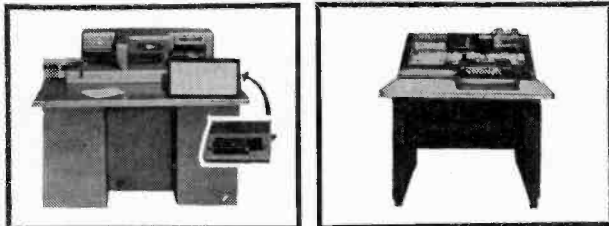
Unequalled Value and Quality Satisfaction GUARANTEED in Every Pak, or money back. Pak No.

U1	120 Glass Sub-min. General Purpose Germanium Diodes	50p
U2	60 Mixed Germanium Transistors AF/RF	50p
U3	75 Germanium Gold Bonded Diodes sim. OA5, OA47	50p
U4	40 Germanium Transistors like OC81, AC128	50p
U5	60 200mA Sub-min. Sil. Diodes	50p
U6	30 Silicon Planar Transistors NPN sim. 8BY95A, 2N706	50p
U7	16 Silicon Rectifiers Top-Hat 750mA up to 1,000V	50p
U8	50 Sil. Planar Diodes 250mA OA/200/202	50p
U9	20 Mixed Volta 1 watt Zener Diodes	50p
U11	30 PNP Silicon Planar Transistors TO-5 sim. 2N1132	50p
U13	30 PNP-NPN Sil. Transistors OC200 & 2N104	50p
U14	150 Mixed Silicon and Germanium Diodes	50p
U15	25 NPN Silicon Planar Transistors TO-5 sim. 2N697	50p
U16	10 3-Amp Silicon Rectifiers Stud Type up to 1,000 PIV	50p
U17	30 Germanium PNP AF Transistors TO-5 like ACY17-22	50p
U18	8 6-Amp Silicon Rectifiers BYZ13 Type up to 600 PIV	50p
U19	25 Silicon	

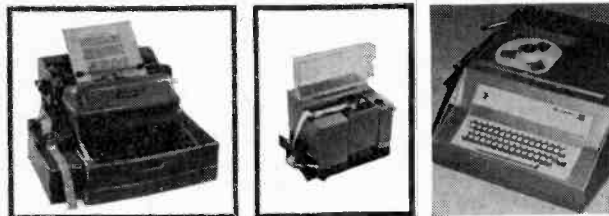
all from a single source
all at greatly reduced cost



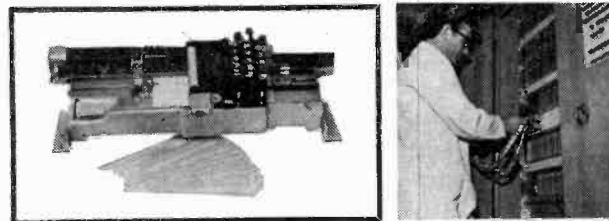
REFURBISHED computers and peripherals



a complete hardware and software back up



special two tier maintenance system



A new comprehensive service to computer users. C.S.S. offer from a SINGLE SOURCE—refurbished computers and peripheral equipment, comprehensive hardware and software back up, plus special maintenance facilities tailored to your needs. Whether you need a card punch, or a complete system installed, working and maintained, we can help. Write for our brochure or make an appointment to visit our showroom now.



Computer Sales & Services (Equipment) Ltd
 49-53 Pancras Road London NW1
 Telephone 01-278 5571
 Telex 267307

QUALITY PARTS FOR THE DISCERNING BUILDER

BAILEY PRE-AMPLIFIER still offers lowest distortion level and best overload capability. Edge Connector Mounted Printed Circuit in Fibreglass or Paxolin material to choice. Highest quality parts including gain graded transistors.

BAILEY 30w POWER AMPLIFIER. Edge Connector Mounted Printed Circuit in Fibreglass or Paxolin material, size 4 1/2" x 2 3/4". This unit and the above Pre-amplifier can both be used in our new Metalwork Assembly.

BAILEY 30w POWER SUPPLY. We have now designed a Printed Circuit Board for the power supply, again intended to be used with our Metalwork, which also has edge connector mounting. Available in Fibreglass material only.

BAILEY 20w AMPLIFIER. Special driver transformer and bifilar wound mains transformer. Printed circuits and all parts available for this design.

LINSLEY HOOD CLASS A. Full sets of parts now available to the new specification given in the December, 1970, Wireless World.

SUGDEN CLASS A AMPLIFIER. A Hi-Fi News design. All parts are in stock except the Metalwork.

J. R. STUART TAPE CIRCUITS. All parts now available.

Full details are given in our Free lists. Please send foolscap s.a.e.

HART ELECTRONICS

PENYLAN MILL, MORDA, OSWESTRY, SY10 9AF SALOP

Tel: Oswestry 2894

Personal callers are always welcome. But please note we are closed on Saturdays.

W.W. AMPLIFIER KITS

100 W AMPLIFIER (OVERLOAD PROTECTION INCLUDED)
 Designer, Texas Instruments Approved.

Matched Set 22 guaranteed Texas transistors, diode, 13 caps, 32 resistors, 3 pots, choke, 2 h/sinks 4 in. x 4-6 in. x 1-3 in., drilled 2 x TO3, fibreglass P.C.B., construction notes... 18-00
 2 sets... 35-00
 F/glass P.C.B. ... 0-95 Mains transformer ... 6-00
 4700 mfd. 63v. ... 1-70 1000 mfd. 64v. ... 0-70
 Power supply; 42v. + 50v. transformer, all cpts., h/sink ... 15-00
 2 power supply kits ... 28-50

30W BLOMLEY (New approach to class B)
 Semiconductor set ... 5-70 Resistors, caps, pots ... 1-95
 F/glass P.C.B. ... 0-70

30W BAILEY (SINGLE POWER RAIL)
 10 transistors ... 5-10 Resistors, caps, pot ... 1-30
 F/glass P.C.B. ... 0-65

LINSLEY HOOD CLASS AB
 MJ481, MJ491, MJ521, BC182L, BC212L, Zener ... 3-35
 16 resistors, 10 capacitors, 2 pots ... 2-20
 Please state 8Ω or 15Ω.

LINSLEY HOOD CLASS A (DEC., 1970, CIRCUIT)
 4 transistors ... 1-55 Resistors, caps, pot ... 1-80

REGULATED 60v. POWER SUPPLY
 A design, suitable for a pair of Bailey or Blomley amplifiers, featuring very effective S/C protection. All components, including mech. parts, heat sink, fuses, etc. ... 7-85
 Transistor matching and mica washers at no charge.

Resistors, except power types, 1/2W 5%. Low noise carbon film.

SEMICONDUCTORS

2N1613	0-20	2N3711	0-09	BC212L	0-12	1B08T20	0-50
2N1711	0-25	2N3819	0-23	BFX84	0-25	1B40K20	1-40
2N3053	0-20	2N3720	0-55	BFY50	0-20	1N916	0-07
2N3055	0-60	2N3904	0-27	40361	0-47	1S44	0-05
2N3702	0-11	2N3906	0-27	40362	0-57	1S920	0-10
2N3703	0-10	2N4058	0-13	MJ481	1-20	1S3062	0-25
2N3704	0-11	2N4062	0-12	MJ491	1-30	TIP29A	0-50
2N3705	0-10	BC107	0-10	MJ521	0-72	TIP30A	0-60
2N3706	0-09	BC109	0-10	MPSA05	0-30	TIP31A	0-60
2N3707	0-11	BC125	0-15	MPSA55	0-35	TIP32A	0-74
2N3708	0-07	BC126	0-22	MPSU05	0-60	TIP33A	1-00
2N3709	0-09	BC182L	0-10	MPSU55	0-70	TIP34A	2-00
2N3710	0-09	BC184L	0-11	MPSH05	0-20	TIP3055	0-60

BRAND NEW TOP QUALITY COMPONENTS, FAST SERVICE
 MAIL ORDER ONLY
 POST FREE

POWERTRAN ELECTRONICS

2 KENDALL PLACE · LONDON · W1

BEST BUY IN TTL!!

SIEMENS QUALITY PLUS BARGAIN PRICES PLUS LST SERVICE - A full design range of high quality TTL available from LST your Officially Appointed Siemens Distributors

Table with columns: Part No., Description, Equal to, 1-24, 25-99, 100 up, Part No., Description, Equal to, 1-24, 25-99, 100 up, Part No., Description, Equal to, 1-24, 25-99, 100 up. Lists various TTL components like NAND gates, inverters, decoders, etc.

CONTRACT ORDER PRICES AND BULK QUANTITY PRICES QUOTED ON REQUEST

Table listing various electronic components such as resistors (AC107-AC128), capacitors (ACY19-ACY21), diodes (AD149-AD162), and integrated circuits (NKT10419-NKT10339).

ALL STOCKS ADVERTISED LAST MONTH STILL AVAILABLE

NO GIMMICKS!! Our catalogue is free E postage appreciated (5p) E

NEW PRODUCT!!

Table for Siemans Tantalum Bead Capacitors with columns for Mfd. Voltage, Mfg. Voltage, and price.

Epoxy encapsulated miniature sinter tantalum Electrolytic-polarized Size example: 10mfd 16v 4.5 x 7.5 mm

BOOKS

List of books including G.E. Transistor Manual, Designer's Guide to British Transistors, R.C.A. Hobby Circuits Manual, etc.

SPECIAL OFFER IN 4000 SERIES 1 AMP RECTIFIERS

Table listing 1 Amp Rectifiers (IN4001-IN4007) with prices.

TERMS: Cash with order please. Postage: 10p inland, 25p Europe, 60p elsewhere.

LINEAR AND DIGITAL ICs

Table listing Linear and Digital ICs like Fairchild, G.E. (U.S.A.), Mullard, etc.

TRIACS

Table listing Triacs (2N5756, 40486, 40430, etc.) with prices.

THYRISTORS

Table listing Thyristors (CR1051C, CR1401C, etc.) with prices.

ENCAPSULATED BRIDGES

Table listing Encapsulated Bridges (W005, W06) with prices.

ULTRASONIC TRANSDUCERS

Operate at 40 kc/s. Can be used for remote control systems without cables or electronic links.

EXAMPLES OF OUR BULK QUANTITY PRICES:

Table showing bulk quantity prices for various components like BC107, AF239, AD161/2, etc.

LST ELECTRONIC LTD COMPONENTS LTD. Mail Order Dept.: (PE) 7 Coptfold Road, Brentwood, Essex. Industrial Sales Dept.: Tele: Brentwood 226470/1 Telex 99443

Great new OFFER from DIOTRAN TRANSISTORS

AC107	15p	AD149	43p	BC108	10p	BC177	17p	BF119	70p	BFX84	20p	EC401	15p	OC201	27p	2N524	55p	2N2694	27p	2N3483	22p	2S323	60p
AC113	20p	AD161	35p	BC109	7p	BC178	17p	BF152	35p	BFX85	27p	EC403	15p	OC202	27p	2N527	60p	2N2717	20p	2N3484	32p	2S324	Cl.20
AC115	23p	AD162	35p	BC113	25p	BC179	17p	BF153	35p	BFX86	22p	GET883	27p	OC203	25p	2N528	12p	2N2288	25p	2N3485	45p	2S325	Cl.20
AC125	17p	AD180		BC114	30p	BC180	20p	BF154	35p	BFX87	25p	MAT100	11p	OC204	25p	2N529	15p	2N2289	27p	2N3486	20p	2S326	Cl.20
AC126	17p	AD180(P)	03p	BC115	30p	BC181	22p	BF157	45p	BFX88	22p	MAT101	11p	OC205	35p	2N530	24p	2N2290	27p	2N3487	20p	2S327	Cl.20
AC127	17p	AD1740	50p	BC116	35p	BC182	10p	BF158	25p	BFX89	20p	MAT120	11p	OC309	35p	2N539	55p	2N2221	22p	2N3488	37p	DIODES & RECTIFIERS	
AC128	17p	ADZ11	£2.00	BC117	35p	BC182L	10p	BF159	30p	BFX90	20p	MAT121	17p	P346A	17p	2N706	7p	2N2222	27p	2N3489	17p	2S327	
AC141K	17p	ADZ12	£2.10	BC118	25p	BC183	10p	BF160	30p	BFX91	20p	MAT122	17p	P346A	17p	2N706A	8p	2N2223	27p	2N3490	17p	DIODES & RECTIFIERS	
AC142K	17p	AF14	17p	BC119	45p	BC183L	10p	BF162	30p	BFX92	20p	MAT123	17p	P346A	17p	2N706B	8p	2N2224	27p	2N3491	17p	DIODES & RECTIFIERS	
AC151	15p	AF115	17p	BC125	35p	BC184	13p	BF163	35p	BFX93	20p	MAT124	17p	P346A	17p	2N706C	8p	2N2225	27p	2N3492	17p	DIODES & RECTIFIERS	
AC154	15p	AF116	17p	BC126	35p	BC184L	13p	BF164	35p	BFX94	20p	MAT125	17p	P346A	17p	2N706D	8p	2N2226	27p	2N3493	17p	DIODES & RECTIFIERS	
AC155	17p	AF117	17p	BC132	25p	BC186	27p	BF165	35p	BSY25	15p	OC22	30p	ORP12	40p	2N717	42p	2N2412	50p	2N3706	13p	DIODES & RECTIFIERS	
AC156	17p	AF118	30p	BC134	30p	BC187	27p	BF167	22p	BSY26	15p	OC23	33p	ORP14	40p	2N718	24p	2N2411	50p	2N3705	12p	DIODES & RECTIFIERS	
AC157	17p	AF124	2p	BC135	30p	BC207	10p	BF173	22p	BSY27	15p	OC24	45p	ST141	17p	2N718A	50p	2N2711	22p	2N3708	8p	DIODES & RECTIFIERS	
AC158	17p	AF125	20p	BC136	30p	BC208	10p	BF176	35p	BSY28	15p	OC25	25p	T1543	40p	2N728	27p	2N2712	22p	2N3709	8p	DIODES & RECTIFIERS	
AC159	17p	AF126	20p	BC137	35p	BC209	11p	BF177	35p	BSY29	15p	OC26	25p	UT46	27p	2N727	27p	2N2714	25p	2N3710	10p	DIODES & RECTIFIERS	
AC167	20p	AF127	20p	BC139	45p	BC212L	11p	BF178	45p	BSY30	15p	OC28	40p	V405A	25p	2N743	17p	2N2904	25p	2N3711	10p	DIODES & RECTIFIERS	
AC168	20p	AF139	33p	BC140	35p	BC234L	10p	BF179	50p	BSY31	15p	OC29	40p	V404A	45p	2N744	17p	2N2905	25p	2N3712	10p	DIODES & RECTIFIERS	
AC169	14p	AF178	50p	BC141	35p	BC244L	12p	BF180	30p	BSY40	31p	OC35	33p	26301	19p	2N914	17p	2N2906	25p	2N3820	Cl.00	DIODES & RECTIFIERS	
AC176	23p	AF179	50p	BC142	45p	BC225	25p	BF181	30p	BSY41	31p	OC36	40p	26302	19p	2N918	30p	2N2907	25p	2N3821	25p	DIODES & RECTIFIERS	
AC177	20p	AF180	50p	BC143	40p	BC226	35p	BF182	30p	BSY95	12p	OC41	20p	26303	19p	2N929	22p	2N2908	25p	2N3804	27p	DIODES & RECTIFIERS	
AC187	30p	AF181	50p	BC145	45p	BC317	12p	BF183	25p	BSY95A	12p	OC42	22p	26304	20p	2N930	25p	2N2909	25p	2N3805	27p	DIODES & RECTIFIERS	
AC188	30p	AF186	45p	BC147	17p	BC318	12p	BF184	25p	BSY105	£3.30	OC44	15p	26306	35p	2N931	20p	2N2910	25p	2N3806	27p	DIODES & RECTIFIERS	
AC17	25p	AF239	37p	BC148	12p	BC319	12p	BF185	30p	C1E	60p	OC45	12p	26308	35p	2N932	22p	2N2911	25p	2N3808	15p	DIODES & RECTIFIERS	
AC19	20p	AF211	37p	BC149	17p	BC320	20p	BF186	30p	C400	30p	OC70	15p	26309	35p	2N930Z	17p	2N2912	25p	2N3809	10p	DIODES & RECTIFIERS	
AC19	22p	AF242	45p	BC150	17p	BC321	22p	BF184	25p	C407	25p	OC71	9p	26339	17p	2N933	17p	2N2913	13p	2N4080	12p	DIODES & RECTIFIERS	
AC120	20p	AL102	85p	BC151	20p	BC322	22p	BF185	24p	C424	17p	OC72	12p	26338A	15p	2N934	20p	2N2914	13p	2N4081	12p	DIODES & RECTIFIERS	
AC121	20p	AL103	85p	BC152	17p	BC333	17p	BF196	30p	C425	40p	OC74	12p	26344	15p	2N935	20p	2N2915	12p	2N4082	12p	DIODES & RECTIFIERS	
AC122	19p	AS126	25p	BC153	27p	BC334	20p	BF197	35p	C426	30p	OC75	15p	26345	15p	2N936	22p	2N2916	11p	2N4083	12p	DIODES & RECTIFIERS	
AC123	19p	AS127	30p	BC154	30p	BC370	17p	BF200	45p	C428	20p	OC76	15p	26371	13p	2N937	22p	2N2917	10p	2N4084	43p	DIODES & RECTIFIERS	
AC124	19p	AS128	25p	BC157	20p	BCY11	30p	BF222	80p	C441	27p	OC77	25p	26378	10p	2N938	27p	2N3000	80p	2S094	75p	DIODES & RECTIFIERS	
AC129	30p	AS129	25p	BC158	17p	BCY12	15p	BF257	35p	C442	37p	OC81	15p	26374	17p	2N939	27p	2N3011	20p	2S301	50p	DIODES & RECTIFIERS	
AC130	25p	AS150	25p	BC159	20p	BCZ11	20p	BF270	25p	C444	37p	OC810	15p	26377	27p	2N943	17p	2N3053	20p	2S302A	45p	DIODES & RECTIFIERS	
AC131	25p	AS151	25p	BC167	13p	BD121	85p	BF271	17p	C450	17p	OC82	15p	26378	15p	2N944	17p	2N3054	50p	2S302	45p	DIODES & RECTIFIERS	
AC134	18p	AS152	25p	BC168	13p	BD123	85p	BF272	80p	C720	12p	OC820	15p	26382	15p	2N989	35p	2N3055	63p	2S303	60p	DIODES & RECTIFIERS	
AC135	18p	AS154	25p	BC169	13p	BD124	75p	BF273	30p	C722	25p	OC83	20p	26401	30p	2N990	45p	2N3391	17p	2S304	Cl.10	DIODES & RECTIFIERS	
AC136	30p	AS155	25p	BC170	12p	BD131	80p	BF274	30p	C740	25p	OC84	20p	26401	30p	2N993	37p	2N339A	17p	2S305	Cl.10	DIODES & RECTIFIERS	
AC140	15p	AS156	25p	BC171	13p	BD132	80p	BF308	35p	C742	17p	OC139	15p	26417	25p	2N990	50p	2N3392	17p	2S306	Cl.10	DIODES & RECTIFIERS	
AC141	18p	AS157	25p	BC172	13p	BDY20	£1.00	BF309	37p	C744	17p	OC140	17p	2N988	30p	2N947	75p	2N3393	15p	2S307	Cl.10	DIODES & RECTIFIERS	
AC144	40p	AS158	25p	BC173	13p	BF115	22p	BF316	75p	C760	17p	OC170	15p	2N989A	50p	2N948	60p	2N3394	15p	2S321	60p	DIODES & RECTIFIERS	
AD140	40p	ASZ21	40p	BC174	13p	BF117	45p	BFX90	55p	C782	17p	OC171	15p	2N989A	22p	2N952	30p	2N3395	20p	2S322	50p	DIODES & RECTIFIERS	
AD142	40p	BC107	10p	BC175	22p	BF116	60p	BFX29	27p	C784	17p	OC700	25p	2N404A	30p	2N953	30p	2N3402	22p	2S322A	45p	DIODES & RECTIFIERS	

10 MILLION DIODES SILICON OR GERMANIUM
—state which when ordering

200	50p.	10,000	£10.00
1000	£2.00	50,000	£30.00
5000	£7.00	100,000	£50.00

2,000,000 SILICON PLANAR TRANSISTORS TO18 P.N.P. & N.P.N TYPES
state which when ordering

100	£1.50	10,000	£90.00
500	£6.00	50,000	£400.00
1,000	£10.00	100,000	£625.00

LINEAR INTEGRATED CIRCUIT 709/PC S.G.S.
TO-5 can 8 lead. Full specification high gain Operational Amplifier data supplied. *Lowest ever price.*

QUANTITY 1-9 10-24 25-99 100-999
PRICE EACH 37p. 34p. 30p. 25p.

BRAND NEW UNIJUNCTION TRANSISTORS
BRAND NEW FULLY TESTED EPOXY CASE UNIJUNCTION TRANSISTORS. Type T1S43 and BEN 3000 and replacement for 2N2646. Full data available. **LOWEST PRICE AVAILABLE ANYWHERE.** 100 off 20p each = £20; 500 off 17p each = £87.50; 1,000 off 15p each = £150. Sample devices 35p each on request.

SILICON PLANAR DIODES
HIGH QUALITY SILICON PLANAR DIODES. SUB-MINIATURE DD-7 Glass Type. suitable replacements for 0A200, 0A202, BAY38, IS130, IS940, 20D,000 to clear at £4 per 1,000 pieces. **GUARANTEED 80% GOOD.** 0A90 GERM. DIODES 30PW 45MA 00-7 GLASS. 30,000 Available New and Coded. Price £3 per 100. £11 per 500. £17 per 1,000 pieces. Once sold cannot be repeated.

DIOTRAN SALES
P.O. BOX 5, WARE, HERTS.
Full money-back guarantee
POSTAGE & PACKING 7p

WEYRAD COILS AND I.F. TRANSFORMERS IN LARGE-SCALE PRODUCTION FOR RECEIVER MANUFACTURERS

- P.11 SERIES** 10 mm.×10 mm.×14 mm. Ferrite cores 3 mm. 472 kc/s operation. Single-tuned I.F.s and Oscillator Coils.
- P.55 SERIES** 12 mm.×12 mm.×20 mm. Ferrite cores 4 mm. 472 kc/s operation. Single-tuned I.F.s and Oscillator Coils.
- T.41 SERIES** 25 mm.×12 mm.×20 mm. Ferrite cores 4 mm. 472 kc/s operation. Double-tuned 1st and 2nd I.F.s and Single-tuned 3rd I.F. complete with diode and by-pass capacitor.

These ranges are available to manufacturers in versions suitable for most of the popular types of Transistors. The Oscillator coils can be modified to enable specific tuning capacitors to be used provided that bulk quantities are required.

OUR WINDING CAPACITY NOW EXCEEDS 50,000 ITEMS PER WEEK

On the most up-to-date and efficient machines backed by a skilled assembly labour force for all types of coils and assemblies.

WEYRAD (ELECTRONICS) LIMITED, SCHOOL ST., WEYMOUTH, DORSET

SEW PANEL METERS

USED EXTENSIVELY BY INDUSTRY, GOVERNMENT DEPARTMENTS, EDUCATIONAL AUTHORITIES, ETC.
 ● LOW COST ● QUICK DELIVERY ● OVER 200 RANGES IN STOCK ● OTHER RANGES TO ORDER

NEW "SEW" DESIGNS!

CLEAR PLASTIC METERS



TYPE SW. 100
100 x 80 mm.

50μA	£3 47½	20V. D.C.	£2 97½
50-0-50μA	£3 37½	50V. D.C.	£2 97½
100μA	£3 37½	300V. D.C.	£2 97½
100-0-100μA	£3 25	1 amp. D.C.	£2 97½
500μA	£3 12½	5 amp. D.C.	£2 97½
1mA	£2 97½	300V. A.C.	£2 97½
		VU Meter	£3 75

BAKELITE PANEL METERS

TYPE S-80
80 mm.
square fronts



50μA	£3 12½	50V. D.C.	£2 47½
100-0-50μA	£2 97½	300V. D.C.	£2 47½
100μA	£2 97½	1 amp. D.C.	£2 47½
100-0-100μA	£2 82½	5 amp. D.C.	£2 47½
500μA	£2 47½	300V. A.C.	£2 82½
1mA	£2 47½	VU Meter	£3 37½
20V. D.C.	£2 47½		

"SEW" CLEAR PLASTIC METERS

Type MR.85P. 4¼in. x 4¼in. fronts.



10mA	£2 60
50mA	£2 60
100mA	£2 60
500mA	£2 60
1 amp.	£2 60
5 amp.	£2 60
15 amp.	£2 60
30 amp.	£2 60
20V. D.C.	£2 60
50V. D.C.	£2 60
150V. D.C.	£2 60
300V. D.C.	£2 60
15V. A.C.	£2 60
300V. A.C.	£2 60
100-0-100μA	£3 10
200μA	£2 87½
500μA	£2 75
500-0-500μA	£2 60
1mA	£2 60
1-0-1mA	£2 60
5mA	£2 60

Type MR.52P. 2¼in. square fronts.

50μA	£3 10	10V. D.C.	£2 00
50-0-50μA	£2 60	20V. D.C.	£2 00
100μA	£2 60	50V. D.C.	£2 00
100-0-100μA	£2 37½	300V. D.C.	£2 00
500μA	£2 25	15V. A.C.	£2 00
1mA	£2 00	300V. A.C.	£2 00
5mA	£2 00	8 Meter 1mA	£2 10
10mA	£2 00	VU Meter	£3 10
50mA	£2 00	1 amp. A.C.	£2 00
100mA	£2 00	5 amp. A.C.	£2 00
500mA	£2 00	10 amp. A.C.	£2 00
1 amp.	£2 00	20 amp. A.C.	£2 00
5 amp.	£2 00	30 amp. A.C.	£2 00

Type MR.65P. 3¼in. x 3¼in. fronts.

50μA	£3 37½	10V. D.C.	£2 10
50-0-50μA	£2 75	20V. D.C.	£2 10
100μA	£2 75	50V. D.C.	£2 10
100-0-100μA	£2 60	150V. D.C.	£2 10
500μA	£2 60	100V. D.C.	£2 10
500-0-500μA	£2 10	15V. A.C.	£2 10
1mA	£2 10	50V. A.C.	£2 10
5mA	£2 10	150V. A.C.	£2 10
10mA	£2 10	300V. A.C.	£2 10
50mA	£2 10	500V. A.C.	£2 10
100mA	£2 10	8 Meter 1mA	£2 37½
500mA	£2 10	VU Meter	£3 37½
1 amp.	£2 10	50mA A.C.	£2 10
5 amp.	£2 10	100mA A.C.	£2 10
10 amp.	£2 10	200mA A.C.	£2 10
15 amp.	£2 10	500mA A.C.	£2 10
20 amp.	£2 10	1 amp. A.C.	£2 10
30 amp.	£2 10	5 amp. A.C.	£2 10
50 amp.	£2 37½	10 amp. A.C.	£2 10
5V. D.C.	£2 10	20 amp. A.C.	£2 10
		30 amp. A.C.	£2 10

*** MOVING IRON—**
ALL OTHERS MOVING COIL
Please add postage

SEW EDUCATIONAL METERS



Type ED 107
Size overall 100mm x 90mm x 108mm

A new range of high quality moving coil instruments ideal for school experiments and other bench applications. 3in. mirror scale. The meter movement is easily accessible to demonstrate internal working.

Available in the following ranges:—

50μA	£4 50	10V. d.c.	£3 97
100μA	£4 25	20V. d.c.	£3 97
1mA	£3 97	50V. d.c.	£3 97
50-0-50μA	£4 25	300V. d.c.	£3 97
1-0-1mA	£3 97	Dual range	£3 97
1A d.c.	£3 97	500mA/5A d.c. ..	£4 25
5A d.c.	£3 97	5V/50V d.c.	£4 25

"SEW" BAKELITE PANEL METERS

Type MR.65. 3¼in. square fronts.



25μA	£3 50	500mA	£1 75
50μA	£2 37½	1 amp.	£1 75
50-0-50μA	£2 25	5 amp.	£1 75
100μA	£2 25	15 amp.	£1 75
100-0-100μA	£2 25	30 amp.	£1 75
500μA	£2 10	50 amp.	£1 75
1mA	£1 75	5V. D.C.	£1 75
1-0-1mA	£1 75	10V. D.C.	£1 75
5mA	£1 75	20V. D.C.	£1 75
10mA	£1 75	50V. D.C.	£1 75
50mA	£1 75	150V. D.C.	£1 75
100mA	£1 75	300V. D.C.	£1 75
		50V. A.C.	£1 75
		50V. A.C.	£1 75
		150V. A.C.	£1 75
		300V. A.C.	£1 75
		500mA A.C.	£1 75
		1 amp. A.C.	£1 75
		5 amp. A.C.	£1 75
		10 amp. A.C.	£1 75
		20 amp. A.C.	£1 75
		50 amp. A.C.	£1 75
		VU Meter	£3 10

EDGWISSE METERS



Type F.E.70. 3 17/32in. x 1 15/32in. x 2 1/2in. deep.

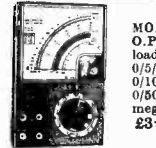
50μA	£3 00	500μA	£2 60
50-0-50μA	£2 87½	1mA	£2 37½
100μA	£2 87½	300V. A.C.	£2 37½
100-0-100μA	£2 75	VU Meter	£3 25
200μA	£2 75		

Send for illustrated brochure and further details on all Sew Panel Meters—Discounts for quantities

MULTIMETERS for EVERY purpose!



TECH PT-34. 1,000 O.P.V. 0/10/50/250/500/1,000V. a.c. and d.c. 0/1/100/500 mA. d.c. 0/100 Ω. £1 97½ P. & P. 12pp.



MODEL TE-200 20,000 O.P.V. Mirror scale, overload protection. 0/5/25/125/1,000 V. D.C. 0/6/30/120/600/1,200 V. A.C. 0/50/150/250/1,000 μA. 0/60K/6 meg. + 20 to + 62 db. £3 75 P. & P. 15p



MODEL TE-70 30,000 O.P.V. 0/3/15/60/300/600/1,200 V. D.C. 0/6/30/120/600/1,200 V. A.C. 0/30μA/3/30/300mA. 0/16K/160K/1.6M/16 Meg. £5 50 P. & P. 15p



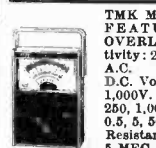
MODEL TE-12 20,000 O.P.V. 0/0.8/6/30/120/600/1,200/3,000/6,000 v. D.C. 0/6/30/120/600/1,200 v. A.C. 0/60μA/6/60/600 mA. 0/6K/600K/6Meg./60 Meg. Ω. 50 PF. 2 MFD. £5 97½ P. & P. 17pp.



MODEL PL436 20k Ω/Volt D.C. 8k Ω/Volt A.C. Mirror scale. 6/3/12/30/120/600V D.C. 3/30/120/600V A.C. 50/500μA/60/600 mA. 10/100K/1 Meg/10 meg Ω. —20 to + 46db. £6 97½ P. & P. 12pp.



MODEL 500 30,000 O.P.V. with overload protection, mirror scale. 0/5/2.5/10/25/100/250/500/1,000 v. D.C. 0/2.5/10/25/100/250/500/1,000 v. A.C. 0/50μA/5/50/500 mA. 15 amp. D.C. 0/60K/6 meg/60 meg Ω. £8 87½ Post paid.

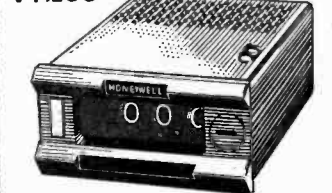


TMK MODEL TW-20CB FEATURES RESETTABLE OVERLOAD BUTTON. Sensitivity: 20K Ω/Volt D.C. 5K Ω/Volt A.C. D.C. Volts: 0-0.5, 2.5, 10, 50, 250, 1,000V. A.C. Volts: 0-2.5, 10, 50, 250, 1,000V. D.C. Currents: 0-0.05, 0.5, 5, 50, 500mA. -10 amp. Resistance: 0-5K, 50K, 0-500K. 5 MEG. Decibels: -20 to + 52db. £11 50 P. & P. 17pp.



TMK LAB TESTER 100,000 O.P.V. 6¼in. Scale Buzzer Short Circuit Check. Sensitivity: 100,000 OPV D.C. 5K/Volt A.C. D.C. Volts: 5, 2.5, 10, 50, 250, 1,000V. A.C. Volts: 3, 10, 50, 250, 500, 1,000V. D.C. Current: 10, 100μA, 10K, 100, 500mA, 2.5, 10 amp. Resistance: 1K, 10K, 100K, 10MEG, 100MEG. Decibels: -10 to + 49 db. Plastic Case with carrying handle. Size 7 1/4 x 6 1/4 x 3 1/4. £18 90 P. & P. 25p.

HONEYWELL DIGITAL VOLTMETER VT.100



Can be panel or bench mounted. Basic meter measures 1 volt D.C. but can be used to measure a wide range of AC and DC volt, current and ohms with optional plug in cards.
Specification:
 Accuracy: ± 0.2, ± 1 digit.
 Resolution: 1mV.
 Number of digits: 3 plus fourth overrange digit.
 Overrange: 100% (up to 1-999)
 Input impedance: 1000 Meg ohm.
 Measuring cycle: 1 per second.
 Adjustment: Automatic zeroing, full scale adjustment against an internal reference voltage.
 Overload: to 100V. D.C.
 Input: Fully floating (3 poles).
 Input power: 110-230V. A.C. 50/60 cycles.
 Overall size: 6 1/2in. x 2 13/16in. x 8 3/16in.
AVAILABLE BRAND NEW AND FULLY GUARANTEED AT APPROX. HALF PRICE
£49.97 1/2 Carr. 50p

HONOR TE.10A. 20 kΩ/Volt 5/25/50/250/500/2,500 v. D.C. 10/50/100/500/1,000 v. A.C. 0/50μA/2.5 mA/250 mA D.C. 0/6K/6 meg. ohm. —20 to + 22 db. 10-0, 100 mfd. 0.100-0.1 mtd. £3 47½ P. & P. 15p.

MODEL TE-300 30,000 O.P.V. Mirror scale, overload protection. 0/6/3/15/60/300/1,200 V. D.C. 0/6/30/120/600/1,200 V. A.C. 0/30μA/6mA/60mA/300mA/600mA. 0/8K/80K/800K/8 meg. —20 to + 63 db. £5 97½ P. & P. 15p.

TMK MODEL MD.120 Mirror scale. 20K/Volt D.C. 10K Ω/Volt A.C. 30/60/300/600/3,000 Volt D.C. 6/120/1,200 Volt A.C. Current: 0-60μA/0-12/0-300mA. 0-60K/0-6 Mohms. 20 to + 63 db. £4 62½ P. & P. 15p.

MODEL TE-90 50,000 O.P.V. Mirror scale, overload protection. 0/3/12/60/300/600/1,200 v. D.C. 0/6/30/120/300/600/1,200 v. A.C. 0/50μA/500 mA/600mA. 16K/160K/1.6 MEG. —20 to + 63 db. £7 50 P. & P. 15p.

SKYWOOD SW-500 50 K Ω/Volt. Mirror scale. 20K/Volt D.C. 10K Ω/Volt A.C. 300/600. A.C. Volts: 3/30/300/600. D.C. current: 20μA/100μA/600mA. Resistance: 10K/100K/1 Meg. Decibels: -20 to + 67 db. £7 50 P. & P. 15p.

MODEL AS-100D. 100K Ω/Volt 6 in. mirror scale. Built-in meter protection 0/3/12/60/120/300/600/1,200 v. D.C. 0/5/30/120/300/600 v. A.C. 0/10μA/100/1,000mA/12 Amp. 0/2K/20K/2M/200M. —20 to + 17 db. £12 50 P. & P. 17pp.

TE-900 20,000 Ω/VOLT GIANT MULTIMETER. Mirror scale and overload protection. 6 in. full view meter. 2 colour scale. 0/2.5/10/25/100/250/500 v. A.C. 0/25/12.5/10/50/250/1,000/5,000 v. D.C. 0/50μA/10/100/500mA/10 amp. D.C. 0/2K/20K/200 MEG. OHM. £15 P. & P. 25p

FTC-401 TRANSISTOR TESTER
Full capabilities for measuring A, B and ICQ. NPN or PNP. Equally adaptable for checking diodes. Supplied complete with instructions, battery and leads. £6 97½ P. & P. 15p.

T.E.40 HIGH SENSITIVITY A.C. VOLTMETER
10 meg. input 10 ranges: .01/.03/1/3/15/10/30/100/500 v. R.M.S. ± 0.5-1.5 Mc/s. Decibels -40 to + 50 db. Supplied brand new complete with leads and instructions. Operation 230 v. A.C. £17 50 Carr. 25p.

TE-65 VALVE VOLTMETER
High quality instrument with 28 ranges. D.C. volts 1.5-1,500 v. A.C. volts 1.5-1,500 v. Resistance up to 1,000 megohms. 220/240V. A.C. operation. Complete with probe and instructions £17 50 P. & P. 30p. Additional Probes available; R.F. £22½ H.V. £2 50.

270° WIDE ANGLE mA METERS
MW1-6 60mm. square £3 97½
MW1-8 80mm. square £4 97½ P. & P. extra

G. W. SMITH & Co. (Radio) Ltd.
ALSO SEE NEXT TWO PAGES

SEMICONDUCTORS/VALVES

ALL DEVICES BRAND NEW AND FULLY GUARANTEED

TRANSISTORS

2G301	20p	2N3606	27p	40310	45p	BC172	15p	BX519	17p	NKT281	27p
2G302	10p	2N3607	22p	40311	35p	BC175	22p	BX202	17p	NKT401	87p
2G303	20p	2N3638	18p	40312	47p	BC177	20p	BX201	20p	NKT402	90p
2G306	30p	2N3658A	20p	40314	37p	BC178	20p	BX206	45p	NKT403	75p
2G308	30p	2N3641	18p	40315	37p	BC182	22p	BX227	47p	NKT404	82p
2G309	30p	2N3642	18p	40316	47p	BC182L	12p	BX228	32p	NKT405	75p
2G371	15p	2N3643	20p	40317	37p	BC183	10p	BX260	82p	NKT406	62p
2G374	20p	2N3644	25p	40319	55p	BC183L	10p	BX261	62p	NKT451	62p
2G381	22p	2N3645	25p	40320	47p	BC184	15p	BX276	15p	NKT452	62p
2N388A	20p	2N3691	15p	40323	32p	BC184L	15p	BX277	20p	NKT453	47p
2N404	20p	2N3692	15p	40324	47p	BC185	15p	BX278	25p	NKT713	20p
2N696	15p	2N3693	15p	40326	37p	BC186	25p	BX284	15p	NKT736	35p
2N697	15p	2N3694	15p	40329	30p	BC187	27p	BX285	15p	NKT773	25p
2N698	25p	2N3702	10p	40344	27p	BC212L	12p	BX286	17p	NKT781	30p
2N699	42p	2N3703	10p	40347	57p	BC213L	12p	BX287	17p	OC16	50p
2N708	9p	2N3704	12p	40348	52p	BC214L	15p	BX288	17p	OC19	37p
2N709A	17p	2N3705	10p	40369	42p	BC215	27p	BX289	17p	OC20	75p
2N708	15p	2N3706	10p	40381	47p	BCY30	24p	BX290	17p	OC22	50p
2N709	45p	2N3707	12p	40382	55p	BCY31	30p	BX326	25p	OC23	60p
2N718	25p	2N3708	8p	40370	32p	BCY32	50p	BX327	25p	OC25	37p
2N718A	30p	2N3709	10p	40406	57p	BCY33	20p	BX328	20p	OC26	25p
2N726	25p	2N3710	10p	40407	40p	BCY34	25p	BX329	20p	OC28	60p
2N727	20p	2N3711	10p	40408	52p	BCY35	30p	BX330	20p	OC29	50p
2N730	20p	2N3712	10p	40409	52p	BCY36	30p	BX331	20p	OC30	60p
2N916	17p	2N3714	22.00	40410	62p	BCY40	50p	BX332	37p	OC32	60p
2N918	30p	2N3715	22.22	40412	60p	BCY41	15p	BX353	37p	OC35	37p
2N929	22p	2N3716	22.90	40467A	57p	BCY42	15p	BX354	40p	OC26	25p
2N930	24p	2N3773	22.40	40468A	35p	BCY43	15p	BX355	40p	OC28	25p
2N987	52p	2N3791	22.75	40528	72p	BCY44	32p	BX356	40p	OC29	60p
2N1090	22p	2N3791	34p	40529	72p	BCY45	32p	BX357	40p	OC30	60p
2N1091	22p	2N3820	57p	40603	50p	BCY59	22p	BX358A	12p	OC35	50p
2N1131	25p	2N3823	75p	40607	30p	BCY60	97p	C24	15p	OC39	60p
2N1132	25p	2N3854	27p	40626	20p	BCY70	15p	C450	15p	OC36	60p
2N1302	17p	2N3854A	27p	40627	24p	BCY71	20p	GET102	30p	OC41	22p
2N1303	17p	2N3865	27p	40628	22p	BCY72	15p	GET113	20p	OC42	25p
2N1304	22p	2N3855A	30p	40629	22p	BCY73	30p	GET118	20p	OC44	17p
2N1305	22p	2N3866	30p	40630	22p	BCY79	30p	GET120	25p	OC45	15p
2N1306	24p	2N3866A	35p	40631	22p	BCZ10	27p	GET120	25p	OC46	15p
2N1307	24p	2N3868	25p	40632	22p	BCZ11	40p	GET126	25p	OC45	15p
2N1308	25p	2N3868A	30p	40633	22p	BD112	50p	GET180	30p	OC70	15p
2N1309	24p	2N3869	27p	40634	27p	BD116	11.12	GET187	15p	OC71	12p
2N1507	17p	2N3869A	32p	40635	27p	BD121	65p	GET188	22p	OC72	12p
2N1513	21p	2N3870	30p	40636	27p	BD123	80p	GET189	22p	OC73	30p
2N1631	35p	2N3866	11.50	40639	24p	BD124	75p	GET189	22p	OC73	30p
2N1632	30p	2N3877	40p	40640	20p	BD131	75p	GET189	22p	OC74	30p
2N1637	30p	2N3877A	40p	40641	20p	BD132	85p	GET189	22p	OC75	22p
2N1638	27p	2N3900	37p	40642	10p	BDY10	11.25	MAT100	25p	OC76	22p
2N1639	27p	2N3900A	40p	40643	10p	BDY11	11.25	MAT101	30p	OC77	30p
2N1701	11.10	2N3901	40p	40644	10p	BDY61	11.25	MAT120	25p	OC78	20p
2N1711	24p	2N3903	25p	40645	14p	BDY62	11.00	MAT120	25p	OC78	20p
2N1889	32p	2N3904	25p	40646	14p	BF115	25p	MAT121	30p	OC81	20p
2N1893	37p	2N3905	30p	40647	40p	BF117	47p	MJ400	11.07	OC81D	20p
2N1927	30p	2N3906	30p	40648	40p	BF152	28p	MJ420	11.12	OC82	25p
2N1960	40p	2N3907	30p	40649	47p	BF154	35p	MJ421	11.12	OC82D	25p
2N1961	40p	2N3908	30p	40650	47p	BF155	28p	MJ430	11.02	OC83	15p
2N1962A	42p	2N3909	30p	40651	47p	BF156	27p	MJ430	11.02	OC83D	15p
2N1963	42p	2N3910	30p	40652	47p	BF157	27p	MJ440	95p	OC39	25p
2N1964	42p	2N3911	30p	40653	47p	BF158	25p	MJ480	97p	OC184	25p
2N1965	42p	2N3912	30p	40654	47p	BF159	25p	MJ481	11.25	OC140	32p
2N1966	42p	2N3913	30p	40655	47p	BF160	25p	MJ490	11.00	OC170	25p
2N1967	42p	2N3914	30p	40656	47p	BF161	25p	MJ491	11.37	OC171	30p
2N1968	42p	2N3915	30p	40657	47p	BF162	25p	MJ491	11.37	OC171	30p
2N1969	42p	2N3916	30p	40658	47p	BF163	25p	MJE340	51p	OC200	10p
2N1970	42p	2N3917	30p	40659	47p	BF164	25p	MJE370	55p	OC201	60p
2N1971	42p	2N3918	30p	40660	47p	BF165	25p	MJE371	55p	OC202	40p
2N1972	42p	2N3919	30p	40661	47p	BF166	25p	MJE372	55p	OC203	40p
2N1973	42p	2N3920	30p	40662	47p	BF167	25p	MJE373	55p	OC204	40p
2N1974	42p	2N3921	30p	40663	47p	BF168	25p	MJE374	55p	OC205	75p
2N1975	42p	2N3922	30p	40664	47p	BF169	25p	MJE375	55p	OC206	75p
2N1976	42p	2N3923	30p	40665	47p	BF170	25p	MJE376	55p	OC207	75p
2N1977	42p	2N3924	30p	40666	47p	BF171	25p	MJE377	55p	OC207	75p
2N1978	42p	2N3925	30p	40667	47p	BF172	25p	MJE378	55p	OC207	75p
2N1979	42p	2N3926	30p	40668	47p	BF173	25p	MJE379	55p	OC207	75p
2N1980	42p	2N3927	30p	40669	47p	BF174	25p	MJE380	55p	OC207	75p
2N1981	42p	2N3928	30p	40670	47p	BF175	25p	MJE381	55p	OC207	75p
2N1982	42p	2N3929	30p	40671	47p	BF176	25p	MJE382	55p	OC207	75p
2N1983	42p	2N3930	30p	40672	47p	BF177	25p	MJE383	55p	OC207	75p
2N1984	42p	2N3931	30p	40673	47p	BF178	25p	MJE384	55p	OC207	75p
2N1985	42p	2N3932	30p	40674	47p	BF179	25p	MJE385	55p	OC207	75p
2N1986	42p	2N3933	30p	40675	47p	BF180	25p	MJE386	55p	OC207	75p
2N1987	42p	2N3934	30p	40676	47p	BF181	25p	MJE387	55p	OC207	75p
2N1988	42p	2N3935	30p	40677	47p	BF182	25p	MJE388	55p	OC207	75p
2N1989	42p	2N3936	30p	40678	47p	BF183	25p	MJE389	55p	OC207	75p
2N1990	42p	2N3937	30p	40679	47p	BF184	25p	MJE390	55p	OC207	75p
2N1991	42p	2N3938	30p	40680	47p	BF185	25p	MJE391	55p	OC207	75p
2N1992	42p	2N3939	30p	40681	47p	BF186	25p	MJE392	55p	OC207	75p
2N1993	42p	2N3940	30p	40682	47p	BF187	25p	MJE393	55p	OC207	75p
2N1994	42p	2N3941	30p	40683	47p	BF188	25p	MJE394	55p	OC207	75p
2N1995	42p	2N3942	30p	40684	47p	BF189	25p	MJE395	55p	OC207	75p
2N1996	42p	2N3943	30p	40685	47p	BF190	25p	MJE396	55p	OC207	75p
2N1997	42p	2N3944	30p	40686	47p	BF191	25p	MJE397	55p	OC207	75p
2N1998	42p	2N3945	30p	40687	47p	BF192	25p	MJE398	55p	OC207	75p
2N1999	42p	2N3946	30p	40688	47p	BF193	25p	MJE399	55p	OC207	75p
2N2000	42p	2N3947	30p	40689	47p	BF194	25p	MJE400	55p	OC207	75p
2N2001	42p	2N3948	30p	40690	47p	BF195	25p	MJE401	55p	OC207	75p
2N2002	42p	2N3949	30p	40691	47p	BF196	25p	MJE402	55p	OC207	75p
2N2003	42p	2N3950	30p	40692	47p	BF197	25p	MJE403	55p	OC207	75p
2N2004	42p	2N3951	30p	40693	47p	BF198	25p	MJE404	55p	OC207	75p
2N2005	42p	2N3952	30p	40694	47p	BF199	25p	MJE405	55p	OC207	75p
2N2006	42p	2N3953	30p	40695	47p	BF200	25p	MJE406	55p	OC207	75p
2N2007	42p	2N3954	30p	40696	47p	BF201	25p	MJE407	55p	OC207	75p
2N2008	42p	2N3955	30p	40697	47p	BF202	25p	MJE408	55p	OC207	75p
2N2009	42p	2N3956	30p	40698	47p	BF203	25p	MJE409	55p	OC207	75p
2N2010	42p	2N3957	30p	40699	47p	BF204	25p	MJE410	55p	OC207	75p
2N2011	42p	2N3958	30p	40700	47p	BF205	25p	MJE411	55p	OC207	75p
2N2012	42p	2N3959	30p	40701	47p	BF206	25p	MJE412	55p	OC207	75p
2N2013	42p	2N3960	30p	40702	47p	BF207	25p	MJE413	55p	OC207	75p
2N2014	42p	2N3961	30p	40703	47p	BF208	25p	MJE414	55p	OC207	75p
2N2015	42p	2N3962	30p	40704	47p	BF209	25p	MJE415</			

HI-FI EQUIPMENT

SAVE UP TO 33 1/3% OR MORE SEND S.A.E. FOR DISCOUNT PRICE LISTS AND PACKAGE OFFERS!

RECORD DECKS

B.S.R.	
Mini Mono	£4.97
CI29*	£6.70
MP60	£11.30
610	£15.15
510	£15.47
310	£10.55
MP60 T.P.D.1	£18.75
MP60 T.P.D.2	£17.55
610 T.P.D.1	£22.12
510 T.P.D.1	£20.10
210 Package*	£11.30
H.T.70	£16.60
H.T.70 Package	£24.00
THORENS	
TD125	£59.65
TD125AB	£94.25
TX25	£6.70
TD150A II	£34.60
TD150AB II	£41.35
TX11	£3.77



GARRARD	
A40 11*	£8.40
2025 T/C*	£8.50
3500*	£9.75
SP25 III	£10.95
A70 11	£11.97
SL63B	£14.40
SL72B	£18.95
Suggested system. 8AQ 206 amplifier, SP25 III, plinth and cover, G800 cartridge, pair DJ 3 way speakers. Total Rec. List £81. Our Price £54.95 Carr. £1.50.	
GOLDRING	
GL69/2	£22.20
GL69F/2	£29.50
GL75	£29.97
GL75P	£38.50
LID69/75	£3.40
G99	£21.97
PIONEER	
PL12AC	£37.95

* Mono * Stereo Cartridge All other models less Cartridge Carriage 50p extra any model.

RECORD DECK PACKAGES

Decks supplied ready wired in leak vented plinth and cover fitted with cartridge.



Garrard 2025 T/C with Sonotone 9TAHCD £13.95

Garrard SP25 III with Goldring G800 £18.95 (The above two models are also available in new metal plinth.)

Garrard AP76 with Goldring G800... £29.95

BSR MP60 with Audio Technica AT.55 £21.00

Goldring GL69/2 with Goldring G800 £37.50

Goldring GL75 with Goldring G800... £42.50

Goldring GL75 with Goldring G800E £46.65

Carriage 50p extra any model.

SINCLAIR EQUIPMENT Project 60. Package Offers



2 x Z30 amplifier, stereo 60 pre-amp, P25 power supply. £16.75. Carr. 37p. Or with P26 power supply. £18.85. Carr. 37p. 2 x Z50 amplifier stereo 60 pre-amp, P28 power supply. £20.25. Carr. 37p. Transformer 4 P28. £2.97 extra. Add to any of the above £4.97 for active filter unit and £16 for a pair of Q16 speakers. PROJECT 60 FM TUNER £20.25. Carr. 37p. All other Sinclair products in stock. IC12 £2.50. 2,000 amplifier £24.50. Carr. 37p. Neotec amplifier £45.97. Carr. 37p.

HOSIDEN DH04S

2-WAY STEREO HEADPHONES



Each headphone contains a 2 1/2 in. woofer and a 1/2 in. tweeter. Built in individual level controls. 26-18,000 c.p.s. 8Ω imp. with cable and stereo plug. £5.97. P. & P. 12p.

Latest Catalogue

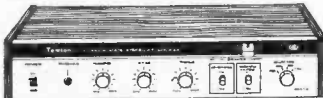
New 6th edition giving full details of a comprehensive range of Hi-Fi EQUIPMENT COMPONENTS, TEST EQUIPMENT and COMMUNICATIONS EQUIPMENT. FREE DISCOUNT COUPONS VALUE 50p. 272 pages, fully illustrated and detailing thousands of items at bargain prices.



SEND NOW! STILL ONLY 37 1/2p P & P 10p

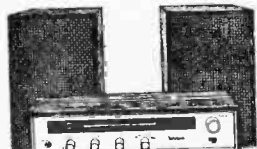


TELETON SAQ-206 STEREO AMPLIFIER



Latest exciting release. Brand new model, beautifully styled with walnut case. 6 + 6 watts r.m.s. Switched inputs for mag, xtal, aux, tape. Incorporates volume, bass, treble and sliding balance control, scratch filter and loudness control. Rec. List £32.50. Our Price £18.50. Carr. 37p. Suggested system. 8AQ 206 amplifier, SP25 III, plinth and cover, G800 cartridge, pair DJ 3 way speakers. Total Rec. List £81. Our Price £54.95 Carr. £1.50.

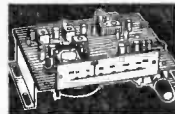
TELETON SPECIAL OFFER!



CR101 AM/FM STEREO TUNER AMPLIFIER WITH MATCHING PAIR OF SPEAKER SYSTEMS Output 4 watts per channel. Excellent reception AFC, built-in MPX. Cer/XTAL Input. Total List £50.25. OUR PRICE £25.95. Carr. 62p.

Also available with Garrard 2025 T/C Record Changer, Plinth, cover and stereo cartridge. Ready wired. £38.50. Carr. £1.

TRANSISTOR FM TUNER



TRANSISTOR HIGH QUALITY TUNER SIZE ONLY 6in. x 4in. x 2 1/2in. 3 I.F. stages. Double tuned discriminator, ample output to feed most amplifiers. Operates on 9 volt battery. Coverage 88-108 Mc/s. Ready built ready for use. Fantastic value for money. £8.37. P. & P. 12p.

STEREO MULTIPLEX ADAPTORS, £4.97.

MARCONI CT44 TF956 AF ABSORPTION WATTMETER

1 μ watt to 6 watts £20. Carr. £1.

BELCO DA-20 SOLID STATE DECADE AUDIO OSCILLATOR



New high-quality portable instrument Sine 1 Hz to 100 KHz, Square 20 Hz to 20 KHz. Output max. +10 db (10 K ohms). Operation 220/240 v. A.C. Size 215 mm x 150 mm x 120 mm. Price £27.50 Carr. 25p.

MARCONI TF.142E DISTORTION FACTOR METERS

Excellent condition. Fully tested £20. Carr. 75p.

TE-20RF SIGNAL GENERATOR



Accurate wide range signal generator covering 120 kc/s-250 Mc/s. on 6 bands. Directly calibrated. Variable R.F. attenuator. Operation 220/240 v. A.C. Brand new with instructions. £15. P. & P. 37p. S.A.E. for details

TE22 SINE SQUARE WAVE AUDIO GENERATORS



Sine: 20 cps to 200 kc/s. on 4 bands. Square 20 cps to 30 kc/s. Output impedance 5,000 ohms, 200/250 v. A.C. operation. Supplied brand new and guaranteed with instruction manual and leads. £16.50. Carr. 37p.

TRANSISTORISED L.C.R. A.C MEASURING BRIDGE.

A new portable bridge offering excellent range and accuracy at low cost. Ranges: R. 1Ω-11.1 MEG. ± 1%. 6 Ranges ± 1%. L. 1μH-111 HENRIES. 6 Ranges ± 2%. C. 10PF± 1110MFD. 6 Ranges ± 2%. TURNS RATIO 1:1/1000-1:11100. 6 Ranges ± 1%. Bridge voltage at 1,000 CPS. Operated from 9 volts. 100μA. Meter Indication. Attractive 2 tone metal case. Size 7 1/4" x 5" x 2" £20. P. & P. 25p.



TE-16A TRANSISTORISED SIGNAL GENERATOR

5 Ranges 400 kHz-30 mHz. An inexpensive instrument for the handyman. Operates on 9 v. battery. Wide easy to read scale. 800 kHz modulation. 5 1/2 in. x 5 1/2 in. x 3 1/2 in. Complete with instructions and leads. £7.97. P. & P. 20p.



LAFAYETTE TE-46 RESISTANCE CAPACITY ANALYSER

2 pf-2,000 μmf. 2 ohms-200 meg-ohms. Also checks impedance turns ratio insulation. 200/250 v. A.C. Brand New. £17.50 Carr. 37p.



RUSSIAN 22 RANGE MULTIMETER

Model U437 20,000 o.p.v. A first class versatile instrument manufactured in U.S.S.R. to the highest standards. Ranges: 2.5/10/50/250/500/1000v D.C. 2.5/10/50/250/500/1000v A.C. D.C. Current 100 μA/1/10/100 mA/1A. Resistance 300 ohms/330/300k/3M Ω. Complete with batteries, test leads, instructions and sturdy steel carrying case. Our Price £5.97. P. & P. 25p.



RUSSIAN CI-18 DOUBLE BEAM OSCILLOSCOPE

5 mc/s Pass Band. Separate Y1 and Y2 amplifiers. Rectangular 6 in. x 4 in. C.R.T. Calibrated triggered sweep from 2 μsec. to 100 mill-sec. per cm. Free running time base 50 c/s-1 mc/s. Built-in time base calibrator and amplitude calibrator. Supplied complete with all accessories and instruction manual. £87 Carr. paid.



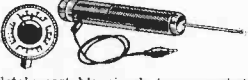
TE11 DECADE RESISTANCE ATTENUATOR

Variable range 0-111 db. Connections. Unbalanced T and Bridge T. Impedance 600 ohms. Range (0.1 db + 10) + (1 db + 10) + (10 + 20 + 30) + 40 db. Frequency: DC to 200 KHz (-3db). Accuracy: 0.05 db. ± Indication db x 0.01. Maximum input less than 4 watts (50 volts). Built in 600 Ω load resistance with internal/external switch. Brand new £27.50 P. & P. 25p.



ROUND SCALE TYPE PENCIL TESTER MODEL TS.68

Completely portable, simple to use pocket sized tester. Ranges 0/330/300v A.C. and D.C. at 2,000 o.p.v. Resistance 0-20K ohms. Only £1.97. P. & P. 13p.



UR-1A SOLID STATE COMMUNICATION RECEIVER 4 Bands covering 550kc/s - 30mc/s. FET, 8 Meter. Variable BFO for SSB. Built in Speaker. Bandspread, Sensitivity Control. 220/240V AC or 12v DC. 12 1/2" x 4 1/2" x 7". Brand new with instructions. £25. Carr. 37p.



UNR 30 RECEIVER 4 Bands covering 550kc/s - 30mc/s. B.F.O. Built in Speaker 220/240V AC. Brand new with instructions. £15.75. Carr. 37p.

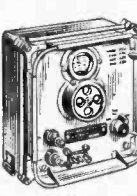
WS62 TRANSCEIVERS Large quantity available for EXPORT! Excellent condition. Enquiries invited!



LAFAYETTE HA-600 RECEIVER General coverage 150-400 Kc/s, 550kc/s-30 mc/s. FET front end, 2 mech. filters, product detector, variable B.F.O., noise limiter, 8 Meter, Bandspread. RF Gain. 15" x 9 1/2" x 8 1/2". 18 lb. 220/240V AC or 12v DC. Brand new with instructions. £45 Carriage 50p.

CRYSTAL CALIBRATORS NO. 10

Small portable crystal controlled wavemeter. Size 7in. x 7in. x 4in. Frequency range 500 Kc/s-10 Mc/s (up to 30 Mc/s on harmonics). Calibrated dial. Power requirements 300 V.D.C. 15mA and 12 V.D.C. 0.3A. Excellent condition. £4.47. Carr. 37p.



SOLID STATE VARIABLE A.C. VOLTAGE REGULATORS

Compact and panel mounting. Ideal for control of lamps, drills, electrical appliances etc. Input 230/240 v. A.C. Output continuously variable from 20 v.-230 v. Model MR 2305 5 amp 68 x 46 x 43 mm. £8.37. Model MR 2310 10 amp 90 x 68 x 60 mm. £11.97. Postage 12p.



AUTO TRANSFORMERS

0/115/230v. Step up or step down. Fully shrouded. 150 W. £2.37. P. & P. 17p 300 W. £3.25. P. & P. 22p 500 W. £4.97. P. & P. 32p 1,000 W. £7.25. P. & P. 37p 1,500 W. £8.97. P. & P. 42p 5,000 W. £36.00 P. & P. £1.

VOLTAGE STABILISER TRANSFORMERS.

180-260v. Input. Output 230v. Available 150w or 225w. £12.50. Carr. 25p.



230 VOLT A.C. 50 CYCLES RELAYS

Brand new. 3 sets of changeover contacts at 5 amp rating. 50p each P. & P. 10p (100 lots £40) Quantities available.

POWER RHEOSTATS

High quality ceramic construction. Windings embedded in vitreous enamel. Heavy duty brush wiper. Continuous rating. Wide range available ex-stock. Single hole fixing. 1/2 in. dia. shafts. Bulk quantities available. 25 WATT. 10/25/50/100/250/500/1000/1500/2500 or 5000 ohms. 72p. P. & P. 77p 50 WATT. 10/25/50/100/250/500/1000/2500 or 5000 ohms. £1.05. P. & P. 77p 100 WATT. 1/2/10/25/50/100/250/500/1000 or 2500 ohms. £1.37. P. & P. 77p.

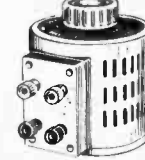


"YAMABISHI" VARIABLE VOLTAGE TRANSFORMERS

Excellent quality • Low price • Immediate delivery

MODEL S-200	General Purpose	1 Amp	£5.50
	Bench Mounting	2.5 Amp	£8.62
		1 Amp	£5.50
		2.5 Amp	£8.75
		5 Amp	£9.75
		8 Amp	£14.50
		10 Amp	£18.50
		12 Amp	£21.00
		20 Amp	£37.00

MODEL E-280 B Panel Mounting 1 Amp £5.50 2.5 Amp £8.62 Please add postage ALL MODELS INPUT 230 VOLTS OUTPUT VARIABLE 50/60 CYCLES 0-260 VOLTS Special discounts for quantity



G.W.SMITH & CO. (RADIO) LTD

27 TOTTENHAM CT. RD. LONDON, W.1 Tel: 01-636 3715
 3 LISLE STREET, LONDON, W.C.2 Tel: 01-437 8204
 34 LISLE STREET, LONDON, W.C.2 Tel: 01-437 9155
 311 EDGWARE ROAD, LONDON, W.2 Tel: 01-262 0387

OPEN 9-6 MONDAY TO SATURDAY

All Mail Orders to - 11-12, Paddington Green, London W.2 Tel: 01-262 6562 (Trade supplied)

BI-PRE-PAK LIMITED

FULLY TESTED AND MARKED

AC107	15p	OC170	23p
AC126	13p	OC171	23p
AC127	17p	OC200	25p
AC128	13p	OC201	25p
AC176	25p	2G301	13p
ACY17	15p	2G303	13p
AF239	37p	2N1302-3	40p
AF186	50p	2N1304-5	25p
AF139	37p	2N1306-7	30p
BC154	25p	2N1308-9	35p
BC171 = BC107	13p	BC113	10p
BC172 = BC108	13p		
BF194	15p	Power Transistors	
BF274	15p	OC20	50p
BFY50	20p	OC23	30p
BSY25	37p	OC25	25p
BSY26	13p	OC26	25p
BSY27	13p	OC28	30p
BSY28	13p	OC35	25p
BSY29	13p	OC36	37p
BSA95A	13p	AD149	30p
OC41	13p	2N3055	63p
OC44	13p	2S034	25p
OC45	13p	Diodes	
OC71	13p	AAY42 = OA5	10p
OC72	13p	OA91	9p
OC81	13p	OA79	9p
OC81D	13p	OA81	9p
OC139	13p	IN914	7p
OC140	17p		

CLEARANCE LINES

	1-10	10-50	50+
SL 403D Audio Amp.	2.00	1.95	1.80
IC 709C Linear Opp. Amp.	50p	40p	35p
A.E.I. Fully marked & tested Gates	25p	22p	20p
A.E.I. Fully marked & tested Flipflops	50p	40p	30p
OC71/72. Fully tested, unmarked	5p	5p	4p
Matched Sets, 1-OC44, 2-OC45 Per set	25p	20p	15p
Matched Sets, OC45, 1st & 2nd I.F. Per set	15p	12p	10p
BB105 Varicap Diodes	10p	8p	6p
OA47 Gold bonded Diodes, marked & tested	3p	3p	2p
1W Zener Diodes:			
6.8V, 7.5V, 24V, 30V & 43V	5p	4p	3p
10W Zener Diodes:			
7.5V, 11V, 13V, 20V & 100V	20p	17p	15p
Micro Switches, S/P, C/O. Popular size	25p	20p	15p
1 Amp. Bridge Rectifiers, 25V, RMS	25p	22p	20p

1 Amp Plastic Rectifiers: These are voltage, reverse Polarity and other rejects from the BY127 range. Ideal for low voltage Power Units etc. Price: £1 per 100.

COLOUR T.V. LINE OUTPUT TRANSFORMERS.

Designed to give 25 K.V. when used with PL509 and PY500 valves. As removed from colour receivers at the factory. **NOW ONLY 50p each** post and packing 23p

BUMPER BUNDLES

These parcels contain all types of surplus electronic components, printed panels, switches, potentiometers, transistors and diodes, etc. **2 LBS IN WEIGHT FOR £1** Post and packing 25p

NEW TESTED & GUARANTEED PAKS

B2	4	Photo Cells, Sun Batteries .3 to 5 volt, 5 to 2 ma.	50p
H8	4	BY127 Silicon Recs. 1000 P.I.V. 1 amp. Plastic. Replaces the BY100.	50p
B79	4	1N4007 Sil. Rec. Diodes, 1,000 P.I.V. 1 amp. Plastic.	50p
B81	10	Reed Switches, mixed types, large and small.	50p
B99	200	Mixed Capacitors. Post and packing 13p Approx. Quantity counted by weight.	50p
H4	250	Mixed Resistors. Post and packing 10p. Approx. Quantity counted by weight.	50p
H7	40	Wirewound Resistors. Mixed Values. Postage 7p.	50p
H9	2	OC71 Light Sensitive Photo Transistors.	50p
H12	50	NKT155/259 Germ diodes, brand new stock clearance.	50p
H18	10	OC71/75 uncoded black glass type PNP Germ.	50p
H19	10	OC81/81D uncoded white glass type PNP Germ.	50p
H28	20	OC200/1/2/3 PNP silicon uncoded To-5 Can	50p
H29	20	OA47 gold bonded diodes coded MCS2.	50p

FREE!
PACKS OF YOUR OWN CHOICE UP TO THE VALUE OF 50p WITH ORDERS OVER £4

OUR VERY POPULAR 3p TRANSISTORS FULLY TESTED & GUARANTEED

TYPE "A"
PNP Silicon
alloy, metal TO-5 can.
2S300 type, direct replacement for the OC200/203 range

TYPE "B"
PNP Silicon
PLASTIC ENCAPSULATION,
low voltage but good gain, these are of the 2N3702/3 and 2N4059/62 range.

TYPE "F"
NPN Silicon
PLASTIC ENCAPSULATION
Low Noise Amplifier of the 2N3707/8/9/10/11 Series.

TYPE "E"
PNP Germanium
AF OR RF
please state on order. Fully marked and tested.

BULK BUYING CORNER

NPN/PNP Silicon Planar Transistors, mixed untested, similar to 2N706/6A/8, BSY26-29, BSY95A, BCY70 etc. £4.25 per 500, £8.00 per 1,000.

Silicon Planar NPN Plastic Transistors, untested, similar to 2N3707-11 etc. £4.25 per 500, £8.00 per 1,000.

Silicon Planar Diodes, DO-7 Glass, similar to OA200/202, BAY31-36. £4.50 per 1,000

NPN/PNP Silicon Planar Transistors, Plastic TO-18, similar to BC113/4, BC153/4, BF153/160 etc. £4.25 per 500, £8.00 per 1,000.

OC44 OC45 Transistors, fully marked and tested. 500 plus @ 8p each, 1,000 plus @ 6p each.

OC71 Transistors, fully marked and tested. 500 plus @ 6p each, 1,000 plus @ 5p each.

3823E Field effect Transistors. This is the 2N3823 in plastic case. 500 plus @ 13p each, 1,000 plus @ 10p each.

1 Amp Miniature Plastic Diodes:
1N4001. 500 plus @ 3p each, 1,000 plus @ 3p each.
1N4004. 500 plus @ 5p each, 1,000 plus @ 4p each.
1N4006. 500 plus @ 6p each, 1,000 plus @ 5p each.
1N4007. 500 plus @ 8p each, 1,000 plus @ 7p each.

NEW UNMARKED UNTESTED PAKS

B80	8	Dual Trans. Matched O/P pairs NPN. Sil. in TO-5 can	50p
B83	200	Trans. manufacturer's rejects all types NPN, PNP, Sil. and Germ.	50p
B84	100	Silicon Diodes DO-7 glass equiv. to OA200, OA202	50p
B86	50	Sil. Diodes sub. min. IN914 and IN916 types	50p
B88	50	Sil. Trans. NPN, PNP, equiv. to OC200/1, 2N706A, BSY95A, etc.	50p
B60	10	7 watt Xener Diodes Mixed Voltages	50p
H6	40	250mW. Zener Diodes DO-7 Min. Glass Type	50p
H10	25	Mixed volts, 1 1/2 watt Zeners. Top hat type	50p
B66	150	High quality Germ. Diodes. Min. glass type	50p
H15	30	Top Hat Silicon Rectifiers, 750mA. Mixed volts	50p
H16	8	Experimenters' Pak of Integrated Circuits. Data supplied	50p
H20	20	BY126/7 Type Silicon Rectifiers, 1 amp plastic. Mixed volts	50p

F.E.T. PRICE BREAKTHROUGH

This field effect transistor is the 2N3823 in a plastic encapsulation; coded 3823E. It is an ideal replacement for the 2N3819. Data Sheet supplied with device.

1-10 = 30p each, 10-50 = 25p each, 50 + 20p each.

Make a Rev. Counter for your Car. The "TACHO BLOCK". This encapsulated block will turn any 0-1mA meter into a perfectly linear and accurate rev. counter for any car. £1 each

FREE CATALOGUE AND LISTS for:-

**TRANSISTORS, RECTIFIERS
DIODES, INTEGRATED CIRCUITS,
FULL PRE-PAK LISTS
& SUBSTITUTION CHART**

MINIMUM ORDER 50p CASH WITH ORDER PLEASE. Add 10p post and packing per order. OVERSEAS ADD EXTRA FOR POSTAGE

8 RELAYS for **£1**
VARIOUS CONTACTS AND COIL RESISTANCES.
NO INDIVIDUAL SELECTION.
POST & PACKING 25p

FREE! A WRITTEN GUARANTEE WITH ALL OUR TESTED SEMICONDUCTORS

BI-PRE-PAK LTD

DEPT. B, 222-224 WEST ROAD, WESTCLIFF-ON-SEA, ESSEX
TELEPHONE: SOUTHEND (0702) 46344

ELECTRONIC ORGAN DIVIDER BOARDS built to high industrial/computer spec. 5 octave set £15. Complete with connection data and oscillator details.

COPPER LAMINATE P.C. BOARD
8 1/2 x 5 1/2 x 1/16 in. 12 1/2p sheet, 5 for 50p
11 x 6 1/2 x 1/16 in. 15p sheet, 4 for 50p
11 x 8 x 1/16 in. 20p sheet, 3 for 50p
Offcut pack (smallest 4 x 2 in.) 50p 300 sq. in.
P&P single sheet 4p. Bargain packs 10p

SPEAKERS AND CABINETS

E.M.I. 19 x 14 in. 50 watts (14A/600A). Four tweeters mounted across main axis. Separate "X-over" unit balances both bass and h.f. sections. 20Hz to 20,000Hz. Bass unit flux 16,500gss. A truly magnificent system. £25. Carr. £1-50.

E.M.I. 13 x 8 in. (10 watt) with two tweeters and cross-over 3/8/15 ohm models. £3-75. P.P. 25p.

E.M.I. 13x8 in. base units (10 watt) 3/8/15 ohm models £2-25. P.P. 25p.

E.M.I. 6 1/2 in. rmd. 10 watt Woofers. 8 ohm. 13,000 gss £2-25. P.P. 15p.

E.M.I. 20 watt (13x8 in.) with single tweeter and "X-over" 20 Hz to 20,000 Hz. Ceramic magnet 11,000gss. £8. P.P. 40p. 20 watt base unit only. £6. P.P. 40p.

CABINETS for 13x8 in. Speakers made from 1/2 in. teak finish blockboard. 20 watt cabinet (21 x 15 x 8 1/2 in.) £6. P.P. 50p. 10 watt cabinet (16 x 11 x 8 in.) £4-80. P.P. 40p.

"AIRMAX" 7 1/2 In. FANS. Aluminium diecast housing (9 in.) 240v. a.c. New. £5. P.P. 50p.

"KLAXON" GEARED MOTORS (8 in.) 112 r.p.m. 240v. £2-25.

BRIDGE MEGGERS (500v. series 2) £18 ea. in good working order.

BRIDGE RECTIFIERS (Mullard GEX 54INBIPI) Output 74volt. at 18 amps. £2 ea. (brand new).

ULK COMPONENT OFFER. Resistors/Capacitors. All types and values. All new modern components. Over 500 pieces £2. (Trial order 100pcs. 50p.) We are confident you will re-order.

BERCO WIRE-WOUND POTS. New individually boxed. 200 ohm 25 watt 50p; 725 ohm 50 watt 75p; 300 ohm 100 watt £1 ea.

HIGH SPEED MAGNETIC COUNTERS (4 x 1 x 1 in.) 4 digit. 24/48v. (state which), 32 1/2p ea. P.P. 5p.
3 Digit (Re-settable) 12v. working £1-75.



LEVEL METERS (1 1/2 x 1/2 in.) 200 micro amp. Made in Germany 75p ea. 2 x 1 1/2 in. (Japan) £1 ea.

MICROAMMETERS (4 in. sq. Weston) 25-0-25 micro-amps. New/boxed. £2-25 ea. P.P. 25p.

PRECISION CAPACITANCE JIGS. Beautifully made with Moore & Wright Micrometer Gauge. Type 1. 18.5p to 1220pf. £10 ea. Type 2. 9.5pf to 11.5pf. £6 ea.

POT CORES LA1/LA2/LA3. 50p ea.

LIGHT DIMMERS (2000 watt) Triac Controlled. 3 1/2 x 2 x 1 1/2 in. £5-75 ea. P.P. 25p.

TRANSFORMERS

L.T. TRANSFORMER. (Shrouded) Prim. 200/250v. Sec. 20/40/60v. 2 amp. £2 ea. P.P. 40p.

L.T. TRANSFORMER. (Constant voltage) Prim. 200/240v. Two Secs. 50v. 2 amp. £3. P.P. 50p.

L.T. TRANSFORMER. Prim. 240v. Sec. 8/12/20/25v. 3.5 amp. £1 ea. P.P. 40p.

L.T. TRANSFORMER. Prim. 220/240v. Sec. 13v. 1.5 amp. 65p. 10.5v. 1 amp. Model 50p. P.P. 15p.

L.T. TRANSFORMER. "ADVANCE VOLTSTAT" Prim. 190-260v. Sec. 6v. r.m.s. 25 watt £2 ea. P.P. 30p.

H.T. TRANSFORMERS. Prim. 200/240v. Sec. 300-0-300v. 80 ma. 6.3v. c.t. 2 amp. £1-50 P.P. 40p. 350-0-350v. 60 ma. 6.3v. c.t. 2 amp. £1. P.P. 25p.

H.T. TRANSFORMERS (H.D.) Prim. 200/240v. Sec. 550v. 2 amp. £7-50. Carr. £1; 440v. 2.8 amp. £7-50. Carr. £1. Chokes to match £4. Carr. £1.

STEP-DOWN TRANSFORMERS. Prim. 200/240v. Sec. 115v. 120 watt (double wound). £1-25. P.P. 25p; 250 watt (D.W.). £2-25. P.P. 25p; 500 watt (D.W.). £5. P.P. £1; 600 watt (auto). £4-50. P.P. 75p; 750 watt (auto). £5-50. P.P. £1.

ADVANCE CONSTANT VOLTAGE. Prim. 190/250v. Sec. 115v. 2250 watt. £15. Carr. £2-50.

REGULATED POWER SUPPLY. (Coutant) Input 100/250v. Output ± 150v. D.C. at 500 ma TWICE. Dimensions 5 1/2 x 6 1/2 x 11 1/2 in. Wt. 22 lb £20 each. Carr. £2.

120 amp. AUTO TRANSFORMER. 190/270v. 50 c/s. Tapped every 5 volts. £50 ea. (Carr. by arrangement.)

COMPUTER TAPES. 2400 ft. 1/2 in. On N.A.B. Hubs complete with transparent cassette case. £2 ea. P.P. 50p.

LIQUID LEVEL SWITCH. Detects even mildly conductive liquids i.e. ether etc. N/O-N/C contacts fails to safe. £10 ea. S.a.e. literature.

"LONG LIFE" ELECTROLYTICS (screw terminal). 25,000 u.f. 40v. (4 1/2 x 2 1/2 in.) £1 P.P. 10p. 10,000 u.f. 75v. (4 1/2 x 2 1/2 in.) 87 1/2p. P.P. 10p. 7,100 u.f. 40v. (4 x 2 in.) 75p. P.P. 10p. 3,150 u.f. 40v. (4 x 1 1/2 in.) 75p. P.P. 10p.

TELEPHONE DIALS (New) £1 ea.

RELAYS (G.P.O. '3000'). All types. Brand new from 37 1/2p ea. 10 up quotations only. **TELEPHONE EXTENSION CABLE** 3 core/cream p.v.c. 100 yd. coil £2 200 yd. coil £3-75. P.P. 25p.



UNISELECTORS (Brand new) 25-watt 75 ohm. 8 bank 1/2 wiper £3-25. 10 bank 1/2 wiper £3-75. Other types from £2-25.

RELAYS

SIEMENS/VARLEY PLUG-IN. Complete with transparent dust covers and bases. 2 pole c/o contacts 35p ea; 6 make contacts 40p ea.; 4 pole c/o contacts 50p ea. 6-12-24-48v types in stock.

12 VOLT H.D. RELAYS (3 x 2 x 1 in.) with 10 amp. silver contacts 2 pole c/o 40p ea.; 2 pole 3 way 40p. P.P. 5p.

24 VOLT H.D. RELAYS (2 x 2 x 1 in.) 10 amp. contacts. 4 pole c/o. 40p ea. P.P. 5p.

240 VOLT A.C. RELAYS (1 1/2 x 1 1/2 x 1 in.) G.P. contacts 1 make 2 c/o. 60p ea. P.P. 5p.

REED RELAYS 4 make 9/12v. (1,000 ohm.) 62 1/2p ea. 2 make 37 1/2p ea. 1 make 25p ea. Reed Switches (1 1/2 in.) 10p ea. £1 per doz.

SUB-MINIATURE REED RELAYS (1 in. x 1/2 in.). Weight 1/2 oz. Type 1.960 ohm, 3/9v. 1 make. 62 1/2p ea. Type 2. 1800 ohm, 3/12v. 1 make. 75p ea.

E.H.T. GENERATOR MODULE (Mullard VM1049) input 12 volt, output 1800 volt 1 m.a. £4 ea. P.P. 25p.

SILICON BRIDGES 100 p.i.v. 1 amp (1 1/2 x 1 1/2 x 1/2 in.) 45p; 100 p.i.v. 2 amp (1 1/2 x 1 1/2 x 1/2 in.) 75p.

PATRICK & KINNIE

191 LONDON ROAD · ROMFORD · ESSEX
ROMFORD 44473 RM79DD

MARSHALL'S INTEGRATED CIRCUITS
NEW LOW PRICES · LARGEST RANGE · BRAND NEW · FULLY GUARANTEED

Table listing various integrated circuits including RCA Linear ICs, Motorola, Plessey, Mullard TTL, Mullard DTL, SGS, and Bridge Rectifiers. Columns include Type, Price, and other specifications.

A. MARSHALL & SON LTD. See our Ad. on opposite page for Transistors, Diodes, Passive Components and P. & P. charges. Many more types in stock and arriving daily. PLEASE ENQUIRE.

LARGEST STOCK

WIDEST SELECTION

LOW PRICES AND RETURN OF POST SERVICE

TRANSISTORS Brand new and fully guaranteed. PLEASE NOTE:—Matching charge (Audio Transistors only) 12p extra per pair. Many more semi-conductors in stock. Please enquire for types not listed.

Table listing various electronic components such as transistors, diodes, and resistors with their respective part numbers and prices.

SILICON RECTIFIERS table listing diodes and rectifiers with specifications like PIV, current, and voltage ratings.

DIODES AND RECTIFIERS table listing various diode types and their characteristics.

MAINS TRANSFORMERS table listing transformer models and their power ratings.

TRIACS table listing triac components and their specifications.

Economy Range Triacs table listing specific triac models.

INTEGRATED CIRCUITS SEE OUR ADVERTISEMENT ON OPPOSITE PAGE. SHOWING NEW I.C.s AT NEW LOW PRICES.

THYRISTORS table listing thyristor components and their ratings.

VEROBOARD table listing board types and their dimensions.

RESISTORS table listing resistor values and power ratings.

WIRE WOUND table listing wire-wound resistor specifications.

CAPACITORS. Polyester, ceramics, Polystyrene, silver mica, tantalum, trimmers etc. in stock, please enquire.

Table listing capacitor types and their electrical characteristics.

THERMISTORS (MULLARD) table listing thermistor models and their uses.

PANEL METERS table listing meter models and their scales.

MULLARD C280 M/FOIL CAPACITORS 0.01, 0.022, 0.033, 0.047, 0.068, 0.1, 1.4 etc. 0.15, 0.22, 0.33 5p each. 0.47 9p. 0.68 11p. 1.4 14p. 1.5 14p. 2.2 2.2p. 2.5p

PRESETS Carbon Miniature and Sub miniature. Vertical and Horizontal. 0.1 watt, 0.2 watt, all at 0.06 each. 0.3 watt 0.075.

CARBON POTENTIOMETERS Log. and Lin. Less switch ... 0.16

Log. and Lin. With switch ... 0.35 Wire-wound Pots (3 watts) ... 0.27 Twin-Ganged Stereo Pots. (Log. and Lin.) Less Switch 0.40

HEAT SINKS 4.8" x 4" x 1" Finned for Two TO-3 Trans. ... 0.47 4.8" x 2" x 1" Finned for One TO-3 Trans. ... 0.32 For SO-16 0.025 For TO-18 0.05 Finned For TO-5 0.05 Finned For TO-1 0.05 Finned

ZENER DIODES 400 mW (from 3.3v to 33v) ... 0.15 1 Watt (from 2.7v to 200v) ... 0.37 10 Watt (from 3.9v to 100v) ... 0.30 20 Watt BZV93 Series (from 7.5v to 75v) ... 0.52

Antex 15W. Soldering Iron ... 1.70 D.G. 30 W. Soldering Irons ... 1.10

POSTAGE AND PACKING CHARGES U.K. ... 0.12 EUROPE ... 0.25 (minimum) OVERSEAS (AIR) LETTER 0.65; PARCEL £1.90

ALL PRICES SUBJECT TO ALTERATION WITHOUT PRIOR NOTICE Telex 21492 A. MARSHALL & SON LTD 28 CRICKLEWOOD BROADWAY, LONDON, N.W.2

SEND 1/- (5 np) FOR NEW COMPREHENSIVE SEMI CONDUCTOR PRICE LIST. (24 pages) CALLERS WELCOME Hours: 9.5.30 pm Mon-Fri 9.1 pm Thurs 9.5 pm Sat

USM-24C OSCILLOSCOPE: 3 in. oscilloscope with 2c/s to 10Mc/s vertical response, and 8c/s to 800Kc/s horizontal response. Sensitivity 50 mv. rms/inch. Triggered sweep, built-in trigger pulses and markers. Mains input 115V, 50c/s. Complete with all leads, probes and circuit diagram. **£42-50** each, carr. £2.

SIGNAL GENERATOR TS-403B/U (or URM-61A): (Hewlett Packard). A portable, self-contained, general-purpose test equipment designed for use with radio and radar receivers and for other applications requiring small amounts of RF power such as measuring standing-wave ratios, antenna and transmission line characteristics, conversion gain, etc. Both the output freq. and power are indicated on direct-reading dials. 115V, AC, 50 c/s. Freq.—1800-4000 Mc/s. CW, FM, Modulated Pulse—40-4000 pulses per sec. Pulse Width—0.5-10 microseconds. Timing—Undelayed or delayed from 3-300 microseconds from external or internal pulse. O/put—1 milliwatt max., 0 to -127 db variable. O/put Impedance—50 Ω. Price: **£120** each + **£2** carr.

SIGNAL GENERATOR TYPE 902: (P.R.D.). A portable, general-purpose, broadband, microwave signal generator designed for testing and maintenance of aircraft radio and radar receivers in the SHF band. The RF output level is regulated by a variable attenuator calibrated in dbm. The frequency dial is calibrated in Mc/s. Provision is made for external modulation. Power Supply—115V, ±10% A.C., 50 c/s. Freq.—3650-7300 Mc/s. Internal Transmission—CW, Pulse, FM. External Transmission—Square Wave, Pulse. Power O/put—0.2 milliwatts. O/put Attenuator: -7 to -127 dbm. Load—50 Ω. Price: **£135** each + **£2** carr.

TEST SET TS-147C: Combined signal generator, frequency meter and power meter for 8500-9600 Mc/s. CW or FM signals of known freq. and power or measurement of same. *Signal Generator:* O/put -7 to -85 dbm. Transmission—FM, PM, CW. Sweep Rate—0-6 Mc/s per microsec. Deviation—0-40 Mc/s per sec. Phase Range—3-50 microsec. Pulse Repetition Rate—to 4000 pulses per sec. RF Trigger for Sawtooth Sweep—5-500 watts peak. 0.2-6 microsec. duration, 0.5 microsec pulse rise time. Video Trigger for Sawtooth Sweep—Positive polarity, 10-50V peak, 0.5-20 microsec duration at 10% max. amplitude, less than 0.5 microsec rise time between 90% and 10% max. amplitude points. *Frequency Meter:* Freq. 8470-9360 Mc/s. Accuracy—+2.5 Mc/s per sec. absolute, +1.0 Mc/s per sec. for freq. increments of less than 60 Mc/s relative, ±1.0 Mc/s per sec. at 9310 Mc/s per sec. calibration point. Accuracy measured at 25° C and 60 humidity. *Power Meter:* Input: +7 to +30 dbm. Output -7 to -85 dbm. Price: **£75** each + **£1** carr.

SIGNAL GENERATOR TS-497B/URR: (Boonton). Freq. 2-400 Mc/s in 6 bands. Internal Mod. 400 or 1000 c/s per sec. External Mod. 50 to 10,000 c/s per sec. External PM. Percent Mod. 0-30 for sine wave. Am or Pulse Carrier. O/put Voltage 0.1-100,000 microvolts cont. variable. Impedance 50 Ω. Price: **£85** each + **£1-50** carr.

FREQUENCY METER TS-74 (same TS-174): Heterodyne crystal controlled. Freq. 20-280 Mc/s. Accuracy .05%. Sensitivity 20 mV. Internal Mod. at 1000 c/s. Power Supply—batteries 6V and 135V. Complete with calibration book. (Manufactured for M.O.D. by Telemax. "As new" in cartons.) **£75** each. Fully stabilised Power Supply available at extra cost **£7-50** each. Carr. **£1-50**.

CT.54 VALVE VOLTMETER: Portable battery operated. In strong metal case with full operating instructions. 2.4V-480V. A.C. or D.C. in 6 Ranges, 1Ω to 10MegΩ in 5 Ranges. Indicated on 4in. scale meter. Complete with probe, excellent condition. **£12-50**, carr. **75p**.

CT.381 FREQUENCY SWEEP SIGNAL GENERATOR: 85Kc/s-30Mc/s and response curve indicator with 6in. CRT tube and separate power supply. Fully stabilised. Price and further details on request.

AVO WIDE RANGE SIGNAL GENERATOR: Freq. 50Kc/s-80Mc/s in 6 bands. Mains input 100-130V; 200-260V, 50-60c/s. Second-hand, excellent cond. **£14** each, or: New cond. complete with all leads and transit case **£20** each. Carriage **£1**.

DESK TYPE TELEPHONES: Black, without dial, new cond. **£2** each, 50p post. USA Type 500 series, with dial, black, new **£4** each, 50p post. USA Type, with dial, second-hand cond. **£1-25** each, 50p post.

CANADIAN HEADSET ASSEMBLY: Moving coil headphones 100Ω with chamois leather earmuffs. Small hand microphone complete with switch and moving coil insert. New Condition. **£1-75** each, post 25p.

HEADSET ASSEMBLY TYPE No. 10: Moving coil headphones and microphone. (Similar to above) new cond. **£1-75**, post 25p; or second-hand cond. **£1-25**, post 25p.

HEADSET ASSEMBLY: with lightweight boom microphone. Good second-hand condition. **£2-50**, post 75p.

DLR HEADPHONES: 2 × balanced armature earpieces. Low resistance. **£1-25** a pair, 25p post.

MOVING COIL INSERT: Ideal for small speakers or microphones. Box of 3 **£1**, post 25p.

HAND MICROPHONE: (recent design) with protective rubber mouthpiece. **£2**, post 25p.

MICROLINE IMPEDANCE METER MODEL 201: 5300-8100Mc/s. **£75** each, **£1** carr.

MICROLINE DIRECTIONAL COUPLER MODEL 209: 5260-8100Mc/s. 24DB. **£12-50** each, post 35p.

POWER UNITS AVAILABLE FOR FOLLOWING SETS: 52 set—mains input, 150V @ 60mA and 12V @ 3 amps, new cond. **£3-50**. Receiver type 88 (1475)—mains input, 250V @ 80mA and 6-3V @ 4 amps, new cond. **£3-50**. No. 19 set **£2-50**. C12 set **£4-00**. 88 set **£2-50**. Carriage all types **£1** extra.

STABILISED BENCH POWER SUPPLY: fully smooth, dual output, positive or negative, 2-6V; 6-9V; 9-12V and 12-16V all at 2 amps d.c. from mains input. **£25** + **£2** carr.

DIGITAL VOLTMETER & RATIOMETER Model BIE. 2116, **£65**, carr. **£2**.
DIGITAL VOLTMETER Model BIE. 2114, **£55**, carr. **£2**. (Mnfrs. Blackburn Instruments).

MARKA SWEEP GENERATOR MODEL VIDEO (Kay Electric, USA) **£65**, carr. **£2**.

ROTARY CONVERTERS: Type 8a, 24 v D.C., 115 v A.C. @ 1.8 amps, 400 c/s 3 phase, **£6-50** each, post 50p. 24 v D.C. input, 175 v D.C. @ 40mA. output, **£1-25** each, post 20p.

CONDENSERS: 40 mfd, 440 v A.C. wkg. **£5** each, 50p post. 30 mfd 600 v wkg. d.c., **£3-50** each, post 50p. 15 mfd 330 v a.c., wkg., 75p each, post 25p. 10 mfd 1000 v. 63p each, post 13p. 10 mfd 600 v. 43p each, 25p post. 8 mfd 2500 v. **£5** each, carr. 63p. 8 mfd 600 v. 43p each, post 15p, 8 mfd. 1% 300 v. D.C. **£1-25**, post 25p, 4 mfd. 3000 v. wkg. **£3** each, post 37p. 4 mfd 2000 v. **£2** each, post 25p. 4 mfd 600 v., 2 for **£1**. 0-25 mfd, 2Kv, 20p each, post 10p. 0-01 mfd MICA 2-5Kv. **£1** for 5, post 10p. Capacitor 0-125 mfd, 27,000 v. wkg. **£3-75** each, 50p post.

TCS MODULATION TRANSFORMERS, 20 watts, pr. 6,000 C.T., sec. 6,000 ohms. Price **£1-25**, post 25p.

SOLENOID UNIT: 230 v. A.C. input, 2 pole, 15 amp contacts, **£2-50** each. post 30p.

CONTROL PANEL: 230 v. A.C., 24 v. D.C. @ 2 amps, **£2-50** each, carr. 75p.

OHMITE VARIABLE RESISTOR: 5 ohms, 5½ amps; or 40 ohms at 2-6 amps. Price (either type) **£2** each, 25p post each.

TX DRIVER UNIT: Freq. 100-156 Mc/s. Valves 3 × 3C24's; complete with filament transformer 230 v. A.C. Mounted in 19in. panel, **£4-50** each, carr. 75p.

POWER SUPPLY UNIT PN-12A: 230V a.c. input 50-60 c/s. 513V and 1025V @ 420 mA output. With 2 smoothing chokes 9H, 2 Capacitors, 10Mfd 1500V and 10Mfd 600V. Filament Transformer 230V a.c. input. 4 Rectifying Valves type 5Z3. 2 × 5V windings @ 3 Amps each, and 5V @ 6 Amp and 4V @ 0.25 Amp. Mounted on steel base 19" W x 11" H x 14" D. (All connections at the rear.) Excellent condition **£6-50** each, carr. **£1**.

AUTO TRANSFORMER: 230-115V, 50-60c/s, 1000 watts. mounted in a strong steel case 5" × 6½" × 7". Bitumen impregnated. **£6** each, Carr. 63p. 230-115V, 50-60c/s, 500 watts. 7" × 5" × 5". Mounted in steel ventilated case. **£3-50** each, Carr. 50p.

LT TRANSFORMER: PRI 230V. Output 3 × 6-3 at 3 amps each winding, 3½" × 4" × 5". Fully shrouded **£1-50** post 50p.

VARIABLE VOLTAGE REGULATOR TRANSFORMER: Input 230V A.C.; Output 57-5V-230V in 16 equal steps @ 21 Amps. **£22-50** each, carr. **£1-50**.

TRANSFORMER: 230V A.C. input. 17-75V @ 35 Amps output. **£9-50** each, carr. **£1**.

TRANSFORMER: 'C' Core. 230V A.C. input. 1000-0-1000V or 750-0-750V @ 250mA. **£6-50** each, carr. 75p.

MODULATOR UNIT: 50 watt, part of BC-640, complete with 2 × 811 valves, microphone and modulator transformers etc. **£7-50** each, 75p carr.

CATHODE RAY TUBE UNIT: With 3in. tube, Type 3EG1 (CV1526) colour green, medium persistence complete with nu-metal screen, **£3-50** each, post 37p.

APNI ALTIMETER TRANS./REC., suitable for conversion 420 Mc/s., complete with all valves 28 v. D.C. 3 relays, 11 valves, price **£3** each, carr. 50p.

ANTENNA WIRE: 100 ft. long. **75p** + 25p post.

APN-1 INDICATOR METER, 270° Movement. Ideal for making rev. counter. **£1-25**, post 25p.

VARIABLE POWER UNIT: Complete with Zenith variac 0-230V., 9 amps.; 2½ in. scale meter reading 0-250V. Unit is mounted in 19 in. rack. **£15** each, **£1-50p** carr.

AIRCRAFT SOLENOID UNIT D.P.S.T.: 24V, 200 Amps, **£2** each, 25p post.

RADAR SCANNER ASSEMBLY TYPE 122A: Complete with parabolic reflector (24 in. diameter), motors, suppressors, etc. **£35** each, **£2** carr.

DECADE RESISTOR SWITCH: 0.1 ohm per step. 10 positions. 3 Gang, each 0-9 ohms. Tolerance ±1% **£3** each, 25p post. 90 ohms per step. 10 positions, total value 900 ohms. 3 Gang. Tolerance ±1% **£3-50** each, post 25p.

CRYSTAL TEST SET TYPE 193: Used for checking crystals in freq. range 3000-10,000Kc/s. Mains 230V, 50c/s. Measures crystal current under oscillatory conditions and the equivalent parallel resistance. Crystal freq. can be tested in conjunction with a freq. meter. **£12-50** each, **£1** carr.

LEDX SWITCHING UNIT: 2 ledex switches, 6 Bank and 3 Bank respectively, 6 Pos.; 1 Manual switch, 16 Bank 2 Pos. **£4** each, 50p post.

VARIAC TRANSFORMERS: Input 115V, output 0-135V at 2½ Amps. **£3** each 50p post. Input 115V, output 135V at 5 Amps. **£5** each, 50p post.

GEARED MOTOR: 24c. D.C., current 150mA, output 1 rpm, **£1-50** each, 25p post. **ASSEMBLY UNIT** with Letcherbar Tuning Mechanism and potentiometer, 3 rpm, **£2** each 25p post. **SYNCHROS:** and other special purpose motors available. List 3p.

DALMOTORS: 24-28V d.c. at 45 Amps, 750 watts (approx. 1hp) 12,000rpm. **£5** each, 50p post.

GEARED MOTOR: 28V d.c. 150 rpm (suitable for opening garage doors). **£4** each, 50p post.

SMALL GEARED MOTOR: 24V d.c., output 200 rpm. Meas'm'ts 1½in. dia. × 3¼in. long. **£2** each, 23p post.

FUEL INDICATOR Type 113R: 24V complete with 2 magnetic counters 0-9999, with locking and reset controls mounted in 3in. diameter case. Price **£2** each, 25p post.

COAXIAL TEST EQUIPMENT: COAX SWITCH—Mnfrs. Bird Electronic Corp. Model 72RS; two-circuit reversing switch, 75 ohms, type "N" female connectors fitted to receive UG-21/U series plugs. New in ctns., **£6-50** each, post 37p. **CO-AXIAL SWITCH—**Mnfrs. Transco Products Inc., Type M1460-22, 2 pole, 2 throw. (New) **£6-50** each, post 25p. 1 pole, 4 throw, Type M1460-4. (New) **£6-50** each, post 25p.

PRD Electronic Inc. Equipment: FIXED ATTENUATOR; Type 130c, 2-0-10-0 KMC/SEC. (New) **£5** each, post 25p. **FIXED ATTENUATOR:** Type 1157S-1 (New) **£6** each, post 25p.

**CALLERS BY TELEPHONE
APPOINTMENT ONLY**

W. MILLS

3-B TRULOCK ROAD, LONDON, N17 0PG

Phone: 01-808 9213

FOR HIRE

- all calibrated and ready to plug in

- Accelerometers
- Acoustics Equipment
- Attenuators
- AVOmeters
- Bridges
- Cable Test Equipment
- Cameras for Oscilloscopes
- Communications Test Equipment
- Computing Calculators
- Counters (DC—Microwave)
- Crystal Detectors
- Data Loggers
- Deviation Meters
- Differential Voltmeters
- Digital Voltmeters
- Directional Couplers
- Directional Detectors
- Distortion Meters
- Electrometers
- Electronic Multimeters
- Electrostatic Voltmeters
- Frequency Counters
- Function Generators
- Galvanometers (UV)
- Gaussmeters
- Insulation Testers
- Level Recorders (AF)
- Line Printers
- Link Analysers
- Loudness Analysers
- Microwave Link Analysers
- Modulation Meters
- Monitoring Equipment (Power Supplies)
- Multimeters
- Noise Generators
- Noise Meters
- Oscilloscopes
- Oscilloscope Calibrators

- Oscilloscope Cameras
- Oscilloscope Probes
- Petrol Electric Sets
- Phase Meters
- Plug-ins for Oscilloscopes
- Polyskops
- Potentiometers
- Power Meters
- Power Supplies
- Printers
- Probes
- Pulse Generators
- Recorders (All Types)
- Resistance Boxes
- Resistance Bridges
- Resolved Component Indicators
- Signal Sources
- Slotted Lines
- Sound Level Meters
- Spectrum Analysers
- Strain Measuring Equipment
- Stroboscopes
- Stylus Recorders
- Sweep Generators
- Tape Recorders (AF)
- Tape Recorders (FM)
- Telephone Test Equipment
- Thermo-hygrographs
- Thermometers (Recording)
- Timers
- TV Test Equipment
- UV Recorders
- Valve Testers
- Vector Voltmeters
- Voltmeters (AC, DC)
- VSWR Meters
- Water Pumps
- Wattmeters
- Wave Analysers
- Wow & Flutter Meters
- X-Y Plotters

From the index of the Livingston Hire catalogue all this equipment (from the world's leading manufacturers) is available for hire at short notice, all calibrated and ready to plug in.

SEND FOR YOUR COPY OF THE LIVINGSTON HIRE CATALOGUE



Tel: 01-267 3262

Shirley House, 27 Camden Rd., London NW1 9NR. Telex 23920

Livingston Hire
NUMBER ONE IN INSTRUMENT HIRE

Laskys

EXCLUSIVE DIGITAL CLOCK MECHANISM



- Made especially for Lasky's by famous maker
- Mains operation
- 12 hour alarm
- Auto "SLEEP" switch
- Hours, minutes and seconds read-off
- Forward and backward time adjustment
- Silent operation synchronous motor
- Shock and vibration proof
- Built in alarm buzzer

This unique DIGITAL CLOCK is now available EXCLUSIVELY FROM LASKY'S in chassis form for you to mount in any housing that you choose. All settings are achieved by two dual-concentric controls at the front including: ON-OFF-AUTO and AUTO ALARM, "sleep" switch, 10 minute division "click" set alarm (up to 12 hour delay), time adjustment. Ultra simple mechanism and high quality manufacture guarantee reliable operation and long life.

The sleep switch will automatically turn off any appliance—radio, TV, light, etc., at any pre-set time up to 60 min. and in conjunction with the AUTO setting will switch on the appliance again next morning.

The clock measures 4 3/4" W x 1 3/4" H x 3 1/4" D (overall from front of drum to back of switch). SPEC: 210/240V AC. 50Hz operation: switch rating 250V, 3A. Complete with instructions. HUNDREDS OF APPLICATIONS. COMPLETE WITH SET OF CONTROL KNOBS

LASKY'S PRICE £6.95 P & P 18p

SPECIAL QUOTATIONS FOR QUANTITIES

BSR McDONALD MP60



High precision, low-mass, counterbalanced pick-up arm, heavy balanced turntable, viscous cueing device, slide in cartridge, 4 pole motor.

LASKYS PRICE £11.95 POST 35p
With plinth and cover £15.75 POST 40p.

BSR McDonald units and packages

A. Chassis only. B. Complete with Lasky's plinth and cover. C. Complete with Lasky's plinth, cover and AD76K cart. D. comp. wired on BSR plinth with cover. E. As D plus AD76K cartridge.

Model	A	B	C	D	E
610	£15.50	£18.75	£22.50	£24.50	£28.50
510	£13.45	£16.95	£20.75	£22.00	£26.00
310	£10.95	£13.45	£17.25	£21.00	£23.50
MP60	£11.95	£15.75	£19.50	£21.50	£25.50

GARRARD SL55B



Four speed autochanger that accepts up to 8 LP's. Has all the refinements that Garrard SL turntables are famous for. With lifting device that allows "spot-on" track selection on all discs and perfect cueing facilities for singles. Wired for mono and stereo. Size 14in (W) x 11 1/2in (D) 4 1/2in above and 3in below unit plate.

LASKY'S PRICE £10.50 POST 35p

Model	Price	Options	Price
Garrard SP 25 Mk.III	£11.50	with 9TA cartridge	£10.50
Garrard SP 25 Mk.III	£13.95	wired	£13.95
Garrard AP 76	£20.95		£20.95
Garrard AP 76 with AD76K cart. and Lasky's plinth and cover			£35.00
Garrard AP 76 with Shure M44E cart. and Lasky's plinth and cover			£40.00
Garrard SP 25 Mk.III, AD76K cart. and Lasky's plinth and cover			£20.00
Garrard SP 25 Mk.III, Micro M2100/e cart. and Lasky's plinth and cover			£25.00

DENSHI BOARD KITS

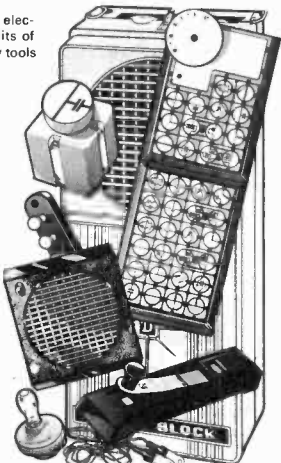
The Denshi Board system enables the young experimenter and electronics hobbyist to produce a wide range of transistor circuits of increasing sophistication—without soldering or the use of any tools at all. Each kit utilizes plug-in encapsulated components.

DENSHI KIT SR-1A
Kit comprises: Base board; tuner block, 4 resistors; choke coil; transformer; 28A transistor for RF, 2 diodes; 3 capacitors; battery block; morse key; antenna lead; crystal earphones; various bridge and connecting pieces. This kit permits the building of 16 basic circuits.

DENSHI KIT SR-3A
Kit comprises of: 2 base boards, 50 component and accessory parts inc. 3 transistors and 2 diodes, vol. control, 2 1/2in speaker in extension baffle housing, cadmium sulphide photo cell, crystal mic., earpiece, test probes, morse key, extension leads etc. Build at least 100 projects Comp. with batt.

DENSHI DR-7 (illustrated)
With this kit you can build various types of IF amplifiers and both audio and power amplifiers which can be used with external auxiliary equipment. Comprises 3in loudspeaker, personal earpiece, 7 transistors, diode, thermistor, volume control, capacitors, resistors, tuning capacitor, battery connectors, external project terminal blocks, shoulder carrying strap, battery, etc. PLUS 36 page manual of theory and schematics. High impact resistant case. Will house any of the radio receiver circuits thus making an excellent portable radio.

SR-1A £3.35 SR-3A £11.00 DR-7 £9.75 POST ON ALL KITS 13p



207 EDGWARE ROAD, LONDON, W.2.
33 TOTTENHAM CT. RD, LONDON, W1P 9RB.
109 FLEET STREET, LONDON, E.C.4.
152/3 FLEET STREET, LONDON, E.C.4.
HIGH FIDELITY AUDIO CENTRE
42-45 TOTTENHAM CT. RD, LONDON, W1P 9RD.
MAIL ORDERS AND CORRESPONDENCE TO
3-15 CAVELL STREET, LONDON, E1 2BN

RSC MK III SUPER 30 HI-FI STEREO AMPLIFIER

A COMPLETELY NEW DESIGN FURTHER IMPROVED IN BOTH APPEARANCE AND PERFORMANCE. REPRESENTING VALUE FAR HIGHER THAN THE PRICES SUGGEST.

Only high grade components by leading manufacturers.

£25 Carr. 65p

COMPLETE KIT OF PARTS

OR FACTORY BUILT WITH 12 months guarantee Dep. £5.75 and 9 monthly payments £3.50 (Total £37.25)

OR FACTORY BUILT IN cabinet as illustrated Dep. £8 and 9 monthly payments £3.96 (Total £40.74)

PRINTED CIRCUITRY, TWENTY SILICON TRANSISTORS, FOUR DIODES, FOUR RECTIFIERS.

TECHNICAL DETAILS (Applying to each channel where appropriate).

CONTROLS: PUSH-BUTTON SELECTOR (1) Disc (2) Radio (3) Tape (4) Mono L (5) Mono R (6) SPEAKER DIS. (7) Mains on/off. Bass, Treble, and Balance Plus Ceramic Mag. P.U. Switch.



- ★ SATIN SILVER METAL FACIA with black lettering. Black edged knobs with bright silver centres.
- ★ PUSH-BUTTON SELECTOR SWITCHING
- ★ NEW INDICATOR
- ★ JACK SOCKET FOR HEADPHONE
- ★ CABINETED MODEL VENEERED IN SATIN TEAK. SUITABLE FOR ANY MODERN PICK-UP CARTRIDGE

CERAMIC OR MAGNETIC, REGARDLESS OF PRICE. WE RECOMMEND USE WITH THE BEST ANCILLARY EQUIPMENT THAT CAN BE AFFORDED.

OUTPUT: 15 watts R.M.S. (Continuous) into 8 ohms. 10 watts R.M.S. (Continuous) into 15 ohms.

HUM & NOISE - 75dB Min. Vol. - 85dB Full Vol. HARMONIC DISTORTION 0.1% at 1000 Hz 10 Watts FREQUENCY RESPONSE: -3dB 7Hz to 20 kHz TREBLE CONTROL: +16dB to -12dB at 14 kHz BASS CONTROL: -17dB to +16dB at 40Hz

SENSITIVITIES: Disc Mag. 2.5mV, Ceramic 35mV, Tape 120mV. CROSS TALK - 58dB REAR PANEL SOCKETS ARE FOR 3 PAIRS OF INPUTS (1) P.U. (2) Radio (3) Tape Amp. Plus pair for tape recorder signal take off and 2 pairs for speaker connections.

£33.75

£36.75

FANE 807 HIGH FIDELITY LOUSPEAKER

A full range 8in. 10 watt Unit for excellent sound quality in suitable enclosure. Roll P.V.C. cone surround and long throw voice coil to achieve very low fundamental resonance at 30 c.p.s. Tweeter cone is tilted to extend high note response. Frequency range 25 Hz to 15 KHz. Impedance 3Ω or 8-15Ω. Cast Chassis. REMARKABLE VALUE AT ONLY

£3.50



AUDIOTRINE HIGH FIDELITY LOUSPEAKERS Heavy construction. Latest high efficiency ceramic magnets. Treated Cone surround or "L" indicates Roll Rubber surround. "D" indicates Tweeter Cone providing extended frequency range up to 15,000 c.p.s. Exceptional performance at low cost. Impedance 3 or 8-15 ohms.

WHEN ORDERING PLEASE STATE IMPEDANCE HF 801D 8" 8W £2.71 HF 120D 12" 15W £4.75 HF 102D 10" 10W £3.40 HF 12E 12" 15W £5.50 HF 12D 12" 15W £4.25 HF 12BD 12" 15W £5.90

FANE ULTRA HIGH POWER LOUSPEAKERS

All power ratings are continuous. R.M.S. continuous. 2 years guarantee. High flux ceramic magnets. Heavy cast chassis. ALL CARRIAGE FREE.

'POP' 100

'POP' 60

'POP' 50

18in. 100 watt 14,000 gauss 8/15 ohms £22.05

15in. 60 watt 14,000 gauss 8/15 ohms £12.90

12in. 50 watt 13,000 gauss 15 ohms £10.50

Dep. £6 and 9 monthly payments £2.10 (Total £24.90)

Dep. £3.30 and 9 monthly payments £1.30 (Total £12.15)

Dep. £2 and 9 monthly payments £1.15 (Total £12.35) PAIR SUITABLE FOR ALL P.U.'S

FOR BASS GUITAR OR ELECTRONIC ORGAN, ETC.

FANE LOUSPEAKERS 'POP' 25/2

Dual cone 15Ω (for uses other than Bass Guitar or Electronic Organ. Carr. free. £6.75

OR Dep. £1 and 9 monthly payments 75p (Total £7.75).

R.S.C. TA6 6 Watt High Fidelity Solid State Amplifier

200-250v. A.C. mains operated Frequency Response 30-20,000 c.p.s. -2dB. Harmonic Distortion 0.3% at 1,000 c.p.s. Separate Bass and Treble controls. 3 input sockets for Mike, Grain, Radio or Tape. Input selector switch. Output for 3-15 ohm speakers. Max. sensitivity 5mV. Output rating 1.5H.F.M. In fully enclosed enamelled case, approx. 9 1/4 x 4 1/4 in. Attractive brushed silver finish. Includes full wiring diagrams and instructions. Carr. 40p

OR FACTORY BUILT WITH 12 months' g'tee. £9.75

R.S.C. BATTERY/MAINS CONVERSION UNITS

Type BM1. An all-dry battery eliminator. Size 5 1/2 x 4 1/2 in. approx. Completely replaces batteries supplying 1.5 v. and 90 v. where A.C. mains 200/250 v. 50 c/s. is available.

COMPLETE KIT WITH DIAGRAM £3 OR READY FOR USE £3.50

HIGH QUALITY R.S.C. COLUMN LOUSPEAKERS

In teak or afromosia veneered cabinets. 15 ohm matching. TYPE C483, 30 watts. Fitted four 8in. high flux sw. speakers. OR Dep. £3 and 9 monthly payments £1.75

Gauss 10,000 Lines, Carr. 40p £5.25

L12. 12in. 20 Watt Model. TYPE C488, 30 watts. Fitted four 12in. 11,000 lines. 15 x 18 x 10 in. approx. 15Ω. Carr. 45p. £10.50

OR Dep. £3 and 9 monthly payments £2.75 (Total £21.25)

£27.50 Carr. 75p

AUDIOTRINE HI-FI SPEAKER SYSTEMS

Consisting of matched 12in. 11,000 line 15 watt 15 ohm high quality speaker, cross-over unit and tweeter. Smooth response and extended frequency range ensure surprisingly realistic reproduction.

SE10 Senior 15 watt inc. HF 121 15,000 line Speaker £8.75, Carr. 35p. £5.75

HI-FI LOUSPEAKER ENCLOSURES Teak or Afromosia veneer finish. Modern design. Acoustically lined. All sizes approx. Carr. 25p extra.

SE8 For optimum performance with any 8in. Hi-Fi speaker. 22 1/2 x 9 in. Ported £6.47

SE10 For outstanding results with Hi-Fi 10in. speaker. 24 x 15 x 10 in. Ported £6.74

SE12 For high performance with 12in. Hi-Fi speaker and Tweeter. Size 25 x 16 x 10 in. Pressurised. £7.87

TA12 MK III 6.5 + 6.5 WATT STEREO AMPLIFIER

FULLY TRANSISTORISED, SOLID STATE CONSTRUCTION HIGH FIDELITY OUTPUT OF 6.5 WATTS PER CHANNEL. Designed for optimum performance with any crystal or ceramic Gram P.U. cartridge, Radio tuner, Tape recorder, 'Mike' etc.

★ 3 separate switched input sockets on each channel ★ Separate Bass and Treble controls ★ Slide Switch for mono use ★ Speaker Output 3-15 ohms ★ For 200-250 v. A.C. mains ★ Frequency Response 20-20,000 p.s. -2dB ★ Harmonic Distortion 0.3% at 1000c.p.s. Hum and noise 70dB ★ Sensitivities (1) 50 mV (2) 300 mV (3) 100 mV ★ Handsome finish Facia Plate and Knobs Output rating 1.H.F.M. Complete kit of parts £15.50

FACTORY BUILT WITH 12 MTH G'NTEE. £19.50. OR Dep. £3 and 9 monthly pymts. £2.15 (Total £22.35). OR in Teak veneer housing. £23. OR Dep. £3 and 9 monthly pymts. £2.55 (Total £25.95).

SELENIUM RECTIFIERS F.W. Bridged 12/2v. D.C. Output Input Max. 18v. A.C. 1a. 25p; 2a. 35p; 3a. 50p; 4a. 65p; 6a. 80p.

R.S.C. G66 6+6 WATT HIGH QUALITY STEREO AMPLIFIER

Individual Ganged controls: Bass, Treble, Volume and Balance. Printed circuit construction employing 10 Transistors plus Diodes. Output rating 1.H.F.M. Suitable for Crystal Pick-ups etc., and for loudspeaker output impedances of 3 to 15 ohms. For standard 200-250 v. A.C. mains operation. Attractive silver finished metal facia plate and matching control knobs. Complete KIT of PARTS INCLUDING FULLY WIRED PRINTED CIRCUIT and comprehensive wiring diagram and instructions. Carriage 40p. OR FACTORY BUILT in Teak veneered cabinet as illus. OR Deposit £2.50 and 9 monthly payments £1.45 (Total £15.55).

R.S.C. A10 30 WATT ULTRA LINEAR HI-FI AMPLIFIER

Highly sensitive. Push-Pull high output, with Pre-amp/Tone control Stages. Hum level -70dB. Frequency response ±3dB 30-20,000 c.p.s. All high grade components. Valves EF86, EF88, ECC83, 607, 607, GZ34. Separate Bass and Treble Controls. Sensitivity 36 millivolts. Suitable for High Impedance mic. or pick-ups. Designed for Clubs, Schools, Theatres, Dance Halls or Outdoor Functions, etc. For use with Electronic Organ, Guitar, String Bass, etc. Gram, Radio or Tape. Reserve L.T. and H.T. for Radio Tuner. Two inputs with associated volume controls so that two separate inputs such as Gram and "Mike" can be mixed. 200-250 v. A.C. For 3 & 15Ω speakers. COMPLETE KIT PARTS, WIRING DIAGRAMS, INSTRUCTIONS. Twin-handled perforated cover £1.75. OR factory built with EL34 output valves and 12 months' guarantee for £19.75. Tech. figs. apply to factory built units. Carr. 65p.

TERMS: Deposit £4 and 9 monthly payments of £2.10 (Total £22.90). Send S.A.E. for leaflet.

RSC BASS-REGENT 50 WATT AMPLIFIER

A powerful high quality, all purpose unit. For lead, rhythm, bass guitar, vocals, gram, radio, tape. Peak output rating. Employing current valves and reliable components. FOUR JACK INPUTS and TWO VOLUME CONTROLS for simultaneous use of up to 4 pick-ups or 'mikes'. SEPARATE BASS AND TREBLE CONTROLS. OR SUPPLIED COMPLETE with matched twin loudspeaker unit as illustrated for £80. Carr. £10. Terms: Dep. £16 and 9 monthly payments £5.75 (Total £67.75).

THE 'YORK' HIGH FIDELITY 3'SPEAKER SYSTEM

Moderate size (approx. 25 x 14 x 10 in.). Range 30-20,000 c.p.s. KIT COMPLETE Impedance 15 ohms. Performance comparable with units costing considerably more. Consists of (1) 12in. 15 watt Bass unit with cast chassis. Roll rubber cone surround for ultra low resonance, and ceramic magnet. (2) 3-way quarter section series cross-over system. (3) 8 x 5in. high flux middle range speaker. (4) High efficiency tweeter. (5) Appropriate quantity acoustic damping material. (6) Teak veneered cabinet. (7) Circuit and full instructions. REMARKABLE VALUE HEAR IT AT ANY BRANCH

£22 Carr. 63p

AUDIOTRINE A55 HIGH QUALITY STEREO SYSTEM

5 + 5 WATT OUTPUT

Garrard 5200 Changer with low mass pick-up arm and Stereo Cartridge. Controls: TREBLE, BASS, VOLUME, STEREO, BALANCE.

Operation on 200-250v. A.C. mains. Output rating 1.H.F.M.

Luxurious Teak Veneer Finished Cabinets. Transparent plastic (tinted) cover included for main unit. Silver finished facia plate and matching control knobs.

A REALLY SURPRISING STANDARD OF QUALITY IS OBTAINED FROM THIS COMPACT LOW PRICED SYSTEM

BRADFORD 10 North Parade (Half-day Wed.). Tel. 25349

BLACKPOOL (Agent) O & C Electronics 227 Church St. Carr. 40p

BIRMINGHAM 30/31 Gt. Western Arcade. Tel.: 021-236 1279. Half-day Wed.

DERBY 26 Osmaston Rd. The Spot (Half-day Wed.). Tel. 41361

DARLINGTON 18 Priestgate (Half-day Wed.). Tel. 68043

EDINBURGH 133 Leith St. (Half-day Wed.). Tel. 556 5766

GLASGOW 326 Argyle St. (Half-day Tues.). Tel. 248 4158

HULL 91 Paragon Street (Half-day Thurs.). Tel. 20505



PAIR OF LOUSPEAKER UNITS

Incorporating high flux 8 in. x 5 in. speaker. Size approx. 13 x 7 1/4 x 8 1/4 in.

PRICE COMPLETE ONLY £42

Carr. £1.25

Terms: Deposit £5.50 and 9 monthly payments £4.50 (Total £46).

LEICESTER 32 High Street (Half-day Thurs.). Tel. 56420

LONDON 238 Edgware Road, W.2 (Half-day Thurs.). Tel. 723 1629

MANCHESTER 60A Oldham Street (Half-day Wed.). Tel. 236 2778

MIDDLESBROUGH 106 Newport Rd. (Half-day Wed.). Tel. 47096

NEW CASTLE UPON 41 Blackett Street (opp. Fenwick's Tyne Store) (Half-day Wed.). Tel. 21469

SHEFFIELD 13 Exchange Street (Castle Market Bldgs.) (Half-day Thurs.). Tel. 20716



MAIL ORDERS to: 106 Henconner Lane, Leeds 13 Terms C.W.O. or C.O.D. Postage 25p extra under £2. 30p extra over £2, or as stated. Trade supplied. S.A.E. with enquiries. EXPORT ENQUIRIES welcomed. Branches open ALL DAY SATS MAIL ORDERS MUST NOT BE SENT TO SHOPS.

SPECIAL HI-FI OFFERS

All Carriage Paid. Mail Order Only.

WHARFEDALE/F.A.L. 1 Pr. Wharfedale Super Linton Speakers, 1 F.A.L. Phase 32 15 + 15 Watt Stereo Amplifier. Total Rec. Retail Price £87.70

Package Price £66.50

Above brand new goods.

Following have been unpacked for display purposes only.

SANDWICH (Teak finish) £18

ROGERS RAVENSBROOK STEREO AMPLIFIER £39

TANDBERG 62X Tape Recorder (Stereo) £88

GOODMANS AUDIOM 91 18" speaker £19.95

COMPONENTS

ACCELEROMETERS

Range	Manufacturer	Type No.	Type	Price
6-8	Mechanisms	STRUCT 6J	Resistive	£1.50
± 10	Donner	4310	Resistive	80.00
± 10	J. A. Thompson	LAZ Mod 3C	Resistive	25.00
± 100	J. A. Thompson	LAZ Mod 3C	Resistive	25.00
± 1	S.E.L.	SE55A	Inductive	30.00
	English Electric	TCFBA1100/3B		5.00
± 12.5	Graseby			18.50
± 12	Graseby	GW 6A		18.50
± 16	Graseby			18.50
± 32	Graseby	GW6 Mk 6		18.50
± 64	Graseby	GW6 Mk 8		18.50
± 9	Lan-Elec	ITI-22F-31		15.00
1000	GEC	Type F	Ceramic	25.00
± 1	SIC de Far	J4211	Resistive	10.00
-3 + 5	Penny & Giles	D4331/1	Resistive	25.00
-5 + 30	Turner	IT-1-4F	Inductive	12.00
	Sperry	24955-0		10.00
	Sperry	21202-0100		10.00
	Sperry	214202-0100		10.00
	Endenco	A383		10.00
	Glennite	A320		10.00

ACTUATORS

ENGLISH ELECTRIC
Type 4519 Mk 1 Rotary Actuator 28V 3A 30 Watts 15000 rpm intermittent **£16.00**

PLESSEY
Type Jaguar Linear Actuator 28V 50 Watts 1.5 min rating; travel 0.78 ins @ 100 lb max **£15.00**

WESTERN MANUFACTURING
Type E325 Mk 1D **£10.00**

AMPLIFIERS

MAGNETIC

ELLIOTT	Type 3B5231	£10.00
ELLIOTT	Type 3B5235	£10.00
ELLIOTT	Type 3B6297	£10.00
ELLIOTT	Type 3C635	£10.00
ELLIOTT	Type 3C2758-A-Z	£10.00
ELLIOTT	Type 3C5019	£10.00
ELLIOTT	Type 3C5161	£10.00
ELLIOTT	Type 3C5275	£10.00
PULLIN KEARFOTT	Type R901-1A-B	£6.50
PULLIN KEARFOTT	Type R903-1A	£6.50
R. B. Pullin	Type TA-1G	£5.00

CELLS

STANDARD CELLS

CAMBRIDGE
Normal Weston Cell; 2 standard cells in one case fitted with thermometer **£15.00**

MUIRHEAD
Type D-845-D Reference Cell Accuracy 0.01% at 25°C. Temperature coefficient less than ± 5µV/°C over the range 10°C to 40°C. Mounted **£5.00**

MUIRHEAD
Type D-845-A Reference Cell. As D-845-D above but mounting suitable for direct replacement in American instruments **£5.00**

MUIRHEAD
Type D550A Miniature Standard Cell Mounted in plastics case. **£5.00**

SANGAMO WESTON
Type 8-134-1-20 **£5.00**

DORAN INSTRUMENTS
Mounted in plastics case 1-01859V @ 20°C **£4.50**

DORAN INSTRUMENTS
Mounted in plastics case 1-0183V @ 20°C **£4.00**

TINSLEY
Type 5312A Standard Cell Battery 1-01827V to 7-12789V @ 20°C **£45.00**

CHOPPERS (Synchronous converters)

ERICSSON
Type D Double Chopper—two independent units in one case 6-3V 50Hz **£5.25**

AIRPAX
Type A101-A 6V 400Hz Octal base plug-in **£6.00**

OAK
Type NC-401 6V 400Hz B7 base plug-in **£6.00**

JAMES
Type FSN3945-557-1994 6V 400Hz **£6.00**

ALL ORDERS ACCEPTED SUBJECT TO OUR TRADING CONDITIONS A COPY OF WHICH MAY BE INSPECTED AT OUR PREMISES DURING TRADING HOURS OR WILL BE SENT ON APPLICATION THROUGH THE POST.

STEVENS-ARNOLD

Type 364 Coil 26V 10-500Hz; contacts 1½V 1mA DC Octal plug-in **£6.00**

BRISTOL
Type F1-52 6-3V miniature type **£8.00**

A.E.I.
Type CK4 6-3V 100Hz **£6.00**

COUNTERS

We have large stocks of 3, 4 and 5 Digital counters, electrical and mechanical. Please send for list or let us know your requirements.

COUNTING UNITS

RACAL
Type CU543D 0-9 counting unit **£45.00**

DIGITAL DISPLAYS

E.A.C.
Digivisor Mk II Digital Read out Display. Uses a moving coil movement to move a film strip past a projection lens/lamp to display digits 0-9 on front screen. Moving coil f.s.d. 500µA. Projection Lamp 6-3V. Digital Display ½" high **£3.75**

COUNTING INSTRUMENTS
Type 640 Digital Display. Uses matrix of 12 lamps to project digits 0-9 onto front screen. Desired digit is selected by illuminating appropriate lamp. Lamps 6-3V 5 Watts. Digit size 4" high **£9.00**

COUNTING INSTRUMENTS
Type 600 Digital Display. As type 640 above except displays one symbol only. Lamp 6-3V 2 Watt. Digit size 4" high **£2.00**

Miniature Display. As type 640 above except miniature type Lamps 6-3V. Digit size ½" high **£2.50**

Miniature Digital Displays. As type 640 above except that digits appear with degree sign, i.e. 8° etc. Lamps 6-3V. Digit size ½" high **£2.50**

K.G.M.
Type M3 Digital Displays. Displays 0-9 by means of edge illuminated etched perspex screens. Lamps 28V. Digit size ½" high **£3.25**

K.G.M.
Type M4 Digital Displays. As M3 above except digit size 1" **£3.50**

SHAFT ENCODERS

COLVERN
8 digit Encoder **£18.00**

COLVERN
Type CLV/SF Type 3 9-digit encoder **£20.00**

DYCHRO CORPORATION
Type DV-13PB Optical Shaft Encoder **£50.00**

ELECTRO MECHANICAL RESEARCH INC (ASCOP)
Type 504A-8-001-M1 Digital Shaft Encoder **£25.00**

ELECTRO MECHANICAL RESEARCH INC (ASCOP)
Type EPD-8G Shaft Encoder **£25.00**

FANS

PAPST-MOTEREN
Fan. Originally made for IBM 220V 30-60Hz **£2.50**

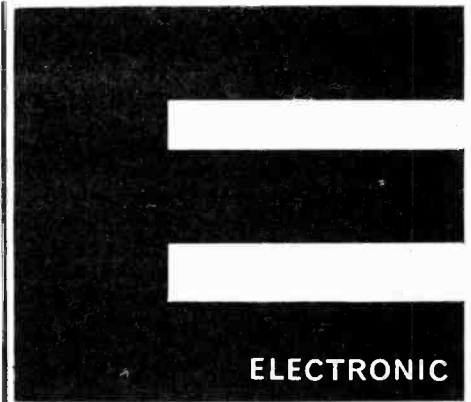
AIR CONTROL INSTALLATION
Type PMA6 Fan. 200-250V 50 Hz 1/50 HP 2800 rpm **£4.25**

ROTRON
Fan. 115V 50-60Hz 14 Watts 4½" x 4½" x 1½" **£5.50**

ROTRON
Fan. 105-125V 50-60Hz 14 Watts 4½" x 4½" x 1½" **£5.50**

ELECTRONIC TUNING FORK

Type 1T2-31-35 Electronic Tuning Fork **£15.00**



ELECTRONIC

GEAR BOXES

S. H. MOFFETT
Type 3-2178 Precision Gear Box. Ratio 50:1 reduction by worm gear. One input and two output shafts, all ½" diameter 2½" x 3" x 1½" overall **£5.00**

S. G. BROWN
Type 881 Gearbox Mk 1. Multiratio Gearbox **£5.00**

GYROSCOPES

ENGLISH ELECTRIC
Mk 6B/1 Rate Gyroscope **£7.50**

ENGLISH ELECTRIC
Mk 6B/2 Rate Gyroscope **£7.50**

ENGLISH ELECTRIC
Mk 6B/3 Rate Gyroscope **£7.50**

B.I.A.
Type MIG 49/8L Integrating Gyroscope **£10.00**

FERRANTI
Type ST/90/400 Rate Gyroscope **£7.50**

FERRANTI
Type HST/90/400 Rate Gyroscope **£7.50**

FERRANTI
Type T2502/T Gyro Unit **£7.50**

ELAPSED TIME INDICATORS

HAYDON
Type ED71. Hours and Tenths 120V 60Hz **£4.50**

HAYDON
Type ED72. Hours and Tenths 240V 50Hz **£5.50**

ELGIN
Type 95A 5CD/1 0-3000 hours 115V 380-420Hz **£5.00**

LAMPS

MAZDA
Infra-Red Quartz Heating Tubes 250V 1.44kw 20,000 angstrom 12" x ½" diameter. Fitted blade terminals **£0.75**

NUMICATOR TUBES

End Reading 0-9 Display (16 mm Fig. Ht.)	Quantity	Price Each (less Base)	Bases
GR10M/U (Clear)	1- 3	£1.40	Bases
GR10M (Amber filter)	4- 10	£1.35	20p
	11- 25	£1.30	Each
	26-100	£1.20	

Side Reading (14 m/m Fig. Ht.) 0-9 display

XN3A/F	6 m/m lead (Red filter)	4- 10	Less Bases
XN3A	6 m/m lead (Clear)	11- 25	£1.10
XN11/F	38 m/m lead (Red)	26-100	£1.05

Post Free.

SPECIAL DISPLAYS

XN9	38 m/m leads (Clear filter)	Displays Fig. "1"
XN10/C	6 m/m leads (Clear filter)	Displays "+, -, =, =d"
XN22	38 m/m leads (Clear filter)	Displays "Vx, A, 0 Vm"
XN7	6 m/m leads (Clear filter)	Displays "+, - and"

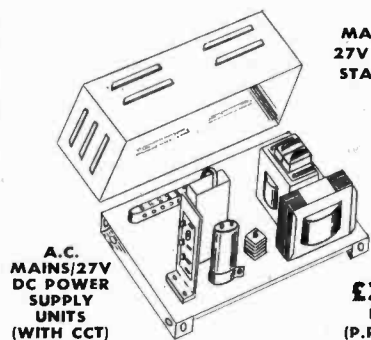
CRYSTAL OVENS

CATHODEAN
Type M0-27 Miniature. Temperature 50°C 6V 0.79A/12V 0.39A. Plug in type overall dimensions 2½" x 1" **£2.50**

ELECTRONIC BROKERS LTD

AVOMETERS!

**MOD. 7 SPECIAL OFFER £13.75
IN HIDE CASE (Postage Paid U.K.)**



**MAINS TO
27V 500mA
STABILISED**

**£3.65
EACH
(P.Pd. U.K.)**

Size 12" x 10" x 6". New in carton

POWER SUPPLY UNITS

ADVANCE. DC22 (later version of DC6). 19" rack meeting. Mains to 24V 5A D.C. Ripple 1% total output. Stabilisation 1/2 to full load. 4.6R. **£17.50** New, boxed with handbook. (P. pd. U.K.)

FARNELL. S5B 0/25V 2A. 25/30V 1A. Free standing. Ripple 500µV P/P. Stabilisation 0 to full load. <5mV. **£25.50** New, boxed with handbook. (P. pd. U.K.)

NEUTRON COUNTING ASSEMBLY

Manufactured by Bendix-Ericsson (U.K.) Ltd., comprising: Lead Castle, Head Amplifier, 2 Neutron Counting Units, 1 Calibrator Jig. (Weight approximately 5 cwt.) New. Unused. **£320.00** (C. pd. U.K.)

REDIFON FSK UNITS

1.7-9MHz in 2 ranges. 19" rack meeting. AP 104590 **£22.50** (C. pd. U.K.)

RATE GYROS

Several types in stock. Send for details.

SOLARTRON OSCILLOSCOPES

CD.711S2. As received from H.M. Government. Excellent condition but offered as seen at **£45** each. Buyers collect ex-Lydd. Fully reconditioned and calibrated **£90.00** (C. pd. U.K.)

HOLLOW CATHODE DISCHARGE LAMPS

Require open circuit striking. Voltage of 750V D.C. and 500V at 100mA to run.

- For Si, Cu, Ni, Ti **£5.00** each
 - For Ag, Cu/Zn, Nb **£6.00** each
 - For Sn, Ag, Bi, V, Na, Mo, Co, Ta, Pb, Mn, Mg, Pb/Cd, Ca/Mg **£7.00** each
- or any 15 for **£75** the set. (All C. pd. U.K.)

TRANSFORMERS AND CHOKES

- GARDNER 240V 75W Auto, 350-0-350V 70mA, 700V 10mA (3kV working), 3-15-0-3-15V 3-5A **£3.00**
- GARDNER 250-0-250V 15mA, 0-400-600V 105mA, 0-6-3V 2A, 0-6-3V 1A **£2.75**
- GARDNER 0-20-30V 250mA (twice) **£1.85**
- GARDNER 0-12V 1A (twice) **£1.60**
- GARDNER 350-300-0-300-350V 100mA, 6-3V 3A, 6-3V 1A **£3.25**
- GARDNER 0-1200V 20mA, 6-3V 1A (twice) **£3.65**
- GARDNER 10-0-10-230-260V 700mA, 0-6-3V 3A (twice) **£8.00**

- All above 115/230V tapped Primaries 50/60Hz
- GARDNER 0-12V 4A (twice) **£2.65**
- GARDNER 2.5-0-15-6-31V 3-2A **£2.75**
- GARDNER 200-0-200V 25mA, 0-6-3V 0-6A (twice) **£1.75**
- GARDNER 3-15-2-0-2-3-15V 2A (twice) **£1.65**
- WARDRAY 0-6-3V 2.5A, 0-6-3V 1.5A, 0-220V 20mA, 0-375V 100mA, 0-375V 75mA **£2.60**
- WARDRAY 0-400V 20mA **£1.60**

All above 230V tapped Primaries 50/60 Hz except Wardray 240V 50Hz

- GARDNER 0-1H 2-5A **£1.75**
- PARMEKO 0-2H 3A (0-8H No D.C.) **£3.50**
- GARDNER 10H 250mA **£2.50**
- GARDNER 50H 25mA **£1.00**
- Gardner 180H 24mA **£2.35**

(All C. pd. U.K.)

METERS

- TURNER Model 702 20-0-20V Rect. **£2.50**
- TURNER Model 702 0-100µA Rect. **£3.35**
- TURNER Model 703 0-34mA Rect. **£2.75**
- CAL. 10-0-10, 20-0-20, 50-0-50, 50-0-50µA F.S.D. Rect. **£3.25**

(All C. pd. U.K.)

SPECIALIST STOCKISTS OF SERVO MOTORS, SYNCHROS, MAGSLIPS AND PLUGS AND SOCKETS

Servo and Electronic Sales Ltd

Electrical and Servo Control Engineers - Electrical Suppliers - Engineering Stockists - Aeronautical Suppliers
Post orders to 43 HIGH STREET, ORPINGTON, KENT. Phone: Orpington 31066/33976/33221
19 MILL ROAD, LYDD, KENT (Works). Phone: Lydd 252
67 LONDON ROAD, CROYDON, SURREY (Retail Branch and Instrument Repairs).
Phone: 01-688-1512 (Croydon)

DRY REED INSERTS



Overall length 1.85" (Body length 1.1")
Diameter 0.14" to switch up to 500 mA at up to 250V D.C. Gold clad contacts. 62p per doz. £3.75 per 100; £27.50 per 1,000; £250 per 10,000. All carriage paid.

Wilkinsons EST. 1921



**RELAYS P.O. TYPE 3000 AND 600
BUILT TO YOUR SPECIFICATION**

- Contacts up to 8 changeover
- ★ QUICK DELIVERY
- ★ KEEN PRICES
- ★ DUST COVERS—QUOTATIONS BY RETURN

P.O. TYPE UNISELECTORS FROM STOCK. 50V. 11 LEVEL, 1 BRIDGING, 10 NON-BRIDGING, 3, 4 AND 5 LEVEL ALSO AVAILABLE.

MERCURY WETTED CONTACT RELAY Elliott type HG2M 145 ohms. 2 normally-open 2 normally-closed contacts £3 ea.

GEARED MOTORS. 1 r.p.m. or 3 r.p.m. 4 watts very powerful, reversible 24V A.C. £1.75, post 20p, can be operated from A.C. mains with our £1 Transformer. Post 30p.

IMHOF BLOWER UNITS in a standard 19 in. rack mounting assembly with Glass Fibre Air Filter and directional Duct. Capacitor Fan Motor 1/50th H.P. 200/250 Volts or 100/125 Volts 2,800 R.P.M. £12, carriage £1.50.

VACUUM PUMP Plessey Type B.3.X Mk. 2, Pat. No. CV. 5072 rotary vane type 6 in. Hg inlet depression at 2000 r.p.m. and 7.5 c.f.m., with 20 in. Hg. delivery pressure. 5 in. Hg inlet depression at 1200 r.p.m. and 3.5 c.f.m., with 20 in. Hg. delivery pressure. Limited stocks available, send for details.

BRIDGE MEGGERS, SERIES 1, 1000 v., range 0/100M Ohms—Infinity, complete with Resistance Box 0/9999 Ohms. Brand New in sealed case. The Maker's price for this instrument is £189.50. Our Price **£65.00.**

MINIATURE BUZZERS, 12 volts, with tone adjuster 40p each as illustrated. **LEDEX ROTARY SOLENOIDS AND CIRCUIT SELECTORS,** size 5S. 4 pole 11 way and off £5.50, 24 pole 11 way and off £10.50, 54 pole On/Off £7.50.

CHILTON BLUE LINE HEAVY DUTY SWITCHES made by Kraus & Naimer Code No. AAL213 type E size C25 & C200 with Black Handle, also quantity of other BLUE LINE SWITCHES under usual price reasonable offer considered.

INDUSTRIAL FANS 16 in. blades 230/240 Volt A.C. motor 1,400 R.P.M. in housing with adjustable louvres & fold-up filter. £25 carriage £3.

HIGH SPEED COUNTERS 3 1/2 in. x 1 in. 10 counts per second, with 4 figures. The following D.C. voltages are available, 6 v., 12 v., 24 v., 50 v., or 100 v. Also supplied with auxiliary contacts. normally open 40p extra.



£1.75

L. WILKINSON (CROYDON) LTD.
LONGLEY HOUSE LONGLEY RD. CROYDON SURREY

Phone: 01-684 0236 Grams: WILCO CROYDON

EX COMPUTER PRINTED CIRCUIT PANELS 2" x 4" packed with semi-conductors and top quality resistors, capacitors, diodes, etc. Our price, 10 boards, 50p. P. & P. 7p. With a guaranteed minimum of 35 transistors. Transistor Data included.

SPECIAL BARGAIN PACK. 25 boards for £1. P. & P. 19p. With a guaranteed minimum of 85 transistors. Transistor Data included.

PANELS with 2 power transistors sim. to OC28 on each board plus components. 2 boards (4 x OC28) 50p. P. & P. 5p.

9 OAS, 3 OA10, 3 Pot Cores, 26 Resistors, 14 Capacitors, 3 GET872, 3 GET872B, 1 GET875. All long leaded on panels 13" x 4". 4 for £1. P. & P. 25p.

BUMPER BARGAIN PARCEL

We guarantee that this parcel contains at least 1,750 components! Short-leaded on panels, including a minimum of 350 transistors (mainly NPN and PNP germanium, audio and switching types—data supplied). The rest of the parcel is made up with: Resistors 5% or better (including some 1%) mainly metal oxide, carbon film, and composition types. Mainly 1/2 and 1 watt... diodes, miniature silicon types OA90, OA91, OA95, IS130, etc. . . capacitors including tantalum, electrolytics, ceramics and polyesters. . . inductors (including some 1%) also the odd transformer, trim-pot, etc., etc. . . These are all miniature, up to date, professional, top quality components. Don't miss this, one of our best offers yet! Price **£3.25.** P. & P. 33p—U.K. New Zealand £1 P. & P. Limited stocks only.

EX-COMPUTER POWER SUPPLIES

Reconditioned, fully tested and guaranteed. These very compact units are fully smoothed with a ripple better than 10mv, and regulation better than 1%. Over voltage protection on all except 24v. units. 120v.-130v. a.c. 50c/s input, Mains transformer to suit £3 extra if required.

We offer the following types:
6v. 8a. £10 20v. 15a. £15
6v. 15a. £14 30v. 7a. £12
12v. 20a. £16 24v. 4a. £14
Carriage 75p per unit.

150 High Stabs 1/2, 1 and 1 Watt, 5% and Better **62p**

LARGE CAPACITY ELECTROLYTICS

41" x 2" dia. 10,000 mfd 30V **40p** each
5,000 mfd 55V P. & P. 6p
16,000 mfd 12V each

EXTENSION TELEPHONES

99p ea. P. & P. 25p
£1.75 for 2 P. & P. 50p
These phones are extensions and do not contain bells.



12V 4A POWER SUPPLY

Extremely well made by FRAKO GmbH in W. Germany, with constant voltage mains transformer, tapped input from 115V to 240V. Full wave rectification and capacitor smoothing. Size 9" x 6" x 5", weight 11 lb. These units are brand new, unused and fully guaranteed. Maker's price believed to be around £80. Our Price **£9.50.** Carr. 50p

250 MIXED RESISTORS 1/2 and 1 Watt **62p**

DIODES EX EQPT. SILICON

1 Amp 1,000 PIV 4 for 50p
20 Amp 150 PIV 4 for £1.00
P. & P. 5p

QUARTZ HALOGEN BULBS

with long leads 12V 55W for car spotlights and projectors etc. 50p

RELAY OFFER

Single Pole Changeover Silver Contacts 2" x 6" x 7". 2.5kΩ Coil operates on 25 to 50V, 8 for 50p. P. & P. 8p.

KEYTRONICS MAILING ADDRESS

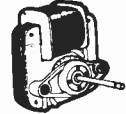
44 EARLS COURT ROAD, LONDON W.8 WAREHOUSE AND DISPATCH 01-478 8499



DRILL CONTROLLER

New 1kW model.

Electronically changes speed from approximately 10 revs. to maximum. Full power at all speeds by finger-tip control. Kit includes all parts, case, everything and full instructions. £1.50, plus 13p post and ins. Made up model also available £2.25 plus 13p p. & p.



MAINS MOTOR

Precision made—as used in record decks and tape recorders—ideal also for extractor fans, blower, heater, etc. New and perfect. Snp at 50p. Postage 20p for first one then 5p for each one ordered.

MAINS TRANSISTOR POWER PACK

Designed to operate transistor sets and amplifiers. Adjustable output 0v., 9v., 12 volts for up to 500mA (class B working). Takes the place of any of the following batteries: PP1, PP3, PP4, PP6, PP7, PP9, and others. Kit comprises: mains transformer rectifier, smoothing and load resistor, condensers and instructions. Real snip at only 83p, plus 13p postage.

DOUBLE LEAF CONTACT



Very slight pressure closes both contacts. 6p each. 60p doz. Plastic push-rod suitable for operating. 5p each, 45p doz.

MAINS OPERATED CONTACTOR



220/240v. 50 cycle solenoid with laminated core so very silent in operation. Closes 4 circuits each rated at 10 amps. Extremely well made by a German Electrical Company. Overall size 2 1/4 x 2 x 2 in. £1 each.

AUTO-ELECTRIC CAR AERIAL

with dashboard control switch—fully extendable to 40in. or fully retractable. Suitable for 12v positive or negative earth. Supplied complete with fitting instructions and ready wired dashboard switch. £5.75 plus 25p post and ins.



TOGGLE SWITCH

3 amp 250v. with fixing ring. 7 1/2p each 75p doz.



MICRO SWITCH

5 amp. changeover contacts, 8p each, £1.00 doz. 15 amp. on/off 10p each or £1.05 doz. 15 amp. changeover 15p, 10 for £1.35.



MINIATURE WAFER SWITCHES

2 pole, 2 way—4 pole, 2 way—2 pole, 3 way—4 pole, 3 way—2 pole, 4 way—3 pole, 4 way—2 pole, 6 way 1 pole, 12 way. All at 18p each, £1.80 dozen, your assortment.

WATERPROOF HEATING ELEMENT

26 yards length 70W. Self-regulating temperature control. 50p post free.

PAPST MOTORS

Est. 1/20th h.p. Made for 110-120 volt working, but two of these work ideally together off our standard 240 volt mains. A really beautiful motor, extremely quiet running and reversible. £1.50 each. Postage one 23p, two 33p.



EXTRACTOR FAN

Cleans the air at the rate of 10,000 cubic ft. per hour. At the pull of a cord it extracts grease, grime and cooking smells before they dirty decorations. Suitable for kitchens, bathrooms, factories, changing rooms, etc., it's so quiet it can hardly be heard. Compact, 1/4" casing with 5 1/2" fan blades. Suitable wherever it is necessary to move air fast. Kit comprises motor, fan blades, sheet steel casing, pull switch, mains connector, and fixing brackets. £2 plus 36p post and ins.

HEARING AID AMPLIFIERS

(Ex behind ear deaf aids) 3 transistors on tiny P.C. board with volume control—whole thing only about half as big as Oxo cube. £1.75 or with sub-miniature microphone and L.S. attached £3.50.



MAINS OPERATED SOLENOIDS

Model 772—small but powerful 1" pull—approx. size 1 1/4 x 1 1/4 x 1 1/4" 80p. Model 400/1 1" pull. Size 2 1/4 x 2 x 1 1/4" 75p. Model TT10 1 1/4" pull. Size 3 x 2 1/4 x 2 1/4" £1.80 plus 30p post and ins.

MAINS RELAY BARGAIN

Special this month are some single, double and triple pole changeover relays. Contacts rated at 15 amps. Operating coil wound for 240V. A.C. Good British Make. Unused. Size approx. 1 1/4 x 1 ins. Open construction. Single pole 25p each 10 for £2.25 Treble pole 35p each 10 for £3.15



CAR ELECTRIC PLUG

Fits in place of cigarette lighter. Useful method for making a quick connection into the car electrical system. 38p each or 10 for £3.42.



2kW FAN HEATER

Three position switching to suit changes in the weather. Switch up for full heater (2kW), switch down for half heat (1kW), switch central blows cold for summer cooling—adjustable thermostat acts as auto-control and safety cut-out. Complete kit £3.75. Post and ins. 36p.



HORSTMANN "TIME & SET" SWITCH

(A 30 Amp Switch.) Just the thing if you want to come home to a warm house without it costing you a fortune. You can delay the switch on time of your electric fires, etc., up to 14 hours from setting time or you can use the switch to give a boost on period of up to 3 hours. Equally suitable to control processing. Regular price probably around £5. Special snip price £1.50 Post and ins. 23p.

ERGOTROL UNITS

These units made by the Mullard Group are for operating and controlling d.c. Motors and equipment from A.C. mains.

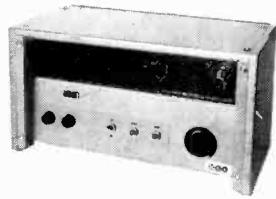
Thyristors are used and these supply a variable d.c. resulting in motor speed control and operating efficiency far superior to most other methods.

The units are contained in wall mounting cabinets with front control panel on which are fuses—push buttons for on/off and the variable thyristor firing control.

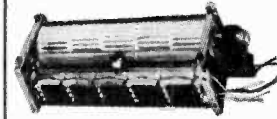
4 models are available—all are brand new in makers cases:

- Model 2410 for up to 5 amps £17.50
- Model 2411 for up to 10 amps £27.50
- Model 2415 for up to 80 amps £95.00

Note: 2415 is a floor mounting 3 phase unit.



OUT OF SEASON BARGAIN TANGENTIAL HEATERS



Once again we are able to make a special bargain offer of these very popular heating units.

Tangential heaters although brought out a few years ago are still the latest and best type as nothing has yet been made which could be called an improvement on them. The tangential unit is still the only one used in good quality heaters made by Hoover, G.E.C. and all the famous names. The unit comprises quiet running AC induction motor with special bearings, the tangential impeller and a 2 section heater element which allows switching half and full heat in the case of the 2kw and one-third-two-thirds and full heat in the case of the 3kw. These heaters are also fitted with a safety cut-out to cut the heaters should the impeller stop or the air flow be impeded. They are free standing and need only the simplest of cases, even a wooden cabinet is suitable (for the plinth of the kitchen cabinet). Lots of customers missed our special summer offer of these heaters last year so order early. 200/240 2kw model £2.50, 200/240 3kw model £3.50. Control switch heaters only 25p or two-heat, cold-blow and off 35p. Postage and insurance 33p on heaters.

AMPLIFIER MAINS TRANSFORMER

50V 1 1/2 amp. Upright mounting with fixing brackets and metal shrouds to contain magnetic field, 50 c/s primary, tapped 110V, 117V, 210V, 230V and 250V. 2 secondaries, one 50V 1 1/2 amp. other 6V 1 amp for pilot light, etc. £1.95. postage 30p.

LIGHT DIMMER



For any lamp up to 200 watt. Mounted on switch plate to fit in place of standard switch. Virtually no radio interference. Price £1.99 plus 20p post and ins.

CAPACITOR DISCHARGE CAR IGNITION



This system which has proved to be amazingly efficient and reliable was first described in the *Wireless World* about a year ago. We can supply kit of parts for an improved and even more efficient version (*Practical Wireless*, June). Price £4.95 plus 30p post. When ordering please state whether for positive or negative systems. Also available, ready made ignition systems for 6V. vehicles. £5.25 plus 20p.

STANDARD WAFER SWITCHES

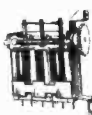


Standard size 1 1/2 wafer—silver-plated 5-amp contact, standard 1/2" spindle 2" long—with locking washer and nut.

No. of Poles	2 way	3 way	4 way	5 way	6 way	8 way	9 way	10 way	12 way
1 pole	40p	40p	40p	40p	40p	40p	40p	40p	40p
2 poles	40p	40p	40p	40p	40p	40p	40p	40p	40p
3 poles	40p	40p	40p	40p	40p	40p	40p	95p	95p
4 poles	40p	40p	40p	40p	40p	40p	40p	21.20	21.20
5 poles	40p	40p	40p	40p	40p	40p	40p	21.45	21.45
6 poles	40p	40p	40p	40p	40p	40p	40p	21.45	21.45
7 poles	40p	40p	40p	40p	40p	40p	40p	21.70	21.70
8 poles	40p	40p	40p	40p	40p	40p	40p	21.70	21.70
9 poles	40p	40p	40p	40p	40p	40p	40p	21.95	21.95
10 poles	40p	40p	40p	40p	40p	40p	40p	21.95	21.95
11 poles	40p	40p	40p	40p	40p	40p	40p	22.20	22.20
12 poles	40p	40p	40p	40p	40p	40p	40p	22.20	22.20

MINIATURE INSTRUMENT SWITCHES

Precision made with diecast indexing mechanism and 1" moulded wafers. Full length 1 in. spindle, 5 amp and silver-plated contacts. Range except for 9-way is as standard wafer switches. Prices obviously higher. For 40p, read 60p; for 70p, read 21p; for 95p, read £1.40; for £1.20, read £1.80; for £1.45 read £2.20. Note also 2-way types available up to 36 poles; 3-way, 30 poles; 4-way, 24 poles; 5-way, 19 poles; but 10- and 12-way only available up to 6 poles.



3 STAGE PERMEABILITY TUNER

This Tuner is a precision instrument made for the famous Radiomobile Car Radio. It is a medium wave tuner (but set of long wave coils available as an extra if required) with a frequency coverage 1620 Kc/s-525 Kc/s and intended to operate with an I.F. valve of 470 Kc/s. Extremely compact (size only 2 1/4 x 2 x 1 in. thick) with reduction gear for fine tuning. 65p, with circuit of front end suitable for car radio or as a general purpose tuner for use with Amplifier.

ELECTRIC CLOCK WITH 20 AMP. SWITCH

Made by Smith's these units are as fitted to many top quality cookers to control the oven. The clock is mains driven and frequency controlled so it is extremely accurate. The two small dials enable switch on and off times to be accurately set—also on the left is another time or alarm—this may be set in minutes up to 1 hour. At the end of the period a bell will sound. Offered at only a fraction of the regular price—£2.50, less than the value of the clock alone—post and ins. 16p.



DISTRIBUTION PANELS

Just what you need for work bench or lab. 4 x 13 amp sockets in metal box to take standard 13 amp fused plugs and on/off switch with neon warning light. Supplied complete with 7 feet of heavy cable. Wired up ready to work, £2.25 less plug; £2.50 with fitted 13 amp plug; £2.65 with fitted 15 amp plug, plus 23p P. & P.

Where postage is not stated then orders over £5 are post free. Below £5 add 20p. S.A.E. with enquiries please.

MULTI-SPEED MOTOR

Replacement in many well-known food mixers. Six speeds are available 500, 850 and 1,100 r.p.m. from either of both the nylon sockets (where the beaters of the food mixers normally go) and 8,000, 12,000 & 15,500 r.p.m. (ideal polishing speeds) from the main drive shaft. This drive shaft is 3/4 in. diameter and approximately 1 in. long. A further point about this motor is that being 230/240v. AC-DC series wound its speed may be further controlled with the use of our Thyristor controller. This is a very powerful and useful motor size approx. 2 in. dia. x 5 in. long, mains 230/240v. Price 88p plus 23p postage and insurance. 12 or more post free.



REED SWITCHES

Glass encased, switches operated by external magnet—gold welded contacts. We can now offer 3 types: **Miniature**, 1" long x approximately 1/4" diameter. Will make and break up to 1A up to 300V. Price 13p each, £1.20 dozen. **Standard**, 2" long x 1/4" diameter. This will break currents of up to 1A, voltage up to 250V. Price 10p each, 90p per dozen. **Flat**, Flat type, 2" long, just over 1/4" thick, flattened out, so that it can be fitted into a smaller space or a larger quantity may be packed into a square solenoid. Rating 1A 200V. Price 30p each, £3 per dozen. Small ceramic magnets to operate these reed switches 9p each, 90p dozen.

BALANCED ARMATURE UNITS

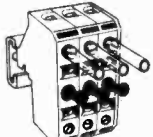
These Capsules are 1" in diameter and 1/4" thick. They will operate as a microphone or loud speaker so can be used in intercom and similar circuits. 33p. Ten for £3.

12 VOLT 1 1/2 AMP POWER PACK

This comprises double-wound 230V 240V mains transformer with full wave rectifier and 2000 mfd/d smoothing. Price £1.50.

MAINS CONNECTOR

A quick way to connect equipment to the mains safely and firmly—no disconnection by plugs prevents accidental switching on; has sockets which allow insertion of meter without disconnection; cable inlets firmly hold one pair wire on up to four 7/32 cables. 85p each.



QUICK CUPPA

Mini Immersion Heater. 350W. 200/240V. Boils full cup in about two minutes. Use any socket or lamp holder. Have at bedside for tea, baby's food, etc. £1.25, post and insurance 14p. 12v car model also available. Same price. Jug model also available £1.50 plus P. & P. 14p.

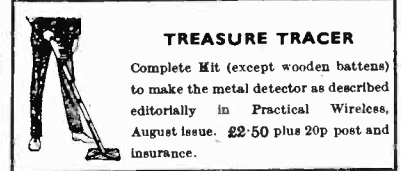
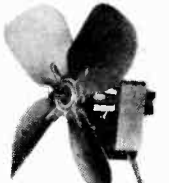


TELESCOPIC AERIAL

for portable, car radio or transmitter. Chrome plated—six sections, extends from 7 1/2 to 47". Hole in bottom for 6BA screw. 38p KNUCKLED MODEL FOR P.M. 50p.

AC FAN

Small but very powerful mains motor with 5 in. blades. Ideal for cooling equipment or as extractor. Silent but very efficient. 90p, post 23p. Mounts from back or front with 4BA screws.



TREASURE TRACER

Complete Kit (except wooden battens) to make the metal detector as described editorially in *Practical Wireless*, August issue. £2.50 plus 20p post and insurance.



LIGHT CELL

Almost zero resistant in sunlight increases to 10 K. Ohms in dark or dull light, epoxy resin sealed. Size approx. 1in. dia. by 1/2 in. thick. Rated at 500 MW. wire ended. 43p. Suit most circuits.

TRANSDUCER

Made by Acos, reference No. 1.D.1001. For measuring vibration, etc., to be used in conjunction with "G" Meter. Regular price £5. Our price £4. Brand new and unused. Acos "G" meters available £12 or with auto cut-out £18.



HIGH ACCURACY THERMOSTAT

Uses differential comparator I.C. with thermister as probe. Designer claims temperature control to within 1/7th of a degree. Complete kit with power pack £5.50.



MOTOR WITH GEARBOX

Very powerful 7 r.p.m., operates from standard A.C. mains. £1.50, plus 16p P. & P.

A New Service to Readers. A bulletin bringing news of new lines, special snips and "too few to advertise" lines will be posted to subscribers during first week of each month. The bulletin will be called "Advance Advert News" and the subscription is 60p per year. Subscribers will also receive our completed 1971 catalogue when this is published.

J. BULL (ELECTRICAL) LTD.
Dept. W.W.7, Park Street, Croydon, CRO 1YD

HEAVY DUTY LT TRANSFORMERS

By famous maker. Fully Tropicalised. Pri tapped 100, 110, 120, 200, 240v. E.S. Three Separate Secondaries 27v. 9a., 9v. 9a., 3v. 9a. Plus 17-0-17v. 0-25a and 17v. 0-25a. Table Top Connections. £4.00. Carr. 50p.

PARMEKO "C" CORE TRANSFORMERS

Pri. tapped 110-200-240v. Sec. 1 250v. 197 m/a. Sec. 2 161v. 110 m/a. Sec. 3 152v. 76 m/a. Sec. 4 124v. 25 m/a. Sec. 5 28v. 0-4a. Sec. 6 6-4v. 6-2a. 6-3v. 3-2v. 1-4a. Table top connections. Size 5 x 4 x 4 ins. Brand new boxed. £1.75. P. & P. 45p.

REDCLIFFE "C" CORE TRANSFORMERS

All Primaries tapped 200-220-240v. Table top connections. Sec. 130v., 450 m/a. Three times. £4-25. P. & P. 40p. 11-0-11v., 176 m/a. 75p. P. & P. 20p. 22v., 0-9a. and 21v., 60 m/a. 75p. P. & P. 25p. 370-390-410v., 6 m/a. 50p. P. & P. 20p. 28-8-0-28-8v., 150 m/a. 90p. P. & P. 25p. 128-0-128v., 20 m/a. 90p. P. & P. 25p. 45v., 25 m/a. and 1v., 0-5a. 50p. P. & P. 20p. 23-5v., 0-1a. twice. 75p. P. & P. 20p. 6-3v., 10-6a. Conservatively rated. £1.75. P. & P. 25p. 20-24-28-32-36-40v., 250 m/a. Twice. £1.50. P. & P. 30p. 90-0-90v., 100 m/a. 75p. P. & P. 20p.

T.E.C. 240-110v. ISOLATION TRANSFORMERS

Pri Tapped 10, 0, 200, 220, 240v. sec. Tapped 110-112-5-115v. Conservatively rated at 9 amps. Tropicalised open frame type. Terminal Board connections. Size 9 x 9 x 7 ins. Weight 60 lbs. £15.00. Carr. 90p.

PARMEKO TRANSFORMERS

Jupiter Series. Pri. 110v., 200-220-240v. Sec. 240-0-24v., 470 m/a. and 150v. 15 m/a. Hermetically sealed. £1.75. P. & P. 25p. Neptune Series. Pri. 110-200-220-240v. Sec. 250-0-250v. 70 m/a., 6-3v. 2a., 6-3v. 1a. £1.75. P. & P. 45p. Pri. T. 110-200-220-240v. Sec. 500-0-500v. 250 m/a., 6-3v. 4a., 6-3v. 4a., 6-3v. 3-5a., 5v. 3-5a. £6-75. Carr. 50p. Pri. T. 115-230v. Sec. 400-0-400v. 150 m/a. £2.50. P.P. 40p. Pri. T. 200-240v. Sec. 500-0-500v. 120 m/a., 6-3v. 3-5a., 6-3v. 3a., 5v. 3a. £2.50. P.P. 45p.

GRESHAM HEAVY DUTY HT CHOKES

10H 300m/a DC. Conservatively rated. DC Res 50Ω. Size H 7 1/2 x 5 1/2 x 5 1/2 ins. Weight 18 1/2 lbs. Open type. Table top connections. £3.50. Carr. 75p. Oil-filled potted types. 15H 300 m/a. 60Ω. £3.75. Carr. 75p. 15H 180 m/a. 200Ω. £2.25. P. & P. 50p. 10H 180 m/a. 130Ω. £1.50. P. & P. 40p. 10H m/a. £1.25. P. & P. 40p.

GARDNER'S CHOKES

100M. 20 m/a., 50p. P.P. 20p. 20H. 80 m/a., 50p. P.P. 20p. 20H. 40 m/a., 37 1/2p. P.P. 15p. 10H. 75 m/a., 37 1/2p. P.P. 15p. PARMEKO. Neptune Series. 10H. 130 m/a., £1. P.P. 40p. 15H. 75 m/a., 50p. P.P. 20p. 0-7H. 450 m/a., 75p. P.P. 40p. 5H. 50 m/a., 50p. P.P. 20p. 50H. 25 m/a., 50p. P.P. 20p. 12H. 200 m/a., £1.75. P.P. 45p. PARTRIDGE. 5H. 250 m/a., £1.25. P.P. 40p. SWINGING TYPE CHOKES. 34H. 60 m/a., 70H. 35 m/a., 2-5Kv. D.C. wk g., £1.25. P.P. 40p.

LOW TENSION SMOOTHING CHOKES

By Redcliffe. 100MH. 2 amps. £2.50. P. & P. 45p. Swinging Types. 10MH. 6-5 amp-50MH. 2 amps. £2.25. P. & P. 45p. Both types less than 1 ohm res. Hermetically sealed. Oil filled. Brand new. In makers cartons. Parmeko 0-13H. 1-15amps. Less than 1 ohm. Res. £1.25. P. & P. 25p.

Samson's
(ELECTRONICS) LTD.
9 & 10 CHAPEL ST., LONDON, N.W.1
01-723-7851 01-262-5125

CURRENT RANGE OF BRAND NEW LT. TRANSFORMERS, FULLY SHROUDED (*excepted) TERMINAL BLOCK CONNECTIONS. ALL PRIMARIES 220/240v

No.	Sec. Taps	Amps	Price	Carr.
1A	25-33-40-50	15	£10.50	65p
1B	25-33-40-50	10	£7.75	50p
1C	25-33-40-50	6	£6.75	50p
1D	25-33-40-50	3	£4.00	40p
2A	4-16-24-32	12	£7.25	45p
2B	4-16-24-32	8	£5.50	45p
2C	4-16-24-32	4	£3.75	40p
2D	4-16-24-32	2	£2.50	30p
3A*	25-30-35	40	£16.50	75p
3B*	25-30-35	20	£10.25	65p
3C	25-30-35	10	£7.25	60p
3D	25-30-35	5	£4.25	50p
3E	25-30-35	2	£3.25	45p
4A*	12-20-24	30	£13.00	75p
4B	12-20-24	20	£8.25	50p
4C	12-20-24	10	£4.50	40p
4D	12-20-24	5	£3.75	45p
5A	3-12-18	30	£9.75	45p
5B	3-12-18	20	£7.25	50p
5C	3-12-18	10	£4.50	45p
5D	3-12-18	5	£3.00	35p
6A	48-56-60	2	£3.75	40p
6B	48-56-60	1	£2.75	35p
7A*	6-12	50	£10.50	55p
7B	6-12	20	£6.25	45p
7C	6-12	10	£3.75	35p
7D	6-12	5	£2.75	35p
8A	12-24	8	£1.75	35p
9A	17-32	5	£6.25	35p
10A*	9-15	2	£1.50	35p
11A	6-3	15	£2.50	35p
12A	30-25-0-25-30	2	£3.75	35p
13A	36	45	£16.50	75p

Note: By using the intermediate taps many other voltages can be obtained.
Example: No. 1 7-8-10-15-17-25-33-40-50v.
No. 2 4-8-12-16-20-24-32v.
No. 5 3-6-9-12-15-18v.

AUTO TRANSFORMERS

240v.-110v. or 100v. Completely Shrouded fitted with Two-pin American Sockets or terminal blocks. Please state which type required.

Type	Watts	Approx. Weight	Price	Carr.
1	80	2 1/2 lb.	£2.00	30p
2	150	4 lb.	£2.75	35p
3	300	6 1/2 lb.	£3.75	35p
4	500	8 1/2 lb.	£5.25	45p
5	1000	15 lb.	£7.25	50p
6	1500	25 lb.	£9.75	55p
7*	1750	28 lb.	£14.75	75p
8*	2250	30 lb.	£17.85	75p

* Completely enclosed in beautifully finished metal case fitted with two 2-pin American sockets, neon indicator, on/off switch, and carrying handle.

HIGH CAPACITY ELECTROLYTICS

20,000 mfd. 35v. wkg. 10,000 mfd. 70v. wkg. Size 4 1/2 in. x 2 1/2 in. dia. 74p each. P.P. 10p. 25,000 mfd. 12v. wkg. 16,000 mfd. 25v. wkg. 1,250 mfd., 180v. wkg. 60p. P.P. 10p. T.C.C. Block type CE40M. 200 mfd. 380v. wkg. Size 9 x 3 x 2 in. 75p. P.P. 15p. Type CE44H. 250 mfd. 250v. wkg. Size 5 x 4 x 3 in. 50p. P.P. 15p.

G.P.O. 4-WAY TELEPHONE CORDS

Non kink coil type. Length closed 10 in. Fully expanded, 4 ft. Red only. 40p. inc. post.

DIAMOND H RELAYS

Type BR 115 BIT-9C 4 CO Contacts, 150 ohms. 26v., 250v. 15a. Enclosed in metal case. Size 1 1/2 x 1 in. dia. 75p inc. post.

OMRON SUB MINIATURE RELAYS

Type 105FN. 12v. D.C. 1 C.O. 5 amp contact overall. Size 1 x 1 x 1 1/2 in. New and boxed with mounting screws. 45p. P.P. 5p.

MAGNETIC DEVICES SEALED RELAYS

5,000Ω, 3 C.O. contacts. Overall size 2 x 2 x 1 1/2 in. New boxed. 37 1/2p. P.P. 7 1/2p.

ELECTRO METHODS 2-3v. A.C. CONTACTORS

1 Heavy Duty Change-over Contact. Size 2 1/2 x 1 1/2 x 1 in. 50p. P.P. 10p.

LONDEX PLUG-IN RELAYS

Sealed type, 28v. D.C. Three heavy duty silver contacts. Size 2 x 2 x 1 in. Complete with base. 50p. P.P. 10p.

MAGNETIC DEVICES 6v. D.C. CONTACTORS

3 Heavy Makes contacts. Size 2 x 1 1/2 x 1 in. 50p. P.P. 10p.



G.P.O. RELAYS 3000 TYPE

75Ω 3M. 1B. 1 C.O. contacts. 30p. 200Ω 6M. 35p. 200Ω 2 heavy duty M. 2M. 35p. 500Ω 1 C.O. 1M. 30p. 250Ω 1 heavy make. 3B. 1M. 35p. P.P. all types 5p.

G.P.O. MAGNETIC COUNTERS

Type 100D. 4 digits. Operating voltage 3-6v. D.C. Size 3 1/2 x 1 x 1 in. 50p. P.P. 5p.

HONEYWELL MICRO SWITCHES

Type YZ RW 84-NB. Lever operated. Make or break (3 tags). Three for 70p inc. post.

BURGESS MICRO SWITCHES

Type MK 3BR/74. Norm closed or Norm open. 1/2 in. raised. Press Button, three for 60p. P.P. 5p.

RANCO REFRIGERATION THERMOSTATS

Type A.10. 100-250v. A.C. 1/2 h.p. 75p. P.P. 10p. Teddington type QJ. 100-150v. A.C. 1/2 h.p. 75p. P.P. 20p.

NEWMARK SYNCHRONOUS MOTORS

220-240v. 50 cycles, 3 watts 8 r.p.m. Overall size 2 x 2 x 2 in. 50p. P.P. 10p.



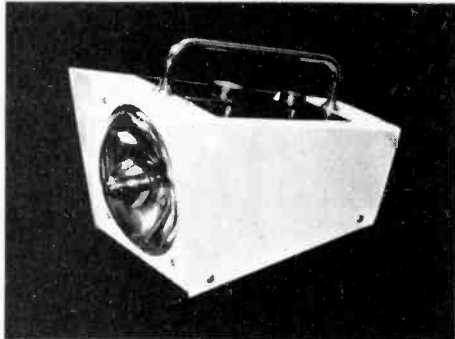
VENNER SYNCHRONOUS BIO-DIRECTIONAL MOTORS

220-240v. 50 cycles 40 r.p.m. automatically reverses wherever spindle stop is placed. Overall size 2 1/2 x 2 x 1 in. Spindle length 1/2 in. dia. 1/16th. An ideal motor for display, giving a forward and reverse motion. 60p. P.P. 15p.

MOTOR STARTER CAPACITORS

4-5 mfd. 400v. A.C. wkg. Tubular type. Size 4 x 1 1/2 in. 42p. P.P. 10p. 1-5 mfd. 440v. A.C. wkg. Block type. Size 3 1/2 x 2 x 2 1/2 in. 25p. P.P. 10p.

XENON STROBOSCOPE



A Stroboscope designed primarily for laboratory, industrial and educational applications where the elaboration and expense of more complex equipment may not be required. Features include simplicity of operation, robust construction, exceptionally low price and built in reliability.

The instrument is of modern appearance, small, light in weight, convenient to use and portable. A wide range of flashing rates is covered by the large accurately calibrated dial, allowing operation at low frequencies for strobo photographic experiments and at high speeds for observation of rapidly rotating or reciprocating phenomena.

The external triggering facility permits single shot operation by an external closing contact and also provides a synchronising input for high and low speed repetitive phenomena which might otherwise be difficult to maintain in exact phase.

- Light source. High intensity Xenon tube mounted in a parabolic reflector.
- Flashing rate. 1-250 flashes/second in 3 ranges.
- Frequency accuracy. Typically ± 2% of each full scale.
- Triggering. (a) by internal oscillator (b) by external closing contacts.

Price: £38.50

Edwards Scientific International Ltd.
Knowle Road, Mirfield, Yorkshire. Tel: 092484 4242

WW—107 FOR FURTHER DETAILS

TRANSFORMERS

COILS

CHOKES

TRADE ENQUIRIES WELCOMED

SPECIALISTS IN

FINE WIRE WINDINGS

MINIATURE TRANSFORMERS
RELAY AND INSTRUMENT COILS
VACUUM IMPREGNATION TO APPROVED STANDARDS

ELECTRO-WINDS LTD.

CONTRACTORS TO G.P.O., L.E.B., B.B.C.

123 PARCHMORE ROAD, THORNTON HEATH, SURREY
01-653 2261 CR4 8L Z EST. 1933

THERMAL CONVERTERS

For true R.M.S measurements of
power, voltage and current
0.1 Hz up to 1Ghz.
500μa up to 50 Amps

Full details from

ORMANDY & STOLLERY
Regal Works, Station Road, Brightlingsea, Essex

Telephone: Brightlingsea 2316
WORLDWIDE EXPORT

28watts, r.m.s. 40Hz to 40kHz ±3dB



Viscount III Audio Suite complete £49



PRICES SYSTEM 1

Viscount III R101 amplifier	£22.00 + 90p p&p
2 x Duo Type II speakers	£14.00 + £2 p&p
Garrard SP25 Mk. III with MAG. cartridge, plinth and cover	£23.00 + £1.50 p&p
Total	£59.00

Available complete for only **£52.00 + £3.50 p&p**

SYSTEM 2

Viscount R101 amplifier	£22.00 + 90p p&p
2 x Duo Type III speakers	£32.00 + £3 p&p
Garrard SP25 Mk. III with MAG. cartridge, plinth and cover	£23.00 + £1.50 p&p
Total	£77.00

Available complete for **£69 + £4 p&p**

SYSTEM 3

Viscount III amplifier R100	£17.00 + 90p p&p
2 x Duo Type II speakers, pair	£14.00 + £2 p&p
Garrard SP25 Mk. III with CER. diamond cartridge, plinth and cover	£21.00 + £1.50 p&p
Total	£52.00

Available complete for only **£49.00 + £3.50 p&p**

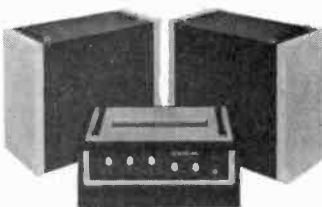
SPEAKERS Duo Type II

Size 17" x 10½" x 6½". Drive unit 13" x 8" with parasitic tweeter. Max. power 10 watts. 3 ohms. Simulated Teak cabinet. **£14 pair + £2 p&p**. Duo Type III Size 23½" x 11½" x 9½". Drive unit 13½" x 8½" with H.F. speaker. Max. power 20 watts at 3 ohms. Freq. range 20Hz to 20kHz. Teak veneer cabinet. **£32 pair + £3 p&p**.

SPECIFICATION R100/101

14 watts per channel into 3 to 4 ohms. Total distortion @ 10W @ 1kHz 0.1%. P.U.1 (for ceramic cartridges) 150mV into 3 Meg. P.U.2 (for magnetic cartridges) 4mV @ 1kHz into 47K, equalised within ±1dB R.I.A.A. Radio 150mV into 220K. (Sensitivities given at full power). Tape out facilities; headphone socket, power out 250mW per channel. Tone controls and filter characteristics. Bass: +12dB to -17dB @ 60HZ. Bass filter: 6dB per octave cut. Treble control: treble +12dB to -12dB @ 15kHz. Treble filter: 12dB per octave. Signal to noise ratio: (all controls at max) RT101 - P.U.1. & radio - 65dB. P.U.2. - 58dB. R100 same as RT101 but P.U.2. (for crystal cartridge) 450mV into 3 Meg. Cross talk better than -35dB on all inputs. Overload characteristics 26dB on all inputs. Size 1½" x 9" x 3½".

SOUND 50 50 WATT AMPLIFIER & SPEAKER SYSTEM



Output Power, 45 watts R.M.S. (Sine wave drive). Frequency response: -3 db points 30 Hz at 18 KHz. Total distortion: less than 2% at rated output. Signal to noise ratio: better than 60 db. Speaker Impedance: 3, 8 or 15 ohms. Bass Control Range: ±13 db at 60 Hz. Treble Control Range: ±12 db at 10 KHz. Inputs: 4 inputs at 5 mV into 470 K. Each pair of

inputs controlled by separate volume control. 2 inputs at 200 mV into 470K. To protect the output valves, the incorporated fail safe circuit will enable the amplifier to be used at half power. **SPEAKERS:** Size 20" x 20" x 10" incorporating 12" heavy duty 25 watt high flux, quality loudspeaker with cast frame. Cabinets attractively finished in two tone colour scheme—Black and grey.

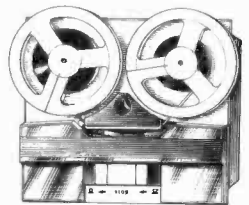
COMPLETE SYSTEM £50 Plus £6 P. & P. or available separately Amplifier: £28.50 plus £1.50 P. & P. Speaker: £12.50 each plus £2.25 P. & P.

CONTINENTAL 4-TRACK, 3-SPEED TAPE DECK

with high impedance heads

RC.74 tape deck. Three speeds—7½, 3½ and 1½ips. 4-track record/playback head. Plus 4-track erase head. Positive pressure pad system. Takes any tape spool up to and including 7". The RC.74 is driven by a powerful 200/250V 50-cycle A.C. motor. A heavy, accurately balanced, flywheel brings wow and flutter levels down to approx. 0.3% total at 3½ and 7½ ips. Fast rewind in both directions. Controls couldn't be simpler! Just five push buttons that interlock to cut out accidental tape damage. Efficient servo-action type braking. Easy drop-in tape loading. The RC.74 comes with an attractive moulded deck cover, which has positions for tone and volume controls. The unit is built into a rigid die-cast frame, and overall size of the whole unit is 12½ x 11½ x 6 inches. Every single deck fully tested before dispatch. Spools not supplied.

Price complete **£15.00**. Plus .75d p. & d.



TOURIST MARK 3 ALL TRANSISTOR CAR RADIO

Beautifully designed to blend with the interiors of all cars. Permeability tuning and long wave loading coils ensures excellent tracking, sensitivity and selectivity on both wave bands. R.F. sensitivity at 1 MHz is better than 8 micro volts. Power output into 3 ohm speaker is 3 watts. Pre-aligned I.F. module and tuner together with comprehensive instructions guarantees success first time. 12 volts negative or positive earth. Size 7" x 2" x 4½" deep. Circuit diagram 13p. Free with parts. Speaker, baffle and fixing kit £1.25 extra plus 20p P. & P. Speaker postage free when ordered with parts.



SET OF PARTS **£6.30** Plus 50p P. & P.

R+TV RADIO & TV COMPONENTS (Acton) LTD

21a High Street, Acton, London, W3 6NG.
323 Edgware Road, London, W.2.

All orders by post to Acton. Goods not dispatched outside U.K. Terms C.W.O. All enquiries S.A.E.

TRANSFORMERS

MAINS ISOLATING SERIES
Primary 200-250 Volts Secondary 240 Volts Centre Tapped (120V) and Earth Shielded
ALSO AVAILABLE WITH 115/120V SECONDARY WINDINGS



Ref. No.	VA (Watts)	Weight lb oz	Size cm.	£	P & P Np
61	100	5 12	10.2 x 8.9 x 8.3	2.28	52
62	250	12 4	9.5 x 12.7 x 11.4	5.05	67
63	500	27 0	17.1 x 11.4 x 15.9	9.74	*
92	1000	40 0	17.8 x 17.1 x 21.6	17.94	*
128	2000	63 0	24.1 x 21.6 x 15.2	29.66	*
129	3000	84 0	21.6 x 21.6 x 20.3	46.38	*
190	6000	178 0	31.1 x 35.6 x 17.1	76.11	*

AUTO SERIES (NOT ISOLATED)

Ref. No.	VA (Watts)	Weight lb oz	Size cm.	Auto Taps	£	P & P Np
113	20	1 11	7.3 x 4.3 x 4.4	0-115-210-240	0.74	20
64	75	1 14	7.0 x 6.4 x 6.0	0-115-210-240	1.44	30
4	150	3 0	8.9 x 6.4 x 7.6	0-115-200-220-240	1.74	36
66	300	6 0	10.2 x 10.2 x 9.5	" "	3.38	52
67	500	12 8	14.0 x 10.2 x 11.4	" "	5.03	67
84	1000	16 0	17.0 x 14.0 x 14.0	" "	9.12	82
93	1500	28 9	13.5 x 14.9 x 16.5	" "	13.22	*
95	2000	40 0	17.8 x 16.5 x 21.6	" "	17.26	*
73	3000	45 8	17.4 x 18.1 x 21.3	" "	23.47	*

TOTALLY ENCLOSED 115V AUTO TRANSFORMER

115V 500 Watt totally enclosed auto transformer, complete with mains lead and two 115V outlet sockets, £6.85. P & P 67np

LOW VOLTAGE SERIES (ISOLATED) PRIMARY 200-250 VOLTS 12 AND/OR 24 VOLT RANGE

Ref. No.	Amps. 12V 24V	Weight lb oz	Size cm.	Secondary Windings	£	P & P Np
111	0.5 0.25	1 12	7.6 x 5.7 x 4.4	0-12V at 0.25A x 2	0.74	22
213	1 0 0.5	1 0	8.3 x 5.1 x 5.1	0-12V at 0.5A x 2	0.88	22
71	2 1	1 0	7.0 x 6.4 x 5.0	0-12V at 1A x 2	1.16	22
18	4 2 2	2 4	8.3 x 7.0 x 7.0	0-12V at 2A x 2	1.62	36
70	6 3 3	3 12	10.2 x 7.6 x 8.6	0-12V at 3A x 2	1.95	42
72	10 5 6	6 3	7.9 x 10.8 x 10.2	0-12V at 5A x 2	2.56	52
17	16 8 7	8 8	12.1 x 9.5 x 10.2	0-12V at 8A x 2	3.95	52
115	20 10 11	11 13	12.1 x 11.4 x 10.2	0-12V at 10A x 2	5.03	67
187	30 15 16	16 12	13.3 x 12.1 x 12.1	0-12V at 15A x 2	9.28	82
226	60 30 34	34 0	17.0 x 14.5 x 12.5	0-12V at 30A x 2	17.05	*

30 VOLT RANGE

Ref. No.	Amps.	Weight lb oz	Size cm.	Secondary Taps	£	P & P Np
112	0.5	1 4	8.3 x 3.7 x 4.9	0-12-15-20-24-30V	0.88	22
79	1 0	2 0	7.0 x 6.4 x 6.0	" "	1.18	36
3	2 0	3 2	8.9 x 7.0 x 7.6	" "	1.75	36
20	3 0	4 6	10.2 x 8.9 x 8.6	" "	2.16	42
21	4 0	6 0	10.2 x 10.0 x 8.6	" "	2.56	52
51	5 0	6 8	12.1 x 10.0 x 8.6	" "	3.18	52
117	6 0	7 8	12.1 x 10.0 x 10.2	" "	3.79	52
89	10 0	12 2	14.0 x 10.2 x 11.4	" "	6.21	67

50 VOLT RANGE

Ref. No.	Amps.	Weight lb oz	Size cm.	Secondary Taps	£	P & P Np
102	0.5	1 11	7.0 x 7.0 x 5.7	0-19-25-33-40-50V	1.16	30
103	1 0	2 10	8.3 x 7.3 x 7.0	" "	1.69	36
104	2 0	5 0	10.2 x 8.9 x 8.6	" "	2.34	42
105	3 0	6 0	10.2 x 10.2 x 8.3	" "	3.18	52
106	4 0	9 4	12.1 x 11.4 x 10.2	" "	4.20	52
107	6 0	12 4	12.1 x 11.1 x 13.3	" "	6.21	67
118	8 0	18 9	13.3 x 13.3 x 12.1	" "	8.10	97
119	10 0	19 12	16.5 x 11.4 x 15.9	" "	10.15	97

60 VOLT RANGE

Ref. No.	Amps.	Weight lb oz	Size cm.	Secondary Taps	£	P & P Np
124	0.5	2 4	8.3 x 9.5 x 6.7	0-24-30-40-48-60V	1.18	36
126	1 0	3 0	8.9 x 7.6 x 7.6	" "	1.64	36
127	2 0	5 6	10.2 x 8.9 x 8.6	" "	2.56	42
125	3 0	8 8	11.9 x 9.5 x 10.0	" "	3.90	52
123	4 0	10 6	11.4 x 9.5 x 11.4	" "	5.03	67
120	6 0	16 12	13.3 x 12.1 x 12.1	" "	7.28	82
122	10 0	23 2	16.5 x 12.7 x 16.5	" "	12.05	*

*Carriage via B.R.S.

LEAD ACID BATTERY CHARGER TYPES

Ref. No.	Amps.	Weight lb oz	Size cm.	Secondary Taps	£	P & P Np
45	1.5	1 9	7.0 x 6.0 x 6.0	Please note, these units do not include rectifiers	1.17	30
5	4 0	3 11	10.2 x 7.0 x 8.3		1.77	42
86	6 0	5 12	10.2 x 8.9 x 8.3		2.77	52
146	8 0	6 4	8.9 x 10.2 x 10.2		3.04	52
50	12.5	11 14	13.3 x 10.8 x 12.1		4.52	67

All ratings are continuous. Standard construction: open with solder tags and wax impregnation. Enclosed styles to order.

MAINS KEYNECTOR

For fast mains input to one or more electrical appliances up to 13 amps without wiring a plug. Ideal for production testing, servicing and display, etc. Send for descriptive leaflet. £2.75. P & P 25np

- ★ Custom production winding service
- ★ Ex stock items same day service
- ★ Quantity prices on application

Also stocked: SEMICONDUCTORS • VALVES
MULTIMETERS • MAINS KEYNECTOR
ELECTROSIL METAL OXIDE RESISTORS

BARRIE electronics
11 MOSCOW ROAD, QUEENSWAY
LONDON W2 4AH Tel: 01-229 6681/2
NEAREST TUBE STATIONS: BAYSWATER, QUEENSWAY

DABAR AUDIO MIXER MODULES



A range of audio Pre-amplifier Modules is now available enabling the construction of custom-built audio mixers for studio, P.A. and discotheque installations at reasonable cost and with many facilities usually available only on expensive systems. The Modules, constructed on glass fibre printed-circuit boards, are complete with anodised aluminium black fascia plates and four control knobs identified: L.F., H.F., Echo Send and P.F.L. The modules are designed for use with external faders or volume controls and fulfil most requirements in the audio field. Up to ten input modules may be mixed into the combined Mixer/Line Amplifier Type MX/LNTA which is available on a matching fascia plate with V.U. meter. The line amp will deliver +20dBm. All mixing may be effected with 10k log faders.

The modules are fixed with four screws and dimensions are 7½ in x 2½ in.

Input modules available:

- UM1 200-600 ohm MIC
- UM2 50k ohm MIC
- UM3 Mag P/U 1.5mV R.I.A.A.
- UM4 Mag P/U 5mV R.I.A.A.
- UM5 Crystal P/U 500mV
- UM6 High Level Tape/Tuner 500mV

Mixer/Line amp MX/LNTA: 10 inputs plus expander input: 600 ohm line out with preset for V.U. adjustment.

Power Unit for above Modules: Type PU11/30, 30V, 500mA. 100W slave amplifier—100W into 4 ohm load 13½ in x 10½ in x 7½ in.

Prices: UM1-6, £9 each. MX/LNTA, £12. PU11/30, £8. 100W Slave Amp £60. Manual showing mixing arrangements, connection data, etc., 25p. S.A.E. all inquiries. Trade inquiries welcome.

DABAR ELECTRONIC PRODUCTS

98a LICHFIELD STREET, WALSALL, STAFFS WS1 1UZ. WALSALL 34365

FM TUNER

NELSON-JONES

Approved parts for this outstanding design (W.W. April 1971).

Featuring 0.75 μV sensitivity. Mosfet front end. Ceramic I.F. strip. Triple gang tuning. ½V r.m.s. output level, suitable for phase locked decoder, as below. Designer's own P.C.B.

All parts including P.C.B. S.A.E. please lists.

PHASE LOCKED STEREO DECODER

PORTUS AND HAYWOOD

Approved kit for this superb decoder (W.W. Sept. 1970).

Featuring 40dB separation up to 10kHz. NO COILS. Negligible spurious tones (birdies). Simple setting up. Suitable for wide variety of tuners including the NELSON-JONES TUNER as above

Complete decoder kit £8.97, p.p. & ins. 15p

Stabilised PSU kit £3.55 p.p. 18p

LIGHT EMITTING DIODES (Red)

Solid state visible light source, typical life of many years continuous operation. May be used as indicator, light modulator, etc. Maximum current 20mA.

Only 50p each inc. connection data

INTEGREX LIMITED

P.O. BOX 45 DERBY DE1 1TW

HENRY'S LOW COST FIRST GRADE BRAND NEW BRANDED

GERMANIUM AND SILICON TRANSISTORS, DIODES, RECTIFIERS TRIACS, FETS, ZENERS, BRIDGES and INTEGRATED CIRCUITS

BY ATES · EMIHUS · FAIRCHILD · FERRANTI · I.T.T. · MULLARD · NEWMARKET · PHILIPS · R.C.A. · TEXAS · TRANSITRON

TRANSISTORS A SELECTION FROM OUR LIST

AA430	10p	BF115	25p	OC84	25p	2N987	40p
AA442	10p	BF154	20p	OC139	25p	2N1131	25p
AAZ13	10p	BF158	15p	OC140	40p	2N1132	15p
AAZ15	10p	BF159	35p	OC141	65p	2N1133	15p
AAZ17	10p	BF180	35p	OC170	25p	2N1303	15p
AC107	25p	BF194	15p	OC171	30p	2N1304	25p
AC126	30p	BF195	15p	OC200	40p	2N1305	25p
AC127	25p	BF196	15p	OC201	75p	2N1306	25p
AC1272	50p	BF197	15p	OC202	50p	2N1307	25p
AC128	25p	BFX13	25p	OC206	55p	2N1308	25p
AC178	20p	BFX29	25p	OCF71	97p	2N1309	25p
AC187	25p	BFX30	25p	ORF12	60p	2N1613	20p
AC188	25p	BFX84	25p	ORF60	40p	2N2147	75p
AC197	30p	BFX85	30p	RA8310AF	35p	2N2160	60p
AC198	25p	BFX86	25p			2N2217	25p
AC198	25p	BFX87	25p	RA8508A	45p	2N2218	25p
AC230	20p	BFX88	20p			2N2218A	25p
AC231	20p	BFY18	25p	RA8509CF	25p		
AC232	10p	BFY50	20p			2N2219	20p
AC239	55p	BFY51	20p	8D21AC	25p	2N2219A	25p
AC240	50p	BFY92	20p	8T140	15p		
AC244	15p	BFY93	20p	8T141	20p	2N2220	20p
AC244	25p	BFY97	55p	TIP29A	50p	2N2221	20p
AD140	50p	B8X30	15p	TIP30A	60p	2N2221A	20p
AD149	50p	B8X21	20p	TIP31A	60p		
AD161	35p	B8Y27	15p	TIP32A	70p	2N2222	20p
AD162	35p	B8Y95A	12p	TIP33A	70p	2N2222A	20p
AF114	25p	B8Y85	12p	TIP34A	1.00	2N2269	25p
AF115	25p	BU105	25p			2N2369	15p
AF116	25p	BY100	15p			2N2369A	15p
AF117	25p	BY126	15p	TIP29B	65p		
AF118	60p	BY127	15p	TIP29C	60p	2N2646	4.1p
AF124	25p	BY182	90p	TIP30B	65p	2N2904	4.1p
AF125	20p	BYZ10	35p	TIP30C	70p	2N2904A	4.1p
AF126	20p	BYZ11	30p	TIP31B	65p		
AF127	25p	BYZ12	30p	TIP32B	70p	2N2905	25p
AF128	20p	BYZ13	25p	TIP32C	80p	2N2906A	25p
AF180	50p	BZY78A1	20p				
AF181	45p	GET102	35p	TIP33B	25p	2N2906	25p
AF185	50p	GET103	25p			2N2906A	25p
AF186	40p	GET111	45p	TIP33C	25p		
AF239	40p	GET112	45p			2N2907	25p
ASV26	25p	GET114	20p	TIP34C	1.20	2N2907A	25p
ASV27	30p	GET115	50p			2N2925	15p
ASV28	25p	GET116	55p	TIP35A	2.25	2N2926	15p
ASV29	30p	GET880	45p			2N3011	20p
ASZ21	55p	GET892	30p	TIP35A	2.25	2N3011	20p
BA100	15p	GEX56	2.50	TIP35B	2.50	2N3012	20p
BA102	30p	MA121	1.50	TIP35B	2.50	2N3054	50p
BA110	25p	GM378A	55p	TIP35C	2.70	2N3055	7.5p
BA115	7	MAT101	25p	TIP35C	2.70	2N3525	1.00
BAX13	5	MAT121	25p			2N3614	55p
BAX16	7p	MC724P	60p	TIP36A	2.00	2N3702	10p
BAY31	7p	MJ420	80p	TIP36B	2.00	2N3703	10p
BAZ38	15p	MJ421	80p	TIP36C	2.25	2N3705	10p
BC107	10p	MJ2801	1.00	TIP36C	2.25	2N3707	10p
BC108	10p		1.10			2N3708	10p
BC109	10p	MJ2901	1.00			2N3708	10p
BC109C	12p		1.60	TIS43	40p	2N3708	10p
BC113	10p	MJE340	50p	TIS60	12p	2N3714	10p
BC114	20p	MJE370	20p	TIS61	10p		
BC115	20p	MJE371	80p	TIS62	10p	2N3717	2.00
BC116	20p	MJE520	75p	TIS63	10p	2N3716	2.00
BC116A	25p	MJE521	70p	TIS69	15p		
BC117	20p	MJE2955	1.00	TIS82	25p	2N3771	2.50
BC118	20p		1.10	V405A	25p		
BC119	30p	MJE3055	1.00	VR525	25p	2N3772	2.00
BC134	20p		1.00	W01	30p		
BC135	15p	MPSA06	25p	W06	45p	2N3773	2.00
BC136	20p	MPSA56	20p	ZTX107	15p	2N3773	2.00
BC137	20p	MPSA70	15p	ZTX108	12p		
BC138	20p	MPSU06	50p	ZTX109	15p	2N3791	2.00
BC147	15p	MPSU06S	50p	ZTX300	12p		
BC148	12p	NKT214	35p	ZTX301	15p	2N3819	35p
BC149	15p	NKT216	35p	ZTX302	20p	2N3820	50p
BC153	20p	NKT403	75p	ZTX303	20p	2N3823	25p
BC154	20p	NKT404	55p	ZTX304	25p	2N3824	95p
BC167	15p	O45	25p	ZTX500	15p	2N3903	20p
BC169	12p	O410	25p	ZTX501	15p	2N3906	25p
BC169C	15p	O437	25p	ZTX502	20p	2N4058	15p
BC177	20p	O470	10p	ZTX503	17p	2N4061	12p
BC178	20p	O479	10p	ZTX504	40p	2N4062	12p
BC179	20p	O481	8p	ZTX531	25p	2N4289	15p
BC182L	10p	O490	8p	IN914	7p	2N4290	12p
BC183L	10p	O491	7p	IN916	10p	2N4291	12p
BC184L	12p	O495	7p	IN4001	6p	2N4547	30p
BC212L	12p	O490	7p	IN4002	7p	2N4548	35p
BC213L	12p	O492	10p	IN4003	8p	2N4549	40p
BC214L	15p	OC16	50p	IN4004	8p	28001	60p
BCY30	85p	OC20	85p	IN4005	10p	28002	75p
BCY31	40p	OC22	80p	IN4006	12p	28301	50p
BCY32	60p	OC23	80p	IN4007	15p	28302	50p
BCY33	30p	OC24	60p	IN4148	7p	28303	60p
BCY34	35p	OC25	40p	1844	7p	28304	75p
BCY38	45p	OC26	25p	18921	9p	28323	60p
BCY39	45p	OC28	60p	18922	9p	28324	75p
BCY40	50p	OC29	60p	2G301	25p	28701	45p
BCY70	15p	OC36	60p	2G302	30p	28703	60p
BCY71	20p	OC42	40p	2G303	35p	40250	50p
BCY72	15p	OC43	50p	2N404	20p	40360	40p
BD115	75p	OC44	15p	2N687	15p	40362	40p
BD123	85p	OC45	12p	2N698	30p	40430	41.00
BD124	80p	OC70	12p	2N706	10p	40543	41.00
BD131	75p	OC71	12p	2N708	15p	40584	41.25
BD132	80p	OC72	20p	2N708	15p	40585	41.25
BDY11	1.50	OC75	25p	2N930	20p	40636	41.25
BDY17	1.50	OC77	40p				
BDY38	65p	OC81	20p				
BDY60	1.50	OC82	20p				
BDY60	1.50	OC83	25p				

HENRY'S LOW COST INTEGRATED CIRCUITS

WE OFFER FROM STOCK AN EXCLUSIVE RANGE OF BRAND NEW, FULL SPECIFICATIONS, LOW COST TTFL 74 SERIES INTEGRATED CIRCUITS.

BY FAIRCHILD, I.T.T. and TEXAS INSTRUMENTS WE ONLY STOCK THE ORIGINAL BRANDED PART NUMBERS AND NOT ALTERNATIVES

Part No.	Description	1-24	25 +	100 +	250 +	500 +
7400	Quadruple 2-input NAND gates	1.24	15p	100p	13p	10p
7401	Quadruple 2-input open collector NAND gates	20p	18p	15p	13p	10p
7402	Quadruple 2-input NOR gates	20p	18p	15p	13p	10p
7403	Quadruple 2-input open collector NAND gates	20p	18p	15p	13p	10p
7404	Hextuple inverters	20p	18p	15p	13p	10p
7405	Hextuple inverters with open collector outputs	20p	18p	15p	13p	10p
7410	Triple 3-input NAND gates	20p	18p	15p	13p	10p
7413	Dual 4-input Schmitt triggers	30p	25p	22p	20p	18p
7420	Dual 4-input NAND gates	20p	18p	15p	13p	10p
7430	Single 8-input NAND gates	20p	18p	15p	13p	10p
7440	Dual 4-input NAND buffer gates	20p	18p	15p	13p	10p
7441	BCD-Decimal decoder/Nixie driver	75p	70p	60p	55p	50p
7442	BCD-Decimal decoder (4-line to 10-line) TTL outputs	75p	70p	60p	55p	50p
7443	Excess 3-Decimal decoder TTL outputs	£1.00	£1.20	£1.10	£1.00	90p
7447	BCD-Decimal seven segment decoder/indicator driver	£1.35	£1.20	£1.10	£1.00	90p
7448	BCD-Decimal seven segment decoder/TTL outputs	£1.25	£1.10	£1.00	90p	80p
7450	Expandable dual 2-input AND-OR-INVERT gates	20p	18p	15p	13p	10p
7451	Dual 2-wide 2-input AND-OR-INVERT gates	20p	18p	15p	13p	10p
7453	Quadruple 2-input expandable AND-OR-INVERT gates	20p	18p	15p	13p	10p
7454	4-wide 2-input AND-OR-INVERT gates	20p	18p	15p	13p	10p
7460	Dual 4-input expanders	20p	18p	15p	13p	10p
7470	Single J-K flip-flop (gated inputs)	30p	25p	22p	20p	18p
7472	Single J-K flip-flop (gated inputs)	30p	25p	22p	20p	18p
7473	Dual J-K flip-flop	40p	37p	33p	30p	27p
7474	Dual D flip-flop	40p	37p	33p	30p	27p
7475	Quadruple bistable latch	45p	40p	35p	32p	30p
7476	Dual J-K flip-flops with Preset and Clear	45p	40p	35p	32p	30p

Devices may be mixed to qualify for quantity pricing. Complete data on the above in booklet 20 pages, Ref. 29, Issue 2 at 15p post paid. Integrated circuit sockets 14 pin D.I.L. 25p; 16 pin D.I.L. 30p.

INTEGRATED CIRCUITS

MFC4000P	75p	MC724P	60p	MCI303P	£1.00	741C(DIL)	85p
MFC4010P	80p	TCZ(TOS)	75p	MCI304P	£2.25	914(TOS)	40p
IC12	£2.50	709C(TOS)	55p	SL403D	£2.25	923(TOS)	40p
PA246	£2.45	709C(D.I.L.)	65p				
TAD100	£1.50	723C(TOS)	£1.25				
TAD110	£1.50	741C(TOS)	85p	TOSHIBA		TOSHIBA	
				20 watt amp. £4.47		Pre amp	£1.50

TRIACS

Type	Volts	Current	Price
SC35A	100	3A	80p
SC35B	200	3A	85p
SC35D	400	3A	90p
SC40A	100	6A	90p
SC40B	200	6A	£1.00
SC40C	400	6A	£1.05
SC45A	100	10A	£1.05
SC45B	200	10A	£1.15
SC45C	400	10A	£1.25
SC50A	100	15A	£1.35
SC50B	200	15A	£1.45
SC50C	400	15A	£1.75
SC50E	500	10A	£1.25
SC50E	500	10A	£1.95

SILICON RECTIFIERS

Type	Volts	Current	Price
IN4001	50	5p	4p
IN4002	100	7p	6p
IN4003	200	8p	7p
IN4004	400	8p	7p
IN4005	600	10p	9p
IN4006	800	12p	10p
IN4007	1000	15p	12p

ZENER DIODES

Power	Voltage	Price
400 M/W 5%		
Miniature	1.1 Watt 5%	10p
BZY 88 Ranges	Wire Ends 5%	8p
All		

MODERN TELEPHONES type 706. Two tone grey. £3.50 ea. The same but black £3 ea. P. & P. 25p ea.
BRAND NEW, two tone grey £6 ea. P. & P. 25p ea.
STANDARD GPO DIAL TELEPHONES (black) with internal bell. 87p. P. & P. 25p. Two for £1.50. P. & P. 37p.
PHOTOMULTIPLIERS. EMI 6097X at £8.50 ea. 6097B—£5 ea. Type 931A—£2.25 ea.

SPECIAL OFFER

5 in. Photomultiplier type, PDP84G by 20th Century. £3 ea. P. & P. 30p.

TRANSISTOR OSCILLATOR. Variable frequency 40 c/s to 5 kc/s. 5 volt square wave o/p, for 6 to 12V DC input. Size 1 1/4 x 1 1/4 in. Not encapsulated. Brand new. Boxed. 57p ea.

RELAYS

G.E.C. Sealed Relays High Speed 24V. 2m 2b—23p ea. S.T.C. sealed 2 pole c/o. 2,500 ohms. (okay 24v) 13p ea; 12v 35p ea.

CARPENTERS polarised Single pole c/o 20 and 65 ohm coil as new, complete with base 37p ea.
 Single pole c/o 14 ohm coil 33p ea.; Single pole c/o 45 ohm coil 33p ea. Single pole c/o 4,000 ohm coil 33p ea.
 Varley VP4 Plastic covers 4 pole c/o 5K—30p ea. 15K—33p ea.

POTENTIOMETERS

COLVERN 3 watt. Brand new. 5; 10; 25; 50; 100; 250; 500 ohms; 1; 2.5; 5; 10; 25; 50k all at 13p ea.
MORGANITE Special Brand new. 2.5; 10; 100; 250; 500K; 2.5 mek. 1 in. sealed. 17p ea.
BERCO SQ. Brand new. 5; 10; 50; 250; 500 ohms; 1; 2.5; 5; 10; 25; 50k at 25p ea.
STANDARD 2 mek. log pots. Current type 15p ea.
INSTRUMENT 3 in. Colvern 5 ohm 35p ea; 50k and 100K 50p ea.
BOURNE TRIM POTS. 10; 20; 50; 100; 200; 250; 500 ohms; 1; 2.5; 5; 25K at 35p ea.
ALMA precision resistors 100K; 400K; 497K; 998K; 1 meg—0.1% 27p ea.; 3-25k, 13K—0.1% 20p ea.
ERIE feed through ceramic 2200 pf—4p ea.
 Sub-min. **TRIMMER** 1/4 square. 8. 5pf. Brand new 13p ea.
 Concentric **TRIMMER** 3/30 pf. Brand new 7p ea.
 E.H.T. 2mfd 5KV. Brand new. £1.50 ea.

VISCONOL EHT CAPACITORS

Size 1 x 2 1/4 ins.	Size 1 1/4 x 5 1/4 ins.
0.05mfd 2.5kV 50p ea.	0.01mfd 10kV 50p ea.
0.001mfd 5kV 40p ea.	0.002mfd 18kV 65p ea.
0.001mfd 10kV 50p ea.	0.05mfd 15kV 80p ea.
	0.01mfd 15kV 80p ea.
	0.0005mfd 20kV 60p ea.
	0.1mfd 7kV 40p ea.
Size 2 1/4 x 6 1/4 ins.	0.1mfd 5kV 35p ea.
0.05mfd 8kV 50p ea.	

Brand new 0.25mfd 5 KV. Dubilier 50p ea. P. & P. 15p.
 Rapid discharge 1mfd 5.6KV £1 ea. P. & P. 15p.
DUBILIER. Brand new. 1 mfd 15 KVW 30KVt. £7 ea. Carr. £1.

E.H.T. TRANSFORMERS & POWER UNITS

Complete. Assembly 0 to 130KV DC. Variac Controlled. £245.
 As above, but 28KV DC 3.5KVA. £135.
 Choice of capacitors and chokes, e.g., 400H 25MA 60KV Insulation.
 0 to 64KV AC and 20V 20A 2KVA. £65.
 4000-0-4000 14-6KVA. £35.
 0-2200 2.5KVA. £15.
 ALL CARRIAGES AT COST

DECADE DIAL UP SWITCHES. Finger-tip. Engraved 0/9. Gold plated contacts. Size 2 1/4 high, 2 1/4 deep, 1 1/4 wide. 75p ea. Bank of 4 with escutcheon plates, etc., 2 1/4 high, 2 1/4 deep, 2 1/4 wide. £2.50.

PHOTOCELL equivalent OCP 71 13p ea.
 Photo-resist type Clare 703. (T05 Case). Two for 50p.

BURGESS Micro Switches V3 5930. Brand new 13p ea.
HONEYWELL. Sub-min. Microswitches type 11SM3-T. Brand new. 17p ea.

PANEL mounting lamp holders. Red or green. 9p ea.
BRAND NEW PLUGS AND SOCKETS

CANNON. 50 way DDM50P 75p ea.; DDM50S 50p ea. £1 per pair.
 As above but 25 way 50p ea. plug; 35p ea. socket; 75p per pair; 9 way 33p ea. plug and socket. 50p per pair.
 U.H.F. Plugs fit UR57. 59, 65 etc. 40p ea.
 B.N.C. to U.H.F. Adaptor £1.25 ea.; Min. B.N.C. to U.H.F. £1.50 ea.; T junction B.N.C. £1 ea.; B.N.C. plug to B.N.C. plug £1 ea.; B.N.C. Right angle £1 ea.; Min. B.N.C. right angle £1.25 ea.; Min. socket round 50p ea. Standard B.N.C. round 35p ea. Many others too numerous to list. All prices quoted for 'one off'.

TRANSFORMERS. All standard inputs.

STEP DOWN ISOLATING trans. Standard 240V AC to 120V tapped 80-0-80 700W. Brand new. £5 ea. As above 55-0-55V 300W. £3 ea. P. & P. 35p.

Neptune series 480-435-0 etc. 230 MA and 800-570-540-0 etc. 250 MA. £3.50 incl. post.
 Multi 6-3 Volts to give 48V 3-5 Amps etc. £3.50 incl. post.
 Transformer 0-215-250 120 MA; 6-3V 4A CT x 2; 2 x 6-3V 0-5A and separate 90v 100 MA £1.25 ea. P. & P. 20p.

Matching contact cooled bridge rectifier 37p ea.
 4.5V 40 amp (180Va) £1.75 ea. incl. postage or 3 for £4.50 incl. postage. Designed to be Series paralleled.
 Parmeco 6-3v 2 amp x 4—£1.13 ea.
 Gard/Parin/Part. 450-400-0-400-450. 180 MA. 2 x 6-3v. £3 ea.

Transformer 250-80MA; 13V-1.2A and 6-3V 5A. £1.50. P. & P. 25p.

CHOKES. 5H; 10H; 15H. up to 120mA, 42p ea. P. & P. 17p. Up to 250mA 43p. P. & P. 35p.
 Large quantity LT, HT, EHT transformers.

GROUND PLANE ANTENNA. Ex-admiralty. Brand new boxed. Adjustable 90-160 megs. (Like umbrella) £6.50. Carr. £1.

MARCONI TF888 SIGNAL GENERATOR.

Freq. 70 kc/s-70 mc/s in 8 ranges
 Directly read. 500 kc/s-5 mc/s
 Crystal Calibrator. 1 kc/s Internal modulation available on terminals as external audio. Built-in power meter 3 to 600 ohms and 10 mw to 1 watt.
 Large rectangular meter scaled for RF and Power. 50 ohm, 80 ohm and high level OP sufficient for lining, etc., available on termination unit.
 Attenuator calibrated to 0.5 micro volt. Size 14 x 10 x 5 1/2 ins. Mains or battery operated. Supplied Brand New in original crates at £30 each. Carriage £1.50.

TEST GEAR

OSCILLOSCOPES

E.M.I. WM 2 DC—13 mc/s £25.
SOLARTRON CD1014 DP. DC—6 megs. £55.
SOLARTRON 711S.2 D.B. DC—9 mc/s. In fine condition £50.
SOLARTRON 643 DC—15 mc/s Brand new £85. Good condition £50.
SOLARTRON DC—10 mc/s. CD513—£40.
 CD513.2—£42.50. CD523S—£45.
SOLARTRON CT316 (D300 range) DC—6 megs. £17.50.
COSSOR HARTLEY 1049 Mk. 3. DB. £25
 13A DB. £25.
 All carefully checked and tested. Carriage £1.50 extra.

MARCONI

Noise gen. TF1301. £40. Carr. £1.50.
 Vacuum tube Voltmeter TF1041A. £35; 1041B. £45.
 Wide Range Oscillator TF 1370 and TF 1370A. 10 c/s-10 mc/s from £140.
 Deviation Meter TF934/2. £50 ea. Carr. £1.50.
 Deviation type 719. £30 ea. Carr. 75p.
 TF 1026 Frequency Meter £12.50. Carr. 75p.
 TF 329 Magnification Meter. As new condition £60.
 TF 195 Audio Generator £10. Carr. £1.50.
 TF 801A Signal generator £35. Carr. £1.50.
 Better grade £55 ea. Carr. £1.50.
 TF 886 Magnification Meter £45. Carr. £1.
 TF 309 N. 5 Impedance Bridge from £50 ea. Carr. £1.50.
 TF 144G Signal Generator. Serviceable. Clean £15. In exceptional condition £25. Carr. £1.50.
 Process Response Analyser. Fine Condition £250
 Oscillator type OS 101. £30. Carr. £1.50.
 D.C. Amplifier type AA900. £30. Carr. £1.

SOLARTRON

Stabilised P.U. SRS 151A. £15. Carr. £1.50.
 Stabilised P.U. SRS 152. £10. Carr. £1.50.
 Precision Millivoltmeter VP252. £25. Carr. £1.
 Process Response Analyser. Fine Condition £250
 Oscillator type OS 101. £30. Carr. £1.50.
 D.C. Amplifier type AA900. £30. Carr. £1.

AVO

Testmeter No. 1 £12 ea. Carr. 75p.
 Electronic Testmeter CT 38. Complete £20 Carr. £1

CINTEL

Square and Pulse gen. PW 0.05 to 0.3 micro secs. 15mV to 50V; rep rate 5 hz to 250 kz £20. Carr. £1.

AIRMEC

Signal Generator type 701. £25. Carr. £1.50.
 AIRMEC Generator type 210 £120. Carr. £1.50.

E.M.I. Oscilloscope type WM16. Main frame £125.
 Choice of Plug in 7/2 DC—24 mc/s x 2 £35; 7/1 DC—40 megs £25. Differential unit available from £40.
E.M.I. WM8. DC to 15 mc/s. Complete with plug in pre-amp. from £40.

BECKMAN MODEL A. Ten turn pot complete with dial. 100k 3% Tol 0-25%—only £2.13 ea.

E.H.T. Base B9A in Polystyrene holder with cover. Brand new. 13p ea.

NAGARD Double pulse gen type 5002 £50. Carr. £1.50.

MARCONI SPECTRUM ANALYSERS type OA 1094, from £325.

FIBRE GLASS PRINTED CIRCUIT BOARD. Brand new. Single side 1/8 per sq. in. Double sided 1/8 per sq. in. Cut to size (Max. 21" x 15"). Postage 5p per order.
 Standard 240V MOTORS by CITENCO reduction gearbox to 19 r.p.m. reversible. £5 ea.

Single pole 3-way 250 V AC 15 amp switch. 8p ea. P. & P. 5p. Large discount for quantity.

Modern replacement for VCR 138 tube. Flat face 3 in. £1.63. P. & P. 25p. Bases 17p.
 Squirrel cage BLOWER ASSEMBLY complete with standard mains input motor. Size 7" x 2 1/4" dia. only 80p ea. P. & P. 25p ea.

CLAUDE LYONS Main Stabilizer. Type TS-1L-5S0. Input 119-135 volts 47/65 cs. Output 127 +/-0.25% 16 amps. £35. Carr. £2.

E.H.T. Unit by Brandenburg model S.0530/10. £55.

MAGNETRONS TYPE CV370. Brand new. Boxed. £8 ea.

KELVIN & HUGHES 4-channel multi-speed recorders complete with amplifiers. £60 ea.

EVERSHED & VIGNOLES Recording paper. Brand new boxed. L618H4 7" wide, 1 1/2" dia. 17p roll; 6" dia. £1 roll. JL900H4 7" wide, 1 1/2" dia. 25p roll.

MARCONI 801B

A.M. Signal Generator

10-500 MHZ Output

0.1 μV to 1V.

From £140 ea.

19in. Rack Mounting **CABINETS** 6ft. high 19in. deep. Side and rear doors. Fully tapped, £12.50. Carriage at cost. Double Bay complete with doors. Fine condition. £25. Carriage at cost.

AUDIO FREQUENCY MEASURING SET

T.M.S. No. 8 for testing the gain, loss and frequency response of circuits.
 Complete with circuits and information.
 ONLY £12.50. P. & P. £1.25

SIGNAL GENERATOR CT553. 8-300 mc/s. Complete with charts. £15. Carr. £1.50. With Photo-stat copy of charts. £11.50. Carr. £1.50.

WAYNE Kerr Universal Bridge type CT375. £40 ea. Carr. £1.50.

4 DIGIT RESET TALE COUNTERS. 1000 ohm

coll. Size 1 1/2 x 1/2 x 4 1/4 in. As new, by Sodeco of Geneva. £2.50 ea.
 As above but 350 ohm. £3.50 ea.

SANGO 50 micro amp 4" round. Brand new boxed. £1.38. P. & P. 38p.

SANGO 50 micro amp rectangular meter. Size 2 1/2 x 3 with 4 separate scales, lever operated, 0/6 white, 0/60 blue, 0/600 red and set zero. £1.25 ea. P. & P. 17p

SEEING IS BELIEVING!

STILL AVAILABLE. BC221 complete with correct charts, circuit diagrams, in fine condition for ONLY £13.34. Carr. £1.

C.R.T.'s 5" type CV1385/ACR13. Brand new with spec. sheet. 63p ea. P. & P. 35p.

MARCONI Valve Voltmeter 428B/1 £5 ea. Carr. £1.

RESISTORS by PIHER. Carbon Film. 1 and 2 watt. All 5%. Brand new Perfect. Mixed values. Only 50p per 1-lb. weight. P. & P. 12p.

COSSOR D.B. Scopes—some models from £15.

MARCONI Absorption Wattmeter 1 micro watt to 6 watts. Type TF956. FANTASTIC at £7 ea.

Genuine **MULLARD** Transistors/Diodes. Tested and guaranteed. OC41, 42, 76, 77, 83; OA5, 10. All at 3p ea. OC23—10p ea.

MAINS MOTORS Standard voltage. Size up on R/P tape recorders. Extremely quiet. Snip at 40p ea. P. & P. 15p ea.

COMPONENT PACK consisting of 2-2 pole 2 amp push on/off switches; 4 pots 1 double; 1-small double pole vol control; 250 resistors 1 and 1 watt many high stabs. Fine value at 50p per pack. P. & P. 17p.

3000 Series relays—15 mixed values (new and as new, no rubbish) £1.50. P. & P. 37p.

MALLORY CELLS. 15p per set of 5.

STUART TURNER No. 12 Water pump GPH720/10FT.HD) or GPH150/45FT.HD. Complete with standard mains input isolating transformer. Ideal fountains, waterfalls, etc. ONLY £5 ea. P. & P. £1.25. Carriage extra.

Panel switches DPDT ex eq. 13p ea.; DPST Brand new, 17p ea.; DPST twice, brand new 25p ea.
 Brand new heads for TR50 and TR51 Tape Recorders £1.60.

GYROS Large clear plastic topped. Type A £5 ea. P. & P. 75p.

ALBRIGHT Heavy Duty Contactor. Single make. 200 amp. 24V coil. Brand new, boxed. £1 ea. Incl. P. & P.

MUST GO! Solartron Storage oscilloscope QD910 £100 only. Carr. extra.

Official Orders Welcomed, Gov./Educational Depts., Authorities, etc., otherwise Cash with Order

FOR CALLERS. Always a large quantity of components, transformers, chokes, valves, capacitors, odd units, etc., at 'Chiltmead' prices. Callers welcome 9 a.m. to 10 p.m. any day.

CHILTM EAD LTD

7/9 ARTHUR ROAD, READING, BERKS. (rear Tech. College) Tel.: Reading 582605/65916

OSCILLOSCOPE PROBE TM8119
High impedance 100/1 resistive attenuated probe for accurate display of HF waveforms or short rise time pulse signals, offered brand new with all accessories and instruction manual. List price £17. Our price £7.50 including earth bayonet TM8194. A MARCONI PRODUCT

MARCONI TF 1020A RF POWER METER. Range 0-100 watts 75 ohms. £50 P. & P. 75p.
We have in stock wattmeters and RF leads up to 1,000 watts.

BARGAIN OFFER 6V DC TAPE RECORDER MOTORS Type DM148-I. Fully screened * reversible * constant speed * specially designed for Portable Recorders * Price only £1 P.P. 10p

MARCONI 12 KHz QUARTZ CRYSTAL contained in B7G envelope with flying lead connections. Brand new only 62p each.

MARCONI TF930
H.F. field strength measuring equipment. 18-125 mHz. £65.

MARCONI DUAL TRACE OSCILLOSCOPE TYPE TF 1331. Offered in little used condition with probe/handbook/guarantee.

4-INCH G.E.C. DOUBLE GUN
C.R. Tubes Spiral P.D.A. type 1046F. Brand new. Boxed. Price £10.50.

PHILLIPS MODEL GM 6010. DC low level electronic voltmeter measurements from 1mV for full scale deflection to 300vdc in twelve ranges. Indication on 5 inch mirror scale. A first-class instrument at an economical price. Only £40 plus battery, P. & P. 75p.

WAVE ANALYSERS
MARCONI TF445E 20Hz to 16kHz or modulated r.f. up to 500MHz Price £125
AIRMEC model 248 5MHz to 300MHz film scale frequency setting. Price £85
AIRMEC model 853 30kHz to 30MHz film scale frequency setting. Price £80

OSCILLOSCOPES
TEKTRONIX Type 551 with L&G plug in or CA type.
TEKTRONIX Type 545B with CA plug in, hand book and choice of probes.
TEKTRONIX Type 453, DC to 50MHz portable, as new with Probes and manual.
TEKTRONIX Type 561A with types 3B3 and 3A6 plug in as new.
TEKTRONIX Type 310 miniature portable.
TEKTRONIX Type 581 DC to 80MHz with plug in as new condition. Trölleys available.
TEKTRONIX Type 531A DC to 15MHz.
TEKTRONIX Current probe amplifier, type 131.

All the above oscilloscopes have been carefully tested and calibrated and carry a six months guarantee, large savings up to 50% can be made on the manufacturers list price. Or if you are considering upgrading your equipment we can offer you a fair price for any used Tektronix scope, or plug-ins.

MUIRHEAD PRECISION DECADE OSCILLATOR TYPE 890A
Frequency range = 1Hz to 111.11 KHz incorporates precision 5MHz crystal with miniature scope display any frequency within the range may be selected and repeated with absolute accuracy. Perfect condition. Price £135
MUIRHEAD Modulator Type D-978-A Price £125
MUIRHEAD PHASE METER Type 729-AM Enables user to read direct indication of phase angle and the difference in level between two sinusoidal voltages, both voltages may also be measured. Supplied in as new condition. Price £275

SOLARTRON PHASE ANGLE MEASURING EQUIPMENT Comprising: Low frequency decade oscillator 4 phase type OS-103.
TFA Carrier Converter type JX-641 and Phase Sensitive Volt Meter type VP250.

LOW FREQUENCY SPECTRUM ANALYSER TYPE FENLOW
Range 0-3Hz to 1KHz excellent condition Price £150

ELECTRONIC CALCULATORS
Little used condition, surplus to requirements. Offered with 12 digit nixie tube readout and all usual functions, i.e. +, x, =, divide. With limited memory, the calculator employs all solid state circuitry with i.c.s. contained on four plug in boards. Small portable machines for mains voltage operation. Carefully checked before despatch. List price £240, offered at only £55, carriage 75p.

SCHOMANDL PRECISION FREQUENCY METER TYPE FDI WITH FDMI ADAPTOR
GPO approved equipment for Radio Telephone Marine servicing etc., offered in as new condition with calibration certificate.



SPECIAL OFFER

"INSULATION TESTERS" TYPE NO. 11 METROHM by famous British manufacturer. All solid state. No handles to crank. Runs off 9 volt transistor battery. Simply press button for function. Range 0-1 to 25M ohms for insulation testing. Also 0-1 to 100 ohms for resistance and continuity checking. Clear, concise scale. Small size modern instrument, complete with carrying strap and protecting cover. Offered in good used condition ready to work. For 250 volt pressure only. List Price £19.50. Our Price £6.00 plus 22p post/packing.

EYERSHED QUICK RESPONSE RECORDER (DUPLEX) Type QU/CRD 10 with amplifier unit type PA. 10M/G/2 with cables handbook. In as new condition, these small portable recorders are very popular and are of current manufacture offered at less than half price.

Honeywell Brown Electronic Recorder. Potentiometric type. Sensitivity 0-01 mV & 0-1mV offered as new perfect order £225

AIRMEC PORTABLE RF SIGNAL GENERATOR. AM/FM Type CT212. Specially designed for field use for mains or 12v operation. Frequency range 85kHz to 30MHz. Accurate scale calibration. *Variable output from 1 micro V 100mV 0 to 80db. Offered in excellent condition. Only £45

MAGNIFICATION METERS
Marconi Q Meter Model TF329G perfect condition £50
Marconi HF Q Meter TF886A perfect condition £40
Advance Q Meter Model T.2 perfect condition £40
Dawe Production Q Meter Model 620C brand new £55

CANNON XLR AUDIO SERIES PLUGS & SOCKETS
XL 3-31 3-Pole Socket } 150p
XL 3-12 3-Pole Plug } The pair
XL 3-11 3-Pole Plug } 125p
XL 3-32 3-Pole Socket } The pair
XL 6-11 6-Pole Plug } 150p
XL 6-32 6-Pole Socket } The pair
Offered Brand New. Sealed Packs at a little over 1/2 List Price.

MULLARD HIGH SPEED VALVE TESTERS. We have a small quantity of these very popular testers available late model. Complete with cords and in good working order. Price £45

WANTED, GOOD QUALITY TEST EQUIPMENT

Miniature solenoid driven wafer switches, type-Ledex single pole, 7 pos., 3 wafers. Primarily used for channel switching in Radio-Telephones. Wafers may be substituted for any type. Solenoid voltage, 12 or 24V. Brand new. £1.50 each, p.p. 12p.

FREQUENCY DEVIATION METER
Rohde & Schwarz Type FMV-BN4620 Direct reading deviation range 0-150kHz suitable for use with transmitters with output frequencies up to 600MHz, a high grade instrument in as new condition. Price only £185

ROHDE & SCHWARZ
Frequency synthesized R.F. generator type XUA. The output frequency is adjustable with crystal accuracy in steps of 1kHz and continuously with an error of less than 0.5 Hz. Frequency range is 30Hz to 30MHz, output voltage can be set accurately between 1mV to 1 volt, lockable frequency accuracy ± 2 x 10⁻⁸ frequency drift is greater than 2 x 10⁻⁸ makes the XUA an excellent instrument for stability measurements* calibration* and selectivity measurements of a high order. Offered in as new condition with frequency meter at £250. Carr. extra.

KEITHLY MODEL 414C
Micro-Microammeter Range 1pA-10MA in seventeen ranges perfect condition. Price £85

ROBAND MODEL T107
Transistorised variable volt bench supply 0-100v at 2 amps V&I metered. Price £65

ADVANCE COUNTER TIMER TC-1A
Range 1Hz-1MHz six digit readout portable instrument, large display, price and details on request.

SOLARTRON LM902-2
Digital Volt Meter, range 1mV-1,000V; excellent condition. Price £85

CROSSHATCH & DOT GENERATOR OL21 for 625 or 405 lines. Brand new £40 P. & P. 50p

MARCONI 1094 A/S HF SPECTRUM ANALYSER
3-30MHz
LATE MODEL FOR SALE OR HIRE

LUCAS CAR RELAYS. 12 v. Heavy duty make. Suitable for spotlights, horns, overdrives, etc. Brand new. Only 37p. Special price for quantities.

BARGAIN OFFER
200-yard reels equipment wire, size 1/024, STC quality, various colours. Brand new reels only 75p. P. & P. 12p.

Rohde & Schwarz UHF 1000 Load Resistor. An oil immersed load 0-600 MHz 60 ohms 1000 watts. Type RD 1/60-FNr H3086/14. Price £85 carriage extra.

Noise Generator Model CT-82
Range 15kHz to 160MHz very useful noise for factor measurements of receivers/ wide band I.F. amplifiers etc., the instrument is directly calibrated in noise factor and displayed on panel meter, also output meter calibrated in db, for 115-250 vac operation offered in good used condition, small size low price only £8 Carr. 50p.

MARCONI VALVE VOLTMETER MODEL 1041.B.
Voltage range 300mV to 1,000V in 7 ranges. Frequency response 20HZ-1,500 MHZ. DC resistance 50 ohms to 500Mohms. Carefully checked and calibrated. Price £60

BELIX MODULE POWER SUPPLY UNITS MODEL TSS241A
TWIN OUTPUTS 5 volts to 24 volts at 1 amp. Supplied brand new. Price £22 p.p. 50p. Other Belix P.S.U.s available to 5 amps.

ADVANCE LV POWER SUPPLIES MODEL DC22
Stabilised 24 volts 5 amps. Brand new, only £15 p.p. 50p

R.F. SIGNAL GENERATORS
MARCONI TF801D/I range 10 to 485 MHz P.U.R. £42
MARCONI TF801A range 10 to 300 MHz £175
MARCONI TF867 range 15kHz to 30MHz £175
MARCONI TF762C range 300 to 600 MHz £65
MARCONI TF937 range 85kHz to 30MHz £85 (function AM/FM. crystal calibrator).

HEWLETT PACKARD 612A 400 to 1200 MHz P.U.R.
HEWLETT PACKARD 616a 1780 to 4,000 MHz £125
AIRMEC Model 201 range 30kHz to 30 MHz £75
AIRMEC Model 701 range 30kHz to 30 MHz £65
AIRMEC Model 257 range .003 to 30 Hz £55

SAUNDERS/MARCONI CT480 range 7 to 12 GHz £105
SAUNDERS/MARCONI CT478 range 1.3 to 4.5 GHz £85

AUDIO OSCILLATORS SQUARE WAVE GENERATORS
DONNER (USA) Model 1200 sine wave range-1Hz to 1MHz in six ranges variable amplitude. Price £40
MARCONI TF895A/I 25Hz to 12 MHz sine/square. Price £35
TEKTRONIX Model 105 square wave 1Hz to 1MHz. Price £60
PRECISION APPARATUS INC. sine wave 5Hz to 600kHz. Price £40
MULLARD sine wave 20Hz to 20kHz high output suitable for speaker testing etc. Price £25
SOLARTRON Model CO-546 25Hz to 500kHz Price £35

Cossor Electronic Invertors type CRA 200. A high quality device for producing a 115v 400Hz single phase output. Incorporating the following features: Input 23-28V D.C.
* Full overload protection.
* Sine wave output.
* Remote control facilities.
* Completely Solid State (Silicon transistors).
* Built to Aircraft specifications.
* 180VA of output continuous.
May be run in series operation for 3 phase requirements. Offered brand new boxed units. Price £17.50 Carriage 50p

Constant Voltage DC Power Supplies Model DC'8

A stabilised unit supplying 43vdc at 4amps input 200-245vac stabilised to within +1% at full load. Supplied new £12

SEARCH RECEIVERS AN/APR/4 Range 38-1000 mHz with 3 RF tuning heads, circuit diagrams, etc. £95.

AERIAL CHANGE/OVER RELAYS of current manufacture designed especially for mobile equipments, coil voltage 12v.. frequency up to 250 MHz at 50 watts. Small size only, 2 in. x 3/4 in. Offered brand new, boxed. Price £1.50, inc. P.&P.

COAXIAL SWITCHES American Manufacture
Suitable for aerial changeover and high frequency switching up to 1,000 MHz miniature vacuum drawn type 110 v dc operation connections BNC and N types. Offered brand new, boxed. Price £3.25.

LEAD-ACID BATTERIES 10v 5AH.
Transparent casing. Size 2 1/2 x 5 x 7 in. Offered brand new and boxed, 2 batteries per box, complete with links and full instructions. Can supply voltages in the range from 2-20v. Price £2.25, inc. P.&P.

BURNDIPT RF PLUGS still available. These hard to find plugs are used on a multitude of equipment, especially Londax aerial c/o relays. Offered new ex. equipment. 2 for 50p, inc. p.p.

BT91-500R THYRISTORS
500 PIV Max rect. Current 16 amps. Guaranteed perfect. Price £1.25 each.

COLVERN HELICAL POTS
1K ohms
5K ohms
10K ohms
20K ohms
30K ohms } ALL TEN TURN
PRICE £1.75

ELECTRONICS VOLTMETERS for low level signal sources.
PYE High Impedance DC Amplifier for measurements better than 20 uV to 10 volts centre zero. Price £56.

PHILIPS GM 6010 1 mV FSD to 300 V in 12 ranges. Price £45
PHILIPS PM 2520 1 mV FSD to 300 V in 12 ranges RMS voltmeter 10 Hz to 1 MHz. Price £45

SOLARTRON VF-252. AC millivoltmeter 1.5 mV for FSD to 15 V 30 M ohms impedance. Price £65

H. W. SULLIVAN STANDARD AIR SPACED CONDENSERS
Capacitance range 0 to 100 pf fully screened with engraved vernier subdivided into 100 equal divisions complete with vernier index and original manufacturers seal offered brand new, at only £25 each.

RADYNE I KW R.F. HEATER. In excellent operational condition complete with Mullard TY4-40 valve and timer. Price £115

MINIATURE AEI UNISELECTORS
12 position x 3 bank 250 ohm coils, 1 bridging and 2 non-bridging wipers available now—Types 2200A and 2302A complete with bases. Price £4 p.p. 50p

BECKMAN HELICAL POTENTIOMETERS
Type 'A' Ten turn. 5 watt Linearity 0.25%. Resistance value 1,000 ohms. Brand new items. Price £1.75 Also in type 'A' 30K and 50K. Price a spec' as above.

BOURNES miniature ten turn pots resistance 10K ohms/Lin. 5% brand new items. Price £1.50

COLVERN ten turn type CLR 2402/115 20K ohms dial only 0.75 inch standard spindle, new £1.5. We have in stock many types and values of ten and 3 turn potentiometers. Let us know your requirements.

HEATHKIT Decade Resistance Box Model DR 1U 5 decade box resistance up to -100K ohms in steps of 1 ohm. Excellent condition. Price £7

KIENZLE ELECTRONIC PRINTER model DII-E as new condition £150
*Videcon Tubes Cathodeon type C9138A brand new at surplus price £15
Cambridge model D.E. Potentiometric Recorder. Single point type. Range 0-10

P.F. RALFE 10 CHAPEL ST. LONDON N.W.1 Phone 01-723 8753

BRICO ENGINEERING LIMITED

HOLBROOK LANE, COVENTRY Tel: COVENTRY 89552 Telex 31685

Following the closure of our Electronic Fuel Injection Department we offer for sale the following electronic components. These components were intended for our own production and were purchased direct from manufacturers. The bulk of the stock is still in the original packing. We have reduced prices by up to 30%

CAPACITATORS			3K9	5	ISKRA UPM	WATT RESISTORS			
Value	µF	Description	Cost each			Value Ohms	Tol ± %	Supplier and Ref.	Cost/100
0.001	30V.	10% Suflex H5		5	ISKRA UPM	150	5	MULLARD B803104NB	
0.005	250V.	Paper Hunts W95-BD14 or 310 SLM 51		5	ISKRA UPM	220	5	MULLARD B803104NB	
0.01	250V.	Paper		5	ISKRA UPM	330	5	MULLARD B803104NB	
0.1	160V.	10% Polyester Film		5	ISKRA UPM	470	5	MULLARD B803104NB	
0.1	250V.	10% Polyester Film		5	ISKRA UPM	820	5	MULLARD B803104NB	
0.022	250V.	Paper Hunts W95-BD14 or 310 SLM 51	3p	5	ISKRA UPM	1K	5	MULLARD B803104NB	
0.047	20.25V.	Ceramic		5	ISKRA UPM	1K5	5	MULLARD B803104NB	
2.5	16V.	Electrolytic		5	ISKRA UPM	1K8	5	MULLARD B803104NB	
25	25V.	Electrolytic Hunts AW1515 A00 or MEW 29T		5	ISKRA UPM	2K2	5	MULLARD B803104NB	
100	15V.	Electrolytic		2	ELECTROSIL TR5	2K7	5	MULLARD B803104NB	
0.47	160V.	Foil Waycom Tropyfol M		2	ELECTROSIL TR5	3K3	5	MULLARD B803104NB	
2	35V.	Electrolytic Waycom Printilyt I		2	ELECTROSIL TR5	3K9	5	MULLARD B803104NB	
5	25V.	Electrolytic Waycom Printilyt I	5p	2	ELECTROSIL TR5	4K7	5	MULLARD B803104NB	
10	25V.	Electrolytic Waycom Printilyt I		2	ELECTROSIL TR5	5K6	5	MULLARD B803104NB	
250	25V.	Electrolytic Hunts MEF 35BT		2	ELECTROSIL TR5	6K2	5	MULLARD B803104NB	
1	160V.	Foil Waycom Tropyfol M		2	ELECTROSIL TR5	6K8	5	MULLARD B803104NB	
1	250V.	Polyester		2	ELECTROSIL TR5	8K2	5	MULLARD B803104NB	
1.5	20V.	Tantalum		2	ELECTROSIL TR5	11K	5	MULLARD B803104NB	
12.5	25V.	Electrolytic	10p	2	ELECTROSIL TR5	12K	5	MULLARD B803104NB	
1.5	35V.	Tantalum		2	ELECTROSIL TR5	15K	5	MULLARD B803104NB	
2.2	35V.	Tantalum		2	ELECTROSIL TR5	18K	5	MULLARD B803104NB	
2.7	35V.	Tantalum		2	ELECTROSIL TR5	22K	5	MULLARD B803104NB	
3.3	100V.	Polycarbonate S.T.C. PMA 3-3K 100		2	ELECTROSIL TR5	27K	5	MULLARD B803104NB	
3.3	35V.	Tantalum		2	ELECTROSIL TR5	33K	5	MULLARD B803104NB	
3.9	35V.	Tantalum		2	ELECTROSIL TR5	39K	5	MULLARD B803104NB	
4.7	35V.	Tantalum		2	ELECTROSIL TR5	56K	5	MULLARD B803104NB	
4.7	63V.	Polycarbonate Waycom MK5		2	ELECTROSIL TR5	82K	5	MULLARD B803104NB	
5.6	35V.	Tantalum		2	ELECTROSIL TR5	100K	5	MULLARD B803104NB	
8.2	20V.	Tantalum		2	ELECTROSIL TR5	120K	5	MULLARD B803104NB	
Price each in quantities 1-100				2	ELECTROSIL TR5	150K	5	MULLARD B803104NB	
SEMI-CONDUCTORS				2	ELECTROSIL TR5	180K	5	MULLARD B803104NB	
Diode	15921	Texas	2.5p	2	ELECTROSIL TR5	220K	5	MULLARD B803104NB	
Zener Diode	C7V5	Mullard BZY88		2	ELECTROSIL TR5	270K	5	MULLARD B803104NB	
Zener Diode	C6V2	Mullard BZY88		2	ELECTROSIL TR5	390K	5	MULLARD B803104NB	
Zener Diode	C9V1	Mullard BZY88		2	ELECTROSIL TR5	470K	5	MULLARD B803104NB	
Zener Diode	C6V8	Mullard BZY88		2	ELECTROSIL TR5	560K	5	MULLARD B803104NB	
Zener Diode	C5V6	Mullard BZY88		2	ELECTROSIL TR5	820K	5	MULLARD B803104NB	
Zener Diode	C8V2	Mullard BZY88		2	ELECTROSIL TR5	1M	10	MULLARD B803104NB	
Transistor	2N3704/K	Texas Silec		2	ELECTROSIL TR5	1M5	10	MULLARD B803104NB	
Transistor	2N4062/K	Texas Silec		2	ELECTROSIL TR5	3M3	10	MULLARD B803104NB	
Transistor	2N3711/K	Texas Silec		2	ELECTROSIL TR5	6M8	10	MULLARD B803104NB	
Transistor	2N3708/K	Texas Silec		2	ELECTROSIL TR5	10M	10	MULLARD B803104NB	
Transistor	2N3702/K	Texas Silec		2	ELECTROSIL TR5	1K2	2	ELECTROSIL TR5	
Transistor	2S 302		20p						
Transistor	OC 28	Mullard	45p						
Price each in quantities 1-100									
POTENTIOMETERS									
Value	Description	Cost each							
1K	Pre-set ISKRA PN11B		3p						
2K	Pre-set ISKRA PN11B								
2K5	Pre-set ISKRA PN11B								
50K	Pre-set ISKRA PN11B								
100K	Pre-set ISKRA PN11B								
1K	Welwyn Pre-set P345								
10K	Welwyn Pre-set P345		5p						
50K	Welwyn Pre-set P345								
Price each in quantities 1-100									
THERMISTORS									
Description	Cost each								
VA 10665 Mullard	5p								
Ziemens Halske K273 1-2K Ω at 60°C, 2-8 K Ω at 20°C (Nom.)	20p								
Price each in quantities 1-100									
WATT RESISTORS									
Value Ohms	Tol ± %	Supplier and Ref.	Cost/100						
10	5	ISKRA UPM							
22	5	ISKRA UPM							
47	5	ISKRA UPM							
56	5	ISKRA UPM							
82	5	ISKRA UPM							
100	5	ISKRA UPM							
150	5	ISKRA UPM							
180	5	ISKRA UPM							
220	5	ISKRA UPM							
270	5	ISKRA UPM							
470	5	ISKRA UPM							
560	5	ISKRA UPM							
820	5	ISKRA UPM							
1K8	5	ISKRA UPM							
2K7	5	ISKRA UPM							
Price per 100 in quantities 100-10,000									
WATT RESISTORS									
Value Ohms	Tol ± %	Supplier and Ref.	Cost/100						
33	5	MULLARD B803104 NB							
47	5	ISKRA UPM							
68	5	ISKRA UPM							
100	5	ISKRA UPM							
150	5	ISKRA UPM							
220	5	ISKRA UPM							
270	5	ISKRA UPM							
330	5	ISKRA UPM							
390	5	ISKRA UPM							
470	5	ISKRA UPM							
680	5	ISKRA UPM							
820	5	ISKRA UPM							
1K	5	ISKRA UPM							
1K2	5	ISKRA UPM							
3K3	5	ISKRA UPM							
8K2	5	ISKRA UPM							
10K	5	ISKRA UPM							
18K	5	ISKRA UPM							
22K	5	ISKRA UPM							
220K	5	ISKRA UPM							
820K	5	ISKRA UPM							
1M2	5	ISKRA UPM							
2M7	5	ISKRA UPM							
4M7	5	ISKRA UPM							
5M	5	ISKRA UPM							
3K9	5	MORGANITE							
1M5	10	ISKRA UPM							
1M6	10	ISKRA UPM							
2M2	10	ISKRA UPM							
6M8	10	ISKRA UPM							
330	2	ELECTROSIL TR4							
1K	2	ELECTROSIL TR4							
1K2	2	ELECTROSIL TR4							
1K8	2	ELECTROSIL TR4							
2K2	2	ELECTROSIL TR4							
2K7	2	ELECTROSIL TR4							
12K	2	ELECTROSIL TR4							
18K	2	ELECTROSIL TR4							
Price per 100 in quantities 100-10,000									
WATT RESISTORS									
Value Ohms	Tol ± %	Supplier and Ref.	Cost/100						
33	5	MULLARD B803104 NB							
47	5	ISKRA UPM							
68	5	ISKRA UPM							
100	5	ISKRA UPM							
150	5	ISKRA UPM							
220	5	ISKRA UPM							
270	5	ISKRA UPM							
330	5	ISKRA UPM							
390	5	ISKRA UPM							
470	5	ISKRA UPM							
680	5	ISKRA UPM							
820	5	ISKRA UPM							
1K	5	ISKRA UPM							
1K2	5	ISKRA UPM							
3K3	5	ISKRA UPM							
8K2	5	ISKRA UPM							
10K	5	ISKRA UPM							
18K	5	ISKRA UPM							
22K	5	ISKRA UPM							
220K	5	ISKRA UPM							
820K	5	ISKRA UPM							
1M2	5	ISKRA UPM							
2M7	5	ISKRA UPM							
4M7	5	ISKRA UPM							
5M	5	ISKRA UPM							
3K9	5	MORGANITE							
1M5	10	ISKRA UPM							
1M6	10	ISKRA UPM							
2M2	10	ISKRA UPM							
6M8	10	ISKRA UPM							
330	2	ELECTROSIL TR4							
1K	2	ELECTROSIL TR4							
1K2	2	ELECTROSIL TR4							
1K8	2	ELECTROSIL TR4							

SERVICE TRADING CO

Postage and Carriage shown below are inland only. For Overseas please ask for quotation. We do not issue a catalogue or list.



INSULATED TERMINALS

Available in black, red, white, yellow, blue and green. New 10p each. Post paid.

VARIABLE VOLTAGE TRANSFORMERS



INPUT 230 v. A.C. 50/60
OUTPUT VARIABLE 0/260 v. A.C.
BRAND NEW. Keenest prices in the country. All types (and spares) from 1/2 to 50 amp. available from stock.

0-260 v. at 1 amp. £5-50 P. & P. 40p
 0-260v. at 2.5 amps. . . £6-75 P. & P. 40p
 0-260 v. at 5 amps. . . . £9-75 P. & P. 55p
 0-260v. at 10 amps. . . . £18-50 CARR. £1
 0-260v. at 15 amps. . . . £25-00 CARR. £1
 0-260v. at 20 amps. . . . £37-00 CARR. £1
 0-260v. at 25 amps. . . . £49-00 CARR. £1
 0-260v. at 37.5 amps. . . £72-00 CARR. £1
 0-260v. at 50 amps. . . . £92-00 CARR. £1

OPEN TYPE (Panel mounting). 1/2 amp. £3-93
1 amp £5-50. 2 1/2 amp. £6-63. P. & P. 40p.

L.T. TRANSFORMERS

All primaries 220-240 volts.		Price Carr.
Type No.	Sec. Taps	
1	12 v. at 5A	£1-88 28p
2	30, 32, 34, 36 v. at 5 amps.	£4-68 30p
3	30, 40, 50 v. at 5 amps.	£6-88 33p
4	10, 17, 18 v. at 10 amps.	£4-95 22p
5	6, 12 v. at 20 amps.	£6-43 33p
6	17, 18, 20 v. at 20 amps.	£7-28 33p
7	6, 12, 20 v. at 20 amps.	£6-88 38p
8	24 v. at 10 amps.	£5-23 28p
9	4, 6, 24, 32 v. at 12 amps.	£7-15 33p
10	6 and 12 v. at 10 amps.	£3-75 35p

ALARM BELL

Manufactured by GENTS. 6 inch bell, 3/6 volt D.C. operation. As NEW. Only £1-50 plus 45p P. & P.



12-28 VOLT D.C. BLOWER UNIT
Powerful, smooth running, precision made Blower Unit. 5,000 RPM. 5.4 amps. Size 3" diameter x 3 1/2" long over all. Price £2-00 post paid.



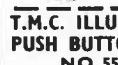
DOUBLE ENTRY CENTRIFUGAL FAN/BLOWER

Smooth, balanced running unit. Two pole shaded pole Mycalex motor gives approximately 90 cubic ft./min. but draws only 240 ma. on run. Weight 2 1/2 lb. Case dia. 3.1", width (case only) 3-1/2", width overall (inc. motor) 5-25", aperture 3-1/25" x 1-85". Price only £2-95. P. & P. 25p.



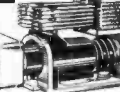
MICRO SWITCH

5 amp. c/o contacts. Fitted with removable push button assembly. Ex. P.O. 20 for £1-00 inc. post (min. order 20).



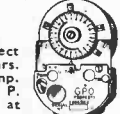
T.M.C. ILLUMINATED LOCKING PUSH BUTTON KEY SWITCH

Complete with mounting bracket, Push Knob and Lenses (GREEN, AMBER, RED or CLEAR - state colour preference). Price 88p each excluding bulb. Post Paid. Discount for quantities of 200 or over.



VENNER ELECTRIC TIME SWITCH

200/250 volt. Ex-GPO. Tested, perfect condition. Two ON, two OFF, every 24 hrs. at any manually pre-set time. Price: 10amp. £2-75, 15amp. £3-25. 20amp. £3-75. P. & P. 20p. Also available with Solar Dial ON at dusk, OFF at dawn. Prices as above.



200-250 v. A.C. NEON INDICATOR

Available in RED or AMBER at 20p each, or in GREEN at 32p. Min. order 3 units. P. & P. 5p.



ELECTRONIC ORGAN KIT

Easy to build, solid state. Two full octaves (less sharps and flats). Fitted hardwood case, powered by two penlite 1 1/2 v. batteries.

Complete set of parts including speaker, etc., together with full instructions and 10 tunes. £3-00. P. & P. 25p.

50 in 1 ELECTRONIC PROJECT KIT

50 easy to build Projects. No soldering, no special tools required. The Kit includes Speaker, meter, Relay, Transformer, plus a host of other components and a 56-page instruction leaflet. Some examples of the 50 possible Projects are: Sound level Meter, 2 Transistor Radio, Amplifier etc., etc. Price £7-75. P. & P. 30p.

CRYSTAL RADIO KIT

Complete set of parts including: crystal diode, ferrite aerial, drilled chassis and personal ear-piece. No soldering, easy to build, full step-by-step instructions. £1-75 inc. post.

POWER RHEOSTATS

(NEW) Ceramic construction, winding-ink embedded in Vitreous Enamel, heavy duty brush assembly designed for continuous duty. **AVAILABLE FROM STOCK IN THE FOLLOWING II VALUES:**
100 WATT 1 ohm 10a., 5 ohm 4.7a., 10 ohm 3a., 25 ohm 2a., 50 ohm 1.4a., 100 ohm 1a., 250 ohm 7/8a., 500 ohm 4/5a., 1k ohm 280mA., 1.5k ohm 230mA., 2.5k ohm 1.2a., 5k ohm 140mA., Diameter 3/16 in. Shaft length 1/2 in. dia. 1/8 in. £1-50. P. & P. 15p.
50 WATT 1-12/10/25/50/100/250/500/1K/1.5K/2-5K/5K ohm. All at £1-12. P. & P. 11p.
25 WATT 10/25/50/100/250/500/1K/1.5K/2-5K/3-5K ohm. All at 78p. P. & P. 5p.
 Black Silver Skirted knob calibrated in Nos. 1-9. 1 1/2 in. dia brass bush. Ideal for above Rheostats, 18p ea.

UNISELECTOR SWITCHES - NEW 4 BANK 25 WAY FULL WIPER

25 ohm coil, 24 v. D.C. operation £5-88. plus 22p P. & P.
6 BANK 25 WAY FULL WIPER
 25 ohm coil, 24 v. D.C. operation. £6-50, plus 22p P. & P.
8 BANK 25 WAY FULL WIPER
 24 v. D.C. operation. £7-63, plus 22p P. & P.



VERY SPECIAL OFFER

Cannot be repeated. 500 v. 50 Meg Record insulation testers. Excellent condition, fully tested. Complete with leather carrying case. £12. P. & P. 50p.

STROBE! STROBE! STROBE!

THREE EASY TO BUILD KITS USING XENON WHITE LIGHT FLASH TUBES. SOLID STATE TIMING + TRIGGERING CIRCUITS. PROVISION FOR EXTERNAL TRIGGERING. 230-250v. A.C. OPERATION. The Strobe is one of the most useful and interesting instruments in the laboratory or workshop. It is invaluable for the study of movement and checking of speeds. Many uses can be found in the psychiatric and photographic fields, also in the entertainment business. It is used a great deal in the motor industry and is a real tool as well as an interesting scientific device.

EXPERIMENTERS "ECONOMY" KIT
Adjustable 1 to 36 Flash per sec. All electronic components including Veroboard S.C.R. Uniunion Xenon Tube + instructions £6-30 plus 25p P. & P.

NEW INDUSTRIAL KIT
Ideally suitable for schools, laboratories etc. Roller tin printed circuit. New trigger coil, plastic thyristor Adjustable 1-80 f.p.s. Price £10-50. 50p P. & P.

HY-LIGHT STROBE
This strobe has been designed for use in large rooms, halls and the photographic field, and utilizes a silica tube for longer life expectancy, printed circuit for easy assembly, also a special trigger coil and output capacitor. Speed adjustable 1-30 f.p.s. Light output approx. 4 ioules. Price £12-00. P. & P. 50p.
Specially designed, fully ventilated Metal Case. Including reflector. £4-00. P. & P. 45p. Post paid with kit.

AND NOW!

THE 'SUPER' HY-LIGHT KIT

Approx. 4 times the light output of our well proven Hy-Light strobe.
 Incorporating, Heavy duty power supply.
 Variable speed from 1-23 flash per sec.
 Fantastic Octal based tube with massive electrodes.
 Reactor control circuit producing an intense white light.
 The brilliant light output of the 'SUPER' HY-LIGHT gives fabulous effects with colour filters.
Never before a Strobe Kit with so HIGH an output at so LOW a price. ONLY £20-00 plus 75p P. & P.
 Attractive, robust, fully ventilated Metal Case specially designed for the Super Hy-Light Kit including reflector. £7-00. P. & P. 45p.
7-INCH POLISHED REFLECTOR. Ideally suited for above Strobe Kits. Price 53p and 13p P. & P. or post paid with kits.



RUNNING HOUR METER. 240 volt, 50 cycle, 2-2 watt. Calibrated in minutes. Six figure. PRICE: £3-00 including Post & Packing.

MINIATURE LEVEL METER

Approximately 300 micro amp basic, as fitted to Tape Recorders, etc. Strip type dual coloured dial. 50p + 8p P. & P.

MOTOROLA MAC11/6 PLASTIC TRIAC 400 PIV 8 AMP

Now available EX STOCK supplied complete with full data and applications sheet. Price £1-05 plus 7p P. & P. Suitable diac 30p (RCA40583)

SEMI-AUTOMATIC "BUG" SUPER SPEED MORSE KEY

7 adjustments, precision tooled speed adjustable 10 w.p.m. to as high as desired. Weight 2 1/2 lb. £4-63 post paid.

RELAYS NEW SIEMENS PLESSEY, etc.

MINIATURE RELAYS AT COMPETITIVE PRICES.			
1	2	3	4
45	6-9 2HD M	50p	700 15-35 2 c/o HD 73p*
185	6-12 4 c/o	73p*	700 16-24 6 M 63p*
230	9-12 4 c/o	78p*	1250 24-36 4 c/o 63p*
280	9-12 2 c/o	73p*	2500 36-45 6 M 63p*
600	18-32 4 c/o	78p*	2400 30-49 4 c/o 50p*
700	16-24 4 M 2 B	63p*	5800 40-70 4 c/o 63p*
700	16-24 4 c/o	78p*	9000 40-70 2 c/o 50p*
700	12-24 2 c/o	63p*	15k 85-110 6 M 50p*

(1) Coil ohms: (2) Working d.c. volts: (3) Contacts: (4) Price HD = Heavy Duty. All Post Paid. *including Base.

MAINS RELAY
230 v. A.C. coil 3 c/o, 10 amp. A.C. contacts. 50p + 8p p. & p. Similar to above illustration.

COMPLETE NI. CAD. BATTERY OUT-FIT (EX W.D.)

2 metal carrying cases each containing 10 x 1.2 volt 7AH (12v.) batteries, also 10 x 1-2v. 22 AH (12v.) batteries (40 batteries in all). 1 Dual voltage, dual meter, thyristor controlled charging unit. Designed for charging the 7AH and 22AH batteries simultaneously. Input voltage can be adjusted between 100-250v. A.C. Built to ministry specification. Ideal power supply for field work. Offered at fraction of makers price. 2 sets of batteries, 1 charging unit. The set £45 00, c. & p. £1-50.

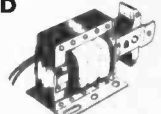


NICKEL CADMIUM BATTERY

1.2 v. 35 AH. Size 80 high x 3 x 10. £1-50 each, plus 20p Sintered Cadmium Type 1.2 v. 7AH. Size: height 3 1/2 in., width 2 1/2 in. x 1 1/2 in. Weight: approx. 13 ozs. Ex-R.A.F. Tested 63p. P. & P. 15p.

230 VOLT AC SOLENOID

EXTREMELY POWERFUL SOLENOID with approximately 14lb. pull, 1 inch travel. Fitted with mounting feet. Size 4 inches long, 2 1/2 inches wide and 3 inches high. Price £2-00 including post & pckg.



230-250 VOLT A.C. SOLENOID

(Similar in appearance to above illustration.) Approx. 1 1/2 lb. pull. Size of feet 1 1/4 x 1 1/4. Price 85p incl. post. Manufactured by Westool Ltd.

36 volt 30 amp. A.C. or D.C. Variable L.T. Supply Unit

Input 220/240 v. A.C. Output continuously variable 0-36 v. A.C./D.C. Fully isolated. Fitted in robust metal case with Voltmeter, Ammeter, Panel Indicator and chrome handles. Input and Output fully fused. Ideally suited for Lab. or Industrial use. £58 plus £2 p. & c.



230V/240V COMPACT SYNCHRONOUS GEARED MOTORS

Manufactured by either Sangamo, Haydon or Smith. Built-in gearbox.
 1 rev. per hour. Clockwise rotation.
 1 rev. per hour. Anti-clockwise rotation.
 2 revs. per hour. Clockwise rotation.
 3 revs. per hour. Anti-clockwise rotation. All at 75p.
 15 revs. per hour. Anti-clockwise rotation. incl. P. & P.
 60 revs. per hour. 1 rev per minute clockwise



12 VOLT DC MOTOR

Powerful 12 volt 1 amp REVERSIBLE motor. Speed 3,750 rpm. Complete with external gear train (removable) giving final speed of 125 RPM. Size 4 1/2 in. x 2 1/2 in. dia. Price inc. post 95p.



BODINE TYPE N.C.1 GEARED MOTOR

(Type 1) 71 r.p.m. torque 10 lb. in. Reversible 1/70th h.p. 50 cycle .38 amp. (Type 2) 28 r.p.m. torque 20 lb. in. Reversible 1/80th h.p. 50 cycle .28 amp.
 The above two precision made U.S.A. motors are offered in 'as new' condition. Input voltage of motor 115v A.C. Supplied complete with transformer for 230/240v A.C. input
 Price, either type £3-15 plus 35p P. & P. or less transformer £2-13 plus 27p P. & P.
 These motors are ideal for rotating aerials, drawing curtains, display stands, vending machines etc. etc.



ALL MAIL ORDERS, ALSO CALLERS AT:

57 BRIDGMAN ROAD, LONDON, W4 5BB. Phone: 01-995 1560
Closed Saturdays.

SERVICE TRADING CO.

SHOWROOMS NOW OPEN
AMPLE PARKING

PERSONAL CALLERS ONLY

9 LITTLE NEWPORT STREET, LONDON, WC2H 7JJ.
Tel.: 01-437 0576

MORSE TRANSMISSION AND TRAINING SIMPLIFIED



GNT Keyboard Perforator

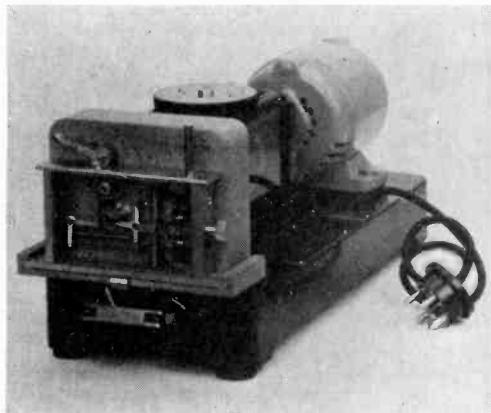
MODEL 51

For preparing morse code tape for use in a transmitter. Maximum speed 750 w.p.m.

GNT Transmitter

MODEL 112

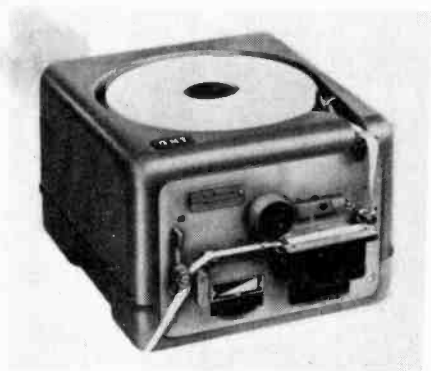
Morse transmitter capable of working direct to line with a speed range of 13-250 words per minute.



GNT Morseinker

MODEL 1532

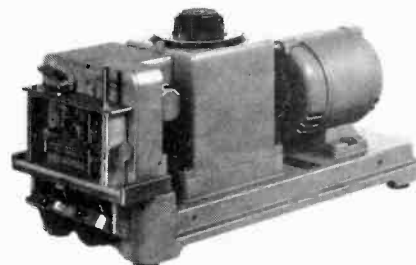
Specially designed for training. Prints dots and dashes on tape with variable paper speed drive. Speed range 0-40 words per minute.



GNT Transmitter

MODEL 115

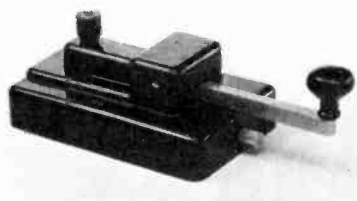
Specially designed for morse transmitting schools permitting the insertion of pauses between transmitted letters and words. Speed range 5-35 w.p.m.



GNT Morse key

MODEL 605

A heavy duty key in a strong bakelite housing. All parts free of electrical potential available with platinum/iridium or silver contacts which are visible for inspection.



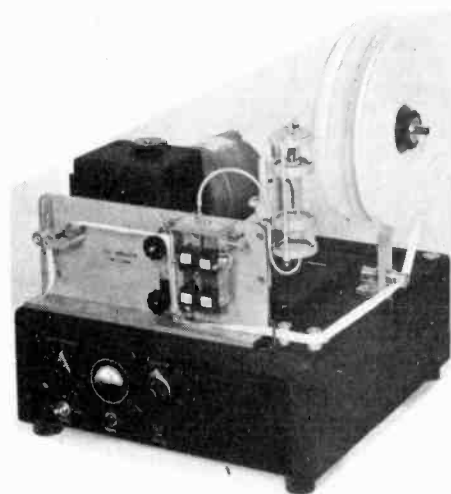
OTHER MODELS AVAILABLE:

- 2206 Converter No. 2 code to morse.
- 2201 Converter morse to No. 2 code.
- 3072 Line commutator.
- 451 Morse code reperforator, operating from 40-200 w.p.m.
- 3082 Student box.
- 3065 AF tone generator.

GNT Undulator

MODEL 311

Records WT signals up to 300 words per minute available in single or double pen versions with or without amplifiers with built-in tone filter for increased selectivity.



The GNT range of morse equipment for automatic transmission and morse code training schools is now manufactured in the U.K. by

Morse Equipment Limited

77 AKEMAN STREET, TRING, HERTS., U.K.

Telephone: Tring 3476/8 STD: 0442-82 Cables: MORSE TRING Telex: 82362 Ans. Back: Batey Tring

We are a Polish company exporting high stability electronic components which have good mechanical characteristics and long life expectancy.

Valves **Electron Guns**
TV Picture Tubes **Sub-assemblies**
Tape Recorder Heads

We can offer production capacity and the ability to produce tape recorder heads to meet our customers' own specifications.

EXPORTER:

Elektrim



Polish Foreign Trade Company for
 Electrical Equipment Ltd.
 Warszawa 1, Czackiego 15/17, Poland.
 Telegrams: ELEKTRIM-WARSZAWA,
 Phone: 26-62-71, Telex: 814351
 P.O. Box: 638

If you are interested, please send for catalogues and quotations.

WW-108 FOR FURTHER DETAILS

COLOUR TELEVISION PICTURE FAULTS

K. J. Bohlman £2.50 Postage 6p
 There are over 120 illustrations, including 88 colour photographs.

TELEVISION SERVICING HANDBOOK by Gordon J. King. £3.80. Postage 12p.

RCA SOLID STATE HOBBY CIRCUITS MANUAL by R.C.A. £1.05. Postage 10p.

THE RADIO AMATEUR'S HANDBOOK by A.R.R.L. £2.60. Postage 20p.

TRANSISTOR AUDIO & RADIO CIRCUITS by Mullard. £1.50. Postage 60p

TRANSISTOR CIRCUITS IN ELECTRONICS by S. S. Haykin & R. Barrett. £2.50. Postage 15p.

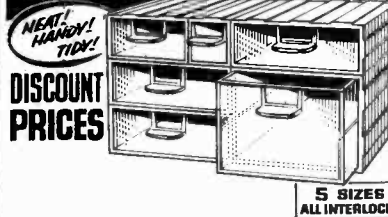
COLOUR TELEVISION WITH PARTICULAR REFERENCE TO THE PAL SYSTEM by G. N. Patchett. £2.50. Postage 6p.

RADIO VALVE & TRANSISTOR DATA by A. M. Ball. 75p. Postage 10p.

THE MODERN BOOK CO.

BRITAIN'S LARGEST STOCKIST
 of British and American Technical Books
19-21 PRAED STREET, LONDON, W.2 1NP
 Phone 723 4185
 Closed Sat. 1 p.m.

INTER-LOCKING PLASTIC STORAGE DRAWERS



NEAT!
HANDY!
TIDY!
DISCOUNT PRICES

5 SIZES ALL INTERLOCK

Newest, neatest system ever devised for storing small parts and components: resistors, capacitors, diodes, transistors, etc. Rigid plastic units, interlock together in vertical and horizontal combinations. Transparent plastic drawers have label slots/handles on front. Build up any size cabinet for wall, bench or table top.

BUY AT TRADE PRICES!

Single units (1D) £1.35 per dozen size approx (2 1/4" high 2 1/4" wide 5" deep)
 2D £2.25 per dozen, 3D £2.35 for 8 units.
 6D2 £3.65 for 8 units (2 3D's in 1 outer)
 6D1 £3.30 for 8 units. Postage/Carriage 35p for orders under £5. Carriage paid for orders over £5.

PLUS QUANTITY DISCOUNTS!

Orders £5 and over DEDUCT 5% in the £
 Orders £10 and over DEDUCT 7 1/2% in the £
 Orders £20 and over DEDUCT 10% in the £

QUOTATIONS FOR LARGER QUANTITIES

IVORYET LIMITED (Dept. wv10) 124 CRICKLEWOOD BROADWAY LONDON, N.W.2 TEL. 01-450 4844

BETTER GET 'SET'



Famous BC.221 Frequency Meter 125 KHZ-20 MHz. Complete with valves, crystal and charts. Only £13.50. Carr. £1.50. Less Charts £6. Carr. £1.50. Less Charts and Xtal £5. Carr. £1.50.

Marconi 801A Signal Generator. 10-310 MHz. In original transit case. £45. Carr. £2.50.

Crystal Calibrator No. 10. Crystal controlled heterodyne wavemeter covering 500 KHz-10 MHz (Harmonics up to 30 MHz). Power required 300V, D.C. 15mA. 12V, 0.3A D.C. Test equipment for 62TM/RC. Only £4.25. P. & P. 50p.
Few only—No. 62 TM/RC 1-5-10 MHz. £17.50. Carr. £2.



AERIAL MAST EQUIPMENT

20' Telescopic Masts. £3.75. Carr. £1.

5' 2" extension sections to fit bottom of above mast to increase height. £1.25 each (any number supplied)

35' Mast. (7—5' 2" interlocking sections) with base plate and 12 nylon guys with semi-auto tensioner. £22.50. Carr. £2.50.

70' Mast. Ditto. 16 guys, block and tackle. £45. Carr. £2.75.

AERIAL RODS. 3 ft. screw-in 1" dia. sections. Brand new, green finish. Suitable for many other uses. 10 for £2. Carr. 50p. 25 for £5. Carr. Paid.



R.F. ANTENNA TUNER (A.T.U.)

Cylinder design 10" x 4 1/2". Precision calibrated scale. Suitable for tuning most aerials for increased signal strength. A must for serious operators for RC or TM. Full instructions. Only £1.75. P. & P. 25p.

R.F. ANTENNA TUNER (A.T.U.) OPEN TYPE

Mounted on ceramic former and feet. "Roller Coaster" design 16G silver or silver plated wheel traversing on wire on ceramic former. Will handle considerable R.F. In original packing. As used with No. 53 Transmitter. Only £2.50. P. & P. 50p.



No. 19 SET TRANSMITTER RECEIVER



No. 19 TM/RC Rebuild. Complete station with PSU, Cables, Mic., Aerial etc. £22.50. Carr. £3.

No. 19 SET 500uA Meters. Scaled 0-600 and 0-15v. Brand New, Boxed. £1.25. Post paid. (Quantity prices on request.)

R.F. Amplifier. To increase output of No. 19 set. Only £3.75. Carr. £1.25. Instruction book for RF Amp. 37p. Post paid.



All No. 19 spares in stock. Complete instruction book with circuits for No. 19 equipment. 37p. Post paid.

Heavy Duty Batteries. New in metal cases with carrying handles.



6v. B5AH. 13" x 9 1/4" x 7" £3.25. Carr. £1.25.

Famous Tele 'F' Field Telephones. Suitable for Farms, Building Sites, etc. Communication up to 5 miles or more. Rugged construction, will last a lifetime. Only £5.75 pair. Carr. £1. (Twin telephone wire for above available—ask for price.)

Ex RAF Periscopes. Made by Kelvin Hughes containing a precision made optics system providing crystal clear wide range vision (2 prisms and 8 lenses). Built in 24v heating circuit to prevent misting and freezing. Approx. 24" long with folding handles and rubber eyepiece. Weight 4lbs. Complete, as new, in instrument case. Only £5. Carr. 75p. (Less case—store soiled £3.75. Carr. 75p.)

Many other Ex-Govt. Surplus Equipment items in stock. Receivers etc. in small quantities too numerous to mention. Enquiries invited. List 25p. Post paid. (Refundable against purchases over £3.)

C.W.O. Carriage charges apply to Mainland only. Minimum Export Order £50.



Surplus Electronic Trading

Drivers End Lane, Codicote, Hitchin, Herts, SG4 8TP
 Hours of Business: 8-5 Mon.-Fri.: 8-12 Sat.
 Telephone: Codicote 242 for appointment.

ATTRACTIVE DISCOUNTS

ELECTROVALUE Electronic Component Specialists

EVERYTHING BRAND NEW TO SPEC • LARGE STOCKS • NO SURPLUS

BARGAINS IN NEW SEMI-CONDUCTORS

MANY AT NEW REDUCED PRICES • ALL POWER TYPES WITH FREE INSULATING SETS

40361	55p	2N2905	44p	2N4291	15p	BC148	9p	BFX87	29p
40362	68p	2N2905A	47p	2N4292	15p	BC149	10p	BFX88	24p
2N696	17p	2N2924	20p	AC107	46p	BC153	19p	BFY50	23p
2N697	18p	2N2925	22p	AC126	20p	BC154	20p	BFY51	23p
2N706	12p	2N2926	11p	AC127	20p	BC157	12p	BSX20	16p
2N930	29p	2N3053	27p	AC128	20p	BC158	11p	C407	17p
2N1131	29p	2N3055	60p	AC153K	22p	BC159	12p	MC140	25p
2N1132	29p	2N3702	13p	AC176	16p	BC168	11p	MPS6531	35p
2N1302	19p	2N3703	13p	ACY20	20p	BC169	10p	MPS6534	30p
2N1303	19p	2N3704	13p	AD140	63p	BC177	11p	NKT211	25p
2N1304	24p	2N3705	13p	AD142	50p	BC178	13p	NKT212	25p
2N1305	24p	2N3706	13p	AD149	58p	BC179	14p	NKT214	23p
2N1306	33p	2N3707	13p	AD161	33p	BC182L	11p	NKT274	18p
2N1307	33p	2N3708	10p	AD162	36p	BC183L	10p	NKT403	65p
2N1308	34p	2N3709	11p	AF114	24p	BC184L	11p	NKT405	79p
2N1309	34p	2N3710	11p	AF117	24p	BC212L	16p	OC71	38p
2N1613	23p	2N3711	13p	AF117	22p	BC213L	16p	OC81	25p
2N1711	24p	2N3819	23p	AF124	33p	BC214L	16p	OC83	20p
2N1893	54p	2N3904	35p	AF127	22p	BCY70	19p	ZTX300	14p
2N2147	95p	2N3906	35p	AF139	33p	BCY72	15p	ZTX301	16p
2N2218	34p	2N4058	13p	AF239	36p	3F115	23p	ZTX302	22p
2N2218A	44p	2N4059	10p	ASV26	27p	3F167	18p	ZTX303	22p
2N2219	38p	2N4060	11p	ASV28	27p	3F173	19p	ZTX304	27p
2N2219A	53p	2N4061	11p	BC107	12p	3F194	14p	ZTX500	18p
2N2270	62p	2N4062	12p	BC108	11p	3F195	15p	ZTX501	21p
2N2369A	19p	2N4124	18p	BC125	15p	BFX29	31p	ZTX502	25p
2N2483	35p	2N4126	27p	BC126	22p	BFX84	25p	ZTX503	22p
2N2484	42p	2N4284	15p	BC147	10p	BFX85	34p	ZTX504	52p
2N2646	47p	2N4286	15p						
2N2904A	42p	2N4289	15p						

★ SIEMENS

TTL INTEGRATED CIRCUITS

FLH101 (7400)	Quad 2-input NAND	20p
FLH201 (7401)	Quad 2-input NAND (open collector)	20p
FLH191 (7402)	Quad 2-input NOR	20p
FLH211 (7404)	Hex inverter	25p
FLH271 (7405)	Hex inverter (open collector)	25p
FLH111 (7410)	Triple 3-input NAND	20p
FLH351 (7413)	Dual 4-input Schmitt trigger	35p
FLH121 (7420)	Dual 4-input NAND	20p
FLH141 (7440)	Dual 4-input NAND power	24p
FLH281 (7442)	BCD to decimal converter	£1.16
FLH151 (7450)	Expandable dual 2 wide 2 input	20p
FLH171 (7453)	Expandable 4 wide 2 input	20p
FLY101 (7460)	Dual 4-input expander	20p
FLJ101 (7470)	J-K flip flop	45p
FLJ111 (7472)	J-K master slave flip flop	32p
FLJ141 (7474)	Dual D-type edge trigger flip flop	45p
FLJ151 (7475)	Quad bi-stable latch	45p
FLJ131 (7476)	Dual J-K master slave flip flop	45p
FLH341 (7486)	Half adder	33p

★ SIEMENS 5% TOLERANCE POLYCARBONATE CAPACITORS

250V up to 0.1mF; 100V 0.1mF and above
 0.01, 0.012, 0.015, 0.018, 0.022, 0.027 5p
 0.033, 0.039, 0.045, 0.056, 0.068, 0.082, 0.1, 0.12, 0.15, 0.18, 0.22 6p
 0.27, 7p; 0.33, 0.39, 9p; 0.47, 10p; 0.56, 13p; 0.68, 15p.

RESISTORS—10%, 5%, 2%

Code	Power	Tolerance	Range	Values available	to 9	10 to 99	100 up
C	1/20W	5%	82Ω-220KΩ	E12	9	8	7
C	1/8W	5%	4.7Ω-470KΩ	E24	1	0.8	0.7
C	1/4W	10%	4.7Ω-10MΩ	E12	1	0.8	0.7
C	1/2W	5%	4.7Ω-10MΩ	E24	1.2	1	0.9
C	1W	10%	4.7Ω-10MΩ	E12	2.5	2	1.8
MO	1/2W	2%	10Ω-1MΩ	E24	4	3.5	3
WW	1W	10% ± 1/20Ω	0.22Ω-3.9Ω	E12	7	7	6
WW	3W	5%	12Ω-10KΩ	E12	7	7	6
WW	7W	5%	12Ω-10KΩ	E12	9	9	8

Codes: C = carbon film, high stability, low noise.
 MO = metal oxide, Electroasil TR5, ultra low noise.
 WW = wire wound, Plessey.

Prices are in pence each for quantities of the same ohmic value and power rating. NOT mixed values. (Ignore fractions on total value of resistor order.)

Values:
 E12 denotes series: 10, 12, 15, 18, 22, 27, 33, 39, 47, 56, 68, 82 and their decades.
 E24 denotes series: as E12 plus 11, 13, 16, 20, 24, 30, 36, 43, 51, 62, 75, 91 and their decades.

CARBON TRACK POTENTIOMETERS, long spindles. Double wiper ensures minimum noise level.
 Single gang linear 100Ω to 2.2MΩ, 12p; Single gang log, 4.7KΩ to 2.2MΩ, 12p; Dual gang linear 4.7KΩ to 2.2MΩ, 42p; Dual gang log, 4.7KΩ to 2.2MΩ, 42p; Log/antilog, 10K, 47K, 1MΩ only 42p; Dual antilog, 10K only 42p. Any type with 3A D.P. mains switch, 12p extra.
 Only decades of 10, 22 & 47 available in ranges quoted.

CARBON SKELETON PRE-SETS
 Small high quality, type PR, linear only: 100Ω, 220Ω, 470Ω, 1K, 2K2, 4K7, 10K, 22K, 47K, 100K, 220K, 470K, 1M, 2M2, 5M, 10MΩ. Vertical or horizontal mounting, 5p each.

COLVERN 3 watt Wire-wound Potentiometers. 10Ω, 15Ω, 25Ω, 50Ω, 100Ω, 150Ω, 250Ω, 500Ω, 1K, 1.5K, 2.5K, 5K, 10K, 15K, 25K, 50K, 32p each

ZENER DIODES 5% full range E24 values:
 40mW: 2.7V to 30V, 15p each; 1W: 6.8V, to 82V, 27p each; 1.5W: 4.7V to 75V, 60p each.
 C1p to increase 1.5W rating to 3 watts (type 266F), 4p.

Appointed Distributors for SIEMENS (UK) LTD.
 Appointed Stockists for NEWMARKET TRANSISTORS RADIOHM POTENTIOMETERS

CAPACITORS

MULLARD polyester C280 series
 250V 20%: 0.01, 0.022, 0.033, 0.047 3p each; 0.068, 0.1, 4p each; 0.15, 4p; 0.22, 5p. 10%: 0.33, 7p; 0.47, 8p; 0.68, 11p; 1μF, 14p; 1.5μF, 21p; 2.2μF, 24p.

MULLARD SUB-MIN ELECTROLYTICS C426 range, axial lead... 6p each
 Values (μF/V): 0.6/4; 1/4; 1.6/25; 2.5/16; 2.5/64; 4/10; 4/40; 5/64; 6.4/4; 6.4/25; 8/4; 8/40; 10/2.5; 10/16; 10/64; 12.5/25; 16/10; 16/40; 20/16; 20/64; 25/6.4; 25/25; 32/4; 32/10; 32/40; 32/64; 40/16; 40/2.5; 50/5.4; 50/25; 50/40; 64/4; 64/10; 80/2.5; 80/16; 80/25; 100/6.4; 125/4; 125/10; 125/16; 160/2.5; 200/6.4; 200/10; 250/4; 320/2.5; 320/6.4; 400/4; 500/2.5.

LARGE CAPACITORS
 High ripple current types: 1000/25, 28p; 1000/50, 41p; 1000/100, 82p; 2000/25, 37p; 2000/50, 57p; 2000/100, £1.44; 2500/64, 77p; 2500/70, 98p; 5000/25, 62p; 5000/50, £1.10; 5000/100, £2.91; 10000/50, £2.40.

HANDBOOK OF TRANSISTOR EQUIVALENTS & SUBSTITUTES 40p (Post 3p if ordered alone.)

★ COMPONENT DISCOUNTS

Not allowed on nett price items
 10% on orders for components for £5 or more.
 15% on orders for components for £15 or more.
 Prices subject to alteration without prior notice.

NEW PEAK SOUND SPECIAL OFFER

Fantastic new Englefield 840 amplifier with add-in facilities for stereo tuner, advertised at £49.50. Special Electrovalue offer, plus choice of case finish in black, red, blue or green simulated leather. In makers sealed carton and guaranteed. **NETT £38.75**

NEW 1971 CATALOGUE

64 pages—thousands of items well classified, plus pages of valuable information post free 10p

MISCELLANEOUS ITEMS FROM OUR CATALOGUE

30W BAILEY AMP. PARTS
 Transistors Rs and PCB for one channel £6.46
 Rs and Cs, and PCB for one channel £8.41

ENAMELLED COPPER WIRE
 Even No. SWG only: 2 oz. reels: 16-22 SWG 25p; 24-30 SWG 30p; 32, 34 SWG 33p; 36-40 SWG 35p. 4 oz. reels: 16-22 SWG only 41p.

MAIN LINE AMPLIFIERS

70 watt kit... £12.60 nett

INDICATOR LAMPS

NEON chrome bezel, round red NR/R, 24p; chrome bezel, round amber NR/A, 24p; chrome bezel, round clear NR/3, 24p. Neon, square red type LS5C/R, 18p; amber type LS5C/A, 18p; clear type LS5C/C, 18p. All above are for 240v. mains operation.
Filament types: 6v. 0.04A square red type LS5C/R-6v, 30p; 6v. 0.04A clear type LS5C/C-6v, 30p; 6v. 0.04A green type LS5C/G-6v, 30p; 12v. 0.04A LS5C/R-12v, 34p; 28v. 0.04A LS5C/R-28v, 45p. Other colours available in 12 and 28 volts.

S-DECS
 Manufacturer's prices increase roughly by 20% on these on pages 51, 52 and 53 since printing our catalogue.
 £1.44. Four pack £5.10. deCSTOR pack £2.88. T-Dec, may be temperature-cycled (208 points), £2.88. μDecA, £3.18. μDecB, £3.94. Also I.C. carriers.

THERMISTORS
 VA1039, VA1040, VA1055, VA1066, VA1077, CZ-6, K151-1K, 15p. E24, R53, £1.35.

BRIDGE RECTIFIERS

Silicon	rms	I _{max}	
1B40K10	70	4A	£1.75
WO2	140	1A	£0.40
WPO2	140	2A	£0.95
BY164	42	1.4A	£0.45
B1912	80	*1.5A	£0.66
C1412	80	*3.2A	£1.02
E2512	80	*1.5A	£1.64

TYGAN SPEAKER MATERIAL

7 designs, 36 x 27 in. sheets, £1.58 sheet.

LIGHT DEPENDENT RESISTORS

Cadmium Sulphide type TPMD (equiv. ORP.12), 40p.

POSTAGE AND PACKING

FREE on orders over £2. Please add 10p if orders under £2. Overseas orders welcome: carriage & insurance charged at cost.

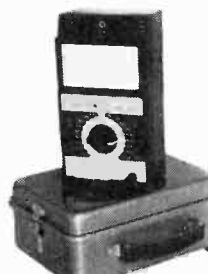
U.S.A. CUSTOMERS

U.S.A. orders charged at prices as advertised by ELECTROVALUE AMERICA, P.O. Box 27, Swarthmore PA 1908.

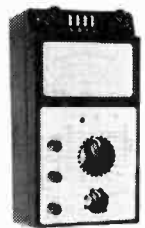
ELECTROVALUE

DEPT. WW.1071, 28 ST. JUDES ROAD, ENGLEFIELD GREEN, EGHAM, SURREY,
 Hours: 9-5.30, 1.0 p.m. Saturdays. Phone: Egham 5533 and 4757 (STD 0784-3) Telex 264475

AERO SERVICES LTD



TWO NEW A.C./D.C. MULTIMETERS FROM RUSSIA
TYPE 4312—low sensitivity (507 o.p.v.) extremely sturdy instrument for general electrical use.
 D.C. ranges: 0.3-1.5-7.5-30.0-150-300-600-900V and 75mV; 300 μ A-1.5-6-15-60-150-600mA 1.5-6A.
 A.C. ranges: 0.3-1.5-7.5-30.0-150-300-600-900V; 1.5-6-15-60-150-600mA 1.5-6A.
 Resistance: 0.2-3-30k Ω . Accuracy: D.C. 1%; A.C. 1.5%.
 PRICE, with carrying case and leads £9 75



AC/DC MULTIMETER AND TRANSISTOR TESTER TYPE U4341
 27 AC/DC ranges 0.3-900V DC, 1.5-750V AC; 0.06-600mA DC, 0.3-30mA AC; Resistance 0.5-500k Ohms. Transistor collector cut-off current 80 microamps. DC current gain 10-350.
 Sensitivity 16700 o.p.v. DC and 3300 o.p.v. AC.
 Price complete with probes, leads and steel carrying case, £10 50.

MINIATURE CERAMIC CAPACITORS 25V D.C. WORKING

5% tolerance: 22-27-33-39-47-56-68-100-120-150-180-220-270-330-390-470-560	20p per 20
680-820-1000pF	22p per 20
20% + 50% tolerance: 1500-2200pF	24p per 20
3300-4700-6000-10,000pF	25p per 20
20% + 80% tolerance: 0.015 μ F	26p per 20
0.022 μ F	28p per 20
0.047 μ F	30p per 20

WHEN ORDERING BY POST PLEASE ADD £0.12 (2/6) IN £ FOR HANDLING AND POSTAGE.
 NO C.O.D. ORDERS ACCEPTED

TYPE 4313—high sensitivity for general electronic and TV-radio repair applications.
 Capacity and Transmission level scales.
 Accuracy: 1.5% D.C.; 2% A.C.
 PRICE, with carrying case and leads £10 50.
 Both instruments have knife edge pointers and mirror scales.

10% METAL-CASED PAPER CAPACITORS
 250 V DC: 0.05-0.10-0.25-0.5-1.0 μ F £1 20 per 20
 500 V DC: 0.025-0.05-0.10-0.25-0.50 μ F £1 25 per 20
 Minimum order 20 Capacitors.
 Larger quantities—prices on request.

TRANSISTORS		AC188		ASZ18		0-75		BF181		0-25	
2N404	0-17	2N3054	0-55	AC17		AS220	0-25	BF184	0-25	AS221	0-40
2N444A	0-25	2N3055	0-75	AC18	0-275	BF185	0-40	BF185	0-15	AC19	0-20
2N696	0-17	2N3133	0-30	AC19	0-20	BF194	0-20	BF194	0-15	AC20	0-20
2N697	0-17	2N3134	0-30	AC20	0-20	BF195	0-15	BF195	0-15	AC21	0-20
2N698	0-30	2N3391	0-15	AC21	0-20	BF196	0-20	BF196	0-20	AC22	0-20
2N705	0-70	2N3391	0-15	AC22	0-20	BF200	0-30	BF200	0-30	AC23	0-20
2N706	0-10	2N3393	0-15	AC23	0-20	BF207	0-25	BF207	0-25	AC24	0-20
2N708	0-15	2N3394	0-15	AD140	0-50	BF208	0-20	BF208	0-20	AC25	0-20
2N916	0-40	2N3395	0-20	AD141	0-50	BF209	0-20	BF209	0-20	AC26	0-20
2N929	0-22	2N3402	0-15	AD161	0-35	BF210	0-20	BF210	0-20	AC27	0-20
2N930	0-25	2N3403	0-15	AD162	0-35	BF211	0-20	BF211	0-20	AC28	0-20
2N987	0-30	2N3404	0-15	AD211	1-25	BF212	0-20	BF212	0-20	AC29	0-20
2N1131	0-25	2N3414	0-20	AD212	1-25	BF213	0-20	BF213	0-20	AC30	0-20
2N1132	0-25	2N3415	0-15	AF114	0-20	BF214	0-20	BF214	0-20	AC31	0-20
2N1184	1-25	2N3416	0-25	AF115	0-20	BF215	0-20	BF215	0-20	AC32	0-20
2N1301	0-43	2N3417	0-25	AF116	0-20	BF216	0-20	BF216	0-20	AC33	0-20
2N1302		2N3646	0-40	AF117	0-20	BF217	0-20	BF217	0-20	AC34	0-20
				AF118	0-45	BF218	0-20	BF218	0-20	AC35	0-20
				AF119	0-45	BF219	0-20	BF219	0-20	AC36	0-20
				AF120	0-45	BF220	0-20	BF220	0-20	AC37	0-20
				AF121	0-45	BF221	0-20	BF221	0-20	AC38	0-20
				AF122	0-45	BF222	0-20	BF222	0-20	AC39	0-20
				AF123	0-45	BF223	0-20	BF223	0-20	AC40	0-20
				AF124	0-45	BF224	0-20	BF224	0-20	AC41	0-20
				AF125	0-45	BF225	0-20	BF225	0-20	AC42	0-20
				AF126	0-45	BF226	0-20	BF226	0-20	AC43	0-20
				AF127	0-45	BF227	0-20	BF227	0-20	AC44	0-20
				AF128	0-45	BF228	0-20	BF228	0-20	AC45	0-20
				AF129	0-45	BF229	0-20	BF229	0-20	AC46	0-20
				AF130	0-45	BF230	0-20	BF230	0-20	AC47	0-20
				AF131	0-45	BF231	0-20	BF231	0-20	AC48	0-20
				AF132	0-45	BF232	0-20	BF232	0-20	AC49	0-20
				AF133	0-45	BF233	0-20	BF233	0-20	AC50	0-20
				AF134	0-45	BF234	0-20	BF234	0-20	AC51	0-20
				AF135	0-45	BF235	0-20	BF235	0-20	AC52	0-20
				AF136	0-45	BF236	0-20	BF236	0-20	AC53	0-20
				AF137	0-45	BF237	0-20	BF237	0-20	AC54	0-20
				AF138	0-45	BF238	0-20	BF238	0-20	AC55	0-20
				AF139	0-45	BF239	0-20	BF239	0-20	AC56	0-20
				AF140	0-45	BF240	0-20	BF240	0-20	AC57	0-20
				AF141	0-45	BF241	0-20	BF241	0-20	AC58	0-20
				AF142	0-45	BF242	0-20	BF242	0-20	AC59	0-20
				AF143	0-45	BF243	0-20	BF243	0-20	AC60	0-20
				AF144	0-45	BF244	0-20	BF244	0-20	AC61	0-20
				AF145	0-45	BF245	0-20	BF245	0-20	AC62	0-20
				AF146	0-45	BF246	0-20	BF246	0-20	AC63	0-20
				AF147	0-45	BF247	0-20	BF247	0-20	AC64	0-20
				AF148	0-45	BF248	0-20	BF248	0-20	AC65	0-20
				AF149	0-45	BF249	0-20	BF249	0-20	AC66	0-20
				AF150	0-45	BF250	0-20	BF250	0-20	AC67	0-20
				AF151	0-45	BF251	0-20	BF251	0-20	AC68	0-20
				AF152	0-45	BF252	0-20	BF252	0-20	AC69	0-20
				AF153	0-45	BF253	0-20	BF253	0-20	AC70	0-20
				AF154	0-45	BF254	0-20	BF254	0-20	AC71	0-20
				AF155	0-45	BF255	0-20	BF255	0-20	AC72	0-20
				AF156	0-45	BF256	0-20	BF256	0-20	AC73	0-20
				AF157	0-45	BF257	0-20	BF257	0-20	AC74	0-20
				AF158	0-45	BF258	0-20	BF258	0-20	AC75	0-20
				AF159	0-45	BF259	0-20	BF259	0-20	AC76	0-20
				AF160	0-45	BF260	0-20	BF260	0-20	AC77	0-20
				AF161	0-45	BF261	0-20	BF261	0-20	AC78	0-20
				AF162	0-45	BF262	0-20	BF262	0-20	AC79	0-20
				AF163	0-45	BF263	0-20	BF263	0-20	AC80	0-20
				AF164	0-45	BF264	0-20	BF264	0-20	AC81	0-20
				AF165	0-45	BF265	0-20	BF265	0-20	AC82	0-20
				AF166	0-45	BF266	0-20	BF266	0-20	AC83	0-20
				AF167	0-45	BF267	0-20	BF267	0-20	AC84	0-20
				AF168	0-45	BF268	0-20	BF268	0-20	AC85	0-20
				AF169	0-45	BF269	0-20	BF269	0-20	AC86	0-20
				AF170	0-45	BF270	0-20	BF270	0-20	AC87	0-20
				AF171	0-45	BF271	0-20	BF271	0-20	AC88	0-20
				AF172	0-45	BF272	0-20	BF272	0-20	AC89	0-20
				AF173	0-45	BF273	0-20	BF273	0-20	AC90	0-20
				AF174	0-45	BF274	0-20	BF274	0-20	AC91	0-20
				AF175	0-45	BF275	0-20	BF275	0-20	AC92	0-20
				AF176	0-45	BF276	0-20	BF276	0-20	AC93	0-20
				AF177	0-45	BF277	0-20	BF277	0-20	AC94	0-20
				AF178	0-45	BF278	0-20	BF278	0-20	AC95	0-20
				AF179	0-45	BF279	0-20	BF279	0-20	AC96	0-20
				AF180	0-45	BF280	0-20	BF280	0-20	AC97	0-20
				AF181	0-45	BF281	0-20	BF281	0-20	AC98	0-20
				AF182	0-45	BF282	0-20	BF282	0-20	AC99	0-20
				AF183	0-45	BF283	0-20	BF283	0-20	AC100	0-20

FULLY GUARANTEED FIRST QUALITY VALVES



£		£		£	
0A2	0-35	5R4GY	0-75	6BQ7B	0-75
0A3	1-05	5U4G	0-35	6BQ7A	0-75
0A4G	1-00	5V4G	0-45	6BR7	0-70
0B2	0-35	5W4GT	0-50	6BR8	0-70
0B3	0-70	5X8	0-60	6BR9	0-70
0C2	1-00	5Y3GT	0-40	6BR9	1-30
0C3	0-35	6Z2	0-60	6BW6	0-85
0D3	0-35	6Z4G	0-40	6BW7	0-80
1A3	0-35	630L2	0-60	6BX6	0-25
1A5GT	0-35	6A8G	0-40	6BX7GT	0-40
1A5	0-40	6AB4	0-35	6BZ6	0-85
1B3CT	0-40	6AC7	0-40	6P28	0-65
1B21	5-00	6A14A	0-55	6C24	0-60
1C5GT	0-40	6AG5	0-22	6C7G	0-40
1G42T	0-50	6AG7	0-40	6C8A	0-50
1G62T	0-50	6AG6	0-50	6C8B	0-35
1H5JT	0-50	6AJ3	0-30	6C8C	0-35
1H4	0-20	6AK5	0-35	6C8D	0-35
1N5GT	0-55	6AKW	0-60	6C8E	0-60
1Q5GT	0-60	6CL6	0-55	6C8F	0-60
1R4	0-45	6AK6	0-60	6C8G	0-60
1L5	0-40	6AL3	0-43	6C8H	0-60
1R4	0-30	6AL5	0-20	6C8I	0-60
1R5	0-30	6AM5	0-35	6C8J	0-60
1T4	3-01	6AM6	0-45	6C8K	0-60
1T5GT	0-50	6AN8	0-55	6C8L	0-60
1U4	0-30	6AQ5	0-38	6C8M	0-60
1U5	0-60	6AR6	0-65	6C8N	0-60
1V2	0-50	6AR5	0-65	6C8O	0-60
1X2B	0-50	6AR6	0-55	6C8P	0-60
2A3	0-50	6AK11	1-25	6C8Q	0-60
2AP1	2-75	6AS5	0-45	6C8R	0-60
2C26A	0-60	6AS6	0-40	6C8S	0-60
2C40	4-00	6ASTG	0-85	6C8T	0-60
2C51	0-45	6AT6	0-35	6C8U	0-60
2CWC4	0-45	6AV5GT	0-60	6C8V	0-60

APPOINTMENTS VACANT

DISPLAYED SITUATIONS VACANT AND WANTED: £8 per single col. inch.
LINE advertisements (run-on): 45p per line (approx. 7 words), minimum two lines.
 Where an advertisement includes a box number (count as 2 words) there is an additional charge of 25p.
SERIES DISCOUNT: 15% is allowed on orders for twelve monthly insertions provided a contract is placed in advance.
BOX NUMBERS: Replies should be addressed to the Box number in the advertisement, c/o Wireless World, Dorset House, Stamford Street, London, S.E.1.
 No responsibility accepted for errors.

Advertisements accepted up to
THURSDAY, 12 p.m., 7th OCT.
 for the **NOVEMBER** issue, sub-
 ject to space being available.

EXPANDING COMPANY IN SAUDI ARABIA REQUIRES EXPERIENCED CERTIFICATED ENGINEERS

FOR THE FOLLOWING POSTS

CHIEF ENGINEER

B.Sc. or equivalent with 10 or more years experience in Operation and Maintenance of Transmission and Broadcasting Equipment.

ENGINEERS/TECHNICIANS

Experience in Operation and Maintenance of Broadcasting Equipment, Studio Equipment and Teleprinters.

Please submit a complete resume and state availability and salary required. Box WW 1270

CANCER RESEARCH CAMPAIGN

ELECTRONICS TECHNICIAN

to assist in research into chemical and biological effects of radiation involving a 2MeV linear accelerator and associated equipment. Keen practical interest in electronics, especially pulse circuits, essential. Salary in accordance with M.R.C. Technical Scales, depending on age, qualifications and experience. Day release possible. Apply in detail with names of two referees to Director, C.R.C. Gray Laboratory, Mount Vernon Hospital, Northwood, Middlesex.

1386

SINCLAIR RADIONICS LIMITED

LONDON ROAD, ST. IVES, HUNTINGDON

TECHNICAL LIAISON OFFICER

A vacancy has arisen in Service Department for a person to run our Consumer advice department. The position requires a high degree of initiative and job involvement as the person chosen will be solely responsible for answering all sorts of queries by letter, by phone, on our products from all types of consumers. He (or she) will also be expected to help in preparing construction manual and other technical publications and possibly to investigate new applications for our products. The job requires some knowledge of basic electronics and hi-fi sound generally. It would suit either an engineer who wants to change to a more responsible position or technical author with a practical inclination. Write to the above address or telephone:

RICHARD TORRENS

at St. Ives 4311 (STD code 04806)

1398

Opportunities with Redifon in Radio Communications

Experienced Test Engineers are invited to write to Redifon with regard to vacancies in our Test Department at Wandsworth.

The salary range for these positions is £1,248-£1,749 plus. The Company is engaged in the design and manufacture of a wide range of radio communications and allied equipment from military pack-set to broadcast transmitter, including communications receivers, M.F. beacons, teleprinter terminals, complete radio office installations for the Merchant Marine and mobile H.F. S.S.B. stations. Our Test Engineers have sound technical knowledge coupled with good practical experience in the alignment and test of H.F. and V.H.F. Communications equipment.

The work is varied and interesting and offers excellent opportunity to broaden experience in semiconductors S.S.B. and Frequency Synthesis.

Please write in the first instance to

Norman Manion,

The Recruitment Officer, Redifon Limited
Broomhill Road, Wandsworth, S.W.18

REDIFON  

A Member Company of the Redifusion Organisation

1970

1174

ELECTRONIC ENGINEERS

required

for new Technical Service Centre to be established at Hemel Hempstead by British Manufacturers and Servicing Group of a wide range of Business Equipment Products. Ideally suited for engineers experienced in Radio/T.V. H.M. Forces, Industrial electronics.

Please write to: **Mr. D. D. Davies, Technical Services Manager,**
Control Systems Ltd.,
Technical Services Centre,
1 Frogmore Road, Apsley, Hemel Hempstead, Herts.

1284

Colour TV Italy

Our client, one of the largest manufacturers of domestic consumer goods in the European market, is planning to develop its organisation in the Colour TV field. To help meet this expansion of the Television Division the following executives are required, both of whom should have had a number of years' experience in the engineering or manufacturing of Colour TV, PAL systems. Preference will be given to candidates with fluency in French, but, although the company is based in a large Italian town, a knowledge of the Italian language is not necessary. Starting salaries will be negotiated and there are superb opportunities for advancement and the realisation of personal capacity/objectives.

Engineering Manager

The successful candidate will report to the Divisional Manager and be wholly responsible for the design and development, in engineering terms, of Colour TV. In charge of a recently formed team of specialists and technicians he will find the working atmosphere dynamic and stimulating.

(Ref. C/AT/823/e)

Technical Services Manager

Also reporting to the Divisional Manager, he will be responsible for the full range of production services required in the manufacture of Colour TV. These include: production organisation, method and time study, route sheets, equipment and production automation, test and production planning and control. He will train, motivate and manage a staff of skilled personnel operating in various departments. His work will require close and effective co-operation with the planning and production departments.

(Ref. C/AT/824/e)

Replies will be forwarded in strictest confidence to the PA consultant advising on these appointments. They should include comprehensive career and salary details, not refer to previous correspondence with PA, quote the reference on the envelope and be addressed to:



**P.A. Advertising Ltd.,
2 Albert Gate,
London SW1X 7JU
Tel: 01-235 6060**

TECHNICAL INSTRUCTORS

Applications are invited from persons interested in joining the British staff of a large Technical Training School situated in the Gulf area of the Middle East. Vacancies exist in the following trades and preference will be given to applicants with experience in the specific equipments required, although courses of instruction can be arranged for selected candidates.

TECHNICAL INSTRUCTORS (Radar) TECHNICAL INSTRUCTORS (Communications)

Experience of radar, TX, RX, computers, data processing and display. These appointments, of particular interest to ex-Servicemen, are initially for a period of 15 months and include regular home leave with free air passages, attractive salary and annual bonus which can qualify for full tax concessions. The Company provides free bachelor accommodation, catering, personal accident insurance, medical care and other facilities.

*Apply in writing with brief details
quoting ref: 324 to*

Personnel Manager



AIRWORK SERVICES LTD

Bournemouth (Hurn) Airport
Christchurch, Hants

Careers in Electronics Service Engineer for work on numerical machine tool equipment

EMI

EMI ELECTRONICS LTD., has a vacancy in the Installation and Maintenance Division, for an Engineer to be responsible for the installation, commissioning and maintenance of numerical control equipment for machine tools. He will be based at Hayes, Middlesex, but the position will involve work in the field in the U.K. as well as occasional overseas visits.

Applicants, aged 25-45, should have reached H.N.C. Electronics standard, and should have experience in fault finding on solid state equipment. A knowledge of pneumatics and machine tools would also be an advantage.

Starting salary would be up to £2,000.00 per annum, assistance will be given with removal expenses. Company benefits include free Life Assurance and a contributory Pension Scheme. Please apply in writing, stating brief career details, or ring:—

**R. C. Dwyer, Personnel Department,
EMI Limited, Hayes, Middlesex.
Tel. No. 01-573 3888 Ext. 632.**

International leaders in Electronics, Records and Entertainment

NATIONAL ENVIRONMENT RESEARCH COUNCIL

The Institute of Geological Sciences has vacancies for Technical Officers Grade III/IV as follows:

- (1) A temporary post (tenable until March, 1974) exists in the Edinburgh Global Seismology Unit for a Technical Officer III to participate in field operations in the U.K. or overseas, which are aimed at the observation of earth tremors resulting from earthquakes or explosions. The post involves acceptance of responsibility, after initial training, for the operation and maintenance of a substantial body of equipment, including solid-state amplifiers, VHF or UHF radio links and multi-track magnetic tape-recorders.
- (2) Two posts at T.O. III/IV level at the Geophysical Observatories situated at Eskdalemuir, Dumfriesshire and Lerwick, Shetland. Duties will involve the maintenance and development of geophysical instruments, to make geophysical observations and to assist in observatory duties. Instruments will include magnetometers, seismometers, equipment for recording paper charts, photographic charts and magnetic tape. Some electronic experience is required.

Qualifications should include either (A) O.N.C. in Electrical Engineering or (B) evidence of an equivalent standard of technical education, with 5 years apprenticeship or equivalent, and a subsequent 3 years of suitable engineering experience (preferably assembly and testing of electronic equipment) or 3 years suitable experience for T.O. IV.

Candidates should be in good physical condition. Ability to drive an advantage.

Salaries: T.O. III £1196-£1799 according to age, maximum starting salary £1579 at age 21 or over. Allowance of £200 payable at all points of scale.

T.O. IV £929-£1579 according to age, maximum starting salary £1277.

Enquiries to:

**Establishment Officer
Institute of Geological Sciences
19 Grange Terrace
Edinburgh 9.**

1376

NAGRA

**THE WORLD'S FINEST
PROFESSIONAL PORTABLE TAPE RECORDER**

Junior Service Engineer

Our steadily increasing business requires the appointment of another young engineer to join our Service Department in the West End of London. The successful applicant will be an enthusiastic and diligent worker with a good understanding of basic tape recorder principles and a standard of workmanship consistent with the quality of the product.

Good salary and conditions including four weeks annual holiday.

Interviews to be held in London.

Please send full details in writing to:-

**MANAGING DIRECTOR,
HAYDEN LABORATORIES LTD.,
East House, Chiltern Avenue,
Amersham, Buckinghamshire**

1401

One year's electronics experience + ONC or C & G?

Then become a Radio Technician with the National Air Traffic Services. You would work on the installation and maintenance of a wide range of sophisticated electronic systems and specialised equipment throughout the U.K. You would be involved with RT, Radar, Data Transmission Links, Navigation Aids, Landing Systems, Closed Circuit T.V. and Computer Installations. You could also work on the development of new systems.

To qualify for entry to our training course you must be aged 19 or over, have at least one year's experience in electronics and preferably O.N.C. or C. & G. (Telecoms). Your starting salary would be £1,143 (at 19) to £1,503 (at 25 or over), scale max. £1,741 - shift duty allowances. Good career prospects.

Send NOW for full details of how you can become a Radio Technician. Complete the coupon and return to A. J. Edwards, C. Eng., MIEE, Room 705, The Adelphi, John Adam Street, London WC2N 6BQ, marking your envelope 'Recruitment'.

I meet the requirements, please tell me more about the work of a Radio Technician.

NAME _____

ADDRESS _____

(A/ww/25)

Not applicable to residents outside the United Kingdom.

NATS

National Air Traffic Services

RADIO TECHNICIANS with Wales Gas

Wales Gas Communications Section is setting up its own teams to install and maintain the new Mid-Band VHF Mobile Radio System coming into operation throughout South Wales. Resulting from this, there are two new positions open, involving the commissioning and maintenance of VHF radio-telephone systems and mobiles in the Board's South, West and East regions, but based at Grangetown, Cardiff.

A current driving licence and a minimum of three years' experience of such systems, together with an appropriate City and Guilds qualification in Telecommunications (or equivalent) are essential. The salary will be in the range of £1302-£1542 per annum and there are sick pay and contributory pensions schemes in operation.

Please write for application form to
The Personnel Director, (RS),
Wales Gas Board, Snelling House, Cardiff CF1 2UF.

UNIVERSITY OF SURREY
DEPARTMENT OF ELECTRONIC AND ELECTRICAL
ENGINEERING

ELECTRONIC ENGINEERS

Vacancies exist in the Department of Electronic and Electrical Engineering for the following positions:

RESEARCH ASSISTANT

Trained Engineer, experienced in MODERN ELECTRONICS, required to carry out advanced design and development in support of research work and industrial contracts. Broad based experience in both modern analogue and logic circuitry is desirable and the ability to take projects from design concept to prototype construction.

The appointment, for three years in the first instance, will be made within the three salary ranges below, according to age and experience:

£1,491 to £1,767
£1,902 to £2,592
£2,727 to £3,417

Membership of F.S.S.U. optional.

Applicants must be academically qualified in the appropriate field and must have had at least 2/3 years' experience in a research and/or development environment.

SENIOR TECHNICIAN

required to service a wide range of electronic equipment and to build specialised electronic apparatus. Applicants should have had sufficient experience in electronics to enable them to work with the minimum of supervision.

Salary scale £1,398 to £1,707 per annum plus £51 per annum for appropriate Qualification Allowance. Superannuation scheme, and good holidays.

Applications should be sent to the Staff Officer, University of Surrey, Guildford, Surrey, by 30th September, 1971 1408

KING ALFRED'S COLLEGE, WINCHESTER

TELEVISION ENGINEER

to be responsible for day-to-day running and servicing of new cctv unit as part of rapidly expanding Audio-Visual Resources Centre in this College of Education.

Salary within N.J.C. Technicians Grade 5 Scale—£1,653-£1,932 per annum.

Further particulars may be obtained from the Senior Administrative Officer.

1393

A PRODUCTION ENGINEER

Required for an expanding company manufacturing professional recording equipment. He or she must be conversant with modern recording studio techniques.

Cadac (London) Limited,
Stansted,
Essex.

Telephone :- Stansted 3437

1395

NOTTINGHAM COLLEGE OF EDUCATION
CLIFTON, NOTTINGHAM

Applications are invited for the post of

ELECTRONICS ENGINEER

Salary: N.J.C. Grade AP4/5, £1,932 to £2,457 (commencing salary in accordance with age, qualifications and experience).

Applicants must be familiar with and able to service and maintain C.C.T.V. cameras, camera control units, and all ancillary equipment and systems in addition to standard items of teaching aids equipment. Further particulars and forms of application, to be returned by 30th September, from the Principal.

1407

SENIOR SCIENTIFIC ASSISTANT



This vacancy is in the Physics Division of the Central Electricity Research Laboratories, Kelvin Avenue, Leatherhead, Surrey, where the work will be concerned with the development of novel instrumentation for use in generating stations, initially on a radio-telemetry project. A sound knowledge of the application of modern electronic techniques to mechanical and physical measurement is required.

Senior Scientific Assistants work under Research Officers, but are given opportunity for the use of personal initiative in the solutions of problems arising. Academic qualifications to H.N.C. level is desirable, but applicants with lesser formal qualifications, having relevant experience, will be considered.

Salary range £1,056—£1,881 p.a. inc.

Applications stating full relevant details and present salary to the Personnel Officer at the above address as soon as possible. Quote Ref. WW/244.

Sea-going Radio Officers can now make sure of a shore job and good pay.

If you'd like a job ashore, at a United Kingdom Coast Station, the Post Office will start you off on £1,080—£1,360, depending on age, with annual rises up to £1,850. There are good prospects of promotion to higher posts, opportunities exist for overtime and you would receive additional remuneration for attendance during the late evenings, at night and on Saturday afternoons and Sundays.

You will need to be 21 or over, with a 1st Class Certificate of Competence in Radiotelegraphy issued by the Postmaster General or the Ministry of Posts and

Telecommunications, or a Radiocommunication Operator's General Certificate issued by the Ministry of Posts and Telecommunications, or an equivalent certificate issued by a Commonwealth administration or the Irish Republic.

Find out more by writing to:
The Inspector of Wireless
Telegraphy,

I.M.T.R.

Wireless Telegraph Section (L. 14.)

Union House,

St. Martins-le-Grand,

London,

EC1A 1AR.

Post Office
Telecommunications

93

ZAMBIA

ASSISTANT TELECOMMUNICATIONS ENGINEER

G.P.O. TRAINING BRANCH
£2729 (and rising) + Gratuity

- ★ 3 year Contract
- ★ Gratuity 25% of total salary drawn (normally Tax-Free)
- ★ Part salary Tax-Free
- ★ Education Allowances
- ★ Free family passages
- ★ Subsidised Housing
- ★ Generous Leave
- ★ Appointment Grant of £100/200
- ★ Interest-free loan for car purchase

Duties: formal classroom and "field" training on working equipment; preparation of courses and training materials; lecturing and demonstrating; installation and maintenance of training equipment.

Qualifications: not less than 10 years experience part of which to be in the installation and maintenance of modern multiplex equipment; ability to give instruction in carrier telephony and telegraphy.

(Teaching experience; a city and guilds intermediate certificate and radio experience (particularly VHF and/or Microwave) are desirable).

Apply to CROWN AGENTS, 'M'. Division, 4 Millbank, London SW1 for application form and further particulars stating name, age, brief details of qualifications and experience and quoting ref. M2Z/690908/WF.

1387

Electronic Test Engineers

Pye Telecommunications of Cambridge has immediate vacancies for Production Test Engineers.

The work entails checking to an exacting specification VHF/UHF radio-telephone equipment before customer delivery; applicants must therefore have experience of fault finding and testing electronic equipment, preferably communications equipment. Formal qualifications while desirable, are not as important as practical proficiency. Armed service experience of such work would be perfectly acceptable.

Pye Telecommunications is the world's largest exporter of radio-telephone equipment and is engaged in a major expansion programme designed to double present turnover during the next five years. There are therefore excellent opportunities for promotion within the company. Pye also encourages its staff to take higher technical and professional qualifications.

These are genuine career opportunities in an expansionist company, so write or telephone without delay for an application form to:

Mrs. A. E. Darkin,
Pye Telecommunications Limited,
Cambridge Works, Haig Road, Cambridge.
Telephone: Cambridge 51351 Ext. 355



THE UNIVERSITY OF SHEFFIELD

ENGINEER IN THE CLOSED CIRCUIT TELEVISION SERVICE

Applications are invited for the above post, tenable from 1st January, 1972, or as soon as possible thereafter. The successful applicant will take charge of all technical aspects of the work, including the supervision of engineering staff. Applicants should be university graduates or have comparable professional qualifications in electronic engineering and good experience in broadcasting or C.C.T.V. Salary in the range £2,019 to £3,075 with F.S.S.U. provision. Further particulars from the Registrar, to whom applications should be sent by 9th October, 1971. Ref. R.43/BH.

1406

LONDON BOROUGH OF HARINGEY EDUCATION

FULL TIME LABORATORY TECHNICIAN

Salary £1,194 to £1,377 per annum. According to qualifications and experience. Required at Stationers' Companies School, Mayfield Road, N8.

Applicants should have Ordinary National Certificate or Ordinary National Diploma, City and Guilds Laboratory Technician's Certificate, 4 G.C.E. passes with 2 'A' levels in appropriate subjects. Membership of Institute of Science Technology, or an equivalent suitable qualification or five years' suitable experience.

Five-day week of 38 hours, prescribed conditions. Duties include maintenance of language laboratory, computer centre and other teaching aids.

Application forms from: Chief Education Officer, Somerset Road, N17 (quoting reference A40). Returnable by October 4.

1366

EXPERIENCED TV ELECTRONICS ENGINEER

who is anxious to enter new fields in maintenance of audio equipment is offered an exciting job.

POLYDOR RECORDS LTD.,
Recording Studio 499 8686

1410

ELECTRONIC TEST ENGINEERS

Required for work on Digital Measuring Equipment using Silicon Transistors and Microcircuits. Fully qualified applicants preferred, although proven experience in electronics would be considered. Prospects for advancement are good. Weekly staff status and salary commensurate with qualifications and experience. We would welcome applications from ex-service personnel or personnel about to leave the services. Please apply to: The Personnel Manager, Venner—a Division of AMF International Ltd., Kingston By-Pass, New Malden, Surrey.

Please apply to:

**The Personnel Manager,
VENNER—**
a Division of AMF International Ltd.,
**Kingston By-Pass,
New Malden, Surrey.**
Telephone 01-942 2442

1415

IMPERIAL COLLEGE ELECTRONICS DEVELOPMENT ENGINEER

required for a research project requiring development of electrical controls for high pressure hydraulic and mechanical systems. Qualifications: HNC or equivalent, mechanical background. Commencing salary up to £1,839 per annum in the A.E.O. scale. Contract for a limited period. Application forms from:

Departmental Superintendent, Department of Geology, Imperial College, London, SW7 2BP

1390

BUSINESS OPPORTUNITY

Earn a substantial extra income through a fascinating part-time business of your own that you could share with your wife and operate from your own home. This is an outstanding business opportunity with rewards exceeding £5000 per annum at the higher levels. We are looking for organisational and managerial ability. Telephone for an appointment.

VISTA MARKETING MAIDENHEAD 28754
1364

CCTV ENGINEERING OPERATIONS MANAGER

We have been retained to advise on the appointment of an Engineering Manager to take responsibility for a CCTV studio and regional VTR replay centres currently being installed by us. Our client is a major international manufacturing organisation and the system will be used for industrial training.

The engineer will have experience of maintaining and operating a multi-camera CCTV studio. Production experience would be an advantage. The appointment is London based but with a certain amount of U.K. travel. The salary will be commensurate with experience and in the region of £1,800 plus generous additional benefits.

Reply please, in the first instance by letter detailing experience, employment record, etc., to:

Mr. N. Copley
Television Applications Ltd.
9-11 Windmill Street
London, W1P 1HF

1409

SITUATIONS VACANT

A FULL-TIME technical experienced salesman required for retail sales; write giving details of age, previous experience, salary required to—The Manager, Henry's Radio, Ltd., 303 Edgware Rd., London, W.2. [67]

DRAUGHTSMEN. Mechanical and Electrical required by expanding electronics company specialising in lighting control and audio visual products. This position is salaried and gives ample opportunity for advancement. Please apply Electrosonics Ltd., 47 Old Woolwich Road, Greenwich, London, S.E.10. Tel. 858 4784. [22]

GRAMPIAN have a further vacancy for a Senior Development Engineer. He must have a proven record of experience and responsibility in audio electronic equipment design and preferably with some knowledge also of transducer design. Qualifications H.N.C., H.N.D. in electronic subjects.—Write in first instance to Gramplan Reproduces Ltd., Ref: H.G./1, Hanworth Trading Estate, Feltham, Middlesex. [1414]

IF you have had at least 5 years continuous technical experience with an audio equipment manufacturer then GRAMPIAN may be able to offer you a situation of interest appropriate to your ability. We are only interested in people who are truly conscientious and dedicated to this section of industry.—Apply to Gramplan Reproduces Ltd., Ref. S.M./1, Hanworth Trading Estate, Feltham, Middx. [1420]

MAJOR London recording studio requires a Maintenance Engineer. Salary in the range £1,000-£1,500 per annum. Please apply in writing, stating full details, to A. Whetstone (Technical Director), Advision Ltd., 23 Gosfield Street, London, W1P 7HB. [1405]

PERSONAL ASSISTANT with technical and commercial ability wanted for managing director of London TV rental business of the highest standing; established over 40 years. A suitable applicant would be trained to take increasing charge during the gradual retirement of the present managing director. Exceptional opportunity for keen and capable man. Write, stating age and details of background and career. Box WW 1383. [1420]

TV. Service Engineer, preferably with some colour experience. A permanent post. Salary according to ability. Hydes of Chertsey Ltd., 56/60 Guildford Street, Chertsey, Surrey. Phone Chertsey 63243. [1367]

SITUATIONS WANTED

ELECTRONICS and Instrumentation Technician, O.N.C. qualified, seeks employment, South Coast. Box WW 1378, Wireless World.

HNC Electronics 13 years experience telecommunications designing, seeks interesting and rewarding position. Box W.W. 1368 Wireless World.

ARTICLES FOR SALE

AVAILABLE test equipment—Airmec 853 wave analyser 3-30 MHz, £75. Cintel delayed pulse and sweep gen No. 3351, £20. Solartron CD 1220, 24MHz dual trace, sweep delay, £100. Spectrum analyser OA 1094, £300. Marconi TP329 Q meter, £40; Video oscillator 65B, £65; Deviation meter No. 2, £45; VVM No. 3, £25; AVO valve tester MK3, £35. Telephone Yateley 83048. [1396]

BUILD IT in a DEWBOX quality plastics cabinet 2 in. X 2½ in. X any length. D.E.W. Ltd. (W), Ringwood Rd., FERNDOWN, Dorset. S.A.E. for leaflet. Write now.—Right now. [76]

COLOUR TV CAMERAS complete with lenses, tubes and cables. Can be seen working. 01-229-0898 day or 01-907-0548 evening. [1394]

COLOUR, UHF and TV SERVICE SPARES. SPECIAL OFFER, leading Brit. maker's Colour Monitor Panels designed to BBC standards. Pal filter and delay £6, chrominance £6, luminance £4-50, encoded video input £2-50 P/P 25p (or set of 4 £17-50 P/P 35p). Also quantity Colour TV Camera Panels. Plessey colour scan coils £5-75 P/P 35p, convergence coils £3-80 P/P 25p, Blue lateral £1-25 P/P 10p (or complete set £10 P/P 50p). Mullard type colour Scan Coils £3-50 P/P 35p, with latest type convergence coils for electronic control of static convergence £2-50 P/P 25p. Colour LOFT assembly incl. EHT output and focus control £3-50 P/P 35p. Luminance/chrominance panel £1 P/P 25p. Integrated transistd. decoder unit incl. circuits £1-25 P/P 10p. DLI Delay Line £3-75, luminance Delay Line £1-30 P/P 20p. B9D valve bases for colour valves and PL500 series 12½p P/P 5p. UHF tuners transistd. incl. slow motion drive, indicator, AE panel £3-95, transistd. push button £5-25, Cydon valve type £1-75 P/P 25p, slow motion drive, indicator, AE panel 95p P/P 15p. Integrated UHF/VHF 6 position push button transistorised tuner easily adjusted as 6 position UHF tuner, incl. circuit £4-50 P/P 50p. Transist. UHF/VHF IF panels £4-75 (or salvaged £2-50) P/P 25p. MURPHY 600/700 series complete UHF conversion kits incl. tuner, drive assy., 625 IF amplifier, 7 valves, accessories, housed in special cabinet plinth assembly, £27-50 or less tuner £3 P/P 50p. SOBELL/GEC 405/625 switchable IF amplifier and output chassis, £1-50 P/P 30p. Ultra 625 IF AMP chassis and circuit £1-50 P/P 30p. Philips 625 IF AMP panel and circuit, £1 P/P 30p. SOBELL/GEC 2015 series 405/625 printed circuit IF panel incl. circuit £1-95 P/P 30p. UHF list available on request. VHF tuners AB miniature with UHF injection suitable K.B., Baird, Ferguson 75p P/P 30p, Cydon C £1 P/P 30p, Pye 13 ch. incremental £1-25 P/P 30p. Ekco, Ferranti, Plessey push button tuner with UHF Injection £1-50 P/P 30p. New fireball tuners Ferguson, EMV, Marconi type £1-90 P/P 30p. Philips export continental turret tuners 75p P/P 30p. Many others available. Large selection channel coils, LOFTs, Scan Coils, FOFTs available for most popular makes. Philips 110° Scan Coils £2-85 P/P 25p. Pye/Labgear transistd. masthead UHF booster £4-25, power unit £3-25. UHF/VHF/FM set back booster, mains operated £5-90 P/P 25p.—MANOR SUPPLIES, 172 WEST END LANE, LONDON, N.W.6 (No. 28 Bus or W. Hampstead Tube Station). MAIL ORDER: 64 GOLDERS MANOR DRIVE, LONDON, N.W.11. Tel. 01-794 8751. [60]

DON'T get caught speeding. Protect your valuable licence with a Radar Spotter for the rest of your driving life. Only £13.75. Up to 1rd of a mile warning on modern traps. Send remittance now before it's too late. Details only phone, s.a.e. 01-668 3255/660896, Belding & Bennett (Box 60), Green Lane, Purley, Surrey.

Calibration Engineers & Technicians

Continued expansion in our Technical Services Division has created an urgent requirement for a large number of fully competent engineers to calibrate an extremely wide range of electronic telecommunications and radar equipment (microwave, digital and analogue).

To us, previous experience in this work is of greater importance than academic qualifications — men with electronic training in H.M. Forces are particularly invited to apply — but whatever your background, you will find

interesting and rewarding permanent employment with us. Salaries in the range £1250 to £1800 p.a. Promotion prospects for men of supervisory calibre are very good. Please telephone our Personnel Manager on 01-450 7811. G & E Bradley Ltd., Electrical House, Neasden Lane, London, N.W.10.

BRADLEY
electronics

RADIO OPERATORS

DO YOU HOLD

PMG II OR PMG I OR NEW GENERAL CERTIFICATE

OR

HAD TWO YEARS' RADIO OPERATING EXPERIENCE?

Looking for a secure job with good pay and conditions?

Then apply for a post with the Composite Signals Organization. These are Civil Service posts, with opportunities for service abroad, and of becoming established, i.e., non-contributory pension scheme.

Specialist Training Courses (free accommodation) starting January, April and September, 1972.

If you are British born and resident in the United Kingdom, under 35 years of age (40 for exceptionally well qualified candidates), write NOW for full details and an application form from:—

Government Communications Headquarters,

Recruitment Officer,

Oakley, Priors Road, Cheltenham, Glos. GL52 5AJ.

(Telephone: Cheltenham 21491, Ext. 2270).

HUNTINGDON RESEARCH CENTRE

WE ARE an organisation employing some 600 personnel and having several overseas units in research in various branches of medicine for government and industry.

ELECTRONICS ENGINEER

in our Department of Bio-Medical Engineering

WE REQUIRE an Electronics Engineer to join a small team.

MAIN WORK INVOLVED will be the research and development of new electronic equipment.

APPLICATIONS are invited from suitably qualified candidates with O.N.C./H.N.C./B.Sc. in Electronics/Physics or with related experience.

CONDITIONS are good and are in line with any large employee-orientated company.

STARTING SALARY will be attractive with educational facilities in suitable cases.

WRITE quoting reference **BIO-MED/PH/WW/88** to:

Allen A. Schofield, Personnel Officer

Huntingdon Research Centre, Huntingdon PE18 6ES.

HARTLEY Oscilloscope. Type 13A with manual, 10S/831 **£18**
 Impedance matching unit. Type 10036 Philips **£42**
 Delay box, remote timer Mk. 2 **£3**
 Rectifier units. R.A.—62—C. P. R. Mallory & Co. 100-130V, 200-250V in D.C. 40-60 c/s. **£5**
 Repeater Units CT114 No. 2 4WYB 07579 **£30**
 Test sets type 351 No. 10S/792 **£15**
 Wave meter GL/T. No. 3 50-90 m/cs Marconi **£38**
 Standar telephones and cables. Differential Detector units code 347-LU1B
 Audio loading unit 4— + 1 DB
 50MW 3n **£8**
 3MW 600n 3MW 600n switched
 R.C.A. high frequency Sweep Generator 709B **£37**
 Valves S.T.C. S.V.4 X 150A. **50p** each
 Gearbox type 4031 0°—315°
 Frequency meter type 4313 110-250V. AC input 0-100 MA meter. R.F. input socket. All complete in **£20** quality case complete with test leads. Made by Barrostroud for Ferranti
 Band 2. Cavity oscillator unit S No. 45 **£8**
 Diaphragm pump sets, type DP 14/3. Pressure 40 lb. per sq. in. Speed 960 Revs. 1 H.P. 3 phase (Hymatic) **£35**
 Pump sets. 3 phase. ½ H.P. **£10**, ¾ H.P. **£15**, 1 H.P. **£18**
 Signal Generators. Model 1632 (Triplet) 200 K/cs. T. 120 M/cs **£12 ea.**
 Drive Torque testing fixture T134425 complete with D.E.1 240-250 motor 1/10 H.P.
 Aerofoil Fan. Revs 2-800. Volts 240. 50/cs. BHP 0-011 **£5**
 Oscilloscope chassis CD 518 (Solatron) with manual **£25**
 High frequency transformer. Type H.A 111A.

The RE301 is a portable twin-track in-line-head machine with separate record and replay heads. Separate record and replay amplifiers for each channel enable these two functions to be carried out simultaneously, permitting quality monitoring during recording. A separate monitor amplifier permits comparison between the incoming and replayed signals
 (Redifon) Power Supply Units. A.C. 6211 R. **£5**
 Wavemeter Type W. 1633
 Tuning Unit (Aerial manual). Type 6288R (Redifon)
 Spectrum Analysers. Type 1. Ref. No. 105/16147. No manual **£125**
 Rotary transformer. Type 10057. 24 Volts in 200 Volts out. 0.1 amp **£20**
 Wirerecorders (Boosey & Hawkes).
 Amplifier type T.D.2 **£9**
 Microwave instruments Ltd. north 0-400 MA meter
 R.F. units type 24 'B' and 27B **£2**
 Test set type 74. Cathode Ray oscilloscope type **£17**
 Signal Generators. Noise type 1. Type TF 987/1 **£17**
 Field Telephones. Ex-U.S. Army E.E.8-B **£5** per pair
 Wavemeter. Type QW.M. 1A50 195-250 M/cs. **£25**
 Rotary transformers. Type 262. 28v in 250v out, .06 Amps **£1**
 Type RL 7001-92A, 26V. input 2.2 amps, 210V. out 120 M/A **£2**
 Ferranti: Small motors, 200V. at 400 c/s, 10,200 R.P.M. 75 ems 3 phase reversible **£1**
 Small Motor. B.V.C. Electronic Developments. Volts 115, 400 c/s 1 phase **£1**
 Test unit calibration type 34 calibration Receiver for 'S' Band I.F. strips 230V. input **£4**
 Indicator Unit type 176 **£7**
 B.T.H. Motor Unit Selsyn, Type 10165. Volts primary 250V. Volts secondary 100V. 50 c/s. **£5**
 Plannair Ltd. 115V. 3 phase 400 c/s. Revs. 11,000. Type: 1PL-41-234. Watts 12 **£1**

Suppliers of new and used electronic and communications equipment surplus to government requirements
 Terms: Cash with order or price on application. FULL LISTS ON APPLICATION

A.R.C. MARKETING

6 GRAINGERVILL NORTH • WESTGATE ROAD • NEWCASTLE-UPON-TYNE
 Tel: NEWCASTLE-UPON-TYNE 860472

1371

TEST EQUIPMENT

Russian Admittance Bridge 0.4-30 Mc/s **£40**; Tektronix 515A mint condition **£225**; Tektronix 517A with PSU, Cathode follower probe (with 3 heads) **£150**; Tektronix 10A1 plug-in units 1 complete **£100**, 1 no transistors **£50**; Tektronix 175A High current curve trace adaptor **£75**; Remscope model SO1 with TS1 signal trace shifter (2) mint **£150**; Advance Advac milli-voltmeter **£25**; Pye scalamp 5kV meter **£20**; TF 1345/2 timer counter with complete set plug-in units **£300**; 1 ditto with blank panel only, needs servicing **£50**; TF801A **£30**; TF1041B **£40**; AVO CT160 valve tester **£40**; Rohde and Schwarz wavemeters type WEM 10 Kc/s-30 mc/s, and WAM 30-500 mc/s, **£100** the pair; High gain amplifier, plug-in (for WM16), Type 7/5 **£20** each (3); Russian digital volt/ohmmeter (list **£130**) brand new with spares, unused **£90**; BC221 T (2) mint **£15** each; Solartron SRS 152 **£25**; Advance transistor tester CT 472 as new **£30**; Advance H1B Audio signal generator **£30**; Belco AC bridge model BR8 **£15**; LR1 Heterodyne freq. meter and calibrator (3) GR Model 271, **£30** each; Philips GM 6010 **£20**, GM 6015 **£25**; Furzehill Vi200 **£10**; Elliott transistor curve tracer Type 8096 **£40**; TF 3 01F 1 mc/s, inductance bridge **£15** (2); Solartron VF252 **£20**; TF1202A power meter No probe **£10**; Russian nano-second pulse generator **£35**; Roband model 1500 D.V.M. **£60**; Roband Varex 60-1 Twin, P.S.U. **£70**; 2J56 Magnetron, by English Electric, brand new and boxed **£2** each (200 available ex stock); 15,000 Mallory 1.35V batteries; 15,000 10-7V Mallory batteries (both mercury types), see Electro-Tech Ad. for Spec. (small quantity orders to them, bulk to us); 5,250 1 watt w/w pots by P. F. Fox, various values (offers to clear lot invited); manuals for test gear available at cost. Cash with order. Freight free anywhere in U.K.; all goods subject to being unsold.

CONNECTORS & ELECTRONICS LTD.

20 College Drive, Ruislip, Middx.

Telephone: Ruislip (713) 5953

**BRANDED SEMICONDUCTORS
 NEW STOCKS**

Transistors	40409	56p
BC149	40410	58p
BC186	40411	£1.74
BFX29	40319	62½p
BFX84		
ME4103	Matched Pairs	
2N1183	BFX29 }	74p
2N2102	BFX84 }	
2N3053		
2N3055	Diodes	
2N3702	HS2240	25p
2S301	HS3131	15p
BD123	SK103K	35p
40310	IN91	35p
40314	IN645	25p
40317	IN3193	20p
40361	IN3754	20p
40362	IN1612R	49p
40406	IN967B	38p
40407	1ZM475R	36p
40408	Z2A47CF	47p

Terms: Cash with order please. Minimum order 50p.
 Postage & Packing: 10p inland, 25p Europe, 60p Overseas.
 All items guaranteed.
 Orders despatched within one day of receipt. Mail order only.

GLOBAL ENGINEERS
 Orme Road • Worthing • Sussex

1365

ELECTRONIC organ, W/W-£50. Bass pedals, optional-chords, reverberation console. Suit enthusiast. Evenings, weekends. 27 Tudor Road, Ashford, Kent.

FOR sale any offers. Video monitors 405 line 8 in. screen. Moviematic 16mm projector with built-in screen and loudspeaker. Tel. 222-9000 Ext. 300. [1373]

FOR SALE large quantity Radio and Electronic books in clean condition. Also Mechanical Eng. Science and Maths books.—Norman Henry Pierce, 102 Canterbury Road, Rock Ferry, Birkenhead, Cheshire. [1348]

FOR SALE, what offers, large quantities of transistors, AF 186, OC 75, BF 158, BF 159, BF 164, and many others. Diodes CG 66H and others. Thermistors, Voltage dependent Resistors, large quantities. Carbon and W.W. Resistors, Condensers, Line Output Transformers, Rectifiers, Transformers, Potentiometers, Relays and hosts of miscellaneous components.—Broadfields & Mayco Disposals, 21 Lodge Lane, N. Finchley, N.12. Telephone 01-445 2713. [1319]

HEAVY Oak writing bureau containing NC 80X Receiver, any offers.—Tel. 886 9885. [1421]

HIRST Welding Machines with synchronous control, suitable for welding small assemblies. Skelmersdale 23579 (evgs.). [1400]

HEADPHONES (Stereo), Diplomat model by S. G. Brown. 10 pairs, bargain, £4.95 each.—R. J. W., 27 Huxley Road, London, E.10. 01-556 8363. [1324]

NATIONAL HRO-500 receiver with LF 10 preselector 5KHz to 30 MHz in 60 synthesized bands of 500 KHz direct 1 KHz readout. Tuneable 500 Hz and 2500 Hz 1.F bandpass filters plus wider fixed bandpass filters all solid state 12V DC or 230V AC operation cost £1,000 sell for £290. Also NCX5 TXVR with VX501 LMO P.S.U. £165 AR88D brand new with spares £45 TW phase II 2M transverter £60 TEN TEC PM2 transistor CW transceiver £28 or £500 the lot. Also Radford SCA 30 £55 J.B.L. SA600 amp £60 micro-seiki turntable with MA 100 arm £70 (will split). Owner's redundancy forces sale of these delectable items. R. White, Pantiles, Hayes Common, Kent. 01-462-2846. [1375]

NEW CATALOGUE No. 18, containing credit vouchers value 50p, now available. Manufacturers' new and surplus electric and mechanical components, price 22p, post free. Arthur Sallis Radio Control Ltd., 28 Gardner Street, Brighton, Sussex. [94]

SERVICE Sheets (1925-1971) for TV's, Radios, Transistors, Tape Recorders, Record Players, etc.; over 8,000 models available. S.A.E. enquiries. Hamilton Radio, 54 London Road, Bexhill. Tel. Bexhill 7097. [18]

SHARPEN YOUR responses with Brush Cleve ceramic i.f. resonators. New TF-04 442 identical resonators need only fixed std.-value capacitors to set the bandwidth to 2-1kHz. Centre frequency 455kHz only. Set of 4, with capacitor values, i.f. circuitry, and useful data, £1-50, UK post 5p.—Amatronic Ltd., 396 Selsdon Road, South Croydon, Surrey, CR2 0DE. [1161]

TETRODE MOSFET MEM564C for WW Communications Rx., etc. (=gate-protected 3N140), only 65p, UK post 5p. Amatronic Ltd., 396 Selsdon Road, S. Croydon, Surrey, CR2 0DE. [1161]

VACUUM pumps, coating plant, pyrometers, recorders spectrophotometers/ovens, etc. Free catalogue. Barrett, 1 Mayo Road, Croydon, CRO 2QP, Surrey. Phone 01-684-9917. [1056]

VHF Radio Telephone, 1 only Hudson Base Station type AM/250/M. GPO Type 2B Freq. range 60/95 MHz. 2 only Vye Walkiephone Radio Telephones, type F7C 122/GPO with handbooks. P.O. licence needed to operate. All in good working condition, £35. Apply Engineer-in-Charge, P.O. Radio Station, Somerset, Somerset. Telephone Somerton 323. [1385]

VHF KIT 80-180 mHz receiver, tuner, convertor. Transistorised, remarkable performance. £4 or s.a.e. for literature. Johnsons (Radio), St. Martins Gate, Worcester, WR1 2DT. [99]

WE offer the following two types of brand new marked transistors for sale: BC171 and BC135 at £8 per 100.—Velco Electronics, 62 Bridge Street, Ramsbottom, Bury, Lancs. [1418]

WE make three types of aerial boosters. L45 for UHF TV, L12 for VHF TV, L11 for VHF radio.—Velco Electronics, 62 Bridge Street, Ramsbottom, Bury, Lancs. [1419]

**AUDIO MIXER UNITS
MODULES AND BOARDS**

High quality units for constructing complete mixers in mono and stereo or for amplifier front ends etc.
S.A.E. for details.

PARTRIDGE ELECTRONICS
Dept. W.W.10, 21-55 Hart Road,
Thundersley, Benfleet, Essex.
Tel. South Benfleet 3256

1374

ELECTRONIC EQUIPMENT

- Coutant ED 100 5-24V 1A Twin PSU—New ... £20
- Solartron AS1410 0-30V 1A digital setting PSU ... £30
- Advance P6 0-30V 3A Twin PSU ... £60
- Advance T.C.6 6 digit 0-10MHz Counter ... £90
- Venner TSA53/HF 5 digit Freq./Period/Time Counter 2 channel input. 10 line output. Mains/Battery operated ... £40
- Hewlett Packard H.P. 5233L. 6 digit Solid State counter. 2 channel input ... £130
- Dynamo DM 2020 5 digit voltmeter. Complete with calibration certificate ... £235
- Dynamo DM 2006 4 digit voltmeter. Complete with calibration certificate ... £285
- Dawes 443A Audio Sweep Oscillator 20Hz-20KHz ... £45
- Dawes 440 Audio Sweep Oscillator 20Hz-20KHz ... £20
- Cosor CDU 110 0-20MHz D.B. Oscilloscope ... £165
- EMI 101 0-15MHz Mains/Battery operated Oscilloscope ... £65
- Solartron 5235 0-7MHz Oscilloscope ... £47-50
- Decca MW 20/10 Variable Attenuator, Grade I ... £55
- Airmec 210 Modulation Meter ... £115
- Marconi TF 801/D AM Signal Generator, complete with calibration certificate ... £200
- Marconi TF 995A/5 FM/AM Signal Generator, complete with calibration certificate ... £200
- Rustrak 50-0-50uA +2 event marker Recorder ... £30
- Rustrak 100-0-100uA +1 event marker Recorder ea £30
- Rustrak 4 channel event Recorder ... £30
- N.E.P. 12 channel ultra violet Recorder ... £195
- Vero 1A/AS/8/14/N/16/P. Modular Racks—New £6-75
- Ling Vibration Shaker 250 lb. Thrust. Overhauled ... £265

1 KW Amplifier available if required.

OTHER EQUIPMENT AVAILABLE INCLUDES: MICRO-WAVE EQUIPMENT, i.e., WAYNE KERR S.281 TEST OSCILLATOR, SIVERS LABS SL 5262/3 VARIABLE SLOTTED LINE, also SL 5200/1, SL 5645/3 and SL 5212 and DROP TESTERS, OVENS, PULSE GENERATORS, etc.

CREDIT FACILITIES AVAILABLE.
GOOD QUALITY TEST EQUIPMENT ALWAYS PURCHASED.

MARTIN ASSOCIATES
Myrorian, Greensward Lane, Arborfield, Nr. Reading, Berks. Tel: Arborfield Cross 610

**SYNTHESISER
MODULES**

Send s.a.e. for details of voltage-controlled modules for synthesiser construction to:

D.E.W. LTD.
254 Ringwood Road, Ferndown, Dorset

68

EX-RENTAL TVs (UNTESTED)

Complete with 13 channel tuners. Good cabinets' Carriage £1-50 extra.
17" (Semi-Slim 90" tube) £2-50; 17"/21" Slim (110" tube) £4-50; 19" Slimline £6-50; 23" Slimline £8-50; 19" BIBC Sets £14-50.

Tubes Ex-Equipment Tested

Single Panel: 17" (any type) £2; 19"/21" (any type) £3; 23" (any type) £4. Twin Panel (Bonded): 19" (Bonded) £5; 23" (Bonded) £6. Panorama Tubes (Metal Rim): 19" (Panorama) £5; 23" (Panorama) £6. Add £1 Carriage.

PERFECT SPEAKERS EX TV

Pm 3 ohm (minimum order two) 5 in. round, 8 in. by 2 in. rectangular, 12p each. Add 7p per speaker p. and p.

VALVES EX EQUIPMENT

EB91	5p	30L15	12p	PL36	22p
EBF89	12p	30P4	12p	PL81	17p
ECC82	12p	PC97	17p	PY81	15p
ECL80	7p	PCF86	17p	PY800	15p
EF80	12p	PC84	7p	PY82	7p
EF85	12p	PCF80	7p	PY33	22p
EF183	12p	PCC89	12p	U191	17p
EF184	12p	PCL85	22p	6F23	17p
EY86	17p	PCL82	17p	30PL1	22p
30PL13	20p	PCL86	17p	30P12	20p
630LZ	12p	PCL83	12p	30F5	10p

Add 2p per valve p. and p. Orders over £1 p. and p. free

UHF TUNERS

For Ferguson 850, 900 chassis, adaptable for KB, Ekco, T415, 1084 chassis £2.50. p. & p. 50p.

SLOT METERS—SPECIAL OFFER

Smiths Mk. II 6d. Convertible to 5p (Smiths Kit costs 35p each) £1 each incl. post and packing or 10 for £5 incl. post and packing.

Please write with SAE for quotations on any spares.
TRADE DISPOSALS (Dept. T.S./W.W.), Thornbury Roundabout, Leeds Road, Bradford, Yorks. (Tel. 665670)

NOW UNDER NEW MANAGEMENT

91

**NEW THIS MONTH
MULTI-PURPOSE PRINTED WIRING BOARD
NIPPIBOARD**

Type "A" for making amplifiers, car gadgets, electronics music circuits, alarms, oscillators, in fact almost any electronic circuit using up to four transistors. NIPPIBOARD is a new design with grid references for quick component location and costs only 15p (plus 4p postage and packing). CASH WITH ORDER ONLY. IDEAL FOR SCHOOL PROJECTS AND MODULAR SYSTEMS. SPECIAL OFFER (closes November 30, 1971). TWO NIPPIBOARDS for 25p; FOUR for 40p. (Add 5p post and packing). Trade enquiries welcome.

NEW SL403D short circuit proof 3W amplifier £1-99 plus 9p postage and packing. Cash with order only.
Dept. NB/WW10, NIP Electronics,
P.O. Box 11, St. Albans, Herts 1379

PLAYBACK MACHINES

Amplifier with 2 × ECC83, 1 × EL84, 1 × EZ80. Input: low impedance, 20µV. Output: 2 watts into 7" × 4" 8 ohm speaker. Volume and tone controls. Oak faced ply cabinet 13½" × 14½" × 9½". Deck uses single AC motor. Ideal for conversion to record player, telephone answering machine, etc. £3 plus 1c carr. Amplifiers only, £2 carr. paid. OTHER GOODIES: TF144G Signal Generator 15 kHz to 25 MHz in 8 ranges, 1µV to 1V O/P. In good working order, £10. Wavemontor G.302. Good basis for scope, just needs PSU, £6. CT54 VVM 2-4 to 48V AC/DC, 1 ohm to 10 Megohms. With PSU, £10. TF517F Generator as seen, £10. 8 Mfd. 2,500V new capacitors, £2. Various PSU's from £1. ½" recording tape, brand new and boxed, 3,600' on 10½" NAB spools, £2. 1,800' ½" white leader on NAB hubs, 40p. 8-pin Jones plugs, large, 8p. ECL80 output transformers, 15p 1% and 2% Hi-stab resistors, 100 mixed preferred values, 50p. New electrolytics: 500 µF/25V, 12p. 1,000 µF/10V, 11p. 1,000 µF/25V 17p. 1,000 µ150, 21p. Carriage extra on all items. List free

GREENWELD ELECTRONICS, 24 Goodhart Way, West Wickham, Kent BR4 0ES. Callers welcome, please phone 01-777 2001 first

1404

**TEST EQUIPMENT — SURPLUS
AND SECONDHAND**

SIGNAL generators, oscilloscopes, output meters, wave voltmeters, frequency meters, multi-range meters, etc., etc., in stock.—R. T. & I. Electronics, Ltd., Ashville Old Hall, Ashville Rd., London, E.11. Ley. 4986. [64]

**RECEIVERS AND AMPLIFIERS—
SURPLUS AND SECONDHAND**

HRO Rx5s, etc., AR88, CR100, BRT400, G209, S640, etc., etc., in stock.—R. T. & I. Electronics, Ltd., Ashville Old Hall, Ashville Rd., London, E.11. Ley. 4986. [65]

**NEW GRAM AND SOUND
EQUIPMENT**

GLASGOW.—Recorders bought, sold, exchanged; cameras, etc., exchanged for recorders or vice-versa.—Victor Morris, 343 Argyle St., Glasgow, C.2. [11]

TAPE RECORDING ETC.

IF quality, durability matter, consult Britain's oldest transfer service. Quality records from your suitable tapes. (Excellent tax-free fund raisers for schools. Modern studio facilities with Steinway Grand.—Sound News, 18 Blenheim Road, London, W.4. 01-995 1661. [1328]

YOUR TAPES TO DISC.—£6,000 Lathe, From £1-50. Studio/Location Unit. S.A.E. Leaflet. Dero Studios, High Bank, Hawk St., Carnforth, Lancs. [70]

FOR HIRE

FOR HIRE CCTV equipment, including cameras, monitors, video tape recorders and tape—any period. —Details from Zoom Television, Chesham 6777 [75]

ARTICLES WANTED

HIGHEST possible cash prices for Akai, B. & O., Brenell, Ferrograph, Revox, Sanyo, Sony, Tandberg, Uher, Vortexion, etc. 9.30-5. 01-242 7401. [102]

VALVES, Klystrons etc., wanted in quantities types CV329, CV342, CV417, CV428 805-807-813-723A/B etc.—Details to: Pype Hayes Radio Ltd., 606 Kingsbury Road, Birmingham 24. Tel. 021-373 4942. [15]

WANTED to buy—all types of electronic test equipment and components. Immediate cash available. —Telephone Yateley 83048. [1334]

WHOLESALEERS, manufacturers, surplus dealers wishing to supply components, equipment, hi-fi, speakers, kits, etc., please write in confidence to Box WW 1397.

WANTED, all types of communications receivers and test equipment.—Details to R. T. & I. Electronics, Ltd., Ashville Old Hall, Ashville Rd., London, E.11. Ley. 4986. [63]

WANTED, televisions, tape recorders, radiograms, new valves, transistors, etc.—Stan Willetts, 37 High St., West Bromwich, Staffs. Tel. Wes. 0186. [72]

TEST EQUIPMENT

We wish to buy Test Equipment, ancillary spares and devices; Components, plugs and sockets, meters, relays, motors, valves, semi-conductors, microphones, head sets, C.C.T.V. equipment; Receivers, Transmitters, Microscopes, Theodolites, cameras, lenses (professional and amateur) for motion picture and still work; film in bulk. Immediate decisions and immediate payment.

CONNECTORS & ELECTRONICS LTD
20 College Drive, Ruislip, Middlesex
Telephone: Ruislip (713) 5953 1381

VALVES WANTED

WE buy new valves, transistors and clean new components, large or small quantities, all details, quotation by return.—Walton's Wireless Stores, 55 Worcester St., Wolverhampton. [62]

TENDERS

WEST SUSSEX COUNTY COUNCIL AMBULANCE SERVICE: RADIO

Tenders are invited for the provision of radio control and mobile radio equipment for the ambulance service at various places throughout West Sussex. Details and forms of tender may be obtained from the County Health Department, Metropolitan House, Northgate, Chichester, to be returned not later than noon on Tuesday, 2nd November, 1971.

1388

COURSES

Radio amateurs examination course
Wednesday evening 6.30-9.00 p.m.
To secure place, enrol as soon as possible at Acton Technical College (opposite Town Hall) Telephone 992-3248.
Lecturer W. G. Dyer, M.I.E.E., G3 GEH

1413

SERVICE & REPAIRS

INSTRUMENT SERVICING AVO, Taylor, etc., multi-meters, meggers, signal generators, etc. Quick and competitive estimates free, guaranteed repairs, calibrated, collection locally V. W. & E. Smith, 69 Chestnut Drive, Leigh 6674, Lancs. [1282]

CAPACITY AVAILABLE

AIRTRONICS LTD., for Coil Winding—large or small production runs. Also PC Boards Assemblies. Suppliers to P.O., M.O.D., etc. Export enquiries welcomed. 3a Waterland Road, London, S.E.13. Tel. 01-852 1706 [61]

COIL winding capacity. Transformers, chokes R.F. coils, etc., to your specification. Sweetnam & Bradley Ltd., Bristol Road, Malmesbury, Wilts., or Tel. Malmesbury 3491. [12]

DESIGN, development, repair, test, and small production of electronic equipment, low rates. **YOUNG ELECTRONICS**, 54 Lawford Rd., London, N.W.5. 01-267 0201. [1057]

ELECTRONIC and precision mechanical design and production service. Specialist in automatic handling professional qualified engineers. S. Electrical, 42 Albert Road, Clevedon, Somerset. [1391]

ELECTRONIC circuits and equipment designed by electronics engineer with wide industrial experience. Amplifiers, oscillators, modulators, filters, etc., for any application and frequency from d.c. to u.h.f. Prototypes and drawing supplied. Box No. W.W. 1412 Wireless World. [1392]

METALWORK, all types cabinets, chassis, racks, etc. to your own specification, capacity available for small milling and capstan work up to 1 in. bar.—**PHILPOTT'S METALWORKS, Ltd.**, Chapman St., Loughborough. [17]

WE undertake the manufacture of transformers singly or in quantities to any specification. All work guaranteed for 12 months.—Ladbroke Transformer Co. Ltd., 820a Harrow Road, Kensal Rise, N.W.10. Tel. 01-969 0914. [100]

WE can assist you by manufacturing p.c.b.s, control panels, sub-assemblies, short and long runs. Electronic Allied Components Ltd., BCA Estate, Measham, Staffs. Telephone: Measham 8225. [19]

TECHNICAL TRAINING

BECOME "Technically Qualified" in your spare time, guaranteed diploma and exam, homestudy courses in radio, TV servicing and maintenance. R.T.E.B., City & Guilds, etc., highly informative 120-page Guide—free.—Chambers College (Dept. 837K), Aldermaston Court, Reading RG7 4PF. [18]

CIE, AMSE, City and Guilds, etc., on "Satisfaction or Refund" terms. Thousands of exam successes. Postal Courses for all branches of Engineering. Illustrated prospectus FREE. Please state subject of interest.—BIET (Dept. H.18), Aldermaston Court, Reading, RG7 4PF. [14]

ENGINEERS get a technical certificate. Exam and Certificate Postal Courses in all branches of Engineering. Electronics, Radio and TV, Computers, Draughts, Building, etc. Write for helpful FREE BOOK.—BIET (Dept. H.17), Aldermaston Court, Reading, RG7 4PF. [13]

TECHNICAL TRAINING in Radio, TV and Electronics through world-famous ICS. For details of proven home-study courses write: ICS, Dept. 443, Intertext House, London, S.W.8. 4UJ. [24]

TUITION

COLOUR TV SERVICING. Be ready for the coming Colour TV boom. Learn the techniques of servicing colour TV sets through new home-study courses specially prepared for the practical TV technician, and approved by leading manufacturer. Full details from ICS, (D 558), Intertext House, London, S.W.8 4UJ. [1263]

RADIO and Radar M.P.T. and C.G.L.I. Courses. Write: Principal, Nautical College, Fleetwood, NY7 8JZ. [71]

BOOKS

GOVERNMENT SURPLUS WIRELESS EQUIPMENT HANDBOOK. Contains circuits, data, illustrations, components lists for British/USA receivers, transmitters, trans/receivers, includes modifications to sets and test equipment. Surplus/commercial cross referenced transistor and valve guide. A gold mine of invaluable information. Price £2.85. p.p. 15p.—Myers, 112 Stainburn Crescent, Leeds 17. [1392]

PATENT NOTICES

THE Proprietors of British Patent No. 958,622, for "Device for Stabilizing a Contact Between a Magnetic Head and a Magnetic Tape," desire to enter into negotiations for the sale of the patent, or for the grant of licences thereunder. Further particulars may be obtained from Marks & Clerk, 57-58 Lincoln's Inn Fields, London, W.C.2. [1389]

BUSINESS OPPORTUNITIES

CONSULTANT Designer, audio circuits, prototypes and specials, also interested partner, premises. BCM, Box 312, W.C.1. [1411]

OPPORTUNITY OVERSEAS

Advertiser, Consultant to Electronics Industry in India presently in the U.K., wishes to contact parties desirous of expanding in India. Manufacturers of resistors, electrolytic capacitors, styroflex capacitors, loud-speakers, LS cones, band-switches, transistors, etc. welcome. Financial and/or Technical collaboration considered. Also process licensing for the manufacture of any profitable electronic component or equipment considered. Manufacturers of labour-intensive equipment can consider low labour costs in India for their assemblies and sub-assemblies. For a meeting contact:

S. C. TRIVEDI,
2 Leigh Road,
Watford, Herts.

1417

Very important Italian firm electronic components exporting European Common Market area and in other countries looks for agreements with firms specialising in Electronic and small dimension Electro-mechanical Departments.

Replies to :-

FERMO POSTA,
Roma-Nomentana,
75755,
P.A.
ITALY.

1370

TELEVISION AND RADIO TRAINING (DAY ATTENDANCE COURSES)

This private College provides theoretical and practical training in Radio and TV Servicing. Courses of one year's duration, with daily attendance, are available for beginners and shorter courses for men with previous training in Electronics and Radio. Training courses in Radar and Radio Transmission are also available following the TV course. Write for prospectus to: **London Electronics College, Dept. B/5, 20 Penywern Road, Earls Court, London, S.W.5. Tel. 01-373 8721.**

84

HI-FI, AUDIO AND TAPE RECORDER DEALERS AROUND THE BRITISH ISLES

BEDFORDSHIRE Luton

COVENTRY RADIO LTD.

ESTABLISHED 45 YEARS (1925)

See and hear the best and latest in Hi-Fi equipment at our Luton Showrooms and demonstration room. Send for information on your requirements.
189/191 Dunstable Road · Luton
 Telephone: LUTON 28201

LANCASHIRE Preston

ELECTRA CENTRE

Comparator Demonstrations of most leading makes

B. & O., SONY, LEAK, QUAD, etc.
8 Victoria Buildings, Fishergate, Preston
 Telephone 55603

OXFORDSHIRE Henley

HENLEY-ON-THAMES AND READING DISTRICT

G. O. MOORHEN

HIGH FIDELITY SPECIALIST

190 READING ROAD, HENLEY, Tel. 4163
 Appointed Agent for
TANDBERG - FISHER - REVOX - RADFORD
BANG & OLUFSEN - SONY
 Armstrong, Ferrograph, Leak, Quad, Rogers, Goodman, K.E.F., Wharfedale, etc.
 Cabinets and complete installations to order

ESSEX Ilford

UNIQUE RADIO LTD.

HI-FI & PUBLIC ADDRESS
6 THE FACADE, HIGH ROAD GOODMAYES, ESSEX

590 8277

LONDON West

Lasky's Radio

Stockist for all the leading makes of Hi-Fi Audio Equipment

33 TOTTENHAM CT. RD., W.1	01-636 2605
207 EDGWARE ROAD, W.2	01-723 3271
152/3 FLEET STREET, E.C.4	01-353 2833
109 FLEET STREET, E.C.4	01-353 5812
Hi-Fi Centres	
42-45 TOTTENHAM CT. RD., W.1	01-580 2573
118 EDGWARE ROAD, W.2	01-723 9789

SURREY Guildford

MERROW SOUND LTD.

Specialists in Hi-Fi & Tape Recording

Fully equipped for comparative demonstrations. Leading Agents for: B & O and TANDBERG. Open 10 a.m. to 5.30 p.m. daily Incl. Sats. Early closing Wed. 1 p.m. EASY PARKING 205-207 Epsom Road, Merrow, Guildford. Tel: Guildford 64171
DISCOUNT PRICES OFFERED

HAMPSHIRE Southampton

High Fidelity Specialists



Hamilton Electronics (Southampton) Ltd
 35 London Road Southampton Phone 28622 3 Lines

Isle of Wight

RUSSELLS OF NEWPORT

Main Dealership:—Bang & Olufsen, Sony, Hi-Fi and TV colour portable and Video Tape.
40 Upper St. James Street, Newport, I.O.W.
 Telephone: 0983-81 3804
 TANDBERG—HITACHI—SANYO—NATIONAL

Established 1910

H. L. SMITH & CO. LTD.

Comprehensive stock of equipment by all leading makers at competitive prices
287-9 EDGWARE ROAD LONDON, W.2. Tel. 01-723 5891

South West

TAPE RECORDER HI-FI CENTRE

(SHEEN) LTD
 SPECIALISTS IN TAPE RECORDERS, ACCESSORIES, HI-FI EQUIPMENT
 YOUR CENTRE FOR FRIENDLY HELP, SALES AND SERVICE

TEL. 876 0985
 SHEEN LANE, SHEEN, LONDON, S.W.14 Opposite Mortlake Station, S.R. Closed Wednesdays

WARWICKSHIRE Coventry

ELECTRONIC SERVICES

HI-FI SPECIALISTS
33 CITY ARCADE COVENTRY
 TEL: 24632

A.P.A.E.

SCOTLAND Edinburgh

AUDIO AIDS

Audio Consultants
 Hi Fi Specialists

20 SOUTH CLERK STREET, EDINBURGH 9
 Tel: 031-667 2877

WANTED

surplus transistors, semiconductors, capacitors, cable, electrical goods, radio, television and electrical equipment, wire, aluminium, motors, recording accessories and all surplus equipment for SPOT CASH.

Buyer will call to inspect anywhere.

Concorde Instrument Co.

28 Cricklewood Broadway London, N.W.2

Telephone: 01-452 0161/2/3

Telex: 21492

Cables: CONIST LONDON

Quartz Crystal Units
 ECONOMICAL
 ACCURATE
 RELIABLE

Private enquiries, send 5p in stamps for brochure
THE QUARTZ CRYSTAL CO. LTD
 Q.C.C. Works, Wellington Crescent, New Malden, Surrey (01-942 0334 & 2988)

WE PURCHASE

COMPUTERS, TAPE READERS AND ANY SCIENTIFIC TEST EQUIPMENT. PLUGS AND SOCKETS, MOTORS, TRANSISTORS, RESISTORS, CAPACITORS, POTENTIOMETERS, RELAYS TRANSFORMERS ETC.
ELECTRONIC BROKERS LTD.
 49 Pancras Road, London, N.W.1. 01-837 7781

WW DESIGNS BUILT & TESTED

example:
 Nelson Jones FM Tuner
 ALSO ALIGNMENT SERVICE
 S.A.E. details:
YOUNG ELECTRONICS
 54 Lawford Road, London NW5 2LN. 01-267 0201

THE DIMMERSWITCH
Dimmerswitch
 Will dim up to 400 watts of incandescent lighting from zero to full brilliance. This unit simply replaces the normal light switch, and is fitted in a matter of minutes. An MK mounting frame is supplied, for use when more depth is required.
 Complete Kit £2.80
 Built and tested £3.20
 as supplied to Industry, Schools, Hospitals, Government Depts., etc.
Diathane Ltd.
 111 Sheffield Road, Wymondham, NORFOLK
 Please add £0.10 postage and packing

WE PURCHASE ALL FORMS OF ELECTRONIC EQUIPMENT AND COMPONENTS, ETC.

CHILTMEAD LTD.
7, 9, 11 Arthur Road, Reading, Berks.
 Tel: 582 605



THE ONLY COMPREHENSIVE RANGE OF RECORD MAINTENANCE EQUIPMENT IN THE WORLD!



Send P.O. 15p for 48 page booklet providing all necessary information on Record Care.

CECIL E. WATTS LIMITED
 Derby House
 Sunbury-on-Thames, Middx.

During the past 12 months 85% of all customers'

QUARTZ CRYSTAL

orders were manufactured and despatched in 14 days. The remaining 15% were made in less time. We aim to try a little harder during the next 12 months...

PRICES	1.4-1.59Mhz	£2.25
	1.6-1.99 "	£2.10
(.005% Tol. @ 25°C)	2.0-3.99 "	£1.90
	4.0-14.99 "	£1.80
	15.0-20.0 "	£2.00

15p P. & P.
Orders less than £20

- ★ Quantity discounts.
- ★ Manufactured to DEF 5271-A standards.
- ★ 12 Months guarantee.
- ★ Closer tol. units available on request.

McKNIGHT CRYSTAL CO.

SHIPYARD ESTATE, HYTHE, SOUTHAMPTON.

Tel: HYTHE 8961

YUKAN SELF-SPRAY 30 PROFESSIONAL LINE
YUKAN AEROSOL WAY—

Get these NOW! OR BLACK WRINKLE (CRACKLE) finishes

air drying GREY HAMMER
OR BLACK WRINKLE (CRACKLE) finishes

Yukan Aerosol sprays contain 453g. line quality, durable easy instant spray. No stove baking required. Hammers available in grey and blue. 90p can. pd. Modern Eggshell Black Wrinkle (Crackle) producing a 3D textured finish. 90p can. pd. all at 85p per push-button self-spray can at our counter. Also include: Zinc Chromate Clear Lacquer Metallics Grey. Blue Now British— even better.

Other Yukan Air Drying Aerosols 453g at 90p can. pd.

SPECIAL OFFER: One can plus optional transferable snap-on trigger handle (value 25p) for 96p can. pd. (motor car quality) also available.

Please enclose cheque or crossed P.O. for total amount direct to:

Dept. Q10YUKAN, 307 EDGWARE ROAD, LONDON, W2 1BN

We supply leading Government Departments, Municipal Authorities, Institutes and Leading Industrial Organisations— We can supply you too.

Open all day Saturday. Closed Thursday afternoons

Grampian

SOUND EQUIPMENT

GRAMPIAN REPRODUCERS LIMITED
Hamworth Trading Estate, Fetham, Middlesex.
Telephone: 01—894 9141.

TRANSFORMERS

DOUGLAS GUARANTEED

Output V. & Amps.	Ref. No.	Price	P.P.	Price	P. & P.
12V x 2 250 mA x 2	MT 111 CB**	£0.81	06p		
12V x 2 500 mA x 2	MT 213 CT**	£1.03	12p		
12V x 2 1A x 2	MT 71 AT†	£1.29	23p		
12V x 2 2A x 2	MT 18 AT	£1.79	30p		
12V x 2 3A x 2	MT 70 AT	£2.06	30p		
12V x 2 4A x 2	MT 108 AT	£2.54	31p		
12V x 2 5A x 2	MT 72 AT	£2.81	28p		

30 volts. All tapped at 0-12-15-20-24-30 V.

Output Amps	Ref. No.	Price	P.P.	Output Amps	Ref. No.	Price	P.P.
500 mA	MT 112 CT†	0.90	14p	4A	MT 21 AT	2.35	32p
1A	MT 79 AT†	1.31	26p	5A	MT 51 AT	3.45	38p
2A	MT 3 AT	2.06	28p	8A	MT 88 AT	5.55	48p
3A	MT 20 AT	2.36	30p	10A	MT 89 AT	6.40	49p

50 volts. All tapped at 0-19-25-33-40-50 V.

500 mA	MT 102 AT†	1.26	25p	3A	MT 105 AT	3.53	39p
1A	MT 103 AT	1.86	30p	4A	MT 106 AT	4.55	39p
2A	MT 104 AT	2.70	30p	6A	MT 107 AT	6.66	39p

60 Volts. All tapped at 0-24-30-40-48-60 V.

500 mA	MT 124 AT†	1.33	21p	2A	MT 127 AT	2.83	39p
1A	MT 126 AT	2.01	28p	3A	MT 125 AT	3.99	39p

AUTO-WOUND RANGE

Power output	Winding tapped at	Ref. No.	Price	P. & P.
20 VA	0-115-210-240	MT 113 CT	£0.77	23p
75 VA	"	MT 64 AT	£1.49	28p
150 VA	0-115-200-220-240	MT 4 AT	£1.95	30p
200 VA	"	MT 65 AT	£2.57	30p
300 VA	"	MT 66 AT	£3.38	39p
500 VA	"	MT 67 AT	£4.88	49p

SAFETY ISOLATORS. 240 V. IN; 115 V. OUT; C.T.

VA	Ref. No.	Price	P.P.	VA	Ref. No.	Price	P.P.
60	MT 191 AT*	2.28	30p	250	MT 194 AT*	5.60	47p
100	MT 192 AT*	2.48	30p	350	MT 195 AT*	7.50	59p
200	MT 193 AT*	4.20	48p	500	MT 196 AT*	10.05	66p

400 V. Output at 50 HZ. Ref. IT3 AT Price P. & P.
C-D Ignition system by E. M. Marston Esq. £2.25 -27p

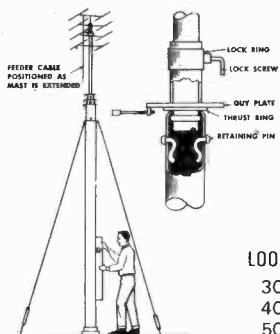
EQUIPMENT RANGE

Sec. Output (r.m.s.)	Ref. No.	Price	P. & P.
3-0-3 V.	200 mA MT 209 CB**	£0.74	06p
9-0-9 V.	100 mA MT 13 CB**	£0.79	04p
12-0-12	50 mA MT 210 CB**	£0.75	06p
20-0-20	30 mA MT 211 CB**	£0.79	06p
0-20 x 2	300 x 2 MT 214 CT**	£1.05	12p
0-8-9 x 2	500 mA x 2 MT 207 CT†	£1.36	30p
0-15-20 x 2	500 mA x 2 MT 205 AT*†	£1.88	27p
0-15-27 x 2	500 mA x 2 MT 203 AT*	£1.98	27p
0-16-27 x 2	1A x 2 MT 204 AT*	£2.29	28p
20-12-0-12-20	700 mA (d.c.) MT 221 AT*	£1.03	29p

AT indicates open universal fixing with tags; CT is open U-clamp fixing with tags; CB is open U-clamp fixing with P.C. spills; * with interwinding screen; † untapped 240V Primary; ‡ Primary tapped at 210-240V; other Primaries tapped at 200-230-240V.
Over 200 types in stock through agents or direct. Send for list. DOUGLAS ELECTRONICS INDUSTRIES LTD., Dept. M.O.14, Thames Street, LOUTH, Lincs.

DO YOU INSTALL AERIALS?

If so, consult the single source specialists for MASTS, TOWERS and ANTENNAS



BRITAIN'S BEST BUY
IN A TELESCOPIC MAST
THE TELOMAST

LOOK AT THE PRICE!
30' from £14.40
40' from £16.50
50' from £19.50

Telomasts are available in 3 sizes, all telescope down to 10', are rotatable and may be erected by one person. They are ideal for VHF and small HF antennas. Sections slide smoothly and are galvanised inside and out.

TELETOWERS. These are telescopic galvanised towers which telescope down to 25'. Prices from: 42', £72.00; 57', £93.00; 79', £112.00; 100', £148.00.

WESTERN ELECTRONICS (U.K.) LTD.
OSBORNE ROAD, TOTTON, SO4 4DN, HANTS.
Tel. TOTTON 4930 or 2785. Cables: AERIAL SOUTHAMPTON.

LINSLEY-HOOD CLASS A B 1 Quality Amplifier and P.S.U.
P.C.B. £1.00
data included

ALSO TEXAS B68 STEREO P.C.B. £2. BAILEY PRE-AMP (STEREO) £1.50. MULLARD STEREO PRE-AMP 75p. ALL PARTS AVAILABLE AND LISTS WILL BE SENT AGAINST S.A.E.

TELERADIO ELECTRONICS
SPECIAL PRODUCTS

325-7 L FORE STREET, EDMONTON, LONDON N.5. 01-807 3719

JOHN SAYS...

RING MODULATOR by Dewtron is professional, transformerless, 5-transistor, has adjustable FI/F2 rejection. Module £7. Unit £8.90. WAA-WAA Pedal kit of all parts, incl. all mechanics & instr. ONLY £2.45

AUTO RHYTHM from Dewtron modules. Simple unit for waltz, foxtrot etc., costs £16.55 in modules

ORGAN PERCUSSION and other fascinating effects. Send 15p for illust. list. D.E.W. Ltd., 254 Ringwood Road, Ferndown, Dorset.

OVERNIGHT

Prototype Printed Circuits
Fastest in London Area
48 hour and Overnight Services
Electronic & Mechanical Sub-Assembly Co. Ltd., Highfield House, West Kingsdown, Nr. Sevenoaks, Kent.
Tel: West Kingsdown 2344

PRINTED CIRCUITS & ELECTRONIC EQUIPMENT

- LARGE & SMALL QUANTITIES
 - FULL DESIGN & P.T.H. PROTOTYPE SERVICE
 - ASSEMBLIES AT REASONABLE PRICES
- for full details contact

K.J. BENTLEY & PARTNERS
18 GREENACRES ROAD, OLDHAM
Tel 061 624 0939
P O APPROVED

709	36p	741	58p	PA230	97p
PA234	86p	PA237	£1.55	SL402A	£1.75
SL702C	40p	SN76013 (like IC12)			£1.50
TTL GATES	19p	FLIPFLOPS	42p		
DALO PC MARKER	80p	2N3055	54p		
ME0402	21p	ME0412	20p	ME4101	11p
ME4102	12p	ME6101	15p	ME6111	35p

JEF ELECTRONICS (WW10)

York House, 12 York Drive, Grappenhall, Warrington, Lancs.
Mail Order Only. C.W.O. P. & P. 7p per order. Overseas 50p.
Money back if not satisfied.

CASH IMMEDIATELY AVAILABLE

for redundant and surplus stocks of radio, television, telephone and electronic equipment, or in component form such as meters, plugs and sockets, valves, transistors, semi conductors, capacitors, resistors, cables, copper wire, screws and nuts, speakers, etc.

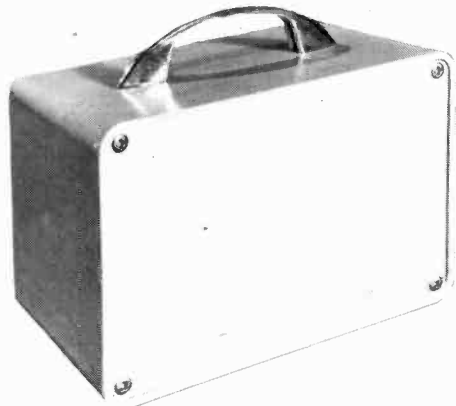
The larger the quantity the better we like it.

BROADFIELDS & MAYCO DISPOSALS

21 Lodge Lane, London, N12.
Telephone: 01 445 2713 01 445 0749
Evenings: 01 958 7624

"Stella 99"

INSTRUMENT CASES



SIZE
6"W x 4" H x 4"D

PRICE
£1.25p
+ 25p p.p.

**WE BELIEVE THE FINEST INSTRUMENT CASE IN THE COUNTRY.
BEATS ALL COMPETITORS FOR PRICE AND STRENGTH.**

FIBREGLASS PRESS MOULDED IN GREY, AND BLUE. SUPPLIED WITH 4 RUBBER FEET, 18 SWG ALLOY CHASSIS, 16 SWG ALLOY FRONT PANEL. FRONT PANEL HAS PROTECTIVE FILM FOR MARKING OUT AND PROTECTION. CHROMED DIE CAST HANDLE. THE CASE HAS TWO SETS OF RUNNERS MOULDED IN WHICH WILL TAKE ALLOY OR P.C. BOARD CHASSIS. SAME DAY OFF-THE-SHELF DELIVERY. THIS SIZE OF CASE CAN BE TURNED ON END TO MAKE 4"W x 6"H x 4"D. PLEASE ADVISE IF HANDLE & FEET TO BE SUPPLIED LOOSE. PANEL PUNCHING AVAILABLE ON 100 UP. TRADE AND QUANTITY DISCOUNTS ON REQUEST.

FULL LIST OF ACCESSORIES AVAILABLE, SENT WITH EACH ORDER, i.e. SWITCHES, PANEL LAMPS, AMPLIFIERS, FUSES, ETC.

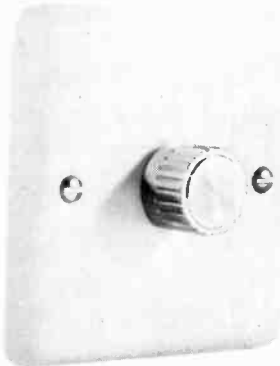
Ref. WW

E. R. NICHOLLS,

46 Lowfield Road, Stockport, Cheshire. Tel: 061-480 2179

Vary the strength
of your lighting with a

DIMMASWITCH



The DIMMASWITCH is an attractive and efficient dimmer unit which fits in place of the normal light switch and is connected up in exactly the same way. The ivory mounting plate of the DIMMASWITCH matches modern electric fittings. Two models are available, with the bright chrome knob controlling up to 300w or 600w of all lights except fluorescents at mains voltages from 200-250V, 50Hz. The DIMMASWITCH has built-in radio interference suppression.

Price: 600w—£3.20. Kit form—£2.70.
300w—£2.70. Kit form—£2.20.

All plus 10p post and packing.
Please send C.W.O. to—

DEXTER AND COMPANY
(4), ULVER HOUSE, 19 KING STREET,
CHESTER CH1 2AH TEL: 0244-25883
As supplied to H.M. Government Departments,
Hospitals, Local Authorities, etc.

WW—111 FOR FURTHER DETAILS

Thanks to a bulk purchase we can offer BRAND NEW P.V.C. POLYESTER AND MYLAR RECORDING TAPES

Manufactured by the world-famous reputable British tape firm, our tapes are boxed in polythene and have fitted leaders, etc. Their quality is as good as any other on the market, in no way are the tapes faulty and are not to be confused with imported, used or sub-standard tapes. 24-hour despatch service.

Should goods not meet with full approval, purchase price and postage will be refunded.

S.P.	3in. 160ft.	40p	5in. 600ft.	30p
	5 1/2in. 900ft.	10p	7in. 1,200ft.	45p
L.P.	3in. 225ft.	12 1/2p	5in. 500ft.	42 1/2p
	5 1/2in. 1,200ft.	50p	7in. 1,800ft.	65p
D.P.	3in. 350ft.	22 1/2p	5in. 1,200ft.	60p
	5 1/2in. 1,800ft.	80p	7in. 2,400ft.	£1.00

Postage on all orders 7 1/2p

COMPACT TAPE CASSETTES AT HALF PRICE

60, 90, and 120 minutes playing time, in original plastic library boxes.
MC 60 45p each. MC90 62 1/2p each. MC 120 92p each

STARMAN TAPES

28 LINKSCROFT AVENUE, ASHFORD,
MIDDX. Ashford 53020

WW—112 FOR FURTHER DETAILS

SURPLUS HANDBOOKS

19 set Circuit and Notes	35p p/p 4p
1155 set Circuit and Notes	35p p/p 4p
H.R.O. Technical Instructions	30p p/p 4p
38 set Technical Instructions	30p p/p 4p
46 set Working Instructions	30p p/p 4p
88 set Technical Instructions	37 1/2p p/p 4p
BC.221 Circuit and Notes	30p p/p 4p
Wavemeter Class D Tech. Inst.	30p p/p 4p
18 set Circuit and Notes	30p p/p 4p
BC.1000 (31 set) Circuit and Notes	30p p/p 4p
CR.100/B.28 Circuit and Notes	52p p/p 4p
R.107 Circuit and Notes	37 1/2p p/p 4p
A.R.88D Instruction Manual	92 1/2p p/p 6p
62 set Circuit and Notes	35p p/p 4p
Circuit Diagram 27 1/2p each post free.	
R.1116/A, R.1224/A, R.1355, R.F. 24, 25 and 26, A.1134, T.1154, CR.300, BC.312, BC.342, BC.345, BC.348 (E.M.P.), BC.624, 22 1475(88), 1392.	
52 set Sender and Receiver circuits 40p post free.	
Colour Code Indicator 12 1/2p p/p 2p.	
S.A.E. with all enquiries, please.	
Postage rates apply to U.K. only.	

Mail order only to:

INSTRUCTIONAL HANDBOOK SUPPLIES
Dept. W.W. Talbot House, 28 Talbot Gardens, LEEDS 8

EXCLUSIVE OFFERS

★ Ferrograph Tape Recorders Y Series	£27.00
★ Ferrograph Tape Recorders G200	£18.00
★ Mullard High Speed Valve Testers	£22.00
★ Beckman Rput Meters Y Decade	£50.00
★ Westinghouse Rectifiers 220V 2A D.C.	£12.50
★ Racal SA52 Counter Timers	£65.00
★ Cosor 1428 Motorised Oscilloscope Cameras	£26.00
★ 5 foot dia. Parabolic Dishes	£25.00
★ Advance C.V. Transformers 1500 watts	£27.00

AMPEX

Precision Instrumentation and Data TAPE RECORDER-REPRODUCERS



TYPE FR 100A: Six speeds, 15/16", 3/4", 7/8", 15", and 30" per second, 5 tracks, 1/2" tape (easily changed to 1/4" or 1" by changing rollers and heads), 10 1/2" reel capacity. Push button control. Precision servo control to 0.75 µ sec. track timing 5 µ sec. Drift free within 1 per cent. Accuracy 10⁵ per week. Power input 105/125v 48 to 400 cycles.

TYPE FR 1100, as above but 4 speeds, 3/4", 7/8", 15" and 30" per second, and 4 track, easily changed to 1/4" or 1" and of lighter and more modern construction than Type FR 100A.

PRICE £380 for either type. The above comprise complete units with electronics in 6 ft. cabinets

HIGHEST QUALITY 19" RACK MOUNTING CABINETS Totally Enclosed

TYPE A: 84" high x 24" deep x 24" wide.
TYPE B: 78" high x 30" deep x 24" wide.
DOUBLE SIDED. These cabinets will take rack panels both sides, that is back and front and are drilled and tapped all the way down every 1/4" for this purpose. They are fitted with "Instantit" instant fully adjustable rack mounts which are vertically and horizontally adjustable—these allow the panels to be recessed when they are fitted with projecting components and it is desired to enclose them by doors.

★ Other features include—all corners and edges rounded. Interior fittings tropicalised. Removable built in cable ducts. Removable built in blower ducts. Ventilated and insect proofed tops. Detachable side panels. Full length instantly detachable doors fitted expanding bolts if ordered with cabinets. Made in U.S.A.—cost the American Government £107 before devaluation. Finished in grey primer and in new condition.

PRICE £26.50 each (Carriage extra)
Full length door £5 each extra.
Doors are not needed if panels are mounted back and front and they are not required to be enclosed.

TYPE C: 80" high x 27" deep x 22" wide. American Standard First Grade totally enclosed ventilated 19" rack panel mounting cabinets, made by Dukane, U.S.A. Open front fitted rack mounts drilled and tapped all the way down every 1/4". Full length rear door with latch. Finished in grey these cabinets have been used but are in good condition but if decoration is of importance it is recommended they be re-sprayed before use.

PRICE £15 each (Carriage extra)
TYPE D: 76" high x 18" deep x 22" wide. These are slightly smaller and finished in black otherwise they are similar in construction and condition to Type C above. Made by R.C.A. of U.S.A.

PRICE £12.50 each (Carriage extra)
ALSO OTHER TYPES 80" TO 88" HIGH AVAILABLE

Full details of all above available on request.
TRANSPORT: We have made special economical transport arrangements for these cabinets to ensure they arrive undamaged and to avoid expensive crating. Full details on request.

FREE

40-page list of over 1,000 different items in stock available—keep one by you.

★ Sorensen 3KVA Stabilised Power Supplies 190/280 v	£45
★ Avo Electronic Multimeters CP-471A	£50
★ Ferranti High Speed Tape Readers 5/7 Trak	£25
★ Marconi TF-867 Standard Signal Generators 15 K/c/30 m/cs.	£155
★ Rhode and Schwarz E.S.M. 85/300 m/cs V.H.F. Receivers	£280
★ Video Tape Recorder 1" Shibudan, excellent working order, one only	£140
★ Labgear Stabilised Power Units D.4140, 3200 v 7 m/a	£35
★ C.C.T.V. Marconi 625 line BD-971 Camera, Control Unit, 14 in. Monitor with Cables complete channel working order	£195
★ Flinn Microwave Attenuators 412 G/m	£50
★ E.H.T. 40KV Transformers and associated Equipment up to 6KW available	P.U.R.
★ 10 foot long 6" sides Triangular Lattice Steel Mast Sections with mating lugs for joining up to 200 feet. New condition	£9
★ Collins R-300 Communications Receivers 0.5/30.0 m/cs	£275
★ Weston 24-D.B. Meters —10/+6	£2
★ Commercial & Broadcasting type Lattice lightweight steel triangular Aerial Masts 12 to 30 inch sides up to 200 ft. high According to height	

WANTED C.T.V. EQUIPMENT Good price paid

★ 54 inch. dia. Meteorological Balloons	£1.50
★ 1" New Magnestic Recording Tape made by E.M.I. (USA) 3600 ft on N.A.B. Reels	£5.50
★ 1" Used ditto "Scotch" Brand 4800 ft.	£3
★ Unselectors 10 bank 25 way full wire ex. new	£3
★ Precision Mains Filter Units new	£1.50
★ Avo Geiger Counters new	£7.50

Carriage extra at cost on all above.
All goods are ex-Government stores.

We have a large quantity of "bits and pieces" we cannot list—please send us your requirements we can probably help—all enquiries answered.


P. HARRIS
ORGANFORD — DORSET
BH16 6ER
BOURNEMOUTH 85051

LAWSON

NEW TUBES

Lawson "Century 99" are brand new tubes. Using silver activated screens, micro fine aluminizing, high definition electron guns, resulting in superb performance and very long life.

LAWSON TUBES
18 CHURCHDOWN RD.
MALVERN, WORCS.
Telephone: MALVERN 2100



TELEVISION TUBES

REBUILT TUBES

Lawson "Red Label" rebuilt crts are particularly useful where cost is a vital factor such as in older sets or rental use. Red Label are completely rebuilt from selected glass and are exact replacements.

REBUILT TUBES

CME 1602	£8.50	17"	£6.25	14"	£4.25
19"	£7.25	21"	£8.50	17"	£4.87
23"	£9.75			19"	£5.25
19" TWIN PANEL	£10.25	21"	£6.87		
23" TWIN PANEL	£15.50	23"	£7.25		
19" PANORAMA	£9.38				
20" PANORAMA	£9.50				
23" PANORAMA	£11.95				
A50-120 W/R	£11.25				

2 years Guarantee both new and rebuilt

FULL TUBE FITTINGS
INSTRUCTIONS SUPPLIED
CARR. INS. BY EXPRESS PASSENGER

14-19" 62p 21-23" 75p

WW-113 FOR FURTHER DETAILS

OSMABET LTD.

We make transformers amongst other things.

AUTO TRANSFORMERS. 0-110-200-220-240v a.c. up or down, fully shrouded fitted insulated terminal blocks, 30 watt £1.35; 50w £1.80; 75w £2.10; 100w £2.55; 150w £3.15; 200w £3.90; 300w £5.25; 400w £6.30; 500w £7.50; 600w £8.25; 750w £9.75; 1000w £12.75; 1500w £18; 2000w £24.75; 3000w £33; 4000w £45; etc.

MAINS TRANSFORMERS. Prim 200/240v a.c. TX2 250-0-250v 150 Ma, 6-3v 4A CT, 0-2-6-3v 3A, £4.05; TX3 300-0-300v 120 Ma, 6-3v 2A CT, 0-3v 2A, 6-3v 1A, £4.05; TX8 250-0-250v 65 Ma, 6-3v 1.5A, £2.10; MT1 200v 30 Ma, 6-3v 1A, £1.20; MT2 230v 45 Ma, 6-3v 1.5A, £1.50; MT2A 250v 60 Ma, 6-3v 2A, £1.95; MT3 Prim 110/240v, Sec 250v 100 Ma, 6-3v 2A, £2.25.

MULTIVOLT TRANSFORMERS. Prim 200/240v a.c. OMT4/1 one tapped sec, 5-20-30-40-60v giving 6-10-15-20-25-30-35-40-55-60, 10-0-10, 20-0-20, 30-0-30v a.c. 1 A £2.25; OMT4/2 2A £3.45; OMT5/1 One tapped sec 40-50-60-80-90-100-110v giving 10-20-30-40-50-60-70-80-90-100-110, 10-0-10, 20-0-20, 30-0-30, 40-0-40, 50-0-50v a.c. 1A £3.45; Duo 12v 4A-12v 4A £3.60; Duo 0-10-20-25v 2A-0-10-20-25v 2A £3.60.

24v AUTO TRANSFORMERS. Input 200/240v a.c. output 24v 150w £4.50; 250w £6.75; for quartz iodine lamps.

LOW VOLTAGE TRANSFORMERS. Prim 200/240v a.c. 6-3v 1.5A £3p; 3A £1.13; 6A CT £1.80; 12v 1.5A £1.13; 3A CT £1.80; 6A CT £2.70; 18v 1.5A CT £1.80; 24v 1.5A CT £1.80; 3A CT £2.70; 6A £3.75; 8A £6; 12A £9; 40v 3A CT £3.45; 60v 6A CT £9.75.

MIDGET RECTIFIER TRANSFORMERS. Prim 200/240v a.c. size 1 1/2 x 2 1/4 in. PPT1 9-0-9v 0.3A; PPT2 12-0-12v 0.25A; PPT3 20-0-20v 0.15A £1.20 each; size 2 1/2 x 1 1/2 in. MTR 9-0-9v 1A 98p; MT12v 12-0-12v 1A; MT20 20-0-20v 75A £1.13 each.

W.W. CAPACITOR DISCHARGE IGNITION TRANSFORMER to specification, £2.50 plus 25p p. & p.

O/P TRANSFORMERS FOR POWER AMPLIFIERS. 30 watt, A-A load 6k, sec 3-7-5-15 ohms, £4.05; 50 watt, A-A load 3k, £6.75; 100 watt A-A load 3k, £11.40; to 400 watt to order to your specification.

MAINS TRANSFORMERS FOR POWER AMPLIFIERS. TX 8 Prim 200/240v a.c. Sec, 425-0-425v 500 Ma, 6-3v 6A CT, 6-3v 6A CT, 0-5-6-3v 3A, £12.75; TX1 Sec 425-0-425v 250 Ma, 6-3v 4A CT, 6-3v 4A CT, 0-5-6-3v 3A £7.50.

LOUDSPEAKERS FOR POWER AMPLIFIERS. New boxed, famous makes for public address systems, bass guitars, electronic organs, Hi-Fi, etc. 12in. 15W W/Tweeter £4.05; 12in. 25W £5.60; 12in. 35W £7.20; 12in. 50W £9.45; 15in. 60W £11.30; 18in. 100W £19.90; E.M.I. 13 1/2 x 8in. 10W 3, 8 and 15 ohms £2.25 each; 13 1/2 x 8in. Hi-Fi 10W fitted twin tweeters with crossover network, 3-8 and 15 ohms, £4 each. Hi-Fi 8 x 5in. 8 ohm, £1.85; Horn tweeters 2-16 KHz, 8, 16 ohms, £1.50 each.

LOUDSPEAKERS. 2in. 35 ohm, 2 1/2in. 25 ohm, 3in. 30 ohm, 3 1/2in. 3 or 15 ohm, 5in. 3 or 15 or 25 ohm, 5 x 3in. 3 or 15 or 25 ohm, 90p each; 6 1/2in. 3 ohm, 6 x 4in. 8 ohm, 7 x 4in. 3 ohm, £1.08; 8 x 5in. 15 or 25 ohm, £1.35.

TAPE RECORDER MOTORS. A variety of uses, blowers, fans, etc. New. 110v a.c., 30p each, 50p pair.

12v LT FLUORESCENT LIGHTING. 8 watt 12in. fitting with tube, £3.75; 12v inverter for 20 watt tube £5.75.

PRINTED CIRCUIT ETCHING KITS. Comprehensive factory pack, with all solutions, and equipment to make your own P.C. boards, instructions, £1.25, plus 20p post

S.A.E. ENQUIRIES—LISTS. MAIL ORDER ONLY
46 KENILWORTH ROAD, EDGWARE, MIDDLESEX, HA8 9YG
Carriage extra on all orders. Tel: 01-858 9314

DESIGNER-APPROVED "W.W." HI-FI KITS

★ **LINSLEY HOOD MODULAR PRE-AMP**
July 1969 no-compromise design for the purist. Compactly built on Lektrokit. Layout details. Kit price from £7.40 (mono, mag.p.u.+2 I/P.s). Dec 1970 mods. for pre-amp & 10w. amp available.

★ **LINSLEY HOOD SIMPLE PRE-AMP**
Designer-approved PCB (marked component locations) gives excellent results with ceramic pick-up. Kit includes all parts as in May 1970 article plus front panel. Mono £6.35. Stereo £11.50 inc. p.p.

★ **LINSLEY HOOD 15-20W AMPLIFIER**
July 1970 latest and ultimate design. O/P capacitor, PCB, Tr3, 4 & 5 mount compactly onto heat-sink. Our kit personally tested and approved by the designer. Gain of O/P TR's > 100.

★ **BAILEY 30W AMPLIFIER (Nov. '68)**
Mk. IV PCB has extra pre-set for quiescent current. Output capacitor and PCB mount directly and compactly on specially designed generous heat-sink.

POWER SUPPLIES (simple and stab'd) available.

HIGH QUALITY components inc'g Mullard, Hunts, TCC capacitors, Plessey moulded pre-sets. O/P Tr's matched ±10% @ Ic=1 amp.

AFTER-SALES SERVICE at reasonable cost.

REPRINTS of any one article at 30p

DETAILED PRICE LISTS at 5p inc. p.p.

PERSONAL CALLERS WELCOME BY APPOINTMENT. DESPATCH BY RETURN

A.1 FACTORS

72 Blake Road, Stapleford, Nottingham

Tel. Nottingham 46051 Giro No. 487 6008
(8 a.m.-10 p.m. 7 days/week)

LOWE ELECTRONICS

119 Cavendish Road, Matlock, Derbyshire
Tel: Matlock 2817

**SSB Communications Equipment,
Test Gear, etc. Importers of Yaesu
Musen, F E & Inoue Equipment.**

In addition to our wide range of new equipment, we offer the following representative selection of second-hand receivers and test gear.

Receivers
Collins 51J4 £250
Racal RA17L £225
Eddystone 940 £90
National NC190 £45
Sommerkamp FR100B £80
Sommerkamp FR-500 £95

Test Gear
Marconi TF1331 scope £60
Marconi TF1221 Het. Converter £40
Signal generators CT212 (85 kHz to 32 MHz AM/FM) £25
BC221's £10-£20 according to linearity and condition.
Tektronix 585A main frame £250
Tektronix 53/54D plug-ins £35
Hickok OS-121C/USM-140 £350

Mikes, keys, keyers, monitors, mobile antennas (Tavas), headsets, intercomms, VTVM's, low voltage regulated p.s.u.'s, S.W.R. bridges, components, etc., etc.

Have you equipment to sell? May pay you to get our quote.

Send a large s.a.e. and we will fill it with lists of components, equipment, sundries, etc., etc.

ANDOR ELECTRONICS LTD.

for new
**Mullard, Ferranti, R.C.A. Motorola
semiconductors**

Mullard—resistors—capacitors
ZTX108 12p MPF102 42 1/2p AF117 25p
ZTX300 15p MPF105 40p BC107 19p
ZTX500 15p 2N3053 27p BC109 19p
P. & P. 10p

Visit our new retail shop
**45 LOWER HILLGATE
STOCKPORT
061-480-9791**

TRANSFORMER LAMINATIONS

enormous range in Radiometal, Mumetal and H.C.R., also "C" & "E" cores. Case and Frame assemblies.

MULTICORE CABLE IN STOCK
CONNECTING WIRES
Large quantities of miniature potentiometers (trim pots) 20 ohm to 25K. Various makes. Wholesale and Export only.

J. Black

OFFICE: 44 GREEN LANE, HENDON, N.W.4. 2AH
Tel: 01-203 1855. 01-203 3033
STORE: LESWIN ROAD, N.16
Tel: 01-249 2260

LONDON CENTRAL RADIO STORES

TELEPHONE CABLE. Plastic covered grey 4-core coloured coded. 7 1/2p per yd. Special quote for quantity.

RECORD STORAGE UNITS. Brand new, Anti-warp. 'Compact 200' stores 200 records. £11.98. P.P.£1.20. 'Compact 100' stores 100 records. £5.57. P.P. 58p. Leaflets available. S.A.E.

ELECTRICITY SLOT METERS (5p in slot) for A.C. mains. Fixed tariff to your requirements. Suitable for hotels, etc. 200/250v. 10 A. £4.50. 15 A. £5.00. 20 A. £5.50. P.P. 60p. Other amperages available. Reconditioned as new 2 years guarantee.

WIRELESS SET No. 38 A.F.V. Freq. range 7.3 to 9.0 Mc/s. Working range 1/2 to 2 miles. Size 10 1/4 x 4 x 6in. Weight 6 1/2lb. Includes power supply 8lb.—and spare valves and vibrator also tank aerial with base £10.00 per pair or £5.00 single. P.P. 125p per set.

MODERN DESK PHONES, red, green, blue or topaz, 2 tone grey or black, with internal bell and handset with 0-1 dia. £4.50. P.P. 37p.

10-WAY PRESS-BUTTON INTER-COM TELEPHONES in Bakelite case with junction box handset. Thoroughly overhauled. Guaranteed. £6.50 per unit.

20-WAY PRESS-BUTTON INTER-COM TELEPHONES in Bakelite case with junction box. Thoroughly overhauled. Guaranteed. £7.75 per unit.

QUARTERLY ELECTRIC CHECK METERS. Reconditioned as new. 200/250 v. 10 A. £2.12 1/2; 15 A. £2.62 1/2; 20 A. £2.87 1/2. Other amperages available. 2 years' guarantee. P.P. 25p.

23 LISLE ST. (GER. 2969) LONDON W.C.2
Closed Thursday 1 p.m. Open all day Saturday

IMLOCK ALUMINIUM CHASSIS FRAMES
 10½" x 8½" x 6½" £1 pp 20p
P.O. TYPE
 20 way 3 pole Jack Strips
 10½" x 3½" 98p pp 40p Ex-equip.
SOLENOIDS 12 VOLT FULL ACTION
 2" x 1" x ½" 40p pp 8p
ANALEX POWER SUPPLY
 7" x 19" x 13" 230v. AC. Input—6v. 5 amp x 2
 18v. 7.5 amp DC output; Fully transistorized marginal
 adjust. on output £38 carriage £3
ANALEX POWER SUPPLY 13" x 19" x 5½"
 230 v. AC. Input—36v. 14 amp DC.output.
 stabilized ex-equip £27.50 carriage £2.50
COUTANT/ROBAND POWER SUPPLIES
 28v. 20 amp DC. output 220/50v. AC. Input
 Fully stabilized, ex-equip tested. 16" x 16½" x 8½"
 approx. £45 carriage £5
TRANSFORMER
 230 v. AC. Input. 6-6 v. 122 amp output 6½" x 7½" x 9"
 Inc. terminals new £15 carriage £2
GARDNERS: Potted Input 0-250v. AC. output
 18v. 500 m/amp; 50 v. 150 m/amp 6v. 250 m/A.
 3" x 2½" x 2½" ex-equip. tested £1 pp 20p
OXLEY BARB INSULATED FEED THRO'
TURRET TAGS box 100 £1 pp 15p; 15p doz.
 pp 8p
GARRARD 2 TRACK TAPE DECKS MAG TYPE
 230v. AC. 1½ ips. 60v. solenoid operated brakes.
 Ideal for contin. tape players £7.50 pp £1.25 new
TELESCOPIC AERIALS
 chromed 7" closed 28" extended 6 section
 ball jointed base 23p pp 8p new
MULLARD 4 DM160 INDICATORS
 in plastic holder/cover ex-equip.
 size approx. 1½" x 1½" x ½" 36p pp 8p
PRINTED CIRCUIT BOARD/19. ACY 19's:
 10 OA200 Diodes; 1 reed relay; 10AZ 229 zener
 ass capacitor/resistors. Power supply 22v. 250 mA
 DC. Output 240v. AC. £1 pp 20p ex-equip
TOGGLE SWITCHES Single pole Double Throw
 ex-equip new condition 50p doz. pp 13p
FIBRE GLASS TAPE 100 yd. roll: 3" 3½" wide
 £1 per roll pp 20p
PAINTON type 159 series connectors working
 voltage 350 v AC/DC current max. 3 amp AC/DC
 7 pin plug & socket 50p pp 10p
 15 pin plug & socket £1 pp 10p
 31 pin plug & socket £1.50 pp 10p
CASH WITH ORDER

FIELD ELECTRIC LTD.
 3 SHENLEY ROAD, BOREHAMWOOD, HERTS.
 Adjacent Elstree Mainline Station.
 Tel: 01-953 6009

★ **ALL PURPOSE TRANSISTOR PRE-AMPLIFIER** ★
 FOR MIKE, TAPE, P.U., GUITAR
 Battery 9-12v. or 200-300v. H.T. Line. Size 1½ x 1½ x 1½ in.
 Response 25 c.p.s. to 25 Kc/s, 26 db gain. For use with valve
 or transistor equipment. Full instructions. £1.90 Post
 Brand new. British made. Details S.A.E. 90p Post Free

BAKER 12 in. MAJOR £9
 30-14,500 c.p.s., 12in. double cone,
 woofer and tweeter cone together
 with a BAKER ceramic magnet
 assembly having a flux density of
 14,000 gauss and a total flux of
 145,000 Maxwells. Bass resonance
 40 c.p.s. Rated 20 watts. Vo-co coils
 available 3 or 8 or 15 ohms. Post Free.
 Module kit, 30-17,000 c.p.s. Size
 19 x 12½ in. with tweeter, crossover,
 baffle, instructions. £11.50
 Ideal for Hi Fi or P.A.
LOUDSPEAKER CABINET WADDING
 18 in. wide, 15p per ft. run.
 Post extra 10p per order.

E.M.I. QUALITY TAPE MOTORS Post 15p
 120/240v. A.C. 1,200 r.p.m.,
 Heavy Duty 4 pole 135 mA.
 Spindle 0.187" x 0.75in.
 Size 3½ x 2½ x 2½ in. £1.25
BALFOUR GRAM MOTORS
 120/240v. A.C. 1,200 r.p.m.
 Heavy duty 4 pole 50mA.
 Spindle 0.15 x 0.75 in.
 Size 2½ x 2½ x 1½ in. 85p Post 15p

**THIS ELAC CONE TWEETER IS OF THE
 VERY LATEST DESIGN AND GIVES A
 HIGHER STANDARD OF PERFORMANCE
 THAN MORE EXPENSIVE UNITS.**
 The moving coil diaphragm gives a good
 radiation pattern to the higher frequen-
 cies and a smooth extension of total res-
 ponse from 1,000 cps to 18,000 cps. Size
 3½ x 3½ x 2in. deep. Rating 14 watts.
 3 ohm or 15 ohm £1.90 Post 10p
 models.

**THE INSTANT BULK TAPE
 ERASER AND RECORDING HEAD
 DEMAGNETISER**
 200/250 A.C. £2.35 Post
 Leaflet S.A.E. 15p

RETURN OF POST DESPATCH - CALLERS WELCOME
HI-FI STOCKISTS - SALES - SERVICE - SPARES
RADIO COMPONENT SPECIALISTS
 337 WHITEHORSE ROAD, CROYDON. Tel: 01-684-1665

STOP PRESS


TEKTRONIX OSCILLOSCOPES
 Type 545B DC-33MHz depending
 on plug-in. Calibrated
 sweep delay. Rise time
 11nSec. P.O.A.
 Type 581 DC to 85MHz
 depending on plug-in.
 Sweep delay. Rise time
 4.5nSec. P.O.A.
 Type 531 D.C. to 15MHz
 depending on plug-in. Rise
 time 14nSec. Sweep delay.
 P.O.A.
 Most popular plug-ins for
 above available from stock.

ROTARY CONVERTERS & MOTORS
 Lancashire Dynamo Motor
 Alternator Set--45KVA
 415V 3-phase motor driving
 45 KVA generator with output
 380 440V. 3-phase nominal
 50Hz regulated supply. P.O.A

Maudsley 1 KVA 1200Hz single
 phase Orion 1 No. 76575-213
 output either 80 or 120V.
 P.O.A.

ELECTRONIC BROKERS LIMITED
 49-53 Pancras Road, London, N.W.1
 Telephone 01-837 7781


**Three New
 Faces from
 DYNAMCO**



NEW 7060
 Precision T.V. waveform monitor.
 ■ Combined waveform and picture monitor.
 ■ All line standards (including CCTV).
 ■ Odd & Even field selection.
 ■ Pulse & Bar overlay (same field).
 ■ 75 and 1 M switched attenuators.
 ■ Post Office TV test set Type 13B

NEW 7130
 Wideband extension of 71 Series
 Oscilloscopes.
 ■ 50 MHz Dual Channel plug-on amplifier.
 ■ 100 MHz High writing speed display unit.
 ■ Full delayed sweep/Gate timebase module.
 ■ True dual trigger inputs/Unrestricted
 trigger source selection.
 ■ Complete compatibility with all 71
 Series modules.

NEW 72 SERIES
 The On-Site commissioning/servicing scope.
 ■ Light/Rugged/Compact.
 ■ High Brightness for Low Occupance Signals.
 ■ Dual Channel 15 MHz/Signal delay.
 ■ Full delayed sweep/delay gate timebase
 with two trigger inputs.
 ■ Post Office Oscilloscope Type 14A.

 East Mains Industrial Estate,
 Broxburn, West Lothian, Scotland
 DYNAMCO Telephone: Broxburn 2631 Telex: 72174

WW-114 FOR FURTHER DETAILS

www.americanradiohistory.com

Need a D.V.M-fast?



We hold the pick of the world's digital voltmeters, on 24-hour standby. Oh yes, and oscilloscopes, counters, signal generators, meters, test sets, recorders, power units.

You name it, we rent it out... fast... on very reasonable terms. Try us, or start by sending for the Labhire brochure.

SOUTH Cores End Road,
Bourne End, Bucks.
06-285 23106

NORTH Shearer House,
Dunham Rd, Altrincham, Cheshire.
061-928 0080

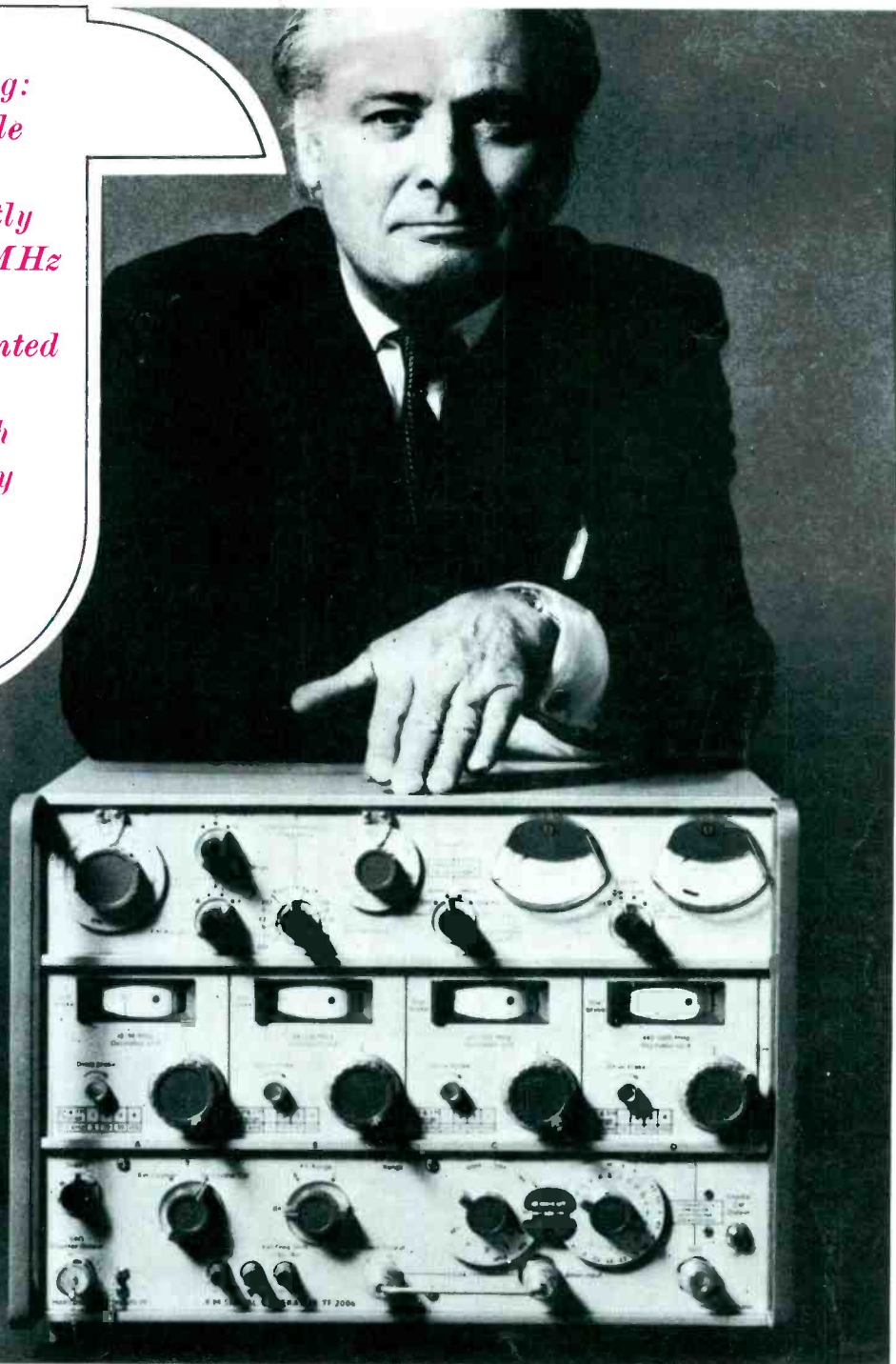
INDEX TO ADVERTISERS

Appointments Vacant Advertisements appear on pages 111-121

PAGE	PAGE	PAGE
Al Factors..... 124	Gardners Transformers Ltd..... 10	Parker, A. B..... 74
Acoustical Mfg. Co., Ltd..... 17	Garrard Ltd..... 27, 50, 51	Parkar, J., & Co. Ltd..... 30
Adcola Products Ltd..... 54	Goldring Mfg. Co., Ltd..... 33, 40	Patrick & Kinnie..... 88
Advance Electronics Ltd..... 6	Grampian Reproducers Ltd..... 122	P.C. Radio Ltd..... 78
A.K.G. Equipment Ltd..... 38	Greenwood, W., Electronic Ltd..... 61	Plessey Micro Electronics..... 8, 9
Amplivox Ltd..... 23	Hall Electric Ltd..... 12	Powertran Electronics..... 80
Anders Electronics Ltd..... 34, 61	Harris Electronics (London) Ltd..... 74	Pye Unicam Ltd..... 21
Andor Electronics Ltd..... 124	Harris, P..... 123	Quality Electronics Ltd..... 74
A.N.T.E.X. Ltd..... 7	Hart Electronics..... 80	Quartz Crystal Co., Ltd..... 121
Arrow Electric Switches Ltd..... 43	Hatfield Instruments Ltd..... 58	Radio & TV Components Ltd..... 99
	Heath (Gloucester) Ltd..... 19	Radio Components Specialists Ltd..... 125
	Henry's Radio Ltd..... 101	Ralfe, P. F..... 103
	Henson, R., Ltd..... 122	Rayleigh Insts. Ltd..... 58
	Hi-Fi Dealers..... 121	Rendar Instruments Ltd..... 48
		Repanco Ltd..... 86
Bach-Simpson Ltd..... 53	I.C.S. Ltd..... 72	Resolound..... 37
Barr & Stroud Ltd..... 59	I.M.O. Precision Controls Ltd..... 35	Rola Celestion Ltd..... 46
Barrie Electronics..... 100	Industrial Instruments Ltd..... 40	R.S.C. Hi-Fi Centres Ltd..... 93
Batey, W., & Co..... 61	Instructional Handbook Supplies..... 123	R.S.T. Valves Ltd..... 86
Bentley, K. J., & Partners..... 122	Integrex Ltd..... 100	Salford Electrical Insts. Ltd..... 42
Bentley Acoustical Corporation Ltd..... 90	International Audio Festival..... 72	Samson (Electronics) Ltd..... 98
B.I.E.T..... 13	I.T.T..... 4, 5	Sansui Electrical Co., Ltd..... 20
Bi-Pak Semiconductors..... 79	I.T.T. Mobile Communications..... Cover ii	Service Trading Co..... 106
Bi-Pre-Pak Ltd..... 87	Ivoryet Ltd..... 108	Servo & Electronic Sales Ltd..... 96
Black, J..... 124	J.E.F. Electronics..... 122	Shaw Moisture Meters..... 60
Bradley, G. & E., Ltd..... 41	Jackson Bros. (London) Ltd..... 32	Shure Electronics Ltd..... 68
Brandenburg Ltd..... 55	Jackson, J. D., Electronics..... 30	Sinclair Radionics Ltd..... 69, 70, 71
Brico Engineering Ltd..... 105	Jermyn Industries..... 38	S.M.E. Ltd..... 18
Brookdeal Electronics Ltd..... 28	Jordan Watts Ltd..... 52	Smith, G. W. (Radio), Ltd..... 83, 84, 85
Brown, S. G., Ltd..... 60	Keytronics..... 96	Special Product Distributors Ltd..... 38
Bull, J. (Electrical), Ltd..... 97	Labhire Ltd..... 126	Starman Tapes..... 123
	Lasky's Radio Ltd..... 92	Steed, John, Research Ltd..... 36
	Lawson Tubes..... 124	Stephens Electronics..... 104
	Ledon Instruments Ltd..... 54	Strumech Eng. Ltd..... 49
	Levell Electronics Ltd..... 47	Sugden, J. E., Ltd..... 60
	Light Soldering Developments Ltd..... 35, 36	Sumlock Comptometers..... 45
	Limrose Electronics..... 44	Super Electronics Ltd..... 86
	Livingstone Hire Ltd..... 92	Surplus Electronic Trading..... 108
	Lloyd, J. J., Insts. Ltd..... 15	Tannoy Products Ltd..... 22
	London Central Radio Stores..... 124	Taylor Electrical Insts. Ltd..... 1
	Lowe Electronics..... 124	Telcon Metals Ltd..... 48
	L.S.T. Components Ltd..... 81	Tequipment Ltd..... 62
	Marconi Communication Systems Ltd..... 32	Teleradio, The (Edmonton), Ltd..... 122
	Marconi Instruments..... Cover iii	Teonex Ltd..... 26
	Marshall, A., & Sons (London), Ltd..... 88, 89	Thorn Radio Valves & Tubes Ltd..... 64
	McKnight Crystal Co..... 122	Transradio Ltd..... 57
	Millbank Electronics..... 36	Trio Corporation Ltd..... 16
	Mills, W..... 90, 91	Valradio Ltd..... 52
	Modern Book Co..... 108	Vitality Bulbs Ltd..... 44
	Morse Equipment Ltd..... 107	Vitavox Ltd..... 86
	Motorola Semiconductors Ltd..... 14	Vortexion Ltd..... 29
	Mullard Ltd..... 24, 25	Watts, Cecil E., Ltd..... 121
	Multicore Solders Ltd..... Cover iv	Wayne Kerr, The, Co., Ltd..... 31
	Myall, Wilfred, H..... 52	Webber, R. A., Ltd..... 46
	Nettlefold & Moser Ltd. (GKN)..... 42	Weir Electronics Ltd..... 54
	Nicholls, E. R..... 123	Western Electronics (U.K.) Ltd..... 122
	Nombrex Ltd..... 60	West Hyde Developments Ltd..... 73
		West London Direct Supplies..... 76
	Ormandy & Stollery..... 98	Weyrad (Electronics) Ltd..... 82
	Osmabet Ltd..... 124	Whiteley Electrical Radio Co., Ltd..... 39
	Oxley Developments Co., Ltd..... 60	Wilkinson, L. (Croydon), Ltd..... 96
		Young Electronics..... 121
Farnell Instruments Ltd..... 58		Z. & I. Aero Services Ltd..... 23, 110
Ferrograph, The, Co., Ltd..... 65		
Field Electric..... 125		
Future Film Developments..... 46		

Printed in Great Britain by Southwark Offset, 25 Lavington Street, London, S.E.1, and Published by the Proprietors, I.P.O. ELECTRICAL-ELECTRONIC PRESS, LTD., Dorset House, Stamford St., London, S.E.1, telephone 01-928 3333. *Wireless World* can be obtained abroad from the following: AUSTRALIA and NEW ZEALAND: Gordon & Gotch, Ltd., LTDIA: A. H. Wheeler & Co. CANADA: The Wm. Dawson Subscription Service, Ltd.; Gordon & Gotch Ltd. SOUTH AFRICA: Central News Agency, Ltd.; William Dawson & Sons (S.A.) Ltd. UNITED STATES: Eastern News Co., 308 West 11th Street, New York 14. CONDITIONS OF SALE AND SUPPLY: This periodical is sold subject to the following conditions, namely that it shall not, without the written consent of the publishers first given, be lent, re-sold, hired out or otherwise disposed of by way of Trade at a price in excess of the recommended maximum price shown on the cover; and that it shall not be lent, re-sold, hired out or otherwise disposed of in a mutilated condition or in any unauthorised cover by way of Trade or affixed to or as part of any publication or advertising, literary or pictorial matter whatsoever.

*I wanted everything:
I wanted a highly stable
fully transistorized
signal generator directly
calibrated up to 1000 MHz
with outstanding fine
tuning facilities; I wanted
an FM performance
capable of dealing with
both very wide and very
narrow band systems.
And I wanted it
yesterday!*



**SEE US
AT MELEX**

Marconi Instruments delivered from stock!

The MI TF 2006 is a signal generator of very advanced design, offering a multiplicity of features specially incorporated to assist research, development and test engineers engaged on the most advanced communications equipment. It is the only fully transistorized signal generator covering the 4-1000 MHz range. Low inband noise, freedom from microphony, good frequency stability and accurate, directly-calibrated fine frequency tuning control make it ideal for narrow-band fm measurements on mobile receivers. Similarly, the wide modulation frequency range, wide deviation range and freedom from phase distortion simplify performance assessment of fm telemetry and other multiplex systems. The full frequency range is covered by a system of five independent oscillator units giving a unique degree of

flexibility. Each unit has its own tuning scale and modulating element. Any combination of units up to four can be selected.

MI—Europe's largest single source of signal generators. TV, Narrow Band FM, AM/FM, PCM, etc. — whatever the purpose or the frequency to be covered, Marconi Instruments is the company most likely to have the precise instrument you need. Behind it: experience unique in the business.



MARCONI INSTRUMENTS LIMITED
A GEC-Marconi Electronics Company

Longacres, St. Albans, Hertfordshire, England.
Tel: St. Albans 59292 Telex: 23350

WW—002 FOR FURTHER DETAILS

ERSIN MULTICORE SOLDERS

Handwritten note: 051-0

for fast reliable soldered joints

Over 400 specifications used
in more than 63 countries

Use the quality solder that leading electronic manufacturers depend on.

The life and efficiency of any piece of electronic equipment can rest entirely on the solder used in its assembly. If in Britain or overseas you make or service any type of equipment incorporating soldered joints, and do not already use Ersin Multicore Solder, it must be to your advantage to investigate the wide range of specifications which are available. Besides achieving better joints – always – your labour costs will be reduced and substantial savings in overall costs of solder may be possible. Solder Tape, Rings, Preforms, and Pellets – Cored or Solid – and an entirely new type of cored disc, can assist you in high speed repetitive soldering processes.

Ersin Multicore solder

- * Contains 5 cores of non-corrosive high speed Ersin flux. Removes surface oxides and prevents their formation during soldering. Complies with B.S. 219, B.S. 441, DTD 599A, Din 1707, U.S. Spec. QQ-S-571 d.
- * Savbit an exclusive Multicore Alloy which is saturated with copper to prevent absorption of copper from copper wires, circuit boards and soldering iron bits. Ministry approved under Ref: DTD 900/4535.
- * Solder Tape, Rings Preforms and Washers, Cored or Solid, are available in a wide range of specifications.

STANDARD ALLOYS INCLUDE

TIN/LEAD	B.S. GRADE	LIQUIDUS MELTING TEMP.	
		C	°F
60/40	K	188	370
Savbit No. 1	—	215	419
50/50	F	212	414
45/55	R	224	435
40/60	G	234	453
30/70	J	255	491
20/80	V	276	529

HIGH & LOW MELTING POINT ALLOYS

ALLOY	DESCRIPTION	MELTING TEMP	
		C	°F
T.L.C.	Tin/Lead/Cadmium with very low melting point	145	293
L.M.P.	Contains 2% Silver for soldering silver coated surfaces	179	354
P.T.	Made from Pure Tin for use when a lead free solder is essential	232	450
H.M.P.	High melting point solder to B.S. Grade 5S	296-301	565-574

COMPATIBLE PRINTED CIRCUIT SOLDERING MATERIALS

EXTRUSOL

High Purity Extruded Solder



Provides the most economical soldering. Its high purity and freedom from oxides, sulphides and other undesirable elements result in the following advantages:-

- *Less dross on initial melting.
- *More soldered joints per pound of solder purchased.
- *Less reject joints.
- *Improved wetting of electronic components & printed circuit boards.
- *More uniform results.

All Extrusol is completely protected by plastic film packaging from the moment of manufacture until it is used. Available in bars and pellets. Can be released under AQD authority and supplied to USA QQ-S-571d.

PC.2 Multicore Tarnish Remover

removes tarnishes and inorganic residues as the second half of a pre-cleaning process before soldering. It leaves the copper unaffected.

PC.90 Multicore Peeloff Solder Resist

is a temporary solder resist which can be peeled off with tweezers after soldering, leaving the original clean surface. It can be used for masking gold plated edge connections and holes to which heat sensitive or other components must be added later.

PC.41 Multicore Anti-Oxidant Solder Cover

which forms a liquid cover on the solder bath either side of the solder wave, largely preventing the formation of dross.

PC.80 Multicore Solvent Cleaner

removes organic contaminants such as grease, perspiration and residues of organic solutions from prior processed, as a pre-cleaning process before soldering. It is also very efficient in removing rosin-based flux residues after soldering.

PC.10A Multicore Activated Surface Preservative

is a pre-soldering coating for preserving the clean surfaces established by the PC. 80 Multicore Solvent Cleaner and PC. 2 Multicore Tarnish Remover. PC. 10A does not need to be removed before soldering and in fact contributes to the efficiency of the soldering process. PC. 10A should be used whenever there is a delay between cleaning and soldering.

Seven Standard Multicore Liquid Fluxes

are now available, five of which are new:- PC. 21A Multicore Non-Corrosive Liquid Flux is recommended for wave, dip, brush spray and roller flux applications. PC. 25 Multicore Rosin Foam Flux is designed for foam fluxing and exhibits an unusually stable foam with a fine bubble size.

PC. 52 Multicore Protective Coating

is a lacquer which should be applied after soldering for protecting printed circuits from deterioration or failure in service. It can easily be soldered through if modifications or repairs are necessary at a later date.



Gallon Containers
All liquid chemicals and fluxes supplied in 1 gallon polythene 'easy pouring' containers, with carrying handle. 45 Gal. drums also available.



Aerosols
PC. 21A, PC. 10A and PC. 52 available in 16oz. aerosol sprays.

Solderability Test Machine Mk 3.

Use for testing to B.S. 4393: 1969, Section 10. A simple precision instrument for assessing the solderability of component termination wires. Complies with B.S. 2011 Part 2 Test T and comparable international standards. Essential for quality control.



Soldering Handbook

The most comprehensive book on soldering for industrial use, containing 120 pages with 100 illustrations and invaluable reference charts. Features practical methods of soldering in electronics and allied industries, and is divided into three headings: Published by Liffle Books and available from Technical Bookshops.

Write for technical bulletins on your company's letterhead, for the products which interest you to:

MULTICORE SOLDERS LTD.

Hemel Hempstead, Herts.
Tel: H. Hempstead 3636
Telex 82363

ERSIN

Multicore



5 CORE SOLDER

See us on Stand Number 1901 at INTER/NEPCON, Brighton, October 19th—October 21st