

# ELECTRONICS WORLD



JULY 2006 £4.50

THE ESSENTIAL ELECTRONIC ENGINEERING MAGAZINE

**POWER EVOLUTION**  
POE DESIGN  
**RESONANT NETWORKS**  
RLC SECTIONS



## SONY'S CHALLENGES

THE TOUGH BALANCING ACT OF BEING ON TOP



**CORPORATE  
PROFILE**  
NEVER TOO  
FAR FROM  
TROUBLE



**TECHNOLOGY  
NEWS**  
SATELLITES WILL  
OFFER BROADBAND  
SERVICES



**WIRELESS  
DATA**  
6-IN-1  
ANTENNA  
FOR TRAINS

ALSO IN THIS ISSUE: DDS SIGNAL GENERATOR • INSIGHT • TOP TEN TIPS ON DSPS



maerskline.com

## CREATING OPPORTUNITIES IN GLOBAL COMMERCE

More ships. More services. More opportunities.

More than ever, Maersk Line can help you realise the benefits of global commerce.

From advanced refrigerated services to a unique door-to-door concept, Maersk Line has the experience, global reach, and leading-edge expertise to help you make the most of every opportunity.



# CONTENTS

## IN THIS ISSUE:



Basestations could be landing on HAPs



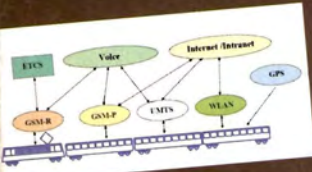
Sony's new Walkman



New competition – page 55



Hot Shoe technology connectors



The Virtual Office on a Train

- 03** . . . **Editor's Comment** | Multi-disciplinary efforts lead to new ideas
- 04** . . . **Technology**
- 12** . . . **Top Ten Tips** | Using a highly integrated DSP
- 15** . . . **Insight** | Going green could pay dividends by **Richard Martin**
- 16** . . . **Company Profile** | Giant's challenges by **Juan Pablo Conti**
- 20** . . . **Hand-held dual synchronous DDS signal generator** |  
*Zhongwen Jin and Wuqiang Yang* present their hand-held dual synchronous DDS signal generator
- 26** . . . **RLC and RCL networks extending the resonant frequency division** | *L. Tomawski* and *Z. Kukula* from University of Silesia, Poland, present two yet unpublished resonant networks based on using several RLC and RCL sections in series
- 35** . . . **RoHS Forum** | **Gary Nevison** answers readers' questions relating to RoHS and WEEE issues
- 36** . . . **Evolution of power over Ethernet** | *Clay Stanford* and *Todd Nelson* give a few design tips as to how to increase the power level delivered to a powered device over the Ethernet
- 40** . . . **Enabling the virtual office on trains** | **Robin George** discusses the rail antenna technologies currently available
- 46** . . . **Circuit Ideas** | CCII-based universal current-mode filter employing grounded passive components only • Power Divider Rule
- 53** . . . **Tips 'n' Tricks** | LCD PICmicro microcontrollers
- 57** . . . **Products**

## featured products ▾



£81.50

£61.00

### CAN-USB & CAN-232

affordable CAN Bus to USB and RS232 interface solutions

=== Bronze Prize Winner ===  
NASA Tech Briefs 2004  
Products of the Year



£125.00

### DS1M12 USB Scope / Logger

2 x 1MS/s Input Channels + waveform generator output. EasyScope & EasyLogger s/w included.



£36.00

### USB-2COM-M

2 Port Industrial USB RS232 Serial with wall mount bracket and DC auxiliary output



£65.00

£10.00

### UPCI-400HS

4 Port UPCI RS232 Serial Card with Spider Cable or COMBOX IO ( extra )

## Affordable CAN Bus Solutions

CANUSB is a very small dongle that plugs into any PC USB Port and gives an instant CAN connectivity. This means it can be treated by software as a standard COM Port (serial RS232 port) which eliminates the need for any extra drivers or by installing a direct driver DLL for faster communications and higher CAN bus loads. CAN232 is a very small dongle that plugs into any PC COM Port, or any other RS232 port in an embedded system and gives an instant CAN connectivity. This means it can be treated by software as a standard COM Port (serial RS232 port) which eliminates the need for any extra drivers. Sending and receiving can be done in standard ASCII format.

priced from £61.00 ( CAN-232 )

## USB Instruments - PC Oscilloscopes & Logic Analyzers

Our range of PC Instruments may be budget priced but have a wealth of features normally only found in more expensive instrumentation. Our DS1M12 and PS40M10 oscilloscopes have sophisticated digital triggering including delayed timebase and come with our EasyScope oscilloscope / spectrum analyzer / voltage and frequency display application software and our EasyLogger data logging software. We also provide Windows DLLs and code examples for 3rd party software interfacing to our scopes. Our ANT8 and ANT16 Logic Analyzers feature 8/16 capture channels of data at a blazing 500MS/S sample rate in a compact enclosure.

priced from £125.00 ( DS1M12 & ANT8 )

## 1 to 16 port USB to Serial Adapters

With over 16 different models available, we probably stock the widest range of USB Serial Adapters available anywhere. We offer converter cables, multi-port enclosure style models in metal and plastic, also rack mount units with integral PSU such as the USB-16COM-RM. Serial interfaces supported include RS232, RS422 and RS485. We also supply opto-isolated RS422 and RS485 versions for reliable long distance communications. All our USB Serial products are based on the premium chipsets and drivers from FTDI Chip for superior compatibility, performance and technical support across Windows, MAC-OS, CE and Linux platforms.

priced from £20.00 ( US232B/LC )

## UPCI Serial Cards

Discover our great value for money range of multi-port UPCI serial cards. Supporting from two to eight ports, the range includes RS232, RS422, RS485 and opto-isolated versions. Our 4 port and 8 port models can connect through external cables or the innovative wall mounting COMBOX.

priced from £21.00 ( UPCI - 200L )

## EasySync Ltd

373 Scotland Street  
Glasgow G5 8QB U.K.

Tel: +44 (141) 418-0181 Fax: +44 (141) 418-0110

Web : <http://www.easysync.co.uk>

E-Mail: [sales@easysync.co.uk](mailto:sales@easysync.co.uk)

\* Prices shown exclude carriage and VAT where applicable

**EDITOR:** Svetlana Josifovska  
**EMAIL:** svetlana.josifovska@nexusmedia.com  
**EDITORIAL EMAIL:** EWeditor@nexusmedia.com

**EDITORIAL ADMINISTRATION:** +44 (0) 1322 611274  
**EMAIL:** EWadmin@nexusmedia.com

**PRODUCTION EDITOR/DESIGNER:** Tania King  
**EMAIL:** tania.king@nexusmedia.com

**DISPLAY SALES EXECUTIVE:** Reuben Gurunlian  
**TEL:** +44 (0) 1322 611261  
**EMAIL:** reuben.gurunlian@nexusmedia.com

**PRODUCTION EXECUTIVE:** Dean Turner  
**TEL:** +44 (0) 1322 611206

**SUBSCRIPTIONS:** **Electronics World**  
 800 Guillat Avenue, Sittingbourne,  
 Kent, ME9 8GU  
**TEL:** 0870 4287950  
**FAX:** 01458 271146

**SUBSCRIPTION RATES:**  
 1 year: £45 (UK); €115 (Europe);  
 \$150 US & worldwide

**PRINTER:** William Gibbons Ltd

**NEWSTRADE:**  
 Distributed by Seymour Distribution Ltd,  
 86 Newman St, London W1T 3EX

**PUBLISHING DIRECTOR:** Tony Greville

If you are experiencing problems getting copies through your newsagent, please call **Debbie Jenner** on +44 (0) 1322 611210

ISSN 0959-



**NEXUS**  
 MEDIA COMMUNICATIONS

## Multi-disciplinary efforts lead to new ideas

Nanotechnology! Nowadays, we never seem to be too far away from this word. Transistor sizes continue to shrink to the level where it makes more sense to build them bottom up – atom by atom, molecule by molecule.

This, however, is just one of the many challenges that the semiconductor/electronics industry has already started to face or will do in the coming future.

But nanotechnology refers to another field too, one linked to medicine, biology and pharmacology. Luckily, many advances being made in electronics and physics are also intrinsic to the nanotechnology linked to those disciplines. This is good news for our industry as its future is guaranteed, but also because there's the potential to develop new devices, systems, applications and even become part of new disciplines.

At a recent conference on micro- and nanotechnology in medicine, several interesting medical inventions were revealed, which are being used or will be used in the detection or treatment of diseases. All of them are heavily reliant on electronics already, whether the physical principles seen in electronics or the electronic systems themselves.

Light absorption by plasmon resonance, Mie scattering, Raman scattering and optical generation of heat gradients and their application in microscopy are just some techniques used in medicine. Gold particles have also been applied as nanotags that can be injected in the body and, with electronic equipment, problem areas identified quickly through in vivo imaging.

Akubio Limited from Hertfordshire has avoided optical principles altogether and opted for resonant acoustic profiling in the 1MHz to 1GHz range to identify problems in the body. The company has used digital, multiplexing, low power, in-line monitoring as well as remote monitoring technologies to deliver the first such detection system, called RAPid-4.

But one of the most interesting applications at this conference was the use of silicon to create tiny injection needles, which are not going to leave patients in pain or have children grabbing chairs in their distressed effort to get away from the sight of The Needle.

The so-called microneedles, as demonstrated by the University of Cardiff, are microfabricated by either dry or wet etching. They are easy and inexpensive to make, and can be disposable. They are only 100 microns in size and hollow. Normally, an array of many such microneedles will be used to deliver the correct dosage of a drug or vaccine.

Creating the microneedle array involved the efforts of engineers, biologists and pharmacologists – a good collaborative project which indicates that, in the future, the walls between such clearly-defined disciplines are likely to crumble away, leading to new, interesting and fruitful fields of engineering.

**Svetlana Josifovska**  
**Editor**

**Electronics World** is published monthly by **Nexus Media Communications, Media House, Azzlea Drive, Swanley, Kent, BR8 8HL**. Nexus Media Communications is a trading name of Nexus Holdings Limited. Registered in England. Registered Number 5346404. Registered Office: Hanover House, 14 Hanover Square, London W1S 1HP

**Disclaimer:** We work hard to ensure that the information presented in **Electronics World** is accurate. However, **Electronics World's** publisher – **Nexus Media Communications** – will not take responsibility for any injury or loss of earnings that may result from applying information presented in the magazine. It is your responsibility to familiarise yourself with the laws relating to dealing with your customers and suppliers, and with safety practices relating to working with electrical/electronic circuitry – particularly as regards electric shock, fire hazards and explosions.

# Basestations could be landing on HAPs next

It's a geo-satellite but located in the stratosphere. It's unmanned, semi-stationary and it can be used as a platform to place other systems on it, such as 3G or WiMax basestations for example, but also for other applications, including broadband coverage, military, broadcast, surveillance and remote sensing, among others. Meet HAP (High Altitude Platform) also known as HALE (High Altitude Long Endurance) or "the very tall mast".

HAP can be an aircraft or solar-powered airship. The goal is to have it up and running for a year at a time at an altitude of between 17 and 22km, well above the other aircraft's flight-paths. It offers a coverage radius of 200km.

Among HAP's key benefits are its rapid and flexible deployment – within hours; it can replace terrestrial or satellite infrastructure for communications purposes; networks can be incremented with it; it offers good line-of-sight propagation but minimal latency as opposed to satellites; it has high capacity and is seen to be more effective than BGAN (Broadband Global Area Network) satellites; it offers 'spot beams' for specific events coverage and is environmentally friendly.

"We have a pretty compelling technology here and I'm surprised that the mobile phone operators have not taken greater interest in it," said Tim Tozer, head of the



One version of High Altitude Platform (HAP). [Source: NASA]

Communications Research Group at the University of York, who is working on HAPs.

However, the HAP technology is yet to demonstrate a reliable, long endurance (over four months), safe and economic platform. The major drawback in pursuing this is lack of funding. "The problem is: are you funding a communications platform or an aerospace one? What we need are maverick funders," said Tozer, "to some extent the Japanese, Koreans and the Chinese are in that category."

"We also need partnerships across various sectors," added Tozer, "civil, military, government – and bring the aircraft fraternity on board so that HAPs can be flown where pilots are flying, even though it is an unmanned aircraft. So far, the pilots want it out of their space."

Nevertheless, Tozer believes that we may yet see HAP-based services from 2010.

## OneSpin 360 MV nets all the design bugs, claims firm

OneSpin Solutions, once part of the German chip giant Infineon, and Siemens before that, has just launched a formal verification technology, dubbed OneSpin 360 Module Verifier (MV), which guarantees 100% bug-catching in designs.

"This package will allow a complete functional sign-off," said Dr Wolfram Büttner, managing director and CEO of OneSpin Solutions.

As it is a formal methodology, it does not require any test vectors or additional hardware. It also takes minutes rather than hours to complete.

There are three reasons why errors escape in a design. One of them is that a test vector does not manage to 'hit an error'; it simply fails to detect some errors. The second reason is that if a test vector does detect an error

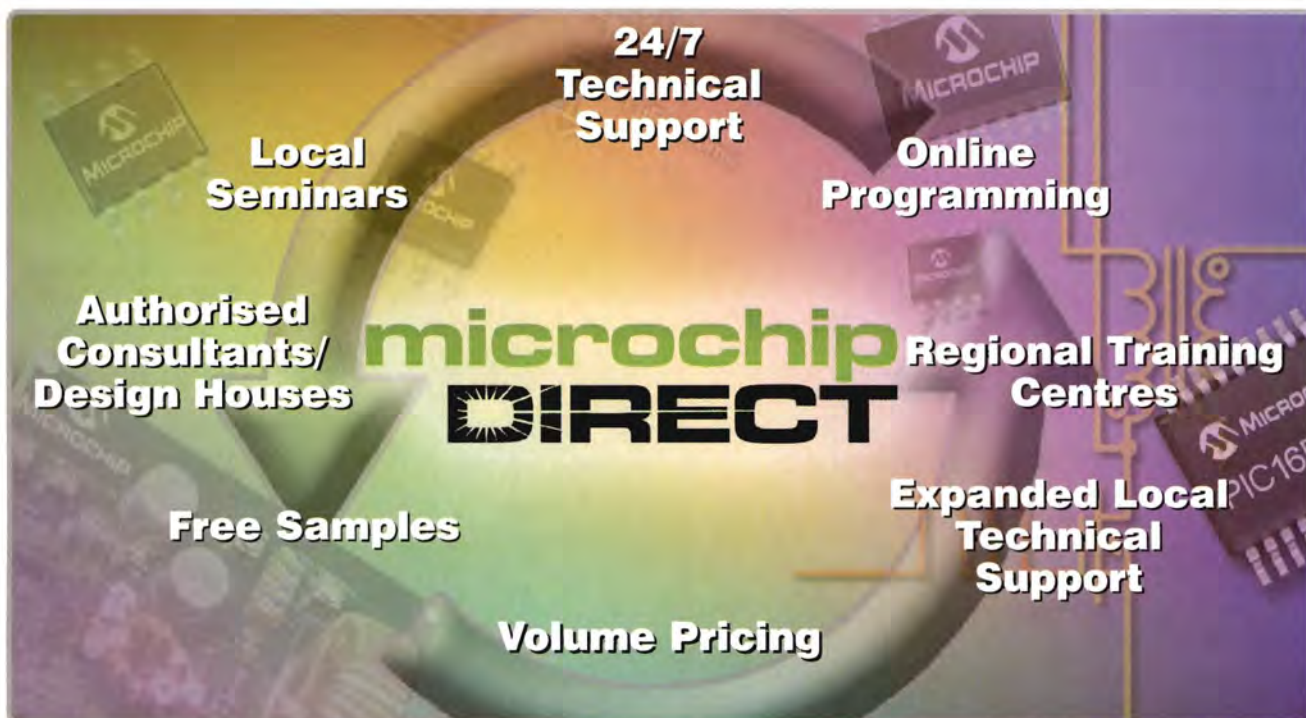
it may still be overlooked – so, there's a lack of sufficient observation power or so-called "blind spots". The third is that an error is spotted but not recognised, which is referred to as a "falsely accepted error".

"The only way of resolving these is by looking into the specification of the module (an IP block or a SoC). The task is to 'block' those error-escape routes. Traditionally, a lot of energy is spent on achieving this with test vectors, which may or may not work. We provide an algorithm that takes as an input a set of monitors/observers and checks whether they leave any code uninspected. If it finds such a code, it points it out for checking," said Büttner.

This algorithm, alongside the formal verification technique and raising the level of description of the monitor to the level of the specification, guarantees elimination of all the bugs in the design, claims the firm. "The most important thing to us is to ensure the consistency of the monitors," said Büttner.

The OneSpin 360MV is developed in a proprietary language – ITL of Interval Temporal Language. According to OneSpin's executives, Infineon and Siemens have been checking their own IP and systems with this solution for the past year, reporting no errors in the process.

# Helping You Succeed



## Does your business need more support and resources?

Successful organizations recognize the value of a strategic supplier relationship to help them deliver innovative products to their markets in a timely and cost-effective manner. Microchip Technology supports more than 45,000 customers worldwide, and we're

committed to helping you succeed. In addition to our high-performance silicon solutions, Microchip provides a long list of support functions that reduce time to market and lower your total system cost. And we have significantly expanded our local technical resources.

### Use microchipDIRECT to:

**Register today!**



- Order directly from Microchip, 24 hours a day, 7 days a week with a credit card or credit line
- Receive competitive, direct volume pricing on all devices
- Check our product inventory
- Order broken reels at steep discounts
- Use fast and inexpensive production programming (now available)
- Place and maintain your order securely from any network connection
- Assign a PO number to your order
- Create a unique part number for any item ordered
- Receive e-mail notification of orders, deliveries, quote status and more

**microchip**  
**DIRECT**  
www.microchipdirect.com

Now  
**Pb-free!**  
RoHS Compliant

www.microchip.com

# Researchers develop laser patterning of metallic films

Researchers at the Hebrew University in Jerusalem have developed a novel process to pattern conducting wires at widths of below 50nm, employing a single laser pulse at low power densities.

The technology is based on laser desorption of a physisorbed – an inert buffer layer that evaporates at constructive interference stripes with the metal film on top,

in so-called Buffer Layer Assisted Laser Patterning (BLALP). Slow annealing of the remaining “nano coverage grating” leads to fluid evaporation, retaining the pure metallic pattern via “soft landing” on the substrate.

“The utilisation of environmentally-friendly materials for buffer layers, e.g. Xe or water, makes this method an ideal candidate to replace the existing lithographic procedures that involve rather hazardous and problematic materials,” said Professor Micha Asscher of the Department of Physical Chemistry at the University.

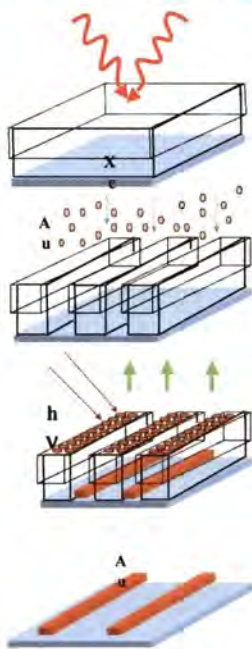
Asscher claims that grating periods of 0.2 microns can readily be achieved with laser technology at wavelengths of 193nm currently used in the industry. Therefore, conducting wires at widths of

less than 50nm can potentially be obtained up to several millimeters in diameter.

The commercial advantage of the method is in its simplicity: a single 10ns laser pulse at low pulse energy densities (less than 50mJ/cm<sup>2</sup>) generates macroscopic (depending on the laser beam shape, typically 5mm diameter) patterns at widths in the range of 1000-50nm.

The next step in the research is to perform the laser-patterning procedure through a conventional mask that includes complex structures that will be transferred to a silicon substrate. In addition, experimental verification of the ultimate lateral resolution will be performed employing in-situ AFM and STM imaging.

## Lift-off laser patterning



Laser patterning technique on metallic films

# UWB on track for EU launch despite interference

Regulators are keen to curtail the interfering power of UWB



UltraWideBand (UWB) will appear on the European market as early as next year, say industry experts. Simon Tonks, principal consultant at PA Consulting, based in the UK, said: “UWB will appear as a practical option in the next year or two.”

UWB is a short range, high data-rate, radio technology that operates at distances of 10m. According to ETSI, by 2009 we'll see some 543 million UWB-enabled units in Europe alone.

UWB uses the same spectrum as conventional radio networks, however it sits too closely to the GSM spectrum's noise floor, to the greatest discomfort of the mobile phone operators. It has been shown that UWB devices affect the operation of mobile phones. The co-channel noise is seen as the main culprit for the interference, and it has been shown that it can completely block the GSM downlink.

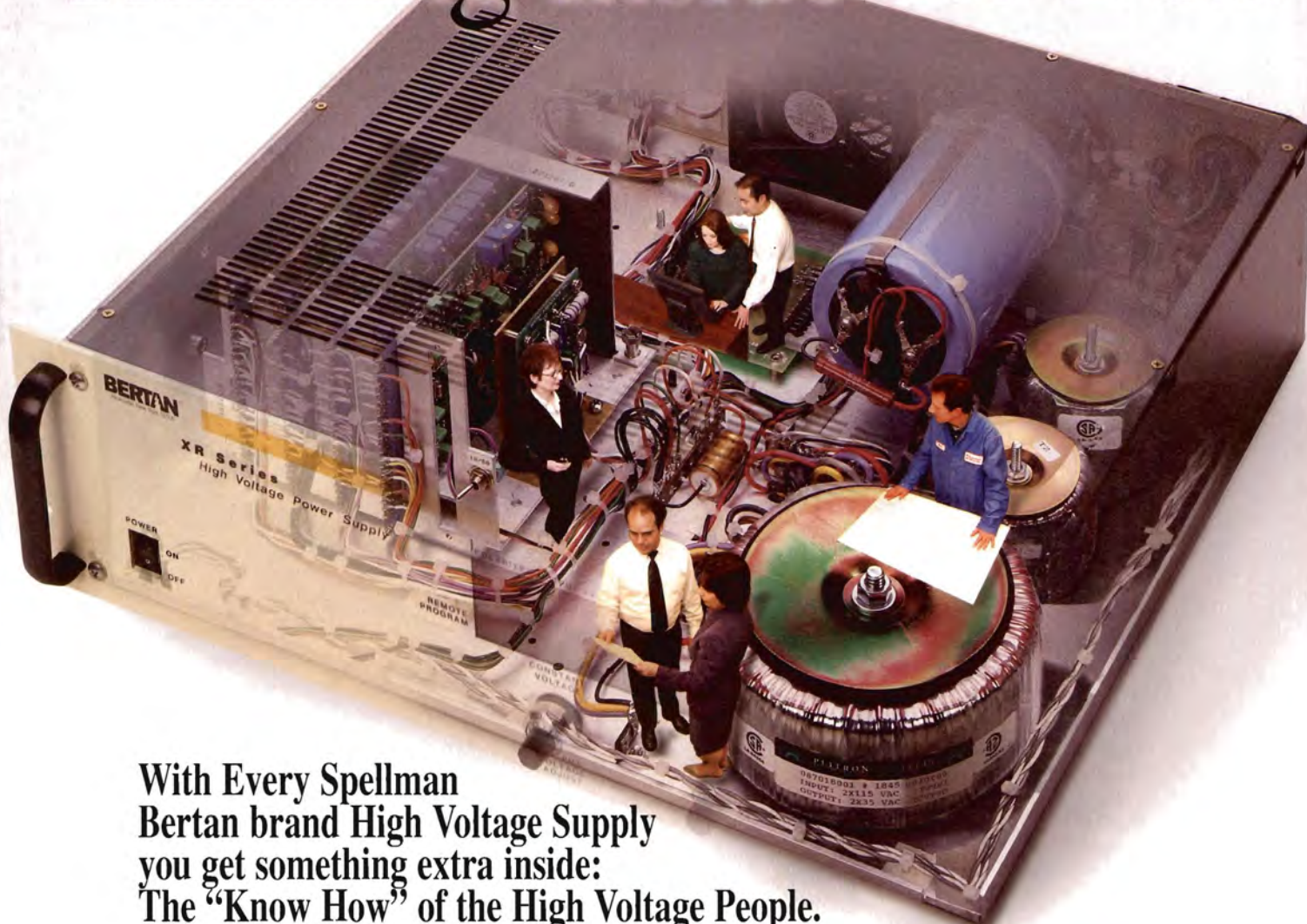
Filtering at the receiver end is not likely to reduce the interference. However, there are two ways of minimising it, says PA Consulting, either by reducing the emission from UWB devices (power level, frequency range or duty cycle), which will be cheaper, or by changing the conventional networks to improve immunity, which will mean more cell sites and carriers, and that is more involved and expensive. “UWB emission level is the only effective control of interference,” added Tonks.

The US frequency regulator FCC authorised UWB back in 2002, and in 2005 Japan approved it also but with a narrower spectrum and a detect-and-avoid protocol. The European regulator CEPT, on the other hand, is adopting tighter emission limits to protect the existing spectrum users. “CEPT would have put in a lot tougher technical conditions than the FCC and it's done in a way that there won't be a hardware cost associated with it.”

Nevertheless, UWB is coming to Europe once the rules have been decided. “This is clear from the way CEPT is moving,” said Tonks.



# Thinking Inside the Box



**With Every Spellman  
Bertan brand High Voltage Supply  
you get something extra inside:  
The "Know How" of the High Voltage People.**

For more than 50 years, Spellman is the innovator of the High Voltage industry. With our recent acquisition of the respected Bertan High Voltage brand, we offer the world's most comprehensive line of generators, rack instruments, modules and Monoblock X-Ray Sources®.

▶ **Application Know How:**

Whether your field is X-Ray Analysis, Semiconductor Processing, Security Detection, Medical Imaging, Electron Microscopy, or Mass Spectrometry, we make a high voltage supply to meet your needs.

▶ **Engineering Know How:**

We have the largest engineering team in the business and one of the most innovative design libraries in our industry.

▶ **Manufacturing Know How:**

We maintain world-class ISO9001 production facilities in the US, Europe and in Mexico.

**Voltage:** 250V to 360kV

**Power:** 1W to 120kW

**Ripple:** depending on Application  
<.001% p-p

**Package:** Rack, Module, PCB,  
Benchtop, NIM, Custom

**Interface:** Analog, RS232, USB,  
Ethernet, IEEE

**The High Voltage People of Spellman:** responsive, professional and situated globally to support you. Put their know how to work for you today. For more on the inside story of Spellman's innovative high voltage solutions, call us or visit our website [www.spellmanhv.com](http://www.spellmanhv.com)

MONOBLOCK® is a registered trademark of Spellman High Voltage Electronics Corp.

475 Wireless Blvd.  
Hauppauge, NY 11788  
tel: +1-631-630-3000  
fax: +1-631-435-1620  
e-mail: [sales@spellmanhv.com](mailto:sales@spellmanhv.com)  
[www.spellmanhv.com](http://www.spellmanhv.com)



USA

EUROPE

JAPAN

MEXICO

CHINA

Image technology from UK firm e2v is currently being used in four different space programmes – ESA's Venus Express, ESA's Mars Express, NASA's Mars Reconnaissance Orbiter and ESA's Envisat. Its image sensing technology will help provide scientific data on the planets in our solar system. The technology is based on a specialist design of high resolution and high sensitivity CCDs, which have proved popular with missions of this type. A similar sensor also helped ESA's Mars Express to reach the Red Planet, which it has been orbiting for over two years.



This year, several electronics firms received the Queen's Award for Enterprise. Dage Precision Industries won an award for international trade, whilst no less than four other firms in this sector received an award for innovation: e2v Technologies, Siemens Communications, Smiths Aerospace Electronic Systems and Wolfson Microelectronics



Researchers at the Georgia Institute of Technology have developed a new technique for powering nanometre-scale devices without the need for bulky energy sources such as batteries. By converting mechanical energy from body movement, muscle stretching or water flow into electricity, these 'nanogenerators' could power a new class of sensors, portable electronics and implantable medical devices. They produce current by bending and then releasing zinc oxide nanowires, which are both piezoelectric and semi-conducting.



Bell Helicopter has created the world's first ever commercial tiltrotor, the BA609, (see below). In the design stages Bell used MathWorks's tools and model-based design, which helped minimise costs and improve the efficiency of the development process.



## Optoelectronics devices developed using VLSI technology

Building optical devices based on standard VLSI technology promises to reduce the number of optic-to-electronic conversions in telecommunications infrastructure, leading to lower capital and operational expenditures, confirm researchers at the Hebrew University in Jerusalem.

The combination of two principles – the construction of a waveguiding structure in silicon VLSI technology and the control of the index of refraction of the core of the waveguide by the application of an external electric field – has been dubbed Optimos by the University.

The core of the Optimos structure is a few microns wide silicon-on-insulator (SOI) strip, which by being embedded in silicon oxide cladding is acting as a wave guide operating in the optical communication bandwidth. A thin conducting poly-silicon layer residing on top of the upper thin oxide layer forms a MOS structure similar to that of a standard MOS transistor. Two adjacent, parallel silicon strips constitute a capacitor, which can be charged by applying a voltage difference between them. These charges change the free charge carrier density, thus modifying the index of refraction. These changes in turn yield a change in the optical path of light propagating in the waveguide.

Professor Joseph Shappir of the Department of Applied Physics said: "The voltages required for this function are compatible with the operating voltages of the CMOS devices on the same silicon chip."

The integration of optical communication and digital electronics enables a spectrum of possibilities in data communication and telecommunications. The technology can be used in architectures to obtain modulation, optical switching or variable coupling. The University plans to licence the technology next.

## Conducting nanowires promise to help ICs

Bionnections of Israel says it is developing a new type of conducting nanowires that will help the semiconductor industry deliver good chip performances at smaller transistor sizes.

As feature sizes approach 22nm, fundamental physical limitations will emerge making the existing top-down approaches to semiconductor manufacturing challenging and costly. While new techniques are being proposed for fabricating smaller transistors, the technical and cost challenges associated with the conducting interconnects remain unresolved.

"One of the key challenges confronting the interconnection schemes of future VLSI devices is that performance and reliability of commonly used conducting materials are deteriorated as their width is reduced to 22nm and below," says Dr. Miron Hazani, Bionnections's chief scientist. "Higher resistance, heat and sensitivity to electromigration failures become dominant obstacles with the reduction of interconnects' lateral dimensions. Existing processes of multilayer conductors become extremely complex and costly." Bionnections is proposing a new type of nanowire, based on a composite of carbon nanotubes (CNTs) with improved heat dissipation and durability to electromigration failure. In addition, they are easily positioned at "pre-determined" locations through a unique, patent-pending, self-assembly scheme. The superior heat conductance properties make these composites excellent candidates for applications in the field of IC cooling.

The nanowires are created with the help of lithographic techniques. As they feature chemical "handles", these are used to connect to other nanowires on the substrate with a bio-chemical process. This is a bottom-up process, starting with the positioning of just a few elements that code the interconnect "addresses", followed by several self-assembly and self-correction stages. Although the new process is primarily a production process, it will still have implications on new design rules.

Bionnections is in discussion with semiconductor firms over its technology.

# Ultra slim fanless Panel PCs

Via C3 or Pentium M CPU

Panel PC

Systems

Chassis

Mini-ITX

EBC

SBC



- Only 38mm thick
- Pentium M 1.8GHz or VIA C3 1GHz
- Fan free - Low noise, very low maintenance
- Internal HDD with anti-vibration mounts
- Fully CE certified
- Ideal for Kiosks, Information Displays, Industrial MMI, Medical Equipment etc.

## High Brightness



- Built in high brightness LCD Panel

## Touch Screen



- 3M 8-wire resistive touch screen
- Toughened glass option

## IP65 Water/Dust Proof Front Bezel



- Waterproof and dustproof to IP65 from front panel
- Ideal for harsh environments

Official UK Distributors

For latest details, visit our website at [www.bvmltd.co.uk](http://www.bvmltd.co.uk)



**BVM**  
Embedded Intelligence

BVM Limited, Hobb Lane, Hedge End, Southampton, Hants, SO30 0GH  
Tel: 01489 780144 Web: [www.bvmltd.co.uk](http://www.bvmltd.co.uk) Email: [sales@bvmltd.co.uk](mailto:sales@bvmltd.co.uk)

ISO9001 : 2000

PMC

cPCI

VMEbus

Embedded PC

Eurosmart, the 'voice' of the smart-card industry, reported that 2.6 billions smart-cards have been shipped in 2005 and some 3 billion are expected to be shipped in 2006. The industry's activity has increased by 22% in 2005 worldwide and will remain at a steady 19% growth course over 2006. The mobile communications sector is still the largest and fastest growing segment with almost 1.4 billions cards shipped in 2005. Smart-cards in government and health projects, such as electronics passports, grew by 25% in the same year, and over 20 million cards were shipped for contactless systems in transport applications.



Shoots of recovery are showing in the UK electronics manufacturing industry, says Plimsoll Publishing. This encouraging news however is down to only 23 of the UK's largest 100 companies, even though this sector accounts for 84% of the total electronics manufacturing industry, up from 79% four years ago. In the past four years, these 23 companies have increased sales by 31%, improved profits by 145% and increased staff levels by 8%. David Pattison, senior analyst, said: "These 23 companies are setting themselves apart from the other major players, who look tired by comparison. You don't pull in results like this over such a length of time by accident. They are telling us something about the direction of the market, a sort of elite resurgence".



Future Horizons predicts the TV set-top box market will increase from 57.3 million units in 2005 to 143 million units in 2010, a growth rate of 20%.

The highest growth will be in the digital subscriber sector as the telecom operators take on the cable and satellite operators. This in turn will be reflected in a very strong growth of semiconductor sales in this sector as more features are added to the set-top boxes.

# The satellite industry hopes to bridge the 'digital divide'

Satellite operators are the next group of companies to vie for the attention of broadband subscribers. EADS Astrium is just one operator keen to deliver such services via its satellites.

"Five to eight million premises that are willing and able to pay for broadband have no access to these

costs," said Akers. To lower these costs, EADS Astrium has started using DSPs in its latest generation of satellites, such as Inmarsat-4, as the processors will allow dynamic allocation of bandwidths to different areas, thus offering flexibility of bandwidth and transmitted power.



EADS Astrium is resorting to using integrated processors to deliver cost-effective broadband payloads to users

services, mainly because they are in remote or underdeveloped regions," said Nick Akers, Payload Systems Engineer at EADS Astrium. "Today the majority of the population has broadband access via terrestrial means, but in the future the satellite broadband delivery will bridge the 'digital divide'."

Satellites are seen to be able to offer highly flexible, spectrally-efficient payloads but to make them accessible to the general public, they have to offer lower cost delivery, compatible with terrestrial services.

"Current satellite solutions are not affordable due to the high cost of user terminals, antennas, maintenance and other, but they are coming down in

One proposal is to use one or more satellites with 100 beams, throughput of 50GHz and 5000 channels in the Ka band to deliver broadband services. The duplex will consist of DVB-S2 downlink and DVB-RCS uplink. "They will offer full adaptive coding and modulation for a better quality of service to more users," said Akers.

There are a number of high-capacity satellite systems in orbit or currently in construction, such as Anik F2 (Telesat) or Wildbird, that could cater for such services.

However, there are doubters that this could work economically.

"Inmarsat's BGAN (Broadband Global Area Network) is a highly complex, high-tech satellite that will be used for the Ka band - why?" asked Tim Tozer, university lecturer in York. "Inmarsat-4 is an expensive satellite and they've gone to a high-tech solution [based on DSPs] instead of many, bog-standard single Ka-band satellites."

The other issue with satellite delivery of broadband services are the obstacles; rain, clouds and heavy vegetation can all stop a satellite signal from reaching its destination.

According to EADS Astrium's reports, by 2010 some 70% of the European population will subscribe to broadband services.

**ARM7/9  
8051/251  
XC16x/C16x/ST10**



- uVision3 - Project management, code editing, debugging and flash programming in a single powerful environment
- ARM - RealView compiler with USB-JTAG debugging and accurate device simulation, ARTX RTOS with flash file system and TCP/IP
- 8051 - C51 V8 for classic and extended 8051 microcontrollers, full access to all CPU resources and up to 16MB memory
- XC16x/C16x/ST10 - C166 V6 with improved OCDS driver, for debugging with the ULINK USB-JTAG adapter, and complete simulation for all new Infineon XC16x devices

KEIL SOFTWARE CD-ROM

Real software version 2 connectivity, device emulation, and device simulation for the 8051, 251, ARM, and C16x/ST10 microcontroller families.

uVISION3

Supported Architectures

ARM Real ARM tools support a wide range of devices from the most popular 32-bit systems.

C166 Real C166 tools for the XC16x, C166, and C167.

Cx51 Real Cx51 tools for the 8051, 8052, and 8051F.

RealView RealView tools for the ARM7, ARM9, and ARM11.

RealTime RealTime tools for the ARM7, ARM9, and ARM11.

RealTime RealTime tools for the ARM7, ARM9, and ARM11.

RealTime RealTime tools for the ARM7, ARM9, and ARM11.

RealTime RealTime tools for the ARM7, ARM9, and ARM11.

RealTime RealTime tools for the ARM7, ARM9, and ARM11.

RealTime RealTime tools for the ARM7, ARM9, and ARM11.

RealTime RealTime tools for the ARM7, ARM9, and ARM11.

RealTime RealTime tools for the ARM7, ARM9, and ARM11.

RealTime RealTime tools for the ARM7, ARM9, and ARM11.

RealTime RealTime tools for the ARM7, ARM9, and ARM11.

RealTime RealTime tools for the ARM7, ARM9, and ARM11.

RealTime RealTime tools for the ARM7, ARM9, and ARM11.

RealTime RealTime tools for the ARM7, ARM9, and ARM11.

RealTime RealTime tools for the ARM7, ARM9, and ARM11.

RealTime RealTime tools for the ARM7, ARM9, and ARM11.

RealTime RealTime tools for the ARM7, ARM9, and ARM11.

RealTime RealTime tools for the ARM7, ARM9, and ARM11.

RealTime RealTime tools for the ARM7, ARM9, and ARM11.

RealTime RealTime tools for the ARM7, ARM9, and ARM11.

RealTime RealTime tools for the ARM7, ARM9, and ARM11.

RealTime RealTime tools for the ARM7, ARM9, and ARM11.

RealTime RealTime tools for the ARM7, ARM9, and ARM11.

RealTime RealTime tools for the ARM7, ARM9, and ARM11.

RealTime RealTime tools for the ARM7, ARM9, and ARM11.

RealTime RealTime tools for the ARM7, ARM9, and ARM11.

RealTime RealTime tools for the ARM7, ARM9, and ARM11.

RealTime RealTime tools for the ARM7, ARM9, and ARM11.

RealTime RealTime tools for the ARM7, ARM9, and ARM11.

RealTime RealTime tools for the ARM7, ARM9, and ARM11.

RealTime RealTime tools for the ARM7, ARM9, and ARM11.

RealTime RealTime tools for the ARM7, ARM9, and ARM11.

RealTime RealTime tools for the ARM7, ARM9, and ARM11.

RealTime RealTime tools for the ARM7, ARM9, and ARM11.

RealTime RealTime tools for the ARM7, ARM9, and ARM11.

RealTime RealTime tools for the ARM7, ARM9, and ARM11.

RealTime RealTime tools for the ARM7, ARM9, and ARM11.

RealTime RealTime tools for the ARM7, ARM9, and ARM11.

RealTime RealTime tools for the ARM7, ARM9, and ARM11.

RealTime RealTime tools for the ARM7, ARM9, and ARM11.

RealTime RealTime tools for the ARM7, ARM9, and ARM11.

RealTime RealTime tools for the ARM7, ARM9, and ARM11.

RealTime RealTime tools for the ARM7, ARM9, and ARM11.

RealTime RealTime tools for the ARM7, ARM9, and ARM11.

RealTime RealTime tools for the ARM7, ARM9, and ARM11.

RealTime RealTime tools for the ARM7, ARM9, and ARM11.

RealTime RealTime tools for the ARM7, ARM9, and ARM11.

RealTime RealTime tools for the ARM7, ARM9, and ARM11.

RealTime RealTime tools for the ARM7, ARM9, and ARM11.

RealTime RealTime tools for the ARM7, ARM9, and ARM11.

RealTime RealTime tools for the ARM7, ARM9, and ARM11.

RealTime RealTime tools for the ARM7, ARM9, and ARM11.

RealTime RealTime tools for the ARM7, ARM9, and ARM11.

RealTime RealTime tools for the ARM7, ARM9, and ARM11.

RealTime RealTime tools for the ARM7, ARM9, and ARM11.

RealTime RealTime tools for the ARM7, ARM9, and ARM11.

RealTime RealTime tools for the ARM7, ARM9, and ARM11.

RealTime RealTime tools for the ARM7, ARM9, and ARM11.

RealTime RealTime tools for the ARM7, ARM9, and ARM11.

RealTime RealTime tools for the ARM7, ARM9, and ARM11.

RealTime RealTime tools for the ARM7, ARM9, and ARM11.

RealTime RealTime tools for the ARM7, ARM9, and ARM11.

RealTime RealTime tools for the ARM7, ARM9, and ARM11.

RealTime RealTime tools for the ARM7, ARM9, and ARM11.

RealTime RealTime tools for the ARM7, ARM9, and ARM11.

RealTime RealTime tools for the ARM7, ARM9, and ARM11.

RealTime RealTime tools for the ARM7, ARM9, and ARM11.

RealTime RealTime tools for the ARM7, ARM9, and ARM11.

RealTime RealTime tools for the ARM7, ARM9, and ARM11.

RealTime RealTime tools for the ARM7, ARM9, and ARM11.

Call for the latest CD ROM with device datasheets and evaluation versions of the tools

**NOHAU**

Tel 01962 841290

Email sales@nohau.co.uk

www.nohau.co.uk

**PCB-POOL®**  
SERVICING YOUR COMPLETE PROTOTYPE NEEDS

**1 EUROCARD**

(160 x 100 mm)

+ Tooling

+ Photoplots

+ VAT

**€49**

Price example  
Any size and contour possible!

**Optional:**

- Soldermask
- Fast-turnaround
- Silkscreen
- 4-Layer Multilayer
- 6-Layer Multilayer

**DOWNLOAD OUR  
FREE LAYOUT SOFTWARE!**



**Freephone**  
**0800-3898560**

Over 15,000 Customers

LEAD FREE

ROHS COMPLIANT

ISO 9001:2008

Beta

TEL: +953 (0)61 701170

FAX: +953 (0)61 701165

PCB-POOL@beta-layout.com

p-cad cadence Protel EDWIN orcad GraphiCada PHOTONIX Electronics Easy-PC Sprint Layout

Simply send your files and order ONLINE:

**PCB-POOL.COM**



**Easy start!**

**NEW**

**M16C  
PLATFORM**

**RENESAS**

**ModSDKM16C**

**Professional development-kit for M16C platform**

**Modular design**

**Universal baseboard with extensive functionality and complete software package**

**CPU modules**

- R8C1B
- R8C23 with CAN **NEW**
- M16C24 with USB 2.0
- M16C26A
- M16C28
- M16C29 with CAN
- M16C62P
- M16C6NK with CAN
- M32C87 with CAN

**Inclusive: HEW4 workbench**



One tool for all MCU families

- NC30/308 Compiler for R8C, M16C & M32C
- MCS Compiler for H8 & SH
- Integrated Debugger and simulators
- Compiler license\* with full version for - R8C, M16C Tiny, H8 Tiny, H8-SuperLowPower
- CANopen, USB Library optional

**Package price from £ 123 \*\***

Including baseboard, CPU module, HEW4, extensive documentation and sample code in source

- \* unsupported version, 64 KB code limited
- \*\* +shipment costs



Order now free of charge our HEW 4 - Evaluation CD from MSC and get your own experience!



**+44 1273 6224-46**  
**brighton@msc-ge.com**



MSC (UK) Ltd.  
Shaftesbury Court · 95 Ditchling Road  
GB - Brighton, Sussex BN11 4ST  
brighton@msc-ge.com  
www.msc-ge.com

V-3\_2006-TM-2342

# USING A HIGHLY INTEGRATED DSP

# TOP 10 TIPS

## ① What are my system requirements?

The first task in system design is to review the overall system requirements, which drive all other decisions. Is the application intended to work with audio, video or RF? At which rates? Using which standards? Which other functions are needed? Is it intended for a mobile appliance where power is at a premium? Such basic decisions often dictate which peripheral functions a system requires.

For instance, systems in the telecom infrastructure market require a far different mix of peripherals as those intended for portable media or wireless handsets. Although telecom systems share some requirements with other application areas, telecom infrastructure designers are chiefly concerned about high channel densities and throughput, along with low cost per channel.

Power per channel is a factor as well in telecom infrastructure, which is impacted mostly by the active power of the DSP. In mobile applications, where battery drain is a chief concern, standby power is very important.

## ② Is there an existing mix of integrated peripherals that closely matches my needs?

Create a list of must-have and secondary functions, and investigate which of them are available integrated in a device. Even engineers who closely follow the latest chip offerings are constantly amazed at the level of integration that each new generation of devices brings, and the trend will only continue. Thanks to process improvements, one chip can accommodate digital, analogue and even RF circuitry. It is difficult to integrate analogue and RF capabilities with a DSP, and adding digital peripherals to a device isn't always easy either. Chip designers can't simply drop in digital peripherals; they must ensure that all subsystems have the proper timings to meet diverse industry standards.

Now, consider an overview of some application areas and how their peripheral mixes differ. In telecom infrastructure systems, a key requirement is plentiful high-speed I/O. Designers working on such applications might consider a device that includes among its peripherals multichannel buffered serial ports (McBSPs); a slave port for UTOPIA (Universal Test and Operations PHY Interface for ATM); a host-port interface; and a PCI interface. By implementing industry-standard interface schemes, these peripherals can eliminate multiple external chips.

Such a device can be used in video infrastructure applications. The drivers for video infrastructure are multi-channel (i.e. higher channel density) and multi-format (e.g. MPEG4, H.264, WMV9 and other codecs). Integration at the chip level can be seen with peripherals like PCI, video ports, external memory interfaces and also the integration up to 1MB of total memory on-chip. Integration at the chip level enables integration at the board level.

To see how analogue and RF can integrate with digital logic, take a look at a device targeted at Bluetooth implementations where low cost, low-power consumption and a small form-factor are essential requirements. A recent SoC combines a digital baseband section, direct RF sampling along with built-in self-test, memory and power management. In operation, a low-noise amplifier boosts the received signal. Next, a multitap direct sampling mixer (MTTDSM) performs RF sampling and then runs sync filtering and downconverting to an

intermediate frequency. The signal proceeds through a sigma-delta A/D converter, which runs at half the IF amp's rate to reduce power consumption. Now, a digital receive block drops the data rate to a second IF frequency, after which FIR filtering removes residual close-in interference. The signal is finally down-converted to a zero IF. All these diverse functions fit on one chip.

## ③ Must you make performance tradeoffs with on-board peripherals?

As an example, a DSP used for motion control integrates analogue functions such as data converters, it might also limit the DSP's performance. On the other hand, a DSP used for video infrastructure may not be able to afford any performance reductions arising from analogue integration, though it can successfully integrate digital peripherals such as video interfaces.

Peripherals, of course, don't come for free because they take up chip area and power, but the system payoff can be big. For instance, the TMS320C6416T incorporates a Viterbi Decoder Coprocessor (VCP) and a Turbo Decoder Coprocessor (TCP). These two alone account for roughly 10% of the chip area and 10% of the total power, which is quite acceptable for applications that demand significant speeds in channel-decoding operations. In fact, with these coprocessors a system can improve its channel throughput by four times, which is well worth the 10% increase in size and power.

## ④ Are some peripherals or memories better placed on or off the chip (partitioning)?

If a system needs A/Ds or D/As, the engineer must determine whether on-board converters supply enough I/O lines, and whether they run at the required sampling rates and resolution. If not, how easily can the selected DSP work with external data converters?

In some video infrastructure systems, the memory requirement from a total system perspective is very large. In some cases, it makes sense for designers to select a DSP with a 256kB to 1MB on chip to complement other memories on the board, as opposed to seeking a device that integrates more than 1MB or 2MB of memory on the DSP chip.

## ⑤ If there's no exact match of peripherals to application requirements, can you program the on-chip processor to perform the needed extra functions?

Even though the selection of integrated peripherals can vary widely, an engineer cannot find a function block that meets some specialised needs, which is often the case in products that chase evolving standards. In that case, a programmable DSP might provide the required flexibility.

An illustration comes from broadband communications, where DSL (digital subscriber line) is a popular method for content delivery. However, there are a number of standards in use today and improved schemes are being developed. With the proper DSPs, designers can adapt their systems quickly to work with any of these standards.

For example, the single-chip DSL customer-premises equipment (CPE) modem supports a variety of standards over both POTS and ISDN phone lines. For ADSL (asymmetric DSL), the device naturally works with the existing G.dmt (discrete multitone modulation) and

**At the system level, engineers are accustomed to making tradeoffs among the three Ps: performance, power consumption and price. With today's highly integrated DSPs, though, a fourth P – peripherals – can impact decisions related to the first three and it adds a new set of design considerations. When selecting the right DSP designers must pick the SoC that has the optimal peripheral mix to best meet requirements for the entire system. And the choices of on-chip peripherals are wider than ever because it's now feasible to put analogue and RF circuitry on the same chip as digital logic. Here, we list some of the key questions and discuss possible considerations that might have an impact on your next system design.**

G.lite methods. Engineers can also program it to handle newer modulation techniques such as G.dmt.bis, also known as ADSL2 or ADSL2+, which improves modulation efficiency to increase the downstream data rate and provides better performance on long lines where S/N ratios are weak. The device further works with Extended Reach ADSL.

**❶ Would the application benefit from multiple cores, such as a DSP/RISC heterogeneous combination?**

Consider interrupts from a user interface. If a RISC core was to implement multimedia tasks on an audio player, something as simple as the user adjusting loudness would require that core to pause audio processing to handle the volume-control interrupt. This interrupt handling could result, at best, in an operator interface that does not react smoothly and, at worst, to small gaps in the audio signal.

Recall the DSL modem chip and note that it consists of two CPU cores: one based on the TMS320C62x and the other a MIPS32 4KEc. Together they implement a DSL PHY (physical layer), an analogue front-end subsystem, a line driver/receiver, power management and a broadband controller for an end-to-end bridge/router for residential gateway applications. Besides the C62x core running at 200MHz, the DSP subsystem contains hardware accelerators for dynamic adaptive equalisation that enables higher data rates. This configuration realises all the operations required on the transmit and receive paths including echo cancellation, digital filtering, Trellis coding, Reed Solomon forward error correction, decimation and interpolation. The network subsystem is based on the MIPS core, cache memory and networking peripherals such as a USB controller, 10/100-Base Ethernet MAC/PHY and ATM (asynchronous transfer mode) subsystem.

**❷ How do you assign tasks to the different cores in an optimal fashion?**

In general, a DSP is best suited for repetitive, numerically intensive tasks, whereas a microcontroller is best for control-oriented applications and interrupt handling. Again, considering a portable music player, note that trying to implement audio algorithms on a RISC core isn't optimal because it takes on average three times as many cycles to perform multimedia algorithms there than on a DSP core.

**❸ How easy is it to move data among the cores and on-chip peripherals?**

As systems integrate ever more peripherals, issues of data bottlenecks start to arise. Is it possible to get enough data on the chip fast enough? How can the chip move it around internally so that the individual elements are used most efficiently? Again consider the DSL modem. The chip's EMIF external memory interface allows both cores to access the complete external memory address range. In addition, two high-speed integrated serial interfaces enable interoperability with 802.11b/g wireless LAN devices, as well as providing connectivity for external expansion devices.

Interconnecting all the peripherals in the device, including networking subsystems and memory, without creating bottlenecks presents an interesting challenge. The device's designers overcame it by adding an on-chip crossbar switch interconnect fabric that serves as both a peripheral bus as well as an internal system bus. Thus, multiple data transfers can take place simultaneously between different DMA master-slave combinations. Experience shows that such a switched central resource requires only about 15k more gates than a conventional bus, a small investment given the tremendous improvement in performance.

**❹ What are the system power implications? Does the chip require a number of voltages and how well does it do at generating them, such as from a single supply voltage?**

Many of today's integrated DSPs run off of multiple core voltages. For example, different voltages may be used for the core and for the I/O in an effort to reduce system power.

Again consider the DSL modem chip, which derives multiple voltages from a 3.3V supply using on-chip power management. A buck converter with an integrated Mosfet generates 1.5V/1A for the digital core, and a boost converter with an external FET generates 12V for the line driver. The chip also integrates circuits for power-on reset and loss-of-power detection.

Power also involves cooling. Designers working on systems for telecom infrastructure, where the high-performance DSPs draw considerable power, must pay strict attention to thermal issues such as airflow over boards, whether to use fans and if so which types, and how to heat-sink some devices. By adding the proper thermal design engineers can get more performance out of their systems. DSP vendors can help by leveraging the latest manufacturing capabilities such as the 90nm process technology.

**❺ Does the chip supplier have a roadmap that tells you what integration to expect in the future?**

Process technologies continue to advance and engineers should ask their suppliers if they can ensure that today's designs can easily scale down to devices using smaller geometries, which give even further advantages in terms of speed, size and cost. Vendors must make considerable investments in wafer fabs to ensure continuity of supply.

Whether designing for audio, video, imaging, RF, telecom infrastructure or even industrial applications, keep tabs on industry trends, because new SoCs are coming off the fab lines at an increasing rate. There could well be one that allows you to cut the development time and cost.

*This month's Top Ten Tips were supplied by Thomas Brooks, Senior DSP Product Manager at Texas Instruments.*

*If you want to send your tips to us, please contact the Editor at EWeditor@nexusmedia.com*

# Fascination, Innovation, Inspiration at IFA 2006.

**Contact:** Matthew Benyon  
020 78863000  
otsa@montex.co.uk

Experience the fascination of the world's biggest Consumer Electronics trade show. Enjoy the huge variety of innovative products from international manufacturers. Let yourself be inspired by the current topics and trends at the most important trade show of the year. Meet experts from all walks of the industry. Register today and take advantage of all the benefits IFA 2006 has to offer. **IFA – now taking place annually.**



**Berlin, 1 – 6 September 2006**

[www.ifa2006.de](http://www.ifa2006.de)

**gfu** Gesellschaft für  
Unterhaltungs- und  
Kommunikationselektronik

 **Messe Berlin**





# Going green could pay dividends

**Richard Martin** explains how electronic manufacturers can benefit from improving their environmental performance

With significant changes to environmental legislation on the horizon, businesses across the electronics industry are having no choice but to confront their environmental obligations.

While many larger companies have become more switched on to environmental issues in recent years, smaller businesses with more limited time and resources are in danger of lagging behind and could risk prosecution and hefty fines if they fail to comply with the legislation governing their activities.

The recent SME-environment survey (2005) of 5,554 UK small businesses found that as many as 86% of those asked could not name any environmental legislation and only a quarter had an environmental policy in place. Not surprisingly, 58% of small businesses said they would like more help and advice on environmental issues.

Keeping up-to-date with environmental legislation and improving environmental performance is not just good for the environment; it can also result in sound business benefits, of which smaller businesses may be missing out.

Making changes to environmental behaviour – in particular by becoming more resource efficient – can have a real impact on the bottom line, particularly with increasing landfill taxes and rising costs for disposing of hazardous waste. By implementing simple low-cost measures most businesses can reduce waste by 1% of turnover – adding up to significant savings over time. And waste is not just discarded materials, it includes wasted energy, packaging and excessive use of raw materials and water.

In addition, new environmental legislation such as WEEE and RoHS provides an opportunity for businesses to re-assess their product portfolio and invest in cleaner designs that are easier to reuse and recycle. These improved products could not only prove cheaper to produce but also give the business a competitive edge. This is particularly true as larger businesses and customers become increasingly keen to deal with companies with good green credentials.

Unfortunately, single measures such as recycling paper

in the office are not enough to deliver real change. Businesses wishing to gain a real edge over competition should consider implementing an environmental management system (EMS). This provides a structured approach to managing a business's environmental performance and must include certain elements, as required by, for instance, the BS 8555 or ISO 14001 standards. Businesses can choose to be certified that they meet the requirements using either internal mechanisms or external certification organisations.

An EMS can bring about a number of benefits. Cost savings can be achieved through continuous assessment of more efficient use of materials and energy. Independent certification of the system to a recognised standard can help improve the public image of a business and relationships with customers and suppliers. An EMS can also help businesses manage their environmental issues and, therefore, comply with environmental legislation, avoiding enforcement action and associated liability costs.

If a company is serious about bettering its environmental performance it needs buy-in from all staff from the chief

executive to the shop floor. It is usually worthwhile appointing a member of staff to be responsible for driving environmental changes but it is crucial that the changes, the reasons for them and their business benefits are communicated to all employees.

In order to stay ahead in this competitive and ever-changing market, it is vital that small businesses start improving their environmental credentials. The NetRegs website ([www.netregs.gov.uk](http://www.netregs.gov.uk)) was set up by the UK's environmental regulators to help small businesses understand their environmental obligations – is a good starting point for businesses seeking straightforward guidance on environmental legislation.

*Richard Martin is Programme Manager at NetRegs*

**“ Keeping up-to-date with environmental legislation and improving environmental performance is not just good for the environment; it can also result in sound business benefits ”**



# Giant's

## Challenges

These are testing times for the Japanese once untouchable of consumer electronics firms. **Juan Pablo Conti** delves into the issues surrounding its future

“ The fact that the Japanese government has allowed all-wave receivers to be used for commercial purposes has encouraged large and small radio companies – including ourselves – to manufacture them”. In the 60 years that have passed since these words were written in Tokyo by one of Sony's two founders, what he then called a “small radio company” has grown to become one of the world's top brands in consumer electronics.

During much of that period (notably from the moment the company introduced the Walkman in 1979 and, with it, kick-started the personal audio revolution), Sony even managed to establish a commanding leadership of the market, remaining virtually out of reach of the competition.

But then things suddenly changed. A combination of other Asian OEMs previously seen as no match for Sony now becoming aggressive competitors, old software giants successfully trying their luck in hardware design and emerging new competitors have all shaken the company's grip of the world's living rooms. So where did it all go wrong?

### Humble beginnings

Masaru Ibuka was indeed right to call Sony (or Tokyo Telecommunications Engineering Corporation, as the business was initially registered) a “small radio company” in the Founding Prospectus that he drew up in 1946. The Second World War had just ended and much of Japan was badly destroyed. People were eager for news from the rest of the world, but their radios had either been damaged by war action or had their shortwave units disconnected by the military police to prevent them from tuning into enemy propaganda.

There was a huge demand for radio service repair, and that's exactly what Ibuka and his former military colleague Akio Morita set out their new business for. Their factory would also build shortwave adapters that were used to turn medium-wave radios into all-wave receivers.

By 1955, the company had designed Japan's first transistor radio. Two years later, the world's first pocket transistor radio was launched, initiating a tradition of cutting edge innovation in the consumer electronics sector (see panel Sony's famous inventions).

But Sony was still a small radio company. Legend has it that Morita, credited as one of the world's great marketing pioneers, felt so offended when powerful American clockmaker Bulova ordered 100,000 radios to be manufactured carrying the Bulova brand that he simply turned down the precious offer. "Fifty years from now," he replied, "I promise you that our name will be just as famous as your company name is today."

### Troubled figures

Still headquartered in Tokyo, Sony Corporation employs just over 150,000 people worldwide. The conglomerate is made up of five business segments. Of these – and by far – the most important is the Electronics division, which has audio, video, information and communications equipment, semiconductors and components as its main products. The other segments comprise the Sony Computer Entertainment group (makers of the PlayStation line of hardware and software), Sony BMG Music Entertainment group (for recorded music), Sony Pictures Entertainment (movies) and the Financial Services branch (banking and insurance).

The Electronics group, based in San Diego, California, generates more than 65% of all Sony sales, followed by the games (approximately 10%), pictures (10%), financial (7%) and music (3%) segments. Revenue is evenly distributed between the US, Europe, Japan and the rest of the world, with each of these four main regions contributing approximately one quarter of total Sony sales.

The company's last published annual revenue figures may look impressive to the untrained eye. After all, \$67bn (for fiscal year ended March 2005) does sound like a vast amount of money. However, when you consider that only \$1.5bn of that was net income, it isn't hard to see that this is an inefficient organisation. In fact, during the previous year, Sony actually lost money for the first time in a decade.

The most worrying indicator for the Japanese company is that its core Electronics segment is the one faring the worst at the moment. The gradual decline started almost four years ago and – with profit margins for a number of consumer products quickly evaporating – this flagship business unit made a loss in 2004, which then widened one year later.

"At times, they've only really been pulled back into the black by the PlayStation division, or,

Opposite page: Sony's debut Blu-ray disc home player  
Below: A shot from the TV advert for the Sony Bravia line of LCD displays





occasionally, when they have a massive movie such as Spiderman 2, from which Sony Pictures Group makes a ton of money," notes Paul Jackson, principal analyst with Forrester Research.

### Slow reaction

So what's hurting Sony? "In general, there's a lot more competition in the consumer electronics market," explains Jackson, "whether that's from PC makers like Dell, Gateway and HP or from new entrants into the consumer electronics world like LG or Samsung, who were always considered as the cheap sort of 'copyists'. So you'd have your high-end Sony products, then you'd have your middle-ground Panasonic and Philips products and then there'd be these sort of 'also-ran brands', which used to be LG, Samsung and the like. But Samsung in particular has done a very good job at raising the perception of its brand premium."

What Samsung also did was to leapfrog Sony in the development of LCD (liquid crystal display) technology. While Sony decided to stay a little longer in the CRT (cathode ray tube) business, operating factories in Japan and the rest of the world dedicated to assembling bulky screens that the general public was beginning to turn their back on, Samsung was busy investing in LCD fabrication process. So far behind was Sony left that, by the time it finally reacted, it was forced to partner the Korean vendor to "jointly" manufacture the new flat panels.

But if it took Sony a while to realise just how quickly the demand was evolving for this particular product, Jackson believes the company is now rediscovering the lost track: "Their new Bravia range of LCD TVs is actually very good. They are well designed, at a price premium, and they are uniquely Sony – whereas for the past two or three years what they had was arguably almost a re-batched Samsung TV."

As if having other OEMs eating into its traditional market share wasn't enough to keep Sony on high alert, a whole new competition front has all of a sudden been

## SONY'S FAMOUS INVENTIONS

- Pocket transistor radio (1957)
- Trinitron TV (1968)
- Walkman (1979)
- CD format (co-developed, 1982)
- 3.5-inch floppy disc (1983)
- Digital Betacam (professional broadcasting)
- PlayStation console (1995)
- Vaio laptop (1996)
- DVD format (co-developed, 1998)
- Flash memory stick (1998)
- Blu-ray format (2006)

presented by what were supposed to be just software or PC developers. Microsoft, first – with its successful entry into the games console market through the Xbox product – and Apple Computers, more recently (with its even more successful iPod portable audio player) are largely responsible for Sony's current woes. Apple has even recently re-launched the Mac Mini as an audio and video player connected to the TV, and it's offering a new hi-fi system based on iPod as the music source.

### Playing the gaming game

Sony knows it might now be too difficult to regain the lead it once enjoyed on the portable audio market, where its digital-age version of the Walkman has tumbled to sixth place in the US, and even in Japan iPod's 51% share of the portable digital audio market dwarfs Sony's 16% figure.

However, when it comes to video games, the Japanese company is not prepared to loosen its firm grip on this profitable segment. "Oh, and by the way, Howard, not only did PlayStation 2 outsell Microsoft's new Xbox 360 this holiday season, but so did the PSP," casually said Kaz Hirai, president and CEO of Sony Computer Entertainment America to Howard Stringer, Sony's new – and first non-Japanese – chairman and CEO during a high-profile presentation at this year's International Consumer Electronics Show in Las Vegas.

Last year, the PSP (or PlayStation Portable) became Britain's fastest-selling games console, with more than 185,000 of them sold in the first four days of its retail life. By January, more than 10 million units had been shipped worldwide.

And while the PS2 is already reaching a natural saturation point after six years on the shelves, Sony is seriously banking on the success of its latest version – the PS3, re-scheduled for a November global launch. What's making Sony – and hardcore gamers – so excited is the sheer processing power the new gadget will boast.

The Cell (a 64-bit, multi-core processor clocked at 4.6GHz and co-developed by Sony, Toshiba and IBM) is widely expected to be the most powerful piece of silicon to sit in a PS3 owner's home. Forrester Research's Jackson remains cautious, though: "They've taken a huge risk in terms of the type of architecture they've designed, in that it's extremely powerful – almost absurdly powerful for something that is just designed for playing video games. With that comes a tremendous risk in terms of the cost of the components and being able to get enough of them in time for a global rollout."

### The Holy Blu-ray?

Mind you, the PS3 wasn't actually designed 'just for games'. Its optical drive technology will be no other than Blu-ray, the high-density storage format developed by Sony to replace DVDs with a next-generation optical disc fit for the high-definition (HD) video era. Single-layer Blu-ray discs, which Sony recently started selling for around \$25 each, are able to store up to 25GB. Dual-layer discs are expected later in the year, and these will be able to hold a massive 50GB of data, more than enough for a director's cut HD movie and accompanying interactive features.

Sony has managed to attract some 170 companies to the Blu-ray Disc Association, from major Hollywood studios (Twentieth Century Fox, Walt Disney, Warner, Paramount and, obviously, Sony Pictures) to competing equipment manufacturers (Apple, Dell, HP, Samsung, Panasonic, LG, Hitachi, Sharp and others). The format is backward compatible with the DVD standard, which means potential buyers of new Blu-ray boxes will be able to use them to play back their existing collections.

What they might not be able to do, though, is to play every new HD movie they buy on them. The ongoing standards battle between Blu-ray and the Toshiba-led HD DVD camp remains far from being solved, with each faction's spec now finalised and ready to do battle on the high street.

Forrester Research analysts have recently concluded that Blu-ray has a stronger chance of winning in the end: "We currently see that Blu-ray has the slight edge in terms of the number of movie studios and content providers who are in that camp," says Jackson. "And of course there's a huge advantage if Sony can roll out the PS3 with that built-in, using it as a Trojan horse for getting Blu-ray into people's homes. Because they will undoubtedly sell 10, 15 or 20 million of those over the next two or three years, far more than they are going to sell of the fairly expensive standalone Blu-ray players."

The first of such players will be – somewhat ironically – a Samsung. The BD-P1000 goes on sale on 25 June in the US, and it will initially retail at \$1000. And it's not that Sony won't have its own gadget to compete with Samsung. The BDP-S1 Blu-ray player will start shipping only a couple of months later and equally cost \$1000. But unlike Samsung, which has plans together with most other OEMs to build dual-format players and PC drives supporting both Blu-ray and HD DVD, Sony will exclusively and proudly stick to the technology it invented. This can only make the decision over whether



for those consumers worried about the next blockbuster video being able to run on their expensive new toy.

It has been a troubled start to the new millennium for the once undisputed world leader of consumer electronics, and only time will tell how much of the damage done by a smart bunch of competitors is just beyond repair. "The next 3-5 years will represent a period of change for Sony as they look at creating networked home products and investigate how they can make money not just from devices but also from services such as downloads and online games," says Jackson. "Their strong brand still carries a lot of cache with consumers, but they will need to be more responsive to market changes and those agile competitors."

Jackson stresses how Sony's new chairman Stringer is trying to shift emphasis from unprofitable legacy technologies such as CRT TVs and robots to new business models. "So far he has had some early successes, but is almost working against a strong 50-year-old corporate culture".



Opposite page: Sony's VAIO FS series laptop  
Above: Sony's QRIO robot, A Sony professional HD camera and the Sony Walkman

### SONY IN BRIEF

- Founded: 7 May 1946 by Masaru Ibuka and Akio Morita
- Corporate headquarters: Tokyo, Japan
- European headquarters: Berlin, Germany
- Electronics group headquarters: San Diego, California
- Chairman and CEO: Sir Howard Stringer
- President and Electronics CEO: Ryoji Chubachi
- Subsidiaries: 928 worldwide
- Employees: 151,400
- Annual sales: \$67bn (fiscal year ended March 2005)
- Net income: \$1.5bn (fiscal year ended March 2005)

# HAND-HELD DUAL SYNCHRONOUS DDS SIGNAL GENERATOR

A HAND-HELD DUAL SYNCHRONOUS DIRECT DIGITAL SYNTHESIS (DDS) SIGNAL GENERATOR HAS BEEN DEVELOPED BY **ZHONGWEN JIN** AND **WUQIANG YANG** FROM THE SCHOOL OF ELECTRICAL AND ELECTRONIC ENGINEERING AT THE UNIVERSITY OF MANCHESTER, EMPLOYING TWO DDS CHIPS, CAPABLE OF PRODUCING TWO WIDE-FREQUENCY-RANGE SIGNALS WITH FULLY ADJUSTABLE PHASE SHIFT

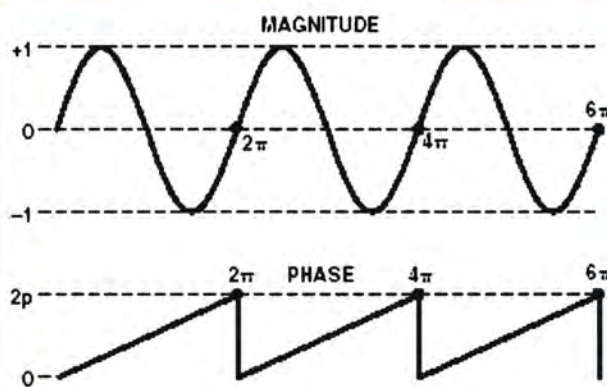
**S**ignal generators are useful in the laboratory. Often, two synchronous sine-wave signals with a certain phase difference are required. Some application examples include phase-sensitive demodulation (PSD), signal mixer, vector generator, selective voltmeter and rotational torque induction. In those cases, highly versatile signal generators, which can provide full control over amplitude, frequency and phase, are needed.

Direct Digital Synthesis (DDS) is a technique of using digital data processing as a means to generate a frequency- and amplitude-tunable output signal referenced to a fixed-frequency precision clock source and then performing a digital-to-analogue conversion in the form of a single chip. Using low cost and high performance DDS chips, a hand-held dual synchronous DDS signal generator has been designed. This instrument can generate two signals using two DDS chips as a synchronous pair. The phase of one signal can be shifted with respect to the other to produce the required phase difference.

The resulting instrument is of low cost and has all of the advantages of DDS technique. It would be very useful for applications where two signals of adjustable phase are required.

## DDS technology

While the amplitude of a sine wave is non-linear, with time the angle is a linear function of time in nature. It changes from 0 to  $2\pi$  and repeats itself for each cycle of a sine wave as shown in **Figure 1**.



**Figure 1:** Amplitude and phase of sine wave

A DDS produces a sine wave at a given frequency. The frequency depends on two variables: the reference-clock frequency and the binary number programmed into the frequency register, such as a tuning word. The binary number in the frequency register provides the main input to the phase accumulator. If a sine look-up table is used, the phase accumulator computes a phase (or angle) address for the look-up table, which outputs the digital value of amplitude — corresponding to the sine of that phase angle — to a digital-to-analogue converter (DAC), which converts that number to a corresponding value of analogue voltage or current. To generate a fixed-frequency sine wave, a constant value (i.e. the phase increment), which is determined by the binary number, is added to the phase accumulator with each clock cycle. If the phase increment is large, the phase accumulator will step quickly through the sine

look-up table and thus generate a high frequency sine wave. If the phase increment is small, the phase accumulator will take many more steps, generating a flow-frequency waveform accordingly.

Knowing that the phase of a sine wave is linear and given a reference interval (i.e. clock period), the phase rotation for that period can be determined by:

$$\Delta\text{Phase} = \omega dt \quad (1)$$

Solving for  $\omega$  :

$$\omega = \frac{\Delta\text{Phase}}{dt} = 2\pi f \quad (2)$$

Solving for  $f$  and substituting the reference clock frequency  $f_{\text{clock}}$  for

the reference period:

$$\left( \frac{1}{f_{\text{clock}}} = dt \right) \quad (3)$$

$f = \frac{\Delta\text{Phase} \times f_{\text{clock}}}{2\pi}$

In AD7008 DDS ICs from Analog Devices, two 10-bit amplitude multipliers are provided, allowing easy implementation of the I (cosine) and Q (sine) amplitude modulation. The 20-bit IQMOD register is used to control the amplitude of the cosine and sine signals. IQMOD [9:0] controls the I amplitude and IQMOD [19:10] controls the Q amplitude.

$$I + Q = A \cos \omega t + B \sin \omega t = R \sin(\omega t + \theta) \quad (4)$$

Where

$$R = \sqrt{A^2 + B^2}$$

and

$$\cos \theta = \frac{B}{R}, \quad \sin \theta = \frac{A}{R}$$

The output signal of amplitude R and phase shift  $\theta$  is

produced by summing the I and Q signal. The parameters R (amplitude) and  $\theta$  (phase) of each signal

are dependent on the value of A and B. Vice versa, given the desired amplitude R and phase shift  $\theta$ , the

required values of I and Q can be determined:

$$A = R \sin \theta \quad (5)$$

$$B = R \cos \theta \quad (6)$$

Where  $0 \leq R \leq 1V_{\text{ppk}}$  and  $0^\circ \leq \theta \leq 360^\circ$

By storing the determined A and B values (10 bits) into the IQMOD register, a signal of desired amplitude R and phase shift  $\theta$  can be produced at the DDS chip output.

## PIC18F452 microcontroller and MPLAB ICD

The PIC microcontroller PIC18F452 is probably the easiest 8-bit microcontroller. It has large linear register space that can be accessed simply and multiple index registers able to operate like a data stack with push and pop. It has the following features:

- C compiler optimised architecture/instruction set
- Linear program memory addressing to 32Kbytes
- Linear data memory addressing to 1.5Kbytes
- Sufficient I/O ports, PORTA, PORTB, PORTC, PORTD and PORTE
- Supporting high-speed flash program memory
- Supporting external interrupts with programmable triggering edge
- 16-bit wide instructions, 8-bit wide data path
- High current sink/source 25mA/25mA
- Addressable USART module, supports RS-485 and RS-232
- Parallel Slave Port (PSP) module
- Watchdog Timer (WDT) with its own on-chip RC oscillator for reliable operation
- Programmable code protection
- Power saving SLEEP mode
- Compatible 10-bit ADC with fast sampling rate.

An all-in-one debugger and programmer solution MPLAB ICD2 is a low cost, real-time debugger and programmer for the selected PIC microcontroller. Using the in-circuit debug functions, programs can be downloaded, executed in real time and examined in detail with the debug functions of MPLAB IDE software. Variables, breakpoints and single step operation can be set by symbolic labels in C or assembly language source code. The secret behind in-circuit debugging is the use of two dedicated hardware lines that control in-circuit programming of the device and debugging on-chip firmware through proprietary. The ICD2 debug functions are built in the microcontroller and activated by programming the debug code into the target processor.

The MPLAB ICD2 connects using USB between a PC operating with MPLAB IDE and their circuit board being developed. It acts as an intelligent interface and translator between the two, allowing engineers to look into the active target board's microcontroller, view variables and registers at breakpoints with MPLAB IDE watch windows. A breakpoint can be set to halt the program at a specific location. The program can be single-stepped or run at full speed. At breakpoints, data and program memory can be read and modified. Additionally, the MPLAB ICD2 can be used to program

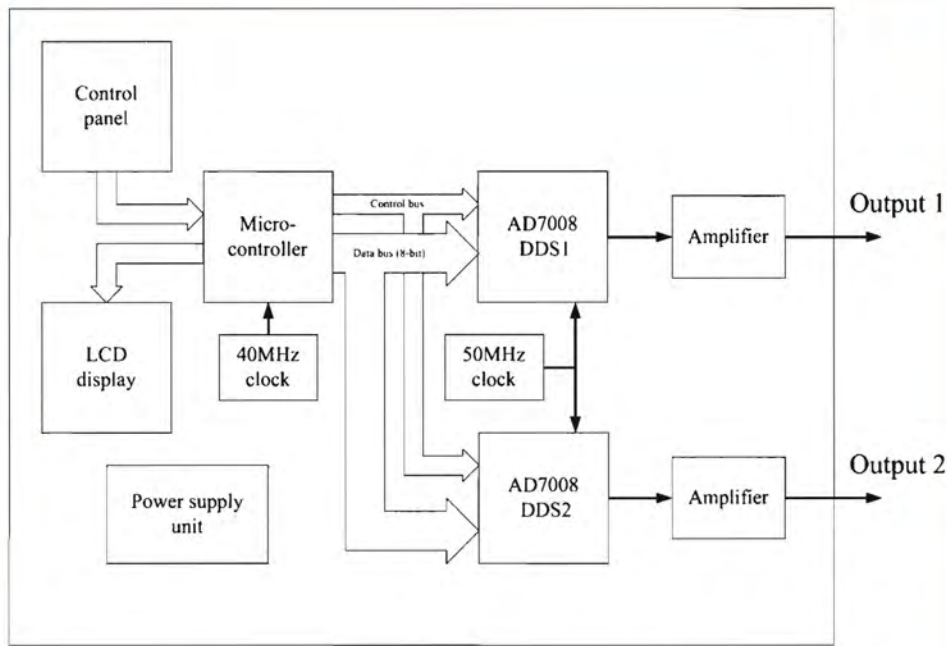


Figure 2: Block diagram of system's hardware design

### MPLAB ICD2 has the following features:

- USB (full speed 2Mbit/s) and RS-232 interface to host PC
- Real time background debugging
- Built-in over-voltage/short circuit monitor
- Firmware upgradeable from PC
- Totally enclosed
- Supporting low voltage to 2.0 volts (2.0 to 6.0 range)
- Diagnostic LEDs (Power, Busy, Error)
- Reading/writing memory space and EEDATA areas of target microcontroller
- Programs configuration bits
- Erase of program memory space with verification
- Peripheral freeze-on-halt stops timers at breakpoints.

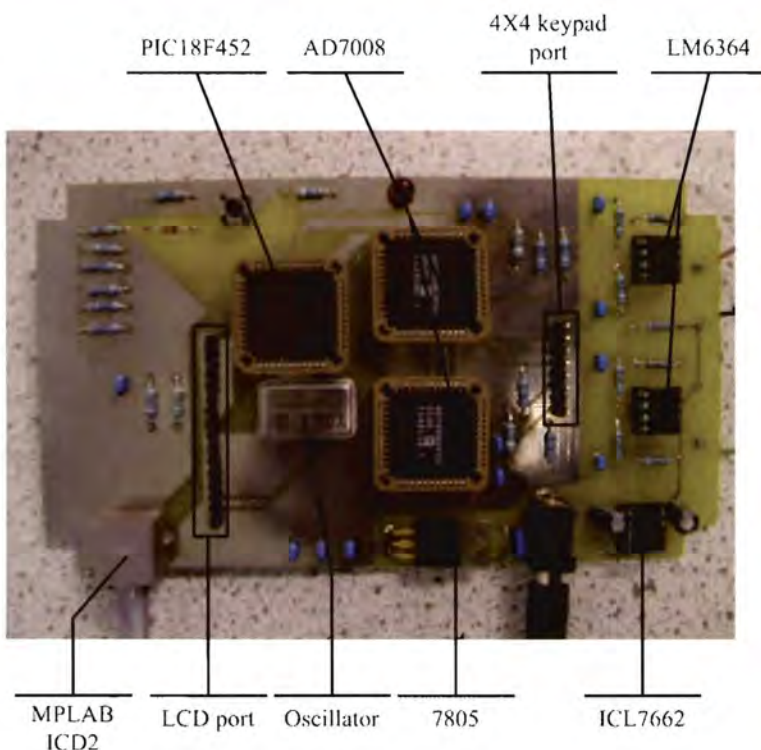


Figure 3: Developed prototype of hand-held dual synchronous DDS signal generator

### System design

To develop the hand-held dual synchronous DDS signal generator, hardware has been designed as shown in **Figure 2**.

The control centre of the system is a microcontroller, a high performance RISC CPU, PIC18F452 from Microchip Technology. This PIC microcontroller uses a 40MHz oscillator as the clock input, and it controls two AD7008 DDS chips and the input or output devices. By using a 4x4 keypad as the input device, the user can input desired values frequency, amplitude and phase of the output signals. An LCD is used as the output device, displaying the states of users' input and the information of output signals.

To generate two synchronous sine-wave signals, two AD7008 DDS chips are needed, which are connected to the microcontroller by a control command bus and a data bus. As the maximum value of AD7008 output signal is 1V, which is not big enough for many applications, an amplifier with a gain of 5 is used in this system. Based on the DDS technology theory, a 50MHz oscillator is needed by the two AD7008 DDS chips as the clock input. In order to achieve dual DDS synchronisation, the 50MHz clock oscillator must be placed in the middle of two DDS chips to make its routes to each DDS chip clock input pin equal.

The power supply unit needs to provide the required power for all the components in the system with four different levels of voltages, +5V, +9V, -9V and ground.

During the development, a PCB, a 4x4 keypad, an



alphanumeric LCD, a 9V adapter and an MPLAB ICD 2, PIC microcontroller in-circuit debugger/ programmer were used. The software was developed using the MPLAB IDE and MPLAB C18 compiler suite.

### User interface

When the system is turned on, the two AD7008 DDS chips are working with default values: frequency 1MHz, phase 0° and amplitude 5V. The LCD display shows the three attributes of both signals with the

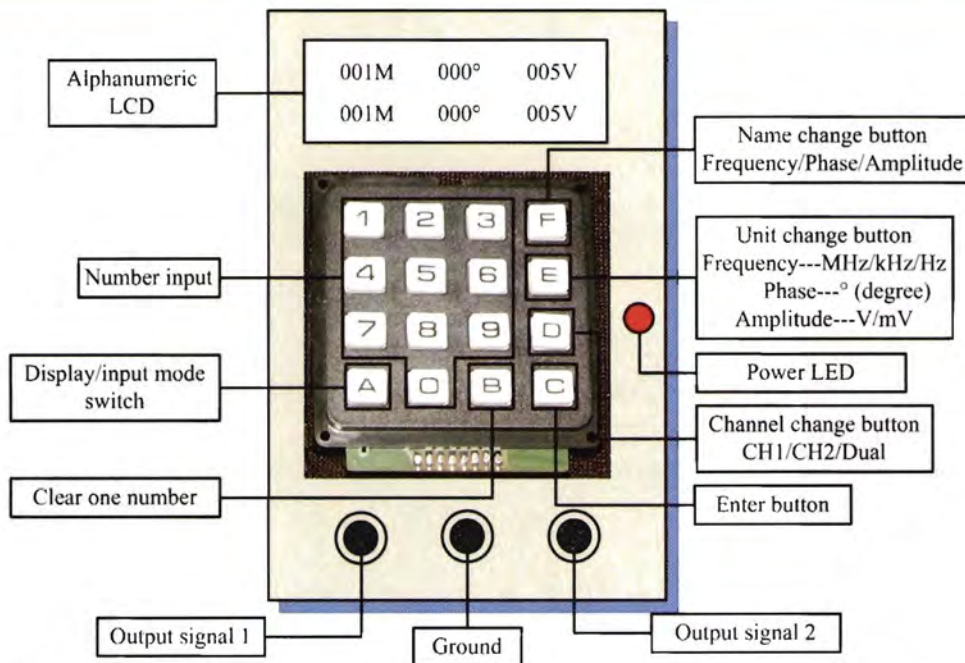


Figure 4: The instrument's operation

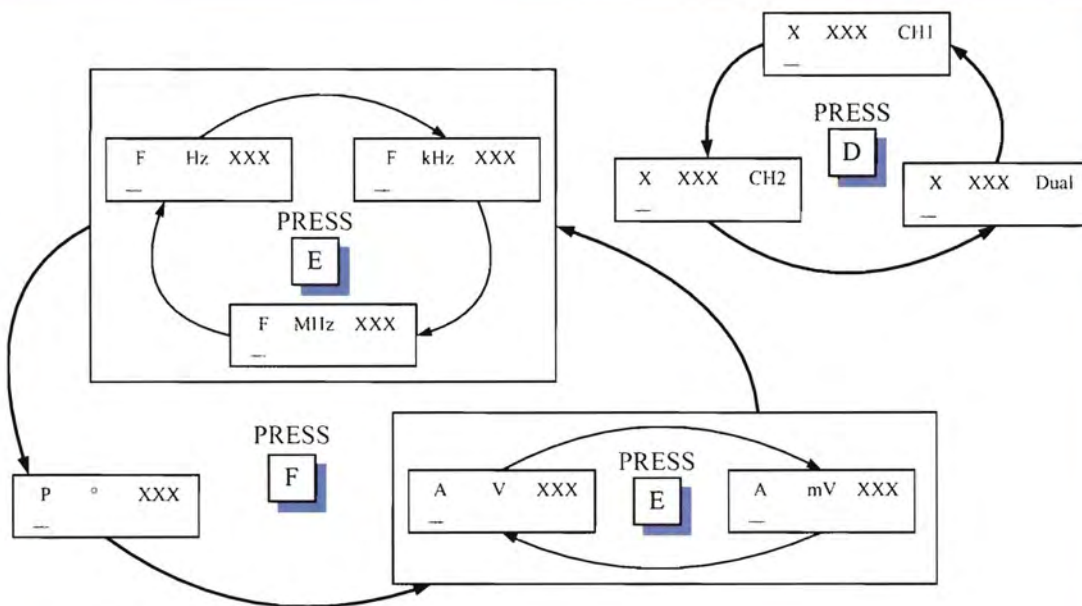
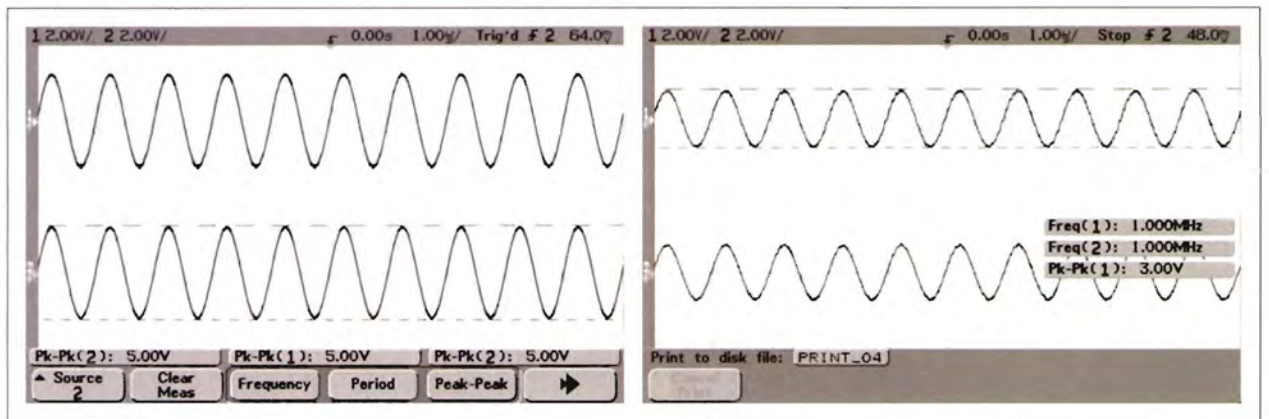
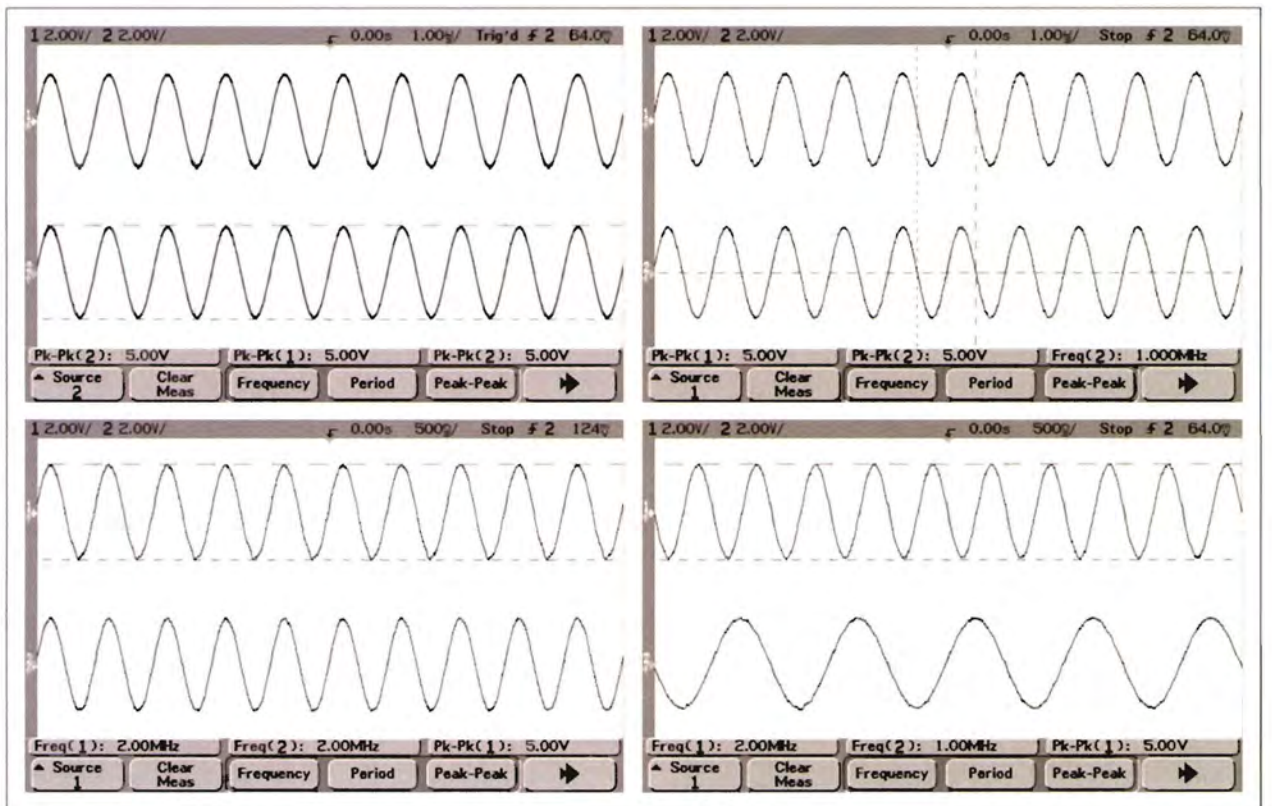


Figure 5: Buttons function in input mode



**Figure 6:** Generated signals with different amplitude, (left) 5V, (right) 3V



**Figure 7:** Generated signals with different frequency, (top left) 1MHz as starting frequency, (top right) 1MHz, (bottom left) 2MHz, (bottom right) 1MHz and 2MHz

display mode (see **Figure 4**). Pressing any key of the 4x4 keypad will enter the input mode. In the input mode, users can change the attributes of two output signals using the 4x4 keypad. The "F", "E" and "D" buttons can decide three attributes of the input value: name, unit and channel. The operation is shown in **Figure 5**. If an input value is out of the defined range, frequency 25MHz, phase 360° and amplitude 5V, the LCD displays "Error" and the instrument will ignore input values. Press "A" button to switch between the display mode and the input mode.

### Test results

The hand-held dual synchronous DDS signal generator has been tested for different frequency, amplitude and phase. The generated signals were examined using Agilent 54622A oscilloscope and the results are shown in **Figures 5, 6 and 7**.

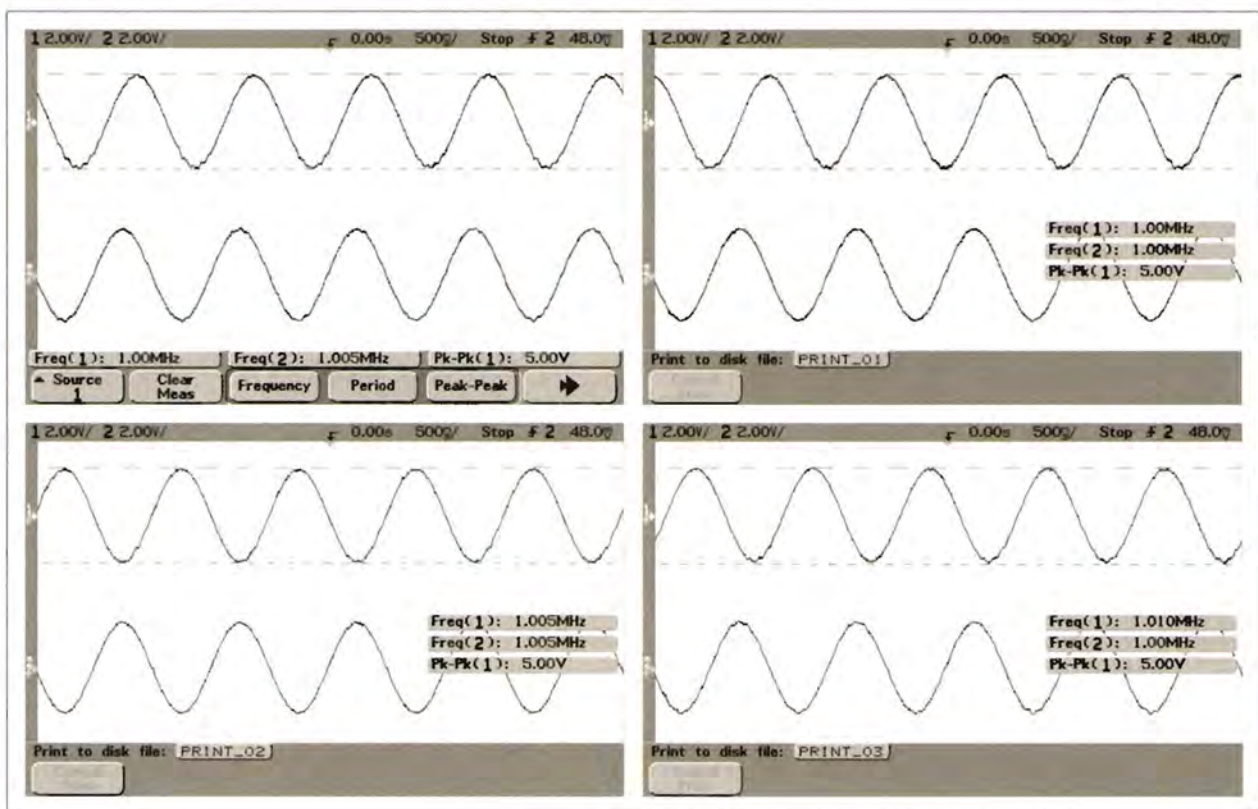
The results show that the signals are generated correctly in frequency, amplitude and phase, corresponding to the values entered from the 4x4

keypad. This instrument can now produce fully adjustable signals in terms of frequency, amplitude and phase.

### Further developments

This hand-held dual synchronous DDS signal generator has been developed using AD7008 chips, which is an old product from Analog Devices. Some new DDS chips should be used in the future design, such as AD9833 and AD9958. AD9833 chip is a low-power programmable waveform generator capable of producing sine, triangular and square wave outputs. AD9958 chip is a dual channel DDS chip, which is the most suitable for this instrument design.

In addition, amplifiers and filters can be incorporated to increase the amplitude range of the signals and to remove high frequency harmonics. In the near future, this hand-held dual synchronous DDS signal generator may be popular in the market because of their low cost, convenient use and accuracy – they are more accurate than conventional analogue-based signal generators.



**Figure 8:** Generated signals with different phase, (top left) 45°, (top right) 90°, (bottom left) 180°, (bottom right) 225°

# Resonant Frequency Division

**L. Tomawski and Z. Kukula** from the Institute of Physics at the University of Silesia, Katowice, Poland, here present two yet unpublished resonant networks based on using several RLC and RCL sections in series

**R**esonant networks can be created by using RLC or RCL sections in succession. In both cases, the last element (C or L) forms a ladder, where the output signal is collected. For the RCL network, the resonant frequency decreases and for the RLC network it increases when the number of connecting sections rises.

The experimental results for the RLC network meet the theoretical results at the frequency range of several hundred kHz. Computer simulations suggest that RCL network can be anticipated as a bandpass amplifier at very high frequencies.

The resonant frequency of the circuit is independent of the series of connecting elements, RLC or RCL. However, adding the second RLC or RCL section in the way shown in **Figure 1** will obtain two different networks with main resonant frequencies shifted in the down and up direction vs frequency.

For the RLC network this shift has constant value vs the number of connecting sections, but for the RCL network this shift decreases when the number of the sections increases.

### Interesting behaviour

The RLC network is interesting at the high frequency range, since the obtained resonant frequency can be greater than the resonant frequency of one section of the series resonant circuit. In this way, using a number of the same R, L and C elements creates a bandpass amplifier with a high frequency which is not achievable by using only one section of the series resonant circuit.

For example, let us assume that inductor 10nH and capacitor 10pF are the smallest LC elements we can produce. Using the Kelvin's formula (**Equation 8**) we get the resonant frequency 490MHz, but by using ten 10nH inductors, ten 10pF capacitors and ten 10Ω resistors connected to form the RLC network we can obtain the resonant frequency of 3.37GHz. In addition, at the

frequency of 490MHz the gain is 3.2V/V and the quality factor Q=3, but at the frequency of 3.37GHz the gain is 27V/V and Q=21 (from the simulation in the PSPICE program).

The RCL network can find applications in the region of very small frequencies since the use of ten RCL sections is more convenient in practice than using one RCL section with a 64 times greater inductor (provided that ten RCL sections decrease the resonant frequency eight times).

### Basic properties

Both analysed resonant networks are shown in **Figure 1**. For a simple RLC or RCL section, the corresponding resonant curves appear at the same frequency but for two sections the frequencies of the main peaks are shifted either up or down. It is also interesting that the quality factor and the amplification factor also increase with the rise of the number of sections (when the R, L and C elements are assumed constant vs frequency).

The following formula can be derived as the transfer function of the network from two sections:

$$\frac{U_o}{U_i} = \frac{s^2 \frac{3LC}{R} + s3C + \frac{1}{R}}{s^4 \frac{L^2C^2}{R} + s^3 2LC^2 + s^2 \left( RC^2 + \frac{3LC}{R} \right) + s3C + \frac{1}{R}} \quad (1)$$

Since all components of the numerator and denominator are admittances, **Equation 1** can be presented as following the "resonant equivalent diagram" shown in **Figure 2**, which is useful in predicting the properties of the network. The complicated construction of the diagram suggests that there isn't a simple formula for either the resonant frequency or the phase angle. Unfortunately, the resonant equivalent diagrams for the network with a higher number of RLC sections are much more complicated.

What would you give  
to get your hands on  
your own personal RF  
Spectrum Analyser ?



how does £795 sound?

The new PSA1301T from TTI totally re-defines the portable spectrum analyser.

By incorporating an advanced handheld computer, it offers a level of performance previously impossible for an instrument of this small size and low cost.

- ▶ 150kHz to 1.3GHz range; -93dBm typical noise floor.
- ▶ Half VGA TFT display; live & reference traces; unlimited waveform storage; dual markers with peak find & track.
- ▶ Truly handheld; 0.5 kg weight; four hours operation.
- ▶ Handheld computer is removable for independent use.

With so much to say about the PSA1301T, we can't cover much of it here. So there's a full Information Tour on our website. Or contact us directly to get a 8 page brochure sent to you.



Measurably better value

Thurlby Thandar Instruments Limited  
Glebe Road, Huntingdon, Cambs. PE29 7DR  
Tel: 01480 412451, Fax: 450409, e-mail: sales@tti-test.com  
Web: [www.tti-test.com/psa](http://www.tti-test.com/psa) or [www.tti.co.uk/psa](http://www.tti.co.uk/psa)

THURLBY THANDAR INSTRUMENTS

# Foremost for E-mech Solutions



## Elma Rotary Switches & Encoders

Leaders in the world of  
E-Mech technology



Tel: +44 (0) 1371 811171  
[www.4most.co.uk](http://www.4most.co.uk)

For the network from Figure 2, the sum of real admittances of all components equals zero and forms the following equation from which the resonant frequencies can be calculated:

$$\omega^4 \frac{L^2 C^2}{R^2} - \omega^2 C \left( CR + \frac{3L}{R} \right) + \frac{1}{R} = 0 \quad (2)$$

From **Equation 2**, four angular frequencies can be obtained, but only two of them have positive signs:

$$\omega_1 = \sqrt{\frac{CR^2 + 3L}{2L^2 C} + \frac{R}{2L^2 C} \sqrt{C^2 R^2 + 6CL + 5 \frac{L^2}{R^2}}} \quad (3)$$

$$\omega_2 = \sqrt{\frac{CR^2 + 3L}{2L^2 C} - \frac{R}{2L^2 C} \sqrt{C^2 R^2 + 6CL + 5 \frac{L^2}{R^2}}} \quad (4)$$

**Equations 3** and **4** can be simplified when resistance R and capacitance C are suitably small and inductance L is suitably high. Both these conditions can be described as follows:

$$\omega CR \ll Q \quad (5)$$

where Q denotes the quality factor of inductors.

When inequality (**Equation 5**) is fulfilled, Equations 3 and 4 can be rewritten in the following forms:

$$f_1 = \frac{1}{2\pi} \sqrt{\frac{3 + \sqrt{5}}{2LC}} = \frac{0.2577}{\sqrt{LC}} \quad (6)$$

$$f_2 = \frac{1}{2\pi} \sqrt{\frac{3 - \sqrt{5}}{2LC}} = \frac{0.0984}{\sqrt{LC}} \quad (7)$$

Let us assume that  $f_1 = f_{2H}$  and  $f_2 = f_{2L}$ , since two RLC sections are taken into account, and  $f_{2H}$  is the high frequency, whereas  $f_{2L}$  is the low frequency. Moreover, the resonant frequency for one RLC section, calculated from Kelvin's formula is:

$$f_0 = \frac{1}{2\pi\sqrt{LC}} = \frac{0.1592}{\sqrt{LC}} \quad (8)$$

Hence, for n RLC sections we have three characteristic frequencies:  $f_0$ ,  $f_{nH}$  and  $f_{nL}$  and between them the following relations can be found:

$$f_{nH} = \Delta f(n-1) + f_0 \quad (9)$$

where:

$$\Delta f = f_{2H} - f_0 = \frac{0.0985}{\sqrt{LC}} \quad (10)$$

These very simple **Equations (8, 9, 10)** make it possible to calculate the main resonant frequency for arbitrary n (for nRLC network), without the necessity of deriving complicated Equations like 1 and 2.

For RCL network constructed from two RCL sections, the following transfer function equation exists:

$$\frac{U_o}{U_i} = \frac{s^4 \frac{L^2 C^2}{R} + s^3 3LC^2 + s^2 \frac{3LC}{R}}{s^4 \frac{L^2 C^2}{R} + s^3 3LC^2 + s^2 \left( RC^2 + \frac{3LC}{R} \right) + s2C + \frac{1}{R}} \quad (11)$$

The "resonant equivalent diagram" for this network is shown in **Figure 3**. Since all real components are the same as for RLC network from Figure 2, the characteristic equation and formulae for resonant frequencies are the same as in 2, 3 and 4. However, imaginary elements and the way of connecting elements in both diagrams are different and, hence, the quality factors and amplitudes of the peaks are different.

**Equations 6-8** are still relevant, but the peak at  $f_1$  has a high amplitude and at  $f_2$  a low amplitude. When the number of RCL sections rises, the main peak frequency decreases slowly, but the value of the frequency shift is not constant and the Equations such as 9 and 10 do not apply.

### Simulated and measured results

Equations 6-10 give results in a good accordance with computer simulations and measurements. In **Figure 4**, the continuous lines show the computer simulation in PSPICE program for one and three RLC sections, and each point relates to a measurement result. Measurements were carried out when two operational followers were used at the input and output terminals.

Resistance R consisted of two parts. One of them was the series resistance of coil measured at high frequency  $f_{2H}$  and the second was an additive resistor supplementing the total resistance of R value (40Ω). The loss resistance of the capacitors was not taken into account, however, the quality factor of the used capacitors should be high. In the experiment of Figure 4 this quality factor has the value of 300 at 350kHz. Frequency calculated from Equation 9 is about 340kHz, but from PSPICE simulation is 339.1kHz.

### Advantages of using RLC or RCL networks

There are at least two distinct advantages of using the RLC and RCL networks and they are:

1. **Matching the resonant frequency is easy**

# EECO



## ELECTROMECHANICAL SWITCHES

Still one of the best man/machine interface components available.  
Contact us for your C&K retrofits



## ELASTOMER PADS

Elastomer keypads made to your design -  
in almost any shape, size or colour

EECO Switch is the European Sales Office for the EECO/XYE factory in Dongguan, China. The modern XYE factory of over 27,000 sq. mtrs. (300,000 sq. ft.), with over 1500 skilled workers and 50 engineers, is an experienced, full service CEM/CDM partner for electronics and other goods. Take the first step to sourcing offshore outsourced production by contacting ECCO Switch, UK.

## CHINA MANUFACTURING

Tel. (+44) (0) 1954 781818 . Fax. (+44) (0) 1954 789305

[www.eecoswitch.co.uk](http://www.eecoswitch.co.uk)

## After all, looks matter...

### Why compromise on design?

With a custom design PU enclosure  
*you don't need to!*



**Beechcraft**  
P.U. MOULDING AND DESIGN

Using rigid PU foam for strength, lightness, durability and versatility, slots, holes and mountings are moulded in - as are fine detail, sharp definition and gentle curves.

Whether you need 5 or 500 units, Beechcraft's low cost tooling brings custom-designed enclosures within reach.

### Don't just put it in a box.

Beechcraft Ltd, Westfield Industrial Estate,  
Midsomer Norton, Bath BA3 4BS  
Telephone: 01761 416642 Fax: 01761 419267  
Email: [dhbeech@aol.com](mailto:dhbeech@aol.com)



[www.beechcraft-ltd.com](http://www.beechcraft-ltd.com)

# MICRO ROBOTICS

## Intelligent Embedded Control

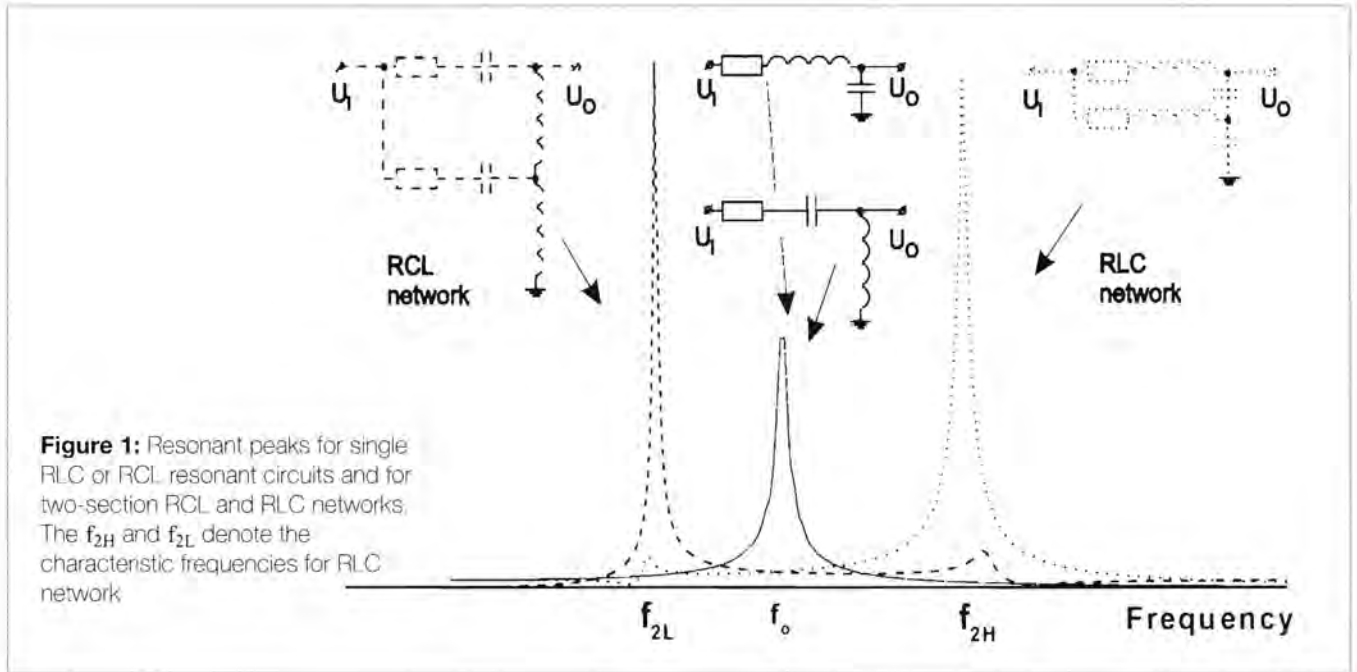
- Fast, powerful and effective control with a range of low cost, standard and custom-built boards with ultra-low power consumption



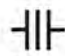
- Simple to set up and program, you can have real code running within minutes of unpacking the box
- Powerful development tools for graphic and alphanumeric displays, keypads, analogue and digital outputs, plus a range of application boards and interface cards

Combining hardware and software for an intelligent approach to embedded control

[www.microrobotics.co.uk](http://www.microrobotics.co.uk)  
Tel: +44 (0) 1223 523100  
CAMBRIDGE

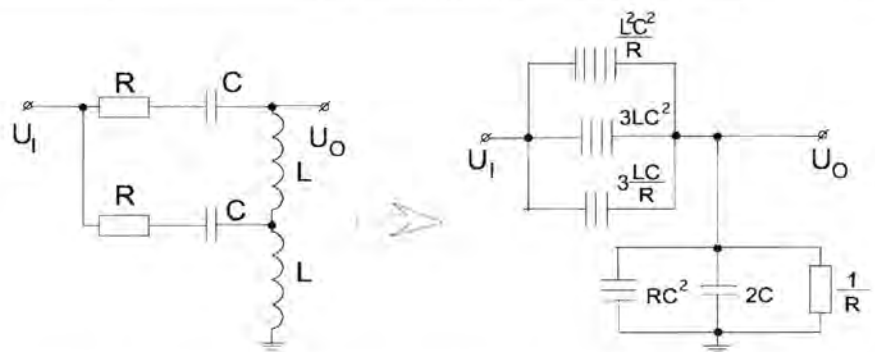
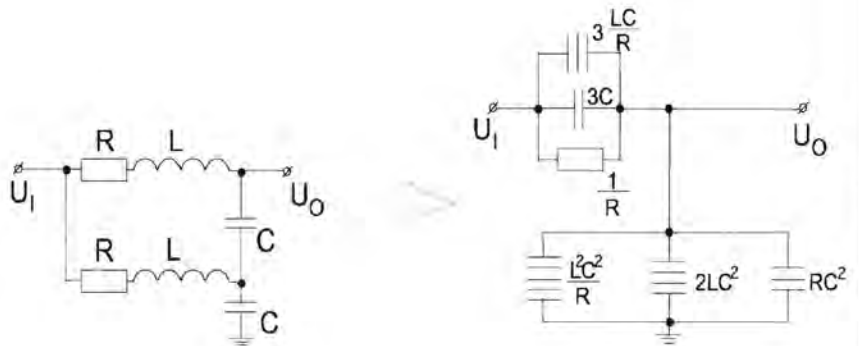


**Figure 2:** Two-section RLC network and its "resonant equivalent diagram"

 denotes FDNC-Frequency Dependent Negative Conductance with  $Y(s) = S^2D$  where  $D$  is constant  $As^2/V$

 denotes FDNCap-Frequency Dependent Negative Capacitance with  $Y(s) = S^3F$  where  $F$  is constant  $As^3/V$

 denotes FDPC-Frequency Dependent Positive Conductance with  $Y(s) = S^4M$  where  $M$  is constant  $As^4/V$



**Figure 4:** Simulated and measured resonant curves for single RLC resonant circuit and three-section RLC network

The resonant frequency in RLC network is a function of the number of used elements. By changing one of them, we can precisely match this frequency to the appropriate value. For example, if the number of sections is 10 then the change of the inductance of one of the coils by about 50% affects the change of the

resonant frequency from about 10% to about 2%, depending on where the changed inductor is located.

**2. Setting of the bandwidth and the shape of resonant curve is possible**

Assuming that  $R$ ,  $L$  and  $C$  elements that can take on different values, there are some strategies of the



**ANSMANN**  
energy

BATTERY TESTERS

BATTERY BOXES

INDUSTRIAL  
TORCHES

BATTERY CHARGERS

LINEAR &  
SWITCH-MODE  
POWER SUPPLIES

BATTERY PACK  
CHARGERS

RECHARGEABLE  
BATTERIES

LI-ION PACKS

PHOTO ALKALINE CELLS

LI-ION  
CHARGERS

AVAILABLE FROM:



**ANSMANN ENERGY (UK) LTD** • [www.ansmann.co.uk](http://www.ansmann.co.uk)

Tel: 0870 609 2233 • Fax: 0870 609 2234 • Email: [sales@ansmann.co.uk](mailto:sales@ansmann.co.uk)  
Offices in UK, Germany, Italy, France, Baltics, Hong Kong, Macau & China

[RSWWW.COM](http://RSWWW.COM)

08457 201201

## Programming Solutions



from  
**£395** +VAT

The Dataman 40Pro, 48Pro and 448Pro are the next generation universal programmers built to meet the demands of field, development and production engineers. Featuring up to 48 pin universal ZIF socket, low voltage support and USB 2.0 connectivity, they are designed to program the full range of tomorrow's advanced devices.

**DATAMAN**

- Universal ZIF socket up to 48 pin
- Intelligent pin drivers allow varying voltages to any pin
- Low voltage support
- USB 2.0 connectivity
- Support for Windows 2000/XP/2003/XPx64
- 30 day money back guarantee - If you don't like it, send it back
- Same day dispatch - All our goods are ex-stock for quick delivery
- Free software updates and technical support for life of the product
- Full three years parts and labour warranty

Dataman Programmers Ltd.

Station Road, Maiden Newton, Dorset DT2 0AE UK

Tel (01300) 320719 Fax (01300) 321012 [www.dataman.com](http://www.dataman.com)

# If you buy low smoke halogen free cables...

## ...talk to us!

At FS Cables we have a terrific range of LSHF cables including control, signal, data, telephone and flexible power.

We try our hardest to meet your needs. Whether it is a cut length or a forth-coming project most requirements can be supplied from stock.

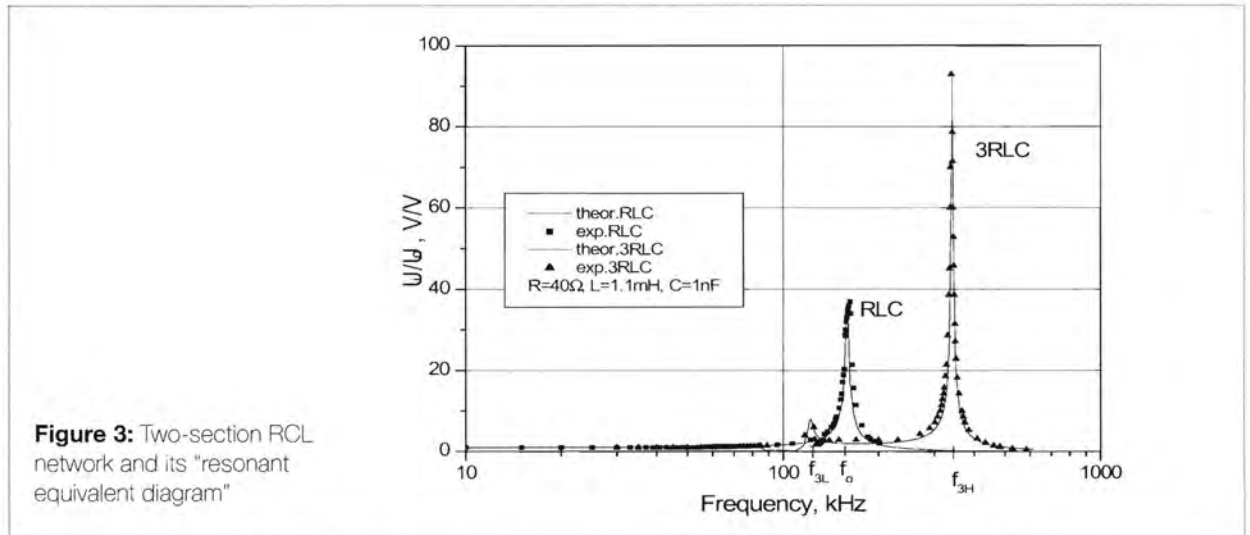
Call our sales line 01727 828 828 today to see how we can be of use to you. Thank you.



CONNECTING TO TODAY'S NEEDS

Flexible & Specialist Cables  
Wellington Road, London Colney, AL2 1EY

Tel 01727 828 828 • Fax 01727 824 825  
[www.fscables.com](http://www.fscables.com) • [sales@fscables.com](mailto:sales@fscables.com)



matching values of these elements, which makes it possible to obtain the resonant curve with a suitable bandwidth and shape.

### New possibilities

RLC and RCL networks give new possibilities of selective amplification of signals keeping the good noise and sensitivity properties of the classical resonant circuits.

In the frequency region of several hundred kHz, the results for both RLC and RCL networks obtained from theory, measurements and computer

simulations are in good agreement.

Computer simulations suggest that the resonant frequency in RLC network of about several GHz could be obtained for relative big values of L and C.

It is probable that RLC network will become a useful solution for the very low frequency region.

It is of great importance that with the increase of the number of the RLC or RCL sections, the quality factor and the amplitude of the main resonant peak also rises. Probably both, the RLC and RCL network, can also be constructed with ferroelectric resonators.

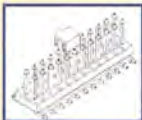
## *E-tec* Manufacturing Socket & Connector Solutions



**LED Sockets vertical & horizontal**



**Female Connectors 1.27, 2.00, 2.54mm pitch**



**Low Profile SMD headers 1.27, 2.00, 2.54 pitch**



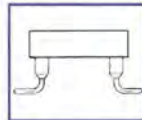
**Elevated Sockets PC104 and PC104+**



**BGA Sockets**



**Ultra low profile 2.00mm pitch**



**SMD turned pin socket**



**ZIF, FPC connectors/cables**

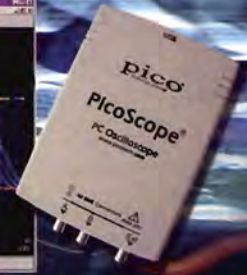
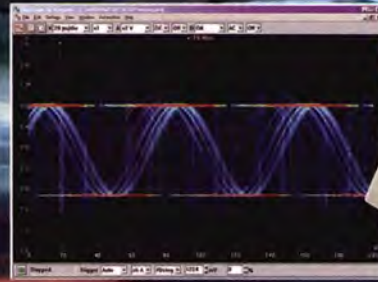
E-tec manufactures in Switzerland, Taiwan and the UK. In the UK we produce many special sockets and adaptors so if you have a requirement for a specific board to board spacing, need a special footprint with unorthodox pins, need to convert from a PGA to a QFP, need to second source a Harwin or Samtec connector, or simply need assistance on surface mount connectors why not give us a call to solve your problem.

**E-tec Interconnect (UK) Ltd, Units A5 & A6, Decimus Park, Kingstanding Way, Tunbridge Wells, Kent, TN2 3GP. Tel: (01892) 530260 Fax: 01892 515560 info@e-tec.co.uk www.e-tec.co.uk**

# PicoScope 3000 Series PC Oscilloscopes

The PicoScope 3000 series oscilloscopes are the latest offerings from the market leader in PC oscilloscopes combining high bandwidths with large record memories. Using the latest advances in low power electronics, the oscilloscopes draw their power from the USB port of any modern PC, eliminating the need for mains power.

- High performance: 10GS/s sampling rate & 200MHz bandwidth
- 1MB buffer memory
- Advanced display & trigger modes
- Compact & portable
- Supplied with PicoScope (oscilloscope/spectrum analyser) & PicoLog (data acquisition) software.



PicoScope	3204	3205	3206
Bandwidth	50MHz	100MHz	200MHz
Sampling rate (repetitive)	2.5GS/s	5GS/s	10GS/s
Sampling rate (single shot)	50MS/s	100MS/s	200MS/s
Channels	2+ Ext. trigger	2+ Ext. trigger/Sig gen	2+ Ext. trigger/Sig gen
Oscilloscope timebases	5ns/div to 50s/div	2ns/div to 50s/div	1ns/div to 50s/div
Timebase accuracy	50ppm	50ppm	50ppm
Spectrum ranges	0 to 25MHz	0 to 50MHz	0 to 100MHz
Record length	256K	512K	1MB
Resolution accuracy		8 bits / 3%	
Ranges		10mV to 2V/div	
PC Connection/Power supply		USB2.0 (USB1.1 compatible)	

Tel: 01480 396395

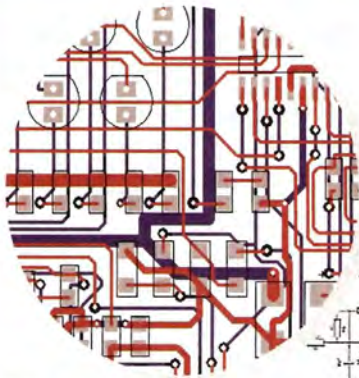
[www.picotech.com/scope349](http://www.picotech.com/scope349)

**pico**  
Technology Limited

**№1 Number One Systems**

**Easy-PC** for Windows

The World Beating PCB design software



### Easy-PC version 10 sets another milestone

Winning accolades the world over, Easy-PC for Windows V10 is another major milestone in the evolution of this extremely popular software tool. Try a demonstration copy of Easy-PC and prepare to be amazed at the power, versatility and remarkable value for money.

STILL FROM ONLY  
**£247**  
PLUS VAT

Fully integrated Schematics & PCB layout in a single application complete with forward and back annotation. Design and rules checks at all stages ensure integrity at all times. Professional manufacturing outputs allow you to finish the design process with ease.

### Version 10 features

- Intelligent Gerber Import option
  - Track/Shape 'Hug' Mode Routing
  - Text Callouts
  - Layer & Via Stack Previews
  - Blind & Buried Via Support
  - Teardrop Pads
  - Draw Spacing Clearances
  - Spiral Tracks & Shapes
- Plus many more exciting features.....

**Stop press... Stop press... Stop press... Stop press...**  
Easy-PC imports Eagle files as well as Tsiens Boardmaker 2 files

call for a brochure, prices & CD on +44 (0)1684 773662  
or e-mail [sales@numberone.com](mailto:sales@numberone.com)  
you can also download a demo from

[www.numberone.com](http://www.numberone.com)

Oak Lane, Bredon, Tewkesbury, Glos. GL20 7LR. United Kingdom



**Atlas DCA Semiconductor Analyser**

- Connect any way round.
- Automatically identify type of part.
- Automatically identify pinout.
- Measures lots of component data.
- Supports Bipolar transistors, Darlingtons, JFETs, MOSFETs, Sensitive Triacs and Thyristors, LEDs, diodes and diode networks.
- Supplied complete with probes, battery and a comprehensive illustrated user guide.

**£55.00**

including VAT and UK Delivery!

**Model DCA55**



Made in Buxton, UK.



**£79.00**

including VAT and UK Delivery!

**Model LCR40**

**Atlas LCR Passive Component Analyser**

- Automatically identify Inductors, Capacitors and Resistors.
- Automatic test frequency selection (DC, 1kHz, 15kHz and 200kHz Sine Waves).
- 1% Basic accuracy.
- Inductance from 1uH to 10 Henries!
- Capacitance from 1pf to 10,000uF.
- Resistance from 1 ohm to 2 Megohms.
- Compatible with optional SMD tweezers.
- Supplied complete with probes, battery and a comprehensive user guide.



Made in Buxton, UK.



**New Double Packs!**

*all supplied in a smart carry case and saves you money too!*

**Classic Star Pack**

- Atlas DCA Semiconductor Analyser
- Atlas LCR Passive Component Analyser
- Extra long-reach grabber probes!



**£130.00**  
you save £25!

**Active Star Pack**

- Atlas SCR Powerful Thyristor and Triac Analyser (100uA to 100mA test currents!)
- Atlas DCA Semiconductor Component Analyser



**£155.00**  
you save £24!

**Passive Star Pack**

- Atlas ESR Electrolytic Capacitance and ESR Analyser
- Atlas LCR Passive Component Analyser
- Extra long-reach grabber probes!



**£160.00**  
you save £29!

## What's all the fuss about?

RoHS (the Restriction of the use of certain Hazardous Substances) and WEEE (Waste Electrical and Electronic Equipment) is the equivalent of Y2K for the electronics industry. The upcoming EU environmental directives are the most significant developments in electronics legislation to happen in many years and will completely revolutionise the way electrical and electronic products are designed, sold, recovered and recycled. Worryingly, many design engineers are still not fully aware that the upcoming legislation will affect them. For those who are, many questions remain unanswered. Complicated exemption rules, uncertainty about how the directives will be enforced, obsolescence and component availability has left engineers unsure of what they need to do and when. The clock is ticking. With July looming, there's no time to lose in the transition to RoHS. If compliant components aren't already part of the design cycle it could well be too late.

**Q:** We have a warehouse in Nottingham that we import to from India. The stock is non-compliant but already on our warehouse shelves. Can this stock be sold after 1st July?

**A:** Yes, as the stock is already in the warehouse it is considered to be on the market. The legislation states that non-compliant components can be sold after the deadline for the purpose of repair or upgrade of equipment that has been put on the market before 1st July 2006.

**Q:** What about nuts and bolts?

**A:** The status of nuts and bolts is the same as any other component; they need to comply with RoHS if the equipment that they are part of falls within the directive. However, if these are nuts and bolts that are sold for no specific application and are used, for example, to attach equipment to walls, floors, etc., then these in our opinion are not part of the product and would be outside the scope of WEEE and RoHS.

**Q:** Is cable included in the RoHS directive?

**A:** Although the DTI disagrees, the European Commission (EC) states that cable does fall into the directive. The UK's RoHS policing body, National Weights and Measures, says that where there are discrepancies, EC guidelines should be followed.

**Q:** Are there any rules about donating WEEE, such as old computers, to charities outside of the EU?

**A:** Firstly, products are only WEEE (and therefore waste), if they are not reusable or not intended to be used again. Secondly, products sent outside of the EU do not need to comply with the RoHS and WEEE legislations, as they are only applicable when traded within the EU. It's worth mentioning that the spirit of both pieces of legislation encourages re-use and recycling wherever possible.

**Q:** As a UK manufacturer selling products in the UK, I am likely to have non-compliant stock which I won't be able to place on the market before the deadline. Can I still sell this? If not, what can I do with the stock?

**A:** You will only be able to sell stock placed on the market before the deadline. So, you have two main options for products left in stock. Firstly, you can consider selling the stock to industry sectors that are RoHS exempt, i.e. military or MRO. Secondly, you could consider disposing of them in line with the WEEE Directive.

**Q:** Would a car radio be within the scope of the RoHS directive?

**A:** This is an example of the ruling in respect of equipment that is part of another type of (larger) equipment not covered by the RoHS directive. A car does not fall within RoHS, therefore, neither do car radios.

**Q:** I manufacture test equipment, do I have to worry about RoHS?

**A:** Not at the moment as test equipment is category 9 and does not fall within the scope of RoHS. A review is currently underway and it is likely to result in test equipment falling within RoHS, but it is not expected until around 2010. However, it is within the scope of the WEEE Directive and should be recycled at the end of its life.

**Q:** If I manufacture and supply a piece of kit that is built into equipment that has someone else's brand logo on, who is responsible for the recycling at the end of life?

**A:** The responsibility lies with the brand owner.

**Q:** What responsibility does a US manufacturer have regarding the WEEE laws?

**A:** There is currently a lot of discussion within EU states about whether non-EU manufacturers can register. This affects US exporters who supply directly to business customers. The US manufacturer may wish to be responsible for WEEE for commercial reasons as otherwise the business user is responsible. This is not currently possible in most EU states but some, including Portugal, are considering changing their approach. Currently, US manufacturers can register in a few countries including Germany, Ireland and Hungary.



Gary Nevison is chairman of the AFDEC RoHS team, board director at Electronics Yorkshire and head of product market strategy at Farnell InOne. As such he is our industry expert who will try and answer any questions that you might have relating to the issues of RoHS and WEEE. Your questions will be published together with Gary's answers in the following issues of Electronics World. Please email your questions to [EWeditor@nexusmedia.com](mailto:EWeditor@nexusmedia.com), marking them as RoHS or WEEE.

# evolution of POWER OVER ETHERNET

**CLAY STANFORD**, DESIGN MANAGER, POWER OVER ETHERNET PRODUCTS, AND **TODD NELSON**, PRODUCT MARKETING MANAGER, MIXED SIGNAL PRODUCTS, AT LINEAR TECHNOLOGY CORPORATION GIVE SEVERAL DESIGN TIPS AS TO HOW TO INCREASE THE POWER LEVEL DELIVERED TO A POWERED DEVICE OVER THE ETHERNET

The IEEE 802.3af standard for Power over Ethernet (PoE) introduced a new facet to Ethernet networking, delivering DC power in tandem with 10/100/1000Mbps data. PoE brought with it a unique set of problems and new ways of thinking that were unfamiliar to many engineers with experience designing Ethernet equipment. PoE is now commonly used for VoIP phones, wireless access points and security cameras. As PoE evolves, there is a need for enhancements to the standard to enable emerging applications.

By way of review, the PoE link

allows a Powered Device (PD) to draw up to 12.95W from the Power Sourcing Equipment (PSE). The PoE link or port is controlled by the PSE, which identifies PDs via detection and classification before powering and monitoring the port (ICUT, ILIM and disconnect). Much of the burden of PoE rests on the PSE, which must perform detection and disconnect flawlessly to avoid damaging legacy devices. If the PSE does not adequately perform classification, power delivery and monitoring, intermittent failures and instabilities may result. The PSE cannot control everything; when it applies power, it trusts the PD to

follow the standard, turn on without oscillating and avoid drawing more power than requested. Because both types of devices must cooperate, PD and PSE designers should consider issues from the perspective of both devices.

### Higher power for emerging applications

Power of 13W is adequate for basic IP phones, but motorised cameras, multi-radio access points and devices with large colour screens are seriously constrained. The IEEE is currently working a higher power standard, dubbed PoE+ (officially IEEE 802.3at) that

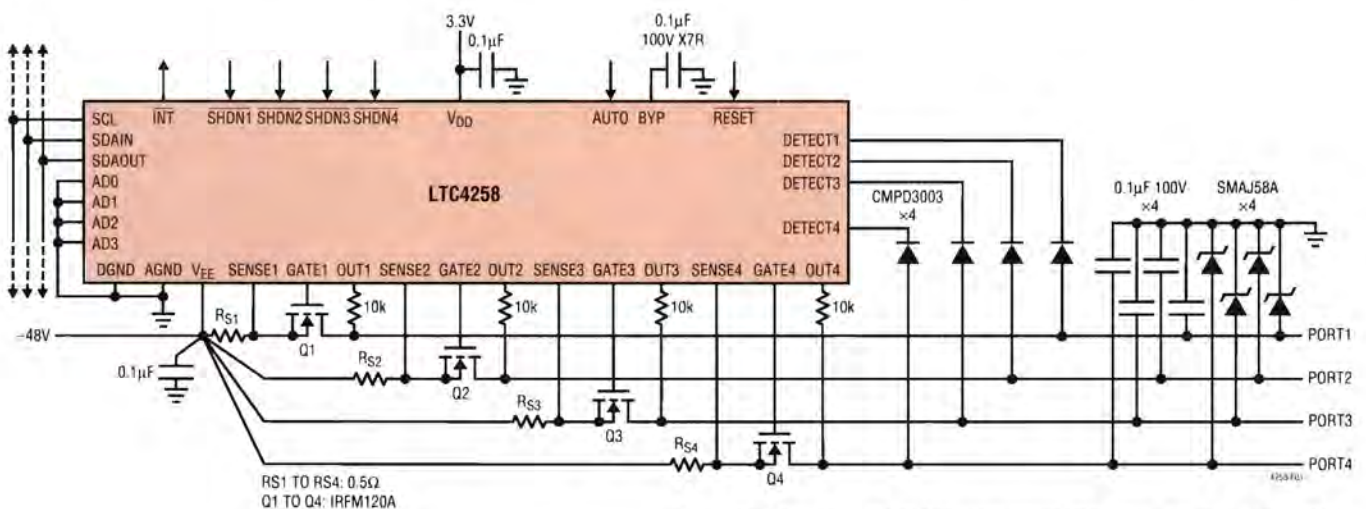


Figure 1a: Basic 802.3af-compliant PSE circuit using LTC4258

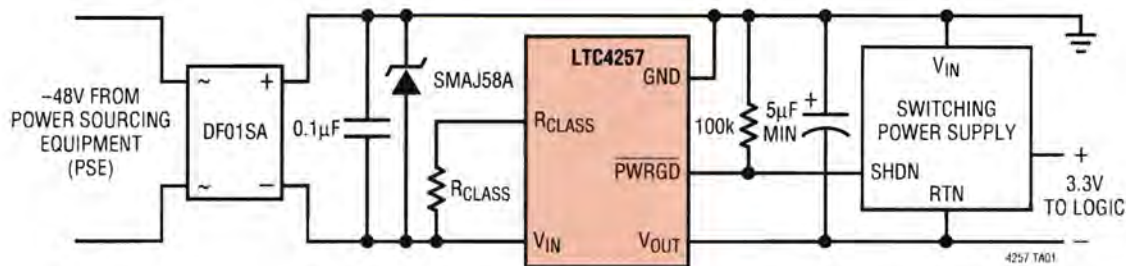


Figure 1b: Basic 802.3af-compliant PD circuit using LTC4257

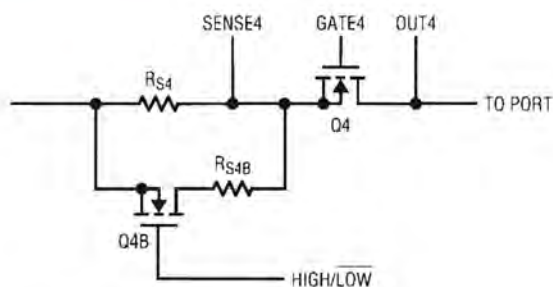


Figure 2a: Dual current high power/802.3af PSE

will coexist with 802.3af devices available today. The ultimate power levels defined by the new standard have not been established, but as of today, it is likely we will see 30W 2-pair systems and 60W 4-pair systems.

The IEEE 802.3at committee has taken on a daunting task to define a world standard that will define a safe, higher-power standard that is backward compatible and interoperable with currently deployed 802.3af equipment. Because of the complexities of writing this specification, we are not likely to see a final specification for 1½ to 2 years from now.

Although typical CAT-5 cabling includes four twisted pairs, the 802.3af standard only allows two pairs to carry current at any given time. One option is to allow additional current down the third and fourth pairs, doubling the available power. A second option is to raise the current limit, allowing more power down the same two pairs. Each of these techniques has appeared in proprietary PoE systems. However, each has

drawbacks, complicating the choice between them.

### Implementing pre-standard high-power PSEs

In the interim, some applications require high power and cannot wait for the new standard. There are several ways to do this. The circuits shown in **Figure 1a** and **1b** are built on the basic 802.3af-compliant PSE circuit using the LTC4258 and the basic PD circuit using the LTC4257, respectively. The LTC4259 can be substituted in the PSE circuit if the application requires AC disconnect; the LTC4267 can be substituted in the PD circuit if the application requires an integrated switching regulator.

The following circuit examples demonstrate several ways that high power operation can be achieved. Note that in some of the following PSE circuits, channel 4 is used to illustrate the circuit changes, but any channel can be used.

#### ▷ Two-pair, high current

The power level can be increased in the PSE simply by changing the value of the sense resistor ( $R_{S1}$  –

$R_{S4}$  in **Figure 2a**).  $R_{S1}$  is set to  $0.5\Omega$  for 802.3af compliance ( $375\text{mA } I_{\text{CUT}}$ ,  $425\text{mA } I_{\text{LIM}}$ ). Cutting the value of  $R_{S1}$  to  $0.25\Omega$ , for example, doubles all the current limits ( $750\text{mA } I_{\text{CUT}}$ ,  $850\text{mA } I_{\text{LIM}}$ ). This doubles the power to the PD when a short cable is used; increased losses in longer cables limit the power delivered to the PD to somewhat less than 2x.

Note that the LTC4258 also uses the sense resistor to detect DC disconnect. Cutting the resistor value to  $0.25\Omega$  will double the DC disconnect threshold, rendering it technically non-compliant. Other 802.3af parameters are not affected: detection and classification will remain compliant, and the AC disconnect threshold (LTC4259 only) is not affected by the sense resistor change. Because the raised DC threshold runs a small risk of disconnecting a very low power 802.3af PD, AC disconnect is recommended for interoperability with 802.3af PDs.

Two other components (per channel) need to be modified to handle the extra current. The MOSFET Q4 will typically need to be replaced with a larger device to tolerate the higher power during current limit. In this application, IRF530-type devices in D<sup>2</sup>PAK packaging are adequate. The PoE data magnetics also need to be specified to carry higher current. Several magnetics vendors have newly released parts with adequate current capability.

By adding two new components, we can switch between 802.3af-compliant operation and high power. In this case,  $R_{S4}$  is set to the original  $0.5\Omega$  value and  $R_{S4B}$  is

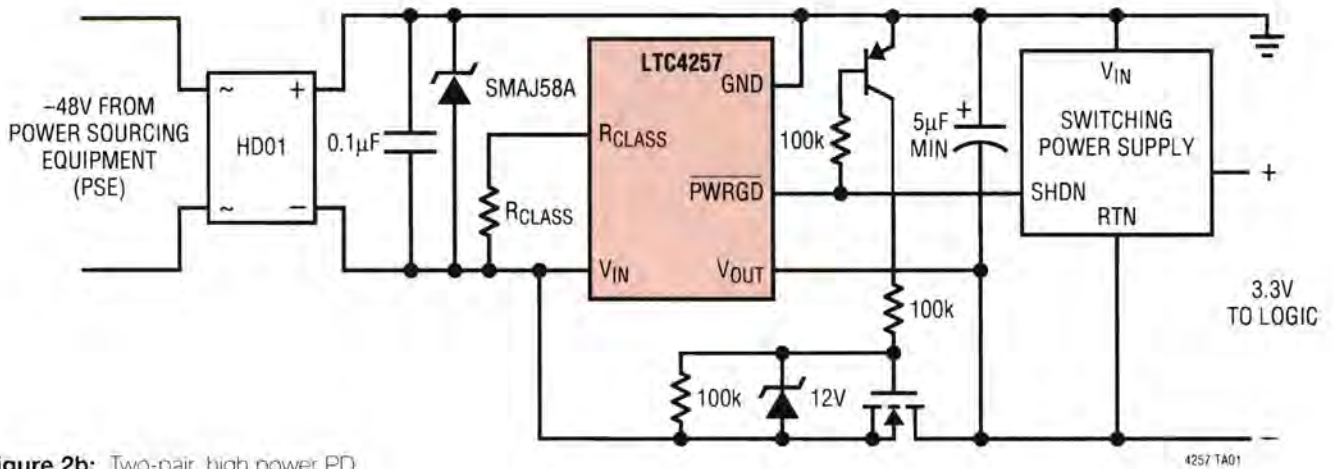


Figure 2b: Two-pair, high power PD

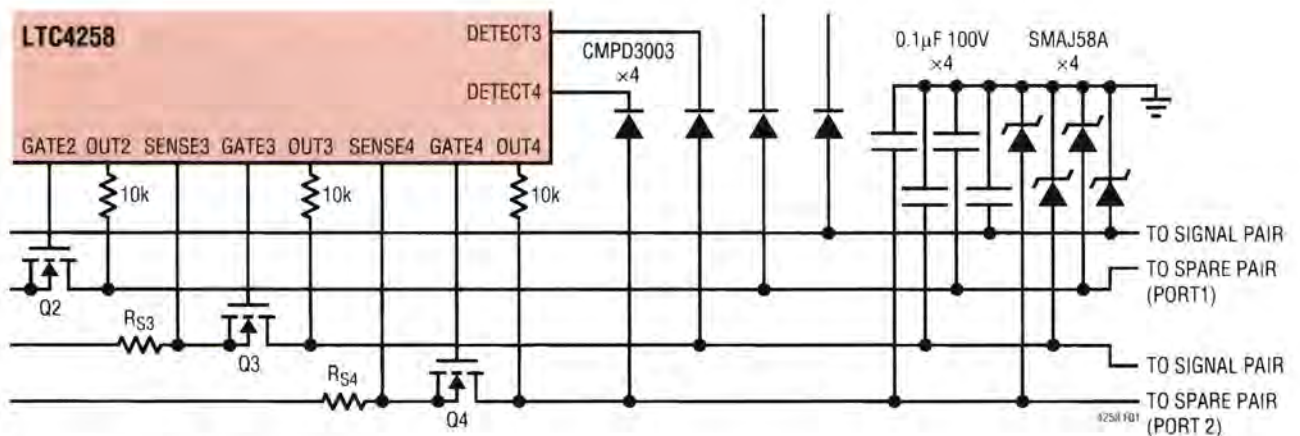


Figure 3a: Four-pair 802.3af power

chosen so that  $R_{S4} \parallel R_{S4B}$  gives the desired higher current level. Setting  $R_{S4B}$  to  $0.5\Omega$  (the same value as  $R_{S4}$ ) sets the high power mode to twice the power level of 802.3af.

When Q4B is off, the port operates in 802.3af-compliant mode. Turning on Q4B switches the port to high current mode. This transition can be made at any time: before detection/classification; after detection/classification, but before port power-up; or after power is applied. Note that Q4B can be a low-voltage Mosfet, since only the drain of Q4 sees the high port voltage. Q4B should be selected for very low on-resistance to prevent inaccuracies in the higher current limit. The IRLML2502 is an example of a suitable device in a SOT-23 package.

The PD modification (Figure 2b) is slightly more complicated since the internal Mosfet is pre-configured for 375mA current limit operation. However, adding an external pass device controlled by the PWRGD pin allows high current operation while maintaining full 802.3af detection and classification signatures and inrush current limiting.

▷ **Four-pair, low current**

An alternate technique to increase the power delivered to the PD is to power all four pairs in the CAT-5 cable. Figure 3a shows a four-pair PSE circuit with standard 802.3af power available on each pair. No changes are required to the sense resistor values.

The bigger change is to the four-pair PD circuit (Figure 3b). Two LTC4257 devices are now required and the power supply circuitry must

be smart enough to limit the current draw from each channel to stay under the 802.3af limits. It can do this by balancing the current drawn from each pair-set, or by drawing power from one pair set until it approaches (but does not exceed) the ICUT limit, then beginning to draw from the other set. This circuitry can be fairly complex and will vary from design to design.

The four-pair technique has the advantage of using all the conductors in the cable, minimising the total cable resistance and the resulting power lost with long cables. Using standard current levels also comes closest to full 802.3af compliance of any of the high power techniques, since either the signal pairs or the spare pairs used alone will be fully compliant. The primary drawbacks are



complexity and expense. The PSE requires two channels of the controller chip per port, halving the effective port density, while the PD requires two controller channels and additional current balancing circuitry to ensure that the current drawn from either pair-set does not exceed the maximum level. In addition, four-pair techniques will not work if only the signal pairs have continuity, as in some CAT-3 building installations.

Because of the cost and complexity penalties of the four pair scheme, two-pair high current is the preferred technique at medium power levels. Four-pair systems are most applicable when the PD power rises above the 35W level.

#### ▷ Four-pair, high current

Combining high current circuitry with four-pair hook-up allows more power down the cable than any other technique. Four-pair high current allows as much as 50W to be delivered to the PD over a 100m CAT-5 cable, more if the cable length is kept short. Although this scheme includes the drawbacks of all of the previous schemes, it is the highest power option available.

Beyond 50W, long cables rapidly approach an 'impedance matched' situation where the cable dissipates more power than it

delivers to the PD. If the length of the cable is kept short, the current level can be further increased, ultimately limited by the RJ45 connector, offset current in the magnetics and the temperature rise in the CAT-5 cable. Extremely high power (>50W) should only be used in systems where the entire solution is specified by the same supplier.

#### Classification: when to apply high power

Notably absent from the above circuits is a method to determine when it is appropriate to apply high power to the line. All of the techniques will successfully power standard 802.3af PDs under normal conditions. The dual-threshold circuits need to have some information from the PD to know when to switch thresholds, and the four-pair schemes need to know when it is appropriate to switch on the second set of conductors. The IEEE 802.3at committee is working to address these issues, but no schemes have yet been finalised. In the interim, ad-hoc solutions are needed to identify high power PDs.

IEEE 802.3af defines an unused class (Class 4) that looks tailor-made for high power, and both the

LTC4258/59 PSE chips and the LTC4257/67 PD chips support Class 4. Unfortunately, a Class 4 PD will be powered with Class 3 current limits if it is plugged into a standard 802.3af PSE, which may cause it to cycle on and off repeatedly if it attempts to draw higher power. Class 4 can be used as a "warning" that a high power PD is connected, but it is advisable to have an additional handshake before higher power is delivered. Ideally, a high power PD should receive some sort of signal from a high-power PSE, acknowledging it is acceptable to operate in a high power mode. If no handshake is received, the PD should give some sort of indication to the user that it is plugged into the wrong kind of PSE.

#### Recommendations

The best technique to use for pre-standard high power depends on the application. At power levels up to 30W, the two-pair high current techniques provide the lowest cost and complexity, and full 802.3af compliance by using the dual-threshold circuit. If maximum power is required (50W or more), the four-pair high current circuit is the best choice.

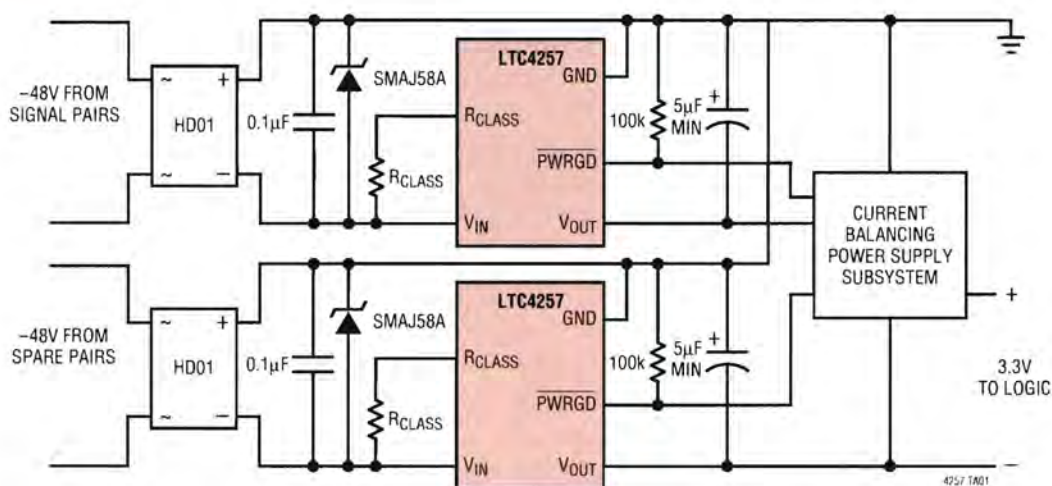


Figure 3b: Four-pair low-current PD

# Enabling the virtual office *ON TRAINS*

In the last few years, wireless technology has become an essential part of our modern lifestyle. From various locations workers are able to access emails, the corporate virtual private network (VPN) and the Internet by simply using a wireless-enabled laptop. But the demand for such access now includes onboard trains.

This is encouraging train operators across the developed world to provide useful, value-added services, which may also bring that extra revenue stream. Train radio is paving the way to new applications. Over the next few years, GSM-R will supersede the old analogue train control radio in many European countries. New communication technologies such as GSM-GPRS, Wi-Fi and WiMax are driving the demand for new trainborne services, with real-time passenger information systems, online video surveillance and train monitoring during operation to be implemented soon.

So, there's a growing need for broadband antennas that can enable broadband wireless connectivity for trains and meet the demands of multi-band systems.

## Public mobile communications

Being almost a perfect Faraday's cage, the railway carriages will block all radio signals from the outside world and vice versa. There is little chance for any mobile communications operator to provide service inside a train without the use of additional RF equipment i.e. radio repeaters. This is especially true for modern trains using metallic windows for the purpose of climatic comfort.

The configuration shown is one of the first around and it is Huber+Suhner's Sencity Rail broadband antenna that supports six technologies in one convenient unit – GSM-R, GSM-P, UMTS, WLAN, WiMAX and GPS. It comprises a set of three repeaters, one for GSM 900, one for GSM1800 and finally one for UMTS. The repeaters and the combiner network are hosted within special equipment rooms inside the carriages. The new antenna connects to the output of the repeater combiner network, which in this case is a triplexer that multiplexes GSM900, GSM1800 and UMTS. The radio signals that are picked up from outside the carriage by the antenna are re-amplified within the repeaters and

**ROBIN GEORGE** – APPLICATION ENGINEER AT HUBER+SUHNER  
HERE DISCUSSES THE RAIL ANTENNA TECHNOLOGIES CURRENTLY AVAILABLE, AS COMMUNICATIONS SHOULD NOT STOP ONCE YOU BOARD A TRAIN

transmitted to either a leaky feeder or directional antennas to provide seamless coverage inside the carriage. The signals received or vice versa, from mobile phones, PDAs or notebooks equipped with GSM-GPRS/EDGE/UMTS cards inside the carriage, are transmitted to the antenna which interfaces to the mobile operator's networks.

Depending on the nature of the train, different configurations of antennas and repeaters may be required. High-speed trains and commuter trains are usually built as a fixed train set, therefore, only one set of RF equipment is required. In this case, RF connectivity between carriages utilises corrugated cables which use special cable protection mechanisms. Other trains may comprise of individually coupled units requiring a repeater system and an external pick-up antenna for each carriage.

## Wi-Fi on trains

In addition to public mobile communication, Wi-Fi service for passengers will enable Internet and e-mail access at reasonable data rates during the journey. In the initial stages, data interchange between the train and "the outside" world will take place in station areas; in the future, it is planned to offer continuous WLAN coverage along tracks, based either on satellite/DVB-T communication or a network deployment along the track.

Equipment configuration will be similar to that shown in **Figure 1**, except that there is an additional communication server which interfaces between the in-train WLAN network and the antenna.

Wi-Fi signals picked up in train stations or – at a later stage along the track – are routed to the mobile communication server inside the carriage. For the purpose of continuous connectivity along the track a GSM GPRS/EDGE modem may be fitted to the communication server, making use of the existing cellular network coverage. Mobile communication and

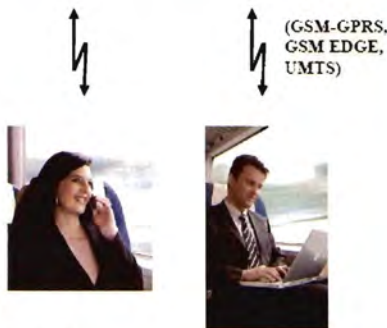
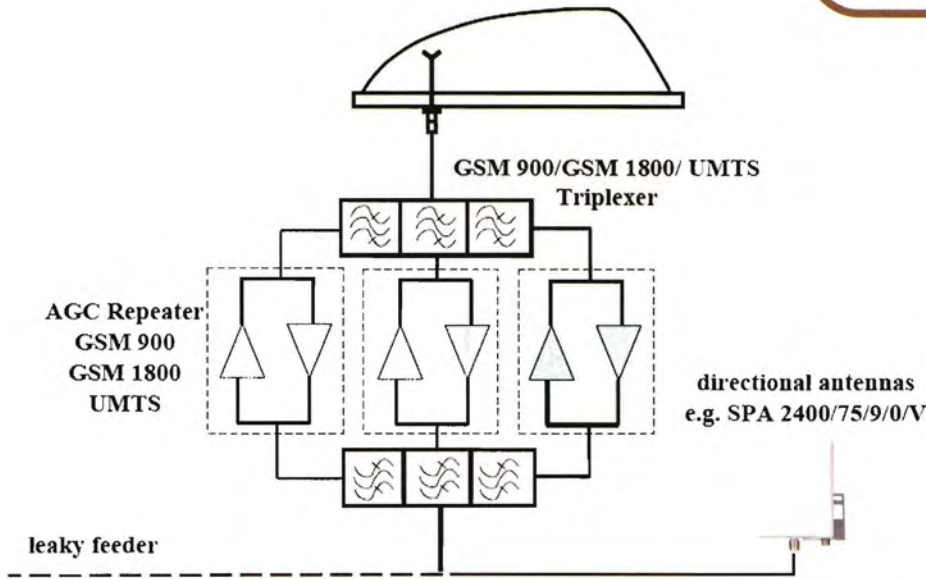


Figure 1: Typical on-train multi-operator/multi-band repeater system

WLAN signals are diplexed to/from the antenna using a WLAN/GSM and UMTS cross-band coupler.

The communication server forms the central unit which connects to a set of access points through Cat-5 type Ethernet cables. The access points provide WLAN coverage inside the carriages, with each access point terminated with either one or two antennas. Propagation measurements inside carriages indicate that diversity does not give additional benefit, therefore, the dual antenna configuration can be used to cover different areas of the train.

Connectivity between carriages is achieved through WLAN bridges using either one of the 802.11b/g (2.4GHz) or 802.11a (5.6GHz) channels. Antennas used for this purpose are the same directional antennas as used for in-carriage coverage, e.g. SPA 2400/75/9/0/V or SPA 5600/60/10/0/V.

**Wireless train monitoring**

With cellular networks currently evolving from purely voice-based services to increased-data applications, Wi-Fi systems set up in station areas, train monitoring during operation becomes a real world application. This provides the possibility to check the operating conditions of engines, bogies, air-conditioning, power units, etc, while the train is out on the track.

Passenger information systems can be updated with brand new information about connecting trains, delays, expected track number for arrival, current location, etc, making a journey more comfortable. All this is possible with the support of GPS, which provides timing and location information.

To perform train diagnosis or provide real-time

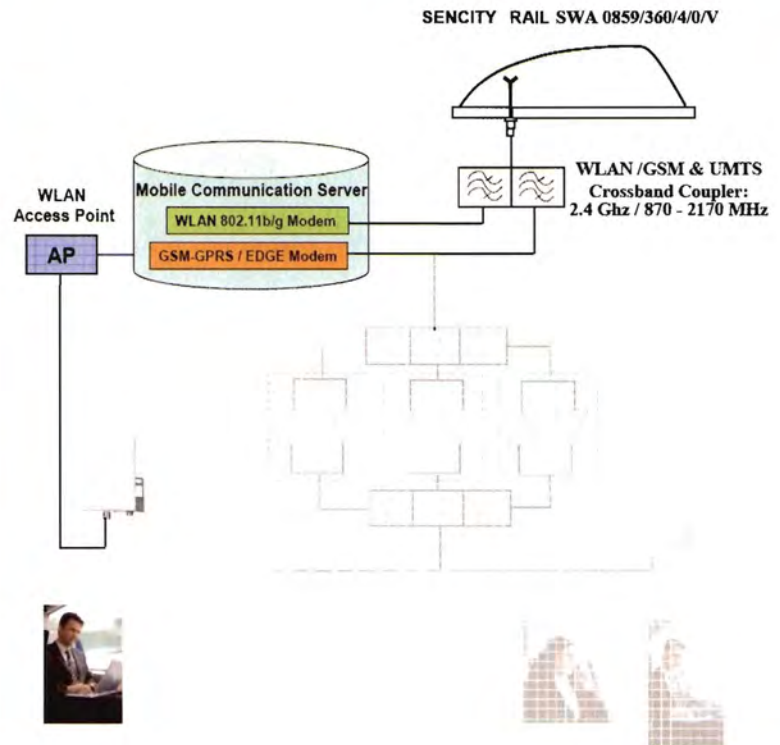
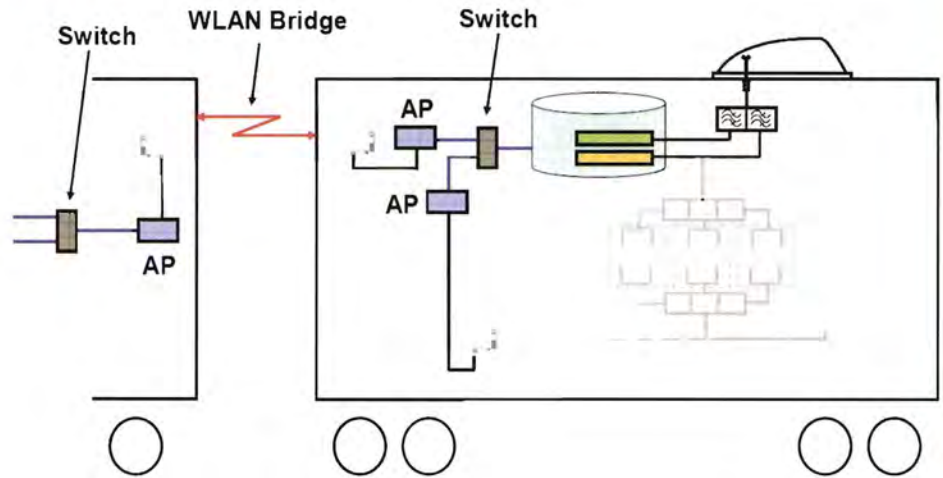
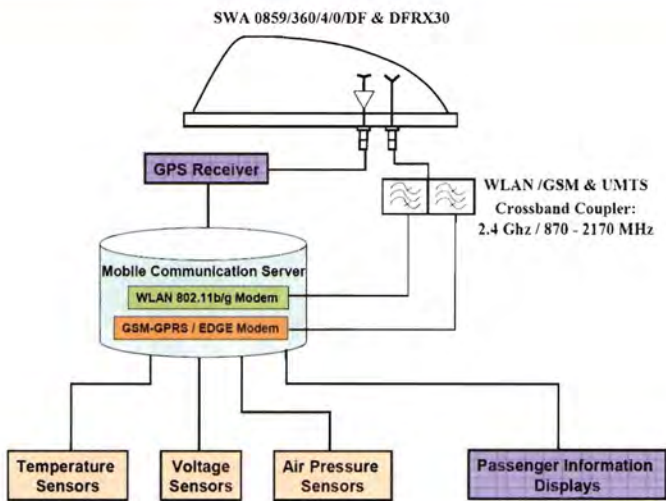


Figure 2: Trainborne Wi-Fi equipment



**Figure 3:** WLAN inter-carriage bridge

passenger information service, public mobile networks and WLAN networks will be used, although the equipment will look different to public mobile and LAN applications. The principle configuration is shown in **Figure 4**.



**Figure 4:** Mobile communication server for train operation using GSM and WLAN data transmission

The Sencity Rail antenna will be connected to the communication server either through GSM-GPRS/EDGE or WLAN. The communication server is the central unit for monitoring and controlling all non-security related, remote trainborne devices. It communicates with the different terminals, sensors, control boards and MMIs onboard the train. All information collected from the remote sensors and terminals will be re-converted to RF and sent back to the train control centres for further processing. The communication server will also handle the passenger information system. As such, it will make use of GPS to provide the passenger information system with exact timing and positioning information.

Security and safety related information will not be handled through this system as it will be exclusively processed by the European Train Control System (ETCS), which utilises a completely different infrastructure based on the GSM-R radio interface.

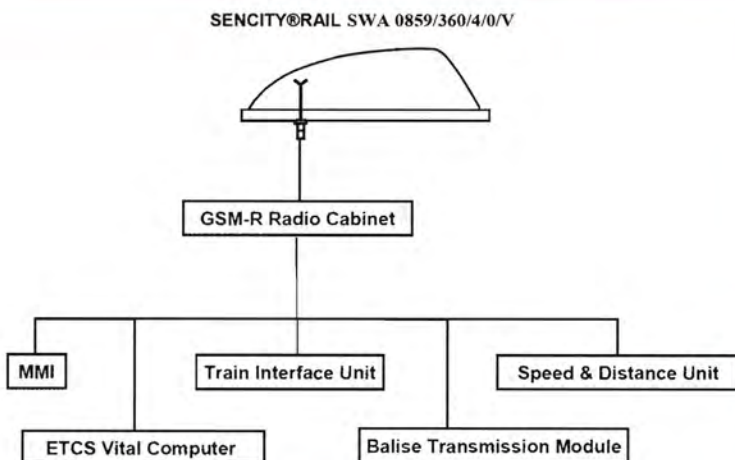
### ETCS and GSM-R

Even though Sencity Rail supports GSM-R, it is not specifically tailored for a single-band application like this. A key advantage of the antenna is its unique broadband design in cases where GSM-R does not play a major role. GSM-R will make use of a completely separate network and will not share equipment with other systems. In fact, a minimum distance plus additional filtering between GSM-R antennas and other rooftop antennas is required for safety reasons.

### Trackside antennas

For public mobile communication, the existing cellular networks are used with special equipment for tunnels. Tunnels for high-speed tracks usually have a relatively large profile and, typically, Yagi-type antennas are used, which combine a small profile and high gain. For railway tunnels that have been built along conventional tracks, leaky feeders provide coverage inside the tunnels.

Wi-Fi hotspots are currently widely deployed in station areas to enable high-speed data interchange with trains that have stopped over. To facilitate Wi-Fi coverage in station areas and along the track, Huber+Suhner offers antenna solutions including



**Figure 5:** Typical application of Sencity Rail for GSM-R (ETCS)

bi-directional trackside antennas. These can be simply fixed to the catenary poles and, as such, do not require any additional masts and groundings.

For comparison, the different wireless services are summarised in **Figure 7**.

### Infrastructure

There are two ways to move data on and off trains: update data or real-time data. The method used depends on the data requirements. Update data is refreshed sporadically and is ideal for news events – relatively small updates are uploaded every 15 minutes to an hour using the wireless LAN links at stations. In addition, a wireless LAN link in the overnight depot would be used to upload large files such as advertising. Real-time data is ideal for Internet surfing, emailing and accessing files from a central server, such as an Office document, for example.

There are three solutions to achieve data transfer with widely varying transfer rates. Firstly, the complete trackside coverage method requires many access points positioned along the track every 10km or so. For example, the London to Edinburgh line would need hundreds of access points, which will lead to a high infrastructure cost.

Secondly, a satellite system offers a fast transfer rate to upload/download large quantities of data. However, latency issues can provide annoying delays as data is bounced up to and down from the satellite. In addition, a major physical problem exists as satellite transfer requires a clear line-of-sight. Getting information onto a train has always been difficult as satellites are positioned near the horizon and many obstacles can obscure them such as cuttings, tunnels, trees and buildings. There are still a few technical issues to resolve to receive satellite on trains, including needing a specialist antenna and losing satellite lock. Finally, a UMTS or GPRS (GSM network) system can be used for limited amount of data, but tends to be slow. The GSM network is already installed, but coverage tends to be poor at the trackside, so requires some infill using additional basestations. While UMTS data rates are faster, it is still not good enough.

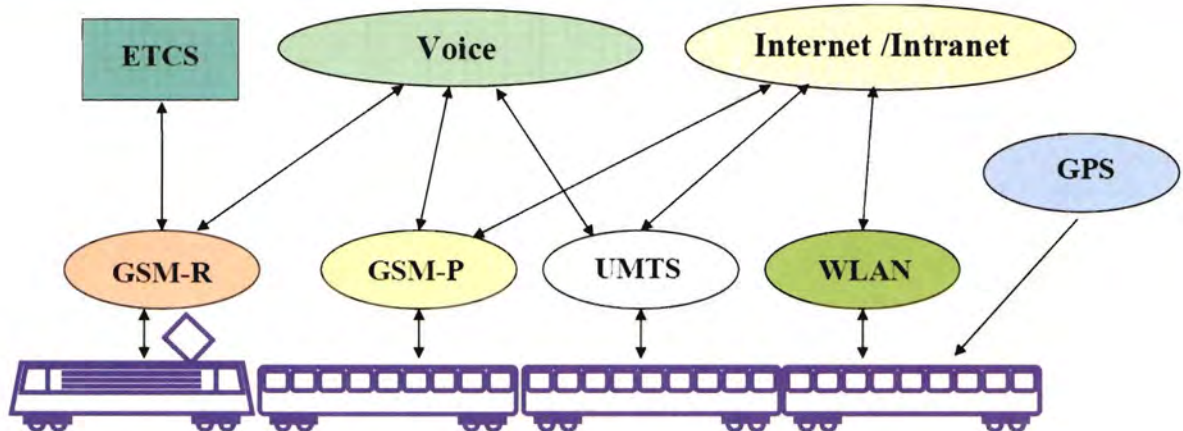
There are various antenna options available on the market for rail operators to choose, however, they only focus on an individual network. The best antennas can select the most effective network for that part of the track as the train moves along it.

### Design challenge

The 6-in-1 antenna has been a difficult design to achieve for Huber+Suhner's development team, which took two years to develop from initial concept through to fully approved unit. An important requirement was the need to maximise performance across the full bandwidth. Also, it had to be a design that can be



**Figure 6:** WLAN trackside antenna



**Figure 7:** Wireless access for trainborne applications

produced in large quantities, something that takes skill and industry experience, as well as meeting the stringent rail requirements (e.g. waterproof on high-speed trains). As a flexible broadband device, the final solution is something that can be used across the globe.

At the start of the development process, the requirements from rail customers were initially for specific frequencies. Interest from one customer was for an antenna to cover the cellular bands, whilst another wanted to use the 2.4GHz Wi-Fi frequency and then to migrate to 5.8GHz. Rather than building one antenna to do half the job, Huber+Suhner built one that enables customers to select which network to use now, with built-in future-proofing to upgrade later.

### Benefits

The benefits of a 6-in-1 system generally depend on the type of application. However, there are a number of common advantages around the physical installation. For example, one antenna covers a number of systems and, as there is very limited roof space, it is difficult to mount multiple roof antennas. Then, the solution will be lower cost, as there are fewer holes to drill in the roof. More importantly, it is much quicker to install than individual antennas – as a train is typically only available overnight for fitting, it can usually be done in one or two nights. Operators don't want the taken train out of service, so if an installation is going to take several days, it has to be done overnight, and this can take 8-10 nights, as the train has to be returned to a usable state each morning.

Upgradeability is important for the rail operator to ensure it keeps its options open. It may not be using all networks at the moment, i.e. not using the antenna to its full capacity, however, in future, if it wants to take advantage of latest technology they can simply plug in new hardware. For example, to move from UMTS/GSM to a 5GHz Wi-Fi system would require a triplexer and a 5GHz access point put in the server rack and plugged in. This is much cheaper and easier to upgrade as, rather than going onto the roof, it is a simple add-on in

the server cupboard.

The 6-in-1 design means long cables don't have to be run around the carriage to the separate antennas, which increases loss in the system and degrades performance. Also, maintenance is easier and cheaper – contaminants, especially brake dust, can build up on the antenna dome, which may eventually require a change over. Clearly, changing one antenna rather than four is significantly more cost-effective.

### The Future

Next generation systems are moving away from solely broadband networks. Omni- and higher gain antennas are focused on WLAN and, eventually, WiMax systems. The aim is to reduce the number of access points over longer distances and, hence, reduce cost and increase roll-out. Improvements to wireless omni-antennas mean a more controlled radiation pattern to optimise performance.

The 6-in-1 rail antenna design is a leading-edge system, with significant R&D behind it, ready to take advantage of the latest networks to deliver great benefits to rail passengers today. It is now just a question of when a widespread roll-out will begin.

The rail operators will ultimately dictate the take-up. One of the major growth areas will be in off-the-shelf products that combine UMTS/GSM/WLAN access. For example, already available are mobile access routers that automatically select the best network to fit the criteria – i.e. at night it selects UMTS and during peak commuter use it may switch to satellite.

In the long term, we will see migration to more integrated networks and trains/passengers will simply log on to whichever is most appropriate. This seems the most sensible approach and is certainly a better roll-out technically.

In addition, it is a lower cost solution as it doesn't require dedicated networks. Switching between systems is not a new concept, commuters already have laptops that use a GSM card outdoors and then enable a switch to WLAN in airports/hotels wireless hotspots.



# PCBTrain

## PTH PCBs with solder resist and legend from just £30.00 lot price.

Deliveries from

**24** Hrs

Visit [WWW.pcbtrain.com](http://WWW.pcbtrain.com)  
for full details.

- ▲ NEWBURY ELECTRONICS, the home of PCBTrain, the UK market leader for low-cost prototype PCBs
- ▲ Exclusive UK representatives for Circuit Mission Ltd (China) - manufacturers of low-cost high quality rigid PCBs
- ▲ Exclusive UK representatives for Sunflex Ltd (Taiwan & China) - manufacturers of flexible circuits



+44 (0) 1635 40347

**NEWBURY ELECTRONICS LTD**

**Faraday Road Newbury Berkshire RG14 2AD UK**

# CCII-based universal current-mode filter employing grounded passive components only

Second generation current conveyors (CCII) are widely used in the realisation of the circuits such as filters, oscillators and simulated inductors because CCII are functionally flexible and versatile.

Moreover, current-mode operations have greater linearity, lower power consumption, wider bandwidth and larger dynamic range than their voltage mode counterparts. Grounded passive elements, especially grounded capacitors, are essential for integrated circuit (IC) process and matching is usually not desired condition in IC realisation.

Several current-mode filters have been realised by applying various circuit transformation rules on the operational amplifier based filters. Some papers have reported active RC current-mode filters using current feedback operational amplifiers. In books, quite a great number of circuits based on current conveyors have been devoted to realise universal second-order current-mode filters.

In this study, a universal current-mode cascaded analogue filter for simultaneously realising low-pass, band-pass and high-pass characteristics is proposed. This filter can also realise notch and all-pass characteristics with interconnection of the relevant output currents. The introduced filter employs five one output CCII (three port CCII), three of them are plus-type CCII (CCII+) and the other two are minus-type CCII (CCII-), thus it is easy to construct the proposed filter with commercially available active devices (AD844s).

The filter does not require active and passive element matching for realising low-pass, band-pass and high-pass responses, and employs only grounded passive elements, thus it is very easy to implement this filter in IC implementation. This filter needs no additional active and passive components to give high output impedance responses. Nevertheless, the introduced filter requires passive component matching for the notch and all-pass responses. All of the active and passive element sensitivities of the proposed filter do not exceed unity. The parameters, angular resonance frequency ( $\omega_0$ ) and quality factor ( $Q$ ) of the proposed filter can be adjusted arbitrarily.

In other words, the proposed filter offers orthogonal control of  $\omega_0$  and  $Q$ . Both of the time and frequency domain analysis of the introduced filter using SPICE program is given to exhibit the performance of the filter and to verify the theory.

CCII is a three-port active device; the port voltage and current relations are represented by the following matrix equation:

$$\begin{bmatrix} I_z \\ V_x \\ I_y \end{bmatrix} = \begin{bmatrix} \pm \alpha & 0 & 0 \\ 0 & \beta & 0 \\ 0 & 0 & 0 \end{bmatrix} \begin{bmatrix} I_x \\ V_y \\ V_z \end{bmatrix}$$

Here,  $\alpha$  and  $\beta$  are the frequency dependent non-ideal current and voltage gains, respectively. These gains are all ideally equal to unity. The sign of  $\alpha$  represents the type of the CCII i.e.  $+\alpha$  means plus-type CCII (CCII+) and  $-\alpha$  means minus-type CCII (CCII-). Current convention is such that all currents flow into the CCII.

Routine analysis of the circuit in **Figure 1** gives the following filter transfer functions (TFs) in **Equation 2**:

$$\frac{I_{LP}}{I_m} = K_1 \frac{\omega_0^2}{D(s)}$$

$$\frac{I_{BP}}{I_m} = -K_2 \frac{s \left( \frac{\omega_0}{Q} \right)}{D(s)}$$

$$\frac{I_{HP}}{I_m} = K_3 \frac{s^2}{D(s)}$$

where the denominator  $D(s)$ , gains  $K_1$ ,  $K_2$  and  $K_3$ , parameters  $\omega_0$  and  $Q$  are found to be in **Equation 3**:

$$D(s) = s^2 + s \left( \frac{\omega_0}{Q} \right) + \omega_0^2$$

$$K_1 = \frac{R_3}{R_5}$$

$$K_2 = \frac{R_1}{R_4}$$

$$K_3 = \frac{C_3}{C_1}$$

$$\omega_0 = \sqrt{\frac{1}{C_1 C_2 R_2 R_3}}$$

$$Q = R_1 \sqrt{\frac{C_1}{C_2 R_2 R_3}}$$



Interconnection of the relevant output currents with  $K_1 = K_2 = K_3$ , notch response ( $I_{NH} = I_{LP} + I_{HP}$ ) and all-pass response ( $I_{AP} = I_{LP} + I_{BP} + I_{HP}$ ) can also be obtained.

Both of the parameters  $\omega_0$  and  $Q$  can be selected arbitrarily without disturbing the other parameter by choosing suitable passive components.

All of the active and passive element sensitivities of and  $Q$  are no more than unity in magnitudes.

If non-ideal gains are considered, the filter TFs in Equation 2 and  $D(s)$  in Equation 3 convert to Equation 4:

$$\frac{I_{LP}}{I_{in}} = K_1 \frac{\omega_0^2 \alpha_5 \beta_5}{D(s)}$$

$$\frac{I_{BP}}{I_{in}} = -K_2 \frac{s \left( \frac{\omega_0}{Q} \right) \alpha_1 \beta_1}{D(s)}$$

$$\frac{I_{HP}}{I_{in}} = K_3 \frac{s^2 \alpha_4 \beta_4}{D(s)}$$

$$D(s) = s^2 + s \left( \frac{\omega_0}{Q} \right) + \omega_0^2 \alpha_2 \alpha_3 \beta_2 \beta_3$$

It can be seen from Equation 4 that non-ideal current gains in each term of the TFs of the proposed filter are in the form of multipliers so gain-variable current conveyors can be replaced instead of the CCIIs to

change the coefficients of the filter TFs or to compensate the errors in the values of the current gains  $\alpha_i$  ( $i=1, 2, 3, 4, 5$ ).

On the other hand, the CCII- implementation using two CCII+s is shown in Figure 2.

### Simulations

The filter in Figure 1 is simulated by using AD844s with DC power supply voltages equal to  $\pm 15$  V. The CCII+ and CCII- are constructed using one and two AD844s, respectively. Moreover, the following passive element values are selected in simulations:  $R_1 = R_2 = R_3 = R_4 = R_5 = 1k\Omega$  and  $C_1 = C_2 = C_3 = 1nF$ . Also, the parameters  $Q$  and  $f_0$  are calculated as 1 and 159.15kHz, respectively.

Both of the ideal (theoretical) and simulated low-pass, band-pass and high-pass responses of the filter are depicted in Figure 3.

To exhibit the time domain performance of the filter depicted in Figure 1. Both of the theoretical and simulated time domain responses are shown in Figure 4 in which 0.1mA peak sinusoidal input currents at 159.15kHz are applied to both ideal and proposed filters.

It is observed from Figures 3 and 4 that the simulation results agree with the theoretical ones. However, the difference between ideal and simulated responses mainly stems from the parasitic and non-ideal current and voltage gains of the CCIIIs.

### Erkan Yuce

Electrical and Electronic Engineering Department,  
Bogazici University,  
Bebek-Istanbul, Turkey

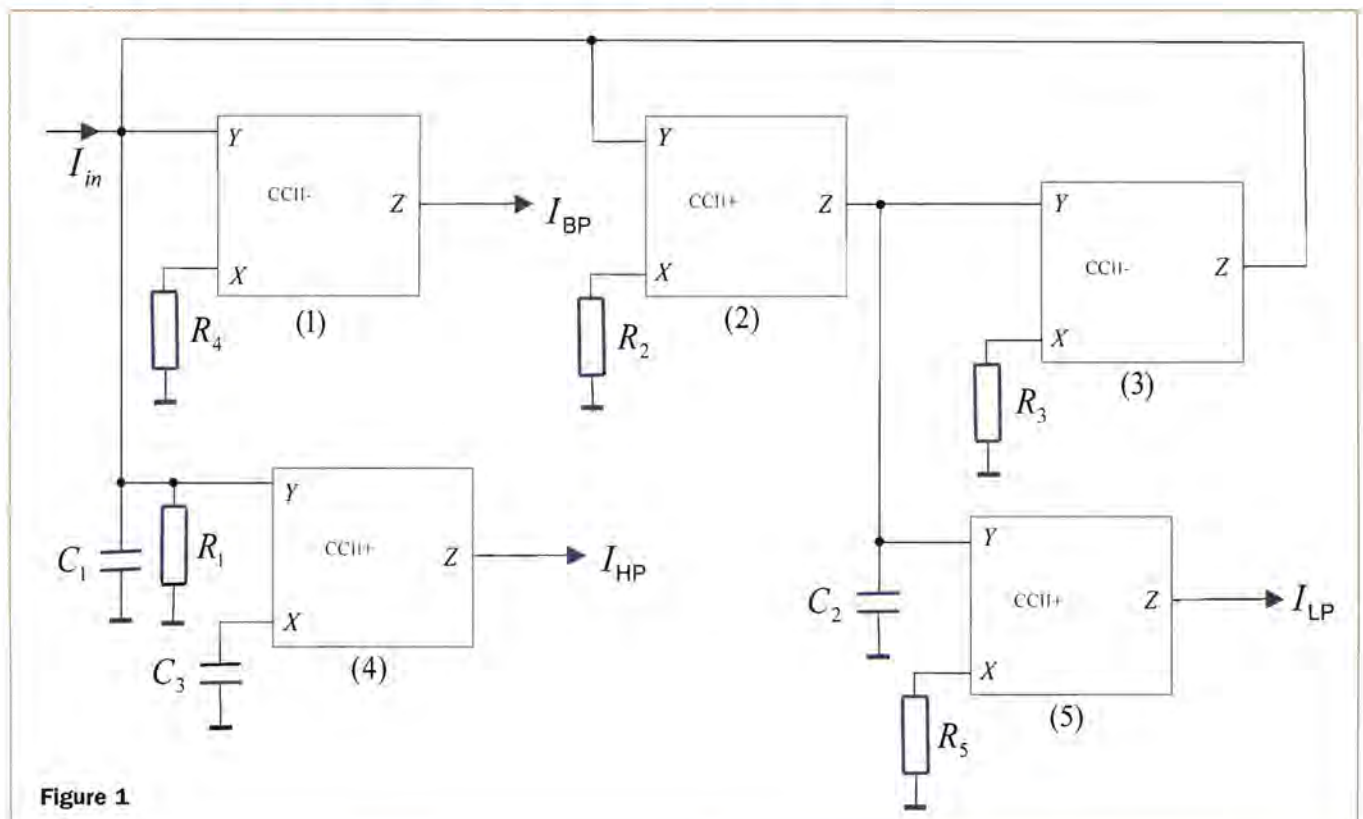


Figure 1

Figure 2

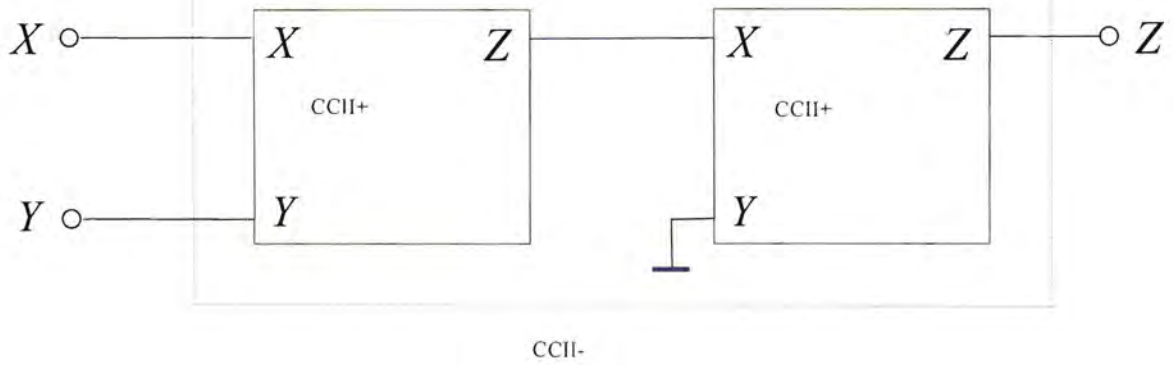


Figure 3

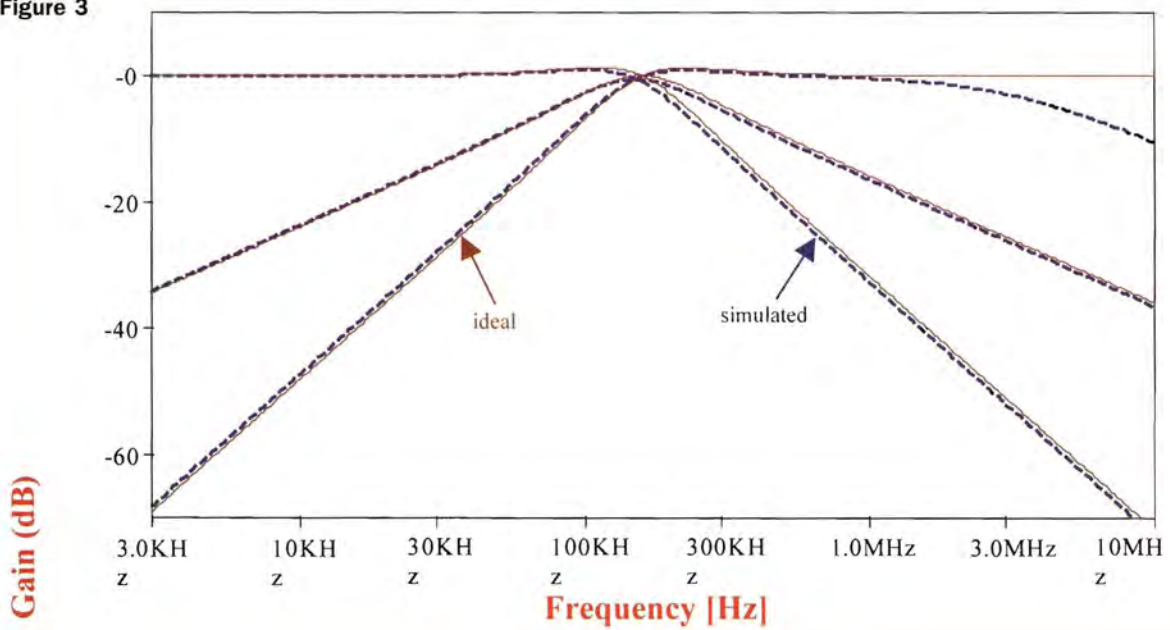
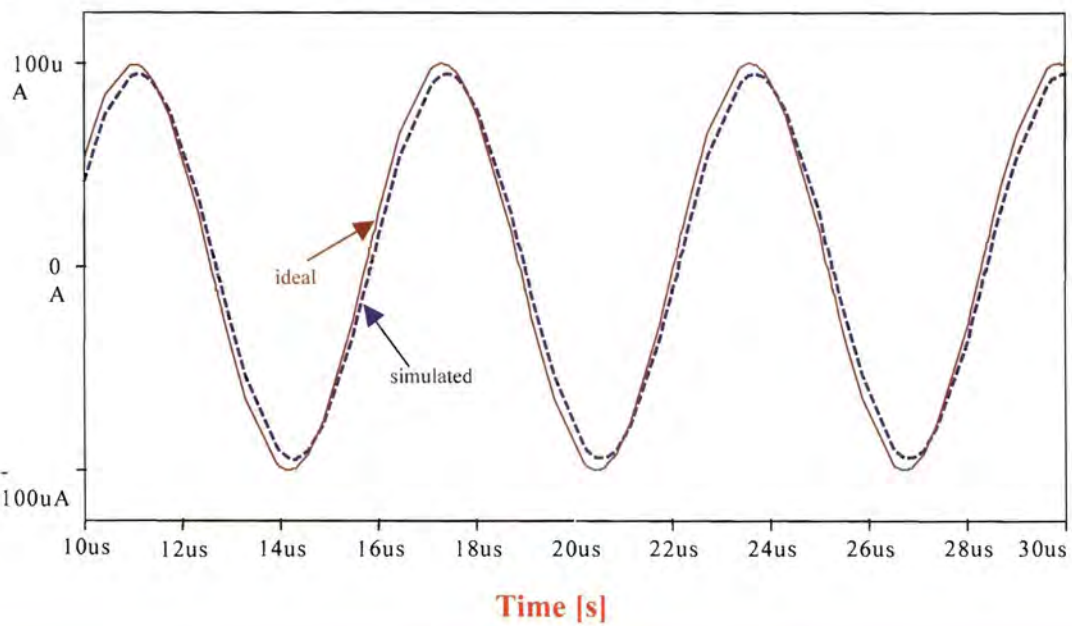
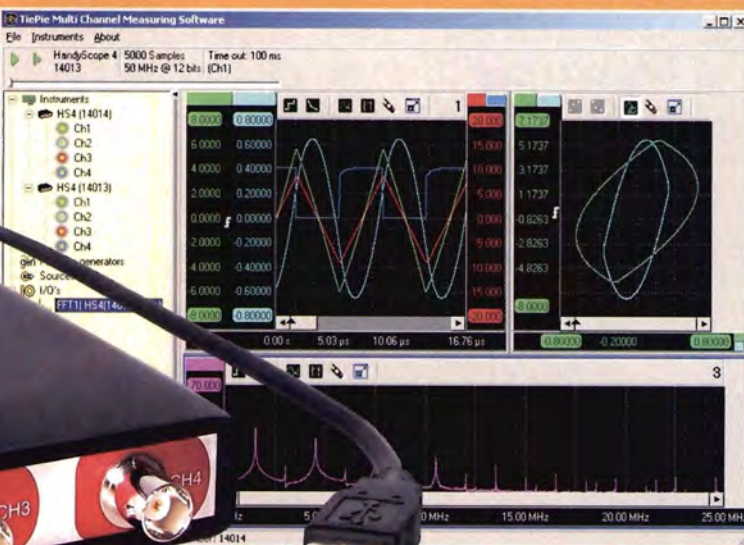


Figure 4

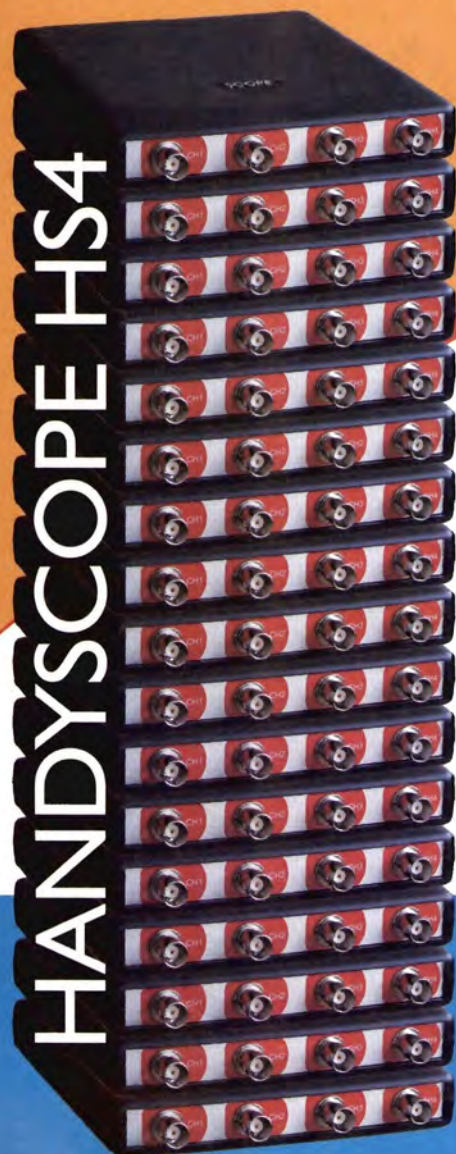


## Four channels not enough



## 512 CHANNELS IS THE LIMIT COMPLETE PACKAGE STARTING AT £ 440

The Handyscope HS4 (50MHz 12/14/16 bit) is a powerful and versatile four channel measuring instrument with extension



The Handyscope HS4 starts a new standard for multi channel measuring.

It offers perfect measure qualities and through the USB connection it is easy to connect to every PC. Because of the very versatile software it becomes simple to extend the instrument to 512 channels.

A four channel, 12-16 bit oscilloscope, spectrum analyzer, transient recorder and voltmeter created as a most compact instrument.

- Making virtual instruments (combine maximum of 128 instruments)
- Extension to maximum of 512 channels.
- USB 2.0 connection (USB 1.1 compatible)
- Sample speed up to 50 MHz per channel
- 12 to 16 bit resolution (6  $\mu$ Volt resolution)
- 25 MHz bandwidth
- Input sensitivity from 200 mV up to 80 Volt
- Large memory up to 131060 samples per channel
- Four integrated measuring devices
- Spectrum analyzer with a dynamic range of 95 dB
- Fast transient recorder up to 100 kHz
- Several trigger features
- Auto start/stop triggering
- Auto disk function up to 1000 files
- Auto setup for amplitude axis and time base
- Auto trigger level and hysteresis setting
- Cursor measurements with setup read-outs
- Multi window signal display
- Multi channel display

for more information, demo software, software, source code and DLL's visit our internet page: <http://www.tiepie.nl>



TiePie engineering (NL)  
Koperislagersstraat 37  
8601 WL SNEEK  
The Netherlands  
Tel: +31 515 415 416  
Fax: +31 515 418 819

TiePie engineering (UK)  
28, Stephenson Road, St. Ives  
Cambridgeshire, PE17 3WJ, UK  
Tel: 01480 - 300695  
Fax: 01480 - 461654

# Power Divider Rule

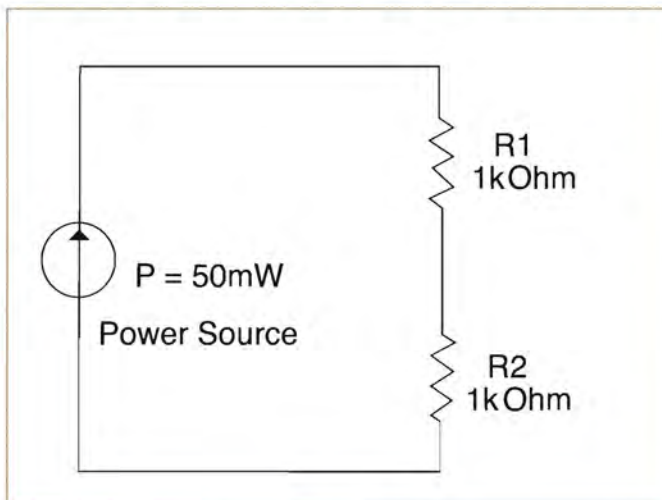
Generally, the Electrical Engineering studies have current and voltage divider formulae for circuit analysis and, also, some general formulae for power. But there is no specific formula for power such as current divider or voltage divider rule. This thought helped me to come up with the 'Power Divider Rule', which stipulates that: "The total dissipated power is equal to the total supplied power regardless of circuit configuration."

On the other hand, Norton and Thevenin had their own

way to measure the amount of current flow through any resistor. Although their way is different, their intention is the same. Hence, I came up with my way of finding the amount of power in any circuits.

It should be noted that the total power used by either circuit is the sum of its individual resistors' powers. Therefore, it is clearly proved that: "The total dissipated power is equal to the total supplied power regardless of circuit configuration."

**Nachimani Charde**  
Malaysia



### Series circuit analysis:

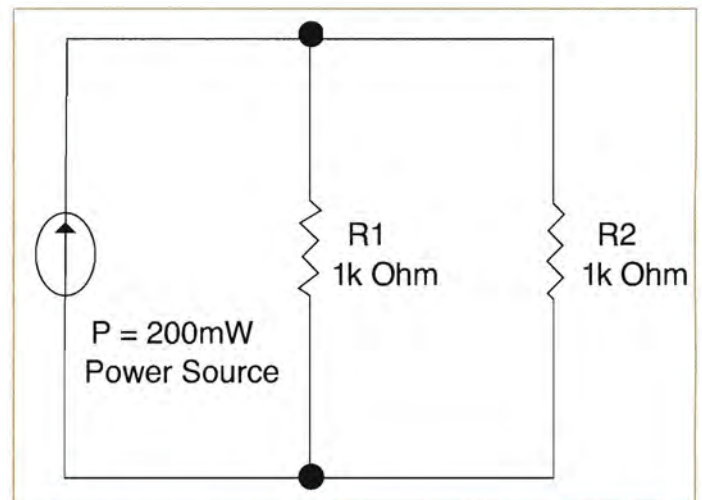
- 1) Power across Resistor 1

$$P_{R1} = \frac{P * R1}{R1 + R2} = \frac{50m * 1k}{1k + 1k} = 25mW$$

- 2) Power across Resistor 2

$$P_{R2} = \frac{P * R2}{R1 + R2} = \frac{50m * 1k}{1k + 1k} = 25mW$$

- 3) Total Power:  $P = P_{R1} + P_{R2}$   
 $= 25mW + 25mW$   
 $= 50mW$



### Parallel circuit analysis:

- 1) Power across Resistor 1

$$P_{R1} = \frac{P * R1}{R1 + R2} = \frac{200m * 1k}{1k + 1k} = 200mW$$

- 2) Power across Resistor 2

$$P_{R2} = \frac{P * R2}{R1 + R2} = \frac{200m * 1k}{1k + 1k} = 200mW$$

- 3) Total Power:  $P = P_{R1} + P_{R2}$   
 $= 100mW + 100mW$   
 $= 200mW$

**HAMMOND**  
**MANUFACTURING™**

Die-cast aluminium,  
metal and plastic  
enclosures  
+ 44 (0)1256 812812  
sales@hammond-  
electronics.co.uk



[www.hammondmfg.com](http://www.hammondmfg.com)



# Radio Modules/Modems

## www.radiotelemetry.co.uk

Radio Modules/Modems

- Range 100m to 20Km
- Data rates from 10Kbps to 1 Mbps
- RS232/485, MODBUS/TCP. Video
- Visit Us Today On...  
www.radiotelemetry.co.uk  
<http://www.radiotelemetry.co.uk>



**Warwick Wireless Limited** . The Manor . Aston Flamville . Leicestershire . LE10 3AQ

Tel : +44 (0) 1455 233616 . Fax : +44 (0) 1455 233 179 . Email : sales@radiotelemetry.co.uk

# Telnet

## Quality second-user test & measurement equipment

Tel: 02476 650 702 Fax: 02476 650 773

Web: www.telnet.uk.com Email: sales@telnet.uk.com

All equipment is used - with 30 days guarantee and 90 days in some cases. Add carriage and VAT to all goods.  
1 Stoney Court, Hotchkiss Way, Binley Industrial Estate Coventry CV3 2RL ENGLAND

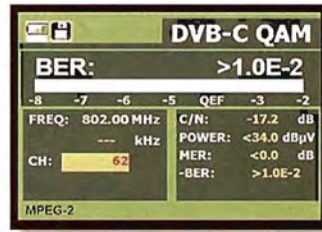
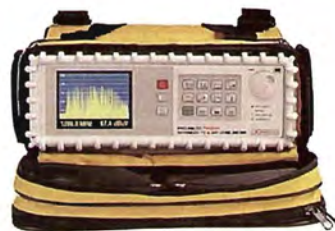
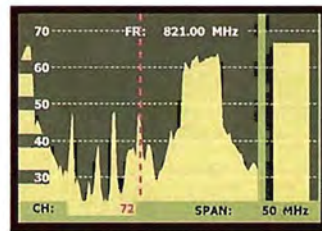
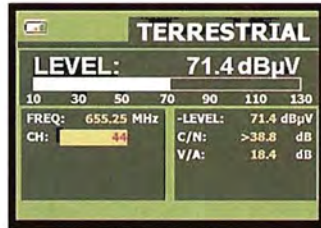
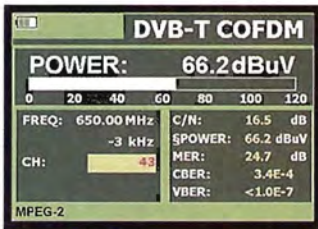
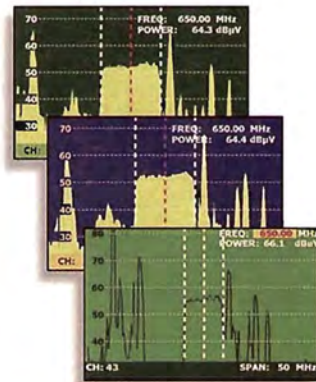
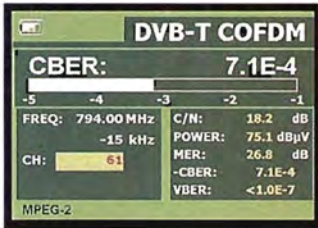


Acacia Clarinet Protocol An/ Simulator & Conform. Tester E1/T1 (as new)	£450	Agilent (HP) 8924C CDMA Mobile Station Test Set	£6000	IFR 6203 Microwave Test Set (26.5GHz)	£9500
Aethra ISDN Tester D2000 (as new)	£450	Agilent (HP) E8285C CDMA Mobile Station Test Set	£6000	Lectro 140 Scopestation 100MHz-4 Channel	£800
Agilent (HP) 4354B, 436A, 4637B, 438A Power Meters from	£100	Agilent (HP) 54520A 500MHz-2 Channel Oscilloscope	£1000	Rohde & Schwarz SMY01 9kHz-1040 MHz Signal Generator	£1750
Agilent (HP) 3561A Dynamic Signal Analyser	£2950	Agilent (HP) 54645D 100MHz Mixed Signal Oscilloscope	£3000	Rohde & Schwarz CMD 57 Digital Radio Comms Test Set	£4250
Agilent (HP) 3562A Dual Ch. Dynamic Sig. Analyser	£3000	Agilent (HP) 8713B 300kHz-3GHz Network Analyser	£4500	Rohde & Schwarz XSRM Rubidium Frequency Standard	£3750
Agilent (HP) 3582A Spectrum Analyser Dual Channel	£1200	Agilent (HP) 8566B 100Hz-22GHz High Perf. Spec. An.	£7000	Rohde & Schwarz CMD 80 Digital Radio Comms Test Set	£3500
Agilent (HP) 3585A and B Spec. An. (40MHz) from	£2950	Agilent (HP) 8592B 9kHz-22GHz Spectrum Analyser	£7500	R&S SMO-03B Vector Sig. Gen. (3 GHz)	£7000
Agilent (HP) 35660A Dynamic Sig. An	£2950	Agilent (HP) 8662A High Perf. Sig. Gen. 10kHz-1280MHz	£2750	R&S SMG (0.1-1 GHz) Sig. Gen.	£1750
Agilent (HP) 4191A RFV Impedance analyzer (1 GHz)	£2995	Agilent (HP) 8595E Spec. Analyser 9kHz-6.5GHz with T/Gen+ other opts	£6000	Seaward PAT 1000S PAT Tester (New in box) was £945 now	£550
Agilent (HP) 4192A L/F Impedance Analyser (13MHz)	£4000	Agilent (HP) E4418B series Power Meter - single channel	£1500	Solartron 1250 Frequency Response Analyser	£2500
Agilent (HP) 4193A Vector Impedance Meter	£2750	Agilent (HP) E9300A EPM series sensor for above (18GHz-100mW)	£750	Schlumberger Stablock 4032.2.3 GHz Radio Test Set	£2750
Agilent (HP) 4274A LCR Meter	£1750	Agilent (HP) 8648C Single Generator (100kHz-3.2GHz)	£4000	Tektronix TH 720A 100MHz-2 Channel Hand-held Oscilloscope	£1250
Agilent (HP) 4275A LCR Meter	£2750	Agilent (HP) 34401A 6.5 Digi Bench DMM	£550	Tektronix TDS 3064B 600MHz-4 channel (NEW)- new price £8190 now..	£5500
Agilent (HP) 4276A LCR Meter	£1400	Agilent (HP) 4194A (50 ohm) Impedance/Gain Phase Analyser	£10750	Tektronix 2710 Spec. An. 9kHz-1.8GHz	£2700
Agilent (HP) 4278A Capacitance Meter (1kHz/1MHz)	£2950	Agilent (HP) 5350B Microwave Frequency Counter (20 GHz)	£1200	Tektronix 2711 Spec. An. 9kHz-1.8GHz	£3750
Agilent (HP) 5342A Frequency Counter (18GHz)	£950	Agilent (HP) 5343a Frequency Counter (26.5 GHz)	£1400	Tektronix TDS 784D Oscilloscope (Dig. Phosphor) 1GHz 4Gs/s	£8500
Agilent (HP) 5351B Frequency Counter (26.5GHz)	£2750	Agilent (HP) 54845A 1.5 GHz-4 channel (as new)	£7500	Tektronix TDS 220 100MHz-2 Channel Real Time Scope	£650
Agilent (HP) 5352B Frequency Counter (40GHz)	£4950	Amplifier Research 10W/1000B Power Amplifier (1 GHz)	£4700	Tektronix TDS 524A 500MHz-500Ms/s 2 Channel scope	£3000
Agilent (HP) 53310A Mod. Domain An (opt 1/31)	£3450	Anritsu ML 2438A Power Meter	£1400	Tektronix TDS 724A 500MHz-1Gs/s 2+2 channels	£3250
Agilent (HP) 8116A Function Gen. (50MHz)	£1750	Anritsu Stemaster S251B (625 to 2500MHz) (as new)	£4500	Tektronix 2465B 400MHz-4 Channel scope	£1000
Agilent (HP) 8349B (2-20GHz) Amplifier	£1950	Anritsu Stemaster S331A (25 to 3300MHz)	£2200	Tektronix 11402 (Digitalizing Mainframe)+11A33/34 plug-ins	£1650
Agilent (HP) 8350B Mainframe sweeper (plug-ins avail)	£750	Anritsu Stemaster S331B (25 to 3300MHz)	£3250	Tektronix 571 Curve Tracer	£1250
Agilent (HP) 85024A High Frequency Probe	£1000	ENI 320L Power Amplifier (250kHz-110MHz) 20 Watts 50dB	£1200	W&G PFJ 8 Error & Jitter Test Set	£6500
Agilent (HP) 8594E Spec. An. (2.9GHz) opt 41, 101, 105, 130)	£3995	Fuke 123 Scopemeter with SCC120E Case etc. (as new)	£750	Wayne Kerr 3260A+3265A Precision Mag. An. with Bias Unit	£5500
Agilent (HP) 8596E Spec. An. (12.8 GHz) opt various	£8000	Fuke 'One Touch' Series II Network Assistant (as new)	£750	Wayne Kerr 3245 Precision Ind. Analyser	£1750
Agilent (HP) 89410A Vector Sig. An. Dc to 10MHz	£7500	IFR 123 Scopemeter with SCC120E Case etc. (as new)	£750	Wayne Kerr 6425 Precision Component Analyser	£2000
Agilent (HP) 89440A Vector Signal Analyser 2MHz-1.8GHz	£8950	IFR (Marconi) 2398 Spec. An. 9kHz-2.7GHz	£3400	Wavetek 9100 Universal Calibrator (Opts 100/250)	£9000
Agilent (HP) 6031A Power Supply (20V-120A)	£1250	IFR (Marconi) 2051 10kHz-2.7GHz Sig. Gen	£5000	W&G PFJ 8 Error and Jitter Test Set	£6500
Agilent (HP) 33120A Function/Arbitrary Waveform Generator 15MHz	£950	IFR (Marconi) 2051 10kHz-2.7GHz Sig. Gen.	£5000	W&G PFA 30 Digital Comms Analyser	£2000
Agilent (HP) 6032A Power Supply (60V-50A)	£2000	IFR 2310 TETRA Signal Analyser (as new)	£15000	W&G PFA 35 Digital Comms Analyser	£2500
Agilent (HP) 6671A Power Supply (8V-200A)	£1350	IFR 6970 Power Meter (various sensors available)	£750		
Agilent (HP) E4411A Spectrum Analyser (9kHz-1.5GHz)	£3500				

Various other calibrators in stock. Call for stock/prices

# WHAT BETTER CHOICE ?

FOR QUALITY, PERFORMANCE & AFTER SALES SERVICE



PROLINK 4C PREMIUM

PROLINK 3C PREMIUM



PRODIG 1+

PRODIG 2

MC 577



**ALBAN ELECTRONICS LIMITED**

**THE PROMAX SERVICE CENTRE**

6 Caxton Centre, Porters Wood, St. Albans, Herts, AL3 6XT.

TEL : 01727 832266

FAX : 01727 810546

www.albanelectronics.co.uk

info@albanelectronics.co.uk

SALES + SERVICE + CALIBRATION

# LCD PICmicro Microcontrollers

Using an LCD PICmicro microcontroller for any embedded application can provide the benefits of system control and human interface via an LCD. Design practices for LCD applications can be further enhanced through the implementation of these suggested Tips 'n' Tricks. These tips describe basic circuits and software building blocks commonly used for driving LCD displays.

## TIP 1: IN-CIRCUIT DEBUG (ICD)

There are two potential issues with using the MPLAB ICD to debug LCD applications. First, the LCD controller can Freeze while the device is Halted. Second, the ICD pins are shared with segments on the PIC16F917/916/914/913 MCUs. When debugging, the device is halted at breakpoints and by the user pressing the pause button. If MPLAB ICD is configured to halt the peripherals with the device, the LCD controller will halt and apply DC voltages to the LCD glass.

Over time, these DC levels can cause damage to the glass; however, for most debugging situations, this will not be a consideration. The PIC18F LCD MCUs have a feature that allows the LCD module to continue operating while the device has been Halted during debugging. This is useful for checking the image of the display while the device is Halted and for preventing glass damage if the device will be Halted for a long period of time. The PIC16F917/916/914/913 multiplex the ICSP and ICD pins onto pins shared with LCD segments 6 and 7. If an LCD is attached to these pins, the device can be debugged with MPLAB ICD; however, all the segments driven by those two pins will flicker and be uncontrolled. As soon as debugging is finished and the device is programmed with Debug mode disabled, these segments will be controlled correctly.

## TIP 2: LCD IN SLEEP MODE

If you have a power-sensitive application that must display data continuously, the LCD PIC microcontroller can be put to Sleep while the LCD driver module continues to drive the display.

To operate the LCD in Sleep, only two steps are required. First, a time source other than the main oscillator must be selected as the LCD clock source, because during Sleep, the main oscillator is Halted. **Table 1** shows options for the various LCD PIC microcontrollers.

Part	Clock Source	Use in Sleep?
PIC16C925/926	FOSC/256 T1OSC Internal RC Oscillator	No Yes Yes
PIC16F917/916/914/913	FOSC/8192 T1OSC/32 LFINTOSC/32	No Yes Yes
PIC18F8490	(FOSC/4)/8192 T1OSC INTRC/32	No Yes Yes

Table 1: Options for LCD in Sleep mode

Second, the Sleep Enable bit (SLPEN) must be cleared. The LCD will then continue to display data while the part is in Sleep. It's that easy!

## TIP 3: BLINKING LCD

Information can be displayed in more than one way with an LCD panel. For example, how the user's attention can be drawn to a particular portion of the LCD panel? One way that does not require any additional segments is to create a blinking effect.

Look at a common clock application (**Figure 1**). The (:) between the hours and minutes is commonly made to blink once a second ("on" for half a second and "off" for half a second).

This shows that the clock is counting in absence of the ticking sound or second hand that accompanies the usual analogue face clock. It serves an important purpose of letting the user know that the clock is operating. If there is a power outage, then it is common for the entire clock display to blink. This gives the user of the clock an immediate indication that the clock is no longer showing the correct time.

When the user sets the time, then blinking is commonly used to show that a new mode has been entered, such as blinking the hours to identify that the hours are being set, or blinking the minutes to show that the minutes are being set. In a simple clock, blinking is used for several different purposes. Without blinking effects, the common digital clock would not be nearly as user friendly.

When should you select the internal RC oscillator (or LFINTOSC) over the Timer1 oscillator? It depends on whether your application is time-sensitive enough to require the accuracy of a crystal on the Timer1 oscillator or not. If you have a timekeeping application, then you will probably have a 32kHz crystal oscillator connected to Timer1. Since Timer1 continues to operate during Sleep, there is no penalty in using Timer1 as the LCD clock source. If you don't need to use an external oscillator on Timer1, then the internal RC

oscillator (INTRC or LFINTOSC) is more than sufficient to use as the clock source for the LCD and it requires no external components.

Fortunately, blinking is quite easy to implement. There are many ways to implement a blinking effect in software. Any regular event can be used to update a blink period counter. A blink flag can be toggled each time the blink period elapses. Each character or display element that you want to blink can be assigned a corresponding blink-enable flag. The flowchart for updating the display would look as pictured in **Figure 2**.



Figure 1: Common clock application

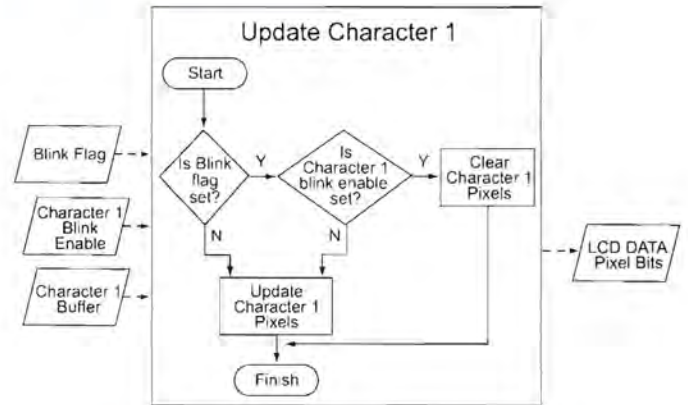


Figure 2: Updating display chart flowchart

## TIP 4: 4 X 4 KEYPAD INTERFACE THAT CONSERVES PINS FOR LCD SEGMENT DRIVERS

A typical digital interface to a 4 x 4 keypad uses 8 digital I/O pins. But using eight pins as digital I/Os can take away from the number of segment driver pins available to interface to an LCD. By using 2 digital I/O pins and 2 analogue input pins, it is possible to add a 4 x 4 keypad to the PIC microcontroller without sacrificing any of its LCD segment driver pins. The schematic for keypad hook-up is shown in **Figure 3**. This example uses the PIC18F8490, but the technique could be used on any of the LCD PIC microcontrollers.

The two digital I/O pins that are used are RB0 and RB5, but any two digital I/O pins could work. The two analogue pins used are AN0 and AN1.

### To read the keypad, follow the steps below:

1. First, make RB0 an output high and RB5 an input (to present high impedance).
2. Perform two successive A/D conversions: first on AN0, then on AN1.
3. Save the conversion results to their respective variables, for example, RB0\_AN0\_Result and RB0\_AN1\_Result.

4. Next, make RB5 an output high and RB0 an input (to present high impedance).
5. Perform two successive A/D conversions: first on AN0, then on AN1.
6. Save the conversion results to their respective variables, for example, RB5\_AN0\_Result and RB5\_AN1\_Result.
7. There are now 4 variables that represent a key press in each quadrant of the 4 x 4 keypad:

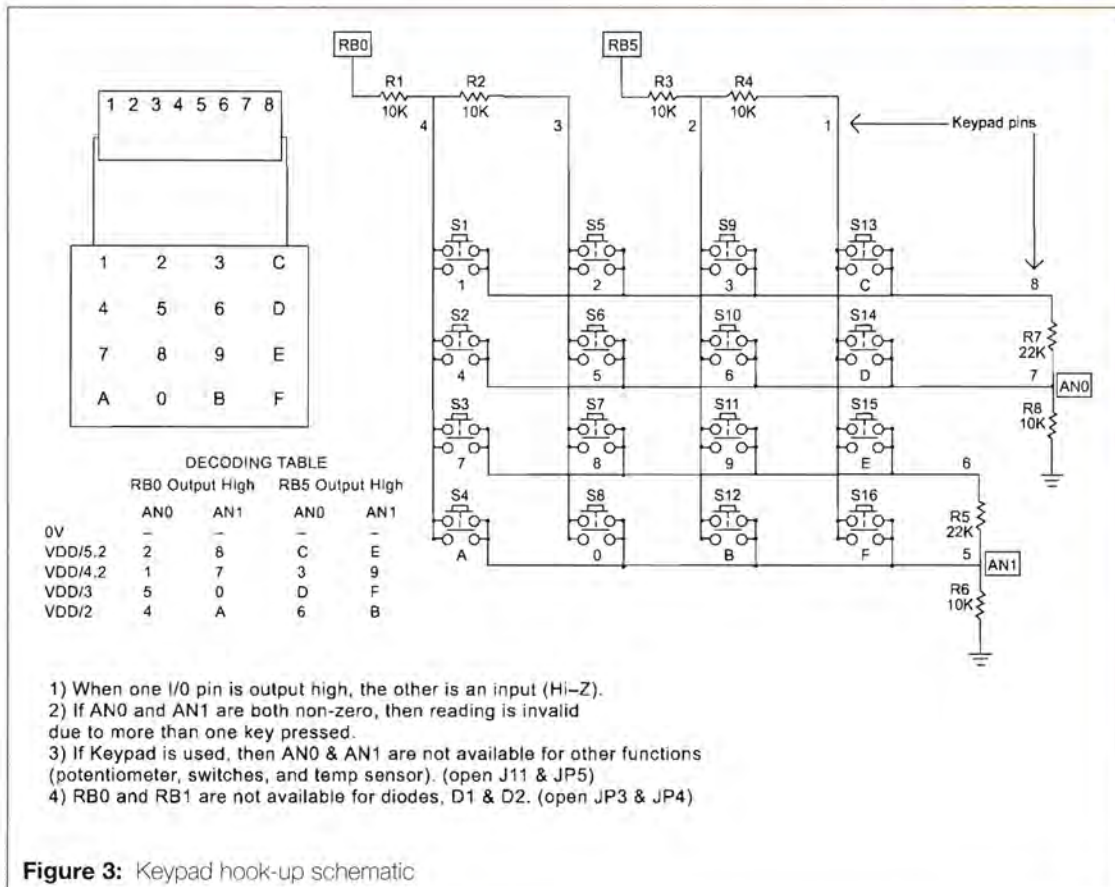


Figure 3: Keypad hook-up schematic



Value $\pm 10\%$	RBO_AN0	RBO_AN1	RB5_AN0	RB5_AN1
<VDD/10	—	—		
VDD/5.2	2	8	C	E
VDD/4.2	1	7	3	9
VDD/3	5	0	D	F
VDD/2	4	A	6	B

**Table 2:** Keypad values

- RBO\_AN0\_Result . denotes key press of 1, 2, 4 or 5
- RBO\_AN1\_Result . denotes key press of 7, 8, A or 0
- RB5\_AN0\_Result . denotes key press of 3, C, 6 or D
- RB5\_AN1\_Result . denotes key press of 9, E, B or F

8. Finally, check each value against the matching column of **Table 2**. If it is within  $\pm 10\%$  of a value, then it can be taken to indicate that the corresponding key has been pressed.

9. This loop should be repeated about once every 20ms or so. Don't forget a debounce routine. For example, require the above steps (with 20ms delay between) to return the same key value twice in a row for that key to be considered pressed. Also, require a no key press to be returned at least twice before looking for the next key press. When keys within the same quadrant are pressed simultaneously, voltages other than the four valid levels shown in the table may be generated. These levels can either be ignored, or if you want to use simultaneous key presses to enable certain functions, you can add decoding for those levels as well.

## WIN A Microchip MPLAB ICD 2

Electronics World offering its readers the chance to win an all-in-one low-cost In-Circuit Debugger/Programmer for Flash PICmicros.

Microchip's MPLAB ICD 2 is an in-circuit debugger and programmer for their popular PICmicro microcontrollers. The PC based MPLAB ICD 2 supports Microchip's PIC16F and PIC18F Flash microcontrollers and dsPIC digital signal controllers. As new devices become available, users will be able to download new software code into the MPLAB ICD 2, at no cost, creating a highly adaptable tool that eliminates the expense of daughter board upgrades. The debugger supports real-time viewing of variables and registers. A single break point can be set and memory read/writes can also be accomplished. Additionally, the MPLAB ICD 2 can be used to program or reprogram the microcontroller on the product board. Other features include built-in over-voltage and short circuit monitors, support of 2 to 6 Volts operation, diagnostic LEDs, program memory space erasure with verification, and freeze-on-halt.



The MPLAB ICD 2 kit includes a demonstration board and samples of the PIC18F452 and PIC16F877 high-performance Flash microcontrollers. The demonstration board features a 2x16 LCD display, temperature sensor, EEPROM memory, LEDs, Piezo sounder, RS 232 interface. The kit also includes the MPLAB IDE (Interactive Development Environment) software.

**For the chance to win a kit, log onto [www.microchip-comp.com/eworld-icd2](http://www.microchip-comp.com/eworld-icd2) and enter your details into the online entry form.**

**The winner of the rfPIC Development Tool is:  
FK Chong, Andor Technology, Belfast**

## Rechargeable batteries with solder tags.

### NIMH

AA 2000mah .....	£2.82
C4Ah .....	£4.70
D9Ah .....	£7.60
PP3 150mah .....	£4.95

### NICAD

AA 650mah .....	£1.41
C 2.5A .....	£3.60
D 4Ah .....	£4.95

## Instrument case with edge connector and screw terminals

Size 112mm x 52mm x 105mm tall.

This box consists of a cream base with a PCB slot, a cover plate to protect your circuit, a black lid with a 12 way edge connector and 12 screw terminals built in (8mm pitch) and 2 screws to hold the lid on. The cream bases have minor marks from dust and handling.

Price £2.00 + VAT (= £2.35) for a sample or £44.00 + VAT (= £51.70) for a box.



866 battery pack originally intended to be used with an orbitel mobile telephone it contains 10 1.6Ah sub C batteries (42x22dia the size usually used in cordless screwdrivers etc.) the pack is new and unused and can be broken open quite easily £6.46 + VAT = £8.77



Please add £1.66 + VAT = £1.95 postage and packing per order.

### JPG ELECTRONICS

Shaws Row, Old Road, Chesterfield S40 2RB

Tel: 01246 211202 Fax: 01246 550959

[www.jpgelectronics.com](http://www.jpgelectronics.com)

Mastercard/Visa/Switch

Callers welcome 9.30am to 5.30pm Monday to Saturday



## Hot Shoe Connector Technology Deemed Rugged and Reliable

Harwin's new Hot Shoe technology connectors employ spring loaded or compliant contacts, which maintain a positive contact force against the mating half of the connector, ensuring reliable connection even under the most demanding conditions. Fabricated using highly durable plastics, the connectors are designed to withstand dust, water and chemical agent ingress.

Featuring low mating forces, the Hot Shoe range enables rapid and simple connection. The connectors tolerate mating misalignment and are often polarised ensuring no possibility of mis-mating. The robust nature of the range ensures continued reliability throughout a product's lifecycle, whether on the combat arena or in less harsh environments.

Hot Shoe connectors are also suitable for use in portable equipment where separate battery modules are used, for data transfer docking stations, and for battery charging and data communications equipment. Other applications include thermal imaging cameras, in-vehicle detachable equipment and hand-held scanners.

[www.harwin.co.uk](http://www.harwin.co.uk)

## Lead-Free WLAN Module for the Embedded Space

TDC has announced a lead-free intelligent Wireless LAN 802.11b/g module range from Ezurio designed specifically for the embedded market. Thanks to these modules, any machine with a serial interface can take advantage of the proliferation of hotspots, now also becoming a domain for systems using 8-bit and 16-bit microcontrollers.

Four versions are available with Ezurio's own Universal Wireless interface which includes the WLAN protocols, TCP/IP stacks, network drivers, the application processor and serial interfaces.

Two form-factors are available: a 32.5mm x 35mm footprint, compatible with GSM modules such as the Siemens MC55 from TDC and the second, a slightly smaller 25mm x 35mm format compatible with the BISM Bluetooth modules. The footprint compatibility gives designers flexibility in the choice of wireless connectivity. The SLIP interface as an alternative allows designs which are already TCP/IP enabled to use WLAN.

The module also contains two configurable 10-bit ADCs, two configurable 10-bit DACs and nine GPIO ports available for application use. It also contains an embedded web server that

will allow the creation of dynamic web pages, allowing products to become accessible securely over the Internet from anywhere in the world.

[www.tdc.co.uk](http://www.tdc.co.uk)



## Non-Magnetic Connectors for Medical Applications



Now available in the UK from Quadrant is a range of non-magnetic, D type sub-miniature connectors from FCT, designed for use in medical equipment.

These new connectors have shells manufactured from brass with a tin or zinc plating as opposed to standard 'D' connectors that are manufactured in steel.

Available in 9, 15, 25, 37 and 50-way, in both straight and right angled versions, the connectors have solder pot and PCB contacts as standard. Other types can be supplied on request as can mixed layout versions with coaxial contacts.

Designed for up to 500 mating cycles and with a current rating of 5A, the FCT medical connector range is ideal for use in equipment such as Magnetic Resonance Imaging (MRI) scanners and other medical or non-medical equipment where magnetic materials have to be avoided.

[www.quadrant-ltd.co.uk](http://www.quadrant-ltd.co.uk)



**Quasar Electronics Limited**  
 PO Box 6935, Bishops Cleeve  
 CM23 4WP, United Kingdom  
 Tel: 0870 246 1826  
 Fax: 0870 460 1045  
 E-mail: sales@quasarelectronics.com  
 Web: www.QuasarElectronics.com

**Postage & Packing Options** (Up to 2Kg gross weight): **UK Standard 3-7 Day Delivery - £3.95; UK Mainland Next Day Delivery - £8.95; Europe (EU) - £6.95; Rest of World - £9.95** (up to 0.5Kg)  
**Order online for reduced price UK Postage!**  
 We accept all major credit/debit cards. Make cheques/PO's payable to Quasar Electronics. Prices include 17.5% VAT.  
 Call now for our **FREE CATALOGUE** with details of over 300 kits, projects, modules and publications. Discounts for bulk quantities.



**QUASAR**  
 electronics

**08717**

**Credit Card Sales**

**177 168**

Get Plugged In!

### Motor Drivers/Controllers

Here are just a few of our controller and driver modules for AC, DC, unipolar/bipolar stepper motors and servo motors. See website for full details.

#### NEW! PC / Standalone Unipolar Stepper Motor Driver

Drives any 5, 6 or 8-lead unipolar stepper motor rated up to 6 Amps max. Provides speed and direction control. Operates in stand-alone or PC-controlled mode. Up to six 3179 driver boards can be connected to a single parallel port. Supply: 9Vdc. PCB: 80x50mm. Kit Order Code: 3179KT - **£11.95**  
 Assembled Order Code: AS3179 - **£19.95**



#### NEW! Bi-Polar Stepper Motor Driver

Drive any bi-polar stepper motor using externally supplied 5V levels for stepping and direction control. These usually come from software running on a computer. Supply: 8-30Vdc. PCB: 75x85mm. Kit Order Code: 3158KT - **£15.95**  
 Assembled Order Code: AS3158 - **£29.95**



#### NEW! Bidirectional DC Motor Controller

Controls the speed of most common DC motors (rated up to 16Vdc/5A) in both the forward and reverse direction. The range of control is from fully OFF to fully ON in both directions. The direction and speed are controlled using a single potentiometer. Screw terminal block for connections. Kit Order Code: 3166KT - **£16.95**  
 Assembled Order Code: AS3166 - **£25.95**



#### DC Motor Speed Controller (5A/100V)

Control the speed of almost any common DC motor rated up to 100V/5A. Pulse width modulation output for maximum motor torque at all speeds. Supply: 5-15Vdc. Box supplied. Dimensions (mm): 60Wx100Lx60H. Kit Order Code: 3067KT - **£13.95**  
 Assembled Order Code: AS3067 - **£20.95**



Most items are available in kit form (KT suffix) or assembled and ready for use (AS prefix).

### Controllers & Loggers

Here are just a few of the controller and data acquisition and control units we have. See website for full details. Suitable PSU for all units: Order Code PSU445 £8.95

#### Serial Isolated I/O Module

Computer controlled 8-channel relay board. 5A mains rated relay outputs. 4 isolated digital inputs. Useful in a variety of control and sensing applications. Controlled via serial port for programming (using our new Windows interface, terminal emulator or batch files). Includes plastic case 130x100x30mm. Power Supply: 12Vdc/500mA. Kit Order Code: 3108KT - **£54.95**  
 Assembled Order Code: AS3108 - **£64.95**



#### Computer Temperature Data Logger

4-channel temperature logger for serial port. °C or °F. Continuously logs up to 4 separate sensors located 200m+ from board. Wide range of free software applications for storing/using data. PCB just 38x38mm. Powered by PC. Includes one DS1820 sensor and four header cables. Kit Order Code: 3145KT - **£18.95**  
 Assembled Order Code: AS3145 - **£25.95**  
 Additional DS1820 Sensors - **£3.95 each**



#### Rolling Code 4-Channel UHF Remote

State-of-the-Art. High security. 4 channels. Momentary or latching relay output. Range up to 40m. Up to 15 Tx's can be learnt by one Rx (kit includes one Tx but more available separately). 4 indicator LED's. Rx: PCB 77x85mm, 12Vdc/6mA (standby). Two and Ten channel versions also available. Kit Order Code: 3180KT - **£44.95**  
 Assembled Order Code: AS3180 - **£51.95**



#### NEW! DTMF Telephone Relay Switcher

Call your phone number using a DTMF phone from anywhere in the world and remotely turn on/off any of the 4 relays as desired. User settable Security Password, Anti-Tamper, Rings to Answer, Auto Hang-up and Lockout. Includes plastic case. Not BT approved. 130x110x30mm. Power: 12Vdc. Kit Order Code: 3140KT - **£46.95**  
 Assembled Order Code: AS3140 - **£64.95**



#### Infrared RC Relay Board

Individually control 12 on-board relays with included infrared remote control unit. Toggle or momentary. 15m+ range. 112x122mm. Supply: 12Vdc/0.5A  
 Kit Order Code: 3142KT - **£47.95**  
 Assembled Order Code: AS3142 - **£66.95**



### PIC & ATMEL Programmers

We have a wide range of low cost PIC and ATMEL Programmers. Complete range and documentation available from our web site.

#### Programmer Accessories:

40-pin Wide ZIF socket (ZIF40W) **£15.00**  
 18Vdc Power supply (PSU010) **£19.95**  
 Leads: Parallel (LDC136) **£4.95** / Serial (LDC441) **£4.95** / USB (LDC644) **£2.95**

#### NEW! USB & Serial Port PIC Programmer

USB/Serial connection. Header cable for ICSP. Free Windows software. Wide range of supported PICs - see website for complete listing. ZIF Socket/USB Plug A-B lead not incl. Supply: 16-18Vdc. Kit Order Code: 3149EKT - **£37.95**  
 Assembled Order Code: AS3149E - **£52.95**



#### NEW! USB 'All-Flash' PIC Programmer

USB PIC programmer for all 'Flash' devices. No external power supply making it truly portable. Supplied with box and Windows Software. ZIF Socket and USB Plug A-B lead not included. Assembled Order Code: AS3128 - **£44.95**



#### "PICALL" PIC Programmer

"PICALL" will program virtually all 8 to 40 pin serial-mode\* AND parallel-mode (PIC16C5x family)\* programmed PIC micro controllers. Free fully functional software. Blank chip auto detect for super fast bulk programming. Parallel port connection. Supply: 16-18Vdc. Assembled Order Code: AS3117 - **£24.95**



#### ATMEL 89xxx Programmer

Uses serial port and any standard terminal comms program. Program/ Read/ Verify Code Data, Write Fuse/Lock Bits, Erase and Blank Check. 4 LED's display the status. ZIF sockets not included. Supply: 16-18Vdc. Kit Order Code: 3123KT - **£24.95**



[www.QuasarElectronics.com](http://www.QuasarElectronics.com)

Secure Online Ordering Facilities • Full Product Listing, Descriptions & Photos • Kit Documentation & Software Downloads

# Website Directory

To reserve your website space phone Reuben Gurnlian 01322 611261 or email reuben.gurnlian@nexusmedia.com

## Action Circuits

[www.action-circuits.co.uk](http://www.action-circuits.co.uk)

Specialists in Chip Programming and SMD Reeling Services, Action Circuits (UK) Ltd offer subcontract services to the electronics industry second to none. We currently have trading partnerships with many Semiconductor manufacturers, distributors, CEM's and OEM's. Our component programming and tape & reeling service is available for high volume or sample quantities.

If you are looking for a service to tape and reel components or program your OTP or Flash programmable devices, then our highly experienced staff are committed to offering you a device programming service, laser marking and component taping service with a quick turnaround at a very competitive cost.



## Alban Electronics

[www.albanelectronics.co.uk](http://www.albanelectronics.co.uk)

Alban Electronics supports all PROMAX test equipment in the United Kingdom. Their TV aerial and satellite installation analysers have a reputation for quality with regard to technical performance, accuracy and reliability. Their Test and Calibration Centre based in St Albans ensures that product standards are maintained throughout their working life. The product range extends to educational training equipment, portable fibre optic spectrum analysers, DOCSIS analysers, data communications, WIFI and radio monitoring systems.



## Beta Layout Ltd

[www.pcb-pool.com](http://www.pcb-pool.com)

The Best Value Online PCB Prototyping Service Available: Instant on line quotations & ordering (no pre registration).

We offer the following:

- No minimum quantity.
- No tooling charges.
- No drill Limitations.
- 1 to 6 layers (prototype quantities)
- 2 layers (small production batches)
- Fr4, 1.6mm, 35 um, HASL (Pb free/RoHS/Weee)
- Soldermask / Silkscreen (optional)
- Leadtimes from 2-8 working days
- Full DRC on all orders (we manually check every file !!!)
- PCB-POOL® accepts direct outputs from 15 major layout softwares (see our website for details)

Download our fully functional PCB LAYOUT software FREE of charge.

Free Phone : 0800 3898560



## BVM

[www.bvm-store.com/](http://www.bvm-store.com/)

Suppliers of computer boards and systems for embedded application. Comprehensive ranges of standard boards and systems are described on the website together with a family of ultra slim panel PCs for Kiosk and information display systems.

In addition the company offer a customisation service for both CPU and I/O boards and complete assembled systems. Typical applications range for point of sale terminals to traffic management systems. Call 01489 780144 to discuss your system requirements or email sales@bvmltd.co.uk

**BVM Limited**

Hobb Lane, Hedge End, Southampton, SO30 0GH



## Class-d Design Limited

[www.class-d.com](http://www.class-d.com)

Established to give a cost effective solution to audio, lighting, general electronic design and manufacture for the leisure, commercial, industrial, domestic markets. Linear and Class-d design amplification including PFC power supplies. Full design through to manufacture and installation.

- Manufacturing equipment
- Plastic injection moulding
- Die-casting
- Surface Mount production
- Full volume manufacturing
- Supplying sound systems
- Energy saving
- Lighting systems
- LED lighting
- Fluorescent Lighting ballasts



## Conford Electronics

[www.confordelec.co.uk](http://www.confordelec.co.uk)

Lightweight portable battery/mains audio units offering the highest technical performance. Microphone, Phantom Power and Headphone Amplifiers. Balanced/unbalanced signal lines with extensive RFI protection. Specialists



## DB Technology

[www.dbtechnology.co.uk/](http://www.dbtechnology.co.uk/)

Anechoic chamber and open area test site.

- Compliance Tests
- Fixes included. FCC Listed.
- Flexible hourly booking available.
- Rapid, accurate pre-compliance tests.



## Designer Systems Co

[www.designersystems.co.uk](http://www.designersystems.co.uk)

Electronic product design company with over a decade of experience promoting it's own product range and designing and manufacturing innovative products for client companies/individuals.



Colour screen shot and text is just £350 + vat for 12 months

[www.electronicsworld.co.uk](http://www.electronicsworld.co.uk)

# Website Directory

To reserve your website space phone Reuben Gurnunlian 01322 611261 or email [reuben.gurnunlian@nexusmedia.com](mailto:reuben.gurnunlian@nexusmedia.com)

## Forest Electronics

[www.fored.co.uk](http://www.fored.co.uk)

Electronic product design company with over a decade of experience promoting its own product range and designing and manufacturing innovative products for client companies/individuals.



## Future Technology Devices International Ltd

[www.ftdichip.com](http://www.ftdichip.com)

<<http://www.ftdichip.com>> Future

Technology Devices International (FTDI) Ltd. are specialists in providing IC devices and modules which allow for interfacing legacy peripherals to Universal Serial Bus (USB). We offer the easiest route to USB migration by combining USB-Serial (USB-RS232) and USB-FIFO silicon solutions with our ready-to-go royalty free USB drivers

<<http://www.ftdichip.com/FTDrivers.htm>> . FTDI's "total" solutions offer reduced development and debug costs and a fast time to market.

Call us on 0141 4292777 or email [sales1@ftdichip.com](mailto:sales1@ftdichip.com)



## Hammond Electronics

[www.hammondmfg.com](http://www.hammondmfg.com)

Hammond Electronics is one of the world's leading manufacturers of small plastic, die-cast and metal enclosures for use in the professional and hobbyist electronics, electrical and allied sectors. The well-known Eddystone range of die-cast aluminium enclosures is a Hammond brand. In the UK, product is available from the company itself or a number of major catalogue and specialised enclosure distributors. Visit [www.hammondmfg.com](http://www.hammondmfg.com) to see the full range of products and to download PDF and AutoCAD files of each unit; for specific technical information or to place an order, call 01256 812812.



## Harmonic Software Systems

[www.harmonicss.co.uk/harmonic.htm](http://www.harmonicss.co.uk/harmonic.htm)

Harmonic Software Systems develops embedded real-time systems and DSP solutions for industrial, commercial and military customers. We supply:

- Vx Works Board Support Packages and device drivers.
- Software Development services.
- Consultancy at excellent rates.
- Safety critical systems up to SIL3.
- Digital Signal Processing algorithms and kernel development.

We are experienced in developing systems



utilising a wide range of technologies, including:

- MIL-STD-1553 • Firewire IEEE-1394
- Ethernet • CANBus • V RS232/422/485
- ARM, MIPS, PowerPC, x86 • TMS320, Sharc
- VME, cPCI, PC104 or custom hardware

Call us now on 01293 817635 to discuss your requirements.

## Kalestead Ltd

[www.kalestead.co.uk/cable.htm](http://www.kalestead.co.uk/cable.htm)

At Kalestead we do not simply supply coiled leads from stock or "off the shelf", the reason for this being that they are made to each customer's specific requirements. We can, however, offer a quick turnaround using cable available from stock which can be coiled to your own specification.

It is because of the specialised nature of our business that we are unable to provide a price list on our web site. Please do not hesitate to contact a member of our sales team who will discuss with you and supply you with an individual quotation.



## Microchip Technologies

<http://www.microchip.com/>

Microchip Technology Inc. is a leading provider of microcontroller and analogue semiconductors, providing low-risk product development, lower total system cost and faster time to market for thousands of diverse customer applications worldwide. Microchip designs, manufactures, and markets a variety of high performance components for high volume, cost-effective embedded control solutions, including 8- and 16-bit PIC® microcontrollers; dsPIC® digital signal controllers; development kits; serial EEPROMs, more than 350 mixed-signal analogue and interface products; KEELOQ secure data transmission products; and the PowerSmart® family of smart battery management products. Microchip's product solutions feature compact size, integrated functionality, and ease of development.



## MicroRobotics

[www.microrobotics.co.uk](http://www.microrobotics.co.uk)

Micro-Robotics is a Cambridge-based manufacturer of custom and off-the-shelf embedded control solutions and components. The company's VM-I credit-card-sized control computer is ideal for a wide range of applications.

When used with the Micro-Robotics proprietary Venom-SC object-oriented programming language, the VM-I controller can handle analogue and digital I/O, graphical user interfaces, communication protocols, data and text files and many other functions. This combination of powerful processor, easy to use application software and comprehensive I/O resources will make the VM-I highly suitable for applications such as intelligent instruments, hand-held devices, industrial automation and process control systems, security systems and similar other applications.



## Newbury Electronics

[www.pcbtrain.com](http://www.pcbtrain.com)

PCBT Train is a division of Newbury Electronics Ltd whose pcb manufacturing and assembling operations have been located in Newbury for almost 50 years.

Why pay more for a prototype pcb and small batch pcb production? Established for over 5 years, PCB Train is now the UK's leading supplier of prototype pcbs. The PCB Train concept has revolutionised the costs of pcb prototype and small batch pcb production.

The low cost is achieved by making different designs of pcb on "panels" on fixed production schedules yielding huge savings which we pass on to you. Buy from PCB Train and receive professionally UK manufactured (BS EN ISO 9001:2000 approved) prototype pcbs and small batch production runs of pcbs on time at prices a fraction of those typically quoted by our competitors.



Colour screen shot and text is just £350 + vat for 12 months

[www.electronicsworld.co.uk](http://www.electronicsworld.co.uk)

# Website Directory

To reserve your website space phone Reuben Gurunlian 01322 611261 or email reuben.gurunlian@nexusmedia.com

## Nohau

[www.nohau.co.uk](http://www.nohau.co.uk)

Embedded Development Tools and OEM products. Nohau UK Ltd are specialists in embedded system development tools, software stacks and OEM products.

- Compilers, RTOS, TCP/IP
- Jtag & BDM debuggers, emulators
- Programmers
- USB Stacks
- USB Protocol Analysers and Factory Testers
- Bluetooth Analysers
- Bluetooth Serial Port Modules



- Automotive & Industrial Communications
- CAN interfaces
- CANopen bus stacks
- IC test probes and adapters
- BGA test sockets

## Peak Electronic Design

[www.peakelec.co.uk](http://www.peakelec.co.uk)

Smart handheld test equipment designed and made in the UK. Our instruments cover many requirements including automatic component identification (passives and semi's), network

cabling analysis, datalogging and much more. Take a look at the Atlas DCA Semiconductor analyser for example, no other analyser can offer cool features (such as automatic part identification and automatic pinout identification) in such a smart, easy-to-use and cost effective instrument. Our new enhanced Atlas IT Network Cable Analyser has just got even smarter. The Atlas IT will identify network cable types even if they are faulty, it will then tell you the specific fault with your cable compared to a good cable of the same type.

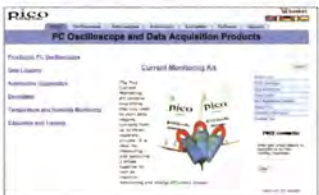


## Picotech

[www.picotech.com](http://www.picotech.com)

Established in 1991, Pico Technology is a worldwide leader in the design, development and manufacture of high performance PC Oscilloscopes and Data Loggers. During this time Pico has built up an impressive portfolio of products; including the PicoScope 3000 series of PC Oscilloscopes, the USB TC-08 Thermocouple Data Logger and the award-winning Automotive Diagnostics Kit.

We pride ourselves on offering innovative, high quality and affordable alternatives to traditional bench top test and measurement equipment, operating under the ISO9001:2000 quality system.

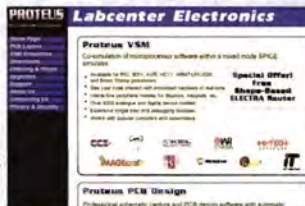


## Proteus Design Suite

[www.labcenter.co.uk](http://www.labcenter.co.uk)

The Proteus Design Suite from Labcenter Electronics Ltd provides a unified development environment for the professional electronics engineer. From schematic capture, through

simulation to PCB design Proteus delivers a cost-effective solution designed to streamline the development lifecycle and reduce the time to market. Proteus also includes the worlds first schematic based microcontrollersimulation technology, allowing you to test and debug your microcontrollerapplication alongside any analog and digital electronics connected to it. This enables parallel development, reduces costly prototyping revisions, simplifies testing and saves both time and money. With free support direct from the program authors, the Proteus Design Suite is the total solution, from concept to completion.



## RD Research

[www.spice-software.com](http://www.spice-software.com)  
B2 Spice Version 5.2

Low cost - high performance Spice software.

Features only normally found in packages costing more than £1,000. We are so confident that B2 Spice V5.2 will impress you that we offer an unconditional 30-day evaluation of the full boxed version,

complete with printed user manual. If it's not up to your expectations then simply return it.

- Fast and accurate simulations
- Real-world parts
- Circuit Wizard
- Function generators, oscilloscope, ammeter, voltmeter, wattmeter, distortion meters, and more.
- Real-time 'live' simulation adjustments.

All the power without the cost. Only £229 + VAT.

Call 01603 872331. [www.spice-software.com](http://www.spice-software.com)



## Stewart Of Reading

[www.stewart-of-reading.co.uk](http://www.stewart-of-reading.co.uk)

Stewart of Reading is a small business with over 30 years experience in the surplus electronic test equipment market.

We are well known within the industry, have a good reputation and successfully distribute stock worldwide.

All equipment is fully tested and guaranteed before distribution.

**Stewart of Reading**

17A King Street, Mortimer, Nr. Reading, Berkshire. RG7 3RS United Kingdom

Tel: +44(0)118 933 1111

Fax: +44(0)118 933 2375



## Surplelectronics

[www.surplelectronics.com](http://www.surplelectronics.com)

Surplelectronics is a brand new electronics components e-Store with a difference. We specialise in popular electronic components from leading manufacturers at rock bottom prices that you won't find elsewhere.

New lines are arriving every day and many of our products are one-off specials that may not be repeated.

Our products are all new, unused and are fully guaranteed. Ordering is simple, with UK shipment free for orders over £50 and payment is completed credit card. Goods are shipped that day for prompt delivery.

Surplelectronics - serious about surplus. Tel: 0870 850 5258



## Telnet Ltd

[www.telnet.uk.com](http://www.telnet.uk.com)

Suppliers of quality second-user test and measurement equipment at prices you can afford. Manuals and accessories supplied. If you would like a quote, please call. We also purchase your surplus test equipment. Please call us for the best offers.

**TELNET**

1 Stoney Court, Hotchkiss Way, Binley Industrial Estate, CV3 2RL

Tel: 024 76650702 Fax: 024 76650773

Mobile: 07860 400683

Email: [dales@telnet.uk.com](mailto:dales@telnet.uk.com)



Colour screen shot and text is just £350 + vat for 12 months

[www.electronicsworld.co.uk](http://www.electronicsworld.co.uk)

# Products & Services

ADVERTISING ENQUIRES CONTACT REUBEN ON 01322 611 261

## ADVERTISING

### EMC ADVERTISING GIFTS

Promotional Pens  
Parker, Sheaffer  
Cross - ONLINE  
[www.emcadgifts.co.uk](http://www.emcadgifts.co.uk)

### EMC ADVERTISING GIFTS

Phone fax email for Catalogues  
tel: **0845 345 1064**  
fax: **0845 345 1065**  
sales@emcadgifts.co.uk

### EMC ADVERTISING GIFTS

Easy-to-buy  
Promotional Gifts  
- ONLINE  
[www.emcadgifts.co.uk](http://www.emcadgifts.co.uk)



face2face

With a wealth of experience supplying promotional solutions to a variety of organizations, face2face can provide you with the best advice and products to keep your profile head and shoulders above your competition.

Have a look at our extensive online catalogue.

Website: [www.face2face.me.uk](http://www.face2face.me.uk)  
Tel: 0208 684 0800 Fax: 0208 665 1220  
Email: sales@face2face.me.uk

## ELECTRONICS DEVELOPMENT SERVICES

### Apex Design Solutions LTD

#### Custom Electronics & Software Design Services



Embedded systems, Analogue, Digital, Data-loggers, Custom software, ...and more...

...Rapid cost effective solutions!

For more information or to request a quote contact us today or visit our website.

info@apex-ds.co.uk Tel/Fax: 0870 758 2688

[www.apex-ds.co.uk](http://www.apex-ds.co.uk)

## ARTICLES WANTED

### TOP PRICES PAID

For all your valves, tubes, semi conductors and ICs.

### Langrex Supplies Limited

1 Mayo Road, Croydon, Surrey CR0 2QP  
TEL: 020 8684 1166 FAX: 020 8684 3056

## BATTERIES & CHARGERS



### ANSMANN ENERGY (UK) LIMITED

Units 19/20, Maple Park, Essex Road,  
Hoddesdon, Herts, EN11 0EX, UK

Tel: +44 (0) 870 609 2233

Fax: +44 (0) 870 609 2234

Email: [info@ansmann.co.uk](mailto:info@ansmann.co.uk)

Web: [www.ansmann.co.uk](http://www.ansmann.co.uk)

## EMBEDDED SOFTWARE DEVELOPMENT



### EMBEDDED SOFTWARE DEVELOPMENT

- ✓ REAL TIME SYSTEMS DESIGN, DEVELOPMENT & TESTING
- ✓ DIGITAL SIGNAL PROCESSING - TMS320, SHARC, DSP56K
- ✓ DEVICE DRIVERS, BSPs, LIBRARIES, FIRMWARE
- ✓ SAFETY CRITICAL TO SIL3, MISRA-C:2004, POSIX, VxWORKS
- ✓ VME, cPCI, PC104 OR CUSTOM HARDWARE

Tel: **01293 817635**

Web: [www.harmonicss.co.uk](http://www.harmonicss.co.uk)

Email: [sales@harmonicss.co.uk](mailto:sales@harmonicss.co.uk)

Premium quality at a competitive price

## COMPONENTS WANTED

### Components wanted

Excess/Surplus

[www.mushroom.co.uk](http://www.mushroom.co.uk)

**01234 363611**

will collect anywhere in Europe  
Instant Cash Settlement

## ENCLOSURE DESIGN

**CUBE**  
CREATIVE PRODUCT DESIGN



01702 292984

01702 292985

[info@cubethree.co.uk](mailto:info@cubethree.co.uk)  
[www.cubethree.co.uk](http://www.cubethree.co.uk)

## PCB MANUFACTURE

**PCBTrain**

No tooling charge  
**5 or 10 DAYS**  
Prototype PTH  
PCBs from just  
**£30.00**

Prices published at  
[www.pcbtrain.com](http://www.pcbtrain.com)

The leading low-cost source for Prototype PCBs from 1-6 layers

**+44 (0) 1635 40347**  
f +44 (0) 1635 36143 e [pcbtrain@newbury.com](mailto:pcbtrain@newbury.com)

## DESIGN DEVELOPMENT & MANUFACTURE

### Design Services

- Switch Mode Power Supply Design
- Power Factor Correction Design
- Linear & Switching Amplifier design
- Protecting Intellectual Property
- Producing YOUR product
- Using OUR world class service
- Far East pricing & value
- Engineering & Testing Programme
- Global Logistics & Distribution



[www.class-d.com](http://www.class-d.com) or Telephone (01623 654 080)

## FOR SALE

**agar**  
Circuits



PCB DESIGN & MANUFACTURE  
for both the Hobbyist and Professional

PCBs designed and produced from:

- Notes
- Schematics
- Specifications
- Descriptions
- Print-outs
- Gerbers

Available With or without component assembly

\* FREE \* PCB PROTOTYPE With Quantity Orders

Email: [adinfo@agarcircuits.com](mailto:adinfo@agarcircuits.com)  
Tel: 028 (90) 738 897



# Products & Services

ADVERTISING ENQUIRES CONTACT REUBEN ON 01322 611 261

## PCB MANUFACTURE

### RAK

Printed Circuit Boards

[www.rak.co.uk](http://www.rak.co.uk) - [data@rak.co.uk](mailto:data@rak.co.uk)

24 Hour Service

Quality Prototype and Small Quantity  
Printed Circuits Fast

Single Sided • Double Sided  
Multi Layer • PTFE • RoHS Compliant  
Silver & Gold • SMD Assembly

Unit 12, Shirehill Industrial Estate, Saffron Walden,  
Essex CB11 3AQ

Tel: 01799 526227 Fax: 01799 525107

## TAPE REELING & SERVICES

### action circuits

(UK) LIMITED

device programming & reeling specialists



### SMD TAPING & REELING SERVICES

Tel: 00 44 (0)1582 412323

Email: [sales@actioncircuits.com](mailto:sales@actioncircuits.com)

[www.actioncircuits.com](http://www.actioncircuits.com)

## POWER

### TOROIDAL TRANSFORMERS

- ☉ Product Range 10va - 6kva
- ☉ Short Lead Times
- ☉ Large or Short Production Runs
- ☉ Very Fast Prototype Service
- ☉ All products manufactured in UK

### TIGER TOROIDS LTD

Unit 5 Pulham Market Hall,  
Station Road, Pulham Market  
Diss, Norfolk, IP21 4XF

Tel: 01379 608 868

Fax: 01379 608 871

## POWER SUPPLIES

**Spellman High Voltage is the World's Leading  
Independent Manufacturer of High Voltage DC Power Supplies,  
X-Ray Generators, and Monoblock® X-Ray Sources.  
Let Us Transform Your Ideas into Reality.**

Spellman Ltd.

Broomers Park, Unit #14  
Broomers Hill Lane Pullborough  
West Sussex, RH20 2RY  
England

Tel: +44(0) 1798 877000

Fax: +44(0) 1798 872479

E-mail: [sales@spellmanhv.co.uk](mailto:sales@spellmanhv.co.uk)



## SERVICES

### POWER SUPPLY DESIGN

Switched Mode PSU

Power Factor Correction

*designed to your specification*

Tel/Fax: 01243 842520

e-mail: [eugen\\_kus@cix.co.uk](mailto:eugen_kus@cix.co.uk)

Lomond Electronic Services

## DEVICE PROGRAMMING SERVICES

### action circuits

(UK) LIMITED

device programming & reeling specialists



### I.C. PROGRAMMING & LASER MARKING SERVICES

Tel: 00 44 (0)1582 412323

Email: [sales@actioncircuits.com](mailto:sales@actioncircuits.com)

[www.actioncircuits.com](http://www.actioncircuits.com)

## PRODUCT DEVELOPMENT

### From Concept to Production

Turn-key product design, re-design (including RoHS) and manufacturing services to allow your business to stay competitive and meet your customers needs.

- Wide development coverage including telecommunications, broadcast, industrial, automotive, white goods and commercial.
- Industrial safety & control products.
- GSM/GPRS telemetry via SMS or data (TCP/IP) for M2M.
- GPS enabled systems for asset tracking, security or monitoring.
- Ethernet/WiFi telemetry.
- Broadcast audio & video routing and interfacing systems.
- Automotive audio visual, security and accessories.
- Robotics for education or the hobbyist.
- Professional DVD and network video player accessories.

email [sales@designersystems.co.uk](mailto:sales@designersystems.co.uk)

tel/fax +44 (0) 1872 223306

web [www.designersystems.co.uk](http://www.designersystems.co.uk)

Designer Systems



MICROCHIP  
Consultant Program Gold Award Member



## EXCESS STOCK

### SURPLUS WANTED

WE BUY: IC's, Memory, Relays, Caps, PSU's,  
Semiconductors, Populated Boards,  
Computers & Test Equipment

**ANYTHING CONSIDERED**

For our wide range of Semiconductor +  
Passives List, please ring, fax or e-mail

**MAIL ELECTRONICS LTD**

TEL: 0161-761 4520 / FAX: 0161-763 6863

EMAIL: [andrew@mailelectronics.com](mailto:andrew@mailelectronics.com)

Web: [www.mailelectronics.com](http://www.mailelectronics.com)

## PCB MANUFACTURE

### PCB MANUFACTURE

VISIT **PCB-VALUE.CO.UK** FOR

- REAL-TIME QUOTES CALCULATOR
- LOW COST, EVEN FOR SMALL QUANTITIES
- A QUALITY SERVICE YOU CAN TRUST
- ON-LINE PURCHASING OPTION
- PCB LAYOUT DESIGN

CIRCUIT  
TECHNOLOGY  
LIMITED

UNIT 39, LANSDOWN IND. EST.  
CHELTENHAM, GLOS, GL51 8PL  
TEL: 01242 587700

# Products & Services

ADVERTISING ENQUIRES CONTACT REUBEN ON 01322 611 261

## MICROCONTROLLERS

### KESTREL ELECTRONIC COMPONENTS LTD

178 Brighton Road, Purley, Surrey CR8 4HA  
Tel: 020-8668-7552 Fax: 020-8668 4190

[www.kestrel-electronics.co.uk](http://www.kestrel-electronics.co.uk)

**100+ PRICES** (many other items in stock)

PIC16F870-ISP	1.36	AT89S51-24PU	0.69
PIC16F873A-ISP	1.75	AT89S52-24PU	0.71
PIC16F874A-IP	2.11	ATMEGA128L-8AU	3.41
PIC16F876A-ISP	2.16	ATMEGA8515-16PU	1.15
PIC16F877A-IP	2.29	ATTINY26L-8PU	0.66
PIC12C508A-04P	0.38	ATMEGA8-16PU	0.81
PIC12F629-IP	0.42	ATMEGA16-16PU	1.51
PIC12C671-04P	0.89	PIC18F252-ISP	2.61
PIC12F675-IP	0.58	PIC18F452-IP	2.78
PIC16F676-IP	0.65	PIC18F1220-IP	1.48
PIC16C54C-04P	0.62	PIC18F1320-IP	1.69
PIC16C55A-04P	0.81	PIC18F2520-ISP	2.53
PIC16C57C-04P	0.85	PIC18F2525-ISP	2.82
PIC16F73-ISP	1.49	PIC18F2525-I/SO	2.78
PIC16F74-IP	1.77	PIC18F2620-I/SO	2.88
PIC16F77-IP	1.91	PIC18F4520-IP	2.78
PIC16F628A-IP	0.86	PIC18F4525-IP	3.29
PIC16F716-IP	0.77	PIC18F4620-IP	3.22
DS18820+	0.89	PIC18F6520-IPT	2.85
DS1307+	0.75	PIC18F6621-IPT	3.99
DS1302+	0.79	PIC18F4580-IP	3.21

We can also supply Maxim/Dallas, Analogue Devices, NEC, OKI, IR, Phillips. Phone for full price list.

## CONTRACT MANUFACTURING

### CHINA!

EECO/XYE

Your Best CEM/CDM Partner

Full Service, Turnkey  
Design/Contract Manufacturing  
Dongguan, Shenzhen



[www.xyechina.com](http://www.xyechina.com)

For Capabilities Brochure & RFQ Procedures call:

1-800-854-3808 x3774

EECO/XYE email: [xye@eecoswitch.com](mailto:xye@eecoswitch.com)

880 Columbia Street. Brea, CA 92821 Tel: 714-835-6000

## TRANSFORMER MANUFACTURE

### AUTOMATIC windings Ltd.

Specialist in Ferrite coil Winding since 1976

Committed to delivering Quality Bespoke components, on time,  
by building on our success of supplying our customers with  
what they want, when they want it.



Nimrod Way, Ferndown Industrial Estate, Wimborne, Dorset BH21 7SH

Tel: 01 202 87 21 01 Fax: 01 202 87 20 87

E-Mail: [sales@automatic-windings.co.uk](mailto:sales@automatic-windings.co.uk)

Web: [www.automatic-windings.co.uk](http://www.automatic-windings.co.uk)

## SURPLUS COMPONENTS FOR SALE

new parts @ surplus prices  
[www.surplectronics.com](http://www.surplectronics.com)

## SERVICES

### PCB-POOL®



- Prototypes at a fraction of the cost
- Tooling and setup included
- Industry standard quality
- Any contour

**FREE LAYOUT SOFTWARE!**

- Follow up Services Runs
- CAM/CAD Consulting
- ONLINE Quotations
- ISO-Approved



FREE with first order (while stocks last)

Freephone 0800-3898560

[WWW.PCB-POOL.COM](http://WWW.PCB-POOL.COM)



Tel: +353 (0)61 701170  
Fax: +353 (0)61 701164  
[sales@beta-layout.com](mailto:sales@beta-layout.com)

# PROTEUS

## ELECTRONIC DESIGN

FROM CONCEPT

TO COMPLETION

**SCHEMATIC CAPTURE    PROSPICE    EMBEDDED SIMULATION    PCB DESIGN**

### ISIS SCHEMATIC CAPTURE

A powerful capture package tailored for today's engineer and designed to allow rapid entry of complex schematics for simulation and PCB Layout.

### PROSPICE MIXED MODE SIMULATOR

A customised implementation of the industry standard Berkeley SPICE 3F5 engine with extensive optimisations and enhancements for true mixed mode simulation and circuit animation.

### VSM VIRTUAL SYSTEM MODELLING

The world's first and best schematic based microcontroller co-simulation software. Proteus VSM allows you to simulate the interaction between software running on a microcontroller and any analog or digital electronics connected to it. This streamlines the project lifecycle and obviates the need for expensive hardware analysis tools.

### ARES PCB DESIGN

A modern and professional layout package which seamlessly integrates with the ISIS capture software. Features such as autoplacement and autorouting, interactive DRC and an intuitive interface all serve to maximise productivity and reduce time to market.

### LABCENTER ELECTRONICS LTD.

A technology pioneer in the EDA industry since 1988.  
Technical support direct from the program authors.  
Flexible packages and pricing tailored to customer requirements.

### CONTACT US NOW

to discuss requirements or  
request a **FREE** evaluation copy.

Tel: 01756 753440

Fax: 01756 752857

Email: [info@labcenter.co.uk](mailto:info@labcenter.co.uk)

**labcenter**  [www.labcenter.co.uk](http://www.labcenter.co.uk)  
Electronics

Labcenter Electronics Ltd., 53-55 Main Street, Grassington,  
North Yorks, BD23 5AA. Registered in England 4692454

# B<sup>2</sup> SPICE Professional V5.2

We've taken the heat out of the price not the performance

- Virtual Instruments & unlimited simulation options.
- Real-world parts.
- See what's really going on with powerful new Dynamic Schematics.
- Fully animated graphs and charts.
- Real-time simulation means that parameters can now be altered as a simulation is running.
- Combine plots and digital signals from any graph, circuit, or simulation result
- New circuit wizard and graphing module.
- Over 30,000 models as standard.
- New 'easy view' and 'live circuit' functions
- PCB Export.
- No limit on circuit size.
- Free technical support.

What users say about B<sup>2</sup> Spice V5:

Since we started using B2 Spice V5, we consider it to be the most intuitive & powerful package we have found. Our Research and Development team consider it to be an essential element of their toolset. - [Naim Audio](#)

"I have used almost every Spice program in existence over the past 20 years, and I consider B2 Spice to be the most price-competitive on the market today." - [C Sayre, Senior Engineer Micro Linear Corp & author of Complete Wireless Design.](#)

I consider the program excellent value. Its performance and ease of use are equal to or better than anything else that I have tried, at a much lower cost. ... I have recommended that anyone here requiring SPICE look at your program. I believe that B2 Spice sets a new standard for price/performance."

[Terry Staton, Senior Engineer](#)

Evaluate the full version completely free for 30 days

*'We're confident the new B2 Spice will impress you. We offer an unconditional 30 day evaluation of the full boxed version, complete with printed user manual. If you don't like it, just return it.'*

Outstanding value at only £229.00

Contact us now on 01603 872331

[www.spice-software.com](http://www.spice-software.com)



All trademarks are acknowledged

