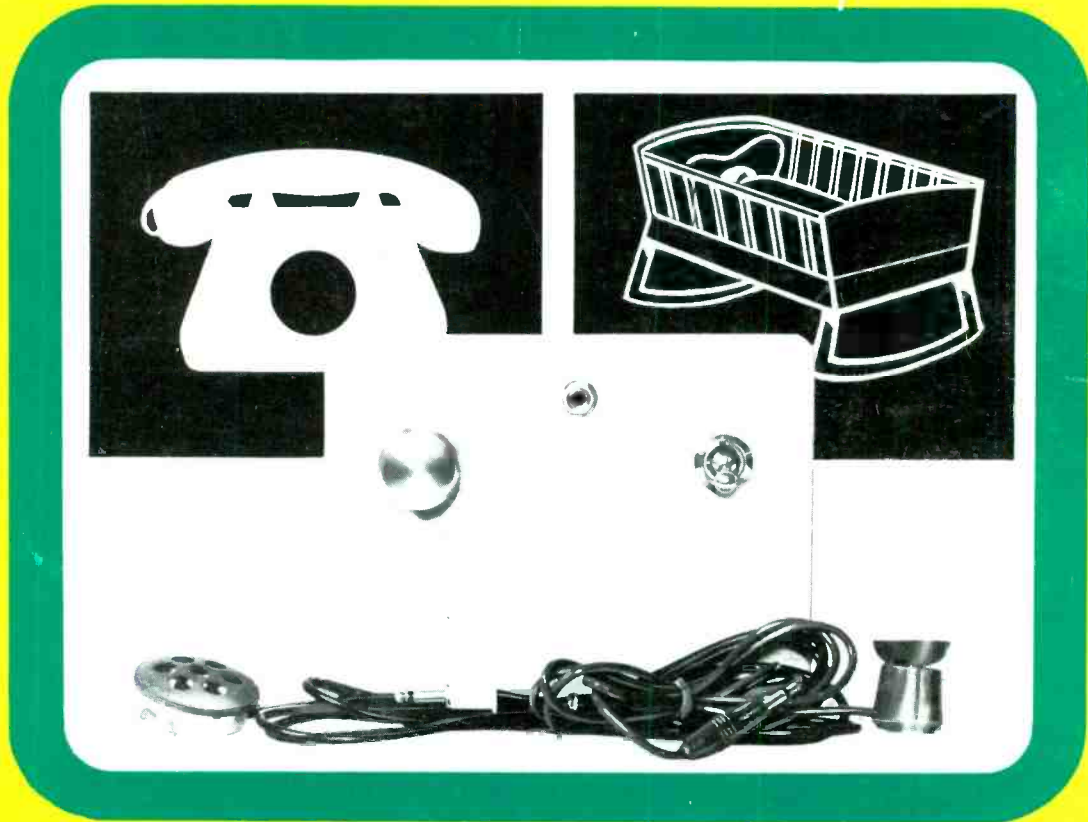


RADIO & ELECTRONICS CONSTRUCTOR

Vol. 26 No. 6

JANUARY 1973

20p



TELEPHONE AMPLIFIER & BABY ALARM

**FEATURED
IN THIS ISSUE**

**COMPREHENSIVE TRANSISTOR
ANALYSER - Part 1 (2 part article)**



Each £3 unit of Home Unit Insurance gives you protection up to the limit shown

This is the simplified insurance you have been waiting for. Not just cover on the contents of your home but a package of personal protection you and your family need. And it's how we save you so much money: just ONE policy to issue instead of nine! You can build up to the cover you need by additional units

(or 1/3 units after the first) up to a maximum of five. So simple. So easy. Apply to your Broker, Agent or local office of a General Accident company. The Home Unit Policy can replace your existing insurances And remember - as you buy more possessions just add more Home Units at any time.

THE GENERAL ACCIDENT FIRE & LIFE ASSURANCE CORPORATION LTD

Metropolitan House, 35 Victoria Avenue,
Southend-on-Sea, Essex, SS2 6BT

It pays to be protected by a **General Accident** company

Please send me further particulars of the Home Unit Insurance.

Name.....

Address.....

20/9468

BI-PRE-PAK



COMPLETE TELEPHONES
Normal household type as supplied to the Post Office, ex. G.P.O. Only **95p** each. p. & p. 35p each.



TELEPHONE DIALS
Standard Post Office type. Guaranteed in working order. **ONLY 25p** p. & p. 15p.

TESTED AND GUARANTEED PAKS

B1	4	Photo Cells, Sun Batteries. 0.3 to 0.5V. 0.5 to 2mA.	50p
B79	4	IN4007 Sil. Rec. diodes. 1,000 PIV lamp plastic	50p
B81	10	Reed Switches, mixed types large and small	50p
B99	200	Mixed Capacitors. Approx. quantity, counted by weight	50p
H4	250	Mixed Resistors. Approx. quantity counted by weight	50p
H7	40	Wirewound Resistors. Mixed types and values.	50p
H9	2	OC771 Light Sensitive Photo Transistor	50p
H28	20	OC300/1213 PNP Silicon uncoated TO-5 can	50p
H30	20	1 Watt Zener Diodes. Mixed Voltages 0.8 - 43V	50p
H35	100	Mixed Diodes. Germ. Gold bonded, etc. Marked and Unmarked	50p
H38	30	Short Lead Transistors, NPN Silicon Planar types	50p
H39	10	Integrated Circuits & Gates. BMC 962, 4 Flip Flops BMC 945	50p
H40	20	BFY50/2, 2N696, 2N1613, NPN. Silicon uncoated TO-5	50p

UNMARKED UNTESTED PAKS

B64	150	Germanium Diodes Min. glass type	50p
B83	200	Trans. manufacturers' rejects all types NPN, PNP, Sil. and Germ.	50p
B84	100	Silicon Diodes DO-7 glass equiv. to OA200, OA202	50p
B86	100	Sil. Diodes sub. min. IN914 and IN916 types	50p
B88	50	Sil. Trans. NPN, PNP equiv. to OC200/1 2N706A, B5Y95A, etc	50p
B1	50	Germanium Transistors PNP, AF & RF	50p
H6	40	250mW Zener Diodes DO-7 Min. Glass Type	50p
H34	15	Power Transistors, PNP, Germ. NPN Silicon TO-3 Can	50p
H17	20	3amp Silicon Stud rectifiers, mixed volts	50p
H13	30	Top Hat Silicon Rectifiers, 750mA. Mixed volts	50p
H16	15	Experimenters' Pak of Integrated Circuits Data supplied	50p
H20	20	BFY128/7 Type Silicon Rectifiers 1amp plastic. Mixed volts	50p

MAKE A REV COUNTER FOR YOUR CAR

The 'TACHO BLOCK'. This encapsulated block will turn any 0-1mA meter into a linear and accurate rev. counter for any car with normal coil ignition system.

£1 each



OVER 1,000,000 TRANSISTORS IN STOCK

We hold a very large range of fully marked, tested and guaranteed Transistors, Power Transistors, Diodes and Rectifiers at very competitive prices. Please send for Free Catalogue.

600,000 Silicon Planar Plastic Transistors. Unmarked, untested - Factory clearance. A random sampling showed these to be of remarkably high quality.

Audio PNP, similar to ZTX500, 2N3702/3, BCY 70 etc.

Audio NPN, similar to ZTX300, 2N3708/9, BC168/9 etc.

R.F. NPN and Switching NPN

Please state type of Transistor required when ordering.

ALL AT 500 for £3.00 1,000 for £5.00 10,000 for £40.00

OUR VERY POPULAR 3p TRANSISTORS

TYPE "A" PNP Silicon alloy, TO-5 can.
TYPE "B" PNP Silicon, plastic encapsulation.
TYPE "E" PNP Germanium AF or RF.
TYPE "F" NPN Silicon plastic encapsulation.
TYPE "G" NPN Silicon, similar ZTX300 range.
TYPE "H" PNP Silicon, similar ZTX500 range.

POWER TRANSISTOR PRICE BREAKTHROUGH!

PLASTIC CASED SILICON POWER TRANSISTORS OF LATEST DESIGN. 40 WATTS and 90 WATTS. PNP & NPN TYPES.
ALL TYPES AVAILABLE AT THE MOST SHATTERINGLY LOW PRICES OF ALL TIME. ALL ARE FULLY TESTED, MARKED AND GUARANTEED!

		1-12	13-25	26-50
40W	PNP	20p	18p	16p
40W	PNP	21p	19p	17p
90W	NPN	24p	22p	20p
90W	PNP	25p	23p	21p

PAK PAKS of complementary pairs
MP 40 40W 40W 50p 48p 46p
MP 90 90W + 90W 60p 58p 56p

A CROSS HATCH GENERATOR FOR £3.50 !!!

YES, a complete kit of parts including Printed Circuit Board. A four position switch gives X-hatch, Dots, Vertical or Horizontal lines. Integrated Circuit design for easy construction and reliability. This is a project in the September edition of Practical Television.

This complete kit of parts costs £3.50, post paid.

A MUST for Colour T.V. Alignment.

Our famous P1 Pak is still leading in value for money.

Full of Short Lead Semiconductors & Electronic Components, approx. 170. We guarantee at least 30 really high quality factory marked Transistors PNP & NPN, and a host of Diodes & Rectifiers mounted on Printed Circuit Panels. Identification Chart supplied to give some information on the Transistors.

Please ask for Pak P1, only 50p 10p P & P on this Pak.

FREE CATALOGUE

FOR TRANSISTORS, RECTIFIERS, DIODES, INTEGRATED CIRCUITS. FULL PRE-PAK LISTS.



8 RELAYS FOR £1

VARIOUS TYPES POST & PACKING 25p INTEGRATED CIRCUITS

THE LOWEST PRICES OF ALL FOR YOUR OTL LOGIC

Clocked Flip Flop	BMC931	20p	18p	16p
Ex. 2/4-input Buffer	BMC932	12p	11p	10p
2/4-input Expander	BMC933	12p	11p	10p
Hex. Inverter	BMC934	12p	11p	10p
Hex. Inverter	BMC935	12p	11p	10p
Hex. Inverter	BMC936	12p	11p	10p
Hex. Inverter	BMC937	12p	11p	10p
Decade Counter	BMC938	25p	23p	21p
Div. by 16 Counter	BMC939	25p	23p	21p
Hex. Inverter	BMC940	12p	11p	10p
Hex. Inverter	BMC941	12p	11p	10p
Type D Flip Flop	BMC942	20p	18p	16p
Ex. 2/4-input Power	BMC944	12p	11p	10p
Clocked Flip Flop	BMC945	20p	18p	16p
4/2 Input NAND Gate	BMC946	11p	10p	9p
Clocked Flip Flop	BMC948	20p	18p	16p
4/2 Input NAND Gate	BMC949	12p	11p	10p
Pulsed Trig. Binary	BMC950	20p	18p	16p
Monostable Multivib.	BMC951	25p	23p	21p
Dual J/K Flip Flop	BMC953	20p	18p	16p
Dual J/K Flip Flop	BMC955	20p	18p	16p
Dual J/K Flip Flop	BMC956	20p	18p	16p
Quad. 2-input Power	BMC958	12p	11p	10p
2/4-input Gate	BMC961	12p	11p	10p
3/3-input NAND Gate	BMC962	11p	10p	9p
3/3-input NAND Gate	BMC963	11p	11p	10p
Audio Amp. 3-watts	SL403D	£1.50	£1.40	£1.36
Linear Op. Amp.	709C	25p	20p	15p
Decade Counter	SN7490	65p	60p	55p

LOW COST DUAL IN LINE I.C. SOCKETS
14 pin type at 15p each. New new low profile type.
16 pin type at 16p each.

BOOKS

We have a large selection of Reference and Technical Books in stock.

These are just two of our popular lines: **B.P.1 Transistor Equivalents** and **Substitutes**.

This includes many thousands of British U.S.A., European and C.V. equivalents. **The Hi-Fi Radio Valve & Transistor Data Book** 9th Edition P & P 21p

Characteristics of 3,000 valves and tubes. 4,500 Transistors, Diodes, Rectifiers and Integrated Circuits. **Send for lists of these English publications.**

Please send me the FREE Bi-Pre-Pak Catalogue

NAME

ADDRESS

MINIMUM ORDER 50p CASH WITH ORDER PLEASE Add 10p post and packing per order OVERSEAS ADD EXTRA FOR POSTAGE

BI-PRE-PAK LTD

DEPT. C, 222-224 WEST ROAD, WESTCLIFF-ON-SEA, ESSEX, SSO 9DT
TELEPHONE: SOUTHEND (0702) 46344

COMPONENTS

HOBBYIST - AMATEUR - DOMESTIC SURPLUS
INDUSTRIAL - BULK OFFERS

JUST A FEW OF OUR BARGAINS ARE LISTED BELOW - PAY US A VISIT
OR SEND STAMPED ADDRESSED ENVELOPE FOR A QUOTE ON YOUR REQUIREMENTS

VALVE BASES		KITS		ELECTROLYTICS				
Chassis or printed circuit B9A - B7G 3p		Plans separate 10p		Mullard C426, TCC, CRL, CCL, HUNTS, STC SUB MINIATURE, ETC.				
Chassis UX7 - B5 - UX5 - B9G 3p		Wide band signal injector 85p		MFD	Volt	MFD	Volt	
Shrouded chassis B7G - B9A 4p		Car 12V to 0-9V cassette or radio supply £1.50		16	50	20	12	
Octal chassis 4p				260	12	500	6	
B8A chassis 5p				50	50	100	25	
B12A tube base 3p				100	18	100	6	
				125	10	6	3	
				8	50	8	6	
				12	20	25	6.4	
				10	20	250	18	
				8.2	20	400	16	
				50	25	400	40	
				2.5	64	8	500	
				25	25	100	200	
				} 5p each				
				} 2p each				
				} 3p each				
				} 7p				
				} 6p				
				} 10p				
				} 9p				
				} 10p				
TAG STRIP		CONDENSERS		TUNING GANG				
6 way 2p Single 1p		MFD Volt		100PF, 50PF, 33PF 20p each				
1 1/4 glass fuses— 250 m/a or 3 amp (box of 12) 6p		0.005 500		TRIMMERS				
3" tape spools 4p		0.001 1,250		30PF Beehive				
FX2236 Ferrox Cores 5p		3.3PF 500		12PF P.T.F.E.				
PVC or metal clip on M.E.S. bulb holder 3p		500 PF 500		2,500PF 750V				
All metal equipment Phono plug 2p		2,200PF 500		33PF MIN.				
Bulgin, 5mm Jack plug and switched socket (pair) 20p		3,300PF 500		AIR SPACE				
12 volt solenoid and plunger 25p		0.1 350		} 10p each				
250 RPM 50 c/s locked frequency miniature mains motor 50p		0.1 500						
200 OHM coil, 1 1/4" long, hollow centre 10p		0.25 150						
Relay, P.O. 3000 type, 1,000 OHM coil, 4 pole c/o 60p		0.056		1MFD 350 volt 10p				
R.S. 12 way standard plug and shell 50p		0.061		5MFD 150 volt 40p				
		0.066		10MFD 150 volt 50p				
		0.069		0.03 12 volt 2p				
		0.075 350V		470PF 500 volt 2p				
		0.08						
		0.1 1,500		} 4p each				
		0.25 350						
		0.5 350		8MFD 800 volt electrolytic 75p				
		0.22 250						
		0.25 500						
SWITCHES		RESISTORS		WIREWOUND POTS				
Pole	Way	Type		250, 300 OHM, 1K, 4 watt, 10K, 20K, 50K, all at 10p each				
4	2	Sub. Min. Slide	1/4 - 1/2 watt 1p	RECORD PLAYER CARTRIDGE				
6	4	} Wafer Rotary 12p each	1 watt 1 1/2p	ER.5XME Mono, with turn over stylii, single hole fixing 35p				
1	11		Up to 10 watt wire 8p	GREEN INDICATOR				
4	3		15 watt wire 10p	Takes M.E.S bulb 10p				
3	7			CONNECTOR STRIP				
2	5			Belling Lee L1469, 12 way polythene. 5p each				
1	3	+ off Sub. min. edge 10p	SKELETON PRESETS		CAN CLIPS			
1	3	13 amp small rotary 12p	5K or 500K 3p		1" or 1 1/8" or 3/4" 2p			
2	2	Locking with 2 to 3 keys £1.50	SAFETY PINS		T.O.5 HEATSINKS			
2	1	2 Amp 250V A.C. rotary 20p	Standard size, 10 for 4p		Style 154 high conductivity 5p			
2	1	Toggle 10p	THORN PTO2E 10-6s CHASSIS SOCKET 40p		PAXOLINE			
					2 3/8 x 4 3/4 x 1/16" or 3 x 2 1/2 x 1/16" 2p			
					4 5/8 x 1/2 x 1/8" 2 for 1p			
					220K 3 watt resistors 2p			
					VALVE RETAINER CLIP, adjustable 2p			
					OUTPUT TRANSFORMERS			
					Sub-miniature Transistor Type 20p			
VALVES - NEW AND BOXED		STEEL BOX WITH LID		SMALL ORDERS, ENCLOSE SUITABLE STAMPED ADDRESSED ENVELOPE				
DY86 44p	EM87 90p	PL84 46p	5K switched volume control 15p	LARGE ORDERS, ADD SUFFICIENT FOR POSTAGE, INSURANCE, ETC				
EB91 26p	EL84 36p	PY81 40p	5K Log Pot 10p					
ECC82 36p	EY86 46p	PY82 42p	1meg Tandem Pot 15p					
ECC83 36p	EZ80 30p	PY88 52p						
ECH81 44p	PCC84 50p	UABC80 58p						
EABC80 46p	PCC89 62p	UCL82 50p						
EBF89 44p	PCF80 38p	UL84 50p						
ECL82 44p	PCF82 50p	UY85 42p						
ECL86 56p	PCL82 38p	UM84 32p						
EF80 36p	PCL84 50p	UCH81 44p						
EF85 44p	PCL85 64p	6BA6 26p						
EF86 44p	PCL86 56p							
EF91 52p	PL36 78p	MANY OTHERS						
EF183 40p	PL81 72p							
EF184 44p	PL83 56p							
RESETTABLE COUNTER		RELAY						
English Numbering Machines LTD. MODEL 4436-159-989		6 volt, 2 pole c/o heavy duty contacts 50p						
6-14 volt, 6 digit, illuminated, fully enclosed. £2.50								

THE RADIO SHACK

161 ST. JOHNS HILL, BATTERSEA, LONDON S.W.11
Open 10 a.m. till 8 p.m. Monday to Saturday Phone 01-223 5016

SEMICONDUCTORS

Full spec. marked by Mullard, etc. Many other types in stock

AC127 .. 10p	AF116 .. 14p	BFY52 .. 10p
AC187 .. 14p	AF117 .. 14p	BCY40 .. 25p
AC188 .. 14p	BC107/8/9 .. 7p	BSV64 .. 40p
AD149 .. 35p	BD131 .. 40p	2N706 .. 8p
AD161 .. 27p	BD132 .. 50p	2N2401 .. 15p
AD162 .. 27p	BD135 .. 25p	2N3055 .. 35p
Matched pair .. 50p		T.O.3 mica washer 2p

BRIDGE RECTIFIERS

Amp	Volt		Amp	Volt	
1/2	1,600	BYX10 30p	2	30	LT120 30p
1	140	OSH01-200 30p	0.6	6-110	EC433
1.4	42	BY164 35p	Encapsulated with built-in heat sink .. 15p		
Plastic types					

1 AMP RECTIFIERS

IN4002	100 volt	4p
IN4003	200 volt	5p
IN4004	400 volt	7p
IN4005	600 volt	9p
IN4006	800 volt	10p
IN4007	1,000 volt	15p

OPTO ELECTRONICS

ORP12	43p	BPX29 Photo transistor 80p
BPX40	25p	
BPX42	25p	
BPY10	75p	
BPY68	75p	CQ11B Infra red transmitter £4
BPY69	£1	
BPY77	75p	
Diodes		

THYRISTORS

Amp	Volt		
1	400	CRS1/40	30p
1	240	BTX18-200	30p
1	240	BTX30-200	30p
1	700	BT106	85p
6.5	300	BT102-300R	42p
6.5	500	BT102-500R	60p
6.5	500	BT107	90p
6.5	500	BT108	90p
6.5	500	BT101-500R	68p
6.5	500	BT109-500R	90p
20	600	BTW92-600RM	£3.00
15	800	BTX95-800R Pulse Modulated	£12

TRIACS

Amp	Volt		
6	400	BT110-400 Plastic	75p
25	900	BTX94-900	£6.50
25	1200	BTX94-1200	£9

DIAC BRI00

PHOTO SILICON CONTROLLED SWITCH
BPX66 PNP 10 amp .. £1

UNMARKED - TESTED

AC128	6p	OC44	6p
ACY17-20	8p	OC71	6p
BC179	10p	OC72	6p
BCY30-34	10p	OC200-5	6p
BY127	8p	2N2926	5p
BZY88 series	6p	Germanium diode	3p
OA200-5	6p		

N50 ohm free plug (UG21D/U) .. 50p

N50 ohm square socket (UG58A/U) .. 50p

1" Terryclips, black plastic coated, or chrome finish .. 4p

Cinch 10-way terminal block .. 15p

Pair of LA2407 Ferrox cores with adjuster .. 25p

Chrome Car Radio facia .. 15p

Rubber Car Radio gasket .. 10p

DLI Pal Delayline .. £2

Relay socket .. 12p
Take miniature 2PCO relay

B9A valve can .. 2p

0-30 in .5 segments, black pvc, 360° dial, silver digits, self adhesive, 4 1/4" dia. .. 15p

F.E.T.'s

BFW10	40p
BSV79	90p
BSV80	80p
N. Channel	
BSV81 M.O.S.T.	£1

Phillips Iron Thermostat .. 15p

Bulgin 2-pin flat plug and socket .. 10p

McMurdo PP108 8 way edge plug .. 15p

300 ohm moving coil insert 4103D 1 3/4" diameter. Make ideal mike or speaker for communication work .. 25p

WE

BUY

SURPLUS

COMPONENTS

ETC.

PAPER BLOCK CONDENSER

0.25MFD	800 volt	30p
1MFD	400 volt	15p
2MFD	250 volt	20p
2MFD	1.5 kv	50p
15MFD	150 volt	25p

8 way Cinch standard 0.15 pitch edge socket .. 20p

U.E.C.L. 10 way pin connector 2B6000 OA1P10 .. 20p

U.E.C.L. 20 way pin connector 2A60000A1P20 .. 30p

U.E.C.L. 10 way pin socket 2B606001R10 .. 20p

U.E.C.L. 20 way pin socket 2B60800A1R20 .. 30p

WIREWOUND SLIDER

150 Ohm, 250 Ohm 5K .. 4p each

INDICATORS

12 volt red or mains neon amber, push fit round, chrome bezel .. 15p each

Rotor with neon indicator, as used in Seafarer. Pacific, Fairway depth finders .. 20p each

100MFD 250/275V electrolytic can .. 20p

DEE PLUG

McMurdo DA15P 15 way chassis plug .. 20p

Fairway 18009 Coax. socket .. 5p

TIE CLIPS

Nylon self locking 3 1/2" 1p; 7" 2p

CINCH 150

12 way edge socket .. 10p

SMALL ORDERS, ENCLOSE SUITABLE STAMPED ADDRESSED ENVELOPE

LARGE ORDERS, ADD SUFFICIENT FOR POSTAGE, INSURANCE, ETC.

THE RADIO SHACK

161 ST. JOHNS HILL, BATTERSEA, LONDON S.W.11

Open 10 a.m. till 8 p.m. Monday to Saturday

Phone 01-223 5016

DENCO (CLACTON) LIMITED

355-7-9 OLD ROAD, CLACTON-ON-SEA, ESSEX

Our components are chosen by Technical Authors and Constructors throughout the World for their performance and reliability, every coil being inspected twice plus a final test and near spot-on alignment as a final check.

Our General Catalogue showing full product range	..	18p
DTB4 Transistor & Valve circuitry for D.P. Coils	..	18p
DTB9 Valve Type Coil Pack Application circuitry	..	18p
MD.1 Decoder Circuitry for Stereo Reception	..	21p

All post paid, but please enclose S.A.E. with all other requests in the interests of retaining lowest possible prices to actual consumers

PRECISION

POLYCARBONATE CAPACITORS

Fresh Stock - Fully Tested and Guaranteed

Close tolerance professional capacitors by well-known manufacturer. Excellent stability and extremely low leakage. All 63V D.C.

0.47 μ F:	$\pm 5\%$ 30p;	$\pm 2\%$ 40p;	$\pm 1\%$ 50p
1.0 μ F:	$\pm 5\%$ 40p;	$\pm 2\%$ 50p;	$\pm 1\%$ 60p
2.2 μ F:	$\pm 5\%$ 50p;	$\pm 2\%$ 60p;	$\pm 1\%$ 75p
4.7 μ F:	$\pm 5\%$ 70p;	$\pm 2\%$ 90p;	$\pm 1\%$ 115p
6.8 μ F:	$\pm 5\%$ 95p;	$\pm 2\%$ 115p;	$\pm 1\%$ 150p
10.0 μ F:	$\pm 5\%$ 110p;	$\pm 2\%$ 140p;	$\pm 1\%$ 180p
15.0 μ F:	$\pm 5\%$ 160p;	$\pm 2\%$ 210p;	$\pm 1\%$ 270p

NEW! - TANTALUM BEAD CAPACITORS

Values available .22, .47, 1.0, 2.2, 4.7, 6.8 μ F at 35V, 10 μ F 25V, 15 μ F 20V, 22 μ F 15V, 33 μ F 10V, 47 μ F 6V, 100 μ F 3V. All at 9p each; 6 for 50p; 14 for £1.00. Special pack, 6 off each value (72 capacitors) for £5.00.

TRANSISTORS: BC107; BC108; BC109 (please state which), all at 9p each, 6 for 50p; 14 for £1.00; May be mixed to qualify for lower price. All brand new to full manufacturer's specification.

POPULAR DIODES: IN914 - 7p each; 8 for 50p; 18 for £1.00
IN916 - 9p each; 6 for 50p; 14 for £1.00. IS44 - 5p each; 11 for 50p; 24 for £1.00. All brand new and marked.

400mW ZENER DIODES: Values available 4.7, 5.6, 6.8, 7.5, 8.2, 9.1, 10, 11, 12, 13.5, 15 volts. All new and marked. All at 10p each; 6 for 50p; 14 for £1.00.

RESISTORS: Carbon film $\frac{1}{2}$ watt 5%. Range 2.2 Ω -2.2M Ω E12. Series i.e. 10, 12, 15, 18, 22, 27, 33, 39, 47, 56, 68, 82, and their decades. All at 1p each. 8p for 10 of any one value; 70p for 100 of any one value. Special development pack 10 off each value 2.2 Ω to 2.2M Ω (730 resistors) for £5.00.

440V A.C. CAPACITORS:
0.1 μ F: Size 1 $\frac{1}{8}$ " x $\frac{1}{2}$ ", 25p each
0.25 μ F: Size 1 $\frac{3}{8}$ " x $\frac{3}{8}$ ", 30p each
0.5 μ F: Size 1 $\frac{3}{8}$ " x $\frac{3}{4}$ ", 35p each
1.0 μ F: Size 2" x $\frac{3}{4}$ ", 45p each
2.0 μ F: Size 2" x 1", 75p each

Suitable for use on C.D. ignition, 250V A.C. motors, etc.

5p post and packing on all orders below £5

V.ATTWOOD, Dept C.4., P.O. Box 8, Alresford, Hants.

THE 'PLUS' CATALOGUE

+ Technical data + Countless bargains + Discounts



+

25p

REFUND VOUCHER

The Electrovalue Catalogue now costs 25p (post free, surface mail) and is well worth it for its technical information. But we include with it a 25p refund voucher for spending on orders for £5 or more. You will find this catalogue a great money saver in every way.

- 96 Pages. (4th printing)
- Transistors, with technical specs.
- I.Cs with working diagrams
- Resistors, capacitors, components
- Diagrams, tables, information
- GENUINE DISCOUNTS

ELECTROVALUE LTD. Dept. R.C. 1
28 St. Judes Rd., Englefield Green, Egham, TW20 0HB
9-6 daily: 1.0 p.m. Sat. Telephone Egham 3603

THIS IS THE FIRST PAGE OF THE GREAT BI-PAK SECTION

BRAND NEW FULLY GUARANTEED DEVICES

AC 107	20p AD 149	50p BC 143	30p BD 131	50p BF 179	30p C 444	35p ZG 301	20p 2N 1711	20p 2N 2926(R)	10p 2N 3906	27p
AC 113	20p AD 161	33p BC 145	45p BD 132	60p BF 180	30p C 450	22p ZG 302	20p 2N 1889	20p 2N 2926(B)	10p 2N 4050	12p
AC 115	23p AD 162	33p BC 147	10p BD 133	65p BF 181	30p MAT 100	22p ZG 303	19p 2N 1890	45p 2N 3011	14p 2N 4062	10p
AC 117K	20p AD 161 and	30p BC 148	10p BD 135	40p BF 182	40p MAT 101	20p ZG 304	19p 2N 1893	37p 2N 3053	46p 2N 4061	12p
AC 122	12p AD 162(MP)	55p BC 149	12p BD 136	40p BF 183	40p MAT 120	19p ZG 306	24p 2N 2147	57p 2N 3055	50p 2N 4284	17p
AC 125	17p ADT 140	50p BC 150	80p BD 137	45p BF 184	25p MAT 121	20p ZG 308	40p 2N 2148	60p 2N 3059	14p 2N 4285	17p
AC 126	17p AF 114	24p BC 151	20p BD 138	50p BF 185	30p MPF 102	42p ZG 309	20p 2N 2160	22p 2N 3063	21p 2N 4292	17p
AC 127	17p AF 115	24p BC 152	17p BD 139	55p BF 188	40p MPF 104	37p ZG 339	35p 2N 2193	35p 2N 3392	14p 2N 4287	17p
AC 128	17p AF 116	24p BC 153	28p BD 140	60p BF 194	12p MPF 105	37p ZG 339A	20p 2N 2194	35p 2N 3395	14p 2N 4288	17p
AC 132	14p AF 117	24p BC 154	30p BD 155	80p BF 195	12p OC 19	35p ZG 344	18p 2N 2217	22p 2N 339A	14p 2N 4289	17p
AC 134	14p AF 118	25p BC 157	18p BD 136	60p BF 196	14p OC 20	63p ZG 345	18p 2N 2218	20p 2N 3395	17p 2N 4290	17p
AC 137	14p AF 124	30p BC 158	12p BD 176	60p BF 197	14p OC 22	38p ZG 371	16p 2N 2219	20p 2N 3402	21p 2N 4291	17p
AC 141	14p AF 125	25p BC 159	12p BD 177	65p BF 200	45p OC 23	42p ZG 371B	12p 2N 2220	22p 2N 3403	21p 2N 4292	17p
AC 141K	17p AF 126	28p BC 160	45p BD 178	65p BF 222	55p OC 24	54p ZG 373	17p 2N 2221	20p 2N 3404	28p 2N 4293	17p
AC 142	14p AF 127	28p BC 161	50p BD 179	70p BF 257	45p OC 25	38p ZG 374	17p 2N 2222	20p 2N 3405	42p 2N 5172	12p
AC 142K	17p AF 139	30p BC 167	12p BD 180	70p BF 258	60p OC 26	25p ZG 377	17p 2N 2268	17p 2N 3414	15p 2N 5457	32p
AC 151	15p AF 178	50p BC 168	12p BD 185	65p BF 259	85p OC 28	50p ZG 378	16p 2N 2369	14p 2N 3415	15p 2N 5458	32p
AC 154	20p AF 179	50p BC 169	12p BD 186	65p BF 262	55p OC 29	50p ZG 381	16p 2N 2369A	14p 2N 3416	18p 2N 5459	40p
AC 155	20p AF 180	50p BC 170	12p BD 187	70p BF 263	55p OC 35	42p ZG 382	16p 2N 2411	24p 2N 3417	28p 2N 5460	40p
AC 156	20p AF 181	45p BC 171	14p BD 188	70p BF 270	35p OC 36	50p ZG 401	46p 2N 2412	24p 2N 3525	75p 2N 502A	42p
AC 157	24p AF 186	45p BC 172	14p BD 189	75p BF 271	30p OC 41	20p ZG 414	30p 2N 2442	47p 2N 3646	9p 2N 502C	42p
AC 165	20p AF 239	37p BC 173	14p BD 190	75p BF 272	80p OC 42	24p ZG 417	25p 2N 2711	21p 2N 3702	10p 2N 5030	55p
AC 166	20p AL 103	65p BC 174	14p BD 195	85p BF 273	35p OC 44	15p 2N 388	25p 2N 2712	21p 2N 3703	10p 2N 5034	70p
AC 167	20p AL 103	65p BC 175	22p BD 196	85p BF 274	35p OC 45	12p 2N 388A	55p 2N 2714	21p 2N 3704	11p 2N 5035	84p
AC 168	24p ASY 26	25p BC 177	19p BD 197	90p BF 274	60p OC 70	10p 2N 404	25p 2N 2904	17p 2N 3705	10p 2N 5036	84p
AC 169	14p ASY 27	30p BC 178	19p BD 198	90p BF 275	21p OC 71	10p 2N 404A	20p 2N 2904A	21p 2N 3706	9p 2N 5037	84p
AC 176	20p ASY 28	25p BC 179	19p BD 199	95p BF 276	22p OC 72	14p 2N 524	42p 2N 2905	21p 2N 3707	11p 2N 5038	56p
AC 177	24p ASY 29	25p BC 180	24p BD 200	95p BF 277	40p OC 74	14p 2N 527	49p 2N 2905A	21p 2N 3708	7p 2N 5039	42p
AC 178	28p ASY 30	25p BC 181	24p BD 205	80p BF 278	22p OC 75	15p 2N 598	45p 2N 2906	15p 2N 3709	9p 2N 5040	42p
AC 179	28p ASY 31	25p BC 182	10p BD 206	80p BF 279	24p OC 76	15p 2N 599	42p 2N 2906A	18p 2N 3710	9p 2N 5041	56p
AC 180	17p ASY 32	25p BC 182L	10p BD 207	95p BF 280	22p OC 77	25p 2N 596	45p 2N 2907	20p 2N 3711	9p 2N 5042	70p
AC 180K	26p ASY 34	25p BC 183	10p BD 208	95p BF 281	20p OC 81	15p 2N 597	11p 2N 2907A	22p 2N 3819	28p 2N 5043	70p
AC 181	17p ASY 55	25p BC 183L	10p BD 209	100p BF 282	20p OC 82	15p 2N 598	15p 2N 2923	14p 2N 3820	28p 2N 5044	70p
AC 181K	26p ASY 56	25p BC 184	12p BF 115	24p BF 52	20p OC 82D	15p 2N 706	3p 2N 2924	14p 2N 3821	35p 2N 5045	70p
AC 182	22p ASY 57	25p BC 184L	12p BF 116	45p BF 53	17p OC 82D	15p 2N 706	8p 2N 2925	14p 2N 3822	35p 2N 5046	42p
AC 187K	20p ASY 58	25p BC 185	12p BF 117	70p BF 54	85p OC 83	20p 2N 706A	11p 2N 2926(G)	12p 2N 3903	28p 40361	40p
AC 188	22p ASZ 21	40p BC 187	28p BF 118	70p BF 55	15p OC 84	20p 2N 711	9p 2N 2926(Y)	11p 2N 3904	30p 40362	45p
AC 188K	20p BC 107	9p BC 207	11p BF 121	45p BSX 20	15p OC 139	20p 2N 711	30p 2N 2926(O)	10p 2N 3905	28p	
AC 197	25p BC 108	9p BC 208	11p BF 123	50p BSX 25	15p OC 140	20p 2N 717	25p			
AC 198	20p BC 109	10p BC 209	12p BF 125	45p BSX 26	15p OC 169	25p 2N 718	35p			
AC 199	20p BC 110	10p BC 210	11p BF 127	50p BSX 27	15p OC 170	25p 2N 718A	50p AA 119	8p BY 130	16p OA 47	7p
AC 200	20p BC 111	15p BC 211	11p BF 128	55p BSX 28	15p OC 171	25p 2N 726	28p AA 120	8p BY 133	21p OA 70	7p
AC 201	20p BC 112	15p BC 212	11p BF 129	55p BSX 29	15p OC 172	25p 2N 727	28p AA 121	8p BY 164	50p OA 78	7p
AC 202	20p BC 113	15p BC 213	11p BF 130	55p BSX 30	18p OC 201	28p 2N 743	20p AAY 30	9p BYX 38 30	42p OA 81	7p
AC 203	20p BC 114	15p BC 214	11p BF 131	55p BSX 31	18p OC 202	28p 2N 744	20p AAZ 13	10p BYZ 10	35p OA 85	9p
AC 204	20p BC 115	15p BC 214L	11p BF 132	55p BSX 32	28p OC 203	25p 2N 914	14p BA 100	10p BYZ 11	30p OA 90	4p
AC 205	20p BC 116	15p BC 225	11p BF 133	55p BSX 33	28p OC 204	25p 2N 918	30p BA 116	21p BYZ 12	30p OA 91	6p
AC 206	20p BC 117	15p BC 226	11p BF 134	55p BSX 34	12p OC 205	35p 2N 929	21p BA 126	22p BYZ 13	25p OA 95	7p
AC 207	19p BC 118	10p BC 30	24p BF 156	48p BSX 40	28p OC 206	40p 2N 930	21p BA 148	14p BYZ 16	40p OA 200	6p
AC 208	19p BC 119	30p BCY 31	26p BF 157	55p BSX 41	28p OC 207	40p 2N 931	20p BA 154	13p BYZ 17	35p OA 202	7p
AC 209	28p BC 120	80p BCY 32	26p BF 158	55p BSX 42	12p OC 208	40p 2N 932	20p BA 155	14p BYZ 18	35p SD 10	5p
AC 210	28p BC 121	12p BCY 33	22p BF 159	60p BSX 43	12p OC 209	40p 2N 933	22p BA 156	15p CG 62	5p IN 34	7p
AC 211	21p BC 122	18p BCY 34	22p BF 160	60p BSX 44	12p OC 210	40p 2N 934	22p BA 157	17p CG 65(E)	5p IN 34A	7p
AC 212	21p BC 123	18p BCY 35	14p BF 162	40p Bu 105	12p OC 211	42p 2N 1132	22p BA 158	17p CG 65(E) 91	5p IN 914	6p
AC 213	21p BC 124	18p BCY 36	14p BF 163	40p C 400	50p P 346A	42p 2N 1132	22p BA 159	12p OA 70-OA79	4p IN 916	6p
AC 214	21p BC 125	18p BCY 37	14p BF 164	40p C 401	50p P 397	42p 2N 1132	22p BA 160	14p BYZ 19	28p SD 19	5p
AC 215	21p BC 126	18p BCY 38	14p BF 165	40p C 402	50p P 397	42p 2N 1132	22p BA 161	15p CG 62	5p IN 34	7p
AC 216	21p BC 127	18p BCY 39	14p BF 166	40p C 403	50p P 397	42p 2N 1132	22p BA 162	15p CG 62	5p IN 34	7p
AC 217	21p BC 128	18p BCY 40	14p BF 167	40p C 404	50p P 397	42p 2N 1132	22p BA 163	15p CG 62	5p IN 34	7p
AC 218	21p BC 129	18p BCY 41	14p BF 168	40p C 405	50p P 397	42p 2N 1132	22p BA 164	15p CG 62	5p IN 34	7p
AC 219	21p BC 130	18p BCY 42	14p BF 169	40p C 406	50p P 397	42p 2N 1132	22p BA 165	15p CG 62	5p IN 34	7p
AC 220	21p BC 131	18p BCY 43	14p BF 170	40p C 407	50p P 397	42p 2N 1132	22p BA 166	15p CG 62	5p IN 34	7p
AD 130	48p BC 140	30p BD 121	25p BF 173	22p C 426	35p ST 140	12p 2N 1306	21p BY 114	12p OA 70-OA79	4p IN 916	6p
AD 142	48p BC 141	30p BD 122	25p BF 174	35p C 428	35p ST 141	17p 2N 1307	21p BY 126	14p OA 5	35p IN 414B	6p
AD 143	48p BC 142	30p BD 123	25p BF 175	35p C 441	35p ST 142	30p 2N 1308	23p BY 127	15p OA 55L	21p OS 21	10p
		30p BD 124	25p BF 176	35p C 442	35p ST 143	30p 2N 1309	23p BY 128	15p OA 55L	21p OS 21	10p

DIODES & RECTIFIERS

50p AA 119	8p BY 130	16p OA 47	7p
8p BY 133	21p OA 70	7p	
8p BY 164	50p OA 78	7p	
9p BYX 38 30	42p OA 81	7p	
10p BYZ 10	35p OA 85	9p	
10p BYZ 11	30p OA 90	4p	
10p BYZ 12	30p OA 91	6p	
12p BYZ 13	25p OA 95	7p	
14p BYZ 16	40p OA 200	6p	
13p BYZ 17	35p OA 202	7p	
14p BYZ 18	35p SD 10	5p	
13p BYZ 19	28p SD 19	5p	
15p CG 62	5p IN 34	7p	
12p (Eq) CA 91	5p IN 34A	7p	
17p CG 65(E)	5p IN 914	6p	
12p OA 70-OA79	4p IN 916	6p	
14p OA 5	35p IN 414B	6p	
15p OA 55L	21p OS 21	10p	
15p OA 10	35p OS 21	10p	

Cut these 3 pages out and keep for reference

NEW COMPONENT PAK BARGAINS

Pack No.	Qty.	Description	Price
C 1	250	Resistors mixed values approx. count by weight	0.50
C 2	200	Capacitors mixed values approx. count by weight	0.50
C 3	50	Precision Resistors 1%, .01% mixed values	0.50
C 4	75	1/4 W Resistors mixed preferred values	0.50
C 5	5	Pieces assorted Ferrite Rods	0.50
C 6	2	Tuning Gangs, MW/LW VHF	0.50
C 7	1	Pack Wire 50 meters assorted colours	0.50
C 8	10	Reed Switches	0.50
C 9	3	Micro Switches	0.50
C10	15	Assorted Pots & Pre-Sets	0.50
C11	5	Jack Sockets 3-3.5m 2 - Standard Switch Types	0.50
C12	40	Paper Condensers preferred types mixed values	0.50
C13	20	Electrolytics Trans. types	0.50
C14	1		

The largest selection

NEW LOW PRICE TESTED S.C.R.'S.

PIV	1A	3A	5A	7A	10A	16A	30A
50	0.33	0.23	0.35	T064	T048	T048	T048
100	0.35	0.33	0.47	0.50	0.58	0.63	1.10
200	0.35	0.37	0.49	0.49	0.57	0.61	1.10
400	0.43	0.47	0.56	0.56	0.67	0.75	1.50
600	0.53	0.57	0.68	0.58	0.77	0.93	1.75
800	0.63	0.70	0.80	0.90	1.10	1.50	2.40

SILICON RECTIFIERS—TESTED

PIV	300mA	750mA	1A	1.6A	3A	10A	30A
50	0.04	0.05	0.05	0.07	0.14	0.11	0.60
100	0.04	0.06	0.06	0.13	0.18	0.33	0.75
200	0.06	0.09	0.06	0.14	0.20	0.34	1.00
400	0.06	0.13	0.07	0.20	0.27	0.37	1.25
600	0.07	0.16	0.10	0.33	0.34	0.46	1.86
800	0.10	0.17	0.11	0.35	0.37	0.55	2.00
1000	0.11	0.25	0.14	0.30	0.46	0.83	2.50
1200		0.33		0.38	0.67	0.75	

TRIACS

V _{BO} M 2A	6A	10A
TO-1	TO-66	TO-88
5p	8p	8p
100	30	50
200	60	80
400	70	75

DIACS

BR100 (D32)	87p
-------------	-----

FREE

One 50p Pak of your own choice free with orders valued \$4 or over.

BRAND NEW TEXAS GERM. TRANSISTORS

Pak No.	QWT
T2	8 243713
T3	8 111374
T4	8 112116
T5	8 243811
T6	8 243827
T7	8 243448
T8	8 243458
T9	8 243374
T8	8 243399A
T10	8 243417

2N3050 NPN SIL. DUAL TRANS. CODE D1699

TEXAS. Our price 25p each.

180 VCB MIXIE DRIVER TRANSISTOR.

Sim. BBX21 & C407. 2N1893 FULLY TESTED AND CODED ND 120. 1-24 17p each. TO-5 NPN. 2p per 18p each

Sil. trans. suitable for P.E. Organ. Metal TO-18

Eqvt. ZTX300 5p each. Any Qty.

POWER TRANS BONANZA!

GENERAL PURPOSE GERM. PNP Coded GP100. BRAND NEW TO-3 CASE. P088. REPLACE.—OC23-28-29-30-35-36. NKT 401-403-404-406-408-430-431-482-453. T13027-3028. 2N280A. 2N4664-457A-459A. 2N311 A & B. 2G220-222. ETC. VCEO 80V VCEO 50V IC 10A PT. 30 WATTS RT. PRICE 1-24 45p each 26-99 100 up 50p each

SILICON High Voltage 280V NPN TO-3 case. G.P. Switching & Amplifier Applications Brand new Coded R 2400

VCEO 250/VCEO 100/IC 6A/30 Watts. HFE type 20/TI 5MHz. OUR PRICE EACH: 1-24 50p 26-99 45p 100 up 50p

ADI161/ADI162 NPN

M/P COMP GERM TRANS. OUR LOWEST PRICE OF 55p PER PAIR

FULL RANGE OF ZENER DIODES

VOLTAGE RANGE 1-28V 400mV (DO-7 CASE) 18p ea. 14W (Top Hat) 18p ea. 10W (80-10 Stud) 25p ea. All fully tested 1/2% tol. and marked. State voltage required.

10amp POTTED BRIDGE RECTIFIER on heat sink

each 100 PIV. 90p each

NEW LINE

Plastic encapsulated 2 amp Bridge Rects.

50 v RMS 32p each
100 v RMS 37p each
400 v RMS 64p each

UNIJUNCTION

UT48. Eqvt. 2N2648. Eqvt. T1843. BFN3000 7p each. 26-99 25p 100 UP 20p

CADMIUM CELLS

ORP12 42p
ORP60, ORP61 40p each

GENERAL PURPOSE NPN SILICON SWIT. CHING TRANS. TO-18

SIM. TO 2N706/8, BSY27 28/95A. All usable devices no open or short circuits. ALSO AVAILABLE in PNP Sim. to 2N2906. BCY70 When ordering please state preference NPN or PNP. Ep 100 For 1.75 20 For 0.50 500 For 7.50 50 For 1.00 1000 For 18.00

SIL. G.P. DIODES 5p

300mV 30. 0.60
40PIV(Min.) 100 1.00
Sub-Min. 500 1.00
Full Tested 1,000 0.00
Ideal for Organ Builders.

2N3055

115 WATT SIL. POWER PNP 100 up 50p EACH

KING OF THE PAKS Unequalled Value and Quality

SUPER PAKS NEW BI-PAK UNTESTED SEMICONDUCTORS

Satisfaction GUARANTEED in Every Pak, or money back.

Pak No.	Description	Ep
U1	120 Glass Sub-Min. General Purpose Germanium Diodes	50p
U2	60 Mixed Germanium Transistors AF/RF	50p
U3	75 Germanium Gold Bonded Sub-Min. like OA5, OA47	50p
U4	40 Germanium Transistors like OC81, AC128	50p
U5	60 200mA Sub-Min. Silicon Diodes	50p
U6	30 Sil. Planar Trans. NPN like BSY96A, 2N706	50p
U7	15 Sil. Rectifiers Top-Hat 750mA Vltg. Range up to 1,000	50p
U8	50 Sil. Planar Diodes DO-7 Glass 250mA like OA200/202	50p
U9	20 Mixed Voltage, 1 Watt Zener Diodes	50p
U10	20 BAY56 charge storage Diodes DO-7 Glass	50p
U11	25 PNP Sil. Planar Trans. TO-5 like 2N1132, 2N2904	50p
U12	12 Silicon Rectifiers Epoxy 500 mA up to 800 PIV	50p
U13	30 PNP-NPN Sil. Transistors OC200 and 2S 104	50p
U14	150 Mixed Silicon and Germanium Diodes	50p
U15	25 PNP Sil. Planar Trans. TO-5 like BFY61, 2N697	50p
U16	10 3Amp Silicon Rectifiers Stud Type up to 1,000 PIV	50p
U17	30 Germanium PNP AF Transistors TO-6 like ACY 17-22	50p
U18	8 6Amp Silicon Rectifiers BZY13 Type up to 600 PIV	50p
U19	25 Silicon NPN Transistors like BC108	50p
U20	12 1.5Amp Silicon Rectifiers Top-Hat up to 1,000 PIV	50p
U21	30 AF. Germanium Alloy Transistors 2G300 Series & OC71	50p
U22	30 MAIT 4 like MHz Series PNP Transistors	50p
U24	20 Germanium 1 Amp Rectifiers GJM Series up to 300 PIV	50p
U25	25 300 MHz NPN Silicon Transistors 2N706, BSY27	50p
U26	30 Fast Switching Silicon Diodes like IN541 Micro-Min.	50p
U27	12 NPN Germanium AF Transistors TO-1 like AC127	50p
U29	10 1Amp SCR's TO-5 can. up to 600 PIV CRS1/26-600	1.00
U30	16 Plastic Silicon Planar Trans. NPN 2N2926	50p
U31	20 Sil. Planar Plastic NPN Trans. Low Noise Amp 2N3707	50p
U32	25 Zener Diodes 400mW DO-7 case 3-18 volts mixed.	50p
U33	15 Plastic Case 1 Amp Silicon Rectifiers IN4000 Series	50p
U34	30 Silicon PNP Alloy Trans. TO-5 BCY26 2S302/4	50p
U36	25 Silicon Planar Transistors PNP TO-18 2N2906	50p
U37	30 Silicon Alloy Transistors SO-2 PNP OC200, 2S322	50p
U38	20 Fast Switching Silicon Trans. NPN 400 MHz 2N8011	50p
U39	30 RF GERM. PNP Transistors 2N2908 TO-6	50p
U40	10 Dual Transistors 6 lead TO-6 2N2960	50p
U41	25 RF Germanium Transistors TO-5, OC45, NKT72	50p
U42	10 VHF Germanium PNP Transistors TO-1 NKT67, AP117	50p
U43	25 Sil. Trans. Plastic TO-18 A.F. BC113/114	50p
U44	20 Sil. Trans. Plastic TO-6 BC115/NPN	50p
U45	7 3A SCR. T068 up to 800 PIV	1.00

Code Nos. mentioned above are given as a guide to the type of device in the Pak. The devices themselves are normally unmarked.

SILICON PHOTO TRANSISTOR. TO-18 Lens end.

NPN Sim. to BP 25 and P21. BRAND NEW. Full data available. Fully guaranteed. Qty. 1-24 25-99 100 up Price each 45p 50p 25p

F.E.T.'S

2N3819	50p
2N3820	50p
2N3821	50p
2N3823	50p
2N4558	50p
BFW 10	40p
MPP105	40p

NEW EDITION 1971 TRANSISTOR EQUIVALENTS BOOK.

A complete cross reference and equivalents book for European, American and Japanese Transistors. Exclusive to Bi-Pak 90p each. Red cover edition.

A LARGE RANGE OF TECHNICAL AND DATA BOOKS ARE NOW AVAILABLE EX. STOCK SEND FOR FREE LIST.

DTL & TTL INTEGRATED CIRCUITS

INTEGRATED CIRCUIT PAKS

Manufacturers "Fall Out" which include Functional and part Functional Units. These are classed as "out-of-spec" from the maker's very rigid specifications, but are ideal for learning about I.C.'s and experimental work.

Pak No.	Contents	Price
UIC00	12 x 7400	50p
UIC01	12 x 7401	50p
UIC02	12 x 7402	50p
UIC03	12 x 7403	50p
UIC04	12 x 7404	50p
UIC05	12 x 7405	50p
UIC06	8 x 7406	50p
UIC07	8 x 7407	50p
UIC10	12 x 7410	50p
UIC12	8 x 7413	50p
UIC20	12 x 7420	50p
UIC30	12 x 7430	50p
UIC40	12 x 7440	50p
UIC41	5 x 7441	50p
UIC42	5 x 7442	50p
UIC43	5 x 7443	50p
UIC44	5 x 7444	50p
UIC45	5 x 7445	50p

QUALITY TESTED SEMICONDUCTORS

Pack Description	Price £	
Q1	20 Red spot transistors PNP	50p
Q2	15 White spot R.F. transistors PNP	50p
Q3	4 OC 71 type transistors	50p
Q4	8 Matched transistors OC44/45/81/81D	50p
Q5	4 OC 75 transistors	50p
Q6	5 OC 72 transistors	50p
Q7	4 AC 128 transistors PNP high gain	50p
Q8	4 AC 126 transistors PNP	50p
Q9	7 OC 81 type transistors	50p
Q10	7 OC 71 type transistors	50p
Q11	2 AC 127/128 Comp pairs PNP/NPN	50p
Q12	3 AF 116 type transistors	50p
Q13	3 AF 117 type transistors	50p
Q14	3 OC 171 H.F. type transistors	50p
Q15	7 2N2926 Sil. Epoxy trans. and colours	50p
Q16	2 G2T80 low noise Germ. trans.	50p
Q17	5 NPN 2 x ST. 141. and 3 x ST. 140.	50p
Q18	4 MADT 2 x MAT 100 & 2 x MAT 100	50p
Q19	3 MADD 2 x MAT 101 & 1 x MAT 121	50p
Q20	4 OC 44 Germanium transistors A.F.	50p
Q21	4 AC 127 NPN Germanium transistors	50p
Q22	20 NKT transistors A.F. R.F. coded	50p
Q23	10 OA 202 Silicon diodes sub-min.	50p
Q24	8 OA 81 diodes	50p
Q25	15 IN81 Silicon diodes sub-min	50p
Q26	8 OA95 Germanium diodes sub-min IN69	50p
Q27	2 10A 600 PIV Sil. Rectifiers IS422R	50p
Q28	2 Silicon power trans. BZY12	50p
Q29	4 Silicon trans. 2 x 2N686, 1 x 2N697, 1 x 2N698	50p
Q30	7 Sil. switch transistors 2N706 NPN	50p
Q31	6 Sil. switch transistors 2N708 NPN	50p
Q32	3 PNP Sil. trans. 2x2N1131, 1x2N1132	50p
Q33	3 Silicon NPN transistors 2N1711	50p
Q34	7 Sil. NPN trans. 2N2369, 500MHz (code P387)	50p
Q35	3 Sil. PNP TO-5, 2x2N2904 & 1x2N2906	50p
Q36	7 2N3648 TO-18 plastic 300 MHz NPN	50p
Q37	3 2N3653 NPN Silicon transistors	50p
Q38	7 PNP trans. 4 x 2N3703, 3 x 2N3702	50p
Q39	7 NPN trans. 4 x 2N3704, 3 x 2N3706	50p
Q40	7 NPN trans. 4x 2N3707, 3 x 2N3708	50p
Q41	3 Plastic NPN TO-18 2N500	50p
Q42	6 NPN transistors 2N5172	50p
Q43	7 BC 107 NPN transistors	50p
Q44	7 NPN trans. 4 x BC 108, 3 x BC 109	50p
Q45	3 BC 113 NPN TO-5 transistors	50p
Q46	3 BC 115 NPN TO-5 transistors	50p
Q47	6 NPN high gain trans. 3 x BC167, 3 x BC168	50p
Q48	4 BCY 70 PNP transistors TO-18	50p
Q49	4 NPN trans. 2 x BFY61, 2 x BFY62	50p
Q50	7 BSY 28 NPN switch trans. TO-18	50p
Q51	7 BSY 88A NPN trans. 300MHz.	50p
Q52	8 BY100 type silicon rectifiers	1.00
Q53	26 Sil. & germ. trans. and all mkt new £1.50	

ELECTRONIC SLIDE-RULE

The MK Slide Rule, designed to simplify electronic calculations features the following scales: Conversion of Frequency and Wavelength. Calculation of L, C and of tuned circuits. Reactance and self inductance. Area of circles. Volume of cylinders. Resistance of conductors. Weight of conductors. Deribel calculations. Angle functions. Natural Logs. & e' functions. Multiplication & division. Squaring, cubing and square roots. Conversion of kW and Hp. A must for every electronic engineer and enthusiast. Size 23cm x 4 cm. complete with case and instructions. PRICE EACH: £3.35

Packs cannot be split, but 25 assorted pieces (our mix) is available as PAK UIC X1.

BI-PAKS NEW COMPONENT SHOP NOW OPEN WITH A WIDE RANGE OF ELECTRONIC COMPONENTS AND ACCESSORIES AT COMPETITIVE PRICES 18, BALDLOCK STREET (A10), WARE, HERTS. TEL: 61593. OPEN MON. - SAT. 9.15 a.m. to 6 p.m. FRIDAY UNTIL 8 p.m.

All Mail Orders please add 10p post and packing. Send all Orders to Bi-Pak P.O. Box 6, Ware, Herts.

-the lowest prices!

74 Series T.T.L. I.C.'s

Bi-Pak Still Lowest in Price.
Full Specification Guaranteed.
All Famous Manufacturers.

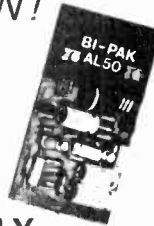


	1	25	100		1	25	100
SN7400	0.15	0.14	0.12	SN7400	0.87	0.64	0.58
SN7401	0.15	0.14	0.12	SN7401	£1.00	0.95	0.90
SN7402	0.15	0.14	0.12	SN7402	0.67	0.64	0.58
SN7403	0.15	0.14	0.12	SN7403	0.67	0.64	0.58
SN7404	0.15	0.14	0.12	SN7404	0.77	0.74	0.68
SN7406	0.15	0.14	0.12	SN7406	0.77	0.74	0.68
SN7407	0.35	0.31	0.28	SN7407	£1.65	£1.60	£1.55
SN7408	0.18	0.17	0.16	SN7408	0.97	0.94	0.88
SN7410	0.25	0.24	0.23	SN7410	0.40	0.37	0.34
SN7411	0.25	0.24	0.23	SN7411	0.40	0.37	0.34
SN7412	0.36	0.31	0.28	SN7412	0.40	0.37	0.34
SN7413	0.29	0.26	0.24	SN7413	£1.40	£1.30	£1.10
SN7416	0.43	0.40	0.38	SN7416	£2.80	£2.70	£2.60
SN7420	0.15	0.14	0.12	SN7420	0.67	0.64	0.58
SN7422	0.50	0.48	0.45	SN7422	0.67	0.64	0.58
SN7423	0.50	0.48	0.45	SN7423	0.67	0.64	0.58
SN7425	0.50	0.48	0.45	SN7425	0.67	0.64	0.58
SN7427	0.48	0.42	0.40	SN7427	0.67	0.64	0.58
SN7428	0.70	0.65	0.60	SN7428	0.67	0.64	0.58
SN7430	0.15	0.14	0.12	SN7430	£1.80	£1.70	£1.60
SN7432	0.45	0.42	0.40	SN7432	£1.80	£1.70	£1.60
SN7433	0.80	0.75	0.70	SN7433	£1.80	£1.70	£1.60
SN7437	0.64	0.62	0.60	SN7437	£1.40	£1.30	£1.20
SN7438	0.64	0.62	0.60	SN7438	£1.40	£1.30	£1.20
SN7440	0.15	0.14	0.12	SN7440	£1.80	£1.70	£1.60
SN7441	0.67	0.64	0.58	SN7441	£1.80	£1.70	£1.60
SN7442	0.87	0.84	0.78	SN7442	£1.80	£1.70	£1.60
SN7443	£1.30	£1.25	£1.20	SN7443	£4.00	£3.75	£3.50
SN7444	£1.30	£1.25	£1.20	SN7444	£4.00	£3.75	£3.50
SN7445	£1.30	£1.25	£1.20	SN7445	£4.00	£3.75	£3.50
SN7446	0.97	0.94	0.88	SN7446	£2.25	£2.15	£2.10
SN7447	£1.00	0.97	0.90	SN7447	£2.25	£2.20	£2.15
SN7448	£1.00	0.97	0.90	SN7448	£2.25	£2.20	£2.15
SN7450	0.15	0.14	0.12	SN7450	£1.50	£1.50	£1.40
SN7451	0.15	0.14	0.12	SN7451	£2.50	£2.40	£2.30
SN7454	0.18	0.14	0.12	SN7454	£2.50	£2.40	£2.30
SN7460	0.29	0.26	0.24	SN7460	£2.00	£1.90	£1.80
SN7470	0.29	0.26	0.24	SN7470	£2.00	£1.90	£1.80
SN7473	0.37	0.35	0.32	SN7473	£3.50	£3.25	£3.00
SN7474	0.37	0.35	0.32	SN7474	£3.50	£3.25	£3.00
SN7475	0.45	0.43	0.42	SN7475	£1.90	£1.85	£1.85
SN7476	0.40	0.39	0.38	SN7476	£1.90	£1.85	£1.85
SN7480	0.67	0.64	0.58	SN7480	£2.00	£1.90	£1.75
SN7481	£1.30	£1.15	£1.10	SN7481	£2.00	£2.00	£2.00
SN7482	0.87	0.86	0.85	SN7482	£1.90	£1.70	£1.80
SN7483	£1.10	£1.05	£1.00	SN7483	£1.90	£1.70	£1.80
SN7484	£1.00	0.95	0.90	SN7484	£1.90	£1.70	£1.80
SN7485	£3.50	£3.50	£3.50	SN7485	£1.90	£1.70	£1.80
SN7486	0.32	0.31	0.30	SN7486	£5.50	£5.00	£4.50
SN7488	£5.50	£5.25	£5.00	SN7488	£5.50	£5.00	£4.50

BI-PAK DO IT AGAIN!

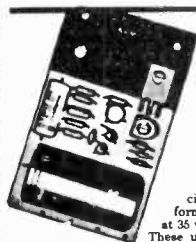
50W pk 25w (RMS)

0.1% DISTORTION
HI-FI AUDIO AMPLIFIER
THE AL50



- ★ Frequency response 15Hz to 100,000 - 1dB. **ONLY**
- ★ Load - 3, 4, 8 or 16 ohms. **£3.25p each**
- ★ Distortion - better than 0.1% at 1KHz.
- ★ Signal to noise ratio 80dB.
- ★ Supply voltage 10 - 35 Volts.
- ★ Overall size 63mm x 105mm x 13mm.

Tailor made to the most stringent specifications using top quality components and incorporating the latest solid state circuitry and ALSO was conceived to fill the need for all your A.F. amplification needs. FULLY BUILT - TESTED - GUARANTEED.



STABILISED POWER MODULE SPM80

AP80 is especially designed to power 2 of the AL50 Amplifiers, up to 15 watt (rms) per channel, simultaneously. This module embodies the latest components and circuit techniques incorporating complete short circuit protection. With the addition of the Mains Transformer MT80, the unit will provide outputs of up to 1.5 amps at 35 volts. Size: 62mm x 105mm x 30mm.

These units enable you to build Audio Systems of the highest quality at a hitherto unobtainable price. Also ideal for many other applications including: Disco Systems, Public Address, Intercom Units etc. Handbook available 10p. PRICE £3.95

TRANSFORMER BMT80 £1.95 p. & p. 25p.

STEREO PRE-AMPLIFIER, TYPE PA100

Built to a specification and NOT a price, and yet still the greatest value on the market, the PA100 stereo pre-amplifier has been conceived from the latest circuit techniques. Designed for use with the AL50 power amplifier system, this quality made unit incorporates no less than eight silicon planar transistors, two of these are specially selected low noise NPN devices for use in the input stages.

Three switched stereo inputs, and rumble and scratch filters are features of the PA100, which also has a STEREO/MONO switch, volume, balance and continuously variable bass and treble controls.



SPECIFICATION

Frequency Response 20Hz - 20KHz ± 1dB
 Harmonic Distortion better than 0.1%
 Inputs: 1. Tape Head 1.25 mV into 50KΩ
 2. Radio, Tuner 35 mV into 50KΩ
 3. Magnetic P.U. 1.6 mV into 50KΩ
 All input voltages are for an output of 250mV. Tape and P.U. inputs equalised to RIAA curve within ± 1dB, from 20Hz to 20KHz.
 Base Control ± 15dB @ 20Hz Treble Control ± 15dB @ 20KHz
 Filters: Rumble (High Pass) 100Hz
 Scratch (Low Pass) 8KHz
 Signal/Noise Ratio better than - 65dB
 Input overload + 96dB Supply + 35 volts @ 20mA
 Dimensions 29mm x 82mm x 35mm
 Price £11.95

SPECIAL COMPLETE KIT COMPRISING 2 AL50's, 1 SPM80, 1 BMT80 and 1 PA100 ONLY £33.00 FREE p & p.

All prices quoted in new pence Giro No. 588 7006
 Please send all orders direct to warehouse and despatch department

BI-PAK

P.O. BOX 6, WARE - HERTS
 Postage and packing add 10p. Overseas add extra for airmail.
 Minimum order 50p. Cash with order please.
 Guaranteed Satisfaction or Money Back

LINEAR I.C.'s - FULL SPEC.

Type No.	1-24	25-99	100 up
BP 201C - SL201C	63p	53p	45p
BP 701C - SL701C	63p	50p	45p
BP 702C - SL702C	63p	50p	45p
BP 702 - T2702	53p	45p	40p
BP 706 - T2706	36p	34p	30p
BP 709P - μA709C	36p	34p	30p
BP 710 - T2710	44p	43p	40p
BP 711 - μA711	45p	45p	40p
BP 741 - T2741	75p	60p	50p
μA 703C - μA703C	35p	35p	34p
TA A263	70p	60p	55p
TA A293	70p	75p	70p
TA A360	170p	160p	150p

LOGIC DTL 930 SERIES I.C.'s

ROCK BOTTOM PRICES

Type No.	1-24	25-99	100 up
BP930	12p	11p	10p
BP932	12p	12p	11p
BP933	12p	12p	11p
BP935	12p	12p	11p
BP936	12p	12p	11p
BP944	12p	12p	11p
BP945	22p	22p	20p
RP946	12p	11p	10p
RP948	22p	22p	20p
RP961	60p	60p	60p
RP962	12p	11p	10p
RP963	60p	60p	60p
RP964	60p	60p	60p
RP967	60p	60p	60p
RP969	60p	60p	60p

Devices may be mixed to qualify for quantity price. Larger quantity prices on application. (DTL 930 Series only)

NUMERICAL INDICATOR TUBES

MODEL	CD66	GR 116	3015F
Anode voltage (Vdc)	170 min	175 min	5
Cathode cur'nt (mA)	2.3	14	
Numeral h'ght (mm)	16	13	9
Tube height (mm)	47	32	22
Tube diameter (mm)	19	13	12
I.C. driver rec.	BP41 or 141	BP41 or 141	BP47
PRICE EACH	£1.70	£1.55	£1.90

All indicators 0.9 + Decimal point: All side viewing: Full data for all types available on request.

RTL MICROLOGIC CIRCUITS

	1-24	25-99	100 up
Epoxy TO-5 case	33p	33p	27p
uL900 Buffer	85p	85p	87p
uL914 Dual 2/1/p	85p	85p	87p
uL923 J-K flip-flop	85p	85p	87p
Date and Circuits Booklet for IC's	Price 7p.		

DUAL IN LINE SOCKETS

Prof. Type No.	1-24	25-99	100 up
TSO14 pin type	30p	27p	25p
TSO16 pin type	35p	32p	30p
Low Cost No.			
BPS 14	15p	13p	11p
BPS 16	18p	14p	12p

THE MODERN BOOK CO

HAM RADIO

A BEGINNER'S GUIDE by R. H. Warring

£1.60

Postage 10p

Transistor Pocket Book
by R. G. Hibberd £1.40 *Postage 12p*
Beginner's Guide to Television
by Gordon J. King £1.60 *Postage 10p*
Beginner's Guide to Radio Control
by R. H. Warring £1.60 *Postage 12p*
Field Effect Transistors
by Mullard £1.80 *Postage 10p*
T.V. Fault Finding 405/625 Lines
by J. R. Davies 50p *Postage 8p*
Television Timebase Circuits
Principles & Practice
by C. H. Banthorpe £1 *Postage 8p*
Creative Tape Recording
by Vivian Capel £3.50 *Postage 10p*
VHF-UHF Manual
by G. R. Jessop £1.60 *Postage 15p*
The Mazda Book of Pal Receiver
Servicing
by D. J. Seal £3.50 *Postage 15p*

Transistor Audio & Radio Circuits
by Mullard £1.80 *Postage 12p*
Transistorized Radio Control for Models
by D. W. Aldridge £2.50 *Postage 10p*
Servicing Transistor Radio Receivers
by F. R. Pettit 75p *Postage 6p*
Understanding Electronic Components
by Ian R. Sinclair £3.50 *Postage 10p*
Transistor Substitution Handbook No. 12
by Foulsham-Sams £1.40 *Postage 10p*
Digital Logic Basic Theory & Practice
by J. H. Smith £1.50 *Postage 8p*
Colour T.V. With Particular Reference
to the Pal System
by G. N. Patchett £3 *Postage 10p*
Transistor Manual
by General Electric £1.10 *Postage 12p*
Solid-State Hobby Circuits Manual
by RCA £1.05 *Postage 12p*

We have the Finest Selection of English and American Radio Books in the Country
19-21 PRAED STREET (Dept RC) LONDON W2 1NP
Telephone 01-723 4185

SAVE TIME AND MONEY

LIST PRICE **£6.25**

OUR PRICE **£4.84**



As supplied by us to **SCHOOLS, TECHNICAL COLLEGES, SHOPS, OFFICES AND INDUSTRY**. Silver grey stove enamelled steel cabinet with 48 transparent styrene drawers fitted with moulded handles and label slots. Dividers can be supplied at an extra charge to enable each drawer to be sub-divided into six compartments. Transparent drawers allow swift selection of components at a glance and eliminates duplication of stock. A really first class time saving unit. Size of cabinets 21½" x 11½" x 6½". Size of drawers 6¼" x 2½" x 1½" Other sizes available.
Callers welcome Mon-Sat. 9 a.m.-1 p.m. 2 p.m.-6 p.m. **NEW as illustrated OUR PRICE ONLY £4.84 plus 35p carriage on orders less than £10.** Money back guarantee. **SEND FOR FREE COLOUR BROCHURE.**

TRADE AIDS

(DEPT RC4) 111 CHILTERN DRIVE,
BERRYLANDS, SURBITON, SURREY

01-399 4383

100 yds. Berrylands Railway Station



LOUDSPEAKER BARGAINS

Fane Pop 100 watt 18" 8/15 ohm	£19.50
Fane Pop 60 watt 15" 8/15 ohm	£11.15
Fane Pop 50 watt 12" 8/15 ohm	£ 9.25
Fane Pop 25/2/12 25 watt 8/15 ohm	£5.40
Fane Pop 15 12" 10 watt 8/15 ohm	£4.00
Baker Group 25 12" 3.8 or 15 ohm	£6.80
Baker Group 35 12" 3.8 or 15 ohm	£8.00
Celestion P58 for Unilex	£2.35
EMI 13 x 8, 3.8 or 15 ohm	£2.25
EMI 13 x 8, 3.8 or 15 ohm	£2.50
EMI 13 x 8 twin/tw. 3.8 or 15 ohm	£3.60
EMI 13 x 8 type 350 15 watt 8 ohm	£8.00
Richard Allan 8" 3.8, or 15 ohm	£2.35
Richard Allan 12" dual cone 3 or 15 ohm	£2.50
Fane 8" d/cone 808T 8 or 15 ohm	£2.85
Fane 8" d/cone, roll surround, 807T 8 or 15 ohm	£3.50
Elac 9 x 5, 59RML09 15 ohm	£2.70
Elac 9 x 5, 59RM114 8 ohm	£2.70
Elac 6½" dual cone 8 ohm	£2.25
Elac 6½" d/cone, roll surround 8 ohm	£3.50
Elac 4" tweeter 8 ohm	£1.50
Crossover for above (p & p free)	£1.50
Goodmans 8P 8 or 15 ohm	£4.75
Goodmans 10P 8 or 15 ohm	£5.25
Goodmans 12P 8 or 15 ohm	£10.50
Goodmans 15P 8 or 15 ohm	£17.00
Goodmans 18P 8 or 15 ohm	£27.00
2" 2½" or 3" 8 ohm	.65
Philips 5" 8 ohm	£1.95
7 x 4 or 8" x 5", 3 or 8 ohm	£1.50
10" x 6" 3.8 or 15 ohm	£2.00

FREE with orders over £6.00 "HiFi loudspeaker enclosures" book.

All units guaranteed new and perfect.

Prompt despatch. P & P 25p per speaker.

Send for our free booklet "Choosing a speaker".

WILMSLOW AUDIO (Dept. RC)

10 Swan St., Wilmslow,
SK9 1HF, Cheshire

Vary the strength
of your lighting with a

DIMMASWITCH



The DIMMASWITCH is an attractive and efficient dimmer unit which fits in place of the normal light switch and is connected up in exactly the same way. The white mounting plate of the DIMMASWITCH matches modern electric fittings. Two models are available, with the bright chrome knob controlling up to 300 w or 600 w of all lights except fluorescents at mains voltages from 200-250 v, 50Hz. The DIMMASWITCH has built-in radio interference suppression:

600 Watt **£3.20**. Kit Form **£2.70**
300 Watt **£2.70**. Kit Form **£2.20**

All plus 10p post and packing.

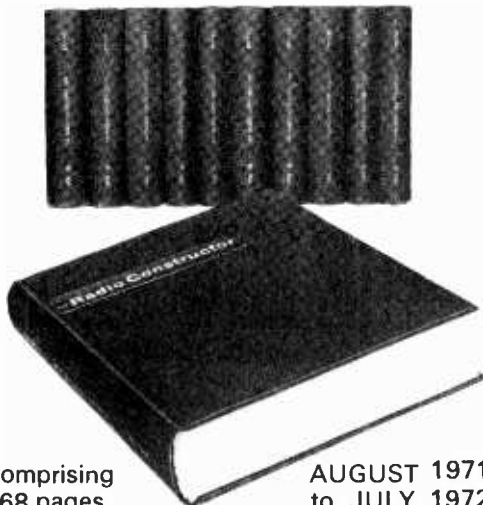
Please send C.W.O. to:

DEXTER & COMPANY
7 ULVER HOUSE, 19, KING STREET,
CHESTER CH1 2AH. Tel: 0244-25883.
As supplied to H.M. Government Departments.

RADIO & ELECTRONICS CONSTRUCTOR

**NOW AVAILABLE . . .
LATEST
BOUND VOLUME
No. 25
of**

**"The Radio Constructor"
FOR YOUR LIBRARY**



Comprising
768 pages
plus index

AUGUST 1971
to JULY 1972

PRICE £2.00 P. and P. 28p

**BOUND VOLUME NO. 23
(August 1969 to July 1970)**

**BOUND VOLUME NO. 24
(August 1970 to July 1971)**

Limited number of these volumes still
available.

PRICES

Volume 23 £1.88 P. & P. 28p

Volume 24 £2.00 P. & P. 28p

We regret all earlier volumes are now
completely sold out.

Available only from

**DATA PUBLICATIONS LTD.,
57 MAIDA VALE, LONDON, W9 1SN**

**Now! A FAST EASY
WAY TO LEARN BASIC
RADIO & ELECTRONICS**



**Build as you learn with the exciting
new TECHNATRON Outfit! No mathe-
matics. No soldering—you learn the
practical way.**

Learn basic Radio and Electronics at home - the fast, modern way. Give yourself essential technical 'know-how' - like reading circuits, assembling standard components, experimenting, building - quickly and without effort, and enjoy every moment. B.I.E.T.'s simplified study method and the remarkable TECHNATRON Self-Build Outfit take the mystery out of the subject, making learning easy and interesting.

**Even if you don't know the first thing about Radio now,
you'll build your own Radio set within a month or so!**

. . . and what's more, you will understand exactly what you are doing. The TECHNATRON Outfit contains everything you need, from tools to transistors - even a versatile Multimeter which we teach you to use. All you need give is a little of your spare time and the surprisingly low fee, payable monthly if you wish. And the equipment remains yours, so you can use it again and again.

**You LEARN - but it's as
fascinating as a hobby.**

Among many other interesting experiments, the Radio set you build - and it's a good one - is really a bonus. This is first and last a teaching course, but the training is as fascinating as any hobby and it could be the springboard for a career in Radio and Electronics.

A 14-year-old could understand and benefit from this course - but it teaches the real thing. The easy to understand, practical projects - from a burglar-alarm to a sophisticated Radio set - help you master basic Radio and Electronics - even if you are a 'non-technical' type. And, if you want to make it a career, B.I.E.T. has a fine range of courses up to City and Guilds standards.

Specialist Booklet

If you wish to make a career in Electronics, send for your FREE copy of "NEW OPPORTUNITIES". This brand new booklet - just out - tells you all about TECHNATRON and B.I.E.T.'s full range of courses.



FREE

**BRITISH INSTITUTE
OF ENGINEERING
TECHNOLOGY**

Dept. BRE1 ALDERMASTON COURT, READING RG7 4PF
Accredited by the Council for the Accreditation
of Correspondence Colleges.

POST THIS COUPON FOR FREE BOOK

CN BRE1

NAME..... AGE.....
(BLOCK CAPITALS)

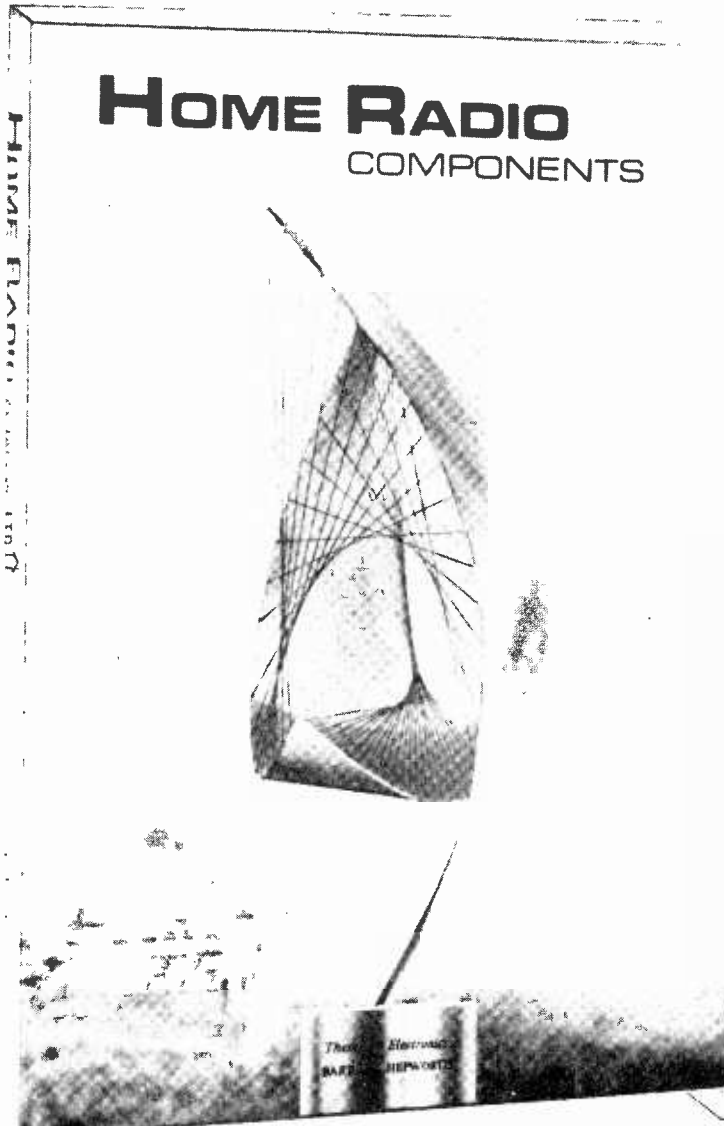
ADDRESS.....

.....

.....

SUBJECT OF INTEREST.....

The Catalogue you MUST have!



250 pages 11¼" x 8¼"

6,785 electronic components clearly listed and indexed

1,750 pictures

10 free Vouchers each worth 5p.

Price list regularly updated

Bookmark with useful list of technical abbreviations

Details of our popular Credit Account Service and our Easy Ordering System are included in the catalogue.

Only 55p. plus 20p POST AND PACKING

POST THIS COUPON
with cheque or P.O. for 75p.

Name _____

Address _____



HOME RADIO (Components) LTD.
Dept. RC, 234-240 London Road, Mitcham CR4 3HD

The price of 75p applies only to catalogues purchased by customers in the U.K. and to BFPO addresses.

RADIO & ELECTRONICS CONSTRUCTOR

RADIO & ELECTRONICS CONSTRUCTOR

JANUARY 1973

CONTENTS

Vol. 26 No. 6

Published Monthly (1st of Month)
First Published 1947

Incorporating The Radio Amateur

Editorial and Advertising Offices
57 MAIDA VALE LONDON W9 1SN

Telephone 01-286 6141 Telegrams
Databux, London

© Data Publications Ltd., 1972. Contents may only be reproduced after obtaining prior permission from the Editor. Short abstracts or references are allowable provided acknowledgement of source is given.

Annual Subscription: £2.70 (U.S.A. and Canada \$7.00) including postage. Remittances should be made payable to "Data Publications Ltd". Overseas readers please pay by cheque or International Money Order.

Technical Queries. We regret that we are unable to answer queries other than those arising from articles appearing in this magazine nor can we advise on modifications to equipment described. We regret that such queries cannot be answered over the telephone; they must be submitted in writing and accompanied by a stamped addressed envelope for reply.

Correspondence should be addressed to the Editor, Advertising Manager, Subscription Manager or the Publishers as appropriate.

Opinions expressed by contributors are not necessarily those of the Editor or proprietors.

Production.—Web Offset.

COMPREHENSIVE TRANSISTOR ANALYSER – Part 1, by H. T. Kitchen	356
CAN ANYONE HELP?	363
NEWS AND COMMENT	364
SENSITIVE MICROAMMETER (Suggested Circuit 266) by G. A. French	366
QSX by Frank A. Baldwin	369
REFLEX TRANSISTOR V.H.F. PORTABLE by Sir Douglas Hall, K.C.M.G., M.A. (Oxon)	370
TELEPHONE AMPLIFIER AND BABY ALARM by M. G. Argent	377
RECENT PUBLICATIONS	380
NEW PRODUCTS	381
TRANSISTORISED OSCILLOSCOPE – Part 2, by R. A. Penfold	382
SHORT WAVE NEWS by Frank A. Baldwin	388
THE 'WYVERN' 160 METRE SOLID STATE TRANSMITTER – Part 3 by John R. Green, B.Sc., G3WVR	390
PARTY LINE FOR COMPUTERS	395
IN YOUR WORKSHOP	396
RADIO CONSTRUCTOR'S DATA SHEET No. 70 (Coil Data III)	iii

Published in Great Britain by the Proprietors and
Publishers, Data Publications Ltd, 57 Maida Vale,
London, W9 1SN

Radio & Electronics Constructor is printed by Carlisle
Web Offset.

FEBRUARY ISSUE WILL BE
PUBLISHED ON FEBRUARY 1st.

COMPREHENSIVE TRANSISTOR ANALYSER

Part 1

by
H. T. Kitchen

This article, the first of a 2-part series, describes the circuit and functioning of an instrument which is capable of a very wide range of transistor tests. Constructional details will be given in the concluding article, to be published next month.

OF THE MANY PARAMETERS SURROUNDING A TRANSISTOR, the static parameters are possibly the most used ones from the amateur's point of view. They are certainly easier to measure to a high degree of accuracy than the dynamic parameters.

The purpose of the instrument about to be described is to enable a wide variety of bipolar transistors to be analysed over a wide current and voltage range. The description which follows assumes that the reader has a working knowledge of transistor theory and techniques, and is familiar with current transistor parameter notation.

PARAMETERS

Of the static parameters, again possibly those most used are h_{FE} , I_B , I_C , I_{CBO} , and I_{CEO} .

The first parameter, h_{FE} indicates the static value of the short-circuit forward current transfer ratio or, more simply, the d.c. current gain, and is derived from I_C divided by I_B . It is measured at known values of I_C and V_{CE} . Fig. 1(a) shows the basic circuit used for measuring h_{FE} .

The parameter I_{CBO} indicates the collector to base cut-off current with the emitter completely open-circuit. In good low power germanium devices I_{CBO} should not exceed some tens or a few hundreds of microamps. Fig. 1(b) shows the basic circuit used for its measurement. I_{CBO} can be measured at any magnitude of V_{CE} within the ratings of the device under analysis. It is customary, however, to measure I_{CBO} at a condition which approximates closely to actual working conditions.

The next parameter, I_{CEO} indicates the collector to emitter cut-off current with the base completely open-



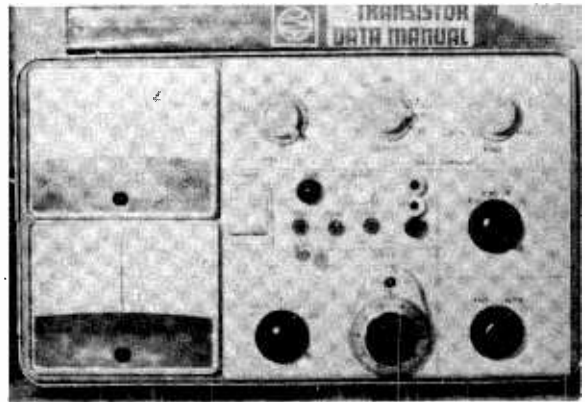
The completed transistor analyser, ready for use

RADIO & ELECTRONICS CONSTRUCTOR

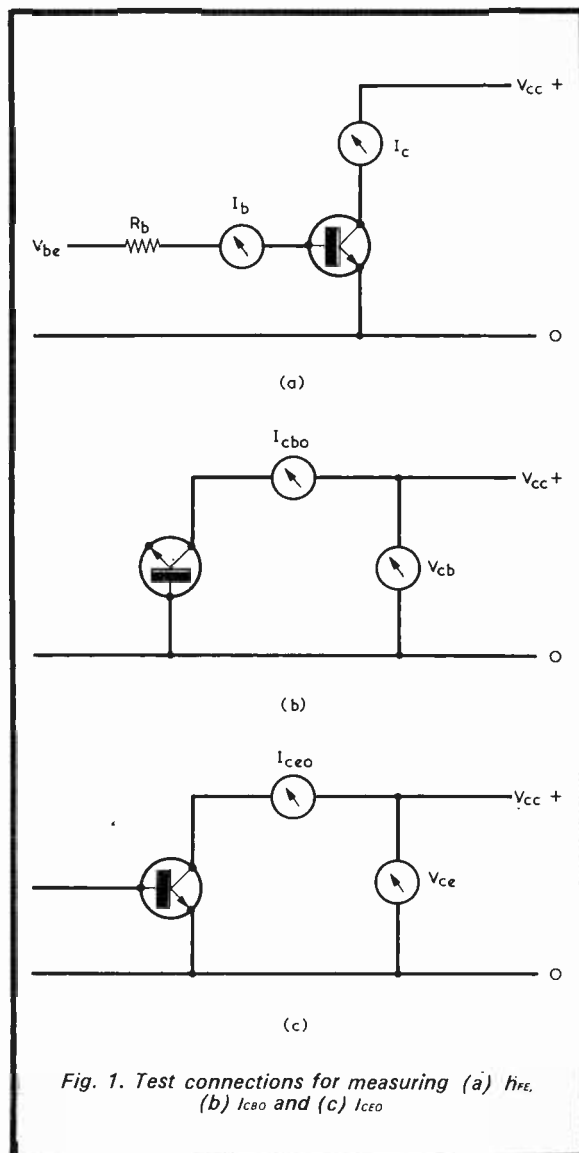
circuit. Fig. 1(c) shows the basic measuring circuit. As with I_{CBO} a good low power germanium device should show a leakage current in the tens or a few hundreds of microamps. Good low power silicon devices should, as with I_{CBO} , not exceed a few nanoamps (10^{-9} A). I_{CEO} can be measured at any magnitude of VCE *within the ratings of the device under analysis*. However, as with I_{CBO} , VCE should be selected to approximate closely to actual working conditions.

The collector current, I_C , required by different transistors can vary by a very wide ratio, approaching if not exceeding $10^4:1$. If we consider the very low current silicon devices, collector currents of only a few microamps are not uncommon, particularly in the early stages of multi-stage high gain amplifiers. At the opposite extreme collector currents of several amps are often found.

Since h_{FE} is a function of I_C divided by basecurrent, I_B , it follows that I_B will also vary by a wide ratio, though this is somewhat less than the I_C ratio.



Checking small n.p.n. transistors. Collector voltage is 5 volts and collector current is 20mA



Having discussed the most important static parameters individually, we can now discuss them generally a little further, and in doing so arrive at the specification of a wide range analyser. Of primary interest are VCE, I_C and I_B . The function h_{FE} follows from I_C and I_B , and I_{CBO} and I_{CEO} are dependent upon VCE primarily. The variations of I_{CBO} and I_{CEO} with temperature would not normally concern us here. Readers who have an interest in the variations of I_{CBO} and I_{CEO} with temperature can, nevertheless, use the 'outboard' sockets of the instrument to be described. The device being examined may then be placed in a suitably heated box or container and charts showing variation in performance against temperature can be drawn.

In order to analyse a device as fully as possible, the measuring instrument must be capable of reproducing working conditions as closely as possible and over as wide a range as possible. It is at this junction that simpler testers can prove an embarrassment, since their limited, usually fixed, facilities do not permit the requisite variations. Measurements made outside the desired parameters can therefore prove meaningless when viewed in the context of the desired parameters.

A very careful assessment of manufacturers' literature showed that nearly all requirements could be fully met by an instrument that provided the following ranges.

1. VCE: continuously variable from 0 to 24V.
2. I_C : continuously variable from 0 to 1A max. at the above VCE.
3. I_B : independent of 1 and 2, and variable from 0 to 30mA.
4. I_{CBO} measurable at 0 to 24V and 1A maximum.
5. I_{CEO} : measurable as for 4.

These parameters are applicable to bipolar transistors only, whether germanium or silicon. One must however doubt the usefulness of a transistor having an I_{CBO} or I_{CEO} of 1A!

The instrument that forms the basis of this article adequately meets all these requirements. Additionally, diodes can be checked for forward conduction and reverse leakage currents at varying reverse voltages up to the 24V maximum. Zener diodes can be checked for zener voltage and current up to the maximum limits of 24V and 1A. Capacitors can also be checked for leakage currents up to the maximum limits of 24V and 1A. Again, as with I_{CBO} and I_{CEO} , one must doubt the usefulness of a capacitor having a leakage current of 1A.

THE ANALYSER CIRCUIT

The circuit of the analyser is shown in Fig. 2. Though apparently complex, it is fairly simple when considered as a number of separate measuring circuits.

Meter M1 is the current meter, and is used for measuring I_C , I_B , I_{CBO} and I_{CEO} . It has a basic sensitivity of $50\mu\text{A}$ f.s.d. and is scaled to 0-3 and 0-10. Switch S1 switches in any one of a number of shunt resistors, R1-R9, thereby decreasing meter sensitivity

in steps of 1-3-10, etc., up to a maximum rating of 1A f.s.d. Diode D1, in parallel with the meter, affords it a measure of protection in the event of an excessive overload.

Meter M2 is the voltmeter, and is used to measure V_{CE} only. It is identical to M1 in respect of specification. Multiplier resistors R10-R14, selected by S2, enable the meter to indicate voltages from 300mV to 30V, again in the 1-3-10 sequence. D2 is the overload protection diode for this meter.

COMPONENTS

Resistors

(All fixed values 5% $\frac{1}{2}$ watt high-stability unless otherwise stated. See text for alternative values for R1 to R14.)

R1	2.4k Ω
R2	480 Ω
R3	126 Ω
R4	40 Ω
R5	12.1 Ω
R6	4 Ω
R7	1.2 Ω wire-wound
R8	0.4 Ω wire-wound
R9	0.12 Ω wire-wound
R10	3.6k Ω
R11	17.6k Ω
R12	57.6k Ω
R13	200k Ω
R14	600k Ω
R15	330 Ω
R16	680 Ω
R17	2.2k Ω
R18	6.8k Ω
R19	22k Ω
R20	68k Ω
R21	220k Ω
R22	680k Ω
R23	2.2M Ω
R24	56 Ω
R25	390 Ω 1 watt
R26	3.9k Ω
R27	330 Ω
R28	270 Ω
R29	1.5k Ω *
R30	3.3k Ω
VR1	2.5k Ω 10-turn 'Helipot' (see text)
VR2	10k Ω potentiometer, wire-wound
VR3	250 Ω preset potentiometer, miniature skeleton

*R29 may require adjustment in setting-up.

Capacitors

C1	500 μF electrolytic, 40 V.Wkg. (in can with mounting clamp)
C2	500 μF electrolytic, 25 V.Wkg., wire-ended
C3	100 μF electrolytic, 15 V.Wkg., wire-ended
C4	100 μF electrolytic, 25 V.Wkg., wire-ended
C5	25 μF electrolytic, 25 V.Wkg., wire-ended
C6	8 μF electrolytic, 15 V.Wkg., wire-ended
C7	25 μF electrolytic, 25 V.Wkg., wire-ended

Transformers

T1	Mains transformer, secondary 26V at 1.6A (see text)
T2	Mains transformer, secondary 9-0-9V at 80mA, Osmor type MT9
T3	Mains transformer, secondary 9-0-9V at 80mA, Osmor type MT9

Semiconductors

TR1	BC107
TR2	BC107
TR3	2N3053
TR4	2N3055†
TR5	2N3053
D1	1N4001
D2-D4	1N914
D5-D16	1N4002
D17	1N748A (or similar 3.9V 5% 400mW zener diode)

†With mica washer and insulating bushes.

Meters

M1, M2 0-50 μA , scaled 0-3 and 0-10, British Physical Laboratories type S30V (see text)

Switches

(See text for details of S1 to S5)

S1	2-pole 10-way rotary
S2	1-pole 5-way, rotary
S3	7-pole 3-way, rotary
S4	5-pole 4-way, rotary
S5	1-pole 10-way, rotary
S6	2-pole on-off, rocker type (Arrow Switches) or toggle

Lamps

PL1, PL2 24V 1 watt l.e.s. bulbs (see text)

Sockets, etc.

3	Transistor sockets (see text)
1	Panel-mounting lampholder with red lens, for PL1
1	Panel-mounting lampholder with green lens, for PL2
3	3mm. test sockets, colours as required

Miscellaneous

2 heat sinks type H2 (Henry's Radio)
3 pieces plain Veroboard (without copper strips) 0.15in. matrix, $2\frac{1}{2} \times 2\frac{1}{2}$ in. (see text)
Knobs, colour and style as required.
Veroboard pins, miniature turret tags (see text)
1 instrument case, Type Y, $12 \times 7 \times 7$ in. (H. L. Smith & Co. Ltd.)
12-way tagstrip
3 ferrite beads, Cat. No. FR4A (Home Radio)

S3 is the polarity switch, and its purpose is to provide the correct Vcc and VBE for n.p.n. and p.n.p. devices. This it performs by means of switch sections S3(c) and S3(d) for Vcc and switch sections S3(f) and S3(g) for VBE. At the same time, switch sections S3(a) and S3(b) reverse the polarity of meter M1 so that it always reads correctly irrespective of the polarity of Vcc.

During initial design work, much thought was given to indicating the polarity of Vcc, since damage can be caused to a device by supplying it with a reversed Vcc. This function is performed by S3(e), which selects one of a pair of red and green indicator lamps, red for a positive supply (collector to emitter) for n.p.n. devices, and green for a negative supply (collector to emitter) for p.n.p. devices. R24 limits the current flowing in the lamps to prevent the appropriate mains transformer being overloaded when the base bias drawn is at maximum.

The two diodes D3 and D4 are current steering diodes. In either the n.p.n. or the p.n.p. position, current can flow through PL1 or PL2. The two diodes, though linking the lamps together, are 'back to back' and therefore one of them will be reverse biased. Insufficient current to light the other lamp will therefore flow through the reverse biased diode. In the central position of S3(e), however, both diodes are forward biased, and therefore both lamps will be illuminated. The switching sequence is therefore: n.p.n. – red lamp illuminated only; OFF – green and red lamps illuminated together; p.n.p. – green lamp illuminated only. A very adequate warning is in consequence presented to the operator of the state of the supplies at all times.

The central position of S3, during which both lamps are illuminated, is the 'Off' position. In the 'Off' position, all supplies to the analyser circuit are disconnected, *even though the mains-derived power is still switched on*. This enables the device under test to be safely connected to and disconnected from the analyser circuit.

S4 is the function switch, enabling Ic, IB, ICBO and ICEO to be selected as required. In order to illustrate the circuit operation of this switch more clearly, let us consider position 1, the 'Ic' position. Contact 1 of S4(a) is connected to the wiper of S3(c) and thereby to Vcc. The wiper of S4(a) is connected to the wiper of S1(a) and thence, by way of the shunt circuit, to the wiper of S1(b). The wiper of S1(b) passes to position 1 of S3(a) and to position 3 of S3(b) (thus forming the familiar 'crossover' switch) and from there connects to the wiper of S4(c). Position 1 of S4(c) connects to the collector test terminal. Continuity is therefore provided from Vcc via the shunt circuitry and meter M1 to the collector test terminal, and this will enable the collector current of the transistor being checked to be measured. Simultaneously, S4(d) connects the base test terminal to the wiper of S5. S5 is the coarse base current control, VR2 being the fine base current control. VR1 controls Vcc which is monitored by M2. We can now, by means of VR1; set Vcc to any desired magnitude. By means of S5 and VR2 we can control the base current and thereby the collector current which is, of course, monitored by M1. Ic is now known.

S4 is next switched to position 2, the 'IB' position. Again, we can follow the circuit through. S5 wiper is now connected to position 2 of S4(d), and from there to position 2 of S4(a). The circuit continues from the wiper of S4(a), via S1(a) and (b), S3(a) and (b) and meter M1, to S4(c) wiper, and from there, via its position 2, to the base terminal. Continuity is therefore maintained for base current, but this time it is monitored by M1.

360

Simultaneously, the collector is returned, via S4(b) to Vcc, so maintaining Ic. IB is now known also, and so hFE can be computed by dividing Ic by IB.

S4(e) returns the emitter circuit to the supply in positions 1, 2 and 4, thus fulfilling the circuit requirements for Ic, IB and ICEO. In position 3, it open-circuits the emitter circuit in order to correspond to the ICBO requirements. If, as with the prototype, an R.S. Components (formerly Radiospares) 'Makaswitch' is used, a 3-pole 4-way wafer should be used for S4(e), the separate sections being wired in parallel to reduce contact resistance.

The two switching sequences so far described can be seen to compare very closely with the basic circuit of Fig. 1(a), except that a single meter is switched for Ic and IB, instead of the two separate meters shown.

Similarly, positions 3 and 4 of S4 can be followed through. On position 4 the circuit is the same as that of Fig. 1(c) with the base open-circuit. On position 3 the emitter is open-circuit, as in Fig. 1(b), but the current indicating meter, M1, is inserted between the base test terminal and the lower supply line, instead of between the collector test terminal and the upper supply line. With this configuration the meter still gives the same reading as it would if connected as in Fig. 1(b).

In all the explanatory circuits, n.p.n. transistors are shown. Clearly, p.n.p. devices can be substituted by merely reversing Vcc. This is mentioned merely to reassure readers who may be 100% p.n.p. orientated.

Ideally, separate meters should be used to monitor Ic and IB simultaneously, since switching a meter into the IB circuit could affect the Ic reading to a small degree. This is because the resistance of the meter alone, or shunted by a resistor, is a finite proportion of the series base resistance. However, the magnitude of error so caused is very small, and can safely be disregarded for all normal applications.

It will be noted the VCE is measured by M2 directly across the supply input, so corresponding to Vcc, rather than across the collector and emitter test terminals. There are two reasons for this. Firstly, a separate polarity reversing switch is not required as in the case of M1. Secondly, at very low levels of Ic, the current required by M2 would be comparable to, or even greater than, the Ic actually drawn by the transistor. Considerable errors in the readings displayed by M1 and M2 would then result. With the present system of measurement, the difference in the prototype between Vcc and VCE on the 50µA range is only 130mV (meter resistance of 2600Ω times meter current of 50µA), a fraction of the Vcc that can almost certainly be safely disregarded.

POWER SUPPLIES

The power supply section is shown in Fig. 3. The main, or Vcc, supply is a conventional stabilised power supply, and comprises transformers T1 and T2 and all the components in their secondary circuits. Such a supply, though somewhat complex, is necessary in order to meet all the requirements for Vcc and Ic outlined earlier. VR1, shown in Fig. 2 for completeness though it is really part of Fig. 3, comprises the output voltage control. VR3 is set, during the setting-up operations (to be described next month) for a zero volt output when VR1 is at minimum resistance.

The base bias supply, appearing at TP4 and TP5, was originally a simple potential divider. Although adequate at low current levels, the control afforded was coarse at moderate current levels and virtually unusable at high

RADIO & ELECTRONICS CONSTRUCTOR

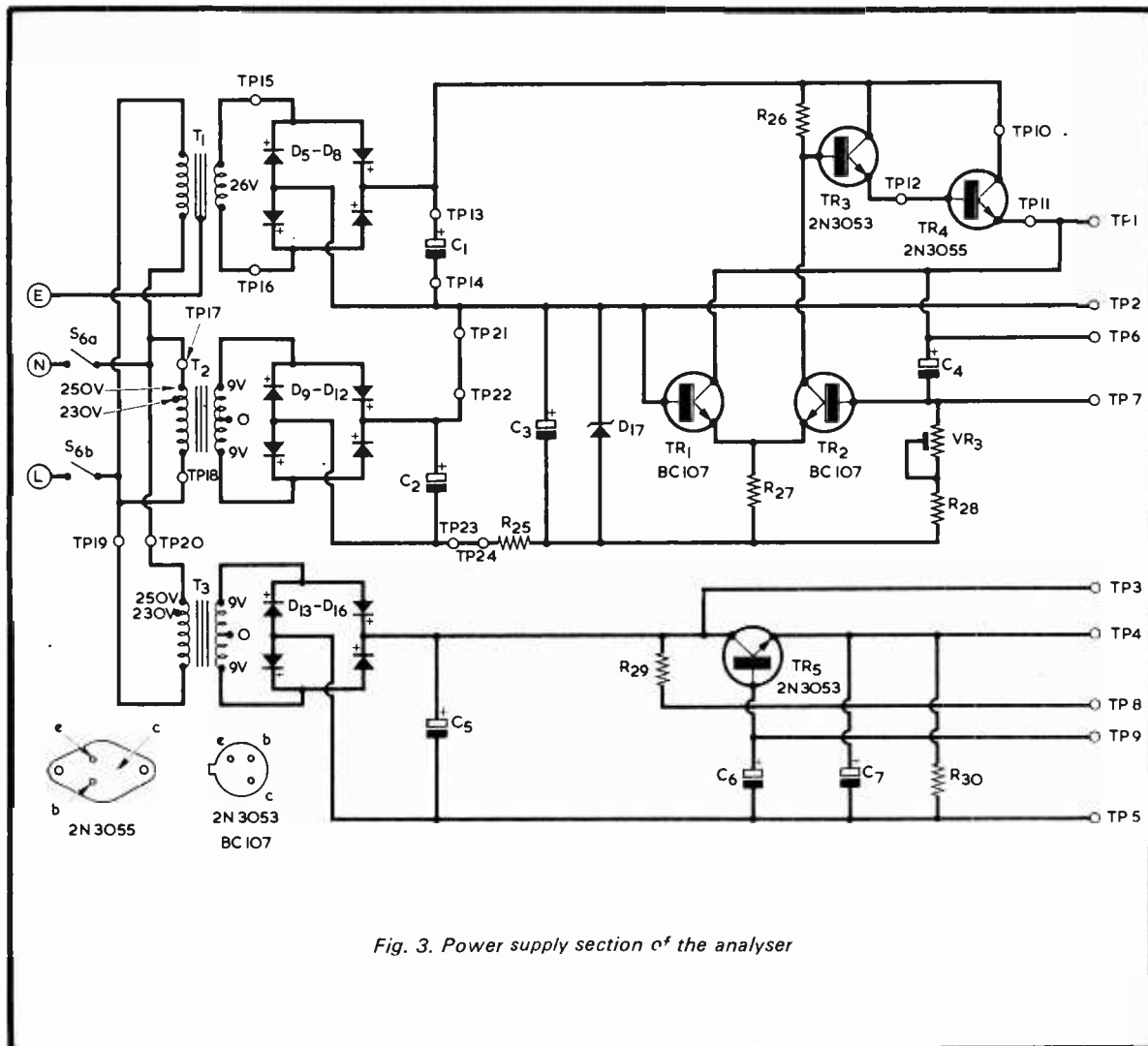


Fig. 3. Power supply section of the analyser

current levels. Experiments with an emitter follower showed the way, and the circuit now used has proved very acceptable. VR2, again shown in Fig. 2 for completeness, provides an output voltage at the emitter of TR5 that is infinitely variable between the limits of 0V and 10V, at a maximum current rating of 30mA. R29 is selected for the 10V limit, and will be dependent upon the hFE of TR5. VR2 therefore acts as a fine current control. In order to facilitate the setting of any current value required, a coarse current control is also incorporated. This is given by S5, which permits base currents between $3\mu\text{A}$ and 30mA to flow in an approximate 1-3-10 sequence, utilising the series connected resistors R15 to R23. The lowest resistance value of 330Ω , R15, allows a nominal 30mA to flow, assuming the emitter of TR5 is 10V above earth potential. By the end of the resistance chain, a total resistance of some $3.3\text{M}\Omega$ permits a nominal $3\mu\text{A}$ to flow. With VR2 slider at the bottom end of its track, only a very small leakage current should flow through TR5, permitting base bias currents below $1\mu\text{A}$ to be easily set.

JANUARY 1973

COMPONENTS

When it came to the components, there was only one maxim which the author bore in mind: This was to be a measuring instrument, and as such must incorporate the best components that could be afforded.

Some of the components require special mention, the most important of these being the two meters, M1 and M2. Those used in the prototype were made by British Physical Laboratories and are Type S30V. Unfortunately, readers may experience difficulty in obtaining these, as British Physical Laboratories do not supply to individuals. However, the R.S. Components panel meter type MR32S is an almost exact equivalent, with an f.s.d. of $50\mu\text{A}$ and an internal resistance of $2,400\Omega$, and can be used instead of the B.P.L. instrument. The R.S. Components meter may be obtained from Chromasonic Electronics, 56 Fortis Green Road, London, N10 3HN, or from Celectron-E, P.O. Box No. 1, Llantwit Major, Glamorgan, CF6 9YN.

Constructors may alternatively, of course, employ two of the lower-cost $0-50\mu\text{A}$ panel-mounting meters

which are advertised by the large mail-order houses, since these will still perform the basic function of measurement. A further economy could be effected by using a less sensitive instrument in the M2 position, and this could have an f.s.d. as high as 1mA, if desired. An alternative meter for M1 will require different values in the shunt resistors R1 to R9, and a meter having a different f.s.d. in the M2 position will need different values in the multiplier resistors R10 to R14. It is assumed that the constructor will be capable of calculating the new values that are necessary. Different meters will, also, probably not have a 0-3 scale and the constructor may prefer, in consequence, to use a 1-2.5-10 sequence for voltage and current readings as this would enable the readings given to be more accurately evaluated.

The variable resistor employed for VR1 in the prototype instrument was a 10-turn 'Helipot' component, an added luxury being a turns counting dial. A unit of this nature can sometimes be picked up relatively cheaply by careful study of advertisements in the radio press. The 'Helipot' gives a really smooth control of voltage but it is not of course essential, and any standard 2.5kΩ wire-wound potentiometer may be used in its place.

Switches S1 to S5 may all be wafer types, and can conveniently consist of R.S. Components 'Maka-Switch' miniature switch kits made up as required. The parts for these kits can be obtained from a wide range of retailers including both Henry's Radio and Home Radio, and the wafers available are 1-pole 12-way (two required for S1 and one for S5) 2-pole 6-way (for S2), 4-pole 3-way (two required for S3) and 3-pole 4-way (three required for S4). All these wafers may be of the 'Break-Before-Make' type. It must be pointed out that these switches are rated at 300mA at 50 volts whereas, in the present design, some of the contacts are required to carry 1A. It has already been mentioned that S4(e) may consist of 3 poles wired in parallel in order to keep contact resistance low. Other switches through which currents up to 1A can flow are S3(c), S3(d), S4(a), S4(b), S4(c), and S1(a). In the latter case the current flows only when S1(a) is at position 10. No trouble was

experienced with the prototype due to the fact that the switch contacts are overrun on occasion, and it has to be remembered that the voltages involved are considerably lower than the 50 volts of the contact rating and also that only a small proportion of work will normally be carried out at the higher currents. Readers who feel seriously that it would be preferable to run within, or close to, the contact specification could set a maximum collector test current in the instrument of 300mA or, say, 500mA. This restriction would cause only a very small loss in the overall usefulness of the instrument. Alternatively, if wafer switches specified for 1 amp at low voltages can be obtained these may be employed instead.

Three mains transformers were used for the prototype because these were to hand. The MT9 transformers specified for TR2 and TR3 are available from many retailers, including Amatronix Ltd., 396 Selsdon Road, South Croydon, Surrey, CR2 0DE. The 26 V transformer employed for T1 in the prototype was a Belclere type X6705 but any other transformer offering about the same voltage and current may be employed instead. A suitable component would be Douglas type MT3 (Home Radio Cat. No. TMM1) which has a tapped secondary offering, amongst other voltages, 24 V at 2 amps. This would cause a slight reduction in the rectified voltage available.

The transistors used in the power supply section are freely available from many nationally advertised sources. Of these, only TR4 deserves special mention. The stabilizer is of the series variety and TR4 is the device across which the unwanted voltage is lost, and as such it can under some conditions dissipate appreciable power. The provision of an adequate heat sink is therefore essential. In the prototype this transistor is mounted on the rear wall of the cabinet, and as the latter is of 16 s.w.g. aluminium with a large surface area, its heat dissipating properties are quite adequate. Even though prolonged testing of power transistors may not be initially envisaged it is a very good plan to provide an adequate heat sink for, otherwise, after the instrument is complete (and memory gone dim) such testing may be undertaken to the detriment of TR4. TR4 is, incidentally, insulated from the cabinet surface by the usual mica washer and insulating bushes.

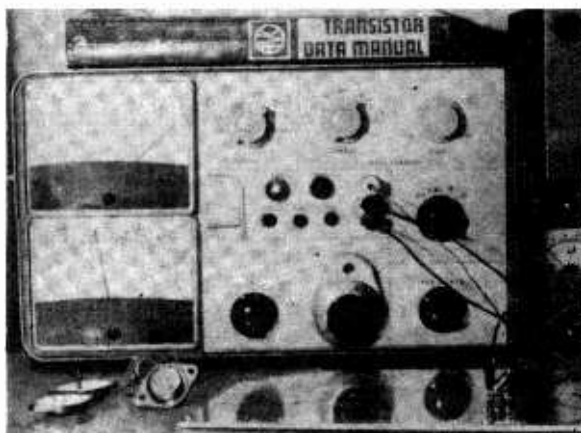
It will be noted that three transistor holders are included in the Components List. These are fitted to the front panel and are used as sockets for transistors under test. They should be capable of accepting TO5/TO18, TO1 and TO92 transistors respectively.

Further parts required are three plain Veroboard panels of 0.15in. matrix, each measuring 2½ by 2½in. These are pierced Veroboard panels without copper strips. Also listed are Veroboard pins and miniature turret tags. The reader should see the further details to be given in Part 2 before obtaining these parts.

Pilot lamps PL1 and PL2 were 24V 1 watt i.e.s. bulbs fitted in Bulgin lampholders type D675/1, one having a red lens and the other a green lens. L.E.S. bulbs rated at 24V 1 watt are obtainable from Home Radio under Cat. No. PL7B. If the Bulgin lampholder cannot be obtained an alternative is listed by Henry's Radio.

Both TR3 and TR5 are fitted with small clip-on heat sinks. These transistors are in a TO5 can, and a suitable heat sink is the type H2 obtainable from Henry's Radio.

With the exception of R1 to R14 inclusive, all the fixed resistors are high-stability 5%, and the use of similar resistors is highly recommended.



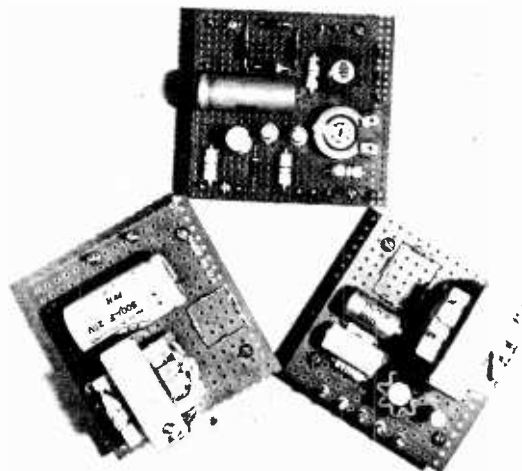
Testing a batch of OC35's. The collector voltage is 12 volts and collector current is 1 amp. Note the heat sink for the transistors being checked

The meter shunt resistors R1 to R9 are calculated from the time-honoured formula $R_s = \frac{R_m}{n-1}$ where R_s is the value of the shunt resistor, R_m is the meter resistance and n the current multiplication factor. The values shown in the Components List are applicable when the R.S. Components meter, with an internal resistance of $2,400\Omega$, is employed. The value of R_s for the $300\mu\text{A}$ range is therefore working from the formula, $\frac{2,400}{6-1}$ or 480Ω . If an alternative meter having a different internal resistance is used, the values of the shunt resistors will need to be calculated accordingly. Different shunt resistors will be required if, as has just been discussed, an alternative series of current ranges is to be incorporated.

The voltage multiplier resistors R10 to R14 are similarly based on the use of an R.S. Components $0-50\mu\text{A}$ meter with internal resistance of $2,400\Omega$. Here, the total resistance (multiplier plus meter resistance) is equal to $\frac{E}{\text{f.s.d.}}$, where E is the voltage to be measured and f.s.d. is the current sensitivity of the meter, (the reader will have recognised Ohm's Law!). For low voltages, where the resistance of the meter is a significant fraction of the total resistance, the meter resistance must be taken into account. Hence, for the 1V range (using the R.S. Components meter) the required value in the multiplier resistor switched in, R11, is $\frac{1\text{V}}{50\mu\text{A}}$ minus the resistance of the meter, which works out at 20,000 minus 2,400, or $17,600\Omega$. For optimum accuracy in practice the resistance of the meter must always be allowed for until it drops to some 1% to 2% of total resistance, after which it may be ignored. If an alternative meter is employed in the M2 position, the values required in R10 to R14 will need to be revised accordingly.

The practical process of obtaining the requisite shunt and multiplier resistors is dealt with in more detail in the second part of this article and the constructor is advised to consider the further comments given then before obtaining or making up the resistors concerned.

The prototype unit was housed in a cabinet type 'Y' measuring 12in. long by 7in. wide by 7in. deep, which is available from H. L. Smith and Co. Ltd., 287/289 Edgware Road, London, W.2. Here, length refers to the side to side dimension, width to the back to front dimension, and depth to the top to bottom dimension.



As will be described in Part 2, the majority of the Power supply components are fitted on three Veroboard panels. These are shown here before mounting

As will be seen from the accompanying photographs, the choice of suitable knob adds considerably to the appearance of the completed instrument. Here, the constructor is left to select suitable knobs from the wide range available from the component suppliers.

The Components List includes a 12-way tagstrip. None of the tags in this strip are earthed (i.e. none are used as mounting lugs) and it is positioned near the power supply section of the instrument where it assists in maintaining neat wiring. A suitable tagstrip, 3in. long, is available from Henry's Radio.

A final point is that 3 ferrite beads are also quoted in the Components List. As will be explained in Part 2, these are employed occasionally when checking v.h.f. transistors.

(To be concluded)

CAN ANYONE HELP?

Requests for information are inserted in this feature free of charge, subject to space being available. Users of this service undertake to acknowledge all letters, etc., received and to reimburse all reasonable expenses incurred by correspondents. Circuits, manuals, service sheets, etc., lent by readers must be returned in good condition within a reasonable period of time.

Valve Stereo Decoder - H. Wilkinson, 116 Moorland Road, Scarborough, Yorks., YO12 7RD - Loan of circuit diagram with description of coils.

Radio Constructor, April 1965 issue - A. J. K. Barron, Hoppetts, Allens Green, Sawbridgeworth, Herts. - To purchase or borrow.

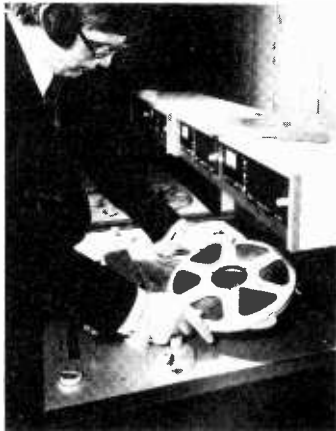
'Sonomag' Tape Recorder - H. L. Hammatt, 42 Park Avenue, Sittingbourne, Kent - circuitry required.

'Trecoscope', made by Range Electronics - S. M. Franklin, 200 City Road, London ECLV 2PH - Any data.

Philips Stereo Receiver 22GH924/15, also Amplifier 22GH923/15 - C. T. Hawker, 6 Brooklyn Gardens, Arle Road, Cheltenham, Glos. - Service sheets wanted.

Ex. Aircraft Receiver, Marconi AD108D - J. Yates, Junction Cottage, Gorse Lane, Ashton-under-Lyne, Lancs. - Circuit and any conversion to 12V operation data, loan or purchase.

EMI's MATT-BACK PROFESSIONAL RECORDING TAPE



Prominent amongst its series of professional audio tapes on show at the 1972 Audio Fair was EMI Tape's matt-back standard play magnetic tape, Emitape 816, which offers extremely low noise and low print-through characteristics. The tape's matt-coated backing gives it high-speed spooling and uniform wind capabilities. The backing also has a reinforcement effect, making the tape less susceptible to edge damage than conventional tapes. Emitape 816 is available in four standard widths - $\frac{1}{4}$ ", $\frac{1}{2}$ ", 1" and 2" - for all mono and stereo recording requirements.

The photograph shows Emitape 816 in use at EMI Records' Abbey Road recording studios in north-west London.

OSCAR IN ORBIT

The amateur radio satellite AMSAT-OSCAR-C which the Radio Amateur Satellite Corporation has been sponsoring, was successfully launched on Sunday, 15th October, last. On launch, it was designated OSCAR 6. It is the first of AMSAT's Communication Satellites to carry an amateur radio translator; signals in the two metre amateur band sent up to it, being translated into ten metre signals for the down-link. This enables a greater number of short-wave listeners and radio amateurs to listen for it, than has been possible with previous amateur radio satellites which had their down-link in the two metre or seventy centimetre bands, as far more listeners are equipped for ten metre reception than for the other two bands. Down-link signals can be heard around 29.5 MHz. OSCAR 6 became audible over Europe shortly after launching. Each orbit takes 1 hr. 55 min., and each orbit is 28.8 degrees west of the previous one. Predictions are available from various sources giving the times of crossings at the equator, and the degrees of longitude of these crossings. From these listeners can work out the most favourable orbits for their own reception facilities. Whilst a beam antenna is best, particularly if it can be elevated as well as turned in a horizontal direction, quite good reception can be had from much more modest aerial arrangements. The writer of this note, for instance, uses a 108 ft. long trapped dipole, running N-S and gets good reception of any orbit between 330 degrees west and 035 degrees west, approximately. One source of suitable predictions is the Radio Society of Great Britain's News Bulletin on 3600 KHz SSB at 0930 hrs. GMT on Sunday mornings. Those who are particularly interested in this project, will find 'Keeping Track of Oscar' by W. Browning, G2AOX, from the R.S.G.B., price 10p in stamps, well worth sending for.

DAVIAN AT100B PERFORMS 100% TESTS ON TTL MODULES FOR DECCA NAVIGATOR RECEIVER

Davian's AT100B Automatic Integrated Circuit Tester plays an important part in maintaining the smooth production flow of solid-state Decca Navigator Mk. 21 Receiver.

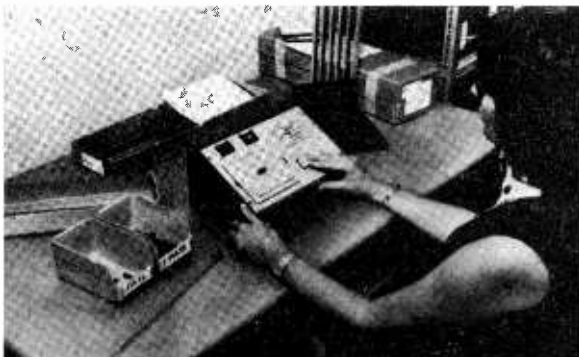
These receivers, simple to use and automatic in operation, provide mariners with instant positional fixes at sea to a high degree of accuracy.

All t.t.l. devices used in the Receiver, for example, are thoroughly tested using the Davian AT100B Automatic Integrated Circuit Tester before assembly on to their respective printed circuit boards.

A suitable programme for each i.c. type to be tested is contained in hard-wired form in two small plug-in units. A Family Plug determines the Vcc levels, logic signal levels, and maximum clock-rate for the logic family of the device - i.e., TTL DTL etc.; and a Device Plug, tailored to suit the particular i.c. module to be tested, carries the 'ideal' logic equivalent, and determines the interface, loading para-

meters, and appropriate connections to the Family Plug and mainframe logic circuits of the instrument. The Device Plug also carries the adaptor socket for the i.c. module under test. The AT100B can, therefore, be rapidly programmed to suit any selected i.c. module.

The Decca Navigator Company Limited carry a range of these programme plugs to suit the various i.c. devices used in the Navigator Receiver units. The Mk. 21 Receiver employs 35 t.t.l. devices and is produced at the rate of approximately 180 per month, giving a consumption of 6,300 i.c.'s per month. Although only about 3% of the i.c. devices are "failed" by the Tester, this represents about 190 faulty devices per month. And it must be remembered that each faulty i.c. device assembled into a main circuit can be difficult to locate and may be responsible for the loss of several valuable man-hours of test and calibration time.



IN YOUR WORKSHOP

In the December issue parts (a) of figs. 8 and 10 were, unfortunately, transposed during printing. We regret the error which will have been apparent to most readers.

RADIO & ELECTRONICS CONSTRUCTOR

COMMENT

IN BRIEF

● AMF Venner's wide-range Oscillator Model TSA 625/2, list price £38, is now in-stock due to the company's recent installation of an advanced electronics assembly and test plant.

● The American 'Foundation For Amateur Radio' organisation provides a central clearing house for information regarding amateur radio activities in the greater Washington, D.C. area.

Special consideration is given to visiting foreign amateurs, and a volunteer staff of linguists is available. Information/Hospitality Committee chairman is Bill Parrott, W4URL, 8548 Georgetown Pike, McLean, Virginia 22101, to whom enquiries should be addressed.

● Alexander Cole Ltd., have recently appointed Future Film Developments of 90 Wardour Street, London, as distributors for their 'Colclene' TF aerosols and lint free cloths to the professional audio market.

● The Institute of Electrical and Radio Engineers are to be associated with the Microwave 73 International Conference and Exhibition to be held in Brighton next June.

● Now available from Coutant Electronics of 3 Trafford Road, Reading, Berks., is a 12 page technical booklet on their complete range of encapsulated regulators and overvoltage protection units.

● Goulding Audio Ltd., of Marks Tey, Colchester, Essex, have recently announced the introduction of a new combined 8 Track Stereo Cartridge Player. LW-MW car radio. It measures 7" x 2" x 6½" and average installed cost, including speakers, is £67.

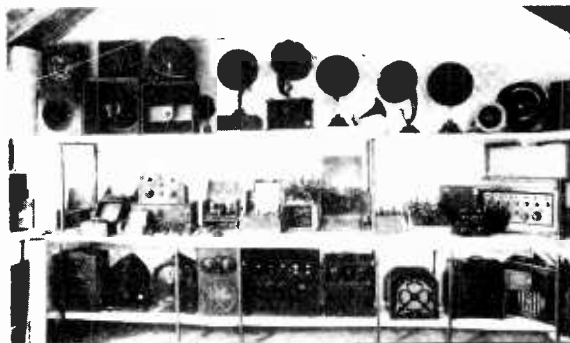
● The first independent local radio stations recently announced by the Independent Broadcasting Authority are all to go on the air with Marconi transmitters.

● The Midland National Amateur Radio and Electronics Exhibition, sponsored by the Amateur Radio Retailers Association, at the Granby Halls, Leicester was a successful first venture with an attendance well in excess of 4,000 during the 3 days.

● SDS Components Ltd., of Gunstore Road, Hilsea Trading Estate, Portsmouth, Hants want radio and electronics engineers to experiment with the diverse range of linear integrated circuits manufactured by Signetics. They are offering 5 linear i.c.s. which normally cost £9, for only £5, and are including a data library worth £2.60, free.

● Mr. John Bishop, C.Eng. MIERE, has recently joined GEC-Elliott Process Automation Ltd., as manager of its Telemetry and Supervisory Systems Division at Leicester.

JANUARY 1973



VINTAGE RADIO MUSEUM

Further to the notes in our November issue, we show above a photograph of some of the equipment on display.

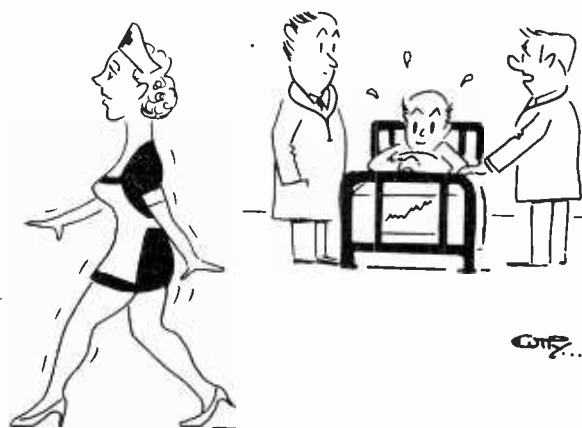
The Hon. Secretary and Curator is Mr. D. Byrne, G3KPO, of Homa House, Quadring Watergate, Spalding (telephone Gosberton 485 or STD 077-584 485), who would like to know of any additions for the museum. Especially wanted are old wireless books, magazines and catalogues, as these help in 'dating' various items of equipment.

AMATEUR RADIO SOCIETY OF IRELAND

The above society was recently incorporated under the provisions of the Companies Act 1963.

Formed by a number of enthusiasts who have been meeting for the past 2 years, they decided to put their activities on a more popular and business-like footing.

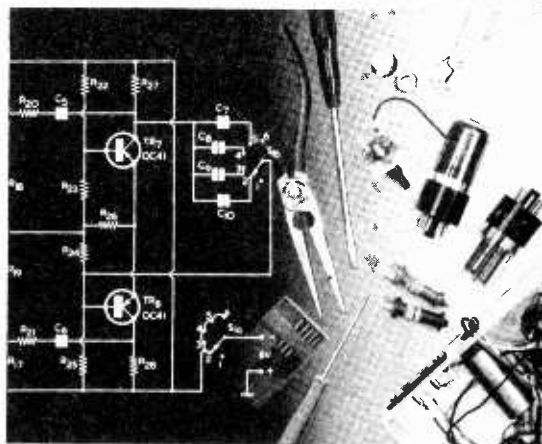
Membership enquiries should be addressed to, The Hon. Secretary, c/o POB73, Athlone.



"That pulse generator will have to go!"

SENSITIVE MICROAMMETER

by G. A. FRENCH



IN THE SUGGESTED CIRCUIT WHICH was published last month (Suggested Circuit No. 265, 'Integrated Circuit Voltmeter') a voltmeter was described which had a sensitivity of 200kΩ per volt. This employed an integrated circuit operational amplifier type ML741C in conjunction with a 0–100μA moving-coil meter.

The instrument to be described this month also incorporates an integrated circuit type ML741C and a 0–100μA moving-coil meter, and it consists of a microammeter having three ranges, these being 0–5μA, 0–10μA and 0–20μA. The nominal input resistances on these ranges are 200Ω, 100Ω and 50Ω respectively.

BASIC PRINCIPLES

As with the voltmeter, the microammeter takes advantage of the functioning of an operational amplifier with feedback from the output to the inverting input. The basic feedback is shown in Fig. 1(a), and the overall gain is governed by the relative values of the two resistors RY and RX. Assuming that the source of input voltage has zero internal resistance, voltage gain is equal to RY divided by RX.

To produce a current indicating instrument, we need an output voltage from the op-amp which is proportional to input current, and one method of achieving this consists of causing the input current to flow through a resistor so that a corresponding voltage appears across the resistor. This we do in Fig. 1(b), in which the input current flows through the added resistor RZ. It will be seen that, since RZ is now the effective source of the input voltage, its resistance has to be taken into account. The amplifica-

tion given to the voltage across this resistor is equal to RY divided by the sum of RX and RZ.

The arrangement of Fig. 1(b) is capable, therefore, of functioning as a current reading meter, with the current to be measured passing through RZ. A voltmeter connected across the output of the op-amp will then give readings which are proportional to the current in RZ.

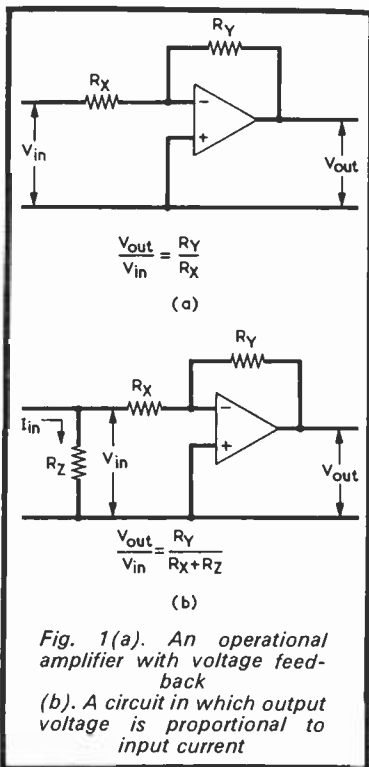


Fig. 1(a). An operational amplifier with voltage feedback
 (b). A circuit in which output voltage is proportional to input current

FULL CIRCUIT

The full circuit of a microammeter employing the principle illustrated in Fig. 1(b) is given in Fig. 2. Here, the op-amp is the integrated circuit type ML741C. RY now appears as R5 whilst RX, when range switch S1 is in position 1, appears as R4 and RZ as R1, R2 and R3 in series. When S1 is set to position 2, RX appears as R4 and R1 in series, and RZ appears as R2 and R3 in series. Setting S1 to position 3 causes RX to be represented by R4, R1 and R2 in series, and RZ to be represented by R3 on its own. Since the overall gain offered by the op-amp is given (in Fig. 1(b)) by RY divided by the sum of RX and RZ, the different settings of S1 in Fig. 2 do not alter the voltage amplification ratio offered by the operational amplifier.

The output of the op-amp is passed to the voltmeter given by VR2 and the 0–100μA meter M.1 A measure of meter protection against overload is provided by the two silicon diodes D1 and D2. There is no need to protect the integrated circuit itself from output overloads because, amongst the many merits offered by the 741 i.c., is the fact that its output is short-circuit proof.

A number of complicating requirements have had to be met in the circuit. The value of R4 needs to be considerably higher than those of R1 to R3 or it will otherwise excessively upset the resistance ratio from range to range. A high value in R4 argues a correspondingly high value in R5, as also does a high overall voltage gain. On the other hand, circuit operation becomes impracticable if R5 has too great a value. The overall voltage gain can be kept to a low level by giving the voltmeter at the i.c. output a high sensitivity. Virtually all the commonly

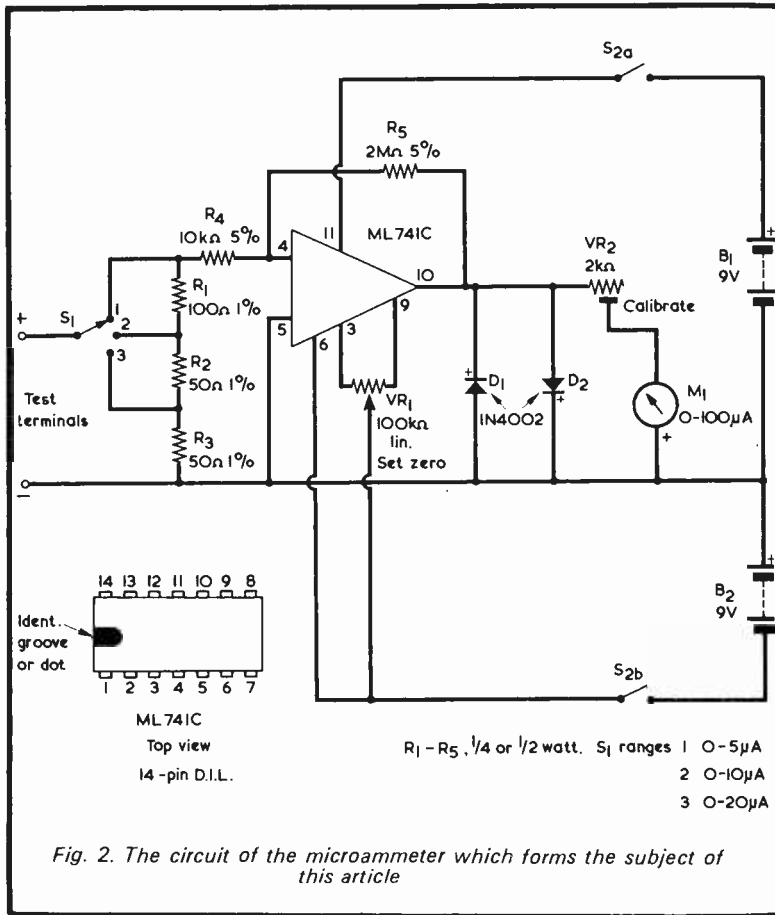


Fig. 2. The circuit of the microammeter which forms the subject of this article

available 0-100µA meters have internal resistances of the order of 1,000 to 1,250Ω, which correspond to voltages across the meter at f.s.d. of 0.1 to 0.125 volt. In the present design it was decided that the meter should give an f.s.d. reading when the output of the op-amp was at a nominal level of 0.2 volt, since this would enable all 0-100µA meters currently obtainable to be employed in the circuit. The highest sensitivity required of the instrument is 0-5µA and it was arbitrarily decided to present this range of current with an input load of 200Ω, as occurs when S₁ is in position 1. An input current of 5µA in a 200Ω resistor gives a voltage across the resistor of 1mV. So also does 10µA in 100Ω (given when S₁ is in position 2) and 20µA in 50Ω (given when S₁ is in position 3). Thus, the input voltage corresponding to full-scale input current on each range is 1mV, whereupon the op-amp has to provide a voltage gain of the order of 200 to give a full-scale output voltage of 0.2 volt. This voltage gain is given by making R₅ approximately 200 times the value of the sum of R₄, R₁, R₂ and R₃. The design parameters are such as to enable R₅ to be kept down to 2MΩ, a value which proves to be satisfactory in practice.

JANUARY 1973

A zero set control is provided by VR₁, which connects to pins 3 and 9 of the op-amp. These pins couple, inside the op-amp, to two transistor emitters in the input differential amplifier bias circuit, and are specifically intended for the cancelling out of input offset voltage where this is necessary.

A summary of circuit operation may now be given. Before use, the instrument is zeroed by means of VR₁. S₁ is then set to the range required, whereupon an input current of 5µA on Range 1, 10µA on Range 2 or 20µA on Range 3, causes the appearance of an input voltage of 1mV. The amplifier circuit offers a gain of (approximately) 200 times, resulting in an output of 0.2 volt and full-scale deflection in the 0-100µA meter. Lower values of input current on each range cause correspondingly lower readings in the meter, whereupon the instrument becomes capable of indicating any input current within the range selected by S₁.

Whilst it is desirable for R₁, R₂ and R₃ to be close-tolerance components, R₄ and R₅ may be 5% resistors. This is because the instrument is calibrated with the aid of a known test current, and any discrepancies from the nominal values in R₄ and R₅ (and

hence the voltage amplification provided by the op-amp) are quite simply taken up in the adjustment of VR₂.

A final point needs to be mentioned whilst dealing with the theoretical aspects of the circuit. As pin 4 of the op-amp is a virtual earth, R₄ is effectively in parallel with R₁, R₂ and R₃. Thus, when switch S₁ is set to Range 1 the resistance across which the input voltage is actually built up consists of 200Ω with 10kΩ in parallel. This works out as 196Ω. On Range 2, the resistance is effectively 100Ω with 10,100Ω (R₄ plus R₁) in parallel, or 99Ω. When Range 3 is selected the resistance becomes 50Ω with 10,150Ω in parallel, or 49.75Ω. These discrepancies are taken up by calibrating on Range 2, whereupon Range 1 reads approximately 1% low, and Range 3 reads approximately 0.5% high. Such figures illustrate that R₄ has about the lowest value that can be accommodated in the present design. The fact that the actual input resistances are a little lower than the values of R₁, R₂ and R₃ is readily taken up in the calibration adjustment. If it is possible to select resistors, R₁ can have a value which is a little higher, within tolerance, than 100Ω, and R₃ can be a resistor which is a little lower, within tolerance, than 50Ω. Such resistors will shift the discrepancies between ranges in the desired directions. As, however, these discrepancies are very small it will be quite adequate, in a low cost instrument of this nature, to employ 1% resistors without selection for R₁, R₂ and R₃, and to simply accept the slight errors inherent in the circuit.

COMPONENTS

The integrated circuit employed in the instrument is a 14-pin dual-in-line device type ML741C. The author obtained this from Henry's Radio, Ltd., who advertise it as a '741C(DIL)'. Other op-amps of the 741 type should function equally well, but the author has only checked the circuit with the particular component purchased from Henry's Radio. Fig. 2 shows the pin layout for the 14-pin version. The 741 i.c. may also be obtained in 8-pin d.i.l., and the pin connections here are shown in Fig. 3. In the 8-pin version, the outside ends of VR₁ connect to pins 1 and 5, the positive supply connects to pin 7 and the negative supply connects to pin 4. It is advised that an i.c. holder be employed if the constructor has not previously handled devices of this nature. The i.c. is fitted to the holder after the latter has been wired into circuit.

Diodes D₁ and D₂ are silicon diodes which restrict the output voltage of the op-amp to about 0.6 volt in either direction. The writer used 1N4002's, but any other small silicon rectifiers would be equally suitable.

It is normally recommended that the offset null potentiometer (VR₁) which

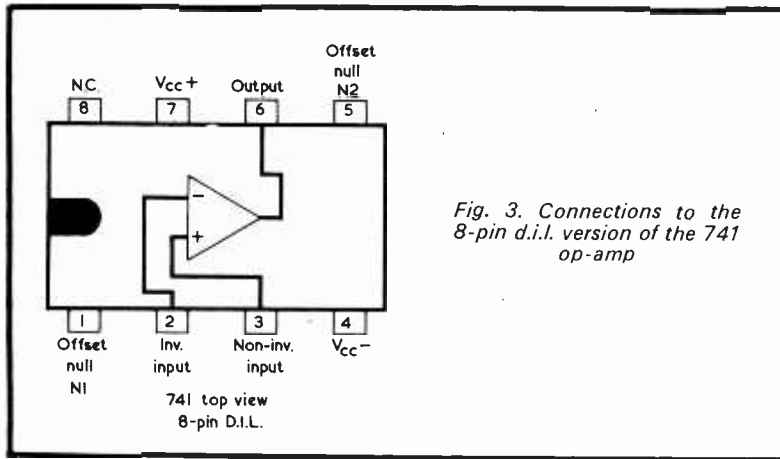


Fig. 3. Connections to the 8-pin d.i.l. version of the 741 op-amp

The instrument should not be used with one battery new and one battery partly exhausted.

The components may all be mounted in a small wooden or plastic case with the meter, S1, S2(a)(b), VR1 and the two test terminals on the front panel. Two flexible test leads terminated in prods or clips will also be required.

CALIBRATION AND USE

The instrument is calibrated with the aid of a close-tolerance resistor which passes a current of exactly $10\mu\text{A}$ when connected to a known voltage. A suitable resistor would be a $500\text{k}\Omega$ 1% component, and this resistor will pass $10\mu\text{A}$ at a voltage of 5 volts.

The calibration set-up is shown in Fig. 5, which assumes that the calibrating resistor is $500\text{k}\Omega$, as just mentioned. Initially VR2 is set up to insert maximum resistance, after which the instrument is switched on, set to Range 2, and the 0-100 μA meter zeroed by means of VR1. The potentiometer in Fig. 5 is adjusted to give a reading of 5 volts in the monitoring voltmeter and the instrument test terminals are next connected as shown. VR2 is then adjusted for a full-scale reading in meter M1 with the 5 volt reading in the voltmeter being maintained. The instrument test terminals are next disconnected, the zero setting offered by VR1 confirmed, after which the test terminals are reconnected, giving VR2 any final adjustment which may be needed. The instrument is then set up for use on all three ranges.

connects to pins 3 and 9 of a 741 i.c. be a $10\text{k}\Omega$ component. The writer used a $100\text{k}\Omega$ potentiometer here, however, because he had the subjective impression that this higher value resulted in a less 'fierce' control. Since $100\text{k}\Omega$ is higher than the recommended value there is a slight risk that it may not be satisfactory for some 741 i.c.'s, whereupon a $10\text{k}\Omega$ potentiometer will have to be employed instead. Whatever value is employed, the actual potentiometer fitted must be a good quality component, since the zero adjustment is fairly critical and the zero could be difficult to resolve with a potentiometer having poor contact between the slider and the track. A 'moulded-track' potentiometer would represent a good choice. As the zero adjustment is critical, some constructors may prefer to use the $100\text{k}\Omega$ potentiometer on a temporary basis only whilst constructing the unit. When the instrument has been completed and the requisite zero position found, this potentiometer may then be replaced by a $20\text{k}\Omega$ component and two fixed resistors in series on either side, as in Fig. 4. The values of the two fixed resistors are such that the zero position is approximately at the centre of the travel of the $20\text{k}\Omega$ potentiometer. It should be mentioned that the needle of the meter swings hard against the end-stops in either direction when VR1 slider is some distance from the zero setting.

Potentiometer VR2 is a small pre-set variable resistor. A skeleton type would be quite adequate.

A further close tolerance resistor, not shown in Fig. 2, is required for setting-up purposes. This resistor is discussed later.

Switch S1 can be any 3-pole rotary type. S2(a)(b) is a d.p.s.t. toggle switch. Slide switches or rotary switches are *not* recommended for S2(a)(b), as it is desirable for both batteries to be switched on and off at precisely the same time.

The batteries, B1 and B2, may be any small 9-volt type. The current drawn from them is low, and they should have a long life. They should always be fitted when new, and discarded when exhausted, as a pair.

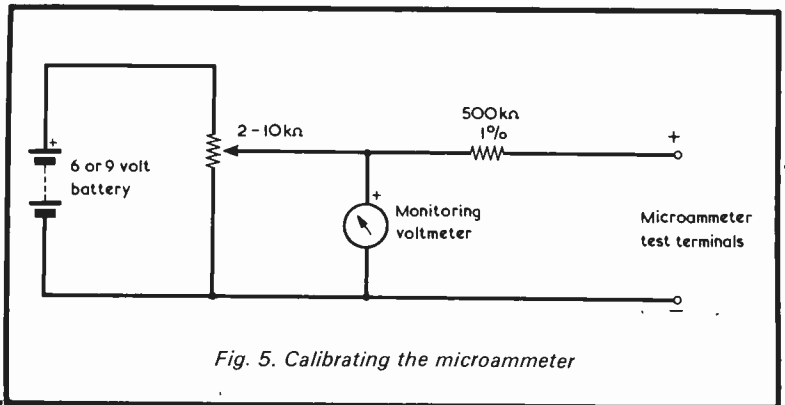


Fig. 5. Calibrating the microammeter

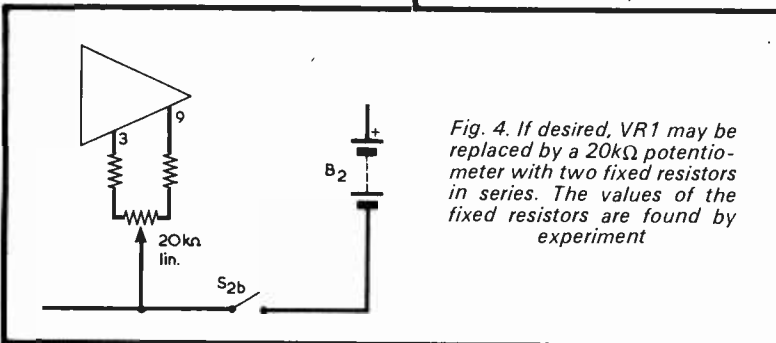


Fig. 4. If desired, VR1 may be replaced by a $20\text{k}\Omega$ potentiometer with two fixed resistors in series. The values of the fixed resistors are found by experiment

The meter is easy to use and operates like any other current-reading instrument. It should be remembered that it is extremely sensitive, and that care must be taken not to accidentally apply excessive currents to its test terminals. As mentioned earlier, the zero adjust setting is rather critical. In the prototype there was a slight tendency towards drift of the zero adjustment, but this was not of a serious nature. The current consumption from each 9 volt battery is 1.5mA only.



Q S X

By
FRANK A. BALDWIN

(All Times GMT)

In any one particular month it is generally the case that any active short wave listener, be he amateur or broadcast band enthusiast, can enter into the log book, or recall, a few items of choice Dx that stand out against the entries of 'usuals'. The writer, of course, is no exception to this asterisk-marked reception list. What can we produce this month? See below.

● HIGHLIGHTS

To commence with we have Godthaab, Greenland on **3999kHz** first heard at 0125 with a talk in Greenlandic (a form of Danish) interspersed with a few bars on a celeste at 0130 and at 0134. At 0136, a two-minute slow moving and mournful tune rendered on a celeste was heard, this being followed by a programme of TV theme music. Sign-off was at 0150, no National Anthem. The celeste tune was, presumably, the interval signal "Sunia Kaligpok" ("The Whaleboat 'Sonja' drags Whale").

On **4744** we have been trying for some evenings past to positively identify a station mainly using the French language and having a decidedly African 'flavour'. This could be Lubumbashi, listed on **4750** but no longer heard on that channel. Reception on **4744** is very difficult to say the least, the channel being occupied most evenings by a teletype transmitter.

On **4763** at 2326, we logged RRI Medan, Indonesia with Arabic-type chants by OM and male chorus and clear station identification at 2330. If conditions are right for reception of this area in the U.K., it will be found that Medan puts in a very good signal around 2330 or so.

Tune to **4832.5** around 2230 and you may log Shenyang, Liaoning (China). We heard it from 2225 onwards, programme in Chinese dialect interspersed with military music. BADX (British Association of Dxers) report this one at 2200 with time pips and identification 'Liaoning

jen min kwang po tien tai'.

Set the dial to **3871.5** from around 2000 onwards and you may hear Radio Pakistan. We logged it on this channel and heard a programme of Asian-type music and songs with a clear identification by YL in English at 2044. Sign-off is believed to be at 2130. A warning about this one however, you will require the receiver to be set at the most selective position to even locate the signal if conditions are normal for transmission from this area, a 1.2kHz bandwidth was that used by the writer.

Lastly under this paragraph heading we list another problem. If you can get into the shack slightly before 0400 (perish the thought?) and tune to **4871.5** you may hear a station signing-off with a National Anthem at 0403, we just caught the tail-end of the transmission. Would this be Colombo, Ceylon, listed on **4870**?

● LATIN AMERICA

One of the areas of the world that greatly interest most SWL's is Latin America. Reception of some of the low-powered transmitters has always held a fascination for the writer. The LA's of interest received lately have been -

4755 0331 ZYY3 R. Brasil, Campinas, with LA music and songs, 1 kW (63.09 metres).

4756 0250 ZYF23 R. Dif do Maranhao, Sao Luis, LA songs with identification plus echo-effect, 5kW (63.07m). This one is listed on **4755** but the actual measured frequency was **4756.5kHz**, a feature not uncommon with LA stations.

4765 0255 HJDY R. Catatumbo, Ocana, Colombia, with rousing political harangue in Spanish, complete with cheers from the crowd! 1kW (62.95m).

4770 0146 YVQE R. Bolivar, Ciudad Bolivar, identification and talk in Spanish, 1kW (62.89m).

4805 0223 ZYS8 R. Dif do Amazonas, Manaus, with LA songs and music in typical Brazilian style, 5kW (62.43m).

4825 0112 HIFA Voz de las Fuerzas Armadas, Santo Domingo, with identification followed by guitar solo, 3kW (62.18m).

4827 0325 HJHC R. Narino, Pasto, Colombia, LA music and songs with identification at 0332 as "Radio Narino, Bogota". 1kW (62.15m). This one is listed on **4825**.

4832 0103 TIHB R. Capital, San Jose, Costa Rica, with LA music and identification, 1kW (62.08m).

4865 0121 PRC5 R. Clube do Para, Belem, Brazil, with YL in LA songs, 2kW (61.66m).

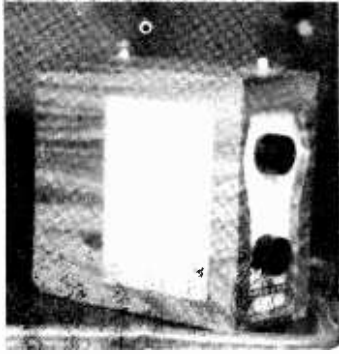
4865 0345 HJLZ La Voz del Cinaruco, Arauca, Colombia, with LA music and identification, 1kW (61.66m).

4875 0231 CP75 La Cruz del Sur, La Paz, Bolivia, with light classical music after identification, 10kW (61.53m).

4905 0314 HJAH Emisora Atlantico, Barranquilla, Colombia, with light orchestral music and identification with echo-effect, 1kW (61.16m).

4975 2135 ZYV9 R. Timbira, Sao Luiz, Brazil, with 'futebol' commentary, 5kW (60.30m).

5010 0259 HIMI R. Cristal, Santo Domingo, Dominican Republic, LA music and identification, 1kW (59.88m). ■



REFLEX TRANSISTOR V.H.F. PORTABLE

by

Sir Douglas Hall, K.C.M.G., M.A. (Oxon)



Incorporating the author's 'Spontaflex' reflex circuit, this receiver provides both a.m. and f.m. reception from 40 to 110MHz. Battery consumption is low and the circuit employs commercially available plug-in coils.

THIS RECEIVER WILL GIVE GOOD loudspeaker results from signals in that part of the v.h.f. band which lies between 40 and 110MHz. It will receive f.m. signals from Radio 2, 3 and 4, and from local f.m. stations, and a.m. sound from BBC1 on television channels 1 to 5 inclusive. Other fixed and mobile signals can be picked up in addition, whether a.m. or f.m.

The circuit used is based on that employed in the 'Spontaflex' F.M. Portable, Mk. II, published in February 1972,* but the present set is much smaller than that receiver - it measures about 7½ by 6¾ by 3½ in. - and covers a much wider frequency band.

CIRCUIT OPERATION

As the functioning of the various parts of the circuit has been described in detail previously, it will now suffice to refer briefly to Fig. 1. TR1 is a common base radio frequency amplifier. TR2 is the 'Spontaflex' amplifier offering current gain at signal frequency, detection, and then audio amplification in the common base mode. With f.m. signals the circuit is

held in a gently oscillating condition whereupon synchronous detection takes place. For a.m. signals the circuit is held just short of the oscillating condition. Oscillation takes place in the Colpitts configuration, C5 providing the necessary capacitance tap. Control is obtained by varying the collector load of TR2 (and at the same time, the base bias of TR1). VR1, a log control connected so that resistance decreases and reaction increases as it is turned in an anti-clockwise direction, is employed in conjunction with VR2, and it provides a very smooth control. At the minimum volume end of the rotation of VR1 (in which condition the slider is at the upper end of its track as shown in Fig. 1) capacitor C2 presents virtually zero impedance to the collector of TR2. At the other end of the track, R5 prevents too low a value of resistance being in circuit.

TR1 functions again as an audio signal current amplifier, and there then follows common emitter amplification by TR3. TR4 and TR5 both have their bias set up by the amplitude of the incoming signal, as a result of which this Class A circuit gives the economy of its Class B cousin. About 300mW output power is available.

Some treble cut is needed. This is provided by C9. Constructors may vary the capacitance of this component to suit their taste.

Separate batteries are provided for the tuner section and the amplifier. Less than 1mA is taken from the 9 volt PP3 battery which will therefore maintain its voltage for a long time. It should be replaced as soon as the signal starts to wander a few minutes after switching on. The two large No. 800 batteries which feed TR4 and TR5 will also have a long life. These batteries are of the twin-cell cycle lamp type.

The coils are Denco Miniature Dual-Purpose, Blue, plug-in coils of the type intended for valve usage. In the present design they operate at frequencies higher than those quoted in the manufacturer's literature. Approximate coverage is as follows: Range 7, 110 to 79MHz; Range 6, 79 to 53MHz; Range 5, 55 to 40MHz. These coils may be obtained directly from Denco (Clacton) Ltd., 355-359 Old Road, Clacton-on-Sea, Essex, if difficulty is experienced in buying them locally.

Whilst dealing with the circuit, several further points need to be made. No connection is made to the shield lead-out of either TR1 or TR2. In the output stage, only half the output transformer primary is in circuit. The telescopic aerial employed by the author is an Eagle type TA632. This is a 10 section swivel-based aerial, having an extended length of 31½ ins.

RADIO & ELECTRONICS CONSTRUCTOR

*Sir Douglas Hall, 'Mark II Modifications for the "Spontaflex" F.M. Receiver', *The Radio Constructor*, February 1972; also 'The "Spontaflex" F.M. Portable Receiver', *The Radio Constructor*, June 1969.

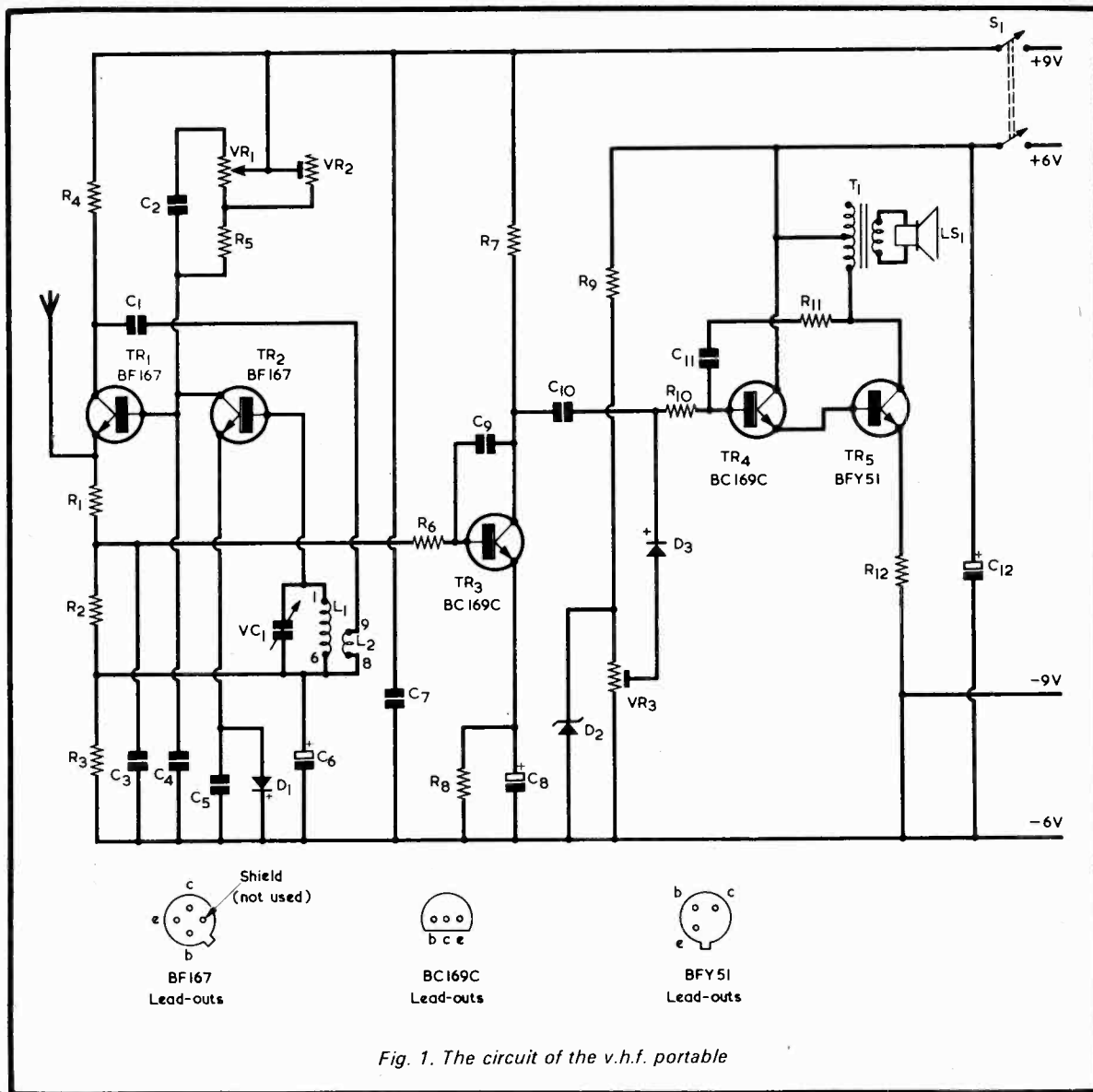


Fig. 1. The circuit of the v.h.f. portable

and a closed length of 6ins. It is obtainable from many retailers, including G. W. Smith & Co. (Radio) Ltd., 3 Lisle Street, London, W.C.2. It is important that VR1 be a moulded track component and a suitable type is available from Home Radio under Cat. No. VR18B. VR2 is a miniature skeleton pre-set potentiometer, whilst VR3 is a standard skeleton pre-set potentiometer. This is not an important distinction, but it makes the mounting of these two components easier. Capacitor C2 is metallised foil, Mullard type C281, and is available from Home Radio under Cat. No. 2EJ23. C3 and C7 are Mullard Miniature Foil type C280 (Home Radio Cat. No. 2EH43). Capacitors C8 to C12 are not so critical with regard to type as are these in the v.h.f. section of the circuit.

JANUARY 1973

D3 is a silicon bias diode, available under that description from Amatronic Ltd., 396 Selsdon Road, South Crondon, Surrey.

When the receiver is completed, the controls appear at one end of the cabinet and a B9A valveholder and the on-off switch appears at the other end. Whichever coil is in use is plugged into this valveholder.

CONSTRUCTION

Before commencing construction, briefly examine Fig. 3(e) to obtain a general idea of assembly. The speaker body and magnet appear inside the rectangular framework offered by the four pieces of plywood shown here, being held in position by four angle brackets. The components, together with VC1 and VR1, are mounted on

the vertical plywood piece to the right. An extension rod for VR1 passes across the speaker area and through a bush in the left hand vertical upright piece. At the same time, an extension rod for VC1 passes to an epicyclic ball drive on the left-hand upright piece. To be fitted later in the speaker area are the two No. 800 batteries and the PP3 battery. Finally, a small platform, on the right, is secured mechanically to VC1. This platform carries the B9A valveholder for the coils, and a slide on-off switch.

Dealing with the construction now in greater detail, turn to Fig. 2. Cut out the four pieces of $\frac{1}{4}$ in. plywood shown in Figs. 2(a) to (d) inclusive. But first make sure that the plywood really is $\frac{1}{4}$ in. thick and that the speaker really measures 6in. by $\frac{1}{4}$ in. It is unlikely that the speaker will be too

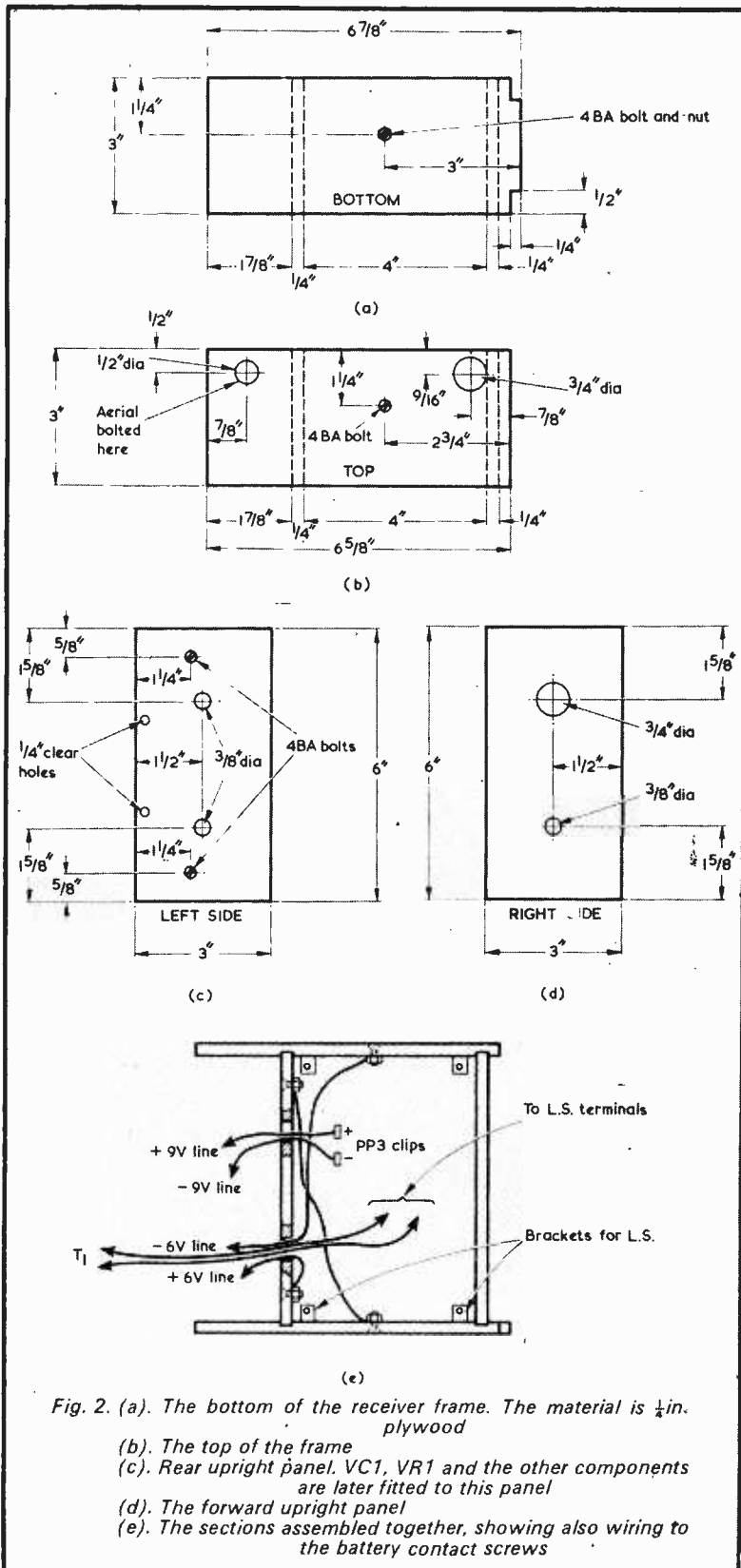


Fig. 2. (a). The bottom of the receiver frame. The material is 1/4 in. plywood
 (b). The top of the frame
 (c). Rear upright panel. VC1, VR1 and the other components are later fitted to this panel
 (d). The forward upright panel
 (e). The sections assembled together, showing also wiring to the battery contact screws

deep, or have too large a magnet, but if there is any doubt dimensions should be varied accordingly so that, when the four pieces are assembled as in (e), there will be room in the frame formed for the speaker. The four 4BA bolts in (a), (b) and (c) should be 3/4 in. long with countersunk heads. These are employed for making contact with the terminals of the two No. 800 batteries. The two holes in piece (b) are for the telescopic aerial and for the coil compartment respectively. (Coils are dropped through into an internal trough as will be described later.) The two large holes in Fig. 2(c) are for the bushes of VC1 and VR1, and the two small holes are for leads to the batteries and speaker. The two holes in (d) are for the epicyclic drive for VC1 and for the bush for the extension rod for VR1.

The four pieces are assembled as in Fig. 2(e). In Figs. 2 (a) and (b) the reader is looking at the top sides of both the top and the bottom. In Figs. 2(b) and (c) it is the heads of the 4BA bolts which are towards the reader, and in Fig. 2(a) it is the threaded section of the bolt which is towards the reader. The left hand side of Fig. 2(c) is screwed between the top and the bottom at the points indicated by the dashed lines so that the two 1/2 in. holes are away from the reader. The right hand side of Fig. 2(d) is fitted so that the large hole is uppermost. It may be positioned either way round, as it is symmetrical about its vertical centre line. The assembly of Fig. 2(e) corresponds to that of Fig. 3(e) viewed from the other side.

When the assembly of Fig. 2(e) has been completed the speaker should be mounted by means of small brackets. The front of the speaker should be set back a fraction to allow a piece of gauze to cover it without protruding beyond the frame. The cone of the speaker is towards the reader. Wiring to the battery contact bolts should be carried out as shown, and the leads taken through the appropriate holes to the speaker and to connector clips for the PP3 battery.

Next refer to Fig. 3. Cut a piece of Paxolin 2 1/2 in. by 1 1/2 in. and fit the B9A valveholder to it as shown in Figs. 3(a) and (c). The view in Fig. 3(c) is of the opposite side of the Paxolin. The valveholder is a low-loss ceramic or similar printed circuit type without a skirt, and it is fixed by adhesive in the hole cut out for it in the Paxolin.

Turn the assembly through 90° so that it may be viewed edge-on, as in Fig. 3(b). The switch should be nearer the reader (it is omitted in Fig. 3(b) for clarity). Fit two long brass 6BA bolts as shown. The longer bolt passes through the hole already existing in the ceramic base of VC1 and is tightened with two nuts on either side. The nuts should be positioned such that, when the Paxolin panel is parallel with the ceramic base of the capacitor, the tip of the shorter bolt rests on the moving

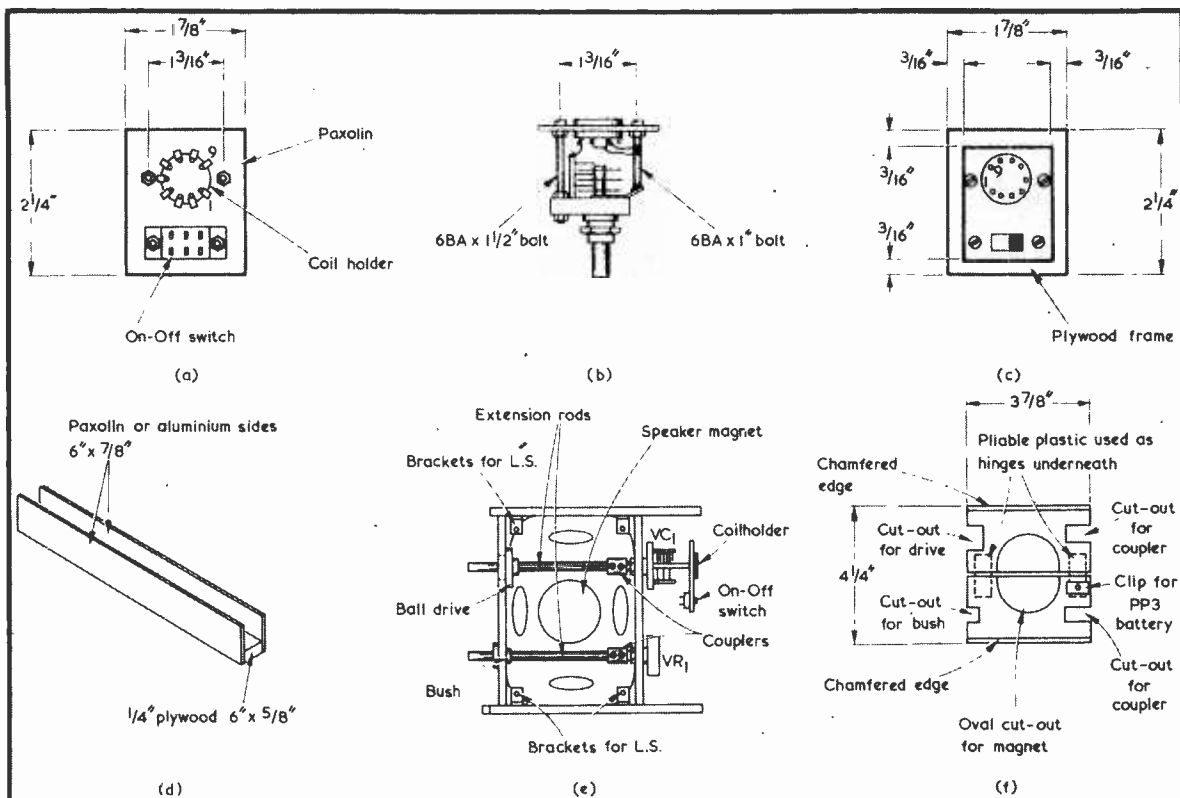


Fig. 3 (a). The platform on which the coil holder and on-off switch are mounted
 (b). How the platform is secured to the tuning capacitor
 (c). The plywood frame on the platform
 (d). The coil trough. This houses coils that are not in use
 (e). How VC1 and VR1 are fitted on the rear upright panel
 (f). The hinged section which holds the two 3 volt batteries in position

COMPONENTS

Resistors

(All fixed values 1/2 watt 10%,)

R1	390Ω
R2	3.9kΩ
R3	2.2kΩ
R4	2.2kΩ
R5	47kΩ
R6	1kΩ
R7	10kΩ
R8	3.9kΩ
R9	1.8kΩ
R10	100kΩ
R11	220kΩ
R12	4.7Ω
VR1	1MΩ potentiometer, log, moulded track
VR2	1MΩ pre-set potentiometer, miniature skeleton
VR3	5kΩ pre-set potentiometer, skeleton

Capacitors

C1	3pF tubular ceramic
C2	0.47μF metallised foil (Mullard C281)
C3	0.01μF miniature foil (Mullard C280)
C4	470pF tubular ceramic
C5	6pF tubular ceramic
C6	80μF electrolytic,

C7	2.5 V.Wkg. 0.01μF miniature foil (Mullard C280)
C8	80μF electrolytic, 2.5 V.Wkg.
C9	180pF silvered mica (see text)
C10	0.1μF plastic foil
C11	0.01μF plastic foil
C12	1,000μF electrolytic, 6.4 V.Wkg.
VC1	15pF variable, type C804 (Jackson Bros.)

Inductors

L1, L2	Denco Miniature Dual-Purpose coils, valve usage, Blue, Ranges 5, 6 and 7
T1	Output transformer type TT56 (Repenco)

Semiconductors

TR1	BF167
TR2	BF167
TR3	BC169C
TR4	BC169C
TR5	BFY51
D1	OA85
D2	Zener diode, 200mW,

D3	2.7V, 3V or 3.3V Silicon bias diode
Switch	
S1	Double pole slide switch

Speaker

LS1	3Ω speaker, 6 in by 4 in.
-----	---------------------------

Aerial

	Telescopic aerial type TA632 (Eagle)
--	--------------------------------------

Miscellaneous

	B9A valveholder, printed circuit type
	Epicyclic drive with flange, type 4511/F (Jackson Bros.)
	2 knobs
	18-way group board, standard size (R.S. Components)
	2 spindle couplers
	1 spindle bush
	2 extension spindles
	1 1/2 in. 6BA brass bolt
	1 in. 6BA brass bolt
	1/4 in. plywood
	Paxolin
	Fablon or Contact, Perspex, etc., as required

vanes tag of the capacitor. Solder the tip of the shorter bolt to that tag. Finally, make a plywood frame to fit on to the Paxolin panel, as shown in Fig. 3(c), and glue this to the panel.

Next, make the trough to hold the coils, this being illustrated in Fig. 3(d).

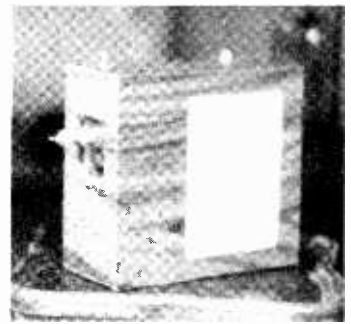
Turn the main frame of Fig. 2(c) through 180° so that it appears as in Fig. 3(e), with the magnet of the speaker towards the reader. Fit the VC1 assembly in its appropriate hole in the frame as in Fig. 3(e) and fit VR1 in its hole. On the other upright of the frame fit the epicyclic drive (inside, not outside the frame) and the bush, and couple up extension rods as shown. The fixing nut on VC1 should be very tight.

Now cut a piece of ¼ in. plywood as in Fig. 3(f). This is really in two pieces, but it is better cut out as one, and then cut across the line where the plastic hinges are fitted. Its function is to hold the two No. 800 batteries in position and it does this in the manner shown in Figs. 4(a) and (b). The plastic hinges are fitted underneath, as shown in Fig. 3(f). The oval cut-out for the speaker magnet may be made immediately, but the four cut-out areas which leave space for the spindle couplers, ball drive and bush for VR1 are best marked out directly from these. In consequence, it is suggested that the piece of Fig. 3(f) be placed over the speaker magnet and the four cut-out areas marked accordingly. Cut out these areas and chamfer the outside edges of the plywood as shown. Place

the two No. 800 batteries in position with the top (positive) terminal strips up against the bolts which appear in the panel holding VC1 and VR1, and the two other terminal strips, in the middles of the batteries up against the two bolts in the top and bottom sections of the frame. Now partially close the two parts of Fig. 3(f) by pressing the chamfered edges towards each other, and slip the assembly over the magnet so that the chamfered edges press into the 'waists' between the two cells making up each battery. Now press on the junction of the two parts of Fig. 3(f) so that it flattens out again, this action forcing the chamfered edges into the waists and holding the batteries firmly up against the top and bottom of the frame. If necessary, further chamfering of the edges is carried out until the batteries are correctly held in position. The coil trough is now placed in position, plywood base downwards, on top of the piece of Fig. 3(f) and to the left of the two batteries, and it will hold the batteries firmly up against the right hand section of the frame. It will be found that an appropriate hole is in the top of the frame above the trough, and this will allow the coils to be dropped in it for storage.

Because the hinged section of Fig. 3(f) is a little under 4 in. wide there will be room for leads to pass between it and the right hand side of the frame.

A small clip for the PP3 battery is made and screwed to Fig. 3(f) as shown.

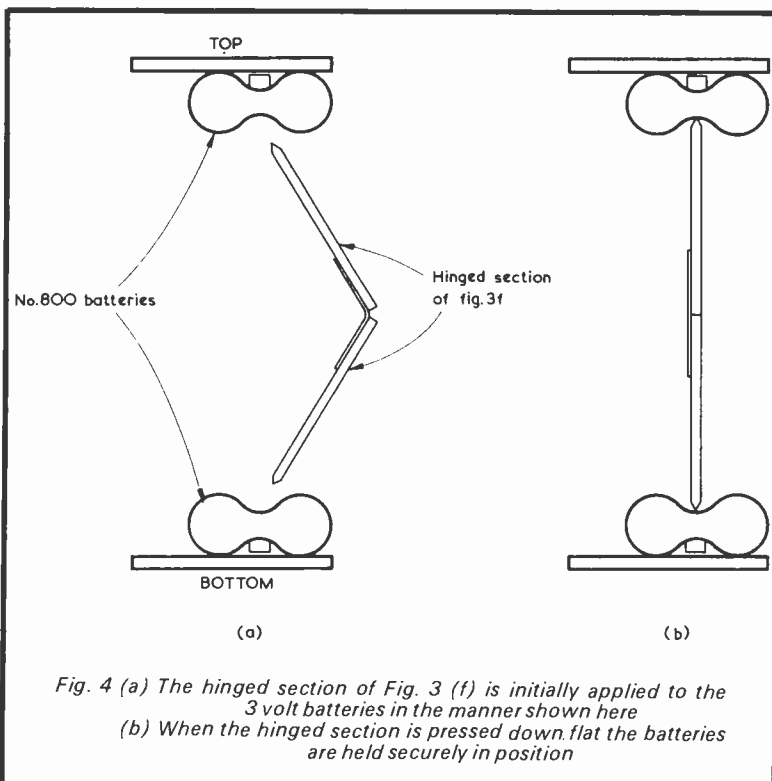


The required coil is inserted into a socket at the rear

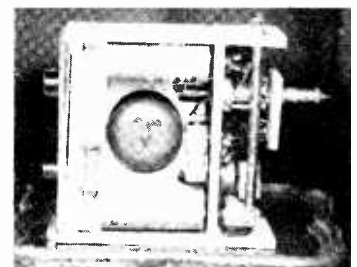
WIRING

Turn next to Fig. 5, which shows the wiring. The valvholder for the coil, VC1, S1 and VR1 are already mounted. The valvholder and S1 are both shown as though they were transparent; this results in the valvholder tags, from 1 to 9, proceeding in an anti-clockwise direction. The leads from tags 6 and 8 of the valvholder are soldered to the 1 in. 6BA screw, as illustrated in Fig. 3(b). This allows a low inductance connection to the moving vanes of VC1. Tag 1 connects to the fixed vanes, as shown in Fig. 3(b) and Fig. 5. Use a reasonably stout wire for these connections. All other connections to VC1 are made at its tags, as shown in Fig. 5.

The two tagstrips, one with 6 tags and one with 13 tags, are cut from an R.S. Components standard size 18 way group board (Home Radio Cat. No. BTS10). Two nuts are used as spacing washers to lift the 6 way tagstrip clear of the wood, and the fixing screws should pass through the tag holes indicated, the remaining tags being isolated from the wood. The 13-way tagstrip is secured by three screws, these passing through the end tag holes and the hole at the tag to which the positive end of D3 connects. The 13-way tagstrip may be spaced off



*Fig. 4 (a) The hinged section of Fig. 3 (f) is initially applied to the 3 volt batteries in the manner shown here
(b) When the hinged section is pressed down flat the batteries are held securely in position*



Side view of the receiver framework. The No. 800 batteries may be seen at top and bottom, and there are two coils in the coil trough

from the wood, but this is not essential as none of the tags are in a v.h.f. circuit. Components should be wired up with leads as short as possible and not as in Fig. 5 where, for clarity, components are shown spaced out. In practice no components should lie outside the edge of the panel. The leads to VC1 and the B9A valveholder must, in particular, be as short as possible, or the desired ranges may not be covered.

The aerial is bolted into its hole at the top of the frame. Make sure that it can be parked inside without fouling transformer T1.

All the wiring should now be completed with the exception of the 6 volt positive battery lead to switch S1.

SETTING UP

Setting up involves the adjustment of VR2 and VR3. Set the slider of VR3 to the track end which connects to the negative supply line, and the slider of VR2 to the track end which has no connection. Insert a meter switched to read current between the 6 volt positive battery lead and S1 and adjust VR3 until a current of 7mA is indicated. No signal should be tuned in whilst this is being done. For maximum useful life from the 6 volt battery the procedure may be repeated after 20 hours use when the voltage has settled down. If it proves impossible to obtain as low a reading as 7mA, suspect C11, which must have first class insulation. After VR3 has been adjusted, remove the meter and connect the positive battery lead to S1.

Now insert the Range 6 coil and set VC1 to full capacitance and VR1 to about one-fifth of the way from fully clockwise. Adjust VR2 so that oscillation just starts as denoted by a hiss. This setting will allow optimum ease of adjustment in VR1 throughout the tuning range of the receiver.

Set the core of Range 5 coil so that it is fully inserted within the coil. This will mean that about 1/2 in. of threaded rod protrudes through the top. The other two coils are without cores.

Insert the Range 7 coil and turn VR1 until a hiss denotes oscillation. Adjust VC1 and tune in Radio 2, Radio 3 and Radio 4. It will be found that these are received with VC1 roughly at mid-travel. VR1 should be adjusted for suitable volume. If it is set too far anti-clockwise, there will be distortion and violent oscillation. If, on the other hand, it is set too far clockwise there will be lack of volume or complete silence.

BBC1 television sound will require either the Range 6 or the Range 5 coil according to the channel being listened to.

Try varying lengths of aerial by adjusting the number of sections drawn out. Also, try different direction and angles for the aerial. In many cases, the maximum length will give best results.

JANUARY 1973

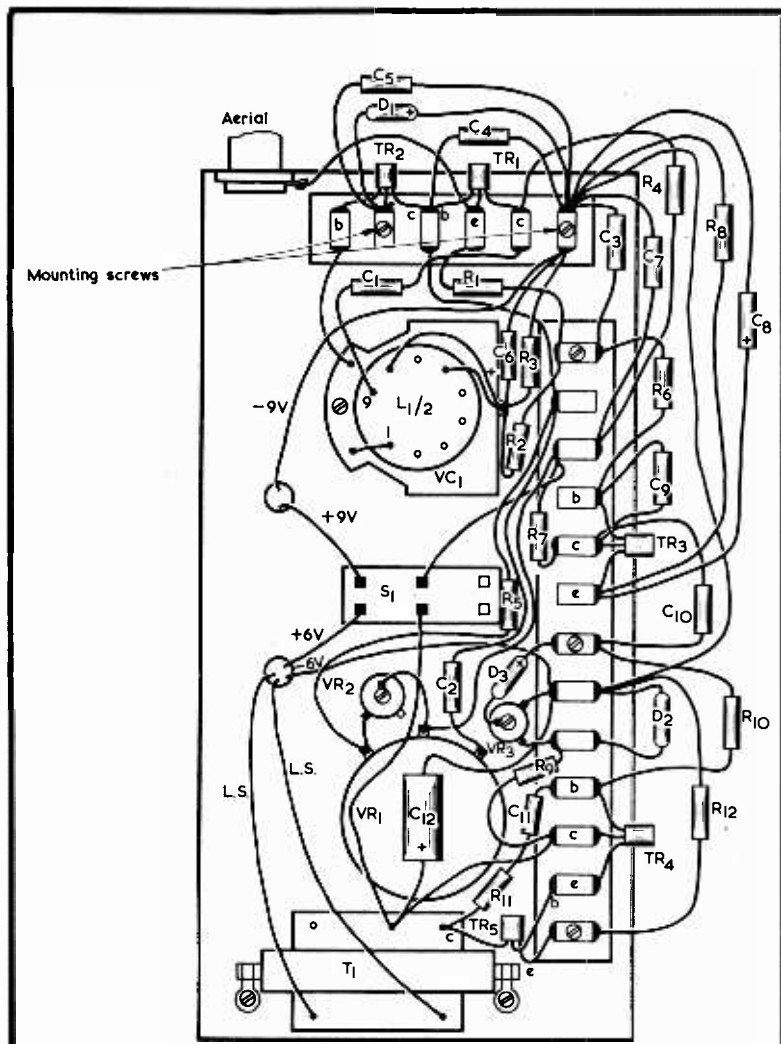
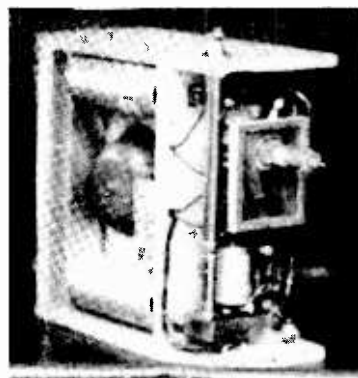


Fig. 5 Wiring up the components on the rear upright panel



Another view of the inside framework of the receiver

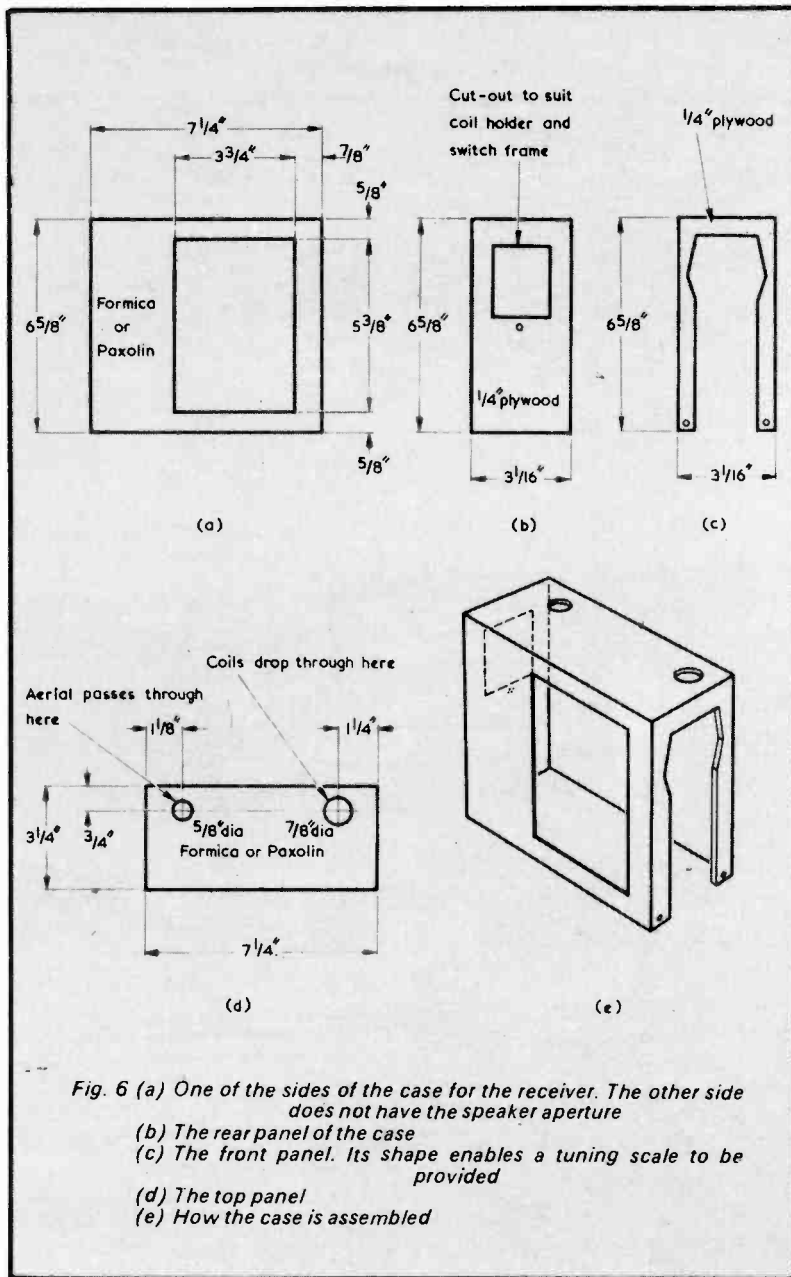


Fig. 6 (a) One of the sides of the case for the receiver. The other side does not have the speaker aperture

(b) The rear panel of the case

(c) The front panel. Its shape enables a tuning scale to be provided

(d) The top panel

(e) How the case is assembled

There remains only a cabinet. This is illustrated in Fig. 6, which is largely self-explanatory. There are two sides, each $6\frac{5}{8}$ in. by $7\frac{1}{4}$ in., one of these having an aperture for the speaker, as in Fig. 6(a). The back, shown in Fig. 6(b), has a cut-out for the coil valveholder panel, and it should be marked out from that panel to correspond with the exact position the latter has taken up. The front section, illustrated in Fig. 6(c), may be cut to suit the constructor provided the lower end is open and there is plenty of room for three tuning scales. The case is slipped over the receiver framework and may be held in place by two small screws passed through the feet of Fig. 6(c) into the cut-out sections (see Fig. 2(a)) of the base of the frame. A third screw, passed through a hole just below the cut-out in the rear panel of Fig. 6(b) and into the small frame round the coil valveholder will help to hold this panel steady when the switch is being operated, and thus relieve strain on the fixing nut of VC1.

Before making the case, the dimensions shown in Fig. 6 should be checked against the actual measurements of the receiver frame. If, due to small variations in cutting out and assembly, these measurements vary from the exact values shown in the diagrams, the case dimensions should be adjusted as necessary.

The flange of the tuning drive may next be fitted with two wire pointers and a tuning scale made out. Perspex may be used to cover the scale, and a stopper made from the top of the coil trough. Finally the case is covered with Fablon or Contact.

Although this receiver has been designed to tune from 110 to 40MHz using standard, unmodified commercially made plug-in coils, its frequency range can be extended if the experimentally minded reader so wishes. Provided wiring has been carefully carried out and all components are in first-class condition, a Range 7 coil with two turns removed from the end of the larger winding near to the pins, should provide coverage from about 160 to 120MHz. This, of course, includes the 144 to 146MHz amateur band. ■

BACK NUMBERS

For the benefit of new readers we would draw attention to our back number service.

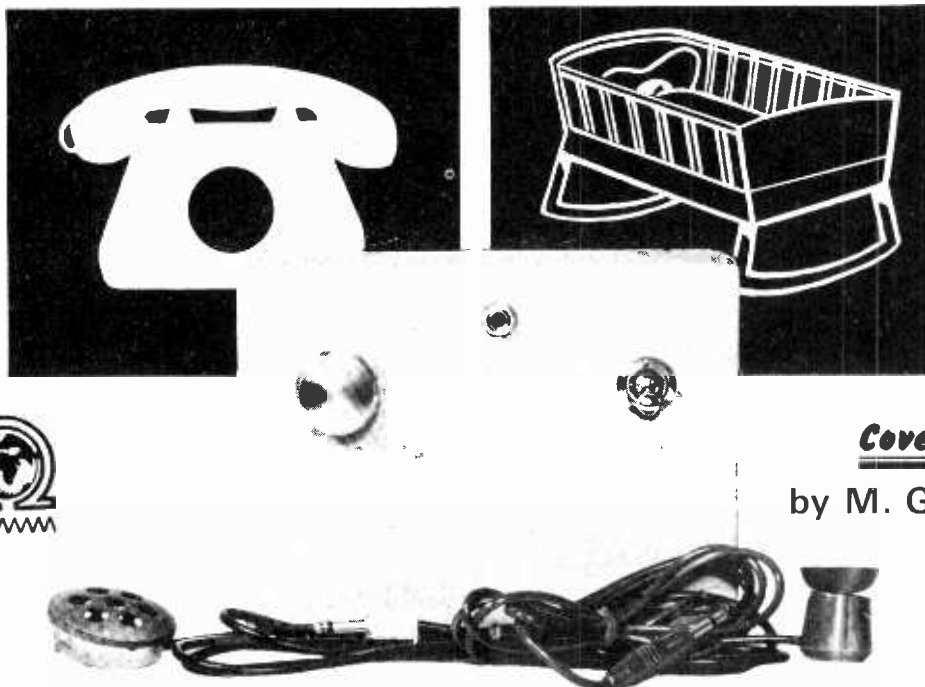
We retain past issues for a period of two years and we can, occasionally, supply copies more than two years old. The cost is the cover price stated on the issue, plus 6p postage.

Before undertaking any constructional project described in a back issue, it must be borne in mind that components readily available at the time of publication may no longer be so.

We regret that we are unable to supply photo copies of articles where an issue is not available.

Libraries and members of local radio clubs can often be very helpful where an issue is not available for sale.

TELEPHONE AMPLIFIER and BABY ALARM



Cover Feature

by M. G. Argent

A general purpose unit which may be employed as a telephone amplifier or as a baby alarm.

AN AUXILIARY AMPLIFIER FOR THE TELEPHONE CAN have many advantages. Firstly, there is the extra volume obtained, which is most useful where there are noises near the telephone, as occur in factories and similar locations. Secondly, an amplifier of this nature enables more than one person to hear the conversation. It represents an ideal addition in business offices.

The unit to be described is very sensitive, which makes it a good choice for a telephone amplifier. It may also be employed as a baby alarm.

THE CIRCUIT

The circuit diagram is shown in Fig. 1. The output stage of the amplifier is a Class AB push-pull type. This is very economical so far as power supplies are concerned. The unit draws a quiescent current of about 7mA only.

The output pair of transistors, TR4 and TR5, are driven by TR3, a common emitter stage. The purpose

of TR2, apart from amplification, is to keep the junction of TR4 and TR5 emitters at approximately half the supply potential.

The input to TR2 is taken from volume control RV1, the latter being fed from TR1, the input stage. The d.c. supply to TR1 is decoupled by R3 and C2 to avoid low frequency instability. High frequency oscillation is suppressed by C6.

When used as a telephone amplifier, a telephone pick-up coil is plugged into the input socket. A suitable pick-up coil complete with rubber sucker and screened lead is available from Henry's Radio under the description 'Telephone Recording Adaptor'. (It appears in the Henry's Radio catalogue in the microphone section.) For the baby alarm function a magnetic microphone insert may be employed. A suitable component is also available from Henry's Radio, the type employed by the author being a 'Magnetic Insert (RT)', which has 600Ω resistance and 2,000Ω impedance at 1kHz. This functions as a microphone as it stands. The microphone must be connected to the amplifier by screened cable.

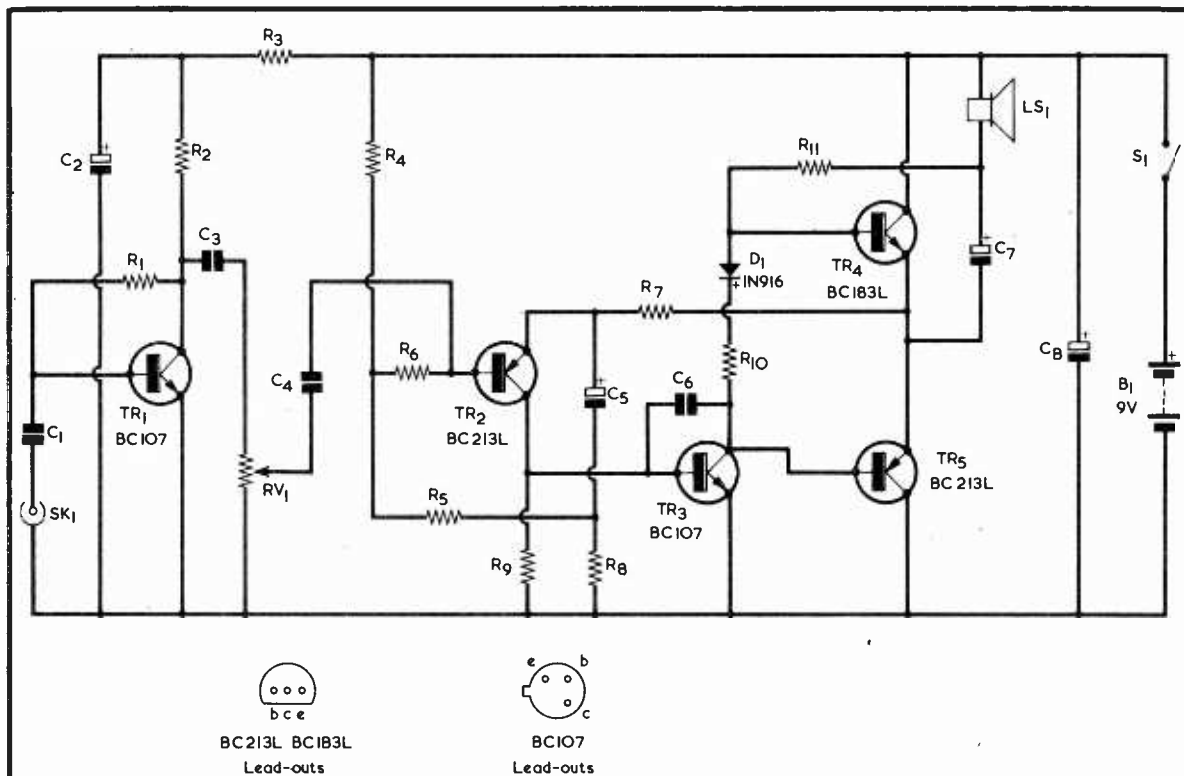


Fig. 1. The circuit of the amplifier unit

COMPONENTS

Resistors

(All fixed values $\frac{1}{4}$ watt miniature 10%)

R1	470k Ω
R2	12k Ω
R3	1.8k Ω
R4	100k Ω
R5	68k Ω
R6	470k Ω
R7	10k Ω
R8	10 Ω
R9	27k Ω
R10	82 Ω (see text)
R11	560 Ω
RV1	5k Ω potentiometer, log track

Capacitors

C1	0.1 μ F
C2	40 μ F electrolytic, 10 V.Wkg.
C3	0.1 μ F
C4	0.1 μ F
C5	10 μ F electrolytic, 10 V.Wkg.
C6	100pF ceramic
C7	200 μ F electrolytic, 10 V.Wkg.
C8	40 μ F electrolytic, 10 V.Wkg.

Semiconductors

TR1	BC107
TR2	BC213L

TR3	BC107
TR4	BC183L
TR5	BC213L
D1	1N916

Switch

S1	s.p.s.t. toggle
----	-----------------

Speaker

LS1	Loudspeaker, 2 to 3 in., 15 Ω
-----	--------------------------------------

Battery

B1	9-volt battery
----	----------------

Socket

SK1	Input jack or phono socket
-----	----------------------------

Accessories (as required)

1	Telephone pick-up coil (see text)
1	Microphone insert (see text)

Miscellaneous

1 knob
 Battery connectors
 Veroboard, 0.1 in. matrix, 12 strips by 36 holes
 Screen lead
 Materials for case, etc.

CONSTRUCTION

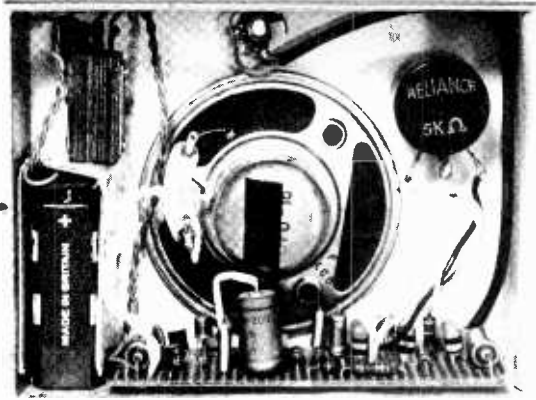
All the components except RV1, LS1, SK1 and S1 are assembled on a piece of 0.1in. matrix Veroboard having 36 holes by 12 strips. The component and copper sides of the board are shown in Fig. 2. On the copper side, the strips are cut at holes A12, F18, G18, J12, J25, K12 and K20.

The 0.1 μ F capacitors C1, C3 and C4 should be miniature types. Mullard Miniature Foil Capacitors are particularly suitable, and were employed in the prototype. The electrolytic capacitors can be Mullard miniature, and it is in order to employ 16 V.Wkg. types if 10 V.Wkg. components cannot be obtained.

RV10 should not be fitted at this stage as its value has to be checked experimentally.

RV1 is connected to the board at holes E12, F12 and L12. The slider connects to hole F12, and the maximum volume end of the track (spindle fully clockwise) connects to hole E12. The leads to the volume control need not be screened.

The board can be fitted in any housing favoured by the constructor. The author's unit was housed in a wooden box measuring 5 $\frac{1}{4}$ by 4 by 1 $\frac{3}{4}$ ins., as shown in the accompanying photographs. A 2 $\frac{1}{2}$ in. round speaker



The inside of the prototype amplifier

was employed, and the battery was a PP3. The box was covered in wood finished vinyl wallpaper, which gave a pleasing appearance. No speaker aperture is visible in the front view of the box as the wallpaper simply covered the cut-out for the speaker. The wallpaper is thin enough to allow the passage of sound from the speaker.

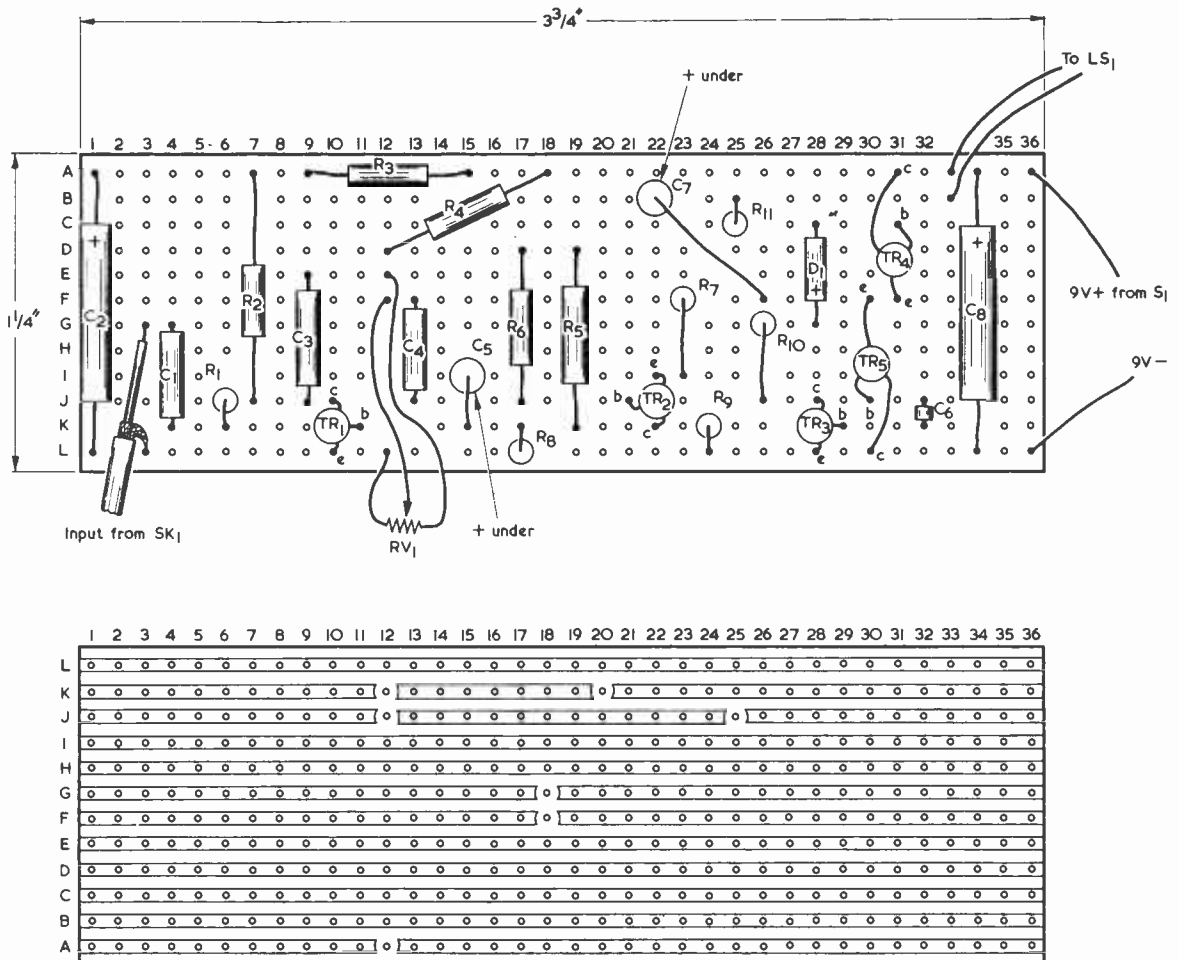


Fig. 2. Component and copper sides of the Veroboard on which the amplifier is assembled

TESTING AND USING

Before switching on, a careful check for wiring errors and short-circuits between copper strips should be carried out. The value of R10 will depend on the particular transistors employed in the output stage. Temporarily connect a 250 Ω or 270 Ω potentiometer to the R10 circuit points and adjust this to insert minimum resistance. Connect the battery to the unit via a current reading meter, switch on and carefully increase the resistance inserted by the potentiometer until a no-signal current for the unit of 7 to 7.2mA is indicated by the meter. Switch off, remove the potentiometer and measure the resistance it has inserted. Then, fit a fixed resistor of the nearest preferred value in the R10 position. If a resistor of too low a value is employed for R10, excessive crossover distortion will result. On the other hand, too high a value can result in thermal runaway and the output transistors will be permanently damaged. If in doubt, choose the lower value resistor. The resistor employed in the prototype had a value of 82 Ω .

When the unit is used as a telephone amplifier, the telephone pick-up coil is plugged into the input socket SK1. The coil is stuck on to the telephone base by means of its rubber sucker; and its purpose is to pick

up the magnetic field around any inductive component in the telephone. The precise position has to be found experimentally and will depend upon the type of telephone used. In the author's case, the best position was on the left hand side near the top. The easiest way to find the best position is to dial the time signal. This gives a signal of long enough duration to move the coil around to find the optimum position.

As a baby alarm the unit is ideal. It is necessary for the microphone and loudspeaker to be in different rooms as there will otherwise be acoustic feedback from the loudspeaker to the microphone, resulting in a howl. This means that either the microphone or the loudspeaker has to be on the end of a long lead. Since the loudspeaker wire does not need to be screened it will, normally, be preferable to have a long loudspeaker lead rather than a long microphone lead.

An additional use for the unit is the tracing of mains cables buried in the walls. Using the telephone pick-up coil and placing it against the wall, a buzzing sound will be heard in the vicinity of unscreened mains cables. The sound will increase in intensity as the coil approaches the cable. The sound will only be heard if there is current flowing through the cable. Thus, if the cable is in a lighting circuit the lights have to be switched on. ■

RECENT PUBLICATIONS



THE RADIO AMATEUR'S HANDBOOK, 1972 Edition.

700 pages 6½ x 9½ ins. Published by the American Radio Relay League. Price, hard cover £3.10, soft cover £2.30.

This edition is the forty-ninth, and it exhibits extensive revision from previous editions. "The Radio Amateur's Handbook" is described on the cover as being "The Standard Manual of Amateur Radio Communication", which it can justly claim to be. It is interesting to note that since the first edition appeared in 1926, 4,000,000 copies have been sold.

The Handbook presents a complete treatment of every aspect of modern amateur radio, from elementary theory to advanced practical instruction.

Much new material has been added, and your reviewer noticed with interest that facsimile is covered for the first time, as also is space communications. There is very thorough coverage of frequency modulation and repeaters, an aspect of amateur radio which is likely to play an ever increasing part in the amateur radio scene in this country in the future, as it has done recently in Europe.

The twenty-five chapters cover every aspect of amateur radio, including electrical laws and circuits, valve and semiconductor principles, power supply theory and practice, hf, vhf and uhf transmitting and receiving systems, mobile, portable and emergency equipment, am, ssb, fm and such specialised communication systems as rtty. Also dealt with are interference, test equipment and measurements, constructional practices, aerials and the assembly and operation of an amateur radio station.

In the Foreword, contributed by John Huntoon, W1RW, General manager of ARRL, mention is made of a list of "all time best sellers", recently published by the magazine *Time*. The list was in two parts – fiction and non-fiction. Heading the non-fiction list was "The Bible", followed by Dr. Spock's "Baby and Child Care". The only technical publication on the list was "The Radio Amateur's Handbook". Interesting – but perhaps not at all surprising since this Handbook is really such an excellent publication.

AMATEUR RADIO TECHNIQUES, 4th Edition. By Pat Hawker, G3VA.

256 pages, 7 x 9½ in. Published by the Radio Society of Great Britain. Price £1.60.

A new edition – the fourth – of this popular handbook has now been published. Like the previous editions, it aims at extending the radio amateur's awareness of new techniques and ideas in the current field of amateur radio practice. As its author says in the Foreword to this edition, it is not a book which displaces the standard handbooks of amateur radio, but one which is an "ideas book" rather than a constructional manual.

In the old *RSGB Bulletin*, now called *Radio Communications*, a regular series of articles called "Technical Topics" was started in April 1958. These endeavoured to keep the radio amateur up to date with new ideas and technical practice. This book is a selection from fourteen years of these articles, and includes the ideas which have proved their practical value in the amateur world.

The contents include semiconductors, components and construction, receiver topics, oscillator topics, transmitter topics, audio and modulation, power supplies, aerial topics, fault-finding and test units, and an appendix giving the i.f.s of just about every receiver likely to be met in Amateur radio practice, both surplus and current. Each section contains new and additional material making this volume substantially larger than previous ones.

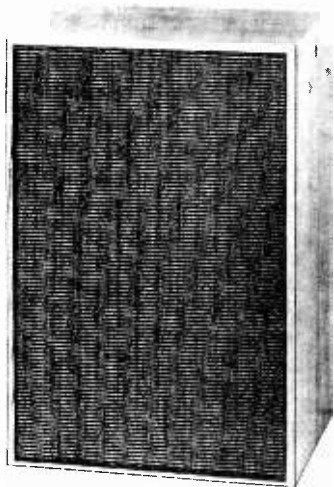
New Products



IMPROVED SOLDER FEED

In current production, the Mark 3 Anextra includes several improvements to simplify its main function of eliminating the need for three hands when soldering. The reel of solder, 18 to 22 gauge is contained in the pistol grip which is easily attached to most types of soldering irons. The maximum 4 oz. reel of solder is easily changed. The amount of solder fed by each pressing of the trigger is quickly adjusted to suit the joints being made. The operator thus holds both the iron and solder in one hand, being free to hold the work with the other hand.

Supplied with a 1 oz. reel of 60/40 22 s.w.g. solder, with simple instructions, the ANEXTRA is £3.75 post free U.K., direct from the makers, or send S.A.E. for leaflet from: ANEXTRA LTD., Chiltern Works, Rear of 77/78 Chiltern View Road, Uxbridge, Middx.



MATCHED SPEAKERS

An inexpensive domestic hi-fi loudspeaker system, the 'Linear 138/10', is now being introduced through wholesale and retail outlets by Linear Products Ltd., a member of the Audio Fidelity Group.

The 15 watts (RMS) system employs a 13 in × 8 in (33 cm × 20 cm) high quality deep cone elliptical unit with a parasitic tweeter to give a frequency range of 50Hz – 15KHz. Voice coil impedance is 15 ohms.

The teak finish cabinet has a front covering of grey/blue 'Vynair' and measures 16 in high × 11 in wide × 9 in deep.

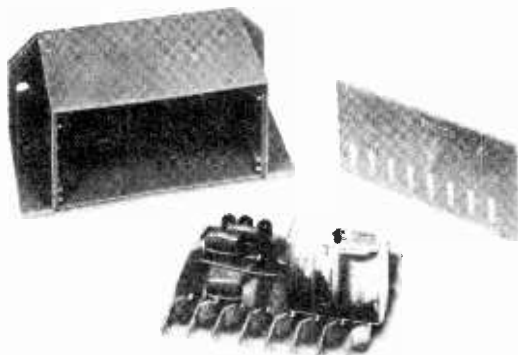
Available only in matched pairs, the 'Linear 138/10' price is £19.95 per pair.

Further information from: Linear Products Ltd., Electron Works, Armley, Leeds.

COMPONENT HOUSING

A small, compact and inexpensive electronic component housing is announced by LOGIKONTROL Ltd.

Made of High Impact Polystyrene, it measures 90 × 50 × 37 mm. including mounting flanges and has an internal volume of 10 cc. Among various unique features, it has facility for 2 printed circuit boards on which miniature mains transformers and relays may be mounted. Printed circuit fast-on connectors and snap-fit lid eliminate the need for a special plug and socket. Available in 5 different colours from: LOGIKONTROL Ltd., 17 Little Edward Street, London, NW1 4AT.



Transistorised Oscilloscope



Part 2

by R. A. Penfold

This concluding article deals with the design and construction of the timebase, the Y amplifier, the Y attenuator, the sync. amplifier, and the calibration unit.

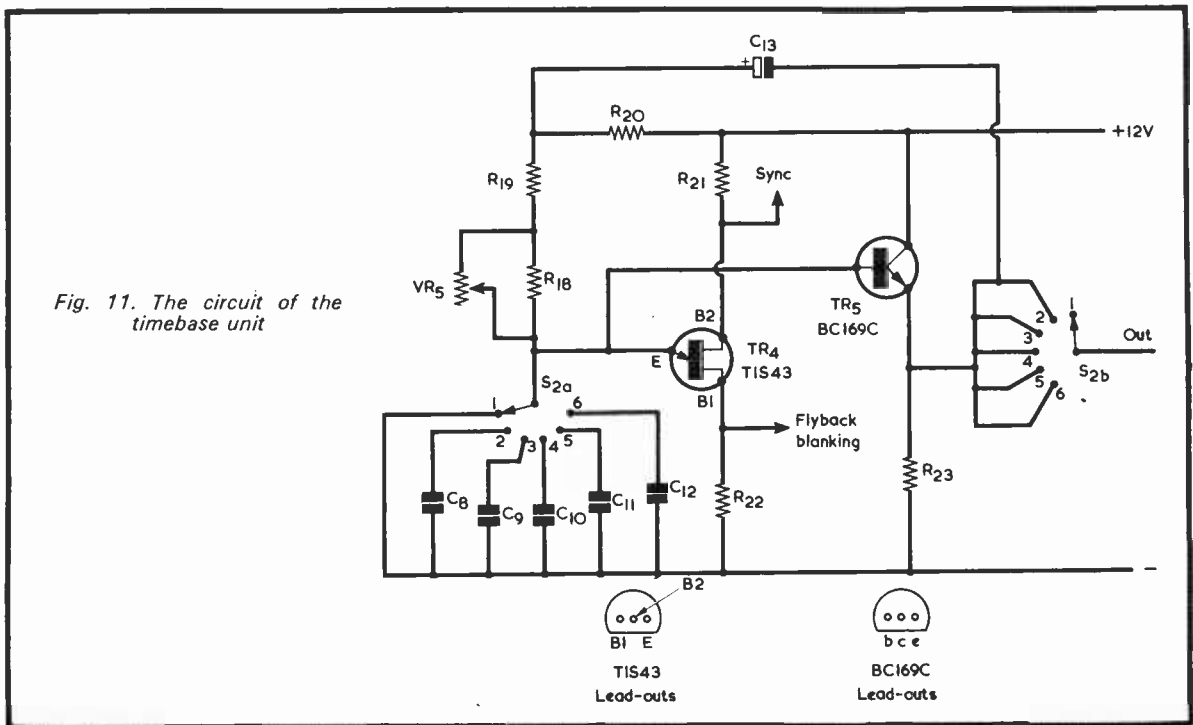
TIMEBASE CIRCUIT

The circuit of the timebase generator is shown in Fig.11. This covers 5Hz to 500kHz in five ranges. Several circuits were tried, and the one shown is that which gave the best results, despite being the simplest. It does, however, require a unijunction transistor. The TIS43 specified is about the cheapest unijunction available. Similar transistors, such as the 2N2646, should work equally well in the circuit.

The circuit is based on a relaxation oscillator. This is a circuit where a capacitor is charged through a resistor until a triggering point is reached which causes the capacitor to be rapidly discharged. The process then starts again from the beginning, giving continuous oscillation.

In the circuit of Fig.11 whichever capacitor is selected by S2(a) will begin the charge through R18, R19, R20 and VR5. To obtain the required linear sawtooth waveform, the current through the resistors should remain constant, but the current flowing through the resistors will of course depend upon the voltage present across them. When the timebase capacitor has just begun to charge there will be almost the full supply potential across the resistors, but as the capacitor charges the voltage across it will increase. This will cause the voltage across the resistors to drop, as will the current through them also.

To counteract this the bootstrapping technique has been employed. TR5 is connected as an emitter follower and any voltage rise at its base will cause a similar voltage rise at its emitter, but at a lower impedance.



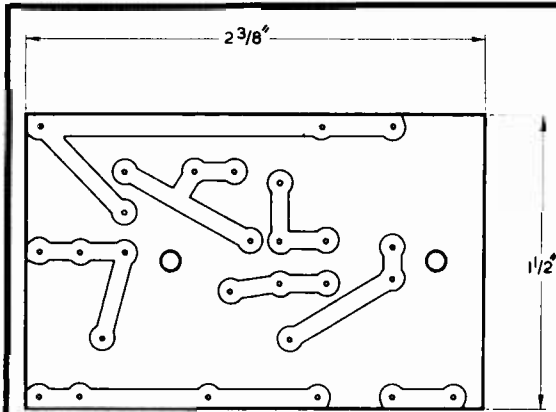


Fig. 12. The copper side of the timebase printed circuit board. This is reproduced full size and may be traced

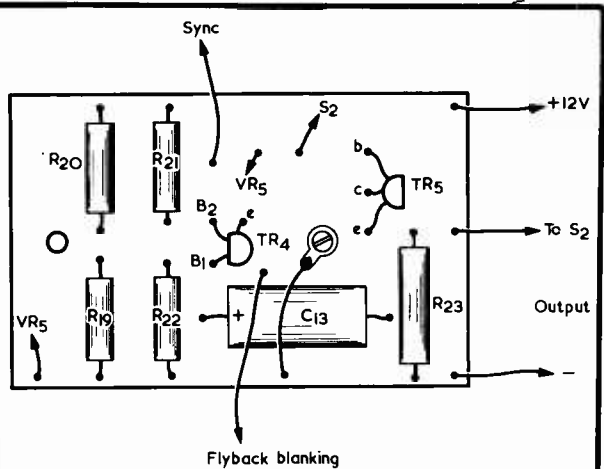


Fig. 13. The component side of the timebase board

Thus it will be seen that if the voltage rises at TR4 emitter it will rise by a similar amount at TR5 emitter, this rise in turn being coupled via C13 to the junction of R19 and R20. The voltage across VR5, R18 and R19 will therefore remain almost constant, and so will the current flowing through them. A near linear sawtooth waveform is thus obtained.

VR5 adjusts the resistance through which the capacitor has to charge, and thus operates as a fine frequency control. S2(a) alters the value of the timebase capacitor, giving five ranges. In position 1 the emitter of TR4 is short-circuited to chassis and the timebase output is removed from the X amplifier input, so as to enable the X amplifier to be used for Lissajous figure work.

The timebase generator is assembled on a printed circuit board measuring 2 3/8 in. by 1 1/2 in. Etching details of the board are shown in Fig.12, which is reproduced full-size and may be traced. The component layout on the other side of the board is given in Fig.13.

R18 is not fitted to the board but is mounted directly on VR5. Capacitors C8 to C12 are wired to the tags of S2. The board is mounted on the chassis in the position shown in Fig.2 (published last month), being insulated from the metal in the same manner as the

two boards which have already been fitted. The output of the timebase, from S2(b) slider, is coupled to the input of the X amplifier via a short screened lead.

To test that the timebase is functioning correctly, the X gain should be nearly fully backed off, and the timebase range switch set to position 1. With the power turned on the unit should operate as before, since the timebase circuit is turned off. S2 should next be set to position 2, and this should produce a line across the screen. The line can be adjusted to the required length by manipulation of the X gain control. It should be ensured that a line can be obtained on the remaining four switch positions. The line should be at an even intensity over its entire length.

Y AMPLIFIER

The circuit diagram of the Y amplifier is shown in Fig.14. This uses four silicon n.p.n. transistors. To ensure little loading effect on the attenuator (to be described later) the circuit must have as high an input impedance as is reasonably possible. An emitter follower is therefore used at the input. This is directly coupled to the next stage, which is a common emitter

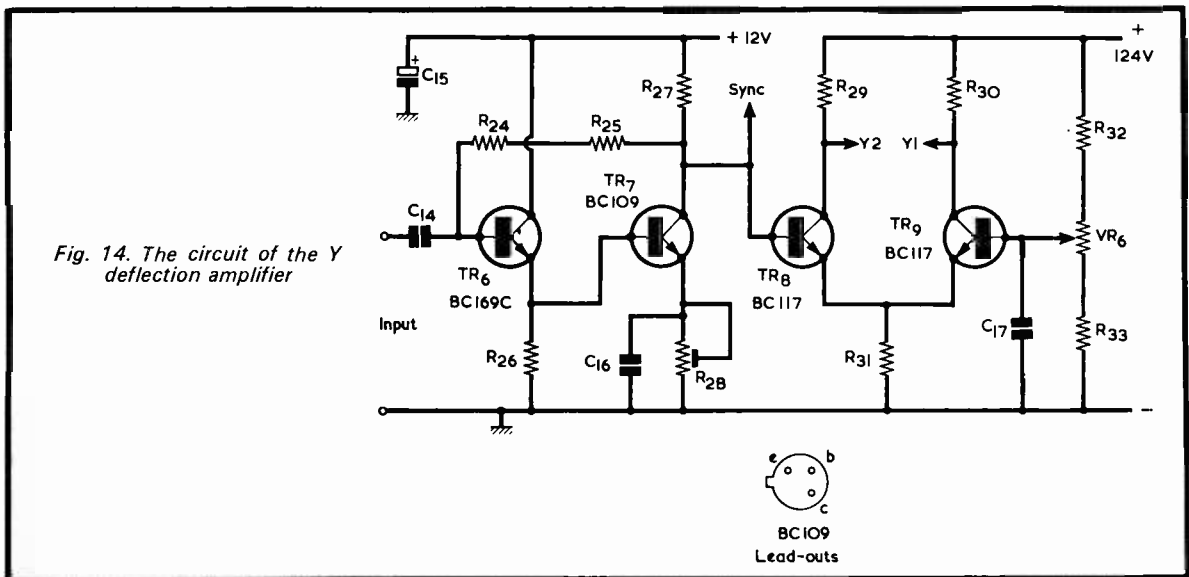


Fig. 14. The circuit of the Y deflection amplifier

amplifier.

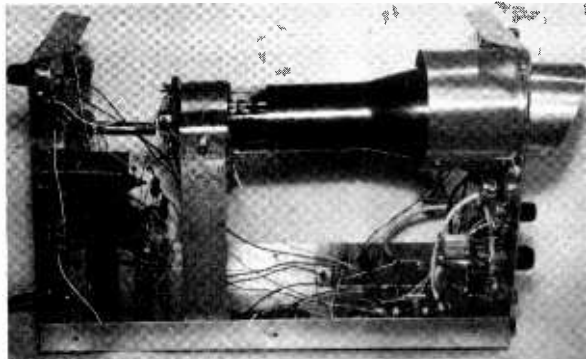
Biasing for the circuit is obtained from the collector of TR7, via the two 10MΩ resistors, R24 and R25. R26 is the emitter load for TR6, and R27 is the collector load for TR7. The preset resistor, R28, adjusts the amplifier gain, and is set to give a basic sensitivity of 10 mV/cm. R28 is bypassed at high frequencies by C16, and this gives high frequency boost to the circuit.

The Y output stage is basically similar to that used in the X amplifier, except that the biasing current is obtained from the previous stage instead of from a potential divider, and the shift control has been moved to the base circuit of the second transistor. C17 is used to give high frequency boost to the output stage. Like the X amplifier, the output is direct coupled to the c.r.t. deflection plates.

Signals for the sync. amplifier are taken from the collector circuit of TR7. The supply bypass capacitor, C15, is required to remove stray pick-up from the timebase generator through the 12 volt supply lines.

The values in C16 and C17 which give the flattest frequency response may vary slightly from one amplifier to another, and the best value for C16 will depend upon the exact setting of R28. If a suitable signal generator is available, it is advisable to select the best values for these components by trial and error, the values specified being a good starting point. This procedure is, however, by no means essential, and good results should be obtained with the values shown in the Components List.

The Y amplifier is assembled on a printed circuit board measuring 4ins. by 1½in. Diagrams illustrating the etching and component layout of the board are



A side view. Note the timebase capacitors wired to switch S2

given in Figs.15 and 16 respectively. The board is fitted to the chassis in the position indicated in Fig.2.

When the amplifier has been completed and all wiring checked, initial testing may be carried out. For the time being, R28 should be set to insert about one quarter maximum resistance.

The timebase switch should be set to position 2 (bringing the 1μF capacitor in circuit) and the unit turned on. Touching the Y input lead should produce one or more cycles on the screen, the exact number being dependent upon the setting of the fine frequency control. This control will require careful adjustment to obtain a stable trace.

The Y shift control should allow the trace to be moved off the screen in either direction.

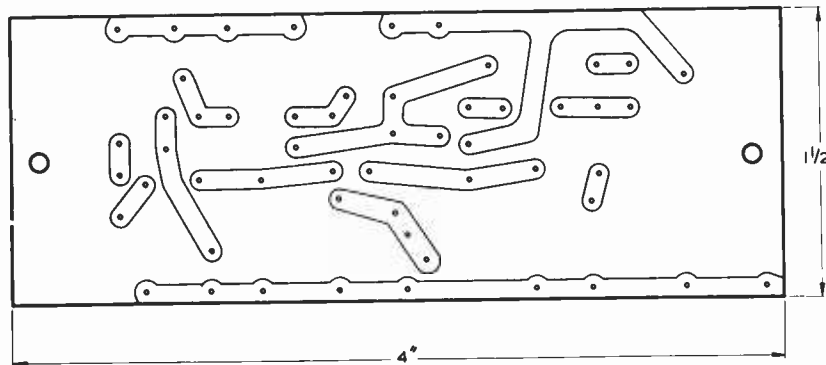
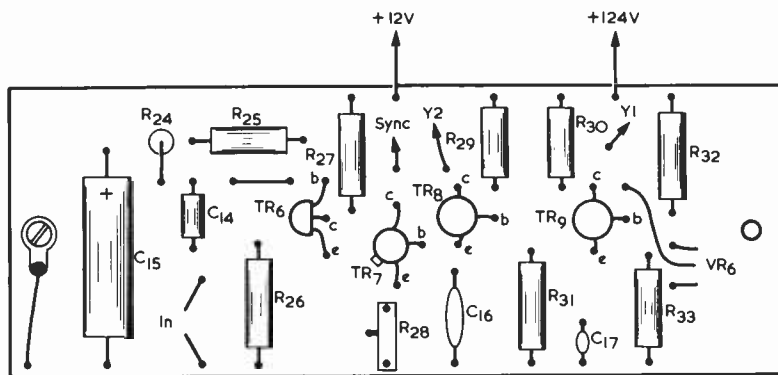


Fig. 15. How the Y deflection amplifier board is etched

Fig. 16. Component layout on the Y deflection amplifier board



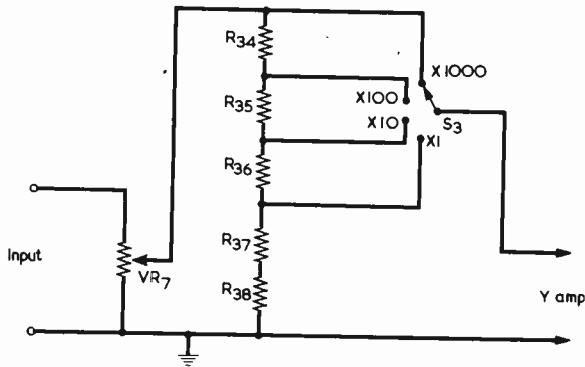


Fig. 17. The Y attenuator section

ATTENUATOR

The circuit of the attenuator section is given in Fig.17. VR7 is the fine gain control, and R34 to R38 form a simple step type attenuator. The resistors used here should be high stability low noise types. They should also be close tolerance, although the closest tolerance generally available for R34, at 10M Ω , will normally be 5%. VR7 connects to the Y input sockets on the front panel.

In the Components List, S3 is specified as 3 pole 4 way rotary. This is a standard miniature rotary switch and two of the poles are not used.

Resistors R37 and R38 are available in the E24 series of values, or they can be made from a 10k Ω and a 1k Ω resistor connected in series to make 11k Ω , and a 100 Ω or a 120 Ω will suffice for R38.

The attenuator resistors are mounted on S3. All connecting leads should be screened to prevent unwanted pick-up. Neither the gain control nor the attenuator are frequency compensated, but are accurate enough at audio frequencies.

Once the unit has been calibrated, the attenuator gives the following basic sensitivities: X1, 10V/cm; X10, 1V/cm; X100, 100mV/cm; X1000, 10mV/cm.

SYNC. AMPLIFIER

The function of the synchronisation amplifier is to synchronise the timebase frequency to a factor of the frequency of the input signal, so as to give a stable trace on the screen. It is possible to obtain a stable trace by careful adjustment of the timebase fine frequency control but, without some form of synchronisation, constant readjustment would be required, especially at high frequencies.

The circuit of the sync. amplifier is shown in Fig.18. A more complicated circuit was originally envisaged, but a simple amplifier between the Y amplifier and the timebase generator was found to be all that was required in practice for satisfactory operation.

S4 is the sync. on-off switch. R21 in the timebase circuit forms the collector load for the sync. amplifier, and R40 biases the stage. R39 controls the degree of synchronisation.

JANUARY 1973

The unit operates by amplifying signals from the Y amplifier, these being then used to control the potential at TR4 base 2, and thus the triggering point of the circuit and its frequency of operation. In this way the timebase frequency is synchronised with the input signal.

The sync. amplifier is assembled on a printed circuit board measuring 2½ by 1in. Etching details of the board are given in Fig.19 and the component layout in Fig.20. Once again, the etching diagram is reproduced full-size and may be traced.

R39 should be set to give the sync. a fairly wide pull-in range. It should not, however, insert too little resistance, or the basic timebase frequency will be raised too highly.

The sync. amplifier board is mounted on the bottom of the chassis in the position shown in Fig.2.

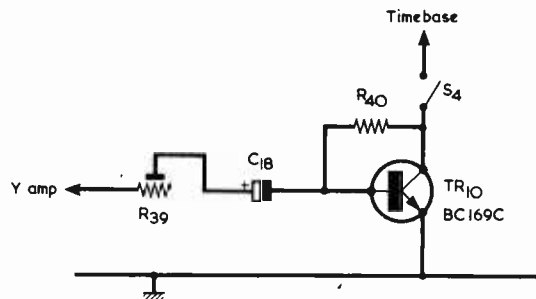


Fig. 18. The circuit of the sync. amplifier

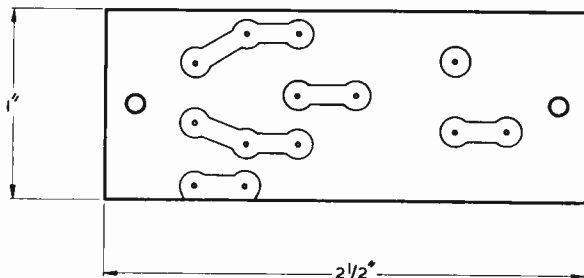


Fig. 19. The copper side of the printed circuit board for the sync. amplifier

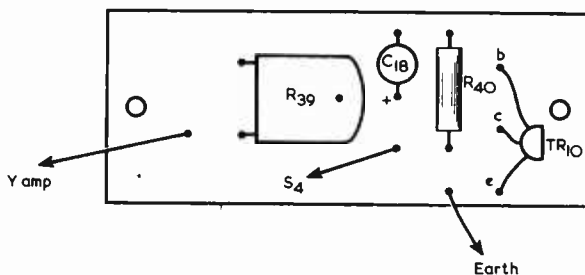
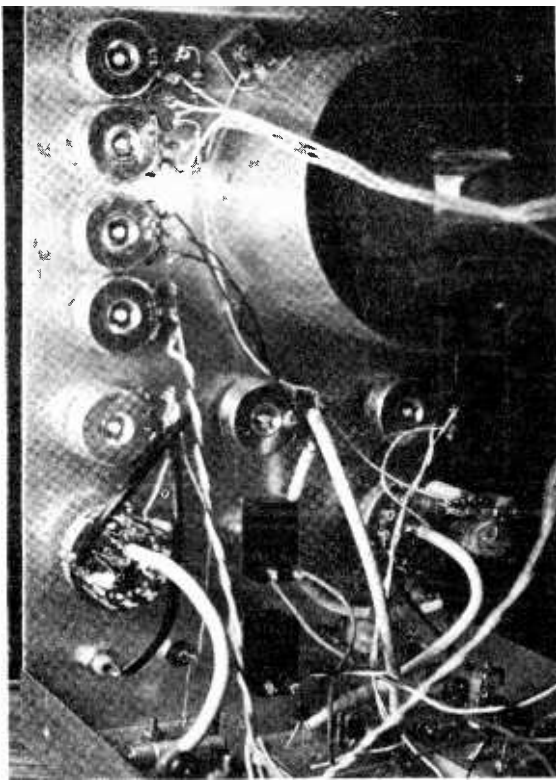


Fig. 20. The components in the sync. amplifier



Some of the wiring behind the front panel

FLYBACK BLANKING

At low frequencies flyback blanking is not required, as the flyback period is so short that it leaves no visible trace on the screen. At higher frequencies, however, deficiencies in the X amplifier's upper frequency response prevent the flyback period from being short enough to leave no noticeable trace, and flyback blanking is needed.

A circuit diagram of the flyback suppression circuit is shown in Fig.21. During the flyback period positive

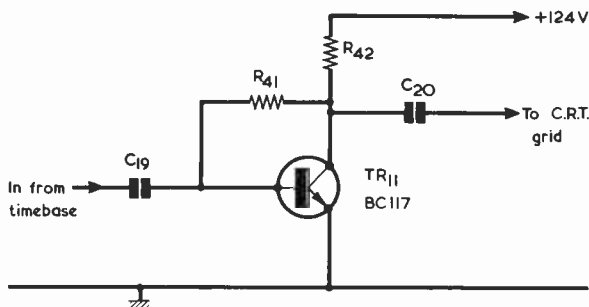


Fig. 21. The flyback suppression circuit

pulses are generated at TR4 base 1, and these are coupled to TR11 base. R42 is the collector load resistor, and R41 is the base biasing resistor. The amplified pulses at TR11 collector are coupled via C20 to the c.r.t. grid, where the pulses cut off the trace during the flyback period.

The circuit is constructed on a 5-way tagstrip. A wiring diagram showing this is given in Fig.22.

The tagstrip is mounted on the rear panel of the

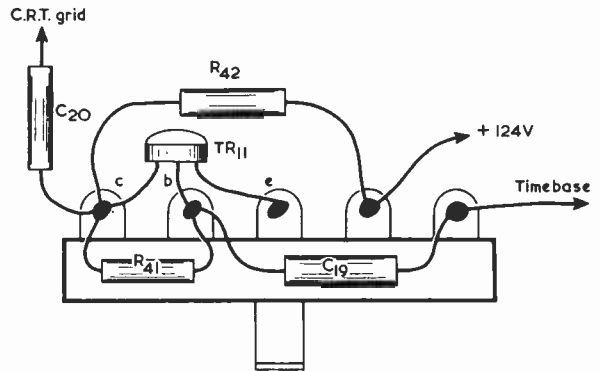


Fig. 22. The flyback suppression components are wired on a 5-way tagstrip

chassis in the position indicated in Fig.1 (published last month).

CALIBRATION

A signal of a known amplitude is required for calibration of the Y amplifier. Some signal generators are suitable for this. Alternatively, the circuit of Fig.23 can be constructed. This provides signals of 1V, and 500 mV peak-to-peak.

It is merely a multivibrator, the output from which is taken to two silicon diodes which clip the signal at about plus and minus 500mV, giving 1V peak-to-peak. R47 and R48 from a simple attenuator which halves this to 500mV.

Any small silicon diodes are suitable for D11 and D12, and almost any p.n.p. transistors will work in the circuit.

A suitable layout for the unit on a piece of 0.15in. matrix Veroboard is shown in Fig.24. Calibration units are sometimes made integral parts of oscilloscopes, but this has not been done here, and the assembly was left as an external unit. Power is obtained from a small 9V battery such as a PP3.

For a calibrated sensitivity of 10 mV/cm. the attenuator should be switched to the X100 position (100mV/cm.) With a 500mV peak-to-peak signal connected to the Y input terminals, R28 (Fig.14) is adjusted until the top and bottom edges of the trace are 5 cm. apart. The gain control must, of course, be at maximum while the unit is being calibrated.

The calibration of the timebase requires that a scale be fitted behind the knob of VR5. In the author's unit the scale was provided by Panel-Sign transfer numbers (available from Data Publications, Ltd.) applied directly to the metal of the front panel.

A signal of a known frequency is required for the calibration procedure. If a calibrated signal generator with suitable ranges is available, the task is very much easier. The signal generator is connected to the Y input, and set to a frequency of 50Hz. The timebase range switch is set to position 3 (with the 0.1μF capacitor in circuit) and VR5 is set to the low frequency end of the range. With the sync. unit turned off, VR5 is then adjusted to give one complete cycle on the screen. When one cycle is displayed on the screen the signal generator and the timebase are operating on the same frequency. The scale of VR5 can be marked '5' at this point.

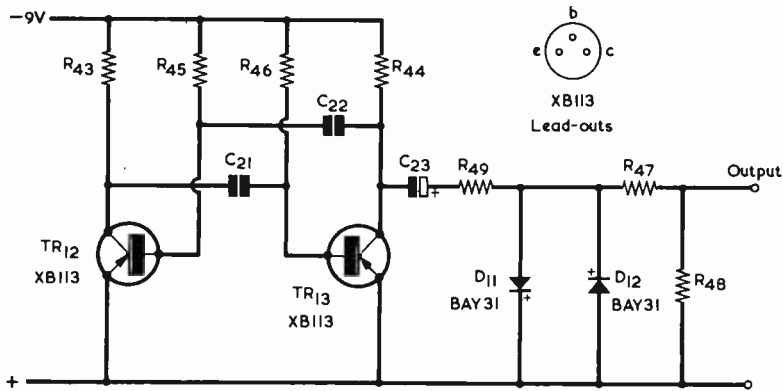
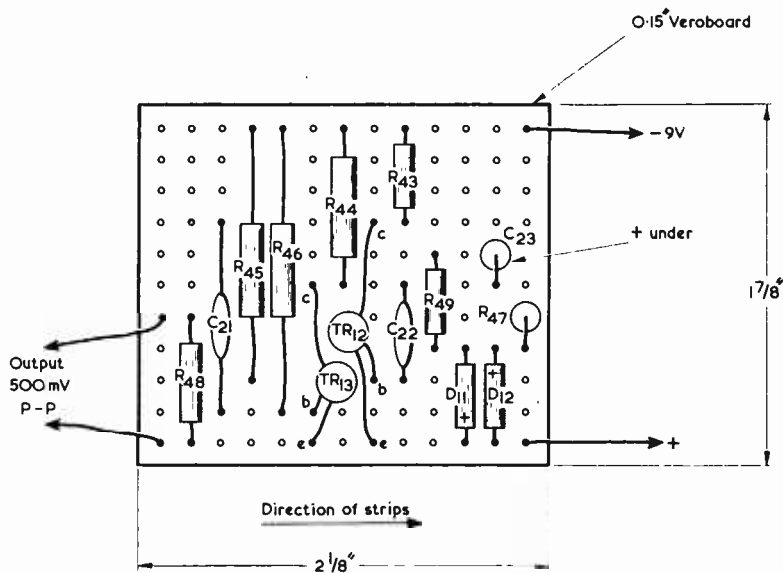


Fig. 23. The calibration unit. This is external to the oscilloscope and is powered by its own 9 volt battery

Fig. 24. The calibration unit may be assembled on a piece of Veroboard, as shown here. There are no breaks in the copper strips of the board



The same process can now be used at other frequencies (75Hz, 100Hz, etc.) up to 500Hz, at which point the scale is marked '50'.

If no suitable signal generator is available, the mains frequency can be used. A length of lead should be connected to the Y amplifier positive input terminal and, with the attenuator and fine gain controls set for maximum sensitivity, mains hum picked up in the lead should be displayed on the screen. The timebase range switch should be set to position 2 (with the 1μF capacitor in circuit), and VR5 should be adjusted towards the high frequency end of the range, where it should be possible to obtain a display of one cycle. The timebase frequency is 50Hz at this point.

VR5 is next adjusted to give a display of two cycles, and the timebase frequency is then 50/2, or 25Hz. With four complete cycles the timebase frequency is 12.5Hz, 10Hz with five cycles, 5Hz with ten cycles, and so on. With these points known it is possible to estimate the positions of the remaining points on the scale.

The oscilloscope can be used for approximate frequency measurement using the same process as that just described, except that it is now the timebase frequency which is known and it is the frequency of the incoming signal which is being determined.

JANUARY 1973

OVERLOAD PROTECTION

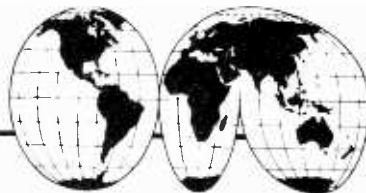
As this is a transistor design, there is a somewhat greater risk of damage due to overload than occurs with a circuit using valves. In consequence, great care must be taken not to seriously overload either of the deflection amplifiers. If a signal of more than a few volts peak-to-peak is applied to the input gate or base, damage to the input or succeeding transistors could well result.

A certain amount of overload protection could be given by connecting a couple of low voltage zener diodes (series connected with opposite polarities) across each amplifier input (from the slider of VR3 to chassis in Fig.8 and across the output of the attenuator in Fig.17), and constructors who prefer to have overload protection may incorporate such diodes if they wish. The diodes will, however, increase the input capacitance and may still not give sufficient protection against a serious overload.

It is therefore essential to exercise the utmost care when a signal of high amplitude is applied to the oscilloscope and to always check that the attenuator is on the correct range. When in doubt, always set the attenuator to give highest attenuation and then reduce as necessary after the signal has been applied. ■

SHORT WAVE NEWS

FOR DX LISTENERS



By Frank A. Baldwin

Times = GMT

Frequencies = kHz

The International Service from Brazil, radiated from 2000 to 2400 on **11720** (25.60 metres) and in parallel on **15447** (19.42m) has now been heard on an added third channel, that of **9655** (31.07m) according to a report.

AROUND THE DIAL

● CONGO

Broadcasts from Brazzaville may be heard during the evenings on **9715** (30.88m). We logged them at 2110 when a programme of African songs rendered by a chorus of young ladies was being radiated. The channel was clear until 2127 when a nearby transmission in Arabic opened and heterodyned the signals from Brazzaville. The address for reports is - Radiodiffusion Television Congolaise, B.P. 2241, Brazzaville, Republic of Congo.

● SAUDI ARABIA

Slightly above Brazzaville, signals from the Kingdom of Saudi Arabia can be heard on **9720** (30.86m). We observed Riyadh at 2130 when the station identification was given by a female announcer, this being followed by a programme of Arabic music and songs.

● GHANA

Tema can be heard most evenings on **9545** (31.43m) around 2130 or so. We heard a talk in English about Zambia from 2150 until 2200, at which time the station identification was made. The programme is beamed to Europe and is well worth tuning in.

● DOMINICAN REPUBLIC

HISD Radio Television Dominicana, Santa Domingo, radiates from 1100 to 0500 on **9505** (31.56m) and signals from this transmitter can sometimes be heard here in the U.K. HISD was recently observed by us at 2220 when a programme of guitar music, announcements and 'jingles' in Spanish, with a clear station identification at 2230 were heard.

● VENEZUELA

YVOS Radio Occidente, Tovar, has a 10kW transmitter radiating from 1000 to 0400 on **9750** (30.76m). Signals from this station can, at times, be heard in the U.K. We logged them at 2230 with station identification in Spanish after a series of drum beats and a trumpet fanfare.

● ARGENTINA

Another 10kW transmitter that can sometimes be heard in the U.K. is that of LRS1 Radio Splendid, Tucuman, on **9740** (30.80m). Observed by us recently at 2225 when radiating a sports commentary in Spanish.

● BRAZIL

ZYW23 Radio Brasil Central, Goiania, has a 7.5kW transmitter with a schedule from 0800 to 0400. This one was logged by us recently at 2255 on **9755** (30.75m) when a talk in Spanish followed by station identification at 2301 and Latin American music was heard.

● CANADA

Sackville can be heard on **9625** (31.16m) with a programme about Canadian affairs in English, we logged them at 2302.

TIME-CHECK

The 31 metre-band transmissions listed above are set out here on a time basis for the convenience of readers.

GMT	Freq.	Stn.	Rcvd.
2110	9715	Brazzaville	
2130	9720	Riyadh	
2150	9545	Tema	
2220	9505	HISD S. Domingo	
2225	9740	LRS1 Tucuman	
2230	9750	YVOS Tovar	
2255	9755	ZYW23 Goiania	
2302	9625	Sackville	

● LIBERIA

ELWA Monrovia may be logged on **15170** (19.77m) being recently logged at 2000 with the interval signal, station identification in French and followed by a music programme.

● NIGERIA

Lagos uses the **15185** (19.75m) channel and transmissions from this station can often be heard here in the U.K. during the early mornings, recently being observed by us at 0720 with a newscast in English.

● INDIA

All India Radio, Delhi, may be heard with station identification and the news in English at 2000 on **7215** (41.58m). This is usually followed by a programme of Indian music.

● SOUTH AFRICA

RSA (Radio South Africa) Johannesburg may be heard with the news in English and station identification at 2215 on **11970** (25.06m) the transmission being directed to Europe and the U.S.A. Also in parallel on **9525** (31.49m), **9695** (30.94m) and on **11900** (25.21m).

● RUMANIA

Bucharest operates an early morning schedule in English and this was observed by us on **11940** (25.12m) at 0700, when station identification was made, followed by a programme about Rumanian provinces.

●IVORY COAST

Abidjan may be heard on **11920** (25.16m) with mainly French programming. We logged it at 2240 when a programme of local pop music and songs, with announcements in French, were being radiated.

●GABON

Libreville can be heard on **9700** (30.92m) from 2050 onward when it was logged through to 2240. A newscast in French is radiated at 2103, all according to BADX (British Association of Dxers).

●POLAND

Warsaw may be heard by early risers on **9675** (31.00m) where we listened to a programme in English about conditions in Poland and the answering of listeners letters, all at 0625 onwards. Also in parallel on **7285** (41.18m).

●AUSTRALIA

Radio Australia can be heard in the mornings here in the U.K. They have been logged by us on **9570** (31.34m) at 0815 with stock market report, station identification and the news in English; on **11765** (25.49m) with "Waltzing Matilda", identification and newscast in English from 0759 to 0825 and on **15320** (19.58m) at 0757 with identification in English, chimes and 6 'pips' at 0800.

●KUWAIT

Radio Kuwait is another station that can easily be logged in the mornings, try **21605** (13.88m) or **21685** (13.83m) at 0815, at which time we heard a programme of Arabic music and songs.

●SYRIA

Radio Damascus may be heard at 2030 on **9655** (31.07m) with the news in English and a local weather forecast. Station identification was made at both 2030 and 2044.

●SOUTH AFRICA - 2

In addition to the previous information, South Africa can also be heard at 1930 on **7270** (41.26m), **11970** (25.06m) and on **15175** (19.76m). Station identification and news of African events is radiated at 1945, sign-off (on **15175** where we heard them) at 1950.

●CHINA

A morning newscast in English can also be heard from Radio Peking at 0830 on **15060** (19.92m). We have also recently logged Radio Peking on **6270** (47.84m) at 2346, on **9500** (31.57m) at 0200 with announcement "Aqui Peking" and the "East is Red" tune, and on **17605** (17.04m) at 0731 when a programme in a Chinese dialect was heard.

●FINLAND

Radio Finland from Pori can be heard with an English programme at 1400 onwards on **15185** (19.75m). At 1415 we listened to a programme about Finnish composers.

●NIGERIA

In addition to a statutory authority, Nigeria has two commercial organisations operating on the short waves.

One of these, Radio Television Kaduna, can be heard on a nominal frequency of **9570** although in fact both ourselves and BADX have measured the channel as **9569** (31.35m). Reception was confirmed with the station identification in English and talking drum interval signal at 2015. The address for reports on this one is - P.O. Box 250, Kaduna. N. Nigeria.

●CANADA

Radio Canada can be heard, in English to Africa, on **17820** (16.83m) from 0700. At 0730, after station identification, a programme in French to Africa is radiated.

●LIBERIA

The Voice of America transmitter in Monrovia can be heard at 0800 on **15130** (19.82m) when radiating the news in English directed to the Middle East and Africa.

●SOUTH AFRICA - 3

Or you could try **21545** (13.92m) at 0830 to hear a programme in English if you prefer the higher frequencies.

●PAKISTAN

Radio Pakistan can be heard in English at 1415 (when we logged them) on **21730** (13.80m) with a programme of European dance music and announcements. Sign-off channel is at 1430 with the National Anthem.

●LATIN AMERICA

Reception of Latin American stations is often possible on the International Broadcast Bands and some of those we have heard recently are -

●BRAZIL

ZYZ36 Radio Globo, Rio de Janeiro, on **11805** (25.41m) at 2135 with an excited commentary in Portuguese.

ZYR56 Radio Excelsior, Sao Paulo, on **9585** (31.29m) at 0001 with a sports commentary - futebol as usual!

ZYB22 Radio Rio Mar, Manaus, on **9695** (30.94m) at 2315 with station identification and an apparently endless talk!

●URUGUAY

CXA6 Montevideo on **9620** (31.18m) at 2300 with station identification in Spanish.

●BANGLADESH

Radio Bangladesh may be heard on **17936** (16.72m) at 1230, at which time we heard them with the news in English followed by station identification at 1240.

AROUND THE DIAL

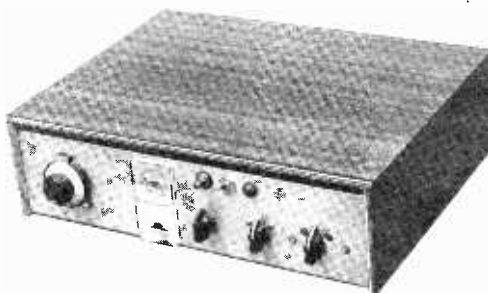
●AFARS & ISSAS

Radio Djibouti on **4780** (62.76m) has been heard by BADX (British Association of Dxers) operators from about 2200 to 2301 sign-off when the facsimile station on **4782** is silent.

●AZORES

Ponta Delgarda can be logged on **4865** (61.66m) at 1900, at which time we heard a trumpet fanfare and station identification in Portuguese. ■

The 'WYVERN'



160 Metre Solid State Transmitter

Part 3

by
John R. Green, B.Sc., G3WVR

In this concluding article we deal with the construction of the modulator section and the VU meter driver, after which we carry on to general assembly and testing.

THE TWO PRECEDING ARTICLES HAVE DEALT WITH THE construction of the v.f.o. section, the wideband driver, the frequency doubler and driver section, the p.a. stage and the power supply. The final two sections to describe are the modulator and the VU meter driver. The modulator is covered next.

MODULATOR

The modulator circuit, shown in Fig. 17, is a slightly modified version of the author's tried and tested, and many times proven, hi-fi amplifier design. Like most audio designs, no great originality can be claimed for it.

Before the purists are shocked into speech paralysis at the use of an n.p.n. silicon transistor (2N3055) working in complement with a p.n.p. germanium transistor (0C36), the author would like to point out that the amount of feedback used in the amplifier is more than adequate to compensate for this misdemeanour, and the performance of the amplifier is indistinguishable by ear from expensive designs claiming very low distortion figures. The only real advantage of using complementary pairs such as the MJ481 and MJ491 is that they easily provide a flat

power response up to 20kHz; but such a response is quite unnecessary for speech or music where the power requirements lie in the 20Hz to 3kHz frequency band.

Returning to the circuit in question, one version of this has been built with uprated capacitor working voltages and run from a 45 volt supply, whereupon it delivered 30 watts r.m.s. at 1kHz into a 3Ω load. The use of the circuit on the 22 volt supply available in the transmitter will provide more than adequate power to fully modulate the 10 watt input, with extremely good quality and symmetry of sidebands.

It was found necessary in early development to modulate both the driver and the p.a. stages to achieve good results. The p.a., operating at high level, required both its collector supply *and* the drive to be modulated, whereas the driver, operating at lower level, would modulate well simply using collector modulation. The combination of both of these gave the best results.

The input sensitivity of the modulator is in the 100mV region and, although the author's transmitter incorporates an internal microphone pre-amplifier, he advocates the use of an external pre-amplifier. This should be battery powered and housed in a die-cast box as this technique is more reliable for avoiding r.f. feedback.

RADIO & ELECTRONICS CONSTRUCTOR

COMPONENTS

Resistors

(All fixed values $\frac{1}{2}$ watt 10% unless otherwise stated)

R34	22k Ω
R35	10k Ω
R36	22k Ω
R37	10k Ω
R38	47 Ω
R39	4.7k Ω
R40	100 Ω
R41	330 Ω
R42	1k Ω
R43	1k Ω
R44	0.5 Ω 1 watt
R45	0.5 Ω 1 watt
R46	47 Ω
R47	10k Ω
R48	4.7k Ω
R49	See text
RV2	10k Ω potentiometer, log
RV3	5k Ω potentiometer, linear, pre-set
RV4	5k Ω potentiometer, linear, pre-set

Capacitors

C30	25 μ F electrolytic, 25 V.Wkg.
C31	100 μ F electrolytic, 25 V.Wkg.

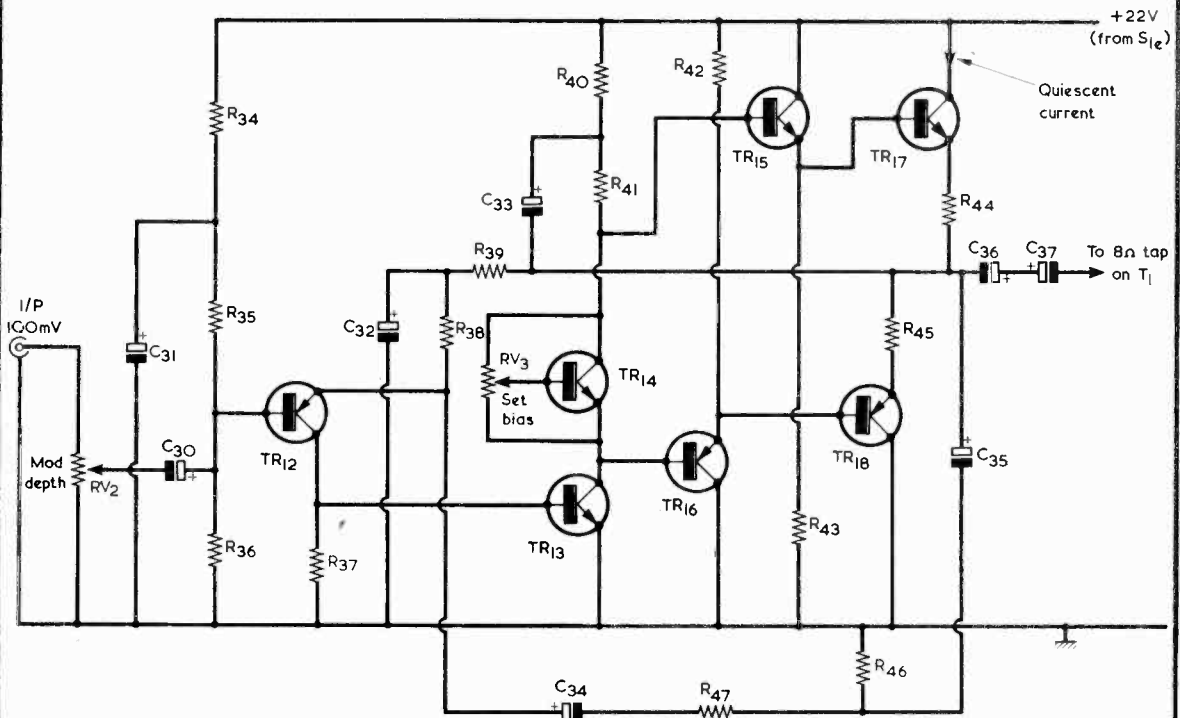
C32	1,000 μ F electrolytic, 12 V.Wkg.
C33	50 μ F electrolytic, 25 V.Wkg.
C34	25 μ F electrolytic, 25 V.Wkg.
C35	25 μ F electrolytic, 25 V.Wkg.
C36	1,000 μ F electrolytic, 25 V.Wkg.
C37	1,000 μ F electrolytic, 25 V.Wkg.
C38	8 μ F electrolytic, 25 V.Wkg.

Semiconductors

TR12	2N3250/2N3905/2N3702
TR13	BFY50/2M3053
TR14	BFY50/2N3053
TR15	BFY50/2N3053
TR16	OC81/BFX88
TR17	2N3055
TR18	OC36/OC35
D5	1N916

Miscellaneous

Coaxial socket (for mod. input)
 VU meter
 4BA studding
 Printed circuit board
 16 s.w.g. aluminium
 Screened cable
 Material for case



TR12 - 2N3250/2N3905/2N3702

TR13 - BFY50/2N3053

TR14 - BFY50/2N3053

TR15 - BFY50/2N3053

TR16 - OC81/BFX88

TR17 - 2N3055

TR18 - OC36/OC35



2N3905
Lead-outs



2N3702
Lead-outs



2N3250 BFY50
2N3053 BFX88
Lead-outs



OC81
Lead-outs



2N3055
OC36 OC35
Lead-outs

Fig. 17. Circuit diagram for the modulator amplifier

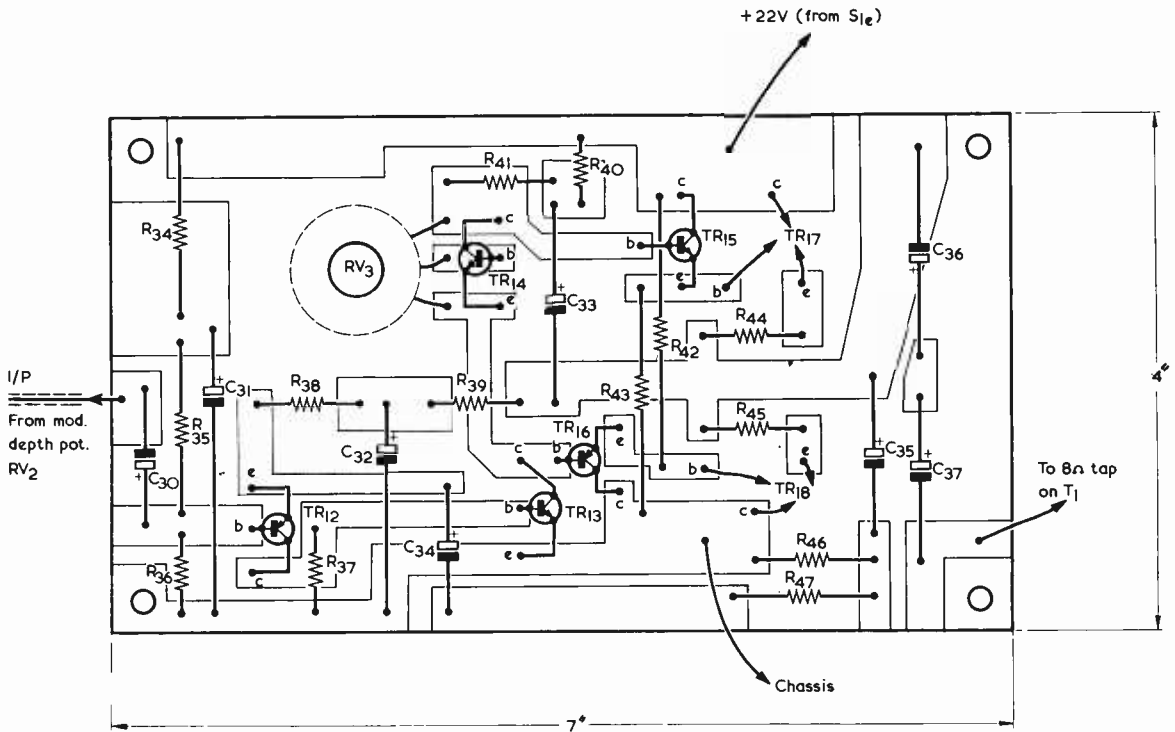


Fig. 18. The modulator printed circuit, as seen from the component side

The printed circuit board, seen from the component side, is shown in Fig. 18. This is too large to reproduce full size, as were the previous boards, but constructors should not have difficulty in copying out and scaling up the pattern as there are no small or cramped copper areas. The body of potentiometer RV3 is on the same side of the board as the components and its spindle projects through on the copper side.

The two output transistors are mounted on the aluminium cover plate shown in Fig. 19. The board is mounted between the cover plate and the main transmitter chassis with the aid of four 2½ in. lengths of 4BA studding, with nuts on either side of the board and the plate. The photograph of the modulator section clearly shows the method of assembly. This also shows the microphone pre-amplifier, just referred to, which was incorporated by the author. TR17 is insulated from the cover plate, whilst TR 18 is bolted directly to it, since its collector is at chassis potential.

It is necessary to drill a hole in the main chassis of the transmitter to provide access to the spindle of RV3. Alternatively, this component may be set up before the amplifier module is installed.

When setting up the quiescent current, start with the wiper of RV3 at the TR14 collector end of its track, then turn it towards the emitter end until current registers in a meter inserted in the collector lead of TR17. Adjust RV3 to give some small current reading in TR17 collector circuit. About 20mA will suffice to prevent crossover distortion but some constructors may wish to run in Class AB at, say, 100mA quiescent current. Do not, however, draw excessive quiescent current or additional smoothing in the 22 volt line will be required.

The modulation depth potentiometer, RV2, is mounted on the rear of the main chassis, and it should be coupled to the input socket and to the modulator via screened wire.

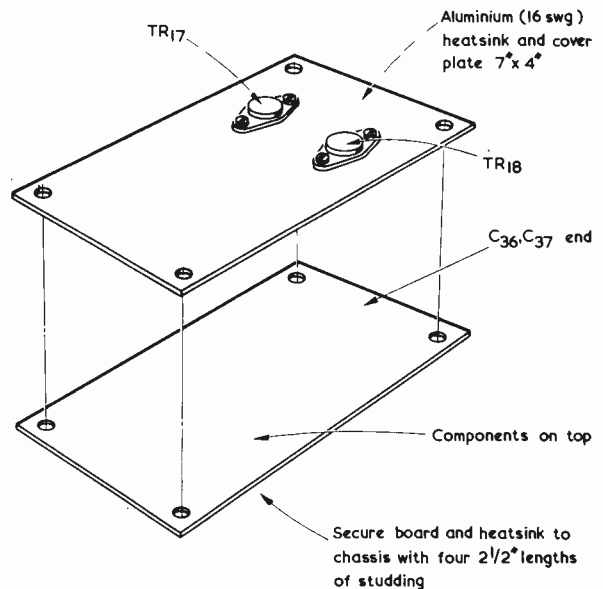


Fig. 19. Details of the modulator board and the heat sink

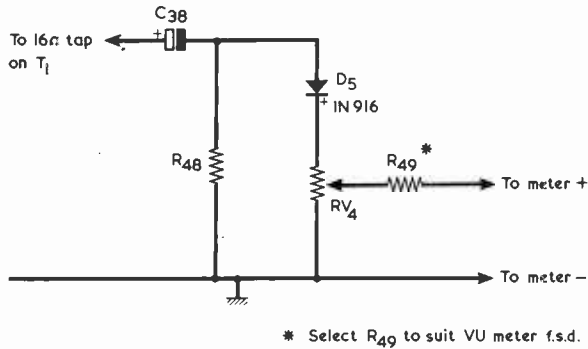
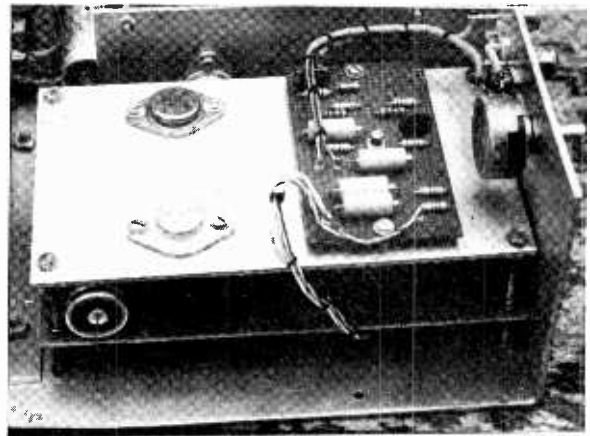


Fig. 20. The circuit of the VU meter driver



This photograph illustrates the manner in which the modulator board and its heat sink are mounted on the chassis. The Veroboard assembly on top of the heat sink is an optional pre-amplifier

VU METER DRIVER

The circuit for the VU meter driver is shown in Fig. 20. This is simply a rectifier system and the printed circuit for it is shown in Fig. 21. This is seen from the component side and is reproduced full size. The body of the potentiometer, RV4, is on the copper side of the board and its spindle projects through on the component side. It is mounted on the main chassis with the component side uppermost between the mains transformer and the modulation transformer, being secured by four short lengths of 4BA studding, with nuts which space its underside away from the chassis. (In the photographs an extra 0.1μF capacitor is visible on the meter driver board. This was connected across R48

at the time when the photographs were taken but has since been removed.)

The use of a VU meter enables overmodulation to be avoided and gives the transmitter that professional look. It may be set up very simply by adjusting RV4 and selecting a value for R49 which suits the meter employed.

The procedure for setting up, in the absence of an oscilloscope, is to just overmodulate (on dummy load if you wish to remain popular!) and listen for splatter on an adjacent receiver. Turn the modulation level down until the splatter just disappears and then, using RV4, set the VU meter to read '0dB' on peaks.

Note that the circuit will suit any type of VU meter, whether it incorporates its own rectifier or not.

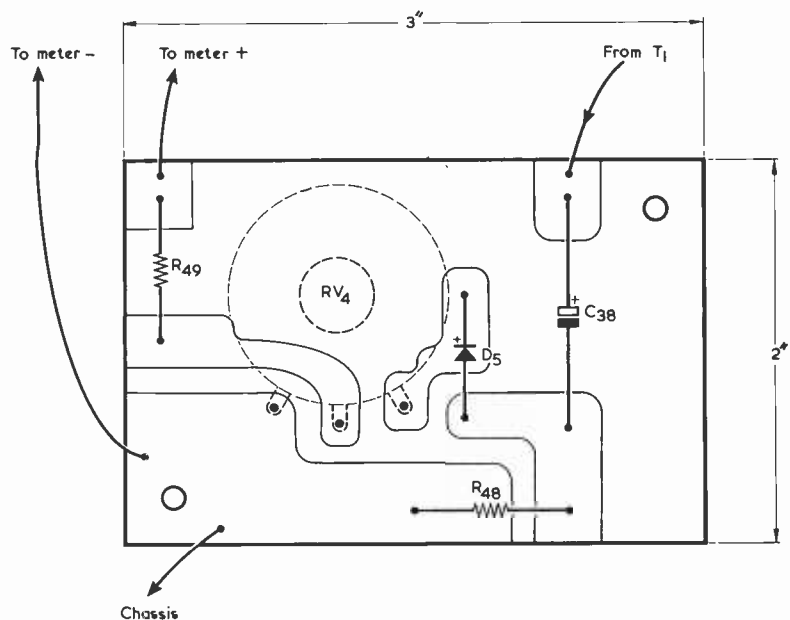


Fig. 21. The component side of the meter driver board. This is reproduced full size and may be traced

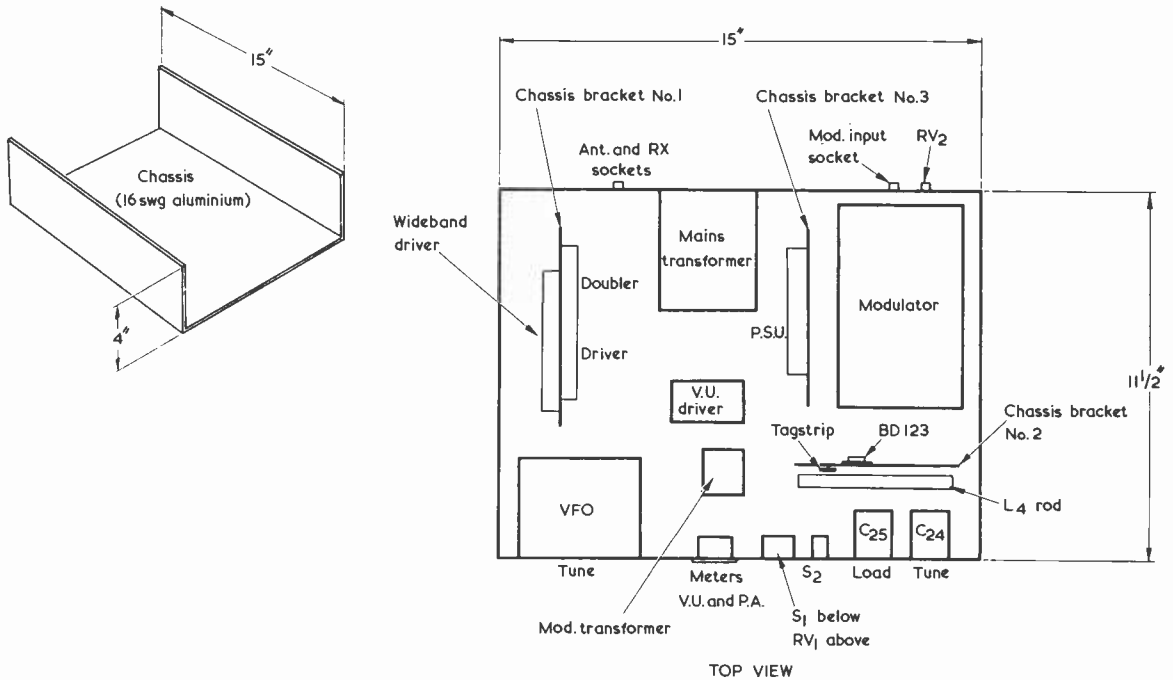


Fig. 22. Detail of the main chassis and the manner in which the circuit modules and controls are positioned

COMPLETE ASSEMBLY

The layout of the modules in the final assembly is shown in Fig. 22. Detailed dimensions on positioning have not been given since (thinking particularly of front panel controls) component sizes may vary, and the final positions are left to the constructor to decide.

All chassis members should be made from 16 s.w.g. aluminium. Do not use a thinner gauge or the resulting construction will not be rigid enough.

Chassis work has been simplified as much as possible and only two bends are required on the main chassis to give a base measuring 15 by 11½ ins. and a front and rear measuring 15 by 4 ins.

A brushed aluminium finish may be achieved by thoroughly glasspapering the chassis (use a fine grade paper and keep strokes along one direction) and then washing and scrubbing with scouring powder.

The three Chassis Brackets, Nos. 1, 2 and 3 have already been mentioned. Each of these measures 6 by 3 ins. with a ½ in. mounting flange. Also previously mentioned is the 7 by 4 in. flat heat sink plate for the modulator.

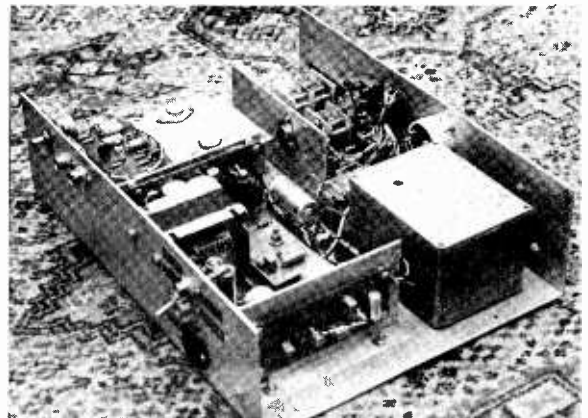
The top cover for the chassis is constructed from ¼ in. plywood with two ½ by ½ in. hardwood battens to reinforce the corner joints. Two further battens of the same size accept wood screws passing through holes in the transmitter base and allow the chassis and cover to be secured together.

The completed cover may be sapele or teak veneered, then varnished to give a very handsome appearance indeed. Details of the cabinet cover are given in Fig. 23.

BUILDING AND TESTING

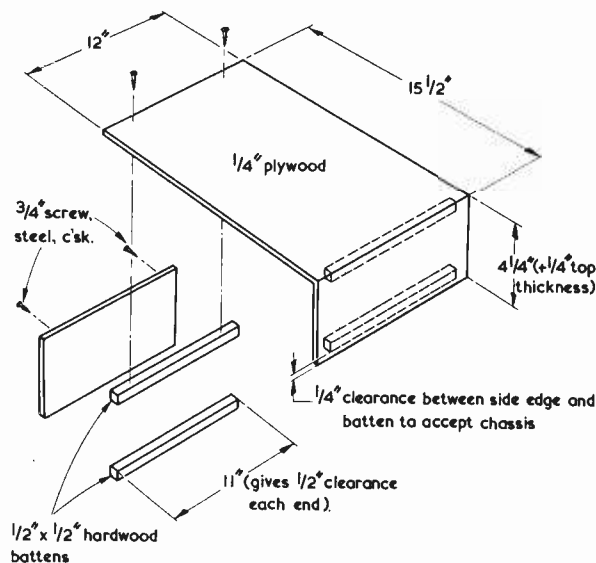
Constructional details and information on circuit operation have already been given. It is worth stating at this stage that it is a good procedure to build and then test each module as it is completed, otherwise you may find yourself with a complete, but defunct, transmitter, and are then faced with a lot of time-consuming fault-finding work.

Build the power supply first, since it is one of the simplest sections and is, in any case, needed to run the other stages.



The clean and uncluttered layout of the transmitter is readily demonstrated by this photograph

Party Line for Computers



Sides (2) - 12" x 4 1/4"

Top (1) - 15 1/2" x 12"
(overlaps sides)

Battens (4) - 11" x 1/2" x 1/2"

Construction: Gluing and
screwing

Veneering

Sapele or teak veneer glued to top
and sides using Eva-stick or
Bastik contact adhesive, sanded
and varnished

Fig. 23. The cabinet for the transmitter is made up in the manner illustrated here

From then on, build and test the v.f.o., the wideband driver, the doubler and driver, the p.a. stage, the modulator (which could first be tested with a 3 to 8Ω speaker) and finally the VU meter driver. Mount each section on the main chassis only after it has been checked (with the possible exception of the p.a. stage) and the tedious process of continually dismantling and re-assembling will then be avoided.

Finally, it is possible to make this design work with a minimum of fuss, and most constructors who understand the basic principles of transistor operation and have had a little experience should succeed.

It is also, of course, a great advantage if a prospective constructor has already successfully built a valve transmitter, since this will have given invaluable experience of lining up and adjusting r.f. stages, possibly with only a receiver, a testmeter and a grid-dip oscillator as test equipment. On that note, it is relevant to point out that the author's transmitter was developed, built and tested without the use of an oscilloscope. ■

THE 'WYVERN' TRANSMITTER

In the Components List for the 'Wyvern' Transmitter, Part 1, published in the last November issue, C2 was quoted as 390pF and C3 as 200pF. These values can take the v.f.o. tuned circuit out of the specified range and constructors are advised to use, instead, 200pF for C2 and 150pF for C3.

JANUARY 1973

THE BRITISH POST OFFICE IS TO CARRY OUT AN important experiment which could be the first step in setting up a public network linking the country's computers, so that they can communicate with one another as easily as *people* do through the telephone system. A BBC Science and Industry programme reported on the experiment.

Already, streams of words and figures - translated into a peculiar warbling sound - flow between machines over the public telephone network. Some computer users go one step further and lease private cables from the Post Office, which they can use at any time. This is how the banks, for example, handle their endless streams of figures.

But, the Post Office regards both of these as temporary solutions. Public telephone lines are not really suitable for carrying computer data, and special private lines can link each point only to a few others.

As banks, airlines, government agencies, local authorities and others acquire computers, the Post Office expects a demand to develop for a public computer network which can link any point in the network with any other.

The first experimental network will have three exchanges, probably in London, Manchester and Glasgow.

It will not be like the telephone network, where once you have dialled the appropriate code and been connected you can say what you like for as long as you like. Instead, messages will be sent in short 'packets', rather like telegrams, each headed with the address of its destination.

Packets travelling between say, London and Glasgow will be a mixture of scraps of many different messages, all to be sorted out and sent to their correct destinations by the equipment at the other end.

This system means that long-distance lines can be used at near their maximum capacity. Money will be saved since fewer lines will be needed to carry the same amount of traffic. But the electronic equipment for sorting the packets will be expensive.

So the main purpose of the experiment will be to find out whether the system brings tangible benefits in cost. If it does not, the Post Office will probably go ahead and build a simpler system, more like the existing phone system.

But, either way, the machines which were once completely isolated, and at present can talk to each other with difficulty, will within five or ten years be able to ring each other up - provided their human operators tell them to - and exchange data at rates to match their phenomenal speed of calculation. ■

395

In your work shop



This month we encounter Smithy the Serviceman, together with a somewhat dejected Dick, embarking on the New Year with a few simple transistor radio faults. Smithy demonstrates routine servicing approaches whilst Dick carries out a repair which does not give quite the predicted results.

"HAPPY NEW YEAR, SMITHY!"

A somewhat bleary-eyed Smithy turned to face his assistant as the latter proceeded to hang up his mackintosh on the hook behind the door.

"And a Happy New Year to you too, Dick," he replied. "Blimey, you're early this morning aren't you? On most New Year's Days you don't tatter in until it's nearly lunch-break."

Smithy examined his assistant more closely.

"What's more," he went, on "you look as fresh as though you'd never celebrated New Year's Eve at all."

"I didn't," stated Dick morosely. "Or at least I only managed to start celebrating it from about quarter to twelve onwards."

"What happened?"

"I don't really wish," said Dick unhappily, "to be reminded about last night for the moment. One result of the evening is that I've brought in a radio set for repair."

Dick reached inside a brown paper bag he had brought into the Workshop, and produced a small medium and long wave transistor set.

FAULTY RADIO

"What's wrong with it?" asked Smithy.

"It doesn't give any output at all," replied Dick. "In fact, it's as dead as a door-nail."

"Humph," grunted Smithy. "Well, things are pretty quiet for the time being now that Christmas is over, so it would do no harm if we had a look at that set right now. Have you done any work on it yourself?"

"I haven't even opened the back," confessed Dick. "So far as I know it

might not even have a battery in it."

Smithy walked over to the set, picked it up and returned with it to his bench. He turned the volume control experimentally, and a mechanical click indicated that the set was now switched on. Smithy turned the control fully clockwise, but there was no sound from the loudspeaker. He changed over the wavechange switch, but the loudspeaker did not reproduce the crackles which would normally have resulted from this operation. Adjustment of the tuning control similarly produced no signals.

"It certainly seems to be dead," pronounced Smithy. "Let's open up the back."

He removed the back to reveal a PP9 battery and the printed circuit board of the receiver, together with the volume control, the tuning capacitor and the ferrite aerial. He switched the set on again and, taking up his testmeter prods, checked the battery voltage. The meter indicated 7.5 volts.

"The battery voltage is a bit down," he announced to Dick, who was now standing beside him. "7.5 volts isn't so low that it should result in complete silence but there's no point in pressing on without a proper 9 volts on this set. Get me a new battery, will you, Dick?"

"Okeydoke," replied Dick obligingly, as he walked over to the spares cupboard. His disgruntled expression was slowly clearing now that he and Smithy were engaged in an actual servicing job.

Whilst Dick was at the spares cupboard Smithy carried out a quick routine test for obvious visible faults. This included checking all leads between the printed circuit board and external components, including in particular the leads to the ferrite rod aerial. Everything, however, appeared to be in order. Smithy next glanced at the transistor type numbers. The transistors were all p.n.p. types.

Dick returned, pulling the seal off a new PP9 battery which he then handed to Smithy. The Serviceman connected it to the receiver, switched the latter on again and checked the voltage given by the battery. It was 9.3 volts.

"Good," grunted Smithy. "Well we can start getting technical now!"

"What are you going to do next?"

"I'm going to make a simple isolation test," stated Smithy, "to see whether the snag is in the r.f. and i.f.

stages of this receiver, or in the a.f. stages. The absence of background hiss makes it pretty certain that the snag is in the a.f. stages but I'll carry out a check of the r.f. and i.f. stages first just to confirm that they're working."

"The fault," Dick pointed out, "could simply be a lack of power to the set. Perhaps the on-off switch isn't closing properly."

"True," agreed Smithy, "and my check for r.f. and i.f. operation will also confirm whether the switch has closed correctly as well."

"How are you going to test the r.f. and i.f. stages?"

"By simply connecting my testmeter across the outer volume control tags," said Smithy. "This is a set using p.n.p. transistors and nearly all medium and long wave transistor radios of this type have the volume control acting as the diode detector load. Since it's usually very easy to get to the volume control tags, the check I'm going to do now is often worth carrying out as a matter of routine."

Smithy switched his testmeter to a low voltage range and applied the test prods to the volume control. The meter gave a small forward reading.

"The set's got power all right," said Smithy cheerfully. "That reading is the voltage that's dropped across the volume control due to the a.g.c. circuit in which the control appears. The top end of the volume control couples to the negative supply rail via the a.g.c. network which feeds the a.g.c. controlled transistor or transistors." (Fig. 1.)

Smithy carefully turned the tuning control of the receiver. The meter needle suddenly moved towards zero and continued backwards until it pressed against the left-hand end-stop.

"What caused that?" asked Dick, puzzled.

"I've tuned in a station," explained Smithy. "The diode detected the signal and passed a positive voltage to the top end of the volume control. This means that the r.f. and i.f. stages must be working, and that it's the a.f. stages that are at fault."

"Can you carry out that check with the more modern sets which use n.p.n. transistors?"

"Not so readily," replied Smithy. "You'll find that in those sets the diode load is more likely to be a fixed resistor with the volume control coupled to it by a capacitor."

"Then," said Dick, "there isn't

**IN
OUR NEXT
ISSUE**

**TRANSMITTER
RECEIVER
for 160 metres
by F. G. Rayer**

This article describes the circuit, and commences to give details of construction which will be concluded in following issue together with processes of setting up and operation.

**TRANSISTOR
CURVE TRACER
by D. W. Nelson**

A low-cost unit, using standard components, which enables collector voltage-collector current curves to be directly displayed on an oscilloscope.

PLUS

**MANY OTHER
FEATURES**

price 20p

ON SALE FEBRUARY 1st

*Copies may also be obtained
direct from the Publishers,
26p. including postage*

Published by

**DATA PUBLICATIONS LTD
57 Malda Vale London W9 1RN**

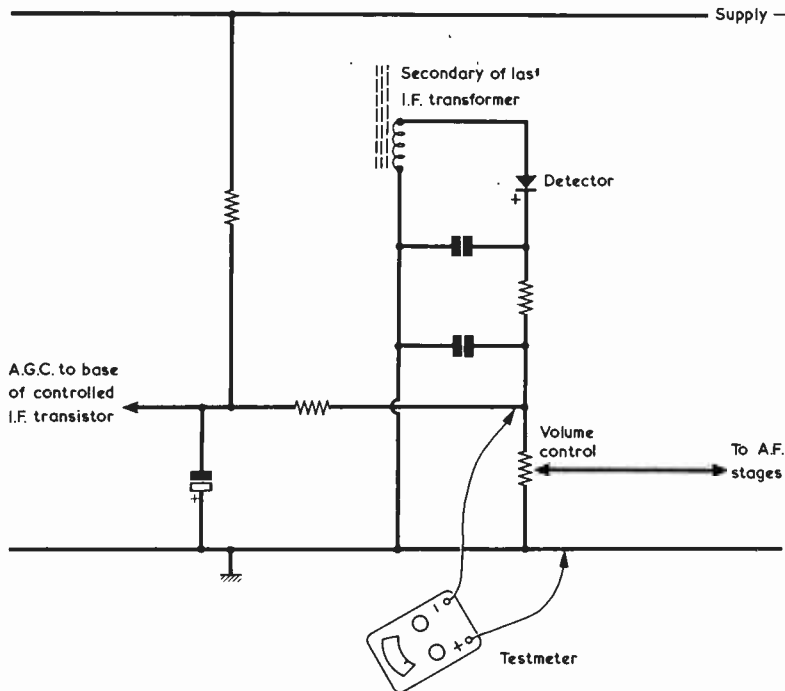


Fig. 1. Coupling a testmeter, switched to a low voltage range, to the volume control tags of an a.m. receiver employing p.n.p. transistors. The meter gives a forward reading which changes to a backward reading when a signal is tuned in. This detector and a.g.c. circuit, with representative component values, appears again in Fig. 3.

much you can do so far as carrying out checks at the volume control is concerned."

"Oh yes there is," replied Smithy. "Another useful test which you can carry out on all sets consists of setting the volume control just a little way from the zero volume position, switch-

ing your testmeter to a resistance range and touching its prods to the outside tags of the control. If the a.f. stages are all right, you should get a good loud crackle from the speaker as you apply the prods. The testmeter should be set to a fairly high resistance range for this check." (Fig.2.)

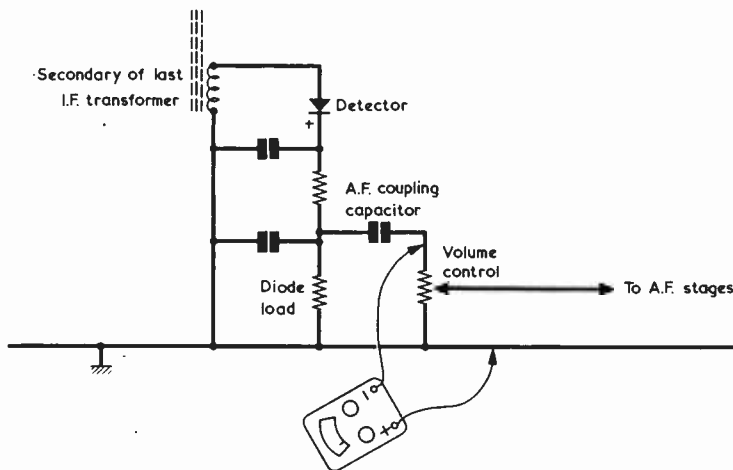


Fig. 2. The a.f. stages may be checked by coupling the testmeter, switched to a fairly high ohms range, across the volume control. A crackle should be heard from the speaker when the testmeter prods are applied. This test can be used when the volume control is the diode load, or when it is coupled to the load by a capacitor, as here

MOVING PROBLEMS

Dick grinned. "Well, that's a good idea," he chuckled. "It looks as though I've already learned my first new hint for the New Year!"

"Blimey," said Smithy. "I'd forgotten already that this was New Year's Day. Tell me, Dick, what *did* happen to you last night?"

Dick's face fell as his memories of the night before once more rose up in his mind.

"It was my Aunt Effie," he stated disconsolately. "She pretty well nearly wrecked the whole night for me."

Smithy clicked his tongue in sympathy. Dick had more than his fair share of aunts.

"Aunt Effie, eh?" he repeated. "Is she the one who's eccentric?"

"All my aunts are eccentric," replied Dick bitterly, "but Aunt Effie's the kinkiest of the lot. Do you know, Smithy, she reckons that England is set for fire and damnation ever since girls started wearing mini-skirts."

"Why, that's preposterous," expostulated Smithy. "Mini-skirts are the best thing that ever happened in this country."

"Of course they are," agreed Dick. "But she's chock-full of nutty ideas like that. The snag is that all my family flannel up to her. I just can't think why."

"There may," remarked Smithy mysteriously, "be reasons."

"Anyway," said Dick, resolved now to expunge from his mind the miseries of the previous night, "what happened yesterday was that she asked me to help her move some things around in her house. For some weird reason, she wanted to swap over her bedroom and her sitting room. I'd already got the evening lined up and I was going to meet the crowd at Joe's Caff round about 9 o'clock, so I told her I'd call in at 7.30."

"That seems very reasonable."
"That's what I thought, too. But, flaming heck, I couldn't get away until half past eleven. When I did eventually join the gang the festivities were nearly over. What a New Year's Eve!"

Dick sank into an unhappy contemplation of his misfortunes.

"Never mind," said Smithy comfortingly. "We'll do a bit more work on this receiver, and you can forget about last night for the time being. Seeing that we've got to dig into the a.f. stages of this set we might as well get its service manual out next."

"All right then," said Dick listlessly. "I'll pop over and get it now."

He checked on the model number of the receiver, then wandered over to the service manual files. He soon returned with the service sheet required and he placed it on the bench. Smithy leaned over and examined the a.f. and a.g.c. section of the receiver circuit. (Fig. 3.)

"You couldn't have anything much simpler than this," he remarked. "The RADIO & ELECTRONICS CONSTRUCTOR

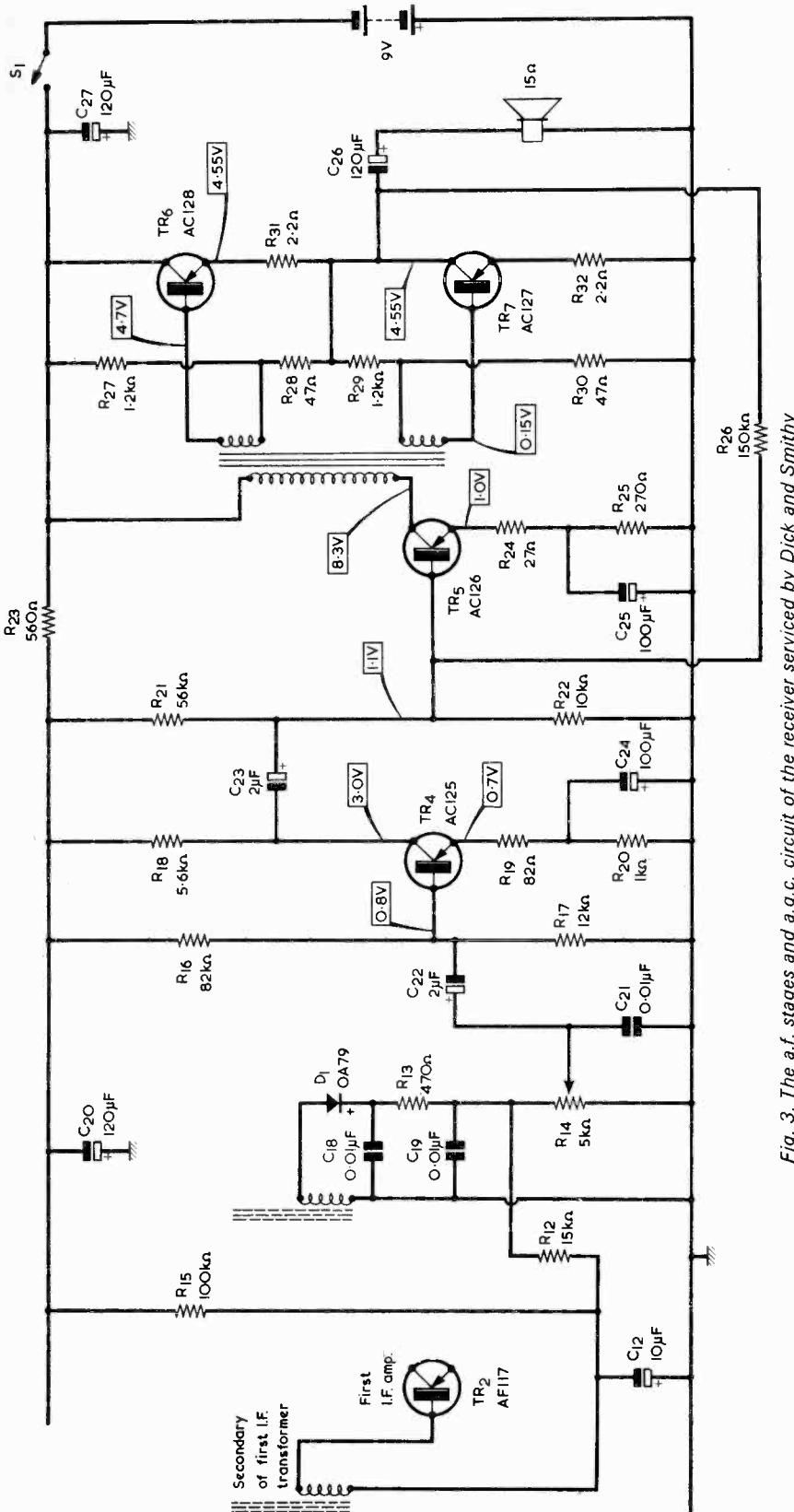


Fig. 3. The a.f. stages and a.g.c. circuit of the receiver serviced by Dick and Smithy

Your Local Supplier

LONDON

THE MODERN BOOK CO.

Largest selection of English & American radio and technical books in the country.

19-21 PRAED STREET,
LONDON, W2 1NP
Tel: 01-723 4185/2926

ST. HELEN'S RADIO

Hi-Fi Equipment
Tape Recorders
Radio Receivers
Television

SPECIALISTS IN RADIO
& ELECTRONIC TEXTBOOKS

ST. HELENS GARDENS
LONDON, W.10
Tel: 01-969 3657

DEVON

COMPUTER PANELS

Panel contains 2 x Mullard OC23 Transistors and 5 other Transistors etc. 2 panels 50p p.p. 15p.
Panel contains 2 x Mullard OC28 Transistors 2XBCY34, etc. 2 panels 50p p.p. 15p.
Assorted Computer Panels contains many useful Transistors, Diodes, Trim Pots, etc. 4 panels for £1 post free.
Assorted Panels contains minimum of 10 integrated circuits, also Transistors, Diodes etc. £1 p.p. 15p.
Electrolytic Capacitors UF/V. 2000/35, 10,000/15, 10,000/25, 12,500/35. All at 30p each p.p. 6p.
2,000/50, 2,500/50, 5,000/50, 10,000/50, 12,500/50, 50,000/15 all at 40p each p.p. 10p.
Also available wide range motor start capacitors also black paper, etc. Send our exact requirements.
Assorted miniature and subminiature Electrolytic Capacitors, 100 for £1.20 p.p. 15p.

Send your exact requirements
XEROZA RADIO

1, East Street, Bishops Tawton, Devon

HAMPSHIRE

BOURNEMOUTH

LARGEST HI-FI AND
RADIO COMPONENT
STORE IN THE SOUTH

FORRESTERS NATIONAL
RADIO SUPPLIES LTD.

70-72 Holdenhurst Road
Bournemouth
Telephone 25232

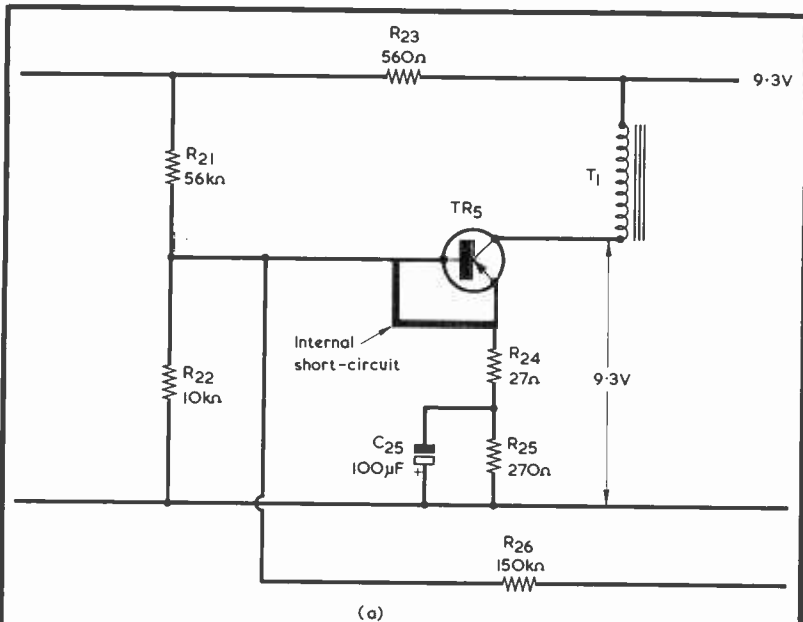
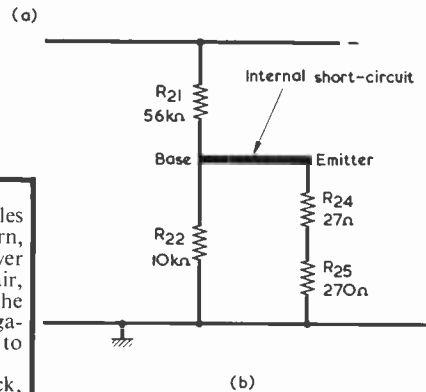


Fig. 4(a). One of the transistors in the receiver had an internal short-circuit (b). The effective resistive circuit resulting from the short-circuit



slider of the volume control couples to transistor TR4 which, in turn, couples to TR5. TR5 is the driver transistor and it drives the output pair, TR6 and TR7, by way of the transformer T1. Finally, there's negative feedback from the output back to the base of TR5 by way of R26."

"The circuit," commented Dick, "has got voltages marked on it as well."

"Yes," said Smithy, "and that's a very commendable practice, too. I'll start off by checking the emitter voltages of TR4 and TR5. If these voltages are about the same as those shown in the service manual they'll indicate that the transistors are passing just about the correct current."

Smithy clipped the positive test lead of his meter to chassis. He examined the printed circuit board for a few moments then applied his negative test prod to one of the transistor lead-outs.

"I've got my prod on the emitter of TR4," he called out. "What does the meter say?"

Dick peered at the testmeter.

"About 0.8 volts."

"That's near enough," said Smithy.

"I'm trying the emitter of TR5 now. What's the voltage?"

"There isn't any," stated Dick.

"Are you sure you've got the prod on?"

"Definite."

Dick looked more closely at the meter scale.

"Well," he said, "there's either no voltage or there's just the faintest suspicion of a voltage."

"Looks like we've located the stage with the snag in already," said Smithy. "I'm trying the base of the transistor now."

"You're getting the same again," said Dick. "There's just a tiny forward movement in the meter needle."

"Good show," said Smithy. "I'll check the collector next."

He moved his prod to the transistor collector lead-out.

"The needle's gone right over now," announced Dick. "It's giving a reading of 9.3 volts." (Fig.4(a).)

"Then we've found the fault," remarked Smithy. "A duffy transistor. Assuming no external short-circuit, the base and emitter of TR5 must have shorted out, with the result that R24 and R25 are effectively in parallel with R22. This means that both the base and emitter connect to the 9 volt rail via a 56k resistor and to the positive rail via a resistance which is just a little less than 300Ω." (Fig.4(b).)

"Why was the collector voltage so high?"

"Because," replied Smithy, "there can't be any collector current. If the

Your Local Supplier

SURREY

WITWORTH TRANSFORMERS TV Line out-put transformers

Manufacturers of the largest range in the country. All makes supplied. Free catalogue.

Modern
BAIRD, BUSH, GEC, PHILIPS
Replacement types ex-stock.
For "By-return" service, contact London
01-948 3702

Tidman Mail Order Ltd., Dept. R.C.
236 Sandycombe Road,
Richmond, Surrey TW9 2EQ
Valves, Tubes, Condensers, Resistors,
Rectifiers and Frame out-put Transformers,
Mains Transformers also stocked.
Callers welcome.

SUSSEX

E. JEFFRIES

For your new television set
tape recorder, transistor radio
and hi-fi equipment

PHILIPS, ULTRA, INVICTA
DANSETTE, MASTERADIO, PERDIO,
MARCONI, PHILCO FIDELITY

6A Albert Parade
Victoria Drive,
EASTBOURNE SUSSEX

SCOTLAND

FORTRONIC COMPONENT PACKS

5 off 150 μ f 25v 5 off 220 μ f 40v
Elect. Cap. 70p
50 off mixed pack DTL 1/c's including
9930, 9933, 9945, 9948, 9932,
9944, 9946 £3.75
10 off BC109, 10 off BC177, 5 off
2N3055 £1.75
Mullard CR 25 Resistors - 1000 off
made up of 20 different values
(50 each) £5.00

FORTRONIC (FIFE LTD.)

13 Knowehead Road, Crossford,
Fife, Scotland

EIRE

PEATS for PARTS ELECTRONIC COMPONENTS RADIO & TELEVISION

For the convenience of Irish
enthusiasts we supply

The Radio Constructor
Data Books and
Panel-Signs Transfers

Also a postal service

Wm. B. PEAT & Co. Ltd.
28 PARNELL STREET
DUBLIN 1

base and emitter are shorted together the transistor will be effectively cut off. That means it won't pass any collector current worth talking about, and there'll be no voltage dropped in the primary of the transformer the collector connects to. Transistors don't go wrong all that often but, when they do, they can produce some peculiar results. Right then, we now require a new driver transistor in this receiver, so perhaps you could oblige."

NEW TRANSISTOR

"All right," said Dick, as he took Smithy's place in front of the receiver. "I'll have to get the printed circuit out of the receiver cabinet if I'm going to fit that new transistor."

He examined the receiver then proceeded to unfasten the screws which held the printed circuit board in position. At the same time, Smithy went to the spares cupboard for a new transistor. As he came back, his thoughts returned to their previous conversation.

"Tell me," he asked chattily, "what exactly was involved in changing over those two rooms at your Aunt Effie's place?"

"First of all," said Dick, "there were the preliminaries to get over. These consisted of going through two albums full of photographs of herself as a young girl. Then she kept nattering on about how the wireless has never been the same since those nasty Goons took over from Flotsam and Jetsam and Christopher Stone. Who are they, Smithy?"

"Flotsam and Jetsam," replied Smithy, "were a pair of singers and Christopher Stone was a disc jockey."

"I mean the Goons."

Smithy shot a glance at his youthful assistant.

"I must be getting older than I thought," he sighed. "Anyway, what happened next?"

"She conned me into doing a whole lot of electrical repairs round the house. And, of course, she had no tools there at all. Have you ever, Smithy, experienced the sense of utter frustration which arises when you're trying to fit a new cord to an electric iron with nothing other than a pair of blunt scissors and a nail file?"

Dick must have intended his question to be of a rhetoric nature because, before the Serviceman had time to reply, he next laid down Smithy's soldering iron and announced that he had soldered in the new transistor.

"Right," said Smithy. "We'll try this set out then."

Dick fitted the printed circuit board temporarily in the receiver case and snapped its knobs back on the control spindles. He switched the receiver on, turned the volume to full and swung the tuning knob expectantly.

The receiver was silent.

Irritably, Dick switched to the other waveband, but there was not even a crackle as he operated the switch. Similarly, no station became audible at any point on the second waveband.

"Damn it," snorted Dick. "I fit a new transistor and the set still doesn't work."

"Now, don't get all aeriated about it," reproved Smithy. "Just check the voltages on that replacement transistor."

Dick took up Smithy's test prods and applied them to the lead-outs of the new transistor. This time the voltages were approximately equal to those indicated in the service manual.

"Fair enough," said Smithy. "Well, this isn't the first time we've encountered a set with more than one fault in it. See if the output transistors have the correct voltages on them, too."

Dick measured the voltages at the output transistors. Again all was apparently as it should be.

"Well now," said Smithy, stroking his chin reflectively, "if all the voltages in the a.f. stages are correct then we can be pretty certain that the resistive parts of the circuit are all right. That means the snag most probably lurks in a capacitive part of the circuit. Hang on a minute, I've just had an inspiration."

Smithy extended a finger and poked tentatively at the 2 μ F electrolytic capacitor which coupled the collector of TR4 to the base of TR5. There was a sudden crackle from the speaker. Smithy grinned and, retaining his pressure on the body of the capacitor, proceeded to turn the tuning control of the receiver. After some moments very loud and distorted music became audible from the speaker.

"This is much more like it," he announced, obviously pleased. "The positive side of that electrolytic connects to the copper of the printed circuit board quite close to the base lead-out of TR5. You must have disturbed the solder joint for the capacitor when you wired in the new transistor."

But Dick had already removed the knobs and was re-examining the rear of the circuit board.

"I'm afraid you're right, Smithy," he confessed ruefully. "When I soldered in the base lead for the new transistor I drained nearly all the solder away from the point where the electrolytic wire connects to the foil. There must have been a pretty poor joint there when the set was originally assembled at the factory, because the capacitor wire's just poking loosely through the hole now."

Dick carefully applied the iron to the offending joint and, after close examination, finally pronounced it to be satisfactory. Once again the printed board was repositioned in the cabinet. This time, when the receiver was switched on it was very much alive. Some stations were reproduced at comfortable volume but others pro-

duced an exceptionally high output and could only be reduced to an acceptable and distortion-free level by rotating the receiver for low signal pick-up on the ferrite rod aerial.

A.G.C. FAULT

"This set is still not right," grumbled Dick, as he switched off the receiver.

"True," said Smithy equably, "very true."

"It's too loud now," continued Dick irritably. "It's quite definitely overloading on the more powerful stations."

"I couldn't agree more," confirmed Smithy.

"Well, stap me," said Dick indignantly, "you don't seem to be very worried about it."

"I'm not."

"We've already," complained Dick, "found two faults on this set. Now we've got a third."

"Take it easy," admonished Smithy. "Just look at things from a logical viewpoint. We started off by finding a faulty transistor, which we replaced. In the process of replacing that transistor we accidentally created another fault, which we have successfully cleared. The receiver is now working, but in a manner which technical geysers like you and I know to be wrong. But a non-technical person who's not all that much with it might well consider that the present performance of the set is quite natural and would simply put up with it, merely rotating the set on very strong signals until they sounded right."

"Gosh, Smithy," exclaimed Dick. "Why, you're a genius, mate!"

"Am I?" queried Smithy, surprised. "I thought I was good, but I didn't know I was all that good."

"It's your diagnosis about the non-technical person who's not all that much with it," explained Dick. "That non-technical person is my Aunt Effie and you couldn't possibly find anyone who's more non-technical and less with it than she is. It's her set and she foisted it off onto me for repair just before I managed to escape from her house last night."

A spark of chivalry touched Smithy's heart.

"I do think," he remonstrated, "that you're being a bit ungracious towards your Aunt Effie. Surely she can't be as bad as you make out."

"Can't she just? Why, she puts ruffles on her piano legs."

"Dear me," remarked Smithy. "Is she a widow?"

"Not Aunt Effie. She's a strict spinster and has been all her life. 'Effie the Ineffable' our family call her."

"Well, she certainly does seem to be rather a peculiar person," conceded Smithy, baffled. "I think we'd better get back to that radio and get it finally fixed. Now, for goodness' sake think for a moment and then tell me what's

JANUARY 1973

the most probable cause of the present fault."

"Let me see now," said Dick ruminatively. "The set reproduces some stations much louder than others and it also overloads on them."

"Well?"

Dick's brow suddenly cleared.

"Why, of course," he exclaimed, "It's obvious! The a.g.c. isn't working."

"Hooray," commented Smithy drily. "And what's the component which will almost certainly cause the a.g.c. to fail to operate?"

Dick looked at the circuit diagram of the receiver a.f. and a.g.c. stages.

"We know," he remarked pensively, "that there is an a.g.c. voltage developed across the volume control, because one of the first things we did was to measure it. Also, emitter bias must be getting to the base of the controlled i.f. transistor because the set's reproducing signals. That means that R15 must be passing a reasonable current. Ah, I know!"

Feverishly, Dick set Smithy's test-meter to a resistance range, snatched up the test prods and applied them across R12. The testmeter needle hovered just above 100kΩ.

"This is it," he called out exultantly. "R12 has either gone high or it's gone completely open-circuit."

"An outstanding piece of circuit diagnosis," commented Smithy.

"Do you really think so?"

"Masterly."

"What was happening," explained Dick excitedly, "was that, with R12 being high value or open-circuit, only a very low proportion or none at all of the a.g.c. voltage was getting to the base of the controlled transistor."

"I would," remarked Smithy gravely, "never have believed it."

"I'll now," stated Dick, patently in charge of the situation, "wire in a new resistor."

PLUGS AND SOCKETS

And this the jubilant Dick proceeded to do, after which the receiver behaved with proper decorum, reproducing signals which were not too loud, not too soft, but just right.

"What I don't quite understand," remarked Smithy, as Dick triumphantly fitted the screws which secured the printed circuit board in position, "was how long you took, last night, in moving the actual furniture from your aunt's bedroom to her sitting room and from her sitting room to her bedroom."

"Oh," said Dick carelessly, "the furniture was no problem. Just a bed, a wardrobe, a writing desk, a couple of tables and things like that. I did the furniture bit in no time at all. The problem was that she has a whole forest of electric lamp standards, together with a TV, two electric fires, a bed-head lamp, two electric clocks, one of them with an alarm for the bedroom, and an electric blanket. All

The New Styled "MULTI-MINI" TWIN VICES



An extra "Pair of Hands" for those tricky jobs

ASSEMBLY - SOLDERING -
GLUING - WIRING - DRILLING
ETC.

★ INDEPENDENT ADJUSTMENT OF
THE TWO VICE HEADS TO ANY
ANGLE WITH POSITIVE LOCKING.
★ JAWS WILL FIRMLY GRIP, ROUND,
FLAT, SQUARE OR HEXAGONAL
PARTS.

TWIN VICE: £8.95 (25p - p&p)

ALSO AVAILABLE

SINGLE VICE: £5.45 (21p - p&p)

CANLEY ENGINEERING (SALES)
LTD.

Dept. C/RC3
OSBORNE ROAD, COVENTRY
Tel. (0203) 77163/4 CV5 6EA

RADIO & ELECTRONICS CONSTRUCTOR

ANNUAL
SUBSCRIPTIONS
ONLY £2.70
per year, post free

Please send remittance with name
and address and commencing issue
required to:

DATA PUBLICATIONS LTD
57 Malda Vale London W9 1SN

of these had to be changed over."

"Surely," protested Smithy, "there were no difficulties there?"

"In a place like my Aunt Effie's," replied Dick carefully, "things aren't quite what you encounter in a normal house. To start off with, there are plenty of sockets in both the rooms."

Dick drew a deep breath.

"However," he resumed, "all the sockets in what is now the sitting room are 10-amp round, whereas all the sockets in what is now her bedroom are 13-amp flat . . ."

B. H. COMPONENT FACTORS LTD.

**BARGAIN PRICES
MONEY BACK GUARANTEE**

<p>SPECIAL RESISTOR KITS 1W 5% carbon film</p> <p>10E12 KIT - 10 of each E12 value 10 ohms - 1M. £2.80 net A TOTAL OF 610 RESISTORS</p> <p>25E12 KIT - 25 of each E12 value 10 ohms - 1M. £6.50 net A TOTAL OF 1525 RESISTORS</p> <p>ROTARY SWITCHES (WAVECHANGE) 24p 1P 4W, 1P 12W, 2P 2W, 2P 4W, 2P 6W, 3P 3W, 3P 4W, 4P 2W, 4P 3W</p> <p>PLUGS</p> <p>2 Pin DIN 12p 3 Pin DIN 13p 5 Pin 180° DIN 15p 5 Pin 180° DIN 12p Std. Co-ax 9p Welder Type 3p Phono 5p Std. Jack 13p Screened Jack 20p Std. Stereo Jack 23p Screened Stereo 38p 3.5mm Std. 9p 3.5mm Screened 12p 2.5mm Std. 10p</p> <p>SOCKETS</p> <p>2 Pin DIN 10p 3 Pin DIN 10p 5 Pin 180° DIN 12p Co-ax (surface) 8p Co-ax (Flush) 9p Co-ax (Line) 17p Twin Winder 7p Phono single 5p Phono twin 7p Phono 3 way 10p Phono 4-way 14p Sid Jack 13p Switched Jack 14p Stereo Jack 25p 3.5mm Switched 10p 2.5mm Jack 10p 87G Valve 4p 89A Valve 5p Edge 0.1" 36-way 54p</p>	<p>CERAMIC PLATE CAPACITORS 750V. (pF) 5, 10, 25, 40, 70, 220. 21p 22PF - 1000PF 50V E12 SERIES. 1500PF - 0.012 E5 SERIES. 2p. 0.0047/30. 2p. 0.01 350. 2p. 0.047/30. 3p. 0.1/30. 4p. 0.1 100. 5p.</p> <p>VEROBOARD</p> <p>0.1 0.15 2 1/2" x 5" 25p 2 1/2" x 3 1/2" 23p 3 1/2" x 5" 29p 3 1/2" x 3 1/2" 25p 2 1/2" x 1 1/2" 12p 2 1/2" x 5" (plain) 12p 5" x 3 1/2" (plain) 11p 5" x 3 1/2" 20p Insertion tool 54p Track cutter 40p Pins pkt. 25 8p</p> <p>ALUMINIUM BOXES WITH LIDS</p> <p>2 1/2" x 5 1/2" 4" x 4" 4" x 2 1/2" (1 1/2" deep) 43p. 4" x 2" x 2". 43p. 3" x 2" x 1". 38p. 6" x 4" x 2". 58p. 7" x 5" x 2 1/2". 70p. 8" x 6" x 3". 91p. 12" x 5" x 3". £1.10.</p> <p>ALUMINIUM CHASSIS (2 1/2" deep)</p> <p>6" x 3" 45p. 6" x 4" 50p. 8" x 3" 50p. 8" x 6" 63p. 10" x 7" 73p. 12" x 5" 74p. 12" x 8" 95p.</p> <p>ALUMINIUM PANELS (18 S.W.G.)</p> <p>6" x 3" 15p. 6" x 4" 15p. 8" x 3" 16p.</p>	<p>8" x 6" 19p. 10" x 7" 24p. 12" x 3" 18p. 12" x 5" 23p. 12" x 8" 30p. VOLUME CONTROLS, STD VALVES SK-2M, 15p. WITH SWITCH, 24p. DUAL 42p.</p> <p>RESISTORS 1/8W 5% CARBON FILM 1p each 10 ohms - 2.2M. 100 for 55p.</p> <p>1N 4001 6p. 2N706 10p. AC127 15p. 2N708 13p. AC128 20p. 1N 4003 8p. 2N1303 17p. BC108 11p. 1N 4004 9p. 2N3055 60p. 8F51 20p. 1N914 6p. 2N3866 80p. OC71 12p. 7400N 15p. 7440N 25p. OC75 15p. 7401N 15p. 7470N 30p. OC83 18p. 7410N 15p. 7483N 120p. OC84 18p. 7430N 15p. 7493N 80p. uL914 30p. TUNNEL DIODES 1N3717 £1. 1D715 50p.</p> <p>PANEL NEON 240V. TAG ENDED 15p R.F. CHOKES 0.22uH. 2.2uH 22uH 8p POINTER KNOB BLACK, GREY WHITE 6p TRANSISTOR EQUIVALENTS BOOK 40p ELECTRONICS DATA BOOK 25p TUNING CAPACITOR 365PF TYPE 'O' 75p AS ABOVE DUAL GANG 55p PVC WIRE 7/0076. 5 x 10 yds. 5 colours 30p PVC WIRE 14/0076. 5 x 10 yds. 5 colours 30p NEON BULB. 80V. WIRE ENDED. 5 for 20p RESISTORS ASSORTED 100 for 40p MINIATURE PUSH BUTTON 10p TRANSFORMER 32 - 0 - 32 at 150 mA 50p</p>	<p>POLYESTER CAPACITORS C280 SERIES 250V. 0.01uF. 0.015uF. 0.022uF. 0.033uF. 3p. 0.047uF. 0.05uF. 0.1uF. 0.15uF. 4p. 0.22uF. 5p. 0.33uF. 7p. 0.47uF. 8p. 0.68uF. 10p. 1uF. 13p. 1.5uF. 20p. 2.2uF. 23p.</p> <p>POLYESTER CAPACITORS C296 SERIES (TUBULAR) 160V. 0.01uF. 0.015uF. 0.022uF. 2p. 0.047uF. 0.068uF. 3p. 0.1. 0.15uF. 0.22uF. 4p. 0.33uF. 5p. 0.47uF. 6p. 0.68uF. 1uF. 10p. 400V. 0.001uF. 0.0012uF. 0.0015uF. 0.0018uF. 0.0022uF. 0.0033uF. 0.01uF. 2p. 0.015uF. 3p. 0.068uF. 4p.</p> <p>MINIATURE ELECTROLYTIC MULLARD C426 SERIES (uF/V) 0.6A/6V. 1/63. 1.6/25. 4/40. 8/40. 10/16. 5p each 16/40. 20/64. 25/25. 32/10. 32/64. 40/16. 64/10. 80/16. 80/25. 100/64. 125/10. 125/16. 200/64. 200/10. 320/64.</p> <p>MULLARD C437 SERIES 64/64. 9p. 160/25. 9p. 180/40. 220/40. 11p. 640/6. 4p. 1600/6. 4. 14p.</p> <p>ELECTROLYTIC CAPACITORS (uF/V) 2.5/50. 3p. 4/10. 10/15. 16/15. 20/25. 25/15. 25/25. 40/6. 64/10. 200. 6. 250/10. 4p. 10/25. 10/50. 25/50. 32/50. 50/10. 64/25. 100/25. 5p. 50/50. 64/40. 250/15. 1000/3. 6p. 100/50. 250/25. 400/10. 500/10. 500/12. 640/10. 1000/6. 8p. 500/25. 10p. 500/50. 12p. 1000/12. 10p. 1000/25. 2000/12. 2500/12. 15p. 1000/50. 35p. 2000/25. 25p. 2500/25. 30p. 2500/50. 55p. 3000/50. 85p. 5000/50. 85p.</p> <p>PLEASE SEND FOR FREE NOVEMBER ISSUE CATALOGUE</p>
--	--	--	---

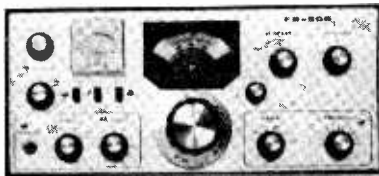
C.W.O. ONLY. P & P 10p ON ORDERS BELOW £5. DISCOUNT: ABOVE £10 - 10%, £20 - 15%
DEPT. RC. 61 CHEDDINGTON ROAD, PITSTONE, LEIGHTON BUZZARD, BEDS, LU7 9AQ TEL. CHEDDINGTON
(0296) 668446. Callers by appointment only. ENQUIRIES - S.A.E., LIST 5p. EXPORT WELCOME. POST AT COST.

BUYING A RECEIVER? SAVE 10% - BEAT V.A.T. before April 1st, 1973

YAESU MUSEN EQUIPMENT

The finest equipment in the world from
U.K. MAIN DISTRIBUTOR

The FR50B at £59.00 (carriage paid by Securicor) or fitted xtal. cal./WWV £63.00



The FR50B besides superb engineering standards has:

- 80-10m.
- Xtal-Cal.
- 1 KHz. readout
- AM/SSB/CW
- Speaker built-in
- S-meter
- .5 uV 10dB S+N/N Ratio
- Double superhet

- * 1 YEAR GUARANTEE
 - * AFTER SALES SERVICE
 - * 24/48 HOUR DELIVERY
- On H.P. the FR50B at £63 is £7.00 deposit then over 9 months is 9 at £7
1 year is 5 at £6. 7 at £5
1 1/2 years is 16 at £4. 2 at £3
2 years is 2 at £4, 22 at £3

SEND 20p (no SAE) for
COMMUNICATIONS EQUIPMENT CATALOGUE and RADIO TOWER-MASTS ANTENNAS CATALOGUE
for details of the FR50B and other receivers, transmitters for the radio amateur

WESTERN ELECTRONICS (U.K.) LTD.,

RC1, OSBORNE ROAD, TOTTON, SOUTHAMPTON SO4 4DN

Tel. TOTTON (04216) 4930 or 2785

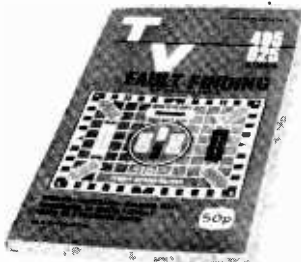
Cables: AERIAL, SOUTHAMPTON

BUY THIS BEST SELLER

T.V. FAULT FINDING

405/625 LINES

Price **50p** Postage 6p



REVISED & ENLARGED

Edited by J. R. Davies

124 pages Only 50p

Over 100 illustrations, including 60 photographs of a television screen after the appropriate faults have been deliberately introduced.

Comprehensive Fault Finding Guide cross-referenced to methods of fault rectification described at greater length in the text.

or post this Coupon together with remittance for 56p (to include postage) to

DATA PUBLICATIONS LTD.
57 Malda Vale, London, W.9

Please send me the 4th revised edition of TV Fault Finding, Data Book No. 5

I enclose cheque/crossed postal order for.....

NAME

ADDRESS

R.C. Block Letters Please

SMALL ADVERTISEMENTS

Rate: 4p (9d) per word. Minimum charge 60p (12/-).
Box No. 10p (2/-) extra.

Advertisements must be prepaid and all copy must be received by the 4th of the month for insertion in the following month's issue. The Publishers cannot be held liable in any way for printing errors or omissions, nor can they accept responsibility for the *bona fides* of advertisers. (Replies to Box Numbers should be addressed to: Box No. —, *The Radio Constructor*, 57 Maida Vale, London, W9 1SN

FOR SALE: VHF KIT, 80 - 180 MHz. Receiver, tuner, converter. World wide sales. Incomparable. £4.00 or s.a.e. for literature. Johnsons (Radio C), Worcester WR1 2DT.

CATALOGUE NO. 18, containing credit vouchers value 50p, now available. Manufacturers new and surplus electronic and mechanical components, price 23p post free. Arthur Sallis Radio Control Ltd., 28 Gardner Street, Brighton, Sussex.

SERVICE SHEETS for Televisions, Radios, Transistors, Tape Recorders, Record Players, etc., from 5p. with free Fault Finding Guide. Catalogue 15p. Please send S.A.E. with all orders/enquiries. Hamilton Radio, 47 Bohemia Road, St. Leonards-on-Sea, Sussex. Telephone Hastings 29066.

CHROMASONIC ELECTRONICS. New list 10p. post free. Data Dept., 56 Fortis Green Road, London, N10 3HN.

BUILD THE MULLARD C.C. TV CAMERA. Complete kits now available from Crofton Electronics. Send large s.a.e. for details to: 15-17 Cambridge Road, Kingston-Upon-Thames, Surrey. Reply by post. No callers please.

"HOW TO LISTEN TO THE WORLD" 1973, £1.90. "WORLD RADIO TV HANDBOOK", published December, £2.80. "SWL ADDRESS BOOK", station's QSL policies, £1.45. Post (first class) 10p each. GIRQ: 17-412-0001. David McGarva, Box 114G, Edinburgh EH1 1HP.

BUILD IT in a DEWBOX robust quality plastic cabinet 2 in. x 2½ in. x any length. S.A.E. for details. D.E.W. Ltd., 254 Ringwood Road, Ferndown, Dorset. Write now - right now.

MINT, BRANDED BC169C super-gain low noise npn, 10p. AD161/AD162 complementary pairs, 60p. Mail order only, U.K. post 5p. AMATRONIX LTD., 396 Selsdon Road, South Croydon, Surrey CR2 0DE.

FOR SALE: Widescreen Cine Outfit. 9.5mm Prince cine camera fitted with Zenoscope Anamorphic lens, 9.5mm Spectre projector with adaptor for Zenoscopic lens, widescreen 60 in. by 30 in., six 9.5mm cassettes for camera. £50, Box No. G192.

FOR SALE: 50 resistors 16p. 50 capacitors 40p. Magnetic counters 10p. 100 6BA bolts 10p. 50 nuts 10p. Intercoms. £2.20. Stereo headphones £1.99. Lists and samples 20p. Postage extra. Derwent Radio, 28 Hillcrest Avenue, Scarborough, Yorks.

TAPE-HEADS RECONDITIONED. Guaranteed satisfaction. Send worn head enclosing £2 to Sara Electronics, Fawkham Avenue, Longfield, Kent.

COMPONENTS TO CLEAR: Woden Mic. transformer, M.T.101, £1.50. E.C.C. Miniature relay type 2,5A, £1.00. 8 in. speaker, 30p. Eddystone 5 pin coil formers, 10p. Metal rectifiers, type SETT 2 W.B., 30p. Capacitors: 5mfd 3000V d.c., 30p. 2mfd 1000V d.c., 20. 1mfd 1000V d.c., 15p. 4mfd 500V d.c., 10p. Box No. G196.

(Continued on page 405)

BENTLEY ACOUSTIC CORPORATION LTD.

The Valve Specialists

The Old Police Station, Gloucester Road, LITTLEHAMPTON Sussex. PHONE 6743

OA2 .30	12AV6 .28	EABC80	EL91 .23	PEL200 .50	UL41 .54
OB2 .30	12BA6 .30	EAF42 .29	EL95 .32	PL36 .46	UL84 .28
5V4G .30	12BE6 .30	EAF42 .28	EL180 .75	PL81 .42	UY41 .38
5V4G .33	12K5 .50	EAF801.50	EM80 .37	PL82 .28	UY85 .23
5Y3GT .25	12SQ7 .50	EB41 .20	EM81 .37	PL83 .30	X41 .50
5Z4G .33	19AQ5 .24	EB91 .10	EM83 .75	PL84 .28	AC165 .25
6/30L2 .53	20P4 .89	EB91 .10	EM84 .31	PL504 .60	AD140 .36
6AH6 .50	30C15 .55	EB81 .29	EM87 .34	PL508 .90	AD149 .50
6AJ5 .75	30C17 .74	EBF80 .30	EY1 .29	PL509 1.30	AD161 .45
6AQ5 .21	30C18 .58	EBF83 .38	EY81 .35	PL802 .75	AD162 .45
6A76 .18	30F5 .61	EBF89 .26	EY83 .54	PY33/2 .50	AF114 .25
6AU6 .19	30FL1 .58	EC92 .34	EY88 .40	PY81 .23	AF115 .15
6AV6 .28	30F12 .58	ECC31.50	EZ40 .40	PY82 .23	AF121 .30
6BA6 .19	30F114 .66	ECC81 .16	EZ40 .40	PY83 .26	AF126 .18
6BE6 .20	30L15 .55	LCC82 .19	EZ80 .19	PY88 .31	BC107 .13
6BH6 .43	30L17 .65	ECC83 .21	EZ81 .20	PY500 .95	BC108 .13
6BJ6 .39	30P12 .69	ECC84 .28	EY501 .75	PY800 .31	BC113 .25
6BR7 .79	30P19 .55	ECC85 .32	GZ34 .47	PY801 .31	BC118 .23
6BW6 .72	30P11 .57	LCC88 .35	HVR2 .53	QOQV3/	BCZ11 .38
6BW7 .50	30P13 .75	ECC80 .27	KTW61 .63	10 1.20	BF159 .25
6BZ6 .31	30P14 .62	ECC82 .25	KTW62 .63	R19 .28	BF163 .20
6C4 .28	30P15 .87	ECCF86 .64	KTW63 .50	U19 1.73	BF180 .30
6CJ5 .30	35A3 .48	ECH35 .50	KT66 .80	U25 .62	BY100 .18
6E3 .55	35L6GT .42	LCH42 .57	PC86 .44	U26 .53	BY126 .15
6E11 .59	35V4 .23	LCH81 .25	PC88 .44	U21 .56	BY127 .18
6F18 .45	35Z4 .24	LCH83 .38	PC97 .36	U251 .62	OAS1 .09
6F23 .65	35Z5 .30	LCH84 .34	PC900 .29	U301 .40	OAS9 .09
6F29 .60	50C5 .32	ECL80 .28	PC84 .27	U801 .76	OA95 .09
6H6GT .15	50L6GT .45	ECL82 .28	PC88 .39	UABC80	OC23 .38
6K7G .10	90C1 .59	ECL83 .52	PC89 .42		OC24 .38
6K8G .16	90C9 1.70	ECL84 .54	PC189 .46	UBC41 .45	OC25 .38
6L6GT .39	DAF91 .20	ECL86 .33	PCF80 .26	UBC81 .40	OC35 .32
6O7GT .43	DAF96 .33	FF22 .63	PCF82 .30	UBF80 .28	OC44 .10
607(M) .43	35V4 .23	LF41 .28	PCF84 .40	UBF89 .28	OC45 .11
6U4GT .60	DF96 .34	FF80 .21	PCF86 .44	UC82 .35	OC46 .15
6V6G .17	DK91 .26	FF83 .54	PCF801.28	UC84 .33	OC70 .13
6X4 .20	DK92 .35	FF85 .25	PCF802.37	UC85 .33	OC71 .11
7Y4 .60	DK95 .35	FF86 .27	PCF806.55	UCF80 .31	OC72 .11
90D7 .78	DL92 .23	FF89 .23	PCF82 .29	UCH42 .57	OC74 .23
10F1 .75	DL96 .35	FF91 .17	PCL83 .54	UCH81 .29	OC75 .11
10F18 .35	DY876.22	FF92 .28	PC184 .32	UCL82 .30	OC78 .15
12A6 .63	DY802 .29	FF183 .25	PC1805.37	UCL83 .48	OC78D .15
12AC6 .40	E80CC1.65	FF184 .27	PC186 .36	UF41 .50	OC81 .11
12AD6 .40	F80F 1.20	FF190 .34	PD500 1.44	UF80 .35	OC81D .11
12AE6 .48	E88CC .60	F134 .44	PEN45 .40	UF85 .34	OC82 .11
12AT6 .23	F180F .90	L141 .53	PEN45DD	UF86 .63	OC83 .20
12AU6 .21	EA50 .27	EL84 .21		UF89 .27	OC84 .24

All goods are unused and boxed, and subject to the standard 90-day guarantee. Terms of business: Cash or cheque with order only. No C.O.D. orders accepted. Post/packing charge 3p per item subject to a minimum of 9p per order. Orders over £5 post free. All orders despatched same day by first class mail. Complete catalogue with conditions of sale 7p post paid. Any parcel insured against damage in transit for only 3p extra per order. Business hours 9 a.m.-5.30 p.m., Mon.-Fri. Closed Sat. Please enclose S.A.E. with all enquiries.

Learn to understand electronics for your hobbies

1. Lerna-Kit course

Step by step, we take you through all the fundamentals of electronics and show you how easily the subject can be mastered.

- (1) BUILD AN OSCILLOSCOPE.
- (2) READ, DRAW AND UNDERSTAND CIRCUIT DIAGRAMS.
- (3) CARRY OUT OVER 40 EXPERIMENTS ON BASIC ELECTRONIC CIRCUITS AND SEE HOW THEY WORK.

2. Become a Radio-Amateur

Learn how to become a radio-amateur in contact with the wide world. We give skilled preparation for the G.P.O. licence.

FREE **13**

Brochure, without obligation to:

BRITISH NATIONAL RADIO & ELECTRONICS SCHOOL

P.O. BOX 156, JERSEY, CHANNEL ISLANDS.

NAME _____

ADDRESS _____

BLOCK CAPS PLEASE

RADIO MODELLER

RM
BOOK
SERIES

ELECTRONIC BOOKS

● MODEL RADIO CONTROL

Detailing both Theory and Practice, this book, by leading authority Paul Newell, will become the standard reference work. A brief historical survey leads up to a detailed description of proportional systems, with over 100 illustrations, including theoretical circuits and p.c. layouts for an advanced digital system.

134 pages. Price £2.25 U.K. Postage 13p

● SINGLET SET

The Singlet Transmitter, Superhet and Super-regen receivers, are now all three available in one book. Complete construction details with full size p.c. layout, components list etc. Ideal introduction to the hobby for the home constructor. 20 pages.

Price 30p. U.K. Postage 3p

● LOW COST PROPORTIONAL

Modellers who want to save money buy this volume when converting single channel equipment to simple proportional. They find a wealth of really up to date information in the clear descriptions, full size practical and working drawings, plus over a dozen circuit modules for pulse proportional units.

118 pages. Price £1.05 U.K. Postage 11p



ON SALE NOW at all leading shops or direct from:-

RADIO MODELLER, BOOK SALES, 64 Wellington Road, Hampton Hill, Middx.

NEW STYLE SELF-BINDER

for
"Radio & Electronics
Constructor"



The "CORDEX" Patent Self-Binding Case will keep your issues in mint condition. Copies can be inserted or removed with the greatest of ease. Rich maroon finish, gold lettering on spine.

Specially constructed Binding Cords are made from Super Linen of great strength, very hard twisted and twice doubled. They are attached to strong RUSTLESS Springs under tension, and the method adopted ensures PERMANENT RESILIENCE of the Cords. Any slack that may develop is immediately compensated for and the Cords will always remain taut and strong. It is impossible to overstretch the springs, as a safety check device is fitted to each.

PRICE
75p

P. & P. 14p

Available only from:—

Data Publications Ltd. 57 Maida Vale London W9 1SN

SMALL ADVERTISEMENTS

(Continued from page 403)

FOR SALE: R1155B receiver with psu. Working order. £20, carriage extra. Miles, 17 Queen's Road, Blandford Forum, Dorset.

VALVES TO CLEAR: VR91, 171DDP, 801, U14, HP4106, 6B4-G, 6AG5. All at 20p each. Box No. G197.

WANTED: Early books on wireless, pre-1925. Details to Box No. G198.

JOIN THE INTERNATIONAL S.W. LEAGUE. Free services to members including Q.S.L. Bureau, Amateur and Broadcast Translation, Technical and Identification Dept. - both Broadcast and Fixed Stations, DX Certificates, contests and activities for the SWL and transmitting members. Monthly magazine, *Monitor*, containing articles of general interest to Broadcast and Amateur SWLs, Transmitter Section and League affairs, etc. League supplies such as badges, headed notepaper and envelopes, QSL cards, etc., are available at reasonable cost. Send for League particulars. Membership including monthly magazines, etc., £2.00 per annum. (U.K. and British Commonwealth), overseas 6 Dollars or £2.50. Secretary ISWL, 1 Grove Road, Lydney, Glos., GL15 5JE.

FOR SALE: E.H.T. voltmeter £2. Electronic Ignition £6. Camera, new, £5. Copying machine £9. Chapman Radio Hi-Fi speaker, cost £50, offers? 4 Riversley Road, Gloucester, GL2 0QT.

AMATEUR RADIO. How to become an amateur. Full information available free from The Irish Amateur Radio Society, P.O.B. 73, Athlone, Ireland.

IF YOU HAVE ENJOYED A HOLIDAY on the Norfolk Broads, why not help to preserve these beautiful waterways. Join the Broads Society and play your part in determining Broadlands future. Further details from:- The Hon. Membership Secretary, The Broads Society, "Icknield", Hilly Plantation, Thorpe St. Andrew, Norwich, NOR 85S.

VISCONAL CATHODRAY CONDENSERS 0.0025 mfd. 2.5kV 30p each, 0.002 mfd 15kV 60p, 0.02 mfd 12.5kV 65p, 0.025 mfd 5kV 40p, 0.1 mfd 6kV, 0.5 mfd 2.5 kV, 1 mfd 2kV, £1 each. **CAPACITORS** 0.1 mfd 150 volt £1 per 100, 44,000 available. **MORSE KEYS** precision type 50p each. **STROBOSCOPE FORKS** 124 cycles 80p each. **JACK PLUGS** 2 point screw on cover 15p each. Send for Lists. L. Wilkinson (Croydon) Ltd., Longley House, Longley Road, Croydon, Surrey.

TRANSISTORS TESTED. All transistors no matter what type tested to full SPEC. Any type. Specification given in full, shown on typewritten sheet. Sent by express post for same day service if required. I.C.'s rudimentarily tested. Cost to you: 3 for 2p. Singles 1½p each. 5 for 4p. Quantities at 25 for 22p. 30 for 24p. Harrington, 25 Poynter Road, Enfield, Middlesex.

"MEDIUM WAVE NEWS" Monthly during Dx season - Details from: K. Brownless, 7 The Avenue, Clifton, York.

FOR SALE: Back numbers of *The Radio Constructor*, Volumes one to twenty-four, also *Popular Electronics* from October 1969 to December 1971. Offers please. Box No. G205.

Q MULTIPLIER COILS. High efficiency pot core assemblies for use in the range 50kHz - 2MHz. Other frequencies to order. 50p. each plus 5p. p. & p. State frequency required and whether p.c. or single hole mounting. Overseas enquiries invited. Storey, 145 The Knars, Basildon, Essex.

(Continued on page 407)

POTENTIOMETERS Lin or Log, 12p; with DP Switch, 23p; Dual Ganged, 36p; Special Offer, 5K with DP switch, 15p; WAVECHANGE SWITCHES, 22p; Special Offer, Miniature, 4P3W 16p; AMPLIFIERS: 1 Valve (EL84), £3; ½W Transistorised £1; 10W Transistorised, £3-75. JB3 Junction Box, £1-20. 5" Plastic Library Cases, 10p. 500uA TUNING METERS, 50p. CARTRIDGES: Compatible ACOS GP91-3SC, 90p; Stereo GP93-1, £1-15; Ceramic with Diamond Stylus, £1-80. CAPACITORS 100mF 25V, 5p; 220mF 25V, 5p; 400-200-50-16mF 300V, 30p; 0.1 500VDC, 300VAC, 3½p. MINIATURE INDICATOR LAMPS (5 colours), 11p; 6 or 12V Bulbs for above, 4p. MAINS NEONS panel mounting (red, green, clear), 15p. 100 MIXED RESISTORS, 45p. ROTARY SWITCHES (on/off) 250V 2A, 10p. PLUGS: Jack Standard, 10p; Screened, 13p; 2.5mm and 3.5mm, 6p; Screened, 8p. HEADPHONES: High Impedance (2,000 ohm), 90p; STEREO 8 ohm, £1-95; STEREO 8/16 ohm, £2-10. MICROPHONES: Lapel, 28p; ACOS MIC. 45, 90p; Dual Impedance Dynamic 600 ohm and 50k, £4-50. RECORDING TAPE: 5" LP 900ft., 45p; 5½" LP 1,200ft., 60p; 7" LP 1,800ft., 81p. RESISTORS: carbon film 5%, 1½p. ALUMINIUM CHASSIS from 6" x 3" to 16" x 10", all 2½" deep. Transistors, Rectifiers, etc. Large S.A.E. for list No. 4. Special Prices for quantity quoted on request. Add 10p for P&P on orders under £5.

M. DZIUBAS

158 Bradshawgate, Bolton, BL2 1BA. Lancs.

FREE TO AMBITIOUS ENGINEERS

THE LATEST EDITION OF NEW OPPORTUNITIES

SEND FOR YOUR FREE COPY TO-DAY

NEW OPPORTUNITIES is a highly informative 76 page guide to the best paid engineering posts. It tells you how you can quickly prepare at home for a recognised engineering qualification and outlines a wonderful range of modern home study courses in all branches of Engineering. This unique book also gives full details of the Practical Radio & Electronics courses administered by our Specialist Electronics Training Division - explains the benefits of our free Appointments and Advisory service and shows you how to qualify for five years promotion in one year.

PRACTICAL EQUIPMENT INCLUDING TOOLS

The specialist Electronics Division of B.I.E.T. NOW offers you a real laboratory training at home with all the practical equipment you need, plus basic practice and theoretical Courses for beginners in Radio, TV, Electronics, etc.

WHICH SUBJECT WOULD INTEREST YOU?

AMSE (Elec) · City & Guilds Certificate · RTEB Certificate · Radio Amateurs' Exam · DMG Certificate · Colour TV · Electronic Engineering · Computer Electronics · Radio and TV Servicing · Practical Electronics · Practical TV and Radio

BRITISH INSTITUTE OF ENGINEERING TECHNOLOGY

Dept. (BRE 13), Aldermaston Court, Reading RG7 4PF

Accredited by the Council for the Accreditation of Correspondence Colleges

CN		BRE 13
NAME		
(BLOCK CAPITALS PLEASE)		
ADDRESS		
.....		
.....		
SUBJECT		AGE

RSGB BOOKS FOR YOU

New from RSGB TELEVISION INTERFERENCE MANUAL by B. Priestley, BSc., G3JGO

A wealth of tv information. The causes of interference by amateur transmitters to television, and audio, equipment is examined and ways in which it may be avoided and suppressed are suggested.

100 pages

90p post paid.

RSGB AMATEUR RADIO CALLBOOK 1973 edition

Includes details of new calls notified by the MPT up to September 1972, and contains over 2,700 amendments to entries published in the 1972 edition.

128 pages.

70p post paid

RADIO COMMUNICATION HANDBOOK

832 pages of everything in the science of radio communication. The Handbook's U.K. origin ensures easy availability of components. Complete coverage of the technical and constructional fields. A superb hard-bound volume.

£4.10 post paid.

These are three of a complete range of technical publications, log books and maps, all obtainable from:

RADIO SOCIETY OF GREAT BRITAIN
35 Doughty Street, London, WC1N 2AE

V.H.F. EQUIPMENT

Manufacturers of the highest performance V.H.F. and U.H.F. equipment for five years. All this gear is from stock.
THE SENTINEL DUAL GATE MOSFET 2 METRE OR 4 METRE CONVERTER

- ★ Low noise figure 2dB.
- ★ Gain 30dB.
- ★ Dual gate MO SFETs in RF and mixers for excellent overload and cross modulation characteristics.
- ★ 9-18 volts 15mA operation.
- ★ Size only 2½" x 3" x 1½" aluminium case.
- ★ 2 metre stock I.F. outputs: 2-4MHz, 4-6MHz, 9-11MHz, 14-16MHz, 18-20MHz, 23-25MHz, 24-26MHz, 28-30MHz.
- ★ 4 metre: 28-28.7MHz.

A very popular and well thought of unit at only £13.75.
THE SENTINEL LOW NOISE 2 METRE PRE-AMPLIFIER

- ★ Low noise figure 1dB.
- ★ Gain 18dB.
- ★ Size the same as converter.
- ★ 12 V. 5mA. supply.
- ★ Price £6.50.

THE SENTINEL M.F.

A double conversion 2 metre converter to medium wave. Ideal for mobile use with a car radio or any medium wave radio with an aerial socket.

- ★ Performance as the Sentinel above.
- ★ I.F. output 0.5MHz to 1.5MHz.
- ★ Tunes 2 metres in two switched ranges, 144-145MHz and 145-146MHz. When switched 'OFF' MW is switched straight through.
- ★ Size 5" x 1½" front panel 4" deep. 9-18 V operation.
- ★ Price £18.75.

We do many converters and pre-amplifiers, some from stock, for use outside amateur bands, e.g. satellite band. Please enquire.

SOLID STATE MODULES

63 Woodhead Road, Solid, Lockwood, Huddersfield. HD4 6ER.
Telephone 0484 23991

PLAIN-BACKED NEW STYLE SELF-BINDERS

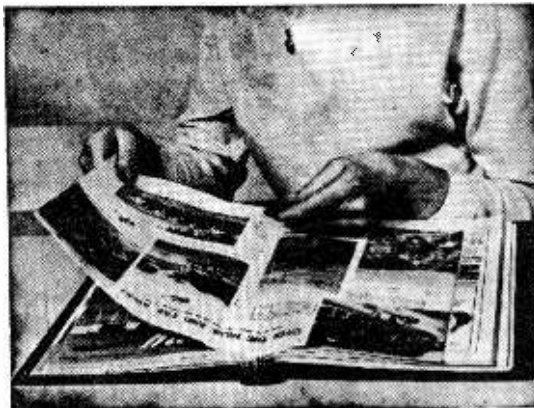
The "CORDEX" Patent Self-Binding Case will keep your copies in mint condition. Issues can be inserted or removed with the greatest of ease. Specially constructed Binding cords are made from Super Linen of great strength, very hard twisted and twice doubled. They are attached to strong RUSTLESS Springs under tension, and the method adopted ensures PERMANENT RESILIENCE of the Cords. Any slack that may develop is immediately compensated for, and the Cords will always remain taut and strong. It is impossible to overstretch the springs, as a safety check device is fitted to each.

PRICE **70p** P. & P. 14p

Available only from:—

Data Publications Ltd. 57 Maida Vale London W9 1SN

for your other magazines
(max. format 7½" x 9½")



COLOURS: MAROON OR GREEN

(If choice not stated, colour available will be sent)

SMALL ADVERTISEMENTS

(Continued from page 405)

THE BRITISH AMATEUR ELECTRONICS CLUB.

A club for all who are interested in electronics as a hobby. Quarterly Newsletter sent free to members. Subscription 50p per year. Details from Hon. Secretary, J. G. Margetts, 17 St. Francis Close, Abergavenny, Mon.

MECCANO FOR "CYCLOPS" - Special Pack of all Meccano parts required - £3.39 including postage. Send off today to *The Meccano Spare Parts Specialists* and start building! "Everything Meccano" at M. W. MODELS, 165 Reading Road, Henley-on-Thames, Oxon. Telephone 3342.

COMPUTER PANELS 3p. Micro-switches (suitable for CYCLOPS), reed switches, 8p. 3V motors 15p. 40 hi-stabs 25p. Add 5p P. & P. Also hundreds of unusual items for the experimenter. Catalogue 5p. Mail order only. Grimsby Electronics, 64 Tennyson Road, Cleethorpes, Lincs.

FOR ALL YOUR ELECTRONIC COMPONENT requirements. Send for free list to:- B. C. Electronic Supplies, 7 Regent Road, Huddersfield, HD1 4NR.

FOR "R. & E. C." PROJECTS: CA3020 i.c. amp. £1. AD161, 30p. AD162, 30p. AF239, 35p. BC107, 12p. BC168B, 10p. BC169C, 10p. SF115, 15p. IN4002, 100 p.i.v. 1A Si diode, 5p. Bias diode for FET TWIN, 3p. 2N2926G, 12p. 2N3702, 10p. 2N3707, 17p. 2N3819, 25p. 2N4289, 15p. 2N4291, 15p. Transformer LT700, 30p. Repanco CH r.f. chokes: 1.5mH, 20p; 2.5mH, 22p; 5mH, 23p; 7.5mH, 24p; 10mH, 25p. New, first grade. Mail order only. P. & P. 5p. Amatronics Ltd., 396 Selsdon Road, South Croydon, Surrey, CR2 0DE.

WORLD DX CLUB covers all aspects of SWLing on Amateur and Broadcast Bands through its monthly bulletin "Contact". Membership costs £1.38 a year. Enquiries to Secretary, WDXC, 11 Wesley Grove, Portsmouth, Hants., PO3 5ER.

FOR SALE: Cossor 1035 double beam oscilloscope ext. & int. trigger or synch. £21. Telephone: 01-444 8216 evenings.

POSTAL ADVERTISING? This is the Holborn Service. Mailing lists, addressing, enclosing, wrapping, facsimile letters, automatic typing, copy service, campaign planning, design and artwork, printing and stationery. Please ask for price list. - The Holborn Direct Mail Company, Capacity House, 2-6 Rothsay Street, Tower Bridge Road, London, S.E.1. Telephone: 01-407 1495.

FOR SALE: Cossor sine/square wave generator. Offers? Gallop, 58 Burleigh Road, Hertford, Herts. Telephone: 7093.

RECITALS OF RECORDED MUSIC. The second Saturday evening of each winter month. Next recital: January 13th, 1973, 8 p.m. at Woodford Green United Free Church Woodford Green, Essex. Bus routes 20, 20A, 179 and 275-alight at "The Castle" stop.

WANTED: *Wireless World* issues wanted July 1971 to April 1972 inclusive, together with June 1972. Also *Radio Constructor* Volume 16. J. R. Ault, 23 Newton Street, West Bromwich, Staffs.

SITUATIONS VACANT

SOUND EQUIPMENT INSTALLATION and Service Engineer for Public-Address specialists. Interesting and varied work. 5-day week. Must have good working knowledge of audio, (radio might do), and clean driving licence. Contact Mr. N. Reder, Reder Sound Installations, Jubilee Works, Esther Road, London E.11. Telephone: 539 0136.

JANUARY 1973

Soksol De-Solder Kits: All kits are supplied with copper braid which has a scientifically formulated weave to conform to all surface irregularities ensuring maximum solder lift-off; complete with chemical solution and full instructions. Type 1 with 9 ft braid 50p, post 10p. Type 2 with 20 ft braid £1.00, post 15p. Type 3 (industrial pack) 50 ft braid £2.50, post free. Sample of processed braid 10p (P.O. or stamps).

Visconol EHT Capacitors: .001µF, 20KV 50p, .01µF 5KV 40p, .01µF 10KV 50p, .02µF 5KV 40p.

Electrolytic Capacitors: UF/V 1250/25, 2000/35, 2200/25, 4700/16, 8000/30, 10,000/15, 10,000/25, 10,000/35, 1000+1000/40, 16+16/500. All at 35p each, post free. 16 x 16/350, 32 x 16/350, 32 x 32/350, 40 x 40/250, 50 x 50/300, 80 x 80/450, 100 x 100/385, all at 25p each, post free. 100 x 200/275, 100 x 400/275, 200 x 200/350, 60 x 250 x 10/300 100 x 50 x 50/385, 100 x 50 x 150/350, 100 x 100 x 47/320, 100 x 100 x 200/275, 150 x 200 x 250/300, 200 x 250 x 250/275, 130 x 60 x 10 x 10/350, 200 x 100 x 10 x 10/300V, 200 x 100 x 50 x 2/300, 200 x 200 x 100 x 32/275. All at 60p each, post free.

Photoflash Capacitors: 2000µF, 275 volts £1.25, post 15p.

Bargain Component Parcels include Rotary and Slide Switches, Potentiometers, Valveholders, I's, Sockets, Capacitors, Transistor Panels, plus a generous selection of other components. Here's unbeatable value, 4lb. nett weight £1.00, post 40p.

Assorted Capacitors including Silver Mica/Polystyrene/Ceramic. Special offer packs 5x20, different values, 50p, post 10p.

Wide selection of Capacitors, A.C. Motor Start, Block, Reversible Electrolytics, etc., etc. Let us know your exact requirements.

ELEKON ENTERPRISES

224a St. Paul's Road, Highbury Corner
London N. 1.

*Recent Publications *KILRIMONT BOOKS *No American reprints

110 I.C. Projects (Marston)	£1.20 (+ 5p post)
Electronic Designer's Handbook (Hemingway)	£3.40
Computer Science (Harvey)	£2.00
Colour T.V. Picture faults (Bohman)	£2.50
Understanding Electronic Components (Sinclair)	£3.50
Audio Technicians Bench Manual (Earl)	£3.00
Mazda Book of P.A.L. Servicing (Seal) (reprinted)	£3.80

*Post free unless indicated. *S.A.E. for lists

KILRIMONT BOOKS ©

Kilriment House, London Road, BRAINTREE, Essex. CM7 8QL

MORSE MADE EASY!!!

FACT NOT FICTION. If you start RIGHT you will be reading amateur and commercial Morse within a month. (Normal progress to be expected.) Using scientifically prepared 3-speed records you automatically learn to recognise the code RHYTHM without translating. You can't help it, it's as easy as learning a tune. 18-W.P.M. in 4 weeks guaranteed. Beginner's Section only £3.50. Complete course £4.50 (Overseas £1 extra). Details only, 4p stamp. 01-680 2896

G3HSC/Box 38, 45 GREEN LANE, PURLEY, SURREY.

SYNTHESISER MODULES

Voltage-controlled modules for synthesiser construction and other musical MIRACLES! Catalogue 15p. D.E.W. Ltd., 254 Ringwood Road, Ferndown, Dorset.

GOLDEN HUNTER
from £10.50
Powerful metal detector locates buried coins, metal etc.
Send for illus. literature
UNDERGROUND EXPLORATION LTD
DEPT 21 FARADAY HOUSE
P.O. BOX 1 - HAILSHAM - SUSSEX

MEN! £50 p.w. can be yours

Jobs galore! 144,000 new computer personnel needed by 1977. With our revolutionary, direct-from-America, course, you train as a Computer Operator in only 4 weeks!

Pay prospects? £2,500 + p.a.

After training, our exclusive appointments bureau — one of the world's leaders of its kind — introduces you **FREE** to world-wide opportunities. Write or phone **TODAY**, without obligation.

London Computer Operators Training Centre

P17, 3, Oxford House, 9-15 Oxford Street W.1.

Telephone: 01-437-9906

127 The Piazza, Dept. P17, Piccadilly Plaza, Manchester 1
Telephone: 061-236 2935

YUKAN SO PROFESSIONAL THE
SELF-SPRAY YUKAN AEROSOL WAY -
Get these air drying **GREY HAMMER**
NOW! OR **BLACK WRINKLE**
(CRACKLE) finishes

Yukan Aerosol spraykit contains 453g. fine quality, durable easy instant spray. No stove baking required. Hammers available in grey and blue. 92p carr. pd. Modern Eggshell Black Wrinkle (Crackle) producing a 3D textured finish. 92p carr. pd., all at 87p per push-button self-spray can at our counter. Also durable, heat and water resistant Black Malt finish (339g. self-spray cans only) 77p carr. pd.
SPECIAL OFFER: One can plus optional transferable snap-on trigger handle (value 25p) for 98p carr. pd. Choice of 13 self-spray plain colours and primer (motor car quality) also available.
Please enclose cheque or crossed P.O. for total amount direct to:
DEPT RC/1YUKAN, 307a EDGWARE ROAD, LONDON W2 1BN
We supply many Government Departments, Municipal Authorities, Institutes and Leading Industrial Organisations.—We can supply you too. *Now British- even better*
Queen all day Saturday. Closed Thursday afternoons.

Other Yukan Air Drying Aerosols, 453g. at 92p carr. pd. Includes: Zinc Chromate Clear Lacquer Metallics: Grey, Blue.



ESSENTIAL BOOKS

HOW TO MAKE WALKIE-TALKIES FOR LICENSED OPERATION. Only 40p post free. **MOBILE RADIO TELEPHONES.** Important reference book for users of commercial mobile communications equipment. Includes chapters on installation, operation and maintenance. Contains photos and diagrams etc. Price £2.60, including post. **THE SCATTERING & DIFFRACTION OF WAVES.** A goldmine of information for the experimenter, student, amateur & scientist. Profusely illustrated. Published by Oxford University Press. Price £1.60 post free. **GOVERNMENT SURPLUS WIRELESS EQUIPMENT HANDBOOK.** Contains circuits, data, illustrations and valuable information for British/USA receivers, transmitters, trans/receivers. With modifications to sets and test equipment. Latest impression £3.25, incl. postage. Available from: Dept. RC. GERALD MYERS, 18 SHAFTESBURY STREET, LEEDS LS12 3BT.

FREQUENCY LIST TRANSFERS

We have a limited supply of sheets of Dial Frequency Transfers in black. Short Wave frequencies 1.8Mc/s to 32Mc/s and 144Mc/s and 146Mc/s. Includes amateur band marker frequencies at 100kc/s points and other short wave frequencies from 2 to 32Mc/s at every 500kc/s points. Each frequency is repeated. Two sheets for 5p, five sheets for 10p, postage 3p.

DATA PUBLICATIONS LTD.,
57 Maida Vale, London W9 1SN.

DATA BOOK SERIES

- DB5 TV FAULT FINDING**
124 pages. Price 50p, postage 6p.
- DB6 RADIO AMATEUR OPERATOR'S HANDBOOK**
80 pages. Price 45p, postage 6p.
- DB16 RADIO CONTROL FOR MODELS**
192 pages. Price 75p, postage 8p.
- DB17 UNDERSTANDING TELEVISION**
512 pages. Price £2.10, postage 25p.
- DB18 AUDIO AMPLIFIERS**
128 pages. Price 53p, postage 6p.
- DB19 SIMPLE SHORT WAVE RECEIVERS**
140 pages. Price 80p, postage 6p.

I enclose Postal Order/Cheque for in payment for

NAME

ADDRESS

(BLOCK LETTERS PLEASE)

Postal Orders should be crossed and made payable to Data Publications Ltd.

Overseas customers please pay by International Money Order.

All publications are obtainable from your local bookseller.

Data Publications Ltd., 57 Maida Vale, London W9 1SN

PLEASE MENTION THIS MAGAZINE WHEN WRITING TO ADVERTISERS

COIL DATA III

The Table gives calculated inductance values, in microhenrys, of single-layer air-cored coils having diameters of $\frac{1}{8}$ in. and $\frac{1}{4}$ in. and lengths (l) as shown. Thus, a 25-turn coil of diameter $\frac{1}{4}$ in. and length 1 $\frac{1}{4}$ in. has a calculated inductance of 5.4 μ H.

Turns	Dia. $\frac{1}{8}$ in.				Dia. $\frac{1}{4}$ in.			
	l = $\frac{1}{2}$ in.		l = 1 in.		l = $1\frac{1}{4}$ in.		l = 1 $\frac{1}{2}$ in.	
	l = $\frac{1}{2}$ in.	l = $\frac{1}{4}$ in.	l = 1 in.	l = $\frac{1}{2}$ in.	l = $\frac{1}{2}$ in.	l = $\frac{1}{4}$ in.	l = 1 in.	l = $1\frac{1}{4}$ in.
4	0.27	0.21	0.17	0.34	0.14	0.31	0.22	0.19
6	0.61	0.47	0.38	0.77	0.32	0.69	0.49	0.42
8	1.1	0.83	0.67	1.4	0.57	1.2	0.86	0.75
10	1.7	1.3	1.1	2.1	0.88	1.9	1.4	1.2
12	2.4	1.9	1.5	3.1	1.3	2.8	1.9	1.7
14	3.3	2.5	2.1	4.2	1.7	3.8	2.7	2.3
16	4.3	3.3	2.7	5.5	2.3	4.9	3.5	3.0
18	5.4	4.2	3.4	6.9	2.9	6.2	4.4	3.8
20	6.7	5.2	4.2	8.5	3.5	7.7	5.5	4.7
25	10.0	8.1	6.6	13.0	5.4	12.0	8.5	7.3
30	15.0	11.0	9.5	19.0	8.0	17.0	12.0	11.0
35	21.0	16.0	13.0	26.0	11.0	24.0	17.0	14.0
40	27.0	21.0	17.0	34.0	14.0	31.0	22.0	19.0
50	42.0	32.0	26.0	54.0	22.0	48.0	34.0	29.0

U.K.'s LARGEST ELECTRONICS CENTRES!

HENRY'S RADIO LTD. EDGWARE ROAD, LONDON, W.2.

NOW OPEN!

404-406 ELECTRONIC COMPONENTS & EQUIPMENT 01-402 8381

354-356 HIGH FIDELITY & TAPE EQUIPMENT 01-402 5854/4736

309 PA - DISCO - LIGHTING HIGH POWER SOUND 01-723 6963

303 BARGAIN STORE SPECIAL OFFERS All Mail to: 303, Edgware Rd., London, W2 1BW

ALL YOUR ELECTRONIC REQUIREMENTS WITHIN 200 YARDS. CALL IN AND SEE FOR YOURSELF.



BUILD THE TEXAN 20 + 20 WATT INTEGRATED I.C. STEREO AMPLIFIER



(As featured in 'Practical Wireless' May to August 1972)

FREE TEAK CABINET with complete kits
FEATURES: New slim design with 6 - IC's, IC sockets, 10 silicon transistors, 4 rectifiers, 2 zeners, Special Gardeners low field slim line transformer, Fibreglass PC panel. Complete chassis work.
HIGH QUALITY AND STABILITY ARE PREDOMINANT FEATURES DEVELOPED BY TEXAS ENGINEERS FOR PERFORMANCE, RELIABILITY AND EASE OF CONSTRUCTION.
FACILITIES: On/off switch, indicator, headphone socket, separate treble bass volume and balance controls, scratch and rumble filters, mono/stereo switch, Input selector, Mag. P.U. Radio Tuner, Aux. Can be altered for Mic. Tape. Tape head etc. (Parts list Ref. 20 on request)
 Constructional details Ref. No. 21 30p
 Designed approved kits distributed by Henry's Radio Ltd.

SPECIAL KIT PRICE £28.50 P&P 45p
 Overall chassis size 14 1/2" x 6" x 2" high
 (Complete with FREE TEAK CABINET)

RECORD DECKS CHASSIS

SP25/3	£10.25	H170	£14.50
MP60	£9.95	MP610	£12.95
AP76	£17.95	GL75	£28.50
PLINTH COVERS (State Model)			
SP25/MP60/610	£3.30	(Post 40p)	
AP76	£4.50	(Post 40p)	
CARTY/PLINTH COVER (Post 70p)			
(HL) MP60/6800/PC			£18.50
MP610/SC5MD/TPD2/PC			£19.95
AP76/M756SM/PC			£32.50
AP96/M756SM/PC			£39.95
(HL) AP76/G800/PC			£28.25
(HL) SP25/G800/PC			£18.95
H170/G800/TPD1/PC			£24.50
(HL) 2025/8TAHCD/PC			£13.95
MP60/SC5MD/PC			£17.25
(HL) GL75/G800/PC			£41.95
(HL) GL75/G800/PC			£38.95

ULTRASONIC TRANSCUDERS

Operate at 40Kc/s up to 100 vdc. Ideal remote switching and signalling. Complete with data and circuits.
PRICE PER PAIR £3.50 Post 10p

LOW COST HI-FI SPEAKERS

E.M.I. Size 1 1/2" x 8 1/2" Large Ceramic Magnet



- TYPE 150** 6 watt, 3, 8 or 15 ohms £2.20 Post 22p
- TYPE 150TC** Twin cone version £2.75 Post 22p
- TYPE 450** 10 watt with twin tweeters and crossover, 3, 8 or 15 ohms £3.85 Post 25p
- TYPE 350** 20 watt with tweeter and crossover, 8 and 15 ohms £7.70 Post 28p



POLISHED CABINETS 150, 150TC, 450 £4.60 Post 30p
 ASSEMBLED IN POLISHED CABINETS (8 ohm)
 Series 6 (Assembled 150TC) per pair £16.50 post 70p
 Series 8 (Assembled 450) per pair £18.95 post 70p

TEST EQUIPMENT

- JUST A SELECTION**
- SE250B Pocket Pencil Signal Injector £1.30
 - SE250C Pocket Pencil Signal Tracer £1.50
 - THL33D Rugged 2K Volt £4.55
 - TE15 Grad Dip Meter 440 KHz - 280 mHz £13.45
 - 500 30 K Volt Multimeter £9.25 With leather case £10.50
 - 200H 20K Volt Multimeter £4.20 With Case £4.95
 - AF105 50K Volt Multimeter £8.50 With Case £9.50
 - U4341 AC DC Multimeter with transistor tester with leather case £10.50
 - TE200 R1 Generator 120KHz - 500MHz Car 35p £15.95
 - TE22D Audio Generator 20Hz - 200KHz Car 35p £17.50
 - CI 5 3 Pulse Scope 10kHz - 10MHz Car 50p £39.00
 - TE65 Valve Voltmeter 2B ranges Car 40p £17.50
- ALL NOMBRIX MODELS IN STOCK



POWER INTEGRATED CIRCUITS

Plenary SL03D 3 watt with 8 page data layouts and circuits £1.50 P.C. Board 60p
 Mini Sim 14p
 Sinclair IC12 6 watt with data and circuits £1.80
 TH9013P - 20 watt Power Amp Module £4.57
 TH9014P - IC Preamp £1.50
 Data Circuits for above No. 42 10p

MARRIOTT TAPE HEADS 4 TRACK MONO or 2 TRACK STEREO

17" High Impedance	£2.00
18" Med Impedance	£2.00
36" Med Low Imp	£3.50
Erase Heads for above	75p
63" 2 track mono - Hi Imp	£1.75
43" Erase Head for above	75p

7 SEG & NIXIE TUBES

(Post 15p per 1 to 6)
 XN3 XN13 GN40 9 Side view with data 85p
 GNP 7 GNP 9 9 Side view with decimal points and data 95p
 2015F 7 segment £2 each £7 per 4 with data
 12 and 24 hour clock circuits for above Ref. No. 31 15p

MINIATURE AMPLIFIER

5 transistor 300mW o/p Fitted volume and sensitivity control 9 volt operated
£1.75 each P/P 15p

QUALITY SLIDER CONTROLS

60mm stroke singles and ganged. Compliant with Knobs 5K, 10K, 25K, 100K, 250K, 500K 1 meg. Log and Lin. 45p each. 10K, 25K, 50K, 100K, 250K Log and Lin. ganged 75p each

HI-FI & TAPE EQUIPMENT

Acknowledged as UK's largest stockists with lowest prices plus 12 months guarantee. Write or call for FREE 16 page lists (Ref 17)

TRANSISTORS IC's RECTIFIERS SCR's TRIACS etc. LATEST BROCHURE Ref. No 36 on request



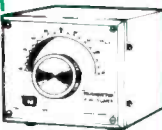
NEW MW/LW TUNER TO BUILD ML-3

Uses Mullard Module Slow motion tuning Built in battery Ferrite aerial Overall size 7" x 2 1/2" x 3 1/2"
TOTAL COST TO BUILD £4.85 Post 15p All parts sold separately Leaflet No 6

BUILD THIS VHF FM TUNER

5 TRANSISTORS 300 kc/s BAND WIDTH. PRINTED CIRCUIT. HIGH FIDELITY REPRODUCTION. MONO AND STEREO.

A popular VHF FM Tuner for quality and reception of mono and stereo. There is no doubt about it—VHF FM gives the REAL sound. All parts sold separately. Free Leaflet No. 3 & 4
TOTAL £6.97, p.p. 20p. Decoder Kit £5.97.
 Tuning meter unit £1.75.



Seams unit (optional) Model PS900 £2.47. Post 20p.
 Mains unit for Tuner and Decoder PS1200 £2.62. Post 20p.

"BANDSPREAD" PORTABLE TO BUILD



Printed circuit set transistor design using Mullard RF IF Middle, Medium and Long Wave bands plus Medium Wave Bandspread for extra sensitivity. Also slow motion geared tuning, battery push pull output, fibre glass P.C.C. covered cabinet, aerial socket. Attractive appearance and performance. **TOTAL COST TO BUILD £7.98** p.p. 15p. Battery 22p.
 All parts sold separately. Leaflet No 6

PA-DISCO-LIGHTING

UK's Largest Range - Write phone or call in Details and demonstrations on request.
 DJ30L 3 Ch. line sound to light unit 3Kw
 DJ30L 3 Ch. line Mic (bottom) to light 3 Kw
 DJ70S 70 watt Disco amp mixer
 DISCOAMP 100 watt Disco amp/mixer
 DJ105S 30 watt Disco amp/mixer
 Anti Feedback Quality Mic
 DJ500 50 watt P.A. Amp
 DJ300 160 watt/mixer Group Valve Amp
 ● Portable Discos - Details on request
 ● Credit terms for callers



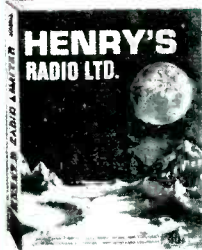
£29.75 FIBRE OPTICS LIGHTING
 £38.75 EFFECTS MICS
 £49.95 PROJECTORS
 £32.75 SPOTS SPEAKERS
 £11.50 DIMMERS
 £56.25 MIXERS STANDS
 £99.50 Everything for PA Discos Lighting
 FREE Stock List Ref. No 18

SINCLAIR PROJECT 60 MODULES

— SAVE POUNDS

Z30 £3.57 Z50 £4.37
 STEREO 60 £7.97 PZ5 £3.97
 PZ6 £6.37 PZ8 £4.77
 Transformer for PZ8 £2.95
 Active Filter Unit £4.45
 Stereo FM Tuner £16.95
 IC12 £1.80 IC16 £1.80
 Post etc. 20p per item

PACKAGE DEALS Post 25p
 2 x Z30 Stereo 60 PZ5 £15.95
 2 x Z30 Stereo 60 PZ6 £18.00
 2 x Z50 Stereo 60 PZ8 £20.25
 Transformer for PZ8 £2.95
 PROJECT 605 KIT £19.95



CATALOGUE

Fully detailed and illustrated covering every aspect of Electronics - plus data, circuits and information

10,000 Stock Items at Special Low Prices and Fully Guaranteed.
PRICE 55p Post Paid (40p for CALLERS)
PLUS FIVE 10p VOUCHERS

Send to this address - Henry's Radio Ltd (Dept RC), 3 Albemarle Way London EC1 - for catalogue by post only. All other mail and callers to 303 see above.

MORE OF EVERYTHING AT LOW PRICES ALWAYS FROM HENRY'S

All the parts you need plus Data and Circuits Get a Catalogue - it's all in there!
 Prices subject to change without notice E 80 E

309-354-356-404-406 Open 6 days a week 9am - 6pm (303 closed Thurs.) All Stores open all day Saturday

H MORE OF EVERYTHING AT THE RIGHT PRICE ALWAYS AT HENRY'S H