

THE RADIO CONSTRUCTOR

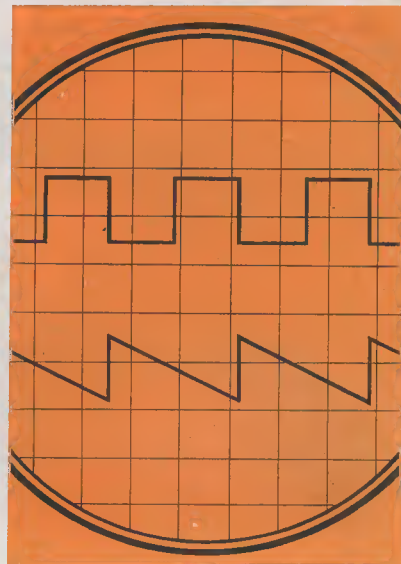
Vol. 22 No. 4

NOVEMBER 1968
3/-

RADIO · TELEVISION · ELECTRONICS · AUDIO

A DATA PUBLICATION

OSCILLOSCOPE TRACE DOUBLER



This 6 transistor unit will give trace doubling for input waveforms up to 2 Mc/s or more

Also featured

Low - Value
Capacitance Bridge ★

Inexpensive
Intercom System ★

Linear I. C.
Voltage Regulator

Scottish Insurance Corporation Ltd

66-67 CORNHILL · LONDON · EC3



*TELEVISION
SETS,
RECEIVERS
AND
TRANSMITTERS*

Television Sets, Receivers and Short Wave Transmitters are expensive to acquire and you no doubt highly prize your installation. Apart from the value of your Set, you might be held responsible should injury be caused by a fault in the Set, or injury or damage by your Aerial collapsing.

A "Scottish" special policy for Television Sets, Receivers and Short Wave Transmitters provides the following cover:

- (a) Loss or damage to installation (including in the case of Television Sets the Cathode Ray Tube) by Fire, Explosion, Lightning, Theft or Accidental External Means at any private dwelling-house.
- (b) (i) Legal Liability for bodily injury to Third Parties or damage to their property arising out of the breakage or collapse of the Aerial Fittings or Mast, or through any defect in the Set. Indemnity £10,000 any one accident.
- (ii) Damage to your property or that of your landlord arising out of the breakage or collapse of the Aerial Fittings or Mast, but not exceeding £500.

Why not BE PRUDENT AND INSURE your installation—it is well worthwhile AT THE VERY LOW COST INVOLVED. If you write to the Corporation's Office a proposal will be submitted for completion.

Write for full details, quoting reference 5304, to:—

THE MANAGER
SCOTTISH INSURANCE CORPORATION LTD.,
66-67 CORNHILL, LONDON E.C.3

BI-PAK SEMICONDUCTORS

500 Chesham House
150 Regent Street
London W.1.

KING OF THE PAKS SATISFACTION GUARANTEED
SUPER PAKS—BRAND NEW
Untested Semiconductors

QUALITY-TESTED VALUE PAKS ★ BARGAINS

2 Drift Trans. 2N1225 Germ. PNP 100 Mc/s ... 10/-	4 Silicon Rects. 100 PIV 750mA ... 10/-
6 Matched Trans. OC44/45/81/81D ... 10/-	3 AF17 Trans. Mullard Type ... 10/-
16 Red Spot AF Trans. PNP ... 10/-	3 OC171 Trans. Mullard Type ... 10/-
16 White Spot RF Trans. PNP ... 10/-	3 2N2926 Sil. Epoxy Trans. ... 10/-
5 Silicon Rects. 3 A 100-400 PIV ... 10/-	7 OC71 Type Trans. ... 10/-
2 10 A Silicon Rects. 100 PIV ... 10/-	25 Trans. Heatsinks fit TO18, TO18 ... 10/-
2 OC140 Trans. NPN Switching ... 10/-	2 25701 Sil. Trans. Texas ... 10/-
1 12 A SCR 100 PIV ... 10/-	3 12 Volt Zeners 400mW ... 10/-
3 Sil. Trans. 2S303 PNP ... 10/-	2 10 A 600 PIV Sil. Rects. IS425R ... 10/-
4 Zener Diodes 250mW 3-12V ... 10/-	3 BC108 Sil. NPN High Gain Trans. ... 15/-
3 200 Mc/s Sil. Trans. NPN BSY26/27 ... 10/-	1 2N910 NPN Sil. Trans. VCB100 ... 15/-
3 Zener Diodes 400mW 33V 5% Tol. ... 10/-	80 Mc/s ... 15/-
4 High Current Trans. OC42 Eqvt. ... 10/-	2 1000 PIV Sil. Rect. 1.5 A RS310 AF ... 15/-
2 Power Transistors 1 OC26 1 OC35 ... 10/-	3 BSY95A Sil. Trans. NPN 200 Mc/s ... 15/-
5 Silicon Rects. 400 PIV 250mA ... 10/-	3 OC200 Sil. Trans. Mullard ... 15/-
4 OC75 Transistors Mullard Type ... 10/-	2 Sil. Power Rects. BY213 ... 15/-
1 Power Trans. OC20 100V. ... 10/-	1 Sil. Power Trans. NPN100 Mc/s ... 15/-
4 OA202 Sil. Diodes Sub-min. ... 10/-	TK201A ... 15/-
2 Low Noise Trans. NPN 2N929/30 ... 10/-	6 Zener Diodes 3-15V Sub-min. ... 15/-
1 Sil. Trans. NPN VCB 100 ZT86 ... 10/-	1 2N1132 PNP Epitaxial Planar Sil. ... 15/-
8 OA81 Diodes ... 10/-	3 2N697 Epitaxial Planar Trans. Sil. ... 15/-
4 OC72 Transistors Mullard Type ... 10/-	4 Germ. Power Trans. Eqvt. OC16 ... 15/-
4 OC77 Transistors Mullard Type ... 10/-	Mullard ... 15/-
5 Metal Alloy Transistors Mat. Type ... 10/-	1 Unijunction Trans. 2N2646 ... 15/-
4 Sil. Rects. 400 PIV 500mA ... 10/-	2 Sil. Trans. 200 Mc/s 60Vcb ZT83/84 ... 15/-
5 GET884 Trans. Eqvt. OC44 ... 10/-	1 Sil. Planar Trans. NPN 100 Mc/s ... 15/-
5 GET883 Trans. Eqvt. OC45 ... 10/-	BSY25 ... 15/-
2 2N708 Sil. Trans. 300 Mc/s NPN ... 10/-	1 Tunnel Diode IN3720 (TD5) G.E. ... 15/-
5 GT41/45 Germ. Trans. PNP Eqvt. ... 10/-	1 Unijunction Trans. 2N2160 TO-5 ... 15/-
OC71 ... 10/-	can G.E. ... 15/-
3 GT31 LF Low Noise Germ. Trans. ... 10/-	2 Sil. Rects. 5 A 400 PIV Stud Type ... 15/-
PNP ... 10/-	2 Germ. Power Trans. OC28/29 ... 15/-
6 IN914 Sil. Diodes 75 PIV 75mA ... 10/-	1 10 A Sil. Stud Rect. 800 PIV ... 15/-
8 OA95 Germ. Diodes Sub-min. ... 10/-	+ Tunnel-Diode AEY11 1050 Mc/s ... 15/-
3 NPN Germ. Trans. NKT773 Eqvt. ... 10/-	STC ... 15/-
AC130 ... 10/-	2 2N2712 Sil. Epoxy Planar HFE225 ... 15/-
2 OC22 Power Trans. Germ. ... 10/-	max. ... 15/-
2 OC25 Power Trans. Germ. ... 10/-	6 BY 100 Type Sil. Rects. ... 20/-
2 OC73 Mullard Trans. ... 10/-	25 Sil and Germ. Trans. Mixed, all ... 30/-
4 AC128 Trans. PNP High Gain ... 10/-	marked New ... 30/-
2 AC127/128 Comp. pair PNP/NPN ... 10/-	10 New Power Trans. GEC replaces ... 30/-
3 2N1307 PNP Switching Trans. ... 10/-	OC16/26/28 ... 30/-
7 CG62H Germ. Diodes Eqvt. OA71 ... 10/-	4 OA10 Diodes Mullard ... 10/-
3 AF116 Mullard Type Trans. ... 10/-	
12 Assorted Germ. Diodes Marked ... 10/-	
4 AC126 Germ. PNP Trans. ... 10/-	
1 ORP61 Photo-conductive cell ... 10/-	

UNIUNION

UT46, Eqvt. 2N2646.
Eqvt. T1543, BEN3000
7/6 EACH

SIL. RECTS TESTED

PIV 750mA 3A 10A 30A				
50 2/-	3/-	4/6	9/6	
100 2/3	3/6	6/-	15/-	
200 2/6	4/6	6/6	20/-	
300 3/-	4/9	8/-	22/-	
400 3/6	6/-	9/-	25/-	
500 4/-	6/6	9/6	30/-	
600 4/3	7/-	10/-	37/-	
800 4/9	8/-	15/-	40/-	
1000 6/-	10/-	17/6	50/-	

SCR's

LOWEST PRICE LARGEST RANGE

PIV 1AMP 7A 16A 30A			
25	7/6	30/-	
50	7/6	8/6	10/6 35/-
100	8/6	10/-	15/- 45/-
200	12/6	15/-	25/- 55/-
300	15/-	20/-	35/-
400	17/6	25/-	35/- 80/-
500	30/-	40/-	45/- 95/-
600	35/-	40/-	50/-

CADMIUM CELLS

ORP12, ORP60 8/6 each

PRINTED CIRCUITS

Ex-Computer Packed with semi-conductors and components. 10 boards give a guaranteed 30 trans. and 30 diodes. Our price 10 boards 10/- plus 2/- p.p.

INTEGRATED CIRCUITS
Epoxy TO5 8 lead

µL 900 Buffer	11/-
µL 914 Dual Gate	11/-
µL 923 J-K Flip Flop	14/-
IC circuits data, etc 1/6	
Mullard TAA263	
Lin Amp	21/-
TAA243	70/-
TAA293	26/-

FREE One 10/- Pack of your own choice free with orders valued 4/- or over.

TESTED DEVICES

AC125	2/3	NKT78	5/6
AC176	5/6	OC44	1/9
AFZ19	10/-	OC45	1/9
AFZ12	10/-	ST140	3/-
BC107	5/-	ST141	4/-
BC108	5/-	2N696	4/6
BC109	5/-	2N697	5/-
BCY33	5/-	2N1090	4/9
BCY34	6/-	2N1306	4/-
BCZ10	5/-	2N2147	15/-
BCZ11	6/-	2N2894	15/-
BFY50	7/6	2N3819	8/-
BFY51	7/6	2N3820	25/-
BFY52	7/6	25302	5/-
MAT100	3/-	25303	4/-
MAT120	3/6	25304	6/-
NKT773	4/-	2S017	30/-

TRANSISTOR MANUAL BY G.E. INC.
CIRCUITS, APPLICATIONS, CHARACTERISTICS, L.A.S.C.R.'s THEORY. G.T. SWITCHES, 30/- THEORY RATINGS, P.P. 2/6 APPLICATIONS
647 PAGES EACH
S.C.R. MANUAL BY G.E.

TRANSISTOR EQUIVALENT BOOK
52 pages of Cross References for transistors and diodes, types include British, European, American and Japanese. Specially imported by BI-PAK 10/- each.

OCP71
8/6
EACH

IMPORTANT NOTICE
OUR ADVERTISED STOCK BY BI-PAK SEMICONDUCTORS

WE HAVE NOT CHANGED OUR NAME OR AMALGAMATED WITH ANY OTHER PAK FIRM. YOU CAN ONLY OBTAIN SENDING TO: C.W.O. please add 1/- p. & p. Min. Order 10/-
500 CHESHAM HOUSE, 150 REGENT STREET, LONDON, W.1.

PAK NO.		
U1	120 Glass Sub-min General Purpose Germanium Diodes	10/-
U2	60 Mixed Germanium Transistors AF17F	10/-
U3	75 Germanium Gold Bonded Diodes Sub-min Sim. OA5, OA47	10/-
U4	40 Germanium Transistors like OC81, AC128	10/-
U5	60 200mA Sub-min Sil. Diodes	10/-
U6	40 Silicon Planar Transistors NPN Sim. BSY95A, 2N706	10/-
U7	16 Silicon Rectifiers Top-Hat 750mA Vltg. Range 0-1000	10/-
U8	50 Silicon Planar Diodes DO-7 Glass 250mA Sim. OA200/202	10/-
U9	20 Mixed Volts 1 Watt Zener Diodes	10/-
U10	30 3AY50 charge storage Diodes DO-7 Glass	10/-
U11	30 PNP Silicon Planar Transistors TO-5 Sim. 2N1132	10/-
U12	12 Silicon Rectifiers Epoxy 500mA up to 800 PIV	10/-
U13	30 PNP-NPN Sil. Transistors OC200 & 2S104	10/-
U14	150 Mixed Silicon and Germanium Diodes	10/-
U15	30 NPN Silicon Planar Transistors TO-5 Sim. BFY50, 2N697	10/-
U16	10 3 Amp Silicon Rectifiers Stud Type up to 1000 PIV	10/-
U17	30 Germanium PNP AF Transistors TO-5 like ACY17-22	10/-
U18	8 6 Amp Silicon Rectifiers BYZ13 Type up to 600 PIV	10/-
U19	30 Silicon NPN Transistors like BC108	10/-
U20	12 1.5 Amp Silicon Rectifiers Top Hat up to 1000 PIV	10/-
U21	30 AF, Germanium Alloy Transistors 2G300 Series & OC71	10/-
U22	10 1 Amp Glass Min. Silicon Rectifiers High Volts	10/-
U23	30 MAT's like MAT Series PNP Transistors	10/-
U24	20 Germanium 1 Amp Rectifiers GJM Series up to 300 PIV	10/-
U25	25 300 Mc/s NPN Silicon Transistors 2N708, BSY27	10/-
U26	30 Fast Switching Silicon Diodes like IN914 Micro-Min	10/-
U27	12 NPN Germanium AF Transistors TO-1 like AC217	10/-
U28	Experimenters Assortment of Integrated Circuits, Untested, Consisting of Gates, Flip-Flops, Buffers, Registers, etc in Flat-Pack & Dual-in-Line, 8 Assorted Pieces	20/-

Code No.'s mentioned above are given as a guide to the type of device in the Pak. The devices themselves are normally unmarked.

THE RADIO CONSTRUCTOR

ANNUAL SUBSCRIPTIONS to this magazine

may be obtained direct from the publishers

or through your newsagent

ONLY 42/- per year, post free

Please send remittance with name and address and commencing issue required to:

DATA PUBLICATIONS LTD 57 MAIDA VALE LONDON W9

NEW! PORTABLE SOLID-STATE VOM
A thousand and one uses . . . plus lowest cost
1M-17 Kit £13.12.0 pp.6/-



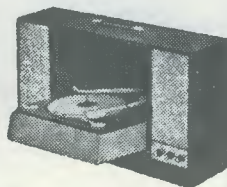
Solid state circuitry FET input. 4 Silicon transistor, 1 diode. 4 A.C. voltage ranges. 4 d.c. voltage ranges. 4 ohm ranges. 11M ohm input d.c. 1M ohm input on a.c. 4½ in. 200µA meter. Battery powered. Rugged Polypropylene case, self cover and handle. Space for storage of test leads. Easy circuit board construction.

Just right for the householder, hobbyist, boaters, model builders. Amateur radio den and TV service engineer.

LATEST! PORTABLE STEREO RECORD PLAYER, SRP-1

Kit £28.6.0 incl. P.T. p.p. 10/6

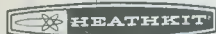
Ready-to-Use £35.4.0 incl. P.T. p.p. 10/6



Automatic playing of 16, 33, 45 and 78 rpm records. All transistor—cool instant operation. Dual LP/78 stylus. Plays mono or stereo records. Suitcase portability. Detachable speaker enclosure for best stereo effect. Two 8in x 5in. special loudspeakers. For 220-250V a.c. mains operation. Overall cabinet size 15½ x 3½ x 10½in.

Compact, economical stereo and mono record playing for the whole Family—plays anything from the Beatles to Bartok. All solid-state circuitry gives room filling volume.

ENJOY YOURSELF AND SAVE MONEY
HEATHKIT for Britain's Best in Electronic kits



INSTRUMENTS

3" LOW-PRICED SERVICE OSCILLOSCOPE. Model OS-2. Compact size 5" x 7½" x 12" deep. Wt. only 9½lb. "Y" bandwidth 2Hz-3MHz ±3dB. Sensitivity 100mV/cm. T/B 20Hz-200kHz in four ranges, fitted mu-metal CRT Shield. Modern functional styling.

Kit £24.18.0 Ready-to-Use £32.18.0 p.p. 9/-

5" GEN-PURPOSE OSCILLOSCOPE. Model 10-12U. An outstanding model with professional specification and styling. "Y" bandwidth 3Hz-4.5 MHz ±3dB. T/B 10 Hz-500 kHz.

Kit £36.18.0 Ready-to-Use £46.16.0 p.p. 10/6

DE LUXE LARGE-SCALE VALVE VOLT-METER. Model IM-13U. Circuit and specification based on the well-known model V-7A but with many worth-while refinements. 6" Ernest Turner meter. Unique gimbal bracket allows operation of instrument in many positions. Modern styling.

Kit £22.8.0 Ready-to-Use £29.10.0 p.p. 7/6

AUDIO SIGNAL GENERATOR. Model AG-9U. 10 Hz to 100 kHz, switch selected. Distortion less than 0.1%, 10V sine wave output metered in volts and dB's.

Kit £28.0.0 Ready-to-Use £36.0.0 p.p. 7/6

VALVE VOLTMETER. Model V-7AU. 7 voltage ranges d.c. volts to 1,500. A.c. to 1,500 r.m.s. and 4,000 peak to peak. Resistance 0.1Ω to 1,000MΩ with internal battery. D.c. input resistance 11MΩ. dB measurement, has centre-zero scale. Complete with test prods, leads and standardising battery. Kit £14.16.0 Ready-to-Use £19.18.0 p.p. 4/6

MULTIMETER. Model MM-1U. Ranges 0-1.5V to 1,500V a.c. and d.c.; 150µA to 15A d.c.; 0.2Ω to 20MΩ. 4½" 50µA meter.

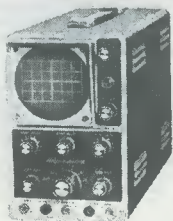
Kit £12.18.0 Ready-to-Use £18.12.0 p.p. 4/6

R.F. SIGNAL GENERATOR Model RF-1U. Up to 100 MHz fundamental and 200 MHz on harmonics. Up to 100mV output.

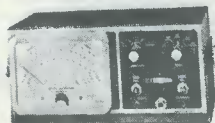
Kit £13.18.0 Rdy-to-Use £20.8.0 p.p. 6/-

SINE/SQUARE GENERATOR Model IG-82U. Freq. range 20 Hz-1 MHz in 5 bands less than 0.5% sine wave dist. less than 0.15µ sec. sq. wave rise time.

Kit £25.16.0 Rdy-to-Use £37.16.0 p.p. 10/6



OS-2



IM-13U



V-7A



RF-1U

Complete your motoring pleasure with this outstanding CAR RADIO, Model CR-1



pp. 4/6 8" x 5"

Will give you superb LW and MW entertainment wherever you drive. Tastefully styled to harmonise with any car colour scheme. Available for your convenience in two separate parts, RF Amp. Kit £11.15.0 incl. P.T. IF/AF Amp. Kit £11.3.6.

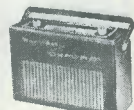
Total Price Kit (inc. Loudspeaker) £14.12.0 incl. P.T.

TRANSISTOR RADIOS

OXFORD LUXURY PORTABLE. Model UXR-2. Specially designed for use as a domestic or personal portable receiver. Covers L. and M. Wave bands. 7 transistor, 3 diode, circuit. 7" x 4" loudspeaker for big set sound. Heathkit now offer choice of Brown or Black real leather case. Excellent value at only Kit £15.10.0 inc. P.T. p.p. 6/-

TRANSISTOR PORTABLE, Model UXR-1. Now available in modern colours or real leather case. 6 Transistor, 1 diode circuit for reliability. Pre-aligned I.F. transformers. Covers L.W. and M. Wave bands. 7" x 4" loudspeaker for generous sound. Case available in colours Navy Blue, Coral Pink, Lime Green or Brown Real Leather. Please state second choice. Kit £12.8.0 Colour incl. P.T. p.p. 4/6.

Kit £13.8.0 Real leather incl. P.T. p.p. 4/6.



UXR-2



UXR-1

STEREO TRANSISTOR FM TUNER

(Mono version also available)

14 transistor, 5 diode circuit. Tuning range 88-108 MHz. Designed to match the AA-22U Amplifier. Available in separate units, can be built for a total price.

TFM-IS Kit (Stereo) £27.10.0 incl. P.T. p.p. 6/-



FM Tuner

Cabinet extra £3.16.0

SEE HOW EASY-IT-IS TO BUILD ANY HEATHKIT MODEL YOURSELF

Full details of manual only purchase scheme in latest catalogue. Remember all Heathkit models are fully guaranteed.

VISIT THE HEATHKIT CENTRES

GLOUCESTER Bristol Road Tel. 29451

LONDON 233 Tottenham Ct. Rd. Tel. 01-636 7349

BIRMINGHAM 17-18 St. Martin Hse, Bull Ring Tel. 021-643 4386

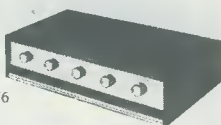
LATEST! STEREO AMPLIFIER, TSA-12

12 × 12 watts output.

Kit **£32.16.0** less cabinet p.p. 10/6

Cabinet **£3.16.0** extra

Ready-to-Use **£39.10.0** less cabinet p.p. 10/6



FOR THIS SPECIFICATION

- 17 transistors, 6 diode circuit • ± 1 dB, 16 to 50,000 Hz at 12 watts per channel into 8 ohms • Output suitable for 8 or 15 ohm loudspeakers • 3 stereo inputs for Gram, Radio and Aux. • Modern low silhouette styling • Attractive aluminium, golden anodised front panel • Handsome assembled and finished walnut veneered cabinet available • Matches Heathkit models TFM-1 and AFM-2 transistor tuners.

Full range power . . . over extremely wide frequency range. Special transformerless output circuitry. Adequately heat-sinked power transistors for cool operation—long life. 6 position source switch.

FULL SPECIFICATION SHEET AVAILABLE

LATEST! STEREO TAPE RECORDER, STR-1

Fully portable—own speakers

Kit **£58.0.0** incl. P.T. p.p. 10/6

Ready-to-Use **£72.0.0** incl. P.T. p.p. 10/6



FOR THIS SPECIFICATION

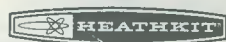
- $\frac{1}{4}$ track stereo or mono record and playback at $\frac{7}{8}$, $3\frac{1}{2}$ and $1\frac{1}{2}$ ips • Sound on-sound and sound-with-sound capabilities • Stereo record, stereo playback mono record and playback on either channel • 18 transistor circuit for cool, instant and dependable operation
- Moving coil record level indicator • Digital counter with thumbwheel zero reset • Stereo microphone and auxiliary inputs and controls, speaker/headphone and external amplifier outputs . . . front panel mounted for easy access • Push button controls for operational modes • Built-in stereo power amplifier giving 4 watts rms per channel • Two high efficiency $8\frac{1}{2} \times 5\frac{1}{2}$ speakers • Operate on 230V a.c. supply.

Versatile recording facilities. So easy to build—so easy to use.

FULL SPECIFICATION SHEET AVAILABLE

WORLD LEADER IN QUALITY KITSETS

The instruction manual shows you how to build the model.



SHORTWAVE 4 BAND RECEIVER, GR-64

Offers you the exciting world of Shortwave

Covers 550 kHz to 30 MHz incl. broadcast plus 3 SW bands. 4 valve superhet circuit plus 2 silicon rectifiers. Own 5" speaker. Illuminated 7" slide-rule dial with logging scale. Signal strength indicator.



Variable BFO control. Built in AM rod antenna. Circuit Board construction. Headphone jack. Attractive charcoal grey cabinet with black dial panel with green/white markings. Assemble in a few hours. Hear live broadcasts from around the Globe.

Kit **£22.8.0** pp 9/- Ready to use **£29.8.0** pp 9/-

"AMATEUR" EQUIPMENT

THE "MOHICAN" GENERAL COVERAGE RECEIVER, Model GC-1U. With 4 piezo-electric transistors, variable tuned B.F.O. and Zener diode stabiliser, this is an excellent fully transistorised general purpose receiver for Amateur and Short wave listeners. Printed circuits, telescopic aerial, tuning meter and large slide-rule dial. Kit **£38.8.0** Ready-to-Use **£46.8.0** p.p. 10/6



GC-1U

AMATEUR BANDS RECEIVER, Model RA-1. To cover all the Amateur Bands from 160-10 metres. Many special features, including: half-lattice crystal filter; 8 valves; signal strength "S" meter; tuned R.F. Amp. stage. Kit **£39.16.0** Ready-to-Use **£53.0.0** p.p. 9/-

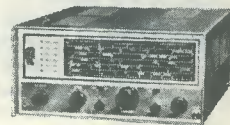


RA-1

160-10M TRANSMITTER, Model DX-100U. Careful design has achieved high performance and stability. Completely self-contained. Kit **£95.0.0** Ready-to-Use **£120.0.0** p.p. 19/6

COMMUNICATIONS TYPE RECEIVER, Model RG-1. A high performance, low cost receiver for the discriminating listener. Frequency coverage: 600 kHz 1.5 MHz and 1.7 MHz-32 MHz.

Kit **£39.16.0** Ready-to-Use **£53.0.0** pp. 9/-



RG-1

SPEAKER SYSTEMS

HI-FI SPEAKER SYSTEM, Model SSU-1
Ducted-port bass reflex cabinet in the white: Two speakers, vertical or horizontal models with legs, Kit **£13.4.0** p.p. 7/6 without legs.

Set of 4 legs 7" or 15" (Please state length required) 16/-, pp. 4/6.

AVON MINI SPEAKER SYSTEM

$6\frac{1}{2}$ " Bass, $3\frac{1}{4}$ " Treble speakers and crossover unit. Kit **£6.0.0**, incl. P.T. Beautiful Walnut veneered fully-finished cabinet, **£9.8.0** Total price Kit **£15.8.0** incl. P.T. p.p. 10/6 Ready to use pp. 10/6



SSU-1



FREE! NEW CATALOGUE

Describes these and many more kits and ready-to-use models for Stereo/Hi-Fi, Domestic Radio, Record Players, Tape Recorder, Amateur Radio, Shortwave, Test, Educational, Home and Hobby. Save money with Heathkit models. Mail coupon or write to Daystrom Ltd., Gloucester. Tel: 29451.

DAYSTROM LTD., Dept. RC-11
GLOUCESTER Tel. 29451

Enclosed is £ _____, plus packing and carriage.

Please send model (s) _____

Please send FREE Heathkit Catalogue.

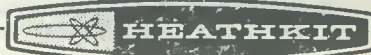
Name _____

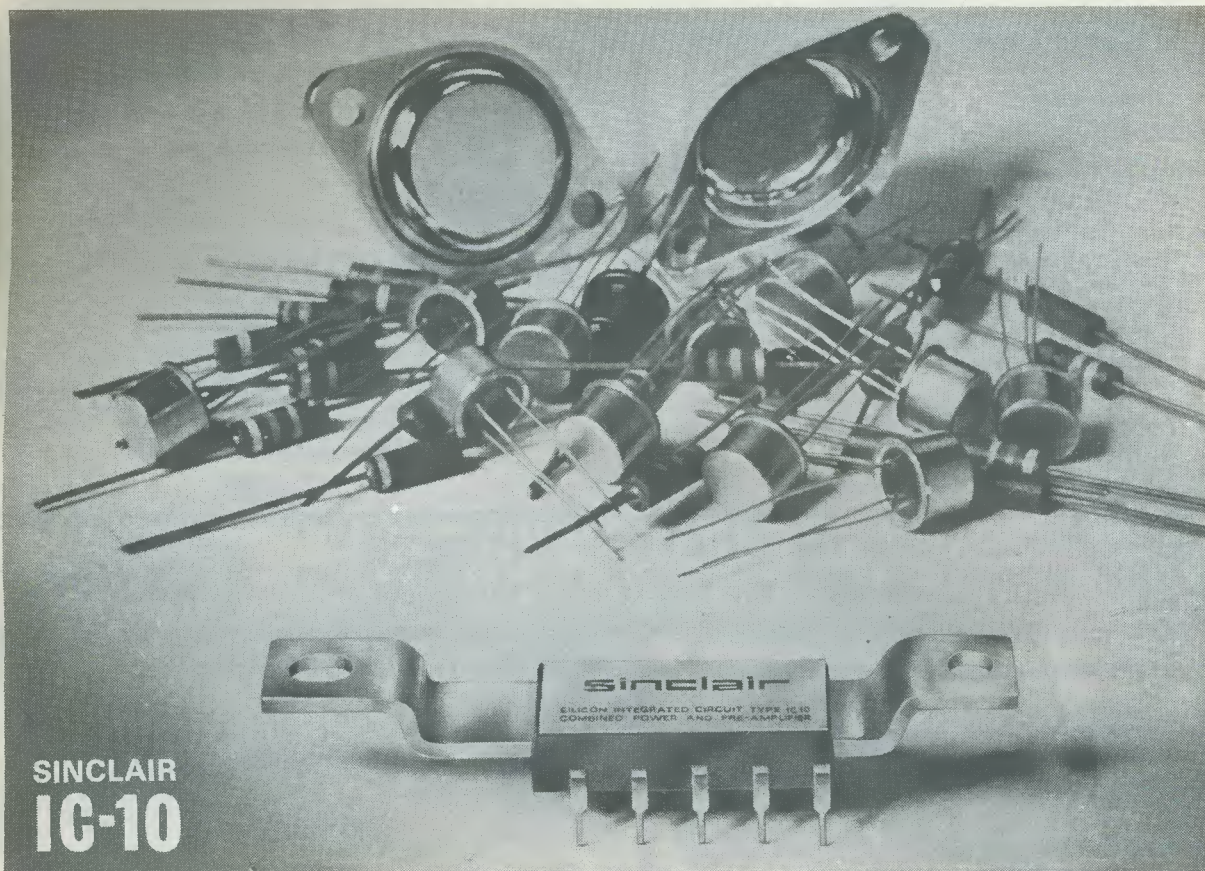
(Please Print)

Address _____

City _____

Prices and specifications subject to change without notice.





the world's most advanced high-fidelity amplifier

The Sinclair IC-10 is the World's first monolithic integrated circuit high fidelity power amplifier and pre-amplifier. The circuit itself, which has an output power of 10 Watts, is a chip of silicon only a twentieth of an inch square by one hundredth of an inch thick. This tiny chip contains 13 transistors (including two power types), 2 diodes, 1 zener diode and 18 resistors, all of which are formed simultaneously in the silicon by a series of diffusions. The chip is encapsulated in a solid plastic package which holds the metal heat sink and connecting pins.

Monolithic I.C.'s. were originally developed for use in computer and space applications where their extraordinary toughness and reliability were even more important than their minute size. These same advantages make them ideal for linear applications such as audio amplifiers, but hitherto they have been confined to low power applications. The IC-10 thus represents a very exciting advance. Not only is it far more rugged and reliable than any previous amplifier, it also has considerable performance advantages. The most

important are complete freedom from thermal runaway due to the close thermal coupling between the output transistors and the bias diodes and very low level of distortion.

The IC-10 is primarily intended as a full performance high fidelity power and pre-amplifier, for which application it only requires the addition of the usual tone and volume controls and a battery or mains power supply. However, the IC-10 is so designed that it may be used simply in many other applications including car radios, electronic organs, servo amplifiers (it is d.c. coupled throughout) etc.

The photographic masks required for producing monolithic I.C.'s. are expensive but once made, the circuits can be produced with complete uniformity and at very low cost. So we are able to sell the IC-10 at a price far below that of the components for a conventional amplifier of comparable power. At the same time, we give a 5 year unconditional guarantee on each IC-10 knowing that every unit will work as perfectly as the original and do so for a lifetime.

sinclair

SINCLAIR RADIONICS LTD, 22 Newmarket Rd. Cambridge. Tel: OCA3-52996

10 WATT MONOLITHIC INTEGRATED CIRCUIT AMPLIFIER

■ Specifications

Power Output 10 Watts peak, 5 Watts R.M.S. continuous
 Frequency response 5 Hz to 100 KHz ± 1 dB
 Total harmonic distortion Less than 1% at full output
 Load impedance 3 to 15 ohms
 Power gain 110dB (100,000,000,000 times) total
 Supply voltage 8 to 18 volts
 Size 1 x 0.4 x 0.2 inches
 Sensitivity 5 mV
 Input impedance Adjustable externally up to 2.5 M ohms for above sensitivity

■ Circuit Description

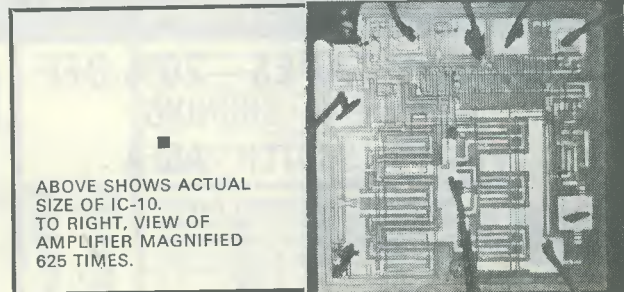
The circuit diagram of the IC-10 is shown on the right. The first three transistors are used in the pre-amp and the remaining 10 in the power amplifier. The output stage operates in class AB with closely controlled quiescent current which is independent of temperature. A high level of overall negative feedback is used round both sections and the amplifier is completely free from cross-over distortion at all supply voltages. Thus battery operation is eminently satisfactory.

■ Construction

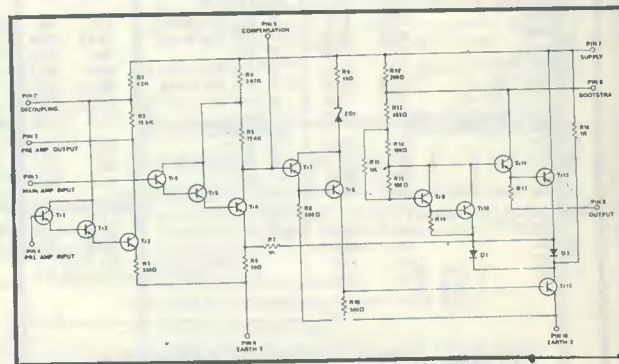
The monolithic I.C. chip is bonded onto a gold plated area on the heat sink bar which runs through the package. Wires are then welded between the I.C. and the tops of the pins which are also gold plated in this region. Finally the complete assembly is encapsulated in solid plastic which completely protects the circuit. The final device is so rugged that it can be dropped thirty feet on to concrete without any effect on performance. The circuit will also work perfectly at all temperatures from well below zero to above the boiling point of water.

■ Other Sinclair Products

Micromatic—the world's smallest personal radio. Kit, complete 49/6: Built and tested 59/6. Q.14 low priced hi-fi speaker, 8 ohms/14 watts loading £7 19s. 6d. PZ.4 stabilised power pack, giving 18 V.d.c. at 1.5A, 99/6.



ABOVE SHOWS ACTUAL SIZE OF IC-10. TO RIGHT, VIEW OF AMPLIFIER MAGNIFIED 625 TIMES.



■ Applications

Each IC-10 is sold with a very comprehensive manual giving circuit and wiring diagrams for a large number of applications in addition to high fidelity uses. These include public address, loud-hailers, use in cars, inter-com, stabilised power supplies, electronic organs, oscillators, volt meters, tape recorders, solar cell amplifier, radio receivers.

The transistors in the IC-10 have cut off frequencies greater than 500 MHz so the pre-amp section can be used as an R.F. or I.F. amplifier making it possible to build complete radio receivers without any additional transistors.

SINCLAIR IC-10

The complete IC-10 with the manual and 5 year guarantee costs just

59%

Post free

SINCLAIR GUARANTEE

Should you not be completely satisfied with your purchase when you receive it from us, your money will be refunded in full at once and without question. Full service facilities available to all purchasers.

SINCLAIR RADIONICS LIMITED

22 NEWMARKET ROAD,
CAMBRIDGE
Telephone OCA3-52731

To: **SINCLAIR RADIONICS LIMITED, 22 NEWMARKET ROAD, CAMBRIDGE.**
Please send **POST FREE**

NAME

ADDRESS

For which I enclose cash/cheque/money order.

RC-1168

IMMEDIATE DELIVERY!

K. J. ENTERPRISES

EVERYTHING AUDIO!

BRITAIN'S PREMIER MAIL-ORDER RECORDING TAPE SPECIALISTS

IMMEDIATE 24 HOUR SERVICE ON ADVERTISED LINES

FULL CASH REFUND GUARANTEED

SEND TODAY AND SAVE!

BRANDED TAPES—20% OFF

**BASF - EMI - GRUNDIG
PHILIPS - SCOTCH - AGFA**

Brand New, Fully Guaranteed and in normal manufacturer's pack

STANDARD PLAY	List Price	Our Price	DOUBLE PLAY	List Price	Our Price
5" 600	22/2	18/-	3" 300 Not Scotch	14/3	11/6
5 1/2" 900 } Except Agfa	29/5	24/-	3" 400 Scotch only	16/7	13/3
7" 1200	36/7	29/6	4" 600	25/-	21/-
			4 1/2" 900 Agfa, BASF only	31/-	25/-
LONG PLAY			5" 1200	43/2	35/-
3" 210 Not Scotch	9/3	7/6	*5 1/2" 1800	56/11	46/-
3" 300 Scotch only	9/7	7/9	*7" 2400	79/-	63/6
4" 450	14/9	12/-	10" 4600 Agfa only	140/9	112/9
4 1/2" 600 BASF, Agfa only	22/-	18/-	TRIPLER PLAY		
*5" 900	29/2	23/9	3" 450 Not Scotch	22/3	18/-
*5 1/2" 1200	36/5	29/6	3" 600 Scotch only	24/10	19/9
*7" 1200	51/7	41/9	4" 900	40/-	32/3
8 1/2" 2400 BASF Scotch only	74/-	59/6	*4 1/2" 1200 Agfa, BASF only	50/-	40/3
10" 3280 Agfa only	85/9	68/9	5" 1800 Not Scotch	66/2	54/-
10" 3600 BASF only	96/6	77/6	5 1/2" 2400 Agfa, BASF only	91/4	73/6
10 1/2" 4200 Agfa BASF only	113/6	91/6	7" 3600	116/6	93/6
SCOTCH DYNARANGE (L/P)			QUADRUPLE PLAY		
5" 900	32/8	26/3	3" 600	37/-	29/6
5 1/2" 1200	41/-	33/-	3 1/2" 800 } Kodak only	46/3	37/-
7" 1800	58/1	46/6	4" 1200	64/6	51/6
8 1/2" 2400 (Metal Reel)	84/3	67/6	COMPACT CASSETTES		
BASF PES.35 L/P Low Noise			C.60	17/6	14/3
5" 900	36/10	29/9	C.90	25/-	20/3
5 1/2" 1200	45/6	35/6	C.120	33/6	27/-
7" 1800	63/-	50/9			
10" 3600	115/-	91/-			

POST & PACKING 2/6. ORDERS OVER £3 POST FREE

ILFORD-ZONAL TAPE

40% OFF

NEW K_J SPECTACULAR!!



From the Motion Picture & Magnetic Products Division of ILFORD LTD., we are proud to present a New Stupendous BARGAIN OFFER. Never before have you been offered such a breath-taking opportunity. ILFORD-ZONAL premium grade magnetic tape (extensively used by the B.B.C.) at a terrific reduction of 40%.

Brand New, Boxed, Fully Guaranteed and complete with leaders, trailers and stop foil.—

Description	List Price	One	Three	Six
900' on 5" reel Long Play P.V.C.	29/1	17/6	50/6	96/6
1200' on 5 1/2" reel Long Play P.V.C.	36/1	22/6	65/-	125/-
1800' on 7" reel Long Play P.V.C.	51/4	29/6	86/-	165/-
1200' on 5" reel Double Play (Polyester)	43/1	27/9	81/-	157/-
1800' on 5 1/2" reel Double Play (Polyester)	56/1	36/-	105/-	204/-
2400' on 7" reel Double Play (Polyester)	78/10	49/6	145/6	285/6

POSTAGE & PACKING 2/6. ORDERS OVER £3 POST FREE

SPECIAL OFFER COMPACT CASSETTES

at HALF PRICE!



Compact Cassettes with 60 and 90 minutes playing time. Brand New and packed in normal plastic library box. Available at this exceptional price.

MC.60	MC.90
1 for 10/6	1 for 14/-
3 for 30/-	3 for 40/6
6 for 55/6	6 for 78/-
12 for 105/-	12 for 150/-

Standard pattern to fit Philips, Stella, Elizabethan, Dansette, Sanyo, etc.

Post & packing 2/6—Orders over £3 post free

TRIPLE PLAY TAPE—40% OFF

A large purchase from two world renowned manufacturers enables us to make this unique near half-price offer. Brand new, fully guaranteed, premium grade Polyester Base Tape with FULL LEADER and stop foil. In original maker's boxes and polythene wrapped at these EXCEPTIONALLY LOW PRICES.

	LIST PRICE	ONE	THREE	SIX
450' on 3" reel Gevasonor	22/-	14/-	40/6	78/-
600' on 3" reel Gevasonor	27/6	17/6	51/-	99/-
900' on 4" reel Gevasonor	39/-	24/6	72/-	140/-
1800' on 5" reel Gevasonor	66/-	41/6	122/-	238/-
2400' on 5 1/2" reel Zonal	90/-	55/6	165/-	324/-

POST & PACKING 2/6. ORDERS OVER £3 POST FREE

Sensational new Half Price Offer

A bulk purchase of top quality Recording Tape manufactured by one of the Country's leading makers. A polyester based tape with superlifer black coating. Polythene wrapped, boxed and fully guaranteed. Available while stocks last in one size only.

	NORMAL VALUE	ONE	THREE	SIX
1800' on 7" reel Long Play	50/-	26/6	78/-	150/-

POSTAGE & PACKING 2/6. ORDERS OVER £3 POST FREE

BASF TAPE—30% OFF

A "Special Offer" of the world famous BASF Magnetic Recording Tape. Guaranteed Brand New. Polythene sealed, and supplied in Plain White Boxes.

Type	Description	List Price	OUR PRICES	One	Three	Six
LGS.35	900' Long Play on 5" Reel	29/1	19/6	57/-	111/-	137/-
LGS.35	1200' Long Play on 5 1/2" Reel	36/4	24/6	71/-	137/-	198/-
LGS.35	1800' Long Play on 7" Reel	51/6	35/-	102/-	198/-	219/-
LGS.26	1800' Double Play on 5 1/2" Reel	56/4	38/6	112/6	219/-	219/-
LGS.26	2400' Double Play on 7" Reel	79/-	55/-	162/-	318/-	

POST & PACKING 2/6. ORDERS OVER £3 POST FREE

KODAK TAPE—30% OFF

Brand new, fully guaranteed and in normal manufacturer's pack. Superb quality polyester base tape for top performance. Complete with full leader and stop Foil.

Type	Description	List Price	One	Three	Six
P.150/12	1200' Long Play on 5 1/2" reel	38/6	25/6	75/-	144/-
P.150/18	1800' Long Play on 7" reel	55/-	37/6	111/-	216/-
P.200/16	1650' Double Play on 5 1/2" reel	57/9	40/6	120/-	234/-

POST & PACKING 2/6. ORDERS OVER £3 POST FREE

SEND FOR LISTS OF OTHER TAPE AND HI-FI BARGAINS

K. J. ENTERPRISES, (Dept. RC), 17 THE BRIDGE, WEALDSTONE, MIDDLESEX (OPPOSITE HARROW & WEALDSTONE STATION)
01-427 0395 (CLOSED P.M. SAT.) REFUND GUARANTEE

FREE

Our New Illustrated catalogue sent entirely free on request. Britain's most specialized comprehensive range of recording tape and accessories. 20,000 reels always in stock with reductions ranging up to 50%.

THE RADIO CONSTRUCTOR

BI-PRE-PAK LIMITED

TRANSISTORS PRICE

AC107	3/-	OC170	3/-
AC126	2/4	OC171	4/-
AC127	2/4	OC200	3/6
AC128	2/4	OC201	2/6
ACY17	3/-	2G301	2/6
AF114	4/-	2G303	2/6
AF115	3/6	2N711	10/-
AF116	3/6	2N1302-3	4/-
AF117	3/6	2N1304-5	5/-
AF118	3/6	2N1306-7	3/6
AF119	3/6	2N1308-9	8/-
AF186	10/-	2N3844A	5/-
AF139	10/-		
BFY50	4/-	Power Transistors	
BSY25	7/6	OC20	10/-
BSY26	3/-	OC23	10/-
BSY27	3/-	OC25	8/-
BSY28	3/-	OC26	5/-
BSY29	3/-	OC28	7/6
BSY95A	3/-	OC35	5/-
OC41	2/6	OC36	7/6
OC44	1/11	AD149	10/-
OC45	1/9	2N287	20/-
OC71	2/6	Diodes	
OC72	2/6	AA42	2/-
OC73	3/6	OA95	2/-
OC81	2/6	OA70	1/9
OC81D	2/6	OA79	1/9
OC83	4/-	OA81	1/9
OC139	2/6	OA73	2/-
OC140	3/6	IN914	1/6

EXCITING NEW PAKS

FOR AMATEURS, PROFESSIONALS, FACTORIES, ORGAN BUILDERS, AND THOSE PEOPLE THAT JUST USE LARGE QUANTITIES OF TRANSISTORS.

XA PAK

Germanium PNP type transistors, equivalents to a large part of the OC range, i.e. 44, 45, 71, 72, 81, etc.

PRICE £5 PER 1000

XB PAK

Silicon TO-18 CAN type transistors NPN/PNP mixed lots, with equivalents to OC200-1, 2N706A, BSY27/29, BSY95A.

PRICE £5.50 PER 500

PRICE £10 PER 1000

XC PAK

Silicon diodes miniature glass types, finished black with polarity marked, equivalents to OA200, OA202, BAY31-39 and DK10, etc.

PRICE £5 PER 1000

ALL THE ABOVE UNTESTED PAKS HAVE AN AVERAGE OF 75% OR MORE GOOD SEMICONDUCTORS. FREE PAKS SUSPENDED WITH THESE ORDERS. ORDERS MUST NOT BE LESS THAN THE MINIMUM AMOUNTS QUOTED PER PAK.
P/P 2/6 PER PAK* (U.K.)

PRE-PAKS

Selection from our lists

No.		Price
B1	50 Unmarked Trans. Untested	10/-
B2	4 Photo Cells Inc. Book of Instructions	10/-
B6	17 Red Spot AF Transistors	10/-
B6A	17 White Spot RF Transistors	10/-
B9	1 ORP 12 Light Sensitive Cell	9/-
B53	25 Sil. Trans. 400 Mc/s } Brand New	10/-
B54	40 " " NPN to 5 } Trans Voltage	10/-
B55	" " " NPN to 18 } & Gain Fallouts	10/-
B56	" " " NPN/PNP } All Tested	10/-
B68	10 Top Hat Recs. 750 M/A 100-800 PIV	10/-
B69	20 Diodes. Gld-Bnd. Germ Sil. Planer	10/-
B74	5 Gld-Bnd. Diodes. 2-OA9, 3-OA5	10/-
B75	3 Comp. Set. 2G371, 2G381, 2G339A	10/-
C2	1 Unijunction Transistor 2N2160	15/-
C32	6 Top Hat Recs. IS100 Type	15/-
C35	3 Unijunction Trans. = to 2N2160	15/-
A1	7 Silicon Rectifiers BY100 Type	20/-
A3	25 Mixed Marked and Tested Transistors	20/-
A21	5 Power Transistors 1-AD149/1-OC26 and 3 others	20/-

AND MANY MORE

FREE!

PACKS OF YOUR OWN CHOICE UP TO THE VALUE OF 10/- WITH ORDERS OVER £4

TRANSISTORS ONLY 1/- EACH

SILICON • PLANAR • N.P.N. • P.N.P.

All these types available

2N929 2N706 2S131 2S103 2N696 2N1613 2S733 BFY10
2S501 2N706A 2S512 2S104 2N697 2N1711 2N726 2S731
BC108 2N3011 2S102 2N2220 2N1507 2N1893 2N2484 2S732

All tested and guaranteed transistors—unmarked.
Manufacturers over runs for the new PRE-PAK range.

FIRST EVER LOGIC KITS

Learn for yourself how computers work, even make one for yourself. Full instructions for a noughts and crosses machine, binary counters, timers, etc. L1. 5gns. L2 10gns. Introducing the Norkit range. Norkit Junior £8. Norkit Senior £16.

Details Free
Free Paks suspended with Logic Kit Orders.

NEW UNMARKED UNTESTED PAKS

25	BSY95A NPN Silicon	TRANSISTORS 10/-
10	OC45-OC81 Mull. Glass Type	TRANSISTORS 10/-
25	BSY26-27 NPN Silicon	TRANSISTORS 10/-
10	10 Watt Silicon All Voltages	ZENERS 10/-
25	BFY50-1-2 NPN Silicon	TRANSISTORS 10/-
10	4 amp. Stud. Silicon	RECTIFIERS 10/-
25	BC107-8-9 NPN Silicon	TRANSISTORS 10/-
40	1N914-6 OA200/202 Sub. Min. Silicon	DIODES 10/-
150	Min. Germ. High Quality	DIODES 10/-
25	2N706 A NPN Silicon	TRANSISTORS 10/-

PRE-PAK, N.605 POWER TRANSISTOR EQUIVALENT TO NKT301-2-3-4 **5/- each**

COMPLEMENTARY SET NPN/PNP GERM. TRANS. **pair 2/6**

BRAND NEW PAK !!! JUST RELEASED !!!

REPLACES OUR VERY POPULAR B39 PAK Short Lead Components, all Brand New and Factory Marked, mounted on Printed Circuit Panels.

Approximately:

80 TRANSISTORS AND DIODES

50 HIGH TOLERANCE RESISTORS

20 VARIOUS CAPACITORS

Please state when ordering Pak. P.1. 2/6 Post and Packing with this pack.

10/-

Make a Rev. Counter for your Car. The 'TACHO BLOCK'. This encapsulated block will turn any 0-1mA meter into a perfectly linear and accurate rev. counter for any car. State 4 or 6 cylinder. **20/- each**

FREE CATALOGUE AND LISTS for—

ZENER DIODES
TRANSISTORS, RECTIFIERS
FULL PRE-PAK LISTS
& SUBSTITUTION CHART

MINIMUM ORDER 10/- CASH WITH ORDER PLEASE. Add 1/- post and packing per order. OVERSEAS ADD EXTRA FOR AIRMAIL.

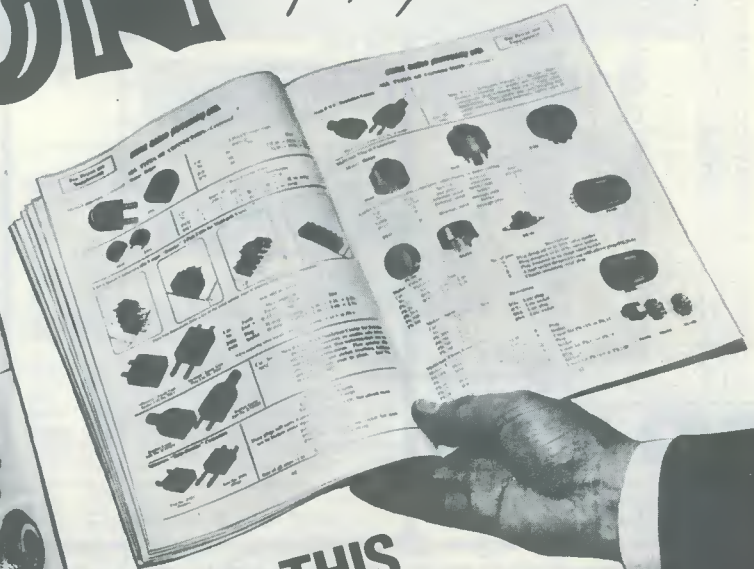
THERE IS ONLY ONE
BI-PRE-PAK LTD
BEWARE OF IMITATIONS

FREE! A WRITTEN GUARANTEE WITH ALL OUR SEMICONDUCTORS

BI-PRE-PAK LTD

DEPT. A, 222-224 WEST ROAD, WESTCLIFF-ON-SEA, ESSEX
TELEPHONE: SOUTHEND (0702) 46344

Ordering Components is FUN



with THIS Catalogue in your hands!

**A bargain
at 7'6
plus 3'/- p&p.**

Ever had trouble locating a particular piece for your project? Ever wasted time thumbing through confusing price lists? Ever been foot-weary and frustrated tramping round the shops?

Sigh no more. Just sink into an armchair and enjoy life with a Home Radio Catalogue! Pick your parts. Grab your pen. Make for a letter-box. Your chosen items will be with you almost before you can get back to that armchair!

This Catalogue really is a *must* if you're interested in Radio and Electronics. It has 256 pages, over 7,000 items listed, over 1,300 illustrations. With each catalogue we supply a Book Mark giving Electronic Abbreviations, an Order Form and an Addressed Envelope. All this for only 7'6 plus 3'/- post and packing. By the way, every catalogue contains 5 vouchers, each worth 1'/- when used as directed. Send the coupon today with your cheque or P.O. for 10/6.

Please write your Name and Address in block capitals

NAME.....

ADDRESS.....

Home Radio (Mitcham) Ltd., Dept. RC, 187 London Rd.,
Mitcham CR4 2YQ

THE Radio Constructor



Incorporating THE RADIO AMATEUR

NOVEMBER 1968

Vol. 22 No. 4

Published Monthly (1st of Month)
First Published 1947

Editorial and Advertising Offices
57 MAIDA VALE LONDON W9

Telephone Telegrams
CUNningham 6141 Databux, London

© Data Publications Ltd., 1968. Contents may only be reproduced after obtaining prior permission from the Editor. Short abstracts or references are allowable provided acknowledgement of source is given.

Annual Subscription 42s. (U.S.A. and Canada \$5) including postage. Remittances should be made payable to "Data Publications Ltd". Overseas readers please pay by cheque or International Money Order.

Queries. We regret that we are unable to answer queries other than those arising from articles appearing in this magazine nor can we advise on modifications to equipment described. Queries should be submitted in writing and accompanied by a stamped addressed envelope for reply.

Correspondence should be addressed to the Editor, Advertising Manager, Subscription Manager or the Publishers as appropriate.

Opinions expressed by contributors are not necessarily those of the Editor or proprietors.

Production.—Lithography.

The *Radio Constructor* is printed by Allens Printers (Wales) Ltd., Apex Works, Pontywindy Industrial Estate, Caerphilly in conjunction with Godfrey Lang Ltd. London Office: Cliffords Inn, Fleet Street, London EC4

NOVEMBER 1968

150 Watt Amateur Bands Transmitter <i>by F. G. Rayer, G3OGR</i>	214
•Low-Value Capacitance Bridge (Suggested Circuit No. 216) <i>by G. A. French</i>	221
QXS <i>by L. Saxham</i>	225
News and Comment	226
Inexpensive Intercom System <i>by D. F. W. Featherstone</i>	228
Radio Constructors Data Sheet No. 16 (Binary-Decimal Conversion Tables)	229
Recent Publications	230
Linear I.C. Voltage Regulator <i>by P. McGovern</i>	232
Battery Economy in Class A Output Stages <i>by C. Hargis</i>	235
Oscilloscope Trace Doubler <i>by W. Kemp</i>	238
The SINPO Code	245
Radio Constructors Data Sheet No. 17 (Speaker Transformer Ratio Table)	247
Understanding Radio (I.F. Amplifier and Diode Detector) <i>by W. G. Morley</i>	249
In Your Workshop	253
The "Triple-S" 3-Transistor Receiver <i>by Sir Douglas Hall, K.C.M.G., M.A.(Oxon)</i>	257
Radio Topics <i>by Recorder</i>	261
	213

150 WATT AMATEUR BANDS TRANSMITTER

by

F. G. RAYER, G3OGR

This article, the first in a series of three, is mainly intended for the amateur transmitter who has already obtained constructional and operating experience at powers below the full legal output. The driver and power amplifier stages are described in this issue, whilst next month's article covers v.f.o. design

INTRODUCTORY NOTES

The best way of finding out how to do a specific job consists of following the advice of a person who has carried out that job in practice, and the present series of articles describes the very successful 150 watt transmitter designed and built by the author. The text gives theoretical and constructional details of each section of the transmitter, with specific reference to the assembly methods adopted in the author's own installation. Alternative approaches are also dealt with.

The author's transmitter uses a 19in rack assembly with the sections fitted, from top to bottom, in the following order: driver/p.a. stages, meter panel, v.r.o., modulator, power supply. The v.f.o. and modulator are of versatile design and may be employed with driver/p.a. sections other than that covered this month. Power supplies are standard, and suitable circuits have already been described by the present author in "Power Supplies For Transmitters And Other Equipment" in the June 1967 issue.

Several obvious but nevertheless important points have to be made. Some of the components are of standard type and do not need to be specified by individual manufacturer's name and type number. The more experienced transmitter constructor may already have many of these to hand. In common with much home-constructed transmitter equipment, a few of the parts may not be available through component retailers handling normal receiver parts. *Finally, the supply voltages encountered in transmitters of the type to be described are high and have a large current reserve, whereupon it is of the utmost importance to ensure that full precautions against accidental shock to the constructor and other persons are provided. Even after switching off, always ensure that smoothing and reservoir capacitors are fully discharged before touching any h.t. points in the equipment.*—Editor.

CIRCUITS FOR THE FULL LEGAL INPUT OF 150 WATTS need be no more complicated or difficult to build than lower power equipment—they simply use valves and other components of larger size and rating. The driver and p.a. described here have operated without trouble for some years, both with input from a variable frequency oscillator, and as a 2-stage crystal controlled 150W transmitter.

Fig. 1 gives the circuit. VR_1 controls the 807 driver output, whilst VC_1 , with the tapped coil L_1 , tuning 80, 40 and 20 metre bands. R_3 provides protective bias in the absence of grid drive, which develops bias across R_2 . The 807 is generally operated at about 20–25mA anode current (easily within its rating) so the 100mA anode meter is actually optional.

R.F. input to the 813, V_2 , is across RFC_1 and this stage is operated with about 10mA grid current, developing 150V bias across R_4 . This bias cuts off the 6L6, V_3 . Should drive cease (from keying or wrong adjustment, etc.) the bias across R_4 disappears and the 6L6 conducts, dropping the 813 screen grid potential to a level which keeps anode dissipation easily within the valve limit. The 100mA screen grid meter, M_4 , was fitted to check 813 and 6L6 clamp valve operation, and can be omitted since currents are actually well inside maximum limits.

The 813 was chosen as p.a. because it is not difficult to obtain on the surplus market and has a maximum anode dissipation of 125W. It will thus withstand periods of off-tune operation which would destroy smaller valves. A convenient input for 150W is 150mA at 1,000V, but other voltages have been used. This supply is modulated for a.m. A screen grid modulator has also been employed with the circuit, and has given excellent results.

For v.f.o. working, 1.75 Mc/s input was used to the 807 for 3.5 Mc/s, and 7 Mc/s input for 7 Mc/s and 14 Mc/s. In each case L_1 is tuned to the transmitter output frequency so that the 813 works "straight through".

CRYSTAL CONTROL

Crystal control has been used both with the 807 and at

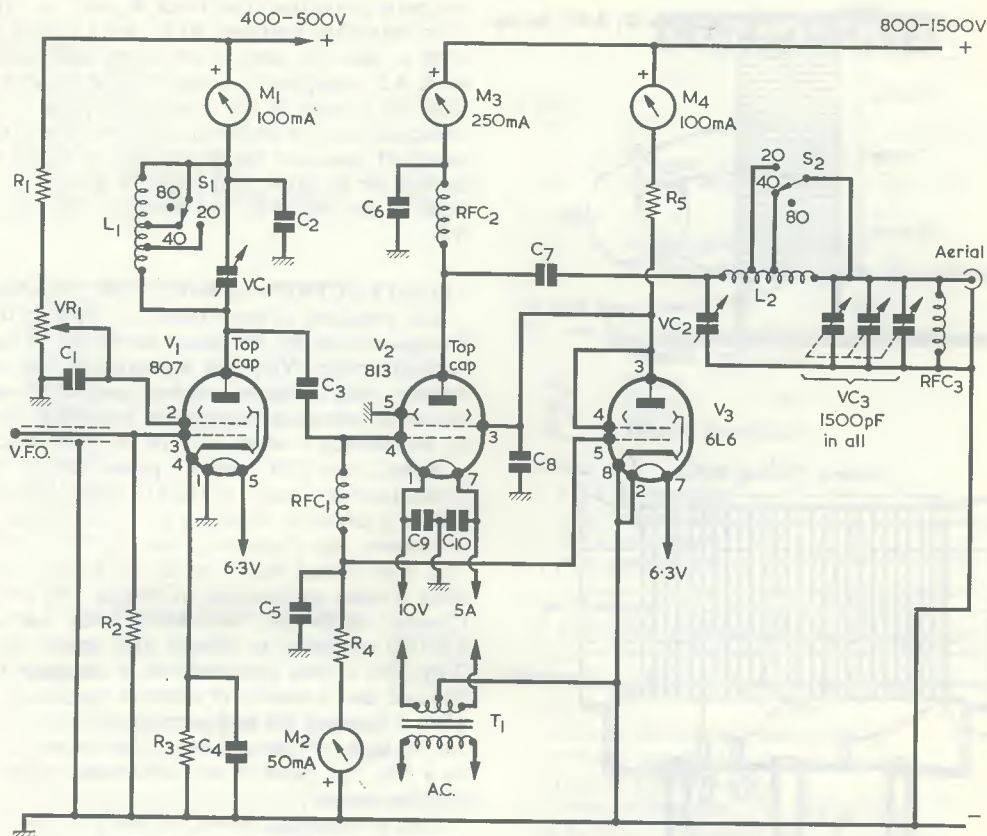


Fig. 1. The circuit of the driver and 150 watt power amplifier

an earlier stage. Fig. 2 shows the 807 modified for crystal control. This gave 20mA 813 grid current on 80m with 160m crystals; 20mA grid current on 80m and 40m, with 80m crystals, and 15mA on 40m and 20m with 40m band crystals. Therefore any of these combinations can be used, VR₁ being turned back for about 10mA p.a. grid current.

L₁ operates on the crystal fundamental or crystal harmonic, and VC₁ is adjusted in the usual way for maximum p.a. grid current. Many local and Dx contacts on various bands have been made with two or three crystals, though the main advantage of crystal control is its simplicity. Also it is possible to start working with a crystal until a v.f.o. has been constructed.

L₁ AND L₂

Coils L₁ and L₂ are as shown in Fig. 3. L₁ has a 1½in diameter former about 3¾in long. The 20m section consists of 10 turns of 20 s.w.g. enamelled wire wound to a length of 1.2in. For 40m a further 7 turns are in use, also wound with 20 s.w.g. wire, the turns having a winding length of 0.6in. The final 15 turn section uses 22 s.w.g. enamelled wire and has a length of 1.4in.

With a 100pF capacitor in the VC₁ position, these windings cover the required bands, and do not allow tuning to unwanted harmonics. Any similar type of coil should do, and turns may be adjusted as needed. VC₁ should be nearly fully open for resonance on 20m.

L₂ is wound with 16 s.w.g. wire on a large Eddystone ribbed former. This takes 26 turns in all, occupying a winding space 3½in long, and the winding is 2½in in

diameter. Brackets were cut from aluminium to mount the coil on the bandswitch, so that the assembly is supported from the panel.

The 40m tap is at 13 turns, so that 13 turns remain in circuit when 40m is selected. The 20m tap is 6 turns from the VC₂ end of the coil, giving resonance near minimum capacitance.

COMPONENTS

There is some latitude in capacitor values, but it is very important that voltage ratings be adequate for the various circuit positions. C₁ and C₂ can be 500V working or similar. C₄ can be 150V or lower. C₃ is preferably 1kV

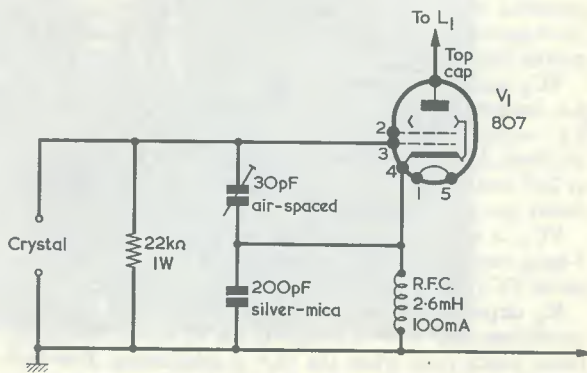


Fig. 2. Modifying the 807 stage for crystal control

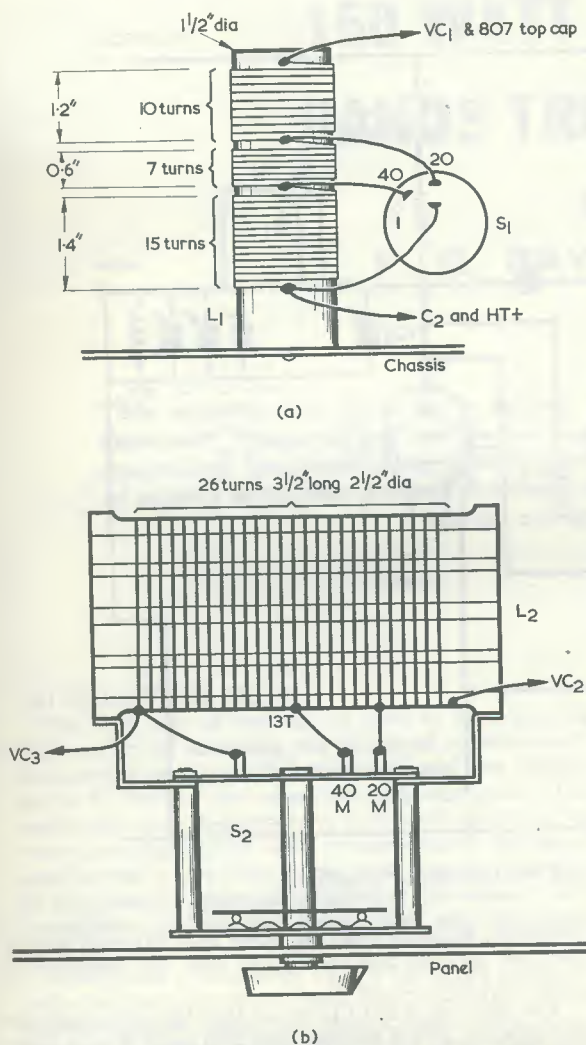


Fig. 3. Coil winding details for (a) L_1 and (b) the p.a. tank coil, L_2

mica. C_6 , C_7 and C_8 were all 5kV mica in the writer's equipment, though 2kV would do for C_8 . C_5 , C_9 and C_{10} are small mica or ceramic, 500V.

VC_1 is returned to h.t. positive to avoid adding the h.t. potential to the r.f. voltage and a capacitor with 0.015in plate spacing is satisfactory. Spacing could, of course, be greater than this.

VC_2 had 0.08in plate spacing (3.5kV rating). With the p.a. loaded, the r.f. voltage across VC_2 about equals the h.t. voltage. With anode modulation, this voltage is doubled. A spacing of 0.03in is rated at 1.5kV, with 0.05in at 2kV and 0.07in at 3kV. Sparking on modulation peaks shows spacing is too small for the h.t. voltage.

VC_3 is a standard size (not miniature) receiver type 3-gang capacitor. RFC_3 is included to keep h.t. from the aerial if C_7 leaks, and does not influence working.

R_5 depends somewhat on h.t. voltage and working conditions and 50W is adequate for all needs, including those which exist when the 6L6 is conducting. For 1kV supplies, R_5 need only be 25W. If clamping is only employed briefly to protect the the p.a. under fault or

temporary no-drive conditions, R_5 may be 10W.

In the author's version, RFC_2 was a 2.5mH choke fitted with a base for upright mounting and obtained from ex-R.A.F. equipment. A suitable alternative is the Denco RFC.9A quoted in the Components List. This is wire-ended and may be anchored at its lower end at the adjacent stand-off insulator which couples to C_6 . If needed, an anchor for its upper end could be given by a solder tag fitted to the rear of L_2 coil former at the end adjacent to VC_2 .

CONSTRUCTION—ABOVE THE CHASSIS

The positions of most items can be seen from Fig. 4. Components in the 807 anode circuit are to the right of a vertical screen. VC_1 has a clearance hole in a metal bracket with insulated washers each side, and also an insulated extension coupling, to avoid h.t. short-circuits. L_1 bandswitch is below VC_1 , on the same bracket.

A lead from RFC_1 and C_3 passes directly through the vertical screen to tag 4 of the 813 holder (see Fig. 5). This holder is mounted on pillars above the chassis, and wired as shown. An aluminium box 3in high, 7in long and 3½in wide is then placed round the holder. The two long sides of these are provided by bolting 7 by 3in "Universal Chassis" single side members (Home Radio Cat. No. CU147) vertically to chassis and screen. A top plate, 7 by 3½in, is then prepared with a clearance hole for the 813 and also a number of adjacent ventilation holes. This plate is screwed on, and supports the stand-off insulator for the high voltage lead here. The box end is then closed by a 3 by 3½in piece of expanded metal secured with self-tapping screws.

This arrangement places the 807 grid circuit under the chassis, the 807 anode circuit and 813 grid circuit above chassis to the right of the vertical screen, with all other connections to the 813 (except anode) inside the box. The box top lies in about the same plane as the interior circular screen inside the 813. Note that in Fig. 5 the holder sockets are numbered anti-clockwise because the holder is viewed from above, while in Fig. 1 pin connections are numbered clockwise in the usual way.

All the connections shown in Fig. 4 should use stout wire, this being short and direct in r.f. circuits. Insulation should also be suitable for the h.t. potentials present. Vehicle sparking plug cable was used for the lead from the stand-off insulator alongside RFC_2 and for other high voltage circuits. This is readily obtainable at garages, but is really thicker than is necessary. Ordinary insulated wire, with two extra coverings of insulated sleeving, one inside the other, will alternatively be satisfactory for 1kV. Adequate rubber or p.v.c. grommets must be fitted at all points where wiring passes through holes in the chassis or screen.

CONSTRUCTION—UNDER THE CHASSIS

Fig. 6 shows the connections and layout here. In the writer's version, R_5 was mounted in clips fitted to insulators. A short length of co-axial cable passes from the 807 control grid to the v.f.o. section, which occupies a lower position in the rack. The v.f.o. could, however, be in a separate cabinet, positioned at the side of the driver p.a.

There is ample space below the chassis for a heater transformer for the three valves. Both the 807 and the 6L6 require 6.3V at 0.9A, whilst the 813 requires 10V at 5A. Heater transformers for the 813 are found on the surplus market, as this valve has had quite extensive

COMPONENTS

Resistors

(All fixed values 10%)

R ₁	27kΩ 5 watt
R ₂	27kΩ 1 watt
R ₃	270kΩ 1 watt
R ₄	15kΩ 2 watts
R ₅	50kΩ 50 watt (see text)
VR ₁	25kΩ 5 watt, potentiometer, linear, wirewound

Capacitors

(see text for working voltage and other details)

C ₁	0.01μF
C ₂	0.01μF
C ₃	100pF
C ₄	0.01μF
C ₅	0.01μF
C ₆	2,000pF
C ₇	2,000pF
C ₈	2,000pF
C ₉	5,000pF
C ₁₀	5,000pF
VC ₁	100pF variable
VC ₂	150pF variable
VC ₃	1,500pF (3-gang 500pF) variable

Inductors

L ₁	see text
L ₂	see text
RFC ₁	2.6mH 100mA, type RFC5 (Denco)
RFC ₂	2.6mH 250mA, type RFC9A (Denco), see text
RFC ₃	2.6mH 100mA, type RFC5 (Denco)
T ₁	heater transformer (see text)

Valves

V ₁	807
V ₂	813
V ₃	6L6 or 6L6G

Switches

S ₁	single-pole 3-way, wafer
S ₂	single-pole 3-way, wafer, non-miniature

Meters

(M₃ and M₄ must be totally insulated types for 1.5kV)

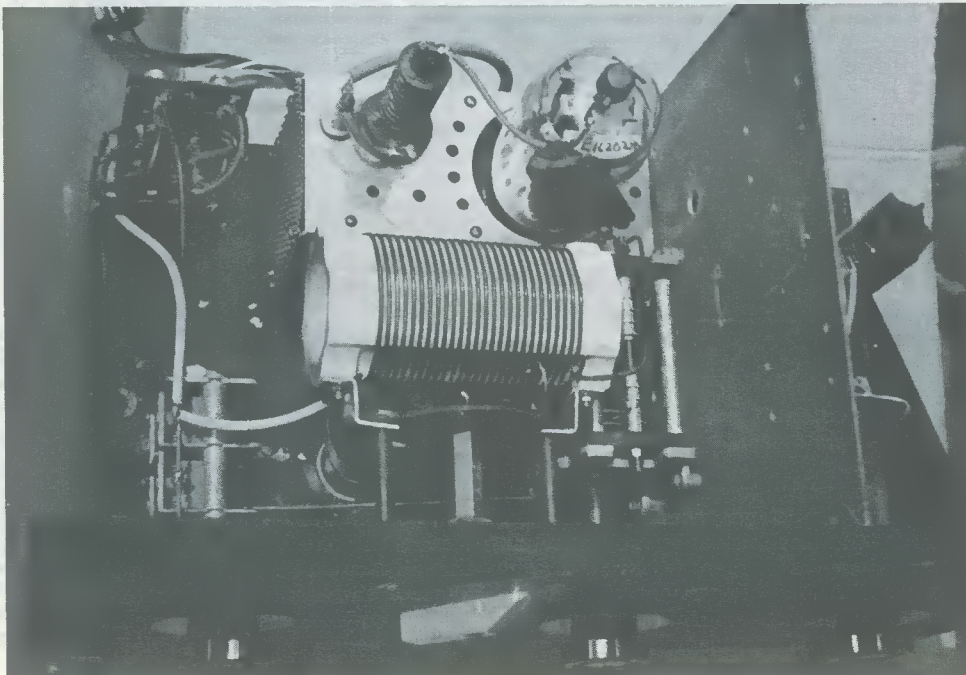
M ₁	100mA (optional)
M ₂	50mA
M ₃	250mA
M ₄	100mA (optional)

Sockets

1	UX5 valveholder
1	UX7 valveholder
1	Octal valveholder
1	Coaxial socket

Miscellaneous

2	extension spindles, bushes and couplers (VC ₂ , S ₁)
—1	extension spindle, bush and insulated coupler (VC ₁)
	Insulated mounting washers (VC ₁)
2	top cap connectors
2	pointer knobs (S ₁ , S ₂)
3	knobs with scales (VC ₁ , VC ₂ , VC ₃)
	Metalwork, grommets, etc., as required



Top view of the driver /p.a. illustrating, in particular, how the tank coil is mounted on switch S₂

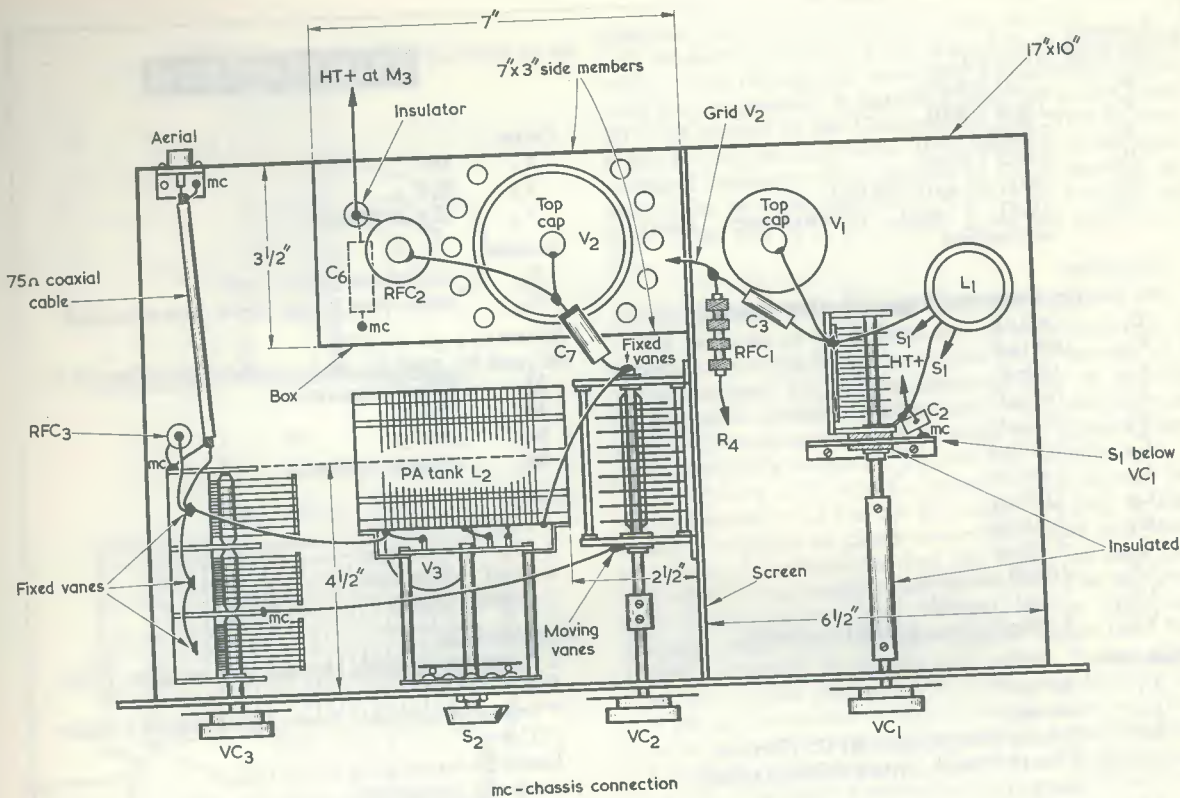


Fig. 4. Component positioning and wiring above the chassis

amateur use. (A commercially manufactured transformer offering 10V at 5A is the Woden type DTF22.—EDITOR). The centre-tap should be connected to chassis, as shown in Fig. 1. An alternative approach, which has been used successfully by the writer, is to employ a transformer with two 6.3V 6A windings connected in series with the junction between them earthed to chassis. One winding supplies the 807 heater, the other the 6L6 heater, and the two outside ends supply the 813 heater with an 0.5Ω

wirewound resistor in series in one lead to drop the excess voltage. Again, separate 10V and 6.3V transformers may be used, if necessary.

METERS

The meters occupy a second small panel in the author's assembly, but there is easily enough space on the driver p.a. panel for the 813 grid and anode current meters. As already mentioned, the 807 anode and 813 screen-grid meters are optional.

VR₁ can be mounted under the chassis or, as in the writer's equipment, on the v.f.o. panel.

Various methods of controlling the whole equipment can be used. The one adopted by the author is shown in Fig. 7. When S₁ in this diagram is closed, all heaters are on. A mains voltage relay controls current to the primaries of the h.t. supplies. S₂ can be left open to permit adjusting the v.f.o. and tuning for grid current, etc., without voltage on the p.a. The T/R switch closes the relay circuit, switches the aerial to the tank, earths the receiver aerial lead, and interrupts the receiver speaker circuit. When S₂ is closed, the T/R switch gives complete changeover from Transmit to Receive.

In the writer's transmitter, the T/R switch was mounted on a bracket in the position of the coaxial aerial connector (Fig. 4) and operated by an extension link and crank. The switch is not shown in Fig. 4 because some other method of controlling the equipment may be adopted. An ordinary receiver type 2-wafer rotary switch has, incidentally, proved quite satisfactory since it was installed in this circuit position.

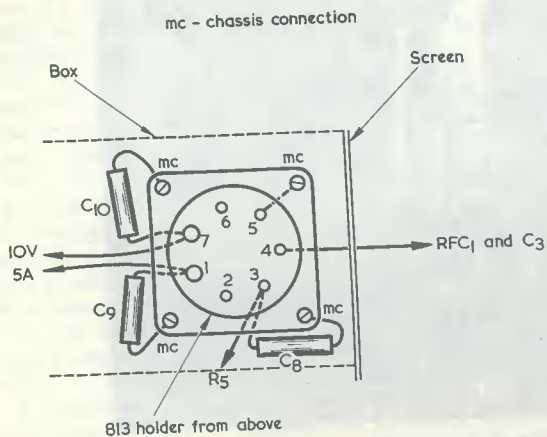
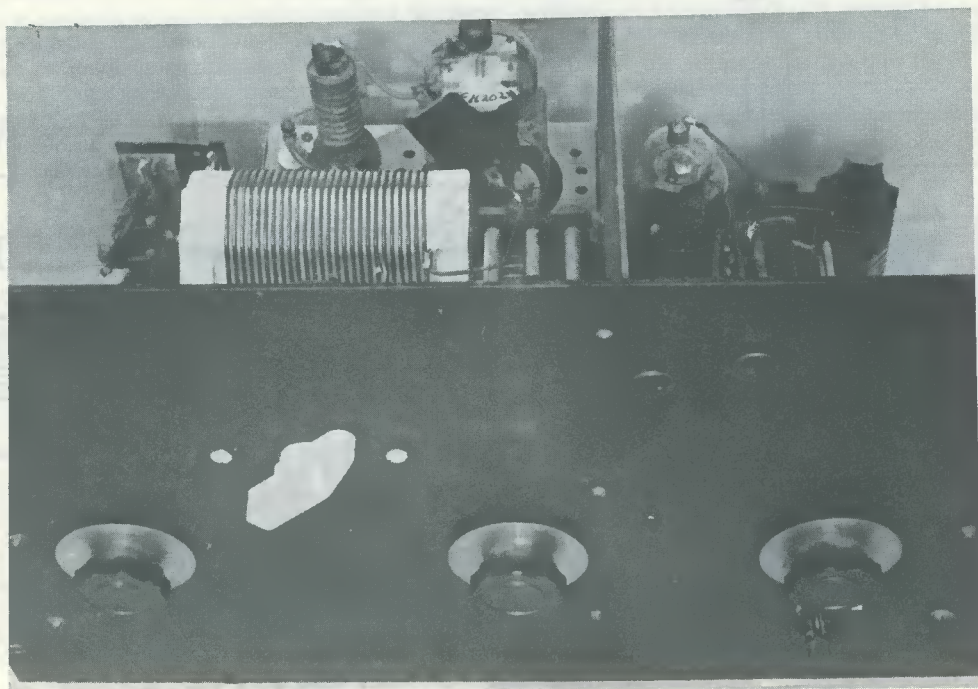
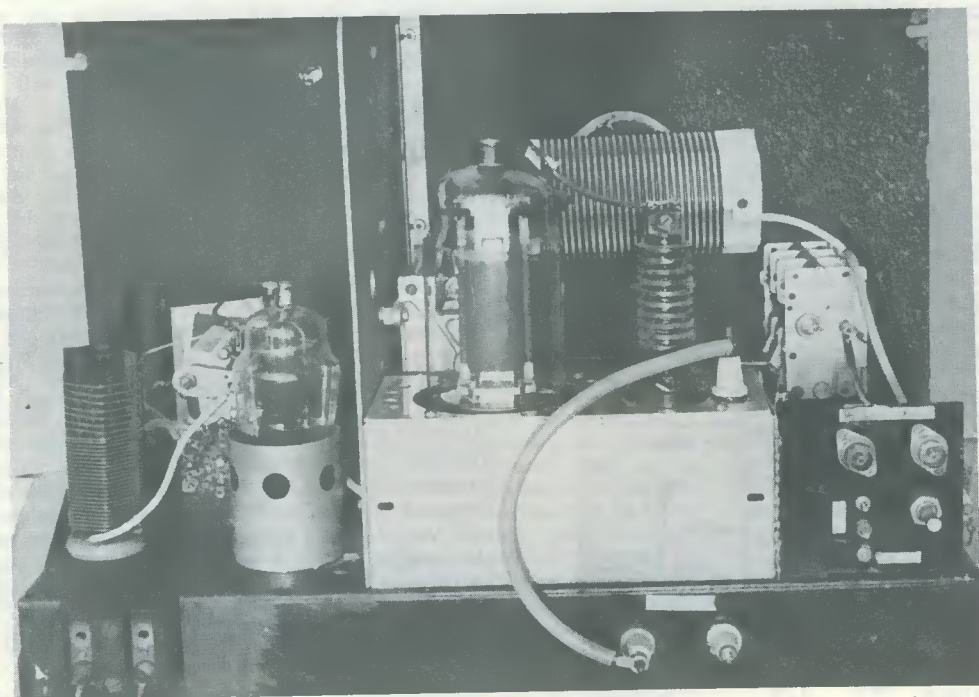


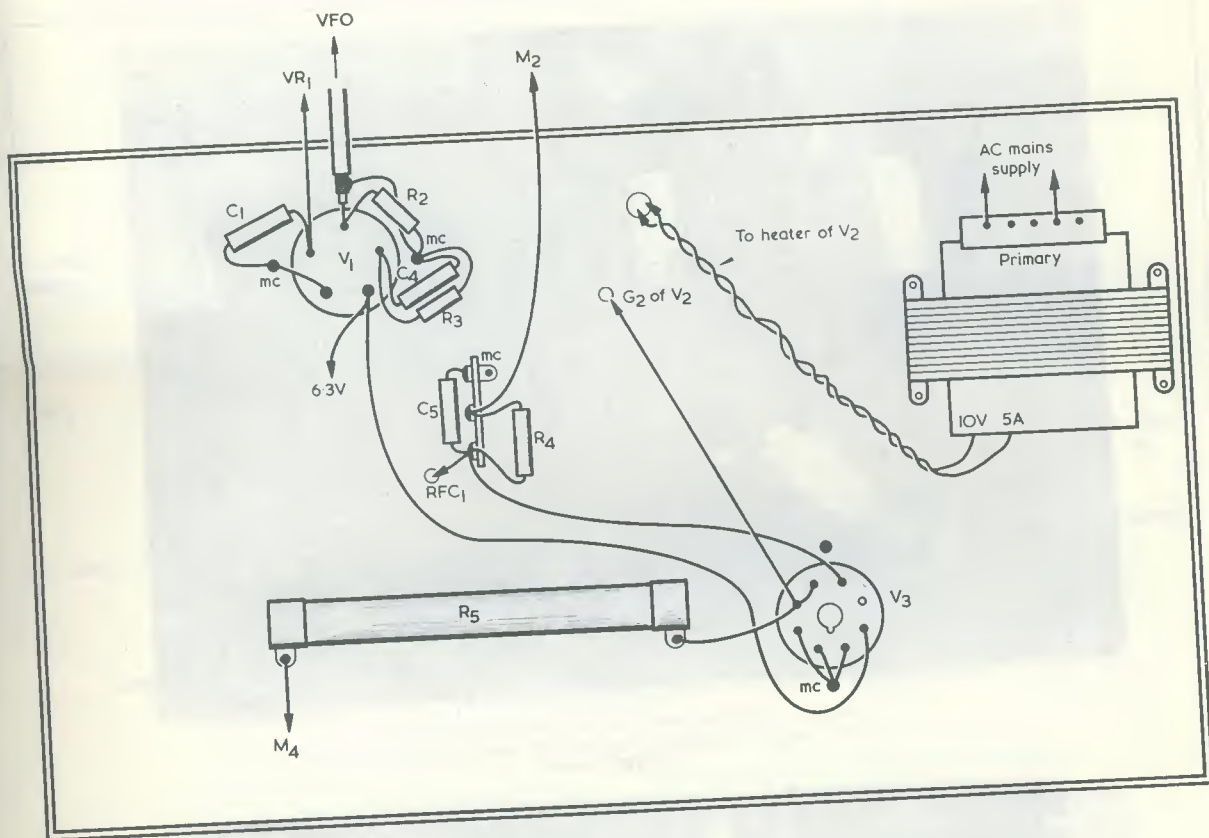
Fig. 5. Connections to V₂ valveholder inside the screened box



Another top view, showing also the panel controls. The knob for switch S_1 can be seen below that for VC,



Rear view of the driver/p.a. stage. At the right is the spindle of the Transmit/Receive switch of Fig. 7 together with an aerial socket for the receiver. This arrangement is optional and the switch and additional aerial socket are not shown in Fig. 4



mc - chassis connection

Fig. 6. Wiring below the chassis. See text for further details on the heater transformer and its wiring. Pin 1 of V₃ is earthed to chassis to accommodate a "metal" 6L6, should this be used

TESTING AND TUNING

A check should be made for grid current on each band, with no h.t. on the p.a. If L₁ is not made as described, a wavemeter can be used to make sure that resonance is around 3.5, 7 and 14 Mc/s. More grid current was possible on each band than was required, and VR₁ reduces this.

VC₁ need not be readjusted for relatively small adjustments to working frequency in a band.

A simple test for transmitter output can be made with a 150W 240V domestic lamp in a holder connected to twin-flex or co-axial lead. This can be plugged into the aerial outlet, or clipped across VC₃. Obtain 10mA grid current on the wanted frequency. Put the T/R switch to Receive. Close VC₂ and VC₃. Close S₂ of Fig. 7 (or otherwise apply high voltage). Turn the T/R switch to Transmit, noting p.a. anode current and rotating VC₂ for a current dip. This will be too low, and anode current is increased by opening VC₃, meanwhile slightly re-tuning with VC₂. In this way the wanted input is obtained, VC₂ always being adjusted for *minimum* anode current. With 150W input (say 150mA at 1,000V) the 150W lamp should light with considerable brilliance.

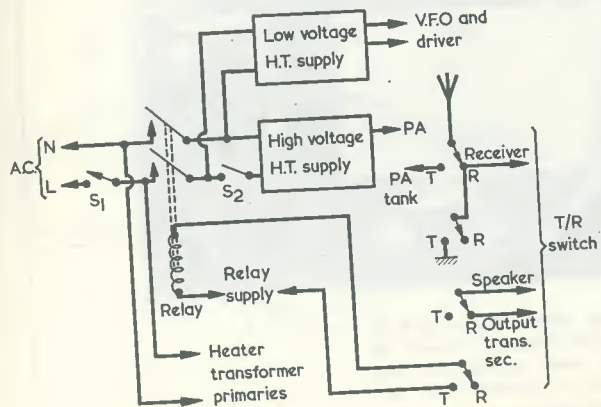


Fig. 7. The overall Transmit/Receive switching arrangements employed by the author

To check clamping, turn VR₁ to zero. Grid current should cease, r.f. output should cease, and p.a. anode current should drop to a low level. During normal phone operation the 6L6 plays no part, but it gives instantaneous protection to the 813 if grid drive ceases. Without this drive there is no grid bias, and the 813 anode current could rise so high as to cause rapid damage were the 6L6 clamp not in use. Since the 6L6 controls the 813 screen-grid voltage in this way the transmitter can be keyed in an earlier, low-powered stage, for c.w. Cathode keying of the

807 has been used for some time without snags.

Parasitic suppressors were originally included, but were found unnecessary with the layout shown. With a good earth connection and an end-fed aerial operated through a tuner, it was found possible to operate on 3.5, 7 and 14 Mc/s bands without any T.V.I. on the home receiver in a nearby room. But this does not necessarily assure freedom

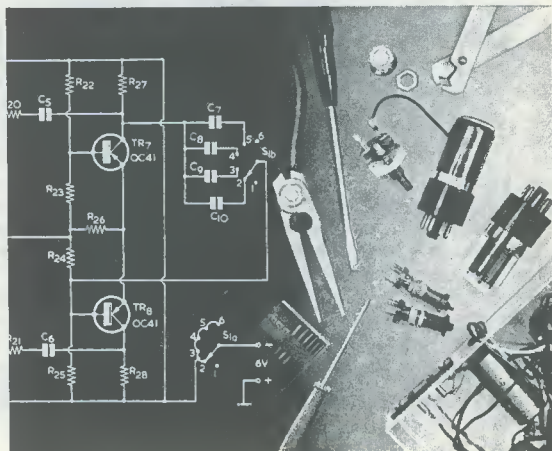
from T.V.I. in other circumstances. Having power supplies on a separate chassis seemed helpful in keeping r.f. out of the mains. The transmitter has also had long periods of use with dipoles fed directly by 75Ω coaxial cable in the usual way.

(To be continued)

SUGGESTED CIRCUIT No. 216

LOW VALUE CAPACITANCE BRIDGE

by G. A. FRENCH



WITH PRESENT-DAY CIRCUITS AND components it is often desirable to be able to measure very low values of capacitance, and a simple and reliable test instrument capable of carrying out this function can be a considerable asset to the constructor. The instrument which is described in this month's article is specifically intended for measuring low values of capacitance, and it offers a range from less than 1pF to greater than 12,000pF. The circuit has been designed with economy in mind, but this does not prevent it from giving indications at the low capacitance end of the range which are clear and sharp, and which involve no guesswork in their interpretation. An incidental feature of the instrument is that it incorporates two field effect transistors to provide null indications in a manner which has not, so far as the writer is aware, been previously reported.

DEVELOPMENT APPROACH

There are quite a few novel features in the overall design of the capacitance bridge, and a good method of introducing these consists of first discussing some of the decisions which were taken by the writer during initial development, always bearing in mind that the primary requirement of the instrument is the measurement of very low values of capacitance.

To start off with, a bridge circuit is the most attractive for the present application because of its simplicity and the fact that it does not have to rely on expensive meters or similar components for indications. The great advantage of a

bridge is that indications can be provided by any uncalibrated device having the requisite sensitivity, the actual readings being taken from the component settings in the bridge itself after it has been balanced.

Considering the high level of sensitivity they can provide, a pair of headphones probably represent the cheapest null indicator for a bridge. It was, in consequence, decided to use headphones for the design under consideration. The bridge could then be energised by a.c. at an audio frequency.

The choice of audio frequency had next to be resolved. Since the reactance of a capacitor decreases as frequency increases, a high energising frequency would result in a low reactance in the capacitor to be measured, whereupon the risk of error due to leakage resistance between the connections to that capacitor would become reduced. Also, a low reactance in the capacitor to be measured would allow greater power to be fed to the balance indicator, with the result that off-balance indications would be stronger and the balance position itself more sharply evident. Conflicting against this, however, is the fact that the audible level offered by headphones above some 1 kc/s decreases as frequency increases, as also does subjective perception by the human ear. It was initially intended to use a bridge energising frequency of 5 kc/s, but later experiment showed that a somewhat better compromise was given by reducing it, slightly, to 3 kc/s. At 3 kc/s a capacitance of 1pF offers a reactance of about 50MΩ. This is

sufficiently low to reduce to negligible proportions the risk of errors caused by poor insulation resistance between the connections to that capacitor. Also, a frequency of 3 kc/s offers a reasonably satisfactory audible level when reproduced by standard diaphragm headphones.

A basic capacitance bridge may be made up with either one side of the energising supply earthed (i.e. connected to the chassis of the associated instrument) or with one side of the null indicator earthed. If one side of the null indicator is earthed, both terminals of the a.c. energising supply have to be "floating", whereupon the most convenient method of applying this supply is by way of a transformer. Unfortunately, the transformer secondary feeding the bridge will inevitably have stray capacitance to its primary and to earth, and these then appear across the bridge arms. With normal home-constructor a.f. transformers such

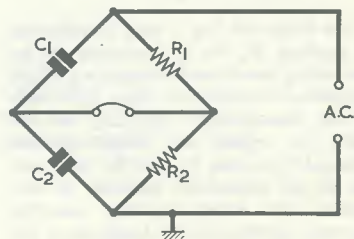


Fig. 1. A simple capacitance bridge

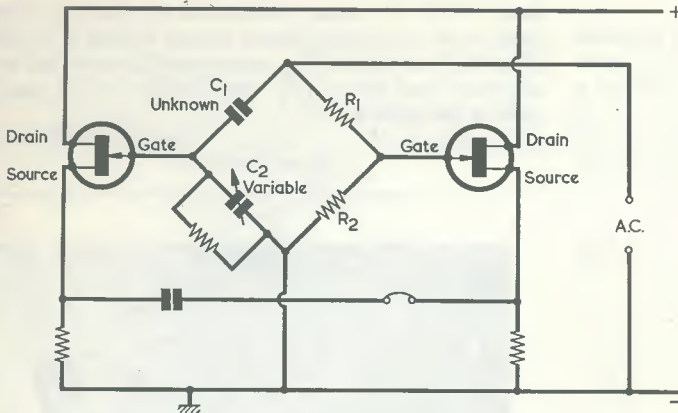


Fig. 2. The capacitance bridge with field effect transistors coupled to the arm junctions. These isolate the headphones from the bridge, and ensure that stray capacitances between the headphone leads and earth do not cause errors in readings

stray capacitances would almost certainly be well in excess of the 1pF minimum it is intended to measure, with the result that readings around this value could be more difficult to resolve accurately and sharply. It was decided, therefore, to have one side of the energising supply earthed instead, whereupon it is the null indicator terminals which become "floating". As is discussed shortly, a special coupling technique is used to prevent stray capacitances between the null indicator (the headphones) and earth from upsetting the operation of the bridge.

The bridge circuit, as so far described, is shown in Fig. 1. Two arms are given by R_1 and R_2 and two by C_1 and C_2 , whilst one side of the a.c. energising supply is earthed to the chassis of the instrument. Balance is given when

$$\frac{C_1}{C_2} = \frac{R_2}{R_1}$$

The relationship is "opposite" to that given with a bridge consisting of four resistors, because the reactance of a capacitor varies inversely as its capacitance. From the equation, we may also say that

$$C_1 = \frac{R_2 C_2}{R_1}$$

The bridge of Fig. 1 may be adjusted by making R_1 or R_2 variable or by combining these two resistors in a single potentiometer with the right hand side of the headphones coupling to the slider. Or, again, the bridge may be adjusted by having R_1 and R_2 fixed and one of the capacitors variable. It was decided to avoid having variable resistance in the present design since the only suitable component for long term reliability would have to be wirewound and, at the relatively high frequency to

be used, this might introduce undesirable reactances into the resistance arms. The final decision consisted of making C_2 variable and C_1 the "unknown". A wide range of continuously variable capacitance for C_2 (starting from a quite high arbitrarily chosen minimum) can be provided by connecting the sections of a standard ganged capacitor in parallel. Such a component will not, as would a carbon variable resistor, exhibit any wear affecting its electrical performance even after a considerable amount of use. Having C_2 variable instead of C_1 means that the frame of the variable capacitor employed in the C_2 position can be at chassis potential, giving a significant easing of constructional problems. The only disadvantage is that neither terminal of the unknown capacitor, C_1 , is at chassis potential (although its upper plate may be at a fairly low impedance to chassis).

The next problem during initial development was to overcome the possibility of errors being introduced due to the fact that both connections to the null indicator are "floating". In the circuit of Fig. 1 stray capacitances between either headphone lead and chassis will upset the conditions in the bridge and cause incorrect readings to be given.

The solution appears in Fig. 2, in which the two central junctions of the bridge are applied to the gates of two field effect transistors powered by the positive supply line shown. The two transistors function as source followers and their gates present an almost infinite resistance to the bridge as well as a very low capacitance. The headphones connect across the sources via a d.c. blocking capacitor and, in consequence, are at a low impedance to chassis. The signals at the sources have very nearly

the same amplitude as those at the gates, so that the bridge may be balanced in the same manner as if the headphones were connected to it directly. Thus, by interposing the field effect transistors between the central junctions of the bridge and the headphones, the bridge junctions remain "floating" and are virtually unaffected by varying stray capacitances between the headphones and chassis. Another advantage conferred by using field effect transistors in this manner is that they allow an off-balance signal of good amplitude to be fed to the headphones even when the reactances appearing in the bridge are of the order of tens of megohms, and they thereby impart increased sharpness to the balance setting.

Fig. 2 shows C_2 in its variable form, with one terminal connected direct to chassis. As already stated, C_1 is the unknown capacitor. From the second equation given earlier, we know that C_1 varies directly as R_2 . In the complete instrument different values for R_2 are selected by a 4-way switch to provide 4 capacitance ranges.

It will be noted that a fixed resistor is connected across C_2 . The function of this resistor is to maintain a d.c. path between the gate of the left hand f.e.t. and chassis, thereby keeping this electrode at chassis potential. The resistor may have a value around 10M Ω , any unbalancing effect it may have on bridge performance being taken up during calibration. Actually, this effect is quite small in the complete instrument, because the calibration for each range starts with an arbitrarily chosen minimum capacitance in C_2 of about 100pF, which corresponds to a reactance at 3 kc/s of around 0.5M Ω .

COMPLETE CIRCUIT

The complete circuit of the capacitance measuring instrument appears in Fig. 3. The components to the right of the vertical dashed line constitute a 3 kc/s generator and we shall discuss this section of the instrument later. A 3 kc/s output from this generator is passed, via C_3 , to the bridge section around TR₁ and TR₂. The bridge section is based on the circuit of Fig. 2, but component identifications (R_1 , R_2 , etc.) are different.

In Fig. 3 the capacitor whose value is unknown is connected to the Test Terminals, whereupon it takes up the same position as did C_1 of Fig. 2. C_2 of Fig. 2 appears in Fig. 3 as C_1 . It has a value of 1,500pF and is given by a 3-gang capacitor having 500pF in each section, and with all the sections paralleled. The frame of C_1 bolts to chassis, thereby providing a connection for the moving vanes. The resistor across C_1 is R_1 , and it has a value of 10M Ω .

R_1 of Fig. 2 is now R_4 , with a resistance of 47k Ω . R_2 of Fig. 2 is replaced by whichever resistor is selected by the Range switch, S_2 . On Range 3 the

selected resistor, R_7 , has the same value as R_4 . In consequence this range corresponds to the actual range of capacitances offered by C_1 and is nominally 100 to 1,200pF. S_2 switches in the 4.7k Ω resistor, R_6 , on Range 2. R_6 is one-tenth the value of R_4 , whereupon the range of capacitance measurement becomes 10 to 120pF, or one-tenth of the actual capacitive range offered by C_1 . Similarly R_5 , at 470 Ω , is one-hundredth of R_4 , causing Range 1 to be one-hundredth of the actual capacitive range given by C_1 . On Range 4 R_8 is selected and this, at 470k Ω , is ten times the value of R_4 . Range 4 is correspondingly ten times the actual capacitive range offered by C_1 .

The two field effect transistors of Fig. 2 are shown in Fig. 3 as TR₁ and TR₂. These are insulated-gate N-channel depletion transistors type 40468, and are available from Amatronix, Ltd. Both function as source followers, with R_2 and R_3 as source resistors. The output from the two sources is passed, via C_2 , to the headphone terminals.

A component not shown in Fig. 2 is the "Press To Read" switch S_1 . This is a normally-closed push-button or spring

biased toggle switch, its function being to ensure that the gate of TR₁ is always connected to chassis when the capacitor to be measured is being coupled to the Test Terminals. Without this connection it would be possible for a static voltage to be passed to TR₁ gate when the operator's fingers touch the lower Test Terminal and, under certain circumstances, this could be sufficiently high to cause the gate-channel insulation of TR₁ to break down. The presence of S_1 also ensures that if a capacitor connected to the Test Terminals should happen to be charged, it can discharge via R_4 and the resistor selected by S_2 . Without the short-circuit to chassis provided by S_1 , a charged capacitor could also result in breakdown of the gate-channel insulation of TR₁.

Since S_1 carries out a very important function, it is desirable to emphasise the manner in which it is employed. This switch must only be pressed *after* the capacitor to be measured has been connected to the Test Terminals and *after* the operator's fingers have been taken away from these terminals. It follows from this that the capacitor being measured *must not* be handled

whilst S_1 is pressed. These precautions do not incur any time-wasting procedure whilst taking a measurement. The capacitor whose value is unknown is initially connected to the Test Terminals. The operator removes his hands from the terminals, S_1 is pressed and C_1 is adjusted for balance. S_1 is next released, after which the capacitor under test can be removed from the Test Terminals. This approach is fairly fool-proof, since both hands will normally be required for connecting the capacitor to, or removing it from, the Test Terminals. When taking a measurement, one hand is then available to press S_1 whilst the other adjusts C_1 . To prevent accidental pressure on S_1 whilst connecting up the capacitor under test, it would be a good plan to mount the switch on the side of the case in which the instrument is housed, with the Test Terminals on the front panel. Alternatively, it may be provided with a small protective hood. If the bridge is to be used by people other than the constructor, they should be advised of the correct procedure for using S_1 .

Turning to the 3 kc/s generator, this appears to the right of the vertical

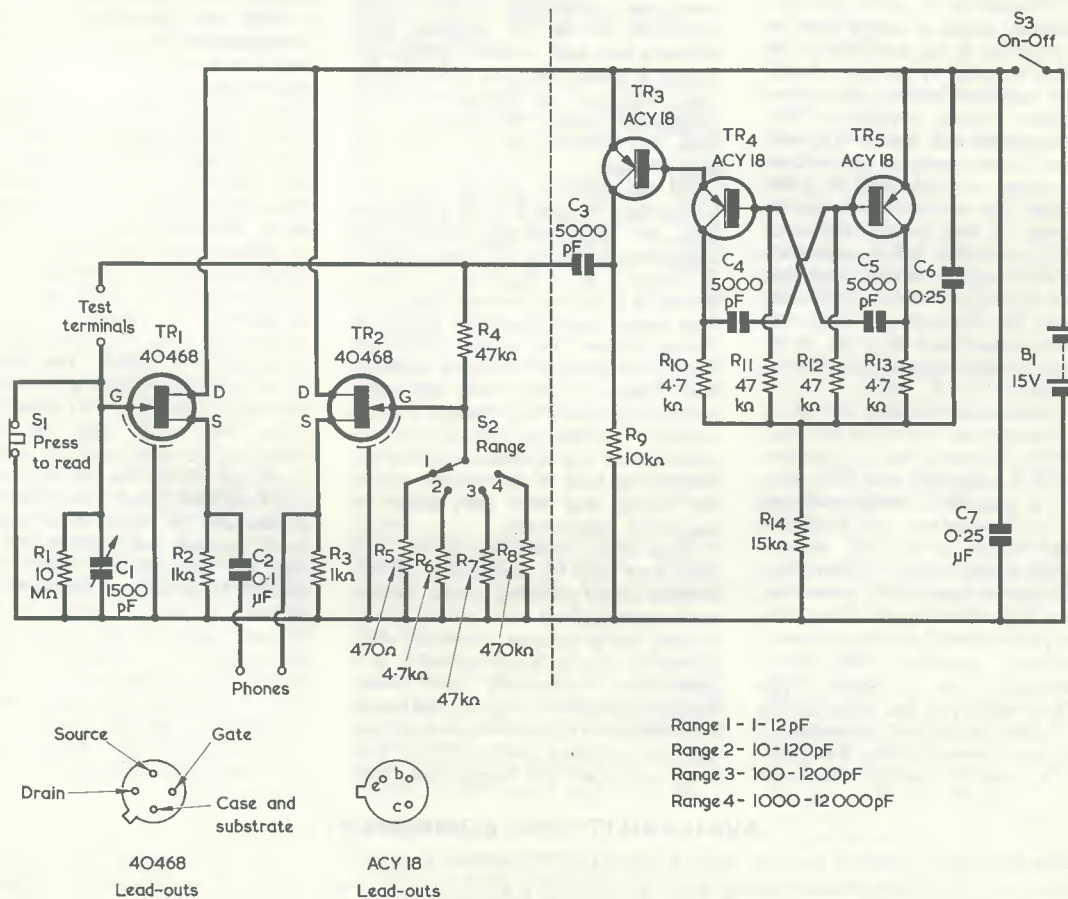


Fig. 3. The complete circuit diagram for the capacitance measuring instrument



Fig. 4. The Range 1 calibration given with the prototype. Readings are in picofarads

dashed line, and consists of the multivibrator given by TR₄ and TR₅, with the following amplifier TR₃. The supply to the multivibrator (which is drawn "upside-down" in Fig. 3 because the upper supply rail is positive) is dropped to some 3.5 to 4 volts by R₁₄, with C₆ functioning as bypass capacitor. The reason for running the multivibrator at less than the full 15 volts provided by the battery is that the maximum reverse base-emitter voltage for most small germanium transistors suitable for use in a multivibrator of this nature is of the order of 10 to 12 volts only, or even less. It has to be remembered that, in a multivibrator, the base of the transistor being cut off during the changeover in the cycle is momentarily driven in a reverse direction by the other transistor to a potential which is nearly equal to supply potential. If the multivibrator of Fig. 3 were supplied by the total 15 volts available from the battery, the reverse base-emitter voltage applied to TR₅ would approach this figure. TR₄ and TR₅ work comfortably at the reduced supply voltage available after R₁₄, and most small a.f. transistors should be satisfactory in this circuit. Capacitor C₄ and C₅ are a little low in value for a germanium transistor multivibrator and there is a very slight risk that, with some transistors, the multivibrator might not start. The author used ACY18's in the prototype and these caused no difficulties in this respect.

The base-emitter junction of TR₃ is inserted between the emitter of TR₄ and chassis, with the result that TR₃ switches on and off in sympathy with TR₄. As a result, it is possible to obtain a square wave of good waveform and amplitude from the oscillator of TR₃ without loading the multivibrator. Further, since R₉, the collector load of TR₃, is returned to the negative supply line, the peak-to-peak value of the square wave at TR₃ collector approaches the full 15 volts available from the battery. (The writer first employed this technique in "D.C. Voltage Multiplier", published in *The Radio Constructor* for February, 1968). TR₃ may be any a.f. transistor

having a maximum collector voltage rating in excess of 15 volts, and in the prototype the writer used a third ACY18 here.

The output from TR₃ is passed, via C₃, to the bridge section of the instrument.

PRACTICAL POINTS

Construction should raise few difficulties, provided that care is taken to keep stray capacitances low in the bridge section to the left of the vertical dashed line. The components in the gate circuit of TR₁ should be spaced away from those in the gate circuit of TR₂ by some two inches or more. Both f.e.t. gates are at fairly high impedance and are liable to pick up stray 3 kc/s signal voltages, which will mask the null. The section to the right of the dashed line should preferably be screened from that to the left, although this is not entirely essential if the two sections are spaced well apart. The lead from C₃ into the bridge section should be kept well away from wiring connecting directly to the two gates.

The two Test Terminals need to be mounted on a piece of high-grade Paxolin, or similar, offering a high insulation resistance. The switch employed in the S₁ position must similarly have high insulation resistance. Switch S₂ should be of the Yaxley wafer type and not a miniature rotary component, since the latter variety tend to exhibit rather high self-capacitances.

All the resistors may be $\frac{1}{4}$ watt or $\frac{1}{2}$ watt types. R₁ and R₉ to R₁₄ inclusive, may be 10% carbon, whilst the remainder should be 5% high stability. In theory, if R₅ to R₈ were 1% types it should be possible to use one scale for all four ranges, multiplying the figures on this as required. The writer checked out this point in practice but found, however, that Ranges 1 and 4 did not agree sufficiently closely with Ranges 2 and 3 to merit this method of operation. In consequence, it is recommended that 5% resistors be used in the resistive side of the bridge and that each range be calibrated individually.

Field effect transistors of the type used here may be damaged if an un-earthed mains soldering iron is applied to the gate lead-out when wiring up. To prevent static voltages damaging these transistors during construction it is a good plan to initially wire 4-way transistor holders into circuit first (white nylon holders available from Amatronic, Ltd. are suitable) and to fit f.e.t.'s to these after all the wiring has been

completed and checked. Fig. 3 shows a chassis connection to the cases of TR₁ and TR₂. As may be seen from the lead-out diagram for the 40468, this connection also passes to the transistor substrate.

All the capacitors in the circuit may be paper or plastic foil types.

The headphones used with the bridge must be 2,000Ω types (i.e. two 2,000Ω earphones connected in series). Lower resistance phones, and especially single earpiece types, will probably not have sufficient sensitivity. Despite the fact that a high amplitude a.f. signal is fed into the bridge, there is a considerable degree of attenuation in the bridge arms, especially near the balance position, and the a.f. output is correspondingly reduced. It is also, of course, at a relatively high frequency. With the prototype, it was found possible to balance the bridge at all points of the four ranges when using 2,000Ω phones, the volume being more than adequate for use in a quiet room. It is possible that a crystal earpiece, with its enhanced higher frequency response, could be employed instead of the 2,000Ω phones, but this point was not checked by the writer.

With the prototype, the current consumption from the 15 volt supply was 4.5mA only.

CALIBRATION

As already mentioned, all four ranges are calibrated separately. This is not a difficult task if a small quantity of capacitors of known value are available, these being used singly or connected in series, in parallel and in series-parallel to provide calibration points. All null points should be sharp and easy to find.

The four ranges listed in Fig. 3 are nominal, and assume a minimum capacitance in C₁ of around 100pF and a maximum of 1,200pF. This restriction to the range ends allows a small amount of further travel in C₁ at either end in order that nulls may be reliably identified. Balance obviously cannot be confirmed unless one can approach the null from both sides! Nevertheless, there should still be some useful range "in hand" outside the nominal end limits, and the appropriate points can, if desired, be included in the calibration to provide a small degree of overlap between ranges. As an idea of what is to be expected, Fig. 4 shows the Range 1 calibration obtained with the prototype. It will be seen that the values are comfortably spaced out and that readings can, in practice, be obtained at as low a capacitance as 0.5pF. *

AVAILABILITY OF COMPONENTS

We take the greatest care to ensure that the components specified in our articles are (a) correctly described, (b) of adequate rating and (c) currently available on the market. It occasionally happens however that some retailers run out of stock and find difficulty in obtaining immediate fresh supplies from the manufacturer—a waiting period of many weeks not being unusual. This is, of course, beyond our control and we regret any inconvenience caused to readers where this occurs.



Q S X

by
L. SAXHAM
(All times GMT)

A report on the stations – both amateur and broadcast – that may be logged by the s.w.l. on the various short wave bands; compiled by a Dx'er whose QTH is located near the S. Suffolk coast.

● TOPIC

“What’s all this SINPO business?”

SINPO is a reporting code adopted by the Broadcast bands listener. Previous to this, the QSA/R code was used but was found to be totally inadequate to convey—when making a report—the necessary and required information to the station engineers. The QSA/R code, only conveys two points of information—signal strength and readability—it does not present sufficient material in which the station engineer would be interested. And in order to obtain the desired QSL card, as much information as is reasonably possible should be included in the report to the station.

As time went by, it became increasingly clear to Broadcast band operators that a different code to the QSA/R system would have to be adopted. Thus it was that the SINPO system came to be used by the world-wide brotherhood of broadcast bands listeners. The SINPO code conveys all the information required by an engineer when assessing the receivability of his transmitter signals at the particular location from which the report emanated.

The term SINPO is composed by the initial letters of the following headings under which the information is conveyed. Signal strength (QSA), Interference (QRM), Noise atmospheric (QRN), Propagation disturbance (QSB) and Overall merit (QRK). Under each of these headings there are five points of assessment which the listener must determine with as much accuracy as he is capable. For instance, it will be seen, from the SINPO Table—published in this issue on page 245—that under, for instance, the Signal strength heading (QSA) a progression from S1—barely audible, is made to S5—excellent. Similarly, the same progression, from 1 to 5, is made under the remaining four headings.

NOVEMBER 1968

The use of this code has become almost universal within the last few years and it should be used by all Broadcast bands listeners if the desired QSL card is to be obtained from the station to which one is reporting. An example of the use of this code would be as follows:—33443, this imparting the information that the transmission was received Signal strength fair, Interference moderate, Noise slight, Propagation disturbance slight and the Overall merit fair.

SINPO is a shortened version of a more embracing code—SINPFEMO.

● Amateur Bands

Plenty of varied Dx has been apparent on the Amateur bands of late. There was a time when the choicest Dx to be heard was on the 14 Mc/s c.w. band but in recent years, however, the emphasis has changed to s.s.b. The writer personally regrets this change but it certainly makes Dx reception an easier matter for the phone only operator.

21 Mc/s

A recent foray on this band produced the following signals.

SSB: DU1FH, XW8AX, ZS6JF, 9K2CC and 9M2NR.

14 Mc/s

CW: CE9AT, CR6IV, HP1LR, KG6AA, Y, LU7FAL, PY2DQ, 2OU, 3AOF, TF3OJ, VK5KO, YS1XEE, 2RC, 2SJ, YV1AB, ZE1DB and ZL4CA.

SSB: CE1CN, HR1KAS, 1XAP, HV1CN (Vatican), KR6KN, 6NR, KV5FN, KZ5HE, LU1SE, 2CQ, 6DRB, 0A4W, PY6AT, TG8IA, T12EVA, VK2AJN, 3ALM, 3AXL, 3MO, 3WQ, 4KS, 6RU, 7GK, 7RX and VU2DKZ, 2LO.

7 Mc/s

Despite the remarks made under this sub-heading in the September issue, the writer was determined to have another try on this band—it being a favourite Dx haunt of pre-war years when there was far less commercial intrusion than there is at the present time.

CW: G16TK, GM3LOM, 3OXX, 3WOJ, **SSB:** CM2DC, PY2EGA, 2EMD, 2ENR, 2GE, TG9VD, YV4OY, 5BPG and 9Y4KR.

1.8 Mc/s

The limited time spent on this band was entirely taken up with operation over the c.w. end, this produced a few thrills and spills and the following signals were noted.

CW: G16TK, GM3LOM, 3OXX, 3WOJ, GW3XJC, OK1AWQ and OK2SSS.

● Broadcast Bands

There is always something of interest to hear on these bands and one never knows quite what to expect from one moment to the next. Recently, whilst idly tuning around one of the low frequency bands, Accra, Ghana, on

3350 kc/s was logged with the news in English and station identification at 2200. On another occasion, whilst tuning around the 5 Mc/s region, Lagos, Nigeria, on 4990 kc/s was

heard with the talking drum interval signal followed by the news in English at 2100. The African talking drum must be heard to be believed!

3375 1950

CR6RZ, Radio Angola, Angola—with song programme.

4765 2030

Radio TV Congolaise, Brazzaville, Congo—with programme of African music.

4800 0230

YVMO, Radio Lara, Venezuela—station with identification.

4810 0355.

YVMG, Radio Popular, Venezuela—closing with National Anthem.

4872 0220

TGOH Radio Cruz, Guatemala—with sports commentary.

4890 0215

YVKB, Radio Dif. Venezuela—with station identification.

4923 0430

HCRO1, Quito, Ecuador—with station identification.

4970 0115

YVLK, Radio Rhumbos, Venezuela—with station identification.

4972 2035

Radio Yaounde, Cameroon—with talk in French.

7200 2105

Kabul, Afghanistan—with programme of native songs. Kabul, the capital, is on the river Kabul (length 260 miles) which flows through Afghanistan to the River Indus at Peshawar. Kabul (alt. 6,900ft) is south of the Hindu Kush.

15325 0845

HCJB, Quito, Ecuador—with programme in English and station identification. Quito, the capital, is situated in the Andes 15 miles south of the Equator, altitude 9,402ft.

● Now Hear This

5052 1615

Radio Singapore, Singapore with programme of pop music and signing off with National Anthem at 1630. Singapore is situated at the extreme southern tip of the Malay Peninsula.

And This

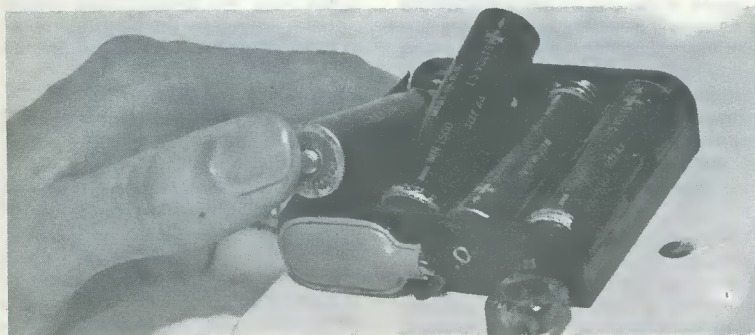
4985 1600

Radio Malaysia, Malaysia—with 6 “pips”, station identification and news in English. SINPO 33333.

● Last Look Round

Reader—“What receiver ancillary equipments do I need to obtain better reception and accurately log the low powered African and S. American Broadcast stations?”

Answer—“See QSX next time round—January issue”.



A low-priced battery charging system called "Pencil" is announced by DCB Instrument & Lighting Company of Austin House, Croft Road, Crowborough, Sussex.

Following the outstanding success achieved by DCB Instrument & Lighting Company with rechargeable power

supplies in the ophthalmic and medical fields, DCB have developed the "Pencil" battery charger to cover applications such as transistor radios, cameras, tape recorders, etc.

"PENCIL" CUTS BATTERY COSTS

The facility to recharge a cell, time and time again, at a fraction of the cost of the

LOW-PRICED BATTERY CHARGER FOR TRANSISTOR RADIOS

batteries spells an economy to the general public which cannot be overlooked. Recent field tests have demonstrated that the MN 1500, the popular battery in the transistor radio and photographic fields, can be recharged between ten and thirty times (depending upon operational conditions) by the "Pencil" Battery Charger.

As a replacement set of alkaline manganese 1500 type cells costs 11s. and has a limited life in a transistor radio, it is apparent that the initial outlay of 79s. 6d. which includes four alkaline manganese 1500 type cells, is soon recovered.

The "Pencil" Battery Charger is of all British design and manufacture and obtainable from DCB Instrument & Lighting Company.

COMBATING FLOOD DAMAGE

Permutit De-ionisers were in action recently in the flooded areas of Molesley, Esher, Tonbridge and Horley, offering free supplies of demineralised water.

A number of portable de-ionisers were put at the disposal of residents whose electrical equipment, tape recorders, hair dryers, vacuum cleaners, etc., were contaminated by flood waters.

One resident, Mr. Brian Matthews, of Hildenborough near Tonbridge, stated, "I have an expensive tape recorder which was under four feet of water and covered with slime for several hours. It is now working perfectly after cleaning with demineralised water. I have also cleaned and restored many valuable records by the same method."

Demineralised (purified) water produced by these ion exchange de-ionisers was in demand for washing the silt and sewage contamination from equipment and household electrical appliances which, if rinsed with ordinary tap water would have been affected by salts and damaging deposits left behind after drying out.

As the de-ionisers are completely portable the task was made easy and simple. Demineralised water is produced instantly by the action of raw water passing through the ion exchange resins in the de-ioniser.

Permutit Portable De-ionisers are used in laboratories and industry. Their larger counterparts produce millions of purified water daily for power stations, factories, steelworks and oil refineries all over the world.

BOUND VOLUMES

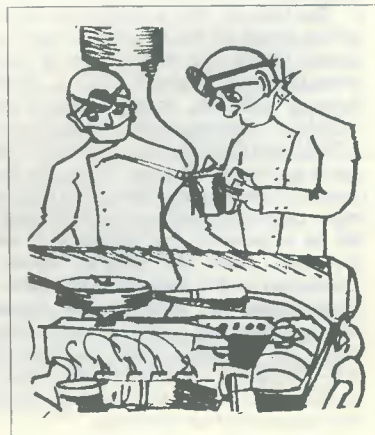
Year by year bound volumes of *The Radio Constructor* sell more quickly, and we regret that Volume 19 and all previous bound volumes are now out of stock.

Volume 21, covering the August 1967 to July 1968

issues, are now available from Data Publications Ltd., price 35s. plus postage 4s. 6d.

SNAP-IN 12 WAY MAINS CONNECTOR BLOCK

A Snap-in 12 Way Mains Connector Block now available from Carr Fastener Co. Ltd., of Stapleford, Nottingham, is designed to accept a 7/064in max. diameter input cable. The connector block consists of a Nylon moulded body with a cadmium plated steel terminal strip. The input cable clamp is brass and incorporates a steel screw. The connector can be assembled with right or left hand cable entry and with red, blue or brown moulding. It is designed to snap-into pre-punched holes in 0.91mm (0.036in) to 1.63mm (0.064in) thick material. The terminal blades are for use with .250in snap-on solderless connectors.



*"For goodness sake
can't you shut up!
Nothing but
torque, torque,
torque."*

COMMENT

BRITAIN'S LIBRARY OF SOUND

The British Minister for the Arts, Miss Jennie Lee, has opened the new premises of Britain's first-ever national sound library.

In a BBC broadcast, Derek Blizzard made it clear that the Library—or to give it its proper name, the British Institute of Recorded Sound—is not something to appear suddenly out of the blue. It has, in fact, been in existence for more than a decade, quietly and persistently endeavouring to build up what Britain, unlike most Western countries, surprisingly did not possess—national sound archives. For a time, the Institute scraped along on meagre resources, dependent very largely on voluntary effort, until eventually the Government decided to provide the necessary financial support. Now, with its move to a permanent home in the museum area of London's fashionable Kensington, it has at last achieved public recognition.

The Institute at present has in its possession about 140,000 disc recordings, together with a large collection of tape recordings and folk-music cylinders. Many of these have come from private contributors in Britain and overseas—indeed about a thousand recordings a month are received in this way. The main British commercial record companies also present the Institute with all serious and some “pop” issues, and in addition copies are made of all material that goes into the BBC's own sound archives, which are still the largest sound collection in Britain.

The Institute's aim is to provide the general public, in particular students of languages, music, natural history and sociology, with a comprehensive sound reference library—what its Director, Mr. Patrick Saul, describes as a sound picture of our age. “We feel (he said) that there are valuable sounds, just as there are valuable books or valuable pictures or valuable buildings. And since the phonograph was invented, we ought to make use of it to enable posterity to hear all these things.”

And just what are these valuable sounds that Mr. Saul speaks of? Well, they cover an immense range. Voices of famous personalities, many of them now dead; historic speeches; eye-witness descriptions of great events; theatrical and opera performances; animal sounds; street noises; examples of accents and dialects—an endless list. More, perhaps, than many of us realise, our world is captured and immortalised in sound. At the opening ceremony, the guests were given a vivid reminder of this fact, as a running tape recorder played through a succession of historic records from the Institute's collection. They heard, for example, the voice of the English poet, Robert Browning, reading a poem in 1888; a recording of Brahms playing one of his own works—an extremely rare piece copied from a cylinder once housed in a Berlin museum; the voice of Lenin addressing the third Communist International in 1919; and lastly, and most striking of all, the sound of the first-ever recording made by the inventor of the phonograph, Thomas Edison, in 1877.

The nucleus of a British national sound collection now exists. But of course the Institute is anxious to enlarge it by every means, and to make it as international in scope as possible. There seems no reason why, in the course of time, it should not vie with the British Museum as a cultural treasure-house of the British nation.

ELECTRONIC LABORATORY KIT

A.P.T. have introduced a new “Lektrokit” electronic construction kit for laboratory and educational use.

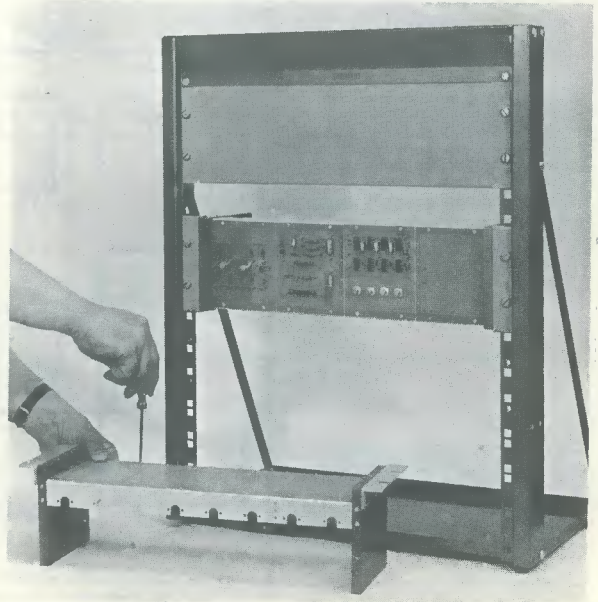
The kit consists of a bench rack with two chassis assemblies on which discrete components and integrated circuits can be mounted and wired. A front panel of grey enamelled aluminium alloy is also provided for indicator lamps, meters, switches, and other controls.

The base tray can be used to carry power supplies or other auxiliaries, and there is space for an additional chassis assembly or front panel if required.

This kit, known as “Lektrokit No. 6” enables laboratory experimental circuits to be neatly stacked vertically instead of the usual sprawl across the bench, and allows immediate “shelving” of a rig if a need arises to clear the bench space for other work.

These assemblies, if used generally in laboratories, will increase the utilisation of bench space, and create a uniform neat appearance of the work in progress.

The price of the Lektrokit No. 6 is £7 10s. (£7·50), and further details are available from the manufacturers, A.P.T. Electronic Industries Ltd., of Byfleet, Surrey.



One of the chassis units assembled for fixing into the completed rack kit

INEXPENSIVE INTERCOM SYSTEM

by
D. F. W. FEATHERSTONE

This article describes an intercom switching circuit which enables the amplifier to be permanently switched on with negligible load on its battery. Any amplifier with sufficient gain may be employed and a circuit is given for the simple transistorised unit used by the author

THE INTERCOM TO BE DESCRIBED OFFERS CLEAR reproduction, a call facility from main and extension positions and continual operation with negligible current drain from the battery. The amplifier may be of any type offering sufficient gain, and the circuit for that employed by the writer is discussed later.

SWITCHING CIRCUIT

The switching circuit external to the amplifier is given in Fig. 1. One loudspeaker is employed both for reproduction and as a microphone at the main position, and another at the extension position.

Switch S_1 is 4-pole 3-way and provides Stand-by, Listen and Talk. Switch S_2 is 2-pole 2-way and offers Normal and Call facilities. Rotary wafer switches can be employed for S_1 and S_2 , and they must be of the break-before-make type to prevent feedback gurgles and other effects when switched from one position to the next. An alternative for S_2 would be a double-pole double-throw toggle switch spring-biased to remain at Normal. Switch S_3 is at the extension position, and may be an ordinary toggle switch. Since it is only closed for calling and for communication, some constructors may prefer to use a push-button here.

When the intercom is out of use, switch S_1 is at Stand-by, S_2 is at Normal and S_3 is at Off. The negative terminal of the 9 volt amplifier battery then connects, via $S_{2(a)}$ and $S_{1(d)}$, to the negative plate of the $50\mu\text{F}$ electrolytic capacitor at the extension position. The positive plate of this capacitor couples via the extension speaker to earth. Thus, there is a negligibly low flow of current from the battery, this passing through the $50\mu\text{F}$ electrolytic capacitor, the extension loudspeaker and the (now inactive) amplifier circuit.

On Stand-by, $S_{1(a)}$ and $S_{1(b)}$ couple the output of the amplifier back to the input via resistor R_x . This resistor has a value which, when the amplifier is brought into operation, causes it to oscillate at an audio frequency.

Let us next see what occurs when a call is made. If the main station wishes to call the extension station, S_2 is switched from Normal to Call. Contacts $S_{2(a)}$ connect the negative terminal of the 9 volt battery to earth, and the amplifier becomes operative. The amplifier output connects, via $S_{1(b)}$, $S_{2(b)}$, $S_{1(d)}$ and the $50\mu\text{F}$ electrolytic capacitor to the external loudspeaker. Since $S_{1(a)}$ and

(continued on page 231)

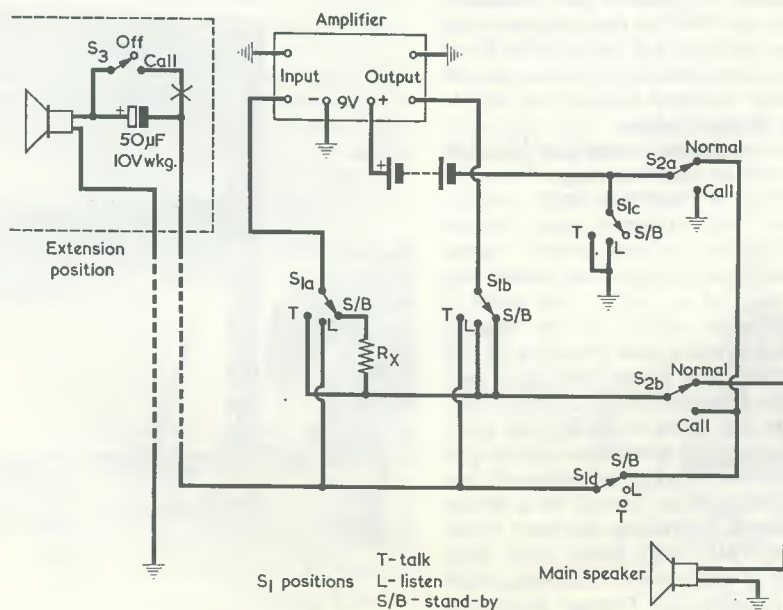


Fig. 1. The switching circuit for the intercom system

RECENT PUBLICATIONS



ELECTRONIC COUNTING CIRCUITS. By J. B. Dance, M.Sc., B.Sc. 390 pages, 7 $\frac{1}{4}$ x 9 $\frac{3}{4}$ in. Published by Iliffe Books, Ltd. Price 85s.

It is a surprising fact that, despite the considerable importance of counting circuits in modern electronic equipment, there has not been, prior to the publication of the book under review, any single work devoted specifically to this subject. It is, indeed, the purpose of "Electronic Counting Circuits" to make good this shortage of literature in the counting field, and it presents an exceptionally comprehensive survey of the electronic systems which are currently in use in the world today.

The book assumes a reasonable knowledge of basic physics and of the operation of valves and transistors, and provides a description of functioning when more complex devices, such as tunnel diodes or Shockley diodes, are introduced. It is profusely illustrated with circuit diagrams (giving component values) together with 26 photographs of commercially manufactured counting equipment. Again, each chapter is terminated by a very extensive list of references.

"Electronic Counting Circuits" is intended for all people working with counting circuits, these ranging from service engineers to designers, and it also offers much of interest to the experimenter not directly employed on such circuits. It covers all aspects of the subject from electro-magnetic counters through gas filled counting tubes to valve and solid state scalars, ratemeters and nuclear counting instruments; and it can be confidently recommended as offering a reference work that is both all-embracing and authoritative.

FUN WITH SHORT WAVE RADIO. By Gilbert Davey. 64 pages, 7 $\frac{1}{2}$ x 10 in. Published by Kaye & Ward Ltd. Price 16s.

"Fun With Short Wave Radio" is published for the youngster who has had little or no experience with short wave reception, and is written in a chatty style which gets the facts over easily and painlessly.

After an introductory chapter describing the results to be expected on the short wave bands, a second chapter discusses amateur radio and the R.S.G.B. Then follow details of a series of simple receivers suitable for construction by the reader, with valve designs predominating. Also dealt with are power units and short wave aerial and earth systems.

PRACTICAL WIRELESS CIRCUITS. Revised by the Technical Staff of *Practical Wireless*. 192 pages, 6 x 9 in. Published by George Newnes Ltd. Price 17s. 6d.

This is the eighteenth edition of a book which first appeared, under the aegis of the late F. J. Camm, as "Twenty-five Tested Wireless Circuits" in 1931 and was subsequently reprinted in 1941 under its present title. This latest edition is completely revised and presents a number of circuits (58 are listed) for home-construction, these reflecting present-day techniques and interests.

The first 22 circuits are for receivers incorporating semiconductors and commence with two crystal diode circuits. All the remaining circuits in this section employ transistors, and the concluding circuit is for a 10-transistor dual-conversion communications receiver. Next follow 5 circuits for valve receivers, 5 circuits for transistor amplifiers, 6 circuits for valve amplifiers, 3 circuits for power supplies, 2 circuits for transmitters, 4 circuits for model control equipment and 9 circuits for test gear. A final 2 circuits, under the heading "Miscellaneous", are for a recording-level meter and an electronic timer.

In general, the circuits increase in complexity as one proceeds through each section, and they are accompanied by constructional information and layout and wiring diagrams. Where applicable, photographs of individual units after completion are also given.

INEXPENSIVE INTERCOM SYSTEM

(continued from page 228)

$S_{1(b)}$ have already switched feedback resistor R_x into circuit, the amplifier oscillates, and the resultant a.f. signal is heard over the extension loudspeaker. (The $50\mu\text{F}$ electrolytic capacitor offers very low impedance at the frequency of the a.f. signal.)

If the extension wishes to call the main position, switch S_3 is closed. The negative terminal of the 9 volt battery now connects, via $S_{2(a)}$, $S_{1(d)}$ and the low d.c. resistance of the extension speaker to earth, the amplifier is once more brought into use and it again oscillates. The amplifier output connects, via $S_{1(b)}$ and $S_{2(b)}$, to the main loudspeaker, which reproduces the a.f. signal.

For communication, S_1 is switched between the Talk and Listen positions as required. With S_1 at Listen, the extension speaker (now functioning as a microphone) couples, via S_3 (closed) and $S_{1(a)}$ to the amplifier input. The amplifier output connects, via $S_{1(b)}$ and $S_{2(b)}$ (at Normal) to the main speaker. The person at the extension point may then talk to the person at the main position. With S_1 at Talk the main loudspeaker couples, via $S_{2(b)}$ and $S_{1(a)}$ to the amplifier input, whilst the extension speaker couples, via S_3 and $S_{1(b)}$, to the amplifier output. In both the Listen and Talk positions, $S_{1(c)}$ connects the negative terminal of the 9 volt battery to earth, thereby keeping the amplifier operative.

Should the extension operator wish to call the main station, S_3 is set to Call for a few seconds and the a.f. call signal is heard from the main speaker. During the subsequent conversation, S_3 is held at the Call position and S_1 operated as previously. When the conversation is complete, S_1 is set to Stand-by and S_3 to Off. S_2 is already at Normal. The intercom is then ready for use at a later time.

In Fig. 1, separate earth symbols are shown at the main station to indicate earth returns, since this enables the switch circuit operation to be more readily visualised. In practice, all these earth points are connected together. They may also, if desired, be connected to a real earth. It will be noted that, when S_3 is closed, it directly short-circuits the charged $50\mu\text{F}$ electrolytic capacitor. If desired, a small resistor of around 3Ω may be inserted in the S_3 circuit at the point indicated with a cross. This will limit discharge current and extend capacitor life.

FINDING R_x

The value of R_x is found experimentally. Initially, S_1 is set to Stand-by and S_2 to Normal. A variable resistor of around $10\text{k}\Omega$ is inserted in the R_1 position and its value gradually reduced until the feedback is sufficient to cause the amplifier to oscillate reliably whenever the extension leads are short-circuited. If oscillation does not occur, reverse the connections to the amplifier output transformer secondary. The value required in R_1 will vary widely for different amplifiers and it may be helpful to finish with a variable resistor lower than $10\text{k}\Omega$ if R_x requires a low value. The variable resistor is finally replaced by a fixed

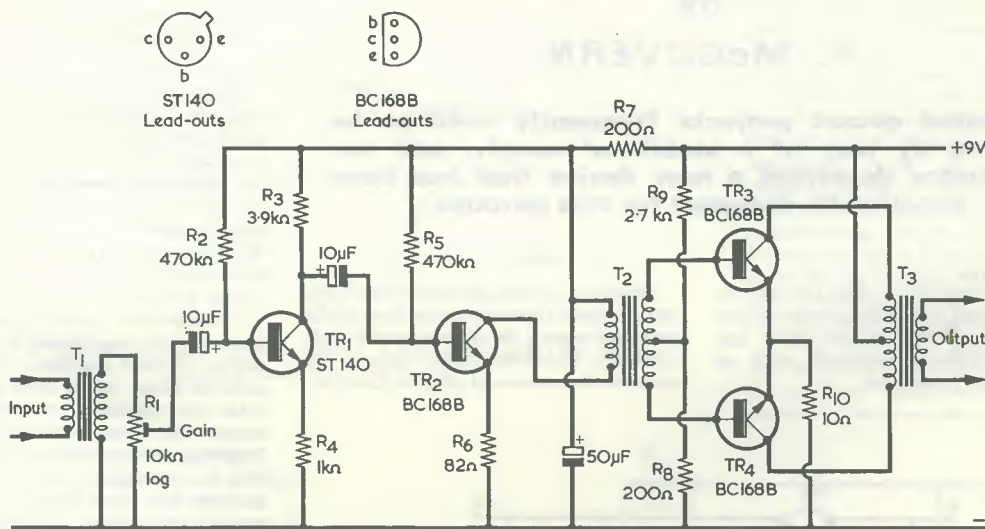


Fig. 2. The amplifier circuit employed in the prototype

Operation of the intercom may now be summed up in the following manner. If the intercom is not in use, S_1 is at Stand-by, S_2 is at Normal and S_3 is at Off. The only current flowing from the battery is leakage current in the $50\mu\text{F}$ electrolytic capacitor. If the person at the main position wishes to call the extension, S_2 is put to Call for a few seconds, whereupon the extension position is alerted by the a.f. signal from the extension loudspeaker. S_3 is put to Call and conversation proceeds with S_2 at Normal and S_1 switched between Talk and Listen, as appropriate.

resistor of the appropriate value.

All the wiring external to the amplifier is at low impedance so there are no layout problems. It is advisable to use different coloured wire for each section to avoid confusion and to aid checking when completed. The wire from the main station to the extension position can consist of any fairly low resistance twin cable. Take care to connect the extension wiring as shown in Fig. 1 so that the voltage across the $50\mu\text{F}$ electrolytic capacitor is of correct polarity.

Provided sufficient gain is offered, any amplifier with a low input impedance may be used. The circuit of the amplifier employed by the author is given in Fig. 2. This was built on a tagboard which fitted into a small case together with the main speaker, the battery, and switches S_1 and S_2 . The transistors used were inexpensive types, and the BC168B's are available from Amatronics, Ltd. Other types more commonly encountered in a.f. amplifiers could be used in their place, using standard circuitry. Since the author used n.p.n. transistors, the earthy supply rail for the amplifier is negative. An alternative amplifier employing p.n.p. transistors would have the earthy supply rail positive, in which case both the battery and 50 μ F electrolytic capacitor of Fig. 1 should be reversed. Transformer T_1 is a single transistor output transformer for 3 Ω speaker reversed, T_2 is a standard Class B driver transformer and T_3 a standard Class B output transformer.

(A transformer designed to match a 3-8 Ω speaker to transistor input for intercom purposes is the Type No. 759 from Henry's Radio, Ltd. T_2 and T_3 could be types LT44 and LT700 respectively, or similar.—EDITOR.). The amplifier volume control, R_1 , follows T_1 secondary and is preset to provide the desired level of gain when the intercom unit is completed and installed. The adjustment of R_1 must, of course, be carried out before finding the required value for R_x of Fig. 1. The main and extension speakers can be any moving coil types from 2 $\frac{1}{2}$ to 6in having an impedance in the range 3 Ω to 7 Ω .

As a final point, no on-off switch is shown in Fig. 2 since, as already explained, current drain is negligible when the system is out of use. To keep Stand-by current at its minimum, the 50 μ F electrolytic capacitor of Fig. 1 should be a component of reliable manufacture with a high leakage resistance. *

LINEAR I.C. VOLTAGE REGULATOR

by
P. McGOVERN

Integrated circuit projects frequently need to be powered by way of a stabilised supply, and our contributor describes a new device that has been specifically designed for this purpose

THE INCREASING AVAILABILITY OF linear and digital integrated circuits to the amateur experimenter has opened a hitherto restricted field of circuitry and equipment.

However, as with all new devices there are problems to be overcome. One of the principal ones is the provision of a high efficiency stabilised power supply. A number of circuits and projects covering

power supplies have been dealt with in previous articles in this journal, but in many cases these have not been entirely suitable for use with integrated circuits either due to size and cost or because they do not meet the particular requirements of integrated circuit operation. A power supply for an i.c. is usually required to provide very good regulation, low ripple and of course fast response to any load or line changes.

DIMENSIONS

To go back to size, it is quite a shock to discover when building a power supply using standard discrete components that it usually turns out to be of the order of ten times larger than the associated i.c. circuitry. It is difficult to justify the space required, apart from the question of appearance when such a power supply is compared to neat and very small i.c. circuit boards.

Consequently some semiconductor manufacturer was bound to provide an answer to these problems, the practical solution being in the form of a monolithic i.c. regulator. A device of this nature has been developed by the National Semiconductor Corporation, U.S.A., specifically for i.c. power supplies and allied uses. This has been available to industry for some time, but due to fairly high price it was not considered to be within the experimenter's budget. However, in recent months an epoxy encapsulated version in a package having approximately the same dimensions as a TO5 can has become readily available on the U.K. market under the N.S.C. type number LM300, and it is this device that will be described.

Briefly, a good voltage regulator should

(a) sense any change in output voltage no matter how minute;

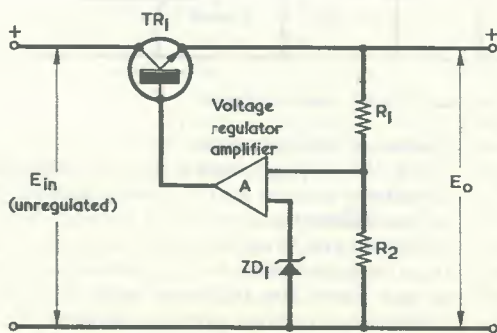


Fig. 1. Basic comparator circuit for a regulated supply

(b) be able to amplify this change into a usable signal for fast corrective action, and

(c) provide the necessary circuit compensation to maintain a constant d.c. output voltage.

These requirements can be met by the basic comparator circuit shown at Fig. 1. The comparator samples the output voltage (E_o) and compares this sample to a constant reference voltage source represented by zener diode ZD_1 . If there is a change in E_o from the design value an error signal appears at the output of the voltage regulator amplifier which changes the voltage on the base of TR_1 . This causes a change in the current flow through TR_1 , R_1 and R_2 which then brings E_o back to its previous value.

The LM300 contains the voltage reference source, comparator amplifier, and pass transistor all on one single monolithic silicon chip measuring 38 mil square. It consists in fact of a total of 12 transistors, 2 zener diodes, 1 diode and 8 resistors as illustrated in Fig. 2. Fig. 3 shows the lead-outs and it is important to note that this is a top view with the leads pointing away from the reader. (The numbers are in clockwise order when the leads point towards the reader). Terminal 8 is identified by a flat on the case.

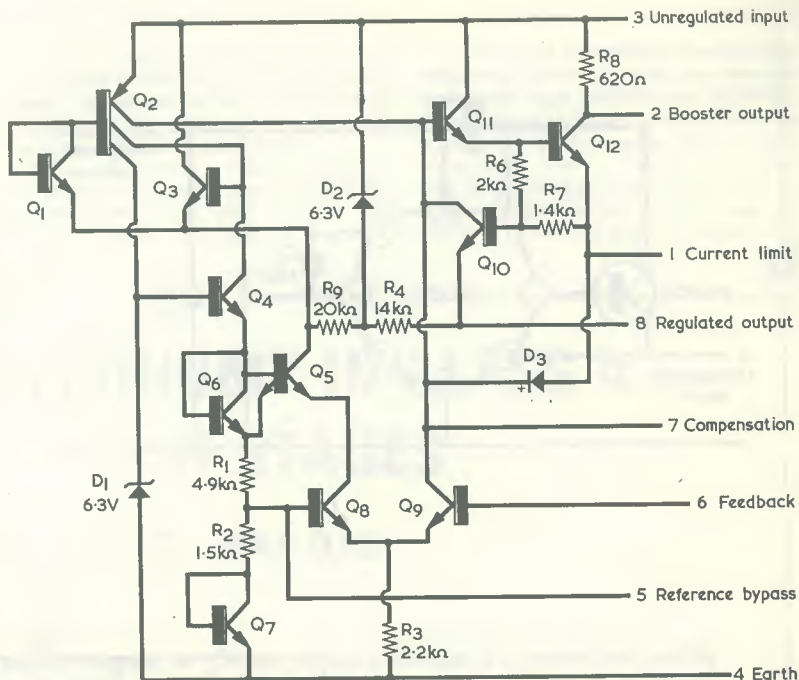


Fig. 2. Internal circuitry for the LM300, manufactured by the National Semiconductor Corporation

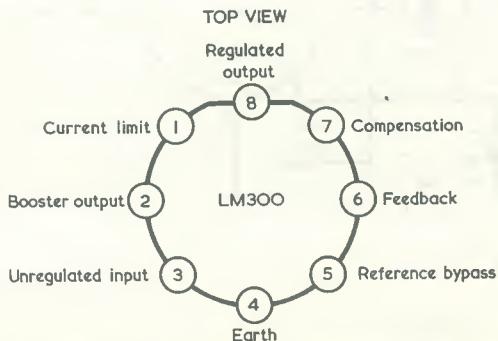


Fig. 3. LM300 terminal layout. This is a top view with the leads pointing away from the reader

The basic device can handle up to 20mA, and with the addition of external power transistors currents in excess of 5A are possible. A few typical applications are shown in Figs. 4, 5 and 6.

Fig. 4 illustrates the basic regulator circuit, suitable for currents up to 20mA. The output voltage is set by R_3 and the impedance "seen" by the feedback terminal should be approximately 2kΩ. The same basic circuit, with an external transistor type 2N2905 added to increase output current, is given in Fig. 5. The circuit of Fig. 5 is for a 300mA regulator. Fig. 6 illustrates a 2A regulator with feedback current limiting.

In Fig. 5, output voltage is set by R_1 and R_2 , and Fig. 7 gives curves showing the optimum values required for these resistors. The curves also apply to Fig. 6.

GENERAL CHARACTERISTICS

General characteristics for the LM300 are:

- (a) Input voltage range 8V minimum to 30V maximum.
- (b) Output voltage adjustable from 2V to 20V.
- (c) Load regulation 0.1% typical.
- (d) Adjustable short-circuit current limiting.
- (e) It can be used as either a linear or high efficiency switching regulator. (Only the linear application has been dealt with here.).
- (f) Ambient temperature range 0 to 70°C.
- (g) Maximum power dissipation 300mW.

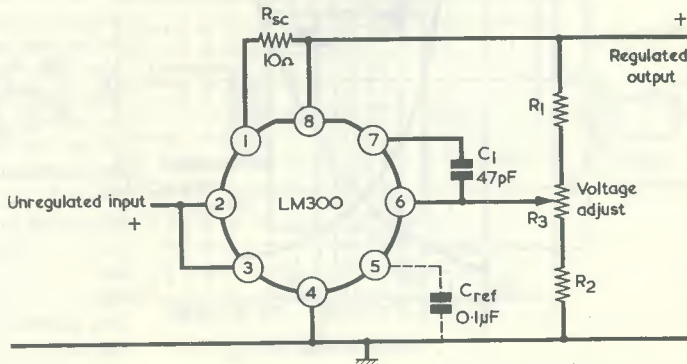


Fig. 4. Basic regulator circuit incorporating the LM300 on its own

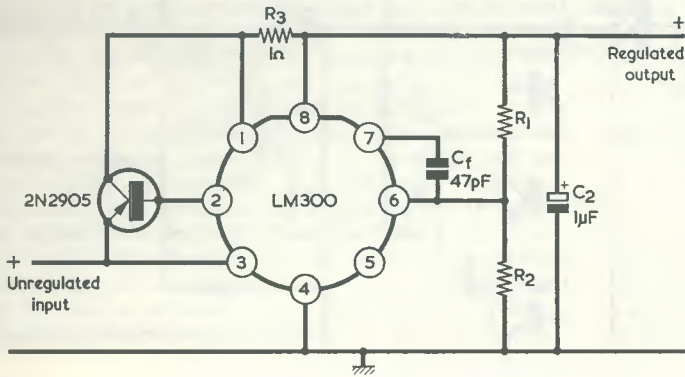


Fig. 5. Adding an external transistor increases regulated output current to 300mA

Fig. 6. A 2A regulator circuit

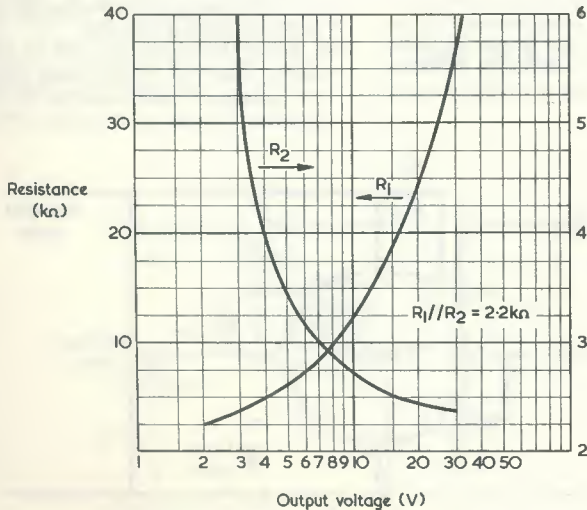
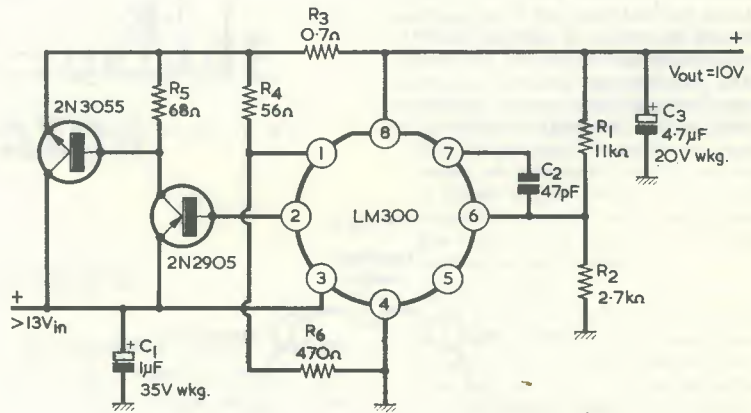


Fig. 7. Curves for evaluating R_1 and R_2 . The vertical scale for R_1 is to the left and that for R_2 to the right

and to Fig. 4 when the resistance in R_3 above the slider is added to R_1 and the resistance in R_3 below the slider is added to R_2 . In Fig. 6, component values are given for a 10V output. The resistor between terminals 1 and 8. (R_{sc} in Fig. 4) is a short-circuit current limiter.

AVAILABILITY

It has been the object of this short article to help keep the amateur in touch

with the latest techniques in the integrated circuit field and to stimulate more ambitious projects which are, perhaps, not normally considered suitable for home construction.

The National Semiconductor Corporation is represented in the U.K. by Walmore Electronics Ltd., 11-15 Betteerton Street, Drury Lane, London, W.C.2.

The LM300 is available directly from Walmore Electronics Ltd., as also are transistors type 2N3055 and 2N2905A (a version with better gain and leakage than the 2N2905) together with LM300 data sheets. The i.c. and the transistors can be obtained in quantities of 1-off or more, the price of the LM300 being, at the time of writing, slightly less than £3.



BATTERY ECONOMY IN CLASS A OUTPUT STAGES

by C. HARGIS

How to combine the advantages of Class A and Class B operation with the aid of "sliding bias". This varies the base bias of a Class A output transistor in proportion to output signal amplitude.

NOWADAYS ALMOST EVERY A.F. TRANSISTOR POWER output stage uses a Class B push-pull circuit. The well-known advantages of this type of stage are that the current taken from the battery when no signal is applied is very little and increases proportionally with the input signal, rising to its maximum value only with full power output. Also, the maximum theoretical efficiency is very nearly 80%, i.e. very nearly 80% of the battery power can be turned into a.c. output power.

The circuit of a typical Class B output stage (using input and output transformers for ease of explanation) is shown in Fig. 1. The output transistors TR_1 and TR_2 , which must be well matched to avoid distortion, are biased by R_1 , R_2 and R_3 to pass a very small standing current. The bias point for either transistor is at A in Fig. 2(a). The input signal is coupled to the stage by the driver transformer, which matches the higher impedance of the driver transistor collector to the low impedance of the output transistor bases. If we consider the operation of TR_1 , shown graphically in Fig. 2(a), we see that on its own it would cause bad distortion, since it can only amplify negative-going signals at its base, and is completely cut off by positive half-cycles. However TR_2 is operated in an identical condition to TR_1 , and is connected to the opposite end of the centre-tapped driver transformer, so that its own signals are 180° out of phase with those of TR_1 . Thus whenever TR_1 is cut off by a positive half-cycle, TR_2 is conducting, and the signal is still amplified. The transistors are also connected to opposite ends of the output transformer, so that an increase in TR_2 current produces a similar signal in the loudspeaker speech coil to a decrease in TR_1 current. It may be seen, then, that the average current of the whole stage increases with an increase in output, and almost all of the battery current becomes a.c. output.

There are, however, a number of serious disadvantages with the Class B output stage as so far described. Apart from any problems incurred in matching the output transistors, the output transformer requires a relatively large core to provide a reasonable bass response, and the circuit does not as readily provide the richer and more mellow tone offered by valve output stages. Last but not least, biasing is critical, so that close-tolerance resistors and some form of temperature compensation are required. Single-ended push-pull stages obviate the output transformer, and complementary stages the driver

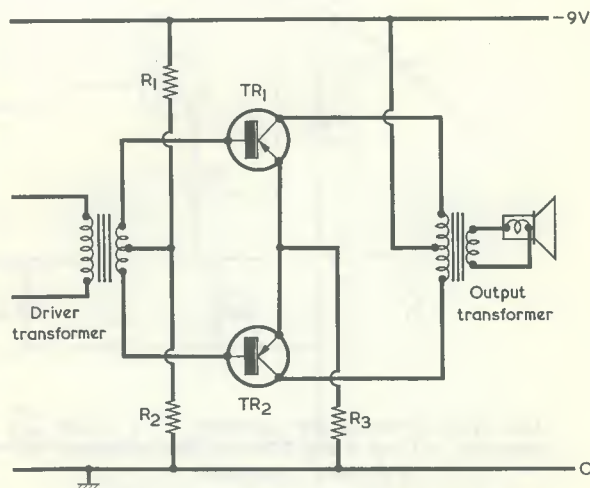


Fig. 1. The operation of a Class B output stage may be demonstrated by this basic transformer-coupled version.

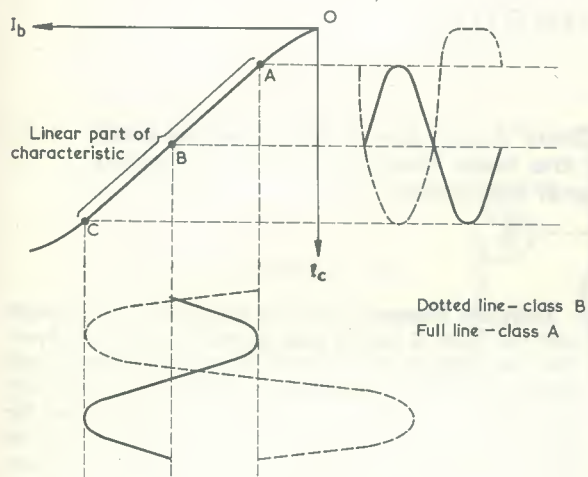
transformer as well, but these bring additional complications. A high impedance speaker is needed and, in many cases, a d.c. blocking capacitor of very large value.

CLASS A

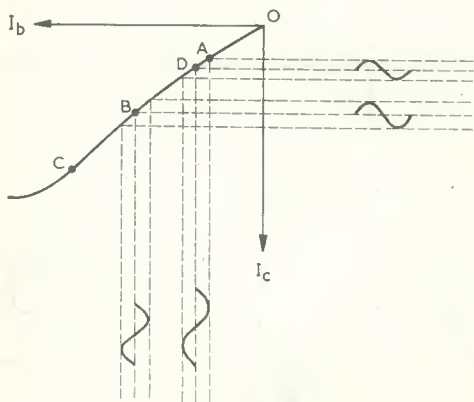
An alternative approach to transistor output stage design consists of re-examining the Class A circuit. A good starting point is the simple circuit shown in Fig. 3, which has appeared in an earlier issue of this journal*. Fig. 3 has slightly different resistor values to those in the previous circuit; also, the output transistor is now an OC29 and the preceding transistor an OC81D. The OC29 does not require a heat sink.

It was found that this circuit arrangement provides excellent quality for the absolute minimum of components but, as was stated by the previous writer, the standing

*Kenneth Jones, "2-Transistor Miniature A.F. Amplifier," *The Radio Constructor*, May, 1965.



(a)



(b)

Fig. 2(a). Showing the operation of a single transistor in Class B and Class A. Bias points are at A and B respectively.

(b) With a low-level input signal, the Class A amplifier will offer the same output at bias points B or D.

current is very high because of the Class A operation. This is of little disadvantage when an accumulator is used, and with a mains power unit it is an advantage to have a constant current requirement, since a supply with poor stabilisation will not cause distortion as it would with a Class B stage. But the circuit is rather hard on small dry batteries, and the author decided to investigate the possibility of combining the advantages of both Class B and Class A circuits.

In Fig. 2(a) the operation of a Class A stage is shown. The transistor is biased to the centre of the linear part of its characteristic, and the maximum input swings the collector current between the lower limit A and the upper limit C. When in this condition, the circuit of Fig. 3 gives an efficiency approaching 50% as there is little to reduce it from the theoretical maximum, and this is quite acceptable. Unfortunately the condition of maximum signal input is rarely encountered in a.f. equipment, and in all other cases the efficiency is very low. Consider the typical small input signal shown in Fig. 2(b). The required collector current swing centred round B could perfectly well centre round point D, still allowing the signal to traverse a linear part of the characteristic and reducing the supply current considerably.

We require therefore a Class A amplifier which is biased normally at point A in Fig. 2, but whose bias increases whenever an a.c. input signal is applied by an amount equal to the peak value of the input signal. A circuit which achieves this is shown in Fig. 4. It will be seen that this is basically similar to Fig. 3, but with the addition of D_1 , R_2 , R_3 , R_4 , C_2 , C_3 , VR_1 and VR_2 . VR_2 is in the circuit position occupied by R_2 of Fig. 3. VR_2 and R_1 bias the transistors to a low standing current. Since VR_2 of Fig. 4 will offer greater resistance than did R_2 of Fig. 3, the d.c. stabilisation will be impaired and it is desirable that R_2 of Fig. 4 be now included; though no harm can in fact be done to the power transistor due to the high resistance of the loudspeaker. If increased gain is required it should prove beneficial to bypass R_2 of Fig. 4 with an electrolytic capacitor of at least $1,000\mu F$ at 3V wkg., although such a component is naturally rather bulky.

The requisite increase in d.c. current with a.c. signal is provided in the following manner. A.C. is taken from TR_2 collector via C_2 and applied to diode D_1 . R_3 provides a d.c. path to earth. The negative d.c. output from D_1 is filtered off a.f. by C_3 , and fed back to the base of TR_1 via preset potentiometer VR_1 . Thus, whenever an a.c. signal appears in the output, the negative bias on the transistor pair increases, the d.c. current increases, and the signal is accommodated.

C_3 has a rather critical value. A low value causes an almost instantaneous increase in current with signal, but it enables rectified, and therefore distorted, low frequencies to be fed back to the input, causing distortion to appear in the output. However too high a value causes a time delay before the sliding system responds to a signal, resulting in bad transient distortion. In any case transients cannot exceed the maximum power output of 500mW, and the value shown presented a reasonably good compromise.

Diode D_1 is also a little critical. An ordinary OA81 was quite unsuccessful, since it tends to have a "delay voltage" of about 0.4V before it conducts sufficiently in the forward direction. If an attempt is made to cure this effect by increasing the standing bias, it is merely cut off even further, and no advantage is given. However, a low

voltage power diode works very well, and the author used a GJ7M (available from Henry's Radio, Ltd.). Any small germanium diode designed for high current at low voltage should prove satisfactory. Resistor R_4 is a later addition, providing extra a.c. negative feedback.

CONSTRUCTION

The physical layout is not at all critical. The circuit lends itself well to printed circuit construction, and possibly Veroboard could be used with the power transistor mounted separately. The prototype was built into a cough capsule tin measuring $3\frac{1}{4}$ by $2\frac{1}{2}$ by $\frac{3}{4}$ in, and the power transistor was bolted straight to the tin, which then became "live" at collector potential.

The tin was painted black and marked in white ink, but an attractive appearance is not necessary due to the unit's small size, reliability if well built, and absence of controls. Little trouble should be experienced in tucking it away out of sight somewhere. The dissipation in the power transistor is less than 1 watt, so that no heat sink is, in fact, required, giving the circuit a great deal of flexibility.

During the building of the amplifier the usual rules of construction apply. When soldering the transistors and diode use a heat shunt of some sort, and do not bend the leads too close to the body. Colour-coded wires should be fitted to the GJ7M, or if a printed circuit is used it can be bolted directly to the board by the anode, this also forming the connection. Remember that all miniature components are fragile and ruined by heat, so make quick, efficient soldered joints. The electrolytic capacitors must be connected round the right way, and if the input is taken from the collector of the transistor in a pre-amplifier or from some other source with a negative d.c. potential

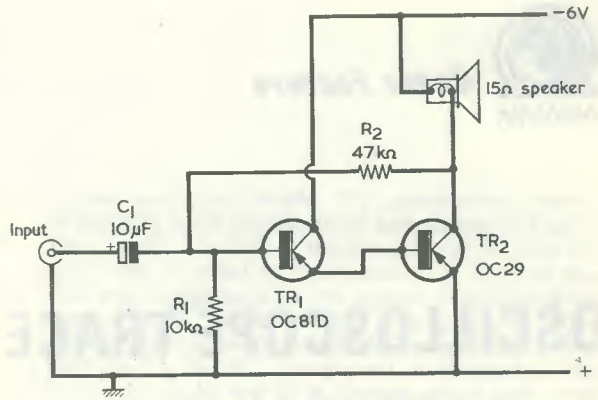


Fig. 3. A basic Class A amplifier.

superimposed, the input capacitor C_1 must be reversed. A reversible electrolytic would be useful here for a general purpose amplifier, but is rather bulky.

SETTING UP

The amplifier needs a little adjustment before it can be used, and for this a simple multimeter is required. Connect the amplifier to a 6V battery, remembering that damage to the transistors may be caused if it is connected with incorrect polarity. The battery should preferably be one of large capacity, since if one of high internal resistance is used distortion will be caused on peaks. An Ever Ready type 996 "Lantern" battery was used with the prototype, and gives a long life. A PP1 battery was not found satisfactory.) A miniature silver-zinc or Deac accumulator might also be used. As the circuit is quite well stabilised

(continued on page 246)

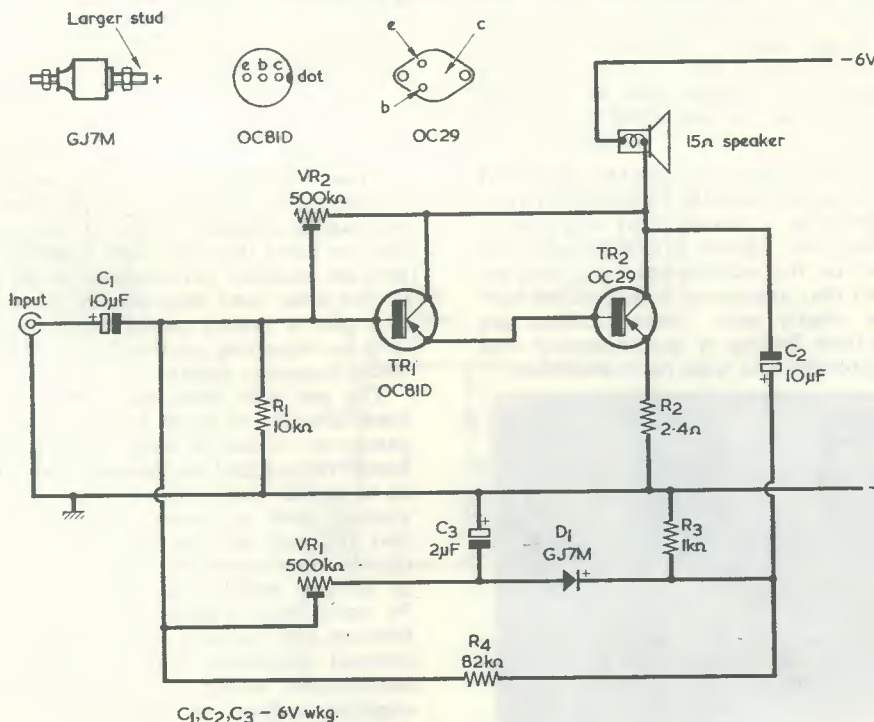


Fig. 4. The Class A amplifier of Fig. 3 with "sliding bias" components added. VR_1 and VR_2 may be skeleton potentiometers.



Cover Feature

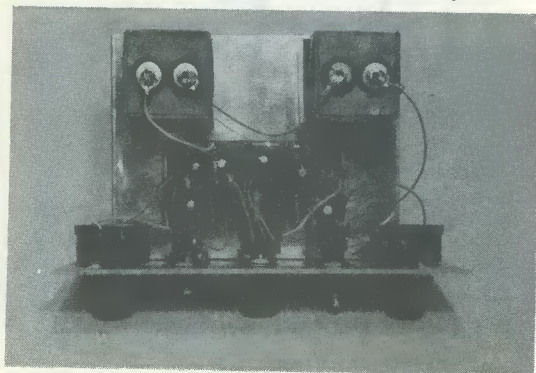
OSCILLOSCOPE TRACE DOUBLER

by
W. KEMP



Capable of being fitted into a case measuring only $8\frac{1}{4}$ in wide, $4\frac{1}{4}$ in high and $5\frac{1}{2}$ in deep, this completely self-contained unit will give trace doubling for input waveforms up to 2 Mc/s or more. To prevent possible interaction with some input signals, two trace switching speeds are provided

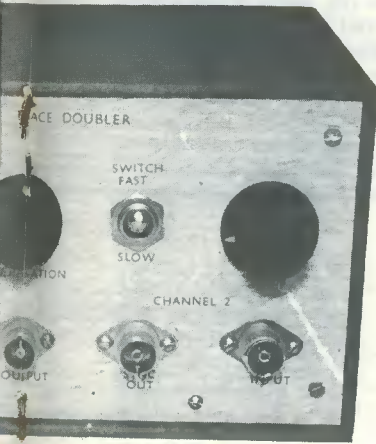
AN OSCILLOSCOPE TRACE DOUBLER MAKES IT possible to simultaneously view two separate input signals on a conventional single beam instrument. The two signals are displayed one above the other on the oscilloscope tube, and are phase related so that any phase difference between signals can be clearly seen. These facilities are essential when fault finding or experimenting with modern pulse circuitry and wide band amplifiers.



Top view with batteries in place and connected up

Trace doublers are not widely available commercially, and the few types that do exist can be roughly classed in one of two categories. On the one hand there are very expensive types which give an excellent performance in all respects, and on the other hand there are fairly inexpensive types that give a limited performance and are of little help for inspecting anything other than fairly simple audio frequency signals.

The unit that forms the basis of this article has been designed to fit in between these two general categories. It can be built for about £8, yet it can handle input signal frequencies ranging from a few c/s up to several Mc/s. Circuit "frills" have been eliminated as much as possible and, on the assumption that the unit will be used mainly for inspecting signals from transistor circuits, it has been designed to directly handle maximum input signals up to 14 volts peak-to-peak only. Larger signals can, however, be handled with the aid of a simple external attenuator; and this measure results in a considerable saving in building costs. The input impedance direct to each channel of the trace doubler is of the order of $100k\Omega$, but this can be increased to $1M\Omega$ or so by using the external attenuator.



doubler are quite simple. The operational "heart" of the unit is the simple diode gate shown in Fig. 1. Here, input 1 is fed to the junction of D_1 and R_1 and input 2 is fed to the junction of D_2 and R_2 . The gate is operated by the square wave gate-drive signal which varies between zero and 10 volts positive, but when this signal is a.c. coupled to the gate via C_3 the d.c. component is eliminated and the signal at the top of R_3 swings about zero volts as shown. Thus, on high points of the gate signal the top of R_3 is 5 volts positive, and on low points it is 5 volts negative.

Now, when the top of R_3 is 5 volts positive, D_1 is forward biased and forms an effective short circuit, so that R_1 is virtually connected direct to R_3 and input 1 to the output terminal. At the same time D_2 is reverse biased and effectively open-circuit, so that no part of the input 2 signal appears at the output. By potential divider action, the output signal is imposed on a potential of 2.5 volts positive. Thus, under this condition the output consists of input 1 plus a bias potential of 2.5 volts positive.

When, on the next square wave half-cycle, the top of R_3 goes 5 volts negative, D_1 is reverse biased and isolates input 1 from the output, whilst D_2 is forward biased and connects input 2 to the output. In this case, however, the output signal is imposed on a potential of 2.5 volts negative, so that under this condition the output consists of input 2 plus a bias potential of 2.5 volts negative. Thus, the composite output signal of the gate consists of input 1 above input 2, as shown in the diagram, the two signals being separated by a potential proportional to the magnitude of the gate-drive signal.

The unit incorporates a built-in infinitely variable attenuator in each channel, provides two alternative switching or gate speeds to suit all operating conditions, has a Trace Separation control, and gives a low impedance external sync drive signal from each channel. The unit should meet the needs of all but the most fastidious of electronics enthusiasts.

Basic Principles Of Operation

The basic principles of operation of the trace

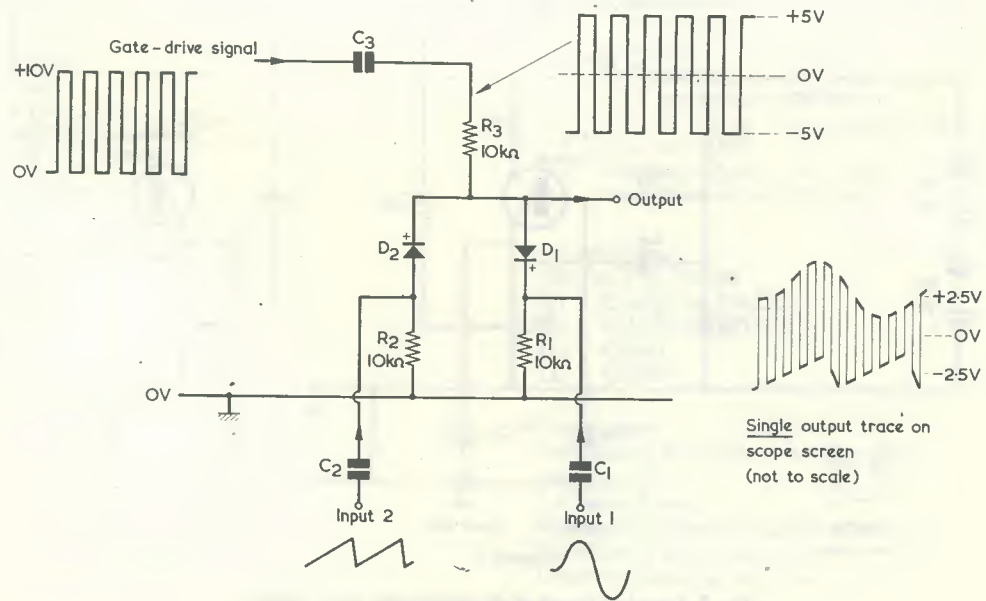


Fig. 1. The basic diode gate circuit employed in the trace doubler

In the diagram, the frequency of the gate-drive signal is shown as being higher than that of the input signals, and the output is only a *single* trace as it would appear on an oscilloscope screen. In practice a train of traces will be displayed and, if the frequencies of the input and drive signals are not harmonically related, the gate "dashes" will appear at different points on each successive sweep and will seem to "run" across the screen. If the harmonic relationship between the input and gate signals differs by greater than some 50 c/s the gate dashes will "run" so fast that the eye cannot follow them, whereupon they will disappear completely, leaving a clean impression of input 1 above input 2. Because of this illusion, it is not necessary to select special gate speeds, and the gate frequency can even be considerably lower than that of the

input signal without adversely affecting the clarity of the oscilloscope trace. Indeed, the only point of importance in this respect is to ensure that the gate and input speeds are not harmonically related, and this can be simply accomplished by making two alternative switching speeds available.

The Practical Circuit

The full circuit diagram of the trace doubler is shown in Fig. 2. Here, TR₁ and TR₂ form a free-running multivibrator which gives an approximately square wave signal at TR₂ collector; D₁ and D₂ prevent emitter-base reverse voltage breakdown on TR₁ and TR₂ and improve oscillator stability. S₁ enables either Fast or Slow operating frequencies to be selected. It is shown in the Slow position. The approximate square wave from TR₂ collector

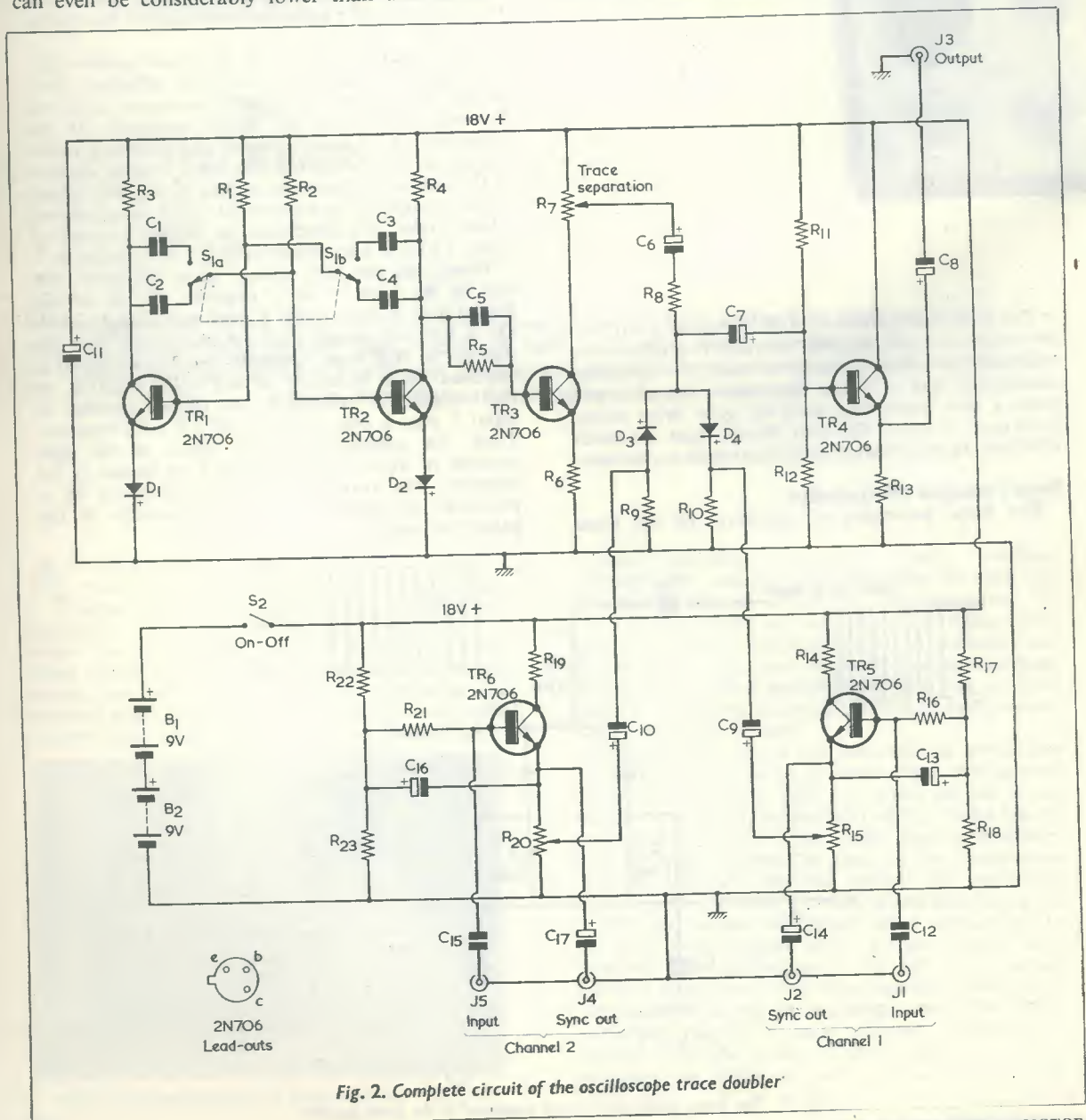


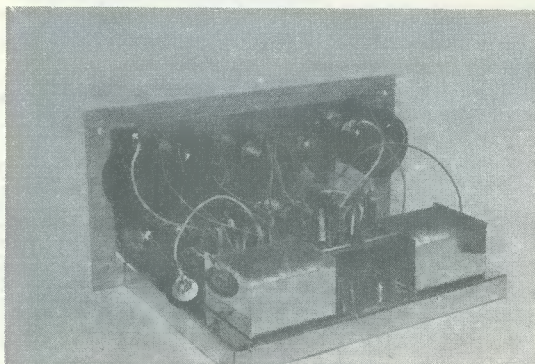
Fig. 2. Complete circuit of the oscilloscope trace doubler

is direct coupled to TR₃, which sharpens up the waveform and passes it on to the diode gate circuit (D₃ and D₄) via R₇, which serves as a Trace Separation control. The output of the gate is fed to socket J₃ via emitter follower TR₄, giving a low impedance output drive to the external oscilloscope.

Inputs to the trace doubler are fed to bootstrap emitter followers TR₅ and TR₆, which each give input impedances of approximately 100kΩ. The 5kΩ emitter loads of these circuits serve as infinitely variable attenuators which pass the input signals on to the gate at a low impedance. The signals at the emitters of TR₅ and TR₆ are also fed, at low impedance, to sockets J₂ and J₄ respectively, to provide input 1 or input 2 synchronisation for the oscilloscope timebase. The 470Ω resistors in the collectors of TR₅ and TR₆ introduce a small degree of Miller feedback to prevent instability in the bootstrap circuitry.

The complete unit is powered by two 9 volt batteries in series, giving 18 volts total. Total current consumption of the unit is about 10mA.

Before proceeding to a description of construction, one important point has to be emphasised. This is that C₁₂ and C₁₅ must be low-leakage types, or damage to the transistor circuitry may result. Polyester or



Rear view, showing the general assembly. The batteries are not fitted here

Mylar capacitors should be used here, and the working voltage should be adequate for any input it is intended to apply to the unit.

Construction

The general layout of the unit, which can be fitted into a simple 8½ x 5½ x 4¼in cabinet, is shown in

COMPONENTS

Resistors

(All fixed values ¼ watt 10%, unless otherwise stated)

R ₁	82kΩ 5%
R ₂	82kΩ 5%
R ₃	4.7kΩ
R ₄	4.7kΩ
R ₅	4.7kΩ
R ₆	680Ω
R ₇	5kΩ potentiometer, linear
R ₈	18kΩ
R ₉	8.2kΩ
R ₁₀	8.2kΩ
R ₁₁	82kΩ
R ₁₂	120kΩ
R ₁₃	5.6kΩ
R ₁₄	470Ω
R ₁₅	5kΩ potentiometer, linear
R ₁₆	47kΩ
R ₁₇	22kΩ
R ₁₈	56kΩ
R ₁₉	470Ω
R ₂₀	5kΩ potentiometer, linear
R ₂₁	47kΩ
R ₂₂	22kΩ
R ₂₃	56kΩ

Sockets

J₁ to J₅ Coaxial sockets

Batteries

B₁, B₂ 9-volt batteries type DT₇ (Exide)

Switches

S_{1(a)(b)} d.p.d.t. toggle
S₂ s.p.s.t. toggle

Capacitors

C ₁	0.001μF Mylar or polyester
C ₂	0.005μF Mylar or polyester
C ₃	0.001μF Mylar or polyester
C ₄	0.005μF Mylar or polyester
C ₅	0.05μF disc ceramic
C ₆	10μF electrolytic, 25V wkg.
C ₇	6.4μF or 8μF electrolytic, 25V wkg.
C ₈	10μF electrolytic, 25V wkg.
C ₉	10μF electrolytic, 25V wkg.
C ₁₀	10μF electrolytic, 25V wkg.
C ₁₁	40μF electrolytic, 25V wkg.
C ₁₂	0.25μF Mylar or polyester, 100V wkg. (see text)
C ₁₃	8μF electrolytic, 15V wkg.
C ₁₄	10μF electrolytic, 25V wkg.
C ₁₅	0.25 μF Mylar or polyester, 100V wkg. (see text)
C ₁₆	8μF electrolytic, 15V wkg.
C ₁₇	10μF electrolytic, 25V wkg.

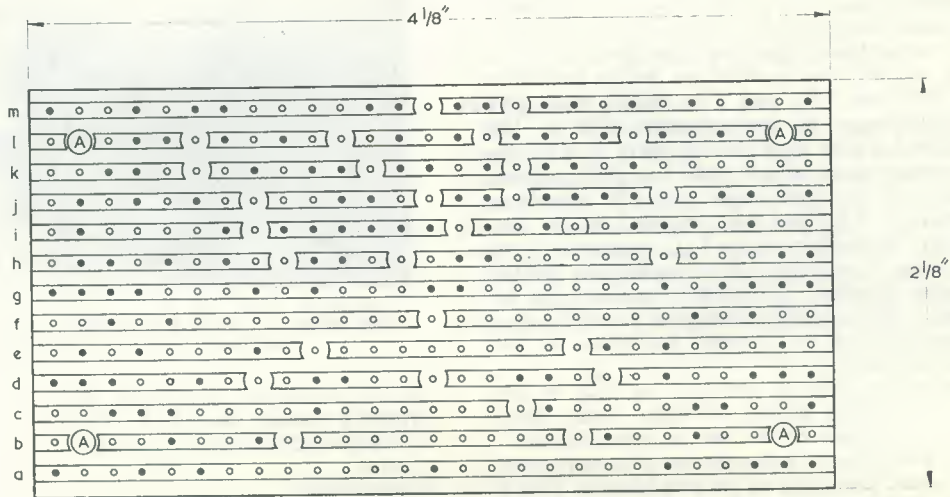
Semiconductors

TR ₁ to TR ₆	2N706
D ₁	OA200 or OA202
D ₂	OA200 or OA202
D ₃	OA90
D ₄	OA90

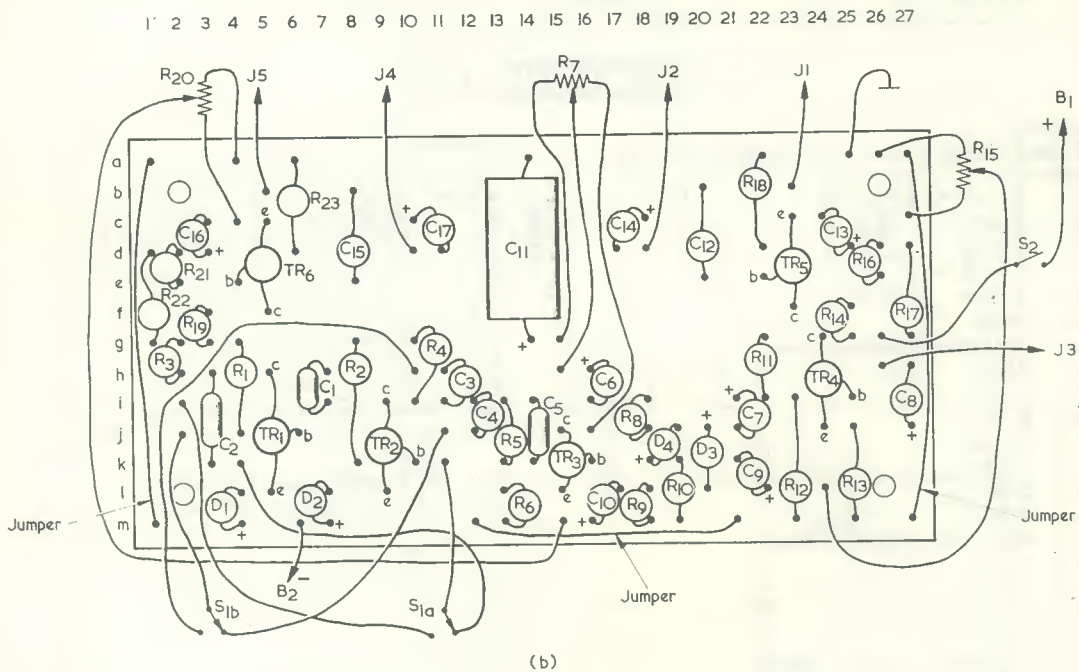
Miscellaneous

Veroboard, 0.15in matrix, 4½ x 2½in
(see Fig. 3)
3 control knobs
Material for chassis, panel, case, etc.
4 rubber or p.v.c. grommets
Insulated sleeving, wire, etc.

Holes A - drill 6BA clear



(a)



(b)

Fig. 3. The copper and component sides of the Veroboard panel

the accompanying photographs.

Start construction by cutting the Veroboard panel to size, as shown in Fig. 3, and then break the copper strips, with the aid of a small drill or the special cutting tool that is available, where indicated. Now drill the four small mounting holes, to clear 6BA screws, in the positions shown, and cut back the copper around them to prevent short circuits occurring when the panel is finally secured to the main chassis.

The components, connecting leads, and wire

jumpers can now be mounted on the plain side of the panel, as shown in the lower view of Fig. 3, and soldered in place. The component layout of this unit is rather critical, and that illustrated must be adhered to. Note that all components other than C11 are mounted vertically on the panel, and that insulated sleeving should be used where there is any danger of component leads short-circuiting against one another.

Once assembly of the Veroboard panel is complete, make up the front panel and the main chassis, using

a medium gauge aluminium, as shown in Figs. 4 (a) and 4 (b). Also required are two battery holders. These are made from light gauge aluminium, as shown in Fig. 5. Now cover the front panel with Fablon or a similar self-adhesive plastic material, mount all controls and sockets in place, and then bolt the two battery holders and the front panel

assembly to the main chassis.

The Veroboard assembly can now be mounted to the main chassis by placing four small rubber or p.v.c. grommets under the Veroboard mounting holes, these acting both as spacers and insulators, and then bolting the panel to the main chassis with four 6BA screws. The final wiring up of the unit

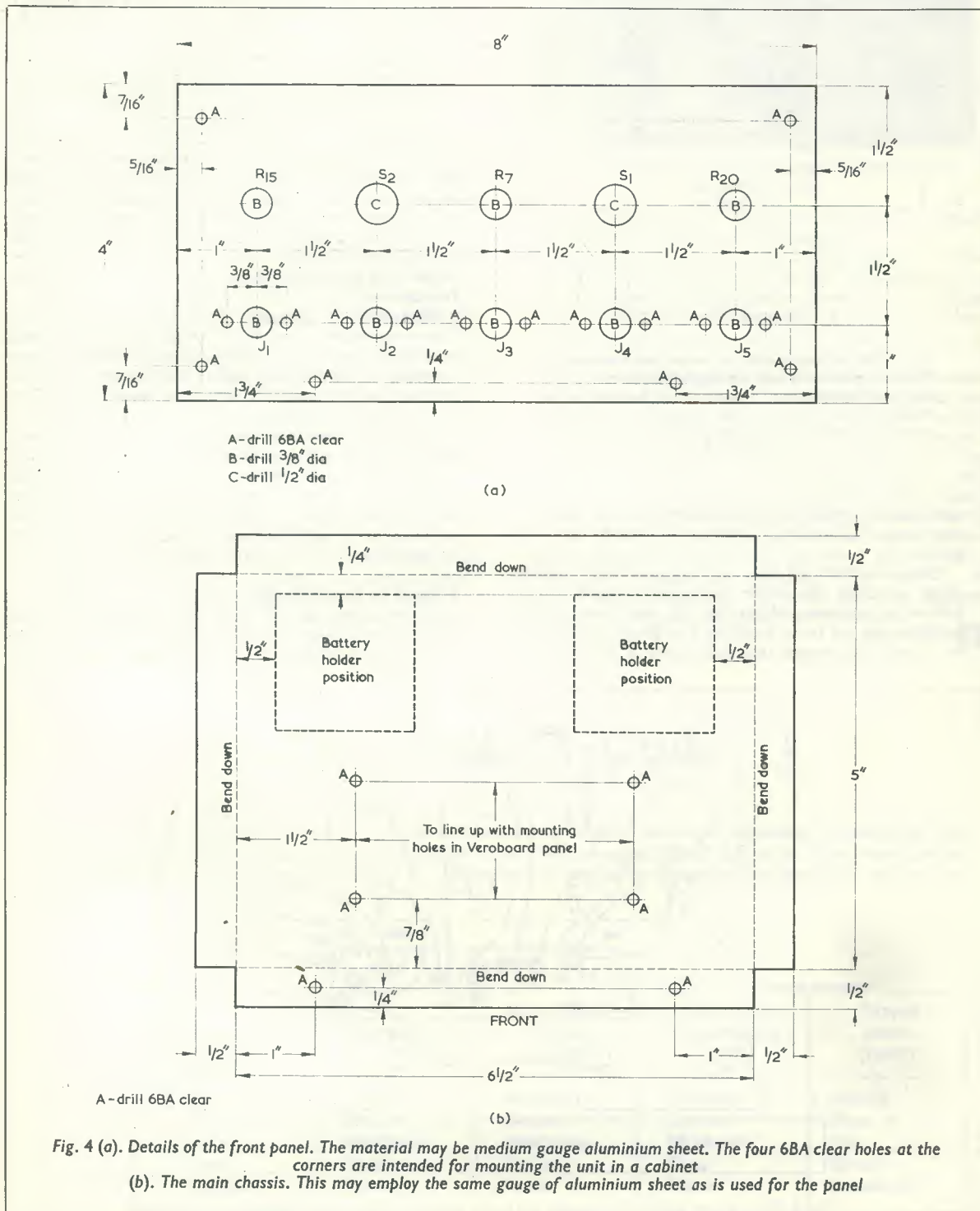


Fig. 4 (a). Details of the front panel. The material may be medium gauge aluminium sheet. The four 6BA clear holes at the corners are intended for mounting the unit in a cabinet (b). The main chassis. This may employ the same gauge of aluminium sheet as is used for the panel

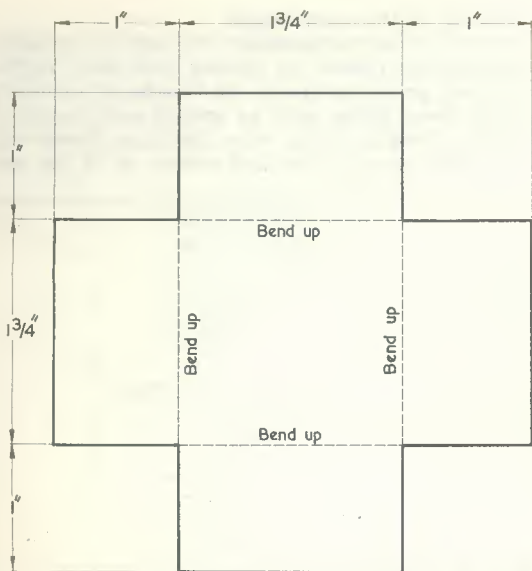


Fig. 5. The battery holders, of which two are required. These may be made with light gauge aluminium. They are bolted to the main chassis in the positions shown in Fig. 4 (b). The bolt holes required can be at any convenient points in the bottom of the holders, and are not shown here

can then be completed, as shown in Fig. 6. Note that strip "a" of the Veroboard is nearer the front panel.

Once assembly of the unit is complete, it can be given a series of simple functional checks in the following manner. With the Y amplifier of the oscilloscope set for a sensitivity of about 100mV/cm or 1 volt full screen diameter, switch on the trace

doubler and connect the output of J₃ to the oscilloscope input terminals, using screened cable. Set the oscilloscope for Internal Sync and adjust the timebase to check that a good square wave output is obtained from the doubler. Check also that the square wave amplitude can be adjusted by means of the Trace Separation control, and that a good square wave, with negligible rise and fall times, is obtained for both the Fast and Slow settings of S₁. If satisfactory, adjust the oscilloscope for External Sync, increase the timebase speed and check that the square wave on the oscilloscope tube changes into two plain lines, positioned one above the other. Now connect suitable inputs to J₁ and J₅ on the trace doubler, connect the External Sync terminal of the oscilloscope to either J₂ or J₄, and check that the two test signal traces can be obtained on the screen and that sensitivity and trace spacing can be adjusted by means of the front panel controls. If satisfactory, the unit can next be fitted in a suitable cabinet and transfer markings applied to the front panel. The trace doubler is then complete and ready for use.

Should any "trouble shooting" of the circuit prove necessary, the only voltage tests that need be carried out are on TR₄, TR₅ and TR₆. These transistors should be checked to ensure that their emitters are at a potential of roughly 9 volts, i.e. half supply line voltage.

Note that coaxial sockets are used for all front panel connectors, and that it is important that all input and output connecting leads be fully screened when using the unit. Otherwise, peculiar results may be obtained due to interaction of input and output signals. It is particularly important to employ screened wire for the Sync Output connections.

Using The Trace Doubler

When using the trace doubler, the oscilloscope Y amplifier should be set to about the 100mV/cm range and connected to the J₃ Output socket. The

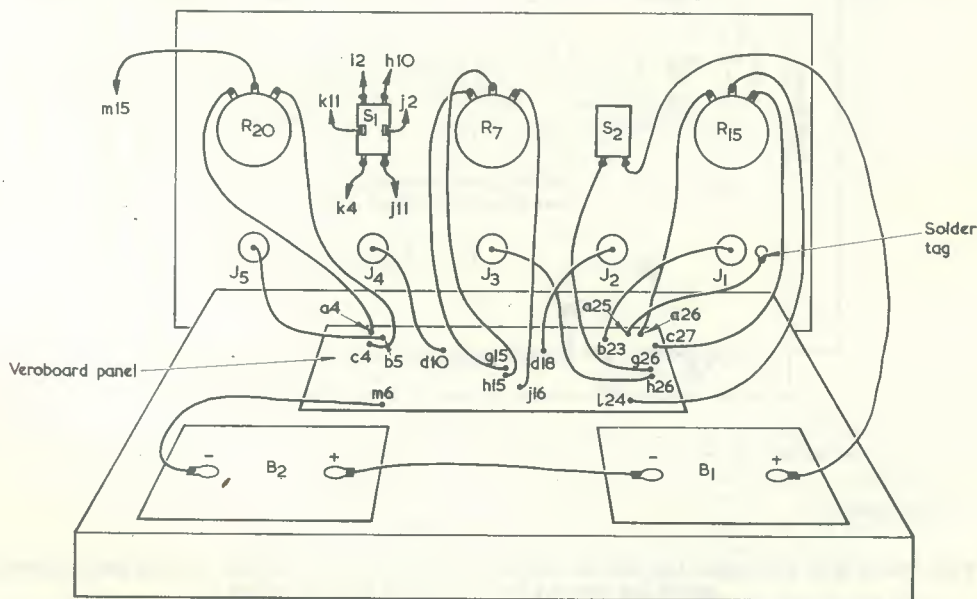


Fig. 6. Final wiring details. For reasons of clarity, only the battery holder outlines are illustrated

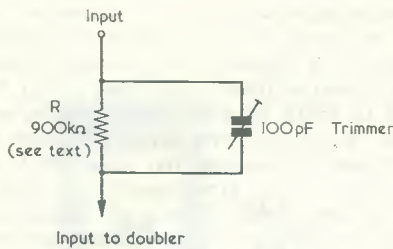
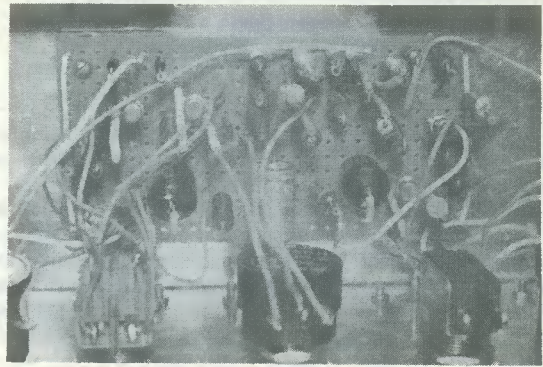


Fig. 7. A simple external attenuator. This allows inputs up to 140 volts peak-to-peak to be inspected



Detail illustrating the component side of the Veroboard panel

oscilloscope should be switched to External Sync, this being obtained from either the J₂ or J₄ Sync Output socket. With no inputs connected to the trace doubler two plain lines should now appear on the oscilloscope tube, one above the other. The distance between these lines can be adjusted by the Separation control; set this control so that the top line is about a quarter of the way down from the top of the tube and the lower line is about a quarter of the way up from the bottom. Now connect the two signals to be observed to the inputs (J₁ and J₅) of the trace doubler, and adjust the Gain controls (R₁₅ and R₂₀) so that each trace occupies about a third of the screen. The channel 1 signal will be the upper trace on the screen. Select either Switch Fast or Slow for the best overall trace, with the switching square waves barely noticeable.

Do not try to superimpose the two traces on the screen, as this will result in distortion. A minor snag with the unit is that there is slight interaction between the two traces; if there is a large signal at channel 1 and none at channel 2, a breakthrough of about 5% will show up on channel 2 on the screen. Against this snag is the advantage of the

very good frequency response of the unit; signals up to several Mc/s can be handled.

Signal phase shifts can be easily checked. If the two signals are displayed with the individual cycles directly opposite each other there is zero phase shift. A shift of $\frac{1}{4}$ cycle between the upper and lower traces means a phase shift of 90°, a shift of $\frac{1}{2}$ cycle means a phase shift of 180°, and so on.

If input signals greater than 14 volts peak-to-peak are to be inspected, the signals should be connected to the trace doubler via a simple attenuator probe, this comprising a fixed resistor and a 100pF trimmer capacitor in parallel, as illustrated in Fig. 7. The 900kΩ resistor, R, will enable signals up to 140 volts to be inspected, the 100pF trimmer being adjusted for a good response from a square wave input. If the a.c. input signal to the trace doubler is to be taken from a d.c. potential greater than 100 volts, increase the ratings of C₁₂ and C₁₅ to suit. Always make sure that only very low leakage capacitors are used in these two positions.



The SINPO Code

This code is reproduced here for the benefit of those readers who are interested in listening and reporting to short wave Broadcast band stations—see QSX on page 225 of this issue. This code may be removed from the magazine, pasted on to stiff card and placed in a convenient position near to the receiver.

SINPO

	Signal Strength (QSA)	Interference (QRM)	Atmospheric Noise (QRN)	Propagation Disturbance (QSB)	Overall Merit (QRK)
1	Barely Aud.	Extreme	Extreme	Extreme	Usable
2	Poor	Severe	Severe	Severe	Poor
3	Fair	Moderate	Moderate	Moderate	Fair
4	Good	Slight	Slight	Slight	Good
5	Excellent	None	None	None	Excellent

BATTERY ECONOMY IN CLASS A OUTPUT STAGES

(continued from page 237)

it should be possible to use a 9V or 12V battery to obtain increased output, though here trouble may be experienced from the d.c. flowing in the loudspeaker speech-coil.

With the multimeter in series with the battery, first set VR_1 at maximum resistance and adjust VR_2 to give a standing current of 100mA or so. Apply a suitable low impedance a.f. source, such as the output immediately after the volume control of a transistor superhet, and ensure that a good quality signal is obtained from the speaker up to a large volume. If not, there is a fault which must be traced and corrected before work proceeds. When all is well use VR_2 to reduce the standing current to about 10 mA. When a signal is now applied distortion will result at a very low volume. It should however be found that by reducing VR_1 this distortion can be removed. Gradually increase the a.f. input and keep VR_1 in the position where distortion just ceases. Occasionally it will be found necessary to disconnect the a.f. source and readjust VR_2 to give the original standing current, as VR_1 has a certain effect on it.

Eventually a point is found where VR_1 can no longer prevent the distortion. Leave it at the optimum setting, and the adjustment is now complete. In the prototype the maximum output was very great. The d.c. input current at maximum output was 260mA, corresponding to a d.c. input of about 1.5W. Assuming the perhaps rather optimistic value of 40% for the efficiency this gives an output of 600mW or, at least, 0.5W.

The method of adjustment just described is rather crude. It may be found that with certain combinations of components it is impossible to eradicate distortion at a standing current of 10mA, whereupon it may have to be increased to 15mA or even 20mA. Ideally, adjustment should be carried out with a low distortion sine-wave generator and oscilloscope, but these are luxuries not everyone can afford. However, if the constructor is satisfied in himself, that there is no distortion, there is little point in reducing it by an inaudible amount.

In connection with quality, the question of loudspeakers may be considered. The prototype was used with two 3Ω and two 5Ω loudspeakers in series. A small 15Ω loudspeaker may cause trouble with the heavy d.c. current, but a large type which would do justice to the quality obtainable should handle it with little difficulty.

The amplifier of Fig. 4 is not perfect, of course. Transient response definitely suffers, and it should be remembered that the efficiency cannot exceed 50% in any case. The prototype just manages full output from a 3-transistor tuner, but if it is to be used in a battery record player pre-amplification is necessary. It must be remembered that input impedance is low. Valve equipment will give inferior results unless a cathode-follower or emitter-follower is interposed. On the other hand, the low impedance means that it will be possible to use long lengths of unscreened cable to the input without fear of hum pick-up.

This amplifier is by no means the only possible application of the "sliding bias" system, but it does seem to offer the only useful power range at which a standard low impedance loudspeaker can be d.c. coupled into the collector circuit of the output transistor. *

NEW U.H.F. AERIALS AT CRYSTAL PALACE

An important phase in the improvement and expansion of television transmissions in the London area was completed during August, 1968, when a new U.H.F. transmitting aerial was brought into service on the BBC 645 foot tower at Crystal Palace.

This new aerial, designed and supplied by EMI Electronics, now radiates BBC-2 programmes and will later transmit the BBC-1 service duplicated in the U.H.F. band. A similar aerial currently being installed at Crystal Palace for I.T.A. programmes duplicated in the U.H.F. band will be brought into service concurrently with the start of the BBC-1 duplicated service.

The aerials are mounted co-linearly on a 63 foot extension to the 645 foot tower and enclosed in a 5 foot diameter glass fibre reinforced plastic cylinder. Each aerial consists of four tiers of three Emislot panels mounted on a lattice spine. This arrangement produces an omnidirectional radiation pattern and a nominal aerial gain of sixteen.

The Crystal Palace site is situated in a densely populated area. As a consequence, the BBC required the aerial contractor to meet a stringent specification for the vertical radiation pattern to ensure that viewers adjacent to and further from the transmitting site, alike, obtained good reception. Performance tests show that this specification is being met.

The new aerials are each able to radiate two programmes with maximum e.r.p.'s approaching 1000 kw when fed by transmitters producing peak vision powers of 80 kw per programme plus associated sound signals.

Delivery of the aerial in June 1968 was within 12 months of the placing of the contract with EMI. The difficult installation and commissioning has since been completed, using the erection services of British Insulated Callender's Construction Co. Ltd., without interruption to programme services from Crystal Palace.

This important aerial is the tenth high power U.H.F. aerial supplied to the BBC and ITA by EMI Electronics who are currently engaged in the construction of a further nineteen transmitting aerials for the expansion of the U.H.F. television services in the United Kingdom.

SPEAKER TRANSFORMER RATIO TABLE

Optimum load impedances for a.f. amplifier output stages vary over a wide range. Lowest figures appear in transistor output stages and highest figures in push-pull valve output stages (e.g. the 24kΩ anode-to-anode impedance required by two 6AM5 valves in Class AB1).

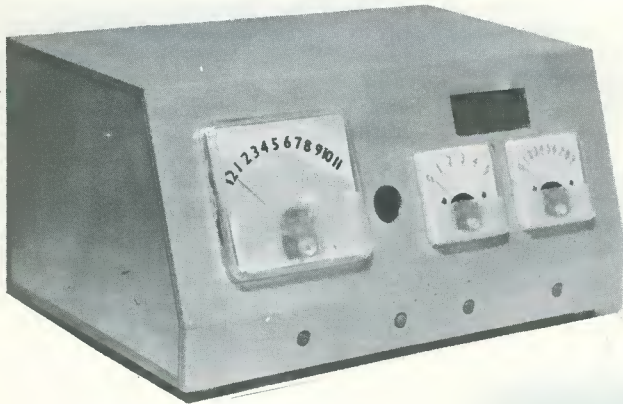
The Table gives worked examples of speaker transformer step-down ratios for output stage load impedances from 30Ω to 30kΩ. Results are to two significant figures and it would, in most instances, be satisfactory to use a transformer having a ratio within some 20% of the figure given.

Each ratio is the square root of the corresponding primary impedance to secondary impedance ratio.

Output load impedance	Speaker impedance			Output load impedance			Speaker impedance			
	3Ω	8Ω	15Ω	4kΩ	3Ω	8Ω	15Ω	37:1	8Ω	15Ω
	30Ω	3:2:1	2:0:1	1:4:1	4kΩ	37:1	22:1	16:1	41:1	25:1
50Ω	4:1:1	2:5:1	1:8:1	5kΩ	45:1	27:1	20:1	48:1	30:1	22:1
75Ω	5:0:1	3:1:1	2:2:1	6kΩ	52:1	32:1	23:1	55:1	34:1	24:1
100Ω	5:8:1	3:5:1	2:6:1	7kΩ	58:1	35:1	26:1	63:1	39:1	28:1
150Ω	7:1:1	4:3:1	3:2:1	8kΩ	68:1	42:1	31:1	73:1	45:1	33:1
200Ω	8:2:1	5:0:1	3:7:1	9kΩ	77:1	47:1	35:1	82:1	50:1	37:1
250Ω	9:1:1	5:6:1	4:1:1	10kΩ	86:1	52:1	38:1	89:1	55:1	40:1
300Ω	10:1	6:1:1	4:5:1	12kΩ	93:1	57:1	42:1	97:1	59:1	44:1
400Ω	12:1	7:1:1	5:2:1	14kΩ	100:1	61:1	45:1	100:1	61:1	45:1
500Ω	13:1	8:0:1	5:8:1	16kΩ						
600Ω	14:1	8:7:1	6:3:1	18kΩ						
700Ω	15:1	9:4:1	6:8:1	20kΩ						
800Ω	16:1	10:1	7:3:1	22kΩ						
900Ω	17:1	10:1	7:7:1	24kΩ						
1kΩ	18:1	11:1	8:2:1	26kΩ						
2kΩ	26:1	16:1	12:1	28kΩ						
3kΩ	32:1	19:1	14:1	30kΩ						

DECEMBER—

Packed with Constructional Projects !!



SOLID - STATE DIGITAL CLOCK

PLUS
DATA SHEET 18 and
"EASY-VIEW"
CALENDAR
(1st QUARTER)

RADIO CONSTRUCTOR

- 3-Band Preselector
- Wideband A.C. Millivoltmeter
- Christmas Water Fountain



- ★ Set 3 Wording—WHITE
- ★ Set 4 Wording—BLACK
- 6 Sheets, over 1,000 words etc.
- ★ Set 5 DIALS—clear background
- ★ Set 6 DIALS—black background

**YOUR FINISHED ASSEMBLY
DESERVES A REALLY
PROFESSIONAL FINISH
-USE 'CONSTRUCTOR'
PANEL SIGNS
PERMANENT PAINT
TRANSFERS**

4/6 per set (postage 3d)

Send to:

DATA PUBLICATIONS LTD., 57 MAIDA VALE, LONDON, W.9

IN LAST MONTH'S ARTICLE IN THIS SERIES WE CONCLUDED our discussion of the frequency changer, and then introduced the i.f. amplifier. We examined a typical i.f. amplifier (without automatic gain control) as would be encountered in a domestic a.m. valve superhet, and saw that it employed a single pentode only. We also examined basic i.f. transformer design for receivers of this nature.

We now continue with the i.f. amplifier, after which we shall turn to the detector stage.

I.F. AMPLIFIER DESIGN


The i.f. amplifier we saw last month employed a single pentode, and was suitable for domestic a.m. valve receivers intended for long, medium and short wave reception. This single pentode, in conjunction with the i.f. transformers in its grid and anode circuits, provides adequate sensitivity and selectivity for domestic entertainment requirements.


altogether and to feed *all* the anode circuits from a common h.t. supply which is bypassed by one single electrolytic capacitor! The resulting h.t. circuit is shown in Fig. 2 (a). Since the single electrolytic capacitor is also the h.t. smoothing capacitor for the power supply section of the receiver, the quantity of components required for h.t. supply is virtually the minimum possible.


A slightly modified approach which enables a small further economy to be achieved is shown in Fig. 2 (b). Here, the anode circuit of the output valve is returned to the h.t. reservoir capacitor, whilst the remainder of the anode circuits (and the output valve screen grid) are run from the smoothing capacitor. (We saw, in detail, how it was possible to feed the output valve anode in this manner in the issue for October, 1967. The article in that issue also described an improved version of Fig. 2 (b) in which the

UNDERSTANDING RADIO

I.F. AMPLIFIER AND DIODE DETECTOR

$$f = \frac{1}{2\pi\sqrt{LC}}$$






by W. G. Morley

The use of one valve only in the i.f. amplifier offers an interesting economic advantage from the point of view of overall receiver design. A typical domestic valve receiver can have its individual valves form the progression shown in Fig. 1. The first valve in Fig. 1 is a triode heptode frequency changer, this comprising a triode local oscillator and a heptode mixer. The second valve is the i.f. amplifier pentode. The third valve is a double diode triode, in which the diodes are used for detection of the i.f. signal whilst the triode gives voltage amplification of the a.f. signal obtained after detection. The fourth valve is the output valve, and this can be a pentode.

If we examine the individual valves in terms of the frequencies which appear in their anode circuits, we commence to see the advantage which accrues from having a single i.f. amplifying valve. The anode circuit of the triode in the frequency changer handles the local oscillator frequency only. The anode circuit of the heptode handles the intermediate frequency, together with unwanted signal and oscillator frequencies. The anode circuit of the i.f. pentode carries the intermediate frequency only, whilst the anode circuits of the voltage amplifier triode and output pentode handle the detected audio frequency signal only. Thus, no more than any two anode circuits share a signal at the same frequency. Because of this, the amount of decoupling required in the h.t. supply to the valves does not have to be at all elaborate. In practice, it is possible to dispense with decoupling

rectifier cathode connected to a tap in the output transformer primary in order to further reduce the ripple level passed to the loudspeaker.). Since the output anode current is usually greater than the sum of the anode currents of all the other stages, the method of h.t. supply shown in Fig. 2 (b) allows a lower current to flow in the smoothing resistor (or choke), and thereby eases h.t. smoothing requirements.

The simple h.t. circuits of Figs. 2 (a) and (b) have been used in a very large number of commercially produced domestic a.m. receivers. In these, the smoothing capacitor normally has a value of the order of 16 μ F to 32 μ F. Theoretically, it is usual to assume that an electrolytic capacitor, due to its construction, offers a significant impedance at radio frequencies and is not, in consequence, as good a component for r.f. bypass purposes as a non-electrolytic component. In practice, however, an electrolytic capacitor functions adequately enough as an r.f. bypass to enable the h.t. supply circuits of Figs. 2 (a) and (b) to be quite acceptable for commercial manufacture. They are both very economical and are feasible when a single pentode is employed in the i.f. amplifier section.

It must be stated, before concluding on this particular point, that the h.t. supply circuits of Figs. 2 (a) and (b) can allow *some* unwanted coupling between the i.f. amplifier and mixer anode circuits to take place, this being particularly true if relatively long wiring couples these circuits to the smoothing capacitor. This unwanted

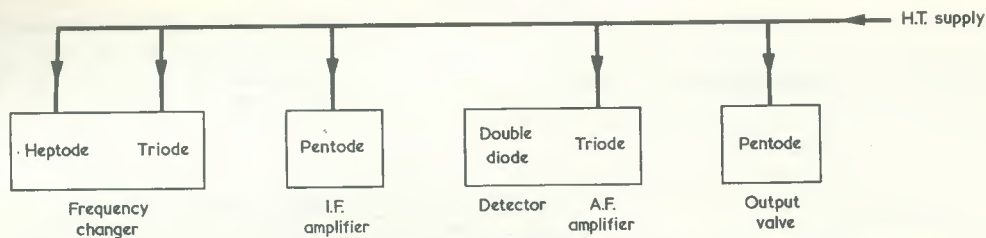


Fig. 1. H.T. supply arrangements for the anode circuits of a conventional domestic a.m. superhet

coupling does not result in actual instability in the receiver, but it can sometimes cause difficulty in obtaining a truly symmetrical overall response from the i.f. transformers. Where expense is of less consequence, as occurs in, say, a home constructor design, it is frequently beneficial to add a single h.t. decoupling circuit at either the mixer anode circuit, the i.f. pentode anode circuit, or both. Fig. 2 (c) shows such a circuit added to the h.t. feed to the i.f. amplifier anode. The extra decoupling provided here makes it easier to obtain a good i.f. response and the improvement, even if marginal, is often worthwhile.

I.F. amplifiers intended for valve f.m. receivers normally have two valves and operate at an i.f. of 10.7 Mc/s. The higher frequencies involved, and the fact that more than one i.f. valve is employed, makes it necessary to use individual decoupling circuits in the h.t. supplies to all r.f. and i.f. anodes.

In valve a.m./f.m. receivers the i.f. amplifier operates at a frequency in the range of 450 to 475 kc/s when receiving a.m. signals, and at 10.7 Mc/s when receiving f.m. signals. A.M./F.M. switching arrangements vary but it is usual to have a single pentode as i.f. amplifier for both frequencies, with the a.m. mixer functioning as a preceding i.f. amplifier valve when f.m. signals are being received. The relative complexity of the circuits employed make it necessary to have individual h.t. decoupling for all r.f. and i.f. anode circuits.

DIODE DETECTOR

We introduced the diode detector and described its operation in detail in the issues for May and June, 1965, the discussion at that time being mainly in terms of its use in t.r.f. receivers. It is not proposed to repeat the full description given in these earlier issues but, for the benefit of readers who do not have the appropriate copies to hand, a summary of the points made will now be given.

Fig. 3 (a) shows a standard diode detector, as would be applicable to t.r.f. receiver design. The r.f. input to the tuned circuit is at signal frequency and may come from a preceding tuned r.f. amplifier having its tuning capacitor ganged with that in Fig. 3 (a), or directly from an aerial. Detection takes place because the diode functions as a rectifier, allowing positive half-cycles of the received r.f. signal to be passed to C_1 . C_1 has a capacitance which offers a high reactance at a.f. and a low reactance at r.f. It functions in a similar manner to the reservoir capacitor following a diode power supply rectifier, becoming charged on each alternate half-cycle peak and discharging (via the resistors which follow it) between these peaks. To prevent distortion, its rate of discharge must always be greater than the rate at which r.f. amplitude falls during a cycle of high level modulation at the higher audio frequencies. Fortunately, it is not difficult to provide a value for C_1 which avoids such distortion under normal

conditions of a.m. reception.

An r.f. "ripple" exists across C_1 and this is removed by the filter given by R_1 and C_2 . R_2 is the load resistor across which the detected a.f. signal finally appears. Representative values for the components just discussed could, in a valve circuit, be 100pF for C_1 and C_2 , 15kΩ for R_1 and 220kΩ for R_2 .

Appearing across C_1 is a direct voltage having nearly the peak value of the r.f. half-cycles. Part of this direct voltage appears across R_2 . R_1 and R_2 form a potentiometer, and the direct voltage across R_2 is equal to that appearing across C_1 less the direct voltage dropped across R_1 . Since R_1 is usually much smaller in value than R_2 , the direct voltage across R_2 is only a little lower than that across C_1 . With the diode connected in the manner shown, the upper end of R_2 is positive with respect to chassis.

Since the detected signal across R_2 will, under normal circumstances, be passed to a following a.f. voltage amplifier, it is necessary to remove the direct voltage across this resistor as it could otherwise upset the biasing arrangements for the voltage amplifier. The direct voltage is, in consequence, blocked by C_3 which has a low reactance at a.f. and which, typically, is given a value of around 0.01μF. The following resistor, R_3 , can be the grid resistor of the voltage amplifier.

The introduction of C_3 and R_3 introduces a complication which must next be considered. So far as d.c. is concerned, the load presented to the diode is given by R_1 and R_2 in series. Because R_1 is much lower in value than R_2 we can, for the immediate discussion which follows, assume that the "d.c. load" presented to the diode is given by R_2 on its own. Speaking in terms of the detected audio frequency (and again ignoring R_1) the diode load is given by R_2 and R_3 in parallel because C_3 can be considered to offer negligible reactance to audio frequencies. R_2 and R_3 in parallel are, in consequence, referred to as the "a.c. load". Obviously, the d.c. and a.c. loads cannot be exactly the same, and it can be shown that this factor may cause distortion, the distortion becoming more severe as modulation depth increases. The distortion becomes more severe, also, as the difference between the values of the two loads increases. The only practicable method of keeping the difference between the d.c. and a.c. loads as low as possible is to make R_3 considerably higher in value than R_2 , with the consequence that the a.c. load given by R_2 and R_3 in parallel then becomes closer in value to the d.c. load given by R_2 on its own. In practice, it is normal to make R_3 some four or more times greater than R_2 , and this results in negligible distortion with broadcast a.m. transmissions of normal modulation depth.

It is necessary to have an a.f. volume control in a receiver and this can be conveniently inserted at the

detector stage; whereupon either R_2 or R_3 may be changed to a potentiometer as illustrated in Figs. 3 (b) and 3 (c) respectively. The circuit of Fig. 3 (b) has the advantage that when the volume control slider is at a low setting on its track the additional a.c. loading given by R_3 is much lower than when the slider is at the upper end of the track. It is common for the volume controls in domestic receivers to be adjusted to a fairly low setting for normal listening, with the result that the circuit of Fig. 3 (b) ensures that the ratio between d.c. and a.c. loads is close to unity at such settings, with consequently reduced risk of distortion. Even so, it is still good practice to make R_3 some four or more times greater than R_2 when the latter is a volume control.

A disadvantage with having R_2 as the volume control arises from the fact that the direct voltage due to signal rectification appears across it. When a volume control track becomes worn with use the resistance tapped off by the slider as it rotates does not vary smoothly but changes in small discrete steps. If R_2 is the volume control, there will then be similar discrete changes in the d.c. voltage applied to C_3 , these being reproduced by the loudspeaker as a "rushing" noise when the control is adjusted. The effect is absent when the volume control is in the R_3 position, as in Fig. 3 (c), because there is no d.c. voltage across this resistor. The overall result is that a volume control in the R_2 position is liable to become "noisy" in operation earlier in its life than does a volume control of

similar construction in the R_3 position. This disadvantage does not necessarily outweigh the advantages offered by having R_2 as the volume control, but it does emphasise the point that a good quality component should be used in the R_2 position if a long life is to be assured.

When the volume control is in the R_3 position it merely functions in the same manner as the volume control in any a.f. amplifier. Whichever position is chosen for the volume control, it should have a "log" track.

SUPERHET DETECTOR

The circuits we have considered in Fig. 3 are based on a consideration of the diode detector when it is connected, in obvious manner, between the source of r.f. signal and the load circuit. The principles involved are simple to follow, because the diode circuit is very similar to the familiar rectifier circuit used for h.t. supply. The circuit is also of the type which would be encountered when initially examining t.r.f. receivers. In such receivers the tuned circuit supplying the diode has one end connected to chassis because this is the most convenient method of connecting its manually operated tuning capacitor.

For valve superhet use it is desirable to slightly rearrange the detector components, and a suitable circuit is shown in Fig. 4 (a) where the diode follows the last i.f. transformer of the i.f. amplifier. The circuit of Fig. 4 (a) functions in the same manner as does Fig. 3 (a) and the resistors and capacitors have the same identifying numbers. The first

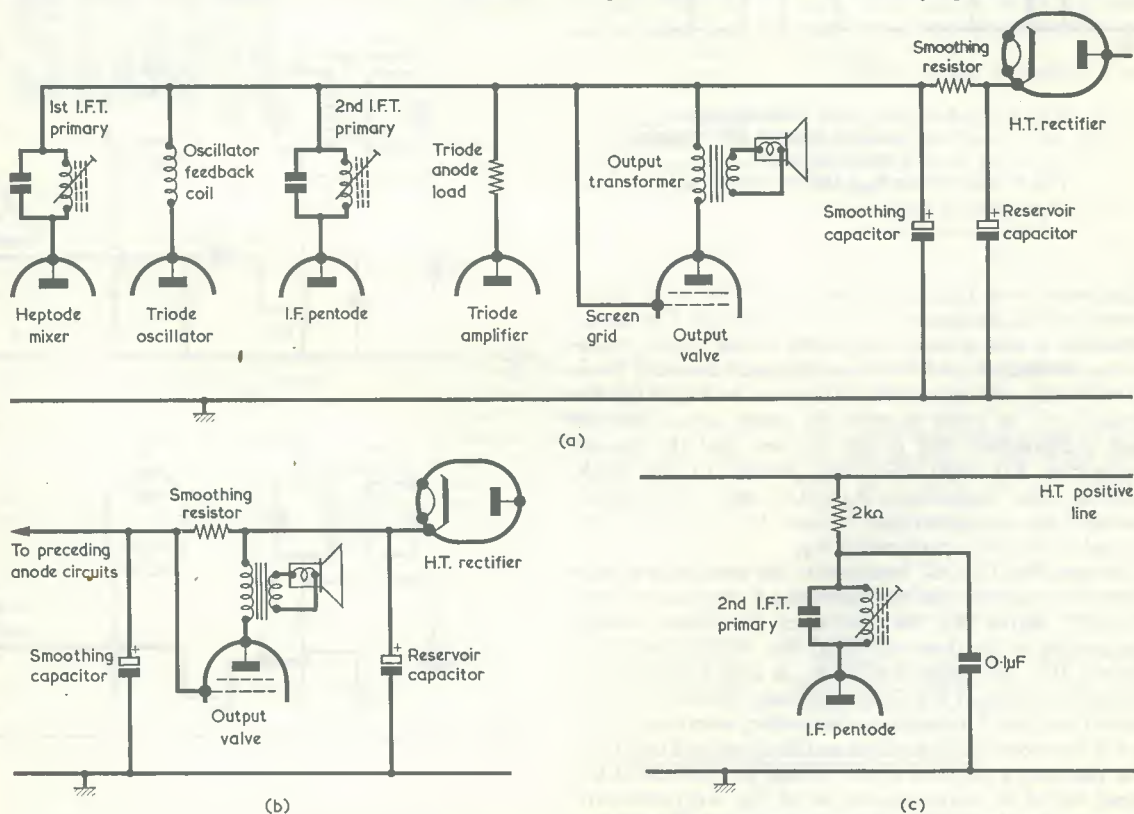
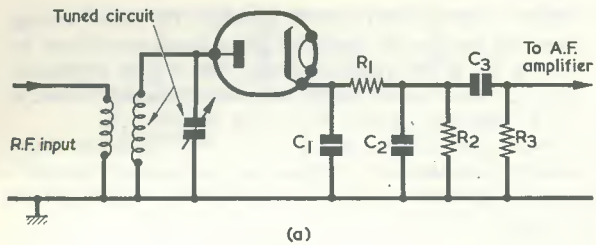
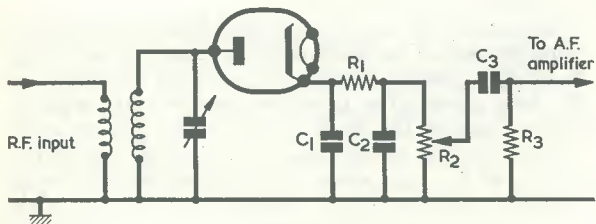


Fig. 2 (a). An a.m. superhet incorporating a single i.f. pentode may operate without any anode decoupling filters, the smoothing capacitor acting as a bypass for all anode circuits
 (b). An alternative method of providing an h.t. supply for the output valve
 (c). Adding an anode decoupling circuit to the i.f. amplifier pentode

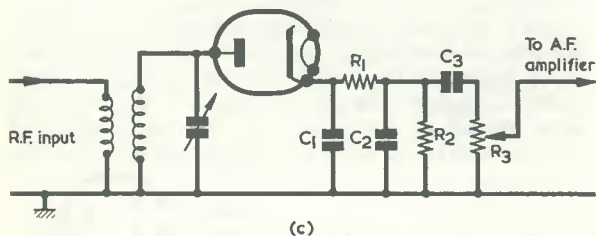
(c). Adding an anode decoupling circuit to the i.f. amplifier pentode



(a)



(b)



(c)

Fig. 3 (a). A simple diode detector circuit
 (b). Adding an a.f. volume control by changing R_2 to a potentiometer
 (c). In this version R_3 is the volume control

thing to notice in Fig. 4 (a) is that neither side of the tuned circuit feeding the diode is at chassis potential. The tuning capacitor is now a fixed component across the i.f. transformer secondary, and there is no physical necessity for it to have one side connected to chassis. In Fig. 4 (a) the diode is still in series between the tuned circuit and the load components, and it can be seen that the chassis connection has been effectively shifted to the diode cathode. Filter components R_1 and C_2 once more appear, and they are now interposed between the i.f. transformer secondary and the upper end of R_2 .

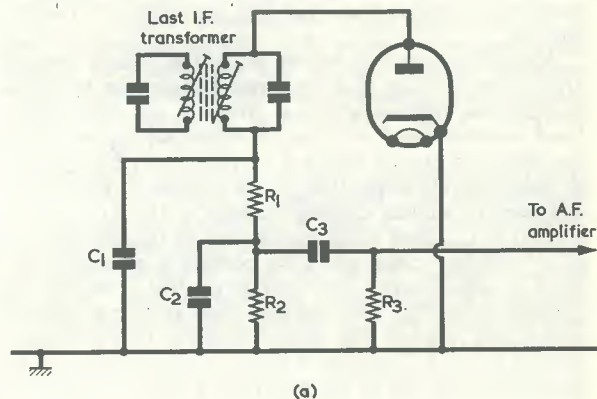
As with Fig. 2 (a), C_1 functions in the same manner as a reservoir capacitor, and the detected a.f. appears, without "ripple", across R_2 . So also does the direct voltage component of the detected signal, but it is important to observe that the upper end of R_2 is now *negative* with respect to chassis. (The diode will only conduct on half-cycles from the i.f. transformer secondary where the upper end of the secondary is positive and the lower end negative). The fact that a negative direct voltage is available at the upper end of R_1 makes the circuit of Fig. 4 (a) attractive for use in a valve superhet because, as we shall see later, that negative voltage may be employed for automatic gain control and for tuning indicator circuits.

Another advantage offered by the arrangement of Fig. 4 (a) is that the diode cathode is at chassis potential. In valve superhets the diode detector is usually combined

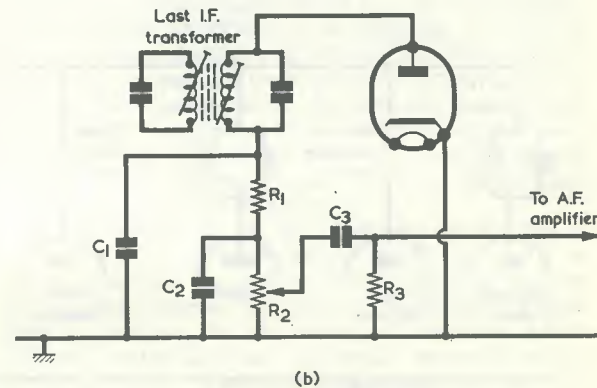
with the following a.f. voltage amplifier in a single envelope, both sharing the same cathode. That cathode can then be at chassis potential for both triode and diode.

The same points concerning d.c. and a.c. loads apply, in Fig. 4 (a), as in Fig. 3 (a). To prevent distortion R_3 should be some four or more times larger in value than R_2 .

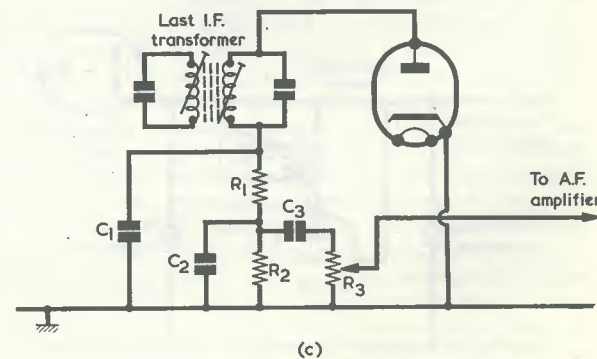
Fig. 4 (b) shows the rearranged form of Fig. 3 (b), in which R_2 is the volume control. Similarly, Fig. 4 (c) shows the rearranged version of Fig. 3 (c), in which R_3 is the volume control. Again, the same comments apply as for the previous diagrams.



(a)



(b)



(c)

Fig. 4 (a). A rearranged version of Fig. 3 (a), suitable for a valve superhet detector stage
 (b). The superhet version of Fig. 3 (b)
 (c). The rearranged circuit having R_3 as volume control

In last month's issue it was stated that, due to the loading introduced by the diode detector, it is desirable for the two windings of the last i.f. transformer to be positioned slightly closer together to provide the same critical coupling response as is given by the i.f. transformer which feeds the i.f. amplifier pentode. It may now be seen that

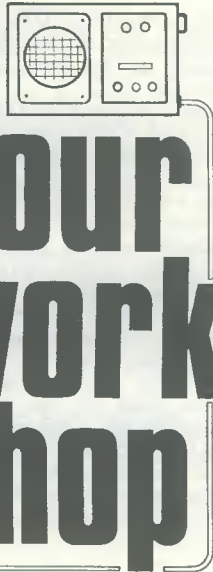
this loading is caused by the necessity to charge C_1 on each alternate i.f. half-cycle.

NEXT MONTH

In next month's issue we shall continue with the detector circuit and then carry on to automatic gain control.



In your workshop



Life presents difficulties which are common to all of us, and this month's episode finds Dick grappling with one of the most universal problems which beset mankind. Fortunately, a discussion of the latest hints received from readers not only helps him to momentarily forget his troubles but it eventually enables him to overcome them completely

"Of course it's not", returned Dick aggrievedly. "It's just that I wanted to know what the time is now".

"Hell's teeth", snarled Smithy. "You've done nothing else but ask me the time ever since you came in to work this morning. I must have looked at my watch at least twenty times".

"Seeing", replied Dick, using the condescending tone of one who explains an obvious point to an idiot, "that the Workshop clock is in for repair and you're the only person with a watch, I've got no option, have I? Anyway, what is the time?"

"If you must know," said Smithy ungraciously, "It's half-past nine".

"Then, said Dick, looking once more at his card. "I've got another fifty minutes to go".

"Fifty minutes to go before what?" snapped Smithy. "And what the dickens is that scrap of paper you keep looking at?"

"What you refer to as a 'scrap of paper'", returned Dick indignantly, "is a very important document".

"All right then, but what is it?"

"It's my appointment card".

"Appointment card?"

"For my dentist", explained Dick with dignity. "And it tells me that I'm due to see him this morning at 10.30 sharp, which means that I'll have to leave the Workshop at 10.20. I should add that my dentist gets very narky, too, if I don't turn up on time".

"Well", conceded Smithy, somewhat mollified by this explanation, "it's always a sensible policy to maintain good terms with your dentist. Have you got toothache or anything?"

"Oh no", said Dick. "I've just got to go for a routine check-up".

"I see", remarked Smithy thoughtfully. "Funnily enough, your talking about the dentist has just reminded me of something".

"What's that?"

"It's reminded me about the readers' hint sessions we have every now and again. It so happens that I've received several hints recently which are loosely connected, in one way or another, with dentistry".

A light of interest gleamed in Dick's eye.

"It's quite a long time since our last sesh on readers' hints", he remarked eagerly. "Have you got many new ones on hand?"

"As a matter of fact", replied Smithy, "I've collected quite a few".

The Serviceman directed a critical glance towards his assistant, then decisively turned back to the TV chassis he had been examining and switched it off. He next opened a drawer in his bench and extracted a sheaf of letters.

"It's quite evident", he remarked, "that the chances of your doing any useful work between now and 10.20 are just about negligible, and so this period *would* be a good time to devote to readers' hints. Come on over to my bench, Dick, and have a look at the ones I've got here".

Delighted, Dick promptly carried his stool to Smithy's side whilst that worthy examined the letters he had taken from his drawer.

"Here's a good one to start off with", he said, picking out one of the letters. "And it takes advantage of discarded

"Smithy!"
"Hallo!"
"What's the time now?"

Irritably, Smithy the Serviceman glanced at his wrist watch.

"It's twenty past nine".

"Ta".

Dick took out his wallet, extracted a card from this and studied it intently. He then returned the card to the wallet, and replaced the wallet in his jacket.

The Workshop fell silent again. Smithy concentrated on the faulty television receiver on his bench, whilst Dick prodded listlessly at a small transistor radio chassis in front of him. It was evident that Smithy's assistant was greatly preoccupied with matters other than electronic.

READERS' HINTS

Suddenly, Dick put his test prods down on the bench and once more took his wallet from his pocket. He gazed unhappily at the card it contained.

"Smithy!"

"What is it now?"

"Is that watch of yours correct?"

"Of course it's correct".

"Then what time does it say at the moment?"

Smithy snorted.

"Is this", he growled irately, "a gag something?"

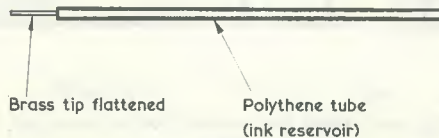


Fig. 1. The internal ink reservoir tube of a ball point pen may be readily converted for use as a trimming tool

ball point pens”.

“Oh yes”, remarked Dick, settling himself down comfortably. “What do you make from those?”

“Trimming tools”, replied Smythy. “You first extract the inner ink reservoir tube and flatten the brass end containing the ballpoint in a vice. The small flat end thus obtained can then be fitted in the slots of iron dust cores in i.f. transformers and the like, filing it if necessary to get the final dimensions desired. There’s a sketch of the finished job supplied with the letter”.

Smythy showed Dick the sketch. (Fig. 1).

“Since”, he went on, “the tube part is made of polythene it is non-metallic, which means that it won’t alter the inductance of any windings it passes through. The ink reservoir tubes which are best for this application are those having an overall diameter not greater than $\frac{1}{8}$ inch, and these are slim enough to pass through really small access holes”.

“That’s a smart idea”, said Dick approvingly. “I’m always in favour of schemes which give you something for nothing!”

Smythy noticed, with interest, that his assistant had already forgotten his forthcoming encounter with the dentist.

“Here’s another useful idea”, remarked the Serviceman cheerfully, “and it offers a warning when a transistor radio is not properly switched off”.

“That’s something that’s always cropping up”, commented Dick. “People

turn the volume control on their transistor radios to minimum without properly switching them off, and then wonder why the batteries run down so quickly!”

“True enough”, agreed Smythy. “Well, the very simple idea I’ve got here guards against that sort of thing very neatly. Take a look at these two circuits”.

Dick leaned over and examined the circuits in the letter Smythy was holding.

“Now”, said Smythy, “the normal volume control arrangement in a transistor radio is basically like the first circuit here. (Fig. 2 (a)). The a.f. output from the diode appears across the volume control track and the slider taps off the desired proportion which is to be passed to the a.f. stages. As you can see, the set can be silenced completely by turning the volume control to minimum. In many cases, this can also occur even when the volume control is ganged with the on-off switch, and the set can still be completely silenced without being actually switched off. What the present dodge consists of is the insertion of a low value resistor in series with the earthy end of the volume control track. (Fig. 2 (b)). Provided the receiver is tuned in to a station, as it normally will be, it then becomes impossible to silence it completely. A few milliwatts of output will still be heard with the volume control at minimum, giving a warning that the set has not been switched off. The great advantages of this idea are that it is easy to apply, that it doesn’t alter operating

conditions in the receiver, and that it doesn’t cause extra battery consumption as would any other type of on-off indicating device”.

“What value”, asked Dick, “should the additional resistor have?”

“About 47Ω will give the required result with most receivers”, replied Smythy. “But you can, of course, experiment a little with the value to get just exactly the minimum volume level you require”.

METER PROTECTION

Smythy extracted another letter from the sheaf on his bench and read it carefully.

“Here’s another simple idea”, he said. “The writer of this letter has a testmeter on which the range selector switch positions for the 10 volt and $50\mu\text{A}$ ranges are side by side. Because of this, the $50\mu\text{A}$ range has been inadvertently selected on several occasions, nearly causing the needle to get wrapped around its end-stop. To overcome this problem, an 8BA hole was drilled and tapped at the $50\mu\text{A}$ switch position on the testmeter panel. An 8BA bolt was then fitted, thereby preventing the pointer knob of the switch being accidentally set to this range. (Fig. 3). Since the knob turns through more than 180° it was also necessary to file a step in its other end to clear this screw. It is only occasionally necessary to use the $50\mu\text{A}$ range, and when this is required all that needs to be done is to remove the 8BA screw”.

“I’ve got a similar sort of problem with my own testmeter”, announced Dick musingly. “It mightn’t be a bad idea to fit a little guard screw to it on its low current range as well”.

“It would be a jolly good idea”, returned Smythy, fixing a basilisk glare on his assistant. “Judging by the way you handle testmeters, I’ve often thought of issuing you with one which had no current ranges below 1 amp!”

“Now, don’t be like that, Smythy”, said Dick soothingly. “Let’s get on to the next hint”.

“Very well, than”, said Smythy, dismissing with an effort his perennial irritation at Dick’s cavalier treatment of the Workshop test equipment. “Let’s see what the next letter says”.

Smythy’s expression brightened as he quickly scanned the letter, and he gave a little chuckle.

“This one really is neat”, he grinned. “I’ll read it out to you. The large size Steradent denture tablet containers made of aluminium are just the right size for holding two No. 8 batteries. The container has a push-on plastic cap, with the result that all that is required for the positive connection is a flat-headed screw fitted to the centre of this cap. The result is a convenient 6 volt battery pack, which is just the job for transistor receivers and other transistor gear”.

“That is neat”, confirmed Dick.

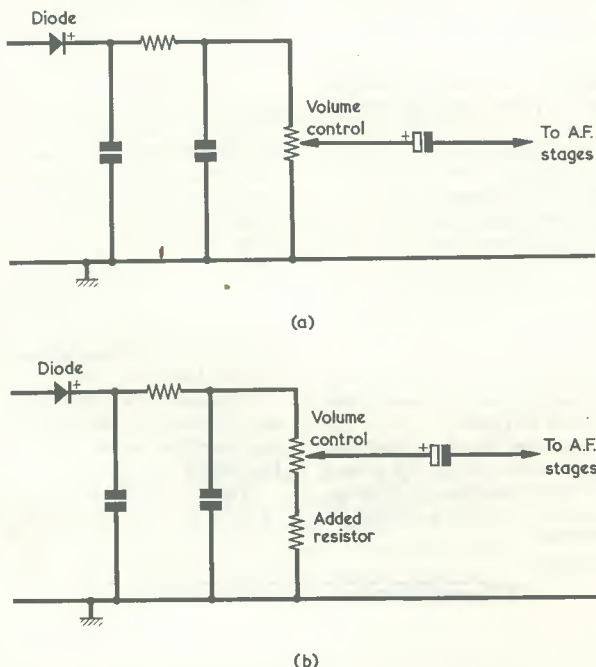


Fig. 2 (a). The basic diode and volume control circuit of a transistor radio

(b). Adding a low value resistor ensures that the receiver cannot be completely silenced without actually switching off

"Incidentally, talking of denture tablets has just reminded me. What's the time now, Smithy?"

"It's five to ten", replied Smithy, consulting his watch. "You've got plenty of time to go before your dental appointment. You don't half seem worried about it".

"I am a bit", admitted Dick ruefully. "It's the thought of that high-speed drill of his that gets me. Blimey, Smithy, you can hear it screaming away even as you walk up to the surgery!"

"You should be jolly lucky", returned Smithy sternly, "that you live in a generation whose dentists have got high-speed drills. In my time they used low-speed drills coupled up to a treadle wheel by way of a cord running on pulleys. The pressure on the drill in your mouth used to vary in sympathy with the pressure of the dentist's foot on the treadle!"

"Gosh", shuddered Dick. "But what do you mean by 'in your time'? Don't you still have to get a filling done occasionally?"

"Not nowadays", replied Smithy smugly. "If there's anything wrong with my teeth, then I just lean back in the chair and natter with the dentist whilst he makes any adjustments they need in another part of the room. Smashing, it is!"

Dick stared at Smithy. This was a feature of the Serviceman which he had not before even considered.

"Blimey", he remarked, impressed. "You've got false teeth, then".

"I wear", said Smithy, primly correcting his assistant's terminology, "dentures".

Dick gazed at the Serviceman with morbid fascination.

"Top", he continued, "and bottom?"

"The full set", replied Smithy proudly. He raised his hand to his mouth.

"Would you like to have a look at them?"

"Ye gods, no", retorted Dick with revulsion. "Phew, you must look horrible when you go to bed at night".

"Nonsense", said Smithy equably. "There's just a slight change in the facial contours, that's all. And, after a good night's sleep, I come down in the morning, snap the old plates back into position again, and I'm all set for anything from pork crackling to a fried egg sandwich!"

"Ugh", said Dick.

"What was that?"

"Nothing", replied Dick hastily. "Can we get on to another hint, please?"

"As you like", said Smithy obligingly. "Well, now, let's see what we've got next. Ah, this is a good one, and it has to do with soldered connections to switches. The writer of the letter I've got here says that some types of miniature switch, including in particular slide switches, can introduce peculiar circuit faults if they are overheated during soldering.

It seems that these faults are caused by the nature of the switch insulation when this consists of resin-impregnated paper. If there is excessive heat on the tags when they are being soldered, the resins in the insulation apparently run over the contact surfaces and form a partially insulating film. The result is that the switch either goes open-circuit, becomes intermittent, or presents a high contact resistance".

"That's an awkward one", commented Dick. "You don't expect snags like that, especially if the switch is a brand-new component".

"True enough", agreed Smithy. "I should imagine that, if over-heating during soldering is causing the trouble, there's a possibility that the resin could well be coming from the core of the solder as well as from the switch insulation. At any event, the cause doesn't affect the suggested method of overcoming the difficulty. Which is, quite simply, to keep switches of this nature on their side when soldering to them, so that the tags project horizontally. This ensures that hot solder cannot run down the tag, and it eradicates the risk of hot solder blobs falling on to the insulation. If soldering heat is applied to the ends of the tags only, the risk of resin flowing over the contact surfaces becomes negligible".

NOVEL KNOBS

"That's something I must bear in mind for the future", observed Dick.

"It's worth remembering", agreed Smithy. "I must admit that some of the little slide switches I bump into these days have a construction which could readily allow resin to flow over the contact surfaces if they are overheated during soldering, and it would certainly

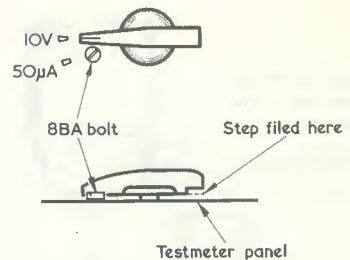


Fig. 3. A simple means of preventing an infrequently used low current range in a testmeter being selected by accident

be worthwhile soldering them with the tags horizontal to avoid this risk. Now, let's see what we've got next".

Smithy once more inspected his sheaf of letters.

"Here's an idea which is right in the do-it-yourself category", he announced, as he selected a letter. "This one is concerned with making your own control knobs".

"That", remarked Dick, "sounds like a very knobby idea".

Smithy cast a suspicious glance at his assistant's guileless face, then returned to the letter.

"The writer of this letter", he resumed, "says that after building an oscilloscope he needed some small knobs that would complement the trouble he had gone to in making the front panel attractive. His local radio shop had some very smart knobs in stock but, as they asked 2/6d each for them and he needed quite a large quantity, he thought he'd try something else. He'd heard of toothpaste

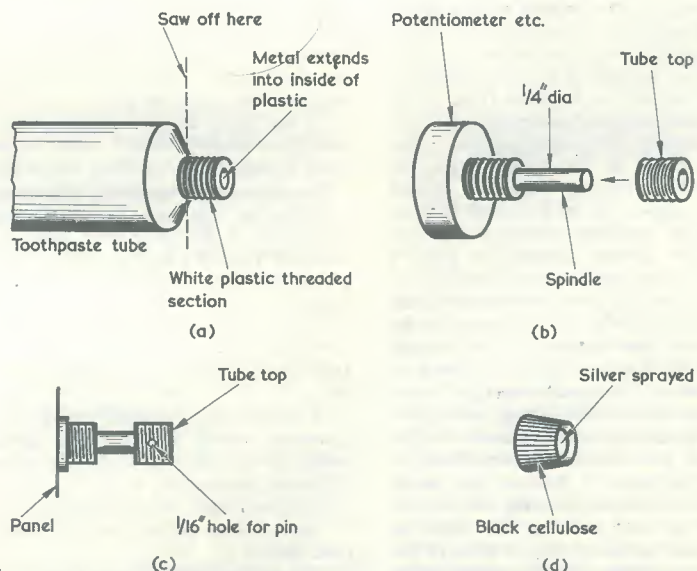


Fig. 4. A method of obtaining attractive and very cheap control knobs. The individual steps in making up the knobs are described in the text

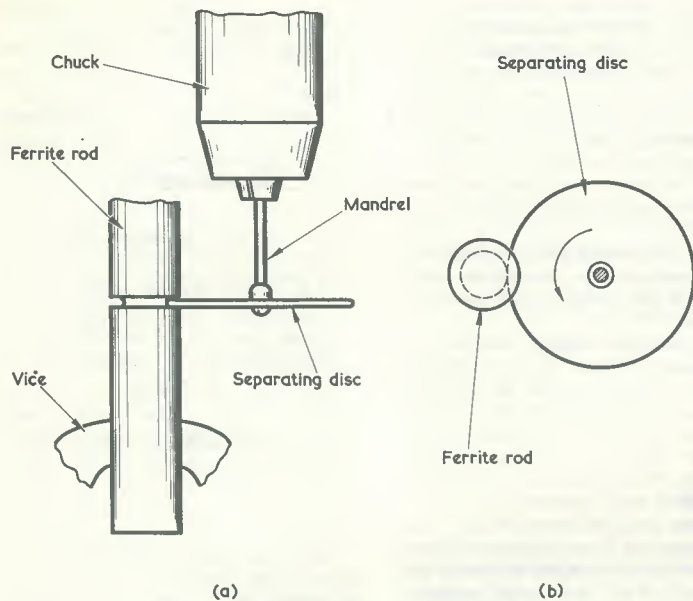


Fig. 5 (a). Cutting a ferrite rod on a bench drill with the aid of a separating disc, as used by dental mechanics
 (b). The ferrite rod is moved gently around the disc to enable a continually deepening groove to be cut. Only light pressure against the disc should be employed

caps being used for knobs before, but he'd never seen a satisfactory method of attaching them to the spindles. In consequence, he devised the scheme which he now describes in this letter".

Smithy showed Dick the letter, which included a number of sketches (Fig. 4), then proceeded to read from it.

"Most toothpaste tubes nowadays have a soft metal body, the thread for the cap being bonded plastic with a metal core. The internal diameter of this metal core happens, in most cases, to be a quarter of an inch. The top of the tube is sawn off with a hacksaw (Fig. 4 (a)) after which any toothpaste that's left in it is washed out. The control spindle is then cut to length in the normal way, the threaded toothpaste tube top placed over it, and a $\frac{1}{16}$ in hole drilled through the whole assembly. (Figs. 4 (b) and (c)). The drilling process is quite a simple matter with an electric drill. A panel pin of $\frac{1}{16}$ in diameter is next pushed through the hole and trimmed to lie flush with the bottom of the plastic thread. All that remains to be done is to screw on the toothpaste cap tightly and the knob is complete. It was found that knobs made up in this manner didn't unscrew, even when they were fitted to rotary switches. If desired, the knobs can be finished by spraying the sunken part silver and painting the knurling with black cellulose. (Fig. 4 (d)). In the writer's case, the silver was given by an aerosol bought at Woolworth's whilst the black cellulose was car touch-up

paint. Incidentally, ordinary paint is not satisfactory here since it tends to chip in use when applied to plastic!"

Smithy finished reading the letter and placed it on the bench.

"How", asked Dick, "do you know if a particular toothpaste tube has a $\frac{1}{4}$ in hole down the threaded bit?"

"I think you'll find the majority of makes have", replied Smithy. "What you have to do is to take a pot up to the bathroom and pop its spindle down the nozzle of all the toothpaste tubes you can find there! That'll soon tell you whether they're $\frac{1}{4}$ in or not".

"If my family caught me doing that", said Dick firmly, "they'd have me put away, mate".

A sudden frown creased his forehead. "Blow me", he said, "we don't seem to be able to get away from teeth this morning. First, it's denture cleaner, then it's toothpaste! What's the time now, Smithy?"

Gravely, Smithy consulted his watch. "Eight minutes past ten", he announced. "You've got plenty of time yet".

"I won't half be glad", said Dick gloomily, "when I've got this dental check-up business over and done with".

Smithy gazed at his assistant. "Do you know", he remarked chattily, "I think you're really scared of seeing your dentist".

"I'm not just scared", said Dick, "I'm petrified! For goodness' sake, Smithy, let's get on to another hint".

"As you like", replied the Serviceman serenely. "Now there are two quite useful hints in the next letter. The first concerns the use of an electric drill on a painted metal case or cabinet. In instances of this nature, it's very easy for the chuck to get pushed forward and scrape the finish around the hole when the drill breaks through. This problem can be avoided by the simple process of winding masking tape around the chuck and the shank of the drill".

"That's a crafty wheeze", remarked Dick interestedly, once more temporarily forgetting his impending trip to the dentist.

"Yes, isn't it?" agreed Smithy. "It's one of those quick dodges which can save a considerable amount of grief later on. The other hint in this letter is concerned with cutting the copper strips on Veroboard. Some people who only use Veroboard occasionally may not have available the special rotary cutting tool that is intended for this job, and may attempt to use alternative methods. One possible idea here is to cut the strips with a knife, but this is not always successful as it can result in a whole strip being lifted from the board. The best solution is to countersink at the hole where the cut is to be made with an ordinary twist drill. This method is quite efficient and the board looks just as neat as if the proper tool had been used".

Smithy returned the letter to his bench and perused the next one in the sheaf. A gleam came into his eye.

"Ah", he announced with satisfaction. "Now, we have a really excellent hint here. Tell me, Dick, how do you normally cut ferrite rod?"

"Do you mean", queried Dick in return, "how do I obtain a short length from a long rod?"

"That's right".

Dick frowned.

"The ability to shorten lengths of ferrite rod accurately", he remarked plaintively, "has been something which has eluded me over all the years I've been playing around with radio. At any event I don't cut the rod because, so far as I know, ferrite rod just can't be cut. I usually put the rod in a vice and bash it with something, hoping that it will break at the top surface of the vice jaws. It doesn't always, though, and even if it does the end where it's broken always looks rough".

"What you've just described", commented Smithy, "represents general experience. As the hint I now have here points out, however, it is possible to cut ferrite rod, and it can be done easily and reliably. The process is carried out with a special separating disc, as used by dental mechanics for cutting chrome wires. The ferrite rod to be cut is first of all mounted in a machine vice and held loosely on the supporting plane of a bench drill. Mounted in the drill chuck is a mandrel carrying the separating disc, this being

at the level at which section is required. (Fig. 5 (a)). The ferrite rod is then held lightly against the edge of the separating disc and moved gently round to cut a groove which becomes steadily deeper until the rod is cut through. (Fig. 5 (b)). The pressure on the disc must not be great because it is only made of plastic with dispersed carborundum. This cutting method is completely satisfactory and gives a beautifully clean end to the rod. It will, for instance, easily cut $\frac{1}{2}$ inch rod".

CHANGE OF HEART

"Blimey, Smithy, that's the best idea I've heard for ages", exclaimed Dick. "As I said just now I'd never even realised that ferrite rod could be cut. Why, this solves *all* my future problems with ferrite rod. There must be stacks of other people, too, who'll take advantage of this particular hint".

"I'm sure there will be", agreed Smithy. "Look, here's a sample of a piece cut from a $\frac{1}{2}$ inch rod".

Smithy removed a thin disc which had been stuck to the letter with Sellotape and passed it over to his assistant. Dick examined it, then excitedly snatched up a steel rule from Smithy's bench.

"Corluvaduk", he gasped. "Do you know, Smithy, this slice of ferrite material is less than a sixteenth of an inch thick! And yet it's not chipped in

any way and both the sides are perfectly clean and parallel. This idea for cutting ferrite rod really *is* something!"

He avidly examined the slice of ferrite material once more, then turned to the Serviceman.

"How", he asked. "do you obtain the separating disc and mandrel?"

"As I just mentioned", replied Smithy, "the separating disc is an item used by dental mechanics. Its full description is 'flat double side $\frac{7}{8}$ inch plastic based high speed separating disc'. At the same time, the mandrel on which it's mounted is a standard item used by dental mechanics. You should be able to get both of these from any dental supplier, of which there should be one in most large towns. Or you could get them from any dental mechanic you happened to be friendly with".

Smithy glanced at his watch.

"And", he continued artlessly, "after having once again reminded you of dental topics, I can forestall your next query by saying that the time is 10.18 exactly".

"Is it?" said Dick enthusiastically. "That's fine, then. I'll get ready to go right now".

Smithy's jaw dropped open.

"I thought you were *dreading* this visit of yours to the dentist", he said. "How come the sudden change of

heart?"


"I was dreading it", admitted Dick, "but not now. My dentist is bound to have a dental mechanic which means that, for the first time ever, I've got means of access to a tool which is capable of actually cutting ferrite rod. If my dentist can assure me a future supply of separating discs and mandrels he can do just what he likes with my teeth. I won't complain even if he whips them all out and I go on to false choppers just like you!"

And with these words Dick hastily snatched up his raincoat from its peg and rushed out of the Workshop door.

As the echoes died away, Smithy collected the letters and returned them to the drawer in his bench. He noted that there were several still left unread. Thoughtfully, he decided that he had better not leave it too long before he and his assistant had a further discussion based on Hints from Readers.

EDITOR'S NOTE

The hints described in this episode of 'In Your Workshop' were submitted, in the order in which they appear, by W. D. Graham, W. Smith, C. P. Finn, R. C. Lea, T. E. Millsom, M. Francis, D. J. Tate and W. H. Bond.

Further hints for this feature are welcomed, and payment is made for all that are published. 

THE "TRIPLE - S" 3 - TRANSISTOR RECEIVER by SIR DOUGLAS HALL, K.C.M.G., M.A.(Oxon)

Readers may recall our contributor's successful and popular "Simplicity and Sensitivity" receiver designs based on an ingenious 2-transistor reflex circuit. The "Triple S" is a further development of the "Simplicity and Sensitivity" approach. It incorporates modern silicon transistors, which enable an even better performance to be achieved

THE AUTHOR HAS DESCRIBED TWO simple receivers in this magazine under the title of "Simplicity and Sensitivity". The first of these (April, 1964) was an earpiece receiver, employing two transistors, and the second (November, 1965) a loudspeaker version covering two wavebands and using three transistors.¹ Judging from correspon-

dence it would seem that these designs—particularly the latter—have been built in considerable numbers and, indeed, are still being constructed.

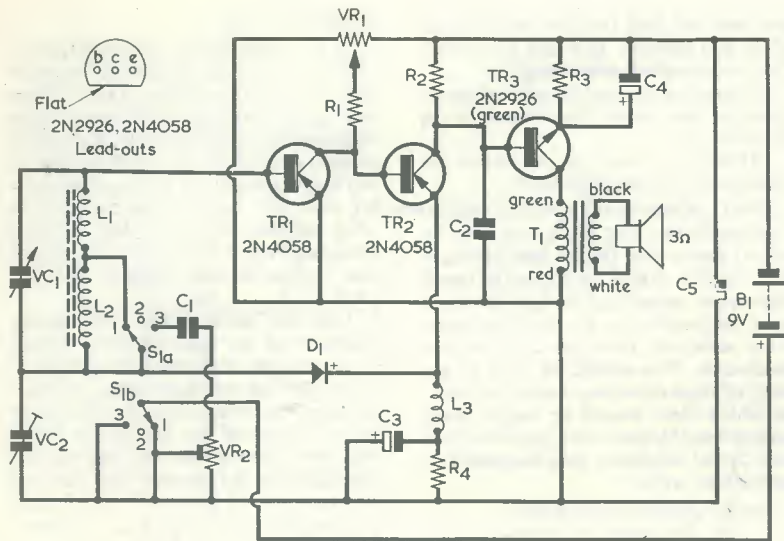
This article describes a revised version of the circuit using modern silicon transistors. "Simplicity and Sensitivity with Silicon" equals "Triple S." The opportunity has also been taken to improve on two weaknesses in the earlier designs—a rather pronounced pulling between the tuning and volume controls, and a limited wave coverage

on the medium wave band. A further improvement is that variations in transistor characteristics are now looked after by two preset controls, one for each waveband, which are adjusted once and for all. Finally, sensitivity, previously good, is now further enhanced and the design is particularly suitable for those who live in difficult reception areas, whether the difficulty arises from the absence of local stations or from local screening. In such areas many readers may have found that the usual small and simple transistor portable is of little practical use.

TRIPLE S CIRCUIT

The circuit of the Triple S receiver is shown in Fig. 1. Reaction is no longer controlled by a variable resistor in the tapping circuit but by varying the collector current of TR₁ and TR₂ by means of a potentiometer across the battery. By using a 9 volt battery, as against 3 or 4½ volts in the earlier version, the resistance in the collector circuit of TR₁ can be increased. This steps up the r.f. gain of both TR₁ and TR₂. A.F. gain is also increased, especially by TR₃ which can now produce more voltage gain due to the comparatively large load presented by the primary of T₁—about 1.2kΩ as against the previous 80Ω. A further advantage which comes from using silicon transistors is that the larger

¹Sir Douglas Hall, "Simplicity and Sensitivity with 2 Transistors", *The Radio Constructor*, April 1964; "Simplicity and Sensitivity with 3 Transistors", *The Radio Constructor*, November 1965.



S₁ positions: 1 - M.W.
2 - Off
3 - L.W.

Fig. 1. The circuit diagram of the Triple-S receiver. L₁ and L₂ form the ferrite aerial

voltage required between base and emitter with these devices means that there is more voltage available between collector and emitter of TR₁ than when

germanium transistors were used. This, again, results in improved sensitivity. In fact, increased overall gain is such that transformer coupling between TR₂

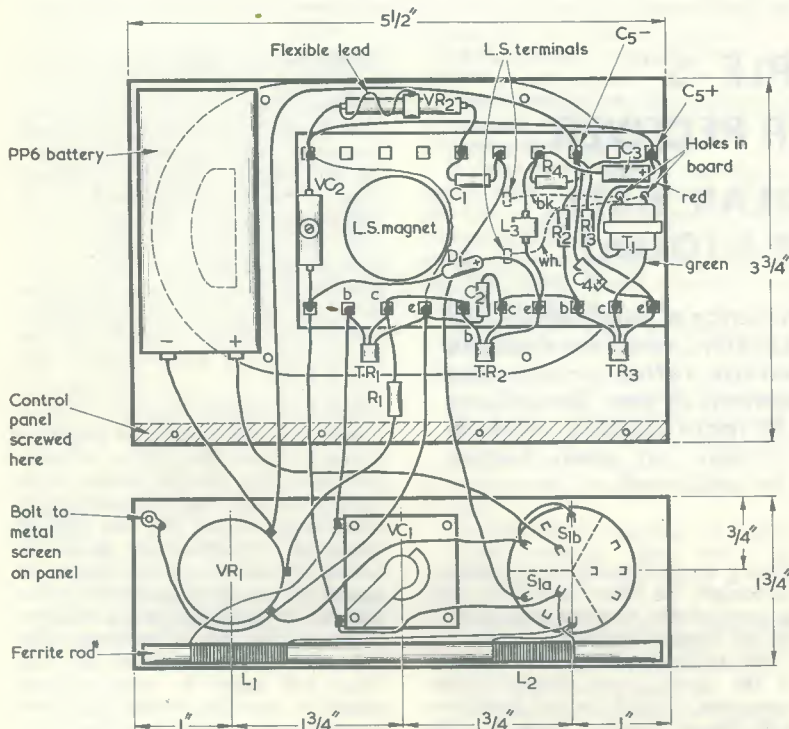


Fig. 2. Wiring and layout diagram. The control panel is shown separate from the board on which the loudspeaker is mounted. The body of C₅, which fits under the tagboard, is not shown

COMPONENTS

Resistors

(All fixed values ¼ watt 10%)

- R₁ 22kΩ
- R₂ 1kΩ
- R₃ 27Ω
- R₄ 680Ω
- VR₁ 1MΩ potentiometer, log, Radiospares "Moulded Track", Cat. No. VR18B (Home Radio)
- VR₂ 1kΩ preset potentiometer, Radiospares "Slider", Cat. No. VR101 (Home Radio)

Capacitors

- C₁ 0.003μF
- C₂ 0.1μF
- C₃ 250μF electrolytic, 2.5V wkg.
- C₄ 250μF electrolytic, 2.5V wkg.
- C₅ 640μF electrolytic, 10V wkg.
- VC₁ 500pF variable, solid dielectric, Ivory Electric, Cat. No. VC79A (Home Radio)
- VC₂ 60pF trimmer, mica

Inductors

- L₁ See text
- L₂ See text
- L₃ 2.5mH r.f. choke, Type CH1 (Repanco)
- T₁ Output transformer, Type LT700 (Eagle)

Semiconductors

- TR₁, TR₂ 2N4058
- TR₃ 2N2926 green spot
- D₁ OA73

Switch

- S₁ 3-pole 3-way rotary (see text)

Battery

- B₁ 9-volt battery Type PP6 (Ever Ready)

Speaker

- 3Ω, 5in by 3in, Elac.

Miscellaneous

- Tagboard, Radiospares 18-way "Standard", Cat. No. BTS10 (Home Radio)
- Ferrite rod, 5in × 3/8in dia., (G. W. Smith & Co., 3 Lisle St., London, W.C.2.)
- Knobs, as required
- Battery connectors
- Hardboard, plywood, Paxolin, etc.

and TR₃ is now no longer necessary or desirable. In the present receiver, D₁ is a comparatively low resistance diode. The OA73 specified gives better results with this circuit than a higher resistance type such as the OA81.

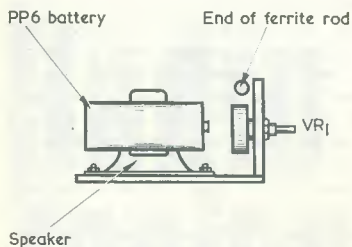


Fig. 3. Side view, from the battery end of the receiver, illustrating how the board on which the loudspeaker is fitted and the control panel assemble together

As readers who have studied the earlier versions may remember, TR₁ acts as a common emitter r.f. amplifier followed by TR₂ as a common collector amplifier. Demodulation is carried out by D₁ and the coupling is such that any a.f. which may be fed back from TR₂ emitter is out of phase with that developed at TR₁ base, with complete a.f. stability resulting. All three transistors give a.f. amplification by the common emitter mode.

SETTING UP

To set up for medium waves it is necessary to adjust VC₂. If this provides too much capacitance, it will prove impossible to receive, say, Radio 3 on 194 metres, and selectivity will be poor. If VC₂ provides too little capacitance it will prove impossible to obtain oscillation at the low frequency end of the band. On long waves, variations in the characteristics of TR₁ and TR₂ are looked after by VR₂. A position should be found for the slider of VR₂ which gives smooth control of reaction throughout the band by means of panel control VR₁. If VR₂ inserts too much resistance in circuit oscillation may prove impossible over all of the band. At the same time, if too little resistance is in circuit the high frequency end of the band will be cut off, Radio 2 coming in near the minimum capacitance position of VC₁, or even being lost altogether, and oscillation will tend to start with VR₁ advanced only a short distance from minimum.

TR₁ and TR₂ are identical transistors which are especially designed to give a high amplification (100-400) at only 100µA collector current. They are p.n.p. devices. TR₃ is a high amplification (235-470) n.p.n. transistor.

The current consumption of the complete receiver from its 9 volt battery is between 8 and 12mA, depending on the state of the battery and the setting of VR₁.

LAYOUT

The layout shown in Fig. 2 has proved satisfactory and it allows the

use of a 5in by 3in speaker, which will give better quality and volume than a smaller one in what still remains a very small receiver.

A panel of hardboard or Paxolin, about $\frac{1}{16}$ in thick and measuring $5\frac{1}{2}$ by $3\frac{3}{4}$ in, is cut out. A suitable aperture for the speaker is next made in this panel, and the speaker mounted by means of countersunk bolts and nuts. An 18-way standard size Radiospares tagboard is

next cut so that 10 pairs of tags remain. A circular hole is cut in this to fit over the speaker magnet as shown in Fig. 2, and the board is held in position by being secured with adhesive to the magnet. This provides a firm and practicable method of mounting and it may be of help if a turn or two of insulating tape or Sellotape is initially wound on to the magnet to ensure a tight fit. Readers who would prefer to employ some form

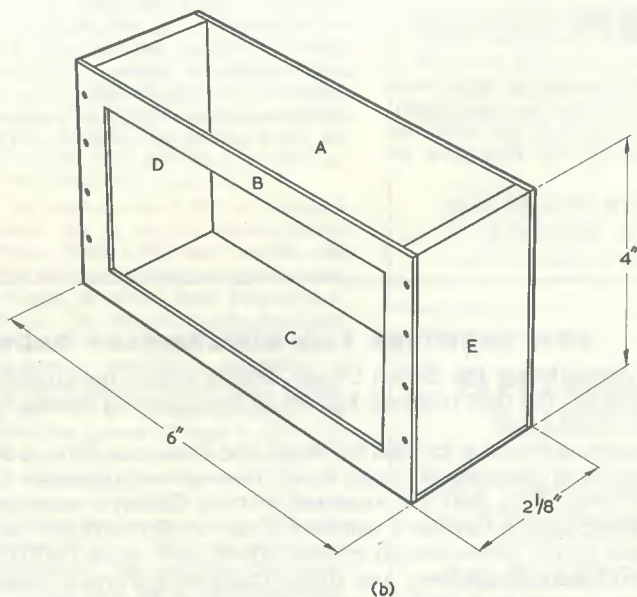
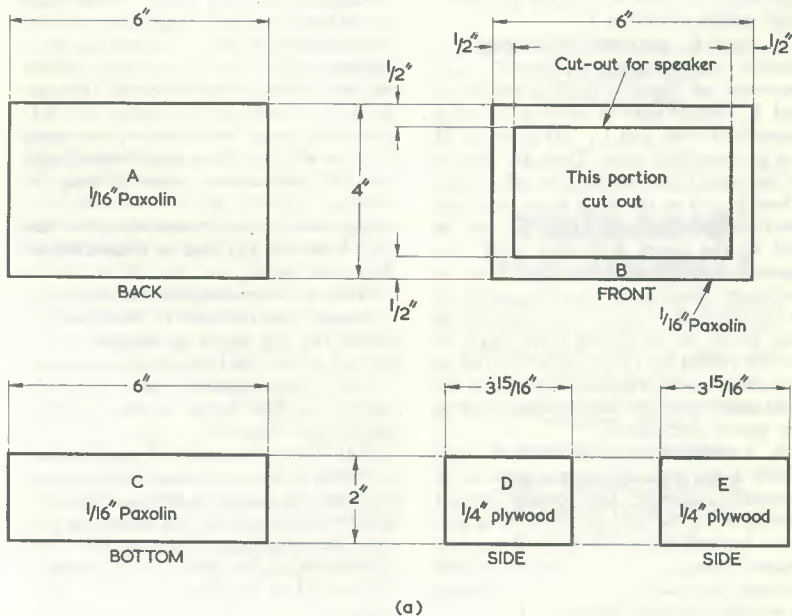


Fig. 4 (a). The five parts used for making the cabinet (b). The cabinet completed. The assembly of Figs. 2 and 3 is dropped in from the top, with expanded metal inserted between the speaker board and the cut-out in the front

of mounting bracket for the board may, of course, do so. It is convenient to mount the components on the board, and to apply "Contact" or similar material to its back, before fitting this in position. Note the connections, in Fig. 2, from T_1 to the speaker. T_1 may be secured to the board with adhesive.

The control panel is made of $\frac{1}{4}$ in plywood and is cut to the dimensions shown in Fig. 2, the three controls being mounted as illustrated. The edge of the panel secures to the shaded section of the $3\frac{3}{4}$ in by $5\frac{1}{2}$ in board, so that the two are at right angles as in Fig. 3.

L_1 and L_2 are both closewound on sleeves made from "Contact" and mounted on opposite ends of the ferrite rod. L_1 should have 60 turns of 32 s.w.g. enamelled wire and L_2 150 turns of 38 s.w.g. enamelled wire. They are wound in the same direction on the rod so that, when $S_{1(a)}$ is in the long wave position, their inductances add. The rod can be tied to the panel with thin cord, this passing through suitable small holes in the panel. There is no room for grommets at the ends of the rod; alternatively, a few turns of insulating tape may be wound round the two ends of the rod to provide a good gripping surface for the cord and to prevent the windings fouling the panel underside.

S_1 is specified as a 3-pole switch, since 2-pole 3-way switches do not seem to be generally available. The volume control should be of the moulded type or it will soon become noisy, as a small current passes through it. It is wired such that volume increases as its knob is turned in an anticlockwise direction. This, with a log track, gives very smooth control over reaction.

Both sets of plates in VC_1 are alive to r.f. currents, so that it is wise to cover the outside of the control panel with a piece of aluminium foil or thin metal sheet to avoid hand capacitance effects. Holes must be drilled in this screen for the three controls and care must be

taken to see that the screen does not touch the bush or holding nut of VC_1 . Connection from the screen to the positive supply line is taken by way of a 6BA bolt and nut as shown in Fig. 2. R_1 should have its leads covered with insulated sleeving, and insulated connecting wire should be used throughout.

The red and green leads of T_1 should be connected temporarily only during construction. When the receiver is later checked out it may be found that a.f. stability is better with these leads connected one way round rather than the other. If present, the effect will be most noticeable as oscillation point is approached at the high frequency end of the medium wave band. In the unlikely event of instability at a.f. persisting, it can be stopped by removing C_4 . This will introduce negative feedback and will, of course, cause a drop in volume.

Capacitor C_5 is mounted *under* the board (below T_1) and is connected as illustrated in Fig. 2.

When wiring is complete the insulating "Contact" on the rear of the board is added and the board is secured to the magnet, whilst the large panel is screwed to the control panel. There is ample room for a PP6 battery at the position indicated in Fig. 2.

If an alternative make of loudspeaker is employed the constructor should make sure that the magnet is not so large as to foul terminals on the tag board. It will also be necessary to modify the dimensions of the cabinet if the speaker is deeper than the Elac.

CABINET

The prototype uses a simple case made as shown in Fig. 4. The front, back and bottom are all of thin paxolin, and are screwed to the two plywood sides with small countersunk screws. The case is covered with "Contact" and a piece of expanded metal speaker gauze is slipped into place in front of the speaker. The

control panel will form the top of the case, and the thin metal screen will need covering with a piece of suitable material on which wavelengths, etc., may be marked. Small knobs, in keeping with the size of the receiver, should be used.

As to results, sensitivity will be found to be unusually high for a small, simple design. On the long wave band sensitivity is quite exceptional, and at the author's home in S. Devon, four alternative programmes are available on this band at excellent strength, during daylight hours as well as after dark. These include Radio 2 and three Continental stations. Selectivity is quite reasonable though not so good as with, say, the "Spontaflex" S.A.4², and a powerful local station can cause trouble if it is in line with, and close in wavelength to, the signal it is wished to receive. But in many cases the directional properties of the ferrite aerial can be used to overcome any difficulty. As already stated, the design is particularly intended for bad reception districts, but if selectivity proves a problem in more favourable areas it can be improved by using two separate ferrite rods for L_1 and L_2 , each say about $1\frac{1}{2}$ in long. There will then, of course, be some loss of sensitivity and it may be necessary to increase the number of turns on L_1 and L_2 to obtain proper waveband coverage.

EDITOR'S NOTE

Since the original "Simplicity and Sensitivity" circuits were published in *The Radio Constructor*, basically similar receiver circuits have appeared from other sources. Our contributor wishes to point out that this present receiver is developed from no other source than his own original published designs. It is not derived from any other circuit.

²Sir Douglas Hall, "The 'Spontaflex' S.A.4. Transistor Portable," *The Radio Constructor*, May, 1968.



NEW PREMISES FOR GOVERNMENT RADIO IN HONG KONG

Radio Hong Kong, the British Crown Colony's government radio station, will have its own building early next year. The new building, known as Broadcasting House, is expected to be ready for occupation in April.

Broadcasting House is located in "Radio and Television City," a 50-acre site in north Kowloon.

The television centres of Hong Kong Television Broadcasts Ltd. and Rediffusion (H.K.) Ltd. are already located there, and it is expected that the Colony's commercial radio station, Hong Kong Commercial Broadcasting Company will have a new studio centre in the area by autumn next year.

The four-storey Broadcasting House, which cost some £400,000 to build and equip, will have 16 studios and recording rooms, and these, together with main engineering control rooms, maintenance workshops, record and tape libraries, offices and staff canteen, will occupy a floor area of 52,000 square feet.

Equipment will be installed at Broadcasting House commencing this month and installation is expected to be completed by next March.

Radio Topics

By Recorder

THE TROUBLE WITH BEING electronically minded is that one is liable to get quite finicky about shortcomings in radio and TV performance which other people take for granted. I definitely suffer from this finicality (yes, it *is* in the dictionary) myself and, for example, go through periods of intense agony when one of those little square wave generators which the general public refer to as "transistors" is suddenly turned on at full blast in some previously peaceful country retreat.

My finicalness (so's *that* one, too!) was recently strained to the limit; not by an over-run transistor portable, but by a solidly built mains-driven valve radio belonging to a friend I visited some time ago. This set played quietly in the background all the time that I was there, and the quality of the music it reproduced was quite pleasant. But, and it is a big but, the music was accompanied by what to my ears was the father and mother of all mains hums. This hum rumbled away ponderously and at a fantastically high level, yet nobody in the family seemed to even notice it. Not being one to actually solicit work I refrained from remarking on the hum, but I was jolly glad to get out in the street and give the 100 c/s section of the Recorder ear mechanism a chance to settle down to rest again.

PROBLEMS WITH HUM

After this experience I turned a critical ear to all the other domestic radios I encountered in my normal travels. Most families retain a mains-operated valve receiver and I found that nearly a third of those I checked had hum levels which ranged from being just audible in the absence of programme to being strong enough, in my estimation, to be really objectionable. In consequence, it occurred to me that I could

profitably devote some space this month to the problem of hum in these receivers and how to clear it. There are plenty of valve radios knocking around with years of life still left in them, and there's no reason why they shouldn't be brought into good working order.

I'll deal mainly with commercially-made receivers in which the hum level has increased over the years, whereupon the attack on the hum is really a straightforward servicing project whose purpose is to bring the receiver back to the state which it left the factory.

At the outset, however, it must be stated that many mains-driven radio receivers have been manufactured which produced quite a noticeable level of hum even when new. Knowledge of what a particular make and model can offer in this respect can only be acquired by experience but, in general, the hum level in any set of reasonably good design should be such that, at worst and so far as the ear can judge, it is not significantly louder than general "background noise" in the absence of signal.

I mentioned the frequency of 100 c/s just now when referring to the hum I encountered in my friend's radio. This is because the sound we usually refer to as "mains hum" frequently has a high 100 c/s content. Both the human ear and the smaller type of speaker fitted to domestic radio receivers have a reduced response at 50 c/s, and it is possible for a surprisingly high level of pure 50 c/s hum to be present at the receiver output without it being subjectively annoying. It is possible, for instance, to touch the cone of a speaker fed by a sine wave 50 c/s tone and actually *feel* it vibrating, and yet find that the apparent 50 c/s sound level is hardly perceptible. Much depends here, incidentally, on the usefulness, as a baffle, of the receiver cabinet in which the speaker is housed. With normal cabinet dimensions, a 50 c/s tone will be more audible if the speaker is more effectively "boxed-in".

The main source of 100 c/s hum in a receiver lies in the h.t. power supply circuits. With a full-wave rectifier the ripple across the reservoir capacitor has, of course, an actual basic frequency of 100 c/s. The nominal ripple frequency with a half-wave rectifier is 50 c/s, but its non-linear waveform supports a flourishing family of harmonics, including the 100 c/s second harmonic. An alternative source of hum is given by unwanted coupling to the a.f. amplifier circuits from any wiring or components carrying a.c., the most likely offender here being the heater wiring. Although this coupling is at 50 c/s any subsequent non-linearity can produce harmonics and, in any case, the 50 c/s fundamental will itself become audible if it is at a sufficiently high amplitude.

When checking a receiver with a high hum level the first thing to do is to see whether this varies as the volume control

Your Local Supplier

LONDON

Established 1910

H. L. SMITH & CO. LTD.

Comprehensive stocks of components
by all leading makers.

287-9 EDGWARE ROAD
LONDON W.2

Tel: 01-723 5891

TELERADIO ELECTRONICS

For Radio Control Devices, Miniature
components, Special Transistors,
Circuits and data on boat and
aircraft control.

QUOTATIONS GLADLY FOR PARTS USED IN
MAGAZINE ARTICLES

(S.A.E. Enquiries REF. D/P)

325/7 FORE STREET,
EDMONTON (3719)
LONDON, N.9.

THE MODERN BOOK CO.

Largest selection of English and
American radio and technical books
in the country.

19-21 PRAED STREET,
LONDON, W.2

Tel: PADDington 4185/2926

ELECTRONICS GALORE! in the NEW dca CATALOGUE

Send 1/6 now for your copy
to: DEPT. R/C

dca ELECTRONICS
LIMITED

28 UXBRIDGE ROAD,
EALING, W.5

Your Local Supplier

LONDON

ST. HELEN'S RADIO

Hi-Fi Equipment
Tape Recorders
Radio Receivers
Television

SPECIALISTS IN RADIO
& ELECTRONIC TEXTBOOKS

ST. HELEN'S GARDENS
LONDON W.10
Tel: 01-969 3657

ESSEX

ELECTRONIC COMPONENTS

Valves, transistors, capacitors,
transformers, amplifiers,
tuners, etc., etc.

335 GREEN LANE,
SEVEN KINGS,
ILFORD, ESSEX.

Telephone: 599-1826

MARKET CENTRE

For Semiconductors

Prompt, efficient mail order service for Mullard, Newmarket, Texas, Sinclair, S.T.C., Fairchild Semiconductors. We also offer a comprehensive selection of miniature components for transistor circuitry. Catalogue 1s.

L.S.T COMPONENTS
23 New Rd., Brentwood, Essex

HAMPSHIRE

BOURNEMOUTH

LARGEST HI-FI AND
RADIO COMPONENT
STORE IN THE SOUTH

FORRESTERS NATIONAL
RADIO SUPPLIES LTD.
70-72 Holdenhurst Road
Bournemouth
Telephone 25232

is adjusted. If it does, and if the hum can be reduced to a negligibly low level with the volume control at its minimum setting, then the hum pick-up is occurring in the circuits preceding the volume control and this part of the receiver should be checked for unwanted couplings to a.c. wiring and components. If the hum does not vary with volume control adjustment—or, if it does, is still very audible at minimum volume control setting—then the fault either lies in the stages after the volume control or is common to the a.f. circuits on either side.

Assuming the second case, the general cause of the hum has to be located. When spares are available, it is a good plan at this stage to try replacement valves in the a.f. stages, and in the rectifier stage as well if this is a valve. This replacement procedure is not recommended because the valves are the most likely offenders but simply because the process of changing them can be carried out so quickly! Should the hum clear when a new a.f. valve is fitted a final check should be made to ensure that, if its control grid is supplied from a preceding anode via a blocking capacitor, that that capacitor is not leaky. A leaky anode-grid capacitor may have been the root cause of the previous valve becoming faulty. If a new rectifier valve clears the hum, check that the overall h.t. current is not excessive and that neither the reservoir nor smoothing capacitors is drawing excess current. Also, if it is a full-wave rectifier ensure that there are no open-circuits in the mains transformer h.t. secondary circuits to both its anodes.

The next step, should results not be satisfactory so far, is to check the reservoir and smoothing capacitors for loss of capacitance by temporarily connecting a capacitor of about the same value across each in turn. If either of these has low capacitance the reduction in hum will be dramatic when the additional capacitor is connected across it. A faulty capacitor located in this manner must always be taken out of circuit and a new capacitor fitted. Don't forget that there are some relatively high voltages along the h.t. line and that all appropriate precautions against shock must be taken.

UNWANTED COUPLINGS

When hum is not caused by faulty valves or low capacitance h.t. filter capacitors, it is most likely that there are unwanted couplings to a.c. wiring in the amplifier stages. It is helpful here to try and locate the stage at which the hum pick-up is occurring. If the volume control check I mentioned earlier hasn't already done this, try short-circuiting the grid leak of the output valve to see if the hum clears. If it does, then the hum is being picked up at this grid circuit or in a previous stage. Repeat the procedure at the grid of the preceding a.f. valve. If the hum remains the pick-up

is occurring after that grid. These simple checks can soon pin-point the circuit position where the unwanted coupling is appearing.

Typical causes of hum in the unwanted coupling category are given by disconnections to screened lead braiding, poor chassis connections to volume control metal cases, and bad connections to chassis in the older sets when these are made via solder tags rivetted, eyeletted or bolted to the metal chassis. In some receivers one side of the heater supply is fed via the chassis itself, whereupon one may encounter a single chassis tag carrying heater current to a valve as well as providing a chassis return for a.f. circuits. A tag of this nature is particularly suspect because it only needs to develop a small resistance to chassis for the heater current to produce a really sizeable 50 c/s voltage across that resistance. A little digging with a screwdriver so that part of the blade is on the chassis and the other part on the tag will soon locate any miscreants here.

Should you suspect, but are not entirely certain, that hum is being picked up from the heater circuit, a useful dodge is to fix up the set so that the heater circuit can be temporarily open-circuited, at its non-earthly end, either at the mains transformer or at the heater dropper as applicable. After this switch on the set and let it get well warmed up, then break the heater circuit. The valves will continue to run for a while before their cathodes cool. If the hum clears when the heater circuit is opened, then this is obviously producing the hum.

In these notes I haven't mentioned all possible causes of hum, but I have referred to those most likely to be found in equipment which was previously satisfactory in this respect. The hints I've given apply, by the way, to valve a.f. amplifiers and oscilloscope Y amplifiers as well. And please let me emphasise that all precautions against shock *must* be observed, particularly if the receiver or other equipment being dealt with has a live chassis connected to one side of the mains.

Happy hum hunting!

BRAKE LIGHT WARNING

If you have the issue for April, 1968 to hand, you may be interested in re-reading the article "Brake Light Warning Device" by T. R. Balbirnie, B.Sc., which appeared at that time. The warning device employed a relay in the circuit given in Fig. 1. When the car stop light switch is closed, current flows in opposing directions through the two halves of the relay coil with the result that, if both stop lights are serviceable, the relay does not energise. If, however, one of the stop lights has burnt out, current flows through one half of the relay coil and it operates. Its contacts then cause the panel light to be illuminated, warning the driver that he is running with only one stop light in

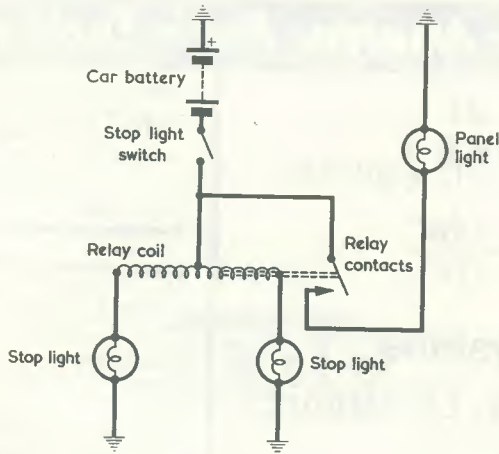


Fig. 1. Circuit of the brake light warning device which was described in the April 1968 issue

operation.

The circuit of Fig. 1 is not, of course, intended to give a warning should both lamps fail, and Mr. N. J. Tubb, of

advantage that it will reveal any failure in the stop switch or panel light itself by virtue of the fact that the panel light will normally flash when depressing the

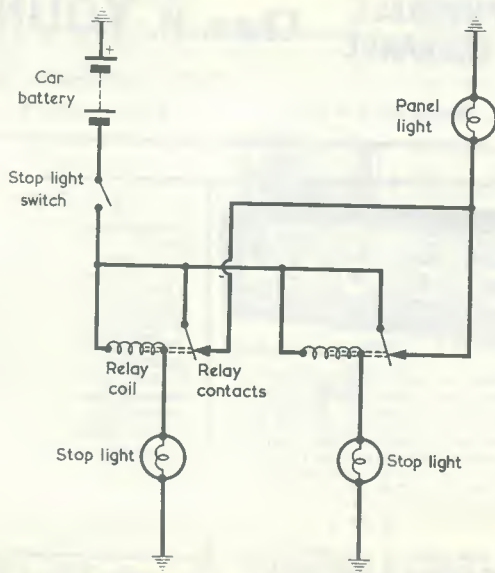


Fig. 2. An alternative circuit which indicates failure of one or both lights, as well as giving automatic checking of the device itself

Crawley, Sussex, has sent us a useful design which covers this point, albeit at the cost of an extra relay. Mr. Tubb's circuit appears in Fig. 2 and it works in the following manner. When the brake pedal is depressed current flows to both relays which, being in series with the stop lights, will only energise if the lamps function. If either or both relays do not operate, current is passed via the appropriate normally-closed relay contacts to the panel light, which then becomes illuminated to indicate a failure. The circuit of Fig. 2 has the further

brake pedal, thus showing the circuit is in order.

As with the relay in the original article, the two relays in Fig. 2 need to have their coils rewound. Some 40 to 50 turns of 22 s.w.g. wire should be satisfactory for most standard relays.

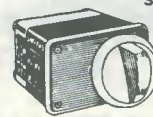
CHOW FOR NOW

Well, I seem to have come to the end of my allotted space once more, so I'll say cheerio for the time being.

See you next month!

Your Local Supplier

SURREY



SMITHS PRECISION
6 MINUTE DELAY
ACTION SWITCH

Clockwork actuated

10/6 EACH

Post 2/6

(3 or more post free)

Separate switching up to 6 mins. Each action for loading up to 15 amps. 250 volts. For photographic timer, sequence switching operations, etc., etc. Brand new units at a fraction of their value. Connection sheet supplied.

Radio Component Specialists

337, WHITEHORSE ROAD,
WEST CROYDON, SURREY

Phone 01-684-1665 FULL LIST 1/-

SUSSEX

E. JEFFRIES

For your new television set,
tape recorder, transistor radio,
and hi-fi equipment.

PHILIPS, ULTRA, INVICTA, DANSETTE,
MASTERADIO, PERDIO, MARCONI,
PHILCO, FIDELITY.

6A Albert Parade,
Victoria Drive,
EASTBOURNE SUSSEX

WORCESTERSHIRE

Dept. C1, 176 HAGLEY ROAD
HALESOWEN
021-550 3210 WORCS.

Hi-Fi Equipment
Transistors and
Radio Components
Public Address Amplifiers

MARLSON
Electronics

EIRE

PEATS for PARTS

ELECTRONIC COMPONENTS
RADIO & TELEVISION

For the convenience of IRISH
enthusiasts we supply:

The Radio Constructor,
Data Books and
Panel-Signs Transfers

Also a postal service

Wm. B. PEAT & Co. Ltd.
28 PARNELL STREET
DUBLIN 1

Fast Mail Order for the Amateur Radio Enthusiast!

AERIAL EQUIPMENT

TWIN FEEDER. 300 ohm twin ribbon feeder similar K25, 8d. per yard. 75 ohm twin feeder, 6d. per yard. Post on above feeders and cable, 2/- any length.

COPPER WIRE. 14G, H/D, 140 ft., 30/-; 70ft., 16/- . Post and packing 3/3. Lengths are only approx. Actually sold by weight.

FEEDER SPREADERS. 6" Ceramic type F.S., 10d. each. Postage 2/6 up to 12.

CERAMIC CENTRE PIECE for dipoles, Type AT, 1/6 each. P. & P. 1/- . Ribbed insulators, ceramic, 2/6 each. P. & P. extra.

2 METRE BEAM, 5 ELEMENT W.S. YAGI. Complete in box with 1" to 2 1/2" masthead bracket. Price £3.7.0. Carriage 5/-.

SUPER AERAXIAL. 70/80 ohm coax. 300 watt very low loss, 2/3 per yard. 50 ohm 300 watt, 2/6 per yard. P. & P. 2/6.

TOUGH POLYTHENE LINE, type ML1 (100lb.), 2d. per yd. or 12/6 per 100 yds. Type ML2 (220lb.), 4d. per yd. or 25/- per 100 yds., ML4 (400lb.), 6d. per yd. ideal for Guys, L.W. Supports, Halyards, etc. Postage 1/6 on all line.

Midland Agents for

- Eddystone
- K. W. Electronics
- Trio
- Ferrograph

NEW BOXED VALVES

3/6 each, 4 for 10/- . P. & P. 2/-.

TYPES

6N7GT	6SF7	6AB7	6SH7	X22
6AC7	MSP4	6SK7	956	Z21
U.10	R10	6G6G	IU5	Z22
958A	R18			

LARGE CERAMIC COIL FORMERS.

4 1/2 in long x 2 3/4 in diameter, grooved and threaded 9 TPI. Ideal for linears. 12/6 each. P. & P. 1/6.

SHORT WAVE KIT, 1 valve only, 45/- . Phones, Ant. and Batteries 40/- extra if required. Ideal for junior operator.

VARIABLE CONDENSERS. All with ceramic end plate, ball bearings and ganging extension. 50 pF 5/9; 100 pF 6/6; 160 pF 7/6; 240 pF 8/6 and 300 pF 10/6. P. & P. 2/-.

SEALED RELAYS, 12v. 105Ω Coil Type A. 4 Pole, C.O. 15/- . Type B.2 Pole, C.O. + 2 Pole Norm. on, 12/6. P. & P. 1/6.



The Widest Range in the Midlands

- ★ HIRE PURCHASE
- ★ PART EXCHANGE

Chas. H. YOUNG Ltd.

At your service G2AK, G3LAY, G3VVF

Please print your address. No. C.O.D. under £1.

170-172 Corporation Street,
Birmingham 4

'phone 021-236 1635

A BRILLIANT NEW HI-FI TUNER FROM TRS

MONO AND STEREO



This advanced design FM tuner comes in easy-to-assemble prefabricated units engineered to the highest standards of efficiency and performance. Valuable refinements include switchable A.F.C., automatic noise suppression, flywheel tuning, excellent audio response. Sensitivity better than 5 microvolts. Stereo can be added as required. Gorler I.F. amplifier. Styled to match the TRS Stereo 4-4. S.A.E. brings full details.

Kit to make MONO tuner inc. chassis and tuning assembly. **15 gns.** (p. & p. 3/6)

Add-on Stereo Unit and indicator light **10 gns.** (p. & p. 2/6) Power Unit **£2.5.0** (p. & p. 2/6) Simplex Cabinet **£1.17.6** (p. & p. 2/6) Total price (for mains operation) **£29.10.0** (carr. 10/-)

TAPE OPPORTUNITY

With each reel of this professional quality full frequency tape with metallised leader/stop foils we give a full library in simulated leather to hold 2 reels.

7 in. reel 1800 ft. with wallet. **22/6**
5 in. reel 9000 ft. with wallet. **12/6**

5 1/2 in. reel 1200 ft. or 7 in. reel 1200 ft. with wallet. **17/6** P. & P. 1/6 per reel.



TRS Stereo 4-4

5 transistor stereo amp with pre-amp: Based on newest Mullard 4 watt modules with BC.108 pre-amp. Optimum loading 12 watts, but suitable also for speakers from 3 to 15 ohms. Bass and treble cut/boost. Response—60 to 14KHz ±3dB. Requires only wiring between controls and modules. Complete with metal chassis and simplex teak-ended cabinet for instant assembly. Stereo/Mono and Radio/P.U. switches. Matching FM Tuner available shortly. Amplifier Kit with Knobs **£7.19.6** (p. & p. 3/6)

T.R.S. Power Unit **£2.5.0** (p. & p. 2/6). T.R.S. Simplex Cabinet **£1.17.6** (p. & p. 2/6). 4 prs DIN plugs and sockets if purchased separately **15/-**. Complete kit inc. cabinet/power pak/DIN plugs and sockets **£12.10.0** (post free).

Make a bookshelf speaker

Matched speaker assembly comprising special 5 in. base unit, cross-over and 2 1/2 in. tweeter. Loads easily up to 6 watts. Response 80-20,000 Hz. Complete **79/6** (P. & P. 5/-).

ORDERING—Send cash with order. Post and packing where not stated add 1/- per 1 lb.; 1/9 1 lb.; 3/6 2 lb.; 5/- 6 lb.; 6/6 10 lb.; 8/- 14 lb.; over 10/- . S.A.E. with enquiries please.

LISTS—Eight large printed pages packed with bargain offers. Send **6d.** for latest copy.

PLAYING UNITS

LM3000 Record Player with 9T.A. Stereo Cartridge. **£10.5.0**

AT.60 Mk. II De-Luxe Auto-changer die-cast turntable. Less cartridge. **£13.5.0**

SP.25 De-Luxe single record player, die-cast turntable. Less cartridge. **£11.19.6**
Brand new in makers' carton. Packing and carriage paid on any one of above 7/6.

GARRARD PLINTH WB.1. In fine Teak for any of above units. (Packing and carriage 5/-). **65/-**. Garrard clear-view rigid perspex cover (carriage 4/6). **62/6**.

CARTRIDGE FOR ABOVE

Stereo Sonotone 9TA/HC Ceramic with diamond **49/6**; Decca Deram with diamond **92/6**; **Mono** Acos GP91-1 **21/-**; Goldring MX2M **28/6**.

EMI 4 speed single player. 10 1/2 in. T/table with separate arm and T/O cartridge **69/6** (p. & p. 5/-).

TRS-MULLARD VALVE AMPS

Stereo 10 + 10 Passive control network, tapped O/P transformer, phase switch etc. etc. Built **£21.0.0** Kit, complete, **£17.10.0** (p. & p. either model 7/6); **2 + 2 Stereo Pre-amp** Built **13 gns.** (p. & p. 7/6).

3 + 3 Mono amp Ready built **£9.19.6** Kit **£7.12.6** (p. & p. either model 7/6).

5—10 Mono amp Basic kit **£9.19.6** With control panel **£11.19.6** Built **£14.19.6** Pre-amp for basic 5-10 kit **£6.12.6** Built **£8.10.0** (p. & p. any of above, each 7/6).

TRS RADIO COMPONENT SPECIALISTS

EST. 1946

70 BRIGSTOCK ROAD, THORNTON HEATH, SURREY

Telephone: 9 a. m.—6 p. m. daily A few doors from Thornton Heath Stn. (S.R. Victoria Section)
01—684 2188 1 p. m. Weds.

Opportunity of a lifetime! Big price reductions on top quality Knight-Kits

Easy to build. Advanced design. Invaluable for both the professional and amateur. Faultless performance guaranteed.

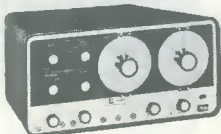


KG635 5-inch Oscilloscope Kit
For Colour TV Servicing and General Wideband Testing. D.C. to 5.2-MHz Bandwidth. 5 Linear time base ranges. Response: $\pm 1.5\text{dB}$, DC to 5.2 MHz (vertical), $\pm 1.5\text{dB}$, 1 Hz to 400 kHz (horizontal). Complete kit £62.19.6.

KG687 Solid State Sweep/Marker Generator

Silicon transistors. Covers all colour/monochrome TV, FM, IF and

VHF frequencies. Sweep oscillator covers 3 to 220 MHz on 5 fundamental bands. Marker oscillator covers 2 to 225 MHz on four bands. Complete kit: £54.2.6.

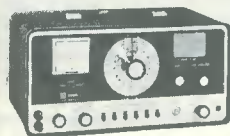


KG663 Regulated 0-40 Volt Solid State DC Power Supply Kit

Compact. 6 silicon transistors. 12 diodes. Output voltage and current 0-40V DC, 0-1.5 A, continuously variable. Complete kit: £40.19.6.

KG661 Solid-State Regulated Low-Voltage DC Power Supply Kit

Compact and rugged. 4 silicon transistors. 7 diodes. Voltage output 0-25 volts DC, at 0-0.5 amp. Complete kit: £15.6.6.



KG686 Lab. Quality RF Signal Generator
100 kHz/1 MHz Crystal Calibrator. 10 silicon transistors. 6 diodes. Frequency coverage 100 kHz to 54 MHz. Accuracy $\pm 1.5\%$ on 5 fundamental bands. Complete kit: £39.13.6.

KG688 Solid-State Sine/Square Wave Generator Kit

Sine Wave: 20Hz to 2 MHz in 5 ranges. Square Wave: 20 Hz to 200 kHz in 4 ranges. Precision Sulzer oscillator circuit. All silicon transistors: Complete kit: £36.5.6.



G30 Grid-dip Meter Kit

Covers all frequencies from 1.5 to 300 MHz in 6 overlapping ranges. Extremely compact. Supplied with 6 coils in plastic case. Complete kit: £12.15.6.

KG675 R & C Substitution Box

Eliminates need for soldering and resoldering when substituting. 36 switch-selected Resistance Ranges. 19 Switch-selected Capacitance Ranges. 750 mA 800 PIV Silicon Diode. 40 mfd 450V Capacitor. Complete kit: £7.19.6.



KG650 RF Signal Generator Kit

For TV, AM and FM alignment etc. Wide range fundamental output in 5 separate bands. Highly stable Colpitts type oscillator. Complete kit: £15.19.6.

Easy credit facilities available, ask for details.

**New 960 page Hobbies Manual
12 Hobbies Sections · over 12,000
units & components for dozens of
Hobbies 16/6**



Please send me: Free Knight-Kits brochure
The new Electronics Hobbies Manual. (16/6)
Enclosed is a cheque/postal order for 16/6 (which includes the 5/- pp) made payable to Electronics (Prop. STC) Ltd.

Name

Address

knight-kit Quality built-in, built up by you.

Electronics (Prop. STC) Ltd.,
Edinburgh Way, Harlow, Essex.

RC4



Now! A FAST EASY WAY TO LEARN BASIC RADIO AND ELECTRONICS



Build as you learn with the exciting new **TECHNATRON** Outfit! No mathematics. No soldering—but you learn the *practical* way.

Now you can learn basic Radio and Electronics at home—the *fast, modern* way. You can give yourself the essential technical 'know-how' sooner than you would have thought possible—read circuits, assemble standard components, experiment, build . . . and enjoy every moment of it. B.I.E.T.'s Simplified Study Method and the remarkable new **TECHNATRON Self-Build Outfit** take the mystery out of the subject—make learning *easy and interesting*.

Even if you don't know the first thing about Radio now, you'll build your own Radio set within a month or so!

and what's more, **YOU'LL UNDERSTAND EXACTLY WHAT YOU ARE DOING**. The Technatron Outfit contains everything you need, from tools to transistors . . . even a versatile Multimeter which we teach you how to use. You need only a little of your spare time, the cost is surprisingly low and the fee may be paid by convenient monthly instalments. You can use the equipment again and again—and it remains your own property.

You LEARN—but it's as fascinating as a hobby.

Among many other interesting experiments, the Radio set you build—and it's a good one—is really a bonus; this is first and last a *teaching* Course. But the training is as rewarding and interesting as any hobby. It could be the springboard for a career in Radio and Electronics or provide a great new, spare-time interest.

A 14-year-old could understand and benefit from this Course—but it teaches the real thing. Bite-size lessons—wonderfully clear and easy to understand, practical projects from a burglar-alarm to a sophisticated Radio set . . . here's your chance to master basic Radio and Electronics, even if you think you're a 'non-technical' type. And, if you want to carry on to more advanced work, B.I.E.T. has a fine range of Courses up to A.M.I.E.R.E. and City and Guilds standards.

Send now for free 132-page book. Like to know more about this intriguing new way to learn Radio and Electronics? Fill in the coupon and post it today. We'll send you full details and a 132-page book —'ENGINEERING OPPORTUNITIES'—Free and without any obligation.



BRITISH INSTITUTE OF ENGINEERING TECHNOLOGY

Dept. Aldermaston Court,
Aldermaston, Berkshire.

To: B.I.E.T., Dept. 370B, ALDERMASTON COURT,
ALDERMASTON, BERKS.

I would like to know more about your Practical Radio & Electronics Course. Please send me full details and FREE 132-page book.

name

address

age



DENCO (CLACTON) LIMITED.

355-7-9 OLD ROAD, CLACTON-ON-SEA, ESSEX

Our components are chosen by Technical Authors and Constructors throughout the World for their performance and reliability, every coil being inspected twice, plus a final test and near spot-on alignment as a final check.

Our General Catalogue showing full product range	2s. 6d.
DTB4 Transistor & Valve circuitry for D.P. Coils	2s. 6d.
DTB9 Valve Type Coil Pack Application circuitry	2s. 6d.
MD.1 Decoder Circuitry for Stereo Reception	4s. 0d.

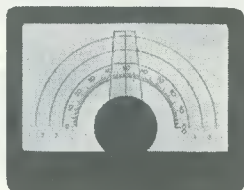
All post paid, but please enclose S.A.E. with all other requests in the interests of retaining lowest possible prices to actual consumers.

(For the convenience of Irish enthusiasts, Wm. B. Peat & Co. Ltd., 28 Parnell Street, Dublin 1, hold normal stocks).

JACKSON

the big name in PRECISION components

Precision built radio components are an important contribution to the radio and communications industry.



No. 6/36 DRIVE

Incorporating the Dual Ratio Ball Drive providing 36-1 Slow drive and 6-1 Fast drive under one knob with co-axial control. Scale is calibrated 0-100 and an extra blank scale is provided for individual calibration.

The unit consists of aluminium back plate, drive unit, scale, spare scale, transparent cover, hair-line pointer, escutcheon and knob. Fits in front of panel which may be any thickness up to 1/4" (or more by providing longer screws). Price 24s. each

JACKSON BROS. (LONDON) LIMITED

Dept. RC, KINGSWAY-WADDON, CROYDON, CR9 4DG
Phone Croydon 2754-5 (01-688). Grams Walfilco, Croydon
U.S. Office: M. Swedgal, 258 Broadway, N. York.
N.Y. 10007.

NEW BOOKS

SEPTEMBER

AM-FM-TV Alignment by R. G. Middleton	30/-
Handbook of Electronic Circuits by R.C.A. Service Co.	20/-
Practical Power-Supply Circuits by John Potter Shields	24/-
Symfact (R) Guide to TV Servicing by the PF Reporter Editorial Staff	26/-
Television Tape Fundamentals by Harold E. Ennes	40/-

OCTOBER

ABC's of Electrical Soldering by Louis M. Dezettel	18/-
Bench Servicing Made Easy. 2nd edition by R. G. Middleton	26/-
Electrical & Electronic Signs & Symbols by R. G. Middleton	35/-
Eliminating Engine Interference by John D. Lenk	16/-
Transistor Substitution Handbook. 8th edition by the Howard W. Sams Engineering Staff	16/-

NOVEMBER

Transistor Fundamentals	
Vol. 1 Basic Semiconductor and Circuit Principles by Robert J. Brite	35/-
Vol. 2 Basic Transistor Circuits by Charles A. Pike	35/-
Vol. 3 Electronic Equipment Circuits by Martin Gersten	35/-
Vol. 4 Digital and Special Circuits by Reginald Peniston and Louis Schweitzer	35/-

FOULSHAM-SAMS TECHNICAL BOOKS
(W. FOULSHAM & CO. LTD.)
YEovil RD., SLOUGH, BUCKS, ENGLAND

PACK BARGAINS

- 4 **FST3/8 STC** Sil. Rectifiers New & Marked 800piv 1 1/2 Amp. Good substitute for BY100 etc. **13/-**
 - 4 **RAS310AF STC** Avalanche Rectifiers New & Marked 1200piv 1 1/2 Amp 5A Surge rated. **20/-**
 - 6 **G4JM** New & Marked AEI Germanium Rectifiers 50piv 1 Amp **10/-**
 - 4 **GP297/1** Sub. Miniature power transistors Texas New & Marked. **10/-**
 - 3 **ZF16 STC** New & Marked 16v 300mW Zener Diodes. **10/-**
 - 1 Pair of **AD161/AD162 NPN/PNP** Power Complementary Pair. **15/-**
 - 1 Pair of **AC128/AC176 NPN/PNP** Driver Complementary Pair. **10/-**
 - 1 Set **OC82D + 2 x OC82** Matched Pair New Mullard Marked. **10/-**
 - 4 **BSY95A STC** New & Marked Planar Transistors. **10/-**
 - 4 **BC108** Mullard Latest type Low noise planars New & Marked. **10/-**
 - 6 **NKT276** New & Marked Newmarket Audio General Purpose transistor. **10/-**
 - 36 Square inches of **15" Matrix Veroboard**—the most popular pack of all—only from **LST. 10/-**
 - 4 **NKT162** New & Marked Newmarket Switching transistor **10/-**
 - 2 **OC19** New & Marked Mullard Power Transistors. **10/-**
 - 5 **BA115** New & Marked Mullard Colour Television Diodes. **10/-**
 - 4 **2G371B** New & Marked Texas Audio Transistors. **10/-**
 - 6 **BYX38/600** Mullard New & Marked Power Studs 600piv 2 1/2 Amp. **16/-**
 - 1 **"Designers Guide to British Transistors"** New data book with over 1000 types listed—Computer selected substitution chart. Just out from Publishers (Add 2/6d. this item post). **25/-**
- Postage and Packing by First Class Mail now 1/- minimum per order**

TIS43A
Equivalent
2N2646, 8E33000
UNIJUNCTION 6/9d
including date

2N3819
Texas Field
Effect Transistor
10/-

FAIRCHILD uLogic
uL500 Buffer 1 1/2 7 12 12+
uL514 Quad Gate 11 9 6 8 4
uL522 JK Flip Flop 14 12 6 11 9
5 Page data sheets 2/6d.

TAA263
Linear
Amplifier
IC **19/-**

SCR1+2pC1S113
For PE Drill
Controls
(July Issue) **10/- & 1/2**

BC107/8/9 2/9d

TD716
Tuned
Diode **12/-**

SILICON RECT'S
FULLY TESTED
QUARANTEED
PIV 200mA 750mA 2A 10A
50 6d. — 2/3 —
100 6d. 1/8 2/3 4/8
200 1/3 2/3 7/8 5/8
400 2/3 2/8 4/8 9/8
600 3/3 — 4/8 9/8
1,000 — 2/8 5/8 11/3
1,000 — 6/8 14/3
Post and Packing 2/6
Free Export Certificate

LOOKING FOR QUALITY, VALUE & SERVICE? Write for our catalogue

STOP

2N2925	6/-	AF115	4/8	GET13	5	OC82D	3/3
2N2926	2/6	AF116	4/4	GET14	4	OC83	4/8
2N2927	5/-	AF117	4/4	GET15	9	OC84	4
2N2928	5	AF120	5/3	OC85	3	OC85	23
2N2929	5	AF121	4/-	OA47	1	OC139	7
2N2930	4	AF119	15	OA70	1	OC1	9
2N2931	6/9	AF239	12	OA79	1	OC168	6/-
2N2932	3/3	AF186	12	ZOA79M	4	OC170	4
2N2933	4	AF211	10/8	OA81	1	OC171	6/-
2N2934	8	AF212	11/9	OA82	1	OC200	5
2N2935	5/6	AS727	5/3	OA80	1	OC201	10/-
2N2936	8	AS728	4/4	OA81	1	OC202	18/4
2N2937	22/-	AS726	5/8	OA85	1	OC203	8
2N2938	29/-	AS729	4/4	OA200	2	OC204	8
2G301	4/9	AS221	11	OA202	2	OC205	9/-
2G302	3/3	AT210	30/-	OA210	6/4	OC206	10/6
2G306	9/6	AU110	39/6	OA211	9	OC207	7/8
2G308	6/9	BA115	2/8	OA220	3/6	ORP12	9/6
2G309	10	BAY38	3	OA2202	3/6	ORP61	8/-
2G309A	5	BCY300	7/-	OA2206	3/6	ORP62	8/-
2G345B	3/3	BCY31	9	OA2207	7	ORP63	9/-
2C 175	4/-	BCY32	16/-	OA2208	3/6	ORP93	8/-
2C 148	8/-	BCY33	6/8	OA2241	3/6	SX631	7/4
2C 182	8/-	RLY34	6/4	OA2242	3/6	SX636	10/8
2S017	6/-	BCY38	8	OA2243	3/6	SX638	12/-
2S017A	8/-	BCY39	27/4	OA2246	3/6	SZ20C	15/-
2S018	8/6	BCY40	13/4	OA2269	3/6	SVC1	18/-
2N385A	15	35024	48	OC2270	3/6	SV6E	8/3
2N388A	6/-	25024	28/-	OC19	5/-	SX66A	6/-
2N389	6/-	25702	15/-	SCY71	8/8	OC20	33/-
2N397	6/-	AAV11	2/-	OC21	10/4	VA05A	9/3
2N398	7/8	AAV30	2/-	BD121	25/8	OC23	15/-
2N399A	9/6	AC107	14/6	BD123	32/-	OC24	10/-
2N711	7/8	AC126	8/8	OC25	6/8	OC11E	18/-
2N711A	8/6	AC127	6	BF184	7/6	OC26	12/-
2N131	9/6	AC128	4	BF500	6/-	OC28	12/-
2N132	7/8	AC136	7/8	BF501	7/8	OC29	15/-
2N132E	7/8	AC137	12	BF552	6/-	OC30	7/-
2N130A	5/-	AC186	12/-	BF553	6/-	OC35	13/-
2N130B	5/-	AC191	3/4	OC41	3/6	OC125	14/-
2N130C	8/-	AC192	3/4	BSX76	3/6	OC42	4/-
2N130D	8/-	AC193	4/4	BSY27	4/4	OC43	5/-
2N130E	10/6	ACV21	4/-	BY95A	3/4	OC44	3/-
2N130F	10/6	ACV22	2/4	BTY81/150R	31/-	OC45	3/-
2N130G	10/6	AD140	12/8	BTY81/150R	36/-	OC46	3/-
2N1613	12	AD149	11/8	BY36T00	2/-	OC71	3/-
2N236E	5/6	AD161	7/6	BV210	11/3	OC72	4/8
2N236F	5/6	AD162	7/6	BY1C	7/6	OC73	3/6
2N265A	7/8	AD211	21/-	BY213	5/4	OC75	5/-
2N247	17	AD212	21/-	BY213	5/4	OC76	2/6
2N2148	12/-	AF102	18/-	BZV35/C24	12/8	OC77	8/8
2N2150	14/9	AF114	23/6	GET103	4/6	OC81	3/-
				GET103	4/6	OC82	4/8

LST COMPONENTS
7 COPTFOLD ROAD
BRENTWOOD ESSEX
BRENTWOOD 7904
24 HOUR POSTAL SERVICE

PLEASE SEND 1968 CATALOGUE TO
(Block Capitals)
I ENCLOSE 1/6 STAMPS
NAME _____
ADDRESS _____
(RCA)

MORE FOR YOUR MONEY
IMPROVED DISCOUNT AGREEMENT! Quantity prices (in brackets) now apply to ANY MIXTURE OF FIVE OR MORE ITEMS. And remember, we pay the postage on orders over 10/- (U.K. only). All goods are NEW AND GUARANTEED TO SPECIFICATION. Mail order only. Prompt and courteous service. Data/price list free with orders.

AD161/2pr	15/6	(12/8)	GET693	1/6	(1/3)	2N3707	5/-	(4/3)
AF239	10/-	(8/6)	HK041	2/6	(2/3)	2N3983	6/11	(5/8)
B-5000	12/6	(10/-)	HK101	2/-	(1/9)	2N4058	5/6	(4/7)
BD121	23/-	(21/-)	HK301	2/-	(1/9)	2N4285	2/10	(2/6)
BC107B	3/-	(2/8)	HK601	2/6	(2/3)	2N4292	2/10	(2/6)
BC109C	4/-	(3/6)	SF115	2/10	(2/6)	2N706	3/4	(2/7)
BC168B	2/3	(2/-)	Ti3028	19/9	(16/7)	2SB187	2/6	(2/-)
BC168C	2/3	(2/-)	TiS18	8/6	(7/-)	2SB405	6/-	(5/-)
BC169C	2/6	(2/3)	TiS60M	5/10	(4/8)	2SD72	6/-	(5/-)
BF224	5/-	(4/-)	TiS61M	5/11	(4/11)	3N140	20/-	(18/-)
BF225	5/-	(4/-)	2N2926G	3/-	(2/6)	3N141	15/8	(14/-)
BFY51	4/9	(4/-)	2N3055	20/-	(17/-)	IS557	3/6	(3/-)

APPLICATIONS: AD161/2, complementary power pair for a.f. outputs up to about 8W. AF239, still the best uhf pre-amp. BC168, BC169 = plastic BC109. BF224, 225 = plastic BF173, 167 ultra-low-feedback i.f. amps. B-5000, 25W dissipation npn. SF115 = plastic BF115, vhf low noise npn, good for reflex receivers. IS557, mains rectifier, 800p.i.v., 500mA. BD121, npn planar power trans. Pt = 45W. 2N4285, pnp silicon, high base-emitter breakdown (35V) for multivibrators etc.

INTEGRATED CIRCUITS. Note price reductions!
Mullard: TAA320 infinite impedance buffer, **15/-**; TAA263 75dB pre-amp, **16/8**. RCA: CA3011, **20/-**; CA3020, **33/-**, both with maker's notes.
NEW! R.F. AMPLIFIER LM703L, gain 28dB at 100MHz, **10/6**.
SUBMIN. MAINS TRANSFORMER, Osrom MT9, 9-0-9V, 80mA, **11/-**. (Tiny rectifier to suit, (ask for circuit sheet) **4/-**. Small 1000uF, 16V smoother, **3/6**. These make up into an eliminator the size of a PP6 battery (ask for leaflet).
TELESCOPIC AERIAL, 8-piece, 7 1/2" closed, 47" extended, **9/-**.
TUNING CAPACITORS, single J.B. Dilemin 300pF min. type, **10/-**.
SILICON BRIDGE RECTIFIER, 60V, 800mA, d.c., small, **8/6**.
MINI AMPLIFIER PACKS: components for easy, economical 9V amps. AX2, 300mW to 15 ohms, **13/-**; AX3, 1W to 8 ohms, min. hi fi, **25/-**.
TRF RECEIVER PACK: all components and printed circuit for a very reliable MW Rx, easily adapted to other bands. Make one for Christmas! Type AX9, **50/-**.
TRANSISTOR HOLDERS: for power types, TO-3 & SO-55, **3/6**; small types, universal, **1/-**; 4-way for f.e.t.s etc, **1/-**. Mica washers and 2 bushes for power types, **6d**.
MOSFETS: RCA types. **40468** (for R.C. Simple F.E.T. Voltmeter) now only **8/4** (7/6). useful a.s.f. amp. to 100MHz. **NEW DUAL-GATE TETRODES:** **3N140** v.h.f. amp., **20/-** (18/-); **3N141** mixer, **15/8** (14/-). ALL THESE FETs ARE HIGH-SLOPE TYPES WITH LOW CAPACITANCES. USEFUL FROM D.C. TO V.H.F. ALL N-CHANNEL (POSITIVE DRAIN).
AMATRONIX LTD. (RC)
396 Selsdon Road, South Croydon, Surrey, CR2 0DE.

TECHNICAL TRAINING by ICS
IN RADIO, TELEVISION AND ELECTRONIC ENGINEERING

First-class opportunities in Radio and Electronics await the ICS trained man. Let ICS train YOU for a well-paid post in this expanding field.

ICS courses offer the keen, ambitious man the opportunity to acquire, quickly and easily, the specialized training so essential to success. Diploma courses in Radio/TV Engineering and Servicing, Electronics, Computers, etc. Expert coaching for:

- * C. & G. TELECOMMUNICATION TECHNICIANS CERTS.
- * C. & G. ELECTRONIC SERVICING
- * R.T.E.B. RADIO AND TV SERVICING CERTIFICATE
- * RADIO AMATEURS EXAMINATION
- * P.M.G. CERTIFICATES IN RADIOTELEGRAPHY

Examination Students Coached until Successful.

NEW SELF-BUILD RADIO COURSES
Build your own 5-valve receiver, transistor portable, signal generator, multi-test meter and professional-type valve voltmeter—all under expert guidance

POST THIS COUPON TODAY and find out how ICS can help YOU in your career. Full details of ICS courses in Radio, Television and Electronics will be sent to you by return mail.

MEMBER OF ASSOC. OF BRITISH CORRESPONDENCE COLLEGES.

INTERNATIONAL CORRESPONDENCE SCHOOLS
Dept. 248, Intertext House, Parkgate Road, London, S.W.11.

NAME _____
ADDRESS _____
Block Capitals Please

11.68



MARCONI INSTRUMENTS LIMITED ST. ALBANS & LUTON

**ARE YOU A SKILLED AND EXPERIENCED ELECTRONICS TECHNICIAN?
HAVE YOU BEEN A WIRELESS OR RADAR FITTER IN THE ARMED FORCES?
CAN YOU DO A PROFESSIONAL REPAIR JOB ON A T.V.?**

If you can answer "YES" to at least one of these questions, then we should like to hear from you.

We need test and calibration engineers both at our Government Service Unit at Luton Airport and at our Production Units in St. Albans to work on a wide range of telecommunications measuring instruments, which includes F.M. and A.M. Signal Generators, R.F. Power Meters, Valve Voltmeters, Radar Test Sets, Digital Counters, Deviation Meters, Spectrum Analysers and White Noise Test Sets.

The work requires the understanding of the most modern and varied circuit techniques and embraces all frequencies up to U.H.F.

This is an opportunity to work for an expanding company with a world-wide reputation for technical progress in the design of test equipment. The posts are permanent and pensionable; they offer first-class conditions of service in a key export company of English Electric, including substantial superannuation and life assurance benefits. Financial assistance may be given with re-location expenses.



An English Electric Company

Write in confidence, stating briefly age, experience, qualifications and present salary, to:—

**The Recruitment Manager, Marconi Instruments Limited,
c/o Directorate of Personnel (RC 2890 H),
English Electric House, Strand, London, W.C.2.**

THE MODERN BOOK CO

Amateur Radio Techniques. Pub. R.S.G.B. **12s. 6d.**
Postage 9d.

Radio & Electronic Handbook. By G. R. Wilding.
17s. 6d. *Postage 1s.*

Colour Television. Pal System. By G. N. Patchett.
40s. *Postage 1s.*

Amateur Radio Circuit Book. Pub. R.S.G.B. **10s. 6d.**
Postage 9d.

Rapid Servicing of Transistor Equipment. By G. J. King. **30s.** *Postage 1s. 6d.*

Introduction to Semiconductor Devices. By M. J. Morant. **18s.** *Postage 1s.*

The All-In-One Tape Recorder Book. By J. M. Lloyd. **15s. 6d.** *Postage 9d.*

Fun with Tape. By J. G. Staab. **21s.** *Postage 9d.*

Television Explained. Vol. 1. Television Fundamentals. By E. A. W. Spreadbury. **25s.** *Postage 1s.*

Television Explained. Vol. 2. Pal Colour System. By E. A. W. Spreadbury. **18s. 6d.** *Postage 1s.*

Inter. GEC Transistor Manual. 7th edition. **21s.**
Postage 2s.

Designer's Guide to British Transistors. By I. J. Kampel. **25s.** *Postage 1s.*

Mullard Data Book 1968. **3s. 6d.** *Postage 6d.*

RCA Transistor Manual. **30s.** *Postage 1s. 6d.*

Radio Valve Data. Compiled "WW". 8th edition. **9s. 6d.** *Postage 1s.*

Beginner's Guide to Transistors. By J. A. Reddihough. **15s.** *Postage 1s.*

Transistors for Technical Colleges. By L. Barnes. **25s.** *Postage 1s.*

Everyday Electronics By T. Roddam. **22s 6d.** *Postage 1s*

Transistor Pocket Book. By R. G. Hibberd. **25s.** *Postage 1s.*

Radio and Audio Servicing Handbook. By G. J. King. **30s.** *Postage 1s. 6d.*

We have the Finest Selection of English and American Radio Books in the Country

19-21 PRAED STREET (Dept RC) LONDON W2

Telephone PADdington 4185

SMALL ADVERTISEMENTS

Rate: 9d. per word. Minimum charge 12/-.
Box No. 2/- extra.

Advertisements must be prepaid and all copy must be received by the 4th of the month for insertion in the following month's issue. The Publishers cannot be held liable in any way for printing errors or omissions, nor can they accept responsibility for the bona fides of advertisers. (Replies to Box numbers should be addressed to: Box No.—, *The Radio Constructor*, 57 Maida Vale, London, W.9.)

SERVICE SHEETS. Radio, Television, Tape Recorders 1925-1968, by return post, from 1s. with free fault-finding guide. Catalogue +6,000 models 2s. 6d. S.A.E. enquiries. —Hamilton Radio, 54c London Road, Bexhill, Sussex.

ILLUSTRATED CATALOGUE No. 17. Manufacturers Surplus and New Electronic Components including Semiconductors. 3/- Post Free. Arthur Sallis Ltd., 28 Gardner Street, Brighton.

CA LINEAR I.C.'s. CA3011 18s., CA3020 28s., CA3028A 20s. P. & P. 1s. per order. L.F.H. Electronics, 65 Flanders Mansions, Flanders Road, London, W.4.

PRINTED CIRCUITS MADE TO YOUR NEGATIVES or transparent master positives. 1 board to 250 boards. We will produce master to your circuit diagram if required. Bideford Graphic Arts, Torridge Hill, Bideford, North Devon. Telephone: Bideford 4991.

WHY BUILD A POWER SUPPLY, when you can buy one for only 25/-, plus 2/6d p. and p. Mains input 230V a.c. 250V, 100mA d.c. out. Fused. 6.3V at 3 amp. 7.3V at 3 amp. ISHER WOODS ELECTRONICS, 98/100 Northgate, Blackburn, Lancs.

FOR SALE. Oscilloscopes—Galvanometers—Evershed & Vignolles Meggers—Relays—Uniselector Switches—Solenooids. Also other items and components. Free list. Stamp please.—R. & E. Mart, Box 9 G.P.O., Tunbridge Wells, Kent.

RIGHTEN UP YOUR ADVERTISING! Break the ice with a cartoon, "tailor made" for your product. Reasonable charges.—Box No. F294.

TON FACTORY CLEARANCE. Radio, T.V., elec. components in 27s. 6d. mixed parcels. Post free. Example: resistors, condensers, pots, speakers, coax, coils, fibre washers, valves, over a dozen different types, tuning knobs, grommets, sleeving, IFS, Paxalin, wire, rectifiers. Lots of other items. Pot Luck. Postal orders to: P. L. Newton, 16 Shallcross Crescent, Hatfield, Herts.

BOOKS FOR SALE. *Alfred Nobel E. Bergengren* £1, *Radio-isotope Laboratory Techniques R. A. Faires*, 10s. *Atomic Medicine Behrens*, £1. *Medical Radiation Biology Ellinger*, 30s. *Physics in Medical Radiology Russ, Clark & Pelc*, 7s. 6d. *Disease & its Conquest Hollis*, 7s. 6d. *Earth's Envelope T. Lobsack*, 15s. *The Atomic Submarine C. Blair*, 7s. 6d. *Astro-and exploration D. R. Bates*, £1. *Once round the Sun Story of the I.G.Y., Fraser*, 10s. *Earth Satellite P. Moore*, 7s. 6d. *Frontier to Space E. Burgess*, 5s.—Box No. F316.

FOR SALE: 1 cwt. electronic components, chassis, (resistors, capacitors, pots, etc.). View London W.2. £3. Buyer collects. Telephone: Mr. Fowler, 01-723-9584. 9 a.m. to 6 p.m.

ARE YOU A MOTORING ENTHUSIAST? The Seven Fifty Motor Club caters for all types of motor sport—racing, rallies, hill climbs, etc. Monthly Bulletin free to members. For full details write to: The General Secretary, Colin Peck, "Dancer's End," St. Winifred's Road, Biggin Hill, Kent.

BENTLEY ACOUSTIC CORPORATION LTD.

38 Chalcot Road, Chalk Farm, The Old Police Station
LONDON, N.W.1. Gloucester Road

PR1mrose 9090 LITTLEHAMPTON, Sussex
Please forward all mail orders to Littlehampton PHONE 6743

5Z4G 6/9	ECC85 5/-	PC88 3/6	U801 17/6	AF116 3/-	GET896 4/6
8A16 4/-	ECC88 7/-	PC95 8/3	U4020 6/9	AF117 2/9	GET897 4/6
6J30L2 12/6	ECC189 9/6	PC800 7/9	U48C80 5/9	AF119 3/-	0A81 1/9
6F1 8/9	ECF80 6/6	PC800 6/6	U48C81 7/-	AF127 3/6	0A85 1/9
6F23 12/3	ECF82 6/6	PCC84 6/-	U48F80 6/9	AF127 3/6	0A182 2/-
6L6GT 7/9	ECF86 9/-	PCC85 6/6	U48F89 6/9	AF139 11/-	0A200 1/6
10F1 15/-	ECH42 9/6	PCC88 9/9	UC92 5/6	AF180 9/6	OC22 2/6
10P13 12/-	ECH81 5/3	PCC89 9/6	UCC84 8/-	AF212 5/-	OC23 7/-
20L1 13/-	ECH83 8/-	PCC189 9/6	UCC85 6/6	ASV29 10/-	OC24 5/-
20P4 18/6	ECL80 8/6	PCF80 6/6	UCC80 8/3	BA115 2/8	OC25 5/-
30C15 13/6	ECL82 6/-	PCF82 6/-	UCC81 9/-	BA130 2/8	OC26 5/-
30C17 13/-	ECL83 9/-	PCF84 8/-	UCC82 9/3	BC107 4/-	OC28 5/-
30C18 8/9	ECL86 8/-	PCF86 8/6	UCC83 7/3	BC108 3/6	OC30 5/-
30F5 11/9	EF22 12/6	PCF802 9/-	UCC83 9/6	BC109 4/3	OC36 7/6
30F12 15/6	EF37A 7/-	PLC82 7/-	UF41 9/6	BCV10 5/-	OC38 11/6
30FL12 13/6	EF41 9/-	PLC83 6/9	UF42 9/-	BCV12 5/-	OC41 10/-
30FL14 12/6	EF80 4/6	PLC84 6/9	UF80 6/9	BCV33 5/6	OC42 2/6
30L15 13/9	EF85 5/3	PCL85 8/3	UF85 6/9	BCV34 4/6	OC44 2/6
30L17 13/-	EF86 6/-	PCL86 8/3	UF86 5/6	BCV38 5/6	OC45 1/9
30P4 12/-	EF89 4/9	PFL200 12/6	UF89 6/3	BCV39 4/6	OC46 3/-
30P4MR 17/6	EF91 3/3	PL36 9/6	UL41 9/6	BFY50 4/6	OC70 2/3
30P12 13/6	EF183 5/9	PL81 7/3	UL84 6/6	BFY51 4/6	OC72 2/6
30P19 12/6	EH84 6/6	PL82 6/6	UL80 5/-	BFY52 4/6	OC75 2/6
30PL1 15/6	EH90 6/6	PL83 7/6	UY41 6/9	BY100 3/6	OC76 2/6
30PL13 15/6	EL33 12/-	PL84 6/3	UY85 5/6	BY106 3/6	OC77 2/6
30PL14 15/6	EL41 9/3	PL500 12/3	2N404 6/6	BY126 6/6	OC78 3/-
CL33 18/6	EL84 4/6	PL504 13/-	2N2297 4/6	BY234 4/-	OC78D 3/-
CY31 7/6	EL95 5/6	PY32 9/6	2N2369A 4/3	BY236 4/-	OC81 2/-
DY87 5/9	EM80 5/9	PY33 9/6	2N3866 20/-	BY238 4/-	OC81D 2/-
EB8CC 12/-	EM81 6/9	PY32 9/6	AAZ13 3/6	BY211 5/-	OC82 2/3
EABC80 6/-	EM84 6/9	PY82 5/6	AC107 3/6	BY212 5/-	OC83 2/-
EAF42 8/3	EM85 11/-	PY83 5/6	AC113 5/-	BY213 5/-	OC84 3/-
EB91 2/3	EM87 7/3	PY88 6/3	AC126 2/-	GET103 4/-	OC123 4/6
EB41 8/6	EY51 6/9	PY800 6/6	AC127 2/-	GET113 4/-	OC169 3/6
ECB31 5/9	EY86 6/6	PY801 6/6	AC128 2/-	GET116 6/6	OC170 2/6
EBF80 8/6	EY87 6/6	U25 13/-	AC154 5/-	GET119 4/-	OC171 3/4
EBF83 8/6	EZ40 7/3	U26 11/9	AC156 4/-	GET123 7/6	OC172 4/6
EBF89 6/3	EZ80 4/3	U33 29/6	AC157 5/-	GET573 7/6	OC200 4/4
EC92 6/6	EZ81 4/6	U45 15/6	AD140 8/-	GET587 8/6	OC202 4/6
ECC81 3/9	KT88 29/-	U191 12/6	AD149 8/-	GET873 3/6	OC203 4/6
ECC82 4/6	KTW62 10/-	U251 18/-	AD162 9/-	GET889 4/6	OC205 7/6
ECC83 4/6	PABC80 7/3	U301 11/-	AF114 4/-	GET889 4/6	
ECC84 5/6	PC86 9/6	U404 7/6	AF115 3/-	GET890 4/6	

Terms of business: Cash with order only. No C.O.D. Post/Packing 6d. per item. Orders over £5 post free. All orders despatched same day as received. Complete catalogue including transistor section and components with terms of business 6d. Any parcel insured against damage in transit for 6d. extra. Business hours: 9 a.m.—5.30 p.m. Saturdays 9 a.m.—1 p.m.

FREE TO AMBITIOUS ENGINEERS

—THE LATEST EDITION OF ENGINEERING OPPORTUNITIES

Have you sent for your copy? ENGINEERING OPPORTUNITIES is a highly informative 132 page guide to the best paid engineering posts. It tells you how you can quickly prepare at home for a recognised engineering qualification and outlines a wonderful range of modern Home Study Courses in all branches of Engineering. This unique book also gives full details of the Practical Radio & Electronic Courses, administered by our Specialist Electronics Training Division — explains the benefits of our Appointments Dept. and shows you how to qualify for five years promotion in one year. "Satisfaction or refund of fee" terms

Whatever your age or experience you cannot afford to miss reading this famous book. If you are earning less than £30 a week send for your copy of "ENGINEERING OPPORTUNITIES" today — FREE.

Practical Equipment including Tools
The specialist Electronics Division of B.I.E.T. NOW offers you a real laboratory training at home with practical equipment. Basic Practice and Theoretical Courses for beginners in Radio, T.V., Electronics, etc. Ask for details.

Which is your pet subject
A.M.I.E.R.E. City & Guilds Radio Amateur's Exam. R.T.E.B. Certificate P.M.G. Certificate Practical Radio Radio & Television Servicing Practical Electronics Electronics Engineering Automation
The B.I.E.T. is the leading institute of its kind in the world.

Please send Free Books and Full Information

British Institute of Engineering Technology

NAME

ADDRESS

Subject of Interest Age

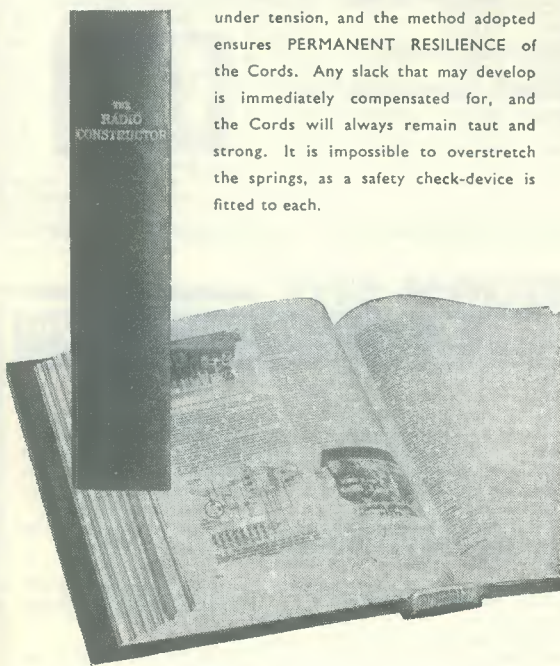


ALDERMASTON COURT, Dept. 480D. Aldermaston, Berks.

NEW STYLE SELF-BINDER for "The Radio Constructor"

The "CORDEX" Patent Self-Binding Case will keep your issues in mint condition. Copies can be inserted or removed with the greatest of ease. Rich maroon finish, gold lettering on spine.

Specially constructed Binding Cords are made from Super Linen of great strength, very hard twisted and twice doubled. They are attached to strong RUSTLESS Springs under tension, and the method adopted ensures PERMANENT RESILIENCE of the Cords. Any slack that may develop is immediately compensated for, and the Cords will always remain taut and strong. It is impossible to overstretch the springs, as a safety check-device is fitted to each.



PRICE **14/-** Postage 1/6

Available only from:—

Data Publications Ltd.
57 Maida Vale London W9

SMALL ADVERTISEMENTS

continued from page 269

JOIN THE INTERNATIONAL S.W. LEAGUE. Free Services to members including Q.S.L. Bureau. Amateur and Broadcast Translation. Technical and Identification Dept.—both Broadcast and Fixed Stations, DX Certificates, contests and activities for the SWL and transmitting members. Monthly magazine, *Monitor*, containing articles of general interest to Broadcast and Amateur SWLs, Transmitter Section and League affairs, etc. League supplies such as badges, headed notepaper and envelopes. QSL cards, etc., are available at reasonable cost. Send for League particulars. Membership including monthly magazine, etc. 35s. per annum.—Secretary, ISWL, 60 White Street, Derby.

WANTED TO PURCHASE. Denco coil turret, type CT7/B Urgently required to complete construction of receiver. N. G. Edmunds, 16 Dawlish Drive, Styvechale, Coventry, Warwickshire.

"MEDIUM WAVE NEWS" Monthly during DX season—Details from: K. Brownless, 7 The Avenue, Clifton, York.

WANTED—RETAIL OUTLETS for new/surplus radio—electronic spares. Excellent profits. Details from Box No. F344.

TECHNICAL DRAWINGS, Artwork, etc. Electronic and Radio Circuits a speciality. Moderate charges.—B. P. Meaney, 43 Forest Road, Worthing, Sussex.

DIGITAL CIRCUIT BLOCKS. M.E.L. 100 kHz range, mostly new. Approximately 150 including 18 PS, OS; 20 FF; 55 gates; 54 amplifiers, EF. Offers? Box No. F345.

JAMSISTOR. Circuit of experimental jamsistor free with each 1 in. cube micro-transmitter at 50/-. (Superior to WO-11 type). S.a.e. details. Box No. F346.

WANTED TO PURCHASE. Set of 6 coils for Jason Everest-7 receiver kit. 43 Ashbrook Road, Old Windsor, Berkshire.

FOR SALE: MORSE OSCILLATOR SET. Transistorised, type D, key, on base 8½ in. x 9½ in., with headphones. £3. Box No. F347.

BOOK BARGAINS TO CLEAR. *"The Yachtman's Bedside Book"*, Snoxell, 25/-. *"The Story of Atomic Energy"*, Soddy, 12/6d. *"Invitation to Skiing"*, Iselin and Spectorsky, 20/-. *"The Upper Atmosphere"*, Massey and Boyd, 50/-. *"Outlook"*—simple weather forecasting, White, 7/6d. *"Basic Principles of Marine Navigation"*, Moore, 7/6d. *"Telegraphy"*, Freebody, 60/-. *"The Book about Weather"*, Mee, 7/6d. Box No. F348.

OSCILLOSCOPE FOR SALE. Cossor 1049 Mk. 3, 4 in. twin beam/amps, intensity modulation, nine time ranges, blue/silver. All functions fully operational. £45 o.n.o. Barrett, Bridge Cottage, St. Wilfrid's Road, Burgess Hill, Sussex. Burgess Hill 6662.

POSTAL ADVERTISING? This is the Holborn Service. Mailing lists, addressing, enclosing, wrapping, facsimile letters, automatic typing, copy service campaign planning, design and artwork, printing and stationery. Please ask for price list.—The Holborn Direct Mail Company, Capacity House, 2-6 Rothsay Street, Tower Bridge Road, London, S.E.1. Telephone: 01-407-1495.

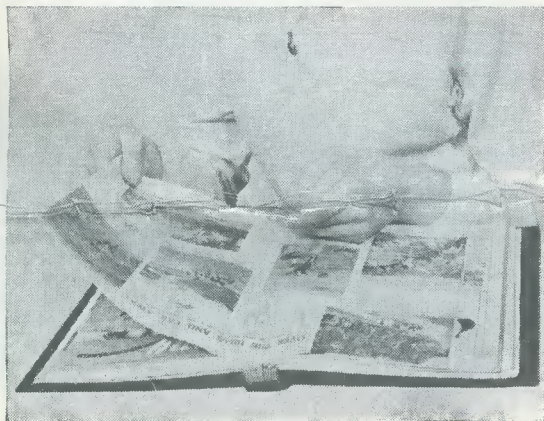
WANTED. 2 spools to take 500 ft. of standard 8 mm cine film.—Note 500 ft., not 400 ft! Box No. F349.

(continued on page 271)

PLAIN-BACKED NEW STYLE SELF-BINDERS

for your other magazines

(max. format 7½" x 9½")



The "CORDEX" Patent Self-Binding Case will keep your copies in mint condition. Issues can be inserted or removed with the greatest of ease. Rich maroon finish. Specially constructed Binding Cords are made from Super Linen of great strength, very hard twisted and twice doubled. They are attached to strong RUSTLESS Springs under tension, and the method adopted ensures PERMANENT RESILIENCE of the Cords. Any slack that may develop is immediately compensated for, and the Cords will always remain taut and strong. It is impossible to overstretch the springs, as a safety check-device is fitted to each.

COLOURS: MAROON OR GREEN

(Please state choice)

PRICE **13/6** Postage 1/6

Available only from:—

Data Publications Ltd.
57 Maida Vale London W9

SMALL ADVERTISEMENTS

continued from page 270

WORLD DX CLUB covers all aspects of SWLing on Amateur and Broadcast Bands through its monthly bulletin "Contact". Membership costs 25s. a year. Enquiries to Secretary, WDXC, 17 Taunton Road, Bridgwater, Somerset.

FOR SALE. Golay Lever Escapement Navigation watch, with external, rotatable, navigation ring, graduated to 360°. In wooden case, 4 in. x 3½ in. x 2½ in. £10. Box No. F350.

PROPERTIES for sale and to let in London and suburbs. Apply to Maggs & Stephens, Estate Agents, 229 Maida Vale, London, W.9. MAIDA VALE 8123.

TO CLEAR. 3000V d.c. 0.5µF capacitors, 2½in. x 1½in. x 6in. with porcelain insulators, 3/6d. each. 88Htoroid coils, new, wax covered, 5/- each. Heathkit Balun Coil set, B-1U, assembled, £5. Box No. F352.

ESSEX GARDENERS. Buy your bedding and rock plants, shrubs, etc., also cacti from May's Nurseries, 608 Rayleigh Road, Hutton, Brentwood, Essex. Callers only. Monday to Saturday.

RADIO HAMS. For sale, R.107 set, Good condition, £30 or nearest; Single and twin Tannoy speakers; power generator (converter) S.E.R.70; 2 converter units type S454B; carbon microphones; radio receiver VC 453B; Offers? Box No. F353.

FOR SALE: Unbound copies of "The Radio Constructor", 1955/1960/1962/1963/1964/1966. Complete. 40s. per year, post paid. Other years available, not complete. Enquire with s.a.e. first. Box No. F354.

INNOVATION IN DX CLUBS ANNOUNCED! Formed in October, 1965, the Radio New York Worldwide Listeners Club now has 3,600 members in 86 countries! A unique club offering shortwave listeners monthly magazines containing listening tips and technical features, numbered wallet-sized membership cards and gold 8½in. by 11in. membership certificates. Multi-lingual report forms available for cost of postage. "We must be doing something right!" Find out... join now!" Send 7s. 2d. (crossed domestic money order) for one year's membership to: The Radio New York Worldwide Listeners Club, 485 Madison Avenue, New York 10022, U.S.A.

RECITALS OF RECORDED MUSIC. The second Saturday evening of each winter month. Next recital: 9th November, 1968, 8 p.m. Woodford Green United Free Church, Woodford Green, Essex. Bus routes 20, 20A, 38A and 179—alight at "The Castle" stop. Programme includes works by Copland, Brahms and Sibelius.

SITUATIONS VACANT

We have Vacancies for Four Experienced Test Engineers in our Production Test Department. Applicants are preferred who have Experience of Fault Finding and Testing of Mobile VHF and UHF Mobile Equipment. Excellent Opportunities for promotion due to Expansion Programme.

Please apply to Personnel Manager,
Pye Telecommunications Ltd.,
Cambridge Works, Haig Road, Cambridge.
Tel. Cambridge 51351, Extn, 327.

CHASSIS and CASES by



H. L. SMITH & CO. LTD.
287/9 Edgware Road
London W2
TEL: 01-723 5891

BLANK CHASSIS—Same day Service

Of over 20 different forms made up to YOUR SIZE.
(Maximum length 35", depth 5".)

SEND FOR ILLUSTRATED LEAFLETS or order straight away, working out total area of material required (including waste) and referring to table below which is for four-sided chassis in 16 s.w.g. aluminium.

48 sq. in.	5/-	176 sq. in.	10/4	304 sq. in.	15/8
80 sq. in.	6/4	208 sq. in.	11/8	336 sq. in.	17/-
112 sq. in.	7/9	240 sq. in.	13/-	368 sq. in.	18/4
144 sq. in.	9/-	272 sq. in.	14/4	and pro rata	
			P. & P. 3/6		P. & P. 4/6

Discounts for quantities. More than 20 different sizes kept in stock for callers.

FLANGES (1/2" or 3/8"), 6d. per bend.

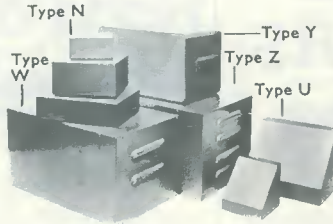
STRENGTHENED CORNERS, 1/- each corner.
PANELS

Any size up to 3ft at 6/- sq. ft. 16 s.w.g. (18 s.w.g. 5/3).
Plus postage and packing

CASES SILVER HAMMERED FINISH

Type	Size	Price	Type	Size	Price
N	8 x 6 x 2 1/2"	18/-	W	12 x 7 x 7"	37/6
N	6 x 6 x 3"	17/6	W	15 x 9 x 8"	48/6
N	4 x 4 x 2"	11/-	Y	8 x 6 x 6"	29/-
U	4 x 4 x 4"	11/-	Y	12 x 7 x 7"	45/-
U	5 1/2 x 4 1/2 x 4 1/2"	17/-	Y	13 x 7 x 9"	50/6
U	8 x 6 x 6"	23/-	Y	15 x 9 x 7"	53/6
U	9 1/2 x 7 1/2 x 3 1/2"	24/-	Z	17 x 10 x 9"	72/6
U	15 x 9 x 9"	49/-	Z	19 x 10 x 8 1/2"	78/-
W	8 x 6 x 2"	23/-			*Height

Type N has removable bottom, Type U removable bottom or back, Type W removable front, Type Y all screwed construction, Type Z removable back and front.



HIGH GLOSS METALLIC HAMMERED ENAMEL

'Makes fantastic difference to Panels' so say

hundreds of enthusiastic users. 'Crackle' pattern appears like magic. Dries hard glossy finish. Scratch-proof, resists heat and liquid. Simply brush-on—No undercoat. Air dries 15 mins. Lt. & Dk. Blue; Bronze; Silver; Green; Black. Send for details or send 8/- (plus 1/9 post.) for 1/2pt. Trial Tin, colour samples and instructions.
FINNIGAN SPECIALITY PAINT MANUFACTURERS,
DEPT. RC, STOCKFIELD, NORTHUMBERLAND. Tel. 2280.



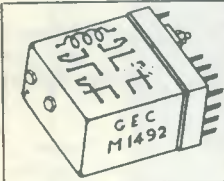
BRUSH
OR SPRAY-ON
QUICK DRYING

YUKAN SO PROFESSIONAL THE
SELF-SPRAY YUKAN AEROSOL WAY—
Get these air drying **GREY HAMMER**
NOW! OR **BLACK WRINKLE**
finishes

Yukan Aerosol spraykit contains 16 ozs. fine quality, durable easy instant spray. No stove baking required. Hammers available in grey, blue, gold, bronze. Modern Eggshell Black Wrinkle (Crackle) all at 14/11 at our counter or 15/11, carriage paid, per push-button self-spray can. Also Durable, heat and water resistant Black Matt finish (12 ozs. self-spray cans only) 13/11 carriage paid.
SPECIAL OFFER: 1 can plus optional transferable snap-on trigger handle (value 5/-) for 18/11, carriage paid. Choice of 13 self-spray plain colours and primer (Motor car quality) also available.

Other Yukan Air Drying Aerosols:
16 ozs. at 15/11
corr. paid
includes:
Zinc Chromate
Clear Lacquer
Metallizes: Grey, Blue, Bronze and Gold.

Please enclose cheque or crossed P.O. for total amount to:
YUKAN, DEPT. RC/L, 307a EDGWARE ROAD, LONDON, W2.
We supply many Government Departments, Municipal Authorities, Institutes and Leading Industrial Organisations—We can supply you too.
Closed all December for annual holiday



WANTED

This and similar scrap relays

BEST PRICES PAID

S.a.e. to "Lanco," 76 Sedgemoor Road,
Willenhall, Coventry, Warwickshire

NOW AVAILABLE ... BOUND VOLUME No. 21

of "The Radio Constructor"

AUGUST 1967 to JULY 1968

Comprising 792 pages plus index

FOR YOUR LIBRARY PRICE 35' - Postage 4/6

Special discount of 10/- for regular readers

As a further service to regular readers, it is no longer necessary to return the complete issues making up a volume, to qualify for the special discount.

Just cut the heading from each month's contents page, including title and month of issue, and this will be sufficient evidence of readership to qualify for the discount.

Thus regular readers will still retain their old copies for workbench use, while having a splendid bound volume containing issues in mint condition.

PRICE 25/- Postage 4/6

Limited Number of Volume 20 (August 1966—July 1967) still available. Price: 32/6, postage 4/6.

Available only from:

DATA PUBLICATIONS LTD., 57 MAIDA VALE, LONDON, W9

THE RADIO CONSTRUCTOR

Price 3/- each, postage 6d.

Annual Subscription 42/-, post free.

Bound Volumes Vol. 20 August 1966 to July 1967 32/6, postage 4/6.
Vol. 21 August 1967 to July 1968 35/-, postage 4/6.

Cordex Self-Binders With title "The Radio Constructor" on spine,
maroon, 14/-, postage 1/6.
With no title on spine, maroon or green, 13/6,
postage 1/6.

DATA BOOK SERIES

- DB5 TV FAULT FINDING**
124 pages. Price 8/6, postage 8d.
- DB6 THE RADIO AMATEUR OPERATOR'S HANDBOOK**
64 pages. Price 5/-, postage 5d.
- DB14 SHORT WAVE RECEIVERS FOR THE BEGINNER**
72 pages. Price 6/-, postage 6d.
- DB15 TWENTY SUGGESTED CIRCUITS**
48 pages. Price 3/6, postage 5d.
- DB16 RADIO CONTROL FOR MODELS**
192 pages. Price 15/-, postage 1/-.
- DB17 UNDERSTANDING TELEVISION**
512 pages. Price 37/6, postage 3/-

PANEL-SIGNS TRANSFERS

Six sheets in each set

Set 3: WORDING—White

Set 4: WORDING—Black

Set 5: DIALS—Control Panels have a clear background

Set 6: DIALS—Control Panels have a black background

Price per set 4/6, postage 4d.

I enclose Postal Order/Cheque for.....in payment for.....

NAME

ADDRESS

(Please use Block Capitals for both name and address)

Postal Orders should be crossed and made payable to Data Publications Ltd.

Overseas customers please pay by International Money Order

All publications are obtainable from your local bookseller

Data Publications Ltd., 57 Maida Vale, London W.9

155P

ENGLANDS LEADING COMPONENT & EQUIPMENT CENTRES

SOLID STATE-HIGH FIDELITY AUDIO EQUIPMENT

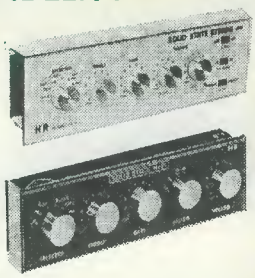
Audio Equipment developed from Dinsdale Mk.II—each unit or system will compare favourably with other professional equipment selling at much higher prices.

COMPLETE SYSTEMS FROM £15.50

THE FINEST VALUE IN HIGH FIDELITY—CHOOSE A SYSTEM TO SUIT YOUR NEEDS AND SAVE POUNDS

All units available separately.

SEND FOR 16 PAGE BROCHURE (No. 21) TODAY!
DEMONSTRATIONS DAILY AT '303' EDGWARE ROAD



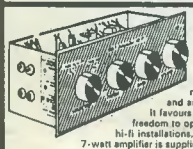
Acclaimed by everyone THE MAYFAIR ELECTRONIC ORGAN



A completely new development in portable electronic musical instruments and a new field for the home constructor. The 'MAYFAIR' produces a multitude of the most pleasing sounds with a wide range of tone colours suitable for classic or popular music. The organ is fully polyphonic, can be played over the entire keyboard. Supplied as a kit of parts which includes 185 transistors, printed circuit panels, special fully sprung and depth of touch adjusted keyboard, attractive vinyl covered cabinet with carry handle. A complete detailed and illustrated construction manual is provided with circuits and full parts list. Cost can be spread by purchasing the components packet by packet. All parts supplied are fully guaranteed. Full after sales service.

A new source of construction for the keen electronics fan either amateur or professional. Once built the 'MAYFAIR' will then provide years of enjoyable entertainment. **TOTAL COST 99 Gns.**

ORGAN COMPONENTS Defered terms available. COMPLETE KIT Deposit £29.19.0. 12 monthly payments of £7. TOTAL £113.19.0. Ask for BROCHURE 9 Call in. See it and play it yourself.



TRANSISTOR AMPLIFIER

INTEGRATED 7 WATT AMPLIFIER & PREAMPLIFIER—M47 With full Bass Treble and Volume Controls
A brilliant new design suitable for home or portable installations. For use with magnetic and crystal/ceramic cartridges, radio tuners, microphones, tape head output and auxiliary inputs. Output is for 3 to 16 ohm speakers. It favours the user in so many ways—with fantastic power, with far greater adaptability, with freedom to operate it from batteries or mains power supply unit (the new PS.20 is ideal for this), hi-fi installations, electronic guitars and organs. P.A. installations, intercom, systems, etc. This true 7-watt amplifier is supplied ready built, tested and guaranteed.

For complete listening facilities. FOR ONLY £8/10/0 P.P. 4/- (OPTIONAL MAINS UNIT PS.20 62/2, P.P. 3-/-) Illustrated Brochure No. 12.



BRITISH MADE CAR RADIOS

A fine precision engineered car radio that's perfect company for long hours on the road. So easy to install and operate—and the price is exactly right. Has quick push-button operation for immediate station selection and choice of Medium or Long wave frequency. Manual tuning facilities. Push button control. Output of 3½ watts ensures crisp, top quality sound even at high motoring speeds. Price includes 7" x 4" speaker, full accessories and instructions.

POSITIVE OR NEGATIVE EARTH EASI-TUNE £12.12.0 pp. 4/6 £10.10.0 pp. 4/6
AUTOBAHN MANUAL as the EASI-TUNE, but with a single MW/LW Push Button.
CAR AERIALS * 3-Section Single Hole Wing or Boot Mounting 19/8 Brochure 15 Multi Section fully disappearing type with locking device, single hole mounting 35/- Post free with Car Radio or pp. 2/6 separately.

BUILD THESE PRACTICAL DESIGNS

I.C.F.M. TUNER £5.2.6 LIST 40S
Switched F.M. Tuner £3.17.6. 39S
Fluorescent Camping Light £3.2.6. 43
Let us have your enquiries for parts for current PW and PE designs. S.A.E. PLEASE.

NEW MODELS NOMBREX TRANSISTORISED Test Equipment

MODEL	PRICE	£	s.	d.	No.
22	Power Supply	14	0	0	22
30	Audio Generator	19	10	0	24
31	R.F. Generator	12	10	0	25
32	C.R.R. Bridge	10	10	0	26
33	Inductance Bridge	20	0	0	29

Send for descriptive illustrated Brochure.

DO IT YOURSELF MW/LW PORTABLE

New printed circuit design with full power output. Fully tunable on both mw/lw bands. 7 transistors plus diode, push-pull circuit. Fitted 5 inch speaker, large ferrite aerial and Mullard transistors. Easy to build with terrific results. All local and Continental stations.
TOTAL COST £6.19.6. P.P. 4/6
TO BUILD Send for Brochure 1

MULLARD 1 WATT AMPLIFIER WITH VOLUME CONTROL

Suitable 7 x 4 inch 3 ohm speaker 17/6
Ideal for Portable Record Players. Inter-Comms. Baby Alarms etc. 45/- 3/6d.
For 9 Volts operation.

ITS SO EASY TO BUILD TO PROFESSIONAL STANDARDS

To get the best out of your MAGNAVOX STUDIOMATIC DECK Type 353, you need a MARTIN RECORDAKIT. This comprises a special high quality 6 valve amplifier and pre-amplifier which comes to you assembled on its printed circuit board, together with necessary transformers, switches, control knobs—in fact everything needed down to the last screw FOR MAKING A SUPERB TAPE RECORDER, which, when built, will compare favourably with instruments costing twice as much, yet you need no experience or technical skill to bring this about. THE INSTRUCTIONS MANUAL MAKES BUILDING EASY AND SUCCESS ASSURED.



TWO TRACK Deck, Amplifier, Cabinet and Speaker. Complete kits with MICROPHONE 7 in 1,200 ft. tape, spare spool. Today's value £55. OUR PRICE 38 gns.
FOUR-TRACK Deck, Amplifier, Cabinet and speaker. Complete kits with MICROPHONE 7 in 1,200 ft. tape, spare spool. Today's Value £60. OUR PRICE 39 gns. P.P. 22/6
ALL UNITS AVAILABLE SEPARATELY. Both models ASK FOR BROCHURE 6.

VHF FM SUPERHET TUNER MKII

*5-MULLARD TRANSISTORS & 4 DIODES * 300 Kc/s BANDWIDTH * PRINTED CIRCUIT CONSTRUCTION * HIGH FIDELITY REPRODUCTION MONO AND STEREO * MATCHES AUDIO MK II EQUIPMENT
A popular VHF FM Tuner now used throughout the country for quality reception of monophonic and, with the decoder stereophonic broadcasts. There is no doubt about it—VHF FM gives the real sound. Excellent stability economically priced.
TOTAL COST £5.19.6. DECODER £6.19.6. (CABINET 20/- EXTRA) ASK FOR LEAFLET 3.



TRANSISTORS, RECTIFIERS, ZENERS, SCR's TUNNEL DIODES, FIELD EFFECT TYPES, VALVES, CRYSTALS
New 1968 32-page Booklet
Price 1/- Post Paid
Circuits with Data, Details and Prices of over 2000 different types.
This booklet is a must for every enthusiast. MANUFACTURERS — DISTRIBUTORS. We also publish a QUANTITY, SEMI-CONDUCTOR BULLETIN. Please write to us for your copy.

NEW—MALLORY LONG LIFE MERCURY BATTERIES

50% OFF LIST PRICES
*RM12 1.35 volts 3600 m/ah size 2" x 3" dia.
*RM25 10.35 volts 360 m/ah Pack of 8. Size 2 1/2 x 1 1/2
OUR PRICE 10/- each.
Easily split into eight 1.35v cells. These cells are ideal for any application where SMALL SIZE HIGH CAPACITY and LONG LIFE are required. QUOTATIONS WRITE OR PHONE EXTN. 2.

TRANSISTORS SEMICONDUCTORS

COMPLETELY NEW 1968 LIST OF 1000 types available from stock. Send for your FREE COPY TODAY. (List No. 36)

S.C.R.'s from 5/-
Field Effect Transistors from 9/6
Power Transistors from 5/-
Diodes and Rectifiers from 1/6

GARRARD DECKS



BRAND NEW All below list price.

	£	s.	d.
2025 Mono/Stereo	8	19	6
300 LW with STAC	12	12	0
SP25 MK II	12	12	0
LAB80 MK II	25	0	0
AT50	16	10	0
AT60 MK II	13	19	6
40 Mk II	11	10	0
2500 Mono/Stereo	14	10	0
401	27	15	0
AP75	21	10	0
SL85	13	10	0
SL65	18	19	6
SL75	32	10	0
SL95	38	10	0
*A70 Mk II	13	13	0

Send for illustrated brochures 16, 17
Complete range of accessories available.

Hi-Fi equipment to suit EVERY POCKET

Ask for Hi-Fi- Stock List Leaflet 16.17
VISIT OUR NEW HI-FI CENTRE at 309 EDGWARE RD.

for all leading makes
AMPLIFIERS
TUNERS
DECKS
SPEAKERS
MICROPHONES
SYSTEMS
ALL WITH DISCOUNTS
IT WILL PAY YOU TO PAY US A VISIT!

Fully Illustrated CATALOGUE

COMPLETELY NEW 9th EDITION (1968)
The most COMPREHENSIVE—CONCISE—CLEAR—COMPONENTS CATALOGUE
Complete with 10/- worth discount vouchers FREE WITH EVERY COPY.
* 32 pages of transistors and semi-conductor devices, valves and crystals.
* 200 pages of components and equipment.
* 65 pages of microphones, decks and Hi-Fi equipment.



6,500 ITEMS
300 BIG PAGES
Send today 8'6 Post Paid

HENRY'S RADIO LTD HR

303 Edgware Road, London, W.2. Mail Order Dept. all types of Components, Organ Dept. (01) 723-1008/9
309 Edgware Road, London, W.2. High Fidelity Safes, P.A. and Test Equipment, Record Decks (01) 723-6963