

FOR THE RADIO ENTHUSIAST...

FEBRUARY 1981

Practical wireless

Australia \$1.15
New Zealand \$1.25
Malaysia \$4.00

65p

EXTRA
8
PAGES

morse tutor



also
ACCENTED METRONOME

&
Beginning new series:

UNDERSTANDING RECEIVER PARAMETERS

Bredhurst electronics

HIGH ST., HANDCROSS, W. SUSSEX O444 400786

TRANSCEIVERS



FOR TWO METRES

IC 2E £159
inc. VAT & CARRIAGE



- Fully synthesized - covering 144-145.995 in 5KHz steps.
- 1.5W power output with 9V battery as supplied.
- Optional 6V or 12V packs for lower or higher power.
- BNC antenna output socket for helical or external antenna.
- Weight - only 450 grams, with supplied battery pack and helical.
- Send/battery indicator - indicates transmit until time for battery recharge.
- Duplex/Simplex switch - Hi/Low power switch.
- Optional external speaker microphone available now.
- Full 12 month guarantee for all rigs bought from Bredhurst Electronics.

H.F.	
TRIO TS130V (New Model)	£404.00
TRIO TS130S (New Model)	£491.00
TRIO TS520SE (Still a Favourite)	£437.00
YAESU FT707	£499.00
YAESU FT101Z (New Bands)	£488.00
YAESU FT101ZD (New Bands)	£569.00
TRIO TS830S (The New One)	£639.00
TRIO TS180S (with DFC)	£679.00
YAESU FT107M	£690.00

2.M. MOBILES	
FDK Multi 700EX	£199.00
STANDARD C8800	£250.00
ICOM IC255E	£255.00
TRIO TR7800	£265.00

HANDHELDS	
FDK PALM II	£99.00
ICOM IC2E	£159.00
FDK PALM IV	£159.00
TRIO TR2300	£166.00
AOR AR245A	£178.00
TRIO TR2400	£198.00
YAESU FT207R	£199.00

2.M. MULTIMODES	
FDK MULTI 750E	£299.00
ICOM IC260E	£339.00
TRIO TR9000	£345.00
YAESU FT480R	£359.00
ICOM IC251E	£479.00

2M
FM



25
Watts

FDK MULTI 700EX

The 700 EX is a mobile F.M. transceiver with built in speaker and comes complete with microphone, mobile mounting bracket and D.C. lead. Power output is variable between 1-25 watts on the front panel. Tuning is 25 kHz or 12.5 kHz steps from 144-146 MHz. Full repeater shifts are built-in including instant reverse repeater operation and also a scanning facility is included.

£199, inc. VAT
free Delivery

RECEIVERS



THE BEARCAT 220 FB
For 4M, 2M, 70cm FM
Amateur, Low Band Mobile,
Aircraft, Public Service,
Marine, UHF.

£258 inc. VAT, CARRIAGE.

Suitable antenna for 40-700 MHz
Discone DCX, £13.80, carriage £3.00

H.F.	
LOWE SRX30	£158.00
YAESU FRG7	£189.00
TRIO R1000	£285.00
YAESU FRG7700	£309.00

2.M. F.M.	
SEARCH 9	£45.00
A.O.R. AR22	£83.00
FDK TM56B	£79.00
BEARCAT 220FB	£258.00

MARINE V.H.F.	
SEARCH 9	£45.00
FDK TM56B	£79.00
BEARCAT 220FB	£258.00

FDK TM56B

VHF, FM RECEIVER
for Amateur or Marine.

Supplied with 10 Xtals for ONLY £79
inc. VAT & Carriage.

Telephone enquiries welcome.
Ask for details of our Credit Schemes.



YAESU FRG 7700
THE NEW RECEIVER
BASIC UNIT £309
FRG 7700M with Memory £389
Memory Unit Only £83.95

These prices include
VAT & Carriage

ACCESSORIES

MORSE EQUIPMENT	Carriage
HK 707 (Up/Down Key)	£10.50 (E0.50)
MK 704 (Squeeze Paddle)	£10.50 (E0.50)
EK 121 (Elbug)	£29.95 (E0.50)
EK 150 (Electronic Keyer)	£74.00 (E0.00)

POWER SUPPLIES	
13.8V 4 AMP	£22.95 (E1.00)
13.8V 5/6 AMP	£29.95 (E1.50)
YAESU FP4 4/6 AMP	£40.00 (E1.50)
PH 5000 5/7 AMP	£46.00 (E1.50)
YAESU FP12 12/16 AMP	£78.00 (E2.00)
TRIO PS30 15/20 AMP	£85.00 (E2.00)
YAESU FP707 15/30 AMP	£109.00 (E2.00)

DUMMY LOADS	
DL 20 30 WATT	£6.00 (E0.30)
T 100 100 WATT (500 MHz)	£24.00 (E0.30)
T 200 200 WATT (500 MHz)	£35.00 (E0.30)

PROBLEMS WITH T.V.I.	
YAESU Low Pass Filter FF501DX (1KW)	£19.95 (E0.75)
TRIO Low Pass Filter LF30A (1KW)	£18.40 (E0.75)
W&S HP3A High Pass Filter (TV down lead)	£3.50 (E0.25)
FERRITE RINGS	£0.45 (-)

HEADPHONES	
YAESU YH55	£10.35 (E0.50)
TRIO HS4	£10.35 (E0.50)
TRIO HS5	£21.85 (E0.50)

WORLD CLOCKS	
QTR 34	£18.40 (E0.60)
QTR 24D (QUARTZ)	£24.50 (E0.60)

MOBILE ANTENNAE (All with PL259 fitting)	Carriage
14 MHz 1/4 (20SE)	£13.80 (E1.50)
21 MHz 1/4 (1SE)	£11.50 (E1.50)
28 MHz 1/4 (10SE)	£11.50 (E1.50)
144 MHz 1/4 (03B)	£1.50 (E0.50)
144 MHz 5/8 (3dB)	£8.50 (E1.50)
144 MHz 7/8 (4-5dB)	£13.00 (E1.50)
432 MHz 2x5/8 (5-5dB)	£11.50 (E1.00)
CABLE MOUNT	£3.50 (E0.50)
GUTTER CLIP	£3.15 (E0.50)
MAGNETIC MOUNT	£6.95 (E0.50)
BOOT LIP MOUNT	£3.50 (E0.50)

MICROWAVE MODULES	
MMC 144 MHz 5/8	£24.90 (-)
MMC 432 MHz 2x5/8	£29.90 (-)
MMC 432/144S 70cm CONVERTER	£29.90 (-)
MMT 144 28 2M TRANSVERTER	£99.00 (-)
MMT 432/285 70cm TRANSVERTER	£136.00 (-)
MMT 432/144R 70cm TRANSVERTER	£173.65 (-)

MML 144 25 2M 25W LINEAR	£48.30 (-)
MML 144 100 2M 100W LINEAR	£142.60 (-)
MML 144 40 2M 40W LINEAR	£69.00 (-)
MML 432 20 70cm 20W LINEAR	£69.00 (-)
MML 432 50 70cm 50W LINEAR	£113.85 (-)
MML 432 100 70cm 100W LINEAR	£228.65 (-)
MMD 50/500 500 MHz COUNTER	£69.00 (-)
MMA 28 10M PREAMP	£14.95 (-)
MMA 144V 2M RF Switched PREAMP	£29.90 (-)
MMF 144 2M FILTER	£6.90 (-)
MMF 432 70cm FILTER	£6.90 (-)

SWR POWER METERS	Carriage
YW 3 TWIN METER	£11.50 (E0.50)
TOYO T 435 (144-435 MHz)	£34.45 (E0.75)
DAIWA SW110A (1.8-150 MHz)	£35.00 (E0.75)
WELZ SP 300 (1.8-150 MHz)	£49.95 (E0.75)
WELZ SP 400 (130-500 MHz)	£49.95 (E0.75)
DAIWA CN 620A (1.8-150 MHz)	£52.80 (-)
WELZ SP 300 (1.8-500 MHz)	£69.95 (-)
DAIWA CN 630 (140-500 MHz)	£71.00 (-)

SAFETY MICROPHONES	
ADONIS MM 202S (CLIP ON)	£20.95 (E0.50)
ADONIS MM 202H (Head Band + Up/Down)	£29.00 (E0.50)
ADONIS MM 202 FU (Swan Neck + Up/Down)	£30.00 (E0.50)
DAIWA RM 940 INFRA RED LINK	£45.00 (E0.50)

DESK MICROPHONES	
YAESU YD 148 (Dual Imp.)	£20.95 (E0.75)
TRIO MC 50 (Dual Imp.)	£24.15 (E0.75)
SHURE 444 (High Imp.)	£25.00 (E0.75)
ADONIS AM 502 Compressor Mic	£39.00 (E0.75)
ADONIS AM 802 Compressor Mic (3 outputs)	£59.00 (E0.75)

A.T.U.'S	
KX2 (Listeners A.T.U.)	£29.95 (E0.75)
MFJ 901	£50.95 (E0.75)
TRIO AT 130	£72.00 (-)
YAESU FC 707	£74.00 (-)
YAESU FC 707	£74.00 (-)
TRIO AT 200	£82.00 (-)
DAIWA CNA 1001A (Automatic A.T.U.)	£129.00 (-)

TEST EQUIPMENT	
FX1 Wave Meter	£28.00 (E0.75)
TRIO DM 801 Dip Meter	£51.00 (E0.75)



MAIL ORDER - RETAIL CALLERS 9-5.30 PM.

HIGH ST., HANDCROSS, W. SUSSEX. 0444 400786



TO ORDER ANY OF THE ABOVE ITEMS SIMPLY WRITE, ENCLOSING A CHEQUE OR PHONE YOUR CREDIT CARD NUMBER

EDITORIAL OFFICES

Practical Wireless
Westover House
West Quay Road
Poole, Dorset BH15 1JG
☎ Poole 71191

Geoff Arnold G3GSR
Editor

Dick Ganderton C.Eng., MIERE, G8VFN
Assistant Editor

Peter Metalli
Art Editor

John Fell G8MCP
Technical Editor

Alan Martin G8ZPW
News & Production Editor

Elaine Howard
Technical Sub-Editor

Rob Mackie
Technical Artist

Keith Woodruff
Assistant Art Editor

Sylvia Barrett, Sharron Breeze
Secretarial

ADVERTISEMENT OFFICES

Practical Wireless
King's Reach Tower
Stamford Street
London SE1 9LS
Telex: 915748 MAGDIV-G

Dennis Brough
Advertisement Manager
☎ 01-261 6636

Roger Hall G8TNT (Sam)
Ad. Sales Executive
☎ 01-261 6807

Claire Gerrish
Secretary
☎ 01-261 6636

Colin R. Brown
Classified Advertisements
☎ 01-261 5762

Dave Kerindi
Make-up & Copy
☎ 01-261 6570

COPYRIGHT

© IPC Magazines Limited 1981. Copyright in all drawings, photographs and articles published in *Practical Wireless* is fully protected and reproduction or imitation in whole or in part is expressly forbidden.

All reasonable precautions are taken by *Practical Wireless* to ensure that the advice and data given to our readers are reliable. We cannot however guarantee it and we cannot accept legal responsibility for it. Prices are those current as we go to press.

Practical Wireless

FEBRUARY 1981 VOL. 57 NO. 2 ISSUE 887

contents

- 20 The Basics of TV DXing—2**
Roger Bunney
- 24 PW "Twynham" Digital/Analogue Multimeter—3**
M. Tooley & D. Whitfield
- 27 IC of the Month— μ A714 Precision Op. Amp.**
Brian Dance
- 31 Accented Metronome**
R. A. Penfold
- 34 Understanding Receiver Parameters—1**
Peter Chadwick G3RZP
- 42 PW "Helford" HF SSB Transceiver—3**
Vic Goom G4AMW
- 48 PW Morse Tutor**
Ian Hickman
- 58 PW "Nimbus" 2m System—9 (16-channel Scanner)**
M. Tooley G8CKT & D. Whitfield G8FTB
- 65 Air Test**
SX-200 Scanning Receiver
Mizuho LA-2X 2m Linear Amplifier
- 69 Tape/Slide Controller—2**
Fred Judd
-
- | | |
|------------------------|----------------------------|
| 95 Advert Index | 40 Production Lines |
| 17 Comment | 17 Services |
| 18 News | 56 Sketchbook |
| 47 Next Month | 41 Uncle Ed |
| 74 On the Air | |

All these advantages...

- Instant all-weather starting
- Smoother running
- Continual peak performance
- Longer battery & plug life
- Improved fuel consumption
- Improved acceleration/top speed
- Extended energy storage

..in kit form

SPARKRITE X5 is a high performance, top quality inductive discharge electronic ignition system designed for the electronics D.I.Y. world. It has been tried, tested and proven to be utterly reliable. Assembly only takes 1-2 hours and installation even less due to the patented "clip on" easy fitting.

The superb technical design of the Sparkrite circuit eliminates problems of the contact breaker. There is no misfire due to contact breaker bounce which is eliminated electronically by a pulse suppression circuit which prevents the unit firing if the points bounce open at high R.P.M. Contact breaker burn is eliminated by reducing the current by 95% of the norm.

There is also a unique extended dwell circuit which allows the coil a longer period of time to store its energy before discharging to the plugs. The unit includes built in static timing light, systems function light, and security changeover switch. Will work all rev counters.



Fits all 12v negative-earth vehicles with coil/distributor ignition up to 8 cylinders.

THE KIT COMPRISES EVERYTHING NEEDED

Die pressed case. Ready drilled, aluminium extruded base and heat sink, coil mounting clips and accessories. All kit components are guaranteed for a period of 2 years from date of purchase. Fully illustrated assembly and installation instructions are included.

Roger Clark the world famous rally driver says "Sparkrite electronic ignition systems are the best you can buy."



Sparkrite

HIGH PERFORMANCE
ELECTRONIC IGNITION

Electronics Design Associates,
82 Bath Street, Walsall, WS1 3DE.

Electronics Design Associates, Dept. PW281
82 Bath Street, Walsall, WS1 3DE. Phone: (0922) 614791

Name _____
Address _____

Phone your order with Access or Barclaycard

Inc. V.A.T. and P.P.

QUANTITY REQ'D.

I enclose cheque/PO's for

X5KIT £16.95

ACCESS OR BARCLAY CARD No.

£
Cheque No.

Send SAE if brochure only required.



Wilmslow Audio

THE firm for speakers!

SEND 50p FOR THE WORLD'S BEST CATALOGUE OF SPEAKERS, DRIVE UNITS, KITS, CROSSOVERS ETC. AND DISCOUNT PRICE LIST.

AUDAX ● AUDIOMASTER ● BAKER ● BOWER & WILKINS ● CASTLE ● CELESTION ● CHARTWELL ● COLES ● DALESFORD ● DECCA ● EAGLE ● ELAC ● EMI ● FANE ● GAUSS ● GOODMAN'S ● HARBETH ● ISOPHON ● I.M.F. ● JORDAN ● JORDAN WATTS ● KEF ● LOWTHER ● MCKENZIE ● MISSION ● MONITOR AUDIO ● MOTOROLA ● PEERLESS ● RADFORD ● RAM ● ROGERS ● RICHARD ALLAN ● SEAS ● SHACKMAN ● STAG ● TANNOY ● VIDEOTONE ● WHARFEDAILE ●

WILMSLOW AUDIO (Dept. P.W.)

35/39 CHURCH STREET, WILMSLOW,
CHESHIRE SK9 1AS

Tel: 0625 529599

FOR MAIL ORDER & EXPORT OF DRIVE UNITS, KITS ETC.

Tel: 0625 526213

(SWIFT OF WILMSLOW) FOR HI-FI & COMPLETE SPEAKERS

J. BIRKETT

(Partners: J. H. Birkett, J. L. Birkett)

Radio Component Suppliers

25 The Strait, Lincoln. LN2 1JF

SINCLAIR NI-CAD BATTERY CHARGER - £3.30.
SUB-MINIATURE MULLARD DISC CERAMICS 1000pf 63v.w. = 25p doz.
MULLARD TYPE 808 FILM TRIMMERS 4pf, 8pf, 20pf, 60pf All 15p each.
SOLDER-IN FEED THRU'S 6.8pf, 27pf, 300pf, 1000pf All 20p doz.
EDDYSTONE TRANSMITTING VARIABLE CAPACITOR 30-30pf (60pf) = £2.20.
SPECIAL VISCONAL CAPACITORS 0.05uf 1kv = 25p, 0.0005uf 25kv = 40p, 0.05uf 10kv = 50p, 0.0005uf 75kv = 75p.
ELECTROLYTICS 16-16uf 450v.w. = 25p, 50-50uf 450v.w. = 40p.
AIR SPACED MINIATURE VARIABLES 250-250pf (500pf) = 85p.
50 BC 107-8-9 METAL TRANSISTORS Assorted untested = 60p.
VERNITRON FM4 10.7MHz FILTERS = 50p, 3 for £1.
SUB-MINIATURE AIR SPACED TRIMMERS 10pf = 20p each.
VHF-UHF FETS BF 256C = 4 for 75p, E304 = 30p, 4 for £1.
MINIATURE 12 WAY CERAMIC TAG STRIPS = 15p, 21 Way = 20p.
3 GANG VARIABLES 10-10-10pf at 75p.
2N918 VHF TRANSISTOR = 25p, STRIPLINE BF 362 = 25p.
ERIE RED CAP MINIATURE DISC .01uf 100v.w. at 5p each.
10.7MHz CRYSTAL FILTER BANDWIDTH = 7.5KHz = £5.
TRANSMITTING PRE-SET BUTTERFLY VARIABLE CAPACITORS 25-25pf = 50p, 38-38pf = 60p, 38-38pf Wide Spaced = 65p.
X BAND GUNN DIODES with data at £1.65.
H.P. HOT CARRIER DIODES 5082-2800 = 40p each.
X BAND MULTIPLIER DIODES at 6 for £1.
3/16" COIL FORMERS with core at 6 for 25p.
TTL I.C.'s House Coded 7400 = 10p, 7410 = 10p, 74L00 = 10p, 7453 = 10p, 7430 = 10p, All at 6 for 50p.
VHF WIRE ENDED R.F. CHOKES 30U.F., 25 for 50p.
PAPER CAPACITORS 10u.f. 370VAC size 5 1/2" x 2 1/2" x 1 1/2" = £1.50.
NKT 274 or NKT 214 PNP TRANSISTORS = 6 for 50p.
50 OC 71 TRANSISTORS untested = 75p.
80 METRE CRYSTALS 10X Type 3642.5KHz, 3750KHz. Both 40p each.
144 MHz 10X CRYSTALS 8010KHz, 8050KHz Both 40p each.
B7G GLASS CRYSTALS 327.56KHz, 327.86KHz, 10.025MHz, Dual Type 20.1875MHz = 20.2375MHz Wire ended. All at 50p each.
3 GANG VARIABLES Air Spaced 365-365-365 SM Drive = 95p.
VHF SIGNAL TRANSISTORS 2N 918 = 25p, 2N 5179 = 50p, 2N 5180 = 50p, AF 239 = 50p, 2N 4123 = 15p.
UHF POWER MODULE 50mW Input 2.5 Watt Out 420-480MHz 13 Volt 50 Ohm Type BGY 22C with data = £12.50.
VERY USEFUL HF-VHF POWER TRANSISTORS 587BLY 27MHz To 70MHz SSB, FM 40 watt 24 Volt with data = £3.
BLY55 175MHz 4 Watt 12 Volt with data = £2.50.
BLY97 24 Volt 175MHz 4 Watt with data = £3.
BFR64 470MHz 13 Volt 3 Watt with data = £4.
VHF POWER TRANSISTORS Unmarked good 2N 3866 = 3 for 75p.
2GHZ STRIPLINE NPN TRANSISTORS = £1 each.
5GHZ LOW NOISE STRIPLINE with data sheets = £3.
PIN DIODES FOR TRANSMIT-RECEIVE IN MOBILE RADIOS Pass 1 Amp RMS with data at 40p each.
500MTR REEL OF PVC CABLE 13 Strand .019 at £10. Carr. Paid.
SUB-MINIATURE COIL FORMERS with core Dia. 4mm 9mm Long = 7p. 6 for 35p.
MIKE INSERTS TYPE VAB54B at 40p each.
HIGH POWER VHF TRANSISTOR 45 Watt 175MHz 28 Volt FM or SSB 5 watt Drive 570 BLY with data = £8.20.

Postage 30p. Orders over £3 post paid.

MICROSYSTEMS '81

EXHIBITION & CONFERENCE

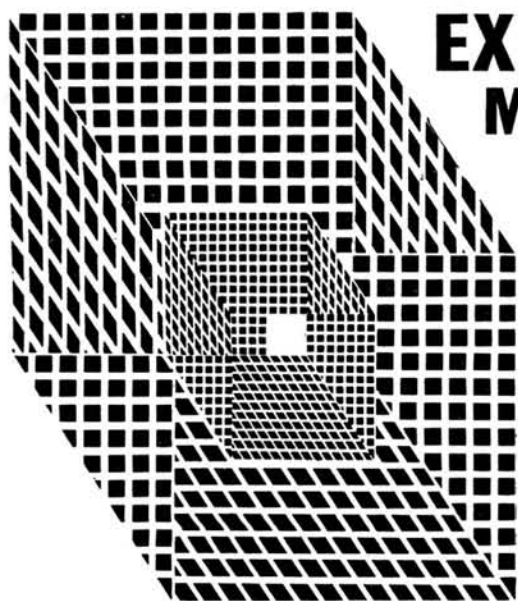
March 11-13, 09.30-18.00 daily

Wembley Conference Centre

Exhibition admission £1.00 A complete study of microprocessors in use.

Microsystems '81 consists of a wide ranging exhibition, together with a three day conference and three one-day microprocessor awareness courses. Together they comprise an invaluable opportunity for those interested in microprocessor applications and the latest developments in microelectronics technology.

Take advantage of this unique event to examine and discuss a comprehensive range of microprocessors, peripherals, memory products and personal computers together with the software which accompanies them.



For Conference details write to:
The Conference Administrator
IPC Conferences Ltd, Surrey House,
1 Throley Way, Sutton,
Surrey SM1 4QQ

For *advance exhibition tickets at £1 each, write to:
Microsystems Tickets
IPC Exhibitions Ltd, Surrey House,
1 Throley Way, Sutton,
Surrey SM1 4QQ

*Please note applications for tickets cannot be accepted after February 23, although tickets will be available at the door price £1. Cheques should be made payable in UK sterling to IPC Business Press Limited.

COMMUNICATIONS RECEIVERS made by Murphy Radio for Navy; high grade Rx covering 60 to 560Kc in two bands and 1.5 to 30 Mc/s in 3 bands, uses 13.137g type valves as 2 RF stages, 3x IF stages at 800Kc. Det.N.Lim. AVC 2x AF stages. BFO and 800Kc crystal Cal. the O/P stage matches to 100 ohm phones or 2 watts into 600 ohm. Controls, Main, Tune Band Sel. RF gain, LF gain. Phone gain, AVC On/off, Selectivity at 8, 3, 1Kc. or 200 c/s the 1Kc sel uses Bandpass Crystal filter the 200c uses Crystal plus Audio Filter, the BFO can be swt to upper or lower beat i.e. 801 or 799Kc int set, also 800Kc for tune. There are two O/P jacks for phones and one for spk. on front panel, provision for 75 ohm Ae I/P or long wire. Complete in steel case size 13" x 14" deep. Note these Rx require external power supply giving 250v 100Ma and 150v Stab DC 6.3v AC at 4 amps. There is room inside the case to build an internal P.U. Supplied tested with circ. and 40 page handbook. **£115.**

VIDEO RECORDERS Philips type LDL1000 portable monochrome 625 line reel to reel type 1/2" tape 75 ohm I/P and O/P 1v sig. .4v Vid ext size 42 x 34 x 20 Cm weight 12Kg 240v 50c I/P supplied in good cond with 80 page handbook untested with 2x tapes, fuller spec on request **£185.**

TEST SET CT373 Audio bench set Osc 17c to 170Kc. AF VTVM Dist meas set new cond with book, full spec on request **£80.**

Above prices include carr./postage & VAT. Goods ex equipment unless stated new. 2 x 10p stamps for list 25/1.

A. H. SUPPLIES

122 Handsworth Road,
Sheffield S9 4AE.
Tel. 444278 (0742)

P.W. KITS

P. W. NIMBUS

Transceiver (PCB & all components except channel xtals) **£46.00**
Modulator (PCB & all components) **£4.50**
General Assembly (Aerial, mike, box, speakers etc.) **£32.50**
Complete Kit (if all parts purchased) **£80.00**

ADD ON BASE UNIT

Complete Kit **£38.00**

Many other P.W. kits available including:-

Wideband RF Pre-Amp **£7.50** AF Speech Processor **£17.00**
Beginners 2m Converter **£15.00** Model Railway Controller **£21.50**
VHF/UHF Repeater Station Timer (main board only) **£22.50**
Linear Frequency Meter Tone burst and Timer Module.
Also: Philips 5" Scope Tubes (CV2191/DG132) **£12.50.**

We also stock Kits for projects published in most magazines. Personal callers welcome - but please phone first to check availability.

All Prices include post and VAT.

T. POWELL 306 St. Paul's Road, Highbury Corner,
London N1. Telephone: 01-226 1489.

ACCESS/VISA ACCEPTED
Shop open: Mon. to Fri. 9-5.30. Sat. 9-4.30.

TRANSFORMERS + VAT 15%

30 VOLT RANGE (Split Sec)
Sec Voltages available 3, 4, 5, 6, 8, 9, 10, 12, 15, 18, 20, 24, 30V or 12V-0-12V or 15V-0-15V.

Ref.	Amps	Price	P&P
112	5	2.90	0.90
179	1	3.93	1.10
3	2	6.35	1.10
20	3	7.39	1.31
21	4	8.79	1.31
51	5	10.86	1.52
6	6	12.29	1.52
88	8	16.45	1.89
89	10	18.98	1.89
90	12	21.09	2.29
91	15	24.18	2.39
92	20	32.40	O.A.

50 VOLT RANGE (Split Sec)
Sec 50V Voltages available 5, 7, 8, 10, 13, 15, 17, 20, 33, 40 or 20V-0-20V or 25V-0-25V.

Ref.	Amps	Price	P&P
102	5	3.75	0.90
103	1	4.57	1.10
104	2	7.88	1.31
105	3	9.42	1.52
106	4	12.82	1.73
107	6	16.37	1.89
118	8	22.29	2.39
119	10	27.48	O.A.
109	12	32.88	O.A.

MAINS ISOLATORS (SCREENED)
Pri 0-120: 0-100-120V (120, 220, 240V) Sec 80-55-0-55-60 twice to give 55, 60, 110, 115, 120, 125, 175, 180, 220, 225, 230, 235, 240.

Ref.	VA	Price	P & P
*07	20	4.84	0.91
149	20	7.37	1.10
103	100	8.38	1.31
151	200	12.28	1.31
152	250	14.61	1.73
153	350	18.07	2.12
154	500	22.52	2.47
755	750	32.03	O.A.
156	1000	40.92	O.A.
157	1500	56.52	O.A.
158	2000	67.99	O.A.
159	3000	95.33	O.A.

*Pri 0-220-240V Sec 115 or 240V. State sec. volts required.

CASED AUTO TRANSFORMERS
240V cable in 115V USA flat pin outlet

VA	Price	P & P	Ref.
20	6.55	1.03	56W
75	8.50	1.31	64W
150	11.00	1.31	4W
250	13.39	1.67	69W
500	20.13	1.89	67W
1K	30.67	2.65	84W
1500VA	42.82	O.A.	93W

Voltagcs stated are on full load

Continuous Ratings

60 VOLT RANGE (Split Sec)
Pri 220/240V sec 0-24-30-40-48-60V. Voltages available 6, 8, 10, 12, 16, 18, 20, 24, 30, 36, 40, 48, 60 or 24V-0-24V or 30V-0-30V.

Ref.	Amps	Price	P&P
124	5	4.27	1.10
126	1	6.50	1.10
127	2	8.36	1.31
125	3	12.10	1.31
123	4	13.77	2.12
40	5	17.42	1.89
120	6	19.87	2.12
121	8	27.92	O.A.
122	10	32.51	O.A.
189	12	24	

Soldering Iron - 25W to BS spec. £1.75 P&P 30p + VAT
Solder Gun - 100W include bulb for spot on vision and joints £5.35 P&P 70p + VAT

De-Solder Pumps - Spring loaded with quick action button release for one handed working.

Large £5.10 P&P 35p + VAT Small £4.75 P&P 30p + VAT
Replacement tips Small 65p + VAT. Large 86p + VAT

ABS Boxes: inset brass nuts, slots PC flush lid.
PB1 80mm x 62 x 40 80p
PB2 100mm x 75 x 40 90p
PB3 120mm x 100 x 45 £1.04
PB4 215mm x 130 x 85 £2.68
P&P 33p + VAT.

MAINS ELIMINATORS
Plugs into 13A socket 3V + 100mA or 6, 9, 12V + 300mA £4.60, P&P 55p + VAT.
Burglar Alarm: ultrasonic 20ft range, no installation costs, key operated; built in siren (external can be added). Looks like a speaker. £98.00 P&P £2.00 + VAT.

Metal Oxide Resistors - 1/4W 5% £1.00 per 100. A bargain.
390Ω/470Ω/510Ω/560Ω/820Ω/1K/1K1/1K2/1K6
1K8/2K/2K4/3K/16K/20K/22K/24K/47K/82K/100K
110K/120K/130K/180K/220K/270K/300K
Use instead of Carbon Film (100's only) 30p P&P + VAT.

Antex Soldering Irons 15W & 25W £4.58
each. Safety Stand £1.75 P&P 52p each.

P.W. Purbeck oscilloscope transformer 250-0-250; 6.3V; 12.9V £8.42 £1.04
(author approved)

12 OR 24V OR 12-0-12V
Pri 220-240 volts

Ref.	12V	24V	Price	P&P
111	0.5	0.25	2.42	0.52
213	1.0	0.5	2.90	0.90
71	2	1	3.86	0.90
18	4	2	4.46	1.10
85	0.5	2.5	6.16	1.10
70	6	3	6.99	1.10
108	8	4	8.16	1.31
72	10	5	8.93	1.31
116	12	6	9.99	1.52
117	16	8	11.79	1.52
115	20	10	15.37	2.39
187	30	15	19.72	2.39
226	60	30	40.41	O.A.

SPECIAL OFFER
Multimeter 20KΩ B/V - with combined audio/F test oscillator at 1 KHz and 465 KHz AC/DC to 1000 volts DC current to 500mA resistance to 1M. Size 160x97x40mm £8.50 P & P £1.00 VAT 15%.

20,000 ohm/V Multimeter, mirror scale Ranges AC DC to 1000V DC current to 250mA Resistance to 3 Mohms 5" x 3 1/2" x 1 1/2" £14.36 P&P £1.00 VAT 15%

U4315 Budget Meter. 20KΩ/V Ranges to 1000V. 2.5A AC/DC 500KΩ Res. In steel case £15.85. PP £1.15 VAT 15%

NEW RANGE TRANSFORMERS
2 windings 0-36V-48V/36V-0-36V or 96V. 48V-0-48V 72V or 96V.

CONNECTORS:

Thorn	Amps	Ref.	Price	P&P
1.0	430	4.88	0.76	
2.0	431	6.12	0.99	
3.0	432	13.35	1.31	
4.0	433	16.17	1.40	
5.0	434	20.65	2.11	
6.0	435	29.30	2.47	
8.0	436	36.69	O.A.	
8.0	437	40.03	O.A.	

PANEL METERS
43mm - 43mm 82mm - 78mm
0 50mA 6.20 0 50µA 6.70
0 500µA 5.95 0 500µA 6.70
0 1mA 5.95 0 1mA 6.70
0 30V 5.95 0 30V 6.70
VU ind Panel 40mm x 40mm 48mm x 45mm 250µF fsd or VU edge SV041 centre zero 250µF £2.60 Carriage 76p VAT 15%

Send 20p stamps for Catalogue. Prices correct 1/8/1980.

SCREENED MINIATURES

Ref.	mA	Volts	£	P&P
238	200	0-0-3	2.83	0.63
212	1A, 1A	0-6-0-6	3.14	0.90
13	100	9-0-9	2.35	0.44
235	330, 330	0-9-0-9	2.19	0.44
207	500, 500	0-8-9, 0-8-9	3.05	0.85
208	1A, 1A	0-8-9, 0-8-9	2.88	0.90
236	200, 200	0-15-0-15	2.19	0.44
214	300, 300	0-20-0-20	3.08	0.90
221	700 (DC)	20-12-0-12-20	3.75	0.90
206	1A, 1A	0-15-20-0-15-20	5.09	1.10

AVO TEST METERS
AVO 8 MK5. Latest Model £106.40
AVO 71 £43.10
AVO 73 £58.60
AVO MM5 minor £36.90
AVO Wee Megger £87.00
AVO T1169 in circuit transfer tester £45.00
AVO EM272 316K -Volts £63.40
AVO DA116 Digital £108.90
AVO BM7 Megger £58.60
AVO Clamp Meter to 300A £59.10
All Avos Meggers and accessories available.

Split Bobbin Type
0-12-15-20-24-30V
Ref 009 1 Amp £2.98 P & P £1.10
Ref 010 2 Amp £4.62 P & P £1.10

15V RANGE O-C Tap (7.5-0-7.5V)

Ref.	mA	Price	P & P
171	500 mA	2.30	0.52
172	1A	3.26	0.90
173	2A	3.95	0.90
174	3A	4.13	0.99
175	4A	6.30	1.10

EDUCATIONAL METERS (Moving Coil)
0-10A, 0-15V, 0-30V. Freestanding large scale easily read meters with top screw terminals for quick connections. £4.50 P&P 66p + VAT. Size 75x78mm

END OF LINE OFFERS
30 - Isolator 240V/240V 200VA £4.62 £1.10
M616 - 0-240V: Screen 11 13-0-13 1A, 21 12V 150mA £1.50 60p
M489 - 0-24V: 1400V + 150mA, 6.3V + 4A £5.50 £1.04
M708 - 6k to 3Ω matching trans. 5 watt 90p 40p
M679 - 240V, 36V 1.6A £3.00 78p
M659 - 100V Line to 4Ω 10 watts £1.90 60p
M1020 - 0-240V 12-0-12V + 50mA 75p 30p
M1126 - 120/240V: 9-0-9V + 1A £1.79 71p

Barrie Electronics Ltd.
3, THE MINORIES, LONDON EC3N 1BJ
TELEPHONE: 01-488 3316/7/8
NEAREST TUBE STATIONS: ALDGATE & LIVERPOOL ST

PCB'S FOR PRACTICAL WIRELESS PROJECTS

Jan. 80.	Nimbus Radio Control Encoder	WR061	Price £2.28 30 pence p&p.
Jan. 80.	Nimbus Radio Control Rec.	WR064	Price £2.92 30 pence p&p.
Jan. 80.	A.F. Speech Processor	WR068	Price £2.28 30 pence p&p.
Jan. 80.	Wide Band Pre Amp.	WR067	Price £0.70 30 pence p&p.
Jan. 80.	Nimbus Radio Control T.X.	WR062	Price £2.26 30 pence p&p.
April 80.	Signal Generator	WR070	Price £2.71 30 pence p&p.
April 80.	P.W. Nimbus Relay	WR075	Price £0.55 30 pence p&p.
April 80.	P.W. Nimbus Modulator	WR074	Price £0.70 30 pence p&p.
April 80.	Nimbus Transceiver	WR073	Price £5.30 30 pence p&p.
May 80.	Hundred Second Photo Timer	WR078	Price £2.48 30 pence p&p.
June 80.	Audio Limiter Main Board	WK076	Price £2.00 30 pence p&p.
June 80.	Audio Limiter	WK077	Price £1.15 30 pence p&p.
June 80.	Audio Limiter RF Input Board	WR079	Price £1.30 30 pence p&p.
June 80.	VHF/UHF Repeater Timer Main	WR080	Price £1.90 30 pence p&p.
June 80.	P.W. Nimbus Base Station Adpt.	WR083	Price £2.60 30 pence p&p.
June 80.	Acoustic Flash Trigger	WRK84	Price £1.25 30 pence p&p.
Aug. 80.	Model Railway Controller	WR085	Price £2.17 30 pence p&p.
Sept. 80.	Transceiver Power Unit	WR095	Price £0.62 30 pence p&p.
Sept. 80.	P.W. Nimbus Tonedurst/Timer Module	WR096	Price £1.85 30 pence p&p.
Sept. 80.	Beginners 2m Converter	WAD634	Price £1.08 30 pence p&p.
Sept. 80.	P.W. Tamar Board 1	WR086	Price £0.80 30 pence p&p.
Sept. 80.	P.W. Tamar Board 2	WR087	Price £1.50 30 pence p&p.
Sept. 80.	P.W. Tamar Board 3	WR088	Price £1.71 30 pence p&p.
Sept. 80.	P.W. Tamar Board 4	WR089	Price £1.71 30 pence p&p.
Oct. 80.	P.W. Tamar Board 5	WR090	Price £3.70 30 pence p&p.
Oct. 80.	P.W. Tamar Board 6	WR091	Price £3.70 30 pence p&p.
Oct. 80.	P.W. Nimbus 7 Mains PSU/Charger	WR097	Price £0.80 30 pence p&p.
Oct. 80.	Direct Conversion Receiver	WR082	Price £1.40 30 pence p&p.
Nov. 80.	Linear Scale Resistance Meter	WAD641	Price 90p 30 pence p&p.
Nov. 80.	Model Radio Control Field Test Unit	WK100	Price 90p 30 pence p&p.
Nov. 80.	M.R.C.F. T.V.	WK101	Price 90p 30 pence p&p.
Nov. 80.	P.W. Helford	CA4FL	Price £2.24 30 pence p&p.
Nov. 80.	P.W. Sherborne Synth Boards	1-2	£8.95 per set 30 pence p&p.
Dec. 80.	P.W. Helford	WR0104	50p per set 30 pence p&p.
Dec. 80.	Bird Scarer	WR0101	94p per set 30 pence p&p.
Dec. 80.	Bird Scarer	WR0102	£1.05 per set 30 pence p&p.
Dec. 80.	Buffer Amp	WR0103	90p per set 30 pence p&p.

FULL RANGE OF RS COMPONENTS AVAILABLE

C. BOWES ELECTRONICS
252A Stockport Road, Cheadle Heath, Stockport, Cheshire SK3 0LX.
Tel: 061-428 4497
Please enclose cheque or postal order with order.

TV SPARE PARTS & COMPONENTS

The Practical Wireless TV Sound Tuner. Still unsurpassed! Parts still available. Price List, copy of original article supplied on request. (cost of set of parts £28.40 incl. p/p & VAT)
Callers still welcome at shop premises.

MANOR SUPPLIES
(Tel. 01-794 8751)
172 WEST END LANE, LONDON NW6.
(near W. Hampstead Jubilee and British Rail Stations).

L.B. ELECTRONICS

SPECIAL OFFER: - 5" LED displays. FND500 Full spec. 50p each, larger quantities P.O.A. P/P 25p.
FULL SPEC JUST ARRIVED: Battery eliminator 6V 200mA, brand new 95p each. P/P 35p. 5K Multi turn trim pots. PCB Mounting, pack of 14 £2.50. P/P 25p.
CAPACITOR SCOOP: 1600uf at 10V. 160uf at 25V axial lead 24 at £1.00 (mixed). P/P 25p.
GIVE AWAY: 22 pin low profile DIL socket, gold plated 12p each. 10 at £1.00. P/P 25p.
PEWEC: Mini fans 80mm - 80mm approx. 115V £4.50. P/P £1.00.
TANTALUM CAPACITORS: 4.7uf at 25V. 14 for £1.00. P/P 25p.
LEDS: 2" Red 12p, TL209 10p, OCP70 5p, 2114 (45ONS) £1.85 each P/P 25p. 2708 (45ONS) £3.00. 2526 (Character Generator) £2.95. 2716 Eprom (single rail full spec.) £6.95 P/P 25p.
ALL I.C.'s POSTAGE AND PACKING 25p
ALL PRICES INCLUSIVE OF V.A.T.
MANY SURPLUS COMPUTER BARGAINS
ACCESS AND BARCLAYCARD ACCEPTED
L.B. ELECTRONICS
11 Hercies Road, Hillingdon, Middlesex UB10 9LS.
Telephone: (89) 55399.

LOOK!

Here's how you master electronics.

... the practical way.

This new style course will enable anyone to have a real understanding by a modern, practical and visual method. No previous knowledge is required, no maths, and an absolute minimum of theory.

You learn the practical way in easy steps mastering all the essentials of your hobby or to further your career in electronics or as a self-employed electronics engineer.

All the training can be carried out in the comfort of your own home and at your own pace. A tutor is available to whom you can write, at any time, for advice or help during your work. A Certificate is given at the end of every course.

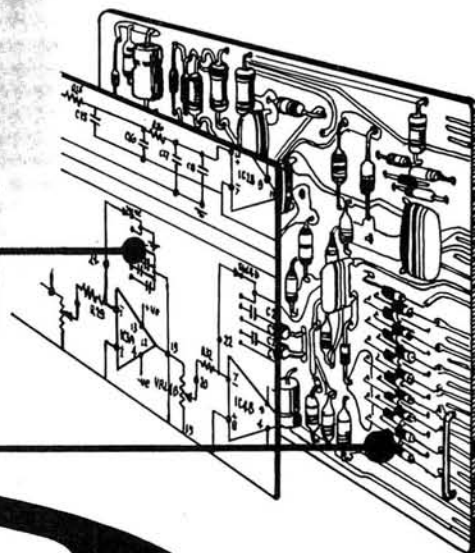
1. Build an oscilloscope.

As the first stage of your training, you actually build your own Cathode ray oscilloscope! This is no toy, but a test instrument that you will need not only for the course's practical experiments, but also later if you decide to develop your knowledge and enter the profession. It remains your property and represents a very large saving over buying a similar piece of essential equipment.



2. Read, draw and understand circuit diagrams.

In a short time you will be able to read and draw circuit diagrams, understand the very fundamentals of television, radio, computers and countless other electronic devices and their servicing procedures.



3. Carry out over 40 experiments on basic circuits.

We show you how to conduct experiments on a wide variety of different circuits and turn the information gained into a working knowledge of testing, servicing and maintaining all types of electronic equipment, radio, t.v. etc.

4. Free Gift.

All students enrolling in our courses receive a free circuit board originating from a computer and containing many different components that can be used in experiments and provide an excellent example of current electronic practice.

FREE

Post now, without obligation, to:-

BRITISH NATIONAL RADIO & ELECTRONICS SCHOOL

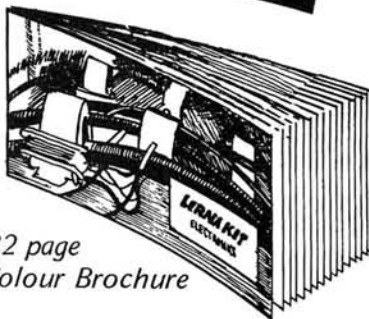
4 Cleveland Road, Jersey, Channel Islands.

NAME _____

ADDRESS _____

Block caps please

PW2

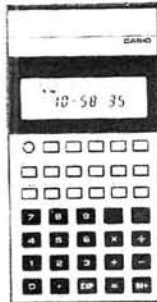


32 page
Colour Brochure

CASIO'S SUPERCALCS are back

★ NEW MODEL FX-6100 ★

Clock Hours, minutes, seconds, am/pm.
Alarm Alarm signal at pre-set time.
Hourly chimes Every hour, on the hour.
Countdown alarm Repeater timer. Max 10 hours.
Stopwatch Normal, net & lap times to 1/100 second.
Calculator 8 digits (or 6+2). 39 scientific functions.
True algebraic logic. 5 level parenthesis, cube roots, standard deviations, R-P, P-R coordinates conversions, sexagesimal conversions, full memory.
%. Approx 14 months on 2 penlight batteries (AA).
1.5x3x5 1/2"
(RRP £22.95)



FX-7100 Card version of above with kiss touch keys. **£19.95**

FX-8100 Specifications as above plus permanently programmed calendar (1976-1999), day, date, month and year, 8 digits (or 8+2), hyperbolics, and additional countdown alarm (self-clearing). 1.5x2.5x5 1/2"
Our best selling scientific (RRP £27.95) £24.95

LINEAR REGRESSION at your fingertips

With Casio's new low-cost programmable scientific **FX-3500P** 35 step programmable with a multitude of built-in functions, including Linear Regression. Available Dec/Jan. Provisional price **ONLY £22.95**

THE ULTIMATE WATCHES

★ STAR BUY FOR 1981 ★

Our best selling watch



AA81 LCD ANALOGUE/DIGITAL Alarm Chronograph with countdown. Analogue. Independent hours and minutes with synchronous digital seconds. Dual time ability. Digital. Hours, minutes, seconds, day and date. Stopwatch. 1/100 second to 12 hours. Net, lap and 1st and 2nd place. Start/stop and 10 minute signals. Alarm. For 30 seconds with carousel display. Countdown Alarm. Normal and net times to 1 hour, with amazing "Star Burst" flashing display. Time signal. Half hourly and hourly chimes. Tone control. Lithium battery. Light. Water Resist case. 8.65mm thick. Mineral glass.

AA81 Analogue Display **£29.95**
AA82 Digital Display **£49.95**
AA81 Chrome plated **£29.95**
AA81G Gold Plated **£49.95**
AA82 Stainless Steel **£39.95**

12 MELODY ALARM CHRONOGRAPHS

Countdown alarm. Date memories. Hours, minutes, seconds, am/pm. 12 or 24 hour. Day, date and month auto calendar. Alarm. 7 melodies, one for each day of the week. Hourly time signals. With "Big Ben" type tune. Date memory. Select either "Wedding March" or "Trinkled" to be played. Birthday and Christmas Memory. Countdown alarm. From 1 second to 1 hour. After zero, count continues positively. Stopwatch. 1/10 second to 1 hour. Net, lap etc. Picturesque moving display of notes played. Light. Lithium. Glass. Water Resist. cases. M-12 resin, s/s trim. M-1200 all s/s 9.0mm thick.



£24.95 **£29.95**
For around 40 functions.

100 METRE WATER RESISTANT

Alarm Chronographs with countdown. Amazing 5 year lithium battery life. Hours, minutes, seconds, am/pm, day, date and month. 12 or 24 hour. Time is always visible regardless of display mode. Stopwatch. 1/100 second to 1 hour. Net, lap, 1st and 2nd. Start/stop signal, 10 minute signal. Alarm. Sounds for 30 seconds. Countdown Alarm. Normal and net times to 12 hours. Start/stop and 10 minute signals. Time signal. Half hourly and hourly chimes. W-100. All resin. W-150B. All s/s. W-150C (not illustrated) s/s case/resin strap **£25.95**.



£19.95 **£32.50**
For around 30 functions

A250. As above but with standard water resistant case. **£24.95**.
S220. As above but with dual time in lieu of alarms and chimes **£25.00**.

SEIKO Alarm chronograph watches from £37.50

Send 12p for details of Casio and Seiko products.

REMEMBER! We promise to beat any lower advertised price by 5% providing the advertiser has stocks and we still make a small profit. Just send details and your remittance for the lower amount.

Price includes VAT, P&P. Send your remittance or phone your credit card number to:

TEMPUS

Dept: PW, Beaumont Centre, 164-167 East Rd., Cambridge CB1 1DB Tel: 0223 312866

VALVES

EY51	0.85	POS00/510	4.30	UAF42	1.20	5B/255M	11.50	6F12	1.50
EY81	0.95	PFL200	1.10	JBF80	0.70	5B/258M	8.00	6F14	1.15
EY86/87	0.80	EY88	2.80	JBL1	1.25			6F17	1.15
AZ293	8.80	ECH81	0.70	PL36	2.25	5R4GY	1.30	6F23	0.75
AZ900	9.20	ECH84	0.80	EZ80	0.70	UJL21	1.75	6F24	1.75
AR8	0.75	ECL80	0.70	PL81	0.85	UCC84	0.85	6F33	10.50
AR3	0.70	ECL82	0.75	EZ81	0.70	UCC85	0.70	6F34	10.50
ATP4	0.60	ECL85	1.40	GY501	1.30	UCC86	1.30	6G8A	0.90
B12H	3.90	ECL86	0.80	G232	4.20	UCC87	0.75	6G8A	0.95
CY31	1.40	ECL88	0.90	G234	3.90	UCL82	0.95	6G8B	1.60
DAF96	0.70	EF37A	1.50	G237	2.90	UF41	1.25	6J4	1.35
DEF22	21.95	EF39	1.25	KT66	6.30	UF80	0.95	6J4WA	2.00
DF96	0.70	EF40	1.25	KT88	9.20*	UF85	0.95	6J5	2.30
DK96	1.20	EF41	1.30	KT88	9.20*	UL41	1.50	6J5G	0.90
DH76	0.75	EF80	0.85	MH4	2.50	UL84	0.95	6J6	0.65
DL92	0.60	EF83	1.75	ML6	2.50	UM80	0.90	6J6G	0.90
DY86/87	0.65	EF85	0.60	N78	9.90	UM84	0.70	6K5	1.20
DY802	0.65	EF86	0.75	OA2	0.70	UY82	0.70	6K5G	2.95
E551	14.20	EF91	1.50	OB2	0.80	UY85	0.85	6K7	0.80
E88CC	1.80	EF92	2.90	PC85	0.60	VR105/30	1.25*	6K7G	0.50
E88CC/01	3.10	EF95	0.65	PC86	0.95	VR105/30	1.25*	6K8G	0.65
E92CC	1.20	EF96	0.60	PC87	0.85	XR105/30	1.35	6M4	2.50
E180CC	2.80	EF183	0.80	PC88	0.95	X66	0.95	6M4G	2.50
E180CC	6.30	EF184	0.80	PC88	0.95	X61M	1.70	6M5	1.00
E180CC	4.95	EF182	0.75	PC900	1.15	X61M	1.70	6M5G	1.00
EA76	2.25	EF200	1.85	PC900	1.15	X61M	1.70	6M5G	1.00
EAB80	0.60	EHS0	0.85	PC900	1.15	X61M	1.70	6M5G	1.00
EB1	0.60	EL32	1.80	PC900	1.15	X61M	1.70	6M5G	1.00
EB33	1.15	EL34	2.90	PC900	1.15	X61M	1.70	6M5G	1.00
EB50	0.90	EL37	4.40	PC900	1.15	X61M	1.70	6M5G	1.00
EBF80	0.80	EL38	4.60	PC900	1.15	X61M	1.70	6M5G	1.00
EBF80	0.80	EL41	1.40	PC900	1.15	X61M	1.70	6M5G	1.00
EC52	0.65	EL81	0.95	PC900	1.15	X61M	1.70	6M5G	1.00
EC91	3.40	EL82	0.70	PC900	1.15	X61M	1.70	6M5G	1.00
EC92	0.85	EL84	0.80	PC900	1.15	X61M	1.70	6M5G	1.00
EC81	0.85	EL88	0.95	PC900	1.15	X61M	1.70	6M5G	1.00
EC82	0.80	EL90	1.00	PC900	1.15	X61M	1.70	6M5G	1.00
EC83	0.65	EL91	4.20	PC900	1.15	X61M	1.70	6M5G	1.00
EC84	0.60	EL95	0.80	PC900	1.15	X61M	1.70	6M5G	1.00
EC85	0.60	EL504	1.70	PC900	1.15	X61M	1.70	6M5G	1.00
EC86	1.40	EL509	2.70	PC900	1.15	X61M	1.70	6M5G	1.00
EC88	0.80	EL802	1.70	PC900	1.15	X61M	1.70	6M5G	1.00
ECC189	0.95	EL821	8.20	PC900	1.15	X61M	1.70	6M5G	1.00
ECC804	0.90	EL822	9.90	PC900	1.15	X61M	1.70	6M5G	1.00
ECF80	0.85	EM31	1.60	PC900	1.15	X61M	1.70	6M5G	1.00
ECF82	0.65	EM80	0.85	PC900	1.15	X61M	1.70	6M5G	1.00
ECF801	1.05	EM81	0.85	PC900	1.15	X61M	1.70	6M5G	1.00
ECH34	2.25	EM84	0.85	PC900	1.15	X61M	1.70	6M5G	1.00
ECH35	1.70	EM87	1.15	PC900	1.15	X61M	1.70	6M5G	1.00

VAT INCLUDED

PC900	1.15	00V03/10	2.85	2759	9.00	6A05W	1.80	6L76	0.65
PC900	1.15	00V03/20A	14.40	2749	0.75	6A56	1.15	6L76G	0.65
PC900	1.15	00V03/25A	21.20	2800U	3.45	6A56G	0.60	6L80	2.55
PC900	1.15	00V06/40A	16.10	2801U	3.75	6AX4G	1.30	6L80G	0.70
PC900	1.15	00V03-12	4.20	2803U	3.95	6AX5GT	1.30	6S7	1.15
PC900	1.15	SCI/400 4.50	4.50	7900T	2.45	6BBG	0.40	6S7G	1.05
PC900	1.15	SCI/600 4.50	4.50	IA3	0.85	6BA6	0.55	6SK7	0.95
PC900	1.15	SP61	1.80	IL4	0.50	6BE6	0.60	6SL7GT	0.85
PC900	1.15	T21	16.50	IR5	0.60	6BG6G	1.60	6SN7GT	0.80
PC900	1.15	U25	1.15	IS4	0.45	6BJ6	1.30	6SR7	1.10
PC900	1.15	U26	1.15	IS5	0.45	6B07A	0.85	6S07	0.95
PC900	1.15	U27	1.15	IS6	0.45	6BR7	4.40	6V6G	1.50
PC900	1.15	U191	0.85	IS7	0.45	6B8W	5.20	6V6GT	0.95
PC900	1.15	U281	0.70	IS8	0.45	6C56	0.50	6X4	0.75
PC900	1.15	U301	0.65	IS9	0.45	6C4	0.50	6X4WA	2.10
PC900	1.15	U800	11.50	IS10	0.45	6C6	0.55	6X5GT	0.85
PC900	1.15	U801	0.90	IS11	0.45	6C8	0.50	6Y6G	0.90
PC900	1.15	U802	1.20	IS12	0.45	6C6L	1.70	6Z4	0.70
PC900	1.15	U803	1.20	IS13	0.45	6C5Y	1.15	6T7	1.15
PC900	1.15	U804	1.20	IS14	0.45	6D6	0.70	7Y4	1.00
PC900	1.15	U805	1.20	IS15	0.45	6E8A	3.20	902	0.70
PC900	1.15	U806	1.20	IS16	0.45	6F6	1.60	902G	2.90
PC900	1.15	U807	1.20	IS17	0.45	6F6GB	1.10	10DC2	0.85
PC900	1.15	U808	1.20	IS18	0.45	6F7	2.80	10F18	1.70
PC900	1.15	U809	1.20	IS19	0.45	6F8G	0.85	10P13	2.20

POSTAGE: £1-£3 30p, £3-£5 40p, £5-£10 45p, £10-£15 60p, Over £15 free, minimum order £1.
A lot of these valves are imported and prices vary for each delivery, so we reserve the right to change prices when new stock when unavoidable.

VALVES AND TRANSISTORS
Telephone enquiries for valves, transistors, etc.: retail 749 3934, trade and export 743 0899.

COLOMR (ELECTRONICS) LTD. 907359 London
170 Goldhawk Rd., London W.12
Tel. 01-743 0899
Open Monday to Friday 9-1 pm, 2.00-5.30 pm.

WOOD & DOUGLAS

With the winter evenings approaching, the constructional season for radio amateurs is about to begin. If you are undecided on your winter project perhaps you can find something in our range of over 30 kits and modules to suit you.

70FM05TR In case you missed October's review of this single channel FM transceiver for 70 cms here are a few details. The receiver sensitivity is typically 0.4µV and uses dual gate MOSFETS and a high quality crystal filter. The audio output drives an 8Ω speaker. The transmitter gives 500mW of RF and has a modulator on the pcb. Both boards use readily available crystals and measure a very compact 6" by less than 1 1/4".
Kit RX £38.50 Assembled RX £47.25
TX £17.80 TX £25.95

70MC06TR When one channel is not enough then by adding this two pcb set you will have 6 channels on tx/rx. This includes a toneburst for repeaters and a scanner to ease monitoring.
Kit RX £18.60 Assembled RX £26.05
TX £11.30 TX £18.10

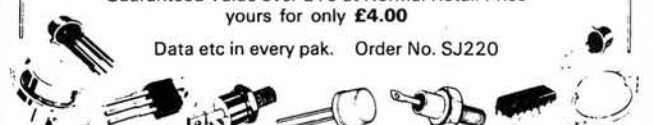


144SY25B An FM synthesiser for 25KHz steps at 144-146MHz. The output frequencies are 5-5, 11, 22 or 45MHz on receive and 6, 12 or 24MHz on transmit. This will feed most commercial radio telephones and also the PW NIMBUS. So for the cost of ten crystal channels you get full band coverage, crystal controlled toneburst, repeater ±600KHz offset, out of lock inhibit and channel selection by channel number.
Kit £50.95 Assembled £69.70

INTERESTED? If you would like further details of these and our many other products then send a large SAE (please!) for the latest lists. The above prices include VAT at the current rate but please add 60p p&p on the total order. The prices include all items to make a working pcb module. We do not supply external hardware such as boxes or switches etc. This leaves you free to use the modules in whatever configuration you wish and yet have confidence that the electronics will perform well. We will gladly service any of our products providing it has been built as directed. We make a small charge for this facility depending on complexity. Kits when in stock are return of post otherwise 10-14 days. Assembled items 10-20 days.

9 HILLCREST, TADLEY BASINGSTOKE, HANTS RG26 6JB



BI-AND SAVE SALE-81

<p>GERM. DIODES</p> <p>200 Mixed Diodes - mainly Germ OA81-91-1N34/60 GC61/62 etc. Case DO-7. Coded and uncoded - You to test - Value all the way! O/No. SJ127. £1.00 per Pak.</p>	<p>BC108 FALLOUTS</p> <p>50 NPN BC107/108 SJ124 £1</p> <p>Manufacturers out of spec on volts or gain or neither - Metal TO18 case - You test.</p> <p>50 PNP BC177/178 SJ1244 £1</p>	<p>NPB</p> <p>BD131 TO-126-NPN untested. O/No. SJ84. 25 for £1.00</p> <p>SCR's</p> <p>TO60 SCR's 5 Amp - ALL good - untested for volt - good yield 400+. O/No. SJ130. 10 for £1.00</p>	<p>IC SOCKET PACKS</p> <table border="1"> <tr> <td>SJ36</td><td>14</td><td>8 pin</td><td>SJ41</td><td>6</td><td>22 pin</td> </tr> <tr> <td>SJ37</td><td>12</td><td>14 pin</td><td>SJ42</td><td>5</td><td>24 pin</td> </tr> <tr> <td>SJ38</td><td>11</td><td>16 pin</td><td>SJ43</td><td>4</td><td>28 pin</td> </tr> <tr> <td>SJ39</td><td>8</td><td>18 pin</td><td>SJ44</td><td>3</td><td>40 pin</td> </tr> <tr> <td>SJ40</td><td>7</td><td>20 pin</td><td></td><td></td><td></td> </tr> </table> <p>ALL AT ONLY £1.00 each</p>	SJ36	14	8 pin	SJ41	6	22 pin	SJ37	12	14 pin	SJ42	5	24 pin	SJ38	11	16 pin	SJ43	4	28 pin	SJ39	8	18 pin	SJ44	3	40 pin	SJ40	7	20 pin									
SJ36	14	8 pin	SJ41	6	22 pin																																		
SJ37	12	14 pin	SJ42	5	24 pin																																		
SJ38	11	16 pin	SJ43	4	28 pin																																		
SJ39	8	18 pin	SJ44	3	40 pin																																		
SJ40	7	20 pin																																					
<p>SIL DIODES</p> <p>200 Mixed Diodes - mainly SILICON case DO-7 OA200/202 General purpose 200mA marked and uncoded - you to sort & test - Outstanding Value! O/No. SJ128. £1.00 per Pak.</p>	<p>DIODES</p> <p>300 IN4148 Type - uncoded Silicon Diodes Case DO-35 - you to test. O/No. SJ129. £1.00 per Pak</p> <p>Silicon Fast Switch</p> <p>NPN - like 2N706/2N2369 You select by test! O/No. SJ125. 50 for £1.00</p>	<p>AERIALS</p> <p>FM Indoor Tape/Ribbon Aerial O/No. 107. 40p each</p> <p>HI-FI CAR AERIAL</p> <p>4-section fully retractable & locking SPECIAL PRICE. O/No. 109. £1.40 each</p>	<p>VOLTAGE REGULATORS</p> <p>Cast TO220</p> <table border="1"> <thead> <tr> <th>Positive</th><th>Negative</th></tr> </thead> <tbody> <tr> <td>uA7805 £0.65</td><td>uA7905 £0.70</td> </tr> <tr> <td>uA7812 £0.65</td><td>uA7912 £0.70</td> </tr> <tr> <td>uA7815 £0.65</td><td>uA7915 £0.70</td> </tr> <tr> <td>uA7818 £0.65</td><td>uA7918 £0.70</td> </tr> <tr> <td>uA7824 £0.65</td><td>uA7924 £0.70</td> </tr> </tbody> </table>	Positive	Negative	uA7805 £0.65	uA7905 £0.70	uA7812 £0.65	uA7912 £0.70	uA7815 £0.65	uA7915 £0.70	uA7818 £0.65	uA7918 £0.70	uA7824 £0.65	uA7924 £0.70																								
Positive	Negative																																						
uA7805 £0.65	uA7905 £0.70																																						
uA7812 £0.65	uA7912 £0.70																																						
uA7815 £0.65	uA7915 £0.70																																						
uA7818 £0.65	uA7918 £0.70																																						
uA7824 £0.65	uA7924 £0.70																																						
<p>AUDIO AMPLIFIER</p> <p>5 watt Audio Amplifier Module.</p> <p>Special Clearance Offer</p> <p>O/No. AL20. £2.50</p>	<p>Special Introductory Offer</p> <p>COMPUTER IC's</p> <p>EPROM 2708 @ £3.00</p> <p>EPROM 2516/ 2716 @ £6.00</p> <p>D.RAMS 4116 @ £2.25</p>	<p>BI-PAK'S OPTO BARGAIN!</p> <p>Valued at over £10 - Normal Retail</p> <p>We offer you a pack of 25 Opto devices to include LED's large and small in Red, Green, Yellow and Clear. 7 segment Displays both Common Cathode and Common Anode PLUS bubble type displays - like DL-33. Photo Transistors - similar to OCP71 and Photo Detectors - like MEL11-12. This whole pack of 25 devices will cost you just . . .</p> <p>£4.00!</p> <p>and we guarantee your money back if you are not completely satisfied. Full data etc included O/No. SJ120.</p>	<p>TEXAS NPN</p> <p>Texas NPN silicon transistors metal can - perfect and coded. 2S503=BC108 TO-18. O/No. SJ29. 50 off £2.50, 100 off £4.00, 1,000 off £35.00.</p>																																				
<p>HEADPHONES</p> <p>NEW Improved Lightweight Stereo Headphones including double headband and padded earcups - Impedance 8 ohms - Frequency 30-18000Hz ALL Black. O/No. 885. £4.00</p> <p>As above but with coiled lead and rotary volume controls. O/No. 884. £7.00</p>	<p>Special Introductory Offer</p> <p>SPECIAL OFFER LINEAR IC's</p> <table border="1"> <tr> <td>NE555</td><td>5 for £0.90</td> </tr> <tr> <td>741P</td><td>5 for £0.80</td> </tr> <tr> <td>NE556</td><td>5 for £2.50</td> </tr> <tr> <td>LM380</td><td>5 for £3.50</td> </tr> <tr> <td>72723 14 pin</td><td>5 for £1.75</td> </tr> </table>	NE555	5 for £0.90	741P	5 for £0.80	NE556	5 for £2.50	LM380	5 for £3.50	72723 14 pin	5 for £1.75	<p>DISC CERAMIC CAP</p> <p>100 Disc Ceramic Cap. Mixed values covering complete range 3PF-4,700PF.</p> <p>SUPER VALUE</p> <p>O/No. SJ121. £1.00</p>	<p>AUDIO ACCESSORIES</p> <p>SJ75 FM coax cable - plain copper conduction cellular polythene insulated & plain copper braided PVC sheath - impedance 75 ohms £0.10 per metre</p> <p>SJ76 1 Board containing 2x5 pin DIN sockets 180° 02-2 pin DIN loudspeaker sockets £0.30</p> <p>SJ77 A 5-pin DIN 180° chassis/normal socket incl. DPDT switch £0.20</p>																										
NE555	5 for £0.90																																						
741P	5 for £0.80																																						
NE556	5 for £2.50																																						
LM380	5 for £3.50																																						
72723 14 pin	5 for £1.75																																						
<p>HEADPHONE ACCESSORIES</p> <p>7 metre Headphone Extension Lead. O/No. 136. £1.50</p>	<p>Semiconductors from Around the World</p> <p>100 A collection of Transistors, Diodes, Rectifiers, Bridges, IC's, SCR's, Triacs both Logic and Linear - Opto's all of which are current everyday usable devices. 100</p> <p>Guaranteed Value over £10 at Normal Retail Price yours for only £4.00</p> <p>Data etc in every pak. Order No. SJ220</p> 	<p>SWITCHES</p> <p>Push-to-make. 6mm panel mounting. O/No. SJ131. 5 for £0.50</p> <p>Push-to-break as above. O/No. SJ132. 4 for £0.50</p> <p>Silicon Heat Sink Compound 3mL in syringe £0.25</p>																																					
<p>ANTEX</p> <p>Antex X25 Iron - 25 watt soldering iron. OUR SUPER SALE PRICE. Great reduction. O/No. 1931. £4.00</p> <p>ST3 Iron Stand - Suitable for above - OUR Sale Price O/No. 1939. £1.25 each</p>		<p>LED'S</p> <p>2nd Quality Paks</p> <table border="1"> <tr> <td>1507 10 Assorted colours & sizes</td><td>£0.65</td> </tr> <tr> <td>S122 10 125 RED</td><td>£0.50</td> </tr> <tr> <td>S123 10 2 RED</td><td>£0.50</td> </tr> </table> <p>LED CLIPS</p> <table border="1"> <tr> <td>1508/125 .125</td><td>5 for £0.10</td> </tr> <tr> <td>1508/2 .2</td><td>5 for £0.12</td> </tr> </table>	1507 10 Assorted colours & sizes	£0.65	S122 10 125 RED	£0.50	S123 10 2 RED	£0.50	1508/125 .125	5 for £0.10	1508/2 .2	5 for £0.12																											
1507 10 Assorted colours & sizes	£0.65																																						
S122 10 125 RED	£0.50																																						
S123 10 2 RED	£0.50																																						
1508/125 .125	5 for £0.10																																						
1508/2 .2	5 for £0.12																																						
<p>POPULAR CMOS</p> <table border="1"> <tr> <td>CD4001</td><td>1 Off each normal price</td> </tr> <tr> <td>CD4007</td><td>£1.80 for 5 - our price £1.30</td> </tr> <tr> <td>CD4011</td><td></td> </tr> <tr> <td>CD4017</td><td></td> </tr> <tr> <td>CD4081</td><td>O/No. SJ1245</td> </tr> </table>	CD4001	1 Off each normal price	CD4007	£1.80 for 5 - our price £1.30	CD4011		CD4017		CD4081	O/No. SJ1245	<p>SILICON TRANS.</p> <p>SJ25 100 Silicon NPN transistors all perfect & coded - mixed types with data - equivalent sheet - no rejects £2.50</p> <p>SJ26 100 Silicon PNP transistors all perfect & coded - mixed types and cases, data & equivalent sheet £2.50</p> <p>SJ27 50 Assorted pieces of SCR's, diodes & rectifiers incl. stud types, all perfect - no rejects, fully coded - data incl. £2.50</p>	<p>PRECISION VOM MULTIMETER</p> <p>20,000 ohms/volts DC. Complete with test leads & instructions.</p> <p>OUR SPECIAL OFFER</p> <p>PRICE £11.00 each.</p> <p>O/No. 1323</p> <p>Use your Barclay or Access Card!</p> 	<p>MISCELLANEOUS</p> <p>SJ20 2 Large croc clips 25A rated - ideal for battery chargers etc. £0.30</p> <p>SJ21 Large 7 1/2" Mains Neon Tester - screw-driver chrome finish. £0.55</p> <p>SJ22 Small pocket size Mains Neon Tester screwdriver. £0.55</p> <p>SJ23 Siemens 220V AC relay DPDT contacts 10 amp rating - housed in plastic case £1.00</p>																										
CD4001	1 Off each normal price																																						
CD4007	£1.80 for 5 - our price £1.30																																						
CD4011																																							
CD4017																																							
CD4081	O/No. SJ1245																																						
<p>PLUGS & SOCKETS</p> <p>Set of 4 1-metre Colour coiled leads with phono plug ends - ideal for audio and test use. Outstanding Value. O/No. SJ122. £1.00 per Pak</p> <p>1mm Plugs & Sockets in Red & Black. O/No. SJ123. 5 pks £1.00</p>	<p>TTL's</p> <p>SJ28 20 TTL74 series gates - assorted 7401-7460 £1.00</p> <p>SJ53 Mammoth IC Pak. Approx 200 pcs assorted fall-out integrated circuits including logic 74 series - Linear audio and DTL. Many coded devices but some unmarked - you to identify £1.00</p>	<p>NPB TRANSISTORS</p> <p>SJ68 30 ZTX300 type transistors NPN pre-formed for P/C Board colour coded Blue - all perfect. £1.00</p> <p>SJ70 25 BC107 NPN TO106 case perfect transistors code Green Spot. £1.00</p> <p>SJ71 25 BC177 PNP TO106 case perfect transistors code C1395. £1.00</p> <p>SJ72 4 2N3055 silicon power NPN transistors TO3 £1.00</p>	<p>ODDMENTS</p> <table border="1"> <tr> <td>16170 50 metres asst. colours single strand wire.</td><td>£0.50</td> </tr> <tr> <td>16187 30 metres stranded wire mixed colours.</td><td>£0.50</td> </tr> <tr> <td>16178 5 Main slider switches assorted.</td><td>£0.50</td> </tr> <tr> <td>SJ76 1 Board containing 2x5-pin DIN sockets 180° & 2x2-pin DIN speaker sockets.</td><td>£0.30</td> </tr> </table>	16170 50 metres asst. colours single strand wire.	£0.50	16187 30 metres stranded wire mixed colours.	£0.50	16178 5 Main slider switches assorted.	£0.50	SJ76 1 Board containing 2x5-pin DIN sockets 180° & 2x2-pin DIN speaker sockets.	£0.30																												
16170 50 metres asst. colours single strand wire.	£0.50																																						
16187 30 metres stranded wire mixed colours.	£0.50																																						
16178 5 Main slider switches assorted.	£0.50																																						
SJ76 1 Board containing 2x5-pin DIN sockets 180° & 2x2-pin DIN speaker sockets.	£0.30																																						
<p>CAPACITORS</p> <table border="1"> <tr> <td>SJ11 150 Caps. mixed types & values.</td><td>£0.50</td> </tr> <tr> <td>SJ12 60 Electrolytics all sorts mixed.</td><td>£0.50</td> </tr> <tr> <td>SJ13 40 Polyester/polystyrene capacitors mixed.</td><td>£0.50</td> </tr> <tr> <td>SJ14 50 C280 type capacitors mixed.</td><td>£1.00</td> </tr> <tr> <td>15 Polyester Caps -1, 160v</td><td>£0.50</td> </tr> <tr> <td>SJ16 40 Low volts electrolytics mixed values up to 10v.</td><td>£0.50</td> </tr> </table>	SJ11 150 Caps. mixed types & values.	£0.50	SJ12 60 Electrolytics all sorts mixed.	£0.50	SJ13 40 Polyester/polystyrene capacitors mixed.	£0.50	SJ14 50 C280 type capacitors mixed.	£1.00	15 Polyester Caps -1, 160v	£0.50	SJ16 40 Low volts electrolytics mixed values up to 10v.	£0.50	<p>RESISTORS</p> <table border="1"> <tr> <td>SJ1 200 Resistors mixed values.</td><td>£0.50</td> </tr> <tr> <td>SJ2 200 Carbon resistors 1/2 watt preformed.</td><td>£0.50</td> </tr> <tr> <td>SJ3 100 1/2 watt miniature resistors mixed values.</td><td>£0.50</td> </tr> <tr> <td>SJ4 60 1/2 watt resistors mixed values.</td><td>£0.50</td> </tr> <tr> <td>SJ5 50 1-2 watt resistors mixed pot values.</td><td>£0.50</td> </tr> <tr> <td>SJ7 30 2-10 watt wirewound resistors mixed.</td><td>£0.50</td> </tr> </table>	SJ1 200 Resistors mixed values.	£0.50	SJ2 200 Carbon resistors 1/2 watt preformed.	£0.50	SJ3 100 1/2 watt miniature resistors mixed values.	£0.50	SJ4 60 1/2 watt resistors mixed values.	£0.50	SJ5 50 1-2 watt resistors mixed pot values.	£0.50	SJ7 30 2-10 watt wirewound resistors mixed.	£0.50	<p>POTENTIOMETERS</p> <table border="1"> <tr> <td>16173 15 Assorted Pots</td><td>£0.50</td> </tr> <tr> <td>SJ54 20 Assorted Slider Pots</td><td>£1.00</td> </tr> <tr> <td>SJ56 10 100 K Lin Slider Pots 40mm</td><td>£0.50</td> </tr> <tr> <td>16186 25 Pre-sets Assorted</td><td>£0.50</td> </tr> <tr> <td>SJ49 8 Dual gang carbon pots log and lin mixed values</td><td>£1.00</td> </tr> <tr> <td>SJ50 20 Assorted slider knobs - chrome/black</td><td>£1.00</td> </tr> </table>	16173 15 Assorted Pots	£0.50	SJ54 20 Assorted Slider Pots	£1.00	SJ56 10 100 K Lin Slider Pots 40mm	£0.50	16186 25 Pre-sets Assorted	£0.50	SJ49 8 Dual gang carbon pots log and lin mixed values	£1.00	SJ50 20 Assorted slider knobs - chrome/black	£1.00	<p>KNOBBS</p> <p>SJ62 5 15mm chrome knobs standard push fit. £0.50</p> <p>SJ63 Instrument knob - black winged (29x20mm) with pointer. 1/2" standard screw fit. £0.15</p> <p>SJ64 Instrument knob - black/silver aluminium top (17x15mm). 1/2" standard screw fit. £0.12</p>
SJ11 150 Caps. mixed types & values.	£0.50																																						
SJ12 60 Electrolytics all sorts mixed.	£0.50																																						
SJ13 40 Polyester/polystyrene capacitors mixed.	£0.50																																						
SJ14 50 C280 type capacitors mixed.	£1.00																																						
15 Polyester Caps -1, 160v	£0.50																																						
SJ16 40 Low volts electrolytics mixed values up to 10v.	£0.50																																						
SJ1 200 Resistors mixed values.	£0.50																																						
SJ2 200 Carbon resistors 1/2 watt preformed.	£0.50																																						
SJ3 100 1/2 watt miniature resistors mixed values.	£0.50																																						
SJ4 60 1/2 watt resistors mixed values.	£0.50																																						
SJ5 50 1-2 watt resistors mixed pot values.	£0.50																																						
SJ7 30 2-10 watt wirewound resistors mixed.	£0.50																																						
16173 15 Assorted Pots	£0.50																																						
SJ54 20 Assorted Slider Pots	£1.00																																						
SJ56 10 100 K Lin Slider Pots 40mm	£0.50																																						
16186 25 Pre-sets Assorted	£0.50																																						
SJ49 8 Dual gang carbon pots log and lin mixed values	£1.00																																						
SJ50 20 Assorted slider knobs - chrome/black	£1.00																																						
<p>TRANSFORMERS</p> <p>MINIATURE MAINS Primary 240v</p> <table border="1"> <tr> <td>No. Secondary</td><td></td> </tr> <tr> <td>2021 6v-0-6v 100mA</td><td>£0.75</td> </tr> <tr> <td>2022 9v-0-9v 100mA</td><td>£0.75</td> </tr> <tr> <td>2023 12v-0-12v 100mA</td><td>£0.95</td> </tr> <tr> <td>2035 240v Primary 0-55v 2A Secondary</td><td>£5.50</td> </tr> </table>	No. Secondary		2021 6v-0-6v 100mA	£0.75	2022 9v-0-9v 100mA	£0.75	2023 12v-0-12v 100mA	£0.95	2035 240v Primary 0-55v 2A Secondary	£5.50	<p>CASSETTES</p> <p>SUPER VALUE & A GREAT SAVING!!!</p> <p>C120 Dindy Cassettes - Low noise - astounding value and sound. O/No. SJ32. 10 for £3.50</p> 	<p>TRIACS</p> <table border="1"> <tr> <td>4A 400v TO-202 non-isolated TAG136D</td><td>£0.40</td> </tr> <tr> <td>8A 400v TO-220 isolated TAG425</td><td>£0.60</td> </tr> <tr> <td>Diac D32/BR100</td><td>£0.15</td> </tr> <tr> <td>SCR C106D plastic case</td><td>£0.30</td> </tr> </table>	4A 400v TO-202 non-isolated TAG136D	£0.40	8A 400v TO-220 isolated TAG425	£0.60	Diac D32/BR100	£0.15	SCR C106D plastic case	£0.30	<p>SEND YOUR ORDERS TO: Dept PW2, BI-PAK, PO BOX 6, WARE, HERTS. SHOP AT: 3 BALDOCK ST, WARE, HERTS. TERMS: CASH WITH ORDER, SAME DAY DESPATCH, ACCESS, BARCLAYCARD ALSO ACCEPTED. TEL: (0920) 3182. GIRO 388 7006 ADD 15% VAT AND 50p PER ORDER POSTAGE AND PACKING.</p>																		
No. Secondary																																							
2021 6v-0-6v 100mA	£0.75																																						
2022 9v-0-9v 100mA	£0.75																																						
2023 12v-0-12v 100mA	£0.95																																						
2035 240v Primary 0-55v 2A Secondary	£5.50																																						
4A 400v TO-202 non-isolated TAG136D	£0.40																																						
8A 400v TO-220 isolated TAG425	£0.60																																						
Diac D32/BR100	£0.15																																						
SCR C106D plastic case	£0.30																																						

BI-PAK

Send your orders to: Dept PW2, BI-PAK, PO BOX 6, WARE, HERTS. SHOP AT: 3 BALDOCK ST, WARE, HERTS. TERMS: CASH WITH ORDER, SAME DAY DESPATCH, ACCESS, BARCLAYCARD ALSO ACCEPTED. TEL: (0920) 3182. GIRO 388 7006 ADD 15% VAT AND 50p PER ORDER POSTAGE AND PACKING.

OFF THE SHELF DELIVERY ON THESE



**BRAND NEW FROM FLUKE . . .
NOW AVAILABLE
THE 8024A HAND HELD DMM**

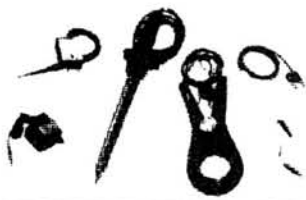
This model incorporates all the features of the 8020A but in addition has:
A peak hold switch which can be used in AC or DC for volts and current functions.
Audible continuity testing and level detection for sensing logic levels.
A temperature (°C) range for use with a thermocouple.

£135

Carriage and Insurance £3

The following accessories are in stock now

Y8008 Touch and Hold Probe.....	£18.00
80K-40 High Voltage Probe.....	£45.00
81RF RF Probe to 100 MHz.....	£32.00
80T-150C Temperature Probe (C).....	£55.00
801-600 Clamp-on AC Current Probe	£55.00



**HERE IT IS . . .
THE EVER POPULAR
8022A HAND-HELD DMM**

Consider the following features:
6 resistance ranges from 200 ohm-20 ohms.
8 current ranges from 2mA-2A AC/DC.
10 voltage ranges from 200 mv-1000v DC-200 mc-750V AC.
Pocket size - weighing only 370 gms.
Full overload protection - will withstand 6kv spikes.
Rugged construction - virtually indestructible.
Meets tough military specs. - drop proof
In line, pushbutton operation for single-handed useage.
Incorporates low power CMOS chip for low power consumption.
All this plus a 2-year full guarantee.



NOW only £75

Carriage and Insurance £3

**Soft carrying case
£7 extra**

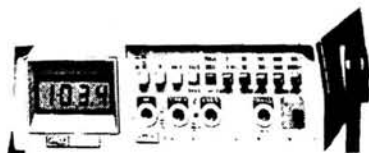
Even more sophisticated the Fluke 8020A.
Identical in most respects to the 8022A but in addition incorporates a conductance range from 2mS-200nS.

Price £112

Carriage and Insurance £3.00

A handsome soft carrying case is included (this model only)

OFF THE SHELF DELIVERY ON THESE



**8010A AND 8012A
BENCH MODEL D.M.M.s**

The 8010A is a general purpose, bench/portable digital multimeter with more functions and features than ever offered for such a low price. Its companion, the 8012A, has identical characteristics except that it has two additional low resistance ranges, 2Ω and 20Ω to replace the 8010A's 10 ampere current range.

The 8010A and 8012A feature:
10 voltage ranges from 200mv-1000v dc, 200mv-75v ac.
3 conductance ranges from 2mS-200nS.
6 resistance ranges from 200Ω-20MΩ - the 8012A has two additional resistance ranges 2Ω and 20Ω.
10 current ranges from 200µA-2A AC/DC - the 8010A has two additional current ranges 10A AC and 10A DC.

8010A £159 8012A £199

Carriage and Insurance £3.

The 8010A is also available with two rechargeable Nicad size C batteries installed in option -01 a+ **£179.00.**

PLEASE ADD 15% VAT TO ALL ORDERS except where items marked "VAT Included". CALLERS WELCOME.

We are open 9 a.m.-6 p.m. Monday-Saturdays. We carry a very large selection of electronic components and electro-mechanical items. Special quotations on quantities.

ELECTRO-TECH COMPONENTS LTD.

364 EDGWARE ROAD, LONDON, W.2. TEL: 01-723 5667

PM COMPONENTS LTD

VALVE & COMPONENT SPECIALISTS
CONINGSBY HOUSE, WROTHAM RD.,
MEOPHAM, KENT.

VALVES	PL509	2.30	6080	4.20	BC213L	0.09	BU108	1.69
DY86	PL802	2.50	6146A	4.45	BC214	0.09	BU205	1.30
DY802	PY88	0.72	6146B	4.85	BC214L	0.09	BU208	1.39
E180F	PY500A	1.35	7025	1.50	EC237	0.09	BU208A	1.52
EABC80	PY801	0.60	7360	7.50	EC238	0.08	MJE340	0.40
EBF89	QQV02-6	8.25	7591	2.35	EC307	0.09	OC71	0.22
ECC81	QQV03-20A				EC327	0.10	R2008B	1.70
ECC82		12.25			EC337	0.10	R2010B	1.70
ECC83	QQV06-40A				EC461	0.30	R2640	2.48
ECC85		13.95			EC478	0.20	TIP29	0.40
ECC88	QV03-12	3.25			EC547	0.10	TIP29C	0.42
ECC807	T82.5/300				EC548	0.10	TIP30C	0.42
ECF80		42.00	AC141K	0.34	EC549A	0.08	TIP31C	0.43
ECF82	TY2-125A	30.00	AC178	0.22	EC557	0.07	TIP32C	0.42
ECM81	UY19	11.95	AC176K	0.31	EC558	0.07	TIP41C	0.45
ECL82	UCH81	0.70	AC187	0.26	BD131	0.32	TIP42C	0.47
ECL83	UCL82	0.70	AC187K	0.28	BD132	0.35	TIP47	0.65
ECL86	UL84	0.78	AC188	0.22	BD133	0.40	TIP2955	0.84
EF80	UY85	0.70	AD149	0.70	BD135	0.30	TIP3055	0.60
EF86	2759	9.00	AD181	0.39	BD136	0.30	TIS91	0.20
EF89	2021	1.60	AD161Z	1.04	BD137	0.28	2N3054	0.59
EF91	4CX250B	21.75	AD182	0.39	BD138	0.30	2N3055	0.59
EF93	5R4GY	1.25	AF127	0.32	BD139	0.32	2N3702	0.12
EF94	5U4G	0.90	AF139	0.42	BD140	0.30	2N3703	0.12
EF95	6GK6	2.50	AF239	0.42	BD144	1.20	2N3704	0.12
EF183	6J8	0.65	BC107	0.10	BF115	0.35	2N3705	0.12
EF184	6J56C	5.00	BC107B	0.10	BF167	0.24	2N3706	0.12
EL34	6KD6	4.50	BC108	0.10	BF179	0.34	2N3708	0.12
EL84	6L6GC	1.75	BC108C	0.10	BF180	0.29	2N5294	0.38
EM84	6LD20	0.60	BC109B	0.10	BF183	0.29	2N5296	0.48
EZ80	6LQ6	6.50	BC140	0.31	BF194	0.11	2N5298	0.38
EZ81	6SN7GT	0.90	BC141	0.25	BF195	0.11		
G232	6V6GT	1.05	BC142	0.21	BF196	0.11		
G233	7S7	2.00	BC143	0.24	BF197	0.11	L.C.'s	
G234	12AT7	0.60	BC147	0.09	BF198	0.10	MC1307	1.00
KT61	12AU7	0.60	BC148	0.09	BF199	0.14	MC1350	1.00
KT66	12AX7	0.65	BC149	0.09	BF200	0.30	MC1495	3.00
KT77	500 12BA6	0.80	BC157	0.10	BF257	0.28	SN76003N	1.65
KT88	600 12BE6	1.05	BC158	0.09	BF258	0.28	SN76227N	1.05
N78	890 12BH7	0.95	BC159	0.09	BF259	0.26	SN76013N	1.15
OA2	12HG7	3.50	BC160	0.28	BF336	0.34	SN76023N	1.35
PCF80	85A2	1.20	BC170B	0.10	BFX29	0.30	SN76033N	1.35
PCF802	90C1	1.69	BC171	0.08	BFX84	0.26	SN76131N	1.30
PCF808	807	1.45	BC172	0.09	BFX85	0.30	SN76227N	1.05
PCL82	811A	9.00	BC173B	0.10	BFX86	0.30	SN7660N	0.60
PCL84	813	11.30	BC182	0.09	BFX88	0.25	TAA661B	1.20
PCL86	833A	47.85	BC183	0.09	BFY50	0.21	TBA120S	0.70
PCL805	866A	2.50	BC184LA	0.09	BFY51	0.21	TBA540	1.25
PFL200	1.3 2050A	3.90	BC212	0.09	BFY52	0.25	TBA550C	1.55
PL504	1.3 763	3.20	BC212L	0.09	BFY90	0.73	TBA641-B1	
PL508	5814A	2.75	BC213	0.09	BU105	1.22		

Prices exclude VAT
Please add 15%
P&P 50p per order

Many other types available
including vintage valves.
PHONE 0474 813225



NICKEL CADMIUM BATTERIES

	AA (HP7) 0.5AHr	SUB 'C' 1.2AHr	'C' (HP11) 1.85AHr	'C' (HP11) 2.0AHr	'D' (HP2) 4.0AHr	PP3 0.1AHr
1-24	£0.85	£1.38	£1.69	£2.25	£2.97	£3.79
25-49	£0.82	£1.28	£1.58	£2.10	£2.77	
50-99	£0.80	£1.24	£1.52	£2.02	£2.67	
100 up	£0.70	£1.15	£1.41	£1.87	£2.47	

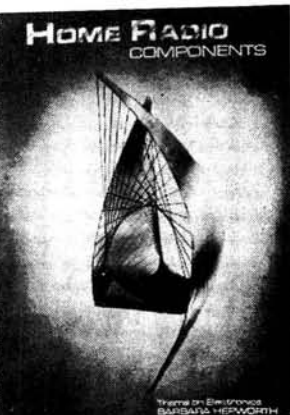
All cells are brand new full spec devices from reputable mfrs. All Nickel Cadmium cells (except PP3) are supplied complete with solder tags and are 'VENTED' devices suitable for fast charge.

CHARGERS - single or dual O/P to charge PP3, AA or SUB 'C' cells in 12-14 hrs (chargers will charge 'C' and 'D' cells but with longer charging time). Units supplied complete in plug top case with flying leads. Number of cells (10 max) in series and type must be specified for each required O/P when ordering.

**SINGLE O/P CHARGER £5.04
DUAL O/P CHARGER £5.72**

TRANSFORMERS - as used in chargers, 2 x 12 volt 0.25 amp secondaries 240v primary, tag connections £1.57 each.

Cheques, P.O.'s Mail Order to:-
SOLID STATE SECURITY,
Dept. (PW), Bradshaw Lane,
Parbold, Wigan, Lancs.
Telephone 02576-3018.



**START THE NEW
YEAR WELL with
a HOME RADIO
CATALOGUE**

- About 2,000 items clearly listed.
- Profusely illustrated throughout.
- Large A-4 size pages.
- Bargain list, order form and 2 coupons each worth 25p if used as directed, all supplied free.

Price £1, plus 50p for post, packing and insurance.

Send cheque or P.O. for £1.50

HOME RADIO Components LTD
Dept. PW, P.O. Box 92, 215 London Road,
Mitcham, Surrey. 01-543 5659

AND THERE'S MORE WHERE THIS CAME FROM

It's a long time since one of our adverts was presented in 'list' form - but simply because we do not try to squeeze this lot in every time doesn't mean that it's not available. Our new style price list (now some 40 pages long) includes all this and more, including quantity prices and a brief description. The kits, modules and specialized RF components - such as TOKO coils, filters etc. are covered in the general price list - so send now for a free copy (with an SAE please). Part 4 of the catalogue is due out now (incorporating a revised version of pt.1).

LINEAR ICs - NUMERIC LISTINGS

TBA120S	1.00	KB4413	1.95
L200	1.95	KB4417	1.80
U237B	1.28	TDA4420	2.25
U247B	1.28	KB4420B	1.09
U257B	1.28	KB4423	2.30
U267B	1.28	KB4424	1.65
LM301H	0.67	KB4431	1.95
LM301N	0.30	KB4432	1.95
LM308H	0.96	KB4433	1.52
LM308N	0.65	KB4436	2.53
LM339N	0.66	KB4437	1.75
LM348N	1.86	KB4438	2.22
LF351N	0.38	KB4441	1.35
LF353N	0.76	KB4445	1.29
LM374N	3.75	KB4446	2.75
LM380N-14	1.00	KB4448	1.65
LM380N-8	1.00	NES5044N	2.26
LM381N	1.81	NES532N	1.85
2N419CE	1.95	SD6000	3.75
NES44N	1.80	SL6270	2.03
NES55N	0.30	SL6310	2.03
NES56N	0.50	SL6600	3.75
NES60N	3.50	SL6640	2.75
NES62N	4.05	SL6690	3.20
NES64N	4.29	SL6700	2.30
NES65N	1.00	ICL8038CC	4.50
NES66N	1.60	MSL9362	1.75
NES70N	3.85	MSL9363	1.75
SL624	3.28	HALL1211	1.95
TB6651	1.81	HALL1223	2.15
UA709HC	0.64	HALL1225	1.45
UA709PC	0.36	HALL2002	1.45
UA710HC	0.65	HALL2017	0.80
UA710PC	0.59	HALL2402	1.95
UA714HC	0.66	HALL2411	1.20
UA714CN	0.27	HALL2412	1.55
UA747CN	0.70	LF13741	0.33
UA748CN	0.36	SN76660N	0.80
UA753	2.44		
UA758	2.35		

FREQUENCY DISPLAY & SYNTHESISER ICs

TB4810AS	1.09	SAA1056	3.75
TB4820M	0.75	SAA1058	3.35
TC9404E	1.80	SAA1059	3.35
TD1028	2.11	11C90DC	14.00
TD1054	1.45	LNC232	19.00
TD1062	1.95	LNC242	19.00
TD1072	2.69	MSL2318	3.84
TD1074A	5.04	MSM5523	11.30
TD1083	1.95	MSM5524	11.30
TD1090	3.05	MSM5525	7.85
HALL137	1.20	MSM5526	7.85
HALL196	2.00	MSM5527	9.75
HALL197	1.00	MSM5527I	9.75
TD1220	1.40	ICM7106CP	9.55
LM1303	0.99	ICM7107CP	9.55
LM1307	1.55	ICM7217A	9.50
MCI310P	1.90	SP8629	3.85
MCI330	1.20	SP8647	6.00
MCI350	1.20	95SH90CP	6.00
HALL370	1.90	HD10551	2.45
HALL388	2.75	HD44015	4.45
TD1490	1.86	HD12009	6.00
MCI496P	1.25	HD44752	8.00
SL1610P	1.60		
SL1611P	1.60		
SL1612P	1.60		
SL1613P	1.89		
SL1620P	2.17		
SL1621P	2.17		
SL1623P	2.24		
SL1624C	3.28		
SL1625P	2.17		
SL1626P	2.44		
SL1630P	1.62		
SL1640P	1.89		
SL1641P	1.89		
TD2002	1.25		
TD2020	3.00		
ULN2242A	3.05		
ULN283B	1.00		
CA3380E	0.70		
CA3389E	1.84		
CA3390AQ	3.35		
CA3123E	1.40		
CA3130E	0.80		
CA3130T	0.90		
CA3140E	0.46		
CA3189E	2.40		
MC337P	2.35		
LM3900N	0.60		
LM3909N	0.68		
LM3914N	2.80		
LM3915N	2.80		
KB4400	0.80		
KB4406	0.60		
KB4412	1.95		

CMOS 4000 SERIES

4001	0.17
4000	0.17
4002	0.23
4008	0.80
4009	0.58
4010B	0.58
4011AE	0.20
4011B	0.20
4012	0.55
4013	0.55
4016	0.95
4017	0.80
4019	0.60
4020B	0.63
4021	0.82
4022	0.90
4023	0.17
4024	0.76
4025	0.17
4026	1.80
4028	0.72
4029	1.00
4030	0.58
4035	1.20
4040	0.83
4042	0.85

TTL N and LSN

7443N	1.15	74LS112	0.38
7444N	1.12	74LS113	0.38
7445N	0.94	74LS114	0.38
7446N	0.94	74LS118	0.83
7447N	0.89	74LS120	1.15
7448N	0.56	74LS121	0.42
7449N	0.59	74LS122	0.46
7450N	0.77	74LS123	0.73
7451N	0.19	74LS124	1.75
7452N	0.38	74LS125	0.38
7453N	0.24	74LS125A	0.44
7454N	0.17	74LS126	0.57
7455A	0.24	74LS126A	0.44
7455S	0.24	74LS128	0.74
7456N	0.17	74LS129	0.73
7457N	1.24	74LS132	0.78
7458N	0.28	74LS136	0.40
7459N	0.27	74LS138	0.60
7460N	0.24	74LS139	1.80
7461N	0.27	74LS14	0.56
7462N	0.28	74LS142	2.65
7463N	0.32	74LS143	3.12
7464N	0.38	74LS144	3.12
7465N	0.38	74LS145	0.97
7466N	0.37	74LS147	1.75
7467N	1.09	74LS148	1.09
7468N	0.48	74LS148A	1.19
7469N	0.38	74LS150	0.99
7470N	0.86	74LS151	0.55
7471N	0.66	74LS151A	0.84
7472N	1.04	74LS153	0.54
7473N	0.40	74LS154	0.96
7474N	2.05	74LS155	0.54
7475N	0.33	74LS155	1.10
7476N	0.27	74LS156	0.80
7477N	0.76	74LS157	0.67
7478N	0.17	74LS157	0.55
7479N	0.38	74LS158	0.60
7480N	0.78	74LS159	2.10
7481N	0.32	74LS160	0.82
7482N	0.99	74LS160	1.30
7483N	0.78	74LS161	0.92
7484N	1.14	74LS161	0.92
7485N	0.58	74LS163	0.78
7486N	1.50	74LS163	0.78
7487N	1.14	74LS164	1.04
7488N	0.63	74LS164	1.04
7489N	0.70	74LS165	1.05
7490N	0.54	74LS165	1.04
7491N	0.68	74LS167N	2.50

4043 0.85

4044	0.80
4046	1.30
4047	0.99
4049	0.52
4050	0.55
4051	0.65
4052	0.65
4053	0.65
4063	1.09
4066	0.56
4068	0.25
4069	0.20
4070	0.20
4071	0.20
4072	0.20
4073	0.20
4075	0.20
4076	0.90
4077	0.20
4078	0.20
4082	0.20
4082	1.95
4082	3.50
4082	5.40

VOLTAGE REGULATORS

78series	0.95
79series	1.00
78Mseries	0.65
78Lseries	0.35
79L05	0.85
78M02ZC	1.75
79M02ZC	1.75
723CN	0.65
L200	1.95
TDA1412	0.75
NES553N	1.25
LM317MP	1.48
LM337MP	1.48

MICROMARKET

8080A/2	7.50
8212	2.30
8214	2.30
8216	1.95
8224	3.50
8251	5.40
8255	5.40
6800P	7.50
6810	5.95
6820	7.45
6850	4.90
6852	4.85
MC2708	7.50
2114	6.50
4027	5.78
2102	1.70
2112	3.40
2113	3.40
2115	1.53
HM4716	4.50
81LS97	1.25

TOKO COILS AND FILTERS

SEE THE EXTENSIVE SECTION IN OUR NEW PRICE LISTS AND CATALOGUE

LF/HF FIXED INDUCTORS
-FULL E12 RANGE

78A series 1uH-1mH 0.16

88B series 100uH-33mH 0.19

108B series 33mH-120mH 0.33

108RH series 120mH-1.5H 0.55

PIEZO SOUNDER PB2720 0.44



CRYSTAL FILTER PRODUCTS

(No splits available)

AM TX:-
3rd OT 30pF HC25J 1.65
AM/TM RX:-
3rd OT 30pF HC25J 1.65

FM TX :-
Fund 20pF HC25J 1.85
Pairs FM 3.25
Pairs AM 3.10

RADIO CONTROL CRYSTALS

3.2768MHz 2.70
4.000MHz 2.00
4.19439MHz 2.30
6.55336MHz 2.10
10.0MHz 2.50
10.69858MHz 2.50
10.7015MHz 2.50
10.245MHz 2.50
10.7MHz 3.00
11.52MHz 2.50
100MHz 3.00

CRYSTALS

32.768 kHz 2.70
100kHz 3.85
455kHz 5.00
1.0MHz 3.00
3.2768MHz 2.70
4.000MHz 2.00
4.19439MHz 2.30
6.55336MHz 2.10
10.0MHz 2.50
10.69858MHz 2.50
10.7015MHz 2.50
10.245MHz 2.50
10.7MHz 3.00
11.52MHz 2.50
100MHz 3.00

VARICAP

TUNING DIODES

BA102 0.30
BA121 0.30
ITT210 0.30
BB2048 0.36
BB1058 0.36
BB109 0.27
MM125 1.05
BB212 1.95
KV1210 2.45
KV1211 1.75
KV1226 1.95
KV1225 2.75
KV1215 2.55
KV1225 2.75

SWITCHING AND PIN DIODES

SHOTTKY DIODES

IN6263 0.62
BA182 0.19
BA244 0.17
BA379 0.35
TDA1061 0.95

& RECTIFIERS

IN4148 0.06
IN4001 0.06
IN4002 0.07
IN5402 0.15
OA91 0.07
AAL12 0.25

BRIDGES:
LA/50V 0.35
6A/200V 0.75

TRANSISTORS

AUDIO DEVICES

BC237 0.08
BC238 0.08
BC239 0.08
BC307 0.08
BC308 0.08
BC309 0.08
BC413 0.10
BC414 0.11
BC415 0.07
BC416 0.08
BC546 0.12
BC550 0.12
BC550 0.12
BC569 0.12
BC640 0.23

2SC1775 0.18

2S872A 0.14
2S866A 0.30
2S864A 0.30
2S868A 0.40
2S864A 0.40
2S0760 0.45
2S8720 0.45
2S2546 0.19
2S1084 0.20
2S2547 0.19
2S1085 0.20

AUDIO POWER DEVICES

2SB753 2.34
2SB723 2.34
2SK133 3.00
2S1 48 3.00
2SK134 3.10
2SK135 3.75
2S1 50 3.75

BD535 0.52

BD536 0.52
BD377 0.33
BD378 0.33
BD165 0.30
BD166 0.31

SMALL SIGNAL RF DEVICES

BF194 0.18
BF195 0.18
BF224 0.22
BF241 0.18
BF274 0.18
BF440 0.21
BF441 0.21
BF362 0.49
BF395 0.18
BF479 0.66
BF6795 0.55
BF891 1.33
BF992 0.60
BF995 0.99
BF990 0.90
40238 0.85
3MM GN CLEAR 0.16
3MM GREEN 0.16
3MM GN 0.20
2.5 x 5MM GN 0.20
5MM YELLOW 0.15
3MM YELLOW CL 0.18
3MM YELLOW 0.18
2.5 x 5MM YE 0.20
5MM ORANGERED 0.20
3MM ORA CL 0.29
3MM ORANGERED 0.19
2.5 x 5MM ORA 0.24
5MM INFRA RED 0.56
BPW41 IR DET 1.51
IR OPT CPLR 1.44
5MM CLIP 0.04

ALUMIN ELECTROLYTIC RADIAL (VERT. MOUNT)

(uF/voltage)

1/63, 2/2.50, 4/7.25
10/16, 15/16, 22/10
33/6, 33.....0.08
22/16, 33/10, 47/10.....0.09
47/10, 22/50, 33/50, 47/16, 100/16.....0.10
47/63, 100/25, 220/16
470/6, 3.....0.12
100/63, 470/16, 1000/10.....0.18
1000/16, 470/63.....0.23
1000/63, 2200/16.....0.30
3300/25.....0.69
1000/100.....3.88
10000/70.....3.00

AXIAL (HORIZ. MOUNT)

1/75, 4/7.16, 6.4/25
10/16.....0.08
4.7/63, 22/10, 22/16
33/16.....0.09
33K51 0.54
3SK60 0.58
MEM680 0.75
BF961 0.70
BF960 1.24
3SK48 1.64

RESISTORS

0.25W, 5% E12 CARBON
10hm-10M.....0.02
0.25W 1% E12 METAL FILM
1.1ohm-1M.....0.05

HORIZ CARBON PRESETS
10m TYPE
100ohms-2M5.....0.12
HORIZ CERMET PRESETS
1K, 10K.....0.27

CAPACITORS

All 5mm or less spacing

C

MOTOR CYCLING



THE SHAPE OF THINGS TO COME

Dramatic changes in Motorcycle design are just around the corner! We survey the trends and preview the options.

SUZUKI GS1000ET AND GT

The latest chain and shaft models evaluated in our comprehensive road tests.

CZ 250 SINGLE

Bargain basement biking can be cheap without being nasty.

PLUS!

- ★ YAMAHA RD350LC ROAD TEST
- ★ HONDA CB250RS SERVICE
- ★ and all the regular features!

The shape of things to come in the motorcycling world.

MOTOR CYCLING

Get your copy NOW

February issue 70p

RST

VALVE MAIL ORDER CO.
Climax House
159 Fallsbrook Road, London SW16 6ED
SPECIAL EXPRESS MAIL ORDER SERVICE

AZ31 1-10	EMB7 1-50	PY81 0-84	6AN5 4-74	6Q7 2-20
CL33 2-00	EN51 3-50	PY82 0-80	6AN8A 3-45	6SA7 1-45
DY86/7 0-84	EY51 1-75	PY83 0-70	6A05 0-96	6SC7 1-50
DY80/2 0-84	EY86 0-84	PY88 0-88	6AR5 1-98	6SJ7 1-60
EB8CC 3-36	EY88 1-75	PY500A 1-80	6AS6 4-98	6SK7 1-30
E180F 8-40	EY500A 1-94	PY800 0-84	6AS7GA 6-75	6SL7GT 2-68
E810F 14-47	EZ80 0-84	PY801 0-84	6AT6 0-85	6SN7GT 1-60
EAB8C80 1-20	EZ81 0-84	QV02-6 12-56	6AU5GT 4-32	6SS7 1-80
EB91 0-82	GY501 2-75	QV03-10 5-80	6AU6 1-08	6SG7M 2-50
EBF80 0-50	GZ32 1-25	QV03-20A 5-80	6AW8A 3-39	6G8 0-80
EBF89 0-85	GZ33 4-00	QV06-40A 17-50	6B7 1-70	6V6GT 1-60
EC91 7-56	GZ34 2-50	QV06-60A 6-84	6B8 1-50	6X4 1-20
ECC33 3-50	GZ37 4-00	QV06-60A 6-84	6BA6 1-00	6X5GT 0-85
ECC35 3-50	KT61 3-50	QV03-12 4-46	6BA7 5-12	7C5 2-95
ECC81 0-88	KT66 10-00	R18 4-25	6BE6 1-08	7C6 2-25
ECC82 0-72	KT77 8-00	R19 1-20	6BH6 1-52	7S7 2-25
ECC83 0-88	KT88 12-00	SP41 6-00	6BJ6 1-08	12AT6 1-20
ECC85 1-20	N78 9-00	SP61 2-00	6BN6 1-65	12AT7 0-88
ECC88 1-90	OB2 1-92	U119 13-75	6BQ7A 3-72	12AU7 0-72
ECC91 8-93	OC3 1-92	U25 1-16	6BR8 1-75	12BA6 2-19
ECF80 1-08	OD3 1-92	U26 1-44	6BS7 4-00	12BE6 2-43
ECH35 2-00	PC86 1-40	U37 9-00	6BW6 4-00	12BY7 2-70
ECH42 1-15	PC88 1-40	UABC80 1-25	6BW7 1-52	12BY7A 2-20
ECH81 1-20	PC92 1-28	UBF89 1-20	6BZ6 2-37	12HG7 4-17
ECL80 1-00	PC97 1-20	UCH42 1-20	6C4 0-88	30FL1/2 1-12
ECL82 1-00	PC900 1-20	UCH81 2-32	6C6 1-75	30P4 1-20
ECL83 1-50	PCF80 1-00	UCL82 1-04	6CB6A 2-49	30P19 1-20
ECL86 1-20	PCF82 1-00	UCL83 1-44	6CD6GA 5-07	30PL13 1-80
EF37A 3-50	PCF86 1-60	UF89 1-44	6CH6 8-50	30PL14 1-68
EF39 2-75	PCF801 1-60	UL41 2-50	6CL6 3-72	75C1 2-35
EF41 2-00	PCF802 1-90	UL84 1-20	6CW4 7-68	85A2 2-39
EF42 2-00	PCF805 1-60	UY41 1-25	6D6 1-75	90C1 2-44
EF50 1-50	PCF808 1-60	UY85 1-04	6D05 5-94	150B2 3-02
EF54 5-00	PCH200 1-60	VR105/30 1-92	6EA8 2-94	150C2 1-92
EF55 2-00	PCL82 1-60	VR150/30 1-92	6EH5 1-85	150C4 2-39
EF80 0-80	PCL83 2-00	Z759 16-80	6F6 1-75	57Z8 27-50
EF86 1-52	PCL84 1-60	Z803U 7-90	6G6 2-67	805 20-00
EF91 1-80	PCL85 1-08	2D21 3-50	6H6 1-50	807 3-75
EF92 5-81	PCL86 1-08	3B28 16-80	6HS6 3-77	811A 15-93
EF183 0-80	PCL805 1-08	4CX250B 3-60	6J5 2-50	812A 15-88
EF184 0-84	PD500 3-60	5R4G 2-00	6J6 3-50	813 74-67
EL32 1-50	PL200 1-40	5U4G 1-52	6J7 2-50	866A 8-85
EL33 3-50	PL36 1-20	5V4G 1-52	6JB6A 4-56	872A 18-67
EL34 2-20	PL81 1-20	5Y3GT 0-85	6JSS6 5-58	874A 14-76
EL36 1-60	PL82 1-20	5Z3 1-50	6KAN 1-25	2050 6-96
EL81 2-50	PL84 2-22	5Z4GT 1-50	6KGT 1-30	5763 3-75
EL84 1-00	PL84 1-08	5Z4GT 1-50	6K7 1-50	5814A 3-72
EL86 2-50	PL504 1-40	6/3DL2 1-56	6K8 1-75	5842 12-08
EL91 7-14	PL508 1-80	6AH6 4-71	6K06 6-36	6080 6-85
EL95 1-32	PL509 3-20	6AL5 0-82	6L6G 2-50	6146A 8-96
EL360 8-50	PL802 2-96	6AL5 0-82	6LGG 2-50	6146B 7-06
EM81 1-00	PY33 1-10	6AM6 1-80	6L7 2-00	6883B 11-19
			6LQ6 6-72	6973 3-87
				7960 9-96
				7586 10-14
				7587 17-49

Open daily to callers: Mon-Fri 9 a.m.-5 p.m.
Valves, Tubes and Transistors - Closed Saturday
Terms C.W.O. only - Tel. 01-677 2424-7.
Prices excluding VAT add 15%
Quotations for any types not listed S.A.E.
Post and Packing 30p per order

Telex 946708
Prices correct when going to press

DEACs

VARTA BUTTONS
(1.24V PER CELL)

225mA DKZ
25mm dia x 9mm
£3.20

600mA DKZ
34½mm dia x 10mm
£5.55
£6.94
£11.10

VAT included
P+P 60p per order
RECHARGEABLE BATTERIES.

CYLINDRICAL NICADS HP7 Size £1.00 only; HP11 Size £2.35; HP2 Size £3.20; PP3 £4.00; PP3 Charger £5.00.

CONSTANT CURRENT CHARGER - Switched 9mA/25mA/50mA/120mA/200mA/400mA output - charges 1 to 12 nicads - £13.95.

V & F SMALLCRAFT (POPLAR) LTD
38, STONELEIGH ROAD, CLAYHALL, ILFORD, ESSEX
Tel: 01-550-6642

LIMITED TRADE DISCOUNTS POSSIBLE ON DEACs.

AERIAL BOOSTERS

Aerial amplifiers can produce remarkable improvement on the picture and sound in fringe or difficult areas.

250 V d.c. working POLYESTER CAPACITORS

Prices per pack of five
·01uF, ·022uF, ·047uF, ·1uF
35p.
·22uF-·47uF 60p.
1·0uF-2·2uF £1.60.

B45 - For Mono or Colour this is tunable over complete UHF television band.
B11 - For stereo or standard VHF/FM radio.

Next to the set fitting. Price **£6.70 each.**

Signal Injectors with (pre-set) variable AF, which emits RF harmonics into the UHF band. Protected up to 300 volts DC. Complete with leads **£5.70 each.**

All Prices Include VAT at 15%. P & P per Order 30p. S.A.E. for Leaflets. Access Cards.

ELECTRONIC MAILORDER LTD
62 Bridge St, Ramsbottom, via Bury, Lancs. BL0 9AG.
Tel Rams (070 682) 3036.

POPULAR KITS AND PARTS

TRANSMITTER SURVEILLANCE

Tiny, easily hidden but which will enable conversation to be picked up with FM radio. Can be made in a matchbox—all electronic parts and circuit. £2-30.

RADIO MIKE

Ideal for discos and garden parties, allows complete freedom of movement. Play through FM radio or tuner amp. £6-90.

SAFE BLOCK

Mains quick connector will save you valuable time. Features include quick spring connectors, heavy plastic case and auto on and off switch. Complete kit £1.95.

LIGHT CHASER

Gives a brilliant display—a psychedelic light show for discos, parties and pop groups. These have three modes of flashing, two chase-patterns and a strobe effect. Total output power 750 watts per channel. Complete kit. Price £16. Ready made up £4 extra.

FISH BITE INDICATOR

Enables anglers to set up several lines then sit down and read a book. As soon as one has a bite the loudspeakers emit a shrill note. Kit. Price £4-90.

6 WAVEBAND SHORTWAVE RADIO KIT

Bandspread covering 13.5 to 32 metres. Based on circuit which appeared in a recent issue of Radio Constructor. Complete kit includes case materials, six transistors, and diodes, condensers, resistors, inductors, switches, etc. Nothing else to buy, if you have an amplifier to connect it to on a pair of high resistance headphones. Price £11-95.

SHORT WAVE CRYSTAL RADIO

All the parts to make up the beginner's model. Price £2-30. Crystal earpiece 65p. High resistance headphones (give best results) £3-75. Kit includes chassis and front but not case.

RADIO STETHOSCOPE

Easy to fault find—start at the aerial and work towards the speaker—when signal stops you have found the fault. Complete kit £4-95.

INTERRUPTED BEAM KIT

This kit enables you to make a switch that will trigger when a steady beam of infra-red or ordinary light is broken. Main components—relay, photo transistor, resistors and caps etc. Circuit diagram but no case. Price £2-30.

OUR CAR STARTER AND CHARGER KIT

Has no doubt saved many motorists from embarrassment in an emergency you can start car off mains or bring your battery up to full charge in a couple of hours. The kit comprises: 250w mains transformer, two 10 amp bridge rectifiers, start/charge switch and full instructions. You can assemble this in the evening, box it up or leave it on the shelf in the garage, whichever suits you best. Price £11-50 + £2-50 post.

G.P.O. HIGH GAIN AMP/SIGNAL TRACER.

In case measuring only 5 1/2" x 3 1/2" x 1 1/2" is an extremely high gain (70DB) solid state amplifier designed for use as a signal tracer on GPO cables etc. With a radio it functions very well as a signal tracer. By connecting a simple coil to the input socket a useful mains cable tracer can be made. Runs on standard 4 1/2" battery and has input, output sockets and on-off volume control, mounted flush on the top. Many other uses include general purpose amp, cueing amp, etc. An absolute bargain at only £1-85. Suitable 80 ohm earpiece 69p.

VU METER

Edgewise mounting, through hole size 1 1/2" x 1/2" approx. These are 100 micro amp I.S.D. and fitted with internal 6 volt bulb for scale illumination, also have zero reset. The scale is not calibrated but has very modern appearance. Price £2-88p.

BALANCE METER

Edgewise mounting 100 UA centre zero. Price £2-30p.

1 1/2" SQUARE PANEL METER

Eagle full vision plastic front, 50 UA. Price £4-60p 1 mA Price £4-03p.

WATERPROOF HEATING WIRE

60 ohms per yard. This is a heating element wound on a fibre glass coil and then covered with p.v.c. Dozens of uses—around water pipes, under grow boxes in dozens and socks. 23p metre.

DIAL INDICATOR

As used in tool making and other precision measuring operations, the famous John Bull accurately shows differences of 0.1mm. A beautifully made precision instrument, price in most tool shops would be £12-£15. We have a fair quantity. Price £9-20p.

COMPONENT BOARD Ref. W0998.

This is a modern fibre glass board which contains a multitude of very useful parts, most important of which are: 35 assorted diodes and rectifiers including four 3 amp 400v types (made up in a bridge) 8 transistors type BC 107 and 2 type BFY 51 electrolytic condensers, SCR ref. 2N 5062 25 0uF 100v DC and 100uF 25v DC and over 100 other parts including variable, fixed and wire wound resistors, electrolytic and other condensers. A real snip at £1-15.

FRUIT MACHINE HEART. 4 wheels with all fruits, motorised and with solenoids for stopping the wheels with a little ingenuity you can defy your friends getting the "jackpot." £9-95 + £4 carriage.

DESOLDERING PUMP

Ideal for removing components from computer boards as well as for service work generally. Price £6-35.

4-CORE FLEX CABLE

White pvc for telephone extensions, disco lights, etc. 10 metres £2, 100 metres £15. Other multicore cable in stock.

MUGGER DETERRENT

A high-note bleeper, push latching switch, plastic case and battery connector. Will scare away any villain and bring help. £2-50 complete kit.

HUMIDITY SWITCH

American made by Honeywell. The action of this device depends upon the dampness causing a membrane to stretch and trigger a sensitive microswitch. Very sensitive breathing on it for instance will switch it on. Micro 3 amp at 250V a.c. Only £1-15.

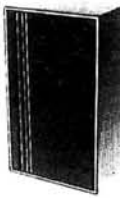
MINI-MULTI TESTER

Deluxe pocket size precision moving coil instrument, jewelled bearings—2000 o.p.v. mirrored scale. Constant range measure: DC volts 10, 50, 250, 1000. AC volts 10, 50, 250, 1000. DC amps 0-100 mA. Continuity and resistance 0-1 meg ohms in two ranges. Complete with Test Prods and instruction book showing how to measure capacity and inductance as well. Unbelievable value only £6-75 + 50p post and insurance.

FREE Amps ranges kit to enable you to read DC current from 0-10 amps, directly on the 10 scale. It's free if you purchase quickly but if you already own a mini-tester and would like one, send £2-50.

SUPER HI-FI SPEAKER CABINETS.

Made for an expensive Hi-Fi outfit—will suit any decor. Resonance free cut-outs for 8" woofer and 4" tweeter. The front material is carved Dacron, which is thick and does not need to be stuck in and the completed unit is most pleasing. Colour black. Supplied in pairs, price £2-90 per pair (this is probably less than the original cost of one cabinet) carriage £3 the pair.



3 wave band radio with stereo amplifier. Made for incorporation in a high-class radiogram, this has a quality of output which can only be described as superb. It is truly hi-fi. The chassis size is approximately 14". Push buttons select long, medium, short and gram. Control are balance, volume, treble and bass. Mains power supply. The output is 6-5 watts. Brand new and in perfect working order, offered at less than value of stereo amp alone, namely £6-90. Post £2-00.



MULLARD UNILEX

A mains-operated 4 + 4 stereo system. Rated one of the finest performers in the stereo field this would make a wonderful gift for almost anyone. In easy-to-assemble modular form this should sell at about £30—but due to a special bulk buy and as an incentive for you to buy this month we offer the system complete at only £16 including V.A.T. and postage.



FREE GIFT—Buy this month and you will receive a pair of Goodman's elliptical 8" x 5" speakers to match this amplifier.

THIS MONTH'S SNIP We all know how especially in the cold weather p.v.c. leads lose a lot of their flexibility, in fact some poor grade p.v.c. can be quite stiff and awkward and will not stay put. We recently purchased a quantity of an extra flexible twin cable. This is highly suitable for lead lamps, vacuum cleaners, in fact any portable device which does not need an earth. The regular price of this very flexible cable which is suitable for up to 7.5 amps is 30p per metre, and that is buying 1,000 metres at a time. However, this month you can buy 50 metres for £6-35 or 250 metres for £28-00.

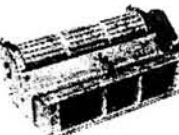
WALL MOUNTING THERMOSTAT.

Danfoss, a handsome 2 tone this is intended for living rooms but is just as efficient in a greenhouse or store. It is suitable for normal air temperature range 32F-80F—price £4-60.

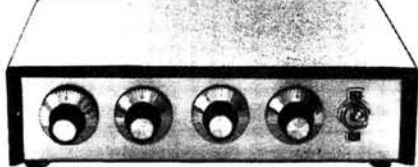


TANGENTIAL HEATER UNIT

A most efficient and quiet running blower-heater by Solatron—standard replacement in many famous name heaters—comprises mains induction motor—long turbo fan—split heating element and thermostatic safety trip—simply connect to the mains for immediate heat—mount in a simple wooden or metal case or mount direct into base of say kitchen unit. Price £5-95, post £1-50. Control switch to give 2kw, 1kw, cold blow or off available 60p extra. 3kw model £6-95. Control Switch 95p.



3 KW Mode £6-95 + £1-50 P & P



3-CHANNEL SOUND TO LIGHT KIT

Complete kit of parts for a three-channel sound to light unit controlling over 2,000 watts of lighting. Use this at home if you wish but it is plenty rugged enough for Disco work. The unit is housed in an attractive two-tone metal case and has controls for each channel, and a master on/off. The audio input and output are by 1/2" sockets and three panel mounting fuse holders provide thyristor protection. A four-pin plug and socket facilitate ease of connecting lamps. Special snip price is £13-50 in kit form or £16-50 assembled and tested.

TERMS: Cash with order—but orders under £10 must add 50p to offset packing, etc.
BULK ENQUIRIES INVITED. PHONE: 0444-54563.
ACCESS & BARCLAYCARD WELCOMED.

J. Bull [ELECTRICAL] Ltd.
(DEPT. EE1)
34-36 AMERICA LANE,
HAYWARDS HEATH SUSSEX.
RH16 3QU

IT'S FREE

Our monthly Advance Advertising Bargains List gives details of bargains arriving or just arrived—often bargains which sell out before our advertisement can appear—it's an interesting list and it's free—just send S.A.E. Below are a few of the Bargains still available from previous lines.

DUE TO THE HIGH & RISING PRICES OF FUEL many companies and probably many householders are looking around for ways of saving some of this cost. One Company bought a number of fans from us and fitted these on the ceiling of their workshops where the hot air tends to collect and they blow this hot air downwards. Another Company has bought fans from us to suck the exhaust from their oil fired central heaters through a zig zag of asbestos pipes, the asbestos pipes being in a separate chamber which becomes a hot air chamber, the hot air from this is blown through ducting to where ever it is needed. Basically, they have cut out the normal chimney and replaced this with one of our high power extractor fans. If you have any other good ideas on heat cost saving, let us know and we will pass it on to other readers.

PING PONG BALL BLOWER-UPPERS Have you got to organise a Christmas Party or Charity Fund-Raising Event? Then one always popular way is to have ping pong balls going up and down and being caught. We have some powerful blowers and these should be ideal for this, and of course for more serious purposes. They are 4 stage blowers, coupled to synchronous AC mains motors of approximately 1/2 h.p. They have a terrific suction as well as a high velocity blow. Ex computers, price £26-00.

TWO MORE BLOWERS Both 'snail' type, one very small and compact and suitable for cooling projectors or other equipment. Impeller size 2" x 1", coupled to mains voltage induction motor, outlet size approximately 1 1/2" x 1 1/2". Price £5-50 + 60p. The other is a larger **FLANGED BLOWER** for direct coupling to ducting, outlet size 2 1/2" x 2 1/2" + flange hole for easy fixing to trunking. Impeller size 5 1/2" x 1 1/2". Powered by 1/12 h.p. mains motor. £11-75.

RECHARGEABLE SOLID GEL BATTERY 12v 5 AH new and unused made by or for Elpor Corporation of California. Dimensions AC long, 3 1/2" high and 2 1/2" wide. Regular price of similar batteries, R.S. Components is £26-00. Limited quantity available at £15-80.

DUAL DIGITAL TIMER Short delay, left timer adjustable 0-2 secs, right timer 0-9-9 secs. Made by Techno Instruments Ltd., catalogue no. 010 18/1. We have very little information on these, but they are battery operated, to use you simply set the digital switches in the desired position, turning the rotary indicator to the chosen time. The lamp will light up when the right timer is in operation. Periodic or single action possible. This is a precision instrument 4 1/2" wide, 1 1/2" high and 5 1/2" deep. We understand that these cost over £60-00 from the Makers. Limited quantity only at £23-00.

SOLID STATE VARIACS By Lewis and Holtzman Ltd—their 'Elvar', 230-240v AC in and out, 10 amp model is cylindrical approximately 3 1/2" diameter 4 1/2" deep. Price £13-80. 5 amp model, again cylindrical, 2 1/2" diameter, 4 1/2" deep. Price £9-20.

E.H.T. UNITS One of our specialties has always been E.H.T. transformers, and we probably have bigger stocks than most of our contemporaries. It is surprising what uses these high voltages can be put to—killing flies and weeds, lighting central heating boilers, lifting paper, extracting dust, etc. A new one this month is 14.5 KV. (dc) 0.5mA—made by ADVANCE ELECTRONICS—this unit is completely enclosed and has input and output sockets—size of the unit is approximately 8" x 3" x 3 1/2", price £15-38 post £1.

To remind you of the E.H.T. Transformers we stock, here is a list:

3-4 KV 3 mA ex equipment	£2-90
5 KV 5 mA ex new equipment	£7-15
5 KV 5 mA with outer casing and E.H.T. outlets	£9-45
8-5 KV 10 mA totally enclosed with E.H.T. outlets	£13-50

LEDS are used increasingly and are now being recommended for nearly all indicators and for games and novelties. Due to a fortunate purchase, this month we are able to offer 10 red led's for £1. These are the small ones equivalent to the TIL 209. Bulk price £60-00 per 1000 + V.A.T.

FIG. 8. FLEX is always in demand, especially when doing the Christmas decorations. We are able to offer white Fig. 8 5 amp type on 50 metre roll for £2-80, ditto but dark grey with tracer lead, suitable for speaker extensions, 50 metres £3-38.

500 WATT MERCURY VAPOUR LAMP Mazda, ref. 90-5104 MATIV blended. These give a really powerful light but, of course, have to be used with the correct control gear. We are expecting to get this control gear early in the New Year. Price of the lamp is £3-38 + 38p. Post 50p.

ANTI FROST THERMOSTAT The normal refrigerator type thermostat, switches off as the temperature falls and so is not suitable for anti-frost devices. However, we have the ice safe—this switches on as the temperature falls and is set to switch on just above freezing point. It is a skeleton stat so would require boxing, but the price is modest at £1-10.

THIN CONNECTING WIRE 500 metre drums, 7 stranded copper core p.v.c. covered available in 10 different colours. Price £7-15.

OCTOBER/NOVEMBER CONSTRUCTOR'S SNIP. Here's a super bargain for you, 100 twist drills, regular tool shop price over £50, yours for only £11-50. With these you will be able to drill metal, wood, plastic etc from the tiniest holes in P.C.B. right up to about 1/2". Don't miss this snip—send your order today.

SUPER BREAKDOWN PARCEL with free gift of a desoldering pump, perhaps the most useful break-down parcel we have ever offered. Consists of 50 nearly all different computer panels on which you will find: over 300 ICs, over 300 diodes, over 200 transistors and many hundred other parts, resistors, condensers, multi turn pots, rectifiers, SCR etc. etc. for only £2-50, which when you deduct the value of the desoldering pump, works out to just a little over 4p per panel, + £1-27 VAT + £2 post (it's a big parcel).

TIME SWITCH BARGAIN Large clear mains frequency controlled clock, which will always show you the correct time + start and stop switches with dials. Complete with knobs £2-50.

Technical Training in Radio, Television and Electronics

ICS have helped thousands of ambitious people to move up into higher paid, more secure jobs in the field of electronics—now it can be your turn. Whether you are a newcomer to the field or are already working in the industry, ICS can provide you with the specialised training so essential to success.

Personal Tuition and Guaranteed Success

The expert and personal guidance by fully qualified tutors, backed by the ICS guarantee of tuition until successful is the key to our outstanding record in the technical training field. You study at the time and pace that suits you best and in your own home. In the words of one of our many successful students: "Since starting my course, my salary has trebled and I am expecting a further increase when my course is completed."

City and Guilds Certificates

Excellent job prospects await those who hold one of these recognised certificates. ICS can coach you for:
 Telecommunications Technicians
 Radio, TV Electronics Technicians
 Technical Communications
 Radio Servicing Theory
 Radio Amateurs
 Electrical Installation Work
 Also MPT Radio Communications Certificate

Diploma Courses

Colour TV Servicing
 Electronic Engineering and Maintenance
 Computer Engineering and Programming
 Radio, TV and Audio, Engineering and Servicing
 Electrical Engineering, Installations and Contracting

Qualify for a New Career

Home study courses for leading professional examinations and diploma courses for business and technical subjects:—

G.C.E.	Engineering	Purchasing
60 subjects	Farming	Sales
at "O" & "A" levels	Heating	Storekeeping
Accountancy	Industrial	Work Study
Air Conditioning	Management	
Building	Mechanical	

POST OR PHONE TODAY FOR FREE BOOKLET.

ICS To: International Correspondence Schools

SINCE 1890
 Dept. 277D Intertext House, London
 SW8 4UJ or telephone 622 9911

Subject of Interest.....
 Name.....
 Address.....
 Telephone Number.....

MONOLITH
 QUALITY REEL TO REEL & CASSETTE TAPE HEADS + MECHANISMS

YOUR EXTRA HEAD!

A NEW TAPE HEAD COULD TRANSFORM THE QUALITY OF YOUR TAPE RECORDER

MEET OUR NEW C42RPS18, THE HIGH PERFORMANCE STEREO HEAD WITH SEPARATE RECORD & PLAYBACK CHANNELS FOR IMPROVED DYNAMIC RANGE & RECORD MONITORING.

POPULAR UNIVERSAL CASSETTE TAPE HEADS

B12-01 Mono Playback.....	£1.89	C42RPH04 Stereo GLASS FERRITE R/P.....	£11.60
B12-02 Mono Record/Playback.....	£4.02	C42RPS18 Stereo TWIN GAP R+P.....	£25.21
B24-01 Stereo Playback.....	£3.30	E12-09 Mono/stereo erase.....	£ 1.85
B24-02 Stereo Record/Plbk.....	£6.66	B22-02 Twin 1/4 track R/P.....	£ 5.97
B24-07 Stereo R/P, (Dolby Stm).....	£7.87	C44RPH03 Quad 1/4 track R/P.....	£13.17
C42RPH20 Stereo SENDUST R/P.....	£9.28	C44RPE01 Quad 1/4 track combined R/P + Erase.....	£26.45
C42RPE01 Stereo combined R/P + Erase.....	£10.93	C22E02 Twin half track erase.....	£ 4.72

SEND FOR OUR TAPE HEAD CATALOGUE 50p

MONOLITH
 THE MONOLITH ELECTRONICS CO. LTD.
 5/7 CHURCH ST., CREWKERNE, SOMERSET, ENGLAND. (0460) 74321
 ALL PRICES INCLUDE VAT

MODULAR ELECTRONICS

95 HIGH STREET SELSEY, Nr CHICHESTER, SUSSEX. TEL. SELSEY (024361) 2916

DISTRIBUTOR FOR SOLID STATE MICROWAVE (THOMPSON CSF) RF PRODUCTS

Type	P/out	Gain	Volts	Freq.	Price
2N3866	1w	10dB	28	175MHz	£0.92
2N4427	1w	10dB	12	175MHz	£1.08
2N3553	2.5w	9dB	28	175MHz	£1.17
2N5913	2w	7dB	12	470MHz	£1.81
S01127	4w	12dB	12	175MHz	£2.42
2N6080	4w	12dB	12	175MHz	£4.72
S01143	10w	10dB	12	175MHz	£6.90
2N6081	15w	6.5dB	12	175MHz	£7.48
2N6082	25w	5.7dB	12	175MHz	£8.63
2N6084	40w	4.5dB	12	175MHz	£12.65
S01428	45w	6.5dB	12	175MHz	£13.28
S01416	70w	6.7dB	12	175MHz	£24.15
S01477	100w	6.0dB+	12	175MHz	£28.75
2N5590	10w	5.2dB	13.6	175MHz	£8.33
2N5591	25w	4.4dB	13.6	175MHz	£7.49
2N5944	2w	9dB	12	470MHz	£8.79
2N5945	4w	9dB	12	470MHz	£8.83
S01135	5w	7.5dB	12	470MHz	£8.20
S01136	10w	6dB	12	470MHz	£7.77
2N5946	10w	6dB	12	470MHz	£10.93
S01088	25w	6.8dB	12	470MHz	£18.40
S01089	40w	4.3dB	12	470MHz	£26.30
S01434	50w	6.0dB	12	470MHz	£26.45

Ex Equip 2N5070 2.30MHz 25wPEP £2.50
 Ex Equip 2N3632 175MHz 13w £2.50
 2N5914 RCA 12v 470MHz 2w 7dB £4.60
 218BLY Mul Studless BLY38 2w 470MHz £3.45
 61387 RCA Studless Sim C1-12 CTC £3.45
 Free data sheets with all purchases which include typical circuits etc.

LOW NOISE SMALL SIGNAL SEMICONDUCTORS.
 BFR90 Mul 1 Pack 2.5dB N/F 1GHz £2.82
 BFR91 Mul 1 Pack 2.5dB N/F 1.2GHz £3.45
 BFR34a 1 Pack 4dB N/F GHz £2.26
 BFT66 Low Intermod. T072 £2.59
 SD306 "D" MOS MOSFET £2.60
 3N204 MOSFET 2nd Generation £1.55
 40673 RCA MOSFET £0.92
 BFR90 UHF MOSFET Equiv 3SK8B £1.30

UNELCO Cased RF Mica Caps. Following Pfs
 10 20 30 40 50 60 70 80pF £1.61; 100 150 180 250pF £1.73; 1000pF £1.84
 PTFE Sheet 0.25mm 300mm Square £2.30
 PVE 951 170 12v Aerial Relays SPST Good to 1296MHz £6.60
 Silver Plated RG43 Type

ITT 10.7MHz XTL Filters 25KHz £8.05
 HP 5082 2800 Hot Car Diodes £1.12
 HP 5082 2835 Hot Car Diodes £0.98
 HP 5082 3080 Pin Switch Diodes £0.98
 Motorola MC12013L + 10 Prescaler IC with full data instructions £11.50
 BB103 Varicap Diodes £0.50
 TIP33 £0.58; 2N918 £0.50; BF180 £0.50; BF115 £0.50;
 2N5179 £0.82; BFY90 £1.15; ST2110 BSX20/2N2369a £0.30.

TRIMMERS
 Teflon PTFE 1 10pF 33p, 7mm or Stripline DAU PTFE Film 1.9pF or 1.5 18pF 20p. Surplus 2.5 25pF 10mm 15p.
 Heatsinks single sided ideal for RF amps. Redpoint GM1 2.6 deg w £1.73
 Radiospares 4 Deg/w 100mm long £1.00.

FINISHED MADE UP AND TESTED EQUIPMENT
PA2 Preamplifier for 2 meters, using the latest UHF stripline MOSFET the BFR90 1 1/2" square for fitting in the rig 50Q in/out imp Only £8.05 with instructions.
PAU2 432MHz Preamp, stripline using the BFR34a 14dB gain N/F < 2dB £8.63.

LINEAR AMPLIFIER MODULES, without Ch/Dver. Size 55 x 92mm with thermal interface 50Q.
 PM2 10 0.4w in 10w out. 13.8v £18.40
 PM2 15 1.5w in 15w out. 13.8v £19.55
 PM2 25 4w in 25w out. 13.8v £20.99
 CPM LINEAR AMPS with full RF Changeover size 82 x 102mm preamp can be fitted in RX.
 SPEC. AS FOR PM Series Specify CPM type and add £7.48 to PM series price.

PRESCALER BOARD ÷ 10 Size 55 x 93mm with input amplifier (2 x BFR34a) sens. 40mV 432mc uses MOT MC12012 I/C. 500MHz typ 600MHz Only £23.00. 5v neg E supply.

Barclaycard or Access on orders above £10.
POST AND PACKING ADD 50p TO ALL ORDERS.
 Orders sent 1st Class Post where weight permits.
SAME DAY DISPATCH ON ALL IN STOCK ITEMS.
 Minimum invoiced order to approved customers £15.00.
 ALL PRICES NOW INCLUDE VAT AT 15%

Marshall's

A. Marshall (London) Ltd., Kingsgate House,
Kingsgate Place, London NW6 4TA
Industrial Sales: 01-328 1009
Mail Order: 01-624 8582 24 hr. service
Also retail shops: 325 Edgware Road, London W2
40 Cricklewood Broadway, London NW2 85 West Regent St. Glasgow
108A Stokes Croft, Bristol

We now supply the extremely reliable and cost conscious LEADER range of testgear.

SINGLE TRACE OSCILLOSCOPES

LBO 510A 5" 4MHz 20mV	£126.00
LBO 512A 5" 10MHz 10mV	£170.00
LBO 513A 5" 10MHz 10mV	£215.00
LBO 507A 5" 20MHz 10mV	£239.00

DUAL TRACE OSCILLOSCOPES

LBO 308S 3" 20MHz 20mV	£419.00
LBO 508A 5" 20MHz 10mV	£299.00
LBO 520A 5" 25MHz 5mV	£475.00
LBO 514 5" 10MHz 5mV	£255.00

T.V. RADIO TEST GEAR

LSG 16 Signal Generator	£ 49.00
LSG 231 FM Stereo Signal Generator	£169.00
LCG 392U PAL B Pattern Generator	£189.00

AUDIO TEST GEAR

LAG 26 Audio Generator	£ 60.00
LAG 120A Audio Generator	£119.00
LDM 170 Distortion Meter	£225.00
LFM 39A Wow Flutter Meter (Dist)	£249.00
LFM 39A Wow Flutter Meter (Dist)	£299.00
LAV 191 Audio Tester	£249.00
LAG 125 Low Distortion Audio Generator	£229.00

GENERAL TEST GEAR

LCH 440 LCR Bridge	£135.00
LTC 906A Transistor Checker	£ 90.00
LVT 72 Fet Transistor Checker	£119.00
LTC 907 Transistor Checker	£139.00
LAT 47 Attenuator	£135.00
LAT 45 Attenuator	£ 75.00
LFG 1300 Sweep Function Generator	£299.00

AMATEUR RADIO

LUM 815 DIP Meter	£ 43.00
LIM 870A Antenna Impedance Meter	£ 41.00
LPM 880 RF Power Meter	£ 60.00
LPM 885 SWR Watt Meter	£ 44.00
LAC 895 Antenna Coupler	£ 85.00
LAC 896 Antenna Coupler	£ 41.00
LAC 897 Antenna Coupler	£ 41.00

Please send large SAE for special catalogue. All prices exclusive VAT/carriage.

The new Marshall's 80/81 catalogue is now available. A veritable treasure house of components, test gear, tools, etc.



Lots of old friends, but also many new products including leader test gear, Crimson Hi Fi Modules, Rechargeable Ni Cad batteries and chargers (very competitive). More components including SN74ALS series, new tools etc. Available by post, UK 75p post paid: Europe 95p post paid: Rest of world £1.35 post paid.

SINCLAIR INSTRUMENTS

Digital Multimeter

"	PDM35	£ 34.50
"	DM235	£ 52.50
"	DM350	£ 72.50
"	DM450	£ 99.00

Digital Frequency Meter

"	PFM200	£ 49.80
---	--------	---------

Low Power Oscilloscope

"	SC110	£139.00
---	-------	---------

NEW

TF200	Frequency Meter	£145.00
TGF105	Pulse Generator	£ 85.00

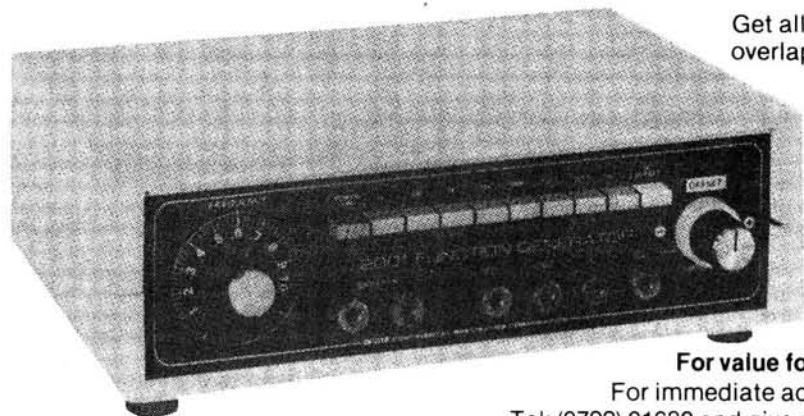
CRIMSON ELEKTRIK HI FI MODULES

CE608	Power Amp	£20.09
CE1004	"	£23.43
CE1008	"	£26.30
CE1704	"	£33.48
CE1708	"	£33.48
CPS1	Power Unit	£19.52
CPS3	"	£23.52
CPS6	"	£30.00
CPR1	Pre Amp	£32.17
CPR1S	Pre Amp	£42.52

All Prices + VAT + postage/packaging

Don't forget! We also carry an impressive range of semi-conductors, passive components, electro-mechanical components, tools etc.

The 2001 sweeps the board at only £75*



Get all the waveforms you need - 1 Hz to 1 MHz in five overlapping ranges: stable, low-distortion sine waves, fast rise/fall-time square waves, high linearity triangle waves - even a separate TTL square wave output. Plus high- and low-level main outputs.

An applied DC Voltage at the Sweep input can shift the 2001's frequency: or sweep up to 100:1 with an AC signal.

A pushbutton activates the DC Offset control, which shifts the output waveform up or down on command.

For value for money the 2001 sweeps the rest off the board.

For immediate action - The C.S.C. 24 hour, 5 day a week service
Tel: (0799) 21682 and give us your Access, American Express, Barclaycard number and your order will be in the post immediately or just clip out the coupon.

*price excluding P&P and 15% VAT

CONTINENTAL SPECIALTIES CORPORATION



C.S.C. (UK) Limited
Dept. 7HH Unit 1, Shire Hill Industrial Estate,
Saffron Walden, Essex CB11 3AQ
Tel: Saffron Walden (0799) 21682 Telex 817477

Continental Specialties Corporation (UK) Limited

Dept 6HH Unit 1, Shire Hill Industrial Estate, Saffron Walden, Essex. CB11 3AQ

Model 2001 Sweepable
Function Generator

£87.98. (inc. P&P
and 15% VAT)

Qty
Reqd.

For FREE catalogue
tick box

Name Address

I enclose PO/Cheque for £..... or debit my
Barclaycard/Access/American Express No exp date

Why the Sinclair ZX80 is Britain's best-selling

Built: £99.95

Including VAT, post and packing, free course in computing, free mains adaptor.

Kit: £79.95

Including VAT, post and packing, free course in computing.

This is the ZX80. A really powerful, full-facility computer, matching or surpassing other personal computers at several times the price. 'Personal Computer World' gave it 5 stars for 'excellent value'. Benchmark tests say it's faster than all previous personal computers.

Programmed in BASIC – the world's most popular language – the ZX80 is suitable for beginners and experts alike. And response from enthusiasts has been tremendous – over 20,000 ZX80s have been sold so far!

Powerful ROM and BASIC interpreter

The 4K BASIC ROM offers remarkable programming advantages:

- * Unique 'one-touch' key word entry: the ZX80 eliminates a great deal of tiresome typing. Key words (RUN, PRINT, LIST, etc.) have their own single-key entry.
- * Unique syntax check. A cursor identifies errors immediately.
- * Excellent string-handling capability – takes up to 26 string variables of any length. All strings can undergo all relational tests (e.g. comparison).
- * Up to 26 single dimension arrays.
- * FOR/NEXT loops nested up to 26.
- * Variable names of any length.
- * BASIC language also handles full Boolean arithmetic, condition expressions, etc.
- * Randomise function, useful for games and secret codes, as well as more serious applications.
- * Timer under program control.
- * PEEK and POKE enable entry of machine code instructions.
- * High-resolution graphics.
- * Lines of unlimited length.

Unique RAM

The ZX80's 1K-BYTE RAM is the equivalent of up to 4K BYTES in a conventional computer – typically storing 100 lines of BASIC.

No other personal computer offers this unique combination of high capability and low price.



The ZX80 as a family learning aid. Children of 10 years and upwards are quick to understand the principles of computing – and enjoy their personal computer.

The Sinclair teach-yourself BASIC manual

If the specifications of the Sinclair ZX80 mean little to you – don't worry. They're all explained in the specially-written 128-page book (free with every ZX80). The book makes learning easy, exciting and enjoyable, and represents a complete course in BASIC programming – from first principles to complex programs.

Kit or built – it's up to you

In kit form, the ZX80 is pleasantly easy to assemble, using a fine-tipped soldering iron. And you may already have a suitable mains adaptor – 600 mA at 9V DC nominal unregulated. If not, see the coupon.

Both kit and built versions come complete with all necessary leads to connect to your TV (colour or black and white) and cassette recorder. Plug in and you're ready to go. (Built versions come with mains adaptor.)

Practical Wireless, February 1981

personal computer.

Now available for the ZX80... New 16K-BYTE RAM pack



Massive add-on memory. Only £49.95.

The new 16K-BYTE RAM pack is a complete module designed to provide you – and your Sinclair ZX80 – with massive add-on memory. You can use it for those really long and complex programs – or as a personal database. (Yet it can cost as little as half the price of competitive add-on memory for other computers.)

For example, you could write an interactive or 'conversational' program to show people what your ZX80 can do. With 16K-BYTES of RAM, they could be talking to your computer for hours!

Or you can store a mass of data – perhaps in a fairly simple program – such as a name and address list, or a telephone directory.

And by linking a number of separate programs together into one giant, but modular, program, you can achieve the same effect as loading several programs at once.

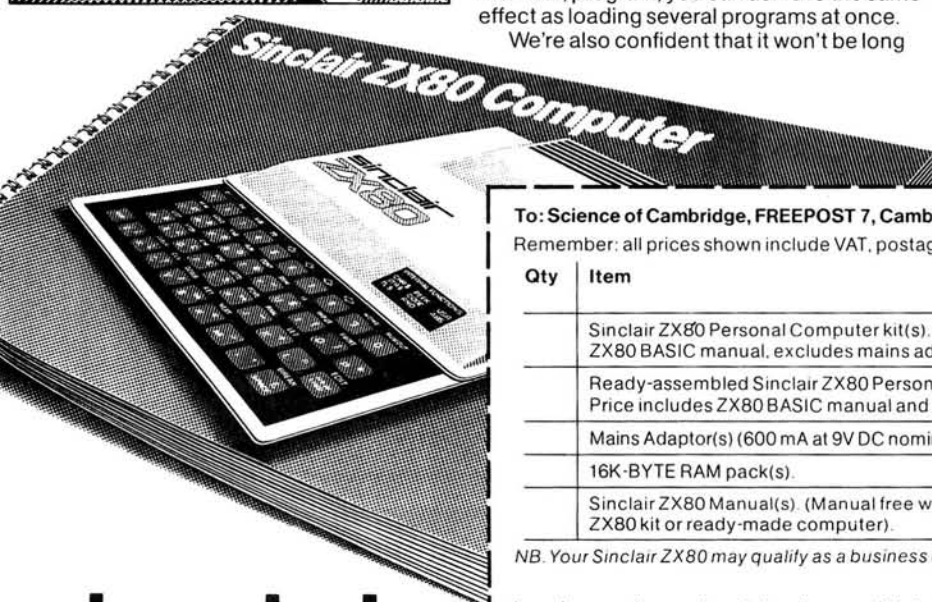
We're also confident that it won't be long

before you can buy cassette-based software using the full 16K-BYTE RAM. So keep an eye on the personal computer magazines – and brush up your chess perhaps!

The RAM pack simply plugs into the existing expansion port on the rear of the ZX80. No wires, no soldering. It's a matter of seconds and you don't need another power supply. You can only add one RAM pack to your ZX80 – but with 16K-BYTES who could want more!

How to order

Demand for the ZX80 exceeds all other personal computers put together! So use the coupon to order today for the earliest possible delivery. All orders will be despatched in strict rotation. We'll acknowledge each order by return, and tell you exactly when your ZX80 will be delivered. If you choose not to wait, you can cancel your order immediately, and your money will be refunded at once. Again, of course, you may return your ZX80 as received within 14 days for a full refund. We want you to be satisfied beyond all doubt – and we have no doubt that you will be.



To: Science of Cambridge, FREEPOST 7, Cambridge CB2 1YY.

Remember: all prices shown include VAT, postage and packing. No hidden extras. Please send me:

Qty	Item	Code	Item price £	Total £
	Sinclair ZX80 Personal Computer kit(s). Price includes ZX80 BASIC manual, excludes mains adaptor.	02	79.95	
	Ready-assembled Sinclair ZX80 Personal Computer(s). Price includes ZX80 BASIC manual and mains adaptor.	01	99.95	
	Mains Adaptor(s) (600 mA at 9V DC nominal unregulated).	03	8.95	
	16K-BYTE RAM pack(s).	18	49.95	
	Sinclair ZX80 Manual(s). (Manual free with every ZX80 kit or ready-made computer).	06	5.00	

NB. Your Sinclair ZX80 may qualify as a business expense.

TOTAL: £

I enclose a cheque/postal order payable to Science of Cambridge Ltd for £ _____
Please print

Name: Mr/Mrs/Miss _____

Address _____

FREEPOST – no stamp needed.

PRW02

sinclair ZX80

Science of Cambridge Ltd.

6 Kings Parade, Cambridge, Cambs., CB2 1SN.
Tel: 0223 311488.

Practical Wireless, February 1981

NEW

PRACTICAL ELECTRONICS PROJECT 125 WATT POWER AMP KIT

SPECIFICATIONS

Max. Output power 125 watt RMS
 Operating voltage (DC) 50-80 Max.
 Loads 4-16 ohms
 Frequency response Measured at 100 watts 25Hz-20kHz
 Sensitivity for 100 watts 400mV @ 47K
 Typical T.H.D. @ 50 watts 4 ohms load 0.1 %
 Dimensions 205 x 90 and 190 x 36 mm

The P.E. power amp kit is a module for high power applications—disco units, guitar amplifiers, public address systems and even high power domestic systems. The unit is protected against short circuiting of the load and is safe in an open circuit condition. A large safety margin exists by use of generously rated components, the

output stage uses four 115 watt transistors normally only two would be used, result, a high powered rugged unit. The PC Board is backprinted, etched and ready to drill for ease of construction, and the aluminium chassis is performed and ready to use. supplied with all parts and circuit diagrams.



AS FEATURED IN PRACTICAL ELECTRONICS OCTOBER ISSUE

125 watt power amp kit

£9.50 plus £1.00 p&p

ACCESSORIES

Suitable L.S. coupling electrolytic

£1.00 plus 20p p&p

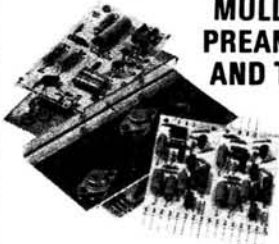
Suitable Mains Power Supply Unit

£7.50 plus £2.75 p&p

sufficient for one power amp

DIY STEREO BARGAIN PACKS FEATURING FAMOUS BUILT MULLARD PREAMP MODULES

MULLARD STEREO PREAMP MODULES AND TWO 12 WATT POWER AMP KITS.



In easy to build form P.C.B.s backprinted, etched and drilled ready to use.

BUILD A 12 WATTS PER CHANNEL STEREO AMPLIFIER ACCESSORIES AND L.S. KIT EXTRA (not available separately)

£6.00

DIY PACK 1 2 x power amp kits LP1182/ preamp module, suitable for ceramic and auxiliary inputs.

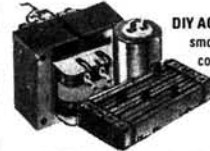
£6.00 plus £1.10 p&p

DIY PACK 2 2 x power amp kits LP1184 preamp module suitable for magnetic ceramic and auxiliary inputs.

£8.50 plus £1.15 p&p

DIY SPEAKER KIT Two 8" x 5" approx. 4 ohm bass.

£3.50 plus £1.70 p&p



DIY ACCESSORIES Mains transformer smoothing capacitor rectifier 4 x slider controls, for base, treble and volume.

£3.00 plus £1.60 p&p

ACCESSORIES: Available only at time of purchase of Bargain Packs

12 + 12 WATT AMPLIFIER KIT

NOTE: for use with 4 to 8 ohms speakers.

With up-to-the-minute features. To complete you just supply screws, connecting wire and solder. Features include din input sockets for ceramic cartridge, microphone, tape or tuner. Outputs—tape, speakers and headphones. By the press of a button it transforms into a 24 watt mono disco amplifier with twin deck mixing. The kit incorporates a Mullard LP1183 pre-amp module, plus 2 power amplifier assembly kits and mains power supply. Also featured 4 slider level controls, rotary bass and treble controls and 6 push button switches. Silver finish fascia panel with matching knobs. Easy to assemble teak simulate cabinet and ready made metal work. For further information instructions are available price 50p. Free with kit. Size 9 1/4" x 8 3/4" x 4" approx.

£13.95 plus £2.55 p&p

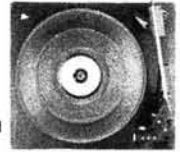
NOTE: for use with 4 to 8 ohms speakers.

BSR chassis record deck with manual set down and return, complete with stereo ceramic cartridge

£8.50 plus £2.75 p&p when purchased with amplifier. Available separately **£10.50** plus £2.75 p&p.

8" SPEAKER KIT. 2 Philips 8" approx. speakers. **£4.75** per stereo pair plus £1.50 p&p when purchased with amplifier. Available separately **£6.75** plus £1.50 p&p.

STEREO MAGNETIC PRE-AMP CONVERSION KIT all components including P.C.B. to convert your ceramic input on the 12 + 12 amp to magnetic. **£2.00** when purchased with kit featured above. **£4.00** separately inc p&p.



BSR Manual single play record deck with auto return and cueing lever. Fitted with stereo ceramic cartridge 2 speeds with 45 rpm spindle adaptor ideally suited for home or disco use.

£12.25 OUR PRICE plus £2.75 p&p



Size approx 13" x 11"

PHILLIPS RECORD PLAYER DECK GC037

Size approx 15 1/4" x 12 1/4"

Hi Fi record player deck. 2 speed, damped cueing, auto shut-off, belt drive with floating sub chassis to minimise acoustic feedback. Complete with GP401 stereo magnetic cartridge—LIMITED STOCK. UNBEATABLE OFFER AT



£27.50 complete plus £2.75 p&p

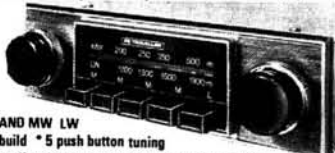
OFFER! SAVE MONEY by purchasing 12 + 12 amp kit, BSR record deck and speaker kit together for only

£25.50 p&p £4.50.

PRACTICAL ELECTRONICS CAR RADIO KIT

(Constructors pack 7)

£10.50 plus £1.75 p&p



2 WAVE BAND MW LW

- * Easy to build * 5 push button tuning
- * Modern styling design * All new unused components
- * 6 watt output * Ready etched & punched P.C.B.
- * Incorporates suppression circuits * Now with tape input socket

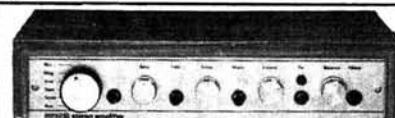
All the electronic components to build the radio, you supply only the wire and solder as featured in the Practical Electronics March issue. Features: Pre-set tuning with five push button options, black illuminated tuning scale, with matching rotary control knobs, one, combining on/off volume and tone-control, the other for manual tuning, each set on wood simulated fascia. The P.E. Traveller has a 6 watts output, neg ground and incorporates an integrated circuit output stage, a Mullard IF module LP1181 ceramic filter type, pre-aligned and assembled and a Bird pre-aligned push button tuning unit. The radio fits easily in or under dashboards. Complete with instructions.

CONSTRUCTORS PACK 7A

Suitable stainless steel fully retractable locking aerial and speaker (approx. 6" x 4") is available as a kit complete **£1.95** per pack, plus £1.00 p&p. Pack 7A may only be purchased at the same time as Pack 7.

NOTE: Constructor's pack 7A sold complete with radio kit **£15.20** including p&p.

FEATURED PROJECT IN PRACTICAL ELECTRONICS.



30 + 30 WATT STEREO AMPLIFIER BUILT AND TESTED

Viscount IV unit in teak simulate cabinet silver finished rotary controls and pushbuttons with matching fascia, red mains indicator and stereo jack socket. Functions switch for mic magnetic and crystal pickups, tape and auxiliary. Rear panel features fuse holder. DIN speaker and input socket 30 + 30 watts. RMS 60 + 60 watts peak for use with 4 to 8 ohm speakers. Size 14 1/4" x 10" approx.

READY TO PLAY **£32.90** plus £3.30 p&p



323 EDGWARE ROAD, LONDON W2 21c HIGH STREET, ACTON W3 6NG

ACTON: Mail Order only. No callers
ALL PRICES INCLUDE VAT AT 15%
 All items subject to availability. Price correct at 18.11.80 and subject to change without notice.

For further information send for instructions 20p plus stamped addressed envelope.

NOTE: Persons under 16 years not served without parent's authorisation.

BARGAIN OFFER!!



ARISTON PICK UP

Ariston pick-up arm manufactured in Japan. Complete with headshell. Listed price over £30.00

£11.95 plus £2.50 p&p

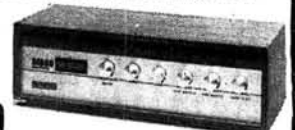
100 WATT MONO DISCO AMPLIFIER

Brushed aluminium fascia and rotary controls. Size approx 14" x 4" x 10 1/4". Five vertical slide controls, master volume, tape level, mic level, deck level, PLUS INTER DECK FADER for perfect graduated change from record deck No. 1 to No. 2, or vice versa. Pre fade level controls (PRL) lets YOU hear next disc before fading it in. VU meter monitors output level. Output 100 watts RMS 200 watts peak.

£76.00 plus £4.00 p&p

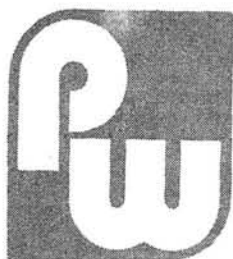
50 WATT MONO DISCO AMPLIFIER

Size approx 13 1/4" x 5 1/4" x 6 3/4". 50 watts rms. 100 watts peak output. Big features include two disc inputs, both for ceramic cartridges, tape input and microphone input. Level mixing controls fitted with integral push-pull switches. Independent bass and treble controls and master volume.



£30.60 plus £3.20 p&p

Personal Shoppers EDGWARE ROAD LONDON W2 Tel: 01-723 8432. 9.30am-5.30pm. Closed all day Thursday ACTON: Mail Order only. No callers GOODS DESPATCHED TO MAINLAND AND N. IRELAND ONLY



comment...

When All Else Fails...

... READ THE INSTRUCTIONS! So goes a well-known saying, which is apparently not borne in mind by some of our readers. We often get letters and telephone calls posing questions about a project which are answered in the article itself, or else in an advertisement in the same issue of the magazine. When I am reading a book or magazine article, I always feel it a matter of pride to make every effort to find the answer to a query myself, without asking anyone else, but some constructors will put pen to paper quite unnecessarily.

One reader, not many months ago, was puzzled over something in a circuit diagram. When it was pointed out to him that the accompanying caption specifically referred to his problem, he admitted that he hadn't read the caption. Just last week, another reader telephoned to point out an error in the PW "Twynham" multimeter project, for which we were very grateful. But he then went on to complain that we hadn't given enough information in our December issue to enable him to build it, not realising that it was only the first part of the article, although this had been mentioned in no less than four places in that issue.

I would be the first to admit that we sometimes don't give all the information about a project that we should or might do, and in any case we always try to answer any queries which we receive. But, it

may save you the cost of a letter plus return postage, **and** waiting for the answer to come back, if you read the whole of the relevant article carefully, just to make sure that the solution to your problem wasn't there all the time.

Having said all the above, we do like getting your letters nevertheless. We simply can't cope with technical queries by telephone, though, they just take up too much time that we should be devoting to preparing future issues of PW. And when writing, don't forget to include a stamped, self-addressed envelope, or for overseas readers, an International Reply Coupon.

Incidentally, though I quite understand how frustrating it can be, waiting for the remaining parts of an article to appear before a project can be completed, we can **not** give out information in advance of publication, no matter how pressing the need.

Geoff Arnold



services

QUERIES

While we will always try to assist readers in difficulties with a *Practical Wireless* project, we cannot offer advice on modifications to our designs, nor on commercial radio, TV or electronic equipment. Please address your letters to the Editor, "*Practical Wireless*", Westover House, West Quay Road, Poole, Dorset BH15 1JG, giving a clear description of the problem and enclosing a stamped self-addressed envelope. Only one project per letter please.

Components for our projects are usually available from advertisers. For more difficult items, a source will be suggested in the "Buying Guide" box included in each constructional article.

PROJECT COST

The approximate cost quoted in each constructional article includes the box or case used for the prototype. For some projects the type of case may be critical; if so this will be mentioned in the Buying Guide.

CONSTRUCTION RATING

Each constructional project will in future be given a rating, to guide readers as to its complexity:

Beginner

A project that can be tackled by a beginner who is able to identify components and handle a soldering iron fairly competently. Generally this category will be used for simple projects, but sometimes for more complicated ones of wide appeal. In this case, construction and wiring will be dealt with in some detail.

Intermediate

A project likely to appeal to a wide range of constructors, and requiring only basic test equipment to complete any tests and adjustments. A fair degree of experience in building electronic or radio projects is assumed.

Advanced

A project likely to appeal to an experienced constructor, and often requiring access to workshop facilities and test equipment for construction, testing and alignment. Constructional information will generally be limited to the more critical aspects of the project. Definitely not recommended for a beginner to tackle on his own.

SUBSCRIPTIONS

Subscriptions are available to both home and overseas addresses at £11.80 per annum, from "*Practical Wireless*" Subscription Department, Room 2613, King's Reach Tower, Stamford Street, London SE1 9LS. Airmail rates for overseas subscriptions can be quoted on request.

BACK NUMBERS AND BINDERS

Limited stocks of some recent issues of *PW* are available at 95p each, including post and packing to addresses at home and overseas.

Binders are available (Price £4.30 to UK addresses and overseas, including post and packing) each accommodating one volume of *PW*. Please state the year and volume number for which the binder is required.

Send your orders to **Post Sales Department, IPC Magazines Ltd., Lavington House, 25 Lavington Street, London SE1 0PF**. All prices include VAT where appropriate.

Please make cheques, postal orders, etc., payable to IPC Magazines Limited.

Club News

A new amateur radio club has been formed, the Rolls-Royce R. A. C., Barnoldswick Division, with the callsign G3RR.

The club meets at the Rolls-Royce Sports and Social Club, Barnoldswick, on the first Wednesday of the month at 2000hrs, and a c.w. class is held every Monday evening, starting at 1915.

Visitors are very welcome and further details can be obtained from: *The Secretary, L. Logan, 19 Fenton Avenue, Barnoldswick, Colne, Lancs. BB8 6HB.*



The RRRAC QSL card

State of the Art

In a design Centre exhibition, open from Wednesday, 7 January 1981 until Saturday, 7 March, the public will be able to see and try out microelectronic products for the home, and have a glimpse of things to come.

In the form of central heating programmers, electronic chess sets and other products, microelectronics are gradually moving into the home. They are to be found in modern versions of familiar household items such as alarm clocks, toys or burglar alarms, but it is the opportunities microelectronics offer in previously undeveloped product areas that will arouse the most interest. Some designers are already taking advantage of the way in which microelectronics has enabled the shape of the product to be related to the needs of the user rather than its mechanical function. Their imaginative ideas will be a main feature of the exhibition.

The Design Council, 28 Haymarket, London SW1Y 4SU. Tel: 01-839 8000.

Technical Literature

Mullard Ltd. have produced two new publications which give details of practical hi-fi power amplifiers using Darlingtons.

The first publication, Ref. M80-0058, describes a 10/20W amplifier incorporating Darlingtons Type BDT80 and BDT61.

The second, Ref. M80-0057, deals with a 25/30W amplifier using BDT62 (p-n-p) and BDT63 (n-p-n) Darlingtons.

In addition to describing the circuits, both publications give advice on the preparation of suitable p.c.b.s.

Copies are available from: *Technical Publications Department, Mitcham New Road, Mitcham, Surrey CR4 4XY. Tel: 01-648 3471.*

New Research Fellowship

Racal Electronics Ltd. has established a new Research Fellowship in Radio Communications at the University of Surrey, to promote the imaginative study of some aspects of radio communications systems. The Racal Fellowship is to be held in the University's Department of Electronic and Electrical Engineering, initially for a period of four years.

The first holder of the Fellowship is Mr A. K. Brown, a physics graduate of the University of East Anglia (1974), who joined Marconi Research Laboratories, Great Baddow, Essex, where he was particularly concerned in the design of the Post Office Goonhilly IV Earth Station. He then joined Standard Telecommunication Laboratories, Harlow, where he was involved in research and development on a variety of antenna systems.

During his tenure of the Fellowship, Mr Brown will continue to work on antennas. His personal interests lie in microstrip antenna arrays and adaptive systems and it is likely that his efforts will be concentrated in these areas.

His programme of work will be undertaken in association with related work on antennas, both at Racal Research Ltd. and at Racal-Decca Ltd. Mr Brown will also contribute his knowledge to the design of the microwave antennas for UOSAT, the

small satellite for schools and radio amateurs which is now being built at the University and is scheduled for launch in September 1981.

University of Surrey, Guildford, Surrey GU2 5XH. Tel: (0483) 71281.

BBC's 1000th Colour TV Transmitter

On Friday, 7 November 1980, the BBC's 1000th colour TV transmitter came into operation at Hedleyhope, in County Durham.

The Hedleyhope relay station has been built to provide television services for about 1000 residents of Waterhouses, Esh Winning and East Hedleyhope in the Deerness Valley.

In order to take advantage of the station, viewers will need to install suitable aerials. Group B aerials should be used, they should be mounted outside where there is a clear view of the relay station and should be fitted with their elements horizontal.

The channels used at Hedleyhope are: BBC1 (North-East) Ch. 40; BBC2 Ch. 46; ITV (Tyne Tees) Ch. 50. The BBC channels carry the Ceefax information service for viewers with teletext receivers.

BBC Engineering Information Department, Broadcasting House, London W1A 1AA.



Inside the Hedleyhope relay station

NEWS NEWS NEWS

Free Catalogues

Babani Books, the technical book publishers, inform me their latest catalogue is now available.

The 24-page catalogue lists nearly 90 separate titles which cover virtually every aspect of electronics.

To obtain your free copy of the catalogue apply to: *Bernard Babani (Publishing) Ltd., The Grampians, Shepherds Bush Road, London W6 7NF. Tel: 01-603 2581/7296.*

Visitors to the PETSHOW held at the Cafe Royal in June 1980 will have witnessed a large selection of British software and hardware developments for Commodore's PET microcomputer systems. All products exhibited were featuring as Commodore approved products and as part of Commodore's Endorsement Scheme. Complemented by several new additions, details on these Commodore Approved products are available from the 200 regional PET dealers. The new Approved Products Catalogue now contains over 50 such products from business software, business peripherals, educational programs, medical construction and building services, engineering software, mains power control, hardware and interfacing programmer's aids/utilities to literature, furniture and field maintenance service.

Copies are available, free, on application to: *Commodore Business Machines, Commodore Information Centre, 360 Euston Road, London N1. Tel: 01-388 5702.*

Verospeed, the Hampshire based electronic component distributors, have announced a massive increase in the number of stocked product lines in the new Autumn '80 edition of their catalogue.

Over 400 new product lines have been added to the existing range, including Resistors, Capacitors, Fuses and Fuse Holders, Batteries and Chargers, Voltage Selectors, High Quality DIP Sockets, Audio XLR Connectors, PC Rotary Switches, Test Leads, Multimeters, Electronic DPM's and Counters, Engineers' and Technicians' Tool Kits, Component Storage Cabinets, Modular Bezels, Panel Mounting DIN Enclosures, Extruded Aluminium Boxes, Battery Wire-Wrapping Tools, Power Supplies and many more.

The catalogue is free, and as always, is fully priced, with many of the existing product lines showing significant reductions.

Verospeed Limited, Stansted Road, Boyatt Wood Industrial Estate, Eastleigh, Hampshire SO5 4ZY. Tel: (0703) 618525.

On The Move

Electronics Brokers have recently moved to new premises. The move became necessary following the company's rapid growth in the second-user market for test equipment, mini computers and peripherals, and the need to provide improved facilities for refurbishing and calibration.

The larger premises and special equipment installed, allow Electronic Brokers to carry greater and much more varied stocks. Also, specialised facilities in the new premises enable the company to offer thorough demonstration of all the equipment it sells. The new premises are at: *61/65 King's Cross Road, London WC1X 9LN. Tel: 01-278 3461.*

New Catalogue

Marshall's latest 1980/81 catalogue is now available. The 60-page catalogue covers a number of important new product areas which include NiCad batteries and chargers and test equipment from the Leader company.

Priced at 60p, the catalogue is available free to bona fide companies ordering on their headed paper, or by mail order for 75p which includes p&p, from: *A. Marshall (London) Ltd., Kingsgate House, Kingsgate Place, London NW6 4TA. Tel: 01-624 8582.*

Silver Jubilee for GB2SM

The Science Museum Radio Station, GB2SM, has been demonstrating the practice of radio communication to visitors for the past 25 years and during this time tens of thousands of contacts have been made throughout the world.

It has progressed from a simple table-top layout into a large purpose-built console which enables the visitor to see all that is happening. This was manufactured to the Museum's design by Imhof-Bedco Ltd. and allows flexibility in the use of equipment and its accessibility to the operator. During times of maximum activity it provides for three separate operating positions to be worked simultaneously, thus

enabling more than one mode to be demonstrated.

The main position utilises a Collins KWM-2 and a 30L-1 with a 75S3-B and Racal 1772 receivers also available. An alternative position uses a KW 2000E integrated with an Eddy-stone EA12. VHF operation is covered by a Trio TS-700 and linear amplifier. Eight aerials, located on the roof of the Museum, provide for both local and long distance communication to be demonstrated.

Geoff Voller G3JUL, has been the staff operator of the station since it started in 1955 but assistance has been given by a number of volunteers, all experienced operators, and many being members of F.O.C. These people started as a contest team and were

world leaders during the station's early days. Their operation is now mainly at weekends and their expertise is much appreciated, when besides providing a high standard of operating they are ambassadors of Amateur Radio, helping the visitor to understand the world of radio communication and encouraging people to enter the field of electronics.

The station can be viewed during normal Museum opening hours and demonstrations are at 1130 and 1600 Monday to Friday and 1500-1730 on Saturdays. Special demonstrations can be arranged for parties visiting the Museum if advance notice is given.

Science Museum, South Kensington, London SW7 2DD. Tel: 01-589 3456.

The BASICS of TV DXing

Part 1 Roger BUNNEY

Last month we looked at the types of propagation which make long-distance reception of TV programmes at v.h.f. and u.h.f. possible. We complete this short series by talking about aerials and accessories and give information on aerial supplies and further reading.

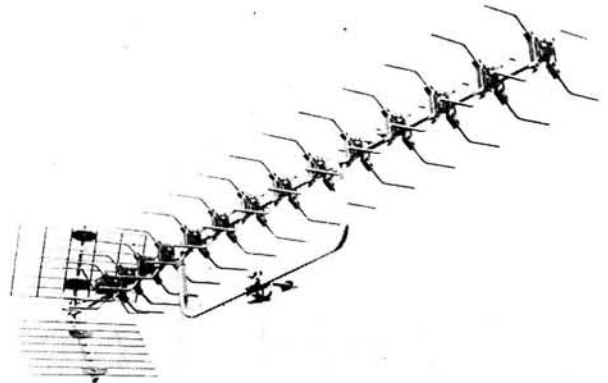
Aerials

We have covered signal reception by both Tropospheric and Ionospheric modes, and general practice dictates a different philosophy for each type of reception. The Tropospheric signal at Band III and u.h.f. is weak, and a high-gain system will be required. Certainly the size of the array will relate to its gain, i.e., the bigger the power gain, the bigger the structure. I feel that the beginner in the hobby should confine "Tropo" reception to the u.h.f. spectrum, where a wealth of equipment is available. Since reception will be required over the whole u.h.f. band, a cost-effective system for the beginner will suggest wideband coverage with a single aerial array.

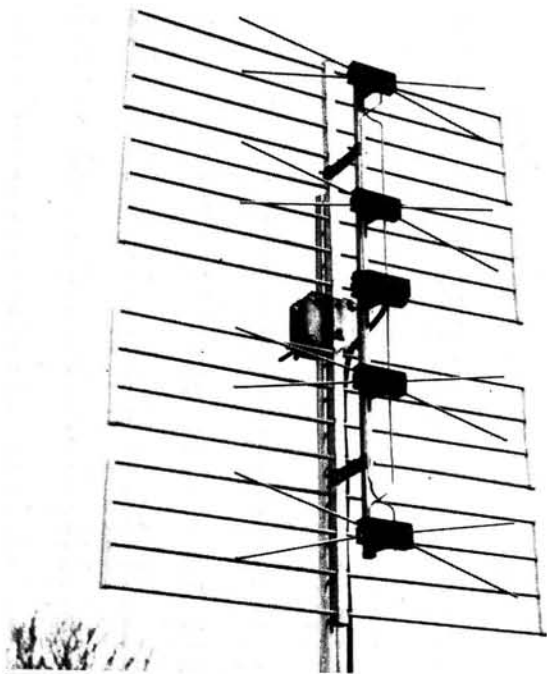
There are many wideband types, including the multiple-director format (the "X" type director) but inevitably such a Yagi system will have a rising gain throughout the spectrum, which in part compensates for increasing losses in cable and tuner performances with increase in frequency. Unfortunately such arrays can be expensive, but given a favourable location the array may provide an alternative ITV programme for domestic viewing. Another type of system that has a wideband characteristic is the stacked bowtie (much favoured in North America) which has a flat response throughout the band (at least within about 3dB). Whereas the Yagi is very directional, the bowtie tends to have a much broader forward acceptance lobe at -3dB points, which has both advantages and disadvantages. The bowtie system tends to be much cheaper.

Typical beamwidths at -3dB points for a multiple element Yagi would be 30°, whereas a stacked bowtie could be 50° or more (at the low frequency end in both cases). Power gain with a multiple wideband Yagi typically is around 11dB to 17dB (a rising gain response throughout the band peaking at around Ch. E60), whereas a bowtie will hover around the 12-14dB mark throughout the band. Cost for these systems again varies according to manufacturer and source. The Yagi can range from £29 to just under £50, whereas the bowtie tends to be lower, between £14 and £16.

Head amplifiers are invaluable at u.h.f. when long coaxial cable runs are encountered, although with the contin-



A grouped u.h.f. multiple-director long Yagi, the JBX14 by Jaybeam. Wideband multiple-director arrays are produced by several UK manufacturers



An example of a wideband u.h.f. stacked bowtie array, the "Colour King" by Wolsey. The overall height is around 760mm

H. LEXTON LIMITED

HARVEY G4JDT

RADIO AND ELECTRONIC ENGINEERS

DAVE G8SYG

We are proud to announce that we are now stockists of CUSHCRAFT for the London area – also Sommerkamp/Yaesu, Standard, Swan/Cubic, Sony.
We are the main UK Service Contractors to Hitachi Sales UK Ltd and we have fully trained engineers on the premises. We have been in the service industry for 15 years and we know what we are doing.
Here are some of the products available at the **EAST LONDON HAM STORE**:-

THE STANDARD TWINS



C7800 C8800
£270 £250



SOMMERKAMP

FT767Dx HF **£525.00**
TS280FM 50W **£199.00**
TS280LP 10W **£169.00**
FRG7 **£189.00**
FT277ZD **£589.00**
FT480RE **£359.00**

THIS MONTHS SPECIAL OFFER
TS802
ONLY £129

YAESU

FT227RB **£258.75**
FT207 **£196.00**
YM24 **£16.27**
N9C **£7.50**
FT101Z **£488.75**
FT101ZD **£569.00**

FULL RANGE OF FDK EQUIPMENT AVAILABLE SWAN



FDK750E

100MX (Including Mounting Bracket) ... **£418.00**
Astro 150 (Including Mounting Bracket) **£613.00**
120BX **£798.00**
103BX (Due in soon)
PSU-5 (100MX) 13.8VDC 20 Amp. Reg **£135.00**
PSU-6 (102BX) **£142.00**
1500Z **£406.00**



FRG7

CUSHCRAFT AMATEUR ANTENNAS

H.F.

A3 20/15/10 3ele Beam 8dB gain **£147.00**
ATV5 80-10 Trapped Vertical **£74.40**
ATV3 20/15/10 Trapped Vertical **£34.00**
ATV4 40/20/15/10 Trapped Vertical **£68.00**

A144-7 7ele Yagi 10.0dB gain **£20.31**
A144-11 11ele Yagi 11.3dB gain **£25.72**
DX120 20ele Array 13.2dB gain **£47.20**
ARX2B Ringo Ranger II **£28.75**
ARB2K Conversion Kit for Ringo to Mk II version ... **£12.75**
CS100 Communication Speakers **£11.50**
TAP3009 5/8 Side Mount and snap in 2MTR.-
144-174 MHz **T.B.A.**
TAP677 **£18.50**
K220 Mag Mounts Base 17' Cable & PL259 **£8.67**
TAP/432 MHz Snap in for K220 **TBA**

VHF (144 MHz)

A3219 19ele Long 'Boomer' Yagi 16.2dB gain **£62.00**
214B 14ele Jnr 'Boomer' Yagi 15.2dB gain **£49.50**
ARX2 Ringo Ranger 6dB gain vertical **£24.75**
A144-4 4ele Yagi 9.0dB gain **£16.25**

Full range of accessories, plugs, sockets etc. available. We also supply and fit in-car entertainment – Hitachi – Pioneer – Sharp – National Panasonic



Also available:- Video – Hi-Fi – T.V. – Music Centres, e.g. Hitachi SDT 300 auto-reverse music centre with pre-set FM, Dolby, strobe turntable, 25 + 25W per channel, including speakers only **£269.95** – These are either Sample or Demonstration units. Many other Hitachi Demonstration models available, Hi-Fi, Portable Stereo Radio Cassettes etc.



Telephone 01-558 0854

191 FRANCIS ROAD, LEYTON, LONDON E10

Telex 8953609



Opening Times: 9-5.30 Mon.-Fri.
10.00-1.00 pm Sat.

or any time by appointment.



ing improvement of u.h.f. tuner front ends, unless a head amplifier with very low noise is used, it may be found that the noise figure of the tuner is better (i.e., lower) than the amplifier, and little improvement is noted. In a wideband aerial amplifier for u.h.f., one could expect a gain in excess of 20dB and a noise figure of under 4dB. In fact, the writer has recently noted advertisements in the technical press for a head amplifier for u.h.f. Group operation with a gain of 20dB and a noise figure of just 1.2dB. That is just about as low as one will get with the current state of the art—unfortunately the price of the latter unit is rather high!

In the event of the operator living within 15 miles of a high-powered local transmitter (u.h.f.), it may be found that a wideband amplifier will tend to overload the front end of the tuner, causing cross-modulation and "spread" of the local channels onto other channels that would normally be empty. In such cases the DXer is advised to make use of notch filtering prior to external amplification, and it may be found more practical to use ultra-low-loss coaxial cable feeder, site the amplifier indoors and insert filtering as and when necessary to reduce the impact of the "local" on immediately adjacent channels. One would obviously select an amplifier that can handle high-level signals since this type is less likely to increase the problem. Typical prices for low-noise, high-signal handling head amplifiers range from about £21 (also needing a power supply for "up the cable powering", which would be typically from about £11). Notch filters vary according to notch depth but simple types for in-line use cost around £6.

Band I DX will generally appear between 48–64MHz (video carriers) and as with u.h.f., a single wideband array will be efficient, cost-effective and avoid the drama of aerial changing when changing channel. Wideband Band I aerials can be purchased in a variety of types, ranging from a single dipole to a higher gain 4/5 element beam, or for the practical enthusiast they can be constructed. A single dipole for Band I using 12mm diameter elements will have a bandwidth of perhaps 4–5MHz, certainly insufficient to cover all of Band I. Wide-banding a Band I system is at best a compromise, but losses encountered with mismatch will be much lower than would occur at u.h.f. A wideband aerial therefore contains more than one element, the elements resonating at various parts of the design bandwidth and coupled into the main dipole to effect (hopefully!) a reasonable performance over Band I. In practice, however, results over many years confirm that acceptable wideband performances can be obtained on simple home-constructed arrays. An outline design for a simple array for wideband coverage of Band I is given in Fig. 4. It is suitable for use with 75Ω coaxial cable. I will not pursue use of head amplifiers on Band I since cable losses are minimal and inevitably some sort of filtering will be needed to reduce local interference sources.

Prices for commercial wideband Band I arrays range upwards from around £21 for a 3-element. Antiference manufacture a wideband u.h.f. system (for use in Band I and Band III) and intended for export. This has been used by enthusiasts with some success. The Band I section comprises 3 elements and the Band III section either 8 or 11 elements depending on the type purchased. The approximate cost for the smaller version (at the time of writing) is £41.25 including VAT and subject to production runs.

One aerial that has proved extremely popular for Band I work is the omni-directional system comprising two wideband dipoles (half-wave dipoles actually) mounted at right angles, the two dipoles combining with equal lengths of coaxial cable in a ferrite-cored wideband coupler such as the Labgear CM6011/OS. Such an array can give reception over 360° when mounted horizontally. Indeed,

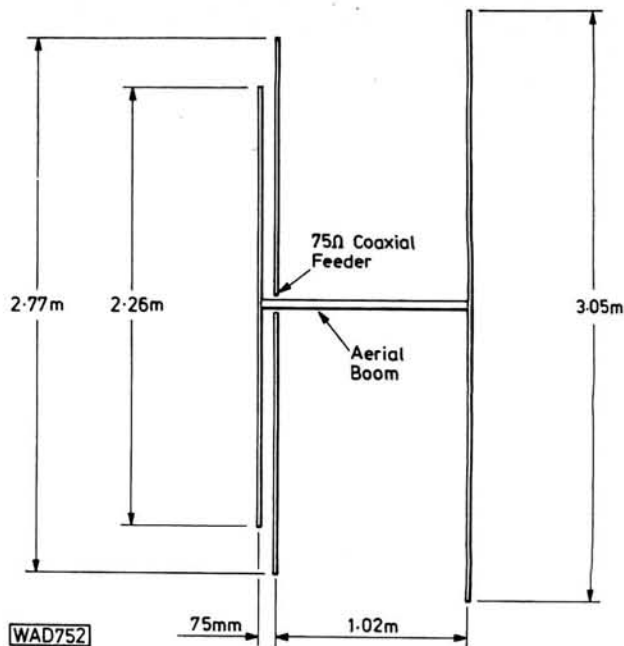
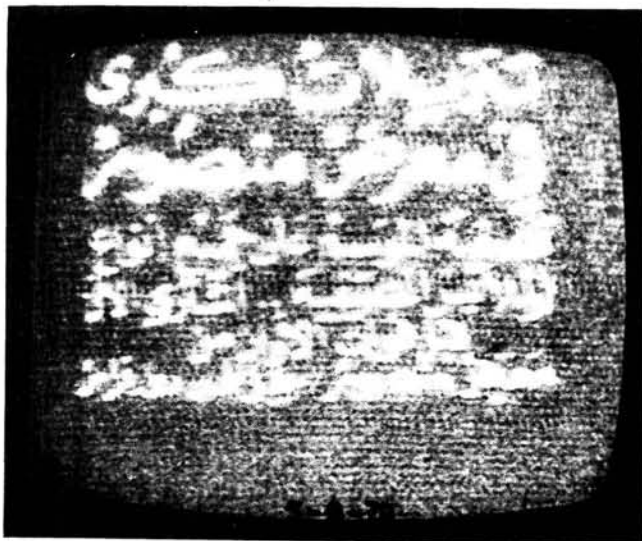


Fig. 4: Directional wideband Band I array (48–64MHz) based on the patented Antiference "Trumatch" system. All elements 12mm o.d. and the boom 25mm o.d. hard-drawn seamless alloy tube

all Band I and u.h.f. arrays should be mounted in the horizontal plane since most European countries use this polarisation, and with our vertical polarisation from BBC 405-line main stations a useful reduction in local Band I interference is obtained.

Depending upon the type of array in use (and certainly with the u.h.f. arrays) it will need to be rotated, either by a home-brew system or the more costly rotor system (usually from around £42). Since each house/flat is different, I will not detail any aerial supporting masts/structures, but perhaps give a few ideas. A cheap and sturdy mast is constructed from scaffold (alloy preferred), mounted on a 1.2m putlock hammered into the ground. A scaffold swivel clamp is used to hold the scaffold pole and lift it to the vertical, and then to secure it against the house,



Double-hop Sporadic E from Amman, Jordan, Ch. E3 (55.25MHz) received by Ryn Muntjewerff. A department store bargain sale advertisement



A classic station identification. The Ch. E3 Nigerian TV transmitter at Jaradi/Sokoto, received by David Martin in north Dorset at over 3000 miles via multi-hop Sporadic E



Reception via F2 layer at 6000 miles by Ryn Muntjewerff in Holland. An eastern USSR station on Ch. R1

etc. The eaves of a typical house can be nearly 9m high and with quite simple TV bracketry one can put aerials to over 11m with ease. Many enthusiasts use their Band I arrays inside the roof space with success, and this can give the added bonus of all-weather access for experiments and changes. The u.h.f. array should, when possible, be mounted outside to avoid the much higher losses encountered when inside the roof space.

Amplifiers

The wideband aerial amplifier can give a useful increase in received signal in all bands. There are many types commercially available that fulfil the function of medium gain and low noise. Designs appear from time to time in our sister magazine *Television*, and indeed several appear in my own book. For use with an up-converter I would suggest that a low- to medium-gain v.h.f. amplifier is used, to avoid taking the up-converter stages into cross-modulation. In the July 1978 issue of *Television* was

featured an interesting hybrid i.c. amplifier covering 30–900MHz with a flat gain of around 18dB and noise figure of 5dB maximum. The SGS amplifier Type SH221 can be recommended for DXTV use (I have two in service), and being ready assembled on a small chip one need only supply 24V d.c. to pin 4. Care must be taken with construction, and lead lengths minimised with the earth pins directly grounded. The data sheet can be obtained from SGS-ATES UK Ltd., Planar House, Walton Street, Aylesbury, Bucks—enclose an s.a.e. The SH221 can be obtained directly from Hawnt Electronics Ltd., Firwood Road, Birmingham B33 0TQ at £8.35 plus 25p handling and 15% VAT, a total of £9.89.

Conclusion

It is hoped that his article has given the reader an insight into the setting up of a DXTV installation, and of the problems likely to be encountered and how to resolve them. No two installations are the same, and difficulties found in one will usually differ from another even when in the same town. It is obviously impossible to be truly detailed when writing an article aimed at a readership that can range from young schoolboys to doctors of science, since the subject is so technically complicated. Hopefully this article has succeeded in giving some enlightenment, that more DXTV enthusiasts will take up the banner and that those already established will look to technical improvements in their existing installation.

Several of the illustrations used in this series have previously appeared in *Television*. Our thanks to the Editor of that magazine for permission to reproduce them here. ●

Further information can be obtained from:

Practical Aerial Manual, 2nd edition, by Gordon King (Newnes-Butterworth).

Long Distance Television Reception (DXTV) for the Enthusiast, by Roger Bunney (Babani Publishing Ltd., Book No: BP52).

Television Magazine (IPC Magazines Ltd.), a monthly DXTV column.

Suppliers of equipment:

High Cocks Television Services, Bre Cottage, Cripps Corner, Staplecross, Robertsbridge, East Sussex TN32 5RY, can supply modified TV receivers, varicap tuner units, miscellaneous components and "one-off" DX accessories. S.a.e. with all enquiries.

South West Aerial Systems, 10 Old Boundary Road, Shaftesbury, North Dorset. Tel: 0747 4370. Suppliers of TV and f.m. receiving aerial equipment for local, fringe and DXing installations. Customer advisory service. Catalogue 25p or s.a.e. with enquiries.

the things
people say

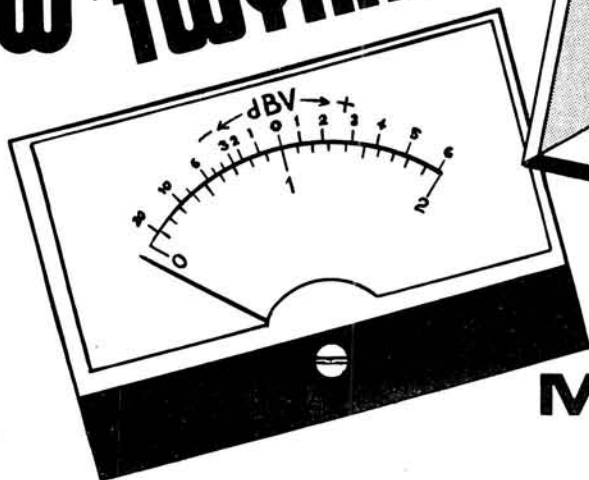


"You are S9 + 30 here. Could I have your name and QTH as I didn't get them."

... heard by G4BYV

Have you heard any (printable) comments, funny peculiar or funny ha-ha? If so, why not send them in to our Editorial offices at Poole. We will pay for every one published.

PW 'TWINHAM'



DIGITAL/ANALOGUE MULTIMETER PART 3

Michael TOOLEY B A & David WHITFIELD MA MSc

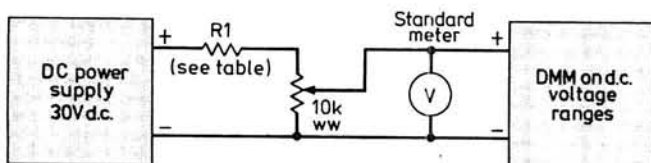
The ultimate accuracy of the digital multimeter depends largely on the care taken during the calibration process. It is therefore important that the following steps are taken before relying upon any indications given by the instrument!

1. Initial Calibration of the 7107 Reference Voltage:

This is carried out by connecting an external meter (preferably another digital meter) between pin 36 of the 7107 and the 0V rail. R33 is then adjusted for a reading of exactly 1V d.c. at this point.

2. DC Voltage Ranges:

The 2V d.c. range should not need any calibration and no further adjustment is necessary on this range. The arrangement for calibrating the d.c. voltage ranges is shown in Fig. 22 and Table 1. R5 and R6 are adjusted in conjunction with an external meter, as shown.



WAD732

Fig. 22: DC voltage range calibration

Table 1. Adjustments for calibration of d.c. voltages

DMM Range	2V d.c.	20V d.c.	200V d.c.
V _{cal}	1V d.c.	10V d.c.	20V d.c.
R1	100kΩ	10kΩ	Zero
Adjust	none	R5	R6
Desired Indication	1.000	10.00	20.0

3. AC Voltage Ranges:

Provided that the precision rectifier is functioning correctly no calibration of the a.c. voltage ranges should be required. The arrangement shown in Fig. 23 and Table 2 will, however, provide a means of checking the instrument on the a.c. ranges. Note that any changes made to the settings of R5 and R6 will affect both the a.c. and d.c. range calibrations.

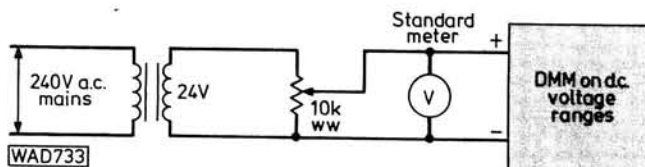


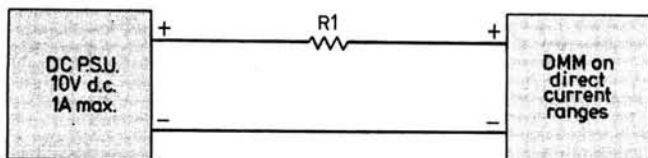
Fig. 23: AC voltage range checks and calibration

Table 2. Adjustments for calibration of a.c. voltages

DMM Range	2V a.c.	20V a.c.	200V a.c.
V _{cal}	1V a.c.	10V a.c.	20V a.c.
Adjust	none	R5 but see text	R6 but see text
Desired Indication	1.000	10.00	20.0

4. DC Current Ranges:

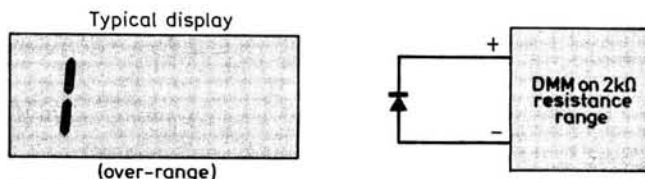
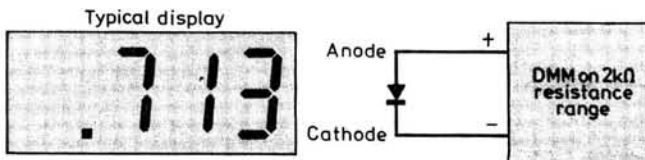
Calibration of the direct current ranges may be carried out using the arrangement of Fig. 24 and Table 3. Before starting to calibrate the current ranges it is first necessary to short-circuit the input terminals of the multimeter and adjust R20 for zero indication on the most sensitive (20mA full-scale) range. This adjustment compensates for the offset current associated with IC1c.



WAD734

Fig. 24: Direct current range calibration

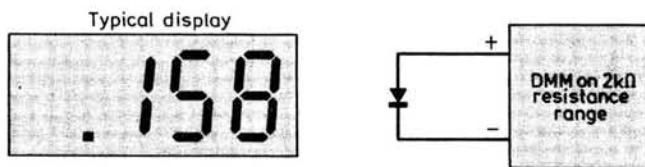
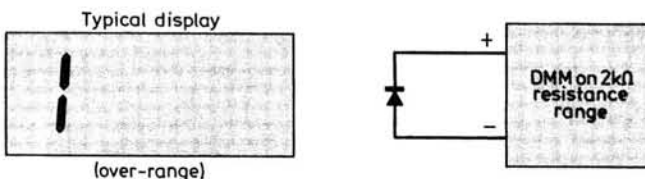
20kΩ and 200kΩ ranges are selected the test currents are 100μA and 10μA respectively. The forward voltage will then appear in mV but the position of the decimal point should be ignored.



WAD736

Fig. 26(a): Checks for junction test facility using a silicon diode ▲

Fig. 26(b): Checks for junction test facility using a germanium diode ▼



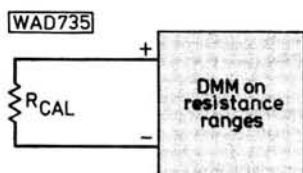
WAD737

Table 3. Adjustments for calibration of direct current ranges

DMM Range	2A	200mA	20mA
I _{cal}	100mA	100mA	10mA
R ₁	100Ω 5% 1W carbon	100Ω 5% 1W carbon	1kΩ 2% metal oxide
Adjust	none	R24	R25
Desired Indication	.100	100.0	10.00

5. Resistance Ranges:

The arrangement shown in Fig. 25 and Table 4 should be used. Before attempting to calibrate the instrument on the ohms ranges it is wise to set R9, R10 and R11 to mid-position, this avoids excessive currents in Tr2 which would occur if the variable resistors were left at the extreme short-circuit setting.



(No standard meter is required)

Fig. 25: Resistance range calibration

Table 4. Adjustments for calibration of resistance ranges

DMM Range	2kΩ	20kΩ	200kΩ
R _{cal} (½W 2%)	1kΩ	10kΩ	100kΩ
Adjust	R9	R10	R11
Desired Indication	1.000	10.00	100.0

6. Junction Test Facility

This can be checked by connecting known silicon and germanium diodes to the meter in the manner shown in Fig. 26. Typical indications of forward voltage (in volts) will be given on the 2kΩ resistance range. On this range the junction is tested at a current of 0.1mA. When the

Operational Notes

As with any piece of test gear the digital multimeter will need plenty of familiarisation before the user can extract the maximum benefit from it. One particular pitfall for the newcomer is that of relying on the last digit or two rather than using the full 3½ digits to obtain maximum accuracy and resolution. The range switching should always be used where possible to provide a display of at least three digits.

With the exceptionally high values of input impedance associated with the 7107 and j.f.e.t. operational amplifiers of the LF347 care must be taken not to operate the digital multimeter in stray fields created by other mains-operated equipment in the vicinity.

For maximum hum and noise reduction it is recommended that the metal body of the shafting assembly be connected to the 0V rail. In some cases it may also be necessary to earth the core of the mains transformer.

Where the meter is used extensively to measure quantities which are referenced to earth it is recommended that the 0V rail be linked to the mains supply earth (Fig. 13). This again reduces hum and noise pick-up. If, however, the meter is required to be fully "floating", this link should not be connected.

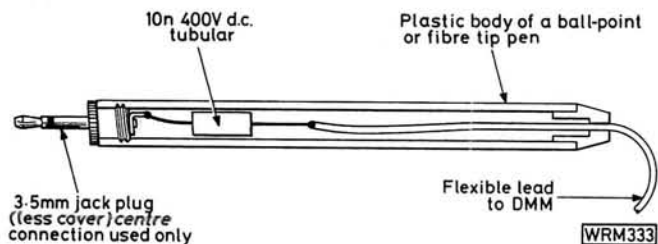
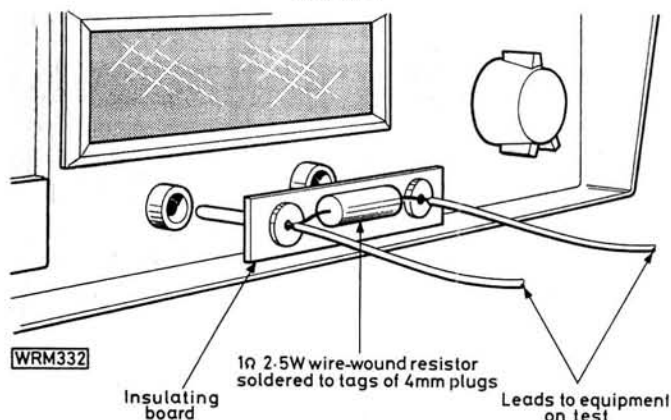


Fig. 27: Construction of the a.c. voltage probe ▲

Fig. 28: Construction of the plug-in a.c. current shunt ▼



Where the instrument is used to measure alternating voltages in the presence of a d.c. level, a capacitor of 10nF 400V d.c. working should be connected in the live “+” signal lead. Details of a suitable a.c. probe are given in Fig. 27. This may readily be constructed using the body of a discarded pen and a 3.5mm jack plug. For measurements

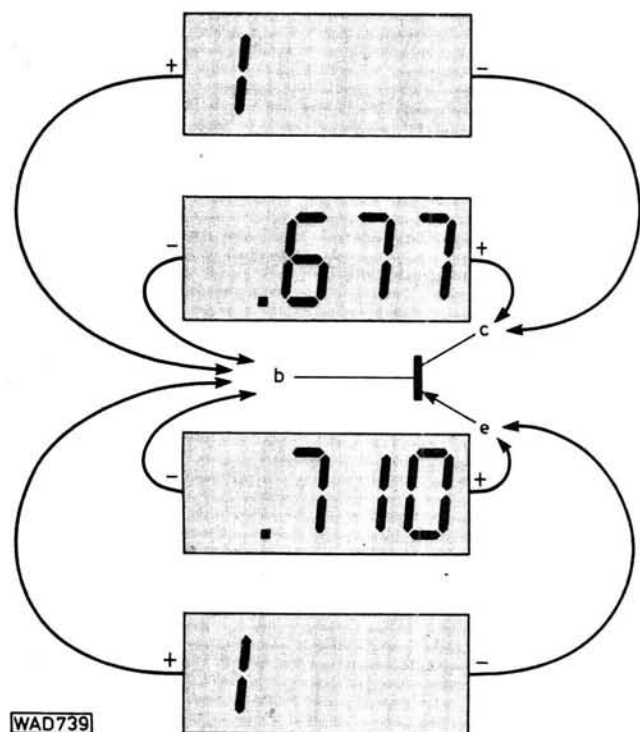


Fig. 29(a): Testing npn transistors

of alternating currents the instrument should be used on the 2V a.c. range in conjunction with a suitable shunt as shown in Fig. 28. If a 1Ω 2.5W resistor is used the 2V a.c. range will read 2A full-scale. If, alternatively, a 10Ω 1W resistor is used the indication will be 200mA full-scale.

Transistor junctions may be tested as shown in Figs. 29(a) and 29(b). In both cases the meter should be switched to the 2kΩ resistance range and the input leads are alternately reversed to forward and reverse bias each junction. Unmarked transistors may thus be checked and identified as “good” germanium or silicon types. Note that this does not provide any measure of the current gain!

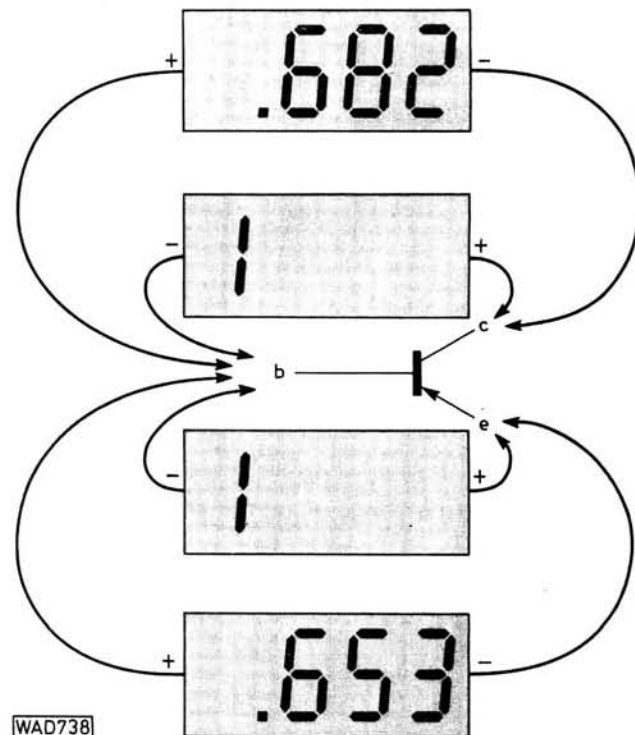


Fig. 29(b): Testing pnp transistors

The brilliance of the l.e.d. display may, if desired, be varied using the circuit of Fig. 30. This gives a range of control from “dim” to “very bright” and can be useful where the instrument is used under a wide range of lighting conditions. In either case the use of a display bezel and filter (RS Components 586-790) is highly recommended.

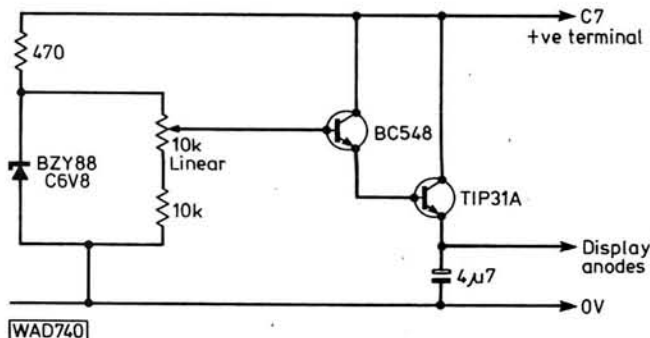


Fig. 30: Circuit for varying the display brightness

This completes the PW Twynham digital multimeter with analogue readout. You should find this a very useful instrument to have around the shack or workshop. ●

IC of the month

Brian DANCE M Sc

The Fairchild μ A714 Precision Op. Amp.

The Fairchild μ A714 has been designed for precise, low-level signal applications. It offers low-noise, low-drift and accurate closed-loop gain which make it particularly suited for certain of the more exacting instrumentation applications, such as bio-medical instruments, precision measuring and data conversion applications.

Package

The device is housed in a T099 circular, 8 lead, metal package with the connections as shown in Fig. 1. The absolute maximum permissible operating voltage is $\pm 18\text{V}$ for the L version, and $\pm 22\text{V}$ for the μ A714, μ A714E and μ A714C, but it is wise to set an upper limit of a few volts less than these maximum values to allow for tolerances, and drift in supply voltages.

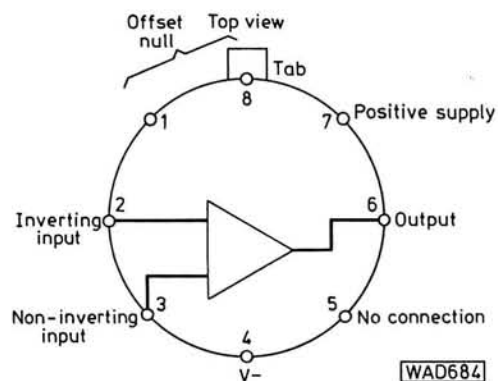


Fig. 1: Connections to the μ A714 circular metal package

A particular feature of the μ A714 is its low input offset voltage which has a maximum value of $250\mu\text{V}$ in the case of the μ A714L and $75\mu\text{V}$ in the case of the μ A714 with typical values of $30\mu\text{V}$. These compare with a maximum input offset voltage of up to 6mV in a 741 op. amp.

A variable resistor is used in many operational amplifier circuits to null the input offset voltage; the potentiometer being adjusted so that the output voltage of the operational amplifier is zero when the same voltage is present at the non-inverting (+) and inverting (-) inputs. Unfortunately this external nulling technique has a number of disadvantages, including extra component cost and space for the variable resistor, the resulting degradation of the offset characteristics with temperature changes and the requirements for setting up time and setting up equipment. Other nulling techniques such as signal chopping and an internally heated input stage also have their own disadvantages.

In the μ A714 the input offset voltage is greatly reduced by a technique known as "Zener zapping" so that a nulling circuit is often not required, but when external nulling is used, only a very small adjustment is needed. Zener zapping is used only during the manufacture of the operational amplifier. The device offset voltage is measured by the production equipment which is programmed to send a large current through certain internal Zener diodes so that their electrodes are melted together; the device then has a much lower input offset voltage. Only selected Zeners are fused in each particular μ A714 to achieve optimum performance in that particular device.

Low Input Current

Another special feature of the μ A714 is its low input bias current (maximum $\pm 30\text{nA}$ for the μ A714L, typically 1nA for the μ A714). This input current is roughly thirty times lower than the 741 (maximum 500nA). The μ A714 does not have such a small input current as the types with f.e.t. input devices, such as the μ AF771 series with a maximum of 100pA input current, but f.e.t. input devices do not have such small input voltage offset values and the bias current doubles for each 10°C rise.

Various other parameters such as the large signal voltage gain, the input resistance and the common mode rejection ratio are well up on the same parameters of the 741 device, as is the noise performance which is not even specified for the 741. The μ A714 is not a fast device and its slew rate is even less than that of the 741.

A number of applications for the μ A714 have been described by Jeff Thompson in Fairchild application note 348 dated 1979. Most of these applications are of the instrumentation type where the features of the μ A714 are put to good use.

Thermocouple Amplifier

The circuit of Fig. 2 shows the use of the μ A714 to compare the potentials from the two thermocouple junctions V1 (which is at the temperature to be measured) and V2 (which is at a reference temperature). This type of application is a very demanding one for an operational amplifier, since the small differential voltage between the two junctions has to be measured in the presence of large common mode voltages present at both inputs. It is therefore important that the amplifier used should have excellent common mode rejection of such signals. In addition, the change of input offset voltage with temperature must be very small and the offset must be stable over a long time period.

In order to obtain optimum common mode rejection in the Fig. 2 circuit, the ratio of $R1/R2$ should be matched to that of $R3/R4$, preferably to 0.01 per cent. If the value of $R1$ and $R3$ is of the order of $1\text{k}\Omega$, this will decrease the voltage drops due to input bias currents.

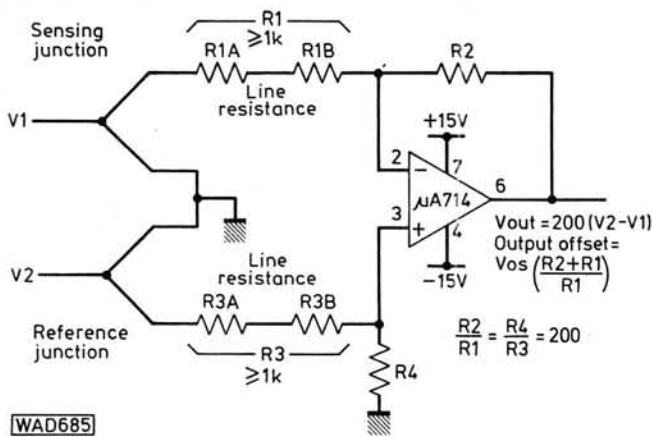


Fig. 2: A high stability thermocouple amplifier

Two Stage Amplifier

The circuit of Fig. 3 employs a $\mu A714$ in the input stage for a very small input offset voltage together with a $\mu AF771$ output stage. The use of this output device enables a slew rate of $13V/\mu s$ to be obtained as opposed to the $0.17V/\mu s$ of the $\mu A714$ device alone. This means that the output voltage can change more rapidly and hence larger output voltage swings can be handled at higher frequencies than with a $\mu A714$ alone. This two-stage approach is less expensive than the use of an amplifier device which has both a good input voltage offset performance and a high slew rate.

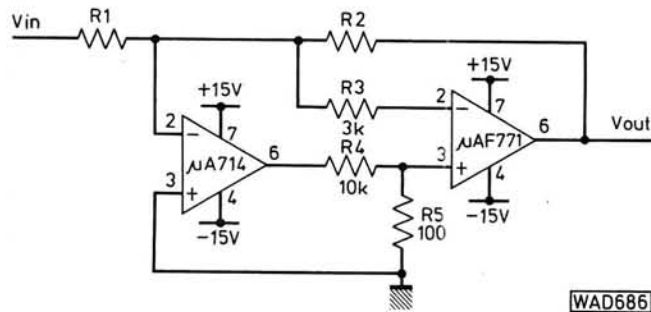


Fig. 3: A two-stage amplifier with high slew rate and low input offset voltage

The low input bias current of the $\mu AF771$ allows the value of $R2$ to be as high as $5k\Omega$, but the use of higher values of $R2$ will start to produce appreciable errors in the output voltage. The junction of $R2$ and $R3$ is forced to a potential equal to the offset of the $\mu AF771$. The gain is set by the ratio $R2/R1$.

DC Power Amplifier

The use of a $\mu A714$ in the input circuit of Fig. 4 and a $\mu A759$ power operational amplifier in the output circuit enables the low input offset voltage of the $\mu A714$ to be combined with the high output current of the $\mu A759$ which is at least $352mA$. The input signal is connected to the non-inverting input of the $\mu A714$ and the output of the latter is connected to the non-inverting input of the $\mu A759$ so that a positive going input voltage produces a positive going output voltage.

The resistor $R4$ provides negative feedback over the second stage and the resistor $R5$ over the whole of the two stages. The gain of the whole circuit is set by the ratio of $R5/R2$. Thus the values shown produce a gain of $100k\Omega \div 1k\Omega = 100$, but $R5$ could, for example, be doubled to double the gain.

The output voltage of this circuit can swing to $\pm 10V$ d.c. into a 100Ω load for an output current of $100mA$. A suitable heatsink should be fitted to the $\mu A759$ power operational amplifier. The offset referred to the input is less than $100\mu V$, so with an overall gain of 100, the output d.c. shift is less than $10mV$.

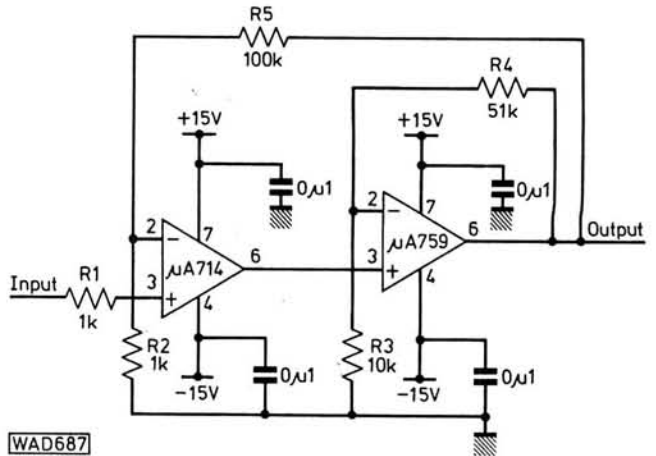


Fig. 4: A d.c. power amplifier using two stages

Voltage Follower

The circuit of Fig. 5 is a buffer stage for large signals with a gain of unity which can be used as an interface between two stages which could be connected directly together because of impedance matching problems.

The low offset voltage of the $\mu A714$ combined with its high common mode rejection ratio ensures that the output voltage is kept accurately at the same value as the input voltage—hence the name “voltage follower” for this type of circuit, since the output voltage “follows” that of the input.

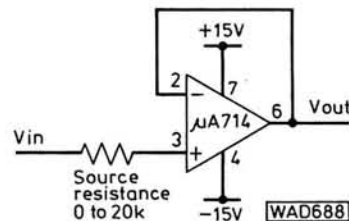


Fig. 5: A large-signal voltage follower

Conclusion

The $\mu A714$ device is suitable for many of those applications where one requires a device with a performance that is significantly better than that offered by products such as the 741. The $\mu A714$ is one of the quietest of the current range of operational amplifiers.

WATERS & STANTON ELECTRONICS

18/20 MAIN ROAD, HOCKLEY,
ESSEX. TEL (0702) 206835

4,000 SQ FT
DEVOTED TO
RADIO COMMUNICATION

"SUCH NICE PEOPLE"



**SR9 VHF
RECEIVER
AMATEUR/
MARINE**

£46 inc. VAT

The SR9 must be one of the most popular monitors for 2 metre amateur radio enthusiasts. (Also available as a marine version at the same price). It is fully tuneable across the band with the option of also installing up to 11 xtal controlled channels. Power requirements are 12v DC negative earth at 200ma approx. The unit comes complete with mobile mounting kit and built-in speaker.

**PROFESSIONAL AIRCRAFT MONITOR
R517 £49.50**

(as supplied to pilots, ground crew etc.)



The R517 is a professional aircraft monitor receiver, having superb sensitivity and capable of tuning across the entire aircraft band 118-143MHz. For easy tuning there is both a coarse and fine tuning control. In addition there is a 3 position switch for selecting xtal controlled channels (xtals £3.00 extra) for your local airport. The unit is completely portable running off self-contained batteries.

**AR22 VHF FM MONITOR
OUR PRICE £83 inc. VAT**



Truly amazing! The AR22 tunes across the 2 metre FM band 142-148MHz (also includes Police and Fire Brigade) in 5kHz steps. So small it will fit into a shirt pocket and yet nothing is sacrificed in terms of performance. Price includes rechargeable batteries, mains charger, fly serial etc. You won't find a smaller monitor anywhere.



**TRIO R1000
COMMUNICATIONS RECEIVER
OUR PRICE £285 (Free Securicor
Delivery)**

The R1000 has really caused a stir in the receiver market! Its performance matches professional receivers costing many times more and with our new competitive price of £285 it must be the best value on the market today. Full digital readout from 200kHz (actually it operates right down to 20kHz but with reduced sensitivity) means accurate tuning and the 30 position band selector switch means really good bandspread for easy operation. Other features include noise blanker (a really good one!) built-in speaker, digital clock/timer and both 230v AC/12v DC operation. (Yes we include the 12v DC kit free!) Each model is fully checked and delivered anywhere in the U.K. within 24 hours of receipt of payment!



**YAESU COMMUNICATIONS
RECEIVER
FRG7700 £309
FRG7700MEM £380
PLUS FREE GLOBAL 3-30mHz Aerial**

**Free Securicor
Delivery**

The FR7700 is a new model from Yaesu that replaces the FRG7000. Full coverage is provided between 200kHz and 30mHz with bright digital readout that also doubles as a clock. Features include noise blanker, FM detector, internal speaker, 230 volt AC operation and built-in timer. As an optional extra there is also a memory unit which enables up to 12 selected frequencies to be stored and selected.



**PS134 4 AMP 13.8v POWER
SUPPLY. STABILISED &
SHORT CIRCUIT PROOF
£23 plus £1.50 p&p**

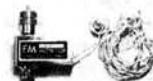
This is the power supply that we've been advertising and selling for several months. It really is a robust little unit with a transformer 50% larger than its competitors. Some cheap power supplies get hot, hum and even go bang! This one stays silent and keeps on working. It is fully protected against short circuit and overload and is capable of delivering 4 amps continually at 13.8v DC. Ideal for transceivers.



**SWR/POWER/FIELD
STRENGTH MEASURING
METER
SPECIAL
OFFER
£11.50 +50p p&p**

As used by CB and Amateur radio operators.

The YW3 is used by amateur radio and CB operators around the World. It's offered to you at a really low price because we import them direct from Japan. It tells you the VSWR, power output and field strength and covers 3.5 to 150mHz. If you want the strongest signal in town - you'll find the YW3 the sure answer.



**FM TX MONITOR
NOW YOU CAN MONITOR
YOUR OWN
TRANSMISSIONS
(15 watts max.)
£12.95**

Now at last you can actually hear your own FM transmissions in 2 metres. Simply plug this unit into your transmitter aerial lead in order to hear your own transmitted audio. At this price there really is no excuse for not having one.



**M161 FM SCANNER
AMATEUR OR
MARINE MODEL
£59 inc. VAT**

This highly compact monitor can be supplied either for the 2 metre amateur band or the marine band. It has the capability of scanning up to 16 channels and hunting out and locking on to any signal that appears. Ideal for mobile or base operation an external 12v DC supply is required but unit has built-in speaker, mobile mounting brackets, etc. The receiver comes with the national calling channel. Additional crystals for channels are £3 each.

GLOBAL SHORT WAVE AERIALS

The new Global short wave aerials mean better reception for short wave listeners. These fully comprehensive kits provide all the materials you need to erect a really efficient, long lasting aerial. All wire is special light weight alloy and all fittings are non-corrosive.

INVERTED 'L' This covers 3-30mHz and requires a garden length of 30ft.

£9.95

BROAD BAND DIPOLE This covers a 3-30mHz and requires a garden length of 65ft. Also included in 50ft. of special low loss coax cable.

£29.00

For further details send S.A.E.



**SX2000 MONITOR
26-500MHz
£240 inc. VAT**

Here's a really wide coverage receiver going all the way from 26mHz to 500mHz (with just a few gaps). Mains or battery operation. FM or AM, means it can be used just about anywhere for anything. Channel memory, scanning and built-in clock are just a few of its features. If you're interested in amateur radio, aircraft, Police, taxis, etc., then this receiver covers them all.

STOP PRESS:- SEND 14p STAMP FOR NEW 1981 CATALOGUE ON RADIO COMMUNICATIONS

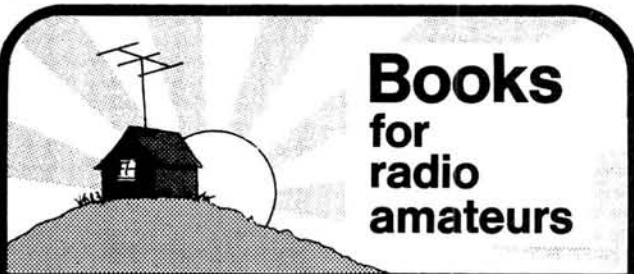
MAIL ORDER SLIP to: Waters & Stanton Electronics, Warren House, Main Road, Hockley, Essex.

Name..... Good required.....

Address.....

.....

Please rush me the above. Cheque enclosed for £...../Please charge to credit card No.....



Books for radio amateurs

RSGB Publications

A Guide to Amateur Radio (18th edn, paperback).....	£2.99
A Guide to Amateur Radio (18th edn, hardback).....	£6.18
Amateur Radio Awards (2nd edn).....	£3.41
Amateur Radio Operating Manual.....	£4.96
Amateur Radio Techniques (new 7th edn).....	£6.08
Morse Code for Radio Amateurs.....	£1.28
OSCAR - Amateur Radio Satellites.....	£4.38
RSGB Amateur Radio Call Book (latest 1981 edn).....	£4.29
Radio Amateurs' Examination Manual (8th edn).....	£2.65
Radio Communication Handbook (5th edn) Vol 1.....	£9.76
Radio Communication Handbook (5th edn) Vol 2.....	£8.50
Radio Data Reference Book (4th edn).....	£4.82
Test Equipment for the Radio Amateur (2nd edn).....	£5.67
TVI Manual (2nd edn).....	£1.91
VHF/UHF Manual (3rd edn).....	£8.24
World at their Fingertips.....	£3.98

Logbooks

Amateur Radio Logbook.....	£2.83
Mobile Logbook.....	£1.12
Receiving Station Logbook.....	£2.65

Wall maps

Great Circle DX Map.....	£2.10
IARU QTH Locator Map of Europe.....	£1.30
QTH Locator Map of Western Europe.....	£1.30
World Prefix Map.....	£2.21

Morse instruction

Morse Code Cassette Stage 1 (5wpm).....	£3.82
---	-------

Other Publications

A Course in Radio Fundamentals (ARRL).....	£3.10
Active Filter Cookbook (Sams).....	£12.69
All About Cubical Quad Antennas (RPI).....	£2.90
Amateur Television (BATC).....	£2.28
Antenna Anthology (ARRL).....	£3.66
ARRL Electronics Data Book.....	£3.33
Beam Antenna Handbook (RPI).....	£4.02
Better Short Wave Reception (RPI).....	£3.56
Care & Feeding of Power Grid Tubes (Varian).....	£2.98
CMOS Cookbook (Sams).....	£9.54
FM & Repeaters for the Radio Amateur (ARRL).....	£3.88
Hints and Kinks for the Radio Amateur (ARRL).....	£3.26
Practical Antennas for the Radio Amateur (SCELBI).....	£7.94
Radio Frequency Interference (ARRL).....	£3.02
Simple Low-cost Wire Antennas (RPI).....	£3.07
Single Sideband for the Radio Amateur (ARRL).....	£3.70
Solid-state Basics (ARRL).....	£4.67
Solid-state Design for the Radio Amateur (ARRL).....	£6.09
The ARRL Antenna Book.....	£4.13
The Complete Handbook of Slow Scan TV (Tab).....	£5.72
The Radio Amateurs VHF Manual (ARRL).....	£4.03
Understanding Amateur Radio (ARRL).....	£3.87
World Atlas (RACI).....	£1.88
World Radio TV Handbook, 1980 (Billboard).....	£9.75
80m DXing (CTI).....	£3.03

Prices include postage, packing and VAT where applicable. Postal terms: cheques/POs with order (not stamps or book tokens). Goods are obtainable (less P & P) at RSGB HQ, 9.30-5pm, Monday - Friday.

The RSGB is the national society representing all UK radio amateurs and membership is open to all interested in the hobby, including listeners. The Society also publishes a complete range of books, log books and maps for the radio amateur. Contact the membership services section for more information about amateur radio, the RSGB and its publications.



Radio Society of Great Britain
35 Doughty Street, London WC1N 2AE
Telephone 01-837 8688

LAR THE SHORT WAVE WIZARDS



**TRIO R1000 PLL SWL
Receiver 200 kHz to
30 MHz £297.85**

(Securicor delivery arranged if required)

Trio R1000 C&L SWL Communications Receiver 200 KHz to 30MHz.

TRIO EQUIPMENT

R820 The ultimate SWL receiver.....	£690.00
SP820 Matching Extension Speaker.....	£37.95
HS5 Communications Headphones.....	£21.85
HS4 Communications Headphones.....	£10.35
Full range of Trio Transceivers in stock.	

COMMUNICATIONS RECEIVERS

Lowe SRX30 still the best value.....	£158.00
YAESU FRG7 General Coverage.....	£199.00
YAESU FRG7000 Digital Readout.....	£359.00
All YAESU Transceivers available.	

ICOM AMATEUR EQUIPMENT

LAR are Yorkshires largest stockists of the full ICOM range of transceivers.

VHF AMATEUR RECEIVERS

Search SR9 VFO for crystal control 2M FM 144 to 146 MHz.....	£46.00
(Marine 156 to 162 MHz also available).	
AMR 2178 2M FM Scanner 144-146 MHz. Fitted 8 crystals battery/mains.	
The best and most popular 2m. monitor.	£120.00
Extra crystals for the above receiver.	£2.50

TUNERS, SWITCHES AND SHACK CLOCKS

Kx2 SWL Antenna Tuner 500 KHz to 30 MHz.....	£29.90
LAR Omni Match (HF, VHF, Mobile & Linear, send 20p for details).	
Cx/3 SWL 3 Way Antenna Switch.....	£5.60
LAR 1 kW PEP Feeder Switch (switch to quality).....	£16.95
COPAL 24 Hour Digital Clock, mains operated.....	£12.95

AIR BAND RECEIVERS

Sharp Fx213 AU hand held portable.....	£16.00
SILY ACE R517 VFO and crystal control.....	£49.50
SIGNAL R512 Scanner fitted 5 channels.....	£138.00
Crystals for R517 or R512.....	£2.80
Regency Digital flight scan (no crystals required).....	£230.00
BEARCAT 220 FB. Scanner 66 to 512 MHz.....	£258.75
SX200 Programmable Scanner 26 to 514 MHz.....	£239.00

(All prices include VAT. Securicor delivery arranged on request.)

Buy by post or phone your Barclaycard, Access, or LAR Creditcard number. Alternatively, call in for a chat. The shop is just 10 minutes from Leeds City Station, and there's easy parking if you travel by car. *Instant HP for licensed amateurs. *Extended Credit Terms Available.

Send 50p for Catalogue and Price List.



Leeds Amateur Radio
27 Cookridge Street, Leeds LS2 3AG.
Tel: 782224

TRIO DISTRIBUTOR. LAR are area distributors for Jay Beams, Antenna Specialists, Hilomast Icom and Microwave Modules and Ascot products.

ACCENTED METRONOME

R.A.PENFOLD



The majority of metronome projects that appear in the amateur electronics magazines are designed to simulate an ordinary mechanical metronome (or Maelzel's metronome as it is sometimes called after its originator). There is a type of mechanical metronome that can be set to ring a bell on every second, third or fourth beat, and this design is really just an electronic equivalent of such an instrument. Apart from the normal characteristic regular clicking sound, the accentuation takes the form of a distinct lowering in the pitch of the output signal. A beat of about 40 to 270 beats per minute is covered in a single continuously variable range.

Operation

Before going on to consider the operation in detail it may be helpful to consider the basic way in which the device functions.

A NE555V astable is adjusted to oscillate at the desired beat rate, and this functions as a clock oscillator. The output of the clock generator is used to trigger a monostable multivibrator, which is formed from one of the two monostables contained in a c.m.o.s. 4098 device. This circuit will produce a short output pulse each time it receives a positive going input signal, and this pulse is used to drive a loudspeaker via a simple single-transistor output stage. In this way the basic metronome sound is generated.

The output from the clock oscillator is also used to drive a c.m.o.s. digital divider circuit. When the function switch S1 is in position 1, the clock enable terminal of the divider is taken to the positive supply rail voltage by resistor R9. This terminal must be taken low (logic 0 or the 0V rail) in order to connect the clock signal through to the divider circuitry. The metronome therefore acts as an ordinary non-accented type with switch S1b in position 1.

In the other three positions of S1b, the clock enable terminal is connected to the 0V supply rail and the divider circuit is able to operate. The divider used is a 4022 divide-by-eight device, but this is also a one-of-eight decoder, and it is this mode that is used in the device.

For those who are unfamiliar with one-of-eight decoders, these are devices which have eight outputs, usually designated 0 to 7. Before the circuit starts to count, or when it is reset, the 0 output is high and the other seven outputs are low. On the rising edge of the first clock input cycle the 0 output goes low and the 1 output goes high. On the next clock cycle the 1 output goes low and the 2 output

goes high. On subsequent clock cycles outputs 3 to 7 go high in sequence, and then the circuit resets itself and starts once again from the beginning.

In this case the 1 output is connected to the input of a second positive-edge monostable circuit which is formed by the other section of the 4098 device. This produces an output pulse which is about five times longer than that generated by the first monostable, and it is used to drive the output stage and loudspeaker.

If the 4022 was left to function normally, on every eighth clock cycle the 1 output would go high and trigger the second monostable. This would result in a longer output pulse from the speaker.

The extended output pulse would contain lower frequency components than the normal pulse produced, and this would give a noticeably lower pitch. Its longer length would also tend to make its sound somewhat louder than the normal output pulses. This would give the required accentuation, but only on one pulse in eight. In order to obtain the accentuation on every second, third and fourth beat it is necessary to make the 4022 reset itself at the required time. This is accomplished by connecting the reset terminal to outputs 2, 3 and 4 respectively, using S1 to select the appropriate output for the desired division rate.

**CONSTRUCTION
RATING** **Beginner**

BUYING GUIDE

Constructors should have little difficulty obtaining the components for the Accented Metronome. The box used in the prototype was the Verocase Type 75-141 1D 205 x 140 x 75mm.

**APPROXIMATE
COST** **£16**

Fig. 1: Full size p.c.b. copper track pattern of the Accented Metronome

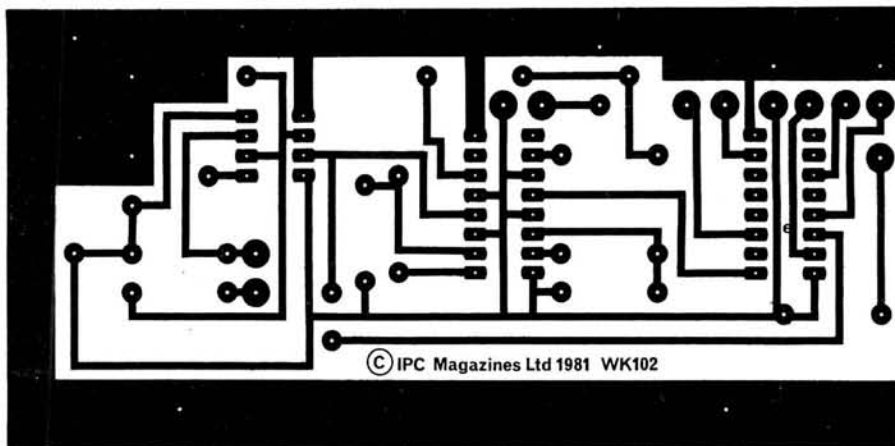


Fig. 2: Component placement layout

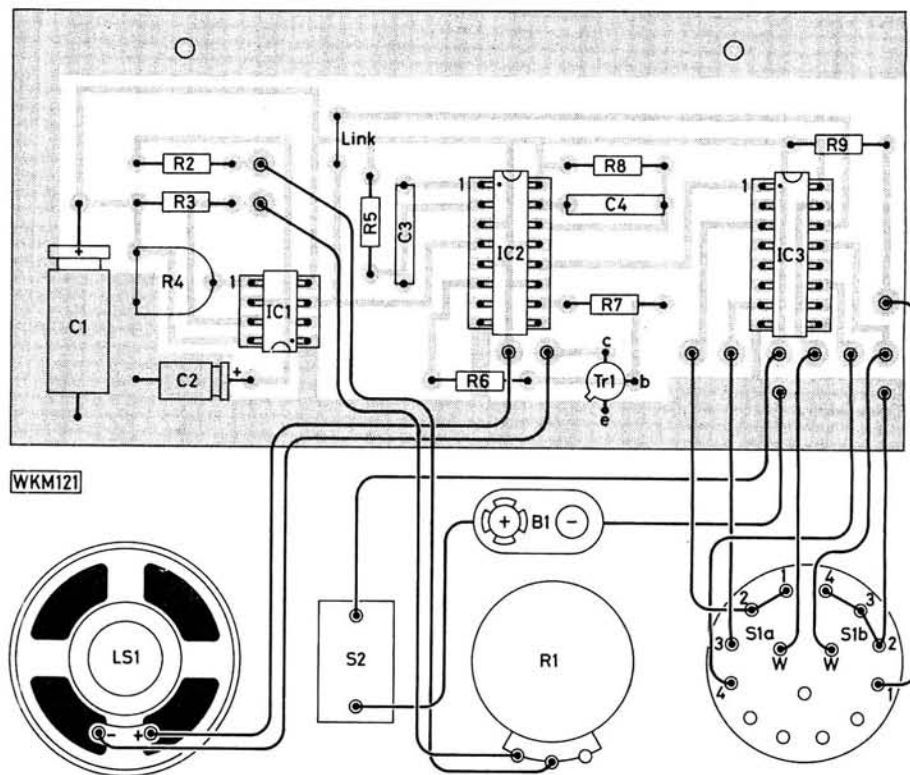
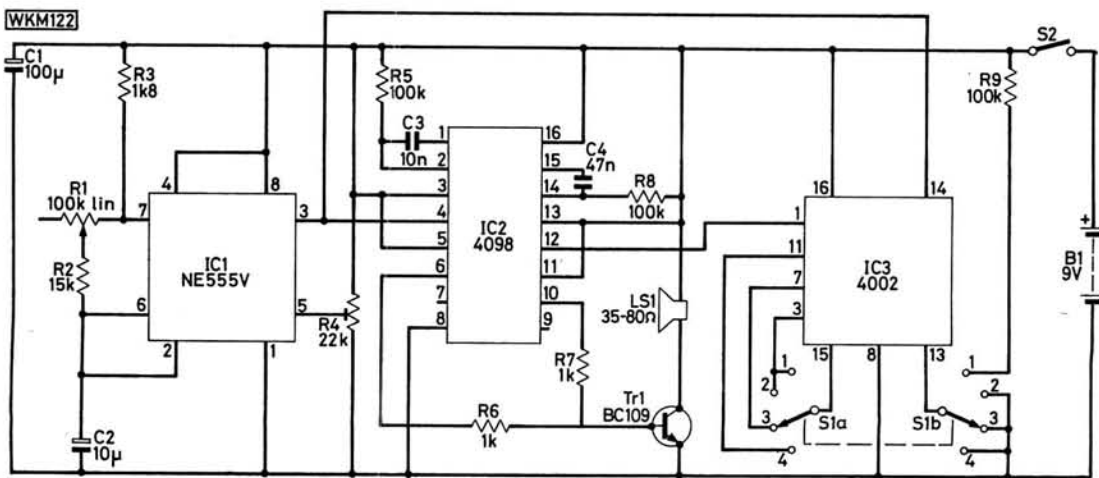


Fig. 3: Complete circuit diagram of the metronome



Thus in position 3, for example, outputs 0, 1 and 2 will each go high for one clock cycle, then at the beginning of the next clock cycle output 3 goes high and resets the counter back to zero. The circuit continuously cycles in this manner with output 1 going high on every third clock cycle, and with every third beat emphasised in consequence. The beat rate of the clock generator, IC1, can be varied by adjusting R1. One problem with this type of circuit is that it is necessary to use an electrolytic capacitor (C2) in the timing network due to the fairly low frequencies involved. With the wide tolerance range of electrolytics (even before allowances are made for other timing components) there is a strong likelihood of more than the required frequency range being covered. This is overcome by including R4 in the circuit. It shunts an internal potential divider circuit of IC1 which determines the threshold voltage at which C2 begins to be discharged. By raising this voltage, the range of output frequencies are all reduced, and reducing this voltage has the opposite effect. This enables the circuit to compensate for any inaccuracy in the timing component values, provided there is not an unreasonably large discrepancy.

The output signal at pin 3 of IC1 is compatible with the c.m.o.s. devices it is used to drive. A timing network for the first monostable is provided by R5 and C3, and they set the output pulse length at about 0.5ms. The second timing network is set by R8 and C4, producing an output pulse of a little under 2.5ms in duration.

Transistor Tr1 is used as a simple common-emitter output stage having the loudspeaker as its load. Its base is driven from the Q outputs of the monostables via current-

limiting resistors R6 and R7, and so Tr1 is normally cut off and will only be driven into conduction for periods when one or both of the outputs are in the high state.

The divider circuit of IC3 is almost identical to the arrangement outlined previously. The only and very minor difference is that the reset terminal is connected to the 2 output in position 1 of S1. This is merely done as IC3 is a c.m.o.s. device and should not have any input left floating. It is tied to the 2 output merely because it is the most convenient point. S2 provides on/off switching, and C1 is the only supply decoupling component that is needed.

Construction

The prototype was housed in a Verocase with the loudspeaker and controls mounted on the front panel. Apart from the battery, the remaining components are all mounted on a printed circuit board. Although the cabinet is made of plastics, it is advisable to space the panel slightly off the case for mechanical rather than electrical reasons; the panel might otherwise distort and possibly crack when it is bolted into position.

★ components

Resistors

$\frac{1}{4}$ W 5%

1k Ω	2	R6,7
1.8k Ω	1	R3
15k Ω	1	R2
100k Ω	3	R5,8,9

Potentiometers

22k Ω	1	R4 (<i>horizontal preset</i>)
100k Ω lin	1	R1

Capacitors

Electrolytic

100 μ F 25V	1	C1
10 μ F 10V	1	C2

Polyester

10nF	1	C3
47nF	1	C4

Semiconductors

Transistors

BC109	1	Tr1
-------	---	-----

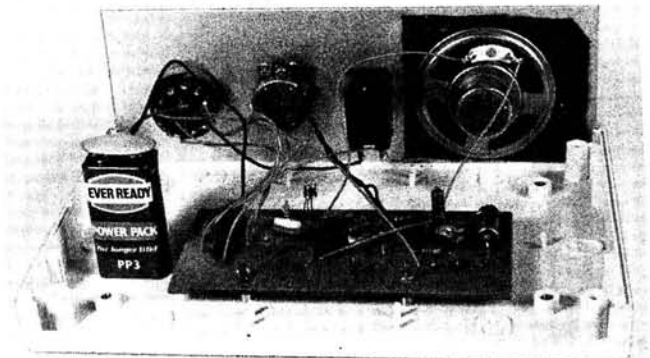
Integrated Circuits

555	1	IC1
4022	1	IC3
4098	1	IC2

Miscellaneous

4w3p rotary switch (1); Toggle switch s.p.s.t. (1); Loudspeaker 35–80 Ω ; Verocase (Type 75–1411D) 205 x 140 x 75mm; Control knobs (2); PP3 battery and connectors.

All c.m.o.s. devices have an inherently high input impedance and are very susceptible to damage by static discharge. Under no circumstances must you remove the device from its protective conductive foil packaging until ready to insert into circuit. This operation should be done on a metallic surface that is at earth potential. A metal draining board would usually suffice. Note one hand must be kept in contact with the metallic surface at all times to prevent the build up of body static. When soldering components to the board ensure the iron tip is earthed and if this is not so, allow it to reach working temperature and remove mains plug.

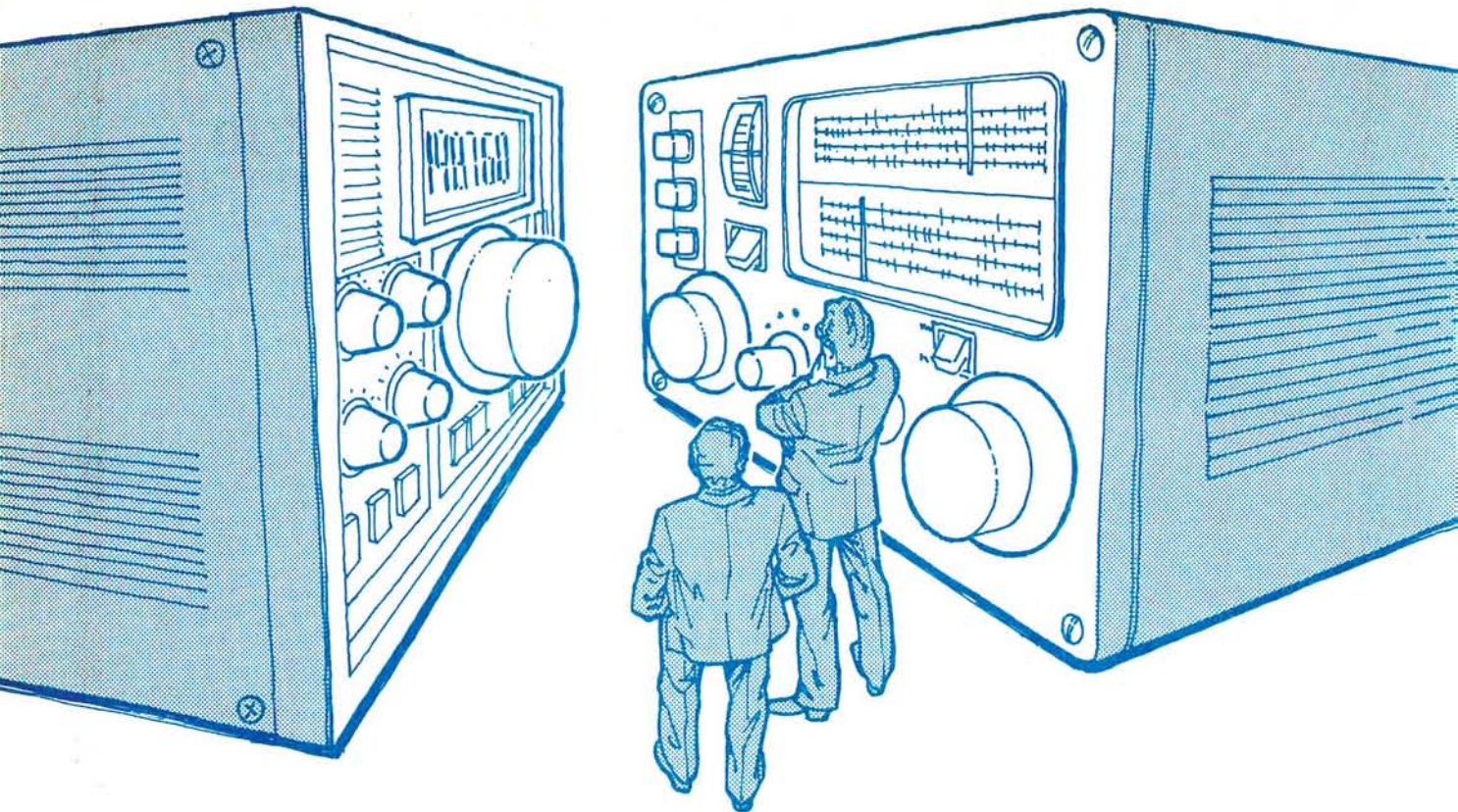


Internal view of the prototype

Adjustment

Initially R2 should be set with the slider at about the centre of its track. If the range covered by the unit errs on the low frequency side, then by adjusting R4 in a clockwise direction it should be possible to correct this. It should be adjusted in an anti-clockwise direction if a reduction in the frequencies covered is necessary.

Finally, a scale calibrated in beats per minute should be marked around the control knob of R1. The output frequency is easily determined simply by counting the number of beats produced in a one minute period. ●



PART 1

Peter CHADWICK G3RZP

UNDERSTANDING RECEIVER PARAMETERS

Radio receivers are fairly complex pieces of apparatus, with price tags capable of varying over a range of 500 to 1. Defining performance and achieving the best price compromise is therefore fairly important, and usually only by comparing the performance figures can any real choice be made. The number of figures required can be somewhat daunting, in so far as manufacturers describe parameter specifications emphasising the good points, whilst advertisers frequently make seemingly meaningless statements to blind the purchaser, not with science, but with pseudo engineering jargon. Furthermore, some of these parameters are not understood by many amateurs and, as a listen to 80 metres will show, in many cases a little knowledge can turn out to be a dangerous thing!

This article will attempt to shed some light on the various measurements that are required to evaluate the parameters of a receiver. Although biased towards h.f. communications, the principles involved are equally applicable to l.f. or v.h.f. receivers and, in some cases, to conventional broadcast receivers as well.

Sensitivity

The basic requirement of any radio receiver is good sensitivity. Sensitivity is a measure of the ability of the receiver to detect a signal, and provide a suitable output from it. The requirements in terms of absolute sensitivity are very variable, and as with most other parameters, are in the nature of a compromise. The sensitivity required for any particular receiver is dependent upon the job it has to do—anyone who watched the TV series *The Secret War*,

or read Dr R. V. Jones' book will probably remember that one of the clues that established the existence of the Knickebein Beams was the discovery of the unnecessarily high sensitivity of the Lorenz Beam Approach receiver fitted to captured pathfinder aircraft.

Receivers for the h.f. bands normally have a sensitivity of around $1\mu\text{V}$ for a quoted signal-to-noise ratio. The absolute figure is somewhat variable, and it is necessary to define terms before we get hopelessly lost.

The first consideration is noise. Conduction of electricity is by means of moving electrons in a conductor, but this movement also occurs when current is not flowing. In any conductor that is above absolute zero temperature there is a random movement of electrons. Because this movement is non-polarised, there is no net movement—if there was, a voltage could appear across the ends of a piece of copper wire! In a resistance also, random movement of electrons causes voltages to appear, and although there is a net cancellation, a small fluctuating noise voltage appears across the resistance. The greater the random movement of electrons, the greater this noise voltage becomes. Similarly, for any given random current, the voltage is proportional to the resistance and also the bandwidth of the system. As already stated the random movement of the electrons is affected by the absolute temperature, and thus a relationship can be derived for the value of the noise voltage in terms of resistance, bandwidth and temperature. This relationship, derived from basic physics, gives an absolute limit on the sensitivity of any radio receiver. How much worse the receiver sensitivity is depends upon the design and the system requirements.



FRG7700 COMMUNICATIONS RECEIVER

- ★ 150kHz-30MHz no gaps
- ★ SSB-CW-AM and FM
- ★ Up-conversion no preselector
- ★ 12 channel memory option
- ★ Mains and 12 volts dc option
- ★ Clock/timer built-in

General Coverage

From 30MHz to 150KHz (and at reduced spec down past 60kHz to almost DC!) in 1MHz bands selected by a 40 way rotary switch calibrated 0-29 plus 1, 3, 7, 10, 14, 18, 21, 24, 28 and 29 (for easy amateur band changes).

All Modes

SSB, (USB and LSB), CW, AM and FM. The inclusion of a N.B.F.M. detector and squelch opens new horizons. On 10m FM simplex plus repeaters, and with a convertor, marine, PMR lab use, and of course, the VHF/UHF amateur bands, where the high quality noise blanker will be found to be most efficient.

Selectivity

4 filters fitted as standard! SSB, 2.7KHz and FM 15KHz. For AM, 3 positions! Narrow 2.7KHz, Medium 6KHz and Wide 12KHz, which with the tone control, and switchable AGC provides the operating flexibility demanded by discriminating BCL's in today's crowded bands.

Sensitivity

Fraction of a microvolt sensitivity provided by the latest 3SK73 mosfet RF stage makes the best use of inefficient aerials for those difficult locations. A 20dB switchable attenuator and a continuous RF attenuator on the front panel minimises problems with very powerful stations.

Ease of use

No preselectors! The use of the latest up conversion circuits with a 48MHz first IF and professional grade crystal filter plus dual PLL system provides automatic selection of the input band-pass filter direct from the band sector or memory.

The VFO has both a pleasing bright, but dimmable digital readout and a back illuminated analogue scale. It is tuned by a comfortable 1 3/4" knob with a 'fast tune finger tip recess' through a zero backlash slow motion drive. The front panel is remarkably uncluttered, clearly labelled and the controls in logical positions. The illuminated meter is calibrated in both conventional 'S' units (0-9 +20, +40, +60dB) and in SIMPO 1-5 for broadcast station reporting.

Timer

An inbuilt quartz clock/timer is featured. Time is displayed in 12 hour format (with AM/PM indicators) on the digital frequency readout, ideal for accurate log keeping. If the mains supply is disrupted the clock will continue to run (but does not of course, display) on the memory back up cells. For use with a tape recorder a 3.5mm jack provides 100mV of audio (irrespective of the position of the AF gain control) and relay contacts (15V @ 1A max) provide remote control. This relay is switched by the timer which may be programmed for switch on/switch off (and snooze - allows up to 59 minutes of listening after switch off).

Antennas

On the rear panel a SO239 coax socket provides a 50 ohm input (2-30MHz) for resonant antennas and convertors. In parallel, and in addition, are posts, for Earth, and for 500 ohm antenna input (up to 2MHz).

Memory (option)

12 frequencies *anywhere* within the tuning range may be stored by simply touching the M button and then recalled by pressing the MR button, no preselector adjustment, no range switch adjustment. The memory is tunable by ± 1 KHz and is kept alive year long by 3 'AA' dry cells. The memory may be used for storing all the frequencies of a particular broadcast station, and with a convertor, the common marine channels, 2m FM channels (switch between the VFO and memory for repeater input/output) etc.

World Wide Portability

Power:- Mains 240-220 VAC easy adjustment 100-120V, 50/60Hz and 12 VDC external supply.

Size:- 13" x 5" x 9"

Weight:- 14lbs (with carrying handle)

Speaker:- Inbuilt 8 ohms, 1.5W of AF, External 4-16 ohm unit. 1/4" phone jack for personal listening or winking out the weak ones.

Memory:- Going on a trip? Store Radio 4 and all the BBC World Services in the memory and keep in touch with the news.

FRG7700 £309.00

PRICES INCLUDE VAT @ 15%

FRG7700M £389.00

FREE SECURICOR DELIVERY

MEMORY £83.95

2 YEAR DISTRIBUTOR WARRANTY



SOUTH MIDLANDS COMMUNICATIONS LIMITED

S. M. HOUSE, OSBORNE ROAD, TOTTON, SOUTHAMPTON, SO4 4DN, ENGLAND
Tel: Totton (0703) 867333, Telex: 477351 SMCMM G, Telegram: "Aerial" Southampton

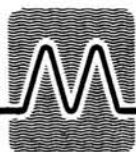
G3ZUL Brian	Stourbridge	(03843) 5917
GM8GEC Jack	Edinburgh	(031665) 2420
G13WVY Mervyn	Tandragee	(0762) 84056
G13KDR John	Bangor	(0247) 55162
GW3TMP Howarth	Pontybodkin	(035287) 846/324
GW8EBB Peter	Swansea	(0792) 8725250
GJ4ICD Geoff	St. Saviour	Z0534) 26788

S.M.C. (Leeds)
Colin Thomas, G3PSM
257 Otley Road,
Leeds 16, Yorkshire,
Leeds (0532) 782326
9-5.30 Monday-Saturday

S.M.C. (Jack Tweedy) LTD
Roger Baines, G3YBO
79 Chatsworth Road,
Chesterfield, Derbyshire
Chesterfield (0246) 34982
9-6: Tuesday-Saturday

S.M.C. (Jack Tweedy) LTD
Jack Tweedy, G 3ZY
150 Hornecastle Road,
Woodhall Spa, Lincolnshire
Woodhall Spa (0526) 52793
9-5: Tuesday-Sat (• appointments)

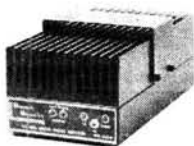
MICROWAVE MODULES



EX-STOCK FROM

2M & 70CM LINEARS

MML 144/25	£48.30
MML 144/100	£142.60
MML 144/40	£69.00
MML 432/20	£69.00
MML 432/50	£113.85
MML 432/100	£228.65



2M PRE-AMPLIFIER

MMA 144V
ULTRA LOW NOISE
RF SWITCHED GAIN 15dB
NOISE FIGURE 1.3dB

ONLY £29.90



Bredhurst electronics

HIGH ST., HANDCROSS, W. SUSSEX O444 400786

TRANSVERTERS

MMT 28/144	£90.85
MMT 144/28	£99.00
MMT 432/144R	£173.00
MMT 70/144	£155.00



CONVERTERS

MMC 50/28	£24.90
MMC 70/28	£24.90
MMC 144/28	£24.90
MMC 432/285	£29.90
MMC 432/1445	£29.90



MMD 50/500 FREQUENCY METERS £69.00

For further information on any of the above items, or any other MICROWAVE MODULES products please contact:

BREDHURST ELECTRONICS,

The High Street, Handcross, Sussex. Tel. 0444 400786

MAIL
ORDER

ALL PRICES INCLUDE VAT, CARRIAGE AND A FULL 12 MONTH GUARANTEE

RETAIL
CALLERS

TO ORDER ANY OF THE ABOVE ITEMS SIMPLY WRITE, ENCLOSING A CHEQUE OR PHONE YOUR CREDIT CARD NUMBER

COMPARE THESE FEATURES

- ★ MICROPROCESSOR CONTROLLED 32,000 CHANNELS
- ★ AM & FM ALL BANDS
- ★ WIDER COVERAGE: 26-58, 58-88, 108-180, 380-514MHz; includes 10m, 4m, 2m, & 70cm Amateur bands.
- ★ 5kHz & 12½kHz FREQUENCY INCREMENTS
- ★ 16 MEMORY CHANNELS WITH DIRECT ACCESS
- ★ SELECTIVE PRIORITY CHANNELS WITH LOCKOUT
- ★ 2 SPEED SCAN SCAN DELAY CONTROL
- ★ 2 SPEED SEARCH UP AND DOWN
- ★ SEARCH BETWEEN PRESET LIMITS UP AND DOWN
- ★ 3 SQUELCH MODES inc. CARRIER & AUDIO
- ★ Dx & LOCAL CONTROL
- ★ RELAY OUTPUT FOR Aux. CONTROL
- ★ INTERNAL SPEAKER
- ★ EXTERNAL SPEAKER & TAPE OUTPUTS
- ★ LARGE GREEN DIGITRON DISPLAY BRIGHT/DIM
- ★ AM-PM CLOCK DISPLAY
- ★ 12v DC, 230V AC OPERATION

"SCAN-X" VHF/UHF BROADBAND
FIXED STATION AERIAL £19.90.

Ideal for SX-200 and other VHF/UHF receivers.

U.K. IMPORTERS & DISTRIBUTORS:
REVCO ELECTRONICS LTD.
POUNDWELL STREET
MODBURY, DEVON, PL21 0RQ
Tel: Modbury (0548) 830665
Dealer enquiries invited

MAIN SERVICE & SALES AGENTS:
GAREX ELECTRONICS
7 NORVIC ROAD
MARSWORTH, TRING
HERTS HP23 4LS
Tel: Cheddington (0296) 668684

SX200

THE ULTIMATE SCANNER



£241.50 INC. VAT Delivered



How much sensitivity can be used? This will depend upon the frequency of operation. Below about 2MHz, noise levels are such that a minimum detectable signal of 20 μ V is, in many cases, much better than is needed, whilst at 144MHz, 20 or 30nV is nearer the mark. For h.f. work, it is usual to talk in terms of a 10 or 20dB signal-to-noise ratio at between 0.3 μ V and 1 μ V input. Nevertheless, a complication occurs when defining what this 1 μ V input is, and Fig. 1 illustrates this point. A battery with a 1 Ω internal resistance, with no load connected across it, has a terminal voltage for example, of 1.5V. With a 1 Ω load applied the terminal voltage will fall to 0.75V, the difference between the e.m.f. or open-circuit value, and the p.d. (potential difference). In a matched impedance system, this variation is 2 to 1, or 6dB, which gives a marked indicated difference in sensitivity. The American and Japanese manufacturers probably tend to use p.d., because it makes the figure look 6dB better! Some argument exists over which is correct—to assume that there is a 6dB difference under all circumstances pre-supposes that the receiver input impedance is accurately known, which is rarely the case. When the receiver does not look like 50 or 75 Ω , then tests can be very indeterminate. In these circumstances the actual input voltage depends upon the input impedance and the standing wave ratio on the cable from the signal generator to the receiver—a veritable Tom Tiddlers ground for results failing to agree.

A given receiver can therefore be seen to have a limit on its sensitivity governed by physics, a required sensitivity dependent upon application and a measured sensitivity dependent on the definition of what a 1 μ V input is! No wonder confusion reigns!

Sensitivity Measurements

Basically, a receiver is a very high gain amplifier. Such amplifiers have active and passive components in them and the resulting random flow of electrons produces noise within these components that is amplified along with the wanted signal. If the noise produced by the amplifier is greater than the signal, quite obviously the signal will be drowned out. The measurement of sensitivity in terms of signal-to-noise ratio measures how much degradation there is in the receiver, and this degradation may be expressed in several ways. The simplest method, shown diagrammatically in Fig. 2, is that of signal-plus-noise-to-noise ratio, where the output power is measured with the signal present, and then again without the signal and the resulting ratio expressed in decibels. For a.m. and f.m. this measurement is the ratio of output with modulation to output without modulation, as the presence of the carrier makes an appreciable difference to the noise output. This is a straightforward, simple measurement, and has been used for many years. However, the ratio is also dependent upon the bandwidth of the system—the greater the bandwidth, the greater the noise. A variation of this specification that is becoming more popular is the SINAD measurement—signal-plus-noise-plus-distortion to noise-plus-distortion. This is measured using a distortion factor meter, which measures the degradation of the signal, and treats the noise introduced as distortion. However, at low input signal levels, the noise is much greater than the distortion and so for SINAD ratios of 20dB or less, it is therefore a close approximation to the signal-to-noise ratio method. The SINAD method does have the advantage that it correlates the signal-to-noise ratio and the distortion at high levels of input.

Finally, there is noise figure. Noise figure is the ratio by which input signal-to-noise ratio is degraded by the

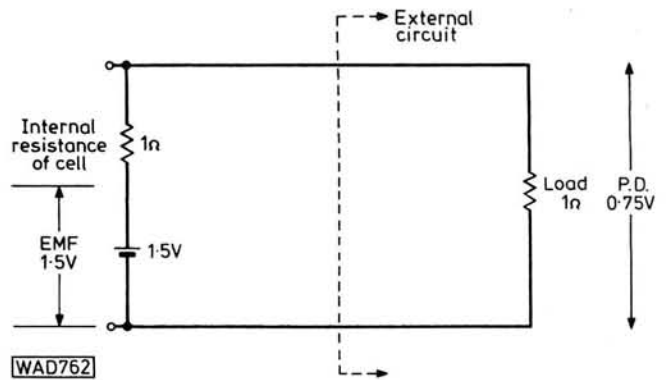


Fig. 1: The difference between e.m.f. and p.d.

receiver, and because it is the ratio of two ratios, it can be shown to be independent of bandwidth. This is a great advantage when making comparisons, but measurement of noise figure is not easy, especially in f.m. systems. However, some correlation can be obtained from the signal-plus-noise-to-noise measurement as follows.

For a given input impedance, bandwidth and temperature, the signal-noise ratio is X dB. (This is derived from physical constants described previously.) If the measured signal-plus-noise-to-noise ratio is Y dB, then the degradation in signal-noise ratio is $(Y - X)$ dB. For a 50 Ω input impedance with a 3kHz bandwidth at room temperature, the value of X is -26dB relative to 1 μ V—so a receiver with a 10dB noise figure will give a signal-plus-noise-to-noise ratio of 16dB for an input of 1 μ V e.m.f. For h.f. work, a noise figure of 10dB is adequate for most purposes, although lower values can be useful where small aerials with very little pick up are used, and below 15MHz, a noise figure of 15dB is generally accepted as adequate. For OSCAR reception on 28MHz, a lower noise figure still, may be useful in some conditions but as will be seen later, the use of such a low noise figure may not effectively improve the receiving system.

When the signal-plus-noise-to-noise ratio is measured on a.m., it will often be found that it is appreciably worse than on s.s.b. There are two reasons for this, these being:

- The bandwidth used on a.m. is greater than on s.s.b., so the noise is greater.
- The a.m. measurement is usually made with 30 per cent modulation, whilst the single tone used on s.s.b. represents a signal with 100 per cent modulation. This produces figures for a.m. that are 10dB worse.

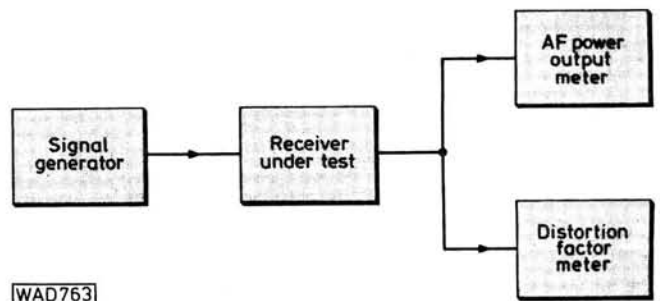


Fig. 2: Single signal measurement set-up

A further aspect of sensitivity measurement relates to the output power available from the receiver. Marine specifications require 50mW for loudspeakers and 1mW for headphones, for the input at which a 20dB signal-plus-noise-to-noise ratio is obtained, but this is not very loud in applications with high ambient noise levels such as found in mobile use. Very few receiver specifications mention the output power developed at low values of input signal, such as 1μV.

Even more rarely specified is signal-to-noise improvement ratio—probably because of the fact that few receivers show up very well! Signal-to-noise improvement ratio is fairly important. Consider a receiver with a 1μV input, and a 15dB signal-to-noise ratio. (Note that signal-to-noise ratio, and signal-plus-noise-to-noise ratio are not quite the same thing, but the difference is not important for this particular discussion.)

If the input signal is increased by 20dB, it is reasonable to expect that the signal-to-noise ratio will improve by 20dB, and the amount of improvement is an excellent measure of the distribution of gain control.

Suppose for example that the gain control is by means of an attenuator at the input terminals of the receiver. Because of the decrease in signal level to produce the original input to the receiver, the improvement in signal-to-noise ratio will be zero. The signal-to-noise improvement ratio also governs the ultimate signal-to-noise ratio—the signal-to-noise ratio provided by a big input signal. Incidentally, any hum or supersonic oscillation in the a.f. stages shows up here as a degradation and of course, if the ultimate signal-to-noise ratio is about 30dB, there is generally little point in going for very low a.f. distortion. Practically speaking, it is fair to assume that for a 20dB increase in input signal from the 20dB signal-noise level, the improvement should be to at least a 35dB signal-to-noise ratio.

Measurement of noise figure is an area in which conflicting results are readily available, especially when talking in terms of 3dB or better noise figures.

Summing up then, sensitivity is one of the parameters governing the output level of the receiver, and its capability for receiving weak signals. Other parameters governing this ability will be discussed later.

Selectivity

A radio receiver very rarely has to receive the wanted signal on its own. Especially in the bands up to 30MHz, the number of signals adjacent in frequency to the wanted signal can be very large and the ability of the receiver to pick the wanted signal is called selectivity.

Selectivity is a function dependent upon the bandwidth of the signal to be received. Bandwidths vary from between approximately 200Hz to 400Hz for c.w. and RTTY and 150kHz for broadcast f.m. An s.s.b. receiver requires a bandwidth of between 2kHz and 3kHz if the information transmitted is not to be lost. This bandwidth is that which hopefully can be passed without any attenuation of the signal at all but in practice is usually the frequency at which the signal is -6dB relative to the strength at the peak of the response, which is generally at the centre frequency. However, the wanted signal may be very weak in comparison to the unwanted signal—perhaps by a ratio of as much as 70dB or 80dB. The ability of the receiver to reject the unwanted signal on an adjacent frequency is determined by its selectivity. If the rejection of a signal 10kHz away from the wanted signal is 40dB in one receiver and 60dB in another, then all else being equal, the 60dB receiver is better able to cope with interfering signals. So not only is the bandwidth at the 6dB points im-

portant, but so is that at which the i.f. filters reject unwanted signals by 60dB. For a good s.s.b. receiver, the ratio of the 6dB to 60dB bandwidths, called the Shape Factor, is about 1.7:1, while figures of up to about 2.4:1 are quite acceptable. For a.m. and c.w. worse shape factors are common, frequently for economic reasons connected with filter design. Receivers of the HRO, AR88, CR100 vintage have crystal filters with very poor shape factors by today's standards, although especially on c.w., the best selectivity is generally provided between the operators ears!

Measurement of selectivity is not at all easy. The best way is to attach an r.f. voltmeter just prior to the detector stage and to plot a graph of voltage against frequency. However, in modern receivers using integrated circuit i.f. strips, this can prove impossible. By varying the signal frequency with the receiver in the s.s.b. or c.w. mode, it is possible to measure the a.f. output level and to plot the result on a graph against frequency, but the response of the a.f. stages will then affect the measurements. The s.s.b. transceiver is possibly the easiest to measure as the common filter section response can be plotted on transmit. Becoming popular, however, is the Two-Signal Method of measuring selectivity, which will be dealt with later.

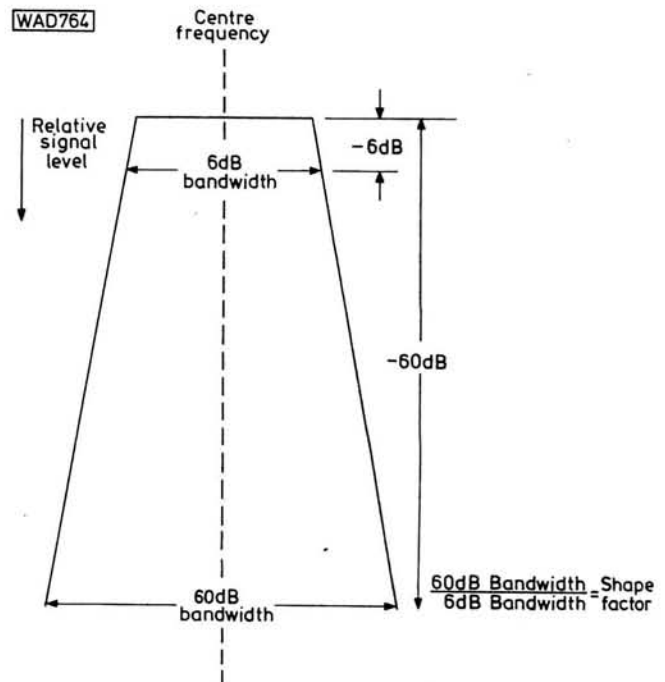


Fig. 3: Selectivity and filter bandwidth

Related to selectivity, but rarely mentioned is Electric Fidelity. This is a measure of the a.f. frequency response that the receiver is capable of and is easily measured by varying the modulation frequency over a wide range. It is of course, fairly important for broadcast receivers, especially for f.m.

Selectivity is a very important receiver parameter and is fairly easy to specify. As a result, it is generally properly specified, although the occasional "howler" is perpetrated.

Spurious Responses

Related in some ways to selectivity is the topic of spurious responses, i.e., outputs from the receiver caused

by inputs at frequencies other than the tuned frequency (external spurious) and whistles generated at particular frequencies (internal spurious). One of the most important external spurious responses in a superhet receiver is the Image or Second Channel frequency. This is produced as follows: Within a superheterodyne receiver the incoming radio frequency (the signal frequency) is fed into a mixer together with the local oscillator signal. The output of this mixer is the intermediate frequency and is either the sum or the difference of the signal and local oscillator frequencies. For example, a receiver is tuned to 14 100kHz and has a fixed i.f. of 455kHz. The local oscillator is on 14 555kHz and the resulting difference (local oscillator 14 555kHz—14 100kHz signal) is thus the i.f. of 455kHz. However, a signal on 15 010kHz would also produce an i.f. of 455kHz and this unwanted signal is the image, or second channel signal. The local oscillator is occasionally on half or even a third of the required frequency, but this is not common. A signal on a frequency such that it can mix with the harmonics of the local oscillator to produce the i.f. will also give a spurious response and all these responses can be defined. It is rare for external spurious responses other than the image to be specified on receiver data sheets. Such responses should be at least 60dB down on a well-designed modern receiver, but unfortunately are often nowhere near this. A further frequency that can cause trouble is the actual i.f. and rejection at this frequency needs to be quite high, the actual figure depending upon its frequency. For example, early TV receivers with a 14MHz i.f. suffered very badly from local amateur transmission breakthrough.

At the time of writing, the Band I TV transmitter at Crystal Palace, in South-East London, has sufficient radiated field on 41.5MHz to interfere with TV sets using an i.f. of 34–38MHz. Indeed, the strength of signal is such that some manufactured sets are unusable close to the station, whilst others have to be modified for use in this area.

Internal spurious (spurious whistles) are generated in the receiver. A favourite one occurs in most amateur equipments with a v.f.o. covering 5.0–5.5MHz, where the fourth harmonic of the v.f.o. causes a whistle at 21.200MHz. Other frequencies can appear, and the mechanism of production is very varied. One professional receiver of some 15 years ago had an earth lead in a peculiar point on the chassis and moving this earth around made some of the whistles disappear. Probably the position of the earth lead was found on the prototype, and then just copied! These internal spurious are worst in the case of multiple-conversion receivers, and frequently are caused by earth loops. In receivers using a high first i.f. (above 30MHz) the mechanism of spurious generation is frequently due to harmonics of the first local oscillator getting into the second mixer and mixing with harmonics of the second local oscillator. These harmonics can be in the hundreds of megahertz region and curing them can be very difficult, necessitating complex filters and castings. Incidentally, it can sometimes be achieved by perseverance with the p.c.b. layout, which is considerably cheaper!

The level of spurious whistles should be as low as possible and the ideal is not to have any there at all; or at least for them to be so low that the specified signal-to-noise ratio can be met in the presence of the whistle.

The final internal spurious problem can be harmonics produced by the b.f.o. or c.i.o. (carrier insertion oscillator) but these are restricted to spot frequencies. Those whistles caused by digital frequency counters are much harder to cure; generally, isolation between digital and analogue circuitry and careful screening is required.

All in all, the definition of a superhet given by Cathode Ray in *Wireless World*, pre-war, is nearer the truth than

was imagined at that time. Superhet, short for supersonic heterodyne—a very powerful type of radio receiver. Receives all stations at least once, and most of them more than twice. To which the cynic can add, with occasionally some justification—simultaneously!!

Automatic Gain Control

Automatic Gain Control, a.g.c., is almost universally fitted to receivers these days, even if its main purpose is to drive an “S” meter. The idea of a.g.c. is to maintain the a.f. output from the receiver constant over a wide range of input signals, but a completely flat a.g.c. characteristic, i.e., one that allows no change in output, is not desirable. This is because the noise in the absence of signal is brought up by action of the a.g.c. circuit to the same level as the signal was. For this reason, a rise of 6dB in output for a 90dB change in input is usual, although some sets boast of a 3dB change. One of the problems that can arise is that if the a.g.c. starts acting with very little input signal, the signal-to-noise improvement ratio may suffer and for this reason, carefully designed delayed a.g.c. is required but rarely provided, except in very high priced, high performance professional receivers.

The a.g.c. line is universally used to drive the “S” meter, which leads to all sorts of problems. What is S9? The choice of some arbitrary value for S9 on 3.5MHz is all very well, but the “S” meter is then accused of being “Scotch” on the upper h.f. bands. Calibration of the “S” meter in “S” points of given numbers of dB, e.g., 6dB per “S” point, is common, although it is extremely rare for the calibration to be correct over the full range of the meter. Unfortunately, “S” meters seem to be given a greater degree of uncritical belief and blind faith in their correctness than pocket calculators! Generally, some value between 20 μ V to 50 μ V is used for S9, but without very careful design of the i.f. strip, and indeed all the a.g.c. controlled stages, to obtain reproducible gain control characteristics and carefully defined gain, the reliance put on “S” meters is misplaced. From the manufacturers’ viewpoint the cost of doing so is uneconomic.

Two-Signal Tests

So far in this article, we have only considered those measurements that can be made on a receiver using a single signal source. As has been mentioned earlier, the real world in which a radio receiver operates is such that a considerable number of signals are always present at the input terminals and the receiver must be able to sort out the desired one. Selectivity has been mentioned as one of the parameters involved, as have spurious responses, but there are other mechanisms which cause interference to the wanted signal. These are evaluated for performance comparisons under the heading of Two-Signal Tests and comprise Intermodulation, Cross Modulation, Blocking or Desensitisation, and Reciprocal Mixing. Many of these terms have been frequently misapplied, or even ignored, not only by amateurs, but by the manufacturers of quite advanced equipment.

NEXT MONTH

In Part 2 of this series we will deal with parameters related to two-signal test procedures

PRODUCTION LINES

ALAN MARTIN G8ZPW

Low-Cost Tape Eraser

With the increasing use of video recorders in this country, the new Bib Video Tape Eraser will be a most useful accessory for erasing both the video and audio signals from either VHS or Betamax video cassette tapes. Although this model has been specially developed for erasing video tapes, obviously it is suitable for $\frac{1}{4}$ in tape and audio cassette tapes.

It is often evident that poor image quality and unwanted background noise result from insufficient erasure of previously recorded material. Using the eraser ensures that tapes are signal free and are ready to accept new recordings. The powerful 1420 gauss magnetic field far exceeds the erasure capability of the standard domestic video recorder's erase head.

An on/off switch is located on the front of the unit and there is a red l.e.d. to indicate when the unit is operating. The eraser is mains powered and BSI approved.

The Bib Tape Eraser should be available from most leading video shops, price £20.70 including VAT.

Bib Hi-Fi Accessories Ltd., Kelsey House, Wood Lane End, Hemel Hempstead, Herts HP2 4RQ. Tel: (0442) 61291.



Four in One

"Four screwdrivers in one" is the latest addition to the Steadfast Screwmaster family of screwdrivers.

The new screwdriver adaptors incorporate the patented roller ratchet Screwmaster mechanism which was successfully launched earlier this year. There is a sleeve at the end of the driver shaft to hold all types of standard $\frac{1}{4}$ in A/F screwdriver bits.

Mini Travel Alarm

About the size of a bank card, the Systema S-283 travel alarm clock provides quartz accuracy timekeeping in two time zones. The large liquid crystal display shows hours, minutes, flashing seconds signal, am/pm indicator and alarm set symbol.

The high-pitched alarm can be expected to wake the weariest traveller, or may also be carried in a pocket to bleep reminders throughout the day. A large button on the face of the unit operates a five minute snooze feature and illuminates the display for viewing



in the dark. Three small buttons on the side of the S-283 enable easy setting of alarm time and both time zones.

Finished in black and silver with an integral hinged stand, the mini travel alarm is fitted with long-life batteries and supplied in a soft carrying pouch. Overall measurements are 65 x 50 x 11mm.

On sale at Selfridges and Harrods, the S-283 is also available from Systema, at an inclusive price of £12.95.

Systema Watch Co. (England) Ltd., 371 Station Road, Harrow, Middlesex HA1 2AW. Tel: 01-427 2352.

New Multimeter

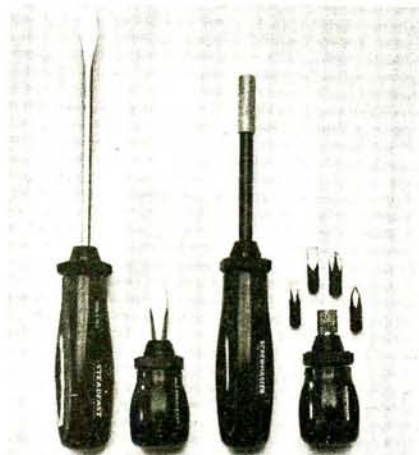
Lascar Electronics has recently introduced a new multimeter, the LMM-400, which possesses two extra functions for automotive applications.

The instrument features a.c./d.c. voltage measurements from 0.1mV to 1kV and a.c./d.c. current range up to 20 amps. The resistance range measures from 0.1Ω to 20MΩ.

The "engine" functions are implemented simply by placing the probe connectors between the vehicle earth and the l.t. side of the ignition coil. The instrument will measure r.p.m. (up to 20,000) and will also indicate the ignition dwell angle in degrees.

The LMM-400 is designed for use on vehicles with 4, 6 or 8 cylinders, either positive or negative earth and with either conventional or electronic ignition systems. Measurements are indicated via an l.c.d. display with 12.7mm high characters and inputs are fully protected.

Priced at £69.80, which includes VAT and p&p, the LMM-400 is available from: *Lascar Electronics Ltd., Unit 1, Thomasin Road, Burnt Mills, Basildon, Essex SS13 1LH. Tel: (0268) 727383.*



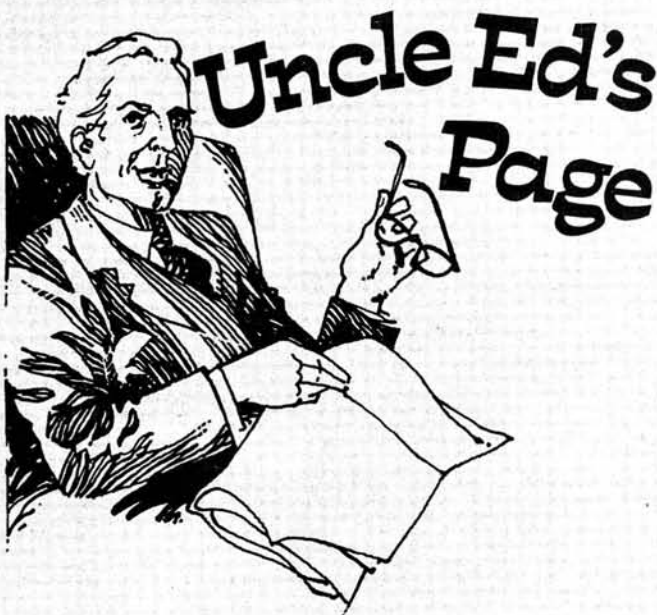
The bit holder is available in two sizes. The Chubby model is only 76mm in length and the larger model is 210mm in length. Both sizes come with either a magnet or retaining clip at the base of the sleeve to hold the bit in place.

The magnet will also attract a screw—a particular feature if working in tight or awkward conditions. However, in situations where a magnetised blade is not suitable the retaining clip is the alternative.

The adaptor and bits are available separately or in kit form comprising an adaptor, together with No. 1 Pozidriv, No. 2 Pozidriv, 5mm and 6mm flat bits.

Retail prices range from £3.35 to £4.90, plus VAT, for the bit holders and £5.95 to £7.50, plus VAT, for the kit form. All are available through normal retail outlets.

J. Stead & Co. Ltd., Greenland Road, Sheffield S9 5BW. Tel: (0742) 445472.



A monthly look at some aspect of the radio/electronics hobby that seems to bug the beginner, or occasionally a more advanced topic seen from an unusual angle.

MORE DIODES

Last month, in Fig. 3, I showed a simple rectifier circuit with the supply of alternating voltage indicated by the general symbol of a circle with a "squiggle" in it. I suggested using a mains transformer as the source of that voltage, and Fig. 5 shows such an arrangement. At (a) and (b) are the voltage waveforms before and after the diode. You would see something like these waveforms on an oscilloscope connected to the points arrowed. As I said last month, the diode only passes current in one direction, so only **half** the waveform gets through it. Hence the name **half-wave** rectifier.

The big gaps between the voltage pulses in (b) are often a bit of a problem, and it would be nice to be able to fill them in. If we add a second transformer T2 and diode D2 as in Fig. 6, we could do just that, providing the alternating voltages at the anodes of D1 and D2 were always of opposite polarity at any given moment. We speak of such voltages as being in anti-phase. In Fig. 6 the little black blobs indicate the ends of the windings that are in phase—another convention which you should know about.

Now, there is no reason why we shouldn't combine the two transformers of Fig. 6 into a single one (T3) as in Fig. 7. The secondary winding might be a single one with a centre-tap, in which case it might be labelled, for example "6-0-6V" or "6V-0-6V", or even described as "12V, centre-tapped", or it might be two separate windings as shown (each labelled, for example "6V" or "0-6V") connected in series with the appropriate phase. The effect is the same.

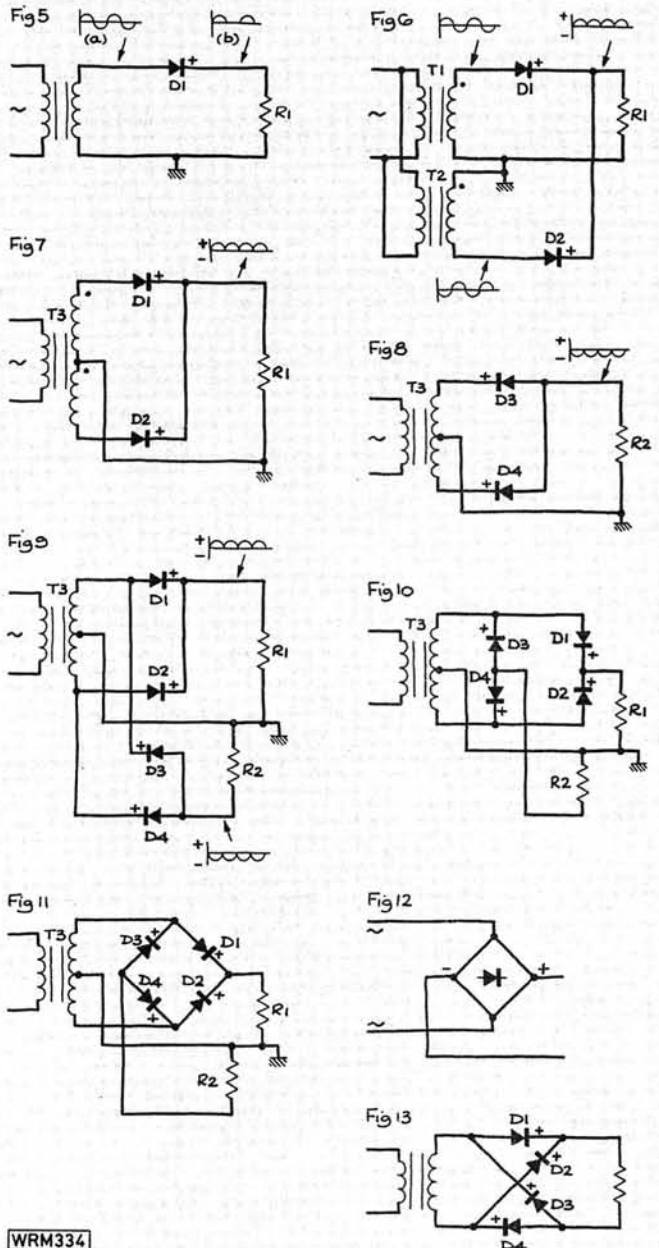
Because the two diodes, between them, pass the **full** waveform to the load R1, this arrangement is known as a **full-wave** rectifier.

The output of Fig. 7 is a pulsating positive waveform, but we can get a negative waveform simply by turning the diodes round the opposite way, like D3 and D4 in Fig. 8. If we want both positive and negative outputs, we can do another crafty bit of economising by combining Figs. 7 and 8 to produce Fig. 9. You'll find that this is just like the arrangement used in the power supply of the PW "Twynham", as shown last December on page 22.

Now, Fig. 9 can be redrawn like Fig. 10, or even Fig. 11. They're all electrically identical. I'm sure you recognise the arrangement of the four diodes in Fig. 11—that's right, it's a

bridge. In fact, if you ignore the transformer centre-tap and earth connection in these circuits and merge R1 and R2 in each case, you have three ways of drawing a bridge rectifier circuit. This is another type of full-wave rectifier, using twice as many diodes but only half the amount of transformer secondary winding that was necessary for the arrangement of Fig. 7.

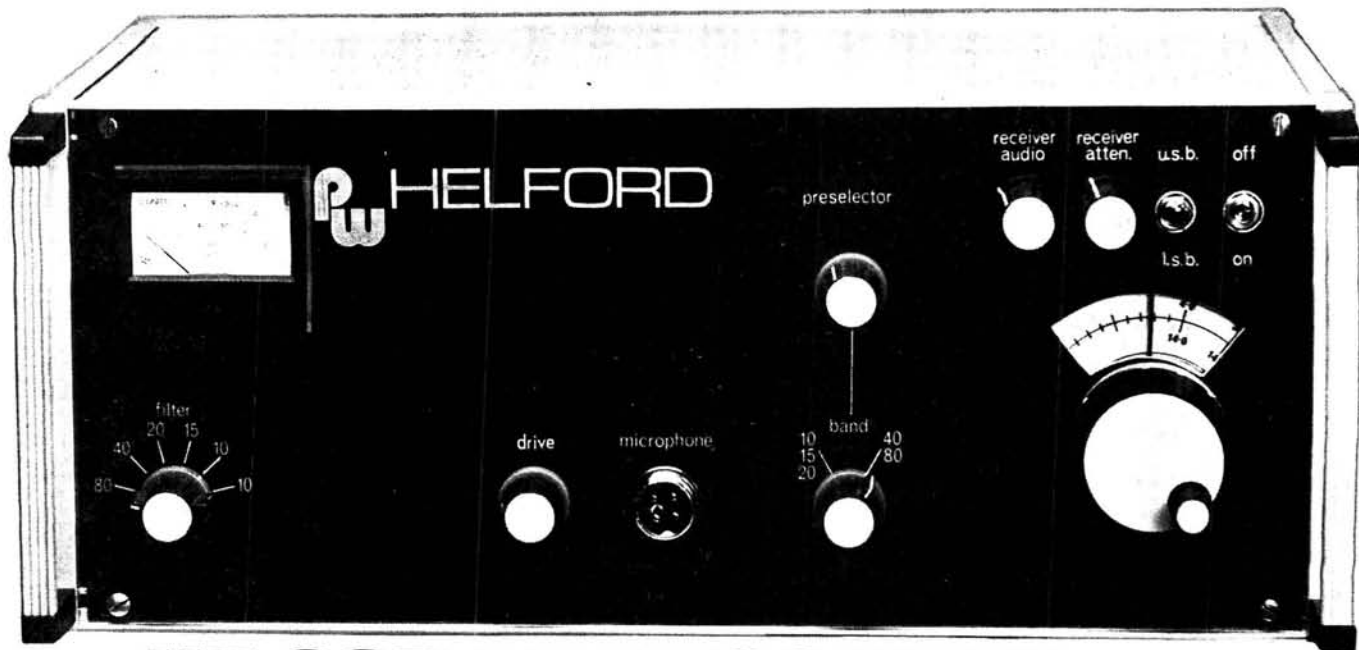
As I said, Figs. 9-11 show three ways of drawing a bridge rectifier, depending largely upon the whim of the draughtsman. Fig. 12 shows a common "shorthand" version of the bridge. Yet another variant occasionally encountered is shown in Fig. 13.



WRM334

Incidentally, if you come across what looks like a bridge but with the diodes connected anode/cathode, anode/cathode, anode/cathode, anode/cathode, so that all the "arrow-heads" point in the same direction, it's not a bridge at all, but a diode ring. These are commonly used in modulators and demodulators for s.s.b., and sometimes in frequency multipliers, and are most often drawn in the pattern of Fig. 13 but with diodes D2 and D4 with polarity reversed.

Next month: What is s.s.b?



HF SSB TRANSCEIVER

Vic Goom G4AMW

Having completed the basic transceiver in the previous three parts we can now make a start on the transmitter power amplifier stages.

To get the full 100W r.f. output it is necessary to use two stages of r.f. amplification. In this part we will be dealing with the r.f. driver amplifier which takes the low power output from the Tx First Amplifier and produces an output of 5W to drive the final p.a. stage.

The driver amplifier is based on a TRW Application Note for a 1.5MHz to 30MHz linear power amplifier intended for s.s.b. transmitter applications. The design is capable of providing 5W in a Class A mode with better than -40dB intermodulation distortion. By simply changing the bias supply voltage the design is capable of giving a full 25W, as a Class AB amplifier, with better than -30dB intermodulation distortion.

The complete amplifier has a capability of withstanding an infinite v.s.w.r. at full output power and it would be quite feasible to use the driver amplifier as the final p.a. stage with an output of 25W instead of the 100W of the full design.

The circuit diagram of the driver amplifier is shown in Fig. 13. The two TRW PT9795 transistors (Tr401,402) are operated as a single-stage push-pull amplifier. The required 50Ω input and output impedances are maintained by the use of matching transformers T401 and T403.

The driver amplifier is mounted onto a suitable heat-sink which for the PW Helford can be a 51mm length of Redpoint MA Type with the height of the fins reduced to about 13mm. The thermal rating of this heatsink is given by Redpoint as 2.8°C/W and if a different make of heat-sink is used then this is the figure to aim for.

Construction

The driver amplifier is built onto a single p.c.b. as shown in Fig. 14. This is a double-sided board with the underside being plain copper to act as a ground plane. The components are mounted onto the copper pads as shown in Fig. 15. The r.f. transistors should be handled with care and the board must be cut out to allow the metal body of the device to drop through and sit squarely on the heat-

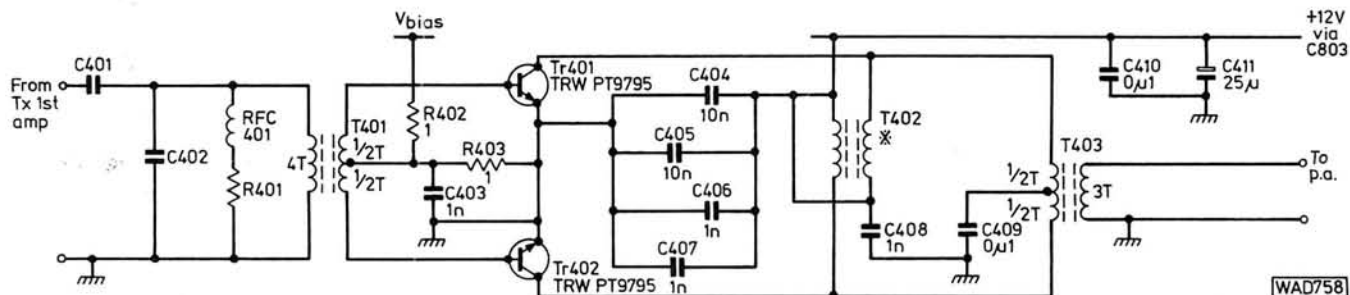


Fig. 13: Circuit diagram of the driver amplifier. The values of the input circuit components are given in the components list

RADIO SHACK for BEARCAT 220

THE VERSATILE BEARCAT 220FB

Bearcat® 220FB

Price:—
£258.75

Features

- **20 Channels/2 banks** – Scan up to 20 frequencies at once or either of two banks of 10 channels.
- **7 Band Coverage** – Includes Low, High, UHF, UHF-Gov't and UHF-T public service bands, the 2-meter amateur (Ham) band, plus the aircraft band.
- **Automatic Search** – Seek and find new, exciting frequencies.
- **Aircraft Search** – Automatically search the entire Aircraft Band.
- **Marine Search** – Automatically search Marine frequencies by pressing one button.
- **Priority** – Samples designated priority frequency on channel 1 every 2 seconds.
- **Limit** – Sets upper and lower frequencies of search range.
- **Speed** – Choice of either 5 or 15 channels per second scan and search speed for closer monitoring of desired frequencies.
- **Automatic Lockout** – Locks out channels and "skips" frequencies not of current interest.
- **Selective Scan Delay** – Adds a two-second delay on desired channels to prevent missing transmissions when "calls" and "answers" are on the same frequency. Patented by Electra.
- **Simple Programming** – Simply punch in the frequency you wish to monitor.
- **Decimal Display** – The large decimal display shows channels and frequency as well as features selected.
- **Patented Track Tuning** – Receive frequencies across the full band without adjustment. Circuitry is automatically aligned to each frequency monitored.
- **Crystalless** – Without ever buying a crystal you can select from all local frequencies.
- **Automatic Search** – Factory-set squelch automatically blocks out unwanted noise.
- **Direct Channel Access** – Move directly to desired channel without stepping through all channels.
- **Deluxe Keyboard** – Makes frequency and feature selection easy for simple programming.
- **Space age Circuitry** – Custom integrated circuits... a Bearcat tradition in scanning radios.
- **Rolling Zeros** – This Bearcat exclusive tells you which channels your scanner is monitoring.
- **AC/DC** – Operates at home or in authorised vehicle.
- **UL Listed/FCC Certified** – Tested for sale, quality design and manufacture.

With 4m, 2m &
70cm FM
Amateur Bands



Bearcat® 220FB

Specifications

Frequency Range:	
Low Band Mobile	66- 88MHz
Aircraft	118-136MHz
Amateur Band	144-148MHz
Public Services & Marine	148-174MHz
UHF Amateur	420-450MHz
UHF Band	450-470MHz
UHF Band	470-512MHz

Size: 10⁵/₈" W x 3" H x 7⁵/₈" D
Weight: 5 lbs.

Power Requirements:
240V AC, 50 Hz.
12-15V DC, 8 Watts.

Hear It All With One Antenna
Total Frequency Coverage
—40 To 700 MHz

DISCONE

The Hustler Discone Model DCX is a wide band antenna and has complete coverage of all frequencies from 40 to 700 MHz. This design is especially suited for monitor radio reception of LOW-BAND, HIGH-BAND AND UHF. As a plus feature, use the Discone for outstanding 88-108 MHz. FM stereo reception.

The Discone is easy to assemble and install and may be used with any length coax cable. Manufactured from high strength solid aluminium rod, zinc plated hardware and mounting assembly, complete with SO-239 connector. Antenna mounts on vertical support up to 1³/₄" O.D. or on a flat surface. Cone elements, 55" in length. Disc elements, 20" in length. Shipping Wt. 2.5 lbs.

£13.80

Discone With Cable

Discone antenna supplied with 50' coax and factory installed connectors, PL-259 one end and monitor pin plug type on the other. Shipping Wt. 4.5 lbs.

£20.70

Audio Output:
2.0 W rms.

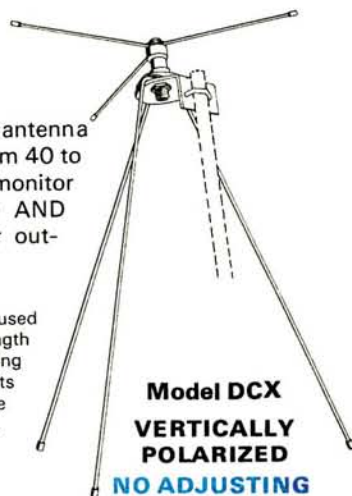
Antenna:
Telescoping (Supplied)

Sensitivity:
0.6 μ v for 12dB Sinad on L and H bands
 μ bands slightly less
1.0 μ v for 10dB S/N on aircraft

Scan Rate:
5 or 15 channels per second

Connectors:
External antenna; external speaker;
AC power, DC power

Accessories (included):
Mounting bracket and hardware;
DC cord



Model DCX
VERTICALLY
POLARIZED
NO ADJUSTING
NO TRIMMING

Securicor Delivery
£5.00

RADIO SHACK LIMITED
TELEX 23718

188 BROADHURST GARDENS, LONDON, NW6 3AY
TELEPHONE 01-624 7174

From the World-Record Joystick People! A REVOLUTIONARY ANTENNA THEY CALLED "IMPOSSIBLE"

THE JOYFRAME (Patent Applied for)

Amateur Bands 3.5-30 Mhz.

The ultimate in small package, poor QTH, versatile antennas. Comes in easily assembled package which makes up to a 21 x 21 x 21 (inches) triangle. The unit JUST STANDS ON TOP OF TX/RX! Two knob control - and is rotated by hand for directivity on 80m. Isomni-directional on higher freq.'s and for many SW BC stations. Incredible low angle radiation. Tested at 2 watts (only) CW at our works - world wide contacts! "Soak test" with G2VF using only 30 watts has satisfactorily filled his log with world wide QSO's. Loop TRANSMISSION performance with such a small unit has, we believe, never been seriously contemplated before, but rather written off as "impossible". Years of research from the firm that produced the JOYSTICK VFA and related systems now offers the JOYFRAME to the amateur fraternity and is the answer to the "maidens prayer" to everyone with a space problem. All the benefits of JOYSTICK products: substantially harmonic-free, low angle, efficiency, compact.

COMPLETE JOYFRAME (incl. ATU) £60.00
(or write - 14p - or phone for literature)

ANTENNAS (our regular lines)

THE JOYSTICK VFA (Variable Freq. Antenna)

- Only 230cm long, easily assembled and installed.
- Continuous tuning 0.5-30Mhz ● Omni-directional
- Substantially harmonic-FREE

SYSTEM "A" For the SWL or 160m. Tx. £48.55

THE JOYMASTER SUPERMATCH SYSTEM

- Newer development for higher power, improved performance and even greater capability in the awkward QTH! ● Includes matching ATU ● Amateur Bands (Incl. 'new' bands) 3.5-30MHz. ● 500 w.p.e.p.

NEW SUPERMATCH SYSTEM

with .13' Joyradial 5 band radial **£82.00**

SUPERMATCH ATU

available to improve performance of existing antennas. Impressive, versatile, try it! **£50.00**

JOYRADIAL (3.5-30Mhz) £6.90

RECEIVERS

Get on the air in seconds!

- FRG7700 £309 (£380 with Memory) ● FRG7 + free wire aerial ONLY £187 ● Package "R.1" FRG7 + ATU + World Record VFA and FREE HEADPHONES £218 ● Package "R.3" FRG7700 (without Memory), VFA, ATU, Headphones £345.50 ● Package "R.4" FRG7700 (with Memory), VFA, ATU, Headphones £425.50.

TRANSCEIVERS ETC.

We reckon we're offering the

LOWEST YAESU PRICES

Try phoning us for your PERSONALISED quote with or without Partridge antennas. For example: ● FT101ZD - only £559 ● FT901DM - only £795 ● FT7B - only £395.



G3CED
G3VFA

JUST TELEPHONE YOUR CARD NUMBER

0843 62535 (ext 5) (62839 after office hours) or send **14p** stamp for FREE literature. Prices correct as at press. NOTE our prices are always INCLUSIVE OF VAT, carriage. Prompt service too, goods usually despatched WITHIN 48 HOURS!

5 Partridge House,
Prospect Road, Broadstairs, Kent CT10 1LD
(Callers by appointment).



CB AND AMATEUR RADIO ●

ANTENNAS ● ACCESSORIES

● MAIL ORDER

➔ NEW ● NEW ● NEW ◀

SUPER SLIM JIM - 2 metre omni (LJ2). An even slimmer version of the famous SLIM JIM. An entirely new design by F. C. Judd G2BXC, even more efficient than the original. Only 44 inches long, can be used for BASE STATION or MOBILE OPERATION. Imp: 50 ohms. Completely enclosed and waterproof. Gain 3dB (EIA). Fittings for mast mounting, mobile magnetic or gutter mounting available extra. LJ2 price **£17.25** including VAT, postage and packing.

THE BIG JIM - 27MHz omni - BJ27. An entirely new design - base station antenna for CB radio. Only 9 feet long - no radials. Gain 3dB (EIA). Low angle radiation for local or DX. Two-way 27MHz contacts between the UK and USA have produced S9 plus signals and 10-4 copy. Mast or wall mounting fittings extra. Also tunable for 10M Amateur band. BJ27 price **£67.00** including vat, postage and packing.

THE RED ALERT - VHF antenna checker and RF sensor (ZLS1). Will check any antenna for radiation, correct voltage and current distribution. Repeating audible beep and visual indication in presence of radiation. Operates any frequency 20-1000MHz. Supplied complete with probe antenna. ZLS1 price **£12.00** including VAT, postage and packing.

THE PERSUADER - Speech Processor (SP15). Increase your talk power by up to 32 times. Average effective speech power gain 15dB. Fully automatic in operation. Red and green indicators show correct operational setting. Operates for SSB, AM or FM. Tailored response for greater readability and harmonic filtering. Suitable all standard mics and rigs. SP15 price **£38.18** including VAT, postage and packing.

DUMMY LOAD - Self indicating (ZL50). Check TX power without radiating. Check coaxial cable runs and antenna match by comparison. Useable with all VSWR meters. Built in LED power indicator. Automatic sensing insures impedance of 50 ohms to within better than 0.5 ohm. Useable power up to 20 watts continuous or 100 watts intermittent. Self VSWR 1 to 1. Frequency limit 200MHz. ZL50 price **£9.00** including VAT, postage and packing.

SAE for further details of above.

CASH WITH ORDERS ONLY**. Cheques, Postal Orders etc., payable to ZL COMMUNICATIONS.

Wide selection of books on CB Radio, Electronics, Amateur Radio etc. Also CB T-Shirts, badges, car stickers and unique LEARN ALL ABOUT CB cassette tape etc. Send 30p stamps (not SAE) with name and address for full catalogue and accessories list.

ZL COMMUNICATIONS

CANTLEY, NR. NORWICH, NORFOLK, NR13 3RT.

Tel: 049 370 821 (9-5.30 Monday to Friday only).

Callers by appointment only.

IMPORTANT NOTICE

Notice is hereby given that antennas for 2 metre operation called the ZL SPECIAL (series) and the SLIM JIM, which are currently being advertised in various journals as manufactured products, are NOT repeat NOT produced by ZL COMMUNICATIONS. Neither are these antennas approved in any way whatsoever by F. C. Judd (G2BXC), Director of ZL Communications, and who was responsible for their design in the first instance as published in various issues of Practical Wireless and the book "Two Metre Antenna Handbook".

Western

THE COMMUNICATIONS SPECIALISTS
EVERYTHING FOR THE RADIO AMATEUR

ANTENNAS ... FOR THE HF BANDS

BRITISH MADE BY **Western**

TRAP DIPOLES (3 types)

TD1/10-80	10, 40 and 80m	£34.44
TD1/15-80	15, 20, 40 and 80m	£34.44
TD-P	Portable type with winding spools	£30.48

(TD1 are of 14 gauge copper; TD-P is copper/terylene braid)

VERTICAL

DX-5V 10-80 metres; approx 26ft high; slimline **£89.00**

BEAM ANTENNAS (and Rotary Dipole)

DX-31	Rotary dipole for 10, 15, 20m	£46.00
DX-32	2-element beam for 10, 15, 20m	£80.50
DX-33	3- " " " " "	£121.90
DX-34	4- " " " " "	£161.00
DX-103	3-element monoband beam for 10m	£74.75
DX-105	5- " " " " "	£97.75

★ Other Antenna Accessories available - see our Price List ★

ALL PRICES INCLUDE VAT (15%) AND FREE DELIVERY UK.

Send large SAE for further details of this and other equipment - or use our Answerphone after hours.

Western Electronics (UK) Ltd

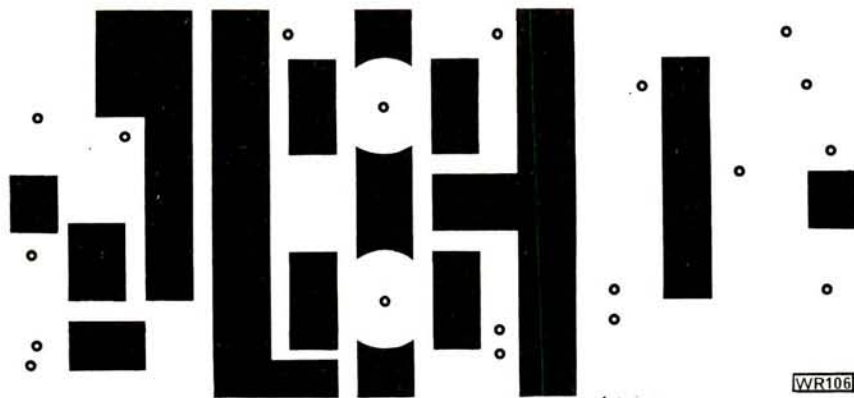
HEAD OFFICE (All Mail/Enquiries)

FAIRFIELD ESTATE

LOUTH, Lincs, LN11 0JH

Tel: Louth (0507) 604955/6/7

ACCESS
VISA
H.P.



WR106

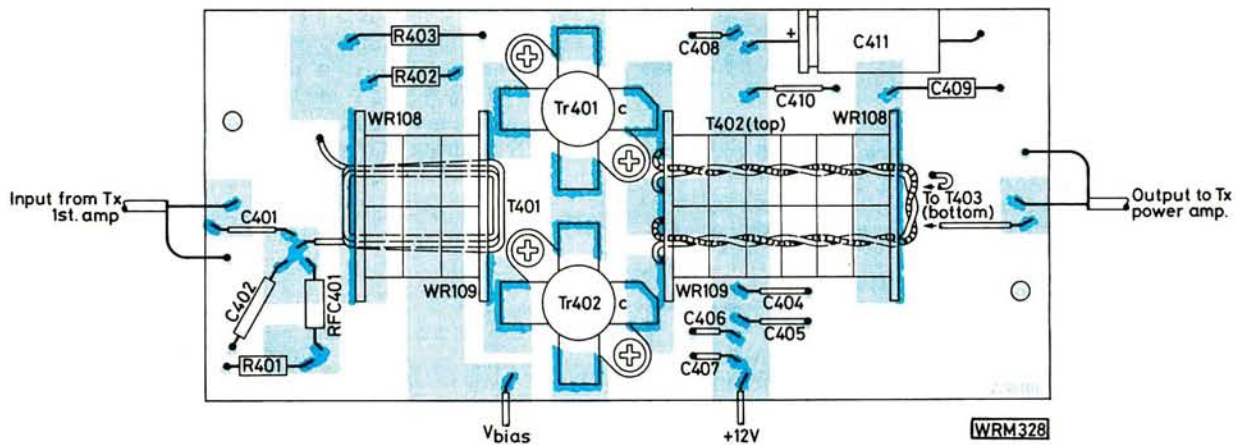


Fig. 14 (top): Full-size p.c.b. copper track pattern for the driver amplifier. Fig. 15 (above): Shows the component layout of the driver amplifier. Note the components are on the copper track side of the board and that the other side is a copper ground plane

★ components

DRIVER AMPLIFIER

Resistors

$\frac{1}{2}W$, 5% Carbon

1Ω	2	R402,403
56Ω	1	R401

Capacitors

Disc Ceramic

1nF	4	C403,406,407,408
10nF	3	C401,404,405
0.1μF	2	C409,410

Silvered Mica

56pF	1	C402
------	---	------

Electrolytic, Axial

25μF 25V	1	C411
----------	---	------

Inductors

2.2μH	1	RFC401
-------	---	--------

Semiconductors

Transistors

PT9795 (TRW)	2	Tr401,402
--------------	---	-----------

Miscellaneous

Transformer end cheeks (2 sets); Brass tube 4.8mm dia. x 200mm long; CN-20 Type C-1-2 ferrites 4.8mm i.d. x 9.7mm o.d. x 4.8mm long (30); p.c.b.; Heatsink (see text).

sink. The orientation of the two transistors must be noted and the four tabs carefully soldered to the appropriate pads on the p.c.b. ensuring that no strain is placed on the transistors (Fig. 16). The transistors themselves can now be used to mark out the positions of the fixing holes to be drilled in the heatsink for mounting the transistor bodies.

Care should be taken to follow closely the layout of components shown in Fig. 15 and all component leads should be as short as is practical. The reader is recommended to study this month's *Constructors' Sketchbook* on page 56 where he will find more details on this form of construction.

Transformers

The transformers are constructed around two small p.c.b.s which form the end cheeks and are connected together by two lengths of brass tube which are loaded with the appropriate number of ferrite cores and then soldered to the copper pads on the end cheeks. The wire is then wound through the brass tubes and soldered to the appropriate pad or ground plane as shown in Fig. 15. T401 is shorter than T402 and T403, and has only two brass tubes. T402 and T403 are constructed on one pair of end cheeks with T402 being wound on the upper set of brass tubes. When the transformers have been wound the end cheeks can be soldered directly to the p.c.b. pads as shown in Fig. 15.

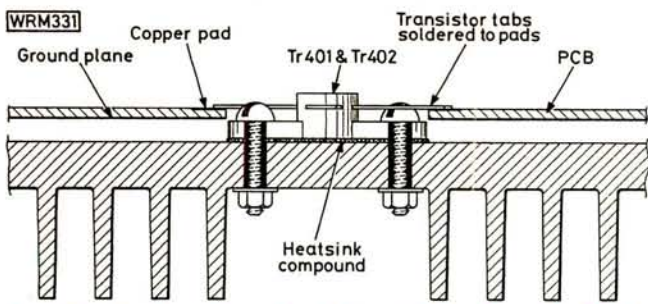


Fig. 16: Section through the heatsink and p.c.b. of the driver amplifier showing the mounting details of the transistors Tr401,402. Extra support for the p.c.b. should be added using 6BA screws and washers



Fig. 17: The end cheeks of the transformers. One of each of the p.c.b.s shown here are required for each transformer. The brass tubes must be soldered to the copper pads which are on the outer ends of the transformers. The material is 3mm copper-clad board

Transformer winding details

T401	Secondary is one turn centre tapped consisting of two lengths of brass tube 4.8mm o.d. x 20.3mm long. Primary is 4T 20 s.w.g. enamelled copper wire.
T402	Twisted pair of pvc covered 7/0.2mm stranded wires twisted at about one twist per mm passed through the top pair of brass tubes.
T403	As T401 but brass tubes are 35mm long. Secondary 3T 20 s.w.g. enamelled copper wire.

★ components

BIAS SUPPLY REGULATORS

Resistors

¼W, 5% Carbon

220Ω 1 R802

Cermet trimmer side adjusting

100Ω 1 R801

Capacitors

Disc Ceramic

0.1μF 1 C801

Feed-through

1nF 1 C803

Tantalum bead

1μF 35V 1 C802

Semiconductors

Integrated Circuit

317K 1 IC801

Miscellaneous

Aluminium sheet (16 s.w.g.) for heatsink; Insulating kit for IC801; p.c.b.; 6BA screws, nuts and washers.

Bias Supply

The driver amplifier and the final p.a. both require a fully stabilised bias supply to set the working conditions of each amplifier. Both bias supplies use basically the same circuit and mechanical design, only component values change as required to set the different bias voltages needed.

The circuit design chosen is very simple and uses a standard 317K variable voltage i.c. regulator capable of operating between 1.25V and 37V at up to 1.5A. The circuit is shown in Fig. 18 and it can be seen that R801 sets the output voltage. The i.c. is fully short-circuit protected.

The output voltage is set by varying R801 and is governed by the formula $V_{out} = 1.25(1 + R801/R802)$. With R801 adjustable between 0Ω and 100Ω the output voltage can be varied from 1.25V to about 1.8V.

Each regulator is built on a simple p.c.b. with the copper track pattern on the component side as shown in Fig. 19. The i.c. is mounted on the heatsink, using an insulating kit and heatsink compound to ensure good thermal contact. The heatsink is a plain sheet of aluminium alloy about 16 s.w.g. and folded into a "U" shape. All the other components are mounted onto the p.c.b. pads as shown in Fig. 19 ensuring that all leads are kept as short as possible.

continued on page 66 ►►

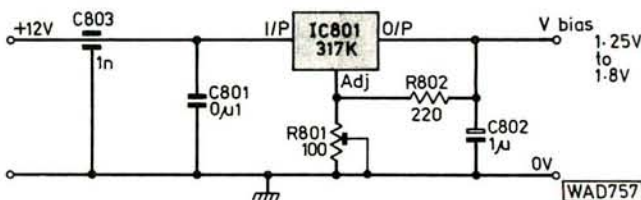


Fig. 18: The circuit diagram of the two bias regulators

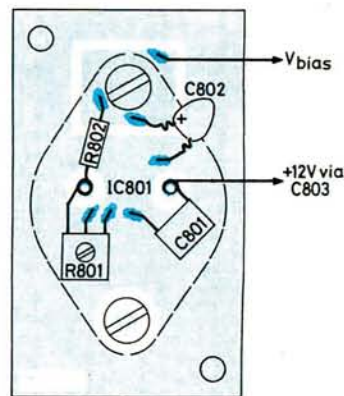
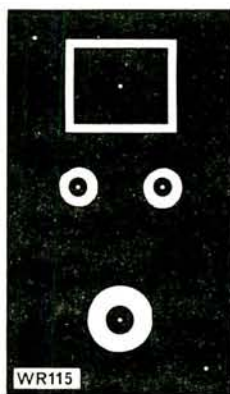
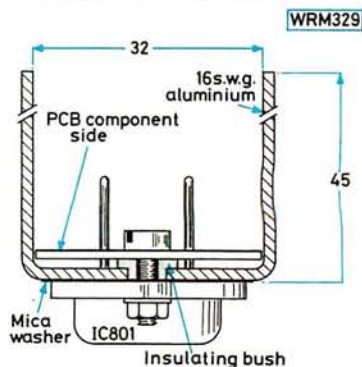


Fig. 19: Details of the construction of the two bias regulators. The p.c.b. is shown full size



Next month in **Pw**

FREE

**FREQUENCY
ALLOCATION
CHART**

**NEW BANDS FROM
WARC '79**

antenna special

featuring:-

Active Receiving Antenna

Delta Beams for 10 & 15m

**Q Multiplier and Spiral
Loop Antenna**

ON SALE 6 FEB

Pw

morse tutor

**Ian HICKMAN**

The Commodore PET personal computer is a versatile beast and can be programmed to do all sorts of things, from abstruse mathematical or financial calculations to playing "RHINO" and a host of other computer games. Playing "RHINO" in particular (or one of its derivatives) is known to be habit-forming and as part of an effort to break the addiction Geoff Howells decided to write a program for a "computer game" which was not only fun to play but useful to boot. The result was "MORSE TEST", a "BASIC" program which runs on a PET and resides on cassette. The PET was slightly modified to include a bleeper, controlled by one bit of the INPUT/OUTPUT port but apart from this it is an entirely standard instrument.

In use, having loaded the program, the v.d.u. "visual display unit" displays the program title: "MORSE TEST" and on the next line "SPEED WORDS PER MINUTE?" It then waits for you to key in whatever rate you want to try your hand at, e.g., "12" if you wish to see if you stand any chance in the amateur licence Morse Test, displays your selected speed and on the next line "NUMBER OF CHARACTERS?" Again it waits for you to key in your requirement, for example "5", as the Morse Test consists of groups of five characters at 12 w.p.m. The machine then causes the bleeper to emit the chosen number of characters (randomly chosen) at the selected speed and waits for you to key in what you thought they were. Suppose you key in "SETLY", but got one wrong; having received the correct number of key entries the machine would then, for example, display "MESSAGE WAS SETPY YOUR SCORE WAS 80%".

This program caused a good deal of interest and one of our colleagues demonstrated his skill by reading 10 characters on the trot at 25 w.p.m. four times over with 100 per cent success each time. This is more testing than a real Morse message, as the characters are truly random, whereas in real test there is redundancy to help you guess any letter-s you mis-ed. At this point our colleague retired gracefully (beads of perspiration on his forehead) on the

grounds that discretion is the better part of valour—always give up while you are still winning!

As a Morse tutor, the program was a great success, but not everyone owns, or has access to, a PET; particularly one with a special built-in bleeper! So it was that one lunchtime the authors found themselves discussing a special purpose Morse tutor, designed to do nothing else and costing only a tiny fraction of the price of a PET. Both the design of the electronics and the ergonomics were discussed; an important feature was to be some sort of feed-

CONSTRUCTION RATING

INTERMEDIATE

BUYING GUIDE

Most of the components required are available from regular supply sources. A full kit of parts will be available from A. Marshall (London) Limited, including the ready programmed PROM. The case featured in this article is a Type NK 103 manufactured by Newrad. The data listing for the PROM is available from our editorial offices, price 50p.

APPROXIMATE COST

£39

back to enable the user to check his accuracy. Cost ruled out a decoding system and alpha-numeric display, and displaying the dots and dashes which had been sent on a string of l.e.d.s seemed crude and cumbersome. In the end it was decided that the machine would provide a "NEW CHARACTER" push-button, which on being depressed and released would send a randomly chosen character at a rate set by a "DOT RATE" knob on the front panel. The user would then decide what the letter was and verify his decision with reference to a "Morse to English" dictionary, shown below.

The feedback is provided in the form of a "REPEAT" button, which will cause the last new character to be repeated as often as is necessary; if need be the dot rate can be reduced as well. For more advanced learners, another pushbutton causes a group of five random characters to be sent. The novel feature here is that another front panel knob, "BETWEEN-CHARACTER PAUSE", can be set to provide any between letter gap from the correct spacing of one dash, up to a second or so, although the characters themselves are still sent at the speed selected by the "DOT RATE" knob. The characters are sounded by a small loudspeaker behind the front panel, or alternatively this can be cut out by inserting the jack of a standard pair of low impedance stereo headphones, enabling the user to learn Morse in the comfort of the lounge whilst the rest of the family watch television.

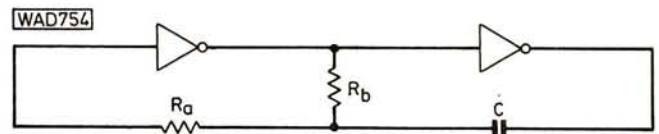
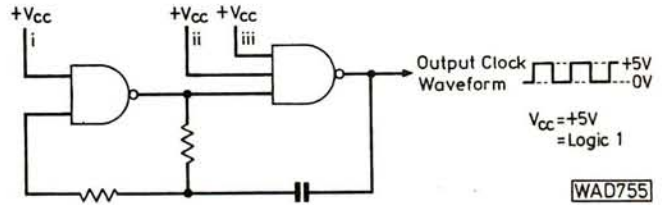


Fig. 1 (above): Basic c.m.o.s. squarewave generator

Fig. 2: Gated c.m.o.s. clock generator using NAND gates



8-bit binary counter addresses location 1, i.e., its outputs are 0000 0001, the four PROM outputs are 1,0,1,0, and so on up to address 255, i.e., 1111 1111, when the outputs are again as it happens 1,0,1,0. If the counter continually cycled sequentially through the addresses, the letters of the alphabet would all appear in sequence at pin 9 of the PROM as can be seen by reading down from m.s.b. column of Fig. 3, where a 1 indicates presence of tone for one dot period and a 0 represents silence. Each character would be separated from the next by one dot period, this period being marked by a 1 on pin 10. Thus between the first two 1s in the pin 10 column we have in the m.s.b. column (pin 9) 010111 read out on the first six consecutive clock pulses. These are fed via S5b to IC9b, which gates the tone produced by free-running oscillator IC9a to the loudspeaker only when a 1 is present at pin 10. Thus in the above instance the loudspeaker would sound a dot followed by a dash, i.e., "A" in Morse.

The gap between dots and dashes of an individual character should equal one dot period and a dash should equal 3 dot periods. The method just described of producing Morse characters from a clocked PROM ensures these

Circuit Description

Fig. 3 shows the full circuit diagram of the PW Morse Tutor, and in fact it is not as fearsomely complicated as may appear at first glance. The heart of the system is IC6, a 246 x 4 bit "PROM" (programmable read-only memory). Refer to buying guide block for details. The PROM, has eight "address lines", pins 1 to 7 and pin 15. These are connected to the outputs of an 8-bit binary counter consisting of IC7 and IC8. When these are at a count of zero, i.e., 0000 0000, the four outputs on pins 9, 10, 11 and 12 of the PROM are 0,1,0,1, reading from m.s.b. (most significant bit) to l.s.b. (least significant bit). When the

THE MORSE CODE AND SOUND EQUIVALENTS

Alphabet

A	--	di-dah	N	--	dah-dit
B	dah-di-di-dit	O	----	dah-dah-dah
C	dah-di-dah-dit	P	----	di-dah-dah-dit
D	...	dah-di-dit	Q	----	dah-dah-di-dah
E	.	dit	R	---	di-dah-dit
F	di-di-dah-dit	S	...	di-di-dit
G	---	dah-dah-dit	T	-	dah
H	di-di-di-dit	U	---	di-di-dah
I	..	di-dit	V	di-di-di-dah
J	di-dah-dah-dah	W	---	di-dah-dah
K	---	dah-di-dah	X	dah-di-di-dah
L	di-dah-di-dit	Y	dah-di-dah-dah
M	--	dah-dah	Z	----	dah-dah-di-dit

Numerals

1	di-dah-dah-dah-dah	6	dah-di-di-di-dit
2	di-di-dah-dah-dah	7	dah-dah-di-di-dit
3	di-di-di-dah-dah	8	dah-dah-dah-di-dit
4	di-di-di-di-dah	9	dah-dah-dah-dah-dit
5	di-di-di-di-dit	0	dah-dah-dah-dah-dah

Punctuation

Full stop (.)	di-dah-di-dah-di-dah
Comma (,)	dah-dah-di-di-dah-dah
Question mark (?)	di-di-dah-dah-di-dit
Fraction bar or solidus	dah-di-di-dah-dit
Double hyphen (=)	dah-di-di-di-dah
End of transmission	di-dah-di-dah-dit
Error	di-di-di-di-di-di-di-dit

Spacing and Length of Signals

1. A dash is equal to three dots.
2. The space between the signals which form a letter is equal to one dot.
3. The space between two letters is equal to three dots.
4. The space between two words is equal to five dots.

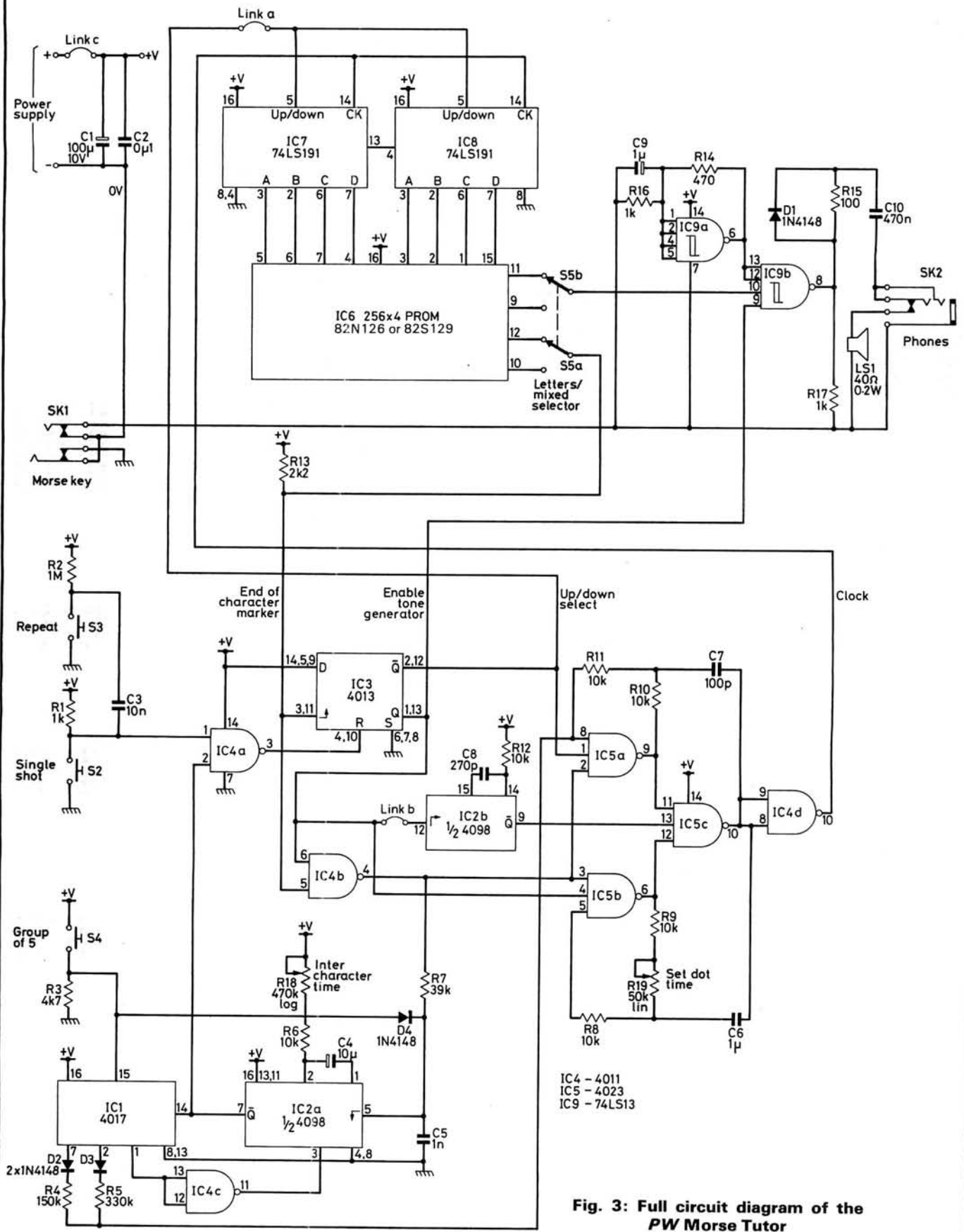


Fig. 3: Full circuit diagram of the PW Morse Tutor

criteria are met exactly. The gap between successive characters in a real Morse message should equal one dash (i.e., three dot) periods, but in the *PW* Morse Tutor this gap is adjustable, as will be seen later.

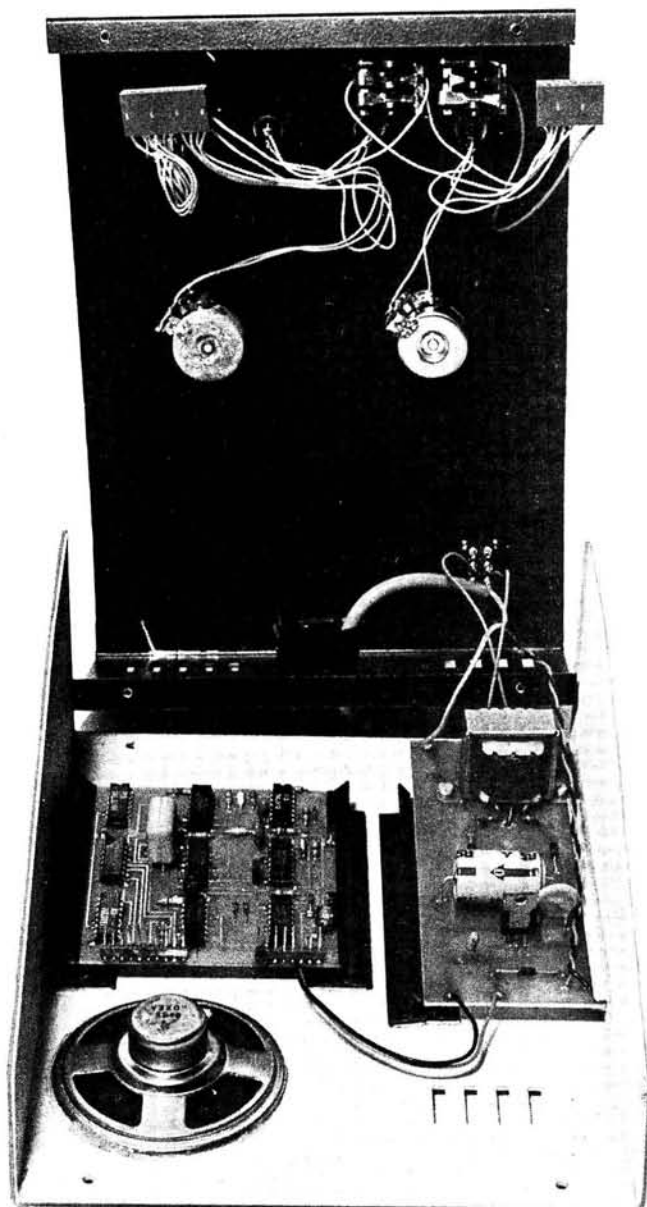
The clock waveform to drive the 8-bit binary counter IC7 and IC8 is derived from a free-running c.m.o.s. squarewave generator basically identical to the well-known circuit of Fig. 2a. This consists of two inverters with local negative feedback via Ra and Rb round one, and a positive feedback loop via C and Ra round the pair. By using a NAND gate(s) for either (or both) inverter(s) as in Fig. 2b, the oscillator will only run when all the various enable inputs are "high", i.e., at logic 1.

There are two such oscillators in the full circuit of Fig. 3, namely IC5a and IC5c, and IC5b again with IC5c. The first, when enabled, runs at about 80kHz (IC5a plus IC5c) whilst the second—the dot rate generator—when enabled runs at 3Hz to 18Hz, the exact frequency being adjustable by means of R19. This corresponds to a Morse transmission rate of about 6 to 32 words per minute.

When the instrument is switched on but not sending a character, neither clock oscillator is running, and the counters IC7 and IC8 are at a count such as 0000 1001, i.e., 6 in decimal notation, such that there is a 1 at pin 10 of the PROM.

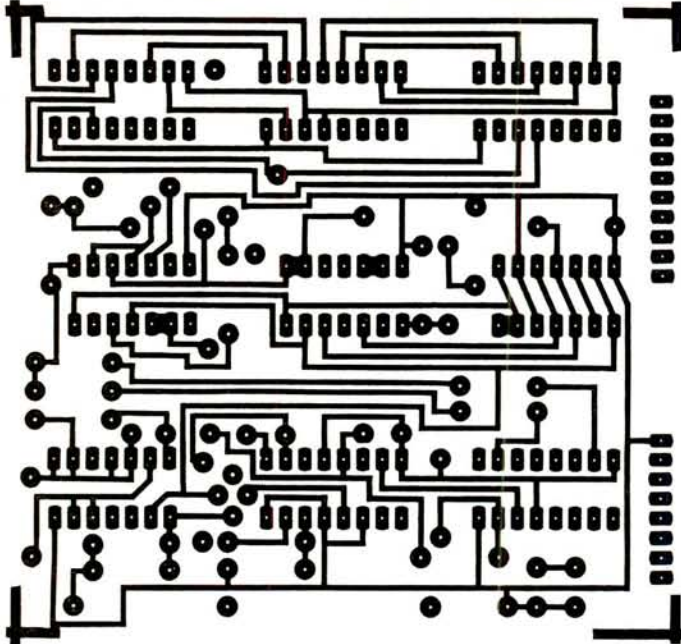
The D type flip-flop IC3a and b (the two halves of the circuit are connected in parallel to provide extra drive capability) is normally in the SET condition, so the Q output is high. Thus with both inputs to two-input NAND gate IC4b high, its output is low, disabling both the fast- and slow- (dot rate) clock generators at pins 2 and 3 of IC5a and b respectively. Note that as the Q output of IC3 goes to pin 4 of IC5b whilst the \bar{Q} output goes to pin 1 of IC5a, under no circumstances can both fast and slow clock oscillators be enabled simultaneously.

Monostable IC2a is only used when sending groups of five characters, its \bar{Q} output is therefore normally at logic 1 and so IC4a output sits at logic 0 as both its input pins are at logic 1. When the "SINGLE" button S2 is pressed, pin 1 of IC4a is grounded, so its output resets IC3, setting the latter's Q output to 0 and its \bar{Q} output to 1. This causes IC4b's output to enable pin 2 of IC5a and also pin 3 of IC5b, but the slow clock generator cannot run because the zero Q output has disabled pin 4. However pin 1 of IC5a is also enabled by the \bar{Q} output, so the fast clock generator runs for as long as S2 is depressed, clocking counters IC7 and IC8. These count down due to the 1 on their up/down inputs from \bar{Q} of IC3. Thus if the counter had been sitting at binary address 0000 0110 (6 in decimal) it will count through addresses 5,4,3,2,1,255,254—etc., as long as S2 is pressed. Even if S2 is given a quick jab, this is unlikely to be less than a tenth of a second—about 8000 clock pulses or 30 times round the whole PROM. The reset input at pins 4, 10 of IC3 is an over-riding input, so that although a stream of 1s from IC6 pin 10 (the "letters end of character" bit of each 4-bit nibble output from the PROM) will appear at the clock input of IC3, they will have no effect. However, as soon as S2 is released, the next 1 from pin 10 of the PROM appearing at the clock inputs of IC3 will set it, as a 1 is permanently applied at the D inputs (pins 5 and 9). Thus with a 1 at the Q output of IC3 and also at pin 5 of IC4b, the latter's output will be a 0 disabling both clock generators. In addition, the 0 which has appeared at the \bar{Q} output of IC3 will disable pin 1 of IC5a and set the counters IC7 and 8 to up counting. So the whole system is now locked up, since even though the Q output of IC3 has enabled pin 4 of IC5b, IC4b output is low—but, the rising edge of IC3's Q output triggered monostable IC2b. This puts a temporary 0 on pin 13 of IC5c, whose other two inputs are both high. At the end of this short period pin 13 of IC5c is again at 1, giving a 0 at its output and a 1 at IC4d



output. This clocks the counter address on by one count (now of course counting UP), thus stepping off the address which gave a 1 on the letters end of character output pin 10 of the PROM. IC4b pin 5 therefore falls to 0 enabling pin 3 of IC5b and the dot rate generator runs. It does so at the speed selected by R19, causing IC7 and 8 to count up until the next end of character 1 appears at pin 10 of the PROM, setting IC4b pin 5 high and stopping the dot rate clock generator. This time of course, IC3 being already set, there was no Q output rising edge to trigger monostable IC2b so the system is now back in its quiescent condition with both clock generators disabled, having read a Morse character out of pin 9 of the PROM.

Pressing the repeat button S3 causes exactly the same sequence of events to be followed, but with one important difference. The differentiating action of C3,R1 is equivalent to pressing S2 for a couple of microseconds—rather difficult to do manually—so that although IC3 is reset (setting the counters to count down), the fast clock generator is only enabled for one or two clock periods before the reset at pins 4, 10 of IC3 is removed. The coun-



ter will therefore count back to the immediately previous 1 at pin 10 of the PROM, when the normal sequence of events already described will continue, resulting in the last new character selected being repeated.

The "GROUPS" button, S4, works as follows: IC1 is a decimal counter with ten decoded outputs. Its quiescent condition is at the count of 5, i.e., a 1 output at pin 1. This is inverted by IC4c, the resultant 0 at pin 3 of the between character pause monostable IC2a preventing it from triggering. In the quiescent condition, IC4b output is low and therefore so is the negative edge trigger input pin of IC2a. On pressing S4, IC1 is reset to zero, so the decoded output "5" at pin 1 falls to 0, enabling IC2a, whilst the diode D4 rapidly charges C5, putting a 1 on pin 5. On releasing S4, C5 discharges via R7 (remember IC4b output is at 0) and the resultant negative edge is fast enough to trigger IC2a. The \bar{Q} output of IC2a therefore falls to 0 for a period controlled by C4 and the setting of between

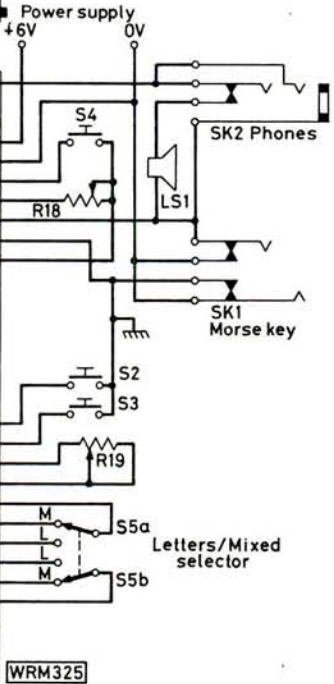
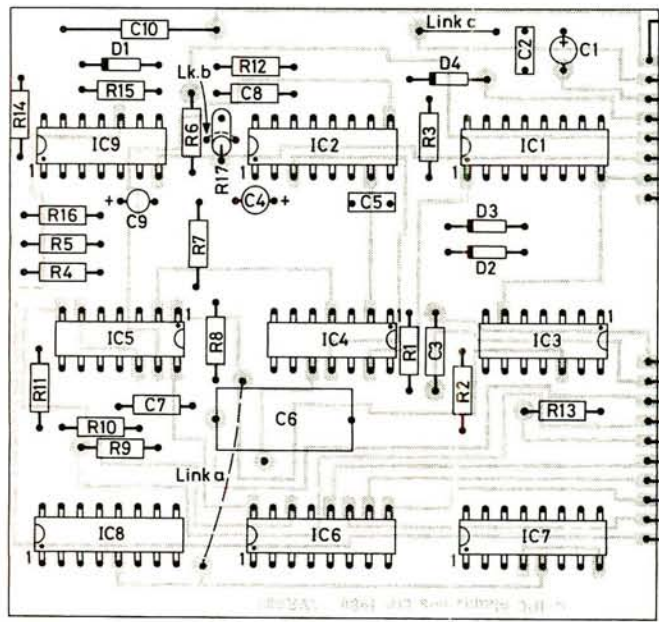
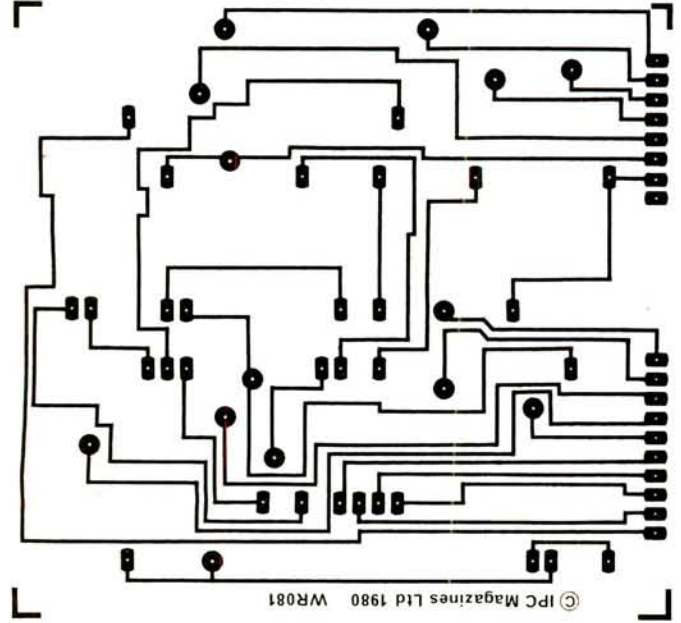


Fig. 4 (above): Track pattern of the underside of the main p.c.b. shown full size. Note that holes are not plated through

Fig. 5: Component locations and connections to controls

Fig. 6 (below): Track pattern of the component side of the p.c.b.



character pause (b.c.p.) control R18, and this has exactly the same effect as pressing the "SINGLE" button S2, generating a Morse character as previously described.

During the period when the fast clock generator is running, IC3 Q output will be at 0 and therefore IC4b output at 1. C5 will therefore charge up via R7. During the change from fast to slow clock generator operation, IC4b will momentarily (i.e., for the duration of IC2b's negative going output pulse) return to zero, but so briefly that C5 will not discharge to a level at which IC2a retriggers. However at the end of transmission of the first character of the group of five, IC4b's output will fall to 0 and stay there. This will retrigger IC2a, causing a re-run of the above sequence, and this will occur five times in all. On each occasion, IC1 will advance one count, until a 1 appears at the decoded 5 output (pin 1) which inhibits IC2a, terminating the sequence.

When set to minimum b.c.p., as for example when

sending groups of five at a fast rate, there would be a tendency to repeat long characters. This is because the fast clock generator speed is quite stable, and the same goes for the period of IC2a. Therefore, depending on the particular setting of b.c.p. control R18, we could have the situation where each time the number of fast clock pulses generated equals an equal multiple of 256 (or nearly so), finishing up with the same character being repeated. This is clearly more likely with a long character like Q than a short one like E. It is impossible to prevent repeats entirely, but unless something were done, the same letter could be sent five times over! So the decoded 1 and 3 outputs of IC1 at pins 2 and 7 respectively are used to change the speed of the fast clock generator on alternate characters of a group of five, by shunting R4 or R5 across one of the timing resistors at pin 8 of IC5a. There will still be occasional repeated characters.

Setting S5 to the other position selects the other two bits of each PROM output nibble, giving instead of letters, all the numerals, punctuation marks and other assorted characters such as "error", "end of message", etc.

Socket SK1 accepts a $\frac{1}{4}$ inch breakjack plug connection from a Morse key thus permitting the *PW* Morse Tutor to be used for practice in sending Morse. The 0V supply to IC9 pin 7 is separate from all the other i.c.s, which are isolated by the breakjack action of SK1. Thus for sending practice only IC9 is energised, and that only when the key is down.

Construction

The construction of the *PW* Morse Tutor should present no problems as all components except for the front panel controls, power supply, speaker and sockets SK1 and SK2, are mounted on a single printed circuit board. The speaker is fixed to the bottom of the case with a quick-setting epoxy resin adhesive, and is positioned over the slots already cut in the case.

Before loading components onto any p.c.b. it is good practice to examine it carefully for any possible defects such as cracked track or solder bridge. This is particularly true with a double sided p.c.b. as used in the *PW* Morse Tutor. Take great care when loading the i.c.s to get them in the right way round—note that IC3, 4 and 5 are the other way round from the rest. The same precaution applies to the polarised components, namely the electrolytic capacitors and the diodes.

To keep the cost of building the *PW* Morse Tutor to a minimum, the p.c.b. does **not** use plated through holes. It should therefore be noted which i.c. pins need soldering to pads on the component side of the board instead of (or in some cases as well as) on the reverse of the board. As soldered connections to i.c. pins are required on the component side of the board, conventional i.c. sockets cannot be used.

Some of the i.c.s are c.m.o.s. devices, and most constructors will be aware of the precautions against static electricity which should be observed when handling these devices. It is a good idea to fit them to the board last as the other components will then provide shunt paths on the c.m.o.s. inputs, and of course a soldering iron with an earthed tip is a must. Check that its earth lead is in good order and makes good contact at the mains socket. Constructors are also referred to the hints on handling c.m.o.s. devices given on page 33 of this issue.

Power Supply

A conventional stabilised power supply capable of giving 5V at 100mA is used for this project and is built on a separate board. If it is thought desirable to be able to use

★ components

Resistors

$\frac{1}{4}$ W, 5%		
470 Ω	1	R14
1k Ω	2	R1,16
2.2k Ω	1	R13
4.7k Ω	1	R3
10k Ω	6	R6,8,9,10,11,12
39k Ω	1	R7
150k Ω	1	R4
330k Ω	1	R5
1M Ω	1	R2

Potentiometers

$\frac{1}{4}$ inch spindle, linear law		
50k Ω	1	R19
500k Ω	1	R18

Capacitors

Polystyrene		
100pF	1	C7
270pF	1	C8
Ceramic		
1nF	1	C5
10nF	1	C3
0.1 μ F	1	C2
0.47 μ F	1	C10

Polyester

1 μ F	1	C6
-----------	---	----

Tantalum bead

1 μ F 35V	1	C9
10 μ F 16V	1	C4
100 μ F 10V	1	C1

Semiconductors

Integrated circuits		
4011	1	IC4
4013	1	IC3
4017	1	IC1
4023	1	IC5
4098	1	IC2
74LS13	1	IC9
74LS191	2	IC7,8
82N126 or 82S129	1	IC6

Miscellaneous

Miniature toggle switch d.p.d.t. (2); Miniature push-button switches (3); Speaker 40 Ω to 80 Ω ; $\frac{1}{4}$ inch stereo jack switched; $\frac{1}{4}$ inch mono jack switched; Knobs (2); Case 170 x 220 x 75mm with sloping front (refer to Buying Guide); p.c.b.

the *PW* Morse Tutor in a car then 12V can be fed into the stabiliser input at the point indicated in Fig. 7.

For those readers who want complete freedom from the mains supply the unit may be powered by four U2 cells in series. Note that in this case Link C must be replaced with a suitable diode (1N4001) to drop the 6V provided by the batteries to nearer the 5V needed for the logic i.c.s the bar of the diode should be away from the battery (i.e., connected to C1 and C2 positive).

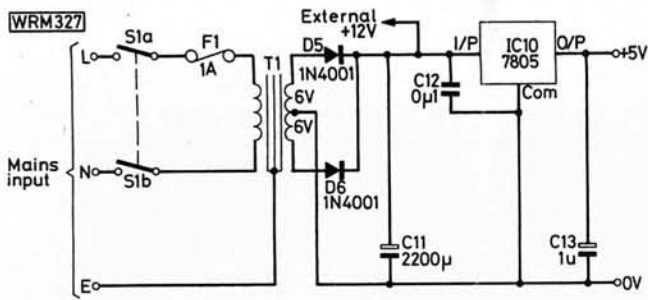


Fig. 7 (above): Circuit diagram of the optional mains power supply. D_x and R_x are in series across C₁₃

ment is to calibrate the controls in terms of words per minute (w.p.m.). To do this, send groups of five characters and adjust the two controls to send Morse at the lowest speed possible subject to the b.c.p. being equal (as best you can estimate) to the correct gap of one dash. Now send groups of five with the gap between groups being approximately two dashes, and time how many groups occupy one minute. This is the w.p.m. rating for that setting of the controls and should be marked on the front panel for *both* controls. Similarly, mark higher w.p.m. settings up to the maximum obtainable. These calibrations will be useful to you as you work up your Morse speed.

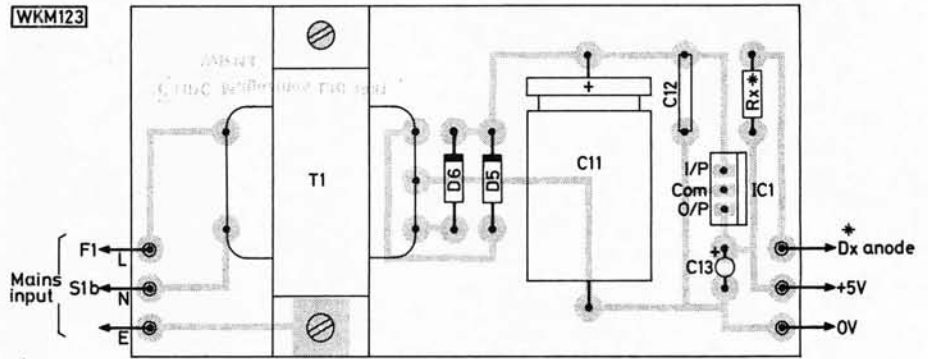


Fig. 8: Component locations on the p.s.u. board

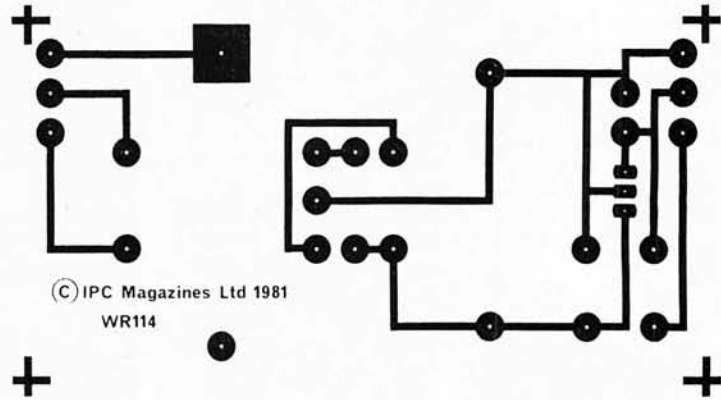


Fig. 9: Track pattern of the power supply p.c.b. shown full size

Testing and Calibration

On completion of construction switch on and measure the current drawn by the circuit. This should be in the region of 100mA. Check that pressing the SINGLE button S2 causes a single character to be sounded and that the REPEAT button S3 works. Check that the DOT RATE control R19 adjusts the dot rate from slow to fast clockwise. Set the CHARACTER SPACE control R18 fully anticlockwise and press the GROUPS button S4. This should result in a group of five characters being sent, with a fair gap between each. Rotating R18 clockwise should reduce this gap but note that if rotated too far, the characters will run on with no gap; in this case R19 must be rotated further clockwise in sympathy.

Finally check that plugging a pair of stereo headphones into SK2 cuts out the internal loudspeaker and sounds via the 'phones instead, and that plugging a Morse key into SK1 enables the instrument to be used as a Morse practice oscillator.

The equipment is now complete and operating and may be used as it is without further ado. However, a nice refine-

Using the PW Morse Tutor

The Tutor will prove of considerable use in learning Morse but to obtain the maximum benefit from it a few important points must be observed.

The first stage in learning Morse is to become thoroughly familiar with all the characters and many people will want to start with the letters, moving on to numerals, punctuation marks, etc., afterwards. So select letters with S5, press the SINGLE button and try to identify the random character sounded by the tutor.

Most people know a few Morse letters such as E, S, O, and older readers will of course remember V (for Victory!). If you don't know the letter it can very quickly be located in the "Morse to English" dictionary. It is important to use a fast dot rate from the start, at least corresponding to 12 w.p.m. and in fact it is really no more difficult to learn the individual Morse characters at a 15 w.p.m. dot rate **from the outset**.

If in the early stages you are not quite sure of the pattern of dots and dashes sounded, you can repeat it with the S3 REPEAT button, but on no account get into the habit of

★ components

POWER SUPPLY			
Resistors			
$\frac{1}{4}$ W, 5%			
1.5k Ω	1		Rx (to suit l.e.d.)
Capacitors			
<i>Disc ceramic</i>			
0.1 μ F	1		C12
<i>Tantalum bead</i>			
1 μ F 35V	1		C13
<i>Electrolytic, axial</i>			
2200 μ F 16V	1		C11
Semiconductors			
<i>Diodes</i>			
1N4001	2		D5,6
Red l.e.d.	1		Dx
<i>Integrated circuits</i>			
7805	1		IC10
Miscellaneous			
Miniature mains transformer 6-0-6V 1.2VA; p.c.b;			
Fuseholder and 1A fuse.			

using this regularly; if need be slacken off the dot rate temporarily. The ear very soon adapts to perceiving the dot/dash pattern sounded at a quite surprising speed and only a few hours practice are needed before you know all the characters. It is important however to try and avoid repeating the sound in your mind as an intermediary step to calling up the corresponding letter, as there will not be time to do this when receiving groups of five. (A group of five characters counts as a word as far as w.p.m. ratings go).

Groups

When you are thoroughly familiar with all the individual characters you can try groups of five. You should already be used to hearing and recognising the individual characters at a dot rate well in excess of that corresponding to 12 w.p.m., but at first you will need the b.c.p considerably longer than it should be. Do not set it so slow that you can get all five characters, better to work under pressure so that you get say two out of five—or three if you're lucky. And you **must** from the outset write the group of five down as you receive it, in cursive, not capitals, with dashes for missed letters.

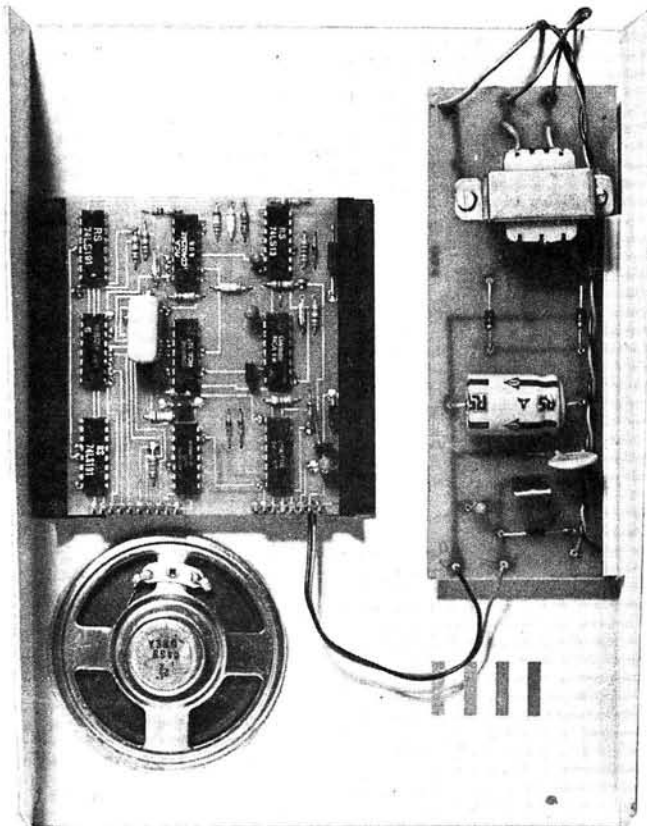
You will find that the difficulty is not that you don't know the letter corresponding to each sound pattern, but that you cannot dredge it up quickly enough, viz before the next one is upon you. Nevertheless, by this time you really should not need repeats, though the REPEAT button S3 will repeat the last character of a group of five if need be.

Long sessions on the tutor prove very tiring due to the intense mental activity in trying rapidly to match sound patterns with characters; it is much better to have short sessions often and regularly.

Perseverance

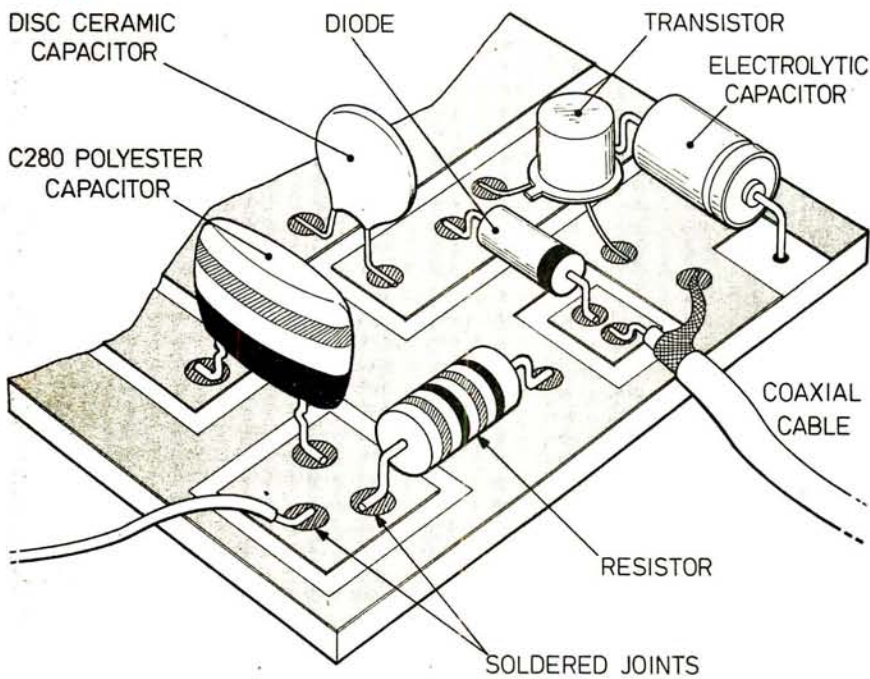
A few minutes morning and evening and lunchtime as well if possible is the best way. Perseverance is necessary as learning Morse to 12 or 15 w.p.m is not easy, and don't let anyone tell you it is. When you can regularly get three or four characters out of each five it is time to listen in on the amateur bands to "real Morse", as this contains (despite all the abbreviations and contractions) a fair amount of redundancy, whereas the *PW* Morse Tutor's output is entirely random, giving no help at all in this respect. In fact, the *PW* Morse Tutor calibrated as described in w.p.m. ratings, gives rather a pessimistic indication of your Morse reading speed. The reason for this is as follows. The letter E plus its stop bit occupies two adjacent locations in the PROM whereas a longer letter occupies many more, in the case of P for example, 13. Thus the *PW* Morse Tutor sends the more difficult to learn longer characters much more frequently than the short simple ones, a P being $6\frac{1}{2}$ times more probable than an E. This is a handy feature for learning the characters, but of course the Morse alphabet is designed on entirely the opposite principle; in a real message the short characters are in the majority. It is difficult to quantify the difference but it is probably true to say that your real w.p.m. rate will be at least thirty per cent faster than that indicated by the *PW* Morse Tutor calibrated as described.

Don't forget also that your *PW* Morse Tutor doubles as a Morse practice oscillator, enabling you to practice sending as well as receiving. ●



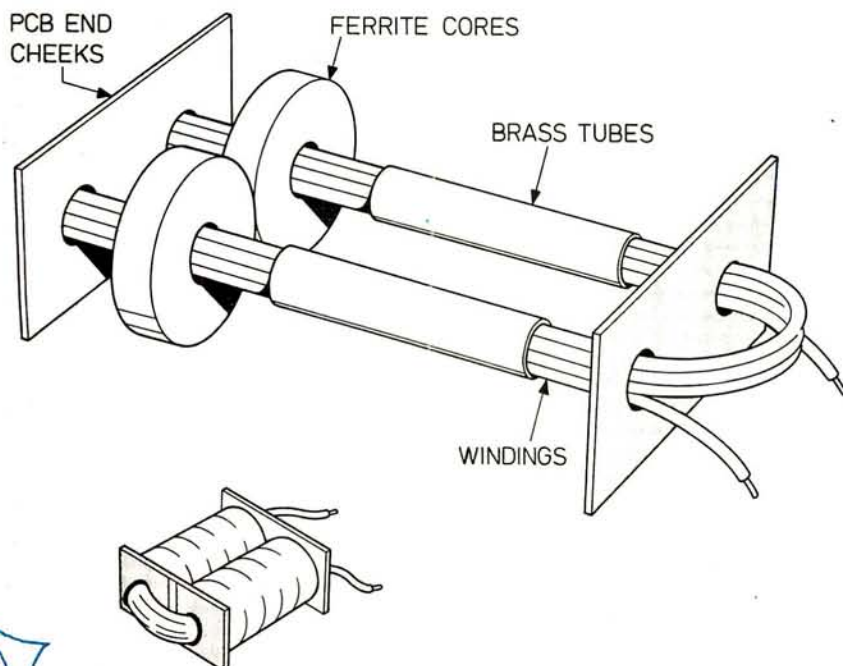
The main control board and p.s.u. located on the cabinet base

CONSTRUCTOR'S SKETCHBOOK



LAND CONSTRUCTION TECHNIQUES

THE COMPONENTS ARE MOUNTED ON THE COPPER SIDE OF THE PCB. THE LEADS MUST BE AS SHORT AS POSSIBLE AND ARE BENT SO THAT THE COMPONENT SITS NEATLY AS CLOSE TO THE BOARD AS IS PRACTICAL. IN THE *PW HELFORD* A MODIFIED FORM OF THIS CONSTRUCTION IS USED WHERE THE COMPONENTS ARE MOUNTED AS SHOWN BUT A GROUND PLANE COVERS THE UNDERSIDE OF THE BOARD AND THERE IS NO COPPER BETWEEN THE LANDS ON THE COMPONENT SIDE. GROUNDED LEADS PASS THROUGH HOLES IN THE PCB AND ARE SOLDERED TO THE GROUND PLANE ON THE UNDERSIDE.



FERRITE CORE TRANSFORMERS

THESE TRANSFORMERS ARE USED IN THE *PW HELFORD* DRIVER AND PA. STAGES. THE BRASS TUBES FORM A SINGLE TURN WINDING WHICH IS CENTRE-TAPPED BY SOLDERING THE BRASS TUBES TO THE COPPER CLADDING ON THE UNCUT END CHEEK, AND TERMINATED BY SOLDERING TO THE SEPARATE COPPER PADS ON THE OTHER END CHEEK. THE OTHER WINDINGS ARE WOUND THROUGH THE BRASS TUBES.

WAM029

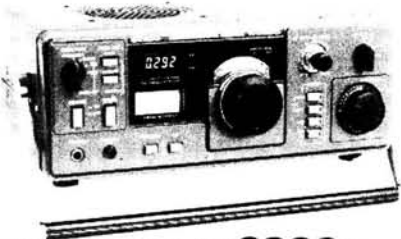


Lee Electronics Ltd

Londons Leading Stockists Of:
STANDARD YAESU ICOM FDK KDK MICROWAVE MODULES LUNAR SST SHURE HI-MOUND CDE STOLLE
TELECOMM ANTENNAE J-BEAM SWAN KATSUMI ETC.

**WATCH THIS SPACE FOR
THE FORTHCOMING
ANNOUNCEMENT OF A NEW
STANDARD PORTABLE
ITS THE BEST SO FAR!!!**

TRIO R1000



**BEAT THIS PRICE!! £289 inc. VAT
FREE HEADPHONES WITH THIS SET AND WITH FRG7**

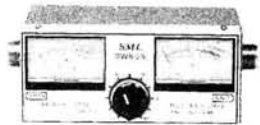
INTRODUCING YAESU FRG7700



- * One-touch frequency selection from long wave to short wave with 12 channels capable direct memory circuitry. (With memory type only).
- * 150kHz to 29.999MHz full coverage high stability dual PLL system.
- * Strong for cross modulation.
- * Automatic band pass filter selection.
- * 3 filters for AM reception.
- * 2 steps of AGC . . . fast/slow.
- * Narrow band FM reception capability.
- * Timer facility.
- * Back up battery.
- * Sinpo coded signal strength meter.
- * Receiver noise blanker circuitry.
- * 12 kinds of attenuator.
- * High quality audio sound.
- * Dimmer control.
- * AC + DC operation.

**BASIC UNIT £309.
MEMORY UNIT ONLY £83.95
FRG7700 WITH MEMORY £389.**

Just a small selection from our comprehensive range of accessories.



SWR25: This ever-popular twin SWR and Power meter covers 3.5-150MHz at **£12.65 inc. VAT.** P&P 50p.



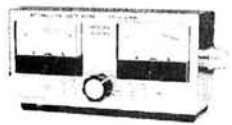
DL-30 Dummy load 25W DC-150 MHz **£6.35 inc. VAT.** P&P 25p.

T-100 80W Dummy load DC-500 MHz **£24.10 inc. VAT.** P&P 25p.

T-200 150W Dummy load DC-500 MHz **£35.60 inc. VAT.** P&P 25p.



SWR200B swr/power meter covering 3-200MHz 50/75 Ohm power range 3-30MHz, 20/200/2kW, VHF 2/20/200W **£40.20.** P&P £1.00.



T-435: VHF/UHF swr and power meter with 2/20/120 watt through line power measurement **£34.45 inc. VAT.** P&P 75p.



CT-1 Coax Toggle 3 SO239's **£6.85 inc. VAT.** P&P 25p.

CT-2 Coax Toggle 2 SO239's 1 PL259 **£6.85 inc. VAT.** P&P 25p.



PX402 13-8V DC 3 amp continuous 4 amp max fully stabilized power supply with overload protection **£22.95 inc. VAT.** P&P £2.00.

Also available:
PH5000, 5A continuous, 7A surge. **EP2500**, 25A continuous, 30A surge.

We are London's Largest Stockist of Microwave Modules products.

	Price £ Inc. VAT	Post Rate			
TRANSVERTERS:			MMC144/28	(2m converter)	24.90 A
MMT144/28	90.85	B	MMC144/28L0	(2m converter)	26.90 A
MMT144/28	99.00	B	MMC432/28-S	(70cm converter)	29.90 A
MMT432/28-S	136.85	B	MMC432/144-S	(70cm converter)	29.90 A
MMT432/144-R	173.65	B	MMC1296/28	(23 cm converter, 10m output)	32.20 A
MMT70/28	115.00	B	MMK1296/144	(23cm converter, 2m output)	59.80 B
MMT70/144	115.00	B	FREQUENCY COUNTER:		
MMT1296/144	184.00	C	MMD050/500	(500MHz digital frequency meter)	69.00 A
LINEAR AMPLIFIERS:			MMD600P	(600MHz prescaler)	23.00 A
MML144/25	48.30	B	MMDP1	(frequency counter probe)	11.50 A
MML144/100	142.60	D	RECEIVE PREAMPLIFIERS:		
MML144/40	69.00	B	MMA28	(10m preamplifier)	14.95 A
MML432/20	69.00	B	MMA144V	(2m RF switched preamplifier)	29.90 A
MML432/50	113.85	D	MMA1296	(23cm preamplifier)	29.90 A
MML432/100	228.65	D	FILTERS:		
RECEIVE CONVERTERS:			MMF144	(2m filter)	6.90 A
MM2000	169.00	B	MMF432	(70cm filter)	6.90 A
MMC28/144	24.90	A	VARIOUS:		
MMC50/28	24.90	A	MMV1296	(70cm to 23cm varactor tripler)	34.50 A
MMC50/28L0	26.90	A	MMS384	(384MHz frequency source)	27.60 A
MMC70/28	24.90	A	ATTENUATOR:		
MMC70/28L0	26.90	A	MMR15/10	(15dB attenuator, BNC terminations)	5.75 A

THE ABOVE PRICES ARE INCLUSIVE OF VAT BUT NOT POSTAGE. PLEASE ADD POSTAGE TO THE ABOVE PRICES AT THE FOLLOWING RATES:
UNITS 'A': £0.675 UNITS 'B': £1.75 UNITS 'C': £2.25 UNITS 'D': £2.75

**400 EDGWARE ROAD
LONDON W2
01-723 5521 Tlx: 298765**



INSTANT H.P.
& P/EX. WELCOME

Send 25p for
full details
of our range.



NIMBUS

Modular 2m Transceiver System

16-Channel Scanner

(Part 9)

Michael TOOLEY BA G8CKT
&
David WHITFIELD BA MSc G8FTB

Following the detailed description of the autoscanner control logic we continue this month with the remaining sections and complete constructional information.

Channel Oscillators

The channel oscillator banks for the transmitter and receiver are both of identical design. A block diagram is shown in Fig. 9. There are 16 electronically switched crystal oscillators whose outputs are summed to give a signal at the frequency of the currently selected channel. This signal is then amplified to compensate for the summing losses and used to drive the coaxial link to the transceiver. The selection of which of the two oscillator banks is active is performed by using the transceiver's receiver and transmitter d.c. supply rails to power the appropriate bank.

The circuit for the summer/amplifier stages, and for one of the channel oscillators is shown in Fig. 10. The d.c. supply to the 16 oscillators is stabilised by R53/D18, and decoupled by C18, C19, C21 and C22. In each oscillator Tr_a operates as an electronic switch. The open-collector output from the channel selector board is used to drive the ENABLE input, with R_a acting as the collector load for IC17. With the input HIGH, Tr_a is held "off" and the oscillator is disabled. When the input goes LOW, Tr_a turns "on". The supply to the oscillator transistor rises to almost the level of the stabilised rail voltage, and oscillation occurs.

The frequency of oscillation is set by X_a, with fine frequency adjustment provided by C_e. The range of adjustment provided by C_a has been found to be adequate for most receiver oscillators and crystals. With some transmitter channels, however, it may be necessary to add a parallel fixed capacitor of around 22pF to adjust the oscillator frequency onto channel.

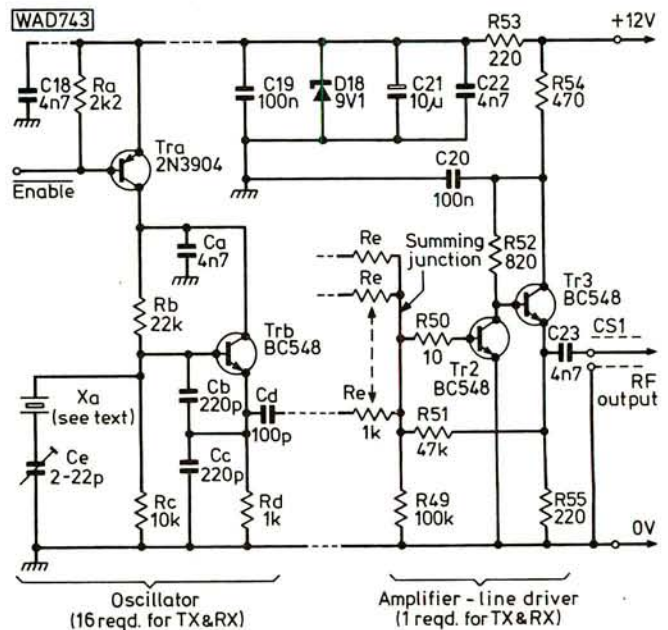
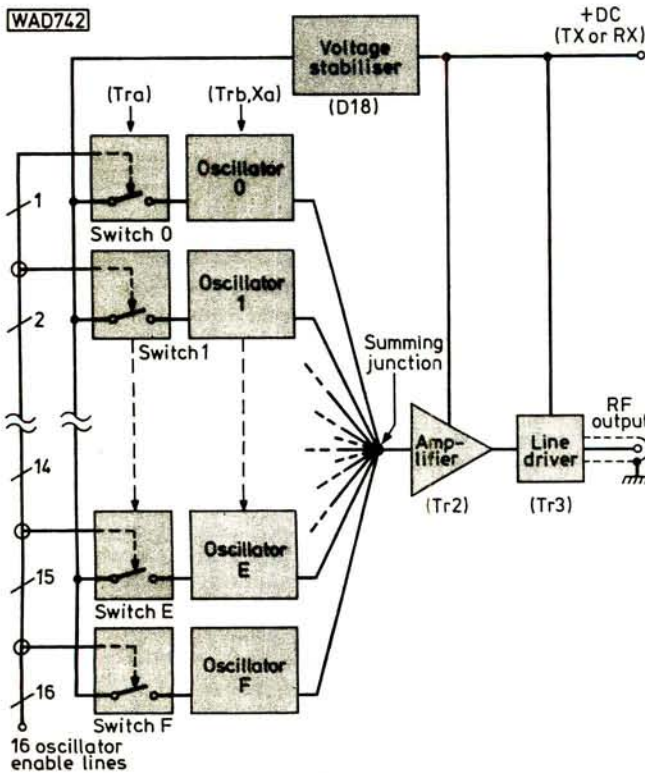


Fig. 9: Left. Block diagram of the channel oscillators

Fig. 10: Above. Channel oscillator circuit diagram

The output from each oscillator, measured at the emitter of Trb, is approximately 500mV r.m.s. This is coupled to the summing junction by Cd/Re. The summing losses are compensated by the gain from the amplifier stage, Tr2. The signal is then buffered by an emitter follower stage, Tr3, and used to drive the coaxial link to the transceiver. The output to the link is typically 500mV r.m.s., at 18MHz, and the output impedance is approximately 33Ω. Current consumption for the oscillator bank is typically 20-30mA at +12.5V.

Power Supplies

The autoscanner requires three d.c. power inputs from the associated transceiver in order to operate. These inputs are from the transmitter, the receiver, and from the main power supply of the transceiver, and are used to power the transmitter oscillator bank, the receiver oscillator bank, and the control logic respectively. If preferred, the supply to the control logic may be provided from an independent source. Typical current consumption figures are 50mA each for the oscillator banks and 500mA for the control logic. It is an inherent design feature of the control system that, if no power is supplied to the control logic, none of the oscillators in either of the two banks can be activated; power supply switch-on sequencing is thus rendered unnecessary.

Readers who intend to operate the *PW* Nimbus should be in possession of the appropriate licence issued by the Home Office to those who have passed the City and Guilds Radio Amateurs' Examination. Details may be obtained from: The Home Office, Radio Regulatory Department, Amateur Licensing Section, Waterloo Bridge House, Waterloo Road, London SE1 8UA.

Fig. 11: Suggested front panel layout

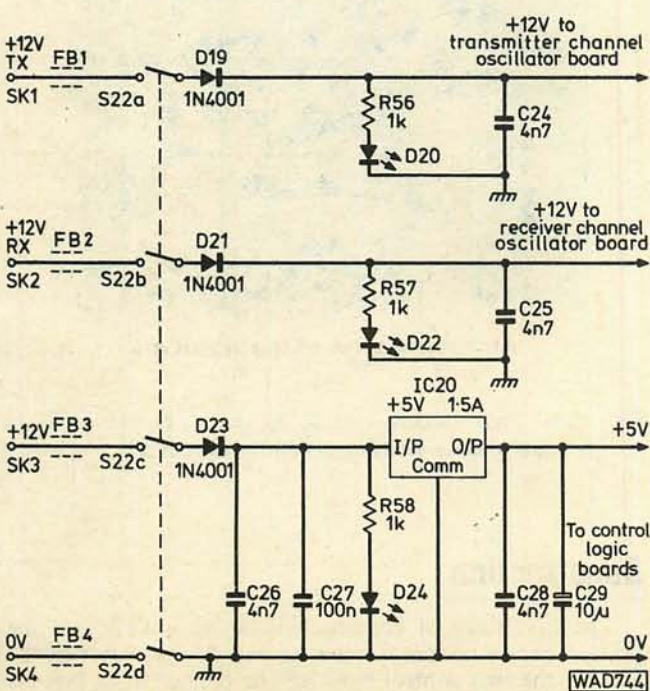
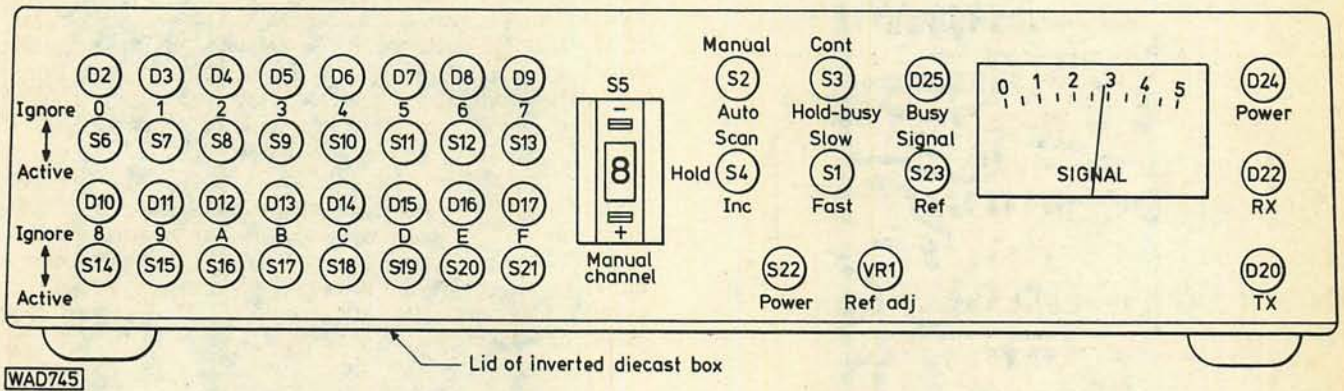


Fig. 12: Circuit diagram of the autoscanner power supply

A power supply circuit diagram is shown in Fig. 12 for the Tx/Rx and control logic boards. Power connections are made to 4mm insulated sockets on the rear of the diecast box. Each line is switched by the 4-pole main power switch, S22, and decoupled to r.f. by the ferrite beads and C24/5/6. The diodes D19/21/23 are included for protection against incorrect supply polarity. Each line is monitored by i.e.d. indicators D20/2/4 and the two oscillator banks are then supplied directly. The control logic, however, requires a +5V supply, and this is provided by means of the integrated regulator, IC20. The regulator uses the diecast box as a heatsink. Capacitors C27 and C28 are essential to the operation of IC20. The +5V supply is decoupled by C29, and by the various capacitors distributed along the power rails on the two logic boards.

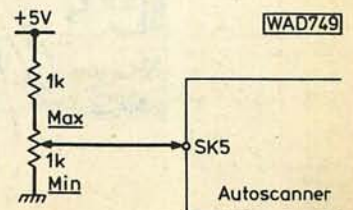
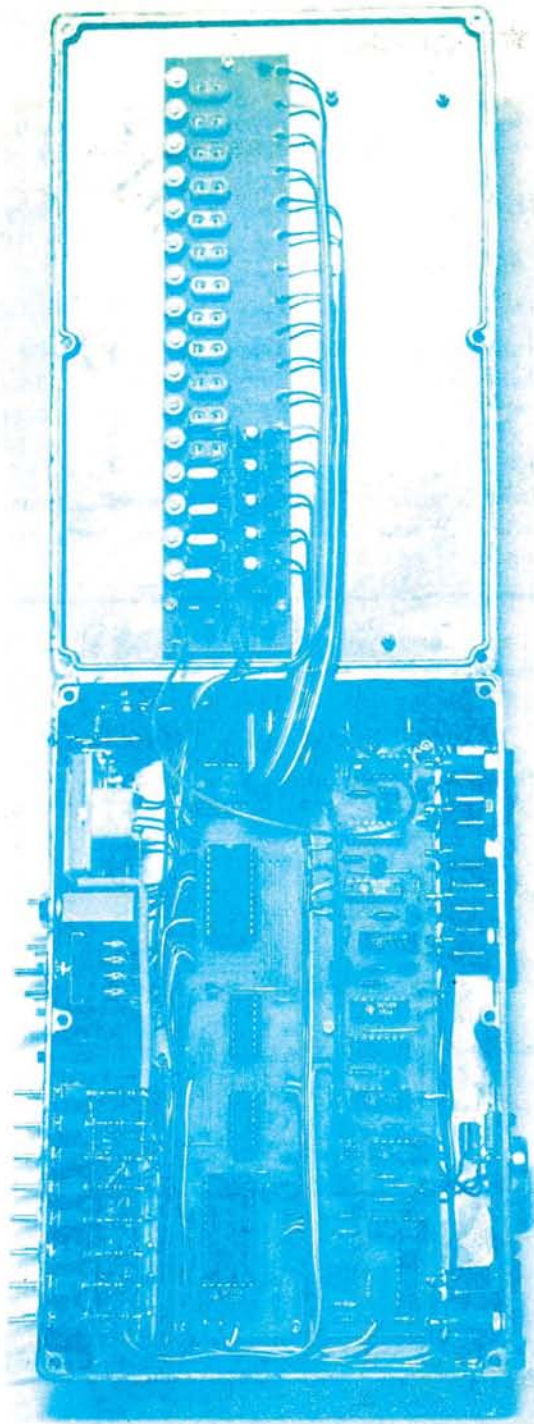
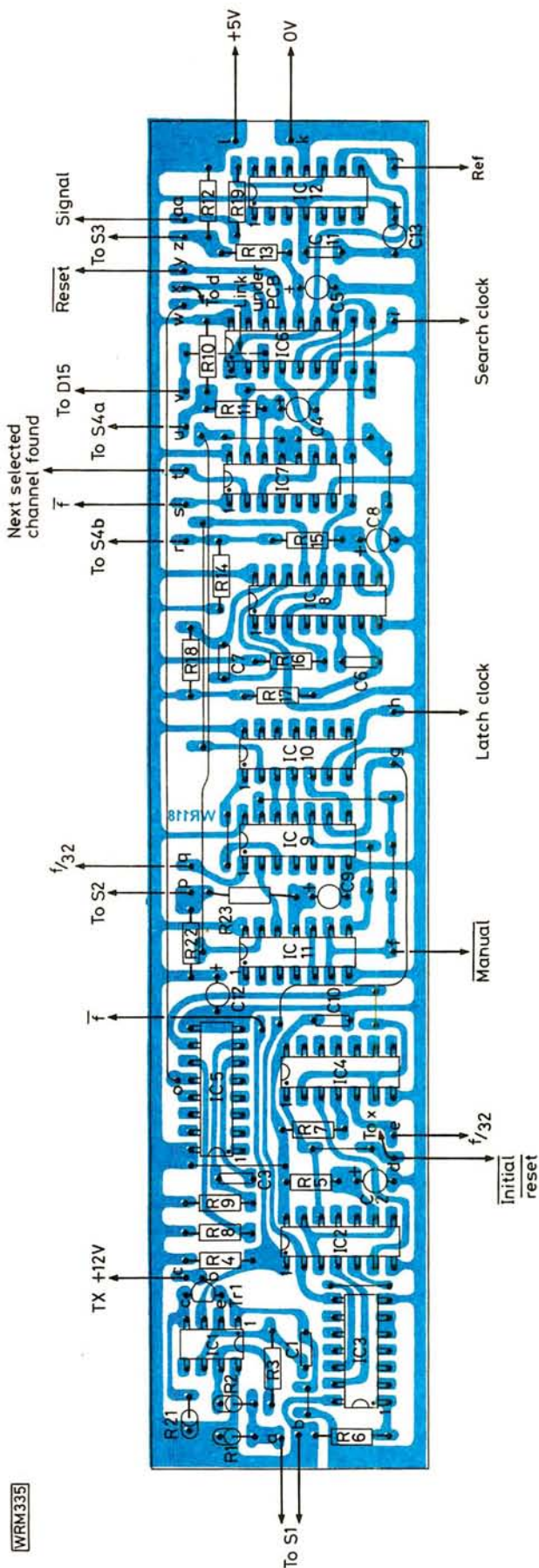


Fig. 13: Test circuit for the signal strength meter



An internal view of the prototype

Fig. 14: Left. Component layout of the timing generator and sequencing logic p.c.b.

Construction

The first stage of construction is the assembly of the printed circuit boards for the Tx and Rx oscillator banks and for the two control boards. The copper track layouts for these boards should be related to the accompanying component layouts Figs. 14, 15 and 16. Note that the Tx and Rx boards are of identical layout and construction.

CHANNEL OSCILLATORS

1 set of the following required for each Tx and Rx channel fitted

Resistors

$\frac{1}{4}$ W 5% miniature carbon

1k Ω	2	Rd,Re
2.2k Ω	1	Ra
10k Ω	1	Rc
22k Ω	1	Rb

Semiconductors

Transistors

2N 3904	1	Tra
BC108	1	Trb

Capacitors

Sub-miniature plate ceramic

100pF	1	Cd
220pF	2	Cb,Cc
4.7nF	1	Ca

Miniature ceramic trimmer (Ambit)

2pF to 22pF	1	Ce
-------------	---	----

Miscellaneous

HC 25/U crystal (see text); HC 25/U crystal socket
p.c.b. mounting.

LINE DRIVER

1 set of the following required for Tx and Rx boards

Resistors

$\frac{1}{4}$ W 5% miniature carbon

10 Ω	1	R50
220 Ω	2	R53,R55
470 Ω	1	R54
820 Ω	1	R52
47k Ω	1	R51
100k Ω	1	R49

Semiconductors

Transistors

BC548	2	Tr2,Tr3
-------	---	---------

Diodes

BZY 88C9V1	1	D18
------------	---	-----

Capacitors

Ceramic

4.7nF	3	C18,C22,C23
-------	---	-------------

Polyester

100nF	2	C19,C20
-------	---	---------

Tantalum bead

10 μ F 15V	1	C21
----------------	---	-----

Miscellaneous

Printed Circuit Boards (2); 0.040 Veropins; Coaxial socket (1).

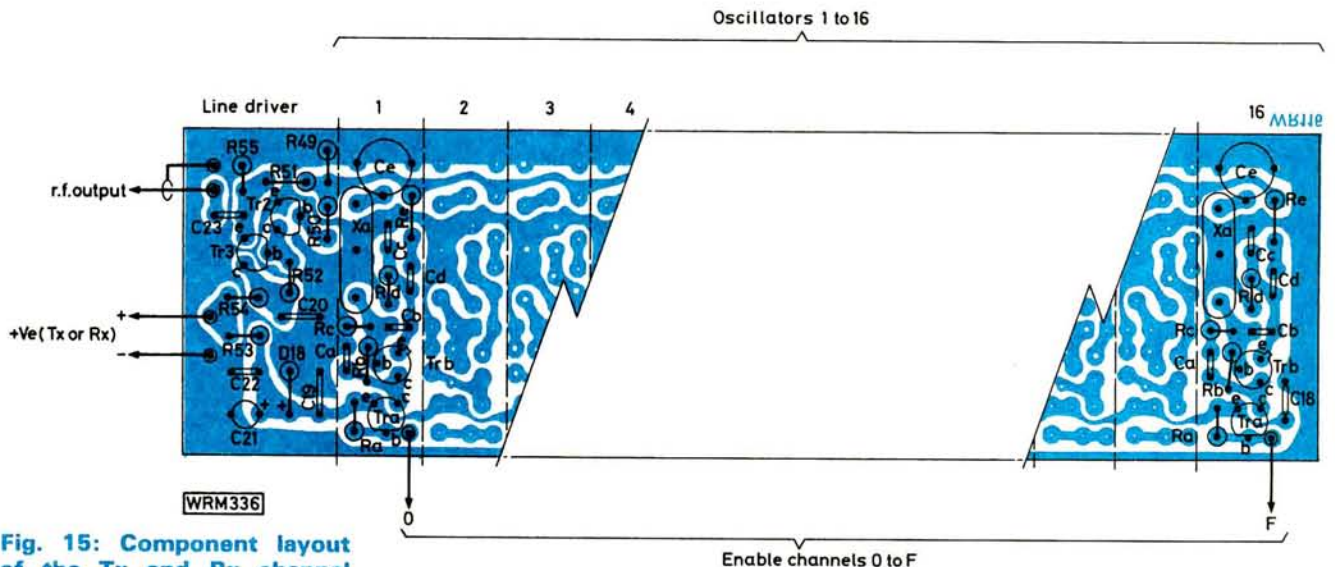
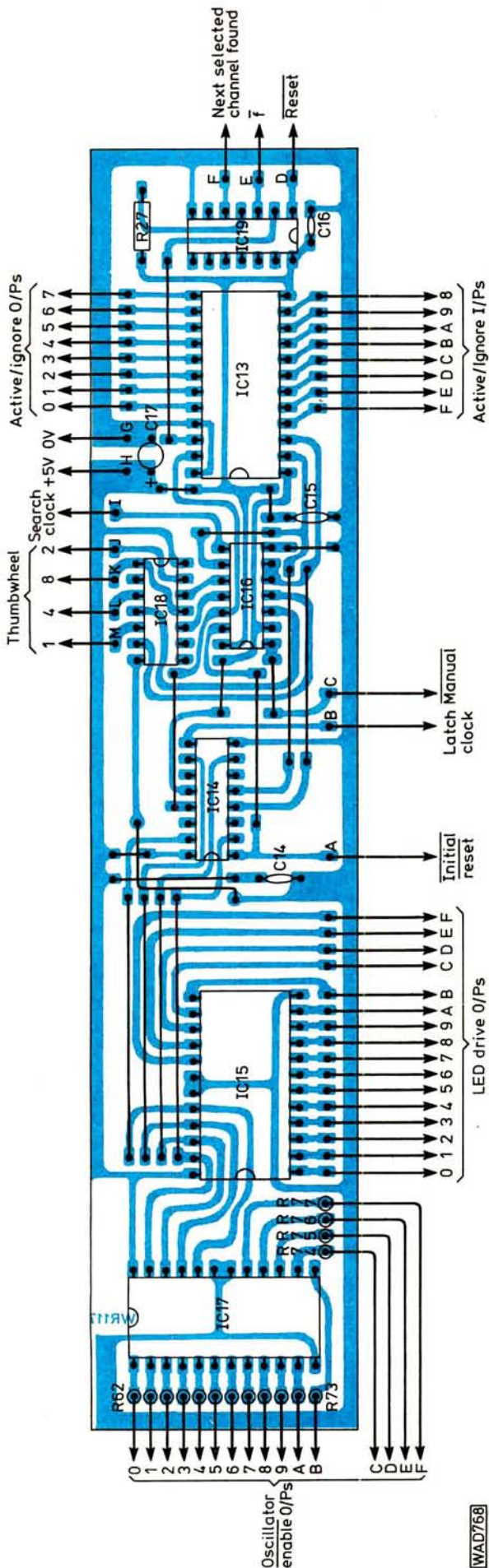


Fig. 15: Component layout of the Tx and Rx channel oscillator boards

There are no special handling considerations to be borne in mind when mounting the components on the boards, but care must be taken to ensure correct orientation of the integrated circuits before soldering in place. If preferred dual-in-line sockets may be used. Short board links are made from tinned copper wire with longer connections in insulated connecting wire.

Interconnections to the control logic boards are located around the edges and it is recommended that 0.040in Veropins are used. This technique will allow inter-board wiring after the boards have been installed in the diecast box.

On the channel selector board, connections to the oscillator boards for the ENABLE lines are made by means of



WAD768

a 16-way ribbon cable whose conductors are soldered to the upper ends of R62-R77. These resistors stand vertically on the board, the lower end of each resistor being soldered to the p.c.b., and the top end (cut off to approximately 4mm) acting as the terminal pin.

The component layout given in Fig. 15 shows the arrangement of components for the line driver/first oscillator, and for the 16th oscillator/decoupling components. The layout of the intervening oscillators follows the pattern of the first.

Successful assembly of the channel oscillator boards requires the use of suitable components as space is at a premium. The use of plastic transistors will help to reduce the probability of inadvertent short circuits, but the use of sleeving on the component leads should not be necessary. The use of a fine-tipped soldering iron will be of considerable assistance during assembly.

It is worthwhile to experiment with the assembly of two adjacent oscillators (without necessarily soldering the components) to ensure the suitability of the components to be used. The line driver and the required number of oscillators may then safely be assembled. The use of Veropins for off-board wiring is again recommended as a means of simplifying the final assembly wiring.

After assembly, the track side of each board should be thoroughly cleaned with suitable solvent cleaner, and then carefully inspected for solder bridges or other inadvertent short circuits. Next measure the power consumption of each board in isolation (i.e., with no inputs/outputs connected). Each oscillator bank should consume approximately 20mA at +12V, with the logic boards consuming approximately 250mA (timing/sequencing) and 200mA (channel selector) at +5V. Significant deviations from these figures should be investigated before the boards are installed in the box.

The autoscanner is built into an inverted standard diecast box, with the lid of the box acting as the base of the unit. All of the necessary fixing holes and cut-outs should be drilled before any of the components are fitted. A suggested front panel layout is shown in Fig. 11. Drilling instructions are not given as they will depend on the exact dimensions of the switches, etc., that are employed.

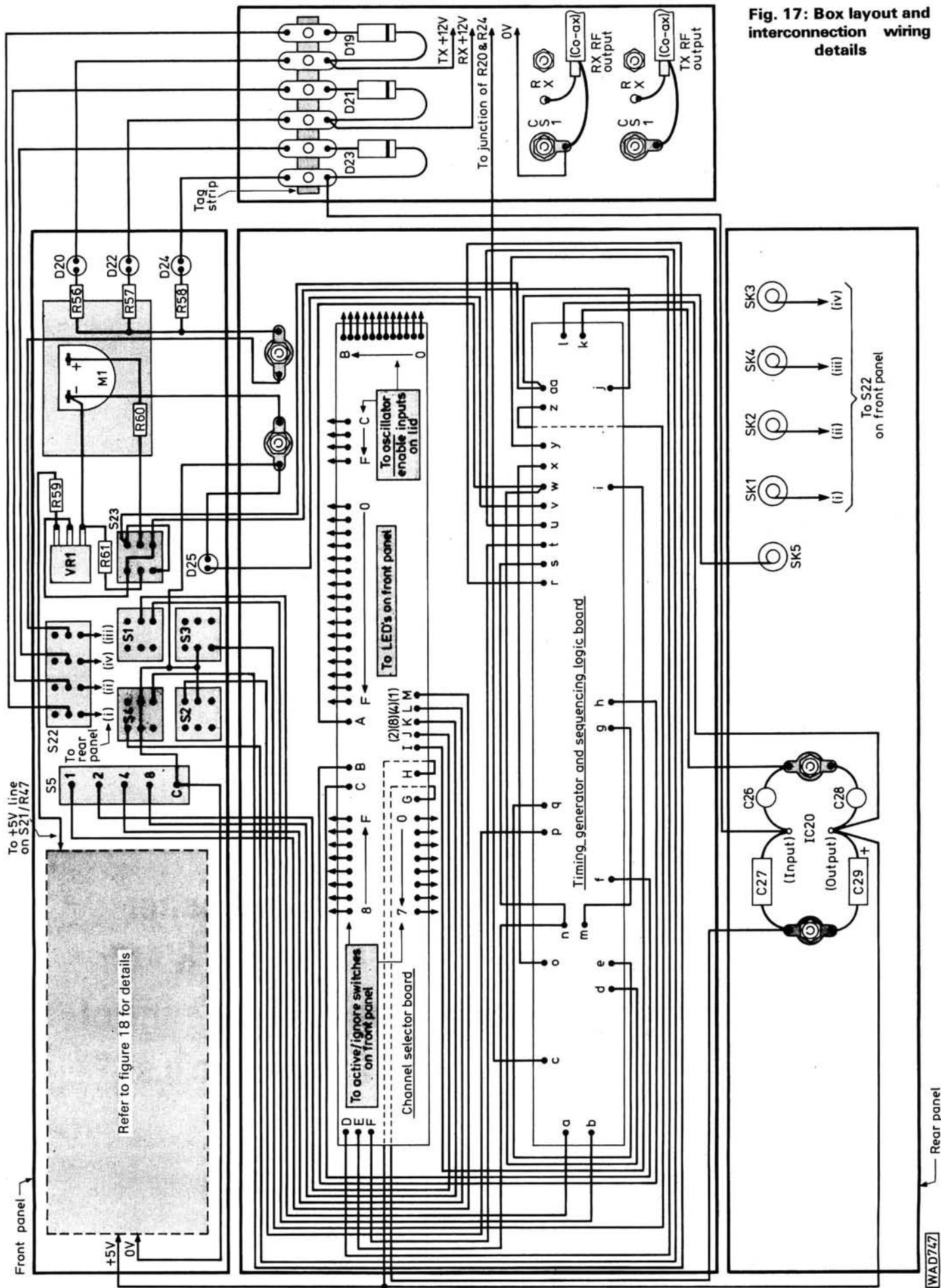
After the diecast box has been drilled, the switches, sockets and other components, with the exception of the two control logic p.c.b.s, are installed. The "S" meter should be attached to an aluminium bracket, using a suitable adhesive such as Araldite and mounted in the box so that the face of the meter is flush with the surface of the front panel.

When locating the printed circuit boards, a clear space of at least 3.5cm should be left behind the front panel, and at least 2cm behind the rear panel, to allow for wiring and ancillary components. The oscillator boards should be mounted on the removable lid of the box, directly above and in line with the control logic boards mounted on the bottom of the box. The channel selector board should be the board immediately behind the front panel.

The wiring of the "ACTIVE/IGNORE" switches (S6-S21 and R32-R47) and the "ACTIVE CHANNEL" i.e.d.s (D2-D17 and R48) is shown in Fig. 18. This wiring is best installed at the front panel end before the channel selector p.c.b. is fitted. The connections between the front panel and the p.c.b. are conveniently made with lengths of 8-way ribbon cable. The pull-up resistors R32-R47 are mounted, as shown in Fig. 18, on the rear of switches S6-S21, respectively.

Fig. 16: Component layout for the channel selector board

Fig. 17: Box layout and interconnection wiring details



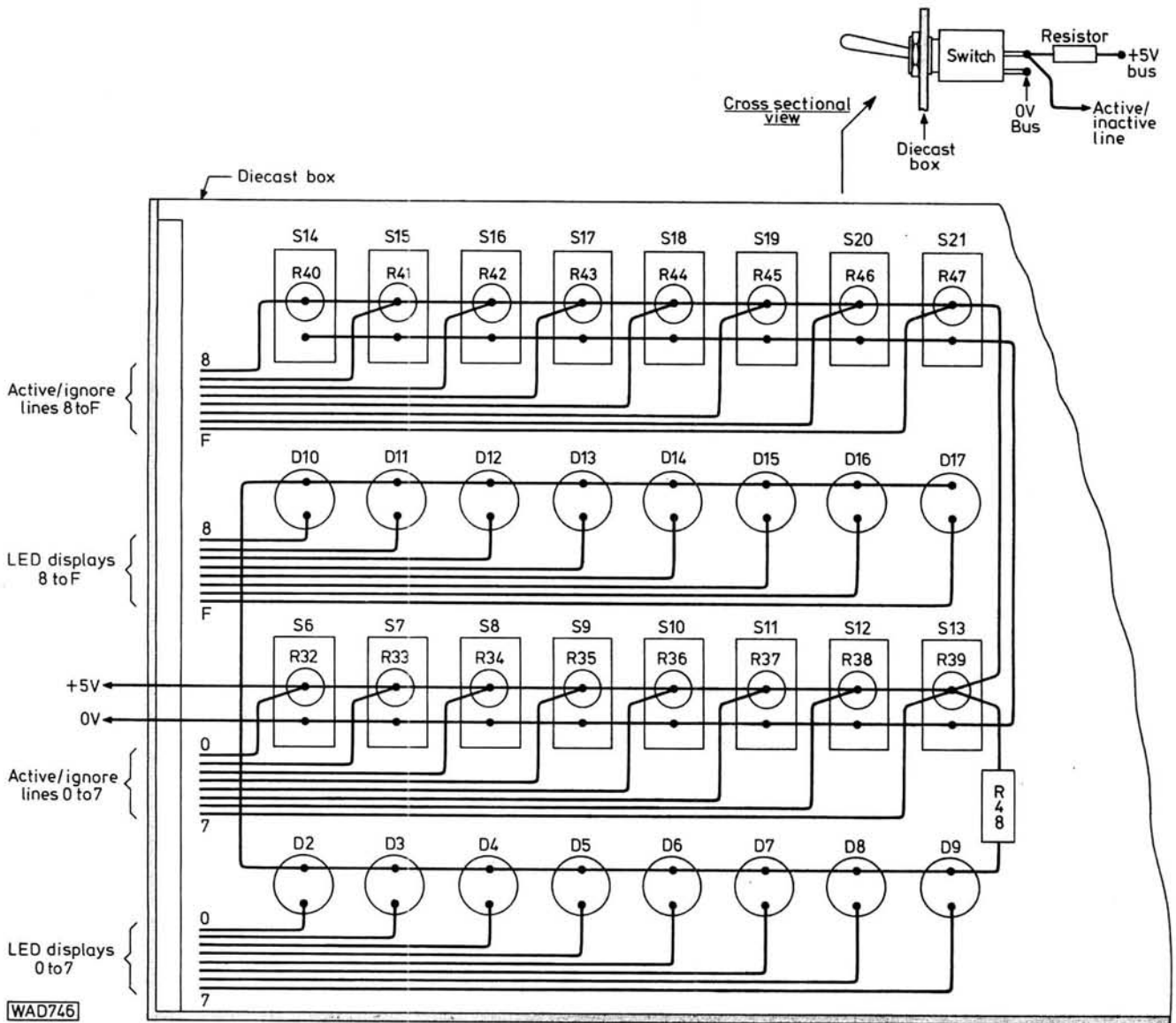


Fig. 18: Connections for the Active/Ignore switches and Active Channel l.e.d.s behind front panel

When the wiring behind the front panel has been completed, the two logic boards can be installed, taking care not to short either signal or d.c. lines to the case with the mounting hardware. The free ends of the ribbon cables are then connected to the appropriate pins on the channel selector board. The remainder of the interconnecting wiring follows the layout shown in Fig. 17. Again, the use of ribbon cable will produce a neat result and greatly assist in construction.

Finally the power and control lines, to the two lid mounted oscillator boards, are connected as shown in Fig. 19, output links are routed through suitable lengths of coaxial cable. The construction of the Autoscanner is now complete. Fig. 19 appears next month.

Next Issue

In the concluding part of this article comprehensive notes on setting up the scanner will be given along with modifications to allow for 8-channel operation.

Autoscanner Tx/Rx oscillator banks and control logic p.c.b.s

Full-size paper prints of these p.c.b.s are available from the Editorial Office at Poole. Price 45p including p&p to UK addresses.

air test

USER REPORTS ON SETS AND SUNDRIES

MIZUHO LA-2X 2 metre Linear Amplifier

The 2 metre hand-held transceiver has been shrinking in size and price as well as increasing in output power and channel capabilities. A lot of amateurs who possess one of these useful rigs would like to be able to use it either as a mobile unit or as a fixed station. This, of course, usually means that more output is desired as the one or two watts provided by the hand-held is obviously not enough.

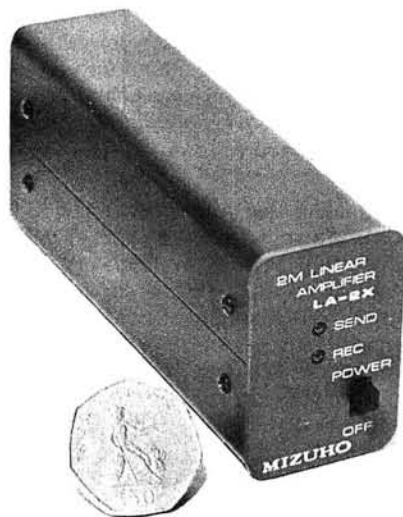
For either mobile or fixed station operation the output power is not limited by the need to achieve a reasonably economic battery life since the rig can be externally powered.

Most of the current designs of hand-held rigs have a receiver sensitivity that would be compatible with an r.f. output several times greater than that provided. For these all that is required to improve the performance is a suitable r.f. amplifier to boost the output from the one watt or so of the rig to around ten watts.

There are several linear amplifiers on the market which could be used for this purpose. However, the Mizuho LA-2X amplifier is probably the lowest priced commercially available unit on the market. It provides ten watts of r.f. power for one watt input and is described as being linear. No receive pre-amplifier is fitted so there are no problems of degradation of the receiver side of the rig.

The LA-2X is designed to be used primarily with Mizuho's own SB-2XM one watt portable rig and so has no r.f. VOX circuit to switch from receive to transmit mode. Instead the two relays used to effect the changeover are driven directly from the p.t.t. switch of the transceiver.

To use the LA-2X with any other rig requires access to the p.t.t. switch or alternatively the addition of a simple r.f. VOX circuit to the amplifier to operate the two relays. There is enough room



inside the metal case to accommodate such a circuit.

The amplifier runs from a nominal 12V d.c. supply and takes almost 2A when delivering the full 10W output. On test 10W was produced for 1W input and grossly overloading the amplifier gave rise to no noticeable nasty effects.

The unit is well made and housed in a robust metal case 36 x 56 x 128mm and weighing 430g. A flying coaxial lead terminated with a PL259 UHF plug connects the amplifier to the transceiver while an SO239 UHF socket is used for the antenna connector. A pair of colour coded wires provide the means to supply the amplifier and a separate flying lead with a small plug on the end is used to operate the changeover relays, connecting it to the supply puts the amplifier into the transmit mode.

The opposite end of the case to the inputs and outputs has a slide switch fitted to switch the power on and off and two l.e.d.s one green and one red, to indicate POWER ON and TRANSMIT.

At a few pence under £40 including VAT the LA-2X linear amplifier is available from **Low Electronics, Chesterfield Road, Matlock, Derbys. Tel: 0629 2817** to whom we offer our thanks for the loan of the review unit.

JIL SX-200 Scanning Monitor

The JIL SX-200 Scanning Monitor Receiver is a recent arrival in the UK, and offers one of the widest frequency ranges of all the currently available scanners.

When we reviewed the Bearcat 220 in our August 1980 issue, we remarked on the limitations imposed on radio listening in the UK by the Wireless Telegraphy Act. It is interesting to note that since then, legislation has been proposed in the USA which, if it is passed, will bring the regulations in the two countries closer together. Should this happen, it may well have an effect on the market for scanning monitor receivers in the US, and therefore their availability.

The SX-200 covers 26-88MHz, 108-180MHz and 380-514MHz, with a.m. and f.m. modes available throughout. Frequency entry is by means of the keyboard. Sixteen memory channels are provided, which can be selected by individual push-buttons, or can be scanned at a rate of 4 or 8 channels per second. Two scanning modes are provided: SCAN A, in which all the memory channels are covered, and SCAN B in which any number of these channels can be selected.



A 4-second scan delay can be switched in if desired.

Any selected band of frequencies can be searched at a rate of 5 or 10 channels per second, the channel spacing being 5kHz below 58MHz and between 108-180MHz, and 12.5kHz over the rest of the coverage. Three squelch modes are provided: SQ1, ordinary squelch operation; SQ2, audio-operated squelch, scan stops on carrier; SQ3, audio-operated squelch, scan stops on audio.

A 590mm telescopic antenna screws into the top of the receiver, and a car-type socket is provided for connecting an external 50-75Ω antenna.

The power supply requirement is a nominal 10W at 13.8V d.c., negative ground, and a 240V a.c. mains adaptor comes as standard. Other facilities are a LOCAL/DISTANCE switch which controls a 20dB attenuator, connections for extension loudspeaker (2W into 4-8Ω) and tape-recorder, and on/off control of auxiliary equipment (such as a tape-recorder) in time with squelch operation.

A 12-hour digital clock is incorporated in the SX-200, the bright blue fluorescent frequency display reverts to time automatically after five seconds, except when in the scan or search modes. A two-position dimmer switch is provided.

Results

Learning to "drive" the SX-200 so as to make full use of its facilities is not easy, due to an inadequate Operation Manual written in very poor English. The Squelch control instructions are perhaps the most incomprehensible, for example:

"SQ2. Audio Squelch Noise Stop. In case that the modulation (Voice) **within a certain degree** is not received, the voice will not come out of the speaker, even though a wave is received. Noisy sound during intermittent of conversation can be eliminated. That is, **for only receiving carrier**, scanning will stop."

Receive sensitivity is specified as 0.4μV below 180MHz and 1μV above for 12dB S/N on f.m., and 1μV below 180MHz and 2μV above for 10dB S/N on a.m. Measurements on the review model returned 12dB SINAD for less than these inputs except for slight divergences at one or two points. Measured audio output was 1W at onset of clipping and 1.5W at 10% distortion.

Tests at a QTH some three-quarters of a mile from GB3SC (R1) revealed a lack of adjacent channel selectivity,

since 'SC wiped out GB3WR on R0 every time it came on the air, even though the latter station puts in a very respectable signal. The specification quotes adjacent channel selectivity on f.m. as better than 60dB (method of measurement unspecified), but our tests showed that a +35dB signal 25kHz off frequency would degrade a 12dB SINAD wanted signal by 6dB, which would seem to support the poor on-air results on 2m.

One facility which was felt to be lacking was the ability to step just one channel up or down. Pressing the UP or DOWN buttons sets the machine off scanning at a rate of knots, so the only way is to punch in the new frequency, even if it's only one channel away.

The SX-200 measures approximately 75 x 210 x 235mm overall and weighs around 2.8kg. It is well-constructed, but would probably be rather difficult for the owner to service himself. The microprocessor control circuitry is housed in a soldered-up box.

The JIL SX-200, complete with mobile mounting kit, costs £241.50 including carriage and VAT from **Garex Electronics, 7 Norvic Road, Marsworth, Tring, Herts HP23 4LS, telephone Cheddington (0296) 668684**, to whom we offer our thanks for the loan of the review kit.

PW HELFORD—4

▶▶▶ continued from page 46

Setting Up

The driver amplifier can be set up by adjusting the bias voltage to give the collector current applicable to the output required. For an output of 5W, which is the requirement to drive the main p.a. to its maximum 100W of r.f. power out, the collector current should be set to 2A. For an output of around 25W the quiescent collector current is set to about 150mA. The current may be monitored via the supply line to the amplifier.

Testing should be carried out with a suitable dummy load on the output and a signal source on the input adjusted to give the required output.

During the initial setting up care should be taken not to over-run the transistors. Also keep an eye on the temperature of the driver amplifier heatsink and the bias supply heatsink.

Part 5

The next part will cover the main r.f. power amplifier. With this the basic electronic and radio side of the PW Helford will be complete, leaving the mechanical and metalwork side to finish off what should prove to be a very professional looking project.



The larger Catalogue that means **FREE POSTAGE IN U.K.**

- ADDITIONAL DISCOUNTS
- KEEN PRICES
- GUARANTEED SATISFACTION
- GOOD STOCKS
- GOOD DELIVERY

We Pay Postage

Semi-Conductors • I.C.s • Opto-devices • Rs and Cs in great variety • Pots • Switches • Knobs • Accessories • Tools • Materials • Connectors

ELECTROVALUE

FREE FOR THE ASKING

ELECTROVALUE LTD. (PW2),
28 St. Jude's Road, Englefield Green, Egham, Surrey TW20 0HB.
Phone: 33603 (London 87) STD 0784. Telex 264475.
NORTHERN (Personal Shoppers Only): 680 Burnage Lane, Burnage, Manchester M19 1NA. Phone (061) 432 4945.

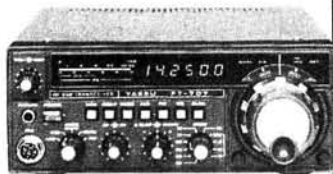
AMATEUR RADIO EXCHANGE



Brenda (G8SXY) and Bernie (G4AOG) invite you to visit the only shop in London where you can see and try ALL the leading makes of Amateur Radio equipment under one roof . . . YAESU, ICOM, TRIO/KENWOOD . . . compare them all, and choose the rig that's right for you. The only make you can't choose is the coffee . . . that's "instant Brenda"!!

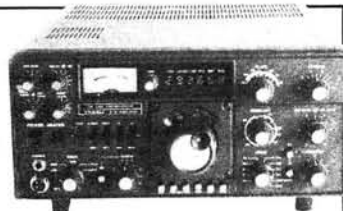
FT-707

The ultimate in HF mobile transceivers from YAESU. All the new bands, and all the latest technology.
£499 Inc. VAT



FT-101

Yaesu's '101' series HF base stations have earned an outstanding reputation for reliability over the years, and our 101s come complete with cooling fan and mic.
FT-101Z **£488** Inc. VAT
FT-101ZD **£569** Inc. VAT



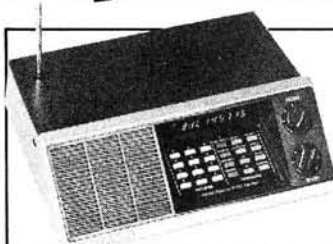
FRG-7

Still the finest value-for-money communications receiver on the market at only **£185** Inc. VAT and free Heliscan aerial worth **£15**



R-1000

Trio/Kenwood's successful new receiver with the PLL system that has proved so popular.
£285 Inc. VAT and free Heliscan aerial worth **£15**



BEARCAT 220FB

The super scanner which brings you all the excitement of the VHF and UHF frequencies . . . aircraft, marine, amateur, plus so much more.
£258.75 Inc. VAT

SX-200

Another of our sophisticated scanning receivers. Similar functions to the BEARCAT, but even wider frequency coverage, and with AM and FM right across its range.
£240 Inc. VAT



IC-720

Icom's superb new HF rig with general coverage receive 100kc-30MHz plus transmit facility across its entire range for commercial purposes.
£699 Inc. VAT



FRG-7700

Yaesu's latest receiver with FM right across the band and optional memory facility plus excellent filtering.
£309 Inc. VAT and free Heliscan aerial worth **£15** (Memory extra)



FT-480R

Yaesu's new 2m all-mode mobile, already acclaimed as the pace-setter in its class.
£359 Inc. VAT



TR-9000

Trio/Kenwood's long-awaited entry into the 2m all-mode mobile field with 5-channel memory, twin VFOs etc.
£342 Inc. VAT



Closed Wednesday, but use our 24-hour Ansaphone service, or ring Martin (G4HKS) on 01-575 5291 for evening sales enquiries

LICENSED CREDIT BROKERS
*Ask for written quotation

INSTANT HP FOR LICENSED AMATEURS AND
6 MONTHS NO INTEREST HP TERMS AVAILABLE



Credit Card Sales by telephone

2 NORTHFIELD ROAD, EALING, LONDON, W13 9SY. TEL: 01-579 5311

So easy for Overseas visitors - Northfields is just seven stops from Heathrow on the Piccadilly Line.

YAESU MUSEN – FRG-7700

A NEW BREAKTHROUGH IN RECEIVER TECHNOLOGY

Yes indeed, the exciting new FRG-7700 GENERAL COVERAGE RECEIVER from YAESU MUSEN, the world's largest manufacturer of Amateur Radio equipment, will satisfy the demands of the most critical Short Wave Listener or Licensed Operator with its superb performance and incredible specification – just consider the following condensed details:

Frequency coverage 150 KHz–29.999 MHz.

Modes AM (fitted Narrow, Medium and Wide Filters).
 USB, LSB, CW and FM.
 Memory option with twelve channels and automatic band selection.
 CPU Digital Clock and Timer.
 State-of-the-Art Noise Blanker.
 FM Squelch Control.
 Mains or Battery operation.
 Digital and Analogue read-out.



Send today for full details of the new FRG-7700 or if you would like the full Yaesu catalogue as well 36 pence in stamps will bring you this together with our credit voucher for £3.60 – a 10 to 1 winning offer!

FRG-7700 **£309**. Memory unit **£83.95**. FRG-7700M (with fitted memory) **£389**

FULL DETAILS AND THE NEW LOW FACTORY PRICE LIST FROM
BRITAIN'S NO. 1 IMPORTER
 EX-STOCK – INSTANT CREDIT – FREE SECURICOR DELIVERY

AMATEUR ELECTRONICS UK



508-516 ALUM ROCK ROAD 021-327 1497
BIRMINGHAM 8 6313
 Telex 337045



NORTHERN COMMUNICATIONS

AMATEUR • COMMERCIAL • MARINE

NORCONE 512 (66-512 MHz)

It's here! A no compromise, precision made, full 16 element discone antenna, made in Britain. Standard S0239 connector, with cover. Supplied with 1" diameter, 30" mounting support mast and complete instructions.

An ideal partner for the SX200A, "Bearcat" and other scanning receivers. It may also be used for transmission and in particular where antenna space is limited.

Full coverage of 70.144,432MHz Amateur bands plus Aircraft, Marine and Commercial bands.

£24.95 p.p. £1.50

NCMK-1. In line vertical mounting kit for 1" to 2" mast. **£2.45** p.p. £0.50

SX200A SCANNER

HF-VHF-UHF Receiver, as reviewed in this issue.

£241.50

Special Offer SX 200A + Norcone 512. Complete, inc. VAT-delivery.

£260.00

ZL-12 COMPACT YAGI

13db gain, compact 2 metre Yagi. 10'6" boom, lightweight rugged design. Hundreds of this award winning antenna already in use. Send for details.

£28.75 p.p. £1.50

ZL-8 SUPER COMPACT YAGI

9db gain, super compact 2 metre Yagi. 6'0" boom, lightweight rugged design. Ideal for limited spaces and portable operation. Send for details.

£17.25 p.p. £1.50

YAESU FT480R, FDK 750E MULTIMODES

Both of these new 2 metre multimodes transceivers are amongst our full range of Amateur Radio equipment and accessories. Ring or call for complete information:

NEW YAESU FRG7700 RECEIVER **£309.00**

Superb new addition to our range. Come in and try it for yourself.

299-303, Claremount Road, Halifax HX3 6AW,

West Yorkshire. G3UGF.

Tues-Sat. 9.45am-5.30pm.

Telephone (0422) 40792.

24 hour Ansafone Service.



AH ELECTRONICS

20 BARBY LANE, HILLMORTON,
 RUGBY, WARWICKSHIRE CV22 5QJ.
 TEL: 76473 EVE 71066.

Mail Order Only or callers by appointment.
 All prices include VAT but add 50p post & packing.

VHF RF. POWER TRANSISTORS:-

Type	Gain (db)	Output (watts)	Volts	Freq.	Price
2N6083	5.7	30w.	12	175MHz	£6.50
BLY87A	9	8	12	175	£4.00
SD1212-6	8.2	3	12	175	£2.50
BLW16A	10	3	12	175	£0.75
PT4236A	10	1 min.	12	175	£0.75
PT4555	8	25	12	80	£3.50
PT4556C	7	40	12	80	£4.50
2N5070	13	25(pep)	24	30	£5.00

MDA800 8 amp 50 volt bridge rectifier OK for 12v PSU etc. **65p.** 2 for **£1.15**.

DUAL-GATE MOSFETS 3N204 **£1.25**, 3SK51 (40673) **80p**, BFR84 **75p**.

FETs E5565 (2N3819) **30p**, TIS88A **40p**, BF256C **40p**, 2N4381 **40p**.

BIPOLARS:- BF576, pnp VHF RF amp. FT1200 MHz **20p**, 2N4957 pnp

VHF/UHF RF amp nf only 3.5db + 1GHz **30p**, BF180 **30p**, BF166 VHF RF amp

25p, BF90 UHF RF amp **95p**, BF152 VHF mix/osc. **15p**.

RF SWITCHING DIODES for switching oscillators etc. BA143 (VHF) **20p**, BA144 (UHF) **25p**.

AUDIO AMP IC. TBA1010 6 watt output adjustable to 9 watt, + 14 volt single-

in-line type & ideal for transceivers, receivers, record players, cassette players etc.

BARGAIN OFFER ONLY **£1.35** two for **£2.40**. Supplied with data sheet showing

construction of stereo amp. full data sheet (19 pages) **20p**.

27-30 MHz RECEIVER PRE-AMP. Have you a tired or old receiver with poor

performance above 25MHz then one of our super pre-amps is what you want:- 50

ohm imp. in & out 25db gain with better than 1db nf. ready built on PCB 60mmx

40mm, adjustable gain control, only **£8.00** or built into grey hammer finish die

cast box with BNC sockets **£12.50**.

10.7 MHz CRYSTAL FILTER for AM/FM 12.5 KHz channel spacing +3.5 KHz =

only new & unused small size 38mmx18mmx15mm 200 ohm imp. give away

PRICE ONLY **£4.00** each two for **£7.00**.

10.7 MHz CRYSTAL FILTER for AM/FM 12.5 KHz channel spacing +3.5 KHz =

3db ITT type 024DE/923L. **£7.00** ea.

MOTOROLA CAR RADIO PCBs complete less vol. cont. tuner etc. with circuit

80p ea. four for **£3.00**.

CAR RADIO 470 KHz IF AMPS with stereo pre-amp IC, with circuit **65p**.

CAR RADIO/CASSETTE PLAYER stereo amps 5 watt/chan, with multigang

pot. matching amp to above IF amp board. Contains 2 TA7205P ICs, with circuit

£2.75.

BAG MIXED ELECTROLYTIC CAPACITORS 2.2mf – 1000Mfd 100 **£1.60**.

BAG OF MIXED RESISTORS 1/4 watt carbon film pre-formed type all with long

leads plus some 1/4 watt std types 250 for **£1.60**.

FEEDTHROUGH CAPACITORS 1000pf 500v solder in type 1/8" dia. 10 for **28p**.

FERRITE RINGS 12mm dia 10p ea. FERRITE BEADS FX1115 10 for **20p**.

PRICE LIST 15p STAMP – FREE WITH ORDER.

tape/slide controller

PART 2

Fred JUDD

A full explanation of the circuitry together with the components list was given in Part 1. This part deals with the circuit boards, assembly and setting up the controller for operation with any stereo cassette or reel-to-reel recorder. Mono only recorders may also be used.

The Circuit Boards

There are three p.c.b.s mounted as shown in the photographs. The power supply and 50Hz pulse circuit (Board 3) is shown in Figs. 13 and 14. Observe carefully the polarity of the electrolytic capacitors. The transformer T1 must have a 12V 1A (12VA) secondary winding.

Board 2 contains the components and i.c.s for the 50Hz and music pass filters with the printed tracks being shown in Fig. 11 and the component positions in Fig. 12. The relay is an RS Type 349-658 or Maplin YX98G and this should be used as the circuitry is designed around it. One

pair of contacts, normally open, are used for the projector slide control mechanism and another pair, also normally open, are for the l.e.d. indicator which lights up whenever the relay is actuated.

The remaining p.c.b. (Board 1) carries the whole of the audio mixing circuitry. Printed tracks are shown in Fig. 9 and component positions in Fig. 10.

Point-to-point conventional wiring with components mounted on plain matrix board could be used, with component layout following as close as possible to that shown.

Initial Checking Out

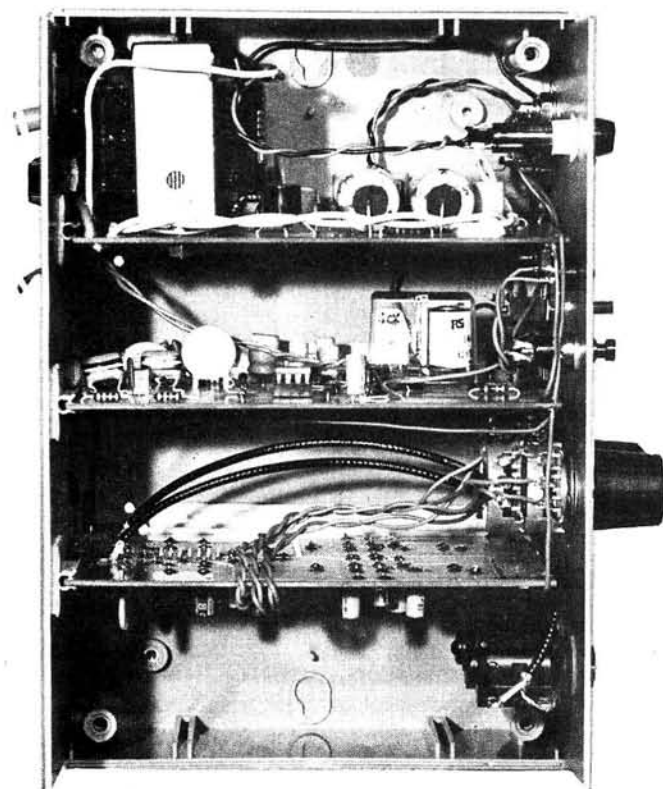
Various adjustments must be carried out before fitting the unit into the box. The first check is to see that the requisite rail voltages are correct as indicated on the circuit diagrams. Some adjustment to the value of RX (nominally 270Ω) (Board 3) may be necessary to obtain the 15V supply rail to the amplifier and filter circuits. Total current drawn on this rail should be in the region of 10mA. Current drawn by the relay circuit (20V rail) is approximately 85mA with the relay actuated.

Check with an audio voltmeter or a.c. reading meter, that approximately 300mV r.m.s. of 50Hz signal is present at the junction of R51 and C29 on Board 3, and that about 1V r.m.s. at 50Hz is present at C34 and R54 on this board with the push-button depressed.

Filter Response Adjustment

The following deals with the adjustment of the filter circuit presets R18 and R37 so that each filter responds correctly to 50Hz and music signals respectively. The adjustments can be made with only an a.c. reading voltmeter. However, if an audio signal generator and audio voltmeter are available, the procedure is as follows:

Connect the audio generator output to the socket marked "FROM TAPE OUT LH". Connect the audio voltmeter to the output socket marked "EXT AMPLIFIER LH". Now set the generator to 1kHz and adjust the level from it until about 200mV of signal is present at the output socket. Next, set the generator to 50Hz and adjust R18 to obtain the lowest level possible of 50Hz signal at the output which should be in the region of 40dB below the level obtained with the 1kHz signal, i.e., 2mV for 200mV of



Internal view of the completed controller showing the layout of the p.c.b.s

Fig. 9: Full-size copper track pattern for Board 1

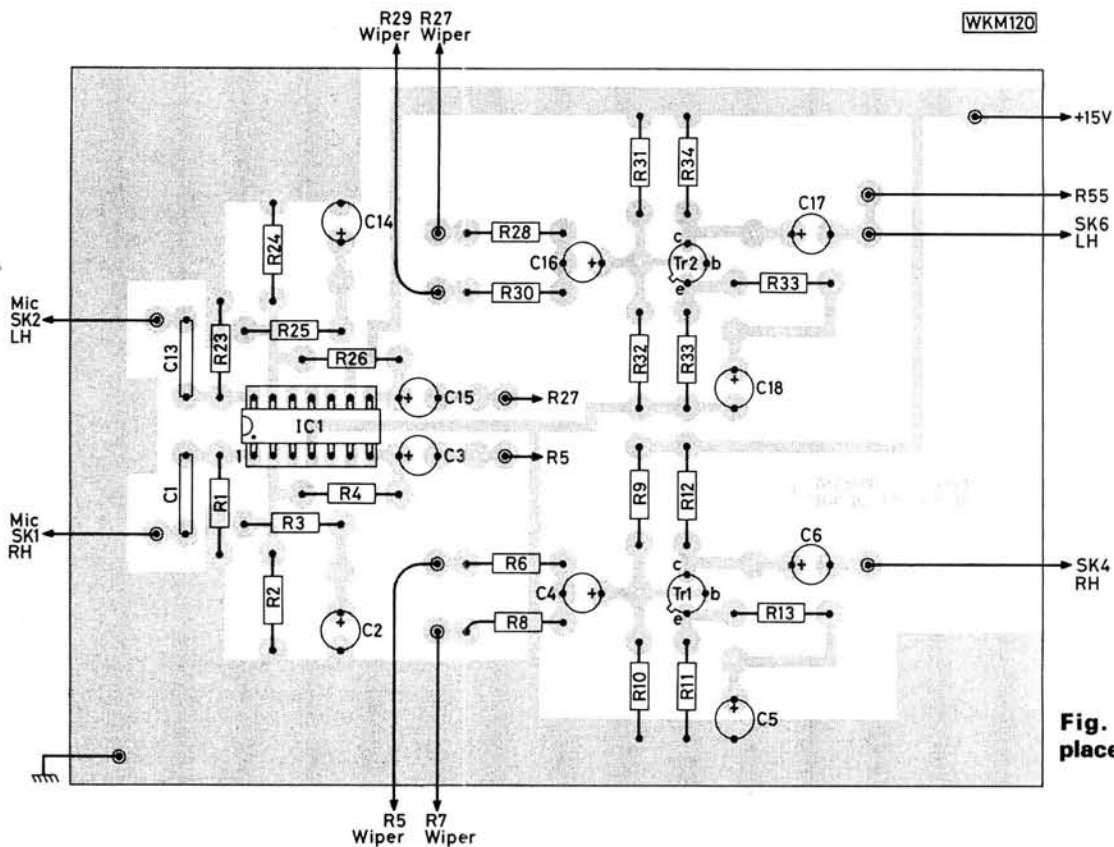
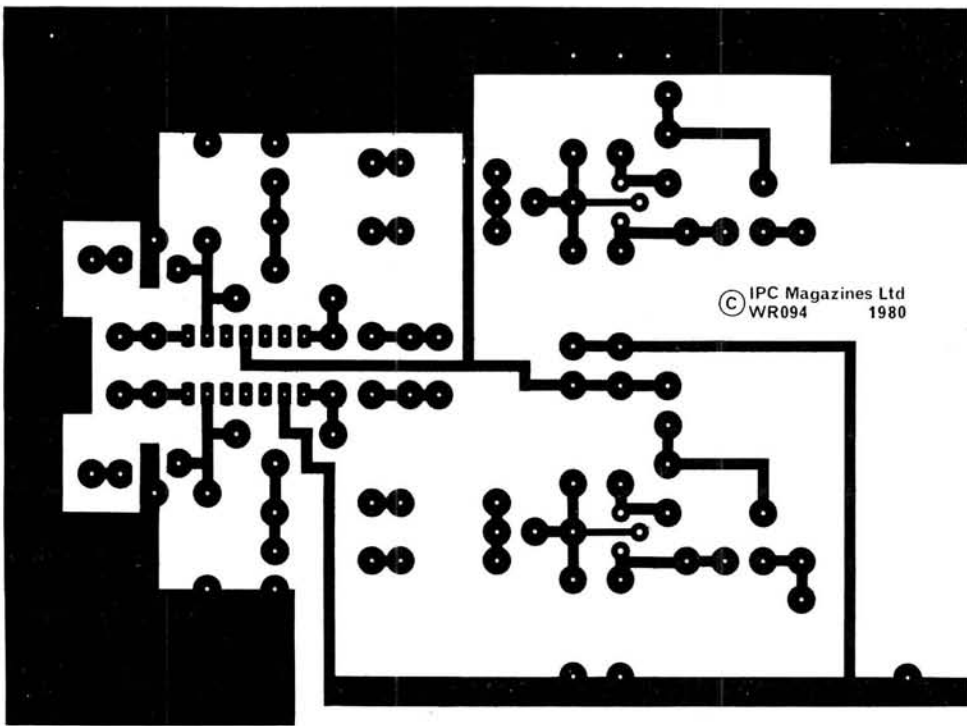


Fig. 10: Component placement drawing for Board 1

1kHz. The overall response obtained should then be close to that shown in the frequency response curves.

Leave the generator connected to the same socket, "FROM TAPE OUT" and connect the meter to the junction of C25 and D1. Set the generator to 1kHz and its output level to 100mV. Now switch the generator to 50Hz and adjust R37 until between 1V and 1.5V is present at C25 and D1 junction. At this point the relay should be actuated and the l.e.d. indicator lit up.

Critical Components

Component values in twin-T filters are fairly critical. If the above adjustments do not produce the requisite responses, i.e., the filters do not tune very close to 50Hz, it may be necessary to increase the capacity slightly of C7 and C8 and/or C19 and C20, or both. The additional capacitors, if required, are marked on the circuit diagram as CX. Allowance for the connection of these has been

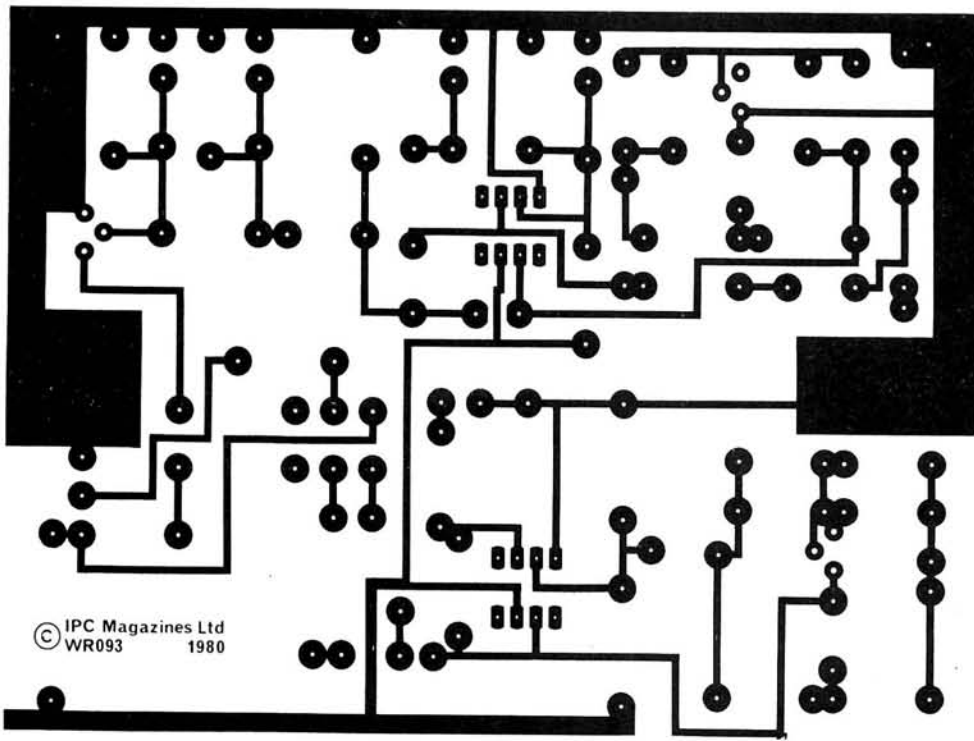


Fig. 11: Full-size copper track pattern for Board 2

© IPC Magazines Ltd
WR093 1980

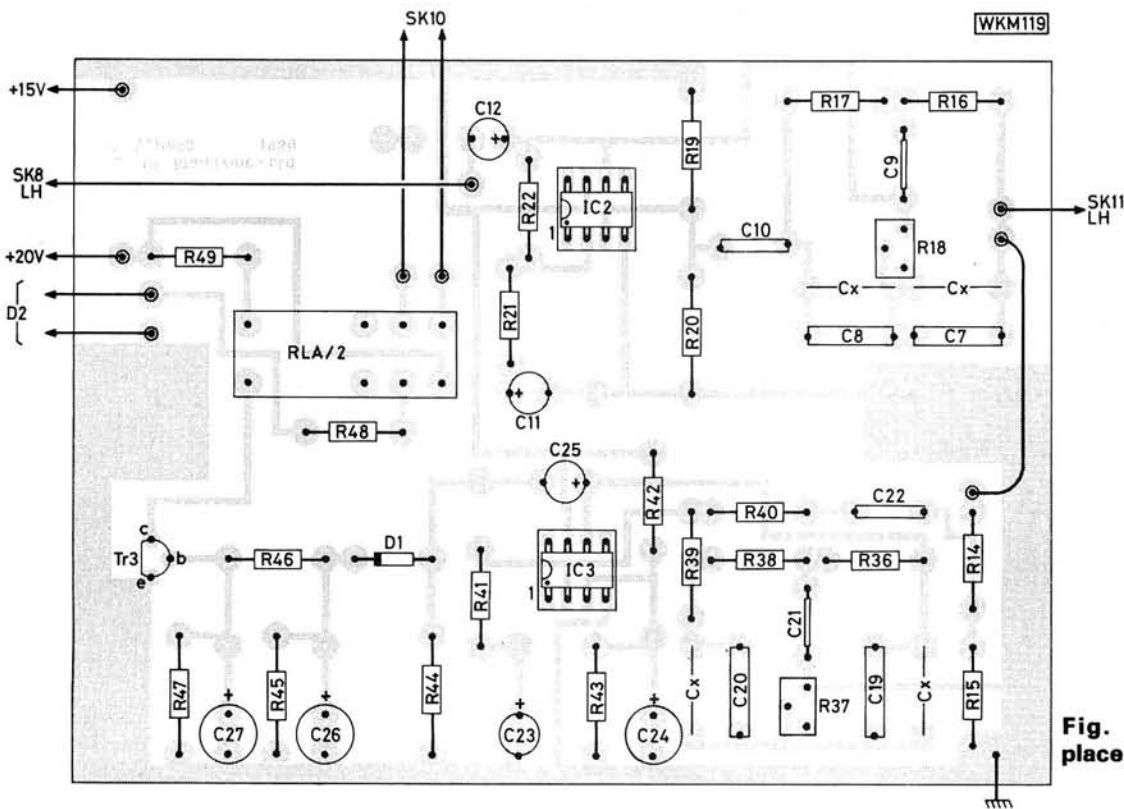


Fig. 12: Component placement drawing for Board 2

made on Board 2. The amount of capacitance required may be between 1000pF and 2000pF so it would be as well to have capacitors of 1000pF, 1500pF and 2000pF to hand.

When the foregoing adjustments have been made disconnect the generator and meter. Set the "override" switch S1 to ON (down) and press the push-button a few times. The relay should close and the i.e.d. light up each time.

Adjustment of the filters can be carried out with only an a.c. reading voltmeter and the use of the external amplifier that will normally be used with the tape-recorder.

Procedure for the 50Hz pass filter IC3 is as follows: connect the meter between the junction of C5 and D1 and 0V and use a range suitable to read 1.5V, which should be obtained when the push-button is depressed. This voltage is obtained by adjustment of R37 and is a.c. at 50Hz. By this time the relay will have actuated and the i.e.d. lit up. Each time the button is pressed the relay should operate.

The music pass filter IC2 is adjusted as follows: connect the amplifier LH channel output to the external amplifier. Either channel on the amplifier can be used for this. Press the pulse button and hold and adjust R18 until the

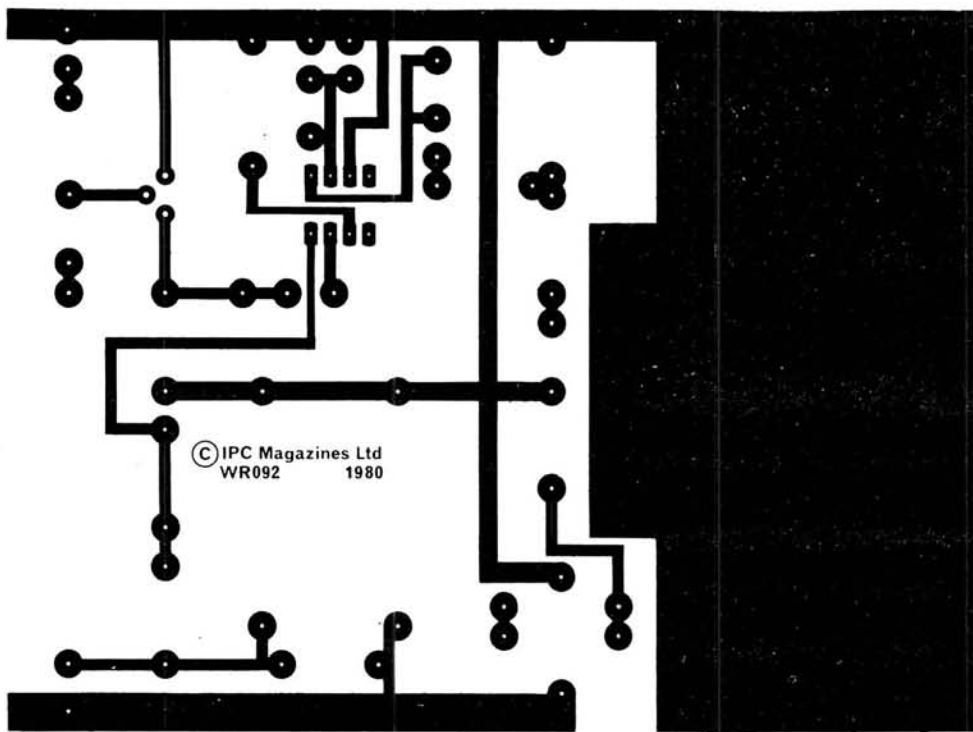


Fig. 13: Full-size copper track pattern for Board 3

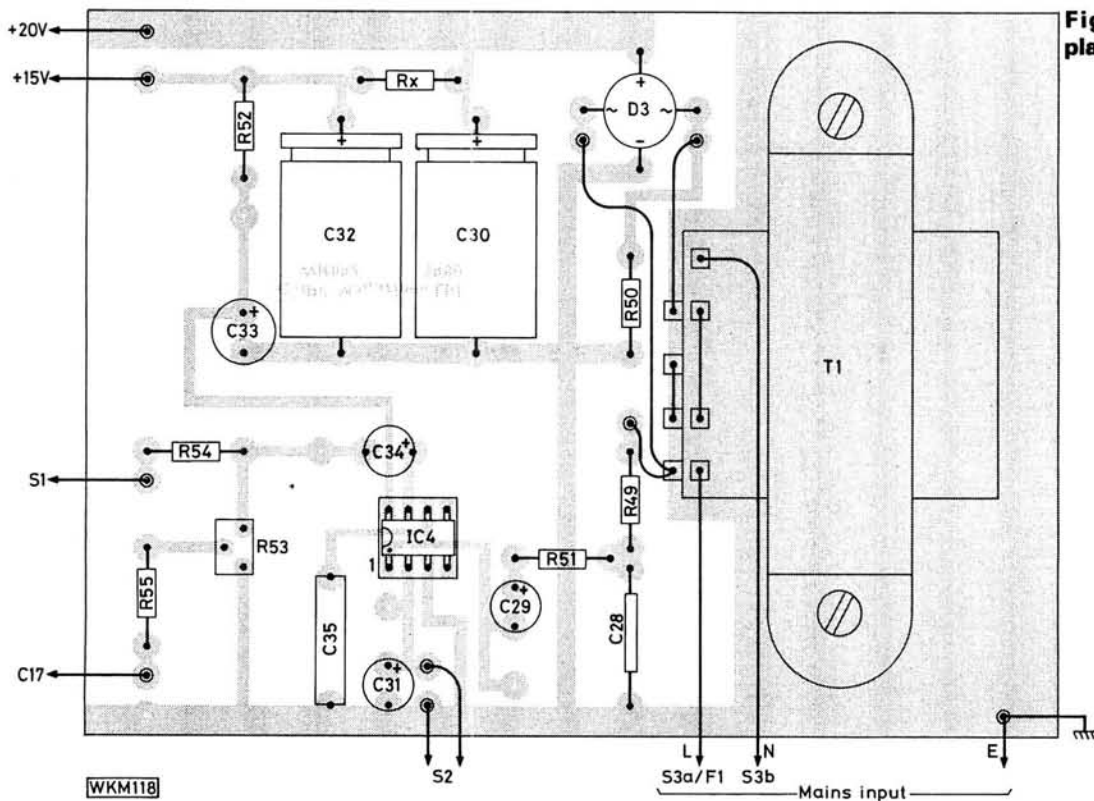


Fig. 14: Component placement drawing for Board 3

50Hz pulse signal is audibly low as adjustment will allow. If either of the filters do not respond as outlined above it may be necessary to add the small extra capacitance CX to the filter circuits as already explained.

If suitable instruments are available it would be worth checking the mixer circuits for frequency response as in Fig. 4 and for the requisite mic and line inputs sensitivity versus output level at the sockets marked "TO TAPE IN RH and LH" and which the actual audio outputs from the mixer section.

Setting up for Recording

There is only one final adjustment to make and this is to the preset R53 on Board 3. This controls the level of the 50Hz pulse to the tape-recorder. Connect the controller to the tape-recorder as shown in Fig. 15. Set the recorder for recording and hold the tape with the pause control. *Set the record level controls on the recorder to maximum and note they will always be used at maximum when recording with the slide controller.* Press and hold the pulse push-button whereupon the left-hand record level meter will be reading the level of the 50Hz signal. Adjust R53 until the meter

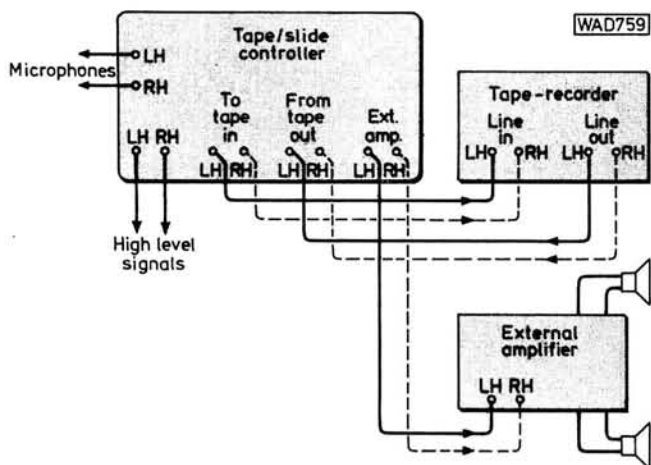


Fig. 15: Connecting the controller to a tape-recorder and audio amplifiers

reads between 6dB and 10dB below 0dB record level. If the deck has through monitoring the controller relay will now be actuated. Release the button and press again to check that the relay operates positively. Set the recorder running and record pulses of about one second duration along the tape at intervals. With the tape re-run on replay the relay should now click in at each point where a pulse was recorded.

A suitable socket or other connector can be fitted to the rear panel of the controller for connection to the slide projector remote control socket or remote control push-button contacts.

A final test can now be carried out with the slide projector and with recorded speech or music on the tape. *Always use the tape-recorder recording level controls at maximum and adjust speech and music recording level only with the gain controls R18 and R37 on the controller.* The 50Hz control pulse will now always be recorded at the preset level of between 6dB and 10dB below 0dB record level. Make a 5 or 10 minute test recording of music with pulses at intervals which should actuate the projector slide change mechanism as they are recorded. If the recorder does not have through monitoring, then use the "override"

switch. This will still allow slide changes to take place whilst recording.

When the test recording is completed restore the projector slide carrier and re-run the test tape. The slides should change only when a pulse occurs. To obviate accidental change do not let any music or speech recording exceed normal level with no more than the occasional peak above 0dB.

Programming a Slide Show

A slide show can be greatly enhanced by good commentary, background music to suit the mood of the programme, and even background sounds and sound effects. Although the pictures are still, some illusion can be created by sound effects. For example, a cruising holiday may commence with a picture of the cruise liner at the dockside followed by various shots taken on board during the cruise. Some background, not overdone, of sea sounds and the odd seagull cry will impart realism and if a portable recorder is available, specific sounds, related to pictures, taken on the voyage, could be recorded and later dubbed for the slide programme.

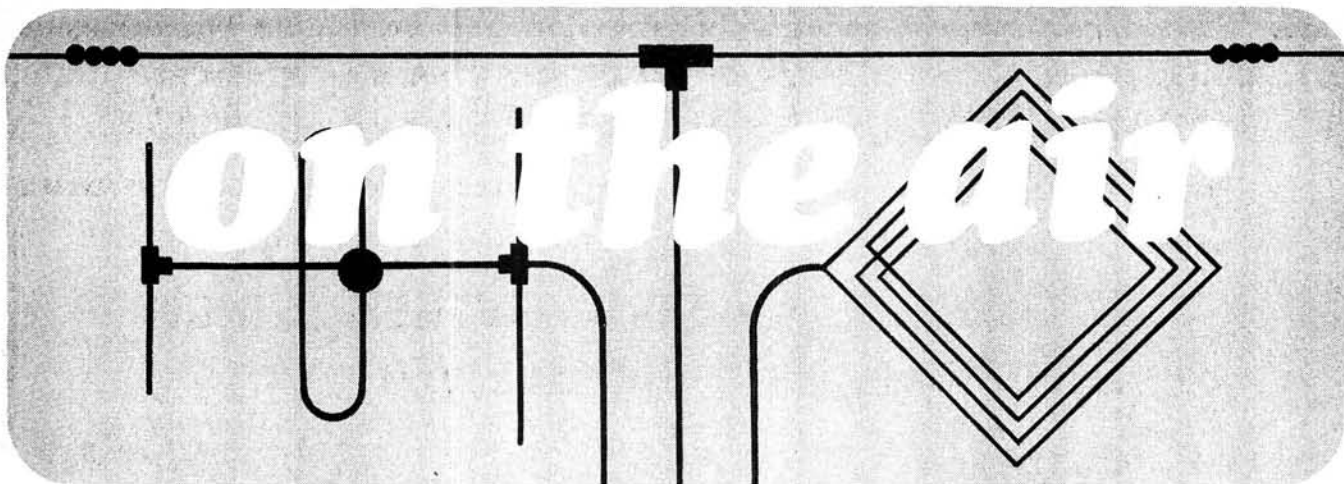
A script for the commentary, music and sounds are worth preparing beforehand. A dummy run can be made and the slides actually run through on cue with the facility provided by the controller. If one has to stop anywhere during the final take, perhaps to change a record of music, etc., then the tape pause control can be used to advantage. If an error is made somewhere during the programme it is only necessary to return to that point (including the slides) and recommence from there.

As a final point of interest the prototype controller was tested with two different makes of typical domestic stereo cassette decks and a stereo reel-to-reel recorder. A test programme was made with music and commentary, etc., and replayed through a top grade hi-fi system. The 50Hz control pulse is completely inaudible with average level of speech or music, since it is at least 40dB below this.

The controller can be used with a single track (mono) recorder by using the left-hand channel only. Procedure is otherwise as already outlined.

One final note. Always use about a one second long pulse for slide changing. The pulse rectifier will not respond to very short pulses. ●





Amateur Bands

by Eric Dowdeswell G4AR

Reports to: Eric Dowdeswell G4AR
Silver Firs, Leatherhead Road,
Ashted, Surrey KT21 2TW.
Logs by bands in alphabetical order.

As with any hobby there is a continual inflow of new blood into amateur radio, seeking advice and information, and eager to learn all about the subject as soon as possible. At first all is confusion especially over the jargon we use, much of which cannot be explained in a rational manner.

Regular writers on amateur radio must therefore repeat their words of wisdom and guidance from time to time for the benefit of the newcomer. Those of us already in the business accept and understand the strange symbols but to the outsider call signs and Q-groups and the like are very much a mystery.

The one symbol that arouses most curiosity, and, at the same time, is most difficult of explanation, is "DX", and its derivatives like DXing and DXpedition. The point has been covered many times but I'd like to offer my own understanding of its meaning as I think that there is much more to "DX" than meets the eye.

"DX" is frequently written off as meaning a long distance (contact) between two amateur stations or a listener logging a station a long way away. Stemming from the early days of radio communication the origins of DX are quite vague but I like to think that it means Distance Xtra" or a bit further than is normal, for we have to relate distance, whether it be a few miles or a thousand miles, to the frequencies involved.

On, say, a v.h.f. band such as 2m, normal contacts may be restricted to a few tens of miles depending upon antennas and antenna heights and suchlike, but if a tropospheric opening, or lift, occurs then suddenly DX is achieved by working or hearing stations hundreds of miles off. On the other hand the h.f. amateur bands can provide worldwide contacts, especially on the very popular 20m band, on virtually any day of the year, with the modern commercial equipment in general use on these bands coupled to rotary beam antennas.

Thus although Australia (VK) is almost our antipodes it is hardly worth calling DX because it can be heard and worked comparatively easily, but let a VK appear from one of the rarely worked islands such as Lord Howe or Macquarrie and all hell is let loose with thousands of amateurs all round the world queuing to get a contact. That's real DX! Thus the term DX involves an element of rarity as well as distance. So when a station appears in a country or zone that is rarely worked, because of the lack of activity there by amateurs, it is going to be regarded as a highly desirable piece of DX by the fraternity chasing new awards and achievement certificates.

It might even apply to a station as near to the UK as one on Jan Mayen Island or the tiny state of San Marino because of the lack of any permanent amateurs in those places. It should not be overlooked that countries as understood by the amateur includes many islands and similar spots that the rest of humanity would consider belonged to some motherland nearby. For that reason amateur listings take in well over 375 countries.

So what is wanted every month in the logs for our DX corner? Well, half a dozen entries of choice DX would be ample, certainly not the routine loggings of Japanese, American or European stations unless, as mentioned before it is an unusual prefix or country. Actual frequencies are of no consequence with just about every station today able to move to any frequency in a band at will, mainly to avoid interference. A final note, do not just stick to the popular 20m band because it seems to be open 24 hours a day, but try the other h.f. bands from time to time as some very interesting DX will be heard there. This applies particularly to the 80 and 160m bands now that wintertime conditions are upon us.

In the Mail

Interesting letter from RTTY enthusiast **Godfrey Manning** G4GLM of 63 The Drive, Edgware, Middx. who has a *PW* project going spare, the "Student" Oscilloscope, which can be easily converted for use as a tuning oscilloscope as per December *PW*, page 27. Anyone interested contact Godfrey or ring him on 01-958 5113. Some info on Friden Flexowriters is also available and Godfrey would be very happy to hear from other users of this machine.

Doing things the hard way is exemplified by young **Jonathan Kempster** BRS45205 of Northchurch, near Berkhamstead, Herts, who uses a Vega VEF206 for reception of s.s.b. on the amateur bands. As there is no

LOWE ELECTRONICS LTD



THE SHIMIZU SS105S 80-10 METRES SSB/CW TRANSCEIVER

This super new transceiver covers 80-10 metres, gives 10W out and is smaller than anything else we have seen so far. Ideal for transverter driving, the SS105S has FM transmit and receive options as well as excellent performance on SSB/CW for HF band use.

The SS105S is supplied in semi kit form so as to keep down the price, but all the RF and mixer boards are ready built and aligned so no test equipment is required. All the cabinet work has been carried out so all you have to do is assemble the IF strip, xtal oscillator, and fit them to the completed chassis. Great idea and it brings back the flavour of home brew with added advantage that the rig will work when you've finished it. For more info, just ask us or come along and see it. It's a great little rig.

		Net	Inc. VAT	Carr.
SS105S	80-10m solid state SSB/CW/FM transceiver. Semi kit form.....	225.00	258.75	4.50
SE-NB	Noise blanker kit.....	6.75	7.76	.50
SE-FMrx	RX FM discriminator kit.....	15.00	17.25	1.00
SE-FMtx	TX FM generator kit.....	11.00	12.65	1.00
SE-MK	RX marker kit.....	9.60	11.04	.50
0.5 CWF	500 Hz CW filter.....	19.50	22.43	.50
	Optional band crystals.....	3.00	3.45	.25

AR 245 2 metre HAND HELD FM SYNTHESIZED 144-148MHz TRANSCEIVER 5 WATTS or 1 WATT OUTPUT

"A staggering technical achievement"; "How can they get it into such a small size"; "Outperforms any rig I've ever had"; these are typical of the comments made by amateur radio operators after seeing and using the remarkable AR245 2 metre FM handheld transceiver. What does it mean to you? Well, at last you can really take your amateur radio with you, anywhere you want to go, because in this handheld unit, you have a complete synthesized 2 metre FM transceiver covering 144-000 to 147-995kHz in 5kHz steps. Also included are + and - 600kHz repeater shifts and a crystal controlled tone burst unit.

ONE OF THE FINER THINGS
IN LIFE FROM AOR.



ALSO AVAILABLE, THE ORIGINAL AR 240A SAME OUTSTANDING FEATURES BUT 1½ WATTS

AOR 245 5 watts high 1 watt low output
AOR 240A 1½ watts output
Carriage on above £1.50.

£178 inc. VAT
£158 inc. VAT

AOR AR22 2 metre FM Synthesised Receiver £83.00 inc. VAT carriage £1.50



SR9 DAIWA
2 metre FM Tuneable/Xtal Receiver
£46.00 inc. VAT carriage £1.50



SL 1600A
16 channel 2 metre Scanning Receiver
£39.50 inc. VAT carriage £1.50

CRYSTALS FOR
SR9 & SL1600A
£2.50 each

HEAD OFFICE AND SERVICE CENTRE

CHESTERFIELD ROAD, MATLOCK, DERBYS. TEL: 0629-2817 or 2430 OPEN TUES-FRIDAY 9-5.30
SAT 9-5.00 CLOSED FOR LUNCH 12.30-1.30

FOR ALL THAT'S BEST IN HAM RADIO CONTACT US AT MATLOCK
FOR FULL CATALOGUES SEND 48p IN STAMPS WITH YOUR ADDRESS. MARK ENQUIRY PW.

Catronics PRESENT

RTTY TERMINAL UNIT CT100

as featured in December issue P.W.

Incorporating COMPLETELY AUTOMATIC receive/transmit modes. Protected and buffered input provided for TTY keyboard. Automatic re-generation of incoming tones. Special r.f. interference suppression circuit, etc., etc.

INPUTS FOR:

Audio FSK signal in; Data in from VDU (e.g. G3PLX); TTY Keyboard or Tape Reader.

OUTPUTS FOR:

VDU or other TTL compatible equipment; TTY Magnet - single or double current; AFSK to drive Transmitter.

Featuring a unique digitally controlled 'Autoprint' circuit which is a superior replacement for the 'Antispace' and 'Autostar' facilities found on some other terminal units. The terminal will ignore most CW and phone signals but will respond to a correct RTTY signal.

All prices include VAT: CT101 Receive/Transmit VDU only **£99.60**.

CT103, with Teletypewriter interface **£104.90**.

All models plus £5.00 delivery.

ALSO A MATCHING VIDEO DISPLAY UNIT MODEL CD300

especially designed for the RTTY ENTHUSIAST!

The video display unit is designed to be an all-electronic replacement for a Teletypewriter, and therefore does NOT suffer the disadvantages of bulk, unreliability and noise.

The basic function is to take Murray Code - either from a Terminal Unit (on receive) or from a Keyboard - and produce a complete TV signal. This signal may be fed into a monitor or modulated and fed into the aerial of an ordinary domestic TV set.

It may also be used (with a keyboard) to send Murray Code signals for transmit purposes.

16 lines per page. 64 characters per line.

TTL compatible input. Standard IV video output.

Flashing cursor. Auto-scroll at end of page.

Front panel controls for:

Letter shift. Figure shift. Page reset.

Carriage return. Line feed.

Built-in mains P.S.U. Styled to match the Catronics CT100 Terminal Unit. Cabinet size 9" x 2½" x 7" approx.

Now with built-in UHF Modulator for only **£170 incl. VAT** (plus £5.00 delivery).

PLESSEY SL1600 Series ICs

SL1610 £1.62	SL1611 £1.62	SL1612 £1.62	SL1613 £2.30
SL1621 £2.15	SL1623 £3.20	SL1626 £2.60	SL1630 £2.15
SL1640 £2.15	SL1641 £2.15	SL6310 £2.60	

Other parts for P.W. "HELFDOR" SSB TX/RX including PCB and filter etc. also available. Ask for details and prices.

ALL PRICES INCLUDE VAT but please add 40p min. postage. Access and Barclaycards welcome



CATRONICS LTD.
COMMUNICATIONS HOUSE
20 WALLINGTON SQUARE,
WALLINGTON, SURREY SM6 8RG.
Tel: 01-669 6700.

Shop/showroom open Monday-Friday: 9-5.30
(closed for lunch: 12.45-1.45) Saturdays: 9.00-1.00

MORSE TUTOR

The uniquely effective method of improving and maintaining Morse Code proficiency. Effectiveness proven by thousands of users world-wide.



- ★ Practise anywhere, anytime at your convenience.
- ★ Generates a random stream of perfect Morse in five character groups.
- ★ D70's unique "DELAY" control allows you to learn each character with its correct high speed sound. Start with a long delay between each character and as you improve reduce the delay. The speed within each character always remains as set on the independent "SPEED" control.
- ★ Features: long life battery operation, compact size, built-in loudspeaker plus personal earpiece.

ACTIVE RECEIVING ANTENNAS

Price **£49.45**



Datong active antennas are ideal for modern broadband communications receivers - especially where space is limited.

- ★ highly sensitive (comparable to full-size dipoles).
- ★ Broadband coverage (below 200 kHz to over 30 MHz).
- ★ needs no tuning, matching or other adjustments.
- ★ two versions AD270 for indoor mounting or AD370 (illustrated) for outdoor use.
- ★ very compact, only 3 metres overall length.
- ★ professional performance standards.

Prices: Model AD270 (indoor use only) **£42.55**

Model AD370 (for outdoor use) **£56.35**

Both prices include mains power unit.

VERY LOW FREQUENCY CONVERTER

If your communications receiver gives poor results below 500 kHz Model VLF is the answer.

- ★ Connects between antenna and receiver input.
- ★ Converts signals between DC and 500 kHz to the range 28 to 28.5 MHz with low noise and high sensitivity.
- ★ Crystal controlled for high stability.
- ★ Quality construction in diecast aluminium box (size 112 x 62 x 31mm), SO239 connectors, LED indicator, in/out switch.
- ★ Operates from internal 9 volt battery or external supply (5-15 volts DC).

Price: only **£25.30**

Our full catalogue plus further details of any product are available free on request. All prices include VAT and postage and packing.

DATONG ELECTRONICS LIMITED

Spence Mills, Mill Lane,
Bramley, Leeds LS13 3HE
England.
Tel: (0532) 552461

STEPHENS-JAMES LIMITED

COMMUNICATION ENGINEERS

47 WARRINGTON ROAD, LEIGH WN7 3EA

ENGLAND

Telephone (0942) 676790

Everything for the Short Wave Listener.

We stock receivers and listening aids by most of the world's leading manufacturers.

Full range of VHF receivers—transceivers. Mobile equipment pre-selectors—filters—antennas. Stabilised power supplies from 2 to 20 Amp.

Antenna switches—converters. Aluminium masts—clamps. Antenna rotators.

Trio R1000 Receiver
Digital readout general coverage receiver covering 200kHz to 30MHz with a P.L.L. synthesiser. Also incorporating quartz digital clock. £285.20.

Trio RB20
Amateur Band Receiver £690.00.

Send for full specifications of our full range of receivers covering from 200kHz to 520MHz. Our secondhand equipment changes daily. Send SAE for up to date lists. Part exchange welcome. Good clean Equipment bought for cash.

We have a good range of secondhand equipment at all times. Send large S.A.E. for details or telephone. Open 6 days a week.

Bearcat 220FB Receiver
Scanning Receiver. 66-88MHz-118-136MHz. 144-148MHz-144-148MHz. 420-450MHz-450-470MHz. 470-512MHz £258.75.
Send S.A.E. for details of our range Aircraft Band Receivers.

FIT A DIGITAL DISPLAY TO YOUR FRG7 OR SRX30.

These units come complete, with only three wires to connect. The FDU7 for the Yeasu FRG7 can be fitted in place of the KHz dial, or can be supplied for external use. (Please state when ordering) The FDU3 for the SRX30 is supplied for top of the set use only.

(Full Fitting Instructions are supplied.)

(FDU7) for FRG7 @ **£44.77**
(FDU3) for SRX30 @ **£44.77**

We also manufacture an R.T.T.Y. Converter. The MB6R (Receive only) and the MB6R/T (Receive/Transmit).

We supply these units with single or double current loops for connection to teleprinter To Order. T.T.L. C MOS Logic Levels and Oscilloscope Outputs are provided. Dimensions (84 x 304 x 210).

(MB6R Double or single current) @ **£77.96**
(MB6R/T Double or single current) @ **£83.25**

(All Units are fully Guaranteed, and come complete)

(No extras needed)

(All prices inclusive of postage and V.A.T.)

(Payment by P.O., Cheque or Access)

B. BROOKES ELECTRONICS, 69 Leicester Street, NORWICH NR2 2DZ, ENGLAND.
Tel: 0603-24573.

b.f.o. he "beats one station against the other"! The aerials are two dipoles with a common feeder. Main operation has been on the 80m band until recently when Jonathan "found the 15m band" after having been round to local G3VRY for a chat. His log has some quite good DX so one wonders what he would do with a proper receiver!

We have all complained at one time or another of the interference caused by BC stations operating on frequencies to which they are not entitled on the 7MHz band, and despite continual protests nothing ever happens to mitigate the problem. The main QRM is to amateur services in the 7100 to 7300kHz band in Region 2. The ITU has recently sent a notice to all administrations bringing this point to their attention. But you can bet your bottom dollar that precisely nothing will come of this, as usual, because the ITU is completely powerless to act effectively in this matter.

DX Notes

Good and bad news from **P. C. Hawkes** of Stourbridge, long-time contributor to this column. After being made redundant recently he has been able to get a job in Zimbabwe and expects to be there in the New Year. His faithful AR88 goes with him, but not, I understand, as part of his personal baggage! Although plans to take the RAE here have been shelved I have suggested he does take the December RAE if at all possible so as to smooth the way for a licence out there when that becomes possible. Good luck OM and hope to work you from darkest Africa some day. DX logged lately on 10m included HM0U (QSL JA6HNK) and 5N20ATW with cards to POB 3197 Lagos. 3B8DB and J3AH were found in the Round Table net on 20m, and a quick look around 0630 on 160m revealed VE1BNN and VE1DXA, all on s.s.b.

Edward Baker of Gramlington, Northumberland, took time off from his duties as Editor of the ISWL magazine *Monitor* to tell of the DX he has logged on 160m s.s.b., like OH2BNP, YU4FRS, UC2ACA, SP3BLG and W2HCW and a VE1 that got away. On 40m Ed roped in 4S7KK, 8Q7AZ and A7XD with WA1YIG/3B8 on 15m, ending with VQ9TT on 10m, all s.s.b. Gear used is an SX100 or GR78 plus 100ft wire and audio filters.

Bill Rendell of Feoch, near Truro, was pestered by oscillator instability on his HRO, eventually tracing it to a dry joint on the valveholder. Now he says the old faithful is a super performer even on the 10m band where the HRO has never been particularly brilliant. So Bill's s.s.b. log starts with ZL4AO on 3.5MHz, then J73PP on Dominica, VK3XI and VK7LZ plus YS9RVE on 7MHz; CE9AF, HK0EKM, J3AH, J6LOU, M1D and VP8PP for 14MHz, while 21MHz came up with FP0GAP, VP2SAB, VP5B and ZD8TC. New signals heard on 28MHz included A7XD, CO2OM (Box 3011 Havana), HK1CC1, K8YWG on Gibraltar Is. in Lake Erie, so a new island for Bill, VP8PP, VP8SB on Adelaide Is., and ZP5GLS who said QSL through W3HNK. Bill also noted E17EB on 80m operating from a hospital bed because he had "been such a good boy"! Get well soon OM!

Dave Coggins is still playing around with his phased verticals in Knutsford, Cheshire, which although designed for 20m are doing quite well on other h.f. bands, he says, with less TV timebase QRM than he gets on his old 66ft wire. Dave has been looking around Top Band too, sometimes with his frame antenna which netted KP4ES and 4U1ITU plus YU3LF. On the other bands the FRG-7 found FO8FO, HK0EHM, PJ2CC, TG9AL. VK7AE, YC1BMI, ZS1MZ and ZL4LZ all on the 40m segment, with 10m coming up with FG0DYM/FS7, VK9XW (Christmas Is.), VS6CT and ZD8KM. Nice finds on 15m

included YC6MF/0, VK9NC on Norfolk Is. not to mention VK9ZG located on Willis Is., a pair of fine rarities there OM!

In Birmingham, **Dennis Court** has been getting hot under the collar over some military stations operating in the 80m band, interfering with the amateurs. Well Dennis I'm afraid that this band is a shared band meaning that all kinds of other radio services like shipping, aircraft, fixed and mobile services and point-to-point have just as much right there as us amateurs, or even more right if the truth were known, so afraid we just have to use our operating experience to get through all the QRM.

From Hull, **Colin Frankland** BRS45342, tells of excellent conditions on the bands generally in recent times. Biggest catch for him with his Trio 9R59DS and two indoor dipoles was VQ9AA on Diego Garcia, rapidly becoming a popular spot for reasons we'll not mention here, but likely to remain a rarity all the same. The nice, clear log starts with 15m listing C5ACA in the Gambia, CO1FL, KH6WU, SV0BL on Rhodes, TU4AT, VP9BDA, VP2MPB on Montserrat, the VQ9AA, ZB2GK and YC1GJ. Only catch worthy of mention on 10m was VP5WW and QSL to WB4EYX. Useful one on 20m was S83W in the Transkei while VP5TCI on the Turks and Caicos Is. wants cards to POB 78 Grand Turk.

Clubland

New clubs being formed thick and fast all round the country can only be a good thing for our hobby. Hope the PROs concerned will see that everyone in their area is fully informed on club activities. Make the most of the free advertising available in local newspapers who are always looking for information on hobby interests.

Smiths Industries Radio Society. Just formed as a section of the Sports and Social Club, Cheltenham, SIRS is open to any with amateur or electronics interests. Meetings third Wednesday of the month at the Club House, Newlands, Bishop's Cleeve with emphasis on the practical and social aspects of the hobby. Morse classes courtesy of G3CXI with RAE courses at North Gloucestershire Technical College where lecturer is Terry Adams G4CHD. Much more info from Secretary Roger Hawkins G8UJJ on Bishop's Cleeve (0242 67) 3333 ext 2489 during office hours or B's Cleeve 2175 otherwise, not to forget channels S20 or R3 if you are on v.h.f.!

Leighton Linslade RC. But two months old! Meeting second and fourth Thursdays at 7.30pm at the Pavilion, Mentmore Road, Leighton Buzzard. Naturally anyone interested will be made most welcome, says C. R. Wood G8UGN of 2 Stivers Way, Harlington, Dunstable, Beds, who will be glad to fill in with the details.

Verulam ARC. Fourth Tuesday at 7.30pm, Charles Morris Memorial Hall, Tyttenhanger Green, near St. Albans, Herts. January meeting welcomes G3LHZ for a chat on antenna systems. Advance notice that well-known character Pat Hawker G3VA will be lecturing on direct conversion receivers at the March meeting. Informal meetings of the club are held on the second Tuesday at RAFA HQ, Victoria Street, St. Albans, if that is more convenient. Hilary Clayten Smith G4JKS, 115 Marshalswick Lane, St. Albans, probably knows more about the details than anyone else.

Wolverhampton ARS. John Cook G8EDG, 75 Windmill Lane, Castlecroft, Wolverhampton tell me that the club meets every Monday 8pm at Neachells Cottage, Stockwell End, Tettenhall, Wolverhampton, so if you feel you'd like to go along you're welcome or write John for more info. He is also on Wolverhampton 763617.

Mid Lanark ARS. The Wrangholm Community Centre is home for the club GM3PXX every Friday 7.30pm, with a continuous programme of lectures and films that ought not to be missed if you can possibly make it. Doug Smillie GM4FKD knows all about the forthcoming attractions, at the club centre in Jerviston Street, New Stevenson, Motherwell.

Exmoor RC. Successful RAE courses seem to characterise this group which has club call G8SSS and over 20 licensed members. Every Thursday, 7.30pm, at "Loughrigg", East Street, South Molton, and if you want someone to hold your hand when you get there try secretary Pat Jemmison, XYL of G8RZE, at "Homedale", Brayford, N. Devon.

Stevenage & District RS. Another RAE course-conscious mob, to the extent of running two classes simultaneously, depending upon what you know when you start. So run along at 7.30pm, to the Plant B Staff canteen, British Aerospace Dynamics, Stevenage, on any Tuesday and enjoy yourself.

Congleton ARC. Glad to hear from you for the first time with short but well-produced newsletter. Club call is G8PFY and secretary Neville Clayton G8UYT, 2 Moorfields, Leek, Staffs, or Leek 385992, will tell you all about the threatened lectures to come, about SSTV, RTTY and building a synthesiser for your rig. Congleton note: there are around 30 licensed amateurs within a two-mile radius of the Town Hall! Talk-in to the club should present no problems!

Thornton Cleveleys ARS. Another one new to the column. First and third Wednesdays, 7.45pm, St. John Ambulance Hall, Fleetwood Road, Thornton, Lancs, "next to the Gardener's Arms". That ought to help! RAE classes plus slow Morse over the air from G3ZRZ are just two of the attractions. Coming events are "Looking at the Early Days" by G6DN on Jan. 7, and a film on the manufacture of transistors on Jan. 21, but A. Parr G3IWP, 43 Argyll Road, Poulton-le-Fylde, can tell you more.

Wakefield & District ARS. Holmfield House, Denby Dale Road, Wakefield at 8pm alternate Tuesdays, which, after a little calculation, means meetings on Jan. 4 and 18 but no details of programme so far. Contact Richard Sterry G4BLT, 1 Wavell Garth, Sandal, Wakefield, Yorks, who'll supply the details, or listen to the RSGB news from GB2RS on S22 at 9.30am Sundays.

Liverpool & District ARS. Tuesdays, 8pm, Conservative Rooms, Church Road, Wavertree, with sale of surplus equipment on Jan. 6 and G8NNX chatting on commercial radio techniques on the 13th. G3AHD pumps out c.w. practice sessions on 2m on Thursdays just to keep you out of trouble. Reg Simmons G3PNS, 62 Daneville Road, Liverpool L4 9RG, won't mind if you get in touch as he is new to the job of secretary and probably has nothing else to do!

Meirion ARS. First Thursdays, 7.30pm, Ship Hotel, Dolgellau. That's nice and short! Jan. 8 has GW4BIF on s.w.r. problems, and discusses the G5RV aerial. Two for the price of one! Or try to make Feb. 5 for s.w.l. Bob Smith on power station instrumentation. Megawatts instead of milliwatts! More from Dave Morgan GW8PKA, Penybont, Gellilydan, Blaenau Ffestiniog, Gwynedd, or ring Maentwrog 341. Hope I've got all that right.

A note from the **White Rose RS** of Leeds tells me of a s.w.l. contest from Jan. 24 1500GMT to Jan. 25 0900GMT on the 1.8, 3.5 and 7MHz bands with c.w. and telephony sections, with "world-wide publicity" I have to say that with such a restricted operating period especially on the l.f. bands, there is not going to be much enthusiasm from outside the UK. However if you are interested drop a

line in advance to Dave Whitaker, Hillcourt, 57 Green Lane, Harrogate, Yorks, for more info.

**Medium Wave
Broadcast
Band DX**

by Charles Molloy G8BUS

Reports to: Charles Molloy G8BUS
132 Segars Lane, Southport PR8 3JG.

"Do North American medium-wave stations QSL?" is a question often asked. Most will if you send a reception report giving details of the programme you heard. It should go to the Chief Engineer so that he, or one of his staff can check it against the station log which is held and compiled at the transmitter site. In the United States every station is obliged to maintain a log of what actually goes out over the air.

North American QSLs

What sort of information should be included in the report? Titles of pieces of music are not listed in the station log so it is a waste of time referring to them! Details of sponsors (jingles), time checks, weather reports, station identification, news items, titles of programmes, names of announcers, all these are the things to mention and most come over the air around the hour or the half-hour as programmes change and identifications are made. Ideally one should start five minutes before the hour or half-hour, but this may not be possible. There is a well-known law which ensures that if there is going to be a fade then it will occur at station identification time.

Model Reception Report

The following is the format I have used for many years:

The Chief Engineer	DXer's Address in
W---Radio	block capitals
New York City	Date
N.Y.	
USA	

Dear Sir,

I had the pleasure of listening to your programme on --- kHz at 1955hrs EST on Friday the 7th November 1980 (equivalent to 0055hrs GMT on the 8th November). This is what I heard:

1955 The --- show
1959 "brought to you by --- beer"
2000 "W---Radio New York" News at 8 o'clock
2003 Weather report. Temperature 45 degrees
2003½ Next news at 8.30
2004 Basketball Commentary

Reception was with a BRT400 communications receiver and a



WHDH, a 50kW broadcaster on the east coast ▼

medium-wave loop antenna. Your signal was strong with some fading and there was some interference from a station in Venezuela on the same channel.

I hope this report will be of interest to you and I would be very grateful if you could send me a verification of reception (QSL) if the above programme details agree with your station log. An International Reply Coupon, to cover return postage, is enclosed.

Many thanks
Yours sincerely
(Name in Block Capitals)

This is the format I have used for a number of years. The introduction and ending are a matter of personal choice but there are a number of things to note about the rest of the report. There is a change of date at midnight but you are listening to a time zone five hours back where yesterday's date still applies. Eastern USA is on EST (GMT-5), the Atlantic provinces of Canada are on AST (GMT-4) and Newfoundland is on NST (GMT-3½). It is better to quote the date and local time at the station but it is possible to get into a muddle over summer (daylight saving) time which starts and finishes on different dates in the UK and North America. If in doubt quote GMT but not BST. Give the time to the nearest half-minute if you can.

Always send return postage in the form of an International Reply Coupon (IRC), which can be obtained from the stamp counter of larger post offices. You are outside the service area of your DX catch and the station is really doing you a favour by replying at all. Some DXers worry about not having the full postal address. I have used the type of address in the model report for a number of years and I have never had one returned by the Post Office. Provided you mention the callsign and the location announced over the air then your report should be delivered, but of course if you can get hold of the full address, then use it.

What sort of QSL can you expect? Usually a QSL card though some stations reply by letter. Cards make an attractive display when mounted in a photo album. How long should the report be? Unlike a s.w. report, which should indicate that the listener actually listened to the programme, a report to a medium-wave broadcaster does not have to be long provided it contains a number of verifiable items. A ten minute period starting five minutes before the hour will probably be enough, even if there is a fade in the middle of it.

Readers' Letters

"I have recently bought for a fiver an oldie wireless set called the Orion Imp," writes **N. H. Parr** of Lutterworth, who wonders if he can use a loop with the receiver's ferrite rod antenna switched out. The ferrite rod antenna in most receivers performs a dual function: as an antenna and as an antenna tuning coil. If you disconnect it then there will be no tuning coil and the receiver will not work.

Boston, Massachusetts

W H D H

850 Kc.

One solution is to remove the ferrite rod antenna and fit a tuning coil in its place, if you can find a suitable inductor. A better solution is to construct a loop with a small shelf near the centre. The receiver is placed on this shelf in such a way that the nulls of the ferrite rod antenna and the loop coincide. Loop and receiver are now rotated together, coupling between them being by induction. There is no direct connection between the two and if a coupling winding is already fitted to the loop then it is left disconnected.

Reader **G. S. Ferguson** (Warrington) refers to the standard "40in" loop which is fitted with a 500pF tuning capacitor and 220pF fixed capacitor, which can be switched in parallel so that the medium waves are covered in two stages. He wonders what the two frequency ranges are. It may be possible to cover the band in a single range depending on the minimum capacitance of the main winding and of the tuning capacitor. If you cannot reach the l.f. end then a parallel capacitor and switch will be required and there will be quite an overlap between the two ranges.

DX Heard

From Barking in Essex comes a report of reception of the 5kW WCSH on 970kHz, which is located at Portland, Maine on the eastern seaboard of the United States. **Andy Small**, at the controls of his Hammarlund SP600JX and modified loop which was described last month, says: "I only heard this station for a few minutes with station identification, a weather check and a piece of music---I was however able to convince the station of my reception." Andy thinks readers may be interested to know that with a difficult-to-hear station it is possible to receive a verification for a report that only contains a few programme details (depends on the details!).

WCSH, which has been on the air since 1926 is, at the time of writing, in the process of an ownership change.

WNYZ has been applied for as a new callsign and if this comes off then the call WCSH may soon disappear for good.

Local radio enthusiast **Adrian Child** of Dorchester uses a Starfinder II portable with internal ferrite rod antenna. He reports hearing Radio Carlisle on 756kHz (397m) at 0700 with QRM from West Germany; Radio Norfolk on 855kHz (351m) at 1630 with QRM from Spain and Berlin; Manx Radio 1368kHz (219m) fading in at 1615 and Radio Birmingham/Radio London "fading slowly in a rhythmic pattern" on 1450kHz (206m). On 1152kHz Birmingham and Plymouth Sound could be picked out by "turning the receiver towards the transmitters, thus making use of the directional properties of the internal aerial."

**Short Wave
Broadcast
Bands**
by Charles Molloy GBBUS
Reports: as for medium wave DX,
but please keep separate.

When I am asked which antenna is the best for short-wave reception I have to reply with another question. What do you want to listen to? There is no single antenna that will match the needs of the DXer on the one hand and the short-wave listener on the other. The DXer's aim is to pick up distant and perhaps weak stations for the sake of doing it. That is what that side of the hobby is all about and the programme value, if any, is of secondary importance. The s.w.l. is interested in programmes and he may be trying to listen to a moderately strong signal in a crowded band. The requirements of the two can be quite different although many DXers do some short-wave listening as well. A couple of examples from my own listening may illustrate what I mean.

Listening to DX

The English broadcast from the Argentine Foreign Radio is on 11 710kHz in the 25m band at 2300 on Mondays to Fridays. At this hour, especially in winter, the band is not crowded and there is little danger of overloading the receiver with strong signals so I use the BRT400, long wire, antenna tuning unit and occasionally the Codar PR30 preselector as well.

Listening to Locals

As a regular listener to the Austrian *Short-Wave Panorama* on a Sunday evening, I have found that my long wire does not give satisfactory reception on 6155kHz in the 49m band. There is a lot of interference (QRM), splash, etc., which reduces the programme value of the signal. A shorter antenna used with the r.f. gain control turned right down usually provides a nice clean signal with

little QRM. This is with the BRT400 which is a valved receiver and is less prone to overloading than modern semiconductor sets.

Which Antenna is Best?

The simplest solution is to have more than one antenna. If you can, erect a long wire and match it to the receiver with an a.t.u. This is the set-up for listening to Latin America on 19m and 25m in the evening or to Radio New Zealand or Tahiti in the morning.

Indoor antennas are to be avoided wherever possible as they pick up electrical interference. TV receivers are the main culprits and they radiate directly as well as from the mains wiring, but other electrical equipment can cause trouble too. A whip mounted on the window ledge or on the roof, and fed to the receiver via a screened lead is better. An antenna switch, mounted close to the receiver, gives you the immediate choice of antenna and the opportunity for a comparison between them. It is always more interesting to experiment than to theorise as it is the results that count.

If you are using a portable with a built-in whip antenna then hesitate before connecting a long wire to it. You will certainly pick up more stations but you may, if you overload the receiver, hear several at once. If a receiver does not have an antenna socket then it is safe to assume that it is only intended for use with its own antenna.

Receiver Calibration

"How can I calibrate my receiver without using an expensive calibrator," asks reader **A. Scott** of Birmingham who uses a two-transistor home-made short-wave receiver. **L. Harding** of Upton-on-St Leonards has found a partial solution to the problem when using his Vega 206. He notes the position of the pointer relative to the figures on the tuning scale and he can find one station on the 31m band simply by setting the pointer over the centre of the figure 9 of the 9.5MHz mark.

Why not try the home-made logging scale described in the December 1980 issue of this column. You can then plot frequency against log scale reading on a piece of graph paper using known s.w. stations for calibration points. Many announce their frequency over the air and at the h.f. end of the 31m band you will find a number of time and frequency standard stations on 10MHz which are



A recent QSL from
Radio Japan

Radio Japan

JANUARY SALE

EXTRA SPECIAL OFFER QUARTZ WATCHES

AT 'GIVEAWAY' PRICES

SEIKO QUARTZ CALCULATOR/ALARM Only £47.95 + 85p p&p Continuous display of hours, minutes, seconds with day, alarm indicators. Optional display: month, date, AM/PM with day indicator. Calculator (16 key) performs arithmetic, percentage, constant and power calculations. 12 hour alarm with AM/PM indication, rings twice a second for 10 seconds, then four times a second for 10 seconds. Display flashes as battery life nears end. Back light. Water resistant. Adjustable stainless steel strap.

SEIKO QUARTZ MEMORY BANK CALENDAR Only £27.95 + 85p p&p Continuous display of hours, minutes, seconds, day, date; 12 hour or 24 hour cycle. Optional monthly calendar display of month, year and dates for designated month with Sunday dates flashing. (Any month Jan 1930 to Dec 2009). Memory bank stores up to 11 dates, displays 'MEMO' and flashes on designated dates. Display flashes as battery life nears end. Back light. Water resistant. Adjustable stainless steel strap.

CITIZEN QUARTZ MULTI-ALARM with timer, stopwatch facilities. Only £27.95 + 85p p&p Continuous display of hours, minutes, seconds with AM/PM indication. Optional display of month, date, day. 12 hour capacity timer, sounds alarm at end of countdown. Time signal chimes every hour on the hour. 12 hour capacity stopwatch. 12 hour alarm with AM/PM indication and spare alarm for added convenience. Indicator flashes as battery life nears end. Back light. Adjustable stainless steel strap. Available with black/white or black/grey face.

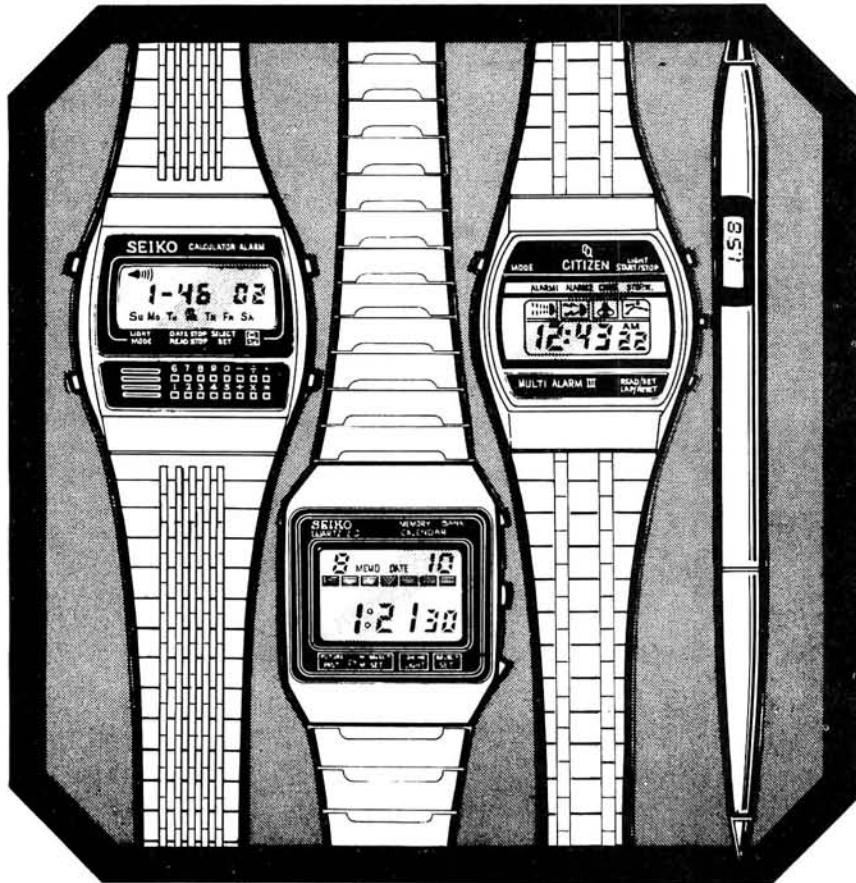
MITRAD PEN WATCH Only £10.15 + 85p p&p Elegant stainless steel ballpoint pen combined with a quartz precision timepiece. The five function LCD watch displays hours, minutes, seconds, month and date and has a computerised four year date memory. In presentation case with spare pen refill.

This is a representative selection from the collection of guaranteed leading make and own brand watches offered through Mitrad's 7 day distribution system and backed by Mitrad's own service organisation. For complete product range, ring or write for catalogue. Trade price list available for bulk orders.



The premier mail order house specialising in quality products and superior after-sales care.

MITRAD 68/70 High Street, Kettering, Northants. Tel: (0536) 522024



To: Mitrad 68/70 High Street, Kettering, Northants
Please send me:

Seiko Quartz Calculator Alarm Watch(es) at £48.80 (inc p&p)

Seiko Quartz Memory Bank Watch(es) at £28.80 (inc p&p)

Citizen Multi-Alarm Watch(es) at £28.80 (inc p&p)

Pen Watch(es) at £11 (inc p&p)

Total value of my order £ _____

I enclose cheque/PO or debit my Access/Barclaycard
No. _____ Signature _____

Name _____ (block letters please)

Address _____

☎ Credit card holders may telephone (0536) 522024 24 hours a day stating card number for immediate attention. All orders despatched within 7 days. Delivery subject to availability. Full refund if not completely satisfied. Mitrad. Registered in England No 2554356. Code PW 2/81

SOUND ADVICE – SOUND VALUE

A GOOD START is essential to short wave listening and expert advice is important in achieving this – So here's some – If you've made up your mind to buy a receiver you should be aware it will perform only as well as the antenna it sees. The old adage regarding wire antennas "As long and as high as you can" is still good, but at best is only good for PEAK PERFORMANCE on one or two frequencies, at worst none.

Whichever frequency you tune your receiver to, for PEAK PERFORMANCE on all frequencies you need good matching between your Receiver and Antenna to hear the best from it. If you plan to listen on the high frequency bands up to 30MHz then you know you can't have an antenna for every frequency! Or can you? – Well, not quite! BUT we can offer you MUCH IMPROVED PERFORMANCE from your receiver by using an antenna tuning unit, that will electrically change the length of your antenna to match the frequency you select – In other words – A MATCH AT ALL FREQUENCIES.

You'll see many antennas being advertised under gimmicky names, but when it comes down to it they're only random wires or odd configurations. At the end of the day, if you're expecting the performance the manufacturers specified, then you'll still have to buy an antenna tuning unit.

Tell you what we'll do – we'll prove it to you – we'll give you one ABSOLUTELY FREE when you buy your FRG 7 or FRG 7700 and we'll give you complete advice on an antenna to suit your available space, which should only cost you a couple of pounds! So let's put the offer in big print for you!

1 YAESU FRG 7 + AMTECH 200 ATU £199.00
1 YAESU FRG 7700 + AMTECH 300 ATU £309.00
VAT included

What's the difference between the Amtech 200 and Amtech 300? Well both will tune any random length of wire but the Amtech 300 will do a little extra – it will also tune co-axial fed antennas – Their normal selling price? The Amtech 300 **£39.95** – The Amtech 200 **£25.95** – What can you lose? So get cracking MAKE A GOOD START! HAVE PEAK PERFORMANCE FROM THE OFF.

JAYBEAM – HYGAIN – BANTEX – AMTECH – CUSHCRAFT – SWAN – ATLAS
 and 50 other major lines – all ex stock



AMCOMM SERVICES

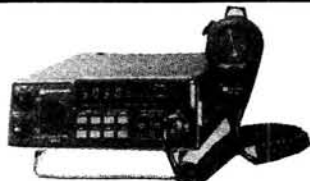
194A NORTHOLT ROAD, SOUTH HARROW, MIDDX.

Tels: 01-864 1166 & 01-422 9585

Opening hours: Tues–Sat 9.00–5.30, Sundays by appointment. Closed Monday.



THE LATEST 2M ALL-MODE MOBILE YAESU FT480R NOW IN STOCK



C8800 2m FM Mobile

The C8800 is a matching unit to the C7800 with the same features covering the 2m band in 5 or 25kHz steps (this is switchable from the rear panel). S20 and S22 are pre-programmed and available at a touch of a button, the unit has a 3 position RF gain to attenuate strong signals such as repeaters. Provision is made for two repeater offsets (600kHz is fitted as standard) at **£252 inc. VAT**.



KDK 205 2m SYNTHESIZED 25w TRANSCEIVER

- ★ Custom designed microprocessor control
- ★ 25kHz and 12.5kHz synthesizer steps!!
- ★ 'Instant QSY', 10 times rate button
- ★ 25 Watts of reliable RF output
- ★ Band scan between any 'easy set' limits
- ★ 10 write-in non-volatile memory channels
- ★ Memory scanning with hold facility
- ★ Standard \pm 600kHz or any repeater split

New Low Price

**£225.00
 inc. VAT**



SWR200B swr/power meter covering 3–200MHz
 50/75 Ohm power range 3–30MHz, 20/200/2kW,
 VHF 2/20/200W **£40.20**.



UH74 SWR & power meter switchable HF, 2m &
 432MHz with remote heat at **£16.40 inc. VAT**.



As EK-150 but with four memories each capable of storing 256 bits making a total of 1,024 bits. This can be recalled separately or in sequence for one long message. **£135 inc. VAT**.



PX402 13.8V DC 3 amp continuous 4 amp max fully stabilized power supply with overload protection **£22.95 inc. VAT**. P&P **£2.00**.

Also available:
PH5000, 5A continuous, 7A surge. **EP2500**, 25A continuous, 30A surge.



SWR25: This ever-popular twin SWR and Power meter covers 3.5–150MHz at **£12.65 inc. VAT**. P&P 50p.



DL-30 Dummy load 25W DC-150 MHz **£6.35 inc. VAT**. P&P 25p.

T-100 80W Dummy load DC-500 MHz **£24.10 inc. VAT**. P&P 25p.

T-200 150W Dummy load DC-500 MHz **£35.60 inc. VAT**. P&P 25p.

TERMS OF BUSINESS: Please note all above items PRICE INCLUDES VAT. Please send cheques or P.O.'s or quote Barclaycard or Access No. to: **B. BAMBER ELECTRONICS, 24 HOUR PHONE SERVICE (0353) 860185**. Callers welcome Tues, Sat. 9.00 am-5.30 pm.



B. BAMBER ELECTRONICS
 5 STATION ROAD LITTLEPORT CAMBS CB6 10E



easily identified by their clock-type one second pulses. They are also to be found on 2.5MHz, 5MHz, 15MHz and 20MHz when propagation is favourable.

Short-Wave Radar

There have been a number of enquiries about the machine-gun type pulses that can be heard wandering about the short-wave bands in an unpredictable way. This is over-the-horizon radar which seems to be a permanent feature on the short-wave bands these days, though it is a lot less troublesome now than it used to be. This type of QRM started in the USSR a few years ago and was the subject of a number of complaints at the time, but it has been reported that other countries have become involved since then.

The reason for the apparent aimless wandering of the signal is rather interesting. It is thought that the transmitter is linked to ionospheric sounding equipment in such a way that the radar operates close to the critical frequency at any moment in order to obtain optimum propagation.

Beams and Bearings

Some readers are puzzled when they hear transmissions that are beamed away from them. Well, these beams are not like the pencil beam from a torch. A better analogy would be a light that is brighter in some directions than in others. There is also the possibility of round-the-world reception which takes about one seventh of a second. If you hear a broadcast with a pronounced echo on it then the echo may be from a signal that has travelled round the globe.

Radio waves travel along a Great Circle path and not "round the latitude" as one reader suggests. The GC path is the shortest distance between two places on the earth's surface. If you have a terrestrial globe then stick a pin in London and another in Vancouver. Stretch a piece of thread between the two pins and its track on the globe is the GC path between London and Vancouver which, rather surprisingly passes close to Iceland and is the route aircraft take. There are two GC Tracks between any two points on the earth, a long one and a short one. In the case of Australia the "short" path is across Russia, China and SE Asia, while the "long" path is the South Atlantic, South America and the South Pacific. You can obtain a Great Circle map centred on London, from the Radio Society of Great Britain, 35 Doughty Street, London WC1N 2AE, for £2.10 post paid. This map which is on a flat surface and is completely unlike any other map (you won't recognise New Zealand), shows the GC track and enables you to measure the Great Circle distance from London to any place in the world.

It is useful to know the GC bearing if you are interested in directional antennas, but it is also valuable if you are concerned about propagation. VNG, which is the time signal station at Lyndhurst in Australia, can be heard on 7.5MHz in the UK in the late afternoon during the winter. Propagation must be by the short path which is in darkness at this time, and VNG is a good pointer to propagation on this path. The signal does suffer from QRM from a Chinese station at times.

DX Heard

Iceland now seems to have a regular service on 12175kHz in the evening. I've heard it on several occasions around 1930 with quite a good signal using the BRT400 and 60ft long wire. Reader **P. Harrison** (Scunthorpe) has an Eddystone 730/10 and his log in-

cludes Uganda on 5025kHz (60m) at 1830 and Iran in English on out-of-band 9022kHz at 2005.

A Trio R-1000, 150ft long wire and Mizuho KYZ Skycoupler (a.t.u.) are in use at Wakefield by **Stephen Bowler**, who reports hearing Radio Australia on 21680kHz at 1903, Radio Pakistan with English identification on 15485kHz at 1830, and HCJB in Ecuador in English on 21480 at 2030.

"Can anyone explain the appearance of BBC1 (TV) sound on approximately 13700kHz?" asks **Mark Slater** who lives at Beckenham. **Cen Rudd** GW4BIQ of Swansea has an FRG-7 which he used with an 80m trap dipole to pick up Radio Israel on 9815kHz at 2000. This programme is also transmitted on 11655, 9425 and 9009 at this time and on 11655, 9815, 9435 and 7412kHz at 2230.

VHF Bands
by Ron Ham BRS15744
Reports to: Ron Ham BRS15744
Faraday, Greyfriars, Storrington,
Sussex RH20 4HE.

Although more than 100MHz apart, the 2m and 10m bands have a lot in common, mainly I think because both bands are subject to the whims of the earth's atmosphere and, each in their own special way, are good hunting grounds for the DXer. I was reminded of this early on November 3, when I heard an SM on 10m telling a VK about the prevailing good conditions on 2m.

Solar

Despite unfavourable weather conditions, **Cmdr Henry Hatfield**, Sevenoaks, used his spectrohelioscope at every opportunity between October 21 and November 11. During his observations on October 22 he counted five sunspot groups, and on the 30th he saw approximately 12 groups and the remains of a large loop prominence near the north pole of the sun. On November 2 he could still see 12 groups, but one of them contained "a large ugly spot surrounded by seven small ones." Henry suggested that this was the cause of the severe noise storm that he was recording at 136MHz and 198MHz and I was recording at 143MHz. Each of us recorded a variety of individual solar bursts during our radio observations on October 21, 23, 24 and 31 and November 1, 2, 3, 5, 6, 7 and 10 (Fig. 1).

During the morning of November 10, Henry counted four sunspot groups, one of which was a long chain of about 30 spots. Between 1126 and 1200, he saw a double flare in one group, a small flare in another, an eruptive prominence on the solar limb and the actual event which generated the burst of radio noise that we both recorded at 1139 (Fig. 2).

The 6m Band

At 1500 on October 22, **Hugh Cocks**, near Battle, Sussex, using a Hallicrafters S27 receiver, heard c.w. signals from the USA. Around 1300 on the 29th a few Ws were calling, and about the same time on November 1 he

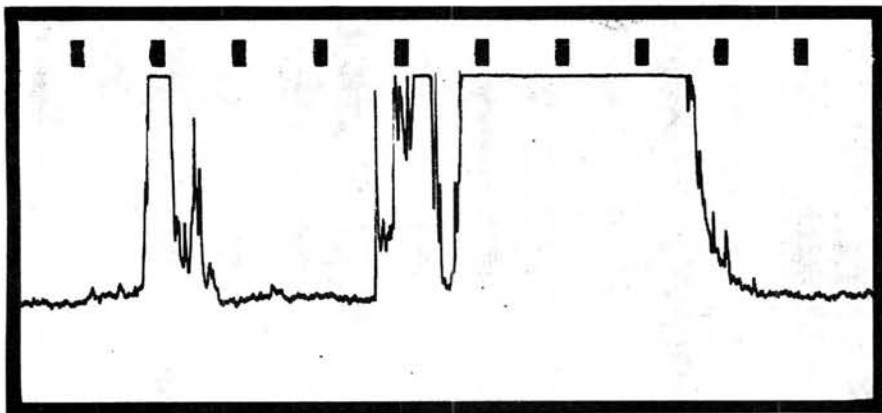


Fig. 1: Two solar bursts which overloaded the author's 143MHz receiver around midday on November 3

heard a VP2. For a short period around 1240 on October 30, **Barry Ainsworth G4GPW**, Lancing, received signals from the South African beacon ZS6PW on 50.032MHz and at 1413 on November 5, I heard weak s.s.b. signals on the band.

The 10m Band

For a large part of each of the 22 days between October 21 and November 11, the 10m band has been generally wide open and giving many enthusiasts a chance of hearing or working some real and sometimes rare DX. Almost every morning, Japanese and Russian stations were predominant among the many signals on the band. For instance, at 0930 on October 28 I enjoyed armchair copy of a QSO between an LA and a JA, and at 0850 on November 1 I tuned among the strong stations and heard VK4NIC/Aeronautical Mobile working into the UK. At 0846 on the 10th, it was fascinating to hear the very strong echoes on the signals of G4DXA when he was calling CQ and beaming toward VK and ZL, and on a French station when he replied to a JA.

Conditions on 10m were also very good on November 11, and at 0750 I heard a 58 signal from ZL2AZU while he was working a DF, but when the German station replied his signals were subject to severe echoing, as were those of G3IYY when he worked the ZL soon after. "The bands have been alive, not only with 28MHz amateurs but also with possibly Russian and certainly American utility stations, and on October 27 I heard American voices in short bursts as high as 53.9MHz," writes **Harold Brodribb**, from St Leonards-on-Sea, Sussex. Harold has logged amateur signals from most parts of the USA on 10m, and has identified several of the harmonics from lower frequency broadcast stations that frequently come up between 28MHz and 35MHz when conditions are good.

One of the best ways of finding out what the band is like at any particular time is to listen for the signals from the various beacon transmitters which operate for 24 hours per day from strategic sites around the world. The October issue of the International Amateur Radio Union's *Region 1 News* lists 21 such stations (Table 1), most of which are operational and in the International Beacon Project scheme, co-ordinated by **Alan Taylor G3DME**, QTHR. I usually check the 10m beacon frequencies around 0830 and 1345 each day using a long wire antenna into a Yaesu FR-101, and during the period in question I heard signals from A9XC on 22 days, DK0TE 16 days, DLOIGI 19 days, VP9BA (mainly at midday) 14 days, 3B8MS 12 days and 5B4CY 22 days. Although the average signal strength of DLOIGI was about 539 it did, as usual, reach

Fig. 2: The solar burst recorded by the author at 1139 on November 10 and witnessed by Henry Hatfield with his spectrohelioscope

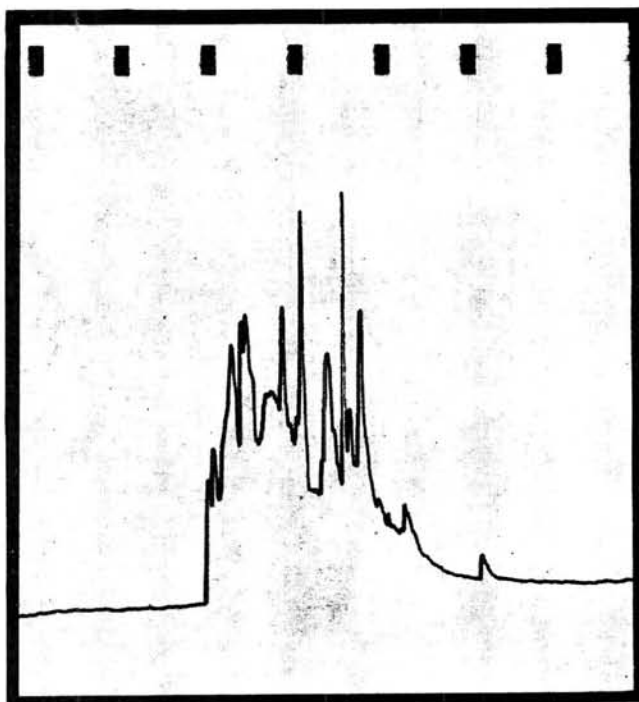


Table 1: Beacons on 28MHz

Callsign	Frequency kHz	Callsign	Frequency kHz
DLOIGI	28 205	VE7TEN	28 252
WD4MSN	28 207	DK0TE	28 257
3B8MS	28 210	ZS6PW	28 274
GB3SX	28 215	DF0AAB	28 277
5B4CY	28 220	YV5AYV	28 280
ZL2MHF	28 230	VP8ADE	28 284
VP9BA	28 235	VS6HK	28 290
LA5TEN	28 237	W6IRT	28 888
OA4CK	28 240	WD9GOE	28 894
A9XC	28 245	DLONF	28 992
EA2HB	28 247		

599 when Sporadic E was about during the early morning of October 26. **Ted Waring**, Bristol, often hears the signals from the Canadian VE3TEN and South African ZS6DN beacons, not listed in Table 1, and during the last week of

October he was picking up signals from VE2TEN, a low power propagation study beacon in Quebec.

G. Clothier RS31665, Bristol, using an FRG-7 and a quarter-wave ground-plane in the loft, frequently listens for the 10m beacon signals and when he hears YV4AYV on 28.282MHz, another at present unlisted beacon, he then looks for DX in the South America region. Like me, RS31665 has found that A9XC is the most consistent beacon on the band. G. Clothier is a member of the RSGB Bristol Group; was a listener back in the 1920s and once held the RSGB number, BRS5! Readers' reports about the reception of beacon signals are always welcome by Alan Taylor for the RSGB, and me for publication in this column.

On November 1, **Gerry Brownlow** G3WMU, worked LA, LU, W6 and W8 from his home in Brighton, and during the afternoon of the 2nd he parked his car outside the radio building at the Chalk Pits Museum, Amberley, Sussex and with his FT-7 and a "G" whip antenna worked stations in Russia, Scandinavia and the USA.

Tropospheric

The prevailing high atmospheric pressure of 30.3in (1026 mbar) on October 20 began to fall rapidly at 2300, and by midnight on the 21st it was down to 30.0in (1015 mbar) and falling. It was therefore no surprise when I switched on the gear at 0730 on the 21st and heard a mobile station in Cornwall working GW mobiles through the Bristol Channel repeater GB3BC, R6 and several continental broadcast stations in Band II. This short-lived disturbance spread into the 70cm band, and with a dipole feeding my receiver, I heard 579 signals from the beacon in Sutton Coldfield GB3SUT. The pressure remained low until midday on the 25th when it rose to 30.1in (1019 mbar), and by noon on the 30th it was back to 30.3in where it stayed until about 0200 on November 1. Then a gradual fall set in, and true to form a tropospheric opening took place which lasted for a few days.

Between 1200 and 1300 on October 26, **Simon Hamer**, Presteigne, Wales, listening in Band II, noticed a lift and heard Sandi Jones playing Haydn's *Serenade* by the Scottish Dragoon Guards on BBC Radio Solent, stereo signals from the ILR stations in London, Capital and LBC, and music from Lille. I first noticed the main disturbance at 0045 on November 1, when signals from GB3BC were just opening the squelch on my TM-56B. By 0800, the repeater's signals were very strong and remained so for most of the 1st and 2nd. On the 1st, Gerry Brownlow, using an FT-101, a Microwave Modules Transverter and a 9-element Tonna aerial, heard two EAs and an HB9 on 2m s.s.b., and later heard an F6 calling "CQ Scandinavia only".

Between 1850 and 2100 on the 1st, **Ken Smith** BRS20001, Horsham, heard very strong signals from several French broadcast stations in Band II, and from midday on the 1st to late on the 2nd I received signals, averaging 539, from GB3SUT. At 0148 on the 2nd, still using my humble dipole, I heard G8GXE calling CQ on 70cm with his aerial beaming toward the north from Slough in Berkshire, suggesting that the troposphere was acting as a good reflector to part of his signal. Simon Hamer sent an interesting log for his Band II reception on November 1 and proved, by listening to Gershwin's *Porgy and Bess* from Caen, and music in stereo from Capital Radio and LBC, that DX hunting also has good entertainment value. During the evening, Simon logged 10 French broadcast stations between 88MHz and 100MHz, and at 1930 on the 4th he received signals from BBC Radio London in short bursts.

News Items

Congratulations to **Jonathan Reed**, Alresford, Hants, who at the age of 14 years and 10 months passed the RAE with credits in both parts and now sports the callsign, G8YMH. I will look forward to receiving your reports, Jonathan.

Alan Baker G4GNX, tells me that the Sussex Mobile Rally will be held, as before, at Race Hill in Brighton, on 19 July 1981.



"The F2 season started with a bang on October 14 with smeary colour bars at 0938 on Channel R2, and a smeary, circular electronic pattern on Channel R1," writes **Nicholas Brown**. Good news for the future: according to a report in the *West Sussex Gazette* (9 September 1980), the subject of a television satellite for taking programmes to and from member countries, has been under discussion in the European Parliament.

Pictures via F2

Between approximately 0830 and 1000 on almost every morning from October 22 to November 12, there was a jumble of strong pictures on Ch. R1, 49.75MHz, due to natural changes taking place within the F2 (upper) region of the ionosphere. It is obvious from a careful study of the screen that more than one signal is present and it becomes even more obvious when listening to the variety of television sync pulses on a communications receiver tuned to 49.75MHz. Owing to the multi-path reflections of the signals, these pictures are smeary, the captions are out of focus and it's not unusual to see several images, especially when a single figure is featured on the screen.

Hugh Cocks, near Battle, Sussex, using a Bush 125 receiver, a 4-element Band I beam and a pre-amp, has also seen the early-morning mixture on R1, but at 0830 on

Table 1: Far east 625-line television frequencies in Band I (Ref. WRTVH 34th Edition)

Country	Channel	Vision MHz	Sound MHz
Australia	0	46.25	51.75
Australia	1	57.25	62.75
Australia	2	64.25	69.75
China	C-1	49.75	56.25
China	C-2	57.75	64.25
China	C-3	65.75	72.25
New Zealand	1	45.25	50.75
New Zealand	2	55.25	60.75
New Zealand	3	62.25	67.75



Fig. 1: Four SSTV pictures received from the USA by Sam Faulkner

Fig. 2: SSTV pictures from Argentina and Nigeria

October 24, he heard sync pulses on the Australian Channel 0, 46.25MHz (see Table 1), and around the same time on the 27th he resolved what looked like a news programme on that channel. Both Nicholas Brown, Rugby, and I saw the Russian test card (made up of small squares) emerge from the mixture on the 28th and 29th, and at 0948 on the 28th there were five clear images of an announcer wearing glasses.

At 0918 on the 31st there was the usual smeary mixture, then 10 minutes later the shape of an announcer appeared with only one image, I assume he was introducing a new programme, because at 0930, there was a strong picture of cliffs and the sea rolling in, but the captions were too blurred to read.

Tropospheric

At 0730 on October 21, using my 405-line receiver fed with a dipole at 30ft a.g.l., I received strong pictures from the IBA transmitter at Lichfield on Ch. 8. This system serves me as an indicator for tropospheric conditions toward the north of England. When the atmospheric pressure is high and I am in the radio room, I leave this set running with just receiver noise on the screen, and if a picture builds up then I know that it's time to check the v.h.f. bands for DX.

This was proved at 0045 on November 1 when a weak picture from ATV on Channel 8 was one of the first indications I had that a tropospheric opening had begun, and by 0900 the picture was strong and subjected to co-channel interference. At 0900 on the 2nd, the HTV caption was riding up on the ATV colour bar test card on Ch. 8, and at 0905 the *Good Morning* caption from ATV was predominant once again. Ken Smith, Horsham, noted the severe patterning on several u.h.f. channels during the evening of the 1st, and said that both the BBC and IBA warned their viewers about the prevailing interference.

Ken also saw signs of French pictures around Ch. 21. "The current ridge of high pressure covering northern Europe has led to a number of excellent tropospheric catches from Finland (up to 200 miles away), undisturbed by local stations in the early morning, thanks to the one hour time difference," writes David Appleyard, from Uppsala, Sweden, who received almost perfect pictures from Aland on Ch. E5, 175.25MHz and Turku Ch. E7, 189.25MHz at 0700 on November 2 and 3. David was using an 8in National Panasonic receiver with its own telescopic aerial standing on the window sill of his fifth-floor flat.

Sporadic-E

During a brief period of Sporadic E around 0958 on October 26, I received pictures from Russia on Ch. R1 and bursts of sound on the R1 sound channel, 56.25MHz. During another short-lived event, David Appleyard watched an animal cartoon film followed by an ice hockey match on Ch. R2, 59.25MHz, between 1125 and 1155 on November 2.

SSTV

One of the delightful aspects of slow scan television is that it is possible to see the face behind the call, Sam Faulkner, Burton-on-Trent, has sent me four such pictures he received from the USA to prove the point, Fig. 1. During late September he also received pictures from Argentina LU5AN and Nigeria 5N0DOG, Fig. 2. It may not be generally known that one of the advantages of SSTV is that the pictures can be stored on a normal audio tape recorder and played back into the equipment when required. One of Sam's favourite monitoring spots is the SSTV calling channel on 28.680MHz.



We use advanced winding technology to make our toroidal transformers. They have only half the weight and height of their laminated equivalents and are appreciably more efficient. Our toroids cost virtually the same as the older types which they are rapidly replacing. Induced hum is reduced by a factor of ten. Supplied with rigid mounting kit with centre bolt, steel and neoprene washers.

30VA 70mm dia. x 30mm Weight 0.45 Kg **£4.71**
(+£1.00 p.p. + 0.86 VAT)

TYPE	SECONDARY RMS VOLTS	SECONDARY RMS CURRENT
1X010	6+6	2.50
1X011	9+9	1.66
1X012	12+12	1.25
1X013	15+15	1.00
1X014	18+18	0.83
1X015	22+22	0.68
1X016	25+25	0.60
1X017	30+30	0.50

50VA 80mm dia. x 35mm Weight 0.9 Kg **£5.19**
(+£1.10 p.p. + 0.94 VAT)

TYPE	SECONDARY RMS VOLTS	SECONDARY RMS CURRENT
2X010	6+6	4.16
2X011	9+9	2.77
2X012	12+12	2.08
2X013	15+15	1.66
2X014	18+18	1.38
2X015	22+22	1.13
2X016	25+25	1.00
2X017	30+30	0.83
2X028	110	0.45
2X029	220	0.22
2X030	240	0.20

80VA 90mm dia. x 30mm Weight 1 Kg **£5.76**
(+£1.20 p.p. + £1.04 VAT)

TYPE	SECONDARY RMS VOLTS	SECONDARY RMS CURRENT
3X010	6+6	6.64
3X011	9+9	4.44
3X012	12+12	3.33
3X013	15+15	2.66
3X014	18+18	2.22
3X015	22+22	1.81
3X016	25+25	1.60
3X017	30+30	1.33
3X028	110	0.72
3X029	220	0.36
3X030	240	0.33

120VA 90mm dia. x 40mm Weight 1.2 Kg **£6.72**
(+£1.30 p.p. + £1.20 VAT)

TYPE	SECONDARY RMS VOLTS	SECONDARY RMS CURRENT
4X011	9+9	6.66
4X012	12+12	5.00
4X013	15+15	4.00
4X014	18+18	3.33
4X015	22+22	2.72
4X016	25+25	2.40
4X017	30+30	2.00
4X028	110	1.09
4X029	220	0.54
4X030	240	0.50

160VA 110mm dia. x 40mm Weight 1.8 Kg **£8.88**
(+£1.40 p.p. + £1.54 VAT)

TYPE	SECONDARY RMS VOLTS	SECONDARY RMS CURRENT
5X012	12+12	6.66
5X013	15+15	5.33
5X014	18+18	4.44
5X015	22+22	3.63
5X016	25+25	3.20
5X017	30+30	2.66
5X018	35+35	2.28
5X028	110	1.45
5X029	220	0.72
5X030	240	0.66

225VA 110mm dia. x 45mm Weight 2.2 Kg **£10.59**
(+£1.50 p.p. + £1.81 VAT)

TYPE	SECONDARY RMS VOLTS	SECONDARY RMS CURRENT
6X014	18+18	6.25
6X015	22+22	5.11
6X016	25+25	4.50
6X017	30+30	3.75
6X018	35+35	3.21
6X028	40+40	2.81
6X029	110	2.04
6X029	220	1.02
6X030	240	0.93

300VA 110mm dia. x 50mm Weight 2.6 Kg **£12.27**
(+£1.60 p.p. + £2.08 VAT)

TYPE	SECONDARY RMS VOLTS	SECONDARY RMS CURRENT
7X016	25+25	6.00
7X017	30+30	5.00
7X018	35+35	4.28
7X026	40+40	3.75
7X025	45+45	3.33
7X028	110	2.72
7X029	220	1.36
7X030	240	1.25

500VA 140mm dia. x 60mm Weight 4 Kg **£16.35**
(£1.70 p.p. + £2.71 VAT)

TYPE	SECONDARY RMS VOLTS	SECONDARY RMS CURRENT
8X017	30+30	8.33
8X018	35+35	7.14
8X026	40+40	6.25
8X025	45+45	5.55
8X033	50+50	5.00
8X028	110	4.54
8X029	220	2.27
8X030	240	2.08

• I.L.P. TOROIDAL TRANSFORMERS ARE GUARANTEED FOR 5 YEARS

CHOICE OF 3 PRIMARY INPUTS

I.L.P. Toroidal Transformers are available in choice of 110V, 220V, 240V, coded as follows: (Secondaries can be connected in series or parallel)

For 110V Primary insert 0 in place of "X" in type number.
For 220V Primary (Europe) insert 1 in place of "X" in type number.
For 240V Primary (U.K.) insert 2 in place of "X" in type number.

Example - 120VA 240V 15+15V. 4A = 42013.

* CUSTOMER DESIGN ENQUIRIES INVITED. QUANTITY PRICE LIST AVAILABLE.

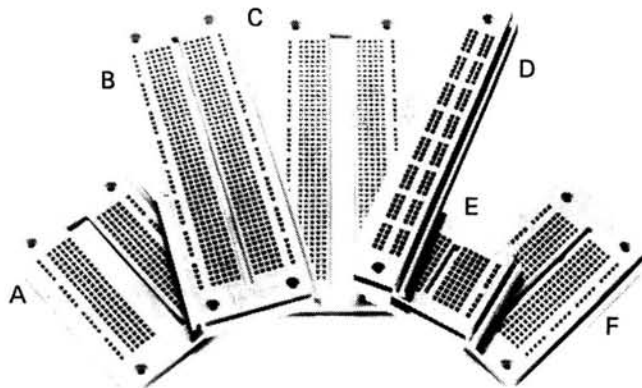
FREEPOST facility. (U.K. only).

Simply address envelope to **FREEPOST** to address below. NO STAMP REQUIRED.

TO ORDER Enclose cheque/Postal Order/Money Order payable to I.L.P. Electronics Ltd or quote your ACCESS or BARCLAYCARD account No. To pay C.O.D. add £1 extra to TOTAL value of order. Also available from ELECTROVALUE and MARSHALLS.

I.L.P. TRANSFORMERS
A division of I.L.P. ELECTRONICS LTD.
**FREEPOST T1 GRAHAM BELL HOUSE ROPER CLOSE
CANTERBURY CT2 7EP**
Phone (0227) 54778 Technical (0227) 64723 Telex 965 780

IT'S AS EASY AS A,B,C...



- A EXP 650 For microprocessor chips. **£3.60**
- B EXP 300 The most widely sold breadboard in the UK; for the serious hobbyist. **£5.75**
- C EXP 600.6" centre channel makes this the Microprocessor Breadboard. **£6.30**
- D EXP 4B An extra 4 bus-bars in one unit. **£2.30**
- E EXP 325 Built in bus-bars accepts 8, 14, 16 and up to 22 pin ICS. **£1.60**
- F EXP 350 270 contact points, ideal for working with up to 3 x 14 pin DIPS. **£3.15**
- G PB6 Professional breadboard in easily assembled kit form. **£9.20** (Not illustrated.)
- H PB 100 Kit form breadboard recommended for students and educational uses. **£11.80** (Not illustrated.)

& IT'S AS EASY AS 1,2,3 with THE EXPERIMENTOR SYSTEM

SCRATCHBOARD
-BREADBOARD
-MATCHBOARD

1. EXP 300PC which includes one item. A matchboard pre-drilled PCB - £1.32
2. EXP 302 which includes three items. Three 50-sheet scratchboard workpads - £1.68
3. EXP 303 which includes three items. Two matchboards and an EXP 300 solderless breadboard - £8.60.
4. EXP 304 which includes four items. Two matchboards and EXP 300 breadboard and a scratchboard workpad - £9.30

The above prices do not include P&P and 15% VAT

TOMORROW'S TOOLS TODAY

CONTINENTAL SPECIALTIES CORPORATION



C.S.C. (UK) Limited, Dept. 6H,
Unit 1, Shire Hill Industrial Estate,
Saffron Walden, Essex CB11 3AQ.
Tel: Saffron Walden (0799) 21682
Telex: 817477

NAME _____

ADDRESS _____

I enclose cheque/PO for £ _____

or debit my Barclaycard, Access, American Express card

No. _____ Exp. date _____

or Tel: (0799) 21682 with your card number and your order will be in the post immediately.

A EXP 650 £5.00	Qty. Reqd.	B EXP 300 £7.76	Qty. Reqd.
C EXP 600 £8.39	Qty. Reqd.	D EXP 4B £3.50	Qty. Reqd.
E EXP 325 £2.70	Qty. Reqd.	F EXP 350 £4.48	Qty. Reqd.
G PB6 £11.73	Qty. Reqd.	H PB 100 £14.72	Qty. Reqd.

Experimenter System

1 EXP 300 PC £2.38	Qty. Reqd.	2 EXP 302 £2.79	Qty. Reqd.
3 EXP 303 £11.04	Qty. Reqd.	4 EXP 304 £11.85	Qty. Reqd.

Boxed prices include P & P and 15% VAT

If no dealer in your area contact CSC direct.

FREE catalogue tick box

Continental Specialties Corporation, (U.K.) Limited, Dept. 6H
Unit 1, Shire Hill Industrial Estate, Saffron Walden, Essex. Tel: (0799) 21682



SIMPLY AHEAD
and staying there

The range grows bigger... better...

New Profile Amplifiers - Two New Series

MOSFET!

CHOOSE AN I.L.P. MOSFET POWER AMP when it is advantageous to have a faster slew rate, lower distortion at higher frequencies, enhanced thermal stability, the ability to work with complex loads without difficulty and complete absence of cross-over distortion. I.L.P.'s exclusive encapsulation technique within fully adequate heatinks has been taken a stage further with specially developed computer-verified 'New Profile' extrusions. These ensure optimum operating efficiency from our new MOSFETs, and are easier to mount. Connection is via five pins on the underside. **I.L.P. MOSFETS ARE IDENTICAL IN PERFORMANCE TO THE COSTLEST AND BEST BIPOLARS IN THIS EXCITING NEW CATEGORY BUT ARE ONLY A FRACTION OF PRICES CHARGED ELSEWHERE.**

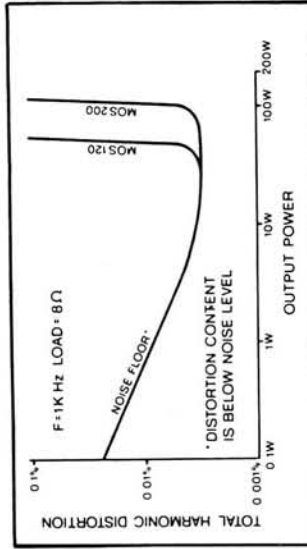
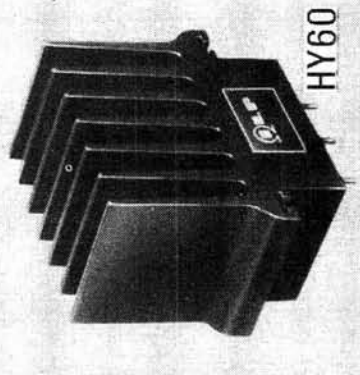
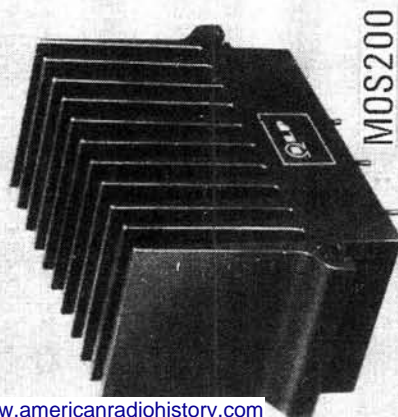
Model	Output Power RMS	Distortion Typical at 1kHz	Slew Rate	Rise Time	Signal/Noise Ratio DIN AUDIO	Price & VAT
MOS120	60W into 4-8Ω	0.005%	20V/μs	3μs	100dB	£25.88 + £3.88
MOS200	120W into 4-8Ω	0.005%	20V/μs	3μs	100dB	£33.46 + £5.02

BIPOLAR!

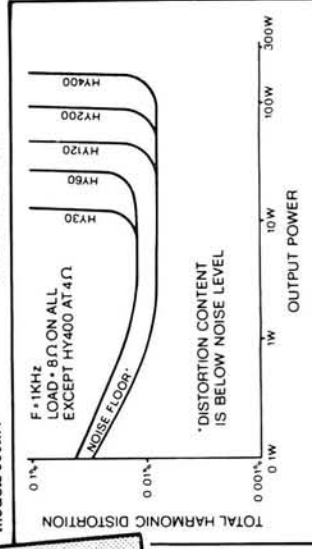
STANDARD O/P TRANSISTORS

CHOOSE AN I.L.P. BIPOLAR POWER AMP where power and price are first consideration while maintaining optimum performance with hi-fi quality and wide choice of models. From domestic hi-fi to disco and P. A. for instrument amplification, there is an I.L.P. Bipolar to fill the bill, and as with our new Mosfets, we have encapsulated Bipolars within our New Profile extrusions with their computer-verified thermal efficiency and improved mounting shoulders. Connections are simple - via five pins on the underside and with our newest pre-amps and power supply units, it becomes easier than ever to have a system layout housed the way you want it.

Model	Output Power RMS	Distortion Typical at 1kHz	Slew Rate	Rise Time	Signal/Noise Ratio DIN AUDIO	Price & VAT
HY30	15W into 4-8Ω	0.015%	15V/μs	5μs	100dB	£7.29 + £1.09
HY60	30W into 4-8Ω	0.015%	15V/μs	5μs	100dB	£8.33 + £1.25
HY120	60W into 4-8Ω	0.01%	15V/μs	5μs	100dB	£17.48 + £2.62
HY200	120W into 4-8Ω	0.01%	15V/μs	5μs	100dB	£21.21 + £3.18
HY400	240W into 4Ω	0.01%	15V/μs	5μs	100dB	£31.83 + £4.77



Load impedance both models 4Ω. Input sensitivity both models 500mV. Frequency response both models 15Hz-100kHz-3dB



Load impedance all models 4Ω. Input sensitivity all models 100KΩ. Frequency response all models 15Hz-50kHz-3dB

THE NEW PROFILE EXTRUSIONS

The introduction of standard heatsink extrusion for all I.L.P. power amplifiers achieves many advantages. Research shows they provide optimum thermal dissipation and stability. Slotted shoulders allow easy mounting; standardisation enables us to keep our prices competitive. Surfaces are matt black, anodised for higher thermal conductivity. Extrusions vary in size according to module number.



ILP POWER AMPS ARE ENCAPSULATED FOR THERMAL STABILITY AND LONGER LIFE

I.L.P. PRE-AMPS

HY6 (mono) and HY66 (stereo) are new to I.L.P.'s range of advanced audio modules. Their improved characteristics and styling ensure their being compatible with all I.L.P. power-amps both MOSFET and BIPOLAR, giving you chance to get the best possible reproduction from your equipment. HY6 and HY66 pre-amps are protected against short circuit and wrong polarity. Full assembly instructions are provided. Mounting boards are available as below.

Sizes - HY6 - 45 x 20 x 40 mm. HY66 - 90 x 20 x 40 mm. Active Tone Control circuits provide ± 12 dB cut and boost. Inputs Sensitivity - Mag. PU - 3mV; Mic - selectable 1-12mV. All others 100mV. Tape O/P - 100mV; Main O/P - 500mV; Frequency response - D.C. to 100KHz - 3dB.

HY6 mono £6.44 + 97p VAT Connectors included
 HY66 stereo £12.19 + £1.83 VAT Connectors included
 B6 Mounting Board for one HY6 78p + 12p VAT
 B66 Mounting Board for one HY66 99p + 15p VAT

I.L.P. POWER SUPPLY UNITS

Of the eleven power supply units which comprise our current range, nine have toroidal transformers made in our own factory. Thus these I.L.P. power supply units are space-saving, more efficient and their better overall design helps enormously when assembling building. All models in the range are compatible with all I.L.P. amps and pre-amps with types to match whatever I.L.P. power amps you choose.

- PSU30 ± 15 V at 100mA to drive up to 12 x HY6 or 6 x HY66 £4.50 + 0.68p VAT
- PSU36 for use with 1 or 2 HY30's £8.10 + £1.22 VAT
- ALL THE FOLLOWING USE TOROIDAL TRANSFORMERS
- PSU50 for use with 1 or 2 HY60's £10.94 + £1.64 VAT
- PSU60 for use with 1 HY120 £13.04 + £1.96 VAT
- PSU65 for use with 1 MOS120 £13.32 + £2.00 VAT
- PSU70 for use with 1 or 2 HY120's £15.92 + £2.39 VAT
- PSU75 for use with 1 or 2 MOS120 £16.20 + £2.43 VAT
- PSU90 for use with 1 HY200 £16.20 + £2.43 VAT
- PSU95 for use with 1 MOS200 £16.32 + £2.48 VAT
- PSU180 for use with 1 HY400 or 2 HY200 £21.34 + £3.20 VAT
- PSU185 for use with 1 or 2 MOS200 £21.46 + £3.22 VAT

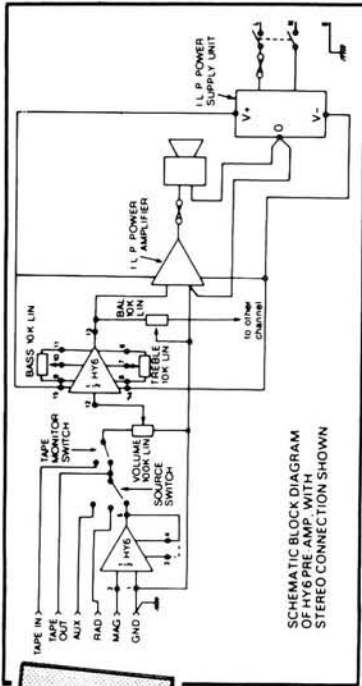
★ Freepost facility

When ordering or writing about I.L.P. products, you do not need to stamp the envelope. Mark it FREEPOST plus the code shown in the address below. We pay the postage for you.

★ TO ORDER

Send cheque or money order payable to I.L.P. Electronics Ltd and crossed. Or pay by ACCESS or BARCLAYCARD. Cash payments must be in registered envelope. If C.O.D. payment is wanted, please add £1.00 to TOTAL value of order.

COMPATIBLE WITH ALL I.L.P. MODULES



SCHEMATIC BLOCK DIAGRAM OF HY6 PRE-AMP WITH STEREO CONNECTION SHOWN

- DISTORTION TYPICALLY 0.005%
- S/N RATIO - 90dB (Mag. P.U. - 68 dB)
- 38 dB overload margin on Mag. P.U.
- LATEST DESIGN HIGH QUALITY CONNECTORS
- ONLY POTS, SWITCHES AND PLUGS/SOCKETS NEED ADDING
- NEEDS ONLY UNREGULATED POWER SUPPLY ± 15 to ± 60 V

IN A RANGE OF 11 MODELS USING LATEST TOROIDAL TRANSFORMERS

1971-1980 TEN YEARS OF PLANNED PROGRESS

When, in 1971, Ian L. Potts founded his now world-famous company, he saw the need for a different and more rational approach to exploiting to the full, the potential that lay in modular construction. New thinking was badly needed. The result was a range of modules revolutionary in concept. The rightness of this new thinking is shown by the size of the company today. Its new factory, its vast exports, its acceptance by constructors as the modules to build with. The range grows bigger and better. Exciting new lines (in no way conflicting with existing ones) are well past drawing board stage. This is why I.L.P. are simply ahead and staying there.

BRITAIN'S LEADING QUALITY MODULE SUPPLIERS

To: I.L.P. ELECTRONICS LTD. CANTERBURY CT2 7EP

Please supply.....

..... Total purchase price £.....

I enclose Cheque Postal Orders International Money Order

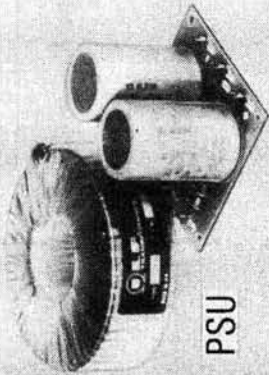
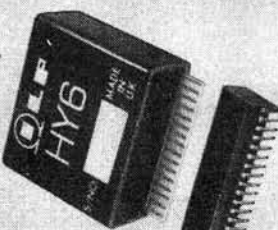
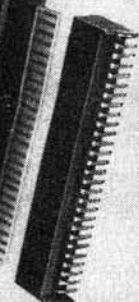
Please debit my Access/Barclaycard Account No.

NAME

ADDRESS

Signature

ALL U.K. ORDERS DESPATCHED POST FREE



NO QUIBBLE 5 YEAR GUARANTEE
 7-DAY DESPATCH ON ALL ORDERS
 BRITISH DESIGN AND MANUFACTURE
 FREEPOST SERVICE



ELECTRONICS LTD.

FREEPOST 1 Graham Bell House, Roper Close, Canterbury, Kent CT2 7EP.
 Telephone (0227) 54778 Technical (0227) 64723 Telex 965780

Available also from MARSHALLS, WATFORD ELECTRONICS and certain other selected retailers



When replying to Classified Advertisements please ensure:

- (A) That you have clearly stated your requirements.
- (B) That you have enclosed the right remittance.
- (C) That your name and address is written in block capitals, and
- (D) That your letter is correctly addressed to the advertiser.

This will assist advertisers in processing and despatching orders with the minimum of delay.

Receivers and Components

BRAND NEW COMPONENTS BY RETURN

HIGH STABILITY RESISTORS.

1W Carbon Film E12 Series 1R-10M. (E24 2R-6M2)—1p
1/2W 1/4W & 1W Metal Film E12 Series 10R-2M2—2p

CAPACITORS

MULLARD Min. Ceramic E12 100V 2% 1.8pf. to 47pf.—4p
2% 56pf. to 330pf.—4p. 10% 390pf. to 4700pf.—4p

Plate Ceramic 50V Wkg. Vertical Mounting.

E12 22pf. to 1000pf. 6 E6 1K5pf. to 47Kpf.—2p

Miniature Polyester 250V Wkg. Vertical Mounting.

01. 015. 022. 033. 047 & 068 mfd.—4p
0.1—5p. 0.15 & 0.22—6p. 0.33 & 0.47—8p
0.68—11p. 1.0—15p. 1.5—20p. 2.2—22p

ELECTROLYTIC. Wire Ended (Mfds/Volts).

0.47/50 5p 22/25 6p 100/25 7p 470/25 11p
1.0/50 5p 22/50 6p 100/50 8p 470/40 16p
2.2/50 5p 47/16 6p 220/16 8p 1000/15 15p
4.7/50 5p 47/25 6p 220/25 8p 1000/25 18p
10/50 5p 47/50 6p 220/50 10p 1000/40 35p
22/16 6p 100/16 7p 470/16 11p 2200/16 20p

TANTALUM BEAD SUBMINIATURE ELECTROLYTICS.

0.1. 0.22. 0.47. 1.0. 2.2 = 35V & 4.7 = 6.3V—14p
4.7/16V & 25V—15p. 10/16 & 22/16—20p. 10/25—23p
10/35V. 22/16V. 47/16. 3V. 68/3V & 100/3V—30p
15/25. 22/25. 47/10—35p. 47/16—80p. 220/16—£1.20

Polystyrene 63V Wkg. E12 Series Long Axial Wires.

10 pf. to 820 pf.—3p. 1000 pf. to 10,000pf.—4p

TRANSISTORS.

BC107/8/9 10p BC182L 8p BF197 10p
BC147/8/9 10p BC184L 8p BFY50/51/52 18p
BC157/8/9 10p BC212L 8p BFX88 25p
BC547C/8C/9C 7p BCY70 15p 2N2926 7p
BC557C/8C/9C 7p BF194 10p 2N3055 50p

8 Pin D.I.L. i.c.'s 741 Op/amp.—18p. 555 Timer—24p
Holders 8 pin—9p. 14 Pin—12p. 16 Pin—14p. 28 Pin—25p
40 Pin—30p.

DIODES (p.i.v./amp).

75/25mA 1N4148 2p 1250/1A BY127 10p
100/1A 1N4002 4p 400/3A 1N5404 14p
800/1A 1N4006 6p 60/1.5A S1M1 5p
1000/1A 1N4007 7p 30/150mA AAY32 12p

ZENER DIODES.

E24 Series 3V3 to 33V 400mW—8p. 1W—10p
L.E.D.'s 3 mm. & 5 mm. Red—10p. Green. Yellow—14p
Grommets for 3 mm.—1p. Holders for 5 mm.—2p

FUSES. 20 mm. Glass. 100mA to 5A. Q.B.—3p. A/S—5p

VOLTAGE REGULATORS+5V. 8V. 12V. 15V 100mA.—35p
5V. 8V. 12V. 15V. 18V & 24V 0.5A—60p. 1A—65p

PRESET POTENTIOMETERS

50mW & 1W 100R to 1MΩ.—8p

THE C. R. SUPPLY CO.

127, Chesterfield Road, Sheffield S8 0RN.
V.A.T. Inclusive Prices, Postage 15p
(FREE over £5.00)

PREWAR ONWARD VALVES, WIRELESS. SAE. Sole
Electronics. 37 Stanley Street, Ormskirk, Lancs.

1920 VMCR 1960

Old wireless sets, valves and components. Repair, overhaul &
restoration. SAE for lists:
VINTAGE MODERN & COMMUNICATIONS RADIOS,
The Old School, Staindrop,
Nr. Darlington, Co. Durham.
Tel: Staindrop (0833) 60452 or 60630
(24 hour telephone answering service)

SMALL ADS

The prepaid rate for classified advertisements is 28 pence per word (minimum 12 words), box number 60p extra. Semi-display setting £9.50 per single column centimetre (minimum 2.5 cms). All cheques, postal orders etc., to be made payable to Practical Wireless and crossed "Lloyds Bank Ltd". Treasury notes should always be sent registered post. Advertisements, together with remittance should be sent to the Classified Advertisement Manager, Practical Wireless, Room 2337, IPC Magazines Limited, King's Reach Tower, Stamford St., London, SE1 9LS. (Telephone 01-261 5846).

NOTICE TO READERS

Whilst prices of goods shown in classified advertisements are correct at the time of closing for press, readers are advised to check with the advertiser both prices and availability of goods before ordering from non-current issues of the magazine.

CRYSTALS Brand new high-precision. You benefit from very large stocks held for industrial supplies. All normal freq standards, baud rates, MPU, and all magazine projects inc: HC33/U: 1.0. 1.008. 2.5625 MHz. £3.50. 1.280 MHz. £4.15. HC18/U: 4.0. 5.0. 6.0. 7.0. 8.0. 9.0. 10.0. 10.7. MHz £3.00. 12.0. 15.0. 16.0. 18.0. 20.0. 6.9375. 38.6667 MHz. £3.25. Selected freqs stocked in Glider Marine and 27 MHz bands. Any freq made to order in 6 weeks from £3.90.

FILTERS Your best source for 6 and 8 pole and monolithics for AM, CW, SSB, FM, on 455 kHz. 1.6. 9.0. 10.7. 21.4 MHz, etc.
Prices inc. VAT and UK post. SAE lists.

P. R. GOLLEGE ELECTRONICS
G3EDW, Merriott, Somerset, TA16 5NS.
Tel: 0480 73718

WE SUPPLY most Vintage Radio component parts with a friendly service worldwide. British Vintage Radio Components Co., 57, Weldon Park, Weldon, Nr. Corby, Northants. Tel. Corby 61875.

PROFESSIONAL TOOLS AT DISCOUNT PRICES

Send 14p. stamp for free catalogue and price list.

TRI-tronic Marketing Ltd.,
9, Badby Leys, Rugby, CV22 5RB
Tel: (0788) 812895.

CLEARANCE PARCELS: Transistors, Resistors, Boards, Hardware. 10lbs only £5.80! 1,000 Resistors £4.25, 500 Capacitors £3.75, BC108, BC171, BC204, BC230, 2N5061, CV7497 Transistors, 10 70p, 100 £5.80. 2N 3055, 10 for £3.50. S.A.E. Lists: W.V.E. (1) 15 High Street, Lydney, Gloucestershire.

PRactical WIRELESS CIRCUIT BOARDS

Feb 79	Hythe Rx	£4.80	May 80	NBFM Demod	£1.30
Mar 79	Soundbite Geny	£4.80	Jun 80	Acoustic Flash	£1.00
Apr 79	Radio Control Rx	£1.50	Jun 80	Nimbus Base Station	£2.60
Jan 80	Radio Control Tx	£2.00	Aug 80	Reflex Controller	£1.70
Jan 80	Radio Control Fc	£1.50	Sep 80	Tamar Ion Controller	£12.00
Jan 80	Speech Processor	£1.80	Sep 80	2 Merris Conv	£1.20
Jan 80	Wideband Amp	£2.70	Oct 80	Direct Con Rx	£1.50
Apr 80	Signal Generator	£2.80	Oct 80	Nimbus P.S.U.	£8.80
Apr 80	Nimbus Transceiver	£4.80	Nov 80	Field Test Set (2 boards)	£1.70
Apr 80	Nimbus Modulator	£3.75	Nov 80	Resistor Meter	£6.50
May 80	100S Timer	£1.30	Dec 80	Bird Scope (2 boards)	£1.50

ALL BOARDS TOP QUALITY GLASS FIBRE POST FREE

Boards not listed sent on approval on request. We are always pleased to hear from readers who prefer to design their own circuits and can produce "one offs" at very reasonable charges. Send SAE for leaflet "How To Produce Airwork".

H.T.E. (PRINTED CIRCUIT BOARDS) DEPT P.W.
50 Millfield Avenue, Elgin, Moray IV30 3EL

BALLARD'S OF TUNBRIDGE WELLS have moved to 54 Grosvenor Road, no lists. S.A.E. all enquiries phone Tunbridge Wells 31803.

CRYSTALS MADE TO ORDER within 6 weeks. 4-105MHz. wire or pins. £3.90 each inclusive. HARTLEY CRYSTALS. Green Lane, Milford, Godalming, Surrey GU8 5BG.

VALVES

Radio - T.V. - Industrial - Transmitting Projector Lamps and Semiconductors
We Dispatch Valves to all parts of the world by return of post, Air or Sea mail, 4000 Types in stock, 1930 to 1976. Obsolete types a speciality. List 50p. Quotations S.A.E. Open to callers Monday to Saturday 9.30 to 5.00 closed Wednesday 1.00. We wish to purchase all types of new and boxed Valves, Projector Lamps and Semiconductors.

COX RADIO (SUSSEX) LTD.

Dept. P.W. The Parade, East Wittering,
Sussex PO20 8BN
West Wittering 2023 (STD Code 024366)

BOURNEMOUTH/BOSCOMBE. Electronic components specialists for 33 years. Forrester's (National Radio Supplies) late Holdenhurst Rd. now at 36, Ashley Rd., Boscombe. Tel. 302204. Closed Weds.

8 PAGE LIST FREE. Thousands of different items, all at cut price. Send SAE to PC Electronics, Thornhill, Romsey Road, Whiteparish, Salisbury.

Southern Valve Co.,

2nd Floor, 6 Potters Road, New Barnet, Herts.
Tel: 01-440 8641 for current prices & availability, all popular valves stocked. **NO CALLERS,** SAE Lists. Cash with order. !Same Day Postal Despatch. Telephone afternoons preferred.

Valves, Tubes, Aerials etc by LEADING-MAKERS. Send SAE Lists or Phone for current prices. Counter or MAIL ORDER. NO COD. Speedy Despatch assured. No order under £1.

Philip Bearman, 6 Potters Road, New Barnet, Herts.
Tel: 01-449 1934/5 (1934 Recording Machine).
Telephone for Shop Hours.

VHF CONVERTERS 50-500MHz. 28-30MHz IF output. Complete receivers also available. SAE data, lists, H. Cocks, Cripps Corner, Robertsbridge, Sussex. Tel. 058083-317.

Books and Publications

FULL REPAIR data any named T.V. £5.50, with circuits, layouts, etc., £7. (AUSW) 76 Church Street, Larkhall, Lanarks ML9 1HE.

Build your own

P.A., GROUP & DISCO SPEAKERS

Save money with this practical guide. Plans for 17 different designs, line source, I.B., Horn and Reflex types, for 8"-18" drive units. £3-95 post free (£8 overseas).

THE INFRA-BASS LOUDSPEAKER

by G. Holliman
(full constructional details for versions using 15", 12" and 10" drive units.) £2-95 post free (£6 overseas)

THE DALESFORD SPEAKER BOOK

by R. F. C. Stephens
This book is a must for the keen home constructor. Latest technology DIY designs. Plans for I.B. and Reflex designs for 10-100 watts. Also unusual centre-bass system. £2.50 post free (£5 overseas).

VAN KAREN PUBLISHING

5 SWAN STREET, WILMSLOW, CHESHIRE

Aerials

TONNA (F7FT) AMATEUR ANTENNAS for 2m, 70cm, and 23cm bands. Send 30p for full catalogue. **RANDAM ELECTRONICS (PW),** 12 Conduit Road, Abingdon, Oxon. OX14 1DB.

ANTI-TVI TRAP DIPOLES

1981 Range: Shortwave Listener

Indoor models £14.50 & £27.50
Outdoor models £30.00 & £36.00
Lists 10 x 8 in 17p SAE, Aerial Guide 50p
Indoor and Invisible Aerials £3.50

Callers Welcome Tel: 03986-215
G2DYM, Uplowman, Tiverton, Devon.

COPPER AERIAL WIRE 14swg hard drawn 70' £3.50, 140' £7.00 inc VAT. Postage £1.75. T.M.P. Electronics, Supplies, Britannia Stores, Leeswood, Nr. Mold, N. Wales.

TV-DX

FM-DX and all domestic reception requirements - Fringe or 'Local'. Aerials, Amplifiers, Boosters, Filters, Hardware - and the knowledge. Our new 1981 Catalogue costs 40p. SAE all enquiries, please.

SOUTH WEST AERIAL SYSTEMS

10, Old Boundary Road,
Shaftesbury, Dorset.
Tel. (0747) 4370.

Record Accessories

STYLI, Cartridges for Music Centres, etc. FREE List no. 29 for S.A.E. includes Leads, Mikes, Phones etc. FELSTEAD ELECTRONICS (PW), Longley Lane, Gatley, Cheshire, SK8 4EE.

Software

SINCLAIR ZX80 COMPUTER OWNERS, amateur radio programs, now available. SAE for list, J. Martin, 114, Briggs Fold Road, Egerton, Bolton, Lancs.

Wanted

WANTED. Single side band unit 2000, for Grundig 2100 model. Phone 041-883-2371.

ELECTRONIC COMPONENTS PURCHASED. All types considered - Must be new. Send detailed list - Offer by return - WALTONS, 55A Worcester Street, Wolverhampton.

Clubs

ATTENTION ICOM, KENWOOD OWNERS!

If you're not receiving our monthly Newsletter your equipment is not tuned into a wealth of information! Details S.A.S.E.

Bill Bryan G3RKC,
c/o Users International Radio Clubs,
20, Thirlmere Court,
Felixstowe, Suffolk IP11 9SN.

Courses

COURSES - RADIO AMATEURS EXAMINATION. City & Guilds. Pass this important examination and obtain your G8 licence, with an RRC Home Study Course. For details of this and other courses (GCE, professional examinations etc) write or phone - THE RAPID RESULTS COLLEGE, DEPT. JX1, Tuition House, London SW19 4DS. Tel: 01-947 7272 (Careers Advisory Service) or for prospectus requests ring 01-946 1102 (24hr Recordacall).

Educational

TECHNICAL TRAINING

Get the training you need to move up into a higher paid job. Take the first step now—write or phone ICS for details of ICS specialist homestudy courses on Radio, TV, Audio Eng. and Servicing, Electronics, Computers, also self-build radio kits. Full details from:

ICS SCHOOL OF ELECTRONICS
Dept. 277D Intertext House, London SW8 4UJ
Tel. 01-622 9911 (all hours)
State if under 18

COLOUR TV SERVICING

Learn the techniques of servicing Colour TV sets through new homestudy course approved by leading manufacturers. Covers principles, practice and alignment with numerous illustrations and diagrams. Other courses for radio and audio servicing. Full details from:

ICS SCHOOL OF ELECTRONICS
Dept. 277D Intertext House, London SW8 4UJ
Tel. 01-622 9911 (all hours)
State if under 18

CITY & GUILDS EXAMS

Study for success with ICS. An ICS homestudy course will ensure that you pass your C. & G. exams. Special courses for: Telecoms, Technicians, Electrical Installations, Radio, TV & Electronics Technicians, Radio Amateurs, Full details from:

ICS SCHOOL OF ELECTRONICS
Dept. 277D Intertext House, London SW8 4UJ
Tel. 01-622 9911 (all hours)
State if under 18

CAREERS in Marine Electronics. Courses commencing September and January. Further details, The Nautical College, Fleetwood FY7 8JS. Tel. 03917 79123.

TELEVISION COMPUTER & RADAR SYSTEMS SERVICING

**TWO YEAR full-time Modular
Diploma course to include a high
percentage of practical work.**

- ELECTRONIC PRINCIPLES
- MONO TV & CCTV
- COLOUR TV & VCR
- DIGITAL TECHNIQUES
- COMPUTERS & MICROPROCESSORS
- RADAR

Each of the above Modules are 12 weeks in duration. Individual Modules can be arranged for applicants with suitable electronics background.

Tuition fees (UK & Overseas) £400 per Module. - Computer Module £500.

Next session starts January 5th.

(Also available 2½ year course in Marine Electronics & Radar.)

Prospectus from:

LONDON ELECTRONICS COLLEGE

Dept: PP, 20 Penywern Road,
London SW5 9SU. Tel: 01-373 8721.

For Sale

PRACTICAL WIRELESS 1972-1977. Two copies missing. Offers? Neame, Tillsend, Stapleford, Salisbury, SP3 4LT.

PANASONIC RF2800 DIGITAL, quality portable. Value £220. As new, £85. 6, Athelstan Close, Axminster, Devon.

0.5mm PVC EQUIPMENT WIRE on 200m reels. Single and bicolours £4.00 per reel including P+P and VAT. Selbac, 65, Penrhyn Avenue, Litherland, Liverpool. L21 6ND.

PW/PE/REC/TV 1964-75 50p. SAE for refund if sold. C. Redwood, 45A, Lulworth Avenue, Poole, Dorset.

TECH R.F. SIGNAL GENERATOR. 120 KC to 500 Mc £55. 051-9285619.

TWO HF TRANSCEIVERS

TYPE FT7B YAESU YC7B DIGITAL
FREQUENCY AND AERIAL TUNER.

STILL UNDER GUARANTEE

FOR QUICK SALE £425 EACH.

PLEASE PHONE 0244 300555.

NEW BACK ISSUES OF "PRACTICAL WIRELESS" available 90p each, post free. Cheque or uncrossed P.O. returned if not in stock. BELL'S TELEVISION SERVICE, 190 Kings Road, Harrogate, N. Yorks. Tel: (0423) 55885.

UK AIRCRAFT FREQUENCIES List £1. UK Marine Frequencies List £1. Including HF VHF. PLH Electronics, 20, Vallis Road, Frome, Somerset.

FOR SALE. Regency VHF/UHF synthesized scanner receiver, perfect working order with mains P.S.U. £120. Ring Keynsham (near Bristol) 5164.

Service Sheets

30,000 SERVICE SHEETS IN STOCK COLOUR MANUALS ALSO AVAILABLE

TV Monos, Radios £1.25 - Tuners £1. - Tape Recorders, Record Players, Transistors from £1.25 - Car Radios, Stereograms, Radiograms from £1.25 - Except Colour TV Circuits from £2. - State, if circuit will do, if sheets are not in stock. All TV sheets are full length 24 x 12", not in Bits & Pieces. All other Data full lengths. Free Fault Finding Chart or TV Catalogue with order. Crossed P.O.s returned, if sheets not in stock. S.A.E. please.

C. CARANNA

71, Beaufort Park, London NW11 6BX
01-458 4882 (Mail Order)

SERVICE SHEETS. Radio, TV etc., 10,000 models. Catalogue 24p, plus S.A.E. with orders, enquiries. TELRAY, 154 Brook Street, Preston PR1 7HP.

BELL'S TELEVISION SERVICES for Service Sheets on Radio, TV etc., £1.00 plus S.A.E. Colour TV Service Manuals on request, S.A.E. with enquiries to B.T.S., 190 Kings Road, Harrogate, N. Yorkshire. Tel. (0423) 55885.

SERVICE SHEETS from 50p and S.A.E. Catalogue 25p and S.A.E. Hamilton Radio, 47 Bohemia Road, St. Leonards, Sussex.

G.T. TECHNICAL INFORMATION SERVICE 76 CHURCH ST., LARKHALL, LANARKS.

Any full size service sheet - still only £1 + s.a.e.

Thousands of different sheets & manuals in stock (many of these only obtainable from us)

Repair data your named T.V. £6 (with circuits £8)

Domestic Equipment Manual Vol. 1 £13.50 (updatings free for 1 year)

S.A.E. for free newsletter, price lists, any quotation, bargain offers, unique T.V. publications. 2 big catalogues listing thousands of service sheets and manuals with £4 worth of vouchers - special offer £2 + large s.a.e.

Phone: 0698 883334 anytime. Callers 4-6 pm weekdays, Sat. after 10.

Miscellaneous

MORSE CODE TUITION AIDS

Cassette A: 1-12 w.p.m. for amateur radio examination.
Cassette B: 12-24 w.p.m. for professional examination preparation. Each Cassette are type C90.

Morse Key and Buzzer unit for sending practice.
Price each Cassette (including booklets) £4.75. Morse Key and Buzzer £4.75.

Prices include postage etc. Overseas Airmail £1.50 extra.

MHEL ELECTRONICS (Dept 2), 12
Longshore Way, Milton, Portsmouth PO4 8LS.

SUPERB INSTRUMENT CASES by Bazelli, manufactured from P.V.C. Faced steel. Hundreds of people and industrial users are choosing the cases they require from our vast range. Competitive prices start at a low £1.05. Chassis punching facilities at very competitive prices. 400 models to choose from. Suppliers only to Industry and the Trade, BAZELLI, (Dept No. 25), St. Wilfrid's Foundry Lane, Halton, Lancaster LA1 6LT.

THE SCIENTIFIC WIRE COMPANY

PO Box 30, London E4
Reg. Office 22 Coningsby Gdns

ENAMELLED COPPER WIRE

SWG	1 lb	8 oz	4 oz	2 oz
10 to 29	3.10	1.86	1.10	.80
30 to 34	3.50	2.00	1.15	.80
35 to 39	3.95	2.36	1.34	.98
40 to 43	5.10	2.97	2.28	1.42
44 to 46	6.00	3.60	2.50	1.91
47	8.37	5.32	3.19	2.50
48 to 49	15.96	9.58	6.38	3.69

SILVER PLATED COPPER WIRE

14 to 22	5.30	3.03	1.85	1.20
24 to 30	6.50	3.75	2.20	1.40

Prices include P&P and VAT.
Orders under £2 please add 20p. SAE for list.
Dealer enquiries welcome.

C.W.A.S. ALARM. Send now for the latest discount catalogue of Professional Burglar Alarm Equipment. C.W.A.S. Alarm, 11 Denbrook Walk, Bradford BD4 0QS, W. Yorks. Phone 0274 682674.

PSYCHOTRONIC GENERATORS, gravity lasers, electrokinesis, electrophotography, skinvision. SAE 4 x 9" Parabol, Downton, Wilts.

ENAMELLED COPPER WIRE

SWG	1 lb	½ lb	¼ lb
10 to 19	2.95	1.70	0.85
20 to 29	3.05	1.75	0.95
30 to 34	3.45	1.90	1.00
35 to 39	3.75	2.10	1.15
40 to 43	4.95	2.75	2.15
44 to 46	5.90	3.50	2.40

FREE WIRE TABLES WITH EACH ORDER

INDUSTRIAL SUPPLIES

102 Parrswood Road, Wittington,
Manchester 20

Prices include P & P in UK

HOME BRU RADIO

(Mail order only)

Helpford components:-

VFO P.C.B.	£1.15
Buffer P.C.B.	£1.15
G4CLF P.C.B.	£4.24
SL1612	£1.56
SL1621	£2.07
SL6270	£2.51
SL1640	£2.07
SL6310	£2.51
2N5771	£0.31
BA182	£0.36
78L06	£0.59
J304	£0.54
J310	£0.87
FX2249	per pair £0.60
SBL-1 = (MD108)	£4.90
SL560C	£4.97

+ Postage & Packing £0.30.

VFO/CAP+12:1.	
4170/75/023	£8.84
VFO6:1 ADJ/TORQ Ball Drive	
5620	£4.41
4 Gang (Preselect) CAP.	
5318/4/102	£7.73
(Preselect) Reduction Drive.	
5870/3	£1.76

+ Postage & Packing £0.45.

HELFFORD

(Troubleshooting by the designers.)
Any problems send S.A.E. + Invoice Number.

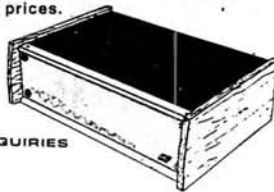
HOME BRU RADIO

(Mail order only)

55 Ashley Road, Parkstone,
Poole BH14 9BT.

If it's a case of making your project look good, then use one of ours.

Simply send a S.A.E. for Details and prices.



TRADE ENQUIRIES
INVITED.

H. M. ELECTRONICS. P.W.

271a/275a Fulwood Road.

Broomhill
Sheffield S10 3BD

OUT NOW!! The 1981 Greenweld Components Catalogue. 60p Discount Vouchers, Reply Paid Envelope. Free Bargain List & Data Sheet. Only 75p. Greenweld, 443B, Millbrook Road, Southampton SO1 0HX.

TIME EXACT?

MSF CLOCK is ALWAYS CORRECT - never gains or loses, self setting at switch-on. 8 digits show Date, Hours, Minutes and Seconds, auto GMT/BST and leap year, also parallel BCD output and audio to record and show time on playback, receives Rugby 60KHz atomic time signals, built-in antenna, 1000Km range, £54.80.
LOSING DX? DIG out the RARE DX with a Tunable Audio Notch Filter, between your receiver and speaker, BOOST your DX/ORM ratio, 40dB notch, £10.90.
V.L.F. 7 EXPLORE 10-150KHz. Receiver £13.70.
CAN'T FIND DX? Get SPOT-ON with a Crystal Calibrator, between your antenna and receiver, 1MHz, 100, 25KHz markers to vhf, bypassed when off, MORE DX, £19.80.
LONG WAVE DX? Exciting 100-600KHz Converter to 4.1-4.6MHz, built-in antenna tuner, £13.90.
MISSING DX? Make them HEAR YOU with a Speech Compressor, between your microphone and transmitter, BOOST your POWER up to 4 times, £9.90.
60KHZ RUGBY RECEIVER, as in MSF Clock, serial data output, built-in antenna, 1000Km range, £16.70.
Each fun-to-build kit includes all parts, printed circuit, case, postage etc, money back assurance so GET one NOW.

CAMBRIDGE KITS

45 (PP) Old School Lane, Milton, Cambridge.

P.W. PROJECT PCB'S

(All Boards to be Pre-paid CWO)
Please add P&P @ 25p to each Board.

Sept. 80 WRO 95	65p	Oct. 80 WRO 91	4.50p
Sept. 80 WAD 634	1.85p	Oct. 80 WRO 97	95p
Sept. 80 WRO 96	1.85p	Oct. 80 WRO 82	2.30p
Sept. 80 WRO 86	65p	Nov. 80 WAD 641	60p
Sept. 80 WRO 87	2.25p	Nov. 80 WK 101	58p
Sept. 80 WRO 88	1.40p	Dec. 80 WR 103/103A	1.40p
Sept. 80 WRO 89	1.30p	Dec. 80 WR 101	1.30p
Oct. 80 WRO 90	4.50p	Dec. 80 WR 102	1.30p

Fibreglass Strip Boards (3" x 4") 14 strips 60p each
PCB's made to your own specification. Prototypes or production runs. Full photographic facilities.

Details or quotation from:
WINSTON PROMOTIONS (P.W.)
9 HATTON PLACE, LONDON EC1N 8RU
TELEPHONE 01-405 0960/4127

KEEP ONE HANDY IN THE WORKSHOP



The unique aerosol treatment for minor burns and scalds.
From Boots and other Chemists.

PLEASE
MENTION
PRACTICAL
WIRELESS WHEN
REPLYING TO
ADVERTISEMENTS.

PROGRESSIVE RADIO

ALL ORDERS DESPATCHED BY RETURN POST

SEMICONDUCTORS. 2N5062 (100V 800mA) SCR 18p. BX504 opto isolator 25p. CA3130 95p. TB800 50p. Tag4443 SCR 45p. Texas 1038 power trans. 50p. TDA1151 25p.
SWITCHES. Min. toggles. SPST 8x5x7mm 42p. DPDT 8x7x7mm 55p. DPDT c/off 12x11x9mm 77p. HEAVY DUTY-DPDT 240VAC 10 Amp 35p. PUSH TYPE, push on 16x6mm 15p, push to break version 17p. MERCURY (TILT) SWITCH, 1" x 1/4" 35p.
ANTEX SOLDERING IRONS: Models C15, CX17 and X25 all £3.95 each. NSA1198 8 1/2 digit multiplexed displays, com. cath. with data sheet £1.45p. SPECIAL OFFER TIL209 Red LED's 10 for 75p. 0.2" LEDs, red, yellow, green 10p each.
LINEAR I.C.'s: LM300 40p, LM301 55p, LM308 £1.30, LM324 £1.00, LM388 95p, LM358 50p, LM386 90p, LM3900 80p, LM3909 75p, CA1310 £1.70, CA3018 £1.00, CA3028 £1.30, CA3035 £2.20, CA3046 85p, CA3098 95p, CA3130 95p, CA3140 37p, MC1303 £1.40, MC1312 £1.60, MC1330 £1.40, MC1458 40p, NE550 £1.00, NE544 £1.40, NE565 £1.70, NE566 £1.70, TAA550 40p, TAA621 £2.20, NE556 50p, C106D SCR 35p.
GPO TELEPHONE DIALS £1.00 (new). JACKSONS CB04 50p var. capacitors 50p each.
TOOLS. 5 piece precision screwdriver sets, individual handles only £1.05 set.
JUMPER TEST LEAD SETS. 10 pairs of leads with insulated crocs each 90p.
40KHZ TRANSDUCERS, RX/TX £3.50 pair.
STC BREAK GLASS FIRE ALARM UNITS, new with mounting box £1.50p.
MINIATURE SOLID STATE BUZZERS. 2 voltages available, 6 or 12VDC 75p each, Loud 12 volt buzzers 85p.
Cash with order please, official orders welcome from schools etc., please add 30p postage and packing. VAT inclusive. SAE for latest illustrated stock list.

31, CHEAPSIDE, LIVERPOOL L2 2DY

MARCO TRADING				TRANSFORMERS (ALL 240V Primary)							
LOW PROFILE I.C. SOCKETS				BRIDGE RECTIFIERS							
1+	100+	1+	100+	6-0-6	100ma	£1.00	Carbon film resistors 1W				
6 pin	7p	5.5p	20 pin	16p	14p	£1.60	5% low noise E12 series				
8 pin	9p	6p	22 pin	18p	18p	£1.00	2.2 ohm to 10M 2p each				
14 pin	10p	8.5p	24 pin	20p	18p	£1.00					
16 pin	11p	9.5p	28 pin	28p	20p	£1.50	Special resistor pack 10 of each value 2.2 ohm to 2M2				
18 pin	13p	11.6p	40 pin	32p	31p	£2.40	730 resistors only £6				
						£2.86					
1.5A				8.0A							
50V	36p	50V	38p	50V	70p	£2.25	50V	£2.38			
100V	38p	100V	43p	100V	73p	£2.34	100V	£2.41			
200V	41p	200V	44p	200V	76p	£2.80	200V	2.51			
400V	43p	400V	51p	400V	84p	£2.78	400V	£3.20			
600V	47p	600V	56p	600V	95p	£3.54	600V	£4.75			
800V	54p	800V	65p								
400mw Zener Diodes				1 Watt Zener Diodes							
2.7v	3v	3.3v	3.6v	3.9v	4.3v	4.7v	5.1v	5.6v	6.2v	6.8v	7.5v
7.5v	8.2v	9.1v	10v	11v	12v	13v	13.5v	15v	16v	18v	20v
20v	22v	24v	27v	30v	33v	36v	39v	43v	47v	51v	56v
56v	62v										
PRICE: 8p each				PRICE: 8p each				PRICE: 15p each			
Any 100 for £6. BA154 4p. BA156 9p. BY126 12p. DA10 35p. BY127 12p. DA90 10p. DA91 10p. DA200 5p.											
WIREWOUND RESISTORS				SPECIAL OFFER: METAL SLIDER POTENTIOMETERS							
2.5 Watt 5% Values:	0.22 ohm to 270 ohm	Price:	18p each	Length of track: 60mm. 500 ohm LIN							
5 Watt 5% Values:	10 ohm to 12K	Price:	21p each	Mono 30p. 50K LOG Stereo 40p.							
10 Watt 5% Values:	15 ohm to 25K	Price:	24p each	100K LIN Stereo 40p. 1 Meg LOG Stereo 40p. ALL PRICES INCLUDE FREE KNOBS TO FIT.							
4 Watt 5% & 10% Values:	1 ohm to 10K (Flameproof)	Price:	22p each								
7 Watt 5% & 10% Values:	0.47 ohm to 22K (Flameproof)	Price:	24p each								
11 Watt 5% & 10% Values:	1 ohm to 22K (Flameproof)	Price:	28p each								
17 Watt 5% & 10% Values:	1 ohm to 22K (Flameproof)	Price:	35p each								

MARCO TRADING, Dept. PW5, The Old School, Edstaston, WEM, Shropshire, SY4 5RJ. Tel: (094 872) 464/465.

TTLS BY TEXAS			74221 160p			74LS192 140p			74C157 250p			LINEAR I.C.s			TRANSISTORS			TIP41C			DIODES			
7400	11p	7497	180p	74251	140p	74LS193	140p	74C160	155p	74A102	80p	MC1496	100p	AC107/8	20p	BFY51/2	22p	TIP41C	78p	2N3866	90p	BY127	12p	
7401	12p	74100	130p	74255	140p	74LS194	140p	74C161	155p	A1-1313	688p	MC3340	120p	AD148	70p	BFY56	33p	TIP42C	82p	2N3903/4	18p	O.A47	9p	
7402	14p	74104	85p	74259	140p	74LS195	140p	74C162	155p	A1-1505	212p	MC3360	120p	AD161/2	45p	BFY90	90p	TIP2955	78p	2N3905/6	20p	O.A81	15p	
7403	14p	74107	34p	74263	140p	74LS196	140p	74C163	155p	A1-224A	225p	MM53098	750p	BC107/8	11p	BRY39	45p	TIP3055	70p	2N4058/9	12p	O.A85	15p	
7404	14p	74107	34p	74267	140p	74LS220	175p	74C164	155p	A1-1315	600p	NE531	100p	BC109	11p	BSX19/20	20p	TIS93	30p	2N4061/2	18p	O.A91	9p	
7405	18p	74109	55p	74278	200p	74LS241	175p	74C173	120p	A1-1317	790p	NE543K	225p	BC147/8	9p	BU105	190p	TIP3055	70p	2N4058/9	12p	O.A85	15p	
7406	32p	74110	55p	74284	200p	74LS242	175p	74C174	120p	A1-1320	320p	NE555	25p	BC149	9p	BU108	250p	TIP3055	70p	2N4060	12p	O.A90	9p	
7407	32p	74111	70p	74290	150p	74LS243	175p	74C175	210p	CA3019	80p	NE555	25p	BC159	11p	BU205	220p	TIP3055	70p	2N4061/2	18p	O.A91	9p	
7408	19p	74116	200p	74293	150p	74LS244	195p	74C192	150p	CA3046	70p	NE561B	425p	BC159	11p	BU208	240p	TIP3055	70p	2N4061/2	18p	O.A91	9p	
7409	19p	74118	130p	74298	200p	74LS245	200p	74C193	150p	CA3048	225p	NE562B	425p	BC169C	12p	BU406	145p	TIP3055	70p	2N4061/2	18p	O.A91	9p	
7410	15p	74119	210p	74304	200p	74LS257	120p	74C194	220p	CA3080E	225p	NE565	155p	BC172	12p	MJ2501	225p	TIP3055	70p	2N4061/2	18p	O.A91	9p	
7411	24p	74120	110p	74308	200p	74LS257	120p	74C195	110p	CA3089E	225p	NE565	155p	BC177/8	17p	MJ2955	100p	TIP3055	70p	2N4061/2	18p	O.A91	9p	
7412	20p	74121	28p	74365	150p	74LS257	120p	74C221	175p	CA3090A/Q375p	100p	NE567	175p	BC179	18p	MJ3001	225p	TIP3055	70p	2N4061/2	18p	O.A91	9p	
7413	30p	74122	48p	74366	150p	74LS257	120p	4000 SERIES	CA3130E	300p	CA3130E	300p	CA4151	400p	BC182/3	10p	MJE340	65p	TIP3055	70p	2N4061/2	18p	O.A91	9p
7414	60p	74123	48p	74368	150p	74LS257	120p	4000 SERIES	CA3130E	300p	CA3130E	300p	CA4151	400p	BC184	11p	MJE340	65p	TIP3055	70p	2N4061/2	18p	O.A91	9p
7415	27p	74125	55p	74368	150p	74LS257	120p	4000 SERIES	CA3130E	300p	CA3130E	300p	CA4151	400p	BC184	11p	MJE340	65p	TIP3055	70p	2N4061/2	18p	O.A91	9p
7417	27p	74126	60p	74390	200p	74LS257	120p	4000 SERIES	CA3130E	300p	CA3130E	300p	CA4151	400p	BC184	11p	MJE340	65p	TIP3055	70p	2N4061/2	18p	O.A91	9p
7420	17p	74128	75p	74490	225p	74LS257	120p	4000 SERIES	CA3130E	300p	CA3130E	300p	CA4151	400p	BC184	11p	MJE340	65p	TIP3055	70p	2N4061/2	18p	O.A91	9p
7421	40p	74132	75p	74490	225p	74LS257	120p	4000 SERIES	CA3130E	300p	CA3130E	300p	CA4151	400p	BC184	11p	MJE340	65p	TIP3055	70p	2N4061/2	18p	O.A91	9p
7422	22p	74136	80p	74LS	78p	74LS257	120p	4000 SERIES	CA3130E	300p	CA3130E	300p	CA4151	400p	BC184	11p	MJE340	65p	TIP3055	70p	2N4061/2	18p	O.A91	9p
7423	34p	74141	70p	74LS	78p	74LS257	120p	4000 SERIES	CA3130E	300p	CA3130E	300p	CA4151	400p	BC184	11p	MJE340	65p	TIP3055	70p	2N4061/2	18p	O.A91	9p
7425	30p	74142	200p	74LS	78p	74LS257	120p	4000 SERIES	CA3130E	300p	CA3130E	300p	CA4151	400p	BC184	11p	MJE340	65p	TIP3055	70p	2N4061/2	18p	O.A91	9p
7426	40p	74143	90p	74LS	78p	74LS257	120p	4000 SERIES	CA3130E	300p	CA3130E	300p	CA4151	400p	BC184	11p	MJE340	65p	TIP3055	70p	2N4061/2	18p	O.A91	9p
7427	34p	74147	190p	74LS	78p	74LS257	120p	4000 SERIES	CA3130E	300p	CA3130E	300p	CA4151	400p	BC184	11p	MJE340	65p	TIP3055	70p	2N4061/2	18p	O.A91	9p
7428	36p	74148	150p	74LS	78p	74LS257	120p	4000 SERIES	CA3130E	300p	CA3130E	300p	CA4151	400p	BC184	11p	MJE340	65p	TIP3055	70p	2N4061/2	18p	O.A91	9p
7430	17p	74150	100p	74LS	78p	74LS257	120p	4000 SERIES	CA3130E	300p	CA3130E	300p	CA4151	400p	BC184	11p	MJE340	65p	TIP3055	70p	2N4061/2	18p	O.A91	9p
7432	30p	74151A	70p	74LS	78p	74LS257	120p	4000 SERIES	CA3130E	300p	CA3130E	300p	CA4151	400p	BC184	11p	MJE340	65p	TIP3055	70p	2N4061/2	18p	O.A91	9p
7433	40p	74153	70p	74LS	78p	74LS257	120p	4000 SERIES	CA3130E	300p	CA3130E	300p	CA4151	400p	BC184	11p	MJE340	65p	TIP3055	70p	2N4061/2	18p	O.A91	9p
7437	35p	74154	100p	74LS	78p	74LS257	120p	4000 SERIES	CA3130E	300p	CA3130E	300p	CA4151	400p	BC184	11p	MJE340	65p	TIP3055	70p	2N4061/2	18p	O.A91	9p
7438	35p	74155	90p	74LS	78p	74LS257	120p	4000 SERIES	CA3130E	300p	CA3130E	300p	CA4151	400p	BC184	11p	MJE340	65p	TIP3055	70p	2N4061/2	18p	O.A91	9p
7440	17p	74156	90p	74LS	78p	74LS257	120p	4000 SERIES	CA3130E	300p	CA3130E	300p	CA4151	400p	BC184	11p	MJE340	65p	TIP3055	70p	2N4061/2	18p	O.A91	9p
7441	70p	74157	70p	74LS	78p	74LS257	120p	4000 SERIES	CA3130E	300p	CA3130E	300p	CA4151	400p	BC184	11p	MJE340	65p	TIP3055	70p	2N4061/2	18p	O.A91	9p
7442A	60p	74159	190p	74LS	78p	74LS257	120p	4000 SERIES	CA3130E	300p	CA3130E	300p	CA4151	400p	BC184	11p	MJE340	65p	TIP3055	70p	2N4061/2	18p	O.A91	9p
7443	112p	74160	100p	74LS	78p	74LS257	120p	4000 SERIES	CA3130E	300p	CA3130E	300p	CA4151	400p	BC184	11p	MJE340	65p	TIP3055	70p	2N4061/2	18p	O.A91	9p
7444	112p	74161	100p	74LS	78p	74LS257	120p	4000 SERIES	CA3130E	300p	CA3130E	300p	CA4151	400p	BC184	11p	MJE340	65p	TIP3055	70p	2N4061/2	18p	O.A91	9p
7445	100p	74162	100p	74LS	78p	74LS257	120p	4000 SERIES	CA3130E	300p	CA3130E	300p	CA4151	400p	BC184	11p	MJE340	65p	TIP3055	70p	2N4061/2	18p	O.A91	9p
7446A	83p	74163	100p	74LS	78p	74LS257	120p	4000 SERIES	CA3130E	300p	CA3130E	300p	CA4151	400p	BC184	11p	MJE340	65p	TIP3055	70p	2N4061/2	18p	O.A91	9p
7447A	70p	74164	100p	74LS	78p	74LS257	120p	4000 SERIES	CA3130E	300p	CA3130E	300p	CA4151	400p	BC184	11p	MJE340	65p	TIP3055	70p	2N4061/2	18p	O.A91	9p
7448	80p	74165	130p	74LS	78p	74LS257	120p	4000 SERIES	CA3130E	300p	CA3130E	300p	CA4151	400p	BC184	11p	MJE340	65p	TIP3055	70p	2N4061/2	18p	O.A91	9p
7450	17p	74166	100p	74LS	78p	74LS257	120p	4000 SERIES	CA3130E	300p	CA3130E	300p	CA4151	400p	BC184	11p	MJE340	65p	TIP3055	70p	2N4061/2	18p	O.A91	9p
7451	17p	74167	200p	74LS	78p	74LS257	120p	4000 SERIES	CA3130E	300p	CA3130E	300p	CA4151	400p	BC184	11p	MJE340	65p	TIP3055	70p	2N4061/2	18p	O.A91	9p
7453	17p	74170	240p	74LS	78p	74LS257	120p	4000 SERIES	CA3130E	300p	CA3130E	300p	CA4151	400p	BC184	11p	MJE340	65p	TIP3055	70p	2N4061/2	18p	O.A91	9p
7454	17p	74172	720p	74LS	78p	74LS257	120p	4000 SERIES	CA3130E	300p	CA3130E	300p	CA4151	400p	BC184	11p	MJE340	65p	TIP3055	70p	2N4061/2	18p	O.A91	9p
7460	17p	74173	120p	74LS	78p	74LS257	120p	4000 SERIES	CA3130E	300p	CA3130E	300p	CA4151	400p	BC184	11p	MJE340	65p	TIP3055	70p	2N4061/2	18p	O.A91	9p
7470	36p	74174	83p	74LS	78p	74LS257	120p	4000 SERIES	CA3130E	300p	CA3130E	300p	CA4151	400p	BC184	11p	MJE340	65p	TIP3055	70p	2N4061/2	18p	O.A91	9p
7472	30p	74175	85p	74LS	78p	74LS257	120p	4000 SERIES	CA3130E	300p	CA3130E	300p	CA4151	400p	BC184	11p	MJE340	65p	TIP3055	70p	2N4061/2	18p	O.A91	9p
7473	34p	74176	90p	74LS	78p	74LS257	120p	4000 SERIES	CA3130E	300p	CA3130E	300p	CA4151	400p	BC184	11p	MJE340	65p	TIP3055	70p	2N4061/2	18p	O.A91	9p
7474	30p	74177	90p	74LS	78p	74LS257	120p	4000 SERIES	CA3130E	300p	CA3130E	300p	CA4151	400p	BC184	11p	MJE340	65p	TIP3055	70p	2N4061/2	18p	O.A91	9p
7475	30p	74178	160p	74LS	78p	74LS257	120p	4000 SERIES	CA3130E	300p	CA3130E	300p	CA4151	400p	BC184	11p	MJE340	65p	TIP3055	70p	2N4061/2	18p	O.A91	9p
7476	35p	74180	80p	74LS	78p	74LS257	120p	4000 SERIES	CA3130E	300p	CA3130E	300p	CA4151	400p	BC184	11p	MJE340	65p	TIP3055	70p	2N4061/2	18p	O.A91	9p
7480	50p	74181	200p	74LS	78p	74LS257	120p	4000 SERIES	CA3130E	300p	CA3130E	300p	CA4151	400p	BC184	11p	MJE340	65p	TIP3055	70p	2N4061/2	18p	O.A91	9p
7481	100p	74182	90p	74LS	78p	74LS257	120p	4000 SERIES	CA3130E	300p	CA3130E	300p	CA4151	400p	BC184	11p	MJE340	65p	TIP3055	70p				

OSMABET LTD

We make transformers amongst other things.

TRANSFORMERS TO ORDER

We have capacity for the supply of transformers to specification, either one off, or production runs, your enquiries please.

LOW VOLTAGE TRANSFORMERS: Prim 240V ac.
6.3V 1.5A £3.00; 3A £4.15; 6A CT £7.90; 12V 1.5A £3.75; 3A CT £7.90; 6A CT £9.75; 15V 0.5A £3.00; 18V 1.5A CT £7.90; 24V 1.5A CT £7.90; 3A CT £9.75; 5A CT £18.00; 8A CT £29.25; 12A CT £37.50

MIDGEE RECTIFIER TRANSFORMERS: Prim 240V ac.
6.0-6V 1.5A or 9.0-9V 1A £3.40 each; 12.0-12V 1A or 20.0-20V 0.75A £4.15 each; 9.0-9V 0.3A or 12V 0.12V 0.25A or 20V 0.20V 0.15A £3.00 each.

LT TRANSFORMERS TAPPED SEC: Prim 240V ac.
0.10-12.14-16-18V 2A £7.50; 4A £9.40; 0.12-15-20-24-30V 2A £8.25; 4A £12.00; 0.20-30-60V 1A £9.00; 2A £12.00; 0.40-50-60-80-100-110V 1A £12.00.

AUTO & ISOLATION TRANSFORMERS 240/110V ac.
30 to 4000 watts, many types ex stock.

MAINS TRANSFORMERS. SPECIAL OFFER. Prim 240V ac.
300-0-300V 80 Ma; 6.3V 1A CT; 6.3V 1A £5.50; 250-0-250V 60 Ma; 6.3V 1A £3.00; 9V 3A £2.50; 25V 300 Ma 90p; 15.0-15V 0.5A £2.50; 12V 4A £4.00.

LOUDSPEAKERS

1 1/2", 1 1/4", 2 1/4", 2 1/2", 3", 2 1/8" 80 £1.25 each; 3" 350, 3", 3", 8", 16", 80Q, 7" x 4" 3" or 80Q £1.75; 8" x 5" 25Q £2.50. Goodman 5" Hi-Fi speaker mid range, C/M 8 25 watt systems £6.50. Goodman 3 1/2" Tweeters C/M, 8Q for 25W systems £2.50, 4" 10 watts 8Q £3.50, 8" 25W 8Q £6.00.

"INSTANT" BULK CASSETTE/TAPE ERASER
Instant erasure of cassettes, and any diameter of tape spools, demagnetises tape heads, 200/240V ac. leaflet £8.00. Cassette/Tape Head Demagnetiser, £3.50.

EDGWISE LEVEL METER £3.00/µA
Size 15x18x20mm 8000 £1.50.

CHARGING METERS 1 1/2in diameter
2A or 3A £1.25 each; 5A or 10A £1.50 each.

MINI FLEX CABLE

4 core, for intercom, telephone, burglar alarm extensions, etc, white pvc, 10 metres £2, 100 metres £15.

POWER SUPPLY, TWIN OUTPUT Prim 240V ac.
New. British manufacturer, smoothed d.c. output 20V, 1.5A, plus STABILISED output of 15V 100 Ma, plus further 12V ac 0.5A, complete with diagram, £4.50.

O/P TRANSFORMERS FOR VALVE AMPLIFIERS
P.P. sec tapped 3-8-15V A-A 6KΩ, 30W £17.50; A-A 3KΩ 50W £28.00; 100W IEL31, KT88 etc £35.00.

G.E.C. MANUAL OF POWER AMPLIFIERS
Covers valve amplifiers 30W to 400W £1.25.

MULTIWAY SCREENED CABLE, PVC COVERED
36 way £1, 25/75p; 14/50p; 6/25p; 4/20p.

CONDENSERS AC 50Hz. 4.33/250V; 6/330V, £1.50. Electrolytic 400 mfd 400V 75p; 2000/30V 30p; 2200/40V 40p; Paper tubular, W/E, 4/160V; 6/160V 30p each, 2mfd 150V 25p, 0.1mfd 2KV 50p, 150+200+200/300V, 75p.

CARRIAGE EXTRA ON ALL ORDERS

ALL PRICES INCLUDE V.A.T.

Callers by appointment only. S.A.E. Enquiries, Lists.

46, Kenilworth Road, Edgware, Middx.

HA8 8YG. Tel: 01-958 9314

H.A.G. SHORT-WAVE KITS

WORLD-WIDE RECEPTION

'H.A.C.' well known by amateur constructors for its Short Wave receivers, now offers a complete range of kits and accessories which have been up-dated to suit the novice and the expert.

£14.50 INCLUSIVE - the ever popular and easy to construct DX receiver Mark III; containing all genuine short wave components, drilled chassis, valve, accessories and full instructions.

AT LAST - a battery eliminator kit, which will last you a lifetime - for use in all H.A.C. valve receivers. H.T. batteries are now unobtainable, this will solve your problems for only £9.60.

T TWIN TRANSISTOR RECEIVER, selective, sensitive and with fantastic reception, yet needing only a single PP3 battery, at £17.50 this receiver is outstanding value, and will give you hours of interest and entertainment.

NEW - TRIPLE-T RECEIVER, a more advanced super three transistor receiver, loud, clear reception, value unequalled at bargain introductory price of £24.00.

All orders despatched within 7 days. Send stamped and addressed envelope now for free descriptive catalogue of kits and accessories.

SORRY, NO CATALOGUES WITHOUT S.A.E.

"H.A.C." SHORT-WAVE PRODUCTS

P.O. Box No. 16, 10 Windmill Lane
Lewes Road, East Grinstead, West
Sussex RH19 3SZ

BAKER SPEAKERS

Post
£1.50 ea.

"STAR SOUND"

GROUP 45-12 £15

12in. 45 watt
4, 8 or 16 ohms.

GROUP 75-12 £22

12in. 75W professional
model. 4, 8 or 16 ohms

Response 30 - 16,000.
With aluminium presence dome.

DISCO 100/12 £26

12 in 100W model
8 or 16 ohm

DISCO 100-15 £29

15in. 100 watt
8 or 16 ohms.

AUDITORIUM 15

Bass woofer 15in. Special cone surround
Heavy duty cone. 60 watts. 20 to 8000 cps.

£35

E.M.I. 1 1/2" x 8in SPEAKER SALE!

With tweeter. And crossover. £9.95

10W. State 3 or 8 ohm. Post £1

Illustrated 15W model £10.95

8 ohms. Post £1

GOODMANS 20 Watt Woofer

Size 12 x 10in. 4 ohms.

Rubber cone surround. Post £2.00

Hi-Fi Bass unit. Post £2.00

GOODMANS TWIN AXIOM 8

8 in. 15 ohm Hi-Fi Twin Cone. Post

Special unit 15 watts £8.00 95p

EMI MINI MODULE KIT 3-way

Loudspeaker System, EMI 5in

Bass, 5in Middle, 3in Tweeter,

with 3-way Crossover and Ready

Cut Backfile. 15 x 8 1/2in.

Full assembly instructions supplied.

Response = 60 to 20,000

cps 12 watt RMS. 8 ohm. £10

per kit. Postage £1.50.

R.C.S. LOUDSPEAKER BARGAINS

3 ohm. 6 x 4in. £1.50. 7 x 4in. £1.50. 8 x 5in. £3.00. 6 1/2in. £3.00. 8in. £3.50. 10in. £3.50. 12in. £4.50.

8 ohm. 2 1/2in. £1.50. 3in. £1.50. 5in. £1.50. 10in. £3.50. 12in. £4.50.

16 ohm. 6 x 4in. £1.50. 7 x 4in. £1.50. 5in. £1.50. 8in. £3.50. 12in. £4.50. 10 x 6in. £3.50.

LOW VOLTAGE ELECTROLYTICS

1, 2, 4, 5, 8, 16, 25, 30, 50, 100, 200mF 15V 10p.

500mF 12V 15p; 25V 20p; 50V 30p;

1000mF 12V 20p; 25V 35p; 50V 50p; 1200mF/76V 80p.

2200mF 6V 25p; 25V 42p; 40V 60p; 2000mF/100V £1.20.

2500mF 50V 70p; 3000mF 25V 50p; 50V 65p.

3300mF 63V £1.20; 4700mF 63V £1.20; 2700mF/76V £1.

5000mF 35V 85p; 50V 95p; 5000mF 76V £1.75.

HIGH VOLTAGE ELECTROLYTICS

8/350V 35p 8-8/450V 75p 50-50/300V 50p

16/350V 45p 8-16/450V 75p 32-32-32/325V 75p

32/350V 75p 20-20/450V 75p 100-100/275V 65p

50/350V 80p 32-32/350V 50p 150-200/275V 70p

50/500V £1.20 50-50/500V £1.80 220/450V 95p

MANY OTHER ELECTROLYTICS IN STOCK

TRIMMERS 10pF, 30pF, 50pF, 5p, 100pF, 150pF, 15p.

CONDENSERS VARIOUS, 1pF to 0.01mF, 3p.

PAPER 350V-0.1 7p; 0.5 13p; 1mF 150V 20p; 2mF 150V 20p

400V-0.001 to 0.05 5p; 0.1 15p; 0.25 25p; 0.4 7 1/2p.

MICRO SWITCH SINGLE POLE CHANGEOVER 20p.

SUB-MIN MICRO SWITCH, 25p. Single pole change over.

TWIN GANGS, 500pF £1; 365pF £1; 365-365-25-25pF.

TWIN GANG, 385pF £1; 365pF £1; 365-365-25-25pF.

Slow motion drive £1; 25pF 95p; 120pF 50p; 3 gang 365p £2.

NEON PANEL INDICATORS 250V. Amber or red 30p.

ILLUMINATED ROCKER SWITCH. Single pole. Red 65p.

RESISTORS 10Ω to 10M. 1/4W, 1/2W, 20% £1.30; 2W, 10p.

HIGH STABILITY. 1/4W 2% 10 ohms to 1 meg. 8p.

10% 5%. Preferred values 10 ohms to 10 meg. 3p.

ALUMINIUM CHASSIS 18 s.w.g. Undrilled, 4 sides, riveted

corners; 6 x 4 x 2 1/2in. £1.20; 8 x 6 x 2 1/2in. £1.50; 10 x 7 x

2 1/2in. £1.90; 14 x 9 x 2 1/2in. £2.50; 16 x 6 x 2 1/2in. £2.40;

12 x 3 x 2 1/2in. £1.50; 12 x 8 x 2 1/2in. £2.20; 16 x 10 x 2 1/2in.

£2.70. ANGLE BRACKET 6 x 3/4 x 3/4in. 25p.

ALUMINIUM PANELS 18 s.w.g. 12 x 12in. £1.30; 14 x

9in. £1.20; 6 x 4in. 36p; 12 x 8in. 90p; 10 x 7in. 80p;

8 x 6in. 60p; 14 x 3in. 60p; 12 x 9in. 60p; 16 x 10in. £1.40;

16 x 6in. 90p.

BLACK PLASTIC construction box with brushed aluminium

facia size 6 1/2 x 4 1/2 x 2" £1.50. Many other sizes.

BRIDGE RECTIFIER 200V PIV 1/2 amp 50p. 2 amp £1.00.

4 amp £1.50. 8 amp £2.50.

TOGGLE SWITCHES SP 30p. DPST 40p. DPDT 50p.

MANY OTHER TOGGLES IN STOCK. Please enquire.

BSR P207 BUDGET SINGLE PLAYER ideal for disco or

small two-speed Hi-Fi system with stereo cartridge £15

and cueing device. Post £2

BSR STEREO CARTRIDGES SC7 medium SC8 High

output £2. Sonotone 9T AHC £3. V.100 Magnetic £7.

WIRE-WOUND RESISTORS 5 watt, 10 watt, 15 watt 15p.

CASSETTE MOTOR. 6 volt £1.00.

MAINS TRANSFORMERS

6V, 500mA £2.00 6.0-6V 100mA £1.90

12V, 100mA £1.30 9.0-9V 50mA £1.50

12V, 750A £1.75 12V, 3A £3.50; 5A £4.00

10.0-10V 2amp £3.00 10V, 30V, 40V, 2 amp £3.50

30V, 5 amp and 20V, 1 amp £3.00

0, 5, 8, 10, 15V, 1/2 amp £2.50 20V-0-20V, 1 amp £3.50

9V, 3 amp £3.50 2 of 18V, 6 amp, each £11.00

15.0-15V 2 amp £3.00 12.0-12V, 2 amp £3.50

30V, 2 amp £3.50 9V, 1/2 amp £1.50

30V, 1 1/2 amp £3.30 28V, 1 amp+28V 1 amp £5.00

20V, 40V, 50V, 1 amp £4.00 32.0-32V 6-5A £11.00

Post

99p

£1.50

£4.00

£3.50

£3.00

£11.00

£3.50

£1.50

£5.00

£11.00

Post

99p

£1.50

£4.00

£3.50

£3.00

£11.00

£3.50

£1.50

£5.00

£11.00

Post

99p

£1.50

£4.00

£3.50

£3.00

£11.00

£3.50

£1.50

£5.00

£11.00

Post

99p

£1.50

£4.00

£3.50

£3.00

£11.00

£3.50

£1.50

£5.00

£11.00

Post

99p

£1.50

£4.00

£3.50

£3.00

£11.00

£3.50

£1.50

£5.00

£11.00

Post

99p

£1.50

£4.00

£3.50

£3.00

£11.00

£3.50

Thanet Electronics

for ICOM

the amateur's professional friends

This month we are showing you:

IC-451 UHF Base Station

IC240 – The best value for money in synthesized rigs.

Theta 7000E – An outstanding communications computer.

IC202S – A pair of magnificent sideband portables.

IC402

On these, and all our other products:

* we offer a full year's warranty on all parts and labour

* Free delivery for all transceivers, using registered first class post

IC2E – Probably the smallest made, extra sensitive handy talkie.

IC251E – Must be the best value in 2M base stations.

IC255E – A great value 25W mobile transceiver.

IC260E – The ideal choice for multimode mobile.

* All prices including V.A.T.

* H.P. and Part Exchange welcome

IC-451 UHF Base Station



£579 inc. V.A.T.

ICOM are proud to announce the introduction of the 70cm version of their famous 2m base station – the IC-251. Of course, it is engineered to the usual high ICOM standards and includes such features as:-

- * 3 memory channels
- * Automatic repeater shift on switch-on
- * Additional selectable shift for European DX
- * Selectable channel steps for FM (supplied with 25KHz – others are diode programmable)
- * Full power control on SSB/CW/FM
- * Superb receiver performance using MOSFETS
- * Multipurpose scanning
- * Covers 430-440 MHz
- * Xtal controlled Toneburst
- * Cool running chopper power supply

Also available from our shop in Herne Bay are:

- | | | |
|---------------------|-----------|-------------------------|
| * MICROWAVE MODULES | * WESTERN | * ANTENNA SPECIALISTS |
| * J-BEAM | * G-WHIP | * YA ESU MUSEN |
| * RSGB PUBLICATIONS | * BEARCAT | * VIDEO GENIE COMPUTERS |

IMPORTANT

We would like you to phone, or write to us so that we can give you as much detailed information as possible on any particular product. Use our 24 hour ansafone when calls are cheap.

Send for Technical Details

Thanet for



ICOM

143 RECVLVER RD.,
BELTINGE,
HERNE BAY, KENT.
Tel: 02273/63859



The IC-240 - The start of a revolution in 2 meters transceivers



£169 INCL.

- Easy channel selection with minimum knob twiddling – yet with all the normal FM channels available – an all important safety feature.
- A fully automatic tone burst which operates only in repeat mode with NO buttons to press either on the front or on the back of the set.
- Instant reverse repeat at the flick of a switch without any re-tuning or memory programming.
- A very sensitive receiver with a spurious response performance far better than the average and a very clean transmitter with excellent clear, crisp modulation. (We measured a sensitivity of 0.1 uv pd for 10dB sinad).

SPECIFICATIONS

GENERAL	
Semiconductor Complement	Transistors 34 FET 7 IC 13 Diodes 33 to 128 depending on channels
Frequency Range (for specification)	144.146MHz
Voltage	13.8 VDC Negative Ground
Current Consumption	T X 2.0AMP at 10W R X 700MA at MAX Audio 400MA Squelched
Size	58mm (h) x 156mm (w) x 218mm (d)
Weight	1.9 kilograms
Antennas Impedance	50 OHMS
Number of Channels	22 channels selected from any of the 80 channels on 25KHz spacing. Stabilized Master oscillator PLL programmed by diode matrix.
FREQUENCY CONTROL	
TRANSMITTER	
Power Out	10 watts
Deviation	5KHz
Microphone Impedance	500 OHMS
Spurious Level	Lower than -60dB below carrier
RECEIVER	
Modulation Acceptance	F3
Type	Double Superhet. 1st 1.F. 10.7MHz. 2nd 1.F. 455kHz
Receiver Sensitivity	0.4uV or better
1 Microvolt S+N/N	30dB or better
Spurious Response	60dB or more attenuation
Bandpass	7.5KHz/-6dB, 15KHz/-60dB
Squelch Sensitivity	-8dB below 1 microvolt
Audio Output	1.5 watts or more into 80HMS

FOR ONLY
£640.00
INCL.



Tono Theta 7000E A great computer on offer from Thanet

The new THETA 7000E means that every Amateur can enjoy the visual display of CW, RTTY and ASCII in both transmit and receive modes. Just connect the TONO to any TV set via the antenna terminals or to a page printer from the parallel port provided. Bring up your CW speed in receive or sending by either watching receiver sent or from recorded cassettes. Connection to the transceiver is via the key, phone and mic sockets.

Some of the Outstanding Features
COMMUNICATIONS COMPUTER THETA 0-7000E

UHF and Composite Video Output * Printer interface * Wide range of transmitting and receiving speeds – 10CW speeds + 8RTTY * Built-in demodulator for high performance for 170, 425 and 820 Hz shift * Crystal controlled modulator for ASFK – Hi or Lo tone * Convenient ASCII key arrangement * Large capacity display memory

– 2 pages 32chr x 16 lines split screen for Rx & Tx if required * Automatic transmit/receive switch * Anti-noise circuit * Battery backed-up memory 7 channels of 64chrs * Send function * Buffer memory – 53 character type ahead, rub out function * Simultaneous access of the memory – 53 character type ah LF (line feed) cancel function * Cursor control function * Word mode operation * Automatic CR/LF (72, 60 or 80 chrs per line) * Echo function

* Word Wrap around function * Transmit/receive in ASCII mode or RTTY * CW identification function * Mark and break (space and break) system * Monitor circuit & CW practice function * Variable CW weights * Cross pattern checking output terminal * Log computer output provided * Test message function (Ry and QBF).

Phone or write for the price list of accessories for this unit.

IC-202S
£169 INCL.



The IC-202S is a very well designed 2m SSB portable. It offers: 3W pep output on USB, LSB and CW. * Large Battery capacity (HP11 type) or Nicads if you wish * A special VXO circuit to provide smooth tuning and crystal stability needed for SSB operation on 2m * Each of the four 200kHz band positions allows operation anywhere in 2m. (Supplied with 144.144.2 and 144.2-144.4) * Top of the band Oscar xtals available for "cross-pond working" * It has a DC socket and SO239 sockets for mobile or base station working, barefoot or as a prime mover * Mobile mounting brackets, Nicad packs, chargers, cases all available options. You must agree, a very versatile well proved rig.

Their versatility is well worth an enquiry.

IC-402
£242 INCL.



The 70cm twin of the 202S having very similar features, covering the frequency range of 432-435.2 MHz.

Send for Technical Details

Thanet for



ICOM

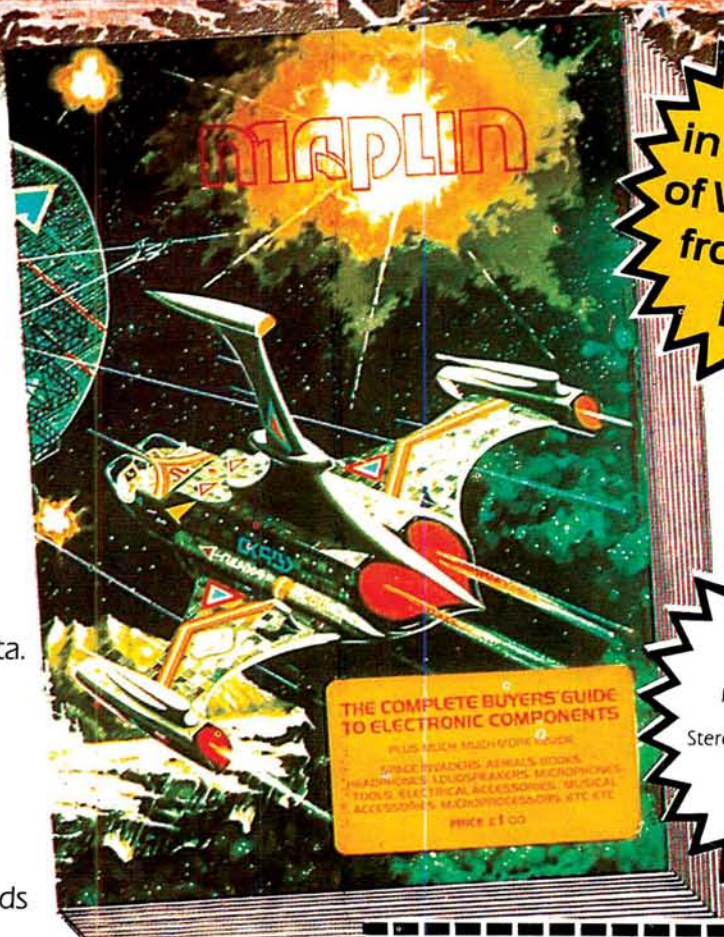


The new MAPLIN CATALOGUE is out on December 5th

A massive new catalogue from Maplin that's bigger and better than ever before. If you ever buy electronic components this is the one catalogue you must not be without. Over 300 pages, it's a comprehensive guide to electronic components with thousands of photographs and illustrations and page after page of invaluable data. We stock just about every useful component you can think of. In fact, well over 5000 different lines, many of them hard to get from anywhere else. Hundreds and hundreds of fascinating new lines, more data, more pictures and a new layout to help you find things more quickly.

MAPLIN

Maplin Electronic Supplies Ltd.
 All mail to: P.O. Box 3, Rayleigh, Essex SS6 8LR.
 Telephone: Southend (0702) 554155. Sales (0702) 552911.
 Shops:
 159-161 King Street, Hammersmith, London W6. Telephone: (01) 748 0926.
 284 London Road, Westcliff-on-Sea, Essex. Telephone: Southend (0702) 554000.
 Both shops closed Mondays.



On sale
 in all branches
 of W H Smith
 from Dec 5th
 price £1

PLUS LOW PRICES
 such as
 Resistors from 1½p
 Multimeters from £4.25
 Ni-Cads from £1.15
 Stereo Headphones from £3.49
 Radios from £2.95
 Over 300 Books
 21 Different ranges
 of capacitors, etc.,
 etc., etc.,

Post this coupon now for your copy of our 1981 catalogue price £1.
 Please send me a copy of your 320 page catalogue. I enclose £1 (Plus 25p p&p). If I am not completely satisfied I may return the catalogue to you and have my money refunded. If you live outside the UK send £1.68 or 12 International Reply Coupons.
 I enclose £1.25

Name _____

Address _____