

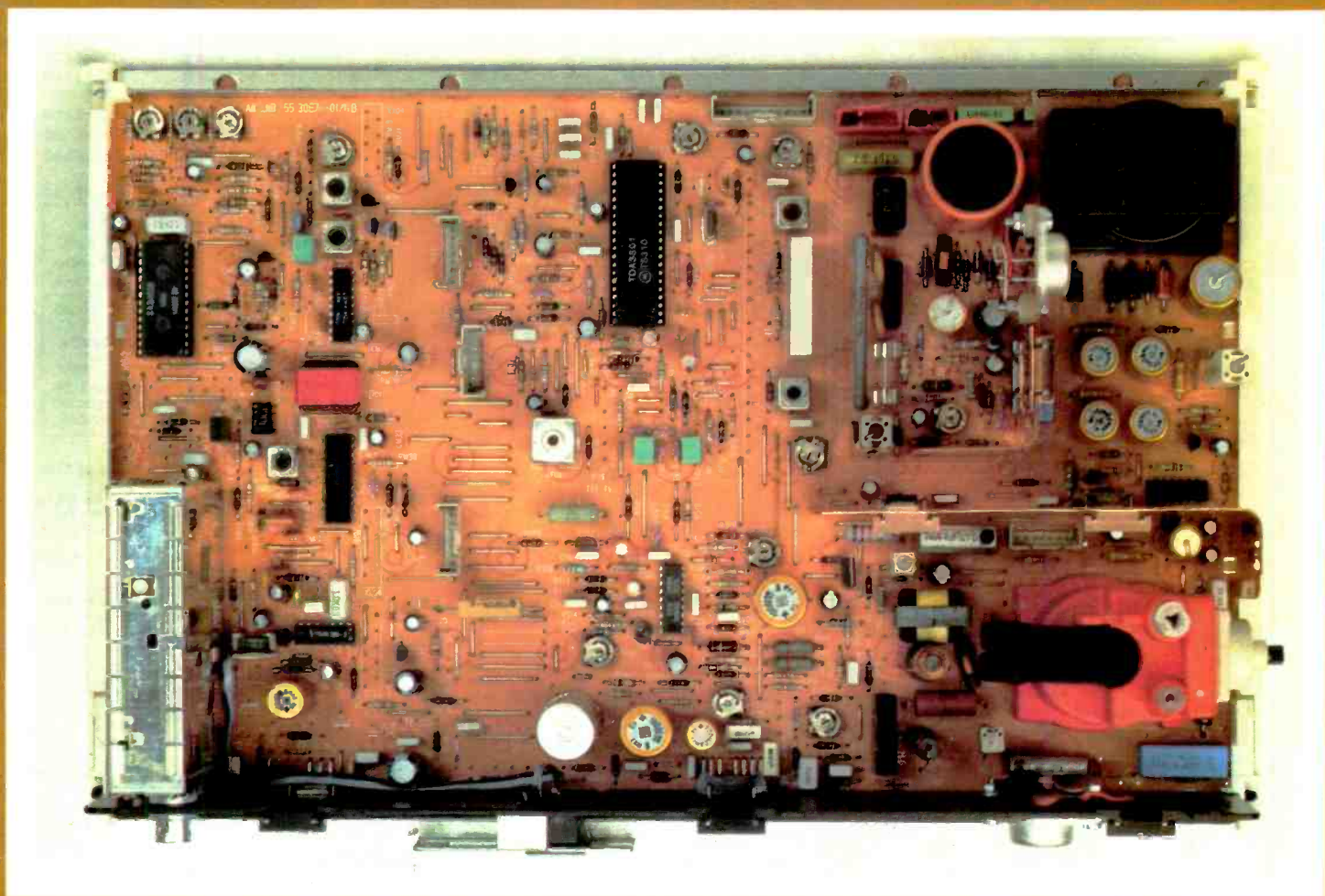
**JANUARY 1984**

Australia \$1.80 New Zealand \$2.10 Malaysia \$5.50 I.R. £. 38 (inc. VAT)

**90p**

# TELEVISION

**SERVICING-VIDEO-CONSTRUCTION-DEVELOPMENTS**



**LUXOR'S NEW SX9 CHASSIS**  
**FAULT GUIDE: SONY SLC7UB VCR**  
**AUTO CHANNEL SCANNER**  
**TEST CARDS FOR CHRISTMAS**  
**TV FAULT FINDING**  
**VCR CLINIC**

# Interested in Television Servicing?

## Try a ZED Pack. Effect Repairs at Minimum Cost.

Z1	300 mixed ½ and ¼ watt and miniature resistors	£1.95	Z20	10 Assorted switches including: Pushbutton, Slide, Multipole, Miniature etc. Fantastic Value	£1.20	Z44	TO3 Mounting kits (BU208)	8 for 60p
Z2	150 mixed 1 and 2 watt resistors	£1.95	Z21	100 Assorted Silver Mica caps	£2.20	Z45	TO220 Mounting kits (TIP33)	10 for 60p
Z3	300 mixed capacitors, most types amazing value	£3.95	Z22	10 Mixed TV convergence Pots	£1.00	Z46	TO126 Mounting kits (BD131)	12 for 60p
Z4	100 mixed electrolytics	£2.20	Z23	20 Assorted TV Knobs including: Push Button, Aluminium and Control types	£1.20	Z47	Pack of each Mounting kit. All include insulators and washers	£1.50
Z5	100 mixed Polystyrene Capacitors	£2.20	Z24	10 Assorted Valve bases B9A, EHT, etc.	£1.00	Z48	3a 1000v Diodes (IN5408 type)	8 for £1.00
Z6	300 mixed Printed Circuit Components	£1.95	Z25	10 Spark Gaps	£1.00	Z49	Brushed Aluminium Push Button Knobs, 15mm long x 1 1mm Diam. Fit standard 3½mm square shafts	10 for £1.00
Z7	300 mixed Printed Circuit resistors	£1.45	Z26	20 Assorted Sync Diode Blocks	£1.00	Z50	Chrome finish 10mm x 10mm Diam as above	10 for £1.00
Z8	100 mixed High Wattage Resistors, wirewounds etc.	£2.95	Z27	12 Assorted IC Sockets	£1.00	Z51	Aluminium Finish Standard Fitting Slider Knobs. (Decca)	10 for £1.00
Z9	100 mixed Miniature Ceramic and Plate caps	£1.50	Z28	20 General Purpose Germanium Diodes	£1.00	Z52	Decca "Bradford" Control Knobs Black and Chrome. ¼" Shaft	8 for £1.00
Z10	25 Assorted Potentiometers	£1.50	Z29	20 Assorted Miniature Tantalum Capacitors. Superb Buy at	£1.20	Z53	Tuner P/B Knobs, Black and Chrome. Fit most small Diam Shafts, ITT, THORN, GEC etc.	8 for £1.00
Z11	25 Assorted Presets, Skeleton etc.	£1.00	Z30	40 Miniature Terry clips, ideal for small Tools etc.	£1.00	Z54	Spun Aluminium Control Knobs (ITT) ¼" Shaft, suitable for most sets with recessed spindles	8 for £1.00
Z12	20 Assorted VDR's and Thermistors	£1.20	Z31	5 CTV Tube Bases	£1.00	Z55	14 Pin DIL I.C. Sockets	12 for £1.00
Z13	1 lb Mixed Hardware, Nuts, Bolts, Selftappers, "P" clips etc.	£1.20	Z32	10 EY87/DY87 EHT bases	£1.00	Z56	16 Pin Quil I.C. Sockets	12 for £1.00
Z14	100 mixed New and marked transistors, all full spec. includes: PBC108, BC148, BC154, BF274, BC212L, BC238, BC184L and/or Lots of similar types	ONLY £4.95	Z33	20 x PP3 Battery Connectors	£1.00	Z57	16 Pin DIL TOQUIL I.C. Sockets	10 for £1.00
(Z14A)	200 Transistors as above but including power types like BD131, 2N3055, AC128, BFY50 etc.	£9.95	Z34	6 x Miniature "Press to Make" Switches, Red K nob	£1.00	Z58	22 Pin DIL I.C. Sockets	10 for £1.00
Z15	100 Mixed Diodes including: Zener, Power, Bridge, Signal, Germanium, Silicon etc. All full spec.	£4.95	Z35	12 Sub Min S.P.C.O. Slide Switches	£1.00	Z59	B9A Valve Bases P.C. Type	20 for £1.00
Z16	20 IN4148 Gen Purpose Diodes	£1.00	Z36	12 Min D.P.C.O. Slide Switches	£1.00	Z60	0.47Ω ½ Watt Emitter Resistors	40 for £1.00
Z17	20 IN4003/10D2	£1.00	Z37	8 Standard 2 Pole 3 Pos Switches	£1.00			
Z18	20 Assorted Zeners. 1 watt and 400 mw	£1.50	Z38	4 x HP11 Batt Holders (2 x 2 Flat type)	4 for £1.00			
			Z39	3.5mm Jack Sockets, switched, enclosed Type	8 for £1.00			
			Z40	100 Miniature Reed Switches	£2.30			
			Z41	100 Subminiature Reed Switches	£4.20			
			Z42	20 Miniature Reed Switches	£1.00			
			Z43	12 Subminiature Reed Switches	£1.00			

High quality COAX PLUGS, silver plated pin, grub screw fixing. 5 for £1  
**COAX COUPLERS** 5 for £1  
**COAX FLYING SOCKET** 3 for £1

### ELECTROLYTIC

1µf 63v	20 for £1.00
1µf 350v	10 for £1.00
2.2µf 63v	20 for £1.00
4µf 350v*	10 for £1.00
10µf 25v	20 for £1.00
22µf 16v	20 for £1.00
1µf 25v	20 for £1.20
1µf 25v*	20 for £1.50
3 0µf 25v	10 for £1.00
4 10µf 40v*	8 for £1.00
4 70µf 25v	10 for £1.00
4 70µf 35v	8 for £1.00
1000µf 35v	6 for £1.00
1000µf 40v*	5 for £1

\*Axial. All others are Radial.

### CAN TYPES

22µf 375v (3 pin)	50p
50µf 250v (3 pin)	50p
100µf 350v	80p
2000µf 100v	£1.00
1000µf 100v	60p
2.200µf 40v	60p
2.200µf 63v	70p
3.500µf 35v	50p
220µf 400v ITT/RBM	£1.00
6.800µf 70v	£1.00
10,000µf 40v	£1.00

### "MITSUMI" MINIATURE ROTARY UHF TUNERS

Single nut fixing as used in various JAP portables £3.95  
 "Mitsumi" varicap tuner "AM-UF-125" £4.95

### SPECIAL OFFER

PHONO PLUGS, metal with plastic tops. Red, grey or black.  
 20 of ONE colour £1  
 20 of EACH colour £2.50  
 100 of ONE colour £4  
 100 of EACH colour £10

### SPECIAL OFFER

LIGHTWEIGHT STEREO HEADPHONES. Good quality with 3.5mm stereo jack plug. £2.95 each, £25 for 10. Further discount available on large quantities.

### R.B.M. USERS LOOK!

No more messy soldering. 24 pin I.C. sockets for SL901 etc. SPECIAL OFFER: 5 for £1.00 100 for £12.50.

### SPECIAL OFFERS

100 Assorted Polyester Capacitors. Mullard C296's and others 160v-400v only £2.00  
 100 Assorted Mullard C280's Cosmetic imperfections etc. £2.00  
 200 Mullard Miniature Electrolytics Cosmetic imperfections etc. £2.00  
 PACK OF EACH £5.00

12V BULBS on Leads. Suitable for most VIDEO RECORDERS. 70p each 4 for £2

### CAR RADIO SUPPRESSOR KIT

Comprises: in line aerial suppressor, power lead suppressor and clock/accessory suppressor. With leaflet. £1.95 each, 10 for £1.20  
 Further Discount on large quantities

### ZENER DIODES

0v7, 2v7, 4v3, 4v7, 5v6, 6v2, 6v8, 7v5, 27v, 30v. ALL 400mw.  
 10 of one value 80p  
 10 of each £6.60  
 1.3 watt, 12v, 13v, 18v, 47v  
 10 of one value £1.00  
 10 of each £3.00

### DIODES

25 x IN4002 £1.00  
 100 for £2.50  
 20 x IN4003 £1.00  
 100 for £3.00  
 20 x IN4005 £1.50  
 100 for £5.00  
 20 x IN4148 £1.00  
 100 for £2.50  
 10 x SKE4F2/06 (600v 2a fast switching) £1.00  
 12 x BY127 £1.00  
 8 x BY255 (3A 1300V) £1.00  
 10 x BA158 (600v 400ma) £1.00  
 IN5402 3a 200v 8 for £1.00  
 6A. 100V. Bridge Rectifier. Very small. 80p ea. 3 for £2.00

### I.C.'s

CA270AE £1.00 6 for £5.00  
 MC1327P £1.00 6 for £5.00  
 TBA120SB 50p each, 5 for £2.00  
 TBA820 £1 each, 6 for £5.00  
 TBA810P £1.00 6 for £5.00  
 555 Timer 30p 4 for £1.00  
 TAA 661B £1.00 6 for £5.00  
 SN7660N 50p 5 for £2.00

### THORN SPARES

"3500" Transductor £1.20, 3 for £3.00  
 "3500" Focus Assembly with VDR £1.50  
 "8500" Focus Assembly, Rotary type £1.50, 3 for £4.00  
 "8500" .0022 2000v Line Capacitor 10 for £1.00  
 "1590/91" Portable metal boost Diode (W11) 5 for £1.00  
 "1500" Bias Caps 160µf 25v 20 for £1.50  
 "1500" Jellypot. L.O.P.T. Pinkspot £3.50  
 "900/950" 3 stick triplers £1.00, 3 for £2.50  
 "950" Can. 100 x 300 x 100 + 16µf £1.00

### THYRISTOR CONVERGENCE POTS

5Ω, 10Ω, 20Ω, 30Ω, 50Ω, 100Ω.  
 SS106 (BT106) 75p each 200Ω, 1K, 8 of one type £1.00, 8 of 3 for £2.00, 10 for £5.50 each type £6.00.

### V.C.R. BATTERY PACKS.

HITACHI PORTABLE V.C.R. Nicad pack. Type VTBP60E £20 each.  
 Brand New and Boxed 3 for £50

THORN "VIDEOSTAR" 3V25/26 Nicad pack. Type VA214. Also suitable for J.V.C. etc. Brand new and boxed. £20 each, 3 for £50.

THORN "VIDEOSTAR" Nicad packs. Same as above but secondhand, untested. Contain 10 "C" size Nicads (HP11) which can be replaced if necessary. £10 each, 3 for £25.

### MISCELLANEOUS

BG100 tripler for CVC45 etc. only £3.50  
 Line output transformer for RBM823A £4.25 each, 3 for £10.00  
 ITT VC200 4P/B Transistor Tuner. Suitable for some Pye and Philips sets. 3 hole fixing £2.75 each  
 Decca Bradford Tuner. 5 button type £4.00 each, 4 for £12.00  
 UHF Modulator UHF out Video in. Ch. 36. 2½" x 2" x 4" complete with 9 foot coaxial lead and plug. With connection data £3.00 each, 2 for £5.00  
 GEC Hybrid 2040 series Focus Assembly with lead and VDR rod £2.00 each, 3 for £5.00  
 Convergence Panel for above. Brand new leads and plug. £3.00 each  
 GEC 2010 Transistor Rotary Tuner with AE, SKT, and leads £1.95 each, 3 for £5.00  
 Bush CTV 25 Quadrupler type Q25B equivalent to ITT TU25 3QK £3.00 each, 2 for £5.00  
 Focus VDR Rods 2½" x 4". Suitable for GEC, Decca etc. 75p each, 3 for £2.00  
 Grundig UHF/VHF Varicap Tuner for 1500GB, 3010GB. £12.50 each, 3 for £30.00  
 EHT Lead with Anode cap (CTV) suitable for split Diodes sets 1m long 60p each, 3 for £1.50  
 EHT Cable 30p per metre, 10 metres £2.50  
 4.433 Mhz CTV Crystals 70p each, 3 for £2  
 75Ω 2½ Loudspeaker 60p each, 4 for £2  
 "TAYO" type 6 Mhz sound filters, ceramic 3 pin 50p each, 3 for £1.00  
 PYE CT200 Control Knobs 8 for £1.00  
 Degaus VDRs. 1½" diam, for RBM etc. 5 for £1.00  
 Mains Neons 10 for £1.00  
 2k2 Screened Resistors. White ceramic, 9 watt, with fusible link. 8 for £1.00  
 E.H.T. Discharge probe, with heavily insulated handle, with lead and chassis connector. 60p each, 3 for £1.50

### UNIVERSAL TEST LEAD KIT

Comprises: Red and black meter leads with 14 interchangeable probes, clips, points, plugs etc with screw threads. ONLY £2.50

### I.C. EXTRACTING TOOLS

Small 90p Large £1.20

### SMART ALUMINIUM FINISHED ½" SHAFT KNOBS

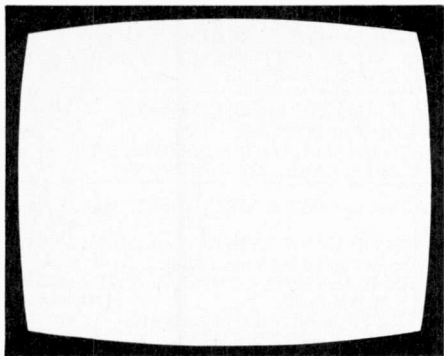
¾ diam. Ideal for TV or Hi-Fi. 10 for £1 100 for £8

## GEMINI ELECTRONIC COMPONENTS

Dept. TV, The Warehouse, Speedwell Street, London S.E.8.

Please quote ZED code where shown. Send cheque\* or Postal Order. Add 60p P&P and 15% VAT.  
 \*Schools etc. SEND OFFICIAL ORDER. Allow up to 28 days for delivery. Most orders despatched same day.  
 ZED PACKS now available for CALLERS at 50 Deptford Broadway, London, S.E.8.

Send large S.A.E. for list of Quantity, Prices and Clearance Lines etc.



# TELEVISION

January  
1984

Vol. 34, No. 3  
Issue 399

## COPYRIGHT

©IPC Magazines Limited, 1984. Copyright in all drawings, photographs and articles published in *Television* is fully protected and reproduction or imitation in whole or in part is expressly forbidden. All reasonable precautions are taken by *Television* to ensure that the advice and data given to readers are reliable. We cannot however guarantee it and we cannot accept legal responsibility for it. Prices are those current as we go to press.

## CORRESPONDENCE

All correspondence regarding advertisements should be addressed to the Advertisement Manager, "Television", King's Reach Tower, Stamford Street, London SE1 9LS. Editorial correspondence should be addressed to "Television", IPC Magazines Ltd., King's Reach Tower, Stamford Street, London SE1 9LS.

## SUBSCRIPTIONS

An annual subscription costs £11 in the UK, £12 overseas (by surface mail). Send orders with payment to Quadrant Subscription Services Ltd., Oakfield House, Perrymount Road, Haywards Heath, Sussex, RH16 3DH.

## BINDERS AND INDEXES

Binders (£4.50) and Indexes (45p) can be supplied by the Post Sales Department, IPC Magazines Ltd., Lavington House, 25 Lavington Street, London SE1 0PF. Prices include postage and VAT. In the case of overseas orders, add 60p.

## BACK NUMBERS

Some back issues are available from the Post Sales Department, IPC Magazines Ltd., Lavington House, 25 Lavington Street, London SE1 0PF at £1.10p inclusive of postage and packing.

## QUERIES

We regret that we cannot answer technical queries over the telephone nor supply service sheets. We will endeavour to assist readers who have queries relating to articles published in *Television*, but we cannot offer advice on modifications to our published designs nor comment on alternative ways of using them. All correspondents expecting a reply should enclose a stamped addressed envelope. Requests for advice on dealing with servicing problems should be directed to our Queries Service. For details see our regular feature "Service Bureau". Send to the address given above (see "correspondence").

## this month

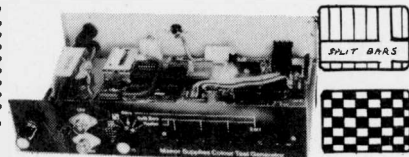
- 121 **Leader**
- 122 **Letters**
- 122 **All Systems Stop** *Les Lawry-Johns*  
Awkward sets bring the normal highly efficient work flow to a halt. Mainly T20s.
- 124 **Long-distance Television** *Roger Bunney*  
Reports on DX reception and conditions, band allocations and news from abroad.
- 129 **The Luxor SX9 Chassis** *Luke Theodossiou*  
Luxor's new CTV chassis makes use of the latest techniques including parallel instead of intercarrier sound and a Philips microcomputer-based control system. Also details of the SCART socket with which this chassis is fitted.
- 132 **Next Month in Television**
- 133 **Quick Checks Q and A, Part 4** *S. Simon*  
Do you know your way around the Thorn 8000 and 9000 series chassis?
- 134 **Teletopics**
- 137 **Satellite TVRO System, Part 4** *Nick Harrold*  
This concluding instalment deals with aerials and shows some of the results achieved with the terminal.
- 138 **VCR Clinic**  
Reports on VCR faults and fault finding from Steve Beeching, T.Eng. (C.E.I.), Derek Snelling, Mike Sarre, Philip Blundell, Tech. (C.E.I.), John Coombes and Peter H. Dolman, T.Eng. (C.E.I.).
- 140 **VCR Servicing, Part 24** *Mike Phelan*  
This time a look at what's involved when it comes to portable VCRs and battery operation, with particular reference to the Ferguson 3V24.
- 142 **Auto Channel Scanner** *James Dilworth, A.M.I.E.*  
A unit to enable you to scan the available channels automatically at a rate of about ten seconds per channel. Easily incorporated in varicap tuned sets (details given for the Thorn 9000 chassis).
- 144 **TV Fault Finding**  
Reports on TV faults from Mick Dutton, John Coombes, Richard Roscoe, D. C. J. Tilley and John Bourne.
- 146 **Servicing Notes on the Sony SLC7UB** *David Botto*  
The Sony SLC7UB was one of the most complex VCRs to be marketed in the UK, and can produce some odd symptoms. These notes will assist with quite a number of problems you could encounter.
- 148 **Test Card Saga** *Keith Hamer and Garry Smith*  
An up-date on BBC clocks and captions and an illustrated guide to festive test cards/captions that have appeared in recent years.
- 150 **Service Bureau**
- 151 **Test Case 253**

OUR NEXT ISSUE DATED FEBRUARY WILL  
BE PUBLISHED ON JANUARY 18

# MANOR SUPPLIES

NEW MKV CHEQUERBOARD & PAL COLOUR TEST GENERATOR FOR TV & VCR.

TEST DEMONSTRATIONS AT 172 WEST END LANE



- ★ 40 different patterns and variations.
- ★ Broadcast transmission accuracy (fully interlaced sync pulses with correct picture blanking).
- ★ EBU colour bars, BBC colour bars, whole rasters & split bars (specially useful for VCR service), white, yellow, cyan, green, magenta, red, blue and black.
- ★ Chequerboard.
- ★ Mono outputs with border castellations, cross hatch, grey scale, vertical lines, horizontal lines and dots. UHF modulator output plugs straight into receiver aerial socket.
- ★ Additional video output for CCTV & VCR.
- ★ Facilities for sound output.
- ★ Easy to build kit. Only 2 adjustments. No special test equipment required.
- ★ Mains operated with stabilised power supply.
- ★ All kits fully guaranteed with back-up service.
- ★ Also available with VHF Modulator.

Price of Kit **£80.50**

Standard Case (10½"×6½"×2½") **£5.50**

De Luxe Case (10"×6"×2½") **£8.50**

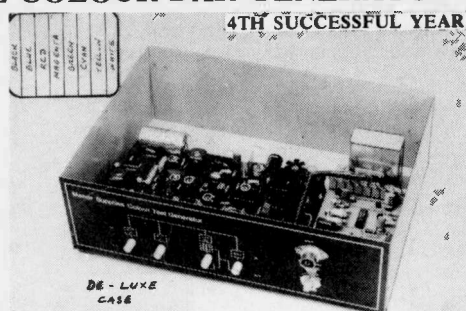
Optional Sound Module (6MHz or 5.5MHz) **£4.50**

Built & Tested in De Luxe Case including Sound Module **£120.75**

**SPECIAL TEST REPORT TELEVISION DEC. 1982** Post/Packing **£2.50**

All above prices include VAT 15%

## PAL COLOUR BAR GENERATOR (Mk4)



- ★ Output at UHF, applied to receiver aerial socket.
- ★ In addition to colour bars R-Y, B-Y etc.
- ★ Cross-hatch, grey scale, peak white and black level.
- ★ Push button controls, battery or mains operated.
- ★ Simple design, only five i.c.s on colour bar P.C.B.

**PRICE OF MK 4 COLOUR BAR GENERATOR KIT £34.50. DELUXE CASE £8.50. BATT HOLDERS £3.20 OR MAINS SUPPLY KIT £4.80 (Combined P&P £1.80).**

MK 4 DE LUXE (BATTERY) BUILT & TESTED **£66.70 + £1.80 P & P.**  
 MK 4 DE LUXE (MAINS) BUILT & TESTED **£78.20 + £1.80 P & P.**  
 VHF MODULATOR (CHI to 4) FOR OVERSEAS **£6.60.**  
 EASILY ADAPTED FOR VIDEO OUTPUT & C.C.T.V.  
 (ALL PRICES INCLUDE 15% VAT)

### MANOR SUPPLIES TELETEXT ADAPTOR KITS

MK 1 (Texas XMII) Cable remote control **£158.70 p.p. £2.80.**  
 MK 2 (Philips/Mullard) Infra-red remote control **£198.40 p.p. £2.80.**  
 Further details on request.

Goods available if in stock immediately over shop counter (Mail order between 3 days and 1 week from receipt of order).

## TV SERVICE SPARES

BACKED BY TWENTY YEARS EXPERIENCE & STAFF OF TECHNICAL EXPERTS

### TELEVISION MAGAZINE PROJECT PARTS

NEW COLOUR PORTABLE TV  
 MONO PORTABLE TV, SMALL SCREEN MONITOR  
 LISTS AVAILABLE, PANEL TEST SERVICE

PHILIPS UHF MODULATOR (AUDIO & VIDEO INPUT) **£17.25 p.p. £1.00.**

MULLARD TELETEXT DECODER + INTERFACE suitable for Thom, TX10 **£69.00 p.p. £1.80.** (Decoder only **£57.50 p.p. £1.80).**  
 SAW FILTER IF AMPLIFIER PLUS TUNER COMPLETE AND tested for T.V. SOUND & VISION **£32.80 p.p. £1.20.**

THORN TX9, TX10 SAL FILTER IF PANEL **£9.90 p.p. 80p.**  
 PAL DECODER KIT FOR RGB MONITORS **£31.00 p.p. £1.20.**  
 SPECIAL OFFER TEXAS XMII TELETEXT DECODER NEW & TESTED, AT REDUCED PRICE **£46.00 p.p. £1.60.**

PHILIPS-PYE G11 TYPE TELETEXT DECODERS **£28.75 p.p. £1.60.**  
 TELETEXT 23 BUTTON DE-LUXE HANDSET WITH 5 YDS. CABLE **£7.80 p.p. £1.20.** XMII STAB. POWER SUPPLY **£4.40 p.p. £1.20.**

CROSS HATCH UNIT KIT, AERIAL INPUT TYPE, INCL. T.V. SYNC AND UHF MODULATOR. BATTERY OPERATED. ALSO GIVES PEAK WHITE & BLACK LEVELS. CAN BE USED FOR ANY SET **£12.65 p.p. 60p.** (ALUM CASE **£2.90** DE LUXE CASE **£5.50 p.p. £1.20.**)  
 ADDITIONAL GREY SCALE KIT **£3.35 p.p. 45p.**

UHF SIGNAL STRENGTH METER KIT **£21.60** (VHF version also available). ALUM CASE **£2.90** DE LUXE CASE **£8.50 p.p. £1.80.**

CRT TESTER & REACTIVATOR PROJECT KIT FOR COLOUR & MONO **£29.40 p.p. £2.00.**

BUSH A823 POWER BASIC PCB. IN FIBREGLASS **£6.40 p.p.**  
 BUSH Z718 BC6100 SERIES IF PANEL **£5.75 p.p. 90p.**  
 BUSH A816 IF PANEL (SURPLUS) **£1.90 p.p. 90p.**

DECCA 80, SERIES, IF FRAME T.B. **£5.75 each p.p. £1.40.**  
 DECCA 80, 100 LINE SCAN UNIT salvaged **£11.50 each p.p. £2.00.**

GEC 2040 Convergence panels, Decoder panels **£2.88 each p.p. £1.80.**  
 GEC 2040 IF PANELS **£3.22 p.p. £1.60.**

THORN TX9 PANELS ex factory for small spares. Includes I.C.s & Semiconductors etc. **£5.75 p.p. £2.00.**

THORN TX9 PANELS salvaged ex factory for spares incl. LOPT & mains transformers **£11.50 p.p. £2.80.**

THORN TX9 PANELS ex factory salvaged complete cond **£23.00 p.p. £2.80.**  
 THORN TX10 T.B. PANELS salvaged ex factory **£17.25 p.p. £3.00.**

THORN TX10 SIGNAL BOARDS salvaged ex factory **£17.25 p.p. £2.00.**  
 THORN 3000 LINE T.B., POWER PCB **£5.75 each p.p. £1.30.**

THORN 8000/8500 IF/DECODER PANELS salvaged **£3.70 p.p. £1.80.**  
 THORN 8000/8500 FRAME T.B. PANELS salvaged/spares **£2.88 p.p. £1.40.**

THORN 9000 SERIES TOUCH TUNE REMOTE CONTROL UNIT PLUS ULTRASONIC TRANSMITTER HANDSET **£19.32 p.p. £1.84.**  
 THORN 9000 IF/DECODER PANELS Salvaged **£5.75 p.p. £1.60.**

PHILIPS G8/G9 IF/DECODER Panels for small spares **£1.75 p.p. £1.40.**  
 G8 Decoder panels salvaged **£4.25.** Panels for spares **£2.00 p.p. £1.40.**

G9 Scan Panel. Basic PCB in fibreglass **£16.68 p.p. £2.00.**  
 GRUNDIG 8630 Series Varicap Tuners **£7.82 p.p. £1.00.**

VARICAP, U321, U322, ELC 1043/06 ELC 1043/05 **£7.82 p.p. 80p;** G.I. type (equiv. 1043/05) **£4.00 p.p. 60p.** MAKERS VARICAP CONTROLS Pye CT200 4PSN **£8.60,** A823 4PSN **£5.50,** Decca 6PSN **£6.70 p.p. 80p** etc.

SPECIAL OFFER ELEVEN POSITION VARICAP CONTROL UNIT UHF/VHF **£2.10 p.p. £1.00.**

BUSH "Touch Tune" Varicap Control Z179, Z718 types **£4.40 p.p. 95p.**  
 VARICAP UHF-VHF ELC 2000S **£9.80.** BUSH TYPE **£7.82 p.p. 85p.**  
 VARICAP VHF MULLARD ELC 1042 **£7.95 p.p. 80p.**

UHF/625 Tuners, many different types in stock. DECCA Bradford 5 position **£2.88 p.p. £1.80** etc.

T.V. SOUND IF Panels **£7.82 p.p. £1.00.**  
 LOPT TESTER Service Dept approved **£17.82 p.p. £1.20.**

LOPTS NEW & GUAR. P/P Mono **£1.35p,** Colour **£1.45p,** Bobbins **80p.**

BUSH 161 to 186 (twin panel) **£6.80** R.B.M. A823 **£5.60**  
 BUSH, MURPHY 774 series **£9.80** R.B.M. Z179 **£11.30**

BUSH, MURPHY A816 series **£9.80** R.B.M. T20, T22 **£11.30**  
 FERG., HMV, MARCONI, ULTRA R.B.M. T20, T22 Bobbin **£6.44**

950, 1400, 1500, 1580, 1590, 1591 **£6.80** DECCA Bradford (state Mod No.) **£10.15**  
 THORN 1600, 1615, 1690, 1691 **£10.50** DECCA 80, 100 **£10.15**

GEC 2000 to 2038 series **£7.80** GEC 2028, 2040, 2100 **£6.70**  
 GEC series 1 & 2 **£9.20** GEC 2110 Series **£12.20**

INDESIT 2024EGB **£8.80** IIT CVC 5 to 9, CVC20 **£11.30**  
 IIT/KB VC 200, 300 **£8.80** IIT CVC25, CVC30 series **£10.15**

MURPHY 1910 to 2414 (twin panel) **£6.80** PYE 691-697 **£11.50**  
 PHILIPS 170, 210, 300 SERIES **£8.80** PYE 713, 715 **£7.85**

PYE, INVICTA, EKCO, FERR. **£8.80** PHILIPS G8 **£10.60**  
 368, 169, 569, 769 series **£8.80** PHILIPS G9 **£11.30**

SPECIAL OFFER PHILIPS S70, S71 **£7.85**  
 DECCA 20/24, 1700, 2000, 2401 **£4.40** THORN 3000/3500 SCAN, EHT **£7.85**

GEC 2114J/Junior FineLine **£3.25** THORN 8000/8500/8800 **£14.80**  
 PYE 40, 67 **£2.00** THORN 9000 to 9600 **£10.15**  
 KB VC ELEVEN (003) **£2.00** THORN 9800 **£21.90**  
 KB VCI **£3.25**

OTHERS AVAILABLE, PRICES ON REQUEST. ALSO F.O.P.T.S. TRIPLERS Full range available. Mono & Colour.

Special Offer: Thorn 1400 5 stick EHT Tray **£1.72 p.p. 65p.**  
 TRANSDUCTORS suitable for G8, A823, Bradford etc. **£1.72 p.p. 60p.**

6.3V CRT Boost Transformers **£5.80,** Auto Type **£3.20,** p.p. **£1.20.**  
 THORN 3000 Mains TX **£5.75.** 8000 Mains choke **£5.60 p.p. £1.80.**

CALLERS WELCOME AT SHOP PREMISES Telephone 01-794 8751/7346  
 THOUSANDS OF ADDITIONAL ITEMS INVITED, ENQUIRIES  
 LARGE SELECTION TESTED COLOUR PANELS POPULAR MODELS

## MANOR SUPPLIES

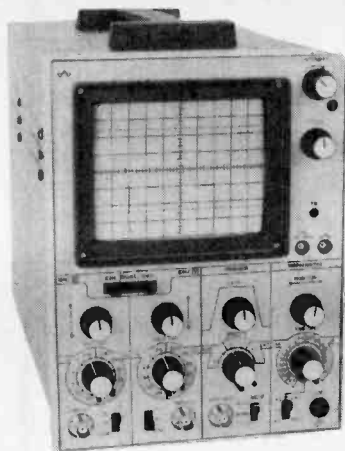
172 WEST END LANE, LONDON, N.W.6.

NEAR: W. Hampstead Tube Stn. (Jubilee) Buses 28, 159, C11 pass door  
 W. Hampstead British Rail Stn. (Richmond, Broad St.) (St. Pancras, Bedford)  
 W. Hampstead (Brit. Rail) access from all over Greater London.

Mail Order: 64 GOLDERS MANOR DRIVE, LONDON N.W.11.

ALL PRICES INCLUDE VAT AT 15%

## DUAL TRACE 'SCOPES



5" CRT

DT-525 25MHz ADD-INVERT £250 + vat

DT-520 20MHz ADD-INSERT £230 + vat

### ALL MODELS

- ★ CH1, CH2 5mv/div-20v/div
- ★ Timebase 1sec/div-100ns/div
- ★ XY Facility Matched XY inputs
- ★ Trigger Level control
- ± Slope selection
- ★ Auto, Normal, TV Triggering
- ★ External Trigger
- ★ Z-Modulation
- ★ CAL and RAMP outputs
- ★ Graticule blue ruled 8x10div
- ★ Size H 245mm, W 175mm, D 360mm
- ★ Weight 6 Kgs

CARRIAGE £5 + VAT UK MAINLAND

### TECHNOCLASS LTD.

56 Bishops Wood, St Johns, Woking, Surrey  
Tel: Woking 66836

## TUNERS + TUNERS

- ★ If you repair sets regularly – phone us today and we will dispatch immediately – no need to send cash 'up front'.
- ★ All tuners dispatched by first class post for receipt by you the next day.
- ★ All popular tuners/tuner repairs supplied 'off the shelf'.
- ★ Unusual types repaired same day as received (subject to spares availability).

**TELEPART**

13 Worcester Street,  
Wolverhampton, WV2 4CJ.  
Phone: (0902) 773122.

## SCOTTS

### THE TELEVISION CENTRE

8-10 RHODA STREET, (Off Bethnal Green Road) LONDON E2

Telephone: 01-739 3123

Working/Service Philips 22"-26" G8 520 ..... £35.00  
 Working/Service Philips 550's ..... £45.00  
 Working/Service Bush 22" s/state ..... £30.00  
 Working/Service Pye 18" Chelsea ..... £49.00

TV  
STANDS  
£2.50

**TRADE  
ONLY!**

AND MANY  
MORE MAKES  
IN STOCK!

LONDON'S LARGEST SUPPLIER OF GOOD WORKING TV's  
★ FREE DELIVERY TO THE GREATER LONDON AREA ★  
TELEPHONE NOW 01-739 3123

# FREE CAREER BOOKLET

**Train for success in Electronics  
Engineering, T.V. Servicing,  
Electrical Engineering—or running  
your own business!**

ICS have helped thousands of ambitious people to move up into higher paid, more secure jobs in the fields of electronics, T.V., electrical engineering—now it can be your turn. Whether you are a newcomer to the field or already working in these industries, ICS can provide you with the specialised training so essential to success.

### Personal Tuition and 80 Years of Success

The expert and personal guidance by fully qualified tutors, backed by the long ICS record of success, is the key to our outstanding performance in the technical field. You study at the time and pace that suits you best and in your own home.

You study the subjects you enjoy, receive a formal Diploma, and you're ready for that better job, better pay.

**TICK THE FREE BOOKLET YOU  
WANT AND POST TODAY**

#### ELECTRONICS ENGINEERING

A Diploma Course, recognised by the Institute of Engineers & Technicians as meeting all academic standards for application as an Associate.

#### T.V. & AUDIO SERVICING

A Diploma Course, training you in all aspects of installing, maintaining and repairing T.V. and Audio equipment, domestic and industrial.

#### ELECTRICAL ENGINEERING

A further Diploma Course recognised by the Institute of Engineers & Technicians, also covering business aspects of electrical contracting.

#### RUNNING YOUR OWN BUSINESS

If running your own electronics, T.V. servicing or electrical business appeals, then this Diploma Course trains you in the vital business knowledge and techniques you'll need.

Name .....

Address .....

**ICS** ICS  
Dept Q285,  
160 Stewarts Road,  
London SW8 4UJ.



01-622 9911  
(all hours)



# P.V. TUBES

## REPLACEMENT ELECTROLYTICS

PYE 168 (200/200/100/32)	2.70
PHILIPS 320 (400/400/200V)	2.07
DECCA 30 (400/400/350V)	3.40
DECCA 80 (400/350V)	3.00
DECCA 100 (800/250V)	3.97
DECCA 1700 (200/200/400/350V)	4.83
PHILIPS G8 (800/300V)	2.30
PHILIPS G9 (800/300V)	2.21
PHILIPS G11 (470/250V)	2.90
PYE 691/7 (200/300/350V)	2.70
PYE 731 (800/300V)	2.31
RBM A823 (2500/2500/300V)	1.66
RBM A823 (800/300V)	2.83
RBM Z148 (300/300/350V)	3.55
RR1 T20A (220/400V)	2.90
ITT CVC5/9 (200/200/75/25)	2.00
ITT CVC 20 (220/400V)	2.00
GEC 2110 (800/250V)	1.94
GEC 2040 (1000/2000/35V)	4.10
GEC 2040 (300/300/150/100/50)	1.19
THORN 3500 (400/400V)	3.0
THORN 950 (100/300/100/16/275V)	1.83
THORN 1400 (150/100/100/150/320V)	2.78
THORN 1500 (150/150/100/300V)	2.20
THORN 1500 (12/300V)	3.1
THORN 3500 (175/100/100/400/350V)	2.78
THORN 3500 (1000/83V)	8.6
THORN 3500 (1000/70V)	8.6
THORN 8000/8500 (2500/2500/83V)	3.38
THORN 8000/8500 (700/250V)	1.20
THORN 8000/8500 (400/350V)	2.58
THORN 9000 (400/400V)	3.28
GEC (200/200/150/50)	2.84
PHILIPS 69 2200/83V	1.25
THORN 4700 P.C. 25V	2.74
PHILIPS 320 400/400/200V	2.74
THORN 1591/1691 4700/25V	1.20

## CAPACITORS

Volts	Mfd	Price
6V3	33	9
10V	22	10
	47	10
	100	10
	220	15
	470	20
16V	33	11
	68	11
	220	16
	1000	27
330V	53	57
25V	10	11
	22	13
	47	15
	100	15
	220	28
	470	30
	1000	55
	2200	51
470V	58	58
40V	10	10
	22	10
	400	48
63V	2.2	12
	10	12
	4.7	12
	15	12
	22	13
	47	19
	100	22
	220	37
	470	49
	1000	58
	2200	94
100V	10	13
	22	15
	47	20
	100	26
	220	70
450	1	33
	4.7	30
	10	30
	22	30
	33	65
	47	75
	75	82
	100	32
	600	1

## DISC CERAMIC CAPACITORS

8kV (12kV Vtag)	
39pF 200pF each	30p
150pF 220pF	30p
180pF 250pF	

## CERAMIC CAPACITORS

63V A range of pref. values each	5p
22pF-4700pF	5p

## PANELS + UNITS

AFC UNIT PHILIPS G8	8.82
IF GAIN MODULE (Pye/Philips)	9.00
CDA PANEL (Pye/Invidia/Ecko/Dynatron)	20.00
REAR CONVERGENCE PANEL (Philips G8)	23.00

## MIDGET CONTROLS

Insulated Spindle Length 44mm	
Log or Lin Without Switch	
5K-10K-25K-50K-100K-250K-500K-1M	39p
With D.P.S.T. Switch	
Log: 5K-10K-25K-50K-100K	81p
250K, 500K, 1M, 2M	
Dual gang Controls	1.25
16mm Rotary Controls 10K, 22K, 100K, 1M, 10K	39p

## THERMAL CUT OUT

THORN 3000 2A Metal	1.60
GEC 2040 Metal	2.50

## MULTITURN POTS

100K PHILIPS G8	55
GEC TCE	55
DECCA, RANK	55

## THICK FILM RESISTOR NETWORK

THORN 3500 (5 pin connection)	1.98
PYE 731 (6 pin connection)	2.20
THORN 9000 (Circuit Ref. R704/7)	1.98

## ELECTRONIC TUNERS AND ASSEMBLIES

Mullard ELC1043/05	8.40
Mullard ELC1043/06	8.40
4 P/B DECCA/GEC/ITT	6.88
6 P/B DECCA/GEC/ITT	7.50
4 P/B PYE	8.00
6 P/B PYE	16.00
PHILIPS G8 Tuner	10.50
PHILIPS G8 Ass. (Square/Early)	2.21
PHILIPS G8 Ass. (Sloping/Late)	13.90
PHILIPS G8 Tuner	13.90
PHILIPS G11 Tuner	9.00
ITT/PYE/GEC 7 Burton P/B	1.66
GEC 2110 6 way P/B	7.98
U321 UHF Tuner	7.90
THORN 8800 SELECTOR (HMV Model Z725 6 way round top)	7.50
THORN 9000 SELECTOR	13.40
U322	7.20
HITACHI 4 way Chan. Selector (Also Rank A823)	10.75
RR1 T20A 6 way Chan. Selector	9.75
RR1 T20/22/26	11.00
PHILIPS 8 way TIP Switch Unit (suitable for all G11)	23.00
ITT CVC8 (5 wheel modified)	1.12
ITT 8 way with VCR (Also Slm GEC)	8.90
PHILIPS KT3	14.50
PHILIPS KT30	10.30
PYE 697 Repair Kits	6.97
ELC 2003	16.50

## SWITCHES

4A Double Pole On/Off Switch	75
General Purpose Push/Push	1.38
Philips G8 Push On/Off Switch	66
4A Double Pole Rotary On/Off	70
A1 Beam Switch (THORN 3500)	58
GEC 2110 A1 Control IM5 (Red, Blue, Green)	88
GEC 2040 On/Off Switch	1.58
On/Off Switch G11/G12	1.06
On/Off Switch GEC/TCE TX9/10	

## SLIDER POTENT

Lin or Log	
470R-1K-2K2-44-10K-47K-470K	65

## CONVERGENCE POTS

3A/5R-6RB-10R-15R-20R	
50R-100R-200R-500R	60

## METRIC CONVERGENCE POTS

PHILIPS G8	60
5R-10R-20R-50R	

## CHRISTMAS GREETINGS

Lancashire is far to go for a kissneath the mistletoe so Sheila and her lovely misses send you all these special kisses

Sheila x Christine x Susan x Janet x Dawn 1 x Dawn 2 x Julie x Anne x Mary x

Happy Christmas and a prosperous New Year to all our customers and their families.

## BATTERIES RECHARGEABLE

RG6 - HP7/NN1500	1.39
RX14 - SP11/HP11/NN1400	2.17
RX20 - SP2/HP2/NN1300	2.34
RX22 - PP3/NN1604	4.69

## VIDEO/AUDIO

VHS E30	3.06
VHS E60	3.66
Scotch E120 Video Tape	5.00
Scotch E180 Video Tape	4.90
BETA L500	5.80
BETA L750	5.80
PHILIPS VCC 240	5.93
PHILIPS VCC 360	8.30
PHILIPS VCC 480	10.21

## VIDEO CASSETTE CASES

Red/Blue/Green/Brown Book Type - Any Format	80
VHS Recorder Heads	
VHS (Universal)	38.00
Philips V2000	52.00

## ELECTROLUBE PRODUCTS

Electrolube Adhesive	62
Electro-Mech Lubricant	1.49
Elect. cleaning solvent	1.62
Freezer	1.49
Foam cleanser	1.12
Heat transfer compound	1.14
Silicone compound	1.94
Special contact fluid (Snorkel)	3.20
Pemargard	1.52
Elec. mech. lubricant pen	74

## P.V. MICROCOMPUTER CENTRE

Why not pay us a visit and see our range of Micros, Software Books and Peripherals. Please ring for prices.

We are also authorized dealers for the BBC Micro and accessories

Spectrum 16K	Vic 20	Sharp
48K	Commodore 64	Oric
	Atari 800	Dragon
Texas	Lynx	

Quantity discounts on application (Trade Only). Minimum of 5.

## FUSES

11" QUICK BLOW	
100ma	73
250ma-500ma-750ma-1A	80
1.5A-2A-2.5A-3A-5A	90
11" ANTISURGE	
250ma, 500ma, 800ma, 630ma, 750ma, 850ma, 1A, 1.25A	1.70
1.5A, 2A	1.70
2.5A, 3A, 5A	2.70
20mm ANTISURGE	
80ma	4.80
100ma	2.50
180ma, 200ma	2.20
315ma, 500ma, 630ma, 800ma, 1A, 1.25A, 1.6A, 2A	1.30
3.15A, 3.15A	1.90
20mm QUICK BLOW	
100ma, 250ma, 500ma, 630ma, 800ma	90
1A, 1.25A, 1.6A, 2A, 2.5A, 3.15A, 5A	60
1" MAINS	
2A, 3A, 5A, 10A, 13A	1.00

## AERIAL ACCESS

Surface Mount.	
Splitter	1.70
Surface Mount. Outlets	80
Cable Clips per 100	1.18
Coax Plugs per 100	1.80
P.V.C. Tape	35
F.M. Plugs	25
PL259 Plug	45
Line Connectors	30
Reducers for PL259	16
T.V. Filter 50db Rejection	8.25
27mhz	2.10
Attenuators 8db, 12db, 4 Way Amp UHF/VHF	11.83
18db	1.80
Top Tenna Set	33.75
Aerial	2.30
M.H.A/P.U. the pair	18.00
Aerial Isolator Kit	2.08
4m Fly Lead	1.20
2m Fly Lead	90

## ANTIFERENCE

SB11 Indoor Splitter	1.91
COB11 Single Outlet	80
TRR/VSP	2.83
Transformer	2.83
CS200/SP Comb/Splitter	3.03
CS1000 Comb/Splitter	6.15
PU1240 Power Unit	11.10
UP1300 M.H.A. UHF/VHF	3.90
THORN 3000/3500	7.98
THORN 8000	5.28
THORN 8500/8800	7.15
THORN 8500/8800	6.15
THORN 9000	7.83
DECCA 1730/1830	4.48
DECCA 1910/2213 Bradford	5.92
DECCA 30	6.76
DECCA 80	8.80
4m Fly Lead	1.20
2m Fly Lead	90
Super Set Top	5.50
XG8 High Gain Aerial	17.98
A.B./CD or N/B	

## SUNDRY TUNER ACCESS.

RANK Tuner P.B.	35
14" x 1/2" x 1/2" x 1/2"	10
RANK Drive Cams	30
GEC 2110 Tuner Neons	14

## SUNDRIES

Delay Lines DL60, DL700, DL50	2.20
CRT Tube Base	70
EHT Final Anode Cap	53
EHT Cable	25p mt.
6.3V CRT Boost Trans.	4.35
13A Plug Top	box 10 4.80
Quick Set Adhesive	78
Moulded Plastic Hex. 6mm Trim	10
Tools	
Double End 4mm/8mm Trim Tools	20
Focus Rod	1.25
Focus Holder	2.00
Keenector Safe Block (maine)	7.00
Cassette Drive Belts price each	
35mm	35
46mm	37
57mm	37
67mm	39
71mm	41
76mm	42
90mm	59
110mm	42
Torch (handy for tool box)	1.18
I.C. Inserter	30
SM Neon Screwdriver	40
DIN Plugs 3 pin	22
GEC 27840	22
4 pin	22
180°	5 pin
Std.	5 pin
Phono Plugs	12
Car Aerial Plug	18
2.5mm Jack Plug	14
3.5mm Jack Plug	14
Std. Jack Plug	20
Stereo Jack Plug	36
5A Connector Block (12)	40
Fuse Wire SA-15A-30A	5
Battery Plug Thorn TVs	28
Mains Connector 4 way 13A	5.00

## LABGEAR

CM7061 Power Unit 12V	10.70
CM7082 Reg. Power Unit 12V	11.87
CM7080 MHA 10db 12V W/B	8.94
CM7085 VHF/UHF MHA N/B 12V	13.81
CM7087 UHF 12V MHA (Specify A-B or C/D)	9.72
CM7088 UHF 12V MHA High Gain (Specify A-B or C/D)	14.47
CM7053 Behind Set UHF Amp. (Mains)	11.80
CM7054 Behind Set UHF Amp. (Battery e.g. Caravana)	8.45
CM7043 Second Set UHF Amp.	10.89
CM7083 Behind Set UHF Amp. 3 Sets	13.85
CM7083 Dist. Amp. VHF/UHF 17db/output 12V	20.10
CM7018 VHF/UHF 8+1 Dist. Amp.	39.24
CM9700 27mhz CB Suppress.	3.88
CM8011 Outdoor Splitter (2 way) N/B	7.10
CM9003 Flush Single Outlet	1.33
CM9010 Flush Twin Outlet	1.89
CM9034 UHF Group Filters with DC Through Pass (state A/B/CD)	6.97
CM9006 6 Way Passive Splitter	10.97
CM7042 TV Games Combin.	2.55
CM9009 Flush TV/FM Outlet	2.78
CM7089 Tri Star Amplified Set Top Aerial N/B	17.50
CM7090 Amplified Caravan Aerial 12V DC N/B	15.82
CM9038 UHF/VHF 625 Pattern Gen.	50.00
CM9052 UHF/VHF PAL Colour Bar Gen.	190.00

## DIODES

THORN 950 Mk II	4.25
THORN 1400 3 Stick	4.25
THORN 1500 3 Stick	4.55
THORN 1500 5 Stick	5.29
THORN 1800	3.90
THORN 3000/3500	7.98
THORN 8000	5.28
THORN 8500/8800	7.15
THORN 8500/8800	6.15
THORN 9000	7.83
DECCA 1730/1830	4.48
DECCA 1910/2213 Bradford	5.92
DECCA 30	6.76
DECCA 80	8.80
DECCA 100	6.14
UNIVERSAL ITT or REMO	6.00
GEC 2100	7.40
GEC 2200 (20AX)	6.50
GEC 2040/2028	6.60
GEC 2110 Pre Jan 77	7.00
GEC 2110 Post Jan 77	7.00
PHILIPS G8 Short Focus Lead	6.75
PHILIPS G8 Long Focus 550	6.75
PHILIPS G9	6.37
Pye/Philips K3 Tripler	6.65
PYE 691/3	6.58
PYE 713 A Lead	7.00
PYE 713 Doubler 5 Lead	7.50
Philips/Pye KT3	6.67
PYE 731/725	7.80
R.B.M. A823 (plug in) AV	7.60
R.B.M. A823	7.60
KORTING (similar to Siemens TV11)	7.32
ITT KB CVC5/9	6.90
ITT KB CVC20/25/30 (Mullard)	5.95
RR1 T20	6.80

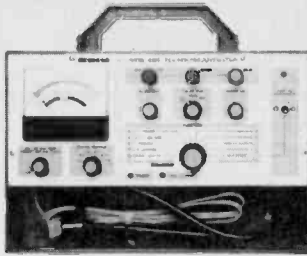
**INCREASE YOUR PROFITS IMPROVE YOUR SERVICE WITH RELIABLE COST EFFECTIVE TEST EQUIPMENT**

**ALSO AVAILABLE**  
 Analogue Multimeters  
 Digital Multimeters  
 Oscilloscopes  
 Signal Generators  
 Digital Frequency Meters  
 Pattern Generators  
 CRT Tester/Rejuvenator  
 T.V. Field Strength Meter  
 Digital Capacitance Meter  
**LARGE S.A.E.**  
**FOR COMPLETE LIST.**

**LEADER LCT-910A  
 C.R.T. TESTER-REJUVENATOR**

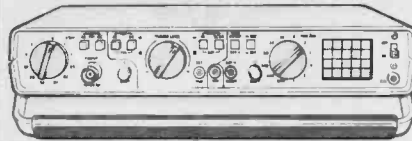
Our top selling instrument is designed to readily test the various characteristics and rejuvenation of both colour and B/W C.R.T's.

- ★ Tests for shorts and leakage between electrodes.
  - ★ Tests cathode emission characteristics.
  - ★ Separately checks condition of guns.
  - ★ Removal of shorts and leakage between electrodes.
  - ★ Checks heater warm-up characteristics.
  - ★ Rejuvenation of low emission cathodes with automatic timing.
  - ★ Super rejuvenation with manual control.
  - ★ Complete with tube base adaptors.
- Size: H 230mm W 330mm D 120mm.



PRICE £151 + £22.65 VAT

**THE VERY LATEST SC110A LOW POWER,  
 FULLY PORTABLE OSCILLOSCOPE.**



The new Thandar SC110A represents a break-through in oscilloscope development. The SC110A is **ONLY TWO INCHES** thick and weighs under two pounds, yet retains the standard features and controls of a bench oscilloscope. **FITS IN A BRIEFCASE**

- Full Sized Performance**
- \* 10 MHz bandwidth.
  - \* 10 mV per division sensitivity.
  - \* Full trigger facilities are provided including TV frame, or TV filtering adaptor.
  - \* Runs on 4 to 10V DC via disposable batteries, re-chargeable cells, or AC adaptor.
  - \* Size 255mm x 148mm x 50mm.

PRICE £149.00+ £22.35 VAT

**Accessories** Carry Case £5.95 + £0.89 V.A.T.  
 x 1 Probe £7.00 + £1.05 V.A.T.  
 x 10 Probe £8.00 + £1.20 V.A.T.  
 x 1/x 10 Switched Probe. £9.50 + £1.42 V.A.T.  
 Rechargeable Batteries £11.00 + £1.85 V.A.T.  
 AC Adaptor £6.95 + £1.04 V.A.T.

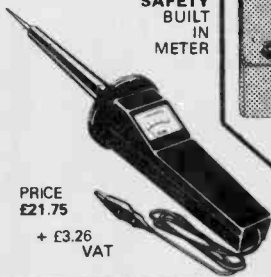
**LOPT TESTER**

**B.K.'S REVOLUTIONARY DYNAMIC "LOPT" TESTER**  
 REVOLUTIONARY L.O.P.T. TESTER.  
 OPERATES IN DYNAMIC MODE WHICH  
 ACTUALLY TESTS THE L.O.P.T. UNDER  
 HIGH VOLTAGE CONDITIONS WITHOUT DE-  
 SOLDERING OR REMOVAL.  
 SIZE 75 x 100 x 40 mm SUPPLY 240V AC

PRICE £25.99 + £3.VAT

**LEADER HIGH VOLTAGE  
 METER EHT PROBE**

Measures up to  
 40 K.V. D.C. with  
**SAFETY**  
 BUILT  
 IN  
 METER



PRICE  
 £21.75  
 + £3.26  
 VAT

**\* FULLY  
 GUARANTEED**

**CRT TESTER-REJUVENATOR**

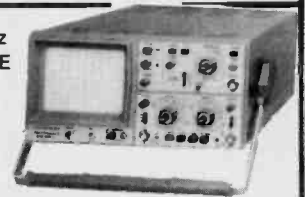
**B.K.'S C.R.T. TESTER-REJUVENATOR**  
 TESTS AND REJUVENATES BLUE, GREEN &  
 RED GUNS SEPARATELY. FITTED WITH  
 DELTA AND P.I.L. SOCKETS. COMPACT  
 SIZE 120 x 65 x 60 mm. SUPPLY 240V AC

PRICE £32.00 + £4.80VAT

**HAMEG HM 203-4 20MHz  
 DUAL TRACE OSCILLOSCOPE**

**SPECIFICATION:**

- \*BANDWIDTH DC-20MHz
- \*SENSITIVITY CH1,CH2 2mV-50V/DIV
- \*TIMEBASE 40ns to 0.2S CM
- \*TRIGGER DC-40MHz Auto-Normal-TV
- \*CALIBRATION OUTPUT
- \*CH1 ADD AND INVERT FACILITY
- \*ALT/CHOP SWITCH
- \*LARGE RECTANGULAR SCREEN 8 x 10 cms.
- \*BUILT IN SEMICONDUCTOR COMP.TESTER
- \*SIZE 285mm x 145mm x 380mm.
- \*SUPPLY 110-125-220-240V AC 50-60Hz



**WITH COMPONENT  
 TESTER**

PRICE  
 £264.00 + £39.60 VAT  
 Optional probes as above

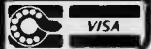
**2 YEAR WARRANTY**

U.K. Post Paid, Export orders welcome, please deduct V.A.T. and enquire for Overseas carriage cost. Barclaycard/Access orders welcome, or Cheque, Bank Draft, etc., with order please. Large S.A.E. for technical leaflets of complete range. Delivery normally within 7 days.



**B. K. ELECTRONICS** Dept. 'T',

UNIT 5, COMET WAY, SOUTHEND-ON-SEA,  
 ESSEX, SS2 6TR TEL: 0702-527572



**Switch to the biggest  
 wholesaler of quality  
 late model used TV's**

- Thousands of Quality Sets always in stock
- Colour/Mono/VCR's and Audios available
- Murphy/Pye/Philips/Sony/National Panasonic and other big names
- We are big - we buy in bulk - we offer you the keenest prices
- Cash and Carry or we will deliver
- New and used stands always in stock

**VISIT OUR NEW SHOWROOM  
 TODAY OR RING US ON  
 0562 743735**



Incorporating



Campion House, Franchise Street, Kidderminster, Worcestershire DY11 6RE

**REVOLUTIONARY  
 TECHNOLOGY**



**An introduction to the video and  
 digital audio disc**

David K Matthewson

In this book, David Matthewson discusses the technicalities of the three major video disc systems - Laservision, Selectavision and VHD - and covers special problems involved in producing programme material for video disc. Applications of video discs are also compared - domestic, industrial, commercial and educational - including the possibility of interactive programming. There is also a section on the compact digital audio disc.

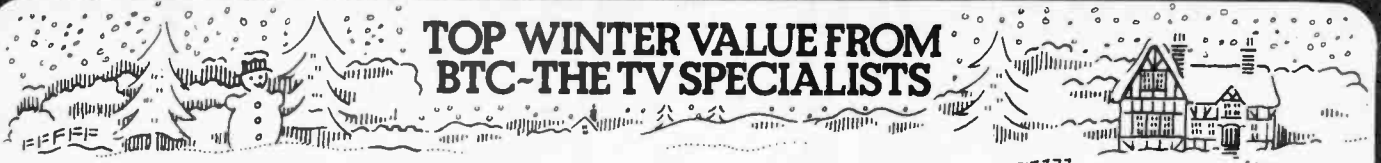
Available from your local bookseller, the book will be invaluable for technicians looking for a readable introduction or educational or commercial users needing advice on choice of a system.

Softcover 128 pages 0 408 01334 6 £5.95

**Newnes Technical Books**

Borough Green, Sevenoaks, Kent TN15 8PH





**TOP WINTER VALUE FROM  
BTC-THE TV SPECIALISTS**

# You won't better these BTC bargains!

Top quality sets to set you up for the winter televiewing boom.  
Brighten your winter profits with better sets from BTC.

**COLOUR**

DECCA BFD 30  
TELPRO  
KORTING  
PYE 697, GEC 2040

**HYBRIDS**

**UNTESTED**  
ONE TO TEN £20.00  
ONE TO TEN £20.00  
OVER TEN £18.00

**WORKING**  
ONE TO TEN £28.00  
ONE TO TEN £28.00  
OVER TEN £25.00

**COLOUR**

PHILIPS G8's  
2-CHIP BUSH/MURPHY  
GEC 2110, 8500  
3500 VARICAPS  
P/BUTTON HITACHI's  
18" PHILIPS

**SOLID STATES**

**UNTESTED**  
ONE TO TEN £28.00  
ONE TO TEN £28.00  
OVER TEN £25.00  
OVER TEN £25.00  
ONE TO TEN £28.00

**WORKING**  
ONE TO TEN £45.00  
ONE TO TEN £45.00  
OVER TEN £40.00  
OVER TEN £40.00  
OVER TEN £40.00

**COLOUR**

1-CHIP BUSH/MURPHY  
THORN 3000, THORN 8000  
18" PYE's  
ROTARY JAPS

**UNTESTED**  
ONE TO TEN £22.00  
ONE TO TEN £22.00  
OVER TENS £30.00

**WORKING**  
ONE TO TEN £35.00  
ONE TO TEN £35.00  
OVER TENS £40.00

**COLOUR**

LATER SETS  
ie. THORN 9000  
TOUCH TUNE SETS  
etc.

**UNTESTED**  
ONE TO TEN £45.00  
ONE TO TEN £45.00  
OVER TENS £40.00

**WORKING**  
ONE TO TEN £55.00  
ONE TO TEN £55.00  
OVER TENS £50.00

**MONO**

SINGLE STANDARD MONO TV's  
IN BATCHES OF 20 @£4.00 EACH

SPARES PANELS, TUNERS, LOPTS, TUBES, STANDS, INDOOR AERIALS.  
ALWAYS IN STOCK — NEW OR S/HAND ABOVE SPARES INCLUDE BRITISH & CONTINENTAL TV's.  
PLEASE RING OR WRITE FOR QUOTES.

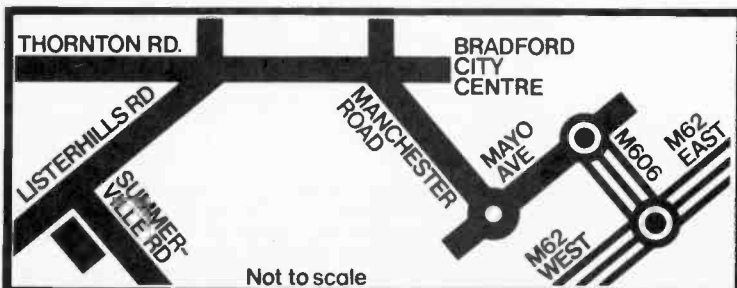
**PLEASE  
NOTE - 15%  
VAT ON ALL  
PRICES**

## 0274-306018

CASH & CARRY SPECIAL SERVICE  
TO THE TRADE OR ASK ABOUT  
SPECIAL DELIVERIES ON LARGE QUANTITIES.

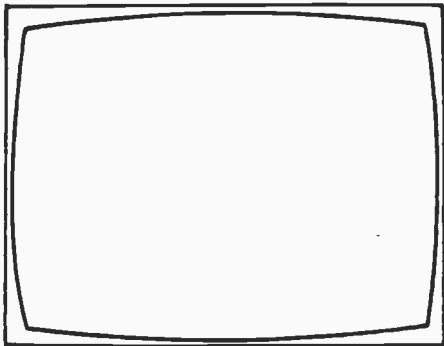
OPENING TIMES MON-FRI  
9.00-12.00/1.00-5.45  
(CLOSE 4.30 SAT)

# BRIARWOOD TRADING COMPANY



BRIARWOOD TRADING COMPANY  
LEGRAMS MILL, SUMMERVILLE ROAD,  
BRADFORD BD7 1NH





# TELEVISION

## Cable is here – well almost

Things are beginning to happen on the cable front, with the government's announcement of the first eleven successful applicants for the new multi-channel cable franchises. The whole thing seems to be going off rather half-heartedly however. Along with the announcement came a statement from the Home Secretary that there would be further discussions with the applicants for elaboration of certain matters before the granting of final approval. These matters seem to relate to the technical aspects, financial arrangements and the sorts of programme packages proposed. The approach seems to be one of caution, which is as well and is in marked contrast to the earlier ballyhoo. Does it mean that the consortia applying were not prepared to offer as good a service as had been hoped? That could be so, since the financial cost of providing quite a modest service is relatively high and the rewards uncertain. It's also perhaps significant that one franchise remained unallocated. Companies are clearly not rushing in droves to offer to sink vast funds into the provision of cable services, at least for the time being.

It's interesting that mixed consortia seem to have done rather better with their franchise applications than the major existing cable operators, also that there seems to have been a preference in the selection for applicants offering to instal switched-star networks, something that was perhaps to be expected in view of the greater flexibility of such systems and the hope that the services will be capable of expansion in the future.

The cost of providing a multi-channel cable service to an area with some 100,000 households has been put at around £30 million, a by no means negligible sum. Being one of the least brilliant of mathematicians, I work that out at £300 per household. Which is a lot if most of the households passed choose not to take the cable service. So you've sunk £30 million, then set about arranging programming to attract householders to connect up – more money. It means that some pretty effective salesmanship will be required to get things going. I wouldn't like to be one of those knocking on doors however. It seems that they'll have a rather curious, i.e. confusing, proposal to make. Not just a connect up for a fee then pay for a service proposition but a sort of multi-option offer. A basic service providing family entertainment, hobbyist and childrens programmes etc. for around £7-£10 a month, or a premium service offering a bit more for another £7, or a premium film service or a combined package which it seems should be offered at around £15 monthly. Being someone who hates confusing offers, I'd bid the salesman a quick good day thank you. But you can see the point. Premium films are going to be expensive, so you've got to devise some way of generating extra income to be able to run such a service.

At this early stage no one knows what the response will be. There are nevertheless some things we do already know. Like the now well established video habit, with cassette renting once you've bought/rented a VCR and joined the club. Nightly cassette rental is not all that cheap in the long run though the public appears to be happy enough with the present charges. The cable offer doesn't compare unfavourably with this. It's a question of whether people will switch over or maybe opt for both. Who knows? They certainly won't be short of choices, now that discs are here and satellite channels are on the horizon.

One is tempted to take a look at the cable situation across the Atlantic. After all, it was partly the explosion of cable activity in the USA in recent years that gave rise to the idea of a possible UK cable bonanza. In 1975 cable TV in the USA had fewer than ten million subscribers. The figure has since risen to over 31 million and is still growing quite fast. But installation costs have soared while the competitive climate has held revenues down – so much so that many operators have been running at substantial losses. That could be a temporary situation, and in any case conditions in the USA are rather different from the UK, but the lesson is nevertheless that cable TV is not a pot of gold.

Neither will satellite TV be such a thing. In fact the provision of satellite TV services in the UK is already being viewed with some concern. In this field at any rate there's realism from the start. An expensive bird, then the necessary sales/promotion effort, then the problem of providing programmes people will want and be prepared to pay for. What people seem to want is primarily feature films, yet it's been pointed out that Hollywood's output over more than thirty years was made available in cassette form in just three years. The public's appetite for films is likely to far outstrip the capabilities and resources of the programme makers. It costs £50,000 to £200,000 or more an hour to produce entertainment programmes, and if customers are offered ever wider choices the revenue to support the required production is going to be hard to find.

Are we going to end up with a choice of BBC/ITV soap opera, video soap opera, satellite soap opera or cable soap opera? If that's what people primarily want, it's what they'll have to be offered if the revenue required is to be generated. It's rather a far cry from the idea of a modern technology based communications explosion, with interactive services and a wide range of facilities, as envisaged in the heady days of Information Technology year (remember it, just two years ago?).

### EDITOR

John A. Reddihough

### ASSISTANT EDITOR

Luke Theodossiou

### ART EDITOR

Roy Palmer

### ADVERTISEMENT MANAGER

Roy Smith  
01-261 6671

### CLASSIFIED ADVERTISEMENTS

Barbara Blake  
01-261 5897

### PRICE INCREASE

The price of *Television* will be increased to £1 from our next (February) issue. We regret the need for this, due to the inescapable cost increases we face. In order to offer readers better value however the February issue will contain eight extra pages: we plan to publish other bumper issues during next year.

### FRONT COVER

Our thanks to Luxor (UK) Ltd. who provided the photograph of their new SX9 chassis on this month's cover.

# Letters

## PHILIPS KT3/K30 CHASSIS

John Bourne's article on the Philips KT3/K30 chassis in the November issue contained much useful information. It didn't however mention the most common cause of a dead set we've encountered, simply that the 4.7Ω surge limiter resistor R6291 has a tendency to go open-circuit. It's a wirewound resistor rated at 4W, but doesn't seem up to it. Fit a 5W vitreous wirewound resistor and all will be well.

*Peter Gaymead-Fraser,  
Gravesend, Kent.*

## BERRYVISION 510

The advice given in Service Bureau (November) to the reader requesting help with the touch tuner assembly used in the Berryvision 510 was rather limited. The tuning voltage is taken from the 200V h.t. rail via R19 (15kΩ, 2W) and an SN76550 30V regulator (IC4). These components are both at the bottom left hand of the R1A signals panel. R19 usually goes low in value, the increased voltage at IC4 making it go open-circuit. Replace R19 with a 3W wirewound resistor and IC4 with a TAA550. A voltage

check between tag 5 (brown lead) under R19 on the panel and chassis should indicate 30-32V. The effect of R19 and IC4 being faulty is that more than one, probably all, the LEDs will conduct and light up.

On early versions of this set the earth tag is fixed to the front control panel by a "pop" rivet. An aluminium rivet was used, with the tag tinned and fitted to the copper print. If the rivet is the slightest bit loose and, after all this time, oxidation has occurred between the connections, problems appear. Remove the rivet and fit a screw and nut, with a shakeproof washer between the tag and print, then tighten the screw.

*A.M. Lawson,  
Houghton Regis, Beds.*

## THAT REMOTE CONTROL TRANSMITTER

I was very interested to see the item on remote control trouble with the Philips K30 chassis (TV Fault Finding, December issue). I'd repaired one of these units only two weeks previously because of the same fault – transmitting continuously. I discovered that the trouble was due to a black staining that was building up around the PCB tracks inside the keyboard. By scratching this black stain away the unit stopped transmitting and normal operation was restored.

*J.C. Baskett,  
Totton, Southampton.*

# All Systems Stop

*Les Lawry-Johns*

A couple came in with this T20 just as we were about to shut up shop the other Saturday. Since we all know our Rank T20s like the backs of our hands I said I'd do it while they waited, so that their weekend entertainment wouldn't be affected.

The voltages were low and there was a smell of overheating. I unhooked the tripler, but things were much the same and the line output transformer's overwinding was hot. After whipping out the panel and unsoldering the transformer I gave them a choice – complete new transformer or replacement of the faulty winding. They opted for the winding and before you could say knife it was fitted and the panel restored. I switched on and was glad to see the tube's heaters glowing merrily. Unfortunately the picture was badly serrated with large vee indentations at each side, varying in size and number with the picture content.

Time was zipping by and it had been a long day. So I attacked my spare T20, relieving it of its line output panel. Fitted in the set on the bench it gave a good picture, and the customers went off happily. We were just about to lock the door when a worried face looked in. It was Eric, an old friend who has practised the art of servicing for many a long year.

"What's up Eric? You look right bugged."

"I am, too true I am. Been working on this rotten T20 for a week. It's used up all my BU208s and is breaking my heart. If I leave it with you, would you take a look at it during the week? It's not wanted until next Friday."

His ravaged face told me that he'd been having a hard time, and I knew just how he felt. So we took it in and he

departed, looking so happy now that his nightmare had been shifted. "Cheers Les, see you next week."

## Tuner Transplant

Sunday morning dawned bright and cold. Having taken Ben for his walk I looked at the T20 Eric had brought in and decided to put it off till Monday. Instead I busied myself trying to repair a tuner in a small Sharp portable. The mixer transistor had failed – one of those tiny ones no bigger than a full stop. Putting another one in was not easy but was done. The tuner still didn't work. The fact that the circuit diagram was wrongly drawn didn't help – it showed the transistor's emitter with a lone capacitor in series, which I thought rather quaint. In the tuner the capacitor was across the emitter resistor, as it should be. I didn't have the correct tuner, but as there was room at the rear I fitted a U321 (G11) tuner. This produced a picture, but it was very grainy.

The set belonged to a friend who frequents the "Call Girl", so I was not inclined to give up easily. I checked the a.g.c. line and found that it couldn't be reduced much below 4V. So I hung a preset on the line, to chassis, to determine the right voltage. A good picture was produced with the a.g.c. reduced to almost nothing. Being a coward I left it at that and told Tony what I'd done and where the preset was. After all he's a much better electronics man than I.

## The T20 Saga

Monday dawned, bright and cold. After clearing up a few odds and ends it was time to tackle Eric's monster. The BU208 was short-circuit, so I checked this, that and the other on the line output panel and found that nearly everything that could have been suspect had been replaced – there was a new line output transformer, new tripler, new EW modulator diodes, new tuning capacitors,

new driver transistor etc., so what was I to do?

I fitted a new BU208 and unhooked the tripler, just in case. At switch on there was a brrrump and then silence, except for the twittering of the power unit. Fearing the worst I checked the voltage at the collector of the BU208. Full h.t. The voltage at the collector of the driver transistor was also high, suggesting that the TBA950 line oscillator wasn't working. In fact there was no 12V supply, due to 4R16 (910Ω) in the 12V regulator circuit being open-circuit. A 1kΩ resistor was fitted and the set tried again. The timebase was now fully operative, with the tube heaters glowing. So far so good, but I knew Eric would have checked 4R16 and that something was still likely to be amiss. After reconnecting the tripler the set produced a raster, showing that all was normal. Fancy that I thought.

I plugged in an aerial and the set sort of coughed and lapsed into silence. Again the voltage at the collector of the line driver transistor remained high, so I slapped a 10kΩ resistor across 4C19 to provide the line oscillator with a start-up supply. The set came to life and remained on for eight seconds. It then shut down. I took the 10kΩ resistor out and put it back again. The set came on for four seconds. So I removed the 10kΩ resistor altogether and tried the on-off switch. Each time the set was switched on it came to life for a few seconds – longer if it was left off for a time. "We have a heat-sensitive component" I diagnosed. So next time I sprayed everything with freezer. It still went off.

Something then dawned on me. It had stayed on longer when the tripler was disconnected. I unhooked the tripler and the set stayed on. I looked at the tripler. Brand new. So I removed it and fitted another. Still the same. I connected a meter from the tripler's clipper diode connection to chassis. There was a positive reading for a few seconds, then a negative swing as the set went off, returning to positive although the set remained off. I disconnected the diode lead from the panel and the set stayed on. So I accused the first anode supply reservoir capacitor 5C16 of being intermittently open-circuit. A replacement proved that this was not the case.

Look at the transformer. The yoke was the original, so only the overwinding had been replaced. I then accused the third harmonic tuning coil 5L3 (on the transformer) of causing the trouble. Remembering the scan panel I'd removed from a T20 on Saturday, I took the transformer off this and tried it in Eric's set. The picture appeared, with serrated edges, then the set went off as before. I put my head in my hands and hoped that the muddle would clear.

The new winding I'd fitted on Saturday was in fact faulty. So I took Eric's transformer and fitted it to the Saturday panel. Lovely. The picture remained, proving that 5L3 wasn't at fault, also that the fault was still on Eric's panel. More urgent work then came in, so the T20 was put to one side.

## Touch Tune

Thankfully I turned to something else. A touch-tune GEC colour set – C2113 type. The complaint was that the end neon (no. 6) was alight and couldn't be changed. Cleaning the touch pad thoroughly made no difference so I pondered on whether to attack the touch panel first or change the ETTR6016 channel selector i.c. With bleary eyes I pulled out the drawer containing ETT6016s. The one in the set was of the quil type but this didn't ring a bell in my muddled mind. I took it out and fitted a quil-to-dil

holder to facilitate any further change that might be necessary (fool). In went the replacement. The neons fluttered but channels one and three could be selected and tuned. Channel two could be tuned but the neon didn't light. The other three would give only one channel which couldn't be altered and I then noticed that the channel six tuning potentiometer was missing. I wondered how position six could produce a channel without a tuning potentiometer being fitted and became even more confused. What right had a moron like I to undertake the repair of such complicated equipment? But I don't ask for it. I don't advertise at all, keeping as quiet as I can hoping that no one will ask me to do anything. Lazy I suppose. But very muddled and getting more so as time goes by. Someone said my brain cells are dying at the rate of knots, and I think that's right.

I've tried yoga, but every time I got into a thinking position someone would come in and ask me to do something for them. Yes now, where was I? Funny neons. I tried another chip in the holder and this did different things. I did earth myself before handling them, honest. So I took out the touch panel and found a spring missing from position six. I wondered about this, and took out the other number six spring to see if it made any difference. Neon two was black, so I replaced this and then put the lot back in. Neons four and five fluttered all the time but channels one, two and three could be selected. Positions four and five gave channel one and couldn't be altered.

A couple more sets came in and were done and taken away in minutes. But I had the GEC and the T20 nagging away at the back of my mind all the time. I was getting more fed up by the minute. Then the phone rang.

"Hallo Les, have you a pnp transistor rated at 100V or more at 10A – ring us back if you can find one on your untidy shelves." I found one and rang back. "Found what you want. Do you happen to have a spare T20 line output panel you can lend me?"

"Certainly Les" was the surprising answer. And it was there in minutes. They must have needed that transistor real bad. Not true – they always help. I returned to the GEC set. Looked at the circuit hard. Looked at the i.c. ETTR... I'd been trying ETTs. I looked here and there and eventually found an ETTR, but its legs had seen solder before and they were quil of course.

They were dil in seconds. This produced number one neon lighting but nothing else. A bell rang and I knew I'd put a suspect on the shelf instead of dumping it. At this point the owner returned. I explained what had been happening and to my surprise he didn't turn a hair.

"Oh yes. Knew about the front panel. Had it out the other night. Don't worry about the ETTR, I can soon stick another of those in. As long as you've confirmed what I thought. I'll put it right, don't worry."

I put the back on so quickly the displaced air nearly knocked him over. "Cheers. Goodbye. Have a good day." I'd spent a lot of time and worry, mainly of my own making. Send in the clowns... don't bother, they're here.

## Back to T20s

Back to the T20, and I couldn't remember how far I'd got. Oh yes, I now had Eric's panel with a fault on it I couldn't fathom out, my panel which only needed a new line output transformer, and a spare panel which had been brought in a couple of hours previously. I put the spare panel in Eric's set and it worked splendidly. I phoned Eric and told him to come and get it, feeling a bit sorry that his

panel with the new transformer and tripler etc. wasn't in it. I then fitted Eric's transformer to my panel, which worked beautifully. So my T20 was back in action. I looked at the panel I had left over and put it on one side for now... Why have a nervous breakdown if you don't have to?

There followed a brief encounter with yet another T20. This time with a queer power supply fault that was overcome only by replacing the chopper transistor, the 8.2Ω resistor in the crowbar circuit, the two thyristors and a zener diode – plus fuses of course. I don't like this job...

# Long-distance Television

*Roger Bunney*

October was another active month for Sporadic E and tropospheric propagation. Unusually, there was a very good SpE opening towards the end of the month, with smaller openings throughout the rest of the month. Prolonged high pressure gave greatly enhanced tropospheric reception during the third and fourth weeks, from Band I through to u.h.f. The SpE log, compiled from reports from different parts of the UK, is as follows:

- 7/10/83 RAI (Italy) ch. IA. Zimbabwe (ZTV) ch. E2 was received via TE at sunset: the same opening in the reverse direction gave Spain (RTVE) in S. Africa.
- 11/10/83 TVP (Poland) R1.
- 13/10/83 NRK (Norway) E2; TVP R1.
- 14/10/83 RTVE E2, 3, 4; RTP (Portugal) E2, 3; CST (Czechoslovakia) R1; RAI IA, B. ZTV ch. E2 via TE.
- 15/10/83 CST R1; TSS (USSR) R1; RTVE E2.
- 17/10/83 NRK E2 (via Aurora); JRT (Yugoslavia) E3, 4.
- 18/10/83 RAI IA, B; NRK E2; JRT E3, 4; RTVE E2; ZTV E2 via TE.
- 19/10/83 RTVE E2, 3.
- 21/10/83 MTV (Hungary) R1.
- 22/10/83 NRK E2.
- 24/10/83 RTVE E2, 3, 4; RTP E2, 3; RAI IA, B; CST R1.
- 28/10/83 A good SpE opening with TVR (Rumania) R2; MTV R1, 2; TVP R1, 2; CST R1, 2; TSS R1, 2; ARD (West Germany) E2; RAI IA, B; JRT E3; ORF (Austria) E2a, 3, 4; +PTT/SRG (Switzerland) E2, 3.
- 29/10/83 CST R1; RAI IA, B.
- 30/10/83 TSS R1; RTVE E2, 3.
- 31/10/83 ORF E2a; RTVE E3; RAI IA, B.
- 2/11/83 RAI IA, B; JRT E3; RTVE E3, 4; MTV R1. Unidentified ch. R1 and 2 programmes during the morning.

Auroral activity was noted on the 14th and 17th. A high-pressure system started to form around the 16/17th, resulting in improved tropospheric reception on the 18/19th, mainly from the west (RTE-Eire), extending to W./E. Germany from the 19th on. Cyril Willis received BR Grunten (S.W. Germany) ch. E2 during the afternoon of the 18th, a most unusual catch. There appeared to be two main phases to this lift, during the 19th-23rd and the 25-27th. The former gave reception over a N.W./S.E. path to start with, gradually changing to include the south by the 21st. W./E. Germany, Denmark, Belgium and Holland were received in the southern UK, at v.h.f. and u.h.f. The

bands were not jammed however, giving time to seek signals on particular channels.

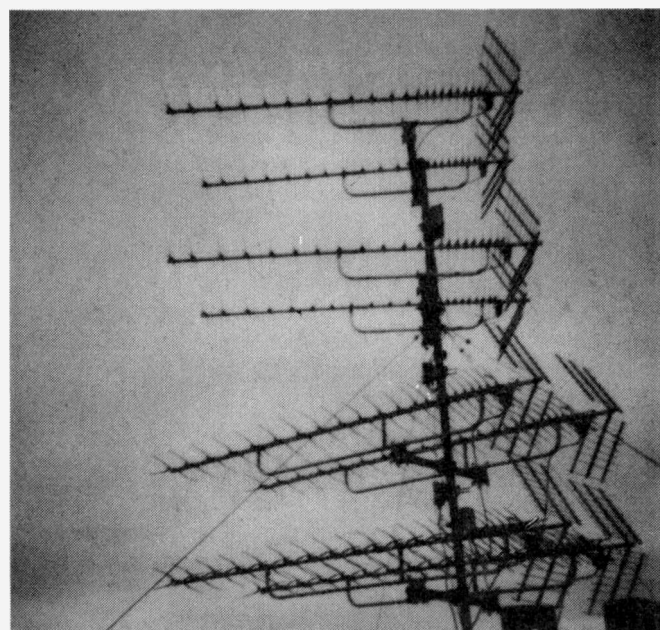
Simon Hamer (Powys) did very well, in particular with DFF (GDR) ch. E34 and Liège (Belgium) ch. E3 on the 22nd. Many enthusiasts reported reception of E. Germany and Denmark (Band III). The French ch. 9 (formerly ch. 6) was seen over a wide area, with Antiope and test signals, but more interesting was a signal at the l.f. end of Band III (just h.f. of ch. E6) with scrambled TDF/TF1 programme material from the direction of Paris. The picture locks solidly enough but the lines are shifted with respect to each other by several microseconds, giving the impression of a line sync fault. There are also two white bars from right to left and other cogging effects – not a pretty sight. A photograph shows the test card received at Romsey. The scrambling tests are presumably in preparation for the Canal Plus service.

October 23rd produced many Polish transmitters during 0600-0830 GMT in Holland. RTL (Luxembourg) was seen using dual-sound transmissions on ch. E7 – the sound signals were either French/German or German stereo TV sound.

Another slight lift on November 1st gave Robin Crossley (Potters Bar) Switzerland ch. E22 (Chasseral, 12kW e.r.p.).

The above openings gave many enthusiasts their first sightings of ATV transmissions. Simon Hamer logged G4IMO (Nick Harrold, Essex) at strength P4 (almost noise free).

My thanks to the following for their reports: Simon Hamer (Powys), Hugh Cocks (E. Sussex), Cyril Willis (Ely), Iain Menzies (Aberdeen), Robin Crossley (Potters Bar), D. Moller (Eastbourne), Tim Anderson (Stroud),



*Michael Raher's aerial installation at Tramore, Waterford, Eire. The upper quad stack of group B Triax aerials is for reception from Presley, Wales, the lower group A stack for reception from Caradon Hill. For much of the time reception is good using a 25dB gain, 1.4dB noise figure amplifier.*

Nick Brown (Rugby), James Burton-Stewart (Milton Keynes), Ian Johnson (Bromsgrove), John Tellick (Surbiton), P. Heaney (Norwich), Gosta van der Linden (Holland) and Jim Maden (S. Africa).

### Gorizont at Last!

After many trials and tribulations I've at last received the Gorizont 3-675GHz satellite transmissions. The dish tried some months back turned out to be faulty - it was spherically instead of parabolically spun. After further delays I decided to obtain a 4ft petal dish from Premier Pattern at Leicester. This arrived, with stand, some eight days after being ordered, and within five minutes of connecting the 4GHz head unit described in the November 1982 issue signals were received. The unit doesn't include an LNA (three stages at least are normally used) which is rather a disadvantage, but at least weak signals could be resolved.

### Interference Goes!

Another personal note - the interference from faultily designed VDUs at the nearby brewery office has at last gone, with the installation of new units, this time from IBM. Previously high-level shash was radiated over a distance of some 100 yards and the VDU manufacturer refused to take any action to remove the problem. As a result, extraordinary measures, with filters, anti-phase aerials etc., had to be adopted to combat the problem. I've now been able to rerig the aerial system, but missed the recent tropospheric opening as the upper mast had been stripped of v.h.f./u.h.f. arrays. Typical!

### News Items

**Japan:** Experiments have been carried out to relay sound in teletext form, with the score transmitted in the form of teletext characters. At the receiver, a microcomputer uses the data from the teletext decoder to control oscillators and filters that provide the sound. Applications envisaged include background music, music for commercial messages, etc.

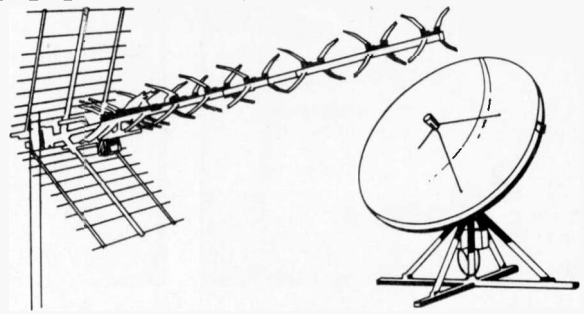
**Singapore:** A teletext service is in operation for 16 hours daily, over the SBC network, with 200 pages.

**In brief:** A three-channel TV service is to be introduced during the next five years in the Beijing area of China... Egyptian TV is to be extended to the Sudan via a satellite transponder... A TV service has been started in Boputhatswana, S. Africa... Though officially closed, the Helpterberg (GDR) E3 transmitter has been seen on air, mainly with test transmissions - the plan is to sell it to an African country... NTV Sokoto (Nigeria) was received in Holland in colour on June 11th via SpE, at 1245-1345 GMT... Syria uses colour bars and picture slides rather than a test pattern: programmes are at 1445-2400 on Fridays, 1700-2400 on other days.

### VHF Allocations

Information on the possible future uses of the present v.h.f. TV bands is slowly leaking out. The gas/electricity allocations in Band III are likely to remain in their present slot until later in the decade in order to make use of current equipment. Other users such as message/data handlers and repeaters are to use this Band. Fire services are likely to be moved to 65-70MHz and the police to between the 144MHz amateur band and the lower end of the marine band, with a.m. Typical base outputs 0.2kW with mobiles generally 25W.

## SOUTH WEST AERIALS



As suppliers of quality TVDXing aerial equipment, we have become aware of the need for TV equipment covering both VHF and UHF TV bands. To further complement our service we have recently become agents for SALORA (Finnish) TV equipment and a listing of their multi-standard/band receivers available from us will be shortly available (ring or SAE for details).

In clearing existing stocks we have LIMITED NUMBERS ONLY of the following.....

- PLUSTRON TVR5D 5" VHF/UHF mono TV + LW, MW, FM radio, sound switching Systems I/B,G (6.5MHz). TV tuning full coverage varicap. 240v AC/12vDC.
- VEGA 402DE 6" VHF/UHF mono TV. VHF turret for all Band 1/3 'E' channels. System B,G sound only (5.5MHz). Metal cabinet. 240vAC/12vDC.
- REDSON 136M 14" COLOUR PAL/SECAM VHF/UHF. 8 push button tuner. Covers PAL I (UK, Eire); PAL B/G (Western Europe, certain African, M. East); SECAM B (Middle East); SECAM L-FRANCE. Euro connector (video/audio in/outs, RGB ip). 240v AC only.

Ring or SAE for further details, for clearance on a first come, first served basis. Plustron TVR5D £87.30 + £3.75 Securicor carr; Vega £58.95 inclusive of carr; Redson 136M £298.50 + £6.55 Securicor carr.

Our comprehensive range of aerial equipment is detailed in our 54p catalogue. We supply for all types of installation both simple and complex and at competitive prices. Customer consultancy available, please include SAE with ALL enquiries. Access/Barclaycard welcome.

South West Aerials, 11 Kent Road, Parkstone, Poole, Dorset BH12 2EH. Tel. 0202 738232. Allow 10-14 days for delivery of stock items

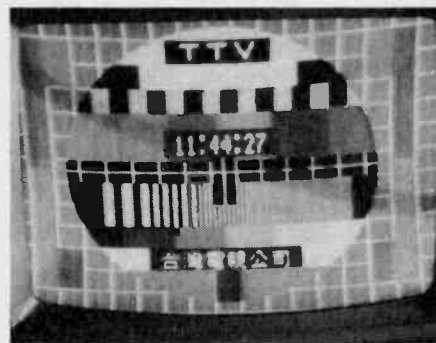
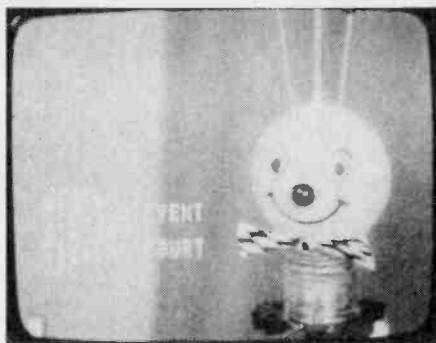
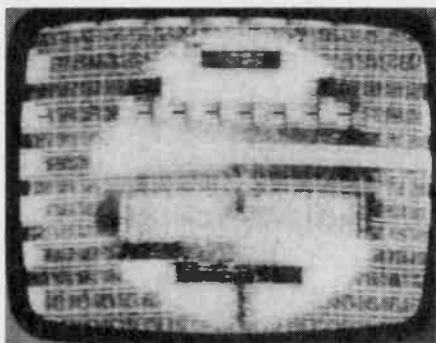
## TV LINE OUTPUT TRANSFORMERS

ADD 15% VAT to ALL prices.

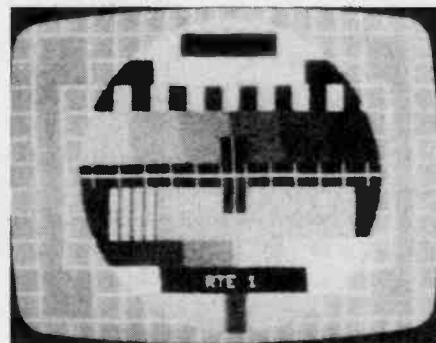
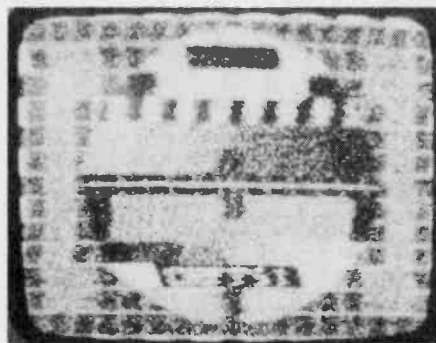
Delivery by return of post

If the Transformer you require is not listed please phone.

<b>RANK BUSH MURPHY</b>		<b>DECCA</b>	
Z146 A640 dual std mono	8.51	MS1700 2001 2020 2401 mono	8.00
Bush A792, A793 single std mono	8.51	MS2404 2420 2424 mono	8.00
A774 single std mono	8.50	1210 1211 1511 portable	11.50
A818 solid state mono	9.00	GYPSY portable	11.50
Z712 T16a T16b mono portable	9.00	CS1730 1733 colour	8.00
A823 A823b A823av colour	10.00	CS1830 1835 colour	8.00
Z179 Z722 series colour	10.00	'30' series BRADFORD colour	8.00
T20a T22 series colour	10.00	80 series colour	8.00
		100 series colour	8.00
<b>WINDING</b>		<b>PHILIPS</b>	
T20A T22	5.51	210 300 series mono	8.00
		320 series solid state mono	8.50
<b>G.E.C.</b>		G8 series colour	8.00
2047 to 2105 3112 to 3135	8.00	G9 series colour	8.50
"GAIETY" FINELINE	8.00	G11 series colour	14.98
2114 portable mono	8.00	KT2 Lopt	9.00
3133 3135 M1501H portable mono	8.00	KT3 Lopt	10.60
DUAL STD hybrid colour	11.00	<b>KB-ITT</b>	
SINGLE STD hybrid colour	10.00	VC200 VC205 VC207 mono	8.00
SINGLE STD solid state 90° or 110°	8.50	VC300 VC301 VC302 portable	8.00
		CVC1 CVC2 colour	9.00
<b>FERGUSON HMV MARCONI</b>		CVC5 CVC7 CVC8 CVC9 colour	9.00
1590 1591 1592 1593 mono	8.00	CVC20 series colour	9.00
1612 1613 1712 mono	8.00	CVC30 CVC32 series colour	8.00
1690 1691 mono	8.50	CVC40 series	14.56
1600 1615 series mono	9.74	<b>L.O.P.T TESTER</b>	
3000 3500 EHT or SCAN	8.58	Total Price Including VAT.	£16.79
8000 8500 8800	11.70	<b>Tidman Mail Order Ltd.,</b>	
9000 9200 9300	11.52	<b>236 Sandycombe Road,</b>	
9500 9600 9650	9.56	<b>Richmond, Surrey.</b>	
9800 TX9 TX10	P.O.A.	Approx. 1 mile from Kew Bridge.	
<b>INDESIT,GRUNDIG, TANDBURG,</b>		<b>Phone: 01-948 3702</b>	
<b>TELEFUNKEN, FIDELITY,</b>		Mon-Fri 9 am to 12.30 pm.	
<b>KORTING, TYNE, B + O.</b>		1.30 to 4.30 pm.	
Price on application.		Sat 10 am to 12 pm.	



Left: Scrambled test transmission received from the Paris direction in Band III. Centre: IBA Crawley Court ATV Club special commemorative caption marking ten years of independent radio in the UK. The normal caption is G6IBA, with 100W to a 16-element Yagi array N.W. of Winchester. Right: Test pattern used by Taiwan Television, Taipei.



Left: CTV (China Television) received at Taipei, Taiwan. Centre: ORF-1 Austria Bruck ch. E9 received at Romsey during the tropospheric opening on September 26th, a distance of some 835 miles. Transmitter power 20kW e.r.p. Right: RTE (Eire) ch. 1H Dublin received by Tim Anderson at Stroud.

Rumours suggest that France is considering f.m. transmissions in the 105-8MHz spectrum with megawatt output transmitters. There's likely to be a permanent 50MHz amateur band, probably for class A licence holders only. At present about 40 amateurs are licenced to operate in this band experimentally, after TV hours – though I've a report of one operator noted during programme times in the area of a recently closed ch. B2 transmitter.

### New EBU Listings

**France:** Strasbourg TF1 ch. E62, 300kW e.r.p., horizontal. The following transmitters have been closed down: Boulogne F4, Strasbourg F5, Metz/Luttange F6, Lille F8a, Mulhouse F8, Brest F8, Amiens F11, Epinal F12 – all these were 819-line transmitters.

**Lebanon:** Beit Mery TL (Tele Liban) ch. E2 1kW e.r.p. French language programmes (system B/SECAM). This transmitter was received here at Romsey during the 1983 SpE season.

**Egypt:** Dumyat EBT-1 and EBT-2 on chs. E4 and E2 respectively. 900W e.r.p.

### Commercial Corner

The use of fibreglass aerial support booms was mentioned recently. Two sources have been found. Bantex Ltd., Abbey Road, Park Royal, London NW1 can supply lengths up to 6ft at £3.50 a foot. Jaybeam Ltd., Kettering Road North, Northampton NN3 1EZ also stock this tubing, at much the same price – contact Mr. M. E. Ward.

Lowe Electronics Ltd., Chesterfield Road, Matlock, Derbyshire DE4 5LE have introduced a scanner with continuous coverage over 25-550MHz. Features include narrow f.m. ( $\pm 7.5$ kHz), wide f.m. ( $\pm 50$ kHz) and a.m., with sensitivities of 0.3, 1 and  $0.5\mu V$  respectively, and image

frequency response at least 50dB down. The AR2001's specification seems quite remarkable, despite its price tag of around £300.

### From our Correspondents . . .

W.M. Geary has moved from Taipei, Taiwan to Kuala Lumpur, Malaysia where he intends to start DXing. He's sent us some interesting photos of Taiwanese test patterns. Most transmissions are at v.h.f., with 525 lines and NTSC colour, though there are test transmissions at u.h.f. Programme hours are normally 1200-2400, with Mandarin Chinese sound. Much of the content seems to be Chinese opera and documentaries.

John Tellick has recently returned from the Canary Islands. He took a small portable TV set with him to Lanzarote and reports that RTVE-Canarias transmits programmes from approximately 1200 daily, with the local test pattern prior to programme start (it has Canarias-1 or Canarias-2 where Cadena usually is in the mainland test pattern). "TVE-Canarias" appears at the top right-hand corner with the announcer between programmes. He also received RTM (Morocco) in SECAM and on several nights noted unidentified multiple-image TE signals.

Bindu Padaki (Madras, India) reports poor DX-TV conditions in recent months, with only Dubai ch. E2, Bangkok ch. A2 and Bahrein. The 714MHz Ekran satellite now transmits Moscow-1 from 2400-1530 GMT – the closedown is extended when there are special programmes or events. Bindu is getting good results using a twin stack of cross-polarised Yagi arrays spaced at 2 $\lambda$ .

Gosta van der Linden reports that TVR (Rumania) has started colour transmissions using PAL system D. A new E. European test pattern has been seen – like an electronic blockboard with the identification "BHN-2 BK". Has anyone else seen this?





# MANTEL

**Manchester's No. 1 in Ex-Rental TVs**  
**Over 2,000 TVs in stock**  
*Special Offer on Working Colour TV's*

All sets are Serviced with repolished cabinets ready for sale

Philips G8 550s	22/26	£45
Philips 18"		£40
Philips G8 520s	22/26	£35
GEC S/State	from	£35
Thorn 17" 8000		£30
Decca 30	18/20/22/26	£30
Japanese	from	£30
Many other makes available from £25		

Discount on quantity

## Ex Equipment Panels & Tubes Available

Deliveries may be arranged to the North and Scotland.

Ring for quote. Callers welcome.

**419 Barlowmoor Road, Chorlton, Manchester 21 2ER.**  
**Tel: 061 861 8501**

Some Examples of UNTESTED TVs available

Thorn	10 for	£125
Philips	6 for	£90
Bush	6 for	£80
GEC	6 for	£60
Decca	6 for	£60
Mono TVs avail. s/s		£4 each
New TV trolley stands.		
All sizes		£4.95
All Prices subject to V.A.T.		

## TELETRADERS

Forde Road, Brunel Industrial Estate,  
 Newton Abbot, Devon  
 Telephone: (0626) 60154

The Best Quality Sets Available  
 Anywhere

3500 Electronic 22"	£30
Bush Electronic	£15
GEC & Pye Hybrid	£5
Grundig Solid State	£30
Decca Bradford	£10
ITT CVC 5,8,9	£25

Also Philips G9, G11, ITT CVC 35, 45, 50,  
 Thorn 9000, 9600, 9800, Bush T20.

All sets complete with excellent cabinets  
 Full spares back-up of tubes and panels –  
 send for list

Bulk terms to other wholesalers



**THE NO. 1 WHOLESALE IN THE SOUTH**

## VIDEO HEADS

**MONOLITH**  
 electronic products

HIGH QUALITY UNIVERSAL VIDEO HEAD  
 REPLACEMENTS FOR ALL VHS AND BETAMAX  
 VCR MACHINES

VHS Part No. 3HSS (5mm Centre Hole)	£29.95	PRICE
VHS Part No. 4HSS (15mm Centre Hole)	£29.95	EACH
BETAMAX Part No. PS3B	£38.95	EX.
REPLACEMENT KIT (14 Pieces Boxed)	£ 8.25	V.A.T.

PLEASE ADD 15% V.A.T. PLUS P. & P. £1.50 PER ORDER  
 OUR FULL CATALOGUE AVAILABLE ON REQUEST.

Please allow between 14 and 28 days for delivery.

**AUDIO + VIDEO HEADS - MOTORS - PARTS**

Suppliers to most U.K. Distributor/Service Organizations

**THE MONOLITH ELECTRONICS CO. LTD**

5-7 Church Street, Crewkerne, Somerset TA18 7HR, England  
 Telephone Crewkerne (0480) 74321 Telex 46306 MONLTH G

# NO!

If you see an advertisement in the press, in print, on posters or a cinema commercial which you find unacceptable, write to us at the address below. (TV and radio commercials are dealt with by the I.B.A.)

**The Advertising Standards Authority.**  
 If an advertisement is wrong, we're here to put it right.

ASA Ltd., Brook House, Torrington Place, London WC1E 7HN.

# The Luxor SX9 Chassis

Luke Theodossiou

Most TV manufacturers appear to be heading towards a common goal when it comes to designing a new chassis for future production. The idea which makes the most sense is to design a single chassis which will drive a variety of tube sizes, is easily adapted to suit different broadcasting standards (this makes exporting that much easier) and is capable of add-ons, e.g. teletext facilities.

This approach reduces manufacturing costs by having a single production line for one p.c.b. containing all the common items. The production sequence then "forks" to allow for the different versions of the chassis, e.g. different components are required for 90° and 110° c.r.t.s. This type of design tends to suit smaller manufacturers.

The Swedish company Luxor recently introduced their "unified" chassis design, the SX9. Luxor's total output is relatively modest and they identified their main market as being at the luxury end. It made sense therefore to develop a single chassis with as much built-in flexibility as possible.

## Chassis Outline

The SX9 is essentially a single-board design (the p.c.b. measures 14in. by 9in.) which of course is designed to facilitate automatic insertion of components, and incorporates frequency synthesis tuning as standard. A block diagram of the receiver is shown in Fig. 1.

Starting with the power supply, this is a self-oscillating switch-mode type based on the Siemens design but incorporating the Siemens TDA4600 i.c. providing base current control to a BU208 transistor. The circuit is also used in a very similar form in the Decca 120/130 series and was described in some detail in the January 1982 issue. The most important difference is that the Luxor SX9 uses a mains isolated version.

There are two versions of the line output stage: one suitable for 90° c.r.t.s and another for 110°. The 90° type uses a diode-split transformer which provides 24kV of e.h.t. The 110° type uses a conventional transformer/tripler combination and provides 25kV e.h.t. The most interesting aspect is the use of a 110° deflection tube with a pincushion-distortion free yoke. This is the first time that we have seen this type of tube in use. It obviates the need for the usual diode modulator, and width control is provided by a simple adjustable coil in series with the line scan coils as in the 90° version.

Vertical deflection is taken care of by an SGS-Ates i.c. type TDA1670. This is a development of the well-known TDA1170 but housed in a higher power vertically-mounted pack, and offers greater output stage current capability with thermal shutdown protection and an extended blanking pulse generator which effectively suppresses all non-active lines, including the teletext lines.

The sync generator/line oscillator uses a TDA2594 which is a later generation TDA2593 with the exception that it offers sound mute when the oscillator is not locked by incoming sync (e.g. when the receiver is not tuned to a station). This feature is a legal requirement for new receivers in some countries, W. Germany for example, and we are going to encounter it frequently from now on.

Turning to the signals side, the chassis uses a combined v.h.f./u.h.f. tuner as standard. The tuner has an integral  $\div 256$  prescaler i.c. which provides the necessary local oscillator signal for the frequency synthesis tuning section. The i.f. output from the tuner is amplified by a Plessey SL1431 i.c. which provides an a.g.c. signal for the tuner without the need for the usual a.g.c. takeover point preset. This i.c. provides a balanced output which drives a Surface Acoustic Wave Filter. The filter is unusual in that it has two balanced outputs whose bandpass characteristics are different. The vision carrier output has the sound carrier suppressed more than usual, resulting in fewer unwanted interference effects, e.g. sound-chroma beats. This is fed to a TDA4427 i.c. which performs similar functions to the better known TDA2540, i.e. vision i.f. amplification and detection and a.f.c. detection. It differs from the TDA2540 in that it offers two video output signals of opposite polarity.

The sound carrier output from the SAWF is passed to a TDA4282 i.c. for processing. A block diagram is shown in Fig. 2. The i.c. has two basic sections. The first is similar to a standard vision i.f. amplifier and detector. The i.f. amplifier incorporates a.g.c. control; the detector uses a standard *LC* tuned circuit and produces an output very similar to a standard composite video signal. This is brought out of the i.c. and the 6MHz sound i.f. signal is extracted by the usual 6MHz ceramic filter. This signal is fed back into the second section of the i.c. which comprises an i.f. amplifier and detector, the latter using a ceramic discriminator and therefore not requiring any adjustment. The recovered audio signal is routed through a "VCR" switching block inside the i.c. This enables either the off-air signal to pass to the output buffer amplifier or, by applying a switching voltage to the i.c., it blocks the off-air signal and allows an external audio signal to be connected to the buffer. In order to minimise the number of pins on the i.c. and to reduce the switching complexity, a single pin is used to provide an off-air audio output signal via the SCART socket to, say, a VCR in the record mode. When the switching voltage to the i.c. is applied, this same pin reverts to an input pin which will accept an external audio signal (e.g. from a VCR in the playback mode) and route it via the buffer stage to the TV set's audio amplifier. The audio output from the i.c. proceeds to a TDA4290 i.c. which provides d.c. operated control of volume, bass and treble. The output from this i.c. is fed to a TDA2008 a.f. amplifier and then to a speaker and earphone socket. In its standard form the chassis offers only mono reproduction: it's easy to convert for stereo by substituting the audio control/output section for one containing an additional TDA4290 and a twin a.f. amplifier i.c.

Meanwhile, back at the composite video output from the TDA4427, this is passed through a 6MHz ceramic trap (again, no adjustment) to remove any residual intercarrier sound signal present on the video signal and then, after some switching to enable video out/video in, the selected video signal is processed by a Motorola TDA3301 single-chip colour decoder. This is virtually

identical to the TDA3300 which has been described in previous issues. There is nothing particularly exceptional about the i.c. (except the extraordinary degree of integration) – it offers the usual RGB inputs with fast picture blanking, making an easy interface with the optional teletext decoder module. One nice feature of this i.c. is the facility of automatic black level control. It does this by monitoring beam current during flyback blanking. The value of the beam current under these conditions should of course be zero (i.e. the tube be cut off or else you don't have blanking!). If the i.c. senses some beam current on any one of the three guns, then it adjusts the d.c. pedestal of the appropriate colour output until there is zero beam current. Not only does this process result in "perfect" grey scale but it retains this throughout the life of the tube (as tubes age the black level for any of the three guns can change causing a deterioration of grey scale). It also compensates for component value changes in the video output stages due to age.

The video output stages themselves are of the class AB type and, as is usual nowadays, mounted on the tube base board to avoid the extra capacitance offered by the RGB connecting cable required with mounting on the main p.c.b. An extra *pnp* transistor connected between each video output stage and the c.r.t. cathode senses the beam current and feeds the information back to the colour decoder i.c. as explained above.

### Digital Control

So much then for the basic outline of the receiver. We now turn our attention to the digital section which contains the frequency synthesis tuning system.

The SX9's control system is based on a Philips/Mullard development which offers: (i) user controls – either by remote plus local or local only; (ii) tuning; (iii) teletext acquisition and display (optional); and (iv) signal processing control. It is a very versatile and sophisticated system, and the high degree of integration means that few peripheral components are needed.

The system is illustrated in Fig. 3. It is based on five i.c.s: MAB8440 microcomputer; SAA3004 remote control transmitter; TDA3048 infra-red preamplifier; PCD8571 CMOS memory; and SAB3035 tuning i.c.

### Remote Control

The remote control transmitter is very straightforward. The keypad is the usual matrix type. The i.c. is capable of a maximum of 7 sets of 64 commands although of course not all are used in the SX9. Instead of the usual expensive crystal, the SAA3004 uses a 455kHz ceramic resonator to produce its internal clock. In order to conserve battery power, the oscillator is not active until a button is depressed. In this standby condition the i.c. consumes a mere 2 $\mu$ A. The output from the i.c. is amplified by a single transistor and the output from this is used to drive an i.r. diode. Very few peripheral components are used.

The remote control commands are pulse-position coded, with modulated pulses. The spacing between the frequency bursts determines whether the signal is a "0" or a "1". Frequency bursts allow the use of a narrow band receiver circuit which makes the system less sensitive to interference. A complete command consists of a reference bit, a toggle bit, 3 address bits and 6 bits for the command itself. Incidentally, if a command button is pressed for sufficiently long to enable the transmitter to start sending

the information, but happens to be released before the process is completed, the transmitter will ensure that the complete command is sent before returning to its standby mode. The reference bit is used by the receiver as a time reference – it is always a "1" and lasts for 7.59ms. The toggle bit changes state each time a new command is sent. The address bits are selected by the manufacturer to suit each application. Their selection determines which one out of the possible 7 sets of commands is to be used. In the SX9, the address bits are all "0". The six command bits are dependent on the command itself and of course allow one of 64 commands to be sent.

At the receiver end, the TDA3048 infra-red receiver i.c. consists of a controlled r.f. amplifier, demodulator, a.g.c. generator, limiter, pulse shaper and output stage. A filter at the input of the i.c. limits the bandwidth of the applied signal, thus ensuring minimum interference. A "Q-killer" circuit automatically reduces the Q of the input tuned circuit in order to limit strong signals reaching the amplifier. This can happen if the transmitter is operated too close to the receiver, in which case the signal can exceed the a.g.c. range.

### Microcomputer Control System

The heart of the system is the microcomputer. Most of its functions are already programmed, but the customer (TV manufacturer) has a number of options he can specify. It is therefore best described as a dedicated microcomputer (designed specifically for this sort of application) whose parameters can be altered by software control. Its tasks are to decode the remote control commands, offer local customer "front panel" control, generate data for a seven segment display, control the tuning i.c. and communicate with other devices connected to the serial bus (i.e. memory, text, etc.).

The modulated pulse train from the infra-red receiver module is connected to the microcomputer where it is decoded. This function is performed by a block known as the control/timing block. It incorporates the microcomputer's on-chip oscillator which runs at 4MHz.

In order to store data when the set is switched off, a 1k memory powered by a rechargeable NiCad 1.2V battery is used. The PCD8571 is a 1024 bit CMOS memory organised as 128  $\times$  8 bits. It is connected to the microcomputer via the serial bus. The memory stores channel number; frequency offset from "correct" channel frequency; TV standards (for use in multistandard sets); long/short time constant; on-off satellite; on-off video; on-off a.f.c.; on-off NTSC; preferred teletext pages; seven personal preference adjustments (e.g. volume, brightness, etc.). The above render the memory virtually full. The memory is powered from the +5V rail via a diode when the set is switched on. At the same time, the battery is charged via a current limiting resistor. When the +5V collapses (i.e. when the set is switched off), the diode is reversed biased, therefore preventing the battery from being discharged by other circuitry connected to the +5V rail.

The last i.c. in the system is the tuning i.c., type SAB3035. This provides synthesised tuning with a.f.c.; band switching; reception switching (e.g. satellite and VCR); analogue control of up to 8 functions. It receives its information from the microcomputer via the serial bus and has an internal reference clock running at 4MHz using an external crystal. The tuning voltage generator is fed from the stabilised +33V rail and a linear amplifier acts as

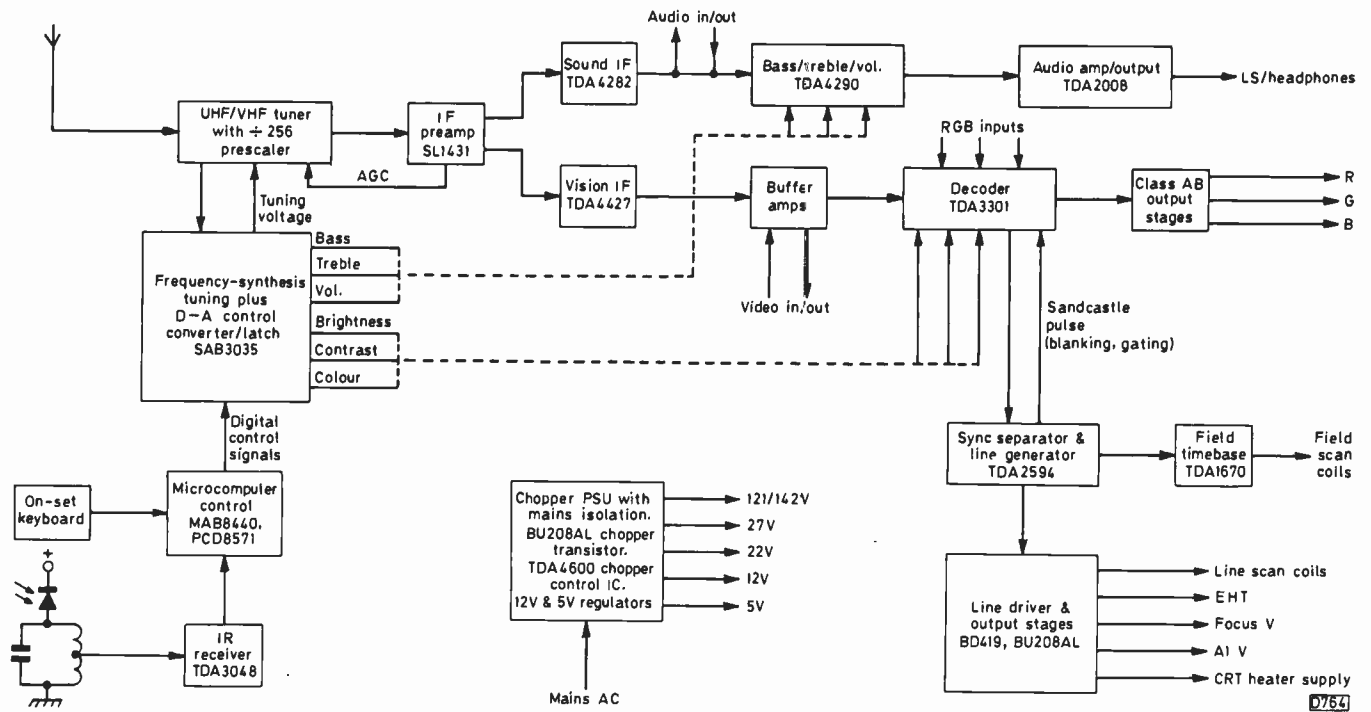


Fig. 1: Block diagram of the Luxor SX9 chassis.

sponse). This is a function of the TDA4290 a.f. processor i.c.

The digital control system briefly described is one with a considerable amount of built-in flexibility, thanks to its ability to be programmed. No doubt we shall see it being used elsewhere in the near future.

### Miscellaneous Features

Other points of interest on the SX9 chassis are an optional SECAM transcoder based on the Motorola TDA3030 i.c. which is used in conjunction with the TDA3301. The latter is also capable of NTSC operation and this can be catered for in the SX9 chassis.

There is, of course, an optional teletext module, which is based on the Philips/Mullard set of teletext i.c.s. The one difference is the use of the MAB8410 which is another in the microcomputer series. Its essential function is to transcode the bus information into the format required by the teletext i.c.s. Luxor offer the additional facility of either the transmitted teletext colours or their complements, achieved with the use of an XOR gate i.c. type 74LS136. Another feature when in the teletext mode prevents the usual interlace flicker. This is achieved by feedback from the field timebase to the sync generator circuit of the teletext decoder to effectively stop the interlace. It appears to be a feature which is becoming more popular and is usually found on Prestel equipment as an option but is now finding favour amongst TV manufacturers.

Another feature included on the SX9 is the SCART socket. This is simply a socket which allows the TV set to be connected to external equipment. It was a standard agreed by a French committee and seems to have gained favour throughout Europe. SCART stands for Syndicat des Constructeurs d'Appareils Radio Recepteurs et Televiseurs. This is the name of the French originating committee and, even if your French is as non-existent as mine, translation is obvious. Philips have decided to call their SCART socket the "Euroconnector", which is perhaps a more easily remembered title, but the important thing is that it's identical. Yet another name for it is the

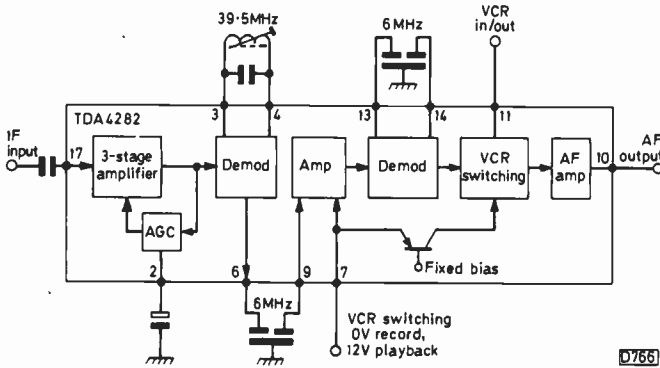


Fig. 2: Block diagram of the sound i.f. i.c., which receives its input direct from the SAWF.

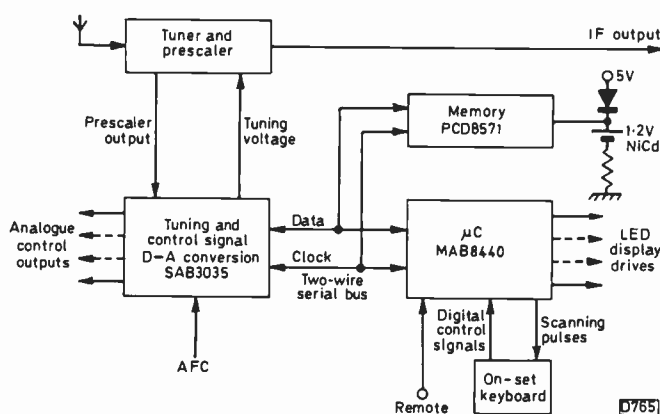


Fig. 3: Block diagram of the digital control system.

a series pass element under the control of the information received on the bus, producing an output voltage from around 0.3V to +33V. The analogue controls each produce 64 voltage "step" levels from 0.5V to 10.5V and these are used to control volume, bass, treble, balance (when used), brightness, colour saturation, contrast, and loudness (the last function is used as a switching function to introduce a loudness contour on the frequency re-

# next month in

# TELEVISION

● **INTO THE NINETIES WITH A NEON TESTER**

The nature of TV work is changing. Sets are more reliable and future calls on technicians' time are likely to revolve more around the need to match various items of video hardware and deal with such things as satellite reception. Harold Peters, celebrating twenty five years as a contributor to this magazine, takes a quick look back over the period before assessing likely demands in the years to come. With practical background information to prepare the "analogue type" for the tasks ahead.

● **SERVICING THE TANDBERG CTV3 CHASSIS**

These sets, the last true Tandbergs, are worth seeking out: as with their predecessors, the performance is well above average. Peter H. Dolman provides a time-saving fault and overhaul guide and describes the main features of the chassis.

● **LOPT TESTER**

A simple (three transistors plus rectifier circuit) and easy to build tester that works well with monochrome and colour set line output transformers. A table of typical readings is included.

● **OVERHAULING THE THORN 1500**

The demand for second-hand sets remains as strong as ever, offering opportunities to those interested in renovative work. A practical guide to what's worth doing with the ever popular Thorn 1500 chassis.

● **THE CASE OF THE CURIOUS COSSOR**

TV set designers in the forties often went about their task in an idiosyncratic manner, using the "sledgehammer to crack a walnut" approach. One of the quirkiest of sets was the Cossor 901, described by Chas E. Miller.

● **SERVICING FEATURES**

More practical hints in VCR Clinic and TV Fault Finding. Plus Bob Walker on tackling an awkward Bush A823AV.

**PLUS ALL THE REGULAR FEATURES**

**ORDER YOUR COPY ON THE FORM BELOW:**

TO .....  
(Name of Newsagent)

*Please reserve/deliver the February issue of TELEVISION (£1), on sale January 18th, and continue every month until further notice.*

NAME .....

ADDRESS .....

.....

.....

PERI-connector (peripheral) but this is not much used.

The connector on the TV set is a 21 pin socket, arranged in two rows with alternating pin numbering, starting on the left hand side of the longest row (see Fig. 4). Before giving the pin functions, it's worthwhile summarising some of the advantages.

For a start, it can turn the set into a (fairly) good monitor, capable of accepting either a 1V pk-pk composite colour video signal (multistandard if the set is so designed) or separate RGB plus composite sync. The former can be used with VCRs, video cameras, most games consoles and some personal computers. The latter, which produces even better results by bypassing the set's decoder, can be used with most personal computers and most small business computers (watch out though - a 14in. TV tube is not really capable of resolving a line of text with more than 40 characters. Most business machines use 80 characters, as do some programmes written for personal computers, such as word processing). It is also possible to connect the TV sound to external hi-fi equipment with considerable quality improvement. It also makes for simpler source switching if one is equipped with all the gadgets - computer, video disc, VCR etc. Other, less obvious and possibly with less potential, uses include monitoring and controlling home appliances (e.g. central heating) via the set; bilingual operation by using the left and right sound channels when stereo broadcasting arrives; cheaper teletext decoder add-ons by using the composite video output to feed the decoder and the RGB connector inputs to display the information.

There are still one or two "loose" parameters which have not been finalised, although it is fairly certain that changes, if any, will be minor. The pinning, then, is as follows:

1: Audio out - right	500mV/1k
2: Audio in - right	500mV/1k
3: Audio out - left	500mV/1k
4: Audio earth	—
5: Blue earth	—
6: Audio in - left	500mV/1k
7: Blue in	0.7V/75Ω
8: Source switching	0.2V/10-12V/10k
9: Green earth	—
10: Intercommunication line (data bus)	—
11: Green in	0.7V/75Ω
12: Intercommunication line (data bus)	—
13: Red earth	—
14: Data bus earth	—
15: Red in	0.7V/75Ω
16: Status RGB (fast blanking)	0.0-4V/1.3V
17: Composite video earth	—
18: RGB blanking earth	—
19: Composite video out	1V/75Ω
20: Composite video in	1V/75Ω
21: Socket earth	—

Not all the pins need be used of course. Some ready made cables to suit particular applications are becoming available but are expensive. A much cheaper alternative is to make up your own, ensuring that you use 75Ω cable where indicated and that the impedances and levels of the peripheral equipment inputs/outputs are correct.



Fig. 4: The SCART socket, viewed from the wiring side.

# Quick Checks Q and A

Part 4

S. Simon

## The Thorn 8000 Series

It's essential to differentiate between the 8000/8000A and the 8500 chassis, though they share many features in common. The presence of a power resistor assembly (dropper) mounted vertically at the extreme left-hand side as viewed from the rear immediately identifies the 8000/8000A, but even here there are differences. In the original 8000 chassis the two lower sections of the assembly form the 12Ω surge limiter, a single 47Ω section at the top being used as the h.t. smoothing resistor. The assembly used in the 8000A chassis has two extra sections of 56Ω and 1kΩ, in the feeds to the line output and line driver stages respectively. These are at the top and replace wirewound resistors on the power supply board in the 8000 chassis. A more robust assembly with three sections is used in the 8500 chassis, mounted horizontally inboard of the main frame: the tube, e.h.t. and focus units are also quite different. But of course you knew all that. Now for some questions.

*An 8000 has no sound or raster but the tube's heaters are glowing. What's the first check?*

Check the continuity of the two lower sections of the left-side dropper. These form the surge limiter in the a.c. feed to the thyristor mains rectifier. One of these 6Ω sections is likely to be open-circuit. Whilst it's permissible to connect a 5Ω or 6Ω wirewound across the defective section, it's not permissible to short it out and leave only 6Ω in circuit.

*Since the result of the surge limiter being open-circuit is loss of h.t. and the tuner is a mechanical one, why the loss of sound?*

Because the single MJE340 audio output transistor is fed from the h.t. line.

*What are the weak links in the 8000 series?*

The BU105/02 line output transistor used in earlier sets is vulnerable. A different type of line output transistor is used in later models. As a general rule, if a BU type is fitted and is faulty, replace it with a BU208. If the set uses a BDX32 or 2SC1172B, the same type must be used for replacement purposes.

Most sets have a BY127 diode in series with the thyristor. This diode tends to disintegrate and is often the cause of no h.t. when the dropper is intact.

The e.h.t. rectifier is also suspect, be it the little U-shaped unit used in early models or the longer, more complex unit (with focus flylead) used in later sets.

The focus preset in early models is of the same type as used for the first anode voltages. It's at the top right-hand corner of the tube base assembly. The reason for this is that the tube used in the 8000/8000A chassis requires a low focus voltage. The 8500 chassis has a more conventional tube that requires a focus supply of 4-5kV: this is derived from the e.h.t. rectifier, the focus unit being at the lower right-hand side of the main frame. This latter unit is prone to breakdown due to poor wiper contact, open-circuit tracks and leakage to the main frame to which it's bolted.

The right-hand side timebase panel is inclined to suffer from dry-joints, and the front lower line driver section is not free from this. The line driver transistor is an MJE340 and, like the audio output MJE340, is subject to breakdown. In the event of an inoperative line output stage, the line driver transistor and its associated components, including the line driver transformer, should receive close attention.

*If the complaint is no colour, why should the timebase panel receive attention?*

Because R404 lives at the rear corner. This 33kΩ resistor is in the burst gate pulse feed and tends to change value. In the event of loss of colour, check R404 first.

*There is sound and e.h.t. but no raster. What's the likely cause?*

The first anode supply reservoir capacitor C401, which is in the same area on the timebase panel. It tends to short, robbing the tube of its first anode voltages and burning up R402 (3.3kΩ) which feeds the BY184 rectifier. The rectifier can also be damaged.

*If an 8500 (or 8800) develops poor focus, is the focus unit the primary suspect?*

No. Whilst it could well be the cause, it's more likely that the e.h.t. unit is at fault. This unit contains a 150MΩ resistor which supplies the focus unit. Also suspect is the 100kΩ feed resistor R609 (if fitted) on the tube base panel. The drill is to check R609 (convenient if present), then the e.h.t. unit, and finally if necessary the focus control.

*There's no raster. The e.h.t. and first anode supplies are present and the tube's cathode voltages are correct. There's a heavy negative voltage at the grids however. What would account for this?*

Beam limiting is applied to the tube's grids. The action should be backed off by a feed from the h.t. line to the beam limiter diodes via R615 (180kΩ). This resistor, which is on the c.r.t. base panel, is inclined to go high in value, as a result of which the c.r.t.'s grids are biased negatively.

## The Thorn 9000 Chassis

*What's the chief weakness of the 9000 design?*

The fact that the tripler unit is bolted to the upper metal main frame. The insulation tends to break down, with obvious arcing present. This may or may not cause the syclops circuit to trip. It's prudent therefore to disconnect the tripler from the line output transformer to see whether this restores normal conditions.

*Which item is frequently overlooked when the cause of tripping is being investigated?*

R710 which is in series with the syclops transistor, from its emitter to chassis. Its value should be 0.47Ω but it sometimes goes high (not a lot). As a result, the voltage across it rises and the tripler operates.

*Where do you start when the set is apparently dead except for a high d.c. voltage at the collector of the R2540 syclops*

transistor VT701?

At the transistor itself. Poor contact between the holder and the base/emitter legs is often responsible, or the transistor itself could well be at fault. It pays to dwell here a little. In fact most of the faults that occur on the 9000 chassis seem to centre on VT701, W702 (SKE5F3) which is in series with it and is bolted to the cyclops heatsink, the OVP-B thick-film unit and the tripler as far as components are concerned, and dry-joints that tend to affect the connections to the scan coils.

### **The Thorn 9600 Series**

*What is by far the most common failing with these sets?*

Dry-joints under the centre section. These mainly relate to the scan coils' socket and the EW modulator circuitry.

*Which components are most likely to be at fault?*

The diodes in the EW correction circuit. Whilst W810 tends to decompose, causing bowed edges, lack of width, etc., W818 tends to go short-circuit, leading to complete shut down of the power supply.

# Teletopics

## **JAP-EEC 1984 VCR AGREEMENT**

Agreement has been reached between Japan and the EEC over the arrangements for the second year (1984) of the Japanese-EEC VCR export restraint accord. This was originally to last for three years, with the terms to be revised annually. For 1983 the limit was set at 4.55 million VCRs, to include those exported in kit form for assembly in Europe. In the event this worked out at 3.95 million complete VCRs and 600,000 kits. For 1984 the limit has been set at 3.95 million complete VCRs with the export of kits "basically free" (a figure of around 1.1 has been suggested as likely). The EEC's Commissioner for Industry, Viscount Davignon, commented that the withdrawal of limits on kit exports is on the understanding that VCRs of Japanese origin assembled in Europe will incorporate a minimum amount of value added, and that this amount will be steadily increased. A third section of the agreement envisages the production and sale of some 1.3 million purely European, i.e. V2000 standard, machines in 1984.

The whole point of the accord was to provide a breathing space to enable the V2000 system to establish itself. The envisaged production of V2000 machines during 1983 was to be 1.2 million, a figure that does not appear to have been reached. The agreement has been a considerable disadvantage to kit assemblers, making investment decisions and optimum plant loading difficult — not to mention job creation.

Philips have predictably criticised the revised agreement, suggesting that the new quota for complete Japanese VCRs is a million too high. Both Philips and Grundig are to start production of VHS machines in Europe later this year however, alongside their V2000 assembly lines. It's expected that Philips, having obtained VHS technology licensing from Matsushita, will become suppliers of VHS components as well. Philips' VHS machines will initially be sold in the Americas, Australasia and Asia, not Europe "in the first instance".

*If there's no input to the bridge rectifier on the right-hand side power panel, where does one look for the mains fuse?*

At the bottom left-hand side, in a holder. If it has failed, note the manner of its failure. If it is blackened, view the bridge rectifier W525 with suspicion, also the mains filter capacitor C531. Also check the h.t. reservoir capacitor C515 for shorts.

*Where are the three l.t. fuses?*

At the rear lower part of the right-hand side power supply panel. The top one is 800mA and supplies the field timebase. The middle one is 500mA and supplies the 24V regulator. The bottom one is also 500mA: it supplies the audio panel.

*Where and what are TSA and TSB?*

These are diagnostic test sockets, the pins of which should carry specified voltages. These readings are a great help in speeding up fault diagnosis. TSA is at the rear centre of the horizontal timebase panel. TSB is at the top of the right-hand side power supply panel.

The production target is for 300,000 VHS machines in 1984 (last year Philips sold 500,000 VHS machines in non-European markets). The UK is regarded as a likely market for such machines at a later date since the V2000 system has a lower proportion of the market here than elsewhere in Europe.

## **TOSHIBA'S UK VCR PRODUCTION**

Toshiba are to start producing VCRs at their Plymouth plant, at an initial rate of 10,000 a month starting in April. The long-awaited announcement brings with it a surprise — the machines will be to the VHS standard. Clearly Toshiba have been watching the development of the European VCR market. Toshiba comment that their VHS machines will be sold in the UK initially and elsewhere in Europe from 1985. Betamax Toshiba VCRs will continue to be supplied from Japan.

With Sanyo, Toshiba, Philips and Grundig either producing or about to start producing VHS machines, the only major VCR manufacturer with no announced plans for VHS production is Sony.

## **NEW TV CHASSIS**

Decca/Tatung's successor to the 120 series chassis is the 140 series, which is designed to drive pincushion-distortion free 90° tube/yoke assemblies in sizes 14-22in. The 140-144 have eight-button channel selection and the 145-149 full remote control with a 16-channel voltage-synthesis tuning system. The main changes compared to the 120 are as follows: the decoder i.c. is type TDA3561A; a diode-split line output transformer is used; no EW correction is required; the sync processor is a TDA2578A, which differs from the previous TDA2576A in incorporating the field generator, as a result of which a TDA3651 is used as the field driver/output device. The same Siemens TDA4600 type chopper power supply, and tube base mounted cascode RGB output stage arrangement, are used. Most sets employ the up-rated TDA3541 i.f. chip. Power consumption is 58W for tube sizes 14/16in. and 60W for 20/22in. sets, plus 8W for teletext versions. The line driver transistor is a ZTX651 and the line output transistor a BU508A.

The latest version of Thorn's TX10, the 1560/1561 series chassis, incorporates some important changes — the



power board has been completely relaid, and moulded frames replace the metal runners previously used. The chopper transistor is a BU508A, introduced for production convenience and reliability. As with the Decca 140, the sync processor/timebase generator i.c. is a TDA2578A, this time with a TDA3652 as field driver/output device. Connections between the power, signals and tube base boards are made by means of plugs and sockets instead of wire-wrapped pins. To suit the degaussing component layout, the degaussing coils are physically reversed on the c.r.t.

### ANOTHER HDTV PROPOSAL

CBS in the USA is backing a compatible 525/1050 line system in the event of high-definition TV transmissions being started. The system would use two channels, one carrying a standard 525-line, 4:3 aspect ratio signal and the other an additional 525 lines with 5:3 aspect ratio for interlacing with the standard channel. The higher resolution would be lost at the edges of the screen, but these are not the main source of attention. A substantial digital memory would be required to assemble the high-definition picture.

### US DBS TV SERVICE

The first commercial DBS service has been started in the USA, by United Satellite Communications Incorporated. There's nothing new about satellite reception in the USA of course, but the signals received until now have been those being distributed by broadcasting and cable networks, a practice which the FCC has ruled to be perfectly legal (on the grounds, apparently, that if they are there it can't be illegal to receive them). The USCI service will be via a narrow-beam transponder on a Canadian satellite, beamed at the Indianapolis area. For an initial charge of \$300 USCI will instal an aerial and converter/descrambler: a monthly charge of \$39.95 will provide a 24-hour, five-channel service.

Rupert Murdoch's News America group has decided to delay the start of such a service until higher power satellites become available — News America had previously leased five transponders for six years at a charge of \$75 million and are now seeking other uses for these satellite channels.

### MAJOR DEVELOPMENTS FROM MATSUSHITA

Matsushita have announced a multifunctional digital TV set and a portable rear-projection colour set with a 6.5in. screen. The digital TV set will go on sale in Japan early this year and the projection set will be available within a year. There are no plans at present to market either product in the UK.

The digital TV set uses two i.c.s and four l.s.i.c.s including a newly developed microcomputer chip. There's a comprehensive remote control system and the features include picture-within-a-picture — a digitally processed 6in. colour picture can be inserted in the main 20in. display. The use of digital circuitry is said to give crisper images due to the reduction of spots, flickering and colour saturation.

The portable projection colour set has a collapsible screen that folds down into an attache case measuring 25 × 8.5 × 31cm and weighing only 3kg. In comparison, a conventional 7in. portable weighs almost twice as much and is nearly twice the size. The power consumption is also reduced, at only 12W. In addition to off-air reception



*Matsushita's rear-projection colour portable receiver.*

the set can be used as a portable display terminal. The set is based on the technology developed for Matsushita's large-screen projection system, using three 5cm. projection tubes for red, green and blue.

### VIDEO STATISTICS

The number of VCRs in use world wide now exceeds forty million: this is just one item from a detailed statistical survey published in the November 1983 issue of *Screen Digest*, a media newsletter which is now in its thirteenth year of publication. Video statistics surveys and national report round-ups are published twice yearly, in the May and November issues. Details of the newsletter can be obtained from 37 Gower Street, London WC1E 6HH.

### PRESTEL TELEXING

A new service launched by British Telecom enables any Prestel terminal to be used to send messages to telex machines in the UK — there are plans to expand the service to cover Europe and the rest of the world, starting later this year. A successfully transmitted message costs fifty pence plus VAT and the normal telephone and Prestel



*Amongst the features of Matsushita's multifunctional digital receiver is colour picture within a picture, shown here.*

time charges. Prestel Telex Link message pages have space for around a hundred words — about half the telex messages sent between UK destinations are of this length or less. To send a message, the Telex Link index is called up on the Prestel screen and the message “pro-forma” page selected. The telex address and text are then entered via the keyboard. Confirmation of delivery is sent to the sender via Prestel’s Mailbox electronic mail service. The reverse capability to send messages from telex machines to Prestel terminals is under development and is expected to enter service later this year.

### **ORTHOPERSPECTA SOUND**

A three-signal sound system, left plus right plus centre, has been announced by Salora for TV receiver use. The conventional L and R signals are decoded and then matrixed to produce a centre signal.

### **NEWS FROM PYE**

The Pye Apprentice of the Year award for 1983 was won by Andrew Farnell of J. B. Postle (Cromer), Norfolk.

Pye are continuing the tradition of keeping large-screen monochrome sets in their range with two new models, the 7205 (20in.) and 7245 (22in.). Suggested prices are £120 and £125 respectively. The new slimline L7 chassis is used in these sets.

### **BINATONE TO PRODUCE TV SETS**

Binatone are to start assembly of 14 and 20 inch colour sets at Milton Keynes later this year. The aim is a production rate of 100,000-150,000 sets a year depending on market conditions. Binatone will also be opening a 100,000 sq. ft. factory outside New Delhi to produce TV and audio equipment for the expanding Indian market.

### **VIDEOTAPE NEWS**

High-grade tapes have been introduced by Philips “to do justice to the new, high-specification, second generation V2000 machines”. A new magnetic coating with better uniformity is used and the tape slitting has been made more precise. The VCC240 cassette gives 2 × 2 hours playing time at around £10 and the VCC360 2 × 3 hours at about £13.

3M are giving a guarantee with their latest Scotch tapes that picture quality will never deteriorate however many recordings are made on it. The new tape uses a tough binder for the coating and is also back coated to help eliminate static and protect the polyester film base material.

### **VINTAGE TUBES**

Following a recent purchase of electronic equipment, The Vintage Wireless Company (Tudor House, Cossham Street, Mangotsfield, Bristol BS17 3EN) are able to supply brand new 9in. picture tubes suitable for use in many sets dating from the forties and early fifties — such tubes are generally unobtainable. They are Ferranti type T9/3 and T9/5 and are all packed in their original cartons. The price is £27 each or £40 for two, these prices including VAT but not postage. Brief details: triode gun; international octal base; 4V, 1A heater; the T9/5 differs in having an external conductive coating.

### **NEW DX-TV MAGAZINE**

A new magazine for all DX enthusiasts is being edited and produced by Keith Hamer and Garry Smith. The first issue of the magazine, called *Teleradio News*, is no. 7

dated October — if that sounds a bit unusual, the explanation is that the magazine is successor to an earlier one edited by Cyril Willis. Publication is bi-monthly and subscriptions (from HS Publications, 7 Epping Close Derby DE3 4HR) cost £4.50 for six issues (UK and world wide by surface post — £7 for six issues sent air mail world wide). In addition to DX-TV, the magazine covers radio DX, equipment, video plus radio and TV topics in general.

### **NEW COAXIAL CONDUCTOR WIRE**

Texas Instruments have introduced in the UK a copper-clad aluminium wire for use as the inner conductor in coaxial cable. More than 30,000 tons of the material have been sold in the USA, where it has virtually replaced solid copper for the centre conductor. Texas say that the wire gives a cost saving of twenty per cent, with attenuation at 400MHz up to eighteen per cent lower. The copper-clad aluminium is produced by a continuous solid-state bonding process pioneered by Texas Instruments.

### **WILLOW VALE CATALOGUE**

A new trade price catalogue from Willow Vale Electronics Ltd. (Old Hall Works, Shinfield, Reading RG2 9DP) is available free of charge to dealers. It covers a very wide range of TV/VCR etc. parts, including many service manuals. There’s also a VCR spares supplement. Willow Vale have recently been appointed official spare parts distributors for Sharp (UK) Ltd. to non-Sharp account holders.

### **VIDEO DISC SCENE**

Thorn-EMI are to launch the VHD video disc system in the UK after all, but strictly for commercial, industrial and institutional applications. Thorn’s comment that there are “no plans for a consumer launch yet” seems to leave this option still open however. Meanwhile GEC-McMichael have introduced two CED disc players, Models V5001 (mono) and V5000 (stereo), at the same prices as the Hitachi equivalents (£199.95 and £229.95 respectively), while on the LaserVision front Philips have started a major sales campaign with reduced disc prices, a doubling of the number of stockists (including selected branches of Rumbelows, Currys, Laskys and Comet) and a £1 million advertising campaign.

### **SCOPEX RECEIVERSHIP**

The assets of Scopex, which was put into receivership recently, have been bought by Bridage Scientific Instruments Ltd. of Skipton, North Yorkshire. Bridage will be fulfilling all outstanding orders for Scopex oscilloscopes and intend to continue manufacture of the range, which Bridage say is complementary to their existing range.

### **VCR NEWS**

Sanyo’s first UK assembled Betamax VCR, Model VTC5150, has now been introduced at a suggested price of £379.95. It’s a top loader with a comprehensive specification. Sanyo is also to start producing Betamax machines in Taiwan.

Second-generation V2000 machines have now been introduced by Philips and Pye (see mention in Teletopics, July 1983). The Philips machines are Models VR2324 and VR2334, the Pye versions being Models 23V34 and 23V33. Philips say the machines use a refined version of the DTF system called Super DTF.

Panasonic have introduced the first VCR in the UK featuring hi-fi VHS — the system of recording stereo sound signals on the tape helically (see Teletopics, October 1983). The technique is used in Model NV850.

Akai have introduced a budget-price VCR, Model VS1EK, with a suggested price of £500. It features multi-function infra-red remote control and Akai's on-screen system for displaying tuning and programming information.

Kodak are reported to have developed an 8mm VCR standard that uses perpendicular rather than helical scanning.

It seems that a number of Philips VHS machines,

produced by Sharp and intended for non-European distribution, have been imported into the UK. Philips point out that these do not carry their guarantee.

## OBITUARY

F. Howard Steele, managing director of Sony Broadcast Ltd., has died at the age of 54. Mr. Steele joined the ITA (as it then was) in 1966, as chief engineer, becoming director of engineering in 1969. He moved to Sony Broadcast in 1978. During his time with the IBA the network was converted to colour and significant developments in digital TV signal processing were developed and brought into operation.

# Satellite TVRO System

## Part 4

Nick Harrold

Since the start of this series, my installation has been upgraded by replacing the initial 1.2m dish with a Harrison Bros 8ft petal dish. As a result the signals have been considerably improved — not only because of the extra gain provided by the larger dish but also as a result of reduced ground noise pickup, a major factor when a very small dish is used.

Photo 1 shows the Harrison 8ft petal dish fitted with the 4GHz head unit, with the 1.2m dish used for the initial experiments in the foreground to the left. The higher F/D (focal length/diameter) ratio of the basic 6ft dish (0.42) compared to the 1.2m one (0.25) has many advantages, one being that the diameter of the dish can be increased at some later date (when funds permit) to a calculated 10ft, bringing the F/D ratio down to about 0.25 (the minimum possible). An add on kit enables the basic 6ft petal dish to be upgraded to 8ft, giving an F/D ratio of 0.32. When this extension was added, a worthwhile, cost effective improvement was noted. Further information on these dishes can be obtained from Harrison Bros, 22 Milton Road, Westcliffe on Sea, Essex. The firm can also supply gallium arsenide f.e.t.s and other difficult to get microwave components.

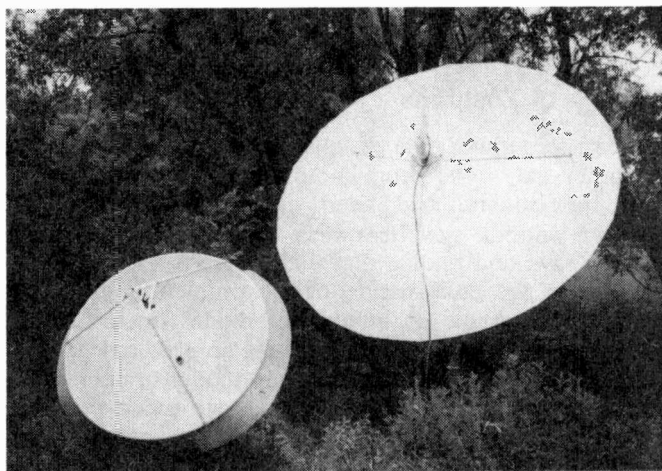
Photo 2 shows Moscow ch. 1 received on a 6ft dish. This satellite's other two channels can be received in colour with the dish extended to 8ft. Photos 3 and 4 show one of the weaker signals receivable (Morocco) and the sorts of results obtainable with 4 and 6ft diameter dishes respectively.

With a Band I tuner modified for 70MHz instead of a u.h.f. tuner it would seem possible to use the circuitry

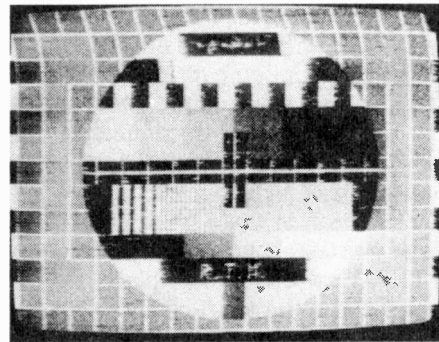
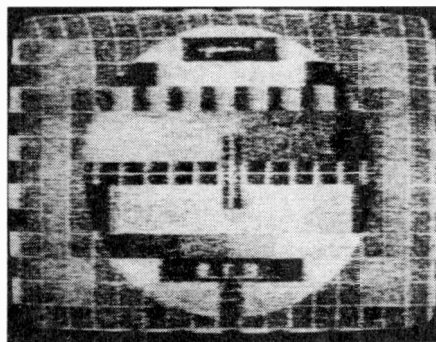
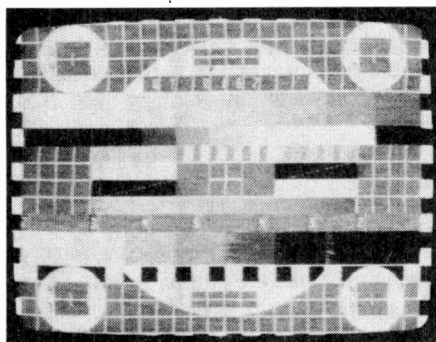
described in these articles with the 4GHz front end described by Hugh Cocks in the May issue, but this has not been tried. A head unit with a nominal output at 750MHz is now available from Hugh Cocks (Cripps Corner, Robertsbridge, East Sussex, TN32 5RY).

## Over to You!

In conclusion, I hope that these articles have shed some light on techniques suitable for satellite DX-TV reception. We look forward to reports from other readers on the results they manage to achieve.



1: Harrison 8ft petal dish on the right, with the originally used 1.2m dish on the left.



2 (left): Moscow ch. 1 received with a 6ft dish. 3 (centre): Weak Moroccan signal received with a 4ft dish. 4 (right): Improved Moroccan reception with a 6ft dish.

# VCR Clinic

*Reports from Steve Beeching, T.Eng. (C.E.I.),  
Derek Snelling, John Coombes, Mike Sarre,  
Peter H. Dolman, T.Eng. (C.E.I.) and Philip  
Blundell, Tech. (C.E.I.)*

## Hitachi VT8300

An Hitachi VT8300 came along from another dealer. His customer's complaint was that the picture would jump up and down in the still mode. My dealer friend had attempted to twiddle the appropriate adjustment, R1101, with no apparent results. When I tried, there was no way in which the visual search board could be set up properly.

In a case like this the first check should be the drum feedback pulse (PG1 and PG2) settings. Each should be set, using a test tape, so that the edges of the pulses occur six and a half lines before the field sync pulse. This setting was all right.

Somewhat puzzled, I did a recording and found that the head crossover switching point occurred too high up the picture. So the record setting (R686) was off, but this couldn't be set up. I ran out of twiddle whilst the switching pulse edge was after the field sync pulse, never mind six and a half lines before it.

Further inspection revealed that the drum servo was not at optimum – though still locked, it was out of phase and the sample pulse sat at almost the top of the ramp. In order to restore normal working the drum servo had first to be set up, then the timing of the record switching, and finally all the presets on the visual search board had to be adjusted. Apparently the previous engineer (?) had adjusted the servo on the living room carpet without a scope!

S.B.

## A Batch of Toshiba

We had something of a problem with a Toshiba V5470 the other day – the drum motor was still running even after the cassette had been ejected. After checking whether various switches were contacting when they shouldn't be, and finding that they weren't, attention was directed to the basic nature of the problem, i.e. to the drum motor circuit. A number of diodes on the servo panel go to various 12V rails, forming an AND type circuit to provide power during the relevant modes of operation. By tracing back through these diodes we found that the playback 12V rail was high – not at full voltage, but sufficiently to turn the motor on. One unusual effect was the fact that the motor ran only when the VTR/TV switch was in the VTR position. Most odd.

The question was where this rogue 12V supply was coming from? Since the exact voltage level was immaterial, a logic probe and an oscilloscope were used for the chase. Now underneath the V5470, where the drive belts are, there's a sneaky little panel with sockets on it – called the relay board. By disconnecting plug P831, the various 12V sources can be isolated at its pins. Fortunately only one pin was high, pin 105. Following through the circuit (no easy job at the best of times) led me to P981 on the switch circuit board, behind the front panel, where the VTR/TV switching takes place. Diode D988 on this board was found to be short-circuit.

Next came a simple one: a new V9600 that didn't flash its digits when setting up the clock of timer. A new timer i.c. cured that.

A fairly common fault with the V8600 (V8700 when remote control is included) is intermittent timer operation. It's normally caused by oil contaminating the take-up clutch drive pulley. A simple test is to switch the machine to standby, then switch back whilst holding down the play button. This simulates timer switch on. The capstan/pinch roller combination should start to drive the tape, with the take-up spool increasing the torque. If the take-up torque is insufficient, tape slack occurs and the slack sensor operates, thus shutting the machine down before it's got started.

Well, I did everything I could think of to increase the starting take-up torque, including trying a new take-up turntable. Then I thought about timing – say delaying the pinch solenoid or the slack sensor operation. Now when you look at the slack sensor circuit you see that there's already a delay network which is included to allow the slack sensor arm to swing in at start up without the machine shutting down. The slack sensor switch closes at 5V, the rise time being delayed by the 4.7 $\mu$ F capacitor C628 charging via R697 (100k $\Omega$ ). Obviously the delay was not enough in certain circumstances, so I put another 4.7 $\mu$ F capacitor in parallel with C628.

S.B.

## Sony C7

We discussed this interesting little problem, concerning a Sony C7, with E.T. who resides on the south coast. Occasionally the machine would not allow the cassette compartment to open after unthreading. The cause can be the threading ring turning slightly anticlockwise (threading) after hitting the end stop at the completion of unthreading, presumably due to stored energy in the threading drive belt. If you consider the motor driving the threading ring via a belt, the micro switch and systems control will remove the power from the motor when the ring hits the end stop, but the motor won't stop instantly and a certain amount of over run will take place. As the threading ring can't go any farther, the belt acts as a store for the over run energy and when the motor stops the energy will be released, the belt moving the ring back slightly in the threading direction. Hope that's clear! Anyway, this movement of the threading ring will inhibit operation of the eject mechanism – as it would rightly do if the tape was in fact threaded.

E.T. has devised a method to switch on a transistor across the motor to act as a brake. However I favour increasing the threading ring friction by adjusting a little roller at the back of the drum mechanics – it adjusts the ring tension.

S.B.

## Aerial Amplifier Failures

During August we had rather a lot of thunderstorms here in the Midlands, some quite bad. As usual, whenever there's a thunderstorm the aerial terminal board on at least one Panasonic machine goes faulty. This gives the symptom of either a low-gain picture on the TV set though o.k. through the VCR, or o.k. on the TV set but low gain through the VCR. This time we had seven faulty machines

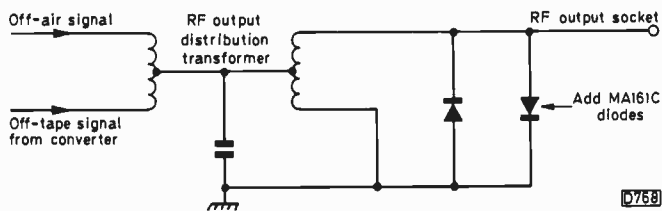


Fig. 1: Adding diodes to provide protection on the aerial terminal board in Panasonic machines.

in four weeks, including a Mitsubishi HS303 and an Hitachi VT11.

Panasonic consider the aerial terminal board to be a service replacement item, so they don't supply a circuit. As some of these machines are now going out of guarantee however we decided to take the bold step of repairing one. We assumed that the fault would be a defective transistor and found that they were all the same. As we couldn't find any equivalents we had to order some. When they arrived we found that Panasonic had sent kits containing a transistor, two diodes and a modification sheet to prevent further failure of the transistors. With the three I've repaired so far, Q3 and Q4 have both failed. See Fig. 1. D.S.

### Capstan Motors

This time capstan motors have been "failure of the month". I've changed two in 3V29s for wobbling sound and a colleague changed another. In addition he had to change one in an Hitachi VT9500 and another in an Hitachi VT11, in both cases for jamming. D.S.

### Hitachi VT8500

The following two problems have occurred several times on the Hitachi VT8500.

*Intermittent loss of vision in the E-E mode (and loss of recorded picture):* Check the earthing of the print inside the screened i.f. unit (especially that associated with the chassis end of R858). The print is connected back to chassis via various metalwork lugs that project through the board: these become dry-jointed, causing intermittent operation.

*Intermittent loss of capstan servo control on replay:* Suspect C515 of being low in value. This 470 $\mu$ F electrolytic decouples pin 3 of IC502, i.e. the replay control pulse amplifier. Unless this pin is well decoupled the amplifier's gain will be inadequate, hence the large capacitance value. A check on the waveform (not shown in the manual) at TP502 will assist in checking the amplifier's operation: for reliable servo control there should be pulses of 2.8V peak-to-peak at this point. P.H.D.

### Ferguson 3V29

The problem with a Ferguson 3V29 was a rolling noise bar through the picture. Obviously something was failing to lock. A check inside the machine revealed a thick piece of cloth that was wedged by the pinch wheel. Perhaps this was preventing the pinch wheel contacting the capstan properly, with the result that the speed varied? Removing the cloth made no difference.

Time was then spent tracing why the machine had suddenly decided to fail to complete the loading operation. This time we found a hair grip jammed against the pinch wheel solenoid. Going back to the original fault, after a careful check for other signs of customer abuse we

got out the scope and found that the drum sample pulse was missing from the trapezoidal waveform during playback but would appear when the machine completed unloading after being put in the stop mode. Exactly the reverse of what should happen!

Convinced that one of the deck switches was operating incorrectly we checked the lot, then in turn replaced the servo, MDA and mechacon boards in an effort to narrow down the source of the fault. All to no avail. On finally checking every input to the servo panel we found that there was an incorrect voltage at pin 14 during stop. This came from the tracking control which turned out to be open-circuit. Judging by the state of the machine, this was probably caused by a blow with a blunt instrument or an attempt to rotate the control past its end stop. While I can understand an open-circuit tracking control causing a rolling noise bar - I've had a similar fault on a 3V22 - I can't quite see how it "reversed" the appearance of the sample pulse. That's the sort of obscure symptom you increasingly seem to get however as logic gates take over more and more of the machines' operation. D.S.

### Panasonic NV333

Apart from the pinch wheel modification, the on-off switch and high back tension problems we've had little trouble with the Panasonic NV333. Then along came one that wouldn't go and the lid wouldn't stay down. It's not an easy model to service - you can't work on the machine with the bottom panel hinged out as the connectors from the front control panel have to be removed. Anyway, to the fault in hand. Preliminary tests revealed that when any mode was selected the play LED would light up and then go off after a couple of seconds, the power supply switching off. From this it seemed that the command had been received and that the machine had made an attempt to carry it out without success. Knowing that current Panasonics tend to use the loading motor for eject, and that the eject lever was held open, I tried turning the loading pulley manually (being careful, so as not to damage the mechanism). This returned the eject lever. I then checked the loading motor and found that there were no voltages on this whichever mode was selected.

The loading motor drive circuit is on the system control board. It consists of a bridge arrangement comprising transistors Q6026-9. Brown heatmarks were immediately noticed on the board below Q6028 and Q6029, and on test the former turned out to be open-circuit while the latter was short-circuit. Replacing these restored normal operation. M.S.

### Toshiba V8600

Here are some faults we've had recently on these machines.

**Negative picture/incorrect colours:** This can be due to the TV/VCR switch but on one occasion we traced the problem to switching transistor Q661 (2SC2236Y) on the servo logic panel. It controls the supply to the modulator. Check by replacement.

**Poor stills:** Remove the bottom cover and turn around the plug from the heads (red and white leads).

**Intermittent colour/flashing red, green, blue:** A check at pin 15 of the divider i.c. (IC208) in the reference signal PPL, using a frequency counter, produced a reading of 25kHz instead of 15.625kHz. Replacing the i.c. (type MB14300M) rectified the fault.

**Remote knocking noise in operation:** This can be due to the planetary gear touching capacitors on the video board. The cure is to redress capacitors C229, C479, C230, C247. J.C.

### Sharp VCRs

Here are a couple of faults we encounter fairly regularly on Sharp machines.

**Model VC9300:** Goes into the stop mode intermittently whilst playing. Clean the take-up jockey pulley; if still in trouble, suspect that the reel motor has a dead spot.

**Model VC9700:** For intermittent failure to record sound,

clean the bias oscillator switching relays. If the off-tape f.m. is low (poor recordings), suspect that one of the video heads is out of specification. If the capstan speed is too fast, check the frequency of the playback 50Hz signal from the YC panel and C774 on the servo panel. P.B.

### Ferguson 3V31/JVC HR7650

The problem we've had on some of these machines is black flashing lines, or sometimes an intermittent blank screen, on E-to-E or recording, the machine working all right on replay. The cause is that C19 in the tuner/i.f. board a.g.c. detector circuit is leaky. P.B.

# VCR Servicing

## Part 24

Mike Phelan

In the next couple of instalments we'll be taking a look at portable VCRs, in particular the Ferguson 3V24 (JVC HR2200). One might think that a portable is not much different from an ordinary domestic machine – maybe it's just a video with a handle? That's not quite the story however. Imagine carrying a domestic VCR and a camera around for an hour or two: from this one can appreciate that a portable machine is a rather different kettle of fish.

### Reducing the Weight

The main consideration is of course weight. A domestic machine contains a lot of bits that are unnecessary in a portable. As audio and video are being supplied by the camera, a tuner and i.f. strip are not required. Neither do we need a clock/timer. This reduces the weight considerably. The machine has to run off its own 12V battery (rechargeable) or a 12V car battery, so we don't need a mains power supply. Facilities for battery charging and mains operation must be available, but can be contained in a separate unit. This can also incorporate a tuner, i.f. strip and timer for domestic use of the equipment. Current consumption must be kept to a minimum – a compromise is required between battery size/weight and recording time (remember that the camera also draws current from the video battery).

The 3V24 uses plastics extensively in its chassis and cabinet, and employs a nickel-cadmium battery, thus saving considerable weight. Lead-acid and nickel-cadmium batteries both have their pros and cons. Lead-acid batteries are heavier but their charging conditions need

less attention. A nickel-cadmium battery must be discharged before charging, otherwise maximum capacity will not be achieved – this is also dependent on ambient temperature.

The 3V24 is complemented by either the 3V26 mains adaptor-charger or the 3V25 which is these plus a tuner-timer (see Fig. 105). The 3V26 can charge two batteries – first the one in the machine then, when that's charged, a spare in the 3V26 automatically begins to charge.

As the machine will be used outdoors, possibly in damp conditions, there's a danger of damage to both the tape and the heads due to condensation on the latter. A drum heater could be included but would consume quite a lot of current, which can ill be afforded. Instead, a compromise is adopted – a heater that's powered only when the mains adaptor is in use and the VCR is switched off. A dew sensor inhibits any functions if the machine is damp.

Most of the more recent VCRs we've encountered have two solenoids, one to operate the brake mechanism and one for the pinch roller. They have two windings, a low-resistance one to pull the solenoid in and a hold winding which takes less current but sufficient to keep the solenoid attracted once the pull-in winding has been de-energised. Unfortunately this type of solenoid is a little extravagant in weight, size and current consumption. The 3V24 has two solenoids with only one winding and a permanent magnet to hold in the plunger. A short pulse through the coil draws the plunger in, after which it's held by the magnet. To release the solenoid, a pulse of opposite polarity is applied to the coil to cancel the field and release the plunger, which is lightly spring loaded. This arrangement presents a problem: unlike the usual system, there's nothing to tell the machine which position the solenoid is in – no current flows in either condition. To overcome this problem a microswitch is attached to the mechanism operated by the solenoid, indicating the plunger position.

### The Ferguson 3V24

Now for a closer look at the 3V24. Considerable ingenuity has been used to get everything in (see Fig. 106). The panel marked MDA is the motor drive amplifier for the direct drive head drum motor, which is very similar to that used in the 3V23. The MDA board uses normal components for the larger active devices and the electrolytic capacitors, but most of the resistors and jumper links are surface-mounted components – these are components made on a substrate without leads and soldered on the print side of the panel. Components of this type (see Teletopics last month) are extensively used in cameras – diodes, transistors and capacitors as well as resistors (see Fig. 107) can all be made in this way. Most of these "chip" components are the same size, about 3 × 5 × 2mm, and

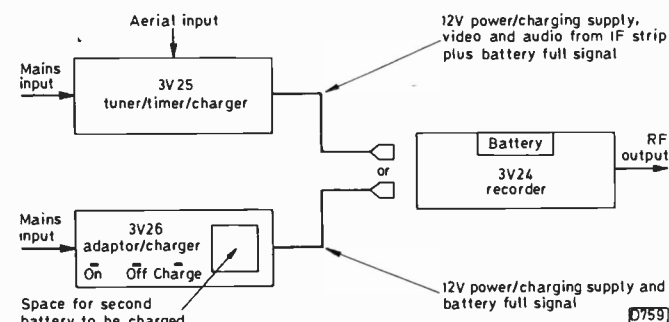


Fig. 105: Use of the 3V24 portable VCR with a 3V25 tuner/timer/charger or a 3V26 charger.

apart from the transistors which have three connections they all look identical. They can be replaced with normal components in an emergency, provided you have the manual to tell you what the component actually is and its rating/value.

### Battery/Mains Operation

Fig. 108 shows the 3V24 connected to a 3V25 tuner-timer. When the machine is battery operated S3, which is operated by plugging in/unplugging the 3V25, connects the battery to the power switch and rails. Diode D9A is reverse biased so that the heater is off.

On a long session it may be necessary to change batteries several times. Normally the machine will unlatch and go to stop when the power is reapplied after an interrupted recording. If the rec-lock switch is closed however the machine will always start in record. This feature is made use of when in the timer mode with the 3V25 – the connection via pin 5 of the connecting socket can short out the rec-lock switch via D11 so that the record mode is entered when power is applied.

When the 3V25 is plugged in S3 changes over, connecting the power switch to the supply at pin 6. The battery is then connected to the charging supply via D10 and D9A, but little charging takes place due to the voltage drop across these two diodes. Provided the 3V24 is switched off, the heater is energised. When the machine is switched on transistor X24 switches off, cutting out the heater. To charge the battery, you switch the 3V25 off and then press the charge switch. This energises the relay, the first pair of contacts keeping the relay supplied via D9 after the charge button is released, the second pair of contacts connecting the charging line to pin 1 of the connector. The series resistor/thermistor combination approximates to a constant-current supply. When charging is complete, the battery temperature rises and the thermal switch opens, breaking the earth return from the relay winding and releasing it. If the 3V25 is switched on whilst charging, the off switch opens with the same result.

The 3V26's charging circuit is similar, but with two

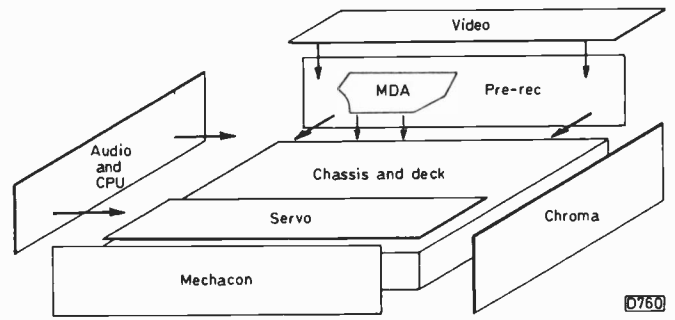


Fig. 106: Compact arrangement of the 3V24's chassis (bottom view).

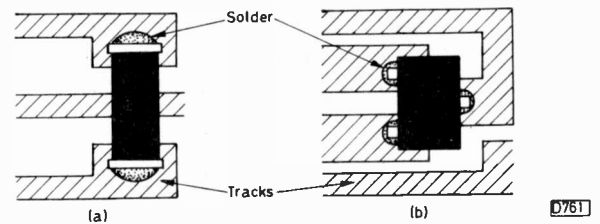


Fig. 107: Surface-mounted components. (a) Resistor, jumper jumper (zero ohms resistor), capacitor or diode. (b) Transistor. During board assembly the components are held in position with glue prior to being soldered.

relays, one to change over the charging to the second battery. In addition, if the 3V24 is switched on the charging is stopped. This is done by the connection to pin 5 of the socket, used with the 3V25 for timer start. When the 3V24 is switched on, 12V appears at pin 5 (from R74). This switches off the relays in the 3V26. You can now see why D11 is fitted: so that the rec-lock switch, if closed, doesn't prevent the "charge off" line rising to 12V. This little bit of the circuit is interesting as it uses one pin of the socket for two completely different purposes, depending on which unit is plugged in.

In the next instalment we'll look at the mechanism control system, which is somewhat simpler than that used in the 3V23.

D762

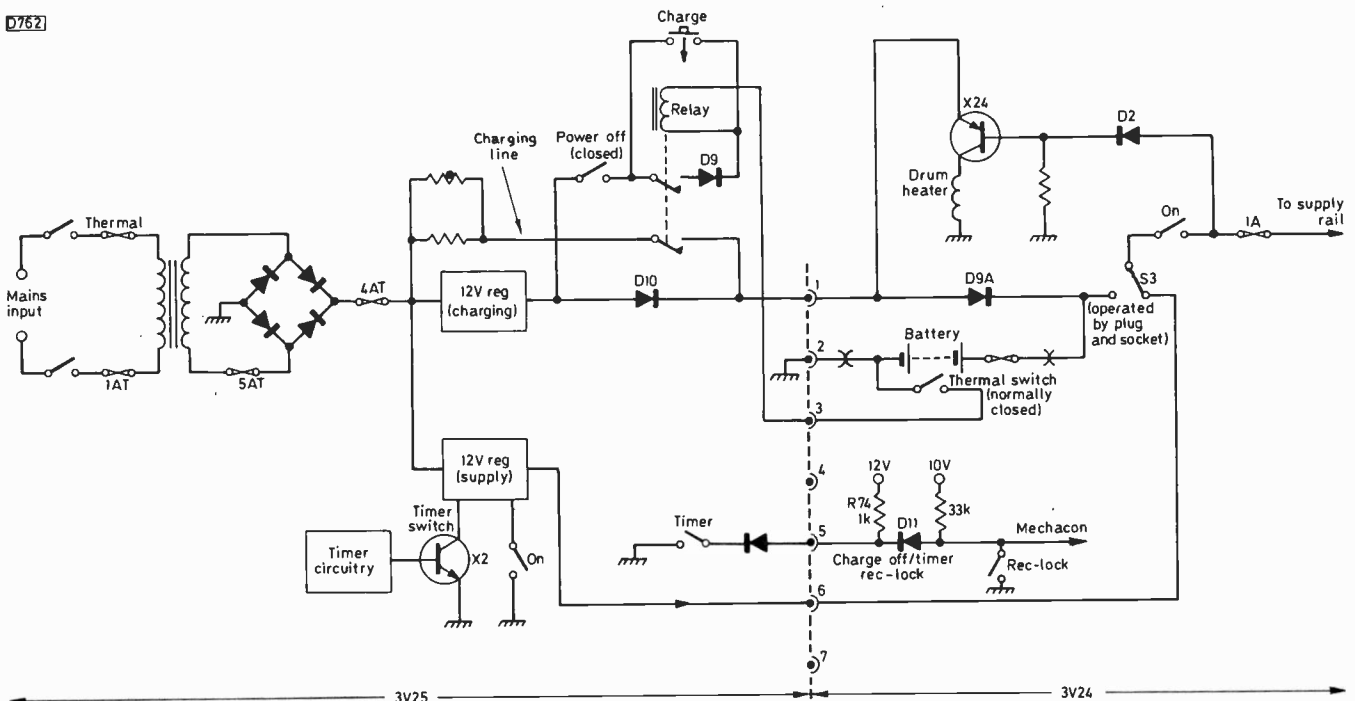


Fig. 108: Ferguson 3V24 VCR connected to a 3V25 tuner/timer/charger unit.

# Auto Channel Scanner

James Dilworth, A.M.I.E.

This project started with the thought that it would be a good idea to be able to monitor the locally available TV channels, enabling one to view the whole selection and choose anything of particular interest. The auto channel scanner was thus devised. It can select four (or eight) channels in sequence for eight-ten seconds each so that they are all monitored at least once a minute. If an interesting programme is seen, the scan/normal switch is operated and the set then returns to the normal mode of channel tuning.

## Channel Selection

The circuit (see Fig. 1) employs an SAS660 channel selector i.c. and an NE555 timer i.c. The SAS660 has extra circuitry at its number one input (pin 10) to ensure that this channel is selected when the circuit is first switched on. This produces an output of 12V at pin 9 and 33V at pin 6. The output at pin 9 can be used to drive a channel indicator LED and/or for band switching if this is required. The 33V output is the tuning supply voltage of course.

## Channel Stepping

To step IC1 to the next channel, a positive-going pulse from IC2 is applied to pin 2 via C11 and D5. This increases the voltage across R10, which is the common emitter return for the four input stages. When this potential rises, the four inputs are unlatched and switched off. If say input one (pin 10) was on at the instant of switching, a

negative pulse will appear at pin 6. This is fed via C8 and R7 to input two (pin 12), switching this on. Input two then latches and remains on until another pulse arrives at pin 2. A similar sequence switches on inputs three and four.

## Extra Channels

If more than four channels are required an SAS670 i.c. can be added. This is identical to the SAS660 except that there's no automatic input one selection at switch on. Connect pin 2 of the two i.c.s together (see Fig. 2), using R10 as a common load for both pins. Both i.c.s are similarly wired but C7 and R6 are now connected to pin 10 of the SAS670, with coupling back from pin 3 of this i.c. to pin 10 of the SAS660. This gives switching for eight channels.

## Timer

The 555 timer i.c. is used in the astable mode. Whilst C12 is charging via VR1 and R12 the output at pin 3 is high. Tr1 is thus switched off. When the charge across C12 has risen sufficiently the output at pin 3 goes low, switching on Tr1 to produce a positive-going pulse at its collector. In this condition the voltage at pin 7 falls to chassis potential and C12 is discharged via R13. When C12 has almost discharged pin 3 goes high and the cycle starts again. The pulses appearing at the collector of Tr1 are used to step IC1 through sequential channel changes and are also used to blank the audio and video signals to

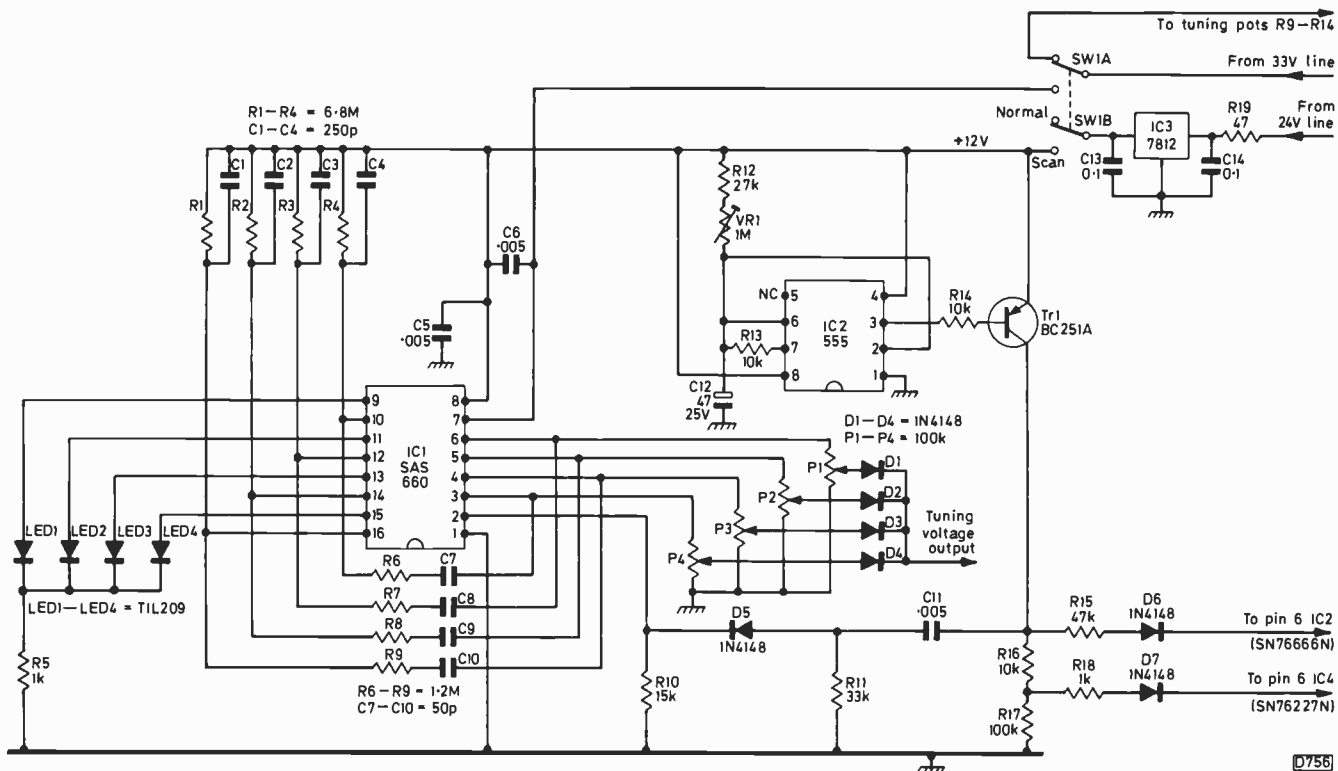


Fig. 1: Circuit of the auto channel scanner for four-channel operation.





# TV Fault Finding

Reports from Mick Dutton, John Coombes, Richard Roscoe, D. C. J. Tilley and John Bourne

## ITT CVC1100 Chassis

There are several points worth noting on this chassis. First of all the switch-mode power supply is designed to produce the correct output voltage only when there's a load present. This means that if the line output stage is inoperative for some reason, e.g. failure of the line oscillator, the power supply's output will rise and the over-voltage protection zener diode D658 will conduct, blowing the fuse. A fault in the power supply itself resulting in excessive output will also bring the zener diode into operation.

The recommended way of tackling a dead set is to disable the line output stage by shorting together the base and emitter of the line output transistor and to connect a 100W bulb as a dummy load in parallel with the zener diode. The set can then be switched on and the power supply checked. If it's o.k., remove the short from the line output transistor but leave the bulb connected. It's now possible to work on the line output stage without risk of damaging the power supply. No attempt should be made to run the set with the zener diode removed and no dummy load in place – excessive output from the power supply can lead to high e.h.t. and tube damage.

The switch-mode transformer drives two rectifiers, one providing the 115V h.t. line, the other the 20V supply for the audio output stage. The line oscillator's start-up supply is derived from this 20V rail, via transistor T602. If the latter goes short-circuit, the picture is modulated in sympathy with the sound. A similar problem can be caused by the screw at the rear right of the chassis not making proper contact: this screw provides an earth connection between the main panel and the vertical power supply end panel. **M.D.**

## Decca 120/130 Series Chassis

Two problems have recently become quite common on this chassis. The first is intermittent channel change on both remote control and standard sets. We've found that the problem is due to tracking within the focus spark gap on the tube base. With care it's possible to open the gap slightly to clear the tracking while leaving the gap still functional. The second problem is snow on the screen with no tuning ability on models using touch tune panel ASS.5.0979-5. This is due to RM17 (560k $\Omega$ ) going open-circuit, as a result of which there's no tuning voltage output. If this resistor has gone high in value the fault will be intermittent or it will be possible to tune in some channels only. **M.D.**

## Mitsubishi CT2206B

Here are some faults we've had on this model. If the set drifts off tune – this usually happens after the set has been on for some time – check transistor Q7B5 (2SC711A) on the touch sensor panel. Intermittent sound can be caused by dry-joints on the audio output transistors Q352/3. In one case however we found that the voltage at pin 13 of the M5144P intercarrier sound i.c. (IC301) was varying due a poor spot on the carbon track of the tone control VR371. Replacing this restored normal sound. In the event of intermittent lack of height with incorrect horizon-

tal convergence, check the convergence potentiometer on the panel mounted on the scan coils – the cause is usually a dry-joint on the earth pin. **J.C.**

## Thorn TX90 Chassis

There are quite a few of these portables around now and we've had a couple in for repair. The first fault was simple – the 1A mains fuse had blown due to one of the diodes (D123, BY127) in the h.t. rectifier circuit going short-circuit. The trouble with the second set was no results apart from a faint line whistle. This turned out to be due to a crack in the print between pin 10 of the line output transformer and the collector of the T9064V line output transistor. The set worked after we repaired this, but on soak test there was intermittent line collapse. This was traced to cracked print around the line driver transformer T103. **M.D.**

## GEC C1653

This portable was only two weeks old when the customer complained that it kept switching itself off. We found that the stand-by light came on in the fault condition but the set couldn't be switched back on via the handset. Flexing the printed panel with the back removed made the set go into the fault condition, and the trouble was eventually traced to a dry-joint on pin 2 of the line output transformer. The interesting point is that the soldering looked perfect, but when resoldering the joint we found that the line output transformer pin was contaminated, causing the bad joint.

It seems to be a common problem with this chassis, both on the wound components and the socket half of the plugs/sockets that connect the control panel to the main chassis. We've also had a case of dry-joints inside the tuner/i.f. can causing tuning drift, while several new sets were found to have the chassis broken in two on being unpacked, due to very poor support beneath it. **M.D.**

## Rank Z718 Chassis

The line output transformer in the Rank Z718 chassis is generally reliable. We had one of these sets that ate transformers however (four). The trouble was eventually traced to 5C13 (0.01 $\mu$ F) in the fifth harmonic tuning circuit. Perhaps we should have been warned by the letter on mistuning and its effects in the July 1983 issue of *Television*. **D.C.J.T.**

## Amstrad CTV1000

The problem with this 10in. mains/battery colour portable was normal sound but just a blank white raster. A scope check revealed that there was no video information going into the M51393AP decoder i.c. The chroma and luminance inputs to this i.c. both come from an emitter-follower, Q7601 (2SC1675), which turned out to be short-circuit base-to-emitter. A replacement was fitted, but there was still no video information.

The tuner and i.f. section of this set are contained within a single can, the video output being d.c. coupled to the

base of the emitter-follower. A replacement tuner/i.f. can restored the picture, but during a soak test it disappeared again, leaving the blank white raster. On checking through we found that once more we had a faulty emitter-follower transistor and i.f. can. This time however there was a direct short measurable from the transistor's emitter to chassis, due to the chroma coupling capacitor C7901 (240pF) being short-circuit (the earth return is via the following 10 $\mu$ H peaking coil L7901). Fitting replacements and setting up the grey scale produced an excellent picture. **M.D.**

### Thorn TX9 Chassis

This set (main panel PC1001) was dead with a blown mains fuse. We couldn't detect any shorts on the h.t. rail and as the thyristors in the power supply measured correctly we replaced the fuse, removed the h.t. link, and measured the h.t. at switch on. The voltage started to rise, then the fuse blew. On closer examination we found that R195 (6.8k $\Omega$ ) in the excess-current control transistor's collector circuit was burnt. A check on the excess-current trip circuit then revealed that the transistor (VT66, BF435), its biasing zener diode W83 (5.6V) and its base decoupling capacitor C152 (10 $\mu$ F) were all short-circuit. Replacing these items provided a cure. **M.D.**

### More Grundig Gremlins

There's a similar gremlin in the Supercolour 80 chassis (GSC700) to that described in the May 1983 issue (Fault Report, page 354). This chassis is found in a large number of models and is quite distinctive in design, consisting of about a dozen little circuit boards enclosed in metal cases plugged into a large, vertical backplane. These modules are sealed by two red plastic lugs which have to be broken before the board can be extracted from the case. Presumably they serve some good purpose in the Grundig scheme of things, but we can't see it.

The previous report highlighted a problem with a through-board earth link in the RGB output stages, on module 29301-046.02, causing loss of picture. In the RGB module used in this chassis there are three through-the-board earth links, one for each primary colour. These are at the earthy end of R574 (blue), R551 (green) and R531 (red). If a link is lost completely, the screen will flood with the relevant colour. More often however all the links become suspect to a greater or lesser extent, the result being that the grey scale drifts around in a not unattractive way, producing a veritable kaleidoscope of hues. Whatever the specific symptoms, always repair all three links. It will avoid embarrassing calls, believe me.

Another fault we had recently on this module is worth recounting, not only because it was peculiar to this specific Grundig circuit but also because the symptoms were very misleading. The area of interest, the luminance signal path from the input to the RGB module to pin 15 of the TDA3500 matrixing i.c., is shown in Fig. 1. The two transistors TR508 and TR511 are used to switch off the normal luminance channel in certain circumstances, e.g. teletext operation. Pin 26 of the module is normally low, with the result that TR508 is off and TR511 is on. To switch off the luminance, pin 26 rises to 12V.

The fault was an intermittent plastic picture, i.e. a flat, smeary, low-contrast picture with edges highlighted – the sort of picture caused by an open-circuit video coupling capacitor. Tapping the module made the fault come and

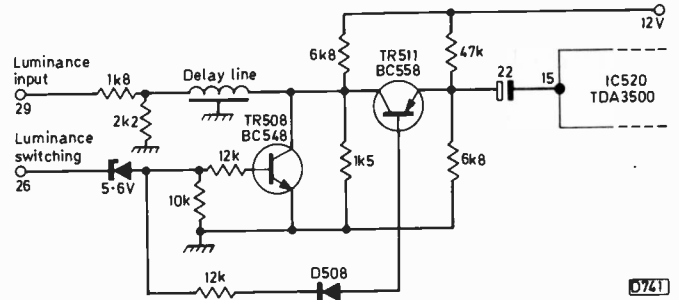


Fig. 1: Luminance signal switching circuit used in the Grundig GSC700 chassis.

go, so we hung a scope lead on to various points to monitor the waveforms. All was well up to the collector of TR511, but the emitter waveform was incorrect. Clearly TR511's switching action was impaired for some reason, only the higher video frequencies getting through. A meter check showed that TR511 wasn't being turned off when the voltage at pin 26 rose – in fact the base, emitter and collector voltages all fell. We thought TR511 might be faulty, but a new BC558 didn't improve matters. By lifting one end of various resistors we eventually traced the cause of the fall in voltages around TR511 to a leak to earth in the luminance delay line. Interestingly, the actual signal through the delay line was unaffected by this leak: it was the effect of TR511 being starved of current that caused the symptoms. **R.R.**

### Thorn TX9 Chassis

The latest version of the Thorn TX9 chassis, using main panel PC1044, has a chopper power supply. We've had one or two cases of a dead set with the mains fuse blown due to the chopper transistor TR62 (T9063V or BU508) being short-circuit. The no h.t. symptom leaves the reservoir capacitor C140 (150 $\mu$ F) fully charged for some time after the set has been switched off – discharge it via a resistor of say 15 $\Omega$ , especially if you are about to replace the chopper transistor. Note that the main frame is isolated – when making voltage measurements etc., use either the body of the varicap tuner or the line output transformer's heatsink as the "chassis" point. **J.B.**

### Hitachi NP81CQ Mk II Chassis

A low-frequency hum on sound, most noticeable when the bass and treble controls are at maximum, and varying with picture content, is due to ripple on the 12V supply reaching pin 6 (volume control pin) of the TDA1035S sound i.c. (IC401). The cure is to fit a 22k $\Omega$ , 1/4W resistor in series with D402. In some chassis however a 22k $\Omega$  resistor is fitted in place of D402. The result of this is a burst of sound at switch on regardless of the setting of the volume control. If this is the case, fit a 1N4148 diode in series with the resistor – polarity as marked on the PCB. **J.B.**

### Thorn TX10 Chassis

A colleague had a 26in. Model 3788 on the bench with severe purity errors. After checking the degaussing circuit, manually degaussing the tube, and ensuring that the scanning yoke was pushed fully forward along the c.r.t. neck, he switched the set on – only to be greeted by the same symptoms. So in went a new A66-540AX (30AX) tube. Once again the same symptoms were present. A 30AX deflection yoke from a stock set was then tried and

this time the problem was cured.

On examining the two yokes side by side it was noticed that the bar magnets differed. It turned out that a 22in. 30AX yoke, type AT1260, had been fitted by mistake during manufacture. The 22 and 26in. deflection yokes look identical from outside, when mounted on the tube, but there's this difference: the 22in. yoke, type AT1260, has 2½in. long magnets while the 26in. yoke, type AT1270, has 1½in. long magnets.

When fitting/ordering 30AX yokes, check that you have the right type!

We've found that the message received/standby LED in some remote control sets (Models 3767/88/95/96/063) incorporating the infra-red preamplifier module type PC984 may remain illuminated for some time after the set has been switched on in strong ambient lighting con-

ditions. This is due to the cut out holes in the screening can being too large, thereby allowing more light in than required. The cure is to mask off the unwanted gap, using black PVC tape, so that only the surface of the photodiodes remains exposed.

A couple of these sets came in with tripping symptoms. In each case unplugging the line scan connector PL14 removed the overload, which was caused by the BU208A line output transistor (TR831).  
**J.B.**

#### GEC C2233

An uncontrollable bright raster (20AX Mk II chassis) usually means that the RGB output transistors are incorrectly biased due to R281 (82kΩ) being open-circuit.  
**J.C.**

## Service Notes on the Sony SLC7UB

David Botto

The Sony SLC7UB is one of the most complex of VCRs. We now find it arriving in increasing numbers on the service bench, complete with puzzling faults.

### Dead Machine

Suppose you've a dead machine. The first thing to do is to remove the top case. But the cassette compartment won't open without the power being on! Take out the two little screws under the cassette lid ornamental belt, then the six long screws that hold the cabinet top. The top and lid can now be easily lifted away, after which the works are revealed.

First check fuse F004 (400mA) on the FS-6 fuse board (we'll use Sony's board identification letters in this article). This fuse likes to go open-circuit for no apparent reason. Replace it and everything starts up again. The suggested modification is a wire link. I can't bring myself to do this however and fit a 1.6A anti-surge fuse.

The power supply is in two sections: the switch-mode regulator board SR-08-2 and the "ever" power supply board SR-08-1 - the latter powers the timer and aerial amplifier unless the main power switch S9504 is in the off position. See Fig. 1.

Failure of the mains input fuse F006 (2AT) on board LF-11 means a fault on the SR-08 power panels. To check the fuse you first have to remove the front control panel - not forgetting the little slider knob on the front (this can fly off never to be seen again). Then remove the two screws securing the timer and ease it forward. The various plugs can now be removed from the FS-6 fuse board and the SR-08 power supply unit unbolted and removed. Be careful when removing any of the plugs in the machine: the print is extra fine and easily breaks, which will result in lots of nice new faults.

The switch-mode regulator is not of the usual type used in TV sets. It consists of a control i.c. that drives a push-pull switch. Check the two switching transistors Q101/2 (both type 2SC2335). You will probably find one or both short-circuit, with the surge limiter resistor R101 (3.3Ω, 3W) open-circuit. A special replacement kit, type A6738-159A, is available from Sony. It contains the two transistors, with special 15Ω resistors already soldered to them, and new mica washers. In addition a replacement

for R101 is supplied, also two 3.3kΩ resistors and an 820Ω one. The 820Ω resistor should be fitted in position R205 (originally 2.7kΩ) and the 3.3kΩ resistors in positions R210/211 (originally 4.7kΩ). Replace the TL494CN control i.c. (IC1) at the same time or you may get the unit back in a week or so... Some later C7s already incorporate these modifications: they are usually the units with a large "C7" on the front control panel.

### Picture/Sound Disturbances

Dirty heads can give a noisy picture. They can also give a picture that's o.k. in the pause mode but not in the play mode, due to the control track not being picked up. Clean the video, control and audio heads - in fact everything in the tape path. Use only a proper head cleaning kit and video cleaning fluid, and remember that cotton buds are sure death to video heads!

Changing the video heads should be attempted only with the special Sony kit to hand: accuracy is to microns!

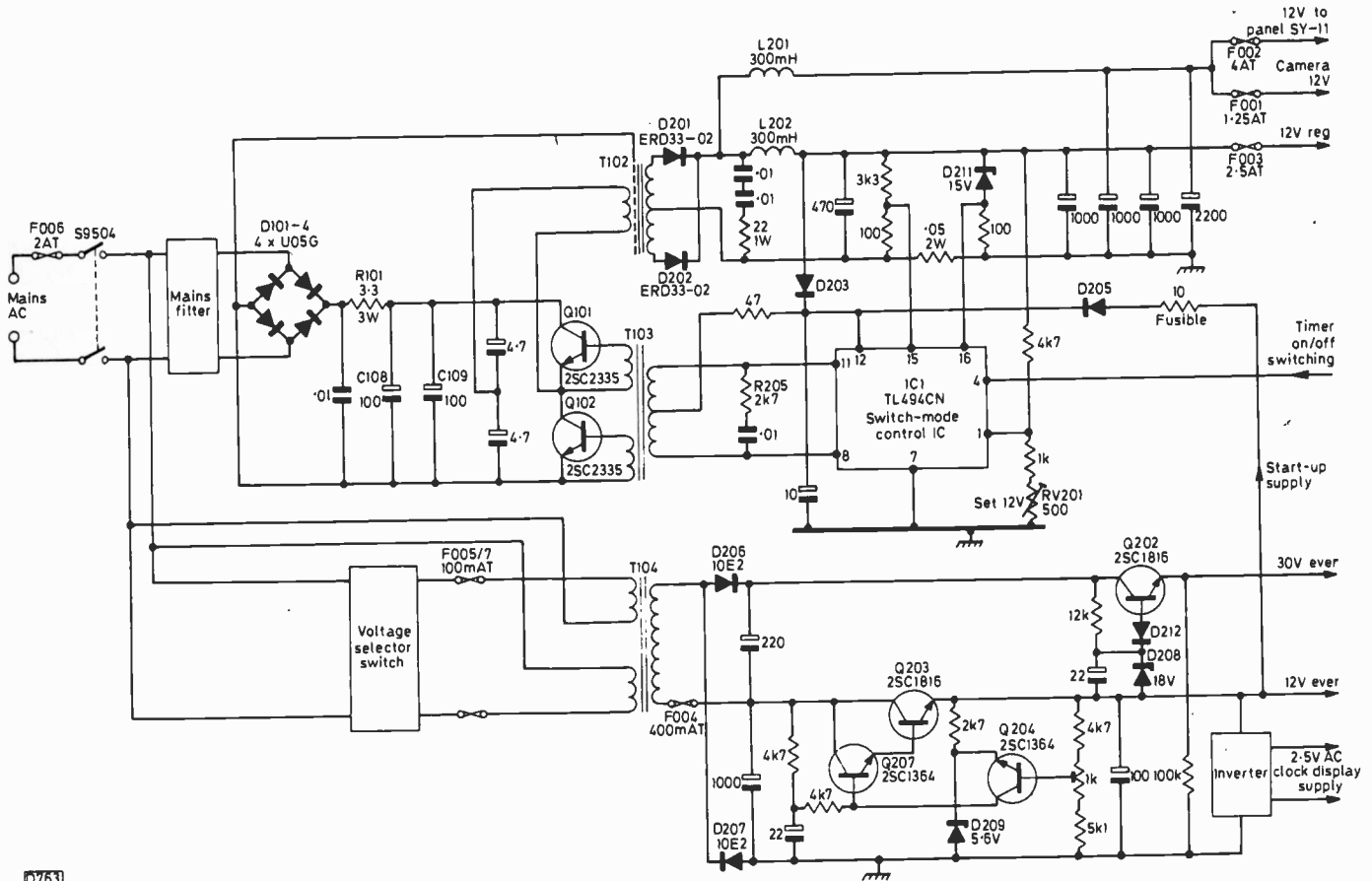
A nasty fault to trace is when the picture breaks up after the machine has been running for about twenty minutes. For a cure replace the playback amplifier i.c. (IC1, type CX134A) on board RF-2. You can check it by spraying gently with freezer. Weird effects due to no picture from one head occur if either of the head preamplifier f.e.t.s (Q3/4, both type 2SK152) on this board fails.

Absence of colour in both the E-E and playback modes is usually due to the CX130 i.c. (IC6) on board CR-4 being defective.

If the colour intensity varies up and down, suspect IC5 (CX145) on the YC-6 board: when it starts to fail the burst level goes up and down. Most other colour faults we've had seem to be due to IC11 (CX130) or IC6 (CX832) on this board.

Wow on the sound with the picture breaking up can be traced to IC3 (TC4011BP) on the AS-3 audio and servo board. Another cause of wow on this panel is Q14's collector load resistor R68 (10kΩ) changing value. Something else to check is IC12 (M58478P) on the YC-6 board.

If the audio doesn't mute in the triple-speed mode, check transistors Q3-6 (all type 2SA1027R) on the SY-11 board.



D763

Fig. 1: Simplified circuit of the power supply used in the Sony SLC7UB. Diodes are type 1S1585 if not otherwise shown.

A ticking noise on playback is caused by servo pulses interfering with the audio circuits: the cure is to fit an  $0.03\mu\text{F}$  capacitor between pins 8 and 9 of connector CN4702 on the SJ-1 board.

### Tuning Troubles

In the case of a dead tuner, first make sure that the camera switch is in the tuner position. The switching transistor Q6511 (2SA772, 2SB733 or 2SB739) on board PC-1 can fail, giving various tuner fault symptoms. Use a 2SB740 for better reliability.

IC7 (TC4011BP) on board CH-3 consists of four NAND gates. When these gates fail they cause a variety of faults: channel 18 appearing; all LEDs lit; stations not locking on to auto tuning; plus the clock giving strange readings. Fortunately it's easy to check with a logic probe or a digital multimeter to measure the highs and lows. Failure of IC1 (CX804) on this board can result in all the LEDs lighting at once and the clock output being dim or non-existent. If you can't lock the channels, the digital tuning i.c. (IC4, CX760) is probably the culprit. If the information is lost after tuning all the channels, replace the memory i.c. (IC3, CX761).

### Function Faults

Intermittent start or load up of the tape is a hard fault to find. The cause is dry-joints on diodes D710 and D712 (both 1S1555) on the SJ-1 board.

When the machine stays in the rewind mode whatever you do to it, check the inductance of L2 (33mH) on the SY-11 panel. It's connected between pin 7 of IC8 (BX342) and chassis, and can go open-circuit. If the

machine won't rewind and the motors aren't running, check L1 (33mH) between pin 7 of IC9 (BX342) and chassis for being open-circuit. The only reliable cure when the machine is trying to rewind (motor running, spools slipping) is to fit the Sony rewind kit A6706-348A (X3653-3150 above serial no. 355300).

No functions can be caused by the 10V regulator transistor Q25 (2SC1364) on the syscon panel SY-11 failing or leaking. At the same time check the associated zener diode D18 (RD11E-B).

### Timer Faults

Quite a variety of faults can occur on timer board TM-10. The i.c.s are not easy to change because of the double-sided print. First check the voltages at the regulator transistor Q1 (2SA773 or 2SA684): if the collector voltage is not 29V, check this transistor. Next check the switching transistor Q3 (2SC1364). Then move on to the i.c.s. First replace IC8 (TC4071BP). If this doesn't clear the fault change IC7 (TC4081BP). Experience shows that the fault will be found before reaching the main, 42-pin timer chip IC1 (MB8841-180). The only way to remove these i.c.s without ruining the board is to cut the pins with a fine pair of sidecutters, then unsolder the pins one at a time. Fortunately IC1 seldom fails.

### Final Notes

Note that the mains fuse F006 is on the live side of the mains switch, also that the reservoir capacitors C108 and C109 (both  $100\mu\text{F}$ , 400V) retain their charge and can give you a very nasty shock. Finally note that the SLC7E is almost identical to the SLC7UB.

# Test Card Saga

*Keith Hamer and  
Garry Smith*

We last published an article on this subject back in May 1978. Afterwards several readers wrote to ask whether there would be another delve into the archives. Fortunately the age of the VCR is now firmly established, and it's a relatively simple matter to photograph the more elusive test cards and captions. Some may appear on the screen for only a few minutes, at awkward times of the day. This time we'll review some BBC graphics used since 1980, with a look at several modified versions of test card F.

## **Globes and Clocks**

The familiar BBC-1 globe caption has been used for many years to introduce the next programme. It's remained largely unaltered for well over ten years. The monochrome model of the Earth, illuminated from within, is viewed by a camera, the appropriate colour information being added at a later stage. The reflection is produced by a specially curved mirror behind the small globe, and the caption itself rotates only when the camera is activated from the control console — so it isn't whirling around all day for nothing. Occasionally things go wrong and the Earth is seen tottering around on its axis. Sometimes it refuses to budge at all! The globe caption at Television Centre is to be converted to an electronic type, in much the same way that the clock caption was changed, thus dispensing with the camera and associated equipment. Regional clock captions are still of the mechanical variety, though designed to look like the new generation of clock transmitted by BBC London.

It was decided in September 1981 to update the form of identification used on the BBC-1 globe and clock captions, so all the regions had to change their style of lettering to the "two-line" effect. For some curious reason London decided to alter the globe colour: the land mass became a sickly shade of green instead of custardy yellow. This varied from region to region, and it was not unknown for viewers to demand a call from the rental service engineer. The situation eventually sorted itself out, with a return to the good old custardy yellow.

The BBC celebrated its 60th anniversary in August 1982. Even the globe caption identification was changed to "60 BBC Years". Just as we've been looking into the archives to present this article, so for a whole week the BBC went berserk with archive material. Each day produced a couple of vintage "interlude" films, such as the famous "Potter's Wheel", "The Kitten" and "Rough Sea on Rocks", all from the early fifties. The programme opening sequences during August/September 1982 were also interesting, as some of the original opening music from the fifties, sixties and seventies had been found in the archives. Mention was made in our last article of some specially composed guitar pieces that were played at the start of programmes each day. Despite correspondence with the BBC about these, no one seemed to be able to shed any light on the subject until the 60th anniversary celebrations. Recordings of some of these pieces were

lurking in the depths of Television Centre and some were transmitted with the special globe caption, including one called "Blue Part Invention".

## **Christmas Captions**

At Christmas, BBC-1 dispenses with the standard globe caption for the duration of the festivities in favour of a special Christmas caption which is always unveiled during the afternoon on Christmas Eve, traditionally just before a feature film. The theme in 1980 was a group of skaters (see Fig. 1). There was more to this caption than some viewers may have realised. Until the late afternoon the scene was a crisp, sunny day: when the caption was used to introduce the early evening programmes the background was dimly lit then, for the late evening programmes, the moon and stars came out.

Viewers indulging in the festive spirit during Christmas 1981 may be forgiven for thinking they were seeing double or worse — instead of just one Earth there were no less than five. The various sized globes were made to resemble Christmas tree decorations, the colours including red, green, blue, orange and purple.

The 1982 caption was not so colourful and at first glance (see Fig. 3) didn't appear to be too inventive. On closer inspection however one noticed that the twelve segments of the snowflake revolved, each catching the light. It was probably all done by mirrors.

A large rotating snowflake was used in the 1980 BBC-2 Christmas caption (Fig. 4). It revolved a little unsteadily at times, but nothing too disastrous happened to it. It was made of glass or plastic and the people in presentation must have thought that this was a good medium to work with as the following two years' captions were also transparent.

The three revolving candles (Fig. 5) first appeared on December 24th, 1981. They remained in service for five days. At the start of each programme opening sequence the candles could be seen with a festive ditty apparently composed for the occasion.

The 1982 BBC-2 Christmas caption again involved three items rotating on something like a record turntable. Not candles this time but Christmas trees (Fig. 6). Unfortunately these didn't seem to revolve with quite the same accuracy as the previous year's candles, and on several occasions one of the trees looked as though it was being prematurely felled! The caption was clean enough on the 24th, but by late evening on the 28th there were one or two smudgy fingerprints on at least one of the glass evergreens.

## **Christmas Test Cards**

Christmas is traditionally the time when the Television Centre engineers in charge of the trade test transmissions amuse themselves with the test card. Various additions are often superimposed — these seem to depend on the type of equipment available at the time. For example, Christmas Day 1980 saw a variety of amendments to test card F (Figs. 7-10). These included holly superimposed on the corner focusing bars and another version with holly and red (pink actually) berries over the letterbox area, a Christmas pudding lodged on top of the table, and an extra button on Carole's toy. For approximately ten minutes the test card was radiated with the whole of the centre portion reversed.

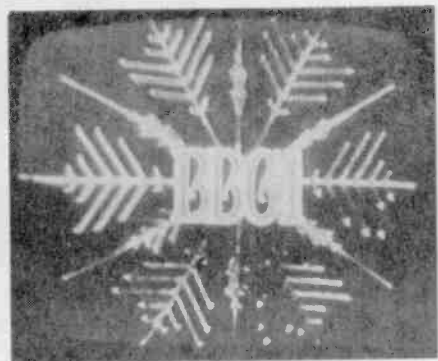
Test card antics were seen during the entire week



1: BBC-1 Christmas caption used in 1980, featuring skaters.



2: An unusual BBC-1 caption used in 1981.



3: The BBC-1 revolving snowflake caption used in 1982.



4: The BBC-2 snowflake caption used in 1980.



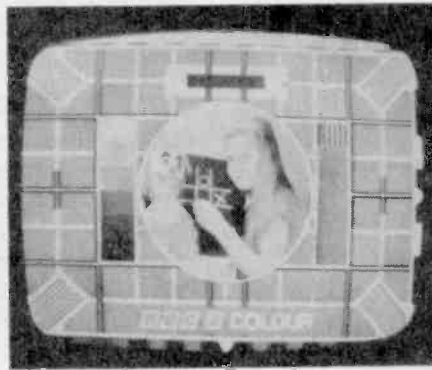
5: Red candles and green holly, used by BBC-2 in 1981.



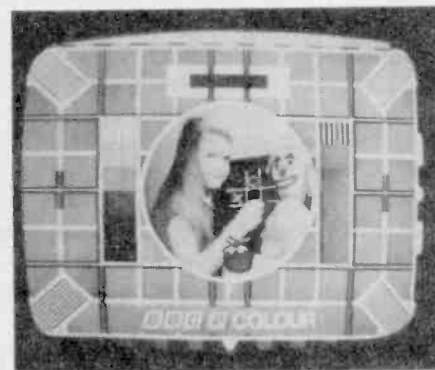
6: BBC-2 1982 caption featuring revolving Christmas trees.



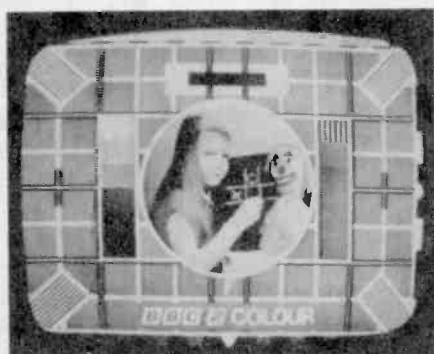
7: A sprig of holly added to test card F.



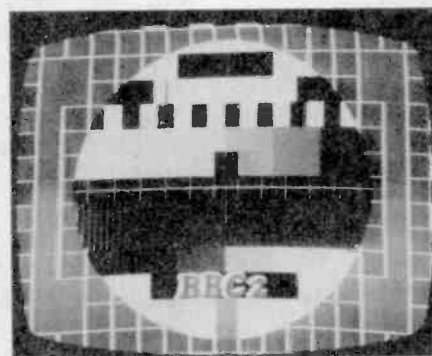
8: Test card F with the centre portion reversed — seen in 1980.



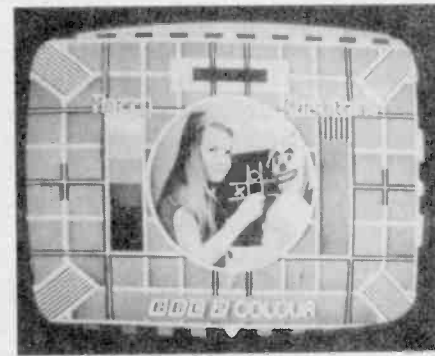
9: Test card F gains a Christmas pudding.



10: An extra button on Carole's doll in 1980.



11: Test card G with Christmas BBC-2 identification, 1981.



12: A "Merry Christmas" from test card F in 1982.

leading up to Christmas 1981, including the word "colour" in a bright and cheerful yellow. For about five minutes an electronic game of noughts and crosses occupied the entire central area. Perhaps some readers have photographs of this — we don't! Even the electronic test card G was not left out of it: a specially generated identification (Fig. 11) was shown, consisting of large red graphics with a white outline — occasionally the colour

scheme changed, running through the colours of the rainbow.

The engineers didn't seem to be in quite such a festive mood in 1982. The fun and games are always welcome however and the authors will remain on the lookout! As mentioned on another occasion, we'd be delighted to hear from anyone with photographs of unusual test cards or recordings of music from the test card C era.

# Service Bureau

*Requests for advice in dealing with servicing problems must be accompanied by a £1.00 postal order (made out to IPC Magazines Ltd.), the query coupon on page 151 and a stamped addressed envelope. We can deal with only one query at a time. We regret that we cannot supply service sheets nor answer queries over the telephone.*

## VCR/TV COMBINATION

There's a playback problem when I use my Sanyo VTC5300P VCR with my Sony KV1612UB colour set – this particular combination produces a vertical line of white dots down the right-hand side of the picture, about an inch from the edge of the screen. The Sanyo machine operates perfectly with another, smaller Sony set, and also with an old dual-standard Decca colour set. The offending line is faint but seems to vary in intensity with different tapes. I've modified the VCR to give still pictures during pause (by removing the video blanking): this shows up the line clearly as small, intermittent white dots that flare slightly to the right. An attenuator has been tried in the feed to the TV set, and the VCR's modulator has been replaced.

The effect is almost certainly due to radiation from the TV set's line timebase finding its way into the VCR's low-level video replay circuits. This will be proved by separating the two physically. An earthed mesh or foil screen between the two may suffice, though an internal screening kit could be available – one was provided for the earlier VTC9300P and worked very well.

## PHILIPS G11 CHASSIS

The problem is that the picture jumps. It's more noticeable with a test card, giving the impression that the camera is being moved up and down very quickly. There's no slip and everything else works correctly.

First check that the various timebase panel connectors (top left looking in from the back) are making well, then suspect the TDA2600 field timebase chip's holder – it can disintegrate with heat. The i.c. itself is not above suspicion – if a replacement is required, smear the metal part with silicone grease to ensure good thermal contact with the heatsink.

## GRUNDIG 8610

The problem is bowing at the sides of the screen – the raster sides are about two inches in at the centre.

The fault is lack of EW raster correction. Check fuse Si627 (3.15A) which supplies the EW modulator circuit. It may well have blown. If replacing the fuse fails to cure the problem, check the SKE4F2/04 modulator diodes Di627 and Di627a and the Darlington driver transistor Tr495 (BD677). These items are on the 29301-041.01 "OW modulator" module.

## DECCA 30 SERIES CHASSIS

The fault is a vertical line at the centre of the screen. Viewed from the front, it's a dark line that separates the

screen into two sections, with reducing width across the right-hand part. The width control does not function. The line output stage valves and the line output transformer have been replaced and all associated components checked.

The effect sounds like foldover. This sort of thing often has its source in the line generator rather than the output stage. An oscilloscope is almost essential to check the line drive waveform at pins 1, 8 of the PL509 line output valve. It will probably be far from the correct rectangular shape. Suspects are the PCF802 line oscillator valve, the electrolytics C423 (8 $\mu$ F) and C419 (5 $\mu$ F) in this stage, also the feed resistor R441 (220 $\Omega$ ) and the anode load resistor R444 (33k $\Omega$ ).

## THORN 3000 CHASSIS

After half an hour or so a vertical line appears at the right-hand side of the screen, about quarter of an inch wide and running from the top to the bottom – it looks like a twisted rope. The effect is more noticeable on colour than monochrome.

The problem is almost certainly in the line scan or chopper department. Before delving into these however try decoupling the 12V line at the tuner with an 0.1 $\mu$ F capacitor. If this fails to provide a cure, check that the ferrite beads are in place on the collector and base leads of the chopper transistor VT604 and the cathode lead of the power supply efficiency diode W616. Then if necessary check the smoothing components L502 and C514 (4.7 $\mu$ F) on the line timebase panel.

## PHILIPS TX CHASSIS

The problem is no sound or raster with the 10.5V line low at approximately 4V. R110 across the regulator transistor appears to be too hot. Removing the line output transistor restores the supply line to normal. Despite extensive checks in the line output stage and replacement of the line output transistor however no shorts/leaks have been found. What next?

The cause of the trouble could well be in the power supply circuit – for example the driver transistor TS111 going open-circuit so that the series regulator transistor is off. This would prevent the line output stage working properly since the only feed would be via R110. Another cause we found recently was a break in the copper track for the 26V line, close to the line output transformer. This had exactly the same effect. The break was not visible to the naked eye and was found only by painstaking continuity tests.

## PANASONIC TC2205

There is sound but no picture, though the e.h.t. and first anode voltages are present. The i.f. and decoder i.c.s have been replaced without improving matters and the only clue seems to be incorrect voltages around the 12V regulator transistor Q851 – there's 18V at its emitter, and the base voltage is 14.9V instead of 12V. Initially the picture would appear at switch on then disappear five minutes later. Now it doesn't come on at all.

First get the 12V supply right. Check Q851 for leakage then if necessary replace the 6V zener diodes D857/8 in Q851's base circuit. If the picture is still absent when the 12V line is back to normal, check for 7.5V at the cathode of zener diode D351 – this diode sets the bias at the emitters of the RGB output transistors. If the voltage here is in excess of 7.5V, replace D351 (BZX61C7V5).



## PYE 697 CHASSIS

I have a problem in using this set for VCR playback. Slight pulling for two inches or so at the top occurs on normal playback: on speed search, change of scene or change of advertisement there is complete loss of line hold.

Try removing the anti-hunt network R207/C208 in the flywheel sync filter circuit. If this cures the problem, fit a switch so that the network can be kept in circuit for off-air reception and switched open-circuit for VCR operation.

# TEST CASE

## 253

Each month we provide an interesting case of television servicing to exercise your ingenuity. These are not trick questions but are based on actual practical faults.

The rapid evolution of the portable VCR means that many older machines – and in this context old can mean only two or three years – very quickly become obsolete. The plans announced or leaked by various manufacturers suggest that even such exotic machines as the Sony F1 may before long be left high and dry on the beach of obsolescence, their place perhaps being taken by the camcorder type of video.

The first JVC portable to be released in the UK was the HR4100E, a fairly weighty piano-key operated machine that shared the basic deck mechanics and a lot of the electronics with the contemporary domestic HR3300 and similar models. The HR4100E doesn't incorporate a mains power supply or tuner/timer and i.f. circuitry, add-on units being available to provide these. It does include an r.f. modulator however, so that the machine can be used in isolation for playback through a u.h.f. TV receiver.

This business of extras such as the AA-P41EK power unit and TU-41EK tuner/timer tends to complicate matters when things go wrong. If the tape is being chewed up the deck is clearly in trouble, but what about intermittent off-air recording or no results at all? In cases like this we prefer to have the whole lot on the bench in front of us, and to assess and service it as a complete system. Such an ensemble is a depressing thing to see on the waiting repair bench, with all its bits and pieces and spaghetti like web of interconnecting wires. We found one at large on the in bench a while ago, with the terse comment "buzzes" on the job card.

It was put on the service bench and hooked up with the small-screen Hitachi set we use as a monitor for VCRs under repair. With a good test tape, a wee bit of buzz was evident on quiet sound passages, though not enough to suggest that a real fault was present. The same slight vision buzz could be discerned when we played an alignment

tape. Next we tried making a recording. The TU-41EK's button seven was tuned to Channel 4 from the local transmitter, and the recording was monitored on the little Hitachi set. A shattering buzz accompanied the music!

An attempt was made to tune out the buzz by adjusting the sound detector quadrature coil T502 in the tuner/timer. The vision buzz couldn't be eliminated, so the core was left in the original position, which did provide minimum buzz. We didn't have another HR4100 available to provide a cross check, so the tape just recorded was played back, now carrying a Ch. 4 test card.

Was ever confusion worse confounded! The tape played back with the same level of buzz as the alignment tape . . . Off we went to try our tape in another VHS machine. This time the replay was perfectly satisfactory, with no discernible buzz at all. When one reaches a point like this the thing to do is to stop rushing about, brew some coffee, and think about the symptoms. By the time the coffee had gone a diagnosis had been arrived at. If you haven't got there yet, put down the magazine, make the coffee and ponder on the basic features of home video recording formats. Answer next month.

### ANSWER TO TEST CASE 252 – page 97 last month –

Last month we described an encounter between an inexperienced technician and a Beovision 5000 colour set, the problem being a pumping effect in the set's power supply. The technician observed that the raster and sound appeared on each pump cycle, and was in fact correct in his initial conclusion that excessive h.t. voltage was responsible. As a result, one of the protection sensing devices, zener diode 6D15 which monitors the 25V rail or zener diode 6D19 which indirectly monitors the e.h.t. voltage, was tripping the power supply. His mistake was to use an AVO to check this!

Because of the inertia of the instrument's moving coil and pointer needle it couldn't respond quickly enough to the momentary pulses of h.t. So the low reading obtained was a false one. A check with an oscilloscope revealed that the h.t. line was in fact rising momentarily to about 185V between trip cycles (the nominally 172V line). The cause was a faulty set-h.t. potentiometer, 6R39. Fitting a replacement and setting up cured the problem.

### QUERY COUPON

Available until 18th January 1984.  
One coupon, plus a £1.00 (inc. VAT)  
postal order, must accompany EACH  
PROBLEM sent in accordance with  
the notice on page 150.

TELEVISION JANUARY 1984

Published on approximately the 22nd of each month by IPC Magazines Limited, King's Reach Tower, Stamford Street, London SE1 9LS. Filmsetting by Trutape Setting Systems, 220-228 Northdown Road, Margate, Kent. Printed in England by The Riverside Press Ltd., Thanet Way, Whitstable, Kent. Distributed by IPC Magazines Ltd., Lavington House, 25 Lavington Street, London SE1 0PF. Sole Agents for Australia and New Zealand – Gordon and Gotch (A/sia) Ltd.; South Africa – Central News Agency Ltd. Subscriptions: Inland £11, overseas (surface mail) £12 per annum, payable to Quadrant Subscription Services Ltd., Oakfield House, Perrymount Road, Haywards Heath, Sussex RH16 3DH. "Television" is sold subject to the following conditions, namely that it shall not, without the written consent of the Publishers first having been given, be lent, resold, hired out or otherwise disposed by way of Trade at more than the recommended selling price shown on the cover, excluding Eire where the selling price is subject to currency exchange fluctuations and VAT, and that it shall not be lent, resold, hired out or otherwise disposed of in a mutilated condition or in any unauthorised cover by way of Trade or affixed to or as part of any publication or advertising, literary or pictorial matter whatsoever.

# IS SOFTWARE YOUR BASIC PROBLEM?

Are you bewildered by the choice of Software Programs on the market? Not sure what Program you really need, what it does or where to get it?

## SOFTWARE INDEX

### IS YOUR ANSWER

The most comprehensive magazine listing of Software programs for the eight leading Microcomputers.

**BBC  
COMMODORE 64  
DRAGON  
ORIC**

**ATARI 400/800  
SPECTRUM  
VIC 20  
ZX81**

Software Index takes the headache out of choosing the programs suited to your Micro.

For people involved in electronics and specialist programs, Software Index will provide the information you need and be a valuable time-saving guide.

Games, education, business and personal management are also covered.

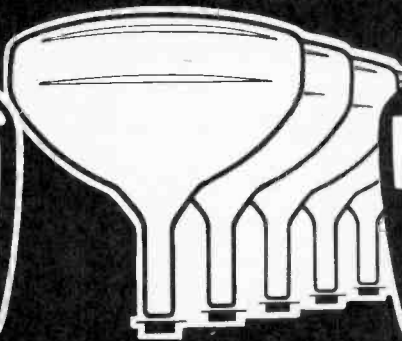


**DON'T LET SOFTWARE GIVE YOU A HARD TIME—GET**

## SOFTWARE INDEX

1984 No 1

**The problem solver— in your newsagent's now £1.50**



# QUALITY REBUILT CRTs

**ALL  
SONY  
CRTs**

Southern England  
**DOUBLE D. DISTRIBUTORS**  
27 Florence Rd., Parkstone, Poole, Dorset.  
Tel. (0202) 742347



**ALL  
HITACHI  
CRTs**

Midlands and North Wales  
**FAIRHURST SUPPLIES**  
Tel. 061-480 8247  
Answering service outside normal hours

London and Home Counties  
**ALPHA TUBES**  
53 Lowther Rd, Dunstable, Beds.  
Tel. 0582-68934

S. Wales and S. W. England  
**ASTEN MEAD (Electronics Ltd)**  
Component Distributors, Dorset.  
Tel. (0258) 72823, Telex 46246

Northern England  
**GEORGE LAWSON ELECTRONICS**  
108 Scotland Rd, Carlisle, Cumbria.  
Tel. (0228) 20358/39693

Scotland  
**SOUTER WHOLESALERS**  
Colour Tube Specialists.  
Tel. Selkirk 20255

## A SELECTION OF CRT's REBUILT BY TSR:-

All Monitor CRT's, All Sony CRT's, including projection systems S.D. 102 R/G/B - 510ABZB22, 510ACAB22, etc.

<b>HITACHI QPF</b>	<b>MATSUSHITA</b>	370DLB22	510HWB22	560ZB22
510SWB22	470ESB22	370FHB22	510JEB22	670XB22
510VLB22	470FGB22	370GYB22	510JGB22	A37-544x
510VSB22	470GMB22	370HVB22	510JKB22	A37-565x
560CSB22	510GJB22	370ZB22	510LDB22	A42-556x
560DZB22	510GLB22	420DKB22	510MXB22	A42-570x
560EGB22 etc.	510HSB22	420ERB22	510RJB22	A51-580x
	560BCB22 etc.	420GFB22	510UFB22	A51-590x
		470CTB22	560AKB22	A56-540x
		470ELB22	560ATB22	A66-540x
<b>MITSUBISHI QPF</b>		470ERB22	560AWB22	A56-611
510TSB22		470ESB22	560DTB22	A56-612
510TVB22	<b>OTHER IN-LINES</b>	470ETB22	560DYB22	A56-613 etc.
510TWB22	320ARB22	470FTB22	560ETB22	AXT37-001
560DEB22	370AUB22	490DVB22	560EUB22	AXT51-001
560DRB22	370BDB22	510CJB22	560HB22	AXT56-001
560DSB22 etc.	370BRB22			

N.B. We can deal with all your CRT requirements from Delta's to Sony's.

If your CRT is not above, please contact us and our Gun Department will make a gun for your CRT. Our many customers, including some of the National Rental Groups, have proved our quality.



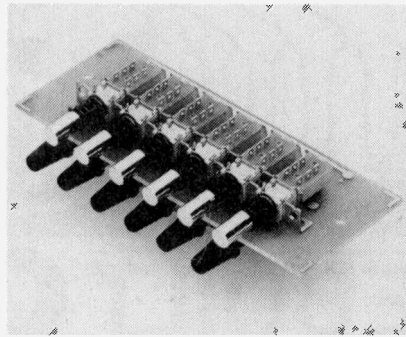
**T.S.R. VACUONICS LTD.,**  
Tom Stewart Lane,  
St. Andrews, Fife,  
Scotland.  
Tel: (0334) 74035

**Information on all other CRTs available on request**

# UNIVERSAL PROGRAMME SELECTOR FOR VARICAP TUNING

UK Regd. Design No. 1006611

6 way interlocked d.p. switch 100 K tuning potentiometers  
 Top quality through hole plated pcb  
 Dimensions: 5" by 2½" by 1"  
 Ideal for replacement when original parts are obsolete or unobtainable  
 Template guide supplied for drilling of your own fascia design  
 Range of pre-cut and drilled fascia/ mounting kits for selected TV chassis enabling our unit to be fitted without further cutting drilling or modification  
 All orders despatched same day



**SEND LARGE S.A.E. FOR FREE CATALOGUE**

*We supply the following:*

Programme Selectors, Tuners, Triplers, Transistors, Resistors, Capacitors, Integrated Circuits including European and Japanese types, Plugs, Sockets, Motors, Drive Belts, Audio and Video Connectors and MUCH, MUCH MORE.

**ALL ORDERS DISPATCHED WITHIN 24 HOURS**

## DIRECT REPLACEMENT FASCIA/MOUNTING KITS

- Type 30-80 Replace 7 piano-key unit as fitted to Decca/Telefunken 30 and 80 chassis  
 Type 30-C Replaces 7 piano-key unit as fitted to Decca console using long perspex illuminated control panel  
 Type 100 Replaces 8 position touch tune selector (AEG SAS 660 SAS 670) as used in Decca/Telefunken 100 chassis  
 Type CVC8-9 Replaces 5 rectangular push button plus thumbwheel as used in ITT

**SELECTOR £11 + VAT - FASCIA/MOUNTING KITS (each) £2 + VAT**

# ALDERSON-JAMES LTD.

168 KINGS ROAD, HARROGATE, NORTH YORKS, HG1 5JG. TEL. 0423-60058

# N. J. ELECTRONICS

UNITS 82/83/84 STORFORTH LANE TDG. EST., HASLAND, CHESTERFIELD, DERBYSHIRE S41 0SN  
 Tel. CHESTERFIELD 209079

## PUSH BUTTONS

DECCA 30 4 way	680p
DECCA 30/80/100 6 way	780p
THORN 3500/8500	275p
THORN 8800/9000	275p
GEC 2110 series	1100p
GEC 2112 series	1295p
GEC 2136/7 series	850p
2112 Conversion	1300p
HITACHI 190 4 way	895p
CVC 5 series 7 way	1000p
CVC 8/9 replacement	1285p
CVC 20/30/32 6 way	780p
CVC 25 6 way	850p
PHILIPS G8 520	1100p
G8 550	1355p
G11 tip switch	2250p
PYE 713 4 way	875p
PYE 715 6 way	1350p
PYE 725 UHF/VHF	1350p
RR1 A823 4 way	875p
RR1 A823 6 way	950p
RR1 T20A 6 way	1050p
RR1 Z718 6 way	950p
TELPRO 561 4 way	850p
THORN 1615 b/w 4 way	870p

## LINE OUTPUT TRANSFORMERS

AUTOVOX 90°	975p	PHILIPS G8	890p
AUTOVOX 110°	975p	PHILIPS G9	850p
DECCA 1700 mono	980p	PHILIPS G11	1295p
DECCA 1830/1730	980p	PHILIPS K30	1495p
DECCA 2230/2630	830p	KT 3	795p
DECCA 80	770p	PHILIPS 570	950p
DECCA 100	790p	PHILIPS 210 mono	990p
GEC 2110	950p	PYE 725	895p
GEC diode split	1200p	PYE 731	895p
GRUNDIG 1500 mono	1370p	RR1 A640/793	1175p
GRUNDIG 6011/5010	1150p	RR1 Z774 comp.	1290p
ITT CVC 5/8	1025p	RR1 T20	1290p
ITT CVC 20	1075p	THORN 1590/1	1050p
ITT CVC 30/32	875p	THORN 1615	1000p
ITT CVC 40	1300p	THORN 1690/1	875p
ITT CVC 45	975p	THORN 1500 20"	700p
INDESIT mono	1075p	THORN 1500 24"	700p
KORTING 90°	1075p	THORN 9600	1000p
KORTING 110°	1250p	THORN 9800	2300p
SABA	1250p	SKANTIC colour	1250p

## EHT TRAYS

DECCA 1830	590p	DECCA 100	625p
DECCA 2230	625p	THORN 9000	780p
DECCA 80	625p	SIEMENS Universal	550p

## INTEGRATED CIRCUITS

TA 7072P	290p	TDA 2611A	115p	UPC 1188H	360p
TA 7108P	244p	TDA 2640	180p	UPC 1190C	200p
TA 7117P	320p	TDA 2653	210p	UPC 1191V	170p
TA 7129AP	320p	TDA 2680	210p	UPC 1197C	170p
TA 7130P	138p	TDA 2690	220p	UPC 1198H	141p
TA 7139P	275p	TDA 3560	510p	UPC 1200V	197p
TA 7157P	320p	TDA 3561	650p	UPC 1204C	183p
TA 7171P	330p	TDA 3950	240p	UPC 1208C	200p
TA 7172P	330p	TDA 4800	210p	UPC 1211C	400p
TA 7176AP	300p	TDA 9400	280p	UPC 1212C	134p
TA 7193P	520p	JA 783P3C	90p	UPC 1215V	270p
TA 7202P	330p	UPC 41C	350p	UPC 1216V	199p
TA 7203P	330p	UPC 554C	134p	UPC 1217G	359p
TA 7204P	216p	UPC 555H	80p	UPC 1218H	300p
TA 7205P	140p	UPC 566H3	350p	UPC 1222	200p
TA 7208P	270p	UPC 574J	55p	UPC 1223	370p
TA 7210P	560p	UPC 575C2	149p	UPC 1225	300p
TA 7222P	170p	UPC 577H	350p	UPC 1226	249p
TA 7223P	350p	UPC 585C	149p	UPC 1227	200p
TA 7227P	510p	UPC 1009H	241p	UPC 1228H	90p
TA 7310P	170p	UPC 1017G	250p	UPC 1230H	360p
TA 7313P	280p	UPC 1018C	119p	UPC 1238V	190p
TA 7609P	400p	UPC 1024H	63p	UPC 1245	220p
TA 7611AP	290p	UPC 1025H	370p	UPC 1250	240p
TA 75902P	203p	UPC 1026C	160p	UPC 1350C	450p
TDA 1003	200p	UPC 1028H	240p	UPC 1353C	280p
TDA 1004A	200p	UPC 1031HZ	240p	UPC 1356CZ	300p
TDA 1044	150p	UPC 1032H	96p	UPC 1358H	96p
TDA 1170	290p	UPC 1035C	250p	UPC 1363C	350p
TDA 1180	210p	UPC 1037	162p	UPC 1365C	500p
TDA 1190	200p	UPC 1042C	260p	UPC 1366C	300p
TDA 1327	170p	UPC 1043C	260p	UPC 1367C	300p
TDA 1412	100p	UPC 1156H	240p	UPC 1368H	400p
TDA 2020	190p	UPC 1158H	78p	UPC 1370CZ	400p
TDA 2010	180p	UPC 1161C3	150p	UPC 1373H	111p
TDA 2522	240p	UPC 1163H	96p	UPC 1377C	450p
TDA 2523	220p	UPC 1168C	275p	UPC 1378H	400p
TDA 2530	220p	UPC 1170C	175p	UPC 1382C	197p
TDA 2532	270p	UPC 1171C	162p	UPC 1384C	570p
TDA 2540	220p	UPC 1176C	243p	UPC 1447H	98p
TDA 1365	575p	UPC 1177H	280p	UPC 2002V	280p
TDA 2541	230p	UPC 1178C	214p	THIS IS ONLY A FRACTION OF OUR STOCK. PLEASE SEND 50p FOR OUR NEW CATALOGUE WHICH WILL BE REFUNDED ON ORDERS OVER £5.	
TDA 2560	205p	UPC 1180C	300p		
TDA 2571A	210p	UPC 1182H	270p		
TDA 2581	130p	UPC 1183H	230p		
TDA 2582	180p	UPC 1185HZ	350p		
TDA 2533	270p	UPC 1186H	96p		
TDA 2600	500p	UPC 1187V	170p		

Add 65 pence Postage + 15% VAT to all orders.  
 All goods despatched by post same day as order received. All goods should be delivered within 4 working days.

SOLID STATE  
**COLOUR TELEVISIONS**  
ALL SETS IN PERFECT  
RUNNING ORDER

**Unmarked cabinets. Thorn 9000, 9200, 9600 Remote Control 20" - 22" BUSH T20s, T22s, T24s**

**PYE CHELSEA**

18", 6 Button, Sliding Controls,  
Brilliant Condition. Good sellers as computer monitors

**£39.50**

THE ABOVE ARE WORKS MODIFIED FOR MOST PARTS OF THE WORLD VHF - UHF

**PYE 721 & 731 THORN 8800**

22"-26", could be mistaken for new

**All £49.00 each**

**PYE 725**

20" unmarked cabinet

**£59 each**

*Minimum 5 sets*

*Prices subject to V.A.T.*

BIG REDUCTIONS FOR EXPORT ORDERS OVER 100 SETS

**RING NOW: WESTON SUPER MARE 413537**

OPENING HOURS 9 - 6 MONDAY TO SATURDAY, 9 - 1 SUNDAYS

**COLOUR TELEVISION & MUSIC  
CENTRE**

**35 Stafford Road, Weston Super Mare,  
Avon**

(NOTE NEW ADDRESS)

(15 MINS PAST BRISTOL SOUTHWARD ON M5)

# TV TRADE SALES LTD

		WORKERS			NON-WORKERS		
		£			£		
BUSH	20" & 22" CTVS	20.00	+	VAT	12.00	+	VAT
THORN	8000/8500 17" CTVS	30.00	+	"	15.00	+	"
DECCA	18" - 22" CTVS	30.00	+	"	20.00	+	"
GEC	Hybrid	20.00	+	"	12.00	+	"
GEC	Plastic Cab C2111	25.00	+	"	20.00	+	"
PHILIPS		35.00	+	"	20.00	+	"
THORN	3000/3500	30.00	+	"	20.00	+	"
NORDMENDE	26" CTVS	35.00	+	"	20.00	+	"
MONOS		6.00	+	"	2.00	+	"

## DISCOUNT ON BULK ORDERS

COLOUR PANELS FOR ALL LISTED MAKES FROM: £3.50 + VAT

VALVES

TRIPLERS

LINE OUTPUT TRANSFORMERS

TUNERS (PUSH BUTTON)

MAINS DROPPERS

SMALL NUMBER OF REGUNNED TUBES AVAILABLE FROM: £20.00 + VAT

*TRADE DAY: WEDNESDAY*

**TV TRADE SALES LTD**

**CORNFORD ROAD, MARTON, BLACKPOOL**

**TEL: 0253 696266**

# OBEL LIMITED

*SIMPLY THE BEST DEAL  
IN EX-RENTAL COLOUR TV'S*

Over 13,000 Square feet of Warehousing  
Most makes and models available in singles and quantity

Solid States - Hybrids - B/W's

Trade Switch Ons and Untested Sets

All sets guaranteed technically complete

Full range of spares available including regunned tubes

*FOR A REGULAR SUPPLY - COLLECTED OR DELIVERED*

**RING NOW - 0536 - 515141**

# Freeway Components

We can now offer our **post free** service to customers nationwide.

<b>E.H.T. Trays</b>		<b>LOPTS</b>	
Decca 100	7.00	B+O 3000 +3200 EHT	17.00
Decca 1730/1830	6.00	B+O 3100 + 3300	
Thorn 3000/3500	9.00	3400 EHT	19.50
Thorn 8000	4.90	B+O 3500 + 3600	
Thorn 8500	7.95	4000 + 5000	
Thorn 9000	8.50	6400	11.25
Universal Tray	6.20	Decca 30	9.50
		Decca 100	8.00
		Decca 1700	9.50
		Decca 1730 + 1830	9.00
<b>Press Buttons</b>		Dynatron TV202 + 203	10.25
Hitachi 4 way 190	8.00	GEC 2623 20AX	
Nat. Pan. 4 way	8.00	Solid State	8.40
Decca 4 way 20 Mono	6.60	ITT CVC 5	10.00
Philips G8:		ITT CVC 25+30+32	8.40
520 Square	10.50	ITT CVC 45	8.50
550 Sloping	18.00	Philips G8	8.50
Decca 6 way		Philips G9	9.00
1730, 30, 80, 100	7.50	Philips 210 Mono	10.75
ITT 6 way		Philips 570	9.50
CVC20, 30, 32	7.50	Pye 169+569+769	10.25
GEC 6 way 2110	8.40	Pye 691+697 PCB	14.25
GEC 6 way 2136/7	8.00	Pye 713+715+717	9.50
Pye 6 way 725	13.50	Pye 725	10.20
Pye 6 way		Pye 731+735+737+741	10.50
715, 207 Chelsea	11.50	Rank T20A	11.50
Rank 6 way T20A	9.50	Rank A774	11.00
GEC 7 way 2112	12.50	Rank Z718 20"-26"	23.00
Thorn 9000 complete	15.50	Rank Mono Portable 14"	9.50
(switchbank only)	8.00	Tandberg 110°	11.25
		Thorn 1615	9.00
		Thorn 1690+1691	8.50
<b>Co-Ax. Plugs</b>		<b>SPECIAL OFFER</b>	
Box of 100	12.50	06 TUNER AEG Made	7.00

Add 15% V.A.T. and send cheque or postal order to:

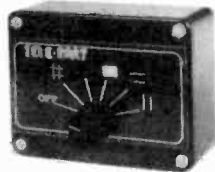
## Freeway Components,

The Airport, Weston Super Mare, Avon. BS24 8RA.

Remember that our prices are Post Free. Any queries, quotes or price breaks - Telephone 0934-419147.

# TELEPART

13 WORCESTER ST.,  
WOLVERHAMPTON,  
WV2 4LJ  
Tel: (0902) 773122  
Telex: 338810



### Telepart Pattern Generator

- \* Exceptionally light and durable
- \* Pocket size for outside service
- \* PP3 battery power source
- \* Five different test patterns for colour and mono TV
- \* Cross hatch grid
- \* Dot matrix
- \* White raster
- \* Horizontals
- \* Verticles

A lightweight, extremely portable and versatile pattern generator for black/white and colour T.V. alignment and service at the customer's home. At the turn of a switch, the generator can provide five essential test patterns for correct installation, fast checks and repairs. Pattern stability is first class and compares favourably with other more costly bulky generators only suitable for bench work. The generator is pocket size measuring 10x7.5x4 cm and weighs only 190 grams.

**PRICE £14.95 (Subject to V.A.T.)**

POST & PACKING £1.15

### Telepart Colour Bar Generator

- \* Exceptionally light & durable
- \* Compact 13x17.5x5.5 cms
- \* Battery powered for mobility
- \* Cross hatch grid
- \* White raster
- \* Grey scale
- \* Colour bars
- \* Sound



A Versatile Generator for Servicing or aligning mono or colour TV receivers. Lightweight and very compact for outside service. Features sound facility often not found on more costly generators.

**PRICE £49.95 (Subject to V.A.T.)**

POST & PACKING £1.15

### Power Supply

A Power Supply can be supplied for the Telepart COLOUR BAR GENERATOR. This compact unit mounts by 2 screws into the Battery compartment and converts the unit to a bench instrument.

**PRICE £5.50 (Subject to V.A.T.)**

Supplied by return, off the shelf

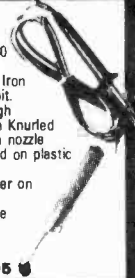
# BI-PAK

### BI-PAK SOLDER - DESOLDER KIT

Kit comprises: ORDER NO. VP80  
1 High Quality 25 watt General Purpose Lightweight Soldering Iron 240v mains incl 3/16" (4.7mm) bit.  
1 Quality Desoldering Pump High Suction with automatic ejection Knurled anti-corrosive casing and Teflon nozzle  
1.5 metres of De-Soldering braid on plastic dispenser  
2 yds (1.83m) Resin Cored Solder on Card  
1 Heat Shunt tool tweezer Type

Total Retail Value over £12.00

**OUR SPECIAL KIT PRICE £9.95**



### BI-PAK PCB ETCHANT AND DRILL KIT

Complete PCB Kit comprises  
1 Expo Mini Drill 10,000RPM 12v DC incl 3 collets & 3 x Twist Bits  
1 Sheet PCB Transfers 210mm x 150mm  
1 Etch Resist Pan  
1 Job pack FERRIC CHLORIDE crystals  
3 sheets copper clad board  
2 sheets Fibreglass copper clad board  
Full instructions for making your own PCB boards

Retail Value over £15.00

**OUR BI-PAK SPECIAL KIT PRICE £9.95**

ORDER NO. VP81

### DIGITAL VOLT METER MODULE

3 x 7 segment displays Basic Circuit, 0-2v± instructions provided to extend voltage & current ranges Operating voltage 9/12v. Typ. Power Consumption 50mA

D/No. VP99 Once only price  
**£9.95**

### SINGLE SIDED FIBREGLASS BOARD

Order No	Pieces	Size	Sq. Ins	Price
FB1	4	9 x 2"	100	£1.50
FB2	3	11 x 3"	100	£1.50
FB3	4	13 x 3"	156	£2.00

### DOUBLE SIDED FIBREGLASS BOARD

FB4	2	14 x 4"	110	£2.00
-----	---	---------	-----	-------

### "BCSBB"

#### BI-PAK COMPONENT & SEMICONDUCTOR BARGAIN BOX

This collection of Components & Semiconductors for the hobbyist is probably the most value packed selection ever offered, it consists of Resistors; carbon & wirewound of various values. Capacitors; All types sorts & sizes including electrolytics. Potentiometers; single, dual, slider & preset. Switches; Fuses; Heatsinks, Wire, P.C. Board, Plugs, Sockets, etc. PLUS a selection of Semiconductors for everyday use in popular Hobby Projects, these include: SCR's, Diodes, Rectifiers, Triacs & Bridges as well as a first class mix of Transistors & IC's. In all we estimate the value of this BCSBB - in current retail catalogues to be over £25. So help yourself to a great surprise and order a Box today for just **£6.50 ONLY** at BI-PAK. You can call us on 0920 3182/3412 and order it with your Barclaycard or Access Card - 24hr. Answerphone Service NDV. Order No. V.P. 65.

### TRIACS - PLASTIC

4 AMP - 400v - T0202 - TAG 136G		
1 OFF	10 OFF	50 OFF
40p	£3.75	£17.50
8 AMP - 400v - T0220 - TAG 425		
60p	£5.75	£27.50
		£50.00

### MINIATURE FM TRANSMITTER

Freq: 95-106MHz. Range: 1/2 mile  
Size: 45 x 20mm Add: 9v batt. **ONLY £5.50**  
Not licenced in U.K.  
ideal for: 007-M15-FBI-CIA-KGB etc.

### PROGRAMMABLE UNIJUNCTION TRANSISTOR

PUT case T0106 plastic MEU22 Similar to 2N6027/  
6028 PNP Silicon  
Price: 1-9 10-49 50-99 100+  
Each 20p 18p 15p 13p  
Normal Retail Price £0.35 each.

### OPTO 7-Segment Displays Brand new 1st Quality LITRONIX DL 707R 14-pin

Red 0.3" Common Anode Display 0-9 with right hand decimal point TTL compatible 5v DC Supply. Data supplied

IN PACKS	5 pieces	£3	(60p each)
	10 pieces	£5	(50p each)
	50 pieces	£20	(40p each)
OF	100 pieces	£35	(35p each)
	1,000 pieces	£300	(30p each)

**THE MORE YOU BUY -  
THE LESS YOU PAY**

### SEMICONDUCTORS FROM AROUND THE WORLD

**100** A collection of Transistors, Diodes, Rectifiers & Bridges SCR's, Triacs, I.C.'s & Opto's all of which are current every-day useable devices. Guaranteed Value Over £10 Normal Retail Price. Data etc in every pack. Order No. VP56

**Our Price £4.00**

### OUR GREAT NEW 1984 CATALOGUE

Presented with a Professional Approach and Appeal to ALL who require Quality Electronic Components, Semiconductors and other Accessories ALL at realistic prices. There are no wasted pages of useless information so often included in Catalogues published nowadays. Just solid facts i.e. price, description and individual features of what we have available. But remember, BI-PAK's policy has always been to sell quality components at competitive prices and THAT WE STILL DO.

We hold vast stocks "in stock" for fast immediate delivery, all items in our Catalogue are available ex stock. The Catalogue is designed for use with our 24 hours "ansaphone" service and the Visa/Access credit cards, which we accept over the telephone.

To receive your NEW 1984 BI-PAK Catalogue, send 75p PLUS 25p p&p to:-

Send your order to Dept T1  
BI-PAK, PO BOX 6, 3 BALDCK ST.,  
WARE, HERTS.



Use your credit card. Ring us on Ware 3182 NOW and get your order even faster. Goods normally sent 2nd Class Mail. Remember you must add VAT at 15% to your Total order. Postage add 75p per Total order.

# ELECTRONIC EQUIPMENT SERVICING

(TELEVISION/VIDEO full-time College courses)

- Technician Education Council awards ●

TRAINING INVOLVES A HIGH PERCENTAGE OF WORKSHOP FAULT DIAGNOSIS ON TELEVISION & VIDEO CASSETTE RECORDERS

- **15 MONTHS COURSE** for beginners to include Electronic Fundamentals  
(Next course commences on January 9th)
- **6 MONTHS COURSE** for BSc, HND, CGLI, TEC and similar applicants  
(Next course commences on January 9th)
- **3 WEEKS INTENSIVE VCR COURSE** for applicants with Colour TV background  
(Next course commences Jan. 9th)

Also courses in Computers/Microprocessors, and Robotics leading to TEC awards.

**LONDON ELECTRONICS COLLEGE (Dept T3/4)**

Prospectus from: **20 Penywern Road,  
Earls Court, London SW5 9SU  
Tel: 01-373 8721**

## TEL-X BLACKBURN & SCOTLAND

*For The Very Best in Ex-Rental TV's*

You've tried the rest,  
now try us and see for yourselves  
that we mean the very best in TV's.

PRICES ON REQUEST

Too numerous to list  
Working and Non-Working.

PHONE US NOW

### TEL-X BLACKBURN

Roe Lee Industrial Estate,  
Whalley New Road, Blackburn, Lancs.  
**(0254) 679984**

### TEL-X SCOTLAND

Pickerings Corner,  
Netherton Road, Wishaw, Motherwell.  
**(0698) 350611**

## T.V. PANELS WORKING & SOAK TESTED BUSH A.V.

Speaker 5p. I.F. Panel £1.75. Tube Base £1.00. Convergence £1.50. Frame/Line Drive £2.75. Power Supply £2.75. Tuner Unit £3.75. Scan Coils £3.75. Tripler £1. L.O.P. Tr. Panel £1.50. Plug in L.O.P. Chassis Complete £5.75. Twin Chip Decoder £8.50. Other working parts available. Also, 3,500, 8,000, G8, Pye, GEC Panels.

NO V.A.T. JUST ADD £1.50 P&P PER 1 ITEM & 75p PER EACH ADDITIONAL ITEM. CHEQUES ETC. PAYABLE TO "T.V. PANELS"

**DISCOUNT T.V. SERVICES**, "T.V. Panels", Unit 11,  
Mayfield Industrial Estate, Dalkeith, Midlothian EH22 4AD.  
Tel. 031-663 0380 or 031-663 8940

## PRECISION VISION LTD.

67 LONDON ROAD, HEADINGTON, OXFORD

SPECIAL OFFER THIS MONTH:-

- ☆ Large quantity of 18" Decca PIL Tube 80 Series, all in good working order.
- ☆ Limited quantity of Toshiba Colour Portables.
- ☆ Used VHS, Beta, 2000 System Videos in excellent working order.
- ☆ Good selection of modern colour TV's.

PLEASE PHONE FOR CURRENT STOCK POSITION  
**(0865) Oxford 750212**





# HUSSAIN CENTRAL TV

*Best quality sets available in the Midlands*

## Clearance sale to all traders

G11, Teletext, ITT, CVC40 Remote control,  
TX10, Panasonic, Sony, Hitachi, Tandberg.  
All latest stock plus 5000 ex-rental T.V.'s.

**Plus Mono's £1 each**

**Available at very low, low prices**

**Ring 021-622 1023 or 021-622 1517**  
**48 Pershore St., City Centre, Birmingham 5.**

### TV TUBES TUBE POLISHING

**FREE DELIVERY\***

**Quality, High Temperature Reprocessing**

Colour Tubes	One year guarantee (optional extension up to three years)	Two year guarantee (optional extension up to four years)
Delta		
90° up to 20"	£26	£29
90° up to 22"	£30	£33
90° up to 26"	£32	£35
110° 26" (fast heat, narrow neck)	£33	£36
In Line & PIL		
Up to 20"	£36	£42
Up to 22"	£38	£44
Up to 26"	£40	£46

*Please add £12 plus VAT for optional guarantee on any type of colour tube.*

**MONO TUBES (One Year Guarantee)**  
A50-120W/R £12, A61-120W/R £13, Mono Portables £16  
All tubes exchange glass required.

Your good, working tubes with scratches or small chips, can be **POLISHED** with our purpose built polishing equipment. Only £7 per tube.

Delivery charge on colour tubes:  
1 tube £4. 2 or more tubes **FREE DELIVERY** ★

*Please add 1% VAT to all prices. Callers welcome. Please phone first.*  
Send for a fully comprehensive price list and a wall chart of approx 1800 Colour Tube Types that can be processed by us.

#### WELL VIEW

114-134 Midland Rd.  
Luton, Beds.

Open Mon-Fri 8am-6pm, Sat 9am-5pm. Tel. 0582-410787

*Your Local Tube Stockist:*

Well View, Southampton. Tel. 0703 331837.

Retach Ltd., Northwood, Middx. Tel. 9684-27019.

West One Distributors Ltd., Chesham, Buckinghamshire.  
Tel. 0494-778197.

Rushden Rentals Ltd., Rushden, Northants. Tel. 0933-314901.

Daventry Rentals, Daventry, Northants. Tel. 03272 77436.

*Please note that we have no connections whatsoever with any other business having similar name to ours.*

**"NORTH LONDON WHOLESALER'S"**

## TV SALES

**COLOUR TELEVISIONS**

Most makes and sizes available,  
**WORKING OR UNTESTED.**

Re-gunned tubes available. 5 mins. M.1.  
All enquiries welcome.

*Please telephone us for details on:—*

**WATFORD 45590**

## A.B.C. TRADE SALES

**COLOUR T.V.'s**

Philips G8, Pye, Decca 30's,  
Thorn's 3000's, 3500's, 8000's  
Prices start from £12 - Working sets from £20  
Hundreds of Mono T.V.'s from £2.00  
Jap. sets from £30.00

*Special prices for quantity*  
*9,000 sq. feet Warehouse*

**83 SHOWELL ROAD, BUSHBURY,  
WOLVERHAMPTON, STAFFS.  
Tel. Wolverhampton 722637**



SETS & COMPONENTS

COLOUR TV's FROM £10

OUR NEW ADDITIONAL WAREHOUSE MEANS

- ★ Weekly Stock
- ★ Working Sets to Order
- ★ Bulk Discounts Available
- ★ Mountains of Spares
- ★ Friendly Service
- ★ Phone Call Preferred

**SCREENPLAY**  
 REAR OF 28 SUN STREET,  
 HITCHIN,  
 HERTS.  
 Phone: Hitchin 31644



- \* Britains most reliable source of quality TVs.
- \* Hundreds of working polished TVs.
- \* New adjustable TV stands.
- \* Pye 18" Chelsea's working & polished £35.00 in quantity.

Krystal Marketing Ltd,  
 Breedon Cross Storage,  
 Dale Road, Selly Oak,  
 Birmingham B29 6AQ.  
 Phone 021-471 3023  
 Telex 335540-G  
 Ask for Les

AT LAST A REGUNNER IN THE SOUTH

**WETSTED TUBES**

- \* ALL DELTA CRT's £30.00 + VAT
- \* ALL P.I.L. CRT's £45.00 + VAT
- \* MOST SIZES FROM STOCK
- \* 1 YEAR GUARANTEE, OPTIONAL 4 YEAR
- \* FREE DELIVERY WITH 5 CRTs OR OVER OTHERWISE ADD £3.00 PER ORDER WITHIN 20 MILE RADIUS OF MAIDSTONE.

PHONE NOW  
**EAST PECKHAM 872400**

**GLOBETEL**

Tel: 807 6992

Les & Phil - Ex. S.T.S. Colindale  
 Rear of Globestone Ltd.,  
 1-7 CHURCH ST., EDMONTON.

We have now opened our own warehouse for used T.V.'s at very fair prices.

All popular makes in stock, eg:  
 Philips, Pye, Grundig,  
 Jap. sets, etc.

Look forward to seeing both old and new cust.

We also stock & buy used videos  
 - VHS only.

# TELEVISION

No other consumer magazine in the country can reach so effectively those readers who are wholly engaged in the television and affiliated electronic industries. They have a need to know of your products and services.

The prepaid rate for semi display setting £6.00 per single column centimetre (minimum 2.5 cms). Classified advertisements 35p per word

**RANK BUSH MURPHY TRANSFORMERS**

LINE OUTPUT TRANSFORMERS  
**Z718 (T703A, T706A)**  
 (1) New (Complete) £20.50  
 (3) Less Focus Module and Rectifier £10.50  
**Z718 SPARES (T703A, T706A)**  
 Pri. - £5.50, Sec. - £6.00,  
 Rectifier - £3.00, Lead - £2.50  
**T20, T22 (T705A) £9.00**  
**T26 (T705B) £9.50**  
**Switch-mode Transformers**  
**T114 A/B £8.00**

Genuine RBM Units

Prompt Postal Service.  
 Add 15% V.A.T. to all Prices.  
 DISCOUNT For QUANTITIES

**WOODSDALE COMPONENTS MR SKEHAN**

34 Field End Road, Eastcote,  
 Pinner, Middlesex HA5 2QT.  
 01-868 5580

Agents Office, callers by appointment only.

**BARRY TV SERVICES (EAST ANGLIA)**

Your friendly wholesalers. We cater for the smaller dealer who requires regular small supplies of quality used colour TV's. From £25 + VAT. Fully working with good tubes and cabinets, straight from our retail shelves, ready to sell or rent.

Delivery available

Contact John, Dave or Steve on  
 Ely 61462  
 or Cambridge 69215

GRUNDIG. Panel exchange. Working sets. Circuits. Wanted - remote control units. Ochre Mill 0785 814643 anytime.

**CAMPBELL ELECTRONICS LTD. COLOUR T.V. PANEL EXCHANGE/REPAIR SERVICE**

THORN, RANK, PHILIPS, GEC, DECCA, TELPRO, GRUNDIG etc.

90 Day Guarantee on all repairs - same day postal service.

Telephone Telford (0952) 502422  
 for catalogue and price list.

**CAMPBELL ELECTRONICS LTD.,**  
 Unit 5, Heath Hill Estate,  
 Dawley, Telford, Shropshire.

**UPCONVERTERS**

NEW ITEM: Small VHF-UHF converter PC module. 12V supply required. May be fitted inside TV. Ideal for Eire, overseas or Dxing. High sensitivity. £13.50.

SAE Data, TVDX/Satellite TV Lists.

H. COCKS,

Cripps Corner, Robertsbridge,  
 Sussex, TN32 5RY.  
 Tel. 058083 317.

**CAPITAL REGUN TUBES**

19 Goulton Road,  
 London E5

Your North East London  
 C.R.T. Dealer

- Very competitive prices
- Extended Guarantees
- Discount to Callers
- Delta and In-Line Supplied
- Suppliers to Large Rental Outlets

Phone **ANGUS COLGAN**  
 on 01-986 0702.

**WIZARD DISTRIBUTORS MANCHESTER**

SPECIALIST DISTRIBUTORS TO THE TRADE OF T.V. & VIDEO SPARES.

WE STOCK A FULL RANGE OF PARTS & COMPONENTS INCLUDING C.R.T.'s

RANK - THORN - PHILIPS - ITT - DECCA - GEC ETC.

THUNDER & LEADER STOCKIST

TRADE COUNTER OPEN: 9-4.30

CATALOGUE ON REQUEST.

Mail Order Enquiries Welcomed

EMPRESS STREET WORKS,

EMPRESS STREET,

MANCHESTER M16 9EN.

TEL: 061-848 0060.

**TELEVISION**

Trade & Retail supplies of s/h colour & mono TVs. Most makes available, workers or non-workers

**SOUTHPARK DISTRIBUTORS**

Unit 4 Rubastic Road,  
 Brentpark Industrial Estate,  
 Southall, Middx. UB2 5LL.  
 01-574 4631, Ext 28

# SERVICE PAGES

(minimum 12 words), box number 70p extra. All cheques, postal orders etc., to be made payable to Television, and crossed "Lloyds Bank Ltd". Treasury notes should always be sent registered post. Advertisements, together with remittance, should be sent to the Classified Advertisement Dept., Television Room 2612, IPC Magazines Limited, Kings Reach Tower, Stamford Street, London SE1 9LS. (Telephone 01-261 5846).

## N.W. ELECTRONICS

### Sale of the Year!

Open 6 days  
Mon-Sat until 5.30

### 2,000 Colour T.v.'s to Choose from

BUSH 1 CHIP .... £10    BUSH 2 CHIP .... £15  
(Excellent Cab condition. Change over sets - high percentage workers)

GEC 2010 PLASTIC AND WOOD CAB.....	£25
PHILIPS G8 .....	£15
PYE 223 .....	£35
BUSH 718 TIL TUBE.....	£35
BUSH T22 .....	P.O.A. (dependent on quantity required)

Other makes in stock include G11, HITACHI, SANYO ETC.

### White Goods

FRIDGES, FRIDGE/FREEZERS, HOOVER TWINS, HOTPOINT TWINS, AUTOS etc.

SPECIAL OFFER — We need the room —

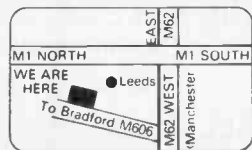
100 HOOVERMATICS MIXED 3174, 3334, 3301L

£500 - DELIVERY ARRANGED.

LARGE QUANTITY FRIDGES, FRIDGE/FREEZERS FROM £10  
HOOVER AUTO'S FROM £14

Don't forget we are open all day Saturday 9-5.30

CASH ONLY - WORKING TV'S FROM £29 - ASK FOR DETAILS.



UNIT 1, WHARFEDALE ROAD,  
M606, EUROWAY ESTATE,  
BRADFORD. [0274] 688458

OPEN MON - SAT 9 - 5.30

### TELEVISION

Trade Supplies of Good Quality Colour & Mono TV's. Most Makes available, suitable for Sale or Re-Rent.

### GENERAL FACTORS

UNION STREET,  
DONCASTER  
(0302) 49583-68416

GOOD MOTORWAY ACCESS

### JABCO LOPT TESTER

Used by Mullard, Plessey, Ministry of Defence, BBC, IBA, and worldwide etc. etc.  
£16.50 inclusive. C.V.O. delivery 3 days. £18 overseas post by sea. £21 airmail.

### J. BAKER & CO.

1 Old Shoreham Road, Southwick,  
Sussex BN4 4RD.  
Tel: Brighton 593315

### REBUILT COLOUR TUBES DELTA TYPES

Example Prices

All sizes up to 22" — £28.00  
All sizes up to 26" — £32.00

All In Line P.I.L. Mono  
Gaming Machine C.R.T.s

Fast U.K. Delivery

Call or Phone:

### RE-LIFE T.V. TUBES

PLANE STREET,  
OLDHAM, LANCS.  
061-665 2668

Big reductions on Contract Orders  
Home or Overseas.  
Wholesalers Required  
in certain parts of the U.K.

## EXPRESS

T.V. SUPPLIES

*Thank their many customers who have supported them during 1983 and wish them all a Happy Christmas and a prosperous 1984.*

We are specialist Suppliers of new and rebuilt T.V. tubes, including In-lines to fit Bush, Decca, GEC, Grundig, Hitachi, ITT, Matsushita, Murphy, National Panasonic, Philips, Sharp, Sony, Thorn, Toshiba, plus 20AX and 30AX.

## EXPRESS

T.V. SUPPLIES

Prompt delivery to many parts of the U.K.

Expert advice on In-line equivalents.

Old In-line glass purchased.

Quantity discounts.

Price list available on request.

Trade only.

Personal attention.

## EXPRESS

T.V. SUPPLIES

33 Fortescue Lane, Rugeley,  
Staffs WS15 2AE  
08894 77600

## ★ TELEBEST ★

We specialise in working sets.

BUSH · DECCA · G.E.C.  
GRUNDIG · PYE · PHILIPS  
THORN Etc.

From £25 plus VAT.

Non workers available  
Mono **£1.00** plus VAT

Call Ronnie on:  
01-514 1333

for stock availability  
841 Romford Road,  
Manor Park, London E12.

### TRADE COLOUR TV'S ALWAYS 200 IN STOCK

Phillips G8 from £10  
Bush Twin Chip from £8  
Pye Chelsea from £15

Colour TV's in good working order from  
£35.

E.G. Phillips G8's 22" **£35.**  
Avo repairs prompt service scopes etc.  
Ring us for spares and type availability  
anytime.

(0934) 514047/512792/27560

P&R SUPPLIES, Unit 5,  
Worle Industrial Estate,  
Weston-Super-Mare. Exit 21 M5.

### TELEVISION TUNER REPAIRS ALL TYPES

BRITISH, EUROPEAN  
JAPANESE ETC.

**MEN-TU ELECTRONICS LTD.**  
SALTERNS LANE,  
FAREHAM, HANTS.  
Tel: 0329-235116

GRUNDIG MILLIVOLTMETERS 100V/300V.  
Working order £15 + £ p&p. Also P.S.U.s, isolating  
transformers, etc. S.A.E. Lists, S.H.E. 5 St Josephs  
Park, Ballycruttle, Downpatrick BT30 7EN.

SCRATCHED TELEVISION TUBES, Don't despair,  
send for repair, 20 years experience. Phone 0507  
85300.

## COLOUR TV'S FROM £15.50 + VAT

GUARANTEE COMPLETE GOOD CABINETS  
SPARES AVAILABLE

PYE CT205/CT200. BUSH A823 TH3500/8500 Phil G8.  
DECCA. BRAD. ITT. CVC5. JAP. GRUNDIG

## SMITHS ELECTRONICS

43 PARK PARADE  
LONDON NW10  
**01-965 1230**  
**01-961 3997**

# TELEVISION

## SUFFOLK T.V. TUBES

PLEASE NOTE THAT AS FROM 1ST OCTOBER 1983 OUR PURLEY  
WAY FACTORY WILL BE CLOSED. WE WILL BE PLEASED TO  
SUPPLY CUSTOMERS OLD AND NEW FROM OUR PREMISES AT:

**1 PARK ROAD,  
HACKBRIDGE, SURREY SM6 7ER.  
Tel: 669 7825/7826**

Suppliers of Mono and Colour Tubes to major rental companies. All colour tubes hot  
pumped at 385°C and rebanded to British Standard 415 1972 Clause 18-2. 19" and 22"  
Tubes approved. Other types pending.

BRITAINS LARGEST INDEPENDENT MANUFACTURER.  
REBUILDERS SINCE 1958.

### TEST EQUIPMENT

- UHF T.V. Pattern Generators
- Crosshatch & 4 patterns **£17.25**
- As above but with Greyscale **£18.50**
- Prices include P&P and VAT.
- Also available:
- PAL COLOUR BAR GENERATOR
- CAPACITANCE METER
- TRANSISTOR TESTER
- S.A.E. for prices and full details.
- The above items are not kits.
- **C.M.J. ELECTRONICS**
- Unit 8, 16 Union Mill, St., Horseley Fields,  
Wolverhampton, WV1 3DW. Tel. (0902) 871583.

SECOND HAND Colour TV spares and tubes. Most  
makes. Telephone Southport (0704) 74411. Anytime.

REYSTRONICS: SCHRADER Tunable UHF Ampli-  
fier RB45 A.S. MV30DB gain. 1-6dB noise. Ch. 17-  
65. £39.50, p&p £1.50. Telephone 01-979 7380.

### T.V. SPARES, PANELS AND MANUALS PHILIPS · GRUNDIG

TELEVIEW 01-994 5537  
194, Acton Lane, London W.4.

When replying to Televi-  
sion Classified Adver-  
tisements please ensure:

- (A) That you have clearly  
stated your require-  
ments.
- (B) That you have  
enclosed the right  
remittance.
- (C) That your name and  
address is written in  
block capitals, and
- (D) That your letter is cor-  
rectly addressed to the  
advertiser.

This will assist advertisers  
in processing and de-  
spatching orders with the  
minimum of delay.

Thorn 3000/3500  
Thorn 9000  
**UNIVERSAL**  
1 year guarantee

**TRIPLERS**  
**£4.50** inc.

The UNIVERSAL TRIPLER can be used in most  
G.E.C., I.T.T., Pye, Rank, Decca & Continental  
sets.

**WING ELECTRONICS**  
15 Waylands, off Tudor Rd, Hayes End, Middlesex

GREYFIELD ROAD, HIGH LITTLETON,  
NEAR BRISTOL

(A. H. GORE LTD. EST)

## "TELESCENE" BRISTOL

OPENING  
DECEMBER 12th 1983

TRADE SALE OF T.V.s

COLOUR £18.00 to £30.00 INC. VAT  
MONO £6.00 to £12.00 INC. VAT

ALL COMPLETE  
MOST WORKING

ALL SIZES

All Enquiries Welcome

Tel TIMSBURY 72228  
After 6pm BRISTOL 834548

TO ADVERTISE  
ON THESE  
PAGES

Ring  
**01-261 5846**

# SERVICE PAGES

## COLOUR TV PANELS Fully Tested & Working

	IF	CDA	Decoder	LTB	Line Board	Frame Board	Power
GEC 2040	3.50	3.50	4.00	5.00	-	-	-
DECCA 13/30	3.00	-	7.00	5.00	-	-	4.00
BUSH 'A'	2.00	-	5.00	5.00	2.50	-	2.00
THORN 8-8½"	-	-	10.00	5	-	-	5.00
PYE 205	3.00	3.50	5.00	8.00	-	2.00	-
THORN 3+3½K	3.00	-	5.00	8.00	-	-	10.00
G8	6.00	-	8.00	5.00	15.00	-	5.00
BUSH twin chip decoder	10.00	-	-	-	-	-	-

Post & packing: 1 panel £1.50; 2 panels £2.25; 3 panels £3.00 etc.  
Hybrid panels do not include valves.  
Terms cash with order.

26" CRT's fully tested £10  
fitted with brand new transformer

## LAVITE LTD.,

Golcar C of E School, Church St., Golcar, Huddersfield. Tel.: 0484-643273  
Calls by appointment only.

## RANK BUSH MURPHY TV PANELS

Repair, exchange, sales service, prompt efficient service. All chassis covered. New PCB available to replace burnt T20 line Panel. We charge only £16 to repair switch mode power supply. Ring Monday to Saturday and ask for Mr. Kheli.

T. K. Panels Service,  
31 Bronte Paths, Stevenage, SG2 0PG.  
Tel. (0438) 61567.

TURN YOUR SURPLUS capacitors, transistors etc., into cash. Contact COLES-HARDING & CO., 103 South Brink, Wisbech, Cambs. 0945 584188. Immediate settlement.

### TV VALVES

COLOUR VALVES PY500/A-65p, PL509/519-£1.50.  
MONO VALVES ECC82, EF85, EF183, EF184, DY87, DY802, PCF80, PCF802, PCL82, PCL83, PCL84, PCL85/805, PCL86, PCC84, PCC89, PC92, PC97, PC86, PC88, PFL200, PL36, PL504, PY800, PY88 ETC.  
MONOCHROME VALVES ALL 35p EACH.  
ALL VALVES EX-EQUIPMENT & TESTED.  
P&P 50p Per order, Access/Visa Cards welcome.  
ELECTRONIC MAILORDER LTD, 62 Bridge St., Ramsbottom, Lancs, BL0 9AG. Tel. (070682) 3036.

## AERIALS

### AERIALS AND ACCESSORIES

North Londons Specialist Aerial Supplier  
Wholesale and Mail Order.

VHF/UHF antennas, masts, brackets, cable, amplification and distribution equipment etc. All types of aerial hardware and software supplied. Single and multipoint systems planned and installed.

Send 50p for our new 1983 catalogue and price list.

S.C.S. AERIALS  
(Aerial Distributors)

26-28 Port Vale, Hertford, Herts. SG14 3AB.  
Tel: 0992 50478.

### AERIAL BOOSTERS

Next to the set fitting

B45H/G-UHF TV, gain about 20db, Tunable over the complete UHF TV band. Price £8.70.  
BII-VHF/FM RADIO, gain about 14db, when on the off position connects the aerial direct to the radio. Price £7.70.  
All boosters we make work off a PP3/005p/8F22 type battery or .8V-18V DC. P&P 30p per order.  
ELECTRONIC MAIL ORDER LTD, 62 Bridge St, Ramsbottom, Lancs BL0 9AG. Tel (070682) 3036  
Access/Visa Cards Welcome SAE Leaflets

## SITUATIONS WANTED

QUALIFIED SCIENTIFIC GLASSBLOWER, 14 years experience. All aspects of rebuilding television tubes, seeks any job in the industry. Experienced in neck welding, gun sealing, pre pumping, vibrating, nitrogen bleeding, gun preparation, high temperature pumping, activation, grid bombing, getter firing, spot knocking, ageing, picture testing, implosion banding to B.S.I. specification, scratch removals. BOB GIBSON, 100 D'Arcy Court, Sunderland, Tyne & Wear.

## 2 METRE PARABOLIC DISHES

Glassfibre Construction.

Suitable for 4 And 12 GHz £290

Polar Mounts And Feed Supports Available.

Send S.A.E. for Details

SP ANTENNA SYSTEMS,  
3 Woolpack Corner, Biddenden,  
Ashford, Kent TN27 8BU  
Tel: 0580 291090

## SERVICE SHEETS

BELL'S TELEVISION SERVICES for service sheets on Radio, TV, etc. £1.50 plus S.A.E. Service manuals on colour TV and Video Recorders, prices on request. S.A.E. with enquiries to B.T.S., 190 Kings Road, Harrogate, N. Yorkshire. Tel. (0423) 55885.

## SANDHURST PUBLICATIONS

Television Service Sheet Specialists

Workshop Manuals, large selection of Japanese and European TV Sheets. Callers 5.30-7.00 pm. Upper Floor. Send S.A.E. for Catalogue and Enquiries:  
49C Yorktown Road,  
Sandhurst, Camberley, Surrey GU17 7AG.

## TECHNICAL INFO SERVICES

76 Church St - Larkhall - Lanarks

### Giant TV & VCR DIAGRAM MANUALS

Brit CTVs 3 vols £45  
Vol. 1 Decca G.E.C. ITT £17  
Vol. 2 Philips Pye Redif. £17  
Vol. 3 Rank Bush Thorn £17  
Foreign CTVs 2 vols £32  
Mono (Stand + Port) 2 vols £32  
Early VCR (VHS/Philips) £17  
VCR later models + Betamax £17

New T.V. Rep. Manuals £7.50 each  
1983 Brit. CTV or Foreign CTV 4  
Complete set of 15 for £105

Comprehensive practical T.V. Repair course in manual £8.50

Large SAE brings FREE 50p magazine inc. service sheet/details of unique T.V. publications. Any quotation plus price lists, etc.

Full size service sheets £2 + I.s.a.e.  
CTVs/Mus. C. £3 + I.s.a.e.

Worlds largest collection of service manuals 1930 to date. From £4.50 to £35 each.  
e.g. Autovox/G8/A823 £7.50 each

FOR FAST QUOTES  
RING 0698 883334

WHEN REPLYING TO  
ADVERTISEMENTS  
PLEASE MENTION  
TELEVISION

## ORDER FORM PLEASE WRITE IN BLOCK CAPITALS

Please insert the advertisement below in the next available issue of Television for .....

insertions. I enclose Cheque/P.O. for £ .....

(Cheques and Postal Orders should be crossed Lloyds Bank Ltd and made payable to Television)


NAME .....

ADDRESS .....

Send to: Classified Advertisement Dept.

## TELEVISION

Classified Advertisement Dept., Room 2612,  
King's Reach Tower, Stamford Street,  
London SE1 9LS. Telephone 01-261 5848.

Rate  
35p per word, minimum 12 words. Box No. 70p extra.

Company registered in England. Registered No., 53626. Registered Office: King's Reach Tower, Stamford Street, London SE1 9LS.

1/84

## FOR SALE

**TELETEXT KIT FOR PHILIPS G9** (and G8 touch tuner sets) with remote control unit and manual £40. 01-540 9553.

**FOR SALE RADIO/TV Servicing Vol. 65-74, Television Vol. 22-27, plus more £30. Tel. 0268 710119.**

**PL802 SOLID STATE - Plug-in Replacement Module.** £4.50 each, inclusive post & VAT. Acord Electronics Ltd., 45 Stoke Road, Guildford, GU1 4HT.

**COMPONENTS & EQUIPMENT - 1984 Catalogue** 70p + 20p p & p. Callers:- 18 Victoria Road, Tamworth. 369 Alumrock Road, Birmingham. 103 Coventry Street, Kidderminster. Express Mail Order Service. Lightning Electronics, PO Box 8, Tamworth, Staffs.

**SC110 SCOPE** with manuals and power pack. £80.00. Maidstone 681860/678130.

**PHILIPS 2021 VCR.** Perfect condition, with three tapes. £155.00. 01-540 9553.

### T.V. PANELS

## SPECIAL CLEARANCE

### T.V. PANELS

Makes	Power Supply	Line Panel	T/Base Panel	Decoder	Video	Tripler	IF	Convergence
Thorn 3500	£8.00	£8.00	£5.00	£4.00	£5.00	£3.00	£2.00	£5.00
Thorn 8500	£5.00	-	£5.00	£11.00	-	£3.00	-	£4.00
Philips G8	£10.00	£12.00	£5.00	£8.00	-	£3.00	£8.00	£5.00
GEC 515	£6.00	£12.00	£5.00	£8.00	-	£3.00	£10.00 with sound panel	£5.00
Bush	£6.00	£9.00	£6.00	£11.00	-	£3.00	£5.00	£4.00

**COMPLETE NON-WORKING PANELS AT HALF PRICE OR LESS FOR QUANTITY**

★ Parts also available for other makes. ★ All panels are fully tested and working. ★ Add 15% VAT on all above prices. ★ Postage and packing: 1 panel £1.50; 2 panels £2.00; 3 panels; £2.50 etc.

## TOP QUALITY TELEVISIONS

★ Wide range of CTV's in good working order from £25. Mono £2.50. ★ Eg. Thorn 3500; 8500; Philips G8; Bush etc. ★ Plenty of working/non working (complete) sets at competitive prices. ★ Ready to sell or to rent. ★ Please refer back to June & July issue of Television magazine.

**M S ELECTRONICS, Unit 1, Warwick Street, Earlsdon, Coventry. Tel: (0203) 714213, or M S VISION, 72 Robertson Street, Glasgow. Tel: (041) 221-2146**

**CALLERS WELCOME**

## WANTED

**WANTED I.T.T. CVC8-9, CVC 25 onwards.** Any quantity considered. Tel. Wakefield 894674.

**"RADIO AND TELEVISION SERVICING"** manuals wanted, 1975 to 1983. Telephone 091 4163208.

**PHILIPS N1512 VCR** or just CVBS panel (working or not). Telephone 0993 882238 evening or weekend.

**WANTED.** We will clear any amount of colour sets from small Rental Companies, Hotels, etc. Please phone P & R Domestic Electrical Clearance Supplies, Weston Super Mare (0934) 514047.

**WANTED FOR CASH** any videos, TV's, tevertars, test equipment or tube plants. Ring SCOTT on 01-299 1234.

## WANTED COLOUR TELEVISIONS

For Export - New or Secondhand  
Any makes and quantity.

**Telephone:  
(0203) 714213**

**WANTED HANDBOOKS.** Philips GM4114, Heathkit IT - 28 RC Bridges. Telephone 0962-56064.

## PERSONAL

**SERVICE ENGINEER** available for contract work, Berkshire area, audio, video, TV. Telephone 0628 36774.

## COURSES

**CONQUER THE CHIP...** Master modern electronics the PRACTICAL way by SEEING and DOING in your own home. Write for your free colour brochure now to British National Radio & Electronics School, Dept. C4, Reading, Berks RG1 1BR.

## BOOKS AND PUBLICATIONS

**"RADIO AND TELEVISION SERVICING"** books, new editions for the last 6 years always in stock. Prices on request. BELLS TELEVISION SERVICES, 190 Kings Road, Harrogate, N. Yorkshire. Tel. 0423 55885.

### EARN CASH NOW With New Published Manuals

Domestic appliance reconditioning and repair, Two volumes only £12.50 post free. Also, a professional guide to sewing machine repair for profit. Two volumes only £8.50 post free. Both with full repair and fault guides. Leaflets available.

**MARCHANT (Dept TVT),  
30 Chester Road East,  
Shotton, Clwyd, N. Wales.**

**COMPLETE FULL-SIZE SETS** any published service sheets £2 + LSAE except CTVs/Music Centres from £3 + LSAE. Manuals from 1930 to latest. Quotations, free 50p magazine, price lists, unique technical publications for sale. Repair data/circs almost any named TV/VCR £8.50 by return. TIST, 76 Church Street, Larkhall, Lanarks ML9 1HE. Phone (0698 883334).

## MISCELLANEOUS

### SATELLITE D.I.Y. KITS

See live TV from other countries from outer space.

Write for details and prices. S.a.e. please.

Full instructions on installation.

Example price: 2 meter DIY dish £189.

Secam Sets/LNA/Down Convertors etc.

**ANNIS & SON  
42 Oxford Street, Whitstable, Kent.**

**BURGLAR ALARM EQUIPMENT.** Latest discount catalogue out now. Phone C.W.A.S. ALARM 0274 682674.

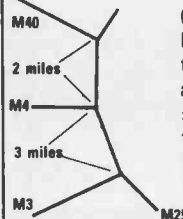
## BUSINESS/PROPERTY FOR SALE

**ESTABLISHED USED TV BUSINESS,** Kent/Sussex. Weekly turnover £2,000 - £3,000. Must sell fast so very low price. DETAILS 0892 47528/45938.

## DISPLAY ELECTRONICS

**UNIT 4, SWAN WHARF,  
WATERLOO ROAD,  
UXBRIDGE, MIDDLESEX.  
UXBRIDGE 55800**

### Your Accessible Regunner



Construction Work on the Poyle/Uxbridge section of the M25 is now in progress and when completed we shall be less than 10 minutes from: M3/M25 junction 2/12 M4/M25 junction 4/14 M40/M25 junction 1/15

**WATFORD STOCKIST  
BEDFORD FABRIKIT  
WATFORD 45590**

**SOUTH LONDON STOCKIST  
N & R ELECTRONICS  
01-672 0802**

### 1984 PRICE LIST

#### Delta types

90° up to 19"	£33
90° up to 22"	£36
90° up to 26"	£39
110° up to 22"	£42
110° up to 26"	£45

#### In-Line types

Up to 22"	£46
Up to 26"	£49*

\*Multipole 30AX AD £5.

### QUALITY CHECK LIST

- ☆ BRAND NEW GUNS
- ☆ HOT PUMPED
- ☆ RF BOMBED
- ☆ PULSE FLASHED
- ☆ EMISSION STABILISED

### BUDGET DISCOUNTS AVAILABLE

Ask for Green Label Prices

28mm Monotubes available

## CALLERS WELCOME

Please phone first to reserve your requirements.

**LATE NIGHT  
THURSDAYS  
UNTIL 8 PM**

**SATURDAY UNTIL  
MIDDAY**

**REGUNNERS SINCE THE '60s TO  
MAJOR AIRLINES, M.O.D.,  
UNIVERSITIES, INDUSTRY AND OF  
COURSE TO THE TV TRADE IN  
GENERAL**



# VISIONTEL

**BEST QUALITY EX-RENTAL  
SETS FROM £10 HERE IN  
CENTRAL LONDON!**

**100's OF SETS  
ALWAYS IN STOCK –  
COMPETITIVE PRICES**

## VIDEO RECORDERS (SUBJECT TO AVAILABILITY)

We also have **PYE – DECCA –  
GEC – ITT – GRUNDIG – JVC –  
PHILIPS G9 – THORN 9000 and  
MANY – MANY – MORE!**

**FOR CURRENT STOCK DETAILS  
TELEPHONE 01 328 3787  
OR VISIT US AT  
55 KILBURN HIGH ROAD NW6**

## TELEVISION TUBE SHOP LTD

**BRAND NEW TUBES AT CUT PRICES**

A31-19W/20W.....	19.95	230DB4CT468.....	31.00
A31-120W/300W.....	17.95	240DB4/240AB4A.....	22.00
A31-410/510W.....	17.95	CT507 equiv.....	21.95
A34-100W/510W.....	18.50	310DGB4/DMB4.....	23.00
A34-514W.....	24.25	310EUB4.....	19.95
A38-160W/170W.....	17.50	310EUB4A.....	18.50
A44-120W/R.....	25.00	310EYB4.....	18.75
A50-120W/R.....	19.00	310FXB4.....	17.50
A61-120W/R.....	21.00	310GNB4A.....	31.00
9AGP4.....	£21.82	310HCB4.....	31.00
190AB4/C4.....	23.00	340AB4.....	22.50
		340AYB4.....	30.00
		340AXB4.....	30.00
		340RB4/CB4.....	26.00
		340AHB4.....	26.00
		RIGONDA 6".....	14.00

**Some Rebuilt Japanese  
& European Types  
Available from  
£14.00 +VAT £2.10**

### COLOUR TUBES

(NEW & MULLARD/THORN COLOREX)\*

12VARP22.....	£62.50	A56-120X.....	£54.00
330AB22.....	73.50	A56-410X.....	64.00
A44-271X.....	60.00	A56-500X/510X.....	63.00
A47-342X.....	61.00	A63-120X.....	63.00
A47-343X.....	61.00	A66-120X.....	65.00
A49-191X.....	53.00	A66-140X/410X.....	70.50
A51-161X.....	70.00	A66-500X/510X.....	65.00
A51-220X.....	55.00	A67-120X.....	65.00
A51-500X/510X.....	64.50	A67-140X/200X.....	69.50
A51-570X.....	73.00	A67-150X.....	75.00

*\*Old Bulb Required for 110° Colorex\**

**ADD 15% VAT TO ALL THE ABOVE PRICES.**

Please allow 7 days for delivery

**ALL TUBES TESTED BEFORE SALE & FULLY GUARANTEED**

**TELEVISION TUBE SHOP LTD**

52 BATTERSEA BRIDGE RD., LONDON, SW11.

Tel. 228 6859/223 5088 CARRIAGE: Mono £3, Colour £10.

**EMCO – EUROSONIC – GRUNDIG – TELETON + ALL BRITISH MAKES  
ETC., ETC. ● ALL SPARES READILY AVAILABLE ●**

### IMMEDIATE CREDIT AVAILABLE – TRADE ONLY

If you are a trader simply phone for the part you require and we will send it – no quibble – no hold up for status check. Satisfy us over the phone that you are a trader and we will supply almost any TV component by return "off the shelf". e.g. LOPTX – EHT trays – droppers – OSC coils – switches – cans – smoothers – I.C.'s, etc. etc.

**YOU CAN BE 95% SURE WE CAN SUPPLY ANY  
TV COMPONENT BY RETURN  
IF YOU NEED SPARES FAST – RING NOW!**

ACCESS AND BARCLAYCARD ACCEPTED.

Applies to U.K. only.

**TELEPART (W'TON)**

THE TELECENTRE, WORCESTER ST.,  
WOLVERHAMPTON (0902) 773122

## COLOUR TV SETS

**Philips G8, Pye 222, Decca 30 series, ITT,  
Pye Chelsea, Thorn 3500/8000, GEC,  
many others including JAP.**

Working hybrids from £15.  
Working solid state from £25.  
Non-working sets from £5.  
Working panels and tubes available.

### REBUILT TUBES

**Delta – In Line – PIL.  
SOUTHBRIDGE TV CENTRE  
120, Selhurst Rd., London, S.E.25.  
Tel: 01-771 3535.**

## 20AX APOLLO 30AX

**HIGH TEMPERATURE PUMPED COLOUR TUBES**

*Fast Mail Order service to any part G.B. Delivery 2-3 days.*

*Just phone for a quotation. Delivery Manchester area free same day.  
Two year guarantee. Fitting while you wait or in your home £20.*

18"	A47 – 342 x343	470 BEB22 (£45.00)	£37.00
19"	A49 – 120 x/192 x		£37.00
20"	A51 – 220 x/110 x/161 – 510JKB22	(£45.00)	£38.00
22"	A56 – 120 x/123 x/140 x/410		£38.00
25"	A63 – 120 x		£39.00
26 x	A66 – 120 xA67 – 120 x/140 x/150/200		£39.00
20AX	56-510		£48.00
30AX	56/66-540		£48.50

**20" – 22" SOLID STATE COLOUR TVs FULLY SERVICED &  
SOAK TESTED. VERY RELIABLE WITH GOOD TUBE £61.00,  
WITH NEW TUBE £83.00 inc DELIVERY**

**061 799 0854 24 hour answering service.  
43 Clarke Cres, Little Hulton,  
Nr. Manchester M28 6XM.**

DIODES					
OA 47	8p	BZX 83c20	10p	MJ 2253	60p
OA 90	8p	BZX 83c27	10p	MJ 3040	60p
OA 91	8p	BZX 83c33	10p	MV 2209	10p
IN 60	5p	BZX 84c6v8x10	30p	SP 8385	25p
IN 541	5p	BZX 85c8v2	10p		
IN 914	5p	BZY 88c0v7	10p	Voltage Regulators	
IN 2069a	10p	BZY 88c3v9	10p	5V/UA78P05SC	30p
IN 2070	10p	BZY 884v3	10p	5V/LM79M05CP	25p
IN 4001	10p	BZY 88 6v2	10p	8V/79M08c	30p
IN 4002	3p	BZY 88c12	10p	6V/78M06c	30p
IN 4004	4p	CV 8617	10p	LM 337	30p
IN 4005	4p	All diodes at 10p or less in this list 20 of one type	£1.00	LM 342/12	30p
IN 4006	4p			12V/MC 7912	20p
IN 4007	5p	Y 716	10p	12V/LM 340T12	25p
IN 4148	3p	Y 730	10p	15V/78M15	15p
IN 4448	3p	Y 827	30p	18V/MC78M18	20p
IN 4742	10p	Y 860	30p	24V/78M24	30p
IN 4722	10p	Y 933	5p	MC 7724cp	40p
IN 4751	10p	Y 969	50p	TIS 90	10p
IN 5235	10p	Y 997	30p	TIS 91	20p
IN 5254	10p	R 1038	50p	TIS 92	20p
IN 5392	10p	R 1039	50p	TIS 93	20p
IN 5393	10p	R 2008b	£1		
IN 5928B	10p	R 2009	£1		
IAY 30	10p	R 2010b	£1		
IM 72255	10p	R 2029	50p		
IR 106a	20p	R 2210	60p		
IR 3051	10p	R 2257	60p		
IS 164	10p	R 2265	50p		
IS 921	10p	R 2305	50p		
IS 3011a	10p	R 2306	50p		
IS 3072a	10p	R 2322/2323	pair 80p		
IS 5024a	50p	R 2323	15p		
IS 5030	50p	R 2396	50p		
ITT 921	10p	R 2461	£1		
ITT 923	10p	R 2030	£1		
ITT 1075	10p	R 2443=BD124	40p		
ITT 2001	10p	R2738=TIP41	30p		
ITT 2002	10p	R2775=TIP41c	40p		
ITT 4150	10p	R3129=TIP47	40p		
ZE 1.5	10p	BU 105/04	80p		
ZF 3	10p	BU 108	£1		
ZF 3.3	10p	BU 124	50p		
ZF 4.3	10p	BU 126	80p		
ZF 10	10p	BU 180a	65p		
ZF 11	10p	BU 204	70p		
ZF 12	10p	BU 205	£1		
ZF 15	10p	BU 206	£1		
ZF 33	10p	BU 207	£1		
ZF 43	10p	BU 208	60p		
ZF 47	10p	BU 208D	£1.20		
ZF 82	10p	BU 222	£1.30		
ZPD 3.9	10p	BU 326	£1		
ZPD 4.7	10p	BU 407	£1		
ZPD 5.6	10p	BU 426V	60p		
ZPD 10	10p	BU 500	£1		
ZPD 47	10p	BU 526	75p		
ZPY 8v2	10p	BUX 84	50p		
ZPY 12	10p	BUW 84	30p		
ZPY 16	10p	BUY 71	£1		
ZPY 24	10p	E 1579	25p		
ZPY 43	10p	E 1580	25p		
ZPY 47	10p	E 1611	25p		
ZPY 56	10p	E 5359	10p		
ZTE 2	10p	E 5444	10p		
ZTK 22	10p	E 5577	10p		
ZTK 33	10p	E 8018	25p		
ZTK 33a	10p	E 9004	10p		
ZTX 102c	10p	E 9005	10p		
ZTX 107	10p	TIC 106a	30p		
ZTX 108c	10p	TIC 116m/Y 1003	35p		
ZTX 109k	5p	TIC 126N	40p		
ZTX 213	10p	TIC 206m	30p		
ZTX 341	10p	TIC 226m	30p		
ZTX 342	10p	TIC 236E	30p		
ZTX 384	10p	TICV 106D	30p		
ZTX 451	10p	(T092 case	10p		
ZTX 550	10p	2A/400V)	20p		
ZW 13	12p	TIP 29	20p		
ZW 27	10p	TIP 29C	25p		
ZW 4-3	10p	TIP 30	35p		
ZW 310	10p	TIP 30A	35p		
ZX 68	50p	TIP 30B	40p		
ZY 47	10p	TIP 30C	45p		
ZY 72	10p	TIP 30F	30p		
AA 112	10p	TIP 31	40p		
AA 113	10p	TIP 31B	40p		
AA 119	8p	TIP 31C	25p		
AA 143	10p	TIP 33B	50p		
AA 144	10p	TIP 33C	70p		
BA 102c	10p	TIP 34C	50p		
BA 157	8p	TIP 35C	50p		
BA 159	8p	TIP 36	50p		
BA 173	8p	TIP 41B	40p		
BA 182	8p	TIP 41c	40p		
BA 201	8p	TIP 42/BRC 6109	30p		
BA 202	8p	TIP 42B	40p		
BA 243	8p	TIP 47	40p		
BA 248	8p	TIP 48	40p		
BA 316	8p	TIP 49	30p		
BAV 10	10p	TIP 102	30p		
BAV 21	10p	TIP 115	50p		
BAW 21	10p	TIP 117	50p		
BB 103	10p	TIP 120	35p		
BB 105A	10p	TIP 125	35p		
BB 105B	10p	TIP 130	30p		
BB 105G	10p	TIP 131	30p		
BB 121a	10p	TIP 136	50p		
BZX 46c22	15p	TIP 140	50p		
BZX 61c110	6p	TIP 640	50p		
BZX 61c15	6p	TIP 2955	35p		
BZX 61c20	10p	T 6032	30p		
BZX 61c30	10p	T 6036	40p		
BZX 61c220	10p	T 6040	40p		
BZX 70c6v2	8p	T 6047	40p		
BZX 70c33	8p	T 6049	40p		
BZX 79c3v9 4v7, 5v1, 5v6, 6v2, 6v8, 7v5, 11, 12, 30, 47	10p each	T 6051	40p		
BZX 83c4v3	10p	T 6052	40p		
BZX 83c5v6	10p	T 9004	40p		
BZX 83c8v2	10p	T 9005	40p		
BZX 83b12	10p				
BRC 83c13	10p				

**PHILIPS DIY HOME SECURITY ALARMS KITS**  
Send for details. Prices £54 to £112.

**BRITISH MADE APACHE OFF ROAD KIT WITH BATTERY £50**  
**2 CHANNEL RADIO CONTROL £40**

**Various Tools and Accessories**

Mains timer. 13 amp — up to 2 hours: easy to use, plugs into socket	£3
Sellotape PVC Electric Insulation	
25mm x 20M	50p
50mm x 20M	70p
Telescopic aerials (radio)	£1
UHF Radio Aerial	50p
Xcelite pliers	£3.90
Xcelite snips	£5
Xcelite cutters	£3.90
GKN Supascrew kits	£2.50
VU meter	45p
Pull up large aerial	75p
Soldering iron 6v/23w	£2.50
Portable TV aerial	75p
Neon screwdriver	50p
Phillips snips	£2
2 way baby alarm/intercom with long leads	£5
Phillips universal battery tester/charger, fuse/bulb tester	£5
Volt/ohm test meters 1000 ohm/volt	£5
Eisenmann NICAD CHARGER 5.5V/150 ma	£2
12V Nicad pack. "AA"	£2.50
Hitachi TP 007 Battery pack 7.2v/1.6A	£7
"AA"/1.25V Nicad	£1
"C" Nicad	£2
"D" Nicad	£3
Duracell PP3	60p
1/2" x 1/2" microphone/speaker	50p
Continental 2 pin plug with 5ft mains lead (black & blue)	5 for £1
7" Ferrite rod with LW/MW coils	
Xcecute 5" bent nose plier	£3.50
De-solder pump + 2 nozzels	£5.20
Plastic box for i.c.s with anti-static pad 6" x 3" x 1/2"	75p
Can of handy oil	40p
Flat Red LED	12p
500gm 60/40 solder reel	£7

Output Stage for music center	£5	100 Diodes	£1.50
Both items	£9	100 Fuses	£2.00
circuit supplied (as previous ad)		100 W/W Res.	£1.50
SONY 1400KV Chroma Panel	£6	BF 199	20 for £1
SONY 1400KV Tuner unit	£3.50	BC 547	100 for £4
SONY 1400KV Touch button unit	£3.50	10 x 20 Turn 100k pots. Rank	£2
3 books, Electronic Systems/Guide to		Thorn 9 volt power supply regulated	£3.00
Print Circuits/1st Steps in TV	£1.40	BF 470	20 for £2
Texas Viewdata Decoder VDP 12/80		Metal BD 124	10 for £8
Issue 3 with all IC's	£10.00	20 Slider Knobs	70p
		6 Mixed UHF Aerial Isolating Sockets, some with long leads	£1.00

Quantity Reductions		Mixed Packs	
BY204/4	25 for £1.00	15 Panel mount rocker switch	
BY206	25 for £1.00	250V/10A	£1.50
BD132/676a	20 for £2	Pack of mixed coloured wire	£1.00
W005 bridge	20 for £2	25 LED red/yellow/green	£1.50
G11 touch button red	6 for £1	201C Holders	£1.20
6Meg filter	10 for £2.60	20 Large LED Red	£1.00
BY210/600	25 for £1.00	20 Small LED Red	£1.00
BY298 3 amp/fast/R	20 for £1.50	10x20 Turn 100K Pots	£1.00
BD239	20 for £2.00	100 Mixed Transistor	£2.50
MR856	25 for £1.50	20 Convergence Pots	80p
BU126	10 for £6.00	100 Mixed Sticks	£1.00
BU208	10 for £5.00	10 Thermistors	50p
BU205	10 for £8.00	20 Slider Pots	£1.00
BU105	10 for £6.00	30 Presets	50p
2SC2122A	10 for £8.00	15 VDR + thermistors, degaussing, HT, etc.	£1.00
BF458	10 for £1.00	40 glass reed switch	£1
BD136	10 for £1.25	10 press to make switch	£1
BF224	20 for £1.40	40 Pots	£1.50
OA90	40 for £1.00	10 Gun Switches	50p
IN4148	40 for £1.00	5 Tube Bases	£1.00
IN4448	40 for £1.00	1,000 Diodes, Condensers, Resistors on Bandolier	£3.00
BYX10	100 for £4.00	Lucky Dip 600 gram	£1.00
KT3 multcaps	10 for £7.50	Jungle Bag 5Kg	£5.00
50 High voltage ceramic condensers	£1.50	20 Knobs	£1.00
Mixed Mounting Kit for Power Transistors	50p		
300 Condensers	£1.50		
300 Resistors	£1.50		
150 Electrolytics	£2.00		
15 Bulbs	40p		

**SENDZ COMPONENTS**  
TO ORDER  
SEE BACK PAGE

# SENDZ COMPONENTS

63 Bishopsteignton,  
Shoeburyness, ESSEX SS3 8AF

**SAME DAY SERVICE**

All items subject to availability.

No Accounts : No Credit Cards

Postal Order/Cheque with order

Add 15% VAT, then £1 P+P

Add Postage for overseas

Callers: To shop at 212 London Rd.,  
Southend. Tel. 0702-332992

<b>Thorn Spares</b>		BY 223	80p
9000 tube base and panel	£1.50	BY 224/600	50p
9000 Front Panel	£5	BY 226	15p
9000 Front Panel (remote)	£8	BY 227	15p
8800/9000 remote unit U705 receiver	£6	BY 228	20p
9000 Frame panel	£8	BY 229/400	30p
9000 Cyclops panel	£1.50	BY 234	10p
8000/8500 timebase panel	£8	BY 237	5p
8000/8500/9000 chroma panel	£15	BY 254	10p
8500 convergence panel	£6	BY 255	10p
4000 Frame panel	£5	BY 298	10p
4000 Power supply	£3	BY 299	10p
1600 Mains lead, switch		BY 406	8p
3500 6 push button + cable form	£1.50	BY 527	20p
T606 1vNPN T066 80v/6A	10p	BY 407a	10p
900 Sound output panel	£1	BY 602	10p
3500 Focus unit	£1.50	F 247	10p
4000 thick film.		XK 3102	50p
00S1-012-E002	£1	XK 3123	50p
00S1-012-0108	£1	Thorn A1	10p
00S1-018D	£1	Hitachi 2A/1500V metal case wire end	20p
Remote unit, 11c, transformer, relay + 5 volt unit	£2	<b>Line Transformers</b>	
IC board with set of SN74LS	£1	G8 Trans. Philips	£7.50
4000 Tube base	£4	G11 Split Diode	£12.00
3500 A1 pots	50p	CVC820 Split Diode ITT	£10.00
9000 Frame panel	£7	CVC40 Split Diode ITT	£10.00
3 Way regulated adaptor 240V 6V/7.5/9V/300mA	£3.50	Thorn B/W AD5308F + Stik + Lead	£1.50
Rank/Toshiba preh unit 0354	£9.50	GEC 2040	£5.00
2 banks of 3 PB unit. Pye 731	£2	GEC 2110	£7.00
4 Push button unit preh	£1.00	Pye mono	£3.00
6 Push button VHF/UHF for v/cap. GEC-Decca type	£7.00	Rank mono T704A	£3.50
7 Push button for CVCs ITT	£8.00	CVC32 ITT	£7.50
KT3 12 Push button unit	£3.00	EHT Split Diode Leads	£1.00
6 Push button Unit Thorn	£1.00	<b>Triplers</b>	
6 Push button unit for GEC 2040 and ELC 1043/05	£6.00	11 TEZ Rank	£3.00
6 Push button unit PYE 713	£7.00	KT3	£4.00
7 Lamps for P.B./Unit	10p	G9 Philips	£4.00
<b>Mains Droppers</b>		GEC 2110	£4.00
Pye 731 3 + 56 + 27R	50p	9500 Thorn	£4.50
3500 Thorn 6/1/100	60p	2040 GEC	£3.50
Thorn 50/17/1K5	£1.00	GEC TVM25 Tripler	£2.00
120/20/20/48/117	£1.00	G8 Philips	£4.50
270/10/6 for Thorn 4000	50p	Decca 80 100	£4.50
18/320/70/39	£1.10	LP1194 Pye 731	£3.50
Thorn 50-40R-1K5	50p	Grundig TVK 52	£2.50
Aerial Socket and Lead	35p	11TB0	£3.00
Pye, Thorn, ITT, Thyristor, Philips G11 122	60p	D22 for Pye 18" colour portable	£4.00
Rank Toshiba Tube Bases	30p	LP 1193/63	£4.00
<b>Speakers</b>		BG 100/41	£3.25
6x4G11 25 ohm	£1.00	BG 100/61	£3.25
5 1/2x2 1/2 3 ohm	£1.00	BG 200/43	£3.00
5x3 80 ohm	70p	GEC Portable Line Trans.	£3.00
5x3 50 ohm	50p	G8 Convergence Panel	£12.00
5x3 35 ohm	70p	T/text ultrasonic rec'r panel	£14.00
5x3 15 ohm	80p	Video cassette lamps on lead, 12-14V.	50p or 3 for £1.00
6x4 15 ohm	£1.00	GEC 8 touch unit assy complete with all I.C.'s + pots	£6.00
7x3 70 ohm	£1.00	G11 E.W. coils	£1.00
5x3 8 ohm	70p	G11 6 Button Key Switch	£2.00
7x3 16 ohm	£1.00	G11 Transient Suppressors 245V	10 for £1.00
5" dia 16 ohm	£1.00	G11 Scan Coils	£5.00
5" dia 8 ohm	£1.50	KT3 IF panel	£6.00
6 1/2" dia 4 ohm	£1.50	KT3 AE Sockets	25p
6 1/2" dia 3 ohm	£1.50	NPN PNP 8V 6 Amp TO66 O.P. Trans.	pair 25p
2 1/2" dia 8 ohm	75p	5 button touch tuner BBC1/2 ITV1/2 video with ic SAS 560T/570T	£7.00
3" dia 8 ohm	75p	Control panel 5 sliders + mains lead	£1.50
3" dia 15 ohm	60p	G11 8 touch button unit replaces old 6 P.B.U.	£20
<b>Metal Wire Ends</b>		Tube base + base unit for 820 Euro chassis	£4.00
TD15 boost diode 1500V	20p	GEC Line O/P Trans. & Rec Stick for Portable	£3.00
<b>Diodes</b>		CVC 20/25/30/35/40 decoder panel	£10
BY 127	10p	CVC 20/25/30/35/40 decoder panel (untested)	£5
BY 133	10p	CVC 40/45 IF panel	£5
BY 134	10p	40K Transducer	50p
BY 176	25p	PHILIPS NE511N	£1.20
BY 179	40p	LM337M Reg.	30p
BY 184	25p	20 GEC Black Spark Gaps	£1.00
BY 187	10p	G11 Line Driver Transformer	35p
BY 190	40p	<b>International Rectifier EHT Diodes</b>	
BY 196	30p	G770/HV34 6KV	3 for 8p
BY 198	10p	EHT Rectifier	20p
BY 204/4	8p	wire ends 16Kv	10p
BY 206	8p	25A473 PNP C/P	10p
BY 210/400	5p		
BY 210/600	8p		
BY 210/800	10p		

GEC portable chassis + LOPT	£6	7500p/2KV	10p
Thorn 1613/1713 chassis	£9.75	4n7/2KV	15p
Hills 520 multimeter + case. 20,000Ω/volt, fuse diode protected + logic test facility. 10mcg/1200 volt	£19.50	8n2/2KV	15p
		20n/2KV	15p
		0.0082/2500	15p
		150/3500	10p
		1800/4KV	5p
		4.7n/5KV	10p
		170/8KV	10p
		180/8KV	10p
		210/8KV	10p
		1000/10KV	10p
		210/12KV	10p
		1000/12KV	10p
		1200/12KV	10p
		<b>Multi-Caps</b>	
		Thorn 3500	
		175/100/100/350v	£2.50
		KT3/200/25/25/385v	£1.00
		47/220/350v	60p
		150/150/100/100/100/320v	£2.00
		2500/2500/63v	50p
		470/470/250v	50p
		150/200/200/300v	70p
		400/400/200v	£1.10
		300/100/100/16/275v	£1.50
		100/200/325v	40p
		150/150/100/375v	£1.50
		300/300/100/32/32/300v	£2.00
		1500/2000/30v	50p
		400/200/200/350v	
		150/150/100/100/320v	£2.00
		100/350 + 300/200/100/16/275v	£2.00
		300 + 300/300	£1.00
		225 + 25/380	70p
		<b>ITT Panels</b>	
		CMA 10	£2.00
		CMA 11	£2.00
		CMA 30	£2.00
		CMA 40	£1.50
		CMC 10/2	£5.00
		CMC 16	£4.00
		CMC 38	£8.00
		CMC 45	£1.50
		CMC 47	£1.00
		CMC 52	£1.50
		CMC 57	£6.00
		CMC 58	£8.00
		CMC 59	£8.00
		CMC 67	£3.75
		CMC 67/2	£4.00
		CMC 68	£4.00
		CMD 12	£10.00
		CMD 32	£5.00
		CMD 40	£5.00
		CMD 41	£5.00
		CMF 25	£2.00
		CMF 26	£2.00
		CMF 31	£1.50
		CMF 40	£2.00
		CMH 10	£1.50
		CMH 31	£1.00
		CMK 12 (untested)	£4.00
		CMK 30 (untested)	£4.00
		CMN 20	£1.50
		CMN 21	£1.50
		CMN 40	£1.50
		CMN 45	25p
		CMP 10	£2.00
		CMP 11	£2.00
		CMP 30	£2.00
		CMP 40	£2.00
		CMS 11	£2.00
		CMS 40	£2.00
		CMU 12	£10.00
		CMU 14	£8.00
		CMU 30	£7.00
		CMU 40	£7.00
		CMU 45	£5.00
		GMA 90	£5.00
		GMC 120	£2.50
		GMR 64	£2.00
		TMN 2	£2.00
		VCA 20	£10
		VCA 21	£10.00
		VMC 26	£7.00
		VMC 34	£5.00
		VMC 44 + 45	£4.00
		VMC 51	£5.00
		<b>Hand Sets</b>	
		Transducer Hand Set Insert, crystal, transducer, SAA 1124 & lead	£3.50
		Thorn 4000 insert with 7 buttons	£5.00
		Thorn 9000; 2 button sound + channel	£3.50
		Decca RC 11	£14.00
		Decca RC 12	£14.00
		G11 Infra-red full teletext	£19.00
		C11 Ultrasonic full teletext for G26c 674/02 and G22c 66/02	£16.00
		Philips, 2 button	£8.00
		Rank, Infra-red	£10.00
		Dynatron-Full remote CTV 62, 63, 64	£19.00
		Philips full remote KT3, 16C928/20C934; 7228/7324; K12 26C 797/IST 66K 1826	£12.00
		G11, Full remote top button assy.	£12.00
		G11, Full remote repair service (exchange unit)	£12.00
		Philips infra red full remote 9 channel for 60 CP2605	£6.00
		Philips infra red full remote 12 channel for 60 CP2605	£12.00
		<b>NEW MULLARD TELETEX</b>	
		Decoder Panel (VM6230)	£15.00
		Panel 6101	£15.00
		Panel 6330	£15.00
		G8 T/Unit Panel	£12.00
		G8 IF Panel	£12.00
		G8 Line O/P Panel	£12.00
		G8 Power Supply	£12.00
		G8 IF & Chroma	£15
		G11 IF Detector	£3.00
		Complete CVC 825 Chassis (both panels)	£40.00
		AEC V/Cap Resistor Unit UHF with IC SAS660 SAS670	£3.00
		Z714 RANK IF Panels 6MHz 1 I.C. SL437F	£3.00
		Z909B RANK IF Panels Export 5.5MHz 2 I.C.'s TBA1205B TCA2705Q	£2.50
		Z743 RANK IF Panel Export 5.5MHz 3 I.C.'s TBA750+SC9504P+SC9503P	£1.50
		G11 dynamic correction panel	£6
		CVC 20 Front panel with sliders + mains input panel	£4
		CVC 40 PUSH BUTTON ASSY with sliders: complete with lamp assy + pots	£14
		CVC 5 Mains on/off + 5 pots	£2
		GEC Convergence panel TO CLEAR	£1
		Universal Focus. Fits Pye, Thorn and Decca Units.	
		Large Type	75p
		Decca Small	75p
		KT3 Focus Unit	75p
		ITT Small for use with Split Diode	50p
		TV11	50p
		Remo TV12SP	50p
		TV13	50p
		TV14	50p
		TV18	60p
		TV20	£1.00
		TV45	50p
		Thorn 14/1500 rec stick	5p
		16 button Key Pad 1 to 0 + * + # + 4 Blank	£3.00
		<b>Condensers</b>	
		470/16	6p
		1500/16	20p
		3300/16	20p
		10000/16	20p
		15000/16	50p
		3300/18	20p
		47/25	5p
		470/25	5p
		680/25	5p
		1000/25 Radial	10p
		1500/25	10p
		3300/25	20p
		4700/25	25p
		5000/25	25p
		470/35	6p
		2200/35	25p
		100/40	5p
		220/40	5p
		400/40	20p
		1250/40	20p
		1500/40	20p
		2500/40	25p
		1000/50	20p
		1250/50	25p
		2000/50	20p
		3000/50	25p
		2.2/63	5p
		15/63	5p
		47/63 Bipolar	15p
		100/63	6p
		2200/63	50p
		250/64	10p
		3300/70	50p
		1/100	5p
		1/100 x 10	30p
		4.7M/100	5p
		140/100	25p
		470/100	20p
		800/160	50p
		G11 0.91/210 scan coil correction	25p
		.1/250 Pulse	5p
		G11 0.47/250	10p
		2.2 250v	10p
		3n3/250 A.C.	10p
		.39/250V	

Tuner Units	
ELC1043/05 Mullard	£6.00
ELC1043 (Ex Panel)	£3.75
ELC1042	£5.00
ELC2000	£7.00
ELC2004	£10.00
EL2006	£10.00
EL2060	£7.00
ELC2060 on panel NEW	£5.00
Mullard 1043/05 on panel	£5.00
U321 (UHF) Mullard	£7.00
U322 (UHF)	£4.00
V314 (VHF)	£5.00
U341 UHF	£7.00
ELC1043/05 Thom	£5.90
Small V/Cap Mitsumi	
UHF	£4.00
VHF	£3.00
Portable & rotary Tuners Sanyo & Mitsumi UHF	£5.00
NSF-UHF-VHF	£8.00
SONY 1400K/Tuner unit	£3.50
TV Sound tuner kit for sound on your Hi Fi	£9.50
G11 Tuner/U321	£7.00
Thorn Tuner PANEL with 6x100K pots + cursors NO TUNER	£2.00
U321 on panel ITT 40	£6.00
Tuner unit VHS Sylvania GTR Videon MTS 900	£2.50
Thorn 3500 tuner panel with ELC 1043/05 + pots	£7.00
Mullard	£10.00
Video Modulator. Application, video tape recorders, TV cameras, video games, closed circuit TV, C.C.I.R. system. Data supplied.	
Berec Battery SB1142 2 amp discharge current 8.4 volts with magnet switch made for emergency lighting. Nickel cadmium battery	£4.00
Sylvania UHF VHF F6013 (Fits Rank)	£6.00
Sylvania F6003	£6.00
Sylvania UHF F4720B	£6.00
Sylvania VHF 900	£6.00
Decca Bradford Tuner 5 Button	£4.00
Small Tuner DX 175-220MHz Auto Changeover	£5.00
9000 Thorn Tuner on Panel	£7.00
D.P.D.T. switch Black knob: Chassis or PCB mount	4p
each or 40 for	£1.00
T.V. Tubes Add £2	
12" A31/300 Hitachi	£12 P&P
15" A38/170W Hitachi	£8 each

# SENDZ COMPONENTS

63 Bishopsteigton, Shoeburyness, ESSEX SS3 8AF  
SAME DAY SERVICE

All items subject to availability.  
No Accounts : No Credit Cards  
Postal Order/Cheque with order  
Add 15% VAT, then £1 P + P  
Add Postage for overseas

Callers: To shop at 212 London Rd., Southend. Tel. 0702-332992

A HAPPY CHRISTMAS TO ALL FROM EVERYONE AT SENDZ

THORN 1400 4P.B. Mech. Tuner	50p
THORN 1500 4P.B. Mech. Tuner	75p
THORN 1590 4P.B. Mech. Tuner	£1.00
THORN 3500 4P.B. Mech. Tuner	£1.20
THORN 8000 4P.B. Mech. Tuner	£1.50
THORN 8500 4P.B. Mech. Tuner	£1.50
All new & boxed	£4 each + £1
postage each	
<b>Diodes</b>	
1 Amp 1600v	7p
3 Amp 100v	7p
7 Seg Display, Led Red	50p
Delay Lines	
TAU80	£1.00
DL20A	80p
DL70	£1.00
DL600	£1.00
DL700	£1.00
UDL11	30p
KT 3 Luminescence	75p
Luminescence Delay Line	
MDL-CBL Min.	50p
3.15 Fuses	4p
Co-Ax Joint	12p
Co-Ax Belling Lee Plug	12p
Co-As Splitter	£1.00
UHF Modulator CCIR	£3.00
Infra Red Emitting Diode	20p
NE286H Small Neon Lamps	
GEC	5p
Mullard 5 Watt Amps. LP1162	
New	75p
<b>Integrated Circuits</b>	
AC76003	£1.50
AM25LS23PC	10p
BAV40	40p
BRC-M-200	40p

SAA5000A	£1.50	SN76545	£3.50	AC1176	15p	
SAA5012	£3.50	SN76546	£1.00	AC1176K	15p	
SAA5012A	£4.00	SN76550	30p	AC1178K	15p	
SAA5020	£3.50	SN76552	30p	AC1179	15p	
SAA5030	£5.00	SN76570	£1.00	AC1186	15p	
SAA5040	£3.50	SN76620	50p	AC1187K	15p	
SAA5040A	£4.40	SN76650	50p	AC1188	15p	
SAA5050	£3.50	SN76660	40p	AC1188K	15p	
SAF1039	£2.00	SN76620AN	50p	ACY18	20p	
SA5560	£1.00	SN76666	£1.00	ACY21	25p	
SA5570	£1.00	SN76707N	75p	AD143	50p	
SA5660	£1.00	SN76708AN	75p	AD149	50p	
SA5670	£1.00	SN76720	£1.00	AD161/162	pair 20p	
SL901B	£4.40	UA783P3C	40p	AF139	25p	
SL918		<b>Semiconductors</b>			AF181	£1.00
SL917 MOD	£6.00	BT100A/02	40p	AF239	25p	
TAA320A	50p	BT106	£1.20	AF367	25p	
TAA470	£1.50	BT106 Plastic	50p	AL102	£1.75	
TAA550	25p	BT109	£1.00	BC161	30p	
TAA570	75p	BT138/10A	70p	BD138	30p	
TAA611	£1.50	BT146	30p	BD229	20p	
TAA621	£2.00	TCA270	£1.00	BD437/438 on		
TAA661	£1.75	TCA270Q	£1.00	heat sink	60p	
TAA641	£1.50	TCA640	£1.00	BD507	50p	
TA7117	50p	TCA660	£1.00	BD509	30p	
TA7315AP	50p	TCA270S	£1.00	BD510	30p	
TA7607AP	40p	TCA270SQ	£1.00	BD517	30p	
TA7609P	50p	TCA740	£1.00	BD519	30p	
TBA120A	40p	TCA800	£1.00	BD534	30p	
TBA120AS	40p	TBA120A	£1.00	BD535	30p	
TBA120SA	40p	TCEP100	£2.25	BD544D	30p	
TBA120B	40p	TCE120CQ	£1.00	BD562	30p	
TBA120SB	40p	TDA440Q	£1.00	BD610	40p	
TBA120SQ	£1.00	TDA1003A	£1.00	BD646	50p	
TBA120U	50p	TDA1010	£1.00	BD676A	30p	
TBA120C	40p	TDA1060A	£1.50	BD678	50p	
TBA1441	£1.00	TDA1151	30p	BD681	25p	
TBA231	75p	TDA1170	£1.00	BD807	20p	
TBA395Q	50p	TDA1190	£1.00	BD948	£1.25	
TBA396Q	£1.00	TDA1327A	£1.00	BDX32	£1.25	
TBA396	75p	TDA1412	30p	BF115	20p	
TBA440C	£1.00	TDA42010	£1.00	BF121	20p	
TBA480Q	£1.00	TDA2140	£3.50	BF127	20p	
TBA510	£1.00	TDA2522	£1.00	BF137	20p	
TBA510C	£1.00	TDA2532	£1.00	BF157	20p	
TBA520	£1.00	TDA2540	80p	BF160	20p	
TBA530	£1.00	TDA2541	£1.00	BF161	20p	
TBA540	£1.00	TDA2575A	£1.00	BF164	60p	
TBA550Q	£2.50	TDA2581	£4.00	BF179	30p	
TBA560CQ	£1.00	TDA2590	£1.00	BF180	20p	
TBA570	£1.00	TDA2593	£1.00	BF181	20p	
TBA625	50p	TDA2560	50p	BF182	20p	
TBA641	£2.00	TDA2600	£5.00	BF184	20p	
TBA651	£1.00	TDA2653	£1.00	BF194	10p	
TBA673	£1.00	TDA2002	£1.00	BF195	10p	
TBA720A	£1.00	TDA2680	£1.00	BF196	10p	
TBA750Q	£1.20	TDA2690	£1.00	BF197	12p	
TBA780	£1.50	TDA2953	£1.00	BF198	10p	
TBA800	40p	TDA3190	£1.00	BF209	20p	
TBA810S	70p	TDA3300	£2.00	BF222	10p	
TBA820	70p	TDA3560	£3.50	BF224	15p	
TBA890	£1.00	TDA3571Q	£1.50	BF238	20p	
TBA900	£1.20	TDA3950	£1.50	BF240	16p	
TBA920	£1.00	TDA9403	£3.00	BF244	40p	
TBA920Q	£1.50	SN7415 125AN	30p	BF245b	20p	
TBA950	£1.00	SN7415132	15p	BF256	20p	
TBA990Q	£1.00	SIL4516	50p	BF257	20p	
TMS1000NL	£4.00	SN16861	50p	BF258	25p	
TMS1943NL	£2.00	SN16862AN	£1.00	BF259	25p	
TMS9980	£4.00	SN16964AN	50p	BF262	15p	
TMS9901	£2.00	SN29764	£1.00	BF263p	25p	
TMS2716JL	£2.00	SN297728N	50p	BF264	15p	
TMS3529	£2.00	RG30G	10p	BF271	10p	
TMS4014	£1.50	MPSA41	10p	BF273	10p	
TX012	£5.00	MJ13005	30p	BF274	10p	
TMS9902	£3.00	MJE51T	25p	BF324	25p	
UPD2114C 4K RAM	400ns	MJE340	28p	BF355	30p	
ULN2216	75p	MJE660	25p	BF362	20p	
SN29848	50p	MJE661	25p	BF363	15p	
SN74107	£1.00	MJE3055	£1.00	BF367	15p	
SN74167	70p	MJE2801	30p	BF391	15p	
SN7472N	20p	MJE1311	50p	BF394	10p	
SN75108AN	£1.00	MJE13005	30p	BF419	30p	
SN76001	£1.00	Sanikron Diode		BF423	15p	
SN76003	£1.00	SKE2G2/04	30p	BF448	30p	
SN76018	£1.00	<b>Transistors</b>			BF450	20p
SN76008	£1.00	A1222	15p	BF458	30p	
SN76023N	£1.50	A1223	15p	BF459	30p	
SN76033	£1.50	AC121	15p	BF468	30p	
SN76115	50p	AC128	15p	BF469	30p	
SN76131	50p	AC151	15p	BF470	20p	
SN76226	£1.00	AC131	15p	BF480	50p	
SN76227	60p	AC138	15p	BF594	10p	
SN76228N	£1.00	AC152	15p	BF597	10p	
SN76532N	50p	AC153K	15p	BF694	10p	
SN76544N	£2.00	AC142K	15p	BF757	30p	
		AC169	15p	BF758	30p	

BFT43	10p	2SC2073	8p	BC337	10p
BFT84	8p	2SC2122A	£1.00	BC338	10p
BFW11	20p	2SC2229	15p	BC347	10p
BFX29	30p	2SC7350	15p	BC349b	10p
BFX84	25p	2SD180 TO3 80v/		BC350	20p
BFY50	15p	6A	15p	BC365	10p
BFY52	25p	2SD200	£2.00	BC384	10p
BFY90	25p	2SK30A		BC394	10p
BPW41	25p	BC107	10p	BC413	10p
BRC116	40p	BC108	10p	BC414	10p
BRX43	15p	BC109	5p	BC416	10p
BRX48X	10p	BC113	10p	BC440	30p
BRX56	30p	BC114	10p	BC454	10p
BSY95a	10p	BC115	10p	BC455	10p
BTY80	20p	BC116	10p	BC456	10p
BSX19	17p	BC117	20p	BC460	25p
BSX20	17p	BC125	10p	BC462	10p
FT3055	30p	BC139	10p	BC463	10p
TCE82	30p	BC141	25p	BC478	10p
2N930	5p	BC142	25p	BC527	10p
2N2221	8p	BC143	25p	BC532	10p
2N2222	8p	BC147	10p	BC546	10p
2N3055	40p	BC148	10p	BC547	10p
2N3702	10p	BC149	10p	BC548	10p
2N3703	10p	BC153	10p	BC556	10p
2N3705	10p	BC154	10p	BC557	10p
2N3711	10p	BC157a	10p	BC558	10p
2N3583	50p	BC159	10p	BC559	10p
2N3904	15p	BC160	25p	BC635	10p
2N3906	15p	BC171	10p	BCX31	25p
2N4355	10p	BC172	10p	BCX32/36 pair	
2N4442	£1.00	BC173	10p	BD116	25p
2N4444	£1.00	BC174	10p	BD124	50p
2N5296	40p	BC182L	10p	BD124 (metal)	60p
2N5496	50p	BC183	10p	BD130Y	25p
2N5983	30p	BC184	30p	BD131	30p
2N6099	40p	BC187	10p	BD132/676a	30p
2N6109	40p	BC204	10p	BD135	25p
2N6130	50p	BC207	10p	BD136	25p
2N6133	20p	BC212	10p	BD176	25p
2N6348	20p	BC213	10p	BD182	£1.00
2X 2N6099 on heat sink	50p	BC214	10p	BD202	60p
25B407 Sanyo TO3	10p	BC237	10p	BD204	60p
25B474	10p	BC238	8p	BD221	20p
25B566	10p	BC239	30p	BD222	30p
25C381	10p	BC250	8p	BD226	20p
25C458	50p	BC251	10p	BD233	30p
25C515	10p	BC252	10p	BD235	30p
25C732	10p	BC262	20p	BD238	30p
25C733	10p	BC263b	20p	BD239	15p
25C828	10p	BC294	30p	BD243a	30p
25C1030	£1.00	BC298	10p	BD250a	30p
25C1172A	10p	BC300	30p	BD252	20p
25C1173	10p	BC301	30p	BD253B	20p
25C1311	20p	BC303	30p	BD331	20p
25C1419	20p	BC307	7p	BD332	20p
25C1546	20p	BC308	7p	BD373b	20p
25C1725	20p	BC309	10p	BD416	25p
25C2068	20p	BC327	10p	BD433	25p
		BC328	10p	BD437	25p
		BC328/338 pair	15p		

5-5MHz	15p	<b>Filters</b>		3 Pin Blue Thermistor (fits most sets)	20p
6MHz	30p			BLY49	50p
BFU455K	5p			L.C. Heat Sink	20 for £1
				20xTOS Heat Sink	£1.00
				T4040 Clock Display	£1.00
				CVC 9 power supply board	