

RIGHT LEFT UK  
JULY 1981

IR 97P (INC VAT)

70p

# TELEVISION

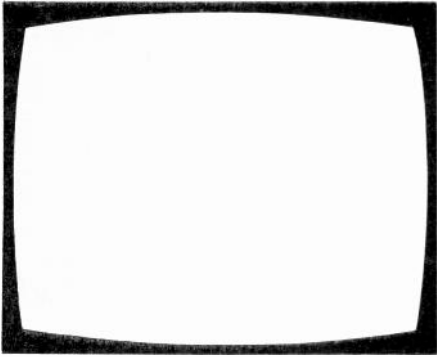
**SERVICING-VIDEO-CONSTRUCTION-DEVELOPMENTS**



**VIDEO EFFECTS GENERATOR**  
**COLOUR PORTABLE**  
**TIMEBASE BOARD**  
**SERVICE NOTEBOOK**  
**plus**  
**ALL THE REGULAR FEATURES**







# TELEVISION

July  
1981

Vol. 31, No. 9  
Issue 369

## COPYRIGHT

©IPC Magazines Limited, 1981. Copyright in all drawings, photographs and articles published in *Television* is fully protected and reproduction or imitation in whole or in part is expressly forbidden. All reasonable precautions are taken by *Television* to ensure that the advice and data given to readers are reliable. We cannot however guarantee it and we cannot accept legal responsibility for it. Prices are those current as we go to press.

## CORRESPONDENCE

All correspondence regarding advertisements should be addressed to the Advertisement Manager, "Television", King's Reach Tower, Stamford Street, London SE1 9LS. Editorial correspondence should be addressed to "Television", IPC Magazines Ltd., Lavington House, Lavington Street, London SE1 0PF.

## SUBSCRIPTIONS

An annual subscription costs £10 in the UK, £11 overseas (\$24.20 Canada or USA). Send orders with payment to IPC Services, Oakfield House, Perrymount Road, Haywards Heath, Sussex.

## BINDERS AND INDEXES

Binders (£4.40) and Indexes (45p) can be supplied by the Post Sales Department, IPC Magazines Ltd., Lavington House, 25 Lavington Street, London SE1 0PF. Prices include postage and VAT. In the case of overseas orders, add 60p.

## BACK NUMBERS

Some back issues are available from the Post Sales Department, IPC Magazines Ltd., Lavington House, 25 Lavington Street, London SE1 0PF at 85p inclusive of postage and packing.

## QUERIES

We regret that we cannot answer technical queries over the telephone nor supply service sheets. We will endeavour to assist readers who have queries relating to articles published in *Television*, but we cannot offer advice on modifications to our published designs nor comment on alternative ways of using them. All correspondents expecting a reply should enclose a stamped addressed envelope.

Requests for advice in dealing with servicing problems should be directed to our Queries Service. For details see our regular feature "Service Bureau". Send to the address given above (see "correspondence").

## this month

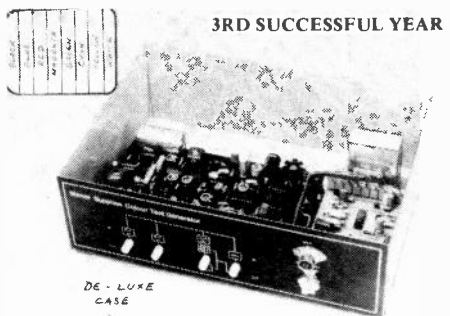
- 457 **Leader**
- 458 **Teletopics**  
News, comment and developments.
- 460 **Overhauling the Rank A823 Chassis** *by Mick Dutton*  
A summary of things to check to ensure reliable operation.
- 463 **Lemon - '81 Style** *by Chas E. Miller*  
A set that really misbehaved itself. Tackling it brought to light just about every stock fault on the GEC hybrid colour chassis.
- 464 **VCR Clinic** *Reports from Steve Beeching, T.Eng. (C.E.I.) and Derek Snelling*  
Apart from various VCR servicing problems, Steve Beeching mentions a VCR/camera interfacing problem and Derek Snelling summarises TV set modifications for VCR use.
- 468 **Pin Diode Aerial Switching** *by Roger Bunney*  
A method of electronic aerial selection at the masthead, using pin diode attenuator networks, giving 65dB isolation between the aerial feeds.
- 469 **Next Month in Television**
- 470 **The End is Nigh** *by Les Lawry-Johns*  
Sets are getting more and more obstinate and the crystal ball no longer seems to do its job properly. On top of everything else, there was decoder trouble with a Mitsubishi CT200.
- 472 **Video Effects Generator** *by Malcolm Burrell*  
Designed to complement the video mixer unit featured earlier this year, this new system provides a variety of wipes and enables titling/keying to be carried out.
- 476 **Service Notebook** *by George Wilding*  
Servicing insight on a variety of faults.
- 478 **Vintage TV: Cossor 916 Series** *by Vivian Capel*  
Spotlight on the circuitry and techniques of vore.
- 480 **Colour Portable Project, Part 3** *by Luke Theodossiou*  
The timebase panel, with its gate controlled switch line output stage and class AB line driver stage.
- 483 **Readers' PCB Service**
- 484 **Test Report** *by Eugene Trundle*  
A bench test on the Trio CS1352 15MHz oscilloscope.
- 485 **Practical TV Servicing: Solid-state Field Timebases** *by S. Simon*  
How to tackle no scan, lack of height and linearity faults in solid-state field timebase circuits.
- 488 **Long-distance Television** *by Roger Bunney*  
DX reception and conditions, plus news from abroad.
- 490 **Letters**
- 491 **Service Bureau**
- 493 **Test Case 223**

OUR NEXT ISSUE DATED AUGUST WILL  
BE PUBLISHED ON JULY 22

# MANOR SUPPLIES

## PAL COLOUR BAR GENERATOR

plus CROSS HATCH KIT (Mk. 4)



- ★ Output at UHF, applied to receiver aerial socket.
  - ★ In addition to colour bars R-Y, B-Y etc.
  - ★ Cross-hatch, grey scale, peak white and black level.
  - ★ Push button controls, battery or mains operated.
  - ★ Simple design, only five i.c.s. on colour bar P.C.B.
- PRICE OF MK4 COLOUR BAR & CROSS HATCH KIT £40.25 P&P £1.20. DE-LUXE CASE £5.95. ALUMINIUM CASE £3.30, P&P £1.20, BATT HOLDERS £1.70 P&P 85p, ALTERNATIVE STAB. MAINS SUPPLY KIT £5.55 (Combined P&P £1.80).**

ALSO THE MK3 COLOUR BAR GENERATOR KIT FOR ADDITION TO MANOR SUPPLIES CROSS HATCH UNITS. £28.75 + £1.60 p.p. CASE EXTRA £2.00. BATT. HOLDERS £1.70.

- ★★ Kits include drilled P.C. board, with full circuit data, assembly and setting up instructions.
- ★★ All special parts such as coils and modulator supplied complete and tested, ready for use.
- ★★ Designed to professional standards.
- ★★ Demonstration models at 172 West End Lane, NW6.
- ★★ Every kit fully guaranteed. Technical back-up service.

MK 4 DE LUXE (BATTERY) BUILT & TESTED £66.70 + £1.80 P & P.  
 MK 4 DE LUXE (MAINS) BUILT & TESTED £80.50 + £1.80 P & P.  
 VHF MODULATOR (CHI to 4) FOR OVERSEAS £4.60.  
 EASILY ADAPTED FOR VIDEO OUTPUT & C.C.T.V.

(ALL PRICES INCLUDE 15% VAT)

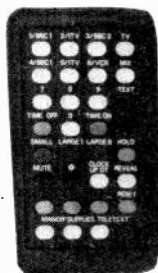
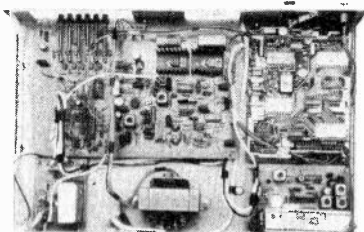
# MANOR SUPPLIES

## TELETEXT KIT (MK2)

(INCORPORATING MULLARD DECODER 6101VML)

BACKED BY YEARS OF EXPERIENCE

INFRA RED REMOTE CONTROL  
 TEXT & STATIONS



- EXTERNAL UNIT. PLUGS INTO AE SOCKET OF TV RECEIVER.
- LATER SPEC (DOUBLE HEIGHT, BACKGROUND COLOUR ETC).
- INFRA RED REMOTE CONTROL (MULLARD 5000 SYSTEM) STATION SELECTION, TEXT, MIX, TIME, DOUBLE HEIGHT, HOLD, CLOCK, REVEAL RESET ETC, ETC
- INCLUDES COMPLETE & TESTED 6101 VML (MULLARD) DECODER, SAW FILTER IF PANEL & 32 BUTTON REMOTE CONTROL HANDSET
- SUITABLE FOR BBC DPAF SUB-TITLE TRANSMISSIONS REMODULATES PICTURE.
- CONVERTS ANY UHF RECEIVER TO STATION SELECTION REMOTE CONTROL AND TELETEXT. (SIMPLIFIED KIT AVAILABLE FOR REMOTE CONTROL ONLY).
- FACILITIES FOR VIDEO OUTPUT, MONITORS, CCTV ETC.
- AUDIO OUTLET FOR EXTERNAL HI-FI AMPLIFIER
- EVERY KIT EASY TO ASSEMBLE & FULLY GUARANTEED. TECH. BACK UP SERVICE.
- DE-LUXE CASE MEASUREMENTS APPROX. 154 x 104 x 34.
- WORKING MODEL AT 172 WEST END LANE, N.W.6.

**FURTHER DETAILS ON REQUEST**  
 ALSO, MANOR SUPPLIES TELETEXT MK1 KIT (TEXAS)  
 NOW WITH REMOTE CONTROL PRICE £181.70 P/P £2.80.

## TELEVISION PROJECTS & SERVICE SPARES

"TELEVISION" NEW COLOUR PORTABLE PARTS AVAILABLE (PHONE, CALL, SEND FOR LIST). FULL TECHNICAL ADVICE & PANEL TEST SERVICE FOR OUR CUSTOMERS, BACKED BY YEARS OF EXPERIENCE ON PREVIOUS MAGAZINE TV PROJECTS.  
 "TELEVISION" NEW MONITOR PARTS AVAILABLE.  
 "TELEVISION" MONO PORTABLE RECEIVER PARTS AVAILABLE.  
 WORKING MODEL & PANEL TEST SERVICE.  
 NEW CTV SIGNALS BOARD PARTS NOW AVAILABLE.  
 SPECIAL OFFER TEXAS XMII TELETEXT MODULE NEW & TESTED, LIMITED QUANTITY AT HALF PRICE £69.00 p.p. £1.60.  
 "TELEVISION" COLOUR RECEIVER (LARGE SCREEN) PROJECT ALL PARTS AVAILABLE. SEND OR PHONE FOR LIST. WORKING MODEL ON SHOW WITH TELETEXT. (PANEL TEST SERVICE AVAILABLE).

NEW SAW FILTER IF AMPLIFIER PLUS TUNER COMPLETE AND TESTED FOR T.V. SOUND & VISION £32.80 p.p. £1.20.  
 TELETEXT 5V STABILISED MAINS POWER SUPPLY (FOR TEXAS OR MULLARD DECODERS) £6.70 p.p. £1.00.  
 TELETEXT 23 BUTTON DE-LUXE HANDSET WITH 5 YDS. CABLE £11.30 p.p. £1.20. XMII INTERFACE PANEL (THORN) £2.10 p.p. 75p.  
 CROSS HATCH UNIT KIT, AERIAL INPUT TYPE, INCL. T.V. SYNC AND UHF MODULATOR, BATTERY OPERATED. ALSO GIVES PEAK WHITE & BLACK LEVELS. CAN BE USED FOR ANY SET £12.65 p.p. 60p. (ALUM CASE £2.60 p.p. 80p.)  
 ADDITIONAL GREY SCALE KIT £3.35 p.p. 45p.  
 UHF SIGNAL STRENGTH METER KIT £20.00 (VHF VERSION £21.60). ALUM CASE £2.00 DE LUXE CASE £5.95 p.p. £1.80.  
 CRT TESTER & REACTIVATOR PROJECT KIT FOR COLOUR & MONO £28.00 p.p. £2.00.

BUSH Z718 BC6100 SERIES IF PANEL £5.75 p.p. 90p.  
 BUSH A816 IF PANEL (SURPLUS) £1.90 p.p. 90p.  
 BUSH 161 TIMEBASE PANEL A634 £3.25 p.p. £1.40.  
 DECCA "GYPSY" IF + TUNER £14.38 p.p. £1.60.  
 GEC SERIES I MONO PANELS £2.10 p.p. £1.30.  
 GEC 2110 DECODER, IF, RGB PANELS (EX RENTAL) £5.75 EACH p.p. £1.00.  
 GEC 2010 SERIES TIMEBASE PANEL £1.15 p.p. £1.00.  
 GEC 2040 (TYPE) CDA PANEL £2.88 p.p. £1.25.  
 PYE 713/715 Decoder, convergence £5.75 each p.p. £1.40.  
 PYE 697 Frame T.B. ex Rental £2.88 p.p. 90p.  
 PYE 697 Line T.B. P.C.B. type salvaged £4.80 p.p. £1.50.  
 THORN 3000 LINE TB PCB £5.75 each p.p. 85p.  
 THORN 3000 VID. IF, DEC, Ex Rental £5.75 each p.p. £1.30.  
 THORN 8000/8500 IF/DECODER PANELS salvaged £5.52 p.p. £1.60.  
 THORN 8000/8500 FRAME T.B. PANELS salvaged £5.52 p.p. £1.40.  
 THORN 8000/8500 POWER/SALV. SPARES £2.88 p.p. 60p.  
 THORN 9000 LINE T.B. (incl. LOPT etc.), SALV., SPARES £8.62 p.p. £1.60.

THORN 9000 IF/DECODER PANELS Salvaged £8.90 p.p. £1.60.  
 PHILIPS 210, 300 Series Frame T.B. Panels £1.15 p.p. 80p.  
 PHILIPS G8/G9 IF/DECODER Panels for small spares £4.80 p.p. £1.30.  
 PHILIPS G6 Single standard convergence panels £2.90 p.p. £1.20.  
 G8 IF Panels for small spares £1.75 p.p. 95p.  
 G8 Decoder panels salvaged £4.25. Decoder panels for spares £2.00 p.p. £1.35.  
 VARICAP, U321, ELC 1043/06 £7.82, ELC 1043/05 £6.35 p.p. 60p; G.I. type (equiv. 1043/05) £4.00 p.p. 60p. Control units, 3PSN £1.40, 4PSN £1.75, 5PSN £2.00, 6PSN £2.10, Special Offer 6PSN £1.15 p.p. 50p.  
 BUSH "Touch Tune" and Varicap Control Unit £5.75 p.p. 85p.  
 VARICAP UHF-VHF ELC 2000S £9.80. BUSH TYPE £9.00 p.p. 85p.  
 VARICAP VHF MULLARD ELC 1042 £7.95 p.p. 60p.  
 UHF/625 Tuners, many different types in stock. UHF tuners transisted. incl. s/m drive, £3.28. Mullard 4 position push button £4.80 p.p. £1.30.  
 TRANSISTORISED 625 IF for T.V., sound, tested, £7.82 p.p. 95p.  
 MULLARD EP9000 Audio Unit incl. LP1162 Module £4.38 p.p. 85p.  
 LINE OUTPUT TRANSFORMERS. New guar. p.p. £1.25.

BUSH 145 to 186SS series .....	£8.80	COLOUR LOPTS p.p. £1.30
BUSH, MURPHY A816 series .....	£9.80	R.B.M. A823 .....
DECCA 20/24, 1700, 2000, 2401 .....	£8.50	R.B.M. Z179 .....
FERG., HMV, MARCONI, ULTRA .....	£6.80	DECCA Bradford (estate Model No.) .....
850 to 1580 .....	£6.80	DECCA 80, 100 .....
GEC 2000, 2047 series, etc. ....	£8.50	GEC 2028 .....
INDESIT 20/24EGB .....	£8.50	GEC 2040 .....
ITT/KB VC1 200, 300 .....	£8.50	GEC 2110 Series .....
MURPHY 1910 to 2417 series .....	£8.50	ITT CVC 5 to 9 .....
PHILIPS 19TG 170, 210, 300 .....	£8.50	ITT CVC 30 Series .....
PYE, INVICTA, EKCO, FERR, .....	£8.50	PYE 691-697 (BOBBINS) .....
368, 169, 569, 769 series .....	£8.50	PYE 713 715 .....
SPECIAL OFFER .....		PHILIPS G8, G9 .....
GEC 2114/FINELINE .....	£5.50	PHILIPS 570 .....
PYE 40, 67 .....	£5.50	THORN 3000/3500 SCAN, EHT .....
THORN 1590/1591 .....	£5.50	THORN 8000/8500 .....
KB VC L1-EVEN (093) .....	£3.25	THORN 9000 .....

OTHERS AVAILABLE, PRICES ON REQUEST. ALSO F.O.P.T.S.

THORN 950 3 Stick Tray £1.15 p.p. 55p. Most others available.  
 THORN 3000/3500, 8000, 8500, MAINS TRANSF. £10.15 p.p. £1.80  
 6-3V CRT Boost Transformers £5.00, Auto Type £3.20, p.p. £1.20.  
 CALLERS WELCOME AT SHOP PREMISES Telephone 01-794 8751/7346  
 THOUSANDS OF ADDITIONAL ITEMS AVAILABLE, ENQUIRIES INVITED

LARGE SELECTION TESTED COLOUR PANELS POPULAR MODELS

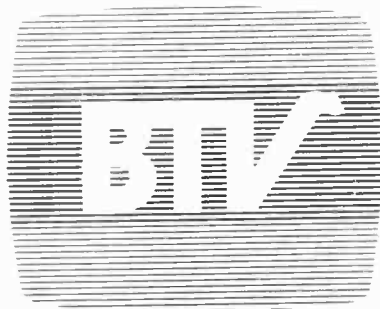
## MANOR SUPPLIES

172 WEST END LANE, LONDON, N.W.6.

NEAR: W. Hampstead Tube Stn. (Jubilee) Buses 28, 159, C11 pass door  
 W. Hampstead British Rail Stns. (Richmond, Broad St.) (St. Pancras, Bedford)  
 W. Hampstead (Brit. Rail) access from all over Greater London.

Mail Order: 64 GOLDERS MANOR DRIVE, LONDON N.W.11.

ALL PRICES INCLUDE VAT AT 15%  
 Closed for Summer Holidays, June 15th-June 29th.



**Can you afford NOT to switch to  
the fantastic BRIARWOOD TV trade offer?**

**100's of colour TVs  
100% complete - as they arrive - in batches of ten  
ONLY £20.00 per set**

**COLOUR TVs WITH TESTED TUBES  
GUARANTEED 100% COMPLETE**

	IN 10's	In 20's	GOOD WORKING in 10's
PYE 697	£30.00 each	£27.00	£50.00
GEC 2040	£25.00 each	£20.00	£48.00
BUSH 184	£30.00 each	£25.00	£50.00
THORN 3000 19"	£35.00 each	£30.00	£50.00
THORN 3000 25"	£28.00 each	£25.00	£50.00
THORN 3500 26"	£35.00 each	£30.00	£50.00
DECCA BFD - 30's	£35.00 each	£30.00	£50.00
KORTING	£35.00 each	£30.00	£50.00
TELPRO	£30.00 each	£27.00	£45.00

Please note there is 15% VAT on all the above prices.

Foreign makes of TV's i.e. Skantic/Luxors, ASA's, Mitsubishi, Teleton, Grundigs, Saba's etc.,  
@ £40.00 each

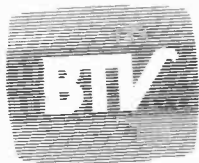
Later types of sets i.e. G8, Thorn 3500 Varicap, ITT/KB, Thorn 8500, GEC 2100 etc., @ £50.00 each.  
@ £50.00 each.

**OPENING TIMES MON-FRI 9.00-12.00/1.00-5.45 (CLOSE 4.30 SAT)**

**CASH & CARRY SPECIAL SERVICE TO THE TRADE  
OR ASK ABOUT SPECIAL DELIVERIES ON LARGE QUANTITIES**

**BRIARWOOD TELEVISION**  
Briarwood House, Preston Street  
BRADFORD, West Yorkshire ND7 1LU  
Tel: (0274) 306018

**BRIARWOOD TELEVISION LIMITED**



# BRIARWOOD

## QUALITY SELECTED EX EQUIPMENT SPARES

MISC S/Output Trans. £1 + VAT + P&P F/Output Trans. £1.25 + BAT + £1 P&P Scancoils £1.50 + VAT + £1 PIP. Other spares available, please write or phone for details.	<b>MONO TUNERS</b> 6 button integrated all at £4.00 U.H.F. P/Button D/S £3.50. U.H.F. P/Button S/S £4.00. Rotary £3.00 + £1 P&P	<b>MONO TUBES</b> (tested) 19" Ringuard £3.00 23" Ringuard £4.00 20" Ringuard £5.00 24" Ringuard £6.00 + £5.00 P & P	<b>MONO LOPTS</b> All D/Standard Lopts at £4.00 + £1 P&P. All S/Standard at £4.00 + £1 P&P.	<b>MONO PANELS</b> i.e. Philips, Bush, etc. £3.50 + £1 P&P. Quotations for complete S/hand chassis if required. (Diff. prices)
---	---	---	---	--

PLEASE ADD 15% V.A.T. TO ALL ITEMS AND OVERSEAS AT COST. CASH WITH ALL ORDERS.

### VALVES (MONO & COLOUR)

PCL82 0.10	30C1 0.10	PCC189 0.10	EF183 0.10	PL504 0.25	ECL80 0.10
PCL83 0.25	30C17 0.10	30C15 0.10	EF184 0.10	6/30L2 0.10	PL509 1.00
PCL84 0.10	PCF802 0.10	30C18 0.25	6BW7 0.10	30PL1 0.25	PY500 1.00
PCL85 0.10	PCF805 0.25	PC97 0.20	EH90 0.10	30PL13/4 0.10	GY501 1.00
PCL86 0.10	PCF806 0.10	PC900 0.10	DY802 0.10	30FL1/2 0.25	PL508 0.50
PFL200 0.10	PCF808 0.25	EF80 0.10	PY800/1 0.10	ECC82 0.10	PCF200 0.50
PCF801 0.10	PCF80 0.10	EF85 0.10	PL36 0.25	ECC81 0.10	EY51 0.15

Please note there is 50p Postage and Packing per order.

## BRIARWOOD TV LTD (Export Division)

TEL: 0274-306018 FOR PRICES & FREIGHT DETAILS

### COLOUR & MONO TV'S ALWAYS AVAILABLE FOR WORLDWIDE USE

Briarwood T.V. Ltd., have international experience in quality used T.V. supply. Fully tested & converted where necessary – by our experienced Export Division.

WE DO NOT SELL RUBBISH AT BRIARWOOD TV

### S/STANDARD COLOUR SPARE PANELS

	IF	LUM	CHROMA	VIDEO	CON	POWER	L/TB	F/TB
Bush 184	9.50	—	12.00	—	6.00	6.00	12.00	—
GEC Hybrid	6.00	6.50	9.00	—	5.00	—	—	12.00
Philips G6 S/S	9.50	—	10.00	—	5.00	—	—	6.00
Thorn 3000	6.00	6.00	6.00	—	5.00	20.00	20.00	6.00
Pye 691/693	6.00	6.00	8.00	—	5.00	—	15.00	5.00
Thorn 3500	6.00	6.00	6.00	6.50	12.00	20.00	20.50	6.00

Korting and other foreign panels available on request.

Postage & Packing £1.25

COLOUR TUBES	PRICE
17"	£15.00
18"	£15.00
19"	£15.00
19" A49/192	£18.00
20"	£18.00
22"	£20.00
25"	£15.00
26"	£22.00

Plus P&P £6.00  
New rebuilt tubes available on request.

COLOUR TUNERS	PRICE
Bush	£5.00
GEC	£5.00
Philips G6 S/S	£5.00
Pye 691	£5.00
Thorn 3000	£5.00

Some new tuners in stock, can supply on request. Many Foreign Tuners also available on request. Plus P&P £1.

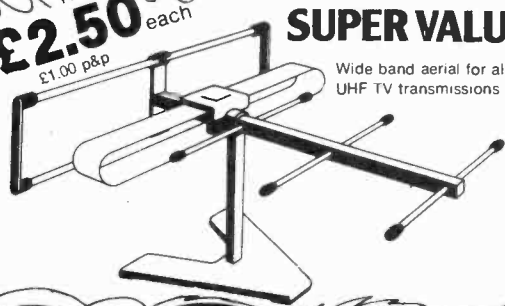
COLOUR LOPTS	PRICE
Most Lopts available from £5.00. Both British & Foreign makers. Please ring or write. P&P per Lopt £1.00	

MISC.	PRICE
S/Output transformer from £1.50.	
F/Output from £1.25.	
Scancoils from £5.00. P&P £1.00	
Other spares available on request.	

**THORN 1500 TUNERS**  
NEW SPECIAL OFFER AT £8.00  
Postage & Packing £1.00

## NEW PRODUCTS!

**£2.50** each  
£1.00 p&p

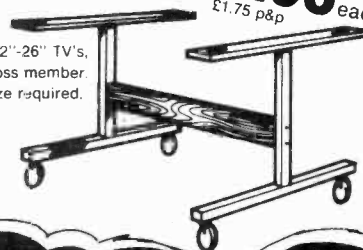


### SUPER VALUE-SUPER QUALITY

Wide band aerial for all UHF TV transmissions

**£5.95** each  
£1.75 p&p

Fits 22"-26" TV's, wood finished cross member. State size required.



# TV scores with quality

WHY NOT TRY OUR EXPRESS MAIL ORDER ON ANY OF THE ITEMS LISTED

## NEW SPARE SELECTION

TYPE	PRICE £	TYPE	PRICE £	TYPE	PRICE £	TYPE	PRICE £	TYPE	PRICE £	TYPE	PRICE £	TYPE	PRICE £	E.H.T. Trays Colour	TYPE	PRICE £
AC107	0.24	AF181	1.00	BC179	0.12	BD137	0.30	BF218	0.12	OC36	0.90	2N3053	0.21			
AC113	0.22	AF186	0.90	BC182L	0.09	BD138	0.31	BF219	0.12	OC38	0.90	2N3054	0.60			
AC115	0.23	AF239	0.46	BC183L	0.09	BD139	0.40	BF220	0.12	OC42	0.45	2N3055	0.60			
AC117	0.30	AU113	1.40	BC183LA	0.10	BD140	0.37	BF221	0.21	OC44	0.60	2N3442	1.00			
AC125	0.23	BA130	0.08	BC183LB	0.10	BD144	1.39	BF222	0.12	OC45	0.50	2N3702	0.15			
AC126	0.23	BA145	0.14	BC184L	0.09	BD145	0.50	BF224	0.18	OC46	0.39	2N3703	0.12			
AC127	0.22	BA148	0.21	BC186	0.21	BD177	0.50	BF256	0.37	OC70	0.39	2N3704	0.18			
AC128	0.22	BA155	0.08	BC187	0.21	BD178	0.50	BF258	0.30	OC71	0.39	2N3705	0.18			
AC131	0.13	BAX13	0.05	BC209	0.11	BD203	0.40	BF259	0.30	OC72	0.39	2N3706	0.14			
AC141	0.24	BAX16	0.08	BC212	0.09	BD204	0.70	BF260	0.25	OC74	0.39	2N3707	0.14			
AC142	0.24	BC107	0.11	BC212L	0.09	BD222	0.73	BF262	0.28	OC75	0.39	2N3708	0.14			
AC141K	0.31	BC108	0.11	BC213L	0.09	BD233	0.36	BF263	0.25	OC76	0.39	2N3772	2.00			
AC142K	0.31	BC109	0.11	BC214L	0.09	BD234	0.34	BF271	0.27	OC77	0.50	2N3773	2.50			
AC151	0.21	BC113	0.11	BC237	0.09	BD237	0.44	BF272	0.27	OC78	0.23	2N3819	0.30			
AC165	0.21	BC114	0.11	BC238	0.09	BD238	0.44	BF273	0.16	OC31	0.26					
AC166	0.21	BC115	0.11	BC240	0.31	BDX22	0.73	BF336	0.30	OC810	0.14					
AC168	0.22	BC116	0.11	BC249	0.35	BDX32	1.98	BF337	0.29	OC82	0.26					
AC176	0.22	BC117	0.12	BC251	0.22	BDY18	0.80	BF338	0.29	OC820	0.20					
AC176K	0.28	BC119	0.24	BC257	0.20	BDY60	0.80	BF479	—	OC83	0.30					
AC178	0.23	BC125	0.15	BC262	0.18	BF115	0.30	BFT	0.27	OC84	0.30					
AC186	0.26	BC126	0.15	BC263B	0.20	BF127	0.29	BFT	0.27	OC85	0.28					
AC187	0.23	BC136	0.15	BC267	0.19	BF154	0.12	BFX84	0.27	OC123	0.25	DY87	0.60			
AC188	0.23	BC137	0.17	BC281	0.24	BF158	0.19	BFX85	0.27	OC169	1.20	DY802	0.64			
AC188K	0.30	BC137	0.23	BC300	0.27	BF159	0.24	BFX	0.30	OC170	1.20	ECC82	0.60			
AD130	0.58	BC139	0.23	BC301	0.27	BF160	0.23	BFY37	0.22	OC171	0.92	EF80	0.55			
AD140	0.68	BC140	0.24	BC302	0.30	BF163	0.30	BFY50	0.21	OA91	0.07	EF183	0.70			
AD142	0.90	BC141	0.27	BC303	0.27	BF164	0.30	BFY51	0.21	BRC4443	0.65	EF184	0.70			
AD143	0.70	BC142	0.27	BC307	0.11	BF167	0.30	BFY52	0.21	R2008B	1.50	EH90	0.75			
AD145	0.70	BC143	0.27	BC307A	0.11	BF173	0.21	BFY53	0.27	R2009	1.30	PC86	0.85			
AD149	0.64	BC147	0.10	BC308A	0.12	BF177	0.26	BFY55	0.33	R210B	1.50	PCC89	0.65			
AD161	0.42	BC148	0.10	BC309	0.14	BF178	0.24	BFX	—	R2265	1.50	PCC189	0.80			
AD162	0.42	BC149	0.10	BC337	0.12	BF179	0.28	BHA0002	1.90	R2305	0.38	PCF80	0.80			
AD161)		BC153	0.12	BC338	0.15	BF180	0.30	BSX20	0.23	R2305	0.38	PCF86	0.72			
AD162)		BC154	0.12	BC487	0.20	BF181	0.34	BSX76	0.23	BD222	0.37	PCF801	0.70			
AD162)	1.00	BC157	0.12	BC547	0.10	BF182	0.30	BSY84	0.36	R2540	2.50	PCF802	0.85			
AF106	0.42	BC158	0.12	BC548	0.11	BF183	0.29	BU105	1.00	S2802	—	PCL82	0.75			
AF114	0.37	BC159	0.12	BC549	0.11	BF184	0.27	BU105 02	1.50	SCR957	0.65	PCL84	0.80			
AF118	0.45	BC160	0.26	BC557	0.12	BF185	0.29	BU105 04	2.00	TIP31A	0.38	PCL86	0.85			
AF121	0.37	BC161	0.26	BCX33	0.10	BF186	0.32	BU126	1.40	TIP32A	0.36	PCL805	0.82			
AF125	0.30	BC167	0.11	BD112	0.39	BF192	—	BU205	1.20	TIP3055	0.53	PLF200	1.00			
AF126	0.30	BC168	0.11	BD113	0.65	BF194	0.15	BU206	1.60	TIP31B	0.39	PL36	£1.10			
AF127	0.30	BC169	0.11	BD115	0.32	BF195	0.13	BU206	1.60	TIS90	0.23	PL84	0.80			
AF139	0.40	BC171	0.10	BD116	0.47	BF196	0.13	OC22	1.10	TIS91	0.25	PL504	£1.30			
AF150	0.27	BC171A	0.10	BD124	1.30	BF197	0.13	OC23	1.30	TV106	1.09	PL508	1.50			
AF151	0.30	BC172	0.10	BD131	0.36	BF198	0.12	OC24	1.30	MJE340	0.50	PL509	2.45			
AF170	0.92	BC173	0.12	BD132	0.36	BF199	0.14	OC25	1.00	MJE520	0.45	PL802	£2.75			
AF172	1.00	BC177	0.12	BD133	0.37	BF200	0.28	OC26	1.00	2N2219	0.40	PY88	0.75			
AF178	1.00	BC178	0.12	BD135	0.30	BF216	0.12	OC28	1.30	2N2646	0.40	PY500A	1.60			
AF180	1.00	BC178A	0.12	BD136	0.30	BF217	0.12	OC35	1.00	2N2926	0.15	PY81/800	0.70			

All transistors, IC's offered are new and branded. Manufactured by Mullard, I.T.T., Texas, Motorola etc. Please add 15% VAT to all items and overseas at cost. P & P.U.K. 50p per order, overseas allow for package and postage. Cash with all orders. All prices subject to alteration without notice.

## MAIL ORDER TV BARGAINS

PYE 691	22" @ £55.00
PYE 691	26" @ £55.00
PYE 697	22" @ £65.00
PYE 697	26" @ £65.00
BUSH 184	19" @ £70.00
BUSH 184	22" @ £70.00
BUSH 184	26" @ £70.00
GEC 2040	19" @ £55.00
GEC2040	22" @ £55.00
GEC 2040	25" @ £55.00
GEC 2040	26" @ £65.00
KORTING	22" @ £70.00
KORTING	26" @ £80.00
THORN 3000	19" @ £70.00
THORN 3000	25" @ £60.00

Good working mono's Pye, GEC, Bush etc.  
20" & 24" S/S £20.00  
20" & 24" D/S £18.00  
19" & 23" D/S P/Button £15.00  
19" & 23" D/S Rotary £12.00  
Cheques, P.O. or Cash with orders Please.  
Please note there is 15% VAT on all the above prices. Plus £10.00 p & p for colour TV, £5.00 for mono. ENGLAND, WALES and SCOTLAND. Inland N & S IRELAND £15.00 for colour. £7.00 for mono.

### TYPE PRICE £ IC's

BTT6018	1.00
CA3605	1.20
MC7/c	—
MC14016	0.50
SN76003N	1.40
SN76023N	1.20
SN76110N	1.00
SN76226DN	1.50
SN76227N	1.20
SN76532N	1.30
SN76550N	0.30
SN76666N	0.70
TAA570	1.38
TBA120AS	1.00
TBA120S	0.75
TBA120SQ	0.75
TBA395	2.20
TBA341	0.97
TBA520	1.40
TBA520Q	1.10
TBA530Q	1.10
TBA540	1.30
TBA540Q	1.45

TBA550Q	1.40	BAX13	0.08
TBA560C	1.50	BAX16	0.10
TBA560CQ	1.50	BY126	0.10
TBA570	1.00	BY127	0.10
TBA570Q	1.00	BY164	0.40
TBA800	1.00	BY179	0.57
TBA810	1.50	BY226	—
TBA920	2.00	BY227	0.12
TBA920Q	1.50	BYF206	0.14
TBA990Q	1.50	1N4001	0.04
TCA270SQ	1.45	1N4002	0.05
TCA270SA	1.45	1N4003	0.06
TCA270Q	—	1N4004	0.07
TCA1327B	1.00	1N4005	0.07
TCA800	2.00	1N4006	0.08
TDA1010	—	1N4007	0.08
TDA1327B	1.00	1N4148	0.05
SBA750	1.75	1N4751	0.14
SC9503P	1.20	1N5401	0.12
SC9504P	1.20	1N5403	0.12
SL901B	5.00	1N5404	0.14
SL917B	7.00	1N5405	0.14
		1N5406	0.14
		1N5408	0.25
		BR100	0.22
		BR101	0.28
		BT106	1.19
		BT108	1.23
		BT109	1.09
		BT116	1.60
		BT120	1.60
		2N4444	0.90

### E.H.T. TRAYS MONO

950 MK2	
Single Stick	
Thorn TV	
11, 16K 70V	0.75
TV 20 2 MT	0.75
TV 2016K	
18V	0.75
BUSH 718	1.30

# BRIARWOOD TELEVISION LTD

Briarwood House, Preston Street,  
Bradford West Yorkshire BD7 1LU  
Tel: (0274) 306018

# P. V. TUBES

38A WATER STREET, ACCRINGTON, LANCS BB5 6PX.

Telephone: Accrington (0254) 36521

WHOLESALE SUPPLIERS  
OF TELEVISION COMPONENTS

TRADE COUNTER OPEN MON-FRI 9 a.m.-4.30 p.m. SAT MORN. 9.30 a.m.-12 noon.

### INTEGRATED CIRCUITS

MC1307	1.00	ML920	4.12	SN76115N	2.27	TA7074P	1.00	TBA120SA	70	TBA550	1.58	TCA760	2.30	TDA2524	2.25
MC1327	1.00	ML922	3.29	SN76131N	1.30	TA7176P	75	TBA120AS	70	TBA550Q	1.58	TCA720SQ	1.25	TDA2541	2.65
MC1330P	90	ML926	2.18	SN76226/DIN	1.55	TA7205	2.95	TBA120B	1.30	TBA560Q	1.59	TCA800	1.99	TDA2560	1.90
MC1349	1.20	ML928	2.18	SN76227N	1.10	TAA300A	60	TBA120SB	1.30	TBA570	1.00	TCA940	1.60	TDA2581	2.25
MC1350	96	SA5560S	1.80	SN76532N	1.50	TAA300	58	TBA120U	1.00	TBA641 B11	1.50	TDA440	2.20	TDA2590	3.25
MC1351	1.00	SA5570S	1.80	SN76533N	1.30	TAA310	2.83	TBA395	2.20	TBA690	1.50	TDA1004A	2.95	TDA2591	2.75
MC1352	1.00	SA5580S	2.90	SN76033N	1.53	TAA320	59	TBA396	80	TBA673	1.10	TDA2540	3.15	TDA2593	2.50
MC1358PQ	1.50	SA5590S	2.90	SN76544N	1.35	TAA550	28	TBA440N/TBA1441		TBA700	2.12	TDA1170	1.99	TDA2600	3.25
MC1495L	1.00	SL9018	4.45	SN76650M	89	TAA570	1.80	TBA440	2.75	TBA7200	2.12	TDA1190	2.60	TDA2611A	1.95
MC140118CP	42	LS9178	6.25	SN76660M	60	TAA630	2.50	TBA480	2.50	TBA750	2.05	TDA1327	1.00	TDA2640	2.25
MC140498CP	43	SL1310	1.80	SN76666M	70	TAA630S	2.50	TBA500P	1.20	TBA800	99	TDA1352B	1.60	TDA2690	1.00
ML2318ETT8016	2.20	SL13770	1.20	SW153	2.74	TAA840S/1	1.96	TBA4800	1.20	TBA810AS	1.35	TDA1412	1.20	TDA3950	2.36
ML232ETT6016		SL76544	2.00	TA7141P	95	TA7008	1.70	TBA500P	1.58	TBA820	1.70	TDA2020	4.66	UPC566H	2.95
ML236	5.35	SN76003N	1.75	TA7050P	95	TAA700	1.70	TBA510	3.00	TBA920	1.80	TDA2030	2.80	UPC575C2	3.40
ML237	1.95	SN76013N	1.50	TA7051P	95	TAA661B	1.20	TBA5200	1.20	TBA9200	1.80	TDA2522	2.40	UPC1025H1	4.50
ML238	4.20	SN76023N0	1.45	TA7171P	1.80	TAA840		TBA5300	1.28	TBA950(2X)	2.40	TDA2523	2.20		
ML239	2.50	SN76023N0	95	TA7172P	1.80	TBA120A	70	TBA530	1.20	TBA990	1.49	TDA2530	1.95		
		SN76110N	89	TA7173P	1.45	TBA120S	70	TBA540	1.49	TCA160	1.20	TDA2532	2.45		

### SEMICONDUCTORS

AC126	22	AU107	2.00	BC161	28	BC252A	12	BD133	40	BD410	55	BF200	30	BFX84	27	BU407	1.25	TV106/02	1.55
AC127	22	AU110	2.00	BC170B	15	BC252B	12	BD135	26	BD434	55	BF241	15	BFX85	28	BU50D	1.95	2N696	21
AC128	20	AU113	1.40	BC171	9	BC261A	18	BD136	27	BD517	60	BF256C	28	BFX88	25	BU50D	28	2N2905	28
AC128K	32	BC107	11	BC171A	10	BC261B	15	BD137	26	BD520	75	BF256	28	BFX88	25	MJE340	40	2N3054	60
AC141K	34	BC107A	13	BC171B	10	BC262A	15	BD138	23	BDX32	1.50	BF257	28	BFX90	20	MJE520	44	2N3055	60
AC142K	30	BC107B	13	BC172	9	BC262B	15	BD139	28	BF115	35	BF258	25	BFY51	22	MJ30D0	2.36	2N3702	11
AC176	25	BC108	13	BC172B	10	BC300	33	BD140	31	BF117	36	BF259	24	BFY52	20	OC71	27	2N3703	10
AC176K	32	BC108A	13	BC172C	10	BC301	28	BD144	1.20	BF125	26	BF262	84	BFY90	75	OC79	20	2N3705	10
AC187	26	BC108B	13	BC173C	12	BC302	28	BD159	65	BF127	26	BF263	50	ER100	17	R200-B	1.80	2N3706	10
AC187K	28	BC108C	14	BC174A/B	10	BC307	10	BD160	1.30	BF154	12	BF271	24	BR101	30	R201H	1.80	2N3708	17
AC188	25	BC109	11	BC182	9	BC308A/B	17	BD166	52	BF158	18	BF273	12	BR4443	80	R2265	1.40	2N2904	30
AC188K	37	BC109B	13	BC182LB	10	BC327	11	BD179	52	BF160	27	BF310	30	BRX46	40	R2322	58	2N5294	48
AD143	82	BC109C	13	BC183LB	10	BC328	9	BD182	72	BF167	24	BF311	30	BRX39	30	R2323	67	2N5296	48
AD149	79	BC114	12	BC184	9	BC337	11	BD183	75	BF173	22	BF336	36	BT106	1.00	R2461	1.50	2N5298	69
AD161	42	BC116A	12	BC184	10	BC338	9	BD201	85	BF177	35	BF337	30	BT108	1.24	R254C	2.80	2N5496	53
AD161/2	1.15	BC117	20	BC204	10	BC461	30	BD202	80	BF178	26	BF338	34	BT116	1.21	RCA1E334	90	2N6107	75
AD162	42	BC119	24	BC208	13	BC547	10	BD203	80	BF179	28	BF355	37	BU104	2.00	RCA1E335	80	ZSC643A	1.50
AF114	40	BC140	32	BC209	10	BC548	10	BD204	84	BF180	36	BF362	37	BU105	1.25	TIP29C	43	ZSC1172Y	2.20
AF118	62	BC141	26	BC212	9	BC549	8	BD222	46	BF181	36	BF363	33	BU108	1.80	TIP30C	43		
AF121	56	BC142	21	BC212L	9	BC550	7	BD223	56	BF182	30	BF371	30	BU124	1.30	TIP31C	41		
AF124	34	BC143	24	BC213	9	BC557	8	BD225	47	BF184	30	BF457	35	BU126	1.49	TIP32C	42		
AF125	35	BC147	9	BC213B	10	BC558	9	BD232	45	BF185	30	BF458	35	BU204	1.50	TIP33E	75		
AF126	34	BC148	9	BC213L	9	BCY72	13	BD233	35	BF194	11	BF459	35	BU205	1.34	TIP41C	46		
AF127	32	BC149	10	BC214	9	BD115	32	BD234	37	BF195	11	BF459	35	BU206	1.80	TIP42C	47		
AF139	42	BC157	11	BC214L	10	BD116A	65	BD235	33	BF196	10	BF447	28	BU208	1.60	TIP47	70		
AF239	45	BC158	10	BC2378	12	BD124P	60	BD236	40	BF197	11	BF743	28	BU208A	1.65	TIP295S	90		
AL102	2.00	BC159	10	BC238A/B/C	8	BD131	33	BD237	33	BF198	18	BFW10	60	BU208/02	2.10	TIP305S	63		
AU106	2.50	BC160	25	BC251A	12	BD132	35	BD238	35	BF199	15	BFX29	30	BU326A	1.42	TIS91	21	CRYSTALS	

### NEW VALVES

30FL2	1.21	EY500A	1.33	PCL85/805	79
DY802	72	EZ80/1	56	PCL86	81
DY86/7	66	GY501	1.45	P0500	2.93
EC8B1	60	GZ34	1.56	PFL200	1.35
EC8C2	68	KT66	5.00	PL36	1.15
EC8C3	60	KT88	6.00	PL81	94
EC8C4	80	PC86	81	PL82	46
EC8C5	98	PC88	81	PL83	1.43
EC8C8	1.35	PC92	80	PL84	84
EC8F80	80	PC97	1.14	PL95	1.00
EC8H2	88	PC900	80	PL504	1.32
EC8H1	1.04	PC884	70	PL508	1.43
EC8H4	1.13	PC885	85	PL509	2.39
EC8L80	84	PC888	82	PL519	2.78
EC8L82	77	PC889	79	PL802	2.15
EC8L86	84	PC189	1.02	PY33	61
EC8F86	78	PC805	1.40	PY88	81
EF80	68	PCF80	75	PY500A	1.00
EF85	68	PCF86	1.13	PY800/1	67
EF86	1.19	PCF200	1.23	UCF80	69
EF89	1.43	PCF800	1.38	UCF81	1.43
EF183	68	PCF801	1.13	UCF82	84
EF184	68	PCF802	86	UCF83	94
EH90	1.02	PCF805	1.63	UL84	1.02
EL34	1.63	PCF806	1.30	U26	1.30
EL81	86	PCF808	1.63	U191	95
EL84	68	PCF820	1.45	6F23	85
EL90	82	PCL82	78	U85	80
EL509	2.22	PCL83	2.00	PL802T	2.50
EY86/7	68	PCL84	81		

All valves are new - boxed - guaranteed.

Please add 15% VAT to ALL items

### DIODES

AA119	9	BY298	22	IN5401	12
BA102	17	BY299	22	IN5402	14
BA115	13	BYX10	20	IN5403	12
BA145	17	BYX36/10	30	IN5404	12
BA148	17	BYX36/600	35	IN5405	13
BA154	6	BYX55/60	30	IN5406	16
BA155	14	BYX71/350	90	IN5407	16
BA156	15	BYX71/600	90	IN5408	16
BAX13	4	DA47	9	ITT44	4
BAX16	8	DA90	5	ITT2002	11
BB105B	30	DA91	6		
BB105G	30	DA95	6		
BY126	12	0A202	11		
BY127	11	IN914	4		
BY133	15	IN4001	4		
BY164	45	IN4002	4		
BY176	85	IN4003	4		
BY182	87	IN4004	5		
BY184	55	IN4005	5		
BY223	90	IN4006	5		
BY199	28	IN4007	6		
BY206	14	IN4148	2		
BY210/800	33	IN4448	10		

### ZENER DIODES

#### BZX61/BZX85C(1.3W)

6V2 7V5 8V2 9V1
10V 11V 12V 13V 15V
16V 18V 20V 22V 24V
27V 30V 33V 36V
39V 47V 56V 68V
75V

Price 20p each

#### BZY88-(4000MW)

2V7 3V 3V3 3V6
3V9 4V3 4V7 5V1
5V6 6V2 6V8 7V5
8V2 9V1 10V 11V
12V 13V 15V 18V
24V 27V

Price 10p each

### MAINS DROPPERS

DECCA 20	2.20
R.B.M. A823	77
R.B.M. 161	65
GEC 2000/2018	70
GEC27840	64
PYE 713/15 3R5/15/45R	1.45
PYE 725/31 3RQ/56R/27R	94
PYE 725 56R/27R	82
PHILIPS 60501	88
PHILIPS 210/50511/LINK	64
PHILIPS G8/50832	65
PHILIPS 68 47R section	39
THORN 1500	95
TH	



# P. V. TUBES

38A WATER STREET, ACCRINGTON, LANCs BB5 6PX.

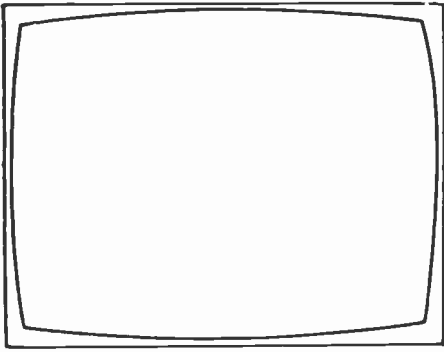
Telephone: Accrington (0254) 36521

WHOLESALE SUPPLIERS  
OF TELEVISION COMPONENTS

TRADE COUNTER OPEN MON-FRI 9 a.m.-4.30 p.m. SAT MORN. 9.30 a.m.-12 noon.

ELECTRONIC TUNERS AND ASSEMBLIES		FUSES		PYE LABGEAR	
NSF173 Replaces ELC	7.20	1 1/2" QUICK BLOW	Pack of 10	CM6001 Power Unit (16V or 24V)	11.75
1043/05/06 and Thorn		100ma	48	CM6019/WB UHF Masthead Amp(ch21 68)	8.50
4 P/B DECCA/GEC/ITT	5.80	250ma 500ma 750ma-1A	49	CM6040/WB UHF Masthead (ch21 68)	18.06
6 P/B DECCA/GEC/ITT	7.00	1.5A 2A 2.5A 3A-5A	40	CM6020 Power Unit (116V)	10.20
4 P/B PYE	9.00	1 1/2" ANTISURGE		CM7025 UHF High Gam M.H.A. 24V	
6 P/B PYE	16.00	250ma 500ma 600ma 630ma, 750ma, 850ma, 1A, 1.25A		Especially group A, B or CD)	14.91
PHILIPS G8 Tuner	10.50	1.5A 2A	1.41	CM7061 Power Unit (12V)	10.84
PHILIPS G8 Ass (Square/Early)	11.29	2.5A 3A 5A	2.16	CM7065/WB VHF/UHF M.H.Amp (12V)	12.80
PHILIPS G8 Ass (Sloping/Late)	11.63	20m ANTISURGE		CM7073 UHF/UHF Dist Amp (8+1)	37.00
PHILIPS G9 Tuner	10.50	80ma	3.11	CM7053 Behind the set UHF Amp (mainst)	10.73
PHILIPS G11 Tuner	9.00	100ma 160ma 200ma	2.08	CM7043 Behind the set 2nd Set Amp (UHF 2 outputs)	10.06
ITT/PYE/GEC 7 Button P/B	13.95	315ma 500ma 630ma, 800ma, 1A, 1.25A, 1.6A 2A	1.07	CM6006 UHF 6 way Passive Splitter	10.72
GEC 2110 6 way P/B	7.75	2.5A 3 15A	1.43	CM7042 TV Games Combiner	1.75
SUNORY TUNER ACCESSORIES		20mm QUICK BLOW		CM9003 Flush Mount Single Outlet Isolated	3.00
RANK Tuner Push Button 1 1/2" x 1/2" dia	30p	100ma	45	CM9005 Flush TV/FM Duplex Outlet Isolated	17.50
RANK Tuner Push Button 2" long x 1/2" dia	30p	250ma 500ma, 630ma, 800ma,	37	CM7069 Tri Star Amplified Set Top Aerial (ch21 68) UHF	97.50
RANK Tuner Push Button 2" long x 1/2" dia	30p	1A, 1.25A 1.6A 2A, 2.5A 3 15A, 5A	37	CM6038 VHF/UHF 625 TV Part Generator	210.50
GEC Tuner Neons 2110 chassis	14p	1" MAINS		CM6052 UHF/VHF Pal Colour Bar Generator	206.00
Drive Cams	10p each	2A 3A 5A, 10A 13A	84	*056 TELETEXT ADAPTOR (Converts any set to remote)	
SWITCHES		DATA BOOKS		SUNORIES	
4A Double Pole On/Off Switch General Purpose Push/push	62	Transistor Equivalent	3.25	ANTIFERRENE Super Set Top	6.80
Philips G8 Push On/Off Switch	1.38	TVT 80 A Z only	3.50	ANTIFERRENE E Car antenna	7.80
4A Double Pole Rotary On/off	62	TVT 80 2N/2S series only	6.50	ANTIFERRENE Xtra Boost UHF Amp	15.40
A1 Beam Switch (THORN 3500)	50	TVT 80/80 A Z and 2N/2S together		ANTIFERRENE SB11 Splitter	2.40
A1 Controls 5m (THORN 3500)	69	LINEAR DATA BOOKS		Surface Mounting Aerial Outlets	80
THERMAL CUT OUT		LIN 1 IC	5.50	Cable Clips	per 100 1.18
THORN 3000 2A Metal	1.30	LIN 2 IC	5.50	Transductor 90-	2.08
THORN 8500 2.5 Plastic	1.30	SERVICE AIDS		EHT Final Anode Cap	53
GEC 2040 Metal	2.24	SERVISOL Freeze It	80	Delay Line CTAV 82/DL50/50L141	2.20
SOLDERING EQUIPMENT		SUPER SERVISOL	75	EHT Cable 40Kv	25p per mtr.
WELLER Iron Kit 15W	3.80	SERVISOL Foam Cleanser	70	Coax Plugs	pack of 10 1.80
WELLER Iron Kit 25W (inc tips)	4.89	SERVISOL Plastic Seal	68	Focus cone of GEC THORN	1.83
WELLER Iron 25W	3.80	SERVISOL Silicone Grease	78	PVC Tape	35
WELLER 3/16" Single Flat Tips	51	SERVISOL Tubes Silicone Grease	1.60	FM Plugs	25
MIN Soldering Iron	5.00	SERVISOL Aero Kleve	63	PL259 Plugs	40
WELLER Heat Gun Kit	13.00	SERVISOL Aero Duster	78	DECCA 30 Series width control	50
WELLER Heat Gun	10.50	SERVISOL Excel Polish	52	DECCA 3" IR Modulohm	48
(Paint) Tips for Gun	36	Penetrating Fluid	70	KEW Pocket Size 1000 DPV Meter	5.60
WELLER Cordless Iron	24.78	Fire Extinguisher 640G	1.88	Line Connectors	35
ANTEX Soldering Iron 25W	4.89	Heat Sink Compound 25G	1.00	NB: We have a full range of aerials and accessories available when collected from the Trade Counter	
Solder Remover Sucker	6.50	Silicone Rubber Tube	1.98		
Solder Map	70	Electrolube Smoke	1.80		
500G Reel Solder	7.00	SOCKETS IC		CONVERGENCE PRE-SET POTS	
DIY Type Solder	43	8 pin	24	3 Watt complete with knob	each
REPLACEMENT ELECTROLYTICS		14 pin	18	5R0	35
DECCA 30 (400/400/350V)	2.82	16 pin	20	6R8	35
DECCA 80 (400/350V)	3.00	14 pin Output	28	10R	35
DECCA 100 (800/250V)	3.00	CAPACITORS		15R	35
DECCA 1700 (200/200/400/350V)	3.50	AXIAL TYPE		20R	35
PHILIPS G8 (600/300V)	2.11	Volt MF Price	Volt MF Price	50R	35
PHILIPS G9 (600/300V)	2.11	10 22 7	63 10 9	100R	35
PHILIPS G11 (470/250V)	2.56	47 7	22 11	200R	35
PYE 691/7 (200/300/350V)	2.28	100 8	47 16	500R	35
PYE 731 (60/300V)	2.20	220 11	100 19	THERMISTORS	
ARM AR23 (2500/2500/30V)	1.20	470 18	220 30	VA1104	62
(2500/2510/25V)	1.10	16 1000 20	470 38	VAB550	55
ARM AR23 (600/300V)	2.10	25 10 7	1000 53	VA1039	35
RBM Z146 (300/300/350V)	3.00	22 7	2700 85	GEC Dual	1.50
ITT CVC5/9 (200/200/75/25)	2.35	100 10	10 12	Resistor	
ITT CVC 20 (220/400V)	1.92	47 9	22 14	GEC Dual	1.50
GEC 2110 (600/250V)	1.85	100 10	47 19	SKELETON PRESET POTENTIOMETER HORIZONTAL and VERTICAL	
GEC 2040 (1000/2000/35V)	1.14	220 17	100 29	MINIATURE	price each 12p
GEC 2040 (300/300/150/100/50)	3.90	470 22	220 35	100R 220R 470R 1K0 2K2 4K7 10K 22K 47K 100K	
THORN 950 (100/300/100/16/275V)	1.75	4700 80	450 1 23	220K 470K 1M0	
THORN 1400 (150/100/100/100/150/320V)	2.60	40 22 9	4 7 28	STANDARD	price each 12p
THORN 1500 (150/150/100/300V)	1.92	50 500 38	10 28	100R-220R 470R 1K0 2K2 4K7 10K 22K 47K	
THORN 1500 (12/300V)	30	63 1 7	22 56	100K 220K 470K 1M0 2M2 4M7	
THORN 3500 (175/100/100/400/350V)	2.34	2 2 7	33 62	'MIGGET' CONTROLS	
THORN 3500 (1000/63V)	62	47 7	500V 1 30	Insulated spindle length 44mm	
THORN 3500 (1000/70V)	80	MULTITURN POTENTIOMETERS		LESS SWITCH	39p
THORN 8000/8500 (2500/2500/63V)	1.47	100K		Log or Lin	
THORN 8000/8500 (700/250V)	2.20	GEC/ICE	50p	5K 10K 25K 50K 100K 250K 500K 1M	
THORN 8000/8500 (400/350V)	2.44	PHILIPS G8	50p	WITH D.P.S.T. SWITCH	81p
THORN 9000 (400/400V)	2.90	DECCA/RANK	50p	Log: 5K 13K 25K 50K 100K	
MIXED DIELECTRIC CAPACITORS		THICK FILM RESISTOR NETWORKS		250K 500K 1M 2M	
Volts DC		THORN 3500 (5 pin connection)	1.12	Lin: 5K 50K 500K	
800V	0.1 mfd	PYE 731 (6 pin connection)	1.45	SLIDER POTENTIOMETERS	
1000V	0.01 mfd	THORN 9000 (Circuit Ref R704/7)	1.50	Log or Log	
	0.047 mfd	DISC CERAMIC CAPACITORS		470R	50p
	0.1 mfd	High Voltage		1K	50p
	0.22 mfd	8KV d.c 12KV d.c	22 180pF	2K2	50p
	0.47 mfd	39 pF	22 200pF		
1250V	0.1 mfd	68pF	22 220pF		
1500V	0.0022 mfd	140pF	22 250pF		
	0.0047 mfd	150pF	22		
	0.022 mfd				
	0.033 mfd				





# TELEVISION

## A Start to Satellite TV?

Following the release of a home office study on satellite broadcasting, the home secretary has announced, in a parliamentary reply, that the government is prepared to consider a direct satellite TV service for the UK. A two-month limit has been imposed for comments on the study, and a service could be started within four years of a decision being made.

Moves towards the start of direct satellite TV transmissions seem to be afoot in most developed countries. In the USA, the Federal Communications Commission recently gave its approval to the start of an "experimental" service, and is to consider an application from the Satellite Television Corporation, a Comsat Corporation subsidiary, to operate this. The US TV broadcasting industry as a whole is strongly opposed to this move however. In continental Europe, the joint French-W. German satellite system is already under way, with the French firms Aerospatiale and Thomson-CSF, the W. German firms MBB and AEG-Telefunken, and the Belgian firm Etca collaborating over the £100m venture. Two satellites are to be launched by Ariane rocket in 1984: each will be equipped to transmit on five channels, though only three will initially be used. The Japanese are proceeding in their usual methodical fashion.

So you could argue that if everyone else is jumping on the satellite bandwagon, the UK should join in as well. There is certainly a case for encouraging UK firms to get going and take a fair slice of a market which is expected to be worth some £2 billion over the next fifteen years. But the fact that a service could be started without too much difficulty does not mean that it would be sensible to go ahead and start it. A lot of money is involved, fingers could be burnt, and understandable enthusiasm in some quarters needs to be tempered with caution.

There are at least two grounds for this. First, are extra channels justifiable in terms of their likely use? And secondly, would viewers be willing to pay for the extra receiving equipment required? Taking the first point, the availability of extra channels doesn't necessarily mean that the viewer would get a worthwhile increase in the choice presented to him. There are already times when with three channels the choice seems to be sport, sport and sport. One can envisage a choice of half a dozen old films that have already been shown several times over. In this connection, the use of a VCR as a time-shift device would seem to do far more in giving the viewer a wider choice of what he wants to see and when.

In fact the video boom places a decided question mark over the need for extra channels via satellite. Not only that, but TV4 has yet to start – it will be interesting to see just what it will eventually have to offer. Nor has breakfast TV got going. In addition to the use of VCRs for time shifting, there's now a considerable range of pre-recorded video programme material, which will quite soon be available on cheap discs as well as cassettes, for rental or purchase. As Thorn's Commercial Director David Hewitt pointed out recently, there's already a lot of competition for the domestic telly's screen time. The video boom has a long way to go yet: the price of VCRs is still falling as production increases, and the same will apply with disc equipment – it's already apparent that there will be a lot of competition between tape and disc systems, with each trying for a larger slice of the domestic video market.

With four transmissions at your disposal and your home video system ready to hand, would you feel tempted to pay another couple of hundred or so pounds for a satellite receiving dish, converter and the necessarily rather specialised installation? There will always be those who have to have something new of course, and the cost will not be all that great, but one nevertheless wonders whether a worthwhile demand will exist and whether people will be willing to put their hands in their pockets.

The cost doesn't stop there. The BBC is proposing that one channel should be used as a subscription service. For a modest £5 a month, you could have new feature films, first runs of special productions, extended sports coverage and so on. But whatever was shown would be likely (assuming that it has more than transient interest) to turn up on the other networks in due course – and with all those VCRs around a certain amount of recording and swapping about would doubtless occur. One way or another, the service would have to be paid for.

Despite these perhaps rather parochial reservations, there's no doubt that a large international satellite market is going to develop. In many parts of the world satellites offer a better solution than a terrestrial network of transmitters. We have in a sense conflicting interests here. The electronics/aerospace industries want to develop and sell the hardware, but the broadcasters see no urgent need to add to the present services. One can't help feeling that, so far as the UK is concerned, the best course would be to defer satellite TV until the time comes to reconsider our TV transmission system as a whole. Satellite TV after all provides the ideal opportunity to introduce new transmission standards, say a high-definition system with digital signal encoding.

### EDITOR

John A. Reddihough

### ASSISTANT EDITOR

Luke Theodossiou

### ART EDITOR

Roy Palmer

### ADVERTISEMENT MANAGER

Roy Smith  
01-261 6671

### CLASSIFIED ADVERTISEMENTS

Colin R. Brown  
01-261 5762

### COVER PHOTO

This month's cover photograph shows Thorn TX9 colour sets undergoing soak testing at the Thorn Consumer Electronics Gosport TV factory. The sets are on the top tier of a three-tier Hirata soak testing system – one of the most sophisticated available.

# Teletopics

## PHILIPS BOOST V2000

Philips are spending over £2m on a promotional campaign for the V2000 "Euro-Video" VCR system. It seems that production is now on the increase, the "supply problems" that have held back the VR2020 machine having been overcome. There are certainly signs of increased confidence in the system. ITT have now introduced a machine, Model VR482, using the system, and Körting were showing a V2000 machine at the recent trade shows. B and O have introduced a machine on the Danish market, and this is expected to be released in the UK later this year.

Meanwhile there seems to be some uncertainty about the exact launch date of the LaserVision disc system in the UK – sometime in the autumn seems to be about the closest one can get. The problem appears to be to do with getting an adequate yield from the disc pressing plant – there's obviously little point in introducing the players until an adequate supply of discs is available. Pioneer's LaserVision disc player, Model VP1000, was on display at the trade shows.

## BRAND NAMES

Rank have now completed their withdrawal from the radio/TV field. As mentioned previously, J. J. Silber, a GUS subsidiary, have acquired the Murphy brand name. A range of radio/audio/TV equipment, including a VCR, is planned for release shortly. J. J. Silber have also acquired the Dansette brand name, which was once well known for record reproducers (as we used to call them – in the mid-fifties). The Bush brand name has been acquired by Interstate Electronics, which has now changed its name to Bush Radio. Several ex-Rank people have taken up posts with the new Bush Radio.

Rank Radio's Milton Keynes distribution warehouse was sold to Binatone some months back. Now the servicing side, including the RSVP spare parts wholesaling business, has been taken over by Currys Group Service. Currys feel that it will fit in well with their Mastercare operation, which provides a nationwide trade service.

## BOOSTING TELETEXT

October is to be "national teletext month", during which there will be a major, government backed initiative to "establish rapid consumer acceptance of teletext". The idea is one outcome of the joint government/industry teletext "commitment conference" held last January. The broadcasters will be persuaded to "educate and motivate" TV viewers during peak viewing hours, while a major effort will be made to train retail staff and encourage them to "talk teletext". The objective is to double the sales of teletext sets expected in the absence of this "co-ordinated marketing approach". Targeted sales of teletext sets are 300,000 in 1981, rising to 700,000 in 1982 and 1.1 million in 1983 – sales last year were 75,000 sets plus 5,000 adaptors. Prestel is also to be promoted, though the effort here will be directed at "selected sectors of industry". Targets for Prestel set sales are 50,000 in 1981, rising to 80,000 in 1982 and 140,000 in 1983.

The government has already given teletext a fillip by halving the legal minimum down payments for hire purchase or rental. The minimum deposit now payable under a hire

purchase agreement has been reduced from 20% to 10% of the cash price, while the minimum period for which rental must be paid under a hiring agreement has been reduced from 26 to 13 weeks.

## JOINT EUROPEAN VIDEO VENTURE

Discussions between Thorn-EMI, JVC, AEG-Telefunken (W. Germany) and Thomson-Brandt (France) with a view to establishing a joint venture to manufacture video and other consumer electronics equipment in Western Europe are officially said to be "well advanced". The parties concerned believe that such a joint venture is the only economically viable means of establishing a European manufacturing base to meet the growing demand for video products. The aim is to make available factories in W. Germany, France and the UK to concentrate on the production of VCRs, video cameras and disc players. Technology would be provided by all partners, with JVC the principal contributor, each party retaining complete freedom on the marketing side.

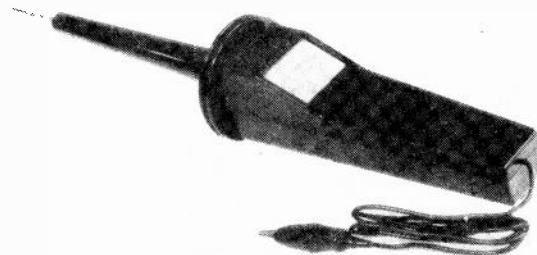
Thorn-EMI have all along hoped to be able to move from simply marketing to manufacturing VCRs. They comment that the market is now large enough to make this possible, though only "on a joint venture basis to be viable". What this seems to mean is that everyone chips in something, which is a sensible enough way of going about things. In world-wide terms, Thorn, Telefunken, Thomson-Brandt and JVC are all quite small as TV setmakers. Points still under discussion appear to relate to component sourcing, production levels and the degree of manufacture/assembly.

## SONY'S VELOCITY MODULATION SYSTEM

Sony have announced a substantial increase in the production of their 27in. Model KV2704UB at Bridgend. We originally mentioned this set, with its unique velocity modulation system to give a sharper picture, last February, and have now had an opportunity to take a look at the circuitry involved. The velocity modulation feature is applied to the tube's focus electrode system. There are two focus pins, and in addition to the d.c. focus voltage a differential signal is a.c. coupled to these pins – from a pair of BC237 transistors operated from the h.t. line. The input to the velocity modulation circuit is tapped from the luminance channel via a high-pass filter, so that an input is received only when an h.f. transition occurs. The net result is that the shape of the spot is altered when there's an h.f. transition. A sharpness control, operating via a field effect transistor, enables the effect of the velocity modulation circuit to be adjusted.

## EHT PROBE FROM THANDAR

A lightweight, self-contained e.h.t. probe with built-in meter has been introduced by Thandar. The probe, Model LHM80A, measures up to 40kV with an input impedance of 20k $\Omega$ /V, and has an accuracy of  $\pm 3\%$ . The price is £16



The Thandar LHM80A e.h.t. probe/meter.



plus VAT – further details from Sinclair Electronics Ltd., London Road, St. Ives, Huntingdon.

### COMPACT VCR

Funai's compact portable VCR, claimed to be the world's smallest, is now being handled in the UK by Sulkin (UK) Ltd., 73 Grosvenor St., London W1X 9DD. The cassette uses quarter-inch tape and gives up to half an hour's recording time. The machine is sold by Technicolor in the USA, where it's been on the market for some months – a cassette giving an hour's recording time was recently introduced by Technicolor. In Japan, Canon have recently taken up the Funai VCR.

### TV TOO RELIABLE?

The high reliability of modern TV sets can be something of a problem to service engineers, since the low failure rate means that faults are less easy to identify and assess. To help tackle this problem, Philips have installed a computer at their 'Croydon colour TV factory to analyse specially prepared dealers' service cards. The aim is to identify failure patterns on a national basis and to pass the information back via dealers. Philips Video's technical sales manager Noel Cunniffe points out that if action is not taken engineers will inevitably become less effective at fault-finding and carrying out repairs in the field. The use of a computer was necessary since "with the low call rate now experienced there's no other way of effectively measuring breakdown patterns".

### SONY'S NEW VCR

Sony's latest VCR, Model C5, has been introduced to compete in the lower price range end of the market. It shares the same basic chassis as the more sophisticated C7, and is very similar in appearance, but is designed to sell at around £200 less.

### LIQUID CRYSTAL TV

Various mentions have been made in the past in these columns of the development of liquid crystal display panels for use in TV sets. At this year's London trade shows two prototype sets were being exhibited – one by Hitachi and the other by NEC. The NEC set had a 2in. screen, while Hitachi's set had a 3in. screen measuring 45 x 60mm, with 19,200 picture elements – giving a resolution of 120 x 160 lines. We are able to show a photograph of this latter set, along with a block diagram (see Fig. 1) indicating the basic operation. The demodulated video signal has to be

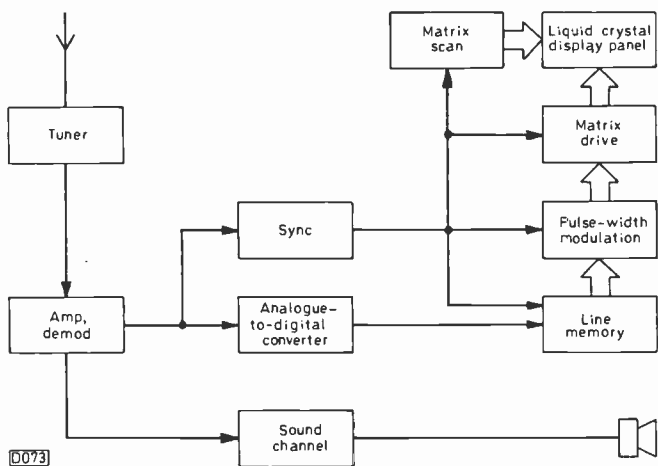
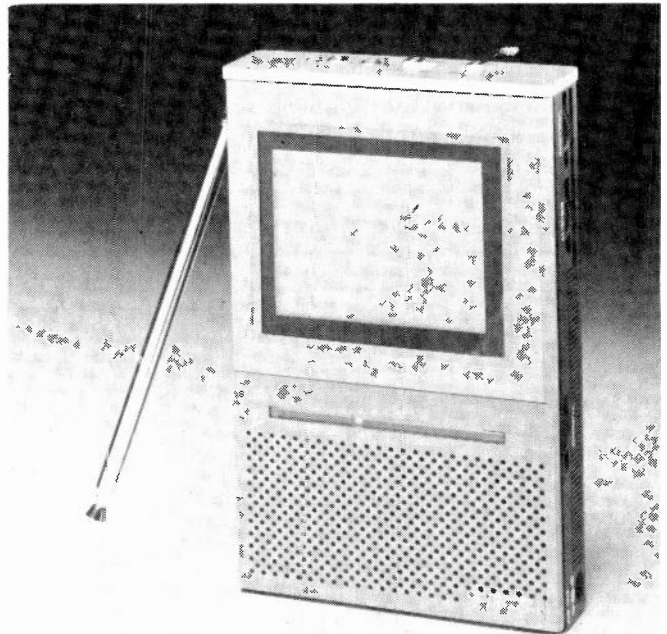


Fig. 1: Block diagram of the prototype Hitachi 3in. monochrome TV set with liquid crystal display panel.



Hitachi's prototype liquid crystal TV set.

converted to a digital one, and is then fed into a memory that stores a complete line of information. This information is then applied to a pulse-width modulation circuit, and finally to the panel's matrix drive circuit. Another panel matrix circuit provides the scan action. Compactness and low power consumption have been achieved by using LSI CMOS integrated circuits for the digital operations, the display panel itself being of the reflection type.

ICI's Organics Division, in collaboration with RSRE, Malvern, has developed a range of anisotropic dyes for use with liquid-crystal display devices. The dyes provide a full range of colours, and in LCD use feature high contrast, good viewing angle and long life. The research was initially undertaken with a view to finding a stable material to produce reliable displays for defence applications. ▽

### SELECTAVISION A SUCCESS

The evidence so far is that RCA's launch of their CED Selectavision video disc system in the USA — "the biggest product launch in business history" — has been a success. In the first five weeks some 52,000 players were shipped to distributors, and over half appear to have been sold. It was interesting to see the Selectavision player being demonstrated by GEC at the recent trade shows. Hitachi, Sanyo and Toshiba have now introduced Selectavision players in the US, the Hitachi and Sanyo machines featuring two-speed operation in both the forward and reverse modes.

### TV MOSAIC

Something new in cable TV. A Dutch operator has managed to put sixteen pictures on the screen simultaneously, each with the appropriate station identification, so that viewers can see at a glance what's on offer. Parts of Holland can receive Belgian, Dutch, French and German stations, plus Luxembourg. Apparently BBC and ITV signals are also distributed.

### TRADE SHOW NOTES

There were several interesting things from the TV point of view at the recent trade shows. Decca for example still appear to be going strong, with a new generation of chassis,

the 120 to drive 90° tubes in screen sizes up to 22in. and the 130 to drive 22/26in. 110° tubes. The present 70 and 90 series chassis are being phased out. The latest Doric (Rediffusion) sets also incorporate a new chassis, designed to drive the RCA S4 tube. The chassis is mains-isolated, and sets with remote control use frequency-synthesis tuning. Salora too showed a new chassis, type H. We shall be reporting further on these chassis when more details are available. Various continental brands have put in a return appearance. Paul Spring Electronics are now handling the Telefunken range in the UK – Telefunken withdrew from the UK market in January 1979. Tandberg showed a new, advanced range of colour sets. They too withdrew in 1979, but the aim now is to provide sets “for the new era of advanced home applications”. There has also been talk of reintroducing the Finlux brand, which with its sister ASA range is produced by the Finnish Lohjans Corporation. Finlux withdrew from the UK in early 1976.

### CCD TELECINES

The latest thing to go digital is telecine equipment – both Bosch and Marconi have announced telecine machines that use charge-coupled image sensors in place of the electronic tubes used in previous designs.

The Marconi machine, Model B3410, was shown at the recent Montreux Television Symposium. It operates on the PAL, NTSC or SECAM standards, with RGB or digital outputs. Virtually all the video signal processing is carried out digitally, the three video signals using eleven-bit sampling before gamma correction. A microprocessor control system sets up the gamma, matrix and aperture correction, and also controls the mechanics. The three

image sensors used are silicon CCDs, each consisting of an in-line array of 1,024 photosensitive elements with a system of transfer gates and transporting shift registers alongside.

### STATION OPENINGS

The following relay stations are now in operation:

**Abergwynfi** (W. Glamorgan) BBC Wales ch. 21, HTV Wales ch. 24, BBC-2 ch. 27, Sianel 4 Cymru (future) ch. 31.

**Dolybont** (Dyfed) Sianel 4 Cymru (future) ch. 54, BBC Wales ch. 58, HTV Wales ch. 61, BBC-2 ch. 64.

**Llandysul** (Dyfed) Sianel 4 Cymru (future) ch. 53, BBC Wales ch. 57, HTV Wales ch. 60, BBC-2 ch. 63.

**Salcombe** (S. Devon) TV4 ch. 30, BBC-2 ch. 41, Westward Television ch. 44, BBC-1 ch. 51. A wideband (group W) aerial is required for use with this transmitter.

**Westward Ho!** (N. Devon) BBC-1 ch. 21, Westward Television ch. 24, BBC-2 ch. 27, TV4 ch. 31.

The above transmissions are all vertically polarised.

### TOUCH TUNING PROBLEMS

Thorn point out that certain aerosol cleaning and polishing agents can cause problems with touch-pad tuning systems. Problems can also arise when a set is operated under adverse conditions such that moisture forms on the pads. To provide a complete solution with touch-tuned versions of the 9600 and 9800 chassis, Thorn have introduced a light-action channel-change switch assembly which can be used to replace the channel selector pads. The assembly consists of a suitable six-channel switch plate and six-channel PCB, and comes with full fitting instructions.

## Overhauling the Rank A823 Chassis

*Mick Dutton*

The Rank A823 solid-state colour chassis has been around for some years now – since the late 60s in fact – and appears in a large number of the sets I deal with. As a result, I've devised over the years a standard overhaul procedure which may be of interest to other readers.

The first thing of course is the power supply. Remove the panel and check for bad joints around 8R2 and the two thermistors 8TH1/2. If the thermistors are worn, it's best to replace them. Resolder the print areas around the fixing screws, and clean off the metalwork adjacent to the fixing holes. Check that the set h.t./e.h.t. control 8RV1 is not worn: if in doubt, change it. Refit the panel and check that the h.t. is correct – I always set it for 200V at the h.t. fuse 8F3.

The timebase panel is next. First check the height, linearity and set mid-point controls (circuit reference numbers vary between earlier and later panels) for dirty tracks. Again, if they are dirty it's best to change them. Check for dry-joints under the 22Ω damping resistor (5R35/5R54) in the line driver stage. Replace the panel and reset the line hold and the field controls.

The i.f. panel is reliable. It's as well to check the preset colour control 2RV6 (later panel) and that the print is o.k. under the speaker socket.

The decoder is probably the most difficult panel to get working correctly. I've found it best to realign the colour sections completely. This usually cures intermittent colour problems. I also change on sight the 50μF electrolytics 3C2/3C16/3C17/3C23 (two-chip decoder) if they are of the black variety. Check for dry-joints on the luminance delay

line, and clean the RGB drive controls. When setting up the two-chip decoder it's quite common to find that the V reference phase coil 3L5 cannot be set for correct overlay without Hanover bars. The cause of this is the chroma delay line having gone out of tolerance, the only cure being replacement. Another fault that's becoming increasingly common on this decoder is 3C30 (15μF) becoming short-circuit: this causes a blank raster.

Dry-joints around the h.t. smoothing/anti-breathing power resistor 8R15/17 can give trouble, and if time permits it's best to remove the chassis from the cabinet and check the conditions of the connections, also the condition of the main reservoir/smoothing electrolytics, the 47kΩ discharge resistors (if they are discoloured, change them), and the security of the earth connection screw at the end of the tagstrip – this can be responsible for an annoying hum bar whose cause is hard to find.

While the chassis is out, check for dry-joints around the pincushion phase coil 6L20 on the scan drive panel – dry-joints here can cause intermittent field collapse.

Check for good connection between the c.r.t. base pins and the panel, and that the focus spark gap has adequate clearance.

The best course of action with the convergence panel is to go through the setting-up procedure, using a crosshatch pattern and changing any controls that are touchy. The usual culprits are the R/G horizontal tilt and amplitude controls 7RV3 and 7RV5.

Going through the above procedure results in better reliability and fewer callbacks, making everybody happier.

**BUILD  
AND LEARN**

Kits which have **PROVED** themselves!

## Forgestone 500 TELETEXT

High quality colour television receiver

NEW INFRA-RED FULL FEATURE REMOTE CONTROL TELETEXT

- ★ Pin diode tuner
- ★ Glass epoxy printed circuit panels
- ★ Full technical construction manual
- ★ Hi-Bri tube
- ★ Eleven integrated circuits
- ★ Ready built and aligned IF module
- ★ High quality components
- ★ Modern cabinets
- ★ All solid state

- ★ Fully isolated and protected power supply
- ★ Diode split L.O.P.T.
- ★ Low consumption

Also ideal as a FULLY isolated COLOUR MONITOR for Home Computer Systems. R.G.B. or PAL Encoded Video inputs, with remote switching.



**forgestone  
colour developments  
limited**

Ketteringham, Wymondham,  
Norfolk, NR18 9RY  
Telephone: Norwich (0603) 810453

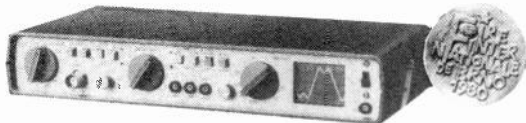
THE ULTIMATE in large screen 22" and 26" television receiver kits. Deluxe full spec. Teletext, 7 channel + VCR. Also video and audio in/out. 6 models in the 500 range.

Buy as you build. All Forgestone Kits are for the constructor of today, sections of the Kit are available separately. Please send stamp for further details of these quality products.

Telephone or Mail Orders accepted on Access/Barclaycard

### THE VERY LATEST SC110 LOW POWER, FULLY PORTABLE OSCILLOSCOPE.

The new Thandar SC110 represents a break-through in oscilloscope development. The SC110 is LESS THAN TWO INCHES thick and weighs under two pounds, yet retains the standard features and controls of a bench oscilloscope.



**1980 GOLD MEDAL** winner of the B.R.N.O. EXHIBITION, the largest Trade Fair held in Eastern Europe.

#### Full Sized Performance

- 10 MHz bandwidth.
- 10 mV per division sensitivity.
- Full trigger facilities are provided including TV frame, or TV filtering.
- Runs on 4 to 10V DC via disposable batteries, re-chargeable cells, or AC adaptor.
- Size 255mm x 148mm x 50mm.

Scope **£139.00** + £20.85 V.A.T.

Carry case **£7.70** + £1.16 V.A.T.

x 1 Probe **£7.70** + £1.05 V.A.T.

x 10 Probe **£7.70** + £1.16 V.A.T.

(AC Adaptor **£4.95** + £0.74 V.A.T.)

(Overseas purchasers please state voltage.)

Re-chargeable cells **£7.50** + £1.13 V.A.T.

#### THANDAR TM354 HAND HELD LCD DIGITAL MULTIMETER

The TM354 is a compact 3½ digit hand held multimeter featuring a LARGE 0.5" liquid crystal display, 0.75% basic accuracy and a 2000 HOUR battery life. The meter provides five functions in fourteen ranges.

- DC voltages 1mV to 1000V
- AC voltages 1V to 500V
- DC current 1µA to 2Amps
- Resistance 1Ω to 2MΩ
- Diode check

Complete with test prods and vinyl pouch.

**£39.95** + £5.99 V.A.T.

World-wide post free service. Overseas orders welcome. Please deduct U.K. V.A.T. Mail Order only. Callers by appointment. Barclaycard/Access orders welcome, Cheque/Bank draft etc., with order please.

Large S.A.E. for technical leaflet and complete Thandar list.

**B. K. ELECTRONICS, Dept. 'T',**

**37 Whitehouse Meadows, Eastwood,  
Leigh-on-Sea, Essex SS9 5TY.**

Tel: (0702) 527572.

# Technical Training in Radio, Television and Electronics

Start training TODAY and make sure you are qualified to take advantage of the many opportunities open to trained people. ICS can further your technical knowledge and provide the specialist training so essential to success.

ICS, the world's most experienced home study college has helped thousands of people to move up into higher paid jobs – and they can do the same for you.

Fill in the coupon below and find out how!

**There is a wide range of courses to choose from, including:**

#### City and Guilds Certificates:-

Telecommunications Technicians,  
Radio, TV and Electronics Technicians,  
Electrical Installation Work,  
Technical Communications,  
Radio Amateur,  
MPT General Radio Communications Certificate.

#### Diploma Courses:-

Electronic Engineering,  
Electrical Engineering,  
Computer Engineering,  
Radio, TV, Audio Engineering, Servicing and Maintenance. (inc. Colour TV)  
New Self-Build Radio Courses with Free Kits.

#### Colour TV Servicing

Technicians trained in TV Servicing are in constant demand. Learn all the techniques you need to service Colour and Mono TV sets through new home study courses which are approved by a leading manufacturer.

#### The ICS Guarantee

If you are studying for an examination, ICS will guarantee coaching until you are successful – at no extra cost.

**POST OR PHONE TODAY FOR FREE BOOKLET.**

I am interested in.....

Name.....

Address.....

Phone No: .....

**ICS** International Correspondence Schools,  
Dept. 285J Intertext House,  
LONDON SW8 4UJ. Tel 622 9911  
(all hours)

# Interested in Television Servicing?

## Try a ZED Pack. Effect Repairs at Minimum Cost.

Z1	300 mixed $\frac{1}{2}$ and $\frac{1}{4}$ watt resistors	£1.95	Z18	20 Assorted Zeners. 1 watt and 400 mw	£1.50	Z40	100 Miniature Reed Switches	£2.30
Z2	150 mixed 1 and 2 watt resistors	£1.95	Z20	10 Assorted switches including: Pushbutton, Slide, Multipole, Miniature etc. Fantastic Value	£1.20	Z41	100 Subminiature Reed Switches	£4.20
Z3	300 mixed capacitors, most types amazing value	£3.95	Z21	100 Assorted Silver Mica caps	£2.20	Z42	20 Miniature Reed Switches	£1.00
Z4	100 mixed electrolytics	£2.20	Z22	10 Mixed TV convergence Pots	£1.00	Z43	12 Subminiature Reed Switches	£1.00
Z5	100 mixed Polystyrene Capacitors	£2.20	Z23	20 Assorted TV Knobs including: Push Button, Aluminium and Control types	£1.20	Z44	TO3 Mounting kits (BU208)	8 for 60p
Z6	300 mixed Printed Circuit Components	£1.95	Z24	10 Assorted Valve bases B9A, EHT, etc.	£1.00	Z45	TO220 Mounting kits (TIP33)	10 for 60p
Z7	300 mixed Printed Circuit resistors	£1.45	Z25	10 Spark Gaps	£1.00	Z46	TO126 Mounting kits (BD131)	12 for 60p
Z8	100 mixed High Wattage Resistors, wirewounds etc.	£2.95	Z26	20 Assorted Sync Diode Blocks	£1.00	Z47	Pack of each Mounting kit. All include insulators and washers	£1.50
Z9	100 mixed Miniature Ceramic and Plate caps	£1.50	Z27	12 Assorted IC Sockets	£1.00	Z48	3a 1000v Diodes (IN5408 type)	8 for £1.00
Z10	25 Assorted Potentiometers	£1.50	Z28	20 General Purpose Germanium Diodes	£1.00	Z49	Brushed Aluminium Push Button Knobs, 15mm long x 11mm Diam. Fit standard $3\frac{1}{2}$ mm square shafts	10 for £1.00
Z11	25 Assorted Presets, Skeleton etc.	£1.00	Z29	20 Assorted Miniature Tantalum Capacitors. Superb Buy at	£1.20	Z50	Chrome finish 10mm x 10mm Diam as above	10 for £1.00
Z12	20 Assorted VDR's and Thermistors	£1.20	Z30	40 Miniature Terry clips, ideal for small Tools etc.	£1.00	Z51	Aluminium Finish, Standard Fitting Slider Knobs. (Decca)	10 for £1.00
Z13	1 lb Mixed Hardware, Nuts, Bolts, Selftappers, "P" clips etc.	£1.20	Z31	5 CTV Tube Bases	£1.00	Z52	Decca "Bradford" Control Knobs Black and Chrome. $\frac{1}{4}$ " Shaft	8 for £1.00
Z14	100 mixed New and marked transistors, all full spec. includes: PBC108, BC148, BF154, BF274, BC121L, BC238, BC184L and/or Lots of similar types	ONLY £4.95	Z32	10 EY87/DY87 EHT bases	£1.00	Z53	Tuner P/B Knobs, Black and Chrome. Fit most small Diam Shafts, ITT, THORN, GEC etc.	8 for £1.00
(Z14A)	200 Transistors as above but including power types like BD131, 2N3055, AC128, BFY50 etc.	£9.95	Z33	20xPP3 Battery Connectors	£1.00	Z54	Spun Aluminium Control Knobs (ITT) $\frac{1}{4}$ " Shaft, suitable for most sets with recessed spindles	8 for £1.00
Z15	100 Mixed Diodes including: Zener, Power, Bridge, Signal, Germanium, Silicon etc. All full spec.	£4.95	Z34	6x Miniature "Press to Make" Switches, Red Knob	£1.00	Z55	14 Pin DIL I.C. Sockets	12 for £1.00
Z16	20 IN4148 Gen Purpose Diodes	£1.00	Z35	12 Sub Min S.P.C.O. Slide Switches	£1.00	Z56	16 Pin Quil I.C. Sockets	12 for £1.00
Z17	20 IN4003/10D2	£1.00	Z36	12 Min D.P.C.O. Slide Switches	£1.00	Z57	16 Pin DIL TO QUIL I.C. Sockets	10 for £1.00
			Z37	8 Standard 2 Pole 3 Pos Switches	£1.00			
			Z38	4xHP11 Batt Holders (2x2 Flat type)	4 for £1.00			
			Z39	3.5mm Jack Sockets, switched, enclosed Type	8 for £1.00			

### ELECTROLYTIC

1µf 63v	20 for £1.00
1µf 350v	10 for £1.00
2.2µf 63v	20 for £1.00
4.7µf 63v	20 for £1.00
4µf 350v*	10 for £1.00
10µf 400v	8 for £1.00
22µf 16v	20 for £1.00
100µf 25v	20 for £1.20
160µf 25v*	20 for £1.50
330µf 25v	10 for £1.00
400µf 40v*	8 for £1.00
470µf 25v	10 for £1.00
470µf 35v	8 for £1.00
1000µf 16v	10 for £1.00
1000µf 25v*	8 for £1.00
1000µf 35v	6 for £1.00

### CAN TYPES

100+200 350v	£1.00
2000µf 100v	£1.00
1000µf 100v	60p
2.200µf 40v	60p
2.200µf 63v	70p
3.500µf 35v	50p
220µf 400v ITT/RBM	£1.00
10,000µf 35v $2\frac{1}{2}$ " x $1\frac{1}{2}$ " with fixing stud and nut.	£1.00 6 for £5.00

### THYRISTOR

SS106 (BT106)	65p each
3 for £1.50, 10 for £4.50	

### .33v REGULATOR

Equivalent to TAA550, SN76550, ZTK33 etc.	8 for £1.00
--	-------------

### EHT STICKS

TV18 KV	50p each, 3 for £1.00
Replacement Tripler Sticks (Thorn)	10 for £1.00

### TANTALUM

0.15µf 40v	12 for £1.00
0.22µf 10v	12 for £1.00
0.33µf 40v	12 for £1.00
0.47µf 40v	12 for £1.00
0.68µf 40v	12 for £1.00
2.2µf 40v	12 for £1.00
3.3µf 16v	12 for £1.00
12 of each value	£6.00
Pack of 20 Assorted, our selection	£1.20

### SPECIAL OFFERS

100 Assorted Polyester Capacitors, Mullard C296's and others 160v-400v only	£2.00
100 Assorted Mullard C280's Cosmetic imperfects etc.	£2.00
200 Mullard Miniature Electrolytics Cosmetic imperfects etc.	£2.00
PACK OF EACH	£5.00

### TRANSISTORS

BC154, BC149, BC157, BF195, BF495, PBC108, BF393S	£1.00
12 of one type	£6.00
2N3055H	60p each
BD181	50p each
BD132	4 for £1.00

### THORN SPARES

"9000" Tripler on Mounting Plate complete	£4.50, 3 for £12.00
"3500" Transductor	£1.20, 3 for £3.00
"3500" Focus Assembly with VDR	£1.50
"8500" Focus Assembly, Rotary type	£1.50, 3 for £4.00
"8500" .0022 2000v Line Capacitor	10 for £1.00
"1590/91" Portable metal boost Diode (W11)	5 for £1.00
"1500" Bias Caps 160µf 25v	20 for £1.50
"1500" Jellypot, L.O.P.T. Pinkspot	£3.50
"900/950" 3 stick triplers	£1.00, 3 for £2.50
"1600" Dropper 18 + 320 + 70 + 39Ω	3 for £1.50
"950" Can. 100 + 300 + 100 + 16µf	£1.00

### ZENER DIODES

0v7, 2v7, 4v3, 4v7, 5v6, 6v2, 6v8, 7v5, 27v, 30v. ALL 400mw.	
10 of one value	80p
10 of each	£6.60
1.3 watt, 12v, 13v, 18v	
10 of one value	£1.00
10 of each	£2.50

### DIODES

25 x IN4002	£1.00
10 x SKE 4F2/06 (600v 2a fast switching)	£1.00
12 x BY127	£1.00
10 x BA158 (600v 400ma)	£1.00
IN5402 3a 200v	8 for £1.00
BY142 3a 1.750v	5 for £1.00

### I.C.'s

CA270AE	£1.00
MC1327P	£1.00
TBA810P	£1.00
555 Timer 50p	3 for £1.00

### LEDS

3mm Crystal Clear, very pretty. Red, Green, Yellow.	
10 of one colour	£1.00
10 of each	£2.50
TIL209 3mm Red	12 for £1.00
5mm Red	10 for £1.00
Red Triangle	8 for £1.00
Green Rectangle	8 for £1.00

### SURPRISE THE MILKMAN

With our 24 tune computerized doorchime. Battery operated. Amaze your friends with a different tune every time they call. Tunes include: Colonel Bogie, God Save The Queen, William Tell, and Lots of others. ONLY £14.95

### TRADE ENQUIRIES WELCOME

### MISCELLANEOUS

Line output transformer for RBM 823A	£4.25 each, 3 for £10.00
ITT VC200 4P/B Transistor Tuner. Suitable for some Pye and Philips sets. 3 hole fixing	£2.75 each
Decca Bradford Tuners, 5 button type	£3.00 each, 5 for £12.50
Decca Bradford Triplers	£3.00 each
Philips K70 Varicap Tuner	£6.45
UHF Modulator UHF out Video in, Ch. 36, $2\frac{1}{2}$ " x $2\frac{1}{2}$ " complete with 9 foot coaxial lead and plug, With connection data	£3.00 each, 2 for £5.00
Video Game Boards. All new but incomplete. Hundreds of useful components. C.M.O.S. IC's, transistors, diodes, sockets, switches etc. Pack of five assorted boards	£2.50
GEC Hybrid 2040 series Focus Assembly with lead and VDR rod	£2.00 each, 3 for £5.00
Convergence Panel for above. Brand new leads and plug.	£3.00 each
GEC 2010 Transistor Rotary Tuner with AE, SKT, and leads	£1.95 each, 3 for £5.00
Bush CTV 25 Quadrupler type Q25B equivalent to ITT TU25 3QK	£3.00 each, 2 for £5.00
PYE 697 Line and power Panel, damaged with some components missing but ideal for spares	£2.20 each, 3 for £6.00
Grundig UHF/VHF Varicap Tuner for 1500 GB, 3010 GB	£12.50 each, 3 for £30.00
EHT Lead with Anode cap (CTV) suitable for split Diodes sets 1m long	60p each, 3 for £1.50
EHT Cable	30p per metre, 10 metres £2.50
Anti Corona Caps	3 for £1.00
4.433 Mhz CTV Crystals	£1.00 each, 3 for £2.50
Cassette Mains Leads, 7ft with fig 8 plug	60p each, 3 for £1.50
6 MHz sound filters, ceramic 3 pin "TAIYO" type	50p each, 3 for £1.00
10.7 MHz Ceramic Filters "Vernitron" FM4	50p each, 3 for £1.00
PYE CT2000 Control Knobs	8 for £1.00
High quality Metal Coax Plug, Grub screw fixing	5 for £1.00, 100 for £12.50
Cassette/Calc Leads, 2m long, figure 8 skt. to flat pin.	
American plug	60p each, 3 for £1.50
3.5mm Jack Plug on 2m of screened lead	5 for £1.00
T.V. Game Remote Controls. Contains 22k thumbwheel pot on 2m of screened lead with 3.5mm plug	2 for £1.00
Mains Neons	10 for £1.00
Mini Grundig Motors. Regulated, variable. $9/16$ " x $1\frac{1}{4}$ "	60p each, 3 for £1.50

## GEMINI ELECTRONIC COMPONENTS

Dept. TV, The Warehouse, Speedwell Street, London S.E.8.

Please quote ZED code where shown. Send cheque\* or Postal Order. Add 60p P&P and 15% VAT.  
\*Schools etc. SEND OFFICIAL ORDER

ZED PACKS now available for CALLERS at 50 Deptford Broadway, London, S.E.8.



# Lemon – '81 Style

Chas E. Miller

LONG-TERM readers may recall an article I wrote a good many years ago ("Beware the Lemon") about a certain TV set which, though from a good family, gave me endless trouble. I've been remarkably lucky since those days, and have seldom been confronted with a real, eighteen-carat, twenty-one jewel stinker. Until recently, that is. And when it came, it proved itself a worthy descendant of the original lemon.

The GEC single-standard hybrid colour sets may not be to everyone's taste, but I speak as I find and must say that they've been very good sellers for me over the years. I've sold numerous examples, the majority of which have been so reliable that I've been able to forget them. Frequently, one sale begat another.

So it was that a lady customer who'd owned a 22in. model for some time recommended her friend to buy a similar one from me. And naturally I was happy to oblige. Now I make a practice of testing all second-hand sets for several days, if not weeks, before they are sold. This consistently pays dividends in the low level of call-backs. The set in question was no exception, and had given no indication of incipient trouble whilst on test. Yet it had been in service for no more than a few days before I received a frantic phone message to the effect that smoke had been seen pouring from the back.

On examination I found that the line output transformer had well and truly cooked. In fact it was burnt to a crisp! This surprised and hurt me, since I'd had nothing like this happen for years – it must have been at least six years since I'd had two line output transformers fail in quick succession, and the extra replacements I'd acquired just in case were still on the shelf. So in went a new line output transformer, and with the picture restored the set was returned.

In next to no time it had "gone off". This time the BY127 h.t. rectifier had gone dead short, which was not particularly exceptional nor expensive to put right.

I think I actually got away with a whole week before the next cry for help, which came because the picture had "gone blurred". Having had a few cases of the resistor (R67, 10M $\Omega$ ) in series with the focus control going high in value, I naturally checked this first. In the event it was perfectly all right, the trouble being due to the e.h.t. series resistor in the c.r.t. anode cap. It was virtually open-circuit.

Replacing this earned me another few days' respite before another call came. More smoke signals had been observed. This was a classic fault on these GEC sets – a print breakdown around the area behind the height control. The cure is to file away the charred section and replace the missing copper strips with ordinary wire (you got the same trouble near the PL504 in the old Thorn 950 chassis).

Since the set was once more in the workshop I decided I'd forestall any further trouble by changing all the other components that in my experience have been susceptible to failure in these sets. These include the 560k $\Omega$  resistor (R526) in series with the height control, the boost reservoir capacitor (C523, 0.47 $\mu$ F), the two resistors (R540, 390k $\Omega$  and R541, 120k $\Omega$ ) in series with the set e.h.t. control, the resistors in the sync separator's collector circuit (R500, 56k $\Omega$  and R501, 33k $\Omega$ ), and the three-legged thermistor

TH501/2 in the degaussing/heater circuit. And although there was no evidence to suggest that it had contributed to the earlier failure of the e.h.t. anode cap resistor, I changed the tripler as well. Then back on the test bench for a session.

In all honesty, it lasted no more than ten minutes before the width closed in sharply, with the loss of about two inches at each side. The focus had also deteriorated. I peered in the back, from the line output transformer side, and saw smoke rising. I couldn't locate the source however. It was not until I'd moved to the other side of the set that I was able to spot something I'd never seen before – the focus control itself was glowing red hot from end to end! This held me spell bound for a few moments before my hand flew to the on/off switch. By that time the 10M $\Omega$  series resistor had turned to ash and the control's plastic housing had melted around it. By good fortune I happened to have replacements to hand, so it was not too long before I once again had good, sharp pictures of full width. The only snag was that they were now in monochrome! Maybe R416 (18k $\Omega$ ) which feeds the screen grids of all three PCL84 colour-difference output valves was open-circuit. No.

One soon learns to check and double check the interconnecting leads on GEC sets when something drops out for no apparent reason. To no avail this time however. Not feeling in the mood for a fault-finding session, I changed the decoder panel for a known good one. The pictures were still in black and white. Again check the leads, but find nothing amiss. Replace the original decoder and get colour back – but with no red! The series resistor (R607, 220k $\Omega$ ) between the red first anode and the slider of the preset had gone open-circuit.

With the red restored it was evident that the purity had gone seriously awry, though it had been perfectly o.k. before the focus control packed up. I thought I'd better check that the degaussing coils were operating before anything else, and sure enough discovered that the VA8650 pististor (TH503) in the degaussing circuit had a leg off. So I went off in search of another. I picked up three, one after the other, and in each case one leg fell off before it could be fitted... Eventually I discovered a complete one which stayed that way long enough for it to be fitted, and was gratified to get a vastly purer red that needed only a little adjustment to get optimum results.

For what followed I've only myself to blame. What I should have done was to say enough is enough and cut my losses by selling the set off at an auction sale while it was still giving what were actually very good results. But refusal to admit that one is beaten is a common enough failing. On the strength of a trouble-free week, with the set on in my house so that it could be left running for fourteen hours a day, I decided to give it another go. It lasted in the customer's house for two days before the raster disappeared.

By now things were getting decidedly embarrassing for all concerned. To give her her due, the owner was acutely concerned about having to call me out so often. She was actually prepared to persist with the set, since the picture pleased her when the set was actually working.

On taking the back off, I immediately spotted that the red button of the line output stage overload cut-out (it's in series



reducing the loop gain. The addition of the speed-up capacitors increases the sensitivity of the bistable switch, thus overcoming the problem.

Another problem has arisen when using the Sony cameras and adaptor with the Ferguson 3V23 and JVC HR7700 mains-operated machines. If you connect the camera via the CMA1010 adaptor, switch the VCR on and then select the camera input button on the front, the LED in the camera lights but the camera doesn't power up. If you unplug the camera from the VCR and then plug it back in however the camera operates – provided "camera" is still selected. Again, why? It's to do with the rate of rise of the power supply voltage.

When the camera is powered via selector switching on these recorders, the 12V supply rises slowly: when the camera is unplugged and then plugged in again, the voltage rise is almost instantaneous. There's a regulator circuit in the Sony cameras, and this requires a fast rise time at power

switch on. The switching within the 3V23 and HR7700 machines is too slow for this. We've found that a modification can be carried out on the 3V23/HR7700 to cure the problem, but I'm not sure that it's a good idea to provide details . . .

### **Tape Trouble – Betas**

Finally this month a note on Derek Snelling's last paragraph in the May *VCR Clinic* – on Betamax machines that exhibit blank video replay due to faulty tapes. The cause of the symptoms is lack of control track pulses due to tape edge damage or lack of oxide – the control track is on the bottom edge. As a result of this the servo goes out of lock and the muting circuits operate. A deformed cassette or one that's not seated properly can be a contributory factor when the tape rides high – large-scale misalignment of the tape path will have the same effect.

---

### **Derek Snelling reports:**

Despite the differences between the Betamax and VHS systems, you get some common faults with the two different types of machines. A couple occur regularly in our area. The first is a trivial one I get at least twice a month, the complaint being that playback is o.k. but the machine won't record. When I get there I usually find that there's a TV/camera switch which is in the camera position. This disconnects the tuner of course, preventing off-air recording. Trying to ask the customer to check this point before you go out is not always easy however.

The second problem concerns the lever which raises the front flap on the cassette when it's inserted into the machine. If the VCR is subject to heavy use, particularly by different people, in clubs say, the lever can become bent. This is usually because the housing has been closed before the cassette has been pushed fully home. The result is either inability to close the cassette housing or inability to eject the tape. Once the top of the machine has been removed and the cassette ejected (if necessary), repair is simply a matter of bending the lever back to the correct position (it's fairly soft). Check by inserting a cassette slowly, seeing that the lever lines up with the slot in the cassette and does not foul anywhere as the housing is lowered. It's a good idea on VHS machines to check the small spring strip in the rear right of the cassette housing, as this should press the button on the right of the cassette, releasing the catch on the front flap. If necessary, retension the strip by bending it slightly, using a pair of long-nosed pliers.

### **Panasonic NV7000**

A problem that seems to be showing up on Panasonic NV7000 machines as they approach a year old is failure to complete the loading sequence. The machine will load up normally until a point just short of the fully loaded position. At this point the motor note changes and it fails to get any farther, with the result that the machine unlaces after a few seconds.

The problem is obviously a mechanical one, and when we first encountered it we decided to contact Panasonic for any advice they could give before we started to strip the machine down – the workings of this model are not the easiest to get at. The problem is apparently a common one, and we were told straight away to remove all the old grease from the loading mechanism and replace it with paraffin oil. This cured the problem on the first machine, but on the next

two that came along the larger of the two loading belts had to be changed as well. The loading mechanism seems to operate at the edge of the performance specifications of some of the parts, and recently the loading plate has been changed to give improved reliability. Unfortunately it does not appear to be interchangeable with the earlier plate, and thus can't be used for general replacement purposes.

### **Latching Mechanism – Ferguson**

The latching mechanism on Ferguson machines seems to be a little weak. Three times recently I've had to strip down, reshape and rebuilt this unit on different machines. On the first, the play key would not depress. This was due to the slot in the latching bar being completely closed as a result of the bar being bent. In the second case the record key could not be depressed because the smaller "record" latching bar was bent. In the final case the keys went down o.k. but had a tendency to jump up as the machine clunked at the completion of loading. This was simply the result of latching bar wear: the metal is a bit too soft for the purpose – filing provided a cure. Although the repair to the latching bar was in each case a matter of moments, getting the mechanism out and stripping it down is a tricky job that involves removing eight screws, eight springs and two circlips – after removing the top, the cassette housing, the bottom, bottom board, side and front.

### **Toshiba V5470**

Whilst I agree with Steve Beeching that the Toshiba V5470 is a reliable machine, we've been having a lot of trouble with faulty capstan motors – we've had to change about ten since Christmas. The symptoms are easy enough to spot – varying tape speed, with the obvious effect (wow) on sound, the picture not always being affected. Unfortunately Toshiba seem to have a problem with supplying replacements promptly. Another problem is that Toshiba altered the motor's specification without telling us. This came to light when a replacement motor we'd fitted was found to be running far too fast. At first we thought the motor was faulty, but as a check another one was taken, complete with pulley, from a stock machine. We noticed that the pulley was about 25% smaller, and was marked with a red X. When it was fitted to the replacement motor, the machine worked o.k.

Now the only way to adjust the capstan speed on these machines is by varying the pulley size, and for this purpose we had a full set of pulleys. An X was not mentioned in our manual however, and the pulley was far smaller than the smallest one we had. Because of this we sent two of our pulleys, stamped D and E, for replacement with X pulleys, as we were clearly going to need these with replacement motors. The replacements were marked D and E, but in red instead of in black, and were far smaller than the originals. Obviously Toshiba do a complete range of pulleys similarly numbered to the original range, but smaller to suit the new motors. Life would have been easier if we'd known.

## Sanyo VT9300

Since my last report, another fairly common problem with the Sanyo VT9300 VCR has arisen – in fact it's the same problem, though the symptom is different. The complaint is that the keys trip, i.e. come up, at varying intervals on play or record. The machine then stops of course. This habit is particularly annoying with an unattended recording. We first suspected misadjustment of the tape end sensor circuit, causing the oscillator to stop and the machine to think that the end of the tape had been reached. This was not the case however, so the various feedback pulses were next checked. None of them disappeared when the fault occurred – and finding the cause of the problem was made worse because if the machine was operated again even after it had just tripped it would usually work all right.

We eventually contacted Sanyo, and were told that the problem was our old friend the 12V series regulator transistor Q702 going intermittent: the clue to look for is a momentary dimming of the power light before the keys trip. Since the first one, we've had nine further cases of intermittent tripping, and in each case we've changed the regulator transistor without even seeing the fault. The result – 100% success!

## Beware – Bodgers at Work!

Just to show that repairs by “the man down the road” are not confined to TV sets, we had a Panasonic NV8600 in for repair last week, the report being that it wouldn't work (very helpful) but that it couldn't be much as it wasn't long out of guarantee. Well, for such a new machine it was in a terrible state – scratched, dirty, the mains lead chopped off just short of the cabinet and another “fitted”, and the grommet where it goes through the metal casing missing. Still, it's not for us to criticise how others look after their equipment (once it's paid for and out of guarantee, that is). On to the repair. We soon found that no keys would latch down when the machine was switched on, though they were o.k. when it was switched off. This was soon put down to operation of the stop solenoid, but why?

The cassette housing lamp was lit, but it was noticed that the power light was very dim. Perhaps there was a problem with one of the power supplies? Our checks in this area revealed some points of interest. First, some screws were missing, and the ones that were there were in the wrong places. Secondly, a glance at the rectifier board revealed that several diodes had been replaced, by the look of it with anything that came to hand. Checks here didn't throw any light on the matter however, so we moved on to the regulator and transport board, at the front of the machine – this holds the stop solenoid drive circuitry.

Various circuits can activate the stop solenoid – lamp failure, end sensor, dew sensor – the signals being fed to the

drive circuit via diodes D613-7. By disconnecting each of these diodes in turn we were able to determine what was tripping the solenoid. The fault seemed to be around Q625, which operates the power light and senses whether the cassette lamp is functioning. As the lamp was lit, the transistor was suspected. A replacement made no difference however. At this point we for some reason removed the cassette housing: the answer to the problem was then obvious – someone had fitted the wrong cassette lamp. It was larger than the correct one, but the reason it caused all the trouble was that it drew the wrong current and thus confused the lamp failure circuit.

Fitting the correct lamp cured the problem. It then remained only to clean last week's dinner out of the mechanics, replace the diodes on the rectifier board with the correct ones, fit a new mains lead and grommet, and hope that the bill would persuade the customer not to let “the man down the road” mess about with it next time.

## Hitachi 8000/8500 Series

Further to the problem of the 2-2Ω resistor R081 on the Hitachi 8000/8500 series VCRs burning up, the latest theory is that static charges are upsetting the microprocessor IC901, with the result that there's sometimes an output from both the loading and unloading pins, Q901/2 then both turning on at the same time to produce a virtual short across the loading motor supply. To combat this possibility, the following modification has been made to the reset circuit: instead of ZD901 being fed direct from the 18V rail, it's fed from R081, the theory being that if the fault occurs the voltage from R081 will approach zero, causing a reset to be applied to the i.c. This removes the load and unload outputs, presumably before R081 burns up.

An interesting fault we had with an 8000 was failure to eject when the machine was switched on, and occasional slack tape when the tape was ejected with the machine switched off. We soon found that the main brake was being held in the off position, and that in this position an interlock prevents the eject button from operating. The reason it operated with the machine switched off is because applying power to the main brake solenoid holds the brake off, the brake being on under no power conditions (thus preventing slack in tapes left in the machine whilst it's switched off). The fault was traced to the solenoid drive transistor Q54.

## TV Receiver Modifications

Most modern TV sets have a VCR position, but this is not always the case with sets that are more than three-four years old. The modification introduced when the VCR position is selected usually alters the time-constant of the flywheel line sync circuit, to enable this to cope with the off-tape sync pulses. The modification can be switched out to avoid problems during off-air reception, particularly in weak signal areas. Some recent sets, in particular ITT chassis, also suffer from field problems, for which modifications have been introduced.

The following list of modifications for VCR use may be of help to readers. They relate to the various chassis we deal with and have been supplied by the manufacturers concerned. We've tried most of them, though not all. It's also worth pointing out that just because a modification has been suggested for a chassis it doesn't mean that it has to be carried out – a lot depends on the VCR being used, i.e. on whether the heads are worn, whether the tape was recorded on the machine being used, and so on. If any of the



following symptoms are experienced – picture shake, pulling at the top of the picture (often worse on still frame), picture bounce or roll (often intermittent), or colour drop out (usually in conjunction with pulling at the top) – the suggested modifications should be tried.

**Decca 10 and 30 series:** Change R434 to 680k $\Omega$ , C419 to 2.2 $\mu$ F and C421 to 0.047 $\mu$ F.

**Decca 80/88/100 chassis:** Models with touch buttons require no modifications. With others, short pin 10 of IC301 (TBA920) to chassis. If problems are experienced with normal reception after carrying out this modification, a button unit can be obtained from Decca with a microswitch fitted to button 6 so that the modification comes into operation only when this button is operated.

**ITT CVC5/8/9 chassis:** Change C288 to 680pF, C290 to 0.1 $\mu$ F and R395 to 47k $\Omega$ .

**ITT CVC20 series chassis:** Change R702 to 2.2M $\Omega$ , R708 to 82k $\Omega$  and C710 to 0.068 $\mu$ F.

**ITT CVC25/30/32 chassis:** Carry out modifications as for the CVC20 chassis. Also remove wire link adjacent to L35 and replace with a 100 $\mu$ H choke. In cases where field bounce is experienced in models fitted with the CMS30 sync/line oscillator module, change R713 to 3.3k $\Omega$ , add an 0.01 $\mu$ F capacitor in the position marked C714, remove wire link WL3 and replace it with an 0.1 $\mu$ F capacitor, and add a 100k $\Omega$  resistor in the position marked R714.

**Philips G8 chassis:** Remove C4496 and C4498 from the timebase panel. Fit a 15 $\Omega$   $\frac{1}{2}$ W resistor in series with a 10 $\mu$ F capacitor in place of C4496. Fit a 10k $\Omega$   $\frac{1}{2}$ W resistor across

pins 3 and 5 of IC2001 on the i.f. panel.

**Philips G11 chassis:** Where field bounce is experienced, change C2039 on the timebase panel to 0.0039 $\mu$ F 100V.

**Rank A823 chassis:** Change 5C13 to 680pF and 5C12 to 0.01 $\mu$ F (A803 scan drive panel).

**Rank A823A chassis:** Change 5C10 to 1.5 $\mu$ F, 5R15 to 47k $\Omega$  and 5C15 to 0.068 $\mu$ F (Z504 scan drive panel).

**Rank A823B chassis:** Uses Z968 scan drive panel. Modifications as for A823A chassis.

**Rank Z179 chassis:** Short pin 10 of 4SIC1 (TBA920) to chassis. A kit is available to do this automatically on touch tuner models with or without remote control.

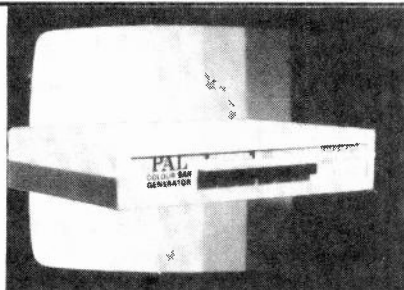
**Rank Z718 chassis:** Connect pin 8 of 4SIC1 (TBA950) to the 12V rail and short pins 1 and 2 of plug 3Z9 together. Kits are available to enable this to be done automatically (quote model number).

**Tandberg:** A modified sync panel is available for the CTV1 chassis. No modifications to the CTV2 and CTV3 chassis are required.

**Thorn 2000 chassis:** Change C7 on the line timebase module to 4.7 $\mu$ F.

**Thorn 9000 chassis:** Change C419 to 3.3 $\mu$ F and C421 to 1 $\mu$ F.

Various imported sets using the TBA920 sync/line oscillator i.e., e.g. the Ku $\beta$ a Florence and Zanussi BR1026, can be modified by linking pin 10 of the i.c. to chassis, via a switch if necessary to preserve good off-air sync.



COMPARE OUR PRICE & SPECIFICATION AND SEE WHY HUNDREDS OF SERVICE ENGINEERS, BROADCAST ENGINEERS, UNIVERSITIES AND TECHNICAL COLLEGES, WORLD WIDE, CHOSE THE N7118.

## SPECIFICATION

Line frequency: 15,625 Hz  $\pm$  0.1%

Field Frequency: 50 Hz  $\pm$  0.1%

Interlace: 2:1

Colour System: PAL

Standard 75% Saturated, 100%

Amplitude Colour Bars

Size 8"  $\times$  5 $\frac{1}{2}$ "  $\times$  1 $\frac{1}{2}$ " and

Weight 500 grams (1.1 lbs)

## SOUND

Carrier frequency: 6 MHz or 5.5 MHz

Modulation: 1 KHz Sinusoidal/Unmod.

## VIDEO

Output: 1V P to P Positive into 75 ohms



**INTRACEPT**

**ELECTRONICS LTD., 203 Picton Road, Liverpool L15 4LG Tel: 051-733 3042**

N7118

## COLOUR BAR GENERATOR

- \* Now Available with Sound Modulator
- \* Built-in rechargeable battery PLUS Mains Unit.
- \* Push-Button operation selects: Colour Bars, Red Raster, Crosshatch, Grey Scale and Peak White.
- \* UHF or VHF Output, plus (optional) 1V P to P Video.

### EXTRACT FROM APRIL 1980 TELEVISION MAG.

"The N7118 was substituted for our Philips PM5509 and used for some weeks on all bench repair jobs. It worked well, providing over a millivolt of u.h.f. signal without any sign of modulator or receiver overload . . ." "This bar generator really came into its own in field servicing. The ten-hour capability of the internal battery last for many weeks of field servicing . . ." Also available N7121 portable video pattern generator – 3 unmodulated colour difference output signals at 1v. P. to P. 75 ohms positive + separate sync output providing many colour and mono video patterns essential for setting up colour monitors. Built and tested **£88.25** inclusive.

### PRICES

N7118 Kit £49.95 + VAT. & FP

N7118 Built & Tested £75.00 + VAT & PP

Sound Module (kit) £8.95 + VAT

Sound Module (Built) £9.95 + VAT

Video Module (kit) £8.95 + VAT

Video Module (Built) £9.95 + VAT

(Please add 58p Post & Packing if ordering sound or Video module, under separate cover)

### TOTAL

**£59.50**

**£88.25**

**£10.29**

**£11.44**

**£10.29**

**£11.44**





The power supply/selecter switch unit (top) and the remote aerial switching unit (bottom), with interconnecting pin diode bias supply cable. Note the arrangement of the coaxial sockets on the switching unit, with the output socket at the centre and the input sockets around it, thus minimising the lead lengths within the unit.

SpE openings when the signal levels will be relatively high. If you intend to use the system as a remote u.h.f. switcher, extreme care with construction will be necessary and the second, BA379 stage should be omitted.

In view of the present cost of low-loss coaxial cable, the project is certainly worthwhile. A single three-core mains cable could be employed, with the outer of the coaxial download used as the chassis link and the inner used to feed 24V up to an amplifier. It's advisable, in the interests of screening etc., to use diecast boxes for both the remote and power units. Arrange the input sockets around the output socket in the remote unit to minimise lead lengths.

Since the prototype was intended for domestic use, adjacent to the DX installation, latching screened DIN plug/socket connectors were employed. These prevent the plugs falling out and, though more expensive, were felt to be worthwhile. Four core cable (with individual screens) can be obtained, along with the plugs/sockets, from Maplin. The pin diodes are available from Ambit.

The arrangement adds greatly to efficient operation when SpE conditions are very active, and as an additional bonus reduces wear on coaxial sockets and amplifier input sockets.

### Bi-directional System

A further use could be with the improved omnidirectional array featured in the August 1980 issue, so that the output from either of the two dipoles could be selected to give bi-directional coverage. For this purpose, omit the second pin diode stage, reducing the isolation level to 40dB. ■

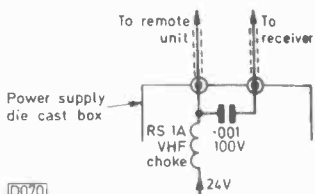


Fig. 4: Method of feeding the 24V supply to the masthead unit via the centre conductor of the aerial download – connections at the power supply end.

# next month in

# TELEVISION

## ● SERVICING THE PHILIPS G9 CHASSIS

The G9 was the Philips design to drive 110° delta-gun tubes. Mike Phelan provides a detailed guide to fault finding.

## ● ACTIVE FILTERS

The use of an active filter instead of a conventional RC or LC smoothing circuit gives a double benefit – improved performance with reduced component cost and size. S. George summarises the principles, describes some practical circuits and provides guidance on faults.

## ● CRT TESTER/BOOSTER

A comprehensive tester/booster design that checks emission and for shorts in all types of tube. With detailed advice on use.

## ● VCR TOPICS

More *VCR Clinic* items plus an interesting remote control/timer system originally devised for use with the Sony VO2850 U-matic editing VCR.

## ● AERIAL STACKING

A technique that can be used to obtain increased gain and/or reduced interference pick up. The art of stacking is quite complex, the main problems being aerial spacing and combining the outputs. Roger Bunney reviews the subject and provides details of an active combiner circuit.

PLUS

ALL THE REGULAR FEATURES

ORDER YOUR COPY ON THE FORM BELOW:

TO .....  
(Name of Newsagent)

Please reserve/deliver the August issue of TELEVISION (70p), on sale July 22nd, and continue every month until further notice.

NAME .....

ADDRESS .....

# The End is Nigh

Les Lawry-Johns

I can't help feeling that the end is near. For years I've been kidding people that I know my job and have some sort of crystal ball I look into and immediately know what's wrong with every piece of equipment that comes in, be it a telly, radio, cassette, record deck, depth sounder, automatic pilot, diathermy unit (flesh cutter with a high-frequency probe I think) or what have you. Now I don't seem to be able to get anything right, be it a bread and butter TV set or the decoder in the Mitsubishi CT200. As for these switch-mode power supplies that shut down at the drop of a hat, what's wrong with fuses for heaven's sake? They're not wholly electronic I suppose.

Say for example that an e.h.t. tripler plays up. Once upon a time a fuse in the supply would fail. So you unhooked the tripler, checked the h.t. current with a meter to ensure that it was normal, fitted a new tripler and went to bed. Now when a tripler plays up the power supply senses the overload, shuts down, starts up and shuts down a couple of times and then lapses into sullen silence. In the meantime this huffing and puffing deals the bloody line output transformer a mortal blow, and if it continues to function for the present it'll certainly fail next week, with more huffing and puffing from the power supply. They even shut down when there's nothing wrong, adding chaos to the mayhem.

No, it's all too much for me. Human Rights have been a great benefit to suffering humanity. We never get a second thought. Even when you're having a quiet kip on a Bank Holiday afternoon, the editor rings up and says "don't just sit there, do something". (May Day wasn't intended for the rich owners of department stores – one department for the customers, one for the stock and another for the staff, including cat and dog – editor.)

So I'm busy carving my headstone. I don't trust these stonemasons. So far I've managed to chip out:

Here lies the body of LLJ,

He twisted and turned but couldn't get away.

## The Thorn 8500

All this is leading up to the saga (amongst others) of Mr. Piddlewell and his Thorn 8500 colour set. He plonked it down and said it didn't go except for a faint buzz when it was first switched on. "It must be the on-off switch" he informed me. "Rubbish" I replied, "if it was the on-off switch it wouldn't even buzz. Hang on and I'll take a quick look."

With the back off, we could clearly hear the degaussing coils doing their bit when we switched on. There was precious little else however. Unfortunately it wasn't an 8000A, which has a 12Ω dropper instead of a mains input choke. That would have been easy, as the fault would probably have simply been an open-circuit dropper. Anyway, in addition to the choke there's a thermistor (usually), so a quick check was made to ensure that it was intact. We next moved the probe to the thyristor's anode – and the set immediately sprang to life, frightening Mr. Piddlewell out of his senses. He jumped back like a scalded cat. "Don't do that when I'm not ready!"

"Sorry" I said. "I didn't know the prod was going to prod it into action. Let's try it again." So we switched off, waited a while, then switched on again. Nothing happened apart

from the buzz. "We've got to creep up on it" I told Mr. Piddlewell.

"You creep up on it" he said. "I'm standing well back this time."

So we tried to be methodical. We first checked for the presence of the mains-derived 25V regulated supply, since this provides the power for the thyristor's triggering circuit. The 25V was present and correct, but it was difficult to make sense of the other voltages because the h.t. voltage hadn't been established. So we checked for voltage at the anode of the thyristor, and the whole thing immediately sprang to life again. In fact anything metal touching the thyristor's heatsink or the diode in series with the thyristor on the input side started the damn thing up. So for want of anything better to do, we changed the diode and the thyristor. The thing then started up without any prodding. We hastily put the back on and started to prepare Mr. Piddlewell's bill.

"It's gorn off" he said.

I stopped writing, closed my eyes, gritted my teeth and rocked back and forth slowly. Off came the back and the testing (me or the set?) started again. Nothing made sense till we touched the input to the thyristor. All services were then restored.

"It's a loose wire" said Mr. Piddlewell helpfully.

"\*\*\*\*\*" I replied.

I then started mumbling to myself about trigger pulses arriving too late or not at all, and again removed the panel. I changed the three transistors in the trigger circuit, all suspect resistors, the relevant capacitors and the two diodes. The set then worked faultlessly, and off went Mr. Piddlewell without his bill – just in case. The next day he came back.

"It went off half way through the football" he gritted. "Leave it with me for a few hours" I sobbed.

Alone again, I crept up on it. The 25V line was o.k., and any attempt to check on the a.c. side restored the set to life. Out came the panel and, with it suspended by the wiring, I tried to take some readings without touching any point that would prod it back to life. Unfortunately I was stupid enough to allow the 25V regulator's heatsink to touch one of the a.c. mains tags on the input choke. There was a flash and the fuse blew.

With a heavy heart, I checked the 25V regulator transistor. It was short-circuit of course. I replaced it, but there was obviously some sort of short somewhere along the line as the 51Ω resistor in series with the transistor was overheating. Disconnect the 25V output plug 10/5 to the decoder/i.f. panel and the short clears. So we set about the tedious task of checking for shorts on this panel, and finally found it on the small a.f.c. subpanel, where a disc capacitor had gone short-circuit.

This was replaced, and on refitting the plug the BBC World Service commenced to read us the news. I'd met this one before and immediately accused the small eight-pin chip (MC1330 or equivalent, video detector) of playing about. Replacing it rewarded us with more normal sound, but not a sign of a picture as the MC1327 chroma demodulator/matrixing i.c. had also been dealt a mortal blow. With this replaced we had a picture and everything seemed to be in order. It then dawned on me that the power supply still had an intermittent fault, and sure enough the

next time we tried to start it nothing happened until we touched the input to the thyristor.

At this I lost my cool. I took out the 4443 thyristor, replaced it with a 4444, and shorted out the series diode so that the full a.c. was applied to the thyristor. "If you need a prod" I said, "have one!" No further trouble has been experienced since then, and if the trigger circuit really was at fault it hasn't said so. Mr. Piddellwell has his set back, and will pay (I hope) when it has worked for a week without fault. So sorry you've been inconvenienced sir.

### **More Black Comedy**

Following that I'd have liked to have had a nervous breakdown. There wasn't time however. An ITT CVC32 came in with the power unit tripping.

Removing the line oscillator panel stopped the tripping, so we checked everything in the line output stage, noticing that a new tripler had recently been fitted (not by us). Now if all the diodes are o.k., together with the line output transistor and the scan-correction capacitor etc., one has to look askance at the line output transformer. Upon fitting a new one normal operation was restored. The moral here seems to be that if the tripler fails the transformer is also suspect, which pleases the customer no end.

When the second CVC32 came along therefore you could say I'd been brainwashed. When it was switched on it tripped a few times and then went quiet. So I took out the oscillator panel and the set stayed on with a whistle to say that it was unloaded. I checked the line output stage – transistor, diodes, etc. – having already unhooked the tripler to no avail. "The transformer's gone" I thought.

So I fitted another and left the tripler disconnected. The set behaved exactly as before. A couple of humps, then back to silence. It then occurred to me that I hadn't checked the overvoltage preset (the bottom one). A slight touch on this restored the supply line and enabled us to set the thing up according to the book. Caught again. Back went the old transformer (sorry to have bothered you), on went the tripler (sorry to have suspected you), and the set was left on test for some hours just to be sure.

In passing, the model had full remote control. This functioned very well, but the off button didn't seem to be very positive in its action on the switch relay, or rather the relay seemed to be sluggish in its action upon the on-off switch. We didn't pursue this as something else was occupying our innermost thoughts – the previously mentioned Mitsubishi set.

### **Decoding a Decoder**

Surely for sheer complexity the decoder used in the Mitsubishi CT200 must take the cake. Not, I hasten to explain, that I'm an expert on decoders, and I rarely tackle any kind of imported colour sets apart from those we've sold ourselves. The reasons for our reluctance to become involved with all the Sonys and other far eastern solid-state colour sets around are first because we don't feel inclined to stock up with spares which we may or may not need to use, and secondly because I'm a coward and hesitate to tackle anything I'm not familiar with.

A friend had had a great deal of trouble trying to get his CT200 fixed however, and had been without it for months. So in a weak moment I said I'd have a go at it, as nothing should take that long to sort out. The complaint was simply no colour. We looked up the circuit and received our first shock – all those f.e.t.s and other transistors dotted all over the place, in addition to one i.c. and two crystals . . .

Since the chroma demodulator i.c. drives the three colour-difference output transistors, this seemed a logical place to start. Injecting signals at its outputs got the output transistors going and produced pretty coloured patterns, but it was hardly surprising to find that this was as far as we got since there was no voltage supply to the i.c. The rectifier (D605) which provides this was open-circuit – it's right over on the far side of the panel. Replacing this restored correct voltages around the i.c., but precious little else. So we plodded backwards and found that the final chroma amplifier Q607 was open-circuit. Replacing this didn't help much either, so we went back and found (cutting a very long story short) several bipolar transistors and one f.e.t. defective.

Rotating the colour-killer control now gave us some bars of colour which couldn't be locked. This was not surprising, because there were hardly any burst gating pulses reaching the two reference oscillator control loops (it's one of those non-PAL decoders). They were present at the input to the decoder panel, but got lost on the way to the gating transistors. We finally found that the choke (L608) across which they are supposed to be developed apparently had shorting turns – it never gave the same reading twice. Replacing this with a coil (complete with core and shunt capacitor) from another decoder sent gating pulses where they should go, and we had colour which locked once we had realigned the coils (these had been disturbed, along with every preset on the board).

We could now rotate the colour-killer control to its proper setting, and decided to change channels to see whether lock was maintained. The button we pressed had not been set to a channel, so we got only a hiss on the sound and no picture. There was also another hiss apparent however, coming from the vicinity of the tripler. Before we could switch off there was a loud splash, and something appeared to be aflame somewhere down in a covered section.

Once the immediate panic was over, we found that there's a 200M $\Omega$  bleed resistor housed in a long vertical tube of heavy insulating material at the e.h.t. tripler's output. The insulation had broken down, and there'd been arcing across to the nearest earthed point. There was also a mound of silicone "putty" around the top of the tripler, so it would seem that a discharge had occurred earlier in the set's history. Perhaps this was the reason for the multi-faulted decoder board.

With the discharge problem overcome, we turned to the tuner again and tuned it in. Sound o.k., picture o.k., no colour. Gating pulses were still getting through, and we then found yet another 2SC710 transistor open-circuit, making four of this type we'd replaced. Is there something about this type of transistor that makes them hypersensitive? We fit BC108s and get no more trouble.

We again had colour, but it still seemed to lock weakly on channel change. After that brief second of hesitation however it couldn't be faulted so we called it a day.

Many, many hours had been spent on this hideous decoder, much of the time finding our way around it and trying to understand the meaning of some of the terms used. With thirty odd transistors including the colour-difference output ones, four f.e.t.s, an i.c. plus another half a dozen transistors on the same board for the luminance channel etc., this must be something of a record. Mind you, time could have been saved if I hadn't inadvertently consulted the CP140 decoder circuit instead of the CT200 half way through the proceedings.

If I worked for anyone other than myself, I'd be sacked on the first day.



# Video Effects Generator

Malcolm Burrell

ALTHOUGH electrically separate, the video effects generator described here was designed and built as an integral part of the video mixer that was featured in the February issue earlier this year. It shares the same power supply and ZNA134J sync/drive pulse generator, and the output goes to the video mixer's effects input. Sync pulses are not added to the output, as this is done by the mixer. The combination of different effects that can be produced can be quite complicated however, so it was decided to incorporate a preview output. This enables the user to check exactly what the effects will be before say recording them on videotape as part of a programme. The preview output requires sync pulses of course, and these are added in a very basic fashion.

## Effects Provided

The effects generator is similar to Andrew Parr's design published in the April 1976 issue of *Television*, but to simplify matters most of the transistors are contained within a couple of transistor array i.c.s – a third such i.c. array is used in the title/key unit, which is an optional extra. The generator itself produces ten different effects in the form of wipes – vertical wipe from left to right or vice versa, likewise from top to bottom, vertical and horizontal split screen wipes, T wipe, three corner wipes, centre rectangle wipe and centre cross from all four corners.

A-B mixing is used, with two rows of buttons to select the video sources (as with the video mixer – the input sockets are common to the two). This enables direct cuts to be made. In addition, a row of ten buttons selects the mating waveform required. For convenience, wipes are achieved using a single slider control consisting of two mechanically coupled dual-track slider potentiometers.

Since the entire system is for monochrome use only, it's comparatively easy to incorporate a simple means of superimposing titles and keying. This tricky operation can be carried out with care, provided the subject to be superimposed is evenly lit and is photographed against a dark background. There are two switches in the keying circuit, one to switch it in and out of operation (see circuit, Fig. 4) and the other to invert the key waveform – in effect reversing the positions of the A and B inputs to the mixer. A

variable control (VR7) provides fine adjustment of the key level. The input is preselected by plugging into either of the four looped-through camera inputs to the mixer. Operating the invert switch inverts the key signal, resulting in the key and background being reversed – it does not enable lettering to be inverted from black to white, unless channel A is set to the black level position. For this reason, if black lettering is to be superimposed the caption should consist of black lettering on a white card, while if white lettering is required a black card should be used. With the simple circuitry used here, the lettering should be bold and well spaced, otherwise it will not be clearly resolved.

For keying, the background can be a normal camera input but the key subject must be against a black background, evenly lit and with preferably no really dark contrasty areas which might be interpreted as black, resulting in the background showing through. Obtaining a satisfactory balance is not easy, but various types of effect can be achieved.

To key in the subject, select the same camera input as the one fed to the keying circuit – if a different input is selected, this will be displayed within the area defined by the key shape. By selecting the background information on channel A for example and the caption on channel B, it's possible to wipe the caption away by moving the fader control from B to A.

All in all then the complete unit, mixer plus video effects, provides a full range of facilities in one cabinet (see February cover photo). Independent sections can be omitted as desired.

## Mating Waveform Generator

The mating waveform generator circuit is shown in Fig. 2. The use of counters was initially contemplated, but this would have been too complex an arrangement for our simple TV studio system. Instead, monostables (timer i.c.s) are used. They have the disadvantage of being a little difficult to set up, and have a tendency to go unstable (acting rather like bistables) when a wipe approaches the edge of the screen. The latter problem has been counteracted by using integrating circuits (R5/C11 and R6/C12) to delay the line and field drive waveforms slightly.

The 556 dual timer i.c. IC2a/b provides the main horizontal and vertical wipe patterns: VR2a/b consists of parallel tracks on a single dual-slider potentiometer. The presets VR5/6 adjust the duration of the pulses over the range of the controls. IC1a/b is identical but produces complementary waveforms, using the dual-slider potentiometer VR1 which is bolted to VR2 and connected in the opposite sense (see Fig. 6).

The control logic is very simple, using inverter and AND gate i.c.s. As an example of the operation, take the vertical split screen wipe (switchbank C in position 2). Waveforms from IC1a and IC2a are fed to the AND gate IC4a, the output from IC1a being inverted by IC6a so that there are two logic one pulses moving in opposite directions as the slider control is operated. Since the AND gate gives a logic one output only when both its inputs are high (one) at the same time, there's no output until both input pulses overlap.

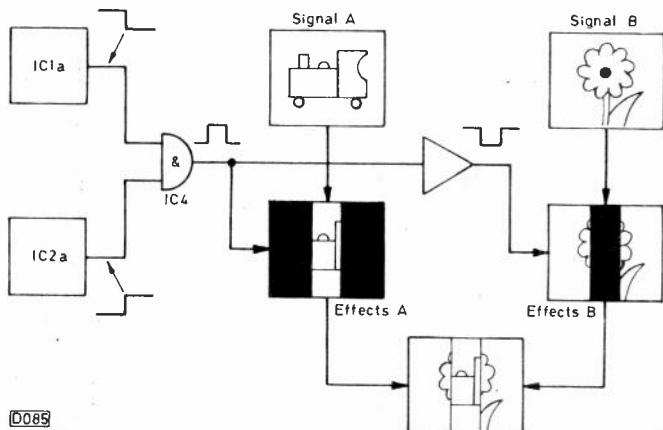


Fig. 1: Principle of the effects generator.

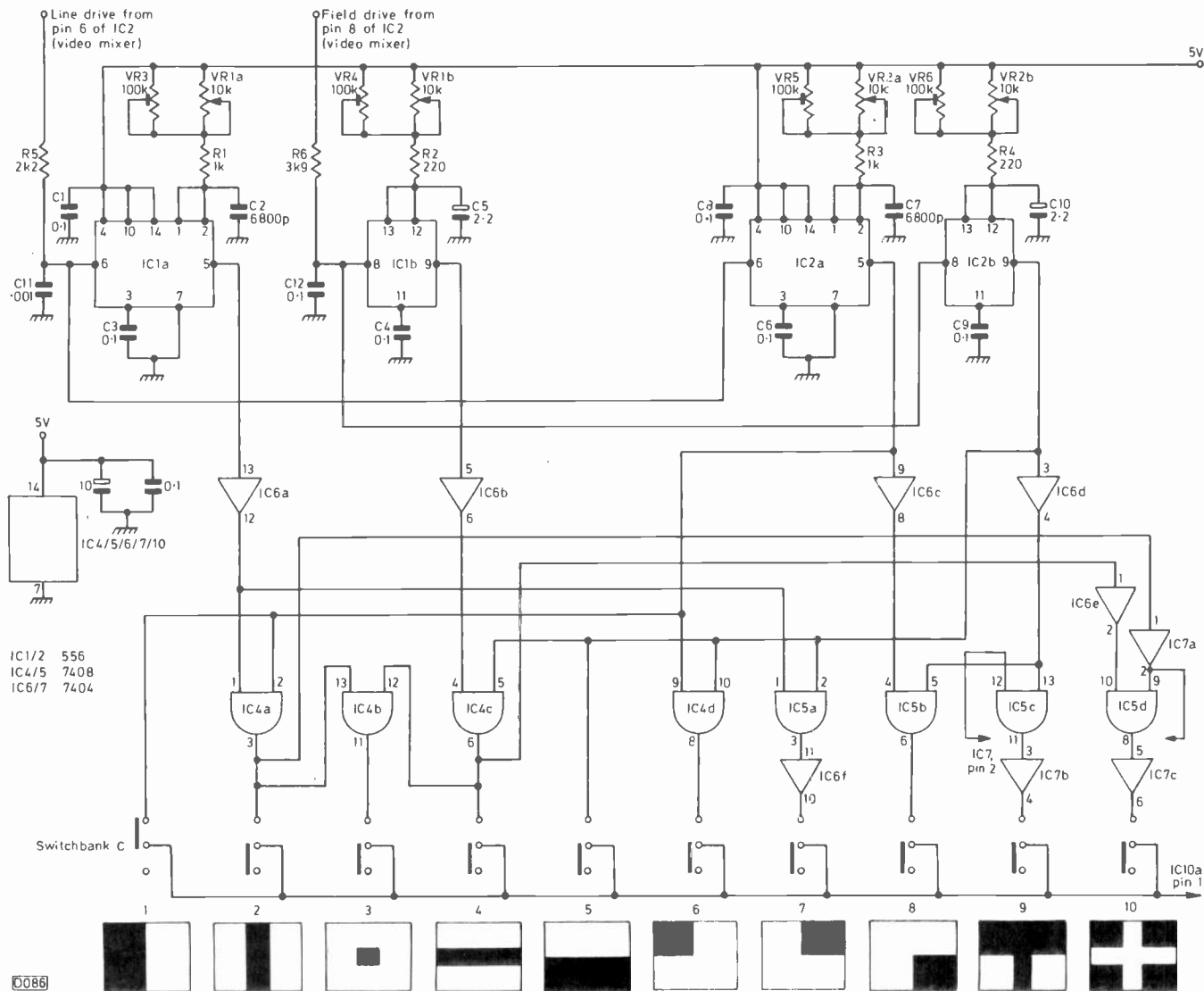
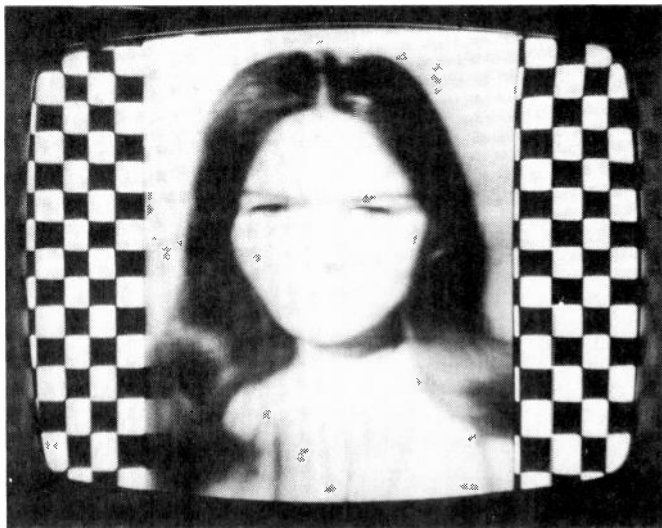


Fig. 2: Mating waveform generator circuit. C2 and C7 are polystyrene capacitors.

As the overlap increases, the output from pin 3 of IC4a will provide a widening pulse outwards from the centre of the screen.

A similar arrangement gives the horizontal centre wipe (switchbank position 4), various combinations of the outputs from the timer i.c.s giving the corner wipes (switchbank positions 6, 7 and 8). After selection by the

switchbank, the output mating waveform is fed to IC10a (Fig. 3) where it's inverted and used to switch video channel A. The mating waveform is again inverted by IC10b for switching video channel B. IC10a also receives an input from the key/titling circuit (Fig. 4) when this is incorporated.



Vertical split-screen wipe.

### Signal Switching Circuit

Switchbanks A and B at the input to the signal switching circuit (see Fig. 3) are similar to the video mixer switchbanks, and share the same video input sockets. The basic circuit is similar to that shown in the April 1976 issue, but most of the transistors are contained within two transistor array i.c.s (IC8/9). This results in a more compact design and reduces the problems associated with the manufacturing tolerance spreads of individual components. The CA3046 transistor array i.c. has been adopted whenever possible in these designs to simplify matters and because it's readily available.

The video input selected by switchbank A is a.c. coupled by C2 to an emitter-follower stage. The output from this is again a.c. coupled to a second emitter-follower Tr1, with d.c. restoration by D2/R6. From Tr1 the signal passes to D3, which forms part of a two-diode OR gate whose output is the lower of the two signals presented to the circuit. This is where the switching occurs. The mating signal passes

from IC10a via R15/C6 to a switching transistor within the i.c. Its output is applied to the second diode D4 of the OR gate. D4 is thus switched on and off by the mating signal. When D4 switches on, pin 9 of the i.c. is effectively earthed and the channel A signal is thus shorted out.

A similar arrangement is used in channel B. The OR gate here (D8/9) is switched by an inverted mating waveform coming via IC10b etc. Thus when channel A is shorted out, the channel B signal appears across R11 and is fed via D6 to the output stage in IC8. When D4 is off and D9 is switched on, the channel A output developed across R10 is fed via D5 to the output stage. The two video signals are thus combined like a jigsaw. The output is developed across R13 and fed via C5 to the effects switch position on the video mixer switchbanks.

If the circuit is used without the video mixer, then provided the input signals are composite (video plus syncs) the output will also be composite. Difficulties might arise if the sync pulse amplitude or duration varies from one video signal to another, which is why the output is routed via the mixer circuit, where the original sync pulses are removed and pulses from the ZNA134J i.c. are inserted instead.

A separate composite video output is provided for preview purposes. The preview output appears across R22 and is fed via C10 to the output socket. Rather large amplitude sync pulses are added to this output via IC10c/d/R23. These swamp most incorrectly timed pulses or, if the video inputs are non-composite, enable a standard TV monitor/receiver to be used without the provision of a separate video/sync input. The preview facility is quite useful when setting up complex key/title effects.

### **Title/key Circuit**

To use a video signal to drive gate IC10a in the switching circuit, the input should be about 2.4V at peak white. Since this gate is either on or off, the use of a processed video signal to drive it will result in outputs corresponding to the black or white portions of the signal. This of course is ideal for keying and titling effects. The title/key circuit (Fig. 4) uses the transistors in IC11 to amplify the video signal sufficiently for this purpose.

The input to the title/key circuit is preselected by removing the termination from the appropriate video input socket and looping the signal (see Fig. 5) through to the title/key input, terminating the signal at this point (with R2). To avoid too much loading on the video source – this would reduce the black level – a low value capacitor (C1) is used at the input to the title/key circuit, D1 providing some d.c. restoration and bias for the input stage.

The output provided by our vidicon camera (see October 1980) is not very even. It's possible that there may be false triggering of the circuit therefore, even at black level, so that when viewing white lettering on a black background some blobs will also be seen. Similarly black lettering on a light background can suffer. Some adjustment and compensation is required, and for this purpose the l.f. response is adjusted by using a 100µF coupling capacitor (C2) with a series potentiometer (VR7) – the latter provides fine adjustment. For light captions less l.f. response is needed, so VR7 is rotated anticlockwise to its maximum resistance position, at which point the switch to open-circuit R7 also operates. A rotary linear potentiometer with an on/off switch is satisfactory for this purpose.

The video signal is then amplified to the point of black/white crushing. In theory a Schmitt trigger should be used, but driving the TTL inverters IC7d/e directly gives us the necessary switching signal for feeding to IC10a.

Even if comparatively small lettering can be resolved, if the camera's response is only to about 3MHz much of this information will consist of slowly rising and falling shades of grey and will not be recognised by the circuit until a voltage swing of 2.4V is reached. For this reason, small lettering will be either absent or uneven with blobs at the intersections of lines.

It's possible to produce both black and white captions superimposed on a given background, depending on the format of the caption. For white lettering coming via camera 2 for example and a background from camera 1, select the camera 1 signal on channel A and the camera 2 signal on channel B. The white parts of the lettering are the video from camera 2, the title circuit simply providing the keying or blanking signal to black out a suitable area from the camera 1 signal.

A further alternative is provided. By operating the invert switch, the caption forms a mask through which the camera 1 signal is visible. This could be employed to put a background outside a window for example. Similarly, with the invert switch in its former position the signal from camera 3 or 4 can be selected on channel B to fill in the area defined by the caption with another pattern or image.

It's necessary to adjust the camera outputs carefully for optimum results, then set VR7 for best results, with a final tweak to the camera's target bias control. Getting good results is tricky, and the fact that black is the key can cause trouble when using contrasty subjects as a key. A toy rabbit with painted black and white eyes would, in close up, have the background visible in the black pupils. In long shot however the relatively poor response of the system will fill these areas in. If a close up is wanted, one could juggle a little by placing on the background a black mask in the approximate position of the eyes.

Although the circuit is simple, provided the limitations are recognised the experimenter can create quite spectacular illusions at low cost, such as appearing on the screen against an exotic background, dancing with a teddy bear or being knocked down by a model train!

Apart from the adjustment already described, no setting up is required in this part of the circuit. If any difficulty is experienced, the value of R3 can be altered a little.

### **Setting Up**

The only setting up needed in the rest of the circuit is the slightly tricky business of adjusting the monostables IC1/2. With different video inputs fed to both channels, select mating pattern 5 and check that a complete vertical wipe is possible up or down the screen. Adjust VR6 to ensure that the wipe just meets the bottom of the screen and goes no farther – otherwise the picture will flicker, rapidly switching between channels A and B. Next select pattern 1 and adjust VR5 similarly on the horizontal wipe. Once these two controls have been set up for satisfactory results, select pattern 3 and adjust VR3 and VR4 for the best compromise at various settings of the user control – the aim is to get a reasonably symmetrical central rectangular shape.

### **Conclusion**

So far we've described a very basic studio system – camera, video mixer and effects generator – which is capable of giving reasonable results at low cost. Due to its lack of sophistication, the system won't give broadcast quality results: but its cost will be a fraction of what you'd have to pay for professional or semiprofessional equipment. Further items are under consideration.

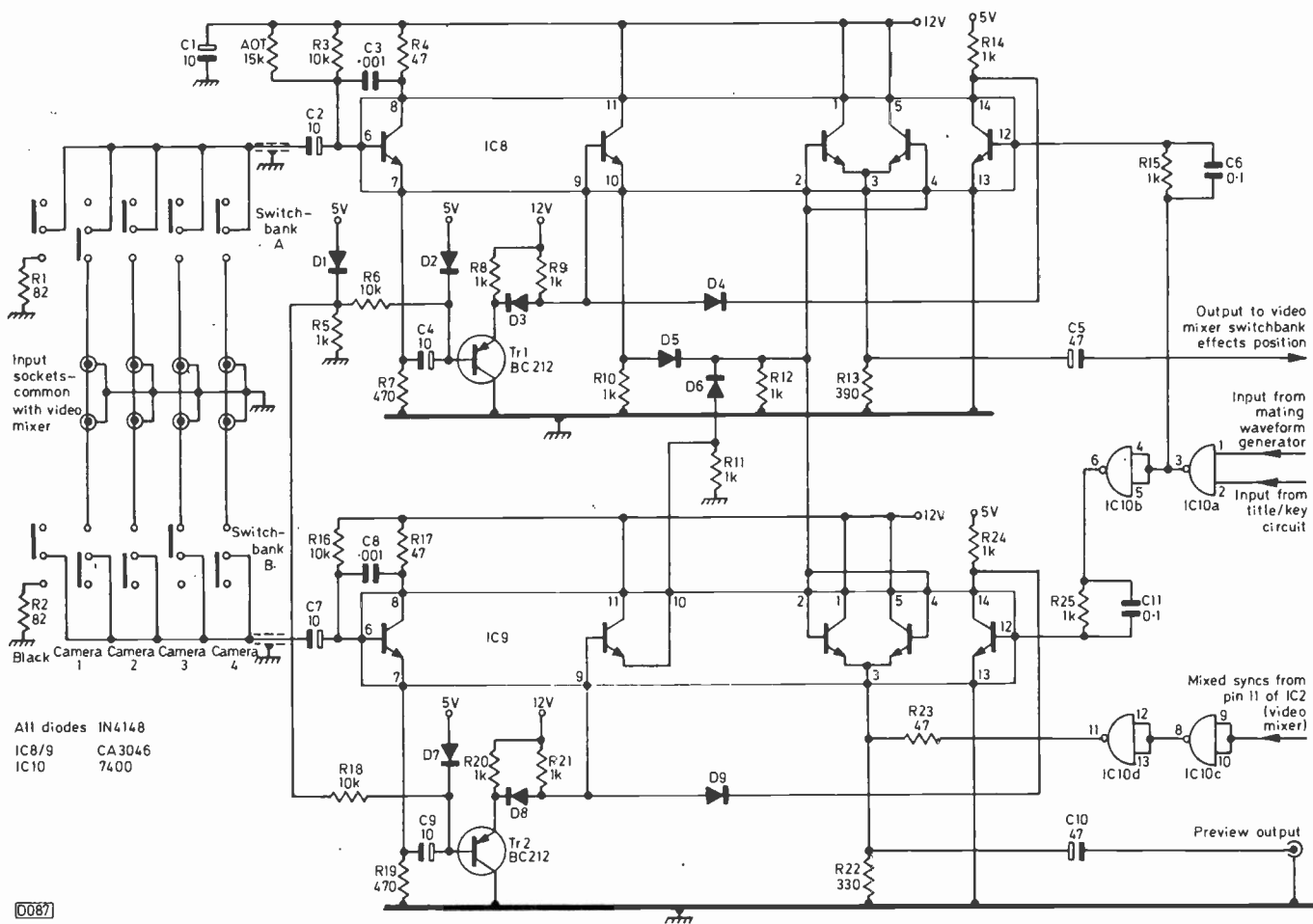


Fig. 3: Signal switching circuit.

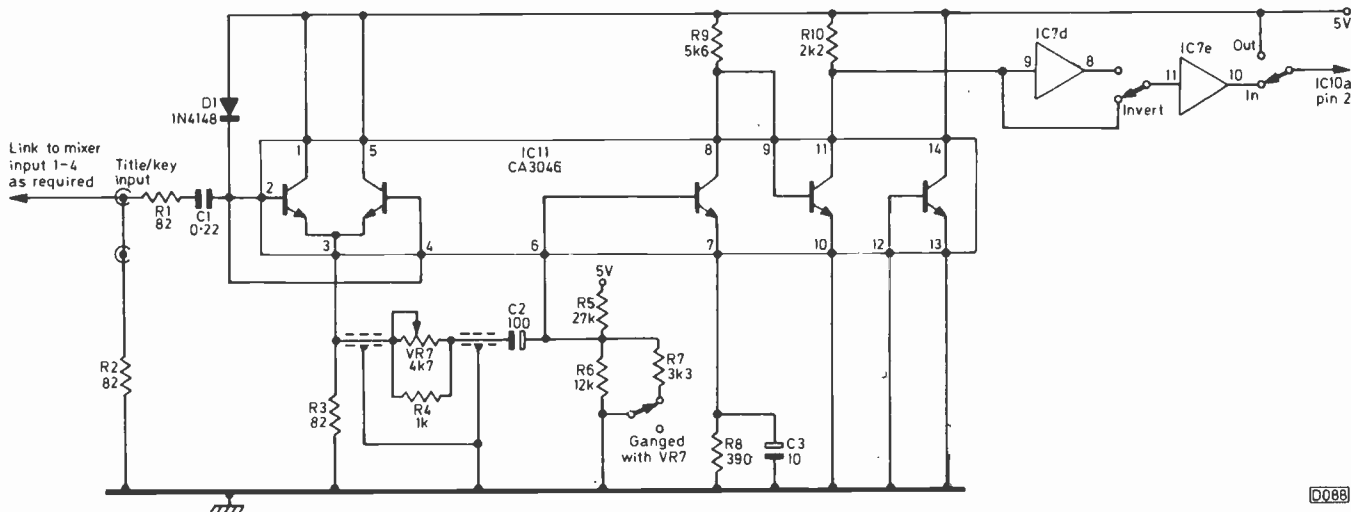


Fig. 4: Title/key circuit.

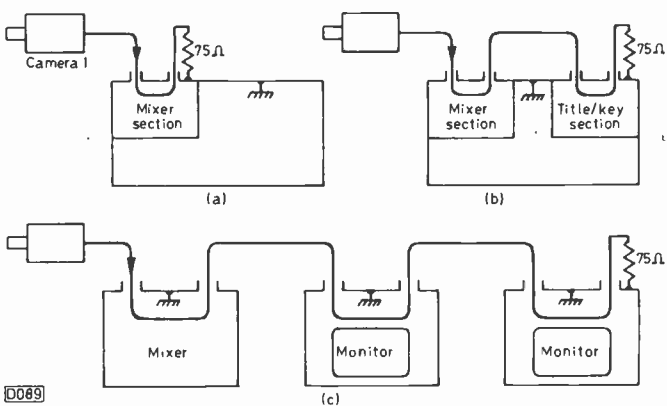


Fig. 5 (left): (a) Principle of looping-through termination; (b) looping-through to the title/key circuit; (c) principle of looping-through video signals.

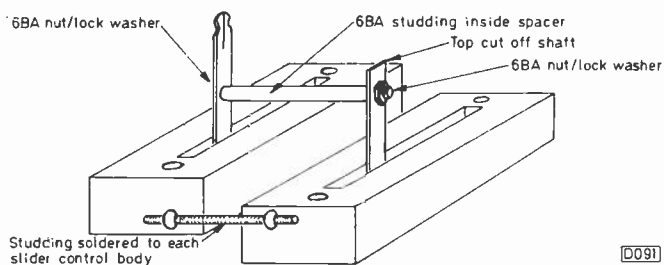


Fig. 6: Linking two dual-slider controls.

# Service Notebook

George Wilding

## Tackling Unfamiliar Sets

Quite often, even with an unfamiliar set, you can cure a fault quickly by checking for voltages at relevant wirewound power resistors and/or high-voltage capacitors – these components after all cause a high percentage of breakdowns. As an example, take the Decca 22CV0602 we came across recently, with the fault sound normal but no raster. This is a solid-state set, but is not fitted with the well-known 80 and 100 chassis and has a delta-gun tube. Anyway, on removing the back we found that the line output transistor was in a convenient position at the right-hand side. E.H.T. was present, and an arc could be drawn from the transistor's collector, though it seemed rather less than what could reasonably be expected. The tripler was also in a convenient position, so we fingered it in case there was a warm spot. It seemed o.k., and as there was ample h.t. at the large power resistor we next checked at the c.r.t. base for the presence of first anode voltages.

These were totally absent, so along with the small pulse output at the collector of the line output transistor there was almost certainly a short-circuit in a capacitor used as a reservoir or smoother for the first anode supply. It would be rated at some 1kV at least, and a quick glance around revealed a familiar looking blue and white cased capacitor with a high voltage rating and a value of 0.01 $\mu$ F mounted not far from the first anode presents. There was a dead short to chassis from both leadout wires, and on replacing it the picture was restored. Such capacitors are usually either short-circuit or o.k., and being in high-impedance circuits you'll get only a very small or negligible meter reading when testing them in circuit on the low and medium resistance ranges.

## Delayed Sound

The fault on a hybrid ITT colour set was rather unusual – the picture appeared in the normal time after switching on, but it took five-ten minutes before the sound appeared. Even then it remained at a low level. Our first suspect was the PCL86 audio valve, possibly with a partial short across its heater, but on inspection the valve was glowing normally while there was absolute silence from the speaker. A replacement made no difference, so the next step was voltage checks.

When pin 1 (triode grid) was contacted, strong sound was obtained, giving the impression that hand capacitance was feeding the audio signal to this very high impedance point (see Fig. 1). On connecting the test prod to the volume control side of the coupling capacitor C75 however there was no sound output. So either C75 was open-circuit, or the hand capacitance idea was wrong. At this point we noticed that the volume level was gradually falling, and that contacting the triode grid restored the original level.

This clarified the cause of the trouble: the valve was obviously being biased off, the meter resistance removing this bias. The 10M $\Omega$  grid bias resistor R75 was checked and found to be in order, the only thing left being the rather unusual muting arrangement used in these sets – D57 and the associated components. The idea here is that D57 initially develops a negative bias on C298 by rectifying the

signal applied to its anode from the line oscillator. This holds the audio circuit off until the line output stage comes into operation. Once the boost voltage appears, D57 receives a positive, forward bias at its anode via R413 and R409, and the audio circuit comes to life. The trouble was simply that R409 was dry-jointed.

## Line Output Transistor Trouble

The fault on an 18in. Pye colour set (713 chassis) was no results, due to the 500mA fuse in the feed to the line output stage being shattered. As expected, the line output transistor was suffering from "punch-through". The transistor is mounted on a plate heatsink which forms part of the line output stage screening cover, replacement being easy enough after unsoldering the three leads to the transistor and undoing the plate's securing screws. When the set was switched on however we found that the picture was split into two vertical sections by an inch wide blanking bar towards the right-hand edge of the picture, while a bright, half inch vertical bar was present near screen centre. Without the bright vertical bar one would have diagnosed false line lock, but it was obvious that adjusting the line hold control would not affect the bright bar.

It was difficult to see what could cause these two defects simultaneously, but after some conjecture I realised what had happened – the transistor had been correctly mounted on its heatsink plate, but the latter had been reversed on fitting. As a result, the transistor's base and emitter connections had been transposed, reversing the phase of the drive waveform. The blanking bar was the result of incorrect timing, while the bright vertical bar was the result of incorrect drive pulse transition from negative to positive. Doubtless similar results would be obtained with other sets, a point that's worth bearing in mind.

## Degaussing Circuit Fault

No results on a set we were called to recently – one fitted with the Philips G8 chassis – was found to be due to a blown mains fuse. This immediately threw suspicion on the mains filter capacitor and the h.t. rectifier/regulator thyristor, but both these components proved to be in order. There was no short across the h.t. rail so, as all the other fuses were intact, the only thing we could do was to replace the mains fuse and switch on, keeping a close watch on the components in the power supply.

Normal sound developed immediately, but we noticed that tiny sparks were present under the paint coding of R1364. This 680 $\Omega$  carbon resistor links the posistor in the degaussing circuit to chassis (see Fig. 2). On isolating it the value was found to be only 50 $\Omega$ , while on removing it completely we found that it had gone open-circuit.

A resistor in this position is subject to a high current when the set is switched on from cold, and is best replaced by a higher wattage wirewound type. When open-circuit, or

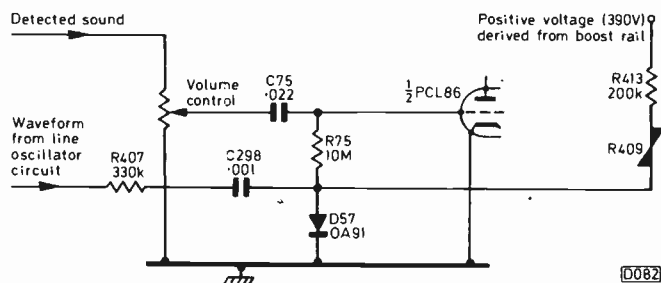


Fig. 1: Audio muting circuit used in ITT hybrid colour sets (CVC5-CVC9 series).



intermittently open-circuit as we assume the faulty resistor was, the degaussing current will not fall to its normal negligible value following the initial switch-on surge.

### Compatible Units?

The main difference between earlier and later versions of the Pye hybrid colour chassis is that in the former the line timebase/power supply circuitry is built on a metal chassis whereas in the latter it's arranged on a large printed panel. We recently found ourselves with one of the later sets that required a new line output transformer and tripler, and one of the separate chassis modules, in unblemished condition, from an earlier type set we'd scrapped. So as both units are connected via five edge connectors plus earthing leads, and are electrically equivalent, we decided to see whether we could use the chassis unit in the set requiring the new transformer and tripler – it's not worth spending a lot on replacement parts for such old sets if this can be avoided.

Our efforts did not meet with success unfortunately, due to the fact that the contacts on the chassis type unit seem to be slightly thicker than those on the PCB type. We're left wondering whether this was an isolated case, or whether other engineers have come across the same problem?

### Faint Pictures

We've had two similar faults recently on ITT hybrid colour sets fitted with the CVC8 chassis. In the first the sound was normal but only the vaguest of pictures could be discerned on the not too bright raster, i.e. there was hardly any luminance or chrominance information. This narrowed the field down to the luminance/chrominance detector diode and the following cascode amplifier stage (see Fig. 3). Since the detector diode seldom if ever breaks down, we made a start by checking the voltage at the collector of T21. There was very little voltage at this point, though the 20V rail itself was present and correct. We next contacted the input and output tags of the luminance delay line L60, and found no d.c. voltage at either point. There was clearly a short-circuit to chassis, either in the delay line itself or, far less likely, in C134 which with L59 forms a trap circuit tuned to 4.43MHz. The easiest way to check the delay line was simply to remove the screw that secures the earth connection to the top of the metal casing of the chrominance delay line. This resulted in correct voltages and a picture of sorts, and on fitting a replacement delay line normal picture definition was restored.

The symptoms on the second set were normal sound with only the faintest suggestion of any modulation on the white raster. We again started by making voltage checks in the cascode stage, and discovered that the base of T21 was at about 0.4V instead of 6.2V, whilst its emitter voltage was zero. Clearly T21 was not conducting, and since the resistors in its base bias network had unblemished exteriors we decided to check C131 by unsoldering one lead. This produced correct voltages, and on fitting a replacement normal vision was restored.

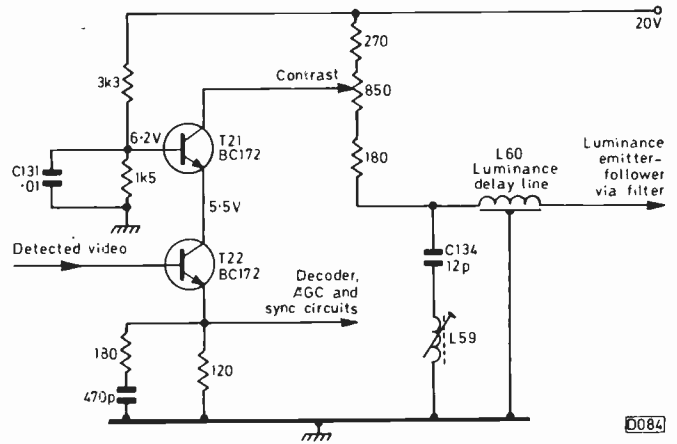


Fig. 3: Cascode distribution amplifier stage used in the ITT CVC5-CVC9 hybrid colour chassis.

In another of these sets a severe hum bar slowly traversed the screen. This can be due to the negative earthing lug of the right-hand multiple electrolytic capacitor developing a high resistance connection to chassis. The soldering was perfect on this occasion however. We next operated the service switch, and obtained a blank raster with no hum bar – so it was the l.t. rather than the h.t. supply that was inadequately smoothed. The bridge rectifier and the reservoir/smoothing electrolytics were checked, but the trouble eventually proved to be due to the AD161 20V series regulator transistor T46 which was short-circuit collector-to-emitter.

### Missing Supply

The fault with a Pye hybrid colour set was no sound or raster. Peering through the back, we noticed that the heaters were all alight, while a faint corona discharge around the e.h.t. cap showed that e.h.t. was present. It seemed therefore that the line output stage was working and that the trouble was due to the loss of an l.t. supply – there are several in this chassis.

The question was, where to start checking? L.T. supplies of both polarity are developed on the power supply/line timebase panel, so the obvious first step was to check whether these supplies were being developed and fed to the rest of the set via the various plug-in connectors. We know from experience however that the supply to the tuner and some of the front controls comes via plugs on the i.f. panel, where there are two smoothing electrolytics just waiting to be tested. C43 (640µF) smooths the 30V input to the panel, while the other (C42, 250µF) smooths the 20V supply obtained on the panel via the dropper resistor R40 (39Ω). Normal l.t. was present at C43, but there was nothing at C42, due to R40 being dry-jointed – in fact just pressing one end of it with the test prod restored the sound and picture. When tracking down loss of l.t. in any receiver, especially where there is more than one interconnecting plug and socket, it's a good idea to check for the presence of supplies on any electrolytic smoothers or decouplers as a first step, rather than chasing round checking at the various plugs and sockets: having found an electrolytic without a supply to it, it's usually easy to pinpoint the circuit break.

Our problems with this set were not yet over however. We left it running whilst awaiting the test card so that the set could be adjusted. Suddenly a mild hum bar appeared and, as it travelled upwards, the verticals curved. There were one or two yellow streaks in the centre of the hum bar, and when it reached the top of the picture the field slipped. Quite an array of symptoms, though all suggestive of

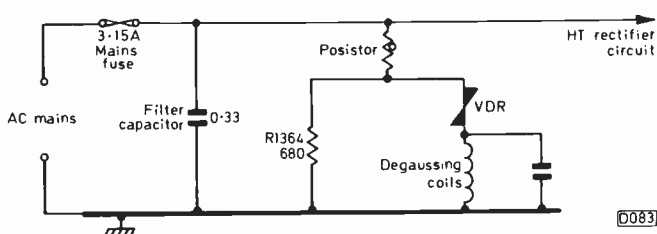


Fig. 2: Degaussing circuit, Philips G8 chassis.

impaired decoupling somewhere in the signal circuitry. This being so, our first move was to parallel a 100 $\mu$ F electrolytic across the two electrolytics previously mentioned on the i.f. panel. The culprit turned out to be C42.

### Smoothing Troubles

"Picture rolls" was the complaint from the owner of an ITT hybrid colour set (CVC8 chassis). This is a fairly common fault on these sets, usually due to the PCL805 field timebase valve or the OA91 field sync diode. Inspection showed that there was line wavering and a mild hum bar as well however, so the basic fault was obviously impaired h.t. or l.t. smoothing.

We've known a hum bar plus field roll to be due to a badly soldered joint at the common negative connection of the multiple electrolytic can on these sets – so much so in fact that a couple of volts could be read between this point and chassis. The soldering was perfect this time however, so in view of the fact that the hum was affecting both the line and the field sync we tried shunting a medium-sized electrolytic across each individual smoothing capacitor – you don't have to use a test capacitor of equal value to the suspect, since one of 25% or so of the suspect's value will immediately show whether the original has lost capacitance. First charge the test capacitor by connecting it across a smoothing capacitor in the set before switching on –

subsequent tests from capacitor to capacitor then won't cause current surges and sparks. I personally use a 32 $\mu$ F high-voltage type for testing, linked via crocodile clips on a pair of meter leads.

No fault could be found with the h.t. smoothers, so attention was turned to the l.t. smoothers. Some improvement was obtained by shunting the 500 $\mu$ F reservoir capacitor, a much more marked improvement being obtained when we connected the test capacitor across the main l.t. rail, i.e. at the emitter of the regulator transistor. Now the only smoothing capacitors here are 8 $\mu$ F types, so a further test was made using an 8 $\mu$ F electrolytic. This gave only a slight improvement in the fault condition, so the trouble was almost certainly due to the l.t. bridge rectifier rather than the electrolytics – an open-circuit diode in the bridge rectifier circuit will result in a half-wave instead of a full-wave output. Now testing a discrete bridge rectifier circuit is a fiddly job since some unsoldering is necessary – as far as an ohmmeter is concerned, the two diodes feeding the reservoir capacitor are in parallel, as are the pair that return the transformer's secondary winding to chassis, so that one of each pair must be disconnected. Anyway, one diode was found to be open-circuit, and replacing this produced firm field lock, no line wavering and no suggestion of a hum bar.

Connecting the 32 $\mu$ F test capacitor across the l.t. line had masked the true fault – 50Hz instead of 100Hz ripple.

---

# Vintage TV: Cossor 916 Series

*Vivian Capel*

COSSOR was once a familiar name in the radio and television field, the firm having started up in the early days of radio – many an older enthusiast will no doubt remember building primitive receivers using Cossor 2V valves. In addition to their valves and radio sets, Cossor were well known for test equipment, particularly oscilloscopes. They entered the TV field right at the start, in 1936. Thus when television transmissions restarted after the war, Cossor had plenty of experience to draw upon. The first sets they introduced were revamped versions of the immediate pre-war ones, and used t.r.f. receiver circuitry. The first truly post-war Cossor sets were the 916-923 series, which employed a superhet receiver circuit and were released between September 1949 and September 1950 – at prices ranging from £42-0-3d to £66-17s-6d (excluding purchase tax). They comprised a range of 10in. and 12in. models, some in table and others in console cabinets, and some with a radio receiver section as well.

### Signal Circuits

By adopting a superhet circuit that could be tuned over the five BBC channels, the popularity of the sets was assured – there were certainly large numbers of them in use. Actually the initial versions of the 916 and 917 were not tunable, but the five-channel version was introduced soon after. This was at a time when many other setmakers were producing dual-channel models that created problems for their owners if they moved to other parts of the country. Channel changing was accomplished by retuning the two r.f. coils and the oscillator coil: these were situated right down at the front of the chassis, on the left-hand side

beneath the tube bowl, adjustment being by means of knurled knobs on the tops of the cans after first releasing the locknuts. Screwing the cores farther in raised the frequency.

Otherwise the signal side of the chassis was fairly conventional, with two vision and two sound i.f. stages followed by double diodes for detection and interference limiting. The valves were Cossor 6AM6 pentodes and 6AL5 double diodes – the equivalent of the Mullard EF91 and EB91 respectively. Contrast control was effected by varying the cathode bias applied to both the r.f. amplifier and the first vision i.f. amplifier valve. The sound i.f. channel incorporated a.g.c., with a little metal rectifier that acted as a clamp to prevent the a.g.c. line going positive with respect to chassis.

The video output stage (see Fig. 1) employed a peaking coil, with the output d.c. coupled to the cathode of the c.r.t. The usual diode interference limiter, or spotter as it was then often known, was present in the output pentode's anode circuit: an unusual feature however was that the earthy end of the spotter preset control was connected to the slider of the brightness control. The limiting action thus varied with the setting of the brightness control – the higher the brightness, the greater the limiting.

### Power Supply

Turning now to the power supply, a transformer was used to provide the various heater supplies, with taps for mains adjustment. The highest tapping, 240V, fed the anode of the half-wave h.t. rectifier directly, but the lower 210V and 230V tappings were more often used as these were the more common mains supply voltages in those days. Three

secondaries powered the heaters: one was used for the c.r.t., one for the h.t. rectifier, and one for the 185BT line output valve with a 6V tap for the rest of the valve complement.

The 27SU h.t. rectifier was not in my experience very reliable. There were many cases of intermittent fuse blowing for which no measurable cause could be found, a replacement rectifier generally providing a cure. Sometimes it would fail after a few weeks or months, and in some cases a fine display of pyrotechnics in the rectifier left no doubt as to the cause of the trouble.

The 916 and 917 employed energised loudspeakers, the field coil doubling as the h.t. smoothing choke, a technique that was common with radio sets of the period. The later models had permanent magnet speakers and separate smoothing chokes. Also included in the h.t. line (except for the feeds to the timebases and the audio circuits) was a focus coil with a shunt focus potentiometer and bypass capacitor.

### Timebases

Both the line and field oscillator stages were of the blocking oscillator variety, using the two sections of a 6SN7 double-triode valve. The sync separator consisted of a conventional pentode stage, but an interesting point was that the valve's suppressor grid was connected to the field oscillator's timing circuit. When the oscillator fired, a negative pulse was produced and fed to the suppressor grid, ensuring that the valve remained cut off for a short period. The idea was to improve the field sync stability in the presence of noise.

The field and sound output stages both used 7C5 beam tetrode valves. This sometimes enabled one to cure poor field linearity or lack of height by swapping the valves over. Unfortunately the sound output valve was often in a worse condition than the field output valve however.

The field output stage circuit used in the 10in. models was straightforward. The arrangement used in the 12in. models was somewhat more elaborate however, to obtain better linearity. The output valve's screen grid was connected to a tap on the output transformer's primary winding: this dodge introduced a degree of negative feedback, and was later to be called "ultra-linear" when applied to high fidelity audio amplifier circuits. In addition, a tertiary winding was added to feed the linearity circuit. There were also extra resistors in the blocking oscillator circuit.

### Line Output Stage

The line output stage (see Fig. 2) used the physically large 185BT tetrode output valve, which seemed to be quite durable. The transformer was mounted in a metal can with

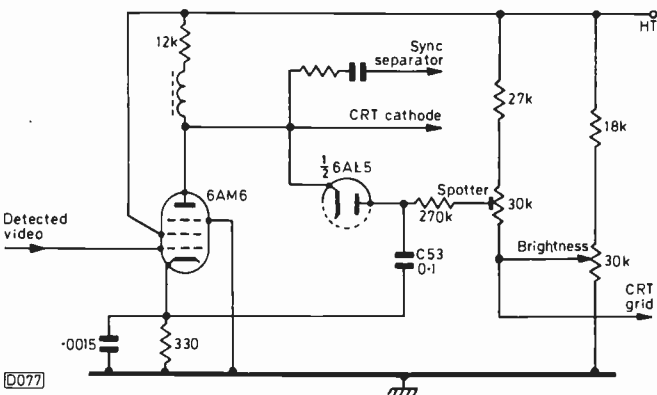


Fig. 1: Video output stage, with interference limiter, used in the Cassor 916 series.

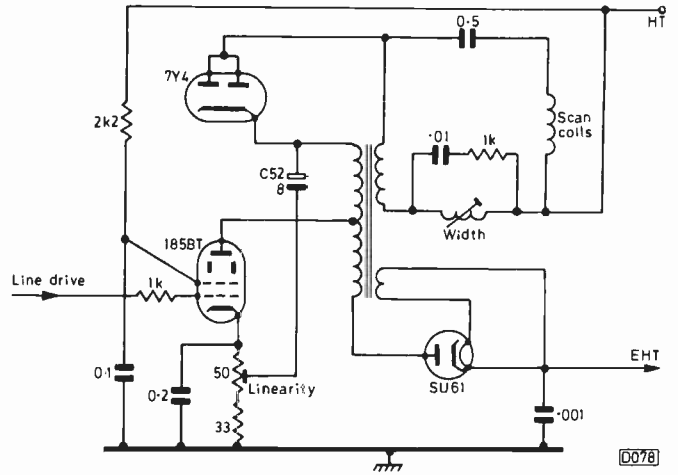


Fig. 2: The line output stage circuit.

a close fitting lid and was sealed in pitch: the pitch block was encased in a sponge rubber jacket, which enabled it to be pulled out of the can.

The circuit followed the basic pattern that was to become general, with a boost diode and an e.h.t. rectifier fed from an overwinding on the transformer. The SU61 (equivalent to an EY51) e.h.t. rectifier was mounted along the paxolin terminal strip that protruded above the pitch, and could be replaced without trouble. The boost diode was a 7Y4, with its two anodes strapped together. The boost voltage produced across its reservoir capacitor C52 was 265V, which was not a great deal more than the h.t. voltage itself. In models from the 918 onwards, a rather novel linearity control was added. The single 82Ω cathode bias resistor originally used was replaced by a 33Ω resistor and a 50Ω potentiometer, whose slider was linked to the earthy end of the boost reservoir capacitor. At the same time the 25μF decoupling electrolytic originally used was replaced with an 0.2μF capacitor.

The 12in. tube fitted in the larger-screen models was a tetrode type, which required a first anode supply of around 400V. This was obtained by using a Metrosil (an early type of non-linear resistor), in conjunction with a 120pF reservoir capacitor, to rectify the flyback pulses in the scan circuit.

### The Radio Section

The radio receiver section used in some models was a conventional superhet unit covering the short, medium and long wavebands. It employed a 7S7 frequency changer, 7B7 i.f. amplifier and 7C6 detector/audio amplifier.

The a.f. output from either the radio or TV sound detector was switched to the volume control, which was in the grid circuit of the 7C6 valve. This meant that the triode's gain was also used on TV. The output transformer was different from the TV-only models, with a tertiary feedback winding which was connected in series with the cathode of the 7C6 double-diode-triode. So optimum sound quality was achieved on TV as well. There was also an extra winding which smoothed the supply to the radio section: it was connected in series with the primary winding, and since the current flowed in the opposite direction to the output valve's current a degree of hum cancellation was achieved — as well as reducing the possibility of core saturation. This technique was used in a number of radio sets of the time.

Several later models from Cassor employed much the same circuitry, the main difference being the use of a 6AB8 audio valve in place of the 7C5.

# Colour Portable Project

Luke Theodossiou

## Part 3: The Timebase Board

This month we are dealing with the timebase section of the receiver, which is probably the most interesting in terms of new circuitry employed. The circuit diagram is shown in Fig. 2.

The absence of pincushion distortion correction circuitry reduces the component count and the number of preset controls, and results in an exceptionally simple circuit which is virtually indistinguishable from that used for a large screen monochrome set. The sync separation and line oscillator functions are performed by a TDA9503, whilst a TDA1170S takes care of field deflection. The reliability of diode-split line output transformers has now been widely established and we are therefore using one in our design in order to reduce the component count as much as possible. The unit we've chosen includes the focus potentiometer and a rectifier which provides the tube's A1 voltage. More about these sections later.

### The GCS

The line driver and output stages are, as far as we are aware, unique, and we shall therefore concentrate on describing these in some detail. The line output stage uses a special thyristor as the switching element and from now on we shall refer to it as a gate controlled switch (GCS). It is a fast three-terminal four-layer *pnpn* device similar in construction to the conventional thyristor, and combines the advantages of the thyristor with those of the high voltage switching transistor. Like the thyristor it can be turned on by positive gate drive, and like the transistor it can also be turned off by negative gate drive. It offers the high blocking voltage and high overcurrent capability of the thyristor with the ease of drive and fast switching associated with the transistor.

Like the thyristor, the GCS can be considered in terms of a two transistor model shown in Fig. 1. When positive gate drive is applied to the base of the *nnp* transistor, the transistor is switched on, and its collector, which is also the base of the *pnp* transistor, is driven low. The *pnp* transistor then turns on and its collector current flows into the base of the *nnp* transistor, setting up regenerative conditions. If the current flowing through the device is sufficient, the device will latch – i.e. remain on. In the case of the GCS, the gain of the *nnp* transistor is made large and that of the *pnp*

transistor small. The overall gain of the device is also controlled, since very high gain will make gate turn-off difficult. Although the principles have been known for a long time, it is only recently that production techniques have advanced sufficiently to allow the economic manufacture of such devices with repeatable characteristics.

To turn the device on, a positive current is injected into the gate. Although the duration of this pulse need only be  $0.5\mu\text{s}$  to ensure latching, switching losses are minimised by making the drive pulse of equal duration to the required on-time of the device. Turn-off is achieved by drawing from the gate a current pulse of between 20 and 100% of the anode current for about  $0.5\mu\text{s}$ . This is done by applying a negative voltage to the gate with respect to the cathode, of between  $-5$  and  $-10\text{V}$ . If the impedance of the gate turn-off circuit is sufficiently low, unity turn-off gain is achieved. Under these conditions, all the anode current is diverted into the gate, turning off the cathode before the anode voltage has started to rise, thus reducing dissipation.

### Line Driver Stage

The driver circuit operates in class AB and, in conjunction with the drive requirements of the GCS, eliminates the usual driver transformer. The output stage of the TDA9503 is an open collector transistor, with R10 forming its load. Let's assume that the output transistor in IC1 is on, thus switching Tr2 off. Under this condition, Tr1 is biased on by R12 and acts as an emitter follower with current flowing from the gate of the GCS through the zener diode D4 (which is now on), through Tr1 and the current limiting resistor R14 to the  $+15\text{V}$  rail established from the  $+24\text{V}$  rail by R13 and D2. The GCS is therefore switched on. When the output from IC1 changes state, Tr2 is biased on via R10. This turns Tr1 off (since its base is now grounded and its emitter at a higher potential) and removes the current path which switched on the GCS. At the same time D3 is turned on and connects the positive end of C13 to ground, thus establishing a negative voltage of  $-10\text{V}$  (set by the zener diode) between the gate and cathode of the GCS, which turns the device off. If the driver stage was simplified to class A operation by substituting a  $22\Omega$  resistor as the collector load for Tr2 (thus eliminating Tr1, R12 and D3), the circuit would consume substantially more power: the  $22\Omega$  resistor would have to be rated at  $7\text{W}$  and a heatsink would be required for Tr2.

### Line Output Stage

The remainder of the line output stage is conventional. Diode D5 is the efficiency diode with C14 determining the flyback time. C15 is the S-correction capacitor, whilst R15 eliminates ringing from the line linearity control L1. Width is made adjustable with L2. Anti-breathing and flashover protection are provided by R16, which is decoupled by C16.

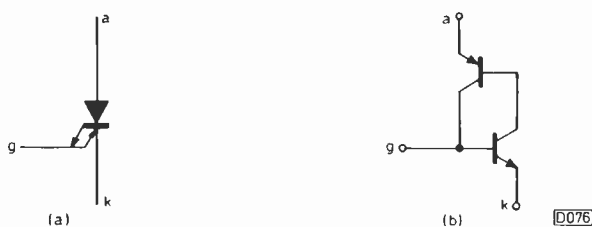


Fig. 1: Circuit symbol for the gate controlled switch (a), equivalent transistor circuit (b).

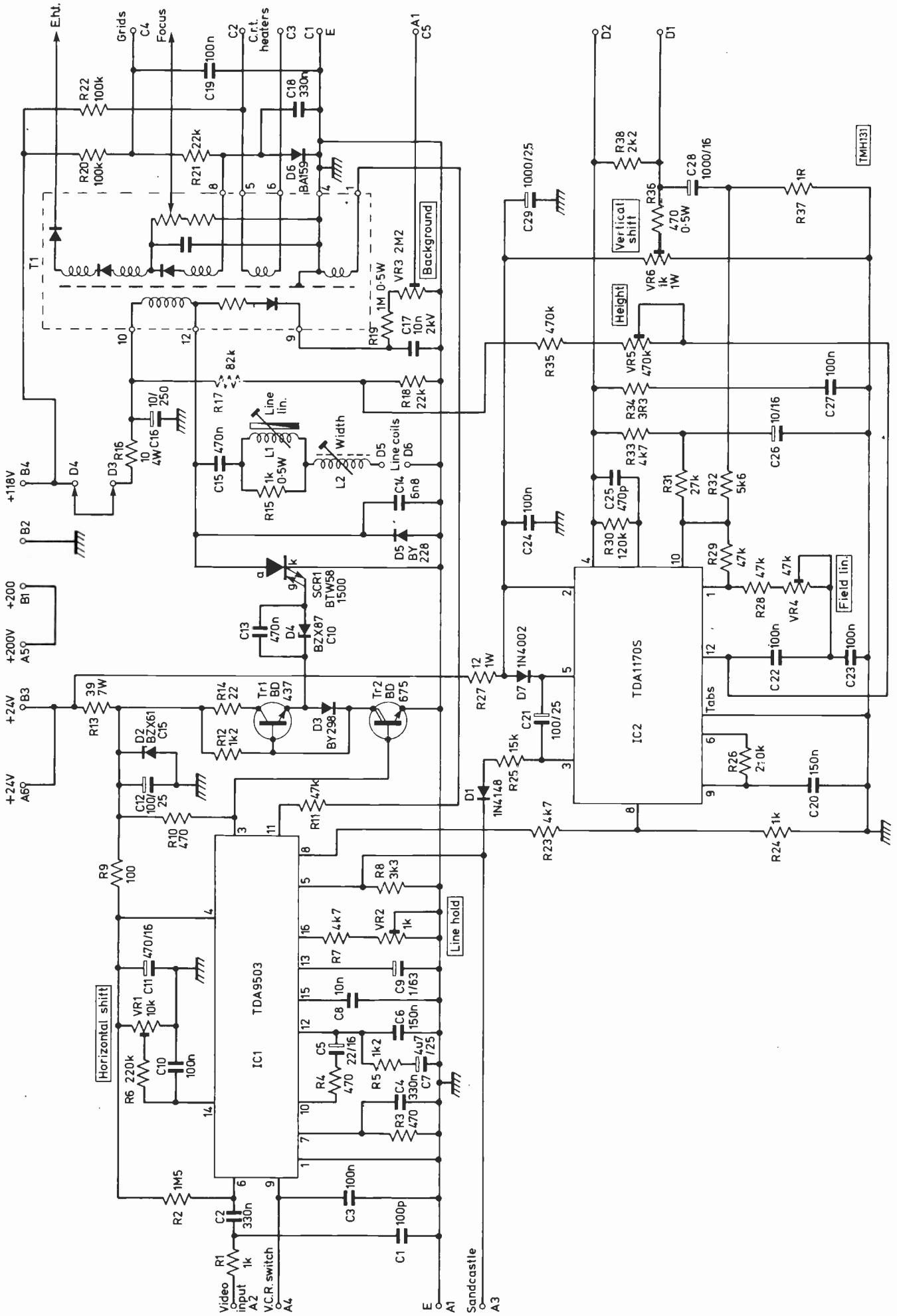


Fig. 2: Circuit diagram of the timebase board.



A flyback rectifier diode and series current limiting resistor are incorporated in the line output transformer to provide the tube's A1 supply. Capacitor C17 acts as the reservoir and the potential divider formed by R19 and VR3 sets the voltage according to the setting up instructions which will be given in a subsequent article.

The heater supply is also derived from the line output transformer across the winding 5-6. In order to maximise tube life, the heaters are not grounded but held at a potential of around +118V above chassis, which minimises the voltage stress between the cathodes and heaters.

Beam current limiting is achieved by returning the earthy end of the e.h.t. overwind to chassis via D6 which is forward biased from the l.t. rail by R20 and R21. The junction of the two resistors feeds the c.r.t. grids. At normal beam current requirements this voltage is around +22V. The beam current also flows through D6, but in the opposite direction, thereby opposing the forward bias on the diode. When the beam current is equal to or greater than the forward bias current, D6 is switched off and a negative voltage, proportional to the beam current, appears across

C18. This is fed to the c.r.t. grids via R21, thereby reducing the picture brightness and hence the beam current. This protects the tube from the damaging effects of operation at excessive beam currents and is remarkably simple but very effective.

The only other noteworthy feature of the line output transformer is the incorporation of the focus control as part of the assembly, which is more convenient and safer.

### Line Processor

The line processor i.c. TDA9503 (IC1) receives a negative-going composite video signal from the signals board and separates out the sync pulses. Field sync pulses are then integrated by the network R3 and C4 on pin 7 and fed to an amplifier whose output appears on pin 8. The line sync pulses are processed by the i.c. and appear at pin 3 as line drive pulses. The i.c. also provides a sandcastle pulse, a noise suppression circuit, undervoltage protection, and a coincidence switching stage which may be disabled by a positive current on pin 9 to optimise the characteristics for

## ★ Timebase Board Components List

**Resistors:** all  $\pm 5\%$ , 0.25W carbon film except where stated.

R1	1k	
R2	1M5	
R3	470R	
R4	470R	
R5	1k2	
R6	220k	
R7	4k7	
R8	3k3	
R9	100R	
R10	470R	
R11	47K	
R12	1k2	
R13	39R	7W wirewound
R14	22R	
R15	1k	0.5W
R16	10R	4W wirewound
R17	82k	
R18	22k	
R19	1M	0.5W
R20	100k	
R21	22k	
R22	100k	
R23	4k7	
R24	1k	
R25	15k	
R26	210k	$\pm 2\%$ metal film
R27	12R	1W
R28	47k	
R29	47k	
R30	120k	
R31	27k	
R32	5k6	
R33	4k7	
R34	3R3	
R35	470k	
R36	470R	0.5W
R37	1R	$\pm 2\%$ metal film
R38	2k2	
VR1	10k	} standard vertical mounting skeleton presets
VR2	1k	
VR3	2M2	
VR4	47k	
VR5	470k	
VR6	1k	1W cermet trimmer RS 186-154

**Capacitors:**

C1	100p	100V	$\pm 2\%$	Mullard 642 34101
C2	330n	100V	$\pm 5\%$	Siemens B32560
C3	100n	100V	$\pm 5\%$	Siemens B32560
C4	330n	100V	$\pm 5\%$	Siemens B32560
C5	22 $\mu$ F	16V	Electrolytic	Dubilier CEB2216
C6	150n	100V	$\pm 5\%$	Siemens B32560
C7	4 $\mu$ 7	25V	Electrolytic	Dubilier CEB 4R725
C8	10n	63V	$\pm 1\%$	Mullard 424 41003
C9	1 $\mu$ F	63V	Electrolytic	Dubilier CEB163
C10	100n	100V	$\pm 5\%$	Siemens B32560
C11	470 $\mu$ F	16V	Electrolytic	Dubilier CEB47016
C12	100 $\mu$ F	25V	Electrolytic	Dubilier CEB10025
C13	470n	100V	$\pm 5\%$	Siemens B32560
C14	6n8	1500V	$\pm 5\%$	Sufflex SK795
C15	470n	250V	$\pm 5\%$	Ero MKP 1841
C16	10 $\mu$ F	250V	Electrolytic	Europe Chemi-Con
C17	10n	2000V	+50%-20%	ceramic disc
C18	330n	400V	$\pm 5\%$	Siemens B32562
C19	100n	400V	$\pm 20\%$	Mullard 352 54104
C20	150n	100V	$\pm 5\%$	Siemens B32560
C21	100 $\mu$ F	25V	Electrolytic	Dubilier CEB10025
C22	100n	100V	$\pm 5\%$	Siemens B32560
C23	100n	100V	$\pm 5\%$	Siemens B32560
C24	100n	30V	+80%-20%	Erie ceramic disc
C25	470p	100V	$\pm 10\%$	Mullard 630 06471
C26	10 $\mu$ F	16V	Electrolytic	Dubilier CEB1016
C27	100n	100V	$\pm 5\%$	Siemens B32560
C28	1000 $\mu$ F	16V	Electrolytic	Dubilier CEB100016
C29	1000 $\mu$ F	25V	Electrolytic	Dubilier CEB100025

**Semiconductors:**

D1	1N4148	D7	1N4002
D2	BZX61 C15	SCR1	BTW58-1500R
D3	BY298	IC1	TDA9503
D4	BZX87 C10	IC2	TDA1170S
D5	BY228	Tr1	BD437
D6	BA159	Tr2	BD675

**Miscellaneous:**

T1	Orega 3584-00
L1	Orega 55378
L2	JLC ND 1018
Heatsink for SCR1: 50mm length of RS 401-497	
Heatsink for IC1: Staver V8-800	
P.c.b. reference no. D091	
Connectors: Molex 0.2" pitch	
P.c.b. pillars	

VCR operation. The i.c. has been described in more detail in previous issues of *Television* (see February 1979 issue).

### Field Timebase

The field timebase uses the well-known TDA1170S i.c. This differs from the earlier TDA1170 in having a better sync circuit and specified tolerance on the free-running frequency of the oscillator. The latter feature allows us to dispense with the field hold control so long as the tolerance of the frequency determining network C20, R26 is adhered to.

The output stage incorporates a flyback generator and the full amplitude flyback pulse (around 22V pk-pk) is available at pin 3. This is potted down by R25 in conjunction with R8 and superimposed on the sandcastle pulse to provide field flyback blanking.

Height compensation with respect to beam current is provided by deriving the voltage for the height control from the h.t. rail via R17 and R18. Vertical centring is provided

by sinking or sourcing current through the scan coils via R36 and VR6. Negative feedback via R32 assures a stable deflection current at all times.

### Construction

Construction when using the printed circuit board is very simple. Start by inserting all the low profile components first, and gradually progress to the bulkier items. The component packing density is fairly high and it is highly desirable to use only the component types specified – this becomes essential for most components in the high voltage sections. Component substitution usually ends up as false economy so it's not worth risking.

Do check for the obvious – dry joints, solder bridges and polarity of capacitors and semiconductors.

Next month we shall take a closer look at the c.r.t., its base board, degaussing coil, etc. and also provide the component location diagram and copper print pattern for the timebase board.



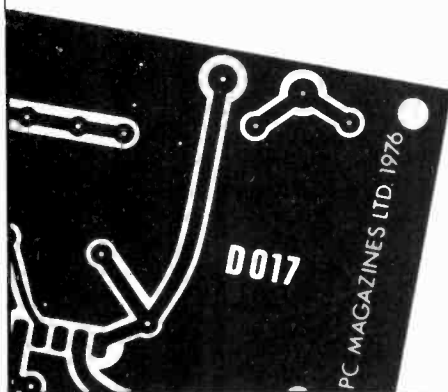
All boards are epoxy glassfibre and are supplied ready drilled and roller-tinned.

Any correspondence concerning this service must be addressed to READERS' PCB SERVICES LTD, and not to the Editorial offices.

# TELEVISION

## READERS PCB SERVICE

Issue	Project	Ref. no.	Price
November 1976	Ultrasonic Remote Control	D007/D008	£3.85 per set
March 1977	Teletext Decoder Power Supply	D022	£3.75
May 1977	Teletext Decoder Input Logic	D011	£12.50
June 1977	Wideband Signal Injector	D031	£1.00
June 1977	Teletext Decoder Memory	D012	£10.50
July/Aug 1977	Teletext Decoder Display	D013	£11.00
September 1977	Teletext Decoder Switch Board	D021	£1.75
April/May 1978	CRT Rejuvenator	D046	£3.00
October 1978	Colour Receiver PSU Board	D052	£4.00
January 1979	Colour Receiver Signals Board	D053	£10.75
February 1979	Commander-8 Remote Control System	D054/5	£6.00 per set
March 1979	Colour Receiver Timebase Board	D049	£17.13
July 1979	Colour Pattern Generator	D062	£14.50
		D063	£9.15
September 1979	Teletext Decoder Options Board	D064	£8.50
August 1979	Teletext Decoder New Mother Board	D065	£6.00
August 1979	Simple Sync Pulse Generator	D067	£4.00
September 1979	New Teletext Signal Panel	11331	£8.00
October 1979	Teletext Keyboard	D057	£3.50
October 1979	Teletext Interface Board	D058	£5.00
November 1979	Colour Receiver Remote Control	D066	£5.00
January 1980	Remote Control Preamplifier	D061	£3.75
February 1980	Teletext/Remote Control Interface	D070	£9.50
February 1980	LED Channel Display	D071	£4.00
March 1980	Improved Sound Channel	D072	£3.25
May 1980	Monochrome Portable Signals Board	D074	£6.25
June 1980	Monochrome Portable Timebase Board	D075	£7.75
July 1980	Monochrome Portable CRT Base Board	D076	£1.00
Sept/Oct 1980	New CTV Signals Panel	D077	£9.50
January 1981	Small-screen Monitor Board	D078	£8.50
December 1980	Video Camera Pulse Generator Board	D079	£4.50
December 1980	Video Camera Video/Field Timebase Board	D080	£5.50
January 1981	Video Camera Power Supply Board	D082	£2.00
January 1981	Video Camera Line Timebase/H.T. Board	D083	£4.00
Feb/March 1981	Video Mixer	D086	£4.50
May 1981	Switch-mode Power Supply	D089	£6.75
June 1981	Simplified Signals Board	D088	£9.00



To: Readers' PCB Services Ltd. (TV), Fleet House, Welbeck St., Whitwell, Worksop, Notts.

Please supply p.c.b.(s) as indicated below:

Issue	Project	Ref.	Price

Prices include VAT and post and packing. Remittance with order please.

NAME \_\_\_\_\_

ADDRESS \_\_\_\_\_

Post Code \_\_\_\_\_

# Test Report: The Trio CS1352 15MHz Oscilloscope

Eugene Trundle

THE Japanese company Trio is well known and respected as a manufacturer of hi-fi audio equipment and communications receivers, but it was only recently that I came across their test equipment. The comprehensive catalogue I received from them embraced fourteen oscilloscopes and all manner of generators, multimeters and so on. From it I selected for test a "middle of the road" oscilloscope – the CS1352, a 15MHz, 2mV dual-trace model with a 3in. c.r.t.

## Features

The scope is designed for general purpose use, with TV servicing very much in mind. As with all modern oscilloscopes, the full sensitivity (in this case 2mV/division) is available over the whole 15MHz bandwidth (3dB down). On the X axis there are nineteen sweep speeds, with a five times magnification facility. The formation of the dual traces is set automatically by the timebase speed switch – it's chop-mode up to 1msec/division and alternate sweep from 500µsec/division upwards. Triggering can be from internal or external sources, working on either positive- or negative-going slopes. There's also a TV sync separator, with field or line sync being selected automatically in accordance with the setting of the sweep timebase switch. With this switch set fully clockwise, the X-Y facility is selected: this useful feature offers X-axis operation via the Y channel two amplifier, at the same sensitivity as the Y axis but with a 1MHz bandwidth.

The two d.c. coupled Y amplifiers have twelve fixed gain settings between 2mV and 10V/division, with a vernier control so that the gain is infinitely variable. A mode selector switch gives channel 1, channel 2 and dual-trace operation, with a fourth position labelled "add". In this position, the Y1 and Y2 input signals are added algebraically – or subtracted if the channel 2 invert switch is operated. More on this later!

A 1V, 1kHz calibration waveform is provided, also a Z-axis input (for beam intensity modulation). The e.h.t. is 1.5kV, and each graticule division is 6mm square.

Like many modern test instruments, the CS1352 is very versatile in its power supply arrangements. It can be operated from a.c. mains supplies at 100/120/220/240V, 50 or 60Hz, from an internal 12V battery system offering over two hours' operation, or an external 12V power source, e.g. a car battery, the consumption then being less than 2A (20W). The internal battery system consists of two 6V lead-acid sealed batteries (optional extras), for which a charging facility is provided.

## Bench Test

We found this scope very easy to live with. A bright, sharply defined trace was displayed in all the conventional operating modes, with good e.h.t. regulation and focus even at full brightness. With a small sweep duty cycle, and with the sweep magnification facility in operation, the trace left a

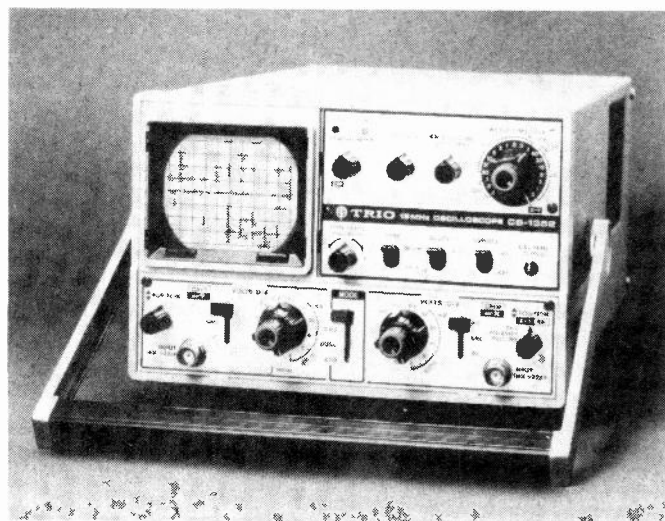
little to be desired in terms of brightness and focus, due to the rather low e.h.t.

The trend to miniaturisation means that, as with many modern scopes, the graticule divisions are fairly small. This was really brought home to me when the review model was running alongside our old Telequipment D54A.

The absence of alternate/chop and field/line sync selector switches made for convenience in use, though this feature results in a little loss of versatility. An example arose when I wanted to look at the teletext signals and VITS waveforms transmitted during the field blanking interval. For a clear display, it's necessary to trigger the sweep from the field sync pulses, using a line rate sweep. Because the internal trigger selector synchronises the sweep timebase to the line sync pulses above 50µsec/division, I had to resort to external triggering, using the set's field flyback pulse. This produced a good, steady display, and due to the alternate sweep when in dual-beam operation the odd and even field displays can be produced simultaneously with both probes connected to the same signal point.

The Y amplifiers' extra sensitivity and bandwidth are very useful – especially the former for VCR servicing. It's hard to realise that the two extra click stops on the Y gain switch represent an amplifier sensitivity *five times greater* than with most servicing scopes. At the other end of the scale, the minimum gain setting of 10V/division is just acceptable, offering a f.s.d. of 800V with a conventional 10:1 probe. This is just about the safe input voltage limit for most ordinary 10:1 probes anyway, and to examine line flyback and similar waveforms a 100:1 probe is necessary.

When the "add" mode is selected, the sum of the channel 1 and 2 waveforms is displayed. With the same settings, and the channel 2 signal inverted by operating a panel-mounted switch, signals common to both channels are cancelled, leaving only spurious noise and distortion components on the display. This is intriguing, and I had great fun finding lots of unsuspected shortcomings in various types of



The Trio CS1352 15MHz oscilloscope.

equipment. Along with the 15MHz bandwidth, this facility lends itself to the investigation of both analogue and digital delay devices, though I would have appreciated a faster maximum sweep speed than the (unmagnified) 500nsec/division for this purpose. There are applications for this facility in the audio and design fields too.

In X-Y operation there's the advantage of identical X and Y sensitivity and switching arrangements. This makes for easy phase measurements, Lissajous figure displays and vectorscope use. X-Y work at the colour subcarrier frequency is not possible however, due to the curtailed overall frequency response of the Y channel.

The trigger facilities are comprehensive and good so far as general applications and TV servicing are concerned. External trigger signals enter conveniently via a standard side-mounted BNC socket, so that a third probe, a direct lead to a TV pattern generator or whatever can be used. The internal triggering is from the channel 1 signal only, which is mildly inconvenient in some applications.

The instrument comes complete with a comprehensive instruction manual and a service manual. From the latter I discovered that a switch-mode power supply is used, plus some pretty complex circuitry. Also supplied as standard are a viewing hood, mains lead and battery plug. Optional extras consist of probes, shoulder bag and a rechargeable battery pack.

### Conclusion

In conclusion, this is a good scope. It's versatile and will appeal to a wide range of technicians involved in both fixed and mobile work. Its specification and go-anywhere features make it worth the price tag of around £300 plus VAT (battery pack £26 plus VAT). The CS1352 is available from Lawtronics Ltd., 139 High Street, Edenbridge, Kent TN8 5AX (0732 865191), and we understand that this distributor offers a fourteen day "sale or return" evaluation service.

---

# Practical TV Servicing: Solid-state Field Timebases

*S. Simon*

THE field timebase is responsible for driving the scanning spot from the top of the screen to the bottom, after which it returns relatively quickly (the flyback) to the top of the screen. For this purpose, a linearly increasing current has to be driven through the field scan coils, the current reversing quickly at the end of the scan to give the flyback. The usual scheme adopted in field timebases is to generate a sawtooth voltage waveform which is used to drive an output stage that provides current amplification. With a valve field timebase, the sawtooth voltage waveform is applied to the control grid of the output pentode, which is transformer coupled to the scan coils. Any unevenness in the current's rise is corrected by means of negative feedback and/or drive waveform shaping, the linearity control(s) adjusting the feedback/shaping to get the required linear scan. In any type of field timebase, the basic sawtooth voltage waveform is generated by charging a capacitor via a resistor, the field oscillator circuit discharging the capacitor at regular intervals to initiate the flyback. The general scheme is shown in Fig. 1. The height control usually forms part of the resistance via which the field charging capacitor charges. Our theme this month is solid-state field timebases, and some of the more common faults that occur from time to time.

## Monochrome and Colour Sets

In a solid-state field timebase used in a monochrome receiver, the field scan coils are generally coupled to the field output stage by means of a large electrolytic capacitor, while on the earthy side they are returned to chassis via a small-value resistor which generates a waveform that can be used for linearity correction purposes – in the form of negative feedback. In a colour set matters are complicated by the fact that the vertical convergence circuits have to be driven by the field output stage, while there is also likely to

be raster correction circuitry of some sort. Where a transistor field output stage is used, the raster correction (i.e. pincushion distortion correction) and the convergence circuitry are generally connected in series with the field scan coils. This means that the route via which the field scan current travels from the output stage to chassis can be quite complex, and that the appropriate circuit diagram is almost essential if you're not familiar with the particular set and don't want to get lost along the way. Further complication is added by the fact that d.c. is also usually fed to the field scan coils so that the picture can be moved up and down (vertical shift). It's as well to bear in mind these complications with colour sets, since a good proportion of cases of field collapse in colour sets (a single white line across the screen, or perhaps three single colours but you know what we mean) are due to faults that are not in the field timebase itself, e.g. an open-circuit coil or control somewhere along the line or a break in a printed circuit track.

## Tracing the Signal

Now there's one thing that helps when it comes to checking on whether the field timebase is operating. Since it runs at 50Hz, you can hear it. To remove any doubt, you can use a hearing aid in the form of a pair of headphones with a capacitor in series to block the d.c. – preferably a high-resistance pair, with no stereo nonsense. Alternatively a signal tracer consisting of a small amplifier and loudspeaker can be used.

In this way the 50Hz signal can be traced from the oscillator stage forwards. Provided, that is, that this action doesn't stall the oscillator, which can lead to the demise of the output transistors. To avoid unnecessary risks, do it the other way round, checking first at the output. If the buzz here is loud and clear, there's no need to go back to the

more sensitive stages. Instead, soldier on towards the scan coils, then along through the minefield of the convergence circuitry (assuming a colour set). This is not too difficult if you've got the circuit diagram. Particularly look for mines in the vicinity of horizontally mounted coils, where a tag may not be making proper contact with the print (a dry- or a loose joint), for open-circuit wirewound controls where perhaps only a touch may be sufficient to restore the scan, and for fine cracks across the print. Such cracks are likely to occur in slightly discoloured areas of the board – discoloured because the heat from a power handling component has caused deterioration of the panel material, often far away from the field timebase itself but on the way perhaps to the field shift control.

The scan coils themselves are not often at fault. The coils (the two halves) may be connected in parallel or in series. If they are in series, a break in one set of windings will stop the current flowing in the other set, except for that flowing via any shunt resistors present. Just a point of minor interest.

If the field timebase stops, or the field scan coils are disconnected, a horizontal line appears across the centre of the screen. We said at the start that the timebase deflects the spot from the top of the screen to the bottom. How does the spot get to the top of the screen if the centre of the screen is the point at which the field scan current is zero? The point to be appreciated here is that the scan current flows through the coils in both directions during the scanning cycle. It builds up to a maximum in one direction, driving the spot say from the centre of the screen to the bottom. The output stage is then cut off and, due to the inductance of the coils and the associated capacitance, an oscillatory action occurs, driving the spot back to the centre and then to the top of the screen. At this point the output stage switches on again to complete the scan, driving the spot back to the centre of the screen. The undeflected spot is always at the centre, being driven upwards and downwards and from side to side.

### Still No Scan

To return to our search for the cause of no field deflection, if the 50Hz buzz is audible at the output of the timebase there must be a break in the circuit to the coils or from the coils to chassis (or sometimes to the supply rail instead of chassis). Identify the return lead from the coils and follow it through, using an ohmmeter if necessary to establish the continuity of the circuit. If the circuit is to hand this can be done in seconds. If the circuit is not to hand, and you're confronted with a colour set with a lot of convergence/raster correction circuitry on various panels linked by plugs and sockets, heartache may be the result. In Pye hybrid colour sets for example (691-697 chassis) the edge connectors should receive attention, as should the tracks leading down from the connectors in the case of the 697 chassis, since these wend their way past heat affected parts of the panel. If the field buzz is not audible on the other hand, or there's doubt, as there can be, the first thing to do is to check the supply voltages. Clearly one must have some idea about what to expect.

### Voltage Readings

Most solid-state field timebases operate from a clearly defined supply, of around 30-40V. This may be obtained from a rectifier fed from a winding on the line output transformer, or from a suitable point in the power supply. If a valve field timebase is used, it will be supplied from the h.t.

line, probably via a separate decoupling resistor which is therefore suspect. In the case of the Pye hybrid chassis however, the solid-state field timebase operates with positive and negative 20V supplies – there's also a separate, zener diode stabilised 20V supply to the height control. The absence of the latter supply does not mean that there will be total lack of field scan with no timebase operation at all: the symptom is lack of height, the culprit almost certainly being the zener diode, which is on the main line timebase/power supply module (or it may be the associated electrolytic capacitor). Measure the voltage at the input to the timebase panel, or at the 22kΩ resistor in series with the height control – not at the height control itself, as the reading obtained here can be misleading.

The Pye field timebase is unusual in this respect, which is why we've mentioned it. Most solid-state field timebases operate with a positive supply of say 40V, with a couple of transistors in the output stage connected between this and chassis. Assuming the use of npn transistors, the upper one will have its collector connected to the 40V line (maybe via a diode) and the lower one will have its emitter connected to chassis. The emitter of the upper transistor will be connected to the collector of the lower one, and provided that both transistors are conductive the midpoint will be at some 20V – this is an average reading recorded by the meter, since the transistors will be being driven from almost fully on to fully off.

Now let's return to Fig. 1. There are often two stages in a transistor field timebase between the charging circuit and the output stage (there may be more, or there may be just a driver stage). So there are several possibilities in the event of non-operation of the field timebase (no 50Hz buzz at the output). The charging capacitor may not be charging and discharging, due say to its loss of ability to hold a charge. It can do this, but it's not a very common occurrence. We mention it simply because the capacitor itself (there are often two of them connected in series, with the linearity feedback fed to their common point) is often overlooked. The charging capacitor may charge on the other hand, but may not be discharged due to failure of the oscillator to oscillate. This stage could consist of a transistor blocking oscillator, as in the Pye hybrid colour sets, a two-transistor oscillator (there are various types of circuit in use), or a silicon controlled switch such as the BR101 or BRY39. Then again the linearity stage may not be working, the driver may not be driving, and the output stage may not be operating. So where do you start?

### Short Cuts

Heat means energy being dissipated, and energy being dissipated means that whatever is doing it is doing some hard work. So this is probably where the fault will be found, i.e. in the output stage. Things to look for are open-circuit or short-circuit transistors, open-circuit diodes, dry-joints and other improper connections. Lightly tapping around may quickly reveal a poor connection, while meter readings should indicate what is and what is not happening. A finger applied to the transistors will show whether they are working hard or not at all. If they are not working at all, assuming that the output stage uses two transistors as is generally the case, either one or both is/are defective or they are not being driven by the driver. With the set switched off, the relevant transistors can be roughly checked with an ohmmeter, using the low ohms range.

Depending on the circuit, if the driver is not itself being turned on the current through the output pair of transistors could have been excessive, as a result of which these could



have been damaged. Look at Fig. 1 again and assume that both the linearity and driver stages use a single npn transistor connected in the common-emitter mode, with d.c. coupling between the stages. If the oscillator is not working, the charging capacitor will charge up and the linearity transistor will saturate. The driver in turn will be switched off, so that its collector voltage will remain at the supply line voltage. The output transistors will thus be hard on (class A output stage with two transistors, for the technically minded). The thing about all this is that a new pair of output transistors could suffer the same fate as the original pair if the true cause of the trouble is not discovered and put right. There are no hard and fast rules here, since everything depends on the particular circuit arrangement used in the timebase. The fact that d.c. coupling is often used from the oscillator right through to the field scan coupling capacitor can make fault tracing difficult, since if for example a transistor in an early stage is defective the voltages in all the following stages will be wrong. In this event, to isolate the source of the trouble check backwards until you come to a correct voltage reading.

In all probability however there will be no contributory fault that's caused the demise of the output transistors, and a new pair will restore normal operation. But as those of us who've been in the game for any length of time know all too well, these multiple faults can and do occur and can be most annoying. So before a new output pair is fitted, check that the driver is working and that it's receiving an input from the preceding circuitry – meter checks backed by a scope or headphone check.

If a silicon controlled switch oscillator device such as the BRY39 is used, don't attempt to read its anode voltage with a meter: this will stall it, turn off the driver, turn the output transistors fully on and, if a new pair has been fitted, finish them off (see how easily it can happen!).

### Lack of Height

We've already mentioned one cause of lack of height, particular to the Pye hybrid colour chassis. There are many others of course. Sometimes the cause is simply a dud spot on the height control itself, but things are not usually as simple as this.

If the loss of height is even at the top and bottom, it's usually a matter of finding out where the voltage is lower than it should be, but the effect of faulty electrolytics should not be overlooked. A dried up bootstrap capacitor (the one wired between the output from the timebase and the base circuit of the upper transistor in a two-transistor output stage, usually with a value of some 250 $\mu$ F) can cause havoc with the operation of the output stage. We can also get the paradox of a capacitor losing its capacitance and causing excessive height – when it's back in the timing or linearity network. So be patient and check carefully: it doesn't have to be done very often.

### Linearity Troubles

Non-linear timebase operation, with either the top or the bottom of the scan compressed, is a very common complaint. In valve circuits we check the output valve and its cathode bias components. If the cathode bias resistor rises in value, there's top compression (but check the linearity presets first): if it falls in value, there's bottom compression. The cathode decoupling electrolytic can dry up, introducing negative feedback which shows up as loss of height, particularly in the lower part of the screen (where most power is required to complete the scan) – the familiar "short legs" effect.

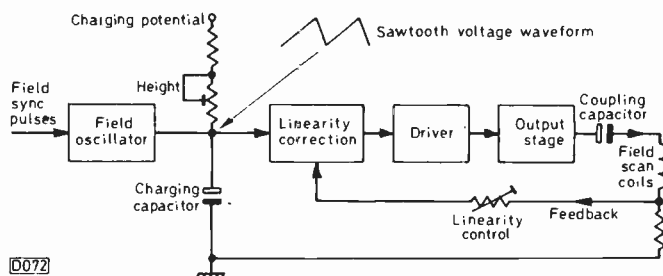


Fig. 1: Block diagram showing the basic arrangement used in a solid-state field timebase. Note that the linearity and driver arrangements used vary considerably. Complications arise with colour sets due to the need, in all but the most recent models, for convergence and raster correction circuitry: following the path to and from the scan coils may take you along a devious route therefore.

In solid-state field timebases, suspicion should be directed first upon the output transistors. Try adjusting the midpoint or bias preset, setting this up or attempting to do so in accordance with the instructions in the manual – to obtain say 22V at the midpoint of a two-transistor output stage operated with a supply of about +40V. If this cannot be done, a new pair of output transistors will often work wonders, even though the originals read all right when checked with an ohmmeter. We may have given the impression that the output pair always consist of two npn transistors: in a large number of sets however a complementary pnp/npn pair is used.

### Similar Audio Problems

The field output stage often bears a strong resemblance to an audio output stage: thus tricks learnt with one can help when dealing with the other. The distortion with an audio circuit is scan non-linearity with a field output circuit. Whereas the loudspeaker is the driven member in the former case, the scan coils are the end product as it were in the TV timebase. The method of coupling the coils or the speaker to the timebase or amplifier is also the same – a transformer in valve (high impedance) equipment, a large capacitor in transistor (low impedance) equipment. Whilst it's seldom at fault, this item should not escape attention. The transformer can develop an open-circuit primary winding: this is fairly obvious, since little (or maybe no) h.t. will reach the anode of the output valve. It can also develop shorted turns in the primary winding, drastically reducing the field scan (or the sound output). In transistor (also i.c.) circuits, the coupling capacitor can lose its capacitance – either over a period or suddenly. This is roughly equivalent to shorted turns in a transformer's primary winding. Alternatively it can become leaky, pulling down the output stage midpoint voltage and causing lots of fun.

And hereby hangs a tale. The voltage rating of the output coupling capacitor should be equal to or greater than that of the output stage supply voltage, because circumstances arise where the midpoint voltage rises to the supply line voltage. Obvious you say? Quite so. But it wasn't obvious to the designers of a well known stereo music centre, which has 25V capacitors specified for speaker coupling. The result of this was (and is) that if a fault earlier in the circuit leaves one of the output stages without drive, the voltage on the capacitor is more like 36V. The capacitor explodes with an almighty bang, scattering its innards all over and at the same time causing the output transistors to go short-circuit. The unwary repairer fits new transistors and, copying the other channel, fits a 25V output coupling capacitor. Guess what happens . . .

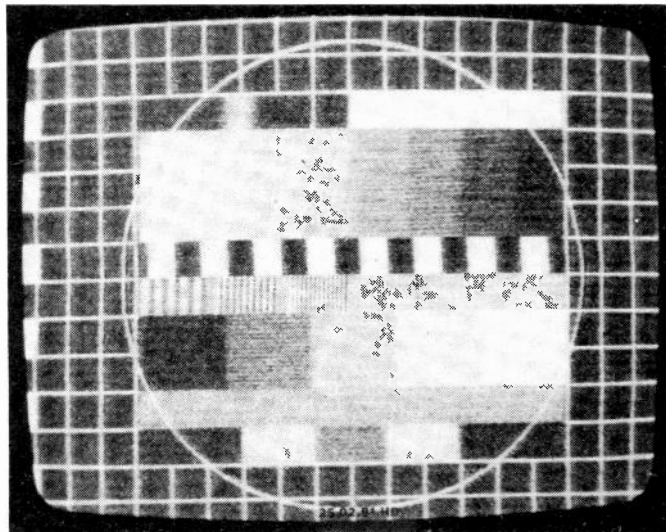
# Long-distance Television

*Roger Bunney*

BY the end of April there was increasing evidence of Sporadic E activity – by the time this issue reaches the newstands, the SpE season should be well under way. The first sustained SpE opening occurred on April 1st, with nearly four hours of signals from eastern Europe – TSS (USSR) chs. R1/2/3, TVP (Poland) ch. R2 and several unidentified signals. Reports of these signals came from several parts of the UK, the level on ch. R1 at times being very strong. A small SpE opening was noted here at Romsey on April 10th, at 0900, again with TSS chs. R1/2, while on the 20th there was a sustained opening with strong signals from MTV (Hungary) chs. R1/2 plus unidentified signals – possibly ORF (Austria) ch. E2a/R1. There have been an increasing number of short duration (up to one minute) signals in the Band I channels, arriving mainly from north easterly and easterly directions, i.e. from Scandinavia/Russia.

Meteor scatter reception has been average. Mark Baldwin (Rugby) reports an active Lyrids meteor shower (April 21-3), with TVP (Poland) ch. R1 the most dominant signal.

There were two periods of enhanced tropospheric reception, end-March and mid-April. During the first opening the nearer W. German v.h.f./u.h.f. transmitters were received in the UK. The opening faded out on April 4th, stronger signals in eastern parts of the UK returning on the 10-13th: Brian Fitch (Scarborough) did particularly well, with many German u.h.f. signals. The high-pressure system over the UK continued, and after a lull further tropospheric signals appeared, from the 15th, Cyril Willis (Cambridge) receiving Denmark chs. E7/10 and NRK (Norway) ch. E6. Strong easterly winds then intervened, and for several days the signals hovered at W. German distances and not much farther. This latter period seemed to peak on the 21st, when Brian Fitch logged E. Germany



*The new NDR-1 (W. Germany) electronic test card – photograph courtesy of Henny Demming.*

(DFF-2 ch. E31) and many W. German u.h.f. transmitters. The heavy snow during the weekend of the 25/26th put an end to the opening, as low pressure moved in from the west. Perhaps the most startling tropospheric reception of the period was when Hugh Cocks noted SR-2 (Sweden) ch. E30 from Goteborg, and Jim Cook (Newcastle) logged Sweden ch. E8 and W. Germany ch. E10 using only a wideband Band I aerial!

Contrary to my expectations, there have been numerous ionospheric signals from Africa in Band I, via both daytime F2 and early evening TE propagation. ZTV (Zimbabwe) and GBC (Ghana) have been seen on many days during the month, and there has also been weak evidence of possibly Kenya/Nigeria/Zambia. Hugh Cocks, monitoring ch. E2 at Hastings, reports that ZTV was present almost daily during the first week of April. It then mysteriously disappeared, though the general conditions suggested that it should have been present. Signals were received again on the 24th, and we subsequently learnt that Gwelo had been off the air for a couple of weeks – it's expected that the ch. E2 transmitter will eventually be closed down, transmissions moving to Band III. During the evening TE period on the 24th signals from Ghana were competing with Gwelo, which was present until 2100, with both sound and vision. At 1745 there was a second co-channel signal, a very weak test grid, Ghana coming on-air at 1800 to obliterate the grid. Late evening signals from Gwelo were received here again on the 25th and 26th, both sound and vision. Ghana was particularly strong on the 25th. Hugh Cocks also reports receiving these signals.

All in all then a rewarding month!

## **Reports from Abroad**

An interesting report covering March and early April has come in from Henny Demming (Holland). He had TE reception from Ghana on four days and ZTV on no less than eleven days in one month! The mystery signal I received on January 29th, with a new test card, has now been explained. Henny reports that it's NDR-1 (W. Germany) – see photo.

One can't help envying Anthony Mann (Perth, Australia) who reports, in a letter dated April 5th, continuous F2/TE/SpE reception. Signals were being received almost daily from Russia (ch. R1) and China (ch. C1). Other signals were received from New Zealand (chs. 1/2), from Australian east coast transmitters (chs. 0/1), also Malaysia (ch. E2) with the PM5544 test pattern (no identification). Several of the Australian ch. 0 signals were received via F2 back scatter, while according to Robert Copeman and Tod Emslie Vladivostok ch. R1 was received in Sydney.

In a letter dated the 13th Anthony Mann describes similar reception, plus communications signals from Central America at up to 44.5MHz, also S. African signals from the west. His letter of the 22nd contained the most dramatic news however. At times the F2 m.u.f. reached 53MHz, with W. Malaysian ch. E2 sound and the P29SIX beacon (52.010MHz). By the 18th he was logging several 50MHz beacons in the southern hemisphere, also local amateurs on six metres. The 19th produced more 50MHz beacons, including S. Africa, but the highest peak so far in the present sunspot cycle occurred on the 20th: Anthony heard two 52.1MHz amateurs (H44PT and H44DX) in the Solomon Islands, and at 0900GMT Mexican two-way communications signals at 49.4MHz. It's almost good enough to emigrate!

In the USA, Jerry Pulice (Staten Island, NY) has at last logged vision signals from Australia and new Zealand – NZ

ch. 1 on 45.25MHz, with additional signals offset at  $\pm$  10kHz, and (just) Australia ch. 0 on 46.26MHz, using a single dipole array at that!

### News Items

**New transmitters:** A pirate TV transmitter is being constructed on a ship in international waters off Greece, to broadcast uncensored news and films. Test transmissions from the religious "Star of Hope" transmitter in S. Lebanon have started: the transmitter is run by a US evangelical organisation to broadcast programmes to Syria, the Lebanon, Jordan and possibly Egypt from Bint Jubayl (channel not known).

**Africa:** Morocco is to start a second channel, in colour. Mozambique is carrying out test transmissions on a regular basis several days a week. S. Africa will start a second "non-white" channel in January 1982.

**Yemen:** New equipment for the start of colour transmissions is being installed in Aden.

**Belgium:** Experimental teletext services now accompany both the Flemish and French language transmissions. BRT uses 100 pages, based on the UK system; RTBF uses the French Antiope system, again with 100 pages.

### French VHF TV Re-engineering

Gosta van der Linden has sent us details of the v.h.f. channel allocations that will be adopted in France when the 819-line transmissions (system E) cease, probably towards the end of this year. System L will be used, with positive vision modulation, a.m. sound and 6.5MHz sound/vision spacing, i.e. the same as used for the French u.h.f. transmissions. The channel details are as follows:

Band I			Band III		
Channel	Sound (MHz)	Vision (MHz)	Channel	Vision (MHz)	Sound (MHz)
A	41.25	47.75	1	176	182.5
B	49.25	55.75	2	184	190.5
C	58.25	64.75	3	192	198.5
C'	57.25	63.75	4	200	206.5
			5	208	214.5
			6	216	222.5

Channel C' is the allocation for the Besancon-Lomont transmitter.

### Television Test Card Book

The second edition of Keith Hamer and Garry Smith's book "Guide to World-Wide TV Test Cards" has now been published. It's been extensively revised since the first edition, and features greatly improved photographic reproduction. There are some 240 monochrome photographs, covering Europe and most of the rest of the world - with either "official" or good off-air photos. A selection of Italian "free" station identification cards is also included. The book is highly recommended, particularly for beginners to the hobby of DX-TV. There are 52 pages and the price is £2.85, including surface postage world wide or extra for air mail (e.g. an additional £1 to Australia) - from HS Publications, 7 Epping Close, Mackworth Estate, Derby DE3 4HR. Overseas readers should send either sterling or drafts paid on a London bank - no Eire POs please!

### From our Correspondents . . .

Wenlock Burton (Melbourne) reports that a u.h.f. station

### GOLDEN ANODISED AERIALS: SUPERB ECONOMY AMPLIFIERS;

EST. 26 YRS. ALL PRICES INCLUDE VAT. EST. 26 YRS.

Masthead Amps	Type	Gain	Price
Astrax 1441	VHF/UHF	21dB	£12.82
Astrax 1450 LN	Bands 4&5 (TV)	28dB	£15.49
Astrax 1455	Bands 1&3 (TV)	25dB	£16.81
Astrax 1520	power unit for above amps		£9.15

All mast amps require a 1520 power unit.

### SPECIAL OFFER HIRSCHMANN ROTATOR £39.95

#### IMPORTANT Quote TVM

For highly graphic lists and Brochure Send 52p. Refund of 70p on 1st purchase over £5.

ESTABLISHED 26 YEARS



Stockists of the finest aerials available in Britain:  
OPTIMAX (Malta)  
FUBA TV & FM aerials (W.Ger.)  
MARGON TV aerials (Hol.)  
UKW FM aerials (E.Ger.)  
ANTIFERRENCE TV & FM aerials (U.K.)

The fabulous golden anodised FUBA XC391

We specialise in Rotator & DX work. Bands I & III stocked.

### ASTRA (GOLDEN D.I.Y.) AERIALS SOME OF OUR SUPERB TV & FM AERIALS.

Name	Group:W/Band	Gain dB	Price	After discount
Margon 103 (TV)	both stocked	19.5/21.5	£61.41	£52.19
Margon 91 (TV)	both stocked	18.5/20.5	£44.16	£37.53
Fuba 91 (TV)	both stocked	18.5/20.5	£48.61	£43.75
Optimax 14 (FM)	Band 11 W/B	14	£57.50	£48.88
Optimax 8 (FM)	Band 11 W/B	9.5/10.5	£32.54	£29.29
Fuba 8 (FM)	Band 11 W/B	10.5	£40.85	£36.77

Over 3,000 aerials stocked, all transmitters, poles, lashings, rotators, clamps, wall brackets; amplifiers, duplexers, triplexers; notch filters, coax white or brown.

Many of our customers come from recommendation.

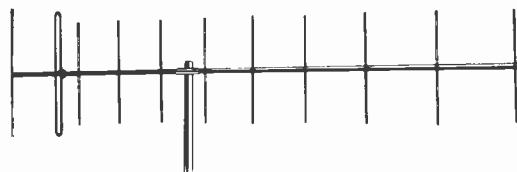
53 WHITEHORSE ROAD, CROYDON, SURREY.

Nr. Spurgeons Bridge Tel: 01-684 4300  
Open 9.00-5.30 TUE-SAT. 01-684 5262  
Closed 12.30-1.30 Closed All Day Mon. 24 hr. answering service

FM & TV AERIALS AND ROTATORS ON DISPLAY

## South West Aerial Systems

10 OLD BOUNDARY ROAD,  
SHAFTESBURY, DORSET.  
SP7 8ND tel. 0747 4370



The Jaybeam ABM wideband Band 3 aerial range was developed to provide high and consistent gain over the whole VHF Band 3 broadcast spectrum. The system features only one folded dipole with an integral balun which provides for a resistive feedpoint throughout the whole design bandwidth. The balun cancels out reactive changes which in turn gives a higher and sustained gain throughout the 170-230MHz. spectrum compared with the more traditional twin dipole/phasing bar systems. Available in 5, 8 and 11 element versions (a low loss stacking filter is available), the arrays are widely used in TVDXing installations.

South West Aerial Systems is an established company supplying aerial equipment for the local, fringe and DXing installation (FM/TV), and for the small MATV/deflector system. We have a customer consultancy service for resolving difficulties and answering queries.

Jaybeam ABM8 8 element wideband Band 3 array (10dB peak gain)	£19.50
Jaybeam ABM11 11 element as above (12dB peak gain)	£24.25
Teldis P1445 VHF masthead amplifier 40-230MHz. (26dB gain, 5dB NF)	£16.75
Matching 18 volt mains power unit	£11.25
Wolsey Bowtie 'Colour King' UHF array (chs. 21-68)	£19.25
Babani Publishing BP52 - Roger Bunney's TVDX book (2nd. edition)	£2.35

All prices include VAT, post and packing.  
Our 1981 catalogue costs 45p. Please include SAE with ALL enquiries.

(ch. 28) is under construction at Hobart, Tasmania. He's just purchased the equivalent of an Antiference TC13 group A aerial (marketed by Hills in Australia) and has received three amateur TV stations, including a beacon.

Richard Turcsany (Shelton, Connecticut, USA) reports having received BBC ch. B1 via triple-hop SpE on July 17th last year. The signal was very weak. My own 1980 ch. A2 triple-hop SpE reception was a few days earlier, on July 11th! July it seems is a good month for triple-hop transatlantic reception: since late July 1978, four DXers have reported reception of ch. A2 (two of them noted ch.

A3 signals as well).

Ray Davies (Norwich) received many u.h.f. signals during the April openings, including SR (Sweden) chs. 30, 42 and 48 and DFF (E. Germany) chs. 29 and 34. Ray is now using a Fuba XC391 array (chs. 21-48, group K) for u.h.f. reception, with a Polytron 30dB head amplifier. He comments that ZDF (the W. German second network) can be received daily with this new combination.

Another east coast enthusiast, Hugh Chapman (Hull), is installing new Band III aerials and head amplifiers: I look forward to his reception reports.

## Letters

### FAULTY TAPES

I was extremely interested in Derek Snelling's mention of faulty video tapes in the May *VCR Clinic*. Since the boom, which started about a year ago, in the sales of VCRs, we've found that the percentage of tape faults has been on the increase. This is certainly so with one major brand of tape we've sold. The two most common faults we've experienced with these tapes have been creasing and oxide shedding on the first 50ft. of tape. Since changing to a brand of tape that retails at a slightly higher price, we've had no more trouble and our many customers are happy. It would be interesting to hear from other dealers.

*George Le Page,  
St. Peter Port,  
Guernsey.*

### IN-SITU TRANSISTOR TESTER

May I thank Mike Phelan for his excellent article (March issue) describing the simple in-situ transistor tester he devised? Not having one of the little transformers he employed, I found that one from an electronic flash gun was just right, with a new primary winding consisting of 20 plus 20 turns substituted round the ferrite core. The tester has proved to be very useful.

*C. M. Lindars,  
Wallington, Surrey.*

### HYGIENIC HEATERS

Much, including a comprehensive article by Andy Denham in the September 1977 issue, has been written in your columns on the subject of servicing the Pye hybrid colour chassis, and in particular on the infamous CDA panel with its snags and shortcomings. As is by now well known, there are even solid-state replacement panels which do indeed solve most, if not all, the shortcomings – at a price. I'd like to draw attention however to a point that seems to have been overlooked in the fight to "tame" the panel and the troubles that arise from its operation.

Older readers will no doubt recall, with a shudder, the days when several mono and later stereo record players used what was euphemistically called "a.c./d.c." circuitry, with some quite long series-connected heater chains voltage-wise. These were as often as not overrun, or certainly generously run so far as the heater voltages were concerned. The result was acute audio distortion after about an hour's use. A quick look "under the bonnet" would then reveal output valves with cherry red anodes, and on checking at

the control grids a positive voltage would be discovered. This would lead to the coupling capacitors being whipped out – 0.05 $\mu$ F/500V capacitors sold in bagfuls in those days! Pretty soon afterwards however, with the equipment on soak test, the snag would again rear its ugly head, the bottles once more glowing. Positive volts on the grids again, and by this time it was usual to whack in new output valves – UCL83s were a favourite, and at one time I never had less than a dozen of these in stock. Eventually the penny would drop, and we'd realise that instead of being cherry red the heaters were well on the way to being incandescent! So whack some more Ohms in the heater line to get the heaters nearer the right colour. This would get rid of the secondary emission problem (the cause of the positive control grid voltage), and with the heaters being hygienically run everything would settle down. The gear would play for days and days without a burble – miracle cure!

One day, while trying so hard it hurt to set up a CDA panel for healthy pink skin tones that lasted for longer than half an hour, I once again found myself staring stupidly at the four in-line bottles on the panel, each trying hard to be a light bulb. Just for the hell of it, I switched off and put some more Ohms into the wattless dropper gismo heater line. The result was almost too good to believe. After setting the high and low white nicely and the colour bars as prescribed, the set just sat there and performed on and on – just like a monitor. I'd never seen a 697 perform so well for so long. Almost sweating with disbelief, I checked up on what I'd done – increased the value of the watty 22 $\Omega$  resistor (R303) in the heater chain to a similarly watty 150 $\Omega$ . So I did the job nicely and installed the resistor properly, to obviate any problems such as the resistor getting hot, dropping off and by Sod's Law falling through a hole in the cabinet on to a priceless shag carpet. Since then I've done this quick little mod to every Pye of the genre that's come my way. To a man they've soldiered on with none of the previous problems that plague this otherwise jolly fine set.

*Anthony Beddow,  
Minions, Cornwall.*

### SERVICE BUREAU

I see that line hold trouble with the Pye 169 chassis is mentioned in the May *Service Bureau*. On several occasions I've cured this fault by replacing C49 (16 $\mu$ F), which smooths the h.t. supply to the line oscillator stage – the fault can be exasperating to deal with when the line oscillator stage checks out o.k.

*M. G. Cox,  
Glossop, Derbyshire.*

# Service Bureau

*Requests for advice in dealing with servicing problems must be accompanied by a 75p postal order (made out to IPC Magazines Ltd.), the query coupon from page 493 and a stamped addressed envelope. We can deal with only one query at a time. We regret that we cannot supply service sheets nor answer queries over the telephone.*

## ITT CVC5 CHASSIS

There's intermittent lack of height on this set, but every time I try to tackle it with the meter the fault clears. A new PCL805 field timebase valve has been fitted, and the height control and its series resistor (R335, 1M $\Omega$ ) have been replaced. The output stage cathode bias components have also been changed. After doing all this the height again reduced. It could be corrected by adjusting the height control, but on switching on next day there was again a loss of about two inches at the top and bottom of the screen.

R335 is fed from the junction of R417 and C302, which should be checked. There's also a shunt path to chassis via R413, the VDR R409 (E299DD/P344) and D57, so these components may also have to be checked.

## GRUNDIG 5010

The set works for about a quarter of an hour, then the mains cut-out trips. This is accompanied by a flashover on the line output stage combi coil – which is a replacement, the original one having shorted turns. There's a heavy current through the h.t. resistors R608/R611, which burn out, but there's no detectable short between the h.t. line and chassis.

Check thoroughly for dry-joints on the heavy wound components in the line output stage. This is common enough advice, but dry-joints here are a constant source of trouble. If the search is fruitless, suspect the line drive coupling coil L501 of being intermittently open-circuit, or alternatively leakage in Di504, which sets the width transducer biasing, or Di502 in the protection circuit.

## THORN 3000 CHASSIS

The set goes off and on intermittently – the fault is similar to the excess current trip operating. There's no excess current demand however. The trip thyristor W622 has been changed and the associated components checked, but this has made no difference. A replacement power supply panel has now cleared the fault – any idea what's wrong on the original panel?

The two main possibilities are the l.t. reservoir capacitor C607 (1,000 $\mu$ F), and diode W609 which is in series with the chopper transistor (use two 1N4002 diodes in parallel as a replacement).

## SABA G CHASSIS

This set came in as a non-worker, and on removing the back I found that the mains fuse had blown. It's a very

complicated receiver however, with the power section right down in the bowels of the set and extra complexity in the form of remote control, so I'd appreciate any guidance you can provide.

If there's a dead short from the mains fuse to chassis, the mains filter capacitor C616 (0.22 $\mu$ F) is probably short-circuit. Next check whether there's a short to chassis at the 1A h.t. fuse Si601. If so, the h.t. smoothing capacitor C604 (470 $\mu$ F) is probably responsible – it breaks down quite often. A voltage-doubling h.t. rectifier circuit is used in this chassis, and if the first capacitor (C607, 470 $\mu$ F) in this circuit breaks down, the mains fuse blows instantly – the capacitor tends to arc over inside with a tremendous crack, like an e.h.t. discharge. The second rectifying element in this circuit is a thyristor, Thy606. This can go short-circuit, causing a hum bar with occasional fuse blowing.

## THORN 1400 CHASSIS

The picture is perfect apart from the fact that it suddenly turned to a battleship grey. The contrast and brightness controls both work, and the video output and vision i.f. valves have been replaced.

The probability is that the video output stage is working under incorrect conditions, due to a changed value resistor. Check the values of the anode load resistors (R40 3.3k $\Omega$  and R41 2.7k $\Omega$ ), the screen grid feed resistor R36 (8.2k $\Omega$ ), the cathode bias resistor R39 (110 $\Omega$ ), and in particular the bias stabilising resistor R38 (39k $\Omega$ ). Other things that might need to be checked are the first i.f. valve's screen grid feed resistor (R14, 39k $\Omega$ ) and the high-value resistors (R4/7) connected in series with the sliders of the contrast controls.

## GRUNDIG 2210

The symptom is that the set switches itself on and off rapidly, the sound being interrupted and the raster collapsing. If the set is switched off for a minute or so and then switched on again, it will behave normally and the fault may not recur for a week or more.

There's an electronic cut-out, on a separate subpanel (module 29301-038.01), in these sets. It consists of a thyristor in series with the h.t. supply, with a circuit that senses excess current flow and in this event switches the thyristor off. The symptoms suggest that the cut-out is tripping intermittently. The main suspects are the 10V zener diode Di619 on the subpanel and the two resistors R608 (9.1 $\Omega$ , 7W) and R611 (9.1 $\Omega$ , 11W) on the main panel – the cut-out senses the voltage developed across these resistors.

## ITT CVC5 CHASSIS

The picture may come on o.k., but is soon intermittently streaked by bands of white lines, generally in the lower middle of the picture. This sometimes leads to loss of colour, or to break up and loss of sync or a negative picture. When the latter occurs between adverts on ITV, the screen goes black with a green and red diagonal flash or bar. At other times the picture remains normal except for the occasional bands of white lines. Retuning sometimes clears the fault, while at other times it clears for the rest of the evening. The sound also gets a bit mushy when the fault is present.

Your problems will probably be resolved by cleaning and resoldering the four tags which earth the frame of the line output transformer to its subpanel. If the fault persists, concentrate on the a.g.c. circuit, particularly the gating diode D45 (BA145), the transistor T41 (BC174B) and the a.g.c. smoothing capacitor C114 (50 $\mu$ F).

### **SANYO CTP5101**

There are two faults on this set. First, field flyback lines are always visible. Secondly, the picture collapses intermittently, with two horizontal white lines an inch apart and the picture cramped in between – the picture is restored as soon as you touch the chassis.

Replacing R608 (330k $\Omega$ ) will cure the first problem – it's mounted on the tube base panel and forms the chassis return section of the potential divider network feeding the c.r.t. first anodes. The second problem, intermittent field collapse, must be due to a dry-joint somewhere in the field output stage – probably on the field output transistors (Q905/6) themselves. Resolder these joints and any others that look dry in this section of the set.

### **THORN 2000 CHASSIS**

There's no colour at the extreme right-hand edge of the picture – about two inches are missing. Also, when there's a close up the picture is "contrasty", as if the contrast has suddenly been turned up, with lots of snow on the picture. Another point is that the picture expands when the brightness is turned up slightly, the focus also being affected.

This problem is caused by an incompatible video board, and usually occurs when either the video or the line timebase board has been replaced. The modification required is to fit a 150k $\Omega$ , 10%,  $\frac{1}{4}$ W resistor across C18 in the pulse tap-off circuit on the line timebase panel.

### **ITT CVC2 CHASSIS**

There's a very bright picture on this set, the brightness control having hardly any effect. Also the PL509 line output valve's cathode resistor gets hot.

Ensure that the PL509's cathode resistor (Rh49, 10 $\Omega$ ) has not increased in value, and that its decoupling capacitor Ch29 and the screen grid decoupler Ch24 are intact. If so, replace the PL509. A common cause of excessive brightness on this chassis is failure of R24 (470k $\Omega$ ) which links the earthy ends of the c.r.t. first anode presets to chassis. Further possibilities are the d.c. restorer transistor TXk13 (BC118) in the luminance channel, diode Dk7 (AA132) which is in series with the base of this transistor, and TXh2 (BC118) in the beam limiter circuit.

### **RANK A823A CHASSIS**

After the set has been on for about half an hour a fault appears at the top of the screen – the top two or three inches of the picture become compressed. The fault is heat sensitive, clearing for a time if the set is switched off and allowed to cool down.

The following components can cause this problem – use an aerosol freezer and hairdryer to isolate the culprit: the field driver and output transistors 5VT7/9/10, the flyback diodes 5D8/10, the field charging capacitors 5C24/25, the bootstrap capacitor 5C35, and the field coupling capacitor 7C5. The latter is on the convergence panel.

### **THORN 1591 CHASSIS**

When the contrast control's setting is advanced, the picture goes negative. When the setting is reduced however the picture is too dark – even with the brightness control at maximum.

If the picture becomes defocused when the image turns negative, the c.r.t. could be responsible. Other things to check however are the first anode supply reservoir

capacitor C110 (10 $\mu$ F), the focus control R134, the video output transistor VT9 and the value of its collector load resistor R51 (6.8k $\Omega$ ). Ensure that the regulated supply line is correct, at 11.6V across C87. Important c.r.t. voltages to check are the cathode (45V) and the first anode (300V), at pins 2 and 6 respectively – a high-impedance meter is required to check these voltages.

### **TELETON ANEX TA12**

The trouble with this portable is line scan collapse – to a vertical line down the centre of the screen.

Failure of the line scan coupling capacitor C416 is a common cause of this fault on these sets. Its value is 3.3 $\mu$ F, and a 50V polyester type should be used – don't replace it with an electrolytic. The other thing to check is that the connections between the line output stage and the deflection coils are o.k.

### **THORN 8000 CHASSIS**

The trouble with this set is top foldover, the teletext lines sometimes appearing  $\frac{1}{2}$ in. down the screen. The foldover can be removed by reducing the setting of the height control, but there's then quite a gap at the top and bottom of the screen.

This effect is usually caused by leakage in one or both of the field output transistors VT410/VT411, though the driver transistor VT409 is not above suspicion. More remote possibilities are the flyback clamp diode W414, the bootstrap capacitor C438, the field scan coupling capacitor C439 and the scan coils.

### **PYE 725 CHASSIS**

The excellent picture on this set is marred by flyback lines at about half inch intervals down the screen – they are more noticeable on dark scenes.

It's possible that the black level is too high – try readjusting RV404. If this fails to correct the fault, the TBA560C chroma/luminance i.c. is suspect. Also check the c.r.t.'s first anode supply network.

### **KUBA FLORENCE**

This set gives an excellent picture, but has always required careful tuning to obtain colour, even with a good aerial correctly orientated. In recent months all four push-buttons have had to be continually retuned to keep good colour. Now the set goes off tune (loud hissing noise from the speaker), occasionally returning to a good picture and/or another station. Resetting the push-buttons will bring back the picture, sometimes for as long as an hour. The a.f.c. switch no longer has any effect (it used to), though the switch itself and the wiring are o.k.

Tuning drift on these sets is often caused by the potentiometer tracks in the tuning head changing value – the same problem occurs with other sets that use this make (PREH) of tuning head. To check, temporarily substitute a single 100k $\Omega$  multi-turn potentiometer or another type of tuning head. Even if the a.f.c. is completely inoperative, the tuning should only drift slowly however. There could be a fault in the tuner causing both faults therefore. With this type of a.f.c. arrangement, where the a.f.c. discriminator acts in series with the tuning voltage, any leakage from the tuning line will affect the a.f.c. action. The TAA550 stabilising i.c. is worth a try, though this would cause problems with the 24V supply if defective. The tuner is a special type (GAF) and is not easy to replace with an alternative type as it has an i.f. preamplifier built into it.



## THORN 1500 CHASSIS

The problem is an intermittent streaky line across the picture, making the picture roll. When this happens, streaks of blue light can be seen behind the scan coils, running up the bulb of the tube. Thinking that there might be shorting turns in the scan coils, I changed them. The effect is still present however. On the odd occasion you can switch the set on and everything works normally.

The action to take is to discharge the e.h.t., then thoroughly clean the c.r.t. bowl and flare with methylated spirit. Dry, and lightly smear the area with silicone grease. It would also be worth checking for any dry-joints or bad connections in the line timebase, particularly around the scan-correction capacitor C90 and the line output transformer.

## THORN 1690 CHASSIS

There's an odd fault here – the e.h.t. collapses after about 45 minutes, leaving the sound only, though at reduced volume and slightly distorted. Switch off for a couple of hours, then switch on again, and the picture's back, though for only 10-15 minutes. The fuses are of the correct type and have never blown. I've checked the line driver and output transistors, and the electrolytics in this area. When the picture goes, the series regulator transistor really starts to heat up its heatsink, though there are no other signs of components under stress.

On the occasions we've encountered this situation the fault has been due to either the shunt efficiency diode W13 (type F099) or, worse, the line output transformer/e.h.t. rectifier assembly.

# TEST CASE

## 223

Each month we provide an interesting case of television servicing to exercise your ingenuity. These are not trick questions but are based on actual practical faults.

Intermittent faults are one of the biggest headaches in TV servicing, and we seem to have had an epidemic of them recently. A particularly shy fault occurred with a Bush colour set, Model BC6248 – a nice little 20in. receiver, with the T20A chassis, remote control and touch tuning.

Our advice was sought on the problem of intermittent channel changing. The owner explained to our field engineer that the set would sometimes revert to channel one without any prompting from the remote control system or the touch pad. This would sometimes happen twice during an evening, though at other times the set would behave itself for several days. Our engineer, having met this sort of thing before on ITT and other touch-tune models, thoroughly cleaned the touch pads with surgical spirit and, seeing a couple of lively children, suggested that their mother keep her eye on the remote control unit! A few days later the engineer was again summoned, as the set was still occasionally jumping back to channel one. Suspicious eyes were cast on the family dog. Did he tend to jump up near the set? Did he have a jingling collar and disc? No . . .

Our engineer studied the circuit of the touch-tune system (customer control unit type T513A) and decided to replace the SAS580 touch-tune i.c. This is the i.c. that selects channels 1-4, and is thus the one most likely to be responsible for the effect. In went a new chip, along with a replacement 9C16 (the capacitor in the network which ensures that channel one is selected at switch on) in case this was leaky or jittery. Away went the engineer, leaving the invoice. Within a week however it was clear that the fault was still present.

The set was brought in and given a long soak test in the workshop on channel three – we had to remove the old 15A plug in order to test the set. The fault failed to put in an appearance however, so the set went back home, with the dog and the devil first and second on the suspect list. Ten days passed, and we dared to hope that the trouble had finally been put to rest. Then our customer, by now a sad and sorry lady, rang up to give us the bad news. Two concrete proposals were put forward in the workshop, to shoot the dog and to order a new touch-panel assembly – by the field and bench engineers respectively.

The upshot was that a third man drove to the house, spent fifteen minutes there, and cured the fault once and for all. We can afford a clue this month – the dog is still around.

## ANSWER TO TEST CASE 222

– page 436 last month –

The trouble last month was weak, noisy sound on a large-screen monochrome set fitted with the Philips E2 chassis. The two chips in the sound channel had been virtually eliminated from the chase, and we'd found that the quadrature coil in the detector circuit had little effect on the symptoms when adjusted. It should have done! Tank coils in sound and vision quadrature detector circuits usually tune very sharply indeed. Ours must have been a mile off resonance, because the associated tuning capacitor C403 (820pF) was completely open-circuit. It was a polystyrene type – and poly's a bad girl!

## QUERY COUPON

Available until 22nd July, 1981. One coupon, plus a 75p (inc. VAT) postal order, must accompany EACH PROBLEM sent in accordance with the notice on page 491.

## TELEVISION JULY 1981

Published on approximately the 22nd of each month by IPC Magazines Limited, King's Reach Tower, Stamford Street, London SE1 9LS. Filmsetting by Trutape Setting Systems, 220-228 Northdown Road, Margate, Kent. Printed in England by Carlisle Web Offset, Nawtowf Trading Estate, Carlisle. Distributed by IPC Business Press (Sales and Distribution) Ltd., Quadrant House, The Quadrant, Sutton, Surrey SM2 5AS. Sole Agents for Australia and New Zealand – Gordon and Gotch (A/sia) Ltd.; South Africa – Central News Agency Ltd. Subscriptions: Inland £10, Overseas £11 per annum payable to IPC Services, Oakfield House, Perrymount Road, Haywards Heath, Sussex. "Television" is sold subject to the following conditions, namely that it shall not, without the written consent of the Publishers first having been given, be lent, resold, hired out or otherwise disposed of by way of Trade at more than the recommended selling price shown on the cover, and that it shall not be lent, resold, hired out or otherwise disposed of in a mutilated condition or in any unauthorised cover by way of Trade or affixed to or as part of any publication or advertising, literary or pictorial matter whatsoever.

## TV LINE OUTPUT TRANSFORMERS (ALL NEW AND FULLY GUARANTEED)

(Prices include VAT at 15%)

Discount to Trade Post and Packing 85p

### RANK BUSH MURPHY

Z146 A640 dual std mono	9.48
Bush A792, A793 single std mono	9.48
A774 single std mono	9.48
A816 solid state mono	10.43
Z712 T16a T16b mono portable	10.43
A823 A823b A823av colour	11.98
Z179 Z722 series colour	18.06
Z718 18" series	24.57
Z718 20" 22" 26" series	24.57
T20a T22 series colour	16.00

### PYE

169 173 569 573 769 series	9.26
RV293B 368 series	9.20
691 692 693 697 series colour	
Two types see below	
Wired in version	21.41
Printed circuit version	15.26
713 715 570 series colour	12.32
731 735 737 741 colour	10.10
725 colour	10.00

### FERGUSON HMV MARCONI ULTRA THORN

950 mk2 1400 mono	8.50
1500 20" 1500 24" 1580 mono	8.50
1590 1591 1592 1593 mono	9.50
1612 1613 1712 mono	8.50
1690 1691 mono	11.85
1600 1615 series mono	14.64
3000 3500 EHT or SCAN	8.50
8000 8000a series colour	12.14
8500 8800 series colour	12.14
9000 series colour	12.14
9800 series colour	23.85

### DECCA

MS2000 MS2400 mono	6.80
MS1700 2001 2020 2401 mono	9.26
MS2404 2420 2424 mono	9.26
1210 1211 1511 portable	11.09
GYPSY portable	10.24
CS1730 1733 colour	10.00
CS1830 1835 colour	10.00
'30' series BRADFORD colour	10.00
80 series colour	10.00
100 series colour	10.00

### G.E.C.

2000 to 2064 dual std mono	9.50
2047 to 2105 3112 to 3135	9.50
"GAIETY" FINELINE	9.50
2114 portable mono	9.50
3133 3135 M1501H portable mono	9.50
DUAL STD hybrid colour	11.59
SINGLE STD hybrid colour	11.59
SINGLE STD solid state 90° or 110°	10.00

### INDESIT

20EGB 24EGB mono	9.90
------------------	------

### PHILIPS

170 series dual std mono	9.20
210 300 series mono	9.20
320 series solid state mono	10.00
G6 single std colour	19.88
G8 series colour	10.35
G9 series colour	10.35
G11 series colour	17.36

### KB-ITT

VC2 to VC10 VC12 to VC100	9.20
VC200 VC205 VC207 mono	9.20
VC300 VC301 VC302 portable	9.20
CVC1 CVC2 colour	10.35
CVC5 CVC7 CVC8 CVC9 colour	10.35
CVC20 series colour	10.74
CVC30 CVC32 series colour	10.00
CVC40 series	15.90

### GRUNDIG

HYBRID 717 1500 3010 colour	12.57
5010 6010 5011 6011 6022	
2222	12.57
1510 2210 2252 5012 colour	12.57

TELPRO all models	10.00
TANBURG CTV 2-2 colour	10.00
NDROMENDE solid state	10.00
TELEFUNKEN 637 647	10.00
ZANNUSI	10.71

## WINDINGS

### WIRED TO TAG PANELS

Post & Packing 40p

### RANK BUSH MURPHY

Colour hybrid quadrupler type	5.60
T20a T22 Z719 Z722 Pry & Sec	6.83
Z718 series primary	5.60
Z718 series EHT overwind	7.20

### PHILIPS

G6 eht overwind	7.20
G6 primary	4.60
KORTING hybrid series	7.60
WALTHAM 125 EHT overwind	3.00

### PYE

691 to 697 EHT overwind*	3.07
691 to 697 primary*	4.60
*Please state printed circuit or wired version	

### FERGUSON HMV MARCONI ULTRA THORN

8000 8000a primary	4.50
8500 8800 primary	4.50
8500 8800 EHT overwind	6.00

Contact your nearest depot for service by return.  
Callers welcome. Please phone before calling.  
If the Transformer you require is not listed please phone.

**Tidman Mail Order Ltd.,**  
236 Sandycombe Road,  
Richmond, Surrey.  
Approx 1 mile from Kew Bridge.  
Phone: 01-948 3702

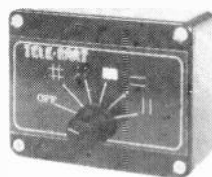
Mon-Fri 9 am to 12.30 pm.  
1.30 to 4.30 pm.  
Sat 10 am to 12 pm.

**Hamond Components**  
(Midland) Ltd.,  
416, Moseley Road,  
Birmingham B12 9AX.  
Phone: 021-440 6144.

Mon-Fri 9 am to 1 pm.  
2 pm to 5.30 pm.

# TELEPART

13 WORCESTER ST.,  
WOLVERHAMPTON,  
WV2 4LJ  
Tel: (0902) 773122  
Telex: 336810



## Telepart Pattern Generator

- \* Exceptionally light and durable
- \* Pocket size for outside service
- \* PP3 battery power source
- \* Five different test patterns for colour and mono TV
- \* Cross hatch grid
- \* Dot matrix
- \* White raster
- \* Horizontals
- \* Verticles

A lightweight, extremely portable and versatile pattern generator for black/white and colour T.V. alignment and service at the customers home. At the turn of a switch, the generator can provide five essential test patterns for correct installation, fast checks and repairs. Pattern stability is first class and compares favourably with other more costly bulky generators only suitable for bench work. The generator is pocket size measuring 10x7.5x4 cm and weighs only 190 grams.

PRICE £14.95 (Subject to V.A.T.)  
POST & PACKING £1.04



## Telepart Colour Bar Generator

- \* Exceptionally light & durable
- \* Compact 13x17.5x5.5 cms
- \* Battery powered for mobility
- \* Cross hatch grid
- \* White raster
- \* Grey scale
- \* Colour bars
- \* Sound

A Versatile Generator for Servicing or aligning mono or colour TV receivers. Lightweight and very compact for outside service. Features sound facility often not found on more costly generators.

PRICE £49.95 (Subject to V.A.T.)  
POST & PACKING £1.04

## Power Supply

A Power Supply can be supplied for the Telepart COLOUR BAR GENERATOR. This compact unit mounts by 2 screws into the Battery compartment and converts the unit to a bench instrument.

PRICE £5.50 (Subject to V.A.T.)

# APOLLO

FREE ADVICE - FREE ADVICE

Is it the Tube or not?

it can be an expensive decision. Give me a call on 061-799-0854, with 20 years experience in the trade I'll be pleased to help you. It need not be expensive either, lots of fancy prices are quoted for replacing a colour tube. Some as high as £130 not always such high quality though. The gent who does the actual rebuilding is a perfectionist, judge for yourself, our failure rate is under 1%. There's hardly need for our TWO YEAR GUARANTEE. If not keen on fitting a tube yourself and live outside Manchester, bring the set to us, if inside we'll come to you. The cost £37 to £39 for the tube depending on size and £20 for fitting, while you wait if necessary. We have most types in stock, but please phone first just in case:

061-799 0854

Reg Office:

43 Clarke Crescent, Little Hutton,  
Worsley M28 6XM.

Be pleased to hear from you. Tubes supplied Mail Order if required.

# CELTEL

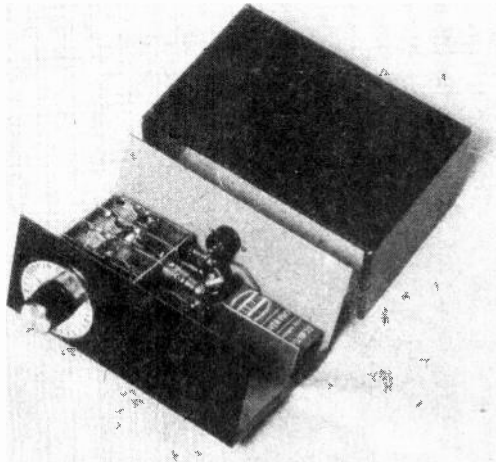
22" G8 £45 26" 3500 £25  
22" 3500 £45 20" GEC £20

ALL PLUS VAT @ 15%

Thorn 3000 Panels all at £5  
Spares available for all models

WARNERS MILL, SOUTH ST., BRAINTREE, ESSEX (0376) 43685  
UNIT 5A, KEMPS SHIPYARD, QUAYSIDE ROAD,  
BITTNERNE, SOUTHAMPTON 0703 331899

## IDEAL FOR FEEDING INTO YOUR HI FI TELEVISION SOUND



**TV Sound Tuner Kit**  
£9.50 plus VAT plus 50 pence P.&P.

## SENDZ COMPONENTS

63 Bishopsteignton,  
Shoeburyness, Essex SS3 8AF.

## TV LINE OUTPUT TRANSFORMERS

by **FAST RETURN OF POST SERVICE**  
PRICES INCLUDE P. & P. & 15% VAT

### COLOUR TRANSFORMERS

DECCA	CS1730, 1733, 1830, 1835	} <b>£10.50 RETAIL £9.00 TRADE (Trade Orders only)</b>
DECCA	30 series Bradford Chassis	
DECCA	80, 100 series	
ITT	CVC 5 to CVC 9	
ITT	CVC 20, CVC 30, CVC 32	
PHILIPS	G8, G9 Chassis	
PHILIPS	K80 (Rewind only – old unit required – £12)	

### WINDINGS

BUSH	Colour Hybrid quadrupler type .....	<b>£6.00</b>
RANK	T20A chassis .....	<b>£6.00</b>
PHILIPS	G6 EHT Overwind (exchange basis only) .....	<b>£7.00</b>
PHILIPS	G6 Primary .....	<b>£5.00</b>
PYE	691 to 697 EHT Overwind * .....	<b>£3.00</b>
PYE	691 to 697 Primary Winding * .....	<b>£4.00</b>
	* please state which	
EMO	90 degrees .....	<b>£7.00</b>

### MONO LOPTS

**Most British & Foreign  
makes supplied.**  
**£9.50 RETAIL £8 TRADE**  
Separate windings  
also available.

**REWINDS**  
**Rewind Service Available**  
**Mono or Colour**  
**SAE all enquiries.**

Open Mon. – Fri. 9 to 5.30 pm Callers Welcome.

All lopts and windings are new and guaranteed for 6 months.

**PAPWORTH  
TRANSFORMERS**  
80 Merton High Street  
London SW19 1BE

Barclaycard and  
Access welcome



**01-540 3955**

## SOLE SCOTTISH AGENTS 'Liver' Quality Colour Tubes

2 YEAR GUARANTEE! 4 YEAR OPTION

A56/120X 22" only .....	<b>£28.00</b>
A66/120X 26" only .....	<b>£31.00</b>
A67/120X 26" only .....	<b>£31.00</b>
A51/110 20" only .....	<b>£28.00</b>

ALL PRICES PLUS VAT OLD GLASS RETURNABLE. PERSONAL CALLERS WELCOME



**RITEL**

THE MILL,  
PEACOCK CROSS  
INDUSTRIAL ESTATE,  
32 BURNBANK ROAD,  
HAMILTON,  
TEL: (0698) 282 141.

## QUALITY TV'S ALWAYS AVAILABLE

GOOD STOCKS OF MODERN COLOUR  
PLENTY OF SINGLE STANDARD MONO  
VERY COMPETITIVE PRICES  
COME TO THE BEST IN THE WEST

## TELETRADERS

ST. LEONARDS WAREHOUSE  
ST. LEONARDS ROAD, NEWTON ABBOT, DEVON  
Telephone: (0626) 60154

# ARE YOU

## USING YOUR SPARE TIME PROFITABLY?

If not, you're losing money. Money that you could be making by selling **used colour televisions from home** in the evenings. In fact, provided you start correctly and know exactly how to operate, you can easily earn a substantial CASH INCOME with a starting capital of less than £20. Our new unique publication "**How to Deal Successfully in Used Colour Televisions**" enables you to follow in the footsteps of many experts who have a great deal of combined experience in this lucrative home business, and who have 'pooled' their knowledge to help you. After all, to follow the advice of someone who has travelled the ground before you, is to be given the best possible start. And the hundreds of valuable trade secrets, hints, tips and suggestions in the guide show exactly how anyone of average intelligence can **succeed immediately**.

Every aspect, from securing the first television right through to rapid expansion of sales, is covered with the detailed knowledge of experts to ensure **certain success**. Indexed information on almost all makes of television is presented in clear tabular form, describing performance, reliability, price and service. In particular, the tips on expanding the business are very practical, and are almost automatic when put into practice. Pages of unique advice on advertising ensure that maximum sales are secured, and sources of supply are described in detail for both televisions and new/used spares. Monochrome sets are also covered, as are "invisible" cabinet repairs. **Plus FREE on-going advice and FREE regular updating service.**

**You can start tomorrow – but you'll need our guide.** The latest big illustrated edition is out now, and costs just **£4.95** – a small price to pay for financial independence!

ORDER TODAY FROM:

GLOBUS INDUSTRIES LTD., UNIT 18, DARLEY ABBEY MILLS, DERBY.

To: **Globus Industries Ltd., Unit 18, Darley Abbey Mills, Derby.**

Please send by return post "How to Deal Successfully in Used Colour Televisions". I enclose cheque/p.o. for **£4.95**.

NAME .....

ADDRESS .....

THE  
TELEVISION

## COLOUR RECEIVER PROJECT

We will be offering all the components as specified by the magazine for this latest project, continuing this month with the timebase board.

All items down to the last nut and bolt are available separately or in kit form, with the exception of the p.c.b.

### TIMEBASE BOARD

Resistor pack	ref. no. 37811	£3.85
Capacitor pack	ref. no. 37812	£8.00
Semiconductor pack	ref. no. 37813	£12.50
Miscellaneous pack	ref. no. 37814	£27.50

All four of the above packs purchased together ref. no. 37815 £44.00.

For individual component price list of above, send s.a.e., quoting ref. no. 37815L.

### EXPORT SIGNALS BOARD

VHF/UHF PAL B/G (ref. no. 26811)	£60.00 + £6.50 p.&p.
VHF/UHF PAL I (ref. no. 26812)	£60.00 + £1.50 p.&p.

### SWITCH-MODE POWER SUPPLY

Resistor pack	ref. no. 15811	£3.35
Capacitor pack	ref. no. 15812	£8.40
Semiconductor pack	ref. no. 15813	£3.60
Miscellaneous pack	ref. no. 15814	£18.00

All four of the above packs purchased together ref. no. 15815 £28.75

For individual component price list of above, send s.a.e., quoting ref. no. 15815L.

All kit prices are inclusive of VAT, p.&p., for UK orders (except for export signals boards—see above).

**JLC** electronics

110 FIRST AVENUE, BUSH HILL PARK, ENFIELD EN1 1EP

**LOOK!** Phone: LUTON  
BEDS. 38716

## OPPORTUNITIES TRADE SALES

ALL SETS GUARANTEED  
COMPLETE

OVER SIX HUNDRED SETS

ALWAYS IN STOCK

Pye 20T, Philips G8;  
Ferguson 3-3k5

Murphy, Bush, Decca, GEC  
All from

£35.00 £50.00

Square Screen, Mono's from

£5.00 ALL MODELS

Sets for spares from

£2.00

All include VAT

## OPPORTUNITIES

9A, Chapel Street, Luton, Beds.  
LUTON 38716

9.30-6.00 p.m. Weekdays, 10.30-1.00 p.m. Sundays.

## EX RENTAL TV'S FOR EXPORT

CONTAINER LOADS OF SOLID STATE, BUSH  
AND THORN AVAILABLE BY RETURN,  
SHIPPED WORLDWIDE. QUOTATION BY  
RETURN. SUITABLE NEW VHF TUNERS:  
PYE ELC 1042 ALSO AVAILABLE.

# TRISTO

TRISTO  
CREDCOLL HOUSE,  
96 MARSH LANE,  
LEEDS LS9 8ST.  
TELEX: 557323 TRISTO G

# TENREC

Tenrec Electronic Engineers Ltd  
502 Bearwood Road  
Warley, West Midlands  
021 429 8150

### Thorn 8000/8500 CTV's

Full working order from £65 + p.&p.

### LCD Watches

from £5.85 + £1 p.&p.

SAE for Complete List.

\*A31-410, 12" Mono Tube New. Special Price for Current  
A38-160W, 15" "Television" Feature; £19. P&P-£2.

Plenty of used colour panels working. S.A.E. for  
list. 50p p. & p.

Trade enquiries welcome

(All prices include VAT)

(T.I.)

# WMTV LTD. – THE TV PROFESSIONALS



## THE BEST DEAL IN TV'S

- ★ Britain's most reliable source of Quality T.V.'s.
- ★ Hundreds of working polished T.V.'s.
- ★ Full customer testing facilities.
- ★ Thousands of untested S/S Colour T.V.'s from **£10.**
- ★ Quantity deliveries arranged anywhere in Britain or the World.

### Special Deals

- ★ Mixed 25" 4 for **£30**
  - ★ GEC 19" 10 for **£100**
  - ★ BRC 26" 10 for **£250**
  - ★ Pye 691 22" 10 for **£120**
  - ★ PYE 205 22" 10 for **£199**
  - ★ Personal collection only
- All above prices are plus 15% V.A.T.*

RING 021-444 6464 FOR DETAILS OF QUANTITY DISCOUNTS

### MAIL ORDER TV'S – Working Colour TVs supplied by Mail Order and fully tested before despatch.

- ★ BRC 22"/26" **£70**
- ★ BUSH 184 22" **£40**
- ★ BRC 8000 17" **£65**
- ★ BUSH A823 22"/26" **£60**

*Above MAIL ORDER prices include V.A.T. but please add £12 p & p/T.V. Set.*

- ★ New T.V. Stands.
- ★ Fully adjustable.
- ★ **£6.25** plus £1.75 p & p.
- ★ Quantity discounts.
- ★ Price inc. V.A.T.



## EXPRESS MAIL ORDER SPARES

### ★ Ex-equipment Panels

	Con	Power	Line	Decoder	Video	IF	Frame	Tripler	LOPTX
<b>RBM 823</b>	7.00	6.00	14.00	14.00	—	6.00	9.00	3.00	3.00
<b>BRC 3000</b>	6.00	14.00	14.00	6.00	6.00	6.00	6.00	4.00	6.00
<b>BRC 3500</b>	9.00	14.00	14.00	6.00	6.00	6.00	6.00	4.00	6.00
<b>GEC 2100</b>	6.00	—	—	8.00	6.00	6.00	10.00	5.00	5.00
<b>PYE 205</b>	6.00	—	—	8.00	7.00	6.00	5.00	5.00	7.00

Postage & packing **£1.25** Panels **50p** Triplers

### Ex-Equipment Valves

	Untested
ECC82	10
PCF802	9
PCL82	10
PCL84	10
PCL85/805	9
PCL86	10
PFL200	10
PL36	10
PL504	10
PL508	18
PL509	30
PL519	40
PL802	—
PY500	20
PY800/81	10
PY801/88	10

### Ex-Equipment Colour Tubes

All fully tested

17" (A44-271X)	<b>£18.00</b>
18" (A47-342X)	<b>£18.00</b>
18" (A47-343X)	<b>£18.00</b>
19" (A49-191X)	<b>£18.00</b>
20" (A51-120X)	<b>£25.00</b>
22" (A56-120X)	<b>£17.00</b>
25" (A63-200X)	<b>£10.00</b>
26" (A66-120X)	<b>£17.00</b>
26" (A67-120X)	<b>£17.00</b>

Please add £5.00 p & p per C.R.T.

### Equipment Spares

\*Always available

- ★ Colour and Mono Scan Coils **£1.50** + £1.00 p & p.
- ★ Tuners for many makes of Colour and Mono **£4.00** + £1.00 p & p.
- ★ Reconditioned 50p meters **£92.00/Box of 10** incl. p & p.
- ★ PLESSEY SL918 colour ICs with ● circuit for substitution of SL917 **£2.00** + 25p p & p.
- ★ NEW VHF/UHF Varicap Tuners with circuit and full data **£1.25** + 75p p & p.

- ★ p & p paid but minimum order of £3.00 please.
- ★ Deduct 10% discount on orders over £20.00.

FOR SPARES WE ARE OPEN MON-FRI 9.30-1.00 WED CLOSED ALL DAY  
FOR SETS WE ARE OPEN MON-SAT 9.30-5.45 WED CLOSED ALL DAY

PLEASE NOTE – ALL THE ABOVE MAIL ORDER PRICES INCLUDE 15% V.A.T.

**WMTV LTD.** 92 HIGH ST (A435) KINGS HEATH B'HAM B14 7JZ TEL. 021-444 6464  
021-444 2575

# Patterns in your pocket!



## PAL Television Pattern Generator

Switchable colour/monochrome, the unit provides the following patterns –

- Colour bars (grey scale in monochrome).
- Red raster (grey in monochrome).
- Crosshatch.
- Dots.
- Central single cross.
- Central dot.
- White raster.
- Vertical white lines at 2-217 MHz  
i.e. 1/2 sub-carrier frequency (no sound)

Sound modulation FM 650 Hz.

R.F. Output tunable over channels 21 – 41 on U.H.F. or channels 5 – 12 on V.H.F.

Kit includes re-chargeable battery and charger.

Only **£130** (VAT and P & P extra.)

## ELECTRO CRAFT

Electrocrafft Consultants Limited,  
Liss Mill, Liss, Hampshire GU33 7BD.  
Telephone: Liss (073 082) 3444.  
Telex: 86143

## MULLARD COLOUREX TUBES FULL MULLARD GUARANTEE

19" Special Offer .....	£26.00
20" A51/110 .....	£32.00
22" A56/120X .....	£34.00
26" A66/120X .....	£36.00

ALL PRICES PLUS VAT OLD GLASS RETURNABLE  
5 PIECES OR OVER, ANY MIX, 5% DISCOUNT



CEDAR HOUSE, NOBEL  
ROAD, ELEY ESTATE,  
EDMONTON,  
LONDON N18.  
TEL: 01-807 4090

## RADIO/TAPES BARGAINS

LW/MW Mains/Battery Radios **£9.00**  
each (P&P £1.00).

LW/MW Car Radios with Speaker  
**£9.00** each (P&P £1.00).

Small VHF/MW Battery Radios **£7.00**  
each (P&P 50p).

8-C60 High Gain Cassettes **£2.00**  
(P&P 50p).

5-C90 High Gain Cassettes **£2.00**  
(P&P 50p).

Stereo Headphones with Lead & Jack  
Plug **£4.50** (P&P 50p).

**SIGNAL INJECTORS** with (pre-set) variable AF, which emits RF harmonics into  
the UHF band. Protected up to 300 volts dc. Complete with leads **£5.70** each.

All prices include VAT at 15%. P&P per order 30p. S.A.E. for leaflets. Access cards.

## AERIAL AMPLIFIERS

Aerial amplifiers can produce  
remarkable improvement on the picture  
and sound in fringe or difficult  
areas.

**B45** – for mono or colour this is  
tunable over complete UHF television  
band.

**B11** – for stereo or standard VHF/FM  
radio.

**B12** – for VHF television band 1 & 3.

\* **All amplifiers are complete  
and ready to use.**

Battery type PP3 or 8v to 18v dc, next  
to the set type fitting. Prices **£6.70**  
each.

## ELECTRONIC MAILORDER LTD,

62 Bridge Street, Ramsbottom,  
Via Bury, Lancs. BL0 9AGT. Tel. Ramsbottom (070 682) 3036.

## REBUILT CATHODE RAY TUBES IN SOUTH WALES

### C.R.T. SERVICES

274 Chepstow Road, Newport, Gwent.  
Tel Newport 272005.

#### CURRENT PRICE LIST

A44-271X, A47-342X/343X	£30	470ERB22, 470FTB22	£40
A49-120X, A51-110X	£30	A51-161	£40
A56-120X, A56-140X	£33	A56-500X, 560HB22	£43
A63-120X, A66-120X	£36	A66-500X	£46
A66-140X, A67-120X/150X	£36	Add 15% VAT to all prices.	

Prices are based on a type for type exchange tube  
suitable for reprocessing.

**TWO YEAR GUARANTEE ON ALL TUBES**

## CARDIFF CENTREVISION

### EX RENTAL T/V's

\*In stock now. Philips G8 Thorn 3500

Philips K9 26" 110° VCR Position from **45.00**

Also Mono from **£2.00**

Large range of spares. Call and see our 4000  
sq. ft. warehouse, you won't be disappointed.

Over 1,000 sets in stock

Unit 2 corner of Penarth Road and Hatfield Road.  
Tel. Cardiff 0222 44754







**SETS & COMPONENTS**

**STS**

FOR  
QUALITY  
USED T.V.s

200 EX RENTAL  
COLOUR AND MONO TVs  
ARRIVING WEEKLY  
GOOD CLEAN CABINETS

Bush ★ Decca ★ GEC  
Pye ★ Philips ★ Thorn  
Grundig ★ Sanyo ★ ITT Etc

TROLLEY STANDS AND  
ALL SIZE REGUN TUBES.

DELIVERY IF REQUIRED

Call or phone now to:

**SOUTHERN TRADE SERVICES**  
21 COLINDALE AVE.,  
LONDON NW9  
TEL 01-200-7337.

G.E.C. 2040 working with polished cabinets £32 or with regun tube £50. Minimum order five. Tel. 0484-643273 (W. Yorks).

**Southern Valve Co.,**

2nd Floor, 8 Potters Road, New Barnet, Herts.

Tel: 01-440 8641 for current prices & availability, all popular valves stocked. SAE Lists. Cash with order. Same Day Postal Despatch. (Lunch 12.30-2p.m.) Not Thurs.

Valves, Tubes, Aerials etc by LEADING-MAKERS. Send SAE Lists or Phone for current prices. Counter. NO COD. Speedy Despatch assured. No order under £1.

Philip Baerman, 6 Potters Road, New Barnet, Herts.

Tel: 01-449 1934/5 (1934 Recording Machine).

Closed Thurs. Please phone for opening hours.

EX-RENTAL COLOUR T.V.'s. Thorn 3000/3500 in working order. 19" £39, 22" £55, 22" Varicap £59. Cash and collect. Tel: Peterborough (0733) 253480.

**T.V.s FOR EXPORT**

We have a selection of Bush and Ferguson colour T.V.s in good working order.

VHF/UHF suitable for countries using PAL system. We also supply The Home Market.

Write:

Tele Spares Ltd.,  
7 Walkinstown Road,  
Dublin 12, Ireland.  
Tel: Dublin 520485.

**SMALL ADS**

The prepaid rate for classified advertisements is 25p per word (minimum 12 words), box number 60p extra. Semi-display setting £4.80 per single column centimetre (minimum 2.5 cms). All cheques, postal orders etc., to be made payable to Television, and crossed "Lloyds Bank Ltd". Treasury notes should always be sent registered post. Advertisements, together with remittance, should be sent to the Classified Advertisement Manager, Television, Room 2337, IPC Magazines Limited, King's Reach Tower, Stamford St., London, SE1 9LS. (Telephone 01-261 5846).

**NOTICE TO READERS**

Whilst prices of goods shown in classified advertisements are correct at the time of closing for press, readers are advised to check with the advertiser to check both prices and availability of goods before ordering from non-current issues of the magazine.

**WERNETH ELECTRONICS LIMITED**



**TV-TUBE TEST INSTRUMENTS.**

Tests emission & auto. reactivates colour/in line/mono/port. mono. + Now with p.c.b. base adaptors. TX80S - £49.85 inc.

Send s.a.e. for information pack.

**FREEPOST.**

P.O. BOX 9, MARPLE, STOCKPORT, CHESHIRE. SK6 6YE.

WERNETH ELECTRONIC PRODUCTS · WINNINGTON RD · MARPLE · STOCKPORT · CHESHIRE

**TV PATTERN GENERATOR**

UHF output, plugs straight into aerial socket, provides cross-hatch and peak white and 8 bar gray scale. Size 100 x 75 x 40mm.

**£17.75**

price includes battery, P&P, and VAT.

Further details of this and our other products on request.

C. L. JERVIS,  
15 Mercer Grove,  
Wolverhampton, WV11 3AN.  
TEL (0902) 736606.

**HOME ELECTRONICS**

**VALVE SALE**

(surplus stock all new boxed valves)

E891	39p	EH90	70p	PCF82	48p
ECC81	55p	EY86/87	50p	PCF88	39p
ECC82	51p	G434	1.08p	PCF801	92p
ECC83	55p	PC86	75p	PFL200	1.08p
ECL82	38p	PC88	75p	PL36	78p
ECL86	68p	PC97	50p	PL84	64p
EF80	37p	PC900	72p	PY81	59p
EF85	48p	PC84	41p	PY801	58p
EF183	55p	PC289	67p	30C189	38p
EF184	45p	PCC189	67p	30L17	38p

**COMPONENT SALE**

(All new surplus stock)

AC125	17p	8C149	5p	8Y254	18p
AC127	15p	8C184L	7p	8YX10	15p
ACY27	5p	8C288	70p	1N4001	3p
AD142	60p	8C547	6p	1N4148	2p
AD161/162	90p	8C548	6p	2N1813	20p
AF178	40p	8C549	5p	2N1305	60p
AF179	60p	8F180	28p	2N3055	44p
AF180	50p	8U104	1.50p	CS11	15p
AS28	60p	8U105	1.30p	OA70	5p
AS255	7p	8U108	1.40p	MC1327P	80p
BC119	18p	8U205	1.10p	TBA120A	60p
BC147	5p	8Y182	70p	T8A920	1.30p

All prices subject to 15% VAT. Add 50p for postage if order under £10. C.W.O To:-

**HOME ELECTRONICS,**

53A, EXETER ROAD,  
EXMOUTH, DEVON.  
Tel: 03952-6210

**CAMPBELL ELECTRONICS LTD.**

Distributors of specialist spares to radio and television service depts.

We stock semiconductors, I/Cs, special T.V. and audio spares, service aids, rebuilt CRTs etc.

Fast off the shelf delivery of stock items. Send S.A.E. or telephone for full catalogue and price list.

**CAMPBELL ELECTRONICS LTD.,**

Unit 5, Heath Hill Estate,  
Dawley, Telford, Shropshire.  
Telephone Telford (0952) 502422.

COLOUR TV sets from £20, mono also available. Ex equipment parts for oldish receivers. Wanted mains battery lead for 1955 EKCO TMB272 set (multiway connector). H. Cocks, Cripps Corner, Robertsbridge, Sussex. Tel. 058083-317.

**COLOUR PANEL EXCHANGE SERVICE**

BRC 3000/3500, 8000/8500

GEC 2110 series

Philips G8, G9 and G11

Three months guarantee on all Exchange Panels. Free delivery in London area.

Also Ex-Equipment Panels Thorn 3500 for sale.

All guaranteed Perfect Working Order.

Phone or send SAE for Catalogue.

**KAY JAY TV SERVICE,**

34, Clauson Avenue,  
Northolt, Middlesex.  
Phone 864-0350.

When replying to Television Classified Advertisements please ensure:

- (A) That you have clearly stated your requirements.
- (B) That you have enclosed the right remittance.
- (C) That your name and address is written in block capitals, and
- (D) That your letter is correctly addressed to the advertiser.

This will assist advertisers in processing and despatching orders with the minimum of delay.

# TELEVISION

**R  
A  
D  
E**

WE HAVE WAYS OF MAKING YOU BUY. WE ARE GOING TO THUMP YOU WITH BARGAINS, MAKE YOU SQUEAL WITH PAIN AT THE BIG DISCOUNTS, TWIST YOUR ARM WITH LOW PRICES. NOW YOU'VE HAD ENOUGH, GET YOUR CASH AND A WAGON & COLLECT (OR YOU'LL BE SORRY!).

**GENERAL FACTORS**

GOOD MOTORWAY ACCESS  
EXPORT ENQUIRIES

UNION ST, DONCASTER DN1 3AE  
TELEPHONE (0302) 49583-68416

OPEN MON to SAT

TRIANGLE TELEVISIONS COLERAINE. N.I. quality working sets. Clean. Cabinets Decca, Bush, Kirting. Phone Coleraine 3600.

## VALVE BARGAINS

BOXED & TESTED 30p EACH

ECC82, EF85, EF183, EF184, PFL200, PCF80, PCF802, PCC84, PCC89, PC97, PC86, PC88, PCL84, PCL805, PCL86, PY800, PY88, PL36, PL504, 6F28, 30PL13, 30PL14.

COLOUR VALVES 65p EACH

PY500/A, PL508, PL509/519, PL802.

Postage & Packing 30p, no VAT

**VELCO ELECTRONICS**

9 Mandeville Terrace, Hawshaw, Via Bury, Lancs.

**T.V. SPARES, PANELS  
AND MANUALS**  
PHILIPS · GRUNDIG

TELEVIEW 01-994 5537  
194, Acton Lane, London W.4.

THORN 8500 working with polished cabinets £47 or with regunned tube £65. Minimum order five. Tel. 0484-643273 (W. Yorks).

## QUALITY REBUILT TUBES

HIGH TEMPERATURE PUMPING

COLOUR (2 year Guarantee)

90° up to 19"	£33
90° 20" - 22"	£35
90° 25" - 26"	£36
110° and PIL	£40

MONO (including thin necks) from £12.

All prices + VAT

Delivery UK Mainland £6.

4 year Optional Guarantee

Send or phone for full list and terms.

**WELTECH PICTURE TUBES**

Unit 3-10 Wembley Commercial Centre,  
East Lane, Wembley, Middx.  
01-908-1816

**PHILIPS VIDEO CONVERSIONS**  
UP TO 5 HOUR DUAL SPEED RECORDING  
FROM N1700 - 02 VIDEOS  
EXCELLENT PICTURE QUALITY  
USES EXISTING TAPES - SEE DEMONSTRATION  
VIDEO - AUDIO IN - OUT FACILITIES £85 inc  
N1500-01-02 L.P. CONVERSIONS FROM £105  
LVC150's £15 EACH - TAPES REPAIRED

**EVANS VIDEO SERVICES** 061 439 8696  
Video Engineering Specialists

BUSH 20" AND 24" S/S Mono's. Working order £10 each. Minimum 10. C.O.D. available. (0706) 623404.

## COLOUR T.V.s

PHILIPS G8 COMPLETE

22" £45 26" £55

DISCOUNT FOR BULK BUYERS

TEL: 965 1230 & 961 3997

**SMITH**

**ELECTRONICS**

43-43A, PARK PARADE,  
HARLESDEN,  
LONDON N.W.10.

## TELFURB T.V. LTD.

No. 1 in

- ★ Used colour T.V.'s
- ★ Competitive prices
- ★ Technical expertise
- ★ Fully equipped premises
- ★ Export

Phone or Call

51-53 HIGH STREET,  
WHEATLEY, OXFORD.

086-77-3849

TVDX EQUIPMENT. Vhf to Uhf converter, tuned RF amplifier used. Superior DX performance to wide-band types £10-50 inc pp (12V supply) Band I double notch filter 40dB plus attenuation £17.95 (State channel). BI/II Mosfet preamplifier, high gain low noise. Mains powered £25-95. See data, TVDX lists. H. Cocks. Cripps Corner. Robertsbridge, Sussex. Tel. 038083-317.

## TOSHIBA 1100 P.I.L. TUBES 20" 22" 26"

Colour Tubes.....from £25  
Toshiba P.I.L. All Sizes.....from £20  
Top quality Regun 90°. All sizes.....from £28

RING: JEFFRIES 01-845 2036

TURN YOUR SURPLUS capacitors, transistors, etc. into cash. Contact Coles-Harding & Co., 103 South Brink, Wisbech, Cambs. 0945 4188. Immediate settlement.

## CAMPBELL ELECTRONICS LTD. COLOUR T.V. PANEL EXCHANGE/ REPAIR SERVICE

THORN, RANK, PHILIPS, GEC,  
DECCA, TELPRO, GRUNDIG etc.  
90 Day Guarantee on all repairs - same day postal service.

Telephone Telford (0952) 502422  
for catalogue and price list.

**CAMPBELL ELECTRONICS LTD.,**  
Unit 5, Heath Hill Estate,  
Dawley, Telford, Shropshire.

TELEFUNKEN. We buy/sell T.V.'s, Hi-Fi and components (Supersonic receiver boards especially wanted). Turn your surplus items into cash, or contact us for that elusive component. K. H. Gould, Ladburn Lane, Shilton, Oxford. Tel. (0993) 841999.

## SUFFOLK TUBES LIMITED

214 Purley Way, Croydon, Surrey.  
Tel: 01-686 7951/2/3/4

SUPPLIERS OF MONO AND COLOUR TUBES TO MAJOR RENTAL COMPANIES.

ALL COLOUR TUBES HOT PUMPED AT 385c AND REBANDED TO BRITISH STANDARD. 415 1972 CLAUSE 18-2.

19" and 22" TUBES APPROVED. OTHER TYPES PENDING.

BRITAINS LARGEST INDEPENDENT REBUILDER FOR 21 YEARS.

# TRADE ONLY N. W. ELECTRONICS

Have for disposal large quantities of good class

## COLOUR TVs,

Bush, Pye, GEC, Thorn, Hitachi, Philips, etc. (Ex Co-op). Not junk, very clean cabinets.

Genuine change over TVs and repossessions.

**From only £20.** Delivery arranged.

We export large quantities of TVs weekly, can we help you?

Call now and see our selection, over 1000 TVs to choose from.

**N. W. Electronics, Bolingbroke Buildings,**

**Bolingbroke Street, Bradford 5.**

**3 Mins from Motorways.**

**Tel. 0274 390121.**

### LOOK!

#### THORN 3000/3500 & 9000 TRIPLERS

High Quality Silicon Replacement Units  
T3500 only **£4.95** inc. P.P. Add 74p V.A.T.  
T9000 only **£5.45** inc. P.P. Add 82p V.A.T.

Quotes for 50+.

1 Year Guarantee

#### WING ELECTRONICS

15, Weylands, off Tudor Road, Hayes End,  
Middlesbrough.

### TV DX

Back in the U.K. Schrader's RB45 and RB45a, remotely controlled, tunable UHF amplifier ch. 21-65 and 17-65. Gain 22-30 dB. Noise ratio 3.5 dB. Price, with power-tuning supply VR12, **£44.50** incl. P&P. 2nd Broadband-Amplifier SBB 268-V. ch. 2-68. Gain 15-12 dB. Price **£14.50** incl. P&P. Trade enquiries welcome.

Robert van Reysen,  
28 Pemberton Rd., E. Molesey,  
Surrey. Phone 01-979 7380.

### BOOKS & PUBLICATIONS

**OUT OF PRINT BOOK SERVICE**, 17, Fairwater Grove (E), Cardiff. Send S.A.E. for details.

**COMPLETE FAULT GUIDES** with circuits and step by step charts for Thorn CTV's 3K-8K-9K series. £4 each chassis type. Sandhurst Publications, 49C, Yorktown Road, Sandhurst, Camberley, Surrey.

**ANY SINGLE SERVICES SHEET £1.** L.S.A.E. Thousands different repair/service manuals/sheets in stock. Repair data your named TV £6 (with circuits £8). S.A.E. Newsletter, price lists, quotations. AUS (T), 76 Church Street, Larkhall, Lanarkshire. (0698 883334).

### AERIALS

**TV-DX AERIALS** for Bands 1, 2, 3, UHF, amplifiers and filters (all bands), wideband up-converters (VHF/UHF, no tuning needed), hardware, etc. South West Aerial Systems - The experienced specialists - Catalogue 45p from 10, Old Boundary Road, Shaftesbury, Dorset. SP7 8ND. Tel. (0747) 4370.

### FOR SALE

**TELEVISION, P.T.**, Every copy June 53-May 74, except March 72 (244) £25.00. Devon 0803-842638.

**2000 CHASSIS HMV COLOURMASTER**, Working, nice cabinet on stand. Gravesend 69047.

**NEW BACK ISSUES** of 'Television' available 95p each post free. Cheque or uncrossed P/O returned if not in stock. Bell's Television Services, 190 King's Road, Harrogate, N. Yorkshire. Tel. (0423) 55885.

**WORKSHOP CLEARANCE.** - Normende colourbar generator £140, Textronix-DB scope £140, Thorn 3000 Test-rig, C/W tube/panels £150. - Gravesend 22660.

### WANTED

**NEW VALVES** and CRT's required, PCL805, PL504, PL509, PY500A etc. Cash waiting. Bearman, 6/8 Potters Road, New Barnet, Herts. Tel: 01-449 1934/5.

**WANTED.** Recent radio and television servicing books. Good price paid. Telephone 03272 77436.

### BUSINESS OPPORTUNITIES

**TV ENGINEERS REQUIRED** on a self-employed basis. Minimum C & G Final (or equiv.). Full back-up provided. Plus, interest free loan to purchase new vehicle etc. Applicants please reply enclosing SAE to box 162.

### EDUCATIONAL

## BETTER JOB! BETTER PAY!

**GET QUALIFIED WITH ICS IN:  
COLOUR & MONO TV SERVICING  
COLOUR & MONO TV ENGINEERING  
COLOUR & MONO TV MAINTENANCE**

**PLUS:** Telecommunications, radio, electronics, electrical engineering, technical communications, radio communications, etc., etc.,

**NEW: Self-build radio courses with free kits**

Train in your own home, in your own time with ICS, the world's most experienced home study college.

**RETURN THIS COUPON TODAY  
FOR FREE BROCHURE!**

**ICS** Int. Correspondence Schools  
284J Intertext House, Stewarts Rd.  
London SW8 4JJ. Tel: 01-622 9911

Name .....

Address.....

## TELEVISION COMPUTER COMMUNICATION & RADAR SERVICING

**TWO YEAR full-time Modular Diploma course to include a high percentage of practical work.**

- ELECTRONIC PRINCIPLES
- MONO TV & CCTV
- COLOUR TV & VCR
- MICROELECTRONICS & DIGITAL TECHNIQUES
- MICROPROCESSORS & COMPUTERS
- COMMUNICATIONS & RADAR

Each of the above Modules are 13 weeks in duration. Individual Modules can be arranged for applicants with suitable electronics background.

**Tuition fees (UK & Overseas) £1500 per year (i.e. £500 per Module).**

Next session starts September 14

Prospectus from:

### LONDON ELECTRONICS COLLEGE

Dept: TT, 20 Penywern Road,  
London SW5 9SU. Tel: 01-373 8721.

### VETERAN & VINTAGE

#### "SOUNDS VINTAGE"

The only magazine for all vintage sound enthusiasts, packed with articles by top writers, covering gramophones, phonographs, 78s, wireless, news, history, reviews, etc.

Bj-monthly. Annual subscription £6.60 (airmail extra). Send 75p for sample copy.

28 Chestwood Close, Billericay, Essex

### MISCELLANEOUS

**EX EQUIPMENT TELEVISION SPARES, S.A.E.** for lists. P. N. Discount Supplies, Electric House, Suttons Lane, Hornchurch, Essex.

**FERGUSON CTV 3710.** Complete Panels exchange for GEC 2040 similar. Harpenden 67990.

**RIGONDA AGENTS.** For all spares and repairs. Fast dispatch trade service available. 01-476-1928. Star Radio, 272 Barking Road, London E.13.

**BURGLAR ALARM EQUIPMENT.** Latest Discount catalogue out now. Phone C.W.A.S. Alarm. 0274 682674.

### SERVICE SHEETS

**SERVICE SHEETS, Radio, TV, etc., 10,000 models.** Catalogue 25p plus SAE with orders-enquiries. Telray, 5 Henderson Street, Preston PR1 7XP.

**SERVICE SHEETS** from 50p and S.A.E. Catalogue 25p and S.A.E. Hamilton Radio, 47 Bohemia Road, St. Leonards, Sussex.

# SERVICE SHEETS. SERVICE MANUALS PRACTICAL AND TECHNICAL BOOKS

COVERING COLOUR & MONO TELEVISIONS, RADIOS,  
CASSETTES, MUSIC CENTRES, ETC.

**SERVICE SHEETS £1.00 PLUS S.A.E. SERVICE MANUALS ON REQUEST.**

## BOOKS

PRICES INCLUDE POSTAGE U.K. ONLY

TVT '80 TRANSISTOR EQUIVALENT & DATA BOOK. (A to Z). 295 Pages .....	£3.50
TVT '80 TRANSISTOR EQUIVALENT & DATA BOOK. (2N. 2S. ETC.). 440 Pages.....	£4.75
NEWNES COLOUR TELEVISION SERVICING MANUAL by G. J. King. Vol. 1 .....	£9.75
NEWNES COLOUR TELEVISION SERVICING MANUAL by G. J. King. Vol. 2 .....	£9.75
NEWNES COLOUR TELEVISION SERVICING MANUAL by G. J. King. Vol. 3 .....	£9.75
COLOUR TELEVISION SERVICING by G. J. King. 2nd Edition. ....	£9.80
COLOUR TELEVISION THEORY by G. H. Hutson.....	£7.95
LONG DISTANCE TV RECEPTION FOR THE ENTHUSIAST by R. Bunney.....	£2.35
AUDIO EQUIPMENT TESTS by G. J. King.....	£7.50
RADIO CIRCUITS EXPLAINED by G. J. King.....	£7.95
SERVICING WITH THE OSCILLOSCOPE by G. J. King. 2nd Edition.....	£7.20
TELEVISION SERVICING HANDBOOK by G. J. King. 3rd Edition.....	£7.95
BEGINNERS' GUIDE TO TELEVISION by G. J. King. 5th Edition.....	£4.00
BEGINNERS' GUIDE TO COLOUR TELEVISION by G. J. King. 2nd Edition .....	£4.00
CATHODE-RAY OSCILLOSCOPE AND ITS USES by G. N. Patchett.....	£4.40
TELETEXT AND VIEWDATA by S.A. Money .....	£6.25
TOWERS' INTERNATIONAL TRANSISTOR SELECTOR. 2nd Update.....	£10.35

## COLOUR TV MANUALS

COVERING FOLLOWING MAKES  
PLEASE SEND S.A.E. FOR QUOTATION

ALBA, BRC, BUSH, DECCA, GEC,  
DEFIANT, MARCONI, EKCO, PYE,  
FERGUSON, DYNATRON,  
NATIONAL, HITACHI, INVICTA,  
ITT/KB, RGD, GRUNDIG, SOBELL,  
STELLA, SONY, MURPHY,  
PHILIPS, HMV, ULTRA & OTHERS.

## VCR SERVICE MANUALS

We can supply Service Manuals for the most popular makes  
of Video Cassette Recorders. Please ring for a quote.

WE STOCK NEW AND SECONDHAND EDITIONS OF "RADIO AND TELEVISION SERVICING" BOOKS.  
FROM 1971-72 EDITION UP TO DATE. PRICES ON REQUEST.

BACK ISSUES OF FOLLOWING MAGAZINES AVAILABLE. CURRENT PRICE PLUS 30p POSTAGE PER COPY.  
P. WIRELESS, P. ELECTRONICS, E. ELECTRONICS, TELEVISION, ELECTRONICS TODAY, ELEKTOR

## BELL'S TELEVISION SERVICES

190, KINGS ROAD, HARROGATE, N. YORKSHIRE. TEL. HARROGATE (STD 0423) 55885

OPEN TO CALLERS DAILY 9.00 a.m. TO 5.00 p.m. (CLOSED WEDNESDAY) PLEASE INCLUDE AN S.A.E. WITH ENQUIRIES

### SANDHURST PUBLICATIONS

Television service sheet specialists.  
Workshop manuals. Large selection  
Japanese TV sheets. Thorn step by  
step repair guides. TV tuner circuits.  
Catalogue 25p. plus SAE.  
49c Yorktown Road, Sandhurst,  
Camberley, Surrey.

### 30,000 SERVICE SHEETS IN STOCK COLOUR MANUALS ALSO AVAILABLE

TV Monos, Radios, £1.25. Tuners £1.25. Tape Recorders, Record Players, Transistors and Stereograms+ S.A.E. from  
£1.25 each except Colour TV Circuits £2. Car Radios from £1.25. All Radiograms from £1.25.

State if Circuit will do, if sheets are not in stock. All TV Sheets are full length 24 x 12, not in Bits & Pieces. All other Data full lengths.  
Free Fault Finding Chart or TV Catalogue with order. Crossed PO's Returned if Sheets Not in Stock.

C. CARANNA, 71 BEAUFORT PARK, LONDON NW11 6BX. 01-458 4882.

MAIL ORDER  
SAE.

Thousands of different full size service sheets Thousands of different manuals of all kinds in stock.  
(Many of above are unique to us and obtainable nowhere else.)

Updated collection of British colour TV circuits/layouts etc. Contained in 3 huge binders - special price £39.50.

Updated foreign colour TV repair system for £22.50. (2 manuals. 1 binder) chassis from Grundig, Hitachi, Skantic, Luxor, Mitsubishi, Kuba, Zanussi.

Complete set of 10 unique TV repair manuals - only £49.50. Mono + colour from dual standards to latest models, McCourt & Tunbridge.

S.A.E. any quotation, also price lists, newsletter, bargain offers, details of our unique TV repair systems. £1 + large S.A.E. any single service sheet.

Phone: 0698 883334, anytime. Callers 4-6 pm. weekdays, Saturday from 10 am.

# G.T.

## TECHNICAL INFORMATION SERVICE

76 CHURCH ST., LARKHALL, LANARKSHIRE ML9 1HE.

## ORDER FORM PLEASE WRITE IN BLOCK CAPITALS

Please insert the advertisement below in the next available issue of Television for .....

insertions. I enclose Cheque/P.O. for £ .....

(Cheques and Postal Orders should be crossed Lloyds Bank Ltd and made payable to Television)


NAME.....

ADDRESS .....

.....

Send to: Classified Advertisement Manager,  
TELEVISION,  
G.M.G., Classified Advertisement Dept., Rm. 2337,  
King's Reach Tower, Stamford Street,  
London SE1 9LS. Telephone 01-261 5846.  
Rate  
25p per word, minimum 12 words, Box No. 60p extra.

Company registered in England Registered No. 53626 Registered Office: King's Reach Tower, Stamford Street, London SE1 9LS.

# DISPLAY ELECTRONICS

**LEADERS  
IN TUBE  
TECHNOLOGY  
SINCE THE 60's.**

## REGUNNED COLOUR TUBES 2 YEAR GUARANTEE

Up to 19".....	£29.50
20".....	£31.50
22".....	£33.50
25".....	£35.50
26".....	£37.50

The above prices are for standard 38mm Delta Gun Types. Prices on application for P.I.L. Tubes etc. Some types available without pre-supply of glass at extra cost.

## REGUNNED MONO TUBES 2 YEAR GUARANTEE

20".....	£11.00
24".....	£13.00

## BUDGET CORNER

Buy any 5 mixed types Cash 'n Collect - Take 20% discount.

**OR**

Buy any 5 Mono mixed sizes Cash 'n Collect at **£8.50** (20") and **£10** (24").

PLEASE ADD 15% VAT.

## CALLERS WELCOME

Late night Thursdays until 8pm Saturdays until midday.

N.B. Customers intending to collect orders are requested to telephone in advance:— even popular types may be out of stock for short periods.

## V.D.U./RADAR TUBES

Home and export enquiries for Radar Display Tubes manufactured from new (with phosphors to specification) are invited.

**WATERLOO ROAD,  
UXBRIDGE,  
MIDDLESEX**

Telephone: Uxbridge 55800

**BIRMINGHAM AND DISTRICT  
DEALERS/ENGINEERS**

# NEWS FLASH

**HIGH VACUUM  
QUALITY  
REBUILT TELEVISION  
PICTURE TUBES**

**COMPETITIVE PRICES**

**CONTRACT TERMS  
AVAILABLE**

**2 YEAR GUARANTEE**

17" 18" 19"	£31.00 + VAT	£4.65
20"	£34.00 + VAT	£5.10
22"	£36.00 + VAT	£5.40
25"	£40.00 + VAT	£6.00
26"	£43.00 + VAT	£6.45

**PIL Tubes our speciality.**  
All Prices For Tubes available on a Sound "Glass for Glass" basis otherwise £20 surcharge

**Built up to a standard  
not down to a price.**

## TUBESURE LTD.

Unit 111, Middlemore Industrial Estate,  
Middlemore Road, Smethwick,  
West Midlands. Telephone: 021-558 7777.

# STANDARD T.V. TUBE

**HIGH QUALITY COLOUR AND  
MONO-CHROME REPLACEMENT  
TUBES AT COMPETITIVE PRICES.**

- ★ Complete New Gun fitted to every Tube.
- ★ Two year Guarantee
- ★ Every Tube Electrically Tested.
- ★ Every Tube Picture Tested.
- ★ Supplier to Major Rental Companies.

18", 19"	£25
20", 22"	£27
25", 26"	£29

All prices quoted assume the return of your old glass rebuildable condition. Old CRT cash/cheque with order. Please add VAT at 15%.

**S.STANDARD TV TUBE CO.**  
11-29, Fashion Street,  
London E1

Tel. 01-247 3097

# "TUBE REPLACEMENTS" PROUDLY OFFER

## "WELLVIEW" EXCHANGE COLOUR

A44 271X	£29
A47 342X	£29
A47-343X	£31
A49-120X	£29
A51-110X	£29
A51-110LF	£31
A55-14X	£33
A56-120X	£33
A63-120X	£38.50
A66-120X	£38.50
A66-140X	£38.50
A67-120X	£38.50
A67-150X	£38.50

## "WELLVIEW" EXCHANGE MONO

A44-120 WR	£11
A47-26 WR	£12
A50-120 WR	£11
A59-120 WR	£12.50
A61-120 WR	£13.50
NEW A31-300 (18 months guarantee)	£15.00

All above plus VAT @ 15%.  
Carriage £4.50 inc. VAT.

**ALSO YOUR VALVE SUPPLIER  
NEW AND BOXED  
(inclusive of VAT)**

DY802=74p	ECC82=64p	EF183=78p
EF184=64p	PCC=72p	PCF802=98p
PCL82=78p	PCL84=92p	PCI 805=97p
PFL200=£1.15	PCL86=97p	PL 504=£1.38
PL509=£2.82	PL519=£2.92	PY88=70p
PY800=70p		PY500A=£1.52

Postage and Packing 10p per valve. All orders over £10 Free of charge.

## Colour Sets

1000 ex-rental TVs  
Good sets good prices  
Sets from £10 only  
Bush, Pye, GEC,  
Grundig, ASA, BRC,  
Philips, Skantic  
The prices will amaze  
you.

## TUBE REPLACEMENTS

Unit No. 1, Monmouth St.,  
Bridgwater, Somerset.  
Tel. 0278 425690-722816



EHT lead for split diode LOPT. £1.00	GEC 8 ohm. 70p GEC 15 ohm. 70p	NEW SONY KV.1400. Chroma Panel cost £60.00 £7.00 Tuner unit £3.50 Touch button unit with I.C. £3.50
7 push button unit VHF/UHF. £7.00	NE 2B6H 2 small neon lamps used in GEC. 3p	<b>FRONT END FOR MUSIC CENTRE</b> VHF/MW/LW size 13x3 1/4". 4 push button unit, 7 transistors, V/condenser, 10 coils rod aerial I/C decoder CA 758E (no power supply and output stage). Circuit supplied. £6.00 Output stage for music centre. £6.00 Pre-amp panel 4 pots transistor etc. Plugs and sockets. £1.00
CVC 9 ITT Control panel. £4.00	Red and Green LED, 14 mixed. £1.00	
CVC 20 ITT 6 push button unit & Input panel. £5.00	TLR 102 small red LED. 5p 20 small red LED. £1.00	
Philips TV IF Modules 38 Mc/s 1st and 2nd IF. £1.50	MAINS DROPPERS Thorn 50R-40R-1K5 50p Thorn 6+1+100r. 35p Pye 69+161. 40p Pye 147+260r. 40p (731) 3+56+27r. 50p	Mains on/off rotary. 13p Mains on/off push. 20p D/P push button on/off. 10p ITT mains on/off push button switches. 25p
3500 6 push button unit for Thorn 3500. Varicap £1.00	CERAMIC FILTERS 5.5 MHz. 15p 6 MHz. 25p	IF panel. £1.00 20 watt O/Put stage. £1.00 DE-SOLDER PUMPS. £4.00 ORP 12. 40p LP 1173/10 watt. £1.00 LP 1170. 50p AM/FM tuner unit (seconds). 50p 10 watt Mullard amps. NEW. £2.00
6 position 12.5KV Resistor Unit for varicap. 50p	3.5mm Jack socket. 7p	
GEC IF panel (204C). £7.50	NPN/PNP 60v 5 amp/80w. pair. 660-661. 20p	
I.T.T. (CVC 5) 7 push button unit for V/cap tuning £7.00	6 way ribbon cable, per metre. 20p	
New portable T/V chassis. Mono £10.00	TV XTALS 4.433; 610 KHz. 50p	
New I.F. panel T/V 3 I.C. TBA750 & SC950 MSC950 £3.00	6 volt 23 watt soldering iron. £2.00	
ELC 2000M New. £7.00	Infra-red emitting diode, TIL30. 20p	
GEC VHF/UHF 8CH touch tune units 41C 1xSN 29862N+1xSN 16861NG+2xCBF 16848N. £5.00	750 MFD 50V. 10p	
New circuit supplied. CVC panel with pots and main switches 250K, 100K, 423 500K. £1.00	THERMISTORS 200+200+75+25 4 fuse holder +2BY133+resistors. I.T.T. panel. CVC 9. £1.50	
New (NSF/AEG) UHF/VHF Varicap tuner units. Cost £10. only £4.00	ITT PT266 3W12 (Thermistor degaussing) fits most sets. 15p PTH451A or B. 20p PT 37P. Fit Pye, Bush etc. 25p	
Convergence panel for GEC 2040, 11 pots, 5 coils, 2 resistors etc. New. £1.50	H.T. thermistor neg. VA11C4 35p	
PYE 731 6 push button unit and 100KA pots. £3.00	GEC 4700M/25v. 15p 1000M/63v ITT axle. 15p 22M/375v ITT. 20p	
New circuit supplied with UHF 8ch Light action unit 4 i/c for Varicap tuning GEC C2001/C2201. £5.00	THYRISTORS Philips G11. G122M. 60p 5 amp/300v. 25p 52600D 7 amp/400v. 30p	
UHF Mullard 4 push button tuner unit. £2.00	RCA 40506. 50p	
ITT Control Panel with Mains lead, 4 slider pots, Mains filter. £2.50	PYE 22N4444/OT113/BT116. 85p	
4 push button unit (for Varicap Tuning) 20K. 50p	MR 501 3 amp/100v. 7p MR 508 3 amp/800v. 12p SCR 957. 65p SP 8385 Thorn. 25p ELC 1043 AEG. £4.00	
4 pots and 6 push button unit for Varicap. Mains on/off switch + Mains filter. I.T.T. CVC 20. £3.50	PHILIPS SNIPS: CUTS MOST THINGS. £1.50	
Philips T/unit UHF. £2.00	CO-AX plugs. 12p	
Transistor UHF units with Ae socket and leads. GEC 2000 rotary type. £2.00	UHF Aerial socket and leads. PYE, ITT, THORN. 35p	
Thorn UHF tuner unit and panel for 900 series. £8.00	AE Isolating socket. UHF and lead. PYE, THORN, ITT. 35p	
Thorn 900 frame panel. £9.00	Plug and socket 3+6 pin printed circuit type, pair. 10p	
Mullard VHF Tuner V/cap V314. £5.00	GEC aerial T/V socket & lead 35p	
U321 T/unit V/cap. £6.00	GEC Mains and battery switch. Or stand by. 30p B9A print V/holder. 5p PYE 697 long. 15p	
Thorn 3500. Thorn 8500 focus unit. Decca focus unit. Large or small. £1.00 each	TV 11 25p TV 13 25p TV 18 EHT. 40p	
4 push button for varicap with pots. 50p	100k 40 turn pots for V/cap tuning. G9-G11 & Thorn. 20p	
Decca Bradford Tuner, 5 button (4 push). £2.75	IF Mod CVC25 £5.00	
Line O/P Trans. CVC 20. £5.00	ITT CVC23 Decoder £10 NEW	
12" TV tube Hitachi A31/300W. £12.00	ITT CVC20 Audio amp £1.50	
SPEAKERS 5x3 80r or 50r. 50p G9 70r. £1.00 5x3 35 ohm. 75p 6x4 15 ohm. £1.00	ITT CVC20 Driver mod £1.50	
	ITT CVC9 Power supply board £1.50	
		Grundig 3000/3010, Seimens TVK 52. £3.00 ITT LP 1174/NC. £3.00 MULTI CAPACITORS 1000 + 2000/35v. 25p 2000 + 2000/35v. 30p 2500 + 2500/63v. 50p 470 + 470/250v. 40p 150 + 200 + 200/300v. 70p 100 + 200/325v. 40p ELC1043 on panel for I.T.T. CVC 9. £5.00 175 + 100 + 100/350v to fit 3500 Thorn. £2.00 For T/V Sony Transformer & Lead & Sockets for earpiece. 8 ohms. £1.00 THORN SPEAKERS 1500 5 1/2 x 2 1/2 3 3500 7 x 3 80 1590 5 x 2 1/2 12 9000 7 x 3 16 3500 5 x 3 80 5 x 3 loudspeaker for GEC 15 £1.00 25 ohm 6x4 G11 Philips £1.00 UHF Modulator. CCIR. £3.00 Circuit supplied. Flush mounting socket. FM/TV 35p ELC 1042. Mullard. £6.50 ELC 1043/05. Mullard. £6.00 Power supply 30V 1 amp Reg. £2.00 Small DX Tuner V/cap 48-88 MHz and 175-220MHz automatic changeover. £5.00 Thorn Transductor. £1.00 Transductor AT4041/41 50p 8 push button switch and 1 to 8 V/Ristor unit 21-68 CH. £2.00 R2540. £1.00 BUY 69 (RCA 1693). £1.00 ROTARY. Min UHF T/unit for portable Mono T/V. £4.00 Sound O/P. Thorn 9000. £1.50 PYE, GEC, THORN, PHILIPS, etc. 15K, 22K, 67K, 100K 40 turn pots for V/cap. 20p 400M/400V. 40p DL 50. Mullard. £1.00 Thorn mains on/off switches, T/V. 20p Focus units, I.T.T. etc. 80p each

# SENDZ COMPONENTS

63 BISHOPSTEIGNTON,  
SHOEBURYNESS,  
ESSEX SS3 8AF.

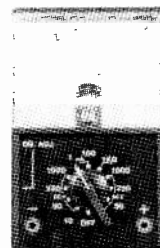
Reg. Office only.

Callers by appointment only.

Add 15% VAT.  
Add 50p P. & P.

Add postage for all overseas parcels

VOLTS-OHMS-MILLIAMPERES MULTIMETER



£5.00

1K Ω/V on DC/AC

Equivalent EQ TCA 270 series	I.C.'s—cont.	Semiconductors—cont.	Various Mixed Packs
CA270CE 50p	SN7630P 50p	2N4444 £1.00	20 Mixed Convergence Pots £1.00
CA270CW 50p	SN7650N £1.00	2N5983 30p	100 Mixed EHT Rectifier Sticks £1.00
CA3089Q 50p	SN76532 50p	2N6099 25p	10 Thermistor 50p
I.C.'s	SN76533 £1.00	2N6348 50p	20 Slider Pots £1.00
MC1327 £1.00	SN76544N £1.00	2N6399A 30p	30 Presets 50p
MC476P 50p	SN76546 No. 7 £1.00	2SK30A 7p	40 Pots £1.50
MC1349 50p	SN76550 15p	TIP29C 20p	300 Condenser £1.50
MC1352P 75p	SN76570 50p	TIP29A 20p	300 Resistor £1.50
MC1748CPI 50p	SN76650N 50p	TIP30A 20p	150 Electrolytic £2.00
PUA758PC £1.00	SN76660N 50p	TIP31A/B 20p	15 bulbs 45p
S7246/N64100 £5.00	SN76666N 50p	TIP32 20p	100 diodes £1.00
SAA 1020 £6.00	SN76707N 50p	TIP33B 10A/80V 25p	100 20mm fuses £2.00
SAA 1021 £5.00	TBA820 £1.00	TIP41A-42 pair 50p	100 W/W resistors £1.50
SAA 1024 £4.00	Touch Tune I.C. ML236E £2.00	TIP 100 30p	200 ceramic and plate condensers £1.00
SAA 1025 £5.00	FT3055 20p	TIP295.5S 40p	2.7 meg & 4.7 meg 10% resistor 100, OFF 50p
SAS560 £1.00	Thorn 3500 A1 diodes 15p	NPN TIP130 60V/8A 25p	300 Carbon film 1/4W 1R to 2M ITT £1.50
SAS570 £1.00	AD149 £1.00	IN60 3p	20 slider knobs £1.00
SBA750B £1.00	BZW70 6.2 10p	IN3899 50p	1800/4KV 5p
SL901 £3.00	BD116 25p	IN4003 5p	4.7NF/5KV 10p
SL918 £3.00	*Denotes with heatsink. Semiconductors	IN4004 5p	180PF/6KV 10p
TAA320A 50p	AC128 25p	IN4005 5p	210PF/8KV 10p
TAA470 £2.00	AC153K 25p	IN4006 5p	330PF/8KV 10p
TAA550 20p	AC176K 25p	IN4007 5p	1000PF/10KV 10p
TAA570 £1.00	AC187/8K pair 50p	XK 3123 4000 Thorne Diodes £1.00	1200PF/12KV 10p
TAA700 £2.00	AF139 25p	IR106 40p	1000PF/12KV 10p
TBA120A 40p	AU113 £1.25	Y716 20p	6200PF/2000V 10p
TBA120AS 40p	BA159 7p	Y827 20p	BYW56 1000V/2A BDX32 £1.20
TBA120B 40p	BA182 7p	1 amp/400V 7p	TIC126N Thyristors 800V/12A 65p
TBA120C 40p	BA248 7p	1 amp/1600V 7p	4000 Thorn Set Thick Films in Stock.
TBA120SA 40p	BAV10 7p	3 amp/100V 7p	8" Insulated Pliers £2.00
TBA120SB 40p	BB103VHF 7p	3 amp/300V 10p	7 Lamps for Push Button Units 25p
TBA120U 40p	BB105UHF 7p	3 amp/1200V 7p	Stereo Headphone SH870Q 4 Channel £5.00
TBA1441 £1.00	BC107 7p	W04 bridge 15p	U322 V/Cap T/Unit U.H.F. £6.00
TBA396 £1.00	BC108 7p	W005 bridge 25p	47M/250V 10p
TBA480Q £1.00	BC109 7p	ITT bridge 1 1/2 A C73 3 amp bridge 25p	680M/40V 10p
TBA510 £1.00	BC116 7p	B30C 600A6 12p	8M/300V 5p
TBA520Q £1.00	BC139 7p	B30C 500 12p	9000 Thorn Line O/P Transistors with Heatsink T903 8V £1.00
TBA530 £1.00	BC142 15p	1 amp/100V 20p	SW150 Surface Acoustic Wave Colour T.V. Filters £1.00 each
TBA540 £1.00	BC147C 7p	NKT279, AC128 12p	
TBA550Q £1.00	BC148B 7p	MC7724CP 40p	
TBA560CQ £1.00	BC149C 7p	Condensers	
TBA560Q £1.00	BC154 7p	4700/25 25p	
TBA570 £1.00	BC157 7p	470/25 10p	
TBA625 £1.00	BC158 7p	220/40 5p	
TBA641 £1.50	BC171 7p	1500/40 10p	
TBA651 80p	BC171B 7p	1250/50 10p	
TBA673 £1.00	BC173 7p	220/63 10p	
TBA720A £1.00	BC173C 7p	1000/63 15p	
TBA750Q £1.00	BC174 7p	700/250 35p	
TBA800 40p	BC182L 7p	800/250 30p	
TBA810S £1.00	BC183 7p	4/350 5p	
TBA820 £1 each	BC183LB 7p	8/350 8p	
TBA890 £1.00	BC207 7p	400/350 50p	
TBA920 £1.00	BC212LT 7p	220/450 50p	
TBA920Q £1.00	BC213LA 7p	10/500 10p	
TBA950 £1.00	BC237B 7p	33/500 10p	
TBA950Q £1.00	BC238A 7p	.1/800 10p	
TBA990Q £1.00	BC238C 7p	.047/1000 10p	
TCA270 £1.00	BC245 7p	.01/1000 10p	
TCA270Q £1.00	BC250 7p	.47/1000 30p	
TCA270SQ £1.00	BC251A 7p	.0047/1500 10p	
TCA4500A £1.00	BC252C 7p	1N8/1500 10p	
TCA640 £1.00	BC257 30p	2N2/1500 10p	
TCA650 £1.00	BC300 30p	.1/2000 15p	
TCA740 £1.00	BC303 30p	Tuner Units Varicap and Mechanical repaired. Please ask for estimate.	
TCA800 £1.00	BC307 7p	8 mixed gun switches £1.00	
TCA830S £1.00	BC308B 7p		
TCE82 30p	BC327 7p		
TCE120CQ £1.00	BC336 20p		
TCE157 20p	BC337 7p		
TCE527 20p	BC350 20p		
TCEP100 £1.20	BC365 10p		
TDA1003 £1.00	BC413C 7p		
TDA1170 £1.20	BC454 7p		
TDA1190Z £1.20	BC455 7p		
TDA1327 £1.00	BC460 20p		
TDA1412 50p	BC462 7p		
TDA2540 £1.00	BC463 7p		
TDA2002 £1.00	BC546 7p		
TDA2640 £1.00	BC548A 7p		
TDA2680 £1.00	BC559 7p		
TDA2690 £1.00	BD124 £1.50		
TDA3960 50p	BD131 30p		
SN1682AN £1.00	BD132 30p		
SN16964AN 50p	BD136 10p		
SN29764 £1.00	BD207 30p		
SN29848 50p	BD221 20p		
SN75108AN £1.00	BD228 25p		
SN76001 £1.00	BD238 20p		
SN76003 £1.00	BD239 12p		
SN76003* £1.50	BD331 25p		
SN76008KE £1.00	BD332 25p		
SN76013* £1.50	BD253B 35p		
SN76018KE £1.00	BD416 25p		
SN76023* £1.50	BD561/2 pair 30p		
SN76033 £1.00	BD595 35p		
SN76033* £1.50	BD596 35p		
SN76115 50p	BD681 25p		
SN76131 50p	BD807 10A/70V 25p		
SN76226 £1.00	BD534 20p		
SN76227 50p	NPN 9 watt 25p		
I.L.I. Infrared Led Phototransistor Opto Isolators 50p			
Breakdown Voltage 2.500V			

# SENDZ COMPONENTS

63 BISHOPSTEIGNTON, SHOEBOURNE, ESSEX, SS3 8AF

Reg. Office Only.

Callers by appointment only.

Add 15% VAT and 50p P. & P.

All items subject to availability.

Add postage for all overseas parcels.