

MAKING SCANNING COILS

# Practical Television 13

MARCH 1958

AND TELEVISION TIMES

EDITOR: F. J. GAMM



## CONTENTS

**MULTI-CHANNEL TUNER  
INSTALLATION**

**SIMPLIFIED SERVICING**

**USES FOR COAXIAL CABLE  
SERVICING THE G.E.C. 6145**

**YOUR PROBLEMS SOLVED**

# THE MULTIMINOR

A new pocket-size instrument for the T.V. and Radio constructor.

This splendid new AVO Instrument has been developed to meet a definite demand for a sturdy pocket-size multi-range test meter at a modest price, suitable for use on modern electronic apparatus as well as for radio and television receivers, motor vehicles, and all kinds of domestic appliances and workshop equipment.

Readings are obtainable quickly and easily on a very open scale, and range selection is by means of a robust clearly marked rotary switch of the characteristic AvoMeter type. Measurements of A.C. and D.C. Voltage, D.C. Current, and Resistance are made by means of only two connection sockets.

## 19 RANGES

<b>D.C. Voltage</b>	<b>A.C. Voltage</b>
0—100mV.	0—10 V.
0—2.5V.	0—25 V.
0—10 V.	0—100 V.
0—25 V.	0—250 V.
0—100 V.	0—1,000 V.
0—250 V.	
0—1,000 V.	
	<b>D.C. Current</b>
	0—100μA
	0—1mA
<b>Resistance</b>	0—10mA
0—20,000 Ω	0—100mA
0—2M Ω	0—1 A

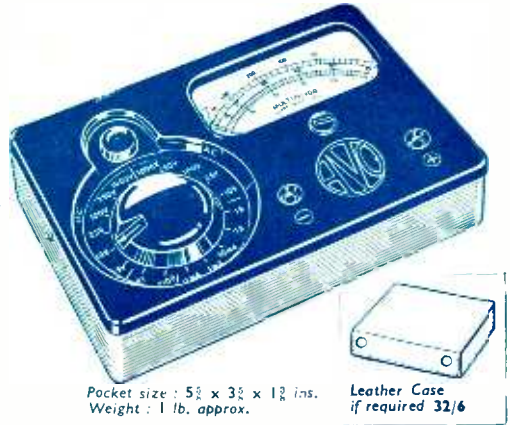
List Price :

**£9/10s.**  
complete with Test Leads and Clips.

Designed and Manufactured by

# AVO Ltd.

AVOCET HOUSE · 92-96 VAUXHALL BRIDGE RD. · LONDON · S.W.1



Pocket size : 5½ x 3½ x 1½ ins. Weight : 1 lb. approx.

Leather Case if required 32/6

**Sensitivity :**  
10,000 Ω/V on D.C. voltage ranges.  
1,000 " " " A.C. " "

**Accuracy :**  
3% of full scale value on D.C.  
4% " " " " " A.C.

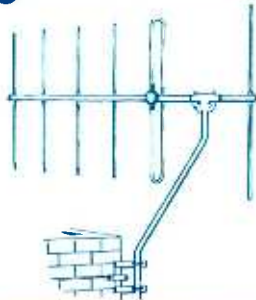
To meet special requirements, instruments can be supplied to a higher degree of accuracy for a small additional charge.



Telephone : VICtoria 3404 (9 lines)

M.M.2.

## Build your own Aerials...



### AT HOME

**AERIAL FITTINGS FOR BAND III, BAND I & RADIO F/M.**  
Useful formulae and hints for constructing your own aerial quickly and cheaply. Catalogue illustrating our increased range of Diecast Alloy Fittings, including Band III to Band I Mast Couplers, Reflector and Director Rod Holders, Insulators (both "Inline" and "H" types), Masthead Fittings, Masts and Elements, Chimney Brackets, etc. Send 1/- in stamps for the above to —

# Fringevision Ltd.

MARLBOROUGH, WILTS. Phone : 657/8

# EMI "HIS MASTER'S VOICE" MARCONIPHONE · COLUMBIA

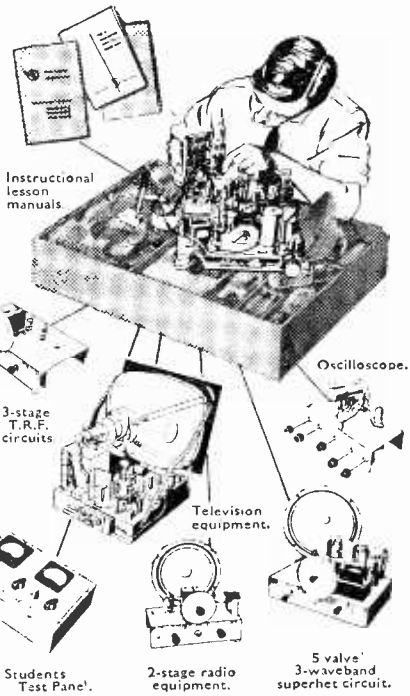
## Announce NEW PRACTICAL WAY OF LEARNING AT HOME

**NEW** — completely up-to-date methods of giving instruction in a wide range of technical subjects specially designed and arranged for self-study at home under the skilled guidance of our teaching staff.

**NEW** — experimental outfits and lesson manuals are despatched on enrolment and remain the student's property. A tutor is allotted to each student for personal and individual tuition throughout the course.

Radio and television courses, with which specially prepared components are supplied, teach the basic electronic circuits (amplifiers, oscillators, detectors, etc.) and lead, by easy stages, to the complete design and servicing of modern Radio and T/V equipments.

If you are studying for an examination, wanting a new hobby or interest, commencing a career in industry or running your own full-time or part-time business, these practical courses are ideal and may be yours for moderate cost. Send off the coupon to-day for a free Brochure giving full details. There is no obligation whatsoever.



### Courses with Equipment

- RADIO · SHORT WAVE RADIO
- TELEVISION · MECHANICS
- CHEMISTRY · PHOTOGRAPHY
- ELECTRICITY · CARPENTRY
- ELECTRICAL WIRING · 'HI-FI'
- DRAUGHTSMANSHIP · ART etc.

E.M.I. Factories  
at Hayes  
England.



# EMI INSTITUTES

Fill in for **FREE BROCHURE**  
E.M.I. INSTITUTES, Dept. 138X, London, W.4.

Name ..... Age .....  
(If under 21)

Address .....

I am interested in the following subject(s) with/without equipment .....

(We shall not worry you with personal visits)

IC107

# FREE

BLOCK  
CAPS  
PLEASE

MAR. 58

*The only Home Study College run by a World-wide industrial organisation*

# TOP QUALITY FULLY GUARANTEED VALVES

**ALL GOODS LISTED ARE ACTUALLY IN STOCK**

**EXPRESS SERVICE !!!**  
C.O.D. ORDERS RECEIVED BY 3.30 P.M., EITHER BY LETTER, PHONE OR WIRE, DESPATCHED THE SAME AFTERNOON. ALL ORDERS RECEIVED BY FIRST POST DESPATCHED SAME DAY.

FOR ONLY 6d. EXTRA PER ORDER WE WILL INSURE YOUR VALVES AGAINST DAMAGE IN TRANSIT. ALL UNINSURED PARCELS AT CUSTOMER'S RISK.

IA3	3/-	6AT6	8/6	6K8GT/G	11E3	15/-	30P4	15/-	12/6	ECC35	8/6	EZ80	9/6	PCF80	14/-	UBC41	8/6	
IA5	6/-	6AU6	10/6		11/-	12A6	6/6	30P12	13/6	CV271	10/6	EZ81	10/-	PCF82	12/6	UBF80	9/6	
IA7	15/-	6B4G	6/6	6L6G	9/6	12AH7	9/6	31	7/6	CV428	30/-	ECC82	7/6	FW4/800	12/6	UBF89	10/6	
ID6	10/6	6B7	10/6	6N7	8/-	12AT6	10/6	33A/158M		DI	3/-	ECC83	9/-		12/6	PEN40DD	UCC85 10/6	
IL4	6/6	6B8G	4/6	6Q7G	10/-	12AT7	8/6	35/51	12/6	D42	10/6	ECC84	10/-	GZ30	10/6	25/-	UCH42 11/-	
ILD5	5/6	6B8M	5/6	6Q7GT	11/-	12AU7	7/6	35A5	11/-	D63	3/6	ECC85	9/6	GZ32	12/6	PEN45	19/6	UCH81 11/6
ILN5	5/-	6BA6	7/6	6R7G	10/-	12AX7	9/-	35L6GT	10/-	D77	6/6	ECC91	5/6	GZ34	14/-	PEN46	7/6	UCL82 15/6
IN5	11/-	6BE6	7/6	6SA7GT	8/6	12BA6	9/-	35W4	8/6	DAF91	8/-	ECCF80	13/6	H30	5/-	PL82	10/-	UF41 9/-
IR5	8/5	6B16	8/-	6SC7	10/6	12BE6	10/-	35Z3	10/6	DAF96	10/-	ECCF82	13/6	H63	12/6	PL83	11/6	UF80 10/6
IS5	8/-	6BR7	10/6	6SG7GT	8/-	12E1	30/-	35Z4GT	8/-	DF33	11/-	ECCF85	9/6	HABC80	12/6	PM2B	12/6	UF85 10/6
IT4	7/-	6BW6	8/6	6SH7	8/-	12J5GT	4/6	35Z5GT	9/-	DF91	11/-	ECCF87	10/-		13/6	PM12	6/6	UF89 10/6
IU5	10/-	6BW7	12/6	6SJ7	8/-	12J7GT	10/6	41MTL	8/-	DF96	10/-	ECH81	9/-	HK90	10/-	PM12M	6/6	UL41 11/-
2A3	12/6	6BX6	12/6	6SK7GT	8/-	12K7GT	7/6	50C5	12/6	DH63	10/-	ECL80	14/-	HL23	10/6	PY80	9/-	UL46 15/-
2A7	10/6	6C4	7/-	6SL7GT	8/-	12K8GT	9/6	50L6GT	9/6	DH76	7/6	ECL82	14/-	HL41	12/6	PY81	9/-	UL84 11/6
2C26	4/-	6C5	6/6	6SN7GT	7/6		14/-	72	4/6	DH77	8/6	EF37A	9/-	HL133DD	12/6	PY82	9/6	UY41 8/6
2D13C	7/6	6C6	6/6	6SS7	8/-	12Q7GT	7/6	77	8/-	DK32	15/6	EF39	6/-	HVR2	20/-	QP21	7/-	UY85 10/6
2X2	4/6	6C8	12/6	6U4GT	14/-	12SA7	8/6	78	8/6	DK91	8/6	EF40	15/-	HVR2A	6/-	QP25	15/-	V1507 5/-
3A4	7/-	6C9	12/6	6U5G	7/6	12SC7	8/6	80	9/-	DK92	12/6	EF41	9/6	KL35	8/6	QS150/15	15/-	VLS492A £3
3A5	12/6	6C10	12/6	6U7	8/6	12SG7	8/6	83V	12/6	CK96	10/-	EF42	12/6	KT2	5/-	QVO4/7	10/6	VMP4G 15/-
3B7	12/6	6CH6	5/-	6DV6	7/6	12SH7	8/6	85A2	15/-	DL2	15/-	EF50(A)	7/-	KT33C	10/-	U40	10/6	VP2(7) 12/6
3D6	5/-	6D6	6/6	6V6GT	8/-	12SJ7	8/6	150B2	15/-	DL33	9/6	EF50(E)	5/-	KT44	15/-		15/-	VP4(7) 15/-
3Q4	9/-	6E5	12/6	6X4	7/-	12SK7	8/6	807	7/6	DL92	8/-	EF54	5/-	KT63	7/6	R12	15/-	VP13C 7/-
3Q5GT	9/6	6F6G	7/-	6X5GT	6/6	12SQ7	8/6	956	3/-	DL94	9/-	EF73	10/6	KTW61	8/-	SD6	12/6	VP41 7/6
3S4	8/-	6F6GT	8/-	6Z4/84	12/6	12SR7	8/6	1203	7/-	DL96	10/-	EF80	8/-	KTW62	8/-	SP4(7)	15/-	VR105/30
3V4	9/-	6F8	12/6	6Z5	12/6	12T4	10/6	4033L	12/6	DL10	10/6	EF85	8/-	KTW63	8/-	SP41	3/6	VR150/30 9/-
5U4	8/6	6F12	9/-	6ZOL2	12/6	14R7	10/6	5763	12/6	DM70	8/6	EF86	14/6	KTZ41	6/6	SP42	12/6	
5V4	12/6	6F13	13/-	7A7	12/6	14S7	14/-	7193	5/-	EAS0	2/-	EF89	10/-	KTZ63	10/6	SP61	3/6	VT61A 5/-
5X4	12/6	6F16	9/6	7B7	9/-	19AQ5	11/-	7475	7/6	EAT6	9/6	EF91	9/-	L63	6/-	SU61	12/6	VT501 5/-
5Y3G	8/-	6F17	12/6	7C5	8/-	19H1	10/-	9002	5/6	EABC80	9/-	EF92	6/6	LN152	14/-	TP22	15/-	W76 7/6
5Y3GT	8/6	6F32	10/6	7C6	8/-	20D1	16/-	9003	5/6	EAC91	7/6	EL32	5/6	U16	12/6	U16	12/6	X61 12/6
5Y4	12/6	6F33	7/6	7H7	8/-	20L1	13/6	9006	6/-	EAF42	10/6	EL41	11/-	MH4	7/-	U18/20	12/6	X65 12/6
5Z3	12/6	6G6	6/6	7Q7	9/-	220P	10/6	AC6PEN	7/6	EB34	2/6	EL42	11/-	MHL4	7/6	U22	8/-	X66 12/6
5Z4G	10/6	6H6GT/G	12/6	7S7	10/6	25L6GT	10/-	AC/HL/		EB41	8/6	EL81	15/-	MHLD6	12/6	U31	10/-	X79 12/6
5Z4GT	12/6		3/-	7V7	8/6	25Y5	10/6	DD	15/-	EB91	6/6	EL84	10/6	ML4	12/6	U43	12/6	XD(1.5) 6/6
6A8	10/-	6H6M	3/6	7Y4	8/6	25Y5G	10/-	AC/P4	8/-	EBC33	7/6	EL91	5/-	ML6	6/6	U50	8/-	XFW10 6/6
6AB7	8/-	6J5G	5/-	8D2	3/6	25Z5	10/6	AL60	10/-	EBC41	10/-	EM34	10/6	MU14	10/-	U52	8/6	XFY12 6/6
6AB8	14/-	6J5GTG	5/6	8D3	9/-	25Z4G	10/-	AP4	7/6	EBF80	10/-	EM80	10/6	OA10	12/6	U76	8/-	XH(1.5) 6/6
6AC7	6/6	6J5GTM	6/-	9D2	4/-	25Z6G	10/-	ATP4	7/6	EBF89	9/6	EY51	10/6	OA70	5/-	U78	7/-	XSG(1.5) 6/6
6AG5	6/6	6J6	5/6	10C1	15/-	28D7	7/-	AZ31	12/6	EC52	5/6	(Small)	12/6	OA71	5/-	U251	15/-	Y63 7/6
6A8	9/-	6J7G	6/-	10F1	19/6	30	7/6	BL63	7/6	EC54	6/-	EY51	10/6	OC72	30/-	U404	10/6	Z63 10/6
6AK5	8/-	6J7GT	10/6	10F9	11/6	30C1	14/-	CK505	6/6	EC70	12/6	(Large)	12/6	P61	3/6	UABC80	Z66	20/-
6AL5	6/6	6K7G	5/-	10F18	12/6	30F5	12/6	CK506	6/6	ECC31	15/-	EZ35	6/6	PABC80	15/-		10/6	Z77 9/-
6AM6	9/-	6K7GT	6/-	10LD3	8/6	30FL1	12/6	CK523	6/6	ECC32	10/6	EZ40	8/-	PCC84	10/-	UAF42	10/6	Z719 14/-
6AQ5	7/6	6K8G	8/-	10P13	17/6	30L1	12/6	CV63	10/6	ECC33	8/6	EZ41	10/6	PCC85	12/6	UB41	12/7	Z729 14/6

**TERMS OF BUSINESS:—CASH WITH ORDER OR C.O.D. ONLY. ORDERS VALUE £3 OR MORE SENT POST/PACKING FREE. ORDERS BELOW £3 PLEASE ADD 6d. PER VALVE. C.O.D. ORDERS:—MINIMUM FEE, INCLUDING POST AND PACKING, 3/-. WE ARE OPEN FOR PERSONAL SHOPPERS. MON.-FRI. 8.30-5.30. SATS. 8.30-1 p.m.**

**ALL VALVES NEW, BOXED, TAX PAID, AND SUBJECT TO MAKERS' GUARANTEE. FIRST GRADE GOODS ONLY, NO SECONDS OR REJECTS. GOODS ARE ONLY SOLD SUBJECT TO OUR TERMS OF BUSINESS, OBTAINABLE FREE ON REQUEST. CATALOGUE OF OVER 1,000 DIFFERENT VALVES 3d.**

When comparing our prices, remember just what we offer. Bentley valves are not only "GUARANTEED NEW AND BOXED," and "GUARANTEED TESTED AT TIME OF DESPATCH," Bentley valves are NEW, BOXED, AND SUBJECT TO THE MAKERS' STANDARD GUARANTEE AS WELL. Only our enormous turnover enables us to select the products of the world's finest manufacturers at lowest prices and pass the benefits on to YOU.

## BENTLEY ACOUSTIC CORPORATION LTD.

**THE VALVE SPECIALISTS**  
38 CHALCOT ROAD, LONDON, N.W.1  
PRImrose 9090

PLEASE ENQUIRE FOR ANY VALVE NOT LISTED. 3d. STAMP, PLEASE.

# SOLDERING ?



**for 25 years  
the best**

A model for every purpose

Leaflets on request from

25 watt Instrument Model

**W. T. HENLEY'S TELEGRAPH  
WORKS CO. LTD.**

51-53 Hatton Garden, London, E.C.1 Tel: CHAncery 6822



## St. Mary's Electronics

(Tel. : AMBassador 9795)

18, PRAED STREET, LONDON, W.2

### T/V TUBES

	12 in.	14 in.	17 in.
MULLARD ...	£5	£6	£7
MAZDA ...	£5	£6	£7
EMITRON ...	£5	£6	£7

ALL OTHER TYPES EX-STOCK.

TERMS : 3 MONTHS' GUARANTEE. P.P. INS. 10/- C.W.O.

### REBUILT TUBES

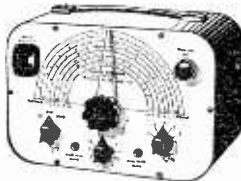
	12 in.	14 in.	17 in.
MAZDA ...	£9	£11	£12.10.0
MULLARD ...	£9	£11	£12.10.0

ALL PRICES INC. P.P. & INS.

ALL REBUILT TUBES ARE GUARANTEED  
**SIX MONTHS**

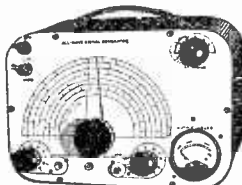
PLEASE SEND S.A.E. FOR ANY ENQUIRIES

## SIGNAL GENERATORS



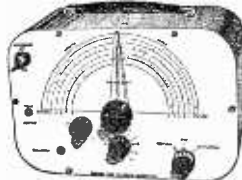
£6.19.6 or 25- deposit and 6 monthly payments of 21/8. P. & P. 5- extra. Coverage 100 Kc's-100 Mc's on fundamentals and 100 Mc's to 200 Mc's on harmonics. Metal case 10in. x 6in. x 5in., grey hammer finish. Incorporating three miniature valves and Metal Rectifier. A.C. Mains 230/250. Internal Modulation of 499 c.p.s. to a depth of 30%. modulated or unmodulated R.F. output continuously variable. 100 milli-volts, C.W. and mod. switch, variable magic-eye as output indicator. Accuracy plus or minus 2%.

C.W. and mod. switch, variable magic-eye as output indicator.



£4.19.6 or 25- deposit and 4 monthly payments of 21/8 P. & P. 5/- extra. Coverage 120 Kc's-230 Kc's. 300 Kc's-900 Kc's. 900 Kc's-2.75 Mc/s. 2.75 Mc's-8.5 Mc's 8 Mc's. 29 Mc/s. 16 Mc/s-56 Mc's. 24 Mc/s-84 Mc/s. Metal case 10in. x 6in. x 4in. Size of scale, 6in. x 3in. 2 valves and rectifier. A.C. mains 230-250 v. Internal modulation of 499 c.p.s. to a depth of 30 per cent. modulated or unmodulated R.F. output continuously variable 100 milli-volts. C.W. and mod. switch, variable A.F. output and moving coil output meter. Grey hammer finished case and white panel. Accuracy plus or minus 2%.

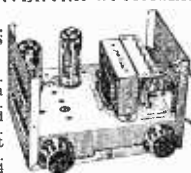
## SIGNAL & PATTERN GENERATOR



25- deposit plus P. & P. 5/- and 6 monthly payments of 21/8. Cash £6.19.6 plus P. & P. 5-. Coverage 7.5 Mc/s-210 Mc/s in five bands, all on fundamentals, slow-motion tuning, audio output, 8 vertical and horizontal bars, logging scale. In grey hammer finished case with carrying handle. Accuracy ± 1%. A.C. mains 200-250 v.

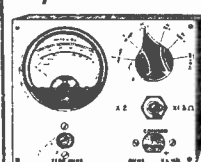
## COMMERCIAL TELEVISION CONVERTER SUITABLE

ANY T.V. (Except Philips) WITHIN 35 MILES OF L.T.A. TRANSMITTER, ALL CHANNELS NO ALTERATIONS TO SET.



Complete with built-in power supply. 230-250 v. A.C. mains. Crackle finish case 3 1/2 in. long, 9 1/2 in. wide, 4 1/2 in. high. Incorporating gain control and band switch. Illus. with cover removed. Complete with Wolsey 3 element I.T.A. outside or loft aerial, 36 ft. I.T.A. lead and 2 plugs. (Wolsey 4 element 5/- extra). 25- deposit, plus P. & P. 5/-, and 4 monthly payments of £1.5.6. Cash £5.17.0 plus P. & P. 5/-. Converter only £3.19.6 plus P. & P. 2/6.

## AC/DC POCKET MULTI-METER KIT



Comprising 2in. moving coil meter, scale calibrated in AC/DC volts, ohms and milli-amps. Volt- range AC DC 0-50, 0-100, 0-250, 0-500, milli-amps 0-10, 0-100. Ohms range 0-10,000. Front panel, range switch, wire-wound pot (for ohms zero setting) toggle switch, resistors and meter rectifier. Basic movement 2 mA. In grey hammer-finish case.

19/6 Plus P. & P. 1/3. Built and tested 7/6 extra.

## COMPLETELY BUILT PORTABLE AMPLIFIER

approx. size 6in. x 2in. incorporating 2 valves, contact-cooled metal rectifier, bass and treble litl controls 39/6 Plus and double wound mains transformer 230-250 v. P. & P. 3/6 5in. P.M. SPEAKER & O.P. TRANSFORMER, if purchased with the above, 18/6. Plus P. & P. 1/6.

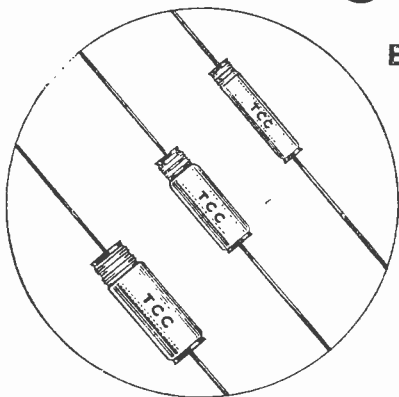
## COLLARO 4-SPEED AUTOMATIC CHANGER

Model 456 (suitable for use with above amplifier). A.C. mains. 230-250 v. turnover crystal head. £8. 19. 6 Plus P. & P. 5/- Or 25- deposit and 7 monthly payments of £1.5.0.

## RADIO & T.V. COMPONENTS (Acton) LTD.

23, HIGH STREET, ACTON, LONDON, W.1  
All enquiries S.A.E. GOODS NOT DESPATCHED OUTSIDE U.K.

# SUB-MINIATURE ELECTROLYTIC CONDENSERS



Tolerance of capacity : - 20% - 50%  
Temperature range : - 30 C. to 60 C.

Since we introduced this range, the use of transistors has become more widespread with the result that the range of capacities has been increased to keep pace with current design. The condenser element is hermetically sealed in an aluminium tube with rubber bungs (T.C.C. Patents 578487, 587072 and 578409) and the general assembly has been modified to permit the wire terminations to be flexed right up to the body of the condenser. Any slight increase in length of some ranges is more than offset by the advantage gained in the reduction of overall space required.

Capacity In $\mu$ F	Pk. Wkg. Volts	Dimensions in inches		T.C.C. Type Number	List Price Each
		Length	Diameter		
6	1.5	1.0"	1/8"	CE58	5/-
4	4	1.0"	1/8"	CE58AA	5/-
2	8	1.0"	1/8"	CE58A	5/-
6	3	1.0"	.18	CE68AA	4/-
10	3	1.0"	.18	CE68A	4/-
4	6	1.0"	.18	CE68B	4/-
2	12	1.0"	.18	CE68C	4/-
1	25	1.0"	.18	CE68D	4/-
8	6	1.0"	.2	CE69A	4/-
2	25	1.0"	.2	CE69C	4/-
1	50	1.0"	.2	CE69D	4/-
32	1.5	1.0"	1/4"	CE67	4/-



**THE TELEGRAPH CONDENSER CO. LTD.**

RADIO DIVISION NORTH ACTON, LONDON, W.3 Telephone: ACO rn 0061

## NOW—the easy way to buy your Test Set



### PORTABLE TEST SETS

#### Series 90 & 100

New easy terms for purchase of the superb M.I.P. Test Sets are offered by the makers. These terms are as follows:—

**Series 90 Miniature Test Set**

Cash price £9.15.0 or deposit 35/- and six monthly instalments of 28/10.

**Series 100 Portable Test Set**

Cash price £12.7.6 or deposit 47/6 and six monthly instalments of 36/-.

Other credit terms from the following suppliers:—

HOME RADIO (MITCHAM) LTD., 187 London Road, Mitcham, Surrey.

FRITH RADIOCRAFT LIMITED, 69-71 Church Gate, Leicester.

SEND THIS COUPON FOR FULL DETAILS WITHOUT OBLIGATION



Series 90  
19 self-  
contained  
ranges a.c.  
/d.c. 200  
micro-  
amps—  
5,000ohms  
per volt.



Series 100  
21 ranges  
a.c. / d.c.  
100 micro-  
amps—  
1,000 volts  
10,000  
ohms per  
volt.

To: MEASURING INSTRUMENTS (PULLIN) LTD.,  
Electrin Works, Winchester Street, Acton, W.3.

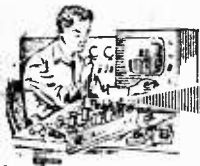
Please send illustrated leaflet of the M.I.P. Series 90/100\*  
Test Set, together with details of the new easy payment scheme.

\* Delete whichever Series number not required.

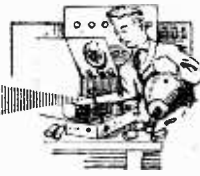
NAME \_\_\_\_\_

ADDRESS \_\_\_\_\_

P.T. \_\_\_\_\_



# Practical Television



## & TELEVISION TIMES

Editor : F. J. CAMM

Vol. 8 No. 92

EVERY MONTH

MARCH, 1958

## TELEVISIONS

### TV TRAFFIC CONTROLS

**T**HE uses of television are not confined to entertainment only. Underwater TV has already been successfully used in the location of wrecks and now Durham has achieved the distinction of being the first city in Britain, possibly in the world, to be equipped with a permanent television traffic control system. This system was first tested in August, 1956. It has since been perfected and the permanent system was officially switched on recently by the Parliamentary Secretary to the Ministry of Transport and Civil Aviation. It is designed to speed the flow of traffic through the narrow and tortuous streets leading to the centre of the town. This television installation, which is of the industrial type closed circuit system, gives the policeman on point duty in Durham's market place an unobstructed view of vehicles approaching over two bridges which were previously out of the line of vision of the traffic controller. The miniature television cameras transmit pictures of 100 yard stretches of road over lead-covered coaxial cable to two 9in. monitors in the policeman's control box. The cables are laid underground and the whole equipment, including the cable, is of British design and manufacture. The cameras are fitted with windscreen wipers, demisters and defrosters and are operated from 25-core P.V.C. cables and specially designed multicore television camera cables. The three sets of remotely operated traffic signals used are actuated from the police box by means of 4-core P.V.C. insulated and sheathed armoured cables, and special police signal lights are operated by cables of similar construction. Electronics is indeed coming to the aid of the police and if this system is generally adopted in busy places, such as London, the speed of traffic through those places will be considerably accelerated, and make many traffic signals, probably the greatest cause of obstruction, unnecessary.

### THE "PRACTICAL HOUSEHOLDER" EXHIBITION

**A** REMINDER to readers that the PRACTICAL HOUSEHOLDER EXHIBITION organised by our companion journal opened on February 19th and remains open until Saturday, March 1st. The Exhibition is open daily from 11 a.m. until 9.30 p.m., and from 10 a.m. to 10 p.m. on Saturdays. The entrance fee is 2s. 6d.

### "THE BEGINNER'S GUIDE TO TELEVISION"

**W**E would inform all readers who have inquired as to the possibility of a reprint in book form of our recently completed series of articles entitled "The Beginner's Guide to Television" that a limited edition of this article in book form will be published later this year and an announcement will be made here when it is ready.—F. J. C.

*Our next issue, dated April, will be published on March 21st.*

Editorial and Advertisement Offices :

**PRACTICAL TELEVISION**  
George Newnes, Ltd., Tower House,  
Southampton Street, Strand, W.C.2.

© George Newnes Ltd., 1958.

Phone : Temple Bar 4363.

Telegrams : Newnes, Rand, London.  
Registered at the G.P.O. for transmission  
by Canadian Magazine Post.

### SUBSCRIPTION RATES

including postage for one year

Inland - - - 19s. per annum  
Abroad - - 17s. 6d. per annum  
Canada - - - 16s. per annum

### CONTENTS:

	page
Televiews ... ..	357
Scanning and Synchronisation ... ..	358
Multi-channel Tuner Installation ... ..	361
Servicing Television Receivers The G.E.C. 6145/6541 ... ..	365
Coaxial Cable Hints ... ..	369
Simplified TV Servicing ... ..	373
Making Scanning Coils ... ..	375
A Remote Control Unit ... ..	378
Linearity Faults ... ..	379
Telenews ... ..	383
Underneath the Dipole ... ..	387
Correspondence ... ..	391
Your Problems Solved ... ..	395

The Editor will be pleased to consider articles of a practical nature suitable for publication in "Practical Television." Such articles should be written on one side of the paper only, and should contain the name and address of the sender. Whilst the Editor does not hold himself responsible for manuscripts, every effort will be made to return them if a stamped and addressed envelope is enclosed. All correspondence intended for the Editor should be addressed to: The Editor, "Practical Television," George Newnes, Ltd., Tower House, Southampton Street, Strand, W.C.2.

Owing to the rapid progress in the design of radio apparatus and to our efforts to keep our readers in touch with the latest developments, we give no warranty that apparatus described in our columns is not the subject of letters patent.

Copyright in all drawings, photographs and articles published in "Practical Television" is specifically reserved throughout the countries signatory to the Berne Convention and the U.S.A. Reproductions or imitations of any of these are therefore expressly forbidden.

# Scanning & Synchronisation

## 7.—LINE SCANNING CIRCUITS (3)

By G. K. Fairfield

WITH the circuit and values given last month, sufficient scan will be obtained to deflect a 14in. or 17in. rectangular tube with an EHT of 12 to 14kV. The width control should give a  $\pm 10$  per cent. variation over nominal picture width and the linearity circuit should ensure that no departure from linearity will exceed  $\pm 5$  per cent. of that at the screen centre. Total power consumption will be about 100 mA from a 200 volt H.T. line. The boosted H.T. will be about 450 volts, allowing a drain of a few milliamps to be taken for the frame oscillator described in a preceding article. One word of warning, before connecting supplies to V2 and V3 it is advisable to check that the sawtooth oscillator V1 is functioning, as the absence of sufficient drive to V2 will result in small bias developed across Rg and over-dissipation of this valve.

the entire scan period keeps point X at a constant potential (approximately that of the H.T. line), and the difference between this and the boost potential across C1 enables a linear rise of current to take place in Ly.

Referring to Fig. 49, energy transfer takes place during the flyback when that stored in La during the first part of the scan is transferred to Ly and later this energy is conveyed to C1 during the second scan period.

The major disadvantage of this circuit is that for reasonable efficiency the deflection coils Ly must have an inductance of some 34 mH and this, of course, leads to very high potentials being developed across them during the flyback.

### Practical Circuit

A circuit designed to scan a 14in. or 17in. rectangular tube at 12-13 kV is shown in Fig. 50. An extra winding (2) has been added to La in order to boost the pulse voltage developed across this during the retrace period. Rectification by V4 will then provide EHT for the tube. The linearity circuit is a tuned transformer identical to that described in a preceding article, and is placed in series with the boosting diode cathode V3. Width control is very simply obtained by means of a high-wattage control R which varies the boost potential and hence current rise in Ly. This will be found to have very little effect on EHT as the picture width is varied. As in the previous circuit a small drain of a few milliamps is permissible, from the boosted H.T. (about 400 volts) for the frame oscillator.

The capacitors C1 and C2 must be capable of withstanding a high pulse potential and are constructed of 70  $\Omega$  coaxial cable. This should have polythene insulation between inner and outer conductors and will be found to have a

### Direct-drive Circuits

All the deflection circuits so far described made use of a transformer to supply scanning current to the coils and to match diode and pentode impedances. If the deflection coils used can be made to withstand higher pulse potentials a "transformerless" circuit becomes possible. This is known as the "direct-drive" system and a simplified circuit is shown in Fig. 48. Briefly the circuit functions on energy transfer considerations.

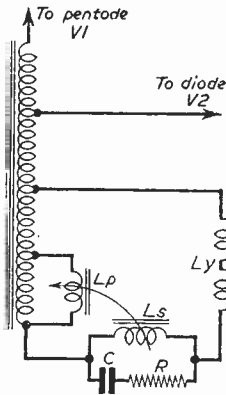


Fig. 47.—Scan width control.

The sawtooth driving potential at the grid of V1 causes this valve to draw current via V2 (the diode acting as an anode load for V1). During the flyback V1 is cut off and energy stored in La is diverted to charge C2 and C3 and in the second part of the flyback these capacitors begin to discharge through La and Ly. As soon as the potential across Ly has reached a large enough value V2 is rendered conductive and the boost capacitor C1 is charged. With C1 fully charged V1 is made to conduct once more and the cycle repeats. Thus the conduction of V2 during

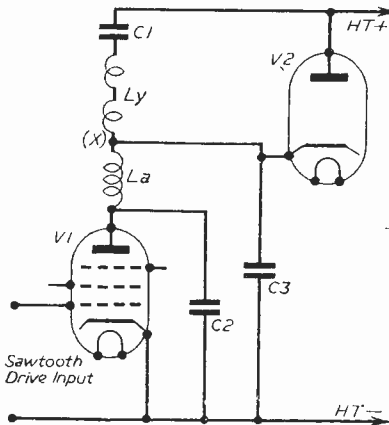


Fig. 48 (Left).—Simplified "direct-drive" circuit.

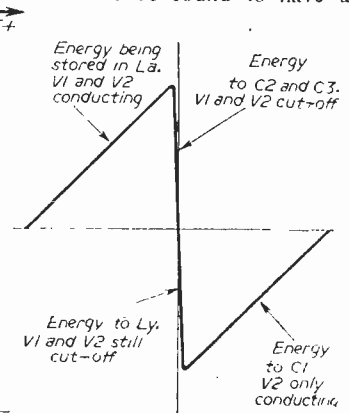


Fig. 49 (Right).—Energy transfer in the circuit of Fig. 48.





observed. If the magnification factor (Q) of this circuit could be reduced then the oscillations would not build up to such a large amplitude and the diode would exert a more noticeable damping effect.

One way of doing this, without at the same time reducing the EHT built up across the coil at the lower flyback rate (about 50 Kc/s), is to

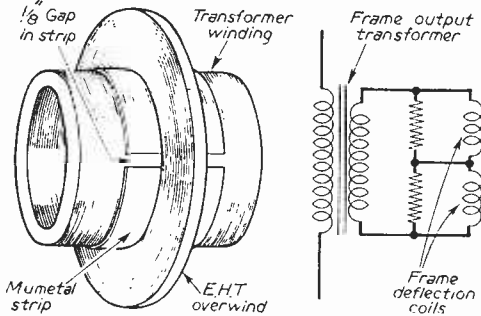


Fig. 53 (Left).—Method of reducing transformer "ringing." Fig. 55 (Right).—Method of avoiding frame coil resonances.

place a strip of  $\mu$ -metal or radiometal foil between transformer windings and EHT overwind (Fig. 53). This should not form a complete turn but a  $\frac{1}{8}$  in. gap left between the two ends. In operation it serves to lower the effective Q of the EHT winding at the higher frequencies and reduces the amplitude of ringing.

Another source of ringing lies in the dissimilar resonances between each half of the line deflection coils. This is removed by tuning the half

having the least stray capacitance (i.e., that end remote from earth) with a high-working voltage trimmer (Ct of Fig. 50) so that the two resonances can be made equal and their combined effect nullified.

Finally there is the resonance of the tuned circuit formed by the frame coils and stray capacitance C. This will cause the type of modulation to the line shown in Fig. 54, and as the coupling between line and frame coils cannot

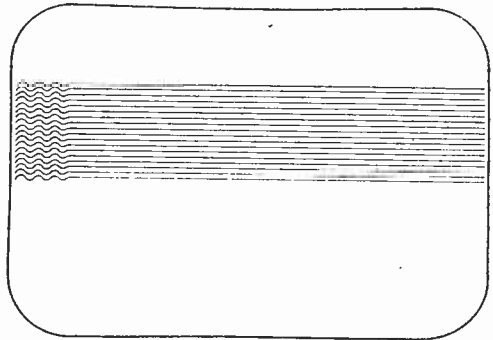


Fig. 54.—Ripple on line due to frame resonance.

easily be controlled, it is better to damp each half of the frame coils with a small resistance as shown in Fig. 55.

(To be continued)

## New BBC Stations

NEW BBC television stations are to be built with the approval of the Postmaster General, near Peterborough and in Orkney. The Orkney station will in addition carry sound broadcasts on VHF.

The Peterborough station will serve about 110,000 people who are at present outside the service areas of the existing BBC stations at Sutton Coldfield, Norwich, Holme Moss and the Crystal Palace. Tests are starting forthwith on a possible site and the construction of the station will start as soon as all the necessary consents have been obtained, but no date can yet be given for its completion. According to the BBC's present plans, the station will work on Channel 5 (vision frequency 66.75 Mc/s., sound frequency 63.25 Mc/s.) with an effective radiated power between 1 and 2 kW., and with horizontal polarisation, which means that receiving aerials should be mounted horizontally.

The Orkney station, which will carry both television and sound broadcasts on VHF, will serve some 30,000 people in the Orkney Islands and along the north coast of Caithness. According to present plans, the station will be on a site at Netherbutton, previously used by the Air Ministry, where an existing 350ft. tower will be used. The television transmissions will, it is proposed, be on Channel 5 (vision frequency 66.75 Mc/s., sound frequency 63.25 Mc/s.) and will be vertically polarised, which means that receiving aerials should be mounted vertically.

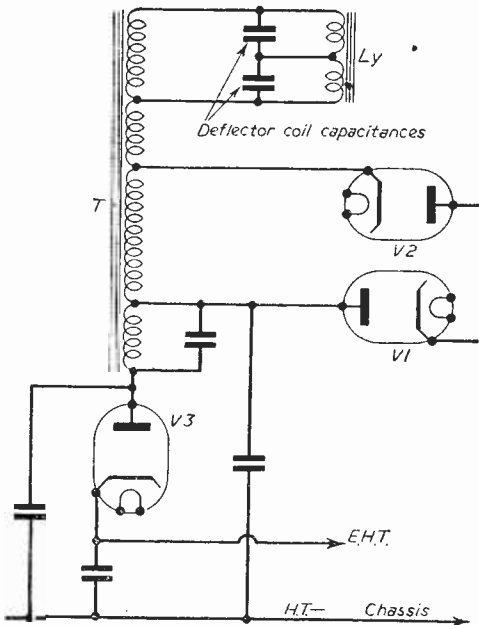


Fig. 52.—Line scanning output stage showing circuit stray capacitances

# Multi-channel Tuner Installation

HINTS ON MODERNISING OLD RECEIVERS FOR MULTI-BAND RECEPTION

By Gordon J. King, M.I.P.R.E.

AS judged from letters received, it would appear that a large number of readers are still not too clear on the best method of adapting their receivers for multi-channel operation. Of recent months much has been written with regard to Band III converters of the simple add-on type. The merits and disadvantages of this mode of conversion have been discussed in some detail, and most of our readers are now clear on the fact that, while the add-on method serves admirably in the outer service areas of a Band I transmitter where the Band III aerial signal is large in comparison with the stray Band I

In Fig. 1 is shown a block diagram of the various stages in a single-band receiver concerned essentially with the sound and vision signals. As is usual practice, the signals from the aerial are amplified by the R. F. stage to a level which ensures adequate operation of the frequency changer section. Here the term "frequency changer" indicates the section of the circuit which deals with the production of the oscillator signal and the mixing of the oscillator signal with the incoming signals to produce the I.F. signals. In some receivers a single valve (pentode or double-triode) performs these functions, while in other receivers, notably Kolster-Brandes models, separate mixer and oscillator valves are employed. The I.F. signals so created are further amplified, sometimes first both together in a common I.F. stage, and then in their appropriate channels.

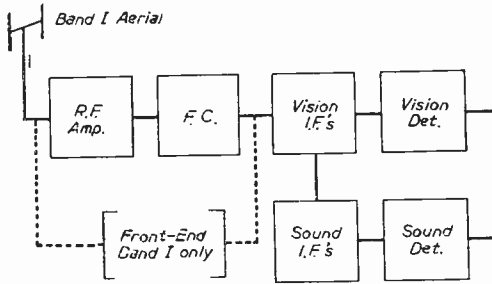


Fig. 1.—A block diagram of the sound and vision stages of a conventional superhet receiver.

signal picked up on the receiver/converter wiring, considerable trouble is often experienced in areas of high Band I signal owing to breakthrough of the BBC when the combination is switched to the I.T.A. channel.

Re-radiation of the converted Band III signals at the frequencies corresponding to the local Band I channel represents another difficult problem closely associated with this type of conversion. However, unless one is prepared to redesign and realign the sound and vision channels, there is little left for the experimenter to do but to use an add-on converter where the receiver is of the T.R.F. mode.

## Multi-channel Operation

Since most single-band receivers now in use feature the superhet principle, however, it is not unduly difficult to add a multi-channel tuner and bring the receiver in line with current development. Tuners highly suitable for this purpose are readily available from most dealers at this time, and once the general idea of circuit connection is realised, the experimenter should have no difficulty at all in the installation of such a tuner to any type of receiver.

## Redundant R.F.

Illustrated in Fig. 2 is the arrangement with the inclusion of a multi-channel tuner. The tuner itself contains the R.F. and frequency changer sections, along with the necessary coils and switching to provide the given I.F. signals on any channel. It is seen, therefore, that the incorporation of a tuner renders redundant the original R.F. and frequency changer stages relating to the receiver proper. The I.F. signals produced in the multi-channel tuner are coupled direct to a suitable point in an I.F. stage which is common to both sound and vision, and in this way the signals are amplified at I.F. in the separated channels in the usual manner.

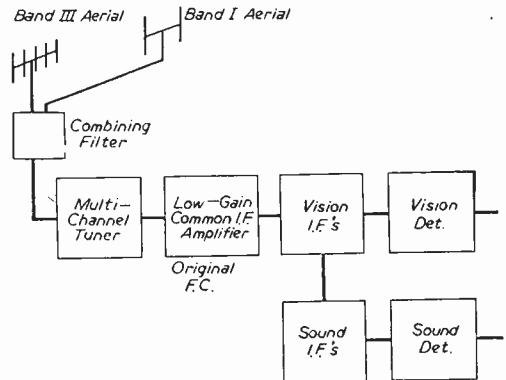


Fig. 2.—A block diagram showing how the tuner replaces the original R.F. amplifier and frequency changer stages, and how the original frequency changer is sometimes altered to form a low-gain common I.F. stage.

### Coupling the Tuner Signal to the Receiver

Whilst the original Band I R.F. stage is always removed from the circuit, it is sometimes desirable to retain the original frequency changer or mixer valve and rearrange its circuit so that it functions as a low-gain common I.F. amplifier, into which the tuner signals can be injected without loss of efficiency as the result of the coupling.

The scheme is given in Figs. 3 and 4. Shown in Fig. 3 is the frequency changer stage of a representative single-band receiver (of the Ekco T141 series), in which an R.F. pentode (Mazda 6F1) serves as mixer and oscillator. The circuit is wholly conventional and requires no further comment.

A popular and extremely efficient method of coupling the tuner signal to the receiver is revealed in the modified circuit at Fig. 4. As may be seen, the oscillator and R.F. coupling components are removed completely from the control and screen grid circuits of the valve, and the screen grid is energised by connection to the decoupled H.T. point between the H.T. side of T1 primary and the 4.7k resistor, the 0.003  $\mu$ F capacitor serving as the decoupling component for both screen and anode circuit.

Loading the control grid is a 100-ohm resistor, across which the tuner signal is connected by way of the tuner's coaxial signal feed lead, the inner conductor going to the grid side of the resistor and the outer conductor to the chassis connection—this is most important. Bias is applied to the valve by introducing a resistor of some 180 ohms in the cathode circuit and decoupling with a capacitor in the region of 0.001  $\mu$ F. It is interesting to note that the valve was biased automatically by the oscillator signal when working originally as a frequency changer.

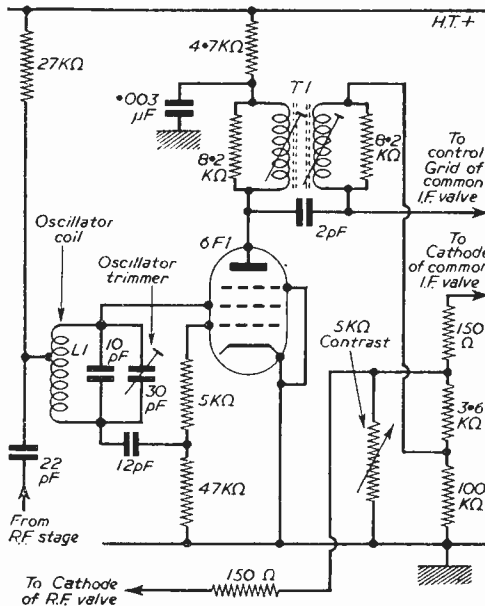


Fig. 3.—A representative frequency changer stage before modification.

Although removal of the connection from the contrast control to the cathode of the R.F. valve means that the overall gain of the I.F. channel is now controlled by varying the bias on the common I.F. valve only, it is usually found in practice that sufficient range of contrast control is possible, and that tendency to overloading can be avoided by adjusting the appropriate sensi-

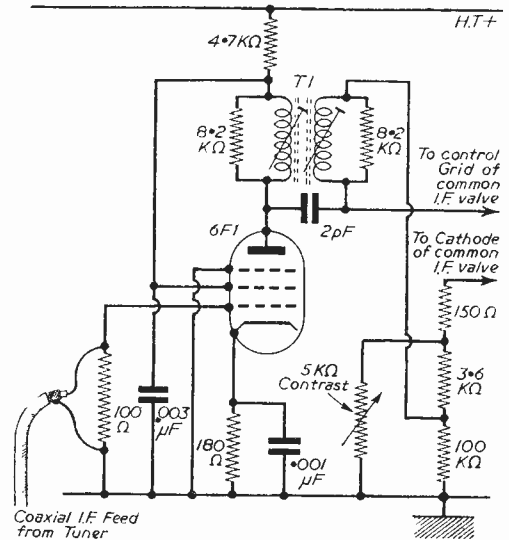


Fig. 4.—The stage at Fig. 3 altered to form a low-gain common I.F. amplifier to facilitate connection of the tuner signal.

tivity control on the tuner. In this respect, most commercial tuners feature either one or two sensitivity controls for varying the gain of the R.F. stage either simultaneously on both bands or individually on each band. Individual adjustment enables a balance to be made initially between the signals on Bands I and III, thereby avoiding the necessity of contrast adjustment when changing from one band to the other. The switching of the sensitivity controls is performed automatically as the turret is rotated.

### Extra Gain

The arrangement shown in Fig. 4 suits the majority of cases, whether in the fringe or in the service area. If extra overall gain is required owing to the receiver working in an outer fringe area or on a relatively low aerial signal, the effective sensitivity of the modified frequency changer common I.F. amplifier stage can be enhanced by feeding the tuner signal to the control grid by way of a matching transformer, instead of direct to the grid across a low value resistor.

The circuit section at Fig. 5 illustrates the idea. The grid winding of the transformer should be designed to tune over the I.F. spectrum of the tuner/receiver, final adjustment being made by a dust-iron tuning slug in the coil former, while the tuner coupling winding should consist of two turns of p.v.c covered wire wound round the earthy end of the grid coil.

If a standard  $\frac{1}{2}$  in. former is used, a coil of 15 turns of 36 s.w.g. enamel-covered wire will tune over the standard I.F. range, between 34 and 40 Mc/s, 40 turns will cover a range of between 15 and 20 Mc/s, and approximately 50 turns will tune between 9 and 15 Mc/s. The coil slug is adjusted to give the best compromise between sound and vision.

**Other Methods of Signal Injection**

Another method of signal injection which is sometimes adopted, especially where a double-

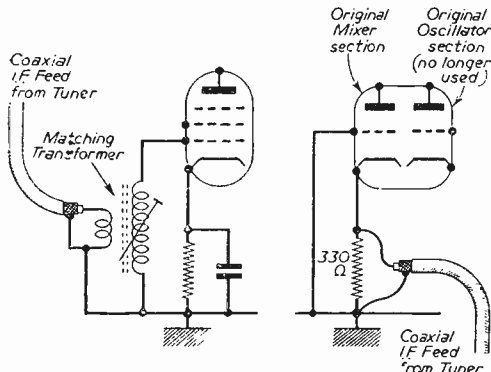


Fig. 5 (Left).—Extra overall gain can be secured by coupling the tuner signal by way of a matching transformer. Fig. 6 (Right).—When a double triode frequency changer valve is featured, tuner connection can be made at the cathode circuit of the original mixer section.

triode frequency changer valve is used, is shown in Fig. 6. Here the tuner signal is applied across the cathode resistor of the triode of the original mixer section, after first removing the decoupling capacitor, of course, and the grid is connected to chassis (earthed). The other triode section, relating to the original oscillator, is no longer required and is disconnected.

Although the methods given above demand slight circuit alterations to the parent receiver, they are to be recommended where the receiver is to be used on the edge of a service area or in fringe areas, where that little extra gain can be used to advantage.

In districts close to the transmitters there is often no necessity to alter the receiver at all, for manufacturers of tuner units terminate the tuner connecting leads with plugs for direct insertion into the vacated valve holders of the parent receiver. Plug-adaptors are also available in this connection to match the tuner plugs to the receiver valve holders. When this method is adopted, however, the tuner signal is injected into the common I.F. amplifier, and both the R.F. and frequency changer valves are removed from the receiver. Full details of this mode of connection are usually supplied with this type of plug-in tuner.

**Tuner Heater Supply**

When the plug-in method is used, both heater and H.T. power is conveyed to the tuner valves from the receiver circuits by way of the plug/valve holder connections. Where the receiver

incorporates a series-connected heater circuit, a tuner also featuring series-connected valve heaters is used, and the tuner heaters are introduced in series with the receiver heaters. The valves used in this case are PCC84 (R.F. amplifier) and PCF80 (frequency changer), having 0.3 amp heaters, which, of course, should match the heater current of the receiver valves. Where the valves in a series-connected heater chain have 0.1 amp or 0.2 amp heaters, it is often necessary to use a separate heater transformer for the tuner valves, bearing in mind that the inclusion of a mains transformer destroys the D.C. feature of an A.C./D.C. receiver.

If the receiver has parallel-connected heaters, however, then a tuner also featuring parallel-connected valves is used, and the tuned heaters are connected in parallel with the receiver heaters. The valves used in this case are ECC84 (R.F. amplifier) and ECF80 (frequency changer), having 6.3 volt heaters, which, of course, should match the heater voltage of the receiver valves.

To give the experimenter a better idea of the connections necessary, the circuit of the Brayhead Type BT. 13A tuner is shown in Fig. 7. The tuner's I.F. output, heater and H.T. leads are carried in a multiway cable and terminated in a B9A plug to facilitate the plug-in installation method, aided by the plug-adaptor, as already described. However, when the tuner is to be wired into the receiver to give enhanced gain, the B9A plug is cut off the multiway cable and the covering pulled back to expose the colour-coded connecting wires.

If the receiver which is to be converted has a series-connected 0.3 amp heater, the heater chain will be broken by the removal of the R.F. valve, but the circuit is completed through the tuner

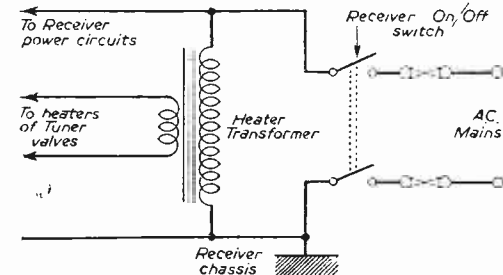


Fig. 8.—Showing how a separate heater transformer is connected for energising the tuner valves when they cannot be included in the heater chain.

valve heaters by connecting the brown and grey heater wires across the heater tags of the R.F. valve holder. This will result in a slight drop in current throughout the chain, since two valves are introduced and only one removed, but this can be compensated by resetting the mains voltage selector of the receiver 10 volts down, for example, from 230 volts to 220 volts.

If the receiver has a series-connected heater circuit different from 0.3 amp, a suitable resistor, equal in value to the heater voltage of the removed R.F. valve divided by the heater current, will need to be connected across the heater tags of the R.F. valve holder to maintain continuity

of the heater chain. A wire-wound 3-watt resistor serves in most cases. A tuner incorporating 6.3 volt valves should then be used, and the heaters energised from a separate 6.3 volt heater transformer, having a primary to match the applied mains voltage. This should be connected across the receiver side of the on/off switch, as shown in Fig. 8.

If the receiver has parallel-connected 6.3 volt heaters, then it is a simple matter to connect the appropriate tuner heater wires across the heater circuit of the receiver at any convenient point, ensuring first, of course, that the heater circuit is 6.3 volt and that a tuner with 6.3 volt valves is used.

**Tuner H.T. Supply**

H.T. for the tuner is picked up from the parent receiver, the required 30 mA usually being available without trouble owing to removal of the R.F. valve from the H.T. supply. The black H.T. negative lead from the tuner is connected

to the chassis of the receiver. It should be clearly observed that when such a connection is made to a receiver of the A.C./D.C. type, the chassis of the converter, as well as the receiver chassis, is in connection with one side of the mains supply, and this may well be the live side. Care must be taken, therefore, to ensure (a) that the neutral side of the mains is connected to chassis and (b) that the tuner is installed within the receiver cabinet so that it cannot be touched during normal operation. The aerial circuit of the tuner is isolated from the chassis by way of C21 and C22, thereby complying with BSS 415 Safety Regulations in this respect.

The red H.T. positive lead can be connected more or less anywhere on the H.T. line of the receiver. A good point is the screen grid or anode tag of the vacated R.F. valve holder, that is, of course, provided the components directly concerned with the H.T. feed to this valve were not removed when the R.F. coupling and

*(Concluded on page 392)*

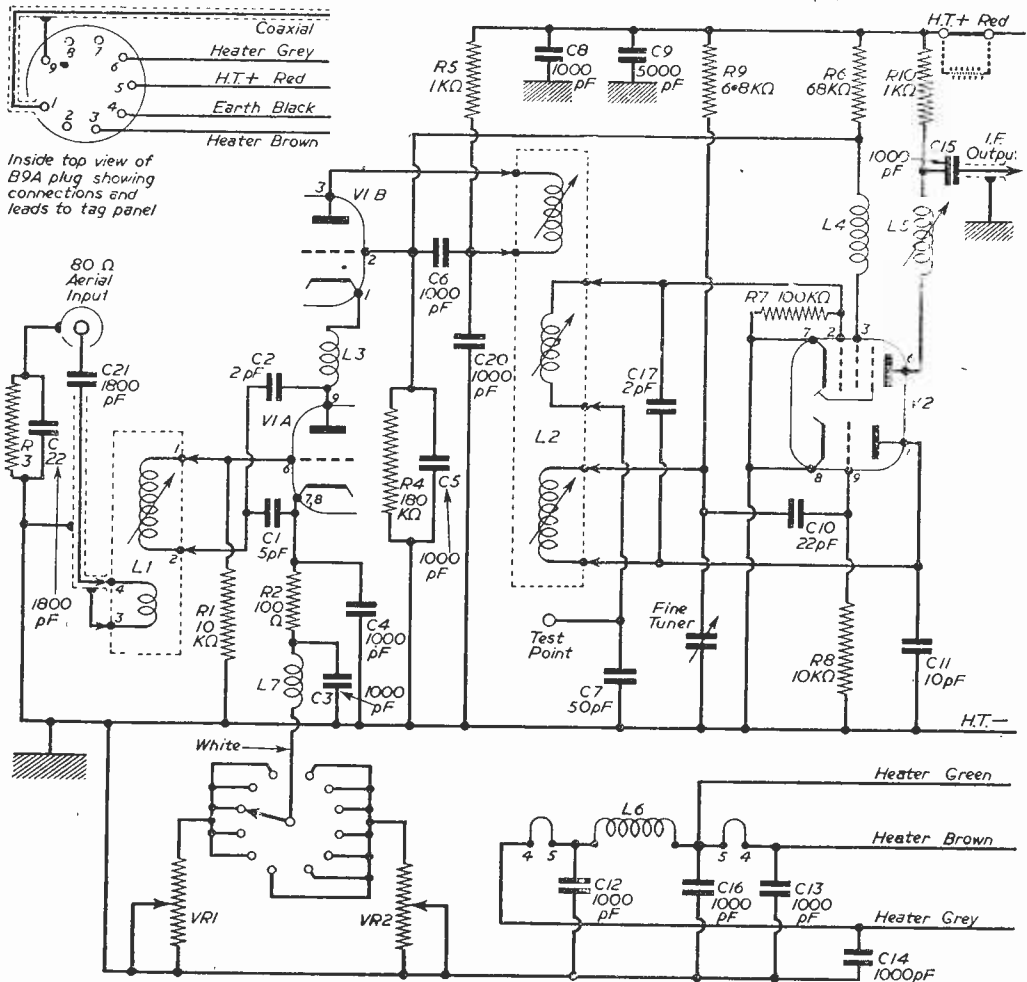
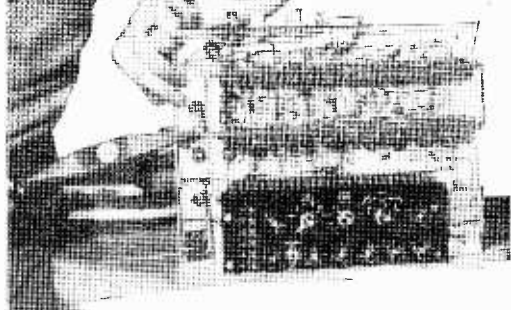


Fig. 7.—Circuit diagram of the BT. 13A.

# Servicing TELEVISION RECEIVERS



No. 35.—THE G.E.C. 6145/6541

By F. E. Apps

**T**HIS receiver, which is a 19 valve plus cathode-ray tube, is a superhet designed to work on any channel on Band 1, and can be used with a converter for Band III. The intermediate frequencies are, Sound 37.625 Mc/s and Vision 34.125 Mc/s. The tube is a G.E.C. Type 6901A—16in. round tube, with a heater voltage of 6 volts, and requires 12kV—EHT. The deflection coils are 75 degree angle for full scan.

### Description of Circuit

The valve and C.R.T. heater circuits are fed from a mains transformer with various tappings on the secondaries for the valves. The H.T. supply is as with an A.C./D.C. receiver, and therefore the chassis is connected to one side of the mains.

The first 3 valves, Z77's, are common to the vision and sound circuits and function as R.F. amplifier, frequency changer and I.F. amplifier. A variable 5,000 ohm. resistor in the cathode circuit of V1 and V3 acts as a contrast control, and determines the gain of both sound and vision sections. The frequency changer V2 is of the self-oscillating type, with a Colpitts circuit between screen grid and control grid. Interference from sound transmission of the adjacent television channel can be tuned out by adjusting L7 which, with C7 and C11, constitutes a series tuned circuit across the output of V2. Sound is tapped off the secondary of the 2nd I.F. transformer L13. Sound rejection from the vision circuit is provided for by T1—T2, which should be adjusted to minimum

vision. Vision demodulation is effected by one diode section of V5—D77, the other section being used as vision interference limiter controlled by R45—50K $\Omega$ . Video amplifiers are V6 and V7 in parallel, both Z77's, V11 and V12—Z77 and D77 act as sync separators for line and frame sync pulses.

The line timebase circuit consists of V14—L63, which acts as a blocking oscillator with transformer TR2. The sawtooth voltages are fed to the grid of V15—KT36, on the anode circuit of which is the live output transformer and the horizontal form control. The efficiency diode is a U329 and the EHT rectifier a U37. The width control is across one part of a secondary winding of the line output transformer. R32 is horizontal hold. The frame circuit consists of V18—B65 and V19, N78. The B65 acts as a multi-vibrator

FRAME TB (Fig. 1c)	
R51—2.2 K $\Omega$ .	R67—100 $\Omega$ .
R52—100 K $\Omega$ .	R68—330 $\Omega$ .
R54—1.2 M $\Omega$ .	R69—2 K $\Omega$ .
R55—1 K $\Omega$ .	
R58—150 K $\Omega$ .	C50—.04 $\mu$ F.
R59—500 K $\Omega$ .	C52—.04 $\mu$ F.
R63—1 M $\Omega$ .	C54—.1 $\mu$ F.
R64—1 M $\Omega$ .	C56—.25 $\mu$ F.
R66—1.8 K $\Omega$ .	C59—500 $\mu$ F.

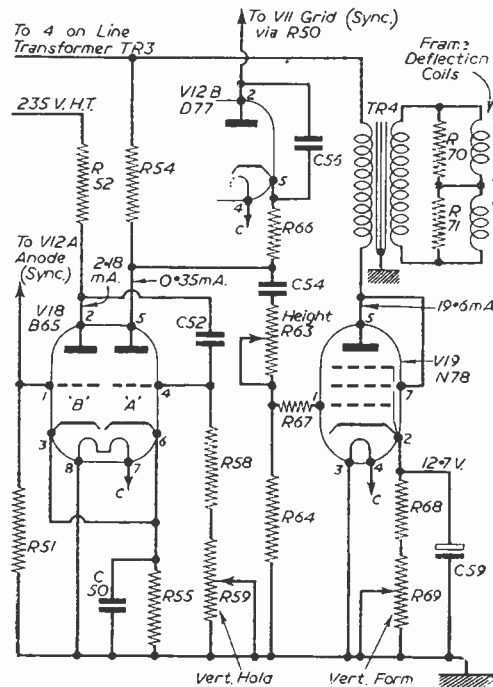


Fig. 1(c).—The frame timebase section.

with vertical hold control R59—500K between the grid of the triode and chassis. The output is fed to the grid of V19, via C54 and R63 (1 meg.), the height control.

The vertical form control is in the cathode line of the frame output valve.

The sound circuit consists of V8—Z77, V9—D77, V10—DH77 and V13—N78. V8 is the sound I.F. valve, V9 acts as a sound noise suppressor, V10 is the sound demodulator and A.F. amplifier, V13 is the sound output valve. Sound volume is controlled by R28 (.5 megs.) in grid circuit of V13.

**The Cathode Ray Tube**

This is a triode with a B12A base. It is modulated on the cathode (pin 11) from V6, V7. The brightness control, R47—100K, is in the grid circuit. As difficulty was experienced, owing to wide-angle deflection, with neck cut off, i.e., a shading in top left-hand corner of picture, a small magnet similar to an ion trap is fitted on the neck of tube near to the base. Rotating this magnet clears this shading. To prevent distortion of the scan, due to the stray magnetic field of the focus magnet, which affects the top left-hand and bottom right-hand corners, strips of stalloy lamination are fixed on a bracket on the chassis near to the deflector coils. These strips, which can be rotated on the bracket, are moved until optimum scan shape is obtained.

**Focus**

This is restricted in this model and it may be

found that when the deflector coils or the cathode-ray tube are changed, optimum focus cannot be obtained without shifting the focus magnet. This may mean fixing spacing washers between magnet

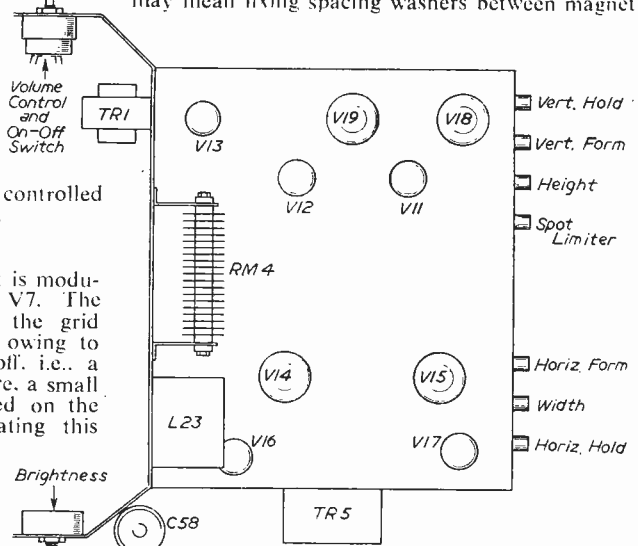


Fig. 2(b).—Main deck layout.

and focus magnet plate, or removing them if already fitted.

**Dismantling of Set**

The chassis is in two parts, one the main chassis which comprises power supply, timebases, controls, and sound output stage, the other the sub-deck consists of R.F., F.C., I.F.'s, video demodulator, video amplifier stages. After removal of back, R.F. subdeck is first removed. This is held to main chassis by two 6B.A. screws. Before moving subdeck, dis-

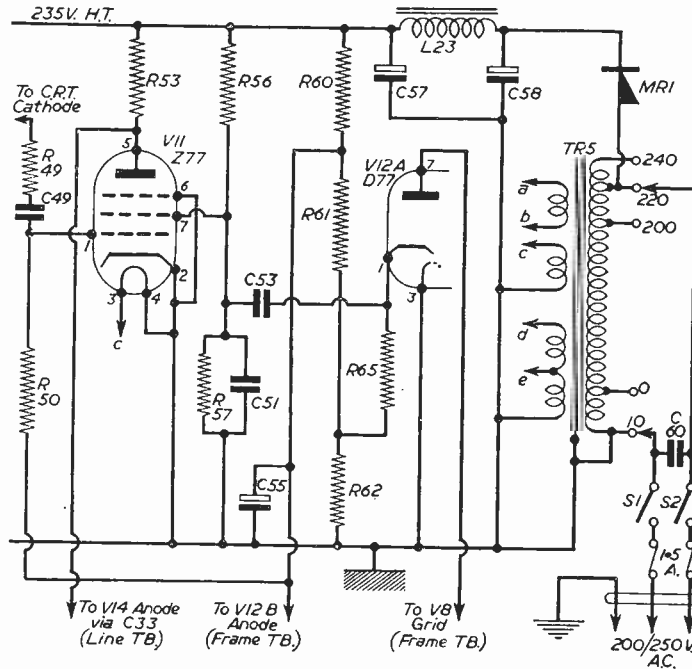


Fig. 1(a).—The sync circuit.

SYNC (Fig. 1a)	
R49—2.2 K $\Omega$ .	R65—10 K $\Omega$ .
R50—22 M $\Omega$ .	C49—.1 $\mu$ F.
R53—47 K $\Omega$ .	C51—.01 $\mu$ F.
R56—68 K $\Omega$ .	C53—.01 $\mu$ F.
R57—33 K $\Omega$ .	C55—25 $\mu$ F.
R60—68 K $\Omega$ .	C57—200 $\mu$ F.
R61—5.1 K $\Omega$ .	C58—100 $\mu$ F.
R62—1 K $\Omega$ .	C60—.02 $\mu$ F.

connect the chassis lead going to main chassis, the lead from tube base to subdeck, and the octal connecting plug which supplies heater and H.T. voltages to subdeck.

To remove main chassis remove the four 2B.A. fixing bolts at bottom of cabinet, pull off knobs from volume control and brightness control. Chassis can then be withdrawn.



**Servicing and Typical Faults**

When servicing this receiver care should be taken to ensure that the chassis is at earth potential. For practically all faults it is first of all advisable to check the smoothed volts and also the current taken by the receiver. This should be taken at a point where the main H.T. line leaves the smoothing choke L23. The volts are 235 and the current 220 mA. Observing the fact that there are several Z77's in the layout, advantage should be taken to change valves over in

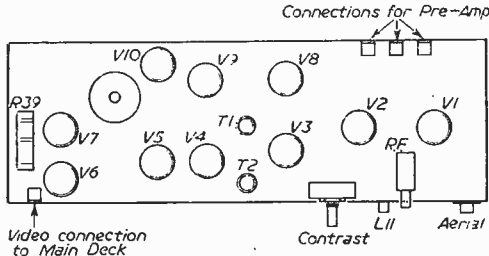


Fig. 2(a).—Subdeck showing position of valves and controls.

suspected positions. For instance, should the fault be affecting vision and sound then V1, V2, V3 could be changed by either V4, V6, V7, V8 or V11. The metal rectifier MR1 will be a likely cause of low H.T. and should be changed. Replacement will be an RM4.

maximum picture brightness. The two results coincide quite closely. (4) EHT low or nil. Check V15, TR3 (readings at end of article), C45, V17, C43.

**Sound on Vision**

If adjustment of oscillator L11 does not clear this, careful adjustment of T1 and T2 on a transmission should clear. A method that can be used is to adjust the horizontal hold to slip picture so that edge can be seen. If there is any sound on vision it will appear as a wavy or ragged edge. A re-setting of L11 after this may be necessary.

**Vision on Sound**

This may be due to cross-modulation. In this case try interchanging V1 or V2 with any other Z77 except V2 the frequency changer. On the other hand it may be due to too strong an input signal. Fitting an attenuator will allow the receiver to operate at a different gain control setting for the same picture contrast.

**COIL AND TRANSFORMER DATA**

L19	Video grid coil	4.5 ohms
L8, L18, L20	R.F. chokes	2.5 ohms each
L21	Hor Form	3.3 ..
L22	Width control	8.2 ..
TR1	Primary	560 ..
TR2	"	18 ..
TR2	Secondary	10 ..
TR3	Tags 1—2	19,000 ..

**Frame Circuit**

Likely faults here are : (1) foldover at bottom of picture. Here R68 and R69 should be checked as well as C59. The cathode volts on V19 should be 12.7 volts. (2) Lack of height. Check R64 and R63. (3) Intermittent hold. Generally due to V18, although C52, C54, R58 and R59 should be checked.

**Line Circuit**

(1) Poor hold. May be due to V14 or following com-

<b>LINE TB (Fig. 1b)</b>	
R32—100 KΩ.	C33—200 pF.
R33—100 KΩ.	C35—.01 μF.
R34—3.3 KΩ.	C36—.01 μF.
R37—5.6 KΩ.	C37—4 μF.
R38—68 KΩ.	C41—22 pF.
R41—100Ω.	C42—1.0 μF.
R42—10 KΩ.	C43—32 μF.
R72—5.5Ω.	C44—.1 μF.
C31—.001 μF.	C45—500 pF.

ponents C33, TR2, R32, R33, R34. (2) Insufficient width. Check the following. C36, R37, R38, C37, V15, L22. (3) Poor horizontal control. In adjusting this control for good linearity, adjust it for

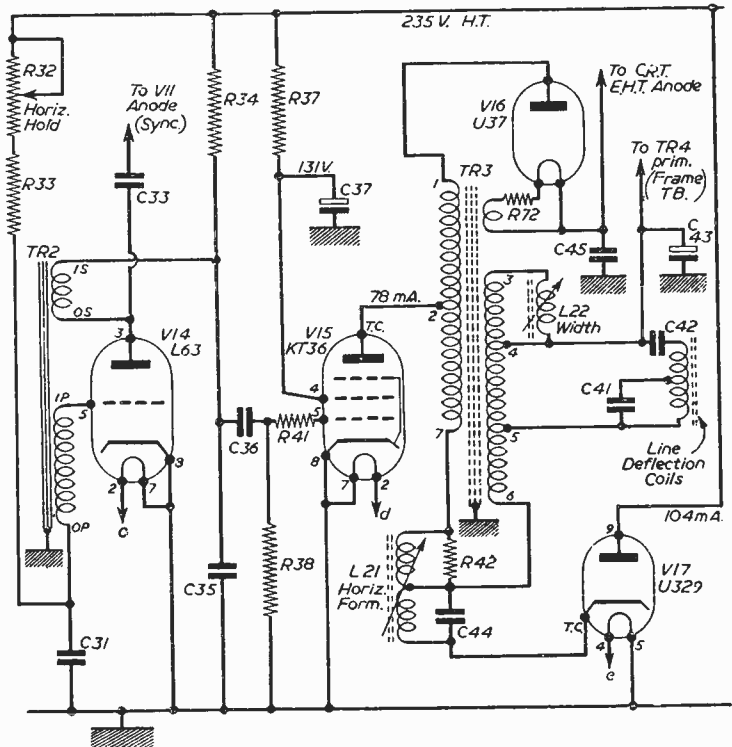


Fig. 1(b).—Circuit of the line timebase.

TR3	Tags 2—7	7 ohms each
TR3	Tags 3—4	0.5 "
TR3	Tags 4—5	3.1 "
TR3	Tags 5—6	4.0 "
TR4	Primary	1,450 "
TR4	Secondary	9 "
Mains XFMR	Brown/black	1.0 "
	Black/white	19.5 "
	White/grey	1.5 "
	Grey/blue	1.6 "
	Yellow/yellow	0.61 "
	Yellow/black	0.1 "
	Red/black	2.2 "
Deflector coils	Green/black	2.1 "
	Line	13.8 "
	Frame	36.0 "
Choke	L23	74.0 "

### Other Points

Should the C.R.T. develop a heater/cathode short it will in all probability burn out R38. This is on top on subdeck near V6: V7. In replacing this see that no shorting to chassis can take place.

### Replacing Tube

When replacing a tube, care should be taken to see that mask is square and sides vertical. Front edge should be 3 1/16in. from front plate of chassis. The bracket supporting focus coil should be positioned so that rear face of focus unit is 9/16in. forward of the second of the four triangular support plates. The bracket is movable by loosening bolts connecting it to chassis.

## America Buys British Colour Wall Installation of TV Sets

FOR some years past the medical profession, and teaching hospitals in particular, have been keenly interested in the possibilities of closed circuit television as a medium for demonstrating surgical and clinical techniques. The television system has the unique advantage of giving a magnified close-up view of the proceedings to a large body of people simultaneously. It has always been realised, however, that whilst many actual techniques can be successfully demonstrated with black-and-white television, the absence of colour imposes a severe limitation upon the overall usefulness of the medium for this application.

Marconi's have been actively concerned with the development of colour television for many years, and, among other things, engineered the first compatible colour TV system to be seen in Britain, and supplied the cameras and transmitters which the BBC are using in their experimental colour broadcasts. Now, as a result of this considerable experience, a practical medical colour TV system has been evolved.

To further this important development, the well-known American pharmaceutical firm, Smith Kline and French Laboratories, have placed an order with Marconi's for the supply and operation of a fully-equipped mobile colour television unit, which will be placed at the free disposal of Medical Authorities for use at professional meetings of all types throughout Britain. It will be recalled that earlier this year Smith Kline and French Laboratories shipped to England their American mobile colour equipment and provided demonstrations in London and elsewhere.

The unit will embody the latest types of Marconi colour equipment including a 3-tube Image Orthicon colour camera channel, colour-plexer, pulse and waveform generating equipment, vision mixing equipment, vision distribution equipment and sound equipment. Black-and-white camera channels will also be incorporated for televising the panel of doctors who normally comment on proceedings from a separate studio at intervals during the telecast. (For this part of the programme, of course, colour is not essential.) A 405-line system to Anglicised NTSC standards will be used.

GENERAL ELECTRIC television engineers have voiced a word of caution in the U.S.A. for those planning to use a television set in a wall installation. In view of the importance of the points raised they are repeated below.

Prompted by the increasing popularity of "built-in" furniture and appliances, G.E. prefaced the cautionary note by urging those contemplating such an installation to seek professional advice before undertaking the task. In so doing they said the possibility of a heat or fire hazard due to lack of essential air circulation may be avoided.

All American General Electric TV receivers, as well as those made by most U.S. manufacturers, are approved by the Underwriters Laboratory. This approval, however, is given on the basis of the complete receiver with the chassis enclosed in its own cabinet.

The TV cabinet is designed by the manufacturer so as to permit adequate air circulation throughout the interior of the set when operating in an open area. This provides the necessary cooling action and is absolutely vital for safe operation and long life.

G.E. engineers point out that some people may assume that the cabinet provided with the set can be built directly into a partition with no additional safety measures. This, they say, is not true. Even if the TV set were to be placed flush against a wall, sufficient air circulation might be cut off and so impair operation of the set or create a heat menace.

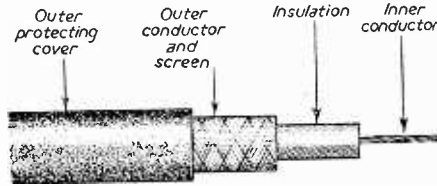
Actually, a built-in television receiver, when properly installed, should be enclosed in a separate enclosure with a minimum of two inches of air space between the TV cabinet and the enclosure at bottom and rear and three inches between the enclosure and the top of the set. Adequate grill openings should be provided in front and at top and bottom of the receiver. This enclosure should be constructed of an approved galvanised material similar to the standard terminal or junction box or other approved fire-proof material. The TV within the box should be supported by metal braces and the mains power supply, installed by an electrician, should be within the enclosure.

# COAXIAL CABLE HINTS

HOW TO MAKE USE OF ODD PIECES OF CABLE WHICH CAN OFTEN PROVE VERY USEFUL. By "Scan"

**M**OST TV experimenters accumulate odd pieces of coaxial cable, but do not realise that it can be turned to good account.

Short lengths of coaxial make excellent tuned circuits. Considerations of bulk on the one hand and falling efficiency on the other, fix their most useful working range at 50-500 Mc/s, which covers a wide group of amateur constructors' interests. Within this range they will not only do all that the conventional tuned circuit can do, but they will often do it better. They offer an extremely high "Q," freedom from direct radiation, compactness and great versatility in application to physical layout.



### An Example

How are we to achieve these results as required, without the use of higher mathematics? Let us start with a piece of cable one quarter-wavelength long (for the exact meaning of one quarter-wavelength see below). Let us short-circuit one end. This is shown in Fig. 1. Now apply a voltage of the appropriate frequency at the open end, and let its value be E volts. The distribution of voltage and current along the line is then as in the top graph. This is really common sense—we would expect the voltage to drop to zero at the short, and the current to rise to a maximum at the same point; it may be complicated to prove, but it is not difficult to see! Now let us derive the effective impedance at every point in the line. This is done, as in Ohm's Law, by

dividing the voltage by the current. This gives us the lower graph, which is derived from the upper one by taking points on the E curve, and dividing these voltage values by the corresponding current figures from the I curve. Once again, as common sense would dictate, we find that the impedance at the short-circuit is zero.

(I have actually seen this deduced as the result of a page and a half of calculations!) But look at the input end—that curve is going up and up, and, in theory, with a perfect line, would reach infinity. And that is really the whole secret. With certain values of L and C, a

parallel-tuned circuit offers a (theoretically) infinite impedance to certain signals—those having a frequency  $\frac{1}{2\pi \sqrt{L.C.}}$ . With a given length a short-

circuited piece of coaxial offers (theoretically) infinite impedance to certain signals—those having a frequency which makes the line effectively one quarter-wave long. The two things are equivalent, except for considerations of efficiency and convenience.

To practical cases then, I will not presume to offer the instruction on the preparation of open and short-circuited ends on a length of coaxial; however, before discussing circuits, a practicable means of making tappings may not come amiss. It is shown in Fig. 4. To prepare, for example, an 8in. length, tapped at 3in. from the short, cut 5in. and 3in. lengths, and join as illustrated. Incidentally, when cutting lengths it is not usually necessary to make allowance for end stripping, except at the highest frequencies; and even then such allowance is largely a matter for trial and

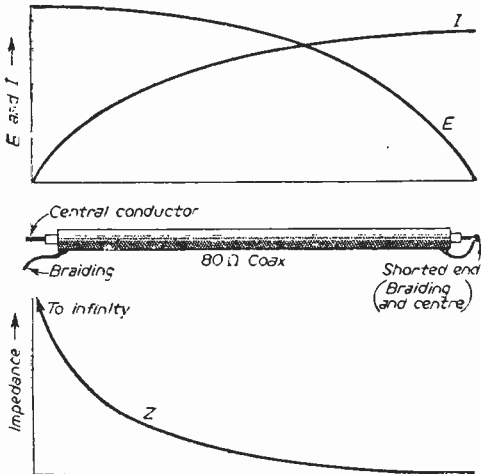


Fig. 1.— Short length of coaxial cable and the impedance, voltage and current curves.

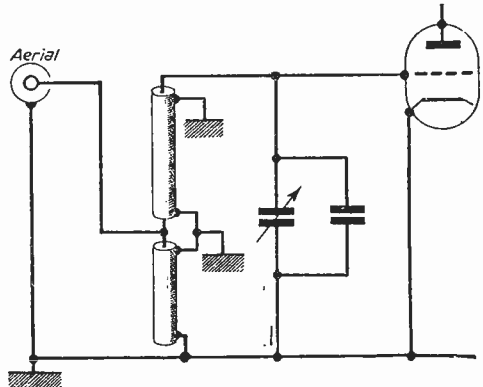
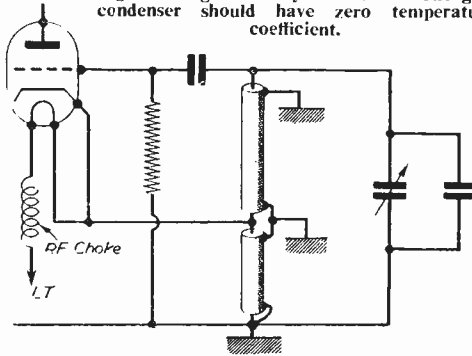


Fig. 2.— Aerial coupling and R.F. tuning (tapped line, braiding earthed at three points).

error. These things are not nearly so critical as some appear to think.

Fig. 2 shows aerial coupling and R.F. tuning, Fig. 3 is an oscillator and Fig. 5 an R.F. coupling. It will be noticed that in each case the line is tuned by means of a variable condenser in parallel with a fixed one. The connection of capacity across a line has the effect of increasing its length, and the variable, therefore, is a convenient means of tuning. The presence of the fixed condenser has two purposes; first, it enables us to use shorter lines than would otherwise be needed, thereby indicating compactness;

Fig. 3.—High stability oscillator. The grid condenser should have zero temperature coefficient.



frequencies concerned—say, 5,000 pF at 50 Mc/s. down to 500 pF at 500 Mc/s. In all the diagrams the outer screening is shown earthed at several points. This has been found in general to be the best procedure, though it is not usually necessary to observe "single point earthing" for the earth connections.

What lengths to cut? Fundamentally, we start from a quarter-wavelength of the highest frequency to be covered, i.e. if we wish to tune from 80-100 Mc/s. we take 100 Mc/s, which is 3 metres, and divide by 4, giving 75 centimetres, or about 30in., which which would not be very compact. However, this figure applies only to

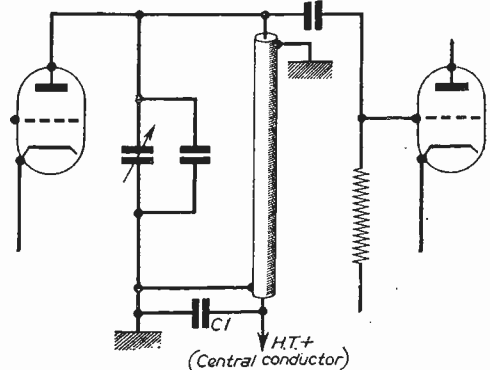


Fig. 5.—R.F. coupling.

and secondly, it will be found when using lines that normal values of capacity swing in the variable component tend to give rather wider frequency coverage. Since this is not desirable in, say, the oscillator of a superhet (as it may affect the het volts), and since stages to be ganged together must be constructed similarly, the fixed condenser is included in all the diagrams.

**Simplified Diagrams**

The diagrams have been kept as simple as possible, in order to preserve the emphasis on the methods of using the lines. Thus, the valve is shown as a triode; it may well be, but you can also use pentodes or tetrodes, while the circuit of Fig. 3 may be used for the triode section of a frequency changer. All that is necessary is to see that the valve selected is suitable for the frequencies to be covered. In Fig. 3, A.V.C. can be supplied in the normal way. In Fig. 5, the line is not shorted, but is shunted at one end by a condenser C1. This is because the central conductor is used to carry H.T. to the anode of the valve. The value of C1 should be large enough to appear substantially a short-circuit to the

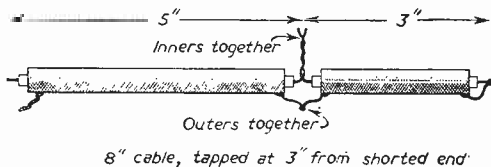


Fig. 4.—A short length of coaxial cable and method of connection.

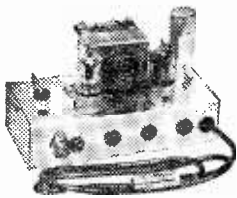
air-cored cable. For cables having polythene or similar cores, wavelengths within the cable are all shortened to approximately two-thirds, which at once brings the length down to 20in. This is still rather long, and so we fall back on the fixed condenser already mentioned in this connection. In the end we find that, with a 20 pF fixed condenser and a 5-25 pF variable, we can cover the range quite nicely with about 6in. to 8in. of cable, much depending, of course, on the input capacity of the valve concerned, and the strays in the circuit.

**JOIN THE PRACTICAL GROUP**

Edited by F. J. GAMM

- PRACTICAL HOME MONEY MAKER 1/3
- PRACTICAL WIRELESS ... .. 1/3
- PRACTICAL TELEVISION ... .. 1/3
- PRACTICAL HOUSEHOLDER ... .. 1/3
- PRACTICAL MECHANICS ... .. 1/3
- PRACTICAL MOTORIST & MOTOR CYCLIST ... .. 1/3

They are all published monthly



**BAND 3 T/V CONVERTER**  
185 Mc/s—199 Mc/s

Suitable London, Birmingham, Northern and Scottish I.T.A. Transmissions.  
Mk. 2 Model, as illustrated. Latest Cascade circuit using 6C05 and 6E90 valves giving improved sensitivity (12 db.) over standard circuits, built-in Power Supply A.C. 200-250 v. Dimensions only 9 1/2 in. x 3 1/2 in. Ht. 4 in.—Simple and easy to fit—only external plug-in connections. **Wired, aligned and tested ready for use. State Channel Required. Guar. Bargain Offer—good results or full refund, only £3.19.6.** Carr. & Pkg. 2/6.

Mk. 1 Model. Using 2 8D0s or 6E90s. Full construction's Kit of Parts including drilled chassis 7 in. x 4 in. x 2 1/2 in. Blueprint, valves and all components, etc., excluding Power Supplies to modified W/W design. Many 100's in satisfactory use. Bargain Offer only 2 gns. 1/6. Carr. & P. 1/6. Power Supply Kit, complete, 20/-, P. & P. 1/6. Band 1-Band 3 Switch Kit, 6/6.

**CONVERTER ACCESSORIES.** Band 1-Band 3 Cross-over Unit, 7/6. Var. Attenuators 6/6-5/6, 6/9. I.B.U. Pattern, 1/6. Band 3 Aerials—outside single dipole with 4 yds. coax., 13/9. 3 element Beams, 27/6. 6 element, 35/-, etc.

**Volume Controls** 80 ohm COAX Cable. Log. ratios, 10,000 ohms —2 Megohms. 100 spindles. 1/6. 1 year guarantee. Midget Ediswan type. No. Sv. S.P. Sw. 11 P. Sw. 3 - 4/- 4/9

Linear Ratio, 10,000 ohms —2 Megohms. Less switch, 3/- each. Coax plugs, 1/2. Coax sockets, 1/-, boxes, 1/6. Outlet couplers, 4/6. **8d. yd.** SPECIAL — Semi-air spaced polythene, 80 ohm. Coax. 1/2 in. diam. Stranded core. Losses cut 30%. **9d. yd.** Ideal Band 3. **TWIN FEEDER**, 80 ohms, 8d. yd.; 200 ohms, 8d. yd. **TWIN SCREEN FEEDER**, 80 ohms, 13 yd. **50 OHM CABLE**, 81. per yd., 1/2 in. dia.

**TIMMERS**, Ceramic, 4 pf., 70 pf., 9d. 100 pf., 150 pf., 1/3. 250 pf., 1/6. Band 3 Aerials—outside Helix Type—2 to 8 pf. or 3 to 30 pf., 1/- each. **RESISTORS**—Pref. values 10 ohms to 10 megohms

**CARBON WIRE WOUND**  
20% Typs. 1 w., 3d.; 1 w., 5d.; 1 w., 6d.; 2 w., 9d.; 10% Typs. 1 w., 9d.; 5% Typs. 1 w., 1/-; 1% Hi-Stab., 1 w., 2/-

**WIRE-WOUND POTS.** Pre-Set Min. T.V. Type. Knurled Shafted Knob. All values 25 ohms to 200 K., 8 - ea., 5/1 K., 4/-; Ditt. Carbon Track—50 K. to 2 M. 2/-, 3/-.

**3w. LAB. COLVERN**, etc. Standard Size Pots, 2 1/2 in. Spindle. High Grade. All Values, 100 ohms to 50 K., 5/6; 100 K., 8/6.

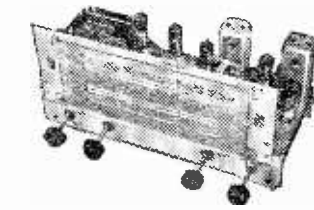
**W/W EXT. SPEAKER CONTROL** 10Ω, 3/-.

**SOLO SOLDERING IRONS** (200-220 v. or 250-250 v.), 25 watt Instrument Type, 21/6; 65 watt Pencil Bit Type, 26/6; 65 watt Oval Bit Type, 25/-.

**SPEAKER FEET**—Expanded Bronze anodized metal. 8 x 8 in., 2/6; 12 x 8 in., 3/6; 12 x 12 in., 4/6; 12 x 16 in., 6/-; 21 x 12 in., 9/-, etc.

**TYGAN FRET** (Murphy pattern) 1 1/2 in. x 1 1/2 in., 2/-; 1 1/2 x 1 1/2 in., 3/-; 1 1/2 x 2 1/2 in., 4/-, etc.

**8" P.M. SPEAKER (3 ohms)**  
Exc. Mfrs. Units: Bala, W.B., Ceston, etc. All components and guaranteed. Ideal L.A.T. Unit. Bargain, 7/6. Carr. 1/6. Ditto with O.P. Trans., 9/6.



**ALL WAVE RADIOGRAM CHASSIS**  
3 WAVEBANDS 5 VALVES  
LATEST MIDGET SERIES

S.W. 16 m.—50 m.  
M.W. 200 m.—530 m.  
L.W. 800 m.—2,000 m.  
Brand new and guar. A.C. 200/250 v. 4 pos. W/C. sw. Short-Medium-Long-Gran. P.U. socket. High Q dust core coils. Latest circuit technique, delayed AVC and neg. feedback. O/P 4 watts. (Chassis size, 13 1/2 x 5 1/2 x 2 1/2 in. Dial, 10 in. x 4 1/2 in. Hor. or vert. station names. Walnut or ivory knobs to choice. Aligned and calibrated ready for use. Sensitivity and Quality at Low Cost. Double wound mains trans. **BARGAIN 9 1/2 gns.** Carr. and ins., 4/6. PRICE 3 gns. 8 or 10 in. speaker to match, 20/- and 25/-.

**7 Valve De Luxe, push-pull EL41 version.** Carr. & ins. output with H/Duty Trans. £12.10.0. 7 watt, 5/6.

**RECORD PLAYER BARGAINS SINGLE PLAYERS—LATEST MODELS.**  
4 Speed BSR (Model T.C. 9), 99.3.  
4 Speed COLLARO (Junior), 5 gns.  
4 Speed GARRARD (4xP), 27.10.0.  
Carr. and Insurance, 3/6.

**AUTOCHANGERS—LATEST MODELS.**  
4 speed BSR (Model U.S.), £8.15.0.  
4 speed COLLARO (HC45, etc.), £9.15.0.  
4 speed GARRARD (RC120H), 91 gns.  
Carr. and Insurance, 4/6.  
All above models Brand New and Guar. Fitted latest style lightweight X.L.P. P.U. with turnover head and twin sapphire stylus.



**RECORD PLAYER CABINETS**  
Contemporary style veneer covered cabinet in mottled red with cream interior. Size 18 1/2 x 13 1/2 x ht. 8 1/2 in., fitted with all accessories, including speaker baffle board and plastic fret. Space available for all modern amplifiers and autochangers, etc. Unique record player mounting board 14 x 10 in. Cut mounting boards available.

**Cabinet Price, £3.3.0.** Carr. and ins. 2/6.

**2 VALVE AMPLIFIER** (to fit above cabinet), modern circuit with EL41 output, ready built, with 6 in. speaker and output transformer, £3.12.6. carr. and ins. 2/6.

**SCOTCH BOY, EMITAPE**, etc., 1,200ft., 27/-; Lonzo playing, 1,800ft. reels, 45/-; Paper tape, good quality, 1,200ft., 12/6. Reels only, 3 in., 3/-; 5 in. 3/8; 8 1/2 in., 4/-; 7 in., 4/3.

**I.F. TRANSFORMER—465 kc/s.**  
Brand new ex-manufacturer's midget I.F.T. size 2 1/2 in. x 1 1/2 in. dust core tuning. Litz wound coils, High Q. Bargain offer, 7/6 pair.

**CONDENSERS**—Mica or S. Mica. All pref. values. 3 pf. to 680 pf., 6d. ea. Ceramic types, 2.2 pf. to 5,000 pf., 8d. each. Tubulars, 450 v., Hunts and T.C.C. .0005, .001, .005, .01 and 1, 330 v., 9d., .02, .5, 1,500v. Hunts, T.V. 1/-, .25 Hunts, 1/6, .5 Hunts, 1/9, 1, 1,500 v. T.C.C. (duplex), 3/8, .001 6 kV. T.C.C., 5/6. .001 20 kV. T.C.C., 9/6.

**SILVER MICA CONDENSERS**—10% 5 pf. to 500 pf., 1/-; 600 pf. to 3,000 pf., 1/3. 10% 1.5 pf. to 500 pf., 1/9. 512 pf. to 5,000 pf., 2/-.

**SPEAKERS**—PM 3 ohm, 21 in. dia., 16/6; 3 1/2 in. dia., 1, 1,500 v. T.C.C. (duplex), 1/6. 1 1/2 in. dia., 17/6; 3 1/2 in. dia., 17/6; 7 x 4 Goodmans, 13/6; 8 in. dia., 20/-; 10 in. R.A., 25/-; 12 in. Pleiset, 35/-.

**JASON F.M. TUNER UNIT** (87 mc s-105 mc s/o). As described in Radio Constructor. Designer Approved Kit of parts to build this modern highly successful unit, drilled chassis and superior type illuminated glass dial, coils, cans and all quality components, etc., for only 5 gns., post free. Set of 4 Specified Miniature Valves, 30/-, post free. Illustrated handbook with full details, 2/-, post free **2-DAY ALIGNMENT SERVICE NOW AVAILABLE.**

**NEW BOXED VALVES GUARANTEED**

1R5, 1T4/7, DP193	9/-	6E180	10/6	6C153	10/6
1R5, 1R4, 7B, 1P94	9/-	6E41	11/6	6F15	10/6
2R4, 6V18, DK93	9/-	6E89	10/6	6F143	11/6
3Z4	8/6	6D56	9/-	6E86	12/6
6AT7	8/6	6E15	10/6	6E91	8/6
6E8	6/6	6E180	8/6	6E41	10/6
6K8	8/6	6E180	8/6	6E180	10/6
6Q7	8/6	6E180	10/6	6E41	10/6
6N7	8/6	6E180	8/6	6E41	10/6
6X5	2/6	6E180	12/6	6E21	8/6
6X4	2/6	6E180	12/6	6E21	10/6
6X3	7/6	6E180	12/6	6E21	10/6
7C5	9/6	6E180	10/6	6E180	10/6
7Y4	8/6	6E180	10/6	6E180	10/6

**SPECIAL PRICE PER SET**  
1R5, 1T4, 1R5, 1R4 or 8R1 or 3V4 ... 27/3  
DK96, DP96, DP96, 1D36 ... 35/-  
6K8, 6K7, 6A7, 6V6, 5Z4 or 6X3 ... 35/-

**ELECTROLYTICS ALL TYPES NEW STOCK**

Tubular Wire Ends	Cat. Type	Clips 3d. ea.
25/25 v., 50/12 v.	1/9	8/4/50 v.
30/30 v., 4/300 v.	1/6	8/4/450 v. T.C.C. 2/6
100/25 v., 2/150 v.	2/-	8/4/450 v. Hunts, 3/-
8/450 v. B.E.C.	2/3	16/4/450 v. T.C.C. 5/6
8/300 v. Dub.	2/9	32/350 v. 4/-
8/450 v. Dub.	4/6	32/3275 v. Hunts 4/6
8/450 v. T.C.C. 5/6	3/2	32/3275 v. T.C.C. 6/6
16/450 v. B.E.C.	3/8	250/350 v. B.E.C. 3/6
16/500 v. Dub.	4/-	60/350 v. T.C.C. 6/6
16/450 v. T.C.C. 5/6	6/4	100/450 v. 11/3
32/350 v. Dub.	4/-	64/450 v. 11/6
32/350 v. Dub.	5/-	60/450 v. 12/6
32/450 v. B.E.C. 5/6	10/4	400/250 v. 12/5
32/450 v. B.E.C. 5/6	3/00	3/000 mfd. 6 v. 3/3

**TRANSFORMER**—Midget electrolytics, v. mfd. 1 mfd., 6 mfd., 8 mfd., 10 mfd., 16 mfd., 2 v., 3 v., 32 mfd., 14 v., 3/6.

**SENTERCEL RECTIFIERS. E.H.T. TYPE FLY-BACK VOLTAGES**—K3 25 2 kV, 5/-; K3 40 3/2 kV, 6/9; K3 45 3.6 kV, 7/3; K3 50 4 kV., 7/9; K3 1008 kv., 13/8 etc.

**MAINS TRANSFORMERS**—RM1 125 v., 60 mA., 4/9; RM2 125 v. 100 mA., 5/6; RM3 125 v. 120 mA., 7/8; RM1 250 v., 250 mA., 16/-; RM4 Type 270 mA. 17/8. RM5, 250 v. 200 mA. 21/-.

**MAINS TRANSFORMERS**—Made in our own Workshops to Top Grade spec. Fully interleaved and impregnated. **RADIO AND AMPLIFIER TYPE**—250 v., 60 mA., P.W. sec. 5 v. or 6.3 v. 1 a. rect. 6.3 v. 2.5 a. set Htrs., 28/6, etc. **C.R.T. HTR. ISOLATION TYPE**—Low leakage with or without 25% sec. boost voltage. Ratio 1:1 or 1.25:2. 5/6. 4 v., 10 v., 13 v., 10/8; 13.3 v., 10/6. 100 v. with mocha primaries 200/250 v., 12/8.

**SPECIAL TRANS**—Wound to your requirements.

**TRANSISTORS**  
Mfr's surplus PN Junction type.  
Audio Type, 800 kc/s, 250 m.w., 8/9  
R.F. and L.O. Mixer Type, 2.5 Mc/s, 19/6.  
All tested and guaranteed.  
Transistor Components—Midget I.F. trausf. 313 kc/s, 5/-; Ferrite slab Aerial (dual range), 13/6; M. and L.W. Osc. and 1st P.F., 11/6; Push Pull Interstage trausf., 8/6; Push Pull output trausf., 8/-.  
McClor Earpiece, 2 in. diam., 150 ohm, 4/9.  
Bal. Arm. Phone Instris., 1 1/2 in., 50 ohm, 3/8.

**TRS RADIO COMPONENT SPECIALISTS (Est. 1946)**  
70 BRIGSTOCK ROAD, THORNTON HEATH, SURREY (THO 2188)

50 yards Thornton Heath Station.  
Listed above are only a few items from our very large stock. Send 3d. stamp today for Complete Bargain List.  
Hours: 9 a.m.—6 p.m., 1 p.m.—Wed.  
Transformer and Coil Winding Capacity Available for Prototypes and Small Runs  
OPEN ALL DAY SAT.

Ter. no. C.W.O. or C.O.D. kindly make cheques, P.O.s. etc., payable to T.R.S. Post/Packing up to 1/6, 7d., 11s., 1/6, 3/6, 1/6, 3/6, 2/-, 13s., 3/6.

FOR  
**VALVES**  
GUARANTEED ALL TESTED BEFORE DESPATCH

AGPEN 6 6	EAH35 10 6	EZ81 11 10	P1-25 3/11	UC142 10 6	1D6 12 6	6C5GT 6 6	6K25 20 11	7B7 8 6	12Q7GT 8 6	20FL1 12 6
ACT111	EAH42 10-	EZ90 8-	PX25 12 6	UC181 11 8	1H5GT 10 8	6C6 5-	6A01 9-	7G5 8-	12R67 2 6	20P4 15-
ATP4 3 6	EAH81 9-	E1148 2-	PX80 9-	UC282 23-	1L4 6 6	6C8G 5-	6L7 7 6	7G6 8-	12R67 7 6	25L6GT 9 6
A331 17 5	EA182 13 6	H30 5-	PY81 10-	UC285 25 9	1H5 3 6	6C10G 31 4	6N7 7 6	7H7 9-	12SH7 5 6	35W4 8 6
CB131 24 4	EP22 8 6	HL23D10 8 6	PY82 8 6	UP41 10 6	1N3 10 6	6C8H 7 6	6P25 13 6	7Q7 9-	12SH7 8 6	35Z4GT 8 6
COH35 24 4	EP36 6-	HL92 12 6	UP85 10-	UP80 19 6	1R5 8-	6D6 5-	6P28 27 10	7S7 9 6	12SK7 8-	35Z6GT 9-
CL33 20 2	EP37A 12-	HN309 13 6	UP85 19 6	UP80 16-	1R4 10 6	6F1 13 6	6Q7GT 9-	7Y4 8 6	12SL7 8-	42 8 6
CV31 17 5	EP39 6 6	K40N 9-	UP85 16-	UP80 16-	1R5 7 6	6F6G 7 6	68A7GT 8-	8D2 2 6	12SN7GT 8-	50 5 11 6
DAF96 10 6	EP40 13 6	KP35 8 6	UP85 16-	UP80 16-	1T4 7 6	6F6M 7 6	68G7 7 6	9D2 3 6	17 6	50L96-31 6
DF96 10 6	EP41 9 9	K32 22-	UP85 16-	UP80 16-	1U44 27 10	6F13 14-	68H7 6-	10F1 27 10	12S07 3 6	50L96GT 8 6
DK96 10 6	EP42 14-	K1L22 8 6	UP85 16-	UP80 16-	1U46 24 4	2X2 4 6	6F15 14-	68J7 8 6	1487 14 8	55 11 8
DL96 10 6	EP50 4-	KT24 5/-	UP85 16-	UP80 16-	1U84 10 6	3A4 7-	6F33 5 6	68K7 6-	12A1H 11 6	15D2 7 9
DM70 8 6	EP54 6-	KT3C 10-	UP85 16-	UP80 16-	1U6 20 11	3D6 5/-	6G6G 4 6	68L7GT 8-	12A7G 10 6	19B6GG 80 8 6
EA50 1 6	EP55 10-	KT36 27 10	UP85 16-	UP80 16-	1U8 27 10	3Q4 9-	6G6 2 6	68M7GT 7 6	12A7 9-	24 4
EAB080	EP80 3 6	KT5 15 4	UP85 16-	UP80 16-	1U11 8 6	3G4 9-	6G6T 2 6	68Q7 9 3	6 6	20D1 16-
EAC91 7 6	EP85 9-	KT66 15/-	UP85 16-	UP80 16-	1U21 8 6	3G5GT 8 6	6G6T 2 6	68R7 6-	12A7 9-	20D1 16-
EAF42 10 6	EP86 13 6	KT63 7 6	UP85 16-	UP80 16-	1U21 8 6	3G5GT 8 6	6G6T 2 6	68R7 6-	12A7 9-	20D1 16-
EB34 2-	EP80 10-	KTZ41 8 6	UP85 16-	UP80 16-	1U21 8 6	3G5GT 8 6	6G6T 2 6	68R7 6-	12A7 9-	20D1 16-
EB41 9-	EP32 8 6	ME91 7 6	UP85 16-	UP80 16-	1U21 8 6	3G5GT 8 6	6G6T 2 6	68R7 6-	12A7 9-	20D1 16-
EB33 7 8	EP32 8 6	M14 7 6	UP85 16-	UP80 16-	1U21 8 6	3G5GT 8 6	6G6T 2 6	68R7 6-	12A7 9-	20D1 16-
EB41 10 6	EP33 20 2	MH41 7 9	UP85 16-	UP80 16-	1U21 8 6	3G5GT 8 6	6G6T 2 6	68R7 6-	12A7 9-	20D1 16-
EBF80 10 6	EP38 27 10	N37 18 1	UP85 16-	UP80 16-	1U21 8 6	3G5GT 8 6	6G6T 2 6	68R7 6-	12A7 9-	20D1 16-
EBF89 13 1	EP41 10 6	N78 12 6	UP85 16-	UP80 16-	1U21 8 6	3G5GT 8 6	6G6T 2 6	68R7 6-	12A7 9-	20D1 16-
EB121 24 4	EP42 11 8	P61 3 6	UP85 16-	UP80 16-	1U21 8 6	3G5GT 8 6	6G6T 2 6	68R7 6-	12A7 9-	20D1 16-
EB141 24 4	EP44 10 6	PC84 10-	UP85 16-	UP80 16-	1U21 8 6	3G5GT 8 6	6G6T 2 6	68R7 6-	12A7 9-	20D1 16-
EBC52 6/-	EP40 10 6	PCF82 12 6	UP85 16-	UP80 16-	1U21 8 6	3G5GT 8 6	6G6T 2 6	68R7 6-	12A7 9-	20D1 16-
ECC40 12 6	EP41 11 8	PC182 12 6	UP85 16-	UP80 16-	1U21 8 6	3G5GT 8 6	6G6T 2 6	68R7 6-	12A7 9-	20D1 16-
ECC84 10 6	EP51 12 6	PLN3 14 6	UP85 16-	UP80 16-	1U21 8 6	3G5GT 8 6	6G6T 2 6	68R7 6-	12A7 9-	20D1 16-
ECC85 9 6	EP56 17 6	PL28 27 10	UP85 16-	UP80 16-	1U21 8 6	3G5GT 8 6	6G6T 2 6	68R7 6-	12A7 9-	20D1 16-
EPF80 12 6	EP40 9/-	PL41 15/-	UP85 16-	UP80 16-	1U21 8 6	3G5GT 8 6	6G6T 2 6	68R7 6-	12A7 9-	20D1 16-
EPF82 9 6	EP41 10/-	PL82 9 6	UP85 16-	UP80 16-	1U21 8 6	3G5GT 8 6	6G6T 2 6	68R7 6-	12A7 9-	20D1 16-
ECH21 24 4	EZ80 8 9	PL83 11 6	UP85 16-	UP80 16-	1U21 8 6	3G5GT 8 6	6G6T 2 6	68R7 6-	12A7 9-	20D1 16-

TRANSISTORS RED SPOT 10 - each. YELLOW AND GREEN SPOT 10 - each. YELLOW AND RED SPOTS 21 - each. WHITE SPOT 15 - each.

**OUR 1957/58 ILLUSTRATED CATALOGUE IS AVAILABLE NOW. Send 1/- in stamps for your copy.**

**PUBLICATIONS**

No. 140 TELEVISION SERVICE MULLARD-HIGH QUALITY ING FOR BEGINNERS. 40 SOUND REPRODUCTION. Includes 20-watt Amplifier, P.M. Tuner, Pre-Amplifiers, etc., 3 6 Reprint No. 5-TV FAULT FINDING. Profusely illustrated with Photographs taken from a Television Screen. 5 - each. 3 6 each.

**ALPHA RADIO SUPPLY CO.**

103 LEEDS TERRACE  
WINTOON STREET  
**LEEDS 7**

**TERMS:** Cash with order or C.O.D. Postage and Packing charges extra, as follows: Orders value 10/- add 1/-; 20/- add 1/6; 40/- add 2/-; £5 add 3/- unless otherwise stated. Minimum C.O.D. fee and postage 3/-. All single valves postage 6d. Personal shoppers Monday-Friday 9 a.m. to 5 p.m. Saturdays 10 a.m. to 1 p.m.

**A SPENCER-WEST BAND III CONVERTER FOR £6.5.0**

The Type 80 with printed circuits, panel controls for Band switch and fine tuning and a performance which ensures enthusiastic satisfaction. Handsomely designed and finished to stand on your receiver with its self-contained power supply it just plugs straight in.

Full descriptive leaflet on request. Available from all good dealers or post free direct from the manufacturers if any difficulty.

**SPENCER-WEST LTD.,**  
Quay Works, Great Yarmouth, Norfolk.

Phones: Works 4794; Sales 3009  
Grams: Spencer-West, Great Yarmouth.

**FIRST-CLASS TELEVISION and RADIO COURSES . . .**

**GET A CERTIFICATE!**

After brief, intensely interesting study - undertaken at home in your spare time - **YOU** can secure your professional qualification or learn Servicing and Theory. Let us show you how!

**FREE GUIDE**

The New Free Guide contains 132 pages of information of the greatest importance to those seeking such success-compelling qualifications as **A.M.Brit.I.R.E., City and Guilds Final Radio, P.M.G. Radio Amateurs' Exams., Gen. Cert. of Educ., London B.Sc. (Eng.), A.M.I.P.E., A.M.I.Mech.E., Draughtsmanship (all branches), etc.,** together with particulars of our remarkable Guarantee of **SUCCESS OR NO FEE**

Write now for your copy of this invaluable publication. It may well prove to be the turning point in your career.

**FOUNDED 1885—OVER 150,000 SUCCESSES**

**NATIONAL INSTITUTE OF ENGINEERING**  
(Dept. 462), 148, HOLBORN, LONDON, E.C.1.

**COVENTRY RADIO**

Component Specialists since 1925

We have now trebled the size of our premises in order to supply a larger range of Components, Amplifiers and Hi-Fi Equipment

Send your enquiries to:  
**189-191 Dunstable Road, Luton, Beds.**

New Telephone No.:  
**LUTON 7388-9**

# SIMPLIFIED TV SERVICING

## 6.—THE CATHODE-RAY TUBE

(Continued from page 314, February issue)

AS the C.R.T. is the most expensive component of a television set, it is as well to know when and how it becomes faulty. In my experience many tubes have been declared faulty, when actually the fault has not been the tube but some component in the set. This, therefore, can be a very expensive business if someone with little experience says that the fault is the tube when it is really something else. Let us then consider what a cathode-ray tube is and its functions in a television receiver.

The cathode-ray tube is essentially a valve. It has its electrodes, each of which perform a certain function. It is a hard vacuum type, and in the case of an electro-magnetic version (the usual type used) has external components closely coupled to it that affect its operation. The voltages applied to its internal electrodes are much higher than those applied to a valve, but its action as regards the electronic stream is very similar. Cathode-ray tubes as used at present are either triodes, tetrodes or pentodes. Heater volts vary from 2 to 10 volts, and EHT from 5 kV up to 25 kV.

### Faults on C.R.T.s

Heaters may be open—or short-circuited. Here check that the base connections are O.K. and that the base is making proper contact. There may also be shorts between electrodes such as between cathode and heater, cathode and grid, and grid and anode 1. These faults may be shown by uncontrollable brilliance. The tube may also be "soft"; this will be indicated by either a blank or very dim screen and may also be seen as a blue glow around the electrodes inside gun of tube. Another fault that can occur is no, or insufficient EHT supplied to the tube. This may be due to low emission, EHT rectifier or open-circuit EHT condenser. In present-day sets the EHT condenser consists of the inner and outer coatings of the tube. The outer coating is connected to chassis by a spring contact. Should this not be in contact with tube then the condenser is not in circuit and EHT will be low. Tubes losing emission can have their useful life prolonged by fitting a booster transformer. This steps up the tube heater volts by approximately 25 per cent., and gives the tube a further period of useful life. Fig. 1 gives a circuit for fitting a booster transformer to an A.C./D.C. receiver.

### Changing Tubes

As some of the older triode tubes wear out, and no replacements are available, it often becomes necessary to fit a tetrode tube in its place. Now a tetrode requires an extra voltage supplied

to it on anode 1, and it becomes necessary to find a suitable point in the circuit from which this voltage can be supplied. This voltage is generally about 350 volts.

In changing from old-type circular round-faced tubes (now obsolete) to the circular flat-faced type, it will in most cases be necessary to fit a new mask, otherwise the tube will not fit in correctly.

With some sets it is quite satisfactory to fit a larger size tube, for instance, many 9in. and 10in. sets will take a 12in. tube, although the maximum width may not always be obtainable. Before deciding to fit a larger tube, make sure that there is plenty of room for it without the envelope of the tube shorting on to any component. Also check the amount of EHT the new tube requires and see if it is available from your receiver. Check the angle of scan of old tube compared with new. New scan coils may be required.

It should be pointed out that if fitting a tetrode in place of a triode, great care should be taken to see that the first anode voltage is as laid down for the tube. Low voltage will result in no brilliance on the tube.

### Ion Trap

Many readers write and state that they have altered position of ion trap to correct focusing and have not succeeded in doing so, but have, in fact, spoiled their brilliance. May I therefore state again that the ion trap does not control focus at all. Its job is clearly stated by its name, to trap the ions and thus prevent burn on the screen, or perhaps destruction of the cathode by bombardment of heavy ions. Should the ion trap be moved, either accidentally or for some other reason, it should be reset as follows. With the set switched off, the ion trap magnet should be pushed over the base of the tube with the arrow marked on it pointed towards the screen. The set should then be switched on, the brightness control set to a position where the raster is just visible. The arrow should be on top side of gun. The trap should then be slowly moved

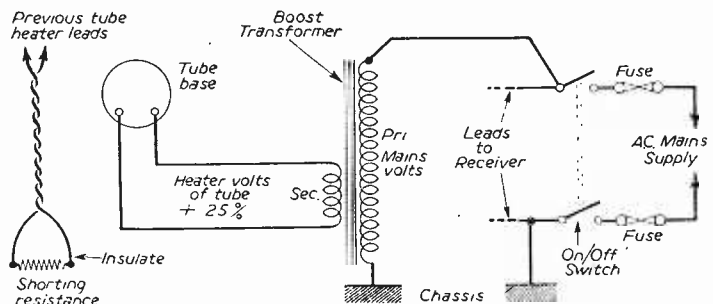


Fig. 1.—Circuit showing application of a booster transformer.

towards the screen until focused raster is at its brightest. Now reduce brightness control until peak white is at its correct level, and then further move trap slightly to obtain maximum brilliance. Should the raster be slightly out of centre, and the position of focus coil will not centre it, the ion trap may have to be rotated slightly to do this. This, however, should not be done at the expense of brilliance. The ion trap should now be locked in position with the screw fitting. See that the position does not change whilst tightening screw. Do not subject an ion trap to strong magnetic fields or to mechanical shocks. Either of these may cause it to lose strength and a new one will be necessary.

#### *Removal and Cleaning of Tubes, etc.*

All sets after about 12 to 18 months collect a certain amount of dust inside, which settles on to face of tube and on to inside of front glass of cabinet. This is due to the static charge on these parts which attracts the dust. Many a poor picture can be made quite good if this dust is removed. It would be impossible here to give all the different methods employed by manufacturers in boxing their sets, but they generally come under two headings. One type is where the tube is separately mounted, and the other which the tube is chassis mounted. In both cases the sets have to be removed from the cabinet to get at the tube front and the plate glass. *Warning.* Before attempting to remove either chassis or tube, see that the EHT lead is shorted to ground, together with the coating of the tube. In the case of the tube being separately mounted, care-

fully disconnect all C.R.T. connections and mark where they came from. When the chassis bolts and knobs are removed, carefully withdraw the chassis. The tube supports can be removed and tube withdrawn. Handle the tube very carefully and not by the thin end. To prevent risk in the case of accidents, wear goggles. They will save your eyes if implosion should occur.

#### *Cleaning Front of Tube and Glass*

If dust is loose, brush off with a very soft brush to prevent scratches. The writer always uses Perspex polish No. 3 for cleaning the front of tube and also the glass. Follow the instructions on jar. Be careful not to damage or rub off the coating of the tube. Only use soft cotton wool for wiping off and polishing front of tube and glass.

#### *Disposing of an Old Tube*

Do *not* take it out into back garden and hit with a hammer. This is dangerous. Place the old tube in a cardboard box, completely covered, with a small hole at one end to take an iron bar or poker. In this way the tube can be broken up without the danger of flying glass.

#### *Focusing Faults Due to C.R.T.*

In some cases poor focusing may be due to the cathode-ray tube itself, although in general it is not so. In the cases referred to a slight rotation of the tube may find a position of optimum focusing. It should be noticed that the focus magnet or coil should be at right angles to the tube.

## U.H.F. Television Transmitter

THE BBC has installed at the Crystal Palace the first high-power U.H.F. television transmitter in Europe for the purpose of carrying out a series of tests in Band V (610-960 Mc/s) to obtain information on the possible use of this band for television broadcasting.

The U.H.F. transmitter and aerial equipment is being hired by the BBC from E.M.I. Electronics Ltd., who designed and manufactured it at Hayes, Middlesex, in the same laboratories that gave birth in the 1930's to the first high-definition television system. It is an interesting piece of history that the 200 ft. mast at Hayes which E.M.I. have been using for the past year to carry out tests of the new U.H.F. aerial was the prototype of the mast erected at Alexandra Palace in 1936 to radiate the world's first public television service.

#### *Technical Details of the Equipment*

The transmitter now at the Crystal Palace comprises a 10 kW vision transmitter and a 2½ kW sound transmitter. The vision frequency is 654.25 Mc/s, but the transmitter is available for operation anywhere within the frequency range 470-960 Mc/s (Bands IV and V).

The equipment is low-power modulated on both sound and vision channels and employs klystron tubes in both audio and video final stages.

These klystrons use three external cavity

resonators and operate as linear amplifiers with a power gain of approximately 100. They are driven by a modulated amplifier stage operating with a cathode modulated circuit.

#### *The Waveguide*

The output of the transmitters is combined in a circuit of the filter bridge type constructed in rectangular section waveguide. The combined output is then conveyed to the aerial by an elliptical waveguide having dimensions of 12in. × 6in. The elliptical waveguide is made of 99.5 per cent. aluminium in 12ft. lengths.

At the top of the television mast the waveguide is transformed into a 5in. concentric feeder to take power to the four driving points of the helical aerial, the pole supporting the aerial being arranged to form the outer of the concentric feeder.

#### *The Aerial*

The helical aerial, made of ½in. diameter copper rod, comprises four bays mounted one above the other on the same vertical axis, each having a linear height of five wavelengths.

#### *Operation on 405 and 625 Lines*

The BBC is at present carrying out tests on the British 405 line standards and it is expected that these will continue until about March, 1958. However, the transmitter has been designed with a view to operation on either the British 405 or the Continental 625 line standards.



# Making Scanning Coils



CONSTRUCTIONAL DATA FOR THE EXPERIMENTER

By "Serviceman"

**A** PRELIMINARY description of the scanning process has been given in various articles in these pages and it has recently been shown that an L/R ratio of about unity (L in mH and R in ohms) is convenient for both line and frame coils. The most important features of the scanning coil assembly are: (1) good focus uniformity, (2) correct raster shape and (3) high sensitivity.

The first two requirements are incompatible in that uniform focusing over the entire screen of the flat-faced tubes now in common use will result in a pincushion-shaped raster (Fig. 1a), so that a compromise solution will have to be reached. In 90 deg. scanning coils extreme pincushion distortion is experienced and four small permanent magnets are disposed about the tube neck to correct for this effect. The adjustment of the raster shape is brought about by grading of the deflector-coil wire density as the angle  $\theta$ , subtended by different portions of the coil is varied. This will be made clear by Fig. 2, which shows the end view of two sets of coils, one ungraded (a) and the other graded (b). This grading should follow a "cosine-squared" law, in relation to the angle  $\theta$ , but in practice is not extremely critical. Raster shape can also be controlled by the shape of the core used and this is especially true in the case of the castellated design to be described later.

The sensitivity of the scanning coils will be found to be directly proportional to the length of the coils used (l in Fig. 3), and also the distance

of the centre of the coils from the screen, and inversely proportional to the square root of the E.H.T. potential. It is obviously advisable to use as long a coil as possible, but a limit will be reached when "neck-shadowing" becomes apparent. This is illustrated in Fig. 3, for two alternative lengths of coil 11 and 12. If the beam is not to be obstructed by the cathode-ray tube neck then coil 12 is the longest that can be used in the example. The sensitivity is also proportional to the magnetic field produced across the tube neck and in order to improve this, especially at line frequency, a magnetic core is placed around the set of scanning coils. This can take several forms, and iron-wire, semi-circular laminations and layers of nickel-iron tape have all been used for this purpose. More recently, however, ferroxcube has been used for this purpose, and with its low hysteresis and eddy-current losses it is an extremely valuable material for wide-angle scanning.

Considering now methods of scanning coil construction, numerous arrangements have been tried and a few are illustrated in Fig. 4. Of these the saddle type is usually the more sensitive and lends itself better to amateur construction. Two practical examples will now be given suitable for scanning 53 deg. and 70 deg. scanning-angle tubes respectively.

### Narrow-angle Deflector Coils

A mandrel is needed to form the coils and a suitable design is shown in Fig. 5. The internal dimensions of the coil are adjusted by the position of the stops shown, placed in the appropriate holes.

The frame and line coils are first wound flat between the mandrel plates to the shape illustrated

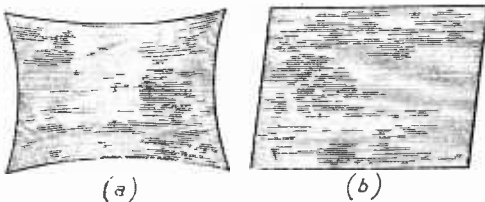


Fig. 1(a).—Pincushion distortion; (b) trapezium distortion.

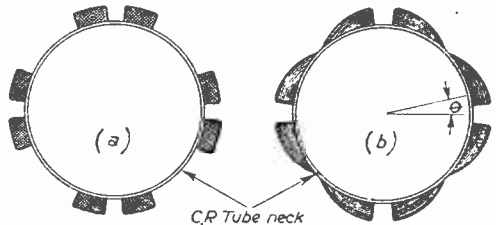


Fig. 2.—End view of ungraded (a) and graded (b) deflection coil wire densities.

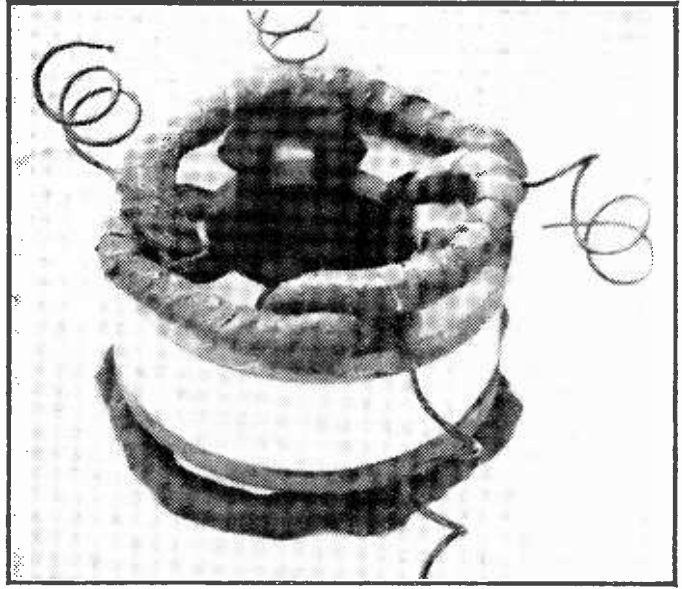
in Fig. 6. Adhesive tape is applied to the winding as shown so that the coils may safely be removed from the forming jog without disturbing the wound shape.

Next it is necessary to form the coils to the shape shown in Fig. 7. This can be done by first bending up the ends of the coil at right-angles, along the dotted lines shown in Fig. 6, and then bending to shape over a cylindrical piece of wood of the diameter of the tube neck.

It should be unnecessary to mention here that the utmost care should be taken in "forming" this particular winding. Apart from the risk of cracking the enamelling, with the risk of a short-circuit between turns, there is also the possibility that the windings may be so distorted that what might be termed "outside" turns might become pushed down near to "inside" turns. This will affect the efficiency of the coils. In order, therefore, to avoid these risks the keen constructor will cut out a rough wooden shape, and upon removing the winding from the mandrel will carefully tap the coil into shape with another light piece of wood. Needless to say this work requires very great care to preserve the shape and relationship between windings. Care and time

spent over this part of the work will be repaid in the reliability and efficiency of the finished article.

Finally, the four coils are assembled together with the shorter frame coils inside those of the line, tape being wound between the coils as shown



A wide-angle coil made up to the instructions given here.

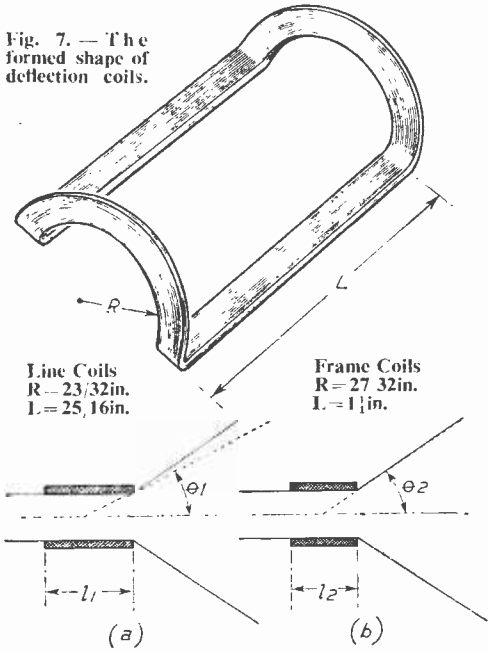


Fig. 3.—Maximum scanning-angle  $\theta$  for two lengths of scanning coil 11 and 12.

to maintain them in position. Care must be taken to see that the pairs of coils are exactly at right-angles or trapezium distortion will result (see Fig. 1b).

The core material used is 20 s.w.g. iron-wire and six layers are wound in the space between the coils. The coils are protected from damage whilst this is being put on by two card cheeks, at each end of the coils.

The completed deflector coil will be found suitable for use with the frame circuit described in the November, 1957, issue for scanning a 12 in. tube. The line coils have an inductance of about 6 mH and the frame coil resistance of 26  $\Omega$ .

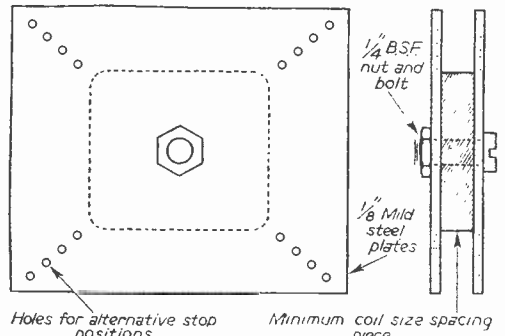


Fig. 5.—Deflection coil-winding mandrel.

**Wide-angle Deflector Coils**

A simpler constructional method is made possible with this coil assembly by the use of Mullard ferroxcube cores FX 1154. These have a series of eight slots cut around the internal periphery into which the coils are fitted. Two cores are used spaced  $\frac{3}{4}$  in. apart, with an insulating spacing ring (see Fig. 9)—a suitable adhesive for bonding these cores to the ring is "Evo-stik," an impact adhesive obtainable from most hardware stores. The great advantage of this arrangement is that raster shape is determined almost entirely by the machined shape of the ferrite cores, and far less care need be taken with the distribution of the coil windings.

The four coils are wound to the dimensions given in Fig. 10, using the mandrel previously described. After winding they are completely wrapped toroidially in P.V.C. tape or oiled silk and inserted in the appropriate slots as shown on the left. The end turns must be pushed flat and preferably tied in position. This is necessary if "shadowing" is to be avoided, and the coil centre must be placed as far up the neck of the tube as possible. A little care should be taken here to shape the windings at the front so that the assembly will go as far as possible forward on the neck of the tube. If you are replacing an existing set of coils you should inspect them and notice how they are formed. If you do not have access to any, remember that the tube widens out rapidly where the neck ends, and if the coils are not shaped they will only go forward until the end of the coil assembly comes up against the tube. If the turns are now bent outwards and carefully shaped, they will go over the

widened tube and the complete assembly will thus go further forward. This widening out should not be overdone, but in the case of the castellated coil unit, the Ferroxcube ring should be as close as possible to the end of the neck of the tube. The completed coil assembly should have an inductance of about 10 mH for the line pair and a resistance of 24  $\Omega$  for the frame coils. This is suitable for the designs previously described in sections 3 and 6 of the series on "Scanning and Synchronisation."

**Suitable Transformers**

It is, of course, necessary to use these coils with suitable transformers. It must be remembered that transformer and coil must be matched and as a general rule one make of transformer will not go with another make of scanning coil.

A suitable frame transformer was described in our issue dated November last, whilst a transformer for the line time base was described in the last issue (February, 1958). Both of these

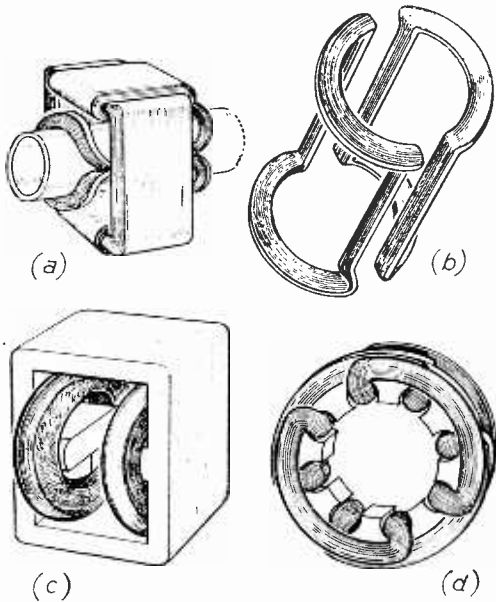


Fig. 4.—Various forms of deflection coil. (a) Toroidal frame and saddle-wound line coils; (b) saddle-wound; (c) yoke-type, and (d) castellated yoke with saddle-wound coils.

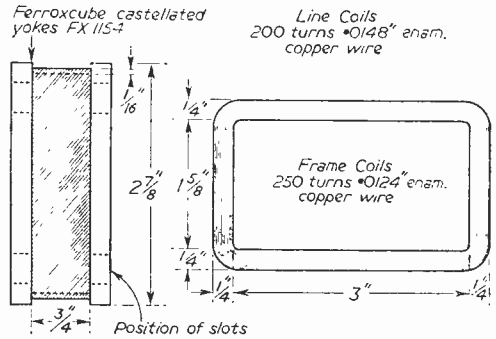


Fig. 9 (left).—Details of Core assembly for wide angle deflection coil. Fig. 10 (right).—Details of the wide-angle deflection coils.

transformers will be found under the articles entitled "Scanning and Synchronisation," whilst suitable circuits for use with these transformers have also been described under the same titles. This series commenced in the September, 1957, issue.

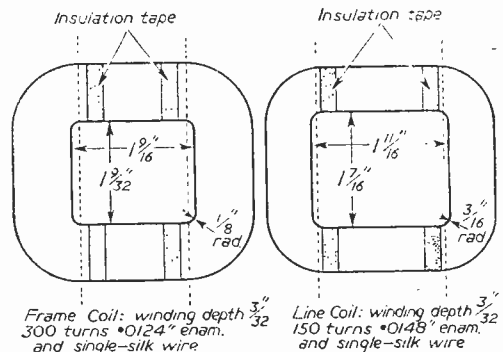


Fig. 6.—Details of narrow-angle deflection coils.

# A Remote Control Unit

FIT ARMCHAIR CONTROLS TO YOUR RECEIVER AS SHOWN HERE

By A. E. Simons

THE unit about to be described gives remote control of brightness, volume and switching from the armchair, bed, etc., and can be used with the majority of TV receivers.

VR1 and S1 are combined (brightness and on/off switch), VR2 is the volume control (a 50 ohm wire wound pot. being suitable). R1, R2 and C1 are in the brightness control network.

These components are fitted into a small wooden box with two lengths of three-core circular flex of the required length, with Octal plug P1 connected as in Fig. 1.

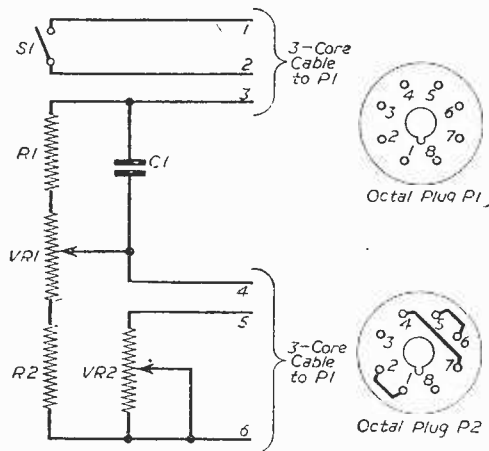
The value of C1, R1, VR1 and R2 depend upon the type of set being used—they must be duplicates of the brightness control network C2, R3, R4 and VR3, in the receiver (Fig. 3), in some cases R3, R4, or C2 may not be included.

Fig. 3 shows the receiver modified to take the control unit. An Octal socket was fitted to the chassis with an aluminium bracket and was made accessible to Octal plug P1 by a hole cut in the back panel.

Points marked W, X, Y and Z show where the alterations to the wiring were made in the writer's receiver (Ekco T.164) and dotted lines show the original connections. The volume control in the speaker transformer secondary elimin-

ated the need for screened cable and is quite effective—the volume being pre-set by the main volume control in the receiver.

The Octal plug P2 has its pins linked (Fig. 2), and must be inserted into the Octal socket when



Figs. 1 and 2.—The remote unit circuit and plug wiring.

the remote control unit is not required—this reconnects the original brightness control, etc.

Notes.—No metal parts must be exposed to the operator of the unit and double check your connections to the Octal plugs and socket—it is easy to make a mistake with these.

The receiver must be switched on first with the normal switch S2 when using the control unit.

## Subliminal TV

IT is reported that tests have shown that when a message lasting for one 3,000th of a second is flashed on a screen at five-second intervals the viewer is not aware of having seen it, but absorbs it unconsciously.

Subliminal perception, as this is called, has been rejected as a form of advertising by the national association of the American broadcasting industry as being unfair.

Television stations have been urged to have nothing to do with it, at least until the whole idea has been studied more carefully.

Nevertheless, the Subliminal Projection Co., Inc., which has applied for patents on projection machines that could be used to flash "secret" messages on cinema and television screens, insists that a number of advertisers are keenly interested in the idea.

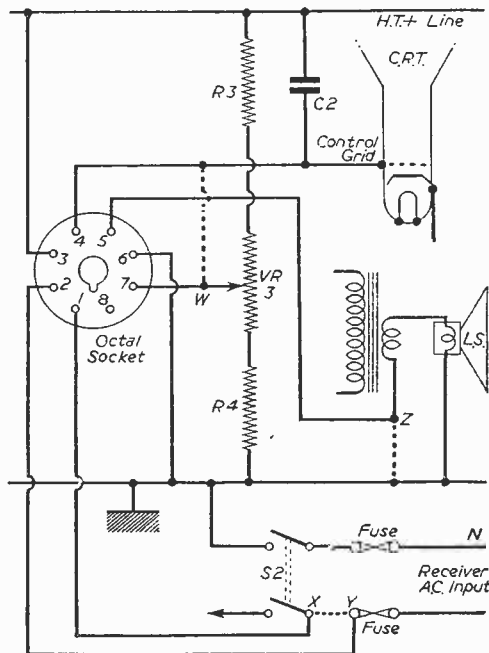


Fig. 3.—Modifications to the receiver circuit.

# LINEARITY FAULTS

## THE CAUSES AND CURES FOR SOME FORMS OF DISTORTED PICTURE

**T**HE linear sawtooth wave in a deflector inductor is affected by its inherent inductance. In a line timebase, during the forward stroke, the inductance affects the way in which the current wave builds up, and the great rate at which the current must be reduced to complete the flyback causes the setting up of a large back EMF. In a line timebase the deflector inductor has enough resistance to be regarded as an inductance and a resistance in series. Owing to the higher frequency of the line the inductive component is more important than the resistance. In a frame circuit the inductive is largely resistive.

### Principles of Linearity

The output stage of both line and frame circuits introduces distortion because the wave shapes of input voltage and output current differ. It will be seen that it is easier to modify the shape of the driving voltage than the output current. Thus it is usual to limit the output stage non-linearity and finally correct to the grid voltage wave shape. It will be appreciated that perfect linearity cannot

been devised to overcome these losses. Fig. 1 shows one method. Here the feedback voltage is obtained from the capacitor in the series C.R. circuit across the scanning inductor. It will be noticed that the feedback voltage is fed back into the grid/cathode circuit of the output valve. Fig. 2 shows another method. Here the H.T. supply to the output stage of the timebase is tapped into the primary of the output transformer. Then the potential at the free end of the primary will consist of negative-going peaks separated by nearly linear changes having a positive slope. By feeding the sawtooth generator charging circuit from this point instead of from the steady H.T. voltage, the non-linearity of the sawtooth output wave is counteracted. Adjustment for linearity is made by adjustment of the tapping. Fig. 3 shows another method of achieving linearity.

Here the drop in potential on the screened grid which occurs at the flyback is passed to C1 and during the flyback is also driven negative from the negative potential existing at the control grid via R1 and the linearity control. The scan therefore commences with the suppressor grid at

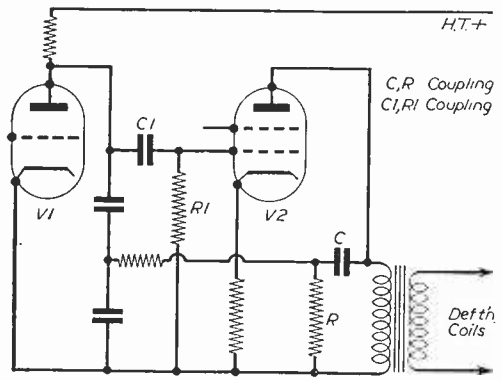


Fig. 1.—One form of feedback for linearising the output.

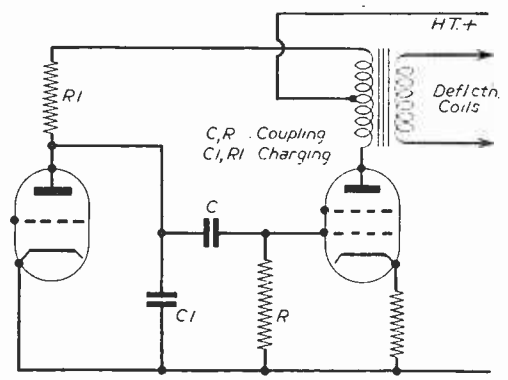


Fig. 2.—An alternative feedback arrangement.

be obtained, but by careful design it can be made so that it is good enough for first-class viewing.

### Negative Feedback Method

To reduce distortion of the waveform of the output stage negative feedback is generally adopted. The output valve is controlled at its grid by a voltage wave in generating the sawtooth currents, so therefore we must derive a voltage for feedback purposes which is proportional to the output current. Thus, should there be any difference between this voltage and the sawtooth generated, the negative feedback tends to cancel it. Now with negative feedback applied thus, losses will occur which will cut down the available scanning power. Many methods have

a negative potential and the rate at which this electrode rises towards cathode potential is controlled by the linearity control. The condenser C2 is connected across R2 and the hold control to avoid a voltage step across these resistors due to the sudden change in grid current during the flyback time. Fig. 4 shows a method of correcting distortion introduced by the output valve and transformer in a frame circuit. Fig. 5 shows a line output circuit where a tapped inductor in conjunction with C1 secures control of horizontal linearity.

### Faults and Their Cure

Practically all sets when new have reasonably good linearity, but as they age linearity decreases. In most cases this is due to valves ageing and

changing their characteristics. Therefore, when experiencing deterioration of linearity always try new valves. This will mean the output stage of whichever waveform, horizontal or vertical, is

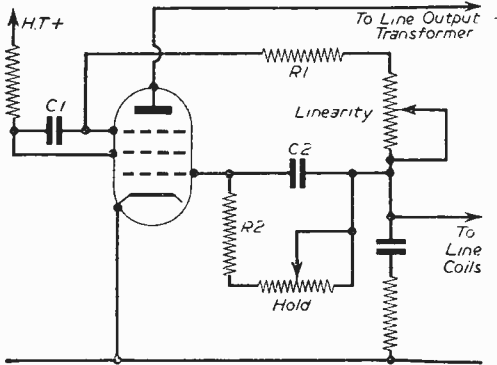


Fig. 3.—Another method of linearity control.

affected. Should this not effect a cure then components must be carefully checked. Resistors, values should be compared with the service diagram and it is a good idea to change them if doubtful. Keep to the values given in service sheet. Capacitors are very important in linearity circuits. Should any of them have the slightest leak, linearity will suffer. Therefore, I suggest changing them straight away. It may save you a lot of time and worry. Again keep to the capacity laid down in service sheet.

In line circuits linearity controls are often of the variable inductor type, and in some of the latest models a permanent bar magnet is moved with relation to the linearity coil. As not many engineers or amateurs possess an inductance bridge, it is suggested that if these coils are suspect they should be changed. They may possibly have shorted turns and thus be low in inductance. In most cases, except for sets more than four or five years old, they should be able to be obtained from the manufacturers' service department.

There is another point to remember, that is that linearity is often tied up with the correct

potentials being applied to the valves in question. Therefore, do not forget to check this.

Poor linearity can also be due to faulty deflector coils and also line and frame transformers.

In both of these cases changing the faulty component is the only cure. It will be realised that should the sawtooth generated be faulty, no amount of linearity controls in the output circuits will cure it. Therefore, in the case of sets where either the line or frame generator is not also the output valve, check these very carefully.

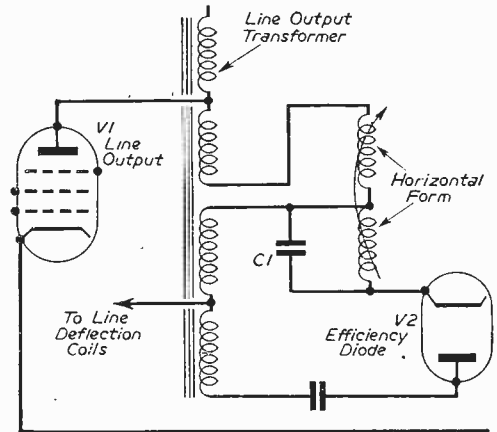


Fig. 5.—A line output stage.

Changing the valve is the best way, and in a set where there may be two of the same kind, changing them over may give you a clue.

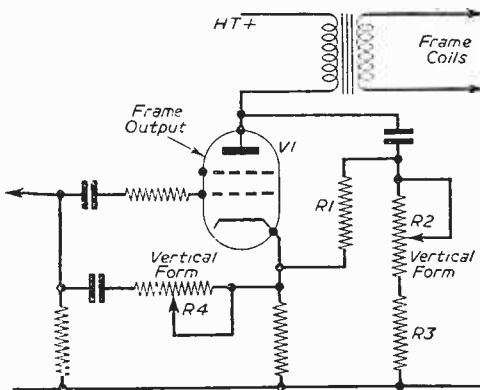


Fig. 4.—A frame output stage.

**PRACTICAL WIRELESS MARCH ISSUE NOW ON SALE PRICE 1s. 3d.**

*A Two-valve Portable Radiogram forms the main feature of the current issue of our companion paper PRACTICAL WIRELESS, and full constructional details will be found in it for making this novel combination. It is an A.C. mains combination, consisting of a pentode detector or 1st L.F. and with a 6V6 output stage.*

*A simple Inter-com. to permit of conversation between one room and another is also described in this issue.*

*For those who are interested in the modern transistor, there are two main transistor articles included in this issue. One is a Super-sensitive Transistor Receiver, which is a single-stage receiver with novel features, and the other is a transistorised Signal Generator. This is a two-transistor combination, with a crystal diode, which delivers an R.F. and an Audio output. It is invaluable for lining up receivers and similar service work.*

*Other constructional articles deal with a Switched Sync-X Amplifier, an A.C./D.C. Amplifier, and an R.C. Substitution Box.*

*Amongst the other articles will be found Club News, Transistors in Practice, Readers' Letters, News from the Trade, etc.*

# PREMIER RADIO CO.

(Regd.) B. H. MORRIS & CO. (RADIO) LTD.

207, EDGWARE ROAD, LONDON, W.2.

Telephone: AMBassador 4033. PADdington 3271/2.

23, TOTTENHAM COURT ROAD, LONDON, W.1.

Telephone: MUSeum 3451.

## Build the NEW "MAYFAIR" TELEVISOR which gives complete SAFETY to the constructor!

These Televisors use a double wound mains transformer which gives you complete safety from contact with the mains supply when handling the chassis or controls.

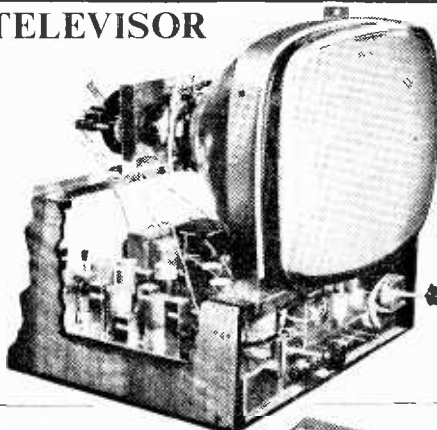
★ **B.B.C. & I.T.A. DESIGN** With New Turret Tuner may be built for **£33.7.11** Plus cost of C.R.T.

Built in 5 easy stages. Full Construction details available. Instruction Book, 3/6 Post Free.

Console Cabinets with full length doors for 14in., 16in., and 17in. tubes. Price £14.14.0.

H.P. Terms: Deposit £7.7.6 and 9 monthly payments of 18/6. Console Cabinets. Half door £12.12.0.

H.P. Terms: Deposit £6.6.0 and 8 monthly payments of 18/3. On above cabinets add 21/- for pkg. and carr.



## The "Petite" PORTABLE MAY BE BUILT FOR **£7.7.0**

plus 3/- post & packing.

★ Size only 8in. x 8in. x 4 1/2in.

**Batteries extra.**

HT 10/- (Type B126) or equivalent.

LT 1/6 (Type AD 35) or equivalent.

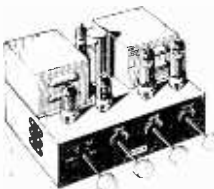
Battery eliminator now available for 37/6.



### 8-WATT AMPLIFIER

This design includes 5 miniature Valves of the latest types, an Ultralinear Output Transformer suitable for Speakers of 3 and 15 ohms and a very attractive Perspex front panel with gold lettering, complete set of parts, £8.8.0.

Postage & Packing, 5/- extra.



### RECORD CHANGERS

Collaro RC456—£9.15.0. Dep. £1.5.0 & 8 monthly payments of £1.5.9.

Staar Galaxy — £9.15.0. Dep. £1.5.0 & 8 monthly payments of £1.5.9.

### RECORD PLAYERS

Collaro 3/544 — £6.19.6

Collaro Junior — £4.14.6

### B.S.R. TUB

3 speed record player £3.19.6. plus 2/6 postage & packing.

## SAVE POUNDS and put it together yourself!!

TOTAL COST ONLY

**£9.19.6**

plus 5/- post & pack



Each Unit may be purchased separately as follows:—  
Amplifier Cabinet in maroon and fawn (size 13 1/2 x 11 x 6 1/2 in.) ..... £2/10/-  
1 Valve Amplifier ..... £2/19/6  
7 x 4 in. Elliptical Speaker ..... £1/1/6  
B.S.R. TUB Turntable and Pickup ..... £3/19/6  
This can also be supplied complete with the Latest Collaro 4-speed Junior Turntable and Pickup for only £10/12/6 plus 5/- packing and postage.

If any of the individual items are purchased, kindly add the postage as follows: Cabinet 3/-, Amplifier and Speaker 3/-, Turntable 2/6.

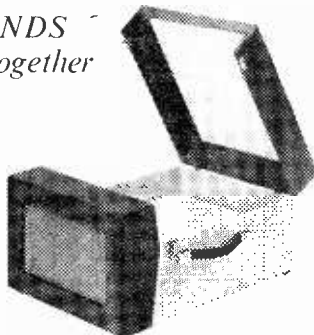
## SAVE POUNDS and put it together yourself!!

Cabinet, £2/19/6 plus 5/- pkg. & post  
Premier 1-valve Gram. Amplifier, £2/19/6 plus 2/6 pkg. & post.

Premier 2-valve Printed Circuit Amplifier, £3/5/6 plus 2/6 pkg. & post.  
8in. x 5in. Speaker, 27/6 plus 1/6 pkg. & post.

Collaro 4-speed Changer, £8/19/6 plus 5/- pkg. & post.  
BSR 4-speed Changer, £8/15/0 plus 5/- pkg. & post.

If a set of parts are purchased together, pkg. & post will be 10/-



**WHY** buy surplus or reconditioned tubes when these Fully Guaranteed Wide Angle Tubes are available? The latest type 17in. Rectangular Tube MW43/64 by Telefunken at £17 (inc. tax), post and packing 21/- extra.

**PLEASE ADDRESS ALL MAIL ORDER ENQUIRIES TO (Dept. PT3), 207 EDGWARE RD., LONDON, W.2**

# RADIO SUPPLY CO. (LEEDS) LTD.

Dept. N.  
32, THE CALLS, LEEDS 2.

Post Terms C.W.O. or C.O.D. NO C.O.D. under £1. Postage 1/9 extra under £2. 2/9 under £5. Open to callers 9 a.m. to 5.30 p.m. Sats. until 1 p.m. S.A.E. with enquire, please. Full list 6d.; Trade list 5d.

## R.S.C. TRANSFORMERS

Fully Guaranteed  
Interwired and Impregnated.  
Primaries 200-230-250 v. 50 c/s screened  
**TOP SHROUDED DROP THROUGH**  
260-0-260 v 70 ma, 6.3 v 2a, 5 v 2a ... 16/9  
350-0-350 v 80 ma, 6.3 v 2a, 5 v 2a ... 18/9  
250-0-250 v 100 ma, 6.3 v 4a, 5 v 3a ... 23/9  
350-0-350 v 100 ma, 6.3 v 4a, 5 v 3a ... 23/9  
350-0-350 v 150 ma, 6.3 v 4a, 5 v 3a ... 29/9  
**FULLY SHROUDED UPRIGHT**  
250-0-250 v 63 ma, 6.3 v 2 a, 5 v 2 a  
Midret. type 21-3 1/2 in. ... 17/9  
250-0-250 v 100 ma, 6.3 v 4a, 5 v 3a ... 28/0  
250-0-250 v 100 ma, 6.3 v 6 a, 5 v 3 a  
for R1355 Conversion ... 31/-  
300-0-300 v 103 ma, 6.3 v 4a, 5 v 3a ... 23/9  
350-0-350 v 100 ma, 6.3 v 4a, 5 v 3a ... 23/9  
350-0-350 v 150 ma, 6.3 v 4a, 5 v 3a ... 33/9  
425-0-425 v 200 ma, 6.3 v 4a, C.T. 6.3 v  
4a, C.T. 5 v 3 a ... 49/9

## FILAMENT TRANSFORMERS

All with 200-250 v 50 c/s Primaries: 6.3 v  
1.5 a, 5/9; 6.3 v 2 a, 7/8; 0-1-2.3 v 2 a, 7/9;  
12 v 1 a, 7/11; 6.3 v 3 a, 8/11; 6.3 v 3 a, 17/9.

## CHARGER TRANSFORMERS

200-250 v 0-9-15 v 1 1/2 a 11/9; 0-9-15 v 3 a, 16/9;  
0-9-15 v 5 a, 19/9; 0-9-15 v 6 a, 22/3.

## OUTPUT TRANSFORMERS

Standard Pentode 5,000 to 30 ohms ... 4/9  
Small Pentode 5,000 to 30 ohms ... 3/9

## SMOOTHING CHOKES

250 ma 5 h 50 ohms ... 11/9  
100 ma 10 h 250 ohms ... 8/9  
80 ma 10 h 350 ohms ... 5/6  
80 ma 10 h 400 ohms ... 4/11

## SILENIUM METAL RECTIFIERS

B.E.C. 300 v 250 ma, 12/9; 120 v 40 ma, 3/9;  
6/12 v 1 a F.W., 4/11; 240 v 50 ma, 4/11;  
6/12 v 2 a F.W., 8/9; 6/12 v 4 a, 14/9; 250 v  
80 ma, 7/9; 6/12 v 3 a F.W., 19/9; 6/12 v  
10 a, 25/9; 6/12 v 15 a, 35/9; 24 v 2 a, 14/9.

## CO-AXIAL CABLE 1/4 in.

75 ohms 14/36 ... 8d. yd.  
Twin-screened Feeder ... 11d. yd.

## BATTERY SET CONVERTER KIT

All parts for converting any normal type  
of Battery Receiver to A.C. mains 200-250 v  
50 c/s. Supplies 12 v, 9 v or 6 v at 40 ma.  
Fully smoothed and fully smoothed L.T.  
of 2 v at 0.4 a to 1 a. Price including circuit  
49/9. Or ready for use, 9/9 extra.

## ALL DRY RECEIVER BATTERY ELIMINATOR KIT

All parts for the construction of a unit (metal-case  
5 1/4-4 1/2 in.) to supply Battery Portable  
receivers requiring 90 v and 1.5 v. Fully  
smoothed. From 200-250 v 50 c/s mains.  
Price, inc. point-to-point wiring dia-  
grams, 39/9. Or ready for use, 46/9.

## EX-GOVT. DOUBLE WOUND STEP UP/STEP DOWN TRANSFORMERS

10-0-100-200-220-240 v. to 5-9-75-115-135 v  
or REVERSE. 80-100 watts. Only 11/9,  
plus 2/9 post. 10-0-100-200-220-240 v to  
9-0-110-122-136-149 v or Reverse. 200  
watts, 35/9, plus 7/6 carr. Both 50 c.p.s.

## EX-GOVT. CASES

Well ventilated black  
crackle finished, undrilled cover. Size 14  
x 10 x 8 1/2 in. high. IDEAL FOR BATTERY  
CHARGER OR INSTRUMENT CASE.  
OR COVER COULD BE USED FOR  
AMPLIFIER. Only 9/9, plus 2/9 postage.  
Size 13 1/2 x 8 1/2 x 6 1/2 in. with undrilled perfo-  
rated cover finished stoved grey enamel,  
7/9, plus 2/9 post.

## EX-GOVT. VALVES (NEW)

1P1	7/9	6J5	4/9	6AT3	7/9
1S5	7/9	6K7G	3/9	6B91	8/9
8S4	8/9	6XSCT	7/9	ECC91	4/6
5Y3G	7/9	6SN7GT	8/9	EF3J	8/9
6J5G	4/9	6L9G	11/9	EF3J	4/9
6K8G	9/9	807	7/9	EL32	3/9
6STJGT	6/9	15D2	4/9	EL81	10/6
EF39	5/9	25Z4G	9/9	EL1	5/9
6V8G	7/9	35Z1	6/9	KT63	11/9
6U5G	3/9	MH4	4/9	SP61	2/9

## EX-GOVT. MAINS TRANSF.

Removed from New ex-Govt. units.  
Primary 0-200-130-250 v Secs 275-0-275  
v 190 ma, 6.3 v 7 a, 5 v 3 a ... 21/9

## EX-GOVT. SMOOTHING CHOKES

80 ma 10 h 150 ohms ... 3/11  
100 ma 5 h 100 ohms Tropicalised ... 3/11  
100 ma 8-10 h 100 ohms Parmeko ... 6/-  
100 ma 12 h 100 ohms ... 9/9  
150 ma 6-10 h 150 ohms Trop. ... 6/9  
150 ma 10 h 150 ohms ... 11/9  
250 ma 5 h 50 ohms ... 12/9  
100 ma 20 h 200 ohms ... 19/9

## F.I.T. SMOOTHERS

02 mid. 5,000 v Cans (ex-Govt.), 2/11.

## BATTERY CHARGER KITS

Consisting of attractive Blue Hammer Case, Transformer, F.W. Rectifier, Fuse, Fuseholder, Tag Strip Grommets and Circuits. For mains input 200-230-250 v 50 c/s. 5 v 2 a, 25/9; 6 v or 12 v 2 a, 31/8; 6 v or 12 v 4 a, 53/9. Any type assembled and tested for 6/9 extra.

## R.S.C. 6 v. or 12 v. 4 a. BATTERY CHARGER

For normal A.C. mains  
input 200-230-250 v 50 c/s. 5 v 2 a,  
Selector panel for 6 v or  
12 v charging. Variable  
charge rate of up to 4  
AMPS. Fuse, and with  
meter. Well ventilated  
case with attractive  
hammer finish. Guarante-  
ed for 12 months.  
75/- Carr. 3/6.



## BATTERY CHARGERS

For mains  
200-250 v 50 c/s. Output for charging 6 v or  
12 v at 1 amp. In strong metal case. Only  
27/9. Above can also be used for electric  
train power supply.

## D.C. SUPPLY KIT

Suitable for Elec-  
tric Trains. Consists of mains trans.  
200-250 v 50 c.p.s., A.C. 12 v 1 a Selenium  
F.W. Bridge Rectifier, 2 Fuseholders, 2  
Fuses, Change Direction Switch, Variable  
Speed Regulator. Partially  
drilled Steel Case. and Circuit. 29/9

# BAND III CONVERTOR for ANY SET in ANY AREA

This unit has been widely used since I.T.A. Transmissions began to convert all types of sets, Superhet and T.R.F., to receive on Band III.

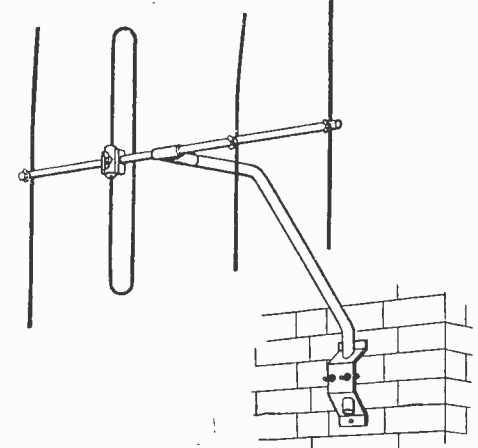
Unlike many other converters this unit is small enough to be fitted inside your cabinet, enabling the job to appear finished and perfectly safe for all to use.

- The wiring is simple to follow, and alignment is not difficult.
- ★ IT will convert any set, any age, T.R.F. or Superhet.
- ★ IT includes station switching.
- ★ IT provides pre-set contrast balancing.
- ★ IT uses only one aerial input for both bands
- ★ IT provides manual tuning on Band III.
- ★ IT is totally screened.
- ★ IT completely rejects unwanted signals.
- ★ IT requires no additional power supply where either 6.3 v. or .3 amp. heater line is available.

CONVERTOR wired and aligned with fitting instructions ... £3 10 6  
KIT complete in every detail, less knobs ... £2 10 6  
KNOBS each ... 1 0  
CIRCUIT and instructions in detail (free with kit) ... 1 6  
KITS made up by customers checked and aligned, including post ... 12 6  
When ordering please state present B.B.C. Station and I.T.A. Orders over £2 post free.

**C. & G. KITS**  
285, LOWER ADDISCOMBE ROAD,  
ADDISCOMBE, CROYDON, SURREY  
Phone: ADDiscombe 5262

# AMAZING OFFER



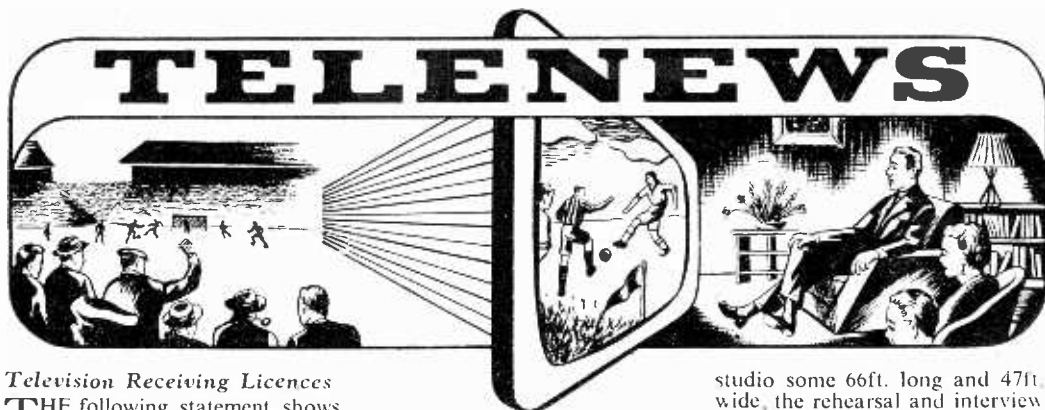
This powerful 4-element, pre-assembled, wide spaced Band III beam Aerial by a leading manufacturer. Supplied complete with cranked pole and wall fixing brackets, can also be loft mounted. Listed at 55/6.

Our price, **Brand New**, in maker's sealed carton, 39/6.

4-element Aerials, array only, for mounting to 1 1/2 in. diameter mast, 25/-.  
Cellular polythene Co-axial Cable at 8d. per yard supplied if required.  
Terms: Cash with Order or C.O.D. Carriage 2/6 extra. Mail order only.

**G. C. EQUIPMENT CO., LTD.**  
2, PARK ROW, LEEDS, 1





**Television Receiving Licences**  
**T**HE following statement shows the approximate number of Television Receiving Licences in force at the end of December, 1957, in respect of television receiving stations situated within the various Postal Regions of England, Wales, Scotland and Northern Ireland.

Region	Total
London Postal ... ..	1,551,581
Home Counties ... ..	943,362
Midland ... ..	1,259,017
North Eastern ... ..	1,242,505
North Western ... ..	1,091,342
South Western ... ..	589,720
Wales and Border Counties ... ..	438,367
Total England and Wales ... ..	7,115,894
Scotland ... ..	568,329
Northern Ireland ... ..	76,571
Grand Total ... ..	7,760,794

**Pye Transmitters for St. Hilary**  
**W**ITH the opening of the Independent Television Authority's sixth transmitting station at St. Hilary, near Cardiff, still further Pye transmitters have been brought into use.

The installation and testing of these transmitters, together with the many other items of equipment used in this station, was achieved by Pye in the remarkably short period of three months.

The main vision transmitter gives a peak power output of 20 kW, producing an effective radiated power of 200 kW, and operates in conjunction with a 5 kW sound transmitter. A 5 kW vision transmitter, together with a 1½ kW sound transmitter, is provided for standby purposes.

The transmitters installed at St. Hilary are part of a series of television transmitters which have been designed, manufactured and installed by Pye

during the past three years, and which are now operating in various parts of the world.

In addition to the transmitters at St. Hilary, a large quantity of Pye television studio equipment has been installed at the Pontcanna studios of TWW Ltd., the programme contractors for South Wales and the West of England.

**Cardiff Studio**

**T**HE BBC's new "drive-in" television studio in Cardiff is located in the former Wesleyan Methodist Chapel lying between Broadway and Sapphire Street.

The building originally comprised the chapel, a hall, domestic accommodation and ancillary areas. The old hall at the Sapphire Street end of the building has been in use for some time as a single camera interview studio, the facilities of which were on many occasions augmented by cameras and equipment from the Welsh outside broadcast unit.

Alterations now completed, however, have considerably extended the space, facilities and equipment available for the production of television programmes in Cardiff.

The Broadway premises now contain the main

studio some 66ft. long and 47ft. wide, the rehearsal and interview studio measuring 57ft. long and 28ft. wide, a teletine suite, vision switching centre, property and scene dock, dressing rooms, make-up and wardrobe rooms, together with office and general accommodation.

**BBC Man Joins I.T.V.**

**M**R. BERKELEY SMITH, assistant BBC Head of Outside Television Broadcasts, is to become Head of Outside Broadcasts for Southern Television, the Independent Television Company which expects to begin its programmes next August. The station will be at Chillerton Down, Isle of Wight, where the building is already up to roof level.

Mr. Smith, who is one of the BBC's most experienced and successful producer-commentators, will appear in Southern Television programmes and

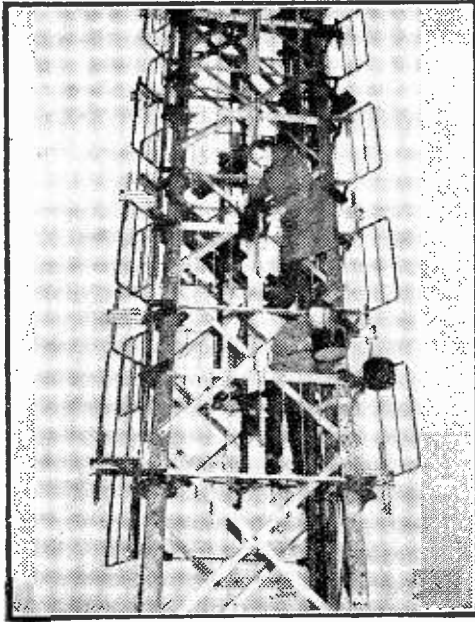


Mr. E. K. Cole, chairman and managing director of E. K. Cole, Ltd., presented his firm's 1,000,000th television receiver to Nurse E. M. Howling, who accepted it on behalf of a local children's home.

direct behind the scenes. - He has been with the BBC for 12 years, having transferred to television in 1949.

### TV Factory to be Enlarged

THE television department at the Orion Radio Works,



The picture shows Marconi engineers working on the sixteen stack high gain aerial at St. Hilary.

Budapest, is to be enlarged so that 50,000 sets a year can be produced. The factory is the biggest of its kind in Hungary.

A new AT501 set made at the factory has a 17in. screen and can be used on two channels. It is said to be "easily adaptable" to a 12-channel set.

Poland has ordered 300 sets and if these prove satisfactory an order for 10,000 is expected next year.

### St. Hilary Main Aerial

MARCONI'S WIRELESS TELEGRAPH COMPANY LTD. announce that the mast, aerial and feeder system of the Independent Television Authority's transmitting station at St. Hilary, Glamorgan, has now been officially handed over to the Authority.

It may be recalled that on October 30th the Authority issued a statement regretting a

postponement in the opening of its South Wales and West of England service due to "unforeseen technical defects in the aerial system." This was indeed

the case; an entirely new and highly promising type of aerial which had been ordered off the drawing-board and designed, developed, manufactured and tested in the incredibly short time of eight months proved in the final adjustments to require more development work before it was entirely satisfactory.

Accordingly this aerial never left the company's research laboratories and a more conventional type of aerial was put in hand at the Marconi works. By an all-out, round-the-clock effort this new array has been manufactured, tested, erected on site and matched, all within seven weeks. This is,

without doubt, a world record and a tremendous engineering achievement.

### Trans-Atlantic TV Cable

"BY far the best thing a British government could do to promote exports to Canada would be to put in hand a trans-Atlantic television cable at the earliest possible date."

Mr. C. O. Stanley, chairman and managing director of the Pye group of companies, made this suggestion recently when he announced contracts which Pye Telecommunications Limited had received recently from Canada.

The occasion was a private electronics exhibition which was held in London for members of the Canadian Trade Delegation.

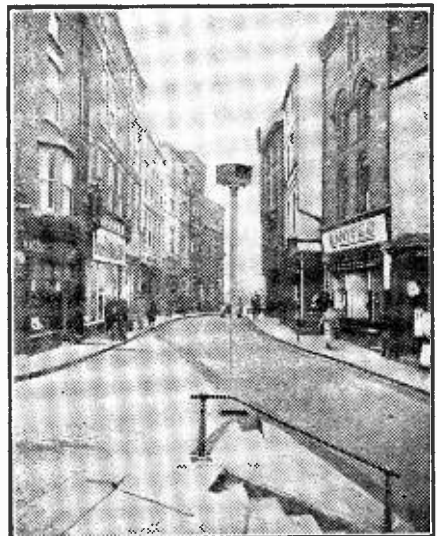
### The Smellie

AN invention just registered in the U.S.A., can be clipped to a television set to release various smells, such as coffee, roses, or peaches, to coincide with a "commercial." It is called a synchronised odour emitter and consists of a battery with several odours in its cells.

### Traffic Control TV

WITH the aid of a third eye, provided by television cameras, a police constable in the Market Square of Durham can now see the traffic he is controlling before it reaches the Square, instead of relying on good judgment as in the past. This television installation, the first of its kind in Britain, was brought into operation by Mr. G. R. H. Nugent, Parliamentary Secretary to the Ministry of Transport and Civil Aviation, when he switched on the cameras which work on a closed circuit.

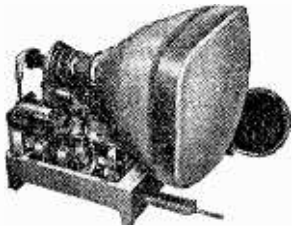
The cameras are installed at the Framwellgate and Elvet Bridges and give the constable in his box in the Market Square a picture of the volume of traffic waiting at or approaching either bridge.



The television eye at Durham. (see paragraph above).

**CASH OR TERMS**

**17in. T.V. CHASSIS, £19.19.6**

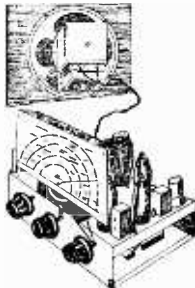


Latest improved circuits. Higher E.H.T. (brilliant picture). Improved sensitivity (for greater range). Chassis easily adapted to any cabinet. 17in. rectangular tube on adapted reconditioned chassis. Channels 1-5. Less valves. With 5 valves, £21.19.6. With all valves, £25.19.6. Valve line-up (5 valves): 2-6D2s, 6SN7G, 6P25, E138. Others: 7-6F1s, E138, 6L18. 12 months' guarantee on tube, 3 months' guarantee on valves and chassis. Ins. carr. 25/- (incl. tube). **TURRET TUNER**, 50/- extra. State B.B.C. channel and I.T.A. if turret tuner required.

**14in. T.V. CHASSIS, TUBE & SPEAKER, £13.19.6**  
As above with 14in. round tube. Less valves. Guaranteed 3 months. With 5 valves, £15.19.6. With all valves, £19.19.6. Turret tuner, 50/- extra. Ins. carr. 25/- (incl. tube).

**DENCO RADIOGRAM CHASSIS, 97/6**

Three and 4 waveband turret tuned. Superhet. A.C. chassis, with 8in. or 8in. speaker. Size 8 1/2in. x 10 1/2in. x 12in. Valve line-up: CCH35, EF39, EBC33, CI33 and CY31. (CIC or dropper). Ins. carr. 7/6.



**SUPER CHASSIS 99/6**

Five-valve superhet chassis, including an 8in. speaker, 4 control knobs (Tone, Volume, Tuning, W.C. switch); 4 waveband with position for gram. P.U. and for extension speaker. A.C. P. & P. 5/6.

**POPULAR RADIO OR R/GRAM. CHASSIS, 39/6**



Three waveband and gram. Superhet. 5-valve International Octal. Ideal table gram, but still giving high quality output. 4 knob control. 8in. P.M. Speaker, 7/3 extra. Set of knobs, 2/-, Size 12in. x 6in. x 9in. Less valves. Ins. carr. 4/6.

**CONSTRUCTOR T.V. CHASSIS**

**SOUND & VISION STRIP, 19/6.** Superhet. 10 valveholders (EF91, etc.). Less valves. P. & P. 2/6.

**TIME BASE, 7/9.** Containing scanning coil, focus unit, line trans., etc. Less valves. Ins. carr. 2/6.

**POWER PACK AMPLIFIER, 19/6.** O.P. stage 6V6 with O.P. trans. Smoothed H.T. 350 v. 250 mA., 6.3 v. 5 a., 22 v. 3 a., 6.3 v. 4 a., 4 v. centre tapped. Less valves. Free drawing. Ins. carr. 5/6.

**Boxed VALVES 3 MONTHS' GUARANTEE**

6L19	8/9	6H6M	1/9	12AU7	5/9	EB91	6/9	EP33	5/9
18S	4/9	SP41	3/6	12BE6	6/9	ECC81	8/9	PEN45	6/9
EZ40	8/9	T41	8/9	EAF42	8/9	ECH42	8/9	E132	6/9
ED1	2/9	6SG7	3/9	12S77	1/9	EP39	6/9	E191	3/9
6B8	3/9	77	3/9	SP51	3/9	EP41	8/9	PEN45	6/9
6F12	7/9	8D2	3/9	DF65	5/9	EP91	7/9	TT11	6/9
6D2	6/9	8D3	7/9	EB34	1/9	EP37	4/9	X66	3/9
								Z77	7/9

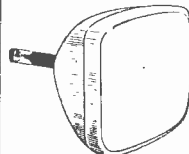
American Types. U.X. All at 1/9 each.

18	75	1D3	8/3
42	38	6D3	6A7
			6CS

Barretters 301 also at 1/9 each.

**CHASSIS, 1/-** each, 6 or 8 valve. Latest type midjet valve design for A.M. and F.M. New cadmium plated or s.w.g. steel. 2 1/2in. x 7 1/2in. x 2 1/2in. P. & P. 1/6. Post on 4/3/-; 12 for 10/- Carr. 5/- **CAR AERIALS, 8/9.** Whip antennae, 40in. long collapsing to 11in.—one-hole fixing. Post 1/- **T.V. AERIALS, 25/6.** For all I.T.A. channels. For outdoor or loft. 3 elements. Famous manufacturer at half the normal price. Post 2/6.

**RECTANGULAR T.V. TUBES**



**12 MONTHS' GUARANTEE**

17in. £7.10.0

14in. £5.10.0

Six months' full replacement, 6 months' progressive. Value possible by the high quality of our tubes. Ins. carr. 1/6. **SPECIAL OFFER** of 14in., 15in., 16in. round T.V. TUBES at 45/- **CONVERT** your 9in., 10in., 12in. to these sizes. Information on how to "Do-it-Yourself" in our FREE catalogue. 12in. T.V. TUBES, 68/-, 6 months' guarantee on all round tubes. 15/6 ins. cur. Also T.V. TUBES WITH BURNS, £1, including carr. 2/6. State type and size required.

**ELECTRIC CONVECTOR HEATER, 99/6**

Cleaner, cheaper, safer than paraffin. A.C./D.C. Switched for 1 or 2 k watts. Illuminated grille. Ins. carr. 10/6.

**INSULATING TAPE, 1/6** (75in. x 1in. wide), finest quality adhesive, in sealed container. Post 9d.

**T.V. MASKS, 7/9.** 17in. (Grey plastic. Brand new. Post 2/-.

**T.V. MASKS, 14/9.** 17in. Halo lighting. New. Post 2/-.

**T.V. MASKS, 2/9.** 17in. White plastic. New. Post 2/-.

**TORCH LANTERNS, 6/4** each. Ex-W.D. Includes 2 bulbs, 1000 800 battery. P. & P. 1/-, Crate of 48 with 22 bulbs extra 22/- (116 bulbs in all). Ins. carr. 10/-.



**BEAUTIFUL EXTENSION SPEAKER, 29/9**



Complete fitted with 8in. P.M. Speakers. "W.B." or "Goodmans" of the highest quality. Standard matching to any receiver (2.5 ohms). Flex and switch included. Unrepeatable at this price. Money refunded if not completely satisfied. Ins. carr. 3/6.

**8in. P.M. SPEAKERS, 8/9.** Let the lady of the house listen to that radio or T.V. programme. Complete with O.P. trans., P. & P. 2/6.

**P.M. SPEAKERS, 12/9.** ELAC or Goodmans. High quality. 2.5 ohms. Complete with O.P. trans., 14/-, P. & P. 2/6.

**HEADPHONES, 1/9**

Single earphone and band. C-LR. Ideal for crystal sets, extension on radio, etc. P. & P. 1/3.

**8in. P.M. SPEAKER, 19/6.** Complete with 3 control knobs. Telescopic aerial. Instruction book. FREE with each order. Ideal for Walkie-Talkie conversion. Test set 172A. Ex-W.D. P. & P. 4/6.



**SELF FEED SOLDERING TOOL, 19/6.** 6-12 volt, 110-125 volt. Made for the American market. Car battery or mains, export quality. Complete in light carrying case. Reel of solder and spare parts. P. & P. 2/9. A few of the above in 6-12 volt, 20-210 volt, 35/6.

**5-VALVE MIDGET RADIO, 79/6.** Superhet Octal valves. 12K8, 12K7, 12Q7, 351/5 and 3524. 9in. speaker included. 2 wavebands. 3 control knobs. 100-240 volts. Universal supply. Wooden cabinet. Size 17in. x 8 1/2in. x 6in. Ins. carr. 3/6.

**T.V. CHASSIS, 49/6.** Complete chassis by famous manufacturer. R.F. E.H.T. unit included. Drawing 2/6 or FREE with order. Chassis in 3 separate units (power, vision, timbase interconnected). These chassis can easily be fitted into existing console cabinets. Less valves and tube. Channels, 1.2-3.5. Easily converted to I.T.A. Ins. carr. 10/6.

**HEATER TRANSFORMERS, 12/9.** 0-200-250 v. Primary I.M. Heater 1 amp. P. & P. 1/9.

**HEATER TRANSFORMERS, 3/9.** 2:1 Ratio auto trans. For heater winding up to 6 v. P. & P. 1/9.

**HOME RADIO, 29/6.** 5 valve (octal) superhet. 3 waveband receiver. A.C./D.C. Universal mains can be adapted to gram. P.U. in wooden cabinet. 18in. x 11 1/2in. x 8 1/2in. Ins. carr. 7/6.

**RADIOGRAM CHASSIS, 29/9.** 5 valve s/het., 3 waveband and gram., including an 8in. P.M. speaker. A.C. mains. Complete, less valves. Front drive. Size: 12in. x 10in. x 8in. Printed dial. Ins. carr. 5/6.

**R.F. E.H.T. COIL, 30/-** 6-10 kv. Drawing and data FREE with each order. Post free.

**MIDGET RADIO SET PERHET, 79/6.** 5 valve A.C. Superhet. Wooden cabinet measures 14in. x 7 1/2in. x 8in. Octal valves. 6K8, 6Q7, 6K7, 6F9G and a metal rectifier or Universal equivalents. Ins. carr. 3/6.

**IDEAL CHASSIS, 39/9.** Radio or radiogram chassis. 5 valves superhet. A.C. 3 waveband and gram. switched. Less valves. 8in. P.M. Speaker, 7/9 extra. Set of knobs 2/- extra. Ins. carr. 7/6.

Liverpool St.—Manor Park Stn.—10 mins.

Send for our FREE 1958 Catalogue.

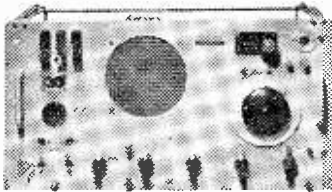
Open all day Saturday.

**DUKE & CO.** (Dept. 2), 621/3, Romford Road, Manor Park, E.12.

Tel.: ILF 6001-3.

## SPUTNIK SPECIAL

SHORT-WAVE RECEIVER 10-80 Mc's (5-30 Metres)  
RECEPTION SET TYPE 208



Complete with 6 valves. 2-6K8G, 2-EF39, 6Q7G and 6V6G. Internal mains power pack and 6 v. vibrator pack. Built-in 6" speaker. Multihead slow-motion drive. B.F.O. and R.F. stage. Provision for Phones and Muting and 600 ohm. Dual Input 100/250 v. A.C. and 6 v. D.C. Size 24 x 18 x 12. Weight 70 lbs. In metal transit case. All sets in new condition and air tested. I.F. Frequency 2 Mc s.

**£6. 19. 6.** Carr. 15/6.

BE PREPARED TO LISTEN TO THE SATELLITES

## "TRANSISTOR-8"

Push-Pull Portable Superhet  
Can be built for **£11/10/-**

This Portable 8 Transistor Superhet is tunable for both Medium and Long Waves and is comparable in performance to any equivalent Commercial Transistor Set. Simplified construction enables this set to be built easily and quickly into an attractive lightweight cabinet supplied.

Send for circuit diagrams, assembly data, illustrations and instructions, and full shopping list. 3d. in stamps.

We can supply all these items including Cabinet for £11/10/-  
All parts sold separately.

## "EAVESDROPPER"

THREE TRANSISTOR POCKET RADIO  
(No Aerial or Earth required)

Variable Tuning. Total Cost, as specified including Transistors, Transformers, Coils, Condensers and Battery, etc., with circuit and plastic case. **77/6** POST FREE.  
All items sold separately. With Balanced Armature, 81 -. With Acos Mike, 90-. With Min. Hearing Aid, 90 -.

## MINI-TWO

TWO-TRANSISTOR MINIATURE POCKET RADIO

The smallest Transistor set offered on the market. Variable Tuning. Drilled Chassis, Plastic Case size 3in. x 2in. x 1in. Miniature Hearing Aid, 2 Transistors and all components including 1 1/2 volt Battery. Circuits and full practical layout diagrams. All items sold separately.

Total Cost **49/6** Complete

## "HOMELIGHT" 2-TRANSISTOR PERSONAL PORTABLE

Variable Tuning

We can supply all components including 2 Transistors, Diode, Resistors, Condensers and Miniature Hearing Aid and Plastic Case size 4 1/2 x 2 1/2 x 1 1/2 in. and 1 1/2 v. Battery. **FOR 52/6**  
All items sold separately.

## TRIPLET A.C./D.C. POCKET TEST-METER TYPE 666H

15 Ranges - 1,000 ohm p.volt.  
A.C./D.C. 10/50/250 1,000/5,000 ohms.  
Milliamps. 0-10/100 500 m.a.  
Ohms. 0-300/250,000 ohms.

**£5/10/-**

In new condition with Prods and Internal Battery.

## U.S.A. TESTMETER TYPE "834-S"

A.C./D.C. 15-RANGES F.S.D. 1,000 o.p.v.

A.C./D.C. Volts. 12/60/300/600 v., 1,200/6,000 v.  
Milliamps. 1.2/12 60, 800 m.a.  
Ohms. 0-5,000/5 meg.

**£6/19/6**

Complete in wooden carrying case with leads and internal batteries.

SEND STAMPS FOR NEW 1958 28-PAGE CATALOGUE  
OPEN MONDAY TO SAT. 9-6. THURS. 1 o'clock.

## HENRY'S RADIO LTD.

6 HARROW ROAD, EDGWARE ROAD, LONDON, W.2  
TEL. : PADDINGTON 1008-9

## TECHNICAL TRADING CO.

### WHY PAY MORE?

13 Channel Convertors for T.R.F. or Superhet Receivers. Famous Make. 3 position Switch, Fine Tuner and 9 Quick Set Trimmers. Give any 3 Channels. T.R.F. Band I. Superhet Band III. Beautiful Bakelite Case, with PCC 31, PCF 30.

This convertor can draw its H.T. and L.T. from most A.C. D.C. T.V. sets. **£3.15.0.**

### GUARANTEED! T.V. TUBES

12in. (MW31-74 etc.) ... .. **£5. 5.0**  
14in. (MW36-21 etc.) ... .. **£4.10.0**  
17in. (MW43-61 etc.) ... .. **£6.10.0**  
17in. (CRM171 only) ... .. **£5.10.0**  
(All guaranteed 6 months (carr. & ins. 12/6)

### S.A.E. FREE LIST 400 AMAZING SNIPS

Including EF50 2 6; EF91 7 6; plus 100 other valves, 250 mA. T.V. L.F. chokes, 4 6; 100-200 infid. 275 v.w. 5 -; 12 volt 3-4 amp. rectifiers, 9 6 etc. Postage 1/8 in 41, Min. 6d. No C.O.D.  
10,000 OTHER BARGAINS AND TELEVISION SETS AT -  
**350/352 FRATTON ROAD, PORTSMOUTH**

## VALVES • SAME DAY SERVICE

All Guaranteed New and Boxed

1A.v. midget. 1R5, IS5, 174, 354, DAF91, DF91, DK91, DL92, DK92, DL94: ANY 4 for 27/6.

1A7GT	13 6/6V6G	7-1	CL33	16 9	EF50		PEN46	6 6
1C5GT	15 6/6V6GT	7/6	D77	6-	SYL 60		PL38	22 6
1H5GT	11- 6X4	7-	DAC32	11-	EF55	9 6	PL81	18 6
1N5GT	11- 6X5GT	6 9	DAF96	8 6	EF96	8 6	PL82	19 -
1R5	9 7B7	8-	DF83	11-	EF85	7 6	PL83	10 6
1S5	7 6 7C5	8-	DF96	8 6	EF96	13-	PY80	8 6
1T4	7 6 7C6	8-	DH76	7 6	EF99	9 6	PY81	8 6
3Q4	8 7 7H7	8-	DH77	8-	EF91	6-	PY82	8 -
3Q5GT	9 6 7H7	8-	DK32	13 6	EF92	5 6	PY83	8 6
354	7 6 7Y4	8	DK32	8 6	EF 32	6 6	PY80	15 -
3V4	8 6 12AH8	9-	DK96	9 6	EL33	16 9	R19	13 6
5U4G	8- 12AT6	8-	DL33	9 6	EL38	22 6	SP41	3 6
5V4G	11 9 12AT7	8-	DL35	15 6	EL41	9 9	SP61	3 6
5V3GT	7 6 12AU7	8-	DL36	8 6	EL42	11 6	TH41	13 6
5Z4G	9 6 12AX7	8-	EAB30	7 9	EL44	9 9	U42	12 6
6AL5	6 12BA6	8-	EAF42	10 6	EM94	10-	U50	7 6
6AM5	5- 12J7GT	10 6	EB91	6 6	EM80	10-	U76	7 6
6AM6	6 12K7GT	7 6	EBC33	7 6	EY51	13 6	U78	7-
6AQ5	7 6 12K8GT	14-	EBC41	8 6	EY96	17 6	UABC80	9 6
6AT9	8 6 12Q7GT	7 6	EBF99	9 6	EZ40	7 9	UA42	10 6
8BA6	7 6 12SN7GT	7 6	EBF93	9-	EZ41	7 6	UBC11	8 6
6BE6	7 6 7	18 6	ECC81	8-	EZ89	7 6	UBF30	9 -
6BH6	9 12Z3	7 3	ECC82	8-	EZ81	9 6	UCH42	9 6
6BJ6	7 14S7	12-	ECC83	8-	FW4 500	13 6	UCLR3	17 6
6BR7	8 6 12Z6GT	9 6	ECC84	10 6		13 6	UF41	8-
6BW7	9 6 13L6GT	9 6	ECC90	10 6	G732	11 6	UF42	15 -
6CD6G	25 6 3Z3Z	9 6	ECC82	11-	K744	8 6	UF89	10 -
6F6G	6 6 3Z4GT	7 6	ECH21	16 9	KT63	6 6	UL41	9 6
6F12	8 6 3Z5GT	9-	ECH35	10-	MH4	6 6	UY21	16 6
6J6	5 6 43	13 6	ECH42	9 6	MU14	9 -	UY41	7 6
6K7C	4 6 50CDB6	18 6	ECH81	8-	N18	8 -	UY85	8-
6K7GT	6 50L6GT	8 6	ELC80	10-	PCCR41	9 -	VP41	7 6
6K8C	7 9 30	8 6	EP37A	8 6	PCF80	10 -	VP1321	21 -
6L18	12 6 A.P.T. 20	9-	EP39	6 6	PCF82	10 9	W76	7 6
6N7GT	9 6 A731	11 6	EP41	9 6	PCL82	10 -	W77	5 6
6SN7GT	7 6 B38	18 6	EP42	11 6	PCL83	12 -	Y63	8-
6U4GT	11 6 1						Z77	6-

Any Parcel Insured Against Damage In Transit 6d. extra.  
**READERS RADIO**  
24, COLBERG PLACE, STAMFORD HILL,  
LONDON, N.16 STA. 4587

## REBUILT TUBES

HIGH QUALITY  
FULLY GUARANTEED SIX MONTHS

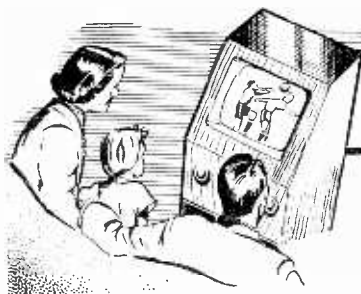
3 1/6	<b>£8.10</b>	CRM 121	CRM 171	} <b>£12.10</b>
MW 3 1/2-24	<b>£10.10</b>	CRM 122	CRM 172	
CRM 141		CRM 123	MW 43-64	
CRM 142		MW 31-16	MW 43-69	
CRM 152	<b>£12.10</b>	MW 31-74	4 15	

PRICES INCLUDE CARRIAGE AND INSURANCE

## PRIME ELECTRICS

36, QUEENSDALE ROAD, W.11.

(Near Shepherds Bush Central Line) Telephone: PARK 1131  
CALLERS: 10.30 to 3.0 (Except Wednesdays)



## UNDERNEATH THE DIPOLE

TELEVISION PICK-UPS AND REFLECTIONS

By *Iconos*

### Decentralisation

SOONER or later, both ABC-TV and the Granada Network will have to consider branch studios, which were vaguely mentioned in the early days. Liverpool, Leeds, Blackpool and Scarborough all deserve local studios, or at the least, local offices from which could be organised regular local O.B. programmes. These could be training grounds of producers and personnel for the main centres. There are, I know, sound arguments against the establishment of such branch studios. Decentralisation is wasteful of manpower and plant. But it is not wasteful of the development of ideas which might be stifled in the close atmosphere of huge central establishments. There are dangers in too much centralisation.

I hope that the full operation of the BBC's television centre in Shepherd's Bush will not result in any curtailment of BBC activities at Lime Grove Studios, at the Television Theatre at Shepherd's Bush, at the TV film studio at Ealing, or at the little Viking studio at Kensington. Each place has its own individuality. The success of the Granada Theatre at Chelsea is a good example of the possibilities of a branch studio. This theatre can indeed be regarded as a branch of the Granada Network in Manchester, not of the Granada Theatres organisation, whose head office is in London.

### Documentary Features

DOCUMENTARY films, whose principal characteristics were montages of machinery, smoky chimneys and grim-faced men in cloth caps, have almost gone for good. They were largely the products of similarly grim-faced angry boys who tried to make a living for

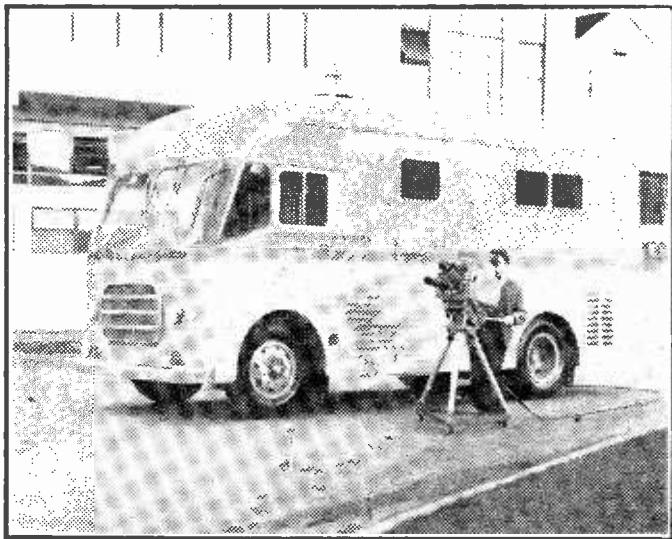
themselves in films. Many of them are now working on television documentaries, live and filmed, and they are no longer grim-faced. Plump and cheerful, success has mellowed their outlook on life. Their changed circumstances may have contributed to the more cheerful trends that the modern television documentary is taking. Even controversial subjects can be handled in an interesting—even entertaining manner. Early efforts, such as Granada's "Under Fire," frequently caused offence, and I suppose that the BBC's "Panorama" still does, especially to the mysterious men who control the Electrical Trades Union. Woodrow Wyatt's exposure attracted world-wide attention, with head-lined reports in all the national newspapers. However, "Panorama" earned a Gallup Poll award as being the best British documentary feature.

It has punch, and one of its biggest assets is the presence of Richard Dumbleby, whose technique as announcer, compe and general philosopher and friend of the viewer is unsurpassed.

Another outside personality whose impact is big in more ways than one is James Robertson Justice. In the BBC feature "One Man's Meat," he often talks a lot of nonsense, but he does it with such engaging charm and good humour that he captures the attention and sympathy of the viewer.

### Creaks

"NOISES OFF" during the tense moments of television plays have always annoyed viewers. In the last few weeks there seems to have been a recurrence of this trouble at one or two television studios.



The above equipped mobile television unit for outside broadcasts has been purchased by A.B.C. Television from Marconi's Wireless Telegraph Co., Ltd., for use in the Manchester area.

particularly on I.T.A. stations. For instance, *The Shining Hour* and *The Pier*, both ABC-TV plays, had many inappropriate sound effects superimposed by the production personnel and technicians. The former play was notable for a large amount of camera movement, tracking and panoraming which was not too easy on the eyes of the viewer—and it was obvious that these movements also added to the "noises off." Some television play producers seem to be determined to be arty-crafty with their camera angles, forgetting that the complications they introduce may not be worth the trouble. In any case, off-stage creaks give the viewer a sense of creaking mechanics behind

Empire." This would encourage the crews at these and other I.T.A. studios to make a good name for themselves with the viewers. There would be nothing to lose by having some sort of competition between the various studios, rather than continue with the present anonymity.

#### Skiffle

SKIFFLE seems to be infiltrating into all kinds of programmes lately, with varying success. Teenagers tell me that the best performances of this exuberant music is on the BBC's "Six Five Special" programme. Many of the solo performances are mimed to playback, which is

used most effectively, and owing to lack of space for dancing, the peculiar and somewhat ritualist gestures of "hand jiving" by seated members of the audience is carried out in its place. Shots of three or four teenage girls doing this hand-jiving simultaneously are rather fascinating.

I have quite enjoyed the slick and professional performances of the guest bands that sometimes appear, particularly the lively Charles MacDevitt group, a team of youngsters who have suddenly shot into the top of the bill position at music halls in London and the provinces. Pete Murray is a most expert compère on this somewhat noisy programme. I particularly liked the way he mentioned that Sister Rosetta Thorpe, a jive singer, would be appearing in Granada's "Chelsea at Nine" show at a later date. It was the first time I had heard the opposition programmes of I.T.A. mentioned by a BBC announcer in this manner. I hope the I.T.A. companies will return the courtesy to the BBC on future occasions!

#### Exports to U.S.A.

WE see lots of American television films on both BBC and I.T.A. It is pleasing to hear that quite a number of British-made television films are now scoring quite heavily on American television. These include Mark Saber, Sir Lancelot, Inspector Fabian's series, Dick and the Duchess (not yet seen in England), Edgar Lustgarten's Scotland Yard films, Robin Hood and the Douglas Fairbanks series. There are also individual programmes, both filmed and telerecorded, which are exported in a steady stream. The English voice, not always acceptable in many States, particularly in the Middle West, is beginning to make headway. Producers have to take care with accents, however. Some actors appear to be talking "la-di-dah" to the American viewers and are not liked. Donald Gray, who plays Mark Saber, however, seems to be very popular. I must say that though he and his leading lady, Diana Decker, give good performances, the stories seem silly and infantile.

#### Disc Favourites

THE tremendous boom in gramophone discs, of which popular numbers are bought in millions by the teenagers, calls attention to the vast difference in sound quality of the gramophone recordings from the live television performances of the same artistes. Naturally, when a gramophone disc is made, several "takes" are recorded with all the modern resources of a recording studio—including special acoustics, separate solo studio, artificial echo and so forth. Selection is made of the best result out of several different takes, and parts of takes are sometimes combined by re-recording. On the other hand, live performances in a television theatre have to be straight off the cuff, with the artiste thinking also how he looks as well as how he sings. The result sometimes suffers from the theatre's acoustics, which frequently have a long reverberation time, and all from the use of public address loudspeakers in the auditorium. It seems to me that the wholesale use of playback is the only answer to this problem.



Usherettes distribute sticks of peppermint rock to the "live" audience of "Chelsea at Nine" as they leave the Granada TV Theatre, Chelsea, after the show.

the scenes. If the actors mumble and speak lines softly, the unwanted stage noises become even louder. Conditions of various studios vary, so far as noises are concerned, but some technical crews seem to do their work most efficiently and smoothly, without undue "hob nail boots" effects. It would be interesting to viewers if the I.T.A. companies mentioned the name of the originating studio in the titles, such as "from Granada Television Centre, Manchester," "from ABC Capitol Theatre, Didsbury," or "from I.T.A.'s Wood Green

**FREE GIFT**

All purchasers of the Multinitor this month, will receive our M.M. Range Extender which adds capacity 0.1 m.f. in two ranges—inductance 0-100 henrys and decibel —20 to —36. Like all AVO meters it is a very fine instrument. It has a sensitivity of 10,000 ohms per volt and 19 most useful ranges as follows:—D.C. volts 0-1,000 (seven ranges), A.C. volts 0-1,000 (five ranges), D.C. Current 0-1 amp. (five ranges), resistance 0-2 meg. (2 ranges), (complete with test leads). Immediate delivery. Cash price £9.10.0 or 10/- deposit and 19 weekly payments of 10/-.

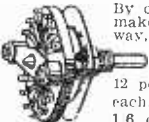
**MORGANITE POTENTIOMETERS**



Single and 2 gang types available in a standard size with wood length spindle. All new and boxed.

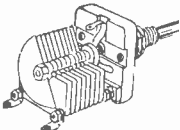
Gang type 3 - each—values available: 5K, 5K, 100K, 100K, 1 meg., 1 meg. Single types 1 - each—values available: 10K, 25K, 50K, 100K, 250K, 1 meg., 2 meg.

**CERAMIC SWITCHES**



By one of our best makers. 3 pole, 3 way, 2 6 each, also standard type switches 12 pole, 2 way, 1 6 each, 6 pole, 3 way, 1 6 each, 3 pole, 6 way, 2 6 each, 6 pole, 4 way, 2 6. 50 assorted resistors. Well mixed and useful values. 1 and 1/2 watts. Price 5/- per 50. 50 assorted resistors. Well mixed and useful values. 1 watt. Price 6.6 per 50.

**FINE TUNERS**



Ceramic trimmers all with lin. spindle of fair length. 5, 10, 15, 30, P.P. at 2 3 each or 24/- per dozen.

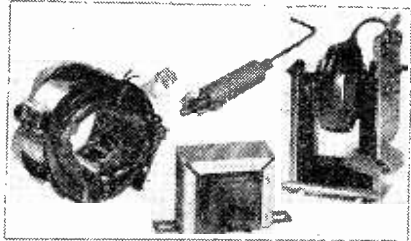


**CONNECTING WIRE**

P.V.C. covered in 100ft. coils—2 9 a coil or four coils different colours, 10/- post free.



**TV Masks**  
Latest type grey  
11in. 10in. 11in. 12in.  
Plus 1/- post.

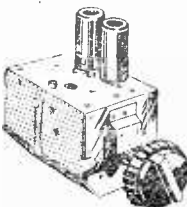


**FOUR ITEMS FOR THE PRICE OF ONE**

This set of modern T.V. parts is equally suitable for modernising an old television or for building into a new one. Suitable for wide angle 14in. or 17in. tube—using EHT or 12-14 kV. The four items comprise: (1) Line output EHT transformer (2) 70 scanning coils on ferrite Yokes (3) Width control with ferrite core (4) Frame output transformer. With these parts we also give free, complete circuit diagram of a modern television which uses them. We offer the whole lot at the price of the Line output transformer only, namely 57 6 plus 2 6 post and insurance.

**SEND NO MONEY**

—just a large stamped addressed envelope and we will send you details of how you can build a 14in. or 17in. television in one evening without technical knowledge. If you decide not to build our television we request you to return the data or remit 3 6. Note: Second hand parts or units are not used in our televisions or sold by us.



**NOW 2 MODELS Turret Tuner**

Brand new stock, not surplus, with coils for Band I and III complete with valves. Model I I.F. output 33 33 Mc.s. Series heaters. Model 2 I.F. output 16 19 Mc.s. Parallel heaters. With circuit diagram. 79 6. With knobs 3 6 extra, post and insurance 2 6.

**THIS MONTH'S SNIP**

Is a fine walnut veneered tube receiver cabinet complete with metal chassis, three colour glass scale, back plate and scale mounts as illustrated but less knobs. Offered at less than the price of the cabinet, namely 39 6 plus 5/- carriage and insurance.



**INDICATOR No. 96**



Contains many hundreds of very valuable spares including no less than 12 potentiometers. This indicator unit will take the VCR97 or the VCR517 and with relatively

simple modifications can be turned into an Oscilloscope. Limited quantity offered at the extremely low price of 10/- each, carriage and packing 4 6 up to 250 miles, beyond this distance at cost.

**ELECTRONIC PRECISION EQUIPMENT, LTD.**

For prompt attention post orders should be sent to our Eastbourne address marked Dept. 5.

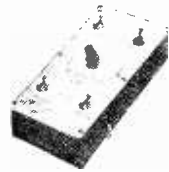
42-46, Windmill Hill, Ruislip, Middx. 68, Grove Rd., Eastbourne, Sussex. 29, Stroud Green Rd., 266, London Road, Finchbury Park, N.4. Croydon. Phone: RUISLIP 5780. Half day, Wednesday. Half day, Saturday. Half day, Thursday. Phone: CRO 4359. Half day, Wednesday. Half day, Thursday.

**CONDENSER TESTER AND REACTIVATOR**

This unit tests condensers under correct working conditions. At proper voltages, it can also be used for "reforming" electrolytic. All basic parts and full instruction book 50/-, plus 2 6 post and insurance.

**TRANSISTOR TIMER**

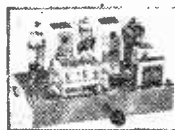
All the parts for making Transistorised Enlarging or Process Timer with constructional details.



£2.10.0 plus 2 6 post and backing.

**BEGINNER'S SUPERHET**

All the components including metal chassis, valves, metal



filter coils, tuning condenser, etc. are required to build the "Beginner Superhet" as described in the January issue, Practical Wires are available as a parcel. Price £3. plus 3/- post and insurance.



**BAND III CONVERTER**

Suitable Wales, London Midlands, North, Scotland, etc. All the parts including 2 EHT80 valves, coil-tuner, contrast control, condensers and resistors. (Metal case available as an extra). Price only 19 6, plus 2 6 post and insurance. Data free with parts or available separately 1 6.

**MAKING A SOLDER GUN**



A 7-second solder gun of the type costing £3-£4 was described in a previous issue. Only two essential parts are required—the transformer and the push switch. These

we can supply at 13 6, plus 2/- post. The rest of the parts you will have in your own "junk" box. Copy of the article concerned given free with the kit.



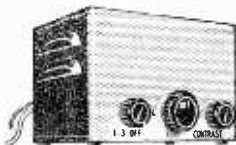
We can supply all the main components for making this unit, which will not only test cathode-ray tubes, but will also reactivate them. Supplied complete with full instructions. Price £3. plus 2 6 postage and insurance.

## HIGH GAIN BAND 3 T.V. CONVERTERS

NO ALTERATIONS REQUIRED TO YOUR SET

RETURN OF POST SERVICE. All new goods.

Posted orders to Camberley, please. All 3/- each extra post (4- for 2), 2- extra C.O.D. Following apply to all converters: full instructions supplied. Can be fitted in 10 mins.; free from drift; fitted with co-axial plug; fully wired ready for use; with power pack, including metal rectifier; double wound transformer; 2 valves; mains on-off switch; fine tuner; B.B.C. to I.T.A. at turn of switch; 12 months' guarantee (B.V.A. valves 90 days); Terms available, one-third down and balance plus 7/6 in four equal monthly payments; postage with first payment. FOR ALL SETS EXCEPT EARLY PHILIPS.



### £4.7.6

ECC81 valves.

With metal cabinet as illustrated. Stove enamel grey hammer finish. 5in. x 7½in. x 4½in.

Pattern rejector fitted. State local B.B.C. station. Walnut wood cabinet. £4 17/6. Chassis less cabinet, £3 17/6. Variable attenuator, 7/6 (1/- p. & p.). Aerial splitter, 8/- (1/- p. & p.). External crossover unit, 7/6 (post 1/6). Genuine low-loss co-axial, 8d. yd.

Postal charges in brackets.

Ex-U.S. Army Valves 6K6 GT/G 5/6 (9d.). I.F. Transformers by Gortler AM/FM (10.7 Mc and 465 Kc), 15/- pair (1/-).

Screens for T.V. PERSPEX, tinted, 14in. x 11in., 5 - (2-); White 14½in. x 11in., 5 - (2-); 17½in. x 15in., 7/6 (2/6). LAMINATED GLASS, tinted, 14½in. x 11in., 5 - (3/-); 17in. x 13½in., 7/6 (3/6).

Battery eliminator for 4 low consumption valves 90v. 15 ma. and 1.4v. 125 ma., 35 - (2/6). 200-250v. A.C. (Size 5½in. x 3½in. x 2in.).

### 13 CHANNEL CONVERTER

Switch positions, 0-I.T.A.-B.B.C. Valves PCF80 and PCC84. Moulded cabinet 8½in. x 4½in. x 6in.

Don't confuse with similar article being offered without power pack.

Robust Band 3 AERIALS for 1in. to 2in. diam. mast or for loft. 3-element, 27 -; 5-element, 35 -; 9-element, 55 -; curr. pd. Belling-Lee 6-el., 37/6.

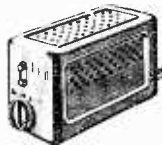
### AUTOMATIC RECORD

CHANGERS are in short supply. Collaro RC457 Studio

turnover crystal pick-up, 4-speed mixer, A.C. mains 200-250 v., see illus.

ALSO Collaro single player AC3/554, 3-speed, turnover

crystal pick-up with "T" head, £6/16/6 (3/6 p. & p.).



### £5.5.0



### £8/16/6 (5/- p. & p.)

## GLADSTONE RADIO

82B, High Street, Camberley, Surrey. 3, Church Road, Redfield, Bristol. Tel. 51207.

## ARTHURS HAVE IT!

LARGE STOCKS OF VALVES.

METERS, Avo, Advance, Taylor and Philips Service Pattern Generators. Oscilloscopes, Cossor and Philips. AMPLIFIERS, Leak, Trix & Quad. GRAM UNITS, Garrard & Collaro.

LOUDSPEAKERS, Goodmans, Wharfedale, WB, Tannoy and leading makes. PICK-UPS and STYLI of most makes. TAPE RECORDERS, Grundig, Philips, Truvox, Playtime & Ferrograph.

### LATEST VALVE MANUALS

Mullard 10/6, Osram Revised 7/6, Brimar No. 7/6/-.

POST AND PACKING 9d. EACH.

CASH WITH ORDER.

*Arthurs*

PROPS: ARTHUR GRAY, LTD.

Est. 1919

OUR ONLY ADDRESS: Gray House,  
150-152 Charing Cross Road, London, W.C.2

TEMPle Bar 5833/4 and 4765

TELEGRAMS—"TELEGRAY, WESTCENT, LONDON."

CABLES—"TELEGRAY," LONDON.

WRITE TO

**E. B. ELECTRONICS** (Tube Dept.)

28, Pembridge Road, London, W.11.

for

## T.V. TUBES

Ex-Chassis. Picture Tested.

MAZDA, MULLARD, EMITRON, COSSOR.

9in., £5.0.0; 12in., £6.0.0; 14in., £5.5.0.

15in., £7.5.0; 16in., £6.0.0; 17in., £7.5.0.

GUARANTEED FOR THREE MONTHS

SIX MONTHS GUARANTEE

MAZDA 12in. Reconditioned £9.0.0.

All prices include Postage and Packing

Terms C.W.O.

NO CALLERS AT PRESENT



# CORRESPONDENCE

The Editor does not necessarily agree with the opinions expressed by his correspondents. All letters must be accompanied by the name and address of the sender (not necessarily for publication).

## FERGUSON 306T

SIR.—In the December issue of PRACTICAL TELEVISION on page 241, a Mr. J. Ford of Willenhall states that he has a Ferguson 306T and in six months has had to replace EY86 four times.

I have the same model and had the same trouble and the following may help Mr. Ford. The 2.2 mΩ resistor, No. 137, on the line output valve should be changed to 1 mΩ, and resistor No. 157 which is in series with the EY86 heater should be changed from 4.7Ω to 20Ω. I have done this and have had no trouble. Perhaps I should mention that I could not get a 20Ω resistor so fitted one of 18Ω.—A. V. ADAMS (Cardiff).

## INTERLACING AND LINE WHISTLE

SIR.—I should like to thank the many readers who wrote to me with assistance on the problem of ascertaining whether interlacing was effective or not, and it is obvious from the replies received, that there is no really reliable method. I would say that it is really hit or miss, and where fly-back suppressors are fitted and effective, one is never really sure. Whilst on this subject I wonder if any of the really knowing ones have "cured" the line whistle. Is it in fact true, as I have been told, that the makers do not attempt to remove this whistle as it forms part of the set which is of value to the G.P.O. in tracing unlicensed sets?—H. REDMAYNE (Barking).

## HORIZONTAL OR VERTICAL

SIR.—Seeing your notes in the December issue concerning aerials in Scotland, I have been informed by a friend that in certain parts of the country, where the signal is horizontally polarised, one often finds that results are better when the aerial is placed vertically. On the other hand, a vertically polarised aerial does not seem to offer the same facilities, in other words placing the aerial horizontal gives poorer results. Is this due to the fact that the horizontal signal follows the line of country, and is therefore more affected by houses, hills, etc.? If so, why do the Americans use horizontal polarisation? Is it bound up with the problem of aerials? Is a horizontal aerial safer than a vertical?—H. BOOTH (N.W.).

## STEREOPHONIC SOUND

SIR.—During recent tests by the BBC of stereophonic sound, the TV set had to be used with an ordinary radio set. I wonder how many experimenters who co-operated in this test found, as I did, that the sound on the TV channel was immeasurably superior to that on the ordinary

waves. I could not, however, get a stereo effect no matter how I moved the radio receiver about. It seemed to me that the set nearest to me drowned out the other. I tried increasing the volume from the furthest set to make them level at my ear, but could not really say that there was any sense of "depth" in the sound until I took the radio set into the next room. Then with both doors open I did get a very realistic effect, but it was noticeable that in one room the effect was more marked than the other, presumably due to the channel being used, i.e., right or left. I hope further experiments will be carried out in this new development. F. RITCHIE (Cricklewood).

## SPECIAL NOTE

Will readers please note that we are unable to supply Service Sheets or Circuits of ex-government apparatus, or of proprietary makes of commercial receivers. We regret that we are also unable to publish letters from readers seeking a source of supply of such apparatus.

## AERIAL DESIGN

SIR.—In the January issue Mr. Brown covers a very important point regarding aerial design. As a Serviceman I find that many people want to buy the most elaborate aerial possible, with the mistaken belief that it will give them a better picture. It should be remembered that the more elements, as a rule, the more complicated the polar diagram, and the narrower the forward lobe. This can be a great drawback under some conditions, and as a well-known maker of aerials has pointed out at a lecture given in various parts of the country to dealers, a good aerial badly installed may give worse results than a bad aerial properly installed. It is all very well "doing it yourself," but it must be done properly and with a sound knowledge of conditions in the actual street in which it is being installed. B. R. BRETHURTON (Sidcup).

*[The above reader raises an interesting point, and we do not think we can do better than reproduce the following statement recently issued by Messrs. Belling Lee in this connection.]*

*"Some people think that the greater the number of elements the greater the gain. There are many four-cylinder cars more powerful than many with six cylinders. It is all a question of design. We have an 'H'-type aerial with higher gain than at least one well-known four-element array. We designed the first four-element array, and, although it was a winner, we stopped production a few years back because we made a three-element array with a still higher gain, and we couldn't justify the fourth element. The theoretical and practical gains from the fourth element were just not worth while."—EDITOR.]*

## CHECKING INTERLACE

SIR.—I believe a short time ago a reader asked for a hint as to the best method of checking whether a set was interlacing properly. Normally this can be done by turning up the brightness

control and examining the flyback lines which are then revealed. An adjustment of the frame hold control will result in these jumping from narrow to wide spacing and you will quickly identify how they should be. If, however, there is an efficient flyback suppressor circuit in the set you will not be able to produce the lines. In this case proceed as follows. Adjust the scanning coil clamp or other adjustment at the back of the set to make the picture come low in the mask aperture so that the top few lines in the blanking area are visible. This will mean turning up the brightness control slightly. You will then see, if interlacing is taking place, that the first line starts dead in the centre, and the second line at the left-hand edge. By adjusting the hold control as previously you will see that the half line will jump about and start at various places. Set the control so that it stays perfectly stationary (if possible) beginning at the middle of the area. You may find that you cannot get it to stay dead still, but if the circuits are good and all working properly it will be practically stationary.—G. R. JOHNSON (Edgware).

### THE C.R.T. TESTER

SIR.—There is a letter by G. Aungiers in the February issue regarding my article on C.R.T. tester which I feel I should answer. The circuit as shown by me needs no amendment for cathode to grid leakage, for this test is the same as the emission test. This means that the

leakage will be shown up as extra current when the emission is tested. In the case of a C.R.T. with a good emission no doubt will be felt in deciding whether the tube has a cathode/grid leak, for the high reading obtained will be much higher than a new tube. When, however, the C.R.T. emission is low, then some doubt may exist as to whether the emission is all right or whether the tube has a grid/cathode leak. If, when the tube is tried out in a TV set, the picture is flat and too bright then it can safely be assumed to have a leak.—J. HILLMAN (N. Ireland).

### A PROBLEM SOLVED

SIR.—Although I have long since passed the experimenter and "do it yourself" brigade, I still take your magazine to read the bits of news and keep in touch in a sentimental sort of way. I do not consider I am young enough to do the modern constructional work and just get along with a commercial set, etc. Recently, however, my bought set developed a fault and I was almost on the point of going to a dealer to get the set seen to, when I thought of the Problems Solved columns of your pages, and turned up the few back numbers I had and looked to see if there were any notes on my set. By a strange coincidence, I found one and it was exactly the same trouble as I was experiencing. Apparently all that was involved was an adjustment of the position of the ion trap and I did this and removed the shadowing.—G. BOON (Reading).

### MULTI-CHANNEL TUNER INSTALLATION

(Continued from page 364)

oscillator components were taken from the circuit to aid with the connection of the tuner signal.

The H.T. supply to the tuner can usually range from 175 to 210 volts, 185 volts being a nominal value. It is not desirable to exceed 210 volts, however, and on the Brayhead unit a link in the H.T. positive circuit can be removed to allow the connection of a series resistor for balancing the H.T. voltage.

#### Points to Watch

The average dimensions of a turret type tuner are overall height from the base of the unit to the top of the valve screens  $5\frac{1}{2}$  in., length  $6\frac{1}{2}$  in., and width  $3\frac{1}{4}$  in. It should first be ensured, therefore, that there is sufficient room in the receiver cabinet to house the tuner with reasonable clearance from receiver components.

Make sure that there is a tuner available with an I.F. output to match the receiver it is proposed to convert. Units are available covering the three major I.F. bands, viz., 10 Mc/s, 16 Mc/s and 38 Mc/s. The Brayhead people make three basic units with I.F.'s as follows: Type 10P/10S, vision 14 Mc/s and sound 10.5 Mc/s; Type 16P/16S, vision 16 Mc/s and sound 19.5 Mc/s; Type 35P/35S, vision 34.65 Mc/s and sound 38.15 Mc/s; the prefix letter "P" or "S" indicates parallel- or series-connected heaters, using 6.3 volt or 0.3 amp valves, as already mentioned.

It will be seen from this list that a set, such

as the Ultra VA72, V600 and V710 series, with a sound I.F. of 16 Mc/s and a vision I.F. of 19.5 Mc/s is not catered for. Here it will be realised that the vision I.F. is above the sound I.F. meaning that the oscillator frequency is below the signal frequency.

In the large range of Cyldon turret tuners, a model (E/16/L) is available to suit this case. In this range there are also units available for direct inclusion into a heater circuit comprising 0.1 amp valves. The tuner valves then employed are UCC84 (R.F. amplifier) and UCF80 (frequency changer).

On most tuners there is a reasonable range of I.F. and oscillator adjustment to cater essentially for receivers whose I.F.'s are slightly removed from those mentioned above.

#### Adjustment

It is important to note that the only tuned circuits which can successfully be adjusted by the experimenter are the I.F. coil or transformer, L5 in Fig. 7, and the oscillator coils associated with the various channels for which coil sets are included in the turret. The remaining circuits are adjusted accurately at the factory for the best overall performance and must not be altered.

With the channel selector set as required and the fine tuning control adjusted to the centre of its travel, the oscillator coil should first be adjusted with a non-metallic trimming tool, such as a screwdriver-shaped knitting needle, for maximum sound consistent with minimum sound on vision. The oscillator core associated with the channel in use is accessible through a hole in the front face of the tuner.

# Wanted!

## QUALIFIED MEN AND WOMEN

Industry & Commerce offer their best posts to those with the necessary qualifications—such posts that will bring personal satisfaction, happiness, good money and security. As part of a modern industrial organisation, we have skilled knowledge of what is required in industry to-day and the best means of training personnel for its present day and future requirements. We specialise also in teaching for hobbies, new interests or part-time occupations in any of the subjects listed below. Make your own choice and write to us to-day for further information. There is no obligation of any kind.



**OUR BACKGROUND!**

The E.M.I. Factories at Hayes, England.

The only Home Study College operated by a world-wide manufacturing organisation

# EMI INSTITUTES

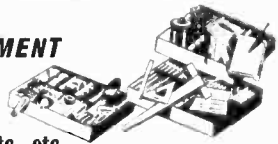
**PERSONAL & INDIVIDUAL TRAINING IN—**

- |                                       |                            |                              |                             |
|---------------------------------------|----------------------------|------------------------------|-----------------------------|
| Accountancy                           | Customs Officer            | Languages                    | Refrigeration               |
| Advertising                           | Draughtsmanship            | Management                   | Sales Management            |
| Aeronautical Eng.                     | Economics                  | Maintenance Eng.             | Sanitary Engineering        |
| A.R.B. Licences                       | Electrical Eng.            | Mathematics                  | Secretaryship               |
| Art (Fashion, Illustrating, Humorous) | Electrical Installations   | M.C.A. Licences              | Shorthand & Typing          |
| Automobile Eng.                       | Electronics                | Mechanical Eng.              | Short Story Writing         |
| Banking                               | Electronic Draughtsmanship | Metallurgy                   | Short Wave Radio            |
| Book-keeping                          | Eng. Drawing               | Motor Eng.                   | Sound Recording             |
| Building                              | Export                     | Painting & Decorating        | & Reproduction              |
| Business Management                   | Heating & Ventilation Eng. | Photography                  | Telecommunications          |
| Carpentry                             | High Speed Oil Engines     | P.M.G. Certs.                | Television Time & Motion    |
| Chemistry                             | Industrial Adm.            | Police                       | Tracing Study               |
| City & Guilds Exams                   | Jig & Tool Design          | Production Eng.              | Welding                     |
| Civil Service Subjects                | Journalism                 | Production                   | Workshop Practice           |
| Commercial                            |                            | Radar Planning               | Works M'gmt and many others |
| Commercial Art & Drawing              |                            | Radio Amateurs (C&G) Licence |                             |
|                                       |                            | Radio & Television Servicing |                             |

Also courses for GENERAL CERTIFICATE OF EDUCATION, A.M.I.H.&V.E., A.M.S.E., A.M.Brit.I.R.E., A.M.I.Mech.E., A.M.I.E.D., A.M.I.M.I., A.F.R.Ae.S., A.M.I.P.E., A.M.I.I.A., A.C.C.A., A.C.I.S., A.C.C.S., A.C.W.A., City & Guilds Examinations, R.T.E.B. Serv. Cert., R.S.A. Certificates, etc.

**NEW! Courses with PRACTICAL EQUIPMENT**

in RADIO · TELEVISION · MECHANICS  
CHEMISTRY · ELECTRICITY  
DRAUGHTSMANSHIP · PHOTOGRAPHY etc., etc.



**POST THIS TODAY**

E.M.I. INSTITUTES, Dept. 138K, London, W.4

NAME \_\_\_\_\_ AGE \_\_\_\_\_  
(if under 21)

ADDRESS \_\_\_\_\_

Subject(s) with/without equipment \_\_\_\_\_

MAR./58

We shall not worry you with personal visits



BLOCK CAPS PLEASE

IC 92

—Part of "His Master's Voice", Marconiphone, etc., etc.

# LASKY'S RADIO



**COLLARO 4-SPD. MIXER AUTO-CHANGER** Latest model RC.456 incorporating auto and manual control. Complete with Studio crystal p.u. and sapphire stylus. List £13/17/-  
**LASKY'S PRICE £8/19/6**  
 Post 5/-.

## TURRET TUNERS

All types in stock—Cylodon, Brayhead, Telenge, Valradio, from 7/6. Describe your set and we will quote you.

## 17' C.R. TUBES

Brand new, unused. Rectangular, aluminised or ion trap. 0.3 heater. £12/19/6. Carr. & ins., 22/6.

## Lasky's lead again FIRST CLASS BAND III CONVERTERS ALMOST HALF-PRICE!



Famous make and one of the finest Converters made. Brand new in maker's cartons. TUNABLE OVER ALL 13 CHANNELS and incorporates own power supply for 200-250 v. A.C. mains. 2 valve ciscode R.F. amplifier PCC34 and PCF80, metal rectifier. Metal case, 10in. wide 5 1/2in. deep, 3 1/2in. high, smart fawn enamel finish.  
 Listed at £10/17/6.

**LASKY'S PRICE £5/19/6**  
 Post and pkg., 5/- extra.  
 Strictly limited number only. Send now.

## LASKY'S (HARROW ROAD) LTD.

42, TOTTENHAM COURT ROAD, W.1.  
 370, HARROW ROAD, PADDINGTON, W.9.

Telephone : MUSEum 2605  
 LAD 4075 and CUN 1979

Open all day SATURDAY. Half-day Thursday.  
 PLEASE ADDRESS ALL MAIL ORDERS TO HARROW ROAD.

## MAKER'S SURPLUS COMPONENT BARGAINS

### WIDE ANGLE 33 mm.

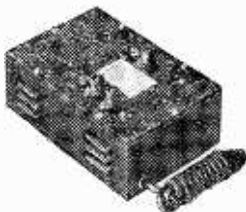
- Line E.H.T. trans., Ferroxcube core, 9-16 kV. .... 25/-
- Scanning Coils, low imp. line and frame ..... 25/-
- Ferroxcube cored Scanning Coils and Line Output Trans., 10-15 kV. EY51 winding Line Trans. Complete with circuit diagram, the pair ..... 50/-
- Frame Output Transformer ..... 6/6
- Scanning Coils low imp. line and frame ..... 17/6
- Frame or line block osc. Transformer ..... 4/6
- Focus Magnets Ferroxcube P.M. Focus Magnets, Iron Cored ..... 19/6
- Duomas Focalisers ..... 22/6
- 3J) m/a Smoothing Chokes 15/-
- Electromagnetic focus coil, with combined scan coils ..... 25/-

### STANDARD 35 mm.

- Line O.P. Trans. No E.H.T. 12'6
- Line Output Transformers, 6.9 kV. E.H.T. and 6.3 v. winding Ferroxcube ..... 19/6
- Scanning coils, Low imp. line, and frame ..... 12/6
- Ditto by Irganic ..... 14/9
- Frame or line blocking oscillator transformer ..... 4/6
- Frame output transformer 7/6
- Focus Magnets :  
 Without Vernier ..... 12/6  
 With Vernier ..... 17/6
- Focus coils, Electromag ..... 12/6
- 2J) m/a Smoothing Chokes 10/6

# COMMERCIAL TV

DON'T GIVE UP BEFORE YOU HAVE TRIED OUR BAND III PRE-AMP



Separate coaxial inputs for Band I and III Aerial Downleads. No changing of Aerial leads. No Diplexor required. Attractive black crackle finished case fitted with non-scratch rubber feet. Easily installed—just plug in mains and aerial leads.

A sensitive unit complete with built-in power supply specially designed for use in ultra-fringe areas. High signal to noise ratio. Will produce excellent results in localities where the signal is normally unusable.

Dimensions 6in. x 4in. x 2 1/2in. Will fit inside most receiver cabinets. 200-50 v. A.C.

PRICE £6.6.8. C.W.O. OR C.O.D.  
 (Fly Lead 3/6 extra.)

## "AIRVISION"

(Electronic Equipment Manufacturers)  
 14 Boulton Road, SOUTHSEA

EDDY'S (NOTTINGHAM) LTD (DEPT. P.T.)

## This Month's Special Offers

**THROAT MIKES**, Single Piece, 1/- each. Post. etc. 4d. each. Could be used for Electrifying Musical Instruments.

- 6K7G VALVES** ... .. 2/11 each
- 6L6G VALVES** ... .. 5/11 each
- 807 VALVES** ... .. 4/11 each

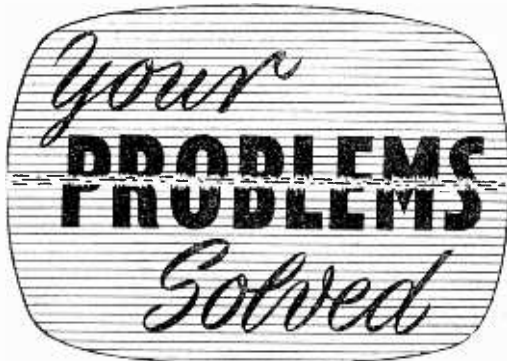
**MIDGET BATTERY ELIMINATORS**. To convert all low consumption portables for mains operation. Mains Input 200/240 v. A.C. H.T. output 85 v. 10 mA., L.T. output 1.5 v. 125 mA. Size : 3.7in. x 2.5in. Actually smaller than H.T. battery alone. Special Price 55/-, plus 2/6 post. etc.

**GERMANIUM DIODES**, 1/- each, 10/- dozen. Post 4d. extra.

All New and Guaranteed. S.A.E. with all enquiries.

Any parcel insured against damage in transit. 6d. extra.	SURPLUS, NEW AND GUARANTEED VALVES	Post. etc., 6d. per valve extra. Over £3 post free
DAF96 9/6	ECC85 9/6	GZ32 12/6
DF96 9/6	ECH35 9/6	MU14 8 11 3V4
DL96 9/6	EBF30	PCC81 9/6
DK95 8/6		PL32 9/-
EB91 6/6	ECH42 9/6	PY83 8/-
EBC41 9/6	EF41 9/-	PY81 8/11
ECC81	EF80 8/11	PY82 8/11
	EF86 12/6	UBC41 8/6
	EF89 9/11	UCH42 8/6
	EF91 8/11	UP41 8/11
	EL32 3/11	UL41 9/11
	EL84 10/6	UY41 7/11
	EZ80 8/6	IR5 7/11
	EZ81 8/6	IS5 7/3
	EZ84 9/6	7C7 8/11
		7C8 8/11
		35A5 10/11
		35W4 7/6

172, ALFRETON RD., NOTTINGHAM



*Whilst we are always pleased to assist readers with their technical difficulties, we regret that we are unable to supply diagrams or provide instructions for modifying surplus equipment. We cannot supply alternative details for constructional articles which appear in these pages. WE CANNOT UNDERTAKE TO ANSWER QUERIES OVER THE TELEPHONE. The coupon from p. 377 must be attached to all Queries, and if a postal reply is required a stamped and addressed envelope must be enclosed.*

#### ULTRA V8-14

My problem is lack of width. The picture usually has  $\frac{1}{2}$  in. gap at either side and will not increase by movement of width control.

Regularly the picture expands of its own accord until the picture more than fills the mask with a change of focus, which requires constant adjustment of the focus magnet. After a brief period the picture returns to its usual limited size and at times to a more reduced size, again with a change of focus. The supply voltage is regular. I have the service sheet available.—M. Muir (Glasgow).

We would advise you to have the V13-U801, V9-20P4 and V10-U329 valves tested. One will almost certainly be at fault.

#### BEETHOVEN B80

The trouble is in the frame circuit; very poor lock, top portion of picture appears at bottom of the screen and two bright horizontal lines containing a small portion of picture matter appear on the screen. Both ECL80 and ECH42 have been renewed in frame circuit, making no difference to this fault.—J. F. Birks (Liverpool).

We suggest that you check the high value resistors associated with the frame ECH42 and ECL80 valves. R54, R55, R59 are the components to suspect in the first instance.

#### G.E.C. BT5146

A very dim but otherwise normal picture. Advancing either brilliance or contrast control causes highlights to go muddy, and still further, picture disappears, leaving a blank raster. At this point the line timebase loses sync. The following valves have been replaced, having been found faulty on test: KT36, U37 and D77. The D77 was lighting up very brightly. Valves and crystal diode in the vision receiver have been replaced with known good ones. Vision limiter has been tried out of action by o/c the cathode

connection. A replacement tube—not new, but guaranteed—MW31-74, has been tried, but with similar results.—G. R. Dance (Wolverhampton).

You may have low H.T. volts. At C58—120  $\mu$ F it should be 225 volts. If low change metal rectifier, replacement RM4. Have you fitted ion trap to C.R.F.31-74. It is necessary for this tube. 300 volts is low for A1 but should work.

#### DEFIANT T141

I am able to get a fair picture on I.T.V. The eight element aerial is fixed on a 20ft. mast in the middle of the garden and I would like to know if I could get better reception by adding four elements to the aerial to make it a twelve element, or raising the height of the aerial. I have noticed that the mains tapping is on 245 volt, the mains supply is supposed to be 240v. though it seldom goes over 230v.; would it be safe to lower the tapping to 235v.?—F. Thomas (Bethesda).

It is quite in order to lower the voltage tapping to provide a more accurate match of actual mains voltage. We would not advise you to add another four elements to the aerial as the results would not give you the gain required. Rather we would suggest you change the type of aerial to, say, a double array or add another eight element array a little below (3ft. 4in.) the first, coupling the two feeders together ensuring that both cables are of identical length to the junction point. Alternatively the present array could be hoisted higher, if possible, to provide the extra signal.

#### G.E.C. BT1746

On switching on, the frame collapses to about 4in. in height, and as this occurs the sound goes completely off. It is possible to use this set for hours without mishap, but the above fault suddenly develops and sound comes and goes every two seconds accompanied by frame collapse, as already stated.—H. Purves (Wallsend-on-Tyne).

This double fault is probably due to intermittent breakdown of C62-C63 (16 + 32  $\mu$ F). It will be necessary to check R48 (470 ohms) leading to sound output transformer. Check all components on sound-frame H.T. line.

#### PLESSEY CHASSIS

All I can get on screen is a very dim illumination. When drawing spark from EHT at tube anode sparking is observed between focusing magnet and deflector coils. A  $\frac{1}{2}$  in. spark can be drawn from EHT. Grid voltage readings 40-210, with cathode lead removed, these readings appear at free pin. Cathode voltage 100, with grid lead removed, this voltage does not appear at free pin. (P.T. September, 1957, page 60, grid cathode shorts.) First anode volts 300. The tube is a Mazda tetrode 17in. The heater volts 12.6, supplied through a separate transformer. The smoothed H.T. is 290 volts; is this correct?—John Laird (Glasgow).

Unless the coupling arrangements from the video amplifier to the C.R.T. cathode have been altered, 180 volts should be recorded at the latter tag. Check also the video amplifier anode and

if this voltage is low inspect the anode load resistor (6.8 K $\Omega$ ) and the cathode components as the 750 pF shunt capacitor may be shorted. Quite apart from this, however, it is likely that the C.R.T. emission is low or the ion trap magnet improperly adjusted.

#### AMBASSADOR TV2 MK1

I have replaced dark screen with clear plastic which has improved viewing under electric light but brightness control is almost fully clockwise, should this be so? There is a  $\frac{1}{4}$  in. shadow across and slightly down right-hand top corner of screen which I cannot eradicate. Have tried adjusting focus magnet scanning coils hard up to tube base and width control at maximum. Incidentally, increasing width improves picture, particularly brightness. Circuit diagram for MK11 which I have gives 350 pF for width control whereas in my set this is 500 pF. Focus needs adjustment each time set is switched on and needs occasional alteration during viewing. Horizontal hold (top left control on panel) needs fairly frequent adjustment—picture pulls to right or breaks up into line right to left.—F. W. Viggars (Liverpool).

Have the U801 valve tested. If this is in order check its anode resistors (four 47 $\Omega$ ). Also check the electrolytic capacitors associated with the width control, etc., and the resistor of 220 K $\Omega$  associated with the V5B cathode (and the C.R.T. cathode therefore). Also check V5, 6D2 for emission and the brilliance network resistors, if brilliance is still low. Allow for tube deterioration.

#### PYE D18T

I cannot get the brightness down to get rid of the flyback lines. I have a circuit diagram for same. Can you please advise me about this? The set is fitted with Mullard MW22-8 with metal coating. I have a MW22-7 without coating. Is it O.K. to use this tube in place of MW22-8, and is any rewiring necessary?—W. J. Treadwell (Coventry).

We would advise you to change the 2  $\mu$ F capacitor mounted on the right side of the tube neck on a paxolin panel. This should restore normal control of brilliance. The MW22-17 may be used in place of the 22-18, although strictly speaking a .001  $\mu$ F 6 kV capacitor should be added to the EHT, to replace the smoothing action of the outer conductive coating of the 22-18. This, however, is sometimes not necessary in practice due to the capacity already existing between the inner anode coating and chassis.

#### PHILCO BT1840

The fault started with fading sound on both radio and TV, also the tone control was useless except when fully clockwise; any other position just made it blurred. I had the radio valves tested and 14S7 had heater cathode short, which I replaced, now sound stays on, but there is a fairly loud hum on both radio and TV, and sometimes when it is on radio on the medium wave it changes frequency as if it was on short-wave. I have had the radio chassis at a dealers,

he tested all valves and smoothing condensers but the fault still remains but it has no effect on picture, which is quite good.—R. Butterworth (Bury).

The sound output of the TV and the radio is common (50L6GT) and we are inclined to suspect that this valve is introducing hum. Also you may find that the new 14S7 is defective. If it isn't, check the gang condenser to insure that it is not capable of independent movement and then check the medium-wave padding capacitor.

#### MURPHY V150

The service sheet gives instructions on alignment with signal generator and output meter. The vision output meter is connected to the video amplifying valve cathode resistor via a 500 pF capacitor and a 300  $\mu$ H R.F. choke. My problem is obtaining the choke. Dealers inform me that without further details of the choke, i.e., type, make or number, etc., they are unable to help me. Could you please tell me if there is another component that I could use that is more easily obtained?—G. R. Jordan (Willenhall).

The 300 microhenry choke mentioned in the alignment instructions is not critical and is merely inserted in series with the meter lead to prevent I.F. radiation, and its consequent instability. If you have a small medium-wave coil a grid winding of this will do just as well, or you can make a suitable substitute by fitting two cardboard cheeks  $\frac{1}{4}$  in. apart on to an insulated resistor of over  $\frac{1}{2}$  meg. value and winding very thin wire between them until a layer about  $\frac{1}{2}$  in. in diameter has been built up. The ends can be soldered to the resistor wires as the latter is too high a value effectively to damp the choke.

#### REGENTONE 173T

Recently the picture has lost its width. With the width control fully extended there is a  $\frac{1}{2}$  in. margin each side of the picture. It also rolls every hour or so. I have checked PL81, PY81, EB91, PL83, ECL80. All are O.K. except ECL80 sync separator which I have replaced.—L. Bird (Aston).

Replace the metal rectifier (14RA1283), which appears to be deteriorating. This is mounted flat on the front (almost centre) of the chassis.

#### EKCO T221

Very poor line hold until I advance the horizontal hold, when the bottom half of the picture becomes quite clear whilst the top half is slipping. This fault, after an evening or two, may clear itself without making any adjustment whatever. Also could you please enlighten me on how to remove the turret tuner, for on tuning in to Channel 9 the picture disappears completely without touching the set; on touching the switch the picture returns.—L. V. Entwistle (Manchester).

The trouble you are experiencing is either frame or mains hum getting into the line time-base, and by reversing the mains you will be able to ascertain which one it is. If it is mains the

(Continued on page 399)

**SETS & COMPONENTS**

**MAKE YOUR AERIALS** with our fully machined parts. Examples: Band 1. "H." complete with lashings, for £3/10/-; 5 Element, Band 3, with folded dipole, mast and clamp for 45/-. Get further details from our illustrated lists and data on all aerials, sent for 1/- P.O. SKYLINE WORKS, Burnslall Rd., Coventry. (Tel.) 60418.

**TELEVISIONS**, 9in. models, £7/10/-, 12in. models, £12/10/-; 12in. 5-Channel models, £19/10/- each; all working; carriage paid. Send for list. TOMLINS, 127, Brockley Rise, Forest Hill, S.E.23. (FOR 5497.)

**LOUDSPEAKERS** repaired promptly. MODEL LOUDSPEAKER SERVICE, Bullington Rd., Oxford.

**GUARANTEED TELEVISION**, 12in. 5-Channel models; first-class picture. £26 each, carriage paid. THE GRAMOPHONE SHOP, 19-21, Brockley Rise, London, S.E.23.

**TELEVISION TUBES**, high quality, re-claimed, as supplied to the trade throughout the British Isles. Mullard 14in., £5, 17in., £7; guaranteed for 6 months. Other makes, 14in., 15in., £5, 17in., £6; guaranteed 3 months. 12in. Tubes, £6, but enquire first. C.W.O. or pro-forma; carr. and ins. 15/-. TELEVISIONS, 34 and 18, Market Parade, Rye Lane, Peckham, London, S.E.15 (opp. P.O.). (Phone: New Cross 4551.)

**5-CHANNEL TELEVISIONS**: 12in. screen Ferguson 988, Ekco 161, etc. £22 each. A good selection of 12in. T.V.s (London), 100% condition, from £12; 9in. from £7, also 12in. T.V.s, slight faults, from £5; 9in. from £3. TYLER TELEVISION, 63, Lee High Rd., Lewisham, S.E.13. (LEE 5979.)

**MAKING YOUR OWN?** Telescopes, Enlargers, Binoculars, Microscopes, Projectors, or, in fact, anything that needs lenses. Then get our booklets: "How to Use Ex-Gov. Lenses & Prisms," Nos. 1 & 2, price 2/6 ea. Also our stereo book, "3-D Without Viewers," price 7/6. Comprehensive list of lenses, optical, radio and scientific gear free for s.a.e. H. W. ENGLISH, Rayleigh Road, Hutton, Brentwood, Essex.

**TELEVISIONS, NEEDING ATTENTION**, 9in.-10in. models £4/10/- each. 12in. models £6/6/- each. 15in. models and Philips Projection models £14/10/- each, immediate despatch, carriage paid. BARKERS, 325, Brockley Road, S.E.4. (TID 6752.)

**T.V. TUBES** £1, including carriage!!! This ridiculous price owing to slight screen burns. Perfect picture. Ideal for stand-by or for testing 14in. and 17in. rectangular. DUKE & CO., 62/73, Romford Road, Manor Park, E.12. (Tel.: ILF 6001-3.)

**12IN. T.V.**, out of order, £5; working O.K., £10; 12in., 5-channel, £15; 14in. from £18. Auto/Radiograms from £15. Callers only. JOHN GILBERT TELEVISION (SHE 844), 1B, Shepherd's Bush Rd., London, W.6.

**TELEVISIONS**, 12in. 5 channel, £14; 14in., £18; 17in., £27; Fully Sets from £2. WILKINSON'S 146, Goldhawk Rd., W.12. (SHE 4379.) Callers only.

**T.V. TUBES** as new, vacuumed; all makes; 6 months' straight guarantee; 12in., £5, 14in., £5/10/-, 17in., £7/10/-; carriage and insurance 12/6. U.K. Free delivery Greater London. VIDIO REPLACEMENT CO., Hales St. St., Deptford High St., London, S.E.8. (Tideway 4506.)

**UNREPEATABLE OFFER**—12in., 5 channel T.V., £15; 14in., £22; good working order. C. EDWARDS, 1070, Harrow Rd., London, N.W.10. (Phone: LADbroke 1734.)

**RATES:** 4/- per line or part thereof, average five words to line, minimum 2 lines, Box No. 1/- extra. Advertisements must be prepaid and addressed to Advertisement Manager, "Practical Television," Tower House, Southampton St., Strand, London, W.C.2.

The **RADAR KILOVOLT**, Range 3-30 kV. Measures E.H.T. volts, £3.15.0, post/ins. 2/6. The famous **BRAYHEAD 12-Channel Turret Tuner**, State Channels, set make and model No. £6.19.6, post/ins. 2/6. **M.T.L. LAMP** 510 Hi-Fi Amplifier, Flat response 10-20,000 c.p.s. Completely made up, £12.7.6. Carr. pkg./ins., 6/6. **DULCI H4 RADIOGRAM** Chassis AM/PM 7 valves, 4 bands, A.V.C. "Magic Eye." £24.2.6. Carr. ins. 7/6. H.P. terms over 10. 3d. stamp for lists.

**WESTWAY RADIO**, 5, Westward Way, Harrow, Middx.

**CATHODE RAY TUBES** used but in good working order, with three months' written guarantee, 12in. to 17in. Mazda, Mullard and Equivalent types only, at £4/10/-, plus 12/6 for carriage and insurance. Enquiries and orders to BHP DISTRIBUTORS (LONDON) LTD., 379, Staines Rd., Hounslow, Middlesex. Tel.: HOU. 5144. Our terms are c.w.o. or c.o.d.

**17IN. T.V. CABINETS**, surplus to maker's requirements. Limited quantity only. £2/6, plus 3/- carriage. Large stocks of Valves, Tubes (all sizes), and Components at surplus prices. Let us quote by return for your requirements. ACE RADIO SERVICE, 109, Bensham Lane, Thornton Heath, Surrey.

**TELEVISIONS**, all sizes and channels, at lowest prices ever! Also a few tubes. Trade supplied. HYNES, 9, Cumberland St., Victoria, S.W.1. (TAT 9140.)

**ALL POST PAID**, Special offer this month: Co-axial Cable, 100yds., £3; 50yds., £1/12/6. "Belling-Lee" Duplexers, usual price 13/-, our price 7/6. "Cylcon," "Brayhead" Band III Tuners, £7/7/-; state channels and model of T.V. set. "Stirling" Converters, £6/6/-, channels 2 and 10 only. Send now while stocks last to: RADIO SHOP (next to Empire Cinema), Wakefield Road, Normanston, Yorkshire.

**ELECTRADIO**—Dual Wave Coil 2/6 with circuit, ditto, plus Reaction 4/-, Tuning Condenser, 3/10, Crystal Diode 1/6, tested 4 Transistor Set Circuit, 1/3. All Transistor Components stocked. Post free, 18, Broadlands Av., Keynsham, Somerset.

**RECLAIMED TUBES**, 12in., 14in., 17in., all at £5 each, guaranteed; 100 (5 channel) T.V. Ekco 161, Ferguson 988, £15 each. C. EDWARDS, 1070, Harrow Rd. (Phone: LADbroke 1734.)

**VALVES** from 1/6. Radio, T.V. Components, low prices. Lists 3d. J. PALMER, 32, Neasden Lane, N.W.10.

**R.F. UNITS**, Types 27 or 26, 22/-; 25 or 24, 9/-; brand new, with valves; post, 3/-. E.W.S. CO., 69, Church Rd., Moseley, Birmingham.

**ASSIST-U-AERIAL KITS**, containing: Insulator and cap for 1in. boom; 2 in. elements, 20 in. end plugs, 2 in. end plugs, 2 in. Grommets, suitable for construction of Band II or III aerials; 6/6 complete. Send P.O. with order. ROBERT MOSS LTD., 35, Banbury Road, Kidlington, Oxford.

**BRAYHEAD 12-CHANNEL CONVERTERS**, 7 gns. State set, make and model. Spencer West Type 80, £6/5/-; both carriage paid. FLATTS, 189, Berners St., Birmingham, 19.

**TEST SET 127U** (105S), U.S.A. Micro-wave Frequency Meters: 375-725 mc/s., 3 valves, new, less bats., £27/10/-; CR100—brand new, power transistors, 30/-. Power Unit, 30/-; Input 200/250v. Outputs: 250v, 75mA, and 24v. 1A, D.C. and 6.3v. 5A, A.C., new, cased, with plugs, 45/- p.p. (3/6). Band 3, Receiver, new, valves (APW9330), 15/-; with 50c. power pack; modern version, 60/- (rail 8/6). I.F. Strip 373, new, with valves, 42/6. Test Sets: 74A with 10 valves, VCR 139A, and faultly power pack, fair condition, 40/- (carr. 8/6). Brand new R.F. 25, 25/- (post 3/-); RE27, good cond., 20/-; Metal Rectifiers: 240v, 100 mA., 4/-; 350v, 80 mA., 6/-; 12v, 4 A. Bridge, 17/6; 240v, 30 mA., 3/6; 1,000v, 30 mA., 7/6. Chokes, L.F., 10H, 120 mA., Screened, 7/6; 5H, 200 mA., 4/6. Test Meters, new, 4 x 4 x 2 1/2in., Read 1.5 and 3v., 60 mA., and 5kd., 12/6. TS347 contains 10 mA. 3lin. meter. Res., etc., 8/6. TS350 with 1 mA. 3lin. meter, valve 1925, etc., 30/-; Meters, contain 2 separate micro-amp. movements and 2 neon, new, 7/6. R.P. Unit, 10D/19197, new, with 2/EF91, 1/EF93 and motor tuning, VHF miniature construction, 35/-. Test Set 281, 600/1200mc., new, with 50-cycle power pack, 50/- (rail 7/6). List and enquiries: S.A.E. please! Terms c.w.o., postage extra. Immediate despatch. W. A. BENSON, 135, Rathbone Road, Liverpool, 15.

**REVOLUTIONARY INVENTION**, Stop hatching on your T.V. State your channel affected and send 10/6 for Plug-in Reflector or s.a.e. for details. LAVLO ELECTRICS, 8, Albert Terrace, Whitehaven, Cumberland.

**FOR SALE**

**SUPERTONIC SUNLAMPS**, listed £7/10/-, 80/-, S.A.E. SCIENTIFIC PRODUCTS CO., Cleveleys, Lancs.

**PREMIER H.M. 12in.** (new) Chassis with valves, cost £20, £10. DAVIES, Earlsgate, Winterton, N. Lines.

**VALVE CARTONS**, ex-stock. Miniatures 10/6, "G.T."s 12/-, "G."s 14/- per 100, plus 2/- postage. Ask for our lists of valves and Hi-Fi goods for 3d. stamp. R.H.S. Dept., T.P., 155, Swan Arcade, Bradford, 1.

**SERVICE SHEETS**

**SERVICE MANUALS/SHEETS** Tel. Radio for hire. Sale and wanted. Mixed Manuals and Sheets, 12 for 10/-; s.a.e. enquiries, W. J. GILBERT (P.T.), 24, Frithville Gdns., London, W.12.

**SERVICE SHEETS**, Radio, T.V., 5,000 models. Lists 1/-, S.A.E. enquiries. TELRAY, 11, Maudland Bk., Preston.

**SERVICE SHEETS** for sale and hire. Radio/T.V.; s.a.e. enquiries, J. PALMER, 32, Neasden Lane, N.W.10.

**WANTED**

**ALL TYPES OF VALVES REQUIRED** for cash. State quantity and condition. RADIO FACILITIES LTD., 38, Chalcot Road, N.W.1. (PRImrose 9099.)

**NEW VALVES WANTED:** ECL80, EY51, EY85, PCF80, PCL83, PL81, or similar types. Also Speakers, Meters, or what have you, for prompt cash. R.H.S. Dept. TP, 155, Swan Arcade, Bradford, 1.

(Continued on leaf)

**SITUATIONS VACANT**

**AGENTS REQUIRED** to sell I.T.V. Converters, Aerials, etc., s.a.e. for details. G. A. STRANGE, N. Wraxhall, Chippenham, Wilts.

**AEROPLANE AND ARMAMENT EXPERIMENTAL ESTABLISHMENT BOSCOMBE DOWN**

requires **SKILLED** men to serve as:-  
**INSTRUMENT and ELECTRICAL CRAFTSMEN** for laboratory and Aircraft installations work.  
**TELEVISION RADAR and ELECTRONIC CRAFTSMEN** for laboratory and Aircraft installations work.  
**AIRFRAME and ENGINE FITTERS** for aircraft servicing and fitting of special equipment.  
**FITTER/ARMOURERS** for aircraft servicing and fitting of special equipment.  
**INSTRUMENT MAKERS and PRODUCTION MACHINISTS.**

Rate of pay for 44 hour 5 day week 182 1 plus 10/- merit lead or 182 1 plus 30/- merit lead according to experience. Prospects of re-assessment of rate within three months, any increase back-dated to date of entry. **MERIT LEAD CAN RISE TO 70/-**. **TWO WEEKS (88 hours) PAID ANNUAL LEAVE.** **PAID SICK LEAVE SCHEME.** **HOSTEL ACCOMMODATION AVAILABLE** for SINGLE or UNACCOMPANIED APPLICANTS.

Apply giving details of apprenticeship and experience to Air Commodore (Civilian Administration Officer), (C4) A. & A.E.E., Boscombe Down, Amesbury, Wiltshire.

**RADIO (METEOROLOGICAL)** Technicians required by Meteorological Office. Qualifications: Basic knowledge of radio and radar and experience in maintenance/operation of radar equipment including oscilloscopes. Successful applicants serve in United Kingdom and overseas. Commencing London salary £660 at age 25 or over, rising annually to £705 subject to deductions for each year below age 25. Provincial salary £28 to £30 lower. Overtime, night duty allowance, etc. Apply at any **EMPLOYMENT EXCHANGE**, quoting King's Cross 2468/0668/99.

**EDUCATIONAL**

**A.M.I.P.R.E.**—For details of suitable study courses (only a limited number of students accepted) send for free Syllabus of Instructional Text. I.P.R.E. Conditions of membership booklet 1/-. "The Practical Radio Engineer," Journal, sample copy. 2/3; 6,000 alignment peaks for Superhets 6/-. All post free from **SECRETARY, I.P.R.E.**, 20, Fairfield Road, London, N.8.

**11 + EXAMINATION**

Write for **FREE** 24-page **GUIDE** and Test, stating age of child to: **THE REGISTRAR** (Dept. M7), Mercer's Correspondence College, 69, Wimpole St., London, W.1.

**FREE!** Brochure giving details of Home Study Training in Radio, Television and all branches of Electronics. Courses for the Hobby Enthusiast or for those aiming at the **A.M.Brit.I.R.E.**, **City and Guilds**, **R.T.E.B.** and other Professional examinations. Train with college operated by Britain's largest Electronics organisation. Moderate fees. Write to **E.M.I. INSTITUTES**, Dept. PT28, London, W.4.

**LEARN IT** as you do it—we provide practical equipment combined with instruction in Radio, Television, Electricity, Mechanics, Chemistry, Photography, etc. Write for full details to **E.M.I. INSTITUTES**, Dept. PT47, London, W.4.

**BUILD YOUR OWN T.V.** and learn about its operation, maintenance and servicing. Qualified engineer-tutor available while you are learning and building. Free Brochure from **E.M.I. INSTITUTES**, Dept. PT58, London, W.4. (Associated with H.M.V.)

**TRANSFORMERS?**

**CONTACT Forrest FIRST!**

Rewinding and manufacture of all types for Television Radio and Electronic Application.

**FORREST (TRANSFORMERS) LTD.**, Shirley, Solihull, Warwickshire. Phone: SH1. 2483. Est. 34 years.

**LINE OUTPUT TRANSFORMERS**

Most types available. State Make and Model Number of Receiver when ordering.

S.A.E. please with all enquiries.

**HOWORTH**

**51 POLLARD LANE, BRADFORD, 2, YORKS**

Tel. 37030

**GUESSING?—DON'T!**

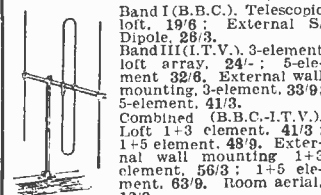
**PIN-POINT THOSE FAULTS WITH A RES/CAP BRIDGE, 35/- (P. & P. 1/6) READY CALIBRATED**

Stamp for details of this and other kits.

**RADIO MAIL (Dept. J)**

Raleigh Mews, Raleigh Street, Nottingham

**B.B.C.—I.T.V.—F.M.—AERIALS**



Band II (F.M.). Loft S/Dipole 12/6; loft "H." 28/-. External S/Dipole, 28/3. Postage and Packing all types. 2/6. Co-axial. 8d. yd.; Co-axial plugs 1/3. State channel when ordering. S.A.E. for Price List. Trade enquiries invited.

**KVA ELECTRONICS (Dept. 1)** 189, Kent House Rd., Beckenham, Kent SYD 2483

**NEW-MAX ELECTRONICS LTD.**

For London's Finest Bargains in electronics, television and radio equipment.

**500 REPOSSESSED AND SHOP SOILED T.V. SETS IN STOCK. ALSO LARGE SELECTION OF TAPE RECORDERS ALL GUARANTEED.**

**T.V. TUBES**

**RECLAIMED & GUARANTEED** 12in.. £8; 14in.. £5; 15in. and 17in.. £7.10.0.

**REBUILT TUBES** with 6 mths. guarantee. 10in. £8.10.0; 12in.. £9; 14in.. £11.10.0; 15in.. £12.10.0; 17in.. £14

Regret one month waiting list for MAZDA 12" tubes.

**BRAND NEW FULLY GUARANTEED** 14in. M.W. 33-24 tubes. £16.10.0. 17in. M.W. 43-64 tubes. £17.10.0.

**P.P. & Insurance** on all tubes. 15/- Gram. Amplifier and 4-station radio combined. £8.10.0.

**RECORD CHANGERS—Brand New** Collaro Conquest latest 4-speed Auto-changer. £8.10.0.

Collaro Continental with new Transcription pick-up, making this the world's first true high fidelity 4-speed autochanger. Price. £9.15.0. B.S.R. Monarch 4-speed. £8.15.0

**STAAR GALAXY** The world's most advanced 4 speed auto-changer with ultra lightweight pick-up. List price £12.16.3. Our price: £8.10.0.

**COLLARO JUNIOR** 4 speed non-auto gram motor with pick-up. £4.12.6.

**B.S.R.** 3 speed gram motor, non-auto with pick-up. £3.13.0. Post & Pkg. on record changers is 5/-. Orders and Callers to:

**NEW-MAX ELECTRONICS LTD.** 221 Edgware Road, London. W.2. PAD 5607

Air spaced Coaxial Cable, 75/80 ohms, new. 9d. per yd., 70" per 100 yds. Meters, 500 microamps. F.S.D., marked 15/600 v. 2in. dia. 15 - 12in. Plessey P.M. Speakers, new. 20/-. Television Aerials, Band III Channels 8/9/10. 3-element. 28/6; 5-element 33/6; 8-element. 53/6; Band I all channels, "H." 77/6; "X." 74/6. Combined Aerials from 25/- Why not send S.A.E. with your aerial enquiry and we will reply by return. We only stock the well-known guaranteed make aerials, thereby giving better value for money.

**Coaxial Sockets, Chassis mounting, 3 for 2/6.** **F.M. Feeder Cable,** new, standard 300 ohms. 6d. per yd. **Volume Controls,** special offer 1/ meg. S/P. Long spindle. 3/-. **Volume Controls, D/P 5/6; L/S. 3/6; Pre-set. 4/-; R.M.1. 4/6; R.M.2. 5/6; R.M.3. 7/6; R.M.4. 16/6; R.M.5. 25/-.** **Tom-Tom Magnets, 5/-.** **Chrome Car Aerial 37/6.** **Fidelity 4-speed Autochange Amplified Record Players,** new and guaranteed. 18 gms. **Pifco Electrical Blankets,** new. Single. 67/6; Double. 87/6.

**GUARANTEED VALVES**

024	5/-	6AT6	8/-	1625	6/6	6CC84
1A3	3/-	6BG6	6/-	B36	19/6	12/6
6X4	3/-	6BD6	19/6	E919	5/-	PY80
2X2	4/-	6BW6	8/-	ECL80	8/-	PY8
3D1	2/6	6K5	9/-	12/6	6/6	UBC41
4D1	3/6	6SL7	8/-	ECL82	12/6	UCH42
5U1	9/-	6Q7	9/-	12/6	6/6	UL41
5Z1	9/6	6U7	6/6	6F8B	12/6	W76
6AQ5	8/6	80	12/6	6EL84	10/6	W81

**MAIL ORDER ONLY.**

**NO CALLERS.**

Terms: C.W.O. or C.O.D. Minimum C.O.D. charge 3/6. Postage and packing per valve 6d. Under £2. 1/3; £4. 2/3. All Aerials 2/6 carriage.

**ELECTRO-SERVICES & Co.**

**221 BATTERSEA PARK ROAD, LONDON, S.W.11. MAC 8155**



position of the distortion will change from top to bottom, if it is frame it will stay where it is. Mains hum can be introduced by heater-cathode leakage of the video amplifier, sync separator or line timebase valves, and also by faulty smoothing. Frame can be breaking through due to faulty smoothing, in particular the 2  $\mu$ F screen decoupler to the sync separator. To remove your turret, withdraw chassis and unscrew outer bolt on which the turret hinges. Remove bonding strip and unplug five-way connector. Unfasten aerial panel from main chassis and disengage turret sideways and forward.

### VIEWMASTER

I used a G.E.C. 12in. tube 6705A with flyback EHT boost and modifications for increase of width and height. The tube was broken during a removal and I have been able to replace it with a CRM121 (12in. 6 kV max.) whose only fault is an ion burn. As the tube has a max. volts of 6 kV I had to take off the EHT boost and so my trace was too big and I had to reduce the scan. When I switched on I got a trace 6in. high but wide and I have only been able to resolve a picture by playing about with values of components and have replaced every component in the line oscillator and timebase except the line output transformer and coils.—J. Galvin (Welwyn).

We cannot advise you to experiment in the way that you have been doing since the performance of the Viewmaster will undoubtedly be affected. The original Viewmaster circuit without the EHT boost gave 6 kV and if that is all that is required then we suggest you adhere to the specified circuit. Another alternative is to leave the circuit as it was with EHT boost but connect a 200 pF condenser to the line scanning coils tags L1 and L2.

### FERGUSON 968T

Fault, sound on vision during loud passages of music. Also the picture height control at rear of set is at maximum, but the picture does not completely fill the tube in that direction.—R. Stannard (E.17).

If the sound-on-vision is present even with the volume turned right down it is probably caused either by overloading of the first stages due to a too strong aerial signal or misalignment of the vision channel tuned circuits, particularly the sound rejectors. Insufficient height on this model is often caused by value increase of the 470k resistor which is connected to the slider of the height control.

### EKCO T164

I cannot get a complete picture. No matter what adjustments I make to the controls the best I have had yet is an approximate 2in. strip of the centre of the picture, but the most strange effect is that remaining strips of the picture are

behind the centre strip and the effect can only be compared to a film negative cut into strips, placed one behind the other and held up to the light. I purchased this set minus U25 and line (EHT) transformer. I fitted these both, being new, and have tried four different 10P13's in the frame output but with no effect. I changed all the valves with a set of known good valves but result was a reduced picture in which no details could be made out.—L. E. Miller (Doncaster).

The frame timebase on the T164 is centred around half of the 20L1 frame oscillator and the 10P13 frame output valve which are just alongside the line output stage shield. Apart from the valves, which we suggest you check again, the common causes of scan reduction are: Faulty 500  $\mu$ F cathode bias decoupler to the 10P13; change of value of 1 meg resistor in series with wiper of hold control, faulty blocking oscillator transformer and a faulty interlace metal rectifier (Type Q3/4). The "negative" effect may be due to a low C.R.T. If so, it will still be present when your scan is corrected and may need a booster transformer for the heater.

### FERGUSON 988T

I purchased this set second-hand eighteen months ago and it has given excellent service until recently. The line EHT transformer T1 on service sheet has broken down and I have obtained a new one, but the physical dimensions are totally different from the old one. The dealer who supplied it to me contacted the makers and they assured him that this is the correct one for the model as there was conversion after this model was issued. What I would like to know is, has any other component to be altered in the conversion? I have the service sheet for this set, published in 1952, and there is no mention of the transformer conversion. I can draw a moderate spark from the top cap of V8 (PL81), but nothing from EY51, which does not appear to be lit. I fitted a new EY51 with the same result. Also, the first anode of the C.R.T. should show 454 volts, but on testing with an "Avo" Model 7 I could get no reading. Sound is O.K. but no raster on screen.—R. S. Evans (Onchan).

We have no knowledge of this transformer being severely modified as you mention. A universal transformer, having a tapping on the primary so as to cater for the 988T and the 988F "Twelve Plus," was eventually produced, but this is mechanically the same as the former model. We would suggest, therefore, that you contact your supplier for a conversion sheet relating to the component with which he supplied you.

### QUERIES COUPON

This coupon is available until MARCH 21st, 1958, and must accompany all Queries sent in accord with the notice on page 395.

PRACTICAL TELEVISION, MARCH, 1958

1958 EDITION

**RADIO AMATEUR'S HANDBOOK**

32/6 by The A.R.R.L. Post. 1/9

**HIGH FIDELITY SOUND REPRODUCTION.** By E. Molloy. 20/- Postage 1/-.

**A BEGINNER'S GUIDE TO RADIO.** By F. J. Camm. 7/6. Postage 6d.

**IMPROVE YOUR RECEPTION.** By J. Cura & L. Stanley. 5/- Postage 4d.

**PORTABLE TRANSISTOR RECEIVER.** By S. W. Amos. 2/6. Postage 3d.

**R.S.G.B. AMATEUR RADIO CALL BOOK, 1957-9.** 3/6 Postage 1d.

**WORLD RADIO HANDBOOK FOR LISTENERS.** Broadcasting/Television. 1958. 13/6. Postage 8d.

**RADIO WAVE DATA.** Compiled by "WV." 5/- Postage 8d.

**THE MODERN BOOK CO.**

BRITAIN'S LARGEST STOCKISTS of British and American Technical Books

19-23 PRAD STREET, LONDON, W.2

Complete catalogue 6d.  
Phone: PADDington 4185.  
Open 6 days 9-6 p.m.

**OSMOR CONVERTERS**

ALL CHANNELS

Simple, efficient for all TV (including TRF). Guaranteed no break-through of Band I or re-radiation. Approx. 1 hr. to build. Will convert any Band III channel to any Band I channel. A.C. or A.C./D.C. Kit. £3.5.0. Ready wired. £4.0.0. Post free. Terms: C.W.O. Post orders only. THE ELECTRONIC SUPPLY CO. 29 Leigh Rd., Highbury, London, N.5

**RADIO AND TELEVISION COMPONENTS**

We operate a prompt and efficient MAIL ORDER Service, 3d. stamp (only) for Lists.

**JAMES H. MARTIN & CO.**  
Dept. P.  
FINSTHWAY, NEWBY-BRIDGE,  
ULVERSTON, LANCS.

**TELEVISION COMPONENT SERVICE**

Replacement components available for the popular home constructor designs. Catalogue available on request.

**J. T. FILMER** 82, Dartford Road, Dartford, Kent.  
Tel.: Dartford 4057

**NEW SHOP IN LEEDS I**

Components and Valves for Radios and T.V.s. Hi-Fi equipment.

**T. V. SPARES**  
41 Call Lane, Leeds, I

**OPPORTUNITIES IN TELEVISION**

148 pages

**Free!**



Television offers unlimited scope to the technically qualified. Details of the easiest way to study for A.M.Brit.I.R.E., R.T.E.B. Cert., City and Guilds, Television, Television Servicing, Sound Film Projection, Radio Diploma Courses, etc., are given in our 148-page Handbook "ENGINEERING OPPORTUNITIES" which also explains the benefits of our Appointments Dept.

**We Guarantee "NO PASS-NO FEE"**  
If you are earning less than £20 a week you must read this enlightening book.

Send for your copy NOW—FREE and without obligation.

**WRITE TO-DAY!**

British Institute of Engineering Technology  
237, College House,  
29-31, Wrist's Lane,  
Kensington, W.8. **BIET**

**RST ALL VALVES LISTED AT NEW STOCK AND POST FREE. MITCHAM 8201**

AZ1 15 6	EF92 12 .	MU14 10 .	UL11 9 8	6K7 10 .
AZ61 15 6	EF95 4 .	N7 18 3	UL84 9 .	6K5GT 10 .
6B5 8 6	EF95(2) 4 6	N74 11 6	UP4 23 6	6L1 13 3
6B8 11 6	EF97 7 6	N14 9 6	UP8 7 6	6L1 17 6
6B9 8 6	EF98 8 6	N15 11 3	UV85 8 .	6L6 21 6
6B10 9 6	EF98 12 6	N154 11 3	VP2B 19 .	6L8 12 6
6B11 9 6	EF99 10 .	N727 8 6	W17 8 6	6L9 21 .
6B12 9 6	EP01 8 6	PC854 9 .	W77 9 6	6N70 GT 10 .
6B13 9 6	EP02 8 .	PC855 12 6	W81M 18 6	6N70 8 .
6B14 9 6	EP05 11 .	PC852 11 3	W142 9 .	6N7GT 7 6
6B15 9 6	EP08 23 6	PC852 12 6	W719 8 6	6N7GT 8 6
6B16 9 6	EP10 10 .	PC853 12 6	W727 8 6	6X4 7 6
6B17 9 6	EP12 10 .	PL25 15 .	X18 11 9	6X5GT 8 6
6B18 12 6	EP12 17 6	PL35 23 6	X78 19 .	6Y1 18 6
6B19 9 6	EP14 9 .	PL82 10 .	X79 11 9	747 12 6
6B20 11 6	EP18 8 6	PL82 10 .	Z21 10 6	7Y4 7 6
6B21 9 6	EM3 10 .	PY80 8 3	Z77 10 6	8D5 8 6
6B22 9 6	EM4 11 6	PY81 8 6	Z152 8 6	8U1 18 .
6B23 10 .	EM5 15 .	PY82 8 6	Z19 9 6	8U2 18 6
6B24 10 .	EM5 10 .	PY83 8 6	ZD152 8 .	10F1 22 6
6B25 10 6	EM8 13 .	PZ30 18 6	1C2 11 9	10L011 10 .
6B26 5 0	EA91 9 .	R10 23 .	1F1 8 6	10P12 14 8
6B27 8 3	EZ65 8 6	R19 19 .	1K5 9 .	10P12 23 6
6B28 9 6	EZ49 8 .	SP11 3 6	1T1 9 6	12A18 10 6
6B29 9 6	EZ41 10 .	SP61 3 6	1U10 8 6	12A16 8 6
6B30 21 .	EZ40 8 .	TD101 12 6	5Y3GT 8 6	12A17 8 9
6B31 21 .	EZ81 8 .	TP22 12 6	5Z4G 10 .	12A17 9 .
6B32 8 9	EZ09 7 9	TP23 18 .	6A8GT 10 .	12A17 9 .
6B33 8 6	PC2 14 8	UL6 11 .	6A15 5 9	12B15 8 6
6B34 17 6	PC4 23 6	UL5 13 6	6A86 9 6	12B19 9 3
6B35 8 6	PC8 14 8	UL7 8 6	6A85 5 .	12B17 10 .
6B36 9 .	PC10C 19 6	UL12 8 6	6A95 7 8	12U1GT 10 .
6B37 9 .	GZ32 11 6	UL16 8 6	6A75 8 3	12K7GT 10 .
6B38 10 .	H20 4 9	UL17 9 6	6B4 4 .	12K7GT 10 8
6B39 10 6	H61 10 .	UL33 9 6	6B45 8 6	12K8GT 10 8
6B40 12 6	HK33 8 .	UL49 9 6	6B85 8 3	12L1GT 10 .
6B41 12 6	H132 11 6	UL91 9 6	6B86 7 8	12Q7 12 3
6B42 21 6	HL15D 21 6	UL91 27 6	6B87 12 .	12Q7 8 8
6B43 12 6	UL15 11 6	ULABUS 10 .	6B88 8 6	12Q7GT 8 6
6B44 8 6	RV99 7 6	UL10 10 .	6B87 9 6	12H7 8 .
6B45 9 3	KV12 10 .	UL42 10 .	6B88 8 6	15D1 8 6
6B46 10 .	KT36 12 6	UL8011 8 6	6C10GT 27 .	20F2 13 6
6B47 13 6	KT66 14 6	ULF50 9 6	6D2 5 9	20L1 19 6
6B48 21 .	LZ10 12 6	ULH12 10 .	6F1 19 6	20F2 12 8
6B49 16 .	ML1 12 8	ULH13 10 6	6F2 8 6	23W4 7 8
6B50 10 3	MKT15 13 .	UL15 18 .	6F3 13 6	32ZGT 8 .
6B51 15 .	OF 7 21 .	ULF1 9 .	6F6 6 6	50L8GT 10 .
6B52 9 3	MSF1 15 .	ULF9 10 .	6J7GT 10 .	

Quotation given for any types not listed. Obsolete and old types a speciality and for lists.

**JASON**

**FM SWITCHED TUNERS**

All BBC Programmes at the turn of a switch  
**MERCURY KIT.** Includes front-end unit already built and aligned. £9.19.0 Post Free.

Credit Terms: Deposit £1.10.0 and seven monthly payments of £1.7.0.

Instruction Book 2/3 post free. Included in kit. Fully detailed price list free.

**PREFECT TUNER.** A ready-built unit. Less power supply. £15.12.6.

Credit Terms: Deposit £2.4.6 and seven monthly payments of £2.2.0. Illustrated leaflet free.

Both these tuners incorporate a good A.F.C. system which ensures freedom from drift.

**NEW AVO MULTIMINOR**

A brand new test instrument at a very attractive price.

A.C. and D.C. Volts. D.C. Current. Two ohms ranges. Movement is 100 microamps (10,000 ohms per volt). £9.10.0.

Credit Terms: Deposit £1.8.0 and seven monthly payments of £1.6.0. Illustrated leaflet available.

**WATTS RADIO (Mail Orders) LTD.**

54, Church Street, Weybridge, Surrey.  
Telephone: Weybridge 4556.

PLEASE NOTE: Post-orders only to this address.

# TELEVISION TUBES

<b>MULLARD</b>	...	...	12in. £6.10.0	14in. £7. 0.0	17in. £8.10.0
<b>COSSOR</b>	...	...	12in. £6.10.0	14in. £6.10.0	17in. £8.10.0
<b>EMITRON</b>	...	...	12in. £6.10.0	14in. £7. 0.0	17in. £8.10.0

## MONTHLY CLEARANCE REDUCTIONS

<b>MAZDA</b>	...	...	...	14in. £5.10.0	17in. £7. 0.0
<b>CATHODEON</b>	...	...	...	14in. £6. 0.0	17in. £7. 0.0

All Tubes plus 12/6 carriage and insurance.

## SIX MONTHS' GUARANTEE

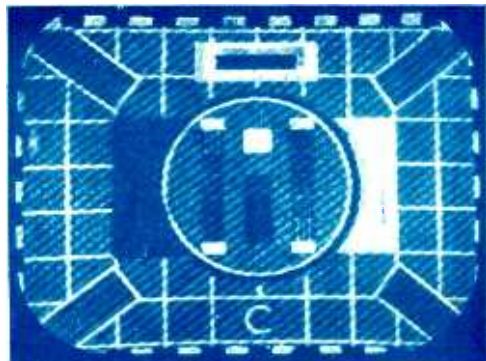
Terms to the Trade.

## RE-VIEW (LONDON) LTD.

81, HIGH STREET . . . MERTON S.W.19

Telephone : CHERRYWOOD 3255

## T/V INTERFERENCE BANISHED IN SECONDS!



with *Labgear* PRINTED  
CIRCUIT FILTERS

which plug directly into your receiver.



PATTERNS LIKE THAT ILLUSTRATED ABOVE RUIN T/V RECEPTION, BUT THANKS TO THE NEW LABGEAR PRINTED CIRCUIT FILTERS CAN USUALLY BE CLEARED INSTANTLY. SEND FOR EXPLANATORY LEAFLET WHICH TELLS YOU WHICH OF OUR 3 MODELS YOU SHOULD EMPLOY.

### TYPES OF INTERFERENCE MINIMISED BY LABGEAR FILTERS :

Broadcasting Stations, Shipping, F.M., Radar, Police, Ambulance and Fire Services, Amateur Stations, Diathermy and R.F. Heating Equipment, and " Forward Scatter " Stations.

**Labgear Ltd.,** WILLOW PLACE, CAMBRIDGE.  
'Phone 2494/5. 'Grams. Labgear, Cambridge.

