

ELECTRONICS

SCIENCE AND TECHNOLOGY

£2000
to be
won!
see page 61
for details

DIGITAL COMPASS

Find your way around with the Hall Effect

SERIAL MULTIPLEXER

Connect yourself to the world

A TO Z OF DIGITAL ELECTRONICS

Everything you always wanted to know... but didn't dare ask!

SYNC LOGIC

There is method in madness



Tandy®

THE PLACE FOR PARTS

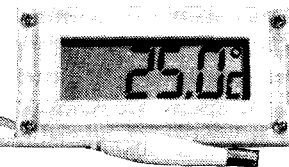
Here at Tandy we stock a large selection of parts for the hobbyist and professional alike. Whether you are repairing a computer or building your first electronic project your needs can be catered for all under the same roof.

Tandy has a range of lamps and assemblies; ICs, diodes, regulators, displays, transistors, relays, enclosures, power connectors, in fact anything and everything you could ever need for repairs and projects.

Our range of adapters and connectors is second to none, and our after sales service is something in which you can trust.

So, whether you are building an alarm system, repairing a radio or just wiring a plug, Tandy is the place for parts!

TEMPERATURE INDICATOR

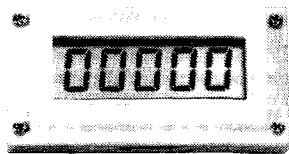


£14.95

Use "as-is", or add simple circuits to control an LED, fan, heater, buzzer. -40 to +50°C, -40 to +122°F range. Requires "AA" battery. With probe cord, data.

277-123 £14.95

COUNTING MODULE

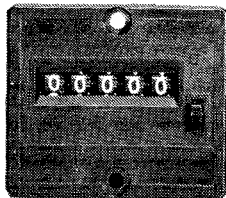


£12.95

Counts up to 99,999. Advanced by external switch closure or digital circuit. Count rate up to 7 Hz. 12.7mm LCD display. Requires "AA" battery.

277-302 £12.95

MECHANICAL COUNTER

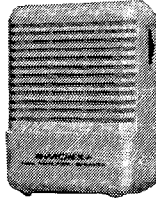


£10.99

Extra rugged device with many uses. Advances one count with a 12 VDC pulse. Manual pushbutton reset. With leads and data.

277-222 £10.99

MINI AUDIO AMPLIFIER

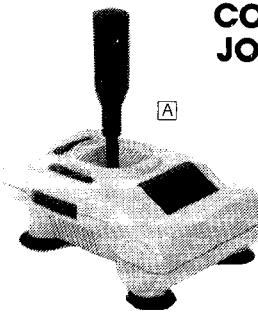


£9.99

High gain IC design, use as a test bench amplifier. Ideal for computer voice/music synthesis. On/off volume control. 3.5mm earphone and input sockets. Requires 9v battery.

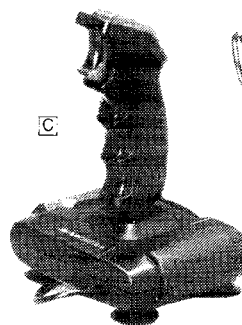
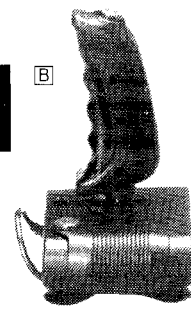
277-1008 £9.99

COMPUTER JOYSTICKS



£16.95

£7.99



£9.99

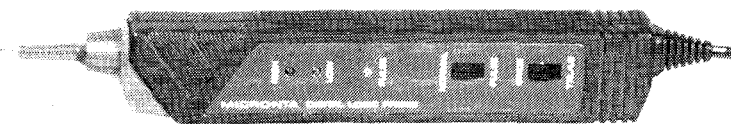
A) Joystick For Tandy/IBM. Features smooth-tracking stick and high-speed auto-firing. With 15 and 5-PIN connections. 270-9207 ... £16.95

B) Jet Fighter Style Competition Joystick. Features two "fire" buttons plus auto-fire control. 270-1701 £7.99

C) Super-Deluxe Competition Joystick. Features large contoured handle and two firing buttons. 270-1703 £9.99

DIGITAL LOGIC PROBE

£15.95



Colour-coded LEDs indicate high, low or pulsed logic states (up to 10 MHz). Simultaneous tone output frees your eyes for fast testing. Switches for pulse or normal modes. Input: 100K ohms. Minimum detectable pulse width: 50 ns. Operates from 4 to 15 VDC. Instructions included. With 91.4cm leads.

22-303 £15.95

Tandy

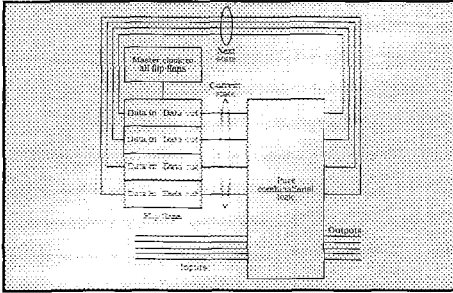
PRACTICAL ELECTRONICS

VOL 27 NO 2

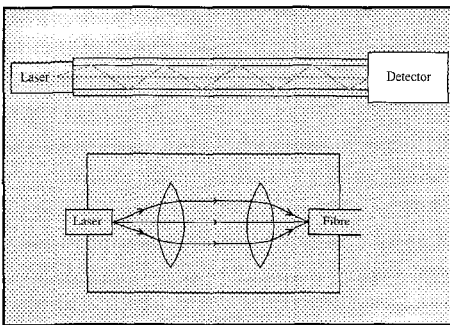
FEBRUARY 1991

CONTENTS

Page 21 ▲ Page 34 ▼



Page 32 ▼



NEXT MONTH

POINTING THE WAY

For anyone who uses a MIDI and wants to know how it works and how to test it, the March issue will feature an analyser that reveals all. Other special features will include a review of Tsien Boardmaker, a low cost versatile PCB design system, and the culmination of our Basic Electronics tutorial. Watch out for the new look as we make the magazine more streamlined and more informative with new features such as Data Sheet, How it works and 25 years of PE plus a host of others.

★ DON'T MISS YOUR COPY OF OUR MARCH 1991 ISSUE

★ ON SALE FROM THURSDAY FEBRUARY 7TH

PRACTICAL ELECTRONICS
A WORLD OF TECHNOLOGY



BUILD IT FOR FREE!

Find out how you can win your share of £2000 61

CONSTRUCTIONAL PROJECTS

- DIGITAL COMPASS** by John Becker11
For the experimenter and gadgeteer alike, this project describes how various sensors can be used to detect changes in the Earth's magnetic field. A stand alone 65C02 microprocessor system provides enough computing power to convert direction to a digital readout.
- RESISTOR CALCULATOR** by Stephen Stopford27
How to build a neat and simple tool that uses geometry to work out the values of parallel resistances.
- SERIAL MULTIPLEXER** by Ron Goulding34
By allowing more than one device to use the RS232 serial system, this project paves the way to low cost computer networking.
- FROST ALARM** by John Becker44
This simple circuit shows how easy it is to build an electronic temperature sensing device.

SPECIAL FEATURES

- A TO Z OF DIGITAL DEVICES** by Chris Kelly21
Chips can be used to do almost anything these days. The problem is in knowing what is available and which is best for a particular situation. A look through this list should prove both informative and helpful.
- SYNCHRONOUS LOGIC DESIGN** by Tim Watson29
Building Boolean logic circuits that incorporate feedback can be quite difficult if the wrong methodology is used. The design rules described in this article will make the process easier.
- FIBRE OPTICS** by Mike Sanders39
Following on from his series about lasers, Mike looks into how threads of glass can be used to transfer information at high speed.
- HISTORY OF TECHNOLOGY - ALESSADRO VOLTA** by Ian Poole46
If not the most famous, it is certainly the most used name in electrical and electronic engineering. This month Ian looks at the man whodiscovered methane and invented the battery.
- BASIC ELECTRONICS - PART FOURTEEN** by Owen Bishop48
More on frequency and filters. This month our beginners course moves on to oscillators and tone controls.

REGULAR FEATURES

- EDITORIAL9
LEADING EDGE by Barry Fox - Caller Identification8
WINNING READERS - the latest Loyalty Bonus results47
SPACEWATCH by Dr Patrick Moore - ROSAT52
INDUSTRY NOTEBOOK by Tom Ivall - Biosensors57
NEWS AND MARKETPLACE - what's new in electronics 4
PCB SERVICE - professional PCBs for PE Projects60
ARMCHAIR BOOKSHOP - practical browsing57
ADVERTISERS' INDEX - who stocks what62

WIRELESS NETWORKING

Computer giant NCR is currently fighting the Department of Trade and Industry for permission to launch its cableless computer networking system, WaveLAN, in the UK.

The trouble with computer networks is the need for special cables to link them. In new offices this is not too much of a problem, since the necessary wiring can be hidden in the walls with outlets at convenient positions. Connecting up a computer to the network is then just a matter of plugging the lead from the back of the machine into the socket in the wall - hoping, of course, that the lead is long enough.

With older offices, installing the cables required for a network may mean unsightly wires trailing along the walls, floors and ceilings. The same applies to anyone who is putting in a network and doesn't want to go to the trouble of making the whole thing tidy - PE's office is a good example of this.

The NCR system links computers together using a spread spectrum radio technique on frequencies from 902 to 926MHz at 600mW. Each computer interface to the network has its own transmitter and receiver and can be placed

at any position in an office. The high-speed system can penetrate office partitions and transfer data at up to 2M bits per second - ten times faster than infra red systems.

Unfortunately, the radio bands required by the network are currently set aside for cellular telephones and, although NCR does not anticipate any interference, the DTI will not give permission for the system to be used in the UK. An alternative frequency of around 2.4GHz is under consideration but this would mean redesigning the system that is currently FCC approved and sold in the USA.

BBC TV TO GO STEREO

To coincide with the start of the Autumn schedules, the BBC has announced that it will be transmitting stereo sound on its TV services. Using the now standard Near Instantaneous Companded Audio Multiplex (NICAM 728) method that has been available on some ITV stations for a while, the BBC aims to reach around 73% of the population.

NICAM was originally developed by BBC engineers and accepted for use in the UK in 1986. A year later it was adopted by the European Broadcasting Union (EBU) as the terrestrial standard for

stereo broadcasting. Experimental broadcasts were started by the BBC from its Crystal Palace transmitter in 1986 and test transmissions for the whole network are due to start in the summer of 1991 - they are already in progress in London and the South East though the BBC warns that signals are liable to interruption during the test period.

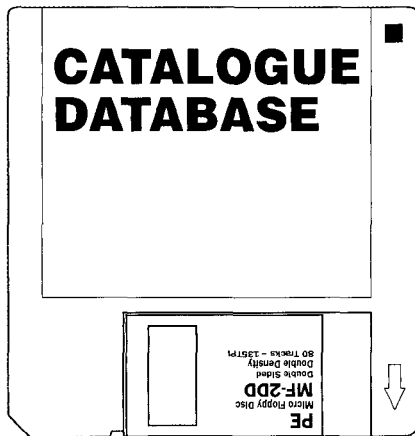
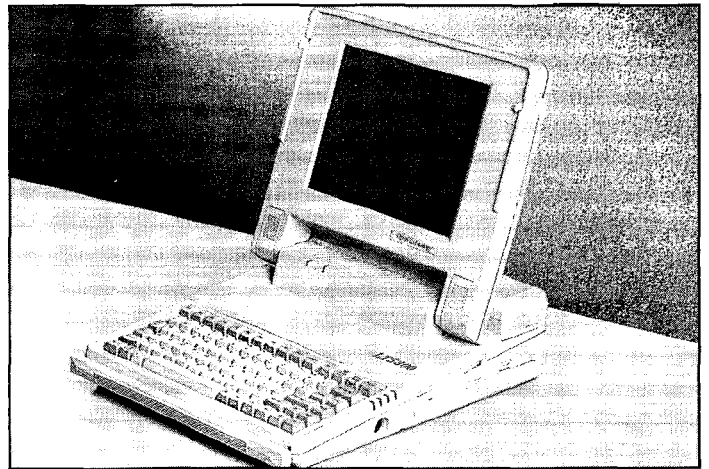
Initial transmissions will not cover Cornwall, most of the South Coast, North and Mid Wales, the Scottish borders, the Scottish Highlands and Northern Ireland.

OPUS LAPTOP

Opus Technology has announced the launch of its new 386SX laptop computer.

Featuring full AT compatibility, a clock speed of 16MHz, 1Mbyte of RAM, a built in VGA chip offering VGA, EGA, CGA, MDA and Hercules compatibility on its 640x480 10" gas plasma display, the system comes complete with 3.5" floppy and 40Mb hard disk drives.

Unlike many similar laptop style machines the Opus 386SX has an AT compatible 16-bit slot which allows standard expansion boards to be used. Weighing less than 9kg, the recommended retail price is £1999+VAT with a free external numeric keypad available to complement the standard 82 key keyboard. For more information contact: Opus Technology, Redhill Business Park, Bonehurst Road, Salfords, Redhill Surrey, RH1 5YD, Tel. 0293 821444



Our browse through recently received literature

Lambda Photometrics has recently made available its 1990/91 56-page catalogue of Seastar optical devices and laser diode instrumentation. Including all spectral characteristics as well as photographs, the catalogue covers a large range of laser diodes and drivers.

Maplin Electronics has added a number of new products to its 1991 catalogue: A new multi-channel receiving system which can pick up signals from thirty separate satellites with up to 100 pre-programmed channels including Sky TV. In addition, dishes are available in the non-acne colours brick-red, dark-green, slate-grey and beige. At 99cm, the dishes would not normally need planning permission.

A NICAM 728 stereo sound receiver kit which operates on 12V and supports automatic audio switching - mono, stereo, bilingual - in an all British design.

A selection of Kodak special purpose cameras from the Weekend 35 waterproof to the Fling 35 outdoor - the latter is a single use throw-away design that fits easily in the pocket.

The Casio digital diary offering 32 columns by six lines, 64k of memory and various expansion cards.

Mail order specialists **Electrovalue** have a new catalogue out for 1991. The new catalogue is an 88-page A4 issue, full of components, constructional tools and other necessities for the electronics hobbyist. The catalogue costs £1.50, which is refunded when you make your first order of £5.00 or more. And I'm sure you will very quickly, as the range of parts on offer here is so comprehensive!

The Electrovalue 1991 catalogue is available from Electrovalue Ltd. 28b St. Jude's Road, Englefield Green, Egham, Surrey TW20 0HB.

A DREAM OF 3D

Three dimensional photography has been around for a long time and was once quite 'the thing' in the cinema. Unfortunately, it never really got anywhere because there was always the need for special gadgetry and the quality and colour suffered as a result.

The dream of 3D video has been with us since 50's pulp science fiction saw it as something that would be ubiquitous by the end of the century. Unfortunately, the end of the century is approaching fast with, so far, no sign of a commercial 3DTV system that is available to all.

The problems with stereoscopy arise mainly from the need to produce a different image for each eye from a single box that can be viewed from across the room. Systems that use red and green or the more modern polarised spectacles surface occasionally but never seem to take off.

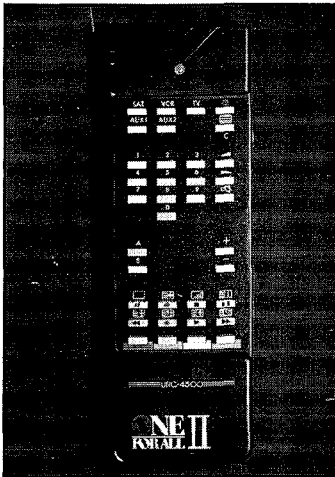
Recently, a possible solution has been developed by inventor John Christian who has designed a system to produce full colour three dimensional images on a standard colour TV. Being a bit of a photographic and video buff and having a long-standing interest in still stereo photography he decided that the solution was simple and built the device. The basic idea involves splitting the picture going into the camera into two and positioning the resulting images side by side on the final recording. Once stored in this way, there are a number of ways of viewing the results.

A 3D image can be viewed through a box placed near the arm of a chair about 18 inches from the eyes. This produces a full colour three dimensional effect that has the advantage of not using any special electronics or filters and is therefore not tied to any particular video system. An alternative solution is to place two polarising filters over the TV screen, one at right angles to the other and view the result through similarly polarised spectacles. A third method is to use an LCD projector system to display the two images on a screen through polarising filters - again, the polarised spectacles are needed to see the final 3D image.

After recently receiving a Natwest/BP award for pioneering the development of affordable and accessible 3D

video, Mr. Christian is now looking for a manufacturer who would be interested in producing the system on a large scale.

MULTIZAP



With the proliferation of remote control equipment, the increase in the number of handsets can be confusing. It is far too easy to pick up the wrong 'zapper' and frantically press the buttons only to find that the TV stays on the same channel or the video continues rewinding.

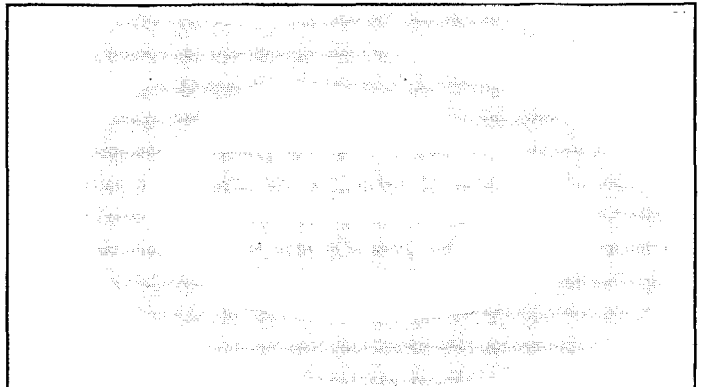
One solution is the 'One for all II' from CelTel which allows up to five remote 'zappers' to be replaced by a single handset.

Unlike similar products, One for all II has all the codes for standard systems built in so that it doesn't have to learn from existing remote control units. A list is supplied with the device that gives a three digit code for each piece of equipment. Keying in the product codes tells the One for all II which products it is being used with. As well as TV, VCR, satellite and teletext, CelTel claims that its product list is comprehensive and can be used where existing remotes have been lost or even stolen.

Priced at £40, the One for all II is available from many high street stores or directly from CelTel on 0256-474900. The sound of zap, zap, zap, zap, zap...zap, "Oh why is there never anything on!" could soon replace the dry comment "You're using the wrong one" among tele-addicts and couch potatoes.

BT BREAKOUT

The location of most telephone sockets makes it a fairly awkward job to take



If you are organising any event to do with electronics, big or small, drop us a line, we shall be glad to include it here.

Please note : Some events listed here may be trade or restricted category only. We cannot guarantee information accuracy, so check details with the organisers before setting out.

Mar 19-21. NepCon Europe and Electronics International (formerly British Electronics Week). NEC, Birmingham. 0799 26699.

April 17-18. Laboratory Manchester. Windsor Hall, G-Mex Centre, Manchester. 0799 26699.

May 15-16. Laboratory Scotland. Scottish Exhibition Centre, Glasgow. 0799 26699.

IEE FARADAY LECTURES

Presented by the Universities of Bath and Sussex.

Feb 5-7 London. Feb 12 Hanley, Stoke-on-Trent. Feb 27 Nottingham. Mar 6 Sheffield. Mar 13-14 Bath.

For free tickets and further information contact (enclosing SAE) The Faraday Officer, IEE, Michael Faraday House, Six Hills Way, Stevenage, Herts SG1 2AY.

MICROPROCESSOR TRAINING COURSES

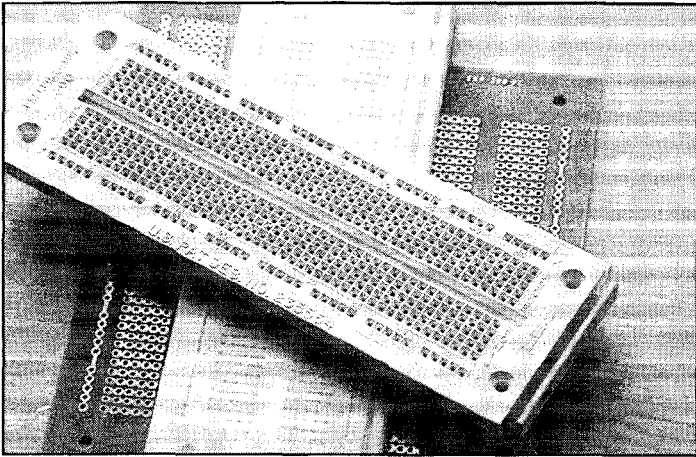
In conjunction with Colchester Institute, Flight Electronics is offering a range of intensive four-day microprocessor courses. Contact: Suzanne Kittow, Flight Electronics Ltd. Flight House, Ascupart Street, Southampton SO1 1LU. Tel: 0703 22721.

them apart just to check the connections. Crawling around on the floor and removing the face of the socket requires a lot of fiddling with a screwdriver and usually reveals a set of wires which can only just be seen - especially when the socket is stuck under a large table or similarly unmoveable object.

The new 'breakout' plug brings all six standard connections to the outside world where they can easily be checked. Unfortunately, the user still has to crawl around the floor since the test gadget is

directly connected to the BT plug. Perhaps the manufacturer should consider putting a longer lead between the plug and the test pins so that the use of hands and knees can be kept to a minimum. For more information contact:

J Dornan
OK Industries UK Ltd.
Barton Farm Ind. Est.
Chickenhall Lane
Eastleigh
Hants.
SO5 5RR
Tel. 0703 619841
Fax 0703 643279



GET AHEAD WITH A BREADBOARD

One of the most useful tools available to the electronics experimenter is the breadboard. For those who want high reliability, the Global Specialities' range offers a lifetime guarantee. Aimed to make developing and testing new circuits, as quick and easy as possible, the Experimenter 30 comes with two free special offers. The Matchboard is a pre-drilled PCB upon which a finished circuit can be produced and Scratchboard is a workpad which can be used to sketch out the circuit design for a permanent record.

In addition to the Experimenter 300, a full range of breadboards is available from Global offering no solder spill, dry joints or burns, speedy development and component lead sizes from 20 to 26 gauge. In addition there are common and bussed tie points for component leads and power supplies.

Priced at £5.95, the Experimenter 300 is available from Global Specialities, Rackery Lane, Llay, Wrexham, Clwyd, LL12 0PB. Tel. 0978 853920.

TAPE DEBATE

The debate over whether to levy a tax on home taping is underway again as the European Commission prepares a directive on the subject. Whilst Britain and Greece spoke out strongly against the prospect of imposing a penalty on all users of blank tapes, Ministers from Germany, France, the Netherlands, Belgium and Spain did not share their concerns.

Two years ago, a green paper published by the EC stated that there was no need for a tape tax for the

completion of the internal market. However, France and Germany already have a blank tape tax and a number of other countries have passed laws to implement such a levy, although they have yet to decide whether to actually go ahead with it.

A problem obviously arises in 1992 when the Single European Market comes into effect. This should mean that anyone wanting to buy blank tapes that are untaxed can simply import them from a country without the tax. Since both France and Germany are major players in the EC, it may be that a U-turn will have to be made and a tax imposed on all of the member states.

The whole reason for the levy is to try and claw back some of the revenue lost by music publishers when people copy records, CDs and pre-recorded tapes onto blank tapes. It is a matter of opinion as to whether this is reasonable or not. One argument is that the publishers don't really lose all that much and it is unfair and punitive to tax all blank tapes - there are, after all, other uses to which they can be put.

Sweden recently ditched its blank tape levy because it cost more to operate than was gained from it. There were also reports of people smuggling in cheap tapes from abroad and selling them 'duty free'. The tax should be repealed by 1993.

Along the same lines, DAT (Digital Audio Tape) was introduced into the UK last autumn but in the US it has been blocked. The problem is much the same as with blank tapes but the recording quality is far superior. A court action in the US against Sony, importers of DAT machines, by songwriters and music publishers claims losses of millions of pounds - which Sony obviously denies. The problem with law cases like this is that they can go on and on and on.

PROMULATIONS

The PROMulator is a low cost ROM emulation system from Smart Communications designed to make the testing of single board microprocessor systems easier.

At some point during the design of a single board system the software must be tested on the board itself. Normally developed on a larger machine, the software is transferred to a ROM or EPROM which must be 'blown' or 'burned' with the necessary code and then plugged into the board. The problem with testing such systems is that correcting the inevitable mistakes in the software usually means 'blowing' an EPROM, trying it out, erasing it, correcting the mistakes and trying it again - a time consuming process.

There are a number of ways in which the turn around time for testing the software can be decreased. One is to use an EEPROM (Electrically Erasable Programmable Read Only Memory) which allows the software to be changed very quickly but still has the problem that the chip must be removed from the board every time an alteration is needed. Another option is to use a PROM emulator. These devices plug into both the board and the computer supplying the software. Changes can be made on the main machine and then moved 'onto' the board and tested without any messy 'blowing' or unplugging. Unfortunately, devices of this type are usually expensive.

The PROMulator is a low cost ROM emulator that comes in three sizes, 256k, 512k and 1M with prices starting at around £99. Data can be transferred from the master machine at speeds of up to 100k bits per second and chip emulations include 2716, 27010 EPROMs with access times down to 45nS.

TRAINING MODULE

As circuit boards get smaller and smaller, the packaging for the chips being put on them must shrink in proportion. In commercial printed circuit board production, the normal method of attaching a chip to the board is to use surface mounting rather than pins and holes. The chips are soldered directly to the board's surface making them fit into a smaller surface area and reduce the amount of work required to

construct the board. Unfortunately, a limit is placed on the minimum size of a package by the number of pins and their dimensions - if they are too small then they cannot be reliably connected to a circuit board.

To help cram as much onto a board as possible, Impulse Electronics has designed a chip package that allows devices to be placed even closer together than normal. By producing a tiny surface mount memory packages with pinouts that are mirror images of the standard pack, devices can be mounted with their pins immediately adjacent. Manufactured by Hitachi, the two memory chips give 128Kx8 bits in a tiny TSOP outline and are numbered HM628128LTS8 and HM628128LR8 with the 'R' denoting the reverse or mirror image of the 'S' or standard package.

Access times are as low as 70nS with a low power standby mode available to reduce the normal 5V power consumption from around 75mW to 10µW.

For more information, contact Impulse Electronics on 0883 347011



CLOSING PRICES

Billed as an exiting new concept in memory, Terabyte Electronics is proposing to buy memory at 'commodity' prices rather than wholesale. Although not exactly traded on international markets in the same way as O.J. and Pork Bellies, memory chips are fast becoming an item whose price fluctuates widely depending upon supply and demand. By purchasing the chips when they are cheap and selling them when the price goes up, profits can be made without actually putting the chips to any use.

By buying memory at international commodity prices, Terrabyte Electronics

says that it will be able to undercut existing suppliers by as much as 50% - good news for computer owners who wish to use increasingly memory hungry software such as Windows 3. Indeed, Terrabyte suggests that machines could be purchased with only the minimum memory - say 512K in a PC - and then upgraded to 'full size' with the cheaper 'commodity memory'. However, the example price given, four 80nS 1Mx8 SIMMs for £115 is about the going rate from most good sources.

DON'T TOUCH THAT DIAL!

The new H-6 FM tuner from Revox takes another step towards simplifying the use of Hi-Fi equipment. Just plug in an aerial, connect to the mains and press two buttons to get it to scan the whole FM waveband and load up the position of all the available stations.

The H-6 is also selects stations that use Radio Data Services to transmit identification information and stores them in alphabetical order. If more than one of these appears during the scan, only the best signal will be selected. RDS is a method of transmitting digital information along with the FM signal to identify the station - see Barry Fox's Leading Edge in PE October 1990.

Up to 35 pre-sets are available and each station can be selected at the touch of a button. Controls are kept to the absolute minimum with just on/off, station up and station down, either on the front panel or on a remote control. Available from F W O Bauch Ltd. Tel (081) 953-0091. Prices start from £911 inc. VAT. anyone who has had to mess around with BT's phone sockets may find this new gadget from OK Electronics a very useful addition to their toolkit.

MIRROR IMAGES

Designed to illustrate the operation of the most commonly used electronic components the Cascade 100 is a new training system from Flight Electronics.

The trainer is aimed at students from the age of 12 upwards and is based around 11 plug in modules which can be linked together to form various circuit configurations.

Additional modules are also available to expand the basic capabilities and provide further experiments.

The system is portable and comes in a rugged carrying case with built in voltmeter, ammeter, PP3 battery housing and mains adaptor. The manuals cover 16 experiments with a total of 22 circuit configurations illustrating the use of resistors, capacitors, diodes and transistors.

Priced at £99.95+VAT, each of the four add-on modules is available at £5.90+VAT from Flight Electronics Ltd, Flight House, Ascupart Street, Southampton, SO1 1LU Tel. 0703 227721

CONSPICUOUS DISPLAY

The MDD4201 is a new high efficiency four digit LED display module. It is available as either a multiplexed BCD version with four data lines and four digit select lines or as a microprocessor version with a four bit data bus, two address lines and write inputs.

The display features 14.2mm high LEDs and has inputs which are both CMOS and TTL compatible. The brightness can be controlled digitally via the display enable and the bezel comes with an anti-glare filter. The supply voltage is 5V at 120mA with an operating temperature range from 0° to 50°C.

For more information contact Martel Instruments, Tanfield Lea industrial Estate, Stanley, Co. Durham, DH9 9QX, Tel. 0207 290266.

CORRECTION

Due to production difficulties an out of date advertisement appeared on last month's back cover. Certain details that appeared were incorrect:

The Maplin Catalogue 1991 is available from all Maplin shops and W H Smiths for £2.45 and, if ordered by post, 50p P&P should be added to this.

The Map Card system has been discontinued.

The statement regarding the carriage should read: 'Please add £6 carriage and handling charge'

Maplin has added Brighton to its list of shops.

CHIP COUNT

COMPUTER INTERFACE

The PSD301 from Wafer Scale Integration Inc (WSI) is a sophisticated programmable peripheral device (Interface Adaptor) able to work directly with eight or 16-bit micro-systems. Features include input/output ports, buses, address mapping, port tracking, 256k of EPROM and 16k of static RAM. Suitable for industry standard programmers, the PSD301 should allow designers to quickly design and implement a peripheral solution.

Micro Call Tel. (0844) 261939 Fax. (0844) 261678

PHILIPS SELECTION

Philips Components have announced that they will now be supplying the 87C52 micro-controller. This is a stand-alone microprocessor based on the industry standard 80C51. Running at 16 or 20MHz with an EPROM of 8kx8 bits and RAM of 256x8 bits it has 32 input/output lines, three 16-bit counter timers and a six-source two-priority-level nested interrupt structure. A serial port is also included to allow inter-microprocessor communications or form the basis of a full duplex UART. Oscillator and clock circuits are built into the chip keeping the number of components required for an implementation to a minimum.

Using their new QUBiC manufacturing process, Philips have also introduced five new BiCMOS devices. The Octal buffers, latches and D-type flip-flops offer 64mA output drive, 50µA supply current in their high impedance states and 40mA when running at 50MHz. Using the new process, which allows either MOS or bipolar transistors to be used at any location, these devices offer the best of both CMOS and bipolar manufacturing techniques.

With typical access times of 5nS, the new inverting and non-inverting RAM (74F189A and 74F219A) chips are the latest in Philips' FAST TTL family of ICs. Both chips are 16 word by four-bit arrays and are designed to be used as stacks, buffer memory and scratch pad memory for high speed applications.

The 74F835 is another addition to Philips FAST family of chips. Defined as a parallel/serial in shift register, it integrates three different operations, an eight-bit bidirectional universal shift register, two quad 2-input data selector/multiplexers and an octal transparent latch. Originally designed for video operations, it can operate up to speeds of 150MHz.

Philips Components Ltd. (071) 580-6633 Fax. (071) 580-0394

FAST PALS AND VIDEOS

The PALCE16V8H-10PC4, apart from having one of the longest serial numbers seen in a long time, is a new high speed programmable logic array (PAL). Capable of emulating any 20 pin device, the chip takes advantage of Advanced Micro Device's (AMD) EE4 0.8 micron process and is electrically re-programmable.

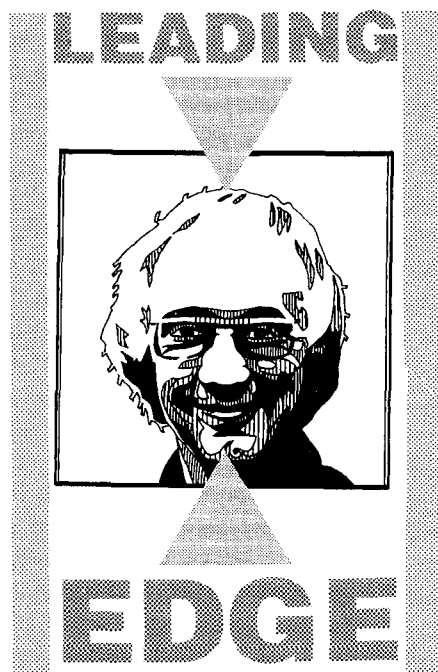
Designed to eliminate over 20 ICs, the Maxim MAX456 provides a monolithic 8x8 video crosspoint switch. It can be used to connect eight video input channels, or any high frequency signal, to any or all of the eight output channels. The channel control logic and eight 35MHz 250V/µS video buffer amplifiers are also included on the chip. The digital interface can be either seven-bit serial, seven-bit parallel or 32-bit programming data.

Kudos Thame Ltd. 55 Sutton's Park, London Road, Reading, Berks RG6 1AZ Tel. (0734) 351010.

In the USA telephone subscribers in some states can use gadgetry which displays the number of whoever is calling them. The system is called Calling Line Identification (CLI) or Caller ID.

At first this sounds like a fine idea and a sure way to stop malicious calls. But a lot of people do not like it. They see it as an intrusion on privacy and a way of getting ex-directory numbers and the numbers of single women, for instance by placing an advert for secretarial aid and then logging applicants' calls.

So enterprising US firms are now offering a beat-the-system service which routes calls into and out of an agency which works as the telephone equivalent of a Postal box number. This costs \$2 a minute for local calls and \$5 for foreign numbers. Some states, lead by Pennsylvania, are now banning CLI altogether. One phone company in Dakota is giving telephone subscribers the opportunity to block their numbers if they wish. But the agencies, state bans and options to defeat CLI are being criticised for making life too easy



telephone number before you answer'. This, promises the advert, enables the owner to "determine who the caller is, so stopping sex pests and nuisance callers". The sales company says it has been "inundated" with customer enquiries.

The units now on sale work quite differently from North American CLI units, which sense the MF tones coming down the line from the exchange. The British units act as an interrogating filter for incoming calls.

The filter unit plugs into a standard BT wall socket, alongside a conventional telephone. Whenever there is an incoming call, the filter snatches the line before the telephone has a chance to ring. The filter then plays an announcement message down the line which asks the calling party to key their number into the keypad of their telephone. The caller's keypad generates MF pulses which are received by the filter and displayed on an LCD screen. At the same time the filter rings the house or office telephone. The called party then looks at the number displayed on the filter screen and decides whether or not to

IT'S FOR WHO?

for criminals, especially kidnapers. But those against CLI say that criminals will use callboxes to make ransom calls anyway. It's a debate with no end in sight.

In this country there is no such thing as CLI as a result of a policy decision taken by British Telecom.

BT's trunk network is all-digital. Local exchanges can be either digital or analogue. Around 18 million subscribers, out of a 25 million total, are connected either to digital (TXD) or enhanced analogue (TXE4) local exchanges. On either type of exchange, when a call is made a computer at the local exchange stores both the calling number and the called number in computer memory. This information, known as the CN/CN pair, is needed for billing. It is also passed over the trunk network to control call routing.

The local exchange of the called number therefore gets information on the calling number. But this information is not passed any further down the line. Calling line identity stops at the local exchange. The multiple frequency (MF) tones needed to signal a calling number do not go down local telephone lines to the called telephone.

BT says this is not because it refuses to do so but because neither its digital (TXD) nor modified analogue (TXE4) exchanges were designed to send multi-frequency signalling tones to customers. And without these tones customers' equipment cannot display the calling number.

There is a fine line between refusing to do something and installing equipment which makes doing it impossible.

BT's official view is that CLI would be attacked as an intrusion on privacy, likely to

BY BARRY FOX
Winner of the UK
Technology Press Award

In the United States Caller ID is stirring up a political storm.

create more problems than it solves. But I would have thought that BT would have done better to install exchange equipment which makes CLI possible, thereby leaving the options open. Could it be that BT's policy-makers simply forgot about CLI?

This seems likely because there is one exception to BT's no-CLI rule. Where calls are routed on the new, more modern, Integrated Services Digital Network, which is end-to-end digital, the system can identify calling numbers. But only a few large businesses are using ISDN.

British Telecom is now concerned that subscribers are being sold expensive accessories which claim to offer CLI but cannot work as claimed. Although customers are unlikely to realise it until after they have paid over £150 for one of the new gadgets, they rely on the caller's honesty! In the case of nuisance calls this is obviously a fatal fallacy.

"Unwanted telephone callers and sex pests are a problem of the past with the new electronic marvel" claims one firm now advertising in the national press. The 'electronic marvel' costs £139.50 plus VAT plus post and packing and is claimed to let a subscriber 'identify and show the caller's

answer the telephone.

As BT points out, the calling party can key in any number, true or false, for display on the LCD. "We know of no way such a device can authenticate the number", says BT. The firms selling the filters argue that this does not matter because people can refuse to answer unless they recognise the displayed number. But in practice few people will ignore a phone call simply because they do not want to recognise the calling number. They want to answer and note the number if the call is a nuisance. But if the caller is a nuisance, the number will be false.

BT is powerless to stop the sale of such gadgets, unless they have not been approved by the British Approvals Board for Telecommunications and are thus illegal to connect to BT's network (approved products carry a green circle sticker, non-approved products must carry a red triangle sticker).

For the cost of a filter or less, argues BT pragmatically, people can buy an answering machine and record their own message which asks callers to leave their name and number to be called back. That way, reminds BT, callers are forced to leave a genuine number.

BT also offers a free service for people who are consistently pestered with nuisance calls. It is called MCI, Malicious Call Interception. With police approval BT gives the victim a secret code to key into their telephone keypad whenever an unwanted call comes through. Provided that the call has been routed through modern exchanges, the code triggers an immediate print-out at the exchange of the calling and called number pair, along with the date and time. This information then goes to the police.

PE

The main project this month stems from a number of enquiries received by PE about sensing magnetic fields. A couple of solutions are discussed in the article with the Hall Effect being chosen for its simplicity and ease of incorporation into a practical system. As well as being a project to construct a digital compass system, it provides information on how the basic elements, the sensor and amplifier, can be used as starting points for other projects that require magnetic sensing, whether for simple experimentation or leading on to more complex designs.

One of the major trends in the computer market these days is the move towards networking. Linking up a number of computers and other intelligent systems so that resources can be shared is an obvious step forward from the basic idea of one computer per desk. The problem with networks is that they can be very expensive – usually starting at around £150 per machine for a simple system and ranging upwards to prices in the thousands for more sophisticated layouts. The Serial Multiplexer (MUX) project, originally developed by the author to channel information from a number of sources to one computer, describes a system that can provide a cheap network using the industry standard RS232

A DIGITAL FOCUS IN AN ANALOGUE WORLD

interface. An advantage of this serial system is that many different machines use it – from the BBC micro and IBM PC clones, to Macintoshes and (for the ambitious) even minis and mainframes. There aren't many commercially available networks that allow machines with completely different operating systems to be connected and, although the project was designed for use with the BBC micro, there is no reason why it shouldn't be used with other computers. Because of this, the article only describes the basic system providing constructional details on a four way MUX. The next step of connecting up to other machines is easy once the fundamental concept is understood.

The Synchronous Logic design and A to Z of Digital Devices articles form a complementary pair.

The first looks at the problems that crop up when digital systems encounter feedback. Although it is possible to design simple systems that take their outputs back in as inputs without using any set method, there comes a time when the whole thing gets completely out of hand and there is no telling how a particular configuration of logic

gates will operate. Fortunately, there is a standard design method available which ties down all the loose ends and forces the circuit to perform as planned.

To help put the theory into practice, the A-Z of Digital Devices takes a brief look at the main types of logic chips available. Many of these can be used to replace sections of synchronous logic circuitry since they incorporate standard synchronous devices, such as shift registers and flip flops, in a single package. It is worth looking through the list of what is available after completing the basic specification for a logic circuit to see whether there are parts which can be used instead, or even if there are chips which already perform the complete function.

To compensate for the digital slant of the issue, Mike Saunders moves on from his series about lasers and describes a technology in which they are used. Fibre optics are becoming more and more widely used as a replacement for electrical wiring. The feature looks at how they are made, how they work, what they are used for and why.

Also on the analogue side are the resistor calculator which describes a neat way of using geometry to work out resistances and the frost alarm.

The Editor

Editor:

Kenn Garroch

Project Editor

John Becker

Technical Illustrator:

Derek Gooding

Group Advertisement Manager:

Jacqueline Barlow

Advertisement Executive:

David Bonner

Production Editor:

Richard Milner

Office Manager:

Wendy Cooper

Office Secretary:

Wendy Rhodes

Publisher:

Angelo Zgorelec

Practical Electronics,
Intra House, 193 Uxbridge Road,
London W12 9RA
Tel: 081-743 8888
Telecom Gold: 87: SQQ567
Fax: 081-743 3062

Readers' Enquiries

All editorial correspondence should be addressed to the editor and **any letters requiring a reply should be accompanied by a stamped addressed envelope, or equivalent payment.**

We regret that lengthy technical enquiries cannot be answered over the phone.

Advertisements

The Publishers of PE take reasonable precautions to ensure that advertisements published in the magazine are genuine, but we cannot take any responsibility in respect of statements or claims made by advertisers. The Publishers also cannot accept any liability in respect of goods not being delivered or not working properly.

© Intra Press 1991. Copyright in all drawings, photographs and articles published in PRACTICAL ELECTRONICS is fully protected, and reproduction or imitations in whole or in part are expressly forbidden. All reasonable precautions are taken by PRACTICAL ELECTRONICS to ensure that the advice and data given to readers is reliable. We cannot, however, guarantee it, and we cannot accept legal responsibility for it. Prices quoted are those current as we go to press. All material is accepted for publication on the express understanding that the contributor has the authority to permit us to do so. ISSN 0032-6372

PE Services

SUBSCRIPTIONS - Annual subscription rates are £18.00 for the U.K. or £22.00 overseas (Air mail overseas is £39.00). Please send your cheques (payable to Intra Press), payment by Visa or Access also accepted, to: Practical Electronics, Subscription Dept., P.O. Box 500, Leicester LE99 0AA. Telephone: 0858 410510 (ask for Practical Electronics Subscriptions).

BACK ISSUES - We still have a limited number of the back issues from the last three years available (Certain issues from earlier years are also available, but check before ordering). Price £1.75 - overseas £2.25 (inclusive of postage). Orders should be sent to our editorial address.

BINDERS - to hold 12 issues of PE are also available from our editorial address. Price £5.95 (overseas £6.95 - surface mail). Post included.

BOOK SERVICE - see the Book Service advertisement in the magazine.

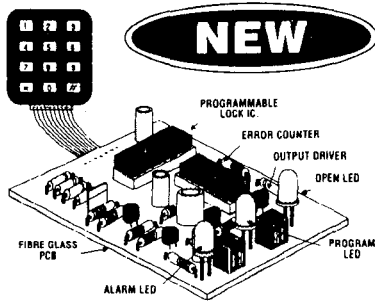
PCB SERVICE - details inside.

Cover Illustration:

Milan Trenc

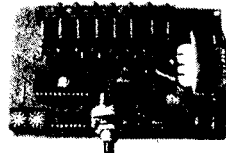
PROGRAMMABLE ELECTRONIC LOCK KIT

Keys could be a thing of the past with this new high security lock. Secure doors to sheds, garages, even your home or prevent the unauthorised use of computers, burglar alarms or cars. One 4-digit sequence will open the lock while incorrect entries will sound an alarm. The number of incorrect entries allowed before the alarm is triggered is selected by you. Further entries will be ignored for a time also set by you. Only the correct sequence will open the lock and switch off the alarm. The sequence may easily be changed by entering a special number and code on the supplied keyboard. Kit includes: keyboard, alarm buzzer, high quality PCB and all electronic components. Supply: 5 - 15V d.c. Will drive our Latch Mechanism (701 150 @ £16.50) or relay directly.



XK131 £19.95

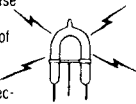
DISCO LIGHTING KITS



DL8000K 8-way sequencer kit with built-in opto-isolated sound to light input. Only requires a box and control knob to complete. **£39.95**
 DL1000K 4-way chaser features bi-directional sequence and dimming 1kW per channel. **£23.95**
 XK139 Uni-directional version of the above. Zero switching to reduce interference. **£12.95**
 DLA/1 (for DL & DLZ1000K) Optional opto input allowing audio 'beat'/light response. **95p**
 DL3000K 3-channel sound to light kit, zero voltage switching, automatic level control and built-in mic. 1kW per channel. **£19.55**

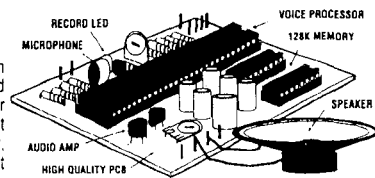
POWER STROBE KIT

Produces an intense light pulse at a variable frequency of 1 to 15Hz. Includes high quality PCB, components, connectors, 5Ws strobe tube and assembly instructions. Supply: 240V ac. Size: 80x50x45. **£17.25**

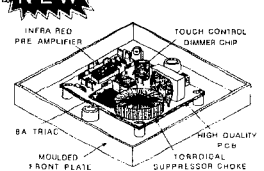


VOICE RECORD/PLAYBACK KIT

This simple to construct and even simpler to operate kit will record and playback short messages or tunes. It has many uses - seatbelt or lights reminder in the car, welcome messages to visitors at home or at work, warning messages in factories and public places, in fact anywhere where a spoken message is announced and which needs to be changed from time to time. Also suitable for toys - why not convert your daughter's £8 doll to an £80 talking doll!!
 Size: 76 x 60 x 15mm
 Message time: 1 - 5 secs normal speed, 2 - 10 secs slow speed
XK129 £25.95



REMOTE CONTROL DIMMER KIT



Imagine controlling the brightness of your lights or switching them on or off from the comfort of your armchair! This kit contains all the components from front panel to the last screw to enable you to do just that and fit the shallowest wall boxes. Max power 300W (not fluorescents).

XK132 £19.95

IR TRANSMITTER KIT

Designed for use with the XK132 and comes complete with a pre drilled box. A PP3 9 volt battery is required. **MK6 £4.95**



XK136 TOUCH DIMMER KIT £12.95

VERSATILE REMOTE CONTROL SYSTEM

These kits can switch up to 16 pieces of equipment on and off or control 16 functions depending on the keyboard selected for the MK18 transmitter. MK12 receiver has 16 logic outputs and operates from 12 to 24V ac. or 240V ac. via the transformer supplied. The MK18 requires a 9V battery and keyboard. Great for controlling lights, TVs, garage doors etc.
 MK12 IR Receiver £19.95
 MK18 Transmitter £8.95
 MK9 4-Way Keyboard £2.75
 MK10 16-Way Keyboard £7.95
 601 133 Box for transmitter £2.95

Protel Easytrax 2

Unbeatable at £99.00 + VAT*

Autorouting

Curved Tracking

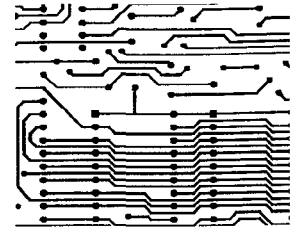
Metric & Imperial Grids

Plotter & Photoplotter Output

9 & 24 Pin Printers

CNC Drill Output

Protel Easytrax 2 produces PCB layouts fast and is the low cost entry level package to the world renowned Protel range of professional PCB/SCH CAD Software. Upgradeable to Protel Autotrax & Traxstar.



Available from the UK Distributor:

J.A.V. Electronics Limited

Unit 12a Heaton Street, Denton, Manchester, M34 3RG

Tel: 061 320 7210 Fax: 061 335 0119

*Limited period only

What's so Special about

PAGE 37?



It's one of many showing how wide and varied are the ranges of COMPONENTS, PRODUCTS and MATERIALS to be found in our 1991 Catalogue.

It is well presented, illustrated and easy to look up.

88 pages and cover, A4 size

WE ARE SPECIALIST SUPPLIERS FOR SIEMENS FINE QUALITY COMPONENTS

Please send £1.50 (Cash/PO/Cheque/stamps) for your 1991 EV Catalogue (Postage paid). We give you refund vouchers for £1.50 usable towards your next order value £5.00 or more.

MAKE YOURS A FREE COPY

ELECTROVALUE

Britain's preferred mail-order suppliers backed by 25 years continuous experience and as up to date as tomorrow's world.

Catalogue orders to:

ELECTROVALUE LTD

28c St. Judes Rd, Englefield Green, Egham, Surrey TW20 0HB
 Phone Egham (0784) 433603 :: Fax: (0784) 435216

TR ELECTRONICS

13 BOSTON RD. LONDON W7 3SJ

TEL: 01-567 8910.

FAX: 01-566 1916



ORDERING INFORMATION:

All prices include VAT. Free P & P on orders over £60 (UK only), otherwise add £1.15. Overseas P & P: Europe £3.50, Elsewhere £10. Send cheque/PO/Visa/Access No. with order. Giro No. 529314002

LOCAL AUTHORITY AND EXPORT ORDERS WELCOME
 GOODS BY RETURN SUBJECT TO AVAILABILITY

Following a number of readers' queries on the subject, this circuit has been designed to illustrate one way in which the Earth's magnetic field can be monitored electronically. The idea is to provide not only information on magnetic fields and Hall Effect devices, but also DC amplification and analogue to digital conversion (ADC).

OPTIONS

Commercially, there are three main techniques available to produce an electronic compass: electro-mechanical, flux-gate and Hall Effect. The first directly or indirectly tracks the rotation of a magnetic compass with a servo or pulse counting sensors. The second uses a type of interferometry by

within a magnetic field and rotated relative to it, the resulting changes in voltage developed across the element can be observed on a sensitive meter connected across the sides of the element. The maximum voltage occurs when the element and the field are at right angles to each other. If the field is rotated through 180 degrees, the voltage will steadily decrease from maximum positive to maximum negative. The relative voltage polarity varies depending upon what the element is made from. For example, with zinc it is positive, whereas with gold it is negative.

Unfortunately, the Hall voltage is always feeble and requires considerable amplification to be of any practical use. The conducting qualities of the Hall element also affect the voltage level produced. With good conductors the voltage is very small since the charged particles move too fast to be deflected in

Lohets I and II are analogue devices designed to produce an output voltage linear to the intensity of the magnetic field to which they are exposed. Of the two, the Lohet II has the best temperature stability and is used in this project.

Constructed on a thin ceramic substrate, the sensor has three in-line PCB terminals on standard 0.1 inch mounting centres. It has laser trimmed thick film resistors to minimise variations in sensitivity and to compensate for temperature variations. Lohet II utilises a special IC which provides increased stability and performance with a temperature drift almost ten times better than Lohet I. The quoted temperature errors for gain and null are both only $\pm 0.02\%$ per degree C.

Unfortunately, there are different supply voltage requirements for Lohet I and II. Whereas the former can operate on any DC

A DIGITAL COMPASS

sensing magnetically induced changes in a tuned circuit, from which the field direction is calculated. Hall Effect devices produce an analogue voltage output directly related to field strength and thus, by interpretation, to direction.

The compass described here makes use of the Hall Effect technique to directly evaluate the Earth's magnetic field strength. It can also be used as a type of electro-mechanical interface, in which the position of an ordinary compass needle is monitored by Hall Effect sensors. It is microprocessor controlled and produces a digital bearing on an LCD readout.

HALL EFFECT

The Hall Effect was named after Edwin H. Hall (1855 to 1938). He discovered that when an electric current flows in a wire placed within a strong transverse magnetic field a potential difference is developed across the wire at right angles to both the magnetic field and the wire itself. The phenomenon is also observable in thin strips of metal and in some semiconductors. Fig.1 illustrates the concept.

The Hall Effect element has electrodes at either end which enable an electric current to flow down it. When the element is placed

John Becker reveals how to sense magnetic fields.

substantial quantities, except in the presence of very large magnetic fields. However, particles move more slowly in semiconductors so they are capable of producing a larger voltage.

SENSORS

There are a number of Hall Effect sensors available but most of them have been designed for use as magnetically controlled switches. Since their outputs are digital, producing voltages that are either high or low (on or off), they are not suitable for use in measuring relative field strengths across a wide range. Those which are suitable are of the linear type and there are three which are easily available, the 634SS2, Lohet I and Lohet II

supply between 8V and 16V, Lohet II has a range restricted to 7.6V and 8.4V DC. Both sensors have a magnetic span of -400 to $+400$ Gauss and the linearities are comparable, being 1.5% and 1% of span.

THE EARTH'S FIELD

Confusingly, four units of measurement are used for expressing the values of magnetic fields: Gauss, Tesla, Maxwell/cm² and Weber/metre². The relationships are:

- 1 Gauss = 1 Maxwell.cm⁻²
- 1 Tesla = 10000 Gauss = 1 Weber.metre⁻² (Wb/m²)
- 1 milli Tesla (mT) = 10 Gauss

The values for the strength of the Earth's magnetic field were obtained from the Open University book Understanding the Earth. It varies over the surface of the Earth from 2.5 x 10⁻⁵ to 7 x 10⁻⁵ Wb.m⁻²

Expressed in the same units used for Hall sensor ratings, the field range is thus 0.025mT to 0.07mT, or 0.25mG to 0.7mG. Lohet II has a sensitivity of 5mV per Gauss. The 0.5mG change between -0.25 mG and $+0.25$ mG (from facing South to facing North), will thus, without amplification, only produce a sensor voltage change of 0.0025mV (0.005 x 0.5). Consequently, in order to use a Hall Effect device considerable amplification is needed before the readings are suitable for monitoring.

CONSIDERATIONS

Although the sensor could be used to give the direction of the North Pole by looking for the highest voltage output, it is desirable to use it to assess the compass bearing of any direction. The system must therefore be able

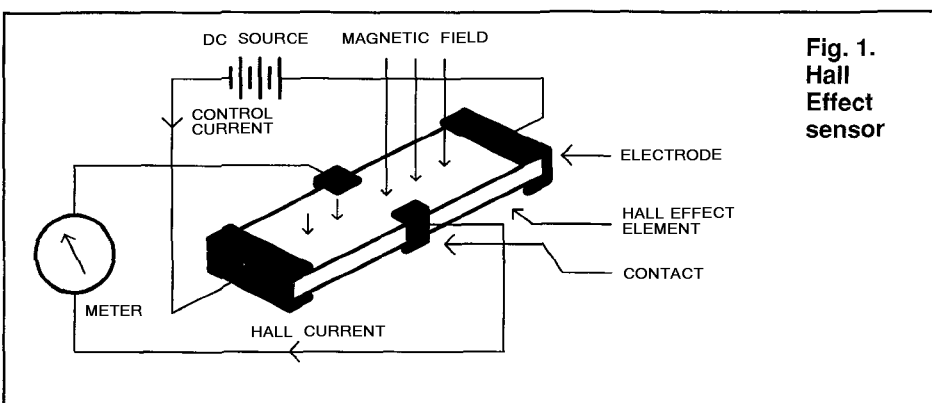


Fig. 1.
Hall Effect sensor

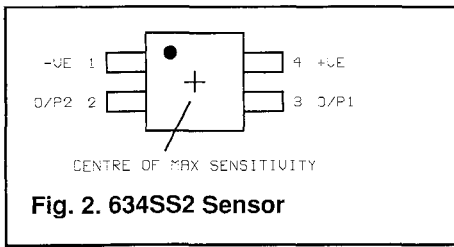


Fig. 2. 634SS2 Sensor

to differentiate between at least 180 separate values between the maximum for North and the minimum for South. Another design requirement is to be able to tell whether the bearing is to the West or East. In addition, allowance has to be made for the different magnetic field strengths around the globe. All of this can be best evaluated with a microcontroller.

AMPLIFICATION

A microcontroller requires information to be fed to it in digital form. This means that the sensor's voltage has to be converted from analogue to digital. An ADC requires a reasonable amount of voltage change in order to swing reliably through its full digital output range. However, most are unlikely to operate successfully with a range as low as 0.0025mV. A swing of around 2.5V would be more realistic, requiring an amplification factor of 1000. Unfortunately, when amplifying a DC signal by this amount temperature drift can become a hazard. Although the Lohet II appears to have a very good temperature stability, of 0.02% per °C, multiplying this by a factor of 1000 gives a 20% shift per °C. A change of only 5°C could cause the voltage seen by the ADC to swing across the entire range allowed for directional readings. Additional temperature control must therefore be incorporated.

DIGITAL CONVERSION

The above swing figure of 0.0025mV is the lowest likely to be encountered from the Earth's magnetic field. The highest could be around three times that. Therefore, even if there is perfect temperature stability, the ADC must be capable of handling full swings through any normal field range, irrespective of locality, and still produce a digital output that allows differentiation between at least 180 degrees. With a global field range of around 1:3, the ADC has to be capable of

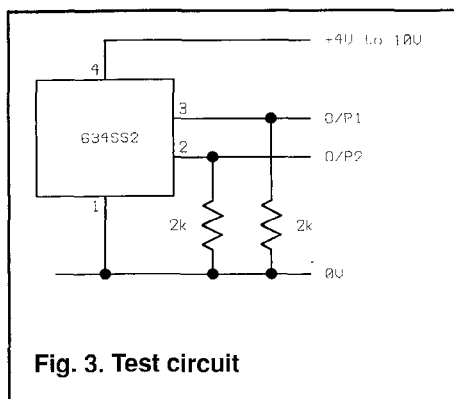


Fig. 3. Test circuit

handling at least $3 \times 180 = 540$ steps, i.e. it should be at least a 10-bit device ($2^9 = 512$), preferably larger.

Taking into account that ADCs of greater than eight bits are not cheap, and several other factors, such as the stability of high gain amplifiers, and of having to monitor two magnetic sensors (N-S and W-E) plus an ambient temperature sensor, an alternative technique is used: voltage to frequency conversion. The principle is simple: the sensor output voltage is amplified just enough to drive a voltage to frequency (V-F) converter and a computer is used to measure the frequencies. With suitable sampling rates, the sensor voltage can be chopped into as many discrete level steps as we want. The answers can easily be related to a base of 180 by straightforward calculations. This technique allows for widely differing output levels to be monitored without excess amplification and without the danger of over-running a standard ADC's bit-range. The same V-F converter is used for monitoring all three above functions using a simple multiplexing circuit, so ensuring relative consistency between source readings.

PRACTICAL HALL EFFECT

Fig. 4 shows the block diagram of the complete compass. There are two Hall Effect devices, monitoring N-S and W-E field strengths, each feeding into their own amplifiers. A third sensor monitors ambient temperature providing data used to correct the direction sensor readings against temperature drift. All three outputs are fed through a multiplexer into a voltage to frequency converter, or more correctly, a voltage controlled oscillator (VCO).

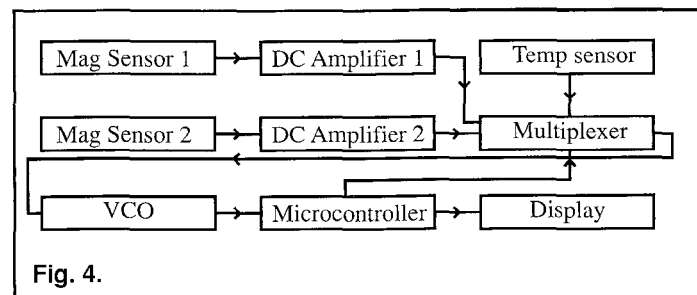


Fig. 4.

The VCO is monitored by a microcontroller principally consisting, in the conventional manner, of a microprocessor (MPU), a versatile interface adapter (VIA), an E(E)PROM and a memory. Having read the VCO data associated with each sensor, the MPU makes the necessary corrections and calculations, and sends the answer as a pulse chain to a display circuit comprising a frequency counter and LCD.

Details of the complete sensing and multiplexing circuits are shown in Fig. 5.

IC1 and IC2 are the Lohet II Hall Effect devices which monitor the N-S and W-E magnetic fields respectively. The two diodes inserted into the joint power lines are used to drop the main 9V power supply voltage to

within the 7.6V to 8.4V range specified for the Lohet II. Each diode has a 0.6V drop across it, thus the nominal 9V power level is reduced by 1.2V to around 7.8V.

The sensors feed into two identical temperature-compensated DC-amplifier networks, IC3a-c and IC4a-c. IC1 has its output current set by R3 and its output voltage is fed into the non-inverting input of IC3b. The potential divider consisting of R1, VR1 and R2 sets the bias level required by the amplifier system. VR1 is adjusted to match the inherent bias voltage level from the output of IC1, so allowing the final output from IC3c to be set to a roughly-midway point.

IC3a and IC3b are cross-coupled with their gains initially set by R5 and R6 plus the total resistance of R4 plus VR2. Adjusting VR2 varies each opamp's gain by an equal amount. IC3a and IC3b then feed into the unity gain differential amplifier IC3c. The advantage of this type of DC amplifier is that it has built-in compensation for its own temperature drift. Since IC3a and IC3b have nominally identical gains, any temperature change will affect them identically. By inverting one output with respect to the other in the differential stage, any common drift is cancelled out. The network does not, however, compensate for any drift in the output of the sensor, which will probably have a different temperature coefficient to the amplifier components.

The output of IC3c is smoothed by the action R21 and C2 and taken to the multiplexed gate IC5, at pin 1. The second sensor, IC2, is treated similarly, its final amplified voltage being taken to IC5 pin 5.

MULTIPLEXED VCO

IC5 is a dual 4-input analogue multiplexer of which only one half is used. Each of the inputs (1I0-1I3) can be individually fed to the common output (1OOUT) at pin 3. The selected analogue voltage then sets the DC bias level of the VCO IC6, so varying its oscillation frequency. The basic

frequency range is set by the combination of R23, R24 and C5 whose values have been chosen to set the range to a rate best suited to the microcontroller sampling rate. 18Hz is a typical figure, depending on the VCO input voltage.

Selection of the multiplexer channel is performed by the microcontroller which puts the required binary gating code on the A/B inputs of IC5: 00 = chan 0, 01 = chan 1, 10 = chan 2. Channel 3 (11) is not used.

TEMPERATURE SENSING

Overall ambient temperature monitoring is carried out by using thermistor TH1 as the sensor. This decreases its resistance as its

temperature increases. It is in series with R27 across the power lines and so the voltage seen at the junction of the two components will similarly decrease. The voltage is fed to the inverting amplifier IC4d, resulting in an increase in its output voltage as ambient temperature increases. VR5 sets the gain of this stage, allowing for correction of the volts per °C slope.

Individual Hall Effect sensors could drift upwards or downwards by the quoted 0.02% per °C. However, during its calculations, the microcontroller assumes that any drift is upwards. Once the circuit has been built it may be that this is not correct. If so, the monitored temperature gradient can be inverted by swapping over TH1 and R27.

THE MICROCONTROLLER

The 65C02 MPU and 65C22 VIA used in the microcontroller are the CMOS versions of the standard 6502 and 6522 devices and have the benefit of lower power consumptions, faster speed and of not requiring external pull-up input resistors. The 65C02 also has more control commands than its standard counterpart, though they are not used in this application.

The addresses at which the microprocessor sees its system chips are: memory at (hex) \$0000-07FF, via at \$2000-20FF, e(ep)rom at \$4000-47FF. Selection of the EPROM block address is performed by inverting A14 via IC5a, while

the memory is selected by ANDing A13 and A14 via D1, D2 and R4.

Crystal controlled, the 1MHz clock rate is generated by the circuit around IC5b. Operation of the circuit is strongly time-dependent so using a lower-cost 1MHz ceramic resonator is inadvisable since its frequency is less-well stabilised.

At switch-on the system is held in reset mode by IC5d until C1 has, via R1, charged up sufficiently to trip the twin inverters IC5c and IC5d.

Although the VIA has two 8-bit output ports plus handshake lines, in this application only the PA0-7 port is used. PA0 and PA1 control the multiplexer channel routing and PA2 detects the VCO frequency output. PA7 is connected to the program-reset switch (S1 in Fig. 5), indicating to the program that it should reset the memory contents back to zero when required - PA6 is not used. PA3-PA5 control the display counter module - the circuit for this is in Fig.7. It consists of a dedicated counter/display control chip and a liquid crystal display.

Having made its calculations from the VCO data, the microcontroller sends out on PA5 the same number of pulses as there are degrees in the direction sensed. These are counted by the counter/driver chip IC4 though the data is only transferred to the display at the end of each count. The display continues to show the same data until updated at the end of the next count sequence. IC4's reset input is controlled by PA3, and its transfer latches (store) by PA4.

Fig. 8 shows the pin-outs for the counter/driver type ICM7224 and the LCD module.

CONSTRUCTION

Component and track layouts for the PCBs are shown in Figs. 9-11.

The microcontroller and LCD boards need some precise soldering and the use of a fine-tipped soldering iron is recommended. Many of the tracks run between IC socket pins and there is the danger of allowing solder to bridge across them. Note that some wire links on the controller board should be inserted before the IC sockets are soldered in.

Two power supply voltages are required by the sensor board, 9V and 5V. Regulator chip IC6 steps the 9V down to 5V on the controller board. This 5V line also supplies power to the LCD module. Ultimately, a 9V battery could be used to power the unit, though for testing purposes it is best to use a regulated 9V supply from a mains operated power supply unit. Do not exceed 9V unless suitable precautions are taken to protect the Hall sensors.

TESTING

It is important to note that, for reasons best known to the manufacturers, Lohet II devices are sensitive to light. Their output voltage can be considerably affected if even

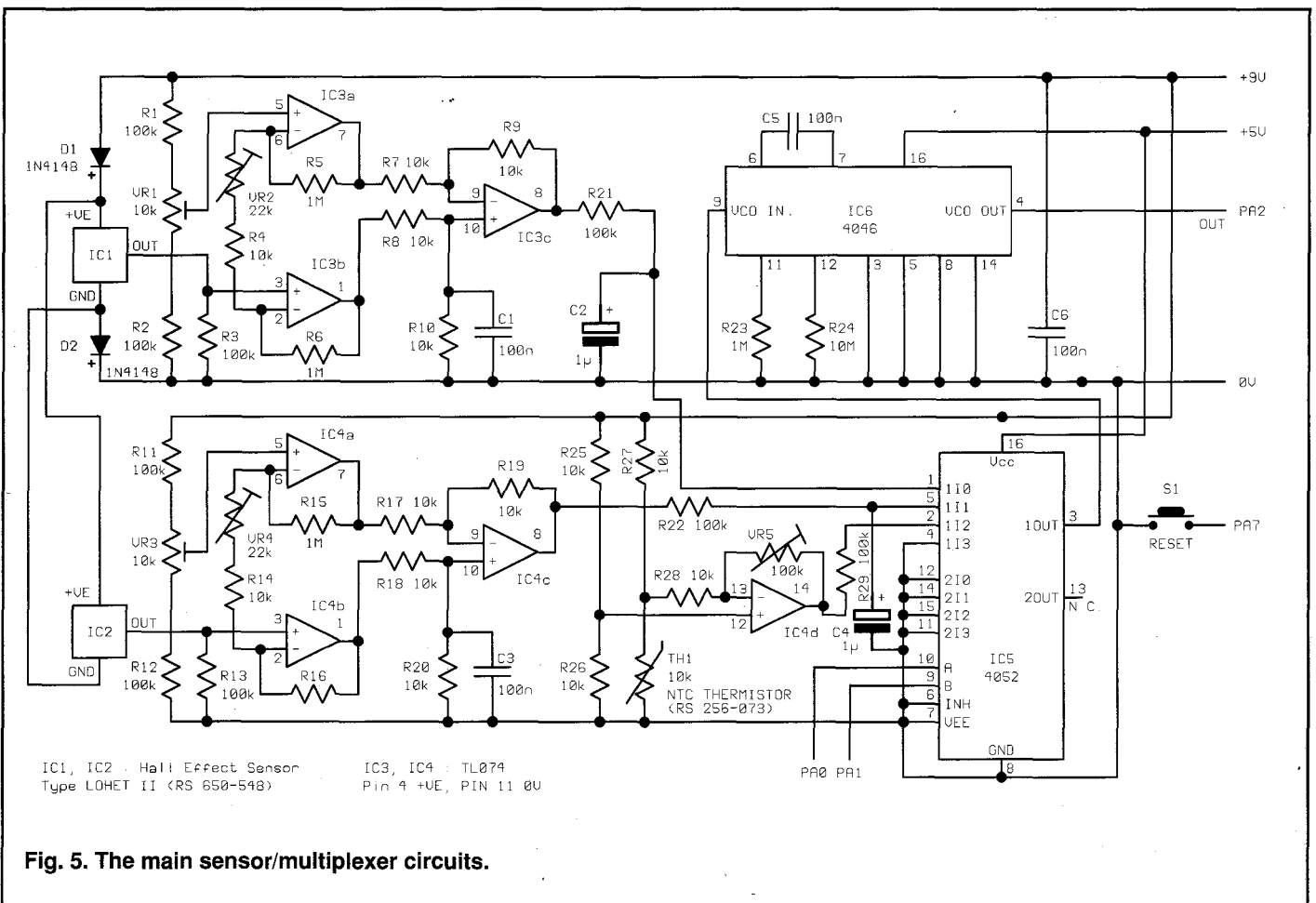


Fig. 5. The main sensor/multiplexer circuits.

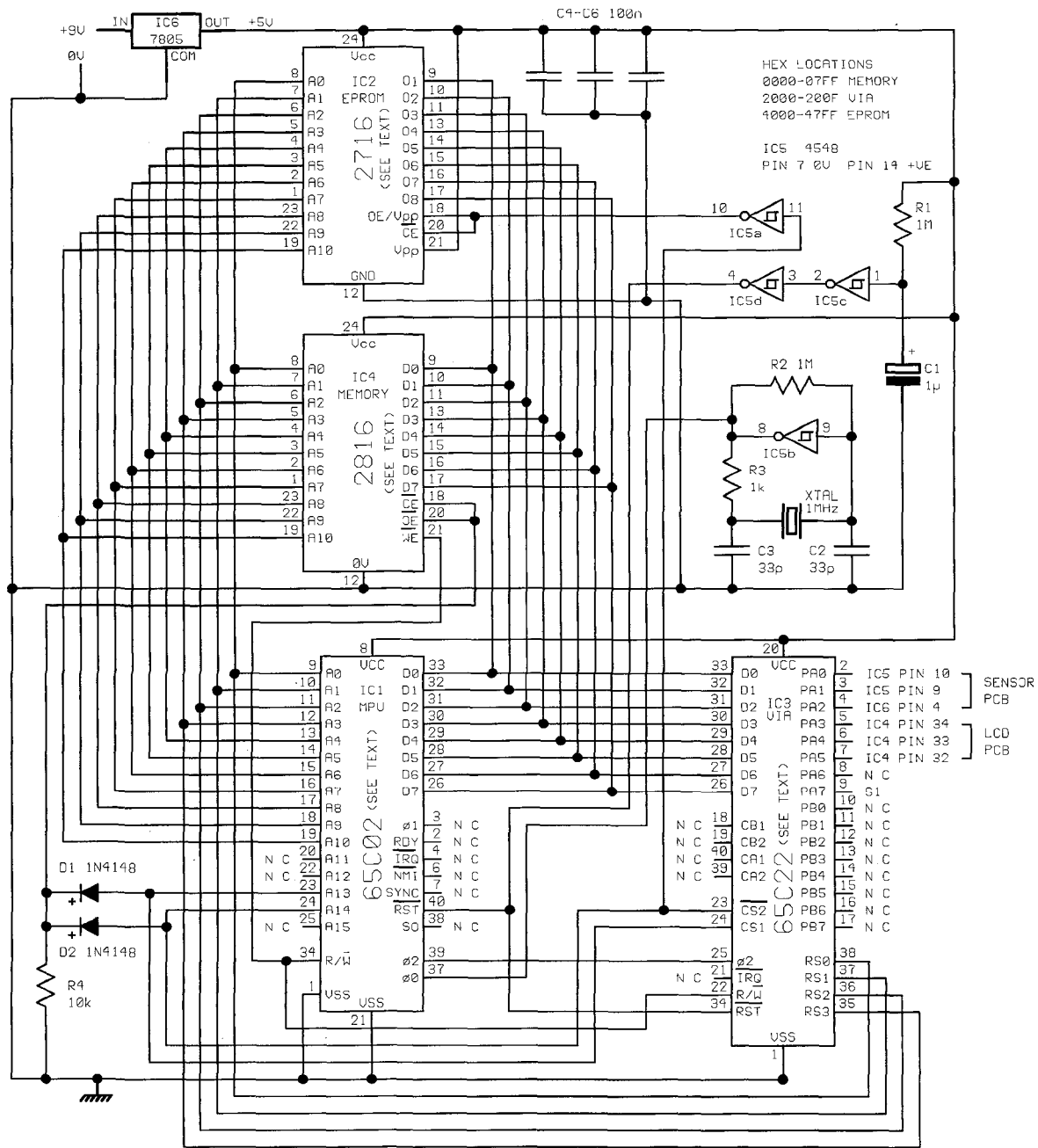


Fig. 6. The Microcontroller circuit.

low levels of light fall on the chips. Because of this it is a good idea to wrap them in black insulating tape before use.

For the initial testing of the sensor board

the microcontroller and LCD module are not needed. The first step is to switch on the power and check that 9V and 5V appear at the correct points on the board. Check that

the voltage across the positive and negative pins of the sensor is between 7.6V and 8.4V and then check that the voltage between the sensor's output and the 0V line is about 4.5V or so (half the power line level of 9V). Do this for both sensors. Now set the wipers of VR1 and VR3 to a voltage similar to that on the sensor outputs.

Set VR2 and VR4 for maximum resistance and check that the outputs of IC3a-IC3c and IC4a-IC4c all show fairly equal voltages of about half PSU level. If necessary, adjust the bias control pots VR1 and VR3 until the condition is met.

Next check the temperature sensor. Set VR5 for minimum resistance (least gain). Use a meter to monitor the voltage on the

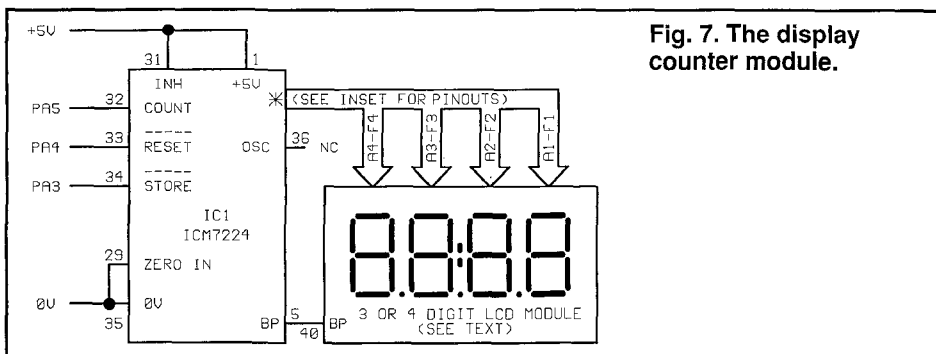


Fig. 7. The display counter module.

SURVEILLANCE PROFESSIONAL QUALITY KITS

No. 1 For Kits

Whether your requirement for surveillance equipment is amateur, professional or you are just fascinated by this unique area of electronics SUMA DESIGNS has a kit to fit the bill. We have been designing electronic surveillance equipment for over 12 years and you can be sure that all of our kits are very well tried, tested and proven and come complete with full instructions, circuit diagrams, assembly details and all high quality components including fibreglass PCB. Unless otherwise stated all transmitters are tuneable and can be received on an ordinary VHF FM radio.

UTX Ultra-miniature Room Transmitter.

Smallest room transmitter kit in the world! Incredible 10mm x 20mm including mic. 3-12V operation. 500m range.....**£15.95**

MTX Micro-miniature Room Transmitter.

Best-selling micro-miniature room transmitter. Just 17mm x 17mm including mic. 3-12V operation. 1000m range.....**£12.95**

STX High-Performance Room Transmitter.

Hi performance transmitter with a buffered output stage for greater stability and range. Measures 22mm x 22mm including mic. 6-12V operation. 1500m range.....**£14.95**

VT500 High-Power Room Transmitter.

Powerful 250mW output providing excellent range and performance. Size 20mm x 4-12V operation. 3000m range.....**£15.95**

VXT Voice Activated Room Transmitter.

Triggers only when sounds are detected. Very low standby current. Variable sensitivity and delay with LED indicator. Size 20mm x 67mm. 9V operation. 1000m range.....**£18.95**

HVX400 Mains Powered Room Transmitter.

Connects directly to 240V AC supply for long term monitoring. Size 30mm x 35mm. 500m range.....**£18.95**

SCRX Subcarrier Scrambled Room Transmitter.

Scrambled output from this transmitter cannot be monitored without the SCDM decoder connected to receiver. Size 20mm x 67mm. 9V operation. 1000m range.....**£21.95**

SCLX Subcarrier Telephone Transmitter.

Connects to telephone line anywhere, requires no batteries. Output scrambled so requires SCDM connected to receiver. Size 32mm x 37mm. 1000m range.....**£22.95**

SCDM Subcarrier Decoder Unit for SCRX.

Connects to receiver earphone socket and provides decoded audio output to headphones. Size 32mm x 70mm. 9-12V operation.....**£21.95**

ATR2 Micro Size Telephone Recording Interface.

Connects between telephone line (anywhere) and cassette recorder. Switches tape automatically as phone is used. All conversations recorded. Size 16mm x 32mm. Powered from line.....**£12.95**

★★★ Specials ★★★

DLTX/DLRX Radio Control Switch

Remote control anything around your home or garden, outside lights, alarms, paging system etc. System consists of a small VHF transmitter with digital encoder and receiver unit with decoder and relay output, momentary or alternate, 8-way di1 switches on both boards set your unique security code. TX size 45mm x 45mm. RX size 35mm x 90mm. Both 9V operation. Range up to 200m. Complete System (2 kits).....**£49.95**
Individual Transmitter DLTX.....**£18.95**
Individual Receiver DLRX.....**£36.95**

MBX-1 Hi-Fi Micro Broadcaster.

Not technically a surveillance device but a great idea! Connects to the headphone output of your Hi-Fi, tape or CD and transmits Hi-Fi quality to a nearby radio. Listen to your favourite music anywhere around the house, garden, in the bath or in the garage and you don't have to put up with the DJ's choice and boring waffle. Size 27mm x 60mm. 9V operation. 250m range.....**£19.95**

UTLX Ultra-Miniature Telephone Transmitter.

Smallest telephone transmitter kit available. Incredible size of 10mm x 20mm! Connects to line (anywhere) and switches on and off with phone use. All conversation transmitted. Powered from line. 500m range.....**£14.95**

TLX700 Micro-Miniature Telephone Transmitter.

Best-selling telephone transmitter. Being 20mm x 20mm it is easier to assemble than UTLX. Connects to line (anywhere) and switches on and off with phone use. All conversations transmitted. Powered from line. 1000m range.....**£12.95**

STLX High-Performance Telephone Transmitter.

High power transmitter with buffered output stage providing excellent stability and performance. Connects to line (anywhere) and switches on and off with phone use. All conversations transmitted. Powered from line. Size 22mm x 22mm. 1500m range.....**£15.95**

TKX900 Signalling/Tracking Transmitter.

Transmits a continuous stream of audio pulses with variable tone and rate. Ideal for signalling or tracking purposes. High power output giving range up to 3000m. Size 25mm x 63mm. 9V operation.....**£21.95**

CD400 Pocket Bug Detector/Locator.

LED and piezo bleeper pulse slowly, rate of pulse and pitch of tone increase as you approach signal. Gain control allows pinpointing of source. Size 45mm x 54mm. 9V operation.....**£29.95**

CD600 Professional Bug Detector/Locator.

Multicolour readout of signal strength with variable rate bleeper and variable sensitivity used to detect and locate hidden transmitters. Switch to AUDIO CONFIRM mode to distinguish between localised bug transmission and normal legitimate signals such as pagers, cellular, taxis etc. Size 70mm x 100mm. 9V operation.....**£49.95**

QTX180 Crystal Controlled Room Transmitter.

Narrow band FM transmitter for the ultimate in privacy. Operates on 180 MHz and requires the use of a scanner receiver or our QRX180 kit (see catalogue). Size 20mm x 67mm. 9V operation. 1000m range.....**£39.95**

QLX180 Crystal Controlled Telephone Transmitter.

As per QTX180 but connects to telephone line to monitor both sides of conversations. 20mm x 67mm. 9V operation. 1000m range.....**£39.95**

GSX180 Line Powered Crystal Controlled Phone Transmitter.

As per QLX180 but draws power requirements from line. No batteries required. Size 32mm x 37mm. Range 500m.....**£34.95**

QRX180 Crystal Controlled FM receiver.

For monitoring any of the 'Q' range transmitters. High sensitivity unit. All RF section supplied as a pre-built and aligned module ready to connect on board so no difficulty setting up. Output to headphones. 60mm x 75mm. 9V operation.....**£59.95**

A build-up service is available on all our kits if required.

UK customers please send cheques, POs or registered cash. Please add £1.50 per order for P&P. Goods despatched ASAP allowing for cheque clearance. Overseas customers send sterling bank draft and add £5.00 per order for shipment. Credit card orders welcomed on 0827 714476.

OUR LATEST CATALOGUE CONTAINING MANY MORE NEW SURVEILLANCE KITS NOW AVAILABLE. SEND TWO FIRST CLASS STAMPS OR OVERSEAS SEND TWO IRC'S.

**SUMA
DESIGNS**

**THE WORKSHOPS, 95 MAIN ROAD,
BAXTERLEY, NEAR AATHERSTONE,
WARWICKSHIRE CV9 2LE**



**0827 714476
Fax: 0827 712706**

COMPUTER ICs

80C31 MICRO	£2
P8749H MICRO	£5
BBC MICRO PARTS	
SN76489AN	£3
VIDEO LULA 201647	£10ea 10+ £8
6845 CRT	£5
6522 PIA	£3
DM88LS120	£4.50
AY3-1015D UART	£2.50
8086 processor ex-equipment	£2
USED 41256-15	£1.50
USED 4164-15 ex-equipment	£1
9 x 41256-15 SIMM MODULE NEW	£10
8 x 4164 SIP MODULE NEW	£8
HD 148818 CLOCK IC	£2
2864 EEPROM	£3
27128A 250ns EPROM USED	£2 NEW £2.30
FLOPPY DISC CONTROLLER CHIPS 1772	£16 ea
68000-8 PROCESSOR NEW	£5
HD63484-8	£5
ALL USED EPROMS ERASED AND BLANK CHECKED CAN BE PROGRAMMED IF DESIRED.	
2716-45 USED	£2 100/£1
2732-45 USED	£2 100/£1
2764-30 USED	£2 100/£1.60
27C256-30 USED	£2
27C512 USED (ALSO 27512)	£3.00
1702 EPROM EX EQPT	£5
2114 EX EQPT 60p 4116 EX EQPT	70p
6264-128K static ram	£3.00
62256-12 32K static Ram	£7.00
2532 EPROM USED	£2
4416 RAM	£3.00
USED 4416-15 RAM	£2
USED 41464-15	£5

REGULATORS

LM317T PLASTIC TO220 variable	£1
LM317 METAL	£2.20
7812 METAL 12V 1A	£1
7805/12/15/24V plastic	35p 100+20p 1000+15p
7905/12/15/24 plastic	35p 100+20p 1000+15p
CA3085 T099 variable reg	2/£1
LM338 5A VARIABLE	£5

CRYSTAL OSCILLATOR

1.8342 £1 each 1M, 1.8432M, 4M, 16M	£1.50 each
CRYSTALS	
2.77 MHz±4.000 MHz±4.9152MHz±20MHz±49.504MHz, 8M, 16.588M	£1 each

TRANSISTORS

BC107, BCY70 PREFORMED LEADS full spec	£1 £4/100 £30/1000
BC557, BC548B, BC238C, BC308B	30/£1 £3.50/100

POWER TRANSISTORS

N POWER FET IRF531	3/£1
P POWER FET IRF531	2/£1
2SC1520 sim BF259	3/£1 100/£22
TIP141/2 £1 ea TIP112/125/42B	2/£1
TIP35B TIP35C	£1.50
SE9301 100V 10A DARL. SIM TIP121	2/£1
2N3055 EX EQPT TESTED	4/£1
PLASTIC 3055 OR 2955 equiv 50p	100/£35
2N3773 NPN 25A 160V £1.80	10/£16

QUARTZ HALOGEN LAMPS

A1/216 24V 150 WATTS	£2.25
H1 12V 50W (CAR SPOT)	£1.50
14 WAY ZIF SKT	£1
TEXTTOOL single in line 32 way. Can be ganged (coupling supplied) for use with any dual in line devices.	2/£2
28 WAY TEXTTOOL ZIF SOCKET EX NEW EQUIPMENT	£2.50

CAPACITORS COMPUTER GRADE

3300uF 350V SIC SAFCO FELSIC 037	£6(£1.50)
2200uF 160V SIC SAFCO FELSIC CO38	£4(£1.20)
24,000uF 50V	£3 (1.30)

TURNS COUNTING DIALS

10 turn dial 21 mm dia. fits 3mm spindle	£2
10 turn digital dial (3 digits) for 3mm or 6mm shaft	£3.50
10 turn clock face dial for 6mm spindle	£4

MISCELLANEOUS

MAINS ADAPTOR 9V DC 200mA	£1.25
SLOPING FRONT PLASTIC CASE 225 x 215 x 76mm	£3.30
76mm WITH ALI FRONT PANEL 200 x 130mm	£3.30
HUMIDITY SWITCH ADJUSTABLE	£2
WIRE ENDED FUSES 0.25A	30/£1
NEW ULTRASONIC TRANSDUCERS 40kHz	£2/pair
12 CORE CABLE 7.0.2mm OVERALL SCREEN	70p/METRE
OP AMP LM10CLN	£2.90
BNC 50 OHM SCREENED CHASSIS SOCKET	3/£1
BNC TO CROC CLIPS LEAD 1 metre	£1
LEMAG EARTH LEAKAGE TRIP 35A 30mA trip	£9.00
AMERICAN CHASSIS 2/3 pin SOCKET	2/£1
USED 3 1/2" FLOPPY DISCS D/S 720K	50p 10/£4
TO-220 HEAT SINK sim RS 403-182	10/£2.50
SMALL MICROWAVE DIODES AEI DC1028A	2/£1

D.I.L. SWITCHES 10 WAY £1 8 WAY 80p 4/5/6 WAY	50p
180 volt 1 watt ZENERS also 12v & 75v	20/£1
VN10LM 60V 1/4A 50hm TO-92 mosfet	4/£1 100/£20
MIN GLASS NEONS	10/£1
MINIATURE CO-AX FREE PLUG RS 456-071	2/£1
MINIATURE CO-AX FREE SKT. RS 456-273	2/£1.50
DIL REED RELAY 2 POLE n/o CONTACTS	£1
PCB WITH 2N2646 UNIJUNCTION with 12v 4 POLE RELAY	£1
400m 0.5w thick film resistors (yes four hundred megohms)	4/£1
STRAIN GAUGES 40 ohm Foil type polyester backed balco grid alloy	£1.50 ea 10+ £1
ELECTRET MICROPHONE INSERT	£0.90
Linear Hall effect IC Micro Switch no 613 SS4 sim RS 304-267	£2.50 100+ £1.50
HALL EFFECT IC UGS3040 + MAGNET	£1
OSCILLOSCOPE PROBE SWITCHED X1 X10	£10
CHEAP PHONO PLUGS	100/£2 1000/£18
1 pole 12 way rotary switch	4/£1
AUDIO ICS LM380 LM386	£1 ea LM324
555 TIMER 5/£1 741 OP AMP	5/£1
ZN414 AM RADIO CHIP	80p
COAX PLUGS nice ones	4/£1
COAX BACK TO BACK JOINERS	3/£1
4 x 4 MEMBRANE KEYBOARD	£1.50
15,000uF 40V	£2.50 (£1.25)
INDUCTOR 20uH 1.5A	5/£1
1.25" PANEL FUSEHOLDERS	3/£1
CHROMED STEEL HINGES 14.5 x 1" OPEN	£1 each
12v 1.2w small wire ended lamps fit AUDI VW TR7 SAAB VOLVO	10/£1
12V MES LAMPS	10/£1
STEREO CASSETTE HEAD	£2
MONO CASS.HEAD £1 ERASE HEAD	50p
THERMAL CUT OUTS 50 77 85 120°C	£1 ea
THERMAL FUSE 121°C 240V 15A 220°C	5/£1
TRANSISTOR MOUNTING PADS TO-5/TO-18	£3/1000
TO-3 TRANSISTOR COVERS	10/£1
STICK ON CABINET FEET	30/£1
PCB PINS FIT 0.1" VERO	200/£1
TO-220 micas + bushes	10/50p 100/£2
TO-3 micas + bushes	15/£1
PTFE min screened cable	10m/£1
Large heat shrink sleeving pack	£2
CERAMIC FILTERS 6M/9M/10.7M	50p 100/£20
IEC chassis plug rfi filter 10A	£3
Potentiometers short spindles values 2k5 10k 25k 1m	
2M5 lin	5/£1
500k lin 500k log	4/£1
40kHz ULTRASONIC TRANSDUCERS EX-EQPT NO DATA	
OMRON 12V G2V DIL RELAY 2 POLE CHANGEOVER	2/£1
SCART CONNECTOR	£1
BZV48C12 WIRE ENDED 12V 7WATT ZENER 17K STOCK	5/£1
3M/SCOTCHFLEX 50 WAY ROUND JACKETED FLAT CABLE 3659/50 (50 WAY IDC BUNDLE WITH FOIL AND BRAID SCREENS, ROUND SECTION WITH BLACK PVC OUTER) £1. METRE, 100' REEL	£65
FANS 240V 120mm	£6 (1.50)
(OTHER VOLTAGE/SIZES USUALLY AVAILABLE)	
MOULDED INDUCTOR 470uH SIZE OF 1W RES	8/£1

DIODES AND RECTIFIERS

1N4148	100/£1.50
1N4004/SD4 1A 300V	100/£3
1N5401 3A 100V	10/£1
BA158 1A 400V fast recovery	100/£3
BA159 1A 1000V fast recovery	100/£4
120V 35A STUD	85p
BY127 1200V 1.2A	10/£1
BY254 890V 3A	8/£1
BY255 1300V 3A	6/£1
6A 100V SIMILAR MR751	4/£1
1A 800V BRIDGE RECTIFIER	4/£1
4A 100V BRIDGE	3/£1
6A 100V BRIDGE	2/£1
8A 200V BRIDGE	2/£1.35
10A 200V BRIDGE	£1.50
25A 200V BRIDGE £2	10/£18
25A 400V BRIDGE £2.50	10/£22

SCRs

PULSE TRANSFORMERS 1:1+1	£1.25
2P4M EQUIV CI06D	3/£1
MCR72-6 10A 600V SCR	£1
35A 600V STUD SCR	£2
TICV106D 800mA 400V SCR	3/£1 100/£15
MEU21 PROG. UNIJUNCTION	3/£1

TRIACS

BT 137-600 8A TO-220	2/£1
BT138-600 12A TO-220	70p
MEU21 PROG. UNIJUNCTION	3/£1
NEC TRIAC OC08F 8A 600V TO220	5/£2 100/£30
TXAL225 8A 400V 5mA GATE 2/	£1 100/£35
3TA08-400 8A 400V 5mA GATE ISOL TAB	£1
CA3059 0 VOLTAGE SWITCH	£1 each

DIACS 4/£1

CONNECTORS

D25 IDC SOCKET FUJITSU	£2
34 way card edge IDC CONNECTOR (disk drive type)	£1.25
CENTRONICS 36 WAY IDC PLUG	£2.50
CENTRONICS 36 WAY IDC SKT	£4.00
BBC TO CENTRONICS PRINTER LEAD 1.5M	£3.00
CENTRONICS 36 WAY PLUG SOLDER TYPE	£4
USED CENTRONICS 36W PLUG+SKT	£3

USED D CONNECTORS price per pair

D9 80p, D15 £1.50, D25 £2, D37 £2, D50 £3.50 covers 50p ea.	
---	--

WIRE WOUND RESISTORS

W21 or sim 2.5W 10 of one value	£1
R10 OR15 OR22 2R0 4R7 5R0 5R6 8R2 10R 12R 15R 18R 20R 22R 27R 33R 47R 56R 62R 91R 120R 180R 390R 430R 470R 680R 820R 910R 1K15 1K2 1K5 1K8 2K4 2K7 3K3 3K0 5K0	4 FOR £1
W22 or sim 6W 7 OF ONE VALUE	£1
R47 R62 1R0 1R5 1R8 3R3 6R8 9R1 12R 20R 24R 27R 33R 51R 56R 62R 68R 100R 120R 180R 220R 390R 560R 620R 910R 1K0 1K2 1K5 1K8 2K2 2K7 3K3 3K9 4K7 8K2 10k 15K 16K 20K	£1
W23 or sim 9W 6 of one value	£1
R22 R47 1R0 1R1 56R 62R 100R 120R 180R 220R 300R 390R 680R 1K0 1K5 5K1 10K	£1
W24 or sim 12W 4 OF ONE VALUE	£1
R50 2R0 9R1 18R 22R 27R 56R 68R 75R 82R 100R 150R 180R 200R 220R 270R 400R 620R 1K0 6K8 8K2 10K 15K	£1

PHOTO DEVICES

SLOTTED OPTO-SWITCH OPCOA OPB815	£1.30
2N5777	50p
TIL81 PHOTO TRANSISTOR	£1
TIL38 INFRA RED LED	5/£1
4N25, OP12252 OPTO ISOLATOR	50p
PHOTO DIODE 80p	6/£2
MEL12 (PHOTO DARLINGTON BASE n/c)	50p
4 DIGIT LED 7 SEG. DL4770	£1
LEDs RED 3 or 5mm 12/£1	100/£6
LEDs GREEN OR YELLOW 10/£1	100/£6.50
LEDs ASSORTED RED/GN/YW + INFRA/RED	200/£5
FLASHING RED OR GREEN LED 5mm 50p	100/£40
HI BRIGHTNESS LEDS COX24 RED	5/£1

STC NTC BEAD THERMISTORS

G22 220R, G13 1K, G23 2K, G24 20K, G54 50K, G25 200K, RES @ 20°C DIRECTLY HEATED TYPE	£1 ea
F522BW NTC BEAD INSIDE END OF 1" GLASS PROBE @ 20°C 200R	£1 ea
A13 DIRECTLY HEATED BEAD THERMISTOR 1k res. Ideal for audio Wien Bridge Oscillator	£2 ea

CERMET MULTI TURN PRESETS 3/4"

10R 20R 100R 200R 250R 500R 2K 2K2 2K5 5K 10K 47K 50K 100K 200K 500K 2M2	50p each
--	----------

IC SOCKETS

6 pin 15/£1 8 pin 12/£1 14/16 pin 10/£1 18/20 pin 7/£1, 22/24/28 pin 4/£1 40 pin 30p	
--	--

SOLID STATE RELAYS

40A 250V AC SOLID STATE RELAYS	£16
--------------------------------	-----

POLYESTER/POLYCARB CAPS

100n, 220n, 63v 5mm	20/£1 100/£3
1n/3n/5n/6n/8n/10n 1% 63v 10mm	100/£6
10n/15n/22n/33n/47n/68n 10mm rad	100/£3.50
100n 250v radial 10mm	100/£3
100n 600v sprague axial 10/£1	100/£6 (£11)
2u2 160V RAD 22mm, 2u2 100v RAD 15mm	100/£10
10n/33n/47n 250v ac x rated 15mm	10/£1
470n 250v ac x rated rad	4/£1
1U 600V MIXED DIELECTRIC	50p ea.
1u0 100V RAD 15mm, 1u0 22mm RAD	£2/100
2U2 250V PMT CAPS. STOCK 6K	£20/100

RF BITS

MINIATURE CO-AX 50u URM95	100m/£12
TRIMMER CAPS ALL	4/50p
SMALL 5p 2 pin mounting 5mm centres	
SMALL MULLARD 2 to 22pF	4/50p
SMALL MULLARD 5 to 50pF	4/50p
larger type grey 2 to 25pF black 15 to 90pF	
TRANSISTORS 2N4427	60p
FEED THRU CERAMIC CAPS 1000pF	10/£1
MICROWAVE X BAND GUNN OSCILLATOR 9 TO 11GHz EX-EQUIPMENT (DOPPLER SHIFT MICROWAVE MODULE)	£9.50

MINIATURE RELAYS Suitable for RF

5 volt coil 1 pole changeover	£1
5 volt coil 2 pole changeover	£1
12 volt coil 1 pole changeover	£1

MONOLITHIC CERAMIC CAPACITORS

10n 50v 2.5mm	100/£4.50
100n 50v 2.5mm or 5mm	100/£6
100n ax short leads	100/£3
100n ax long leads	100/£6
100n 50v dl package 0.3" rad	£10/100

STEPPER MOTORS

7.5 DEGREES PER STEP 2 12 volt windings	£4
---	----

KEYTRONICS

TEL. 0279-505543
FAX. 0279-757656

P O BOX 634

BISHOPS STORTFORD
HERTFORDSHIRE CM23 2RX

MAIL ORDER ONLY

MIN CASH ORDER £3.00 OFFICIAL ORDERS WELCOME
UNIVERSITIES COLLEGES SCHOOLS GOVT. DEPARTMENTS
MIN. ACCOUNT ORDER £10.00

P&P AS SHOWN IN BRACKETS (HEAVY) ITEMS
65p OTHERWISE (LIGHT) ITEMS

ADD 15% VAT TO TOTAL
ELECTRONIC COMPONENTS
BOUGHT FOR CASH



SOFTWARE

Either an EPROM or an EEPROM can be used to store the control program and data. A 2048x8-bit device is needed such as the 2716 or 27C16 EPROMs, or the 2816 or 2817 EEPROMs.

The software occupies the first 1024 bytes of the PROM with the remainder unused except for an initial set-up and jump instruction at \$47F0/FF, directing the program proper to commence at \$4000. See end for listing details.

SYSTEM RESET

At power switch-on the system is reset, though the memory contents are not cleared. These are only set to zero immediately on pressing the reset switch. This allows experimentation with a non-volatile memory (NVM) in place of the volatile memory quoted in the parts list. In theory, an NVM should allow data stored prior to last switching off to be recalled for examination.

If using an ordinary volatile memory, the unit should be switched to reset mode following power-on to clear the memory of random data. This resetting to zero is only carried out during the first cycle upon

detection of the reset switch being pressed on. The switch should continue to be held down to allow the unit to assess the magnetic field strength factors. This entails smoothly rotating the unit fully through a complete circle, taking about four or five seconds. During rotation the unit will look for the maximum and minimum readings from both magnetic sensors. It will also be constantly reading and storing the current temperature. When the reset is switched off the temperature value becomes fixed and is then used as the base against which any temperature changes are judged.

DATA READING

When reading the VCO, the program cycles through each multiplexer address in turn. Each time, a counter is reset, then started on receipt of the first available positive-going pulse from the VCO. The counter is then repeatedly incremented until the pulse goes negative. The counter value then holds a numeric representation of the oscillator's frequency, which, of course will vary with the sensor voltage.

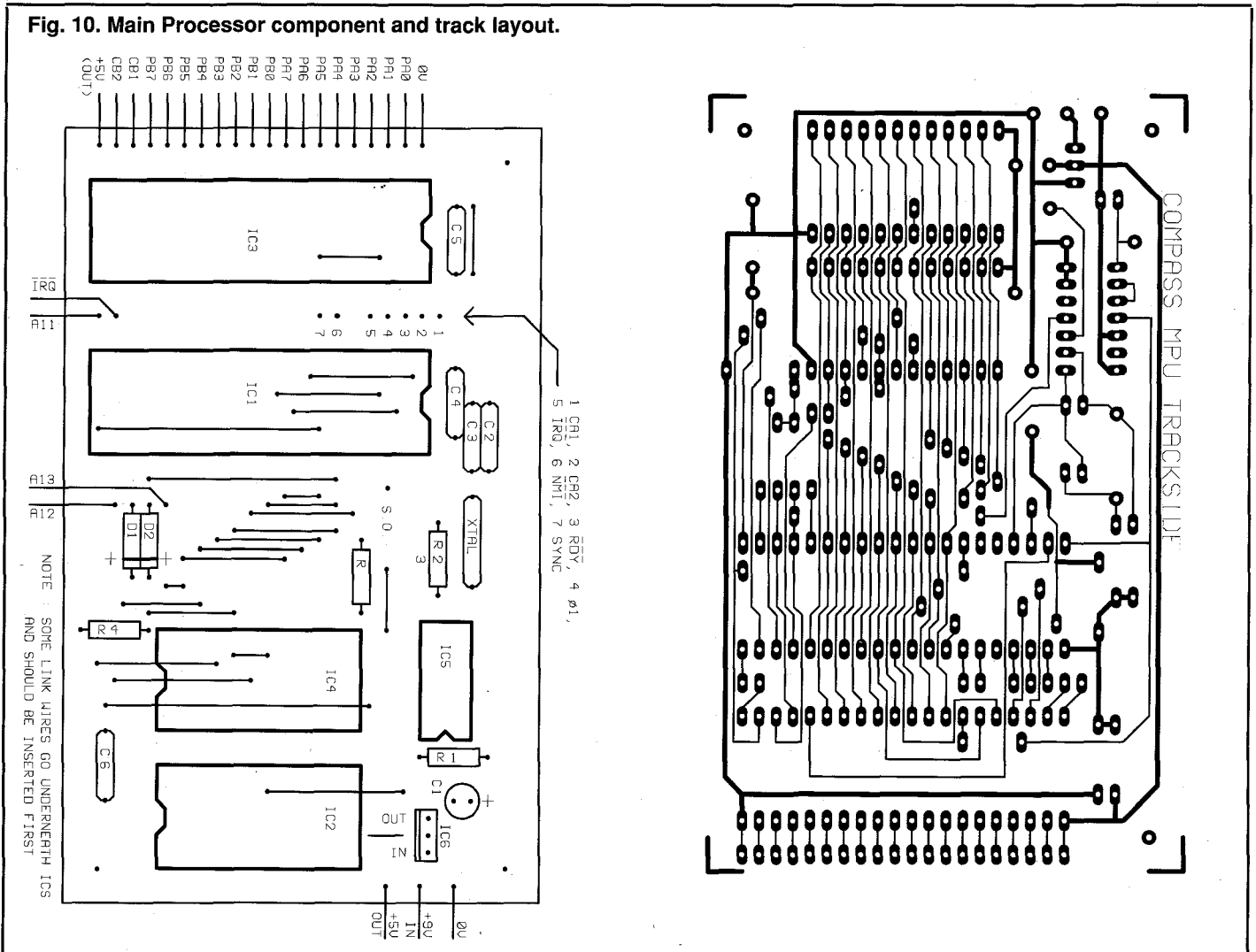
The count value is first compared with the stored minimum and maximum values for the relevant sensor, updating the stores if appropriate. The calculations then relate the current reading to 180°. To establish the

overall numerical range, between North and South or West and East, depending on the sensor accessed, the minimum value is subtracted from the maximum. The answer is multiplied by 180, and then divided by the present reading, to establish the relative angle of rotation. The West/East value is compared against a midway value, from which the correct rotation hemisphere is established. If the reading represents an Easterly bearing the N/S answer is sent to the LCD module as a value between 0 and 180. If it's a Westerly bearing, the N/S reading is corrected so that the value sent to the LCD is in the range of 180 to 360.

VCO RATE

The VCO rate is set for about 18Hz, allowing the program to increment the counter several hundred times during each sample. The rate is chosen to be a compromise between sampling speed and pulse count totals. For the best resolution of direction the count needs a few hundred more than 180. The sampling rate is satisfactory for routine reading of the display, though it does require the initial circling during reset to be somewhat slower than ideal. Using a clock of greater than 1MHz would speed the rate, though it's conceivable that the memory counter could

Fig. 10. Main Processor component and track layout.



overflow, resulting in bad data. Anyone conversant with 6502 programming could experiment with this to modifying the software if necessary.

The ordinary compass can now be dispensed with. To increase the gain of the system the resistance of presets VR2 and VR4 must be decreased. It's possible that reduction of R4 and R14 may also be necessary. As the gain is increased any misalignment of the bias presets will become increasingly significant, and more fiddly to re-adjust. The voltage swing at the outputs of IC3c and IC4c must stay below 5V as stated above.

A BASIC SENSOR

For very simple measurements of steady magnetic fields, the microcontroller and LCD are not really needed. Simply connecting a voltmeter to the output of IC3c and observing the voltage change as the sensor is rotated or brought closer to the field gives some idea of the operation. Only one sensing amplifier need be constructed, the rest of the circuitry can be ignored. For measuring alternating (e.g. 50Hz) magnetic fields, a diode can be connected across R21 and C1 removed. If temperature drift is not important then Hall sensor type 634SS2 could be substituted for Lohet II - either of its outputs may be used.

PROGRAM LISTING

A full hex dump listing of the software for this project can be obtained from the address below for £1.50.

Digital Compass
PE Software
Intra House
193 Uxbridge Road
London W12 9RA

PE

COMPONENTS

MAGNETIC SENSOR

RESISTORS

R1-R3, R11-R13, R21, R22, R29
100k (9 off)

R4, R7-R10, R14, R17-R20,
R25-R28 10k (14 off)

R5, R6, R15, R16, R23 1M (5 off)
R24 10M

all 0.25W 5% carbon or better

CAPACITORS

C1, C3, C5, C6 100n
polyester (4 off)

C2, C4 1µ 16V electrolytic

POTENTIOMETERS

VR1, VR3 10k horiz preset (2 off)

VR2, VR4 22k horiz preset (2 off)

SEMICONDUCTORS

D1-D2 1N4148 (2 off)

IC1, IC2 Lohet II Hall Effect ic (RS
650-548 or equivalent) (2 off)

IC3, IC4 TL074 (2 off)

IC5 4052

IC6 4046

MISCELLANEOUS

S1 single pole push-make
switch.

TH1 10k NTC thermistor (RS
256-073 or similar).

14-pin DIL ic sockets (2 off), 16-pin
DIL ic sockets (2 off), printed circuit
board, test compass (see text).

MICROCONTROLLER

RESISTORS

R1, R2 1M (2 off)

R3 1k

R4 10k

all 0.25W 5% carbon or better

CAPACITORS

C1 1µ 16V electrolytic

C2, C3 33p polystyrene (2 off)

C4-C6 100n polyester (3 off)

SEMICONDUCTORS

D1, D2 1N4148 (2 off)

IC1 65C02 microprocessor

IC2 2716 EPROM (see text)

IC3 65C22 via

IC4 2816 memory (see text)

IC5 4548 hex Schmitt trigger
inverter

MISCELLANEOUS

DIL ic sockets: 14-pin, 24-pin (2
off), 40-pin (2 off).

Printed circuit board, 1MHz crystal.

LCD DISPLAY

SEMICONDUCTORS

IC1 ICM7224 LCD
driver/counter

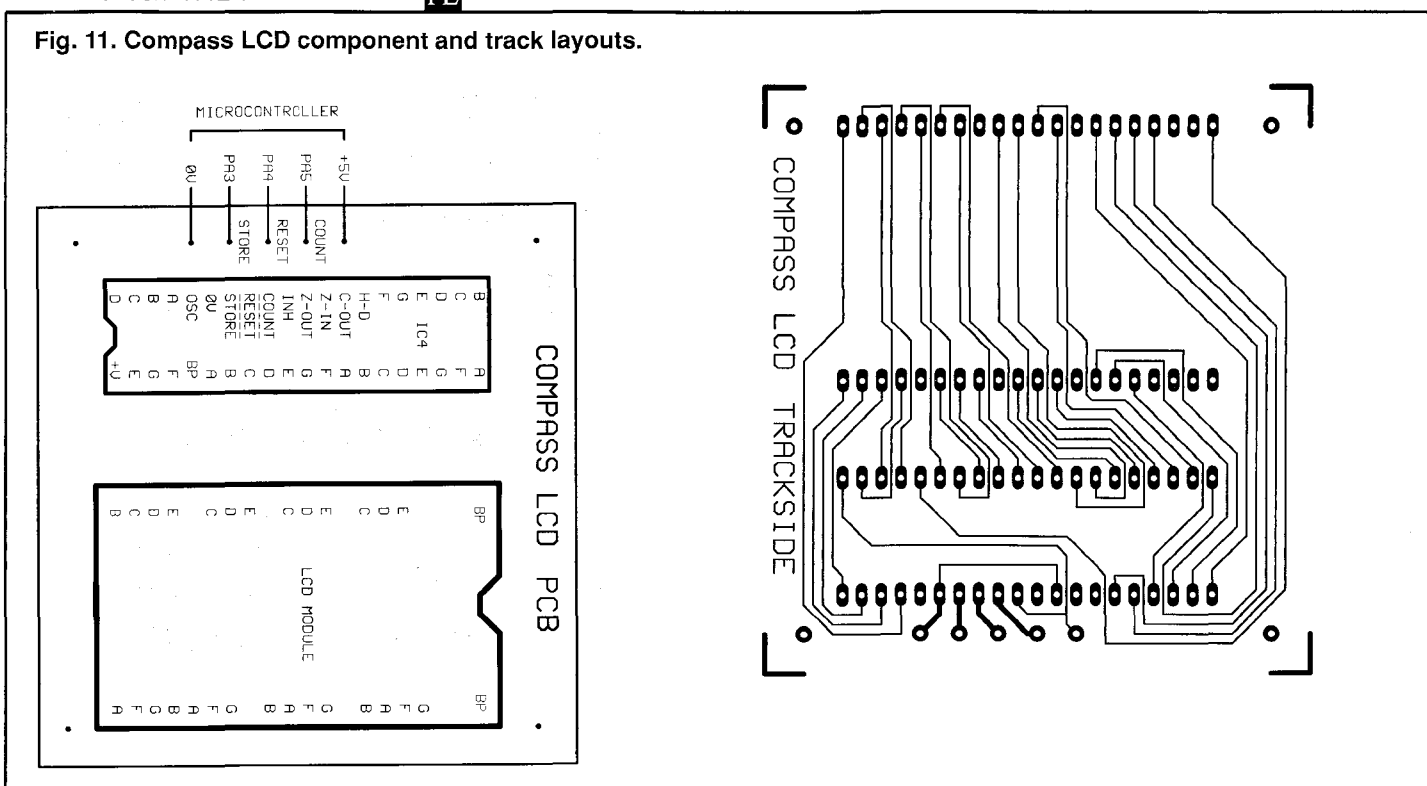
LCD 3 1/2 digit LCD module
(see text)

MISCELLANEOUS

40-pin DIL ic sockets (2 off - 1 to be
cut vertically in half to fit LCD).

Printed circuit board.

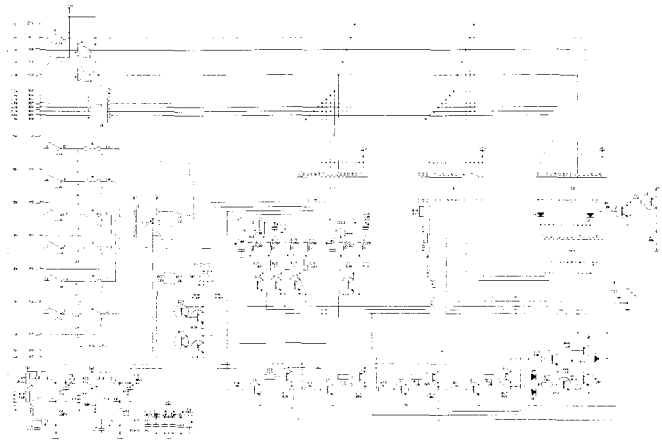
Fig. 11. Compass LCD component and track layouts.



Finally... an exceptional PCB and Schematic CAD system for every electronics engineer!

BoardMaker 1 is a powerful software tool which provides a convenient and professional method of drawing your schematics and designing your printed circuit boards, in one remarkably easy to use package. Engineers worldwide have discovered that it provides an unparalleled price performance advantage over other PC-based systems.

BoardMaker 1 is exceptionally easy to use - its sensible user interface allows you to use the cursor, mouse or direct keyboard commands to start designing a PCB or schematic within about half an hour of opening the box.



Produce clear, professional schematics for inclusion in your technical documentation.

HIGHLIGHTS

Hardware:

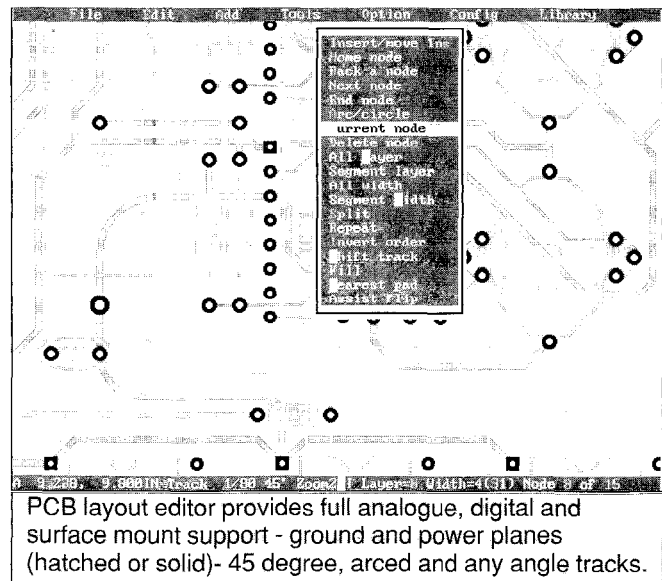
- IBM PC, XT, AT or 100% compatible.
- MSDOS 3.x.
- 640K bytes system memory.
- HGA, CGA, MCGA, EGA or VGA display.
- Microsoft or compatible mouse recommended.

Capabilities :

- Integrated PCB and schematic editor.
- 8 tracking layers, 2 silk screen layers.
- Maximum board or schematic size - 17 x 17 inches.
- 2000 components per layout. Symbols can be moved, rotated, repeated and mirrored.
- User definable symbol and macro library facilities including a symbol library editor.
- Graphical library browse facility.
- Design rule checking (DRC)- checks the clearances between items on the board.
- Real-time DRC display - when placing tracks you can see a continuous graphical display of the design rules set.
- Placement grid - Separate visible and snap grid - 7 placement grids in the range 2 thou to 0.1 inch.
- Auto via - vias are automatically placed when you switch layers - layer pairs can be assigned by the user.
- Blocks - groups of tracks, pads, symbols and text can be block manipulated using repeat, move, rotate and mirroring commands. Connectivity can be maintained if required.
- SMD - full surface mount components and facilities are catered for, including the use of the same SMD library symbols on both sides of the board.
- Circles - Arcs and circles up to the maximum board size can be drawn. These can be used to generate rounded track corners.
- Ground plane support - areas of copper can be filled to provide a ground plane or large copper area. This will automatically flow around any existing tracks and pads respecting design rules.

Output drivers :

- Dot matrix printer.
- Compensated laser printer.
- PostScript output.
- Penplotter driver (HPGL or DMPL).
- Photoplot (Gerber) output.
- NC (ASCII Excellon) drill output.



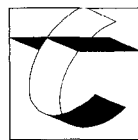
PCB layout editor provides full analogue, digital and surface mount support - ground and power planes (hatched or solid)- 45 degree, arced and any angle tracks.



Despite its quality and performance, BoardMaker 1 only costs £95.00 + £5.00pp + VAT. Combine this with the 100% buy back discount if you upgrade

to BoardMaker 2 or BoardRouter and your investment in Tsien products is assured.

Don't take our word for it. Call us today for a FREE demonstration disk and judge for yourself.



tsien

Tsien (UK) Limited
 Cambridge Research Laboratories
 181A Huntingdon Road
Cambridge CB3 0DJ
 Tel 0223 277777
 Fax 0223 277747

All trade marks acknowledged

AN A TO Z OF DIGITAL DEVICES

Digital devices have grown to dominate electronics over the past twenty years. The range of components is vast and some of the terms and jargon may be bewildering. This A-Z guide provides a brief look at many of the digital functions now available in the form of integrated circuits.

There are two main families of digital integrated circuit, denoted by prefix numbers. Chip code numbers starting with a 4 usually refer to the CMOS (Complementary Metal On Silicon) series of low power IC's, e.g. 4000 and 4042. The other main family begins with 74, e.g. 7400 or 7496. These are known as TTL (Transistor Transistor Logic) and use more power than the 4XXX (X can be any figure) series. However, there are variations such as the AC, HC and LS series which provide higher speeds and lower power.

Analogue to Digital Converter

The conversion of 'real' signals e.g. analogue voltages that vary with time, such as recordings of speech or music, into digital form is performed by an Analogue to Digital Converter (ADC). This uses comparators to check the incoming analogue voltage against reference values and give a result that is a parallel digital number. This can then be used with other digital circuits and stored or altered for output with a Digital to Analogue Converter (DAC).

There are a number of ADC chips available from the 7109 which gives a 12 bit output (input voltages can be split into 4096 separate levels) to the ADC0820CCN which only converts to eight bits high speed but is quite fast (a conversion every 1.5µs).

Chris Kelly reviews a range of chips and logic circuits.

Another option is the Si520 which has eight channels, each of which can be switched into an eight bit ADC.

Analogue Switches

While not truly digital, these devices can be used in digital systems to allow them to control analogue voltages. Similar to a demultiplexer, a single input voltage can be switched to any of a number of outputs. Standard sizes range from one pole eight way (4051), allowing one signal to be switched between eight outputs, to four pole one way giving four individual switches as in the 4066.

The technology used to manufacture the switches imposes some limitations on what voltages can be switched. Normally this means not exceeding the power supply and, where negative and positive going voltages must be switched, there must be a negative power supply.

Arithmetic ICs

Full adder logic circuits (Fig. 1) add together two binary numbers presented to parallel inputs and generate a result with a carry bit. The TTL 7483, 74283 and CMOS 4008 are chips which add four bit numbers, with carry-in and carry-out lines so that the devices can be cascaded to add eight bits, 12 bits, and so on.

Arithmetic logic units (ALU) are ICs

which perform a number of arithmetic operations on binary numbers. Which one is used depends on the code at the select inputs. The 74181 and CMOS 4581 are examples.

Asynchronous

A digital circuit which responds to logic signals that do not occur at regular or clocked intervals.

A ripple counter is an asynchronous circuit because the bistables are clocked one after another, not simultaneously as with a synchronous counter.

UARTs (Universal Asynchronous Receiver Transmitter) are asynchronous (Fig. 2) because, although each bit within a character is timed for a given baud rate, the duration between each character sent or received is variable.

Baud-rate or Bit-Rate Generator

A device which generates the usual baud rates (75, 1200, 9600 etc. bits/second) used for the transmission of serial data.

The 4702B can generate baud rates between 50 and 19200 baud depending on a four bit code applied to rate-select inputs.

Bistables (flip-flops or latches)

These are logic circuits which remain in one of two stable states until switched to the other state by a change in the input signals. They are used as the basis of electronic memories, registers and counters.

There are a number of different bistable devices. All have a Q output and many have

Fig. 1. Two- by four-bit adder circuit giving eight-bit addition

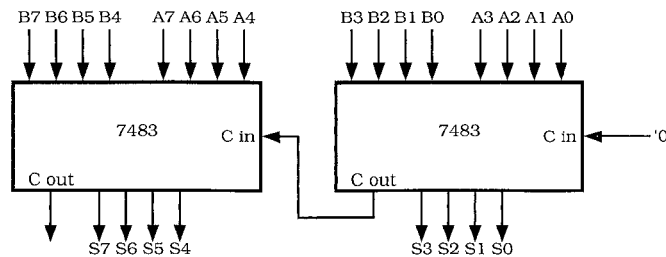
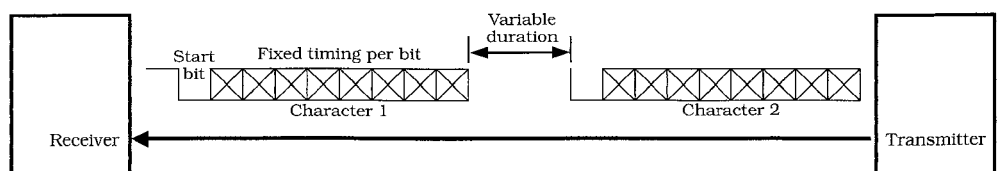


Fig. 2. An asynchronous transmitter receiver



an inverse output \bar{Q} .

The SET state is when $Q = 1$ and $\bar{Q} = 0$.

The RESET state is when $Q = 0$ and $\bar{Q} = 1$.

The S-R bistable (Fig. 3) is the simplest form having two inputs, one called SET (S) to trigger the set (on) state, the other called RESET (R) to trigger the reset (off) state. Typical chips are the CMOS 4043 and the TTL 74118.

The J-K bistable (Fig. 4) is the most commonly used because of its versatility for counters and registers. Its function is very similar to the S-R (the J is the SET input and K is the RESET) but differs when both inputs are high. When both J and K inputs are at logic 1 the J-K acts as a toggle or T-type bistable where the Q output changes or 'toggles' to its alternative state at every clock pulse. Typical chips are the 4027 and the 7476.

The D-type latch (Fig. 5) remembers the logic level present at its D input when a clock pulse occurs by switching the Q output to the same state as the D input. D-type bistables are often used for buffer storage such as the output or input ports of a microprocessor system. Typical chips are 4013 and 7474 (dual D-types) or 74273 and 74374 (octal D-types).

Clocked bistables respond to inputs when a clock or strobe input is active. There are two types of clock or strobe response (Fig. 6):

Level triggered where the bistable responds when the clock input is active (high or low depending on the type of bistable).

Edge triggered – where the bistable responds to inputs only on one edge of the clock pulse (rising or falling edge).

For edge – triggered bistables the set-up time (see Fig. 7) is the time required for the signals to be available at the inputs before the

active edge of the clock pulse. The hold time is the period required for the input signals to remain at inputs after the active edge of the clock pulse to ensure proper response.

Boolean Logic

When designing digital systems, a formal approach must be used to define the various operations. Boolean algebra has two values (on and off or 1 and 0) and offers three basic functions, AND, OR, NOT. The simplest is the latter since all it does is invert the value at its input – a 0 becomes a 1 and a 1 becomes a zero. The other two functions take two inputs and give one output as a result. AND gives an output of 1 only when both inputs are 1 i.e. $1 \text{ AND } 1 = 1$. The OR function outputs a 1 when either or both inputs are also 1.

The three basic Boolean logic functions form the basis of all digital logic devices since they can be combined to form more complex functions.

Buffer Drivers

A logic buffer driver is an electronic circuit which takes its input from a low current source and provides a higher current output to drive other higher power circuits.

Many devices such as microprocessors send information onto a bus system but have insufficient output current to drive all of the other devices on the bus; memories and input/output devices, etc. In these circumstances, drivers would be used as boosters for the existing signals.

For example, the 74240 and 74241 are octal buffers with inverting and non-inverting outputs respectively.

Bus Transceivers

Similar to buffers but able to allow data to flow in either direction, bus transceivers are also used in microprocessor systems. Control signals can switch the respective outputs into a high-impedance state (tri-state) which effectively disconnects the outputs from the bus allowing more than one transceiver to use it. The 74245 and 74640 are octal transceivers.

CMOS

Complementary Metal Oxide Semiconductor is a chip manufacturing process used to build low power digital chips. These offer low noise immunity, a wide range of power supply levels – approx 3V to 15V – and high fan out as well as consuming from .2mW to 10mW per gate.

The noise immunity comes from the fact that the transistors don't switch on until well over the halfway stage from off (normally 0V) to on (the supply voltage, normally 5V) and vice versa. This means that any ripples in the logic signals have to be quite vigorous before they have any effect on the circuitry.

The fan out of a chip is related to the input impedance of the gates and defines the number of inputs that can be driven from one output. With CMOS chips this is in the range of 50+ making it very easy to create complex logic circuits without having to worry too much about power requirements..

Unfortunately, there are a couple of drawbacks with standard CMOS devices. The first is that they can easily be destroyed by high static voltages. Since these can easily be generated simply by walking across a nylon

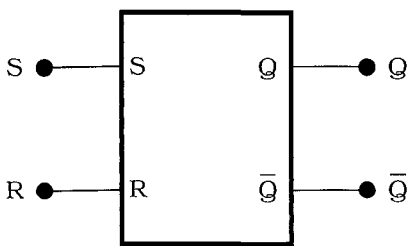


Fig. 3. S-R Bistable

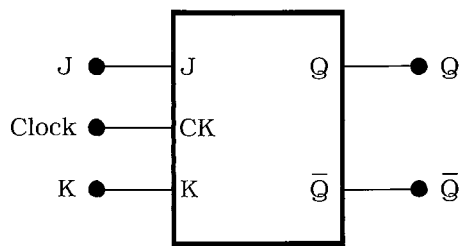


Fig. 4. J-K Bistable

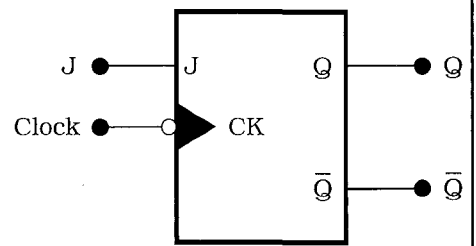
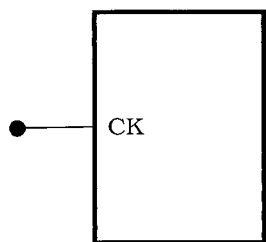
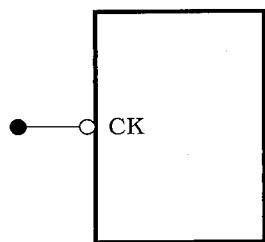


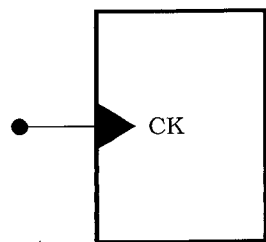
Fig. 5. D-type Bistable



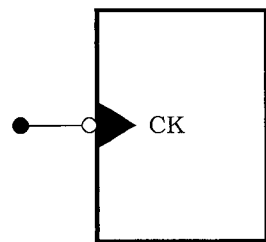
Logic 1 level triggered



Logic 0 level triggered



Positive edge triggered



Negative edge triggered

Fig. 6. Bistable clock symbols

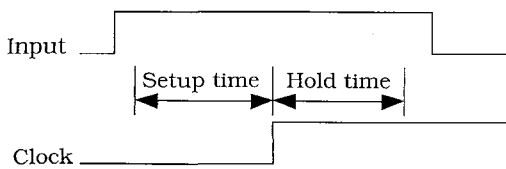


Fig. 7. Setup and Hold Time

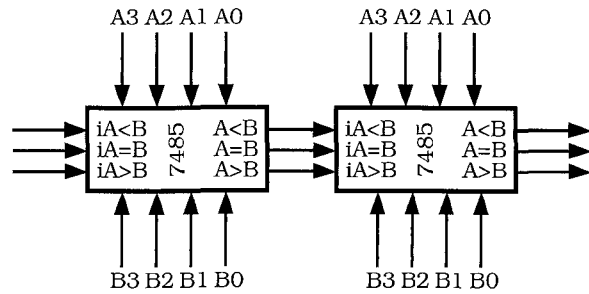
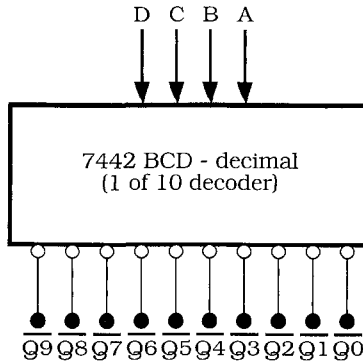


Fig. 9. 4-bit comparators cascaded



Inputs				Active output
D	C	B	A	
L	L	L	L	Q0
L	L	L	H	Q1
L	L	H	L	Q2
L	L	H	H	Q3
L	H	L	L	Q4
L	H	L	H	Q5
L	H	H	L	Q6
L	H	H	H	Q7
H	L	L	L	Q8
H	L	L	H	Q9
H	L	H	L	None
H	L	H	H	None
H	H	L	L	None
H	H	L	H	None
H	H	H	L	None
H	H	H	H	None

H=High voltage level
L=Low voltage level

Fig. 8. Code convertor and its output

carpet, care should always be taken to store them in conducting foam so that all of the pins are kept at the same potential. Fortunately, many modern CMOS designs have protecting diodes connected across their inputs to shunt high voltages out of harm's way. The most popular CMOS families are the 4000 and 74C series – the latter have the same pin connections as the industry standard 7400 series but are fabricated in CMOS rather than TTL.

Code Converters

Sometimes known as decoders these are combinational logic circuits which translate values of one code to another (Fig. 8). For

example, the 7442 converts BCD (four bit binary coded decimal) to decimal. The 7447 is a BCD to seven-segment decoder used for driving LED displays.

Combinational Logic

This is the general name given to many gates which are connected together to make a system with any number of inputs and outputs. The outputs respond almost immediately to any change in the input logic states, any delay being due to the propagation of the signals through the circuitry.

Combinational logic is often used for control and decoding circuitry in more complex systems. Because it is used to link separate parts of a system it is sometimes referred to as glue logic. For many years standard gate chips were the only way to do this, but now gate arrays and programmable logic devices are becoming widely used.

Comparators

These are devices which compare the magnitude of two binary numbers (A and B) presented to parallel inputs and give an indication of whether A is less than B (A<B), A is equal to B (A=B) or A is greater than B (A>B).

The 7485 (see Fig. 9) is a four-bit magnitude comparator which can be cascaded (the outputs of one fed to the inputs of another) to increase the size of binary numbers compared.

Counters

Counters are based on bistables linked together to step through a pre-determined sequence when clock pulses are applied. The number of different states is called to modulo. For example, a four stage counter would be a modulo 16 or divide by 16 counter.

Asynchronous or ripple-through counters (Fig. 11) are made by using the output of one bistable to feed the clock input of the next. These are limited because of the cumulative

propagation delays – the time taken for the input signal to be processed and appear at the output of a chip. The 7493 is a four-stage asynchronous counter with a reset path which permits modification to count values less than modulo 16.

Synchronous counters (Fig. 13) have all their bistables clocked simultaneously so they can operate at higher speeds. Logic gates between the bistables determine the count sequence. The 74161 is a synchronous counter with asynchronous clear, meaning that the clear is independent of the clock pulse.

Demultiplexers

This selects one output to be active depending on the digital code presented to inputs (Fig. 12). For example, a two to four line decoder has a two input code to make one of the four outputs to go low or high depending on the type used. The 74139 causes the selected output to go low and the 4555 causes the selected output to go high.

There are also three to eight line and four to sixteen line decoders. Combinations of these devices are widely used in selecting blocks of memory in microprocessor systems.

Demultiplexers are also used to separate chunks of serial data on one line into individual streams. This is done by connecting the output enable to the single serial line and taking the separated streams from the outputs. This is the opposite function to a multiplexer.

Digital to Analogue Converter

Where digital numbers must be converted into analogue form, a Digital to Analogue Converter (DAC) is used. This is exactly the reverse of an ADC and normally uses a resistor network to provide a varying analogue current from the parallel digital number. This gives a voltage which can be amplified and used to drive any analogue system e.g. a loudspeaker. Examples of DACs are the DAC0801 and ZN425E.

Encoders

Priority encoders generate a parallel binary code depending on the highest ranking input line which has a logic 1 applied to it. For

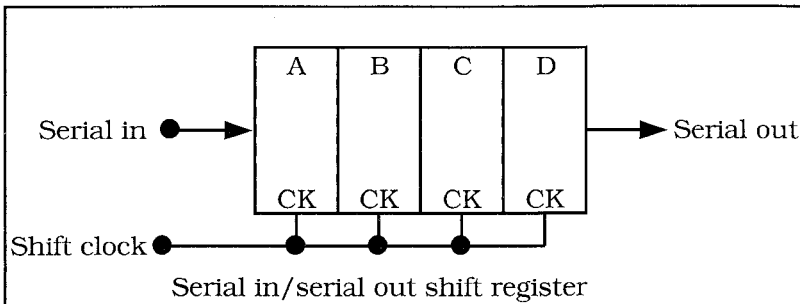


Fig. 10. Various registers.

example, the 4532 will generate a three-bit code of 101 if input five is at 1, irrespective of any of the lower ranking inputs at 1. However, if input six goes to 1, this will have priority and a code of 110 will be generated. Likewise input seven has priority over input six.

Keyboard encoders scan keyboard switches and generate a code for any key pressed. This can be a simple four-bit code for 16-key keypads or alphanumeric codes (such as ASCII) for larger keyboards.

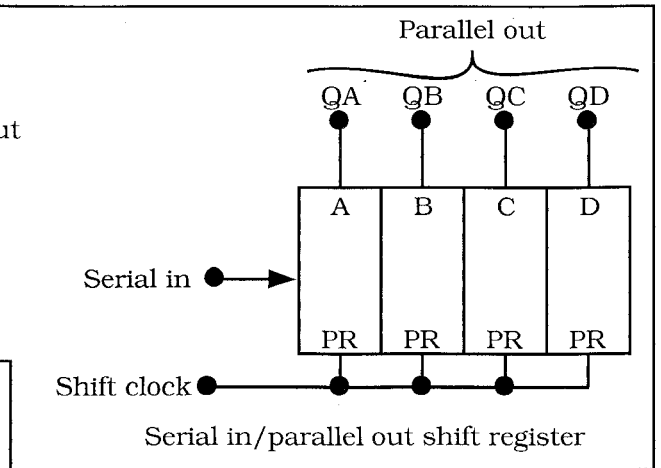
Gates

Logic gates are electronic circuits which control the flow of digital signals. They are the basic building blocks of all digital systems. When many gates are connected together they can perform the functions of bistables, counters, registers and memories. These in turn can be built into microprocessors and other complex digital systems.

The fundamental gate functions are given in Fig. 14.

Interface Adapters

Microprocessors can communicate with the outside world in one of two ways, in serial mode or in parallel. The interface chips needed to perform this are USART Universal Asynchronous Receivers Transmitters (USARTs) and Interface Adapters (IAs) respectively. The latter come in two main formats depending on the type of microprocessor in use. Both give access to the outside world in the form of parallel ports to which values can be written and from which values can be read. Memory based systems such as the 6502, 68000 i.e. Motorola family chips, see the outside world as part of their memory area. Data can be transferred to and from the ports simply by storing and loading data directly from the memory. Examples of



interface adapters of this type are the 6522 VIA (Versatile Interface Adapter) as used in the BBC Micro among other machines, and the 6521 PIA. In addition to simply supplying parallel ports, IAs generally include some sort of independent clocks, handshaking, and interrupt facilities allowing the microprocessor to get on with other jobs while the IA handles the communications.

The other main type of IA is used with the Intel family of chips. These have special In and Out commands which allow them to transfer data to and from the IAs leaving all of the memory available for programs and storage. This type of chip is used in Z80/8080/8086 type systems e.g. the 8255 Peripheral Interface Adapter.

Microprocessors

Probably the most complex logic circuit available is the microprocessor. Its ability to follow a series of instructions and perform complex functions makes it a very versatile circuit.

Examples of microprocessors range from the relatively simple low power 65C02 to the complex 68030 used in high performance computers such as the Apple Macintosh II.

Memories

Built around bistable circuits, memory chips are used to store large arrays of binary numbers. The two main types are RAM

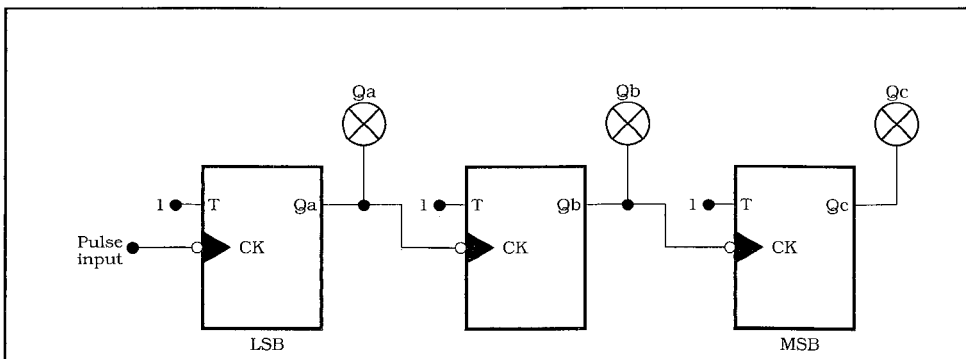


Fig. 10. Ripple-through counter

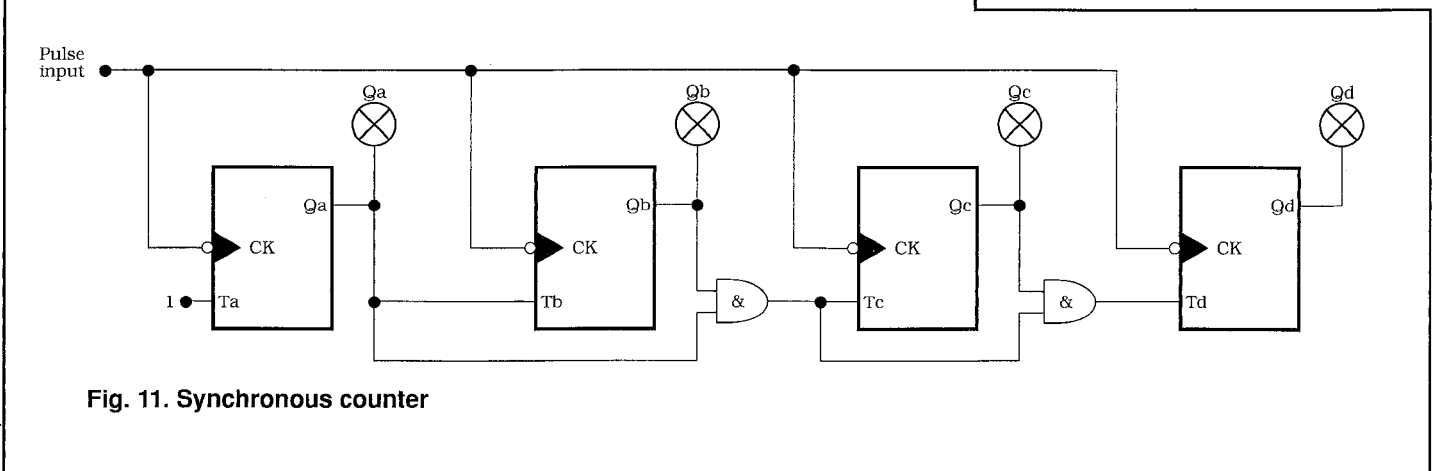


Fig. 11. Synchronous counter

(Read And write Memory) and ROM (Read Only Memory). The first is volatile – it loses its contents when the power is removed – and the second has its values ‘burned’ in when it is manufactured. EPROMS (Erasable Programmable ROMS) and EEPROMS (Electrically EPROMS) fall in between the two types since they allow data to be changed but not lost when the power goes.

Memory capacities range from the 128 bytes of the MC6810 to the 1M bits in a 511000.

Multiplexers

A digital multiplexer routes information from a number of input channels to a single serial line. A binary code applied to the channel select determines which input channel is routed to the output.

Multiplexers are often used in data logging or data communications applications where it is more economical to use a single data line rather than many in parallel.

The 74153 is a dual four line to one line multiplexer. The 74150 is sixteen line to one line.

Prescalers

A prescaler is a special IC used for dividing square wave signals by pre-determined amounts. They are widely used for counters, frequency meters and waveform synthesizers. The SP8629 is a 100 prescaler operating up to a maximum of 150 MHz.

The AY-1-5050 is a seven stage divider giving a wide choice of divider values.

Registers

Registers (see Fig. 10) are n-bit stores made up of bistables which can accept input data in serial or parallel and output in parallel or serial. Shift registers move the stored bits

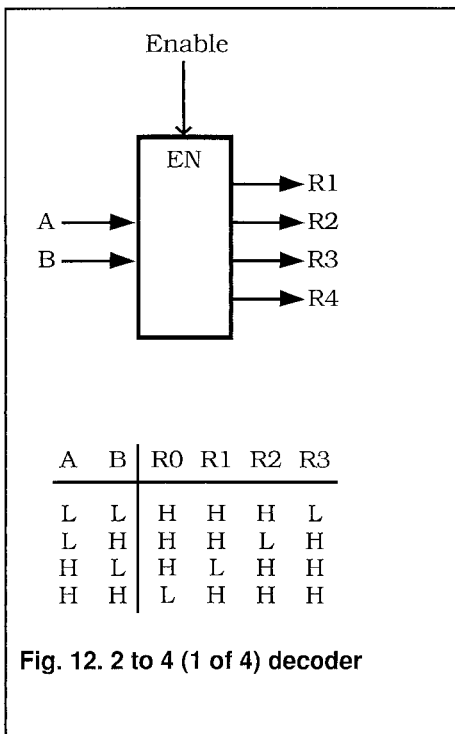


Fig. 12. 2 to 4 (1 of 4) decoder

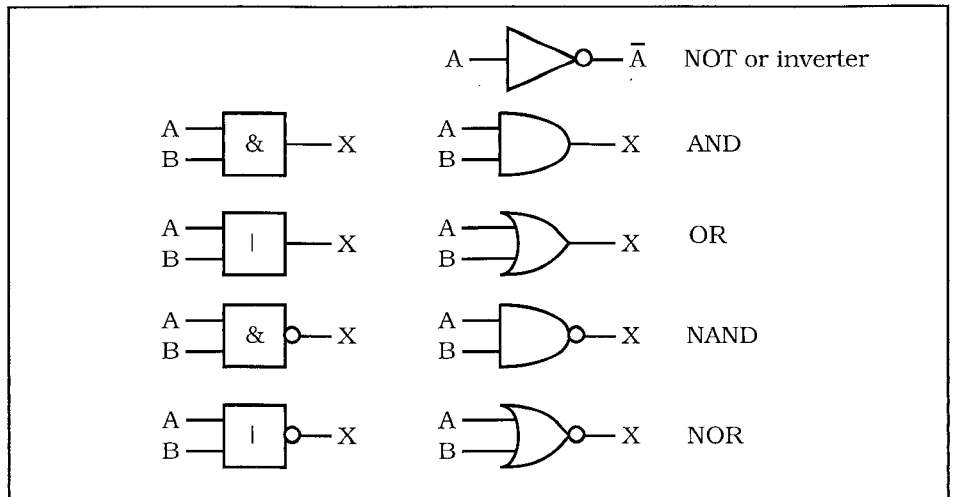


Fig. 14. Basic logic gates

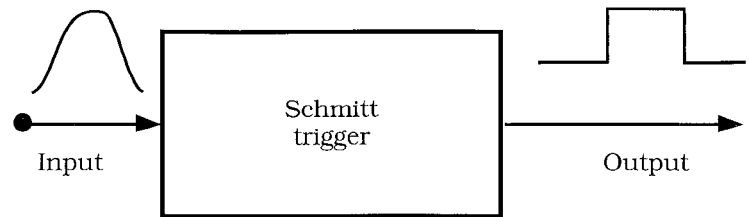


Fig. 17. Schmitt trigger

to the right or left and can be used as parallel to serial converters or for arithmetic operations. Examples are the 4035, 7495 and the 74194 which has an asynchronous master reset.

The 40105 is a First In First Out (FIFO) register that can store up to sixteen four-bit words.

Schmitt Triggers

The quality of digital signals can be degraded by stray capacitance and inductive effects of circuits. Many digital devices require their inputs to have very short rise and fall times and may not function correctly with distorted signals.

Schmitt triggers (see Fig. 15) clean up distorted digital signals by triggering the output when the input exceeds a threshold level and then switching quickly back to its previous state when the input falls below a lower threshold.

Schmitt triggers were originally made of discrete components but are now available as functions in logic ICs. For example, the 74132 and the 4093B are quad 2-input NANDs with Schmitt triggers. The 7414 and 40106B are hex inverters.

Timers

These are ICs which can be programmed to generate pulses at accurately timed intervals.

The standard method of timing has circuits which utilise the charge/discharge properties

of series resistor/capacitor circuits. The most popular of these is the NE555 timer IC which can be wired as a monostable (single pulse generator of a given duration, sometimes called a one shot) or as a free running astable square wave generator.

Other types of timers are programmable, where a digital code is loaded into internal registers and this value is counted down to zero under the control of an accurate clock, often crystal controlled. The timer output gives a pulse or state change to show when the timed period has elapsed.

Timers are sometimes combined with counters in the same package and are thus known as counter-timers. The ZN1034E is a precision counter-timer which can generate time periods from 16ms to several days.

TTL

Transistor-transistor logic or T²L (T squared L) is a chip fabrication method that has, until recently, been the industry standard for logic chips. The method of manufacture is cheap and reliable and devices built using this process are widely available and still quite popular. The industry standard 7400 series of logic chips were originally developed using this process but they are now being superseded by the 74LS, HC and AC ranges which offer identical functions e.g. NAND, NOR, etc. in the same packages but give improved performance with lower power consumption, higher speed, and greater fan out.

CACHE

SYSTEMS LIMITED

Unit 7, Latton Bush Business Centre,
Harlow, Essex CM18 7BH
Tel: 0279 641119 ext 207
Open Mon-Fri 9:00-5:30
Sat by appointment



286 Motherboard from £99

286-12	£99	286-16	£130
386sx-16	£260	386-20	£430
386-25	£470	386-20	P.O.A.
486	P.O.A.		

Build your own 286-12MHz from £350, include keyboard, 1M RAM and monitor:

Desktop case + PSU (£100); Keyboard (£45); AT multi I/O card with FDD and IDE controller (£55); Monitor (£65); 1.2M Floppy Drive (£52).

Options:

Tower case (£150); 16-bit 1024x798 16-colour VGA card (£110); VGA Colour monitor - 640x480 (£230) - 1024x768 (£270) - Multisync (£310)

Hard Disk 20M (£145); 40M (£190); 100M (£399) and many more.

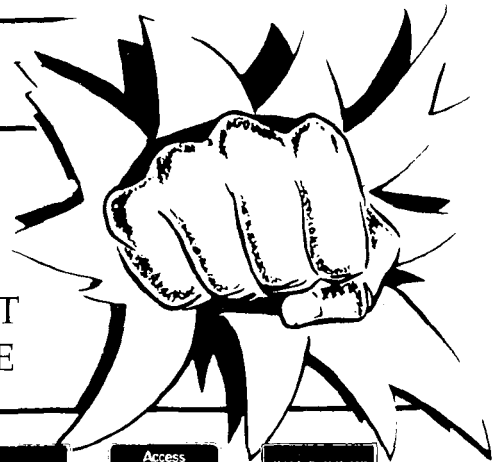
Floppy Drive 1.44M (£45); 1.2M (£52)

DRAM	256x9	£60	1Mx9	£70
SIMM	256x9	£60	1Mx9	£70

FREE

CRICKLEWOOD ELECTRONICS

90'S DECADE COMPONENT CATALOGUE



- ONE OF THE LARGEST RANGES OF COMPONENTS IN THE UK
- FAST AND EFFICIENT SAME DAY PERSONAL SERVICE
- VERY COMPETITIVE PRICE; QUANTITY DISCOUNTS AVAILABLE
- DISCOUNT VOUCHERS INCLUDED
- NO MINIMUM ORDER

CRICKLEWOOD SUPPLY MOST OF THE COMPONENTS FOR P.E. PROJECTS. 13,000 STOCKLINES (MANY UNOBTAINABLE ELSEWHERE) PLEASE PHONE US FOR YOUR SPECIFIC NEEDS.

FILL IN THE COUPON AND POST IT TO RECEIVE YOUR FREE CRICKLEWOOD ELECTRONICS CATALOGUE AND VOUCHERS WHICH YOU CAN USE AGAINST YOUR NEXT PURCHASE.

Cricklewood Electronics Ltd
40 CRICKLEWOOD BROADWAY, LONDON, NW2 3ET
Tel: 081-450 0995/452 0161
Fax: 081-208 1441 Telex: 914977



TELEPHONE ORDERS OUR SPECIALITY

CRICKLEWOOD ELECTRONICS COMPONENTS CATALOGUES

PLEASE SEND.....COPIES OF THE FREE CRICKLEWOOD ELECTRONICS CATALOGUE TO:

NAME

ADDRESS

Remittance enclosed £.....

RESISTANCE CALCULATOR

I found Joe Chamberlain's cleverly constructed tables (Jan 90 PE) for determining the value of resistors in parallel especially useful when high accuracy was required - such as for meter shunts. However, for some years I have been using a less accurate but very satisfactory home made 'calculator' which is particularly quick and easy to use and simple to make.

As can be seen in Fig. 1 the calculator consists of two cursors which can rotate around the points A and B. The values of the two resistors in parallel are set, using these cursors, on the scales R1 and R2. Their combined resistance is then read off the linear scale R. If this is not quite the value required, other combinations can quickly be tested or a third resistor added to the parallel resistance of the first two.

The calculator is easy to make since the

S R A Stopford reveals a novel way of working out parallel resistances

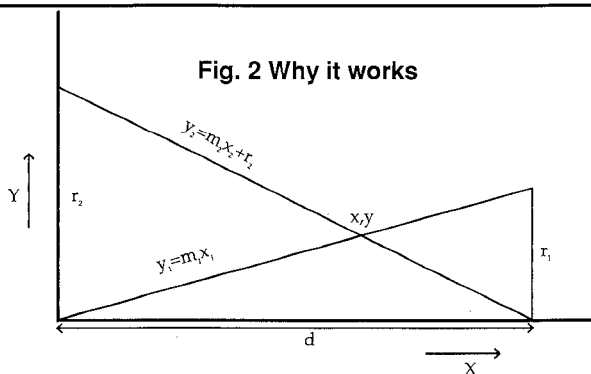
geometry is simple. The distance AB is not critical but 12cm results in a calculator which can be held in one hand. Using graph paper, the central scale (R) is drawn so that it runs from 0 to 10 units - using 1 unit per cm. Two arcs are then drawn with a radius AB and centres at A and B giving the cardinal's hat

shape. Two construction lines are then used to scale the calculator, drawn vertically up from A and B and marked with preferred values on the same scale of 1 unit per cm. The scale for R1 can then be drawn by placing a ruler on point B and each preferred value in turn, marking off the intersections with the arc. The process is repeated for the R2 scale. The outer profile is then drawn, the construction lines rubbed out and the figures over-written in ink. The graph paper can then be pasted on a piece of hardboard cut to the outer cardinal's hat profile. To protect the device when in use, a layer of clear lacquer should be sprayed on.

Holes are drilled at A and B and screws used to form the pivots for the cursors. These are made from clear stiff plastic drilled and scribed along their length. A red wax pencil rubbed into the scribed lines provides a good contrast against the scales.

PE

Fig. 2 Why it works



Proof

With reference to Fig. 2.

$$y_1 = m_1 x_1 \quad \text{since the y intercept is at zero}$$

$$y_2 = m_2 x_2 + r_2 \quad \text{y intercept is } r_2$$

$$m_1 = r_1/d \quad \text{and } m_2 = -r_2/d$$

Substituting the gradients gives:
 $y_1 = r_1 x_1/d$ and $y_2 = -(r_2 x_2/d) + r_2$

At x,y $x = x_1 = x_2$ and $y = y_1 = y_2$ so
 $y = r_1 x/d$ and $y = -(r_2 x/d) + r_2$

Re-arranging gives:
 $x = yd/r_1$ and $y = -(r_2 y/r_1) + r_2$ the d's cancelling out

Re-arranging the second of these to isolate y gives:
 $y(1 + r_2/r_1) = r_2$ i.e. $y = r_2 / (1 + r_2/r_1)$
 multiplying bottom and top of this by r_1 gives:
 $y = r_2 r_1 / (r_2 + r_1)$

The rule for working out the resistance of two resistors in parallel is:

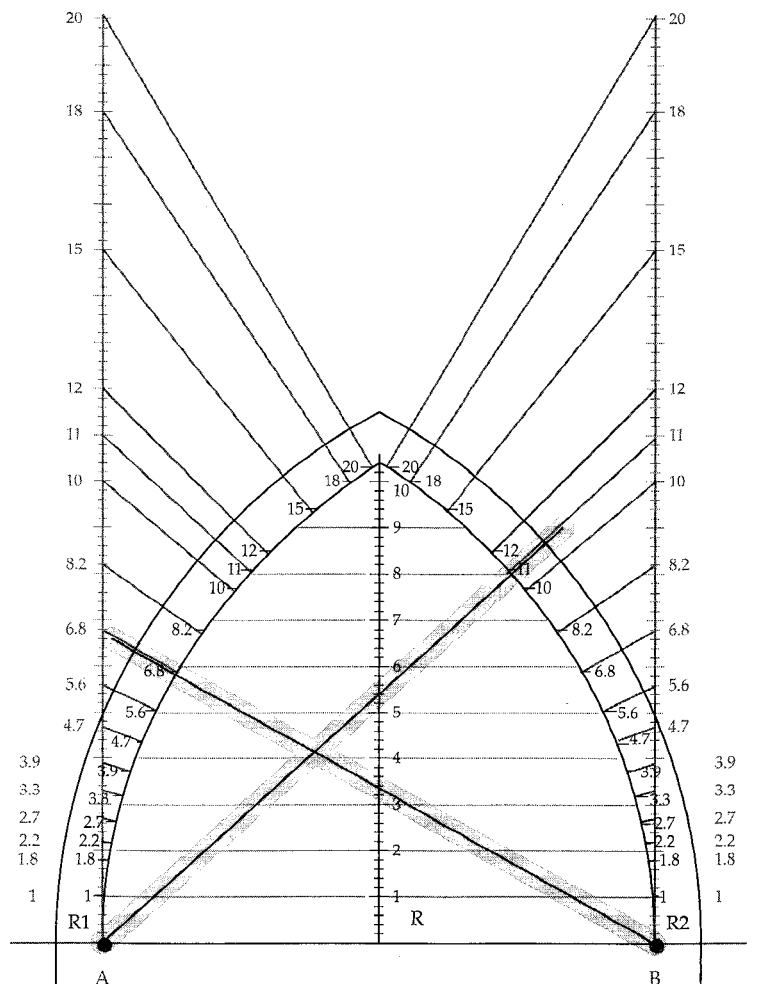
$$1/R = (1/r_1) + (1/r_2)$$

which using similar manipulations as above is the same as:

$$R = r_1 r_2 / (r_1 + r_2)$$

Therefore R is the same as y above which is why the graphical method works.

Fig. 1 The resistor calculator and how to construct it



Practical Electronics Binders

As you save your monthly copies Practical Electronics quickly builds up into a valuable reference library of projects and useful articles, especially when every December we publish an index to the whole year. The best way to store your copies of PE for long-term reference is in our special binders. Vinyl-covered for durability, they take a whole year's issues each and are available for a mere £5.95 including postage. To order use the coupon below, or order by phone using your credit card on 081 743 8888.

Send to: Intra Press, Intra House, 193 Uxbridge Road, London W12 9RA.
Make cheques/postal orders payable to Intra Press. Allow 28 days for delivery.

Please rush me PE binders at £5.95 each. I enclose a cheque/postal order for £.....

Name.....
Address.....
Town.....
County.....
Post Code.....

AGE & G ELECTRONICS

ELECTRONIC COMPONENTS MAIL ORDER COMPANY.

1990 COMPONENTS CATALOGUE IS AVAILABLE NOW.

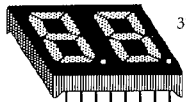
FREE entry to win an ultraviolet exposure Unit Value £ 200.

Have you send for your copy yet ?

Electronic Components at the right prices.

- FAST SERVICE
- LOW PRICES
- LARGE DISCOUNTS

Competition ends
31 Dec 1990.



0.5" ORANGE DUAL LED DISPLAY

Value £ 2.00 absolutely free !!!

Simply complete and return the order form below and we will send your free gift.

PLEASE SEND A COPY OF THE A & G ELECTRONICS CATALOGUE AT £1.00 (REFUNDABLE WITH MY FIRST ORDER) AND MY FREE GIFT TO:

NAME

ADDRESS

.....

I HAVE ENCLOSED £ Tick box to enter the competition.

A & G ELECTRONICS LTD.
Free Post ,100 Park Avenue ,
London E 6 2BR. (No Stamp Required)
TEL : 081-552 2386 Fax : 081 - 519 3419.

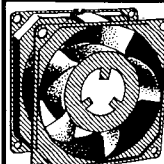
HENRY'S ELECTRONICS DISTRIBUTORS

QUANTITIES FROM STOCK

ALL PRICES INCLUDE VAT

ASK ABOUT OUR LOW LOW QUANTITY PRICES!

FANS



Axial Fans in stock
220/240V A/C,
110/120V A/C, 12 volt
and 24 volt.
Various sizes.

SWITCH MODE POWER SUPPLIES



TWO MODELS AVAILABLE IN QUANTITY FROM STOCK

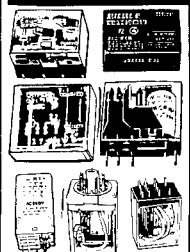
TYPE 1 OPEN CHASSIS TYPE

Output + 5 volt 8 amp,
+ 12 volt 0.5 amp,
- 12 volt 0.3 amp.
230-250 V A/C Input
Size 7.7 x 4.2 x 1.9 ins

Post, Packing and Insurance £2.05 for 1 or 2

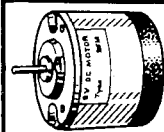
BRAND NEW £5.95 EX-UNITS £2.95

TIMERS & RELAYS



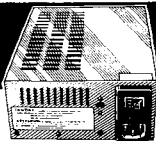
All types of Relays,
Low Voltage, 110/240 V
A/C DIL, OCTAL,
PLUGIN, PCB Ecc
Also 110 and 240 V A/C
timers.

MOTORS



Low voltage DC, 3 volt,
6 volt, 9 volt and 12 volt
stocked.

TYPE 2 ASTEC ENCLOSED METAL BOX



Three pin
mains socket
input, on/off
switch. Output + 5 volt 3.75 amp,
+ 12 volt 1.5 amp, - 12 volt 0.4 amp.
115-230 V A/C Input Size 7.0 x 5.3 x 2.5 ins

BRAND NEW £12.95

Post, Packing and Insurance £2.05 for 1 or 2

TEST INSTRUMENTS

UK' largest in-stock
range. Also components
and Semi-conductors,
Security and Audio/PA

HENRY'S AUDIO ELECTRONICS

404 Edgware Road, London W2 1ED. Tel: 071-723 1008

Open 6 days a week for callers and Telephone orders

Trade/Export supplied

Quantity Enquiries Tel: 071-258 1831

FAX: 071-724 0322



CALL IN OR SEND FOR CATALOGUES

Send A4 SAE (UK Stamp £1.10)
Mark Ref: SWP
FREE to callers,
Trade/Industry
and Education

The purpose of this article is to describe a formal technique for designing synchronous logic circuits. The aim is to be able to start with a specification, pencil, paper (and rubber) and to finish by soldering together some chips to form a piece of well designed synchronous logic. It will take a while to reach our goal – and it may not always seem the easiest route. However, the reward will be with an interesting and useful design technique.

FORMAL DESIGN

Before we talk about synchronous logic, let us consider what formal design is and why it is needed. For example, ask yourself this question, "How do I solve problems?", any problem, not just circuit design. For example, find the value of A in the equation $Ax6=138$. Probably you will solve this using the rules of algebra, in this case dividing each side of the

intended, it is more difficult to trace what has gone wrong and why. With regard to logic circuit design, the more complex a circuit, the more error prone the 'think of an answer' solution becomes.

SYNCHRONOUS LOGIC STATE MACHINES

Asynchronous logic circuits are limited to an operational speed defined by the propagational delays of the logic devices in use. Outputs change as soon as possible after the inputs arrive. Purely combinational logic circuits, those consisting of gates only with no memory elements, are asynchronous in operation and present no great design problems. After a new set of input conditions are applied the output will be valid after the worst case propagation delay. In the case of Fig. 1, if all the gates have a propagation delay of 10nS, then the worst case delay is

30nS – the path from A to Y. In reality, the propagation delays of gates are not all the same or even predictable. However, as long as the worst case is used there should be no problems.

Adding an edge triggered clocked D type flip flop to the circuit as in Fig. 2 produces something that, although it may look fine, has the makings of a disaster. If input A is low and B goes high at the same time as C goes low then the D type data input will change at about the same time the clock changes. It is difficult to know the logic level that will be clocked into the flip flop and the overall circuit operation becomes erratic. We can't simply wait for the worst case propagation delay time and expect the results to be valid. We need to consider the exact timing of the signals relative to each other. When only one flip flop is involved, this is not too bad and can be done relatively easily. As more flip flops are added, however, more possible conditions exist and the circuit soon becomes

SYNCHRONOUS LOGIC DESIGN

'=' by 6 to find that $A=23$. The equation has been solved using a formal method, that of applying the rules of algebra. The second method of problem solving is that of 'think of an answer'. In this method, you chew over the problem until the answer suddenly appears from nowhere. How you arrive at the answer is largely unknown as is the time to find it.

The 'think of an answer' method has a number of disadvantages. It is difficult to teach to someone else or instruct them as to how the answers are arrived at. Also, should the answer not prove to work exactly as

Disciplined techniques are the key to successful circuits.
By Tim Watson.

impossible to predict. Should such a circuit be built it would work unreliably, it may do partly what it was intended to do, then again it may not. The only good point about this type of circuit is that it should be fast in operation since the speed limits are imposed by the propagation delays. The bad points are that circuits such as these are difficult to design, difficult to observe in operation and thus difficult to debug.

So, how do we go about designing a logic circuit that involves memory elements? The answer is to use synchronous logic. These type of circuits have their operations timed by a master clock so that all signals are guaranteed to be valid before the data is clocked into the flip flops. The circuit's operational speed is no longer directly determined by the propagation delays, it is defined by a master clock.

A circuit with memory is known as a state machine. Its current state depends on past conditions, not just the present inputs. The state machine forms the heart of a circuit and controls the sequence of operations. A block diagram of a synchronous logic state machine is given in Fig. 3. Some of the combinational logic outputs are fed back to the data inputs of the flip flops whose outputs go back to the main logic block. The output of the master clock is connected to all of the flip flop clock inputs and controls when new data is moved into them

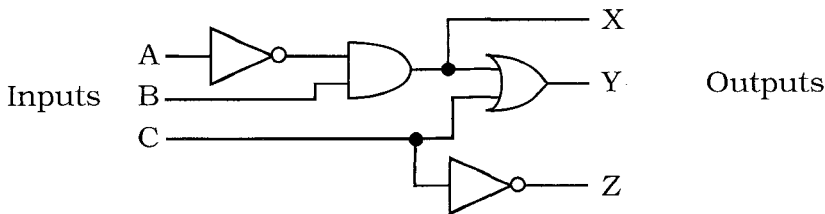


Fig. 1. Pure combinational logic.

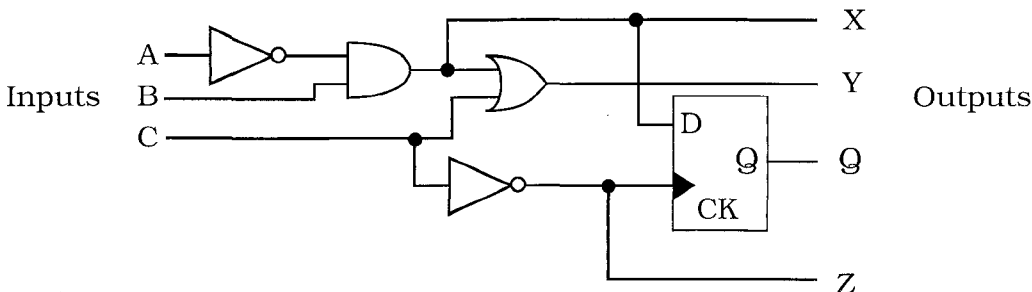
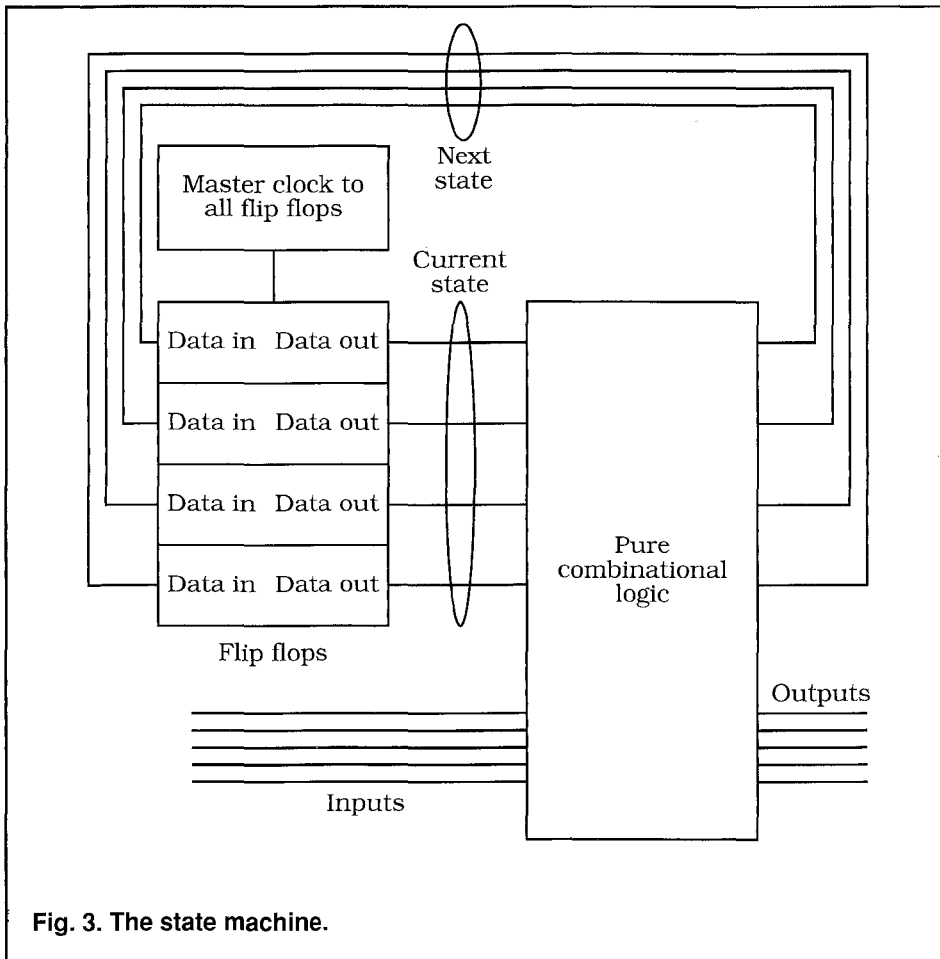


Fig. 2. Combinational Logic with Memory.



signals. It is worth mentioning at this point that microprocessors can be used to perform the tasks of most synchronous logic circuits. However, there are times when they just aren't fast enough or are complete overkill and a synchronous logic circuit is a far better solution.

ALGORITHMIC STATE MACHINES

In the previous description of a state machine, no real thought was given to the combinational logic block other than that it existed and did the right thing. Nor was any thought given to what states were needed. To sort these things out the design of the state machine must be worked out and written on paper, starting from a formal specification. The design can then be done using ASM charts, leaving the final implementation of the hardware until last.

ASM charts were developed by Hewlett-Packard and anyone who is familiar with flow charts will immediately recognize them as being very similar. There are subtle differences, however, and caution should be used since ASM charts are much more strictly defined.

A rectangular box is used to define a particular state (see Fig. 4). A box is entered from the previous state at the top and exited to the next state at the bottom. Inside the box is written a list of all the active (high or '1') outputs during this state. If there are no active outputs then the box is left empty. To the left of the box is written a description of the state and what it is for. This will help with understanding the workings of the system at a later date. A state box has a time slot and is entered under control of the master clock. At the end of the clock period, the box is exited and the process moves on to the next state.

To illustrate an ASM chart, two bit Gray code is used. This is a binary numbering system where only one bit of the code changes with each state, and was originally developed to allow logic circuits to monitor rotating objects. Fig. 5 shows the sequence for the Gray code count and forms the functional specification for the design. Positive logic conventions are assumed where the active level is a logic 1. There are no inputs required except for the clock and there are two outputs A and B. The ASM chart is very simple and is

making sure that all are written at the same time. The diagram is called a state machine because flip flops remember a state, the current state. At the next clock edge the circuit will advance to the next state, which is determined by the inputs of the current state. A circuit with n flip flops will have 2^n different states.

For the moment, ignore the exact logic function of the combinational section and treat it as a black box that has been designed and proven to work. At power up time assume that all of the flip flops are reset (to zero) and, for ease of reference, the state of the flip flops are defined as a binary word whose number of bits is determined by the number of flip flops i.e. one bit per flip flop.

For the four logic gates in Fig. 3, the current state is 0000. The combinational logic combines the current state with the inputs to produce the outputs and the next state. Assume that this is 0110. At the next clock the next state is clocked into the flip flops and becomes the current state. Now the current state is 0110 and the inputs (which may or may not have changed) are combined to produce a new next state, say 0111. At the following clock the current state becomes 0111 and a new next state will be produced and so on.

The reason why the flip flops must be edge triggered is that if the flip flops are transparent, so that the input passes straight to the output when the clock is sent high, then the data will race round and round the circuit until the clock goes low. Edge triggering

moves things only at the edge of the clock signal so everything can only happen at one set time.

The maximum frequency for the master clock is determined by the worst case propagation delay in the combinational logic so the next state cannot be clocked in until it is valid. The state machine does not have to be operated at its maximum frequency, in fact when debugging a circuit it can be useful to slow the clock down to observe the system moving from state to state.

One of the most common state machines around at the moment is the microprocessor. Although these are highly complex, the basic theory is the same. There is a master clock to which all events are synchronised and the logic internal to the chip moves from state to state as determined by combinational logic and external inputs – mainly from the data bus

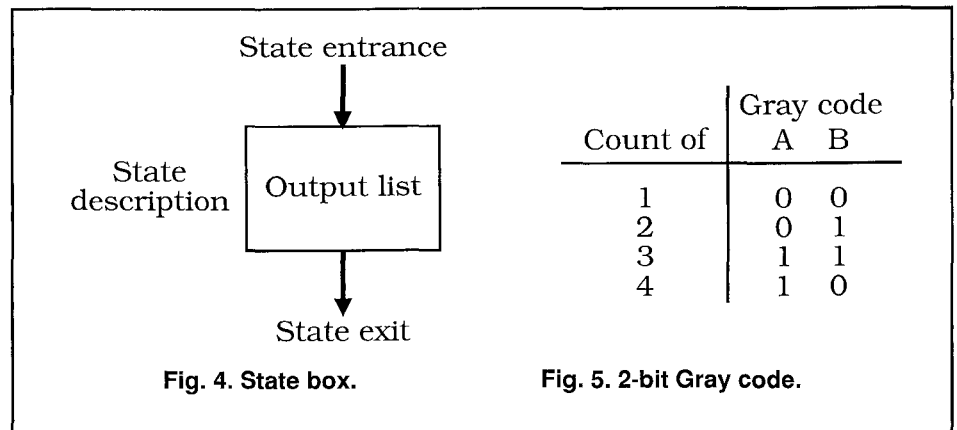


Fig. 4. State box.

Count of	Gray code	
	A	B
1	0	0
2	0	1
3	1	1
4	1	0

Fig. 5. 2-bit Gray code.

shown in Fig. 6. Consider that the current state is *count of 2* then the output will be A=0 and B=1. At the next clock edge the *count of 3* state will be entered and the output will change to A=1, B=1. When the *count of 4* state is exited the ASM chart shows that the *count of 1* state is entered. Once running the counter will continue to cycle around in the way most binary counters do. If the circuit was required to stop at *count of 4* then the ASM chart would loop back to the input of the *count of 4* box as in Fig. 7. However, the functional specification doesn't define what is to happen - slapped wrists for an incomplete specification! Another piece of information that is missing from Fig. 5 is the state that should be entered at power up.

The ASM charts in Figs. 6 and 7 are fine but a bit boring and don't seem particularly clever. Very few real life problems can be solved with such simple state machines since real life involves making decisions. To do this in a state machine, the outputs must depend on the inputs. ASM charts provide a method for organising decisions with the shape shown in Fig. 8 - the decision box. This is entered at the top from a previous state and has two exits, an active exit and an inactive exit. Inside the box is a condition which determines which of the two exits should be used. The condition is a Boolean expression and a result of 1 defines the active and 0 the inactive exit. The Gray counter can now be modified to include an input called RESTART. When this is active the state

machine should move to the count of 1 state after count of 3, rather than continuing to count of 4. The modified ASM chart is shown in Fig. 9. When exiting the count of 3 state the count of 1 state will be entered if RESTART is 1 or the count of 4 state if RESTART=0.

Unlike state boxes, decision boxes do not have a time slot. They are merely passed through on the way between state boxes and because of this cannot feed back into themselves. To cause a wait, a state box must be used in conjunction with a decision box as in Fig. 11.

The final ASM chart operation is shown in Fig. 10. The conditional output box is similar to the standard decision box in that it has no time slot. It holds a list of outputs and is used in conjunction with decision boxes to alter an output as soon as the latter becomes true (or false). The ASM chart in Figs. 11 illustrates the use of a conditional output box. Starting in the wait until *Ready* state the *Ready* condition is continually evaluated. As soon as it goes to '1'. *Cont* will also go to '1' without waiting for the next clock edge. Should *Ready* go to '0' again before the next clock edge then *Cont* will also go to '0'. Assuming *Ready* remains active then the *operation continues* state will be entered at the next clock edge.

THE TRANSITION TABLE

The next step on the way to implementing an ASM chart as a piece of hardware is the transition table. This lists what the start and output signals should be at the next clock edge, given the existing state and input signals.

Continuing with the Gray code counter and taking into account that 2ⁿ states requires n flip flops, the four states shown in Fig. 6 define two flip flops for the circuit. The four state values that can be stored are represented by the flip flop outputs of 00, 01, 10, and 11. The final piece of information to add to the ASM chart is the assignment of state values to state boxes. This process is totally arbitrary, any box can be given any state value. However, the complexity of the combinational logic will be affected by the assignment. The value assigned to a state is written on the top right of the state box. Figs. 12 and 14 show two perfectly valid assignments for the Gray code counter. Fig. 12 is used since it will reduce the complexity of the combinational logic, a fact divined from hindsight.

The final consideration of most state machines is what happens on power up. Since most flip flops have a reset input it is easy to ensure that the state value of all zeros if entered at power up so this is the value assigned to the state to be used at power up.

The transition table for the Gray code counter is shown in Fig. 13. The order of the rows is totally arbitrary; in Fig. 13 they have been ordered so that the current state increases the normal binary counting sequence. The advantage of this is that it is more difficult to miss a state from the table and that unused states are included. The far left column shows the current state; the bits of

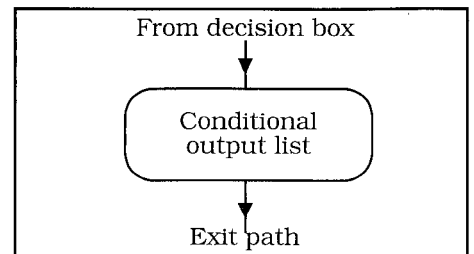


Fig. 10. Conditional output box

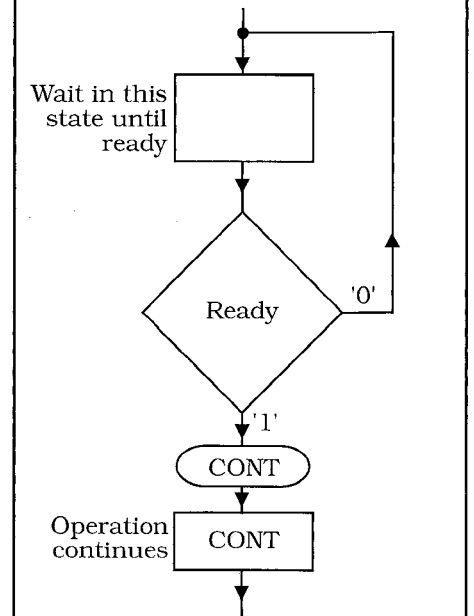


Fig. 11. Combining elements

the state value have been called S0 and S1. The next column shows inputs to the combinational logic of which there are none in this example. The next column shows the next state, given the current state and inputs shown in that particular row. The value to enter in the next state column is easily determined from the ASM chart. After the next state column comes the transition column. This shows how the state bits must change in order to move from the current state to the next state. The values listed in this column are not logic levels. A 0 means the state bit stays at logic '0' and a 1 means that the state bit stays at logic '1'. An α means that the state bit makes a transition from '0' to '1' and a β means a transition from '1' to '0'. After the transition column come the combinational logic outputs, in this example A and B. The values for the outputs are taken from the ASM chart state boxes, the appropriate box being picked according to the current state listed in the particular row.

A brief mention was made earlier about unused states. Consider an ASM chart with six states. To implement it would require a minimum of three flip flops. These will produce eight possible states, however, leaving two unused. Normally it would be possible to ignore these, but if the circuit accidentally jumps into one of them it could cause the whole thing to hang up. It is good practice, therefore, to put them into the transition table with their next states being that at power up. In a worst case of

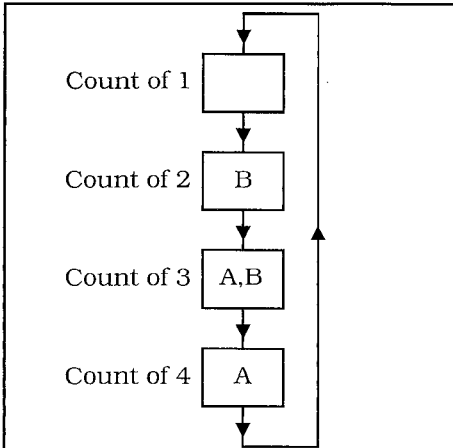


Fig. 6. Chart for 2 bit Gray counter.

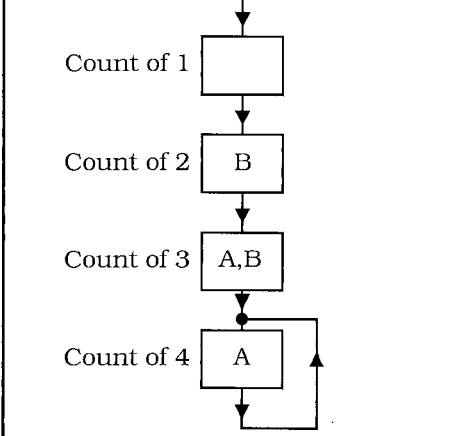


Fig. 7. Chart for non-cycling Gray counter.

corruption, all that can happen to the circuit is that it resets itself.

The next step is to produce a transition table that involves decisions and inputs. A convenient example is the Gray code counter shown in Fig. 9. Firstly assign state values as in Fig. 14, the state values having been assigned to the states as for the normal grey code counter. Because of this the transition table is similar to that shown in Fig. 13, the only difference being in the row for the current state of $S_0=1, S_1=1$, count of 3. The next state after count of 3 depends on the restart input. The new transition table is shown in Fig. 15. In the input column, X's have been used to indicate that it doesn't matter whether the signal is '1' or '0' (don't care). From the ASM chart in Fig. 14 it can be seen that for the current states of *count of 1*, *count of 2* and *count of 4*, the next state is not dependent on the *Restart* input, so the transition table X's have been entered in the inputs column for these rows. The current state *count of 3* now appears twice in the table, once when *Restart* is '0' and once when it is '1'. As can be seen from the ASM chart, when *Restart* is '0' the next state after *count*

of 3 is *count of 4*, as is the case of the normal Gray code counter. This is entered in the next state column and the transition is the same as before. When *Restart* is '1' the next state after *count of 3* is *count of 1*. So, in the next state column the *count of 1* state has been entered instead of *count of 4* and the transitions go from *count of 3* to *count of 1* are shown. The output column remains unchanged by any of this.

Now that a transition table which represents the state machine has been defined, the hardware design can be started.

HARDWARE IMPLEMENTATION

Designing the hardware mainly involves determining the combinational logic that will cause the transitions as listed in the transition table. The method used is to draw Karnaugh maps for the combinational logic outputs given the current state and inputs.

Fig. 16 shows the state machine for a two bit Gray code counter. The combinational logic has two inputs S_0 and S_1 (the current state) and four outputs, the counter output A and B and the two outputs connected to the D type data inputs D_{s0} and D_{s1} . Four Karnaugh maps must therefore be created from the transition table, one for each output. These maps are shown in Figs. 17 to 20. The data for D_{s0} is taken from the transition S_0 column and similarly for D_{s1} . The data for A is taken from the output A column, similarly for B. Fortunately, the outputs A and B turn out to be identical to the current state. This good fortune came from the way in which the state values were assigned, a touch of the 'think of an answer' methodology. Only two outputs are now required, D_{s0} and D_{s1} .

The values in the Karnaugh maps are not logic levels but transitions. The question is, what value should be clocked into the flip flop to cause the correct output? The answer depends on the type of flip flop and with D-types the values shown in Fig. 21 are used. To produce the Karnaugh maps for the D-type inputs the transitions in the Karnaugh maps of Figs. 17 and 18 are substituted into the table of Fig. 21 to give the Karnaugh maps in Fig. 22 providing expressions for the

Current state		Inputs None	Next state		Transition		Outputs	
S_1	S_0		S_1	S_0	S_1	S_0	A	B
0	0	-	0	1	0	α	0	0
0	1	-	1	1	α	1	0	1
1	0	-	0	0	β	0	1	0
1	1	-	1	0	1	β	1	1

Fig. 13. Gray code counter transition table.

Current state		Inputs Restart	Next state		Transition		Outputs	
S_1	S_0		S_1	S_0	S_1	S_0	A	B
0	0	X	0	1	0	α	0	0
0	1	X	1	1	α	1	0	1
1	0	X	0	0	β	0	1	0
1	1	0	1	0	1	β	1	1
1	1	1	0	0	β	β	1	1

Fig. 15. Restarting Gray code counter transitions.

Transition	D type input
0	0
α	1
1	1
β	0

Fig. 21. D-type conversion table.

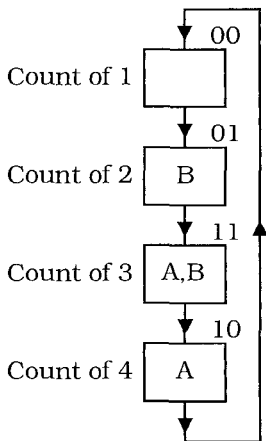


Fig. 12. State assignments.

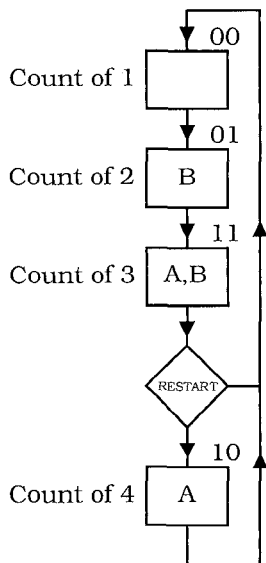


Fig. 14. Restarting states.

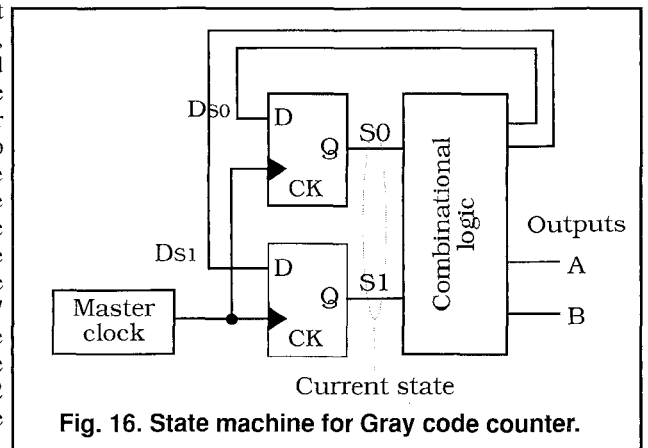


Fig. 16. State machine for Gray code counter.

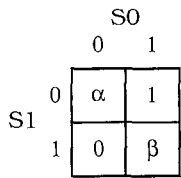


Fig. 17. Karnaugh map for Ds0.

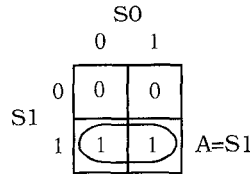


Fig. 19. Karnaugh map for A.

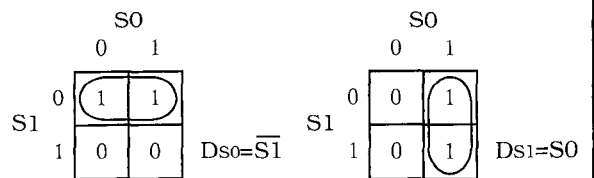


Fig. 22. Karnaugh maps for Ds0 and Ds1

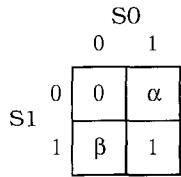


Fig. 18. Karnaugh map for Ds1

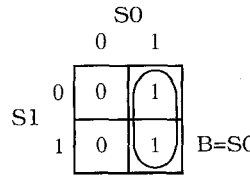
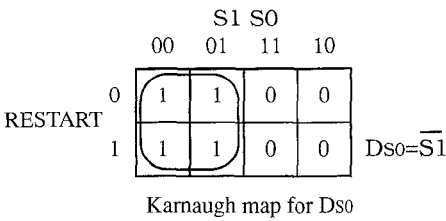
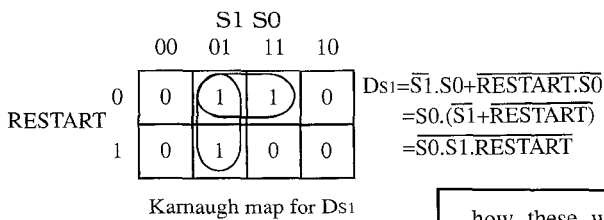


Fig. 20. Karnaugh map for B

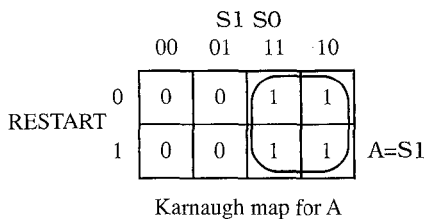
respectively. The circuit diagram is shown in Fig. 26. The Restart signal is generated using an SPST switch such that when the switch is closed, Restart is '1' and the counter will restart at count of 1 after the count of 3 state, as per the original specification.



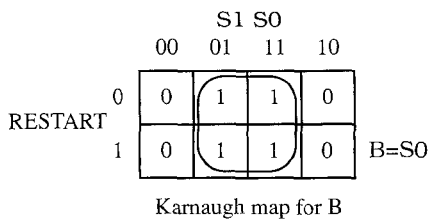
Karnaugh map for Ds0



Karnaugh map for Ds1



Karnaugh map for A



Karnaugh map for B

Fig. 23. Restarting Karnaugh maps

grows it becomes faster and a lot easier to use. In addition, the returns are better with more complex circuits. The final implementation of a restarting Gray code counter requires the transition table in Fig. 15. Remembering the table in Fig. 21 showing the D type input levels for all possible output transitions, the Karnaugh maps for the counter can be written as in Fig. 23. As an example of how these will be used, consider the case when the current state is S0=1, S1=1 and Restart=1. The transition for S1 is a beta transition. From the table in Fig. 21 the beta transition requires an input of '0', hence for the Karnaugh map for Ds1 with the condition S0=1, S1=1 and Restart=1 we write a 0. The other values for the Karnaugh maps are worked out in the same way and the final expression for Ds1 shown in Fig. 23 has been derived using Boolean logic rules. The expression has been worked into a form using NAND rather than OR gates to reduce the number of different types of chips used in the final design. As in the previous example, the outputs A and B are the same as S1 and S0

GENERAL STATE MACHINES

All that remains is a couple of important points about state machines in general. There is no reason why the master clock should be run at full speed. If a slower speed makes timing easier then this should be used. The minimum allowable clock frequency can be worked out by specifying the maximum time that can be allowed for the worst case path through the state machine. This is done simply by counting the number of state boxes passed through and dividing the specified maximum time by this value to give the clock period. When designing state machines do not ignore ready made modules such as counters, shift registers and so on, as these can all be incorporated into a design to save time and money. Finally, for those who are really keen, it should be noted that several state machines can be run in parallel to provide more processing (parallel processing) power.

PE

For more information see *Designing Logic Systems using State Machines* by C. Clare. McGraw-Hill, New York, 1973.

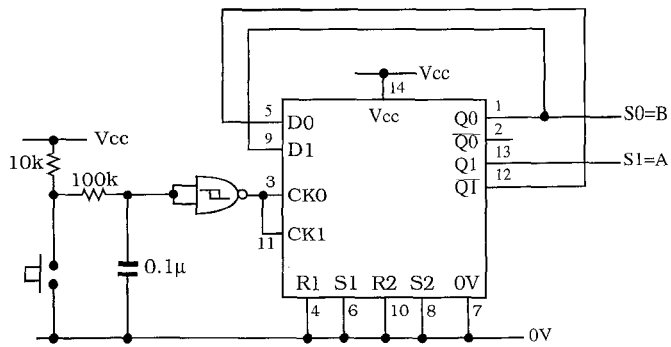


Fig. 24. Two bit Gray code counter.

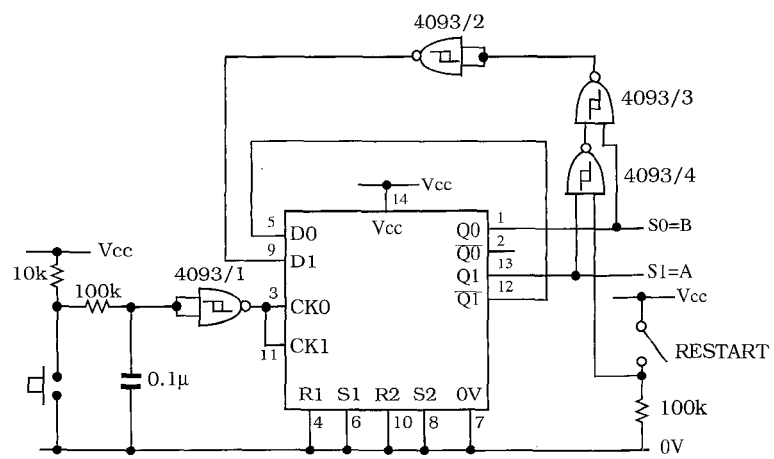


Fig. 25. Restarting Gray code counter.

It is quite common these days to have a number of computers connected to the single serial input of a printer. Switching between machines is usually performed by means of a manual switch on a switching box. Another way of looking at this would be to use the switching box to connect one computer to a number of other serial devices, say a modem, a printer and even other computers. The drawback with this is the use of a manual switch to divert the data flow from place to place. The obvious improvement to the scheme is to use an output from the computer to operate an electronic switch to send the data to the appropriate destination.

configuration, both the data and the handshake lines will be switched in unison. It should be noted that the two halves of this TTL-version of the switch are definitely unidirectional since the LS153 and LS139 are themselves unidirectional, as they have input and output terminals. Therefore, the electronic version does, in fact, differ from a simple mechanical four-way switch.

The PCB for a four-way MUX is shown in Figs. 3 and 4. To aid the initial setting-up and subsequent monitoring of its functioning, both address and serial data lines are monitored by LEDs. This circuitry results in a lot of cross-wiring regardless of any arrangement tried for the six chips on the board.

sockets are chosen (no bare 'platework' underneath). Having the tracks wholly accessible on a single-sided PCB is a definite advantage if servicing is needed. Employing the widest tracks possible minimises track lifting if (or when!) desoldering is required. However, inter-track shorting caused by whisker-formation on aging can still be a problem - unfortunately the green 'varnish' used on commercial PCBs is not generally available outside the trade.

CONSTRUCTION

First all wire links (bare tinned copper

A COMPUTER CONTROLLED SERIAL MULTIPLEXER

Practical details are given here mainly for the BBC Micro, allowing it to communicate with several peripheral devices or other computers in an intelligent manner. The software on the central computer may switch in peripherals periodically and then send, or receive data, perhaps transferring it to and from its local disc drive with or without processing. The system now becomes a slow network which is ideal for many activities that proceed over a long period of time. It is important to realise that slow as well as fast processes are amenable to, and enhanced by, computerisation. The practical version of the MUX-system employs a BBC Micro as the central controller and the multiplexer box in place of the switch in Fig. 1.

The user port, port B of the 6522 VIA chip at base address &FE60 (the '&' symbol is used to denote hexadecimal numbers on computers running BBC Basic) or &FCB0 for the expanded Electron, provides the control functions. Refs. 1 gives hardware details for the range of Acorn 6502-based machines.

COMMUNICATIONS

The general principle of operation is that once a device is connected, communication proceeds until messages are complete, leaving the system available for other devices. To minimise the number of lines that have to be switched, it is convenient to 'loop back' RTS to CTS locally. Many serial devices do not use handshake lines, or use the software xon/xoff (Ctrl+Q, Ctrl+S) protocol to stop and start data transmissions.

Fig. 2 gives the circuit diagram and wiring details for a four-way switching system. Two of the VIA data lines (PB0, PB1) are used to select the transmit station and two more (PB4, PB5) the receive station. This situation corresponds to Fig. 1 except for the additional possibility of being able to receive from one station and send to another at the same time. The actual multiplexing is performed by a dual four-way demultiplexer (LS153, receive) and a dual four-way multiplexer (LS139, send). Since both chips have a dual

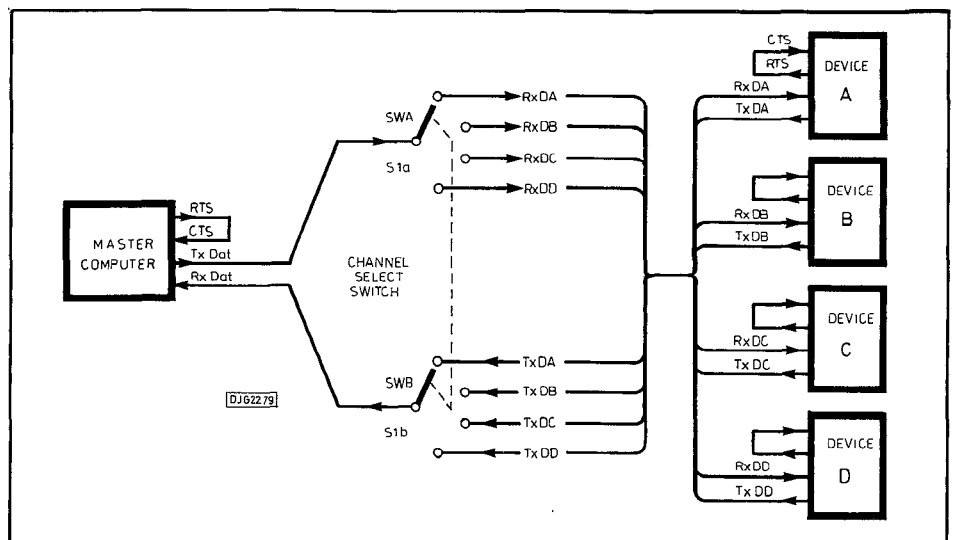
A soft solution to a hardware problem. Sort out your computer connections thanks to Ron Goudling of Heriot-Watt University

A double-sided PCB was avoided mainly because of the cost, although the final design does involve quite a few link wires including some under the chips. This is not a problem as long as they are not forgotten until the chips/sockets are soldered in, and suitable

wire produced by stripping PVC-coated 1/0.6 mm wire, for example) are inserted, followed by the DIL sockets. Resistors, capacitors, diodes and transistors are then soldered in. The decoupling capacitors should have 0.2 inch pitch leads and be of very small physical size. Electrolytics are of the tantalum bead type. Be sure to check the polarity for the electrolytics, diodes and LEDs.

Next, the three 10-pin PCB headers are soldered in plus two 1mm Veropins (optional). For off-board connections, ribbon-cable (Figs. 5e/f) is used. The end furthest from the Insulation Displacement Connector (IDC) is spread out and the individual wires soldered to the D25 connector following the wiring schedule of Fig. 2. The 'remote' lead is more complex (and starts with a greater length) since three of the separated ribbon wires are connected to the 5-pin DIN socket (power connector). Finally a separate wire link must be made from the DIN pin 3 to the D25 pin 7 (system ground). Note that the DINs and D25s carry the number of each pin on their plastic moldings, which helps to avoid wiring errors. Alternatively you can use direct wire links, however, the header-method gives uniformity between units, especially if several are put to use on one site.

Fig. 1 Mechanical serial MUX



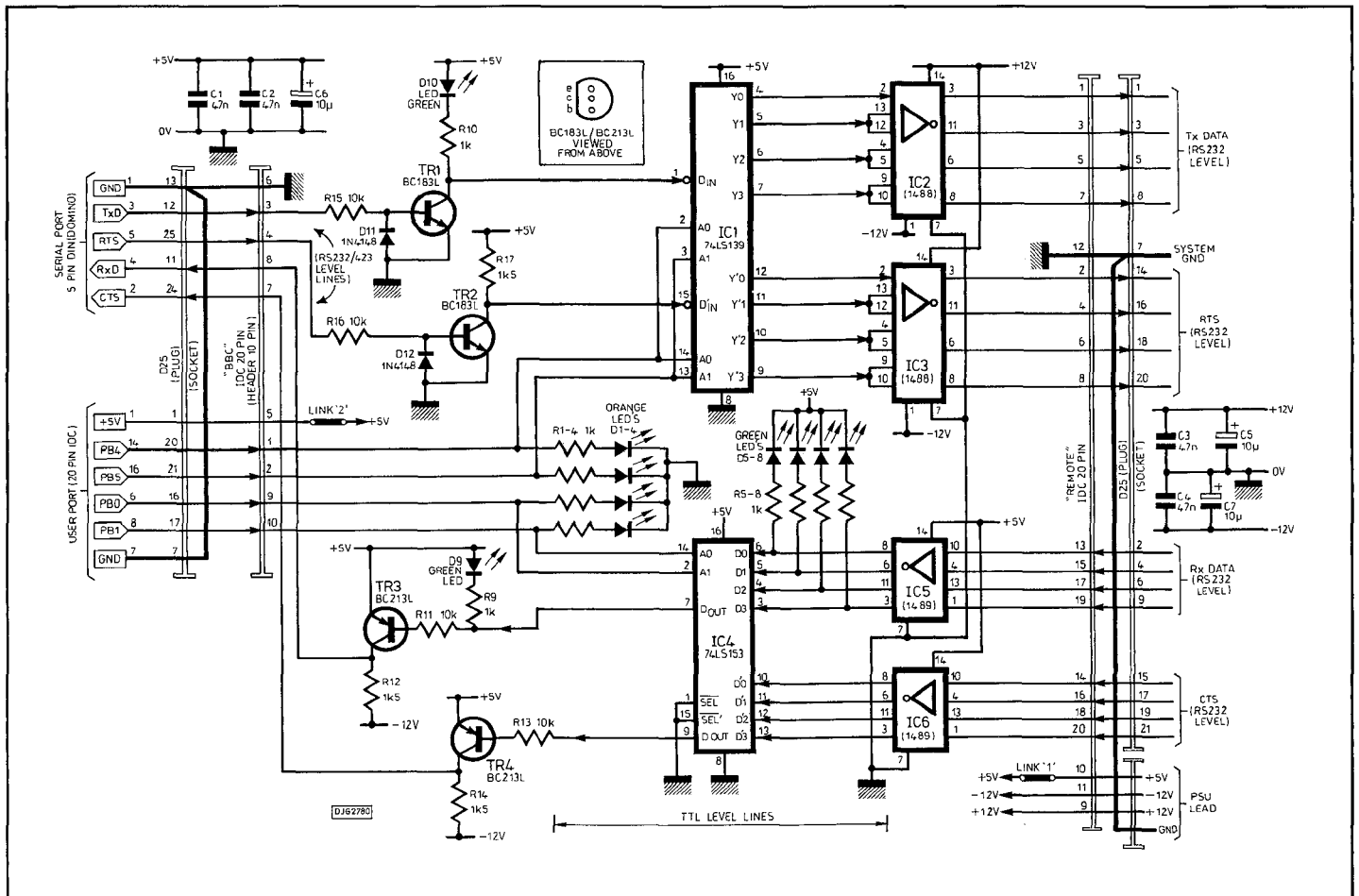


Fig. 2 Circuit diagram – make one link only out of links 1 and 2.

After completing the soldering, it is a good idea to remove all flux residues. For this job a small amount of methylated spirits, isopropanol or chlorinated solvent, is scrubbed on with an old toothbrush and finally cleaned with some cotton rag.

Finally the chips are inserted and after making all conceivable checks the unit is ready for a power-on test. A continuity tester that does not turn on PN-junctions is essential for tests made in the presence of chips or transistors. The two Veropins are to allow a logic probe to be connected to the board. Make up a lead to connect to a suitable power supply; use a PCB socket or solder to the under side of the PCB to the relevant pins of the 20-way header. Power-up the unit and quickly test for over-heating ICs (finger test) and then for the correct rail voltages. In case of trouble switch off quickly and double-check the construction. Ideally, a current-limiting power supply should be used during testing.

SETTING UP

Most of the setting up can be done away from the computer. Deal with the transmit (TXD, RTS) sections first. Arrange switches to apply logic 0/1 as required to PB0/PB1, TXD and RTS inputs and monitor the four peripheral TXD outputs with a logic probe or meter. Fig. 5(a-d) shows the type of input and output test circuits to employ. The output of

the selected channel should follow the applied serial logic level whereas other channels should be held permanently low. The on-board green TX LED should glow whenever data is present at the common input.

Repeat the process for the receive side. Apply the logic probe to the common rxd/CTS and show that only the selected (by PB4/PB5) peripheral rxd/CTS input will affect the common output. The on-board green LEDs will also be active as follows: each of the four LEDs that monitor the peripheral inputs will light up whenever any data is received on the particular input. The fifth rx LED only lights when a channel is selected, and receiving data. The two pairs of orange LEDs show the rx and TX channel selected in two-bit binary format.

PLATFORM ADAPTATION

When all tests are completed successfully the temporary connections are removed, the permanent IDC-D25 cabling installed and the unit is fitted into a suitable case. If this construction and testing sequence is followed and all cabling is made up without wiring errors, the MUX should work first time with the BBC or other computer. The initial link should be one machine (a) connected to the common D25, labelled 'BBC' on the PCB, and another (b) attached to the 'remote' D25 connection. RTS/CTS should be looped-back locally at each machine.

For a BBC Micro/Master, type in

?&FE62=&FF <CR> (make port B 'output'),
 ?&FE60=0 <cr> (all outputs off), on the controller (a), followed by *FX8,3 <cr> (transmit speed to 300 bits per sec (BPS)), *FX3,5 <cr> (send output to the serial port). Type in *FX7,3 <CR> (receive speed to 300 BPS) *FX2,1 <cr> (input from the serial port rather than the keyboard), on the peripheral machine (b). Now characters typed on (a) will be 'echoed' (appear on the screen) of (b). Repeat for the reverse direction – press <break> on each machine and type ?&FE62=&FF <cr> ?&FE60=0 <cr> *FX7,3 <cr> *FX2,1 <cr> on (a), *FX8,3 <cr> *FX3,5 <cr> on (b). At this stage it is a good idea to read chapter 38 of the Model B User Guide (the serial port) or any advanced user guide you may have. For non-Acorn machines the manuals will have to be consulted for how to access the serial and user ports. The methods required are well documented for the Microsoft-80 Basic supplied with CP/M and IBM-PC compatible machines. BBC Basic language systems are available for the IBM-PC compatibles, Atari ST, Amiga, and Mac machines and these have good documentation of the commands required to operate the serial port.

CONNECTIONS

Connection to the BBC (serial and user ports) is through a single D25-connector (Fig.6). All of the bi-directional peripheral lines (each two conductors plus screen) are brought into a second D25. The multiplexer

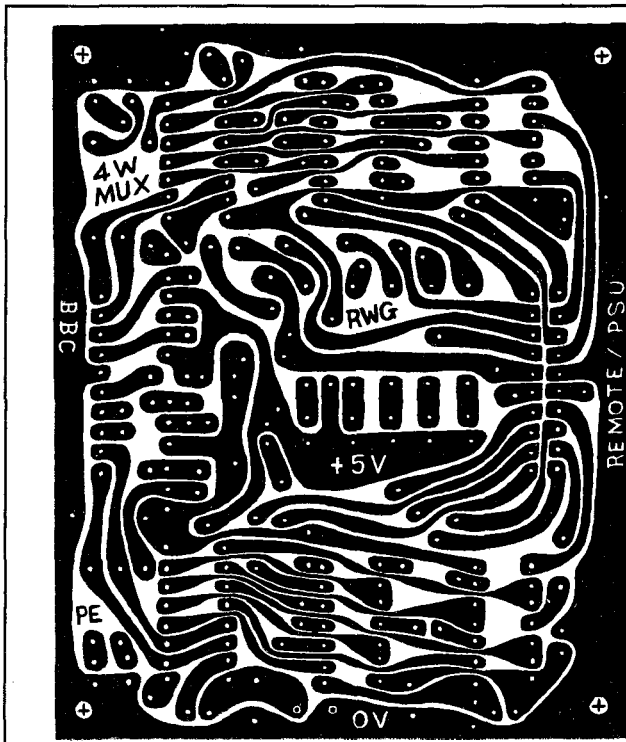


Fig. 3 PCB copper tracks.

could be powered from the BBC micro, but a DC-DC inverter chip would be required to produce the -12V supply. A better solution is to use a small +5V, ±12V PSU. The PCB has two links (L1 and L2) allowing selection of either the BBC +5V supply (L2) from the user port lead, or the PSU +5V supply (L1). Whatever you do DO NOT insert both links. The unused pins in the peripheral D25 are a deliberate feature.

This MUX hardware will also work satisfactorily with an expanded Acorn

Electron with Plus 3 (Acorn original or PRES re-work), Acorn or PRES Plus 1 and the Andyk serial cartridge (ref. 2). The MUX can be controlled either from the printer port (a simple write to address &FC71) or alternatively from the user port of a VIA expansion cartridge (Project Expansions, a 6821 PIA at base address &FCB0). Please note that certain combinations of hardware listed above are incompatible since a Plus 1 only has two cartridge connectors.

The Master Compact needs two additional items of hardware, the serial port upgrade

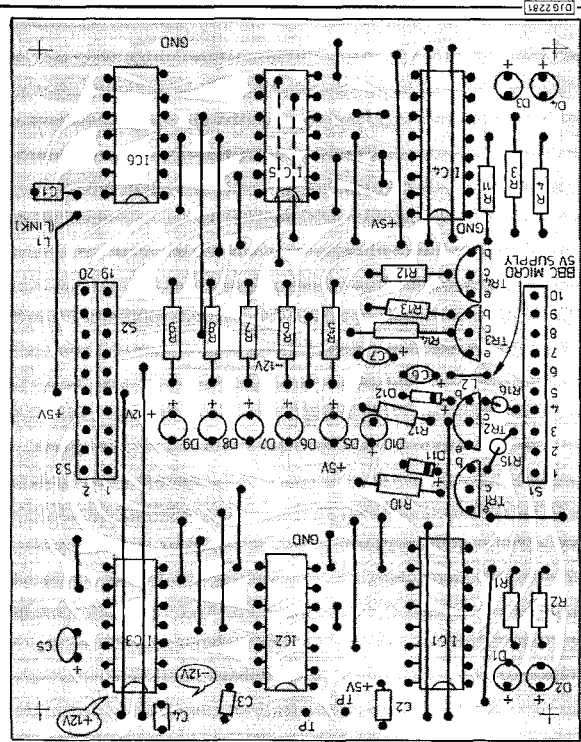
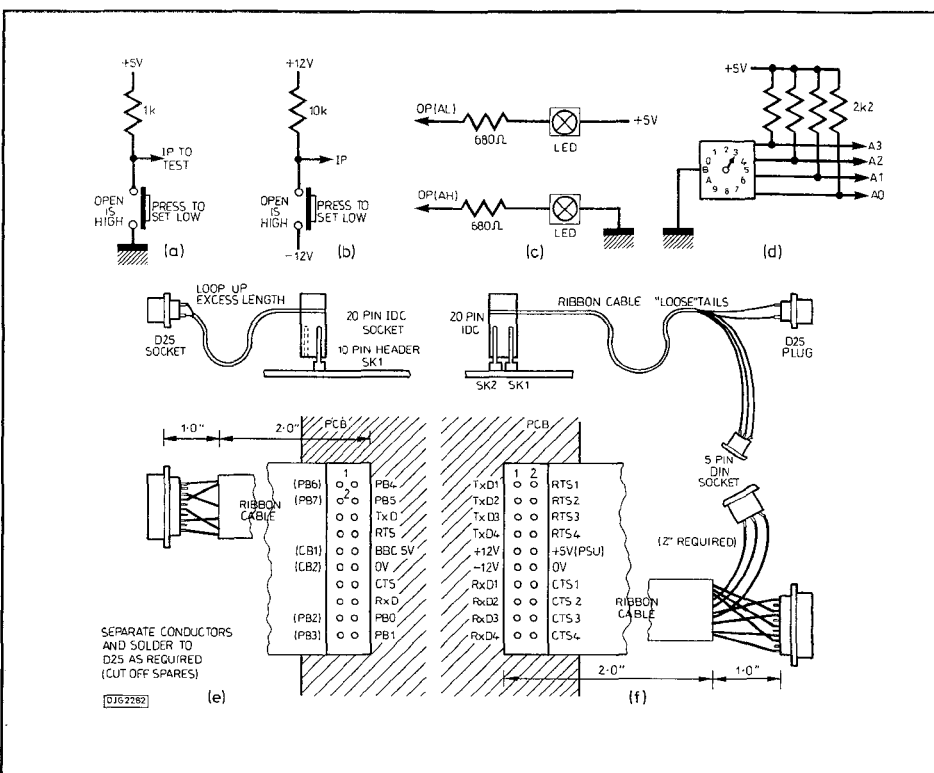


Fig. 4 PCB components

(two chips) and the 'Companion' that contains, amongst other items, the missing full-spec user port (refs 1, 2b). The Archimedes has the serial port, but requires a 'podule' card to gain the user port. It is possible that readers of PE would probably prefer the Apec prototyping card (ref 2c). CP/M machines have serial and printer ports as standard and sometimes a parallel port (e.g. the RML 480Z/Nimbus series often found in Education). The IBM-PC standard is equipped with very similar I/O arrangements. PE discussed peripheral cards for the PC in April 1990.

A BBC format disc is available for £5 from the author. It contains long listings not suitable for incorporation into the text. Please state machine, filing system and disc drive details (and your address!). Write to Dept Building, BBC Software Offer, Heriot-Watt University, Riccarton, Edinburgh, EH14 4AS.

Fig. 5 Test circuits and permanent connections to the PCB.



REFERENCES

- 1 BBC New Advanced User Guide (BBC), Adder, 1988
- 1a The Master Advanced Reference Manual, Watford Electronics, 1989
- 1b Electron Advanced User Guide, Adder, 1985. (Also useful for BBC Micro owners).
- 2a Electron serial Card and manual from Andyk (possibly no longer available). Electron user port card from Project Expansions, Electron New Plus 3 disc interface, PRES Ltd, Lightwater, GU19 5PW. BBC/Electron 6502 second processor bare PCB, Jafa systems, Caerphilly.
- 2b Master Compact 'Companion', Merteck, Swansea, SA1 3QN
- 2c 'Apec' Archimedes prototyping card, Atomwide, Orpington, Kent.

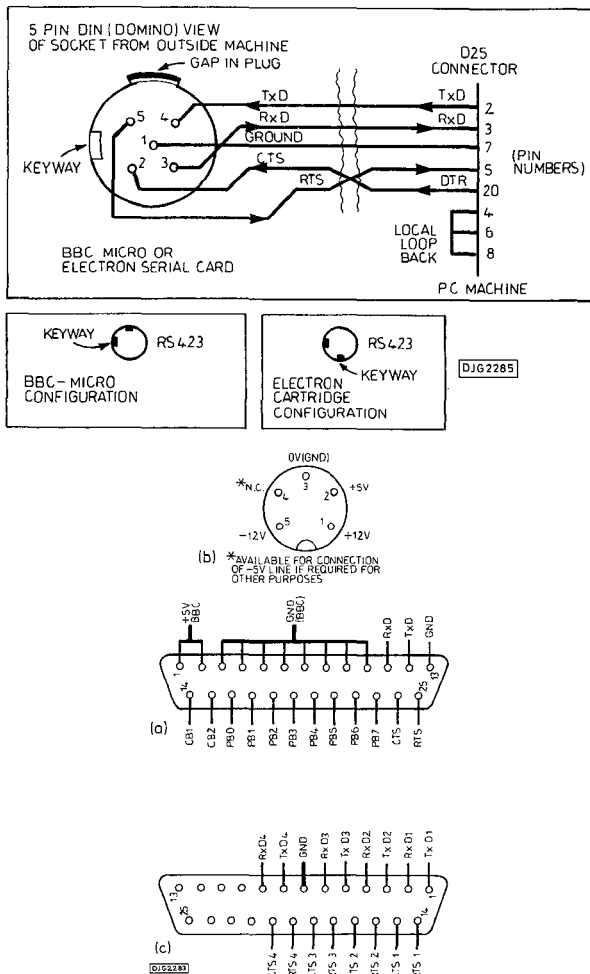


Fig. 6. D25 connectors and keyways.

COMPONENTS

RESISTORS

- R1-R10 1k (10 off)
- R11, R13, R15, R16 10k
- R12, R14, R1 1k5
- All resistors 0.1W 5%

CAPACITORS

- C1-C4 47n see text
- C5-C7 10µ 16V tantalum bead

SEMICONDUCTORS

- D1-D4 orange micro-LED (2mA, 3mm)
- D5-D10 green micro-LED (2mA, 3mm)
- D11, D12 1N4148
- TR1, TR2 BC183L or similar
- TR3, TR4 BC213L or similar
- IC1 74LS139
- IC2, IC3 1488 (or 75188)
- IC4 74LS153
- IC5, IC6 1489 (or 75189)

SOCKETS

- 14-pin DIL 4 off
- 16-pin DIL 2 off
- 10-pin PCB header (e.g. RS 467 - 582) 3 off
- 10-pin PCB socket (e.g. RS 467 - 677. Optional for testing unit) (2 off)
- D25 socket-solder type 2 off
- D25 plug-solder type 2 off
- 20-pin IDC socket 3 off
- 5-pin, 270 degree DIN plug and socket

5-pin domino DIN plug (one per BBC micro/expanded Electron to be used)

MISCELLANEOUS

- 1mm Vero-pins (optional) 2 off
- Metal or ABS box to suit
- 20way ribbon cable 2 metres
- 4-way screened cable 7/0.2 mm as required for serial links
- 6BA nuts, bolts & washers as required to fix connectors, etc.

SERIAL COMMUNICATION

One of the standard ways to connect one computer to another, or to printers or to other reasonably intelligent devices, is to use a serial link. This takes the parallel data used by the computer, normally eight bits wide, and converts it into a form that can be sent down a single wire. Each of the bits in the data byte is sent one after the other as pulses which are picked up by the receiving machine and converted back into parallel format. The protocols used in the RS232 and similar standards involve a number of parameters which have to be the same for both the transmitting and receiving machines to communicate.

Start bits – used to tell the receiver that the following bits are data. In most cases there is only one of these.

Data bits – normally eight but seven are sometimes used.

Stop bits – tell the receiver that the data is at an end. There can be one, one and a half or two depending on the system. With an eight bit system there is usually only one.

Parity – used for simple error checking. The number of '1' bits in the data is counted and if even parity is being used, the parity bit is set (to '1') or cleared (to '0') to make the total number of '1' bits (including the parity) even. For example, 10110011 has an odd

number of bits so even parity would cause the parity bit to be '1', odd parity would make it '0'. At the receiving end, a parity check will reveal any errors in the transmission and the data can be sent again.

Transmit and receive speed – usually defined in bits per second (bps), the standard speeds range from 50 through 300 and 1200 to 9600. The transmit and receive speeds can be different as in the 1200/75 (receive/transmit) used in Viewdata systems.

In practice the RS232 standard doesn't actually specify any of the above protocols, it is really only used to define the physical connection, i.e. the wires and voltages. Normally these are 25 way D type plugs and sockets with up to 20 connections. Unfortunately, non-standard plugs and wiring are quite common. For example the BBC micro uses a five pin domino DIN with five wires. The minimum connection is actually three wires, transmit, receive and ground. The other two are used for handshaking and are called RTS for Request To Send and CTS for Clear To Send. The first signals to the transmitting machine that data is ready to be sent and a reply comes over the CTS line to get things underway. The voltage level used on these lines is specified in the standard as being from ±3V to ±12V with the -ve voltage representing a '1' bit and the +ve voltage a '0'. By lopping back the RTS line to the CTS line at each

end of the connection, each machine can tell itself to send and receive and hence cut down the number of wires needed between the machines. However, since the data is usually placed into a buffer in the receiving computer and the buffer has a finite size, some form of handshaking is still required. The Xon, Xoff method uses the ASCII character numbers 19 and 17 (control S and Q respectively) to stop and start the transmissions – on some machines this also works with the keyboard and screen in that Ctrl+S will stop the print out and Ctrl+Q will start it again.

When connecting two computers up the transmit, receive, RTS and CTS line must all be crossed. For the first two it is obvious that connecting the transmit wire on one machine to the transmit wire on the other would cause problems. To make the handshaking work properly, the RTS of one machine is connected to the CTS of the other and vice versa so that inputs go to outputs.

Unfortunately, there are times when this crossing over is not necessary i.e. when connecting up to a modem which may already have its wires crossed or when using a cable which has built in crossovers. When setting up a communications system, always check in the manuals of the machines and cables to make sure things are the right way around.

REAL POWER AMPLIFIER For your car, it has 150 watts output. Frequency response 20Hz to 20 KHz and a signal to noise ratio better than 60db. Has built in short circuit protection and adjustable input level to suit your existing car stereo, so needs no pre-amp. Works into speakers ref 30P7 described below. A real bargain at only £57.00 Order ref 5P71.

REAL POWER CAR SPEAKERS. Stereo pair output 100w each. 4ohm impedance and consisting of 6 1/2" woofer 2" mid range and 1" tweeter. Ideal to work with the amplifier described above. Price per pair £30.00 Order ref 30P7.

PERSONAL STEREO Customer returns but complete with a pair of stereo headphones very good value at £3.00 ref 3P83. We also have customer returned units with a built in FM radio at £6.00 ref 6P34

2KV 500 WATT TRANSFORMERS Suitable for high voltage experiments or as a spare for a microwave oven etc. 250v AC input. £10.00 ref 10P93

MICROWAVE CONTROL PANEL. Mains operated, with touch switches. Complete with 4 digit display, digital clock, and 2 relay outputs one for power and one for pulsed power (programmable). Ideal for all sorts of precision timer applications etc. £6.00 ref 6P18

FIBRE OPTIC CABLE. Stranded optical fibres sheathed in black PVC. Five metre length £7.00 ref 7P29

12V SOLAR CELL 200mA output ideal for trickle charging etc. 300 mm square. Our price £15.00 ref 15P42

PASSIVE INFRA-RED MOTION SENSOR. Complete with daylight sensor, adjustable lights on timer (8 secs -15 mins), 50' range with a 90 deg coverage. Manual override facility. Complete with wall brackets, bulb holders etc. Brand new and guaranteed. £25.00 ref 25P24. Pack of two PAR38 bulbs for above unit £12.00 ref 12P43

VIDEO SENDER UNIT. Transmit both audio and video signals from either a video camera, video recorder or computer to any standard TV set within a 100' range! (tune TV to a spare channel). 12V DC op. £15.00 ref 15P39 Suitable mains adaptor £5.00 ref 5P191

FM TRANSMITTER housed in a standard working 13A adapter (bug is mains driven). £18.00 ref 18P10

MINIATURE RADIO TRANSCIEVERS. A pair of walkie talkies with a range of up to 2 kilometres. Units measure 22x52x155mm. Complete with cases. £30.00 ref 30P12

FM CORDLESS MICROPHONE. Small hand held unit with a 500' range! 2 transmit power levels reqs PP3 battery. Tunable to any FM receiver. Our price £15. ref 15P42

10 BAND COMMUNICATIONS RECEIVER. 7 short bands, FM, AM and LW/DX/local switch, tuning 'eye' mains or battery. Complete with shoulder strap and mains lead. £34.00 ref 34P1

WHISPER 2000 LISTENING AID. Enables you to hear sounds that would otherwise be inaudible! Complete with headphones. Cased. £5.00 ref 5P179

CAR STEREO AND FM RADIO. Low cost stereo system giving 5 watts per channel. Signal to noise ratio better than 45db, wow and flutter less than .35%. Neg earth. £25.00 ref 25P21.

LOW COST WALKIE TALKIES. Pair of battery operated units with a range of about 150'. Our price £8.00 a pair ref 8P50

7 CHANNEL GRAPHIC EQUALIZER plus a 60 watt power amp! 20-21KHz 4-8R 12-14v DC negative earth. Cased. £25 ref 25P14.

NICAD BATTERYS. Brand new top quality. 4 x AA's £4.00 ref 4P44. 2 x C's £4.00 ref 4P73, 4 x D's £9.00 ref 9P12, 1 x PP3 £6.00 ref 6P35

TOWERS INTERNATIONAL TRANSISTOR SELECTOR GUIDE. The ultimate equivalents book. Latest edition £20.00 ref 20P32

CABLE TIES. 142mm x 3.2mm white nylon pack of 100 £3.00 ref 3P104. Bumper pack of 1,000 ties £14.00

BUILD AN IBM COMPATIBLE PC!

AT 12 meg turbo 286 mother board.	£115.00	pc1
1 meg memory for above board.	£55.00	pc2
4 meg memory for above board.	£214.00	pc3
AT keyboard	£49.00	pc4
AT power supply and pc case (complete)	£115.00	pc5
AT controller card with 2 x serial, 1 x parallel		
Floppy and hard controller + mono Display driver.	£74.00	pc6
1.2 meg 3 1/2" disc drive.	£74.00	pc7
1.44 meg 5 1/4" drive.	£66.00	pc8
Amber monitor 12".	£99.00	pc9
40 meg hard disc.	£270.00	pc10
100 meg hard disc.	£595.00	pc11

minimum system consisting of mother board, 1 meg of memory, case, power supply, 1.44 meg floppy, interfaces, and monitor is £525.00 inc VAT (single drive mono 286) pc12
£795.00 inc VAT (40 meg + floppy + mono 286) pc13

1991 CATALOGUE AVAILABLE NOW IF YOU DO NOT HAVE A COPY PLEASE REQUEST ONE WHEN ORDERING OR SEND US A 6"x9" SAE FOR A FREE COPY.

GEIGER COUNTER KIT. Complete with tube, PCB and all components to build a battery operated geiger counter. £39.00 ref 39P1

FM BUG KIT. New design with PCB embedded coil. Transmits to any FM radio. 9v battery req'd. £5.00 ref 5P158

TV SOUND DECODER. Nicely cased unit, mains powered 8 channel will drive a small speaker directly or could be fed into HI FI etc. Our price £12.00 ref 12P22

COMPOSITE VIDEO KITS. These convert composite video into separate H sync, V sync and video. 12v DC. £8.00 ref 8P39.

SINCLAIR C5 MOTORS. 12v 29A (full load) 3300 rpm 6"x4" 1/4" O/P shaft. New. £20.00 ref 20P22.

As above but with fitted 4 to 1 inline reduction box (800rpm) and toothed nylon belt drive cog £40.00 ref 40P8.

SINCLAIR C5 WHEELS 13" or 16" dia including treaded tyre and

inner tube. Wheels are black, spoked one piece poly carbonate. 13" wheel £6.00 ref 6P20, 16" wheel £6.00 ref 6P21.

ELECTRONIC SPEED CONTROL KIT for c5 motor. PCB and all components to build a speed controller (0-95% of speed). Uses pulse width modulation. £17.00 ref 17P3.

SOLAR POWERED NICAD CHARGER. Charges 4 AA nicads in 8 hours. Brand new and cased £6.00 ref 6P3.

MOSFETS FOR POWER AMPLIFIERS ETC. 100 watt mosfet pair 2SJ99 and 2SK343 £4.00 a pair with pin out info ref 4P51. Also available is a 2SK413 and a 2SJ118 at £4.00 ref 4P42.

10 MEMORY PUSH BUTTON TELEPHONES. These are 'customer returns' so they may need slight attention. BT approved. £6.00 each ref 6P16 or 2 for £10.00 ref 10P77

12 VOLT BRUSHLESS FAN 4 1/2" square brand new ideal for boat, car, caravan etc. £8.00 each ref 8P26.

acorn data recorder ALF503. Made for BBC computer but suitable for others. Includes mains adapter, leads and book. £15.00 ref 15P43

VIDEO TAPES. Three hour superior quality tapes made under licence from the famous JVC company. Pack of 10 tapes £20.00 ref 20P20.

ELECTRONIC SPACESHIP. Sound and impact controlled, responds to claps and shouts and reverses when it hits anything. Kit with complete assembly instructions £10.00 ref 10P81.

PHILIPS LASER. 2MW HELIUM NEON LASER TUBE. BRAND NEW FULL SPEC £40.00 REF 40P10. MAINS POWER SUPPLY KIT £20.00 REF 20P33 READY BUILT AND TESTED LASER IN ONE CASE £75.00 REF 75P4.

SWITCHED MODE POWER SUPPLY (Boshert) +5 at 15A, +12 at 3A, -12 at 2A, +24 at 2A. 220 or 110v input. Brand new £20.00 ref 20P30.

SOLDER 22SWG resin cored solder on a 1/2kg reel. Top quality. £4.00 a reel ref 4P70.

600 WATT HEATERS. Ideal for air or liquid, will not corrode, lasts for years. coil type construction 3"x2" mounted on a 4" dia metal plate for easy fixing. £3.00 ea ref 3P78 or 4 for £10.00 ref 10P76.

TIME AND TEMPERATURE MODULE. A clock, digital thermometer (Celsius and Fahrenheit (0-160 deg F) programmable too hot and too cold alarms. Runs for at least a year on one AA battery. £9.00 ref 9P5.

Remote temperature probe for above unit £3.00 ref 3P60.

GEARBOX KITS. Ideal for models etc. Contains 18 gears (2 of each size) 4x50mm axles and a powerful 9-12v motor. All the gears etc are push fit. £3.00 for complete kit ref 3P93.

ELECTRONIC TICKET MACHINES. These units contain a magnetic card reader, two matrix printers, motors, sensors and loads of electronic components etc. (12"x12"x7") Good value at £12.00 ref 12P28.

JOYSTICKS. Brand new with 2 fire buttons and suction feet these units can be modified for most computers by changing the connector etc. Price is 2 for £5.00 ref 5P174.

QUALITY PANEL METERS. 50uA movement with 3 different scales that can be brought into view with a lever! £3.00 each ref 3P81.

CAR IONIZER KIT. Improve the air in your car! clears smoke and helps to reduce fatigue. Case required. £12.00 ref 12P28.

METAL DETECTOR. Fun light weight device for buried treasure! 33" long with tune and fine tune controls. £10.00 ref 10P101.

6V 10AH LEAD ACID sealed battery by Yuasa ex equipment but in excellent condition now only 2 for £10.00 ref 10P95.

12 TO 220V INVERTER KIT. As supplied it will handle up to about 15 w at 220v but with a larger transformer it will handle 100 watts. Basic kit £12.00 ref 12P17. Larger transformer £12.00 ref 12P41.

VERO EASI WIRE PROTOTYPING SYSTEM. Ideal for designing projects on etc. Complete with tools, wire and reusable board. Our price £6.00 ref 6P33.

MICROWAVE TURNTABLE MOTORS. Complete with weight sensing electronics that would have varied the cooking time. Ideal for window displays etc. £5.00 ref 5P165.

STC SWITCHED MODE POWER SUPPLY. 220v or 110v input giving 5v at 2A, +24v at 0.25A, +12v at 0.15A and +90v at 0.4A £12.00 ref 12P27.

CAMERA FLASH UNITS. Require a 3v DC supply to flash. £2.00 each ref 2P38 or 6 for £10.00 ref 10P101 (ideal multi-flash photography).

TELEPHONE AUTODIALLERS. These units, when triggered will automatically dial any telephone number. Originally made for alarm panels. BT approved. £12.00 ref 12P23 (please state telephone no req'd).

25 WATT STEREO AMPLIFIER ic. STK043. With the addition of a handful of components you can build a 25 watt amplifier. £4.00 ref 4P69 (Circuit dia included).

MINIATURE DOT MATRIX PRINTER assembly 24 column 5v (similar to RS type). £10.00 each ref 10P92.

LINEAR POWER SUPPLY. Brand new 220v input +5 at 3A, +12 at 1A, -12 at 1A. Short circuit protected. £12.00 ref 12P21.

MAINS FANS. Small type construction. Approx 4"x5" mounted on a metal plate for easy fixing. New £5.00 5P166.

POWERFUL IONIZER KIT. Generates 10 times more ions than commercial units! Complete kit including case £18.00 ref 18P2.

MINI RADIO MODULE. Only 2" square with ferrite aerial and tuner.

Superhet. Req's PP3 battery. £1.00 ref BD716.

HIGH RESOLUTION MONITOR. 9" black and white Philips tube in chassis made for OPD computer but may be suitable for others. £20.00 ref 20P26.

SURFACE MOUNT KIT. Makes a high gain snoping amplifier on a PCB less than an inch square! £7.00 ref 7P15.

SURFACE MOUNT SOLDER. In easy to use tube. Ideal for above project £12.00 ref 12P18.

CB CONVERTORS. Converts a car radio into an AM CB receiver. Cased with circuit diagram. £4.00 ref 4P48.

FLOPPY DISCS. Pack of 15 3 1/2" DSD £10.00 ref 10P88. Pack of 10 5 1/4" DSD £5.00 ref 5P168.

SONIC CONTROLLED MOTOR. One click to start, two click to reverse direction, 3 click to stop! £3.00 each ref 3P137.

FRESNEL MAGNIFYING LENS. 83 x 52mm £1.00 ref BD827. lcd display. 4 1/2 digits supplied with connection data £3.00 ref 3P77 or 5 for £10.00 ref 10P78.

TRANSMITTER AND RECEIVER. These units were designed for nurse call systems and transmit any one of 16 different codes. The transmitter is cased and designed to hang round the neck. £12.00 a pair ref 12P26.

ALARM TRANSMITTERS. No data available but nicely made complex transmitters 9v operation. £4.00 each ref 4P61.

100M REEL OF WHITE BELL WIRE. figure 8 pattern ideal for intercoms, door bells etc £3.00 a reel ref 3P107.

ULTRASONIC LIGHT. This battery operated unit is ideal for the shed etc as it detects movement and turns a light on for a preset time. (light included). Could be used as a sensor in an alarm system. £14.00 each ref 14P8.

CLAP LIGHT. This device turns on a lamp at a finger 'snap' etc. £4.00 each ref 4P82.

ELECTRONIC DIPSTICK KIT. Contains all you need to build an electronic device to give a 10 level liquid indicator. £5.00 (ex case) ref 5P194.

UNIVERSAL BATTERY CHARGER. Takes AA's, C's, D's and PP3 nicads. Holds up to 5 batteries at once. New and cased, mains operated. £6.00 ref 6P36.

ONE THOUSAND CABLE TIES! 75mm x 2.4mm white nylon cable ties only £5.00 ref 5P181.

HI-FI SPEAKER. Full range 131mm diameter 8 ohm 60 watt 63-20 khz excellent reproduction. £12.00 ref 12P33.

ASTEC SWITCHED MODE POWER SUPPLY. 80mm x 165mm (PCB size) gives +5 at 3.75A, +12 at 1.5A, -12 at 0.4A. Brand new £12.00 ref 12P39.

VENTILATED CASE FOR ABOVE PSU with IEC filtered socket and power switch. £5.00 ref 5P190.

IN CAR POWER SUPPLY. Plugs into cigar socket and gives 3.4, 5, 6, 7, 5, 9, and 12v outputs at 800mA. Complete with universal spider plug. £5.00 ref 5P167.

CUSTOMER RETURNED switched mode power supplies. Mixed type, good for spares or repair. £2.00 each ref 2P292.

DRILL OPERATED PUMP. Fits any drill and is self priming. £3.00 ref 3P140.

PERSONAL ATTACK ALARM. Complete with built in torch and vanity mirror. Pocket sized, req's 3 AA batteries. £3.00 ref 3P135

POWERFUL SOLAR CELL 1AMP .45 VOLT! only £5.00 ref 5P192 (other sizes available in catalogue).

SOLAR PROJECT KIT. Consists of a solar cell, special DC motor, plastic fan and turntables etc plus a 20 page book on solar energy! Price is £8.00 ref 8P51.

RESISTOR PACK. 10 x 50 values (500 resistors) all 1/4 watt 2% metal film. £5.00 ref 5P170.

CAPACITOR PACK 1. 100 assorted non electrolytic capacitors £2.00 ref 2P286.

CAPACITOR PACK 2. 40 assorted electrolytic capacitors £2.00 ref 2P287.

QUICK CUPPA? 12v immersion heater with lead and cigar lighter plug £3.00 ref 3P92.

LED PACK. 50 red leds, 50 green leds and 50 yellow leds all 5mm £8.00 ref 8P52

12" HIGH RESOLUTION MONITOR. AMBER SCREEN BEAUTIFULLY CASSED NEEDS 12V AT 1A TTL INPUT (SEP SYNC). £22.00 REF 22P2.

RADIO CONTROLLED CAR. Single channel R/c buggy with forward reverse and turn controls, off road tyres and suspension. £12.00 ref 12P40.

FERRARI TESTAROSSA. A true 2 channel radio controlled car with forward, reverse, 2 gears plus turbo. Working headlights. £22.00 ref 22P6.

SUPER FAST NICAD CHARGER. Charges 4 AA nicad's in less than 2 hours! Plugs into standard 13A socket. Complete with 4 AA nicad batteries £16.00 ref 16P8.

ULTRASONIC WIRELESS ALARM SYSTEM. Two units, one a sensor which plugs into a 13A socket in the area you wish to protect. The other, a central alarm unit plugs into any other socket elsewhere in the building. When the sensor is triggered (by body movement etc) the alarm sounds. Adjustable sensitivity. Price per pair £20.00 ref 20P34. Additional sensors (max 5 per alarm unit) £11.00 ref 11P6.

TOP QUALITY MICROPHONE. Unidirectional electret condenser mic 600 ohm sensitivity 16-18kHz built in chime complete with magnetic microphone stand and mic clip. £12.00 ref 12P42.

WASHING MACHINE PUMP. Mains operated new pump. Not self priming £5.00 ref 5P18.

IBM PRINTER LEAD. (D25 to centronics plug) 2 metre parallel. £5.00 ref 5P186.

QUICK FIX MAINS CONNECTOR. Ideal for the fast connection of mains equipment. Neon indicator and colour coded connectors. £7.00 ref 7P18.

COPPER CLAD STRIP BOARD. 17" x 4" of 1" pitch 'vero' board. £4.00 a sheet ref 4P62 or 2 sheets for £7.00 ref 7P22.

BULL ELECTRICAL
250 PORTLAND ROAD HOVE
SUSSEX BN3 5QT DEPT PE
TELEPHONE 0273 203500
NAIL ORDER TERMS: CASH PO OR CHEQUE
WITH ORDER PLUS £2.50 POST
FAX 0273 23077



OPTICAL FIBRES TECHNOLOGY

Compared to lasers, which zap us from every science fiction cinema screen, the average person gets very little exposure to optical fibre technology. Yet they form a multi-million pound business since they are replacing copper cables in underground communications networks in almost every country of the world.

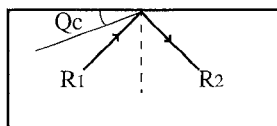
There are many reasons for this change:

- Optical fibres provide a much larger bandwidth.
- They are immune to electrical noise and corrosion.
- They are much cheaper since they do not depend on the world prices of copper.
- Optical fibres are thinner and therefore occupy less space.

The large bandwidth comes from the fact that light waves have a high frequency and hence can be modulated at relatively high speeds. The saving in underground space is a big bonus since cities usually have a heavy demand for underground services like sewers, trains, gas, electricity and water.

PROPAGATION

Optical fibres are made from pure glass and light propagating down them will therefore obey the laws of refraction and reflection. With reference to Fig.1, a ray of light within the fibre striking the edge will either escape to the outside or be reflected



R1 incident ray
R2 reflected ray
Qc critical angle

Fig. 1. Reflection without cladding.

back in. Whether it escapes or not depends on the angle at which the ray strikes the edge. Above a critical angle the light is reflected back into the fibre.

The critical angle can be made smaller if the fibre is covered with a coating of glass with a lower refractive index – around 1.5%

Mike Saunders describes how messages can be sent across the Atlantic with some semiconductors and a piece of glass

less. This will cause most of the energy to remain within the fibre as shown in Fig.2 since the rays striking the edge do so at a shallower angle.

FIBRE TYPES

There are three types of fibre in existence, multimode, graded index and monomode (Fig. 3). In the multimode fibre the core is about 50 μm in diameter and the rays of light are reflected off the boundary between core and cladding, hence the term multimode propagation.

In the graded index fibre, the refractive index changes gradually between core and cladding. By altering the type and amount of impurities in the glass (known as doping), there is a gradual change from core to cladding instead of a defined step.

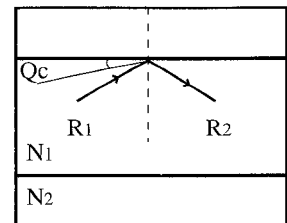
Compared to the 50 μm core of a multimode fibre, the monomode fibre has a core of about 6 μm . The small core means that manufacturing tolerances have to be good enough to make the core concentric with the cladding. If the tolerance is poor then when the fibre is joined to another, the cores will not line up and power will be lost. An additional problem is that a small core requires an intense source of light such as a laser in order to launch sufficient power down the fibre. The small core allows only one transverse mode, the fundamental.

The attenuation of a fibre at different wavelengths is shown in Fig. 4. It can be seen that at 1.6 μm the attenuation is at its lowest. However, at this wavelength, the beam is dispersed causing a broadening of the ray. The amount of dispersion is stated in picoseconds per nanometre per kilometer of fibre.

The picoseconds refers to the amount of broadening of a transmitted pulse for deviations in wavelength (nanometres) from the operating wavelength. This can be seen in Fig. 5 for a kilometre of fibre operating at different wavelengths.

At 1.3 μm the dispersion is zero and, although the attenuation is higher than that at 1.6 μm , current fibre systems operate at 1.3 μm . When ways are found of overcoming the dispersion problem, future fibre systems will operate at 1.6 μm in order to exploit the lower attenuation. Presently, fibres operating at 1.3 μm employ gallium arsenide indium phosphide (GaAsInP) lasers.

Because of the attenuation, amplifiers must be used at certain intervals in order to amplify the signals. Strictly speaking, the signals are



R1 incident ray
R2 reflected ray
Qc critical angle now reduced
N1 refractive index of core
N2 refractive index of cladding

Fig. 2. Reflection with cladding.

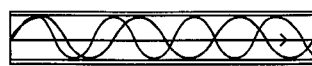
not amplified by an amplifier. Instead a regenerator is used which replaces every pulse by a new one as shown in Fig.6. The distance between regenerators depends on the bandwidth being transmitted and in general, the narrower the bandwidth, the further the transmission without the necessity for regeneration.

For instance, a gallium arsenide laser working with a multimode fibre could transmit a bandwidth of roughly 1 Gbit/s over one kilometre between repeaters. This means that if the bandwidth is reduced to 100Mbit/s the distance can be increased to 10km.

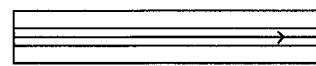
But to return to dispersion, a slightly more detailed explanation may be beneficial. There are two types of dispersion, modal and



Multimode



Graded index



Monomode

Fig. 3. Fibre modes.

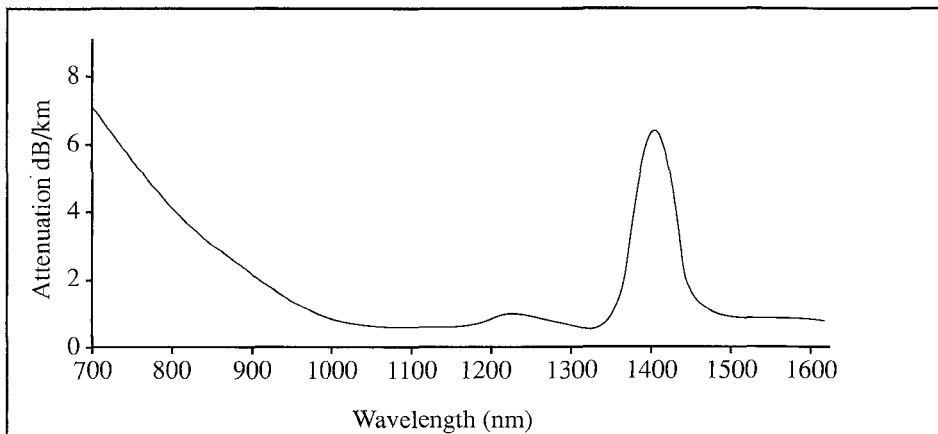


Fig. 4. Attenuation of a fibre.

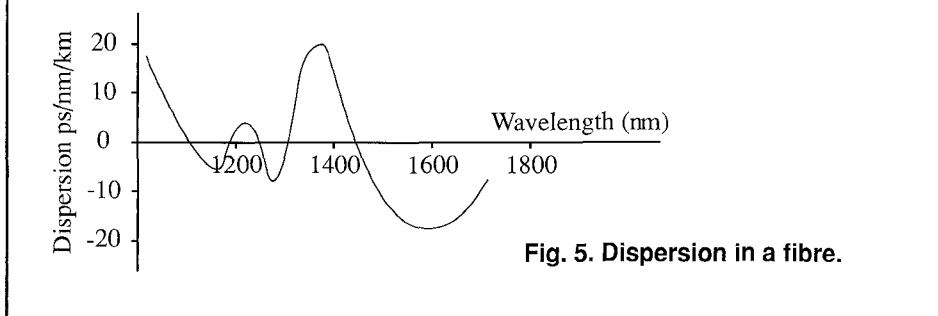


Fig. 5. Dispersion in a fibre.

chromatic.

A multimode fibre can support several transverse modes and the zig-zag paths which the higher transverse modes take is greater than the path of the fundamental mode which travels down the axis. This is called modal dispersion, (Fig.7).

So, although the rays left the source at the same time, they arrive at the detector or regenerator at different times, broadening the beam and hence the binary digits transmitted down the line.

The other type of dispersion, chromatic dispersion, is due to the different wavelengths emitted by the laser (Fig.8). These travel through the fibre at different speeds and also cause pulse broadening. The term chromatic is used because colour depends on wavelength.

Since the core of a multimode is large compared to that of a monomode fibre, a light emitting diode (LED) can launch sufficient power into it. However, at a wavelength of 0.8 μ m or 0.9 μ m the attenuation is about 2dB per kilometre and with the two types of dispersion, the signal requires regenerators every 10 to 15 kilometres.

Instead of using an LED, a laser could be substituted and 1Gbit/s/km achieved as mentioned earlier. If a monomode fibre is used with a laser, the bandwidth-distance product becomes 100Gbit/s per kilometre. This is an increase of a hundred times and is the reason for all large capacity international cables operating in monomode.

FIBRE MANUFACTURE

There are many methods of manufacturing optical fibres. One is to use a starting rod with

molten glass deposited on the end. As the rod is pulled from the melt a fibre is produced. Another method uses a rotating mandrel on which the core glass is deposited, followed by the cladding.

In order to achieve a higher refractive index in the core, the glass is doped with germanium, titanium, aluminium or phosphorus oxide. With graded index fibres these oxides diffuse through both core and cladding.

The two most common production methods are the Corning and the Double Crucible. In the first method (Fig.9) a hollow tube has a layer of glass deposited on the inside surface by means of an oxygen flame. This forms the cladding. Next the core, consisting of doped glass, is deposited by the flame and the two layers are collapsed to form a fibre.

In the Double Crucible method, two concentric crucibles are used as shown in Fig. 10. The doped glass of higher refractive index placed in the inner crucible and pure glass is placed in the outer crucible to form the

cladding. The molten fibre is then pulled from the bottom of the assembly.

A platinum crucible was originally used but the glass was found to be contaminated. A silica crucible proved to be better but could not withstand the high temperatures involved. In order to drop the temperature of the molten glass to 1300°C and yet maintain the glass in its molten state a 5MHz RF field is coupled with the melt. This permits the use of a silica crucible and avoids the contamination of the platinum.

LOSSES IN OPTICAL FIBRE

Loss of light, and hence signal strength, in optical fibre is due to two causes: absorption and scattering. The first is due to chemical impurities in the glass, mainly metal oxides. These reflect their characteristic colours and absorb all others. Hence, sapphires appear blue because of titanium, rubies are red because of chrome and green is caused by iron oxide. Because of this it is necessary to be as clean as an operating theatre when cooking glass. Not only must the chemical impurities be removed but nothing else must be picked up from the vessels.

The other source of loss, scatter, also called Rayleigh scatter, is due to physical deformities in the fibre. These are not only discontinuity and change in density of the glass but also things like water bubbles and bubbles of air. Most of the scatter losses are in the 0.85 μ m to 0.95 μ m window and there is nothing that can be done to remove them once the fibre has been produced. The bubbles of water and air are removed by boiling the raw glass and then if an application process, such as Corning is employed, even layers are applied. If a pulling process such as the Double Crucible is used, an even pull is applied so that the fibre has a uniform density.

JOINING FIBRES

Lasers can be joined to fibres by pressing them on to the end of the fibre – a butt joint. Alternatively, they can be coupled via two lenses as in Fig.11. Alternatively, a 50 μ m well is etched into a Burrus Diode so that the end of a 50 μ m multimode fibre fits snugly.

In both instances, the object is to couple as much power as possible from the laser into the fibre. Ideally all the power must be

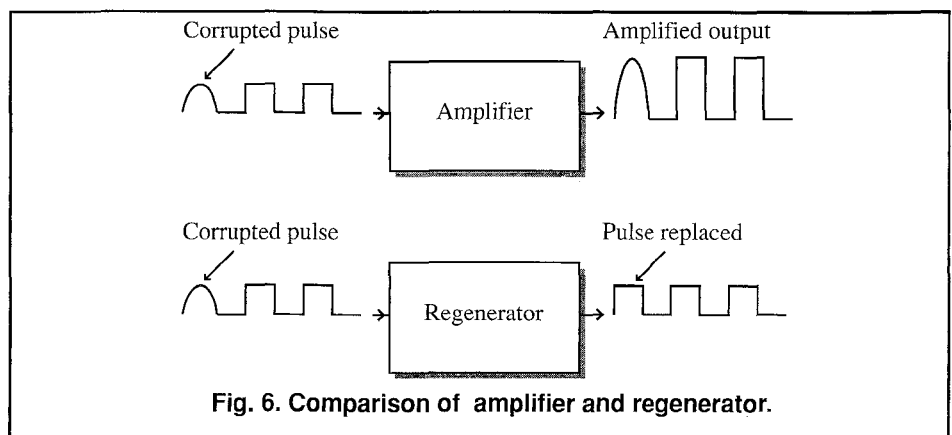


Fig. 6. Comparison of amplifier and regenerator.

cables spanning the Atlantic Ocean, the English Channel and the North Sea.

DETECTING THE SIGNAL

A basic transmission system consists of a fibre linking a transmitter and receiver. The transmitter is usually an LED or laser and the receiver an APD (avalanche photodiode) or PIN (positive intrinsic negative) semiconductor.

The regenerators are effectively a transmitter and receiver back to back where the optical signal is converted to an electrical signal for pulse regeneration. Future systems will aim for optical amplifiers instead of regenerators which save time and hence enable larger bandwidths to be transmitted. This saving in time will only be of the order of a few microseconds but will take transmission from the Mbit/s range well into the Gbit/s range.

The receiver or detector follows the opposite process of the transmitter. The photons of light are absorbed and electrons flow in the external circuit. For this to happen, the band gap of the receiver must be the same as that of the transmitter, i.e. the receiver must be in sympathy with the wavelength being transmitted.

Two devices currently in use, PIN and APD, have gains of 100 and 1000 respectively. However, the PIN has a faster response than the APD and a gain of 100 is suitable for most applications. If the gain is too low, FET amplifiers can be used after the PIN detector to improve the signal to noise ratio. Efficiency is given as a ratio of number of electrons released to the number of photons received. The percentage efficiency is therefore:

$$(\text{number of electrons/number of photons}) \times 100$$

A minimum of 21 photons are required to give a good chance of detecting a signal, i.e. a

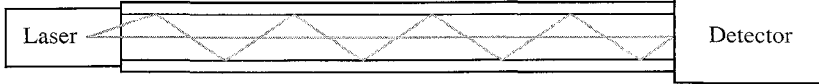


Fig. 7. Modal dispersion

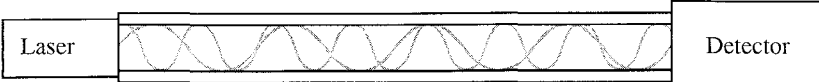


Fig. 8. Chromatic dispersion

launched into the core of the fibre. If some is lost, the regenerators must be placed closer together.

In practice, all the power can't be coupled into the fibre but of the two methods, the lens joint is more efficient as can be seen from the curves of Fig. 12. Lens joints are manufactured in two halves in the factory and each lens is located in its optimum position in a threaded cylinder. Then all that needs to be done in the field is to screw the two halves together.

Lens joints can also be used on fibre to fibre connections. This may be suitable for short lengths or where the lengths are known in advance. But more often than not it is necessary to cut the required lengths in the field. If this is the case, then suitable jointing procedures must be devised. The normal method used is to butt the cut surfaces up against each other and then cement or fuse them together.

One method of cementing uses gems, e.g. ruby. The fibre is cemented into a jewel mounted in a steel ferrule (Fig. 13). The surface of the fibre is therefore level with the surface of the jewel and when the ferrules are screwed together, the fibres are butted up tightly. The gems are cheap and holes can be drilled in them more accurately than in other

materials.

When fibres need to be cut for butt joints, the cut must be clean and smooth, vertical and without steps. This ensures that the new surfaces are as close together as possible. A glass sleeve can be used which is heat shrunk to grip one of the fibres (Fig. 14). The other fibre is then cemented in at the other end.

With an increasing number of monomode fibres it is important that the core is perfectly aligned. Since it is only about $6\mu\text{m}$ in diameter, even a slight misalignment would waste considerable power. The fibres can initially be butted up with the use of micrometer screw gauges operating on the outer diameters, i.e. the cladding. Next, a beam of light is passed through the joint and the coupling efficiency checked. If one or both cores are not concentric with the cladding, there is scope for moving one of the fibres. When the coupling is satisfactory, the fibres are finally fused by discharging a spark across the joint. All the requirements for a fused joint, the micrometer gauge, the optical alignment devices and the spark discharge are housed in one instrument no larger than a briefcase.

The biggest application of optical fibres is in communications, as can be seen by the expenditure on recent and future optical

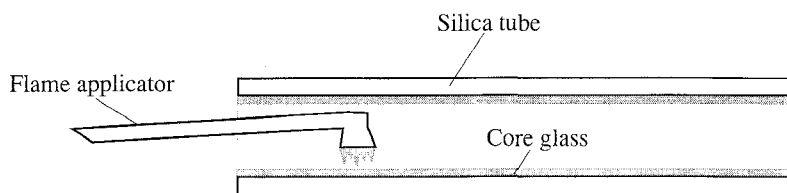


Fig. 9. Corning method of fibre production.

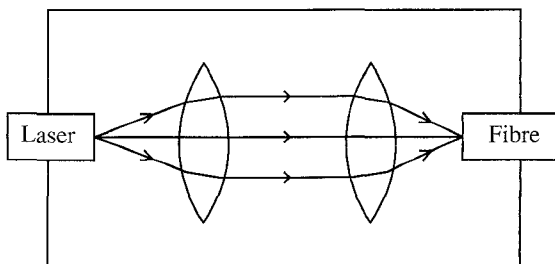


Fig. 11. Laser fibre lens join.

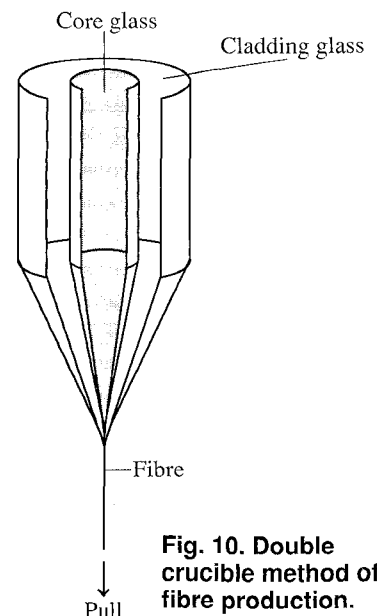


Fig. 10. Double crucible method of fibre production.

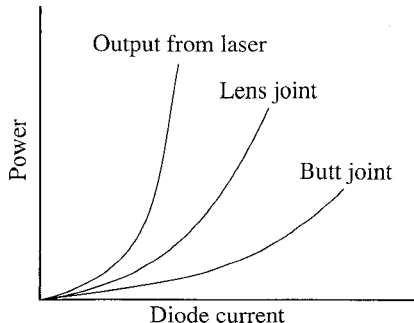


Fig. 12. Laser power coupling.

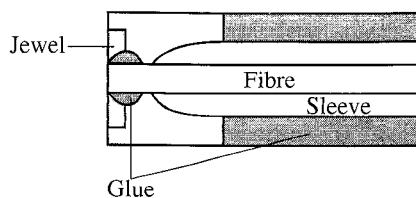


Fig. 13. Using ruby joints to join fibres.

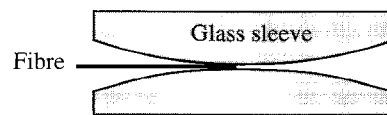


Fig. 14. Glass sleeve for butt joints.

digital 1 and if 85 electrons are released for every 100 photons received then the efficiency is 85%.

Photodiodes normally have areas of around one square centimetre, producing high sensitivity but increased capacitance and noise. Because of this the active areas are kept below 0.01 square centimetres. The response of small area devices is usually stated as output current per unit irradiance in Watts/cm². A typical figure is 1mA/W/cm².

Most of the noise in photodiodes is known as shot noise and results from holes and electrons bunching up or crossing the depletion region in a random manner. The short wavelength response of photodiodes can be improved by placing the junction closer to the surface but then the overall response is reduced.

In order to improve the response of a diode at all the wavelengths within its spectral range, an intrinsic layer is placed between the N type and P type semiconductor. This is a lightly doped region of N type impurity which improves the efficiency by providing a larger depletion region. This decreases the junction capacitance and, therefore, increases the speed of response.

In P type material, holes are the majority carriers and electrons the minority carriers. For N type material the opposite is true. When a reverse bias is applied to the junction, the minority carriers flow across the junction to the majority side creating a depletion region. This is known as the reach through effect

since any signal now appearing at the device will be swept across the junction quite swiftly.

PIN chip sizes are about 400µm² which is the same as for lasers. The intrinsic layer is about 100µm thick and making it any thicker increases the leakage current.

NEW DETECTORS

The other type of detector, the avalanche photodiode (APD), has different characteristics depending upon whether it is being exposed to light or not. The region of operation is the slope of the reverse characteristic with the diode illuminated. The main disadvantage of the APD is the high reverse voltage required – in the region of 100 volts.

APDs are manufactured with the junction close to the surface. To prevent damage to the junction from a strong electric field a guard ring surrounds it. The avalanche is started by electrons in the N+ region.

In addition to low capacitance and fast response, detector diodes must have a low dark current. This is a leakage current and therefore any signals below this threshold will not be detected.

Silicon APDs have lower dark currents than germanium APDs but they are suitable for detecting signals only at the lowest wavelengths. The main operational windows are around 0.8µm, 1.3µm and 1.5µm. The silicon APD is suitable at 0.8µm but the

germanium APD is required for the others.

Research is continuing into new materials like indium gallium arsenide (InGaAs) which is not only sensitive to weak signals but can detect modulation rates from near DC to around 30 GHz. The technique used to grow the crystal is metal organic vapour phase epitaxy (MOVPE).

The growth technique has become a fine art with chemists building films of 20 to 80 atomic layers. With indium phosphide as the substrate, epitaxial growth is possible when the layer that is deposited has the same crystal as the substrate. This ensures that the layers are free from strain.

The MOVPE process is shown in Fig. 15 and is suitable for large scale production. It can produce very abrupt heterojunctions and the process is ideal for materials based on aluminium arsenide and gallium arsenide.

Metallo-organic compounds are used as volatile precursors and they are carried in hydrogen. A single crystal is used as a substrate and when the precursor vapours decompose over it, the required layers are deposited.

The indium gallium arsenide diode is an improvement on the PIN. If the intrinsic layer is thought of as a dielectric in a parallel plate capacitor, then this capacitance must be kept low for high speed. The capacitance is kept low by decreasing the thickness as well as reducing the area.

As the device gets smaller than 50µm in width, the problem of how to attach a wire to it arises. One design uses an electrically isolated remote pillar which is linked to the active device by air bridges.

The electrical isolation is obtained by using a semi-insulating indium phosphide substrate with the whole device being about 30µm wide and the intrinsic layer only 2µm thick. The air bridges are made from layers of titanium and gold and are 50µm long, 0.5µm thick and 5µm wide.

In spite of these dimensions the bridges are strong and the whole device can be mass produced quite easily. Unfortunately, it is one thing being able to manufacture a magnificent device in a laboratory but if it is going to be of widespread use, the process must lend itself to bulk reproduction. The tolerances must be adhered to and the packaging must be specially designed to keep any stray signals to the absolute minimum – it must also provide pin-outs for practical applications.

PE

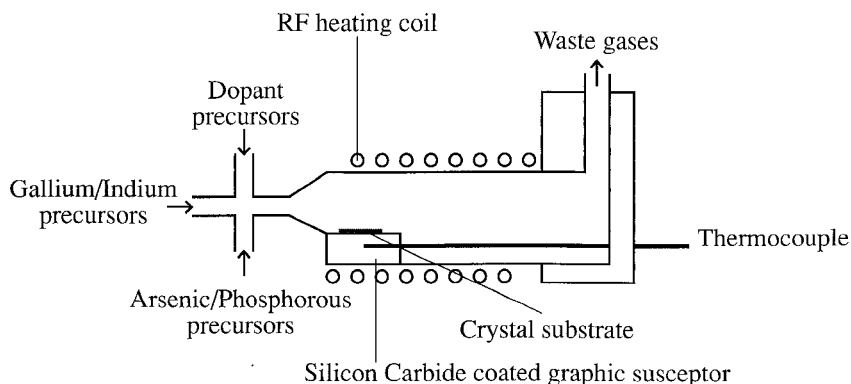


Fig. 15. Metal oxide vapour phase epitaxy.

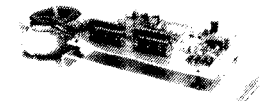
OMP POWER AMPLIFIER MODULES-TURNABLES-DIMMERS-LOUDSPEAKERS-19 INCH STEREO RACK AMPLIFIERS

OMP POWER AMPLIFIER MODULES

Supplied ready built and tested.

OMP POWER AMPLIFIER MODULES Now enjoy a world-wide reputation for quality, reliability and performance at a realistic price. Four models available to suit the needs of the professional and hobby market i.e. Industry, Leisure, Instrumental and Hi-Fi etc. When comparing prices, NOTE all models include Toroidal power supply, Integral heat sink, Glass fibre P.C.B. and Drive circuits to power compatible Vu meter. Open and short circuit proof.

THOUSANDS OF MODULES PURCHASED BY PROFESSIONAL USERS



OMP100 Mk 11 Bi-Polar Output power 110 watts R.M.S. into 4 ohms. Frequency Response 15Hz - 30KHz -3dB. T.H.D. 0.01%. S.N.R. -118dB. Sens. for Max. output 500mV at 10K. Size 355 x 115 x 65mm. PRICE £33.99 + £3.00 P&P.

NEW SERIES II MOS-FET MODULES



OMP/MF 100 Mos-Fet Output power 110 watts R.M.S. into 4 ohms. Frequency Response 1Hz - 100KHz -3dB. Damping Factor, >300. Slew Rate 45V uS. T.H.D. Typical 0.002%. Input Sensitivity 500mV. S.N.R. -125dB. Size 300 x 123 x 60mm. PRICE £39.99 + £3.00 P&P.

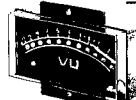


OMP/MF200 Mos-Fet Output power 200 watts R.M.S. into 4 ohms. Frequency Response 1Hz - 100KHz -3dB. Damping Factor >300. Slew Rate 50V uS. T.H.D. Typical 0.001%. Input Sensitivity 500mV. S.N.R. -130dB. Size 300 x 155 x 100mm. PRICE £62.99 + £3.50 P&P.



OMP/MF300 Mos-Fet Output power 300 watts R.M.S. into 4 ohms. Frequency Response 1Hz - 100KHz -3dB. Damping Factor >300. Slew Rate 60V uS. T.H.D. Typical 0.0008%. Input Sensitivity 500mV. S.N.R. -130dB. Size 330 x 175 x 100mm. PRICE £79.99 + £4.50 P&P.

NOTE - MOS-FET MODULES ARE AVAILABLE IN TWO VERSIONS STANDARD INPUT SENS 500mV BAND WIDTH 100KHz. P.C. (PROFESSIONAL EQUIPMENT COMPATIBLE). INPUT SENS 775mV BAND WIDTH 50KHz. ORDER STANDARD OR P.C.



Vu METER Compatible with our four amplifiers detailed above. A very accurate visual display employing 11 L.E.D. diodes (7 green, 4 red) plus an additional on off indicator. Sophisticated logic control circuits for very fast rise and decay times. Tough moulded plastic case, with tinted acrylic front. Size 84 x 27 x 45mm. PRICE £8.50 + 50p P&P.

LOUDSPEAKERS



LARGE SELECTION OF SPECIALIST LOUDSPEAKERS AVAILABLE, INCLUDING CABINET FITTINGS, SPEAKER GRILLES, CROSS-OVERS AND HIGH POWER, HIGH FREQUENCY BULLETS AND HORNS, LARGE S.A.E. (30p STAMPED) FOR COMPLETE LIST.

McKENZIE—INSTRUMENTS, P.A., DISCO, ETC.

ALL MCKENZIE UNITS 8 OHMS IMPEDENCE

- 8" 100 WATT C8100GPM GEN. PURPOSE. LEAD GUITAR, EXCELLENT MID. DISCO. RES. FREQ. 80Hz FREQ. RESP. TO 14KHz SENS. 99dB. PRICE £28.59 + £2.00 P&P.
- 10" 100 WATT C10100GP GUITAR, VOICE, ORGAN, KEYBOARD, DISCO. EXCELLENT MID. RES. FREQ. 70Hz FREQ. RESP. TO 6KHz SENS. 100dB. PRICE £34.70 + £2.50 P&P.
- 10" 200 WATT C10200GP GUITAR, KEYBOARD, DISCO. EXCELLENT HIGH POWER MID. RES. FREQ. 45Hz FREQ. RESP. TO 7KHz SENS. 103dB. PRICE £47.48 + £2.50 P&P.
- 12" 100 WATT C12100GP HIGH POWER GEN. PURPOSE. LEAD GUITAR, DISCO. RES. FREQ. 45Hz FREQ. RESP. TO 7KHz SENS. 98dB. PRICE £36.66 + £3.50 P&P.
- 12" 100 WATT C12100TC (TWIN CONE) HIGH POWER WIDE RESPONSE, P.A. VOICE, DISCO. RES. FREQ. 45Hz FREQ. RESP. TO 14KHz SENS. 100dB. PRICE £37.63 + £3.50 P&P.
- 12" 200 WATT C12200B HIGH POWER BASS, KEYBOARDS, DISCO, P.A. RES. FREQ. 40Hz FREQ. RESP. TO 7KHz SENS. 100dB. PRICE £64.17 + £3.50 P&P.
- 12" 300 WATT C12300GP HIGH POWER BASS LEAD GUITAR, KEYBOARDS, DISCO, ETC. RES. FREQ. 45Hz FREQ. RESP. TO 5KHz SENS. 100dB. PRICE £85.79 + £3.50 P&P.
- 15" 100 WATT C15100BS BASS GUITAR, LOW FREQUENCY, P.A. DISCO. RES. FREQ. 40Hz FREQ. RESP. TO 5KHz SENS. 98dB. PRICE £53.70 + £4.00 P&P.
- 15" 200 WATT C15200BS VERY HIGH POWER BASS. RES. FREQ. 40Hz FREQ. RESP. TO 4KHz SENS. 99dB. PRICE £73.26 + £4.00 P&P.
- 15" 250 WATT C15250BS VERY HIGH POWER BASS. RES. FREQ. 40Hz FREQ. RESP. TO 4KHz SENS. 99dB. PRICE £80.53 + £4.50 P&P.
- 15" 400 WATT C15400BS VERY HIGH POWER, LOW FREQUENCY BASS. RES. FREQ. 40Hz FREQ. RESP. TO 4KHz SENS. 102dB. PRICE £94.12 + £4.50 P&P.
- 18" 400 WATT C18400BS EXTREMELY HIGH POWER, LOW FREQUENCY BASS. RES. FREQ. 27Hz FREQ. RESP. TO 3KHz SENS. 99dB. PRICE £167.85 + £5.00 P&P.

EARBENDERS—HI-FI, STUDIO, IN-CAR, ETC.

- ALL EARBENDER UNITS 8 OHMS EXCEPT EB8-50 AND EB10-50 DUAL 4 AND 8 OHM. BASS, SINGLE CONE, HIGH COMPLIANCE, ROLLED FOAM SURROUND
- 8" 50 WATT EB8-50 DUAL IMPEDENCE, TAPPED 4 & 8 OHM BASS, HI-FI, IN-CAR. RES. FREQ. 40Hz FREQ. RESP. TO 7KHz SENS. 97dB. PRICE £8.90 + £2.00 P&P.
- 10" 50 WATT EB10-50 DUAL IMPEDENCE, TAPPED 4 & 8 OHM BASS, HI-FI, IN-CAR. RES. FREQ. 40Hz FREQ. RESP. TO 5KHz SENS. 99dB. PRICE £12.00 + £2.50 P&P.
- 10" 100 WATT EB10-100 BASS, HI-FI, STUDIO. RES. FREQ. 35Hz FREQ. RESP. TO 3KHz SENS. 96dB. PRICE £27.50 + £3.50 P&P.
- 12" 60 WATT EB12-60 BASS, HI-FI, STUDIO. RES. FREQ. 28Hz FREQ. RESP. TO 3KHz SENS. 92dB. PRICE £21.00 + £3.00 P&P.
- 12" 100 WATT EB12-100 BASS, STUDIO, HI-FI, EXCELLENT DISCO. RES. FREQ. 26Hz FREQ. RESP. TO 3KHz SENS. 93dB. PRICE £32.00 + £3.50 P&P.
- FULL RANGE TWIN CONE, HIGH COMPLIANCE, ROLLED SURROUND
- 5 1/2" 60 WATT EB5-60TC (TWIN CONE) HI-FI, MULTI-ARRAY DISCO ETC. RES. FREQ. 63Hz FREQ. RESP. TO 20KHz SENS. 92dB. PRICE £9.99 + £1.50 P&P.
- 6 1/2" 60 WATT EB6-60TC (TWIN CONE) HI-FI, MULTI-ARRAY DISCO ETC. RES. FREQ. 38Hz FREQ. RESP. TO 20KHz SENS. 94dB. PRICE £10.99 + £1.50 P&P.
- 8" 60 WATT EB8-60TC (TWIN CONE) HI-FI, MULTI-ARRAY DISCO ETC. RES. FREQ. 40Hz FREQ. RESP. TO 18KHz SENS. 99dB. PRICE £12.99 + £1.50 P&P.
- 10" 60 WATT EB10-60TC (TWIN CONE) HI-FI, MULTI-ARRAY DISCO ETC. RES. FREQ. 35Hz FREQ. RESP. TO 12KHz SENS. 96dB. PRICE £16.49 + £2.00 P&P.

TRANSMITTER HOBBY KITS

PROVEN TRANSMITTER DESIGNS INCLUDING GLASS FIBRE PRINTED CIRCUIT BOARD AND HIGH QUALITY COMPONENTS COMPLETE WITH CIRCUIT AND INSTRUCTIONS

- 3W FM TRANSMITTER 80-108MHz. VARICAP CONTROLLED PROFESSIONAL PERFORMANCE. RANGE UP TO 3 MILES. SIZE 38 x 123mm. SUPPLY 12V @ 0.5AMP. PRICE £14.49 + £1.00 P&P.
- FM MICRO TRANSMITTER (BUG) 100-108MHz. VARICAP TUNED COMPLETE WITH VERY SENS. FET MIC. RANGE 100-300m. SIZE 56 x 46mm. SUPPLY 9V BATT. PRICE £8.62 + £1.00 P&P.



3 watt FM Transmitter



POSTAL CHARGES PER ORDER £1.00 MINIMUM. OFFICIAL ORDERS WELCOME FROM SCHOOLS, COLLEGES, GOV'T BODIES ETC. PRICES INCLUSIVE OF V.A.T. SALES COUNTER. VISA ACCESS ACCEPTED BY POST, PHONE OR FAX.



* PRICES INCLUDE V.A.T. * PROMPT DELIVERIES * FRIENDLY SERVICE * LARGE S.A.E. 30p STAMPED FOR CURRENT LIST.

OMP VARISPEED TURNTABLE CHASSIS



- * MANUAL ARM
- * STEEL CHASSIS
- * ELECTRONIC SPEED CONTROL 33 & 45
- * VARI PITCH CONTROL
- * HIGH TORQUE SERVO DRIVEN MOTOR
- * TRANSIT SCREWS
- * 12 DIE CAST PLATTER
- * NEON STROBE
- * CALIBRATED BAL. WEIGHT
- * REMOVABLE HEAD SHELL
- * CARTRIDGE FIXINGS
- * CUE LEVER
- * POWER 220/240V 50/60Hz
- * 390 x 305mm
- * SUPPLIED WITH MOUNTING CUT-OUT TEMPLATE

PRICE £59.99 + £3.50 P&P.

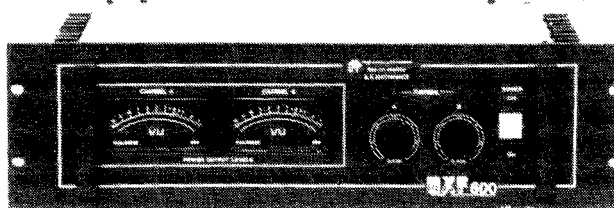
OPTIONAL MAGNETIC CARTRIDGES

STANTON AL500
PRICE £16.99 + 50p P&P

GOLDRING G850
PRICE £6.99 + 50p P&P

OMP MOS-FET POWER AMPLIFIERS, HIGH POWER, TWO CHANNEL 19 INCH RACK

THOUSANDS PURCHASED BY PROFESSIONAL USERS



NEW MXF SERIES OF POWER AMPLIFIERS

THREE MODELS:— MXF200 (100w + 100w)
MXF400 (200w + 200w) MXF600 (300w + 300w)

All power ratings R.M.S. into 4 ohms

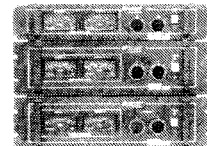
FEATURES: * Independent power supplies with two Toroidal Transformers * Twin L.E.D. Vu meters * Rotary indexed level controls * Illuminated on off switch * XLR connectors * Standard 775mV inputs * Open and short circuit proof * Latest Mos-Fets for stress free power delivery into virtually any load * High slew rate * Very low distortion * Aluminium cases * MXF600 Fan Cooled with D.C. Loudspeaker and Thermal Protection

USED THE WORLD OVER IN CLUBS, PUBS, CINEMAS, DISCOS ETC.

SIZES:— MXF 200 W19" x H3 1/2" (2U) x D11
MXF 400 W19" x H5 1/4" (3U) x D12
MXF 600 W19" x H5 1/4" (3U) x D13

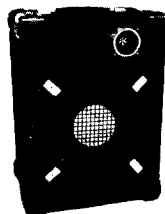
MXF200 £171.35
MXF400 £228.85
MXF600 £322.00

SECURICOR DELIVERY £12.00 EACH



OMP LINNET LOUDSPEAKERS

THE VERY BEST IN QUALITY AND VALUE



MADE ESPECIALLY TO SUIT TODAY'S NEED FOR COMPACTNESS WITH HIGH OUTPUT SOUND LEVELS. FINISHED IN HARDWEARING BLACK VINYL WITH PROTECTIVE CORNERS GRILLE AND CARRYING HANDLE. INCORPORATES 12" DRIVER PLUS HIGH FREQ. HORN FOR FULL FREQ. RANGE 45Hz-20KHz BOTH MODELS 8 OHM. SIZE H18" x W15" x D12"

CHOICE OF TWO MODELS

POWER RATINGS QUOTED IN WATTS RMS FOR EACH CABINET

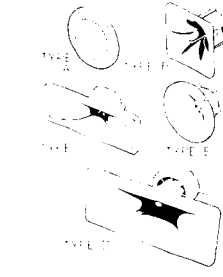
OMP 12-100 (100W 100dB) PRICE £159.99 PER PAIR
OMP 12-200 (200W 102dB) PRICE £209.99 PER PAIR

SECURICOR DEL.— £12.00 PER PAIR

PIEZO ELECTRIC TWEETERS—MOTOROLA

PIEZO ELECTRIC TWEETERS—MOTOROLA

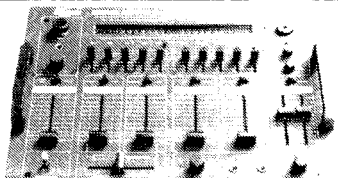
Join the Piezo revolution. The low dynamic mass (no voice coil) of a Piezo tweeter produces an improved transient response with a lower distortion level than ordinary dynamic tweeters. As a crossover is NOT required these units can be added to existing speaker systems of up to 100 watts (more if 2 put in series) FREE EXPLANATORY LEAFLETS SUPPLIED WITH EACH TWEETER.



- * TYPE 'A' (KSN2036A) 3" round with protective wire mesh. Ideal for bookshelf and medium sized Hi-Fi speakers. Price £4.90 each + 50p P&P.
- * TYPE 'B' (KSN1005A) 3 1/2" super horn. For general purpose speakers, disco and P.A. systems etc. Price £5.00 each + 50p P&P.
- * TYPE 'C' (KSN6016A) 2" - 5" wide dispersion horn. For quality Hi-Fi systems and quality discos etc. Price £6.99 each + 50p P&P.
- * TYPE 'D' (KSN1025A) 2" x 6" wide dispersion horn. Upper frequency response retained extending down to mid range (2KHz). Suitable for high quality Hi-Fi systems and quality discos. Price £9.99 each + 50p P&P.
- * TYPE 'E' (KSN1038A) 3 1/2" horn tweeter with attractive silver finish trim. Suitable for Hi-Fi monitor systems etc. Price £5.99 each + 50p P&P.
- * LEVEL CONTROL Combines on a recessed mounting plate, level control and cabinet input jack socket. 85 x 85mm. Price £3.99 + 50p P&P.

STEREO DISCO MIXER

STEREO DISCO MIXER with 2 x 5 band L & R graphic equalisers and twin 10 segment L.E.D. Vu Meters. Many outstanding features 5 Inputs with individual faders providing a useful combination of the following:—
3 Turntables (Mag.) 3 Mics. 4 Line including CD plus Mic with talk over switch Headphone Monitor. Pan Pot L & R. Master Output controls. Output 775mV. Size 360 x 280 x 90mm. Supply 220-240V.
Price £134.99 — £4.00 P&P



B. K. ELECTRONICS Dept PE
UNIT 5, COMET WAY, SOUTHBEND-ON-SEA, ESSEX. SS2 6TR
TEL: 0702-527572 FAX: 0702-420243

There are probably hundreds of ways in which temperature conditions within any range can be monitored electronically. All electronic components change their characteristics with temperature and many of them can be used as sensors in electronic thermometers. Two in particular are especially suitable, diodes and thermistors. For example, the 1N4148 silicon diode can be

John Becker's answer to frost hazards is an audio temperature alarm.

change in the tapped voltage level. IC1a amplifies the voltage change by about ten, as set by R5 and R6. The output voltage from IC1a is fed to the comparator stage around IC1c, setting its trip threshold level.

IC1b and associated components form a square wave oscillator, the basic frequency of which is set by C1, at around 1Hz. Normally with an oscillator of this type we would take

THERMAL WARNING

used as a temperature sensor by taking advantage of its 1.8mV/°C change in forward voltage drop when reversed biased. Instead of feeding the outputs of the sensor into a microcontroller, the circuit is tailored to suit human monitoring, by adding sound and light. Although intended as a frost alarm, the circuit can be set to monitor the approach of other temperature levels, up or down.

THERMISTORS

Thermistors are basically resistors whose impedances change with respect to temperature. They are manufactured with negative (NTC) and positive (PTC) temperature coefficients. NTC thermistors decrease their resistance with a rise in temperature, PTC thermistors do the opposite. Of the two, the NTC is probably more widely available to the hobbyist. The type used here is a general purpose disc thermistor having a nominal value of 10k ohms, ±10% at 25°C.

THE CIRCUIT

The circuit has been designed to control a light emitting diode and an audible warning device (buzzer). With temperatures above a preset range neither the LED nor the sounder is active. As the temperature falls towards the preset level, the LED begins to flash and the buzzer bleeps at the same rate.

Below the preset level, both devices are turned fully on. The preset level can be set for any reasonable temperature above or below 0°C. It could, for example if, be set the at 20°C to give warning of the onset of nightfall.

Fig.1 shows the complete circuit diagram. It consists of three parts: amplifier, oscillator, and output driver.

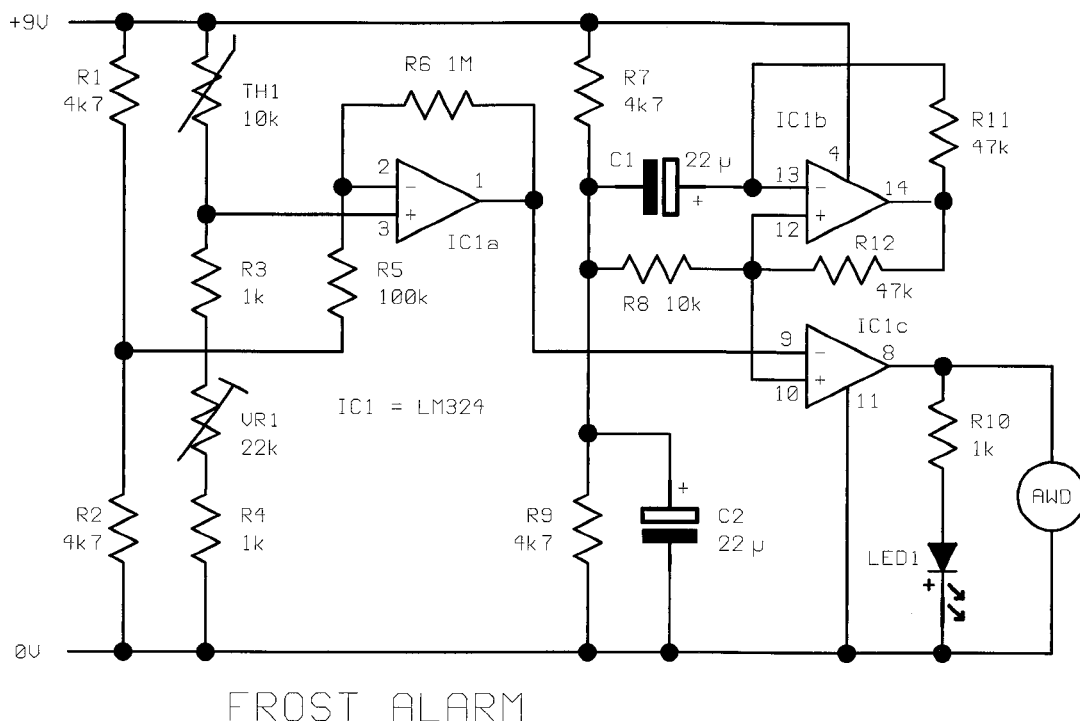
Thermistor TH1 is in series with R2, VR1 and R4, which form a potential divider across the 9V power line. The basic tapped voltage at the junction of TH1 and R2 can be adjusted by varying the resistance across VR1. As the ambient temperature changes, TH1's resistance changes in sympathy, resulting in a

the signal directly from the opamp's output, at pin 14. On this occasion it is taken from the junction of R8 and R12. The peak to peak swing here is much smaller than that at the opamp's output and is ideal for sending to the comparator as the second input signal.

SETTING UP

With temperatures well above the level being detected, the output voltage from IC1a sets the comparator's threshold point too high for the small square wave signal from IC1b to cross it. Consequently, IC1c's output remains too low to drive the LED or the sounder. As the temperature drops towards the preset level, the comparison voltage seen by IC1c also falls, eventually to within the range at which the square wave can cross the threshold. Now each square wave is effectively amplified, triggering IC1c's output fully high and low. Each time the output is high, both the LED and the sounder are turned on, then off again when the drive voltage

Fig. 1. The circuit.



falls. In other words, the LED flashes, and the buzzer bleeps.

Eventually, when the temperature falls below the preset level, the comparison voltage seen by IC1c becomes too low to be crossed by the small square wave. The comparator now remains fully tripped, producing a constantly high output. Thus the LED and the sounder remain fully on. This condition continues until the temperature rises sufficiently to take the trip sequence in the opposite direction, from constantly on, through flashing, and eventually to fully off.

TRIP CONTROL

By connecting the LED and the buzzer to the 9V line instead of 0V, the circuit could be

used to warn you of temperatures getting too high. You would need to reverse the polarities of the LED and sounder. (The PCB does not allow for this, so you would need to hard-wire both devices to the correct lines.)

VR1 needs to be set by experimentation and in conjunction with a thermometer. If VR1 cannot be set to a high enough resistance to suit the thermistor used, increase the value of R4. For convenient panel selection of other temperature trip points, an ordinary rotary pot may be substituted for the preset variety if preferred. Its scale may be calibrated on the front panel.

To change the flash/bleep rate, substitute a different value for C1, larger for slower.

Bias levels for IC1a and IC1b are set by the divider chains R1/R2 and R7/R9 respectively, with C2 providing a bit of smoothing for the latter. The unit can be run from a 9V battery, drawing around 23mA when both LED and sounder are active. Either the LED or the buzzer could be omitted to suit the requirements of the final design; they draw about 10mA each. Note that the sounder is the active type, i.e. it buzzes when connected across a suitable power supply and does not need to be driven by a separate oscillator.

PE

COMPONENTS

RESISTORS

R1, R2, R7, R9	4k7 (4 off)
R3, R4, R10	1k (3 off)
R5	100k
R6	1M
R8	10k
R11, R12	47k (2 off)
all 0.25W 5% or better	

CAPACITORS

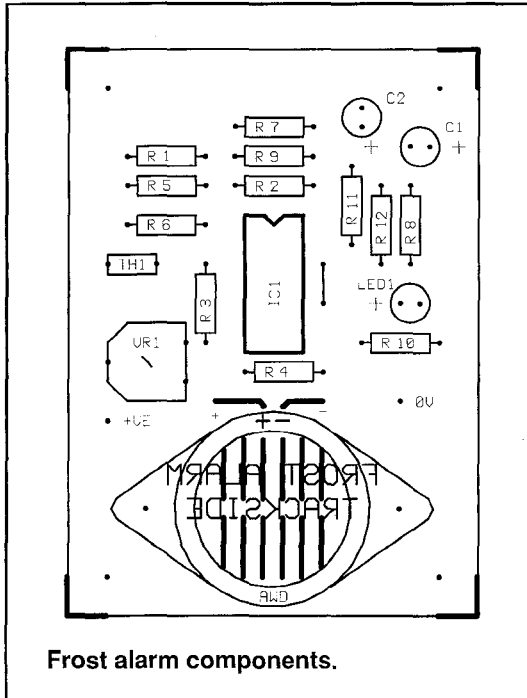
C1, C2	22u 16V electrolytic (2 off)
--------	------------------------------

SEMICONDUCTOR

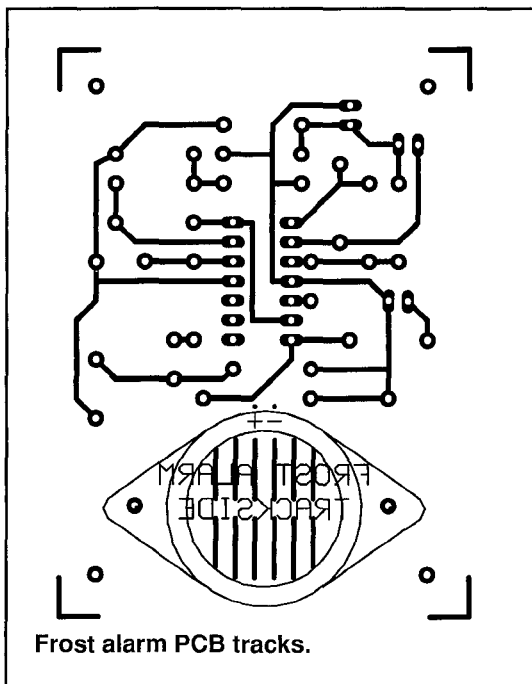
IC1	LM324
-----	-------

MISCELLANEOUS

VR1	22k preset potentiometer
TH1	10k ntc thermistor disc
LED1	light emitting diode
AWD	active audible warning device (9V)
14-pin dil ic socket	
Printed circuit board	

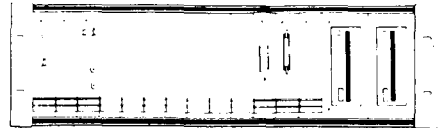


Frost alarm components.



Frost alarm PCB tracks.

Interak 1 BUILD YOUR OWN COMPUTER



INTERAK can be commenced with the minimum of outlay. Bare boards from £10.95, beg borrow or steal the components, or buy from us - all parts available separately. No special or custom chips (ie PALs, ULAs, ASICs etc) used - no secrets.

Go as fast or as slowly as your funds and enthusiasm permit.

Made for those who must know what goes inside. Full circuit diagrams and descriptions are provided. And honestly can you really use a computer effectively if you don't know what's inside and nobody will tell you?

Solid engineering construction - something to be proud of. 19" 3U rack mounting, plug in circuit boards and modular construction keeps obsolescence at bay.

Flourishing Independent Users Group and newsletter. Hundreds of programs on disk at little or no cost from the Users Group.

Program in machine code (Assembler), Basic, C, Forth, etc. Database Word Processing. Scientific applications.

Cassette tape operation or disk (up to 4 drives, 1 Megabyte 3.5" available from us, but you can add 3", 5.25", 8" if you want); Disk operating system CP/M Plus.

64K RAM, Z80 based at present, with potential for expansion to a 16 Megabyte address space and Zilog's latest Z80280 in the future.

Needs no specialised knowledge to construct, and we will happily get you out of a jam if you get into one.

Availability of personal and individual after sales service, impossible to obtain from large companies, who are only after your money.

Security of supply - from Greenbank Electronics, established in 1970.

Greenbank

For more details write or phone us:

Greenbank Electronics, Dept PE02 460 New Chester Road, Rock Ferry, Birkenhead, Merseyside, L42 2AE. Tel: 051-645 3391

The Volt is probably the most often used unit of electricity yet the life of the man who gave his name to it is now quite obscure. Most people involved in electronics today would be hard pressed to be able to say much about him at all.

Alessandro Volta was born on 18th February 1745 in Como, a town in northern Italy. He was the youngest son of a devout Catholic family and his uncles were all connected with the Church in one way or another. Alessandro's faith was dear to him and an integral part of his life.

Although his childhood had been very happy it was not without problems, as his father died when he was just seven years old. From then on his family received a lot of support from his father's brothers, one of them taking on the responsibility of Alessandro's education. Because of this Volta was sent to a Jesuit College at 12 years of age – quite young for the time.

A wealthy family friend also helped with his education by providing books, equipment and encouragement. This was probably one of the factors which sparked off Volta's interest in electricity and physical sciences. Unfortunately, Volta's uncles felt that his best



Photograph by courtesy of the Institution of Electrical Engineers.

dissimilar metals separated by brine or other solution containing a salt.

Volta managed to refine his experiments further and discovered that the pair of metals which produced the best effect were zinc and silver. At first he made individual cells out of wine goblets with brine in them. The two electrodes were dipped into this solution to produce the electrical cell. He also put a number of cells together in series to produce a larger voltage, but soon found that this approach became quite cumbersome. As an alternative, he made a cell out of two discs of dissimilar metal with cardboard soaked in brine between them. By stacking several of these cells on top of one another a pile of cells was made up quite easily. The limit of the number of cells in any pile was reached when the weight of the whole battery started to squeeze the brine out of the bottom cells. Even so it was possible to build up voltages large enough to give an electric shock.

Volta eventually became quite famous as a result of his discoveries. He gave many demonstrations throughout Europe, even to Napoleon himself who was fascinated by these new discoveries. In fact he was so impressed that he gave Volta a substantial

ALESSANDRO VOLTA

career prospects lay with the legal profession and in most cases this would have been the most sensible direction – science was still very much in its infancy and there were comparatively few good career openings. Nevertheless, Volta somehow managed to continue his studies in electricity and showed his determination to stay in the field by corresponding with a number of the leading scientists and repeating their experiments.

Eventually Volta convinced his uncles that he must follow a scientific career and, with his best interests at heart, they agreed. So from the age of about 20 he studied science more formally with a particular interest in electricity. Such was his success that in 1774 he was appointed as a lecturer at the Royal School in Como. A year later he became the Professor of Physics at the school, making discoveries that were to form some of the basic ideas of modern physics and chemistry.

His first discovery was of the existence of methane gas, his second the invention of the electrophorus. This device allowed him to generate and experiment with static electricity. Of the two the electrophorus was probably the more significant event, but it was the discovery of methane which gave Volta renown in the scientific community. In fact he became known world wide and received a travel grant allowing him to meet other leading scientists.

With the rise of Volta's fame came the offer of a university chair. In 1779 he took up the post of Professor of Experimental Physics at the University of Pavia. Here he continued his work amidst a very changeable political

By Ian Poole. Galvanic experiments with frogs' legs led to the invention of the electric battery.

climate when northern Italy came under French occupation during the Revolutionary Wars. Even though Volta naturally met the different heads of state he managed to keep himself out of the politics and make headway in his researches.

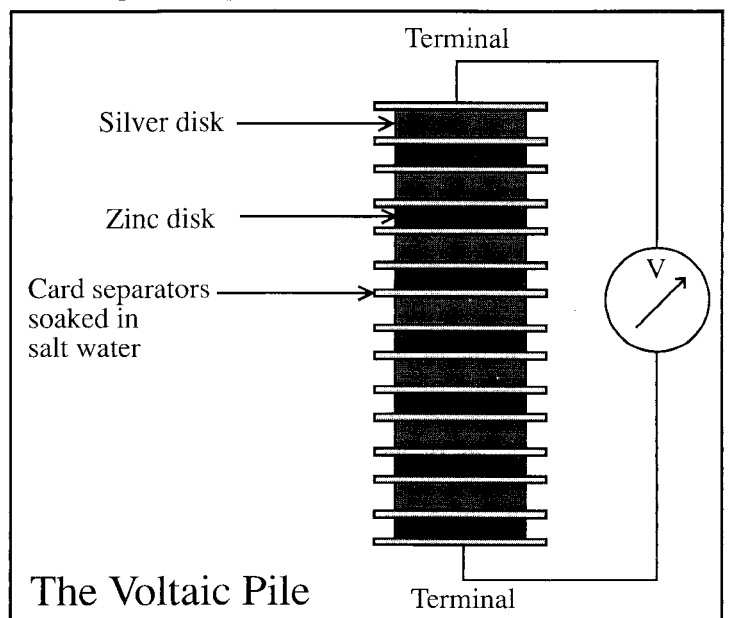
In 1780 a fellow Italian and friend of Volta discovered that the contact of two dissimilar metals on a frog's leg produced a small but measurable electric current. Volta also looked into this phenomenon and performed some further experiments. He came to the conclusion that the electrical current did not come from the frog's leg, it came instead from the fact that there were two

salary to carry on with his experiments.

Volta received other recognition for his work when he was made a senator of the Kingdom of Lombardy, which increased his wealth still further. He received international recognition and many scientific institutions around Europe honoured him and asked him to give lectures.

With his fame and recognition came great wealth which enabled Volta to maintain a very high standard of living. He lived his last years in great luxury and died in Como on the 5th May 1827 at the age of 82.

PE



The Voltaic Pile

BASIC ELECTRONICS

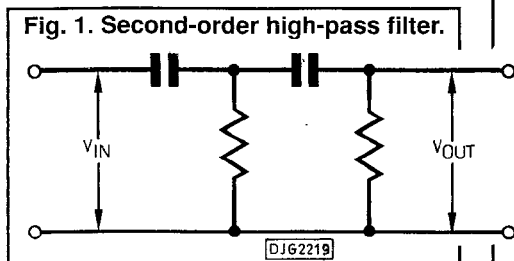
Last month's tutorial finished off by describing low and high pass filters and how they react to various frequencies. It also defined the term decibel as the ratio between the input and output voltages at a given frequency. A special characteristic of low pass filters is the point at which the output voltage is 70% of the input voltage. In terms of decibels this is -3dB and is known as the half power point. Beyond the half-power point, the output voltage continues to drop, a doubling of frequency (i.e. a frequency one musical octave higher) halves the reactance of the capacitor and thus reduces output voltage to half. Since power is proportional to the square of the voltage, the power is reduced to a quarter, or by -6dB per octave.

The filter described here is a first-order filter with only one stage of filtering. A second-order filter (Fig. 1) gives an enhanced effect. The reduction of power beyond the half-power point is -12dB per octave. For a bigger effect we can use even more stages, giving power reductions of -18dB, -24dB and so on. The only problem is that increasing the number of stages has little effect on the shape of the output curve between full power and the half-power point. The 'knee' of the curve remains unchanged. For many purposes this is not important but, if we wish for really sharp cut-off at a particular frequency, we need a filter with a sharper 'knee'. Ways of achieving this are described later.

What has been said for the low-pass filter also applies, though in reverse, to the high-pass filter. The half-power point is given by $f = 1/2\pi RC$, as before.

INDUCTORS

Another component that possesses reactance is the inductor. An inductor consists of a coil of wire wound on a core of ferromagnetic material such as soft iron or ferrite. Any change in the current flowing through the coil acts to alter the strength of the magnetic field in the coil. However, the property of the inductor is to oppose such changes by developing a voltage (known as back e.m.f.) which acts to keep the current through the coil constant. Those who have studied Physics at school, will recognise that this action is a result of Lenz's Law. Not only does the inductor oppose changes in current flowing through it but, the more rapid the change, the greater the opposition.



Part 14. Owen Bishop continues his series for beginners.

Consequently, the reactance X_L of an inductor to an alternating current (caused by an applied alternating voltage) is greater when the frequency is higher. The equation is:

$$X_L = 2\pi fL$$

where L is the inductance, in henries.

Since reactance varies with frequency, it follows that we can build a filter using a resistance and an inductor.

Investigation 3 - LR filter

Fig. 2 shows an example of an LR filter. You need a suitable inductive component such as a relay or transformer. Connect its coil as in Fig. 3. Connect the flying lead either to R_2 or to L_1 . R_2 is to reduce the volume of the unfiltered signal to make it more readily comparable with the filtered signal obtained when the flying lead is connected to L_1 .

What type of LR filter is this? Explain its action.

Inductors can be used in combination with capacitors to build filters with sharper cut-off, making The 'knee' of the output curve more angular. But filters incorporating inductors are less often used than formerly, as they have several disadvantages, one of the main ones being that the coil and core of the inductor are

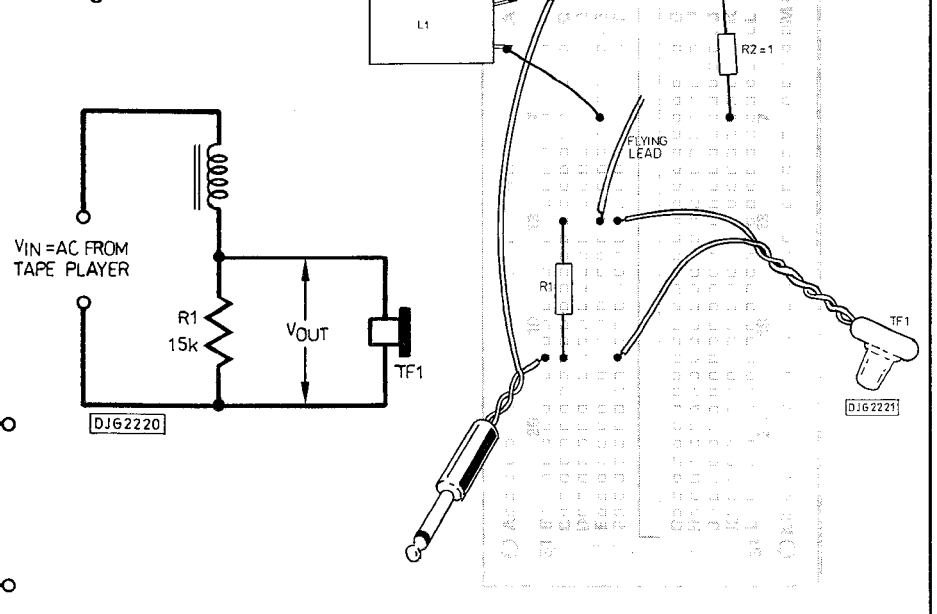
relatively large and massive so they are unsuited to today's compact and portable equipment. Another drawback is that it is not easy to produce an inductor with a specified inductance. There is also the problem that, unless they are protected by special mu-metal screening, they readily pick up electromagnetic interference from nearby circuitry, introducing hums and the possibility of oscillation into the circuit. Nowadays we have a much better and cheaper way of obtaining sharper cut-off. We use an active filter, as will be explained later.

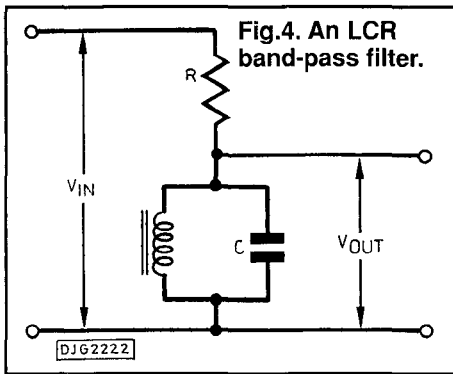
An interesting configuration is shown in Fig. 4, which has a capacitor and inductor connected in parallel. At low frequencies, output is low because the reactance of the inductor is low. At high frequencies, output is low because the reactance of the capacitor is low. But at a given intermediate frequency, the reactances are both high and output is high. This kind of filter which removes both very low and very high frequencies, is known as a band-pass filter.

CAPACITOR COUPLING

The use of capacitors for coupling parts of circuits that are at different DC voltage levels was described in Part 3 (PE, March 1990). Fig.5 shows a typical example of a stage in an amplifier, with capacitors C_1 and C_2 coupling it to previous and following stages. Taking our new view of capacitors as constituents of filters, we see that C_1 and the two resistors R_1 and R_2 form a high-pass filter. The high-pass filter configuration is just incidental, as originally C_1 is there for coupling, and the resistors are there to bias the base of the transistor. However, they are now acting as a high-pass filter and we must check that this

Figs. 2 and 3. LR filter circuit and layout for investigation 3.





does not have any unwanted effect on the operation of the circuit.

In calculations involving the half-power point we consider the resistance of the filter to consist of R1 and R2 in parallel. This gives (in kilohms) $R = (16 + 62)(16 \times 62) = 12.7k$. We will suppose that a high-pass filter with a half-power point of 30Hz is considered satisfactory. This passes all audible frequencies. We calculate the required capacitance, using a version of the half-power equation:

$$C = 1/2\pi Rf = 1/2\pi(12.7 \times 10^3 \times 30) = 4.2 \times 10^{-7}F$$

The nearest preferred value is 470nF.

On the output side of Fig.5, the resistance involved is R3. A suitable value for C is given

by:

$$C = 1/2\pi(3.9 \times 10^3 \times 30) = 1.4 \times 10^{-6}F$$

The nearest preferred value is 1μF.

This example shows how suitable values of coupling capacitors are chosen so as to pass all required frequencies. In other types of circuit, we may make use of the capacitive coupling deliberately to filter out unwanted low frequencies, such as those caused by mains hum and low-frequency variations in input. An example would be in the amplifier of a passive infra-red intruder detector. Low frequency changes, such as caused by slow heating or cooling of objects in the room, would be filtered out and be ignored, while rapid high-frequency changes, such as caused by the movement of an intruder, would be passed through to the alarm-triggering section of the circuit.

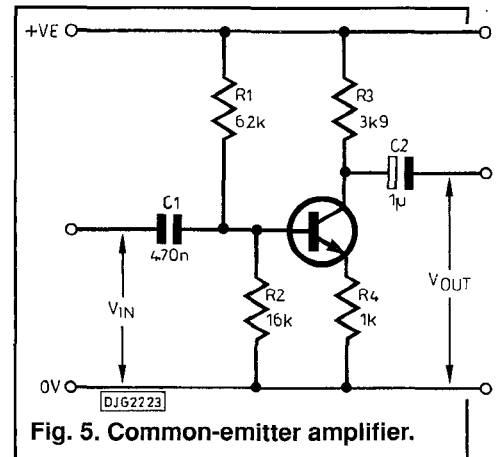
ACTIVE FILTERS

Filters using the varying reactance of capacitors or inductors are known as passive filters. With the introduction of inexpensive operational amplifier ics, it becomes more feasible to use amplification and feedback to achieve the same effect as the more expensive and bulky inductor of the RLC filters. Such filters are known as active filters, because of the active component, the amplifier.

Investigation 4—an active high-pass filter

Fig.6 shows the filter circuit consisting of a second-order RC high-pass filter feeding its output to a non-inverting amplifier (see last month's issue). Part of the output of this is fed back to the bottom end of the first RC filter.

Connect the circuit as in Fig. 7, using 22μF capacitors. The battery is tapped halfway along to give -3V, 0V and +3V. The frequency at the -3dB point is given by $1/2\pi RC$. In this case, the frequency is 21Hz, so the filter is not likely to make any appreciable difference to the quality of the sound. After listening to the sound for a

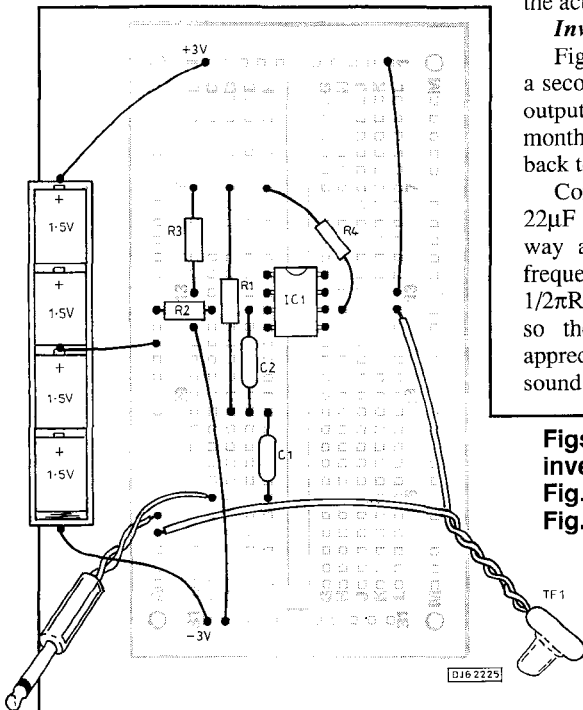


while, replace the 22μF capacitors with 100nF capacitors. What is the cut-off frequency now? What effect does the filter have on the sound now? Listen during the silent period between tape tracks - what do you hear?

PHASE SHIFT

So far we have ignored an important characteristic of the RC network, that the output voltage is not in phase with the input voltage. There is a frequency-dependent phase shift between input and output. We usually express the phase shift as an angle, as in Fig.8. One complete oscillation is taken to correspond to 360°, a complete circular rotation. In the figure, Vout is shifted approximately 40° with respect to Vin.

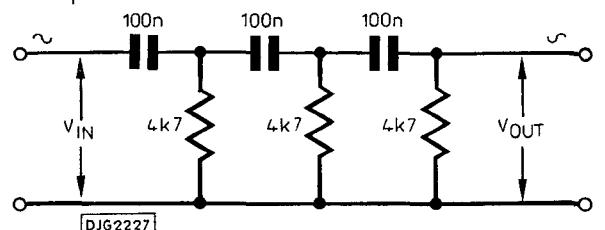
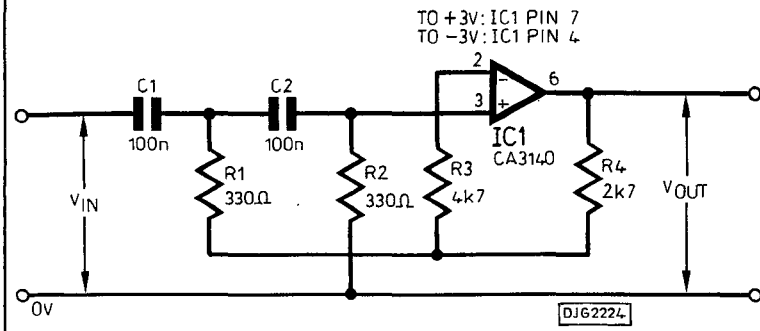
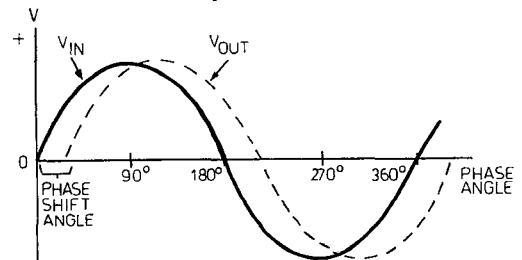
The amount of phase depends on the relative values of the resistance R and the impedance of C and the latter depends on frequency, so the phase shift is frequency dependent. Usually the amount of phase shift is small, for example, only about 45° for a first-order filter operating at the -3dB frequency. However, a second-order or third-order filter may have a total shift of 180° at a given frequency, so that the output signal is the inverse of the input signal. One such

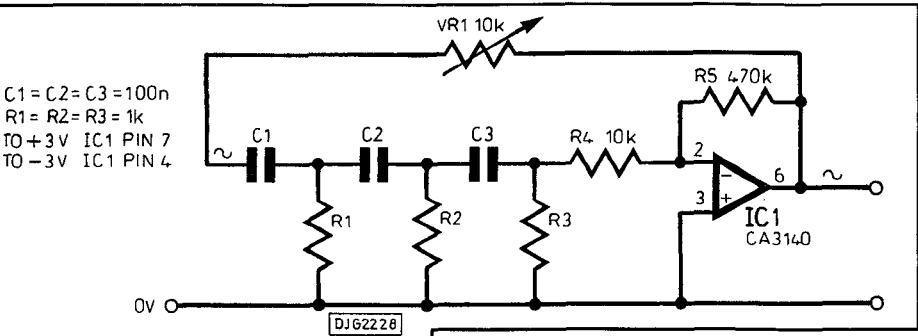


Figs. 6 and 7. (left, bottom left). Active high-pass filter circuit and layout for investigation 4.

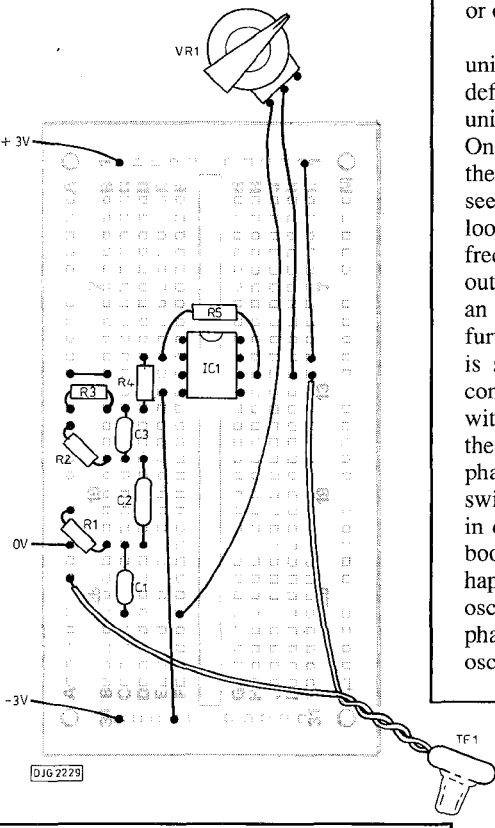
Fig. 8 (right). Phase shift in an RC filter.

Fig. 9 (bottom right). High-pass filter with 180° phase shift.





C1 = C2 = C3 = 100n
 R1 = R2 = R3 = 1k
 TO +3V IC1 PIN 7
 TO -3V IC1 PIN 4



IC and on various logic gates are other examples of this type. The output of a relaxation oscillator is usually a square wave, or occasionally a saw-tooth wave.

A harmonic oscillator is based on a circuit unit that responds in a particular way at a definite frequency. The response of the circuit unit is used to keep the oscillator running. One kind of harmonic oscillator is based on the phase shift network (Fig.9). In Fig.10 we see this network incorporated in the feed-back loop of an inverting amplifier. At the selected frequency, the output of the network is 180° out of phase with its input. When this is fed to an inverting amplifier, the phase is shifted a further 180°. Thus the output of the amplifier is shifted 360° with respect to the input, a complete circle, which brings it back in phase with the input. part of the output voltage from the amplifier is fed back to the input of the phase shift network. When the circuit is first switched on there are small surges of current in different parts of it. The positive feedback boosts any oscillations in the circuit that happen to be at the selected frequency. The oscillations are fed back to the input of the phase-shift network and the circuit begins to oscillate continuously at that frequency. The

output of the oscillator is a sine wave.

Investigation 5 – a phase-shift oscillator.

Fig.11 is a breadboarded version of a phase-shift oscillator. Which component is responsible for feeding the output back to the phase-shift network?

Listen to the signal coming from the earphone, after adjusting VR1 if necessary. What is the signal frequency? Replace the 1k resistors with 330 Ohm resistors. What is the frequency now?

OSCILLATORS

This is another example of a phase-shift oscillator. The RC network has the circuit shown in Fig.12. The characteristics of this network are that, at the given frequency, the phase shift is 0°, and Vout is one third of Vin. To use this network in an oscillator, we do not need any inversion in the amplifier as the output is already in phase with the input. Thus we feed back the network output to the positive input of the amplifier. The precise gain of the amplifier is critical:

Gain is	Effect
3 or less	Oscillations die out
just over 3	Oscillations maintained, with sine-wave output
Much more than 3	Saturates and gives square-wave output

One version of the Wien bridge oscillator uses a filament lamp to stabilise the gain of the amplifier (Fig.13). The current passing through R3 also passes through the filament of the lamp. If the average output current is too high, the increased current warms the filament slightly. This increases its resistance, and the voltage at the (-) input rises slightly. This negative feedback reduces the output of the amplifier. Conversely, if the output begins to fall, the resistance of the lamp decreases, lowering the voltage at the (-) input. The

Figs.10 and 11. Phase shift oscillator circuit and layout for investigation 5. Battery connection is as in Fig.6.

Fig. 12 and 13 (below). Wien bridge network and oscillator.

example is shown in Fig. 9, where the frequency for 180o shift is given by:

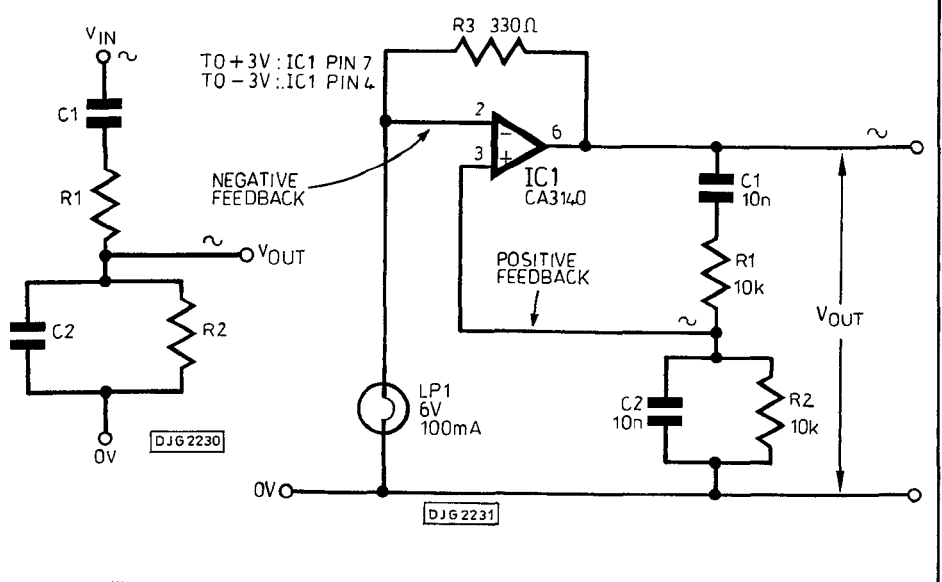
$$f = 1/(2 \pi RC)$$

This assumes that all resistors have the same resistance and all capacitors have the same capacitance. With the values given, the frequency is 138Hz. We make use of phase shift network in Investigation 5, below.

OSCILLATORS

Another use for the time-dependent characteristics of capacitors and inductors is in the building of oscillators. Oscillators are of two basic types, relaxation oscillators and harmonic oscillators.

In a relaxation oscillator we usually have a gradual building up of a voltage, perhaps while a capacitor is being charged, ending in a sudden reduction (or relaxation). Often a switching action in the circuit discharges the capacitor rapidly, ready to begin the next cycle. One example of a relaxation oscillator is the UJT oscillator, described in Part 10 (October 1990). Tables based on the 555 timer



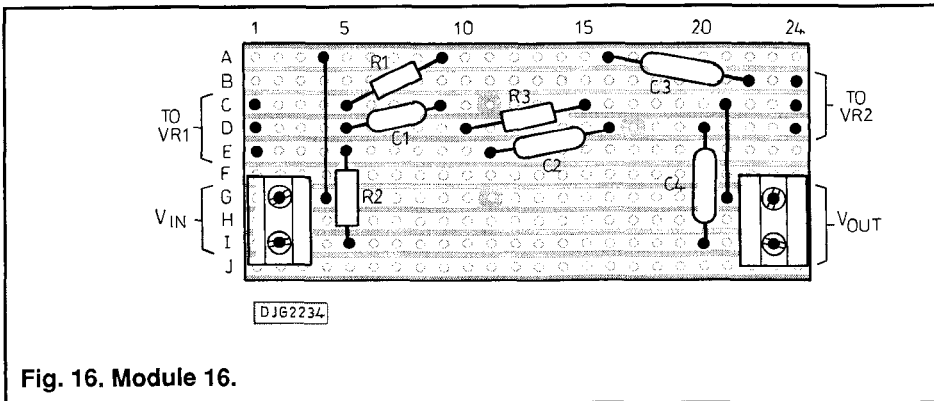


Fig. 16. Module 16.

effect of this is to increase the amplifier output. When we refer to amplifier output in this explanation we are referring to the RMS output current, that is, the output averaged over many cycles, not the instantaneous output as the current alternates through one cycle. The lamp takes a second or so to respond to changes in current and thus has the relatively long response time essential for this type of stabilisation.

LC OSCILLATORS

These are normally used only for high frequencies, for example in radio circuits, because an inductor with an inductance sufficiently high to produce audio frequencies is too massive for most applications. The Colpitts oscillator (Fig.14) is an example of this type. The circuit shown is based on a transistor, but an operational amplifier could be used instead of this.

The heart of the circuit (literally, because this is the part that 'beats') is the loop containing the capacitors (C2, VC1) and an inductor L1. As will be explained in more detail next month, the loop is a resonant circuit. Current flows back and forth in the loop at a definite frequency, depending on the capacitance and inductance. VC1 is a variable capacitor, by which the loop is tuned to resonate at a required frequency. The voltage across the loop is controlled by the transistor, which has its base held at a very steady voltage by R1, R2 and C1.

Oscillations in the loop cause an alternating voltage to appear across it. This is

tapped off between C2 and VC1 and fed through C3 to the emitter of the transistor. The effect of this is to impose a small alternating voltage on the steady voltage produced by the current flowing through R3. The base voltage is fixed, and, as the emitter voltage falls slightly, the resulting increase in base-emitter voltage causes an increase in collector current. This leads to a fall in collector voltage. Conversely, the collector voltage rises when the emitter voltage rises slightly. In this way the oscillations of the loop, fed back to the transistor, cause an alternating voltage across the loop. This supplied the loop with energy and, because the alternating voltage has the same frequency, is in phase with the oscillations. This is an example of positive feedback.

The output of the circuit is taken from a coil L2, wound on the same former as L1. The alternating magnetic field through L1 caused by oscillations in the loop, induces an alternating current of the same frequency in L2.

MODULE OF THE MONTH

Module 16-tone control

This is based on a type of RC network known as a Baxandall tone-control circuit (Fig.15). There are two variable resistors, VR1 and VR2, which control the base and treble response respectively. The stripboard version (Fig.16) is shown without VR1 and VR2, which are mounted off-board on a panel. If only a fixed response is required, you could use miniature preset resistors mounted

on the lower area of the stripboard. The tone control is suitable for use in any audio systems assembled from modules previously described in this series. Since there is a loss of power in this circuit, it is essential to include an amplifier such as Module 15 either as the stage before or after the tone-control.

Parts required.

R1 22k: R2 1k: R3 5.6k: VR1, VR2 100k carbon potentiometers (log track preferred, 2 off): C1, C3, C4 10n polyester (3 off): C2 100n polyester: SKT1, SKT2 2-way pcb sockets: stripboard 10 strips x 24 holes: 1mm terminal pins (6 off).

DISCUSSION

Investigation 1: When the flying lead is connected to the capacitor, the sound becomes crisper, with high-pitched notes predominating. Instruments such as cymbals and side-drums sound clearly, but low-pitched instruments are difficult to hear.

Investigation 2: The effect is the opposite to that in Investigation 1. The bass notes are enhanced and high-pitched notes are diminished.

Investigation 3: Bass notes predominate. This is a low-pass filter. For low frequencies, the impedance of the inductor is low and Vout rises. The opposite occurs at high frequencies.

Investigation 4: With 100nF capacitors the cut-off frequency is:

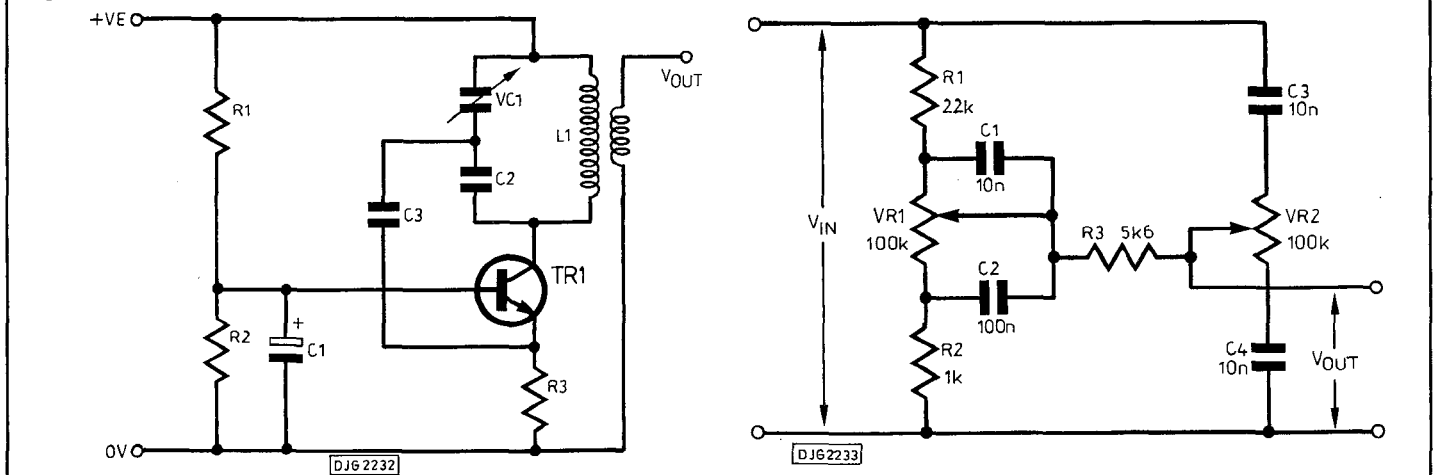
$$f = 1/2\pi(330 \times 100 \times 10^{-9}) = 4.8 \text{ kHz.}$$

This is a high-pass filter with the cut-off frequency fairly high in the audio range, and does not give an acceptable sound for listening to music. The base notes are lost completely and only the highest treble notes come through. In the quiet passages, the tape hiss is clearly heard, because this is white noise, consisting mainly of high frequencies.

Investigation 5: The frequency is given by the equation for the phase-shift network. $f = 1/2\pi \sqrt{6(RC)} = 1/2\pi \sqrt{6(1000 \times 100 \times 10^{-9})} = 650\text{Hz}$, a note near the middle of the musical scale. With 330Ω resistors, $f = 1/2\pi \sqrt{6(330 \times 10 \times 10^{-9})} = 2166\text{Hz}$, a higher-pitched note, about 3 octaves above middle C.

PE

Figs. 14 and 15. Colpitts oscillator and tone control filter circuit diagram (right).



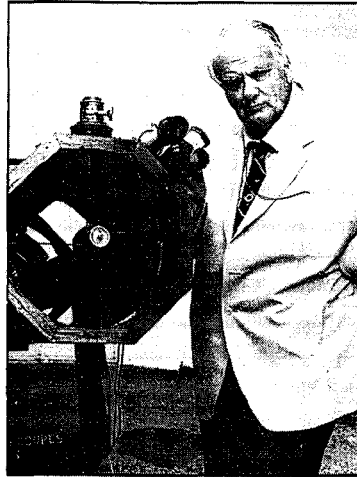
Galileo, the Jupiter probe, has now made its encounter with the Earth, picking up extra speed by means of what is known as 'gravity-assist technique', and is on its way back through the asteroid belt. If all goes well, close-range pictures of two asteroids will be secured.

MARTIAN TROJAN

Meanwhile, there is other interesting news about these curious little worlds. The so-far unnamed asteroid 1990 MB has been confirmed as a Mars 'Trojan' - that is to say it is moving round the Sun in virtually the same orbit as Mars, keeping a respectful distance well away from the Red Planet. There are many Trojans sharing the orbit of Jupiter, but 1990 MB is the first to be detected in the same orbit as Mars; no doubt there are others, though none can be more than a mile or two in diameter.

Two asteroids in the main belt (between the paths of Mars and Jupiter), 279 Thule and 1269 Rollandia, have been examined spectroscopically by British, Swedish and Irish astronomers, and appear to be covered with a layer of organic (in other words carbon-based) compounds. Of course, it has long been known that asteroids are of different

SPACE



WATCH

BY DR PATRICK MOORE CBE

News from the asteroids, expansion at the UK's radio research facility, and the Search for Extra Terrestrial Intelligence goes on.

types; some are highly reflective, while others are as dark as coal-dust. Both Thule and Rollandia are of the dark type and there may be a link here with the nucleus of Halley's Comet, which was found by the Giotto space-probe to show the same characteristics.

MERLIN AWAKES

On 23 November Kenneth Clarke, then Secretary of State for Education and Science, officially opened the 32-metre radio telescope as part of the MERLIN facility, a section of which is based at Cambridge. MERLIN consists of seven telescopes at sites scattered over England and at a wavelength of 6cm it has a resolving power of 0.05 arc seconds, and can perform many functions, including resolving close radio sources, measuring the proper motions and parallaxes of pulsars, and studying active galaxies and quasars. The new Cambridge instrument will form a vital part of the European and World Very Long Base Line Interferometry networks.

SETI REPRIEVED

The SETI project - Search for Extra-Terrestrial Intelligence - has been in danger because of lack of funds.

THE DECEMBER SKY

If we have a cold winter (and at the time when I write this column, there is no way of telling!) it may be of interest to know that on January 3 the Earth is at its closest to the Sun: 91,400,000 miles, which is some three million miles closer than it will be in midsummer. The Earth's path is so nearly circular, however, that the changing distance does not have a marked effect, and our seasons are due to the fact that the Earth's axis is tilted to the perpendicular at an angle of 23.5 degrees.

Of the planets, Mercury is to all intents and purposes out of view, and Saturn completely so. Venus can be glimpsed very low in the south-west after sunset, but is not yet well placed; Mars is fading rapidly as it moves away from us, but it is still very prominent in the evening sky, between the two famous star-clusters of the Pleiades and Hyades in Taurus. Even at the end of January, Mars is still brighter than any star apart from Sirius. Strange things have been happening there; the planet's north pole has been covered with a large cloudy 'hood'. Jupiter reaches opposition on January 29, and is therefore visible all through the hours of darkness; it too has been of special interest to planetary observers, because one of the two main belts, the South Equatorial, has reappeared after its period of invisibility. If you have a telescope, you can find a great deal of enjoyment in following the movements of the four large Jovian satellites. Voyager results have shown that

they make up a fascinating family: Ganymede and Callisto icy and cratered, Europa icy and smooth, and Io red and violently volcanic!

The Moon is at last quarter on January 7, new on the 15th, at first quarter on the 23rd and full on the 30th. An annular eclipse of the Sun occurs on January 15-16, but as it is then night in Britain I am afraid you will have to go to Australia or Indian Ocean area to see it. It will, however, be worth seeing, as the maximum duration of the annular phase is almost 8 minutes. (In case anyone is unsure of the cause of the phenomenon: an annular eclipse occurs when the Moon passes in front of the Sun at a time when the Earth-Moon distance is almost at its greatest; the Moon then appears smaller than the Sun, so that a ring of sunlight is left showing).

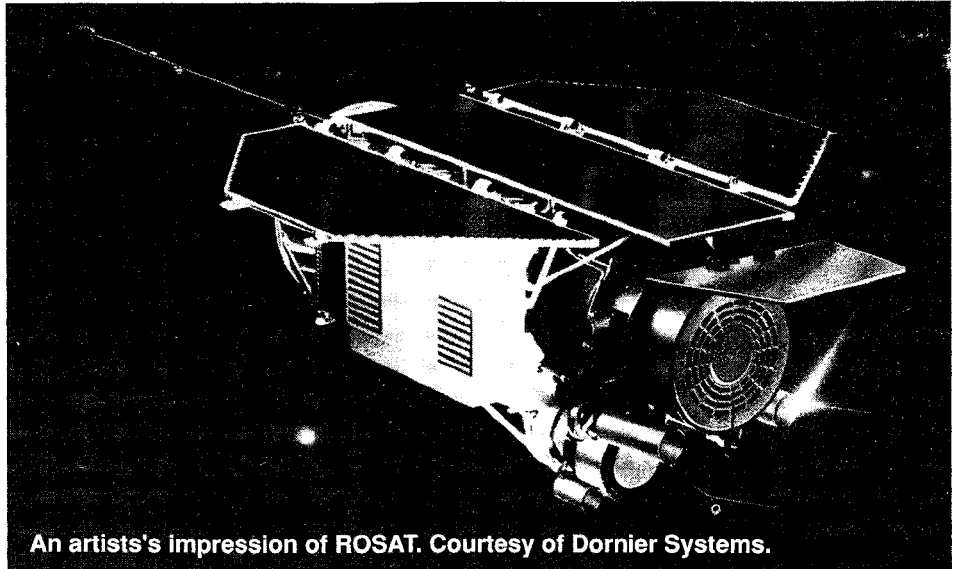
Orion dominates the evening sky, with its two brilliant leaders, the orange-red Betelgeux and the white Rigel. Lower down is Sirius in Canis Major, much the brightest star in the sky. It looks far superior to Rigel - though in fact it is 'only' 26 times as luminous as our Sun, while Rigel could match 60,000 Suns! The yellow Capella, in Auriga, is almost overhead, with Ursa Major (the Great Bear or Plough) at its lowest in the north. The Square of Pegasus is setting in the west; in the east Leo, the Lion, rises in the early hours.

However, at almost the last moment the US Congress restored the full funding of just over 12,000,000 dollars, so that the search can continue. We have to admit that the chances of success are not very high, but at least they are not nil!

ROSAT ON COURSE

The ROSAT satellite, launched last June, has now completed its initial tests, and is working well. It is named in honour of the German scientist Wilhelm Rontgen, who discovered X-rays as long ago as 1895. It carries two main instruments, the German XRT (X-ray telescope) and the British-built WFC (Wide Field Camera). Its most important role will be to study radiations at EUV wave-lengths. EUV stands for Extreme Ultra-Violet, that part of the electromagnetic spectrum which lies between normal ultra-violet and the X-ray region.

Up to now this part of the electromagnetic spectrum has been neglected because EUV is strongly absorbed by the interstellar medium and it had been thought that no penetration far beyond the Solar System would be possible. This has proved to be a wrong assumption. The blocking by the



An artist's impression of ROSAT. Courtesy of Dornier Systems.

interstellar medium is much less than expected, and is also patchy, so that in some directions - for instance, toward that part of the sky marked by the constellation of Canis Major - EUV signals can be received from very great distances.

Before ROSAT, only a few discrete EUV sources were known. The total now is well over 100, and ROSAT may increase this to something like 2000. Some fascinating sources have been found - for instance WFC 1, made up of a

very hot white dwarf together with a dim red star. Another white dwarf, HZ 43, may have a surface temperature of about 200,000 degrees. In November the Vela supernova remnant was also detected at EUV wavelengths.

ROSAT has an active life expectancy of between 5 and 7 years, but may last for much longer. Certainly it is already marked down as a success, and it is adding greatly to our knowledge of the universe at hitherto almost unexplored wavelengths.

PE

AN236	£2.30	LM1458	£0.42	STR6200	£4.80	TD43651	£1.50	BU426	£0.70	2SC733	£1.00	VIDEO BELT	LOADING BELT	PANASONIC NV630/NV130	£22.15	ELECTROLYTIC									
AN245	£2.90	LM3915	£2.40	STR11006	£3.80	TD41100	£3.95	BU508	£1.30	2SC2826	£0.20	KITS	JVC FER3V23	£0.30	22UF-63V	£0.20	CAPACITORS								
AN355	£1.75	LM1405	£2.20	STR40090	£3.65	TD45003	£3.05	BU508A	£0.75	2SC840	£3.15	AKAI	JVC FER3V35	£0.35	100UF-63V	£0.24									
AN3310K	£2.85	LM1416	£1.50	STR50103A	£3.50	TD45005	£3.05	BU508D	£0.85	2SC901A	£3.50	KIT	JVC FER3V35	£0.35	47UF-250V	£0.26									
AN5010	£2.95	M5106P	£1.80	STR50113	£4.89	TD44510	£3.10	BU526	£0.78	2SC939	£3.05	V51/V52/V55	SONY SLT7/SL3000/8000	£13.60	220UF-50V	£0.34									
AN5011	£2.95	M5152L	£1.80	STR50041	£3.50	TD46001	£3.90	BU536	£1.05	2SC1030	£1.80	V59300	SONY C22/24/40/F1	£15.99	47UF-50V	£0.40									
AN5071	£1.20	M5218L	£1.90	STR56041	£5.00	TD46001-2	£1.75	BU580DF	£1.75	2SC1106	£1.75	PINCHROLLERS	JVC FER	£0.30	220UF-63V	£0.34									
AN5150	£5.50	M50115	£2.50	TA7070	£1.15	TD46003	£1.75	BU580AF	£1.10	2SC1115	£2.60	JVC FER	SONY ON/OFF SWITCH WITH	£0.35	47UF-50V	£0.40									
AN5256	£2.20	M50120	£2.00	TA7130	£0.70	TD4610	£1.95	BU111A	£0.70	2SC1170	£2.45	AMSTRAD	REMOTE	£2.35	47UF-250V	£0.09									
AN51010	£2.85	M51164	£2.00	TA7205	£2.89	TD46500	£3.25	BU112	£0.85	2SC1185	£3.00	4600	SDA 1044 (MIN 10 PCS)	£4.90	10UF-63V	£0.26									
AN51011	£2.85	M51172	£2.80	TA7282	£2.48	TD46560	£4.10	TP30	£0.20	2SC1342	£1.08	VCR7000	TD4 3560 (MIN 10 PCS)	£21.00	10UF-250V	£0.34									
AN5700	£1.10	M54543L	£2.00	TA7604	£2.35	TD46800	£3.20	TP31	£0.20	2SC1413	£2.30	AKAI	JVC FER VIDEO LAMPS (MIN 10	£2.00	47UF-250V	£0.65									
AN5722	£1.60	M54866	£4.20	TA81205	£0.40	IDA7231	£4.15	TP31A	£0.22	2SC1429	£1.35	FERGUSON	SONY ON/OFF SWITCH WITH	£0.35	47UF-50V	£0.40									
AN6135	£1.40	TA4201	£3.00	TA8120P	£0.40	IDA7240	£4.00	TP32	£0.20	2SC1445	£3.05	3V22	REMOTE	£2.35	47UF-250V	£0.09									
AN6248	£1.40	TA441	£3.00	TA8120J	£0.40	IDA8145	£4.15	TP32B	£0.20	2SC1445	£3.05	3V23	SDA 1044 (MIN 10 PCS)	£4.90	10UF-63V	£0.26									
AN6306	£1.87	TA80029	£4.00	TA8600	£0.45	IDA8163	£3.15	TP32A	£0.23	2SC1577	£6.00	3V29	TD4 3560 (MIN 10 PCS)	£21.00	10UF-250V	£0.34									
AN6380	£2.60	TA80040	£5.40	TA8520	£1.00	IDA8170	£3.00	TP41	£0.20	2SC1678	£1.12	3V42/43	JVC FER VIDEO LAMPS (MIN 10	£2.00	47UF-250V	£0.65									
AN6573	£2.25	TA80049	£5.50	TA8540	£0.85	IDA8185	£4.80	TP41A	£0.20	2SC1982	£1.45	AKAI	PC5000	£1.40	100UF-250V	£0.40									
AN6578	£1.50	TA80050	£2.00	TA86819	£2.80	IDA8190	£4.80	TP41C	£0.22	2SC1760	£1.90	FERGUSON	SHARP REEL IDLER (S-6	£2.20	47UF-50V	£0.40									
AN7120	£1.25	TA80060	£8.50	TA8830	£0.70	IDA8196	£1.50	TP42	£0.20	2SC1875	£2.50	PANASONIC	GE22	£2.90	47UF-400V	£0.10									
AN7140	£4.00	TA80080	£6.00	TA9005	£1.00	IDA9045	£3.20	TP42C	£0.23	2SC1981	£2.00	NV333	ATTENUATOR ANY VALUE	£1.25	47UF-400V	£1.39									
AN7143	£2.45	TA80143	£6.00	TA9440	£1.85	IDA9503	£2.10	TP110	£0.20	2SC1913	£1.85	NV370	IC CRT PROTECTORS: EACH	£0.47	22UF-250V	£0.40									
AN7168	£2.50	TA80160	£5.20	TA91002	£1.50	UPC254	£1.50	TP120	£0.42	2SC1970	£1.90	NV600	PANASONIC IDLER VXP	£5.21	47UF-50V	£0.40									
AN7200	£2.85	TA80182	£6.10	TA91011	£1.05	UPC1023	£0.50	MJE340	£0.26	2SC2023	£1.60	NV2000	ORIGINAL	£2.25	1000UF-63V	£0.90									
AN7310	£0.90	TA80194	£7.00	TA91012	£1.05	UPC1032	£0.58	MJE371	£0.55	2SC2141	£1.45	NV2000	METAL COAX PLUGS (MIN 10)	£2.00	7ENER DIODE	£0.05									
AN7320	£1.60	TA80196	£9.00	TA91010A	£1.00	UPC1377	£1.60	MJE521	£0.55	2SC2298	£1.15	NV7000	SONY FUNCTION SWITCH	£0.88	2V7-68V-400MW	£0.10									
AN7417	£2.38	TA80205	£1.05	UPC1389	£1.20	UPC1393	£1.20	MJE522	£0.55	2SC2581	£1.40	SHARP	HITACHI CLUTCH VT1133	£6.25	47UF-50V	£0.07									
BA308	£1.50	TA80240	£5.50	UPC1392	£0.08	UPC1394	£1.20	2N3053	£0.25	2SC2591	£1.30	SHARP	32mm FUSES FROM EACH	£0.17	IN4001	03p	IN5400	09p							
BA515	£3.15	TA80239	£5.50	UPC1629	£2.40	UPC1188	£1.25	2N3055	£0.38	2SC2681	£2.60	SHARP	JVC HR7200 REEL IDLER	£1.99	IN4002	04p	IN5401	08p							
BA532	£1.30	TA80441	£7.20	UPC1031	£1.05	UPC1031	£1.05	2N3773	£1.20	2SC2725	£3.80	381	NV340 600	£2.75	IN4003	03p	IN5402	08p							
BA558	£3.60	TA80457	£5.50	UPC1037	£1.80	UPC4558	£0.50	2SA342	£0.35	2SC2938	£4.10	6000/6300	NV390 870	£2.70	IN4004	04p	IN5404	08p							
BA125	£1.50	TA80459	£4.50	UPC1435	£1.85	UPC1435	£1.85	2SA349	£0.40	2SC3000	£3.40	9000	NV2000/7000	£3.40	IN4004	04p	IN5406	12p							
BA3506	£2.10	TA80461	£6.50	UPC1447	£1.80	AC142	£0.35	2SA679	£1.95	2SC3178	£3.30	7818	NV10 18	£3.45	7805	£0.32	7905	£0.33	IN4006	05p	IN5408	15p			
BA3707	£2.00	TA80465	£7.85	UPC1454M	£1.82	AC120	£0.30	2SA715	£0.75	2SC3262	£3.80	7818	IC SOCKET	£2.66	7812	£0.32	7912	£0.35	IN4007	05p	IN5408	15p			
BA502	£2.30	TA80583	£4.75	UPC1559	£0.80	AC113	£2.05	2SA726	£0.50	2SC3283	£2.80	SANYO	VTCS000/5500	£2.66	7815	£0.30	7906	£0.35	IN4148	04p	BY129	25p			
BA5042	£2.00	TA80670	£1.00	UPC1660	£2.85	BC141	£0.28	2SA832	£0.50	2SC3329	£2.80	9300	SHARP	£1.95	8 PIN	£0.05	22 PIN	£0.14	IC SOCKETS		BY133	09p	BY299	25p	
BA5088	£2.00	TA802025	£7.30	UPC1672	£2.10	BC107	£0.07	2SA839	£0.80	2SD139	£2.70	HITACHI	VCR7000	£1.40	14 PIN	£0.06	24 PIN	£0.15	IC SOCKETS		BY135	10p	RG30	20p	
BA6109	£1.75	TA802028	£5.85	UPC1685	£3.80	BC108	£0.07	2SA734	£0.95	2SD200	£2.00	VT11	VCR7000	£1.40	16 PIN	£0.10	28 PIN	£0.20	CERAMIC FILTERS		BY135	10p	RG30	20p	
BA6124	£2.45	TA802145	£10.00	UPC1710	£0.89	BC177	£0.20	2SA794	£2.25	2SD209	£3.10	VT11	VCR7000	£1.40	18 PIN	£0.10	40 PIN	£0.20	CERAMIC FILTERS		BY135	10p	RG30	20p	
BA6209	£2.80	TA80220	£5.15	UPC1790	£0.95	BC178	£0.20	2SA801	£2.25	2SD210	£3.10	VT11	VCR7000	£1.40	20 PIN	£0.12			CERAMIC FILTERS		BY135	10p	RG30	20p	
BA1124	£1.50	TA80230	£3.80	UPC1814	£1.85	BC183	£0.07	2SA885	£0.65	2SD241	£0.45	VT11	VCR7000	£1.40					CERAMIC FILTERS		BY135	10p	RG30	20p	
HA1137	£1.50	TA802250	£8.00	UPC1814	£2.00	BC184	£0.07	2SA893	£0.60	2SD253	£2.40	VT11	VCR7000	£1.40					CERAMIC FILTERS		BY135	10p	RG30	20p	
HA1196	£1.50	TA803041	£2.35	UPC1815A	£2.35	BC213	£0.06	2SA899	£0.60	2SD266	£1.45	VT11	VCR7000	£1.40					CERAMIC FILTERS		BY135	10p	RG30	20p	
HA1377	£1.80	TA803042	£5.10	UPC1908	£0.90	BC176	£0.17	2SA937	£0.58	2SD267L	£4.00	VT11	VCR7000	£1.40					CERAMIC FILTERS		BY135	10p	RG30	20p	
HA1392	£2.25	TA803042(2)	£7.95	UPC1912	£0.90	BD124	£1.05	2SA1060	£1.45	2SD2837	£2.55	VT11	VCR7000	£1.40					CERAMIC FILTERS		BY135	10p	RG30	20p	
HA11221	£2.00	TA804026	£6.00	UPC2002	£0.75	BD131	£0.26	2SA1076	£1.55	2SD2856	£0.78	VT11	VCR7000	£1.40					CERAMIC FILTERS		BY135	10p	RG30	20p	
HA11225	£1.60	TA804121(2)	£7.00	UPC2004	£0.90	BD139	£0.25	2SA1141	£1.60	2SD2862	£0.58	VT11	VCR7000	£1.40					CERAMIC FILTERS		BY135	10p	RG30	20p	
HA11235	£1.50	TA804121	£6.50	UPC2005	£0.90	BD140	£0.25	2SA1141	£1.60	2SD2862	£0.58	VT11	VCR7000	£1.40					CERAMIC FILTERS		BY135	10p	RG30	20p	
HA11423	£2.00	TA804173	£3.85	UPC2006	£0.90	BD141	£0.25	2SA1220	£1.10	2SD2862	£0.58	VT11	VCR7000	£1.40					CERAMIC FILTERS		BY135	10p	RG30	20p	
HA11714	£3.80	TA804803	£9.10	UPC2009	£1.85	BD234	£0.30	2SA1250	£1.38	2SD2866	£0.65	VT11	VCR7000	£1.40					CERAMIC FILTERS		BY135	10p	RG30	20p	
HA11715	£2.10	TA804833	£9.10	UPC2030	£1.85	BD241	£0.38	2SA1283	£1.50	2SD2866	£0.65	VT11	VCR7000	£1.40					CERAMIC FILTERS		BY135	10p	RG30	20p	
HA12017	£1.18	TA804843	£7.80	UPC2161	£5.00	BD243	£0.48	2SA1306	£1.80	2SD2866	£0.65	VT11	VCR7000	£1.40					CERAMIC FILTERS		BY135	10p	RG30	20p	
HA13001	£1.85	TA804870	£10.00	UPC2170	£0.80	BD246	£0.50	2SA1322	£1.80	2SD2866	£0.65	VT11	VCR7000	£1.40					CERAMIC FILTERS		BY135	10p	RG30	20p	
HA13002	£2.80	TA804900	£6.10	UPC2220	£0.70	BD247	£0.40	2SB337	£1.45	2SD2723	£0.80	VT11	VCR7000	£1.40					CERAMIC FILTERS		BY135	10p	RG30	20p	
LA1201	£1.50	TA805325	£6.00	UPC2540	£1.00	BD441	£0.38	2SB407	£1.45	2SD1976	£1.50	VT11	VCR7000	£1.40					CERAMIC FILTERS		BY135	10p	RG30	20p	
LA1245	£1.75	TA805331																							

PRACTICAL ELECTRONICS CLASSIFIED

Reach thousands of serious electronic and computer enthusiasts. Advertise in PE Classified pages: Rates 20p (plus 3p VAT) per word or £8.50 per single column cm (plus VAT). All classified advertisements must be pre-paid. Send your copy with the remittance (payable to Intra Press or payment by Visa or Access accepted) to: **Practical Electronics, Intra House, 193 Uxbridge Road, London W12 9RA. Tel: 081-743-8888. Fax: 081-743-3062**
LET PE WORK FOR YOU!

EDUCATION

FULL-TIME TRAINING COURSES

2 YEAR
BTEC NATIONAL DIPLOMA
 Electronics and
 Communications
 Engineering

(TV, Computers, Programming, IT)

1 YEAR
BTEC NATIONAL CERTIFICATE
 1. Electronic Equipment Servicing

(TV, Video, CCTV)

2. Computing Technology
 (Microprocessors, DataComms, Interfacing)

3. Information Technology

(Telecomms, Satellite TV, Networks)

4. Software Engineering

(Assembler, BASIC, Pascal, CAD/CAM)

★ Those eligible can apply for E.T. grant support ★

★ An equal opportunities programme ★

COURSES COMMENCE

Monday 22nd April 1991

LONDON ELECTRONICS COLLEGE

Dept: AA, 20 Penywern Road,
 London SW5 9SU. Tel: 071-373 8721

Start training now for the following courses.

- Telecomms Tech C&G 271
- Radio Amateur Licence C&G
- Microprocessor
- Introduction to Television

Send for our brochure - without obligation or telephone us on 06267 79398 (Ref: PE2/91)

Name.....

.....

.....

Radio & Telecommunications
 Correspondence School,
 12 Moor View Drive, Teignmouth,
 Devon TQ14 9UN

RETAILERS

EDINBURGH

OMNI

stock a wide range of
 electronic components at
174 Dalkeith Road
Edinburgh EH16 5DX

Tel: 031 667 2611

Open Mon-Fri 9am-6pm

Sat. 9am-5am

NEW CATALOGUE OUT SOON

Price is just £1.50

Contact Omni Electronics

now for details

LONDON N. WEST

CRICKLEWOOD ELECTRONICS

*One of the largest ranges
 of components in the UK!*

40 Cricklewood Broadway,

LONDON NW2 3ET

Tel: 081-450 0995/452 0161

**Project your
 retail image
 here!**



Phone David Bonner
 for details on
 081-743-8888

LONDON WEST

HENRY'S

ELECTRONICS DISTRIBUTORS

*Please see our display
 advertisement in this issue
 for more details!*

LONDON WEST

Large Selection of Kits & Other Goodies

from

TK Electronics,
 13 Boston Road,
 LONDON W7 3SJ
 Tel: 081-567-8910

MANCHESTER

THE ELECTRONICS SHOP

We stock a large range of electronic components, test equipment, telephone accessories, computer accessories, microphones, speakers, discolorighting, mixers, meters, stylus, so call in and have a look around.

29 Hanging Ditch, Manchester M4 3ES
 Telephone: 061-834-1185

SOUTHSEA

ELECTRONIC COMPONENTS

EVERYTHING FOR YOUR NEXT PROJECT
 THE BIGGEST DISPLAY IN THE SOUTH
 IS AT

FRASER ELECTRONICS

42 ELM GROVE ★ SOUTHSEA ★ HANTS
 Telephone: 0705-815584

Barclaycard

Access

COMPONENTS

CAMBRIDGE COMPUTER SCIENCE LIMITED

- 3.5" 720K Diskette Drives. NEW in Stock£39.00 each
- 10MByte Winchester, used, 3 months Wty£42.00 each
- 5.25" Disk Drives, 80 Tk, DSDD.....£34.00 each
- 5.25" drive cases, room for drive, PSU & fan.....£10.00 each
- 5.25" Disk Drives, 80 Tk, DSDD Used, No Wty£10.00 each
(The £15.00 drives are sold on a strictly "as is" basis)
- 5.25" Disks, DSDD, 48tpi boxes of 10.....£3.00/box
- 40W PSU 5V 3.75A, 12V 1.5A-12V 0.4A cased with on/off switch £10.00 each
- Bare switch mode PSU 5V 25A, 12V 2A-12V 0.1 A.....£7.00 each
- Gould PSU 0-30V @ 5A Limited quantity only at.....£45.00 each
- Single Data lead (BBC Micro to Disk Drive).....£2.00 each
- Dual Data lead (BBC Micro to 2 Disk Drives).....£4.00 each
- Power lead (BBC Micro to Disk Drive).....£2.00 each
- Dual power lead (BBC Micro to 2 Disk Drives).....£4.00 each
- 68000 CPUs (The first orders get 10MHz chips).....£3.50 each
- 8086 CPU chips.....£2.00 each
- Z80A CPU, CTC, P10 £1.20 each; DMA £2.00.....£4.50 all 4
- 74LS TTL, pick and mix, buy 10 or more for.....£0.12 each
- Types available: '00 '02 '04 '08 '10 '11 '12 '13 '15 '20 '21 '26 '27 '30 '32 '33
'37 '38 '42 '74 '83 '85 '86 '96 '107 '109 '122 '132 '138 '139 '145 '151 '153
'157 '158 '160 '162 '165 '174 '191 '193 '240 '253 '257 '260 '298 '353 '365
'373 '390 '399 '670
- 2764 EPROMS (Ex-equipment).....£1.00 each
- 27128 EPROMS (Ex-equipment).....£1.20 each or £5.00/5
- 27128 EPROMS.....£2.50 each
- 27C256-25 EPROMS.....£3.50 each
- 256K Byte DRAM Modules, removed from equipment.....£6.00 each
- 6116 2K Byte SRAM.....£1.10 each
- 6264-12 8K Byte SRAM.....£3.80 each
- 62256-10 32KByte SRAM.....£5.00 each
- 65256 32K Byte rams.....£4.00 each
- 8K Byte NV ram chips £3.00 each.....£10.00 four
- 20 pin dll low profile IC sockets £0.50/10.....£4.00/100
- 40 pin dll low profile IC sockets £0.60/10.....£5.00/100
- DEC LS11/23 CPU cards used but working.....£50.00 each
- CPU cards (Newbrain) Z80 CPU, 3 EPROMS & 60 + mostly 74LS ICs
£2.00 each
- LCD graphics module 240 by 64 pixel with driver chips.....£13.00 each
- Circuit tester, finds faults in TTL & CMOS logic circuits, inc leads £8.00 each
- Keyboard, 100 keys on board LCD & micro if.....£8.00 each
- Metal project boxes drilled & painted but unused 28 x 32.5 x 5cm £5.00 each
- Toroidal mains transformer, 12V 4A & 0.4A, 12-0-12.1A & 2A, 9-0-9.2A
£4.00/1 £6.00/2 £8.00/3
- Video Tapes, E180 VHS.....£2.50 each
- Smoke detectors, small size.....£7.00 each
- Smoke detectors, large with escape light and pause feature.....£13.00 each

Prices include postage.
Add 50p (plus VAT) to orders below £5.00
All items new unless stated. Add 15% VAT to all prices.
Send an SAE for our latest list or for more info.
Dept PE, 374 Milton Road, Cambridge, CB4 1SU

CATALOGUE £1.00 + 25P&P

- Resistor Pack 85 different E12 values + zero ohm link total content
- 1000 resistors.....£8.95
- LEDs 3mm or 5mm red/green.....6p each. Yellow 11p each,
- Cable ties 1p each £5.95/1,000 £49.50 per 10,000
- Stepping motor 4 phase 12V 7.5" step 50 ohms.....£8.95
- SAA1027 stepping motor driver chip.....£3.95
- FM Transmitter kit good quality sound.....£8.60
- High quality photo resist copper clad epoxy glass boards
- Dimensions single sided double sided
- 3x4 inches £ 0.95 £1.07
- 4x8 inches £ 2.40 £2.68
- 6x12 inches £ 5.37 -
- 12x12 inches £10.66 -

Special Offers

- Computer Grade Capacitors with screw terminals 38000uf 20V.... £2.50
- 8700uf 10V £1.95, 68000uf 15V £2.95, 10000uf 16V.....£1.50
- 7 segment Common anode led display 12mm.....£0.45
- LM2931A.T.0 Low drop out 5V regulator T0220 package.....£0.85
- BS250 P channel MOSFET £0.45, BC559 transistor.....£3.95 per 100
- 74LS05 hex inverter £10.00 per 100, used 8748 Microcontroller...£3.50
- Stereo LW/MW/FM Tuner pre-amp assembly complete with volume/tone
controls and tuning scale Brand new in maker's carton £6.95, faulty £3.50
- Circuit etc. for above £0.50.
- Hour counter (used) 7 digit mains 240V AC 50Hz.....£1.45
- LCD display 16 digit 7x5 dots dot matrix.....£2.50
- Qwerty keyboard 58 key good quality switches new.....£5.00
- Qwerty keyboard with serial output, no data.....£5.00

Wide range of CMOS TTL 74HC 74F Linear transistors kits
 capacitors, resistors tools etc always in stock.
 Please add 95p towards P&P - VAT Included

JPG Electronics 276 - 278 Chatsworth Road
Chesterfield S40 2BH
Access/Visa orders (0246) 211202. Callers welcome

COMPONENTS

Manufacturers Original Spares

Available for many makes of TV, Video & audio Equipment. Also
 Sinclair, Amstrad, Commodore & Atari Computers. Write (Encl. SAE
 please) or Phone for a "Price and Availability" on your requirements.

Sinclair ULA's: 6C001E - £15.99 LA15 - £12.63
 7C001/40056 - £16.99 PCF 1206P/40058 - £7.89

Membranes: QL - £7.95 Spec. 48K - £4.50 +1/28K - £7.90

Atari (ST): Glue - £24.31 PC900 - £3.07 CNY65 - £4.34

Amstrad PEGA1A (PC1640) - £32.72 IC Protector N50 - £1.02

Commodore IC's: 6569 - £23.99 6581 - £15.99
 8565 - £23.48 8580 - £13.98 8701 - £6.90

VCR Belt kits: Akai VS12/5 - £1.88 Hitachi VT7000 - £1.48

THIS IS JUST THE TIP OF THE ICEBERG! We are holding many
 other items: Manuals, Tools, Telephone Accs., Computer Chips/Accs.,
 Connectors, etc. For our New Catalogue please send 50p
 CHQ./Stamps/3xIRC's etc. Please add 95p (UK) P & P to above
 orders.

MARAPET (PEL) 1 Hornbeam News, Gloucester GL2 0UE
MAIL ORDER ONLY TEL: 0452 26883

Carbon Film Resistors 1/4W E24 series 0.51R to 10MΩ - 1p
 100 op per value - 75p 1000 off in even hundreds per value - £7

Metal Film 1/4W 10R0 to 1MΩ 5% E12 Series - 2p 1% E24 series - 3p
 1/10Watt metalcarbon film E24 series 1R0 to 10MΩ - 1 1/2p
 1 Watt metalcarbon film E12 series 4R7 to 10MΩ - 5p
 BC107/89 - 12p BC547/89 - 8p BC182L 184L - 10p
 BF505/51/52 - 20p 2N3055 - 50p TIP31A/32A - 25p TIP, 41, 42 - 40p

Tantalum bead subminiature electrolytics (Mids/Volts)
 0-1.35 0.22/25 - 0.47/35, 3.3/16 - 14p 4.7/35 - 15p
 2.2/35, 4.7/25, 10/5 - 15p 4.7/35/8/16 - 16p
 20p 33/10 - 30p 47/10 - 35p 100/8 - 40p 109/16 22/6 - 20p 22/16 -

Aluminium Electrolytics (Mids/Volts)
 1/50, 2.2/50, 4.7/25, 4.7/50, 10/16, 10/25, 10/50 - 5p 22/16, 22/25 - 6p 22/50,
 47/16, 47/25, 47/50 - 6p 100/16, 100/25 - 7p 100/50 - 12p 100/100 - 14p 220/16 - 8p
 220/25, 220/50 - 10p 470/16, 470/25 - 11p 1000/25 - 18p 1000/35, 220/25 - 22p
 4700/25 - 70p

Miniature Polyester Capacitors 250V Wkg. Vertical Mounting
 01, 015, 022, 033, 047, 068 - 4p 0.1 - 5p 0.15, 22 - 6p 0.47 - 8p

Mylar Capacitors 100V Wkg. Vertical Mounting E12 Series
 100p0 to 620p0 - 3p .01 to .068 - 4p 0.1 - 5p 0.15, 0.22 - 6p

Subminiature Ceramic Plate 100V Wkg. E12 Series Vertical Mounting
 2% IPS to 47P - 3p 58P to 330P - 4p 10% 390P to 4700P - 4p

Ceramic plate/disc E6 Series 50V 22P to .047 - 2p

Polystyrene Capacitors 63V Wkg. E12 Series Axial Mounting
 10P to 820P - 3p 1000P to 10,000 - 4p 12,000P - 5p 1N4148 - 2p 1N4002 - 4p
 1N5404 - 14p W01 bridge - 25p 0A91 - 6p AA143 - 8p W005 - 20p 1N4006 - 6p

Zener diodes E24 series 3V3 to 33V 400mW - 8p 1 watt - 12p
 L.E.D's Red, Green & Yellow 3mm & 5mm - 13p 3mm - 30p
 20mm fuse 0.1A to 5A quick blow - 5p Anti Surge - 8p
 High Speed drills 0.8mm, 1.0mm, 1.3mm, 1.5mm, 2mm - 30p
 Expo Reliant drilling machines 12Vd.c. with improved 3-jaw chuck £7.00
 Nicada AA - 80p HP11 - £2 PP3 - £4.20 Universals Chargers - £6.50
 Glass reed switches single pole make contacts - 6p Magnets - 12p

VAT inclusive. Return postage 28P (free over £5). Lists free.

THE C.R. SUPPLY CO.
127 Chesterfield Road,
Sheffield S8 0RN.
Tel: 557771

COMPONENTS

Winter Bargains From SARM Digital

- LEDs 3 and 5mm Red, Yellow and Green Pkt of 5 40p
 - Diodes 1N4148 Pkt of 10 20p 1N914 Pkt of 10 30p
 - Zener Diodes 8ZX55C 2.7V to 30.0V 5p each
 - BZX85C 4.7V to 75.0V 7p each
- Veroboard 2939 £0.96, 2958 £1.05, 3939 £1.00
- Right angle D-Plugs 9-way £0.59, 15-way £0.80, 25-way
 £0.98, 37-way £1.37. D-Sockets 9-way £0.73, 15-way
 £0.89, 25-way £1.06, 37-way £1.90

Metal Film Resistors 0.5W 1% All values 2p each
 Presets 0.15W Horiz or Vert All values 10p each

Add 15% VAT to all prices. Post /Packaging £1.00

1991 CATALOGUE OUT NOW CONTAINS 000's OF COMPONENTS INCLUDING SMD £1.80 (NO VAT)

Cheques or PO's made payable to: SARM DIGITAL,
 13 PEARLE STREET, MACCLESFIELD, CHESHIRE,
 SK10 2AL
MAIL ORDER ONLY, PROP N. FARRAR

FOR ELECTRONICS COMPONENTS

TEST EQUIPMENT REPAIRS IBM PC ACCESSORIES AT DISCOUNT PRICES

LET US SOURCE THAT DIFFICULT TO FIND COMPONENT FOR YOUR KIT OR PROJECT. SEND FOR DETAILS OF ALL OUR SERVICES.

APPT. 2, NO.8 MERION GARDENS, COLWYN BAY, CLWYD, NORTH WALES LL29 7PR

TEL: 0492 533083 FAX: 0492 534716

Large selection of interesting components at very competitive prices. Large S.A.E. for lists to AGS Electronics, Unit 2, Haxter Close, Bellver Ind. Estate, Plymouth, Devon PL6 7DD. Tel: 0752-767738.

TEST EQUIPMENT

NEW COMPACT TEST GEAR DOES MUCH, COSTS LITTLE.

Our NEW Micro-Lab instruments are ideal for tests, repairs and experiments, and they're GREAT VALUE.

- P37 SIGNAL TRACER-RF, AF probes: Find Faults Fast.
- P38 OSCILLATOR 5Hz-20Hz 0-2V. 50 Ohm. 4 waveforms.
- P40 DISTORTION ANALYSER for P41. 6 frequencies.
- P41 MILLIVOLTMETER 10Hz-2MHz 1mV-100V. 6 ranges.

P37: £44.50 + £3 p&p + VAT = £54.62
 P38, 40, 41: £64.95 + £3 p&p + VAT = £78.14 each

Accessories: PP9 Batteries: £2.90 inc p&p & VAT
 BNC to Croc-clip cable: £3.50 inc p&p & VAT
 Reg Mains PSU replaces PP9: £18.91 inc p&p & VAT

COLEBOURN ELECTRONICS
 Dept. PE, 20 Folly Lane, ST. Albans, Herts. AL3 5JT
 9x4 SAE or Tel. 0727 44785 for more details

FOR SALE
 Practical Electronics
 in Binders volumes one (1965) to
 ten (1974) and later loose copies.
 Offers for lot (0905) 54318.

IS YOUR ADVERTISEMENT A TIGHT SQUEEZE?

STRETCH OUT!

IN THE DISPLAY PAGES OF PE!

PHONE DAVID BONNER FOR
 DETAILS ON 081-743-8888

Ever since Luigi Galvani demonstrated the effect of electricity on frogs' two centuries ago, the relationship between biology and electrical science has been deepening.

In medicine, for example, we have developed treatments using electric currents and electromagnetic fields, as well as a great range of instruments for measurement, analysis and diagnosis, assisted by digital signal processing and microcomputers.

BIOTECHNOLOGY

While we have been increasing our knowledge of electronic phenomena in a vacuum, gases and solid material, biology has also been exploring deeper – into the physics and chemistry of living organisms. Out of this have come specialised fields like molecular biology and biotechnology, the relationship which began centuries ago at the macroscopic level has now penetrated down to the microscopic and common atomic level.

A meeting point between electronics and biology which has become particularly busy

INDUSTRY



NOTEBOOK

Amersham International, Thorn EMI Microsensors, the MRC's National Institute for Medical Research and Cambridge University's Institute of Biotechnology.

Two classes of proteins which are very good at recognising other molecules – and so are selective for sensing purposes – are enzymes and antibodies. Both are being used in biosensors. Enzymes catalyse chemical reactions in living matter. Their molecules combine with the molecules of the sample material to produce different molecules which then separate from the enzyme and leave it free to carry on. Antibodies are formed in response to antigens (disease agents) and are part of the immune system. They recognise and combine with antigens.

DESIGN PROBLEM

The design problem is to convert the result of the chemical reaction into a useful electrical signal. One approach, adopted by Thorn EMI Microsensors, is to utilise the current control principle in a field-effect transistor (FET). This method derives from

BIOSENSORS

is the chemistry of proteins. These complex molecules are essential constituents of all living matter. Animals get fresh supplies through their food.

Protein molecules are formed of chains of amino acids. What distinguishes one protein from another is the sequence of the amino acids in the chain, the way it folds up into a three-dimensional structure and the exact spatial position of each atom of the molecule within this structure.

Knowledge of the composition and structure of proteins enables new drugs and vaccines, consisting of newly designed molecules, to be developed for treating diseases. Here the exact structure of the protein molecule must be established to ensure that the new drug will bind to it chemically at the molecular level. This is where electronics technology comes in.

SUPERCOMPUTERS

Computerised databases have been used for some time for storing the composition of tens of thousands of proteins. But to investigate molecular structure more advanced techniques are needed – in particular, computer simulation of proteins. Here the amount of computing power required is so enormous that even today's supercomputers are being pushed to their limits by the task.

So the molecular biologists are turning to parallel processors to cope with the job. One particular kind of parallel processor is the artificial neural network (see April 1990 p. 57). Researchers in this field have reported

By Tom Ivall

New-Tech devices flourish in the meeting ground between biology and electronics.

that neural networks can now predict protein structures from amino acid sequences much more accurately than was previously possible.

But apart from the research aspect, proteins are now beginning to appear in new kinds of electronic sensors called biosensors. Unlike conventional sensors, which detect and measure simple physical qualities like heat or light intensity, biosensors respond to the presence of particular organic chemicals in living substances. The first simple 'enzyme electrode' was invented twenty years ago.

Essentially biosensors are analytical devices. Small, neat and robust, they are convenient for direct and rapid testing in fields such as agriculture, health care, biotechnology and the food and drinks industry. So they avoid the need to send biological samples away to 'wet chemistry' laboratories for analysis.

Electronics firms around the world are now beginning to develop these biosensors as commercial products. In the UK they include the Cranfield Biotechnology Centre,

the company's ion-selective FET – a modification of the conventional metal-insulator-silicon FET (MISFET) – which has been under development for some time as a more general chemical sensor.

Sensing takes place at the gate electrode of the FET. Coated on the gate region is a silicon nitride insulating layer. On top of this is a layer of material sensitive to pH – hydrogen ion concentration. At the top of the structure is the highly specific enzyme material – for example, *urease* for detecting urea. A bias voltage applies a steady electric field to the gate region through all these layers.

When the biosensor is applied to the test substance, the enzyme catalyses a reaction which results in a change of pH – a change in the hydrogen ion concentration. Since hydrogen ions are positively charged this change of ion concentration – and hence of electric charge – causes a variation, superimposed on the steady bias, in the electric field in the gate region. As a result the drain-source current in the FET varies and an electrical signal is generated in response to the enzyme reaction.

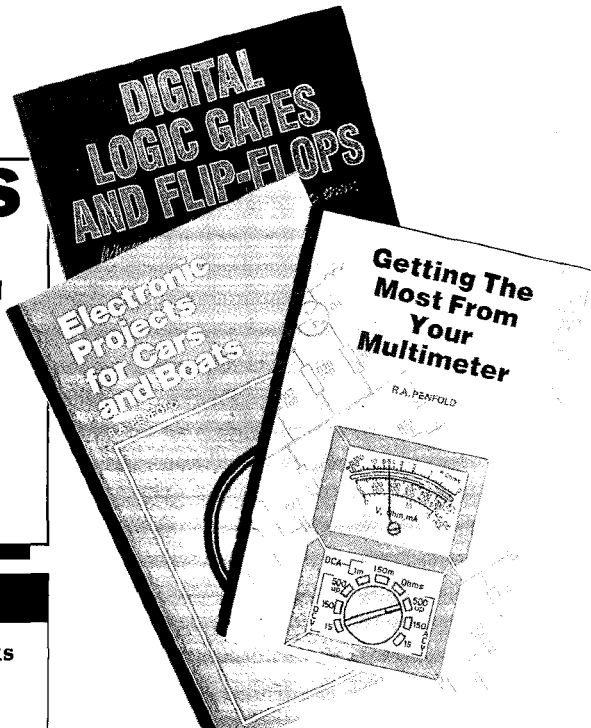
ANTIBODY BIOSENSORS

Antibody biosensors, for detecting disease agents, are less common. One sensing principle relies on the fact that when an antigen binds to an antibody layer it becomes thicker. This increase can be detected optically, for example by reflecting laser light from an antibody layer on a diffraction grating.



PRACTICAL ELECTRONICS BOOK SERVICE

Here is your Editor's choice of books he thinks will be of interest to electronics and computer enthusiasts



BEGINNERS AND EARLY STARTERS

Mini-Matrix Board Projects.

R.A.Penfold. 112 pages. £2.50. Order Code BP99

Shows a selection of 20 useful and interesting circuits that can be built on a mini-matrix board of 24 holes by 10 copper strips in size - an ideal book for early experimenters.

From Atoms to Amperes.

F.A.Wilson. 160 pages. £3.50. Order Code BP254.

For the absolute beginner, clearly explaining the fundamentals behind the whole subject of electricity and electronics.

Electronic Projects for Beginners.

F.G.Rayer. 128 pages. £1.95. Order Code BP48

Specially for the newcomer to electronics who is looking for a book containing a wide range of easily made projects. Some circuits need no soldering and many others show actual component and wiring layouts.

Electronics Build and Learn

R.A.Penfold. 128 Pages. £5.95. Order Code PC 101

Combining theory and practice, the book describes a circuit demonstrator unit that is used in subsequent chapters to introduce common electronic components and circuit concepts, complete with practical experiments.

Practical Electronic Building Blocks

R.A.Penfold. There are two books - Book 1 : 128 pages. £1.95.

Order Code BP117

Book 2 : 112 pages. £1.95.

Order Code BP118

Book 1 is about oscillators and gives circuits for a wide range, including sine, triangle, square, sawtooth and pulse waveforms and numerous others from voltage controlled to customised ic types.

Book 2 looks at amplifiers, ranging from low level discrete and opamp types to ic power amps. A selection of mixers, filters and regulators is included.

30 Solderless Breadboard Projects

R.A.Penfold. Two books each of 160 pages. Book 1 : £2.95. Order Code BP107. Book 2 : £2.25. Order Code BP113.

Each project is designed for building on a Verobloc breadboard and is accompanied by a description, circuit and layout diagrams and relevant constructional notes. Many of the components are common to several projects. Book 1 covers linear devices, and Book 2 covers cmos logic chips.

Beginners Guide to Building Electronic Projects R.A.Penfold. 112 pages. £1.95. Order Code BP 227

Shows the complete beginner how to tackle the practical side of electronics and includes simple constructional projects.

AUDIO AND MUSIC

Introducing Digital Audio

I.Sinclair. 112 pages. £5.95. Order Code PC102

A non-mathematical introduction to the new digital technology, discussing the principles and methods involved in devices such as cd, dat and sampling.

Electronic Music Projects

R.A.Penfold. 112 pages. £2.50. Order Code BP74

24 practical constructional projects covering fuzz, wah, sustain, reverb, phasing, tremolo etc. The text is split into four sections covering guitar, general, sound generation and accessory projects.

More Advanced Electronic Music Projects

R.A.Penfold. 96 pages. £2.95. Order Code BP174

Complementing BP74 by covering more advanced and complex projects including flanging, chorus, ring modulation, plus a selection of drum, cymbal and gong circuits.

Computer Music Projects

R.A.Penfold. 112 pages. £2.95. Order Code BP173

Shows how home computers can produce electronic music and covers sequencing, analogue and Midi interfacing, digital delay lines and sound generators.

Practical Midi Handbook

R.A.Penfold. 160 pages. £5.95. Order Code PC103

A practical how-to-do-it book for musicians and enthusiasts who want to exploit the capabilities of Midi. Covers keyboards, drums, sequencers, effects, mixers, guitars, and computer music software.

Midi Projects

R.A.Penfold. 112 pages. £2.95. Order Code BP182

Practical details of interfacing many popular home computers with Midi systems, and also covering Midi interfacing to analogue and percussion synths.

Electronic Synthesiser Construction.

R.A.Penfold. 112 pages. £2.95. Order Code BP185.

Even relative beginners should find the monophonic synthesiser described here within their capabilities if the book is thoroughly read. Individual aspects of the synth are dealt with separately and pcb designs are shown for the main modules.

SATELLITE TV

Satellite TV Installation Guide - 2nd edition John Breeds. £11.95. Order Code STV1

Full of vital information for any competent diyer who wishes to install a satellite tv antenna and obtain optimum reception quality.

An Introduction to Satellite Television

F.A.Wilson. 112 pages. £5.95. Order Code BP195

Informative answers to many of the questions about this communications revolution. The information is presented on two levels, one aimed at the complete beginner, the other at professional engineers and serious amateur enthusiasts.

TEST AND MEASUREMENT

Getting the Most from Your Multimeter

R.A.Penfold. 112 pages. £2.95. Order Code BP239

There's more to what you can do with a meter than meets the casual eye. The book covers the basics of what you can do with analogue and digital meters and discusses component and circuit testing.

Test Equipment Construction

R.A. Penfold £2.95. Order Code BP248

Describes in detail how to construct some simple and inexpensive, but extremely useful, pieces of test equipment.

Oscilloscopes 2nd Edition

I.Hickman. £12.95. Order Code NT3

Subtitled 'How to Use Them, How They Work' the book is illustrated with diagrams and photographs and is essential reading for any one who wants to know about scopes, from first principles to practical applications.

How to Get Your Electronic Projects Working.

R.A.Penfold. 96 pages. £2.50. Order Code BP110.

Essential reading for anyone who wants first-time success in project assembly. Covers tracing mechanical faults as well as testing for failures of active and passive components of most types.

DIGITAL AND COMPUTING

A Concise Introduction to MS-DOS.
N. Kantaris. 64 pages. £2.95.
Order Code BP232

A ready-reference guide for those who need a quick insight into the essential command functions of this operating system, but who don't have the time to learn it fully.

An Introduction to Computer Peripherals
R.A. and J.W. Penfold. 80 pages.
£2.50. Order Code BP170

Covers such items as monitors, printers, disc drives, cassettes, modems, etc. explaining what they are and how to use them with your computer and with each other.

Digital Logic Gates and Flip-Flops. Ian R. Sinclair. 192 pages. £8.95. Order Code PC 105

Intelligently looks at the basic building blocks of all digital circuits and is intended for enthusiasts, students and technicians who seek to establish a firm grasp of fundamental principles.

Introduction to 6800/6802 Microprocessor Systems
R.J. Simpson and T.J. Terrell. 238 pages. £10.95. Order Code NT9

The book covers systems hardware, programming concepts and practical experimental work that will assist in understanding the 6800/6802 microprocessor, with additional information on the 6802D5E evaluation system.

An Introduction to 68000 Assembly Language.
R.A. and J.W. Penfold. 112 pages.
£2.95. Order Code BP184

Covers the fundamentals of writing programs that will vastly increase the speed of 68000 based machines such as the Commodore Amiga, Atari ST range, Apple Macintosh, etc.

Getting the Most from Your Printer
J.W. Penfold. 96 pages. £2.95.
Order Code BP181

How to use the features found on most dot-matrix printers from programs and popular wordprocessors, showing examples of what must be typed to achieve a given effect.

Micro Interfacing Circuits
R.A. Penfold. Two books, each of 112 pages.

Book 1 : £2.25. Order Code BP130.

Book 2 : £2.75. Order Code BP131

Both books include practical circuits and useful background information though pcb layouts are not included. Book 1 mainly covers computer input-output techniques. Book 2 deals primarily with practical application circuits.

An Introduction to 6502 Machine Code.

R.A. and R.W. Penfold. 112 pages.
£2.95. Order Code BP147

Covers the main principles of machine code programming on 6502-based machines such as the Vic-20, Oric-1/Atmos, Electron, BBC and Commodore 64. It assumes no previous knowledge of microprocessors or machine code and gives illustrative programming examples.

A Z-80 Workshop Manual.
E.A. Parr. 192 pages. £3.95.
Order Code BP112

A book for those who already know Basic but wish to explore machine code and assembly language programming on Z80 based computers.

Practical Digital Electronics Handbook
M. Tooley. 208 pages. £6.95.
Order Code PC 104

Nine constructional projects introduce digital circuits, logic gates, timers, microprocessors, memory and interface circuits - an essential book for anyone interested in digital devices.

DATA AND INFORMATION BOOKS

NEW! Radio and Electronics Engineer's Pocket Book - 18th Edition. Keith Brindley. 325 pages. £9.95. Order Code NT 11

An invaluable compendium of facts, figures and formulae and is indispensable to the designer, student, service engineer and all others interested in radio and electronics.

NEW! Microprocessor Pocket Book. Steve Money. 252 pages. £9.95. Order Code NT 12

Provides a wide selection of information which will be of general use to anyone involved in developing, designing or servicing, or who just wants to learn more about microprocessor systems.

NEW! Computer Engineer's Pocket Book - 2nd Edition. Michael Tooley. 224 pages. £9.95. Order Code NT 13

An invaluable compendium of facts, figures, circuits and data indispensable to designers, students, service engineers and all others interested in computer and microcomputer systems.

Op Amps
B. Dance. £7.95.
Order Code NT2

Subtitled 'Their Principles and Applications' this interesting book is written in a simple non-mathematical style and provides a source of practical circuits that use both commonplace and more sophisticated opamps.

Electronic Hobbyists Handbook
R.A. Penfold. 96 pages. £4.95. Order Code BP233

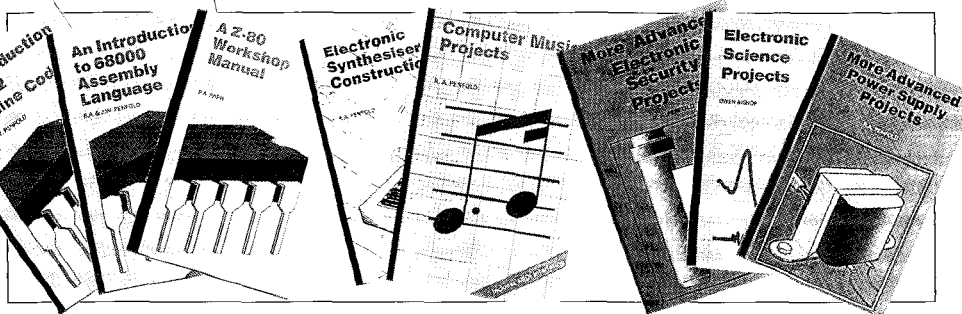
Provides a source of useful information that the amateur enthusiast is likely to need for day-to-day pursuance of hobby electronics.

Newnes Electronics Pocket Book
I.E. Parr. £9.95.
Order Code NT10

Presents all aspects of modern electronics in a readable and highly non-mathematical style, and is a good source of valuable information for enthusiasts and professional engineers alike.

Key Techniques for Circuit Design
G.C. Loveday. £6.95.
Order Code BM 101

Tackles the problems of designing circuits from scratch, introducing the concept of target specifications, the design sequence, device selection, rules of thumb, and useful equivalent circuits.



GENERAL CONSTRUCTIONAL

Electronic Science Projects.
Owen Bishop. 144 pages. £2.95. Order Code BP104

A bumper bundle of experimental projects ranging in complexity and including a colour temperature meter, electronic clock, a solid state (led display) scope, an infra-red laser, a fascinating circuit for measuring the earth's electrical field strength, and many more.

Electronic Security Devices
R.A. Penfold. 112 pages. £2.50. BP56

Full of ideas for keeping your valuables safe. The circuits include designs for light, infra-red, ultrasonic, gas, smoke, flood, door and baby sensors.

More Advanced Electronic Security Projects. R.A. Penfold. 112 pages. £2.95. Order Code BP190

Follows on from where BP56 leaves off and describes a number of more up-to-date and sophisticated projects, such as pyro-sensors, infra-red and doppler-shift detection, fibre-optic loops, and many others.

Electronic Projects for Cars and Boats.
R.A. Penfold. 96 pages. £1.95.

Order Code BP94
15 fairly simple projects that can be used with a car and/or boat. Stripboard constructional details are included, as are explanations of the circuit theory.

Power Supply Projects
R.A. Penfold. 96 pages. £2.50.
Order Code BP76

A selection of power supply designs, including simple unregulated, fixed voltage regulated and variable voltage stabilised, ni-cad charger, voltage step-up, and inverter.

More Advanced Power Supply Projects
R.A. Penfold. 96 pages. £2.95.
Order Code BP192

Covers more advanced topics than BP76 and includes precision supplies, switch mode and computer controlled supplies, plus a selection of miscellaneous circuits.

Popular Electronic Circuits.
R.A. Penfold. 160 pages. £2.95. Order Code BP80

Containing a wide range of circuit designs for experienced constructors who are capable of producing working projects direct from a circuit diagram without specific constructional details.

HOW TO ORDER

State your order code and your name and address clearly. Enclose a cheque, PO or international money order (add 50p postage per book - £1.00 for overseas surface mail), and send to:

PE Book Service
Intra House
193 Uxbridge Road
London W12 9RA

Books are normally delivered within 10 days but please allow 28 days for delivery.

PE PCB SERVICE

IT IS EASY TO BUILD PRACTICAL ELECTRONICS PROJECTS!

Simplify your project assembly – use a ready-made printed circuit board. All are fully drilled and roller tinned. Just slot in the components as shown in the project texts, and solder them. PCBs are the professional route to project perfection.

MAIL ORDERING

Select the boards you want, and send your order to:

PE PCB SERVICE, PRACTICAL ELECTRONICS, 193 UXBRIDGE ROAD, LONDON W12 9RA.

Prices include VAT and postage and packing. Add £2 per board for overseas airmail. Cheques should be made payable to Intra Press (Payments by Access and Visa also accepted). Quote the project name and PCB Code Number, and print your name and address in Block Capitals. Do not send any other correspondence with your order.

TELEPHONE ORDERS

Use your Access or Visa card and phone your order to **081-743-8888** clearly stating your name and address, card number and order details. All orders receive priority attention. Many PCBs are held in stock, so they are dispatched within a few days, but please still allow 28 days for delivery in case a PCB is temporarily out of stock.

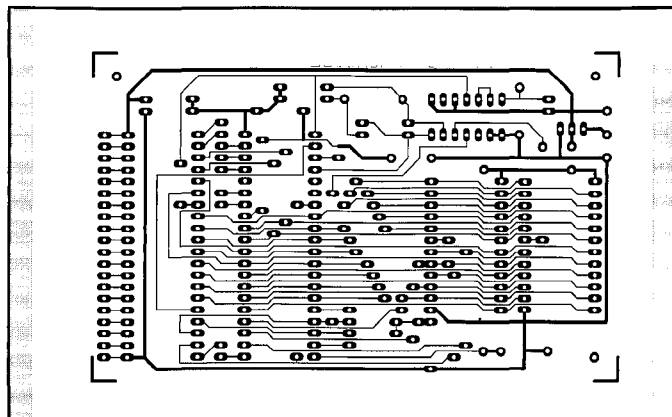
We can only supply the PCBs listed here! Please always check the latest issue of PE before ordering.

We can also supply the photocopies of the text at £1.50 for each project part inclusive of postage and packing (overseas £2.00).

Please note that we do not supply components - they can be ordered from our advertisers!

MAR 88			
APPLIANCE TIMER	166A/B	£9.38	
APR 88			
LIGHT METAL EFFECTS	169	£7.10	
JUNE 88			
AMSTRAD ROM EXPANSION	173	£12.60	
MAINS MODEM	174	£4.90	
AUG 88			
SPEAKING CLOCK	176	£16.75	
SEPT 88			
BBC MULTIPLEXER	177	£4.50	
OCT 88			
METAL DETECTOR	178	£6.50	
DEC 88			
PANNING MIXER	181	£7.80	
MAR 89			
CAMERA SHUTTER TIMER	187	£9.95	
APR 89			
PC MULTIPORT	188A/B	£20.55	
MAY 89			
KIRLIAN CAMERA	189A/C	£10.50	
JUNE 89			
DELUXE METRONOME	198	£10.95	
JULY 89			
PROJECTOR SYNCHRONISER	190A	£9.50	
SEP 89			
FREQUENCY COUNTER-GENERATOR	194A/B	£12.50	
OCT 89			
HOME SECURITY CONTROLLER	196A/C	£19.50	
DEC 89			
VIDEO AGC STABILISER	199	£6.50	
ECHO STATION	200A/B	£11.50	
MINI METRONOME	201	£5.90	

JAN 90			
BARGRAPH TACHOMETER	202	£5.90	
EEPROM PROGRAMMER (KEYBOARD VER)	203	£14.50	
FEB 90			
EEPROM PROGRAMMER (SWITCH VERSION)	204	£4.90	
MODEM	205	£11.50	
MOCK STEREO	206	£4.90	
MAR 90			
RADIO CLOCK (TUNER AND PULSE)	207	£6.50	
APR 90			
RADIO CLOCK (DISPLAY DECODER)	208	£13.50	
PC/INTERFACE	209	£5.90	
MAY 90			
EPROM POLY-PROG (MAIN PCB)	210	£8.50	
JUNE 90			
EPROM POLY-PROG (TOP PCB)	211	£7.50	
MESSAGE MAKER	212	£9.50	
BAUD RATE CONVERTER	213	£4.90	
INTERMITTENT WIPER	214	£3.90	
CIRCUIT BREAKER	215	£4.90	
JULY 90			
MORSE DECODER	216	£9.50	
AUG 90			
SCOPE EXPANDER	217	£9.50	
VOLTAGE PROBE	218	£5.80	
AF OCTAVE MEASURER:			
FILTER DRIVE	219	£6.60	
ANALOGUE FILTER	220	£7.35	
SEP 90			
AF OCTAVE MEASURER			
AMPLIFIER	221	£7.35	
SWITCHED FILTER	222	£7.35	
SWITCHED FILTER DRIVE	223	£7.35	
TELE-SCOPE – MAIN PCB	224	£11.50	
OCT 90			
TELE-SCOPE – SIGNAL PCB	225	£4.90	
TV INTERFACE	226	£4.90	
CHIPTESTER	227	£11.50	
NOV 90			
BIKE COMPUTER – MAIN PCB	228	£9.50	
– POWER SAVER	229	£4.90	
DEC 90			
8748 PROGRAMMING ADAPTOR	230A/B	£6.50	
JAN 91			
CAR ALARM	231A-C	£13.50	
LCD REV COUNTER	232	£6.50	



**PE PCBs are the professional route
to project perfection!**

LYS ELECTRONICS COMPONENTS

We have the largest range inc. surface mount devices. The best stock & lowest prices in the south.

Goods sent return of post - mail order only.

Sample of our prices

555 timer at .22 741 op.am. .20

8 pin DIL SKT.06 4 pin DIL SCK 0.08

2 way DIL switch .40 8 way DIL sw .80

10 way DIL switch .95

surface mount CA3130M 1.80

surface mount resistors .035

1/4 watt high stat carbon resistors 5% - 70 per hundred.

61 pres. values of above (1000 resistors) 7.30

All prices incl. VAT + postage

Send for catalogue enclosing 60p P & P. 0705-386550

10 Westbrook Road, Portchester, Hants. PO16 9NS

OPENING OFFERS

LEDS (good selection, best prices.)

20 - Red std/min or mixed£1.00

20 - Green std/min or misc£1.25

20 - Amber std£1.50

20 - Pink or green or yellow rectangular£1.75

20 - Red right angle£1.50

RH1 all above 100 pieces £6.50, mounting clips 2p each

10 - 555 Timers£1.35

10 - 741 op-amps£1.35

20 each off IN4001/4/5/6/4148 100pcs£2.25

10 BC 107B TRANS.NPNGP85p

10 BC307 TRANS.PNPGP50p

RH2 all above 140 pieces£6.45

RH3. ELECTROLYTICS PACK: 10- 0.47/50v, 5-3.3/50, 5-4.7/25v, 5-4.7/50v, 4-1C 16 4-

10/50, 4-22/16, 3-47/16, 3-47/40, 10-100/6.3, 5-100/63, 5-100/26, 2-220/25, 5-220 *2

(AXIAL), 2-47/10, 2-470/25, 2-1000/10 (worth £6 at least) £3.75

RESISTORS E12 E24 5% 1/4 watt. 10p per 15 pcs any value.

P & P 75p. Over £20 free - all new - VAT included. Free list.

RUSKIN HALL ELECTRONICS,

190 Dentons Green Lane, St. Helens,

Merseyside, WA10 9RH.

TUTORKIT

MICROELECTRONICS TUTORS

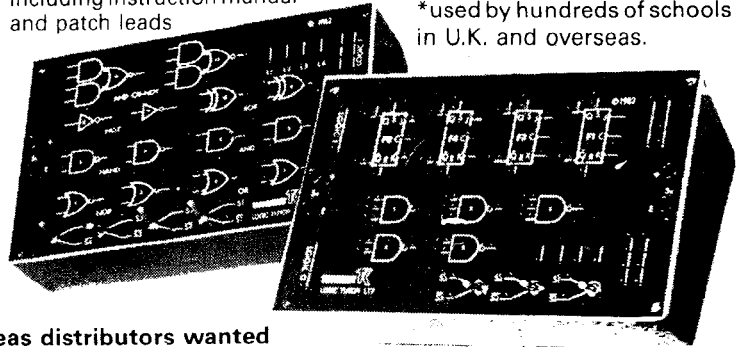
Logic Tutors
OP Amp Tutors
I.C. Patchboards
GCSE Units
Computer Interfaces

Prices from



Including instruction manual
and patch leads

*used by hundreds of schools
in U.K. and overseas.



TUTORKIT PRODUCTS
(Div of Limrose Electronics Ltd)
Llay Industrial Estate
Wrexham, Clwyd, U.K.
LL12 0TU. Tel 0978 852285

Overseas distributors wanted

ADVERTISERS INDEX

A&G Electronics.....28	Keytronics.....16
ADM Electronics.....56	Limrose.....62
BK Electronics.....43	London Electronics.....54
Cache Systems.....26	Lys Electronics.....62
Cambridge Computer.....55	Maplin.....0BC
Cirkit.....47	Marapet.....55
Colebourn Electronics.....55	National College.....62
Coles Harding.....56	Number One Systems....IBC
CR Supply Company.....55	Omni Electronics.....54
Cricklewood.....26	Radio & Telecom School.54
Electrovalue.....10	Ruskin Hall.....62
Fraser Electronics.....54	Sarm Digital.....55
Greenbank.....45	Simpson's Manufacturing56
Hames Electrical.....56	Suma Designs.....15
Henry's Audio.....28	Tandy.....IFC
J&N Bull Electrical.....38	The Electronics Shop.....54
JAV Electronics.....10	TK Electronics.....10
JJ Components.....53	Tsien UK.....20
JPG Electronics.....55	



NATIONAL
COLLEGE OF
TECHNOLOGY

Packaged Short Courses

The National College of Technology (NCT Ltd) offers a range of packaged short courses in analogue electronics, digital electronics & fibres, optoelectronics & programmable logic controllers for study at home or at work. The advantages are that you may,

- commence at any time
- work at your own pace
- have a tutor (optional)

and there is no travelling involved. BTEC certificates are available subject to the conditions of the award. These highly popular packed courses contain workbooks, a cassette tape, circuit board and components necessary to provide both theoretical and practical training.

Whether you are a newcomer to electronics or have some experience and simply need updating, there is probably a packaged short course ready for you. Write or telephone for details, quoting Practical Electronics, to:

NCT Ltd, Bicester Hall
5 London Road, Bicester
Oxon OX6 7BU

or telephone (0296) 613067 Ext. 202

1991 BUYER'S GUIDE TO ELECTRONIC COMPONENTS

Maplin

FEATURING:
AN ELECTRONICS
CAST OF
THOUSANDS!

POWER-PACKED
WITH OVER
600 PAGES!!

STARRING
HUNDREDS OF
NEW PRODUCTS
AT SUPER
LOW PRICES!

SHOWING NOW!
at your local
WHSMITH

Order you copy of the New MAPLIN Catalogue on sale NOW
Pick up a copy from any WHSMITH for just £2.45 or post this coupon now to receive your
copy for just £2.45 + 50p p&p. If you live outside the U.K. send £4.85 or
20 International Reply Coupons. I enclose £2.95.

Name _____
Address _____
Post Code _____
Send to Maplin Electronics,
P.O. Box 3 Rayleigh,
Essex S56 8LR.
PE91

PERFORMANCES DAILY
At your local branch
of WHSMITH
ONLY £2.45



ROD BROWN '90