

PRACTICAL

MARCH 1989 • £1.25

# ELECTRONICS

SCIENCE & TECHNOLOGY

## TIMING CAMERA SHUTTERS



**AUTOGUIDE - THE HI-TECH ROUTE  
TO TRAVEL**

# New REALISTIC<sup>®</sup>

## PORTABLE SCANNING RECEIVER

- Frequency Synthesized - No Crystals To Buy
- 68-88 MHz VHF-Lo
- 108-136 MHz (AM) Aircraft
- 136.005-174 MHz VHF-Hi
- 380-512 MHz UHF
- 806-960 MHz

**Realistic Pro-34.** Catch all the action on this hand-held programmable scanner. Features extended frequency coverage, including the new 800 MHz band! Scan up to 200 channels in 10 bands or search for new bands. Store frequencies in a special monitor band for one-key transfer to permanent memory. Lock-out key temporarily bypasses unwanted channels.

### The Key To Better Listening

Also features large LCD display showing channels and frequencies being scanned, monitored or programmed and has a switchable backlight for night viewing. Squelch control, built-in speaker, 1/8" earphone socket, flexible aerial and belt-clip. Includes BNC jack for adding external aerial.

# Tandy<sup>®</sup>

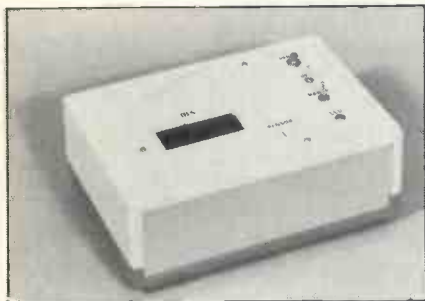
*Tune in to Tandy TODAY!*

Over 400 Stores  
And Dealers Nationwide  
Prices may vary at Dealers. Offers subject to availability.

Tandy, Tandy Centre, Leamore Lane,  
Walsall, West Midlands. WS2 7PS



Realistic PRO-34 £249.95.  
Cat. No. 20-9135



## CONSTRUCTIONAL PROJECTS

<b>CAMERA SHUTTER TIMER</b> by Robert Penfold.....	12
Take i-r steps to learn the focal plane truth about opening and closing times for the blind iris.	
<b>DIGITAL ELECTRONICS – PART 6A</b> by Owen Bishop .....	35
Reconvening the convention on conversion we plug in the breadboards for ADA's modular read-outs.	
<b>HF SCOPE STORE</b> by Michael Sweet.....	49
An add-on circuit for last year's logic analyser to let your BBC-B act as a storage scope.	

## SPECIAL FEATURES

<b>SEMICONDUCTORS – PART FOURTEEN</b> by Andrew Armstrong ...	19
The appliance of science to opamps can tone up the balance of audio amps.	
<b>THE THOR SPOT</b> by Wayne Green.....	24
Our American correspondent finds an erratic revolution has thorny ramifications for cd-rom.	
<b>HDTV, THE GREAT SYSTEMS BATTLE – PART TWO</b> by Tom Ivall	27
Are pigeons orbiting aloft, and why are Ada and Mac such pals? Could it be they're widening their homing outlook?	
<b>TACTILE DEAF AID</b> by Vincent Johns .....	40
Hidden inside a wrist strap, miniature sensors allow the deaf to become aware of sounds.	
<b>AUTOGUIDE</b> by Michael Strassen.....	42
Let your vehicle's chat with the traffic lights screen you from the worst jams and take you on a guided auto tour.	
<b>TIME AND FREQUENCY – PART FOUR</b> by Anthony H. Smith .....	50
Cut crystals have greater stability when they are oven-ready.	

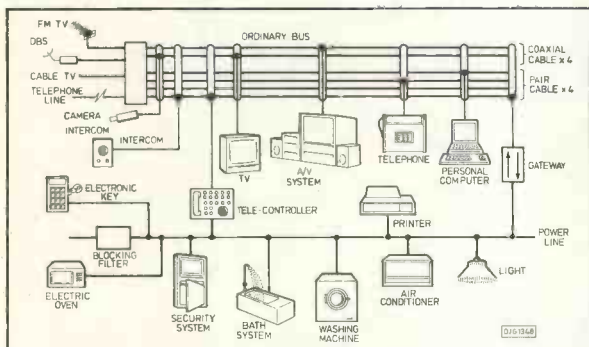
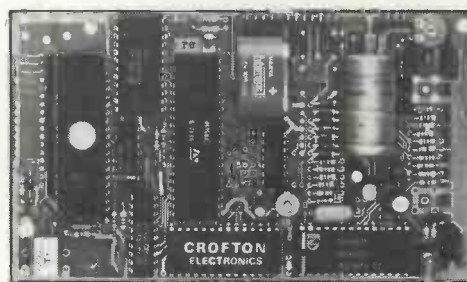


## REGULAR FEATURES

<b>EDITORIAL</b> by John Becker – Integrating Vacuums .....	9
<b>LEADING EDGE</b> by Barry Fox – SQL to search and serve .....	8
<b>SPACEWATCH</b> by Dr. Patrick Moore – Good news for Hubble and Hapag.....	46
<b>INDUSTRY NOTEBOOK</b> by Tom Ivall – Tinkering with technic.....	57
<b>READERS' LETTERS</b> – and a few answers.....	31
<b>POINTS ARISING</b> .....	47

## PRODUCT FEATURES

<b>MARKETPLACE</b> – what's new, where and when .....	4
<b>ARMCHAIR BOOKMARK</b> – lots more titles in our new book list ....	60
<b>PCB SERVICE</b> – professional PCBs for PE Projects.....	59
<b>TRACK CENTRE</b> – the PCB track layout page .....	38
<b>BAZAAR</b> – Readers' FREE advertising service.....	56
<b>ADVERTISERS' INDEX</b> .....	62



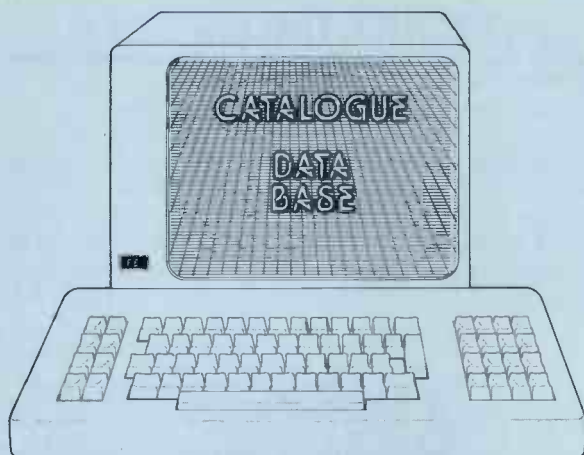
## NEXT MONTH . . .

**WE'RE BRINGING YOU THE FIRST PARTS OF TWO MAJOR NEW FEATURES –**

★ YOUR EDITOR REPORTS ON THE ADVANCING STATE OF HOME AUTOMATION ★ TOM IVALL TURNS HIS EYES SPACEWARD TO TAKE A TECHNICAL LOOK AT SATELLITES ★ AND OF COURSE WE'LL HAVE OUR PAGES FILLED WITH OTHER TOP FEATURES ★

THE APRIL 1989 ISSUE IS FAR TOO IMPORTANT TO MISS  
IT'S ON SALE FROM FRIDAY MARCH 3RD  
FROM ALL THE BEST NEWSAGENTS

## WHAT'S NEW



We have recently received the following literature:

The British Electronics Club has issued the latest quarterly news letter – 26 pages of it, covering a wealth of ideas and information concerning electronics. If you want to join this excellent club, write to the Chairman, Mr. C. Bogod, BAEC, 26 Forrest Road, Penarth, South Glamorgan, and enclose a stamped addressed envelope.

The Electronic Organ Constructors Society has sent its latest magazine. The magazine and the EOCS itself are of vital importance to any diyer interested in electronic keyboard circuits and technology. Anyone interested in joining the club should write to John Long, Hon Membership Secretary, EOCS, 5 Gander Close, Hartcliffe, Bristol, BS13 9PN.

Heinemann have sent their complete list of books, including many new ones. As well as covering electronic and electrical engineering, their range covers many subjects, from business management to travel. Heinemann Professional Publishing, 22 Bedford Square, London, WC1B 3HH. Tel: 01-637 3311

West Hyde have published a new 96 page catalogue of electronic enclosures that will be of interest to those in the trade looking for a broad range of excellent enclosures. West Hyde Developments Ltd, 9-10 Part Street Industrial Estate, Aylesbury, Bucks, HP20 1ET. 0296 20441.

Instrumex have produced a new six-page colour leaflet detailing new products in a range of text and measurement instruments from leading manufacturers such as Tektronix, Stag, Marconi, Thurlby and many others. Instrumex, Dorcan House, Meadfield Road, Langley, Berks, SL3 8AL. 0753 44878.

STC Instrument Services have produced their first full-colour catalogue which, in 320 pages, features a vast selection of products from over 65 leading manufacturers. STC Instrument Services, Dewar House, Central Road, Harlow, Essex, CM20 2DF. 0279 641641.

VSI have sent a short form catalogue on their semi-custom products. Being mainly concerned with gate arrays, it will be of interest to our professional and more advanced readers. VSI Electronics (UK) Ltd, Roydonbury Industrial Park, Horsecroft Road, Harlow, Essex, CM19 5BY. 0279 29666.

Bonex have issued a 136 page A4 illustrated catalogue of components and hardware, ranging from battery holders and boxes, through passives and semiconductors to wire strippers and zif sockets. Of particular interest are their kits and modules for transceiving applications, including weather satellite systems. An extremely useful catalogue for your reference bookshelf. Bonex, 12 Elder Way, Langley Business Park, Slough, Berks, SL3 6EP. 0752 49502.

SRS have advised us of their new fully illustrated 4-page brochure on their entire range of 19 inch Style 70 sub-racks, accessories and components. SRS, 19 Mead Industrial Park, Riverway, Harlow, Essex, CM20 2SE. 0279 418401.



### Downing Tools

Intent on maintaining reputation for high performance test and measurement instruments at low prices, Flight Electronics have cut the price of eight of popular pieces of equipment.

The cuts have produced a particularly cost-effective range of high-quality high-specification instruments. Significant among the reduced items is the GPD 3020D, a digital dual-output bench power supply unit with 0 to 30VDC, 0 to 2A outputs – now retailing at £290. A 120MHz digital frequency meter, the GFC 8010F, has been reduced to just £99.50 from £155.

Prices have also been reduced on universal, intelligent and digital frequency counters, a quad-output

analog bench PSU, a 2MHz function generator and a pulse generator with logic probes and pulser.

Applications exist for the instruments in all electrical and electronics based industries, in R and D, service and production environments. They are also ideal for educational use.

The other new prices are: GPQ 1850 quad analog psu – £325, GFG 8015F function generator – £149, GFC 8010F digital frequency counter – £99.50, GFC 8100G intelligent counter – £325, GUC 2010 universal counter – £215. Discounts are available on large orders.

CONTACT: Suzanne Kittow, Flight Electronics, Ascupart Street, Southampton, SO1 1LU. Tel: 0703 227721.



### Tuning Cirkit

A new Larsholt range of fm-receiver tuner sets, in stereo and mono versions, and featuring an on-board audio amplifier is now available through the Danish company's exclusive UK distributor, Cirkit Distribution.

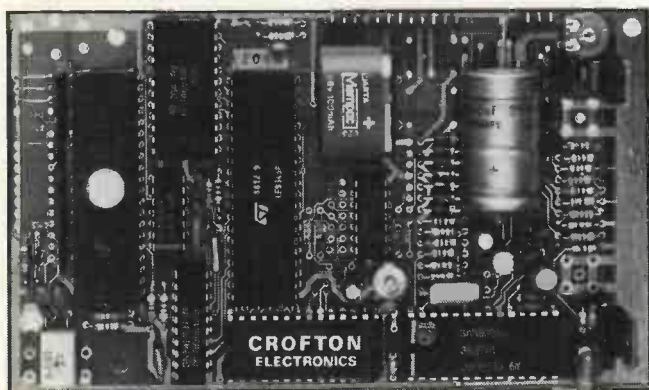
Especially suitable for applications in sound distribution systems, the three models all feature TDA1062-based front end, which combines good sensitivity with excellent large signal handling, a frequency range of 87.5-108MHz, am suppression of 50dB and image rejection of 70dB. Other advanced features include varicap tuning, afc amplification and

control, tuning and signal level meter, noise and deviation muting and oscillator output. The 7256 is supplied in stereo or mono versions with the 7260 having an on-board audio amplifier, capable of delivering up to 6W in to 4Ohms with a signal-to-noise ratio of greater than 90dB. The unit only requires the addition of a few external components and a loudspeaker to make a complete fm receiver.

Diode-tuned and equipped with oscillator tap to make pll synthesis the digital display possible, the 7256 and 7260 are only half Euro-card size, with dimensions of 100mm x 80mm and a maximum height of 25mm. Connection is via a 15-pin edge connector with 2.5mm space pins.

Larsholt plan to extend the series in the near future with the addition of a stereo version with audio amplifier and a control unit for pll-synthesis.

CONTACT: Cirkit Distribution Ltd, Park Lane, Broxbourne, Hertfordshire, EN10 7NQ. Tel: 0992 444111.



## Picturing Crofton

Crofton have been involved in the video field now for some twenty years. Their small cctv camera design was shown, and demonstrated, on Tomorrow's World back in 1969. That little camera was actually hooked up to the transmitter and produced live pictures over the air, and although there was some trepidation at the time, everything went smoothly. It was probably the first time ever that the BBC had allowed a non standard video source to be connected to the transmitter and used to produce live off-air pictures.

Crofton are currently able to offer an extensive range of standard cctv security and computer products, as well as miniaturised ccd cameras, am and fm video transmitters, with, or without, sound for normal and cover surveillance applications. The size and weight of this equipment make it ideal for portable use.

Now, two more new products have been released from the same stable. The first is a miniature ccd solid state tv camera known as the Model CCD2. It is the smallest video camera presently available on the market and is bound to create a very broad spectrum of interest in many diverse fields. The resolution capabilities are far better than the average Vidicon camera, and its sensitivity goes down to -3 Lux. As it requires no tube change, and has no user replacement parts it can literally be installed and forgotten, thus making it the obvious choice for many applications. The price is also attractive, and compares favourably with all of the currently available more conventional ccd cameras on the market.



The second product is a time/date and message generator. Known as the TDMS1 this generator is an all British designed and manufactured video overlay unit. It also incorporates a stop watch available in two basic forms: Either as a basic pcb which allows manufacturers to build it into their own equipment, or as a boxed, free standing unit complete with mains transformer, input and output BNC sockets, and setting push buttons.

This unit has been designed and produced so as to seriously compete with similar Far Eastern designs and has a far wider and more flexible specification.

Applications for this product are extremely wide and diverse, and range from a simple time/date insert generator for video signal chains, to use as an event timer, a message generator for airport/hotel or other public place applications, as well as for use as a video editing ident signal, to name but just a few. The price has been kept to an absolute minimum and good quantity discounts are available.

**CONTACT:** Crofton Electronics, "Kingshill", Nextend, Lyonshall, Herefordshire, HR5 3HZ. Tel: 05448 557.

## Low Distortion Sig Gen

Masterswitch Ltd, who manufacture the Linstead range of instruments have introduced a low distortion, low cost, battery powered audio signal generator. The Model G3 has sinusoidal, square and triangular outputs, and yet it is not a function generator.

The sinewave output is pure with a maximum distortion of less than 0.04% over its range of 20Hz to

20kHz, and the instrument is ideal for testing and checking distortion levels on Hifi equipment. The G3 is also a very useful general purpose audio signal generator, having switched and continuously variable attenuators with a maximum output of 6 volts p-p from a 50ohm source.

Very compact and weighing only 400grms with batteries this Sig Gen will make an excellent service tool.

**CONTACT:** Masterswitch Ltd, 8 Dorset Road, Tottenham, London, N15 5AJ. Tel: 01-802 1423.



## COUNTDOWN

*If you are organising any event to do with electronics, big or small, drop us a line – we shall be glad to include it here.*

**Please note:** Some events listed here may be trade or restricted category only. Also, we cannot guarantee information accuracy, so check details with the organisers before setting out.

**Feb. 7-9.** Smartex – Surface Mounting Technology Exhibition. Wembley Exhibition Hall. 01-302 8585.

**Feb. 22-23.** Instrumentation Harrogate. Harrogate Exhibition Centre. 0822 614671.

**Mar. 14-16.** EPOS North 89. Seminar and exhibition of retail information systems. Armitage Centre, Manchester. RMDP. 0273 722687.

**Mar. 21-22.** Instrumentation Bristol. Crest Hotel, Filton, Bristol. 0822 614671.

**Mar. 21-23.** Corporate Electronic Publishing Systems. Exhibition and conference. Olympia 2, London. 01-891 5051.

**Apr. 5-6.** Laboratory Science and Technology Show, Kelsey Kerridge, Cambridge. 0799 26699.

**Apr. 11-13** Portable Computing and Data Capture 89. Conference and exhibition. Rivermead, Reading. RMDP. 0273 722687.

**Apr. 25-27.** British Electronics Week. Olympia. 0799 26699.

**May 8-10.** Eurobus 89 – German Conference. Munich Sheraton Hotel, Munich. 01-940 4625.

**Jun. 5-9.** Lasers, Optoelectronics, Microwaves. 9th International Trade Fair and Congress. Munich Fair Centre. 01-948 5166.

**Jun. 14-15.** Instrumentation Scotland. The Forum, Livingstone. 0822 614671.

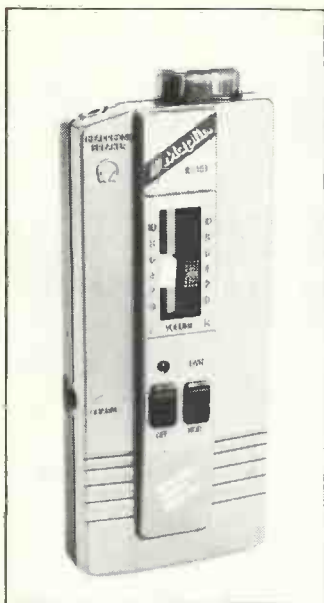
**Jul. 10-13.** EWEC '89. European wind energy conference and exhibition. Scottish Conference and Exhibition Centre, Glasgow. No reference tel. known.

**Aug. 25-Sep 3.** International Audio and Video Fair. Berlin.

**Sep. 4-6.** Eurobus 89 – UK Conference. Novotel Hotel, London. 01-940 4625.

**Sep. 12-15.** EPOS 89. The World's largest exhibition of retail information systems. Alexandra Palace, London. RMDP. 0273 722687.

**BTEC CONTINUING EDUCATION CERTIFICATE COURSES.** Starting dates Jan11 and Apr 26 – each course 2 days per week Wed/Fri for 13 weeks. London Electronics College, 20 Penywern Road, London SW5 9SU. 01-373 8721.



## Stereo Wireless

Providing you stay in sight of the transmitter unit — normally up to 30 feet or more away, the new Maplin stereo infra-red cordless system allows you to live in peace with your hifi (or tv set).

Headphones are plugged into the highly compact receiver which allows

the adjustment of volume and balance from the comfort of your armchair anywhere within range. The system eliminates the need for long trailing cable from your hifi or tv to headphones. The receiver has been designed to be clipped onto shirts, pockets or belts, giving full (in range) mobility.

Apart from left/right volume control, the receiver features a dynamic switch that expands the frequency range and increases sensitivity by 10dB to accommodate high quality equipment such as cds and laser disc video players.

The system comprises an infra-red transmitter, connected to the headphone jack of any audio equipment and an infra-red receiver into which any stereo headphone (8 to 100n) can be plugged. The transmitter has 12 infra-red leds which give a 110° signal field and is powered by a 12V dc 500mA ac adaptor. The receiver meanwhile is powered by 3AAA dry cells or equivalent nicad rechargeable batteries. The nicad batteries can be recharged in the receiver by simply plugging in the ac adaptor supplied.

The YP63T i-r stereophone costs £39.95 including VAT, but excluding batteries, and is available from Maplins' nationwide shops.



## Transputer Training

The world's first fully integrated transputer training package has been launched by leading microprocessor-trainer specialist, Flight Electronics. The system allows a high level of transputer literacy to be achieved in a very short space of time and at low cost.

Used in conjunction with a host IBM-PC, the trainer offers a complete educational introduction to the Inmos T414 transputer chip. The package costs £995 and comprises a transputer module, IBM-PC interface card and all necessary development software, including TDS 1 OCCAM from Inmos. Being external from the IBM-PC, the transputer is easily accessed by the student.

The package includes everything needed to gain a good level of

hardware and software knowledge of the powerful parallel processing transputer, and use it to implement real-time control tasks.

Comprehensive 'self-teach' tutorial documentation and a wealth of example-program software is included in the package.

Flight also offers comprehensive three-day transputer training courses. Purchasers of the transputer trainer qualify to take advantage of the course for £200, half the usual cost.

Southampton University's world leading Transputer Support Centre at Chilworth, supported by SERC, developed the system in conjunction with Flight's training system specialists.

For further information contact Suzanne Kittow, Flight Electronics, Ascupart Street, Southampton, SO1 1LU. Tel: 0703 227721.



## Hot Stuff

The Celsimeter Mini K is a new small electronic temperature meter. A variety of thermo element sensor probes are available for it and can be used for practically all temperature measuring problems between -50°C and +800°C.

A particularly interesting application is the monitoring of tip temperatures of soldering irons. A lot of problems and soldering iron tip wear can directly result from defective thermostats in soldering irons. For the best results the selected soldering tip temperature must be correct.

Apart from this there are numerous temperature measuring problems not only at work but also in the home. A small investment will solve all these problems.

Also available from the same source is an irreversible, and cost effective temperature measuring and registering paint called Celsilack is available in more than 100 values between +40°C and 1200°C. The paint is applied by brush onto the test area and in a few minutes dries into a measuring spot with good adhesion.

The predetermined temperature, when exceeded, is not indicated by a colour change but by means of a remelting process. After cooling the

re-crystallised measuring spot gives a clear optical indication if the melting temperature has ever been reached.

Further information on Celsilack and Celsimeters contact: Cobonic Ltd., 32 Ludlow Road, Guildford, Surrey, GU2 5NW. Tel: 0483 505260.

## Filtered Sockets

Microcomputers, electronic office machines and hi-fi apparatus are typical examples of a wide range of equipment which can now be cost-effectively protected from mainsborne transients using the new filter socket from Briticent.

Excellent radio frequency interference protection is provided by the new four-socket unit. Several pieces of sensitive electronic equipment can be conveniently connected at the same point which ensures 'clean' power. In addition to RFI protection, high-voltage static discharge (spike) suppression is provided. Overcurrent protection is via a replaceable fuse link.

Isolation switching is omitted so that the risk of accidental switch-off of equipment is minimised. An integral neon shows when the unit is live. The socket may be supplied alone, alternatively an assembly is offered with two metres of cable and a BS1363 13A plug.

Contact Briticent International Ltd, Crow Arch Lane, Ringwood, Hampshire, BH24 1NZ. Tel: 0425 474617.



## New Iron Age

Antex have launched their first in-handle temperature control soldering irons, the TCS 24 and TCS 240. These provide low-cost temperature control in a light-weight compact design. Simple to use, they offer temperature control (tc) flexibility without the need for a tc station. The temperature can be easily set at any point in the range 200-450°C, using a small screwdriver.

The advanced ceramic heating element provides rapid recovery of tip temperature even with heavy soldering demands, and fast warm-up from cold (60 seconds to 350°C).

Electronic control is one of the important features of this advanced iron. Unlike magnetic or mechanical switches, the electronic proportional

voltage control is both highly accurate and reliable. This facility anticipates reaching the prescribed temperature and adjusts the power input accordingly. The result is an iron which very closely keeps to the specified temperature, eg within 1% in use, within 2°C idling.

By exploiting surface mount technology, TCS soldering irons are small and light, giving operators positive, precise soldering control.

For full information on their whole range of soldering irons and equipment, contact: Antex (Electronics) Ltd., Mayflower House, Armada Way, Plymouth, Devon, PL1 1JX. Tel: 0752 667377.

## Packing Power

A holder for four AA (R6) size cells is a new extension to Bulgin's range of panel mounting holders. The BX0027 has a removable, latching, loading magazine and 2.8mm series tabs/solder tags. Four tabs/tags can be wired in series or in two pairs. Polarity is clearly marked.

Contact: A.F. Bulgin and Co PLC, Bypass Road, Barking, Essex, IG11 0AZ. Tel: 01-594 5588



## Discerning DVM

CERN is exploiting the precision measurement capability of Schlumberger Instruments' 7081 8 1/2 -digit multimeter in colliding beam physics experiments. Twelve units have been delivered to CERN for very accurate measurement on the LEP accelerator, the electron/positron storage ring developed for the experiments.

The accelerator is installed in a circular underground tunnel of 27km circumference constructed on the Swiss/French border. The first phase of construction, to be completed by the middle of 1989, includes the complete magnet and vacuum system, with the radio-frequency equipment required to store electron/positron beams up to an energy of 50GeV.

The role of the 7081 dvms is to measure the currents generated by power converters to energise the LEP magnets. The instruments are required to guarantee the final precision demanded of these power converters by checking individual elements such as a-d and d-a converters and dc current transformers. DVM performance must therefore be superior to that of each element.

The twelve voltmeters have now operated reliably and with unwavering precision for almost two years. A regular check in the LEP calibration room, using calibrators and standard cells which are themselves checked at the Swiss metrology centre at Bern, shows that the instruments have remained perfectly within specification during this time.

**CONTACT:** Schlumberger Instruments, Victoria Road, Farnborough, Hants, GU14 7PW. Tel: 0252 544433.

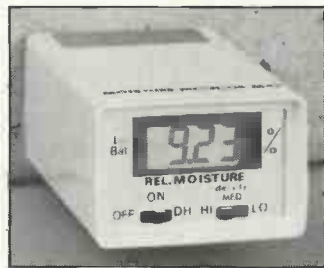
## Rising Damp?

Electronic Temperature Instruments have announced the addition of the M49 digital moisture meter to their range of digital instrumentation.

The M49 is priced at £170 and represents a complete breakthrough in the measurement of free moisture. It is entirely electronic and utilises the latest silicon chip technology to measure the quantity of water within its electro-magnetic field, penetrating deep into the material under investigation. Calibrated up to 20% by weight it is suitable for the determination of water content in cement, building materials, wood, paper, foodstuffs, fibres, etc.

The unit is supplied complete and requires no probes or other accessories for its operation. The results of the measurements are displayed in large, clear digits with a resolution of one hundredth of one percent.

**CONTACT:** Electronic Temperature Instruments Ltd, P.O. Box 81, Worthing, West Sussex, BN13 3PW. Tel: 0903 202151.



## Counting time

A new fully programmable, low-cost counter/timer has become available from Global Specialities.

The 6010 gives optimum resolution throughout a frequency range of between 0.1Hz to 125MHz, and utilises both conventional and reciprocal techniques. Using three independent channels and nine full size leds, thirteen different measuring functions can be provided including time interval averaging, rise/fall time, and peak voltage.

Also featured in the counter/timer are internally pre-selected intervals or external intervals ranging from 100s to 1000s.

**CONTACT:** Global Specialities, 2-10 St. Johns Street, Bedford, MK42 0DH. Tel: 0234 217856.

## CHIP COUNT!

*This month we highlight more recently received information on transputers:*

### MORE COLOURFUL

Two more new products, have also been announced, the IMS G178 Colour Look Up Table and the IMS B409+408 distributed graphics system, adding to INMOS' expanding portfolio of high-performance graphics products. This already includes the G171 Colour Look Up Table, the industry standard component used in the IBM PS/2 and many IBM compatible personal computers.

The IMS G178 is a high performance graphics device which integrates the functions of a 16 million colour palette, digital to analog converters and a bi-directional microprocessor interface into a single 32 pin package.

The high resolution B409+408 distributed graphics system is the latest addition to the INMOS line of transputer modules (TRAMs) and motherboards, and is made up of one IMS B409 display module and as many B408 modules as necessary to provide the desired drawing performance, up to a maximum of 12.

The IMS B408 implements the drawing and image storage functions of a medium to high performance graphics system. When connected to an IMS B409 via the INMOS pixel bus and a suitable monitor, a complete drawing and display system is formed. The integrated graphics system can be used for numerous applications including animation, flight training, medical imaging, and high quality video.

Ray Oliver, Sales and Marketing Director for INMOS, said, "The IMS G178 announcement signals the beginning of the next generation of colour graphics devices. We will continue to integrate more graphics functions on-chip as well as provide the added performance and features requested by our customers."

**Contact:** INMOS International, 1000 Aztec West, Almondsbury, Bristol, BS12 4SQ. Tel: 0454 616616.

### WORLD RECORD TRAM

Systems West has released the first of its series of trams. TRAMs are board-level transputers with a simple, standardised interface. They integrate a processor, memory and peripheral functions, allowing powerful, flexible, transputer-based systems to be produced with minimal design effort.

The TM8011 is a 1.05" x 3.66" 16-pin dual in-line package carrying eight pieces of dram and an Inmos 32-bit transputer. Fitted with a 20 MHz T800, the TM8011 packs one megabyte of memory and 10 mips (million instructions per second) of throughput into roughly 1.5 cubic inches. This is the highest MB\*MIPS density yet achieved by any manufacturer in the world.

The module complies with published tram specifications and is compatible with tram motherboards from Inmos, Systems West, Levco, and other manufacturers. Up to ten can be installed on a Systems West TBX10 motherboard (or equivalent Inmos B008), putting 100 MIPS and 10 megabytes into one XT/AT slot.

The TRAM is available in two variants. The TM8011 carries a 20 MHz T800-20, with integral floating point unit. The TM4011 has a 20 MHz T414, without a floating point unit. Both have 10 MIPS throughput, but the integral floating point unit gives the TM8011 a floating point throughput of 1.5 MegaFLOPS (million floating point operations per second).

The TM8011 tram lists for £1095, the TM4011 at £950. Trade, OEM, and educational discounts are available.

**Contact:** Systems West, Whitefriars Southgate, Lewins Mead, Bristol, BS1 2NT. Tel: 0272 273990.

# SQL TO SEARCH AND SERVE

BY BARRY FOX  
Winner of the UK Technology Press Award

## MANY A STITCH, BUT NO PATTERN

*Database software has developed from simple path-based searches to the ability to compose sets of data – but is it any advance on the knitting-needle.*



The computer industry has two shot feet. It keeps coming up with new ideas which are incompatible with whatever has gone before – and the people coming up with the new ideas are incapable of explaining them.

So it is often a matter of pure chance whether one piece of hardware or software works with another. And the unfortunate user finds out only after buying the product.

The latest buzz phrase is SQL, short for Structured Query Language and pronounced "sequel". In the same breath as talking about SQL, people also talk about relational databases. This is because SQL is supposed to be the standard language for relational databases. Of course it's nowhere near that simple, even when you know what relational databases are.

Computer company Oracle recognises the confusion which cripples its industry and organises occasional briefing seminars. These are intended to help journalists understand what they are writing about, and people turn up because Oracle makes a point of not plugging any brand products. The latest was on SQL and relational databases. Some useful background information emerged.

A database is a collection of information like an address list, through which search software can hunt for entries that fit a specified requirement eg, names beginning with "S" and ending with "Y", and born since 1960.

The information in the database is stored, retrieved and modified under the control of a DataBase Management System, or DBMS. The earliest DBMS programs were called "hierarchical". The data had to be structured like a family tree, which is very restrictive. Then came "network" DBMS software, which lets different lines in the family tree cross-interconnect.

Around 1970 an IBM researcher called Ted Codd came up with the idea that databases should be "relational", which in plain English means that they should be organised like two dimensional tables, ie as on paper. Whereas in hierarchical and network systems there are fixed paths

between different entries, in a relational database the search software matches entries from one table with entries in another.

On the face of things, it sounds far more sensible to build up a database in this way, from tables, instead of pathed trees. The computer industry did it the hard way first time round because it is quicker and easier to search along pre-determined paths than hunt through lengthy tables. But now hardware and software technology has made the commonsense approach practicable.

Think of it this way. A pathed database is very efficient at doing some things, but very inefficient at doing others because it relies on roundabout search routes. A relational database is flexible, and is equally inefficient at doing everything, so early systems were painfully slow. Modern technology provides the speed.

SQL is a computer language, developed by IBM in 1974, which tells relational database management systems what to do. It bridges the gap between desk top PCs, minis and mainframe computers, using different database management systems. It lets a central database search out and "serve" selected pieces of data, when called up by different work stations in a computer network.

To work really efficiently, the calling computers should be running under an operating system which allows multitasking, ie handle several different jobs at the same time. The current standard operating system, Microsoft's MS-DOS, does not allow multitasking. It can only do one thing at a time.

Bell Labs in America developed an operating system called UNIX, which allows multitasking and there is a version, called XENIX, which is suitable for use on PC.

But XENIX is incompatible with many networking systems and the computer industry pins its faith on OS/2, a multitasking operating system which Microsoft developed as a long term replacement for MS-DOS. So far the world is still waiting for a finished, bug-free, version of OS/2. But with IBM backing the system for its PS/2 new range of computers, you can be

sure that OS/2 will eventually happen. That's when SQL and relational databases will really take off. And this explains why so many computer software companies are now claiming that their databases are relational and run under SQL. If only it were all that simple.

No-one seems quite sure how to define what exactly makes a database relational. The concepts are too esoteric to grasp. Ted Codd left IBM, became the guru of relational databases and drafted twelve rules which were supposed to settle the argument once and for all. Many people find the rules muddled, so Codd is reputedly working on a new set, which will run to around two hundred. Whether this simplifies the already confused argument over concepts, remains to be seen.

There are another twelve rules, written by another ex-IBM researcher, Chris Date, which define the difference between a database which serves whole files (a file server) and selected information (a database server) to network stations in a "distributed database". Codd and Date have now teamed up to offer a consultancy service for people who are thoroughly confused by their rules.

Oracle claims to have produced the first commercially available SQL-based relational system, in 1979. Others, including IBM, followed. SQL is now accepted as the industry standard. But the computer industry does not treat standards like any other industry. There are what the industry tactfully describes as different "dialects" of SQL. Different software houses have made different enhancements to SQL, which means that there is no guaranteed compatibility between different databases.

A rock solid SQL standard is at least two years away. And even a rock solid SQL standard won't solve all the problems, because programmes will seldom run on all computers, eg dBase IV won't run on a VAX, and there is physical incompatibility between different networking systems.

The best we can hope for is that there will be reasonable compatibility in the future between systems running on MS-DOS and OS/2.

Continued on page 47



# PE

SCIENCE  
AND  
TECHNOLOGY

VOLUME 25 NO. 3  
MARCH 1989

ISSN 0332 - 6372

## INTEGRATING VACUUMS



### Editor:

John Becker

### Sub-Editor:

Helen Armstrong

### Technical Illustrator:

Derek Gooding

### Advertisement Sales:

Sarah Holtham

### Business Manager:

Mary-Ann Hubers

### Circulation:

David Hewett

### Publisher:

Angelo Zgorelec

### Editorial and Advertising Address:

Practical Electronics,  
Intra House, 193 Uxbridge Road,  
London W12 9RA  
Tel: 01-743 8888  
Telecom Gold: 87: SQQ567  
Fax: 01-743 3062

### Advertisements

All correspondence relating to advertisements, including classified ads, should be addressed to: **The advertisement department, Practical Electronics, at the above address and telephone number.**

### Readers' Enquiries

All editorial correspondence should be addressed to the editor and any letters requiring a reply should be accompanied by a stamped addressed envelope, or equivalent payment.

*We regret that lengthy technical enquiries cannot be answered over the phone.*

### Subscription Address:

Practical Electronics, Subscription Dept.,  
P.O. Box 500, Leicester LE99 0AA.

### Annual Subscription Rates:

U.K. £15.00 Overseas £18.00

### Cover Illustration

Mark Taylor

© Intra Press 1989. Copyright in all drawings, photographs and articles published in PRACTICAL ELECTRONICS is fully protected, and reproduction or imitations in whole or in part are expressly forbidden. All reasonable precautions are taken by PRACTICAL ELECTRONICS to ensure that the advice and data given to readers is reliable. We cannot, however, guarantee it, and we cannot accept legal responsibility for it. Prices quoted are those current as we go to press. All material is accepted for publication on the express understanding that the contributor has the authority to permit us to do so.



**W**hen was the last time you saw a vacuum valve? Chances are that of recent years you've probably seen very few and, with the rare exception, seldom seen circuits using them published in the hobbyist electronics press. Heated vacuum valves have been largely ousted by solid state devices. Valves are now used in only a handful of specialist applications, such as in high power radio transmitters, electron microscopes, as display tubes for tvs and scopes, and, of course, for pleasing those audio enthusiasts who believe that valve amplifiers can produce a far more pleasing sound.

It may surprise you, then, to learn that valves may well make a come back and soon compete with solid state devices. A number of scientists in groups around the world are actively researching into a new concept in the field of valve technology. For example, there is one such team at GEC's main research laboratory in London. Led by Dr Rosemary Lee, this team is taking advantage of the recent rapid developments in silicon processing techniques to produce valves that are comparable in size to semiconductors. Indeed, GEC's team believe that it is quite feasible to expect the introduction of devices having one million valves on a single square centimetre of silicon.

Normal thermionic valves have three main elements - cathode, anode and a heater, all enclosed in an evacuated glass envelope. The new generation of valves will differ greatly. Whereas thermionic valves only emit electrons when the cathode is heated, the new valves work on the field emission principle. In other words, they are cold cathode devices from which electrons can be literally dragged from the cathode surface by a suitable electrical potential. One advantage is that there is no warm-up time; another is that the devices can yield much greater current densities, so allowing higher operating frequencies and faster switching.

Currently, GEC's experimental devices are fabricated onto a 16-pin DIL package and then, for experimental purposes, installed in a large vacuum chamber. This comprises a large stainless steel sphere with observation ports and a variety of probes connecting the chip to an external control panel. In commercial production, numerous elements will be fabricated and evacuated together within their device package.

One problem GEC are attempting to resolve is that of surface contamination which affects the field's emission characteristics. With the test device in the vacuum chamber a scanning electron microscope is used to examine the cathode surface. This enables visual records to be made of any breakdown in the electrodes and to relate the results against known timing factors.

There is much more research to be carried out before the new valves will become commercially available, but it is expected that they will ultimately find many applications. They could perhaps replace almost any hot-cathode electron source for which thermionic valves are normally used. They could also have great potential for use as flat tv displays, and since they are capable of operating in high temperature environments, they could even be used for monitoring conditions within jet engines.

They appear to be yet another revolutionary device that will have an impact on the 1990's.

**THE EDITOR**

## BBC Computer & Econet Referral Centre

<b>AMB15 BBC MASTER £346 (a)</b>	<b>AMB12 BBC MASTER Econet £315 (a)</b>
AMC06 Turbo (65C - 02) Expansion Module	£99 (b)
ADC08 512 Professor	£195 (b)
ADF14 Rom Cartridge	£13 (b)
ADJ22 Ref Manual Part 1	£14 (c)
ADJ24 Advanced Ref Manual	£19.50 (c)
ADF10 Econet Module	£41 (c)
ADJ23 Ref Manual Part II	£14 (c)
BBC Master Dust Cover	£4.75 (d)

### BBC MASTER COMPACT

A free packet of ten 3 1/2" DS discs with each Compact SYSTEM 1 128K Single 640K Drive and bundled software £385 (a)  
 SYSTEM 2 System 1 with a 12" Hi Res RGB Monitor £469 (a)  
 SYSTEM 3 System 1 with a 14" Med Res RGB Monitor £599 (a)  
 Second Drive Kit £99 (c) Extension Cable for ext 5 2 1/2" drive £12.50 (d)

View 3.0 User Guide £10 (d)	Viewsheet User Guide £10 (d)
BBC Dust Cover £4.50 (d)	1770 DFS Upgrade for Model B £43.50 (d)
ADFS ROM (for B with 1770 DFS & B Plus) £26 (d)	12 DS ROM £15 (d)
ACORN Z80 2nd Processors £329 (a)	ACORN 6502 2nd Processor £173 (b)
MULTIFORM Z80 2nd Processor £289 (b)	ACORN IEEE Interface £269 (a)
TORCH Z80 2nd Processor ZEP 100	£229 (a)
TZDP 240 ZEP 100 with Technomatic PD800P dual drive with built-in monitor stand	£439 (a)

**META Version III** - The only package available in the micro market that will assemble 27 different processors at the price offered. Supplied on two 16K roms and two discs and fully compatible with all BBC models. Please phone for comprehensive leaflet **£145 (b)**.

We stock the full range of ACORN hardware and firmware and a very wide range of other peripherals for the BBC. For detailed specifications and pricing please send for our leaflet.

## PRINTERS & PLOTTERS

<b>EPSON</b>	<b>STAR NL10 (Parallel Interface)</b> £209 (a)
EPSON LX86 £189 (a)	STAR NL10 (Serial Interface) £279 (a)
Optional Tractor Feed LX80/86 £20 (c)	STAR Power Type £229 (a)
Sheet Feeder LX80/86 £49 (c)	<b>BROTHER HR20</b> £329 (a)
FX800 £319 (a)	<b>COLOUR PRINTERS</b>
FX1000 £449 (a)	Dotprint Plus NLO Rom for Epson versions for FX, RX, MX and GLP (BBC only) £28 (d)
EX800 £409 (a)	<b>PLOTTERS</b>
LQ800 (80 col) £439 (a)	Hitachi 672 £459 (a)
LQ1000 £589 (a)	Graphics Workstation (A3 Plotter) £599 (a)
<b>TAXAN</b>	Plotmate A4SM £450 (a)
KP815 (160 cps) £249 (a)	
KP915 (180 cps) £369 (a)	
<b>JUKI</b>	
6100 (Daisy Wheel) £259 (a)	
<b>NATIONAL PANASONIC</b>	
KX P1080 (80 col) £149 (a)	

## PRINTER ACCESSORIES

We hold a wide range of printer attachments (sheet feeders, tractor feeds etc) in stock. Serial, parallel, IEEE and other interfaces also available. Ribbons available for all above plotters. Pens with a variety of tips and colours also available. Please phone for details and prices.  
**Plain Fanfold Paper with extra fine perforation (Clean Edge):**  
 2000 sheets 9.5" X 11" £13(b) 2000 sheets 14.5" X 11" £18.50(b)  
 Labels per 1000s: Single Row 3 1/2" X 1 7/16" £5.25(d) Triple Row 2-7/16" X 1 7/16" £5.00(d)

## MODEMS

All modems carry a full BT approval

### MIRACLE TECHNOLOGY WS Range

WS4000 V21/23 (Hayes Compatible, Intelligent, Auto Dial/Auto Answer) £149 (b)

WS3000 V21/23 Professional As WS4000 and with BELL standards and battery back up for memory £245 (b)

WS3000 V22 Professional As WS300 V21/23 but with 1200 baud full duplex £450 (a)

WS3000 V22 bis Professional As V22 and 2400 baud full duplex £595 (a)

WS3022 V22 Professional As WS3000 but with only 1200/1200 £350 (a)

WS3024 V22 Professional As WS3000 but with only 2400/2400 £450 (b)

WS2000 V21/V23 Manual Modem £95 (b)

DATA Cable for WS series/PC or XT £10 (d)

DATATALK Comms Package \* If purchased with any of the above modems £70 (c)

PACE Nightingale Modem V21/V23 Manual £75 (b)

(Offer limited to current stocks)

### SOFTY II

This low cost intelligent eprom programmer can program 2716, 2516, 2532, 2732, and with an adaptor, 2564 and 2764. Displays 512 byte page on TV - has a serial and parallel I/O routines. Can be used as an emulator, cassette interface. Softy II £195.00 (b)  
 Adaptor for 2764/2564 £25.00

PLEASE TELEPHONE FOR CURRENT PRICES

**RT256 3 PORT SWITCHOVER SERIAL INTERFACE**  
 3 input/1 output or 1 input/3 output manual channel selection. Input/output baud rates, independently selectable 7 bit/8 bit, odd/even/none parity. Hardware or software handshake. 256K buffer, mains powered £375 (b)

**PB BUFFER**  
 Internal buffer for most Epson printers. Easy to install. Inst. supplied. PB128 128K £99 (c)

## I.D. CONNECTORS

(Speedblock Type)			
No of ways	Header Plug	Recep. Sockets	Edge Conn
10	90p	85p	120p
20	145p	125p	195p
26	175p	150p	240p
34	200p	160p	320p
40	220p	190p	340p
50	235p	200p	390p

## D CONNECTORS

No of Ways				
	9	15	25	37
<b>MALE:</b>				
Ang Pins	120	180	230	350
Solder	60	85	125	170
IDC	175	275	325	-
<b>FEMALE:</b>				
St Pin	100	140	210	380
Ang Pins	160	210	275	440
Solder	90	130	195	290
IDC	195	325	375	-
St Hood	90	95	100	120
Screw	130	150	175	-
Lock	-	-	-	-

TEXTPOOL ZIF	
SOCKET S	24-pin £7.50
28-pin	£9.10
40-pin	£12.10

## DISC DRIVES

<b>5.25" Single Drives 40/50 switchable:</b>	
TS400 400K/640K	£114 (b)
PS400 400K/640K with integral mains power supply	£129 (b)
<b>5.25" Dual Drives 40/80 switchable:</b>	
TD800 800K/1280K	£199 (a)
PD800 800K/1280K with integral mains power supply	£229 (a)
PD800P 800K/1280K with integral mains power supply and monitor stand	£249 (a)
<b>3.5" 80T DS Drives:</b>	
TS351 Single 400K/640K	£99 (b)
PS351 Single 400K/640K with integral mains power supply	£119 (b)
TD352 Dual 800K/1280K	£170 (b)
PD352 Dual 800K/1280K with integral mains power supply	£187 (b)
PD853 Combo Dual 5.25"/3.5" drive with p.s.u.	£229 (a)

## 3M FLOPPY DISCS

Industry Standard floppy discs with a lifetime guarantee. Discs in packs of 10

<b>5 1/4" Discs</b>		<b>3 1/2" Discs</b>
40 T SS DD £10.00 (d)	40 T DS DD £12.00 (d)	80 T SS DD £20.00 (d)
80 T SS DD £14.50 (d)	80 T DS DD £15.50 (d)	80 T DS DD £25.00 (d)

## FLOPPICLENE DRIVEHEAD CLEANING KIT

FLOPPICLENE Disc Head Cleaning Kit with 28 disposable cleaning discs ensures continued optimum performance of the drives. 5 1/4" £12.50 (d)  
 3 1/2" £14.00 (d)

## DRIVE ACCESSORIES

Single Disc Cable £6 (d)	Dual Disc Cable £8.50 (d)
10 Disc Library Case £1.80 (d)	30 x 5 1/2" Disc Storage Box £6 (c)
50 x 5 1/2" Disc Lockable Box £9.00 (c)	100 x 5 1/2" Disc Lockable Box £13 (c)

## MONITORS

<b>RGB 14"</b>		<b>MONOCHROME</b>
1431 Std Res £179 (a)		TAXAN 12" HI-RES
1451 Med Res £225 (a)		KX1201G green screen £90 (a)
1441 Hi Res £365 (a)		KX1203A amber screen £95 (a)
<b>MICROVITEC 14" RGB/PAL/Audio</b>		<b>PHILIPS 12" HI-RES</b>
1431AP Std Res £199 (a)		BM7502 green screen £75 (a)
1451AP Std Res £259 (a)		BM7522 amber screen £79 (a)
All above monitors available in plastic or metal case.		8501 RGB Std Res £139 (a)
<b>TAXAN SUPERVISION II</b>		<b>ACCESSORIES</b>
12" - Hi Res with amber/green options.		Microvitec Swivel Base £20 (c)
IBM compatible £279 (a)		Taxan Mono Swivel Base with clock £22 (c)
Taxan Supervision III £319 (a)		Philips Swivel Base £14 (c)
<b>MITSUBISHI</b>		BBC RGB Cable £5 (d)
XC1404 14" Med Res RGB, IBM & BBC compatible £219 (a)		Microvitec £3.50 (d)
		Taxan ES (d) Monochrome £3.50 (d)
		Touchtec - 501 £239 (b)

## UVERASERS

UV1T Eraser with built-in timer and mains indicator. Built-in safety interlock to avoid accidental exposure to the harmful UV rays.  
 It can handle up to 5 sprogs at a time with an average erasing time of about 20 mins £59 + £2 p.p.  
 UV1 as above but without the timer £47 + £2 p.p.  
 For Industrial Users, we offer UV140 & UV141 erasers with handling capacity of 14 sprogs. UV141 has a built in timer. Both offer full built in safety features UV140 £69, UV141 £85, p.p £2.50.

## EXT SERIAL/PARALLEL CONVERTERS

Mains powered converters  
 Serial to Parallel £48 (c)  
 Parallel to Serial £48 (c)  
 Bidirectional Converter £105 (b)

### Serial Test Cable

Serial Cable switchable at both ends allowing pin options to be re-routed or linked at either end - making it possible to produce almost any cable configuration on site. £24.75 (d)  
 Available as M/M or M/F

### Serial Mini Patch Box

Allows an easy method to reconfigure pin functions without rewiring the cable assy. Jumpers can be used and reused £22 (d)

### Serial Mini Test

Monitors RS232C and CCITT V24 Transmissions, indicating status with dual colour LEDs on 7 most significant lines. Connects in Line. £22.50 (d)

## CONNECTOR SYSTEMS

### EDGE CONNECTORS

	0 1	0 156
2 x 6-way (Commodore)	-	300p
2 x 10 way	150p	-
2 x 12 way (VIC 20)	-	350p
2 x 18 way	-	140p
2 x 23-way (ZX81)	175p	220p
2 x 25-way	225p	220p
2 x 28-way (Spectrum)	200p	-
2 x 36 way	250p	-
1 x 43-way	260p	-
2 x 22 way	190p	-
2 x 43 way	395p	-
1 x 77 way	400p	500p
2 x 50 way (S100conn)	600p	-

### EURO CONNECTORS

DIN 41612	Plug	Skt
2 x 32 way St Pin	230p	275p
2 x 32 way Ang Pin	275p	320p
3 x 32 way St Pin	260p	300p
3 x 32 way Ang Pin	375p	400p
IDC Skt A + B	400p	-
IDC Skt A + C	400p	-

For 2 x 32 way please specify spacing (A + B, A + C).

### MISC CONNS

21 pin Scart Connector	200p
8 pin Video Connector	200p

### AMPHENOL CONNECTORS

36 way plug Centronics (solder) 500p (IDC) 475p  
 36 way skt Centronics (solder) 550p (IDC) 500p  
 24 way plug IEEE (solder) 475p (IDC) 475p  
 24 way skt IEEE (solder) 500p (IDC) 500p  
 PCB Mtg Skt Ang Pin  
 24 way 700p 36 way 750p

### GENDER CHANGERS

25 way D type	
Male to Male	£10
Male to Female	£10
Female to Female	£10

### RS 232 JUMPERS

24" Single end Male	£5.00
24" Single end Female	£5.25
24" Female Female	£10.00
24" Male Male	£9.50
24" Male Female	£9.50

### DIL SWITCHES

4-way	90p	6-way	105p
8-way	120p	10-way	150p

### RIBBON CABLE

(grey/metre)		
10-way	40p	34-way 160p
16-way	60p	40-way 180p
20-way	85p	50-way 200p
26-way	120p	64-way 280p

### DIL HEADERS

	Solder	IDC
14 pin	40p	100p
16 pin	50p	110p
18 pin	60p	-
20 pin	75p	-
24 pin	100p	150p
28 pin	160p	200p
40 pin	200p	225p

### ATTENTION

All prices in this double page advertisement are subject to change without notice.  
**ALL PRICES EXCLUDE VAT**  
 Please add carriage 50p unless indicated as follows:  
 (a) £8 (b) £2.50 (c) £1.50 (d) £1.00

<b>7A SERIES</b>	74279 0.90 74283 1.05 74284 3.20 74290 0.90 74293 0.90 74298 2.00 74300 0.80 74304 0.38 74305 0.40 74306 0.40 74307 0.40 74308 0.30 74309 0.30 74310 0.30 74311 0.30 74312 0.30 74313 0.50 74314 0.70 74316 0.36 74317 0.40 74320 0.38 74321 0.40 74322 0.36 74323 0.36 74324 0.36 74325 0.40 74326 0.40 74327 0.32 74328 0.48 74330 0.30 74332 0.36 74333 0.30 74337 0.38 74338 0.40 74339 0.40 7440 0.40 7441 0.90 7442A 0.70 7443A 1.00 7444 1.10 7445 0.70 7446A 1.00 7447A 1.00 7448 1.00 7450 0.36 7451 0.35 7453 0.38 7454 0.38 7460 0.55 7470 0.50 7472 0.45 7473 0.45 7474 0.50 7475 0.90 7476 0.45 7480 0.65 7481 0.65 7483A 1.05 7484A 1.25 7485 1.10 7486 0.42 7488 2.10 7489A 0.55 7491 0.70 7492A 0.70 7493A 0.95 7494 1.10 7495A 0.60 7496 0.60 7497 2.90 74100 1.90 74107 0.75 74109 0.75 74110 0.75 74111 0.55 74116 1.70 74118 1.10 74119 1.70 74120 1.00 74121 0.55 74122 0.70 74123 0.80 74125 0.65 74126 0.85 74128 0.55 74132 0.75 74136 0.70 74141 0.80 74142 2.30 74143 1.30 74144 2.70 74145 1.10 74147 1.70 74148 1.40 74150 1.75 74151A 0.70 74153 0.80 74154 1.40 74155 0.80 74156 0.90 74159 0.25 74160 1.10 74161 0.80 74162 1.10 74163 1.10 74164 1.20 74165 1.10 74166 1.40 74167 4.00 74170 2.00 74172 4.20 74173 1.40 74174 1.10 74175 1.05 74176 1.50 74178 1.50 74179 1.50 74180 1.50 74181 3.40 74182 1.40 74184 1.80 74185A 1.80 74186 1.30 74191 1.30 74192 1.10 74193 1.15 74194 1.10 74195 1.10 74196 1.30 74197 1.10 74198 2.20 74199 2.20 74201 1.10 74202 1.10 74203 1.50 74205 0.80 74206 0.80 74207 2.00 74208 1.40 74209 1.70	74279 1.25 74283 0.90 74284 0.80 74290 0.80 74293 0.80 74298 1.40 74300 0.80 74304 0.80 74305 1.40 74306 1.40 74307 1.40 74308 1.40 74309 2.20 74310 2.20 74311 3.00 74312 3.00 74313 2.00 74314 2.00 74316 2.00 74317 2.00 74320 2.00 74321 2.00 74322 2.00 74323 2.00 74324 2.00 74325 2.00 74326 2.00 74327 2.00 74328 2.00 74330 2.00 74332 2.00 74333 2.00 74337 2.00 74338 2.00 74339 2.00 7440 2.00 7441 2.00 7442A 2.00 7443A 2.00 7444 2.00 7445 2.00 7446A 2.00 7447A 2.00 7448 2.00 7450 2.00 7451 2.00 7453 2.00 7454 2.00 7460 2.00 7470 2.00 7472 2.00 7473 2.00 7474 2.00 7475 2.00 7476 2.00 7480 2.00 7481 2.00 7483A 2.00 7484A 2.00 7485 2.00 7486 2.00 7488 2.00 7489A 2.00 7491 2.00 7492A 2.00 7493A 2.00 7494 2.00 7495A 2.00 7496 2.00 7497 2.00 74100 2.00 74107 2.00 74109 2.00 74110 2.00 74111 2.00 74116 2.00 74118 2.00 74119 2.00 74120 2.00 74121 2.00 74122 2.00 74123 2.00 74125 2.00 74126 2.00 74128 2.00 74132 2.00 74136 2.00 74141 2.00 74142 2.00 74143 2.00 74144 2.00 74145 2.00 74147 2.00 74148 2.00 74150 2.00 74151A 2.00 74153 2.00 74154 2.00 74155 2.00 74156 2.00 74159 2.00 74160 2.00 74161 2.00 74162 2.00 74163 2.00 74164 2.00 74165 2.00 74166 2.00 74167 2.00 74170 2.00 74172 2.00 74173 2.00 74174 2.00 74175 2.00 74176 2.00 74178 2.00 74179 2.00 74180 2.00 74181 2.00 74182 2.00 74184 2.00 74185A 2.00 74186 2.00 74191 2.00 74192 2.00 74193 2.00 74194 2.00 74195 2.00 74196 2.00 74197 2.00 74198 2.00 74199 2.00 74201 2.00 74202 2.00 74203 2.00 74205 2.00 74206 2.00 74207 2.00 74208 2.00 74209 2.00	74500 0.24 74501 0.24 74502 0.24 74503 0.24 74504 0.24 74505 0.24 74506 0.24 74507 0.24 74508 0.24 74509 0.24 74510 0.24 74511 0.24 74512 0.24 74513 0.24 74514 0.24 74515 0.24 74516 0.24 74517 0.24 74518 0.24 74519 0.24 74520 0.24 74521 0.24 74522 0.24 74523 0.24 74524 0.24 74525 0.24 74526 0.24 74527 0.24 74528 0.24 74529 0.24 74530 0.24 74531 0.24 74532 0.24 74533 0.24 74534 0.24 74535 0.24 74536 0.24 74537 0.24 74538 0.24 74539 0.24 74540 0.24 74541 0.24 74542 0.24 74543 0.24 74544 0.24 74545 0.24 74546 0.24 74547 0.24 74548 0.24 74549 0.24 74550 0.24 74551 0.24 74552 0.24 74553 0.24 74554 0.24 74555 0.24 74556 0.24 74557 0.24 74558 0.24 74559 0.24 74560 0.24 74561 0.24 74562 0.24 74563 0.24 74564 0.24 74565 0.24 74566 0.24 74567 0.24 74568 0.24 74569 0.24 74570 0.24 74571 0.24 74572 0.24 74573 0.24 74574 0.24 74575 0.24 74576 0.24 74577 0.24 74578 0.24 74579 0.24 74580 0.24 74581 0.24 74582 0.24 74583 0.24 74584 0.24 74585 0.24 74586 0.24 74587 0.24 74588 0.24 74589 0.24 74590 0.24 74591 0.24 74592 0.24 74593 0.24 74594 0.24 74595 0.24 74596 0.24 74597 0.24 74598 0.24 74599 0.24 74600 0.24 74601 0.24 74602 0.24 74603 0.24 74604 0.24 74605 0.24 74606 0.24 74607 0.24 74608 0.24 74609 0.24 74610 0.24 74611 0.24 74612 0.24 74613 0.24 74614 0.24 74615 0.24 74616 0.24 74617 0.24 74618 0.24 74619 0.24 74620 0.24 74621 0.24 74622 0.24 74623 0.24 74624 0.24 74625 0.24 74626 0.24 74627 0.24 74628 0.24 74629 0.24 74630 0.24 74631 0.24 74632 0.24 74633 0.24 74634 0.24 74635 0.24 74636 0.24 74637 0.24 74638 0.24 74639 0.24 74640 0.24 74641 0.24 74642 0.24 74643 0.24 74644 0.24 74645 0.24 74646 0.24 74647 0.24 74648 0.24 74649 0.24 74650 0.24 74651 0.24 74652 0.24 74653 0.24 74654 0.24 74655 0.24 74656 0.24 74657 0.24 74658 0.24 74659 0.24 74660 0.24 74661 0.24 74662 0.24 74663 0.24 74664 0.24 74665 0.24 74666 0.24 74667 0.24 74668 0.24 74669 0.24 74670 0.24 74671 0.24 74672 0.24 74673 0.24 74674 0.24 74675 0.24 74676 0.24 74677 0.24 74678 0.24 74679 0.24 74680 0.24 74681 0.24 74682 0.24 74683 0.24 74684 0.24 74685 0.24 74686 0.24 74687 0.24 74688 0.24 74689 0.24 74690 0.24 74691 0.24 74692 0.24 74693 0.24 74694 0.24 74695 0.24 74696 0.24 74697 0.24 74698 0.24 74699 0.24 74700 0.24 74701 0.24 74702 0.24 74703 0.24 74704 0.24 74705 0.24 74706 0.24 74707 0.24 74708 0.24 74709 0.24 74710 0.24 74711 0.24 74712 0.24 74713 0.24 74714 0.24 74715 0.24 74716 0.24 74717 0.24 74718 0.24 74719 0.24 74720 0.24 74721 0.24 74722 0.24 74723 0.24 74724 0.24 74725 0.24 74726 0.24 74727 0.24 74728 0.24 74729 0.24 74730 0.24 74731 0.24 74732 0.24 74733 0.24 74734 0.24 74735 0.24 74736 0.24 74737 0.24 74738 0.24 74739 0.24 74740 0.24 74741 0.24 74742 0.24 74743 0.24 74744 0.24 74745 0.24 74746 0.24 74747 0.24 74748 0.24 74749 0.24 74750 0.24 74751 0.24 74752 0.24 74753 0.24 74754 0.24 74755 0.24 74756 0.24 74757 0.24 74758 0.24 74759 0.24 74760 0.24 74761 0.24 74762 0.24 74763 0.24 74764 0.24 74765 0.24 74766 0.24 74767 0.24 74768 0.24 74769 0.24 74770 0.24 74771 0.24 74772 0.24 74773 0.24 74774 0.24 74775 0.24 74776 0.24 74777 0.24 74778 0.24 74779 0.24 74780 0.24 74781 0.24 74782 0.24 74783 0.24 74784 0.24 74785 0.24 74786 0.24 74787 0.24 74788 0.24 74789 0.24 74790 0.24 74791 0.24 74792 0.24 74793 0.24 74794 0.24 74795 0.24 74796 0.24 74797 0.24 74798 0.24 74799 0.24 74800 0.24
------------------	---	---	--

4076 0.65 4077 0.25 4078 0.25 4081 0.24 4082 0.25 4085 0.60 4086 0.75 4089 1.20 4093 0.35 4094 0.90 4095 0.95 4096 0.90 4097 2.70 4098 0.75 4099 0.39 4501 0.36 4502 0.55 4503 0.35 4504 0.35 4505 3.60 4506 0.90 4507 0.35 4508 1.20 4510 0.55 4511 0.55 4512 0.55 4513 1.10 4514 1.10 4515 1.10 4516 0.55 4517 2.20 4518 0.48 4519 0.32 4520 0.36 4521 1.15 4522 0.80 4526 0.70 4527 0.80 4528 0.85 4529 0.78 4531 0.75 4532 0.65 4534 0.38 4535 2.50 4538 0.75 4539 0.75 4541 0.90 4543 0.70 4544 0.90 4545 2.40 4546 1.00 4547 0.36 4548 0.36 4549 0.36 4550 0.36 4551 0.36 4552 0.36 4553 2.40 4554 2.00 4555 2.00 4556 1.00 4557 2.40 4558 1.40 4559 1.40 4560 0.50 4561 0.50 4562 0.50 4563 0.50 4564 0.50 4565 0.50 4566 0.50 4567 0.50 4568 0.50 4569 0.50 4570 0.50 4571 0.50 4572 0.45 4573 0.45 4574 0.45 4575 0.45 4576 0.45 4577 0.45 4578 0.45 4579 0.45 4580 0.45 4581 0.45 4582 0.45 4583 0.45 4584 0.45 4585 0.45 4586 0.45 4587 0.45 4588 0.45 4589 0.45 4590 0.45 4591 0.45 4592 0.45 4593 0.45 4594 0.45 4595 0.45 4596 0.45 4597 0.45 4598 0.45 4599 0.45 4600 0.45 4601 0.45 4602 0.45 4603 0.45 4604 0.45 4605 0.45 4606 0.45 4607 0.45 4608 0.45 4609 0.45 4610 0.45 4611 0.45 4612 0.45 4613 0.45 4614 0.45 4615 0.45 4616 0.45 4617 0.45 4618 0.45 4619 0.45 4620 0.45 4621 0.45 4622 0.45 4623 0.45 4624 0.45 4625 0.45 4626 0.45 4627 0.45 4628 0.45 4629 0.45 4630 0.45 4631 0.45 4632 0.45 4633 0.45 4634 0.45 4635 0.45 4636 0.45 4637 0.45 4638 0.45 4639 0.45 4640 0.45 4641 0.45 4642 0.45 4643 0.45 4644 0.45 4645 0.45 4646 0.45 4647 0.45 4648 0.45 4649 0.45 4650 0.45 4651 0.45 4652 0.45 4653 0.45 4654 0.45 4655 0.45 4656 0.45 4657 0.45 4658 0.45 4659 0.45 4660 0.45 4661 0.45 4662 0.45 4663 0.45 4664 0.45 4665 0.45 4666 0.45 4667 0.45 4668 0.45 4669 0.45 4670 0.45 4671 0.45 4672 0.45 4673 0.45 4674 0.45 4675 0.45 4676 0.45 4677 0.45 4678 0.45 4679 0.45 4680 0.45 4681 0.45 4682 0.45 4683 0.45 4684 0.45 4685 0.45 4686 0.45 4687 0.45 4688 0.45 4689 0.45 4690 0.45 4691 0.45 4692 0.45 4693 0.45 4694 0.45 4695 0.45 4696 0.45 4697 0.45 4698 0.45 4699 0.45 4700 0.45 4701 0.45 4702 0.45 4703 0.45 4704 0.45 4705 0.45 4706 0.45 4707 0.45 4708 0.45 4709 0.45 4710 0.45 4711 0.45 4712 0.45 4713 0.45 4714 0.45 4715 0.45 4716 0.45 4717 0.45 4718 0.45 4719 0.45 4720 0.45 4721 0.45 4722 0.45 4723 0.45 4724 0.45 4725 0.45 4726 0.45 4727 0.45 4728 0.45 4729 0.45 4730 0.45 4731 0.45 4732 0.45 4733 0.45 4734 0.45 4735 0.45 4736 0.45 4737 0.45 4738 0.45 4739 0.45 4740 0.45 4741 0.45 4742 0.45 4743 0.45 4744 0.45 4745 0.45 4746 0.45 4747 0.45 4748 0.45 4749 0.45 4750 0.45 4751 0.45 4752 0.45 4753 0.45 4754 0.45 4755 0.45 4756 0.45 4757 0.45 4758 0.45 4759 0.45 4760 0.45 4761 0.45 4762 0.45 4763 0.45 4764 0.45 4765 0.45 4766 0.45 4767 0.45 4768 0.45 4769 0.45 4770 0.45 4771 0.45 4772 0.45 4773 0.45 4774 0.45 4775 0.45 4776 0.45 4777 0.45 4778 0.45 4779 0.45 4780 0.45 4781 0.45 4782 0.45 4783 0.45 4784 0.45 4785 0.45 4786 0.45 4787 0.45 4788 0.45 4789 0.45 4790 0.45 4791 0.45 4792 0.45 4793 0.45 4794 0.45 4795 0.45 4796 0.45 4797 0.45 4798 0.45 4799 0.45 4800 0.45 4801 0.45 4802 0.45 4803 0.45 4804 0.45 4805 0.45 4806 0.45 4807 0.45 4808 0.45 4809 0.45 4810 0.45 4811 0.45 4812 0.45 4813 0.45 4814 0.45 4815 0.45 4816 0.45 4817 0.45 4818 0.45 4819 0.45 4820 0.45 4821 0.45 4822 0.45 4823 0.45 4824 0.45 4825 0.45 4826 0.45 4827 0.45 4828 0.45 4829 0.45 4830 0.45 4831 0.45 4832 0.45 4833 0.45 4834 0.45 4835 0.45 4836 0.45 4837 0.45 4838 0.45 4839 0.45 4840 0.45 4841 0.45 4842 0.45 4843 0.45 4844 0.45 4845 0.45 4846 0.45 4847 0.45 4848 0.45 4849 0.45 4850 0.45 4851 0.45 4852 0.45 4853 0.45 4854 0.45 4855 0.45 4856 0.45 4857 0.45 4858 0.45 4859 0.45 4860 0.45 4861 0.45 4862 0.45 4863 0.45 4864 0.45 4865 0.45 4866 0.45 4867 0.45 4868 0.45 4869 0.45 4870 0.45 4871 0.45 4872 0.45 4873 0.45 4874 0.45 4875 0.45 4876 0.45 4877 0.45 4878 0.45 4879 0.45 4880 0.45 4881 0.45 4882 0.45 4883 0.45 4884 0.45 4885 0.45 4886 0.45 4887 0.45 4888 0.45 4889 0.45 4890 0.45 4891 0.45 4892 0.45 4893 0.45 4894 0.45 4895 0.45 4896 0.45 4897 0.45 4898 0.45 4899 0.45 4900 0.45 4901 0.45 4902 0.45 4903 0.45 4904 0.45 4905 0.45 4906 0.45 4907 0.45 4908 0.45 4909 0.45 4910 0.45 4911 0.45 4912 0.45 4913 0.45 4914 0.45 4915 0.45 4916 0.45 4917 0.45 4918 0.45 4919 0.45 4920 0.45 4921 0.45 4922 0.45 4923 0.45 4924 0.45 4925 0.45 4926 0.45 4927 0.45 4928 0.45 4929 0.45 4930 0.45 4931 0.45 4932 0.45 4933 0.45 4934 0.45 4935 0.45 4936 0.45 4937 0.45 4938 0.45 4939 0.45 4940 0.45 4941 0.45 4942 0.45 4943 0.45 4944 0.45 4945 0.45 4946 0.45 4947 0.45 4948 0.45 4949 0.45 4950 0.45 4951 0.45 4952 0.45 4953 0.45 4954 0.45 4955 0.45 4956 0.45 4957 0.45 4958 0.45 4959 0.45 4960 0.45 4961 0.45 4962 0.45 4963 0.45 4964 0.45 4965 0.45 4966 0.45 4967 0.45 4968 0.45 4969 0.45 4970 0.45 4971 0.45 4972 0.45 4973 0.45 4974 0.45 4975 0.45 4976 0.45 4977 0.45 4978 0.45 4979 0.45 4980 0.45 4981 0.45 4
---

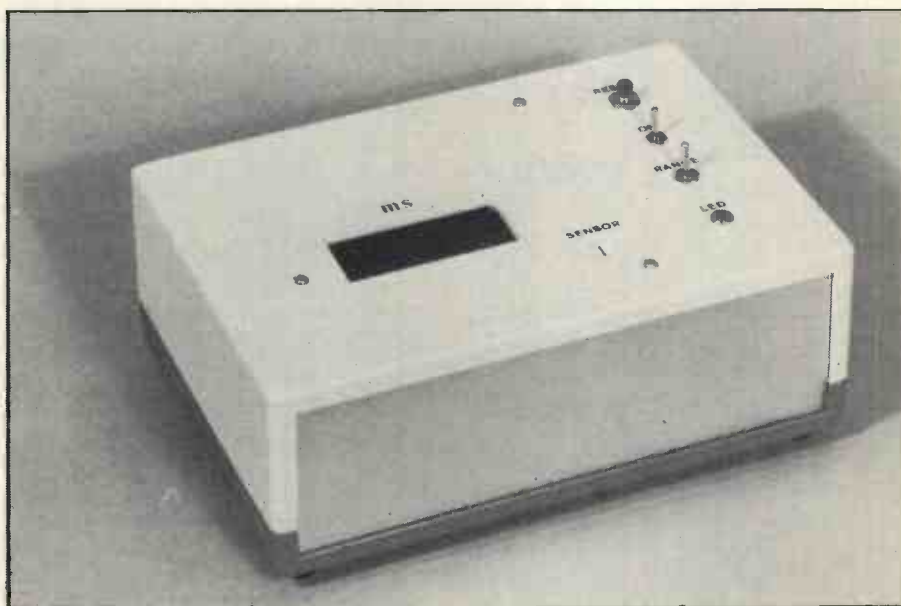
# SHUTTER TIMER

BY ROBERT PENFOLD  
TIMELY EXPOSURE

*Any serious photographer knows that for given film speeds and lighting conditions, correct exposures can only result from the precise setting of the relationship between shutter speed and aperture. The latter can be finely adjusted, but only if you know the exact speed of the shutter.*

There have been countless articles describing items of electronic test equipment, but the vast majority of these have been for equipment to test electronic components or circuits. In industry electronic test gear is used to check just about anything and everything, and it is not restricted to such instruments as multi-meters, oscilloscopes, capacitance meters, and other devices for purely electronic testing. Many of these specialised types of test equipment are so specialised as to be of no practical interest whatever to the home constructor. However, there are a few devices in this field which make interesting and useful projects. This includes the unit featured here, which is a shutter timer that can be used to check the timing accuracy of camera shutters.

The unit has a three digit led display with an overflow indicator. It has two measuring ranges of 0 to 99.9ms and 0 to 999ms. Most cameras have shutter times from about 1/15th to 1/500th of a second, and are fully catered for by these ranges. Some up-market cameras have a very wide range of shutter speeds, and the unit might not cater for all of these. In particular, a few cameras



now have very long maximum manual speeds – some four seconds in the case of my Pentax LX cameras for instance. Obviously the unit will enable most of the speeds to be checked on cameras of this

type, and even the slow speeds can be checked quite well by counting off the whole seconds and then using the "overflowed" timer to indicate the fraction of a second to the nearest millisecond.

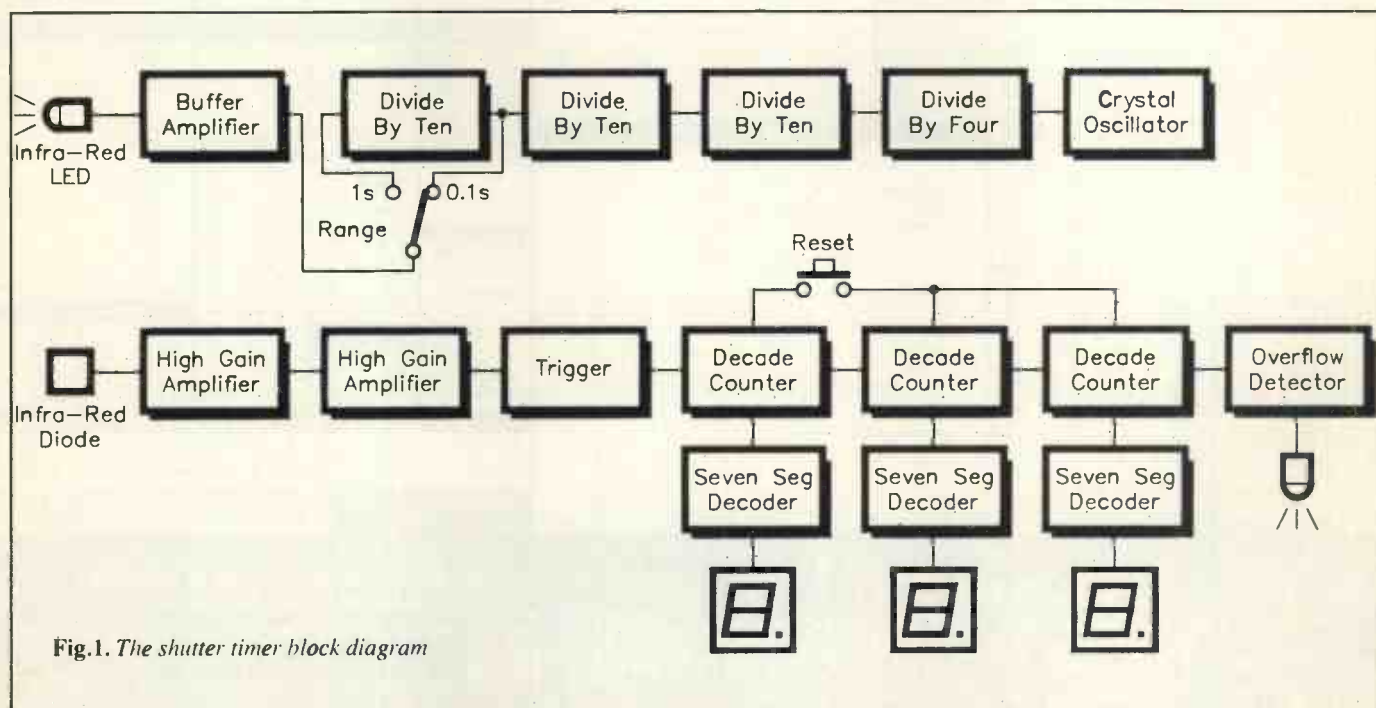


Fig.1. The shutter timer block diagram

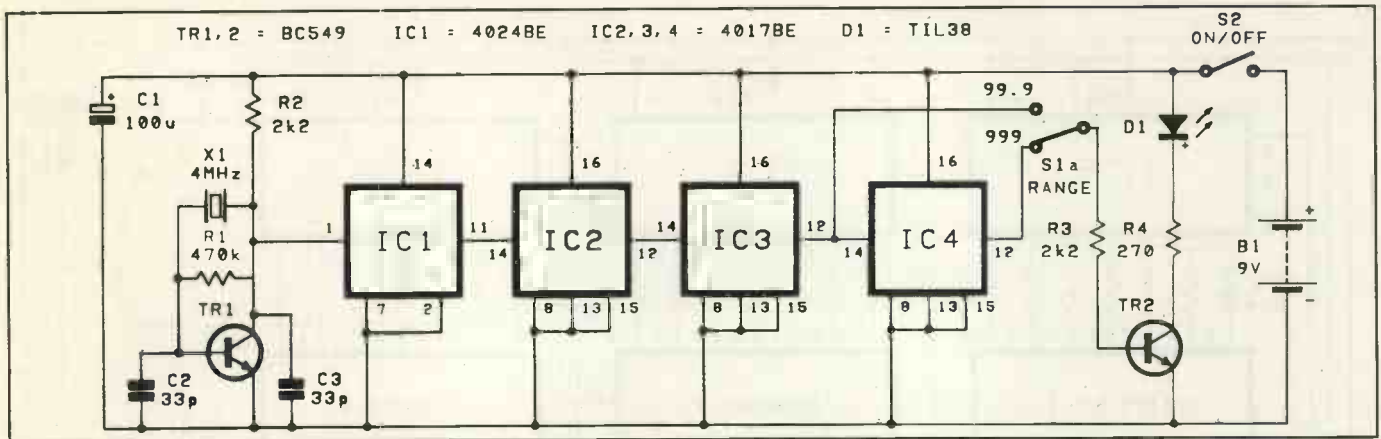


Fig.2. The pulse generator circuit diagram

## SYSTEM OPERATION

There are various ways of obtaining the desired action from a unit of this type, but they boil down to what are really just two basic approaches. Either the shutter can be used to produce a gate signal for a conventional digital timer circuit, or the shutter can operate directly as the gate circuit of a conventional timer. No doubt either method can be made to work well, but the second method is the more simple, and is the one adopted for this unit. The block diagram of Fig. 1 shows the general arrangement used in the shutter timer project.

The unit really consists of two separate circuits: one to generate infra-red pulses and one to count them. The pulse generator circuit is based on a 4MHz crystal oscillator, and this feeds into a divider chain. A divide by four circuit followed by three divide by ten stages gives an overall division rate of 4000, and a final output frequency of 1kHz. This provides the 0 to 999ms range, but by omitting the last divider stage a 10kHz signal and a 0 to 99.9ms range are obtained. A range switch is used to select the appropriate output. The pulses are used to drive an infra-red led by way of a buffer amplifier.

It would be possible to omit the last two divider stages in order to obtain a 100kHz pulse signal and a 0 to 9.99ms range. One problem in doing this is that the photo-cells in the circuit do not operate well at such a high frequency, though a few experiments with the prototype equipment tended to suggest that they may sometimes be usable at this frequency. Another problem is simply that it is difficult to arrange things so that the extra theoretical resolution would actually be realised. The problems involved with measuring fast shutter speeds are discussed later.

The other section of the unit is a circuit that picks up the infra-red pulses and counts them. The weak output from an infra-red detector diode is fed to a two stage high gain amplifier and then to a trigger circuit. This gives a squared signal at logic levels which can be used to drive the counter circuit. The latter is a simple three stage type consisting of three decade counters,

seven segment decoders, and led displays. The last stage drives a simple overflow detector circuit, which is basically just a set/reset flop/flop driving a led indicator. The counter is automatically reset to zero at switch-on, and there is also a manual reset control.

In use the output from the infra-red led is directed at the photo-diode through the camera's shutter. Assuming that the unit is set to the 0 to 999ms range, and that the pulses are at a frequency of 1kHz, one pulse will be received and counted for each millisecond that the shutter is open, and the required timing action is required. With the pulse frequency at 10kHz there is one pulse received and counted every 0.1ms, reducing the maximum count to 99.9ms but giving ten times the timing resolution.

## OPEN AND SHUT

As pointed out previously, there can be problems in obtaining accurate results at fast shutter speeds, and these need to be understood if this unit is to be used to good effect. In order to understand these problems you need to be familiar with the basic manner in which camera shutters function. These days few cameras have "leaf" shutters, which are actually in the lens and are a form of iris mechanism. These usually have a top speed of 1/500th of a second, or as little as 1/125th of a second for the large shutters (as used on "long" 5 x 4 camera lenses etc). Accurately measuring the faster speeds on this type of shutter is not usually difficult.

Most modern, small cameras, plus a few larger types, have focal plane shutters. As the name implies, these are at the plane of focus, or to be more precise, just in front of it (just in front of the film in other words). This type of shutter utilizes a twin curtain arrangement. When the shutter is activated, the first curtain is drawn across and opens the shutter. After the appropriate time has elapsed the second curtain moves across and closes the shutter. The two curtains are then drawn back across to their original positions when the shutter is cocked.

This explanation of a focal plane shutter is idealised in that the curtains take a relatively long time to fully open and close

the shutter. As a result of this, at fast shutter speeds the second curtain starts to close the shutter before the first one has fully opened it. In effect, a narrow opening is moved across in front of the film, and the faster the shutter speed, the narrower the slit is made. At very fast shutter speeds the slit might be no more than a few millimeters across. This may seem to be a rather crude way of doing things, but it seems to be the best modern technology can offer at a reasonable price, and for most purposes it works well enough. The maximum flash synchronisation speeds of most cameras are quite low, at typically about 1/30th of a second to 1/125th of a second. The reason for this is that at higher speeds the shutter is never fully open, and only part of the film will be exposed when the flash fires. You can judge from these low flash synchronisation speeds just how narrow the slit needs to be at a shutter speed of around 1/100th of a second.

This may all seem to be of academic importance when testing shutter speeds, but it is in fact a crucial factor. If the led used as the source of the infra-red pulses is a standard type, and the infra-red detector device has a similar diameter, this means that the effective width of the infra-red beam might not be very much different to the width of the slit provided by the shutter at its fastest speeds. Take an extreme example where the width of the beam is equal to the 36 millimetre width of the frame. The system can be set up so that the counter only functions when the shutter is fully opened, or it can be set up so that the slit obtained on high shutter speeds lets through sufficient infra-red to activate the system. Either way the results are invalid. With the first method the shutter is never fully open on high shutter speeds, and so the counter would not operate at all on these speeds. With the second method the counter would operate for the time taken for the slit to travel from one side of its run to the other. This would give measured times that were greatly elongated.

It is this second method that has to be adopted, but the narrower beam provided by the led helps to minimise the "smearing" of the gated signal. Even so, the error on

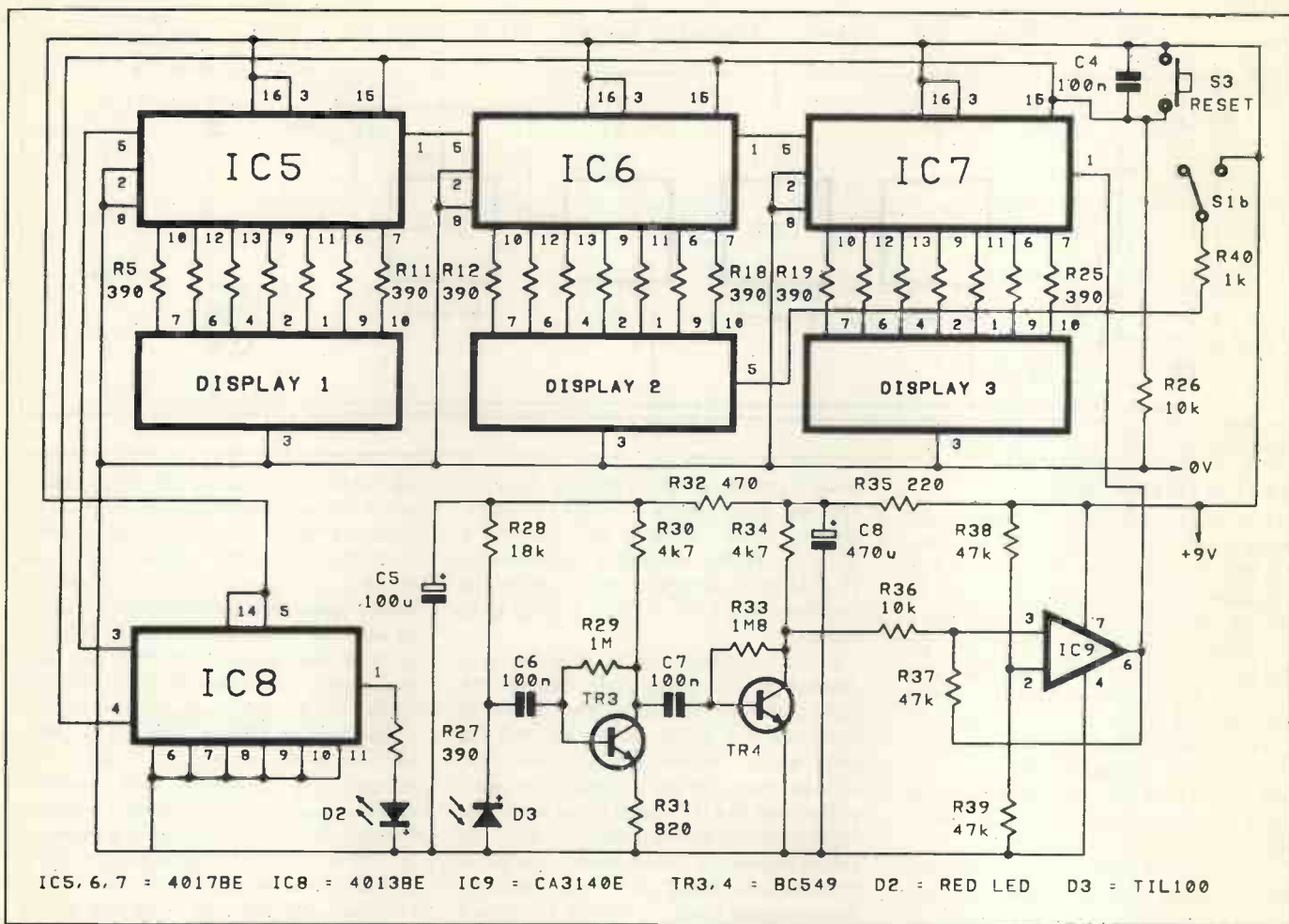


Fig.3. The counter circuit diagram.

shutter speeds of around 1/1000th of a second can be something approaching 100%! Ideally the infra-red beam would be infinitely narrow, but this is obviously not achievable in practice. However, the system has been made far more sensitive than the minimum requirement, and this makes it possible to mask the photo-diode down to the point where the beam is effectively just a very narrow slit, only about a millimetre wide. This gives greatly improved accuracy on the higher shutter speeds.

### CIRCUIT OPERATION

The circuit diagram for the pulse generator section of the unit appears in Fig. 2 – the counter circuit is shown separately in Fig. 3.

TR1 operates as a conventional crystal oscillator. There is no means of trimming the operating frequency of the circuit to precisely 4MHz, but the error should be so small as to be of no significance on a three digit instrument. IC1 is the divide by four circuit, and this is a seven stage binary counter. In this circuit only the first two stages are utilised. IC2 to IC4 are the divide by ten stages, and these are identical. They are based on 4017BE one-of-ten decoders, but in this case only the "carry" outputs are used, and the other ten outputs of each device are simply ignored. S1a selects the 1kHz or 10kHz signal, as required, and

couples it through to the input of the buffer amplifier. This is a simple common emitter switch based on TR2. R4 sets the led current at about 20 to 25 milliamps, but as the led is switched off for 50% of the time the average led current is only about 11 or 12 milliamps. D1 is the infra-red led, and it is a standard device as used in remote control applications. Although leds of this type are usually operated at currents of around 50 to 100 milliamps, long range is obviously not important in the current application, and a much lower led current is perfectly adequate.

D3 is the infra-red detector diode, and it operates in the reverse biased mode with R28 as its load resistor. The output from D3 is likely to be quite low in amplitude, and two stages of amplification provided by TR3 and TR4 boost the signal to a level where it can drive the trigger circuit reliably. The trigger circuit is a standard operational amplifier non-inverting type with a substantial amount of hysteresis provided by R37.

The counter has three identical stages based on IC5 to IC7. These are cmos 4026BE decade counters which have built-in seven segment decoders and led drivers. The displays are driven via current limiting resistors R5 to R25. Any reasonably efficient seven segment led displays should be suitable, except that they must be

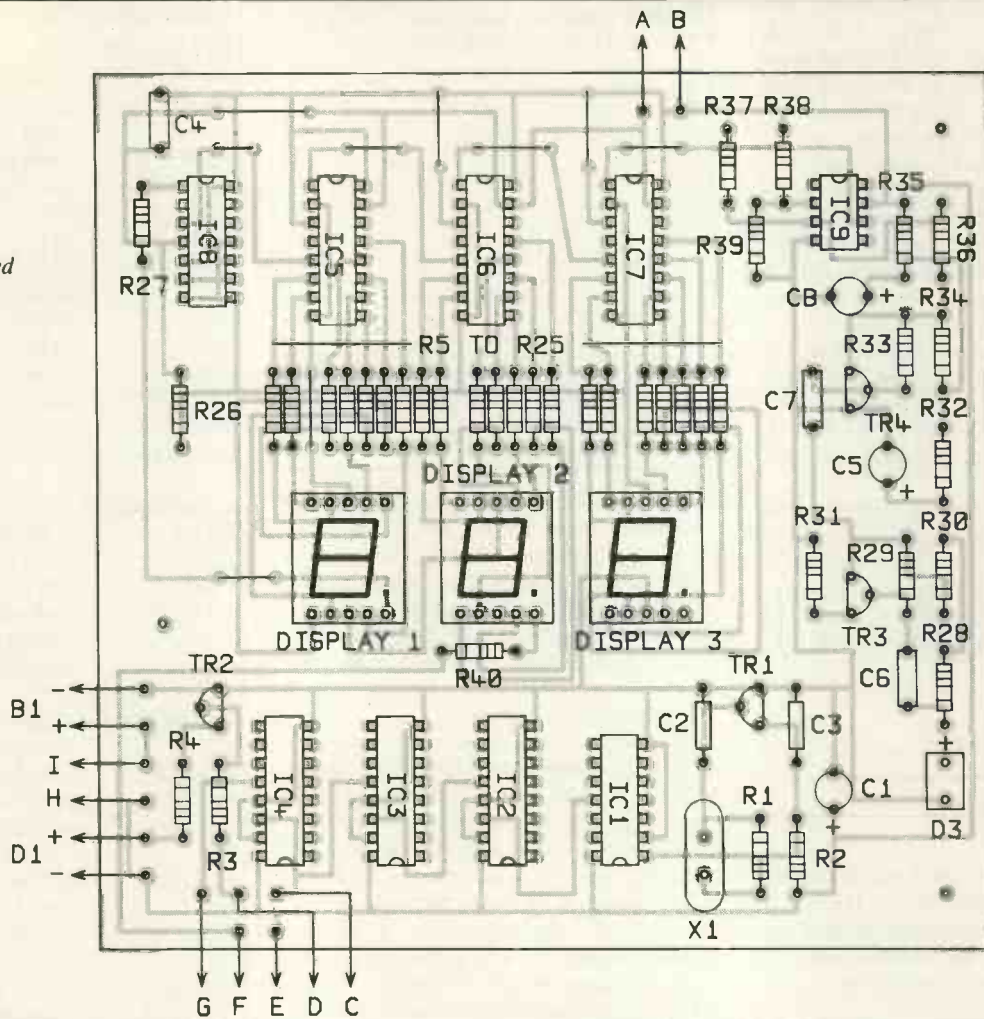
common cathode types (not common anode displays). C4 and R26 provide a reset pulse at switch-on, and S3 can be used to manually reset the counter. S1b switches on the decimal point of display 2 when the unit is set to the 99.9ms range. Overflow indication is provided by IC8, which is a dual "D" type flip/flop. In this circuit only one section of this device is used, and it is wired as a basic set/reset flip/flop. It is activated from the "carry" output of the most significant counter (IC5) and it is reset when S3 is operated. On the prototype I used the decimal point of the most significant display (display 1) as overflow indicator led D2, but obviously a panel led could easily be wired in here if preferred.

The current consumption of the unit is inevitably quite high due to the use of the led display. The exact consumption is largely dependent on the number of display segments that are switched on, but it is unlikely to be much under 100 milliamps on average. The unit must be powered from a high capacity 9 volt battery such as a PP9 type or six HP7 size cells in a plastic holder.

### CONSTRUCTION

With the only exceptions of the battery, infra-red led D1, and the controls, all the components fit onto the printed circuit board. Details of the board are provided in Fig. 4.

Fig.4. The printed circuit board component layout



The first point to note is that all nine integrated circuits are mos input types, and that they consequently require the standard anti-static handling precautions to be observed. In particular, they should all be fitted in sockets, and should not be fitted into the sockets until construction of the unit is in all other respects finished. When fitting the integrated circuits handle them as little as possible (especially their pins) and keep away from any obvious sources for static electricity. Note that the two rows of integrated circuits have the opposite orientation to one another.

I would also recommend that the three displays should be fitted in sockets. Suitable sockets do not seem to be available, but it should not be too difficult to improvise something. Soldercon pins offer one possible solution to the problem. The alternative method I use is to cut a 14 pin dil ic holder into two seven way sil strips, and to then remove the end pins of each strip. This gives two 5 pin sil holders which will readily fit onto the board, and into which a display will plug without difficulty. Apart from the fact that some leds are easily damaged by heat when soldering, the use of holders helps to raise the displays so that they are clear of all the other components on the board. This is important, as it will otherwise be

impossible to mount the board in such a way that the displays are immediately behind the display window cut in the front panel of the case. The printed circuit board is suitable for standard 0.5 and 0.56 inch common cathode led displays, but other sizes might be unsuitable. In particular, the standard 0.3 inch displays have a totally different pinout arrangement and are unusable with this board design.

There should be no difficulty in fitting the crystal onto the board provided it is a miniature wire-ended type. I would advise against the use of any other type. Similarly, the three polyester capacitors should fit into place easily provided they are miniature (7.5 millimetre pitch) printed circuit mounting types, and the use of alternatives is not recommended. D3 is mounted with its sensitive surface (the large surface opposite the one which carries the type number and other markings) facing towards the nearby edge of the board. It is then bent over at right angles so that the sensitive surface is facing upwards. D1 is mounted off-board, and is connected to the board via a twin cable about half a metre or so in length. One way of doing this is to simply drill a small entrance hole for this cable in the front panel, thread the cable through the hole, and then connect it to the board. It is probably worth the small additional

expense of making these connections via (say) a 3.5 millimetre jack plug and a matching socket mounted on the front panel. Be careful not to get the connections to D1 swopped over somewhere along the line. It is unlikely that this would result in any damage to the components, but obviously the unit would fail to work until the error was rectified.

Be careful not to overlook any of the link wires. There are eight of them (seven above the counter chips and one just to the left of display 1). At this stage printed circuit pins are fitted to the board at the points where connections to the off-board components will eventually be made.

A case about 205 by 140 by 75 millimetres was used for the prototype, but this is somewhat larger than is absolutely necessary. The printed circuit board is bolted in place behind the front panel, or fitted on stand-offs. Either way it must be spaced off the front panel by a sufficient amount to hold the displays just clear of the front panel. A rectangular display window must be cut in the front panel at the appropriate position, and this can be done using a fret-saw or coping saw. A piece of red window material is glued in place behind the cutout, taking care not to smear any of the adhesive over the window material. A narrow slit must be cut in the

# SHUTTER TIMER

front panel just in front of D3. Rather than cutting a narrow slit in the panel, it might be easier to drill a large hole and then mask this off on the rear side of the panel using pieces of thin opaque material (card, plastic, etc.). Using a temporary adhesive (such as Bostick or Blue-Tack) you can then experiment with various apertures in an attempt to find one that gives a good compromise between sensitivity and accuracy. Having found the optimum width the two pieces of opaque material can then be permanently glued in position.

The three controls are mounted at any convenient places on the front panel, and then they are wired to the printed circuit board. This wiring is shown in Fig. 5, which should be used in conjunction with Fig. 4.

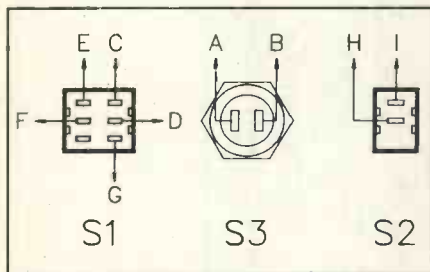


Fig. 5. Control wiring.

## IN USE

When the unit is switched on the display should read "000", and aiming D1 at D3 should result in the counter operating at the appropriate rate. If the counter fails to operate properly, switch off at once and recheck the wiring.

Assuming all is well, aim D1 away from D3 and reset the counter using S3. Setting up the system with the camera and D1 in the right position will probably take a little ingenuity. With cameras that have removable lenses it is generally easier if the lens is removed. There is then no need to bother about adjusting the setup to avoid any dispersion of the infra-red beam that could prevent the unit from functioning properly. If the unit must be used with the lens in place, use it on maximum aperture and make sure D3 is reasonably close to the film plane. There should then be no difficulty in obtaining good results with any

Marked Speed (s)	Equivalent Time (ms)
1	1000
1/2	500
1/4	250
1/8	125
1/15	66.6
1/30	33.3
1/60	16.6
1/125	8
1/250	4
1/500	2
1/1000	1

Equivalent shutter speeds.

reasonably short focal length lens fitted to the camera. If the camera has a removable back it is a good idea to unclip this as well. With any camera try to avoid touching any part of the shutter mechanism, which is almost certain to be very delicate. Seriously damaging the shutter of some cameras can result in a repair bill for an amount greater than the value of the camera!

The camera might need to be placed on something in order to bring it to a suitable height so that its shutter is immediately in front of D3. A few magazines or a book should suffice. D1 can be held in position manually, but it is much easier if it can be clipped in place. It would probably not be too difficult to make up a simple mechanical arm to hold it in place, but I just used a "helping hands" tool which was to hand. Everything must be set up so that the counter operates reliably when the camera's shutter is open, and the "T" or "B" setting of the camera can be very useful when initially setting things up.

When everything is ready, reset the counter using S3, and operate the camera's shutter. Where possible the 99.9ms range should be used as this provides much better resolution and accuracy than the 999ms range. Camera shutters do not seem to be metricated, and still have speeds that are normally in the form of fractions of a second. The table of marked speeds versus equivalent times in milliseconds should be helpful when using the unit.

## COMPONENTS

### RESISTORS

R1	470k
R2,R3	2k2 (2 off)
R4	270R
R5-R25,R27	390R (22 off)
R26,R36	10k (2 off)
R28	18k
R29	1M
R30,R34	4k7 (2 off)
R31	820R
R32	470R
R33	1M8
R35	220R
R37-R39	47k (3 off)
R40	1k

All resistors 1/4W 5%.

### CAPACITORS

C1,C5	100µ 10V radial elect (2 off)
C2,C3	33p polyester (2 off)
C4,C6,C7	100n polyester 7.5mm pitch (3 off)
C8	470µ 10V radial elect

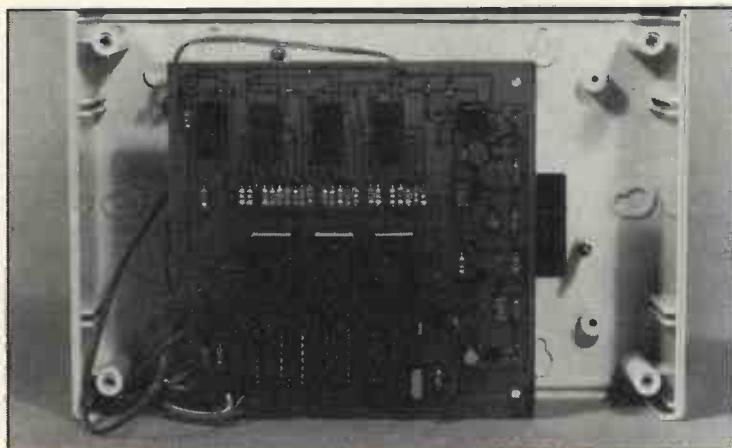
### SEMICONDUCTORS

IC1	4024BE
IC2-IC4	4017BE (3 off)
IC5-IC7	4026BE (3 off)
IC8	4013BE
IC9	CA3140E
TR1-TR4	BC549 (4 off)
D1	TIL38
D2	red led (see text)
D3	TIL100
Display 1,2,3	0.5 or 0.56 inch common cathode led (3 off)

### MISCELLANEOUS

S1	dpdt miniature toggle
S2	spst miniature toggle
S3	push to make, release to break
B1	9 volt (ie, 6 x HP7 in plastic holder)
X1	4MHz HC-49/U crystal

Printed circuit board, 8-pin dil ic holder, 14-pin dil ic holder (5 off), 16-pin dil ic holder (6 off), red display window material, case about 205 x 140 x 75mm, printed circuit pins, wire, solder, etc.



Interior of unit showing PCB in position

Quite large margins of error are not necessarily indicative of a faulty shutter. Most shutters are not designed for a very high degree of accuracy, and do not have to be. A 10 to 20% error will not have a very large effect on the exposure, bearing in mind that an increase of one stop requires the shutter time to be increased by 100%. A common problem with purely mechanical shutters is a slowing up with age (I know how they feel). The shutter timer should clearly show up any fault of this type. Another problem which is common on badly worn shutters is inconsistent timing. Taking a number of timings at each shutter speed should again show up any problem of this type.

PE



### NEW THIS MONTH

Range of 'OK' Kits at half price! 5 diff. top quality kits containing all parts, inc. PCB, plastic case and comprehensive instructions!

EK1 Quick Reaction	£2.90
EK2 Electronic Organ	£3.34
EK3 Digital Roulette	£4.29
EK4 Electronic Dice	£3.98
EK5 Morse Code Oscillator	£1.99

### CURRAH MICROSPEECH

We've bought up remaining stocks of this popular add-on to re-sell at a fraction of the original cost!

Z4136 New complete and boxed set for the ZX Spectrum £8.95

Z4140 As above but unboxed - these were bulk packed £7.95

Z4142 Speech 64 for the C64. No software needed! New and working, but no case. With full instructions. £6.00

Z4138 Microslot 'T' connector allowing peripherals to be connected to the Spectrum. New & boxed £2.00

Also a quantity of 'returns' available - see Bargain List 43 for details

**COMPUTER KEYBOARD** £4.00

Yes, only £4 for this Cherry keyboard - 67 full travel keys inc. function keys. Size 340x130mm. Pale/dark brown £4.00

### EPSON SERIAL INTERFACES

Model 8143 £15

Model 8143 with 2k buffer £25  
Just arrived - full details on next list together with other items in this parcel - ribbons, discs, other hardware add-ons.



Z811 Cumana touch pad for the BBC B computer. Enables you to draw on the screen using the stylus with the touch sensitive pad. Supplied with 2 stylus, power/connecting leads and demo tape with 4 progs. Originally sold at £79.95. Our price: £19.95



### HEADPHONES AND SPEAKERS

Combination pack of Walkman type player units, consisting of stereo headphones and a pair of micro speakers in yellow, blue or green. Packed on a clear display card £2.50

## JIMMY

the electronic football game of skill

Z817 Exciting electronic football game - Waddingtons' JIMMY. Brand new models in full working order, but without plastic peripherals, stickers etc. Red plastic case 420mm long x 93mm wide contains keypad and seven segment LED's to keep score either end. The centre section 'players' are represented by red 5mm LED's, 14 altogether. The main chip is the TMS1000, programmed to make odd noises whilst playing and a tune when a goal is scored. Also inside are 13 plastic transistors. 57mm 8R speaker, power supply socket, R's, C's etc. Powered by 2xPP3 batts. Solo or dual play. Supplied with instruction sheet, playing field complete with coloured 'players'. Good fun to play as a game and good value for the electronics within. Originally retailed at £19.95 Only £5.00

### SOLDER SPECIAL!!

- \* 15W 240V ac soldering iron
- \* High power desolder pump
- \* Large tube solder

ALL FOR  
£7.95

## 1989 CATALOGUE

★ 100 BIG pages of components and equipment

★ Low, low prices

★ Fast "by return" service

★ 28 pages of Surplus Bargains

★ Only £1 - send for yours now!

### LCD display:

Z4115 8 digit 12.7mm high LCD by Data Image. 14 segment, so letters as well as digits can be formed. List £15+ Our price £4.50

### SPEECH SYNTHESIZER KIT

Z315 All parts inc. PCB to make a speech synth for the BBC micro £4.99

Z316 De-luxe version - also includes V215 case, 1m 20W cable plus connector £7.99

### MICRO PANELS

Z620 68000 Panel. PCB 190 x 45 believed to be from ICL's 'One per Desk' computer containing MC68008P8 (8MHz) 16/8 bit microprocessor, + 4 ROM's all in skts; TMP5220CNL, 74HCT245, 138, LS08, 38 etc. £5.00

Z625 32k Memory Board, PCB 170 x 170 with 16 2k x 8 6116 static RAM's. Also 3.6V 100mA memopack nicad, 13 other HC/LS devices, 96w edge plug, 8 way DIL switch, R's, C's etc. £4.80

### VIEWDATA LTU

Z697 Interface Panel 166 x 150 with 3 x LM324, LM339, LM393, 4066, 11 transistors, 3 reed relays etc. 3m lead with BT plug attached. Supplied with comprehensive data and ccts. £2.90

### TELETEXT PANEL

Z037 265 x 145mm by GEC. Uses 8085A, 8155, 8255A, 8251, 8212 all by Intel. 2 x 2114, 2 x TC5501 + custom chips + 10 others. Nicad back up. New £9.90

### COMPONENT PACKS

**K560 Semiconductors** - Over the years we have purchased many transistors, diodes, ICs etc. which for one reason or another have accumulated in one of our stock rooms. Rather than spend weeks sorting and listing them, we have decided to make them into packs. All components are full spec marked devices. Some may be coded. We believe this to be one of the best value packs ever offered, as many high value components are included. Packs are made up by weight; this means contents are very approximate - if there are several bulky power devices, there will be considerably fewer parts than those packs containing all small signal items.  
Pack of approx 100 £5.50  
Pack of approx 250 £12.00  
Pack of approx 1000 £40.00

**K539 Led Pack** - not only round but many shaped leds in this pack in red, yellow, green, orange and clear. Fantastic mix.  
100 £5.95 250 £13.50

**K547 Zener Diodes** - Glass and plastic, 250mW to 5W ranging from 3V to 180V. All readily identifiable. 100 for £4.50

**K546 Polystyrene/mica/ceramic caps.** - Lots of useful small value caps up to about .01µF in voltages up to 8kV. Good variety. 100 £2.75

**K528 Electrolytic Pack** - All ready cropped for PCB mounting, this pack offers excellent value for money. Good range of values and voltages from 0.47µF to 1000µF, 6V to 100V  
100 £3.95 250 £8.95 1000 £32

**K518 200 Disc Ceramic Caps** - Big variety of values and voltages from a few pF to 2.2µF; 3V to 3kV £1.00

**K530 100 Assorted Polyester Caps** - All new modern components, radial and axial leads. All values from 0.01 to 1µF at voltages from 63 to 1000V!  
Super value at £3.95

### DIL SOCKETS

Must clear excess stocks - 1/4 million low profile top quality IC sockets to dispose of!

Pins	10	100	1000
8	40p	£3.00	£20
14	68p	£5.10	£34
16	72p	£5.40	£36
18	76p	£5.70	£38
20	80p	£6.00	£40
22	84p	£6.30	£42
24	88p	£6.60	£44
28	92p	£6.90	£46
40	96p	£7.20	£48

### 'D' CONNECTORS

	15W	25W	37W
R/A plugs	40p	50p	60p
R/A skts	50p	60p	70p
W/W plugs	40p	50p	60p
W/W skts	50p	60p	70p
S/P plugs	40p	50p	60p
S/P skts	50p	60p	70p

All top quality gold plated

### Z345 OPTICAL SHAFT ENCODER

Similar to RS631-632, but 80% cheaper! £8.50

### SEMICONDUCTORS

Hundreds in Cat - look at these sample prices:  
LM317K £1.00; 68008L8 £3; 27C256-25 £5; 68A00 £1.20; LM223K £3; DL1416 £7; RBG1000 £1.20; DL3416 £8; 555 20p; 741 20p; 74LS240 25p

**K520 Switch Pack** - 20 different assorted switches - rocker, slide, push, rotary, toggle, micro etc.  
Amazing value at only £2.00

**K569 Reed Switch Pack.** A selection of about 15 types of reed switch from submini 12mm long to 5A rated 50mm long, mostly form A (make), few form C (Change-over).  
Pack of 30 £2.75

**K540 Resistor Pack** - mostly 1/8, 1/4 and 1/2W, also some 1 and 2W in carbon, film, oxide etc. All have full length leads. Tolerances from 5 to 20%. Excellent range of values. 500 £2.50 2500 £11.00

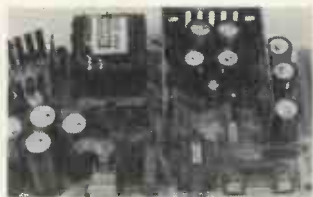
**K503 100 Wirewound Resistors** - From 1W to 12W, with a good range of values. £2.00

### POWER SUPPLIES

**Z975 Cased PSU** 92x57x45mm with built-in 13A mains plug. Output 14V ac @ 600mA. £3.00

**Siliconix mains PSU** 62x46x35mm with built-in cont. 2 pin plug. Output 4.5V DC 100mA to 3.5mA plug ONLY £1.00

**Z4113 BBC Computer PSU** (early models). Steel case 158 x 72 x 55mm, 2m long mains lead, rocker switch, fused. Outputs: +5V at 2.5A; -5V at 100mA £3.95



**Z026 Astec 65 watt unit.** 115/230V ac input. Outputs +5V 6A; +12V 1.5A; +12V 2.1A; -12V 0.25A. PCB 197 x 107mm £24.95

### KEYBOARDS



**Z8852 Keyboard:** Superb brand new keyboard 392x181 with LCD displaying 1 line of 10 characters & a further line with various symbols. 100 keys, inc separate numeric keypad. Chips on board are 2x74HC05, 80C48. £15.00



**Z8848 Alphanumeric plus separate numeric keyboard.** 104 keys plus 11 chips. 442x175mm. £12.00

**Z4116 24 way (8 x 3) membrane keypad.** Large (200 x 90mm) area - they were used in a teaching aid. Overlay template and pinout supplied. £3.00

**Z810 KEYBOARD** Really smart alpha numeric standard qwerty keyboard with separate numeric keypad, from ICL's 'One Per Desk'. Nicely laid out keys with good tactile feel. Not encoded - matrix output from PCB taken to 20 way ribbon cable. Made by Alps. Size 333x106mm. 73 keys £8.95

Back in stock Z8833 Tatung cased keyboard VT4100. 85 keys inc sep. numeric keypad. 450 x 225 x 65/25 £14.95

### Z8837 DUAL SHEET FEEDER.

Brand new breakdown unit. Contains 3 x 12V stepper motors (48 step) plus driver panel with 4 x TIP115, 4 x TIP110, LM3302, 2 x 7407; 2 solenoids, buzzer, microswitches, control panel, 2 optocouplers plus lots of gears and mechanical bits. £24.95+£3 carr.



### GREEN SCREEN HI-RES 12in MONITOR CHASSIS

Brand new and complete except for case, the super high definition (1000 lines at centre) makes this monitor ideal for computer applications. Operates from 12V d.c. at 1.1A. Supplied complete with circuit diagram and 2 pots for brilliance/contrast, plus connecting instructions. Standard input from IBM machines, slight mod (details included) for other computers Only £24.95+£3 carr.

### MONITOR INTERFACE KIT

Enables our hi-res monitor (above) and most others to be used with virtually any computer, PCB £3.00  
Complete set of on-board components plus regulator and heatsink £9.95  
Suitable transformer for interface and above monitor £5.31

### JOYSTICKS

**Z004 Skeleton Joystick,** switch type. Good quality, made by AB. Brass spindle has 44mm long black plastic handle attached. Body has 4 mounting holes. These really are a fantastic bargain! Only £1.00

**Z8831 Dragon Joystick.** Made by Dragon Data. Hand-held with fire button. 2m lead with 5 pin DIN plug. Uses 2 x 100k pots. £3.00

**Z615 BBC Joystick.** Internal resistors give the required voltage levels. 2 fire buttons. Rubber suction feet. 120 x 110 x 155 £3.00

### NOTICE TO RETAILERS

Greenweld Electronics Ltd. have been appointed Official Wholesalers of Verobloc, Veroboard, Easiwire and Accessories by Verob. We will be only too happy to supply all your Veroboard requirements at Trade Price. Ring, write or fax us for full information and prices.



443C MILLBROOK ROAD, SOUTHAMPTON, SO1 0HX.

All prices include VAT; just add £1.00 P&P; Min. credit card £5. No CWO min. Official orders from schools welcome - min. invoice charge £10.00. Our shop has enormous stocks of components and is open 9-5.30 Mon-Sat. Come and see us!

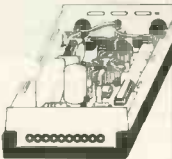
### HOW TO CONTACT US

By post using the address below; by phone (0703) 772501 or 783740 (ansaphone out of business hours); by FAX (0703) 787555; by EMail Telecom Gold 72.MAG36026; by Telex 265871 MONREF G quoting 72.MAG36026.

## POWER CONDITIONER

FEATURED IN ETI  
JANUARY 1988

The ultimate mains purifier. Intended mainly for lowering the noise floor and improving the analytical qualities of top-flight audio equipment.



The massive filter section contains thirteen capacitors and two current balanced inductors, together with a bank of six VDRs, to remove every last trace of impulsive and RF interference. A ten LED logarithmic display gives a second by second indication of the amount of interference removed. Our approved parts set consists of case, PCB, all components (including high permeability toroidal cores, ICs, transistors, class X and Y suppression capacitors, VDRs, etc.) and full instructions.

PARTS SET £28.50 + VAT

A low cost (but high performance) mains conditioner is also available  
MAINS CONDITIONER PARTS SET £5.40 + VAT  
RUGGED PLASTIC CASE £1.80 + VAT



## KNIGHT RAIDER

FEATURED IN ETI JULY 1987

The ultimate in lighting effects for your Lamborghini, Maserati, BMW (or any other car, for that matter). Picture this: eight powerful lights in line along the front and eight along the rear. You flick a switch on the dashboard control box and a point of light moves lazily from left to right leaving a comet's tail behind it. Flip the switch again and the point of light becomes a bar, bouncing backwards and forwards along the row. Press again and try one of the other six patterns. An LED display on the control box let's you see what the main lights are doing.

The Knight Raider can be fitted to any car (it makes an excellent fog light) or with low powered bulbs it can turn any child's pedal car or bicycle into a spectacular TV-age toy!  
The parts set consists of box, PCB and components for control, PCB and components for sequence board, and full instructions  
Lamps not included.

PARTS SET £19.90 + VAT

## RAINY DAY PROJECTS



All can be built in an afternoon!

- JUMPIN' JACK FLASH (ETI March 1988)  
Spectacular rock, stage and disco lighting effect! £6.90 + VAT
- CREDIT CARD CASINO (ETI March 1987)  
The wicked pocket gambling machine £5.90 + VAT
- MAINS CONTROLLER (ETI January 1987)  
Isolated logic to mains interface £6.20 + VAT
- MATCHBOX AMPLIFIERS (ETI April 1986)  
Listen 50W of Hi-Fi power from an amp small enough to fit in a matchbox!  
Matchbox Amplifier (20W) £6.50 + VAT  
Matchbox Bridge Amplifier (50W) £8.90 + VAT  
L165V Power Amplifier IC, with data and circuits £3.90 + VAT
- TACHO/DWELL METER (ETI January 1987)  
Turn your Metro into a Porsche! £16.40 + VAT
- HI-FI POWER METER (ETI May 1987)  
Measures Hi-Fi output power up to 100W — includes PCB, components, meters  
Mono power meter £3.90 + VAT  
Stereo power meter £7.20 + VAT



FEATURED IN ETI  
AUGUST 1988

There's nothing quite so encouraging as having a quantifiable result to show for your training efforts. If you are not particularly fit, your resting heart rate will be around 80 beats per minute. As your jogging, aerobics or sport strengthens your heart, the rate will drop dramatically — possibly to 60bpm or less. With the S101, you can watch your progress day by day.

Breathing is important too. How efficiently do you take up oxygen? How quickly do you recover from oxygen debt after strenuous activity? The S101 will let you know.

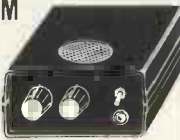
The approved parts set consists of case, 3 printed circuit boards, all components (including 17 ICs, quartz crystal 75 transistors, resistors, diodes and capacitors), LCD, switches, plugs, sockets, electrodes and full instructions for construction and use.

PARTS SET £33.80 + VAT

Some parts are available separately. Please send SAE for lists or SAE + £2 for lists, circuit construction details and training plan (free with parts set).

## THE DREAM MACHINE

FEATURED IN ETI  
DECEMBER 1987



Adjust the controls to suit your mood and let the gentle, relaxing sound drift over you. At first you might hear soft rain, sea surf, or the wind through distant trees. Almost hypnotic, the sound draws you irresistibly into a peaceful, refreshing sleep.

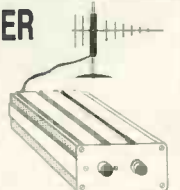
For many, the thought of waking refreshed and alert from perhaps the first truly restful sleep in years is exciting enough in itself. For more adventurous souls there are strange and mysterious dream experiences waiting. Take lucid dreams, for instance. Imagine being in control of your dreams and able to change them at will to act out your wishes and fantasies. With the Dream Machine it's easy!

The approved parts set consists of PCB, all components, controls, loudspeaker, knobs, lamp, fuseholders, fuses, mains power supply, prestige case and full instructions.

PARTS SET £16.50 + VAT

Ben Sweetland's best seller GROW RICH WHILE YOU SLEEP is now in stock. £2.95 (NO VAT)

## TV BOOSTER



Good TV pictures from poor aerials is what this project is all about. Ken Brindley's Aerial Booster gives a massive 20dB gain to ensure good viewing for campers and caravaners from indoor aerials, or wherever a properly positioned high-gain antenna is not practical.

Based on the OM335 hybrid amplifier, the booster has specifications to rival the best, wideband operation from 10MHz to 1.4GHz, mid-band gain of up to 26dB and a wide supply range of 9V to 26V (it will run from car batteries for caravaners, dry batteries for campers, or a mains battery eliminator in the home). No special UHF construction skills are needed — the project could be made by a careful beginner.

There are two parts sets for the project. AA1 contains the printed circuit board, OM335 hybrid amplifier, components and instructions. AA2 is the optional case set, rugged screened box, front and rear panels, waterproofing gaskets, feet, sockets and hardware.

AA1 PARTS SET £12.80 + VAT

AA2 PARTS SET £4.80 + VAT

# THE MISTRAL AIR IONISER

The best ioniser design yet — this one has variable ion drive, built-in ion counter and enough power to drive five multi-point emitters. For the technically minded, it has nine main drive stages, five secondary drives, and a four section booster to give an output capability of almost fifteen billion (1.47 x 10<sup>10</sup>) ions every minute, or 2.45 x 10<sup>11</sup> ions per second. With extra emitters this can be increased still further!



PARTS SET £24.80 + VAT

The parts set includes case, printed circuit boards, 126 top grade components, all controls, lamps, hardware, a multi-point phosphor-bronze emitter and full instructions.

Some parts are available separately — please send SAE for lists, or SAE + £1 for lists, circuit and construction details and further information (free with parts set).

## READY-BUILT MISTRAL

The Mistral Ioniser (and most of our other projects) can now be supplied built, tested and ready to go. For details, please contact Peter Leah at P.L. Electronics, 8 Woburn Road, Eastville, Bristol BS5 6TT. Tel: 0272 522703. Evenings Only

INTERNAL EMITTER £2.69 + VAT

Can be used in place of the P-B external emitter, or both can be used together for the highest ion output. Parts set includes PCB, ion emitters, components and instructions.

## IPA BOARD CLEANER

Essential for removing grease and flux residues from the Mistral PCB to achieve peak performance. Applicator brush supplied.

£0.98 + VAT

## ION FAN

An almost silent piezo-electric fan, mains operated, to pump ions away from the emitter and into the room. Increases the effectiveness of any ioniser by five times!

£9.80 + VAT

## POWERFUL AIR IONISER

FEATURED IN ETI  
JULY 1986



Ions have been described as 'vitamins of the air' by the health magazines, and have been credited with everything from curing hay fever and asthma to improving concentration and putting an end to insomnia. Although some of the claims may be exaggerated, there is no doubt that ionised air is much cleaner and purer and seems much more invigorating than 'dead' air.

The DIRECT ION ioniser caused a great deal of excitement when it appeared as a constructional project in ETI. At last, an ioniser that was comparable with (better than?) commercial products, was reliable, good to build and fun! Apart from the serious applications, some of the suggested experiments were outrageous!

We can supply a matched set of parts, fully approved by the designer, to build this unique project. The set includes a router lined printed circuit board, 66 components, case, mains lead, and even the parts for the tester. According to one customer, the set costs about a third of the price of the individual components. What more can we say?

PARTS SET WITH BLACK CASE £11.50 + VAT

PARTS SET WITH WHITE CASE £11.80 + VAT

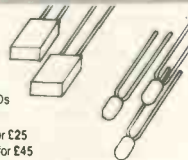
## BURGLAR BUSTER

Be safe from intruders with our Burglar Buster alarm system! It has all the features you'd expect from a high-tech alarm: entry and exit delay, anti-tamper loop, delay warning and control-box protection.

The parts set includes all four PCBs and all components to go on them. Other parts (case, switches, etc.) are available separately, if you haven't got anything suitable in your spares box. Set contains 4 PCBs, ICs, transistors, relays, capacitors, resistors, diodes, regulator, piezo siren and full instructions.

BB1 PARTS SET £12.80 + VAT

## LEDs



Green rectangular LEDs for bar-graph displays

50 for £3.50 500 for £25

100 for £6 1000 for £45

DIGITAL AND AUDIO EQUIPMENT LEDs

Assorted 3mm LEDs: red, green, yellow and orange. 25 of each (100 LEDs) for £6.80

U.K. orders: please add 80p post and packing and 15% VAT to total.  
Eire and overseas: no VAT. Carriage and insurance £4.50.  
Please allow up to 14 days for delivery.

## BRAINWAVE MONITOR



FEATURED IN ETI  
AUGUST 1987

The most astonishing project ever to have appeared in an electronics magazine. Similar in principle to a medical EEG machine, this project allows you to hear the characteristic rhythms of your own mind! The alpha, beta and theta forms can be selected for study and the three articles give masses of information on their interpretation and powers.

In conjunction with Dr. Lewis's Alpha Plan, the monitor can be used to overcome shyness, to help you feel confident in stressful situations, and to train yourself to excel at things you're 'no good at'.

Our approved parts set contains case, two PCBs, screening can for bio-amplifier, all components (including three PM1 precision amplifiers), leads, brass electrodes and full instructions.

PARTS SET £36.90 + VAT ALPHA PLAN BOOK £2.50 SILVER SOLUTION (for using electrodes) £3.60 + VAT

Parts set available separately. We also have a range of accessories: professional electrodes, books, etc. Please send SAE for lists or SAE + £2 for lists, construction details and further information (free with parts set).

*Specialist*  
**SEMICONDUCTORS LIMITED**

Tel: (0600) 3715

SALESDEPT., ROOM 108, FOUNDERS HOUSE, REDBROOK, MONMOUTH, GWENT.

# SEMICONDUCTORS

BY ANDREW ARMSTRONG

## PART 14 – Audio Circuits

*The most obvious opamp circuit is not always the best. Here are some straightforward applications, and some which are obvious only after you have seen them.*

One important aspect of an opamp's specification is whether or not it is unity gain stable. Unity gain stable means that the opamp will not oscillate when 100% negative feedback is applied, ie when the inverting input is connected directly to the output. Some opamps are only rated to be stable with a certain minimum gain, and if they are used at a lower gain, they will oscillate at a frequency determined by the internal phase shifts of the device.

These phase shifts are caused by stray capacitance in each of the stages of the opamp. A major cause is the collector/base capacitance of transistors providing voltage gain. If only one stage had caused significant phase shift, then there would be no problem, but the phase shifts of several stages can add to give sufficient phase shift to cause oscillation (180° when using negative feedback).

Obviously gain rolloffs are associated with the phase shifts. If the phase shifts with their corresponding gain reductions take effect at different frequencies, then oscillation is unlikely. Therefore, a means of preventing oscillation which is often employed to make opamps unity gain stable, is to impose a deliberate rolloff at a frequency below that at which the unintended phase shifts become serious. This lowers the overall gain of the device at the higher frequencies at which oscillation could otherwise take place, and it is this deliberate rolloff which gives rise to the almost constant 90° phase shift which most opamps exhibit over a significant frequency range.

### FEEDBACK PHASE

It is not immediately intuitively obvious how it is that the output of an opamp used with negative feedback is apparently in phase with the input signal, rather than lagging by 90° as the phase/gain plot might suggest. To understand the reason for this, we must remember that the gain of the opamp is finite and that the output voltage is equal to the voltage between inverting and non-inverting input terminals multiplied by the gain and phase response of the device. All that would be necessary to make the output waveform in phase with the input waveform, if the amplifier had 90° phase shift at the frequency in question,

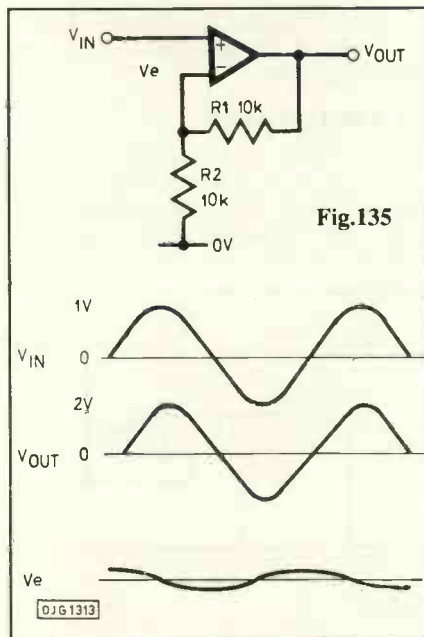


Fig.135

would be a very small resultant quadrature signal between the inverting and non-inverting inputs.

In practice, because of the finite gain, the output waveform lags the input by a small amount. This phase lag is normally insignificant, but in some applications it can cause problems. And yes, the error signal really is more or less in quadrature. This effect is illustrated in Fig. 135.

Another effect associated with phase shift in opamps is the time delay between input and output signals. Time delay is distinct from phase shift, though it manifests itself

as a specific phase shift at any specific frequency. The way to measure time delay would be to apply a square wave to the input of the opamp and measure the time between edges on the input and the output.

### TONE SHAPING

Not all audio circuits require that the opamp should be unity gain stable, but the circuit of Fig. 136 would oscillate at certain settings if the opamp were not unity gain stable. This is a fairly conventional Baxandall tone control circuit. This circuit is so widely used, and so well known, that I don't think I have seen its operation described.

The circuit can be considered as two halves. At high frequencies the impedance of  $C2$  and  $C3$  is very low, so that  $VR2$  is effectively shorted out, and its position does not matter.  $VR1$ , on the other hand, is not shorted out, and is connected to the opamp via  $C1$ , whose impedance is relatively low at frequencies in excess of 10kHz. At such high frequencies, the effective circuit works like the simple gain controlled circuit shown in the inset.

At medium frequencies the impedance of  $C1$  is much higher than that of  $R3$ , so that the position of  $VR1$  has little effect.  $VR2$ , however, is still effectively shorted out because the values of  $C2$  and  $C3$  are much higher than that of  $C1$ , so  $VR2$  doesn't do very much either. At mid frequencies the circuit works as a unity gain inverter.

At low frequencies  $VR1$  is still unable to affect anything, while the increased impedance of  $C2$  and  $C3$  below, say 300Hz allows  $VR2$  to affect the gain. At low

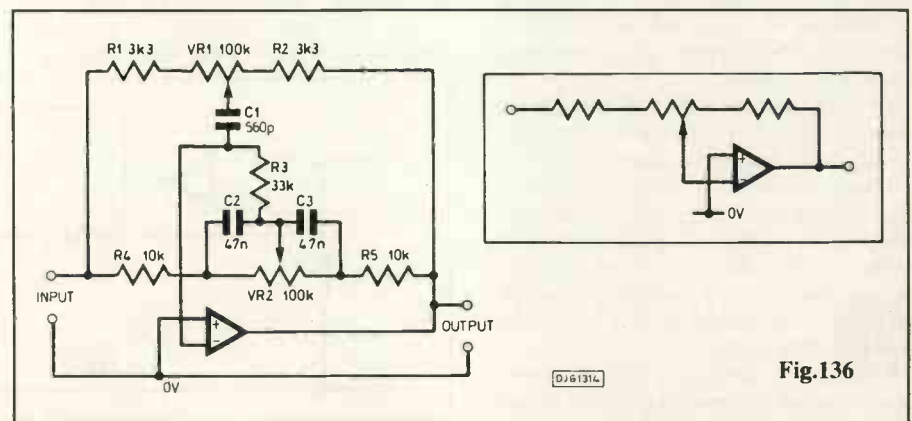
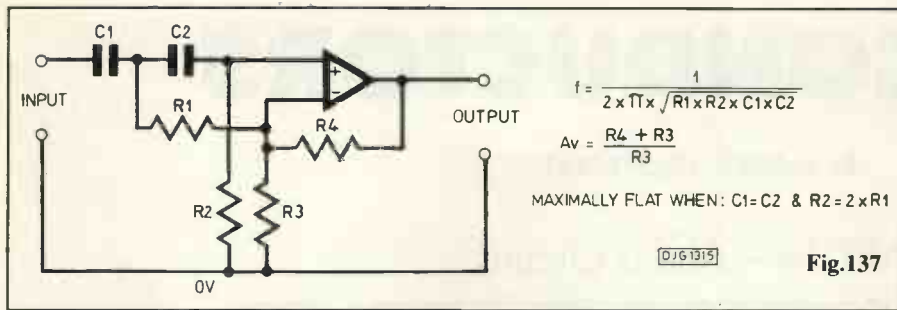


Fig.136



$$f = \frac{1}{2 \times \pi \times \sqrt{R1 \times R2 \times C1 \times C2}}$$

$$Av = \frac{R4 + R3}{R3}$$

MAXIMALLY FLAT WHEN:  $C1 = C2$  &  $R2 = 2 \times R1$

DJG1315

Fig.137

frequencies, the circuit works once again like the circuit shown in the inset.

Another useful audio frequency shaping circuit is the high pass or low pass filter.

There are many configurations available, but one of the most common ones is shown in Fig. 137. This circuit is for a vcv's (voltage controlled voltage source), high pass filter. If  $C1 = C2$  and  $R2 = 2 \times R1$ , then the response is as sharp as it can be with this configuration, without actually having an overshoot. This would be described as maximum flat. Raising the value of  $R2$  relative to  $R1$  would introduce a peak at the turnover frequency.

the active filter to produce a slight peak in the response, at the cutoff frequency, and to precede the active filter with an r/c passive filter chosen to just cancel the peak. The rolloff will then be somewhat sharper, and this can be valuable in filtering out subsonic noise from a record turntable without spoiling the music.

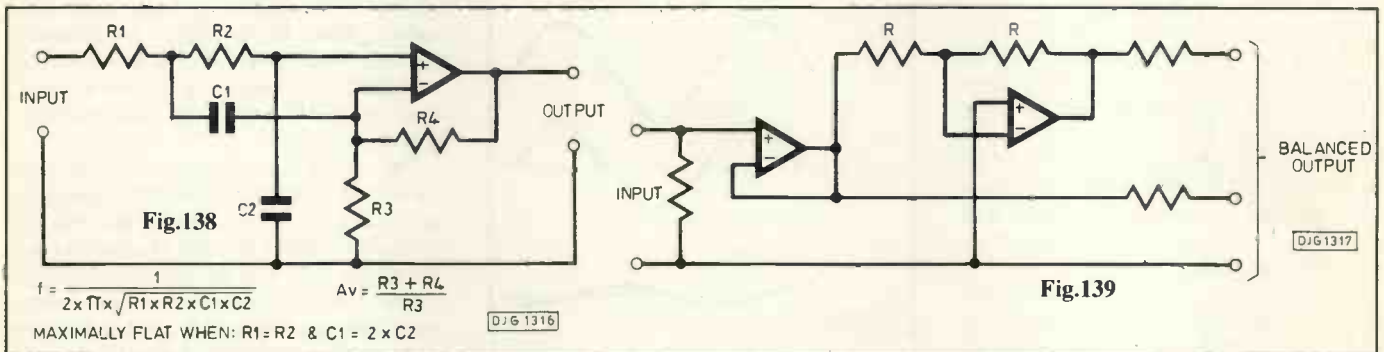
### BALANCING ACT

In professional audio applications, when signals have to be sent over long distance, balanced rather than single-ended line drivers and receivers are used. The advantage of this is that any interference

time delay imposed by the inverter will lower the effectiveness of the system. Fig. 140 shows a circuit which gets around this problem, by using an extra opamp as a non-inverting buffer to equalise the time delays.

Receivers are almost always more difficult to design than transmitters, and line receivers are no exception to this rule. The obvious design is a circuit like that of Fig. 141, but with equal resistors throughout. A moment's thought shows that this is not good enough, because the input impedance to the non-inverting input is  $R3 + R4$ , while the input impedance to the inverting input is apparently  $R1$ .

The next most obvious idea is to make  $R1$  and  $R2$  twice the value of  $R3$  and  $R4$ . This is nearer to giving equal impedance on both inputs, but it is not correct if equal and opposite signals are applied to the two inputs, A and B. Following the reasoning through, the signal amplitude at point C is half that at point B. The action of the opamp with its negative feedback is to make the inverting input track the non-inverting input, so that the waveform at point D is similar to that at point C.



$$f = \frac{1}{2 \times \pi \times \sqrt{R1 \times R2 \times C1 \times C2}}$$

$$Av = \frac{R3 + R4}{R3}$$

MAXIMALLY FLAT WHEN:  $R1 = R2$  &  $C1 = 2 \times C2$

DJG 1316

Fig.139

DJG1317

The circuit shown here has a voltage gain, and as far as this aspect of the circuit is concerned, it is just the same as Fig. 135. All that is required to make the circuit work is a unity voltage gain at a low impedance to drive the right hand end of  $R1$ . Therefore, if the circuit is required to provide voltage gain, the value of  $R3$  in parallel with  $R4$  should be much less than the value of  $R1$ . In many applications, voltage gain is not required, in which case  $R3$  would be omitted and  $R4$  replaced by a direct connection.

This circuit as it stands can be used for frequency response shaping, communications, or to filter out rumble or subsonics when using a conventional pickup and turntable.

The low pass equivalent of this filter is shown in Fig. 138. In this circuit, capacitive reactance has been replaced by capacitive reactance. Therefore, to obtain the maximally flat response,  $C1 = 2 \times C2$ , because doubling the value of a capacitor halves its reactance. The gain is of course given by the same formula, and interestingly enough the formula for frequency response is the same for either circuit.

A simple way to obtain a slightly sharper cutoff in either of these circuits is to design

picked up is likely to be common mode, while the signal is differential mode. If the circuitry at the receiving end is designed to respond to differential mode signals, but to reject common mode ones, then interference can be rejected. Done properly, this can reduce both mains hum and the awful buzzing noise generated by triac controlled lights.

A simple circuit to generate a balanced output is shown in Fig. 139. This employs an input buffer, followed by a unity gain inverter, to provide the differential drive. Output resistors are included to give approximate matching to the line. This circuit is quite acceptable in many applications, but in some cases the extra

The effective input impedance under these conditions is the impedance to the point on the input resistor at which the signal amplitude is zero. This is illustrated in Fig. 141 by the way that  $R1$  is drawn in two parts. At point E, the junction of the two resistors, the signal from point D and the input signal from point A cancel. Under these conditions point E is effectively at earth potential, and the input impedance seen at point A is the same as if the right hand end of the 24k resistor were connected to 0V. This circuit exhibits a 48k input impedance across the lines, but only when the signals on points A and B are equal in amplitude and opposite in phase. Input B always has an input impedance of 24k, but

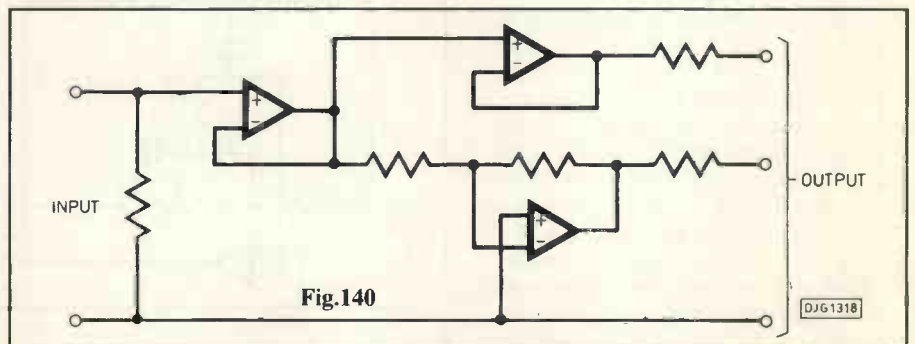
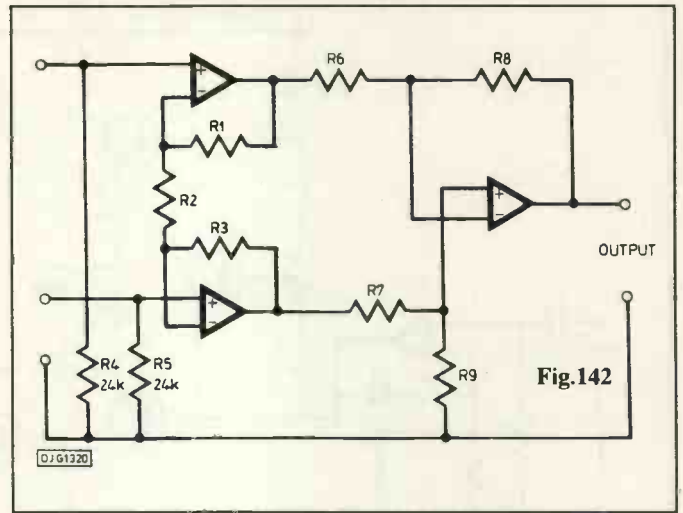
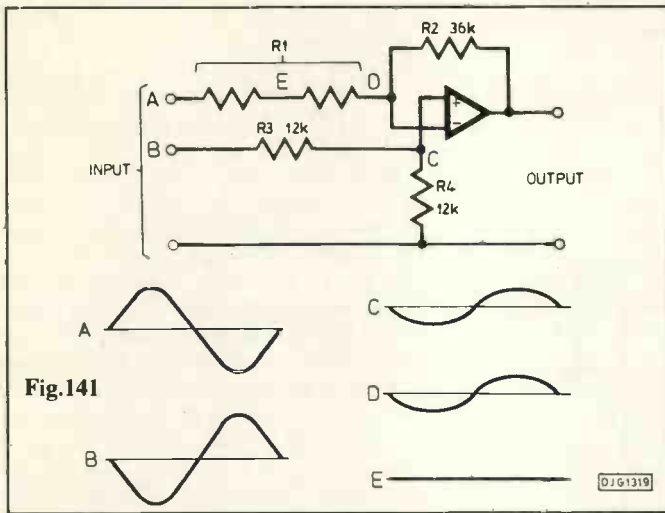


Fig.140

DJG1318



input A has an effective impedance of 24k if the circuit is used in true differential mode, and 36k if no signal is applied to input B.

There is another aspect of the performance of this circuit which is not ideal. Though, in theory, it rejects all common mode signals, two things reduce the effectiveness of this function of the circuit. First of all, the effective input impedance of input A to a common mode signal is quite different from the impedance of input B. Secondly and more seriously, common mode signals are only rejected to the extent to which the gains of the two inputs are matched.

If we assume for a moment that the line is of negligible impedance, so that the total resistance in series with the inputs of the opamp is that shown on the circuit diagram, then the gains from each input are as follows:

From input A, gain =  $\frac{R4}{(R4+R3)} \times \frac{(R1+R2)}{R1}$

From input B, gain =  $-\frac{R2}{R1}$

If the ratios of R1 to R2 and R3 to R4 are not identical, then the gain from each input is different. This means that common mode input signals do not cancel, and there is a common mode gain equal to the

difference in the two gain figures. The common mode rejection is equal to this net figure divided by the differential mode gain. Using practical resistor tolerances, such a circuit may achieve a low frequency common mode rejection of -30dB, though the figure quoted for the opamp itself may be around 100dB. At higher frequencies stray capacitances and imperfections in the opamp will reduce the rejection still further.

The circuit of Fig. 142 gets around this slightly insanitary situation by buffering each input in a circuit which may have a high differential gain, but only has a common mode gain of 1. Thus, if an input differential gain of 10 is used, the overall common mode rejection of the circuit is improved by approximately 10dB. The matching of R1 and R3 is not critical to achieving the common mode rejection, though the differential gain relative to each input will be slightly different if the resistor values are different.

In addition, the input impedance on each input is set by the input resistors R4 and R5. Also because the differential amplifier is buffered from the lines, its matching is likely to be better, and this can be improved further at high frequencies by adding trimming capacitors in parallel with R8 and R9.

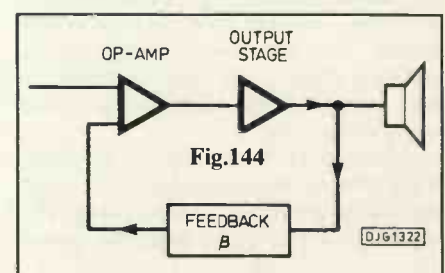
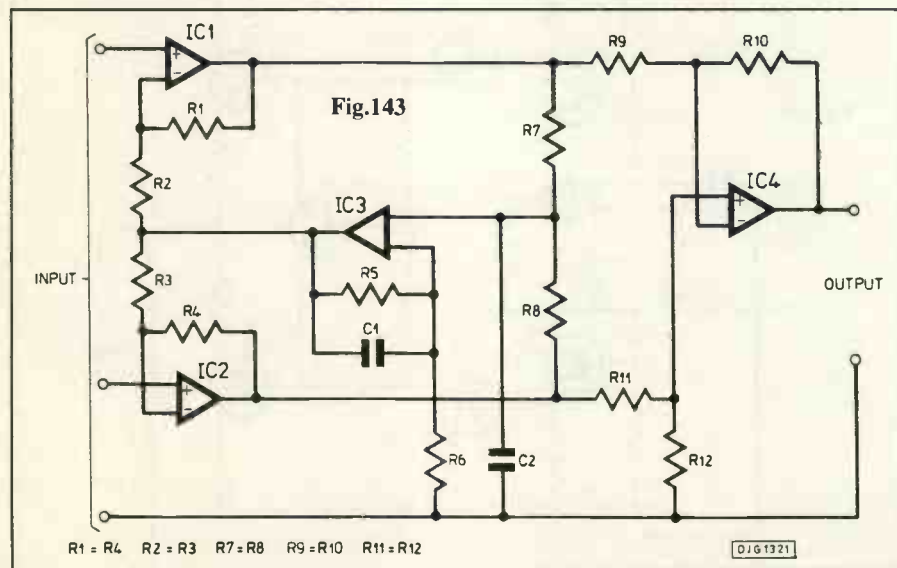
An elaboration of this principle which I have seen suggested recently uses an extra opamp to give a common mode gain of less than 1 in the input stage Fig.143. Common mode signals on the output are amplified and fed back to the inverting inputs of the input amplifiers to cancel the common mode signal. The extent to which this is possible is determined by the gain of IC3, set by R5 and R6.

Almost perfect cancellation could be achieved if R5 were omitted, and the inverting input of IC3 grounded, but it is possible that the imposition of this gain in the feedback loop could cause oscillation. C1 and C2 are included to reduce this likelihood and to trim the high frequency performance. This is a circuit which may be worth experimenting with in situations where the best possible common mode rejection is needed.

## AMPLIFIERS

One common application of opamps is in audio amplifiers. In some designs an opamp is used inside the main feedback loop of an amplifier to give a lot of the voltage gain, and to reduce dc offsets on the output of the amplifier. This can be a very effective technique, but unless care and discretion is applied in choosing and using the opamp, the results can be less than hifi.

One of the problems is illustrated in Fig.144. An opamp which may perhaps be unity gain stable is used in a circuit with extra gain and phase shift in the loop. If too much negative feedback is applied then the opamp may, in effect, be being asked to be not just unity gain stable, but negative gain plus extra phase shift stable. It can't be, of course, and oscillates under these



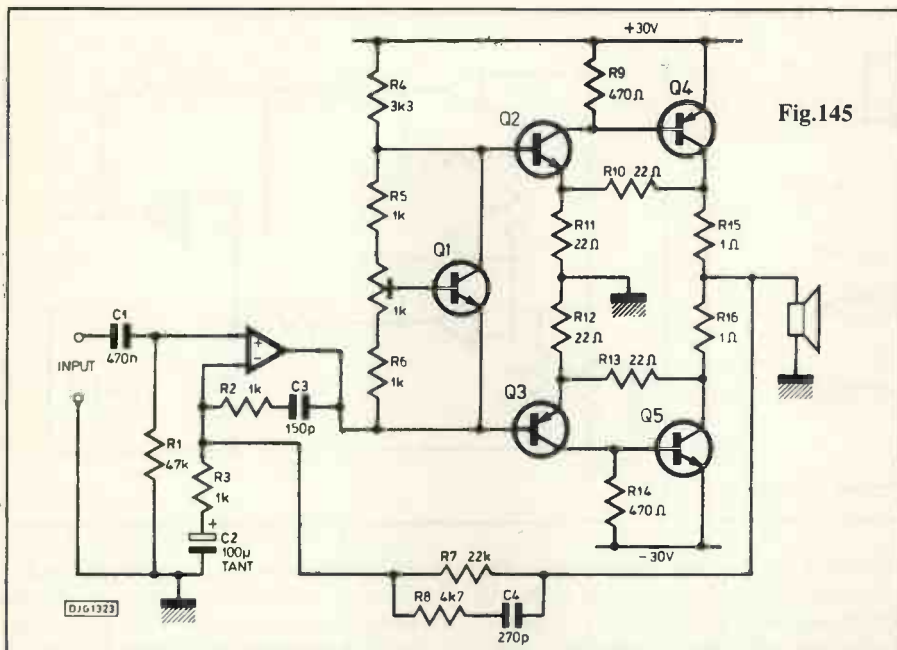


Fig.145

circumstances. To keep the circuit stable, the feedback attenuation must more than counteract the output stage gain. In addition, phase compensation may be needed to keep it to the straight and narrow.

An example of an opamp based power amplifier is shown in Fig.145. The gain of the output stage is set by the feedback resistors R10, R11, R12, and R13. The voltage gain, set by the ratio of these pairs of resistors, is approximately 2. Clearly the value of these feedback resistors must be chosen so that the current through the feedback resistor is a significant proportion of the total feedback in the chain. Or, to put it another way, the emitter currents of Q2 and Q3 must not be the major component of the current in R11 and R12 respectively.

The overall negative feedback in this circuit is frequency dependent. There is 100% feedback at dc, courtesy of C2. At medium frequencies, the feedback is set by the ratio of R3 and R7, while at ultrasonic frequencies the impedance of C4 becomes low enough that the overall negative feedback is increased. At higher frequencies still, C3 has the effect of reducing the local gain at the opamp. The values shown here may not be exactly what experiment would show was required, but they are along the right lines to keep the amplifier stable. Note also that the limited voltage gain in the output stage not only keeps the loop gain under control, but also minimises phase shift in the output stage. This circuit would probably not work exactly as drawn, and in any event it has no output overload protection. It would however form a very suitable first step towards designing an amplifier which could provide twice as much voltage swing on its output as the opamp can provide.

A rather different technique is illustrated in Fig. 146. In this design the output is not taken from the output of the opamp. The output is in fact taken from the power

supply pins via Q1 and Q2. The major advantage of this technique is that, once again, one can derive much more output than the opamp is capable of providing. As can be seen, the opamp is run at a constant power supply voltage of  $\pm 14.3V$ . Its quiescent current is more or less constant, and is used to bias Q3 and Q4. The select on test resistors must be chosen for the correct quiescent current.

When a signal is applied to the opamp, a current flows in the resistor from the opamp output to OV. This current is supplied by one or other of the power supplied via Q1 or Q2 and results in increased current through Q3 or Q4 respectively. The output current is further boosted by Q5 and Q6 to feed the loudspeaker.

Once again, it is unlikely that this circuit would work exactly as drawn, but the principle definitely does work, and can be

highly effective. With a little care in choosing the select on test resistors, the circuit as far as Q3 and Q4 can be made very linear. The principles illustrated here form a good starting point for the intrepid amplifier designer.

If you need a large output swing directly from the opamp rather than via some extra transistors, you don't necessarily have to buy a super high voltage opamp. The circuit of Fig. 147 allows the opamp to give an output swing greater than its power supply rating permits. The power supply rails that the amplifier actually receives are regulated relative to its output voltage at any given moment, so it can climb up and down its own power supply rails. This circuit can be invaluable in certain specialised applications, where the interpolation of extra active stages would degrade the signal intolerably.

It is probable that the circuit as drawn would work, but that it would not perform well at higher frequencies. It is extremely difficult to make this type of circuit work up to the full frequency and slew rate capabilities of the opamp, which fact you could probably have deduced from the law of the conservation of misery. The performance can be improved over that of the circuit as shown, if speed-up capacitors were added in parallel with the zener diodes, or perhaps if some sort of cascode arrangement were used to supply the opamp.

## AUDIO QUALITY

Because it is tricky to design this type of circuit for top performances, it is only to be recommended in situations where nothing else will do. It is not normally to be recommended for audio applications, because really low distortion audio amplification demands circuits which are spot-on.

This comment leads on to a consideration of the basic characteristics needed in

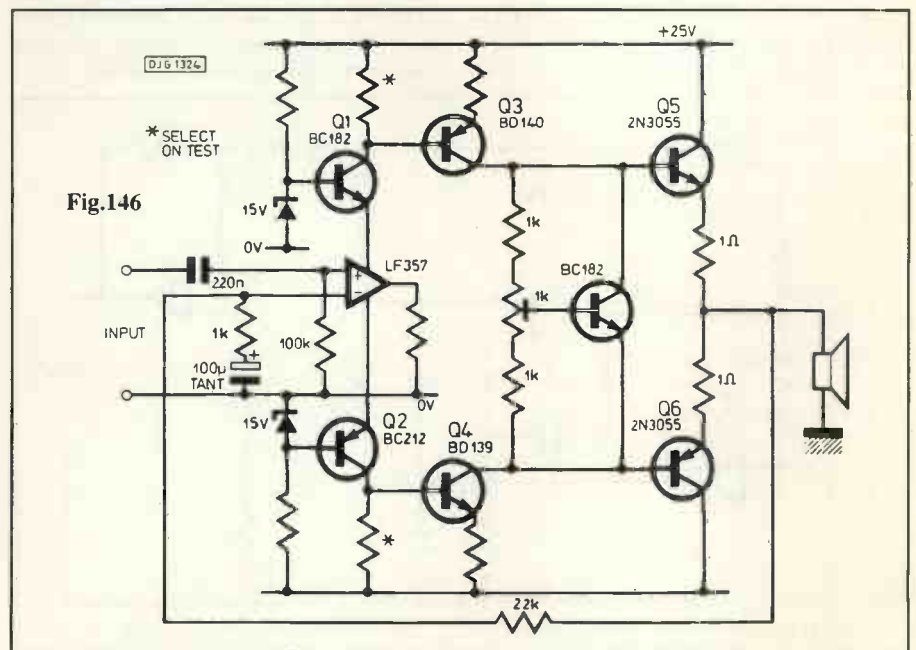
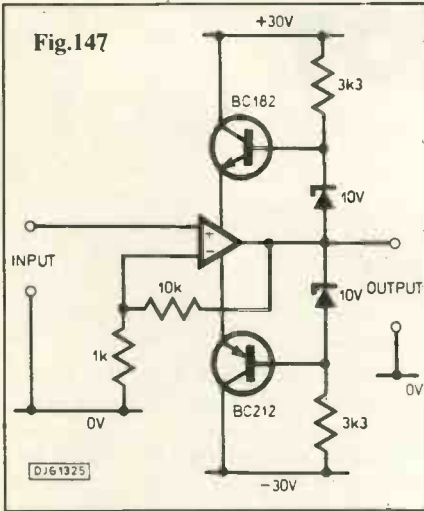


Fig.146



waveforms. This is one of the many reasons why audio designers are not enamoured of the 741: many implementations of it did not apply any bias at all to overcome crossover distortion in the output stage. This alone is enough to render the device unsuitable for top quality hifi.

Real hifi equipment is of course always operated with plenty of overload margin, and never comes near to clipping. It is nevertheless worthwhile considering what a circuit does if it should be fed with too large a signal. Probably a majority of the opamps which would otherwise be suitable for audio use react very nastily if their common mode input range is exceeded. A common problem is phase reversal in which the tips of a waveform are suddenly inverted instead of being cleanly clipped off. The sound this makes is much more unpleasant than ordinary clipping.

One device which seems to fulfill the requirements for audio use is the dual NE5532 and its single version, the NE5534. Its noise level is low, its slew rate and frequency response reasonable, it is inherently not too non-linear, and it does not suffer phase reversal. For this reason, it crops up in a number of audio designs.

The next and possibly final part in this long running series is intended to cover the use of opamps in other circuits such as oscillators and various types of signal conditioning. Can anyone guess what figure number we shall finally reach? **PE**

opamps which are to be used for high quality audio. The most obvious requirement is that the frequency response and slew rate should be adequate for full performance of the circuit over the full audio bandwidth. Additionally, the noise figure of an opamp is important in most audio applications.

Though it is less immediately obvious, the inherent linearity of an opamp matters as well. While a circuit may employ enough negative feedback to force the opamp to work linearly, any abrupt discontinuities in its transfer function may manifest themselves as subtle distortion on tricky

**SOLAR CAMEL POWER**

Reading an extract from a patent report about constant temperature containers, I was reminded of a recent tv sequence in which camels were shown having large solar panels strapped to their backs. Puzzled as to why the "ship of the desert" might be having its hump-stored water supply solar heated, I turned up the sound.

The true fact of the situation was ingeniously interesting. In order to keep medicines and vaccines cool while being transported to oasis settlements they are placed inside huge refrigerated carrier bags strapped to the camel. The power to drive the fridges comes from the solar panels. This keeps them at the constant temperature necessary to maintain the vaccine's efficacy. It has been estimated that, due to damaging temperature changes, normally about 50% of all vaccines are destroyed en route before they reach their intended recipients in developing countries.

I wonder if the camels' tempers are also kept solar cool -have you ever encountered them at close quarters?!

Ed.

**OUT NOW!**

**CRICKLEWOOD ELECTRONICS**

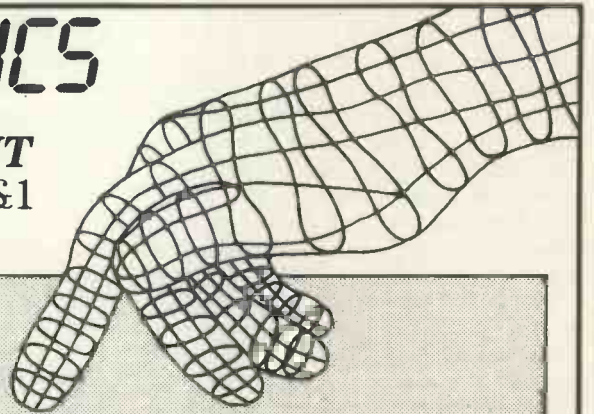
**1989 100 PAGE COMPONENT CATALOGUE PRICE £1**

**SEND OFF FOR YOUR COPY TODAY...**

- WE STOCK AN UNRIVALLED RANGE
- ALL OUR COMPONENTS ARE FIRST CLASS BRANDED ITEMS
- WE OFFER A SAME DAY SERVICE ON ALL STOCK ITEMS
- NO MINIMUM ORDER—IF YOU NEED ONE COMPONENT WE CAN SUPPLY ONE COMPONENT
- WE HAVE ADOPTED A NEW LOWER PRICING POLICY + QUANTITY DISCOUNTS
- FREE VOUCHERS WITH YOUR CATALOGUE—ORDER ONE NOW!...

JUST FILL IN THE COUPON OPPOSITE AND POST IT WITH YOUR £1 PAYMENT TO THE ADDRESS BELOW. YOU WILL RECEIVE NOT ONLY OUR SUPERB 100 PAGE CATALOGUE, BUT ALSO FREE VOUCHERS WHICH YOU CAN USE ON YOUR NEXT COMPONENTS ORDER.

CRICKLEWOOD ELECTRONICS LTD 40 CRICKLEWOOD BROADWAY LONDON NW2 3ET TEL: 01-450 0995/452 0161 FAX: 01-208 1441 TELEX: 914977



**FREE VOUCHERS!**

**SEND OFF FOR YOUR CATALOGUE AND VOUCHERS TODAY.**

I WOULD LIKE TO RECEIVE..... COPY(COPIES) OF THE 1989 CRICKLEWOOD ELECTRONICS COMPONENT CATALOGUE. I ENCLOSE £..... PLEASE ENCLOSE MY FREE VOUCHERS.

Tape your £1 coin here, or send a cheque or postal order for £1.00 for every catalogue you require.

NAME.....

ADDRESS.....



# THE THOR SPOT

BY WAYNE GREEN

## UPDATING THE OPTICALS

*The Thor may be setting in for the spring of recordable optical discs, but icy patches still mar the landscape. Inconsistency in drive rates and access times raises fundamental questions when it comes to high speed database storage.*

The Radio Shack promise of a \$500 recordable optical disc system sure got things stirred up. CD fans, put off by the cost of dat recorders, instantly began to salivate. Wow! We're going to have a way to make digital compact disc copies! The computer tweekers got all excited over a new data storage medium, one which promises around 550 megabytes...and is erasable.

The announcement of the NeXT system by Chairman Jobs, complete with an erasable optical disc drive, made the Thor system seem even more real. Well, we'll see how much of the Thor is vapour and how much reality – in a year or so. But let's put this whole cd-rom business into some perspective.

### CD ROMPS ON?

The cd-rom has had a great press reception, with nay-sayers being shushed. The compact disc, with its storage of about 600 megabytes looked like a great technical development for computers. Sure, it was designed for digital sound data storage, but just look at the incredible storage capacity! And with the cost of the equipment brought down by the economies of scale of about five million cd players being sold per year, it looked like a big winner.

It didn't take very long before some flies began to come to the surface in the ointment. The first problem was that the firms which rushed into putting their data bases on cd-rom discs found that the data quickly became dated. This led to a faster and faster turn-around of discs. Many firms had to go to weekly update discs shipped overnight. Obviously the whole system wasn't as good as hoped. Some sort of updatable data base medium was needed.

Most of the cd-rom products (only about 200 so far) are just copies of data already available from on-line services. How many users are there? Less than 60,000 drives have been sold. So far, cd-rom has been more hype than substance. Now, if an updatable disc could be developed...?

One group has been working on rewritable optical discs. Another on combining the cd-rom optical data (read only) with a magnetic layer for updates. Well, that wasn't a very elegant solution. That meant that what was a modified cd player now had to also have a floppy disc drive system built in too. Since it was obvious that a better system would have to be developed, little enthusiasm ensued for this hybrid approach.



*Dr Wayne Green is the renowned US author, publisher and founder of over 50 computer and technology magazines, including Byte and Microcomputing.*

### ANOTHER THORN

Now, problem number two – an even worse misery – and one which will, I expect, substantially reduce interest in the Tandy Thor approach. This one stems from the basic system used by compact discs. It was designed to store digitised sound data. Engineers needed to be able to handle 150K bytes per second for high quality sound, so that's the transfer rate of a cd...and a cd-rom. That's awfully slow for today's computers.

Worse, in order to keep the data flow constant, the disc has to rotate at a different speed on every revolution, going from about 600 rpm at the start to about 200 by the time the end of the spiral is reached. This doesn't bother a cd player handling music data, where the gradual change in disc speed isn't a big deal. But with computer data, which are often hopping from one part of the disc to another, the disc mechanism will have to be able to speed from 200 up to 600 rpm and back constantly. CD players aren't designed for that kind of abuse, nor to be able to provide the instant speed changes fast data access demands.

Computer discs spin at a constant speed with the data stored in concentric rings instead of one long spiral track. Each ring

has the same amount of data. This means that the outside rings waste a lot of space and the inside densely packed rings are a real bear to read accurately. It's been fun watching the computer industry get rid of the easy-to-read disc areas by making them ever smaller.

Now, if the erasable cd technologies insist on being compatible with audio cds and cd-roms, they're going to have the limitation of both the slow transfer rate and the continuously variable speed drive for the disc. It doesn't make good sense to me. How long will it be before someone invents an erasable data storage system which does what computers need? And has it already been invented with the digital tape technology (dat)?

### RAMIFICATIONS

One digital tape will hold about six times as much data as a cd-rom (or Thor disc). The read transfer rate can be boosted to around 400 times that of a cd. I haven't seen data on the limits of the write transfer rate. The tape speed is constant, simplifying the motors and control system. The transfer rate can be changed by changing the tape speed gearing.

Neither the cd-rom nor the dat technology are going to be of much value when we need to do a fast search of a large data base for several interrelated data. For instance, suppose we want to look through a complete US telephone list for the Johnsons who live on Smith Street and who have a five in their phone number. A computer searching its ram data can sort that out before you can grab your coffee cup. Looking for that combo on a cd-rom would give you time for a leisurely lunch. DAT would be faster, due to its ability to read data at the fast-forward or rewind speeds, taking less than a minute to search the whole tape.

But you don't want to be thrashing tape around like that, so it's likely that dat-oriented storage systems will lean toward large ram memories and tend to offload megabytes of data into ram before it is massaged. Since most data bases tend to be in the single or double figure megabyte range, this may be a practical way to keep from wearing out tapes. One tape could then store many fairly large data bases and each would be downloaded into ram for actual use. The updated data would then be rewritten over the old base – or written elsewhere



on the tape if the old data is needed for archival purposes. With three or four thousand megabytes of storage room on each tiny dat you may not have to throw things away very often.

Engineers in UK have a decided advantage over their American counterparts in that dat systems are much more easily available. The Japanese Trade Ministry has put thumbs down on any official exports of dat recorders to the US, so what few are available are from importers of gray market products.

**TOSHIBAN BOOMBOX**

The MITI ban on dat is less in response to the threats of legal action by the Record Industry Association (RIAA) than from concerns over possible congressional action. The Japanese are still very worried over possible retaliation by congress for the Toshiba disaster, where a secret manufacturing process was sold to the USSR which enabled them to render the American submarine detection system useless.

Congress got mad. The Japanese won't soon forget the congresswoman bashing a Toshiba boombox with an axe in front of the Capitol on the evening news. Congress wanted to outlaw all Toshiba products for five years. Within hours they were getting panic phone calls from their military suppliers explaining that if they wanted continued delivery of tanks, planes, rockets and other

beloved items of hardware made in their states, they'd better not prevent the use of Toshiba supplied parts for which there were no alternative sources.

**RETYREMENT BENEFIT**

That reminds me of a WWII story. An uncle of mine in Pennsylvania made tyre flaps. When the war came along there was an instant rubber shortage, an official of the War Production Board figured trucks could get along without flaps, so he cancelled the rubber allotment for the Rex Hide company. My uncle said great, locked up his factory and went on a fishing trip to Canada.

About two weeks later the truck production lines in Detroit ground to a halt. No tyre flaps. It turned out that tyre flaps weren't those splash guards which hang behind the tyres. They were an inner wrap between the tyre and the inner tube. No tyre flaps, no trucks.

It took the WPB another week to find my uncle in Canada and convince him to come back and unlock the factory. I suppose that's also a parable for the problems the USSR had over their sixty-year disaster with their government management of business.

**MITIGATING CIRCUMSTANCES**

One might think that the repeated assurances from congress that they will not legislate against dat unless there is positive proof that it actually has caused losses to

the music industry might break the MITI ban. But no, MITI has held firm and no Japanese firm has defied them so far. Well, this is tough for the US and bonanza for the UK and Europe. Here's an opportunity to get a major step ahead of the US with a new and exciting technology.

In the meanwhile I think I'd be a little cautious about investing in cd-rom based enterprises and perhaps be more inclined to favour dat-based systems.

One parting swipe. I mentioned the much-ballyhoo'd NeXT computer from Steve Jobs. The media loves Jobs, but the industry just sniffed in derision. The NeXT system isn't price advantageous over its competitors. Neither does it offer any real technical advantages. NeXT looks like a BuST and may be the LaST from JoBS.

PE

**CANNED WORMS**

IFPI, the International Federation of Phonogram and Videogram Producers, has reacted vigorously to the reported development of CD-R (referred to in some quarters as WORMS - write once read many times) and CD-E (erasable) compact disc systems. They fear that if these systems are introduced without accompanying protection for copyright, the recent recovery of the recording industry will be undermined.

New developments in technology are welcomed by IFPI but they say that "those which threaten the creativity of artists, performers and producers must be opposed". Ed.

**S.P.K. ELECTRONICS**

Please send large SAE for Comprehensive list of equipment & components that can be supplied. GOOD Discounts available for schools & colleges with multiple orders.

Westbury Mill, Westbury, Nr. Brackley, Northants NN13 5JS. Tel: 0280 701691 or 0836 209923  
Telex: 934999 (TXLINK G)  
Reply with Ref no: MBX 280701693  
Fax: 0280 701228

Ordering: Please add £5p&p. Add 15% VAT to this total. 24hr Answering Service on orders placed after 6pm. Cash, P.O. or cheque with order please. Visa, Access, Diners & American Express accepted.

**ELECTRONIC TEST EQUIPMENT – CALIBRATION CERTIFICATES SUPPLIED AT EXTRA COST PHONE FOR DETAILS**

This is just a small sample of our vast range of equipment. If the instrument you require is not listed please give us a call as we can probably help you.

**BECHMAN** Digital Multimeter model DM20L (we recommend this as excellent value for money) 3.5 digit display, **28 RANGES**, 20MHz logic probe built in, transistor gain testing. Direct reading 200-2000Mohm ranges, Continuity Bleeper 10Mohm input impedance, Pocket size. Ideal for the home constructor or experienced engineer, extremely versatile and exceptionally easy to use. **PRICE £46.00**

**THANDAR** Oscilloscope model SC110. Bench. Portable, low power, 10MHz band width, 10mV sensitivity, 12 attenuator/voltage settings, 21 time base ranges. Small screen (1in x 1.25in) but very useful instrument operates on batteries or mains. comes with mains adaptor and x 1 probe. **PRICE £209.95**

**ROBIN** Analogue multimeter model OM20NB. 2000ohm per volt multimeter DC Voltage to 1000V AC. Voltage to 500V DC current to 250mA. Resistance to 500kohms. **PRICE £10.00**

**FLOPPY DISKS** Double sided, double density, 96tpi, high quality. Pretested computer disks suitable for Amstrad and any other P.C.'s with 5.25in drives. **PRICE per box of 10 disks £7.00**

Inclusive of price – **FREE** labels & Notch stickers & the box acts as a stand. Please add £1 for postage.

**HITACHI** Oscilloscope model V212. Large clear 6in screen DC to 20MHz Dual channel, max vertical sensitivity = 1mV /DIV, Fastest sweep rate = 100nS/DIV Calibrator output. This instrument has in our experience proved to be an exceptional piece of equipment, being very reliable and durable. We were impressed by its bright clear and crisp display making the instrument a pleasure to use.

**PRICE** inclusive of 2 probes **£334.00**  
**Optional Extras** Hard front cover **price £16.** Soft dust cover **price £26.**

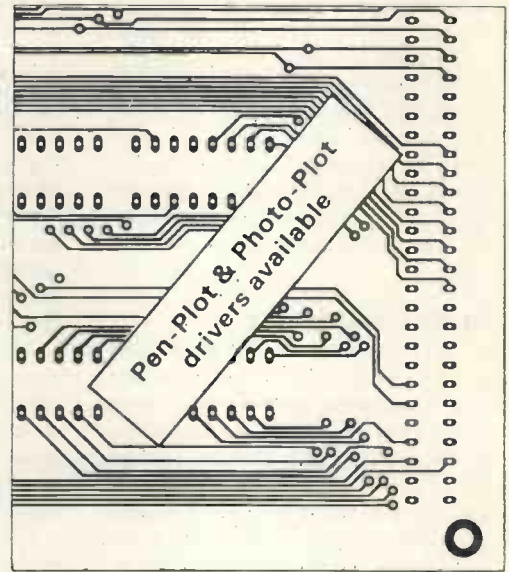
**Just In:** 3.5in disks high quality 135TPI DSDD boxes of ten

**PRICE £11.99** (Postage £1)  
**VHS Video Tapes** Kodak 3hr tape pack of 3 **£8.25.** JVC 4hr tape pack of 3 **£12.00**

# MAKING ELECTRONICS C.A.D. AFFORDABLE

## PCB CAB, FOR THE PC/XT/AT – EASY-PC AND TINY-PC

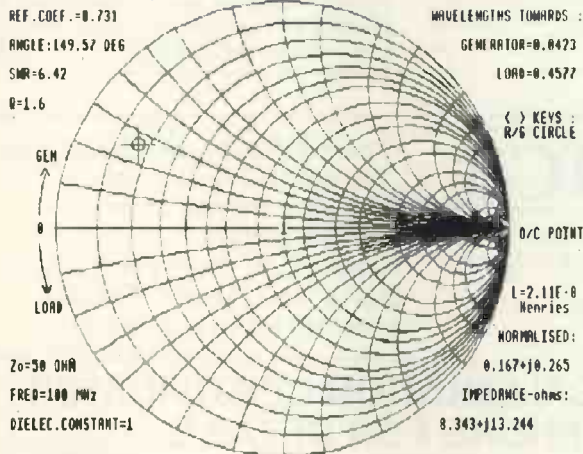
- Are you still using tapes and a light box?
- Have you been putting off buying PCB CAB software?
- Have you access to an IBM PC/XT/AT or clone inc Amstrad 1640 & 1512 or Archimedes with P.C. Emulator?
- Would you like to be able to produce PCB layouts up to 17" square?
- With up to 8 track layers and 2 silk screen layers?
- Plus drill template and solder resist?
- With up to eight different track widths anywhere in the range .002 to .531"
- With up to 16 different pad sizes from the same range?
- With pad shapes including round, oval, square, with or without hole and edge connector fingers?
- With up to 1500 IC's per board, from up to 100 different outlines?
- With auto repeat on tracks or other features – ideal for memory planes?
- That can be used for surface mount components?
- With the ability to locate components and pads on grid or to .002" resolution?
- With an optional auto via facility for multilayer boards?
- With the ability to create and save your won symbols?
- That can be used with either cursor keys or mouse?
- That is as good at circuit diagrams as it is a PCB's?
- That outputs to Dot Matrix Printer, or, with extra drivers can drive a pen plotter or photoplotter.
- Where you can learn how to use it in around an hour?



**TINY-PC £95.00 + VAT EASY-PC £275.00 + VAT**

### SMITH CHART PROGRAM – Z-MATCH

For IBM, PC/XT/AT and clones inc. Amstrad 1512 and 1640 and BBC b, B+ and Master.



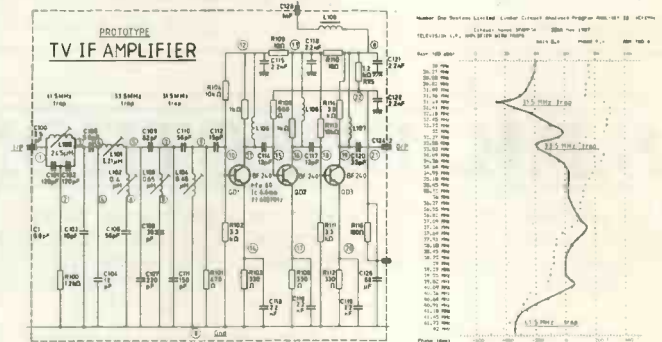
**Z-MATCH** – Takes the drudgery out of R.F. matching problems. Includes many more features than the standard Smith Chart.

Provides solutions to problems such as TRANSMISSION LINE MATCHING for AERIALS and RF AMPLIFIERS with TRANSMISSION LINE TRANSFORMER and SIVB MATCHING methods using COAXIAL LINES MICROSTRIP, STRIPLINE and WAVEGUIDES. the program takes account of TRANSMISSION LINE LOSS. DIELECTRIC CONSTANT, VELOCITY FACTOR and FREQUENCY. Z-MATCH is supplied with a COMPREHENSIVE USER MANUAL which contains a range of WORKED EXAMPLES

**£130 for PC/XT/AT etc £65.00 for BBC B, B+ and Master**

### CIRCUIT ANALYSIS BY COMPUTER – ANALYSIS II

For IBM, PC/XT/AT and clones inc. Amstrad 1512, 1640, R.M. NIMBUS, and BBC B, B+, and Master.



**"ANALYSER II"** – Analyses complex circuits for GAIN, PHASE, INPUT IMPEDANCE, OUTPUT IMPEDANCE and GROUP DELAY over a very wide frequency range.

Ideal for the analysis of ACTIVE and PASSIVE FILTER CIRCUITS, AUDIO AMPLIFIERS, LOUDSPEAKER CROSS-OVER NETWORKS, WIDE-BAND AMPLIFIERS, TUNED R.F. AMPLIFIERS, AERIAL MATCHING NETWORKS, TV I.F. and CHROMA FILTER CIRCUITS, LINEAR INTEGRATED CIRCUITS etc. STABILITY CRITERIA AND OSCILLATOR CIRCUITS can be evaluated by "breaking the loop". Can save days breadboarding and thousands of pounds worth of equipment.

**£195 for PC/XT/AT etc. £130 for BBC B< B+ and Master**

All prices Ex-VAT  
WRITE OR PHONE FOR FULL DETAILS:- REF PE

**Number One Systems Ltd**



Harding Way, St Ives, Huntingdon Cambs, PE17 4WR  
Tel: St Ives (0480) 61778  
We provide full after-sales support with free telephone 'hotline help' service.  
Software updates are free within 6 months of purchase date.

# HDTV - THE GREAT SYSTEMS BATTLE

PART TWO BY TOM IVALL

## SAMPLED DEFINITIONS

*Eureka! - Sampled pigeon holes compress the band, but though there's a shuffling into line, the standards are still uncertain*

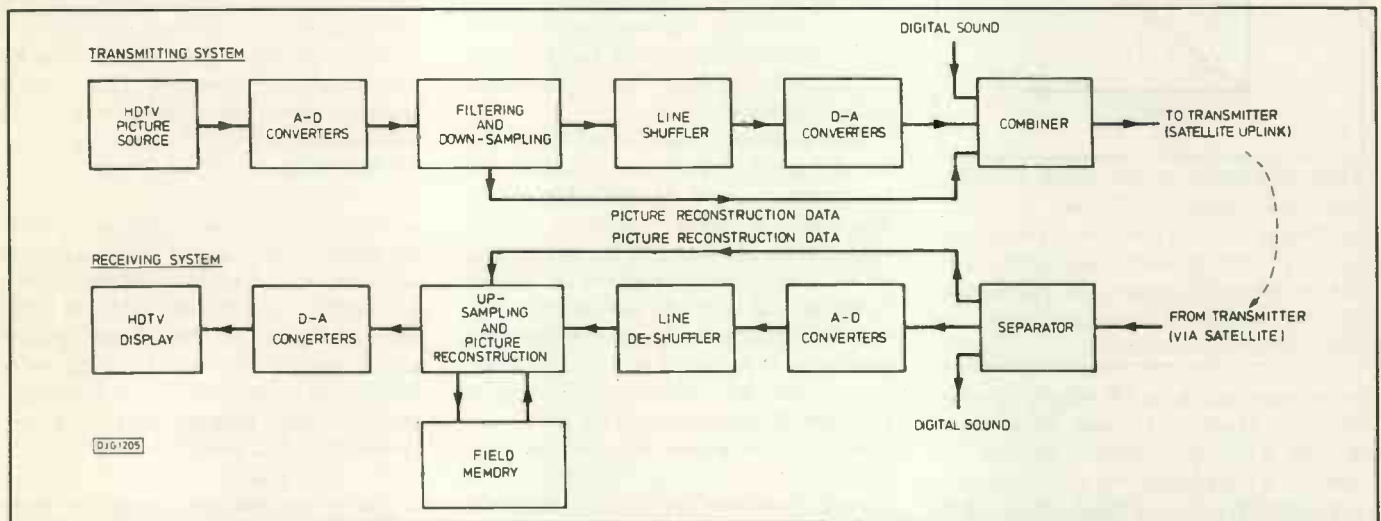


Fig.4. Main processes in hdtv transmission and reception. The transmitting and receiving chains shown here are expansions of the corresponding chains in the very simplified Fig.2 diagram in part one.

To describe the digital signal processing in a bit more detail, Fig.4 is an expansion of what takes place in the two heavy-line boxes of Fig.2 in part one. At the transmitting end (upper part of diagram) the signals from the hdtv picture source - which could be a camera, vtr or film scanner - are first converted into digital form. This is done by analogue-to-digital converters, one for each of the three components in the colour tv picture signal. Some readers may know already how an a-d converter works. For those who don't Fig.5 shows the basic principle.

### SAMPLING

Essentially the incoming analogue voltage waveform is 'sampled' at regular instants of time. At each sampling instant, the amplitude of the voltage waveform is measured and a decision is made on which one of many voltage 'pigeon-holes' it falls into. Each pigeon-hole is a small range of voltage called a quantum and the whole process of sorting out the voltage measurements into these quanta is called quantisation. In one hdtv system the voltage measurements are sorted into 256 quanta. One can think of

them as 256 distinct levels on the maximum amplitude of the analogue voltage waveform.

When a voltage measurement falls into a particular quantum the a-d converter generates a binary number corresponding to the quantum. As there are 256 possible quanta or levels, the binary numbers generated must be 8-bit numbers in order to provide enough combinations of 1 and 0 to represent all of them.

### BANDWIDTH COMPRESSION

Thus, referring back to Fig.4, the outputs of the a-d converters consist of streams of 8-bit numbers. Once the vision signals have been digitised in this way they undergo bandwidth compression. The first part of this is to filter out of the digitised signals any image components which, as spatial patterns on the tv screen, are not perceivable by the viewer. For example, the eye-brain physiology

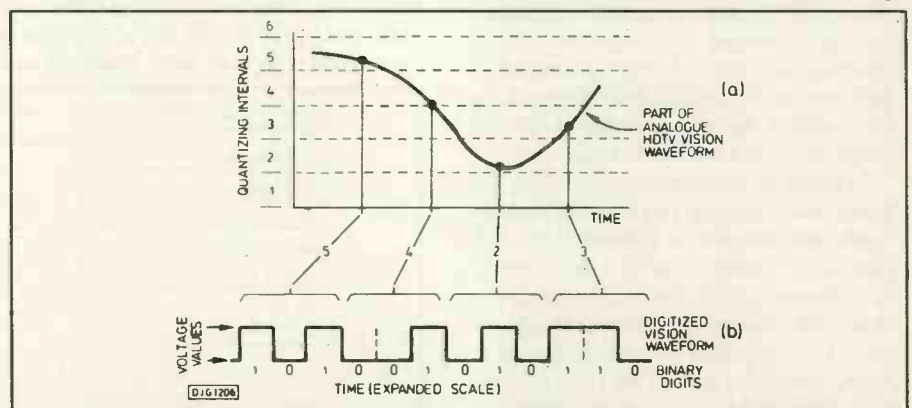
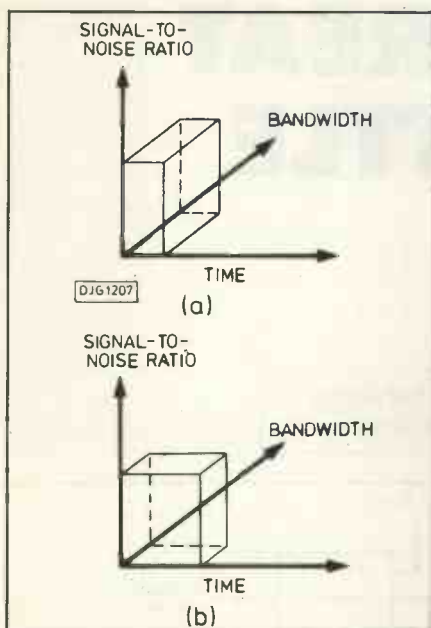


Fig.5. Basic principle of analogue-to-digital converters as used in hdtv system (see Fig.4). For simplicity the digitised vision waveform is shown here as a data stream of 3-bit numbers, but actual hdtv system use very much finer quantization of the analogue waveform (eg 256 levels) and so generate longer data words (eg 8-bit).



**Fig.6. Bandwidth compression.** Showing how bandwidth and time can be exchanged when sending a given amount of vision information (volume of box). In (b) the bandwidth required is less than in (a) because more time is taken to transmit the information.

cannot see fine detail on rapidly moving objects. Unnecessary visual information of this kind is removed, because to transmit it would require a certain amount of bandwidth - wasted bandwidth - when the great need is to reduce bandwidth.

The fundamental principle of bandwidth compression is to slow down the rate at which signal information is transmitted. Bandwidth is the total range of sine-wave frequency components needed to synthesize a particular waveform. This range is measured in hertz (Hz). If the waveform contains rapid transitions - like the edges of square pulses - it requires a wider bandwidth than that of a waveform containing only slow transitions. So the bandwidth normally needed to synthesize a particular transition can be reduced by taking a longer time to send that transition through a system - in other words, by reducing its rate of rise or fall. The information transmitted (the amount of the transition) is the same but the process of transmission is extended in time.

In practical communication systems this means that a 'trading' or exchange between bandwidth and time is possible. One such practical system, used for visual surveillance and also by radio amateurs is slow-scan television. This principle of trading is illustrated in a general way in Fig.6. In both (a) and (b) the volume of the box is proportional to a given amount of information to be transmitted (measurable digitally in bits). The amount of information is the same in (a) and (b) - the boxes have equal volumes. But in (b) the system

takes a longer time to send the information than is required in (a). As a result the bandwidth in (b) can be smaller than in (a) in order to keep the amount of information transmitted (box volume) the same as in (a). This exchange assumes a constant signal-to-noise ratio in the transmission system.

Applying this general principle to the hdtv system means taking some of the visual information from each tv field and spreading it out over the longer time occupied by several fields - actually four fields in both the NHK and the Eureka systems. The visual information for which this process gives the best results is static information - for example, a shot consisting of a stationary (non panning) view of a house, or a shot in which the background is stationary though there may be movement in the foreground.

This technique takes advantage of the fact that much of the visual information in tv pictures - as in cinematography - is redundant. In other words, it doesn't change from one frame to the next. But of course it has to be repeated at the normal frame rate (25 or 30 per second in tv, 24/s with film) purely for the sake of depicting movement in a smooth manner. So in the hdtv system this inherent redundancy is exploited. If certain areas of the picture are stationary over at least the time taken by four successive fields (80 milliseconds in Europe) the system can afford to take four fields to send these areas from the transmitting end without impairing the final picture as seen by the viewer.

Of course, in practice, many areas of many picture sequences remain static for longer than 80 ms. But the extra time given by four fields instead of one is enough to achieve the substantial bandwidth compression of 4 : 1 in the final baseband signal.

In the Fig.4 system this extension of time is obtained by the digital process of down-sampling. This means re-sampling the samples already taken and digitised by the a-d converter at a lower rate than used in the a-d converter - in fact at a quarter of the original rate. Thus in the Eureka system

the original a-d sampling is done on the luminance signal component at a rate of 54 million samples per second (54 MHz), and the re-sampling of the resulting digital data is done at 13.5 million samples per second (13.5 MHz). These particular rates have been chosen to fit in with the CCIR digital coding standard mentioned earlier.

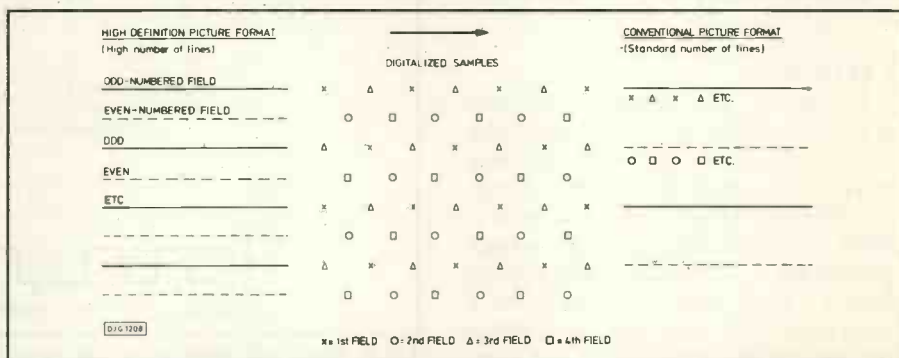
## MOVEMENT PROBLEM

Unfortunately there is a snag. The bandwidth compression works well on stationary areas but results in blurring on moving objects. The 4-field repetition rate is too slow to analyse the rapidly changing visual information in sufficient detail to given an accurate rendition of the moving object. So the system has to use a highly complex algorithm for dealing with the moving objects separately. This involves breaking down the total picture digital information into small areas and distinguishing when movement occurs in any of these small areas. The algorithm responds automatically to what comes along from the picture source and so is called 'motion adaptive'. A final stage in this procedure is to measure the speed and direction of the moving objects. In physics any quantity which requires direction in space to be specified in order to define it is known as a vector. so these measurements in the hdtv system are called motion vectors.

All this analysis and measurement results in a continuous output of digital data which specifies the structure of the picture from moment of moment. It is needed at the receiving end to reconstruct the picture accurately, according to the analysis performed at the transmitting end. The digital data is therefore organised into a stream and transmitted to the receiver as a separate digital reconstruction signal, as shown in Fig.4.

## LINE SHUFFLING

At this point the bandwidth-reduced signals are still in a high-definition line format (1125 lines for NHK, 1250 for Eureka). They must therefore be converted into a 625-line format which can be accepted by existing tv sets, as shown



**Fig.7. Line shuffling principle for re-arranging digitised samples from an hdtv picture (eg 1250 lines) into a standard picture format (eg 625 lines) to achieve a compatible broadcasting system.**

by Fig.2, but in such a way as to retain and transmit the additional visual information needed by the hdtv receiver to show high-definition pictures. This is done by a process called line shuffling.

All the digitised samples from the 1250-line or 1125-line structure are rearranged into a 625-line or 525-line structure as shown in Fig.7. In a four-field sequence the line shuffler rearranges samples from two successive lines in each field of the originated picture into one line of a standard picture. For instance, samples from odd-numbered original 1250-line fields are transferred into one 625-line field, while samples from the even-numbered original fields go into the next, interlaced, 625-line field.

Next, the 8-bit samples of the digitised vision signals are changed back into analogue signals by a digital-to-analogue converter. This operates on the reverse principle to that illustrated in Fig.5. The resulting analogue vision signals are then combined with digital sound data from the hdtv studio and with the picture reconstruction data mentioned above, to produce the final hdtv baseband signal for modulating the satellite uplink transmitter.

In the combiner, or multiplexer, both NHK and Eureka use a system which keeps the vision luminance and colour components separate by transmitting them at different times in a regular sequence (time-division multiplexing). In the Eureka scheme this is derived from the MAC (multiplexed analogue components) transmission system. MAC was devised in the UK by the IBA and is to be used for Britain's first db's broadcasts from the BSB satellite in 1989. The MAC waveform is shown in Fig.3, compared with the established PAL signal used in European terrestrial tv broadcasting.

The main point about the MAC signal, relative to PAL, is that it gives better quality pictures. Keeping the luminance and colour components separate in time means that they cannot interfere with each other. The resulting pictures are therefore

free from the spurious cross-colour patterning effects which occur with PAL because PAL uses a subcarrier to frequency-interleave the colour components with the luminance component (frequency-division multiplexing). This improvement given by time-sequential transmission is a benefit for satellite broadcasting generally but is particularly important for hdtv, where any likely sources of picture impairment must be avoided to attain the highest possible quality.

In the ordinary MAC signal the luminance and colour components have to be compressed in time, as shown in Fig.3, in order to fit them into the normal 625-line signal format. In hdtv, however, extra picture information is generated with the wider, 16:9 aspect ratio relative to the existing 4:3 aspect ratio (Fig.1). To accommodate this in the MAC signal used for hdtv, the analogue vision signals have to be time-compressed even further. As a result the bandwidth of the hdtv baseband signal is increased from about 8.4 MHz (ordinary MAC) to about 10.5 MHz.

Fig.4 shows that the hdtv receiver includes signal processing which is basically the reverse of that used at the transmitting end - analogue-to-digital conversions as against digital-to-analogue, up-sampling as against down-sampling, and so on. An important part of

the bandwidth restoration system (reversing the bandwidth compression) is a digital field memory constructed from semiconductor vlsi chips. This is necessary for reconstructing pictures from 8-bit samples over the period of four fields mentioned above. As each field is received the digitised samples it carries must be held in the memory to be combined with further samples arriving with the following fields.

#### UNCERTAIN FUTURE

While the general principles of digital signal processing in the NHK and Eureka hdtv system are very similar - because r&d engineers naturally tend to use the most advanced technology available - the chosen standards remain different. At the time of writing it's difficult to see what the outcome will be of the continuing attempt to decide on a single world-wide production standard.

After its September 1988 demonstration at Brighton the Eureka team has to develop its system further - particularly to obtain adequate fine detail on movement - and it will be staging another demonstration in late 1989. A final decision on a world-wide hdtv production standard could well be reached at the 1990 meeting of the CCIR if international agreement is achieved, but this is not absolutely certain. **PE**

*Some TV definitions may always result in systematic battles*



## SOFTMACHINE DISTRIBUTION LTD

FOR OEMs/TRADE

- ★ EPROM WRITER      ★ EPROM ERASER
- ★ PC HAND TOOLS    ★ CPU STANDS
- ★ COMPUTER CASES ★ POWER SUPPLY
- ★ MAIN BOARDS      ★ MONITORS

TRADE HOURS: 10 - 6pm

TEL: 01-8077644

FAX: 01-807 2748

**SOFTMACHINE**  
DISTRIBUTION LTD

SOFTMACHINE DISTRIBUTION LTD  
UNITS F18/F25, HARBET ROAD,  
LEA VALLEY, EDMONTON,  
LONDON, N18 3LR ENGLAND.

## THE BREATH TEST

Are You An Electronics Wizard??

£20,000 plus capital  
to invest in potential  
multi-million pound venture??

25 years old entrepreneur whizz seeks  
above to make millions with.

Call Shaun James on  
09252 29149 9.00-5.00  
0942 715164 after 6.00pm

# ELECTROVALUE

Distributors of high quality components since 1965

POLYESTER CAPACITORS		ELECTROLYTIC RADIAL		ELECTROLYTIC CANS		CONNECTORS DIN AUDIO		BRIDGES 250V ac		CFY19-18		7491		LS259 0.80	
5mm PCM	63V 10%	µF	V	µF	V	SOCKETS		1A W04 0.20	BC141 0.40	BF244B 0.40	BU407 1.05	8.27	7491 0.65	LS266 0.50	Variable
4.7nF	0.06	1.00	0.05	100	350 1.85	2-way 0.06		3A BR30 0.60	BC147 0.18	BF254 0.17	BUX26 3.78	MJ2955 0.90	7492 0.55	LS268 0.50	LM3137 2.40
6.8nF	0.06	2.2	0.3	220	385 2.21	3-way 0.18		6A BR64 0.75	BC149 0.18	BF255 0.17	BUX28 2.00	MJ340 0.48	7493 0.55	LS273 0.60	LM317 0.50
10nF	0.06	10	0.3	470	100 2.00	4-way 0.20		25A FR2506	BC159 0.15	BF420 0.30	BUX85 1.30	MJ285 0.95	7494 0.70	LS280 1.10	LM337 1.80
22nF	0.07	47	18 0.08	2200	40 1.70	5-way 180°		35A FR3506	BC169 0.35			MJ2955 0.90	7495 0.85	LS283 0.70	LM337T 0.50
33nF	0.07	100	16 0.07	2200	100 2.01	5-way 240°		35A FR3506	BC178 0.21			MJ340 0.48	7496 0.75	LS290 0.60	LM337T 1.80
47nF	0.07	100	16 0.07	2200	100 2.01	5-way 360°		35A FR3506	BC187B 0.17			MJ285 0.95	7497 0.80	LS293 0.70	723-T06 1.07
68nF	0.08	100	25 0.08	4700	40 2.11	5-way 240°		35A FR3506	BC187B 0.21			MJ340 0.48	7498 0.75	LS296 0.80	723-dip14
100nF	0.08	100	30 0.12	4700	100 2.06	5-way 360°		35A FR3506	BC188 0.21			MJ285 0.95	7499 0.80	LS306 0.80	
150nF	0.10	220	25 0.12	4700	100 2.06	5-way 240°		35A FR3506	BC188 0.21			MJ340 0.48	7500 0.75	LS306 0.80	
220nF	0.12	220	25 0.12	10000	16 2.78	5-way 360°		35A FR3506	BC188 0.21			MJ285 0.95	7501 0.75	LS306 0.80	
330nF	0.17	220	25 0.12	10000	25 2.81	5-way 240°		35A FR3506	BC188 0.21			MJ340 0.48	7502 0.75	LS306 0.80	
470nF	0.22	470	16 0.12	10000	40 3.60	5-way 360°		35A FR3506	BC188 0.21			MJ285 0.95	7503 0.75	LS306 0.80	
680nF	0.32	470	25 0.18	10000	40 3.60	5-way 240°		35A FR3506	BC188 0.21			MJ340 0.48	7504 0.75	LS306 0.80	
1µF	0.40	1000	16 0.18	22000	16 3.48	5-way 360°		35A FR3506	BC188 0.21			MJ285 0.95	7505 0.75	LS306 0.80	
1.5µF	0.40	1000	25 0.33	22000	25 3.48	5-way 240°		35A FR3506	BC188 0.21			MJ340 0.48	7506 0.75	LS306 0.80	
100nF	0.08	100	35 0.10	3300	350 3.50	5-way 360°		35A FR3506	BC188 0.21			MJ285 0.95	7507 0.75	LS306 0.80	
150nF	0.09	100	35 0.10	4700	40 3.58	5-way 240°		35A FR3506	BC188 0.21			MJ340 0.48	7508 0.75	LS306 0.80	
220nF	0.10	100	35 0.10	10000	16 3.25	5-way 360°		35A FR3506	BC188 0.21			MJ285 0.95	7509 0.75	LS306 0.80	
330nF	0.13	100	35 0.10	10000	16 3.25	5-way 240°		35A FR3506	BC188 0.21			MJ340 0.48	7510 0.75	LS306 0.80	
470nF	0.17	100	35 0.10	10000	40 3.60	5-way 360°		35A FR3506	BC188 0.21			MJ285 0.95	7511 0.75	LS306 0.80	
100nF	0.08	100	35 0.10	10000	16 3.25	5-way 240°		35A FR3506	BC188 0.21			MJ340 0.48	7512 0.75	LS306 0.80	
150nF	0.09	100	35 0.10	10000	16 3.25	5-way 360°		35A FR3506	BC188 0.21			MJ285 0.95	7513 0.75	LS306 0.80	
220nF	0.10	100	35 0.10	10000	16 3.25	5-way 240°		35A FR3506	BC188 0.21			MJ340 0.48	7514 0.75	LS306 0.80	
330nF	0.13	100	35 0.10	10000	16 3.25	5-way 360°		35A FR3506	BC188 0.21			MJ285 0.95	7515 0.75	LS306 0.80	
470nF	0.17	100	35 0.10	10000	40 3.60	5-way 240°		35A FR3506	BC188 0.21			MJ340 0.48	7516 0.75	LS306 0.80	
100nF	0.08	100	35 0.10	10000	16 3.25	5-way 360°		35A FR3506	BC188 0.21			MJ285 0.95	7517 0.75	LS306 0.80	
150nF	0.09	100	35 0.10	10000	16 3.25	5-way 240°		35A FR3506	BC188 0.21			MJ340 0.48	7518 0.75	LS306 0.80	
220nF	0.10	100	35 0.10	10000	16 3.25	5-way 360°		35A FR3506	BC188 0.21			MJ285 0.95	7519 0.75	LS306 0.80	
330nF	0.13	100	35 0.10	10000	16 3.25	5-way 240°		35A FR3506	BC188 0.21			MJ340 0.48	7520 0.75	LS306 0.80	
470nF	0.17	100	35 0.10	10000	40 3.60	5-way 360°		35A FR3506	BC188 0.21			MJ285 0.95	7521 0.75	LS306 0.80	
100nF	0.08	100	35 0.10	10000	16 3.25	5-way 240°		35A FR3506	BC188 0.21			MJ340 0.48	7522 0.75	LS306 0.80	
150nF	0.09	100	35 0.10	10000	16 3.25	5-way 360°		35A FR3506	BC188 0.21			MJ285 0.95	7523 0.75	LS306 0.80	
220nF	0.10	100	35 0.10	10000	16 3.25	5-way 240°		35A FR3506	BC188 0.21			MJ340 0.48	7524 0.75	LS306 0.80	
330nF	0.13	100	35 0.10	10000	16 3.25	5-way 360°		35A FR3506	BC188 0.21			MJ285 0.95	7525 0.75	LS306 0.80	
470nF	0.17	100	35 0.10	10000	40 3.60	5-way 240°		35A FR3506	BC188 0.21			MJ340 0.48	7526 0.75	LS306 0.80	
100nF	0.08	100	35 0.10	10000	16 3.25	5-way 360°		35A FR3506	BC188 0.21			MJ285 0.95	7527 0.75	LS306 0.80	
150nF	0.09	100	35 0.10	10000	16 3.25	5-way 240°		35A FR3506	BC188 0.21			MJ340 0.48	7528 0.75	LS306 0.80	
220nF	0.10	100	35 0.10	10000	16 3.25	5-way 360°		35A FR3506	BC188 0.21			MJ285 0.95	7529 0.75	LS306 0.80	
330nF	0.13	100	35 0.10	10000	16 3.25	5-way 240°		35A FR3506	BC188 0.21			MJ340 0.48	7530 0.75	LS306 0.80	
470nF	0.17	100	35 0.10	10000	40 3.60	5-way 360°		35A FR3506	BC188 0.21			MJ285 0.95	7531 0.75	LS306 0.80	
100nF	0.08	100	35 0.10	10000	16 3.25	5-way 240°		35A FR3506	BC188 0.21			MJ340 0.48	7532 0.75	LS306 0.80	
150nF	0.09	100	35 0.10	10000	16 3.25	5-way 360°		35A FR3506	BC188 0.21			MJ285 0.95	7533 0.75	LS306 0.80	
220nF	0.10	100	35 0.10	10000	16 3.25	5-way 240°		35A FR3506	BC188 0.21			MJ340 0.48	7534 0.75	LS306 0.80	
330nF	0.13	100	35 0.10	10000	16 3.25	5-way 360°		35A FR3506	BC188 0.21			MJ285 0.95	7535 0.75	LS306 0.80	
470nF	0.17	100	35 0.10	10000	40 3.60	5-way 240°		35A FR3506	BC188 0.21			MJ340 0.48	7536 0.75	LS306 0.80	
100nF	0.08	100	35 0.10	10000	16 3.25	5-way 360°		35A FR3506	BC188 0.21			MJ285 0.95	7537 0.75	LS306 0.80	
150nF	0.09	100	35 0.10	10000	16 3.25	5-way 240°		35A FR3506	BC188 0.21			MJ340 0.48	7538 0.75	LS306 0.80	
220nF	0.10	100	35 0.10	10000	16 3.25	5-way 360°		35A FR3506	BC188 0.21			MJ285 0.95	7539 0.75	LS306 0.80	
330nF	0.13	100	35 0.10	10000	16 3.25	5-way 240°		35A FR3506	BC188 0.21			MJ340 0.48	7540 0.75	LS306 0.80	
470nF	0.17	100	35 0.10	10000	40 3.60	5-way 360°		35A FR3506	BC188 0.21			MJ285 0.95	7541 0.75	LS306 0.80	
100nF	0.08	100	35 0.10	10000	16 3.25	5-way 240°		35A FR3506	BC188 0.21			MJ340 0.48	7542 0.75	LS306 0.80	
150nF	0.09	100	35 0.10	10000	16 3.25	5-way 360°		35A FR3506	BC188 0.21			MJ285 0.95	7543 0.75	LS306 0.80	
220nF	0.10	100	35 0.10	10000	16 3.25	5-way 240°		35A FR3506	BC188 0.21			MJ340 0.48	7544 0.75	LS306 0.80	
330nF	0.13	100	35 0.10	10000	16 3.25	5-way 360°		35A FR3506	BC188 0.21			MJ285 0.95	7545 0.75	LS306 0.80	
470nF	0.17	100	35 0.10	10000	40 3.60	5-way 240°		35A FR3506	BC188 0.21			MJ340 0.48	7546 0.75	LS306 0.80	
100nF	0.08	100	35 0.10	10000	16 3.25	5-way 360°		35A FR3506	BC188 0.21			MJ285 0.95	7547 0.75	LS306 0.80	
150nF	0.09	100	35 0.10	10000	16 3.25	5-way 240°		35A FR3506	BC188 0.21			MJ340 0.48	7548 0.75	LS306 0.80	
220nF	0.10	100	35 0.10	10000	16 3.25	5-way 360°		35A FR3506	BC188 0.21			MJ285 0.95	7549 0.75	LS306 0.80	
330nF	0.13	100	35 0.10	10000	16 3.25	5-way 240°		35A FR3506	BC188 0.21			MJ340 0.48	7550 0.75	LS306 0.80	
470nF	0.17	100	35 0.10	10000	40 3.60	5-way 360°		35A FR3506	BC188 0.21			MJ285 0.95	7551 0.75	LS306 0.80	
100nF	0.08	100	35 0.10	10000	16 3.25	5-way 240°		35A FR3506	BC188 0.21			MJ340 0.48	7552 0.75	LS306 0.80	
150nF	0.09	100	35 0.10	10000	16 3.25	5-way 360°		35A FR3506	BC188 0.21			MJ285 0.95	7553 0.75	LS306 0.80	
220nF	0.10	100	35 0.10	10000	16 3.25	5-way 240°		35A FR3506	BC188 0.21			MJ340 0.48	7554 0.75	LS306 0.80	
330nF	0.13	100	35 0.10	10000	16 3.25	5-way 360°		35A FR3506	BC188 0.21			MJ285 0.95	7555 0.75	LS306 0.80	
470nF	0.17	100	35 0.10	10000	40 3.60	5-way 240°		35A FR3506	BC188 0.21			MJ340 0.48	7556 0.75	LS306 0.80	
100nF	0.08	100	35 0.10	1											



# MAGENTA ELECTRONICS Ltd

## PROJECT KITS

Magenta supply Full Kits: Including PCB's (or Stripboard), Hardware, Components, and Cases (unless stated). Please state Kit Reference Number, Kit Title, and Price, when ordering. REPRINTS: If you do not have the issue of E.E. which includes the project, you will need to order the instruction reprint as an extra: 80p each. Reprints are also available separately—Send £1 in stamps.

REF NO.	KIT-TITLE	PRICE	REF NO.	KIT-TITLE	PRICE
709	AMSTRAD P10 Sept 88	(phone)	542	PERSONAL RADIO June 86	£11.53
710	TIME SWITCH Aug 88	£17.61	543	WATCHDOG June 86	£8.24
711	SPKEXTER July 88	£12.99	529	MINI STROBE May 86	£13.06
712	UNIVERSAL NICAD CHARGER July 88	£6.99	528	PA AMPLIFIER May 86	£26.95
713	ISOLINK July 88	£24.51	523	STEREO REVERB Apr 86	£26.44
714	VIDEO WIPER July 88	£33.50	524	VERSATILE PSU Apr 86	£24.00
715	HEADLIGHT REMINDER June 88	£7.99	526	FREELoader Apr 86	£8.48
716	DOOR SENTINEL May 88	£12.81	513	BBC MIDI INTERFACE Mar 86	£27.94
717	SUPER SOUND EFFECTS GENERATOR May 88	£12.99	514	INTERVAL TIMER Mar 86	£18.87
718	CABLE & PIPE LOCATOR April 88	£15.35	515	STEREO HI-FI PRE-AMP	£49.19
719	STEREO NOISE GATE April 88	£26.98	512	MAINS TESTER & FUSE FINDER Mar 86	£8.82
720	INDUCTIVE PROXIMITY DET. April 88	£8.63	503	FUNCTION GENERATOR Feb 86	£24.84
721	LOW FUEL ALERT April 88	£5.43	504	POWER SUPPLY FOR ABOVE	£7.62
722	SEMICONDUCTOR TESTER Mar 88	£23.51	497	MUSICAL DOOR BELL Jan 86	£18.72
723	LIE DETECTOR Mar 88	£11.80	493	DIGITAL CAPACITANCE METER Dec 85	£41.55
724	ENVELOPE SHAPER Mar 88	£14.99	481	SOLDERING IRON CONTROLLER Oct 85	£5.47
725	SOS ALERT Mar 88	£9.36	473	R.I.A.A. PRE-AMP Sept 85	£16.74
726	VARIABLE 25V-ZA BENCH POWER SUPPLY Feb 88	£49.73	464	STEPPER MOTOR INTERFACE FOR THE BBC COMPUTER less case Aug 85	£11.00
727	CAR LAMP CHECKING SYST. Feb 88	£7.10		1035 STEPPER MOTOR EXTRA	£14.50
728	GAME TIMER Feb 88	£12.32		OPTIONAL POWER SUPPLY PARTS	£5.14
729	QUARTZMASTER Jan 88	£18.96		CONTINUITY TESTER July 85	£8.29
730	TRANSISTOR CURVE TRACER (BBC)	£14.98	461	AMSTRAD USER PORT July 85	£17.67
731	AUDIO SIGNAL GENERATOR Dec 87	£13.64	455	ELECTRONIC DOORBELL June 85	£7.56
732	DUAL MAINS LIGHTS FLASHER Dec 87	£20.98	463	GRAPHIC EQUALISER June 85	£26.94
733	ACCENTED BEAT METRONOME Nov 87	£20.95	444	INSULATION TESTER Apr 85	£19.58
734	ACOUSTIC PROBE Nov 87	£16.26	432	GAMES TIMER Jan 85	£9.11
735	BBC SIDEWAYS RAM/ROM Nov 87	£27.53	417	SPECTRUM AMPLIFIER Jan 85	£8.91
736	VIDEO CONTROLLER Oct 87	£29.14	392	DOOR CHIME Dec 84	£18.78
737	TRANSTEST Oct 87	£9.70		BBC MICRO AUDIO STORAGE SCOPE INTERFACE Nov 84	£36.25
738	AUTOMATIC PORCH LIGHT Oct 87	£17.17	394	PROXIMITY ALARM Nov 84	£22.86
739	CARAVAN FRIDGE ALERT Oct 87	£5.44	387	MAINS CABLE DETECTOR Oct 84	£5.53
740	STATIC MONITOR Oct 87	£8.66	386	DRILL SPEED CONTROLLER Oct 84	£8.08
741	ELECTRONIC MULTIMETER Sept 87	£46.96	385	VARICAP AM RADIO Sept 84	£7.99
742	NOISE GATE Sept 87	£23.25	363	EXPERIMENTAL POWER SUPPLY May 84	£13.15
743	PERSONAL STEREO AMP Sept 87	£14.31	364	SIMPLE LOOP BURGLAR ALARM May 84	£23.58
744	BURST-FIRE MAINS CONTROLLER Sept 87	£13.57	358	FUSE/DIODE CHECKER Apr 84	£17.16
745	SUPER SOUND ADAPTOR Aug 87	£38.39	356	QUASI STEREO ADAPTOR Apr 84	£4.35
746	3 BAND 16-30MHz RADIO Aug 87	£26.53	344	SIGNAL TRACER Feb 84	£18.77
747	BUCCAMER I.B. METAL DETECTOR inc. coils and case, less handle and hardware July 87	£26.46	337	BIOLOGICAL AMPLIFIER Jan 84	£24.14
748	DIGITAL COUNTER/FREQ METER (10MHz) inc. case July 87	£67.07	334	CONTINUITY TESTER Dec 83	£12.99
749	MONOMIX July 87	£21.00	332	CHILDREN'S DISCO LIGHTS Dec 83	£10.48
750	FERROSTAT July 87	£12.14	333	NOVEL EGG TIMER Dec 83 inc. case	£12.90
751	VISUAL GUITAR TUNER Jun 87	£22.99	301	STORAGE SCOPE INTERFACE FOR BBC MICRO Aug 83 less software	£19.34
752	MINI DISCO LIGHT Jun 87	£12.58	299	HIGH POWER INTERFACE BOARD Aug 83 no case	£12.99
753	WINDSCREEN WASHER WARNING May 87	£5.12	292	USER PORT V0 BOARD less cable +plug	£13.22
754	FRIDGE ALARM May 87	£9.88	293	USER PORT CONTROL BOARD July 83 less cable +plug +case	£31.67
755	EQUALIZER (HONSER) May 87	£15.53	277	NRW PERSONAL RADIO less case, May 83	£9.80
756	BULB LIFE EXTENDER April 87 (less case)	£5.24	278	MOISTURE DETECTOR May 83	£8.88
757	EXP. SPEECH RECOGNITION April 87	£35.65	270	NOVELTY EGG TIMER April 83 less case	£8.91
758	ACTIVE I.R. BURGLAR ALARM Mar 87	£8.30	263	BUZZ OFF March 83	£5.88
759	VIDEO GUARD Feb 87	£12.58	262	PUSH BIKE ALARM Feb 83	£14.77
760	CAR VOLTAGE MONITOR Feb 87	£20.82	256	ZX TAPE CONTROL Nov 82	£8.98
761	SPECTRUM SPEECH SYNTH. (no ca) Feb 87	£9.44	242	2-WAY INTERCOM July 82 no case	£5.69
762	SPECTRUM V0 PORT less case Feb 87	£5.46	243	REFLEX TESTER July 82	£9.79
763	STEPPING MOTOR BOOSTER (for above) Feb 87	£5.46	240	EGG TIMER June 82	£8.86
764	STEPPING MOTOR MD200 Feb 87	£16.80	237	CAR LED VOLTMETER less case, May 82	£4.00
765	HANDS-OFF INTERCOM (per station) inc. case Jan 87	£10.48	225	CAMERA OR FLASH GUN TRIGGER Mar 82 less inpod bushes	£17.20
766	CAR ALARM Dec 86	£12.47	205	SUSTAIN UNIT Oct 81	£17.63
767	RANDOM NUMBER GENERATOR Dec 86	£15.72	206	TAPE NOISE LIMITER Oct 81	£5.976.27
768	BBC 16K SIDEWAYS RAM Dec 86	£12.97	207	HEADS AND TAILS GAME Oct 81	£3.47
769	CAR FLASHER WARNING Nov 86	£9.37	209	PHOTO FLASH SLAVE Oct 81	£4.79
770	200kHz DIG. FREQUENCY METER Nov 86	£67.99	211	FUZZ BOX Oct 81	£10.85
771	19 WATT AUDIO AMPLIFIER Oct 86	£36.70	197	0-12V POWER SUPPLY Sept 81	£24.55
772	LIGHT RIDER LAPEL BADGE Oct 86	£10.29	181	SOIL MOISTURE INDICATOR E.E. May 81	£5.06
773	LIGHT RIDER DISCO VERSION	£19.82	149	GUITAR PRACTICE AMPLIFIER Nov 80	£22.95
774	LIGHT RIDER 16 LED VERSION	£13.84		SOUND TO LIGHT Nov 80 3 channel	£29.38
775	SCRATCH BLANKER Sept 86	£35.83	124	SPRING LINE REVERB UNIT Jan 80	£34.27
776	INFRA-RED BEAM ALARM Sept 86	£28.35	122	UNIBOARD BURGLAR ALARM Dec 79	£8.38
777	FREEZER FAILURE ALARM Sept 86	£15.58	118	DARKROOM TIMER July 79	£4.83
778	CAR TIMER Sept 86	£8.72	113	MICROCHIME DOORBELL Feb 79	£21.99
779	BATTERY TESTER Aug 86	£7.19	111	SOUND TO LIGHT Sept 78	£16.88
780	TRT ALARM July 86	£7.82	108	IN SITU TRANSISTOR TESTER Jun 78	£5.42
781	CARAVAN BATTERY MONITOR July 86	£17.17	106	WEIRD SOUND EFFECTS GEN Mar 78	£7.82
782	SQUEEKEE CONTINUITY TESTER July 86	£3.52	101	ELECTRONIC DICE Mar 77	£8.26
783	ELECTRONIC SCARECROW July 86	£8.87			
784	PERCUSSION SYNTH June 86	£30.43			

## TOP KITS

### MOSFET VARIABLE BENCH 25V 2.5A POWER SUPPLY



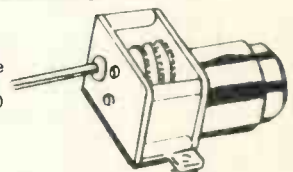
A superb design giving 0-25V and 0-2.5A. Twin panel meters indicate Voltage and Current. Voltage is variable from zero to 25V. Current-Limit control allows Constant Current charging of NICAD batteries, and protects circuits from overload. A Toroidal transformer MOSFET power output device, and Quad op-amp IC design give excellent performance.

OUR KIT REF. 769 £49.73

COMPONENTS, KITS, BOOKS, TOOLS, MOTORS, GEARS, PULLEYS, OPTICAL FIBRES, ROBOTICS, AND MUCH MUCH MORE - IN OUR NEW CATALOGUE £1.00

### MOTOR-GEARBOX ASSEMBLIES

Miniature gearboxes complete with quality electric motor. Variable ratios by fitting 1 to 6 gears. 1.5-4.5v, 3-2200 rpm. Long 3mm shaft. Ideal for robots and buggies.



SMALL (MGS) £3.49 LARGE (MGL) £3.98

### ADVENTURES WITH ELECTRONICS

An easy to follow book suitable for all ages. No soldering, uses an S DEC breadboard. Lots of clear diagrams and instructions to build 16 projects. Component pack includes S DEC and all components for the projects.

LEGO Technic Sets TEACHERS WE ARE STOCKISTS OF THE WHOLE RANGE. CONTACT US FOR BROCHURES. VERY COMPETITIVE PRICES AND QUICK DELIVERIES

### STEPPING MOTORS 12 VOLT

48 STEPS 1035 £14.50  
200 STEPS M0200 £16.80

OPTICAL FIBRES TRIAL PACK OF 10 METRES. Nine assorted types & data.

£1.99

### MAGENTA ELECTRONICS LTD. SHOP NOW OPEN - CALLERS WELCOME

PE12 135 HUNTER STREET, BURTON-ON-TRENT, STAFFS. DE14 2ST.  
0283 65435, Mon-Fri 9-5  
Access/Barclaycard (Visa) by phone or post.  
24 hr Answerphone for credit card orders.  
Our prices include VAT



ADD £1 P&P TO ALL ORDERS. PRICES INCLUDE VAT. SAE ALL ENQUIRIES. OFFICIAL ORDERS WELCOME OVERSEAS: Payment must be sterling. IRISH REPUBLIC and BFPO. UK PRICES. EUROPE: UK PRICES plus 10%. ELSEWHERE: write for quote SHOP HOURS: 9-5 MON-FRI.



0283 65435



# FROM MAGENTA

## A SELECTION OF OUR BEST PROJECT KITS

As usual these kits come complete with printed circuit boards, cases, all components, nuts, screws, wire etc. All have been tested by our engineers (many of them are our own designs) to ensure that you get excellent results.

### INSULATION TESTER

An electronic High Voltage tester for mains appliances and wiring. An inverter circuit produces 500 volts from a PP3 battery and applies it to the circuit under test. Reads insulation up to 100 Megohms. Completely safe in use.



**OUR KIT REF 444 £19.58**

### DIGITAL CAPACITANCE METER

Simple and accurate (1%) measurements of capacitors from a few pF up to 1,000 uF. Clear 5 digit LED display indicates exact value. Three ranges -- pF, nF, and uF. Just connect the capacitor, press the button and read the value.



**£41.55  
OUR KIT  
REF 493**

### 3 BAND SHORTWAVE RADIO

Covers 1.6-30 MHz in 3 bands using modern miniature coils. Audio output is via a built-in loudspeaker. Advanced design gives excellent stability, sensitivity and selectivity. Simple to build.



**OUR KIT REF 718 £26.53**

### DIGITAL FREQUENCY METER

#### 200 MHz

An 8 digit meter reading from A.F. up to 200 MHz in two ranges. Large 0.5" Red LED display. Ideal for AF and RF measurements, Amateur and C.B. frequencies.



**KIT REF 563 £67.98**

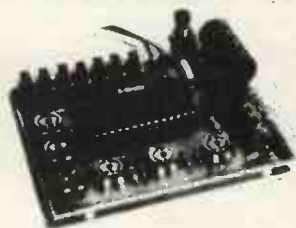
### 'EQUALISER' IONISER



A mains powered Ioniser that produces a breeze of negative ions in the air. A compact, safe, simple unit that uses a negligible amount of electricity.

**KIT REF 707 £15.53**

### SUPER SOUND-EFFECTS GENERATOR



A wide range SN76477 sound effects board giving: Bird Chirps, Sirens, Helicopters, Explosions, Phaser Guns, Steam Train sounds, and more. Supplied without a case.

**KIT REF 781 £12.99**



### CAN YOU ANSWER YES TO ANY OF THESE QUESTIONS: -

- 1) DO YOU PROGRAM YOUR HOME COMPUTER?
- 2) HAVE YOU INTERFACED YOUR HOME COMPUTER WITH A PERIPHERAL?
- 3) ARE YOU INTERESTED IN AMATEUR RADIO?
- 4) ARE YOU FAMILIAR WITH DIGITAL ELECTRONICS?
- 5) ARE YOU DOING A COURSE INVOLVING ELECTRONICS?

If you can answer YES to one or more of these questions, you should consider entering the Computer Servicing Industry.

Micro System Maintenance Ltd is an established national computer service company and prides itself on successfully training individuals to become service engineers. The company has an established Training School in Weston-Super-Mare for the provision of training in both technology and the repair of personal computers and peripherals.

The selected candidates will be provided with a company car linked to an attractive benefits package.

If you wish to know more please feel free to contact MSM at the following address.

**MICRO SYSTEM MAINTENANCE LIMITED**  
15 WESTMEAD INDUSTRIAL ESTATE  
WESTLEA  
SWINDON SN5 7YS  
TEL: (0793) 616888

# THE 'ALADDINS' CAVE OF ELECTRONIC & COMPUTER EQUIPMENT

## COLOUR MONITORS

16" Decca, 80 series budget range, colour monitors, features include: PIL tube, attractive teak style case, guaranteed 80 column resolution, only seen on monitors costing 3 times our price, ready to connect to a host of computer or video outputs. Manufacturers fully tested surplus, sold in little or hardly used condition with 90 day full RTB guarantee. 1000's Sold to date.  
**DECCA 80 RGB - TTL + SYNC** input for BBC type Interface etc. **Only £99.00 (E)**  
**DECCA 80 COMP 75 (J)** composite video input with integral audio amp & speaker ideal for use with video recorder or TELEBOX ST or any other audio visual use.

## HIGH DEFINITION COLOUR

BRAND NEW CENTRONIC 14" monitors in attractive style moulded case featuring hi res Mitsubishi 0.42 dot pitch tube with 669 x 507 pixels, 28MHz bandwidth. Full 90 day guarantee.  
 Order as 1004-N2 for TTL + sync RGB for BBC etc **£159.00 (E)**  
 1003-N1 for IBM PC etc fully CGA equiv **£189.00 (E)**  
 1005-N2 RGB Interface for QL 85 columns. **£169.00 (E)**

## 20" & 22" AV Specials

Superbly made, UK manufacture, PIL tube, all solid state colour monitors, complete with composite video and sound inputs, attractive teak style case. Ideal for a host of applications including Schools, Shops, Disco's, Clubs etc. Supplied in EXCELLENT little used condition with 90 day guarantee.  
 20" Monitor **£165.00 (F)**    22" Monitor **£185.00 (F)**

## MONOCHROME

MOTOROLA M1000-100 5" CRT black & white compact chassis monitor measuring only cm 11.6h, 12w, 22d, ideal for CCTV or computer applications. Accepts standard Composite video or individual H & V syncs. Operates from 12v DC at approx 0.8a. Some units may have minor screen marks, but still in very usable condition. Fully tested with 30 day guarantee & full data **Only £29.00 (C)**  
 Fully cased as above, with attractive moulded, desk standing swivel and tilt case Dim. cm 12h, 14.5w, 26d. **£39.00 (C)**  
**JVC type 751-75 " ultra compact black & white chassis monitor for 12v 0.7a DC operation Dim cm 11.1h, 14w, 18d. Simple DIY circuit data included to convert data and separate sync input to composite video input. Ideal portable equipment etc. Supplied with full data. Brand New £65.00 (B)**  
**KGM 324 9" Green Screen. Little used fully cased, mains powered high res monitors with standard composite video input. Fully tested and in excellent condition. £49.00 (E)**  
**20" Black & White monitors by AZTEK, COTRON & NATIONAL All solid state, fully cased monitors, ideal for all types of AV or CCTV applications. Units have standard composite video inputs with integral audio amp and speaker. Sold in good, used condition- fully tested with 90 day guarantee. Only £85.00 (F)**

## FLOPPY DRIVE SCOOP

Drives from Only £39.95

A MASSIVE purchase of standard 5.25" disk drives enables us to offer you prime product at all time super low prices. All units unless stated are removed from often BRAND NEW equipment, fully tested and shipped to you with a full 120 day guarantee. All units offered operate from +5 and +12 volts DC, are of standard size and accept the common standard 34 way interface connector.  
**TANDON TM100-2A IBM compatible 40 track FH double sided** **Only £39.95 (B)**  
**TANDON TM101-4 FH 80 track double sided** **Only £49.95 (B)**  
**JAPANESE Half Height double sided drives by Canon, Tec, Toshiba etc. Specify 40 or 80 track** **Only £75.00 (B)**  
**TEAC FD55-F 40-80 track double sided Half Height** **Brand New £115.00 (B)**

## DISK DRIVE ACCESSORIES

34 Way Interface cable and connector single **£5.50**, Dual **£8.50 (A)**  
 5.25" DC power cable **£1.75**. Fully cased PSU for 2 x 5.25" Drives **£19.50 (A)** Chassis PSU for 2 x 8" drives **£39.95 (B)**

## 8" DISK DRIVES

**SUGART 800/801 single sided refurbished** **£175.00 (E)**  
**SUGART 851 double sided refurbished** **£260.00 (E)**  
**MITSUBISHI M2894-63 Double sided switchable Hard or Soft sector** **Brand New £275.00 (E)**  
**SPECIAL OFFER Dual 8" drives with 2mb capacity in smart case with integral PSU** **ONLY £499.00 (F)**

## COMPUTER SYSTEMS

**TATUNG PC2000. Big brother of the famous EINSTEIN, the TPC2000 professional 3 piece system comprises: Quality high res GREEN 12" monitor, Sculptured 92 key keyboard and plinth unit containing the Z80A CPU and all control electronics PLUS 2 Integral TEAC 5.25" 80 track double sided disk drives. Many other features include Dual 8" IBM format disk drive support, Serial and parallel outputs, full expansion port, 64k ram and ready to run software. Supplied complete with CPM, WORDSTAR, BASIC and accounts package. Brand New Full 90 day guarantee. Original price OVER £1400** **Only £299(E)**

**EQUINOX (IMS) S100 system capable of running either TURBO or standard CPM. Unit features heavy duty box containing a powerful PSU, 12 slot S100 backplane, & dual 8" double sided disk drives. Two individual Z80 cpu boards with 192k of RAM allow the use of multi user software with upto 4 RS232 serial interfaces. Many other features include battery backed real time clock, all IC's socketed etc. Units in good condition and tested prior despatch, no documentation at present, hence price of only £245.00 (F)**  
**S100 PCB's IMS A465 64k dynamic RAM. £55.00 (B) IMS A930 FDC controller £85.00 (B). IMS A862 CPU & i/o £65.00 (B)**  
 SAE for full list of either S100 boards and accessories.

## PRINTERS

Hulk purchase brings you incredible savings on a range of printers to suit all applications. Many other "one off bargains" can be seen at our South London Shop  
**HAZELTINE ESPRINT Small desktop 100 cps print speed with both RS232 and CENTRONICS interfaces. Full pin addressable graphics and 6 user selectable type fonts. Up to 9.5" single sheet and tractor paper handling** **Brand New Only £199.00 (E)**  
**CENTRONICS 150 series. A real workhorse for continuous use with tractor feed paper, either in the office, home or factory, desk standing. 150 cps 4 type fonts and choice of interfaces. Supplied BRAND NEW Order as:**  
 150-SN up to 9.5" paper handling **£185.00 (E)**  
 150-SW up to 14.5" paper handling **£225.00 (E)**  
 150-GR up to 14.5" paper plus full graphics **£245.00 (E)**  
 When ordering please specify RS232 or CENTRONICS interface.

## Ultra Fast 240 cps NEWBURY DATA NDR 8840 High Speed Printers Only £449 !!

A special purchase from a now defunct Government Dept enables us to offer you this amazing British Made, quality printer at clearance prices. **SAVING YOU OVER £1500 !!** The **NDR8840** features high speed 240 cps print speed with integral, fully adjustable paper tractor, giving exceptional fast paper handling for multi part forms etc. The unit features 10 selectable type fonts giving up to 226 printable characters on a single line. Many other features include Internal electronic vertical and horizontal tabs, Self test, 9 needle head, Up to 15.5" paper, 15 million character ribbon cartridge life and standard RS232 serial interface. Sold in SUPERB tested condition with 90 day guarantee **Only £449.00 (F)**

**EPSON model 512 40 column 3.5" wide paper roll feed, high speed matrix (3 lines per second) printer mechanism for incorporation in point of sale terminals, ticket printers, data loggers etc. Unit features bi directional print head and integral roll paper feed mech with tear bar. Requires DC volts and simple parallel external drive logic. Complete with data. RFE and tested** **Only £49.95 (C)**  
**EPSON model 542 Same spec as above model, but designed to be used as a slip or flatbed printer. Ideal as label, card or ticket printer. Supplied fully cased in attractive, small, desk top metal housing. Complete with data. RFE and tested** **Only £55.00 (D)**  
**PHILIPS P2000 Heavy duty 25 cps bi directional daisy wheel printer. Fully DIABLO, QUME, WORDSTAR compatible. Many features include full width platen - up to 15" paper, host of available daisy wheels, single sheet paper handling, superb quality print. Supplied complete with user manual & 90 day guarantee plus FREE dust cover & daisy wheel.** **BRAND NEW Only £225.00 (E)**

Most of the items in this Advert, plus a whole range of other electronic components and goodies can be seen or purchased at our

## \*\* South London Shop \*\*

Located at 215 Whitehorse Lane, London SE25. The shop is on the main 68 bus route and only a few miles from the main A23 and South Circular roads. Open Monday to Saturday from 9 to 5.30, parking is unlimited and browsers are most welcome. Shop callers also save the cost of carriage.

## MODEMS

Modems to suit all applications and budgets. Please contact our technical sales staff if you require more information or assistance.

## SPECIAL PURCHASE V22 1200 baud MODEMS ONLY £149 !!

**MASTER SYSTEMS type 2/12 microprocessor controlled V22 full duplex 1200 baud. This fully BT approved modem employs all the latest features for error free data comms at the staggering speed of 120 characters per second, saving you 75% of your BT phone bills and data connect time !! Add these facts to our give away price and you have a superb buy !! Ultra slim unit measures only 45 mm high with many integral features such as Auto answer, Full LED status indication, RS232 interface, Remote error diagnostics, SYNC or ASYNC use, SPEECH or DATA switching, Integral mains PSU, 2 wire connection to BT line etc. Supplied fully tested, EXCELLENT slightly used condition with data and full 120 day guarantee.** **LIMITED QUANTITY Only £149 (D)**

**CONCORD V22 1200 baud as new £330.00 (E)**  
**CONCORD V22 1200-2400 BIS £399.00 (E)**  
**RIXON EX BT Modem 27 V22 1200 £225.00 (E)**  
**DATel 4800 / RACAL MPS 4800 EX BT Modem for 4800 baud sync use. £295.00 (E)**  
**DATel 2412 2780/3780 4 wire modem unit EX BT fully tested. £199.00 (E)**  
**MODEM 20-1 75-1200 BAUD for use with PRESTEL etc EX BT fully tested. £49.00 (E)**  
**TRANSDATA 307A 300 baud acoustic coupler with RS232 I/O Brand New £49.00 (E)**  
**RS232 DATA CABLES 16 ft long 25w D plug to 25w D socket. Brand New Only £9.95 (A)**  
 As above but 2 metres long **£4.99 (A)**  
 BT plug & cable for new type socket **£2.95 (A)**

## RECHARGEABLE BATTERIES

Maintenance free, sealed long life LEAD ACID  
**A300 12v 3 Ah £13.95 (A)**  
**A300 6v 3 Ah £9.95 (A)**  
**A300 6-0-6 v 1.8 Ah RFE £5.99 (A)**

## NICKEL CADMIUM

Quality 12 v 4 Ah cell pack. Originally made for the TECHNICOLOUR video company, this unit contains 10 high quality GE nicad, D type cells, configured in a smart robust moulded case with DC output connector. Dim cm 19.5 x 4.5 x 12.5. Ideal portable equipment etc. **BRAND NEW £24.95 (B)**  
 12v 17 Ah Ultra rugged, all weather, virtually indestructible refillable NICAD stack by ALCAD. Unit features 10 x individual type XL1.5 cells in wooden crate. Supplied to the MOD and made to deliver exceptionally high output currents & withstand long periods of storage in discharged state. Dim cm 61 x 14 x 22 Cost over £250 Supplied unused & tested complete with instructions **£95.00 (E)**  
**EX EQUIPMENT NICAD cells by GE** Removed from equipment and believed in good, but used condition. "F" size 7Ah 6 for £8 (B) Also "D" size 4Ah 4 for £5 (B)

## BRAND NEW 85 Mb Disk Drives ONLY £399

End of line purchase enables this brand new unit to be offered at an all time super low price. The NEC D2246 8" 80 Mb disk drive features full CPU control and industry standard SMD interface. Ultra high speed data transfer and access times leave the good old ST506 interface standing. Supplied BRAND NEW with full manual. **Only £399.00 (E)**  
 Dual drive, plug in 135 Mb sub system for IBM AT unit. In case with PSU etc. **£1499.00 (E)**  
 Interface cards for upto 4 drives on IBM AT etc available **Brand new at £395.00**

## POWER SUPPLIES

All power supplies operate from 220-240 v AC Many other types from 3v to 10kV in stock. Contact sales office for more details.  
**PLESSEY PL 12/2 Fully enclosed 12v DC 2 amp PSU. Regulated and protected. Dim cm 13.5 x 11 x 11** **New £16.95 (B)**  
**AC-DC Linear PSU outputs of +5v 5.5a, -5v 0.6a, +24v 5a. Fully regulated and short proof. Dim cm 28 x 12.5 x 7** **New £49.50 (C)**  
**POWER ONE PHC 24v DC 2 amps Linear PSU fully regulated** **New £19.95 (B)**  
**BOSHERT 13088 switch mode supply ideal desk drives or complete system. +5v 6a, +12 2.5a, -12 0.5a, -5v 0.5a. Dim cm 5.6 x 21 x 10.8** **New £29.95 (B)**  
**BOSHERT 13090 same as above spec but outputs of +5v 6a, +24v 1.5a, +12v 0.5a, -12v 0.5a** **New £39.95 (B)**  
**GREENDALE 19A06 60 Watt switch mode outputs +5v 6a, +12v 1a, -12v 1a, +15v 1a. D. 11 x 20 x 5.5** **RFE Tested £24.95 (B)**  
**CONVER AC130-3001 High grade VDE spec compact 130 watt switch mode PSU. Outputs give +5v 1.5a, +8, -12v 6a. Dim 6.5 x 27 x 12.5. Current list price £190. Our price **New £59.95.00 (C)****  
**FARNELL G6/40A Compact 5v 40 amp switch mode fully enclosed** **New £140.00 (C)**  
**FARNELL G24 5S Compact 24v 5 amp switch mode fully enclosed** **New £95.00 (C)**

## Special Offer EXPERIMENTORS PSU ONLY £16.95 (C)

Made to the highest spec for BT this unit gives several fully protected DC outputs most suited to the Electronics Hobbyist. +5v 2a, +8, -12v 1a, +24v 1a and +5v fully floating at 50ma. Ideal for school labs etc. Quantity discount available. Fully tested with data. RFE = Removed from Equipment

## The AMAZING TELEBOX Converts your monitor into a QUALITY COLOUR TELEVISION

Brand new high quality, fully cased, 7 channel UHF PAL TV tuner system. Unit simply connects to your TV aerial socket and video monitor turning same into a fabulous colour TV. Dont worry if your monitor doesn't have a speaker, the TELEBOX even has an integral audio amp for driving a speaker plus an auxiliary output for Headphones or HI FI system etc. Many other features: LED Status indicator, Smart moulded case, Mains powered, Built to BS safety specs. Many other uses for TV sound or video etc. Supplied BRAND NEW with full 1 year guarantee. Carriage code (B)



TV SOUND & VIDEO TUNER ONLY £29.95

TELEBOX ST for monitors with composite video input **£29.95**  
 TELEBOX STL as ST- but fitted with integral speaker **£34.95**  
 TELEBOX RGB for use with analogue RGB monitors **£59.95**

Colour when used with colour CRT. RGB version NOT suitable for IBM-CLONE type colour monitors. DATA sheet on request. PAL overseas versions CALL.

## COOLING FANS

Keep your hot parts COOL and RELIABLE with our range of BRAND NEW cooling fans.  
**AC FANS Specify 240 or 110 v**  
**3" Fan dim 80 x 80 x 38** **£8.50 (B)**  
**3.5" EFB slimline 92 x 92 x 25** **£9.95 (B)**  
**4" Fan Dim 120 x 120 x 38** **£9.95 (B)**  
**As above - TESTED RFE** **Only £2.95 (C)**  
**10" round x 3.5" Rotron 10v** **£11.95 (B)**  
**DC FANS**  
**Papst Miniature DC fans 62x62x25 mm**  
**Order 812 6-12v or 814 24v** **£15.95 (A)**  
**4" 12v DC 12w 120 x 120 x 38** **£12.50 (B)**  
**4" 24v DC 8w 120 x 120 x 25** **£14.50 (B)**  
**BUHLER 12v DC 62 mm** **£12.95 (A)**  
 1000's of other fans and blowers in stock. CALL or SAE for more details

## SPECIAL INTEREST

Please call for availability or further info.  
**RACAL-REDC real time, colour drafting PCB layout system** **£39.50**  
**DEC VAX11/750 Inc 2 Mb Ram DZ, and full doc etc.** **Brand New £8500**  
**HP7580A 8 pen digital A1 drum plotter with IEEE interface** **As New £4750**  
**CHEETAH Telex machine** **£995**  
**1.5k 115v 60 Hz power source** **£950**  
**500 watt INVERTER 24v DC to 240v AC sine wave 50 Hz output** **£275**  
**SOLDER SYSTEMS tin lead roller tinning machine for PCB manufacture** **£350**  
**CALLAN DATA SYSTEMS multi user INTEL based UNIX system complete with software and 40 Mb winchester disk drive.** **£2750**  
**WAYNE KERR R2000 Audio, real time frequency response analyzer** **£3000**  
**TEKTRONIX 1411R PAL TV test signal standard** **£6900**  
**TEKTRONIX R140 NTSC TV test signal standard** **£875**  
**HP 3271A Correlator system** **£350**  
**PLESSEY portable Microwave speech / data link, 12v DC, 70 mile range the pair £275.00**  
**19" Rack cabinets 100's in stock from £15.00**

All prices for UK Mainland, UK Customers must ADD 15% VAT to total order value. Minimum order, cash £5, Credit Card £10. Official account orders from Government Depts, Universities, Schools & Local Authorities welcome - minimum account order value £25. Carriage charges (A) £1.50, (B) £3.50, (C) £6.50, (D) £8.50, (E) £10.00, (F) £15. (G) Call. All goods are supplied subject to our standard conditions of sale. All guarantees given on a return to base basis. We reserve the right to change prices & specifications without prior notice. Bulk trade & export enquiries most welcome.



**MAIL ORDER & OFFICES**  
 Open Mon-Fri 9.30-5.30  
 32 Biggin Way,  
 Upper Norwood,  
 London SE19 3XF

**LONDON SHOP**  
 1000's of Bargains for callers  
 Open Mon-Sat 9-5.30  
 215 Whitehorse Lane,  
 South Norwood, London SE25

**DISTEL © The ORIGINAL**  
 FREE of charge dial up data base  
 1000's of items + info ON LINE NOW!!  
 300 baud 01 679 1888, 1200/75 01 679  
 6183. 1200 FDX 01 679 8769

**ALL ENQUIRIES**  
**01 679 4414**  
 FAX 01 679 1927  
 TELEX 894502



# DIGITAL ELECTRONICS

BY OWEN BISHOP

## PART 6A – CONTINUING THE CONVERSION

*In part six last month we took a look at some of the basic principles of digital to analogue, and analogue to digital converters. We follow on now with other conversion techniques and a practical approach to try out.*

### ANOTHER A/D CONVERTER

Many of the popular a/d converter ics rely on the principle of successive approximation. The device makes a series of 'guesses' at what its output should be and gradually gets nearer and nearer to the correct answer. That is not to say that the ic makes wild guesses; the approach is strictly a systematic one known as a binary search. The main sections of the circuit are shown in Fig. 13.

The circuit is programmed to run through a series of operations. It requires an external clock to provide the pulses to initiate each operation. The sequence is as follows:

1. When the start conversion (SC) input goes low, the control section sets all bits in the data register to zero (00000000). However, the state of the registers does not appear at the output terminals yet.

2. The most significant bit is set to '1', making the register hold 10000000.

3. The register is connected to a d/a converter on the a/d chip. The value held in the register is converted to an analogue voltage. Since the register holds 10000000,  $V_{out}$  is half of  $V_{ref}$  of the d/a converter.

4. A comparator, also on the a/d chip, compares  $V_{out}$  with  $V_{in}$ , the analogue input to the converter:

- \* If  $V_{in}$  is equal to or greater than  $V_{out}$ , then the converter continues with step 5.

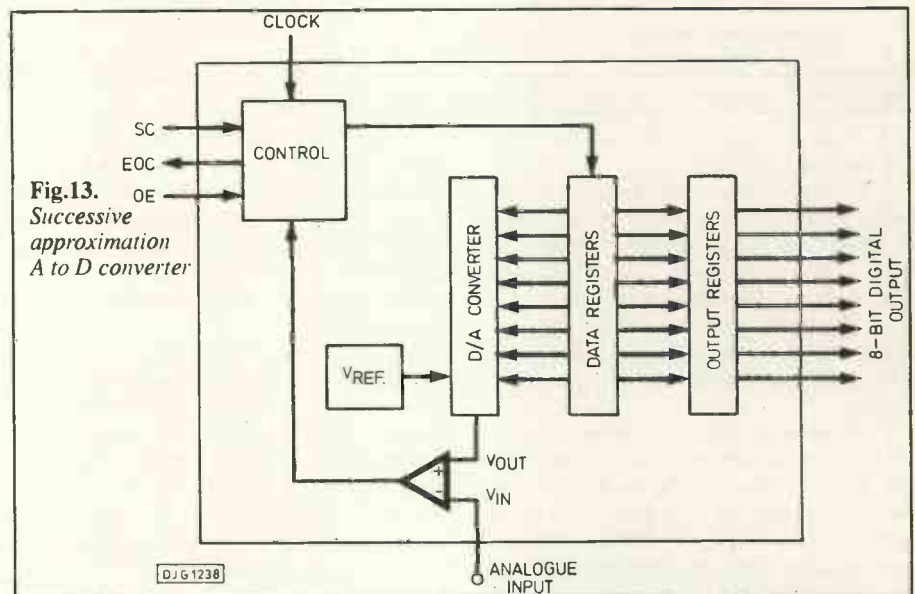
- \* If  $V_{in}$  is less than  $V_{out}$ , the converter continues with step 6.

5. The 'guess' is correct – since the input voltage is half or more than half the reference voltage, the most significant bit should be '1'. The circuit leaves the bit set at 1 and makes the next most significant bit a '1'; the register now holds 11000000.

6. The 'guess' is incorrect – since the input voltage is less than half the reference, the most significant bit should be '0'. The circuit resets the bit to 0. Then it sets the next most significant bit to '1'; the register now holds 01000000.

7. After stage 5 or 6 the converter repeats steps 4 and 5, to find if the second bit should be '0' or '1'. It works its way along the digits, setting each in turn and testing the result, until all eight bits have been tested and correctly set or reset.

8. Conversion is now complete and the



**Fig.13.**  
Successive  
approximation  
A to D converter

end of conversion (EOC) output goes high. This tells external logic that the result is now ready to be read. In the circuit of Fig. 13, the EOC output is connected to the output enable (OE) input. When EOC goes high, output is enabled. The contents of the data register are transferred to the output register. The results of the conversion appear on the output terminals.

9. A new conversion begins as soon as SC is made low again. The results of the previous conversion remain on the output register until the next conversion is complete.

The practical circuit of Fig. 14 shows the converter being driven by an astable made from a Schmitt trigger gate. Conversion takes eight cycles of the clock. The faster the clock runs, the faster the conversion, except that allowance must be made for the internal d/a converter to settle and for the comparator to operate at each stage. The total conversion time can be 1μs or more, so this type of converter is appreciably slower than the 'flash' converter we described previously. However, the successive approximation converter is usually fast enough. It is accurate and is considerably less expensive than the 'flash' type.

### Trial 5

#### Successive approximation a/d converter

In Fig. 14 we test the action of the converter by taking the analogue input from a variable resistor VR1. The voltage is the analogue of the angular position of the control knob. The further the knob is turned clockwise, the higher the voltage. The voltage can be varied from 0V to 2.5V. Since  $V_{ref}$  on the on-chip d/a converter is 2.5V (as in the ZN428E ic) we are covering the complete input range of the converter. Note that this ic requires a -5V supply. Although it is specified to operate on  $\pm 5V$ , to make it compatible with TTL, it works well enough for this demonstration on  $\pm 6V$ , as provided by two batteries (see Fig. 14 inset).

1. Set up the circuit as in Fig. 15. You can read the output from the converter in one of several ways:

- \* use a voltmeter, sampling each output (pins 11-18) in turn.

- \* use an led or logic probe, connected to each output in turn.

- \* best of all, connect eight leds to the outputs. Use eight separate leds, on a second breadboard, or two of Module 2 (PE Sept. 1988).

2. Turn VR1 anti-clockwise so that  $V_{in}$  is 0V.

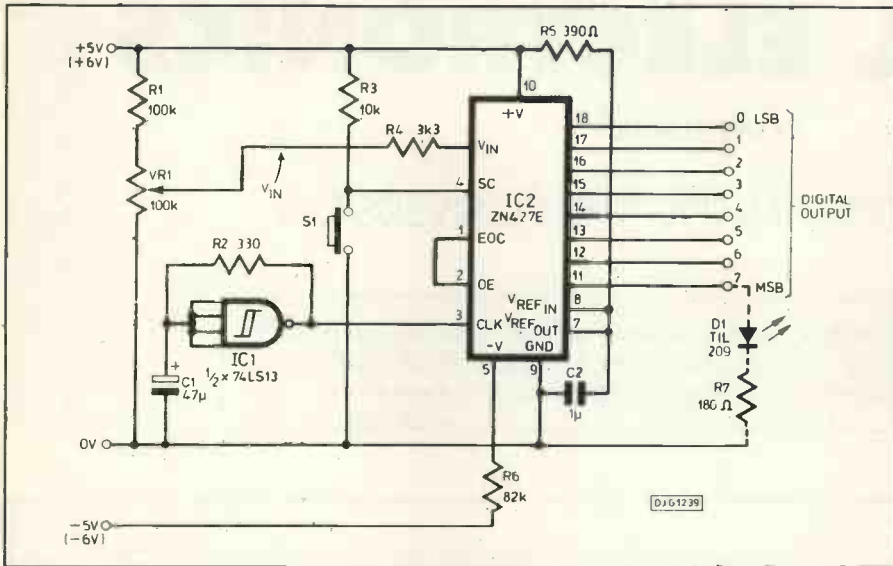


Fig.14. Demonstration of analogue to digital converter IC.

3. Press S1. This grounds the SC input and starts conversion.

4. A fraction of a second later, the digital output appears. If you have eight leds, one or two of the least significant ones may light. This corresponds to a near-zero reading such as 00000001 or 00000010.

5. Gradually turn VR1 clockwise, to increase  $V_{in}$  a little at a time. Press S1 occasionally and watch the digital output increase.

6. Repeated pressing S1 without turning VR1 should give the same output. However you may find that, on the borderline, and output may be, say, 01000000 on some occasions and 00111111. These two look very different when displayed as a row of illuminated leds, but the difference between them is only 1!

7. If you turn VR1 fully clockwise,  $V_{in}$  becomes 2.5V. The leds should all be lit.

8. As an exercise in design, remove R1 from the board and replace it with an ldr or a thermistor. You may need to replace VR1 with a resistor of another value. The output from the converter will then be the digital equivalent of the amount of light falling on the ldr or the temperature of the thermistor. If you are using a thermistor, you could try to calibrate it. Draw out a conversion table, so that the binary output can be read as temperature in degrees Celsius.

## OTHER CONVERTERS

This is yet another approach to a/d conversion. A v/f (voltage-to-frequency) ic accepts an analogue input (a voltage) and generates a digital output, a series of pulses. The pulses are all the same length but their frequency depends on the input voltage (Fig. 16). The ics for performing this operation are cheap and give a reasonably accurate conversion. An example of a voltage-to-frequency converter is the 4151.

This converter has a single output terminal. It gives a series of pulses – not a number of parallel bits on separate output lines. If you need to send data over a single line, a series of pulses sent over one line is

more useful and less expensive than having to have eight parallel lines for eight individual bits. At the end of the line, the pulses can be fed to a counting circuit that registers the number of pulses received in a given time. This number can be used to drive a display to give digital readout of the analogue input.

This converter is also useful for feeding data to the serial input of a microcomputer. The microcomputer is programmed to measure the frequency of the serial input, and then calculate the original voltage (or whatever other quantity, such as light intensity or temperature) of which the

voltage is an analogue.

There is another advantage in transmitting data in this way. If we attempt to send a varying voltage over a line, we run into problems with the resistance of the line. If the line is long, the voltage at the receiving end is certain to be lower than that at the sending end. But, if we send a series of pulses instead, the number of pulses reaching the receiving end in a given time is certain to equal the number being sent. Even if the pulses are slightly distorted on the way, we are not likely to lose or gain one whole pulse (*but beware of Murphy's Law! Ed.*) At the receiving end, we re-convert the pulse train to an analogue voltage, using a frequency-to-voltage converter, such as the LM2917.

The 507C is another converter that produces a series of digital pulses. This is a voltage-to-time converter. It differs from the v/f converter in that the signal from the converter is of constant frequency, but the length of time for which the signal is high depends upon the input voltage (Fig. 17). Like the 4151 described above, this is a low-cost converter useful for sending analogue data along a line or to the serial

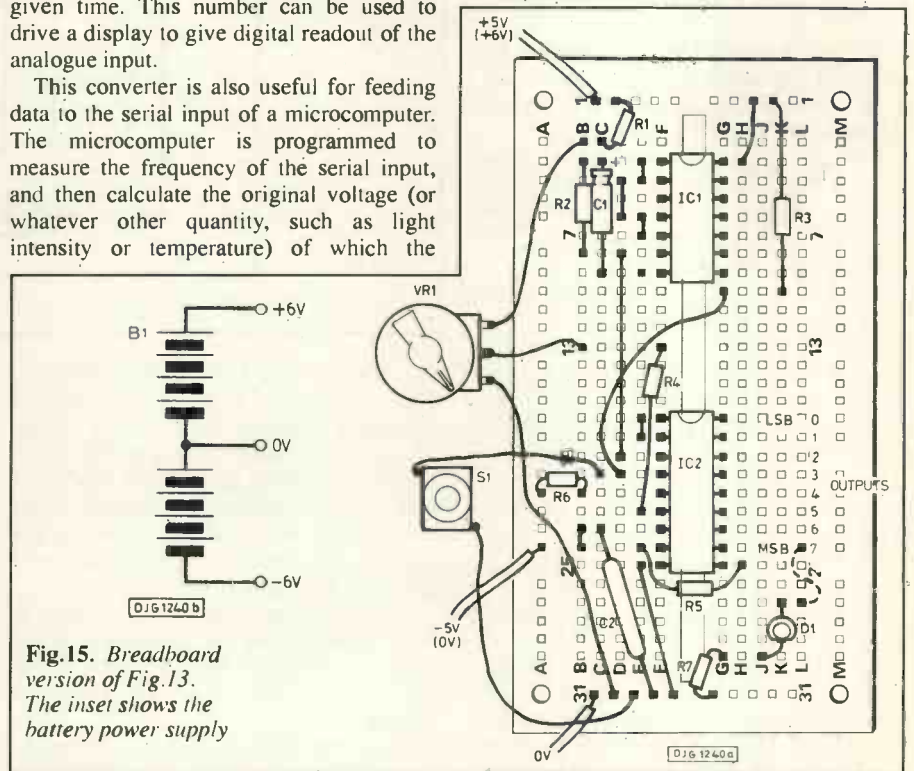


Fig.15. Breadboard version of Fig.13. The inset shows the battery power supply

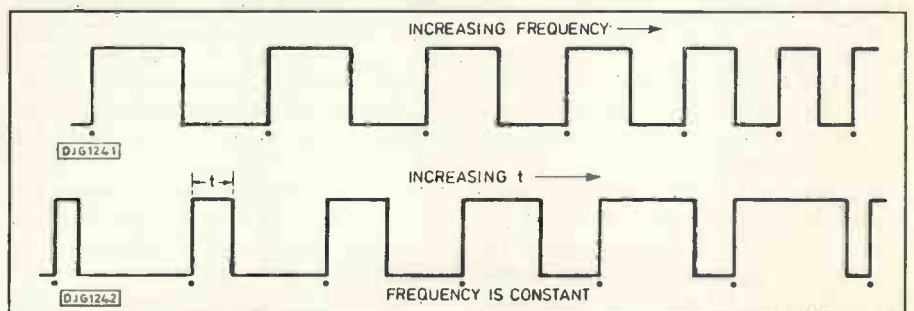


Fig.16. (top) Output of a V-F converter, as  $V_{in}$  rises.

Fig.17. (bottom) Output of a voltage-time converter, as  $V_{in}$  rises.

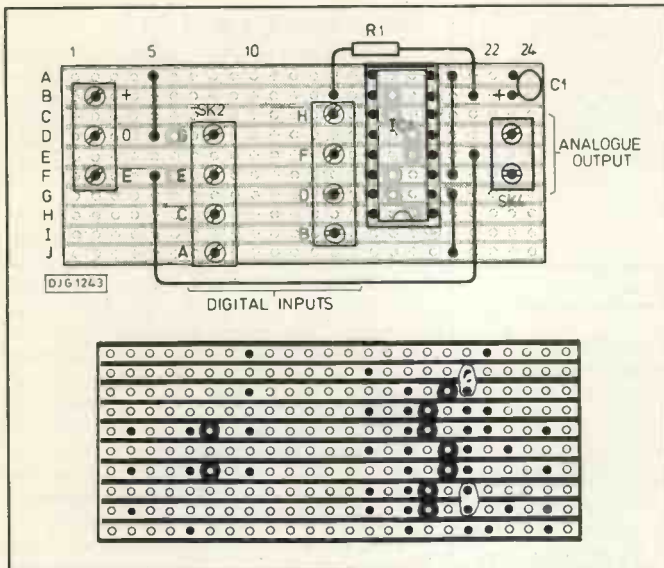


Fig. 18. Digital to analogue converter layout and track view.

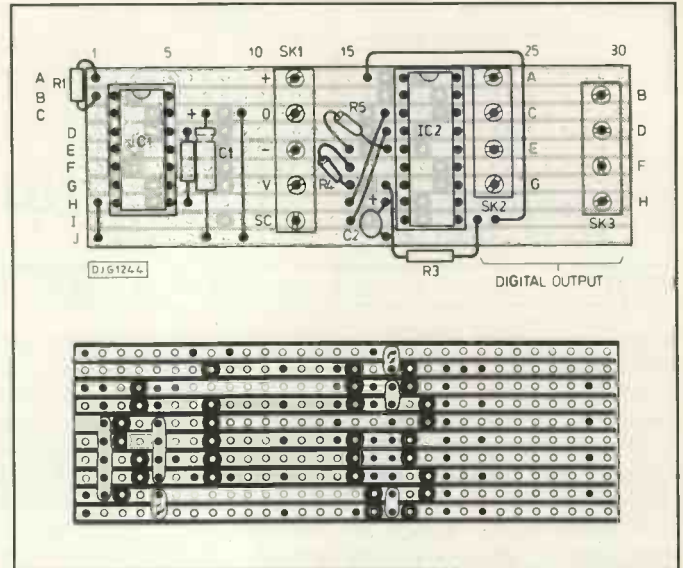


Fig. 19. Analogue to digital converter and track view.

input of a microcomputer. The signal can be converted to a count by suitable logic.

## MODULES OF THE MONTH

### 9. Digital-to-analogue converter

This module (Fig. 18) is based on the circuit of Fig. 8 in part six. It operates on a 5V supply. The ENABLE input (E) is made low to enable conversion. This is brought low by external logic, or more simply wired directly to the 0V (0) input. It accepts 8-bit input (where H is the msd and A is the lsd). Output V is in the range 0V to 2.5V. The module requires 25mA. Note that the ic is not mounted the usual way round on the board.

#### Parts required.

- R1 390 ohm, 0.25W
- C1 1µF tantalum
- IC1 ZN428E d/a converter
- SKT1 pc terminal 3-way
- SKT2, SKT3 pc terminal 4-way (2 off)
- SKT4, pc terminal 2-way
- 14-pin dil socket
- Stripboard Vero 14345

### 10. Analogue-to-digital converter

The module (Fig. 19) is based on the circuit of Fig. 14. It requires a power supply of  $\pm 5V$ , but appears to work reliably on  $\pm 6V$  too. Analogue voltage in the range 0-2.5V is fed to terminal V. The START CONVERSION (SC) input is normally held high but

is made low when conversion is to begin. You can do this from a logic output, or by using a resistor and push-button, as in Fig. 8 in part six. The 8-bit digital output appears on the two sockets at the right of the board. H is the msd and A is the lsd. The module requires 25mA on the positive rail, and only a few microamps on the negative rail.

#### Parts required

- R1 1k (all resistors 0.25W)
- R2 330 ohm
- R3 390 ohm
- R4 3k9
- R5 82k
- C1 47µF electrolytic
- C2 1µF, tantalum
- IC1 74LS13 dual 4-input Schmitt trigger NAND
- IC2 ZN427E a/d converter
- SKT1 pc terminal 3-way plus pc terminal 2-way
- SKT2, SKT3, pc terminal 4-way (2 off)
- 14-pin dil socket
- 18-pin dil socket
- Stripboard 30 holes by 10 strips

## SYSTEMS OF THE MONTH

Fig. 20 is the system diagram of a digital thermometer.  $V_{in}$  increases as temperature increases over a given range. Select resistor

values so that  $V_{in}$  does not exceed 2.5V. The astable 'clocks' the START CONVERSION input, to convert the input once a second. Output is in the range 0 to 255. You could work out a table for converting reading in binary to temperatures in degrees (see Trial 5, step 8). Unfortunately, it is not easy to make the binary output correspond neatly with the temperature in degrees or Kelvin. If the thermometer is being used in some kind of process control, and you don't need a digital readout, design logic to switch on (or off) the heaters, lamps, sirens etc when the digital output reaches certain levels. The 7485 4-bit magnitude comparator (not the same type of device as the analogue comparators of Fig. 1 in part six) is an ic used for detecting when the digital output of the converter reaches a given binary value. It accepts two four-bit numbers and its 'A=B' output goes high when they match exactly. Fig. 21 shows how a logic gate is used to detect when none of the four most significant bits is high, ie the temperature is less than 00001000 (whatever the equivalent in degrees Celsius may be). Supposing that 00001000 is equivalent to about 2°C, the output from the NOR gate triggers a bistable, sounding a 'frost alarm'. Other logic may be connected to the same

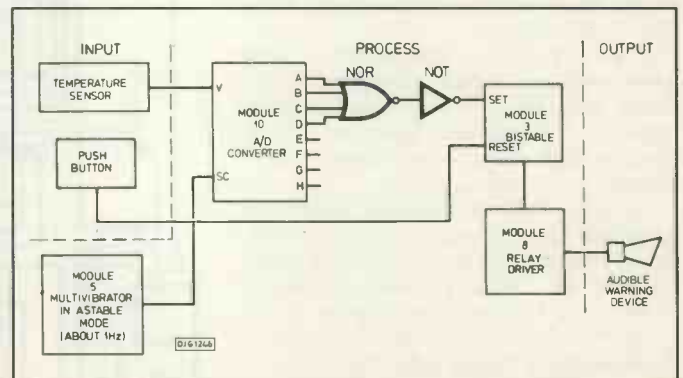
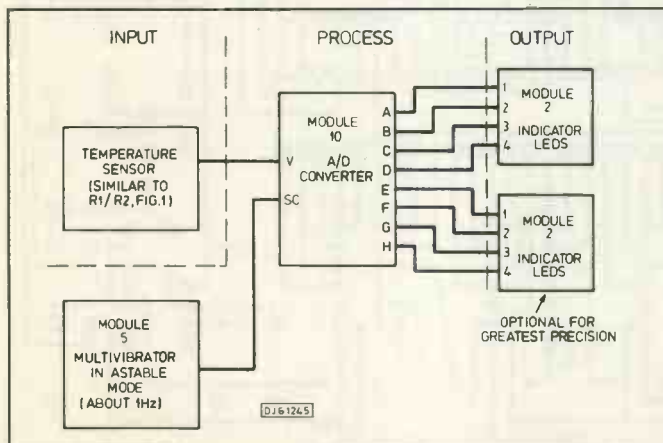


Fig. 20. (left) System diagram for a digital thermometer. Fig. 21. (above) System diagram for a frost alarm.

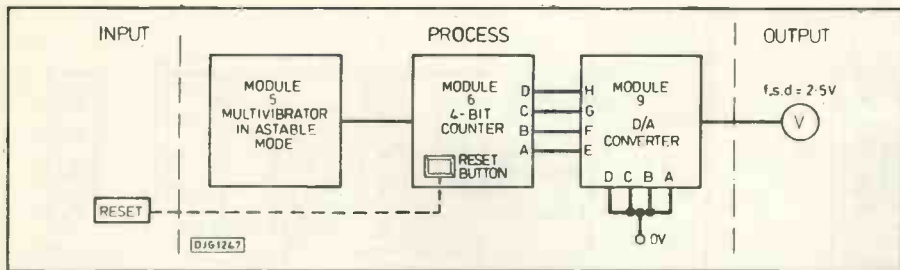


Fig.22. System diagram for a digital phone call timer with analogue read-out.

system to perform different functions at other temperatures.

Another approach is to feed the digital output to a microcomputer. This is programmed to read the 8-bit input, then calculate and display the temperature in degrees.

Although digital displays are 'all the rage', there are many people who find old-fashioned dials easier to read and understand. This is why watches and clocks with circular dials and a pair of hands remain popular. Electronic watches may have such a dial even if the circuit is purely digital up to the display stage. You may also find such a display more suitable for your own digital circuits. A 4-digit led or led display is quite costly to build and the driving circuitry is complex. If you do not need 4-figure accuracy, it is often simpler, cheaper, and possibly more satisfactory to have an analogue readout. A cheap moving-coil meter costs only two or three pounds.

You can open it and replace the scale with one graduated in whatever you are intending to measure. Fig. 22 shows a moving coil meter being used for the readout from a phone call timer. We realise that this kind of device could be built completely from analogue circuitry but, since this series is devoted to the ramifications of binary digits, let's keep everything digital until the last possible moment. Timing is performed by the astable. It is possible to have switchable resistors to allow a choice of timing rates. The rate of the astables is set so that it produces 16 pulses in whatever maximum period you wish to spend on the phone. A possible addition is a NOR and NOT gate with Module 3 to trigger an alarm when your time is up (Fig. 21). As you chatter away, the needle moves menacingly across the dial. At the 16th step it reaches the right-hand end of the scale – time to sign off!

PE

## TELE UNSATURATED

Inconsistency appears to be the hall-mark for government departments in many areas. On the one hand there has been legislation permitting both Astra and BSB satellites to transmit new tv channels into British homes. On the other hand, there are legal restrictions which impede public acceptance of the new networks.

The Government has confirmed that tv viewers may not use more than one satellite dish unless they obtain planning permission. There are additional restrictions to how high the dishes can be placed with regard to the height of the building. It also appears that blocks of flats are only permitted one dish without planning permission, irrespective of the number of occupying family units. The penalties for illegally installing an additional dish are considerable since a fine of £2000 can be imposed, plus a further £200 for each day the second dish remains in place. With the potential for several million households wanting to receive the new, satellite programmes, plus those from already operational European satellites, the planning authorities will be so totally overwhelmed with applications that installations will be very slow in materialising. The environmental considerations are recognised, but the planning controls could have drastic consequences for the early success of the new channels.

It would appear to mean, though, that any entrepreneur who is quick enough off the mark could make a fortune by introducing a single antenna system capable of receiving all the satellite channels. The technical problems are probably formidable, but if sense is to be made of the valuable new services a single steerable antenna appears to be the only solution to governmental restrictiveness.

Ed.

Note: The pads in the centre are very close together, Ensure that they are separated when making PCBs from this track layout.

# PCB TRACK CENTRE

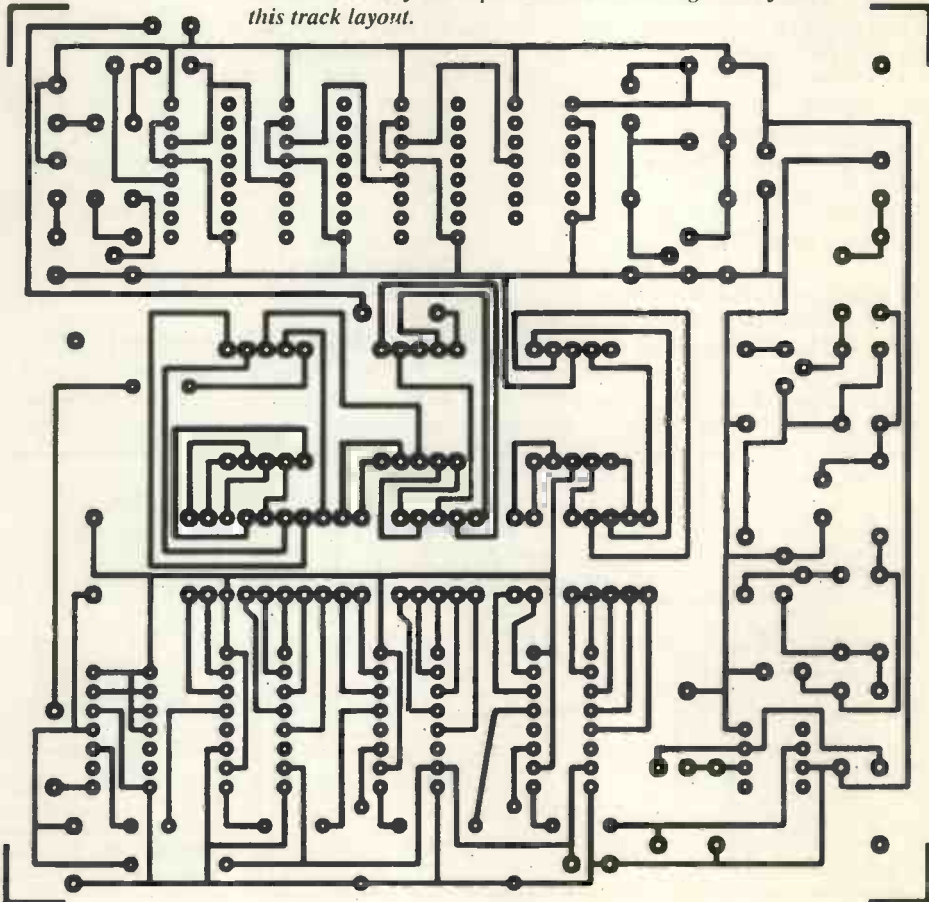
Have a normal photocopy made, ensuring good dense black image. Spray ISOdraft Transparentiser onto copy in accordance with supplied instructions.

ISOdraft is available from Cannon & Wrin, 68 High Street, Chislehurst, Kent. Tel: 01-467 0935.

Place positive transparency onto photosensitised copper clad fibre glass, cover with glass to ensure full contact. Expose to Ultraviolet light for several minutes (experiment to find correct time – depends on UV intensity).

Develop PCB in Sodium Hydroxide (available from chemists) until clean track image is seen, wash in warm running water. Etch in hot Ferric Chloride, frequently withdrawing PCB to allow exposure to air. Wash PCB in running water, dry, and drill holes, normally using a 1mm drill bit.

..PE187



## ELMASET INSTRUMENT CASE

300 x 133 x 217mm deep ..... £10 ea (£2.20)

## REGULATORS

LM317T PLASTIC TO220 variable ..... £1  
LM317 METAL ..... £2.20  
7812 METAL 12V 1A ..... £1  
7805/12/15/24V plastic ..... 45p 100+20p 1000+15p  
7905/12/15/24 plastic ..... 45p 100+20p 1000+15p  
CA3085 T099 variable reg ..... 2/£1  
LM338 5A VARIABLE ..... £5

## COMPUTER ICs

IM6402 UART ..... £3  
8086 processor equipment ..... £2  
USED 41256-15 ..... £4.20  
4164-15 ex equipment ..... £1  
9 x 41256-15 SIMM MODULE NEW ..... £36  
41256-10 SURFACE MOUNT EX NEW BOARDS ..... £4  
HD146818 CLOCK IC ..... £2  
2864 EEPROM ..... £6  
27128A 250nS EPROM NEW ..... £3.20  
1770 FLOPPY DISC CONTROLLER CHIP ..... £10  
68008 PROCESSOR EX-EQPT ..... £5  
ALL USED EPROMS ERASED AND BLANK CHECKED CAN BE PROGRAMMED IF DESIRED.

2764-30 USED ..... £2  
2716-45 USED ..... £2 100/£1  
2732-45 USED ..... £2 100/£1  
2764-30 USED ..... £2 100/£1.60  
27128-25/30 USED ..... £2.50  
27C256-30 USED ..... £3  
1702 EPROM EX EQPT ..... £5  
2114 EX EQPT 60p 4116 EX EQPT ..... 70p  
6264-15 8k static ram ..... £6  
4416 RAM ..... £3.50  
ZN427E-8 ..... £3.50  
ZN428E-8 ..... £3.50

## CRYSTAL OSCILLATOR

1.8342 MHz ..... 2/£1

## CRYSTALS

2.77 MHz/4.9152 MHz/49.504MHz ..... £1 each

## TRANSISTORS

BC107, BCY70 PREFORMED LEADS  
full spec ..... £1 £4/100 £30/1000  
BC557, BC548B ..... 30/£1 £3.50/100

## SIL RESISTOR NETWORKS

8 PIN 10k 22k ..... 5/£1  
9 PIN 22k ..... 5/£1  
10 PIN 68R 180R 22k ..... 5/£1

## POWER TRANSISTORS

OC35 (Marked CV7084) ..... £1  
POWER FET IRF9531 8A 60V ..... 2/£1  
2SC1520 sim BF259 ..... 3/£1 100/£22  
TIP141/2 £1 ea TIP112/125/42B ..... 2/£1  
TIP35B TIP35C ..... £1.50  
SE9301 100V 10A DARL. SIM TIP121 ..... 2/£1  
2N3055 EX EQPT TESTED ..... 4/£1  
PLASTIC 3055 OR 2955 equiv 50p ..... 100/£35  
2N3773 NPN 25A 160V £1.80 ..... 10/£16  
BD132 ..... 5/£1

## QUARTZ HALOGEN LAMPS

A1/216 24V 150 WATTS ..... £2.25  
H1 12V 50W (CAR SPOT) ..... £1.50

## NICKEL CADMIUM BATTERIES

7.2 volts 1.8 A/hr.C CELLS IN PACKS OF 6 ..... £5 p&p £1  
ZIF SOCKETS ..... 2/£1.50

TEXTOL single in line 32 way. Can be ganged (coupling supplied) for use with any dual in line devices.

## LARGE ELECTROLYTIC CAPACITORS COMPUTER GRADE

3000µF 350V SIC SAFCO FELSIC 037 ..... £6 (£1.50)  
2200µF 160V SIC SAFCO FELSIC C038 ..... £4 (£1.20)

## TURNS COUNTING DIALS FOR MULTI TURN POTENTIOMETERS

15 turn dial 21mm dia. fits 0.25" spindle ..... £2.50  
10 turn dial 21 mm dia. fits 3mm spindle ..... £2  
10 turn digital dial (3 digits) for 3mm or 6mm shaft ..... £3.50  
10 turn clock face dial for 6mm spindle ..... £4  
6mm bushes can be drilled to fit 0.25" spindles

## MISCELLANEOUS

HUMIDITY SWITCH ADJUSTABLE ..... £2  
WIRE ENDED FUSES 0.25A ..... 30/£1  
NEW ULTRASONIC TRANSDUCERS 40kHz ..... £1.50 pair  
12 CORE CABLE OVERALL SCREEN ..... £1/3 metres  
POWERFUL SMALL CYLINDRICAL MAGNETS ..... 3/£1  
OP AMP LM10CLN ..... £2.90  
BNC 50 OHM SCREENED CHASSIS SOCKET ..... 3/£1  
BNC TO CROC CLIPS LEAD 1 metre ..... £1  
MOULDED INDUCTOR 470µH

size of a 1 watt film resistor ..... 5/£1  
TO-220 HEAT SINK sim RS 403-162 ..... 10/£2.50  
SMALL MICROWAVE DIODES AEI DC1028A ..... 2/£1  
D.I.L. SWITCHES 10 WAY £1 8 WAY 80p 4/5/6 WAY ..... 50p  
180 volt 1 watt ZENERS also 12v & 75v ..... 20/£1  
OLIVETTI LOGOS CALCULATOR KEYBOARD (27 KEY) PLUS 12 DIGIT FLUORESCENT DISPLAY ON DRIVER BOARD (i.e. CALCULATOR LESS CASE, TRANSFORMER AND PRINTER) ..... £1.30

PLASTIC EQUIPMENT CASE 9 x 6 x 1.25 in. WITH FRONT AND REAR PANELS CONTAINING PCB WITH EPROM 2764-30 AND ICS 7417 LS30 LS32 LS74 LS367 LM311 7805 REG. 9 WAY D PLUG, PUSH BUTTON SWITCH, DIN SOCKET ..... £1.90  
VN10LM 60v 1/2A 50hm TO-92 mosfet ..... 4/£1 100/£20  
MIN GLASS NEONS ..... 10/£1  
RELAY 5v 2 pole changeover looks like RS 355-741 marked STC 47WB05T ..... 2/£1  
MINIATURE CO-AX FREE PLUG RS 456-071 ..... 2/£1  
MINIATURE CO-AX FREE SKT. RS 456-273 ..... 2/£1.50  
DIL REED RELAY 2 POLE n/o CONTACTS ..... £1  
PCB WITH 2N2646 UNIJUNCTION with 12v 4 POLE RELAY ..... £1  
400m 0.5w thick film resistors (yes four hundred megohms) 4/£1  
MINIATURE CO-AX FREE PLUG RS 456-071 ..... 2/£1  
MINIATURE CO-AX FREE SKT. RS 456-273 ..... 2/£1.50  
STRAIN GAUGES 40 ohm Foil type polyester backed balco grid alloy ..... £1.50 ea 10+ £1  
ELECTRET MICROPHONE INSERT ..... £0.90  
Linear Hall effect IC Micro Switch no 613 SS4 sim RS 304-267 ..... £2.50 100+ £1.50

HALL EFFECT IC UGS3040 + MAGNET ..... £1  
OSCILLOSCOPE PROBE SWITCHED X1 X10 ..... £10  
CHEAP PHONO PLUGS ..... 100/£2 1000/£18  
1 pole 12 way rotary switch ..... 4/£1  
AUDIO ICS LM380 LM386 ..... £1 ea  
555 TIMER 5/£1 741 OP AMP ..... £1  
ZN414 AM RADIO CHIP ..... 80p  
COAX PLUGS nice ones ..... 4/£1  
COAX BACK TO BACK JOINERS ..... 3/£1  
4 x 4 MEMBRANE KEYBOARD ..... £1.50  
15.000µF 40V ..... £2.50 (£1.25)  
INDUCTOR 200H 1.5A ..... 5/£1  
NEW BT PLUG + LEAD ..... £1.50  
1.25" PANEL FUSEHOLDERS ..... 5/£1  
CHROMED STEEL HINGES 14.5 x 1" OPEN ..... £1 each  
12v 1.2w small wire ended lamps fit AUDI VW TR7 SAAB VOLVO ..... £1 ea

TO-3 TRANSISTOR COVERS ..... 10/£1  
STICK ON CABINET FEET ..... 30/£1  
PCB PINS FIT 0.1" VERO ..... 200/£1  
TO-220 micas + bushes ..... 10/50p 100/£2  
TO-3 mica + bushes ..... 20/£1  
PTFE min screened cable ..... 10m/£1  
Large heat shrink sleeving pack ..... £2  
CERAMIC FILTERS 6M/9M/10.7M ..... 50p 100/£20  
TOKIN MAINS RFI FILTER 250v 15A ..... £3  
IEC chassis plug rfi filter 10A ..... £3  
Potentiometers short spindles values 2k5 10k 25k 1m ..... 5/£1  
2M5 lin ..... 4/£1  
500k lin 500k log ..... 4/£1  
40kHz ULTRASONIC TRANSDUCERS EX-EQPT NO DATA ..... £1/pr  
PLESSEY INVERTER TRANSFORMER ..... 50 CYCLES  
11.5-0-11.5V to 240v 200VA ..... £6 (£3)

## ZENERS

5.6V 1W3 SEMIKRON 50K AVAILABLE @£25/1000  
SUPPRESSOR OF606 120V BI DIRECTIONAL ZENER IN 3 AMP W/E PACKAGE ..... 5/£1

## DIODES AND RECTIFIERS

1N4148 ..... 100/£1.50  
1N4004/SD4 1A 300V ..... 100/£3  
1N5401 3A 100V ..... 10/£1  
BA158 1A 400V fast recovery ..... 100/£3  
BA159 1A 1000V fast recovery ..... 100/£4  
120V 35A STUD ..... 65p  
BY127 1200V 1.2A ..... 10/£1  
BY254 800V 3A ..... 6/£1  
BY255 1300V 3A ..... 4/£1  
6A 100V SIMILAR MR751 ..... 4/£1  
1A 800V BRIDGE RECTIFIER ..... 4/£1  
4A 100V BRIDGE ..... 3/£1  
6A 100V BRIDGE ..... 2/£1  
8A 200V BRIDGE ..... 2/£1.35  
10A 200V BRIDGE ..... £1.50  
25A 200V BRIDGE £2 ..... 10/£18  
25A 400V BRIDGE £2.50 ..... 10/£22

## SCRs

2P4M EQUIV C106D ..... 3/£1 100/£20  
MCR72-6 10A 600V SCR ..... £1

35A 600V STUD SCR ..... £2  
TICV106D 800mA 400V SCR ..... 3/£1 100/£15  
MEU21 PROG. UNIJUNCTION ..... 3/£1

## TRIACS

BT137-600 8A TO-220 ..... 2/£1  
BT138-600 12A TO-220 ..... 70p  
NEC TRIAC AC08F 8A 600V TO220 ..... 5/£2 100/£30  
TXAL225 8A 400V 5mA GATE ..... 2/£1 100/£35  
TRAL2230D 30A 400V ISOLATED STUD ..... £4 each

## DIACS 4/£1

## CONNECTORS

34 way card edge IDC CONNECTOR (disk drive type) ..... £1.25  
CENTRONICS 36 WAY IDC PLUG ..... £2.50  
CENTRONICS 36 WAY IDC SKT ..... £4.00  
BBC TO CENTRONICS PRINTER LEAD 1.5M ..... £3.50  
CENTRONICS 36 WAY PLUG SOLDER TYPE ..... £4  
USED CENTRONICS 36W PLUG+SKT ..... £3

USED D CONNECTORS price per pair  
D9 60p, D15 £1.50, D25 £2, D37 £2, D50 £3.50 covers 50p ea.

## WIRE WOUND RESISTORS

W21 or sim 2.5W 10 of one value ..... £1  
R10 OR15 OR22 2R0 2R2 4R7 5R0 5R6 8R2 10R 12R 15R 18R 20R 22R 27R 33R 47R 56R 62R 91R 120R 180R 390R 430R 470R 680R 820R 910R 1K15 1K2 1K5 1K8 2K4 2K7 3K3 3K0 5K0 R05 (50 milli-ohm) 1% 3w ..... 4 FOR £1  
W22 or sim 6W 7 OF ONE VALUE ..... £1  
R47 R62 1R0 1R5 1R8 3R3 6R8 9R1 12R 20R 24R 27R 33R 51R 56R 62R 68R 100R 120R 180R 220R 390R 560R 620R 910R 1K0 1K2 1K5 1K8 2K2 2K7 3K3 3K9 4K7 8K2 10k 15k 16k 20k  
W23 or sim 9W 6 of one value ..... £1  
R22 R47 1R0 1R1 15R 56R 62R 100R 120R 180R 220R 300R 390R 680R 10K 1K5 5K1 10K ..... £1  
W24 or sim 12W 4 OF ONE VALUE ..... £1  
R50 2R0 9R1 18R 27R 56R 68R 75R 82R 100R 150R 180R 200R 220R 270R 400R 620R 1K0 6K8 8K2 10K 15K

## PHOTO DEVICES

SLOTTED OPTO-SWITCH OPCOA OPB815 ..... £1.30  
2N5777 ..... 50p  
TIL81 PHOTO TRANSISTOR ..... £1  
TIL38 INFRA RED LED ..... 5/£1  
OP12252 OPTO ISOLATOR ..... 50p  
PHOTO DIODE 50P ..... 6/£2  
MEL12 (PHOTO DARLINGTON BASE n/c) ..... 50p  
RPY58A LDR 50p ORP12 LDR ..... 70p  
LEDs RED 3 or 5mm 12/£1 ..... 100/£6  
LEDs GREEN OR YELLOW 10/£1 ..... 100/£6.50  
LEDs ASSORTED RD/GN/YW + INFRA/RED ..... 200/£5  
FLASHING RED OR GREEN LED 5mm 50p ..... 100/£35

## SUB MIN PRESETS HORIZONTAL

15/£1 100/£5  
1K 4K7 10K 22K 47K 1M 10M

## STC NTC BEAD THERMISTORS

G22 220R, G13 1K, G23 2K, G24 20K, G54 50K, G25 200K, G16 1M, RES @ 20°C DIRECTLY HEATED TYPE ..... £1 ea  
FS228W NTC BEAD INSIDE END OF 1" GLASS PROBE RES @ 20°C 200R ..... £1 ea

## CERMET MULTI TURN PRESETS 3/4"

10R 20R 100R 200R 250R 500R 2K 2K2 2K5 5K 10K 22K 47K 50K 100K 200K 500K 2M2 ..... 50p each

## IC SOCKETS

6 pin 15/£1 8 pin 12/£1 14/16 pin 10/£1 18/20 pin 7/£1, 22/24/28 pin 4/£1 40 pin 30p

## SOLID STATE RELAYS

40A 250V AC SOLID STATE RELAYS ..... £18

## POLYESTER/POLYCARB CAPS

10n 63v 5mm ..... 20/£1 100/£3 1000/£25  
1n/3n/5n/6n/8n/210n 1% 63v 10mm ..... 100/£6  
10n/15n/22n/33n/47n/68n 10mm rad ..... 100/£3.50  
100n 250v radial 10mm ..... 100/£3  
100n 600v sprague axial 10/£1 ..... 100/£6 (£1)  
2u2 160v rad 22mm ..... 100/£3  
10n/33n/47n 250v ac x rated 15mm ..... 10/£1  
470n 250v ac x rated rad ..... 4/£1  
1U 600V MIXED DIELECTRIC ..... 50p ea.

## RF BITS

12 volt CO-AXIAL relays sim. RS 349-686 ..... £6  
Ex-equipment, with BNC tails ..... 4/50p  
TRIMMER CAPS ALL ..... 4/50p  
SMALL 5pF 2 pin mounting 5mm centres ..... 4/50p  
SMALL MULLARD 2 to 22pF ..... 4/50p  
SMALL MULLARD 5 to 50pF ..... 4/50p  
grey larger type 2 to 25pF ..... 60p  
TRANSISTORS 2N4427 ..... 10/£1  
FEED THRU CERAMIC CAPS 1000pF ..... 10/£1

## MINIATURE RELAYS Suitable for RF

5 volt coil 1 pole changeover ..... £1  
5 volt coil 2 pole changeover ..... £1  
12 volt coil 1 pole changeover ..... £1

# KEYTRONICS

TEL. 0279-505543

FAX. 0279-757656

P O BOX 634

BISHOPS STORTFORD

HERTFORDSHIRE CM23 2RX

## MAIL ORDER ONLY

MIN CASH ORDER £3.00 OFFICIAL ORDERS WELCOME  
UNIVERSITIES COLLEGES SCHOOLS GOVT DEPARTMENTS  
MIN. ACCOUNT ORDER £10.00

P&P AS SHOWN IN BRACKETS (HEAVY ITEMS)  
65p OTHERWISE (LIGHT ITEMS)

ADD 15% VAT TO TOTAL  
ELECTRONIC COMPONENTS  
BOUGHT FOR CASH



# TACTILE DEAF AID

BY VINCENT JOHNS

## TAM, TAM THE PIPER'S ON

*Even small amounts of sound information are useful to a profoundly deaf person. A new device under development translates sound into vibrations which can be received by touch.*

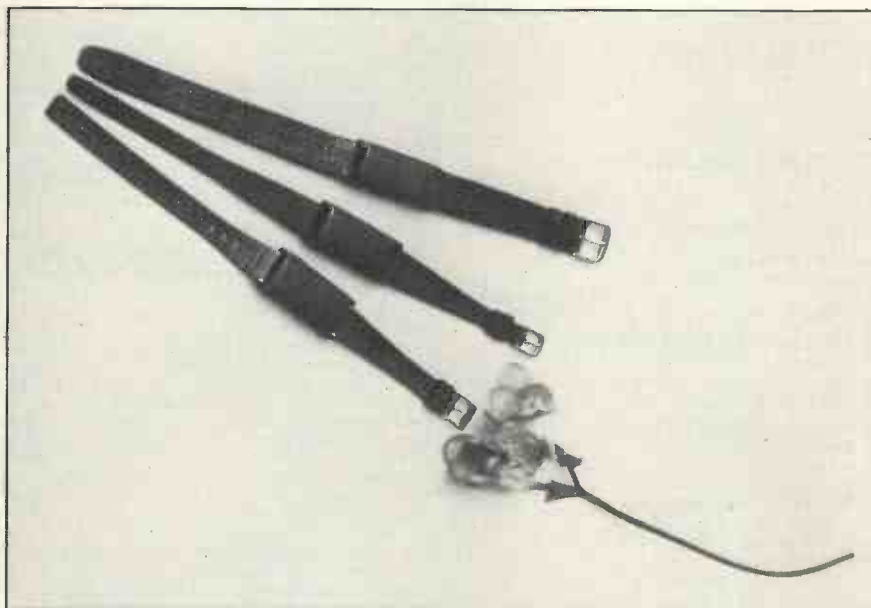
Profoundly or completely deaf people could find lipreading much easier in future if the results of a new electronic-based research programme at Exeter University are successful.

The idea of using tactile stimulation to provide profoundly deaf people with an indication of the presence of sound is not new. Bone-conduction hearing aids have been used for many years, but their effectiveness is limited because of acoustic feedback and the small amplitude of vibration available. So some years ago the RNID, The Royal National Institute For The Deaf, in conjunction with the University of Exeter, decided to design a simple device which would provide a high level of vibration and give deaf people an awareness of sound around them.

The design was deliberately restricted to only providing an indication of the temporal pattern of the sound and its amplitude. By limiting the aims of the project, Exeter's Department of Physics felt the design objectives could be more readily met and the cost would be kept low, thereby keeping it within the budget of the target market, the profoundly deaf.

The result of this research was the Tactile Acoustic Monitor (TAM), an unobtrusive wrist-worn vibrator unit, very similar to a wristwatch to outward appearances, but with the rest of the unit small enough to be placed in a pocket.

Fig. 1 shows the design of TAM which has a constant frequency, constant amplitude output. In short, it works like this: the incoming signal is amplified and feeds a level detector, the threshold level



of which can be adjusted by the user-operator.

When a signal goes above this level it causes an oscillator to operate and, through the output driver, activates a piezo-electric vibrator. The vibrator is a tuned bimorph and the oscillator runs around 190Hz. A led is switched in on the output of the driver system to indicate visually to the wearer that the system is operating, and is also a visible indicator of the presence of sound.

Fig. 2 shows the sensitivity of the device over the frequency range from 100Hz to 10kHz. The output from the wrist-worn vibrator has been measured on an IEC mechanical coupler (artificial mastoid). This provides a suitable means

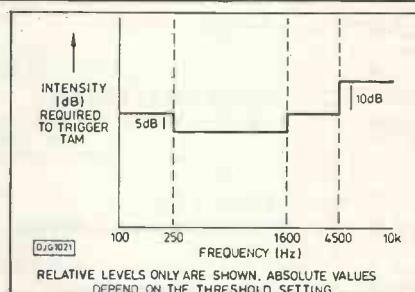


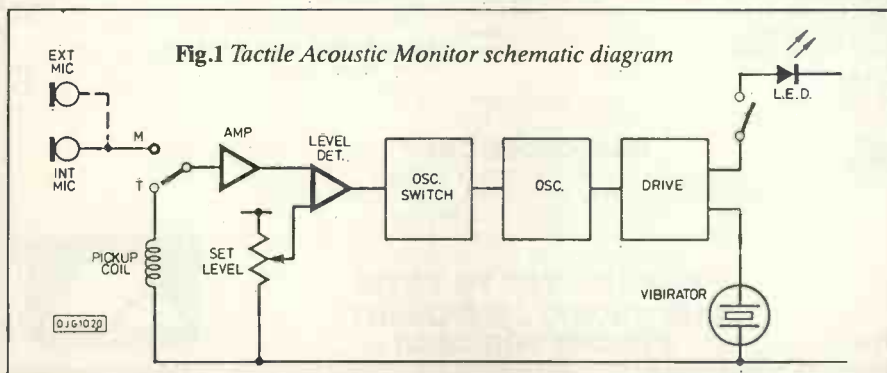
Fig. 2 Sensitivity of TAM

for measuring the output from a range of tactile devices in a reasonably realistic manner.

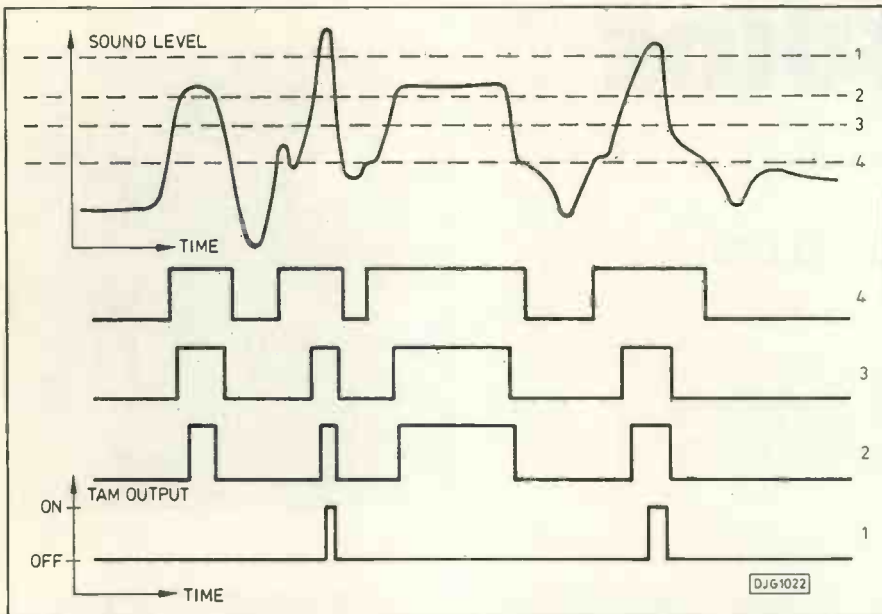
Fig. 3 shows the output of the vibrator for a varying input signal. The adjustment of the threshold level control alters the manner in which the temporal pattern is presented, and this indicates the necessity of using a setting which covers the range of sounds in the user's environment. We can also see here how the device can be used to monitor ambient noise levels by appropriate adjustment of the threshold level.

The net result means the TAM has a number of everyday uses, including:

- Telling the wearer that some-body is talking to them, even if the wearer is not looking directly at them. This is particularly useful in offices, when the







**Fig.3** Effect of changing the threshold level. The output is always at constant amplitude and frequency

wearer is looking at the desk, and somebody wants to attract their attention.

● Warning signals, such as telephone bells, fire alarms, door bells etc can all be picked up. The temporal pattern of the signal is closely followed, which means the wearer can differentiate between various sounds.

● Monitoring everyday sounds around users, such as footsteps.

● Indicating whether equipment is working – particularly useful in the home where various domestic appliances produce sounds.

● Warning of the presence of traffic and, by suitable adjustment, can even provide an indication of other signals,

such as car horns amongst the general traffic noise.

● Helping the deaf person to control the level of their voice, particularly if they use TAM to detect if the ambient noise is high or low.

The TAM is already available commercially, but current research at the University of Exeter is aimed at finding the best way of coding speech-derived information onto a single tactile channel to aid lip-reading. Experts now hope it will be practical to transmit the sort of sound information which is not always visible on the speaker's face, such as stress and intonation or voice inflection.

It now seems likely that even a little information transmitted via the sense of touch will be of significant benefit. By frequency or amplitude modulation of the output signal, it is possible to transmit such information. There are still problems for the Exeter team however – the useful bandwidth of the skin is approximately 20-300Hz, but frequency and amplitude resolution are relatively poor within this range. **PE**

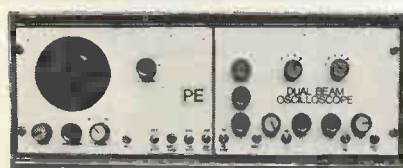
Further information on the TAM can be obtained from the manufacturers, Sumit, 74 Wheelys Road, Edgbaston, Birmingham, B15 2LN, or from local offices of the RNID.



★ LEARN BY BUILDING ★ ENJOY BY USING ★

## PROJECT KITS

★ BE CREATIVE ★ RAISE YOUR SKILLS ★ GET KITTED! ★



### DUAL BEAM OSCILLOSCOPE

2Y-amps, 6 ranges, variable level, DC to over 1MHz. 4 modes – Y1, Y2, Y1 & Y2, Y1 & Y2 to X. Time base variable from 0.05Hz to 20KHz. Variable sync level, polarity and source. Separate bright-line, brilliance and focus controls. Independent trace deflection controls. Details in catalogue.

### BURGLAR ALARM CONTROLLERS

#### MULTIZONE CONTROL

**SET280 £22.77**  
Two entry-zones, anti-tamper loop, personal attack, entry-exit timing, timed duration, automatic resetting, latching LED monitors.

#### SINGLE ZONE CONTROL

**SET279 £9.32**  
With timed duration control and latching LED monitor. Both units can be used with any standard detection devices, such as contact or magnetic switches, pressure pads, tremblers, ultrasonics, infrared etc., and will activate standard bells, strobes or sirens.

### COMPUTER KITS

The software listings published with the computer kit projects are for use with C64, PET and BBC computers.

**CHIP TESTER SET258F £39.30**

Computer controlled logic and chip analyser.

**EPROM PROGRAMMER SET277 £25.25**

Computer controlled unit for 4K Eproms.

**MICRO-CHAT SET276 £64.50**

Computer controlled speech synthesiser.

**MICRO-SCOPE SET247 £44.50**

Turns a computer into an oscilloscope.

**MICRO-TUNER SET257 £55.32**

Computer controlled, tuning aid and freq counter.

**MORSE DECODER SET269 £22.16**

Computer controlled morse code-decoder.

SEND 9"X4" S.A.E. FOR CATALOGUE AND WITH ALL ENQUIRIES (OVERSEAS SEND £1.00)

### VARIOUS

**VOICE SCRAMBLER SET287 £42.22**  
32 switchable channels to keep your communications confidential.

**STORMS! £29.50 each unit**

Raw nature under panel control Wind & Rain SET250W.

Thunder & Lightning SET250T.

**DISCO-LIGHTS SET245F £62.50**

3 chan sound to light, chasers, auto level.

**EVENT COUNTER SET278 £31.50**

4-digit display counting for any logic source.

### ASTRONOMY



#### SIDEREAL CLOCK

**SET295 £49.50**

Dual purpose star-time and solar-time digital clock with alarm.

### ENVIRONMENT

#### WEATHER CENTRE

Keep the Met Office in check and monitor the wind speed and direction, rain, temperature, soil moisture and sunny days.

Six detector circuits – KIT 275.1 **£18.07**

Automatic metered control monitor circuit – KIT 275.2 **£40.95**

Optional computer control circuit – KIT 275.3 **£14.20**

#### ELECTRONIC BAROMETER

**SET285 £35.55**

Computer controlled unit for monitoring atmospheric pressure.

**GEIGER COUNTER SET264 £59.50**

A nuclear radiation detector for environmental and geological monitoring. With built in speaker, meter and digital output. This project was demonstrated on BBC TV.

### ORDERING

Send 9"X4" SAE for detailed catalogue, and with all enquiries (overseas send £1.00 or 5 I.R.C.'s). Add 15% VAT. Add P&P – Sets over £5 add £2.50. Others add £1.50. Overseas P&P in catalogue. Text photocopies – Geiger 264 and Weather 275 £1.50, others 50p, plus 50p post or large SAE. Insurance 50p per £50. MAIL ORDER, CWO, CHG, PO, ACCESS VISA. Telephone orders: Mon-Fri, 9am – 6pm. 0689 37821. (Usually answering machine).

PHONOSONICS, DEPT PE92, 8 FINUCANE DRIVE, ORPINGTON, KENT, BR5 4ED.

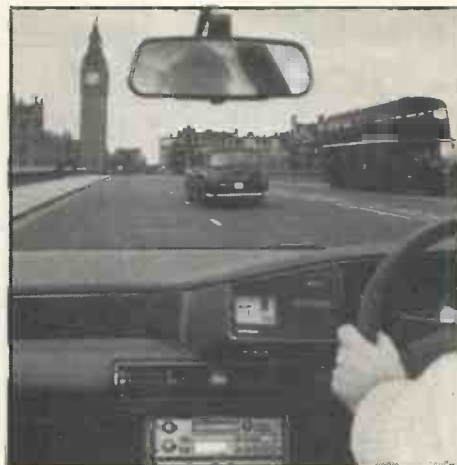
MAIL ORDER

# AUTOGUIDE

BY MICHAEL STRASSEN

## A BETTER WAY TO GO

*While it's a bit soon to throw away your road maps, work is under way to create a guidance system that will literally let the car find the way home.*



The Editorial of PE Feb 89 reported that at the opening of the current Parliamentary session, the Queen had announced that the Government intended to introduce legislation providing for new systems of route guidance for drivers.

The Queen was referring to the system known as Autoguide a computerised traffic guidance network that will have significant benefits for drivers across Britain and, with international cooperation, across Europe as well.

The proposals for a guidance network gained momentum when, in September 1986, the Government launched a discussion document "Autoguide - A Better Way To Go?". This outlined the work at the Transport and Road Research Laboratory and put forward for discussion proposals for a national Autoguide system, initially based around London.

By April 1987, the responses to the proposals were overwhelmingly in favour, following which an experimental infrared system of transceiving beacons was installed between Westminster and Heathrow Airport. Among those

participating were London Buses, British Airports Authority, AA, RAC, GEC Traffic Automation, Plessey Controls, Austin Rover Group, Texas Instruments, Westminster City Council, W.S. Atkins and Partners, Wootton Jeffreys and Partners, and SIA Ltd. Organisations in West Germany are also carrying out similar trials around Munich and Berlin. The Parliamentary legislation required will cover licensing arrangements for the network operators, participating drivers, and such mundane things as the right to dig up the street to put in necessary cables!

### THE SYSTEM

Autoguide is a system giving drivers recommended routes to their selected destinations using a dashboard-mounted display. (Fig.1). It gives advice based on constantly updated information about traffic congestion, accidents, roadworks and bad-weather conditions. The data will originate from a variety of sources, including the police, urban traffic and motorway control centre, the motoring organisations, meteorological centres, and highway

authorities. Safeguards are to be built in to prevent the system from shifting congestion from one area to another.

Along the route are electronic signposts - small infrared beacons transmitting coded maps to an in-vehicle computer. This decodes the information and displays simple advice to the driver on an lcd monitor screen, possibly accompanied by a synthesised speech message. It is expected that Autoguide could help to reduce average journey times by as much as 10%, and reduce mileage by about 6%. Assuming around half a million users in the London area, annual savings in the region of 125 million could result. An expected reduction of road casualties by around 500 annually will be a further benefit.

### EARLY TRIALS

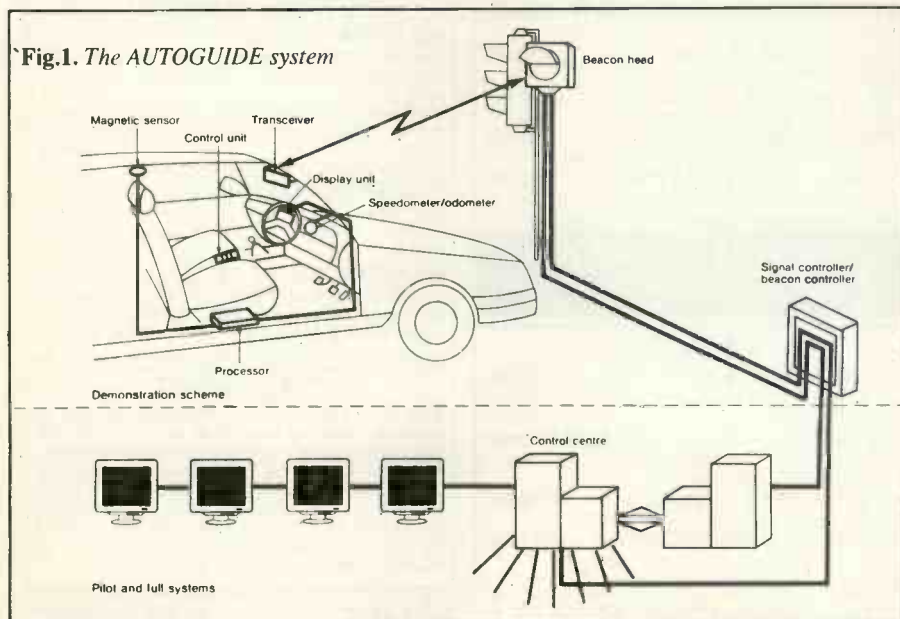
In the early stages of the trials the merits of microwave and infrared transmission techniques were examined. It was found that microwave reception was erratic under busy traffic conditions, and infrared techniques appeared to offer a better technological solution.

The initial scheme sited three beacons in Westminster, one at Heathrow and one on the M4 motorway. (Fig.2). Each trial beacon is independent and not connected to a control centre, consequently there is no dynamic re-routing taking current conditions into account. Despite the limitations, this scheme demonstrates the feasibility of taking journeys of up to 20 miles under full route guidance.

### JOURNEY COMMENCEMENT

The vehicle driver at the start of the journey uses a keypad to enter the co-ordinates of the destination, currently by means of a national grid reference, though ultimately a postcode or telephone number might be entered. In a full system commonly used destinations would have their references stored in memory for immediate keyed recall.

Once the destination has been entered the lcd screen will display the "as the crow



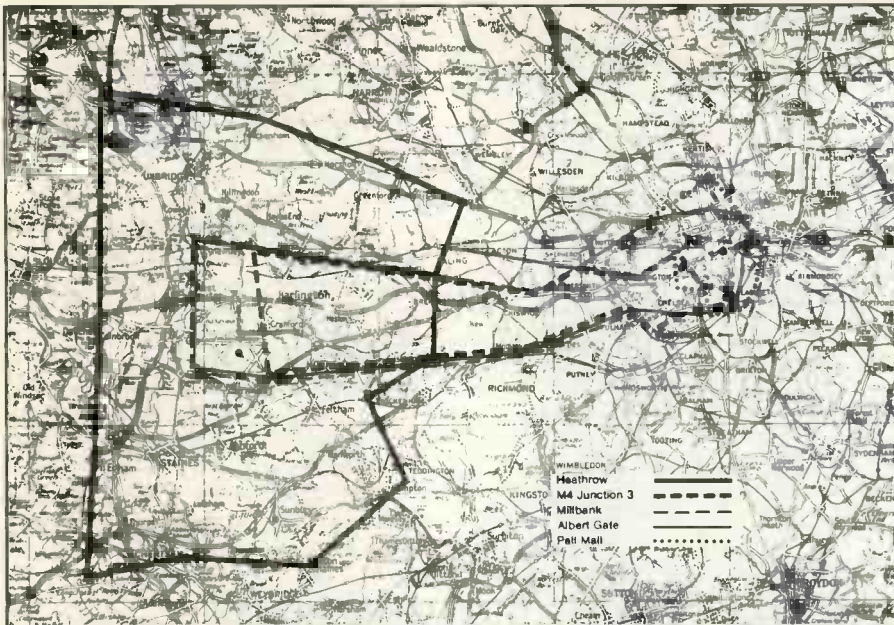


Fig.2. Demonstration scheme beacon regions

flies" distance to it and its direction (Fig.3A). At this time the unit will not yet have received data from an on-route beacon, and so will not know the best route to take. Until the first beacon is reached, the system will remain in an autonomous mode and simply keep track of the distance covered and the overall direction. On receipt of data from the first beacon encountered, the system will switch over to the fully automatic guidance mode.

In this mode the display will show a three-arrow symbol, as in Fig.3B, indicating that the "road ahead" should be followed, however much it may twist and turn. Prior

to a turn from the main direction the unit gives an audible warning, and the display changes. The warning distance will depend on the type of road - typically about a kilometre on a motorway, 300 metres on a suburban road, though in narrow slow-speed city roads it could be as little as 50 metres.

### TURNING INDICATION

The "turn ahead" message is shown by an arrow in the relevant direction, together with a bar graph indicating the distance to the turn (Fig.3C). The bar graph markings will decrease as the vehicle gets nearer to the turn. As an additional aid to some turnings, a lane recommendation will be displayed as well, facilitating the driver's smooth transversal of a roundabout, for example. Textual messages can also be displayed, telling drivers which road signs should be followed.

Each time another beacon is passed it transmits further data to the vehicle's computer - all the driver needs to do is follow the recommendations. Indeed, the driver will be unaware that the vehicle has passed into another beacon's region. Should an incorrect turning be made inadvertently, the system will automatically show information that will allow the driver to get back on course.

### DESTINATION ZONE

Once in the beacon region containing the destination the unit will remain in automatic guidance mode until the vehicle is quite close. Outside London, this could be within 500 metres of the destination, though within Central London could be within 100 metres. When the vehicle crosses into the final zone, the unit will switch back to autonomous mode. For this part of the journey guidance will be by a dead-reckoning assessment of position, but the accuracy could be within 10 metres.

If the destination is outside a beacon region, the recommended route is followed until the edge of the final beacon is reached. The unit then switches to the autonomous mode, giving indications of direction and distance to the destination, though of course, the dead-reckoning errors will begin to accumulate. In such situations the use a normal motoring map may still be needed for the last part of the journey. (Accompanied by occasional glances at the heavens for celestial guidance in the accustomed manner!)

### BEACON SITES

It proposed that at each beacon site there will be several beacon heads, positioned so that for most approaches to a junction there will be at least two heads pointing towards oncoming traffic. Each set of beacon heads will be connected to its own controller, this in turn will be connected back to the main control centre. Thus real-time traffic data can be collected and disseminated as appropriate. (The present demonstration system does not include a control centre, though one will be included in the full system.)

Where possible the beacon heads will be mounted on existing posts, such as traffic light posts, though by necessity may be mounted on their own posts, or in other fashions. For example, at the Heathrow experimental site, two beacon heads are mounted to either side of the tunnel portals. On motorway sites, in order to increase the power of the infrared transmission, and so extend the range for fast moving traffic, two heads will be mounted on each side of the carriageway. It is proposed that advantage should be taken of existing signalling installations to minimise the installation of additional road-side equipment and cabling.

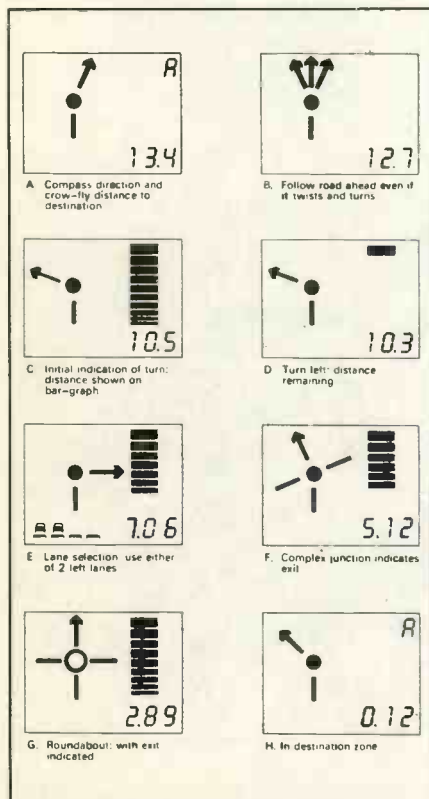


Fig.3. Display examples



Infra-red beacon mounted on traffic lights

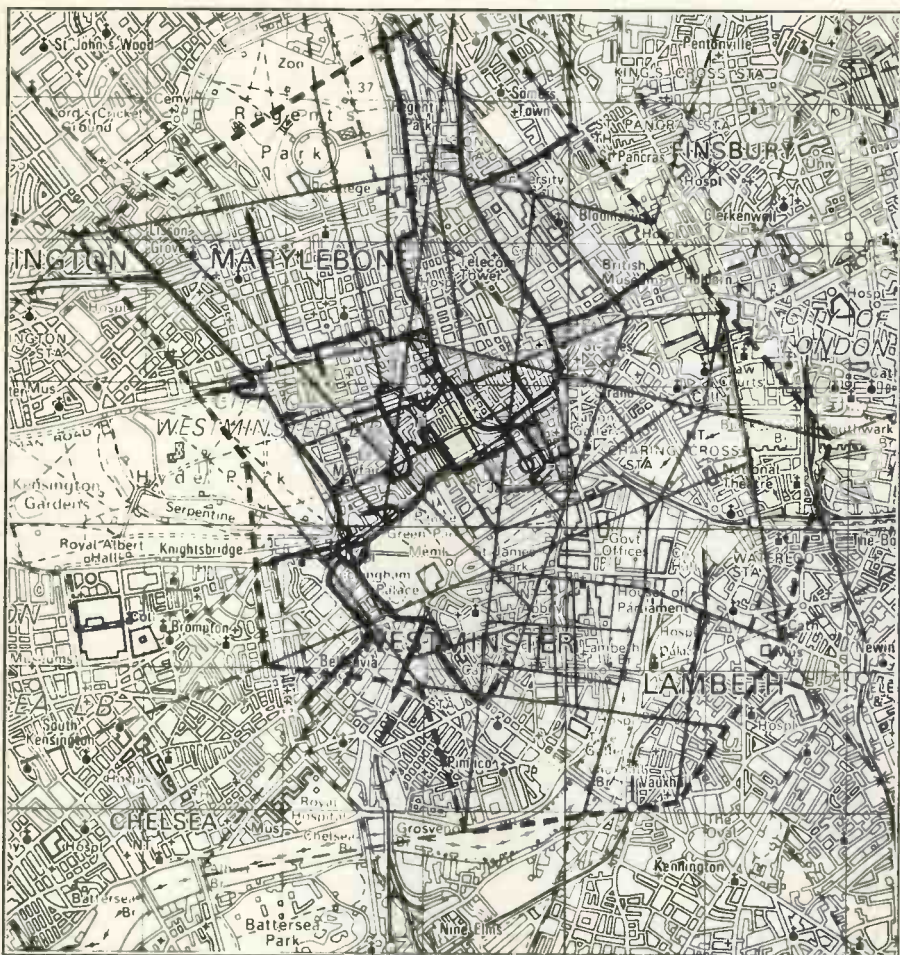


Fig.4. Example of zoning system for a London region

## VEHICLE UNITS

For the purposes of the demonstration experiment, the vehicle units consist of five main items, display, control, processor, transceiver and magnetic sensor. Additionally, connections are made to the vehicle's odometer, for distance monitoring, and to the radio loudspeaker system.

The infrared transceiver is mounted behind the vehicle's windscreen, typically beside the rear view mirror. It receives the data from the beacon heads, and transmits signals back to the beacons. The incoming data is processed by a microcomputer that keeps track of the vehicle's location and sends information to the driver's display screen. It additionally passes journey time details back to the transceiver. For the demonstration purposes the computer is a separately mounted unit, though ultimately it will probably be integrated with the display unit.

The magnetic sensor is a solid-state device that senses the Earth's magnetic field enabling vehicle direction assessments to be made. It will typically be mounted in the roof of the vehicle, well away from the magnetic disturbances of the engine.

## BEACON DATA

The beacons hold four main types of data - map data containing information on road links, turning information, zones or destination areas, and recommended routes.

The data is stored as an 8 kilobit block and is transmitted at the equivalent rate of 125 kilobits per second.

For each beacon region details are stored of appropriate route links. Each link consists

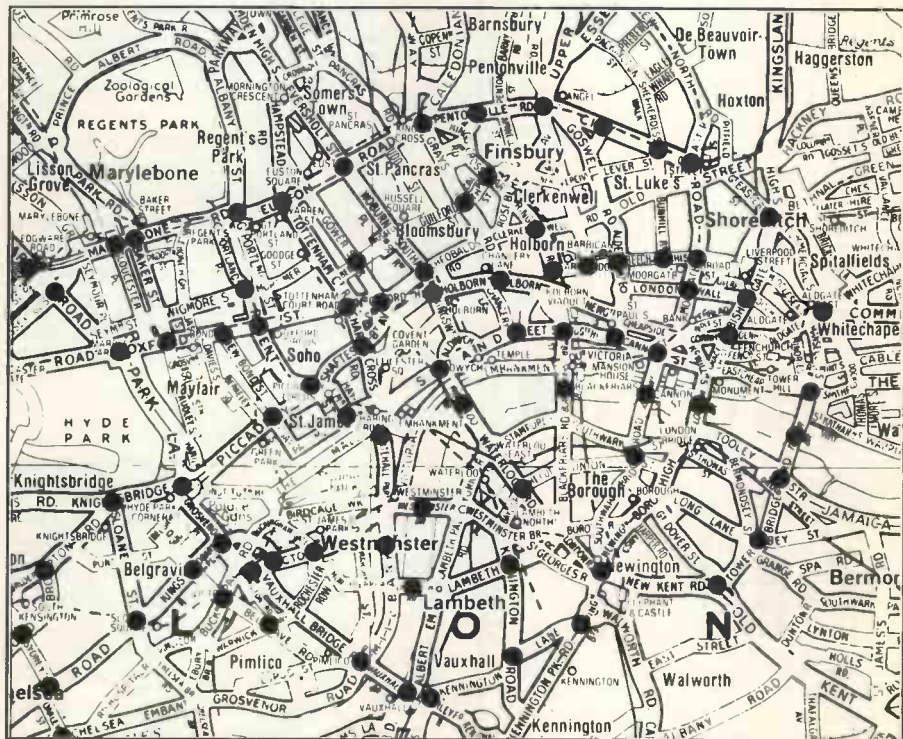


Fig.5. Possible beacon sites in Central London

of a series of straight line vectors, and the vehicle processing unit tracks the current location by matching distance and direction travelled against the stored vectors. Map data is stored as tabulated grid references for each vector, together with the connections between links. When in automatic guidance mode, the precise location is updated at the end of each vector so that cumulative dead-reckoning errors are minimised. The processor also takes account of which direction arrow to display, how the bar-graph distance display should be notated, whether lane recommendations should be shown, and if additional texts are required.

The computer is additionally responsible for determining the data to be sent by the vehicle to the beacon. Principally this will relate to details of the journeys between beacons, including distances and transit times.

## INTERNATIONAL COOPERATION

Originally, the initial developments of an automatic guidance system had been separately pursued in the UK and in West Germany. By 1986 it was evident that the researchers in both countries were arriving at similar conclusions, and a collaborative approach was adopted. Though there were some differences of opinion, these were resolved and a combined draft proposal was established. The final agreed draft standard is expected to become the basis for wider international agreements for full international compatibility of Autoguide-type systems. The standard does not dictate what form the control centre and in-vehicle equipment should take. Its intention is to ensure that the data transmission conforms to standard format and meaning.

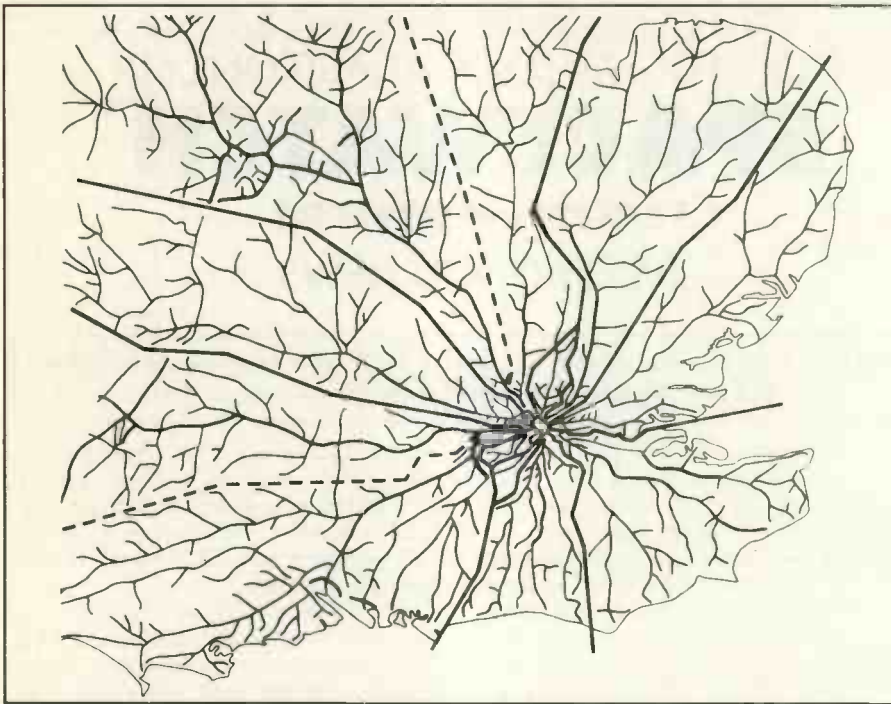


Fig.5. Example of a partition tree radiation from London

**COMMERCIAL OPERATION**

The implementation of Autoguide is intended to be a commercially profitable venture and drivers will have to pay for the privilege of using the system. As a personal opinion, I would have preferred to pay for it through the normal road-tax system - after all, we don't have to pay for the right to use traffic lights and road signs. To me, Autoguide should be regarded as a natural extension to other essential traffic guidance systems, especially as the nation as a whole will benefit from better traffic movements.

However, in keeping with the modern trend away from governmental financing of society's requirements, Autoguide will be operated on a commercial basis. One proposal is that users of Autoguide should pay a licence fee, officially quoted as "nominal", in return for which they would be allocated a private access number (pan). Each pan would relate to an individual in-vehicle unit which would function correctly for a specific period once the number had been entered. (I hope the pans can't expire during a complex dynamic re-routing operation in an unknown locality.)

To maintain international compatibility, foreign drivers visiting the UK would be issued with temporary pans for the duration of their visit. It is expected that UK travellers would be extended similar permits during trips abroad, though it is possible that not all countries will charge for use of the system.

UK operators will have the right to set their own charges made to subscribing motorists, though the upper limit will be set by Parliament.

**ENCRYPTION**

The draft standard proposal covers the implementation of beacon data encryption

so ensuring that commercial revenues are protected. It appears that legislation will prohibit the use of non-registered Autoguide-compatible equipment, and the use of pan-bypassing circuitry.

It also appears that a further safeguard to revenue collection will be implemented - the draft standard proposes that vehicles must communicate back to the beacons in order to receive information from them. The vehicle's response data would consist of inter-beacon travel times, though coded recognition signals will probably be required as well.

Reassuringly, the draft standard emphasises that no permanent record of the vehicle's passing will be stored at the control centre. We know that Big Brother (or is it 'Sister'?) is already watching us in many ways, but it would seem that we shall retain privacy concerning where we travel and for what reason. I also conclude that enforcement of speed limits will not be facilitated by the Autoguide system. It is recognised that exceeding speed limits is major social problem, but if Autoguide were to be used for recording details of offending drivers, the attractiveness of the system would become questionable and perhaps deter drivers from installing it.

Although the scheme will be operated by commercial organisations, the integrity of the system and the responsibilities of the operators will remain subject to Parliamentary control and regulation.

**THE NEXT STAGE**

Following the Westminster-Heathrow demonstration tests, the next stage will be the commencement of a pilot scheme covering the entire London area out to the M25. The beacon density will be limited to begin with, and only cover the major routes

carrying high proportions of through traffic. However, additional parameters will be assessed by experimentally equipping one section of London, the wedge bounded by the M40/A40 and the M3/A316 radial routes, with a beacon density and coverage having the same detail as would be expected in a full system. The intention is to upgrade the system to full commercial availability in the London area by 1991, with a rapid expansion to national coverage in the early part of the 1990s.

**SOCIAL BENEFITS**

Paul Channon, the Secretary of State states that, "Autoguide will help drivers to avoid hold-ups, reduce unnecessary miles driven and help to reduce road casualties. It will be a major contribution towards reducing the increase in traffic congestion and improving the quality of road travel. It has enormous potential for increasing driver's personal freedom and delivering economic savings. Problems with routing and navigation information currently costs the nation over 2 billion each year.

"There are benefits for all road users: for car drivers, particularly when making unfamiliar trips; for business travellers when time costs money; for delivery drivers ... time can be saved using up-to-date information; and for bus passengers who will benefit from shorter journey times because of reduced congestion."

Autoguide may not cure traffic problems, but it most certainly appears to offer a better way to go and no doubt many back seat drivers may need to seek new employment... **PE**

See page 47 for Jim Naylor's comment!

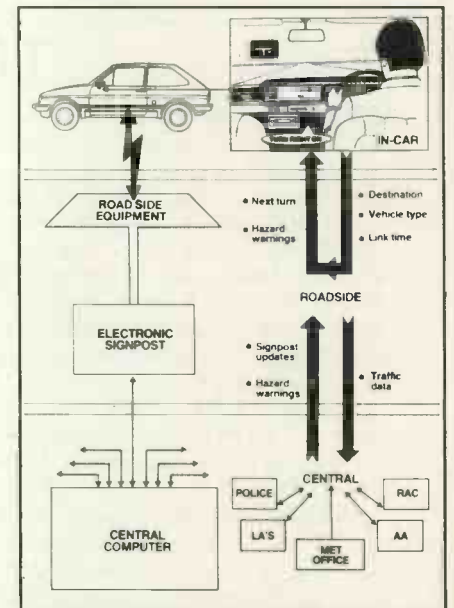


Fig.6. Autoguide signal flow block diagram

We are grateful to the Department of Transport for their kind permission to reproduce information relating to Autoguide.



## OUR REGULAR LOOK AT ASTRONOMY

# SPACEWATCH

BY DR PATRICK MOORE CBE

TIMELY GOOD NEWS

*At last, a date for the Hubble telescope in 1989. A missing planet, albeit a small one, is rediscovered, and a probe is on line for Titan*

**F**or once there is some good news. Astronomers have long been awaiting the launch of the Hubble Space Telescope – the 94-inch reflector which is scheduled to be put into orbit round the Earth, and should revolutionize all astronomical observation. Successive delays have followed the *Challenger* disaster, and the launch of the HST has been given as early 1990, but the revised date is now December 1989 – apparently there has been a switch with a military payload which was originally scheduled for this launch. The Shuttle will be the *Discovery*, which has made several successful flights.

Two more cometary suicides have been noted. Both were detected by SMM, the Solar Maximum Mission probe, during October of last year; they were officially designated 1988m and 1988n. Both were quite large, but both were destroyed as they approached perihelion.

Another old friend has been found once more. This is the minor planet Hapag, No.

724, which was originally discovered in 1911 by J. Palisa, and named after a shipping line (the Hamburg America line). It was observed only at this opposition – and was then lost. It had been tacitly given up, but in November 1988 two Japanese astronomers, T. Hioki and N. Kawasato, detected an asteroid which was designated 1988 VG(2), but which has now been identified with Hapag. This is surely an achievement. Hapag is not large, and its magnitude never rises much above 15.

This means that of all asteroids which have been officially numbered, only two are still missing. One of these, 878 Mildred, is unremarkable, but the other is 719 Albert, one of the Earthgrazers. Like Hapag, it was discovered by Palisa in 1911. It was found to have a period of 4.4 years, and a perihelion distance only just outside of the orbit of the Earth. Unfortunately it was not recovered, and it has now been lost for so long that its recovery must be regarded as largely a matter of luck. Yet we must

not abandon hope. No. 1862 Apollo, which has given its name to a whole class of Earthgrazers, was found originally in 1932 but was then lost until its recovery in 1973 – so perhaps Albert and Mildred will also turn up in due course.

It now seems that the University of Arizona will, after all, be able to build a major observatory on the summit of Mount Graham, 10,700 feet above sea-level. Environmentalists have constantly frustrated these plans, but have now been defeated by legislation passed through Congress, so that construction may well begin in the near future.

### CASSINI

Of all the worlds in the Solar System, one of the most intriguing must be Titan, the largest satellite of Saturn – and, incidentally, the largest satellite in the Solar System apart from Ganymede in Jupiter's family (though there must be lingering doubts about Triton, the senior attendant of

## The Sky This Month

**P**lanets are in rather short supply this February! Mercury is theoretically a morning object, but lies in the southern hemisphere of the sky and is not likely to be seen; Venus is moving in toward the Sun and is also to all intents and purposes out of view, while Saturn rises not long before the Sun and is very low down. This leaves Mars and Jupiter, both of which are in the evening sky. Jupiter, in Taurus, remains brilliant, but Mars has now declined to magnitude 0.8 or thereabouts, so that it is not much brighter than Aldebaran, while the apparent diameter has decreased to below 7 seconds of arc. There is no opposition of Mars in 1989, and during the summer the planet will not be much brighter than the Pole Star.

The Moon is new on February 6, and full on the 20th. On the 20th there is a total lunar eclipse, but in Europe it is not visible except for the north-eastern part of the continent. To see the eclipse, go to Australia, parts of Asia, or the Arctic. Totality lasts from 14h 57m GMT to 16h 15m GMT. (However, the total lunar eclipse of next August 17 will be observable from Britain.)

Orion continues to dominate the evening sky. It is worth noting that this year Betelgeux, the orange-red supergiant, is rather less brilliant than it was in 1987-8; it is decidedly variable, and though it has no definite period there is a rough one of around five years. At minimum, however, Betelgeux is still appreciably brighter than Aldebaran, despite the statements found in many books. It merits its

title of 'supergiant'; its huge globe could swallow up the entire orbit of the Earth round the Sun. Yet it is 'only' about 15,000 times as luminous as the Sun, whereas Rigel could match at least 60,000 Suns.

This is the best time of the year for watching Sirius, in Canis Major, which is much the brightest star in the sky (though it cannot rival some of the planets). It is pure white, but its low altitude, plus its great brilliance, makes it flash various colours. Strangely, some of the ancient astronomers called it 'red', but this must surely be an error in interpretation.

Capella in Auriga is near the zenith; Cassiopeia is in the north-west, Ursa Major in the north-east. In the east Leo, the Lion, has come into view, and will remain prominent until well into the summer. To find it, use the 'Pointers' in Ursa Major in the direction opposite to the Pole Star; you will reach the curved line of stars always known as the Sickle of Leo, of which the leading member is the first-magnitude Regulus.

There are no major meteor showers this month. As a matter of academic interest, D'Arrest's periodical comet passes perihelion on February 4; it is an old friend, with a period of 6.4 years, and has been at almost all returns since its discovery in 1851 by Heinrich D'Arrest. However, its present magnitude is only about 20, so that very large telescopes are needed to show it.

Neptune, whose diameter is uncertain; we ought to know next August, when Voyager 2 makes its pass of the Neptunian system). Titan has a dense atmosphere, made up chiefly of nitrogen together with a considerable quantity of methane. All the ingredients for life exist, though the intense cold presumably means that Earth-type life has never become established there. The surface temperature is near the triple point of methane; it has been suggested that there may be cliffs of solid methane, rivers of liquid methane, and a methane rain dripping all the time from the orange clouds which constantly cover the sky.

Voyager 1 showed nothing apart from the top of a layer of what may be termed orange smog. Voyager 2 did not go close to Titan – had it done so, it would have moved out of the ecliptic, and would have been unable to go on to Uranus and Neptune. So little more could be learned before the dispatch of a special probe. This has been planned for some year, and has been named in honour of G.D. Cassini, the 17th-century Italian astronomer who discovered the main division in Saturn's rings as well as four satellites (Iapetus, Rhea, Dione and Tethys). The cutbacks in the NASA programme have delayed Cassini, but now there has

been an agreement between NASA and the European Space Agency which alters the situation completely. It now seems that Cassini will be sent up in 1996. The journey will be a long one, and the arrival time is given as the year 2002.

However, this is much better than had been expected, and there is no reason to doubt that the project is entirely feasible. It will, of course, involve both an orbiter and a lander. What it will find remains to be seen; we have to admit that at the moment we have very little idea of what the surface of Titan is like – and no doubt there will be many surprises in store for us. **PE**

## Do not miss a single issue of **Astronomy Now**



Britain's leading astronomical magazine

Edited by well known astronomer and regular contributor to *Practical Electronics*

Dr. Patrick Moore CBE

Place a regular order with your newsagent or for £15-00 (overseas £18-00) take out an annual subscription from Intra Press, Intra House, 193 Uxbridge Road, London W12 9RA

### LEADING EDGE

Continued from page 8

In many respects the situation likely to arise over databases is similar to that which already exists with cd rom. There is in theory a standard format for cd rom, called HSG (High Sierra Group, after the hotel in which computer specialists locked themselves away to set a standard). But there is still no guarantee that HSG cd rom disc designed for one hardware/software combination will run on

another combination. Silly things, like the presence of a mouse driver or memory management system, can crash some search programs as they sift data from a cd rom, while programs for other discs run happily.

Grateful to Oracle for arranging a non-partisan briefing, but struggling to make sense of what I heard, I could not help thinking back around thirty years to a system which legal offices used to search through case and file reports. They typed

information on index cards, with holes and slots punched round the edges. To search for cards with matching data, you pushed knitting needles through the holes and shook the cards. Any cards with a slot instead of a hole fell out of the pack, signifying a matched data requirement. That simple technique was probably the first working example of a relational database. One might say that since then it's been down hill all the way. **PE**

### AUTOGUIDE

Comment to page 45

"...No doubt many back seat drivers may need to seek new employment..."

#### POINTS ARISING

Weather Centre (May 1988)

In Fig.20, IC8 should be reversed.

Dual Beam Scope (Dec.1988)

In Fig.20, VR3 should go to -VE, not OV line. The PCB is correct.

Sidereal Clock (Feb. 1989)

Fig.11 VR1 should read as C5.





### No. 1 LIST BAKERS DOZEN PACKS

All packs are £1 each, if you order 12 then you are entitled to another free. Please state which one you want. Note the figure on the extreme left of the pack ref number and the next figure is the quantity of items in the pack, finally a short description.

- BD2 5 13A spurs provide a fused outlet to a ring main where devices such as a clock must not be switched off.
- BD7 4 In flex switches with neon on/off lights, saves leaving things switched on.
- BD9 2 6V 1A mains transformers upright mounting with fixed clamps.
- BD11 1 6 1/2in speaker cabinet ideal for extensions, takes our speaker, Ref BD137.
- BD13 12 30 watt reed switches, It's surprising what you can make with these - burglar alarms, secret switches, relay, etc., etc.
- BD22 2 25 watt loud speaker two unit cross-overs.
- BD29 1 B.O.A.C. stereo unit is wonderful value.
- BD30 2 Nicad constant current chargers adapt to charge almost any nicad battery.
- BD32 1 Humidity switches, as the air becomes damper the membrane stretches and operates a microswitch.
- BD34 48 2 meter length of connecting wire all colour coded.
- BD42 5 13A rocker switch three tags so on/off, or change over with centre off.
- BD45 1 24hr time switch, ex-Electricity Board, automatically adjust for lengthening and shortening day original cost £40 each.
- BD49 10 Neon valves, with series resistor, these make good night lights.
- BD56 1 Mini uniselector, one use is for an electric jigsaw puzzle, we give circuit diagram for this. One pulse into motor, moves switch through one pole.
- BD59 2 Flat solenoids - you could make your multi-tester read AC amps with this.
- BD67 1 Suck or blow operated pressure switch, or it can be operated by any low pressure variation such as water level in water tanks.
- BD91 1 Mains operated motors with gearbox. Final speed 16 rpm, 2 watt rated.
- BD103A 1 6V 750mA power supply, nicely cased with mains input and 6V output leads.
- BD120 2 Stripper boards, each contains a 400V 2A bridge rectifier and 14 other diodes and rectifiers as well as dozens of condensers, etc.
- BD122 10m Twins screened flex with white pvc cover.
- BD126 10 Very fine drills for pcb boards etc. Normal cost about 80p each.
- BD132 2 Plastic boxes approx 3in cube with square hole through top ideal for interrupted beam switch.
- BD134 10 Motors for model aeroplanes, spin to start so needs no switch.
- BD139 6 Microphone inserts - magnetic 400 ohm also act as speakers.
- BD148 4 Reed relay kits, you get 16 reed switches and 4 coil sets with notes on making c/o relays and other gadgets.
- BD149 6 Safely cover for 13A sockets - prevent those inquisitive little fingers getting nasty shocks.
- BD180 6 Neon indicators in panel mounting holders with lens.
- BD193 6 5 amp 3 pin flush mounting sockets make a low cost disc panel. Need cable clips
- BD196 1 in flex simmerstat - keeps your soldering iron etc. always at the ready.
- BD199 1 Mains solenoid, very powerful, has 1in pull or could push it modified.
- BD201 8 Keyboard switches - made for computers but have many other applications.
- BD210 4 Transistors type 2N3055, probably the most useful power transistor.
- BD211 1 Electric clock, mains operated, put this in a box and you need never be late.
- BD221 5 12V alarms, make a noise about as loud as a car horn. Slightly soiled but OK.
- BD242 2 6in x 4in speakers, 4 ohm made from Radiomobile so very good quality.
- BD252 1 Panostat, controls output of boiling ring from simmer to boil.
- BD259 50 Leads with push-on 1/4in tags - a must for hook-ups - mains connections etc.
- BD263 2 Oblong push switches for ball or chimes, these can mains up to 5 amps so could be foot switch if fitted into pattress.
- BD268 1 Mini 1 watt amp for record player. Will also change speed of record player motor.
- BD275 1 Guitar mic - clip-on type suits most amps.
- BD283 3 Mild steel boxes approx 3in x 3in x 1in deep - standard electrical.
- BD293 50 Mixed silicon diodes.
- BD296 2 Car plugs fit into lighter socket.
- BD305 1 Tubular dynamic mic with optional table rest.
- BD400 4 Books, useful for beginners, describes amplifiers, equipment and kit sets.
- BD653 2 Miniature driver transformers. Ref. LT44. 20k to 1k centre tapped.
- BD553a 2 3.5V relays each with 2 pairs changeover contacts.

Most other packs still available and you can choose any as your free one.

**VERY POWERFUL 12 VOLT MOTORS - 1/2 HORSEPOWER**  
Made to drive the Sinclair C5 electric car but equally adaptable to power a go-cart, a mower, a rail car, model railway, etc. B brand new. Price £15.00 plus £2.00 postage. Our ref 15P8.

### OVER 400 GIFTS YOU CAN CHOOSE FROM

There is a total of over 400 gifts in our Baker's dozen range and you become entitled to a free gift with each dozen packs.

A classified list of these packs and our latest "News Letter" will be enclosed with your goods, and you will automatically receive our next news letter.



### ATARI 65XE COMPUTER

At 64k this is most powerful and suitable for home and business. Brand new, complete with PSU, TV lead, owner's manual and six games. Can be yours for only £45 plus £3 insured delivery.

**CAMERAS.** We have made a big purchase and offer you three cameras all by famous makers; Kodak etc. one disk and two different instant cameras. All in first class condition, believed in perfect working order; sold as untested. 3 for £10 inc. V.A.T. which must be a bargain if only for the lenses, flash guns etc. Our ref 10P58.

**BD400** for books, useful for beginners, describes amplifiers, test equipment and kit sets.

**WALKMAN TYPE PERSONAL STEREO CASSETTE PLAYERS** These are not second-hand but are slightly reject and may need some attention. All are complete with stereo headphones and are famous makes: Sanyo, Panasonic, Sony, etc. Stereo cassette type, no radio, £5 each. Our ref 5P132. Ditto but with AM/FM radio, £7 each. Our ref 7P8.

**PANEL METERS** Beautifully made moving coil instruments in heavy duty casings, much superior to those coming from the Far East. Meter face size is 72mm x 86mm, fixing hole size is 70mm. Price is £5 each. The following models are in stock: 0-5amp. Our ref 5P133/5A. 0-10amp. Our ref 5P133/10A. 0-40 volt DC. Our ref 5P133/40V. 0-50volt DC. Our ref 5P133/50V. 0-80volt DC. Our ref 5P133/80V. 0-160volt DC. Our ref 5P133/160V. 0-200volts DC. Our ref 5P133/200V.

**DATA RECORDERS** ACORN for Acorn Electron, etc., reference number ALF03, with TV lead, manual and PSU. Brand new. Price £10 plus £1.50 post. Order ref 10P44. ATARI XC12 for all their home computers. With leads and handbook. Brand new. Price £15 plus £2 post. Order ref 15P20.

**JOYSTICK FOR ATARI OR COMMODORE** for all Atari and Commodore 64 and Vic20. New. Price £5. Order ref 5P126.

**EXTRA SPECIAL OFFER** We will supply the Atari 65XE, data recorder XC12, joystick and six games for £57.50 plus £4 insured delivery.

**SUB-MIN TOGGLE SWITCH** Body size 8mm x 4mm x 7mm SBDT with chrome daily fixing nuts. 4 for £1. Order Ref. BD649.

**Re-CHARGEABLE NICADS 'D' SIZE**  
These are tagged for easy joining together but tags, being spot welded, are easy to remove. Virtually unused, tested and guaranteed. £2.00 ref 2P141 or 6 wired together for £10.00 ref 10P47.

**RECORD PLAYER DECK** BSR, 12 volt operated, belt driven with a 11in turntable, stereo cartridge. It will play 7in-10in or 12in individually at either 45rpm or 33rpm. Fitted speed selector and pick-up cueing lever. Price £12 plus £3 postage. Order ref 12P4.

**2.5kw TANGENTIAL BLOW HEATER** has an approximate width of 8in (plus motor), elements made up of two 1.2kw sections so with switch available you can have 2.5kw, 1.2kw or cold blow. Over-heat cutout eliminates fire risk should fan stop or air flow be impeded. Fan blades are metal. Price £5 plus £2.50 post. Our ref 5P262. Switch 50p.

**THE AMSTRAD STEREO TUNER** A ready assembled unit is the ideal tuner for a music centre or an amplifier. Some of the features are: long wave band 115-170KHz, medium wave band 525-1650KHz, FM band 87-108MHz, mono, stereo & AFC switchable, fully assembled and fully aligned. Full wiring data showing you how to connect to amplifier or headphones and details of suitable FM aerial (note ferrite rod aerial is included for medium and long wave bands). All made up on very compact board. Offered at a fraction of its cost, only £5. Our ref 5P58.

**SCREENING FOIL** This is copper clad board, is very thin so it can be used as an electrostatic screen. Easily bent, cut or manipulated. In fact a screening box could be made with just a pair of scissors and a soldering iron. Double sided sheets, size 305mm x 254mm x 0.3mm. Our ref 3P52.

### LASER TUBE

Made by Philips Electrical. New and unused. This is helium-neon and has a typical power rating of 1.6mW. It emits random polarised light and is completely safe provided you do not look directly into the beam when eye damage could result. Do not use in the presence of children unless a diverging lens is fitted. **DON'T MISS THIS SPECIAL BARGAIN!** Price £29.95 plus £3 insured delivery.

**POWER SUPPLY FOR PHILIPS LASER** is now available in kit form. Price £13 plus £2 postage or made up ready-to-use at £18 plus £2.50 postage. Our ref 13P1 for the kit and 18P1 for the made-up version.

**PAPST AXIAL FAN-MANUFACTURERS REF NO. TYP4560N.**  
This is mains operated. 15 watt rating and in a metal frame with metal blades so OK in high temperatures. Body size approx. 49x square x 1 1/8" thick. £6.00 each, plus £1.00 postage. Our ref 6P6.

**VERY POWERFUL MAGNETS** Although only less than 1" long and not much thicker than a pencil these are very difficult to pull apart. Could be used to operate embedded reed switches, etc. Price 50p each, 2 for £1.00. Ref BD642.

### ORGAN MASTER



is a three octave musical keyboard. It is beautifully made, has gold plated contacts and is complete with ribbon cable and edge connector. Brand new, only £12 plus £3 postage.

**MUSIC FROM YOUR SPECTRUM 128** We offer the Organ Master three octave keyboard, complete with leads and the interface which plugs into your 128. You can then compose, play, record, store, etc., your own music. Price £19 plus £3 special packing and postage. Order ref 28P2.

**20A DOUBLE POLE RELAY WITH 12V COIL** complete with mounting brackets made by the Japanese Omron Company. Price £2 each. Our ref 2P173A.

**TOROIDAL MAINS TRANSFORMER** with twin outputs. 6.3V 2A and 12V 600mA, so ideal for FDD power supply. Price £5. Our ref 5P122.

**DOUBLE MICRO CASSETTE DECK** made by the Japanese ABS company. This takes two micro cassettes and is complete with motors, solenoids to select the deck to use and record and playback heads. Price £10. Our ref 10P49.

**QUICK FIX MAINS CONNECTOR** A must for your workshop. Saves putting on plugs as you just push the wires under the spring clips. Automatically off when lid is open. Price £7.50. Our ref 7P51.

**BT HANDESET** with curly lead terminating with flat BT plug. Colour cream. Price £5. Our ref 5P123.

### J & N BULL ELECTRICAL

Dept PE, 250 PORTLAND ROAD, HOVE BRIGHTON, SUSSEX BN3 5QT

MAIL ORDER TERMS: Cash, P.O. or cheque with order. Orders under £20 add £1.50 service charge. Monthly account orders accepted from schools and public companies. Access & B/card orders accepted. Brighton (0273) 734648 or 203500.

### POPULAR ITEMS

Some of the many items described in our current list which will you receive if you request it



**NOISE FILTERS - MAINS INPUT PLUG TYPE** Japanese made, this is a chassis mounting block with a built in noise filter to cut out surges and voltage peaks which could interfere with and possibly even damage your equipment. These are easy to mount and have a flange with two fixing holes. They take the standard 3 flat pin plug, 2amp model. Price £3 each. Our ref 3P50.

**LEAD LAMP MOTORIS** Special. Normal hand-grip type holder, with glass cover to protect the lamp and further protection in the form of a wire guard with a hook for hanging. Ideal as a light for car repairs, etc., takes 60w lamp. Has good length flex. Price £4. Our ref 4P31.

**PHONE LEADS** 3 metres long, correctly colour coded, one end has flat plug which fits standard BT socket, other end has tag connectors. 2 for £1. Our ref BD639.

**VENNER TIME SWITCH.** Mains operated with 20 amp switch. One on/off per 24 hours. Repeats daily automatically correcting for lengthening and shortening day. An expensive time switch, but you can have it for only £2.95 without case. Metal case £2.95. Adaptor kit to convert this in to a normal 24 hour time switch, but with the added advantage of up to 12 on-offs per 24 hours thus making an ideal controller for immersion heater etc. Price of the advertising kit £2.30.

**3 1/2in FDD CHINON** 80 track 500k. Shugart compatible interface. Standard connections. Interchangeable with most other 3 1/2in and 5 1/4in drives. Brand new £28.50 plus £3 insured post.

**CASE NOW AVAILABLE FOR THE CHINON F353** This is the 80 track, single sided one which we have been selling at £28.50. The case is sheet metal, finish in hammer-beige with ample ventilation and rubber feet. Overall size 4 1/4in x 7in x 1 1/2in approx. Designed to take the ribbon cable and 3 core power lead. Price £8. Our ref 8P21.

**FDD CASE AND POWER SUPPLY KIT** for the 3in or 3 1/2in. £11.00. Ref 11P2 for the Chinon, 11P3 for the Hitachi.

**9in MONITOR** made for ICL, uses Philips black and white tube. Brand new and complete but uncased. £16.00 plus £5.00 post.

**ACORN COMPUTER DATA RECORDER REF ALF03** Made for the Electron or BBC computers but suitable for most others. Complete with mains adaptor, leads and handbook. £10.00. Ref 10P44

**POWERFUL IONISER** Uses mains transformer. Generates approx. 10 times more ions than the normal diode/cap ladder circuits. Complete kit £11.50 plus £3.00 post.

**FREE POWER!** Can be yours if you use our solar cells - sturdily made modules with new system bubble magnifiers to concentrate the light and so eliminate the need for actual sunshine - they work just as well in bright light. Voltage input is .45-you join in series to get desired voltage - and in parallel for more amps. Module C gives 400mA, Price £2. Our ref. 2P199 Module D gives 700mA. Price £3, Our ref. 3P42.

**SOLAR POWERED NI-CAD CHARGER** 4 Ni-Cad batteries AA (HP7) charged in eight hours or two in only 4 hours. It is a complete, boxed ready to use unit. Price £8. Our ref. 8P3.

**50V 20A TRANSFORMER 'C'** Core construction so quite easy to adapt for other outputs-tapped mains input. Only £25 but very heavy so please add £5 if not collecting. Order Ref. 25P4.

**SWITCH AC LOADS WITH YOUR COMPUTER** This is easy and reliable if you use our solid state switch. This has no moving parts, has high input resistance and acts as a noise barrier and provides 4kW isolation between logic terminals. The turn-on voltage is not critical, anything between 3 and 30V, internal resistance is about 1K ohm. AC loads up to 10A can be switched. Price is £2 each. Ref. 2P183.

**METAL PROJECT BOX** Ideal size for battery charger, power supply etc.; sprayed grey, size 8in x 4 1/4in x 4in high, ends are louvred for ventilation other sides are flat and undrilled. Order Ref. 2P191. Price £1.

**BIG SMOOTHING CAPACITOR.** Sprague powerlytic 39,000uF at 50V. £3. Our ref. 3P41.

**4-CORE FLEX CABLE.** Cores separately insulated and grey PVC covered overall. Each copper core size 7/0.2mm. Ideal for long telephone runs or similar applications even at mains voltage. 20 metres £2. Our ref. 2P196 or 100 metres coil £8. Order ref. 8P19.

**6-CORE FLEX CABLE.** Description same as the 4-core above. Price 15 metres for £2. Our ref. 2P197 or 100 metres £9. Order ref. 9P1.

**13A PLUGS** Good British make complete with fuse, parcel of 5 for £2. Order ref. 2P185.

**13A ADAPTERS** Takes 2 13A plus, packet of 3 for £2. Order ref. 2P187.

**BURGLAR ALARM BELL** - 8" gong OK for outside use if protected from rain. 12V battery operated. Price £8. Ref. 8P2.

**24 HOUR TIME SWITCH** - 16A changeover contacts, up to 6 on/off's per day. Nicely cased, intended for wall mounting. Price £8. Ref. 8P6.

**CAPACITOR BARGAIN** - axial ended, 4700uF at 25V. Jap made, normally 50c each, you get 4 for £1. Our ref. 613.

**SPRING LOADED TEST PRODS** - Heavy duty, made by the famous Bulgin company, very good quality. Price 4 for £1. Ref. BD597.

**ASTECP S.S.U.** - Switch mode type. Input set for +230V. Output 3.5 amps at +5V, 1.5 amps at +12V, and 3 amps at +10V. Should be OK for floppy disc drives. Regular price £30. Our price only £10. Ref. 10T34. Brand new and unused.

**APPLIANCE THERMOSTATS** - Spindle adjust type suitable for convector heaters or similar. Price 2 for £1. Ref. BD582.

**3-CORE FLEX BARGAIN No. 1** - Core size 1.25mm so suitable for long extension leads carrying up to 13 amps, or short leads up to 10 amps. 15mm for £2. Ref. 2P190.

**3-CORE FLEX BARGAIN No. 2** - Core size 1.25mm so suitable for long extension leads carrying up to 13 amps, or short leads up to 25A. 10m for £2. Ref. 2P190.

**ALPHA-NUMERIC KEYBOARD** - This keyboard has 73 keys giving trouble free life and no contact bounce. The keys are arranged in two number pad, board size is approx. 13" x 4" - brand new but offered at only a fraction of its cost, namely £3 plus £1 post. Ref. 3P27.

**WIRE BARGAIN** - 500 metres 0.7mm solid copper tinned and p.v.c. covered. Only £3 plus £1 post. Ref. 3P31 - that's well under 1p per metre, and this wire is ideal for push on connections.

**INTERRUPTED BEAM KIT** - This kit enables you to make a switch that will trigger when a steady beam of infra-red or ordinary light is broken. Main components - relay, photo transistor, resistors and caps, etc. Circuit diagram but no case. Price £2. Ref. 2P15.

**1/2TH HORSEPOWER 12 VOLT MOTOR** Made by Smiths, the body length of this is approximately 3in, the diameter 3in and the spindle 3/8th of an inch diameter. It has a centre flange for fixing or can be fixed from the end by means of 2 nuts. A very powerful little motor which revs at 3,000 rpm. We have a large quantity of them so if you have any projects in mind then you could rely on supplies for at least two years. Price £6. Our ref 6P1, discount for quantities of 10 or more.



# HF SCOPE STORE

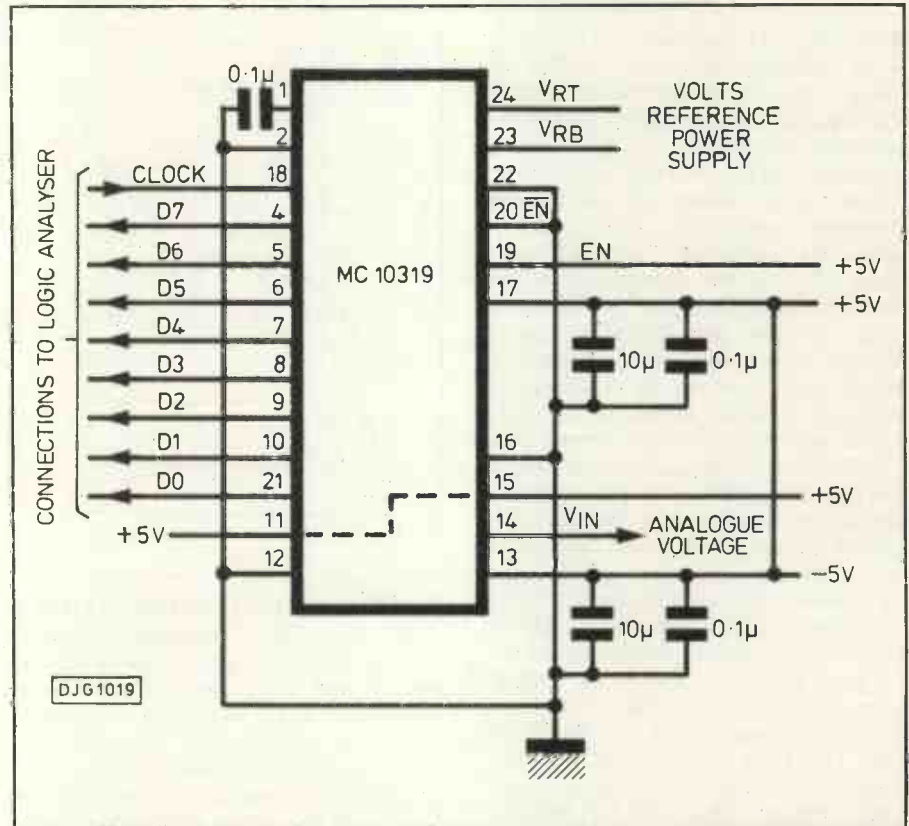
BY MICHAEL SWEET

## SOMETHING GOOD ON THE BBC

Use your BBC micro and the PE logic analyser board as a high frequency storage oscilloscope that will sample signals up to 8MHz.

In an article in PE FEB-MAR 88 an add-on board which enabled a BBC-B to be used as a logic analyser was described. In use as a logic analyser digital signals generated by a target system are collected into ram and then analysed or displayed. If an analogue to digital converter is used in conjunction with this device the result is a storage oscilloscope which similarly can display or analyse an input analogue voltage signal. The figure shows the connections necessary to use the logic analyser in this manner. The analogue to digital converter I have used for this purpose is a Motorola MC10319.

Any fast a-to-d converter could be used but since the logic analyser samples at 16MHz the expense of a really fast (100MHz or greater) converter is not justified and for a similar reason exceeding 8 bits is of no value. The MC10319 sampling at 25MHz fits the requirements admirably; it also gives 3-state ttl outputs and a wide input voltage range of  $\pm 2V$ . The wide choice of triggering conditions on the logic analyser may be used in conjunction with the digital outputs on the converter to give any desired trigger level to initiate collection. Once digitised the signal may be displayed as a trace in any way desired by the user by writing suitable software. As an example, in my own case the software allows voltage and time scales to be changed and for any base address within the 2K x 8 collected data to be chosen\*. The same data sample may be repeatedly displayed until a satisfactory format is found. Alternatively the data may be processed in some way, eg smoothed, Fourier



analysed or correlation functions calculated (1).

It should be realised that the analogue signal is sampled at regular (short) time intervals and not continuously. With the highest frequency of sampling at 16MHz a 2MHz signal will be sampled only 8 times per cycle (frequency ratio = 8). This is adequate for most display purposes but does give a rather jagged impression if the software joins adjacent sampled voltages by a straight line, as the photograph shows. The problem is reduced if a larger frequency ratio is used. For analysis purposes a small ratio may be used and signals up to 8MHz may be sampled at which stage the limitations of the sampling theorem are met (2) and if attempts are made at a lower frequency ratio than 2 aliasing occurs (2) leading to the impression that a low frequency signal is present.

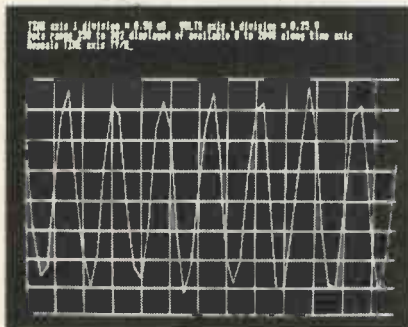
A further problem is encountered in high frequency conversion relating to signal interaction between the digital and analogue parts of the circuit. This is

minimised by careful pcb layout to avoid long paths between pins at ground and power line potentials; decoupling near the ic is also important (3). The quality of the reference voltage circuits is always of prime importance in a-to-d conversion. To obtain best results particular attention must be paid to these points.

### REFERENCES

- (1) Electronics for Experimentation and Research, particularly Appendix 3 and 4, B.K. Jones, Prentice Hall 1986
- (2) Ibid page 266
- (3) Motorola data sheet MC10319, available from Axiom Electronics, High Wycombe

\*This basic software (which may be developed by the reader to personal requirements) is available on floppy disc by sending £3 to cover costs and postage to the author, Dr. M.A.S. Sweet, School of Physics, RGIT, St. Andrews Street, Aberdeen, AB1 1HG.



1.2MHz sine wave sampled at 8MHz.  
Adjacent samples joined by straight lines.

# TIME AND FREQUENCY MEASUREMENT

BY ANTHONY H. SMITH, BSc.  
PART FOUR: QUARTZ CRYSTAL STABILITY

*Angles of cut and ambient temperature have defined significance for a crystal's application suitability.*

The effects of variations in temperature on the timebase frequency stability are amongst the most detrimental factors affecting a uct's accuracy, particularly if the instrument is used "in the field" where temperature changes are most severe.

Even though quartz has the lowest temperature coefficient of all known piezoelectric materials, a temperature change of just a few degrees Celsius can ruin the accuracy of a crystal oscillator.

Fig. 10 shows the change in nominal frequency of a typical AT-cut crystal for several angles of cut, in response to temperature variations around a central value of 25°C (approximate room temperature).

Note how a difference in cut of only a few minutes produces vastly differing temperature characteristics. Also, a certain angle of cut will be much more appropriate for a particular application than another. For example, over a 60°C range (-5°C to +55°C) the 35°07' cut produces a frequency change of only 6ppm, whereas the 35°10' cut gives rise to a change of 18ppm. However, for a 120°C range (-35°C to +85°C), the frequency of the 35°07' cut varies by 54ppm, whereas the maximum deviation for the 35°10' cut over this range is only 18ppm. Thus we can minimise frequency changes by selecting the optimum angle of cut to match the temperature range over which the crystal is expected to work.

Unfortunately, this expedient is rarely sufficient to provide the stability required by a uct timebase; even if we achieve a stability of, say, 5ppm over a 0°C to +40°C range, this is still large enough to reduce the accurate uct resolution from eight digits down to only five. Thus, we have two options: either we employ a circuit which attempts to cancel out the effects of temperature changes, or we control the crystal temperature in a special "oven".

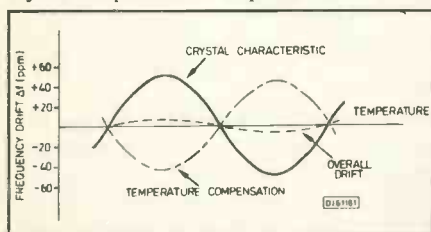


Fig.11. Effects of temperature compensation

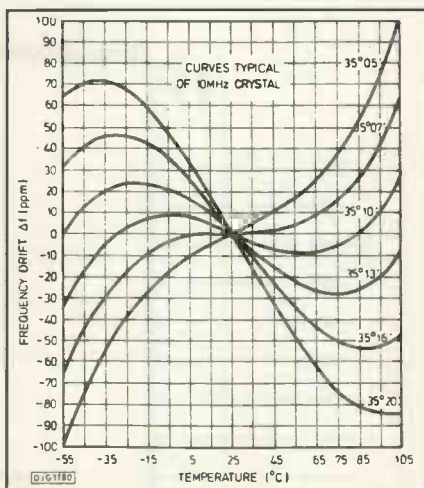


Fig.10. Frequency drift dependent on temperature and angle of cut.

## TEMPERATURE COMPENSATION

The temperature compensated crystal oscillator (tcxo) incorporates a compensation network, built using temperature dependent components, which produces a voltage that varies with temperature. This voltage is applied to a variable capacitance (varactor) diode placed in parallel, or series, with the crystal such that changes in the voltage cause corresponding changes in the crystal frequency.

The compensation network is designed so that the frequency change caused by the varactor diode is almost exactly the opposite of the temperature induced frequency drift of the crystal itself - see Fig. 11.

An example of a compensated oscillator is shown in Fig. 12. The temperature variation of the thermistors generates a control voltage  $V_c$ , having a cubic law

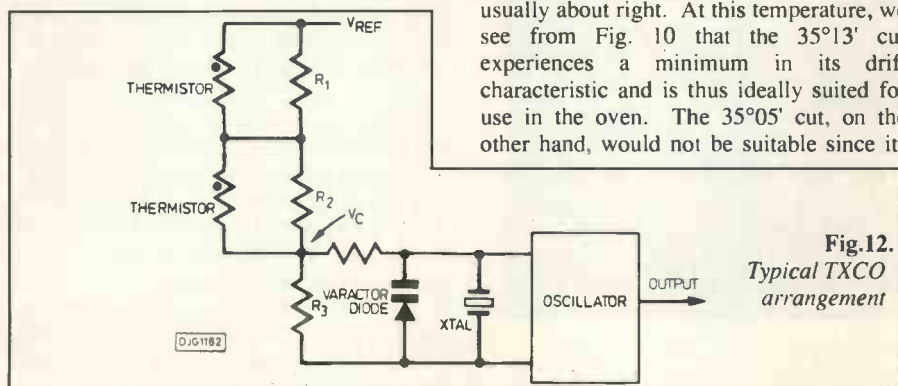


Fig.12. Typical TCXO arrangement

which is roughly equal and opposite to the cubic frequency variation of the AT-cut crystal shown in Fig. 10.

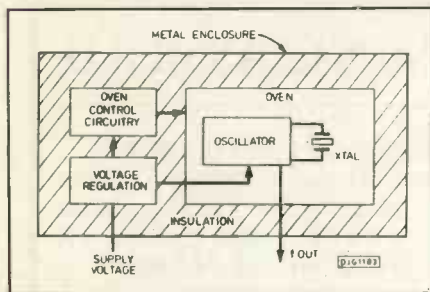
During manufacture, each oscillator is cycled through its temperature range and the corresponding frequency variation is recorded by a computer. This information is used to determine the values of  $R_1$ ,  $R_2$ , and  $R_3$  required for optimum compensation.

Several manufacturers supply a range of tcxos, and some of the best models are capable of a frequency stability on the order of  $\pm 0.2\text{ppm}$  over a temperature range of -20° to +70°C. There are also specialised circuits which employ a microprocessor-controlled d-to-a converter to generate a precise control voltage: such designs can increase the frequency stability to better than 1 in  $10^7$ . However, even at this level we still cannot guarantee the accuracy of the 1sd of an 8-digit uct over the entire temperature range.

## OVENISED CRYSTAL OSCILLATORS (OCXOs)

Frequency deviations due to temperature changes can obviously be minimised if we maintain the crystal at a constant temperature. This is achieved by mounting the crystal (and ideally the oscillator circuit, too) inside a temperature controlled environment, or "oven" - see Fig. 13. (Incidentally, the quartz oscillator in your wrist-watch will probably have good frequency stability since it is constantly held at body temperature.)

To keep the temperature constant we require a stabilisation temperature around 20°C higher than the maximum anticipated ambient temperature; a value of 75°C is usually about right. At this temperature, we see from Fig. 10 that the 35°13' cut experiences a minimum in its drift characteristic and is thus ideally suited for use in the oven. The 35°05' cut, on the other hand, would not be suitable since its



**Fig.13. Constituents of a crystal oven.**

rate of change of frequency with temperature is very large around 75°C. In practice, all crystals within a suitable range are measured to determine the precise temperature of their turning point, and the oven temperature is set accordingly.

In its simplest form, the oven temperature controller turns off the oven power when a maximum temperature is reached, and on again when it drops to a minimum, rather like a home thermostat.

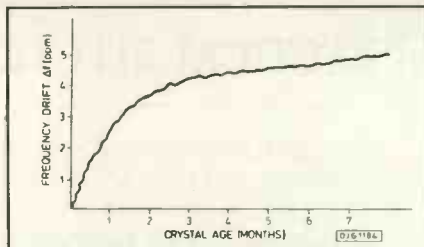
However, far superior temperature control is achieved using a proportional controller which continuously varies the oven power in order to keep the temperature at precisely the set value. In this way, the temperature can be held stable to within ±0.1°C over a -20°C to +70°C range; this leads to frequency stabilities in the region of 5 parts in 10<sup>9</sup> – good enough to guarantee the accuracy of an 8-digit counter over the entire ambient temperature range.

Unfortunately, crystal ovens can be rather bulky and consume several watts of power – distinct disadvantages for battery-powered, portable equipment. Furthermore, a "warm-up" time is required before the timebase gets to its nominal frequency. Several units feature an "oven-ready" indicator (nothing to do with turkeys) which informs the user that the stable operating point has been reached.

## FURTHER LIMITATIONS

With the use of temperature compensated and ovenised crystal oscillators, we reach a level of stability and accuracy where secondary effects, previously considered negligible, must now be taken into account.

The performance of a quartz crystal (just like the rest of us) changes substantially as



**Fig.14. Frequency change due to aging**

it gets older, giving rise to a drift in frequency due to the crystal "aging".

Usually, the aging characteristic is exponential during the first months of a crystal's life, but gradually becomes more linear – see Fig. 14.

Aging effects occur because stresses on the crystal gradually decrease, and the quartz mass itself slowly changes due to the evaporation of quartz or the absorption of impurities.

Solder sealed crystals usually exhibit the poorest aging rate since the sealing process causes imperfections to diffuse into the quartz: a frequency deviation of ±10ppm per year is typical. "Resistance weld" and "cold weld" seals can minimise the contamination and thus reduce the aging rate to as little as ±2ppm per year.

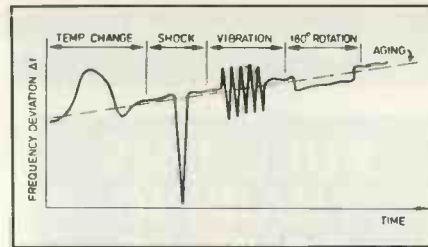
However, optimum performance is usually obtained from a vacuum sealed, glass enclosure; furthermore, the absence of gases surrounding the crystal often has the additional benefit of increasing the Q-factor.

Interestingly, the impurities responsible for aging have less effect on thicker quartz plates, and so for higher frequency applications, thick crystals operated at an overtone yield superior aging rates. Also, excessive power dissipation within the crystal usually worsens the aging characteristic – another good reason to avoid high drive levels.

Fortunately, the inaccuracies caused by aging can be minimised by regularly recalibrating the crystal oscillator against a primary standard.

## SHOCKING PROBLEMS

Although temperature and aging are the major environmental influences on crystal



**Fig.15. Environmental influences on crystal accuracy**

oscillator accuracy, there are, unfortunately, several other factors which we should be aware of. A graphical representation of environmental effects is given in Fig. 15.

Even though the crystal unit is a fairly rugged item, we must remember that a delicate slice of quartz is suspended inside the can. Thus, although a sudden jolt is unlikely to cause permanent damage, a shock of 10G sustained for a few milliseconds, or a continuous vibration of around 5G, can change the resonant frequency by a few parts in 10<sup>8</sup> – enough to affect the uct reading.

Also, ridiculous as it may seem, simply rotating the crystal through 180° can cause frequency deviations of a few parts in 10<sup>9</sup> due to changes in gravitational stresses on the quartz. Similarly, electromagnetic interference can degrade oscillator performance significantly, and even gamma radiation and neutron bombardment can cause a lasting change in the crystal's resonant frequency!

But don't despair: for most applications the quartz timebase serves as a convenient and reliable frequency standard, and is superior to most other standards on a price – for – price basis.

However, if we require ultimate accuracy, then careful design of the quartz oscillator and stringent control of operating and environmental conditions are not enough, and we must look to alternative schemes.

**PE**

**THOSE ALTERNATIVE SCHEMES WILL BE EXAMINED NEXT MONTH WHEN WE LOOK AT ATOMIC FREQUENCY STANDARDS**

## Low-Cost Robotic Arm

A low cost robotic arm to improve academic learning experiences of severely physically disabled pupils is being developed by Battelle and Ohio State University's College of Special Education.

The device is a simplified version of robotic arms used in industrial applications, it is being used by physically handicapped children to, for example, pick up and examine objects. In operation, it simulates wrist and elbow movement as well as simple grasping functions much

like human motor functioning.

During the 18-month project, researchers will adapt existing rehabilitation equipment to fit the needs of disabled children. They will determine appropriate design features by evaluating physically disabled children's use of and reactions to the robotic arm during science education activities.

This is an effort to make school activities and materials more accessible to severely physically disabled children, says Battelle's Dr. Patti Baker. Many of them have never been able to take independent actions such as manipulating objects. This kind of activity is

especially important in the science curriculum where the properties of materials are examined and the relationship between cause and effect are studied through 'hands on' activities.

One objective of the program is to keep costs to a minimum. Dr. Baker noted that robotic arms used in industrial applications are expensive because of their requirements for precise movements, speed, force, and payload.

In the present efforts, the computer-driven robotic arm is part of a desktop workstation. A child sits in front of an adaptive input device that replaces the standard

computer keyboard and screen, and is presented with standard instructional tasks.

Programmed capabilities for the arm range from single actions such as moving left, right, up, down and opening and closing a gripper mechanism (two metal fingers) to more complex tasks such as picking up a cup or using other educational tools. The computer screen provides visual data on the object's weight, texture, and other characteristics.

**For More Information Contact:** Battelle Institute Ltd., 15 Hanover Square, London, W1R 9AJ. Tel: 01-493 0184.

**EDUCATION**

**FULL-TIME TRAINING COURSES**

**2 YEAR**

**BTEC NATIONAL DIPLOMA**

Electronics and Communications Engineering

(TV, Computers, Programming, IT)

**1 YEAR**

**BTEC NATIONAL CERTIFICATE**

1. Electronic Equipment Servicing

(TV, Video, CCTV)

2. Computing Technology (Microprocessors, DataComms, Interfacing)

3. Information Technology

(Telecomms, Satellite TV, CD, Networks)

4. Software Engineering

(Assembler, BASIC, PASCAL, CAD/CAM)

**COURSES COMMENCE**

Monday 9th Jan / 24th April 1989

**LONDON ELECTRONICS COLLEGE**

Dep: AA, 20 Penywern Road, London SW5 9SU. Tel: 01-373 8721

**D.O.S. TRAINING XT/AT and Amstrad Compatibles.** Works on any 5 1/4 floppy or/and hard drive combination. Disks and textbooks £16.00 + £1.25 p&p. ALSO Floppy Disks, 5 1/4 premium guaranteed quality. Double sided, double density for XT - £4.00 for 10 and A.T. High density 1.2M Byte £5.25 for 10. All above disks include Box, Labels, Sleeves, Tabs. Bulk F.D. 5 1/4 £3.50 for 10 DS/DD. Disks only. All disk guaranteed. Add p&p 65p per 10 disks. Cheques or money orders to: Shipman Company. Technical Training Centre, 3 Wilford Grove SKEGNESS, Lincs, PE25 3EZ.

**Start training now for the following courses.**

- Telecomms Tech C&G 271
- Radio Amateur Licence C&G
- Microprocessor
- Introduction to Television

Send for our brochure - without obligation or telephone us on 06267 79398 (Ref: PE1/89)  
Name.....  
.....  
.....

Radio & Telecommunications Correspondence School, 12 Moor View Drive, Teignmouth, Devon TQ14 9UN

**PRACTICAL ELECTRONICS CLASSIFIED**

Reach thousands of serious electronic and computer enthusiasts. Advertise in PE Classified pages: Rates 20p per word or £8.50 per single column cm (plus VAT). Send your advertisement with your remittance to PE, Intra House, 193 Uxbridge Road, London W12 9RA. Tel: 01-743 8888.

**LET PE WORK FOR YOU!**

**RETAILERS**

**BATH**

**L.F. HANNEY**

77 Lower Bristol Road, Bath, Avon.  
Tel: 0225-24811

Your electronics component specialist for

AVON, WILTS. & SOMERSET

Open every day, except on Thursday

**BIRMINGHAM**

**"SUPERTRONICS"**

Speakers, components and test equipment (new and used) at very competitive prices.

Come and see us at

**BIRMINGHAM**

65 HURST STREET

BIRMINGHAM B5

TEL: 021-666 6504

9-6pm

**EDINBURGH**

**OMNI ELECTRONICS**

stock a wide range of electronic components at

174 Dalkeith Road  
Edinburgh EH 16 5DX

Tel: 031 667 2611

Open Mon-Fri 9am-6pm

Sat. 9am-5pm

Send 2x18p stamps for NEW CATALOGUE!



**Help PE Readers!**

Put projects into practice.  
Project your component image here!

Phone Claire on 01-743-8888

**LONDON**

**TECHNOMATIC Ltd.**

See our display advertisement in this magazine!

**SOUTHSEA**

**ELECTRONIC COMPONENTS**

EVERYTHING FOR YOUR NEXT PROJECT  
THE BIGGEST DISPLAY IN THE SOUTH IS AT

**FRASER ELECTRONICS**

42 ELM GROVE ★ SOUTHSEA ★ HANTS  
Telephone: 0705-815584

Barclaycard

Access

**MANCHESTER**

**DEANSGATE ELECTRONICS**

We stock a large range of electronic components, test equipment, telephone accessories, computer accessories, microphones, speakers, discolighting, mixers, meters, stylus, so call in and have a look around.

263 Deansgate, Manchester  
Telephone: 061-834 1185

**SURREY**

**PLS**

16 Central Road  
Worcester Park  
Surrey KT4 8HZ  
Tel: 01-330 6540

Programmable device specialists.  
(PAL's PROM's, PLD's etc). Many other components in stock

**WOLVERHAMPTON**

**WALTONS OF WOLVERHAMPTON**

Established since 1947

Offering a complete range - IC's, transformers, switches, pots, capacitors, resistors, kits, speakers, test equipment, books and lots, lots more!

Come and see us at:

55A Worcester Street, Wolverhampton  
Mon-Sat: 9-6 pm Tel: 0902 22039

Resistors 1/4 W 5% carbon (E12) 1p metal film 1% (E24) 3p Resistor Pack 85 different E12 values + zero ohm link total contents 1000 resistors £8.95  
 LEDs red/green 3/5mm 6p each. Yellow 11p  
 Cable ties 75mm 1p each £5.95/1,000 £49.50/10,000  
 Stepping motor 4 phase 12v 7.5 step 50 ohms £8.95  
 SAA1027 stepping motor driver chip £3.95  
 Miniature FM transmitter Kit 100-108 Mhz high quality sound Ideal for cordless microphones or guitars etc £7.48  
**Special offers**  
 Computer Grade Capacitors with screw terminals  
 5800uf 60v £4.00 4700uf 63v £1.50  
 38000uf 20v £1.95 87000uf 10v £1.50  
 7 segment C. anode led display 12mm £0.45  
 LM2931ATS.0 Low drop out 5V regulator T0220 package £0.65  
 BC559 P channel MOSFET £0.45  
 BC559 transistor T092 PNP £3.95 per 100  
 74LS05 hex inverter £10.00 per 100  
 AM27S82DC memory £1.50  
 Stereo L/W/MW/FM Tuner pre-amp assembly complete with volume/tone controls and tuning scale  
 Brand new in makers carton £5.95, faulty £1.95.  
 Circuit diagram description and setting up procedure for tuner assembly described above £0.50  
 Motor start capacitors 1.5uf 440vac £1.50  
 40 uf 370vac £5.95 4uf + 100uf £0.55  
 LNE mains suppressor 2x5nf + 100nf £1.95  
 5 digit 6V electromagnetic counter £1.95  
 oval 8 ohm speakers 136x70mm £0.60  
 Hour counter (used) 7 digit 7x5 dots dot matrix £2.50  
 LCD display 16 digit 7x5 dots dot matrix £2.50  
 Query keyboard 58 key uncasecd good quality switches £5.00  
 CMOS TTL 74HC 74F Linear transistors kits capacitors resistors tools etc always in stock  
 Please add 75p P&P per order VAT included  
 JPG Electronics 276 Chatsworth Road Chesterfield S40 2BH  
 Access orders (0246) 211202. Callers welcome

Carbon Film Resistors 1/4W E24 series 0.51R to 10MΩ - 1p  
 100 off per value - 75p 1000 off in even hundreds per value - £7  
 Metal Film 1/4W 10R0 to 1MΩ 5% E12 series - 2p 1% E24 series - 3p  
 1/2Watt metal/carbon film E24 series 1R0 to 10MΩ - 11p  
 1 Watt metal/carbon film E12 series 4R7 to 10MΩ - 5p  
 BC107/8/9 - 12p BC547/8/9 - 8p BC182L 184L - 10p  
 BFY50/51/52 - 20p 2N3055 - 50p TIP31A,32A - 25p TIP,41,42 - 40p  
**Tantalum head subminiature electrolytics (Mids/Volts)**  
 0.1/35, 0.22/35, 0.47/35, 3.3/16, 4.7/16 - 14p 4.7/35 - 15p  
 2.2/35, 4.7/25, 10/5 - 15p 4.7/35, 6.8/16 - 16p 10/16,22/6 - 20p  
 22/16 - 30p 33/10 - 30p 47/10 - 35p 100/6 - 40p  
**Aluminium Electrolytics (Mids/Volts)**  
 1/50, 2.2/50, 4.7/25, 4.7/50, 10/16, 10/25, 10/50 - 5p 22/16, 22/25 - 6p  
 22/50, 47/16, 47/25, 47/50 - 6p 100/16, 100/25 - 7p 100/50 - 12p  
 100/100 - 14p 220/16 - 8p 220/25, 220/50 - 10p 470/16, 470/25 - 11p  
 1000/25 - 18p 1000/35, 220/25 - 22p 4700/25 - 70p  
**Miniature Polyester Capacitors 250V Wkg. Vertical Mounting**  
 .01, .015, .022, .033, .047, .068 - 4p 0.1 - 5p 0.15, .22 - 6p 0.47 - 8p  
**Mylar Capacitors 100V Wkg. Vertical Mounting E12 Series**  
 1000p to 8200p - 3p .01 to .068 - 4p 0.1 - 5p 0.15, 0.22 - 6p  
**Subminiature Ceramic Plate 100V Wkg. E12 Series Vertical Mounting**  
 2% 1P8 to 47P - 3p 56P to 330P - 4p 10% 390P to 4700P - 4p  
 Ceramic plate/disc E6 Series 50V 22P to .047 - 2p  
**Polystyrene Capacitors 63V Wkg. E12 Series Axial Mounting**  
 10P to 820P - 3p 1000P to 10,000 - 4p 12,000P - 5p  
 1N4148 - 2p 1N4002 - 4p 1N5404 - 14p W01 bridge - 25p  
 OA91 - 6p AA143 - 8p W005 - 20p 1N4006 - 6p  
 Zener diodes E24 series 3V3 to 33V 400mW - 8p 1 watt - 12p  
 L.E.D.s Red, Green & Yellow 3mm & 5mm - 10p 8mm - 35p  
 20mm fuse 0.1A to 5A quick blow - 5p Anti Surge - 8p  
 High Speed drills 0.8mm, 1.0mm, 1.3mm, 1.5mm, 2mm - 30p  
 Expo Reliant drilling machines 12V d.c. with Improved 3-jaw chuck 6.50  
 Nicads AA - 80p HP11 - £2 PP3 - £4.20 Universal Chargers - £6.50  
 Glass reed switches single pole make contacts - 8p Magnets - 12p  
 VAT inclusive. Return postage 25p (free over £5). Lists free.  
**THE C.R. SUPPLY CO.,**  
 127 Chesterfield Road,  
 Sheffield S8 0RN. Tel. 557771.

**COMPONENT KITS RESISTORS, CAPACITORS, FUSES, DIODES ETC**  
 Save time, trouble and expense on that project by having the components you require to hand.  
 Our kits are ideal for the Development Lab, service engineer, Repair Shop, Tech College and hobbyist alike. The components supplied in our kits are new and to full specification. They come individually packed in handy re-usable plastic tubes, all contained within a storage unit.  
**RESISTORS 1/4w C.F. 5%**  
 KIT 25E12-20 12R-1MEG (60 values, 20 of ea.) 1200 = £12.00  
 KIT 25E24-20 12R-1MEG (120 values, 20 of ea.) 2400 = £21.00  
 Replacement tubes complete with Resistors 25p ea.  
**RESISTORS 1/2w C.F. 5%**  
 KIT 50E12-10 12R-1MEG (60 values 10 of ea.) 600 = £13.75  
 P/Replacement tubes complete with Res. 25p ea.  
**RESISTOR TWIN KIT 1/4w and 1/2w C.F.**  
 KIT 25E12-20 12R-1MEG (60 values, 20 of ea.) = 1200  
 KIT 50E12-10 12R-1MEG (60 values, 10 of ea.) = 600 £25.00  
 FUSE KIT 20 x 5mm. 25-10amp SB & OB 10 of ea. (300) = £26.50  
**ZENER DIODE KIT**  
 400mW KIT Z12-10 2.7-10 of ea. (150) = £12.00  
 1.3w KIT Z12-10 2.7-27V 10 of ea. (150) = £19.00  
**ZENER TWIN KIT**  
 KIT Z12-TWIN-10 2.7-27V 10 of ea. (300) = £30.00  
**DIODE KIT**  
 400mA 1N4148 (200) 1Amp4002 4007 (50 ea)  
 3amp 5401,5408 (25 ea) Total 350 = £12.00  
 Any kit can be put together, if you or your company have a requirement for special or mixed kits we will be happy to quote. Please send s.a.e for full component and product list. Please add 50p P&P and 15% VAT to all orders. MAIL ORDER ONLY.  
**A.D.A.M. Electronics**  
 P.O. Box 24, Church Crookham, Aldershot  
 GU13 0DH Tel 0252-617193

**Phone Claire Hanson**  
 with your classified ad!  
**01-743 8888**  
 We now accept payment by Access and Visa  
**You can also use PE**  
**Fax Line:**  
**01-743-3062**

**Cooke International**  
 GOOD USED TEST EQUIPMENT ALWAYS AVAILABLE  
 SCOPES ANALYSERS SIG GENS BRIDGES COUNTERS POWER METERS RECORDERS  
 Sample of current stock;  
 Tektronix 465 dc-100Mhz dual beam with delay portable scope £750.00  
 AVO 8 analogue multimeters a few from £40.00  
 Marconi TF144H/4 Standard Signal generators £55.00  
 H.P. 1725A DC-275Mhz dual trace with delay scope and DMM £1500.00  
 Bryans BS272 2 pen XY-T recorder as new £450.00  
 Full stock lists available  
 UNIT 4 FORDINGBRIDGE SITE, MAIN ROAD, BARNHAM, BOGNOR REGIS, WEST SUSSEX PO22 0EB  
 Tel: 0243 68 5111/2. Fax: 0243 68 2457

**(0734) 341835 CSS Ltd (0734) 341835**  
 256K DRAMS 100 n/s Ex-equipment 500 £5.00 each  
 256K DRAMS 120 n/s Ex-equipment 600 £4.00 each  
 256K DRAMS 150 n/s Ex-equipment 800 £3.80 each  
 64K DRAMS 120 n/s Ex-equipment 100 £1.00 each  
 64K DRAMS 150 n/s Ex-equipment 250 £0.80 each  
 64K DRAMS 200 n/s Ex-equipment 1,000 £0.50 each  
 64K DRAMS 120 Brand new 112 £2.00 each  
 1 TELEX CHEETAH £500.00  
 1 HP 722IC 8-COLOUR PLOTTER CALL:  
**(0734) 341835 CSS LTD (0734) 341835**

**A & G ELECTRONICS LTD**  
 If you are buying Electronics Components elsewhere you are almost certainly paying too much! Write to us for a free 1989 catalogue and start saving money. Please send two 19p stamps towards postage.  
 P.O. Box 443 London E14 6JU Tel:01-519-6149

**HYBRID POWER CONTROLS**  
 ☆ BF HYBRID £7.95  
 12 Amp 240 Volt complete Zero Voltage Proportional Heater Control (no radio interface).  
 ☆ PC1R £3.45  
 1 Amp 240 Volt Phase Angle Controller- Light Dimmer (requires 220k pot.)  
 ☆ PC12R £6.95  
 12 Amp 240 Volt Phase Angle Controller- Light Dimmer, Drill S speed, Heater Control. (Requires 220k pot.)  
 Prices include VAT + p&p. 62 PARK ROAD, SWANAGE, DORSET, BH19 2AE  
 SAE for details on above products. TELEPHONE: 0929 426400  
 Full range of Thyristors, Triacs, Fuses.  
 Heathkit & Ring Circuits etc.  
 Trade enquiries welcome  


**TURN YOUR SURPLUS**  
 ICS transistors etc into cash, immediate settlement. WE also welcome the opportunity to quote for complete factory clearance. Contact:  
**COLES-HARDING & CO.**  
 103 South Brink, Wisbech, Cambs.  
**ESTABLISHED 15 YEARS**  
 Tel: 0945 584188  
 Fax: 0945 588844

**THE SCIENTIFIC WIRE COMPANY**  
 811 Forest Road, London E17. Telephone 01-531 1568

ENAMELLED COPPER WIRE				
SWG	1lb	8 oz	4 oz	2 oz
8 to 34	3.63	2.09	1.10	0.88
35 to 39	3.82	2.31	1.27	0.93
40 to 43	6.00	3.20	2.25	1.61
44 to 47	8.67	5.80	3.49	2.75
48	15.96	9.58	6.38	3.69

SILVER PLATED COPPER WIRE			
	10.10	5.20	2.93
14 to 30			1.97

TINNED COPPER WIRE			
	3.97	2.41	1.39
14 to 30			0.94

Post Free. Please add V.A.T. at 15%. Orders under £3.00 add 50p SAE for list of copper and resistance wire.  
 Dealer enquiries welcome.

★ **Series X Mixer Kits**  
 ★ up to 1,000 inputs  
 ★ on-board mic input  
 ★ 6 auxiliaries  
 ★ versions for recording PA, radio, disco  
 ★ From £9.92  
  
 Send 19p for catalogue to:  
**K. Tek, P.O. Box 172a, Surbiton, Surrey KT8 6HH. Tel:01-399-3090**

**FACTORY CLEARANCE SALE**  
 Printed Circuit Boards, 48" by 48" Sheets, single-sided, double-sided, glass and paper. 1/32" + 1/16" + 8" + many off cuts  
 1000 off contactors, 4 pole x 110volts AC - unused, as new.  
 1000 off compressed air valves, single coil, single port, also double coil, double port 110 volt AC unused, as new.  
 1000 off modules in McMurdo plug-in boxes with 110 volt transformers, relays and transistors. Ideally converted to time units etc.  
 Many more items available, telephone or write for free stock sheets.  
**ELECTECHNIQUES Selsley, Stroud, Glos GL5 5JY Tel: (04536) 3129. Fax: (04536)**

**BARGAIN'S TO CLEAR**  
 Resistor's 1/4 W 2% METAL FILM 1.5 p each or 500 for £6 (50 DIFF VALUES), COPPER CLADDING 18in x 10in x 0.6 mm THICK. D/SIDED F/GLASS £3 each. MIXED DIALECTRICS - 0.1µF, 0.047µF, 0.033µF CAPACITORS; PK40 FOR £1. ZENER DIODES 12v, 1w - 5p each, 2732, 2716 EPROMS. PRO/ONCE £1 EACH. 8085 M.P.U £4. P/SUPPLIES - 5v, 45A £20, 12v, 18A - £20. 5v 100A - £30. 0.1" P.C.B EDGE CONNECTORS 54 PIN - £4 EACH  
 ADD 50p P&P TO B.K, 22 NORTH STREET, NEWCASTLE, STAFFS. ST5 1BD

☆☆☆ **RESISTOR PACKS** ☆☆☆  
 1/4W 5% CARBON FILM  
 10 of each E12 value  
 10R to 10M  
 Total 730 resistors  
**£8.00 UK only**  
 RMOS P.O. Box 3  
 USK GWENT NP5 2YF

**Make money in 1989!**  
 use Practical Electronics classified pages for your small ads  
**Phone Claire on 01-743-8888**

## SERVICES

Sample our quality with

### A FREE P.C.B

PAYNE ELECTROPRINT LIMITED

15 years PRINTED CIRCUIT manufacture

- ☆Single/double sided
- ☆Plated Through Hole
- ☆Small or large quantities

Write to : Dept A, Marcus Road, Dunkeswell, Nr. Honiton, Devon, EX14 8TT

**PCB Services.** PCBs draughted on Autocad. We will make drilled PCBs to your specifications. 1 offs to small production runs. Send your Artwork or circuit diagrams. Cost 6p/cm<sup>2</sup> single sided 12p/cm<sup>2</sup> double sided, 2p/cm<sup>2</sup> for Artwork production. For further details contact **Tommy Knight, Production Dept., Intec (Inverclyde) Ltd, 5 East Blackhall Street, Greenock PA15 1HD.**

### CALIBRATION

Need not cost a fortune. For a free quote on your D.M.M., oscilloscope or frequency counter. Send type of instrument, Make and Model details to:-

3 1/2 DIGIT  
D.M.M. FROM  
£5.00 (calibrator  
to BS5750)

Calibration Lab,  
Blueharrow Limited,  
Brookside Cottage,  
Main Road, Brighstone,  
I.O.W. PO30 4DJ  
Tel: 0983 740845

**HEATHKIT U.K.** Spares and service centre. **Cedar Electronics, Unit 12, Station Drive, Bredon, Tewkesbury, Glos. Tel (0684) 73127**

### TECHNICAL INFO SERVICES (PE)

76 Church St., Larkhall, Lanarkshire ML9 1HE  
Phone 0698 88455 Mon-Fri, 9.5  
any other time 0698 883334 FOR FAST QUOTES

WORLD'S LARGEST COLLECTION SERVICE MANUALS Most unobtainable elsewhere. Prices range from only £4.50 - large s.a.e. any quotation, no obligation to buy.  
WORLD'S SOLE Suppliers of TV & Video Repair manuals, etc. from TV TECHNIC, Thorn etc. Every published service sheet in stock, supplied full size, not bits & pieces. CTV's or any combination £3.50 plus Lsae, any other single item £2.50 plus Lsae. Complete Circuit Sets for most Videorecorders only #7 set (no serv shts made).  
LSAE for QUOTATIONS plus GIANT CATALOGUE NEWSLETTERS BARGAINS FREE S/Sht as available.  
Comprehensive TV Repair Manual £9.50. Complete Radio Service and Repair Course £9.50. Complete Repair & Service Manuals Mono TV £12.50; CTV £17.00; Video £19.50. Complete Repair Data with circuit - Mono TV £9.50; CTV £12.50; Video £10.50.  
£3.00 plus LSAE BRINGS THE ONLY COMPREHENSIVE SERVICE SHEETS & MANUALS, CATALOGUES plus FREE CHASSIS GUIDE and £4.00 OF VOUCHERS

Servicing electronic products or computers. PE classified pages can bring more customers. Phone 01-743-8888 to place your advertisement.

For  
**Electronic Design and  
PCB Manufacture**

call

## PROTO DESIGN

Unit 8, Ilford Trading Estate  
Paycocke Road Basildon  
Essex SS14 4DR  
Tel: 0268 289923

### Printed Circuit Board Design, Using Computer Aided Design,

Photoplotting,  
Phototype PCB's  
Special reductions for new clients

Call Neville Sanderson on: 0532-870253  
**N.C.A. DESIGNS**

**PRINTED CIRCUIT BOARDS.** Low cost production service: 5p per square centimetre (less for orders of 10 plus) - one offs, 100 offs. Enquiries: Watling Wires, 52 Watling Street, Nuneaton, Warwickshire CV11 6JL. Tel: (0203) 382296.

**PRINTED CIRCUIT BOARDS.** Roller tinned and drilled. Solder resist and legend, if required, S/S 28p sq. ins. D/S 35p sq. ins. Plus post.- **ART WORK.** Layout of track design to your circuit specifications by C.A.D. System. For further details contact R.D. ELECTRONICS, 12 WHITEOAKS ROAD, OADBY, LEICESTER LE2 5YL. Tel: (0533) 716273

## SPECIAL OFFERS

### UNUSED AND SURPLUS TO REQUIREMENTS

10 Relays Misc. voltages and types £10.00 inc. VAT  
30 Potentiometers & Trimmers misc. £6.00 inc. VAT  
10 3/4 Rectangular cermet trimmers PC mount - mixed std value £3.00 inc. VAT  
10 Mixed miniature pushbutton switches £2.50 inc. VAT  
20 Mixed 1/2 watt W/W Resistors with variable TAP £4.00 inc. VAT  
10 Miniature Panel Neons £2.00 inc. Vat  
Postage and packing £1.30 per pack.

**BLORE-BARTON LTD** Raedham  
House, Burnham Bucks SL1 8AG

### CAMBRIDGE COMPUTER SCIENCE LTD

5 1/4 inch Disk Drives, 80 Track DSDD £34.00  
5 1/4 inch Disks, DSDD 48TPI Boxed in 10s £3.00  
£27.00 per 10 boxes  
Mono Monitors, Composite Video Input £39.50  
Dot Matrix Printers, 80 Col, Parallel, PC Compatible £105.00  
All items new and boxed. Add 15% VAT to all prices.  
Postage included  
374 Milton Road, Cambridge, CB4 1SU  
Tel: 0223 327602

**CLEARANCE SALE** of components, transistors capacitors, potentiometers transformers etc. Send large S.A.E for free list. **M. Dziubas, 158 Bradshawgate, Bolton, Lancs.**

**POWER SUPPLY MODULES:** High accuracy, high stability linear-mode modules, 6-way switched (3v to 15v), or continuously variable (3v to 20v). 1.5 amps, totally short-circuit proof. Requires only transformer, case & terminals to make a high quality Power Supply unit. Use two or more for multi-rail units. £11.95 each with full instructions, switch/pot ready wired. **CUSTOM POWER SUPPLIES, PO BOX 558, BRISTOL BS99 1PN**

**Geiger tubes £29.00.** Counters - fit your tubes £25. Silicon wafers £1.50. Universal laboratory camera £40.00. Tel. **Mr Matthews on 040 - 376 236**

**TRANSMITTER CIRCUIT DIAGRAMS.** Medium, Shortwave, C.B., F.M., 17 minimum. Cheque / P.O. £4.25 to D. Davies, (Dept P.E.) 33, Gwaelodygarth, Merthyr Tydfil CF47 8YU

**Aluminium Electrolytic Capacitors** (Axial) 2200/25V - 50p, 4700/25V - 85p, **Metallised Polyester Capacitors** MKS4 1.0/250V - 40p, **Resistor Networks** SIL 8 Pin 4 \* 2K2 - 10 for £2.10, **Heatsinks** TO-220 14 deg.C/W Type TV1500 - 20p, **Heatsinks** TO3 7.1 deg.C/W Type TV3 - 25p, **Microprocessor IC's** 8748D NEC 1K bytes EPROM - £9.50, 8748HD NEC 1K bytes EPROM - £10.50, Please add 75p p&p. VAT inc. Cheque/P.O. to: **Chilworth Electronics, Sycamore, Blacksmith Lane, Chilworth, Guildford, Surrey GU4 8NQ** Tel: 0483 62772

**VOICE/SOUND** activated switches, easy to follow diagrams and uses. Only £1.00. Components and PCBs available. **Herrington, 63 Home Farm Road, Hanwell, London W7 1NL**

**SOLDERING PRACTICE KITS.** Don't ruin that expensive project! £3.50 each (2 for £6.00) Large component bags £5.00 including postage. Wonderful value. **AGS Electronics, 49 Farringdon Road, Plymouth PL4 9ER**

**Make money in 1989!** Use Practical Electronics classified pages for your small ads. For details phone **Claire Hanson on 01-743-8888.**

## SURVEILLANCE

# Omigron 2

The practical surveillance solution

- Ideal eavesdropper or baby monitor
- Less than 1/2 matchbox size
- Absolutely shockproof housing
- Built-in sensitive microphone
- Battery life 72 hrs (Alkaline)
- Full 12 months warranty

Simply clip Omigron 2 to battery and hide - no adjustments, no fiddling, no fuss. Hear every sound perfectly on an ordinary FM radio up to 1/4 mile away. This must be the easiest to use, best value surveillance device available.

No quibble 14 day money back guarantee.

TRADE ENQUIRIES WELCOME  
**MILLEA ELECTRONICS** 470-472 LEYMOR ROAD, HUDDERSFIELD, HD1 4AF  
Tel: (0484) 460103

**NEW VHF MICROTRANSMITTER KIT.** tuneable 80-115 Mhz, 500 metre range, sensitive electret microphone, high quality PCB. **SPECIAL OFFER** complete kit **ONLY £5 POST FREE.** Access orders telephone 021 411 1821. Cheques/P.O.'s to: **Quantek Electronics Ltd, (Dept P.B.), 45a Station Road, Northfield, Birmingham, B31 3TE**

**Surveillance devices,** lasers, Tesla coils, scramblers, ultrasonic and many more, over 150 designs, send SAE to: **Plancentre, Old Wharf, Dynock Road, Ledbury HR8 2HS**

**BOOKS**



**PUBLISHERS!**

Advertise your books  
and magazines in  
**Practical Electronics**  
Tel:01-743-8888

Electronics: Build and Learn - by well known author R. A. Penfold. Price £5.95. Available from all good bookshops or PE Book Service.

**Modern Books Co.**

19-21 Prad Street. London W2 1NP  
for all your book  
requirements

**MISCELLANEOUS**

**SURPLUS/REDUNDANT ELECTRONIC COMPONENTS WANTED**

I/Cs - Tuners - Transistors - Valves - Diodes etc. any quantity considered - immediate payment.

ADM ELECTRONIC SUPPLIES

Tel: 0827 873311 Fax: 0827 874835

D.O.S. TRAINING XT/AT and Amstrad Compatibles.

Works on any 5 1/4 floppy or/and hard drive combination. Disks and textbooks £16.00 + £1.25 p&p. ALSO Floppy Disks, 5 1/4 premium guaranteed quality. Double sided, double density for XT - £4.00 for 10 and A.T. High density 1.2M Byte £5.25 for 10. All above disks include Box, Labels, Sleeves, Tabs. Bulk F.D. 5 1/4 £3.50 for 10 DS/DD. Disks only. All disk guaranteed. Add p&p 65p per 10 disks Cheques or money orders to: Shipman Company, Technical Training Centre, 3 Wilford Grove SKEGNESS, Lincs, PE25 3EZ.

TV-UHF/VHF Preamplifiers, Power Units, Antenna Rotator Components. Suppliers are wanted for completely or partially knocked down parts of above products for assembly in Nigeria. Forward detailed technical specifications and quantity price quotations to The Advertiser Magazine, GPO Box 5350, ABA, Nigeria.

**PRIME SPACE FOR SALE!**

Contact PE Ad Dept. on  
01-743-8888

**PRINTED CIRCUIT BOARDS.** Roller tinned and drilled. Solder resist and legend, if required, S/S 28p sq. ins. D/S 35p sq. ins. Plus post. - **ART WORK.** Layout of track design to your circuit specifications by C.A.D. System. For further details contact R.D. ELECTRONICS, 12 WHITEOAKS ROAD, OADBY, LEICESTER LE2 5YL Tel: (0533) 716273

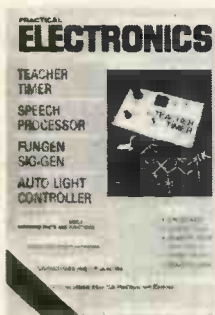
**SOLDERING PRACTICE KITS.** Don't ruin that expensive project! £3.50 each (2 for £6.00) Large component bags £5.00 including postage. Wonderful value. AGS Electronics, 49 Farringdon Road, Plymouth PL4 9ER

**WANTED:**

Constructional Projects for  
publication to *Electronic  
Enthusiasts*, good rates.

Contact: Bill Williams,  
Telephone: 01-444 -6706

**BACK NUMBERS, COPIES AND BINDERS**



We can usually supply copies of back issue of PE up to three years old. These are £1.50 each including postage £2.00 for overseas readers). If we no longer have the issue needed, we will be pleased to send a photocopy of the article for the project that you want to build. These are £1.00 each per issue, including postage (£1.50 to overseas readers).

We also have the latest binders available for PE, each holding twelve issues. Embossed in gold with the PE logo, they will make a handsome addition to your technical library as well as keeping your magazines in mint condition. They are available at only £5.95 inc. p&p. (Overseas readers please add £2.)



REMEMBER SUBSCRIBING TO PE AVOIDS FUTURE DISAPPOINTMENT

**PROGRAM NOW**

The Advanced Programmers' Journal

The one tool every programmer should have!

Available from all good newagents or direct from  
*Intra Press* - price £1.50

# Free Reader Adverts

*Searching for that elusive component?  
Surplus equipment to sell?  
Read the rules and fill in the form below to have your free ad published in PE BAZAAR.*

**Swap** Koden KS510 II automatic direction finder 150kHz to 4.6MHz six crystal spaces for good communications receiver. Tel: 082 623 461.

**Wanted:** HA1377 power amp for repairs. Mr. R. Barrou, 43 Gallowhill Road, Fraserburgh, AB4 5JU.

**Hewlett Packard** scope tube type 9093 5" x 4" £10. Technonix tubes various industrial, Brimar SE 52A7 tube industrial. T. Wilkinson, JSLF, RAF Finningley, Doncaster DN9 3LQ. Tel: 770771 Ext. 299.

**Icom IC290H** 2MTS preamp power meter rotator 12cl ZL power supply good condition. Tel: Mr. Joynson 0988 5713.

**Dozs Wireless Worlds** 1951 - 65 prewar - recent valves, transformers, speakers, Philips 654A R/gram. Offers. A Hawksworth, 51 The Limes Avenue, London, N11 1RD. Tel: 01-361 9424.

**Practical Electronics** Nov 64 (no.1) to Mar 82 (1 missing). Electronics Today Apr 72 (No.1) to Mar 82 (4 missing), offers? J Harris, tel: (0285) 658144 (home), 0793 751160 (work).

**Ferguson** video camera, portable recorder TV tuner, extra battery cost £1400, accept £350. Tel: Mr. Mason, (0625) 24822.

**RS19"** rack as new inc. front plates guides etc. Ideal interak cost £150+, £65 ono. Tel: 01-848 0647.

**Wanted:** power supply voltages +5V +/- 5%. 1.78A +12V +/- 5% .214A - 12V +/- 5% .155A for TM 990/189 Microcomp. Mr. A. Mintoff, 14 St. Michaels Square, Holyrood, Southampton, Hants, SO1 0AD.

**Wanted:** book 'Quartz Crystals for Electrical Circuits, their design and manufacture' by RA Heising, publisher Van Nostrand. Peter Johnson, 110 Corn Street, Witney, Oxon OX8 6AL. Tel: 0993 776488 daytime, 0993 702614 evenings.

**Electronic mags** 280+ 5 volumes 1954 - 1973 £50. Advance D/beam scope type OS1000A perfect condition £175. J. Knowles, 41 Leigh Road, Haydock, Lancs WA11 0EH. Tel: 0744 22845 day or 0744 27067 evenings.

**Practical Electronics**, Practical Wireless, Wireless World, 1970-1980, nearly 300 magazines, £20 or W.H.Y. Tel: (0742) 700456 after 6pm.

**Thandar** DH350 digital bench multimeter as new £35 Tel: 0903 211370.

**Printer** AJ833 daisy wheel plus keyboard 45 cps plotting option, tractor feed etc. etc. £2000 new only £375 ogo. F.J. Hall, Rofran House, Bincknoll, Wootton Bassett, Wilts SN4 8QR.

**New thousand** quality keyless code locks - £36 minimum each. Money needed to raise funds for new mini bus for Stafford deaf club. Mr. P.S. Boulton, Room 3, 1 St. Vincents Road, Doncaster, S. Yorks DN1 2LR.

**Telequipment** S51E single beam oscilloscope, good working order with service manual. £45. Buyer collects (Lancashire). Tel: 0254 771769 (daytime).

**BAX 13** diodes. Accidental purchase. £1 for 100. £8 for 1000. 50V 150M/a similar IN4148. Inc. postage. C.A. Jackson, 'Thornbury', Sutton-on-Forest, York YO6 1EQ. Tel: 0347 810354.

**CCTV** camera model CV91. C/W lens 8.58mm 1:1.5 focus 8" to infinity £35. Tel: 0424 213479.

**Battery Eliminator** Circuit, new, £1.50. Requires connector for battery. Jason Young, 2 Woodside, Doddington, March, Cambs, PE15 0SB.

**DG7-32** oscilloscope tube with mu-metal screen. New. Suitable for P.E. scope. £25 Tel: 051-677 3670 (Wirral).

**Book wanted** S-100 and other microbuses by E.C. Poe second edition only. Daytime tel: 0642 248555.

**Wanted:** redundant scope any type or condition providing tube OK. Mr. B. Tickner, 61 Kinsman Estate, Bodmin, Cornwall PL31 1PQ.

**Apple IIE** 2 disc drives. Monitor with large disorganised heap of manuals and discs £200 ono. Paul Whittaker, 79 Morningside Road, Edinburgh, EH10 4AY. Tel: 031-447 9799.

**Urgently** required. Marconi CR100 receiver in good condition with or without valves. M.C. Gregory MFV, LIS425, c/o B.W.W. Caledonian Canal, Corpach, Nr. Fort William, Scotland, Inverness.

**For sale** I.R. and ultra-sonic alarm good working condition £30. A. Roberts, 58 Pleasant Street, Hill Top, West Bromwich, West Midlands, B70 ORE. Tel: 021-556 5735.

**Help!** Pin-outs wanted for Sharp PC1500 and/or printer also expansion RAM for same PC1500 pocket computer. I.E. Broadbent, 5 Rashiehill Crescent, Breich, West Calder, West Lothian, EH55 8JR. Tel: 0501-71158.

**Dumont Oscilloscope**, single beam, 5 inch tube - £50. Multimeter, Taylor model 100A - £20. Tel: Wokingham, Berks, (0734) 734061.

**Tested and working** Op-Amp PSVs. +/-15V 1 Amp. Adjustable 7-17V. £2.50 each inc. p&p. 500 uA meters £1. P. Manley-Cooke, 112 Lovell Gardens, Watton, Norfolk IP25 6UA. Tel: 0953 882504.

**Artist, /inventor** seeks electronics genius, /partner to develop his new inventions. Mr. N. Sihra, 53 Imperial Road, Gilligham, Kent ME7 5PH.

**Oscilloscope**, Gould OS300 20MHz dual trace, circuit manual, case, good condition, £160. Tel: Stevenage (0438) 728533.

## PE BAZAAR

Name & Address			

Please publish the following small ad. FREE in the next available issue. I am not a dealer in electronics or associated equipment. I have read the rules.  
Signature.....Date.....

**RULES** Maximum of 16 words plus address and/or phone no. Private advertisers only (trade or business ads. can be placed in our classified columns). Items related to electronics only. No computer software. PE cannot accept responsibility for the accuracy of ads. or for any transaction arising between readers as a result of a free ad. We reserve the right to refuse advertisements. Each ad. must be posted within one month of cover date. (One month later for overseas readers).

Send this form (or a photocopy of it) to:  
PE Bazaar, Practical Electronics, 193 Uxbridge Road, London W12 9RA.





# TINKERING WITH TECHNIC

BY TOM IVALL

WHEN HI-JACKERS DO THE MOST GOOD

*Technical education in the UK is a patchwork, started in panic and abandoned in haste. In reality, technical learning should be a major factor in developing growing minds.*

The changes we have seen in technical education over the past few years – particularly in electronics and information technology – have been quite bewildering. There have been so many innovations, at all educational levels, with state funding and ministerial enthusiasms appearing and disappearing with equal rapidity, that the mere onlooker gets the impression of an almost haphazard and piecemeal approach. There seems to be no firm and consistent policy based on a clear view of Britain's future as an industrialised country.

The only consistent thing motivating everyone is sheer panic. Our economic performance, measured by things like GNP per capita and share of world manufacturing exports, has been steadily moving down the league table of industrialised countries for thirty years or more. This was underlined strongly last November by the worst trade deficit ever experienced in the UK. Our manufacturers simply couldn't supply the goods the population was demanding – electronic products being in the forefront – so the rest of the world kindly obliged and inundated us with imports.

Both government and industry realise full well that education is the root of the trouble. To begin with we don't have the right stuff in charge of our companies. The confident leaders of men produced by the public schools may be fine fellows, but they are no match for the commercial onslaught from the highly-trained professionals of Germany, Japan and the USA. Farther down the industrial hierarchy, the UK workforce is poorly educated by comparison and still alienated by social divisions which hardly exist in the other countries. Overall, working in industry is perceived in Britain as dirty, dull and poorly rewarded – definitely not a place for high-flyers.

Fortunately, electronics seems to have a certain atmosphere of glamour and excitement about it. Perhaps this is due partly to the tremendous speed of innovation, with its opportunities for rapid business success, and partly to its applications in highly visible activities like television, aviation and warfare.

At any rate, the excitement and glamour, plus the rapidly decreasing prices of micro-

electronic devices, gave the educational authorities a great opportunity. They were able to introduce electronics, computers and information technology – the very games at which our industrial competitors were beating us – to quite young schoolchildren.

One initiative in this field by the present government was the Microelectronics Education Programme. As far as I can discover, this experiment in further education was a great success, particularly the activities for 12-13 year olds based on a kit called Microelectronics for All. Other work, centered on computer programming, robots and buggies, was comparatively less successful in developing children's abilities. But in March 1986 the whole project ended. No more funding was provided.

Why not? one is bound to ask. Five and a half years – for that was the life of the scheme – is simply not enough time to have a lasting influence on the education and training of our young people. A residual advisory organisation, the Microelectronics Education Support Unit, was set up but has now been absorbed into the National Council for Educational Technology – which, of course, is concerned with educational technology, not technical education. It looks if there was a failure of confidence or political will, or a reaction that electronics was not so important after all.

I've already discussed two other innovations by the present government, the City Technology Colleges (March 1987) and the national curriculum (March 1988). There are also the new GCSE, 'AS'-level and BTEC courses and qualifications to add to the continually shifting educational kaleidoscope – and probably half-a-dozen more I don't know about. In technical education, what is certainly a very direct government response to the industrial challenge from our competitors is the Technical and Vocational Education Initiative (TVEI).

This scheme, which aims to provide technical and vocational education for 14-18 year olds, was started experimentally in 1983 with pilot projects run by 14 education authorities. It became a national scheme in 1987 and is now operated by most of the authorities. Some 70,000 pupils

are taking part.

At first TVEI was regarded with great suspicion by many teachers, who saw it merely as a crude experiment in social engineering. In the words of one official, reported by a headmaster, "People must be educated once more to know their place." The teachers also saw it as just a means of providing a steady supply of factory fodder, drawn from the less privileged and lower-ability children in our schools.

Happily, the teachers hi-jacked the scheme and made a much better thing of it than the Manpower Services Commission had ever intended. They adapted TVEI to provide not only an introduction to the world of work and its necessary skills but also a vehicle for real education – in the sense of drawing out and developing the pupil as a human being. But even now some educationalists remain opposed to it.

Undoubtedly technical education does provide a doorway into full education. I have seen an example of the process. A young man who started off thinking logic was an electronic switching technique done with semiconductor chips soon discovered symbolic logic, propositions, arguments, deduction, inference, syllogisms and the whole, vast intellectual enterprise stretching back to Aristotle. Through this he became interested in philosophy and eventually took and passed several exams in this subject at graduate level. Such broadening out is a natural progression. The very first thing we learn is how to imbibe milk to stay alive. It's limited and specialised and therefore technical. Everything else branches out from this narrow bit of empirical knowledge.

But technical education can be more than just a means to a short-term economic end, forgotten when it has served its immediate purpose. It's not an accretion but an integral part of education. Used thoughtfully, it can lead to a deep understanding of physical reality, to an unfolding of intellectual powers and to the creativity that gives us new discoveries and inventions. The French, German, Japanese and Swiss education systems are guided by this long-term principle. Our political masters should take a lesson from them.

PE

# PROFESSIONAL SURVEILLANCE EQUIPMENT KITS

- **MTX** Micro-miniature VHF transmitter. The smallest kit on the market measuring market measuring an incredible 17mm x 17mm including on-board mic. Super sensitive. Fully tuneable over FM band. 9V operation with range up to 1000m. **£10.95**
- **VT500** High power version of the MTX with on-board PA stage providing 250mW of RF. Measures just 20mm x 40mm, power requirements 9-15V. Excellent sensitivity and stability. Fully tuneable over FM band. Ranges over 3000m can be expected. **£12.95**
- **VOX75** Voice-activated transmitter. Variable sensitivity trigger level switches transmitter on when sounds are detected. Stays on for time delay variable between 1-20 sec. Fully tuneable output covers all FM band. Very sensitive and low standby current through CMOS circuitry. 9V operation, range up to 1000m. Measures 30mm x 40mm. **£15.95**
- **CTX900** Sub-carrier scrambled transmitter. Audio is double modulated providing very secure transmissions. Any unauthorised listener will not be able to demodulate signal without DSX900 Decoder unit. Variable modulation on-board. Fully tuneable output covering FM band. 9V operation, range up to 1000m. Measures 30mm x 40mm. **£18.95**
- **DSX900** Decoder unit for CTX900. Connects to earphone output of receiver to descramble signal from CTX900. Monitor using small speaker or headphones. Variable decode frequency on-board for best resolution. 9-12V operation. Measures 35mm x 50mm. **£17.95**
- **TLX700** Micro size telephone transmitter. Connects onto line at any point and requires no batteries. Clearly transmits both sides of conversations on both incoming and outgoing calls. Undetectable by phone users. Fully tuneable output covering FM band. Range up to 1000m. Measures just 20mm x 20mm. **£9.95**
- **ATR2** Micro size telephone recording unit. Connects onto line at any point and connects into ANY normal cassette recorder, standard or micro having MIC and REM sockets. Requires no batteries. Switches recorder on silently when phone is used for incoming or outgoing calls, switches off when phone replaced. Clearly records both sides of conversations. Undetectable by phone users. Measures 10mm x 35mm. **£10.95**
- **XML900RF** Bug Detector/Locator. Wide band input circuitry detects presence of RF field and triggers flashing LED and piezo bleeper. Variable sensitivity enables source of transmission to be pinpointed to within 6 inches. Max sensitivity will detect MTX or similar transmitter at around 15-20 feet. 9V operation. Measures 55mm x 55mm. **£21.95**

All kits come fully documented with concise assembly and setting-up instructions high quality fibreglass PCB and all components necessary to complete the module. All prices are inclusive but please add £1.50 to cover P&P. Orders over £50.00 post free. Please state requirements clearly and enclose cheque or PO to cover. Phone orders on ACCESS or AMEX accepted. Tel: 0827 714476.

NOTE: It is illegal to operate a transmitter in the UK without a licence. Send 9x4 S.A.E. for full catalogue of these and other surveillance kits.

SUMA DESIGNS, DEPT. PE, THE WORKSHOPS, 95 MAIN ROAD, BAXTERLEY, Nr. ATHERSTONE, WARCS CV9 2LE. TEL: 0827 714476



## NATIONAL COMPONENT CLUB

### SPECIAL OFFERS \* SPECIAL OFFERS

5	555 TIMER (IC's)	£1
5	741 OP-AMPS	£1
12	LED's (5mm red or green)	£1
25	GENERAL PURPOSE TRANSISTORS (BC548, BC182 etc)	£1
15	BATTERY CLIPS (PP3)	£1
25	ASSORTED POTS & PRESETS	£1
70	ASSORTED CAPACITORS (Picofarads-2200uf)	£1
25	ELECTROLYTIC CAPACITORS (1uf-2200uf)	£1
1	6V 1.8VA POWER SUPPLY	£1
?	MYSTERY PACK	£1
10	CROCODILE CLIPS (5 red and 5 black)	£1
1	90db PIEZO SOUNDER	£1

**ANY SIX PACKS FOR A FIVER ! ALL TWELVE FOR A TENNER !**

P.O. or Cheque to: NATIONAL COMPONENT CLUB, DEPT. PE, HIGHER ANSFORD, CASTLE CARY, SOMERSET BA7 7JG. Please add £1 P & P but do not add VAT.

**\* FREE CLUB MEMBERSHIP \***



### THREE SIMPLE CONSTRUCTION KITS

Especially aimed for the beginner. Have fun with your project even after you have built it and also learn a little from building it. These kits include high quality solder resist printed circuit boards, all electronic components (including speaker where used) and full construction instructions with circuit description.

- SK1 DOOR CHIME - plays a tune when activated by a pushbutton ..... **£3.90**
  - SK2 WHISTLE SWITCH - switches a relay on and off in response to whistle command ..... **£3.90**
  - SK3 SOUND GENERATOR - produces FOUR different sounds, including police/ambulance/fire-engine siren and machine gun ..... **£3.90**
- SPECIAL OFFERS FOR SCHOOL AND TRAINING CENTRES** - Contact Sales Office for discounts and samples.

### ELECTRONIC GUARD DOG KIT

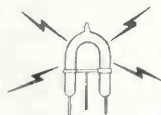


One of the best deterrents to a burglar is a guard dog and this new kit provides the barking without the bite! The kit when assembled can be connected to a doorbell, pressure mat or any other intruder detector and will produce a random series of threatening barks making the would-be intruder think you have a guard dog and try his luck elsewhere. The kit is supplied complete with high quality PCB, mains transformer, all components and instructions. The kit even includes a horn speaker which is essential to produce the loud sound required. The "dog" can be adjusted to produce barks ranging from a Terrier to an Alsatian and contains circuitry to produce a random series of barks giving a more realistic effect. Don't delay, fit one before you go on holiday and let our dog help you guard your home.

**XX125 Complete kit of parts ..... £24.00**

### POWER STROBE KIT

Designed to produce a high intensity light pulse at a variable frequency of 1 to 15Hz, this kit also includes circuitry to trigger the light from an external voltage source (eg. a loudspeaker) via an opto isolator.



Instructions are also supplied on modifying the unit for manual triggering, as a slave flash in photographic applications or as a warning beacon in security applications. The kit includes a high quality pcb, components, connectors, 5Ws strobe tube and full assembly instructions. Supply: 240V ac. Size: 75x50x45.

**XX124 Stroboscope Kit ..... £13.75**

### VERSATILE REMOTE CONTROL KIT

This kit includes all components (+ transformer) to make a sensitive IR receiver with 16 logic outputs (0-15V) which with suitable interface circuitry (relays, triacs, etc - details supplied) can be used to switch up to 16 items of equipment on or off remotely. The outputs may be latched (to the last received code) or momentary (on during transmission) by specifying the decoder IC and a 15V stabilised supply is available to power external circuits.



Supply: 240V AC or 15-24V DC at 10mA. Size (excluding transformer) 9 x 4 x 2 cms. The companion transmitter is the MK18 which operates from a 9V PP3 battery and gives a range of up to 60ft. Two keyboards are available MK9 (4-way) and MK10 (16-way), depending on the number of outputs to be used.

- MK12 IR Receiver (incl. transformer) **£16.30**
- MK18 Transmitter **£7.50**
- MK9 4-Way Keyboard **£2.20**
- MK10 16-Way Keyboard **£6.55**
- 601 133 Box for Transmitter **£2.60**

### SOLID STATE RELAY BARGAIN

- +ZERO VOLTAGE SWITCHING: No radio interference problems.
- +2.5KV INPUT to OUTPUT ISOLATION: No risk of damage to your computer or driver circuits.
- +4 KV TERMINALS to HEAT-SINK ISOLATION: Simply bolt onto a heatsink.
- +3V to 32V INPUT VOLTAGE: easily interfaced to TTL or CMOS LOGIC.



- +24V to 240V rms LOAD VOLTAGE: allowing mains loads to be switched.
- +BUILT IN SNUBBER NETWORK: Enabling switching of inductive loads.
- +10A MAXIMUM CURRENT: 4A with no heatsink fitted at 40°C.

**CD240/10 £2.25**

### SUPER SENSITIVE FM MICROBUG



Highly sensitive FM transmitter measuring only 45 x 25 x 15mm, including the built-in microphone. Frequency 88-100MHz enabling reception on a standard domestic FM radio. Range approximately 300m depending on terrain. Powered by 9V PP3 (7mA). Its small size and highly sensitive electret microphone makes it ideal for surveillance, baby alarm, etc.

**INTRODUCTORY PRICE £5.50**

### MICROPROCESSOR TIMER KIT

Designed to control 4 outputs independently switching on and off at present times over a 7-day cycle. LED display of time and day, easily programmed via 20 way keyboard. Ideal for central heating control including different switching time for weekends. Battery back-up circuit. Includes box 18 time settings.



**CT6000K ..... £47.20**

**XX114 Relay kit for CT6000 includes PCB connectors and one relay. Will accept up to 4 relays 3A/240V c/o contacts ..... £14.30**

**701 115 Additional relays ..... £1.80**

### DISCO LIGHTING KITS

**DL1000K** This value-for-money 4-way chaser features bi-directional sequence and dimming. 1kW per channel **£19.25**

**DL21000K** - A lower cost uni-directional version of the above. Zero switching to reduce interference **£10.80**

**DLA/1** Optional opto input allowing audio "beat/light response" **77p**

**DL3000K** - 3-channel sound to light kit features zero voltage switching, automatic level control and built-in microphone. 1kW per channel. **£15.60**

**DL8000K** This is a 3-way sequencer kit with built in opto-isolated sound to light input which comes complete with a pre-programmed EPROM containing EIGHTY - YES 80 different sequences including standard flashing and chase routines. The KIT includes full instructions and all components (even the PCB connectors) and requires only a box and a control knob to complete. Other features include manual sequence speed adjustment, zero voltage switching, LED mimic lamps and sound to light LED and a 300W output per channel. And the best thing about it is the price: **ONLY £31.50.**

### GIANT SOLAR CELLS

**NOW IN STOCK** these giant size solar panels 12 x 12in will deliver 12 volts 200mA in bright sunlight and 11.5 volts 60mA on a typical British summer day (dull and overcast). **HUNDREDS OF USES** in the car or caravan, e.g. Charging NiCads, powering low voltage circuits where mains or battery supplies are inconvenient or coupled to a lead acid battery and a simple inverter you could build yourself a self contained mains supply for low power appliances. Stock No. 303 145. **£14.50 (plus £1.75 for p&p on total order).**

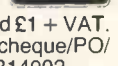
**TR ELECTRONICS**  
13 BOSTON RD.  
LONDON W7 3SJ  
Tel: 01 567 8910

**ORDERING INFORMATION: ALL PRICES EXCLUDE VAT**

FREE P&P on orders over £50 (UK only), otherwise add £1 + VAT. Overseas P&P: Europe £3.50. Elsewhere £10. Send cheque/PO/Barclaycard/Access No. with order. Giro No. 529314002.

**LOCAL AUTHORITY AND EXPORT ORDERS WELCOME**

**GOODS BY RETURN SUBJECT TO AVAILABILITY**



# READY-MADE P.C. BOARDS

Simplify your project assembly – use a ready-made printed circuit board. All are fully drilled and roller tinned. Just slot in the components as shown in the project texts, and solder them. PCBs are the professional route to project perfection.

## MAIL ORDERING

Select the boards you want, and send your order to  
PE PCB SERVICE, PRACTICAL ELECTRONICS,  
193 UXBRIDGE ROAD, LONDON W12 9RA.

Prices include VAT and postage and packing. Add £2 per board for overseas airmail. Cheques should be crossed and made payable to Intra Press.

Quote the project name and PCB Code Number, and print your name and address in Block Capitals. Do not send any other correspondence with your order.

## TELEPHONE ORDERS (OPEN 24 HOURS)

Use your Access card and phone your order to

**0268 289923**

clearly stating your name and address, card number, and order details.

All orders receive priority attention, but allow 28 days for delivery in case a PCB is temporarily out of stock.

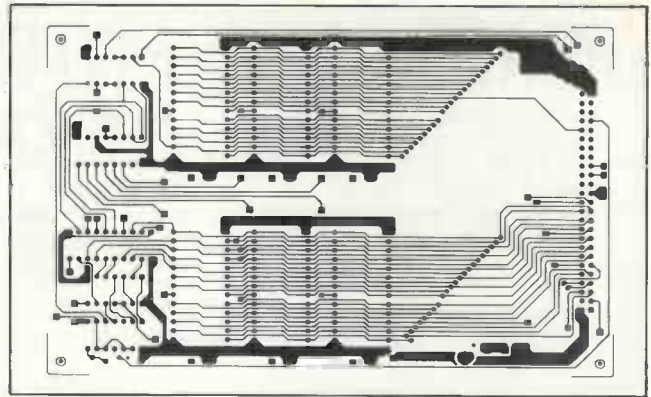
**WE CAN ONLY SUPPLY THE PCBs LISTED HERE**

**CHECK LATEST ISSUE FOR  
PRICES BEFORE ORDERING**

PHOTOCOPIES OF THE TEXTS MAY BE BOUGHT FROM THE EDITORIAL OFFICE AT £1.00 EACH PART (£1.50 OVERSEAS), P&P INCLUSIVE.

COMPONENTS ARE AVAILABLE FROM ADVERTISERS.

<b>JULY 86</b>		
PASSIVE IR DETECTOR – burglar detection	115	£3.90
200MHZ COUNTER – professional specification	00D	£30.88
<b>SEP 86</b>		
FIBRE-OPTIC LINK – computer comms.	ODE	£10.14
<b>OCT 86</b>		
DRUM SYNTHESISER	121	£7.67
MAINS DELAY TIMER – selectable 15 to 120 mins. Set of 2 PCBs.	122	£7.92
MAINS DIMMER – touch control up to 400W.	123	£3.90
<b>NOV 86</b>		
REMOTE JOYSTICK – infrared computer controller. Set of 2 PCBs.	124	£10.86
BABY ALARM – through-the-mains transceiver.	125	£10.71
<b>DEC 86</b>		
VIDEO ENHANCER – manually adjustable video improvement.	126	£8.76
<b>JAN 87</b>		
VIDEO FADER – simple inexpensive video mixer	127	£4.50
VOICE SCRAMBLER – confidential trans.	128	£8.06
<b>MAR 87</b>		
4 CHANNEL ENHANCER	135	£4.60
LIGHT PEN – uses fibre optics for accuracy	136	£4.10
ULTRASONIC TAPE MEASURE	138	£9.50
<b>APR 87</b>		
VIGILANTE CAR ALARM – keeps cars alert	139	£5.90
INDUCTIVE LOOP TRANSCEIVER – remote control for models:	143/144	£7.80
<b>MAY 87</b>		
BRIGHT FUZZ – Foot operated overdrive	145	£3.90
<b>JUN 87</b>		
AUDIO SIGNAL GENERATOR	146	£10.20
<b>JUL 87</b>		
WORD GENERATOR – 16-bit binary words	147	£13.42
SCOPE STORE oscilloscope add-on data storage	148	£11.94



<b>SEP 87</b>		
SPEECH PROCESSOR – clarifies speech	150	£5.86
GCSE TIMER UNIT – versatile variable delay	151	£5.18
FUNGEN – triple waveform signal generator	152/153	£9.69
LIGHT CONTROLLER – delayed switching	154	£4.64
<b>OCT 87</b>		
TEACHER LOCKER – digital lock control	155	£7.50
POWER SUPPLY – stabilised ±15V	156	£7.50
GUITAR TO SYNTH – music interface	157A/B	£9.95
<b>NOV 87</b>		
DUAL POWER SUPPLY – GCSE	158	£6.20
MIDI EXPANDER – Music Interface	159	£5.04
<b>DEC 87</b>		
RS 232C TO MIDI	160	£6.43
TEACHER RADIO – GCSE	161	£5.58
<b>JAN 88</b>		
EGG TIMER	162A-C	£12.44
LEGO BUGGY DRIVER	163	£6.42
<b>FEB 88</b>		
TEACHER TALKBACK – GCSE	164	£6.36
DC MOTOR SERVO	165	£7.53
<b>MAR 88</b>		
APPLIANCE TIMER	166A/B	£9.38
TEACHER LIGHTSHOW – GCSE	167A/B	£9.09
LOGIC ANALYSER – Double-sided	168	£20.65
<b>APR 88</b>		
LIGHT METAL EFFECTS	169	£7.10
TEACHER COUNTER	170	£4.95
	171	£4.92
<b>MAY 88</b>		
RF SPEECH PROCESSOR	172	£6.26
<b>JUN 88</b>		
AMSTRAD ROM EXPANSION	173	£10.80
MAINS MODEM	174	£4.27
<b>JULY 88</b>		
VOCALS ELIMINATOR	175	£4.31
<b>AUGUST 88</b>		
SPEAKING CLOCK	176	£16.75
<b>SEPT 88</b>		
BBC MULTIPLEXER	177	£4.50
<b>OCT 88</b>		
METAL DETECTOR	178	£6.50
<b>DEC 88</b>		
PLD PROGRAMMER	179	£9.90
	180	£4.90
PANNING MIXER	181	£7.80
<b>JAN 89</b>		
CHRISTMAS FLASHERS:		
RUDOLPH'S NOSE	182	£6.25
ANGEL'S HALO	183A/B	£9.40
CANDLE FLICKER	184	£6.25
PULSATING STAR	185A/B	£13.00
RANDOM PUDDING	186	£6.25
<b>MAR 89</b>		
CAMERA SHUTTER TIMER	187	£9.95

# PRACTICAL ELECTRONICS BOOK SERVICE

*Here is your Editor's choice of books he  
thinks will be of interest to  
electronics and  
computer enthusiasts*

## BEGINNERS AND EARLY STARTERS

### NEW Mini-Matrix Board Projects.

R.A.Penfold. 112 pages. £2.50.

Order Code BP99

Shows a selection of 20 useful and interesting circuits that can be built on a mini-matrix board of 24 holes by 10 copper strips in size - an ideal book for early experimenters.

### NEW From Atoms to Amperes.

F.A.Wilson. 160 pages. £2.95.

Order Code BP254.

For the absolute beginner, clearly explaining the fundamentals behind the whole subject of electricity and electronics.

### NEW Electronic Projects for Beginners.

F.G.Rayer. 128 pages. £1.95.

Order Code BP48

Specialty for the newcomer to electronics who is looking for a book containing a wider range of easily made projects. Some circuits need no soldering and many others show actual component and wiring layouts.

### Electronics Build and Learn

R.A.Penfold. 128 Pages. £5.95.

Order Code PC 101

Combining theory and practice, the book describes a circuit demonstrator unit that is used in subsequent chapters to introduce common electronic components and circuit concepts, complete with practical experiments.

### Practical Electronic Building Blocks

R.A.Penfold. There are two books -

Book 1 : 128 pages. £1.95.

Order Code BP117

Book 2 : 112 pages. £1.95.

Order Code BP118

Book 1 is about oscillators and gives circuits for a wide range, including sine, triangle, square, sawtooth and pulse waveforms and numerous others from voltage controlled to customised ic types.

Book 2 looks at amplifiers, ranging from low level discrete and opamp types to ic power amps. A selection of mixers, filters and regulators is included.

### 30 Solderless Breadboard Projects

R.A.Penfold. Two books each of 160

pages. Book 1 : £2.25. Order Code

BP107. Book 2 : £2.25. Order Code

BP113.

Each project is designed for building on a Verobloc breadboard and is accompanied by a description, circuit and layout diagrams and relevant constructional notes. Many of the components are common to several projects.

Book 1 covers linear devices, and Book 2 covers CMOS logic chips.

### Beginners Guide to Building

Electronic Projects R.A.Penfold. 112

pages. £1.95. Order Code BP 227

Shows the complete beginner how to tackle the practical side of electronics and includes simple constructional projects.

## TEST AND MEASUREMENT

### How to Get Your Electronic Projects Working.

R.A.Penfold. 96 pages. £2.50.

Order Code BP110.

Essential reading for anyone who wants first-time success in project assembly. Covers tracing mechanical faults as well as testing for failures of active and passive components of most types.

### Modern Electronic Test Equipment

K.Brindley. £6.95.

Order Code NT4

Detailed information and discussions on analog and digital meters, oscilloscopes, signal sources, frequency, time and event counters, spectrum and logic analysers, displays and other test equipment.

### Getting the Most from Your Multimeter

R.A.Penfold. 112 pages. £2.95.

Order Code BP239

There's more to what you can do with a meter than meets the casual eye. The book covers the basics of what you can do with analogue and digital meters and discusses component and circuit testing.

### Oscilloscopes

I.Hickman. £6.95.

Order Code NT3

Subtitled 'How to Use Them, How They Work' the book is illustrated with diagrams and photographs and is essential reading for any one who wants to know about scopes, from first principles to practical applications.



## COMMUNICATIONS

### NEW Walkie-Talkie Projects

R.A.Penfold. 96 pages. £2.95.

Order Code BP186

Full of vital information and practical circuitry for the construction of low power transmitter-receivers and accessories.

### An Introduction to Satellite Television

F.A.Wilson. 112 pages. £5.95.

Order Code BP195

Informative answers to many of the questions about this communications revolution. The information is presented on two levels, one aimed at the complete beginner, the other at professional engineers and serious amateur enthusiasts.

## AUDIO AND MUSIC

### Introducing Digital Audio

I.Sinclair. 112 pages. £5.95.

Order Code PC102

A non-mathematical introduction to the new digital technology, discussing the principles and methods involved in devices such as cd, dat and sampling.

### Electronic Music Projects

R.A.Penfold. 112 pages. £2.50.

Order Code BP74

24 practical constructional projects covering fuzz, wah, sustain, reverb, phasing, tremolo etc. The text is split into four sections covering guitar, general, sound generation and accessory projects.

### More Advanced Electronic Music Projects

R.A.Penfold. 96 pages. £2.95.

Order Code BP174

Complementing BP74 by covering more advanced and complex projects including flanging, chorus, ring modulation, plus a selection of drum, cymbal and gong circuits.

### NEW Computer Music Projects

R.A.Penfold. 112 pages. £2.95.

Order Code BP173

Shows how home computers can produce electronic music and covers sequencing, analogue and Midi interfacing, digital delay lines and sound generators.

### Practical Midi Handbook

R.A.Penfold. 160 pages. £5.95.

Order Code PC103

A practical how-to-do-it book for musicians and enthusiasts who want to exploit the capabilities of Midi. Covers keyboards, drums, sequencers, effects, mixers, guitars, and computer music software.

### Midi Projects

R.A.Penfold. 112 pages. £2.95.

Order Code BP182

Practical details of interfacing many popular home computers with Midi systems, and also covering Midi interfacing to analogue and percussion synths.

### NEW Electronic Synthesiser Construction.

R.A.Penfold. 112 pages. £2.95.

Order Code BP185.

Even relative beginners should find the monophonic synthesiser described here within their capabilities if the book is thoroughly read. Individual aspects of the synth are dealt with separately and pcb designs are shown for the main modules.

## DIGITAL AND COMPUTING

### **NEW** A Concise Introduction to MS-DOS.

N. Kantaris. 64 pages. £2.95.  
Order Code BP232

A ready-reference guide for those who need a quick insight into the essential command functions of this operating system, but who don't have the time to learn it fully.

### An Introduction to Computer Peripherals

R.A. and J.W. Penfold. 80 pages.  
£2.50. Order Code BP170

Covers such items as monitors, printers, disc drives, cassette, modems, etc, explaining what they are and how to use them with your computer and with each other.

### Microprocessing Systems and Circuits

F.A. Wilson. 256 pages. £2.95.  
Order Code BP77

A comprehensive guide to the elements of microprocessing systems, covering the fundamental principles behind this important subject.

### Introduction to 6800/6802 Microprocessor Systems

R.J. Simpson and T.J. Terrell. 238 pages. £10.95. Order Code NT9

The book covers systems hardware, programming concepts and practical experimental work that will assist in understanding the 6800/6802 microprocessor, with additional information on the 6802D5E evaluation system.

### **NEW** An Introduction to 68000 Assembly Language.

R.A. and J.W. Penfold. 112 pages.  
£2.95. Order Code BP184

Covers the fundamentals of writing programs that will vastly increase the speed of 68000 based machines such as the Commodore Amiga, Atari ST range, Apple Mackintosh, etc.

### Getting the Most from Your Printer

J.W. Penfold. 96 pages. £2.95.

Order Code BP181

How to use the features found on most dot-matrix printers from programs and popular wordprocessors, showing examples of what must be typed to achieve a given effect.

### Micro Interfacing Circuits

R.A. Penfold. Two books, each of 112 pages.

Book 1 : £2.25. Order Code BP130.

Book 2 : £2.25. Order Code BP131

Both books include practical circuits and useful background information though pcb layouts are not included. Book 1 mainly covers computer input-output techniques. Book 2 deals primarily with practical application circuits.

### **NEW** An Introduction to 6502 Machine Code.

R.A. and R.W. Penfold. 112 pages.  
£2.50. Order Code BP147

Covers the main principles of machine code programming on 6502-based machines such as the Vic-20, Oracle/Atmos, Electron, BBC and Commodore 64. It assumes no previous knowledge of microprocessors or machine code and gives illustrative programming examples.

### **NEW** A Z-80 Workshop Manual.

E.A. Parr. 192 pages. £3.50.

Order Code BP112

A book for those who already know Basic but wish to explore machine code and assembly language programming on Z80 based computers.

### Practical Digital Electronics Handbook

M. Tooley. 208 pages. £6.95.

Order Code PC 104

Nine constructional projects introduce digital circuits, logic gates, timers, microprocessors, memory and interface circuits - an essential book for anyone interested in digital devices.

## GENERAL CONSTRUCTIONAL

### **NEW** Electronic Science Projects.

Owen Bishop. 144 pages. £2.95.  
Order Code BP104

A bumper bundle of experimental projects ranging in complexity and including a colour temperature meter, electronic clock, a solid state (led display) scope, an infra-red laser, a fascinating circuit for measuring the earth's electrical field strength, and many more.

### Electronic Security Devices

R.A. Penfold. 112 pages. £2.50. BP56

Full of ideas for keeping your valuables safe. The circuits include designs for light, infra-red, ultrasonic, gas, smoke, flood, door and baby sensors.

### **NEW** More Advanced Electronic Security Projects. R.A. Penfold. 112 pages. £2.95. Order Code BP190

Follows on from where BP56 leaves off and describes a number of more up-to-date and sophisticated projects, such as pyro-sensors, infra-red and doppler-shift detection, fibre-optic loops, and many others.

### **NEW** Electronic Projects for Cars and Boats.

R.A. Penfold. 96 pages. £1.95.  
Order Code BP94

15 fairly simple projects that can be used with a car and/or boat. Stripboard constructional details are included, as are explanations of the circuit theory.

### Power Supply Projects

R.A. Penfold. 96 pages. £2.50.

Order Code BP76

A selection of power supply designs, including simple unswitched, fixed voltage regulated and variable voltage stabilised, ni-cad charger, voltage step-up, and inverter.

### More Advanced Power Supply Projects

R.A. Penfold. 96 pages. £2.95.

Order Code BP192

Covers more advanced topics than BP76 and includes precision supplies, switch mode and computer controlled supplies, plus a selection of miscellaneous circuits.

### **NEW** Popular Electronic Circuits.

R.A. Penfold. 160 pages. £2.95.

Order Code BP80

Containing a wide range of circuit designs for experienced constructors who are capable of producing working projects direct from a circuit diagram without specific constructional details.

## DATA AND INFORMATION BOOKS

### Digital IC Equivalents and Pin Connections

A. Michaels. 320 pages. £5.95.

Order Code BP140

### Linear IC Equivalents and Pin Connections

A. Michaels. 256 pages. £5.95.

Order Code BP141

Between them these two books show equivalents and pin connections of a popular user-orientated selection of European, American and Japanese ICs. They also include details of functions, manufacturer and country of origin. The Digital ICs book also quotes details of packaging and families.

### Opamps

B. Dance. £6.50.

Order Code NT2

Subtitled 'Their Principles and Applications' this interesting book is written in a simple non-mathematical style and provides a source of practical circuits that use both commonplace and more sophisticated opamps.

### Electronic Hobbyists Handbook

R.A. Penfold. 96 pages. £4.95. Order Code BP233

Provides a source of useful information that the amateur enthusiast is likely to need for day-to-day pursuance of hobby electronics.

### Practical Electronics Handbook

I. Sinclair. £7.95.

Order Code NT1

A useful and carefully selected collection of standard circuits, rules-of-thumb and design data for enthusiasts, students and engineers involved in radio, computing and general electronics

### Newnes Electronics Pocket Book

I.E. Parr. £6.95.

Order Code NT10

Presents all aspects of modern electronics in a readable and largely non-mathematical style, and is a good source of valuable information for enthusiasts and professional engineers alike.

### **NEW** Key Techniques for Circuit Design

G.C. Loveday. £6.95.

Order Code BM 101

Tackles the problems of designing circuits from scratch, introducing the concept of target specifications, the design sequence, device selection, rules of thumb, and useful equivalent circuits.

## HOW TO ORDER

State your order code and your name and address clearly. Enclose a cheque, PO or international money order (add 50p postage per book - £1.00 for overseas surface mail), and send to:

**PE Book Service**

**Intra House**

**193 Uxbridge Road**

**London W12 9RA**

Books are normally delivered within 10 days but please allow 28 days for delivery.



# QUALITY... SECURITY SUPPLIES FOR DIY & TRADE

- ...AT LOWEST PRICES
- CONTROL UNITS**
- Automatic
  - Modular
  - Lighting
  - Timer
- SENSORS**
- Passive Infra-Red
  - Ultrasonic
  - Infra-Red Beam
- ACCESSORIES**
- Contacts
  - Pressure Pads
  - Security Lighting
  - Cable Etc. Etc.
- CARS & VANS**
- HOMES & FACTORIES**

## PRODUCT OF THE MONTH

### CA 1382 LOW COST FULL FEATURE ALARM CONTROL UNIT

- SUITABLE FOR ALL TYPES OF INSTALLATIONS
- ★ Automatic Loop Test
  - ★ 24hr Personal Attack Protection
  - ★ Audible Exit/Entry Warning
  - ★ Auto. Siren Re-Set
  - ★ Easily Installed.
- ONLY £44.95 + VAT**



**The Security Specialist**

## RISCOMP LIMITED

Dept. PE3, 51 Poppy Road, Princes Risborough, Bucks. HP17 9DB

Callers by Appointment Office hours Mon-Fri 9am-5pm

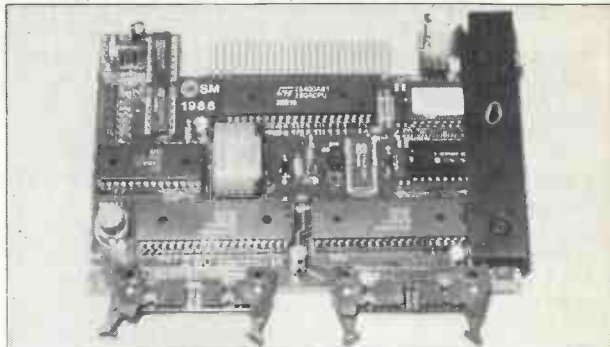
TELEPHONE OR SEND FOR FREE LITERATURE TODAY

(084 44) 6326

MASTERCARD VISA

## Z80A MICROCONTROLLER

A low cost single board micro-system providing all the requirements needed for many applications in industrial, experimental and educational fields.



Just some of its extensive features include:

- ★ Z80A CPU operating at 4MHz
- ★ EPROM socket - jumper link selectable as 2, 4, 8, 16 or 32K accepts 2716/2732/2764/27128/27256 EPROMS
- ★ RAM socket - jumper link selectable as 2, 8 or 32K accepts 6116/6264/62256 CMOS static RAMS - battery back up included
- ★ INPUT/OUTPUT - 2 Z80 PIOs providing 32 programmable I/O lines HARDWARE COUNTER/TIMER - a Z80 CTC providing four independent counter/timer circuits
- ★ Expansion boards available - DtoA, 8 channel AtoD, RS232 serial I/O etc
- ★ Full documentation and user notes

### Z80 Single Board Controller fitted with 2Kx8 CMOS static RAM ONLY £94.95 + VAT - BUILT AND TESTED !!

Specialising in microprocessor data logging and control applications, we provide a complete service covering any or all of the stages from initial hardware and software design through manufacture to final installation.

Phone/send for full details - OEM, trade and overseas enquiries welcome

**SM ENGINEERING**  
Telephone 0323-766262

'St. Georges' Lion Hill Stone Cross  
Pevensey, East Sussex BN24 5ED

## INDEX TO ADVERTISERS

A & G Electronics.....	53	Magenta Electronics.....	32,33
Adam Electronics.....	53	Maplin Electronics.....	OBC
A.D.M. Electronics Supplies.....	55	Micro Systems.....	33
Astronomy Now.....	47	Millea Electronics.....	54
Barrie Electronics.....	62	National Component Club.....	58
B.K. Electronics.....	IBC	N.C.A. Designs.....	54
Blore-Barton Ltd.....	54	Number One Systems.....	26
Bull J.....	48	Omni.....	52
Calibration Lab.....	54	Payne Electroprint.....	54
Cambridge Computer Science Ltd.....	54	Phonosonics.....	41
Classified Ads.....	52-55	Program Now.....	55
Coles Harding.....	53	Proto Design.....	54
Computer Salvage Specialists.....	53	Radio & Telecommunications Correspondence School.....	52
Cooke International.....	53	Riscomp.....	62
Cricklewood Electronics.....	23	Scientific Wire.....	53
C.R. Supply Co.....	53	Shaun James.....	29
Deansgate.....	52	SM Engineering.....	62
Display Electronics.....	34	Soft Machine.....	29
Electequiques.....	53	Specialist Semiconductors.....	18
Electrovalue.....	30	SPK Electronics.....	25
Fraser Electronics.....	52	Suma Designs.....	58
Greenbank Electronics.....	29	Supertronics.....	52
Greenweld Electronics.....	17	Sutronics.....	53
Hanney, L.F.....	52	Tandy.....	IFC
J.P.G. Electronics.....	53	Technical Info Services.....	54
Keytronics.....	39	Technomatic.....	10,11
K-Tek.....	53	T.K. Electronics.....	58
London Electronics College.....	52	Waltons of Wolverhampton.....	52

PLEASE MENTION PRACTICAL ELECTRONICS WHEN REPLYING TO ADVERTS

## TRANSFORMERS

## EX STOCK

12/24V or 12-0-12V 2 x 12V Secs Pri 240V 24V 12V £ £ P&P	30/15V or 15-0-15V 2 x 15V Tapped Secs Volts available: 3,4,5, 6,8,9,10,15,18,20,27,30V or 15.0V	60/30V or 30-0-30V 2 x 30V Tapped Secs Volts available: 16, 18, 36, 40, 60V or 24-0-24V or 30-0-30V
0.15 0.03 3.44 1.87 0.25 0.5 3.64 1.87 0.5 1 4.36 1.87 1 2 6.08 2.09 2 A 4 7.01 2.20 3 M 6 12.08 2.36 4 P 8 12.87 2.42 6 S 12 15.62 2.64 8 16 18.59 3.08 10 20 25.02 3.52 15 30 31.10 3.63 20 40 44.40 4.12 30 60 63.75 4.89 41 83 73.41 6.32	30V 15V £ £ P&P 0.5 1 4.55 1.81 1 2 6.19 1.98 2 A 4 10.01 2.20 3 M 6 11.60 2.42 4 P 8 13.84 2.53 5 S 10 17.72 2.64 6 12 19.41 2.91 8 16 25.74 3.02 10 20 29.94 3.24 12 24 33.42 3.35 15 30 37.43 4.01 20 40 51.10 6.54	60V 30V £ £ P&P 0.5 1 6.72 2.09 1 A 2 10.25 2.20 2 M 4 13.17 2.53 3 P 6 19.05 2.64 4 S 8 21.72 2.75 5 10 27.46 3.19 6 12 31.32 3.41 8 16 44.04 4.12 10 20 51.28 4.40 12 24 59.09 4.89
<b>MAINS ISOLATORS</b> Pri 120V x 2 or 220/240V or 415/440V. Sec 440V or 240V or 110V Centre Tapped	<b>AUTOS</b> 105,115,220,230,140V For step-up or down	<b>INVERTERS</b> 12/24V DC to 240V AC Sine-wave or Square Wave
20VA £ 8.33 P 2.50 60 13.60 & 2.69 100 15.87 P 2.91 200 22.49 3.52 250 27.20 3.63 500 41.91 4.23 1000 76.01 5.33 1500 98.04 6.54 2000 117.96 6.54 3000 165.41 O/A 6000 353.43 O/A	80VA £6.91 P 1.92 150 10.03 & 2.09 250 12.25 P 2.31 350 14.05 2.75 500 19.05 3.08 1000 34.03 3.68 1500 40.40 4.18 2000 60.41 5.11 3000 102.72 6.32 4000 133.35 O/A 5000 155.28 O/A 7500 239.70 O/A 10kVA 283.23 O/A	STAND-BY, POWER OR UPS SYSTEMS, AUTO CHARGERS CONSTANT VOLTAGE Transformers for Spike-free Stable Mains
50/25V or 25-0-25V 2 x 25V Tapped Secs Volts available: 5, 7, 8, 10, 13,17, 20, 25, 33, 40, 50, 20-0- 20,25-0-25V	<b>CASED AUTOS</b> 240V Cable Input, Inst: Input-3- pin 115V USA Ski Outlet	<b>TRANSFORMER WINDING SERVICE</b> 3VA to 18KVA TOROIDALS Batches Wound to Order AVO's & MEGGERS Full range
50V 25V £ £ P&P 0.5 1 5.91 2.09 1 A 2 7.91 2.20 2 M 4 12.81 2.75 3 P 6 14.82 2.75 4 S 8 20.30 3.24 6 12 25.81 3.24 8 16 36.52 3.57 10 20 43.34 4.07 12 24 51.87 4.29	20VA £9.85 P 2.03 80 13.38 & 2.14 150 17.34 P 2.58 250 21.13 3.57 500 34.66 3.57 1000 48.65 5.00 2000 86.70 6.13 3000 124.46 O/A 110V to 240V Cased Autos now available	PE oscilloscope transformer Y1 £14.10 incl.p&p & VAT.
Unit 211, Stratford Workshops, Burford Road, London E15 2S	Please add 15% to all items after P&P	Stock items by return. Send stamp for lists

**BARRIE ELECTRONICS LTD**  
TELEPHONE: 01-555 0228 (3 lines)

**OMP POWER AMPLIFIER MODULES-TURNABLES-DIMMERS-LOUDSPEAKERS-19 INCH STEREO RACK AMPLIFIERS**

**OMP POWER AMPLIFIER MODULES**

Supplied ready built and tested.

**OMP POWER AMPLIFIER MODULES** Now enjoy a world-wide reputation for quality, reliability and performance at a realistic price. Four models available to suit the needs of the professional and hobby market, i.e., Industry, Leisure, Instrumental and Hi-Fi etc. When comparing prices, NOTE all models include Toroidal power supply, Integral heat sink, Glass fibre P.C.B., and Drive circuits to power compatible Vu meter, Open and short circuit proof.

**THOUSANDS OF MODULES PURCHASED BY PROFESSIONAL USERS**



**OMP100 Mk 11 Bi-Polar Output power 110 watts R.M.S. into 4 ohms, Frequency Response 15Hz - 30KHz - 30dB, T.H.D. 0.01%, S.N.R. - 118dB, Sens. for Max. output 500mV at 10K. Size 355 x 115x65mm. PRICE £33.99 + £3.00 P&P.**



**NEW SERIES II MOS-FET MODULES**

**OMP/MF 100 Mos-Fet Output power 110 watts R.M.S. into 4 ohms, Frequency Response 1Hz - 100KHz - 30dB, Damping Factor, >300, Slew Rate 45V/uS, T.H.D. Typical 0.002%, Input Sensitivity 500mV, S.N.R. - 125dB. Size 300 x 123 x 60mm. PRICE £39.99 + £3.00 P&P.**



**OMP/MF200 Mos-Fet Output power 200 watts R.M.S. into 4 ohms, Frequency Response 1Hz - 100KHz - 30dB, Damping Factor >300, Slew Rate 60V/uS, T.H.D. Typical 0.001%, Input Sensitivity 500mV, S.N.R. - 130dB. Size 300 x 155 x 100mm. PRICE £62.99 + £3.50 P&P.**



**OMP/MF300 Mos-Fet Output power 300 watts R.M.S. into 4 ohms, Frequency Response 1Hz - 100KHz - 30dB, Damping Factor >300, Slew Rate 60V/uS, T.H.D. Typical 0.0008%, Input Sensitivity 500mV, S.N.R. - 130dB. Size 330 x 175 x 100mm. PRICE £79.99 + £4.50 P&P.**

NOTE— MOS-FET MODULES ARE AVAILABLE IN TWO VERSIONS, STANDARD— INPUT SENS. 500mV BAND WIDTH 100KHz PEC (PROFESSIONAL EQUIPMENT COMPATIBLE)— INPUT SENS. 775mV, BAND WIDTH 50KHz. ORDER STANDARD OR PEC



Vu METER Compatible with our four amplifiers detailed above. A very accurate visual display employing 11 L.E.D. diodes (7 green, 4 red) plus an additional on/off indicator. Sophisticated logic control circuits for very fast rise and decay times. Tough moulded plastic case, with tinted acrylic front. Size 84 x 27 x 45mm. PRICE £8.50 + 50p P&P.

**LOUDSPEAKERS**



LARGE SELECTION OF SPECIALIST LOUDSPEAKERS AVAILABLE, INCLUDING CABINET FITTINGS, SPEAKER GRILLES, CROSS-OVERS AND HIGH POWER, HIGH FREQUENCY BULLETS AND HORNS, LARGE S.A.E. (30p STAMPED) FOR COMPLETE LIST.

**McKENZIE:— INSTRUMENTS, P.A., DISCO, ETC.**

- ALL MCKENZIE UNITS 8 OHMS IMPEDANCE**
- 8" 100 WATT C8100GPM GEN. PURPOSE, LEAD GUITAR, EXCELLENT MID., DISCO. RES. FREQ. 80Hz. FREQ. RESP. TO 14KHz. SENS. 99dB. PRICE £28.59 + £2.00 P&P.
  - 10" 100 WATT C10100GP GUITAR, VOICE, ORGAN, KEYBOARD, DISCO, EXCELLENT MID. RES. FREQ. 70Hz. FREQ. RESP. TO 6KHz. SENS. 100dB. PRICE £34.70 + £2.50 P&P.
  - 10" 200 WATT C10200GP GUITAR, KEYBOARD, DISCO, EXCELLENT HIGH POWER MID. RES. FREQ. 45Hz. FREQ. RESP. TO 7KHz. SENS. 103dB. PRICE £47.48 + £2.50 P&P.
  - 12" 100 WATT C12100GP HIGH POWER GEN. PURPOSE, LEAD GUITAR, DISCO. RES. FREQ. 45Hz. FREQ. RESP. TO 7KHz. SENS. 98dB. PRICE £36.66 + £3.50 P&P.
  - 12" 100 WATT C12100TC TWIN CONE) HIGH POWER WIDE RESPONSE, P.A., VOICE, DISCO. RES. FREQ. 45Hz. FREQ. RESP. TO 14KHz. SENS. 100dB. PRICE £37.63 + £3.50 P&P.
  - 12" 200 WATT C12200B HIGH POWER BASS, KEYBOARDS, DISCO, P.A. RES. FREQ. 40Hz. FREQ. RESP. TO 7KHz. SENS. 100dB. PRICE £64.17 + £3.50 P&P.
  - 12" 300 WATT C12300GP HIGH POWER BASS LEAD GUITAR, KEYBOARDS, DISCO, ETC. RES. FREQ. 45Hz. FREQ. RESP. TO 5KHz. SENS. 100dB. PRICE £85.79 + £3.50 P&P.
  - 15" 100 WATT C15100BS BASS GUITAR, LOW FREQUENCY, P.A., DISCO. RES. FREQ. 40Hz. FREQ. RESP. TO 5KHz. SENS. 98dB. PRICE £53.70 + £4.00 P&P.
  - 15" 200 WATT C15200BS VERY HIGH POWER BASS. RES. FREQ. 40Hz. FREQ. RESP. TO 4KHz. SENS. 99dB. PRICE £73.26 + £4.00 P&P.
  - 15" 250 WATT C15250BS VERY HIGH POWER BASS. RES. FREQ. 40Hz. FREQ. RESP. TO 4KHz. SENS. 99dB. PRICE £80.53 + £4.50 P&P.
  - 15" 400 WATT C15400BS VERY HIGH POWER, LOW FREQUENCY BASS. RES. FREQ. 40Hz. FREQ. RESP. TO 4KHz. SENS. 102dB. PRICE £94.12 + £4.50 P&P.
  - 18" 400 WATT C18404BS EXTREMELY HIGH POWER, LOW FREQUENCY BASS. RES. FREQ. 27Hz. FREQ. RESP. TO 3KHz. SENS. 99dB. PRICE £167.85 + £5.00 P&P.

**EARBENDERS:— HI-FI, STUDIO, IN-CAR ETC.**

- ALL EARBENDER UNITS 8 OHMS EXCEPT EB8-50 AND EB10-50 DUAL 4 AND 8 OHM. BASS, SINGLE CONE, HIGH COMPLIANCE, ROLLED FOAM SURROUND**
- 8" 50 WATT EB8-50 DUAL IMPEDANCE, TAPPED 4/8 OHM BASS, HI-FI, IN-CAR. RES. FREQ. 40Hz. FREQ. RESP. TO 7KHz. SENS. 97dB. PRICE £8.90 + £2.00 P&P.
  - 10" 50 WATT EB10-50 DUAL IMPEDANCE, TAPPED 4/8 OHM BASS, HI-FI, IN-CAR. RES. FREQ. 40Hz. FREQ. RESP. TO 5KHz. SENS. 99dB. PRICE £12.00 + £2.50 P&P.
  - 10" 100 WATT EB10-100 BASS, HI-FI, STUDIO. RES. FREQ. 35Hz. FREQ. RESP. TO 3KHz. SENS. 96dB. PRICE £27.50 + £3.50 P&P.
  - 12" 60 WATT EB12-60 BASS, HI-FI, STUDIO. RES. FREQ. 28Hz. FREQ. RESP. TO 3KHz. SENS. 92dB. PRICE £21.00 + £3.00 P&P.
  - 12" 100 WATT EB12-100 BASS, STUDIO, HI-FI, EXCELLENT DISCO. RES. FREQ. 26Hz. FREQ. RESP. TO 3KHz. SENS. 93dB. PRICE £32.00 + £3.50 P&P.
  - FULL RANGE TWIN CONE, HIGH COMPLIANCE, ROLLED SURROUND**
  - 5 1/2" 60 WATT EB5-60TC (TWIN CONE) HI-FI, MULTI-ARRAY DISCO ETC. RES. FREQ. 63Hz. FREQ. RESP. TO 20KHz. SENS. 92dB. PRICE £9.99 + £1.50 P&P.
  - 6 1/2" 60 WATT EB6-60TC (TWIN CONE) HI-FI, MULTI-ARRAY DISCO ETC. RES. FREQ. 38Hz. FREQ. RESP. TO 20KHz. SENS. 94dB. PRICE £10.99 + £1.50 P&P.
  - 8" 60 WATT EB8-60TC (TWIN CONE) HI-FI, MULTI-ARRAY DISCO ETC. RES. FREQ. 40Hz. FREQ. RESP. TO 18KHz. SENS. 89dB. PRICE £12.99 + £1.50 P&P.
  - 10" 60 WATT EB10-60TC (TWIN CONE) HI-FI, MULTI-ARRAY DISCO ETC. RES. FREQ. 35Hz. FREQ. RESP. TO 12KHz. SENS. 86dB. PRICE £16.49 + £2.00 P&P.

**TRANSMITTER HOBBY KITS**

PROVEN TRANSMITTER DESIGNS INCLUDING GLASS FIBRE PRINTED CIRCUIT BOARD AND HIGH QUALITY COMPONENTS COMPLETE WITH CIRCUIT AND INSTRUCTIONS

- 3W FM TRANSMITTER 80-108MHz. VARICAP CONTROLLED PROFESSIONAL PERFORMANCE. RANGE UP TO 3 MILES. SIZE 38 x 123mm. SUPPLY 12V @ 0.5AMP. PRICE £14.49 + £1.00 P&P.
- FM MICRO TRANSMITTER (BUG) 100-108MHz VARICAP TUNED COMPLETE WITH VERY SENS FET MIC, RANGE 100-300m. SIZE 56 x 46mm. SUPPLY 9V BATT. PRICE £8.62 + £1.00 P&P.



3 watt FM Transmitter

\* PRICES INCLUDE V.A.T. \* PROMPT DELIVERIES \* FRIENDLY SERVICE \* LARGE S.A.E., 30p STAMPED FOR CURRENT LIST.

**OMP VARISPEED TURNTABLE CHASSIS**



\* MANUAL ARM \* STEEL CHASSIS \* ELECTRONIC SPEED CONTROL. 33 & 45 \* VARI PITCH CONTROL \* HIGH TORQUE SERVO DRIVEN DC MOTOR \* TRANSIT SCREENS \* 12" DIE CAST PLATTER \* NEON STROBE \* CALIBRATED BAL WEIGHT \* REMOVABLE HEAD SHELL \* 1/2" CARTRIDGE FIXINGS \* CUE LEVER \* POWER 220-240V 50/60Hz \* 390x305mm \* SUPPLIED WITH MOUNTING CUT-OUT TEMPLATE. PRICE £59.99 + £3.50 P&P.

**OPTIONAL MAGNETIC CARTRIDGES**

- STANTON AL500 PRICE £16.99 + 50p P&P
- GOLDRING G850 PRICE £6.99 + 50p P&P

**OMP MOS-FET POWER AMPLIFIERS, HIGH POWER, TWO CHANNEL 19 INCH RACK**

THOUSANDS PURCHASED BY PROFESSIONAL USERS



**NEW MXF SERIES OF POWER AMPLIFIERS**

- THREE MODELS:— MXF200 (100w + 100w)
- MXF400 (200w + 200w) MXF600 (300w + 300w)

All power ratings R.M.S. into 4 ohms.

**FEATURES:** \* Independent power supplies with two Toroidal Transformers \* Twin L.E.D. Vu meters \* Rotary indented level controls \* Illuminated on/off switch \* XLR connectors \* Standard 775mV inputs \* Open and short circuit proof \* Latest Mos-Fets for stress free power delivery into virtually any load \* High slew rate \* Very low distortion \* Aluminium cases \* MXF600 Fan Cooled with D.C. Loudspeaker and Thermal Protection.

USED THE WORLD OVER IN CLUBS, PUBS, CINEMAS, DISCOS ETC.

- SIZES:— MXF 200 W19" x H3 1/2" (2U) x D11"
- MXF 400 W19" x H5 1/4" (3U) x D12"
- MXF 600 W19" x H5 1/4" (3U) x D13"

- MXF200 £171.35
- MXF400 £228.85
- MXF600 £322.00

SECURICOR DELIVERY £12.00 EACH

**OMP LINNET LOUDSPEAKERS**



THE VERY BEST IN QUALITY AND VALUE

MADE ESPECIALLY TO SUIT TODAY'S NEED FOR COMPACTNESS WITH HIGH OUTPUT SOUND LEVELS. FINISHED IN HARDWEARING BLACK VINYL WITH PROTECTIVE CORNERS, GRILLE AND CARRYING HANDLE. INCORPORATES 12" DRIVER PLUS HIGH FREQ. HORN FOR FULL FREQ. RANGE: 45Hz-20KHz BOTH MODELS 8 OHM, SIZE H16" x W15" x D12".

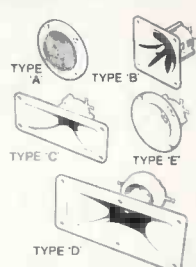
CHOICE OF TWO MODELS

- OMP 12-100 (100W 100dB) PRICE £159.99 PER PAIR
- OMP 12-200 (200W 102dB) PRICE £209.99 PER PAIR

SECURICOR DEL.:— £12.00 PER PAIR

**PIEZO ELECTRIC TWEETERS-MOTOROLA**

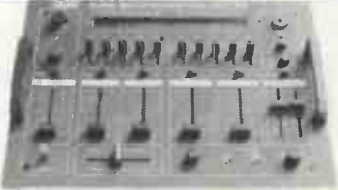
**PIEZO ELECTRIC TWEETERS — MOTOROLA**  
Join the Piezo revolution. The low dynamic mass (no voice coil) of a Piezo tweeter produces an improved transient response with a lower distortion level than ordinary dynamic tweeters. As a crossover is not required these units can be added to existing speaker systems of up to 100 watts (more if 2 put in series). FREE EXPLANATORY LEAFLETS SUPPLIED WITH EACH TWEETER.



**TYPE 'A'** (KSN2036A) 3" round with protective wire mesh, ideal for bookshelf and medium sized Hi-Fi speakers. Price £4.90 each + 50p P&P.  
**TYPE 'B'** (KSN1005A) 3 1/2" super horn. For general purpose speakers, disco and P.A. systems etc. Price £5.00 each + 50p P&P.  
**TYPE 'C'** (KSN6016A) 2" x 5" wide dispersion horn. For quality Hi-Fi systems and quality discos etc. Price £6.99 each + 50p P&P.  
**TYPE 'D'** (KSN1025A) 2" x 6" wide dispersion horn. Upper frequency response retained extending down to mid range (2KHz). Suitable for high quality Hi-Fi systems and quality discos. Price £9.99 each + 50p P&P.  
**TYPE 'E'** (KSN1038A) 3 3/4" horn tweeter with attractive silver finish trim. Suitable for Hi-Fi monitor systems etc. Price £5.99 each + 50p P&P.  
**LEVEL CONTROL** Combines on a recessed mounting plate, level control and cabinet input jack socket. 85x85mm. Price £3.99 + 50p P&P.

**STEREO DISCO MIXER**

**STEREO DISCO MIXER** with 2 x 5 band L & R graphic equalisers and twin 10 segment L.E.D. Vu Meters. Many outstanding features 5 inputs with individual faders providing a useful combination of the following:—  
3 Turntables (Mag). 3 Mics. 4 Line including CD plus Mic with talk over switch Headphone Monitor. Pan Pot L. & R. Master Output controls. Output 775mV. Size 360x280x90mm. Supply 220-240V.  
Price £134.99 — £4.00 P&P



**B. K. ELECTRONICS** Dept PE

UNIT 5, COMET WAY, SOUTHEND-ON-SEA, ESSEX. SS2 6TR  
TEL: 0702-527572 FAX: 0702-420243

