

PRACTICAL

JUNE 1988 · £1.25

ELECTRONICS

SCIENCE & TECHNOLOGY

MEASURING
TIME AND
FREQUENCY

BUILD A
32 CHANNEL
VOICE SCRAMBLER

WIN A
Z88
COMPUTER!



THE SCIENCE MAGAZINE FOR SERIOUS ELECTRONICS AND COMPUTER ENTHUSIASTS

TWO GREAT HOBBIES

ONLY
£124.50
INC VAT



...IN ONE GREAT KIT!

The K5000 Metal Detector Kit combines the challenge of DIY Electronics assembly with the reward and excitement of discovering Britain's buried past.

THE KIT — simplified assembly techniques require little technical knowledge and no complex electronic test equipment. All stages of assembly covered in a detailed 36 page manual.

THE DETECTOR — features Analytical Discrimination & Ground Exclusion, backed by the proven pedigree of C-Scope, Europe's leading detector manufacturer.

Ask at your local Hobby/Electronics shop or contact:—

CSCOPE

C-Scope International Ltd., Dept. PE
Wotton Road, Ashford, Kent TN23 2LN.
Telephone: 0233 29181.

COMPETITION

FANCY WINNING SIR CLIVE'S LATEST COMPUTER? 31
 The new Z88 could be yours if you correctly answer a few easy questions — and you'll see that Ed's been helpful.



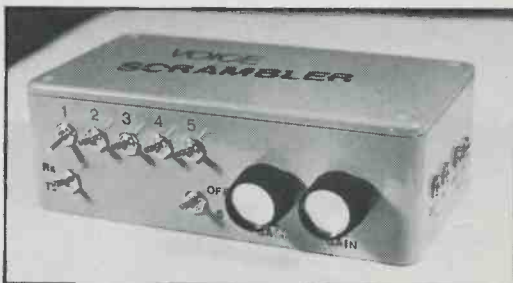
CONSTRUCTIONAL PROJECTS

32-CHANNEL VOICE SCRAMBLER by Malcolm Harvey 12
 PE offers thirty two ways to exercise your civilised rights to free speech and privacy.

MAINS MODEM by Mike Meakin 35
 Mains wiring is ideal for computer data transmission with the aid of a purpose designed chip.

SEMICONDUCTORS — PART SEVEN by Andrew Armstrong 49
 This month Andrew puts theory into practice by describing a practical power amplifier using mosfets.

AMSTRAD ROM EXPANSION by Simon Dean 54
 Further enhance the capabilities of your Amstrad CPC computer by adding six external roms.



SPECIAL FEATURES

TIME AND MEASUREMENT — PART ONE
 by Anthony H. Smith 20

Since the dawn of civilisation man has found increasingly sophisticated ways of measuring time, from the shadow of a stick, to the universal counter timer.

DAT'S PROGRESS by Wayne Green 26

Fresh from the Presidential campaign the renowned US publisher and author takes a realistic look at how dat and cd video are coming along.

THE INTELLIGENT WAY AHEAD by Sir Clive Sinclair 30

Sir Clive is well known for his creative views of our technological future and warns that though the path may hold RISC we should dominate the silicon road.

BREAKING THE CODES by Robert Penfold 42

Chip manufacturers are keen to publicise their wares, but their prefix codes often remain anonymous.

REGULAR FEATURES

EDITORIAL by John Becker — Educational cooperation 9

LEADING EDGE by Barry Fox — Zapping stun guns 8

SPACEWATCH by Dr. Patrick Moore — The Moon rescheduled 46

INDUSTRY NOTEBOOK by Tom Ivall — Peripheral technologies ... 57

READERS' LETTERS — plus some AF feedback and a few answers . 40

POINTS ARISING 55

MARKETPLACE — what's new, where and when 4

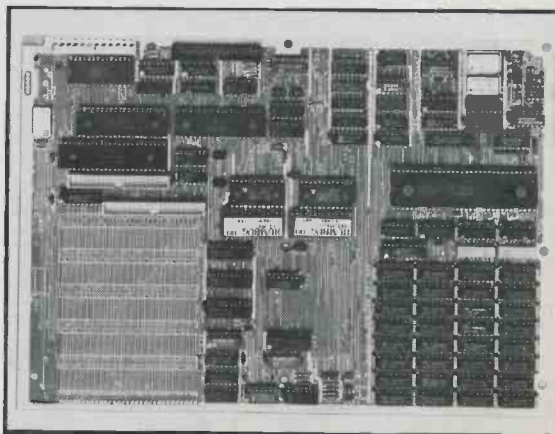
ARMCHAIR BOOKSHOP — books to increase your knowledge 61

BOOKMARK — reviews of newly published books 28

PCB SERVICE — professional PCBs for PE projects 60

TRACK CENTRE — the PCB track layout page 32

BAZAAR — Readers' FREE advertising service 25



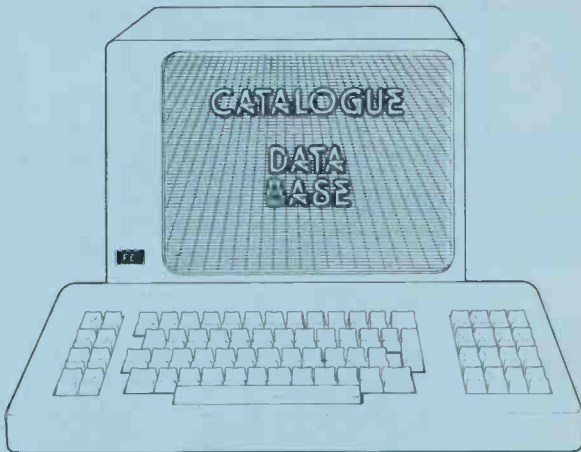
NEXT MONTH . . .

WE INVESTIGATE THE MYSTERIES OF —
METAL DETECTION • BATTERY TO MAINS CONVERSION • CD SYSTEMS • ELIMINATING THE VOCALIST • PLUS OUR USUAL WELL RESEARCHED TOP LINE FEATURES •

YOU WON'T NEED TO HIRE SHERLOCK IF YOU ORDER YOUR COPY OF THE PE JULY 1988 ISSUE ON SALE FROM FRIDAY JUNE 3RD

THE SCIENCE MAGAZINE FOR SERIOUS ELECTRONICS ENTHUSIASTS

WHAT'S NEW



We have recently received the following catalogues and literature:

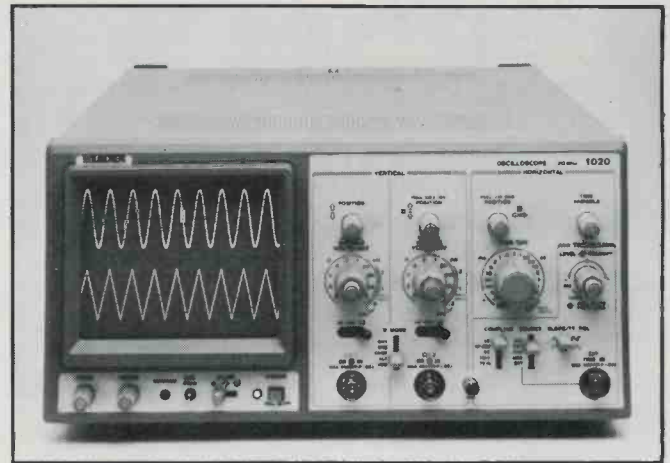
Pops Electronics wholesale catalogue of electronic hardware is available free to anyone in the trade looking for a good supplier. **Pops Electronic Components Ltd**, Studio D, unit 9A, Atlas Village, Oxgate Lane, London NW2 7HU. 01-450 4688/9.

Megger Instruments shortform catalogue shows their full range of test equipment ranging from continuity testers to temperature probes. **Megger Instruments Ltd**, Archcliffe Road, Dover, Kent, CT17 9EN. 0304 202620.

Computationics have sent their brochure on Nursecall 800 equipment that is specially designed to answer the need for an economic and reliable call system for use in hospitals, and nursing homes etc. They have also sent their security and fire equipment catalogue and price list. **Computationics Ltd**, Stephen's Way, Goose Green, Wigan, Lancs, WN3 6PH. 0942 322744.

PE ADVERTISERS — some of you seem to be overlooking this shop window — why not send a copy of your catalogue for mention in this column?

**GOT A CATALOGUE?
THEN SOCKET TO THEM
WITH A PLUG IN PE**



Low Cost Dual Scope

Thandar Electronics are pleased to announce the introduction of a 20MHz dual trace general purpose oscilloscope under the Leader brand name, designated the LBO-1020.

It is a 5mV/div, 20MHz (500 Ω /div, 4MHz) portable dual trace oscilloscope with a maximum sweep speed of 50 ns/div (mag \times 10) and 150mm crt with internal graticule.

The major features include an illuminated graticule, a special trigger pick off circuit which ensures synchronisation with composite video signals. Alternate trigger mode allows the stable display of two asynchronous signals plus display modes for CH-1, CH-2, CHOP, ALT, ADD and Polarity CH-2 INVERT plus X-Y operations.

The LBO-1020 is supplied complete with probes at a price of £315.00 + VAT.

Contact: Thandar Electronics Ltd., London Road, St. Ives, Huntingdon, Cambs PE17 4HJ. Tel: 0480 64646

Weather Imaging

Mitsubishi of Japan has recently developed a weather image information displaying system for All Nippon Airways (ANA).

The system automatically collects image information on weather conditions from a weather satellite, weather radars and weather maps, and displays any of these on terminal screens installed 30 airports served regularly throughout the country by ANA. It provides accurate weather information to pilots promptly, ensuring safe and comfortable flights for passengers.

It consists of a main control system in Tokyo, a collection/delivery system in Osaka and in Fukuoka, and 38 terminal

systems installed at the 30 airports.

Delivery of information is done automatically via telephone circuits to save labour while transmission during the night can also slash cost. The use of phone lines facilitates future addition of terminals either in Japan or abroad.

The terminal is equipped with a mouse to enable the operator to use the machine easily, without any special training, by following instructions on the screen.



Orion Rises

A microprocessor development system that not only speeds up debugging, but lets you watch the enhanced process, has been launched by Megger Instruments.

The Orion 8620 is one of a series of major no-compromise computer integrated instrumentation announcements expected over the next few months from Megger. The new system has a high speed parallel interface; advanced bus analyser and 2730 bus cycle trace buffer, which together make possible its unique InSight feature.

InSight allows the user to watch the debugging program in real time as it blends analyser and emulator techniques. The continuous monitoring capability covers I/O lines, ports and user defined memory windows. The fast interface also speeds data throughput.

Contact: Megger Instruments Limited, Archcliffe Road, Dover, Kent. Tel: 0304 202620

More Red Tape?

During a recent session of the European Parliament the music industry witnessed a post-ponement in its campaign for Europe-wide private copying royalties on blank tapes and equipment.

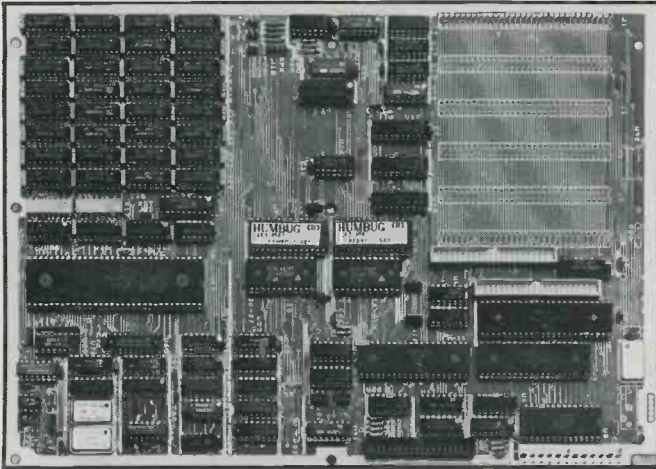
An impressive blueprint for the increased teaching, promotion and dissemination of music in the European Community was outlined. The report proposed that the Community's priorities should include tax incentives for cultural initiatives and included a controversial clause calling for private copying royalties to be levied on blank tapes and hardware for the benefit of copyright owners. The clause was supported by several political parties though some individual delegates expressed objections which contained considerable ground for optimism for the music industry.

The Commission will intensify its efforts to combat audiovisual

piracy in defence of the interests of the recording industry in Member States. Referring to what was described as the "highly explosive problem of private copying", the Commissioner said he recognised the arguments, put forward by MEPs on behalf of the consumers, but stressed that there are also other equally valid arguments regarding the interests of the authors and of the EC phonographic industry which have to be thoroughly taken into account.

In the light of the blueprint outline, and in anticipation of the Commission's forthcoming Green Paper, the clause on private copying was not adopted, and it was suggested that further discussion should be postponed until the Parliament could benefit from the information and proposals shortly to be published by the Commission.

Contact: IFPI Secretariat, 54 Regent Street, London W1R 5PJ.



Computer Kit

Micro concepts have introduced a single board computer which is available in kit form.

The PT68K-2 designed around the powerful Motorola MC68000 microprocessor and the board provides exceptional performance at very modest cost with the user adding only those additional facilities required.

A unique feature of the PT8K-2 is in the implementation of an IBM PC/XT compatible i/o bus for low cost system expansion.

On board memory consists of 1024K of no wait state dynamic ram which can be populated 512K at a time using low cost devices. A floppy disc controller supports up to four drives which may be either 5.25 or 3.5 inch types. The PT68K-2 also supports two types of Winchester hard-disk controller.

Four serial RS232 ports are provided each of which has software programmable baud

rates and data format. Two 8 bit parallel input/output ports with interlocked handshake lines are available for control purposes or may be used to drive Centronics type printers.

A battery backed real-time clock, programmable sound source and 4K of static ram completes the list of on board facilities.

A basic kit of components, which build into a minimum configuration 6800 computer board is priced as £295 plus VAT. Included are a high quality silk screened pcb measuring 12 by 8.5 inches, 8Mhz cpu, two RS232 serial ports, 4K static ram, debug monitor and all support components. Documentation for expanding to a full system is supplied including full circuit diagrams and parts lists.

Contact: Micro Concepts,
2 Stephens Road, Cheltenham,
Glos. GL51 5AA.
Tel: 0242-510525

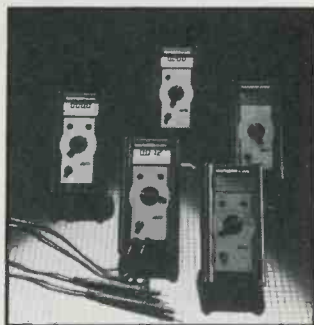
Pineapple Update

Pineapple has recently updated its popular PCB printed circuit drafting program and, as well as many improvements in the standard rom, there is now a second rom available which gives the program full automatic track routing capabilities.

The autorouting option is available to work with its full features even on a standard unexpanded BBC micro, and the success rate of the autorouting is very high, equivalent to, if not better than, similar programs running on IBMs at many times the price, say Pineapple.

The autorouting update is available to registered PCB owners at £55.00.

Contact: Pineapple Software,
39, Brownlea Gardens, Seven
Kings, Ilford, Essex IG3 9NL.
Tel: 01-599 1476.



Advancing AVO

The world's first range of high-resolution dynamic pointer analogue/digital multimeters, the AVO M2000 Series, is available from STC Instrument Services.

Until now instruments featuring both digital and analogue readings have offered only a limited analogue capability which has normally been in bar form. This series offers a dynamic response analogue display with high resolution which provides

an accurate measurement of a particular value plus a clear indication of its variations.

Comprising five hand-held instruments, the series features autorange, range hold, data hold and peak hold facilities; analogue lcd scales with 70 divisions; integral probe holders; good frequency response; and true rms measurement.

Encased in a highly rugged rubber buffer, these instruments offer accuracy extending from $\pm 0.7\%$ for the M2004 to $\pm 0.1\%$ for the M2007 and M2008 with an operational voltage range from 300mV to 1000V.

Contact: STC Instrument
Services, Dewar House,
Central Road, Harlow, Essex
CM20 2TA. Tel: 0279 641641



COUNTDOWN

If you are organising any event with electronics, big or small, drop us a line - we shall be glad to include it here.

NOTE: Some events listed here may be trade or restricted category only. Also, we cannot guarantee information accuracy, so check details with the organisers before setting out.

May 12-14. Compfest 88 - National Computer Festival. Telford Exhibition Centre. 0952 505522.

May 18-19. Laboratory Manchester. New Century hall, Manchester. 0799 26699.

May 18-20. ShowTech 88 Berlin. International trade fair and congress - entertainment technology. Berlin exhibition ground.

May 22. Swindon & District Amateur Radio Club annual rally and hobbies fair, including display support by the British Science Museum, helicopter trips, and a steam engine rally. It looks like an excellent day's outing at Wroughton Airfield, Nr Swindon, Wilts. 0666 89307.

May 24-26. Computer North. G-Mex Exhibition Centre. Manchester.

Jun 8-9. Infrared Technology. Wembley Conference Centre. 0799 26699.

Jun 26. Radio Society of Great Britain mobile rally. Longleat. (No CBs!). 0272 848140.

Sep 6-8. Coil Winding. Wembley Conference Centre. 0799 26699.

Sep 8-12. Sim-Hifi-Ives. International video and consumer electronics show. Milan. 02-4815541.

Sep 14-18. PCW Show, Earls Court. 01-636 3205.

Sep 27-30. DES. Design Engineering Show. National Exhibition Centre. Birmingham.

Oct 18-20. Internecon. Electronic Packaging Show. Metropole Convention Centre, Brighton.

Nov 1-3. Custom Electronics & Design Techniques Show. Heathrow Penta. 0799 26699.

Nov 29-Dec 1. DMC-PC. Drives, motors, programmable controllers etc. National Exhibition Centre, Birmingham. 0799 26699.

Citizens Banned?

No, it's not citizens who are to be banned from the RSGB's Longleat mobile rally in June, it's their cb radios!

The Radio Society of Great Britain are holding their rally on Sunday 26th June 1988 and extend a warm welcome for anyone and everyone to attend. If past years are anything to go by, it should be a good day's outing. The rally starts at 10.00 a.m. Longleat Park is near Warminster in Wiltshire.

Further information is available from Brian Goddard, the Chairman of the Bristol RSGB, 2 Greenfield Park, Portishead, Bristol, BS20 88NQ. Tel: 0272 848140.



Speedy Stripper

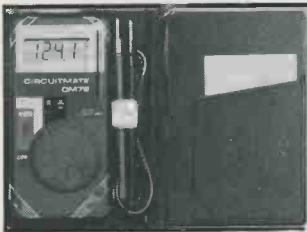
An indispensable item for any tool box whether it be that of the electronics engineer or the DIY enthusiast is a gadget that makes wire stripping fast and simple.

Ceka's new adjustable precision wire stripper, type number 3756, is a professional quality tool that can cater for diameters of 0.25mm to 0.8mm which are selected by simply turning a clearly marked adjustment wheel.

Lightweight in construction, the stripper has specially hardened blades to ensure long life and efficient stripping of both PVC and Teflon coated wires.

Fast to operate, simply set the adjustment wheel to the wire size, pass the wire through the holes, squeeze the handles and withdraw it. An adjustable length marked in 5mm graduations ensures accuracy. It costs just £25.50.

Contact: Ceka Works Limited, Pwllheli, Gwynedd, North Wales. LL53 5LH. Tel: 0758 612254



Mini Measure

A miniature autoranging digital multimeter, small enough to slip into a shirt pocket, has been introduced by Beckman Industrial at a price of only £24.50 plus VAT.

Designated the DM78, the 3.5 digit meter has five functions which can measure up to 250 volts ac in four ranges, 250 volts dc in five ranges, 20Megohm in six ranges, and check diodes and continuity with an audible beeper.

The autorange feature automatically sets the optimum measuring range to simplify operation and avoid overloads. Measured values are easy to read on the $\frac{3}{8}$ in high display.

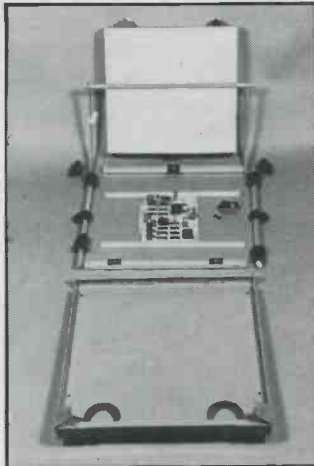
Measuring only $4.25 \times 2.13 \times 0.40$ in, the meter is supplied in a neat wallet together with the test leads.

PCB Frame-up

Wybar Electronics have announced the availability off a complete spare parts facility for their WY series printed circuit board assembly holders.

Spare parts as diverse as complete lid assemblies with anti-static or conductive foam to springs and ball bearings from the moving rails are stocked, as well as a range of five sizes of complete units to suit most printed circuit boards.

Contact: Wybar Electronics, Unit M, Portway Industrial Estate, Andover SP10 3LU. Tel: 0264 51347/8.



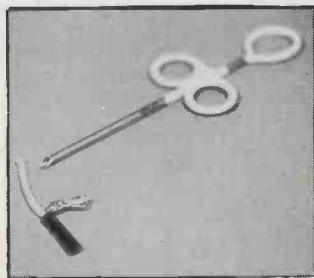
Strip Coax

Rush Wire Strippers have introduced a new range of lead extractors which eject the lead wire of shielded and coaxial cable through the braided shield.

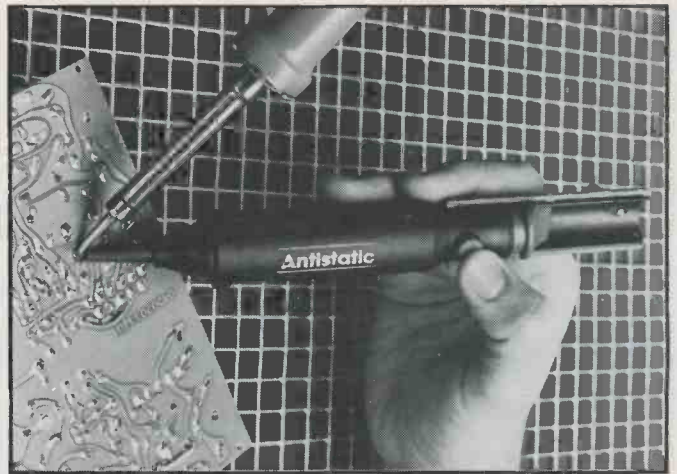
The action of the tool is similar to a hypodermic needle — the sharp tip of the blade penetrates the braided shield and the plunger ejects the lead wire through the braid wall. This eliminates intensive unpicking and pigtailing of the braid which is left intact for neat soldering or other operations.

The extractors are available for inner lead wires up to 3.3 mm diameter.

Contact: Rush Wire Strippers, Unit M, Hunting Gate, Andover, Hants. SP10 3LU. Tel: 0264 51347



Contact: Beckman Industrial Ltd, Temple House, 43-48 New Street, Birmingham B2 4LJ. Tel: 021-643 8899



Suck it and see

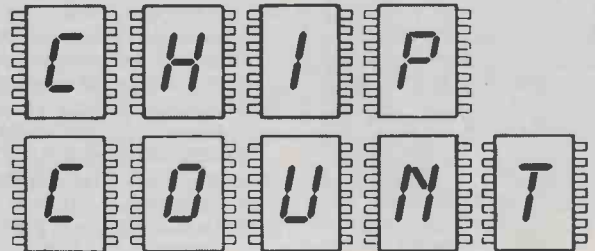
A must for everyone involved in the precise application of solder is a tool for the efficient removal of it. Added to Ceka's range of specialist tools electronics is a new antistatic desoldering pump which features a variable spring action suction pump.

The suction power is varied by simply unthreading the nozzle of the pump and turning the spring to either the 'soft' or 'strong' suction position, which provides a strong, but muffled and recoilless suction.

The desoldering pump, which is made from black antistatic nylon glass plastic, clears solder through a heat resisting and non-stick carbon fibre tip upon reloading.

Manufactured to a professional pattern and quality, Ceka's desoldering pump type 6103 is supplied in individual wallets with full instructions for use and maintenance and costs a very reasonable £11.00.

Contact: Ceka Works Limited, Pwllheli, Gwynedd, North Wales LL53 5LH. Tel: 0758 612254.



MVA1000. Video amplifier giving excellent performance over video bandwidth of 0-10MHz, but also offering very functional performance up to 30MHz. (MC).

RQT100G. Toko pico delay line chips. Two versions — 2ns and 5ns respectively with 10 taps. Delay per tap is 200ps and 500ps. (CK).

SCB68155. 68000 systems interrupt handler reducing component count and simplifying circuit design. (ML).

TP1465. Extremely fast fet input, vmos output opamp operating from $\pm 15V$ to $\pm 40V$ at currents up to 750mA. (MC).

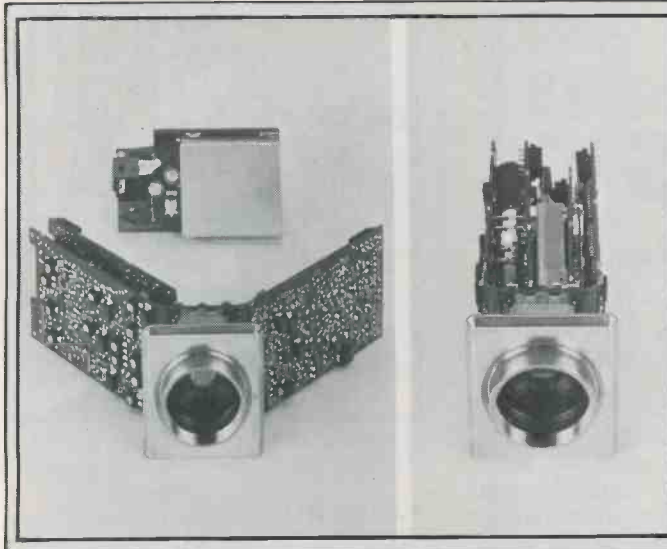
TSA6057. Phase locked loop frequency synthesiser providing ultra-stable reference for digital car radios. (ML).

Manufacturers, and contact telephone numbers:

(CK) Cirkit Distribution, Park Lane, Broxbourne, Herts, EN10 7NQ. 0992 464457.

(MC) MCP Electronics, 26-32 Rosemont Road, Alpertton, Wembley, Middx. HA0 4QY. 01 902 6146.

(ML) Mullard Ltd, Mullard House, Torrington Place, London WC1E 7HD. 01 580 6633.



Easy CCD Imaging

Mullard have announced a sub-assembly based on their ccd image sensors and requiring only a chassis and lens to form a complete black-and-white video camera for use in machine vision, surveillance and similar applications. This is the first video camera sub-assembly incorporating a Philips solid-state image sensor on the market.

The unit consists of a solid-state image sensor (ssis), and all the necessary drive, pre-processing, and power-supply circuits. There are two basic versions for 525-line or 625-line TV systems meeting EIA or CCIR standards; these are both available in three different sensor quality grades. By simply

adding a lens housing, cabling and connecting the unit to a computer or monitors, a user has the basic hardware for machine vision system.

The sensor used in the unit has an image area of 6.0 by 5.4 mm. It works down to an ambient light level of 1 lux, the light condition at twilight. All electronic circuitry is supplied on a flex-rigid printed-circuit board which may be folded depending upon the application. Advanced surface mounting techniques allow the size of the sub-assembly to be just 89 by 40 by 45 mm with the pcb folded.

Contact: Mullard Ltd, Mullard House, Torrington Place, London WC1E 7HD. Tel: 01-580 6633

RCB Adaptor Plug

STC Electronic Services has introduced the new MK Safeguard RCB adaptor plug to complement its MK Sentrysocket range.

Designed to provide immediate mobile earth fault protection by simple insertion into a standard 13A socket, the adaptor features sleeved pins, double pole isolation and a

patented safety shutter on live and neutral.

As an added safety facility, the SafeGuard will trip-off if it is removed from the socket or if the power supply is cut. More importantly, it will not automatically restore power to dangerous tools etc following an interruption until the reset button is manually operated.

The adaptor operates with a

30mA trip current, is fitted with a test button to ensure satisfactory function and features a mechanical indicator for maximum safety. If necessary, two units may be fitted into a twin 13A socket outlet.

Contact: The Tool Group, STC Electronic Services, Edinburgh Way, Harlow, Essex CM20 2DF. Tel: 0279 626777

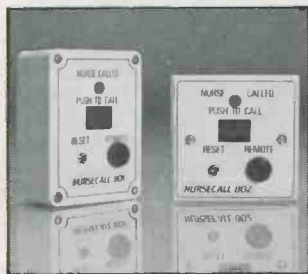
Eureka HDTV

The Department of Trade and Industry, have announced that they will be providing £2.5 million financial support for BBC and participation in a major Eureka collaborative project to develop a high definition television (hdtv) system.

The UK broadcasters will be playing an important role in the first major demonstration of the Eureka hdtv transmission and reception system, planned to take place in September 1988.

Further demonstrations will take place in 1989, with the objective of having the Eureka system adopted as a world standard by the CCIR (the international radio standards body) in 1990.

The aim of the Eureka hdtv project, which involves some 30 European industrial companies, broadcasters and research institutes, is to define a standard for hdtv which is compatible with the mac (multiplexed analogue components) transmission system being introduced for direct broadcasting by satellite (dbs) services in Europe.



Nursecall

A unique patient-nurse call system is available from Computationics. Nursecall 800 has been designed to answer the need for an economically priced and reliable call system with the flexibility to answer the needs of different residential properties.

Computationics approach has been to design the call system with the electronics placed in the call points, so simplifying the

control panels and the interconnecting wiring.

To call for help the patient pushes a button or pulls a cord. A light comes on to show the call has got through, and if required, a light can come on over the patient's door, and audible warning devices sounded. At one or more control panels a beeper calls for attention and an indicator lights to say which room is calling. When the attendant goes to the room a small reset key is used to cancel the call.

Other versions are available with extended facilities, and Computationics also have a new fire alarm control panel available at a competitive price.

Contact: Computationics, Stephen's Way, Goose Green, Wigan, WN3 6PH. Tel: 0942 42444.

Red Alert Home Security

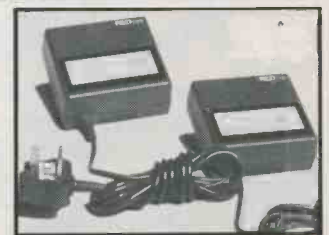
A new six page full colour brochure is now available from General Information Systems explaining the benefits and applications of their Red Alert home security and alarm system. It also provides information on the increase in domestic burglary and why it is necessary for home owners to protect their properties.

Red Alert does not require any additional wiring since it utilises the existing domestic circuitry. The modules, or Red Boxes, plug into 13 amp sockets and communicate with each other via the ring main. At around £150, the starter pack contains the control unit, Red Alert, which has a 105 decibel alarm and a key to 'arm' and 'disarm' the system plus two RedTwo devices. These are wide angle infra-red sensors which can detect an intruder up to 16 feet away.

Once armed, if a Red Two senses movement, the alarm will sound within 40 seconds. The system can only be deactivated with a key and, should the power supply be cut, Red Alert's battery will take over and the alarm sound within two seconds.

(Your Ed wonders: What happens in the event of a normal power failure?)

Red Alert was nominated for a 1987 award under the Electrical



Products magazine annual scheme for outstanding electrical products. It also complies with the new BSI (Band C) regulation for mains bearing products for home automation.

Full details and technical specification are included in the brochure which is available free by writing to CFPR Ltd., 148 Temple Chambers, Temple Avenue, London EC4Y0DT. Tel: 01-583 2444.



ZAPPING STUN GUNS

By Barry Fox
— Winner of the 1987 UK Technology Press Award

Electronic stun-guns have been banned in the UK — after they proved popular with muggers. More good news: your compact discs won't be going 'laser-proof' despite the experiences of video-disc owners.

Shops and mail order firms have been openly selling electric stun guns. They boast in their adverts that these guns — costing around £50 — can “temporarily freeze the nervous system” and “stun and immobilise for up to 15 minutes”.

Although stun guns are advertised as offering personal protection against muggers, inevitably criminals have started using them. A youth in Biggin Hill, Kent, was robbed by muggers armed with stun guns. They used it on his head and body. The charge went through his clothing.

Until recently retailers could get away with selling what is clearly an offensive weapon because of a loophole in the Firearms Act. Section 5 of the 1968 Firearms Act lists prohibited weapons, such as noxious gases and liquids, but does not specify electric shock weapons. The police can charge someone for selling or carrying a stun gun, but the lack of any specific mention in the Act leaves the carrier free to argue that the gun was not being offered or carried as an offensive weapon.

The crunch came when a shop prosecuted for selling stun guns, appealed against conviction and won. So selling and possessing stun guns was no longer automatically a criminal offence. Then the police went to the House of Lords, and won a final appeal. So selling and possessing stun guns is now prohibited again. Nevertheless the police, and Home Office, want all holes plugged. They have seen what's happening in America.

In the US, stun guns are readily available. Recently published patents tell how different types work. One looks like a tv remote control. It contains a 9 volt battery, with oscillator and step-up transformer which produces 20 pulses a second at 50 000 volts. These pulses are fed to two metal studs at the front end. When an “on” switch is pressed and the studs pushed against someone's skin, for instance their neck or hand, the high voltage pulse train stuns them into submission.

Another type works on the same principle as gadgets already sold to light the gas or create a stream of ions which discharge static electricity from gramophone records. This stun gun

looks more like a pistol, with a blunt electrode point at the barrel end. Inside the pistol there is a piezoelectric crystal and series of capacitors. When a trigger is pressed, a hydraulic gear mechanism compresses the crystal to generate a surge of electricity which is stored in the capacitors. The harder and more often the trigger is squeezed, the stronger the stored charge. When the pistol is pushed onto the subject's skin, the electrode discharges the capacitors in a jolting shock.

The nastiest type, used by the police in America, shoots barbed arrow electrodes at the victim. These are connected by wires to the voltage source. This allows the user to immobilise someone without getting close to them.

Flushed with success in the Lords, the police recently raided a shop in North London and confiscated 25 stun guns. As a result it is likely that reputable magazines and newspapers will now stop taking mail order adverts.

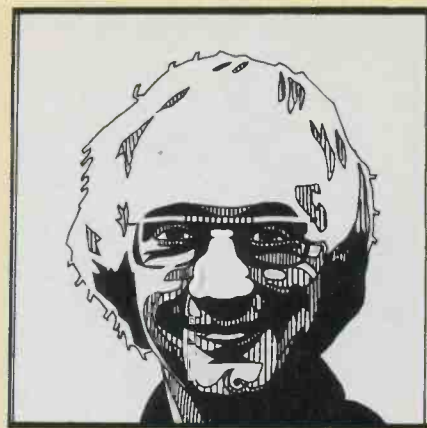
To be on the safe side, the Home Office has been trying to change the Firearms Amendment Bill, while at committee stage in the House of Commons. Section 5 would in future specify that electric shock weapons are “offensive”. This amendment would make it illegal to advertise and sell stun guns as well as carry them.

It would need the personal authority of the Home Secretary to own a stun gun. Not even the police can give permission. Anyone without a licence will be liable to a five year jail sentence and unlimited fine for possessing an offensive weapon. “And no individual holds any such licence”, says the Home Office darkly — which for anyone who has suffered a 50,000 volt belt will come as welcome news.

When researching this story I spoke with a doctor who works as a police surgeon. “I am horrified,” she said, “they could kill someone with a heart condition.” I then asked the British Medical Association what they thought.

“We do not yet have a policy on stun guns,” said the BMA, “but then there are lots of things on which we do not have a policy.”

Some months ago, before the current publicity, PE was offered a stun gun as



a constructional project. We rejected it outright. Ed.

LASER ROT

The videodisc industry blushes, and looks the other way, when asked about “laser rot”. A few years ago there were substantiated reports of videodiscs becoming unplayable after a few months use. This was caused by air getting through to the aluminium layer which reflects the laser light. Once air gets to aluminium, it oxidises (rusts) and stops reflecting, so the disc can no longer play.

Happily the laser rot problem seems to have been solved. Disc manufacturers have tightened up on their production processes. They found that the glues used to secure the two halves of double-side videodisc together were the main culprits. Research has shown which glues to use and which to avoid.

Compact disc audio records are single-sided and need no glues. There have been no reports of “rotting” discs. But critics of cd still cast doubt on their long term life. As many people know from experience, clear plastic material can get cloudy and brittle when exposed to light, especially sunlight. The Philips DuPont optical joint venture, and Polygram, press more cds than anyone else in the world. They were recently quizzed on disc life. The answer was very reassuring.

Cds are pressed from a clear plastic called polycarbonate. The way to make it opaque would be to alter the chemical structure and make it “crystalline”. Not possible under normal conditions, says PDO. You have to heat it to a temperature of above 190 degrees Celcius, which is far above its melting point. By that time the disc is useless anyway. PDO says that firms supplying raw polycarbonate have over 20 years of experience to confirm this.

During the 15 years PDO and Polygram have been pressing laser discs, first video then audio, they have run severe tests on videodiscs and compact discs using temperatures of up to 85 degrees Centigrade, air humidities of up to 100% and ultra violet radiation.

And they found no problems. Says PDO: the risk of crystallisation, and the disc becoming opaque, “can be excluded completely”. PE

Editor:

John Becker

Sub-Editor:

Helen Armstrong

Technical Illustrator:

Derek Gooding

Advertisement Sales:

Sarah Holtham

Business Manager:

Mary-Ann Hubers

Circulation:

David Hewett

Publisher:

Angelo Zgorelec

Editorial and Advertising Address:

Practical Electronics,
Intra House, 193 Uxbridge Road,
London W12 9RA
Tel: 01-743 8888
Telecom Gold: 87: SQQ567

Advertisements

All correspondence relating to advertisements, including classified ads, should be addressed to: **The advertisement department, Practical Electronics, at the above address and telephone number.**

Readers' Enquiries

All editorial correspondence should be addressed to the editor and any letters requiring a reply should be accompanied by a stamped addressed envelope, or equivalent payment.

We regret that lengthy technical enquiries cannot be answered over the phone.

Subscription Address:

Practical Electronics, Subscription Dept., P.O. Box 500, Leicester LE99 0AA

Annual Subscription Rates:

U.K. £15.00 Overseas £18.00

Students: Deduct £1 and quote student number.

Cover Illustration:

Mark Taylor.

© Intra Press 1988. Copyright in all drawings, photographs and articles published in PRACTICAL ELECTRONICS is fully protected, and reproduction or imitations in whole or part are expressly forbidden. All reasonable precautions are taken by PRACTICAL ELECTRONICS to ensure that the advice and data given to readers is reliable. We cannot, however, guarantee it, and we cannot accept legal responsibility for it. Prices quoted are those current as we go to press. All material is accepted for publication on the express understanding that the contributor has the authority to permit us to do so.

EDUCATIONAL COOPERATION



A Government White Paper recently published acknowledges that the competitiveness of industry depends especially on the ability to harness energy, intelligence and enterprise amongst the young. The DTI, who published the document, are intent on bridging the historical divide between business and education by encouraging young people to work in industry and commerce, to bring greater relevance to their education and to prepare them better for working life.

The DTI states that it will work to further encourage employers to develop good links with schools, in particular by introducing employers to those who can help them become actively involved in education. Already there are many instances of schools and employers working successfully together supported and financed by Government and existing agencies. A pilot network of City Technology Colleges, sponsored by business and the Department of Education and Science is to directly involve employers in the management of secondary education to create a new kind of partnership. Curriculum reform, new exams and the Technical and Vocational Education Initiative are also helping young people to relate classroom learning to the world of work.

Taking this process further the Government will, in cooperation with employers, work towards achieving three main objectives — that every year ten per cent of teachers should have the opportunity to gain personal experience of the business world; that every young person should have at least two weeks work experience, suited to their abilities and needs, before leaving school; that every trainee teacher should gain an appreciation of employers' needs and of the importance of the links between schools and employers.

The DTI also wish to ensure that information technology is used across the curriculum in conjunction with education databases. Five million pounds have been made available to support computer aided design, interactive video, and other forms of advanced technology in schools, further education colleges, and teacher training establishments.

It is encouraging to read that the further education sector has shown a growing response to the changing needs of industry and commerce, particularly in relation to the work related education programme of the Manpower Services Commission. Further good news is that, following the success of the previous Industry Year Award for collaboration between industry and education, a further award will be launched this year and that a guide to maximising the benefits of collaboration is being prepared by the DTI.

PE would have welcomed additional information about the DTI's intention towards enabling schools to acquire more science and technology equipment, but at least the report appears to recognise the necessity for ensuring that Britain remains a technologically educated nation.

THE EDITOR

BBC Computer & Econet Referral Centre

AMB15 BBC MASTER £346 (a)		AMB12 BBC MASTER Econet £315 (a)	
AMC06 Turbo (65c - 02) Expansion Module		£99 (b)	
ADC08	512 Processor	£195 (b)	ADJ24 Advanced Ref Manual
ADF14	Rom Cartridge	£13 (b)	ADF10 Econet Module
ADJ22	Rel Manual Part 1	£14 (c)	ADJ23 Rel Manual Part II
			BBC Master Dust Cover
			£475 (d)

BBC MASTER COMPACT
A free packet of ten 3.5" DS discs with each Compact
SYSTEM 1 128K Single 640K Drive and bundled software £385 (a)
SYSTEM 2 System 1 with a 12" H. Res RGB Monitor £469 (a)
SYSTEM 3 System 1 with a 14" Med Res RGB Monitor £599 (a)
Second Drive Kit £99 (c) Extension Cable for ext 5.25" drive £12.50 (d)

View 3.0 User Guide £10 (d)	Viewsheet User Guide £10 (d)
BBC Dust Cover £4.50 (d)	1770 DFS Upgrade for Model B £43.50 (d)
ADFS ROM (for B with 1770 DFS & B Plus) £26 (d)	1 1/2 OS ROM £15 (d)
ACORN Z80 2nd Processor £329 (a)	ACORN 6502 2nd Processor £173 (b)
MULTIFORM Z80 2nd Processor £289 (b)	ACORN IEEE Interface £269 (a)
TORCH Z80 2nd Processor ZEP 100	£229 (a)
TZPD 240. ZEP 100 with Technomatic PD800P dual drive with built-in monitor stand	£439 (a)

META Version III - The only package available in the micro market that will assemble 27 different processors at the price offered. Supplied on two 16K roms and two discs and fully compatible with all BBC models. Please phone for comprehensive leaflet **£145 (b)**.

We stock the full range of ACORN hardware and firmware and a very wide range of other peripherals for the BBC. For detailed specifications and pricing please send for our leaflet.

PRINTERS & PLOTTERS

EPSON	STAR NL10 (Parallel Interface)	£209 (a)
EPSON LX86	STAR NL10 (Serial Interface)	£279 (a)
Optional Tractor Feed LX80/86	STAR Power Type	£229 (a)
Sheet Feeder LX80/86		£329 (a)
FX800		£319 (a)
FX1000		£449 (a)
EX800		£409 (a)
LQ800 (80 col)		£439 (a)
LQ1000		£589 (a)
TAXAN		
KP815 (160 cps)		£249 (a)
KP915 (180 cps)		£369 (a)
JUKI		
6100 (Daisy Wheel)		£259 (a)
NATIONAL PANASONIC		
KX P1080 (80 col)		£149 (a)

PRINTER ACCESSORIES

We hold a wide range of printer attachments (sheet feeders, tractor feeds etc) in stock. Serial, parallel, IEEE and other interfaces also available. Ribbons available for all above plotters. Pens with a variety of tips and colours also available. Please phone for details and prices.
Plain Fanfold Paper with extra fine perforation (Clean Edge):
2000 sheets 9.5" x 11" £13 (b) 2000 sheets 14.5" x 11" £18.50 (b)
Labels per 1000s: Single Row 3" x 1 7/16" £5.25 (d) Triple Row 2-7/16" x 1 7/16" £5.00 (d)

MODEMS

All modems carry a full BT approval

MIRACLE TECHNOLOGY WS Range

WS4000 V21/23 (Hayes Compatible, Intelligent, Auto Dial/Auto Answer) £149 (b)

WS3000 V21/23 Professional As WS4000 and with BELL standards and battery back up for memory £245 (b)

WS3000 V22 Professional As WS3000 V21/23 but with 1200 baud full duplex £450 (a)

WS3000 V22 bis Professional As V22 and 2400 baud full duplex £595 (a)

WS3022 V22 Professional As WS3000 but with only 1200/1200 £350 (a)

WS3024 V22 Professional As WS3000 but with only 2400/2400 £450 (b)

WS2000 V21/V23 Manual Modem £95 (b)

DATA Cable for WS series/PC or XT £10 (d)

DATATALK Comms Package
* If purchased with any of the above modems * £70 (c)

PACE Nightingale Modem V21/V23 Manual £75 (b)
(Offer limited to current stocks)

SOFTY II

This low cost intelligent eprom programmer can program 2716, 2516, 2532, 2732, and with an adaptor, 2564 and 2764. Displays 512 byte page on TV - has a serial and parallel I/O routines. Can be used as an emulator, cassette interface.
Softy II £195.00 (b)
Adaptor for £276/ £25.00

SPECIAL OFFER

2764-25 £3.00 (d);
27128-25 £5.00 (d);
6264LP-15 £4.00 (d);

RT256 3 PORT SWITCHOVER SERIAL INTERFACE
3 input/4 output or 1 input/3 output manual channel selection. Input/output baud rates, independently selectable 7 bit/8 bit, odd/even/none parity. Hardware or software handshake. 256K buffer, mains powered. £375 (b)

PB BUFFER
Internal buffer for most Epson printers. Easy to install. Inst. supplied.
PB128 128K £99 (c)

I.D. CONNECTORS

No of ways	(Speedblock Type)		Edge Conn
	Header	Recept	
10	90p	85p	120p
20	145p	125p	195p
26	175p	150p	240p
34	200p	160p	320p
40	220p	190p	340p
50	235p	200p	390p

D CONNECTORS

No of Ways			
9	15	25	37
MALE:			
Ang Pins	120	180	230
Solder	60	85	125
IDC	175	275	325
FEMALE:			
St Pin	100	140	210
Ang Pins	160	210	275
Solder	90	130	195
IDC	195	325	375
St Hood	90	95	100
Screw	130	150	175
Lock			

TEXTTOOL ZIF

SOCKETS	24-pin £7.50
28-pin	£9.10
40-pin	£12.10

DISC DRIVES

5.25" Single Drives 40/50 switchable:	
TS400 400K/640K	£114 (b)
PS400 400K/640K with integral mains power supply	£129 (b)
5.25" Dual Drives 40/80 switchable:	
TD800 800K/1280K	£199 (a)
PD800 800K/1280K with integral mains power supply	£229 (a)
PD800P 800K/1280K with integral mains power supply and monitor stand	£249 (a)
3.5" 80T DS Drives:	
TS351 Single 400K/640K	£99 (b)
PS351 Single 400K/640K with integral mains power supply	£119 (b)
TD352 Dual 800K/1280K	£170 (b)
PD352 Dual 800K/1280K with integral mains power supply	£187 (b)
PD853 Combo Dual 5.25"/3.5" drive with p.s.u.	£229 (a)

3M FLOPPY DISCS

Industry Standard floppy discs with a lifetime guarantee. Discs in packs of 10

5 1/4" Discs		3 1/2" Discs	
40 T SS DD	£10.00 (d)	40 T DS DD	£12.00 (d)
80 T SS DD	£14.50 (d)	80 T DS DD	£15.50 (d)
		80 T SS DD	£20.00 (d)
		80 T DS DD	£25.00 (d)

FLOPPICLENE DRIVEHEAD CLEANING KIT

FLOPPICLENE Disc Head Cleaning Kit with 28 disposable cleaning discs ensures continued optimum performance of the drives. 5 1/4" £12.50 (d) 3 1/2" £14.00 (d)

DRIVE ACCESSORIES

Single Disc Cable £6 (d)	Dual Disc Cable £8.50 (d)
10 Disc Library Case £1.80 (d)	30 x 5 1/2" Disc Storage Box £6 (c)
50 x 5 1/2" Disc Lockable Box £9.00 (c)	100 x 5 1/2" Disc Lockable Box £13 (c)

MONITORS

RGB 14"		MONOCHROME	
1431 Std Res	£179 (a)	TAXAN 12" HI-RES	
1451 Med Res	£225 (a)	KX1201G green screen	£90 (a)
1441 Hi Res	£365 (a)	KX1203A amber screen	£95 (a)
MICROVITEC 14" RGB/PAL/Audio		PHILIPS 12" HI-RES	
1431AP Std Res	£199 (a)	BM7502 green screen	£75 (a)
1451AP Std Res	£259 (a)	BM7522 amber screen	£79 (a)
All above monitors available in plastic or metal case.		8501 RGB Std Res	£139 (a)
TAXAN SUPERVISION II		ACCESSORIES	
12" - Hi Res with amber/green options		Microvitec Swivel Base	£20 (c)
IBM compatible	£279 (a)	Taxan Mono Swivel Base with clock	£22 (c)
Taxan Supervision III	£319 (a)	Philips Swivel Base	£14 (c)
mitsubishi		BBC RGB Cable	£5 (d)
XC1404 14" Med Res RGB, IBM & BBC compatible	£219 (a)	Microvitec	£3.50 (d)
		Taxan £5 (d)	Monochrome £3.50 (d)
		Touchtec - 501	£239 (b)

ERASERS

UV1T Eraser with built-in timer and mains indicator. Built-in safety interlock to avoid accidental exposure to the harmful UV rays. It can handle up to 5 erasings at a time with an average erasing time of about 20 mins. £59 + £2 p.p. UV1 as above but without the timer £47 + £2 p.p. For Industrial Users, we offer UV140 & UV141 erasers with handling capacity of 14 erasings. UV141 has a built in timer. Both offer full built in safety features UV140 £69, UV141 £85, p.p £2.50.

EXT SERIAL/PARALLEL CONVERTERS

Mains powered converters
Serial to Parallel £48 (c)
Parallel to Serial £48 (c)
Bidirectional Converter £105 (b)

Serial Test Cable

Serial Cable switchable at both ends allowing pin options to be re-routed or linked at either end - making it possible to produce almost any cable configuration on site. Available as M/M or M/F £24.75 (d)

Serial Mini Patch Box

Allows an easy method to reconfigure pin functions without rewiring the cable assay. Jumpers can be used and reused. £22 (d)

Serial Mini Test

Monitors RS232C and CCITT V24 Transmissions, indicating status with dual colour LEDs on 7 most significant lines. Connects in Line. £22.50 (d)

CONNECTOR SYSTEMS

I.D. CONNECTORS	EDGE CONNECTORS	AMPHENOL CONNECTORS	RIBBON CABLE
36 way plug Centronics (solder) 500p (IDC) 475p	2 x 6-way (commodore) 150p	36 way plug Centronics (solder) 550p (IDC) 500p	10-way 40p 34-way 160p
24 way plug IEEE (solder) 475p (IDC) 475p	2 x 12-way (vic 20) 350p	24 way plug IEEE (solder) 500p (IDC) 500p	16-way 60p 40-way 180p
24 way skt IEEE (solder) 500p (IDC) 500p	2 x 18-way 140p	24 way skt Ang Pin	20-way 85p 50-way 200p
PCB Mtg Skt Ang Pin	2 x 23-way (ZX81) 175p	24 way 700p 36 way 750p	26-way 120p 64-way 280p
	2 x 25-way 225p	DIL HEADERS	
	2 x 28-way (Spectrum) 200p	Solder IDC	
	2 x 36-way 250p	14 pin 40p 100p	
	1 x 43-way 260p	16 pin 50p 110p	
	2 x 22-way 190p	18 pin 60p	
	2 x 43-way 395p	20 pin 75p	
	1 x 77-way 400p	24 pin 100p 150p	
	2 x 50-way (S100conn) 600p	28 pin 160p 200p	
		40 pin 200p 225p	
EURO CONNECTORS		GENDER CHANGERS	
DIN 41612	Plug Skt	25 way D type	
2 x 32 way St Pin	230p 275p	Male to Male £10	
2 x 32 way Ang Pin	275p 320p	Male to Female £10	
3 x 32 way St Pin	260p 300p	Female to Female £10	
3 x 32 way Ang Pin	375p 400p		
IDC Skt A + B	400p	RS 232 JUMPERS	
IDC Skt A + C	400p	(25 way 0)	
		24" Single end Male	£5.00
		24" Single end Female	£5.25
		24" Female Female	£10.00
		24" Male Male	£9.50
		24" Male Female	£9.50
		DIL SWITCHES	
		4-way 90p 6-way 105p	
		8-way 120p 10-way 150p	
		MISC CONNS	
		21 pin Scart Connector 200p	
		8 pin Video Connector 200p	

ATTENTION
All prices in this double page advertisement are subject to change without notice. ALL PRICES EXCLUDE VAT Please add carriage 50p unless indicated as follows: (a) £8 (b) £2.50 (c) £1.50 (d) £1.00

7400 SERIES			74LS SERIES			74ALS SERIES			
7400	0.30	74279	0.90	74LS273	1.25	74ALS273	0.65	74076	0.65
7401	0.30	74280	1.05	74LS279	0.70	74ALS279	0.25	4077	0.25
7402	0.30	74281	1.20	74LS280	1.90	74ALS280	0.25	4078	0.25
7403	0.30	74282	1.00	74LS281	0.80	74ALS281	0.25	4081	0.25
7404	0.30	74283	0.90	74LS282	0.80	74ALS282	0.25	4082	0.25
7405	0.30	74284	1.80	74LS283	1.40	74ALS283	0.60	4085	0.60
7406	0.40	74285	2.00	74LS284	0.80	74ALS284	0.75	4086	0.75
7407	0.40	74286	1.40	74LS285	1.40	74ALS285	1.20	4089	1.20
7408	0.30	74287	0.85	74LS286	1.40	74ALS286	0.35	4093	0.35
7409	0.30	74288	0.80	74LS287	1.40	74ALS287	0.40	4094	0.40
7410	0.30	74289	1.10	74LS288	0.90	74ALS288	0.95	4095	0.95
7411	0.30	74290	1.60	74LS289	2.20	74ALS289	0.90	4096	0.90
7412	0.30	74291	1.10	74LS290	3.70	74ALS290	1.10	4097	1.10
7413	0.50	74292	1.40	74LS291	3.90	74ALS291	2.70	4098	2.70
7414	0.70	74293	1.20	74LS292	3.00	74ALS292	0.75	4099	0.75
7415	0.36	74294	1.60	74LS293	4.00	74ALS293	0.39	4100	0.39
7416	0.30	74295	1.20	74LS294	2.00	74ALS294	0.55	4502	0.55
7417	0.40	74296	1.40	74LS295	1.20	74ALS295	0.36	4503	0.36
7418	0.40	74297	1.00	74LS296	2.10	74ALS296	0.95	4504	0.95
7419	0.40	74298	1.00	74LS297	1.80	74ALS297	0.90	4505	0.90
7420	0.40	74299	1.00	74LS298	1.80	74ALS298	0.80	4506	0.80
7421	0.40	74300	1.00	74LS299	1.80	74ALS299	0.80	4507	0.80
7422	0.40	74301	1.00	74LS300	1.80	74ALS300	0.80	4508	1.20
7423	0.40	74302	1.00	74LS301	1.80	74ALS301	1.20	4510	1.20
7424	0.40	74303	1.00	74LS302	1.80	74ALS302	1.20	4511	0.55
7425	0.40	74304	1.00	74LS303	1.80	74ALS303	1.20	4512	0.55
7426	0.40	74305	1.00	74LS304	1.80	74ALS304	1.20	4513	1.20
7427	0.40	74306	1.00	74LS305	1.80	74ALS305	1.20	4514	1.10
7428	0.40	74307	1.00	74LS306	1.80	74ALS306	1.20	4515	1.10
7429	0.40	74308	1.00	74LS307	1.80	74ALS307	1.20	4516	0.55
7430	0.40	74309	1.00	74LS308	1.80	74ALS308	1.20	4517	2.20
7431	0.40	74310	1.00	74LS309	1.80	74ALS309	1.20	4518	0.48
7432	0.40	74311	1.00	74LS310	1.80	74ALS310	1.20	4519	0.32
7433	0.40	74312	1.00	74LS311	1.80	74ALS311	1.20	4520	0.60
7434	0.40	74313	1.00	74LS312	1.80	74ALS312	1.20	4521	1.15
7435	0.40	74314	1.00	74LS313	1.80	74ALS313	1.20	4522	0.80
7436	0.40	74315	1.00	74LS314	1.80	74ALS314	1.20	4523	0.70
7437	0.40	74316	1.00	74LS315	1.80	74ALS315	1.20	4524	0.70
7438	0.40	74317	1.00	74LS316	1.80	74ALS316	1.20	4525	0.70
7439	0.40	74318	1.00	74LS317	1.80	74ALS317	1.20	4526	0.70
7440	0.40	74319	1.00	74LS318	1.80	74ALS318	1.20	4527	0.60
7441	0.40	74320	1.00	74LS319	1.80	74ALS319	1.20	4528	0.60
7442	0.40	74321	1.00	74LS320	1.80	74ALS320	1.20	4529	1.00
7443	0.40	74322	1.00	74LS321	1.80	74ALS321	1.20	4531	0.75
7444	0.40	74323	1.00	74LS322	1.80	74ALS322	1.20	4532	0.85
7445	0.40	74324	1.00	74LS323	1.80	74ALS323	1.20	4534	3.80
7446	0.40	74325	1.00	74LS324	1.80	74ALS324	1.20	4535	0.60
7447	0.40	74326	1.00	74LS325	1.80	74ALS325	1.20	4538	0.75
7448	0.40	74327	1.00	74LS326	1.80	74ALS326	1.20	4539	0.75
7449	0.40	74328	1.00	74LS327	1.80	74ALS327	1.20	4541	0.90
7450	0.40	74329	1.00	74LS328	1.80	74ALS328	1.20	4543	0.70
7451	0.40	74330	1.00	74LS329	1.80	74ALS329	1.20	4544	0.70
7452	0.40	74331	1.00	74LS330	1.80	74ALS330	1.20	4545	0.70
7453	0.40	74332	1.00	74LS331	1.80	74ALS331	1.20	4546	0.70
7454	0.40	74333	1.00	74LS332	1.80	74ALS332	1.20	4547	0.70
7455	0.40	74334	1.00	74LS333	1.80	74ALS333	1.20	4548	0.70
7456	0.40	74335	1.00	74LS334	1.80	74ALS334	1.20	4549	0.70
7457	0.40	74336	1.00	74LS335	1.80	74ALS335	1.20	4550	0.70
7458	0.40	74337	1.00	74LS336	1.80	74ALS336	1.20	4551	0.70
7459	0.40	74338	1.00	74LS337	1.80	74ALS337	1.20	4552	0.70
7460	0.40	74339	1.00	74LS338	1.80	74ALS338	1.20	4553	0.70
7461	0.40	74340	1.00	74LS339	1.80	74ALS339	1.20	4554	0.70
7462	0.40	74341	1.00	74LS340	1.80	74ALS340	1.20	4555	0.36
7463	0.40	74342	1.00	74LS341	1.80	74ALS341	1.20	4556	0.50
7464	0.40	74343	1.00	74LS342	1.80	74ALS342	1.20	4557	2.40
7465	0.40	74344	1.00	74LS343	1.80	74ALS343	1.20	4558	1.40
7466	0.40	74345	1.00	74LS344	1.80	74ALS344	1.20	4559	1.40
7467	0.40	74346	1.00	74LS345	1.80	74ALS345	1.20	4560	1.40
7468	0.40	74347	1.00	74LS346	1.80	74ALS346	1.20	4561	1.40
7469	0.40	74348	1.00	74LS347	1.80	74ALS347	1.20	4562	1.40
7470	0.40	74349	1.00	74LS348	1.80	74ALS348	1.20	4563	1.40
7471	0.40	74350	1.00	74LS349	1.80	74ALS349	1.20	4564	1.40
7472	0.40	74351	1.00	74LS350	1.80	74ALS350	1.20	4565	1.40
7473	0.40	74352	1.00	74LS351	1.80	74ALS351	1.20	4566	1.40
7474	0.40	74353	1.00	74LS352	1.80	74ALS352	1.20	4567	1.40
7475	0.40	74354	1.00	74LS353	1.80	74ALS353	1.20	4568	1.40
7476	0.40	74355	1.00	74LS354	1.80	74ALS354	1.20	4569	1.40
7477	0.40	74356	1.00	74LS355	1.80	74ALS355	1.20	4570	1.40
7478	0.40	74357	1.00	74LS356	1.80	74ALS356	1.20	4571	1.40
7479	0.40	74358	1.00	74LS357	1.80	74ALS357	1.20	4572	1.40
7480	0.40	74359	1.00	74LS358	1.80	74ALS358	1.20	4573	1.40
7481	0.40	74360	1.00	74LS359	1.80	74ALS359	1.20	4574	1.40
7482	0.40	74361	1.00	74LS360	1.80	74ALS360	1.20	4575	1.40
7483	0.40	74362	1.00	74LS361	1.80	74ALS361	1.20	4576	1.40
7484	0.40	74363	1.00	74LS362	1.80	74ALS362	1.20	4577	1.40
7485	0.40	74364	1.00	74LS363	1.80	74ALS363	1.20	4578	1.40
7486	0.40	74365	1.00	74LS364	1.80	74ALS364	1.20	4579	1.40
7487	0.40	74366	1.00	74LS365	1.80	74ALS365	1.20	4580	1.40
7488	0.40	74367	1.00	74LS366	1.80	74ALS366	1.20	4581	1.40
7489	0.40	74368	1.00	74LS367	1.80	74ALS367	1.20	4582	1.40
7490	0.40	74369	1.00	74LS368	1.80	74ALS368	1.20	4583	1.40
7491	0.40	74370	1.00	74LS369	1.80	74ALS369	1.20	4584	1.40
7492	0.40	74371	1.00	74LS370	1.80	74ALS370	1.20	4585	1.40
7493	0.40	74372	1.00	74LS371	1.80	74ALS371	1.20	4586	1.40
7494	0.40	74373	1.00	74LS372	1.80	74ALS372	1.20	4587	1.40
7495	0.40	74374	1.00	74LS373	1.80	74ALS373	1.20	4588	1.40
7496	0.40	74375	1.00	74LS374	1.80	74ALS374	1.20	4589	1.40
7497	0.40	74376	1.00	74LS375	1.80	74ALS375	1.20	4590	1.40
7498	0.40	74377	1.00	74LS376	1.80	74ALS376	1.20	4591	1.40
7499	0.40	74378	1.00	74LS377	1.80	74ALS377	1.20	4592	1.40
7500	0.40	74379	1.00	74LS378	1.80	74ALS378	1.20	4593	1.40

74ALS SERIES			74ALS SERIES			74ALS SERIES			
74ALS00	0.65	74ALS273	1.25	74ALS273	0.65	74ALS273	0.65	74076	0.65
74ALS01	0.65	74ALS279	0.70	74ALS279	0.70	74ALS279	0.25	4077	0.25
74ALS02	0.65	74ALS280	1.90	74ALS280	1.90	74ALS280	0.25	4078	0.25
74ALS03	0.65	74ALS281	0.80	74ALS281	0.80	74ALS281	0.25	4081	0.25
74ALS04	0.65	74ALS282	0.80	74ALS282	0.80	74ALS282	0.25	4082	0.25
74ALS05	0.65	74ALS283	1.40	74ALS283	1.40	74ALS283	0.60	4085	0.60
74ALS06	0.65	74ALS284	0.80	74ALS284	0.80	74ALS284	0.75	4086	0.75
74ALS07	0.65	74ALS285	1.40	74ALS285	1.40	74ALS285	1.20	4089	1.20
74ALS08	0.65	74ALS286	1.40	74ALS286	1.40	74ALS286	0.35	4093	0.35
74ALS09	0.65	74ALS287	1.40	74ALS287	1.40	74ALS287	0.40	4094	0.40
74ALS10	0.65	74ALS288	0.90	74ALS288	0.90	74ALS288	0.95	4095	0.95
74ALS11	0.65	74ALS289	2.20	74ALS289	2.20	74ALS289	0.90	4096	0.90
74ALS12	0.65	74ALS290	3.70	74ALS290	3.70	74ALS290	1.10	4097	1.10
74ALS13	0.65	74ALS291	3.90	74ALS291	3.90	74ALS291	2.70	4098	2.70
74ALS14	0.65	74ALS292	3.00	74ALS292	3.00	74ALS292	0.75	4099	0.75
74ALS15	0.65	74ALS293	4.00	74ALS293	4.00	74ALS293	0.39	4100	0.39
74ALS16	0.65	74ALS294	2.00	74ALS294	2.00	74ALS294	0.55	4502	0.55
74ALS17	0.65	74ALS295	1.20	74ALS295	1.20	74ALS295	0.36	4503	0.36
74ALS18	0.65	74ALS296	2.10	74ALS296	2.10	74ALS296	0.95	4504	0.95
74ALS19	0.65	74ALS297	1.80	74ALS297	1.80	74ALS297	0.90	4505	0.90
74ALS20	0.65	74ALS298	1.80	74ALS298</					

32-CHANNEL VOICE SCRAMBLER

BY MALCOLM HARVEY

A NEW UPSIDE-DOWN LOOK AT SPEECH SECURITY

The new FX224 signal scrambler chip forms the basis for this frequency inverting scrambler module. Not all the chips functions are used, but details are given so that the module can be adapted to the users' application.

Technology marches on and one of the many areas that benefits from increased sophistication is security. Several security articles have recently been published in PE, notably the burglar alarm system by Bill Kent in Nov and Dec 87, the electronic locks articles by the Prof in Jan and Feb 88, and going back to Jan 87, Robert Penfold described a circuit that would give security to voice transmissions by scrambling them.

That circuit represented a sophisticated approach to voice scrambling in the light of the technology available at that time. The basic principles of the technology are still valid and I commend RAP's article to anyone interested in frequency inversion theory. In the intervening months since the article was published, technology has moved on sufficiently to justify taking another look at voice security by describing a new scrambling chip that has been recently introduced.

CHIP FAMILY

The chip is one of a family of devices produced by Consumer Microcircuits. There are basically three chips in the family, consisting of the FX214, FX224 and FX234, though the project to be described will only be concerned with the FX224 in the dil package.

The principle points of interest in these chips are that they use frequency inversion techniques to scramble the signals, and that they have 32 different carrier frequency options, giving a choice of 32 different scrambling paths, so offering enhanced transmission security.

Other points of interest are that their features include continuous tone controlled squelch system (ctcss) hp filtering, high recovered audio quality, half-duplex switching and a powersave facility. They can be used in fixed or rolling code applications, have serial or parallel load options, and are available in dil and surface mounting (smd) packages.

The type numbers relate as follows —

- FX 214J 22-pin dil serial load
- FX214LG 24-pin smd serial load
- FX224J 24-pin dil parallel load



FX224LG 24-pin smd parallel load
FX234LH 28-pin smd serial and parallel load

BLOCK FUNCTIONS

The functional block diagram for the family is shown in Fig.1.

The chips are low power cmos lsi devices that use separate rx (receive) and tx (transmit) paths which are switched for half-duplex operation (ie, you use a switch to alternate between transmit and receive). To prevent interference from sub-audio harmonic products the chips include a continuous tone controlled squelch system (ctcss) high pass filter that is automatically switched to the selected rx or tx path.

INVERSION

Speech signals are scrambled by splitting their frequencies into upper and lower bands by means of switched capacitor filters. Each band is then modulated by a switch-selected carrier frequency which effectively inverts the band frequency. In this way, high frequencies become low frequencies,

and low frequencies become high. The two inverted frequency paths are summed at the output and become the 'scrambled' signal. If you listen directly to this signal, it is totally incomprehensible, and can only be understood by using a second scrambler as a decoder.

There are 32 different split-point and carrier frequency combinations, and they are externally programmable using a 5-bit switching code. For the project to be described the switching is done manually by panel mounted switches.

ROLLING CODES

Since the chips are ttl compatible, the switching could of course be achieved by coupling the 5-bit input pins to a computer. In that instance, the computer could step through the 32 switching combinations in a pre-arranged sequence to further minimise the chance of someone with a similar unit being able to unauthorisedly intercept and decode the transmitted speech. Such operation is known as 'rolling code' operation. It would of course necessitate some sort of

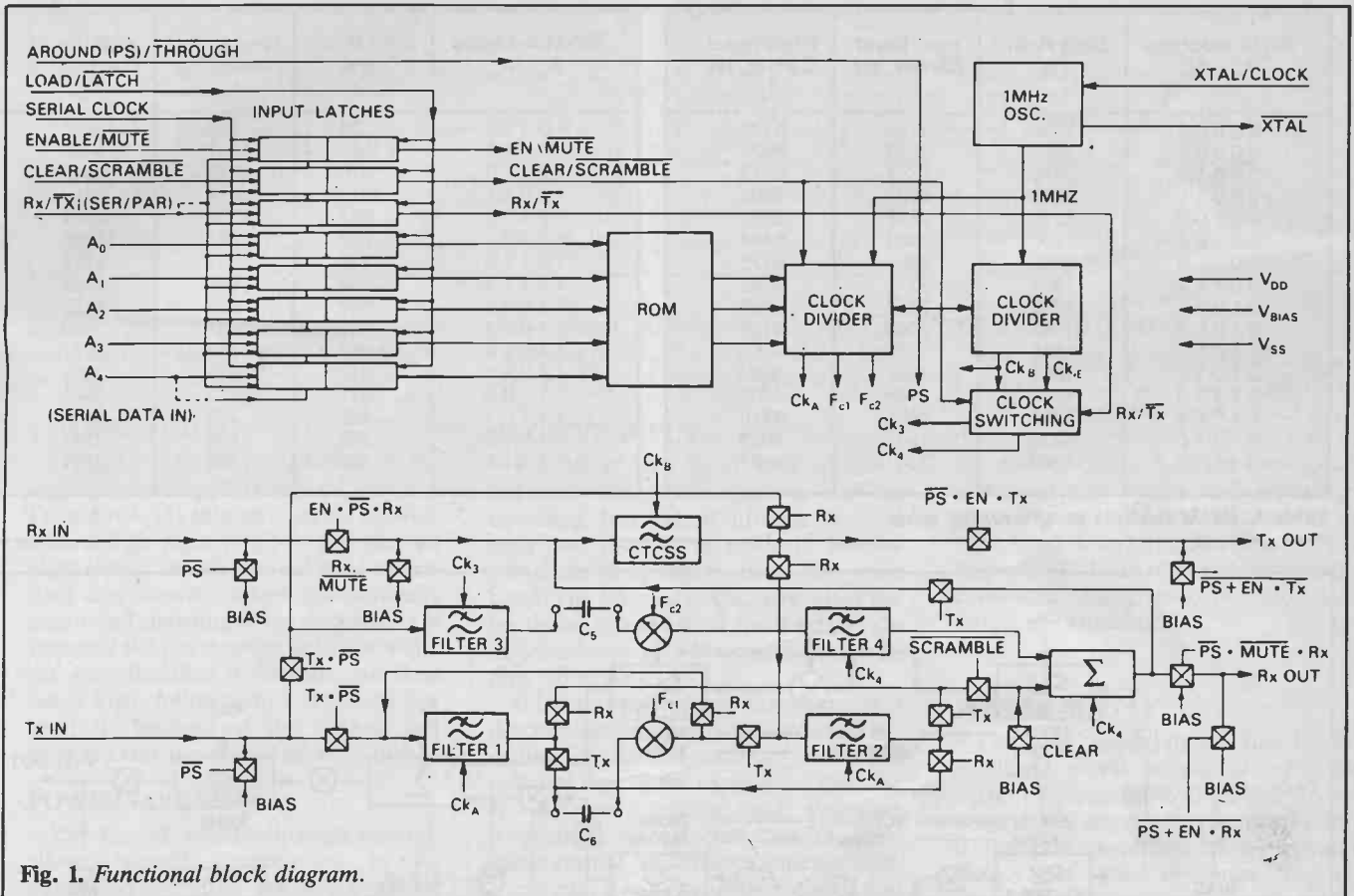


Fig. 1. Functional block diagram.

synchronisation signal to also be transmitted so that the receiving circuit can be kept in step with the program controlled switching sequence.

Of the other switch selectable options on the chips, namely sync-speech mute, powersave, clear and audio bypass, only the latter will be used, though sufficient information will be given to allow anyone interested to experiment with the extra facilities. Each logic function pin has an internally connected 1M pullup resistor.

QUALITY CONTROL

The accuracy of the capacitor switched filtering and modulation signals requires the use of a stable clock generator. This can be applied from an external source, or by taking advantage of the 1MHz on-chip oscillator used in conjunction with a 1MHz crystal.

The audio quality of the decoded speech signals is not up to hifi standards since the device is deliberately designed to only pass frequencies between 300Hz and 3.4kHz. Within this limitation, the recovered speech quality is very good, and is similar to that experienced when listening to an extremely clear telephone conversation.

The full pinout connections for the FX224 are shown in Fig.2.

PROGRAMMING INPUTS

A0 to A4 are the pins to which the coding switches or computer output lines are connected. The code is defined by

whether a particular pin is held high or low, in normal logic fashion. Since there are five pins, any of 32 options are selectable by the relevant binary code from 00000 to 11111. The frequency parameters selected by these codes are shown in Table 1.

RECEIVE-TRANSMIT

Pin 8 selects whether the chip is to be used in rx or tx mode by taking it high or low respectively. It automatically configures bandwidths of the upper and lower band filters, and sets the ctcss high

pass filter in the correct signal path. Figs.3 and 4 show the equivalent block diagrams for the selected paths, and Table 2 gives the equivalent functions.

CLEAR-SCRAMBLE

This pin when high puts the device in to the clear transmission mode in which no scrambling takes place. In the clear mode, the carriers are turned off, the balanced modulators are bypassed internally and the lower band signal is not added to the output signal. When the pin is held low the frequency

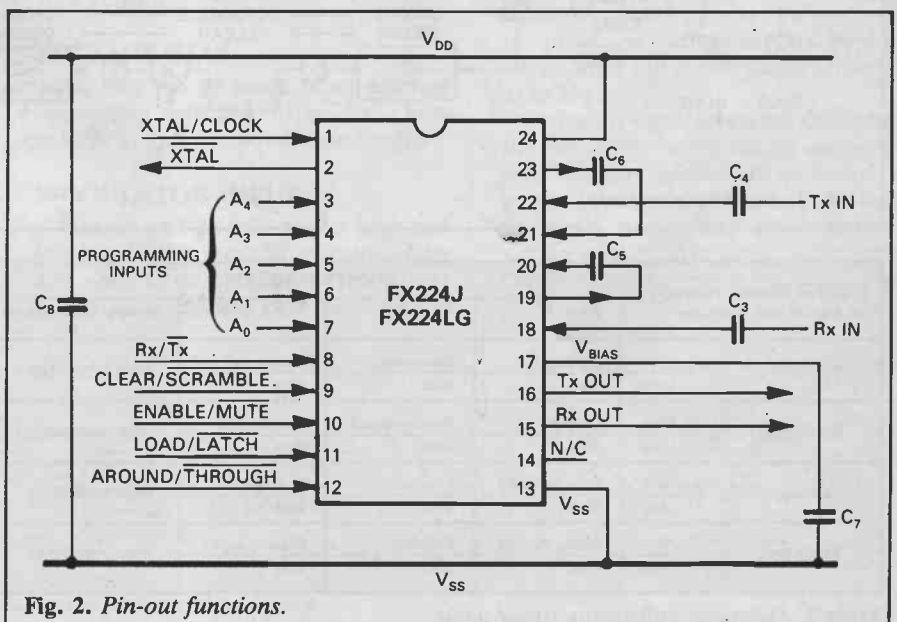


Fig. 2. Pin-out functions.

VOICE SCRAMBLER

ROM Address A_4-A_0	Split Point Hz	Low Band Carrier, Hz f_{c1}	High Band Carrier, Hz f_{c2}	ROM Address A_4-A_0	Split Point Hz	Low Band Carrier, Hz f_{c1}	High Band Carrier, Hz f_{c2}
0 0 0 0 0	2800	3105	6172	1 0 0 0 0	1135	1436	4504
0 0 0 0 1	2625	2923	6024	1 0 0 0 1	1050	1351	4424
0 0 0 1 0	2470	2777	5813	1 0 0 1 0	976	1278	4347
0 0 0 1 1	2333	2631	5681	1 0 0 1 1	913	1213	4310
0 0 1 0 0	2210	2512	5555	1 0 1 0 0	857	1157	4273
0 0 1 0 1	2100	2403	5494	1 0 1 0 1	792	1094	4166
0 0 1 1 0	2000	2304	5376	1 0 1 1 0	736	1037	4132
0 0 1 1 1	1909	2212	5263	1 0 1 1 1	688	988	4065
0 1 0 0 0	1826	2127	5208	1 1 0 0 0	636	936	4032
0 1 0 0 1	1750	2049	5102	1 1 0 0 1	591	891	3968
0 1 0 1 0	1680	1984	5050	1 1 0 1 0	552	853	3937
0 1 0 1 1	1555	1858	4950	1 1 0 1 1	512	813	3906
0 1 1 0 0	1448	1748	4807	1 1 1 0 0	471	772	3846
0 1 1 0 1	1354	1655	4716	1 1 1 0 1	428	728	3816
0 1 1 1 0	1272	1572	4629	1 1 1 1 0	388	688	3787
0 1 1 1 1	1200	1501	4587	1 1 1 1 1	350	650	3731

Table 1. ROM address programming table.

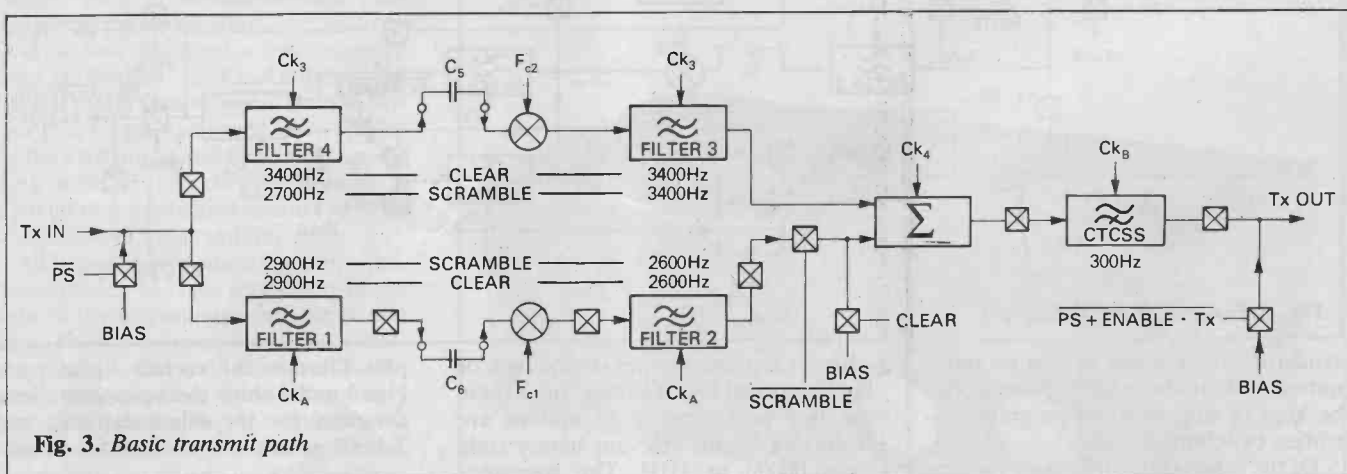


Fig. 3. Basic transmit path

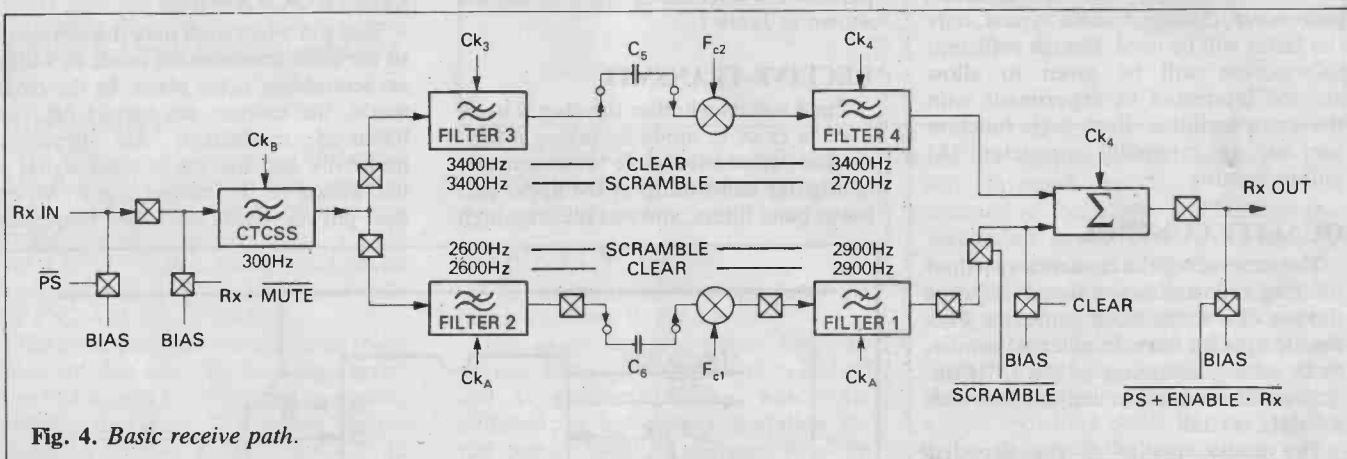


Fig. 4. Basic receive path.

Effect of Chosen Function on Inputs and Outputs		CHOSEN FUNCTION			
		$R_x = '1'$	$\bar{T}_x = '0'$	Mute = '0'	Around (Powersave) = '1'
Rx Input	Path	Enabled	Disconnect	Disconnect	High Impedance
	Level	Bias	Bias	Bias	
Rx Output	Path	Enabled	Disconnected	Disconnect	High Impedance
	Level	Bias	Bias	Bias	
Tx Input	Path	Disconnected	Enabled	Enabled	High Impedance
	Level	Bias	Bias	Bias	
Tx Output	Path	Disconnected	Enabled	Disconnected	High Impedance
	Level	Bias	Bias	Bias	

Table 2. Functions influencing signal paths.

inversion circuitry is switched in and scrambling occurs. In this mode the balanced modulator carrier frequency values are determined by the split point address selected by pins A0 to A4.

ENABLE-MUTE

A low logic level applied to this pin disables the relevant tx or rx paths so that rolling code synchronisation information can be transmitted while maintaining internal bias conditions. In this mode, the receiver audio output is simultaneously removed, so muting the

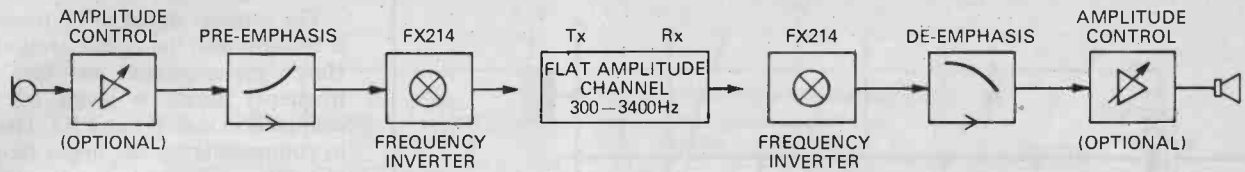


Fig. 5. Recommended basic communications audio system layout.

speech signal. A high logic level holds the circuit active during non-sync periods.

LOAD-LATCH

This pin controls the loading of the eight function inputs (Enable, Clear, Rx-Tx and A0-A4) into an internal register. With a high logic level on this pin, all eight inputs are transparent and the new data acts directly. When automatically controlled changing of the parameters is required the pin must be held low while the new function is loaded, and then taken high, followed by a return to low level. If latching of the data is not required this pin should be held high.

POWERSAVE

Pin 12, the around-through control, allows current consumption to be minimised if signals are being routed around the chip in a bypass mode. If signals are being routed through the chip, whether in clear or scramble mode, the pin is held low. If the signal is bypassing the chip, logic 1 applied to the pin puts the chip into a powersave condition in which all functions are shut down except for the oscillator circuit. In the powersave mode the signal input and output lines are made open circuit and are free from all bias. Table 2 includes this information in its functional logic data.

TRANSMIT INPUT

Pin 22 is the input to which the original speech signal is connected. It is held at a dc bias voltage level by an internal 300k resistor, consequently the pin must be capacitively coupled to the signal source. In the transmit mode the input is connected to the upper and lower band filters. The signal paths and bias levels are those given in Fig.3 and Table 2.

TRANSMIT OUTPUT

From pin 16 comes the processed

audio signal, whether it is in clear or scramble mode. The pin is held at a dc bias level by an internal 100k resistor.

RECEIVE INPUT

Pin 18 is the input into which a received scrambled signal is fed for decoding. It is routed through the ctoos high pass filter in rx mode to remove sub-audio frequencies from the voice band. The internal circuitry reverses the inversion process used for transmission in accordance with the code selected by pins A0 to A4.

It is important to note that the correct descrambling will only take place if the coding of the transmitting scrambler matches that of the receiving scrambler. If different coding and decoding frequencies are selected then the final audio output will remain unscrambled. In practise it will probably be found that if the coding and decoding codes are closely associated, even if not fully matched, the resulting output signal may be partially comprehensible. Dc bias on this pin is applied by an internal 300k resistor necessitating signals to be capacitively coupled.

RECEIVE OUTPUT

The received and reprocessed signal is taken from pin 15 and is suitable for feeding to an audio output amplifier. It must be coupled via a capacitor to remove the dc bias applied by an internal 100k resistor.

VOLTAGE BIAS

All that pin 17 needs is an external decoupling capacitor to hold the bias voltage at half the power line level.

MODULATOR INPUTS

Pins 20 and 21 feed to the high and low band filter modulators respectively and need to be connected capacitively to the corresponding filter outputs.

FILTER OUTPUTS

The outputs of the internal high and low band filters come from pins 19 and 23. As you will see from Figs.3 and 4 there are two filters associated with the low pass function, and the appropriate one is selected by the rx-tx input logic state. The rx-tx logic state also sets the high band filter, at 3.4kHz or 2.7kHz respectively. Both filter outputs must be connected to the respective modulator inputs via capacitors.

POWER SUPPLY

The chip needs to be run from a stabilised power supply of +5V. The current consumption is about 8mA in normal use, though this drops to 1.2mA if the powersave option is activated. Note that pin 14 must be left unconnected.

PRACTICAL CIRCUITS

Fig.5 shows the block diagram for an idealised basic audio scrambler system using additional pre- and de-emphasis to maintain good recovered speech quality. In the transmit mode pre-emphasis should not be given to the output of the scrambler, but in the receive mode de-emphasis should follow the scrambler.

If the system is to be used with a radio transmitter system having existing pre-emphasis circuitry it may be preferable to place an additional de-emphasis circuit after the transmission scrambler, as in Fig.6.

Providing signal levels are satisfactory, the basic chip circuit can be used on its own without additional on-board circuitry. To allow a little more flexibility in signal parameters Fig.7 shows a simple circuit that gives rudimentary conditioning to the input and output signals.

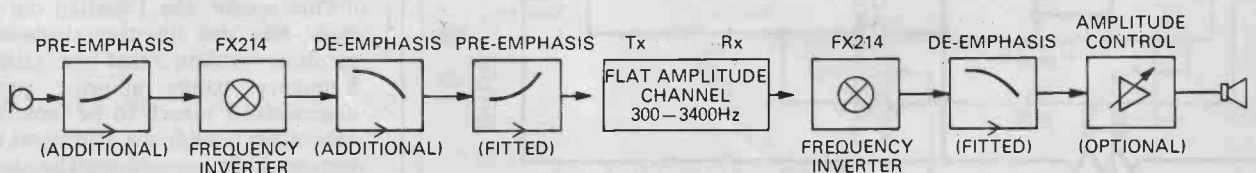


Fig. 6. Recommended basic radio communication audio system layout.

VOICE SCRAMBLER

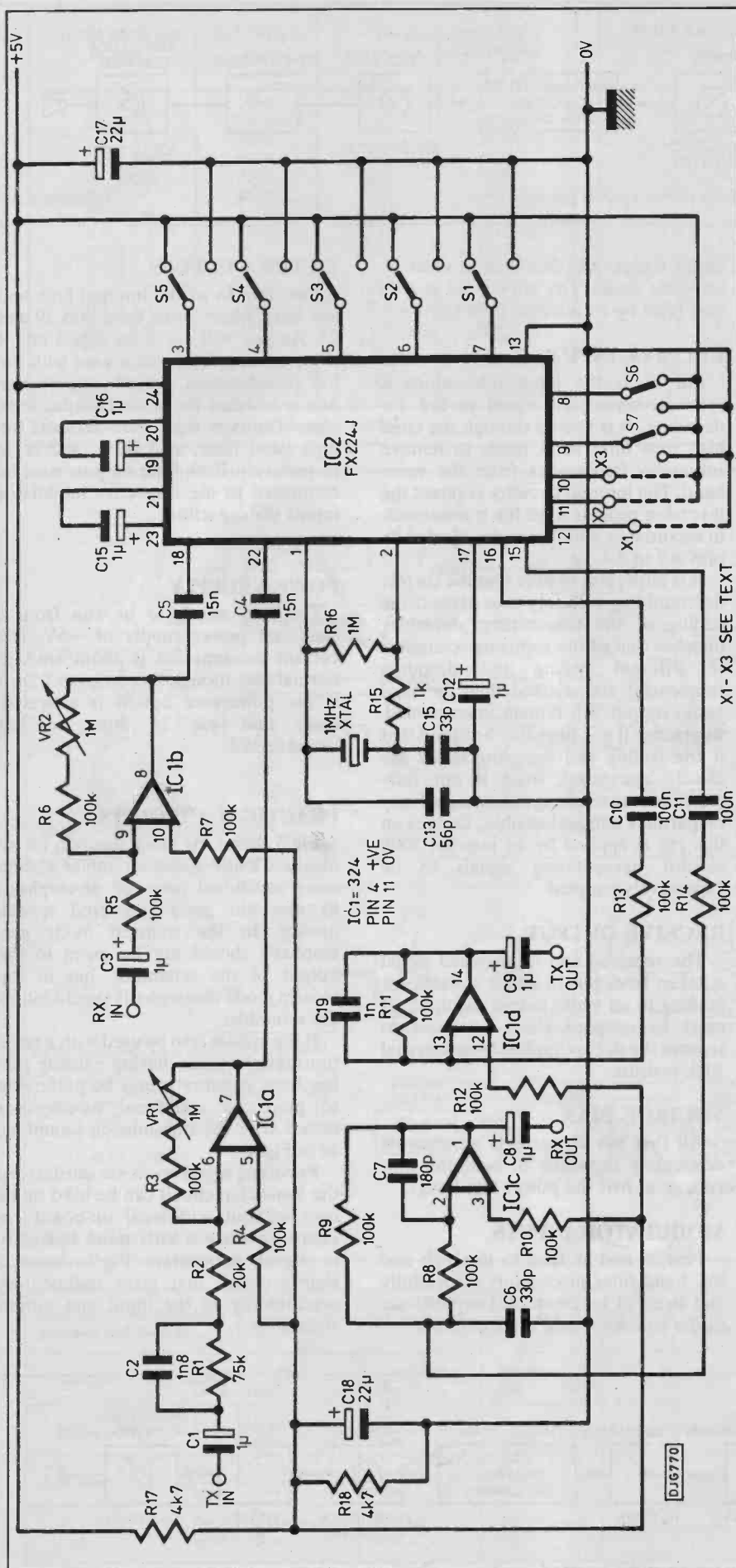


Fig. 7. Complete circuit diagram for the 32-channel voice scrambler module.

TRANSMISSION

The original signal to be transmitted is brought into the circuit around IC1a. Here pre-emphasis to the upper frequency levels is given by C2 in conjunction with R1 and R2. This helps to compensate for the upper frequency restriction imposed by the filtering within and after the scrambler. If it is not felt to be necessary, then omit C2.

VR1 permits the input gain to be varied between 1 and 100, so catering for a variety of signal levels. It is preferable, though, for the speech signal to have been previously preamplified to a reasonable level, of say, around 750mV rms. IC1d is simply a transmission output buffer at which signal de-emphasis can be applied by use of C19. It is not essential to use this capacitor and it may be omitted, or changed in value to suit individual needs.

RECEPTION

The received signal comes in to IC1b, at which point its level can be amplified by VR2 across a gain range of 1 to 100.

The unscrambled reception signal is buffered by IC1c and may be fed to any normal audio amplifier. Since the scrambler chip generates a certain amount of background noise due to its internal clocking functions simple high frequency filtering is provided by C6 and C7. The two FX224 chips used in the prototype produced about 10mV p-p of normal background noise. As long as the received input signal level is sufficiently high, the 10mV of noise is insignificant in this application, though the filtering around IC1c is worth including.

Of the functions available with the FX224 seven have been allowed for on the pcb. These are the five filter address code inputs, the scramble-clear input, and the transmit-receive control. If you intend to be more adventurous by using the other options available, access to their control pins is made at points X1 to X3, cutting the pcb tracks as necessary.

OSCILLATOR

The 1MHz oscillator is controlled by the crystal, R15, R16, C13 and C14. I carried out several tests varying the oscillator frequencies between two units coupled as transmitter and receiver, but found that precise setting of the frequency was unnecessary and so frequency trimming has not been designed in.

One reason why I carried out these tests was due to the characteristic mentioned earlier, that of adjacent frequency bands allowing partially unscrambled speech to be understandable even though the coding switches were at dissimilar settings. The accuracy of the clock frequencies made no difference and I concluded that the effect was due to the slope characteris-

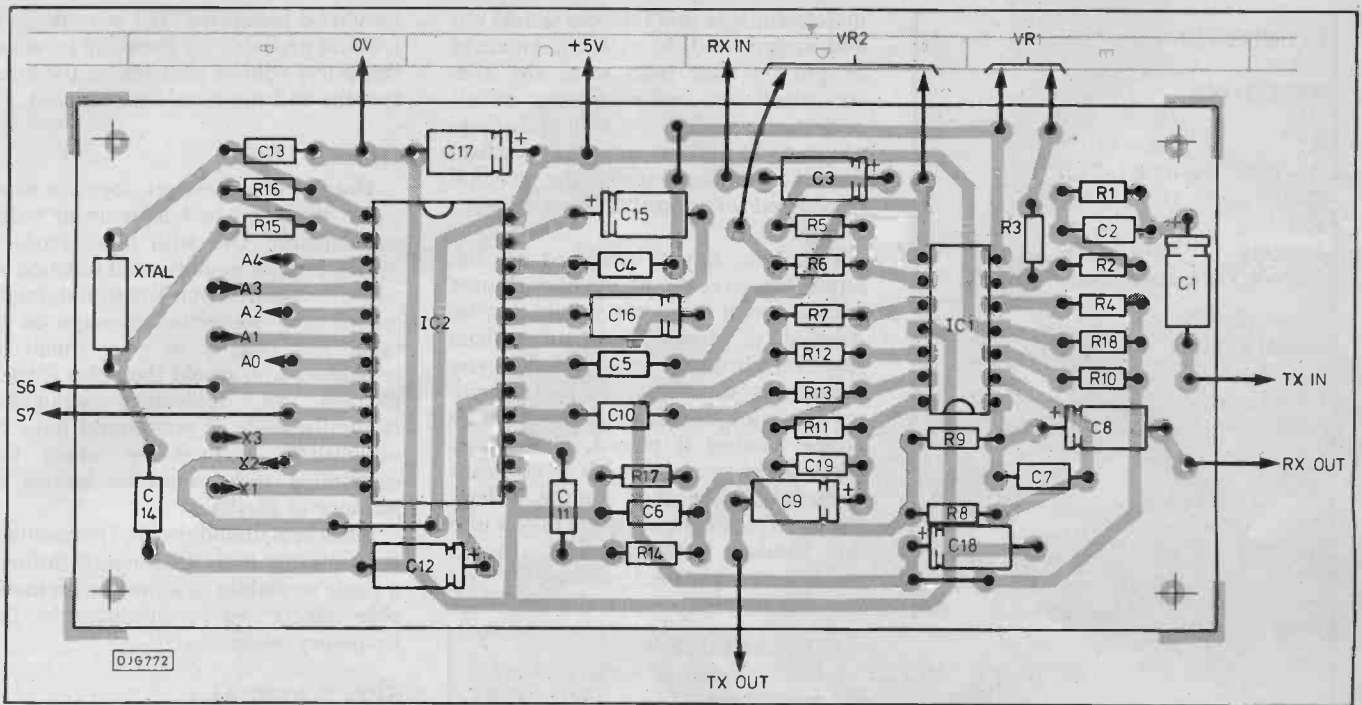


Fig. 8. Printed circuit board details for the 32-channel voice scrambler module.

tics of the internal selective filters. These are very tight in their pass bands, but adjacent bands are not totally isolated from each other, though their separation is sufficiently great for the chip designers to justifiably claim 32 channels of coding. Rest assured that if unscrambled speech signals are intercepted by eavesdroppers they are totally incoherent until fed into a descrambler.

ASSEMBLY

Fig. 8 shows the pcb layout for a single scrambler module, with the wiring details shown in Fig. 9. Before inserting the FX224 touch the conducting body of an earthed soldering iron to discharge static electricity from yourself since the chip is a cmos device. There is no alignment or setting up to be done.

For checking out the assembly two methods are possible. If you are only building one unit, plug the tx output into a cassette or tape recorder and record a message onto tape, switching the controls through their various permutations. Then play the recorded tape back through the rx circuit, switching the controls through the same permutations as before. This will confirm the effectiveness of the coding and decoding circuits.

Alternatively, if two modules are being built, intercouple them so that one is the transmitter and the other the receiver. Check out the switching functions, then swap the roles of the modules, and check out again.

APPLICATIONS

In theory the scramblers can be used in any situation where it is necessary to transmit and receive spoken messages which are of a confidential nature.

However, it must be remembered that

in Britain there are restrictions to the use of scramblers, and to the use of equipment coupled to telephone lines.

In the first instance, scramblers are not allowed to be used with CB radio transmissions since the licence only permits the transmission of clear speech. It appears that licenced radio amateurs, or 'hams', are permitted to scramble their transmissions. Owners of mobile or cellular radio installations are also permitted to use scrambling (this is the manufacturer's primary intention for the FX224 and its siblings).

TELEPHONE USE

Much effort has been put into trying to find out from British Telecom what the situation is with regard to using scramblers on the telephone network. Despite contacting various departments

the situation still is not clear. I believe though that certain conclusions can be drawn.

Firstly, I can think of no sensible reason for the prohibition of sending coded speech messages down a telephone line. If it is illegal to do so then I can only conclude that this is to make 'tapping' of telephone calls easier — a situation which would alarm anyone who respects his or her right to privacy. Secondly, we already know that the phone lines are used for data transmission in coded form, so it seems reasonable that speech may also be coded.

The main restriction to the use of scramblers on the phone lines would appear to be not because they are scramblers, but because they may be unauthorised equipment. It is quite

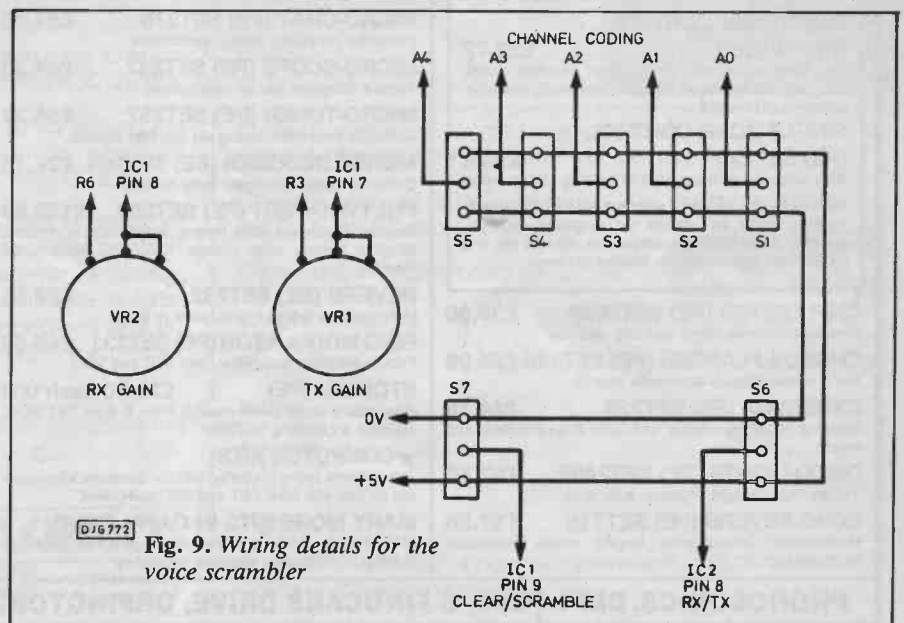


Fig. 9. Wiring details for the voice scrambler

VOICE SCRAMBLER

COMPONENTS

RESISTORS

R1 75k
 R2 20k
 R3-R14 100k (12 off)
 R15 1k
 R16 1M
 R17,R18 4k7 (2 off)
 All 1/4W5% carbon film.

CAPACITORS

C1,C2,C8,
 C9,C12,C15,
 C16 1µF electrolytic (7 off)
 C2 1n8 polystyrene
 C4,C5 15n polyester
 C6 330p polystyrene
 C7 180p polystyrene
 C10,C11 100n polyester (2 off)
 C13 56p polystyrene
 C14 33p polystyrene
 C17,C18 22µF electrolytic (2 off)
 C19 1n polystyrene (see text)

SEMICONDUCTORS

IC1 324
 IC2 FX224J

POTENTIOMETERS

VR1,VR2 1M log rotary

understandable that Telecom should not wish unapproved electrical equipment to be put on their lines since any non-conformist or malfunctioning circuit could cause havoc to the system. In spite of efforts to find out what the specifications are for equipment that may be considered for approval, I have drawn a blank.

Therefore, if you intend to use the scramblers over the phone lines, I must emphasize that in no way should they be coupled in directly without official approval. Instead, I suggest that you consider modifying one of those auxiliary acoustic coupling units on which the phone handset is placed. These units allow the incoming speech to be heard through a loudspeaker, and for a microphone to pick up speech and play it into the handset mouthpiece. It should present no significant problem to find the best points to which the scrambler

MISCELLANEOUS

Pcb 287A, 14-pin ic socket, 24-pin ic socket, spst switches (7 off), 1MHz crystal, pcb clips (4 off), knobs (2 off), audio sockets to suit equipment (4 off).

CONSTRUCTOR'S NOTE

The FFX224J, scrambler pcb, and a full kit of parts are available from Phonosonics (see advert).

should be connected. If I were doing it I would probably try breaking in at the respective volume controls for the loudspeaker and the microphone circuit.

OTHER USES

The use of scramblers does not need to be restricted to telephone or radio transmission. Use with tape recorded messages is an equally valid function to which they can be put. You would simply record your scrambled message on to tape, and send it to your friend or colleague, who would then play it back through an equivalent scrambler. Naturally, both of you would have to establish a method by which the scrambling code could be known in advance of playback.

Musicians should also find amusement from playing their instruments through a single scrambler as some quite remarkable effects can be produced by the frequency inversions.

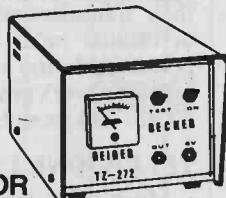
SPECS APPEAL

Finally, if the Telecom or DTI official responsible for specifications and approval of telephone coupled equipment should read this, please will you come out of hiding — PE would love to chat with you, in clear speech mode.

PE



MUSIC, EFFECTS COMPUTER AND SECURITY KITS



LOW COST GEIGER COUNTERS



★ POPULAR PROJECTS FROM A LEADING AUTHOR

BURGLAR ALARM CONTROLLERS

DETECTORS DETER DELINQUENTS

MULTIZONE CONTROL

(PE) SET280 £22.77

Two entry-zones, anti-tamper loop, personal attack, entry-exit timing, timed duration, automatic resetting, latching LED monitors.

SINGLE ZONE CONTROL

(PE) SET279 £9.32

With timed duration control and latching LED monitor.

Both units can be used with any standard detection devices, such as contact or magnetic switches, pressure pads, tremblers, ultrasonics, infrared etc, and will activate standard bells, strobes or sirens.

CHIP TESTER (PE) SET258F £39.30

Computer controlled logic and chip analyser

CHORUS-FLANGER (PE) SET235 £59.99

Mono-stereo. Superb dual-mode effects.

CYBERVOX (EE) SET228 £44.76

Amazing robot type voice unit, with ring-modulator and reverb.

DISCO-LIGHTS (PE) SET245F £62.50

3 chan sound to light, chasers, auto level.

ECHO-REVERB (PE) SET218 £57.66

Mono-stereo. 200ms echo, lengthy reverb, switchable multitracking.

EPROM PROGRAMMER

(PE) SET277 £25.25

Computer controlled unit for 4K Eproms.

EVENT COUNTER (PE) SET278 £31.50

4-digit display counting for any logic source.

MICRO-CHAT (PE) SET276 £64.50

Computer controlled speech synthesiser.

MICRO-SCOPE (PE) SET247 £44.50

Turns a computer into an oscilloscope.

MICRO-TUNER (PE) SET257 £55.32

Computer controlled, tuning aid and freq counter.

MORSE DECODER (EE) SET269 £22.16

Computer controlled morse code-decoder.

POLYWHATSI! (PE) SET252 £122.69

Amazing effects unit, echo, reverb, double tracking, phasing, flanging, looping, pitch change, REVERSE tracking! 8K memory.

REVERB (EE) SET232 £27.35

Mono, with reverb to 4 secs, echo to 60ms.

RING MODULATOR (PE) SET231 £45.58

Fabulous effects generation, with ALC and VCO.

STORMS! (PE) £29.50 each unit

Raw nature under panel control! Wind & Rain SET250W. Thunder & Lightning SET250T.

★COMPUTER KITS

The software listing published with the computer kit projects are for use with C64, PET and BBC computers.

MANY MORE KITS IN CATALOGUE

KITS include PCBs and instructions. Further details in catalogue. PCBs also available separately.

NUCLEAR FREE ZONES? CHECK THEM OUT — GET A GEIGER

Detectors for environmental and geological monitoring.

The PE Geiger was shown on BBC TV "Take Nobody's Word For It" programme

METERED GEIGER (PE MK2)

Built-in probe, speaker, meter, digital output. Detector tube options — ZP1310 for normal sensitivity. ZP1320 for extrasensitivity.

Kit-form — SET 264 — (ZP1310) £59.50, (ZP1320) £79.50

GEIGER-MITE SET271 £39.50

Miniature geiger with ZP1310 tube, LED displays radiation impacts. Socket for headphones or digital monitoring.

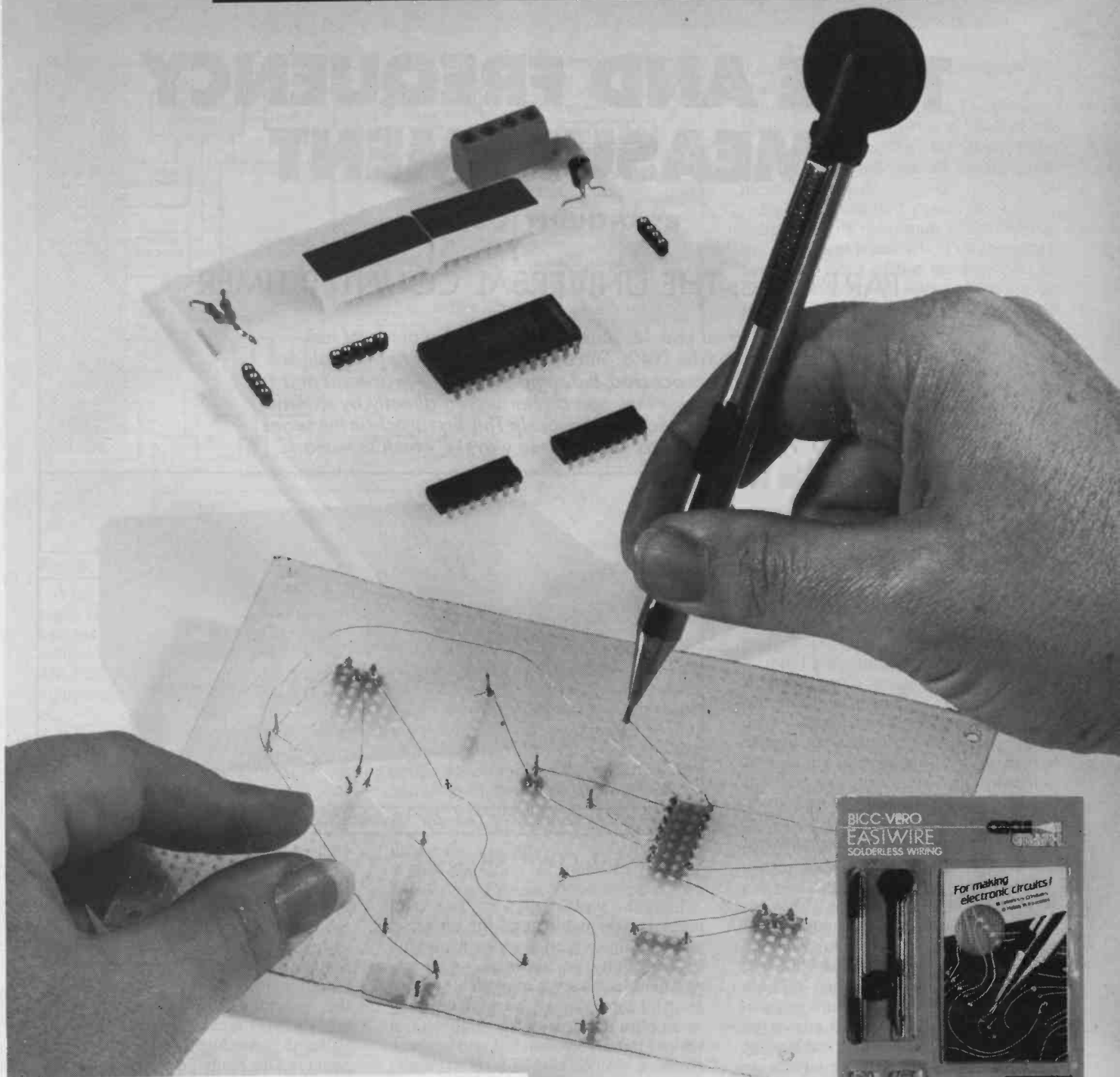
WEATHER CENTRE AND 32-CHANNEL VOICE SCRAMBLER

Details in Catalogue

Send SAE for detailed catalogue, and with all enquiries (overseas send £1.00 or 5 I.R.C.'s). Add 15% VAT. Add P&P — Sets over £50 add £2.50. Others add £1.50. Overseas P&P in catalogue. Text photocopies — Geigers 264 & 272 £1.50 each, others 50p, plus 50p post or large SAE. Insurance 50p per £50. MAIL ORDER, CWO, CHQ, PO, ACCESS VISA. Telephone orders: Mon-Fri, 9am — 6pm. 0689 37821. (Usually answering machine).

PHONOSONICS, DEPT PE86, 8 FINUCANE DRIVE, ORPINGTON, KENT, BR5 4ED. MAIL ORDER

SOLDERLESS WIRING



Construct your electronic circuits the new, quick and easy-to-learn way, **WITHOUT** solder: with Circuigraph Easiwire from BICC-VERO

With Easiwire all you do is wind the circuit wire tightly around the component pins. No soldering, no chemicals, no extras, simplicity itself. Circuits can be changed easily, and components re-used.

Easiwire comes in kit form. It contains all you need to construct circuits: a high-quality wiring pen with integral wire cutter, 2 reels of wire, a tool for component positioning and removal, a flexible injection moulded wiring board, double-sided adhesive sheets, spring-loaded terminals and jacks for power connections and an instruction book. Of course, all these components are available separately too.

To take advantage of the special introductory offer, complete the coupon on the right and send it to:

BICC-VERO ELECTRONICS LIMITED,
Flanders Road,
Hedge End,
Southampton, SO3 3LG



Please rush me.....Easiwire kits, retail price £18.-;
special introductory offer £15.-. (includes p & p and VAT).

I enclose cheque/postal order for....., made payable to
BICC-VERO Electronics Limited

Please debit my credit card as follows:



Card Number

Expiry Date

Name

Address

.....

Signature

or phone 04892 88774 now with your credit card number
(24-hour answering service).

PE

TIME AND FREQUENCY MEASUREMENT

BY ANTHONY H. SMITH

PART ONE: THE UNIVERSAL COUNTER TIMER

The universal counter timer appeared as a piece of test equipment in the 1940s. Since then, the range of signal values which can be processed, the complexity of the processes and the ways in which they can be harnessed directly by external systems has expanded enormously. This first article in the series is an introduction to ucts and the ways in which they work.

The need to measure time and frequency is an age-old problem which has inspired the development of a varied assortment of techniques and devices with vastly differing degrees of accuracy and complexity. The earth's rotation, leaking buckets, burning candles, sand-filled hourglasses, swinging pendulums — these are all examples of our ancestors' attempts to quantify time.

Nowadays, the atomic clock based on the caesium 133 atom establishes the standard of time — and its correlation, frequency — with an accuracy of one part in 10^{13} , ie, one part in ten million million! This staggering degree of precision is several orders of magnitude better than that associated with the measurement of any other physical quantity.

REALITIES

Quoting mind-boggling figures is all very well, of course, but making accurate measurements in practice is a little more difficult. Using suitable transducers, a broad spectrum of time-varying phenomena can be converted into various types of electrical signals. However, processing these signals in order to measure their time and frequency parameters requires a sophisticated piece of equipment. Ideally, we require an instrument which is straightforward to use, makes measurements as quickly as possible, and displays its reading in a precise, easily-interpreted, unambiguous form.

If the instrument is to be used in the field it must be both portable and rugged; it may also have to withstand extremes of temperature and humidity. In the laboratory, precision will be the major factor, and many modern instruments can achieve levels of accuracy approaching that of the caesium standard.

The list of demands made of the instrument could go on and on — but which kind of measurement system comes close to meeting these requirements?



Photograph by courtesy of Thandar Electronics Ltd.

UNIVERSAL COUNTER TIMER

In the vast field of test and measurement equipment, the universal Counter Timer (uct) is probably unique in its ability to measure, with unparalleled accuracy, a remarkable assortment of input signals, varying not only in amplitude (from a few millivolts to several hundred volts), but also in shape (from a simple sinusoid to a 'noisy', complex, irregular waveform).

However, the term "universal" applies not only to the uct's signal handling capabilities, but also embraces the many different types of measurement it can perform, such as frequency, period, time interval, pulse width, and so on. Furthermore, the uct is universal in its ability to measure a wide range of intervals and frequencies. Even the simplest models on the market can usually measure frequency up to 10MHz, and time down to a microsecond or less, whereas the more powerful (and more expensive) instruments can handle frequencies from zero to 50GHz ("dc to daylight"!) and can detect time periods as short as a few nanoseconds.

The versatility and sophistication of today's uct is quite impressive for an instrument which has been around for little more than thirty years.

The species first appeared in the late 1940s: the earliest types, crammed with scores of vacuum tubes, bore little resemblance to their present-day offspring, and were used simply to totalise random particle emissions in nuclear radiation experiments. Nevertheless, the potential for development was recognised, and in 1952, Hewlett-Packard introduced its first digital counter. This model, the HP524A, could measure frequency up to 10MHz, and time intervals with a resolution of 100ns; these specifications are still good, even by today's standards, and the HP524A was considered a milestone in electronic instrumentation.

The development of the transistor continued the evolution of the uct, and the advent of mos and lsi devices during the 1970s resulted in a range of instruments with increased performance and lower power consumption.

Lately, the microprocessor has accelerated the trend towards "counter intelligence", whereby ucts can do much more than simply measure time and frequency. The Philips PM6652, for example, employs two microprocessors, one to supervise front panel settings and to control system operation, the other to automate fast measurements and data handling.

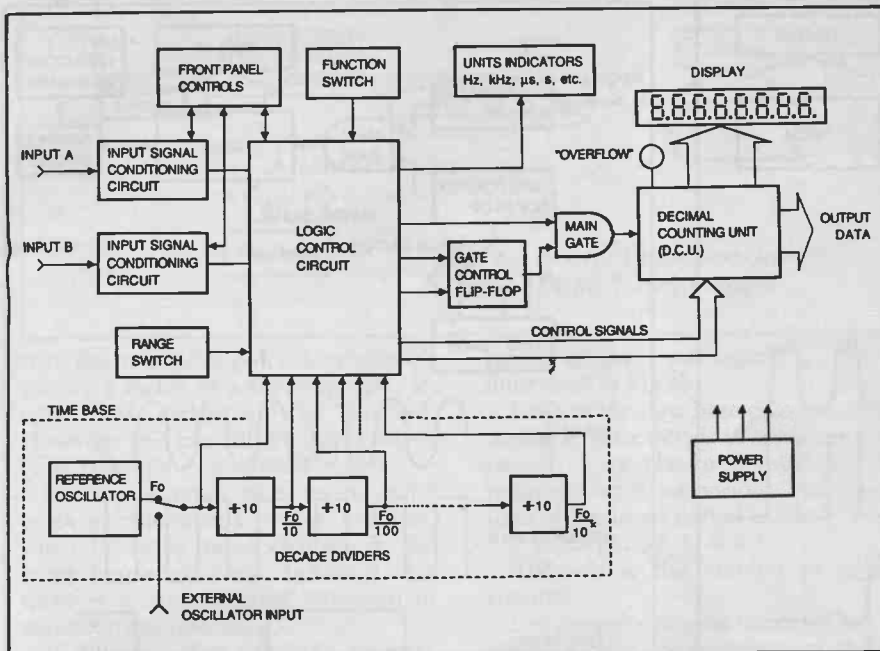


Fig. 1. Basic elements of the uct.

Vlsi processing power also enables many types of counter to converse with external systems: the PM6652 can be adapted to communicate, via the IEEE-488 bus, with computers, data retrieval equipment, telemetry systems, and so on.

It is obvious that from humble beginnings the uct has been transformed into an extremely versatile instrument. As well as the basic parameters of frequency and period, the uct can often measure additional parameters such as phase, frequency ratio, duty cycle, pulse transition time, and slew rate. Furthermore, "state-of-the-art" models offer many other features such as programmable operation, signal amplitude readout, trigger level display, maths facilities, hysteresis band compensation, and a wealth of other ingenious functions.

FUNDAMENTALS OF THE UCT

The basic elements of the uct are arranged as shown in Fig.1. With the exception of the input conditioning circuitry and the power supply, (and, perhaps, the reference oscillator), each section is made from digital components. These may be taken from the same logic family, or may be a mixture of types (such as cmos, ttl, ecl) in order to optimise the speed and power requirements for each particular element.

Two inputs are shown in the diagram; this is not always the case — many instruments have only one. However, when making frequency ratio-, phase-, or time interval measurements, two inputs are obviously essential. Furthermore, two inputs allow for easy comparison of signals from different sources: for example, the period of signal A could be rapidly compared with the pulse width of signal B simply by operating the function switch.

Many ucts provide a third input,

although this is often reserved for measurements on vhf signals.

SIGNAL SHAPING

The input signals themselves may be derived from a variety of sources, and may be of any amplitude and waveshape. However, since the uct can process only digital signals, the input conditioning circuit is essential for converting the inputs to digital form; it must also be capable of removing the effects of noise and modulation which would otherwise distort the reading.

The operation of this conditioning circuitry will be described in detail in a later article. Note, however, that the sophistication of the input circuits often dictates the overall accuracy of the measurements: if the uct is missing input cycles, or is triggering on the wrong part of the waveform, then the reading will inevitably be in error.

CONTROL CIRCUITS

The logic control circuit is a collection of gates, flip-flops and multiplexers responsible for routing the appropriate signals, via the main gate, to the decimal counting unit; the actual signal counted depends on the particular function and range selected.

The control circuit also supervises the operation of the decimal counting unit, and is responsible for illuminating the appropriate units indicator, along with the correct decimal point. Synchronisation of all these functions is provided by signals derived from the time base.

THE MAIN GATE

Whereas the control logic determines which pulses are counted, it is the task of the main gate, governed by the gate control flip-flop, to determine when, and for how long, the pulses are counted.

The main gate is essentially a two-

input AND gate: a logic high from the control flip-flop opens the gate and allows pulses to be counted. The flip-flop itself is controlled by one or both of the input signals, or by the time base, depending on the type of the measurement being made.

Since all counted pulses go via the main gate, its maximum operating frequency places a restriction on the upper frequency limit of the uct itself: ttl or hcmos devices may allow operation up to 40MHz or so, whereas ecl types can work up to 500MHz, or beyond.

THE TIME BASE

In the measurement of any physical quantity, we require some kind of "standard" with which to compare the unknown quantity. In the uct, this "yardstick" is the time base, which provides precise reference frequencies and time periods.

Central to the time base is the reference oscillator, whose output is a digital pulse train having a typical frequency, F_0 , of 10MHz. This is fed to a series of decade dividers, such that the time base output is a decade range of frequencies from 10MHz down to 1Hz or less; one of these outputs is selected by means of the range switch to provide the desired scaling-factor for a particular measurement.

The integrity of the measurement depends on the accuracy and stability of the reference oscillator, and for most purposes, the ubiquitous quartz crystal oscillator is more than adequate. However, even the quartz oscillator has limitations and many ucts have an external oscillator input, whereby the internal oscillator can be substituted by an external standard of better quality.

PULSE COUNTING

At the heart of the uct is the decimal counting unit (dcu), responsible for counting-up the pulses output from the main gate. The dcu comprises a chain of cascaded decade counters: the numerical content of each counter is displayed on the corresponding digit in the uct's readout.

Before beginning a measurement, the logic control circuit sends a reset pulse to the dcu which sets all the internal counters to zero. Each pulse is then counted, one by one, until the measurement is over; the total number of pulses accumulated is then indicated, in decimal form, on the digital display.

If too many pulses are received during a particular measurement, the dcu will "spill over"; consequently, the displayed reading is invalidated, and an overflow indicator is usually provided to warn of this condition.

In addition to driving the display, the dcu may also output the reading in a multiplexed bcd format. This word-serial, bit-parallel information can be used to drive printers, digital-to-

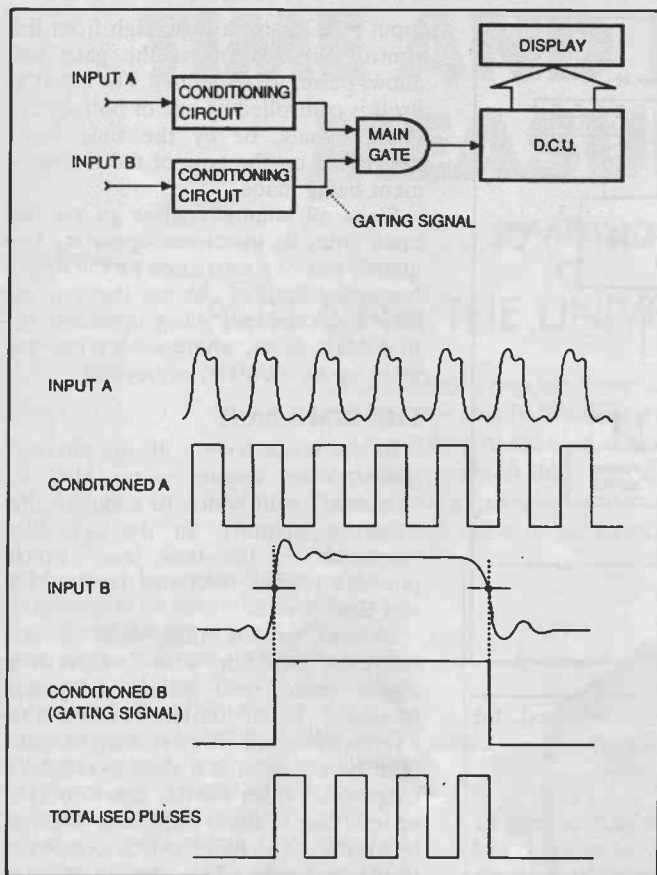
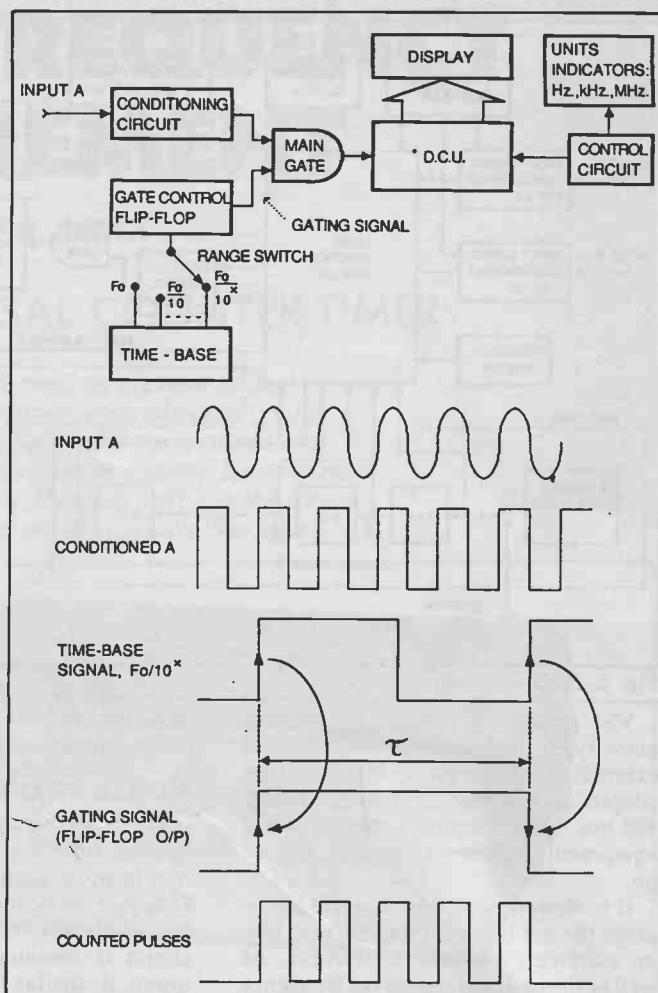


Fig. 2a. (top left) Totalising mode

Fig. 2b. (bottom left) Totalising mode example timing diagram

Fig. 3a. (top right) Frequency measurement block diagram

Fig. 3b. (bottom right) Timing diagram frequency measurement



analogue converters, or computer interfaces.

THE DISPLAY

The number of digits in the display is determined to some extent by the "gate time", (when measuring frequency), and by the time base reference frequency, (when measuring time), since both these factors determine the resolution of the measurement.

However, a more significant restriction derives from the reference oscillator, where the limits of accuracy and stability simply cannot justify having too many digits. For example, there is little point in resolving a measurement to ten significant figures if the oscillator frequency itself is only accurate to eight significant figures. Similarly, there is nothing to be gained in using a long gate time to increase the resolution of a frequency measurement if the frequency of the reference oscillator is likely to drift somewhat during this period.

Consequently, the accuracy of the common-or-garden quartz oscillator usually limits the number of meaningful digits to seven or eight.

MEASUREMENT CONCEPTS

Part of the versatility of the uct lies in its ability to use the same fundamental elements to achieve a variety of different measurements. The operation of each

element remains virtually the same for each type of measurement: it is only the various signal paths which are changed.

TOTALISING MODE

The totalising mode (sometimes called "units counting" or "events counting" mode) is used to count up the number of times an electrical event takes place (eg: the closing of a switch, the pulses output from a light sensor, etc).

The uct elements are connected as shown in Fig.2a, where the events to be totalised are applied to input A; the signal at input B is a gating signal used to control the main gate. From the timing diagram of Fig.2b, we see that the pulses at A are only totalised for the duration of the signal at B. Consequently, the reading displayed represents the number of events occurring during this time; all others are ignored.

This ability to control which pulses are counted is not available on all ucts: several models derive the gating signal from a front panel switch, whereas others leave the gate continually open, such that the dcu accumulates all the input pulses until reset by the operator.

Certain models offer variations on the theme: for example, the Hewlett-Packard HP5345A counts the pulses occurring at both input A and input B, and can then display the value of either (A+B) or (A-B).

FREQUENCY MEASUREMENT

The circuit used to measure frequency is a simple extension of the totalising circuit, and is shown in Fig.3a. Note that the gating signal is now derived from the time base, rather than from an external signal.

The definition of frequency is simply "the number of cycles occurring during unit time", ie, the number of cycles per second. Thus, if the main gate is opened for exactly one second, the number of pulses counted will be the frequency, in Hertz, of the signal at A.

The timing diagram of Fig.3b shows that the gate control flip-flop is operated in toggle mode, such that the main gate is opened for a gate time, τ , equal to the period of the selected time base signal. In this example, five pulses are counted, and so if $\tau =$ one second, (ie, if the time base reference frequency is 1Hz), then the input frequency is 5Hz.

One might assume that the definition of frequency would limit the gate time, τ , to one second only. However, other gate times can be used, provided the display is modified accordingly.

For example, consider an input frequency of 7654321Hz: with a one second gate time and an eight digit readout, this will be displayed as 07654321. Hz, (or as 07654.321kHz). If the gate time is now reduced to, say, one millisecond, (by selecting a 1kHz reference frequency),

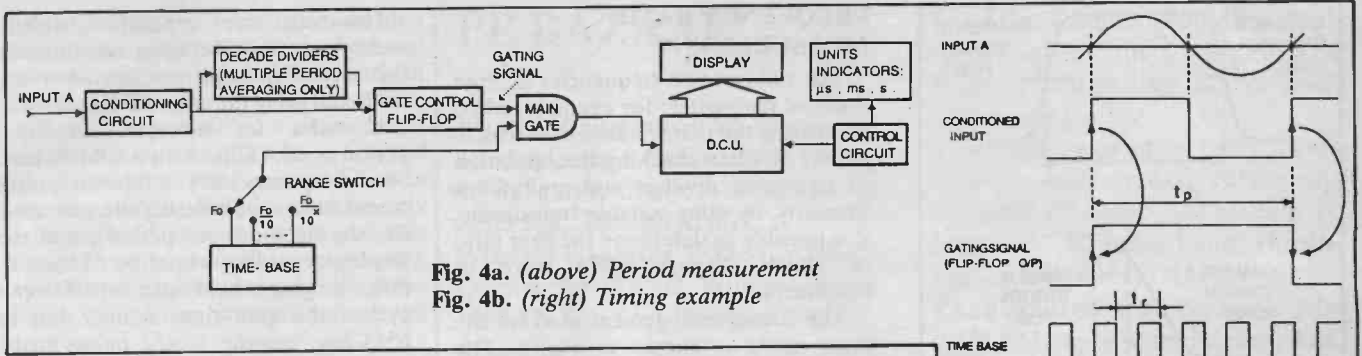


Fig. 4a. (above) Period measurement
Fig. 4b. (right) Timing example

then the number of pulses accumulated will be a factor of a thousand less, ie, only 7654 cycles will be counted. However, this can still be displayed — quite correctly — as 00007654.kHz.

Short gate times allow us to make quick measurements — for example, when following rapid changes in the input frequency. Note, however, that there is a corresponding reduction in measurement resolution.

It follows, then, that to increase resolution we simply increase the gate time. If an input frequency of, say, 123.45Hz is counted for a gate time of 100 seconds, the dcu will accumulate 12345 pulses: with appropriate decimal point selection this reading can be displayed as 000123.45Hz. Obviously, the resolution is 100 times greater than that obtained if a one second gate time is used; however, limitations due to the reference oscillator stability and measurement speed usually dictate that gate times greater than ten seconds are rarely used.

PERIOD MEASUREMENT

Fig.4a represents the circuit used to measure the period of input A. The arrangement is the same as that used to measure frequency, but with the main gate inputs interchanged (compare the relative positions of the gate control flip-flop). In other words, the input signal itself now provides the gating signal, whereas the pulses counted by the dcu are derived from the time base. The reciprocal nature of the two circuits is not really surprising, since the period of a signal is simply the reciprocal of its frequency.

Once again, the gate control flip-flop is operated in toggle mode, such that the width of its output pulse is equal to the

period of the input signal, t_p . This is illustrated in Fig.4b.

Each of the time base pulses counted during t_p corresponds to a precise time period, t_r (a certain multiple of the reference oscillator period). The magnitude of the input period is thus:

input period, $t_p = n.t_r$,
where n is the number of pulses counted.

For example, assume the range switch selects a reference frequency of 1MHz, such that $t_r =$ one microsecond. If the dcu accumulates, say, one million pulses, then $t_p = 10^6 \times 1\mu s = 1$ second. The reading will be displayed as 01000000.µs, or 01000.000ms, or 01.000000s, depending on the uct used.

Unlike frequency measurement, the resolution of the reading depends not on the gate time (which is now determined solely by the input period), but instead on the magnitude of t_r . Each of these periods forms a quantum of time — the smaller these quanta, the more are counted during a given input period, and the greater is the resolution of the reading.

For the one second period considered previously, using a reference frequency of 10MHz (such that $t_r = 100ns$), instead of 1MHz, would allow the dcu to accumulate ten million pulses, resulting in a reading of 1000000.0µs, ie, a resolution of 0.1µs rather than 1µs.

It might appear that we should always select the highest time base frequency in order to get the best resolution. However, when measuring an input signal with a very long period, it is necessary to increase t_r (ie, select a lower time base frequency) simply to prevent the dcu overflowing. For example, if the counter has an eight digit display, selecting the 10MHz time base signal will allow

a maximum period of ten seconds (actually, 9.999999 seconds) to be displayed. On the other hand, a 1kHz time base signal would allow a period of 100,000 seconds (27.8 hours!) to be displayed using the same eight digits.

The resolution can be increased still further by the use of multiple period averaging. This powerful technique (described later) involves averaging the reading over a large number of input cycles, and can be applied equally well to time interval measurements, and frequency ratio measurements.

TIME INTERVAL MEASUREMENT

When in time interval mode, the uct behaves like a stopwatch, in that it measures the elapsed time between two electrical events. The block diagram is shown in Fig.5a, where the signal at input A starts the measurement, and that at B stops it.

The conditioned signals from each channel are fed to the gate control flip-flop, which essentially acts as an S-R latch. This is illustrated in Fig.5b, where the start signal from channel A sets the flip-flop, and the stop signal from channel B resets it. Consequently, the

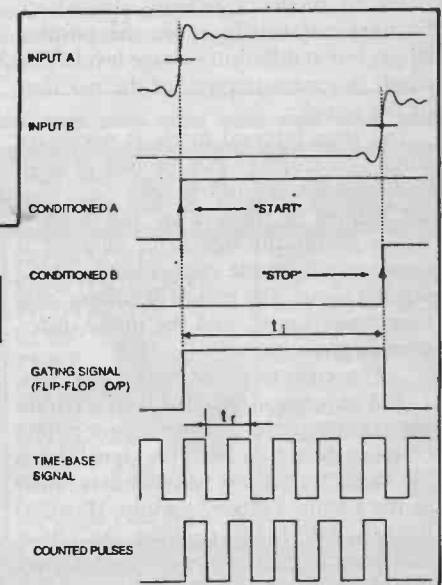


Fig. 5a. (above) Time interval measurement
Fig. 5b. (right) Timing example

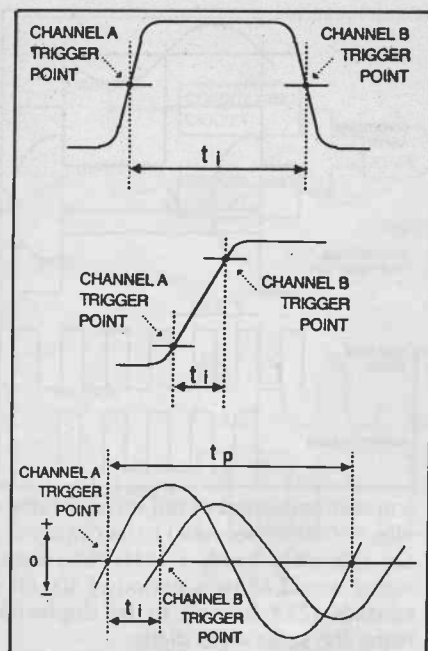


Fig. 5c. (top) Pulse width measurement

Fig. 5d. (middle) Transition time measurement

Fig. 5e. (bottom) Transition time measurement

length of the gating signal, t_i , is equal to the time interval between the input signals; during this time, the dcu counts the reference pulses in exactly the same way as for a period measurement.

In addition to measuring the time between two completely separate signals, the time interval mode can be used to measure the interval between different points on the same waveform. This is achieved using the input conditioning controls, in particular the trigger level and slope controls, to set different trigger points.

For example, Fig. 5c shows channel A set to trigger on the positive slope, and channel B set to trigger on the negative slope, such that the time interval measured is effectively the *width* of the input pulse.

Fig. 5d, on the other hand, shows both channels set to trigger on the positive slope, but at different voltage levels. The result is a measurement of the *rise time* of the signal.

The time interval mode is necessary when measuring the phase of two signals, as shown in Fig. 5e.

Channel A triggers as the leading signal passes through zero; channel B then triggers on the zero-crossing of the lagging signal. The period of either signal is measured next, and the phase difference is given by:

$$\text{Phase (in degrees)} = (t_i/t_p) \times 360.$$

The only requirements for an accurate measurement are that the trigger points be set correctly, and that the signals have the same frequency. Several ucts, such as the Philips PM6652 and the Hewlett-Packard HP5335A, perform the phase measurement automatically, and display the phase directly in degrees.

FREQUENCY RATIO MEASUREMENT

The ratio of two frequencies is often a useful parameter: for example, when comparing the performance of two oscillators, or when checking the operation of frequency dividers and multipliers. Similarly, by using suitable transducers, it is possible to determine the gear ratio or clutch slippage of a piece of machinery.

The circuit arrangement used for the ratio mode is shown in Fig. 6a. The higher-frequency signal is applied to input A, whereas the lower-frequency signal at input B is used as the reference signal. Consequently, the operation is similar to the frequency mode, but with input B providing the time base signal.

The ratio of the two frequencies is given by:

$$\begin{aligned} \frac{\text{frequency A}}{\text{frequency B}} &= \frac{(\text{cycles of A})/\text{second}}{(\text{cycles of B})/\text{second}} \\ &= \frac{\text{cycles of A}}{\text{cycles of B}} \end{aligned}$$

Thus, the ratio is determined by counting the number of cycles at A occurring during one cycle at B: this is shown in Fig. 6b. Note how the main gate is held open for the duration of the period of input B. In this respect, the ratio mode is a versatile extension of the totalising mode: the first pulse at input B opens the gate and initiates the count, the second pulse closes the gate and completes the count.

The ratio mode is particularly useful when making "rate" measurements. These measurements allow quantities such as gallons per minute or miles per hour to be displayed directly. For example, if the period of signal B is fixed at sixty seconds, the output from a transducer connected to input A can be displayed directly in revolutions per minute.

MULTIPLE PERIOD AVERAGING

In the discussion of period measurement we saw that the resolution is determined by the time base frequency; for example, using a 10MHz clock provides for a resolution of 100ns. Consequently, it would seem that the only way to increase the resolution still further is to use a higher-frequency clock, and indeed, for one-shot measurements, (ie, measurements on a single cycle), this is quite true.

However, for repetitive signals, multiple period averaging can increase the resolution to one nanosecond or less, while still using the same 10MHz clock.

Consider, for example, an input period of 65.432μs: with a 10MHz time base frequency, 654 reference pulses would be counted during the gate time (ie, during the input period), and the displayed reading would be 65.4μs. If, now, the gate is held open for 100 input cycles, the gate time is increased to 6543.2μs, causing 65,432 pulses to be counted: with appropriate decimal point selection, this can be displayed as 65.432μs. Obviously, the resolution is increased a hundredfold; in general, the resolution is increased by a factor N, where N is the number of periods averaged out in this way.

This technique can be implemented simply by adding a series of decade dividers to the basic period measurement circuit — see Fig. 4a. A single divider causes the input frequency to be divided by ten, ie, the input period is increased by a factor of ten, as is the resolution. Obviously, two dividers will increase the resolution a hundredfold, three will increase it a thousandfold, and so on.

Multiple period averaging is useful not only for increasing the resolution of a measurement, but also for reducing the associated errors, and similar techniques can benefit the measurement of time interval and frequency ratio. However, there are specific requirements which must be met if the averaging method is to be applied correctly, and these will be discussed in a later article which deals with sources of measurement error.

ADDITIONAL CONTROLS AND AIDS TO MEASUREMENT

A variety of controls and indicators is available on many ucts to enhance the basic operation.

A typical example is the "hold" button; when pressed, this suspends the measurement operation, and freezes the display at its current reading.

The "reset" button, on the other hand, clears the display and resets all internal circuitry so that a new measurement can be started immediately. Certain models provide

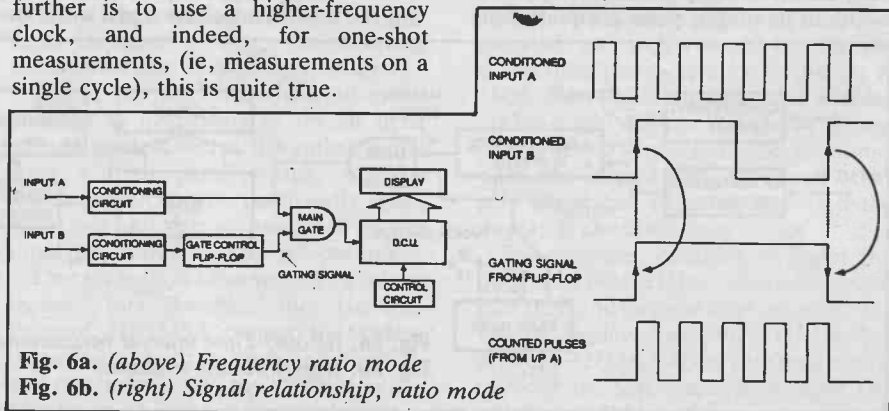


Fig. 6a. (above) Frequency ratio mode

Fig. 6b. (right) Signal relationship, ratio mode

external hold and reset inputs so that they can be operated by a remote contact closure, or by a suitable electrical signal.

The "one-shot", or single measurement, facility is a useful extension of the hold control. When in one-shot mode, the uct automatically goes on hold after the main gate has closed (ie, after a single measurement), such that any subsequent changes in the input parameters will not affect the reading.

Many ucts provide various forms of feedback. A typical example, usually found on the more expensive models, is the provision of start/stop markers. These outputs are narrow pulses corresponding to the opening and closing of the main gate, and can be used to intensity-modulate an oscilloscope trace of the input signal; the markers show up as bright spots on the waveform, enabling the operator to set the trigger points correctly.

Sometimes, the output of the gate control flip-flop is made available for similar purposes. Alternatively, this signal may be used to drive a front panel led, usually labelled "measurement in progress", or simply "gate open".

Similar types of feedback are provided by the input conditioning circuitry: these will be described, along with the circuitry itself, in part two, next month.

PE

PE BAZAAR

Wanted: Celestron Super Polaris C8. Good price paid. Contact: Dale Parker, 66 Bargates, Christchurch, Dorset BH23 1QL. Tel: 0202 474022

Wireless magazine 1930-35. Wireless Constructor 1930-34. Wireless World 1937-47. Practical Wireless 1942-70. Offers. Tel: 0232-642687.

MSX2 Program wanted. Also I have more than 10,000 circuits. Contact for your choice also interested in penfreindship. Ajaz Ud-Din Khan, 1-904 Sector 5C-3, Post Office Bus Stop Near last stop of wagon W-9, behind Yaseen Market, North Karachi, Karachi 36, Pakistan.

Needed to complete collection: Practical Electronics volume 22 no.7 (July 1986). Can anyone help? Pete Wilcox, Cottage no.2, Kilduncan Farm, Kingsbarns, St. Andrews, Fife, KY16 8QF. Tel: Boarhills 452 (eve.)

Dead or Alive Samurai S16 bits spares etc. Anything S16 related. In fact WHY? All calls answered. Simon Lewis, 69 Irvine Drive North, Clippens Linwood, Paisley Tel: 0505 29363.

For sale. Crotech 3030MHz single trace oscilloscope £160 ono. Also Philips TP200 monitor £60 Tel: 01-805 8791 evenings.

Clear out. Numerous components, units, panel meters, valves and manuals. All cheap. Sae for lists. BC Meek, 92 Stopples Lane, Hordle, Lymington, Hants SO41 0JA.

ZX80 wanted dead or alive. Also ZX81 add-ons ie sound, speech, ADC, DAC, disks. Lists to Adrian Harris, 12 Windmill Road, Mortimer Common, Reading, Berks, RG7 3RN.

House moving sale. Transformers, Capacitors, Diodes, Chips, Switches, Cases. Lots more. Cheap to clear. Sae list. Mr. Eaton, 8 Gannet Close, Haverhill, Suffolk, CB9 0JL

Lablear CM6047 colour bar generator £50. Mono TV pattern generator E5180A £5. Pye Cambridge offers. Mr. Edwards, 2 Beach Road, Burton Bradstock, Dorset DT6 4RF. Tel: 0308 897625.

Commodore 128K computer and datacassette. 14 months old. A1 condition, price £150. P. Verrechia, 3 Marle Avenue, Mossley, Ashton-u-Lyme, OL5 9LH. Tel: 045 75 2051.

PE BAZAAR

Name & Address			

Please publish the following small ad. FREE in the next available issue. I am not a dealer in electronics or associated equipment. I have read the rules.
Signature.....Date.....

RULES Maximum of 16 words plus address and/or phone no. Private advertisers only (trade or business ads. can be placed in our classified columns). Items related to electronics only. No computer software. PE cannot accept responsibility for the accuracy of ads. or for any transaction arising between readers as a result of a free ad. We reserve the right to refuse advertisements. Each ad. must be posted within one month of cover date. (One month later for overseas readers).

Send this form (or a photocopy of it) to:
PE Bazaar, Practical Electronics, 193 Uxbridge Road, London W12 9RA.

SECURITY SECURITY SECURITY

COMPLETE SECURITY SYSTEMS START AT

ONLY £39.95 + VAT

PASSIVE INFRA RED DETECTOR RP33

Hi-tech Sensor which operates by detecting body heat. **£23.95 + VAT**



DIGITAL ULTRASONIC DETECTOR US5063



For use in a wide range of movement detection applications **£13.95 + VAT**

INFRA RED BEAM SYSTEM IR1470



For Security Photography or Lighting applications **£25.61 + VAT**

ADVANCED CONTROL UNIT WITH AUTO LOOP TEST CA1382

Available in kit form (fully built electronics) **£39.95 + VAT**
Fully built and tested **£44.95 + VAT**



SEND OR TEL FOR FULL DETAILS OR CALL AT OUR SHOWROOM & SEE THE UNITS ON DEMONSTRATION MON-FRI, 9-5. CLOSED ALL DAY SAT. & SUN.

FULL TECH. ADVISORY SERVICE

RISCOMP LIMITED

PLUS MAGNETIC CONTACTS. BELL BOXES. P.A. SWITCHES. etc. etc....

THE SECURITY SPECIALISTS

Dept. PE6
51 Poppy Road, Princes Risborough, BUCKS HP17 9DB. Tel: (084 44) 6326



DAT'S PROGRESS

By Wayne Green — Renowned US Publisher and Author

DIGITAL AUDIO TAPE GETS A HEARING

What happens when you cut a notch in something? It makes it weaker. This technique, aimed at dat, has boomeranged on its devisors.

Dr Wayne Green is the renowned US author, publisher and founder of over 50 computer and technology magazines, including Byte and Microcomputing. He recently stood as a vice-presidential candidate in the US primary elections.

The rhetoric has been fun, with the Recording Industry (RIAA) on one side pumping up a molehill into Mt Fuji proportions and the Big Japanese electronic firms, all of whom have dat recorders poised for shipment to the US, genuflecting toward congress.

WINDY BLATHERS

The blather has been particularly windy over the CBS copy code — the sound notch CBS proposed removing from cds (and all other recorded music, by the way) in order to trigger dat recorders into paralysis, thus preventing consumers from making digital copies of anything for use in cars — thereby impoverishing the record industry.

The hardware people warned that the proposed notch would be audible and would thus ruin the perfection of cds. CBS said flatly that their notch would be totally undetectable. CBS also claimed the notch would not fail to stop copying — and that the notch-sensing circuit would never prevent un-notched material from being taped. They also claimed their system would be difficult and expensive to defeat.

Having worked extensively with notch circuits, I challenged CBS on all counts. It didn't make engineering sense to me to be able to slice a notch of sound from a cd without introducing distortion. Filters do that — fact of life. I also doubted that the notch-sensing circuit wouldn't default on many normal cds.

Congress, unable to deal with anything as technical as this, turned to the National Bureau of Standards (NBS) for a test and report on the CBS notch. This had the advantage of putting off any decisions for a few months, thus allowing congress to get the benefit of a few more months of lobbyist attention, from both sides.



NO NOTCH SCOTCH

When Sony, the chief opponent of the notch, bought CBS, that seemed like a neat solution. Sony announced that the CBS acquisition absolutely positively wouldn't influence the notch project. Sure.

NBS released their report on March the first — should have been a month later by rights. They found the CBS notch system to be defective on every claimed point. Their tests showed that dat recorders sometimes refused to copy uncoded sound — that they sometimes were able to copy encoded sound — that listeners could indeed hear the difference when music was notched — and that circuits to defeat the notch were simple and inexpensive to build. It would appear that the CBS notch was more a product of their PR department than their engineering. NBS shot the whole CBS notch scheme down in flames.

Meanwhile, I'd sent copies of a compromise plan for a two-year test to every dat manufacturer and every music company. The results of that survey have

been most gratifying. The opinions have run 93% in favour of the compromise. I'm checking with the few who voted against it to see if they actually read the proposal. The two I've reached so far changed their vote when I explained my proposal, which they apparently hadn't bothered to read.

Meanwhile the barrage of press releases and lobbying goes on, with threats from RIAA that they will sue any firm importing dat recorders. Just what we need, the threat of legal harrassment.

INFORDATION

In the meantime we're beginning to see some dat activity. Ford has announced the availability of a dat player for their Lincoln. GM, not to be left behind by Ford technology — at least when it comes to their entertainment accessories — is planning a dat player option for some Cadillacs. Dat players are okay by RIAA, since they can't record.

Some smaller labels are already starting to issue dat versions of their cds. I've three in hand from Folk Era and two from Capriccio so far. No, there's no market for the tapes yet, it's more a matter of prestige than marketing acumen.

MINI DIGIS

The three-inch mini-cds are pouring onto the market from several labels. These little discs hold about 20 minutes of music — the digital version of the old (dying) 45 single. The rationalisation for these has been the need for a less expensive, shorter disc with which to convince the kids to go digital.

Well, that's the cover story — the reality so far has been quite different. I've already got a couple of dozen minis

and they're all either classical or jazz. So where are the rock minis?

We're a bit short on three-inch players too. Sony showed some prototypes at CES in January, but I haven't seen a production unit yet. That means I have to carefully snap the little discs into a flimsy plastic ring which makes it look like a five-inch cd to my players. Some players are harder to fool than others, adding a further obstacle to their success. I've got one top rated player which almost refuses to recognise minis.

By the time I add up the aggravations: difficult to mount, touchy to play, awfully short and there being no storage boxes which are compatible with cds, my minis are virtual orphans. Is this another product looking for a market?

SHORT SIGHTED

The industry came out with cd video (cdv) last year. Five minutes of video and 20-minutes of digital sound. So far no one has discovered any practical use for this marvellous technology. I suggested they might see if there is a consumer need for five-minute condensed versions of Swan Lake and Sleeping Beauty. Duck Pond and Napping Beauty maybe.

How can supposedly intelligent marketing people encourage their firms to spend the millions it takes to develop

and introduce such a product — with no perceivable market for it? Well, perhaps they were attracted by the popularity of music tv (mtv). Bad timing since mtv has been losing ground in recent months.

Of the three new technologies, I'd say dat has the edge — but only if the industry can get the RIAA off its back and start bringing in dat recorders with no technological hobbles. No notches. No copy-preventing coding. No incompatible sampling rates. With no interference it's possible dat can make it.

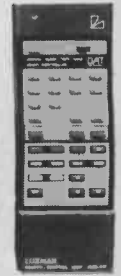
The dat technology is such that we're not going to be seeing inexpensive recorders for quite some time. The first units are expected to run around \$2,000 or so. And since there are so few home applications where the benefits of digital sound over a first rate cassette recorder are actually needed, it could take a long time to build much of a user base.

BANDOLERO

I've had a dat recorder for a year now and, other than reviewing the recent pre-recorded dat tapes, I've only had two occasions to use it. One was to tape a local town band so I could make superb quality analogue cassettes for them from the digital master — the other to record some synthesised music from one of my wife's video tapes. She's got 22 how-to-dance videos and now is producing a series on how to use makeup to hide facial blemishes.

For most applications I use one of my cassette recorders and don't bother with the big dat system and its very expensive blank tape. We'll see how typical I am when dat systems become available. I notice their sales in Europe and Japan are very slow, so perhaps my experience is common.

Luxman have no doubt about DAT's progress. This is their KD 117 DAT player and is distributed by HW International. Tel: 01-609 0293.



HART

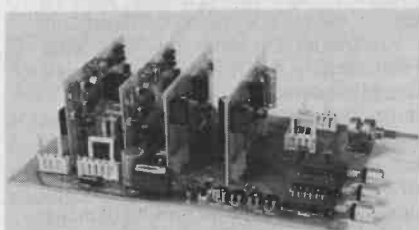
HART Hi-Fi Kits

Offer you a route to the very best Hi-Fi sound at bargain prices. Consider these star features:

- Up to the minute Circuit design by John Linsley-Hood and other famous writers.
- Advanced PCB layouts and engineering by HART.
- Components specified BY THE DESIGNER for ultimate sonic performance give you the superior sound quality you want.
- Better value for your money. HART KITS have a far longer life than the Far Eastern 5-year norm.
- Order now in confidence from a firm established in 1895 and producing electronic kits since 1960.
- Our kits are easy to build, 27 years of design experience guarantee that. Why not give your ears a treat, AND learn about electronics at the same time by building yourself a HART KIT.

Each month we will feature a different HART KIT in this advert, but you can get instant information on our complete range by writing or telephoning for our free lists.

LINSLEY-HOOD CASSETTE RECORDER CIRCUITS



Complete record and replay circuits for very high quality low noise stereo cassette recorder. Circuits are optimised for our HS 16 Super Quality Sendust Alloy Head Switched bias and equalisation to cater for chrome and ferric tapes. Very easy to assemble on plug-in PCBs. Complete with full instructions.

Complete Stereo Record/Play Kit £33.70
Reprints of original Articles 75p

400 SERIES LINSLEY-HOOD ULTRA HIGH QUALITY AUDIOPHILE TUNER SYSTEM.



Our very latest kit offers the discerning enthusiast the chance to get the ultimate sound quality possible from both AM and FM broadcasting systems. This is made possible by having completely separate receivers, both of which use new and novel circuit features to enhance their audio performance. The kit combines the ultra high quality FM tuner and stereo decoder from "Electronics Today International" with the Synchronyne AM receiver from "Wireless World", cased to match our 300 Series amplifiers. To simplify construction the FM sections uses a ready built pre-aligned front end. The phase locked loop demodulator/IF stage having a response down to DC and advanced sample and hold stereo decoder together make a tuner which sounds superb, but thanks to the ingenious double sided PCB layout is easy to build and totally stable. The Synchronyne AM section with its selectable bandwidth provides the best possible results from Long and Medium wave channels, so necessary in these days of split programming. Build any one of four versions up to the full AM/FM model, with any unit being upgradeable at any time.

K400FM FM Only Tuner Kit	£134.61
K400AM Only Tuner Kit	£147.87
K400FM/AM FM Only Adaptable AM	£139.96
K450 Synchronyne AM Module Kit	£65.90
400AM/FM Full AM/FM Kit	£205.92

LINSLEY-HOOD 300 SERIES AMPLIFIER KITS

Superb integrated amplifier kits derived from John Linsley-Hoods articles in "Hi-Fi News".

Ultra easy assembly and set-up with sound quality to please the most discerning listener. Ideal basis for any domestic sound system if quality matters to you. Buy the kit complete and save pounds off the individual component price.

K300-35 35 Watt. Discount price for Complete Kit	£98.79
K300-45. 45 Watt. Discount price for Complete Kit	£102.36
RLH4&5 Reprints of Original Articles	£1.05

HIGH QUALITY REPLACEMENT CASSETTE HEADS



Do your tapes lack treble? A worn head could be the problem. Fitting one of our replacement heads could restore performance to better than new! Standard mountings make fitting easy and our TC1 Test Cassette helps you set the azimuth spot-on. We are the actual importers which means you get the benefit of lower prices for prime parts. Compare us with other suppliers and see! The following is a list of our most popular heads, all are suitable for use on Dolby machines and are ex-stock.

- HC20 Permalloy Stereo Head. This is the standard head fitted as original equipment on most decks £7.66
- HS16 Sendust Alloy Super Head. The best head we can find. Longer life than Permalloy, higher output than Ferrite, fantastic frequency response £14.86
- HQ551 4-Track Head for auto-reverse or quadrophonic use. Full specification record and playback head £14.60
- HX100 Stereo Permalloy R/P head Special Offer £2.49
- MA481 2/2 Language Lab R/P head £13.35
- SM166 2/2 Erase Head. Standard mounting AC type £8.85
- SM150 2/2 Erase Head. DC Type £3.60
- HQ751E 4/4 Erase Head for Porastudio etc £46.80

Full specifications of these and other special purpose heads in our lists.

HART TRIPLE-PURPOSE TEST CASSETTE TC1

One inexpensive test cassette enables you to set up VU level, head azimuth and tape speed. Invaluable when fitting new heads. Only £4.66 plus VAT and 50p postage.

Tape Head De-magnetiser. Handy size mains operated unit prevents build up of residual head magnetisation causing noise on playback

Curved Pole Type for inaccessible heads £4.54

Send for your free copy of our LISTS. Overseas please send 2 IRCs to cover surface post or 5 IRCs for Airmail.

Please add part of cost of post, packing and insurance as follows:

INLAND
Orders up to £10—50p
Orders £10 to £49—£1
Orders over £50—£1.50

OVERSEAS
Please send sufficient to cover Surface or Air Post as required.

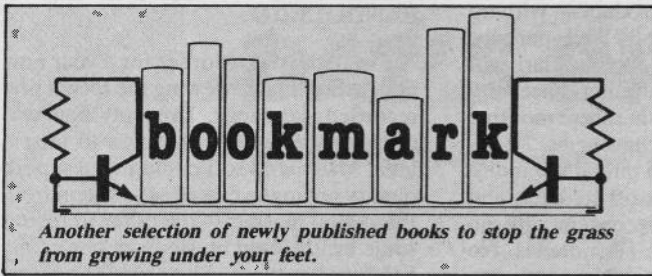
Personal callers are always very welcome but please note that we are closed all day Saturday

24 Hour Sales Line
(0691) 652894

PLEASE ADD VAT TO ALL PRICES

HART

HART ELECTRONIC KITS LTD
8 PENYLLAN MILL
OSWESTRY, SHROPSHIRE
SY10 0AF



Optoelectronics Circuits Manual. R.M. Marston. Heinemann Newnes. £10.95. ISBN 0-434-91211-5. With a title such as this I had hoped that it would be looking at a very comprehensive volume relating to all major aspects of optoelectronics. Disappointingly this turns out not to be the case. At least five major areas have not been adequately covered. Barely anything is said about fibreoptics, solar cells or liquid crystal devices, and neither lasers nor bar code readers seem to be mentioned at all. The book acknowledges the importance and variety of optoelectronic devices and claims to be aimed at practical design engineers, technicians, experimenters and students, yet the omission of substantial mention of what to me are subjects of vital importance seems an inexplicable oversight. What you will find, though, and in good measure across nearly 200 pages, are masses of circuits and graphs relating to leds, seven segment displays, light sensitive and optocoupling devices, brightness controls, light beam alarms and remote control systems, plus a chapter on basic principles. Perhaps Mr Marston can be persuaded to produce volume two in which he could more fully cover devices and principles that are just as importantly part of modern technology and society.

Digital Electronic Music Synthesisers — Second Edition. D.T. Horn. Tab Books. £11.60. ISBN 0-8306-2495-6. PE was the first UK electronics magazine to publish a synthesiser, back in 1973. Since then the technology of music synthesis has become a fine-art technique involving sophisticated digital circuits and devices. The first edition of the book was published in 1980, but this second edition is dated 1988 and should make useful reading for anyone wishing to update their knowledge. It looks at synthesiser basics, both analogue and digital, discusses Midi, looks at SMPL tape automation, and has separate chapters on a range of commercial synths. Additional chapters show several projects for building your own synth, though it should be pointed out that the circuits are very simple in concept, so don't expect anything ambitious.

500 Electronics IC Circuits with Practical Applications. J.A. Whitson. Tab Books. £14.80. ISBN 0-8306-2920-3. A real bumper bundle book of practical electronic circuits that should make it a worthwhile addition to the bookshelf (and work bench) of any addicted hobbyist. It is extensively cross-referenced and gives a comprehensive list of components, most of which appear to be readily available to UK readers. Although a list of possible suppliers is included, it is confined to those trading in the USA. This is the sort of book which can offer practical solutions to problems; or inspire one's imagination in the search for alternative solutions.

Basic Electronics Course — Second Edition. N.H. Crowhurst. Tab Books. £11.60. ISBN 0-8306-0413-8. I have learned to be wary of any statement that says that a book includes everything. This one claims to define every aspect of electrical behaviour and state-of-the-art electronics. Despite this somewhat grandiose claim, there is much information that will be of interest within the book's 400-plus pages. The book highlights the essential basics of electronics theory and practice, including Kirchoff's laws, properties of resistance, electron flow, power calculations and so on. Each chapter ends with a series of problems to solve, solutions to which are given towards the end. Quite a good glossary of terms is also provided. Although an American book, it appears to be very relevant to any English speaking reader irrespective of nationality.

Electronics 2. S. A. Knight. Heineman. £8.95. ISBN 0-434-91072-471-2. An introduction to the basic theory and applications of semiconductors that specifically covers the syllabus requirements of BTEC Unit U86/331. Although it will be of interest to anyone needing information on semiconductor principles and basic logic systems, the book assumes a moderately advanced knowledge of mathematics. Worked examples form an integral part of the text, and self-assessment problems, with answers, support the explanations. S.A. Knight is the author of many text books in telecommunications and electrical and electronic engineering, and has contributed widely to the technical press.

Beyond the Transistor — 133 Electronic Projects. R.P. Turner and B.L. Rutherford. Tab Books. £7.75. ISBN 0-8306-2887-8. Novices are those who are likely to benefit from this book since it features projects that ask for nothing more than an elementary background in basic electronics, and no previous project building experience is expected of the reader. Projects include a pendulum clock, a siren, a music box, photocell night light, continuity checker, and lots more. Most of the components required should be readily available through UK suppliers, though some type numbers I did not recognise and so may only be available to those living in the USA, for whom the book was originally written.

An Introduction to Satellite Television. F.A. Wilson. Babani BP195. £5.95. ISBN 0-85934-169-0. Knowledge about satellites and satellite tv is keenly sought after by many whose lives are now being affected by the technology. This book answers many of the questions that people are asking. It is ideal for absolute beginners and for those who are already more knowledgeable but want more information on the various aspects of satellites, from the basics through to precise scientific data. The D.I.Y. enthusiast is also well catered for with practical advice on choosing and installing a dish antenna. We have added this book to the PE book service.

Normal good book shops should be able to get the books for you, but in the case of difficulty, these are the publisher's addresses:-

Babani Books. The Grampians, Shepherds Bush Road, London, W6 7NF. Babani will also be pleased to send you a FREE catalogue of their entire range of books if you send them a stamped addressed envelope.

Heinemans are at 22 Bedford Square, London WC1B 3HH. Tel: 01-637 3311.

Tab Books — through John Wiley & Sons Ltd, Baffins Lane, Chichester, W. Sussex PO19 1UD.

**SEVERAL NEW BOOKS
HAVE BEEN ADDED TO THE PE
BOOK SERVICE — SEE PAGE 61**

CONSUMER ELECTRONICS DIRECTORY

Euromonitor has published a major new reference work on the European consumer electronics market. Titled the European Consumer Electronics Directory this is a work mainly for advertisers and retailers. At £135 it is not a reference work for amateur electronics enthusiasts.

It covers 17 West European countries with in-depth profiles of over 600 major European consumer electronics manufacturers, retailers and wholesalers, giving information down to the number of employees, financial performance and type of outlet. Additionally, over 150 detailed profiles of major consumer electronics companies with essential information ranging from names, addresses, telephone numbers, telex numbers, to products, brands and future prospects are set out in the directory's 400 pages. A summary of statistical information rounds off the directory with latest trends in consumer expenditure and consumption. Anyone with interests in this market will find the directory an excellent source of information.

The directory is available from leading booksellers or direct from the publisher: **Euromonitor Publications Ltd**, 87-88 Turnmill Street, London EC1M 5QU. Tel: 01-251 8024.

THE INTELLIGENT WAY AHEAD

BY SIR CLIVE SINCLAIR

THE FUTURE OF PARALLEL RISC

Sir Clive Sinclair, affectionately known as The Entrepreneur's Inventor, took a look at the future of computing technology in his speech at the recent RITA (Recognition of Information Technology Achievement) Awards. We know you will be interested in what he said.

My Lords, Ladies and Gentlemen, when asked to give this little talk, and reflect on the future of personal computers, it was in the hope that I know all about it! I am reminded, unfortunately, of a friend of mine who said that the long term planning in the personal computer business is "what's for lunch?"

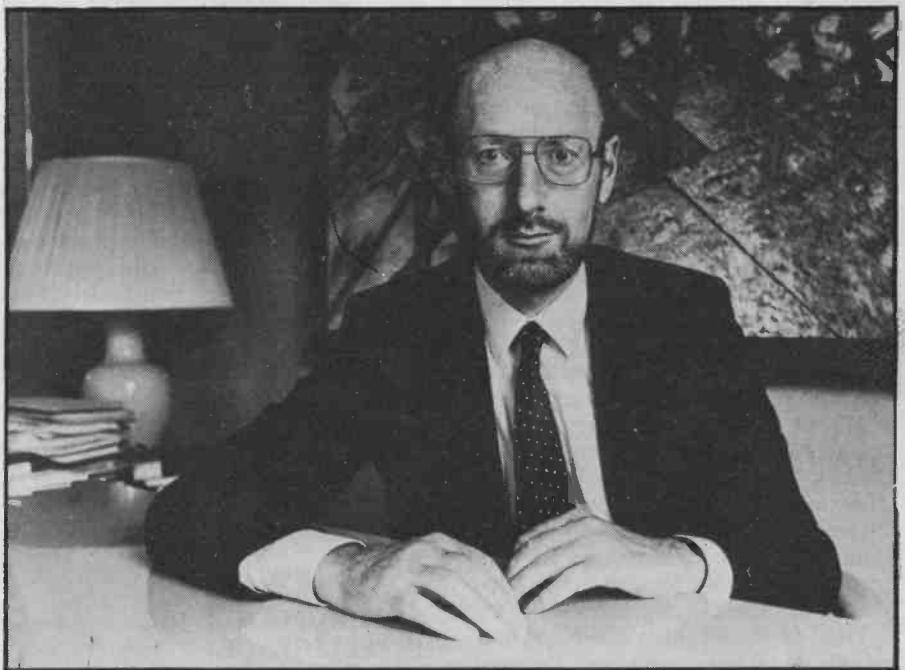
In order to look at the future, we've got to look a little at the past. The personal computer industry started, as I see it, in the late 70s when the 8-bit processor was the rule; the 6502, the Z80 and 68000. The people who led the industry then were Commodore and Radioshack - Tandy.

In the early 80s the 16 bit chips came along and we saw domination in the industry by the 80808 or 80806 and the 68000. The good companies then in dominance were IBM and Apple. Now in the late 80s we see the beginning of the 32 bit era with the 80386 and the 68030. And again, for the moment anyway, we have IBM and Apple and it would be comforting to think that that pattern will continue.

RISC ARCHITECTURE

It would be nice to be able to suggest that we'll continue on the same sort of path, and that the two major 32 bit chips will dominate. I don't think it will be quite like that. There are two big changes which are occurring in the industry at the moment which I believe are of great consequence. The first of these is the evolution of the risc architecture - reduced restriction set architecture.

Now these chips have appeared quite suddenly from several sources, though the idea is fairly old. The principle of the idea is that, if you examine how a computer works, and how it is normally used, of the many hundreds of instructions the normal processor has, only a very few of these will be used frequently; most of them will only be used infrequently. The idea behind risc



architecture is that you design a chip so that it only has those frequently used instructions and the rest are synthesised from them. Because you've now only got a few instructions you can make a chip run those instructions very rapidly, indeed if you have done the job properly you have one instruction per block title.

This produces a chip that is hugely faster and ironically rather simpler to produce than the previous system chips and several companies, Acorn and NMOS in the United Kingdom, Sun in the States with their Spark chip (who've recently linked up with AT&T), and Lynx chips, and Fairchild, have all produced risc chips. The interesting thing about these is that because of their enormous speed they can actually emulate the key current chips of this industry and still run at a decent speed. That is to say, they can appear to be other sorts of chips and that is, I think, going to make a big difference because it is going to remove the near monopoly

position of firms like Intel, who no doubt deserve their success, but it has given them a hugely powerful position.

So the risc chips come along and they give us perhaps, something like a factor of 10 improvement in an overall performance which is in itself very significant. But there's another even more significant change which is occurring and that is the move away from single processor architectures to parallel processor architectures.

UNKNOWN TERRITORY

The architecture that we use in computers today was proposed in the early 40s by John von Neumann and has been used pretty much universally ever since. As we move in to the parallel architectural field we are going into unknown territory and to some extent may have to part from the von Neumann approach and that is very disturbing.

Many gurus in industry have

suggested as a result that in fact this is entirely wrong, that we can always do everything we need to do with single processors just by making them faster and faster. The simple truth is that they've already reached what is probably coming very close to the limiting speeds of the single processor, and willy nilly, we're going on with the parallel track, and we're going along it in many different ways.

As I say, it is unknown territory and we have great supercomputer companies going for what is termed a coarse-grained architecture (that is to say, using a few very powerful processors). The companies at the machine's end will, I think, go in for fine-grained architecture and have no less than 65,000 processors in one machine. A fine-grained architecture processor is on its own very small and insignificant but grouped together very powerful indeed.

From these various approaches will emerge, I believe, something of huge significance and with regards to whichever route we take exactly, we know straight away that multiple processor architectures are giving us another factor of 10 improvement in performance and promise a factor of 100 or maybe 1000 in the very near future.

PROGRESSION OF WEALTH

Now, do we need and can we use this huge leap? I think that we can, very much so, and I'd like to digress slightly just to point out where we have been in this last 150 years in the West. We've seen over that period a pretty steady increase in wealth. Obviously the odd war has intervened, the odd recession, but generally speaking for that long period wealth has steadily improved.

First of all we have increased our wealth by taking people from the land and putting them into industry. We were able to do this because we had found better ways of organising our agriculture. That came to an end and pretty much exhausted the people on the land. We then increased our wealth by reducing the number of people required to produce the products. That too is coming to an end. We have now only 20% of our working population in industry. By the early part of the next decade that'll be down to perhaps 10%. We can't then expect to increase our wealth very much more by taking people out of industry and putting them into services. Those fewer people who are producing all the goods that we realistically need, won't need to produce any more goods. What we need to become wealthier is more doctors, more nurses, more policemen perhaps, more people in the services in general, and there is no way in which we can just conjure those out of the blue.

And so, if we are to increase our wealth towards the end of this century



Entrepreneurial pride — Sir Clive Sinclair with the new Z88

and the early part of the next century, we have no choice but to replace men's intelligence, much as in the past we have replaced men's strength. That is where these chips come into their own, because what we can do with these technologies is begin to move into artificial intelligence. The first example of this we will see, is machines that we can talk to in real time and they will understand us. I don't believe that is as far as many might think. I certainly think it is no more than 20 years away and probably only 10 years away. It will be a rather startling development to make a machine that we can hold a conversation with just as we hold a conversation with a person.

ANTHROPOMORPHIC INTELLIGENCE

For the first time in human history we will be able to talk with a hon-human species. That in itself of course is not a lot of use, but the machines that will have that ability will be of great use, and I foresee machines in the home that take the place of, or partly take the place of, the doctor, the lawyer, the general advisor. So we will have a machine we can talk to that will understand the family, that will give us medical advice, and will of course refer to human advisors where necessary, and generally will be an enormous benefit in the home. And not many years beyond that we will be able to produce machines which take over the role of teacher, so that we will have a single tutor for every student.

Looking a bit further ahead still, one can foresee the truly anthropomorphic robot with human intelligence, and in due course super human intelligence. A wonderful benefit that I foresee there is that we will then be able to give the sort of support and comfort, indeed even perhaps friendship, to the elderly and

infirm who will represent an ever increasing proportion of our population.

So, I hope I have given you some feeling of the benefits that could accrue from this wonderful technology that is really only just round the corner.

BRITAIN'S POSITION

What I would like to say, though, is that we ought to look at the position that the United Kingdom has in this field. On the one hand we have a very strong position in the underlying technology. There is a great deal of pioneering work, as many of you of course know, and many of you have contributed to it, in the field of parallel processing or processing itself. We have even in this country designed some of the finest processors in the world, and there are not many countries that can say that.

Sadly, though we don't have the same position in producing the underlying silicon. Each of these machines might in the future take say a square metre of silicon which is equivalent to a hundred weight of the stuff and if we only need a couple of million of these machines a year, the same numbers say as we produce of cars today, that would require 10s of wafer fabrication lines and we in this country today do not have a single world standard wafer fab line. Not one. Korea has several, Japan dozens and America of course has a great many too. We do not have one. I think that is a great shame and a very serious matter.

SHADES OF SILICON

Greece fell to Rome, and when it did Archimedes was working in the sand and he turned round and a Roman was standing beside him and he said "Please, you are blocking the sunlight from me", and the Roman slew him.

Well ladies and gentlemen, unless we can become masters of silicon we too will stand in the shade. **PE**



The Z88 — an intelligent computing solution

MIDSUMMER KNIGHT'S DREAM



YOUR ED'S HAVING SLEEPLESS NIGHTS - WHO'S GOING TO WIN ONE OF SIR CLIVE SINCLAIR'S SPLENDID Z88s?

WORTH NEARLY £300!

Z88 SPECS :

**BATTERY OPERATED
LAP-TOP COMPUTER
WITH LCD SCREEN
WEIGHS LESS THAN 2LBS
SMALLER THAN AN A4 PAD
32K MEMORY (EXPANDABLE)
RS232 INPUT-OUTPUT PORT**

SOFTWARE INCLUDES :

**DIARY, SPREADSHEET,
WORDPROCESSOR,
DATA BASE, BBC BASIC,
CALCULATOR, CALENDER,
CLOCK AND ALARM**

JUST ANSWER THE SIMPLE QUESTIONS AND THE WINNER COULD BE YOU!

Closing date for entries is 30th June 1988. The winner will announced in the August issue of PE on sale from July 1st. The Editor's decision is final.

12 month's subscription to PE will be awarded to the first three runners-up.

WIN A SUPERB Z88 COMPUTER!

PRACTICAL ELECTRONICS ENTRY FORM SEND TO THE EDITORIAL ADDRESS ON PAGE 9

TICK YOUR CHOSEN ANSWERS

1. Is Heinrich Hertz famous for :
 - a) the invention of anaesthetic?
 - b) discovering electromagnetic waves?
 - c) the first heart transplant?

2. Is Barry Fox :
 - a) a campaigner against cruel sports?
 - b) an awarded PE technology journalist?
 - c) the inventor of glacier mints?

3. Does a superconductor :
 - a) carry electrical current?
 - b) drive buses?
 - c) lead a one man band?

4. Is a printed circuit :
 - a) a map of a race course?
 - b) a newspaper round?
 - c) a tracked component assembly board?

5. Is Sir Clive Sinclair :
 - a) a benighted visionary?
 - b) a Cambridge professor?
 - c) enterprisingly marketing the Z88?

6. In no more than 20 words :
Why would you recommend PE to a friend?

Name (in block letters)

Address

.....

.....

..... Post Code

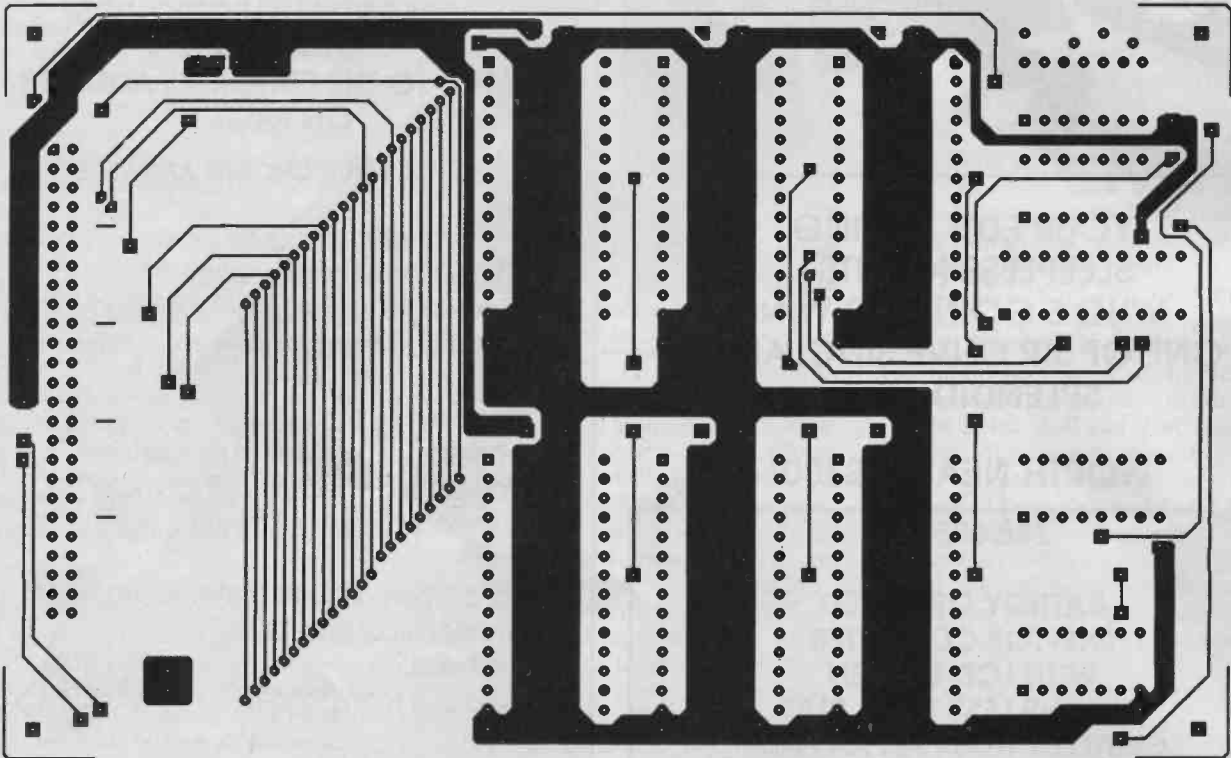
HOW TO USE PCB TRACK PATTERNS

FIRST MAKE TRANSPARENT COPY

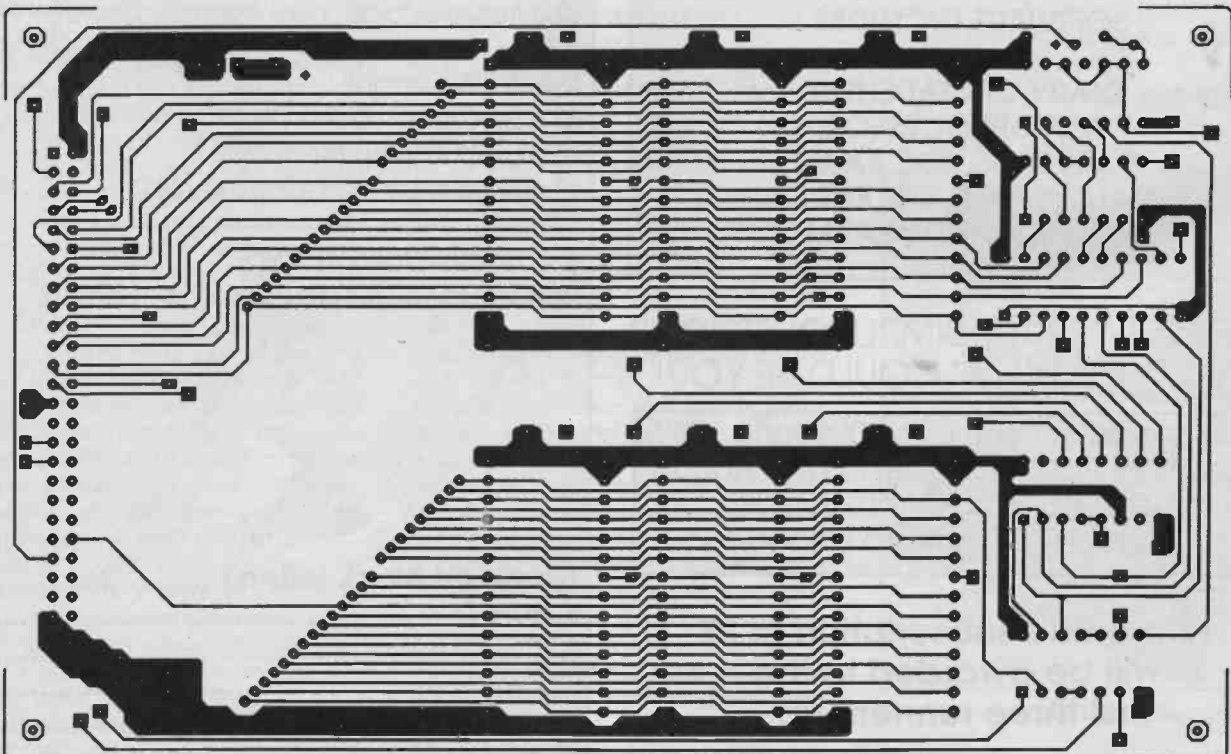
(We regret that we cannot supply transparent copies of PCB tracks.)

ISODRAFT METHOD

Have a normal photocopy made, ensuring good dense black image. Spray ISOdraft Transparentiser onto copy in



PE 173 (Double Sided Board). Above, Component Side. Below, Main Tracking Side.



accordance with supplied instructions. ISOdraft is available from Cannon & Wrin, 68 High Street, Chislehurst, Kent. Tel: 01-467 0935.

NEXT PRINT ONTO PCB

Place positive transparency onto photosensitised copper clad fibre glass, cover with glass to ensure full contact. Expose to Ultraviolet light for several minutes (experiment to find correct time - depends on UV intensity).

DEVELOP AND ETCH

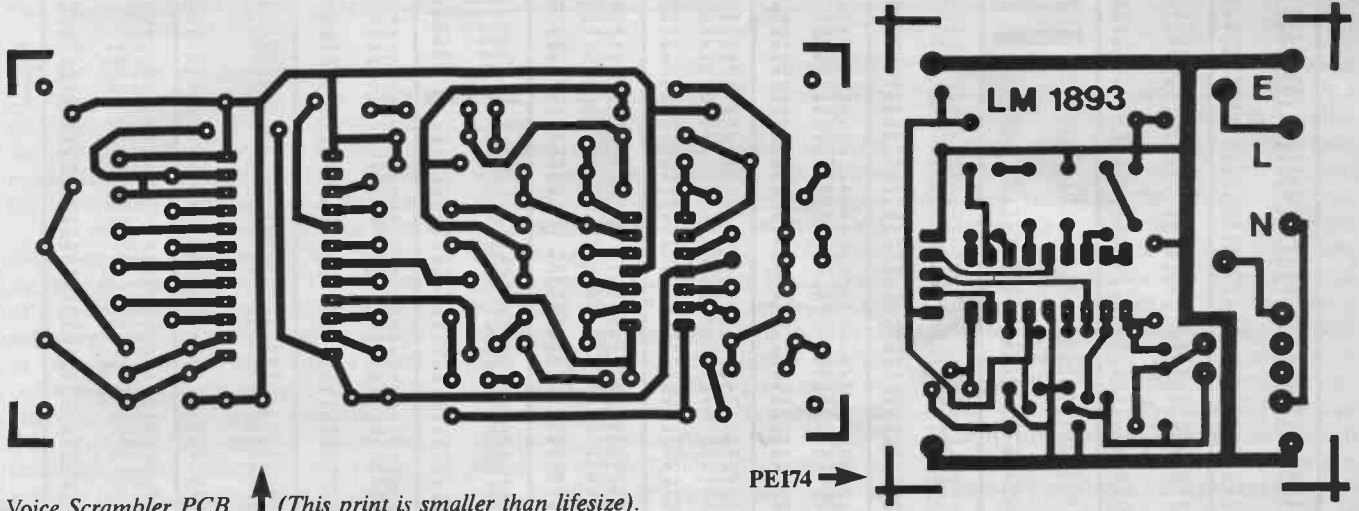
Develop PCB in Sodium Hydroxide (available from chemists) until clean track image is seen, wash in warm running water. Etch in hot Ferric Chloride, frequently withdrawing PCB to allow exposure to air. Wash PCB in running water, dry, and drill holes, normally using a 1mm drill bit.

(PCB materials and chemicals are available from several sources - study advertisements.)

*** CAUTION - ENSURE THAT UV LIGHT DOES NOT SHINE INTO YOUR EYES. PROTECT HANDS WITH RUBBER GLOVES WHEN USING CHEMICALS.**

ALTERNATIVE METHOD

Buy your PCB ready made through the PE PCB SERVICE, most are usually available. **PE**



Voice Scrambler PCB ↑ (This print is smaller than lifesize).

PROGRAM NOW

THE ADVANCED PROGRAMMERS JOURNAL

NOW MONTHLY!

The one tool every programmer should have!

★ ★ ★

Issue number 5 on sale the 10th May - price £1.25.

Available from all good newsagents or direct from Program Now, Intra Press, Intra House, 193 Uxbridge Road, London W12 9RA.

From Intra Press, publishers of Practical Electronics.

CRICKLEWOOD ELECTRONICS LTD

WRITE OR PHONE NOW FOR OUR FREE, 1988 COMPONENTS CATALOGUE

WHEN YOU CAN'T FIND IT ELSEWHERE WE'LL HAVE IT!

from the U.K.'s number one 100% components shop - no gimmicks, no gadgets, no computers, just millions of components, all easily available by mail order, calling at shop, or credit card telephone orders. Just pick upne, or a pen, to get the catalogue (no SAE required) - posted FREE to any country on the globe.

CRICKLEWOOD ELECTRONICS LIMITED
40 CRICKLEWOOD BROADWAY, LONDON NW2 3ET
Tel: 01 450 0995 & 01 452 0161 Telex: 914977

VISA Access

MAINS MODEM

BY MIKE MEAKIN

WALLS HAVE EARS

Transmission of signals through domestic type mains wiring is well established. The modules here, based on the LM1893 ic, can be used for half duplex operation with home micros, or simplex control with remote control ics.

This article will describe the operation and construction of a mains modem that will both impress and recover digital data upon the mains. The modem is in the form of a module suitable for interfacing to any digital controller.

The mains wiring system has been used for the transmission of control signals for over fifty years. The advent of microprocessors harnessed to control software enables "smart" systems such as energy management, office data communication, alarm and domestic controllers to be easily implemented with no additional costs for the wiring installation. The usual method of transmission is to modulate a high frequency carrier and impress the signal upon the mains. A receiver then demodulates the carrier to recover the original signal. Both amplitude (am) and frequency modulation (fm) are used and the

proliferation of "wireless intercoms" demonstrate the ease of transmitting analogue signals.

Transferring digital data requires more elaborate circuitry. Amplifiers, voltage controlled oscillators, phase locked loops and discrete transistor output stages are required and they not only consume large areas of board space but need careful setting up to obtain optimum performance. This combination of analogue and digital control circuitry is well suited to fabrication on an integrated circuit and National Semiconductor manufacture the LM1893 which is the first monolithic device to contain all the active circuitry required for this function.

ALLOCATED FREQUENCY

Frequency shift keying (fsk) is the method of modulation used in the

LM1893. The carrier is deviated between two discrete frequencies controlled by a logic level input. The benefits are similar to those obtained by using fm rather than am for radio reception and the method is well suited to the noisy conditions encountered in a mains wiring system. Carrier frequencies of up to 1MHz provide reasonable propagation and attenuation characteristics for both industrial and domestic wiring installations. However the requirements of non-interference with radio transmissions have led to the allocation of various bands for mains signalling with each band being used for specific purposes. The band available to the domestic user and specified for non-continuous or burst mode of operation is from 125kHz to 140kHz. The performance of the module conforms to the requirements of the Draft Standard for Mains Signalling

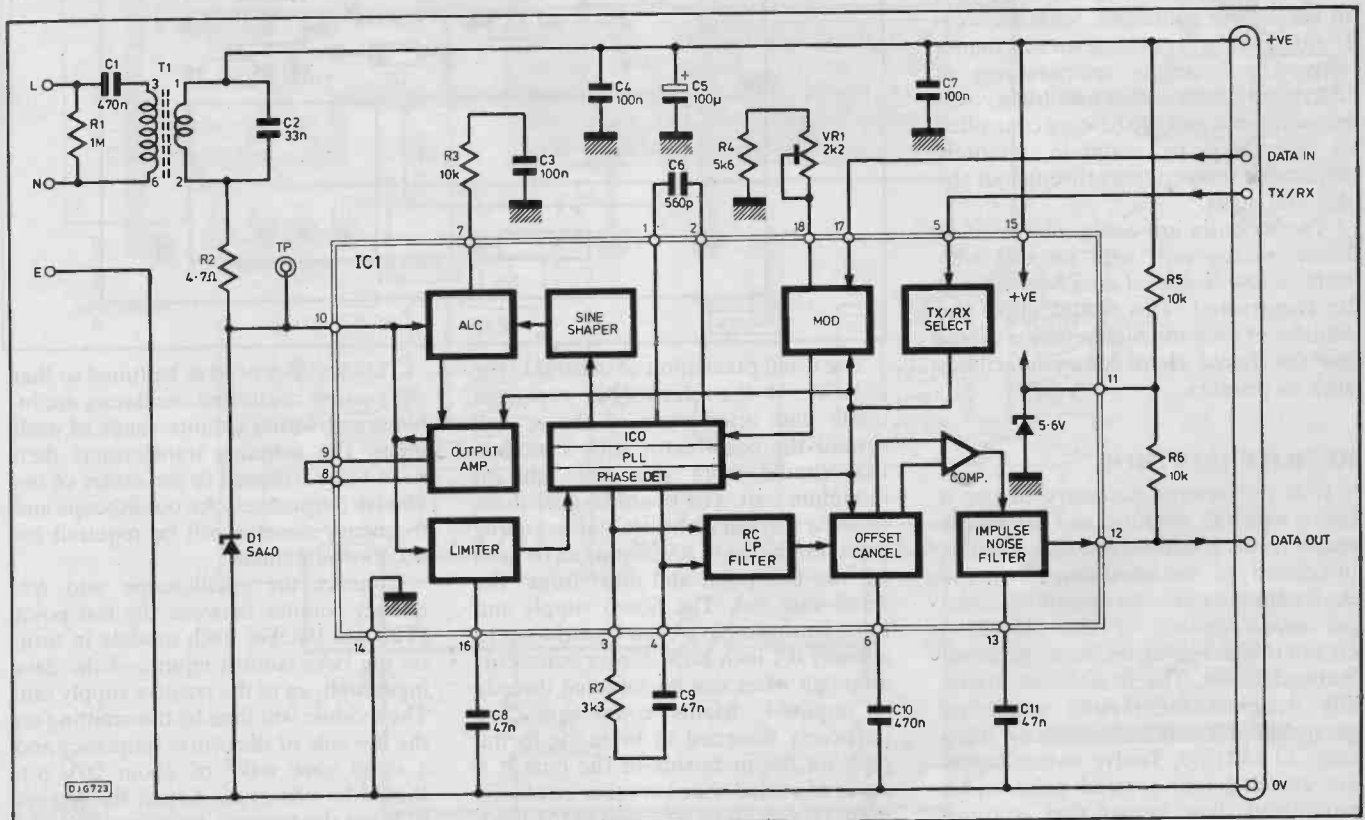


Fig. 1. Circuit diagram for the mains modem.

proposed by the British Standards Institution. No licence is required for operation.

The device is designed for half-duplex operation (transmit and receive, but not simultaneously) with the mode being selected by the logic level on the tx/rx control input. Digital data, at up to 4800 baud, can be applied to the data input and will shift the carrier by typically $\pm 2.5\%$ of the centre frequency. A second module set in receive mode, up to 500 metres distant and on the same phase will demodulate the carrier and present a logic level signal at the receive output.

CODING

Consideration must be given to a method of encoding and decoding the digital data as high levels of impulsive noise on the line will almost certainly corrupt long data streams. It is thus necessary to incorporate error checking and correction codes within the transmitted packets of data. Serial data from a standard uart is thus not suitable for direct transmission, however, it will function if occasional errors can be tolerated.

A typical system would comprise a microcomputer acting as a master controller communicating with a number of slaves. To utilise the half duplex capabilities of the modules would require a microcontroller at each slave so that they could recognise their unique address and respond to commands from the master. A virtually unlimited number of slaves would then both drive loads and return the status of various inputs to the master controller. Such a system is suited to energy management schemes where for example temperatures of individual rooms within a building could be monitored and the heating controlled as necessary to maintain remotely adjustable temperatures throughout the day and night.

The modules are easily interfaced to home micros and, with suitable software, a low cost local area network can be constructed. This would allow the transfer of data and files between micros and the shared use of common facilities such as printers.

REMOTE CONTROL

It is not always necessary to use a micro with the modules and for simple on/off control, remote control ics can be interfaced to the modules. A simple device that can provide up to 4096 codes for on/off control is the MM53200 encoder/decoder, again from National Semiconductor. The device was originally designed for remote controlled garage door openers but neatly interfaces to LM1893. Twelve switch inputs are encoded into a serial pulse width modulated data format that is transmitted via the modules. The received

data is compared with the code set on the slave switch inputs. When four valid streams have been received the decoder output goes low. This simplex (one way) system could be used to activate loads (eg lights, alarms, etc). With the addition of a passive infra-red detector this could form the basis of a flexible burglar alarm system that can be easily transferred from room to room.

CONSTRUCTION

The full circuit diagram is shown in Fig.1, and the printed circuit board layout is in Fig.2.

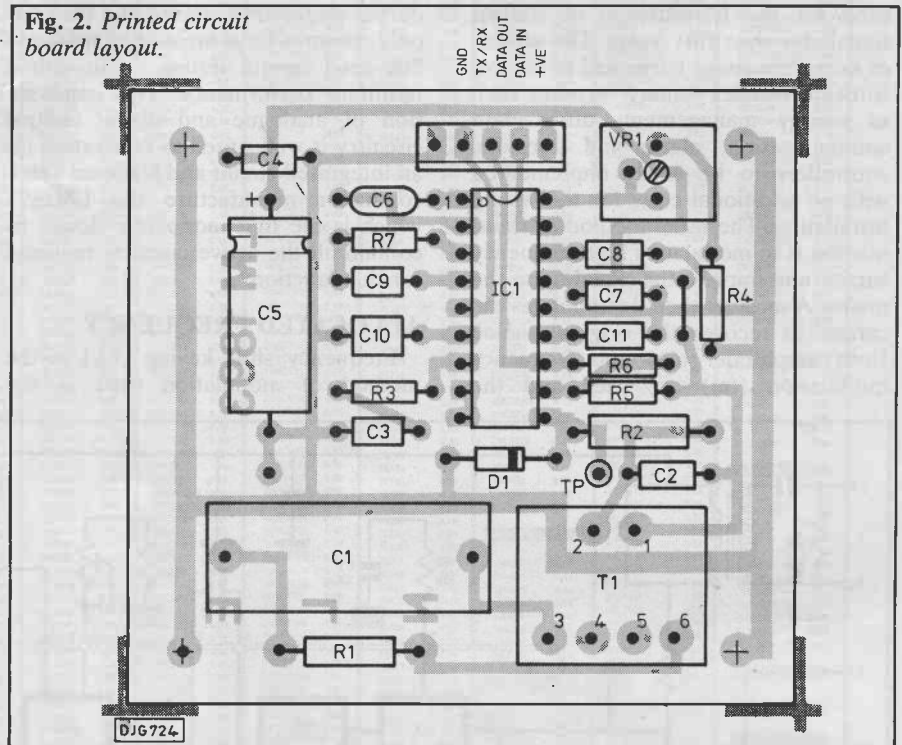
WARNING: Mains voltage are lethal. The secondary of the coupling transformer is connected via a coupling capacitor to the mains. Therefore extreme care should be taken when testing or probing the module whenever it is connected to the mains. The module **MUST** be connected to mains earth and a fuse provided in series with the live lead. (See Fig.3.)

minimise the possibility of contact with mains voltage. The board can be used as a "piggy-back" onto a mother board with connections being made with Molex pins or a flexible jumper strip. When soldering is complete the board may be scrubbed with a bristle brush and pcb solvent to remove the excess flux. This will allow the board to be inspected for good joints and no solder splashes!

TESTING

Two modules are required for a useful system. When both are complete **DO NOT** be tempted to connect them to the mains yet! Testing and tuning can be carried out using a dummy load/attenuator connected between the two modules as in Fig.4. Initially the current consumption of each module should be checked. When powered from a dc supply of 18 to 24 volts it should be in the order of 10mA in receive mode and 50mA in transmit mode.

Fig. 2. Printed circuit board layout.



The usual precaution of observing the polarity of the electrolytic capacitor, diode and orientation of the ic will reward the constructor with a module that should work first time and at minimum cost. The board layout allows either a vertical or horizontal mounting pre-set to be used. A Veropin can be used for the test point and don't forget the small wire link. The power supply and inputs/outputs have been brought out to a 5-way 0.1 inch pitch Molex connector although wires can be soldered directly if required. Mains connections are purposely designed to be made to the pads on the underside of the board. A cover of unclad board or other insulating material should be attached to the track side of the completed board. This will

The modules need to be tuned so that the current controlled oscillators are in-band and within capture range of each other. The coupling transformers then need to be trimmed to the centre of the two fsk frequencies. An oscilloscope and frequency counter will be required for accurate alignment.

Connect the oscilloscope and frequency counter between the test point (TP) and 0V. For each module in turn, tie the tx/rx control input and the data input high, eg to the positive supply rail. The module will then be transmitting on the low side of the centre frequency and a clean sine wave of about 20V p-p should be observed. Adjust the pre-set to bring the transmit frequency in-band (about 130kHz). Take the data input low

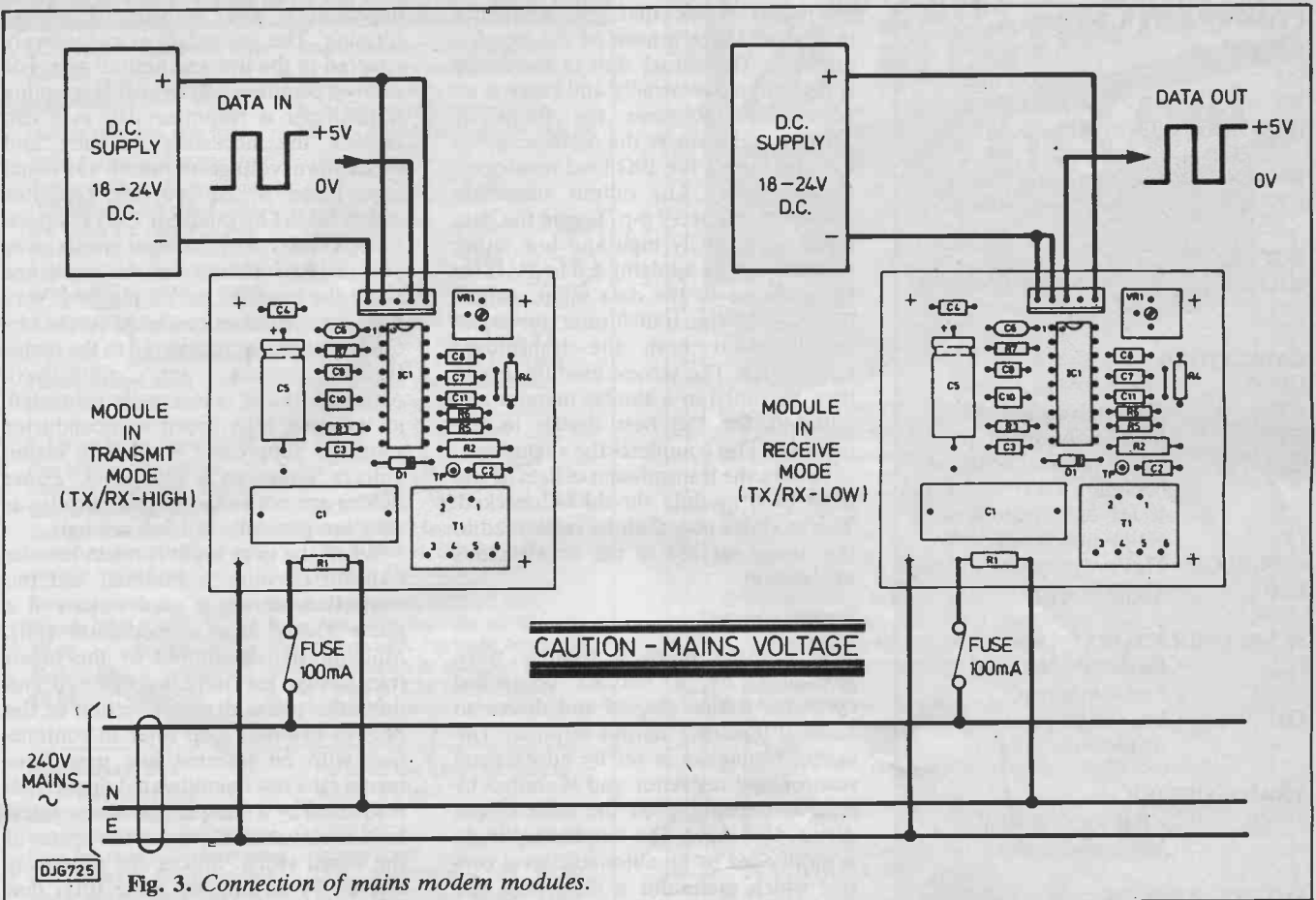


Fig. 3. Connection of mains modem modules.

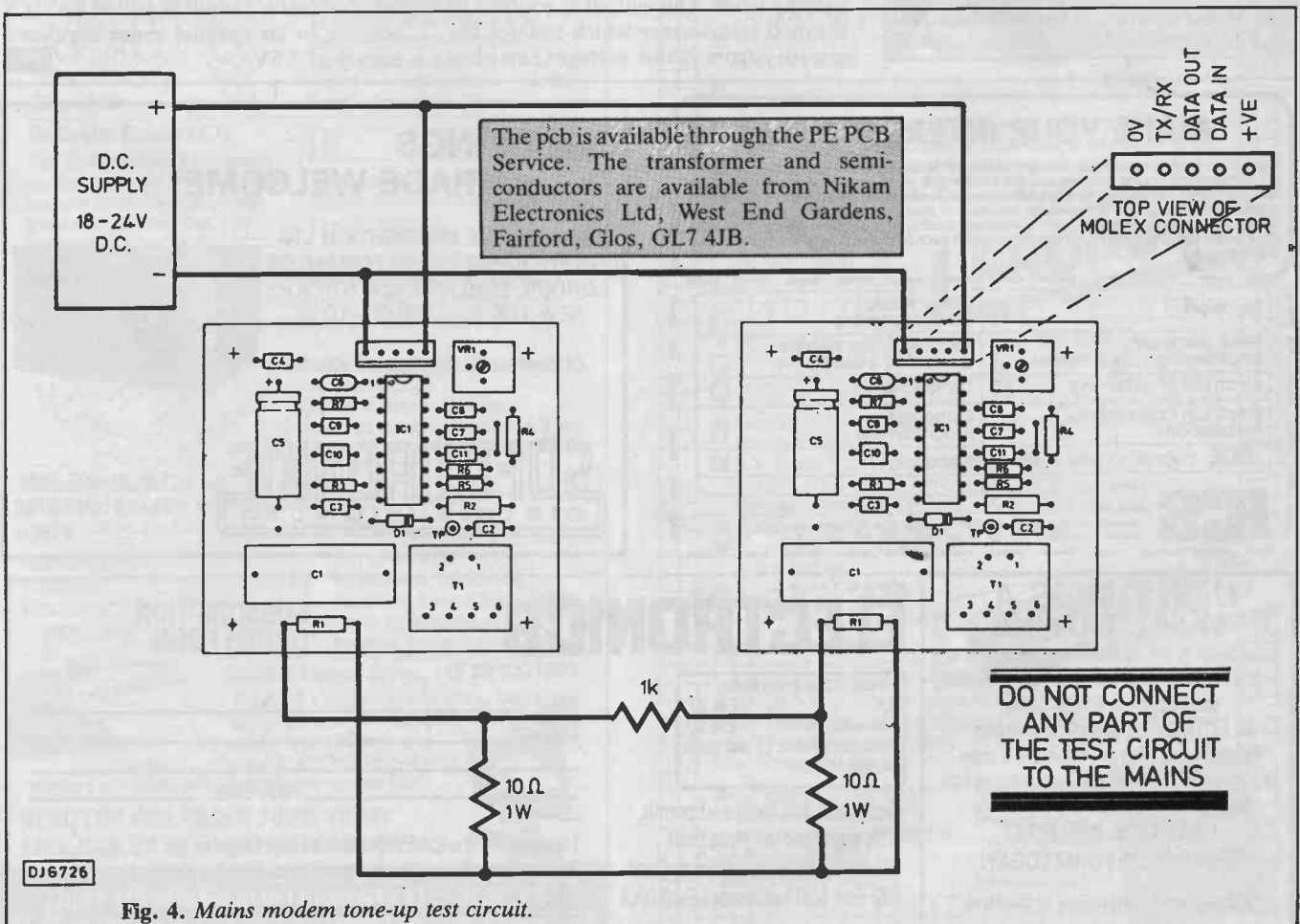


Fig. 4. Mains modem tone-up test circuit.

MAINS MODEM

COMPONENT LIST

RESISTORS

- R1 1M ½W carbon film
 R2 4R7 ½W solid carbon
 R3,R5,R6 10k ¼W metal film (3 off)
 R4 5k6 ¼W metal film
 R7 3k3 ¼W metal film

POTENTIOMETER

- VR1 2k2 vertical or horizontal mounting preset

CAPACITORS

- C1 470nF 50V ac X-class
 C2 33nF polycarbonate
 C3 100nF polycarbonate
 C4,C7 100nF polycarbonate or ceramic (2 off)
 C5 100µF 25V electrolytic
 C6 560pF polystyrene 5%
 C8,C10,C11 47nF polycarbonate (3 off)
 C10 470nF polycarbonate

SEMICONDUCTORS

- IC1 LM1893N National Semiconductor
 D1 SA40A General Semiconductor

TRANSFORMER

- T1 ZKB 490/228 80W
 Vacuumschmelze

MISCELLANEOUS

Printed circuit board, 18 pin-socket, 5-way Molex connector, Veropin, case and wire to suit.

(0V) and check that the frequency increases. Make a note of the two frequencies. The actual shift in frequency is determined internally and there is no adjustment. Remove the frequency counter and transfer the oscilloscope to monitor across the 10Ω load resistor on the secondary. The output amplitude should be about 3V p-p. Toggle the data input successively high and low either manually or by applying a 0 to 5V 1kHz square wave to the data input. Adjust the core of the transformer for equal amplitude at both the transmitted frequencies. The second module should then be tuned in a similar manner and adjusted for the best match in frequencies. This completes the alignment.

Finally, the transmission of data to and from each module should be checked. The modules may then be connected to the mains for use in the constructor's application.

OPERATION

In transmit mode a triangle wave generated by a current controlled oscillator is sine shaped and drives an internal transistor output amplifier. The centre frequency is set by an external resistor and capacitor and is shifted by ±2.5% depending on the state of the digital data input. The output amplitude is monitored by an automatic level control which maintains a distortion free sine wave output and compensates for varying loads. This output is coupled to a tuned transformer which isolates the circuitry from mains voltages, matches

impedances and provides bandpass filtering. The secondary is capacitively coupled to the live and neutral pair. For safety a commercially available coupling transformer is recommended as it can provide the necessary isolation and breakdown voltage required. Of equal importance is the coupling capacitor which MUST be rated for 250Vac operation (X class). A 1M resistor bleeds away any residual charge on this capacitor when the modules are un-plugged. Very high energy pulses can be generated by other equipment connected to the mains (brush motors, scr controllers). Although the ic is internally protected, an external high speed semiconductor transient suppressor is used to clamp voltage spikes to a safe level. Zener diodes are not suited to this purpose as they are generally not fast enough.

When the tx/rx input is taken low the transmit circuitry is disabled and the controlled current is used as part of a phase locked loop demodulator (pll). Millivolt signals filtered by the tuned transformer are amplified, limited and drive the phase detector section of the pll. An external loop filter in conjunction with an internal low pass filter recover the raw demodulated signal. This is squared by a comparator whose threshold is automatically set to the centre of the signal swing. Spikes are effectively filtered by an impulse noise filter that produces 'clean' digital signals. The open-collector output is pulled up via a resistor to an internal zener regulated supply of 5.6V.

PE

MAKE YOUR INTERESTS PAY!

More than 8 million students throughout the world have found it worth their while! An ICS home-study course can help you get a better job, make more money and have more fun out of life! ICS has over 90 years experience in home-study courses and is the largest correspondence school in the world. You learn at your own pace, when and where you want under the guidance of expert 'personal' tutors. Find out how we can help YOU: Post or phone today for your FREE information pack on the course of your choice (tick one box only).

Electronics <input type="checkbox"/>	Radio, Audio and TV Servicing <input type="checkbox"/>
Basic Electronic Engineering (City & Guilds) <input type="checkbox"/>	Radio Amateur Licence Exam (City & Guilds) <input type="checkbox"/>
Electrical Engineering <input type="checkbox"/>	Car Mechanics <input type="checkbox"/>
Electrical Contracting/Installation <input type="checkbox"/>	Computer Programming <input type="checkbox"/>
GCE over 40 'O' and 'A' level subjects <input type="checkbox"/>	

ICS

Name _____ P. Code _____
 Address _____
 International Correspondence Schools, Dept EDS 68, 312/314 High St.,
 Sutton, Surrey SM1 1PR. Tel: 01-843 9568 or 041-221 2926 (24 hrs).

PC CASINGS OEMs/TRADE WELCOME

SOFTMACHINE DISTRIBUTION LTD
 UNIT F25, HARBET ROAD, EDMONTON
 LONDON, ENGLAND, U.K. N18 3LR
 NEW TLX: 9312100158 - TD G

Office Hours: 10.00am-6.00pm



SOFTMACHINE
 DISTRIBUTION LTD

Tel: 01-807 7644
 Fax: 01-807 2748

(25 1)

DON'T MISS A VITAL COPY!

Ever been in the middle of a project only to find the next issue sold out? An annual subscription to **PRACTICAL ELECTRONICS** solves the problem. Wherever you live you'll receive a copy regularly each month. It's the quick, practical way to solve the delivery problems.

COMPLETE AND POST THIS ORDER FORM TODAY!

You may send a photocopy of this form.

PRACTICAL ELECTRONICS

Annual Subscription Rates	
U.K.	£15.00
Overseas	£18.00
Students: Deduct £1 and quote Student Number	

Complete this form and post it, with payment to: **Practical Electronics Subscriptions Dept.**
 PO Box 500 Leicester LE99 0AA

SUBSCRIPTION ORDER FORM

POST COPIES TO

NAME _____

ADDRESS _____

POST CODE _____

I enclose my cheque/PO payable to Intra Press for £

Please Note: Subscriptions cannot be ordered by phone

Signature _____

JOIN UP WITH LITESOLD

Professional Soldering Equipment at Special Mail-Order Prices.

EC50 Mains Electronic Iron. £29.99



Features spike-free, solid state

proportional electronic temperature control inside the handle. Adjustable 280° to 400°C. Burn-proof 3-wire mains lead. Fitted 3.2mm Long-Life bit. 1.6, 2.4 and 4.7mm available. 240v a.c.

SK18 Soldering Kit. £16.70

Build or repair any electronic project. LC18 240v 18w iron with 3.2, 2.4, and 1.6mm bits. Pack of 18 swg flux-cored 60/40 solder. Tweezers. 3 soldering aids. Reel of De-Solder braid. In PVC presentation wallet.



ADAMIN Miniature Iron £7.69

Possibly smallest mains iron in the world. Ideal for fine work. Slim

nylon handle with finger grip. Interchangeable bits available 1.2, 1.6, 2.4, 3.4 and 4.7mm. Fitted with 2.4mm. 240v 12w (12v available). Presentation wallet.

'L' Series Lightweight Irons. 12w £7.68

High efficiency irons for all electronic hobby work. Non-roll handles with finger guards.

Stainless steel element shafts. Screw-connected elements. Slip-on bits available from 1.6 to 4.7mm. LA12

model, 12w, 2.4mm bit. LC 18 Model, 18w, 3.2mm bit. 240v Std - 12v available. Presentation wallet.

Soldering Iron

Stands 3&4

£6.06

No.5

£6.28



Designed specially for LITESOLD. Heavy, solid-plastic base with non-slip pads. Won't tip over, holds iron safely. With wiping sponge and location for spare (hot) bits.

No 5 stand for EC50 iron No 4 stand for ADAMIN miniature Iron No 3 stand for LA12 and LC18 Irons.

Replacement Bits

For all above irons. Non-stick designs, machined from special copper alloy, with Inconel retaining rings. Two types - Chromium plated with copper face (for economy and ease of use) and Iron plated with

Pre-tinned face (Long Life). State tip size, iron and type.

	Copper	UL
EC50	-	£1.92
Adamin 12 and LA12	£1.06	£1.90
LC18	£2.09	£1.20

Yellow £1.38 Green £1.44

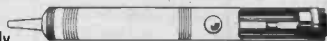


Blue £1.50 per Reel

For simple, safe and effective de-soldering of all types of joint, using a standard soldering iron. Handy colour-coded packs of 1.5 metres in 3 widths: Yellow - 1.5mm, Green - 2mm, Blue - 3mm.

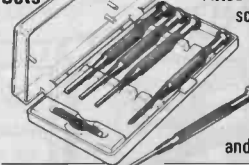
De-Solder Pumps £7.71

High Quality version of increasingly popular type of tool. Precision made anodised aluminium body, plunger guard and high-seal piston.



thumb operation. Automatic solder ejection. Conductive PTFE nozzle - no static problems.

Tool Sets



Top quality Japanese metric hardened and tempered tools. Swivel-top chrome plated brass handles. Fitted plastic cases. 113 set - 6 miniature screwdrivers 0.9 to 3.5mm **£3.60**

305 set 2 crosspoint and 3 hex wrenches 1.5 to 2.5mm **£2.56**

228 set 20 piece combination:

5 open, 5 skt spanners, 2 crosspoint, 3 hex and 3 plain drivers, scriber, handle/holder **£8.46**

Microcutters. £5.39 Light weight hardened and precision ground. Flush cutting. Screw joint, return spring, cushion-grip handles. Safety wire-retaining clip.



Soldering Aids.



Set of 3 £4.22

Scraper/Knife, Hook/Probe, Brush/Fork. 3 useful double-ended aids to soldering/desoldering/assembly. In plastic wallet.

ADAMIN Electric Stylus. £16.71

Writes like a ballpoint in Gold, Silver, Copper or 6 colours, on card, plastics, leather etc. Personalise wallets, bags, albums, books,

models... Operates at 4.5v from its own plug/transformer - totally safe. Supplied with coloured foils.



SEND FOR OUR ORDER FORM TODAY AND JOIN UP WITH THE PROFESSIONALS

Prices include 0%p and VAT. Send order with Cheque/PO. Ring for Access/Visa sales, or ask for order forms.

LIGHT SOLDERING DEVELOPMENTS LTD. DEPT. PE 97-99 GLOUCESTER ROAD, CROYDON CR0 2DN. 01 689 0574

ZENITH ELECTRONICS

KITS AND



* POWER SUPPLY KIT

- 25/30 Watt MOSFET Audio Power Amplifier 4-8 Ohms Kit **£21.97 R/Built £26.00**
- 10 Channel Variable Speed running light Kit drives LEDs or Mains lamps. Includes LED display board and LED lamps **Kit £15.89 R/Built £19.15**
- Mains Add-on interface board for controlling Mains lamps from our running light unit **Kit £4.95 R/Built £5.00**
- * Plus & Minus regulated power supply 1-Amp state 5, 12, 15, or 24v **Kit £11.82 R/Built £14.82**
- Variable Time Delay Relay unit **Kit £5.71 R/Built £7.71**
- 25/30 Watt 12-Volt opp. R.F. Linear Power Amplifier for Amateur Radio **Kit £26.66 R/Built £31.66**
- Selectable tone generator 9-12v operation **Kit £5.50 R/Built £7.50**
- 3 Note Electronic Door Chime unit, 9 volt operation, 3 melodious tones, variable frequency, **Kit £9.83 R/Built £12.00**
- Miniature FM Transmitter, 60-145MHz **Kit £6.95 R/Built £8.95**
- 3 Watt FM Transmitter, 80-108MHz **Kit £13.99 R/Built £18.99**
- 300 Watt Light Dimmer unit for 240 volt mains lights **Kit £6.95 R/Built £10.95**
- 4 Code Digital Code unit plus Key Pad - Select own code 9 volt **Kit £16.31 R/Built £19.95**
- 5-100 Watt Electronic Loudspeaker Overload protector, adjustable **Kit £11.40 R/Built £15.40**
- VU Meter 10 LED indicator, 5 to 12dB range **Kit £13.63 R/Built £18.63**
- 18 Watt Car/Home Power Amp 12-V **Kit £14.50 R/Built £16.80**
- Amplifier Power Meter; 10 LED indicator from 0.25-100 Watt Input - 9 volt operation **Kit £12.94 R/Built £14.94**
- Light sensitive relay unit; variable sensitivity trigger control; senses light or dark - selectable. **Kit £8.91 R/Built £10.91**

PRODUCTS

- Wireless FM Duplex telephone - sold in pairs for Office/Home **£54.00**
- 5mm LCD digital sports Chronograph hand held **£10.95**
- Digital Blood pressure meter/monitor LCD readout **£44.83**
- Digital LCD temperature module for panel mounting - 19°C to + 68°C **£16.82**
- 3.5" digital LCD Professional series digital multimeter, reads Capacitance, Temperature, Voltage, Conductance, Diodes, Transistors AC/DC voltages & Continuity **£63.25**
- Zenith Speech processor P-202 **£29.50**
- High quality touch dimmer 500W **£12.99**
- Mains Wiring and Metal Detector **£11.00**

ORDERING

■ All Kits contain full instructions PCBs and components ■ All prices include VAT and postage and packing ■ Overseas orders add 10% to above prices ■ Please send Cheque or Postal Order with Order.

Zenith Electronics Dept. 1234
14 Cortlandt Business Centre
Hailsham, East Sussex, UK BN27 1AE
Telephone (0323) 847973
Telex 878334 FAX 647204

Access & Barclaycard Orders
Telephone (0323) 847973

Send £1.00 for Catalogue which includes Postage and Packing - Refundable on first order.

ZOLA POWER

NORTH OF WATFORD

Dear Sir,
I write regarding Zola McMalcolm's article on Bio-Chromatic Electronics in PE April 88.

I was dismayed that a serious Science Magazine could publish an article so behind the times until I realised that the research had been carried out South of Watford — clearly a case of the North/South divide, and it is well known that many Southerners are behind the *Times* (take a look in any City bound commuter train).

You see, up here we have known about the Electric Foxglove (*Digitalis Signalis Dichroca*) for 20 years, although it is only recently that it has been fully understood.

The peculiar behaviour of the plant was first noticed by BR engineers working on the electric line near Crewe in the late 60s. They discovered that some plants growing close to the 25kV

overhead cables showed a marked change in colour not evident on non-electrified lines, and that this colour change was less marked the further from the track the plants grew.

However, it was not until the hot summer of 76 that the tristate nature of the flowers was discovered when workers wearing sunglasses noticed that plants by the down-line had a different shading to those by the up-line. On closer examination it was found that the pigmentation cells had aligned themselves in the direction of the current (ie, to or from London). Hence, when seen through polarised sunglasses, the apparent difference in colour.

Engineers from Doncaster have now noticed the same effect on the East Coast electrification scheme, showing that there is little likelihood of the dichroism being localised. In fact one engineer claimed that the colour change was affected by the passage of trains and that on

examining a plant he could say when the last train had passed and on which line.

He even went so far as to try growing plants in between the tracks, but this only proved that foxgloves were not hardy enough to withstand the buffeting from trains so close to them (not many living things can withstand the British Rail Buffet).

There are some other Northern inventions employing the electrical characteristics of plants of which I feel you may need reminding:

The toroidal R.T. Choke hybridised from the globe form by a GPO engineer in Wallsend is one. Another is the automatic current limiting in power supplies using various sizes of current leeks, first used in switch gear at Ferrybridge power station.

So come on PE, check on the authenticity of your news!

J.R. Watkinson, Sheffield.

Zola thanks you for further confirmation of the vegetative trend in some areas of British technological education.

She appreciates that the North is often the guardian of our times and suggests that BR at Crewe might examine the potential for hybridising Digitalis Signalis and Digitalis Electronicus to provide low cost intelligent control of rural crossing gates, especially in the vicinity of the renowned Sheffield cuttings. Ed.

APRIL AT F8

Dear John,
Well done PE.

That has got to be the best April Fool joke I've read in years. I am of course referring to the Investigative Feature in your April 88 edition called "Bio-chromatic Electronics".

I have to admit you had me fooled for half the article, until the section headed "Fortnight at F8". Then, when I read, "... the growth stopped vertically at the 128th cell ...", I was convinced.

It was not until the end of the article that I noticed the rather odd plant names of Digitalis Multiflora and Surillious Preposterosa. I was fooled by the detail of the article, the good diagrams, and also because there IS research being done on bio-electronics.

Once again, well done!

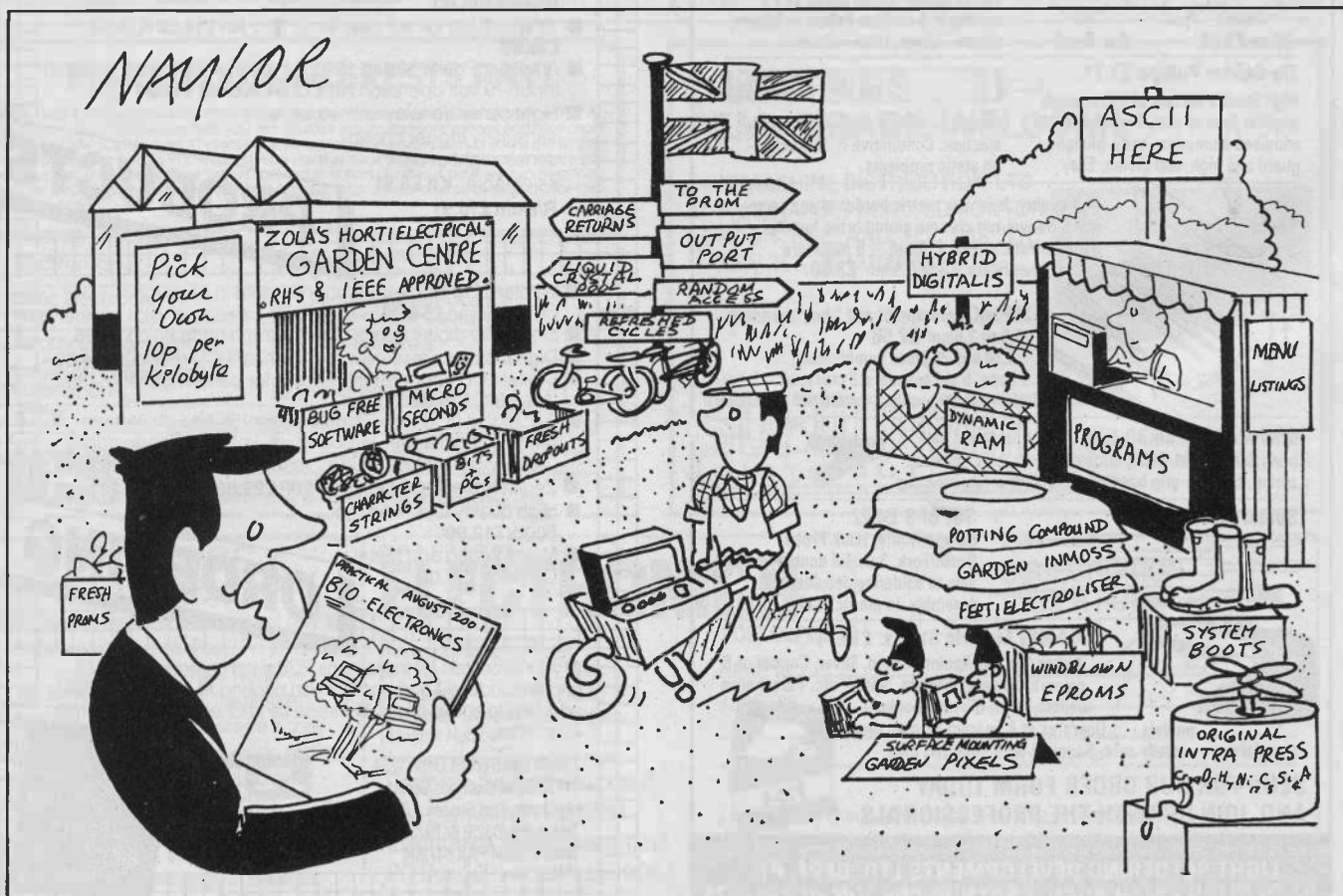
M. Oates, Manchester

Quite so, and Rekceb-Rotide Labs are still opening the mail!

DALI-ESQUE

Dear Rekceb-Rotide Labs,

Forgive me if I'm wrong and that the article in PE April is a cunningly disguised joke in which case I apologise for troubling you, but I would like more information on your bio-chromatics.



However, I bet a penny to a pound that the article is an excellent April Fool's joke. I find it hard to accept that the cells of a plant, found to react to tropisms, are found to have the name (out of all the millions of species of plant) of Digitalis. This Latin name sounds suspiciously like "digital". Digitalis is a plant name, but I still find it one helluva coincidence.

And when it's crossed with a plant called Surillious Preposterosa (sounds like silly-preposterous) and it has an ASA value of 100 (taken from photographic terminology where ASA is the light response factor of a film emulsion) then my notion of a joke takes form.

Upon turning to the cover I see I'm reading the April edition. If it's not a joke, my sincere apologies, but I feel that it is and thank you for a most interesting read.

K.K., Northants.

Digitalis is the true Latin name for the foxglove plant, of which there are about 30 species. The common English variety is Purpurea, but others, including Ambigua, Grandiflora and Lutea, occur across Europe and into North Africa.

Dali is admired by Zola and the "surreal" nature of some of his paintings inspired her in the selection of Surillious as a probable hybrid research candidate, even though the idea seemed preposterous.

Ed.

OBLIQUE HISTORY

A classical medical text written two hundred years ago by William Withering, "An Account of the Foxglove and some of its Medical Uses", commented upon the effect of an extract from foxgloves upon "the motions of the heart". The Digitalis extract still cannot be synthesised and the drug continues to be prepared from the foxglove.

Ed.

JOKE SPACE?

Dear Ed,
PE should have a comic strip on robots, or a serialised space travel fiction with electronic applications, remote controls and bionic capabilities. This would be good for lighter moods.

Bola Osibo, Nigeria.

I too am an SF fan — how many more of you feel the same way? Incidentally, I recall one SF story of many years ago in which a well known author wrote about a submarine and its electronic

communication abilities, setting the scene well into the future. I wonder if he is embarrassed by saying in the story that all the equipment used valves, since transistors had not proved to be practical alternatives! If I remember correctly, the story was "The Dragon in the Sea", by Frank Herbert. (Apologies, FH, if my memory is wrong!).

Ed.

AD SPACE

Dear Ed,
Sorry to criticise, but there are too many advertisements in PE and a few are getting rather expensive.

But don't ever leave out Dr Patrick Moore and Spacewatch — we must keep up with the stars!
N.R. Davidson, South Shields

eprom programmer that can be run from the RS232 of any computer? A general logic analyser for a scope but without a Beeb on the end of it would be useful.

P.J. Fasoli, Manchester.

Points taken. When we commission specific articles we normally select subjects that will have the widest appeal and inevitably computers like the Beeb find dominance as they are so popular. Recently we have also had circuits for Amstrads, Pets, C64s and Spectrums (or is the plural 'Spectra' or 'Spectrii?!'). When it comes to non-commissioned articles, that is, those sent in by readers, we would be pleased to accept circuits that may relate to some of the less widely used machines as long as the articles are adequately written. The "Ingenuity Unlimited" section periodically included is an

READERS' LETTERS

You seem not to have read my Editorial of May 87 in which I commented on how much the financial success of a magazine is based on three main factors — publishers, readers, and advertisers. Readers want to read interesting articles and buy goods associated with them. Advertisers need to sell their products. We, the magazine, need you both for our revenue. These are somewhat simplistic statements but they represent a vital triangle of relationships. There are of course other relationships that are just as important, such as the authors, the typesetters, the printers, the newsgagents and the distributors — but that's another story.

Yes, Patrick does write one of our 'star' columns, but all our authors have their own star qualities!

Ed.

TO BEEB OR NOT TO BEEB

Dear Ed,
Many of the computer projects you publish are for use with the BBC computer. Don't forget that some of us have other machines. I, for example, have a UK101 that I built myself many years ago and I would not get rid of it as I can still say "I built it".
Also, how about some more circuits for the Hobby Bus system, and a circuit for an

ideal place for such offerings. But for this sort of circuit we are in the hands of you, the readers. Prove to me that other computers deserve coverage by offering me circuits for them.

Since taking over as Editor in Jan 87 I have had very little correspondence relating to the Hobby Bus of 1986 and I can only assume that no-one was really interested in it. If I am wrong, tell me.

Ed.

RESPONSIBILITY

Dear Sir,
Our emergence as a technological society is comparatively recent. We have terrific powers today, powers that no other civilisation has ever known. People should ponder on the implications and tread lightly through the minefield.

A.J. Blake, Eastleigh.

Space prevents our publishing the full text of Mr Blake's letter in which he gave numerous examples of technological progress through the centuries.

As a magazine with an international readership of all ages we are deeply aware of our social and moral responsibilities. My outlook is that technology in general, and electronics in particular, is beneficial to society, and that although some aspects

may bring hardships (changes in employment patterns for example), the overall advantages outweigh any disadvantages.

Ed.

PRIZEWORTHY

Dear Ed,
I must congratulate Barry Fox for his UK Technology award. He has certainly earned it with his regular feature Leading Edge, which I find excellent, keeping me up to date with all the latest happenings in the electronics and communications field.

I also like the current features on semiconductors and satellites, and Industry Notebook.
Please run more competitions, with prizes like scopes, multimeters, etc.
M. Richardson, Alston.

DOGGERELL

Dear John,
Although I am not an animal hater, I am fed up with dogs and cats digging holes and planting unsavouries in and on my garden. Is there an electronic device around that will repel animals intent on such behaviour?

Desperate John Mumford, Roselands, Australia.

I'd heard that diggers are not unknown in Australia, though I thought a certain four-X lager usually cured down-under problems!

In the news pages of Dec 87 there was a report about a company marketing all sorts of products for repelling animals, from moles to pigeons. So I had a (somewhat humorous) chat with them at PAL Electronic Systems Ltd. The summary of call was that, yes, dogs and cats can be forcibly inhibited by electronic devices, but the action could be construed as cruelty by the RSPCA and other animal protection organisations.

Consequently PAL do not market this type of deterrent, nor is it right in these circumstances for me to advise on how it can be done. I can only conclude by saying that —

*Though contented dogs are much preferred
I hate it when they've gone and erred
Leaving nasties across my lawn interred.
These canine digs have much occurred
And to professionals I've referred.
But even if it seems absurd
Electronics daren't keep pets deterred.*

Sorry Desperate John. Ed.

BREAKING THE CODES

BY ROBERT PENFOLD COMPONENT NUMBERS SOMETIMES ADD UP

The serial numbers which designate many components are a source of endless mystery and confusion, and not only to those who are new to electronics. But many of them contain useful information, which PE sets out to unlock ...

PUBLISHERS of electronic constructional projects tend to receive substantial numbers of enquiries about sources for particular components. (*How true! Ed.*) Often the components in question are specialised devices which are perhaps only available from a single source, but sometimes they are ubiquitous types which feature in virtually every electronic components catalogue. Letters of this type do not necessarily reflect a lack of initiative on the part of the writer; it can simply be that there is some confusion about the type number of component concerned. Some components are available under several different type numbers, and what might be specified as a "CA1458C" in a components list could be available as a "LM1458C" in one catalogue, and just a plain "1458C" in another.

Looking through a few component catalogues could give the impression that semiconductor part numbers are largely random in nature, with little logic or meaning behind them. This is not really the case though, and most type numbers give some basic information about components, such as the manufacturer, or the type of device (diode, transistor, etc.). The codes used in semiconductor numbering systems are not purely of academic importance, and an understanding of them can often solve problems when trying to select the correct parts from component catalogues.

PRO ELECTRON

Meaningful methods of component numbering predate the semiconductor era, and were in existence in the days when valves such as the EL41 reigned supreme. There were apparently some agreements between manufacturers about systems of valve numbering, but things seem to have been on a relatively informal basis. Although there has been some movement towards universal standards since those days, we still have a situation where several numbering standards are in operation, and some components do not conform to any of them. The main European body for standardised semiconductors type numbers is

Table 1

Letter	Material
A	Germanium
B	Silicon
C	Gallium Arsenide
D	Compound Material

called "Pro Electron", which was set up in 1966.

The Pro Electron numbers are perhaps the most helpful, as they indicate the material used in the construction of each device (germanium, silicon, etc.), and also give the general type of the device (transistor, opto-isolator, etc.). In common with other methods of coding, the Pro Electron system does not provide any detailed information about

Table 2

Letter	Function
A	Small Signal Diode (detection etc.)
B	Variable Capacitance Diode ("Varicap")
C	Low Power, Low Frequency Transistor
D	Low Frequency Power Transistor
E	Tunnel Diode
F	Low Power, High Frequency Transistor
G	Oscillator Diode
H	Magnetic Sensitive Diode
K	Hall Effect Sensor (In open magnetic circuit)
L	High Frequency Power Transistor
M	Hall Effect Sensor (In closed magnetic circuit)
N	Opto-Isolator
P	Photo Sensitive Diode
Q	Light Emitting Diode (led)
R	Low Power Thyristor
S	Low Power Switching Transistor
T	High Power Thyristor
U	High Power Switching Transistor
X	Multiplier Diode (Step recovery, etc.)
Z	Zener Diode (Also Transient Suppressor, etc.)

components, and it does not even indicate anything as basic as whether a transistor is an npn or a pnp type. Most of the transistors that are popular in the UK have Pro Electron type numbers, including standard devices such as the BC109 and BC179. This system is also used for a large number of less common semiconductors, including devices such as the CNY17 opto-isolator and the BT109 thyristor, which few people probably realise are within this system.

LETTER TABLE

The first letter indicates the material used in the construction of the component, and there are only four possibilities here (see Table 1). The second letter indicates the function of the component, as detailed in Table 2. These letters are followed by a three or four letter suffix number, which seems to have no meaning. However, each new device has a number one higher than its predecessor, and so this number does indicate whether or not a device has been recently registered or is a relatively old type. The numbers seem to start at 100 rather than 000.

Components with a type number having this format are primarily intended for use in consumer electronic equipment. Some devices have the slightly modified format where a third letter and a two or three digit number are used (e.g. BFY51). The additional letter is usually "X", "Y", or "Z". The exact letter used seems to be of little or no significance, but this general type of component numbering indicates that devices are intended for use in industrial equipment.

The system is slightly different for reference voltage diodes, which includes zener diodes. These have the three letters plus two or three digit codes, but with additional letters/numbers to indicate the nominal reference voltage and tolerance. The first letter indicates the tolerance and range of available values, as detailed in Table 3. The following digits give the nominal reference voltage with the letter "V" showing the position of the decimal point. As an example, a BZY88C8V2

Table 3

Letter	Tolerance/Value Range
A	1%/E96
B	2%/E48
C	5%/E24
D	10%/E12
E	20%/E6

has a voltage tolerance letter of "C", which equals 5%, and this range of devices are available in E24 series of values. The voltage is 8V2, or 8.2 volts in other words.

GROUPIES

Some transistors are given a suffix letter or numbers to indicate the gain group. In the world of amateur electronics this only seems to manifest itself in the form of an "A", "B", or "C" added to devices such as the BC107, BC177, and their many derivatives. "A" is the lowest gain group and "C" is the highest. These groups represent gains of 110 to 220, 200 to 450, and 420 to 800 (at 2 milliamps). Note that it is always alright to use a device having a gain suffix letter where a device without such a letter has been specified, but a substitution in the opposite direction may not be satisfactory.

JEDEC

Most semiconductors which do not come under the Pro Electron system have Jedec type numbers. Jedec apparently stands for "Joint Electronic Device Engineering Councils", and it is an American organisation. Devices which come under this system have the familiar 1N*** and 2N*** type numbers.

This system of component "tagging" does not give a great deal of information about the devices. In fact the only substantial piece of information it provides is the number of leadout wires each component has. This is one greater than the first digit in the type number. In practice this gives some indication as to the type of semiconductor, as shown in Table 4, but it does not give very specific information.

Table 4

Prefix	Device Type
1N	Diode or Diac
2N	Transistor (Including fet and ujt types), Thyristor, or Triac
3N	Dual Gate MOSFET
4N	Opto-Isolator
5N	Opto-Isolator

A letter "N" always follows the first digit, and this is followed by a two to four digit serial number. As with the Pro Electron system, this number gives a rough indication as to how modern or old each component happens to be.

Gain grouping seems to be relatively rare with Jedec type numbers, and I have

only encountered it with the 2N2926 transistor which was very popular about ten years ago. A coloured spot on the body of this component indicated its gain group, as detailed in Table 5. In components catalogues a suffix letter is used to indicate the gain group (eg "2N2926G" for a "green" gain group type), but the coloured spot and not this letter is marked on the component itself.

A few Jedec type numbers include an "A" suffix, as in 2N706A and 2N2369A. This shows that the device is an improved version of the original component which lacks the suffix.

Table 5

Colour	Gain Group (at 2 milliamps)
Brown	35 to 70
Red	55 to 100
Orange	90 to 180
Yellow	150 to 300
Green	235 to 470

JIS

Although Japanese transistors seem to be used a great deal in many parts of the world, they only play a very minor role in amateur electronics in the UK. Most of the Japanese semiconductors that are available are specialised types such as power mosfets. Japanese semiconductors have JIS (Japanese Industrial Standard) type numbers, and probably most readers will have come across some of these.

The first digit indicates the number of leadout wires in the same way as the Jedec coding, but JIS numbers are only used for devices with two to four leads. This number is followed by a two letter code which indicates the general type of the component, but the first letter always seems to be an "S", and it is really the second letter that provides the

Table 6

Letters	Device Type
SA	pnp Transistor (High Frequency)
SB	pnp Transistor or Darlington (Low Frequency)
SC	npn Transistor (High Frequency)
SD	npn Transistor or Darlington (Low Frequency)
SE	Diode
SF	Thyristor
SG	Gunn Diode
SH	Unijunction Transistor
SJ	N Channel fet
SK	P Channel fet
SM	Triac
SQ	Light Emitting Diode (led)
SR	Rectifier
SS	Small Signal Diode
ST	Avalanche Diode
SV	Variable Capacitance Diode ("Varicap")
SZ	Zener Diode

information. The type numbers actually marked on components frequently have the first two digits missing. As the "S" is superfluous anyway, and the number of leadout wires present should be obvious from an inspection of the component, this should not lead to any confusion! Table 6 gives a list of letters and the device types that they represent.

A two to four digit serial number follows the first three digits, and there is sometimes a single letter suffix. This indicates that the device concerned has been approved by a particular organization.

To take an example JIS part number, the 2SK49 is a three lead device as it has "2" as the first digit. The "SK" code indicates that it is an N channel fet. In fact it is a power mosfet, but the JIS codes do not provide very specific information, and all three lead N channel fets have "2SK" as the first three digits.

NON-STANDARD

A lot of transistors do not have type numbers which conform to any of the three standards described above. Many are produced with only some basic form of identification, as required by the purchaser of the batch (usually an oem). These components often find their way into amateur hands in the form of surplus devices sold off in bargain packs of untested devices. Some real bargains are to be had here as the transistors are often fully serviceable, full specification components. The snag is that there is not usually any way of determining exactly what you have bought — you will only know that the devices are of some general type.

Many manufacturers market devices under their own type numbers, and these sometimes give some basic details about the devices. A list of well known prefixes and the corresponding manufacturers is provided in Table 7, which also indicates any further information that these type numbers impart.

Table 7

Prefix	Manufacturer etc.
MJ	Motorola Metal Cased Power Transistor
MJE	Motorola Plastic Cased Power Transistor
MPS	Motorola Small Signal Plastic Cased Transistor
MRF	Motorola Radio Frequency Transistor
RCA	RCA Devices
RCS	RCS Devices
TIP	Texas Instruments Plastic Cased Power Transistor
TIS	Texas Instruments Small Signal Plastic Cased Transistor
ZTX	Ferranti Devices

Table 8

Prefix	Manufacturer
AD	Analogue Devices
AM	Advanced Micro Devices
CA,CD	RCA
CEM	Curtis Electromusic Specialties
KB	Toko
LM,LF,LH,MF	National Semiconductors
HA,HI	Harris Semiconductors
HA,MN	Hitachi
ICL,ICM	Intersil
IR	International Rectifier
MC	Motorola
OP,REF	Precision Monolithics
ML	Microsystems International
MK	Mostek
NE,SE,SA	Signetics
SG	Silicon General
SL,SP	Plessey
SN,TL	Texas Instruments
uA	Fairchild
ULN	Sprague
XR	Exar
Z	Zilog
ZN	Ferranti

INTEGRATED CIRCUITS

So far we have ignored integrated circuits, but these do not come under the Pro Electron, Jedec, or JIS standards. Some integrated circuits are only manufactured by a single company, but equipment manufacturers are not keen on being tied to a single source of supply. Most types are therefore produced under license by at least one other company, or "second sourcing" as this is termed. Integrated circuits that are produced by more than one manufacturer may be given a single type number, but usually different manufacturers will use slightly different names.

In most cases the middle part of the name is a series of numbers, and this is common to all components of a given type, regardless of the manufacturer. It is the letters ahead of the type number proper that vary from one manufacturer to another, and these letters therefore indicate the origins of components. Table 8 lists some of the more common prefixes and shows the manufacturers to which they correspond.

Integrated circuit type numbers do not generally provide any information about the electronic characteristics of the components, but a suffix letter or letters often indicate the type of package used. The integrated circuits on sale to amateur users are almost invariably of the plastic cased dual-in-line variety, which usually have a "P" or an "N" suffix. RCA seem to use an "E" suffix

instead, as in CA3140E. Many integrated circuits are also produced in more expensive (and presumably more durable) ceramic packages. These mostly have a "D", "J", or "L" suffix. Metal canned integrated circuits seem to be quite rare these days, but devices of this type generally have an "H", "G", "T", or "S" suffix.

It should be apparent from this that a popular integrated circuit will be available under a number of different type numbers, as it will have several manufacturers (and prefixes), and will have several types of encapsulation (and hence suffixes). In components catalogues the suffixes are often omitted since only the standard plastic dil versions are offered. Sometimes the manufacturer's prefix is also omitted, but many retailers now seem to offer popular devices in several versions. The 1458C dual operational amplifier integrated circuit for instance, is offered by some retailers under this basic type number, but others offer it as a CA1458C (RCA), LM1458C (National Semiconductors), and a MC1458C (Motorola).

LOGIC NUMBERS

Logic integrated circuits have more or less the same range of suffixes and prefixes as linear types, but these are rarely mentioned in catalogues. ttl types are just listed under their basic 7400 series type numbers, while cmos devices are just given their 4000 series of numbers. Ttl integrated circuits now have the added complication of letters added to the middle of the type number (a "midfix"?). These indicate that the components are from a family of improved devices, such as the "LS" used to indicate low power Schottky devices (eg "74LS02").

Table 9 gives the "midfixes" for a number of ttl logic families. This subject of logic device types was covered in some detail in an article in the September 1986 issue of PE incidentally, and readers who require more information on this topic should refer to this earlier article.

Table 9

Letters	TTL Family
None	Standard TTL
AC	Advanced CMOS
ACT	Advanced CMOS (TTL input/output levels)
ALS	Advanced Low Power Schottky
C	CMOS
F	Fast Advanced Schottky
H	High-Speed
HC	High-Speed CMOS
HCT	High-Speed CMOS (TTL input/output levels)
L	Low Power
LS	Low Power Schottky
S	Schottky

CMOS SUFFIX

Cmos devices have suffix letters that are unique to this particular range of components. The first letter is an "A" or a "B", but the "A" series are now obsolete. These original "A" suffix components suffered from problems with ineffective static protection circuits at their inputs, and outputs which often had a maximum drive current that depended on the number of inputs that were driven. The "B" series components have improved static protection circuits at their inputs, and buffer stages at their outputs which give consistent drive currents. These changes inevitably produced differences in the electrical characteristics of the two series. These are mostly quite minor, and are unlikely to be of importance when cmos is used in the conventional manner.

Unfortunately, there are no end of circuits around which utilise cmos integrated circuits in what are really linear or pseudo-linear applications rather than true logic circuits. They are often used as simple amplifiers and oscillators for example. In general, in these non-standard circuits the old "A" series work better than the "B" types, and in particular, the older type provided much wider bandwidths. Consequently, some old circuits published in the days when there were only "A" series devices will not work with "B" type components. There can also be problems with instability if a circuit assumes that a "B" type device will be used, but a wider bandwidth "A" series component is used in its place. There can also be problems with circuits that utilise the fets of a cmos device as individual components, which is common practice with the 4007 inverter and complementary pair. Any buffer components could then seriously impede the operation of the circuit. When cmos devices are operated in linear type circuits it is difficult to predict exactly what will happen if the wrong version is used.

As far as I am aware, no "A" series cmos devices are currently manufactured. Those that are available from sources of surplus components often seem to cost more than the current devices! Some cmos components are available in "UB" versions, which are unbuffered devices. These are not just the old "A" versions under a different name, as although they do not have the buffer amplifiers, they do have the improved static protection circuits. A "UBE" device is more likely to work properly as a substitute for an "A" series type than is an ordinary "B" type device.

Cmos logic devices normally have a second suffix letter to indicate the package style. This is "D" for ceramic dil, "E" for plastic dil, and "K" for flatpack packages. The plastic dil types are the only ones normally sold by hobby market suppliers.

ELMASET INSTRUMENT CASE

300 x 133 x 217mm deep £10 ea (£2.20)

REGULATORS

LM317T PLASTIC TO220 variable £1
LM317 METAL £2.20
7812 METAL 12V 1A £1
7805/12/15/24V plastic 50p 100+27p
7905/12/15/24 plastic 50p 100+27p
CA3085 T099 variable reg 2/£1
LM338 5A VARIABLE £5

COMPUTER ICs

27128A 250ns EPROM NEW £3.20
1770 FLOPPY DISC CONTROLLER CHIP £10
68008 PROCESSOR EX-EQPT £5
27256-30 ex-eqpt £2.50
2764-30 £2
2732-45 USED £2 100+ £1.50
2716-45 USED £2 100+ £1.50
1702 EPROM EX EQPT £5
2114 EX EQPT 60p 4116 EX EQPT 70p
6264-15 8k static ram £2.80
6116-3 (TC5517AP) £1.50
4416 RAM £3.50

CRYSTAL OSCILLATOR

1.8342 MHz 2/£1

SIL RESISTOR NETWORKS

8 PIN 10k 22k 5/£1
9 PIN 22k 5/£1
10 PIN 68R 180R 22k 5/£1

POWER TRANSISTORS

POWER FET IRF9531 8A 60V 2/£1
2N3055H RCA HOUSE NUMBERED 5/£2
25C1520 sim BF259 3/£1 100/£22
TIP141/2 £1 ea TIP112/125/42B 2/£1
TIP35B TIP35C £1.50
SE9301 100V 10A DARL. SIM TIP121 2/£1
2N3055 EX EQPT TESTED 4/£1
PLASTIC 3055 OR 2955 equiv 50p 100/£35
2N3773 NPN 25A 160V £1.80 10/£16
BD132 5/£1

QUARTZ HALOGEN LAMPS

A1/216 24V 150 WATTS £2.25
H1 12V 50W (CAR SPOT) £1.50

MISCELLANEOUS

SMALL MICROWAVE DIODES AEI DC1028A 2/£1
D.I.L. SWITCHES 10 WAY £1 8 WAY 80p 4/5/6 WAY 50p
180 volt 1 watt ZENERS ALSO 12v 20/£1
50 OHM MINIATURE CO-AXIAL CABLE RG316U 50p/METRE

OLIVETTI LOGOS CALCULATOR KEYBOARD (27 KEY) PLUS 12 DIGIT FLUORESCENT DISPLAY ON DRIVER BOARD (i.e. CALCULATOR LESS CASE, TRANSFORMER AND PRINTER) £1.30

PLASTIC EQUIPMENT CASE 9 x 6 x 1.25 in. WITH FRONT AND REAR PANELS CONTAINING PCB WITH EPROM 2764-30 AND ICS 7417 LS30 LS32 LS74 LS367 LM311 7805 REG. 9 WAY D PLUG, PUSHBUTTON SWITCH, DIN SOCKET £1.90
VN10M 60v 1/2A 50hm TO-92 mosfet 4/£1 100/£20
MIN GLASS NEONS 10/£1
RELAY 5v 2 pole changeover looks like RS 355-741 marked STC 47WB05T 2/£1

OMRON RELAY 3.6 volt coil 2p c/o contacts marked G4D-287P-BT2 2/£1
MINIATURE CO-AX FREE PLUG RS 456-071 2/£1
MINIATURE CO-AX FREE SKT. RS 456-273 2/£1.50
DIL REED RELAY 2 POLE n/o CONTACTS £1
Zettler 24v 2p c/o relay 30 x 20 x 12mm sim. RS 348-649 £1.50 100+£1

PCB WITH 2N2646 UNIUNION with 12v 4 POLE RELAY £1
400m 0.5w thick film resistors (yes four hundred megohms) 4/£1
MINIATURE CO-AX FREE PLUG RS 456-071 2/£1
MINIATURE CO-AX FREE SKT. RS 456-273 2/£1.50
STRAIN GAUGES 40 ohm Foil type polyester backed balco grid alloy £1.50 ea 10+ £1

ELECTRET MICROPHONE INSERT £0.90
Linear Hall effect IC Micro Switch no 613 SS4 sim RS 304-267 £2.50 100+ £1.50
HALL EFFECT IC UGS3040 + MAGNET £1
OSCILLOSCOPE PROBE SWITCHED X1 X10 £10
CHEAP PHONO PLUGS 100/£2 1000/£18

1 pole 12 way rotary switch 4/£1
AUDIO ICS LM380 LM386 £1 ea
555 TIMER 5/£1 741 OP AMP 5/£1
ZN414 AM RADIO CHIP 80p
COAX PLUGS nice ones 4/£1
COAX BACK TO BACK JOINERS 4/£1
4 x 4 MEMBRANE KEYBOARD £1.50
15,000uF 40V £2.50 (£1.25)
INDUCTOR 20uH 1.5A 5/£1
NEW BT PLUG + LEAD £1.50
1.25" PANEL FUSEHOLDERS 5/£1
CHROMED STEEL HINGES 14.5 x 1" OPEN £1 ea
TOK KEY SWITCH 2 POLE 3 KEYS ideal for car/home alarms £3

12v 1.2w small wire ended lamps fit AUDI VW TR7 SAAB VOLVO 10/£1
12V MES LAMPS 10/£1
STEREO CASSETTE HEAD £2
MONO CASS.HEAD £1 ERASE HEAD 50p
THERMAL CUT OUTS 50 77 85 120°C £1 ea
THERMAL FUSE 121°C 240V 15A 5/£1
TRANSISTOR MOUNTING PADS TO-5/TO-18 £3/1000
TO-3 TRANSISTOR COVERS 10/£1
STICK ON CABINET FEET 30/£1
PCB PINS FIT 0.1" VERO 200/£1

TO-220 micas + bushes 10/50p 100/£2
TO-3 mica + bushes 20/£1
kynar wire wrapping wire 20z/£1
PTFE min screened cable 10m/£1
Large heat shrink sleeving pack £2
CERAMIC FILTERS 6M/9M/10.7M 50p 100/£20
TOKIN MAINS RFI FILTER 250v 15A £3
IEC chassis plug rfi filter 10A £3
Potentiometers short spindles values 2k5 10k 25k 1m 5/£1

2M5 lin 5/£1
500k lin 500k log 4/£1
40Khz ULTRASONIC TRANSDUCERS EX-EQPT NO DATA £1/pr
PLESSEY INVERTER TRANSFORMER 50 CYCLES £6 (£3)
11.5-0-11.5V to 240v 200VA

ZENERS
5.6V 1W3 SEMIKRON 50K AVAILABLE @£25/1000

DIODES AND RECTIFIERS
BAW76 EQUIV 1N4148 £60/10,000
1N4148 100/£1.50
1N4004/SD4 1A 300V 100/£3
1N5401 3A 100V 10/£1
BA158 1A 400V fast recovery 100/£3
BA159 1A 1000V fast recovery 100/£4
120V 35A STUD 10/£1
BY127 1200V 1.2A 8/£1
BY254 800V 3A 8/£1
BY255 1300V 3A 6/£1
6A 100V SIMILAR MR751 4/£1
VM88 800mA 100V DIL B/REC 5/£1
1A 800V BRIDGE RECTIFIER 4/£1
4A 100V BRIDGE 2/£1
6A 100V BRIDGE 2/£1.35
8A 200V BRIDGE £1.50
10A 200V BRIDGE 10/£18
25A 200V BRIDGE £2
25A 400V BRIDGE £2.50

SCRs
2P4M EQUIV C106D 3/£1 100/£20
MCR72-6 10A 600V SCR £2
35A 600V STUD SCR 3/£1 100/£15
TICV106D 800mA 400V SCR £2
MEU21 PROG. UNIUNION 3/£1

TRIACS
NEC TRIAC AC08F 8A 600V TO220 5/£2 100/£30
NEC TRIAC ISOL. TAB TO220 6A 400V 2/£1
TXAL225 8A 400V 5mA GATE 2/£1 100/£35
TRAL2230D 30A 400V ISOLATED STUD £4 each

DIACS 4/£1
NEC TRIAC AC08F 8A 600V TO220 5/£2 100/£30
NEC TRIAC ISOL. TAB TO220 6A 400V 2/£1
TXAL225 8A 400V 5mA GATE 2/£1 100/£35
TRAL2230D 30A 400V ISOLATED STUD £4 each

CONNECTORS
DIN 41612 94 way socket (3 row) right angle pcb pins £1.20 each
DIN 41612 64 way a/b plug straight pcb pins £1 each
34 way card edge IDC CONNECTOR (disk drive type) £1.25
CENTRONICS 36 WAY IDC PLUG £2.50
CENTRONICS 36 WAY IDC SKT £4.00
BBC TO CENTRONICS PRINTER LEAD 1.5M £3.50
CENTRONICS 36 WAY PLUG SOLDER TYPE £4

USED CENTRONICS 36W PLUG+SKT £3
USED D CONNECTORS price per pair
D9 £1, D15 £1.50, D25 £2, D37 £2, D50 £3.50 covers 50p ea.

WIRE WOUND RESISTORS
W21 or sim 2.5W 10 of one value £1
R10 OR15 OR22 2R0 2R7 4R7 5R0 5R6 8R2 10R 12R 15R
18R 20R 22R 27R 33R 36R 47R 56R 62R 91R 120R 180R
390R 430R 470R 680R 820R 910R 1K15 1K2 1K5 1K8 2K4
2K7 3K3 3K0 5K0 10K
R05 (50 milli-ohm) 1% 3w 4 FOR £1
W22 or sim 6W 7 OF ONE VALUE £1
R47 R62 1R0 1R5 1R8 3R3 6R8 9R1 12R 20R 24R 27R 33R
51R 56R 62R 68R 100R 120R 180R 220R 270R 390R 560R
620R 910R 1K0 1K2 1K5 1K8 2K2 2K7 3K3 3K9 4K7 8K2 10K
15K 16K 20K
W23 or sim 9W 6 of one value £1
R22 R47 1R0 1R1 15R 56R 62R 100R 120R 180R 220R 300R
390R 680R 1K0 1K5 5K1 10K
W24 or sim 12W 4 OF ONE VALUE £1
R50 2R0 9R1 10R 18R 22R 27R 56R 68R 75R 82R 100R 150R
180R 200R 220R 270R 400R 620R 1K0 6K8 8K2 10K 15K

PHOTO DEVICES
SLOTTED OPTO-SWITCH OPCOA OPB815 £1.30
2N5777 50p
TIL81 PHOTO TRANSISTOR £1
TIL38 INFRA RED LED 5/£1
OP1252 OPTO ISOLATOR 50p
PHOTO DIODE 50p 6/£2
MEL12 (PHOTO DARLINGTON BASE n/c) 50p
RPY58A LDR 50p ORP12 LDR 70p
LEDs RED 3 or 5mm 12/£1 100/£6
LEDs GREEN OR YELLOW 10/£1 100/£6.50
LEDs ASSORTED RD/GN/YW + I/RED 200/£5
FLASHING RED OR GREEN LED 5mm 50p 100/£35

SUB MIN PRESETS HORIZONTAL
15/£1 100/£5
1K 4K7 10K 22K 47K 1M 10M

STC NTC BEAD THERMISTORS
G22 220R, G13 1K, G23 2K, G54 50K, G25 200K, G16 1M,
RES @ 20°C DIRECTLY HEATED TYPE £1 ea
FS22BW NTC BEAD INSIDE END OF 1" GLASS PROBE
RES @ 20°C 200R £1 ea

CERMET MULTI TURN PRESETS 3/4"
10R 20R 100R 200R 250R 500R 2K 2K2 2K5 5K 10K 22K 47K
50K 100K 200K 500K 2M2

IC SOCKETS
6 pin 15/£1 8 pin 12/£1 14/16 pin 10/£1 18/20 pin 7/£1,
22/24/28 pin 4/£1 40 pin 30p

SOLID STATE RELAYS
Zero voltage switching Control voltage 8-28v dc £2.50
40A 250V AC SOLID STATE RELAYS £18

POLYESTER/POLYCARB CAPS
1n/3n/5n/8n/2/10n 1% 63v 10mm 100/£6
10n/15n/22n/33n/47n/68n 10mm rad 100/£3.50
100n 250v radial 10mm 100/£3
100n 600v sprague axial 10/£1 100/£6 (£1)
2u2 160v rad 22mm 100/£10
10n/33n/47n 250v ac x rated 15mm 10/£1
4700pF Y RATED 10/£1
470n 250v ac x rated rad 4/£1
1U 600V MIXED DIELECTRIC 50p ea.

TRIMMER CAPACITORS all types 5/50p
SMALL 5pF 2 pin mounting 5mm centres
grey larger type 2 to 25pF
TRANSISTORS 2N4427 60p
FEED THRU CERAMIC CAPS 1000pF 10/£1

MONOLITHIC CERAMIC CAPACITORS
10n 50v 2.5mm 100/£4.50
100n 50v 2.5mm or 5mm 100/£6
100n ax short leads 100/£3
100n ax long leads 100/£6
10n 50v dil package 0.3" rad £4/100 £35/1000
100n 50v dil package 0.3" rad £10/100

STEPPER MOTORS 4 PHASE 2 9V WINDINGS £3.50 10/£30

KEYTRONICS

TEL. 0279-505543

P O BOX 634

BISHOPS STORTFORD

HERTFORDSHIRE

CM23 2RX

ELECTRONIC COMPONENTS BOUGHT FOR CASH

MAIL ORDER ONLY

MIN CASH ORDER £3.00 OFFICIAL ORDERS WELCOME
UNIVERSITIES COLLEGES SCHOOLS GOVT DEPARTMENTS
MIN. ACCOUNT ORDER £10.00

P&P AS SHOWN IN BRACKETS (HEAVY ITEMS)
65p OTHERWISE (LIGHT ITEMS)

ADD 15% VAT TO TOTAL



SPACEWATCH

BY DR PATRICK MOORE

OUR REGULAR LOOK AT ASTRONOMY



A new source of water on the moon has been suggested. Geminga may prove to be a neutron star, despite the lack of radio waves reaching us from it.

Now that the Americans have publicly announced their intention of going back to the Moon in the foreseeable future, attention is starting to swing back to it; for some years after the end of the Apollo missions it was shamefully neglected – even by some amateur astronomers. Obviously, we are anxious to know just what conditions future astronauts will meet; remember that so far we have positive information from only half a dozen sites. It is generally

believed that there is a total lack of hydrated material (the old idea of extracting water from the lunar rocks has been abandoned) but now an intriguing suggestion by Dr. Albert Metzger, of JPL, has raised the possibility of ice, kept frozen by being confined to regions where no sunlight ever penetrates – that is to say, the floors of some deep craters in the polar zones. Metzger suggests that the water could have been dumped on the Moon by impacting comets, or even

expelled from the Moon's interior. If the ice is bombarded by cosmic rays, gamma-rays could be produced, and it may therefore be worth searching for traces of gamma-radiation from the next orbiting lunar satellite.

Meanwhile, everyone is waiting for news of the physical condition of Yuri Pomanenki, who spent over ten months on the space-station Mir. If he shows no major ill-effects, the way to Mars should be open.

The Sky This Month

The main planetary interest this month is on the two innermost members of the Sun's family, Mercury and Venus, both of which are evening objects. They are, of course, quite unlike each other, and the only outward similarity is that both show phases from new to full, similar to those of the Moon.

Mercury, only just over 3000 miles in diameter – and therefore more comparable with the Moon than with the Earth – is a mere 36,000,000 miles from the Sun on average. Its maximum angular elongation from the Sun is never as much as 30 degrees; this May it attains 22 degrees (on the 19th), but it is well north of the celestial equator, so that this is the best chance this year for seeing it with the naked eye. It should be easy enough; you can of course sweep for it with binoculars (though not until the Sun is fully set). At the end of the second week in May, Mercury will actually be brighter than any star apart from Sirius, though it is always seen against a brightish background. Telescopically, you will see it as a three-quarter shape, becoming half about May 15 and then a narrowing crescent. Surface markings are almost impossible to make out; all our knowledge of the Mercurian craters and mountains has been drawn from one probe, Mariner 10, which made three active passes in 1973 and 1974.

Venus, of course, is brighter than any other planet or star. During May it will show up as a crescent, and this is the best time for trying to observe the Ashen Light, about which I wrote last month. Mars is visible in the morning sky, and the apparent diameter reaches 10 seconds of arc by the end of May, so that planetary observers will already have started serious work. Jupiter is out of view, but Saturn is a morning object in Sagittarius; the rings are wide open, and a small telescope will show them, but the planet is well south of the celestial equator, so that from Britain it is inconveniently low down.

There are two full moons this month – on the 1st and the 31st; new moon falls on May 15. There are no lunar or solar eclipses. Of the meteor showers, the most interesting is that of the Eta Aquarids, which should be

active until about May 20; the predicted maximum is May 5. The ZHR is estimated at about 35. (The ZHR is the number of naked-eye meteors which an observer would expect to see under ideal conditions, with the radiant at the zenith; in practice, these conditions are never met!) The Eta Aquarids are interesting because they are associated with Halley's Comet. Conditions are favourable this year, because near shower maximum the Moon will not interfere.

We have now lost not only Orion, but virtually all his retinue, though the Twins (Castor and Pollux) and Capella can still be seen; Capella never actually sets over Britain. The Great Bear, Ursa Major, is very high up, which means that the W of Cassiopeia is at its lowest in the north. Follow round the "curve" of the Bear's tail and you will reach the brilliant orange Arcturus; continuing the curve leads on to Spica in Virgo. Rather low in the south-west, look for the well-marked quadrilateral of stars marking Corvus, the Crow, which is easy to identify even though it is remarkably lacking in interesting objects!

The "Summer Triangle" (Vega in Lyra, Altair in Aquila, and Deneb in Cygnus) is now well on view by mid-evening. Later in the night, look low in the south for Antares, the red super-giant leader of the Scorpion. However, much of the southern aspect is filled by large, faint constellations such as Hercules, Ophiuchus (the Serpent-bearer) and Serpens.

One of the main spring constellations is Leo, the Lion, which lies south of Ursa Major, and is easy to find because of the 'Sickle', a curved line of stars of which Regulus is the brightest member. Not far from Regulus is a very red star, R Leonis, which is variable. At its best it may exceed magnitude 5; it is then visible with the naked eye, though binoculars are needed to bring out its colour. At minimum it drops to below magnitude 10. It is at maximum this month – on May 29 – and is worth seeking out. It is a typical 'Mira' pulsating star (named after Mira in Cetus, the brightest member of the class) and has a period of 312 days, though this may change slightly from one cycle to another.

GEMINGA TRACED?

One of the most baffling objects in the sky is 2CG 195+04, better known by its nickname of Geminga – a gamma-ray source in Gemini. It was detected in the early 1970s, and is one of the strongest sources, but up to now absolutely nothing has been seen in the position optically. Geminga has remained obstinately shy.

Astronomers have been puzzled. If Geminga were a pulsar, or neutron star, it might be expected to emit radio waves; but it does not. So can it be something entirely different?

Gamma-ray astronomy is a relatively new science, because it has to be carried out mainly from rocket or satellite-borne equipment, and the gamma-ray flux is always weak even from the most intense known sources (such as the Crab Nebula). Geminga could hold some important clues. In 1983 the Einstein X-ray observatory was launched, and the Italian team led by Giovanni Bignami

decided to see whether any X-radiation could be found coming from the position where Geminga ought to be. They found it. When they were confident of the position, the next step was to look for a visible object. One star, of magnitude 21, was an early suspect, but had to be rejected when it was found to be an ordinary G-type star of the same type as the Sun.

Not to be daunted, Jules Halpern and David Tytler called in the Palomar 200-inch reflector, which is the largest in the world apart from the frankly unsatisfactory Russian 236-inch. The Palomar reflector was completed as long ago as 1948, but it is now much more effective than it was then, because it can be used with the latest electronic equipment – and as we all know, electronic aids are fast superseding photography. (*We have an article on this coming shortly. Ed.*)

It was found that there were two stars close to the indicated position of Geminga. One was of magnitude 24.6 and the other 25.5, which is faint by any

standards, and would be impossibly so but for electronic equipment. It was then found that the fainter star, G2, was unusually blue. This, plus its X-ray spectrum, indicates that it is an isolated neutron star, from 1500 to 3000 light-years away, and with a surface temperature of from 500,000 to 1,200,000 degrees Celcius. And if this is so, it is probably Geminga.

Why, then, do we not receive radio pulses? The reason is that a pulsar operates rather like a rotating searchlight beam – the two beams of radio emission come out from opposite sides of the neutron star. And if we are not in the right position, the beams will not sweep over us, and we will receive no pulses.

This seems to be the case with Geminga. Of course, we cannot yet be sure; but all the evidence indicates that we have at last tracked down this strange, elusive object which has guarded its secrets so well. **PE**

Do not miss a single issue of **Astronomy Now**

NOW MONTHLY!

Place a regular order with your newsagent
or
take out an annual subscription.

* * * * *

Rates: U.K. £15 - Outside U.K. £18 (Surface Mail)

Airmail Rates:

North Africa & Middle East £25

North & South America £30

Australia, New Zealand & Far East £35

Cheques payable to U.S. banks now accepted: \$35 (Surface Mail), \$55 (Air Mail) for North America.

Send your subscription now to: Astronomy Now
Subscription Dept, Intra Press, Intra House, 193 Uxbridge
Road, London W12 9RA.

Astronomy Now is published by Intra Press, publishers of Practical Electronics, Program Now and Office at Home magazines.

Surrey Satellite

The University of Surrey's spacecraft engineering research unit is building a third UoSat-Oscar spacecraft, the UoSat-C. Nasa has agreed to provide a launch for it on a Delta launcher, scheduling it for late 1988, with a proposed circular

orbit at 500km.

UoSat-C will carry engineering, science and communications experiments developed through collaboration between professional engineering and amateur radio communities. This and other satellites in the programme

provide space science and engineering facilities readily available to amateurs and professionals. Since 1983 UoSat has played a major role in an international collaborative project developing cost-effective satellite communications techniques. Other experiments

include radiation studies, attitude determination, control, stabilisation and rf modulation.

The satellite will be powered from GaAs solar cells, and will include patches of experimental GaAs, InPe and Si solar cells with a variety of newly developed cover-slides.

BI-PAK PARTS

THE UNDISPUTED PACK KING FOR OVER 20 YEARS, we offer you the very best in Electronic Components and Semiconductors that your money can buy. Look at our lists and prices. They are unbeatable in value and quantity and you always have our "Satisfaction or money back guarantee". For 1988 we offer more and more Super Value Packs. All goods advertised in stock at time of going to press. Please note our new mail order address: BI-PAK, P O BOX 33, ROYSTON, HERTS, SG8 5DF. Telephone orders: 0763-48851.

Pak No	Qty	Description	Price
VP1	300	Assorted Resistors, mixed values and types	£1.00
VP2	300	Carbon Resistors, 1/4-watt, preformed, mixed	£1.00
VP4	200	1/4-watt Resistors, mixed values and types	£1.00
VP16	50	Wirewound Resistors, mixed watt values	£1.00
VP140	50	Precision Resistors, 1% tolerance	£1.00
VP181	100	1 and 2 watt Resistors, assorted values	£1.50
VP287	100	Close tolerance Resistors, 0.5-2%, 10-30 Ohms, mixed	£1.50
VP288	100	Close tolerance Resistors, 0.5-2%, 1k-20k, mixed	£1.50
VP289	100	Metal oxide high stab. Resistor, 1/4w 2%, mixed values	£1.50

CAPACITORS

Pak No	Qty	Description	Price
VP5	200	Assorted Capacitors, all types	£1.00
VP6	200	Ceramic Capacitors, min. mixed values	£1.00
VP9	100	Assorted Polyester/Polystyrene Capacitors	£1.00
VP10	60	C280 Capacitors, metal foil, mixed values	£1.00
VP11	50	Electrolytics, all sorts	£1.00
VP12	40	Electrolytics, 47mf-150mf, mixed volts	£1.00
VP13	30	Electrolytics, 150mf-1000mf, mixed volts	£1.00
VP14	50	Silver Mica Caps, mixed values	£1.00
VP15	25	01-250v Min. Leaded Metal Caps	£1.00
VP180	25	Tantalum Bead Caps, assorted values	£1.00
VP182	4	1000uf 50v Electrolytics	£1.00
VP192	30	Min. Electrolytics, mixed values, 47mf-1000mf 6-16v	£1.00
VP193	6	Sub Min. Electrolytics, 2 x 1000/2200/3300mf, 10/16v	£1.00

OPTOS

Pak No	Qty	Description	Price
VP24	10	125' clear lens showing Red LED's	£1.00
VP25	10	Mixed shape and colour LED's	£1.00
VP26	15	Small 125' Red LED's	£1.00
VP27	15	Large Z' Red LED's	£1.00
VP28	10	Rectangular Z' Red LED's	£1.00
VP57	25	Opto Special Pack Assorted, super value	£3.00
VP130	6	RED 7 Seg. CC 14mm x 7.5mm RDP FND353 LED Display	£2.00
VP131	4	GREEN 7 Seg. CA 6' LDP XAN6520 LED Display	£2.00
VP133	6	RED Overflow 6' 3 x CA 3 x CC 6630/50 LED Display	£2.00
VP134	5	GREEN Overflow 6' CA XAN6530 LED Display	£2.00
VP138	20	Assorted LED Displays. Our mix, with data	£5.00
VP147	1	Pair Opto Coupled Modules	£1.00
VP199	2	LOPRT Light Dependent Resistor	£1.00
VP203	15	Triangular shape LED's, mixed colours	£1.00
VP204	10	Large Green LED's, 5mm	£1.00
VP205	10	Small Green LED's, 3mm	£1.00
VP206	10	Large Yellow LED's, 5mm	£1.00
VP207	10	Small Yellow LED's, 3mm	£1.00
VP208	10	Large LED's clear, showing Red, Z'	£1.00
VP241	2	ORP12 Light Dependent Resistor	£1.00
VP242	3	Tri-colour LED's, 5mm dia, 5mA 2v, R.G.Y.	£1.00
VP243	3	Tri-colour LED's, Rectangular 5mm, R.G.Y.	£1.00
VP266	10	Orange LED's, 5mm large	£1.00
VP267	8	Stackable LED's, Rectangular, mixed, R.G.Y.	£1.00
VP268	15	LED Panel Mounting Clips, metal and plastic, 3.5mm	£1.00
VP284	2	Red Flashing LED's, 5mm	£1.00
VP285	2	Opto-isolator IL74ANZ7, single	£1.00
VP285	1	Dual Opto-isolator ILD74	£1.00

DIODES & SCRS.

Pak No	Qty	Description	Price
VP29	30	Assorted volt Zeners, 50mw - 2w	£1.00
VP30	10	Assorted volt Zeners, 10w, coded	£1.00
VP31	10	5A SCR's TO66, 50 - 400v, coded	£1.00
VP32	20	3A SCR's TO66, up to 400v, uncoded	£1.00
VP33	100	Sil. Diodes like 1N4148	£1.00
VP34	200	Sil. Diodes like OA200-BAK13-16, 40v 200mA	£1.00
VP35	50	1A IN4000 Diodes, all good, uncoded, 50 min	£1.00
VP39	30	Assorted Sil. Rectifiers 1A-10A, mixed volts	£1.00
VP141	40	IN4002 Sil. Rectifiers 1A-100v, preformed pitch	£1.00
VP142	4	40A Power Rectifiers, silicon, TO48 300 PIV	£1.00
VP143	5	BY187 12KV Sil. Diodes, in carriers, 2.5MA	£1.00
VP184	3	4A 400v Triacs, plastic	£1.00
VP187	10	SCR's 800MA, 200v, 2N5064, plastic, TO92	£1.00
VP194	50	OA91 point contact germanium Diodes, uncoded	£1.00
VP195	50	OA47 gold bonded germanium Diodes, uncoded	£1.00
VP196	50	OA70-79 detector germanium Diodes	£1.00
VP197	50	OA90 type germanium Diodes, uncoded	£1.00
VP198	40	BAZ48 Sil. Diodes, 350v 2A, fast recovery	£1.00
VP222	20	3A Stud Rectifiers, 50-400v, assorted	£1.00
VP274	12	SCR's (Thyristors) 1A 100-400v, TO-39	£1.00
VP275	3	5A 400v SCR's, TO220, TIC1080	£1.00
VP276	5	SCR's standard type, 5-18Amp to 30-39	£1.00
VP277	4	Triacs 2Amp 400v TO-39	£1.00
VP278	4	6Amp 1000v plastic Silicon Rectifiers	£1.00
VP283	5	Diac BR100, triac trigger	£1.00

TRANSISTORS

Pak No	Qty	Description	Price
VP38	100	Sil. Transistors, NPN plastic, coded, with data	£3.00
VP39	100	Sil. Transistors, PNP plastic, coded, with data	£3.00
VP47	100	Sil. Power Transistors, similar 2N3055, uncoded	£1.00
VP48	5	Pairs NPN/PNP plastic Power Transistors, 4A, data	£1.00
VP50	60	NPN Sil. Switching Transistors, TO-18 and TO-92	£1.00
VP51	60	PNP Sil. Switching Transistors, TO-18 and TO-92	£1.00
VP60	100	All sorts Transistors, NPN/PNP	£1.00
VP150	20	BC183B Sil. Transistors, NPN 30v 200mA Hfe240+ TO92	£1.00
VP151	25	BC178 Sil. Transistors, NPN 45v 100mA Hfe240+ TO92	£1.00
VP152	15	TS190 Sil. Transistors, NPN 40v 400mA Hfe100+ TO92	£1.00
VP153	15	TS191 Sil. Transistors, PNP 40v 400mA Hfe100+ TO92	£1.00
VP154	15	MPSA66 Sil. Transistors, PNP 80v 800mA Hfe50+ TO92	£1.00
VP155	20	BF965 Sil. Transistors, NPN eqvt BF184 H.F. TO92	£1.00
VP156	20	BF495 Sil. Transistors, NPN eqvt BF173 H.F. TO92	£1.00
VP157	15	2TX500 series Sil. Transistors, PNP plastic	£1.00
VP158	15	2TX107 Sil. Transistors, NPN eqvt BC107 plastic	£1.00
VP159	15	2TX108 Sil. Transistors, NPN eqvt BC108 plastic	£1.00
VP161	25	BC183 Sil. Transistors, NPN 30v 200mA TO92	£1.00
VP162	5	3JE541 Sil. Power Transistors, NPN 80v 4A Hfe240	£1.00
VP163	2	NPN/PNP pairs Sil. Power Transistors, like 3JE541	£1.00
VP164	4	2N6289 Sil. Power Transistors, NPN 40v 40v 7A Hfe30+	£1.00
VP165	6	BT33 NPN Sil. Transistors, 80v 5A Hfe50-200 TO39	£1.00
VP166	5	BT34 NPN Sil. Transistors, 100v 5A Hfe50-200 TO39	£1.00
VP167	1	BUV65C NPN Transistors, TO3 VCB 50v, 10A, 100v, Hfe15+	£1.00
VP168	10	BCX21 NPN Sil. Transistors, TO18	£1.00
VP169	10	BKX21 NPN Sil. Transistors, 80v 50mA TO18	£1.00
VP170	10	Assorted Power Transistors, NPN/PNP coded and data	£1.00
VP171	10	BF355 NPN TO-39 Sil. Transistor, eqvt BF258 225v 100mA	£1.00

MINIATURE CARBON FILM RESISTORS 1/4 & 1/2 WATT 5% Resistance values from 1 ohm - 10 meg ohms. Available in lots of 100 pieces per pack. To order state R100 1/4 watt or R200 1/2 watt, plus resistance required, eg. R100 1K = 1/4 watt 1K. BI-PAK price per 100 pieces R100 £1.00 per pk. R200 £1.30 per pk.

Pak No	Qty	Description	Price
VP172	10	SM1502 PNP TO-39 Sil. Transistors, 100v 100mA Hfe100+	£1.00
VP200	30	OC71 type germanium AF Transistors, uncoded	£1.00
VP201	25	OC45 germanium RF Transistors	£1.00
VP261	4	Programmable Unijunction Transistors, MEU22	£1.00
VP270	10	FET's XHF4M Amplifiers, switching & choppers, data	£1.00
VP271	10	FET's general purpose like 2N3819-2N5457, data	£1.00
VP272	10	MOS-FET's Signetics, SD304	£1.00
VP280	12	2TX300 NPN Silicon Transistors	£1.00
VP290	15	MPSA06 Sil. Transistors, NPN 80v 500mA Hfe50+ TO92	£1.00
VP428	10	AC128B PNP Germanium Transistor, 1A 32v	£1.00
VP429	10	AC176K NPN Germanium Transistor, 1A 32v	£1.00
VP430	4	2N3055 Sil. Power Transistors, full spec	£2.00
VP431	25	PNP Sil. Transistors, TO-39 like 2N295A	£1.00

I.C.S.

Pak No	Qty	Description	Price
VP40	40	TTL I.C.S. all new gates - Flip Flop - MSI, data	£4.00
VP54	20	Assorted I.C. DIL Sockets, 8 - 40 pin DIL	£2.50
VP59	20	Assorted I.C. linear, etc, all coded	£2.00
VP209	12	74LS00	£2.00
VP210	12	74S74	£2.00
VP211	10	CD4001B	£2.00
VP212	10	CD4011B	£2.00
VP214	10	CD4069B	£2.00
VP215	10	741P 8 pin	£2.00
VP216	10	555 Timers 8 pin	£2.00
VP223	50	Asst 74 TTL I.C.S. "ALL GATES" new & coded our mix 7400-7453	£6.00
VP224	100	Asst 74 TTL I.C.S. "ALL GATES" new & coded our mix 7400-7453	£10.00
VP282	1	Prog. Sound Gen. Chip, AY-3-8912	£3.00
VP281	1	Z80ACPU Microprocessor, 40 pin DIL	£2.00
VP292	1	Z80A10 Parallel Interface Controller, 40 pin DIL	£2.00
VP293	1	Z80ACTC Counter Timer Circuit, 28 pin DIL	£2.00
VP294	1	2732D 32K Eprom	£3.00
VP295	1	6821P Peripheral Interface Adaptor (PIA)	£2.00
VP296	6	LM324 14 pin DIL Quad Op-Amp	£2.00
VP297	5	CA3130E MOS-FET IP, CMOS op. Op Amp	£2.00
VP298	3	MC1310P Stereo Decoder, 14 pin DIL	£2.00
VP299	3	CA3085 Pos. Volt. Regulator, 1.7v - 46v, 8 pin TO5	£2.00
VP400	1	27128 128K Eprom	£2.50
VP401	2	LM317T Adjst. Voltage Regulator, 1.5A	£1.00
VP402	1	2114 4K Static Ram	£2.00
VP403	1	TAT204 Audio Amp I.C. 4.2v, 13v, 2.4 ohms	£1.50
VP404	1	TBA461 Audio Power Amp, 4.5w	£1.50
VP432	8	CD4016B	£2.00
VP433	6	CD4017B	£2.00
VP434	10	CD4024B	£2.00
VP435	10	CD4028B	£2.00
VP436	4	7413 Dual NAND Schmitt Trigger, 4-input	£1.00
VP440	4	7440 Dual 4-input Positive-Hand Buffer	£1.00
VP470	4	7470 And-gated Positive-edge-triggered Flip Flop with preset	£1.00
VP7480	4	7480 Gated Full Adder	£1.00
VP7481	4	7481 16-bit Random Access Memories	£1.00
VP7490	4	7490 Decade Counter	£1.00
VP7491	4	7491 8-Bit Shift Register	£1.00
VP7492	4	7492 Divide by 12 Counter	£1.00
VP7493	4	7493 8-Bit Binary Counter	£1.00
VP7494	4	7494 4-bit Shift Register	£1.00
VP7495	4	7495 4-bit Shift Register	£1.00
VP74111	4	74111 Dual J-K Master Slave, Flip-Flop	£1.00
VP74141	4	74141 BCD - Decimal Decoder/Driver	£1.00
VP74151	4	74151 1 of 8 Data Selectors/Multiplexers	£1.00
VP74153	4	74153 Dual 4 line to 1 line Data Selectors/Multiplexers	£1.00
VP74164	4	74164 8-bit Parallel Output Serial Shift Registers	£1.00
VP74167	4	74167 Synchronous Decode Rate Multipliers	£1.00
VP74174	4	74174 Hex D type Flip-Flops	£1.00
VP74181	4	74181 Arithmetic Logic Units/Function Generators	£1.00
VP74193	4	74193 Synchronous Up/Down Dual Clock Counters	£1.00
VP74279	4	74279 Quad S-R Latches	£1.00
BPX6	1	TTL Data Book 74 Series, including "LS" Complete with Pin-out, Serial Wire, 7400-74670. TT1 interchangeable guide. Function selection guide and explanation of function tables. "NO VAT"	£1.00
BPX5	1	IC555 PROJECTS BOOK (TIMER), 167 pages. Over 50 project circuits to build and other information on IC555 Timers, plus FREE with our compliments, 3x IC555 Timer, worth 80p. Special offer price just £2.95 "NO VAT"	£1.00
BPX4	1	INTERNATIONAL TRANSISTOR EQUIVALENTS GUIDE. Babani Publishing's latest edition BP85, plus FREE with our compliments, 10 popular Silicon Transistors, worth £1.00. Special offer price just £3.50 "NO VAT"	£1.00

MISC.

Pak No	Qty	Description	Price
VP17	50	Metres PVC single strand Wire, mixed colours	£1.00
VP18	30	Metres PVC multi strand Wire, mixed colours	£1.00
VP19	40	Metres PVC single strand Wire, mixed colours	£1.00
VP22	200	3/8" Inches total Copper Clad Board	£1.00
VP23	10	40mm Track Slider Pots, 100K Lin	£1.00
VP42	10	Black Heatshinks, fit TO3 and TO220, drilled	£1.00
VP43	4	Power-fin Heatshinks, 2 x TO3, 2 x TO66	£1.00
VP44	15	Assorted Heatshinks, TO13/35/18/20	£1.00
VP56	100	Semiconductors from around the world, mixed	£4.00
VP82	1	Electronic Buzzer, 9v, 25MA	£0.95
VP83	1	Electronic Buzzer, 9v, 25MA	£0.95
VP84	1	Electronic Buzzer, 9v, 25MA	£0.95
VP85	1	Electronic Buzzer, 12v, 25MA	£0.95
VP86	1	TECASBOTY Components Pack, semiconductors, caps, wire, etc	£8.00
VP87	1	Telephone Pick-up Coil with 3.5mm jack plug	£1.25
VP88	1	Pillow Speaker with 3.5mm jack plug	£1.45
VP107	1	Piezo Buzzer, miniature, 12v	£1.25
VP108	1	Piezo Buzzer, miniature, 24v	£1.25
VP110	1	Coax Antenna Switch, 2 way	£1.50
VP114	1	Coax Antenna Switch, 3 way	£1.50
VP115	1	High Pass Filter/Suppressor, CB/TV	£4.75
VP116	1	Low Pass Filter, VHS TV band	£1.85
VP122	1	Precision Morse Key, fully adjustable	

SEMICONDUCTORS

PART 7: MOSFET POWER AMPLIFIER PROJECT BY ANDREW ARMSTRONG

DISCRETION IS THE BETTER PART OF HIFI

Mosfet power amplifiers are often claimed to sound better than bipolar designs. There is a good reason for this. Even though a mosfet design may give a similar distortion figure to a bipolar design, the type of distortion is less offensive to the ear. Build this project and find out for yourself.

This month, instead of sticking to theory or building block circuits, I have designed a mosfet power amplifier fit to grace any hifi system, and we will see how theory applies to the design of such a project. The power amplifier module here has a printed circuit layout, and a kit is available for those who wish to construct it. When operated on $\pm 30\text{V}$ power supplies, it will deliver at least 60W rms into a 4 ohm load.

The project here is just a power amplifier without a preamplifier. It has many applications, including disco, guitar amplification, and hifi. For those who wish to use the module to make a hifi stereo amplifier, a suggested design of preamplifier is shown in Fig. 68, but no pcb layout is available, so this would have to be built on Veroboard or similar.

CIRCUIT DESCRIPTION

The circuit diagram of the amplifier is shown in Fig.65. Split power supply rails are used, which allows the loudspeaker to be directly coupled to the output stage. This is generally an advantage because it removes the low frequency response limitation associated with output capacitors. It does mean, though, that the dc offset on the output of the amplifier must be low. This point is covered in detail later.

The output devices, Q5 and Q6, are a complementary pair operated in the source follower configuration. This makes for good symmetry which helps in achieving low distortion, and has two other advantages. Because the voltage gain of the output stage is less than unity, and the speed of response is higher than with output taken from the drain terminals, the likelihood of oscillation is much reduced. In addition, the absence of signal on the drain terminals means that there is no stray feedback via the heatsink's capacitance to the rest of the circuit, which again reduces the chance of oscillation as well as preventing frequency response degradation.

A beautifully symmetrical output stage is wasted unless the drive signal is also symmetrical. The driver stage is

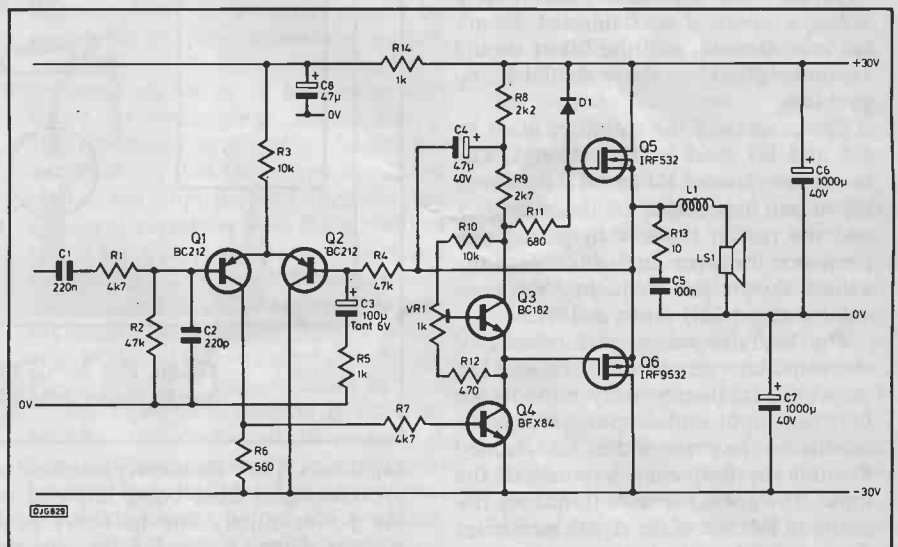


Fig.65. Circuit for a mosfet power amplifier.

bootstrapped to make it run at an almost constant current. This means that asymmetry caused by variations in transistor gain with changes in collector current are eliminated.

C4 is the bootstrap capacitor, and it helps in the following manner. The time constant of C4 with R8 and R9 is much longer than that of typical output signals, so that, with respect to signals, the voltage across C4 is virtually constant. Because the output voltage is following the drive signal, with a small voltage loss, the voltage across R9 is almost constant. This means that the current hardly varies, and Q4 works more linearly than it otherwise would.

Bootstrapping gives another advantage as well: current to charge the gate capacitance of the mosfets is maintained even at the positive peaks of signal. In fact the charge on C4 maintains gate drive to above the power supply rail. If this were allowed, it would mean that the output voltage could approach the positive supply closer than it can approach the negative supply (because the drive signal cannot go more negative than the negative rail). To provide symmetrical clipping on overload, R11 and D1 are added.

BIAS

Transistor Q3, and resistors R10, R12, and VR1 set the gate source voltage for the output devices, to bias them to the conduction range. This provides an approximate temperature compensation, because although the resistance of fets has a positive temperature coefficient, the threshold voltage has a negative temperature coefficient. The negative temperature coefficient of the voltage across Q3 is approximately the same, so the quiescent current will not vary wildly with temperature.

The input stage of the amplifier uses a long tailed pair of pnp transistors; signal fed to the base of one, negative feedback to the other. Additional power supply hum rejection is provided by R14 and C8. The voltage across the tail resistor is approximately 26V, which is much greater than the signal voltages expected on the bases of Q1 and Q2, so the tail current may be regarded as approximately constant at 2.6mA. This is calculated to provide the correct voltage across R6 to bias Q4 on when the current is approximately evenly shared between Q1 and Q2.

OFFSET

The even sharing of current between Q1 and Q2 is necessary to minimise the offset voltage between the two bases. It is also necessary to use transistors from the same gain selection band, and ideally transistors with matched gain. Generally, however, the choice of B grade transistors will guarantee a close enough match. It is also necessary for R2 and R4 to be of the same value. In this way, the dc path from 0V to the base of Q1 is the same as the dc path from the output of the amplifier to Q2.

Any leakage current in C3 will spoil this effect, so a bead tantalum type is chosen. Any net offset voltage, which may be negative or positive, will appear across C3. However bead tantalum capacitors can withstand small reverse voltages up to a maximum of 300mV without damage, and the offset should be under 50mV, so there should be no problem.

The ac gain of the amplifier is set by R4 and R5, and is $(R4+R5)/R5$. The lower the value of R4 and R2, the lower the input impedance of the amplifier, and the poorer the low frequency performance for any value of C1. With the values shown the frequency response will be about 3dB down at 15Hz.

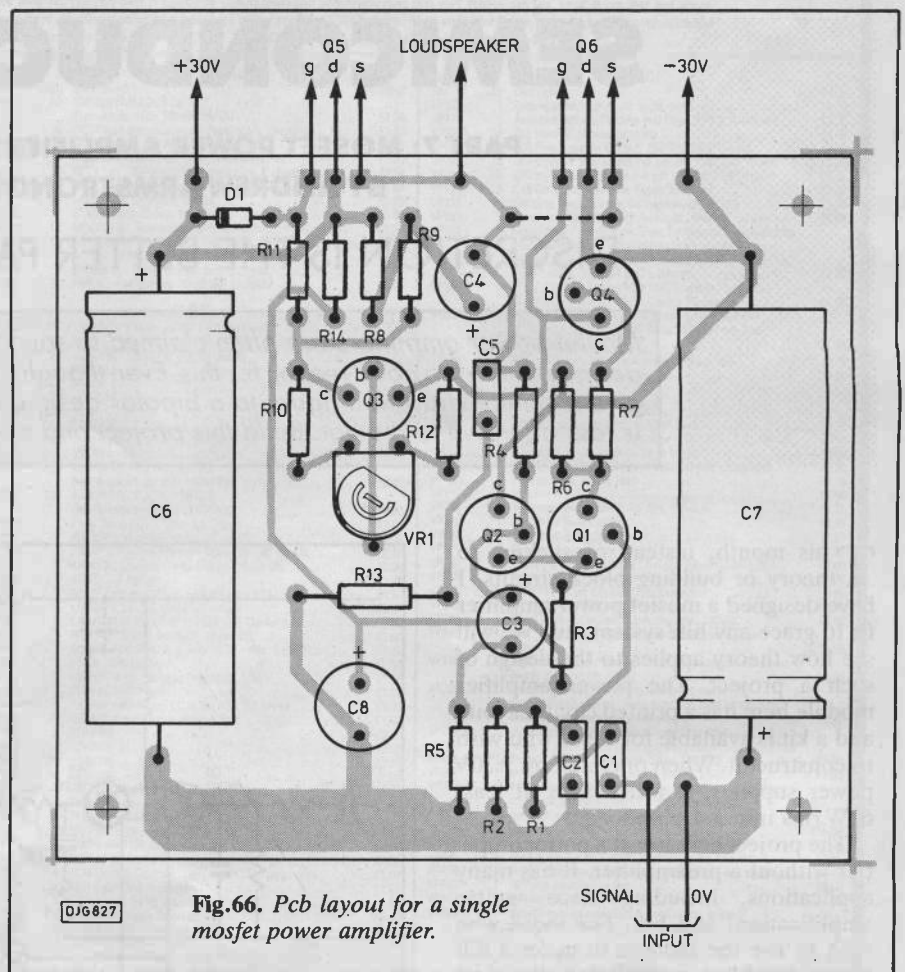
The high frequency performance of the amplifier extends to at least 100kHz, at which frequency stray capacitance between input and output could cause oscillation. To prevent this, C1 is added to limit the frequency response of the input. However, the wide frequency response of the rest of the circuit minimises the possibility at high frequencies.

The lower the gain of the amplifier the lower the distortion as well, and if a lower gain than that shown is required it would be better to increase the value of R5 rather than reduce the value of R4 and R2. If a higher gain is needed, R4 and R2 may be increased. The circuit is suitable for gains in the range 20 to 100.

To reduce the likelihood of oscillation still further, R13 and C5 are included to provide a high frequency load for the amplifier at frequencies at which the inductance of most loudspeakers causes them to have a high impedance. The use of a small inductor consisting of a few turns of wire wound round a resistor in series with the output also contributes to stability.

LAYOUT AND HEATSINKING

For best stability and lowest distortion good grounding and good decoupling are essential. The pcb layout in Fig.66 is designed so that the ground track is a short thick track along one side of the board, to which two local power supply decoupling capacitors are connected. These capacitors, C6 and C7, are not intended as the power supply reservoir



capacitors. They are merely intended to prevent signal from being imposed on the power supply due to heavy peak current demands flowing through the resistance of the wiring. The use of these capacitors also has the beneficial effect of minimising cross coupling between two modules in a stereo amplifier.

The power mosfets are both mounted at one edge, in such a way that they can be bolted to a heatsink. Because the tabs of the mosfets are connected to the drain terminals, insulating washers must be used to prevent electrical contact between mosfet and heatsink.

The heatsink must be chosen to keep the case temperature of the mosfets below 110°C under all circumstances. Assuming that the amplifier module is used with 30V supplies and a 4 ohm load, the maximum total dissipation of the mosfets is 46W, that is to say 23W each. To cope with this case a heatsink with a thermal resistance of 1°C/W would be required. It would however be unrealistic to assume that this dissipation would be maintained for a protracted period under normal circumstances, so a somewhat smaller heatsink could be used with the very small risk of the amplifier overheating under exceptional circumstances. To make it overheat would require a sustained sinewave signal of approximately two-thirds maximum output.

The dissipation of the amplifier used

with a typical music waveform would be much lower, so a heatsink of 2°C/W may be acceptable. If there is any serious doubt about the capability of the heatsink to dissipate the required power, a thermal switch may be added to cut off the power supply at a high temperature.

POWER SUPPLY

To achieve an output power of 60W into a 4 ohm load, a current of 3.9A rms (5.5A peak) is needed. The voltage developed across the load at this power is 15.5V rms, which corresponds with 22V peak. To provide a source current of 5.5A, an IRF532 requires a gate to source voltage of 5V, so the gate voltage must be able to reach 27V. The p channel hexfet needs slightly more gate to source voltage, so a negative gate drive of 28V is necessary.

All this suggests that a nominal power supply voltage of 30V will suffice, as long as it does not sag to less than 28V at maximum load. A 25V transformer with an adequate power rating would be a reasonable choice for the power supply. A suitable configuration is illustrated in Fig.66. The maximum output power can be increased by increasing the power supply voltage, but care must be taken not to exceed the voltage ratings of any of the components. With the components shown in Fig.67, the maximum permissible voltage would be 40V. The

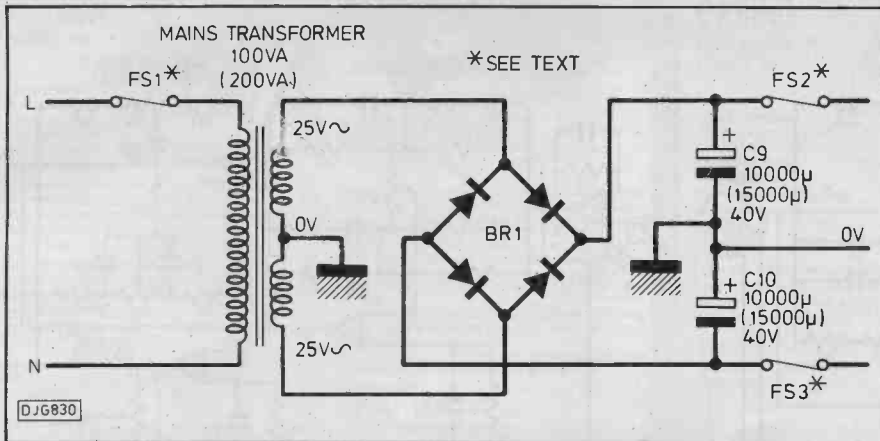


Fig. 67. Power supply for mosfet amplifier.
Values in brackets are for a stereo amplifier.

power supply must not exceed this voltage even with just the quiescent load of the amplifier, and with a mains voltage 5% above nominal.

CONSTRUCTION AND TESTING

Assembling the amplifier on the printed circuit board is straightforward. The important point is that the mosfets should be soldered in last of all, and should be protected from static by aluminium foil or conductive foam until required. They should be soldered in using an earthing soldering iron, and only after the constructor has touched an earthed object to discharge any static which may have built up.

The only component requiring any special thought is L1. This is intended to improve stability when driving a reactive load, and is not critical. To make this inductor, simply wind as many turns of 0.2 or 0.25mm wire as will fit on a single layer on a small value resistor, for example 10Ω. This inductor may be used to connect between the output of the pcb and the output socket of the amplifier.

If a dual bench power supply is available, the pcb should be tested before it is connected to its own power supply. It should be supplied from current limited supplies of 30V, and the power should be connected without a load or an input signal. The supply current should be measured, and VR1 should be set for a quiescent current of 50mA.

The output offset should then be measured with a voltmeter. The presence of over 100mV of offset indicates the need to check the construction. If after careful examination everything appears correct, the value of R2 may be changed to adjust the input offset, by trial and error. This is a last resort, and should not be necessary. It indicates a large difference in gain between Q1 and Q2.

DISTORTION

If an oscilloscope is available, the quiescent current may be adjusted more accurately. A load of the intended resist-

ance, 4 ohms or 8 ohms, should be connected to the loudspeaker output, and the input should be connected to a sine wave signal at a frequency well above the audio range, approximately 100kHz would be suitable. Adjust the amplitude so that the output waveform is just not clipped, and then set the quiescent current so that the waveform is just not distorted. Please note that a loudspeaker may be unsuitable as a load, both because its inductance may reduce the loading, and because it may overheat and die due to this stringent test. A high power resistor is a much better bet.

This adjustment method is effective because the decreased loop gain at higher frequencies makes inherent non-linearity more visible on the waveform. Distortion occurs before the feedback can correct it, and is therefore visible on the output waveform. This demonstrates that the amplifier is inherently linear before the feedback is applied, or at least that it has no abrupt non-linearities.

This means that subtle but annoying types of distortion, such as transient intermodulation distortion, are minimised. The sound quality is audibly better than with other amplifier circuits offering nominally the same harmonic distortion level, but with inherent non-linearities disguised by negative feedback. In this latter case the distortion products are more obtrusive because they have a wider spectrum.

FINAL ASSEMBLY

Once the module has been checked and tested as far as possible, it should be assembled into its case. Special care should be taken to make good thermal contact between the output transistors and the heatsink. Because the tabs of the power fets are connected to the power supply rails, electrical isolation from the heatsink is needed. The best way to achieve these conflicting requirements is to use a Silpad insulating washer and the appropriate plastic bush on the mounting bolt. If Silpads are not available, then a smear of heat transfer

compound on each side of a mica washer will ensure reasonable heat transfer.

To avoid unfortunate oscillation, hums and clicks etc, the wiring should be routed sensibly. The ac power supply wiring should be kept as far as possible from everything else, especially from the input wiring. The dc power supply wires should be fairly thick, and should be laced or clipped together. If two amplifiers are used in the same case, then the power supply connections (including 0V) should be connected back to the main reservoir capacitors separately. The 0V connection between the reservoir capacitors should be short and thick.

The input and output connections should be connected to 0V on the pcb, not at the power supply. The input connection should be made using screened lead, and should be kept as far as possible from the transformer. It should also have a decent clearance from the output connection.

If the output connection needs to be longer than the leads on L1, then it should be made with twisted wire to minimise radiation which may be picked up on the input. This isolation is important. The amplifier is stable with a wide variety of loads, but it has a wide bandwidth and will form an oscillator if feedback is applied external to the pcb. An amplifier of more modest bandwidth would not be vulnerable in this way, but would be less hifi.

When all has been assembled, double check that the power supply connections are the right way round, then carry out a final test to show that all connections are correct. You should now have an amplifier which works well and does not add its own interpretation to the original sound.

AMPLIFIER SPECIFICATIONS

Power output into 4Ω load with ± 30V supplies = 60W min, 90W typ.

Power output into 4Ω load with ± 35V supplies = 100W min.

Heatsink required for 60W continuous has thermal resistance of 1°C/W.

Distortion at voltage gain of 20, into 8Ω load is less than 0.1% at up to 80% of the maximum available power (set by power supply voltage).

ADDENDUM

As originally designed, this amplifier provides 60W, though this can be increased to 100W by using 35V power supplies. However, the need to keep the maximum power supply voltage below 40V peak under any conditions renders this option slightly dodgy.

For those who feel the need for the magic figure of 100W, a better bet is to use higher voltage rated components in some areas. This approach would make it possible to increase the power supply voltage still further and deliver 100W

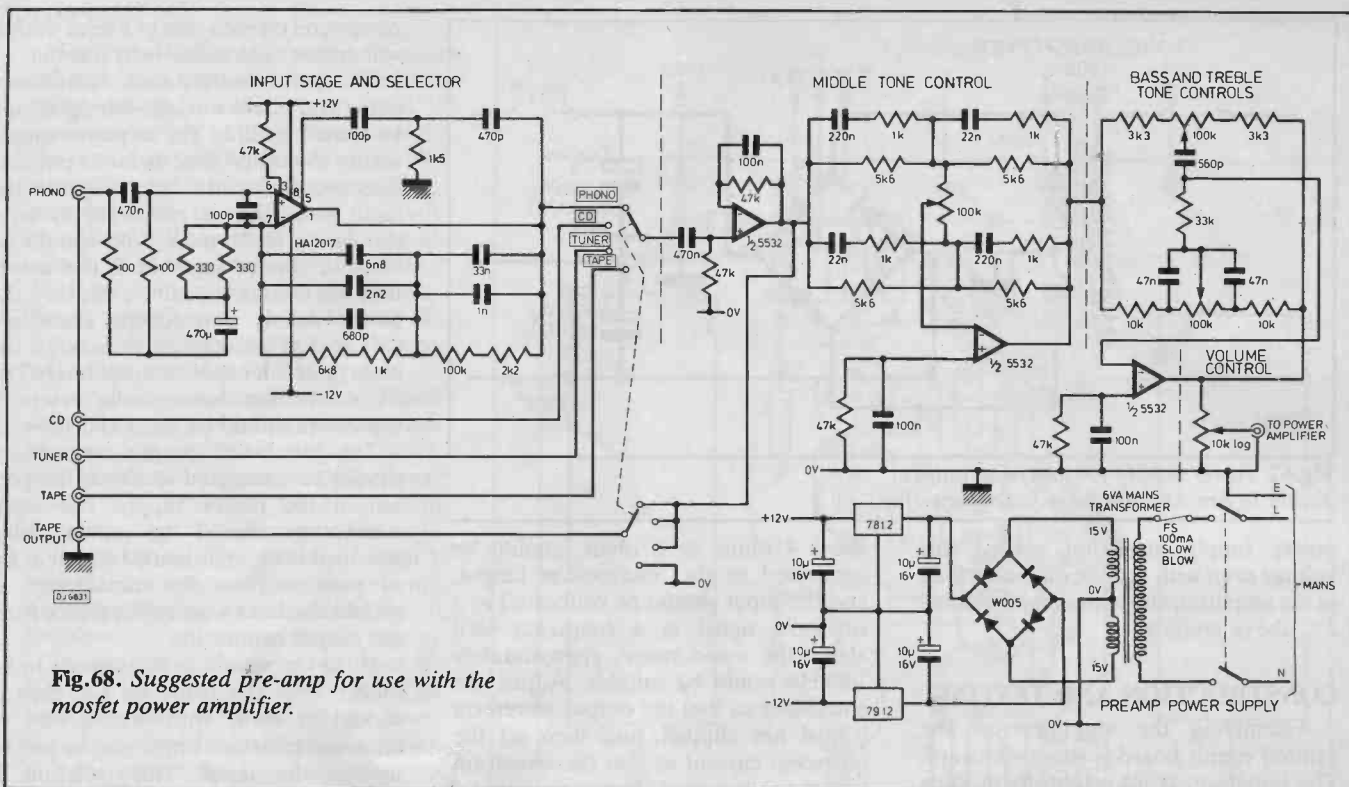


Fig.68. Suggested pre-amp for use with the mosfet power amplifier.

COMPONENTS

(Bracketed component types are for higher power version.)

RESISTORS

(2% 1/4W metal film or metal oxide.)

- R1,R2,R4 47k (3 off)
- R3 10k
- R5,R14 1k (2 off)
- R6 560Ω
- R7 4k7
- R8,R9 2k7 (3k3) (2 off)
- R10 10k (12k)
- R11 680Ω
- R12 470Ω
- R13 10Ω

CAPACITORS

- C1 220n polyester 0.2" pin spacing
- C2 220p any dielectric 0.2" pin spacing
- C3 100μ 6V tantalum bead
- C4 47μ 40V (63V) radial electrolytic
- C5 100n polyester 0.2" pin spacing
- C6,C7 1000μ 40V (63V) axial electrolytic (2 off)
- C8 47μ 40V (63V) radial electrolytic
- C9,C10 10000μ to power one amplifier, 15000μ to power two. 40V(63V) high ripple electrolytic. (2 off)

CONSTRUCTOR'S NOTE:

The pcb and a kit of parts are available from Specialist Semiconductors Ltd. (Address in advert.)

SEMICONDUCTORS

- D1 1N4148
- Q1,Q2 BC214C (BC212B)
- NOTE: The BC214C will give slightly lower output offset. Apart from this, BC212B is suitable for either version.
- Q3 BC182 or equivalent.
- Q4 BFX84 (2N1893) or equivalent.
- Q5 IRF532 (IRF632)
- Q6 IRF9532 (IRF9632)
- BR1 Any bridge rectifier rated at min 6A for one amplifier or 12A for two, minimum voltage rating 100V (120V). eg International Rectifier KBPC602 or GI KBPC802 for one amplifier, high power version, or Mullard BY260-200 for two amplifiers, high power version.

MISCELLANEOUS

- Transformer: One amplifier, 30-0-30V, 100VA standard power.
- One amplifier, 40-0-40V, 150VA higher power.
- For two amplifiers, double VA rating.
- FS1 slow blow, 500mA per 50VA of transformer rating e.g. 150VA transformer needs 1.5A slow blow fuse.
- FS2,FS3 5A slow blow.
- NOTE: Two pairs of fuses should be used for two amplifiers.

into 8Ω. The necessary changes are shown in brackets in the parts list.

In my view it is not likely to be worthwhile unless the amplifier is to be used with very inefficient loudspeakers or in an exceptionally large room. The audible difference on doubling the power output is not very great, and in practice most amplifiers will outperform their specification and deliver about 100W anyway.

ABOUT THE PREAMPLIFIER CIRCUIT

This preamplifier circuit is tested and works well, but no printed circuit board layout is available. It is divided into stages which may be included or left out at the preference of the individual constructor. The simplest possible configuration would simply include the input selector switch, the phono equaliser if required, and the volume control connected directly to the output of the selector switch. The first 5532 buffer could be included if the tape output was required.

Either or both of the tone control stages may be included, but if any active circuitry at all is included then the power supply is required. The power supply voltage of the power amplifier is so different from that needed by the preamplifier that there is no point in trying to power the preamplifier from it. The use of a separate power supply also removes the possibility of interaction between the two circuits, and allows the preamplifier to be built into a separate case if required.

POWER CONDITIONER

FEATURED IN ETI
JANUARY 1988

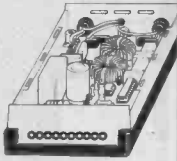
The ultimate mains purifier. Intended mainly for lowering the noise floor and improving the analytical qualities of top-flight audio equipment.

The massive filter section contains thirteen capacitors and two current balanced inductors, together with a bank of six VDRs, to remove every last trace of impulsive and RF interference. A ten LED logarithmic display gives a second by second indication of the amount of interference removed.

Our approved parts set consists of case, PCB, all components (including high permeability toroidal cores, ICs, transistors, class X and Y suppression capacitors, VDRs, etc.) and full instructions.

PARTS SET £28.50 + VAT

Some parts are available separately. Please send SAE for lists, or SAE + £1 for lists, circuit, construction details and further information (free with parts set).



KNIGHT RAIDER

FEATURED IN ETI JULY 1987

The ultimate in lighting effects for your Lamborghini, Maserati, BMW (or any other car, for that matter). Picture this: eight powerful lights in line along the front and eight along the rear. You flick a switch on the dashboard control box and a point of light moves lazily from left to right leaving a comet's tail behind it. Flip the switch again and the point of light becomes a bar, bouncing backwards and forwards along the row. Press again and try one of the other six patterns. An LED display on the control box lets you see what the main lights are doing.

The Knight Raider can be fitted to any car (it makes an excellent fog light!) or with low powered bulbs it can turn any child's pedal car or bicycle into a spectacular TV-age toy!

The parts set consists of box, PCB and components for control, PCB and components for sequence board, and full instructions. Lamps not included.

PARTS SET £19.90 + VAT



CREDIT CARD CASINO

FEATURED IN ETI,
MARCH 1987

This wicked little pocket gaming machine measures only 3" x 2" x 1/2". It will play all kinds of casino games, including:

- Roulette
- Craps
- Pontoon

Our approved parts set comes complete with case; self adhesive fascia, lined and drilled printed circuit board; all components, hardware, full instructions and three different games to play!

PARTS SET ONLY £5.90! + VAT

Five extra games FREE with every order!



MAINS CONTROLLER

FEATURED IN ETI
JANUARY 1987

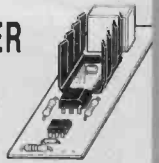
Have you ever wondered what people do with all those computer interfaces? Put your computer in control, say the ads. The Spectrabeeb has eight TTL outputs. What on earth can you control with a TTL output? A torch bulb?

The ETI Mains Controller is a logic to mains interface which allows you to control loads of up to 500W from your computer or logic circuits. An opto-coupler gives isolation of at least 2,500V, so the controller can be connected to experimental circuits, computers and control projects in complete safety. Follow your computer interface with a mains controller and you're really in business with automatic control!

The mains controller connects directly to most TTL families with external components, and can be driven by CMOS with the addition of a transistor and two resistors (supplied).

Your mains controller parts set contains: high quality roller tinned PCB; MOC3021 opto-coupler, power triac with heatsink, mounting hardware and heatsink compound; all components, including snubber components for switching inductive loads; transistor and resistors for CMOS interface; full instructions.

PARTS SET £6.20 + VAT



THE DREAM MACHINE

FEATURED IN ETI
DECEMBER 1987

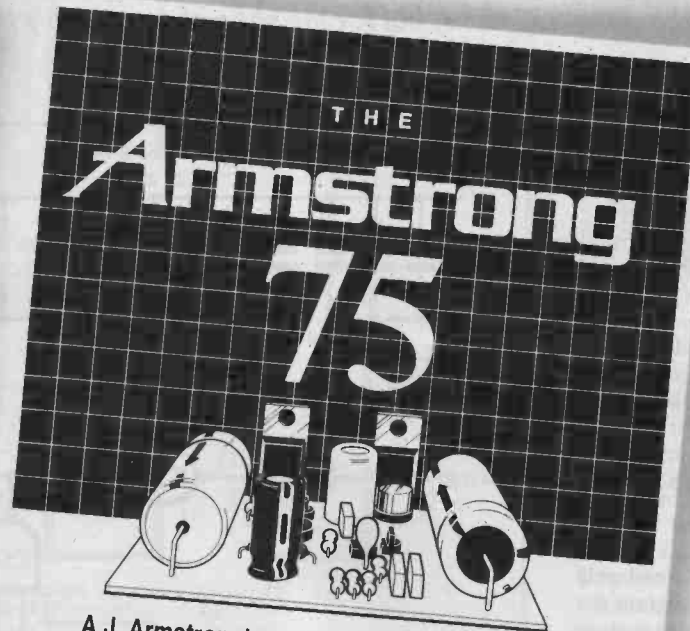
Adjust the controls to suit your mood and let the gentle, relaxing sound drift over you. At first you might hear soft rain, sea surf, or the wind through distant trees. Almost hypnotic, the sound draws you irresistibly into a peaceful, refreshing sleep.

For many, the thought of waking refreshed and alert from perhaps the first truly restful sleep in years is exciting enough in itself. For more adventurous souls there are strange and mysterious dream experiences waiting. Take lucid dreams, for instance. Imagine being in control of your dreams and able to change them at will to act out your wishes and fantasies. With the Dream Machine it's easy!

The approved parts set consists of PCB, all components, controls, loudspeaker, knobs, lamp, fuseholders, fuse, mains power supply, prestige case and full instructions.

PARTS SET £16.50 + VAT

AVAILABLE WITHOUT CASE FOR ONLY £11.90 + VAT



A.J. Armstrong's exciting new audio amplifier module is here at last!

Delivering a cool 75W (conservatively rated - you'll get nearer 100W), this MOSFET design embodies the finest minimalist design techniques, resulting in a clean, uncluttered circuit in which every component makes a precisely defined contribution to the overall sound. You can read all about it in the July issue of PE, but why bother with words when your ears will tell you so much more?

Parts set includes top grade PCB and all components.

SPECIAL INTRODUCTORY PRICE FOR FULLY UPGRADED MODULES.

SINGLE PARTS SET £14.90 + VAT!

STEREO PAIR £25.90 + VAT!

PCB ONLY (limited number available) £2.90 + VAT!

Please send SAE + £1 for data and circuits (free with parts set), including diagrams for matching pre-amp and power supply. This amplifier will not be available from your usual audio supplier - we produce the only designer approved parts set.

JUMPIN' JACK FLASH

FEATURED IN ETI
MARCH 1988

is a

- Lighting wizard - brings any rock band's stage performance to life!
- Sound operated flash - photograph bullets in flight!
- Voice switch and sound to action controller with endless applications.

The parts set consists of a high quality PCB and all components. ICs, opto isolator, triac, heat sink, pots etc. to build the circuit board. What you do next is up to you! The ETI article, supplied free with every set, shows how to make the most of J.F.'s capabilities.

PARTS SET £6.90 + VAT

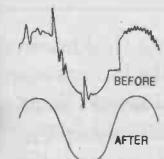


MAINS CONDITIONER

FEATURED IN ETI
SEPTEMBER 1986

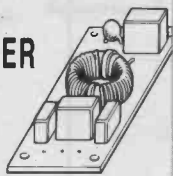
Cleans up mains pollution easily and effectively.

You'll hardly believe the difference in your Hi-Fi, TV, Video, and all other sensitive equipment.



PARTS SET £4.90 + VAT

RUGGED PLASTIC CASE £1.65 + VAT



BIO-FEEDBACK

FEATURED IN ETI
DECEMBER 1986

Bio-feedback comes of age with this highly responsive, self-balancing skin response monitor! The powerful circuit has found application in clinical situations as well as on the bio-feedback scene. It will open your eyes to what GSR techniques are really all about.

The complete parts set includes case, PCB, all components, leads, electrodes, conductive gel, and full instructions.

PARTS SET £13.95 + VAT

BIO-FEEDBACK BOOK £3.95 (no VAT)



Please note: the book by Stern and Ray, is an authorised guide to the potential of bio-feedback techniques. It is not a hobby book, and will only be of interest to intelligent adults.

POWERFUL AIR IONISER

FEATURED IN ETI
JULY 1986

Ions have been described as 'vitamins of the air' by the health magazines, and have been credited with everything from curing hay fever and asthma to improving concentration and putting an end to insomnia. Although some of the claims may be exaggerated, there is no doubt that ionised air is much cleaner and purer, and seems much more invigorating than 'dead' air.

The DIRECT ION ioniser caused a great deal of excitement when it appeared as a constructional project in ETI. At last, an ioniser that was compatible with (better than?) commercial products, was reliable, good to build, ... and fun! Apart from the serious applications, some of the suggested experiments were outrageous!

We can supply a matched set of parts, fully approved by the designer, to build this unique project. The set includes a roller tinned printed circuit board, 66 components, case, mains lead, and even the parts for the tester. According to one customer, the set costs 'about a third of the price of the individual components. What more can we say?

PARTS SET WITH BLACK CASE £11.50 + VAT

PARTS SET WITH WHITE CASE £11.80 + VAT



LM2917 EXPERIMENTER SET

Consists of LM2917 IC, special printed circuit board and detailed instructions with data and circuits for eight different projects to build. Can be used to experiment with the circuits in the 'Next Great Little IC' feature (ETI, December 1986).

LM2917 EXPERIMENTER SET £5.80 + VAT

LEDs

Green rectangular LEDs for bar-graph displays

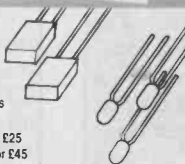
50 for £3.50 500 for £25

100 for £6 1000 for £45

DIGITAL AND AUDIO EQUIPMENT LEDs

Assorted 3mm LEDs: red, green, yellow and orange.

25 of each (100 LEDs) for £6.80



Prices shown are exclusive of VAT, so please add 15% to the order total. UK postage is 70p on any order. Carriage and insurance for overseas orders £4.50. Please allow up to 14 days for delivery.

Specialist
SEMICONDUCTORS
LIMITED

SALES DEPT., ROOM 108, FOUNDERS HOUSE, REDBROOK, MONMOUTH, GWENT.

BRAINWAVE MONITOR



FEATURED IN ETI
AUGUST 1987

The most astonishing project ever to have appeared in an electronics magazine. Similar in principle to a medical EEG machine, this project allows you to hear the characteristic rhythms of your own mind! The alpha, beta and theta forms can be selected for study and the three articles give masses of information on their interpretation and powers.

In conjunction with Dr. Lewis's Alpha Plan, the monitor can be used to overcome shyness, to help you feel confident in stressful situations, and to train yourself to excel at things you're 'no good at'.

Our approved parts set contains case, two PCBs, screening can for bio-amplifier, all components (including three PMI precision amplifiers), leads, brass electrodes and full instructions.

PARTS SET £36.90 + VAT

ALPHA PLAN BOOK £2.50 + VAT

Parts set available separately. We also have a range of accessories, professional electrodes, books, etc. Please send SAE for lists, or SAE + £2 for lists, construction details and further information (free with parts set).

AMSTRAD ROM EXPANSION

BY SIMON DEAN

96K OF ROM IN ONLY SIX BITS?

One answer to a shortage of memory space in a computer is to add sideways rom expansion. The system described here can handle up to 252 roms, but for the sake of practicality the design is based around a six-rom unit.

WHEN the Amstrad CPC range of computers were conceived, their designers built in tremendous capabilities. I refer in particular to the provision for adding expansion (sideways) roms to enhance the already powerful operating system. Adding these roms is much simpler and cheaper than most people imagine, and certainly within the abilities of most home constructors. The rom expansion board described here was built for around £14.00 excluding pcb and case and allows up to six external roms to be added.

EXPANSION ROM

An expansion rom is a 16K read only memory chip containing a program (or programs) which can be made to replace the on board Basic rom. It follows from this that all roms are mapped in the area of memory normally occupied by the Basic rom ie &C000-&FFFF. Up to 252 roms can theoretically be added to the system, and these can be split into two types:-

(a) **Foreground roms** - These usually contain one large program which replaces the Basic rom completely, such as, for example, another high level language like Pascal.

(b) **Background roms** - These provide additional commands to augment the existing operating system, rather like rxxs (resident system extensions). The disc operating system is one such rom.

Of the 252 possible roms, only seven (15 on 664 and 6128 machines) may be of the background type, the rest must be foreground. It is expected that most users will not require more than six expansion roms, background or otherwise, not least because these tend to be a little expensive, and for this reason and to keep the additional circuitry simple, only six sockets are provided on this board.

The main advantage of storing programs in rom is that none (or very little) of the ram of the computer is taken up by the program itself. This is very

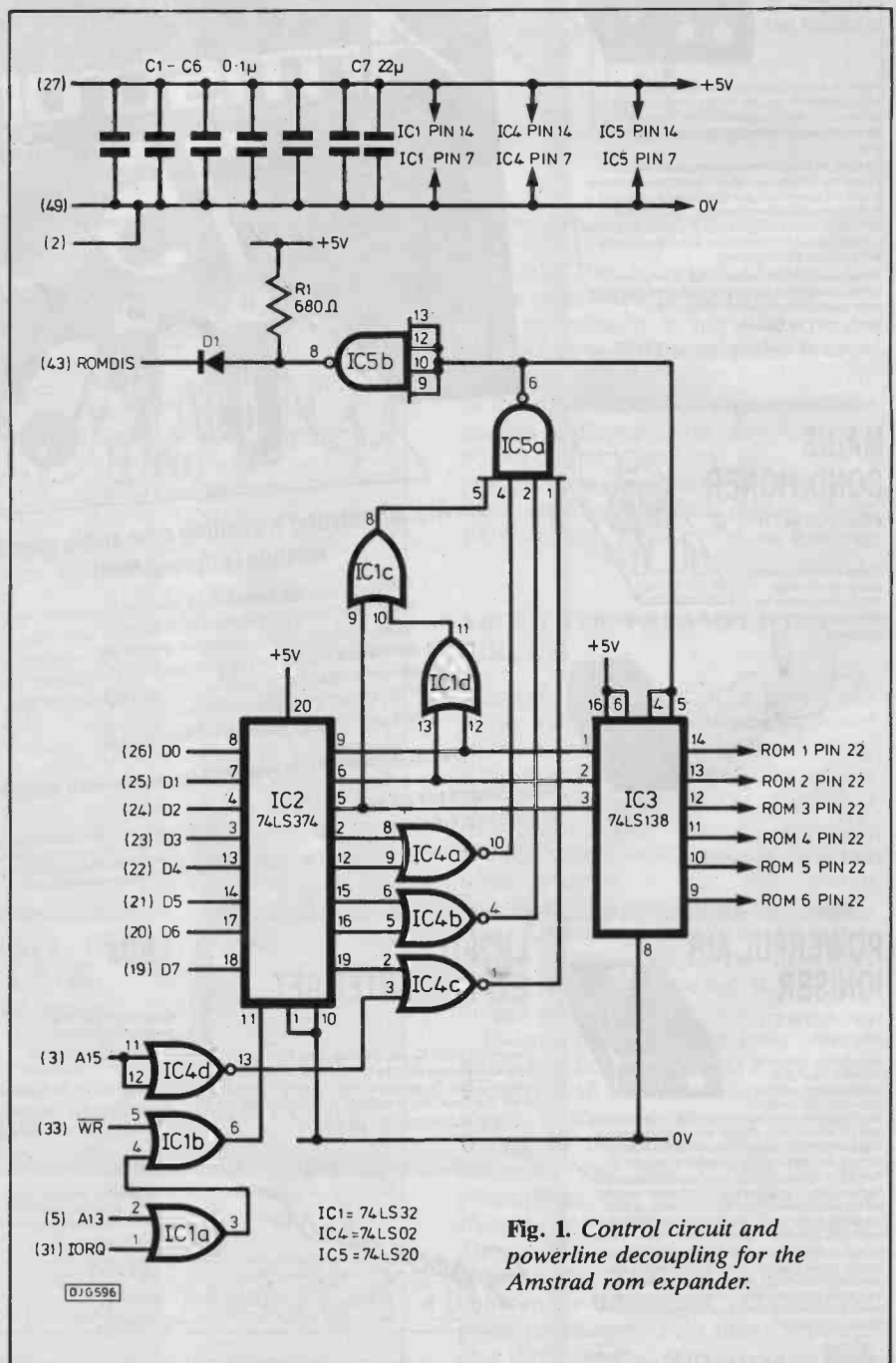


Fig. 1. Control circuit and powerline decoupling for the Amstrad rom expander.

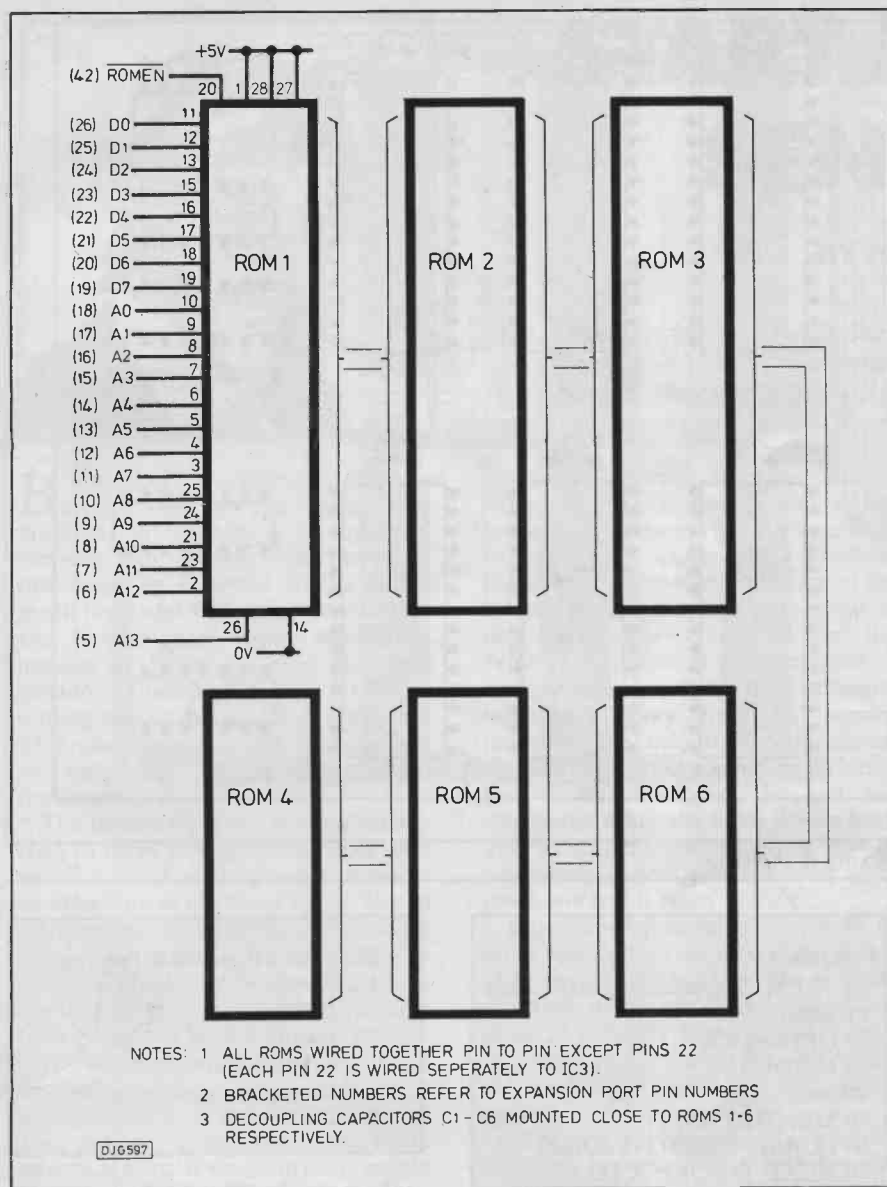


Fig. 2. Extension roms connections.

noticeable with word processing programs, which if ram based, allow only a small amount of the system's ram to be used to store the text. Rom based word processors (such as Protext - used to write this article!) allow almost all the computer's ram to be used to store text (typically 38K or more). Programs in rom are also instantly available, without having to wait while the program loads.

THE CIRCUIT

The computer chooses which rom is selected by writing the rom select address to I/O location &DF00. If a rom is fitted at that address, all further READ operations from the top 16K of memory will be from that rom. If no rom is present, then the on-board Basic rom is read.

As can be seen in Fig.1, the circuit is quite simple. IC1a and IC1b detect the presence of I/O address &DF00 on the bus, and latch the rom select address

(present at the time on the data bus), into IC2. Note that because of the way that the Amstrad computers use the I/O space, it is only necessary to detect address line A13 going low to know that the address is &DF00, greatly simplifying the decoding process. Most hardware supported by the system is mapped in this way, each with a different address line in the low state.

If the rom select address is between one and seven inclusive, the output of IC5a goes low, enabling decoder IC3. The outputs from this decoder select the respective rom by pulling its OE (output enable) pin low. IC5b provides a high level on the ROMDIS pin to disable the internal rom. The circuit is so arranged to ensure that ROMDIS is asserted *before* the external rom is selected to avoid contention between internal and external roms as switching takes place.

Whenever the operating system is using the firmware (lower) rom, all other roms (including external roms) must be disabled. This is achieved simply by

including address lines A15 in the external rom enable/disable circuitry on the expansion board. Whenever the lower rom is in use, A15 will be low, since the rom occupies address 0000-3FFFH, this low level disables external rom decoder IC3 via IC5a.

By now, some of you may have realised that the disc rom is normally rom seven, and that the computer will receive a response both from this rom and from our expansion board when a rom search takes place. This will not cause any problems in practice since the computer cannot actually tell that ROMDIS has been asserted by more than one device, but obviously a rom must not be fitted at this address.

CONSTRUCTION

The expansion box may be wired on a prototyping board, although in view of the large number of connections, and because wiring errors can prove fatal to the computer, the use of the double sided printed circuit board in Fig.2 is strongly recommended. The component layout is shown in Fig.3. Care should be taken to ensure that the transparencies used to expose the board are accurately aligned, since errors could result in the pads being drilled away on one side of the board. All holes are 0.8mm except for the 50 way pcb header connector holes which are 1.0mm.

If the board is not plated through, it will be necessary to use pins, or short lengths of tinned copper wire soldered both sides. Where a change of layer occurs, in all, 99 pins are required. Some of these soldered joints are very close together, so great care will be needed to avoid shorts between adjacent conductors. IC1 to IC5 may be soldered

COMPONENTS

RESISTORS

R1 680Ω 0.25Watt

CAPACITORS

C1-C6 100n ceramic (six off)

C7 22μ elect

SEMICONDUCTORS

IC1 74LS32

IC2 74LS373

IC3 74LS138

IC4 74LS02

IC5 74LS20

D1 1N4148 or similar

MISCELLANEOUS

Printed circuit board, 28pin ic sockets (6 off), 50-way pcb mounting header, 50-way female socket connector (idc), 50-way card edge connector, 75mm length of 50 way ribbon cable, approx 100 pcb pins (see text).

AMSTRAD ROM EXPANSION

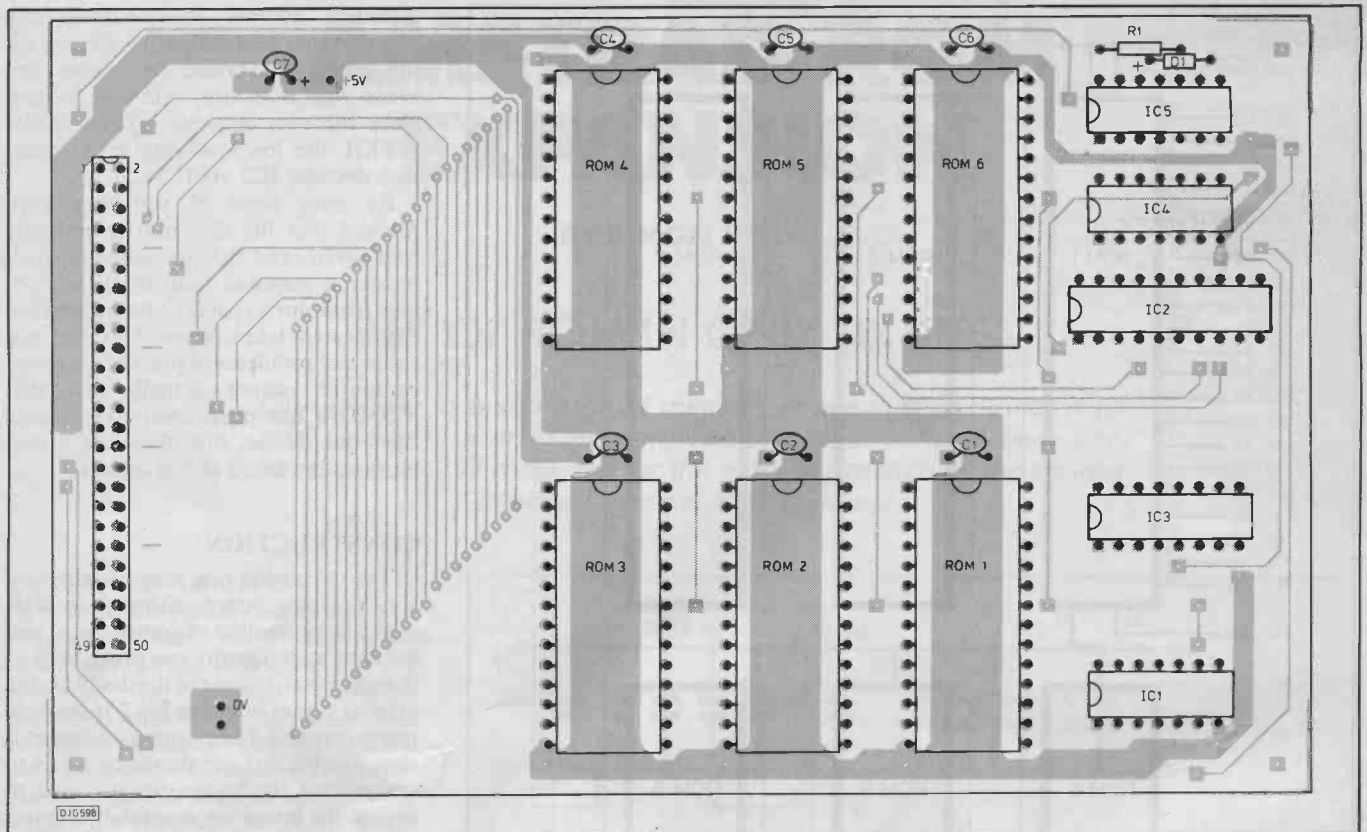


Fig.3. Component layout details (only top tracking is shown).

directly into the board, but 28 pin dill sockets should be used for the six roms since these will probably be removed and re-inserted from time to time. The wires of decoupling capacitors C1-C6 should be soldered on both sides of the board, since in some cases they are used to connect the layer together.

The board is fitted with a 50-way pcb header allowing connection to the computer to be quickly and neatly made. A short length (approximately 2-3 inches) of 50-way ribbon cable is required, fitted with a matching female socket connector at one end and a 50-way card edge connector at the other (to fit the Amstrad's expansion connector). This method of connection is not the cheapest way to connect the board to the computer, but it makes further expansion of the system very neat and simple. The card edge connector should ideally be fitted with a locating peg in the position shown in the Amstrad user instructions, to make it impossible to insert the connector into the expansion socket upside down. Users of the DD1 disk interface will unfortunately have to provide a through connection of the bus to allow both units to be used simultaneously.

TESTING

Remove any roms from the board, and connect it to the computer's expansion connector *with the power switched off*. Switch on the computer, and watch for the normal Amstrad start up message.

Program 1

```

10 REM Expansion Board Test
   Program
20 DEFINT a,b
30 MODE 1
40 b=0
50 MEMORY &9FFF
60 FOR A=&A000 TO &A010
70 READ D:POKE A,D
80 NEXT
90 DATA, &DD,&4E,0,&CD,&15,
   &B9, &DD,&6E,2,&DD,&66,3,
   &77, &23,&36,0,&C9
100 PPINT "Expansion ROM Test
   Program": PRINT
110 FOR a=1 TO 7
120 CALL &A000,@b,a
130 PRINT a:IF b=0 THEN
   PRINT"...Foreground" ELSE IF
   b=1 THEN PRINT"...Background"
   ELSE IF b< >80 THEN PRINT"...
   Empty"
140 NEXT
    
```

If no power-up message appears or random patterns appear on the screen, *switch off immediately* and check all wiring and joints carefully. When all appears to be well, type in Program 1 and save it. The program calls jumpblock entry &B915 - KL PROBE ROM for each of the six sockets, and tests the result to decide which type of rom, if any, is present.

RUN the program, and the following message should appear on the screen:-

Expansion Board Test Program

```

1....Empty
2....Empty
3....Empty
4....Empty
5....Empty
6....Empty
    
```

If a ready programmed rom is available, it can now be inserted (remember to switch off the power whenever roms are fitted or removed). If the power is then applied, the normal power up message should appear, and if Program 1 is re-loaded and run, the rom type should appear against the socket number in which the rom is fitted. You may wish to try the rom in each socket to test the board fully. All that remains is to type in the command(s) required to activate the ROM, and make use of your new found power!

PE

POINTS ARISING

Egg Timer Jan 88.

The PCB track shown for Fig. 2 should be amended so that: IC4 pins 9 and 13 are connected; IC2 pin 2 goes to IC2 pin 10 and not to Pin 11. Polarity of D1 and D2 should be reversed. In Fig 4 labels to TR9, 10, 16, 15, 14, 13, 12, 11 should read TR 16, 15, 14, 13, 12, 11, 10, respectively.



START MAKING SENSORS

BY TOM IVALL

Like an octopus, electronics is reaching out from its centre to touch and sense conditions in the outside world. In time it is possible that the centre will change altogether into something only to be guessed at present.

British Rail's research and development people recently had a tricky problem in measuring a physical variable. They wanted a force transducer that could be mounted on the pantograph head of a BR electric locomotive and would sense rapid mechanical impacts at forces up to a thousand newtons. Considering that 1000N is something like the weight of a hundred 1-kilogram bags of sugar, it seems like an easy job for a conventional transducer.

The trouble is, in our field we usually tend to think of transducers as devices which convert some physical variable straight into an electrical signal. But in this case an electrical signal had to be ruled out, because its measurement accuracy would be badly affected by electromagnetic interference coming from the power lines and pantograph.

A solution was found by ERA Technology, the independent r&d organization at Leatherhead, Surrey. They designed a force transducer based on optical fibre. It works on the principle of photoelasticity. The applied force deforms the fibre and so modulates the light passing through it. The change in the transmitted light then passes along the optical fibre to a distant electronic photodetector system, well away from the electrical interference source.

I mention this novel technique because it illustrates two things that are happening to the electronics industry through the changing directions of its technology. One is the fairly obvious impact of optical methods generally. If you have a cd player, with its laser beam and photoelectric sensing system, you will be well aware of this. If you talk on the telephone over trunk routes your voice signals are very likely being transmitted as optical binary digit pulses on optical fibre cables.

In science and industry the techniques combining optics and electronics are less obvious but very widespread. Two examples are vision systems for guiding robots, and optical gyroscopes for stabilising satellites and their launching rockets.

Rather more subtle is the nature of the interactions occurring between

electronic systems and the outside world. A familiar image here is the human being sitting in front of a personal computer – the man-machine interface. But in the system-world interface of the British Rail apparatus, note what is happening. The conditions in the external environment – the presence of em interference – force the electronics technology away from its normal methods (the use of a conventional transducer) so that something different has to be developed. In fact the electronics is literally being driven back into its information-processing box of equipment – where, perhaps, some older engineers feel it really belongs.

But this is by no means the rule. In other applications the electronics seems to be finding its way out in the opposite direction, nearer and nearer towards the physical variables in the outside world. A good example is what is being called, in American parlance, the 'smart sensor'.

Here we leave optics and consider advances in semiconductor devices. In the smart sensor some of the normally separate information-processing electronics is built into the sensing head itself. Significantly, in this kind of transducer, moving mechanical parts are being integrated with electronic circuits into a single, monolithic silicon chip.

To achieve this, the batch processing methods used in conventional semiconductor device manufacture are being supplemented by 'micromachining', as it's becoming known. What this seems to promise for the future is the small, cheap transducer with its primary sensing element and detection and signal conditioning circuits all provided in one component without the need for an assembly stage. For example, certain semiconductor pressure transducers on the market use a monolithic chip which embodies a piezoresistive bridge strain gauge element integrated with a small active circuit of one transistor and two resistors for temperature compensation.

The motivation behind this approach, as with so many others, is largely economic. Transducers assembled from a variety of parts by conventional methods are considered to be far too

expensive in relation to the electronic devices which handle the signal information they provide.

Of course, in addition to the physical variables I've mentioned so far there are others that are either being used at system-world interfaces already, or could well be used in the future. The input energy to transducers, for example, can be mechanical, chemical, magnetic, electrical, radiant, thermal, to name the principal categories. And if we consider actuators – output transducers as distinct from sensing ones – the same categories of energy can be used to act upon the outside world in response to electrical signals.

What I am suggesting in general is that the peripheral technologies of electronics – transducers being one example – are changing the very shape of the industry itself. By the end of this century, in fact, electronics may no longer exist as a sharply defined area of technology and manufacturing. Just as radio engineering spawned electronics, which then proceeded to absorb its parent, the same thing may happen again – several times over.

On this principle we might look at other branches of science and technology which have connections with electronics and speculate if they would be capable of such absorption. Optics, perhaps, computer science, chemistry...? Or we might even consider the complete fragmentation of electronics into a variety of other technologies and interdisciplinary activities, some of which don't yet exist.

Looking at present trends does take us a little way – greater complexity and higher performance in electronic products, more devices on a semiconductor chip, changes in computer architecture and so on.

Several laboratories are now exploring the possible use of biological structures as transducers and energy converters. Could this lead, perhaps, to a probabilistic, rather than rigidly deterministic, principle of information processing and transmission, analogous to that in the animal central nervous system?

PE



POPULAR BAKERS DOZEN PACKS (Still available)

All packs are £1 each, if you order 12 then you are entitled to another free. Please state which one you want. Note the figure on the extreme left is the pack ref number and the next figure is the quantity of items in the pack, finally a short description.

- BD2 5 13A spurs provide a fused outlet to a ring main where device such as a clock must not be switched off
- BD7 4 in flex switches with neon on/off lights, saves leaving things switched on
- BD9 2 6v. 1A mains transformers upright mounting with fixed clamps
- BD11 1 6 1/2" speaker cabinet ideal for extensions, takes your speaker. Ref BD137
- BD13 12 30 watt reed switches, it's surprising what you can make with these - burglar alarms, secret switches, relay etc.
- BD22 2 25 watt loud speaker 2 unit cross-overs
- BD29 1 B.O.A.C. stereo unit wonderful value
- BD30 2 nicad constant current chargers adapt to charge almost any nicad battery
- BD32 2 humidity switches, as the air becomes damper the membrane switches and operates a microswitch
- BD34 48 2 meter length of connecting wire all colour coded
- BD42 5 13A rocker switch three tag so on/off, or change over with centre off
- BD45 1 24hr time switch, ex-Electricity Board, automatically adjust for lengthening and shortening day. Original cost £40 each
- BD49 10 neon valves, with series resistors, these make good night lights
- BD56 1 mini uniselector, one use is for an electric jigsaw puzzle, we give circuit diagram for this. One pulse into motor, moves switch through one pole
- BD59 2 flat solenoids - you could make your multi-tester read AC amps with this
- BD67 1 suck or blow operated pressure switch, or it can be operated by any low pressure variation such as water level in water tanks
- BD91 2 mains operated motors with gearbox. Final speed 16rpm. 2 watt rated
- BD103A 1 6.750MA power supply, nicely cased with input and output leads
- BD120 2 stripper boards each contains a 400v 2A bridge rectifier and 14 other diodes and rectifiers as well as dozens of condensers etc
- BD122 10m twin screened flex with white pvc cover
- BD128 10 very fine drills for p.c.b. boards etc. Normal cost about 80p each
- BD132 2 plastic boxes approx. 3" cube with square hole through top so ideal for interrupted beam switch motors for model aeroplanes, spin to start so needs no switch
- BD134 10 motors for model aeroplanes, spin to start so needs no switch
- BD139 6 microphone inserts - magnetic 400 ohm also act as speakers
- BD148 4 reed relay kits you get 16 reed switches and 4 coil sets with notes on making c/o relays and other gadgets
- BD149 6 safely cover for 13A sockets - prevent those inquisitive little fingers getting nasty shocks
- BD180 6 neon indicators in panel mounting holders with lens
- BD193 6 5 amp 3 pin flush mounting sockets make a low cost disco panel
- BD196 1 in flex simmerstat - keeps your soldering iron etc always at the ready
- BD199 1 mains solenoid very powerful has 1" pull or could push if modified
- BD210 8 Keyboard switches - made for computers but have many other applications.
- BD210 4 transistors type 2N3055 probably the most useful power transistor
- BD211 1 electric clock mains operated put this in a box and you need never be late
- BD221 5 12v alarms make a noise about as loud as a car horn. Slightly soiled but OK
- BD242 2 6" x 4" speakers 4 ohm made from Radiomobile so very good quality
- BD246 2 tachogenerators, generates one volt per 100 revs
- BD252 1 panostat, controls output of boiling ring from simmer up to boil
- BD259 50 leads with push on 1/4" tags - a must for hook ups - mains connections etc
- BD263 2 oblong push switches for bell or chimes, these can mains up to 5 amps so could be foot switch if fitted into pattress
- BD268 1 mini 1 watt amp for record player. Will also change speed of record player motor
- BD275 1 Guitar mic - clip on type suits most amps
- BD283 3 mild steel boxes approx. 3" x 3" x 1" deep - standard electrical
- BD293 50 mixed silicon diodes
- BD296 3 car plugs with lead, fits into lighter socket
- BD305 1 tubular dynamic mic with optional table rest

Most other packs still available and you can choose any as your free one.

5A BATTERY CHARGER KIT - all parts including case only £5 add £1 postage.

OVER 400 GIFTS YOU CAN CHOOSE FROM

There is a total of over 400 packs in our Baker's dozen range and you become entitled to a free gift with each dozen packs.

A classified list of these packs and our latest "News Letter" will be enclosed with your goods, and you will automatically receive our next news letter.



THIS MONTH'S SNIP

ACORN COMPUTER DATA RECORDER (ref ALF03) this is a mono data recorder with switchable motor control intended for use with the Acorn Electron or BBC computers but also functions with almost any other computer and can be used for normal record and play back of music and speech.

Six key controls give "PAUSE" "PLAY" "STOP" and "EJECT" "CUE/FAST FORWARD" "REVUE/REWIND" and "RECORD", fast forward and rewind (100 seconds for C.60). Also tape counter with reset button. Input signal range 5mV to 500mV. Input impedance 40k Ohm. Can be battery operated but is supplied with a mains adaptor. Brand new in manufacturer's wrapping. £8 Order Ref: 8P18 add £2 post.

SOLAR POWERED BATTERY CHARGERS - cased unit, ready to charge 4AA (HP7) Nicads £6. ref 6P3.
CARAVAN ROOF MOUNTING unit for charging 12v car battery price and details on request.

CASE - adaptable for 3" or 3 1/2" FDD, has room for power supply components price only £4 includes circuit of PSU. Our Ref 4P8.

POWER SUPPLY FOR FDD - 5V and 12V voltage regulated outputs, complete kit of parts will fit into case 4P8 price £8 or with case £11.

MULLARD UNILEX AMPLIFIERS

We are probably the only firm in the country with these now in stock. Although only four watts per channel, these give superb reproduction. We now offer the 4 Mullard modules - i.e. Mains power unit (EP9002) Pre amp module (EP9001) and two amplifier modules (EP9000) all for £6.00 plus £2 postage. For prices of modules bought separately see TWO POUNDERS.

MINI MONO AMP

on p.c.b. size 4" x 2" (app.)
Fitted volume control and a hole for a tone control should you require it. The amplifier has three transistors and we estimate the output to be 3W rms. More technical data will be included with the amp. Brand new, perfect condition, offered at the very low price of £1.15 each, or £13 for £12.00



LIGHT BOX

This when completed measures approximately 15" x 14". The light source is the Philips fluorescent "W" tube. Above the light a sheet of fibreglass and through this should be sufficient light to enable you to follow the circuit on fibreglass PCBs. Price for the complete kit, that is the box, choke, starter, tube and switch, and fibreglass is £5 plus £2 post, order ref 5P69.



Ex-Electricity Board. Guaranteed 12 months.

FANS & BLOWERS

5" £5 + £1.25 post. 6" £6 + £1.50 post
4" x 4" Muffin equipment cooling fan 115V £2.00
4" x 4" Muffin equipment cooling fan 230/240V £5.00
9" Extractor or blower 115V supplied with 230 to 115V adaptor £9.50 + £2 post.
All above are ex computers but guaranteed 12 months.
10" x 3" Tangential Blower. New. Very quiet - supplied with 230 to 115V adaptor on use two in series to give long blow £2.00 + £1.50 post or £4.00 + £2.00 post for two

9" MONITOR

Ideal to work with computer or video camera uses Philips black and white tube ref M24/306V. Which tube is implosion and X-Ray radiation protected. VDU is brand new and has a time base and EHT circuit. Requires only a 16V dc supply to set it going. It's made up in a lacquered metal framework but has open sides so should be cased. The VDU comes complete with circuit diagram and has been line tested and has our six months guarantee. Offered at a lot less than some firms are asking for the tube alone, only £16 plus £5 post.

DOUBLE MICRO DRIVES as fitted to many ICL and some Sinclair computers complete double units with 2 drive motors tape heads, and 2 PCBs each with plug in ULA, Ref. 2G007ES. Price only £5. Ref. 5P113

TELEPHONE LEAD

3mtrs long terminating one end with new BT. Flat plug and the other end with 4 correctly coloured coded wires to fit to phone or appliance. Replaces the lead on old phone making it suitable for new BT socket. Price £1 ref BD552 or 3 for £2 ref 2P164.

CHINNON 3 1/2" F.D.D. 80 track 500K. Beautifully made and probably the most compact device of its kind as it weighs only 600g and measures only 140mm wide, 162mm deep and has a height of only 32mm, other features are high precision head positioning - single push loading and eject - direct drive brushless motor - Shugart compatible interface - standard connections - interchangeable with most other 3 1/2" and 5 1/4" drives. Brand new with copy of makers manual. at £28.50 post and VAT included.

POWERFUL IONISER

Generates approx. 10 times more IONS than the ET1 and similar circuits. Will refresh your home, office, shop, work room etc. Makes you feel better and work harder - a complete mains operated kit, case included. £11.50 + £3 P&P.

J & N BULL ELECTRICAL

Dept. P.E., 250 PORTLAND ROAD, HOVE, BRIGHTON, SUSSEX BN3 5OT

MAIL ORDER TERMS: Cash, P.O. or cheque with order. Orders under £20 add £1 service charge. Monthly account orders accepted from schools and public companies. Access & B/card orders accepted. Brighton (0273) 734648 or 203500.

NEW ITEMS

Some of the many described in our current list which you will receive with your parcel.

13A PLUGS good make complete with fuse, parcel of 5 for £2. order Ref. 2P186.

13A ADAPTORS Takes 2 13A plugs, good British make, packet of 3 for £2. order Ref. 2P187

DIAMONDS HALF-PRICE your record player stylus soon may be impossible to obtain so why not buy a spare now - we have over 50 types in stock, list on request.

20V-0-20V Mains transformers 2 1/2amp (100 watt) loading, tapped primary. 200-245 upright mountings £4. Order Ref. 4P24 add £1 post.

MOST USEFUL CASE constructed entirely from heavy gauge aluminium size approx. 7 1/2" wide 5 3/4" high and 16" long. But its construction is such that it is a very simple job to reduce the length to your own requirements. The long top and both sides are flat and completely free from holes. One end has mains input socket - fuse switch - the other end has output plug - in brand new condition. Price £10 plus £3 postage. Ref 10O35.

12V DC FAN made by the famous PAPST company, these are brushless so are ideal for cooling computers without causing any electrical interference, size approximately 3 1/2" x 3 1/2" x 1 1/2", all brand new. Price £10, our Ref: 10P33.

AXIAL FANS very quiet running and purpose designed for cooling Instruments etc made by the famous German PAPST Company - these are 4 1/2" square approx. 230v mains operated and metal bladed O.K. in subbeds and other hot spots - price £8 each. Our Ref: 8P8.

BENCH ISOLATION TRANSFORMER 250 watt again available 230v in and out with plenty of tappings to give exact volts £5. £2. Order Ref. 5P5.

COMPOSITE VIDEO INPUT UNIT for our 9" monitor with notes on suppression of fly back lines and improving "hold" makes our monitor ideal for use with any computer or camera kit contains p.c.b. and all components price £4. order Ref. 4P23

3 CORE FLEX BARGAIN No. 1 Core size 5mm so ideal for long extension leads carrying up to 5 amps or short leads up to 10 amps. 15mm for £2. order Ref. 2P189

3 CORE FLEX BARGAIN No. 2 Core size 1.25mm so suitable for long extension leads carrying up to 13 amps - or short leads up to 25A. 10m for £2. order Ref. 2P190

ASTECP P.S.U. Switch mode type so very compact. Normal 230V input. Has 3 outputs: +5V at 3.5 amps, +12V at 1.5 amps and -5V at 0.3 amps. Should be ideal to drive floppy disc units. Regular price around £30, our price only £10 although brand new and unused. Order our ref 10P34.

POWERFUL 12V MOTOR was intended for the Sinclair electric car. Rated approx 1/2 hp. Our price only £15.00. Ref. 15P8.

24 HOUR TIMSWITCH 16A C/O contacts, up to 6 on-offs per day. Nicely cased for wall-mounting. Price £8.00. Ref. 8P6.

CAPICITOR BARGAIN Axial ended 4700 uF at 25V. Superior Jap make, normally 50p each, you get 4 for £1.00 Ref. 613.

AGAIN AVAILABLE - 12" mini fluorescent tubes - Price £1 each. Ref. BD314.

MINIATURE BCD THUMB WHEEL SWITCH - Matt black edge switch engraved white on back - gold plated, make before break contacts - size approx. 25mm high 8mm wide 20mm deep - made by the famous Cherry Company and designed for easy stacking - Price £1 each. Ref. BD601.

EDGE METER - miniature, whole size approx 37mm x 13mm ua fcd - centre zero scaled 0 to -10 and 0 to +10. Price £1 each. Ref. BD602.

PIEZO ELECTRIC FAN an unusual fan, more like the one used by Madame Butterfly, than the conventional type, it does not rotate. The air movement is caused by two vibrating arms. It is American made, mains operated, very economical and cause's no interference. So it is ideal for computer and instrument cooling. Price is only £1 each. Ref. BD605.

SPRING LOADED TEST PRODS - heavy duty, made by the famous Bulgin company. Very good quality. Price four for £1. Ref. BD597.

CURLY LEAD four core, standard replacement for telephone handset, extends to nearly two metres. Price £1 each. Ref. BD599.

TELEPHONE BELLS - these will work off our standard mains through a transformer, but to sound exactly like a telephone, they them must be fed with 25 Hz 50v. So with these bells we give a circuit for a suitable power supply. Price 2 bells for £1. Ref. BD600.

ULTRA SENSITIVE POCKET MULTIMETER - 4k ohms per volt - 11 ranges - carry one of these and so be always ready to test ac/dc volts to 1000, DC milliamms and have an ohms range for circuit testing - will earn its cost in no time. Price only £7. Ref. 7P2.

APPLIANCE THERMOSTATS - spindle adjust type suitable for convector heaters or similar price 2 for £1. Ref. BD582.

CASE WITH 13A PRONGS - to go into 13A socket, nice size and suitable for plenty of projects such as car battery trickle charger, speed controller, time switch, night light, noise suppressor, dimmers etc. Price - 2 for £1. Ref. BD565

SPEAKER EXTENSION CABLE - twin 0.7mm conductors so you can have long runs with minimum sound loss and for telephone extensions or burglar alarms, bells, intercoms etc 250m coil only £3 plus £1 post. Ref. 3P28.

ALPHA NUMERIC KEYBOARD - this keyboard has 73 keys with contactless capacitance switches giving long trouble free life and no contact bounce. The keys are arranged in two groups, the main area field is a QWERTY array and on the right is a 15 key number pad, board size is approx. 13" x 4" - brand new but offered at only a fraction of its cost namely £3, plus £1 post. Ref. 3P27.

TELEPHONE EXTENSIONS - it is now legal for you to undertake the wiring of telephone extensions. For this we can supply 4 core telephone cable, 100m coil £8.50. Extension BT sockets £2.95. Packet of 500 plastic headed staples £2. Dual adaptor for taking two appliances from one socket £3.95. Leads with B.T. plug for changing old phones. 3 for £2.

MODULAR SWITCH - Panel mounting highest quality and ideal where extra special front panel appearance is required, can be illuminated if required d.p.d.t. and latching. Price - 2 for £1. Ref. BD607.

WIRE BARGAIN - 500 metres 0.7mm solid copper tinned and p.v.c. covered. Only £3 + £1 post. Ref. 3P31 - that's well under 1p per metre, and this wire is ideal for push on connections.

INTERRUPTED BEAM KIT - this kit enables you to make a switch that will trigger when a steady beam of infra-red or ordinary light is broken. Main components - relay, photo transistor, resistors and caps etc. Circuit diagram but no case. Price £2. Ref. 2P15

3-30V VARIABLE VOLTAGE POWER SUPPLY UNIT - with 1 amp DC output. Intended for use on the bench for experimenters, students, inventors, service engineers etc. This is probably the most important piece of equipment you can own. (After a multi range test meter). It gives a variable output from 3-30 volts and has an automatic short circuit and overload protection, which operates at 1.1 amp approximately. Other features are very low ripple output, a typical ripple is 3mV pk-pk, 1mV rms. Mounted in a metal fronted plastic case, this has a voltmeter on the front panel in addition to the output control knob and the output terminals. Price for complete kit with full instructions is £15. Ref. 15P7.

TRANSMITTER SURVEILLANCE (BUK) - tiny, easily hidden, but which will enable conversation to be picked up with FM radio. Can be housed in a matchbox, all electronic parts and circuit. Price £2. Ref. 2P52.



PRACTICAL ELECTRONICS CLASSIFIED

Reach thousands of serious electronic and computer enthusiasts. Advertise in PE Classified pages: Rates 20p per word or £7.50 per single column cm. Send your advertisement with your remittance to PE, Intra House, 193 Uxbridge Road, London W12 9RA. Tel: 01-743 8888. **LET PE WORK FOR YOU!**

FULL-TIME TRAINING COURSES

2 YEAR
BTEC National Diploma (OND)
ELECTRONICS AND COMMUNICATIONS ENGINEERING
(TV, Computers, Programming, IT)

1 YEAR
BTEC National Certificate (ONC)
ELECTRONIC EQUIPMENT SERVICING
(TV, Video, CCTV)

COMPUTING TECHNOLOGY
(Microprocessors, DataComms, Interfacing)

INFORMATION TECHNOLOGY
(Telecomms, Satellite TV, CD, Networks)

SOFTWARE ENGINEERING
(Assembler, BASIC, PASCAL, CAD/CAM)

COURSES COMMENCE
 Monday 25th April 1988

LONDON ELECTRONICS COLLEGE

Dept: AA, 20 Penywern Road,
 London SW5 9SU. Tel: 01-373 8721

OMNI ELECTRONICS

stock a wide range of electronic components at
174 Dalkeith Road
Edinburgh EH16 5DX
Tel: 031 667 2611
 situated midway between
 Commonwealth Pool
 and Cameron Toll

THE SCIENTIFIC WIRE COMPANY
 811 Forest Road, London E17. Telephone 01-531 1568

ENAMELLED COPPER WIRE

SWG	1lb	8 oz	4 oz	2 oz
8 to 34	3.63	2.09	1.10	0.88
35 to 39	3.82	2.31	1.27	0.93
40 to 43	6.00	3.20	2.25	1.61
44 to 47	8.67	5.80	3.49	2.75
48	15.96	9.58	6.38	3.69

SILVER PLATED COPPER WIRE

14 to 30	10.10	5.20	2.93	1.97
----------	-------	------	------	------

TINNED COPPER WIRE

14 to 30	3.97	2.41	1.39	0.94
----------	------	------	------	------

Post Free. Please add V.A.T. at 15%. Orders under £3.00 add 50p SAE for list of copper and resistance wire.
 Dealer enquiries welcome.

SURPLUS/REDUNDANT ELECTRONIC COMPONENTS WANTED

I/Cs - Tuners - Transistors - Valves - Diodes etc. any quantity considered - immediate payment.

ADM ELECTRONIC SUPPLIES

Tel: 0827 873311 Fax: 0827 874835

Ex Demo 5 1/4 Floppy Disk Drives £20- £30 each.
 Unused RAFI Keyboards £10 each.
 12inch CR Tubes in Suppliers Packing (unused) £10.
 Aztec Power Supplies AC9335 230v. £20 new £10 used
 All items plus P&P or you collect.
 Phone Henley-on-Thames 575672 or (0895) 634995.

Carbon Film Resistors 1/4W E24 series 0.51R to 10MΩ - 1p
 100 off per value - 75p 1000 off in even hundreds per value - £7
 Metal Film 1/4W 10R0 to 1MΩ 5% E12 series - 2p 1% E24 series - 3p
 1/2Watt metal/carbon film E24 series 1R0 to 10MΩ - 11/2p
 1 Watt metal/carbon film E12 series 4R7 to 10MΩ - 5p
 BC107/8/9 - 12p BC547/8/9 - 8p BC182L 184L - 10p
 BFY50/51/52 - 20p 2N3055 - 50p TIP31A,32A - 25p TIP,41,42, - 40p

Tantalum head subminiature electrolytics (Mids/Volts)
 0.1-35, 0.22/35, 0.47/35, 3.3/16, 4.7/16 - 14p 4.7/35 - 15p
 2.2/35, 4.7/25, 10.5 - 15p 4.7/35, 6.8/16 - 16p 10/16, 22/6 - 20p
 22/16 - 30p 33/10 - 30p 47/10 - 35p 100/6 - 40p

Aluminium Electrolytics (Mids/Volts)
 1.50, 2.2/50, 4.7/25, 4.7/50, 10/16, 10/25, 10/50 - 5p 22/16, 22/25 - 6p
 22/50, 47/16, 47/25, 47/50 - 6p 100/16, 100/25 - 7p 100/50 - 12p
 100/100 - 14p 220/16 - 8p 220/25, 220/50 - 10p 470/16, 470/25 - 11p
 1000/25 - 18p 1000/35, 220/25 - 22p 4700/25 - 70p

Miniature Polyester Capacitors 250V Wkg. Vertical Mounting
 .01, .015, .022, .033, .047, .068 - 4p 0.1 - 5p 0.15, .22 - 6p 0.47 - 8p

Mylar Capacitors 100V Wkg. Vertical Mounting E12 Series
 1000p to 8200p - 3p .01 to .068 - 4p 0.1 - 5p 0.15, 0.22 - 6p

Subminiature Ceramic Plate 100V Wkg. E12 Series Vertical Mounting
 2% 1P8 to 47P - 3p 56P to 330P - 4p 10% 390P to 4700P - 4p
 Ceramic plate/disc E6 Series 50V 22P to .047 - 2p

Polystyrene Capacitors 63V Wkg. E12 Series Axial Mounting
 10P to 820P - 3p 1000P to 10,000 - 4p 12,000P - 5p
 1N4148 - 2p 1N4002 - 4p 1N5404 - 14p W01 bridge - 25p
 OA91 - 6p AA143 - 8p W005 - 20p 1N4006 - 6p
 Zener diodes E24 series 3V2 to 33V 400mW - 8p 1 watt - 12p
 L.E.D.'s Red, Green & Yellow 3mm & 5mm - 10p 8mm - 35p
 20mm fuse 0.1A to 5A quick blow - 5p Anti Surge - 8p
 High Speed diodes 0.8mm, 1.0mm, 1.3mm, 1.5mm, 2mm - 30p
 Expo Reliant drilling machines 12V d.c. with improved 3-jaw chuck 6.50
 Nicads AA - 80p HP11 - £2 PP3 - £4.20 Universal Chargers - £6.50
 Glass reed switches single pole make contacts - 8p Magnets - 12p
 VAT inclusive. Return postage 20p (free over £5). Lists free.

THE C.R. SUPPLY CO.,
 127 Chesterfield Road,
 Sheffield S8 ORN. Tel. 557771.

Resistors 1/4 W 5% carbon (E12) 1p 1% metal film (E24) 3p
 Yellow 11p Cable ties 75mm 1p each £5.95/1,000
 £49.50/10,000
 Power transistors TIP35C (NPN), TIP36C (PNP) 100v
 25A TOP3 plastic case £1.56
 100dB piezo buzzer £1.50 standard buzzer £0.80 Solar
 cells 0.45v 100mA £1.48 700mA £3.50 Stepping
 motor 4 phase 12v 7.5 step 50 ohms £8.95 SAA1027
 stepping motor driver chip £3.95 Miniature FM
 transmitter Kit 100-108 Mhz high quality sound Ideal
 for cordless microphones or guitars etc £7.48
 Metal latching XLR line plug £1.35 line socket £1.48
 Ferric chloride pack for mixing with 1/2L water £1.40
 Automatic squeeze action wire strippers £3.45

Special offers
 Computer Grade Capacitors with screw terminals
 58000uf 60v £4.00 470uf 63v £1.50
 38000uf 20v £1.95 87000uf 10v £1.50
 Stereo LW/MW/FM Tuner pre-amp assembly complete
 with volume/tone controls and tuning scale
 Motor start capacitors 1.5uf 440vac £1.50 40uf 370vac
 £5.95 4uf 250vac £1.60 Please add 75p P&P per order
 VAT included
JPG Electronics 276 Chatsworth Road Chesterfield
S40 2BH
 Access orders (0246) 211202. Callers welcome

TURN YOUR SURPLUS

ICS transistors etc into cash, immediate settlement. WE also welcome the opportunity to quote for complete factory clearance. Contact:

COLES-HARDING & CO.

103 South Brink, Wisbech, Cambs.

ESTABLISHED 15 YEARS

Tel: 0945 584188

Fax: 0945 588844

QUALITY HAND TOOLS

Genuine, original Micro-Shear™ Side Cutters, Pliers, Screwdrivers, Nut Spinners, etc., etc at Competitive Prices. S.A.E. for listing to; Quinton Tool Supplies, Dept. PE 52 Grayswood Park Road, Birmingham, West Midlands B32 1HE.

Brand new components less than trade prices:
 Double ended wire wrapping pins gold plated 80p/100, 600p/1000
 1.02mm double ended solder pins fit veroboard etc. 50p/100,
 350p/1000. Larger pins available at same price.
 R.F. Chokes (inductors) UH1 to MH68. 750p/100
 Low profile di sockets. 6pin 40p/10 to 40pin. 160p/10.
 Also cut price wire wrap and turned pin types.
 Ceramic coil formers. Ceramic stand-offs. ORP12 LDR's 75p ea.
 IDC header plugs 10way. 200p/10 to 60way 600p/10.
 Many other lines. Prices inclusive of VAT. Postage extra.
 Write for lists.
N.R. BARDWELL LTD. 288 ABBEYDALE ROAD,
SHEFFIELD S7 1FL. Tel: 0742/552886. Fax. 0742/500689.

MISCELLANEOUS

QUALITY WALKIE TALKIES PRIVATE, LONG RANGE, £24.99/PAIR (NORMALLY £31.49), COMPLETE SATISFACTION OR REFUND, 48 HOURS DELIVERY. XENON, 24 WHARNCLIFFE STREET, BARNSELEY, YORKSHIRE.

'Surveillance devices, lasers, testla coils, scramblers, ultrasonic and many more, over 150 designs send sae to Plancentre, Old Wharf, Dynock Road, Ledbury HR8 2HS

CASSETTE DECK TEST TAPE RANGE. All precision, real time individually mastered. £3.50 - £18.50. Details/specifications: Ian Harrison, 7 Mill Hill, Repton, Derby DE6 6GQ. (0283)

"GRUNDIG" INFRA-RED REMOTE CONTROL "VIF-K1" consist of Transmitter TPV355 & VIF-E1 brand new 7 boxed £4.99, P&P £2. Box of 10 VIF-E1 £9.99p P&P £3. VIDEO HEADS (GRUNDIG 2 x 4 Super) with head assembly £29 P&P £2. 2 x 4 SUPER panels = DTF, SERVO, VIDEO, CROMA, STERIO-TON, MOTOR - BOARD, MODULATOR & TUNER all £5.99 each P&P £1. VIDEO TAPES VCC360 £6.99, VCC480 £7.99, P&P £1. REMOTE CONTROLS suitable for use with FERGUSON, JVC, PHILIPS, SONY, GRUNDIG, IIT brand new boxed £19.95p P&P £1. GRUNDIG 2 x 4 SUPPER STARIO £79 & £89 (callers only) SURPLUS STOCK WANTED. STAN WILLETS (PE) 37 High St. West Bromwich, West Midlands B70 6PB. Tel: 021 553 0186.

READY-MADE P.C. BOARDS

Simplify your project assembly – use a ready-made printed circuit board. All are fully drilled and roller tinned. Just slot in the components as shown in the project texts, and solder them. PCBs are the professional route to project perfection.

MAIL ORDERING

Select the boards you want, and send your order to
PE PCB SERVICE, PRACTICAL ELECTRONICS,
 193 UXBRIDGE ROAD, LONDON W12 9RA.

Prices include VAT and postage and packing. Add £2 per board for overseas airmail. Cheques should be crossed and made payable to **Intra Press**.

Quote the project name and PCB Code Number, and print your name and address in **Block Capitals**. Do not send any other correspondence with your order.

TELEPHONE ORDERS (OPEN 24 HOURS)

Use your Access card and phone your order to

0268 289923

clearly stating your name and address, card number, and order details.

All orders receive priority attention, but allow 28 days for delivery in case a PCB is temporarily out of stock.

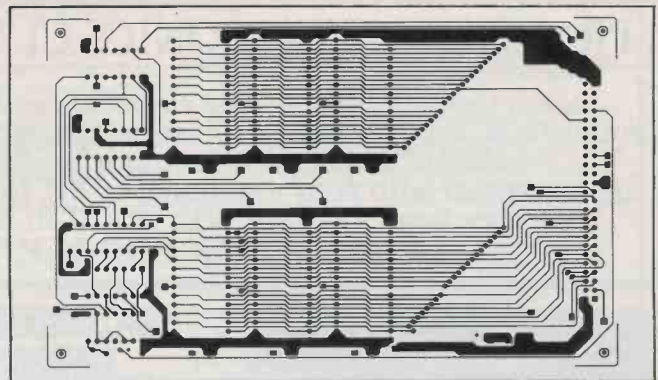
WE CAN ONLY SUPPLY THE PCBs LISTED HERE



CHECK LATEST ISSUE FOR PRICES BEFORE ORDERING

PHOTOCOPIES OF THE TEXTS MAY BE BOUGHT FROM THE EDITORIAL OFFICE AT £1.00 EACH PART (£1.50 OVERSEAS), P&P INCLUSIVE.

COMPONENTS ARE AVAILABLE FROM ADVERTISERS.



MAY 86		
NOTCHER EFFECTS – unusual harmonics.	107	£5.99
TTL LOGIC CHECKER – for 14 and 16 pin chips	108	£4.59
DF BEACON TIMER – accurate navigation aid.	109	£6.18
JUN 86		
GUITAR TRACKER – transforms a guitar for sound synthesis.	111	£6.98
THERMOCOUPLE INTERFACE – transforms a DVM into a thermometer.	112	£3.90
BBC LIGHT PEN – inhibiting, enhancing and visual feedback.	114	£3.90
JULY 86		
PASSIVE IR DETECTOR – burglar detection	115	£3.90
200MHZ COUNTER – professional specification	00D	£30.88
SEP 86		
FIBRE-OPTIC LINK – computer comms.	ODE	£10.14
OCT 86		
DRUM SYNTHESISER – variable dynamic sound triggered effects.	121	£7.67
MAINS DELAY TIMER – selectable 15 to 120 mins. Set of 2 PCBs.	122	£7.92
MAINS DIMMER – touch control up to 400W.	123	£3.90
NOV 86		
REMOTE JOYSTICK – infrared computer controller. Set of 2 PCBs.	124	£10.86
BABY ALARM – through-the-mains transceiver.	125	£10.71
DEC 86		
VIDEO ENHANCER – manually adjustable video improvement.	126	£8.76
JAN 87		
VIDEO FADER – simple inexpensive video mixer	127	£4.50
VOICE SCRAMBLER – confidential trans.	128	£8.06

FEB 87		
HI STAB – good variable workshop PSU	132	£8.79
MAR 87		
4 CHANNEL ENHANCER	135	£4.60
LIGHT PEN – uses fibre optics for accuracy	136	£4.10
ULTRASONIC TAPE MEASURE	138	£9.50
APR 87		
VIGILANTE CAR ALARM – keeps cars alert	139	£5.90
INDUCTIVE LOOP TRANSCEIVER – remote control for models:	143/144	£7.80
MAY 87		
BRIGHT FUZZ – Foot operated overdrive	145	£3.90
JUN 87		
AUDIO SIGNAL GENERATOR	146	£10.20
JUL 87		
WORD GENERATOR – 16-bit binary words	147	£13.42
SCOPESTORE oscilloscope add-on data storage	148	£11.94
SEP 87		
SPEECH PROCESSOR – clarifies speech	150	£5.86
GCSE TIMER UNIT – versatile variable delay AWD and switching	151	£5.18
FUNGEN – triple waveform signal generator	152/153	£9.69
LIGHT CONTROLLER – delayed switching	154	£4.64
OCT 87		
TEACHER LOCKER – digital lock control	155	£7.50
POWER SUPPLY – stabilised ±15V	156	£7.50
GUITAR TO SYNTH – music interface	157A/B	£9.95
NOV 87		
DUAL POWER SUPPLY – GCSE	158	£6.20
MIDI EXPANDER – Music Interface	159	£5.04
DEC 87		
RS 232C TO MIDI	160	£6.43
TEACHER RADIO – GCSE	161	£5.58
JAN 88		
EGG TIMER	162A-C	£12.44
LEGO BUGGY DRIVER	163	£6.42
FEB 88		
TEACHER TALKBACK – GCSE	164	£6.36
DC MOTOR SERVO	165	£7.53
MAR 88		
APPLIANCE TIMER	166A/B	£9.38
TEACHER LIGHTSHOW – GCSE	167A	£3.99
	167B	£5.10
LOGIC ANALYSER – Double-sided	168	£20.65
APR 88		
LIGHT METAL EFFECTS	169	£7.10
TEACHER COUNTER	170	£4.95
	171	£4.92
MAY 88		
RF SPEECH PROCESSOR	172	£6.26

THIS MONTH'S BOARDS

JUN 88		
AMSTRAD ROM EXPANSION	173	£10.80
MAINS MODEM	174	£4.27

PRACTICAL ELECTRONICS ARMCHAIR SCIENTIFIC AND TECHNICAL BOOK SHOP

QUALITY BOOKS AT REASONABLE PRICES



FOUR NEW ELECTRONICS HANDBOOKS

INTRODUCING DIGITAL AUDIO

A non-mathematical introduction to the new digital technology. Ian R. Sinclair. 112 pages. £6.45 inc p&p.

PRACTICAL DIGITAL ELECTRONICS HANDBOOK

For enthusiasts, technicians and students. With nine constructional projects. Mike Tooley. 208 pages. £7.45 inc p&p.

PRACTICAL MIDI HANDBOOK

For musicians and electronic enthusiasts: a practical how-to book. R.A. Penfold. 160 pages. £6.45 inc p&p.

ELECTRONICS : BUILD AND LEARN

An introduction to electronics for the first timer. With constructional projects. R.A. Penfold. 128 pages. £6.45 inc p&p.

BOOK ORDER FORM

Please supply the following books listed on the enclosed form.

Remittance should be sent to:

PE Book Service, Practical Electronics,
Intra House, 193 Uxbridge Road, London W12 9RA.
Cheques should be crossed and made payable to
Intra Press.

PRICES INCLUDE POSTAGE AND PACKING FOR
INLAND ORDERS BUT PLEASE ADD £2 PER ORDER
FOR OVERSEAS*

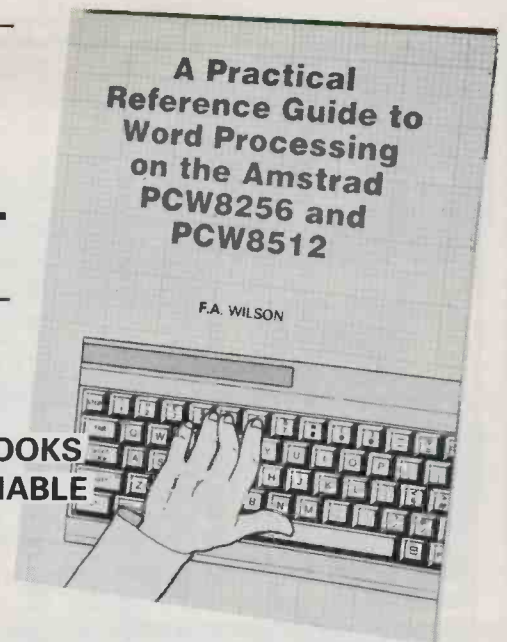
BOOK DESCRIPTION	CODE	QTY	PRICE

ADD £2 FOR OVERSEAS*

TOTAL ENCLOSED

NAME AND ADDRESS

QUALITY BOOKS AT REASONABLE PRICES



A PRACTICAL GUIDE TO WORD PROCESSING ON THE AMSTRAD PCW 8256 AND PCW 8512

There have been 1000's of Amstrad computers sold - this book is a guide to using the word processing facilities
F.A. Wilson 1986, 182 pages, £6.45 inc p&p, Order code BP187

MIDI PROJECTS

R.A. Penfold, 96 pages, £3.45 inc p&p. Order code BP182.

GETTING THE MOST FROM YOUR PRINTER

A guide to making the most of your printer, £3.45 inc p&p, Order code BP181.

MICRO INTERFACING CIRCUITS BOOK 1

MICRO INTERFACING CIRCUITS BOOK 2

R.A. Penfold, 1984, Book 1 112 pages, Book 2 112 pages, £2.75 each inc p&p, Order codes BP130, BP131.

EASY ADD-ON PROJECTS FOR COMMODORE 64, VIC 20, BBC MICRO AND ACORN ELECTRON

O. Bishop, 1985, 208 pages, £3.45 inc p&p, Order code BP134.



EASY ADD-ON PROJECTS FOR AMSTRAD CPC 464, 6128 and MSX COMPUTERS

O. Bishop, 1986, 196 pages, £3.45 inc p&p, Order code BP171.

AN INTRODUCTION TO COMPUTER PERIPHERALS

J.W. Penfold, 1985, 80 pages, £3.00 inc p&p, Order code BP170.

MICROPROCESSING SYSTEMS AND CIRCUITS

F.A. Wilson, 1980, 256 pages, £2.45 inc p&p, Order code BP77.

AN INTRODUCTION TO COMPUTER COMMUNICATIONS

R.A. Penfold, 1986, 96 pages, £3.45 inc p&p, Order code BP177.

AN INTRODUCTION TO 68000 MACHINE CODE

Price £3.45 inc p&p, Order code BP184.

COMOS		4082	13p	74LS243	60p	6810	150p	75159	200p	7815	35p
4000	13p	4085	40p	74LS244	50p	6818	390p	75160	400p	7818	35p
4001	13p	4086	32p	74LS245	50p	6820	140p	75161	400p	7824	35p
4002	13p	4089	60p	74LS247	50p	6821	110p	75162	700p	7905	35p
4006	13p	4093	16p	74LS248	50p	6840	310p	75172	700p	7912	40p
4007	13p	4094	48p	74LS249	50p	6845	620p	75182	100p	7915	40p
4007	13p	4095	56p	74LS251	30p	6850	110p	75183	100p	7918	40p
4008	13p	4098	50p	74LS255	35p	6808A	400p	75188	60p	7924	40p
4009	20p	4099	45p	74LS256	60p	6808A	300p	75189	60p	78105	28p
4010	21p	4501	22p	74LS257	42p	8155	360p	75195	185p	78112	28p
4011	13p	4502	28p	74LS258	43p	8156	360p	75222	130p	78115	28p
4012	13p	4503	32p	74LS257	58p	8155	320p	75224	340p	78118	28p
4013	19p	4504	55p	74LS278	28p	811596	48p	75225	155p	78124	28p
4014	35p	4505	200p	74LS283	43p	811597	28p	75255	145p	78105	40p
4015	34p	4506	60p	74LS273	45p	811598	52p	75450	130p	78112	45p
4016	16p	4507	33p	74LS279	40p	8224	270p	75451	42p	78115	48p
4017	31p	4508	70p	74LS280	140p	8226	270p	75452	130p	7818KC	100p
4018	33p	4510	37p	74LS281	75p	74LS283	60p	75453	65p	7824KC	100p
4019	28p	4511	40p	74LS292	38p	74LS290	30p	75454	61p	LM309K	100p
4020	35p	4512	42p	74LS293	30p	8250	850p	75480	135p	LM317K	220p
4021	38p	4513	80p	74LS295	47p	74LS295	37p	75481	60p	LM317T	180p
4022	38p	4514	75p	74LS296	60p	74LS296	37p	75482	60p	LM322K	420p
4023	13p	4515	75p	74LS107	75p	74LS287	35p	8225	672p	LM723	40p
4024	25p	4516	40p	74LS109	34p	74LS288	38p	8225	310p	7810KC	570p
4025	13p	4517	120p	74LS112	38p	74LS293	55p	8256	1200p	87131	330p
4026	60p	4518	38p	74LS113	32p	74LS294	55p	8257	350p	8715	90p
4027	18p	4519	38p	74LS114	35p	74LS295	58p	8259	360p	8716	110p
4028	29p	4520	38p	74LS115	35p	74LS296	58p	8271	3400p	8719	90p
4029	35p	4521	90p	74LS123	42p	74LS293	45p	8272	1200p	8718	215p
4030	17p	4522	50p	74LS124	85p	74LS299	80p	8279	450p	7918KC	800p
4031	90p	4526	40p	74LS125	38p	74LS299	105p	8282	300p		
4032	54p	4527	44p	74LS126	36p	74LS296	110p	8283	400p		
4033	60p	4528	40p	74LS122	40p	74LS292	200p	8284	440p	7805	35p
4034	60p	4529	75p	74LS133	34p	74LS294	280p	8287	360p	7812	35p
4040	36p	4557	190p	74LS107	75p	74LS287	35p	8253	250p	8226	55p
4046	190p	4551	80p	74LS138	35p	74LS270	72p	8748	1100p		
4037	75p	4553	190p	74LS139	35p	74LS274	400p	8755	1400p		
4038	48p	4555	28p	74LS145	83p	74LS287	270p	AY3-1015	570p		
4039	190p	4556	38p	74LS147	120p			AY3-3600	570p		
4040	36p	4557	190p	74LS148	90p			SP026AL2	500p		
4041	38p	4583	60p	74LS151	32p			280ACP	180p		
4042	30p	4584	30p	74LS153	40p	2114	200p	280BCPU	500p		
4043	36p	4585	42p	74LS154	50p	2532	330p	280ADMA	650p		
4044	38p			74LS155	41p	2716	200p	280APO	230p		
4045	72p			74LS156	47p	2732	280p	280BPO	480p		
4046	45p			74LS157	30p	2732A	300p	280ACT	250p		
4047	45p	74LS500	15p	74LS158	33p	2784	240p	280BCT	480p		
4048	27p	74LS01	15p	74LS159	48p	2785A	550p	280ASIO	660p		
4049	18p	74LS02	15p	74LS161	50p	27128	350p	280ASIO-1	700p		
4050	20p	74LS03	15p	74LS162	48p	27256-25	400p	280ASIO-2	700p		
4051	16p	74LS04	15p	74LS163	46p	41265-15	450p	280ADART	680p		
4052	37p	74LS05	15p	74LS164	49p	2540DRAM	450p	74S188	175p		
4053	37p	74LS08	15p	74LS165	65p	4116	75p	74S189	210p		
4054	53p	74LS09	15p	74LS166	74p	4164	150p	74S201	240p		
4055	52p	74LS10	15p	74LS168	82p	6118	200p	74S287	190p		
4056	52p	74LS11	15p	74LS169	85p	6264-15	300p	74S288	160p		
4057	13p	74LS12	15p	74LS170	80p	6502	300p	74S289	190p		
4058	52p	74LS13	22p	74LS174	39p	6602A	400p	74S387	200p		
4059	40p	74LS14	30p	74LS175	42p	6950C2	930p	75107	80p		
4060	13p	74LS15	15p	74LS190	55p	6503	570p	75108	80p		
4061	13p	74LS20	15p	74LS191	52p	6520	170p	75109	110p		
4062	13p	74LS21	15p	74LS192	50p	6522	330p	75110	80p		
4070	13p	74LS22	15p	74LS193	51p	6520	105p	75112	140p		
4071	13p	74LS24	38p	74LS194	53p	6532	464p	75113	105p		
4072	13p	74LS26	15p	74LS195	52p	6545	880p	75114	130p		
4073	13p	74LS27	15p	74LS196	52p	6551	530p	75115	130p		
4075	13p	74LS28	15p	74LS197	52p	6800	210p	75121	125p		
4076	45p	74LS30	15p	74LS221	56p	6802	220p	75122	125p		
4077	17p	74LS32	17p	74LS240	55p	6803	800p	75150	110p		
4078	13p	74LS33	17p	74LS241	55p	6808	500p	75154	110p		
4081	13p	74LS37	17p	74LS242	55p	6809	600p	75158	140p		

For KITS & COMPONENTS -
Choose the easy way - with
Send 50p* & SAE for CATALOGUE
 ORDERS: RING (01) 567 8910 - 24 HRS.
 *refundable with first order

ELECTRONIC GUARD DOG KIT



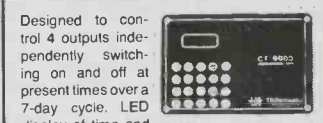
One of the best deterrents to a burglar is a guard dog and this new kit provides the barking without the bite! The kit when assembled can be connected to a doorbell, pressure mat or any other intruder detector and will produce a random series of threatening barks making the would-be intruder think you have a guard dog and try his luck elsewhere. The kit is supplied complete with high quality PCB, mains transformer, all components and instructions. The kit even includes a horn speaker which is essential to produce the loud sound required. The "dog" can be adjusted to produce barks ranging from a Terrer to an Aisatian and contains circuitry to produce a random series of barks giving a more realistic effect. Don't delay, fit one before you go on holiday and let our dog help you guard your home.
£24.00

SUPER-SENSITIVE FM MICROBUG



Highly sensitive FM transmitter measuring only 45 x 25 x 15mm, including the built-in microphone. Frequency 88-100MHz enabling reception on a standard domestic FM radio. Range approximately 300m depending on terrain. Powered by 9V PP3 (7mA). Its small size and highly sensitive electret microphone makes it ideal for surveillance, baby alarm, etc.
INTRODUCTORY PRICE £5.50

MICROPROCESSOR TIMER KIT



Designed to control 4 outputs independently switching on and off at present times over a 7-day cycle. LED display of time and day, easily programmed via 20 way keyboard. Ideal for central heating control including different switching time for weekends. Battery back-up circuit. Includes box 18 time settings.
CT6000K £47.20
XK114 Relay kit for CT6000 includes PCB connectors and one relay. Will accept up to 4 relays 3A/240V c/o contacts £4.30
701 115 Additional relays £1.80

POWER STROBE KIT

Designed to produce a high intensity light pulse at a variable frequency of 1 to 15Hz, this kit also includes circuitry to trigger the light from an external voltage source (eg. a loudspeaker) via an opto isolator.
 Instructions are also supplied on modifying the unit for manual triggering, as a slave flash in photographic applications or as a warning beacon in security applications. The kit includes a high quality pcb, components, connectors, 5Ws strobe tube and full assembly instructions. Supply: 240V ac. Size: 75x50x45.
XK124 Stroboscope Kit £13.75

VERSATILE REMOTE CONTROL KIT

This kit includes all components (+ transformer) to make a sensitive IR receiver with 16 logic outputs (0-15V) which with suitable interface circuitry (relays, triacs, etc - details supplied) can be used to switch up to 16 items of equipment on or off remotely. The outputs may be latched (to the last received code) or momentary (on during transmission) by specifying the decoder IC and a 15V stabilised supply is available to power external circuits.
 Supply: 240V AC or 15-24V DC at 10mA. Size (excluding transformer) 9 x 4 x 2 cms. The companion transmitter is the MK18 which operates from a 9V PP3 battery and gives a range of up to 60ft. Two keyboards are available: MK9 (4-way) and MK10 (16-way), depending on the number of outputs to be used.
MK12 IR Receiver (incl. transformer) £16.30
MK18 Transmitter £7.50
MK9 4-Way Keyboard £2.20
MK10 16-Way Keyboard £6.55
601 133 Box for Transmitter £2.60

DISCO LIGHTING KITS

DL1000K This value-for-money 4-way chaser features by-directional sequence and dimming. 1kW per channel **£19.25**
DLZ1000K - A lower cost uni-directional version of the above. Zero switching to reduce interference **£10.80**
DLA/1 Optional opto input allowing audio 'beaf/light response **77p**
DL3000K - 3-channel sound to light kit features zero voltage switching, automatic level control and built-in microphone. 1kW per channel **£15.60**

HOME LIGHTING KITS

These kits contain all necessary components and full instructions & are designed to replace a standard wall switch and control up to 300w. of lighting.
TDR300K Remote Control Dimmer £18.00
MK6 Transmitter for above £5.10
TD300K Touchdimmer £9.30
TS300K Touchswitch £9.30
TDE/K Extension kit for 2-way switching for TD300K £2.95
LD300K Light dimmer £4.75

INDEX TO ADVERTISERS

ADM Electronic Supplies	59	Litesold	39
Astronomy Now	47	London Electronics	
Bardwell, N.R. Ltd	59	College	59
BICC-Vero Electronics	19	Maplin Electronics	OBC
BiPak Components	48	Omega Systems	59
B.K. Electronics	IBC	Omni	59
Bull J.	58	Phonosonics	18
C-Scope	IFC	Program Now	33
Classified Ads	59	Quinton tools	59
Coles Harding	59	Riscomp	25
Cricklewood Electronics	33	Scientific Wire Co.	59
C.R. Supply Co.	59	Soft Machine	38
Grandata	62	Specialist Semiconductors	53
Hart Electronics	27	Stan Willetts	59
Ian Harrison	59	Technomatic	10,11
I.C.S.	38	T.K. Electronics	62
J.P.G. Electronics	59	Viewcom	34
Keytronics	45	Zenith Electronics	39

PLEASE MENTION PRACTICAL ELECTRONICS WHEN REPLYING TO ADVERTS

TR ELECTRONICS
13 BOSTON RD. LONDON W7 3SJ
Tel: 01 567 8910
ORDERING INFORMATION: ALL PRICES EXCLUDE VAT

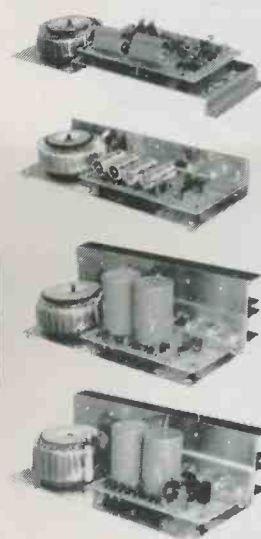
SEND 9" x 6" SAE & 50p FOR CATALOGUE OR CALL AT SHOP Mon-Fri 9-5 pm Saturday 10-4 pm

FREE P&P on orders over £20 (UK only), otherwise add 75p + VAT. Overseas P&P: Europe £2.75. Elsewhere £6.50. Send cheque/PO/Barclaycard/Access No. with order. Giro No. 529314002.
LOCAL AUTHORITY AND EXPORT ORDERS WELCOME
GOODS BY RETURN SUBJECT TO AVAILABILITY

OMP POWER AMPLIFIER MODULES

OMP POWER AMPLIFIER MODULES

Now enjoy a world-wide reputation for quality, reliability and performance at a realistic price. Four models available to suit the needs of the professional and hobby market i.e. Industry, Leisure, Instrumental and Hi-Fi etc. When comparing prices, NOTE all models include Toroidal power supply, Integral heat sink, Glass fibre P.C.B. and Drive circuits to power compatible Vu meter. Open and short circuit proof.



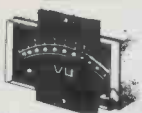
OMP100 Mk II Bi-Polar Output power 110 watts R.M.S. into 4 ohms, Frequency Response 15Hz - 30KHz -3dB, T.H.D. 0.01%, S.N.R. -118dB. Sens for Max output 500mV at 10K, Size 355 x 115 x 65mm. PRICE £33.99 + £3.00 P&P.

OMP/MF100 Mos-Fet Output power 110 watts R.M.S. into 4 ohms, Frequency Response 1Hz - 100KHz -3dB, Damping Factor 80, Slew Rate 45V/uS, T.H.D. Typical 0.002%, Input Sensitivity 500mV, S.N.R. -125dB. Size 300 x 123 x 60mm. PRICE PRICE £39.99 + £3.00 P&P.

OMP/MF200 Mos-Fet Output power 200 watts R.M.S. into 4 ohms, Frequency Response 1Hz - 100KHz -3dB, Damping Factor 250, Slew Rate 50V/uS, T.H.D. Typical 0.001%, Input Sensitivity 500mV, S.N.R. -130dB. Size 300 x 150 x 100mm. PRICE PRICE £62.99 + £3.50 P&P.

OMP/MF300 Mos-Fet Output power 300 watts R.M.S. into 4 ohms, Frequency Response 1Hz - 100KHz -3dB, Damping Factor 350, Slew Rate 60V/uS, T.H.D. Typical 0.0008%, Input Sensitivity 500mV, S.N.R. -130dB. Size 330 x 147 x 102mm. PRICE PRICE £79.99 + £4.50 P&P.

NOTE: Mos-Fets are supplied as standard (100KHz bandwidth & Input Sensitivity 500mV). If required, P.A. version (50KHz bandwidth & Input Sensitivity 775mV). Order - Standard or P.A.



Vu METER Compatible with our four amplifiers detailed above. A very accurate visual display employing 11 L.F.D. diodes (7 green, 4 red) plus an additional on/off indicator. Sophisticated logic control circuits for very fast rise and decay times. Tough moulded plastic case, with tinted acrylic front. Size 84 x 27 x 45mm. PRICE £8.50 + 50p P&P.

LOUDSPEAKERS 5" to 15" up to 400 WATTS R.M.S. Cabinet Fixing in stock. Huge selection of McKenzie Loudspeakers available including Cabinet Plans. Large S.A.E. (28p) for free details.



POWER RANGE
 8" 50 WATT R.M.S. Hi-Fi/Disco.
 20 oz magnet 1 1/2" ally voice coil. Ground ally fixing escutcheon Res. Freq. 40Hz. Freq. Resp. to 6KHz. Sens. 92dB. PRICE £10.99 Available with black grille £11.99 P&P £1.50 ea.
 12" 100 WATT R.M.S. Hi-Fi/Disco
 12" oz magnet 2" ally voice coil. Ground ally fixing escutcheon. Die-cast chassis. White cone. Res. Freq. 25Hz. Freq. Resp. to 4KHz. Sens. 95dB. PRICE £28.60 - £3.00 P&P ea.

MCKENZIE
 12" 85 WATT R.M.S. C1285GP Lead Guitar/Keyboard/Disco.
 2" ally voice coil. Ally centre dome. Res. Freq. 45Hz. Freq. Resp. to 6-5KHz. Sens. 98dB. PRICE £29.99 + £3.00 P&P ea.
 12" 85 WATT R.M.S. C1285TC P.A./Disco 2" ally voice coil. Twin cone.
 Res. Freq. 45Hz. Freq. Resp. to 14KHz. PRICE £31.49 + £3.00 P&P ea.
 15" 150 WATT R.M.S. C15 Bass Guitar/Disco.
 3" ally voice coil. Die-cast chassis. Res. Freq. 40Hz. Freq. Resp. to 4KHz. PRICE £57.87 + £4.00 P&P ea.
 10" 60 WATT R.M.S. 1060GP Gen. Purpose/Lead Guitar/Keyboard/Mid. P.A.
 2" voice coil. Res. Freq. 75Hz. Freq. Resp. to 7.5KHz. Sens. 99dB. PRICE £19.99 + £2.00 P&P.
 10" 200 WATT R.M.S. C10200GP Guitar/Keyboard/Disco.
 2" voice coil. Res. Freq. 45Hz. Freq. Resp. to 7KHz. Sens. 101dB. PRICE £44.76 + £3.00 P&P.
 15" 200 WATT R.M.S. C15200 High Power Bass.
 Res. Freq. 40Hz. Freq. Resp. to 5KHz. Sens. 101dB. PRICE £62.41 + £4.00 P&P.
 15" 400 WATT R.M.S. C15400 High Power Bass.
 Res. Freq. 40Hz. Freq. Resp. to 4KHz. Sens. 102dB. PRICE £89.52 + £4.00 P&P.

WEM
 5" 70 WATT R.M.S. Multiple Array Disco etc.
 1" voice coil. Res. Freq. 52Hz. Freq. Resp. to 5KHz. Sens. 89dB. PRICE £22.00 + £1.50 P&P ea.
 8" 150 WATT R.M.S. Multiple Array Disco etc.
 1" voice coil. Res. Freq. 48Hz. Freq. Resp. to 5KHz. Sens. 92dB. PRICE £32.00 + £1.50 P&P ea.
 10" 300 WATT R.M.S. Disco/Sound re-enforcement etc.
 1 1/2" voice coil. Res. Freq. 35Hz. Freq. Resp. to 4KHz. Sens. 92dB. PRICE £36.00 + £2.00 P&P ea.
 12" 300 WATT R.M.S. Disco/Sound re-enforcement etc.
 1 1/2" voice coil. Res. Freq. 35Hz. Freq. Resp. to 4KHz. Sens. 94dB. PRICE £47.00 + £3.00 P&P ea.

SOUNDLAB (Full Range Twin Cone)
 5" 60 WATT R.M.S. Hi-Fi/Multiple Array Disco etc.
 1" voice coil. Res. Freq. 63Hz. Freq. Resp. to 20KHz. Sens. 86dB. PRICE £9.99 + £1.00 P&P ea.
 6" 60 WATT R.M.S. Hi-Fi/Multiple Array Disco etc.
 1" voice coil. Res. Freq. 56Hz. Freq. Resp. to 20KHz. Sens. 89dB. PRICE £10.99 + £1.50 P&P ea.
 8" 60 WATT R.M.S. Hi-Fi/Multiple Array Disco etc.
 1 1/2" voice coil. Res. Freq. 38Hz. Freq. Resp. to 20KHz. Sens. 89dB. PRICE £12.99 + £1.50 P&P ea.
 10" 60 WATT R.M.S. Hi-Fi/Disco etc.
 1 1/2" voice coil. Res. Freq. 35Hz. Freq. Resp. to 15KHz. Sens. 89dB. PRICE £16.49 + £2.00 P&P

PANTEC HOBBY KITS. Proven designs including glass fibre printed circuit board and high quality components complete with instructions.

FM MICROTRANSMITTER (BUG) 90/105MHz with very sensitive microphone. Range 100/300 metres. 57 x 46 x 14mm (9 volt) Price: £8.62 + 75p P&P.
3 WATT FM TRANSMITTER 3 WATT 85/115MHz varicap controlled professional performance. Range up to 3 miles 35 x 84 x 12mm (12 volt) Price: £14.49 + 75p P&P.
SINGLE CHANNEL RADIO CONTROLLED TRANSMITTER/RECEIVER 27MHz. Range up to 500 metres. Double coded modulation. Receiver output operates relay with 2amp/240 volt contacts. Ideal for many applications. Receiver 90 x 70 x 22mm (9/12 volt). Price: £17.82 Transmitter 80 x 50 x 15mm (9/12 volt). Price: £11.29 P&P + 75p each. S.A.E. for complete list.



3 watt FM Transmitter

* PRICES INCLUDE V.A.T. * PROMPT DELIVERIES * FRIENDLY SERVICE * LARGE S.A.E. 28p STAMP FOR CURRENT LIST

BURGALAR ALARM

Better to be 'Alarmed' than terrified. Thandar's famous 'Minder' Burglar Alarm System. Superior microwave principle. Supplied as three units, complete with interconnection cable. FULLY GUARANTEED.

IDEAL for Workshops, Factories, Offices, Home, etc. Supplied ready built.



Control Unit - Houses microwave radar unit, range up to 15 metres adjustable by sensitivity control. Three position key operated fascia switch - off - test - armed. 30 second exit and entry delay.
Indoor alarm - Electronic swept freq. siren. 104dB output.
Outdoor Alarm - Electronic swept freq. siren 98dB output. Housed in a tamper-proof heavy duty metal case.

Both the control unit and outdoor alarm contain rechargeable batteries which provide full protection during mains failure. Power requirement 200/260 Volt AC 50/60Hz. Expandable with door sensors, panic buttons etc. Complete with instructions.
SAVE £138.00 Usual Price £228.85
BKE's PRICE £89.99 + £4.00 P&P
 Why buy a collection of self-assembly boards!

OMP LINNET LOUDSPEAKERS

The very best in quality and value. Made specially to suit todays need for compactness with high sound output levels. Finished in hard wearing black vinyl with protective corners, grille and carry handle. All models 8 ohms Full range 45Hz - 20KHz Size 20" x 15" x 12" Watts R.M.S. per cabinet Sensitivity 1W 1mtr. dB.



OMP 12-100 Watts 100dB. Price £149.99 per pair.
OMP 12-200 Watts 102dB. Price £199.99 per pair. Delivery Securicor £8.00 per pair

OMP 19" STEREO RACK AMPS



Professional 19" cased Mos-Fet stereo amps. Used the World over in clubs, pubs, discos etc. With twin Vu meters, twin toroidal power supplies, XLR connections. MF600 Fan cooled. Three models (Ratings R.M.S. into 4ohms). Input Sensitivity 775mV

MF200 (100 + 100)W. £169.00
MF400 (200 + 200)W. £228.85
MF600 (300 + 300)W. £322.00 Securicor Delivery **£10.00**

1 K-WATT SLIDE DIMMER

- * Control loads up to 1Kw
- * Compact Size 4 1/2" x 1" x 2 1/2"
- * Easy snap-in fixing through panel/cabinet cut out
- * Insulated plastic case
- * Full wave control using 8 amp triac
- * Conforms to BS800

* Suitable for both resistive and inductive loads. Innumerable applications in industry, the home, and disco's, theatres etc.
PRICE £13.99 + 75p P&P

BSR P295 ELECTRONIC TURNTABLE

* Electronic speed control 45 & 33 1/3 r.p.m. * Plus/Minus variable pitch control * Belt driven * Aluminium platter with strobed rim * Cue lever * Anti-skate (bias device) * Adjustable counter balance * Manual arm * Standard 1/2" cartridge fixings * Supplied complete with cut out template * D.C. Operation 9-14v D.C. 65mA
 Price £36.99 - £3.00 P&P.

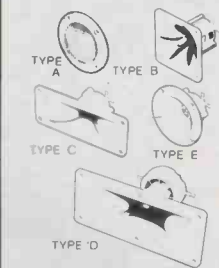


ADC Q4 mag. cartridge for above. Price £4.99 ea. P&P 50p

PIEZO ELECTRIC TWEETERS MOTOROLA

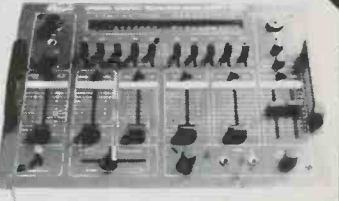
Join the Piezo revolution. The low dynamic mass (no voice coil) of a Piezo tweeter produces an improved transient response with a lower distortion level than ordinary dynamic tweeters. As a crossover is not required these units can be added to existing speaker systems of up to 100 watts (more if 2 put in series). FREE EXPLANATORY LEAFLETS SUPPLIED WITH EACH TWEETER.

TYPE 'A' (KSN2036A) 3" round with protective wire mesh. Ideal for bookshelf and medium sized Hi-Fi speakers. Price £4.90 each + 40p P&P
TYPE 'B' (KSN1005A) 3 1/2" super horn. For general purpose speakers, disco and P.A. systems etc. Price £5.99 each + 40p P&P
TYPE 'C' (KSN6016A) 2" x 5" wide dispersion horn. For quality Hi-Fi systems and quality discos etc. Price £6.99 each + 40p P&P
TYPE 'D' (KSN1025A) 2" x 6" wide dispersion horn. Upper frequency response retained extending down to mid range (2KHz). Suitable for high quality Hi-Fi systems and quality discos. Price £9.99 each + 40p P&P
TYPE 'E' (KSN1038A) 3 3/4" horn tweeter with attractive silver finish trim. Suitable for Hi-Fi monitor systems etc. Price £5.99 each + 40p P&P
LEVEL CONTROL Combines on a recessed mounting plate, level control and cabinet input jack socket. 85 x 85 mm. Price £3.99 + 40p P&P



STEREO DISCO MIXER

STEREO DISCO MIXER with 2 x 5 band L & R graphic equalisers and twin 10 segment LED Vu Meters. Many outstanding features 5 Inputs with individual faders providing a useful combination of the following -
 3 Turntables (Mag), 3 Mics, 4 Line plus Mic with talk over switch. Headphone Monitor. Pan Pot. L & R Master Output controls. Output 775mV. Size 360 x 280 x 90mm.
 Price £134.99 - £3.00 P&P



POSTAL CHARGES PER ORDER £1.00 minimum. OFFICIAL ORDERS WELCOME, SCHOOLS, COLLEGES, GOVERNMENT BODIES, ETC. PRICES INCLUSIVE OF V.A.T. SALES COUNTER VISA/ACCESS/C.O.D. ACCEPTED

B. K. ELECTRONICS Dept PE
 UNIT 5, COMET WAY, SOUTHEND-ON-SEA,
 ESSEX, SS2 6TR TEL: 0702-527572

PROJECTS GALORE FROM
Maplin

SALES
0702 - 554161

A self-contained alarm system disguised as a video cassette. Gives audible alarm if machine moved or cassette ejected. Full details in Project Book 24 (XA24B) Price 85p.

KIT PRICE
ONLY **£11.95** ORDER CODE LM27E



CHECK THOSE UNMARKED capacitors with this versatile, low-cost, piece of test equipment. Full details in Project Book 23 (XA23A) Price 85p.

KIT PRICE
ONLY **£24.95** ORDER CODE LM28F



POWER BREAKTHROUGH!

A superb 1kW Mosfet amplifier, a major new source in sound! Full details in Project Book 26 (XA26D) Price 85p. This project is made up from 4 kits.

KIT PRICE
DRIVER KIT LM50E £11.95
OUTPUT KIT LM51F £99.95
MONITOR KIT LM52G £19.95
PSU KIT LM53H £89.95

PROTECT YOUR VHS VIDEO PLAYER WITH THIS VHS VIDEO ALARM PROJECT!



MOSFET AMPLIFIER

giving 150W of incredible power! High reliability and performance.



Full details in Best of E & MM (XH61R) Price £1.00.

KIT PRICE
ONLY **£19.95** ORDER CODE LW51F

NUCLEAR RADIATION MONITOR



capable of measuring the level of Alpha and Beta particles, and Gamma and X-Rays. Full details in Project Book 24 (XA24B) Price 85p.

KIT PRICE
ONLY **£99.95** ORDER CODE LM24B

All prices include VAT. Please add 50p towards postage.

MUSICAL DOORBELL

with 28 tunes and chimes with selectable piano to organ like sounds. Note: case and front panel not in kit. For full details see Project Book 13 (XA13P) Price 85p.



KIT PRICE
ONLY **£14.95** ORDER CODE LK57M

Maplin Electronics
P.O. Box 3, Rayleigh, Essex, SS6 8LR.

MANY MORE PROJECTS INSIDE!



Pick up a copy of our giant 512 page catalogue from WHSMITH for just £1.60.

Shops at: Sutton New Road, Erdington, Birmingham. 302 Gloucester Road, Bristol. 159-161 King Street, Hammersmith, London. 8 Oxford Road, Manchester. 46-48 Bevois Valley Road, Southampton. 282-284 London Road, Southend-on-Sea.

All items subject to availability