

PRACTICAL

MARCH 1987 · £1.25

# ELECTRONICS

SCIENCE & TECHNOLOGY

## ULTRASONIC TAPE MEASURE

## MICRO TUNER

PROGRAMMED TUNING FOR  
MUSICAL INSTRUMENTS

## FIBRE OPTIC LIGHT PEN

## TELEPHONE BELL REPEATER



**DESIGN** – DC MOTORS  
TYPES AND FEATURES OF COMMON MOTORS

**COMPUTING** – 8 RAM DRIVER  
MEMORY EXPANSION FOR THE BBC B

**TECHNOLOGY** – SAW DEVICES  
SURFACE ACOUSTIC WAVE APPLICATIONS

**EXPERIMENTAL ELECTRONICS**  
FOUR CHANNEL ENHANCER FOR STEREO HI-FI

**PLUS:**

- ★ SPACEWATCH
- ★ LEADING EDGE
- ★ INDUSTRY NEWS
- ★ CIRCUIT IDEAS

THE SCIENCE MAGAZINE FOR SERIOUS ELECTRONICS AND COMPUTER ENTHUSIASTS

Full kits include pcb's, hardware, cases (unless stated otherwise), IC sockets, wire, nuts & bolts.  
Article reprints extra 70p each.

### THIS MONTH'S KITS - S.A.E. OR PHONE FOR PRICES

PASSIVE INFRA-RED DETECTOR July 86	£38.46
ECHO/REVERB UNIT July 86	£41.95
THERMOCOUPLE INTERFACE FOR DVM Jun 86	£15.98
NOTCHER EFFECTS UNIT May 86	£31.46

TTL LOGIC CHECKER May 86	£20.95
SOUND ACTIVATED SWITCH Apr 86	£41.55
SCRATCH & RUMBLE FILTER (Stereo) Apr 86	£18.89
PHOTOGRAPHIC TRIGGER UNIT Apr 86	£35.68
TEMPERATURE/ANALOGUE INTERFACE Apr 86	£43.87
SPECTRUM HARDWARE RESTART (uncased) Mar 86	£28.49
AMSTRAD I/O Mar 86	£24.18
FIBROPTIC AUDIO LINK Mar 86	£27.65
FIBROPTIC CABLE 80p/metre	
LOGIC PROBE Feb 86	£14.15
COMPUTER MOVEMENT DETECTOR Feb 86	£17.43
SPECTRUM SPEECH SYNTH & 8-BIT I/O PORT Jan 86	29.58
HIGH PERFORMANCE STEPPING MOTOR DRIVER Dec 85	£22.98
EXTRAS: Transformer £5.98; Case £2.95; BBC lead & plug £1.98; Motor-1D35 £14.50; MD200 £16.80	
COMMODORE USER PORT EXPANDER Nov 85	£11.98

MODEL RAILWAY TRACK CONTROL Nov 85	£44.98
'SQUINT' ROBOT EYES Nov 85	£9.55
TOUCH CONTROL PSU Oct 85	£31.22
MODULATED SYNDRUM Oct 85	£29.24
RS232 TO CENTRONICS CONVERTER Sept 85	£49.44
CAR BOOT ALARM Sept 85	£12.89
COMPUTER ENVELOPE SHAPER Aug 85	24.39
VOLTMETER MEMORY ADAPTOR July 85	£11.99
STYLUS KEYBOARD FOR COM 64 Jun 85	£10.50
SYNTHESISER INTERFACE FOR COM 64 Jun 85	£17.26
AMSTRAD SYNTHESISER INTERFACE May 85	£27.90
CYLINDER THERMOSTAT May 85	£23.95
BBC POWER CONTROL INTERFACE Apr 85	£22.98
GUITAR ACTIVE TONE CONTROL less case Sept 83	£14.36
PROGRAM CONDITIONER June 83	£22.40
AUTO TEST SET May 83	£41.54
WIPER DELAY Apr 83 less relay	£9.89
BATTERY TESTER Apr 83	£15.90

### EDUCATIONAL SETS



### ADVENTURES WITH ELECTRONICS

An easy to follow book suitable for all ages. Ideal for beginners. No soldering, uses an S/Dec Breadboard. Gives clear instructions with lots of pictures. 16 projects - including three radios, siren metronome, organ, inter-com, timer, etc. Helps you learn about electronic components and how circuits work. Component pack includes an S-Dec breadboard and all the components for the projects. Adventures with Electronics £3.58. Component pack £20.98 less battery.

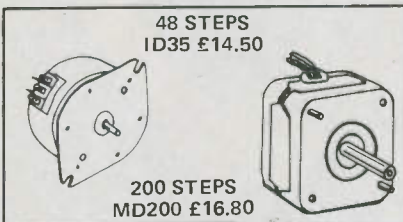
### DIGITAL CAPACITANCE METER

A superb instrument with a five digit 0.5 inch LED display giving direct readout of pF, nF and uF from 1pF to 1,000 uF. Exceptionally easy to use. A crystal timebase eliminates setting up procedures. Ideal for schools, labs, and industry as well as electronics enthusiasts from beginners to experts. Complete kit - including PCB, case, all components and hardware, £39.57. Reprints of article 70p.

### HIGH PERFORMANCE STEPPING MOTOR DRIVER

As featured in December issue  
Kit including PCB, I.C. & All Parts £22.98  
Transformer 30V 18VA £5.98 extra  
Case (houses PCB only) £2.95 extra  
Lead & Connector for BBC Computer £1.98  
Motors - 1D35 £14.50 - MD200 £16.80  
TEA1012 also available separately £6.88. Data £1.99

### STEPPING MOTORS



BBC STEPPER MOTOR INTERFACE KIT £13.99 PCB, driver IC, components, connectors and leads included. Demonstration software, listings, circuit diagram, pcb layout and construction details given. Requires unregulated 12Vdc power supply. INTERFACE KIT (ref PE) 13.99  
OPTIONAL POWER SUPPLY PARTS £4.67

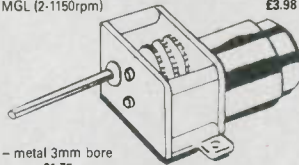


### PE HOBBYbus

Kit including double sided p.c.b. excluding DIN sockets £49.98.  
DIN 41612 a+c sockets £2.20 each or 10 for £18.

### DC MOTOR SETS

MOTOR - GEARBOX ASSEMBLIES 1.5V-4.5V  
Miniature precision made. Complete with quality electric motors. Variable reductions ratios. Long 3mm dia output shafts.  
Small unit - type MGS (3-2200rpm) £3.49  
Large unit - type MGL (2-1150rpm) £3.98

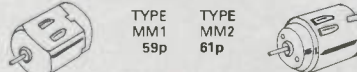


PULLEY WHEELS - metal 3mm bore  
10mm dia £1.75  
20mm dia £1.84  
30mm £1.99  
METAL COLLAR WITH screw - 3mm bore 24p  
FLEXIBLE SPRINT COUPLINGS 3mm L31mm 68p  
FLEXIBLE METAL COUPLING 3mm £2.98

DC MOTOR 1.5V-4.5V RPM 4,400-8,700  
Shaft dia 2mm L10mm. Body 29x38mm  
DC MOTOR TYPE - Dc28 £1.98

FLEXIBLE STEEL SPRING DRIVING BELT 47p  
12" long. Joins to itself or 2 more can be joined where long lengths are needed.

### MINI MODEL MOTORS 1.5-3V



TYPE	TYPE
MM1	MM2
59p	61p

### BBC HEART RATE

BBC Heart Rate Monitor -  
Ready Built £35.99

Practise relaxation or monitor fitness with this plug-in heart rate monitor. Connects directly to the BBC computer. Programs give continuous heart rate displays, bar charts, graphs etc. Supplied with sensor, software & instructions - ready to plug in and use.

### DRY BATTERY CHARGER

AS FEATURED IN P.E.

We have produced a full kit of parts to build the Dry Battery Charger featured in the August issue of P.E.

This is a designer approved full kit of parts complete with Case, PCB, and a set of four special top quality Battery Holders.

The metal case lid swings open so that the batteries are fully enclosed during charging for complete safety. Any number of batteries (up to 4) can be charged at a time. The kit is supplied in 3 versions for AA cells, C cells, or D cells. These differ only in the type of battery holders and charging resistors supplied.

Conversion kits are available to change between types.

### DY BATTERY CHARGER KITS

AA cells	£24.12
C cells	£25.27
D cells	£26.57

### VERKON DC-DC CONVERTERS

These compact efficient voltage converters allow one or two NICAD or ALKALINE cells to be used as the power source for circuits requiring 6, 9, 12, 14 or 20 volts. The economy and reliability gains that come from this arrangement are excellent - just compare the cost of a single NICAD cell with that of a NICAD PP3. This is only part of the story - we have a full leaflet which shows how to calculate the savings which can be made. Just send a stamped addressed envelope for more information, performance curves etc.

### VERKON DC-DC CONVERTERS

V6	6 volts from 1 Nicd or Alk-Mn	£7.28
V9a	9 volts from 1 Nicd	£7.28
V12	12v from 1 Alk-Mn	£7.28
Vt12	14v from 2 x Nicd	£8.63
Vt1B	20v from 2 x Nicd	£8.63

### CATALOGUE

Brief details of each kit, book contents, and illustrations and descriptions of our range of tools and components are all included. Robotics and Computing section included. Our advert shows just a selection of our products. Up to date price list enclosed. Official orders welcome. Catalogue & Price List - Send £1 in stamps etc or add £1 to your order. Price list only 9x4 SAE. Catalogue free to schools/colleges requested on official letterhead.

### SHOP NOW OPEN - CALLERS WELCOME

MAGNETA ELECTRONICS LTD.  
PE3, 136 HUNTER ST.,  
BURTON-ON-TRENT  
STAFFS, DE14 2ST  
0283 65435 Mon-Fri 9-5.  
Shop Hours 9-5 Mon-Fri.  
ADD 80P P&P TO ALL ORDERS.  
PRICES INCLUDE VAT.  
SAE ALL ENQUIRIES.  
OFFICIAL ORDER WELCOME.

Access/Barclaycard (Visa) by phone or post.  
24 hr Answerphone for credit card orders.



OVERSEAS: Payment must be sterling.  
IRISH REPUBLIC and BFOO: UK PRICES.  
EUROPE: UK PRICES plus 10%.  
ELSEWHERE: write for quote.



### KAYCOMP MICROPROCESSOR TRAINER AND SINGLE BOARD COMPUTER

A new single board training and evaluation system for the 16-bit 68000 Series Microprocessor. A standard working system in kit form costs just £110.00 including VAT. Programs are developed and written with the aid of an on-board monitor program. The system is programmed and run via an RS232 link from either a standard terminal or a BBC Computer programmed to act as a terminal (we supply the necessary software). Optional extras include a line by line assembler, a peripheral I/O port and timer, and a G64 bus interface. Full sets of technical literature, programming information and manufacturers' data sheets are available to accompany the system.

AVAILABLE FROM STOCK NOW  
PHONE OR WRITE FOR FULL DETAILS REF PE10

# 68000

### 68705 MICROCONTROLLER TRAINER

A stand-alone unit with hexadecimal keyboard and 9-digit seven-segment display. Uses a control oriented 68705 microprocessor with a comprehensive monitor system. A bank of 8 LEDs and switches allows I/O control programs to be run before connecting to 'real' external circuits. An A/D-D/A board is also available along with full support literature. An excellent introduction to machine code programming right down to 'bit' level. Used in many educational establishments. A complete system costs under £50.  
All in stock - Phone or write for details PE10

68000 'Kaycomp' system with monitor program, 8MHz system clock, 2k x 16 RAM, and RS232 duart interface (in kit form need +5, +12, -12V supplies) £110.00  
68230 Pi.T. add-on £11.97  
G64 bus interface add-on £5.49  
8k x 16 RAM upgrade £9.24  
Assembler + disassembler program £24.46

# PRACTICAL ELECTRONICS

## ADVERTISING DEPT.

### FULL-TIME TRAINING COURSES

2 YEAR

**B-TEC National Diploma (OND)  
ELECTRONICS &  
COMMUNICATIONS ENGINEERING**  
*(Television & Computing)*

15 MONTHS

**B-TEC National Certificate (ONC)  
ELECTRONIC EQUIPMENT SERVICING**  
*(Television & Video)*

15 MONTHS

**B-TEC National Certificate (ONC)  
COMPUTING TECHNOLOGY**

9 MONTHS

**B-TEC Higher National Certificate (HNC)  
COMPUTING TECHNOLOGY  
& ROBOTICS**

HIGH PERCENTAGE OF COLLEGE BASED  
PRACTICAL WORK

SHORT COURSES WITH PREVIOUS  
KNOWLEDGE

NO EXTRA CHARGES FOR OVERSEAS  
STUDENTS

COURSES COMMENCE  
5th JANUARY/20th APRIL 1987

**LONDON ELECTRONICS  
COLLEGE**

Dept: AA, 20 Penywern Road,  
London SW5 9SU. Tel: 01-373 8721

### SURPLUS/REDUNDANT ELECTRONIC COMPONENTS WANTED

I/Cs - Tuners - Transistors - Valves - Diodes etc. any quantity considered - immediate payment.

**ADM ELECTRONIC SUPPLIES**  
Tel: 0827 873311

Carbon Film Resistors 1/4W E24 series 0.51R to 10M0 - 1p  
100 off per value - 75p 1000 off in even hundreds per value - £7  
Metal Film 1/4W 10R0 to 1M0 5% E12 series - 2p 1% E24 series - 3p  
BC107/8/9 - 12p BC547/8/9 - 8p BC182L 184L - 10p  
BFY0/5/52 - 20p 2N3055 - 50p TIP31A,32A - 25p TIP41,42 - 40p

Tantalum head subminiature electrolytics (Mids/Volts)  
0-1/35, 0-22/35, 0-47/35, 3-3/16, 4-7/16 - 14p 4-7/35 - 15p  
2-2/35, 4-7/25, 10/5 - 15p 4-7/35, 6/8/16 - 16p 10/16,22/6 - 20p

Aluminium Electrolytics (Mids/Volts)  
1.50, 2.2/50, 4-7/25, 4-7/50, 10/16, 10/25, 10/50, 10/16, 22/25 - 6p  
22/50, 47/16, 47/25, 47/50 - 6p 100/16, 100/25 - 7p 100/50 - 12p  
100/100 - 14p 220/16 - 18p 220/25, 220/50 - 10p 470/16, 470/25 - 11p  
100/25 - 25p 1000/35, 220/25 - 22p 4700/25 - 70p

Miniature Polyester Capacitors 250V Wkg. Vertical Mounting  
.01, .015, .022, .033, .047, .068 - 4p 0-1 - 5p 0-15, .22 - 6p 0-47 - 8p

Mylor Capacitors 100V Wkg. Vertical Mounting E12 Series  
1000p to 8200p - 3p .01 to .068 - 4p 0-15p 0-15, 0.22 - 6p

Subminiature Ceramic Plate 100V Wkg. E12 Series Vertical Mounting  
2% 1P8 to 47P - 3p 56P to 330P - 4p 10% 390P to 4700P - 4p

Polystyrene Capacitors 63V Wkg. E12 Series Axial Mounting  
10P to 820P - 3p 1000P to 10,000 - 4p 12,000P - 5p  
1N4148 - 2p 1N4002 - 4p 1N5404 - 14p W01 bridge - 25p  
0A91 - 6p

Zener diodes E24 series 3V3 to 33V 400mW - 8p 1 watt - 12p  
L.E.D's Red, Green & Yellow 3mm & 5mm - 10p 8mm - 35p  
20mm fuse 0-1A to 5A quick blow - 5p 5P Anti Surge - 8p  
High Speed drills 0.8mm, 1.0mm, 1.3mm, 1.5mm, 2mm - 25p  
Expo Reliant drilling machines 12V d.c. with improved 3-jaw chuck 6.50  
Nicas AA - 80p HP11 - £2 PP3 - £4.20 Universal Charges - £6.50  
Glass reed switches single pole make contacts - 8p Magnets - 12p

VAT inclusive. Return postage 20p (free over £5). Lists free.

**THE C.R. SUPPLY CO.,**  
127 Chesterfield Road,  
Sheffield S8 0RN. Tel. 557771.

### TURN YOUR SURPLUS

ICS transistors etc into cash, immediate settlement. WE also welcome the opportunity to quote for complete factory clearance.

Contact **COLES-HARDING & Co,**  
103 South Brink, Wisbech, Cambs.  
**ESTABLISHED OVER 10 YEARS\***  
Tel: 0945 584188



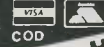
- Velleman Electronic Kits
- Test Equipment & Tools
- Instrument Cases

(Mon-Sat. 9.30-5.30 Closed Thurs)

13A Station Rd, Cullercoats, North Shields,  
Tyne & Wear NE30 4PQ. Tel. 091 251 4363

### adam hall supplies Ltd.

The largest selection of flight case fittings and loudspeaker cabinet components in Europe.



**HARDWARE  
SOUND EQUIPMENT**

Stockists & Distributors of

**CELESTION**  
THE FIRST NAME IN ACOUSTICS

A complete range of professional crossovers & filters.

Unit G, The Cordwainers, Temple Farm Industrial Est.,  
Sutton Rd, Southend-on-Sea, Essex. Tel: (0702) 613922

### MISCELLANEOUS

**CLEARING LABORATORY,** scopes, generators, P.S.U.'s, bridges, analysers, meters, recorders etc. Tel. 0403-76236.

### CUSTOMISED FRONT PANELS

Self adhesive labels to your own design in plastic or aluminium. Wide range of colours. DIY kit available.

### FOTOBOARD

Single Sided & Double Sided in a wide range of sizes. SAE for full price list.

### MINIATURE CORDLESS SOLDERING IRON

New product - operates from butane gas.

### ELECTRONIC ALARM SERVICES

143 Farnham Road, Handsworth, Birmingham B21 8EF.  
Tel: 021-523 6747. Private & professional enquiries welcome

THE SCIENTIFIC WIRE COMPANY 811 Forest Road, London E17. Telephone 01-531 1568				
ENAMELLED COPPER WIRE				
SWG	1lb	8 oz	4 oz	2 oz
8 to 34	3.63	2.09	1.10	0.88
35 to 39	3.82	2.31	1.27	0.93
40 to 43	6.00	3.20	2.25	1.61
44 to 47	8.67	5.80	3.49	2.75
48	15.96	9.58	6.38	3.69
SILVER PLATED COPPER WIRE				
14 to 30	9.09	5.20	2.93	1.97
TINNED COPPER WIRE				
14 to 30	3.97	2.41	1.39	0.94
Fluxcore				
Solder	5.90	3.25	1.82	0.94

Post Free. Please add V.A.T. at 15%. Orders under £2 add 20p  
SAE for list of copper and resistance wire.  
Dealer enquiries welcome.

### ORDER FORM PLEASE WRITE IN BLOCK CAPITALS

Please insert the advertisement below in the next available issue of Practical Electronics for .....

insertions. I enclose Cheque/P.O. for £.....  
(Cheques and Postal Orders should be crossed Lloyds Bank Ltd. and made payable to Practical Electronics)


NAME .....

ADDRESS .....

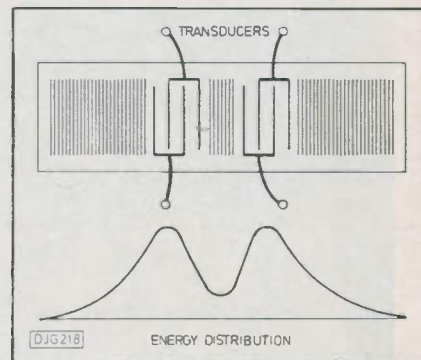
The prepaid rate for classified advertisements is 20 pence per word (minimum 12 words), box number £1.00 extra. Semi-display setting £8 per single column centimetre (minimum 2.5 cms). All cheques, postal orders, etc. to be made payable to Intrapress and crossed. Treasury notes should always be sent registered post. Advertisements, together with remittance, should be sent to Practical Electronics, 16 Garway Road, London W2 4NH. Tel. (0322) 521069.

## CONSTRUCTIONAL PROJECTS

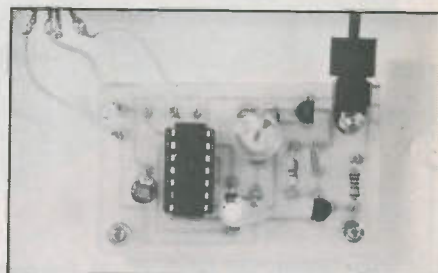
- ULTRASONIC TAPE MEASURE** by The Prof ..... 20  
 The ultrasonic range finding discussed in last months Experimental Electronics forms the basis for an ultrasound device which measures medium distances to a resolution of 1 centimetre.
- MICRO TUNER** by John M.H. Becker ..... 25  
 A very accurate computer controlled frequency counter which, as well as general measuring applications, has been optimised for tuning musical instruments. The basic design works with the C64, BBC and PET computers, but can be adapted for use with other micros.
- TELEPHONE BELL REPEATER** by Giles Read ..... 35  
 An adaptable project to relay the sound of the phone ringing to the place you want to hear it.
- FIBRE OPTIC LIGHT PEN** by R.A. Penfold ..... 36  
 The use of photodiodes and phototransistors in light pens limits their angle of view. This design uses a fibre optic sensor for higher accuracy.
- EXPERIMENTAL ELECTRONICS** by The Prof ..... 12  
 Although it is no longer front page news, four channel 'surround sound' has a lot to recommend it. The author looks at alternative ways of adapting stereo to four channels, and describes a four channel enhancer in detail.
- THE PE 30 PLUS 30 PART TWO** by Graham Nalty ..... 48  
 Continuing last month's high quality, low cost stereo amplifier design with second p.c.b.



page 12



page 42



page 37

## SPECIAL FEATURES

- DC MOTORS** by Brian Brooks ..... 52  
 Direct current motors have a long history and have been built and applied in a thousand different ways. This feature looks at some of them.
- TECHNOLOGY – SURFACE WAVE ACOUSTIC DEVICES**  
 by Andrew Armstrong ..... 40  
 Several types of piezoelectric crystals can be excited electrically to produce waves across their surface. The wave in turn can generate an electric signal. This property has some unique applications.

## REGULAR FEATURES

- MICROFORUM** by Simon A.J. Winder ..... 34  
 An interface for the BBC B which drives eight dynamic RAMs to provide a memory expansion.
- NEWS AND MARKET PLACE** ..... 4  
 News, views and new products from the world of electronics plus: countdown, catalogue casebook and firm contact.
- PCB SERVICE** ..... 60
- BAZAAR** ..... 54
- SPACEWATCH AND THE SKY THIS MONTH**  
 by Dr. Patrick Moore OBE ..... 46
- THE LEADING EDGE** by Barry Fox ..... 8
- INDUSTRY NOTEBOOK** by Tom Ivall ..... 57



page 46



THE SCIENCE MAGAZINE FOR SERIOUS ELECTRONICS ENTHUSIASTS

## WHAT'S NEW

## CATALOGUE CASEBOOK



**Last month we received the following catalogues and literature:**

A four page leaflet from **Advanced Metalwork Supplies** (sister company to Advanced Power Supplies) detailing the companies **metalworking** capabilities.

Details from: **Advanced Power Supplies**, Raynham Road, Bishop's Stortford, Herts., CM23 5PF.

The **Micro Power Devices** catalogue from **Quarndon Electronics** featuring a range of low power chips of various types. Details from: **Quarndon Electronics (Semiconductors) Ltd.**, Slack Lane, Derby, DE3 3ED.

The latest issue of the **Micropute** price list and catalogue detailing a wide range of **computer equipment** and supplies. Details from: **Micropute**, Catherine Street, Macclesfield, Cheshire, SK11 6QY.

**Cricklewood Electronics'** latest components and equipment catalogue containing a large list and prices of many devices, tools, components and electronic accessories. Details from: **Cricklewood Electronics Ltd.**, 40 Cricklewood Broadway, London, NW2 3ET.

The **Handbook Of Electronics** from **Chartwell Bratt**. Details from: **Chartwell Bratt Ltd.**, Old Orchard, Bickley Road, Bickley, Bromley, Kent.

The 'Bigger Than Ever' **Maplins Buyer's Guide To Electronic Components** is now available through many good high street newsagents or direct from **Maplin**. Mail order.

**Crofton Electronics** monitors, cables and connector catalogue available from **Crofton Electronics**.

### Lasercards

A 2MByte data store the size of a credit card will be available from British Telecom, following a licensing agreement with the Drexler Technology Corporation of California, the patent holders.

Known as LaserCard, the memory cards can hold up to 800 pages text or eight photographs. Data can either be imprinted photographically and supplied as part of the card, or alternatively written onto the card by the customer, using low cost laser equipment. Once written, the cards are 'intrinsicly secure and difficult to corrupt either accidentally or deliberately'. BT will also be the suppliers of the equipment for recording and reading the cards.

The cards have several advantages over floppy or hard disk storage for permanent records, the main ones being the relative indestructibility of the data, and comparative cheapness of manufacture. BT is negotiating with one of the major London hospitals which is considering LaserCards for maternity records, as medical notes and photographs of x-rays, sonic scans, etc. can all be held on one card.

Applications in which the cards are being used in the USA, Europe and Japan include financial records, and secure data collection and distribution. Hardware manufacture is in the USA and Japan at present, but may come to the UK if there is sufficient demand for the system. Through its licensing agreement, BT joins a group of 25 international corporations operating in the information technology market.

The Drexler Technology Corporation is an optical data company best known for photo-production materials for the semiconductor industry.

### Crystal printer

A co-axially driven computer printer which uses Casio-developed liquid crystal shutter technology is being marketed in the UK by You-data (UK) Ltd., a subsidiary of the machine's Danish manufacturers. The Ida 3270 LightWriter claims to be the world's first direct co-axial connection printer for IBM systems, allowing users to set up the printer either remotely from the host system, or through a 32-character menu-driven front panel display on the printer itself.

The printer has full APL/TEXT features in SCS and non-SCS modes. Specifications include high quality print of 240 dots per inch, nine page per minute print speed, vertical and horizontal print on the same page, a maximum of 132 columns, paper handling from postcard to B4 sizes, a choice of type styles, type sizes and barcode types, colour graphics, multiple font capacity and print on overhead projection foil and tracing paper. There is full IBM 3268/3287/4214 compatibility allowing straightforward connection to IBM systems. The LightWriter accepts the same datastreams as used for IBM type printers, and connects to a variety of IBM and equivalent control units.

You-data's boast is that the LC technology used in the LightWriter gives a higher speed and quality of output with fewer moving parts, which in turn means a lower noise level and reduced machine wear.

The printer was launched in the UK in September, 1986 six months after its European launch, in the expectation that its unique qualities would be seen to increase the efficiency and quality of output from IBM-compatible mainframe-based electronic office systems. The company and its customers claim that the LightWriter is a significant improvement on other printers, including laser printers, evaluated. They expect LC technology to become established in this role in the next 12 months.

The LightWriter 3270 costs £4,850. You-data's parent company is a major supplier of IBM-compatible protocol converters in Europe, supporting a wide range of printers, plotters and bar coders.

### Peaceful employment

Exchange Resources is an employment agency set up in July 1986 by Electronics for Peace, an organisation of some 250 electronics and computing engineers concerned to encourage the development of electronics for non-military and socially beneficial purposes.

MOD contractors are among the biggest employers in computing and electronics. People making a career in technical disciplines, from technicians to technical writers can be faced with a dilemma if they do not wish to work in a defence-related field. Exchange

Resources are concentrating on employment and personnel in non-military industries.

"Exchange Resources is not anti-defence but believes this country has far too much of its resources invested in an unnecessarily large and provocative system that has little to do with actual defence ... we are not aligned with or affiliated to any political party or any other organisation or their ideologies," they state. There is no doubt that there is a demand among technical people for non-military employment, a demand which is recognised to a varying extent by recruitment agencies, but Exchange Resources believe they are the first agency in this country to make this their primary aim.

Exchange Resources are presently looking for further finance to help them through the next year's operations. A loan of £20,000 is being raised through Mercury Provident plc, who are asking for £24,000-worth of guarantees, preferably in small amounts from individual guarantors. Alternatively, supporters are also being asked to open deposit accounts with Mercury "bearing whatever interest rate you need ... up to a limit of 8% gross per annum" for use specifically in financing Exchange Resources.

## Maplin club card

Maplin Electronic Supplies, a popular supplier of electronic components, are in the process of issuing their new Maplin Club Card to their customers, starting with all buyers of the 1987 Maplin catalogue who responded to their free gift offer. Maplin expect that their card will have a wider circulation than any other electronics industry card.

The card will simply carry an identification number for each customer which can be quoted when ordering for direct keying-in to the Maplin computer. Maplin offer same day despatch for orders placed before 5pm, and hope that the ability to identify callers by number will streamline their system further.

The Club Card is designed to fit into a wallet or purse so that Maplin's phone sales number and the owner's priority identity number will be available at all times. The reverse of the card, say Maplin, will carry much useful information such as metric measurements, resistor colour codes and tolerances and electronic data tables. They don't say whether magnifying glasses will be supplied as well - but no doubt they would if they thought it would tighten up their increasingly slick and versatile operation.

## Low cost D.S.O.

Gould Electronics's established digital storage oscilloscope, the 4030, is being promoted by Gould as 'the only no-compromise performance DSO on the market for less than £1600' after a round of price cuts. The offered price is £1595 exclusive of V.A.T.

The dual converter, 20MHz machine has full speed performance and long store length on both channels. NATO-approved, the 4030 can operate as a real time oscilloscope, and to display repetitive signals which can at any time be frozen in its memory and automatically reproduced on an analogue recorder.

Dual channel simultaneous recording means that there is no phase displacement or loss of time resolution when two related signals are being perused. Individual channel-hold allows one signal to be stored as a reference for comparison with the second channel, simplifying set-up, drift-evaluation and test procedures.

## Graph graphics

Kuma Contractors have enhanced their K-Graph business graphics package for the Atari ST, which is now released under the name K-Graph 2. The purpose of this business graphics program is to allow users to produce graphs and charts quickly and efficiently to a professional standard. The program makes use of the menu-driven GEM, which gives facilities such as the simultaneous display of up to four different graphs.

The chief new features in K-Graph 2 are mathematical and trig functions including sin, cos, tan, asin, acos, stan, x and y values, log and log 10, exp, exp 10, exp 2, if, not, or, and, then, else, arithmetical functions, power and square roots, statistics including standard values, T and F tests and multiple regression, print and rename datasets, variable x and y origins, area graphs, texts in different fonts and colours, save graph to disk, custom desktop feature and various data manipulation features.

Features carried forwards from the mark 1 version include sideways printing option, enlargement and reduction, editable markers and line styles, automatic axis scales and legends, and free floating text and arrows.

K-graph 2 can be used with K-SPREAD or as a stand alone package, and is retailing at £49.95 including V.A.T. An upgrade of the original can be obtained for a fee of £10 by returning the master disk to Kuma.



## Miracle Modem

Miracle Technology have developed a dedicated modem, the WS4000 and interface package for the Amstrad PCW8256 and 8512 word processors.

Developed on Miracle's standard WS4000 modem, the facilities offered by this package include autodial, autoanswer, full HAYES intelligence and an Amstrad serial interface incorporating all the necessary cables. The package is fully upgradable from standard V21/V23 to V22 and even (say Miracle) V22bis. Speeds from 300bps to 1200/75bps are therefore standard, with 1200 and 2400bps full duplex as optional extras.

No extra software is needed for users with Amstrad's built in MAIL232. Otherwise, the modem package is available complete with ChitChat comms software for £259.90, excluding V.A.T. No specialist computing knowledge is needed to use the modem, and a list of UK and international databases is supplied with every package, along with full instructions.

## STV converter

Swedish Microwave of Motala, Sweden are introducing a low noise converter, the LNB 1115 HEMT, for satellite TV reception. This, they claim, is the first of its kind with a noise rating of 1.5dB within the 10.95GHz to 11.7GHz range. The converter uses h.e.m.t. (high electron mobility transfer) gallium arsenide transistors, a development from FETs using the same materials. The technique used exploits the fact that charge carriers in the transistor are confined to a thin layer, with resulting higher mobility. This is claimed to give h.e.m.t.s better noise readings and higher performance amplification of extremely high frequencies.

One advantage of the new design is that it can utilise a receiver dish 20 per cent smaller in diameter than conventional low noise converters, for instance 2.4m as opposed to the normal 3m dish. This, say the manufacturers, should allow smaller, less conspicuous and cheaper dishes to be accessible to consumers for STV reception.



## WHAT'S HAPPENING

## FIRM CONTACT

*Further details of the products, services and companies mentioned in the News pages of Practical Electronics may be obtained from the following sources:*

**British Telecom Press and Broadcast Office**, British Telecom Centre, Floor A3, 81 Newgate St., London EC1A 7AJ.

**You-data (UK) Ltd.**, Frimley Business Park, Camberley, Surrey. (Attn. David Houston).

**Exchange Resources**, 28 Milsom St., Bath BA1 1DP, Avon. Tel. (0225) 69671/2.

**Radio Regulatory Division report**: free from The Library, Radiocommunications Division, Room 605, Waterloo Bridge House, Waterloo Road, London SE1 8UA.

**Maplin Electronic Supplies Ltd.**, P.O. Box 3, Rayleigh, Essex SS6 8LR. Tel. (0702) 552911.

**Matrix Systems**, 35/36 Singleton Street, Swansea SA1 3QN. Tel. (0792) 476547.

**Red Boxes** available from: Electronic Fulfilment Services Ltd., Chesterton Mill, French's Road, Cambridge CB4 3NP.

**Kuma Computers Ltd.**, 12 Horshoe Park, Pangbourne, Berks RG8 7JW. Tel. (07357) 4335.

**Word Processing**, P.O. Box 67, Wolverhampton, W. Midlands WV10 9HG.

**Swedish Microwave AB**, Box 230, S-591 23 Motala, Sweden. Telex 8155100.

**Electronic Brokers Ltd.**, 140-146 Camden Street, London NW1 9PB. Tel. 01-267 7070.

**Miracle Technology (UK) Ltd.**, St. Peter's St., Ipswich IP1 1XB.

**Gould Electronics Ltd.**, Roebuck Road, Hainault, Essex IG6 3UE. Tel. 01-500 1000 (Chris Cook).

**Rapid Terminals**, Rapid House, Denmark St., High Wycombe, Bucks HP11 2ER. Tel. (0494) 21860.

**Electronic & Computer Workshop**, 171 Broomfield Road, Chelmsford, Essex CM1 1RY. Tel. (0245) 262149.

**Lavell Electronics Ltd.**, Moxon Street, Barnet, Herts EN5 5SD. Tel. 01-449 5028.

**Verospeed**, Boyatt Wood, Eastleigh, Hants SO5 4ZY.

**St. Cross Electronics Ltd.**, Unit 14, Mount Pleasant Industrial Park, Southampton SQ2 OSP. Tel. (0703) 227636.

**Epson (UK) Ltd.**, Dorland House, 388 High Road, Wembley, Middx. HA9 6UH.

**J. Vincent Technical Books**, 24 River Gardens, Purley, Reading RG8 8BX. Tel. (0734) 414468.

**William Heinemann Ltd.**, 10 Upper Grosvenor Street, London W1X 9PA.

**TK Electronics**, 11 Boston Road, London W7 2SJ.

**Technomatic Ltd.**, 17 Burnley Road, London NW10 1ED.

**Cirkit Distribution**, Park Lane, Broxbourne, Herts EN10 7NQ.

**Magenta Electronics Ltd.**, 136 Hunter St., Burtop-on-Trent, Staffs DE14 2ST.

## New Epson drives

**E**pson (UK) are producing two new half height 5¼in floppy disk drives to industry standards to meet the increasing demand for IBM-compatible hardware.

The SD 621L is a 48 track, 500K drive with a 6ms track to track access time, a power consumption of a 4.3W while reading (1.1W in standby) and a simple level load/eject mechanism. The signal circuit uses one analog i.c. and one custom logic i.c., giving it 40 per cent fewer parts and a p.c.b. size only half that of its predecessor.

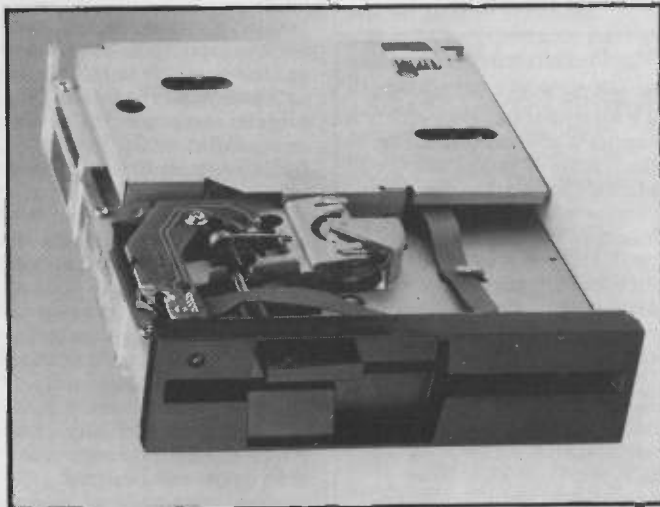
The SD 680L is a switchable 1MB/1.6MB drive with dual rotation speeds of 300 and 360 r.p.m. The drive has three modes of operation a) 1MB 300 r.p.m. 250KB/s data transfer rate b) 1MB 360 r.p.m. 300KB/s d.t.r and c) 1.6MB 360 r.p.m. 500KB/s d.t.r. Modes b and c are directly compatible with IBM PC/AT standards. Power consumption is 5.1W typical, and access time 3ms.

## Radio Report

**T**he Department of Trade and Industry has published a report from the Radio Regulatory Division, the DTT's radio frequency allocation and enforcement section. This first report coincides with the division's change of name to Radiocommunications Division, to encompass its present and future functions in promoting and regulating the use of the radio spectrum in the UK.

The division is effectively the only dispenser of radio bands in the UK, and the report, produced in response to a recommendation in the Merriman Report (Independent Review of the Radio Spectrum 30-960MHz, July 1983), is to familiarise present and future spectrum users with the RRD. It covers the division's activities in 1985/6, and includes future plans for the radio spectrum and background material on the international radio spectrum administrative framework.

Copies of the report are available free of charge from the Radiocommunications Division.



## Ice warning

**E**lectronic & Computer Workshop have introduced a new, inexpensive and reliable in-car ice-detection system as a kit.

The complete kit comprises simple electronics, a red l.e.d. and a front-of-car sensor to measure air temperature. The sensor is fitted in a metal housing with a mounting stud for easy fixing. All components and instructions are included in the mail order price of £12.88, with an assembled, ready-to-fit version for a modest extra charge.

The device's power requirement is from 10 to 15V d.c.

## Half height drives

**V**erospeed has now included three new half-height, double sided 5¼in disk drives by Mitsubishi. The new drives have gimbal head supports and high precision stepping motors in a compact chassis format.

The three models give a choice of 40, 80 and 40/80 tracks, with unformatted capacities of 500K, 1Mb or 1.6Mb. The 40/80 model can be switched in software as well as hardware.

Verospeed believe that the new models compare favourably in specification and reliability with much more expensive units.

# WHAT'S TO COME

## COUNTDOWN

If you are organising any electrical, computing, electronic, radio or scientific event, big or small, drop us a line. We shall be glad to include it here. Address details to **COUNTDOWN**, Practical Electronics, 16 Garway Road, Bayswater, London W2 4NH.

**PLEASE NOTE:** Some of the exhibitions and events mentioned here are trade only or may be restricted to certain visitors. Also please check dates, times and any other relevant details with the organisers before setting out as we cannot guarantee the accuracy of the information presented here.

**The Which Computer Show**, February 17th-20th, National Exhibition Centre, Birmingham, 01-240 1871.

**Power UK - Enclosures '87**, February 24th-26th, Kensington Rainbow Exhibition Centre, London, W.8, 0428-724 660.

**Dexpo Europe**, Olympia 2, London, March 3rd-5th, 01-486 1951

**Southcon '87**, March 24th-26th, Atlanta, Georgia, USA, 0101-212-421-6816.

**Cadcam '87**, March 24th-26th, Metropole Hotel, National Exhibition Centre, Birmingham, 01-608 1161.

**Electronic Printing and Publishing**, March 24th-27th, Olympia, London, 01-647 1001.

**Homvention '87**, April 24th-26th, Dayton, Ohio, USA, 0101-603-878-1441.

**The Electronic Data Interchange Conference**, April 28th-29th, The Barbican Centre, London, 01-868 4466.

**British Electronics Week '87**, April 28th-30th, (incorporating All Electronics/ECIF show, Automatic Test Equipment, Circuit Technology, Electronics Product Design, Fibre Optics and Satellite Communications), Olympia, London, 0799-26699.

**EDS '87**, May 13th-15th, Las Vegas, Nevada, USA, tel: 0101-312-648-1440.

**Summer Consumer Electronics Show '87**, May 30th-June 2nd, Chicago, Illinois, USA, 0101-202-547-8700.

**British Manufacturing Technology Week** (incorporating CIM), June 2nd-5th, 01-891 3426.

### Pen friend

**Pen-Friend2** is a word processing utility ROM designed to accompany Wordwise Plus on the BBC Microcomputer. Its main function is to allow Wordwise Plus to be driven from drop down menus, circumventing the main packages's complicated command set.

The printer code menu inserts the necessary embedded codes into a text for underline, double-strike (bold), etc. To cope with different printers, the program has predefined sets for Epson dot-matrix printers and Brother daisywheels, but a further option allows a new set to be loaded from disk.

The status menu displays all details relating to the current cursor position, for instance, line and page, justification on or off, line length and margins, etc., from within the text, although Wordwise does not itself display the page layout. Variable parameters can be altered from this menu, and the appropriate commands automatically

embedded in the text. A format page menu is also available to make pagination simpler prior to printing.

The address finder will locate any one or several addresses from a data file and insert them into the text area.

The function keys can be programmed from within Pen-Friend2 using a set of standard definitions provided.

Auto-load and auto-file display the directory and load with single keystrokes, checks new file names for duplication and saves the file with an optional backup copy to a second disk. A file saved double checks that the operation has been carried out.

Multi column format, label printing up to three columns, and first-line of segment display are available from menus. The package, which includes the program and a 30-page user manual, costs £18.95 all inclusive. The ROM is fitted in the same way as the Wordwise Plus ROM.

### D.M.M.

A 4 digit Hung Chang handheld d.m.m., the HC4510, has been added to Levell Electronics' roster of test equipment. The meter has d.c. ranges from 200mV to 1000V and 2mA to 10A with a basic d.c. volt accuracy of 0.05 per cent. The a.c. ranges are from 200mV to 750V and 2mA to 10A with a response from 45Hz to 1kHz. Resistance ranges are from 200ohms to 20ohms. Continuity test (with buzzer) and diode forward voltage drop are included, as well as a data hold switch to freeze the display. The HC4510 costs £69 including inland delivery but excluding V.A.T.



### Bench p.s.u.s

Electronic Brokers has introduced the Thurlby PL series of lab bench power supplies capable of constant current or constant voltage operation, with simultaneous digital metering of voltage and current.

The PL series machines use digital readouts with a 3.75 digital scale length to give 0.1 per cent accuracy and a resolution of 0.01V and 0.001A. The wide angle 12.5mm i.e.d. display is designed to be free from parallax problems or scale interpretation error. A pair of digital meters displaying voltage and current eliminate the need for meter function and range switches. There is a damping switch to facilitate measurements of fast-varying load currents.

Coarse and fine voltage controls with a voltmeter resolution of 10mV allow settings

to an accuracy of better than 0.05 per cent. A semi-logarithmic conductive plastic potentiometer allows the current level to be set down to the meter resolution level of 1mA.

A d.c. output switch allows voltage and current limits to be set before a load is connected protecting vulnerable circuitry from accidental overload. Integrated band-gap reference diodes stabilise voltage and current to a line stability of better than 0.01 per cent of the maximum output for a 10 per cent line change. A remote sense facility maintains current precision in the vent of output lead voltage drops due to lead resistance.

PL series p.s.u.s are designed to comply with IEC 348 Class 1 with an operating temperature range of 0 to 40 degrees centigrade.

## CHIP COUNT

*Over the last month we have received details of the following new components:*

From Mullard, the PFC8582 2K-bit CMOS EEPROM with i.c. interface and two new ultra-high frequency power amplifier modules, the BGY96. The power amplifiers are designed specifically for use in the European and American cellular radio industry.

From Intel, military versions of its 80386 32-bit microprocessor (M80386) and military versions of various logic and memory devices.

The world's fastest 32-bit microprocessor from Immos, the IMS T800, is now available. The 20MHz version is capable of 1.5MFLOPS (millions of floating point operations per second). An amazing 2.25 MFLOPS version is planned for later this year.





# THE LEADING EDGE

BY BARRY FOX

*Digital processing i.c.s have been developed which promise much greater flexibility in the use of TVs and video, but the benefits are being slow to reach the consumer.*

ITT is now selling a TV set called Multicontrol. It lets the viewer watch two channels at once. One is a miniature 'picture-in-picture', set into the top right hand corner of the screen. The inset p.i.p. can be a second TV channel, or a surveillance picture from a video camera. In this way TV viewers watching one programme can keep an eye open for the start of a second programme on another channel, watch a baby asleep in another room, or see who has come to the front door. The inset image can be frozen as a still picture in a surprisingly small digital memory. Although the technology is clever, and points a way to the future, ITT cannot expect to sell many of the new 'Multicontrol' sets. The inset picture quality is poor, the still frame even worse and the system costs around £300 more than conventional sets.

## ITT HAS SPENT £20 DEVELOPING A TV SET WHICH PROCESSES THE SOUND AND VISION SIGNALS IN DIGITAL CODE ...

ITT has spent £20 million over ten years developing a TV set which processes the sound and vision signals in digital code, rather than analogue waveform. This appeals to ITT as a manufacturer because seven chips do the job of 300 bulky analogue components. But slow sales of digital sets over the last two years have proved that the public does not care whether a TV set is working with analogue or digital signals, unless there is a perceived advantage. Multicontrol's picture-in-picture with freeze frame is the first perceptible advantage of digital processing.

The inset picture is one sixteenth the size of the main picture. It is built up from just 64 picture lines, around one

tenth the number used for a conventional TV picture, so definition is relatively coarse. More resolution is lost when the inset picture is frozen in the digital memory. ITT's publicity photograph is a simulated picture, not a photograph from a TV screen. It makes the inset p.i.p. look far clearer than it really is.

Multicontrol contains only 12 kilobytes, or 98,304 bits, of computer RAM. This is surprisingly little for storing a TV picture, just one quarter of the memory in a budget computer like the Sinclair Spectrum. The TV set breaks up each line of the inset p.i.p. into 79 picture points and measures the red, green and blue picture content at each point. The 15,000 measurements are then described in 6 bit digital words, making a total of around 90,000 bits to be frozen. These fit easily into the 12 kilobyte memory.

This memory can also be used to store eight teletext pages. This lets a viewer call up a series of teletext pages with one command, and then switch immediately between them. This avoids the irritating delays normally caused by the slow rate at which a selected page is received off-air by a teletext TV set.

Frankly the p.i.p. and teletext page store features are unlikely to set the world on fire – just as the promise that the electrons in an ITT set are running round as digital pulses rather than analogue waves has predictably left the great British public completely unmoved. Equally predictably, the customer isn't the slightest bit interested in the fact that digitising TV sets makes life easier for the manufacturers and service engineer. There has to be something more than this . . .

And there will be.

ITT's German subsidiary Intremetall, in Freiburg, West Germany, has been modifying the TV chips for use in a video recorder.

Two chips replace several large circuit boards. This means the recorder can be made very small. More important, the

chips process NTSC video signals (as used in Japan and America) in exactly the same way as SECAM (as used in France and the Eastern bloc) or PAL (as used in Britain and Western Europe). So one video recorder can handle tapes of NTSC, PAL or SECAM format. Although multi-standard video recorders already exist, they are expensive and need to be connected to a television set of TV standard which matches the tape. The ITT chips convert the signals before they leave the video recorder.

## PEOPLE WILL BE ABLE TO EXCHANGE 'VIDEO LETTERS' ...

ITT engineers said over a year ago that their chips will make "the multinorm VTR a standard" and the VTR user will have "access to an increased variety of prerecorded cassettes".

People with friends and relations abroad will be able to exchange 'video letters'. But a multistandard video recorder also undermines copyright deals, whereby feature films are often released on home video in the USA long before Europe. It also makes life much easier for the pirates. Perhaps this is why the commercial wing of ITT still hasn't set a launch date for a VHS recorder made with the multinorm chips. Or perhaps the company has hit snags in chip production. Only time will tell, because if ITT doesn't do it, the Japanese will.

I spoke recently to a European TV set manufacturer which makes TV sets for a wide range of different countries. They were complaining about the production problems caused by different standards in different countries.

"Why don't you go digital, use the ITT chip set and make one set for all countries?", I asked.

"Believe us, we would" they said. "But we can't get the chips from ITT. They offer them, but they don't deliver."

**PE** SCIENCE  
AND  
TECHNOLOGY

**VOLUME 24 No. 3**  
**MARCH 1987**

ISSN 0032 - 6372

**Editor:**

Richard Barron

**Personal Assistant:**

Karen Poole

**Editorial Assistant:**

Mary-Ann Hubers

**Sub-Editor (Electronics):**

Helen Armstrong

**Advertisement Sales Manager:**

Ian Forbes

**Publisher:**

Angelo Zgorelec

**PE Services**

Practical Electronics offers a wide range of services to readers including: p.c.b.s, books, subscriptions, back numbers, and software listings. However, due to increased administration costs we can no longer provide photocopies of articles over three years old.

**Readers' Enquiries**

All editorial correspondence should be addressed to the editor and any letters requiring a reply should be accompanied by a stamped addressed envelope. Please address editorial correspondence to: Practical Electronics, 16 Garway Rd., London W2 4NH. Tel. 01-727 7010

*We regret that lengthy technical enquiries cannot be answered over the phone.*

**Advertisements**

All correspondence relating to advertisements, including classified ads, should be addressed to: The advertisement manager, Practical Electronics.

PE EDITORIAL TEL. 01-727 7010  
ADVERTISEMENT DEPT.  
TEL. 01-434 0689

## MY BIT AT THE BEGINNING - 8

*Welcome to another issue of PE, especially if you're a new reader - and there's a fair chance that you are. I'm pleased to say that for various reasons we are increasing our UK monthly sales. Although I would like to say that it is due exclusively to the excellent variety and quality of our editorial, I know there is more to it than that. There is much evidence to suggest that the electronics hobby in general is once again beginning to enjoy the popularity it deserves. We haven't been too keen to publicise the fact, but for many years now our hobby has been in decline. Time taken with personal computers has, I feel, to a large degree been responsible for our misfortune but people are now either spending less time with computers or are realising that computers and electronics are complementary.*

*Many micro owners have, deliberately or otherwise, found that through their experience and knowledge of computers and software they have become familiar with basic electronics, in particular digital electronics. Much interest has been shown in developing interface and software based projects which has naturally led to a general interest in electronics and technology.*

*At the same time there has been additional emphasis placed upon technology (especially electronics and computing) subjects in schools. As I pointed out last month, new O and A level syllabuses recently introduced have generated a lot of interest in the practical side of electronics. This new found interest in electronics has begun to have some positive effects within the industry. Many well known electronics companies, especially those who deal with hobbyists and mail-order, are now reporting an up-turn in trading. According to the Greenwelds manager, the response to the catalogue, which was free with our December issue, has been extremely promising. A representative from Magenta reports that trade is generally good with sales of kits based upon PE projects getting better all the time. However, Mr. Jessa of Watford Electronics tells us that he is getting out of the electronic components business altogether and intends to concentrate purely on computer related equipment. Far be it from me to tell him how to run his business, but it does seem to be a case of closing the stable door when the horse is on its way back!*

### LCD COMPETITION

I would like to thank all readers who entered our l.c.d. competition which featured in our November 1986 issue of PE. All entries were of an exceptionally high standard - it's a shame there can only be one winner. A Citeven pocket TV is on the way to A. Auden of Hounslow for his ideas to use an l.c.d.s, not as displays, but for various electronic window applications.

EDITOR

**OUR APRIL 1987 ISSUE WILL BE ON SALE FRIDAY, MARCH 6th 1987**

© Intrapress 1987. Copyright in all drawings, photographs and articles published in PRACTICAL ELECTRONICS is fully protected, and reproduction or imitations in whole or part are expressly forbidden. All reasonable precautions are taken by PRACTICAL ELECTRONICS to ensure that the advice and data given to readers is reliable. We cannot, however, guarantee it, and we cannot accept legal responsibility for it. Prices quoted are those current as we go to press.

**BBC Micro Computer System**

**BBC Master Series**

AMB15 BBC MASTER Foundation computer 128K ..... £395 (a)

AMB12 BBC MASTER Econet computer 128K (only ANFS) ..... £319 (a)

AMC06 Turbo (65C102) Expansion Module ..... £105 (b)

ADF13 Rom Cartridge ..... £13 (d)

ADF10 Econet Module ..... £43 (c)

ADJ22 Ref. Manual Part I ..... £14.95 (c)

ADJ23 Ref. Manual Part II ..... £14.95 (c)

ADJ24 Advanced Ref. Manual ..... £19.50 (c)

**ACORN ADD-ON PRODUCTS**

6502 2nd Processor ..... £179

Torch ZEP 100 ..... £229 (a)

Multiform Z80 2nd Processor ..... £299 (b)

Acorn Teletext Adaptor ..... £125 (b)

Acorn IEEE Interface ..... £269 (a)

**BBC Master Compact SYSTEM 1**

128K, Single 640K Drive & bundled software ..... £399 (a)

**SYSTEM 2**

System 1 with a 12" Med-Res RGB Monitor ..... £469 (a)

**SYSTEM 3**

System 1 with a 14" Med Res RGB Monitor ..... £599 (a)

Second Drive Kit ..... £99 (c)

**UPGRADE KITS**

1770 DFS Upgrade for Model B £43.50 (d)

Basic II ROM ..... £22.50 (d)

1.2 OS ROM ..... £15 (d)

DNFS ROM ..... £17.50 (d)

ADFS Rom (for B with 1770 DFS & B Plus) ..... £26 (d)

64K Upgrade Kit for B Plus ..... £35 (d)

**ECONET ACCESSORIES**

Econet Starter Kit ..... £85 (d)

Econet Socket Set ..... £29 (c)

Econet Bridge ..... £174 (b)

File Server Level II ..... £120 (b)

Printer Server Rom ..... £41 (d)

10 Stallion Lead set ..... £26 (d)

Adv. Econet User Guide ..... £10 (d)

**COMMUNICATIONS ROMS**

Terminator ..... £25 (d)

Communicator ..... £49 (d)

Commstar ..... £28 (d)

**DATABEES** ..... £24 (d)

**BBC FIRMWARE & SOFTWARE**

Database Management Systems, Word Processors, Languages, Spreadsheets, Utilities

For full details on the wide range of above packages please write to us.

**DISC DRIVES**

These are fully cased and wired drives with slim line high quality mechanisms. Drives supplied with cables manuals and formatting disc suitable for the BBC computer. All 80 track drives are supplied with 40/80 track switching as standard. All drives can operate in single or dual density format.

PDP800P (2 x 400K/2 x 640K 40/80T DS) with built in monitor stand ..... £263 (a)

PD800 (2 x 400K/2 x 640K 40/80T DS) ..... £245 (a)

TD800 (as PD800 but without psu) ..... £226 (a)

TS400 1 x 400K/1 x 640K 40/80T DS ..... £114 (b)

PS400 with psu 1 x 400K/1 x 640K 40/80T DS ..... £129 (b)

**3.5" DRIVES**

1 x 400K/1 x 640K 80T DS TS35 ..... £99 (b)

PS35 1 with psu ..... £119 (b)

2 x 400K/1 x 640K 80T DS TD35 ..... £170 (b)

2 ..... £187 (b)

PD35 2 with psu ..... £187 (b)

**3M FLOPPY DISCS**

High quality discs that offer a reliable error free performance for life. Each disc is individually tested and guaranteed for life. Ten discs are supplied in a sturdy cardboard box.

**5 1/4" DISCS**

40T SS DD £10.50 (d) 40T DS DD £12.75 (d) 80T SS DD £20.00 (d)

80T SS DD £16.50 (d) 80T DS DD £16.50 (d) 80T DS DD £27.00 (d)

**3 1/2" DISCS**

**DISC ACCESSORIES**

FLOPPICLENE Disc Head Cleaning Kit with 20 disposable cleaning discs ensures continued optimum performance of the drives... 3 1/2" £16 (d), 5 1/4" £14.50 (d)

Single Disc Cable ..... £6 (d) Dual Disc Cable ..... £8.50 (d)

10 Disc Library Case ..... £1.80 (c) 30 Disc Case ..... £6 (c)

40 Disc Lockable Box ..... £8.50 (c) 100 Disc Lockable Box ..... £13 (c)

**MONITORS**

All 14" monitors now available in plastic or metal cases, please specify.

**MICROVITEC: 14" RGB**

1431 Std Res ..... £179 (a) 1431 AP Std Res ..... £195 (a)

1451 med Res ..... £225 (a) 1451 AP Med Res ..... £260 (a)

1441 Hi Res ..... £365 (a)

Swivel Base for Plastic 14" Microvitecs ..... £20 (c)

**14" RGB with PAL & Audio**

2030CS Std Res ..... £380 (a) 2040CS Hi Res ..... £685 (a)

**TAXAN SUPERVISION II** ..... £325 (a)

**TAXAN SUPERVISION III** with amber/green option, BBC & IBM ... £325 (a)

**MITSUBISHI XC1404 14" RGB Med Res IBM & BBC Compatible** ... £229 (a)

**MONOCHROME MONITORS:**

TAXAN KX1201G Hi Res 12" Etched Green Screen ..... £90 (a)

TAXAN KX1202G Hi Res 12" Long Persistence (P39) ..... £98 (a)

TAXAN KX1203A Hi Res 12" Etched Amber Screen ..... £96 (a)

PHILIPS BM7502 12" Hi Res Green Screen ..... £75 (a)

PHILIPS BM7522 12" Hi Res Amber Screen ..... £79 (a)

HANTAREX HX12 ..... £69 (a)

Swivel Base for Taxan Monochrome fitted with Digital Clock ..... £21 (c)

**ATTENTION**

All prices in this double page advertisement are subject to change without notice.

**ALL PRICES EXCLUDE VAT**

Please add carriage 50p unless indicated as follows:

(a) £8 (b) £2.50 (c) £1.50 (d) £1.00

**SPECIAL OFFER**

2764-25 ..... £2.00

27128-25 ..... £2.50

6264LP-15 ..... £3.40

**PRINTERS**

EPSON

LX86NLQ (80 col) ..... £229 (a)

FX85 (80col) NLQ 8K RAM ..... £315 (a)

FX105 (136col) ..... £449 (a)

LQ800 (80col) ..... £459 (a)

LQ1000 (136col) ..... £659 (a)

JX80 4 colour ..... £420 (a)

TAXAN KP10 (80col) NLQ £219 (a)

TAXAN KP91 (156col) ..... £389 (a)

**NATIONAL PANASONIC KXP1080** (80col) ..... £159 (a)

STAR NL10 (Parallel I'face) ..... £239 (a)

STAR NL10 (Serial I'face) ..... £279 (a)

JUKI 6100 Daisy ..... £249 (a)

BROTHER HR15 Daisy Wheel ..... £299 (a)

CANNON PJ1080A (Colour) ..... £409 (a)

INTEGREX Inkjet Colour ..... £549 (a)

EPSONH180 A4 Plotter ..... £325 (a)

HITACHI 672 A3 Plotter ..... £464 (a)

**Paper:**

2000 Sheets Fanfold:

9.5" x 11" ..... £13 (b)

14.5" x 11" ..... £18.50 (b)

Labels: (per 1000)

3.5" x 17/16" Single row ..... £5.25 (d)

27/16" x 17/16" Triple row ..... £5.00 (d)

**ACCESSORIES**

EPSON

FX plus sheet feeder ..... £129.00 (b)

LX80 Sheet feeder ..... £48.00 (b)

Paper Roll Holder ..... £17.00 (d)

FX80 Tractor attachment ..... £37.00 (c)

Interfaces: 8143 RS232 ..... £28.00 (c)

8148 RS232 + 2K ..... £57.00 (c)

8132 Apple II ..... £90.00 (c)

8165 IEEE + cable ..... £85.00 (c)

Serial & Parallel Interfaces with larger buffers available.

Ribbons: RX/FX/MX80 ..... £5.00 (d)

RX/FX/MX100 ..... £10.00 (d)

LX80 ..... £8.00 (d)

Spare pens for H180 ..... £7.50/set (d)

FX80 Tractor Attachment £37 (c)

**KAGA TAXAN**

RS232 Interface + 2K Buffer ..... £85 (c)

Ribbon KP810/910 ..... £8.00 (d)

JUKI:

RS232 Interface ..... £85 (c)

Spare Daisy Wheel ..... £14.00 (d)

Ribbon ..... £2.50 (d)

Sheet Feeder ..... £182 (a)

Tractor Feed Attachment ..... £129 (a)

**BROTHER HR15:**

Sheet Feeder ..... £189 (a)

Tractor Feeder ..... £99 (a)

Ribbons Carbon or Nylon ..... £4.50 (d)

Red Correction Ribbon ..... £2.00 (d)

**BBC Printer Lead:**

Parallel (42") ..... £7.00 (d)

Serial ..... £7.00 (d)

Printer Leads can be supplied to any length.

**MODEMS**

All modems listed below are BT approved

**MIRACLE 3000:**

MIRACLE WS2000 V21/23 Manual ..... £99 (b)

MIRACLE WS4000 V21/23. (Hayes Compatible, Intelligent, Auto Dial/Auto Answer) ..... £149 (b)

MIRACLE WS3000 V21/V23 As WS4000 and with BELL standards and battery pack up for memory ..... £275 (b)

MIRACLE WS3000 V22 As WS3000 V21/V23 but with 1200 baud full duplex ..... £475 (a)

MIRACLE WS3000 V22 bis As V22 and 2400 baud full duplex ..... £629 (a)

MIRACLE WS3022 As WS3000 but with only 1200/1200 ..... £395 (a)

MIRACLE WS3024 As WS3000 but with only 2400/2400 ..... £570 (b)

DATA Cable for WS series/PC or XT ..... £10 (d)

**DATATALK Comms Package** 'If purchased with any of the above modems' ..... £70 (c)

**PACER Nightingale Modem** V21/V23 Manual ..... £95 (b)

**Serial Test Cable**

Serial Cable switchable at both ends allowing pin options to be re-routed or linked at either end using a 10 way switch making it possible to produce almost any cable configuration on site.

Available as M/M or M/F ..... £24.75 (d)

**Serial Mini Patch Box**

Allows an easy method to reconfigure pin functions without rewiring the cable assy.

Jumpers can be used and reused. ..... £22 (d)

**Serial Mini Test**

Monitors RS232C and CCITT V24 Transmissions, indicating status with dual colour LEDs on 7 most significant lines.

Connects in Line. ..... £22.50 (d)

**CONNECTOR SYSTEMS**

**GANG OF EIGHT INTELLIGENT FAST EPROM COPIER**

Copies up to eight eproms at a time and accepts all single rail eproms up to 27256. Can reduce programming time by 80% by using manufacturer's suggested algorithms. Fixed Vpp of 21 & 25 volts and variable Vpp factory set at 12.5 volts. LCD display with alpha moving message. £395(b)

**SOFTY II**

This low cost intelligent eprom programmer can program 2716, 2516, 2532, 2732, and with an adaptor, 2564 and 2764. Displays 512 byte page on TV - has a serial and parallel I/O routines. Can be used as an emulator, cassette interface.

Softy II ..... £195(b)

Adaptor for 2764/2564. £25.00(c)

**UV ERASERS**

All erasers with built-in safety switch and mains indicator.

UV1 B erases up to 6 eproms at a time. .... £47(c)

UV1 T as above but with a timer ..... £59(c)

UV140 erases up to 14 eproms at a time. .... £85 (b)

UV141 as above but with a timer. .... £88 (b)

**I.D. CONNECTORS**

(Speedblock Type)

No of ways	Header	Plug	Recept	Edge	Conn.
10	90p	85p	120p		
20	145p	125p	195p		
26	175p	150p	240p		
34	200p	160p	320p		
40	220p	190p	340p		
50	235p	200p	390p		

**D CONNECTORS**

No of Ways

9 15 25 37

**MALE:**

Ang.Pins	120	180	230	350
Solder	60	85	125	170
IDC	175	275	325	-

**FEMALE:**

St Pin	100	140	210	380
Ang.pins	160	210	275	440
Solder	90	130	195	290
IDC	195	325	375	-
St Hood	90	95	100	120
Screw	130	150	175	-
Lock				

**TEXTPOOL ZIF**

SOCKETS	24-pin	£7.50
	28-pin	£9.00
	40-pin	£12

**EDGE CONNECTORS**

	0.1"	0.156"
2 x 6-way (commodore)	150p	300p
2 x 10-way	—	—
2 x 12-way (vic 20)	—	350p
2 x 18-way	—	140p
2 x 23-way (ZX81)	175p	220p
2 x 25-way	225p	220p
2 x 28-way (Spectrum)	200p	—
2 x 36-way	250p	—
1 x 43-way	260p	—
2 x 22-way	190p	—
2 x 43-way	395p	—
1 x 77-way	400p	500p
2 x 50-way (S100conn)	600p	—

**EURO CONNECTORS**

DIN 41612	Plug	Socket
2 x 32 way St Pin	230p	275p
2 x 32 way Ang Pin	275p	320p
3 x 32 way St Pin	260p	300p
3 x 32 way Ang Pin	375p	400p
IDC Skt A + B	400p	—
IDC Skt A + C	400p	—

For 2 x 32 way please specify spacing (A + B, A + C).

**MISC CONNS**

21 pin Scart Connector	200p
8 pin Video Connector	200p

**AMPHENOL CONNECTORS**

	Solder	ZDC
36 way plug	500p	475p
36 way skt	550p	500p
24 way plug	—	—
24 way skt	475p	475p
24 way skt	500p	500p
PCB Mtg Skt Ang Pin	—	—
24 way 700p	36way	750p

**GENDER CHANGERS**

25 way D type	
Male to Male	£10
Male to Female	£10
Female to Female	£10

**RS 232 JUMPERS**

	(25 way D)	£
24" Single end Male		£5.00
24" Single end Female		£5.25
24" Female Female		£10.00
24" Male Male		£9.50
24" Male Female		£9.50

**RIBBON**

(grey/metre)			
10-way	40p	34-way	160p
16-way	60p	40-way	180p
20-way	85p	50-way	200p
26-way	120p	64-way	280p

**DIL HEADERS**

	Solder	IDC
14 pin	40p	100p
16 pin	50p	110p
18 pin	60p	—
20 pin	75p	—
24 pin	100p	150p
28 pin	160p	200p
40 pin	200p	225p

**TECHNOLINE VIEWDATA SYSTEM**

Using 'Prestel' type protocols for information and orders phone 01-450 9764. 24 hour service, 7 days a week.

74 SERIES		74181	340p	74LS162A	75p	74S08	50p	4053	85p
7400	30p	74182	140p	74LS163A	75p	74S10	50p	4066	40p
7401	30p	74184	180p	74LS164	75p	74S11	75p	4067	230p
7402	30p	74185A	180p	74LS165A	110p	74S20	60p	4068	25p
7403	30p	74190	130p	74LS166A	180p	74S22	60p	4069	24p
7404	30p	74191	130p	74LS168	130p	74S30	50p	4070	24p
7405	30p	74192	110p	74LS169	100p	74S32	60p	4071	24p
7406	30p	74193	110p	74LS170	140p	74S37	60p	4072	24p
7407	30p	74194	110p	74LS173A	100p	74S38	60p	4073	24p
7408	30p	74195	80p	74LS174	75p	74S40	50p	4075	24p
7409	30p	74196	130p	74LS175	75p	74S45	45p	4076	25p
7410	30p	74197	110p	74LS181	200p	74S48	45p	4077	25p
7411	30p	74198	220p	74LS183	190p	74S74	70p	4078	25p
7412	30p	74199	220p	74LS190	75p	74S85	550p	4081	24p
7413	30p	74201	110p	74LS191	75p	74S86	100p	4082	24p
7414	30p	74202	110p	74LS192	80p	74S112	120p	4085	60p
7415	30p	74203	110p	74LS193	80p	74S114	120p	4086	60p
7416	30p	74204	110p	74LS194	75p	74S114	120p	4089	75p
7417	30p	74205	110p	74LS195A	75p	74S124	300p	4093	35p
7418	30p	74206	110p	74LS196	80p	74S132	100p	4094	90p
7419	30p	74207	110p	74LS197	80p	74S133	100p	4095	90p
7420	30p	74208	110p	74LS221	90p	74S138	180p	4096	90p
7421	30p	74209	110p	74LS240	80p	74S138	180p	4097	270p
7422	30p	74210	110p	74LS241	80p	74S139	180p	4098	75p
7423	30p	74211	110p	74LS242	90p	74S140	100p	4099	90p
7424	30p	74212	110p	74LS243	90p	74S151	150p	4501	36p
7425	30p	74213	110p	74LS244	70p	74S153	150p	4502	55p
7426	30p	74214	110p	74LS245	90p	74S157	200p	4503	36p
7427	30p	74215	110p	74LS247	110p	74S158	200p	4504	85p
7428	30p	74216	110p	74LS248	110p	74S163	200p	4505	36p
7429	30p	74217	110p	74LS249	110p	74S169	550p	4506	90p
7430	30p	74218	110p	74LS251	75p	74S174	300p	4507/4030	
7431	30p	74219	110p	74LS253	75p	74S175	320p	4508	120p
7432	30p	74220	110p	74LS256	90p	74S188	180p	4508	120p
7433	30p	74221	110p	74LS257A	70p	74S189	180p	4510	55p
7434	30p	74222	110p	74LS258A	70p	74S194	300p	4511	55p
7435	30p	74223	110p	74LS259	120p	74S195	350p	4512	55p
7436	30p	74224	110p	74LS260	75p	74S196	350p	4513	150p
7437	30p	74225	110p	74LS261	120p	74S200	450p	4514	110p
7438	30p	74226	110p	74LS262	60p	74S201	320p	4515	110p
7439	30p	74227	110p	74LS263	125p	74S225	500p	4516	55p
7440	30p	74228	110p	74LS270	70p	74S240	400p	4517	220p
7441	30p	74229	110p	74LS280	190p	74S241	400p	4518	480p
7442	30p	74230	110p	74LS283	80p	74S244	400p	4519	32p
7443	30p	74231	110p	74LS290	80p	74S251	250p	4520	60p
7444	30p	74232	110p	74LS292	£14	74S257	250p	4521	115p
7445	30p	74233	110p	74LS293	80p	74S258	250p	4522	80p
7446	30p	74234	110p	74LS295	140p	74S260	100p	4526	70p
7447	30p	74235	110p	74LS297	£14	74S261	300p	4527	80p
7448	30p	74236	110p	74LS298	100p	74S283	270p	4528	65p
7449	30p	74237	110p	74LS299	220p	74S287	225p	4529	100p
7450	30p	74238	110p	74LS321	370p	74S288	200p	4531	75p
7451	30p	74239	110p	74LS323	300p	74S289	225p	4532	85p
7452	30p	74240	110p	74LS324	320p	74S299	450p	4534	380p
7453	30p	74241	110p	74LS348	200p	74S373	400p	4536	250p
7454	30p	74242	110p	74LS352	120p	74S374	400p	4538	75p
7455	30p	74243	110p	74LS353	120p	74S387	225p	4539	75p
7456	30p	74244	110p	74LS354	210p	4541	90p	4541	90p
7457	30p	74245	110p	74LS356	180p	4543	90p	4543	90p
7458	30p	74246	110p	74LS357	180p	4545	100p	4545	100p
7459	30p	74247	110p	74LS358	50p	4000	20p	4555	240p
7460	30p	74248	110p	74LS360	50p	4001	20p	4556	240p
7461	30p	74249	110p	74LS362	50p	4002	25p	4557	240p
7462	30p	74250	110p	74LS363	50p	4003	25p	4558	240p
7463	30p	74251	110p	74LS364	50p	4004	25p	4559	240p
7464	30p	74252	110p	74LS365	50p	4005	25p	4560	240p
7465	30p	74253	110p	74LS366	50p	4006	25p	4561	240p
7466	30p	74254	110p	74LS367	50p	4007	25p	4562	240p
7467	30p	74255	110p	74LS368	50p	4008	25p	4563	240p
7468	30p	74256	110p	74LS370	50p	4009	25p	4564	240p
7469	30p	74257	110p	74LS373	70p	4010	25p	4565	240p
7470	30p	74258	110p	74LS374	70p	4011	25p	4566	240p
7471	30p	74259	110p	74LS375	75p	4012	25p	4567	240p
7472	30p	74260	110p	74LS377	130p	4009	45p	4568	240p
7473	30p	74261	110p	74LS378	130p	4010	45p	4569	240p
7474	30p	74262	110p	74LS379	130p	4011	45p	4570	240p
7475	30p	74263	110p	74LS381	450p	4012	45p	4571	240p
7476	30p	74264	110p	74LS385	325p	4013	35p	4585	80p
7477	30p	74265	110p	74LS390	60p	4014	60p	4724	150p
7478	30p	74266	110p	74LS393	100p	4015	70p	14411	750p
7479	30p	74267	110p	74LS396A	100p	4016	35p	14412	750p
7480	30p	74268	110p	74LS399	140p	4017	55p	14416	300p
7481	30p	74269	110p	74LS445	180p	4018	60p	14419	280p
7482	30p	74270	110p	74LS465	120p	4019	80p	14490	420p
7483	30p	74271	110p	74LS467	120p	4020	80p	14495	450p
7484	30p	74272	110p	74LS490	150p	4021	80p	14500	500p
7485	30p	74273	110p	74LS494	100p	4022	70p	14599	200p
7486	30p	74274	110p	74LS541	100p	4023	30p	22100	350p
7487	30p	74275	110p	74LS608	70p	4024	48p	22101	700p
7488	30p	74276	110p	74LS610	£25	4025	24p	22102	700p
7489	30p	74277	110p	74LS612	£25	4026	90p	40014/4584	
7490	30p	74278	110p	74LS624	300p	4027	40p	40106	45p
7491	30p	74279	110p	74LS626	225p	4028	60p	40107	50p
7492	30p	74280	110p	74LS628	225p	4029	75p	40085	120p
7493	30p	74281	110p	74LS629	125p	4030	35p	40097	35p
7494	30p	74282	110p	74LS640	200p	4031	125p	40098	40p
7495	30p	74283	110p	74LS640-1	45p	4032	100p	40100	150p
7496	30p	74284	110p	74LS641	45p	4033	125p	40101	125p
7497	30p	74285	110p	74LS641-1	150p	4034	250p	40102	135p
7498	30p	74286	110p	74LS642-1	70p	4035	70p	40103	200p
7499	30p	74287	110p	74LS643	250p	4036	70p	40104	200p
7500	30p	74288	110p	74LS643-1	4038	4037	110p	40105	200p
7501	30p	74289	110p	74LS644	300p	4038	100p	40106	48p
7502	30p	74290	110p	74LS645	300p	4039	250p	40107	50p
7503	30p	74291	110p	74LS645-1	4040	4040	60p	40108	32p
7504	30p	74292	110p	74LS646	200p	4041	55p	40109	20p
7505	30p	74293	110p	74LS645-1	4042	4042	50p	40110	225p
7506	30p	74294	110p	74LS668	90p	4043	60p	40114	225p
7507	30p	74295	110p	74LS669	90p	4044	60p	40117	280p
7508	30p	74296	110p	74LS670	170p	4045	100p	40163	100p
7509	30p	74297	110p	74LS672	250p	4046	80p	40173	120p
7510	30p	74298	110p	74LS682	350p	4048	55p	40174	100p
7511	30p	74299	110p	74LS683	350p	4049	35p	40175	100p
7512	30p	74300	110p	74LS687	350p	4050	35p	40192	100p
7513	30p	74301	110p	74LS688	350p	4050	35p	40244	150p
7514	30p	74302	110p	74LS783	£16	4051	85p	40245	150p
7515	30p	74303	110p	74LS783	£16	4051	85p	40245	150p
7516	30p	74304	110p	74LS783	£16	4051	85p	40245	150p
7517	30p	74305	110p	74LS783	£16	4051	85p	40245	150p
7518	30p	74306	110p	74LS783	£16	4051	85p	40245	150p
7519	30p	74307	110p	74LS783	£16	4051	85p	40245	150p
7520	30p	74308	110p	74LS783	£16	4051	85p	40245	150p

### LINEAR ICs

AD7581	£18	LM710	40p	TBA820M	75p
AD7581	1180p	LM711	40p	TBA820M	75p
AD7581	1180p	LM723	40p	TBA850	220p
AD7581	1180p	LM725CN	400p	TBA850	220p
AD7581	1180p	LM731	40p	TBA850	220p
AD7581	1180p	LM741	22p	TBA850	220p
AD7581	1180p	LM747	70p	TBA850	220p
AD7581	1180p	LM748	30p</		

# FOUR CHANNEL ENHANCER

BY THE PROF

*Four-way sound is still around*

*There are several ways of designing a four-channel audio system so that stereo material gives an effective "sound around" effect.*

I SUPPOSE it must be more than ten years ago now that quadrasonic hi-fi systems first became available, and not very much less than that since all the various systems became obsolete. Although it might seem that people who purchased quadrasonic hi-fi equipment were left high and dry when the systems all failed and were dropped by their respective manufacturers, things were not quite that bad. Apart from the fact that the four channel equipment was all usable as standard stereo equipment (albeit rather expensive stereo equipment for its specifications), most of it could be used to give a pseudo quadrasonic effect from an ordinary stereo source. Indeed, with some systems there seemed to be little subjective difference between the correct 4 channel encoded source material and many stereo sources. Thus, although quadrasonic equipment is officially dead and buried, there are still many hi-fi enthusiasts who use 4 channel equipment, with proper 4 channel sources where possible and with stereo sources to provide quadrasonic simulation the rest of the time.

The generally accepted reason for the demise of 4 channel systems was the lack of standardisation with three main systems being launched, and various other systems following on. To make matters worse there was no obvious front runner which looked a safe bet for anyone wishing to invest in a 4 channel system. Another deterrent to would-be purchasers was the problem of housing four loudspeakers plus the hi-fi units themselves. Fitting a stereo unit into the average lounge can be difficult, and with a 4 channel system things are that much worse. Certainly a lack of performance was not the cause of the failure, and even the most simple of pseudo 4 channel systems, given suitable stereo source material, can provide an effect which leaves ordinary stereo rather flat and lifeless. It would probably be an exaggeration to say that a pseudo 4 channel system (or even most genuine 4 channel systems) give a true 'just like you were really there' effect, but they are generally much closer to this than two channel stereo.



## PASSING PHASE

Most of the obsolete 4 channel systems operated using a system of phasing to encode the four channels into two and then decode them back into four again. Systems of this type are less than perfect in that they only provide limited channel separation between certain channels, but they can still provide quite a good surround sound effect. They are based on the 'Hafler' method of 4 channel synthesis, and this uses the arrangement shown in Fig. 1.

This system is extremely simple, and requires nothing more than the addition of an extra pair of loudspeakers. The front pair of loudspeakers are connected to the amplifier in the normal way, but the rear speakers are wired in series across the non-earthly outputs of the amplifier with no connection to the earth output terminals at all. It should be pointed out that this arrangement will only work with amplifiers that have one output of each channel connected to earth (which the vast majority do). The normal 4 channel speaker arrangement is to have one loudspeaker in each corner of the room with the listener somewhere near the centre of the room, but there are other possibilities, and some people prefer a listening position well back, virtually between the rear speakers. The system will in fact operate with just one rear loudspeaker positioned behind the listener, but the effect is generally more satisfactory using the arrangement of Fig. 1.

On the face of it this system is not likely to give very good results, with little signal being fed to the rear speakers. The power fed to the rear speakers is indeed less than that fed to the front pair, since signals at the centre of the sound stage are produced by in-phase signals in the stereo channels. In-phase signals will produce little or no voltage difference across the non-earthly output terminals (depending on their relative amplitudes), causing the centre of the sound stage to be reproduced at greatly reduced volume. The sides of the sound stage are produced by signals in only the appropriate channel, and these will provide a strong voltage difference across the rear speakers. They are still reproduced at reduced power though, since the series impedance of the two loudspeakers is obviously double that of a single loudspeaker, giving only half the current flow and output power. What makes the system effective is the fact that some sounds are picked up by the microphones after being reflected off walls, or by microphones intended for other sounds. The point about these signals that are produced by accident rather than design is that they appear in only one channel or randomly phased in both channels. Some of them will therefore appear in both channels and out of phase. This effectively adds together the signal voltage in each channel so that a relatively strong output is produced across the rear speakers.

# MICRONTA®

## NEW PRECISION MULTITESTERS



Ⓐ £49<sup>95</sup>

Ⓑ £29<sup>95</sup>

### Ⓐ 23-Range Digital Multitester

Features "beep" continuity test, diode-check mode. Measures to 1000 volts DC in 5 ranges, 500 volts AC in 4 ranges (accurate 45 Hz to 10 kHz). AC/DC current to 10A in 4 ranges, each. Resistance to 30 megohms in 6 ranges. Fold-out stand for bench-top use or for hanging up. Measures: 6<sup>3</sup>/<sub>4</sub> x 3<sup>1</sup>/<sub>16</sub> x 1<sup>1</sup>/<sub>4</sub>". Fused and overload protected. Requires 4 "AA" batteries. Cat. No. 22-185

### Ⓑ 43-Range Multitester

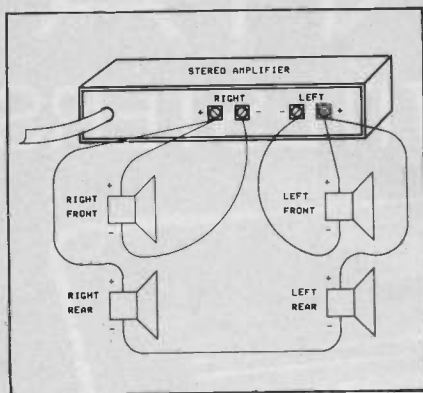
50,000 ohms per volt DC sensitivity. Volts/amps range-doubler switch provides extra resolution for more accuracy, "beep" continuity check. Large 4<sup>1</sup>/<sub>2</sub>" mirrored scale. Measures to 1000 volts DC, 1000 volts AC, DC to 10 amps. Resistance to 20 megohms (10 ohms centre scale). Decibels: -20 to +62). Fused and overload protected. Measures: 6<sup>1</sup>/<sub>16</sub> x 4<sup>7</sup>/<sub>8</sub> x 2<sup>3</sup>/<sub>8</sub>". Requires 9v and "AA" battery. Cat. No. 22-214

# Tandy®

For The Best In High Quality Electronics

Over 300 Tandy Stores And Dealerships Nationwide.  
See Yellow Pages For Address Of Store Nearest You

Tandy UK, Tandy Centre, Leamore Lane, Bloxwich, Walsall, West Midlands. WS2 7PS



**Fig. 1.** The most basic 4 channel set-up

The signal from the rear speakers is therefore a weaker version of the signal from the front speakers, but with severely attenuated 'middle' and increased ambience. There is zero channel separation from the rear speakers, but they are connected in antiphase which tends to spread the rear image out across the rear of the room rather than focussing it mid-way between the two loudspeakers. It is the increased ambience on the rear channel signals that gives the more spacious 'large hall' type sound, and the relative weakness of the rear signals is no great disadvantage as the signals reflected from the rear of a hall are much weaker than the direct sounds.

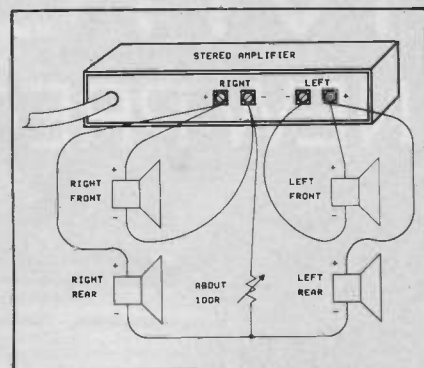
There are various improved versions of the system, such as the one shown in Fig. 2. Here a low value (and high power) variable resistance has been added from the junction of the rear speakers to an earth terminal on the amplifier. With the variable resistor set at maximum value there is very little current flow through it, and for practical purposes the system operates as a standard 'Hafler' style 4 channel system. With the variable resistance set at zero resistance the signals fed to the rear speakers are identical to the signals fed to the front speakers. Between these two extremes a compromise can be obtained with increased ambience but some degree of rear channel separation.

Both the systems described so far place additional loading on the amplifier, especially this second system, and are only to be recommended where an amplifier is normally used well within its maximum power rating. A safer way of doing things is to generate the rear signals using a differential amplifier and an inverter, and in conjunction with a second stereo amplifier this also the advantage of enabling the volume from the rear channels to be controlled.

## ENHANCED SYSTEM

Synthesised 4 channel systems provide a lot of scope for the electronics experimenter, and it is a subject which I would recommend anyone interested in hi-fi to at least give a quick try out. The rear speakers do not need to be of equal quality to the front pair in order to give good results, and when upgrading the speakers or amplifier of a system it could be well worthwhile hanging on to the old equipment and using it for 4 channel experiments. It has to be emphasized that the effectiveness of a pseudo 4 channel system is largely dependent on how well (or otherwise) the programme source co-operates with the 4 channel synthesis process. Some programme material is much more effective than other material, and it is generally something like large scale orchestral works that give the best results. However, good results can be obtained with many types of stereo source material, including purely electronically generated music where artificial reverberation and similar techniques often help to give a good effect. The synthesised seagulls in Jean Michel Jarre's 'Oxygene' for example, can be very effective in pseudo 4 channel reproduction.

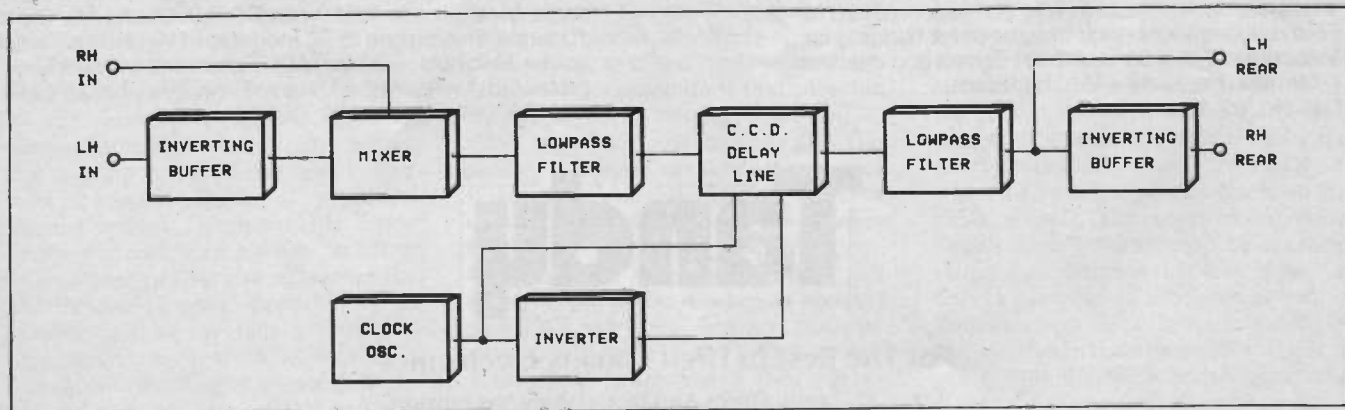
There are various possible ways of attempting to produce an enhanced quasi 4 channel effect, but these are mostly methods of producing artificial reverberation for use as the rear channel signals, or to be added to 'Hafler' style rear channels. A system which is reason-



**Fig. 2.** An improved 4 channel arrangement

ably simple but which can be quite effective, is to generate standard 'Hafler' rear channel signals, but to then delay these signals rather than feeding them direct to the rear channel amplifier. This is much the same as moving the rear speakers back, with the effective retreat of the loudspeakers depending on the delay used. Sound travels at roughly 1 metre every 3 milliseconds, and a delay of around 30 milliseconds would therefore be sufficient to give an effective shift of 10 metres. A delay of this order is not too difficult to obtain using a CCD (charge coupled device) delay line. The point of this system is that it overcomes the main problem of the basic system in that there is very little front to rear separation. Although the ambience signals are present and relatively strong on the rear channels, the straightforward front channel signals are also there and at quite a high level. The delaying of the rear signal does not greatly affect the ambience signals, but it turns the normal stereo signals at the rear into a sort of short echo signal, simulating the signals that are reflected to the listener after a single bounce off a wall or the ceiling of the concert hall.

The block diagram of Fig. 3 shows the general set-up required for an enhanced 4 channel system of this type. At the input there is a two input mixer with one input fed direct with the right hand channel signal and the other fed from the left hand channel via an inverter.



**Fig. 3.** Block diagram for the 4 channel enhancer

# FOUR CHANNEL ENHANCER

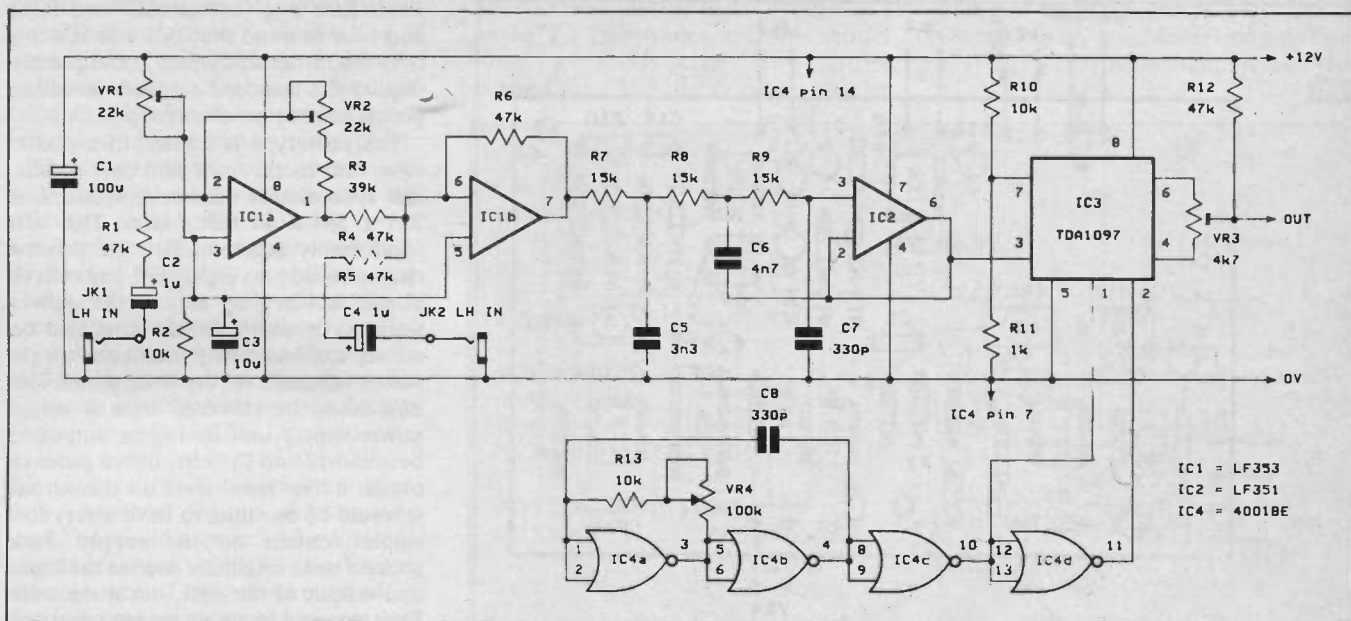


Fig.4. The main circuit diagram for the 4 channel enhancer

These form a differential amplifier which phases out the in-phase input signals and generates the basic pseudo 4 channel rear signal.

Of the remaining stages all but one are concerned with the delay line. At the centre of things is the CCD delay line chip itself, and this is a standard 'bucket brigade' type which uses a series of electronic switches to pass input samples along a chain of charge storage capacitors and eventually to the output. Operation of CCD delay lines is something that has been covered on more than one previous occasion in this magazine, and it is not something that we will consider in great detail here.

The delay time is governed by the number of stages in the delay line chip, and the rate at which the input samples are passed down the chain of capacitors (the latter being controlled by an external clock oscillator). The delay time is equal to the number of stages in the delay line divided by double the clock frequency. CCD delay lines require a two-phase clock signal, and do not normally seem to have any built-in

circuitry to generate the second phase. An external inverter is therefore needed for this purpose.

The maximum input frequency to the delay line must be no more than half the clock frequency, and should preferably be less than one third of the clock frequency. This is necessary in order to avoid a severe form of distortion called aliasing distortion. It is also important to ensure that no high frequency signals (due to stray pick up of radio signals for example) enter the delay line as they could react with the clock signal or its harmonics to produce heterodyne tones. A lowpass filter is therefore used ahead of the delay line chip.

Another lowpass filter is used at the output of the delay line. This is needed due to the stepped nature of the output signal which switches straight from one sample voltage to the next. The output lowpass filter smoothes out the steps and also helps to keep any breakthrough of the clock signal to an insignificant level. The output filter is followed by an inverter which produces the out of phase signals for the second rear speaker.

## PRACTICAL CIRCUIT

The main circuit diagram for a practical enhanced pseudo 4 channel unit appears in Fig. 4, with the circuit of output filter and inverter stages shown separately in Fig. 5.

Starting with the main circuit, IC1a is the unity gain inverting amplifier and IC1b operates as the mixer (which is a conventional summing mode type). VR2 enables the gain of the inverting amplifier to be trimmed to optimise the attenuation of in-phase equal amplitude signals. VR1 merely sets the quiescent bias level, and as the circuit is largely d.c. coupled it sets the bias level for several stages of the unit including the delay line. It is adjusted to give optimum large signal handling capability from the circuit as a whole.

The input lowpass filter is a three pole (18dB per octave) type based on IC2 and having a cutoff frequency at approximately 7.5kHz. This gives a bandwidth which encompasses considerably less than the full 20kHz audio bandwidth, but this is acceptable

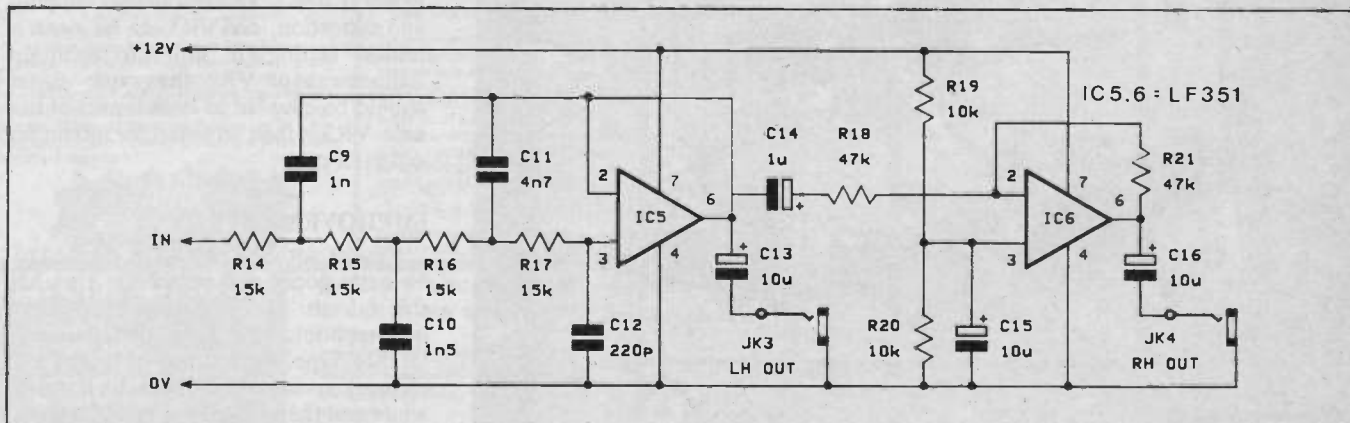


Fig.5. The output filter and inverter circuits



# FOUR CHANNEL ENHANCER

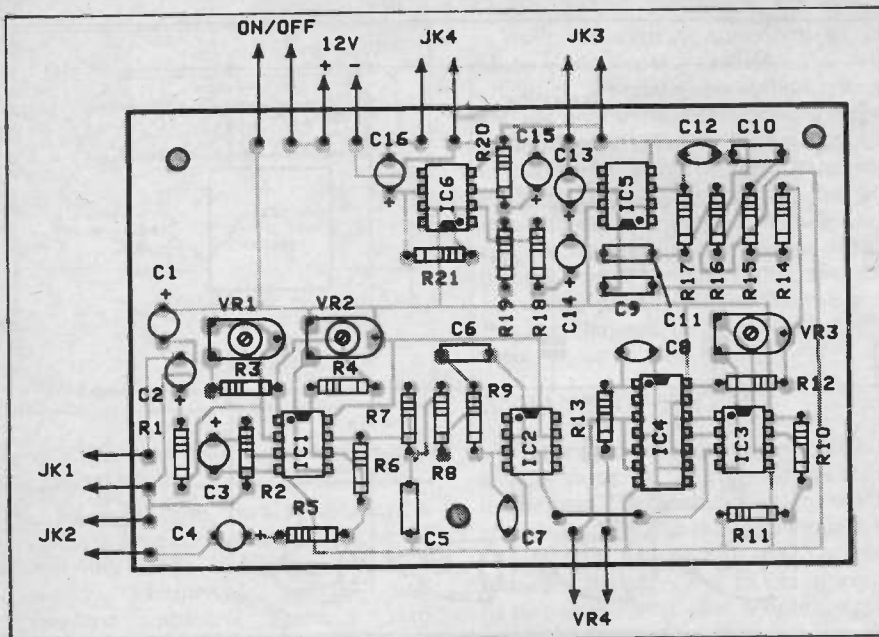


Fig. 6. Details of the printed circuit board

in the present application. The high frequency sounds in a concert hall tend to be absorbed more than the lower frequencies during the reverberation process, and a reduction in the high frequency content on the rear channels is something that could be usefully introduced anyway.

In this case the main reason for setting the cutoff frequency quite low is to permit a fairly low clock frequency to be used. The clock oscillator is a standard CMOS astable circuit with a spare gate of IC4 being used as an inverter to generate the second clock phase. VR4 enables the clock frequency to be varied from around 16kHz at maximum resistance to over 100kHz at minimum resistance. IC3 is the delay line chip, and this is a TDA1097 1536 stage type. This gives a delay time which can be varied by VR4 from a maximum of about 48ms down to a minimum of about 6ms. The output from IC3 is taken from the final two stages with VR3 acting as a simple

passive mixer to combine these two output signals. VR3 can be adjusted to balance out and minimise any clock glitches at the output.

Turning to Fig. 5 now: the output filter is a four pole (24dB per octave type having IC5 as the buffer stage and a cutoff frequency of approximately 7.5kHz. IC6 is the unity voltage gain inverting amplifier which generates the antiphase signal for the second rear speaker. In fact this stage is not strictly necessary, and if preferred the output from JK3 can be used for both rear channels with one of the rear speakers then being connected with reversed phasing.

## CONSTRUCTION

As results with the circuit were suitably encouraging a printed circuit design for those who would like to try out the unit is provided in Fig. 6. Construction of the board is pretty straightforward, but do not overlook the

single link wire (between C7 and R11) and bear in mind that IC3 and IC4 are both MOS devices which consequently require the standard antistatic handling precautions to be observed.

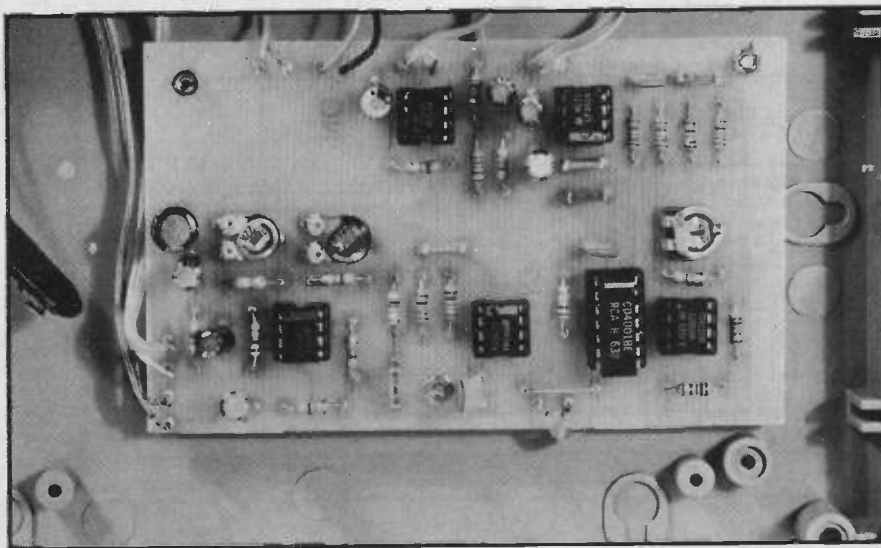
The prototype is housed in a plastic case with metal front and rear panels, and approximate outside dimensions of 205 x 140 x 40 millimetres. This will comfortably accommodate the printed circuit board plus eight HP7 size cells in plastic holders to act as the power source. An on/off switch must also be added, and I used a sub-miniature toggle switch mounted on the front panel. The unit could be powered from a mains power supply unit having an output of between 12 and 15 volts, but in order to obtain a low 'hum' level on the output it would be essential to have a very low ripple content on the supply. Jack sockets were originally used at the input and output of the unit, but these were later changed to phono sockets, and you should obviously use whatever type of socket will best suit your particular hi-fi set up. It might be helpful to add a pair of sockets in parallel with the input sockets, to act as front channel output sockets. This depends on the exact manner in which the unit is to be fitted into the hi-fi system. The circuit can accommodate a maximum input level of about 1.5 volts RMS, and in order to obtain a good signal to noise ratio it must be used with a signal level that is something approaching this figure. Most tape decks, compact disc players, preamplifiers, etc. provide a suitable output level, but the unit cannot be used successfully by feeding it direct from a low level source such as a magnetic cartridge.

## ADJUSTMENT

If an audio signal generator and an oscilloscope are available, VR1 is adjusted to produce symmetrical clipping with an input level of around 1.5 to 2 volts RMS. VR3 is adjusted to minimise the clock breakthrough at the output. In the absence of suitable test equipment VR1 can simply be given any setting that gives an audio output signal which is free from any obvious clipping and distortion, and VR3 can be given a middle setting. In order to facilitate adjustment of VR2 the same signal should be coupled to both inputs of the unit. VR2 is then adjusted for minimum output signal.

## IMPROVEMENTS

Results with the prototype seemed to be quite good, and personally I prefer this form of enhanced pseudo quadrasonic effect to the standard 'Hafler' type. A good way of testing a 4 channel system is to listen to it for a while and then cut off the rear channels. If it is working well this should cause the sound image to collapse around you



# FOUR CHANNEL ENHANCER

to an ordinary stereo type which will sound very unrealistic by comparison. It is an effect that is difficult to describe well, but once you have heard it you will know exactly what I mean, and may well be hooked on 4 channel systems for life.

The effect will probably sound at its best with VR4 set for maximum delay, although there will probably be a noticeable reduction in the noise level if it is backed-off slightly from this setting. The signal to noise ratio of the unit is generally quite good, but is not equal to the best of modern hi-fi equipment. An obvious improvement to the unit would be to use a compander noise reduction system around the delay line, and using a circuit based on an NE570 or NE571 this is not difficult to implement these days. Another obvious improvement would be to add a second delay line chip to permit longer delays to be achieved, although when I tried this I must admit that it did not seem to make a great deal of difference to the effect. The next stage of development would be to add more delay line chips to give what would effectively be a tapped delay line, and then with the appropriate feedback loops this could be used to give a complex reverberation effect. The RS data sheet for the TDA1097 (sheet No. 5516) includes a sound enhancer circuit

built around four of these devices and an NE571 compander, and this should form a good basis for further experiment. The data sheet can be

obtained from Electomail Ltd., free of charge, but a C4 size addressed envelope bearing two first class stamps is required.

PE

## COMPONENTS . . .

### RESISTORS

R1,R4,R5,R6,  
R12,R18,R21 47k (7 off)  
R2,R10,R13,  
R19,R20 10k (5 off)  
R3 39k  
R7,R8,R9,R14,  
R15,R16,R17 15k (7 off)  
R11 1k  
All resistors 0.25W 5% carbon

### POTENTIOMETERS

VR1,VR2 22k sub-min hor  
preset (2 off)  
VR3 4k7 sub-min hor  
preset  
VR4 100k lin

### CAPACITORS

C1 100µ 16Vradial  
elect  
C2,C4,C14 1µ 63Vradial  
elect (3 off)  
C3,C13,C15,C16 10µ 25Vradial

C5

C6,C11

C7,C8

C9

C10

C12

elect (4 off)

3n3 polyester  
layer

4n7 polyester  
layer

330p ceramic  
plate (2 off)

1n polyester layer

1n5 polyester  
layer

220p ceramic  
plate

### SEMICONDUCTORS

IC1 LF353  
IC2,IC5,IC6 LF351 (3 off)  
IC3 TDA1097  
IC4 4001BE

### MISCELLANEOUS

JK1,JK2,JK3,JK4 (see text); printed circuit board, PEXX; case about 205 x 140 x 40mm; power source (e.g. 8 x HP7 size cells in plastic holders); on/off switch; control knob; battery connectors; wire, etc.

INSTALL YOUR  
OWN SYSTEM  
AND SAVE

# SECURITY

MODULES  
ACCESSORIES  
KITS

**NEW**

## "PASSIVE INFRA-RED INTRUDER DETECTOR RP33"



- 12 metre detection range.
- Size only 80 x 60 x 40mm.
- 24 Detection zones.
- Wide 85° coverage.
- Switchable LED indicator.

This advanced new intrusion detector operates by detecting the body heat of an intruder moving within the detection field. The use of a dual element pyroelectric sensor means that changes in ambient temperatures are ignored, thus providing a stable and reliable performance. Easily installed in a room or hallway, the unit will provide effective detection of any intrusion. Operating from a 12V supply and consuming only 15mA it is ideal for use with the CA 1382, CA 1250 or any equivalent high quality control unit. Supplied with full instructions, its performance compares with detectors costing more than twice the price.

**ONLY  
£23.95 + V.A.T.**

**RISCOMP LIMITED**

Dept. PE 65,  
51 Poppy Road,  
Princes Risborough,  
BUCKS HP17 9DB  
Tel: (084 44) 6326



## CA 1382 An advanced control unit with automatic loop testing.



- Fully automatic siren re-set.
- Audible entry/exit warning.
- Alarm Sounded memory.
- 2 separate loop inputs + 24hr circuits.
- Built-in electronic siren.
- Easily installed, full instructions supplied.

This latest control panel provides effective and reliable control for all types of security installations. Its advanced circuitry checks the loop circuits every time it is switched on, preventing incorrect operation. Using a simple 'on/off' key switch, it is easily operated by all members of the family. In addition it provides 24 hr. personal attack protection. Housed in a steel case, it is supplied with full operating instructions.

**Only £44.95 + V.A.T.**  
Available in kit form with fully-built electronics, £39.95 + V.A.T.

Order by 'phone or mail  
or call at our showroom  
and see

**UNITS ON DEMONSTRATION**

Monday to Friday 9.00 - 5.00 p.m.  
Saturday 9.00 - 1.00 p.m.

Please add 15% VAT and 75p P&P to all UK orders  
Export no VAT - postage at cost

## Digital Ultrasonic Detector US 5063

only £13.95  
+ VAT

- 3 levels of discrimination against false alarms
  - Crystal control for greater stability
  - Adjustable range up to 25ft
  - Built-in delays
  - 12V operation
- This advanced module uses digital signal processing to provide the highest level of sensitivity whilst discriminating against potential false alarm conditions.

## Individual Enclosure SC 5063

only £2.95 + VAT

Suitable metal enclosure for housing the ultrasonic module type US 5063. Supplied with the necessary mounting pillars and screws etc.

## Control Unit CA 1250

Price £19.95  
+ VAT

This tried and tested control unit represents the finest value for money in control systems, providing the following features

- Built-in electronic siren drives 2 loud speakers
- Provides exit and entrance delays together with fixed alarm time
- Battery back-up with trickle charge facility
- Operates with magnetic switches, pressure pads, ultrasonic or I.R. units
- Anti-tamper and panic facility
- Stabilised output voltage
- 2 operating modes full alarm anti-tamper and panic facility
- Screw connections for ease of installation
- Separate relay contacts for external loads
- Test loop facility

## 500W Quartz Halogen Floodlight FL 500



only £14.95 + VAT

Whilst intended for security lighting applications, this unit is suitable for lighting patios, pathways and gardens etc. Supplied complete with 500W lamp, priced only £14.95 + VAT. Protective grill, £1.95 + VAT.

## Lighting Controller

DP 3570

only  
£13.95 + VAT

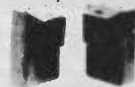
This versatile module provides timed switching of loads up to 3A for pre-set times between 10 secs and 5 mins. The timed period being triggered by the opening or closing of an external loop or switch. The built-in 12V 250mA power supply is available for operating external sensors. Priced only £13.95 + VAT. Suitable plastic enclosure £2.85 + VAT.

## HW 1250 - Enclosure & fixings for CA 1250

only £9.50 + VAT

This attractive case is designed to house the control unit CA 1250, together with the appropriate LED indicators and key switch. Supplied with the necessary mounting pillars and punched front panel, the unit is given a professional appearance by an adhesive silk screened label. Size 200 x 180 x 70mm.

## Infra-red System IR 1470



only £25.61 + VAT

Consisting of separate transmitter and receiver both of which are housed in attractive moulded cases the system provides an invisible modulated beam over distances of up to 50ft operating a relay when the beam is broken. Intended for use in security systems, but also ideal for photographic and measurement applications. Size 80 x 50 x 35mm.

## ACCESSORIES:

- AL 243 - Automatic Light Switch Switches 3A at 240V - £4.30
- VS 39 - Vibration Contact - £2.30
- IS 128 - Miniature 12V Siren provides 100db output - £5.95
- SL 157 - Siren Module - £2.95
- HS 588 - 5½" Horn Speaker for use with control unit, siren module, etc. - £6.25

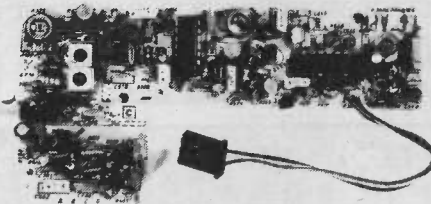
The above prices are plus V.A.T.

**Complete  
systems  
from only  
£39.95  
+ VAT**

For full information of systems and accessories, send or call for details



### CAR RADIO FM IF AND STEREO DECODER



Miniature PCB with 10.7MHz ceramic filters, 2-transformer ratio detector, AX101 noise suppression IC and TCA4500A advanced stereo decoder IC. Only needs front end to make FM tuner or car radio. Complete with circuit. Incredible value at Only £1.99

### LINSLEY HOOD 300 SERIES AMPLIFIER KITS

Ultra high quality, Mostel output, Hi-Fi amplifier kits by this famous designer. Two models of identical appearance are available, one giving 35 watts per channel output, the other 45. Careful design has made these amplifiers capable of superb sound quality. The delicacy and transparency of the tone quality enables them to outperform, on a side by side comparison, the majority of commercial amplifiers available today. Building is very easy as almost all components are fitted on easily removed printed circuit boards. Subsequent setting up needs only a simple multimeter to obtain the full specified performance. Both kits come with very comprehensive building instructions. £98.79 £102.36 £105.36

### LINSLEY-HOOD CASSETTE RECORDER CIRCUITS

Complete record and replay circuits for very high quality low noise stereo cassette recorder. Circuits are optimised for our HS16 Super Quality Sendust Alloy Head. Switched bias and equalisation to cater for chrome and ferric tapes. Very easy to assemble on plug-in PCBs. Complete with full instructions. Complete Stereo Record/Play Kit £37.70 VU Meters to suit £2.30 each Reprints of Original Articles 75p. no vat.

### STUART TAPE RECORDER CIRCUITS

Complete stereo record, replay and bias system for reel-to-reel recorders. These circuits will give studio quality with a good tape deck. Separate sections for record and replay give optimum performance and allow a third head monitoring system to be used where the deck has this fitted. Standard 250mV input and output levels. Full details are in our lists. Reprint of Original Articles. £1.30 no vat.

### HIGH QUALITY REPLACEMENT CASSETTE HEADS



Do your tapes lack treble? A worn head could be the problem. Fitting one of our replacement heads could restore performance better than new! Standard mountings make fitting easy and our TCI Test Cassette helps you set the azimuth spot on. We are the actual importers which means you get the benefit of lower prices for prime parts. Compare us with other suppliers and see! The following is a list of our most popular heads, all are suitable for use on Dolby machines and are ex-stock.

- HC20 Permalloy Stereo Head. This is the standard head fitted as original equipment on most decks £7.66
- HS16 Sendust Alloy Super Head. The best head we can find. Longer life than Permalloy, higher output than Ferrite, fantastic frequency response £14.86
- HQ551-4 Track Head for auto reverse or quadrophonic use. Full specification record and playback head £14.60
- SM166 Standard Mounting 2/2 Erase head. Compatible with above or HC551 4 Track head £5.90
- HS24 Standard Erase Head. Semi double gap, high efficiency £2.25
- HS61 Metal Tape Erase Head. Full double gap £7.35
- HX100 Special Offer Stereo R/P Heads £2.49
- HRP373 Sendust Alloy Stereo Combination Head £38.60
- HRP373 Technical Specification £15p
- HS9510 2/4 Stereo DC Erase Head £6.70
- HQ751E 4/4 Erase compatible with HQ551 £39.70

### HART TRIPLE-PURPOSE TEST CASSETTE TC1

One inexpensive test cassette enables you to set up VU level, head azimuth and tape speed. Invaluable when fitting new heads. Only £4.66 plus VAT and 50p postage.

Tape Head De-magnetiser. Handy size mains operated unit prevents build up of residual head magnetisation causing noise on playback £4.54 Curved Pole Type for inaccessible head £4.85

send for your free copy of our LISTS. Overseas please send 2 IRCs to cover surface Post or 5 IRCs for Airmail. Please add part cost of post, packing and insurance as follows.

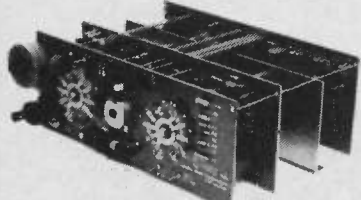
INLAND	OVERSEAS
Orders up to £10 50p	Please send sufficient to cover
Orders £10 to £49 £1	Surface or Air Post as
Orders over £50 £1.50	required.



HART ELECTRONICS KITS LTD  
5 PENTLAND MILL  
OSWESTRY, SHROPSHIRE  
SY10 9AF

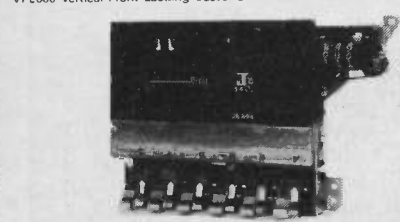
### LINSLEY-HOOD SYNCHRODYNE AM RECEIVER

Very high quality kit for this recent design featured in "Wireless World". Advanced construction system, approved by the Author, uses 3 double sided PCBs in a stacked layout for total stability, ease of construction and minimal wiring. This module will form the AM section of an ultra high quality AM/FM switched bandwidth tuner to match our 300 series amplifiers. Power supply and tuning gang will be included with the FM section. K450 JHL Synchrodyne Kit Special Price. £59.95



### VFL600 VERTICAL FRONT LOADING CASSETTE MECHANISM

This latest addition to our range fulfils the need for a reasonably priced front loading cassette mechanism. This unit comes complete with stereo R/P and erase heads having standard mountings so that they may be exchanged for others in our range of heads if required. The mechanism also has a 3 digit counter, chrome operating keys, mechanical auto stop and a tonometric decorative cassette door with central window and key functions marked below. Cassette door carrier has a hydraulically damped 'soft eject' feature. Motor is internally governed and only needs a 12V DC supply with an average current of 80mA. Overall size 160mm wide including counter, 100mm high and 85mm deep including motor and keys. A robust and thoroughly useful deck for many purposes. £24.30



Personal callers are always very welcome but please note that we are closed all day Saturday

24 Hour Sales Line (0691) 652894

PLEASE ADD VAT TO ALL PRICES

### VARIABLE VOLTAGE TRANSFORMERS

INPUT 220/240V AC	50/60	OUTPUT 0-260V
200Watt 0.1 amp max.	£19.50	£3.00 (£25.88 inc VAT)
0.5KVA 2.5 amp max.	£22.00	£3.75 (£29.60 inc VAT)
1KVA 5 amp max.	£31.00 p&p	£4.25 (£40.24 inc VAT)
2KVA 10 amp max.	£45.00	£5.50 (£58.08 inc VAT)
3KVA 15 amp max.	£59.00	£6.25 (£75.05 inc VAT)
5KVA 25 amp max.	£105.00	Carriage on request
10KVA 50 amp max.	£190.00	
15KVA 75 amp max.	£285.00	

### 3-PHASE VARIABLE VOLTAGE TRANSFORMERS

Dual input 200-240V or 380-415V. Star Connected 3KVA 6KVA 10KVA available. Phone for details. Comprehensive range of TRANSFORMERS - LT - ISOLATION & AUTO (110-240V. Auto. transf. either cased with American socket and mains lead or open frame type. Available for immediate delivery. Leaflet on request.

### ULTRA VIOLET BLACK LIGHT FLUORESCENT TUBES

4ft. 40 watt £10.44 (£12.00 inc VAT)	Callers only
2ft. 20 watt £7.44 + £1.25 p&p (£9.99 inc VAT)	
13in 10 watt £5.50 + 75p p&p (£7.19 inc VAT)	
12in 8 watt £4.50 + 75p p&p (£6.04 inc VAT)	
9in 6 watt £3.60 + 50p p&p (£4.72 inc VAT)	
6in 4 watt £3.60 + 50p p&p (£4.72 inc VAT)	

### 230V AC BALLAST KIT for either 6in 9in or 12in tubes £5.50 p&p 55p (£6.96 inc VAT)

For 13in tubes £6.00 p&p 75p (£7.76 inc VAT)

### 400 WATT UV LAMP & BALLAST Complete

£56.00 + £3.50 p&p (£69.35 inc VAT)

### 400 WATT UV LAMP only £28.00 p&p £2.50 (£35.08 inc VAT)

### 175 WATT SELF BALLASTED BLACK LIGHT MERCURY BULBS Available with BC or ES fitting £14.00 p&p £1.25 (£17.54 inc VAT)

### 12V DC BILGE PUMPS

Buy direct from the importers

500 GPH 15 ft. head 3 amp £10.50 p&p £1.50 (£13.80 inc VAT)

700 GPH 10ft. head 3.5 amp £13.50 p&p £1.50 (£17.25 inc VAT)

1750 GPH 15ft. head 9 amp £16.75 p&p £2.00 (£21.56 inc VAT)

### EPROM ERASURE KIT

Build your own EPROM ERASURE for a fraction of the price of a made up unit. Kit of parts less case includes 12in. 8 watt 2537 Angstrom. Tube. Ballast unit, pair of bi-pin leads, neon indicator, on/off switch, safety microswitch and circuit. £13.60 p&p 75p (£16.50 inc VAT)

### N.M.S. New Manufacturers' Surplus R&T Reconditioned and Tested

SANGAMO WESTON TIME SWITCH Type S251 230V/250V. AC. 2 on/2 off every 24 hours. 20 amp. contracts with override switch. Suitable for immersion heaters. 4" Dia x 3" high. £9.50 £1.50 p&p (£12.65 inc VAT) R&T. Also available with Solar Dial. Other Time Switches available from stock.

### SUPER HY-LIGHT STROBE KIT

Designed for Discos. Adjustable speed £45.00 p&p £2.00 (£54.05 inc VAT) Case and reflector £17.00 p&p £2.00 (£21.95 inc VAT) S.A.E. for further details including Hy-Light and Industrial Strobe Kits.

### ROBOT ENTHUSIASTS

ESCAP precision Swiss-made ironless rotor 6V DC. Geared motor with 70-1 gearbox. 5V DC. 16 RPM. 3V DC - 8 RPM. Amazing power, no load current, only 10 ma. approx. Size 40x25 mm. Ex-Equip. tested and guaranteed ONLY £4.50 p&p 50p (£5.75 inc VAT)

### 38.3 RPM GEARED MOTOR Torque 35lb. in. reversible 115V. AC. inc. start capacitor £14.00 p&p £2.00 (£18.40 inc VAT) Suitable TRANSFORMER For 230V. AC operation. £5.20 p&p £1.00 (£7.13 inc VAT)

### 24V DC. SOLENOID VALVE ml. by Sperry Vickers. Or. 3/2" Brass body, designed for Air/Gas and Water. £8.50 p&p £1.00 (£8.63 inc VAT) N.M.S.

### 240V AC. SOLENOID VALVE. Designed for Air/Gas at 0.7 Water 5 psi. inlet-outlet 3/8" BSP Forged brass body. MI. Dewraswitch Asco. £6.50 p&p £1.00 (£8.63 inc VAT) N.M.S.

### SOLID STATE RELAY

Single make relay with switch up to 250V. AC. 10 amps. Recommended operating voltage 8-28V DC, but will work at less than 5V. DC. Silent contactless, opto isolated. Suitable for use with T.L.L. Logic for switching Mains voltage. MI. by Telebyte. Offered at a fraction of mfrs. price. £3.00 p&p 45p (£3.97 inc VAT)

### COOLING FANS - BRAND NEW!

200/240V. A.C. American Boxer "Pewee" 7-bladed, high efficiency cooling Unit. 80 mm sq. x 40 mm deep 40 cfm. approx. American Boxer "mini" 5-bladed, 92 mm sq. x 38 mm deep 50 cfm approx. Either type at fraction of manuf.'s price: £8.00 + £1.00 p.&p. (£10.35 incl. VAT). S.M.F.I. - CROUZET "Mini" 115V. A.C. 5-bladed, 92 mm sq. x 25 mm deep. 40 cfm approx. Price: £6.00 + £1.00 p.&p. (£8.05 incl. VAT)

### EX-EQUIPMENT FANS. 120 mm sq. x 38 mm deep. In either 115V or 230V A.C. Tested and guaranteed. Price: £5.75 + £1.00 p.&p. (£7.76 incl. V.A.T.)

### VBMA CENTRIFUGAL BLOWER 230V. AC.

2.800 RPM. 0.23 amp. Cast const. incl. mounting feet. 100mm dia impeller. Outlet: 40x43 mm Overall size: 160x150x165 mm long. £18.00 p&p £2.75 (£23.86 inc VAT)

### TORIN CENTRIFUGAL BLOWER 230V. AC.

Pressed steel const. 2.800 RPM. 0.9 amps 130 mm dia. impeller. Outlet 63x37 mm. Overall size: 195x160x150 mm long. (15.00 p&p £2.75 (£20.41 inc VAT)

### FROM STOCK AT PRICES THAT DEFY COMPETITION

AC Geared Motors	C/F Blowers
DC Motors Small	A.C. Capacitors
Microswitches	Relays
Solenoids AC & DC	Contactors
Programme Timers	Synch. Motors

### WIDE RANGE OF XENON FLASH TUBES

Write/Phone your enquiries.

Goods normally despatched within 7 days

# SCOPES

Repaired and recalibrated. All makes - all models. Nationwide collection and delivery. Copies of handbooks and spares for most popular models including golden oldies.

Phone Mendascope Ltd 069-172 597

# OMNI ELECTRONICS

★ NEW CATALOGUE NOW READY ★

We stock a wide range of components: transformers, switches, pots, ICs, capacitors, resistors, diodes, boxes, triacs, LEDs, cable, connectors, PCBs - in fact, all you need for your projects. Send 2 x 18p stamps for a copy of the catalogue or call at our shop Mon - Fri 9am - 6pm, Sat 9am - 5pm.

174 Dalkeith Road  
EDINBURGH EH16 5DX  
031-667 2611

### SERVICE TRADING CO

57 BRIDGMAN ROAD, CHISWICK, LONDON W4 5BB  
01-995 1560  
ACCOUNT CUSTOMERS MIN. ORDER £10

Personal callers only  
Open Saturdays  
9 Little Newport Street  
London WC2H 7JJ  
Tel: 01-437 0576

# FREE!

## Biofeedback/Lie detector Kit

Consists of:

- \* PRINTED CIRCUIT BOARD
- \* COMPONENTS
- \* FULL INSTRUCTIONS

Offer applies to U.K. only.  
Please allow 14 days for delivery.

Send only £1 to cover packing and postage. Please make cheques or postal orders payable to PGC. If you send coins, please sellotape them to a piece of card to prevent them from bursting through the envelope.

Only one kit per application. Offer applies only while stocks last.

**DON'T MISS YOUR CHANCE!**

Send NOW to:  
PGC, Craigo Farm  
Trellech Road  
Tintern Gwent

# Complete Parts Sets for Top Projects

## MAINS CONDITIONER

FEATURED IN ETI, SEPTEMBER 1986

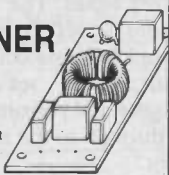
It is astonishing how many people buy or build top-flight hi-fi equipment, and then connect it to a noisy, spiky mains supply. Rather like buying a Ferrari and trying to run it on paraffin, you might think. Expecting crystal clear sound, the poor music enthusiast ends up with a muddy, confused mush, and feels that he has somehow been cheated. 'Is this hi-fi? My music centre sounded just as good!'

The domestic mains supply is riddled with RF interference, noise, transient spikes, and goodness knows what else. Computers crash, radios pop and crackle, tape recordings are spoiled and hi-fi sounds 'not quite right'. Why put up with it when the solution is so simple? The ETI mains conditioner is the lowest cost upgrade you will ever buy, and probably the most effective!

Our approved parts set consists of PCB, all components, toroid\*, enamelled wire, fixing ties, fast response VDR\*, and full instructions.

ETI MAINS CONDITIONER PARTS SET ONLY £4.60!

\*Note: the toroid and VDR supplied are superior to the types specified in the article.



## TACHOMETER AND DWELL METER

FEATURED IN ETI, JANUARY 1987

### MOTORISTS QUIZ

You are driving along the road one day when the sound of a horn makes you look behind. The driver of a milk float is cursing you for driving so slowly. A while later, an invalid carriage overtakes you, and just as you turn into your drive you hear a tractor driver mutter 'At last I can get out of first gear!'

Do you:

- Fit a £500 Pie-in-ear in-car stereo with digital flexi-woofers and 24-band ramification?
- Buy a set of fluffly dice and sticker saying 'My other car is a Macaroni'?
- Give your car in part exchange for a milk float/invalid carriage/tractor?
- Tune your engine.

The combined tachometer and dwell meter parts set contains: case with battery compartments, printed circuit board; all components; switches; plug, socket and test leads; battery connector; full instructions. The answer to the quiz, by the way, is: e) Buy a bright red Lotus Esprit.

TACHOMETER AND DWELL METER PARTS SET

£12.90 (with terminals for external meter)

£16.40 (with self contained meter)



## MAINS CONTROLLER

FEATURED IN ETI, JANUARY 1987

Have you ever wondered what people do with all those computer interfaces? 'Put your computer in control', say the ads. 'The Spectrabeeb has eight TTL outputs'. 'What on earth can you control with a TTL output? A torch bulb?'

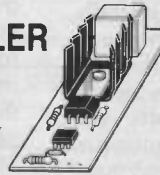
The ETI Mains Controller is a logic to mains interface which allows you to control loads of up to 500W from your computer or logic circuits. An opto-coupler gives isolation of at least 2,500V, so the controller can be connected to experimental circuits, computers and control projects in complete safety. Follow your computer interface with a mains controller and you're really in business with automatic control!

The mains controller connects directly to most TTL families without external components, and can be driven by CMOS with the addition of a transistor and two resistors (supplied).

Your mains controller parts set contains: high quality roller tinned PCB; MOC3021 opto-coupler; power triac with heatsink, mounting hardware and heatsink compound; all components, including snubber components for switching inductive loads; transistor and resistors for CMOS interface; full instructions.

MAINS CONTROLLER PARTS SET

£6.20



## POWERFUL AIR IONISER

FEATURED IN ETI, JULY 1986

Ions have been described as 'vitamins of the air' by the health magazines, and have been credited with everything from curing hay fever and asthma to improving concentration and putting an end to insomnia. Although some of the claims may be exaggerated, there is no doubt that 'ionised air' is much cleaner and purer, and seems much more invigorating than 'dead' air.

The DIRECT ION ioniser caused a great deal of excitement when it appeared as a constructional project in ETI. At last, an ioniser that was comparable with (better than?) commercial products, was reliable, good to build... and fun! Apart from the serious applications, some of the suggested experiments were outrageous!

We can supply a matched set of parts, fully approved by the designer, to build this unique project. The set includes a roller tinned printed circuit board, 66 components, case, mains lead, and even the parts for the tester. According to one customer, the set costs 'about a third of the price of the individual components'. What more can we say?

Instructions are included

DIRECT ION PARTS SET £9.50



## MATCH BOX AMPLIFIERS

20W Single IC parts set £6.50

50W Bridge Amplifier parts set £8.90

L165V Power Amplifier IC, with data, £3.90

## LM2917 EXPERIMENTER SET

Consists of LM2917 IC, special printed circuit board and detailed instructions with data and circuits for eight different projects to build. Can be used to experiment with the circuits in the 'Next Great Little IC' feature (ETI, December 1986).

LM2917 Experimenter Set £5.80

## RUGGED PLASTIC CASE,

suitable for mains conditioner and mains controller

ONLY £1.35!



**SPECIAL OFFER**

Our best selling ioniser kit is now available with an elegant white case.

WHITE IONISER PARTS SET ONLY £9.80!

Orders should be sent to Specialist Semiconductors at the address below including 60p towards postage and packing. Please allow up to 14 days for delivery. There is no telephone service at the moment, but all letters or requests for lists will be answered (at top speed if you send SAE!)

*Specialist*  
**SEMICONDUCTORS**

FOUNDERS HOUSE REDBROOK MONMOUTH GWENT

# ULTRASONIC TAPE MEASURE

BY R. A. PENFOLD

*Keep your distance*

*An ultrasonic rangefinder with a longer reach than a tape measure – and you only have to hold one end of it!*

THE subject of ultrasonic ranging was covered in a recent 'Experimental Electronics' article, and a digital distance measuring project based on ultrasonic echo techniques was promised therein. This article describes the resultant unit which has been developed from the circuits provided in the original article. The unit has a three digit l.e.d. display which shows the distance reading in centimetres. The maximum range attainable depends very much on the size of the target object, and on how well or otherwise it reflects ultrasonic sound-waves. With fairly small objects or things that are poor reflectors of sound a range of less than a metre might be the best that can be achieved, but with any fairly co-operative target object a range of more like 3 metres will be achievable. With something like a large flat wall that is free from any objects that would scatter the soundwaves a range of 4 or even 5 metres should be possible. Most tape measures are two or three metres long, and this unit is therefore generally usable as an alternative to one of these.

One point that has to be emphasized is that this device is not suitable for use where highly accurate results are needed. The resolution of 1 centimetre obviously limits the accuracy, and there are other factors which can adversely affect the accuracy of the unit. These are primarily factors which alter the speed at which sound travels, such as air pressure and humidity, although the effect of these is normally quite minor. I would consequently not recommend the unit for use in applications where it is important that measurements are accurate to within a few millimetres, but it is well suited to applications where quick and relatively low resolution measurements are needed. It is well suited to such purposes as measuring the sizes of rooms by (say) estate agents, or decorators when estimating the amount of paint required for the walls. I have found the unit to be extremely useful in photography for setting the correct flash to subject distance, and there must be many other measuring tasks which a unit like this could make very much easier and quicker than when using a conventional measure.



## SYSTEM OPERATION

The block diagram of Fig. 1 shows the various stages used in the unit and the way in which they fit together. At the transmitter a 40kHz oscillator generates bursts of signal which are sent out at roughly half second intervals. The oscillator is controlled by a set/reset flip/flop, and this is 'set' by short pulses provided by a low frequency oscillator. The 40kHz oscillator then provides an

output signal, but a divide by six circuit counts the number of output pulses and after the appropriate number has been sent it resets the flip/flop and gates the oscillator off again. The divider circuit also provides a 'set' pulse to a second flip/flop, and this one controls a simple gate circuit. When 'set', the flip/flop opens the gate and permits a clock signal to be fed through to the input of a three digit circuit.

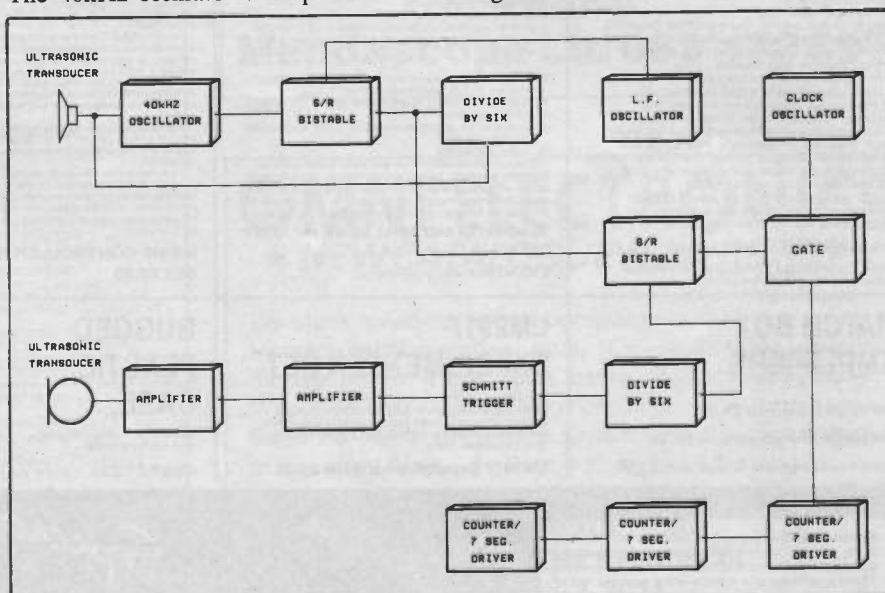
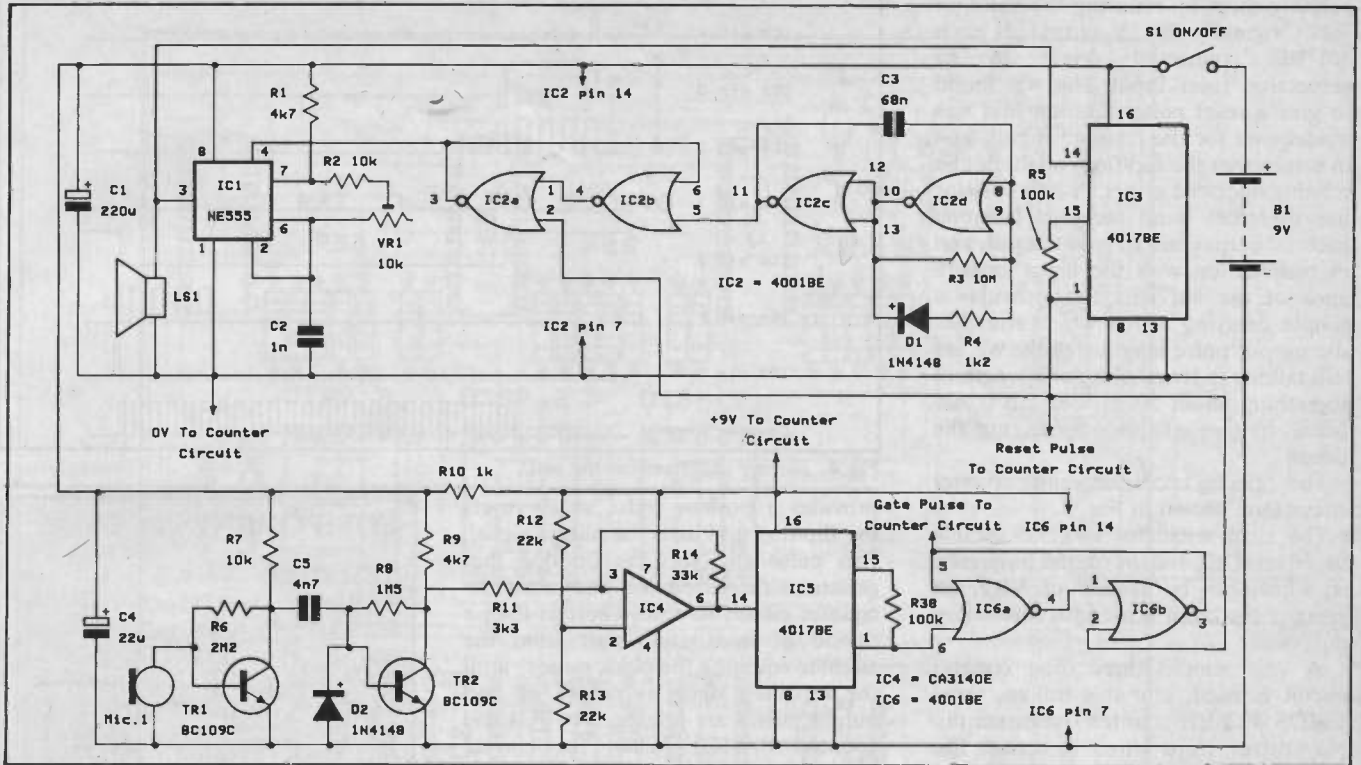


Fig.1. Block diagram for the ultrasonic tape measure



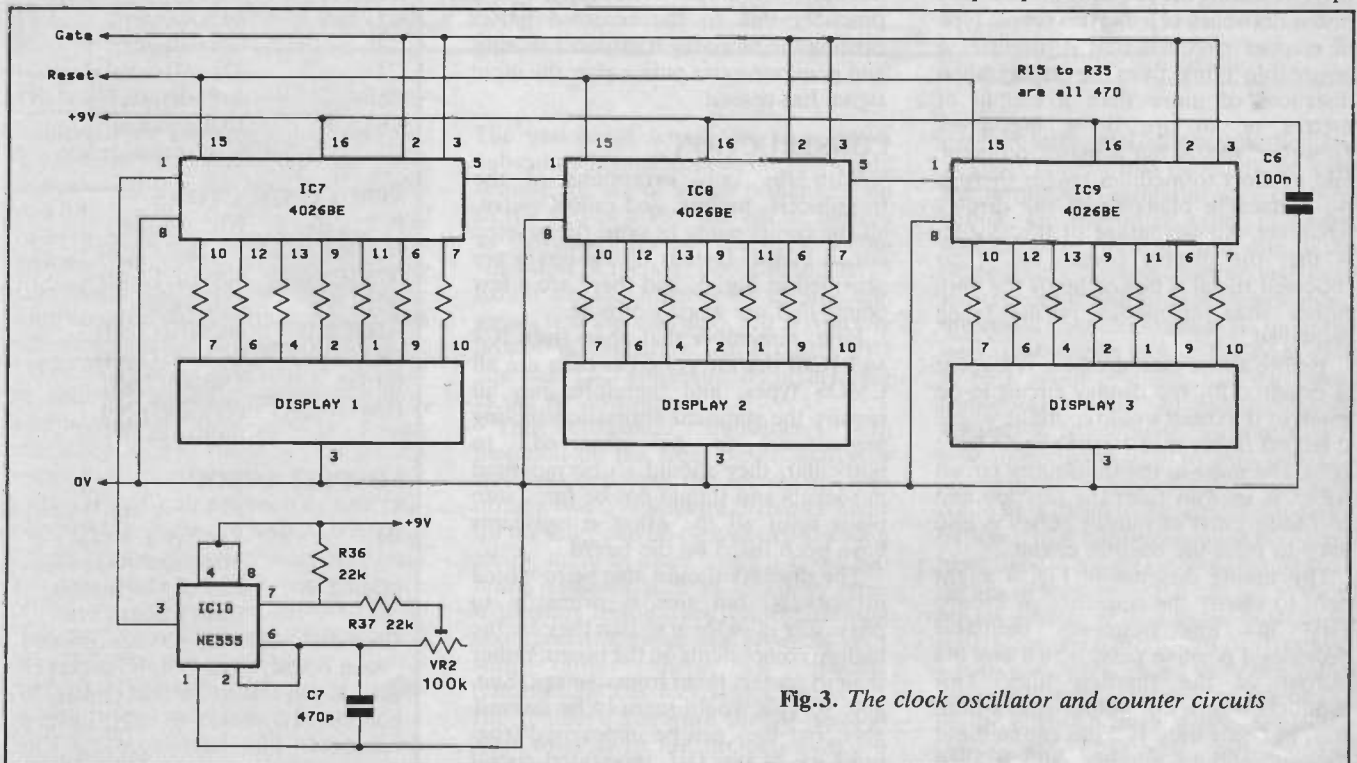
**Fig.2.** The circuit diagram of the gate pulse generator

At the receiver the reflected pulses are detected by a microphone and converted to small electrical pulses. These are considerably amplified by a two stage amplifier and then processed by a Schmitt trigger to remove noise and give a logic compatible output signal. The output pulses are fed to another divide by six circuit, and this resets the flip/flop when it has received a full set of pulses. The gate is then closed so that the clock signal is blocked, and the count on the display is then shown until the next

measurement is taken when the whole cycle of events is repeated about half a second later. With sound travelling at roughly 33 centimetres per millisecond, on the face of it a clock frequency of 33kHz is needed in order to give readings in centimetres. In fact the clock frequency only needs to be about half this figure as the sound has to travel to the target object and then back to the unit again, giving a gate period of around 2 milliseconds at a range of 33 centimetres.

### CIRCUIT OPERATION

The circuit diagram for the stages that generate the gate pulse signal appears in Fig. 2. This will not be described in detail as it is essentially the same as the circuit described in the 'Experimental Electronics' article. It does differ in a few respects, and one of these is a reduction in the operating frequency of the low frequency oscillator to about 2Hz by increasing the value of C3. The output pulse duration has been kept



**Fig.3.** The clock oscillator and counter circuits

suitably short by reducing the value of R4. Originally the '5' output of each 4017BE connected direct to its respective 'reset' input. This was found to give a reset pulse duration that was inadequate for the counter circuit, and in some cases the flip/flops might not be reliably operated either. A 100k resistor has therefore been included between each '5' output and its 'reset' input, and in conjunction with the input capacitance of the 4017BEs this provides a simple delaying action which stretches the output pulse length slightly. We are still talking in terms of a pulse length of something under 500ns, but this is sufficient to give reliable operation of the circuit.

The clock oscillator and counter circuits are shown in Fig. 3.

The clock oscillator is a 555 astable based on IC10, and the output frequency is adjustable by means of VR2. In practice the latter is used for calibration purposes.

A very simple three digit counter circuit is used, and this utilizes three CMOS 4026BE counter/7 segment display driver chips wired in series. The displays are high efficiency common cathode i.e.d. types driven via current limiting resistors R15 to R35. The 4026BE has a built-in gate which can be used to control the clock signal by way of the 'clock inhibit' input at pin 2. The gate signal is therefore coupled to this, but note that it is not the Q output of the flip/flop that is used, as it is a low logic level that enables the clock signal to pass through to the counters. The 'display enable' input at pin 3 of each 4026BE is also driven by the gate pulse, and this has the effect of blanking the displays during the counting process. One minor drawback of using this simple type of counter circuit is that it produces a noticeable 'blink' from the display when distances of more than a couple of metres or so are being measured. However, this is not a major problem, and at short to medium ranges there is no noticeable blanking of the display whatever. An advantage of this system is that the display blanks out if no reflected signal is picked up by the unit, rather than erroneous results being displayed.

Before a new measurement is made it is essential for the display circuit to be reset, or the count would continue where it left off rather than starting again from zero. The pulse in the transmitter circuit which is used to reset the flip/flop and end each burst of output pulses is also used to reset the counter circuit.

The timing diagram of Fig. 4 might help to clarify the sequence of events. First the low frequency oscillator provides a positive pulse which sets the output of the flip/flop high. This produces a series of output pulses from IC1, but only until IC3 has counted out the appropriate number, and it then

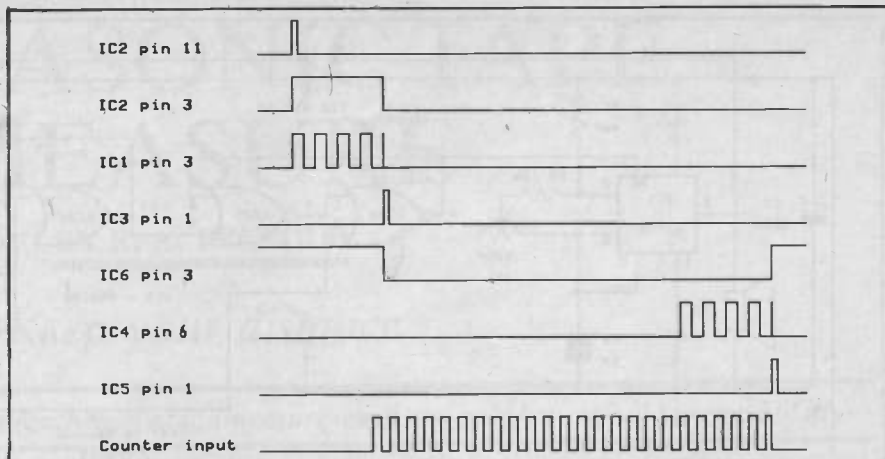


Fig.4. Timing diagram for the unit

provides a positive pulse which resets the flip/flop and halts the output signal. This pulse also sets the flip/flop that generates the gate pulse and resets the counter circuit to zero. There is then a period of inactivity (apart from the counter counting the clock pulses) until the reflected signal is picked up and output pulses are produced by IC4 and counted by IC5. When the correct number have been received IC5 generates a pulse which ends the gate period, the clock signal is cut off from the counter circuit, and the final count is displayed.

There is an apparent flaw in this system in that the pulse counter at the transmitter cuts off the last pulse at only a fraction of the normal pulse duration, and this gives one pulse too few to activate the pulse counter at the receiver. In practice there seems to be no problem here, and considerably more pulses are received than are transmitted. This could be due to multiple reflections, but is probably due to the received pulses causing the receiving transducer to 'ring' and generate extra pulses after the input signal has ceased.

## CONSTRUCTION

With the only exceptions of the transducers, battery, and on/off switch, all the components fit onto the printed circuit board. Details of the board are provided in Fig. 5, and there are a few points that are worthy of note.

First, remember that apart from IC4 and IC10 the integrated circuits are all CMOS types, and therefore they all require the standard antistatic handling precautions to be observed. In particular, they should all be mounted in sockets and should not be fitted into place until all the other components have been fitted on the board.

The displays should also be mounted in sockets, but this is primarily to physically raise them so that they are the highest components on the board, rather than to protect them from damage. Suitable sockets would seem to be unavailable, but they can be improvised from ordinary 14 pin DIL integrated circuit

## COMPONENTS . . .

### RESISTORS

R1,R9	4k7 (2 off)
R2,R7	10k (2 off)
R3	10M
R4	1k2
R5,R38	100k (2 off)
R6	2M2
R8	1M5
R10	1k
R11	3k3
R12,R13,R36,	
R14	33k
R15-R35	470 (21 off)
R37	22k (4 off)

### POTENTIOMETERS

VR1	10k sub-min hor preset
VR2	22k sub-min hor preset

### CAPACITORS

C1	220u 10V radial elect
C2	1n polyester
C3	68n polyester
C4	22u 16V radial elect
C5	4n7 polyester
C6	100n ceramic
C7	470p ceramic plate

### SEMICONDUCTORS

IC1,IC10	NE555 (2 off)
IC2,IC6	4001BE (2 off)
IC3,IC5	4017BE (2 off)
IC4	CA3140E
IC7,IC8,IC9	4026BE (3 off)
TR1,TR2	BC109C (2 off)
D1,D2	1N4148 (2 off)
Display 1,2,3	0.56" c.c. i.e.d. display (3 off)

### MISCELLANEOUS

S1	SPST sub-min toggle
B1	9 volt (e.g. 6 x HP7 in plastic holder)
Mic.1/LS1	Pair of 40kHz ultrasonic transducers

Case about 170 x 145 x 35mm, printed circuit board, 8 pin DIL IC socket (3 off), 14 pin DIL IC socket (5 off), 16 pin DIL IC socket (5 off), battery connector, wire, solder, etc.

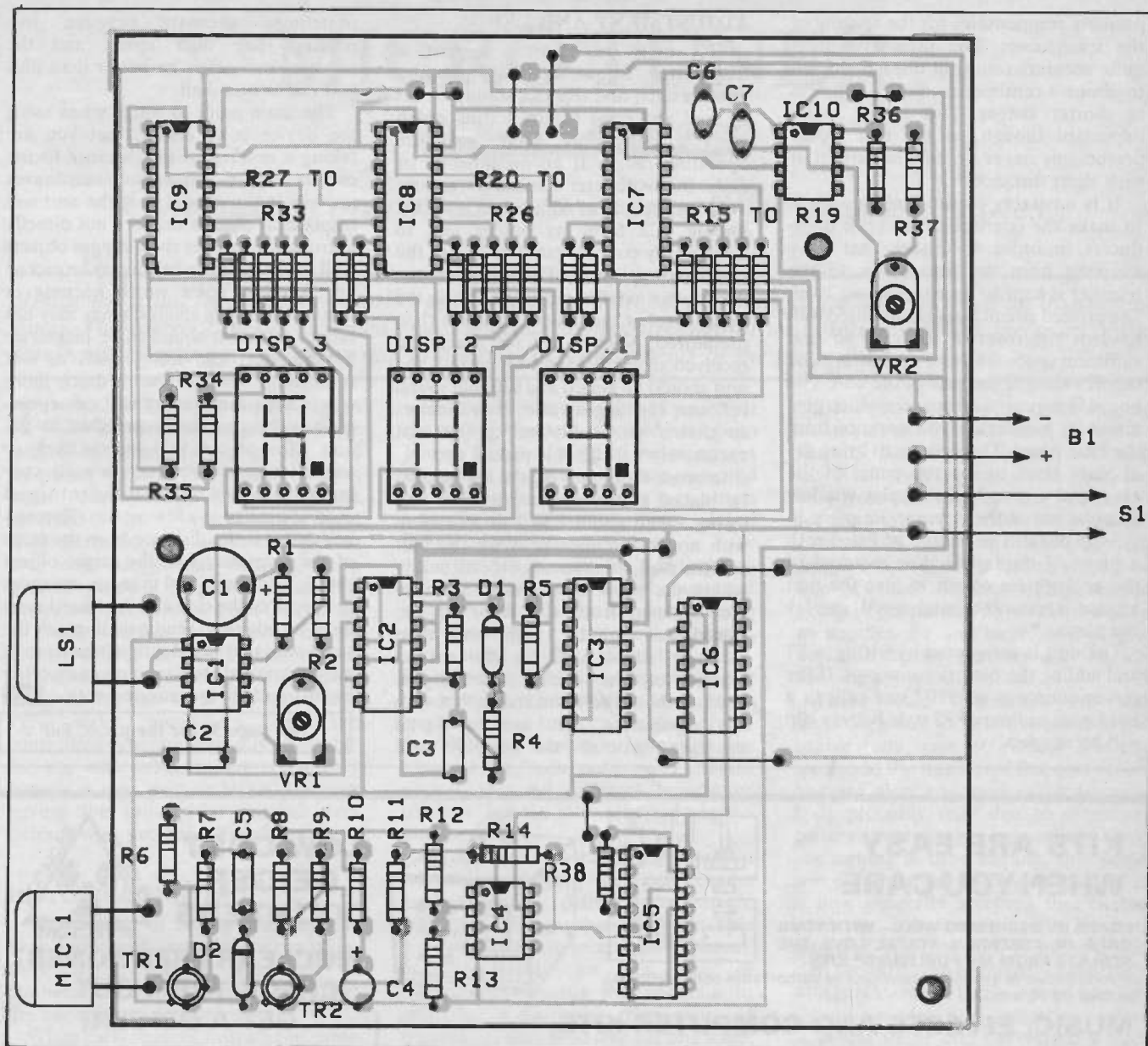


Fig.5. Details of the printed circuit board

holders. First cut each holder into two 7 way SIL holders, and then use pliers to remove the pins at both ends of each row. This leaves five pin SIL holders, and two of these can be soldered into position and used to hold each display (the board has been designed to take into account the fact that the holders will be somewhat over-length).

The displays are operated at a current of only a few milliamps per segment, and accordingly they must be a high efficiency type if they are to give a reasonably bright display. Standard 0.5 inch and 0.56 inch common cathode displays will fit the board layout, but some 0.5 inch types seem to offer relatively low efficiency, and 0.56 inch types are probably a safer option.

A case measuring about 170 x 145 x 35 millimetres acts as the housing for the prototype. This will comfortably accommodate the printed circuit board and a fairly high capacity 9 volt battery such as six HP7 size cells in a plastic holder.

The unit could actually be built into a substantially smaller case, but this would require the use of a high power version of the PP3 or a PP3 size NiCad battery as the power source. The current consumption of the unit depends to a large extent on the number of display segments that are activated, but is typically around 80 milliamps. An ordinary PP3 size battery is consequently inadequate as the power source.

The ultrasonic transducers are mounted on the front panel, and with most modern types this merely involves drilling two 2 millimetre diameter holes for the terminals on each device and then gluing them in place using a good gap filling adhesive such as an epoxy type. With some transducers the transmitting and receiving types are identical, but with others there are specific transmitting and receiving transducers. The retailer's literature should make it clear whether or not the two units are the same, and if not, which is which.

In the interest of accuracy, particularly at short ranges, it is beneficial to have the transducers mounted very close together. On the other hand, to ensure that the direct pick up from one to the other is kept down to a low enough level to prevent the unit from malfunctioning, the two transducers should be mounted well apart. Direct pick up does not seem to be a major problem, and with most transducers about 40 millimetres of separation is adequate. However, it is probably a good idea to play safe and use somewhat greater separation as it could be difficult to increase the distance between the transducers once they have been fixed in place (I used about 70 millimetres of separation). Accuracy at short ranges suffers with a large amount of separation since the sound has to travel a few centimetres to get from one transducer to the other. However, the timing of the circuit is such that a few clock cycles are effectively lost at the beginning of each gate period, and this



partially compensates for the spacing of the transducers. The prototype gives quite accurate results at distances down to about 4 centimetres, but is hopeless at shorter ranges. This is not really important though, as the unit would presumably never be used in earnest at such short distances.

It is advisable to use screened leads to make the connections to both transducers in order to ensure that stray coupling from the transmitter to the receiver is kept to an insignificant level. The printed circuit board is mounted well-towards the front of the case so that sufficient space is left for the battery and on/off switch at the rear of the unit. The board is mounted on spacers which give about 20 millimetres of clearance from the base panel. This is done to bring the displays close to the top panel of the case, and a rectangular display window must be cut at the appropriate place in the top panel. This should be fitted with a piece of display window material of the appropriate colour to give the unit a neat appearance and good display contrast.

The unit is completed by wiring in S1 and adding the battery connector. If the power source is six HP7 size cells in a holder, an ordinary PP3 style battery clip will be needed.

## ADJUSTMENT AND USE

VR1 must be adjusted to give a transmitter frequency that provides good results, and this can simply be set by trial and error to any setting which gives a reasonably good maximum operating range. If an oscilloscope or audio millivoltmeter is available, a more accurate method of adjustment is to first unplug IC2 from its holder and to temporarily connect pin 4 of IC1 to the positive supply rail. This turns on the transmitter continuously, and with the signal level at the collector of TR1 then monitored, VR1 is set for maximum received signal strength. Of course, the unit should be aimed at a suitable sound reflector at a range of about 1 or 2 metres so that a reasonably strong (but not excessively so) signal is picked up.

In order to set up VR2 the unit should be placed at the edge of a table and facing a wall about 1 to 2 metres away, with no obstructions between the unit and the wall, or even any objects nearly within the 'view' of the unit. Measure the distance from the front of the transducers to the wall, and then carefully adjust VR2 for the correct reading on the display. The display reading should be quite stable, but with any equipment that uses a digital counting process the display will

sometimes alternate between two readings one digit apart, and the accuracy can never be better than plus and minus one digit.

The main point to watch when using the device is to ensure that you are taking a reading of the distance to the correct object. Ultrasonic soundwaves are highly directional, but the unit will respond to objects that are not directly in front of it, and at short ranges objects well out of the main beam may be picked up. Another point worth keeping in mind is that very small objects may not reflect sufficient sound to be picked up by the unit, and things such as soft furnishings tend to absorb much more sound than they reflect and can consequently be practically invisible to the unit. Most objects that you are likely to use as target objects, such as walls, cupboards, etc. will reflect sufficient signal even at a range of a few metres. Remember that it is the distance from the front of the transducers to the target object that is measured, and in many instances the depth of the case and the transducers must be added to readings, in much the

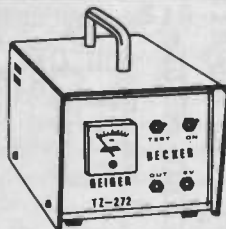
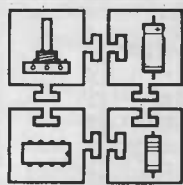
same way that the depth of the case of a conventional steel tape measure often has to be added to measurements. **PE**

See page 32 for the p.c.b. foil

## KITS ARE EASY WHEN YOU CARE

I CARE BY DESIGNING WELL - WITH YOUR CARE IN ASSEMBLY, YOU'LL LOVE THE RESULTS FROM MY PUBLISHED\* KITS

(\*John Becker is a regular contributor of authoritative constructional articles for PE and EE.)



## LOW COST GEIGER COUNTERS



## NUCLEAR FREE ZONES? CHECK THEM OUT - GET A GEIGER!

Detectors for environmental and geological monitoring - know your background! You would be amazed at the Geiger quantities sold since Chernobyl.

### READY-BUILT & KIT FORM

Technologically further developed versions of the battery operated radiation detectors published in PE & EE during July 1986, with particular emphasis on low power consumption and functional ability. They are equally suited to background and close up monitoring. All units have separate outputs for monitoring by computer or other digital analyser. Detector tube options - ZP1310 for normal sensitivity, ZP1320 for extrasensitivity.

### AUDIO-VISUAL GEIGER (PE)

With built-in probe, internal loudspeaker, meter for counts rate display, computer output, battery and audio test switch. Can be used with high impedance (crystal) headphones. Normal power consumption only 1ma. May also be used with external 9V power supply. Case size 197 x 108 x 90mm. Choice of ZP1310 or ZP1320 tubes.

**KIT-FORM - SET 264MK2 - (ZP1310) £59.50, (ZP1320) £74.05**

**READY-BUILT - TZ-272 - (ZP1310) £75.50, (ZP1320) £90.05**

### AUDIO UNIT (EE)

Details in catalogue.

## MUSIC, EFFECTS AND COMPUTER KITS

### CHIP TESTER (PE AUG 86)

computer\* controlled logic and chip analyser (up to 24 pins). Set 258F £39.30

### CHORUS FLANGER (PE JAN 84)

Mono-Stereo. Superb dual-mode music enhancement. Set 235 £59.99

### CYBERVOX (EE APR 85)

Amazing robot type voice unit, with ring-modulator and reverb. Set 228 £44.76

### DIGITAL DELAY (PE JUN 85)

Up to 65 secs delay, echo, reverb, re-pitch, multi & reverse track, loop, etc. 64k memory plus micro-interface. 19 inch rack. Set 234-RK £198..50

### DISCO-LIGHT UNIT (PE NOV 85)

3 chan sound to light, chasers, auto level, plus micro interface\*. Set 245F £62.50

### ECHO-REVERB (PE SEP 84)

Mono-Stereo, 200ms echo (extendable) lengthy reverb. Switchable multitracking. Set 218 £57.66

### MICROSCOPE (PE DEC 85)

turns a computer\* into an oscilloscope. Set 247 £44.50

### MICRO-TUNER (PE MAR 87)

Computer\* controlled, very accurate music tuning aid and frequency counter. Set 257 £55.32

### MINI-TUNER (EE AUG 86)

Simple computer\* controlled music tuning aid. Set 259 £22.50

### PHASER (PE OCT 84)

Excellent phasing enhanced with modulated filtering. Set 226 £42.36

### POLYWHATSI!

Amazing audio sound effects unit - coming shortly - watch this space!

### REVERB (EE OCT 85)

Mono, with reverb to 4 secs, echo to 60ms. Set 232 £27.35

### RING MODULATOR (PE NOV 84)

Fabulous effects generation, with alc and multiwaveform vco. Set 231 £45.58

### TEMPEST STORMS (PE JUN 86)

Raw nature under panel controls wind and rain - Set 250W £29.50 Thunder & Lightning - Set 250T £29.50

\*Computer progs available for BBC, C64 and PET.

### MANY MORE KITS

in catalogue - over 70 of them! All kits incl PCBs, parts, nice boxes, instructions, free wire and solder. Further details in catalogue.

### ORDERS AND POST.

Mail order, CWO, Chq, PO, Access, Visa, add 15% VAT. Add P&P - Set 234RK £3.50, UNIT TZ-272 £2.50. Others £1.50 each. Insurance 50p per £50. Overseas as P&P in catalogue.

### CATALOGUE AND ENQUIRIES.

Send A4 SAE for free catalogue, and with all enquiries. (Overseas send £1.00 or 5 I.R.C's.)

BECKER-PHONOSONICS, DEPT PE72, 8 FINUCANE DRIVE, ORPINGTON, KENT BR5 4ED. TEL: 0689 37821

# MICRO TUNER

BY JOHN M.H. BECKER

## Computer controlled measurement for musical notes

*Beside the usual frequency-measuring applications, a frequency counter can also be used as an instrument tuner. The Micro Tuner is designed with the accurate measurement of tones in the musical spectrum at the forefront, adapting its sampling rate to the precise requirements of the pitch to be measured.*

THE Micro-Tuner has been designed as a very accurate computer controlled musical tuning aid and frequency counter. Monitoring is by a visual display that shows both the received and calculated ideal frequencies in relation to the nearest true note across nine octaves. As a general purpose frequency counter it caters for frequencies from 0.01Hz up to 5MHz, subject to tolerance factors discussed later. A 440Hz audio output reference is included. It is basically designed for use with C64, BBC and PET series computers, but the controlling program is readily adaptable for use with other computers if they possess a user port or IEEE 488 port having the usual 8-bit parallel data outputs with two handshake lines.

### HISTORICAL NOTES

The subject of tuning accuracy has been a source of discussion for centuries, since it is related not only to mathematics, but also to the sounds that the ear regards as pleasing.

When early stringed instruments came into being, there was probably little understanding that attractive sounds

were caused by the number of times that the strings vibrated. It would have been known that the length of the string was important, and that some changes would produce greater satisfaction than others when different notes were played consecutively.

In the 6th century BC, Pythagoras showed an interest in this phenomenon and concluded that the simplest relationship was between a note and its octave, with a string division ratio of two to one. He also found that another commonly experienced relationship was three to two. This was true irrespective of the overall string tension as long as it was constant for both portions. Different pitches required different lengths or tensions, but the ratio required was the same.

We consider now that string lengths in relation to satisfying frequencies can be mathematically defined as simple multiples of a logarithmic function. This is a comparatively recent development, and is largely for the sake of convenience. Purists will continue to hold that a particular relationship of frequencies may hold true for one scale, but that a slightly different set of relationships would apply to another

scale. In terms of precise ratios relating to three to two this is true, as will be shown, but other factors are also involved, and the perceived ideal can vary from culture to culture. The reason for this arose even earlier than man's use of musical instruments. Music originated from the sounds of the human voice, and a set of sounds that sounded right to one group of people may have sounded alien to another. By and large, and despite common factors, personal opinion was the primary consideration.

These scale differences are still apparent today, for instance between the twelve tone scale of modern Western music and the traditional five note scales of many older and more ethnic sources. It is probably only due to increased cultural interchange, particularly since the coming of broadcasting, that some sort of standardisation has developed. It is now generally accepted that twelve notes to an octave is the Western standard, and that note 'A' in the treble clef, should have a frequency of precisely 440Hz (Concert A). This was adopted as recently as May 1939, but prior to that A in the treble clef has varied widely from as low as 373Hz to over 567Hz.

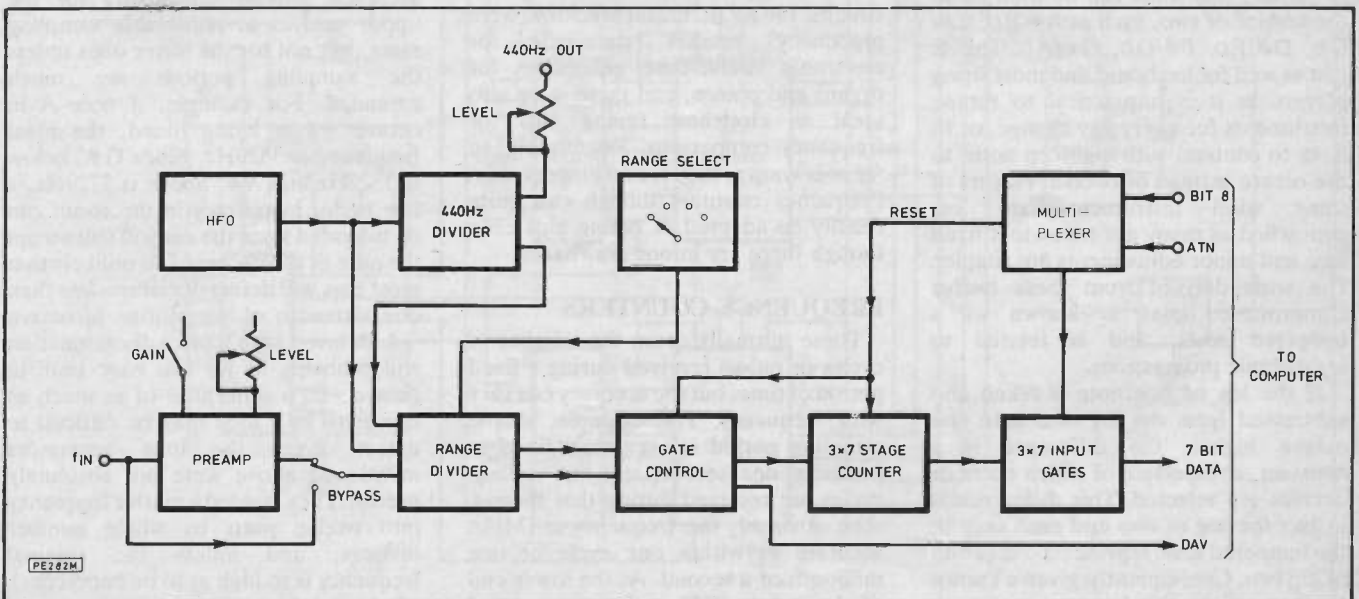


Fig.1. Block diagram of Micro Tuner

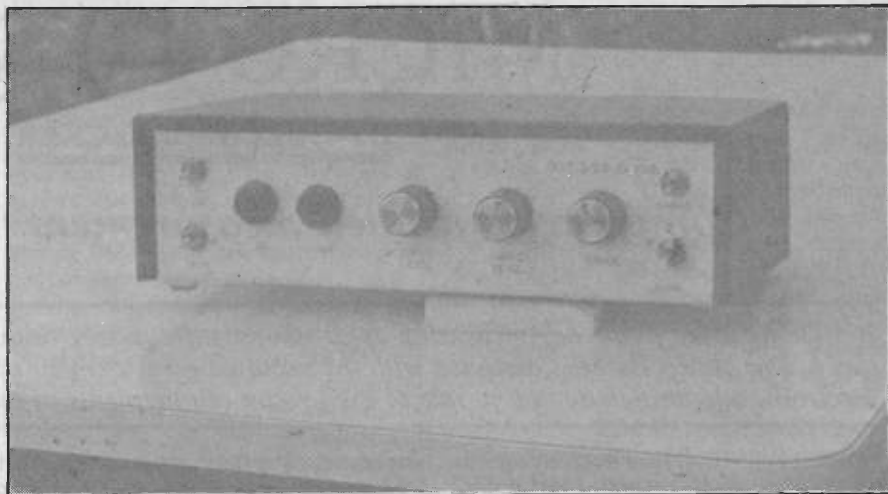
## TUNING STANDARDS

Standardised tuning for twelve notes is not without its complications, for there are two distinct ways of doing it. The differences between the methods can be illustrated by the problem experienced in tuning a piano, since it can be quite readily tuned by ear starting from a known point.

Initially a tuning fork is used to set the first note, usually 440Hz. This is remarkably easy to do and it is not necessary to have perfect pitch, for the ear can readily discern the beat frequency produced when two notes are struck simultaneously. By adjusting one note until the beats are cancelled, precise tuning can be achieved. From the first note, the frequency ratios of two to one, and three to two are used. The ratio of three to two produces a 'fifth', so called since it results in the fifth note of an eight note scale, and is an interval covering three whole tones and one semitone. Using a series of descending fifths and ascending octaves it is possible to fully plot the piano tuning simply by listening for beat frequencies. If the notes are tuned so that the beats are cancelled all the notes will be harmonically related.

In practise though this only ensures that all subsequent notes are harmonically related to the first. If the starting point were to be a different note, and tuning carried out against that in the same way, the scale would still be harmonically correct, but the frequency of some notes from this scale would differ from the supposedly identical notes of the previous one! "Just" tuning, as this method is called, can result in at least eighteen different notes being required to cover all tuning points relating to different fixed starting notes. However since some of these points are so close to each other, a compromise can be struck, and some can be used to do the service of two, such as A#/Bb, C#/Db, D#/Eb, F#/Gb, G#/Ab. This is just as well for keyboard and most string players as it is impractical to retune instruments for every key change, or to have to contend with eighteen notes to the octave instead of twelve. Players of some wind instruments are less concerned as many are tuned to a fixed key, and minor adjustments are simpler. The scale derived from these twelve compromise notes is known as a **tempered scale**, and is related to logarithmic progressions.

If the log of one note is taken and subtracted from the log of a note one octave higher, the difference is a constant, irrespective of which notes or octaves are selected. This difference is in fact the log of two and each note in the tempered scale represents one twelfth of log two. Consequently, given a known starting point, the frequency of each additional note up a scale can be calcu-



lated by adding this twelfth part to the log of the preceding number. To convert the log back to a frequency, the answer can be produced from equivalent anti-log tables, or with a computer by taking the exponent of the number.

By comparing calculated tempered frequencies with the frequencies calculated for the Just scale, the differences can be used to establish beat frequency tables for any two notes in close proximity. Then when tuning the piano, octave differences would still be tuned for beat frequency cancellation. With the descending fifths though, adjustment would be made so that the beat quantity coincided with the table.

## TUNING AIDS

Any musician should be capable of tuning an instrument by ear in conjunction with tuning forks or tuning pipes. However in many cases it may be considered preferable to tune against a series of preset electronically produced notes, or using a frequency meter of some sort, especially for solo instrumentalists.

For many years two integrated circuits, the AY10212 and MK50240 were practically market standards for electronic twelve-tone generators for organs and pianos, and these were also ideal as electronic tuning aids for frequency comparison. Regrettably, so far as is known, they are no longer made. Frequency counters though can quite readily be adapted as tuning aids even though there are minor drawbacks.

## FREQUENCY COUNTERS

These normally count the number of cycles or pulses received during a fixed period of time, but the accuracy can vary with frequency. For example, if the sampling period is accurately fixed at precisely one second and one million cycles are received during that second, then obviously the frequency is 1MHz, accurate to within one cycle or one millionth of a second. At the lower end of the range, if 50 cycles are counted during one second the frequency is

50Hz. The accuracy is still to within one cycle, but the cycle width now represents 20000 microseconds so the timing accuracy is less precise. Normally accuracy to within microseconds is probably not too important, but this is not true for musical purposes where relative accuracy should be constant irrespective of the musical octave.

## TUNING RANGES

The fundamental range of musical frequencies normally covers seven octaves C-C from 32Hz to 4187Hz, though exceptionally some instruments such as synthesisers, organs and harps may have a wider range. From here on, these octaves will be referred to by numbers between -2 and +4, with octave 1 being the treble clef, and containing the note Concert A at 440Hz.

Harmonics and subharmonics may also extend the seven octave range considerably to either side, but for tuning purposes it is the fundamental frequency that has the greatest importance. If a conventional frequency counter is used for note determination, accuracy will be satisfactory for the upper octaves at reasonable sampling rates, but not for the lower ones unless the sampling periods are much extended. For example, if note A in octave +4 is being tuned, the ideal frequency is 3520Hz. Since G#' below is 3322Hz and A#' above is 3729Hz, a few cycles inaccuracy in the count can be tolerated since the ear will still accept the note as satisfactory. It is unlikely that most ears will detect deviations less than one sixteenth of a semitone in octave +4. Below octave 1, pitch discrimination will probably be far less easy, until in octave -2, a difference of as much as one sixth of a tone may be difficult to detect. Even the tone generators mentioned above were not absolutely precise. They divided a master frequency into twelve parts by whole number divisors, and unless the original frequency is so high as to be impractical, whole number division simply cannot achieve total note frequency perfection.

# MICRO TUNER

## SAMPLING RATES

One 16th of a semitone from A at 3520Hz is about 12Hz, but with A at 110Hz a 12Hz count error is roughly a full tone. To do better than that, a normal frequency counter would have to sample at a rate slower than once every ten seconds. This would require the musical instrument to sustain its vibrations at a reasonable level for at least this long. Synthesizers, organs and wind instruments can normally produce a note of this duration, but plucked or percussive instruments, including pianos, would probably find it hard to comply with such requirements. It therefore seems preferable that a different method of frequency counting be used, enabling sampling to take place at a much faster rate.

A fundamental fact about frequency is that there is a fixed period of time between one cycle and the next. The tuning aid presented here takes advantage of this fact, and in effect simply measures the length of each

individual cycle. Consequently the sampling rate is related to the length of each cycle, rather than to another slower frequency. With this method the timing accuracy is better at lower frequencies where it is more essential, rather than at high ones where a greater tolerance can be accepted.

## BLOCK DIAGRAM

From the block diagram it will be seen that in essence the unit consists of a counter that counts the number of pulses from a fixed oscillator during the period of one cycle of an unknown input frequency. The count is read by a computer which calculates the frequency from the number of pulses received, relates the answer to particular notes and octaves, and displays the deviation from the ideal. A few other peripherals are included in the circuit to enhance the versatility, enabling frequencies outside the normal musical range also to be sampled and displayed.

## REFERENCE CLOCK

The reference clock used for determining the input frequency cycle width is derived from a 1MHz square-wave generator around IC1a-IC1c, and is precision controlled by the crystal. The output pulses from this clock will subsequently be counted during one input frequency cycle, either directly or after division in the range selector.

## PRE-AMP

The input frequency to be analysed can come from acoustic instruments via a high output microphone placed close to the instrument, or direct from electronic musical instruments and other frequency generators. At the pre-amp there are three switched choices. With S3 the pre-amp can be bypassed so that signals from an electronic source producing 5V pulses or square waves (TTL mode) can go direct to the counter gate. For low level signals, such as from a microphone, they go via the first pre-amp stage IC10a and IC10b which

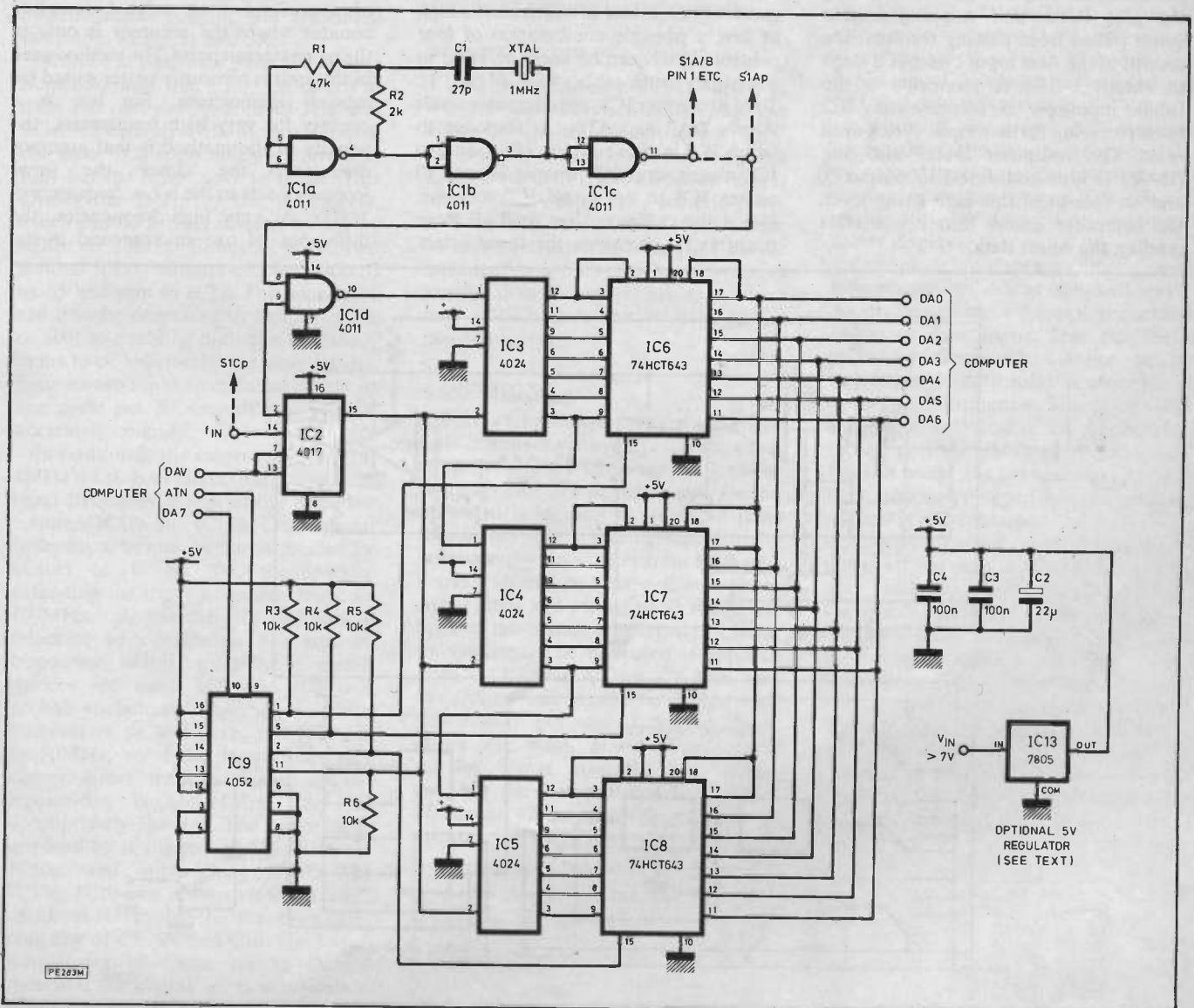


Fig.2. Main circuit diagram

provides a fixed gain of about 300, though C6 progressively reduces the gain above 5.5KHz. Pre-amp stage two, IC10c, has a gain of about 150 and will take signals from pre-amp stage 1, or signals from intermediate level sources switched in direct via S2. VR1 provides manual control over either level. IC10c then raises the signal to saturation levels, suitable for clocking the counter gate.

## COUNTER GATE

Ignoring the Range Selector for the moment, the amplified source signal ends up at the decade counter IC2. This will have previously been reset by a control signal sent from the computer. On receipt of the leading edge of the input waveform, IC2 is clocked on by one place and output 1 (pin 2) goes high, opening the gate IC1d allowing a stream of pulses from the h.f.o. to pass through to the series of counters IC3 to IC5. IC2 ignores the falling edge of the input waveform, but on receipt of the next leading edge, it is stepped on by one place so that output 1 goes low, closing the gate IC1d, and stopping further count pulses from passing through. On receipt of the next input cycle, IC2 steps to output 3. This is connected to the Inhibit input, pin 13, so preventing IC2 from receiving further input cycles until reset. The computer Data Valid line (DAV) is also connected to output 3, and on receipt of this high going level, the computer knows that it can start reading the count data.

## COUNTERS

IC3 to IC5 are three seven-stage binary counters connected in series. Each counts 128 pulses before triggering the next, so 2097152 ( $2^{21}$ ) can theoretically be counted. Since the pulses only pass through the gate IC1d for the duration of one input cycle, the count will represent the number of microseconds of the input cycle period.

Most computers have only eight data lines, but the number of outputs from IC3 to IC5 is 21. As 21 divides readily by three, seven of the computer data lines are used to read the counters in succession via the gates IC6 to IC8. These are opened in turn allowing the data from the relevant counter through to the data lines DA0 to DA6.

## MULTIPLEXER

So that the correct counter gate is opened at the correct time, the computer uses data line DA7 and its handshake line ATN, to control a multiplexer, that in response to the correct code, opens or closes any of IC6 to IC8. With two control lines, either of which can be high or low, a possible combination of four control signals can be used, relating to the binary truth table of 00, 01, 10, 11. To read counter IC3, the computer sends 00 via DA7 and ATN, in response to which IC6 is opened. Next 01 is sent, so IC6 closes, and IC7 opens. Binary 10 causes IC8 to open and IC7 to close. When the computer has read all three counters, it combines the three totals,

and arrives at the length of the input cycle in microseconds, calculates the frequency, and from this the note and octave relationships. These are calculated using the logarithmic and exponential properties of music frequencies referred to earlier. Upon completion of the calculations and resulting displays, the computer sends '11' to IC9. This closes IC8 and resets the counters IC2 to IC5. IC2 can now accept the next input squarewave, and the whole process be repeated.

Since only four input pulses are needed to control the sampling rate, the number of times per second that the input can be sampled is in theory one quarter of its frequency. In practise the computer takes a brief moment to calculate and display the answers, and realistically the sampling rate is about twice a second. During this time the count accuracy is of course to the nearest microsecond pulse from the h.f.o. For frequencies below 100Hz, accuracy is displayed to decimal places. Note the difference between this method and that of a normal time related sampling counter where the accuracy is only to the nearest input pulse. The method used in this unit is obviously better suited for musical applications. For use as a counter for very high frequencies, the penalty of the method is that accuracy diminishes the closer the input frequency sets to the h.f.o. frequency of 1MHz. At very high frequencies, the difference of one microsecond in the

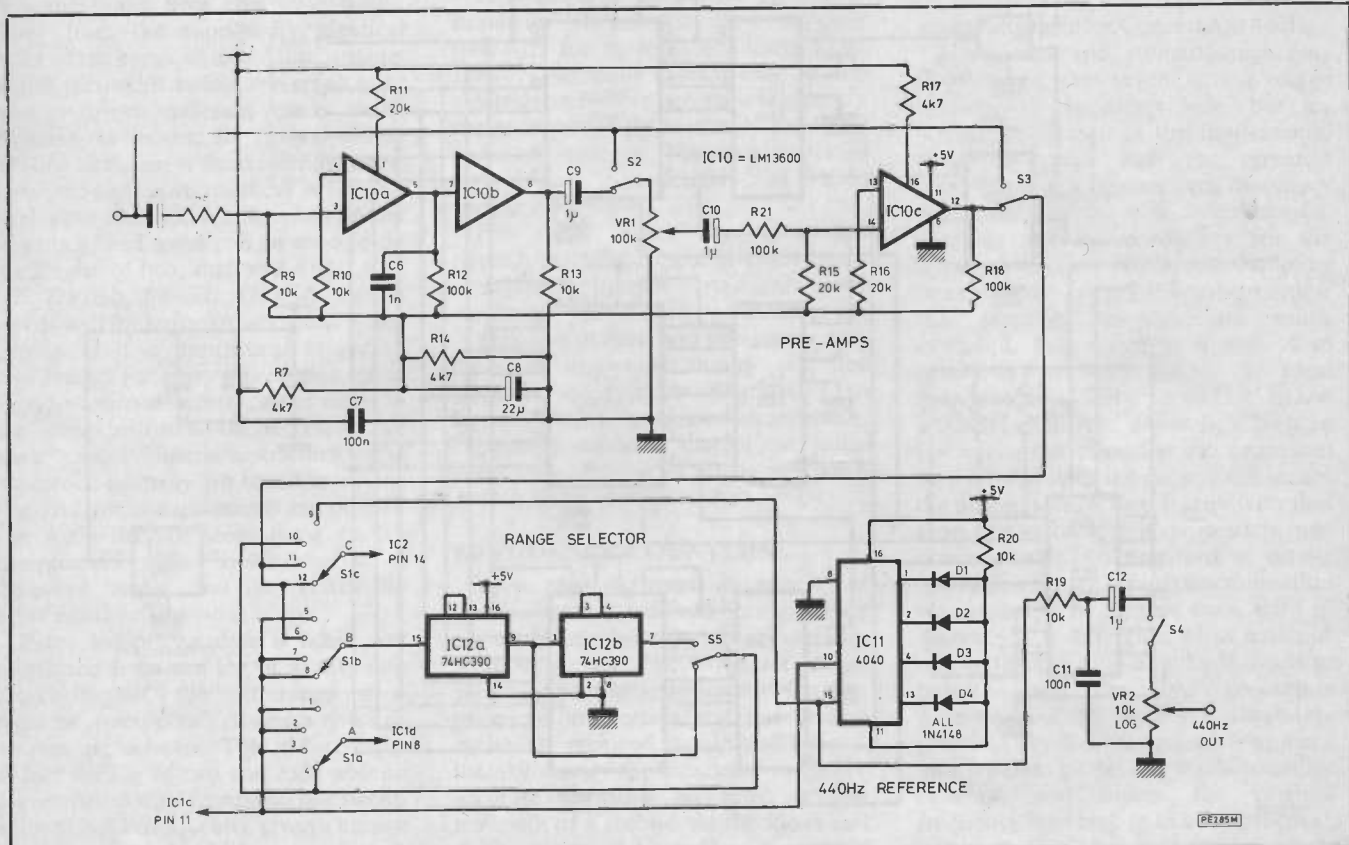


Fig.3. Optional extras

count can become significant. For example if two microsecond pulses are counted, the answer produced would be 500kHz. If only one one-microsecond pulse is counted the answer would be 1MHz. So the counter cannot differentiate anything between 500kHz and 1MHz. For musical frequencies though, with the maximum likely frequency of around 4kHz, the accuracy tolerance factor is excellent. At the lower end of the scale, there are limits imposed by the h.f.o. 1MHz rate. As previously said the three cascaded counters can accept a count quantity of  $2^{21}$ , so if the input frequency is too slow the counter will fill up and start from zero again. Thus without additional circuitry, the minimum frequency that can be sampled is about 0.5Hz.

## RANGE SELECTOR

Optional additional circuitry is included in the design so that the upper and lower ranges of accuracy can be extended. This is achieved by the use of a dual decade counter and associated switching, IC12, S1 and S5.

With S1 in position 3, both the sample frequency and the h.f.o. go direct to their relevant destinations of IC2 and IC1d respectively. With S1 in position 4, the input frequency still goes direct to IC2, but the h.f.o. goes to IC12c. This divides the 1MHz by ten to 100kHz, which can be further divided by ten by IC12b to 10kHz. Either of these two divided h.f.o. outputs can be selected by S5 and sent to IC1d. The count rate can thus be decreased by factors of ten or 100, so enabling the input frequency limits to be lowered by the same factors. Squarewave input frequencies as low as one cycle per 50 seconds can thus be accurately counted.

In position 2, the reverse applies. The 1MHz h.f.o. goes direct to IC1d, but the input frequency is sent to the cascaded counters IC12a and IC12b. Consequently the input frequency can be divided by factors of 10 or 100, theoretically extending the input frequency range to 100MHz. Regrettably electronics is reluctant to operate at this sort of frequency unless specially designed devices are used. IC1 and IC2 will probably behave themselves with frequencies up to 5MHz, and IC12 up to 50MHz, so if the input frequency comes direct from a digital source, frequencies beyond 1MHz can be appropriately handled. The upper limit imposed by IC10 through is 5.5kHz via IC10a, and approaching 2MHz via IC10c. IC10 also imposes a lower limit of about 15Hz due to the capacitive coupling of C5, C9 and C10. The lower frequencies of these ranges should therefore be digital so that adequate leading edges to the input signal are retained.

## 440Hz REFERENCE

Since the HFO is at a fixed frequency, it is simple to produce a 440Hz reference audio output. The 1MHz clock is additionally fed to the 12 stage counter IC11. In order to produce 440Hz from 1MHz, a dividing factor of 2272.72 is needed. This is close enough to 2272 for the counter to reset itself when the outputs reach the binary equivalent, as set by the AND gate diodes D1 to D4. The resultant output frequency from a 1MHz clock is actually 440.14Hz, but is sufficiently close to the ideal of 440Hz as makes little difference. With an historical range of treble A from 370 to 570Hz, not many ears will notice a difference of 0.14Hz. This reference frequency is a square wave, and as such is a little harsh for listening to, so for the audio output, the signal is slightly rounded by the inclusion of R19 and C11. VR2 varies the output level which can be fed to any normal amplifier. The 440Hz squarewave can also be switched by S1 in position 1 to act as a self check facility of the unit by the computer.

## POWER SUPPLY

The unit requires a power supply of +5v at approximately 8mA. This can either be supplied direct from a 5VPSU, or in many cases, from the computer itself. Both the PET and C64 can deliver up to 100mA from their cassette ports, and the BBC can deliver 100mA from its user port. Alternatively IC13 can be included as a 5V regulator if voltages greater than 7V are available, in which case a 9V battery can be used as the power supply.

## ASSEMBLY

This is very straight forward and needs little comment, except to offer the usual advice of using resistor cut off leads or single strands of connecting wire for the on-board links, and to check all joints thoroughly after soldering. Additionally note that the clock leads from PCB pins 8 and 9 should be kept well away from signal leads and routed to S1 round the back of the board, keeping signal leads to the front. The box used is approximately 22.7cm x 12.7cm x 4.5cm, and the front panel should be drilled with jack socket, pot and S1 centres 30mm above the base, about 35mm apart starting 45mm from the left. Toggle switches are 20mm from the sides at 17mm and 42mm above the base.

## COMPUTER PROGRAM

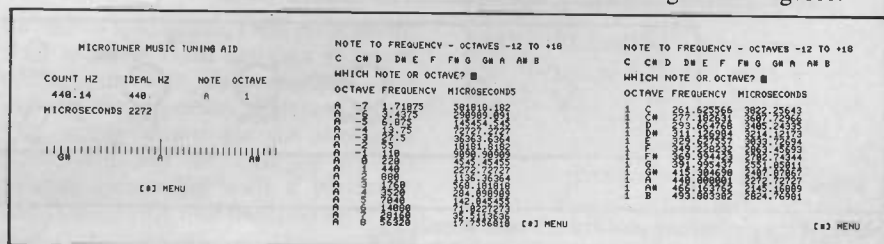
The program has been written as a very comprehensive software facility and offers four menu options. Option 1 is the one normally used to read the count and translate it into frequency, nearest note, ideal frequency aimed at, and also the microsecond count. In this mode it also gives a type of bar graph read out in which 32 divisions are seen on the screen together with a pointer. Sixteen of these divisions make a semitone, and so a span of two semitones is displayed, with the pointer indicating the nearest subdivision associated with the frequency. The pointer remains static, but the divisions slide across the screen in an apparently endless ribbon so catering for all notes of all octaves. The computer determines which relevant section to display. The full display is upgraded after each sample is analysed.

Note that an intercept at DAV detection is inserted so that if DAV is not received within a given period the computer displays a series of asterisks in place of count data. This is set for 100 attempts at acquiring DAV, representing about 2s on the PET. If frequencies below about 2s are to be sampled this factor should be increased.

Option 2 is practically identical, except that the computer takes the average of the last ten samples and bases its display on that answer. The effect is similar to using damped or undamped meter displays.

Option 3 displays the same information outlines as options 1 and 2, but in this mode a prompt requests a keyboard data input. This enables a particular frequency number to be entered and the display is then based upon this information. This is of value for static calculation of frequencies, timing periods and note relationships. For this mode it is not necessary to have the tuning unit plugged in as the program section is self contained.

Option 4 is also self contained and does not need the unit. Here any of the 12 note symbols can be entered from the keyboard. The display will then be a tabulated readout of the frequency and microsecond values of that note throughout all octaves between -7 and +8. Alternatively an octave number between -12 and +18 can be entered, and the frequencies and microsecond values of all notes in that octave will be displayed. All displayed numbers will be accurate to nine significant figures.



# MICRO TUNER

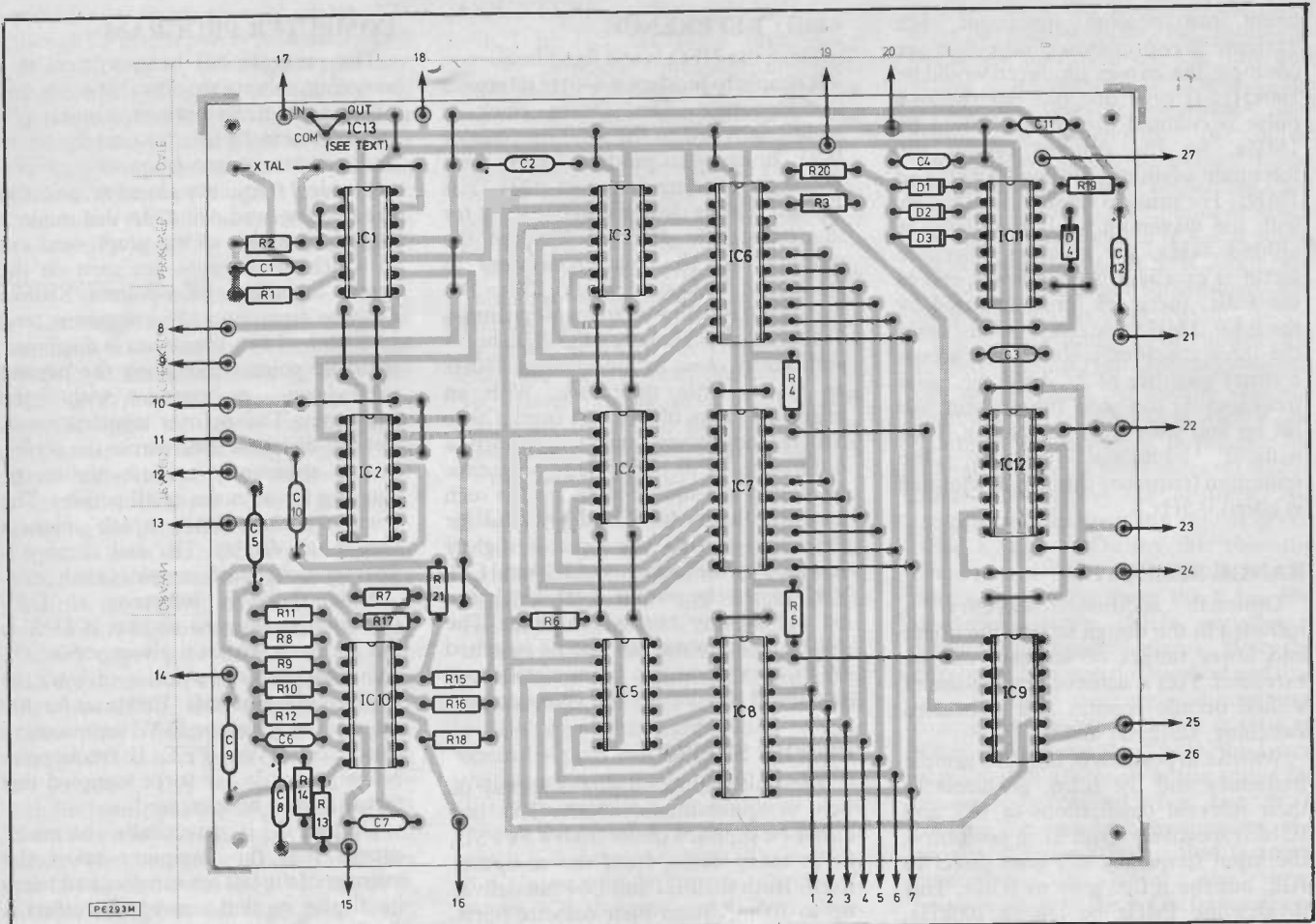


Fig. 4. P.c.b. layout

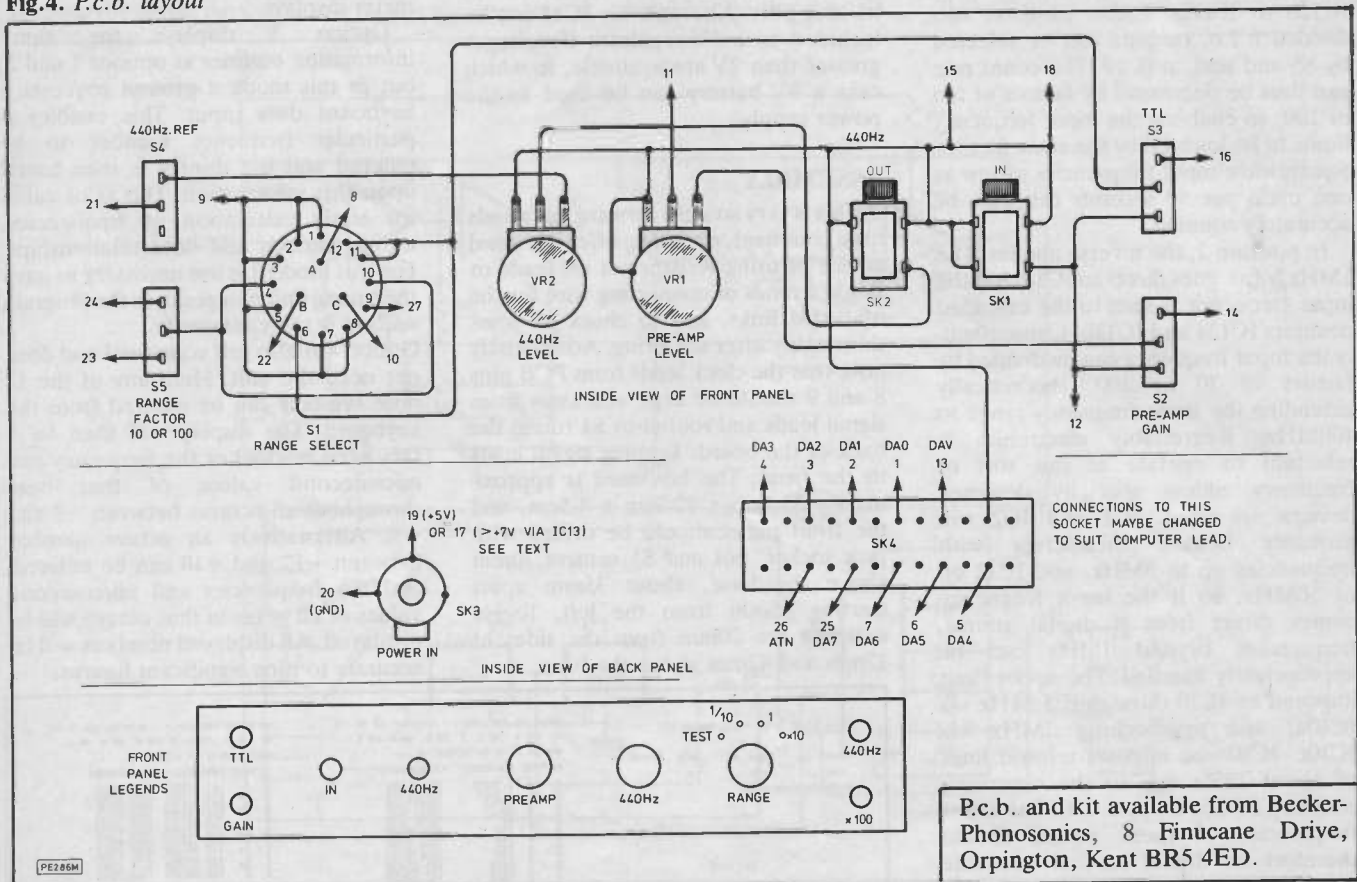


Fig. 5. Wiring diagram and front panel details

P.c.b. and kit available from Becker-Phononics, 8 Finucane Drive, Orpington, Kent BR5 4ED.

# MICRO TUNER

```

100 REM MICRO-TUNER TUNING FORK T132 PROG257 16DEC86
110 REM *** SEE NOTES AT END BEFORE TYPING IN ***
120 DATA1-PET USER: END SUBSTITUTE RIGHT NO & NAME IN THIS LINE = 2-C64, 3-BBC
130 V$=" " R=0
140 READ# OHVAL (A#)GOSUB800, 830, 850, OHVAL (A#)GOSUB870, 900, 930
150 GOSUB610:PRINT:PRINTTAB(13):"SETTING UP"
160 DIM#(11):DATA# ,C#,D ,#E ,F ,#G ,C#,A ,##,B ,#
170 S#="CHR$(CL)" : H#="H#+CHR$(CL)"
180 FOR#=0T011 READ#(B) D#="D#+#(B)+" : H#="H#+CHR$(CL)"
190 V#="V#+CHR$(C#)+CHR$(D#) NEXT# GOSUB810
200 D#="RIGHT$(D#,18)+D#+LEFT$(D#,18)+" : DV=LOG(2)/12 GOTO550
210 IF#=2THENPRINTCHR$(C#);CHR$(D#);"AVERAGED FROM LAST 10 SAMPLES":PRINT
220 PRINT"COUNT HZ":TAB(12)"IDEAL HZ":TAB(25)"NOTE":TAB(31)"OCTAVE"
230 PRINTLEFT$(V#,3);"MICROSECONDS"
240 PRINTLEFT$(V#,3);TAB(18):"1" PRINT#:"PRINTLEFT$(V#,4);TAB(15);"[*] MENU
250 PRINTCHR$(CH);LEFT$(V#,8):POKEVRT,128 IF#=3THEN#410
260 POKEOUT,128:POKEAT,UP:POKEAT,IN:POKEOUT,0
270 GET# IF#<0 THEN#550
280 IFPEEK(DAV)ANDSETTHE#A=0 GOTO310
290 A=#+1 IF#100THEN#A=0 GOSUB370 GOTO260 REM BBC - IF#>500 ...
300 GOTO270
310 B=127-(PEEK(IN)AND127):POKEOUT,128 C=127-(PEEK(IN)AND127):POKEOUT,0
320 POKEAT,UP D=127-(PEEK(IN)AND127):POKEOUT,128
330 T=B+(C*128)+(D*16384):IFT=0THEN#GOSUB370 GOTO360
340 IF#=2THEN#G=+1:FCG=#+1:FORM=2T010:T=T+(M#):NEXTM:T=INT(T/10) IF#=10THEN#G=0
350 F=1000000/T:GOSUB450
360 POKEOUT,0:POKEAT,IN:GOTO270
370 PRINTCHR$(CH);LEFT$(V#,9)
380 PRINT" "CHR$(C#)
390 PRINTTAB(3);"":TAB(14);"":TAB(26);"":TAB(32);"":TAB(38);"":PRINT
400 PRINTTAB(13);" " PRINTCHR$(CH);LEFT$(V#,8):RETURN
410 PRINTLEFT$(V#,5);"FREQUENCY" : H#="INPUT# IF#=#" THEN#550
420 F=VAL(F#) IF#<0THEN#GOSUB370 GOTO410
430 IF#1000THEN#INT(F)
440 T=1000000/F:GOSUB450 GOTO410
450 L=LOG(F)/DV:K=INT(L/12)*12:W=(L-K)*16+14
460 N=INT(W-2)/16-1 IFN=INT(W)-1 THEN#N+1
470 N=INT(N):W=(K+N)*DV+X:G=EXP(W):P=INT((K+N)/12)-7 IF#D1THEN#N-12
480 IF#>500THEN#INT(F):S=INT(S) GOTO510
490 F=INT((F+.005)*100)/100:S=INT((S+.005)*100)/100
500 IFW=INT(W)-1 THEN#N+1
510 PRINTCHR$(CH);LEFT$(V#,9):IF#<20THEN#N=192+W
520 IF#<0THEN#PRINT" "CHR$(C#) R=F
530 PRINT:TAB(12);S:TAB(26);N#(N);TAB(32);P:PRINT:PRINTTAB(12);T:G#
540 PRINTLEFT$(V#,5):MID$(D#,W-19,4);CHR$(CH);LEFT$(V#,8):RETURN
550 GOSUB610:PRINT:PRINT"1 INPUT FREQUENCY DISPLAY - DIRECT
560 PRINT:PRINT"2 INPUT FREQUENCY DISPLAY - AVERAGED
570 PRINT:PRINT"3 FREQUENCY TO NOTE CALCULATE
580 PRINT:PRINT"4 NOTE TO FREQUENCY CALCULATE
590 PRINT:INPUT"WHICH?":Z#="VAL(Z#) IF#<10RZ>4THEN#500
600 GOSUB610:GOTO20210,210,210,630
610 PRINTCHR$(C#);LEFT$(V#,4);TAB(5);"MICROTUNER MUSIC TUNING AID":LEFT$(V#,3)
620 RETURN
630 PRINTCHR$(C#);"NOTE TO FREQUENCY - OCTAVES -12 TO +13":PRINT:FOR#=0T011
640 PRINT#(A#) : " NEXT# PRINT
650 PRINTCHR$(CH);LEFT$(V#,4);"WHICH NOTE OR OCTAVE " :LEFT$(V#,5)
660 D=#:INPUT# IFLEFT$(N#,1)="#" THEN#550
670 V=VAL(N#) IFV<120RV>18THEN#500
680 IF#="0"ORABS(V)>0THEN#D=1:E=D*12*(V+7):GOTO710
690 IFRIGHT$(N#,1)="#>" THEN#N#+" "
700 FOR#=0T011 IF#<N#(A) THEN#NEXT# GOTO650
710 PRINT:PRINT"OCTAVE":TAB(7);"FREQUENCY":TAB(18);"MICROSECONDS":PRINT
720 IF#<0THEN#770
730 FORC=0T015:B=EXP(E*(X+(DV*#))):PRINT" "CHR$(C#)
740 IF#>11THEN#PRINT:GOTO760
750 T=1000000/B:PRINT#(S) : "H#(C);TAB(6);B:TAB(13) T
760 NEXT# GOTO790
770 B=EXP(DV*(X+X)):FORC=-7T08:PRINT" "CHR$(C#)
780 T=1000000/B:PRINT#(S) : "C;TAB(5);B:TAB(15);T:B=#2 NEXT#
790 PRINTCHR$(C#);TAB(31);"[*] MENU" GOTO650
800 REM ESTABLISH CORRECTION FACTOR
810 DV=LOG(2)/12:FOR#=1T020:IFEXP(DV*(#))<1.71875THEN#NEXT#
820 X=LOG(1.71875)-(DV*(#-1)):RETURN
830 REM PET & C64 CURSOR CODES
840 CU=145:CD=17:CL=157:CC=147:CH=19:RETURN
850 REM BBC CURSOR CODES
860 CU=11:CD=10:CL=8:CC=12:CH=30:RETURN
870 REM PET CONTROLS
880 DN=205:SET=2:UP=237:DAV=59469:DRT=59459:IN=59457:OUT=59471:AT=59468
890 POKE59467,0:RETURN
900 REM C64 CONTROLS
910 DN=195:SET=16:UP=199:DAV=56589:DRT=56579:IN=56577:OUT=56577:AT=56576
920 RETURN
930 REM BBC CONTROLS
940 DN=14:SET=16:UP=206:DAV=#FE61:DRT=#FE62:IN=#FE60:OUT=#FE60:AT=#FE60:RETURN
950 REM PROGRAM GENERAL NOTES
960 REM EXPERIENCED PROGRAMMERS CAN OMIT STATEMENTS UNRELATED TO THEIR MACHINE
970 REM ALL REM STATEMENTS CAN BE OMITTED WHEN TYPING IN
980 REM NON-BBC USERS DISREGARD THE FOLLOWING LINES
990 REM THE BBC USES '?' INSTEAD OF 'PEEK' AND 'POKE'
1000 REM THUS 'POKEOUT,128' WOULD BECOME 'OUT=128', ETC.
1010 REM FOR 'PEEK' THE '?' CAN BE SUBSTITUTED DIRECTLY
1020 REM THUS 'IFPEEK(DAV)' WOULD BECOME 'IF (DAV)' LOGIC BECOMES LNK
1030 REM DUAL TABS SHOULD BE USED IN SOME CASES E.G. LINE 370 - PRINTTAB(0,10)
1040 WHEN TYPING IN, NORMAL BBC REQUIREMENTS FOR A SPACE BETWEEN SOME
1050 STATEMENTS SHOULD BE OBSERVED. A SEPARATE BBC LISTING CAN BE SUPPLIED
1070 REM BY THE AUTHOR ON REQUEST WITH ORDERS FOR PCB OR KIT.

```

## COMPUTER DIALECTS

The program requires about 4K of memory, and is written in PET BASIC, but the differences between this, the C64 and the BBC are minimal. Notes relating to these three computers are included in the software listing and largely relate to memory and cursor control codes. Users of other computers that have normal parallel user or IEEE 488 ports should

be able to readily adapt this program for their machine from the data given, in conjunction with their manuals, and making any necessary dialect changes. The wiring shown for the computer connection can be changed to suit existing connecting leads if preferred, just making sure that they end up at the correct destinations.

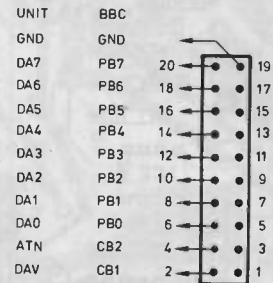
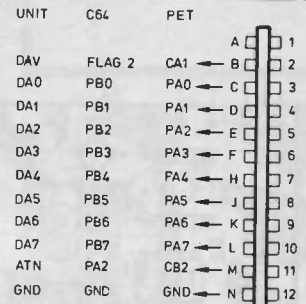


Fig.6. Computer parts

## COMPONENTS . . .

### RESISTORS

- R1 47k
  - R2 2k
  - R3,R4,R5,R6, R8,R9,R10,R13, R19,R20 10k (10 off)
  - R7,R14,R17 4k7 (3 off)
  - R11,R15,R16 20k (3 off)
  - R12,R18,R21 100k (3 off)
- All resistors 0.25W 5% carbon

### POTENTIOMETERS

- VR1 100k mono rotary
- VR2 10k log mono rotary

### CAPACITORS

- C1 27p polystyrene
- C2,C8 22µ 16V electrolytic (2 off)
- C3,C4,C7,C11 100n polyester (4 off)
- C5,C9,C10,C12 1µ 63V electrolytic (4 off)
- C6 1n polystyrene

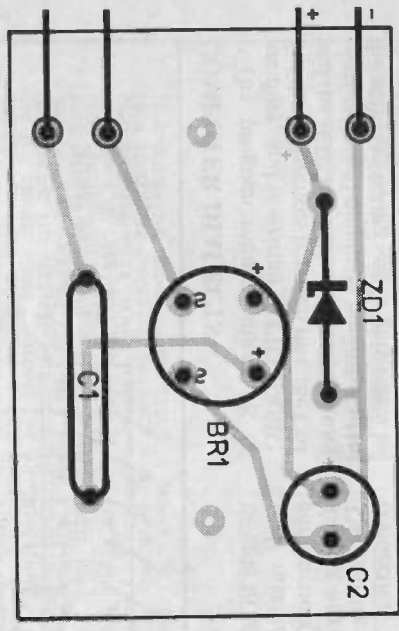
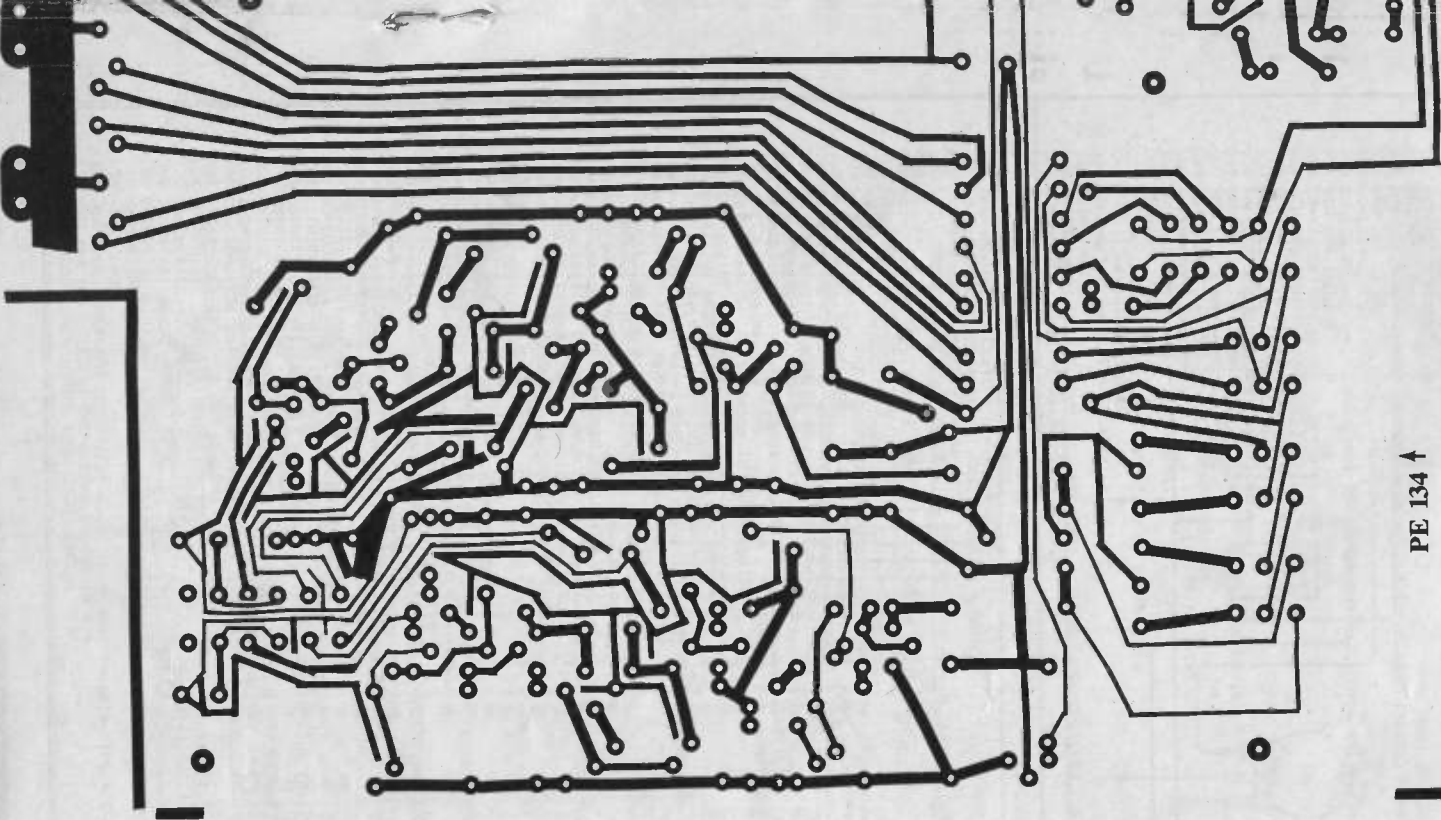
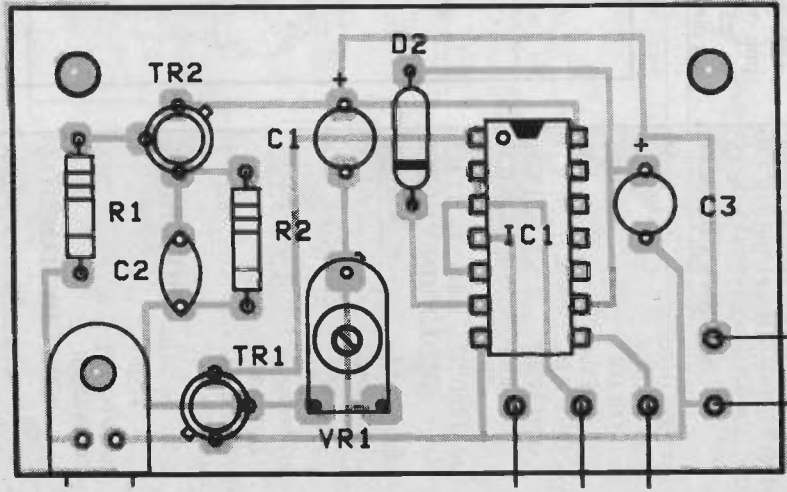
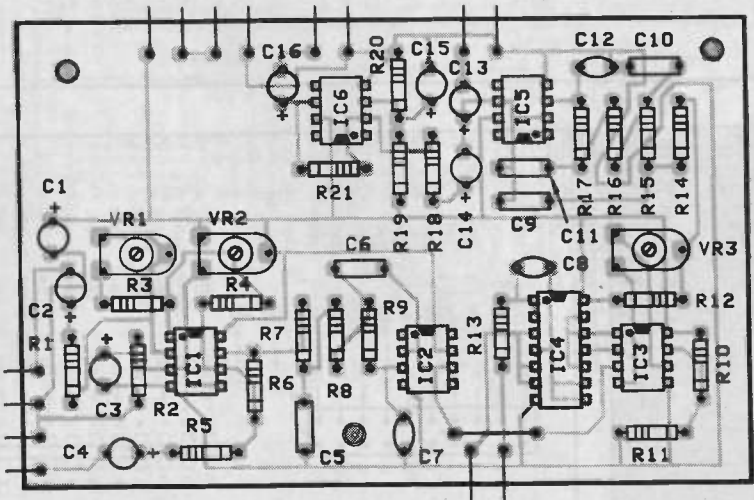
### SEMICONDUCTORS

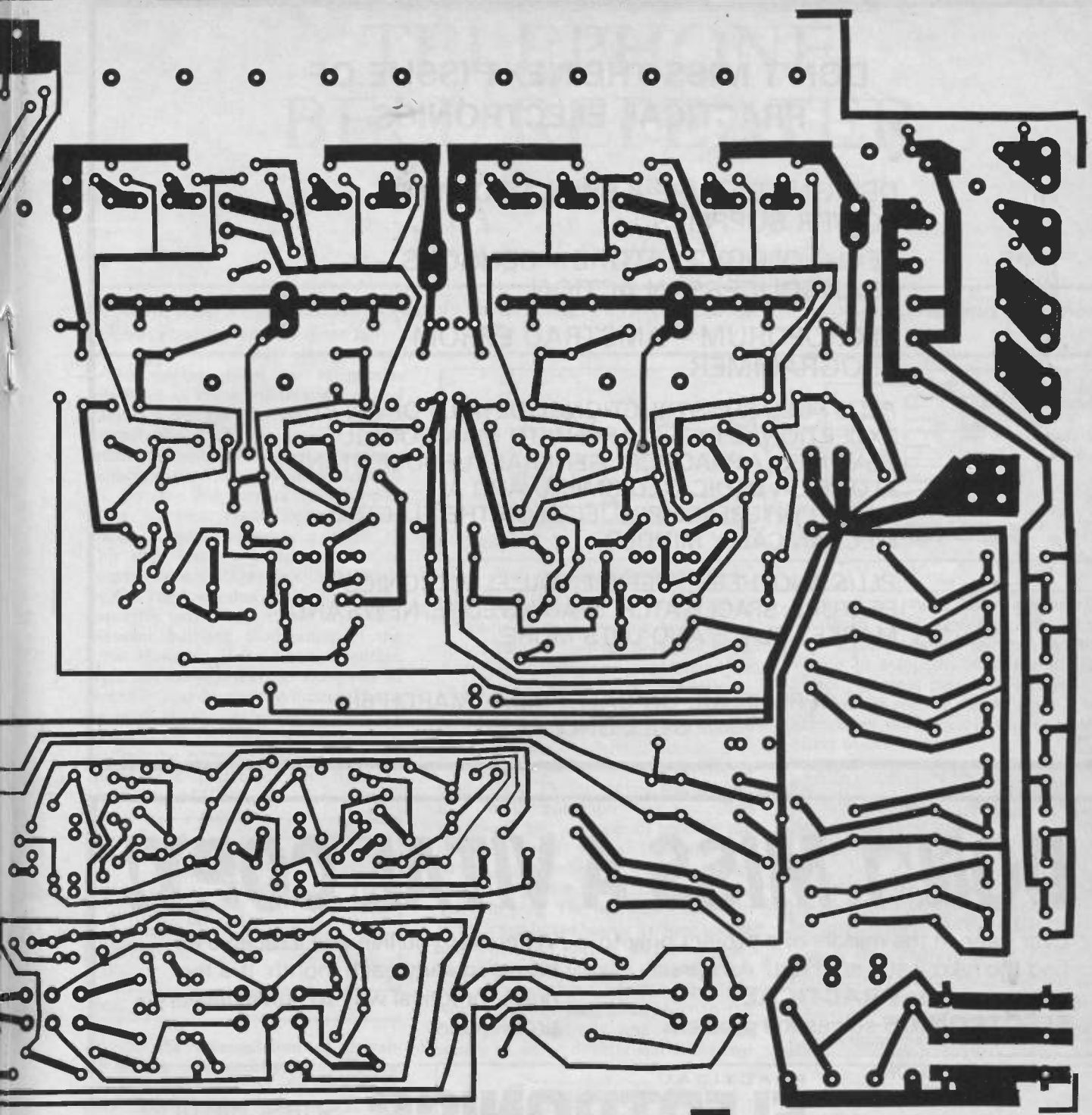
- D1,D2,D3,D4 1N4148 (4 off)
- IC1 4011
- IC2 4017
- IC3,IC4,IC5 4024 (3 off)
- IC6,IC7,IC8 74HCT643 (3 off)
- IC9 4052
- IC10 LM13600
- IC11 4040
- IC12 74HC390

### MISCELLANEOUS

- S1 3p-4w; S2-S5 min s.p.d.t. (4 off); p.c.b. clips (4 off); crystal (1MHz); knobs (3 off); p.c.b.257A; 14-pin i.c. socket (4 off); 16-pin i.c. socket (5 off); 20-pin i.c. socket (3 off); 3.5mm jacket socket; mono jack socket (2 off); wire, solder, etc.







## P.C. BOARDS

Printed circuit boards for certain PE constructional projects are now available from the PE PCB Service, see list. They are fully drilled and roller tinned. All prices include VAT and postage and packing. Add £2 per board for overseas airmail. Remittances should be sent to: PE PCB Service, Practical Electronics, Practical Electronics Magazines, 16 Garway Road, London W2 4NH. Cheques should be crossed and made payable to Practical Electronics.

Please note that when ordering it is important to give project title, order code and the quantity. Please print name and address in Block Capitals. Do not send any other correspondence with your order.

Readers are advised to check with prices appearing in the current issue before ordering.

**NOTE:** Please allow 28 days for delivery. We can only supply boards listed here.

### TELEPHONE ORDERS (LINES OPEN 24 HOURS)

You can now order your printed circuit boards by telephone, quoting your Access credit number. The number to ring is: 0268 289923. In stock items will be despatched within 24 hours of receipt of order. If you ring out of office hours please state your order, credit card number and address clearly, as the order is recorded on an answering machine.

## DON'T MISS THE NEXT ISSUE OF PRACTICAL ELECTRONICS

DESIGN FEATURE – SWITCHED MODE  
POWER SUPPLIES

TECHNOLOGY FEATURE – SENSORS –  
TRANSDUCERS IN ACTION

MICROFORUM – AMSTRAD EPROM  
PROGRAMMER

PLUS FULL CONSTRUCTIONAL DETAILS OF AN  
EXCEPTIONAL CAR ALARM WITH MANY UNIQUE  
FEATURES, A PRACTICAL GENERAL PURPOSE STAND  
ALONE OR DEDICATED SMPSU AND A  
MOTOR INTERFACE PROJECT FOR THE ELECTRO  
MECHANICALLY MINDED.

PLUS ANOTHER EXPERIMENTAL ELECTRONICS  
FEATURE, SPACEWATCH, LEADING EDGE, NEWS AND  
MARKET PLACE AND LOTS MORE

APRIL ISSUE ON SALE FRIDAY MARCH 6th  
STILL ONLY £1.25

# DON'T MISS A VITAL COPY!

Ever been in the middle of a project only to  
find the next issue sold out? An annual  
subscription to **PRACTICAL  
ELECTRONICS** solves the problem.

Wherever you live you'll receive a  
copy regularly each month. It's the  
quick, practical way to solve delivery  
problems.

### SUBSCRIPTION RATES

U.K. £15.00  
Overseas £18.00

**COMPLETE  
AND POST  
THIS  
ORDER FORM  
TODAY!**

PRACTICAL

# ELECTRONICS

### SUBSCRIPTION ORDER FORM

Annual Subscription Rates  
U.K. £15.00  
Overseas £18.00  
Students: Deduct £1 and quote  
Student Number

POST COPIES TO

NAME \_\_\_\_\_

ADDRESS \_\_\_\_\_  
\_\_\_\_\_  
\_\_\_\_\_

POST CODE \_\_\_\_\_

I enclose my cheque/PO payable to Intrapress for  
£.....

Please Note: Subscriptions cannot be ordered by phone

Signature \_\_\_\_\_

Complete this form and  
post it, with payment  
to: **Practical Electronics**  
Subscription Dept.  
Competition House,  
Farndon Rd.,  
Market Harborough,  
LE16 9NR.

# TELEPHONE BELL REPEATER

BY GILES READ

*Next-to-the-telly 'phone*

*Modem, light weight phones frequently fail to delivery a ringing punch. This repeater device puts a telephone wherever you want to hear it.*

The ringing signal for telephones which we all know and love is a pulsed 25Hz a.c. voltage of about 50V, which drives the bell mechanism of a traditional telephone via a d.c. blocking capacitor of a couple of microfarads or so. Because less current is required to power the piezo buzzer in the repeater circuit, a smaller capacitor is used (C1). This then feeds a bridge rectifier to provide a d.c. voltage, smoothed slightly by C2. The low value of this smoothing capacitor permits the ripple to cause a pleasant burbling modulation of the tone. However, if the rectified voltage were not limited, it could easily rise to over 50V and destroy the buzzer. This is avoided by the inclusion of the 12V Zener diode, D1. No resistor is included to limit the current through D1 as this function is performed by the a.c. impedance of C1.

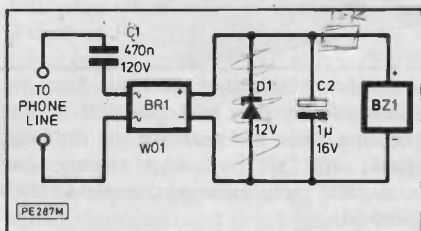


Fig.1. The Circuit

SINCE the de-regulation of British Telecom a few short years ago, there has been a proliferation of new types of phones and gadgets. One suspects that they are generally designed to make it as easy as possible to run up enormous telephone bills, though a few are genuinely useful. Not all the goodies on offer are approved for connection to the Telecom network, but the growing number of private internal exchanges (PABXs) can provide a market for such items.

One problem with the new, light-weight, 'all plastic' phones is the apparently low volume of the ringer device when compared to the traditional bells. This can mean that important calls are missed because of the lack of audio penetration. All is not lost however. A suitably installed telephone extension ringer can provide a penetrating sound in just the right place.

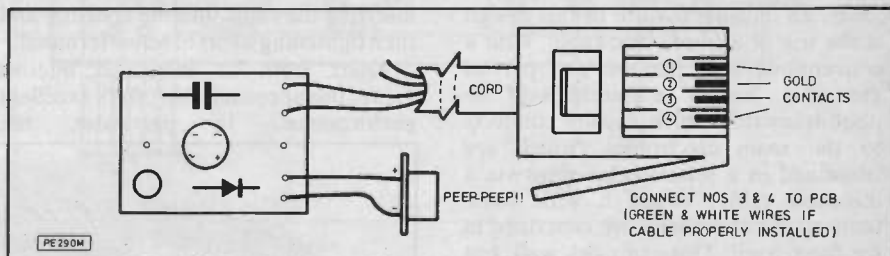


Fig.2. Plug and ringer connections

## CONSTRUCTION

Not a lot to go wrong here – just ensure that you get the polarities right. Avoid overheating the piezo buzzer, as its pins are moulded into a thermoplastic casing which melts at the slightest opportunity, resulting in at best a wobbly pin and at worst a defunct buzzer.

The bell repeater can be connected in many ways. The prototype was housed in a small 'mountable' box (so called because it had a couple of holes in the back to hold fixing screws), and connected to the outside world by a short length of phone lead terminated in a Telecom plug. The box was screwed to the skirting board beside a phone socket and when the normal phone was not plugged in, the repeater took its place. The diagram shows which of the four wires from the plug to connect to the circuit. Alternatively, the circuit can simply be wired directly across the two

wires of the phone line via a suitable length of cable. Unfortunately, whenever a call is dialled the repeater will burble in sympathy with the dialling pulses. It is not easy to overcome this problem in such a simple circuit, but experience shows that it is an easy side-effect to live with.

## COMPONENTS . . .

### CAPACITORS

- C1 470n 125V
- C2 1µ 16V

### SEMICONDUCTORS

- BR1 W01 or any 100VPIV bridge
- D1 BZY88C12V300mW12V Zener

### MISCELLANEOUS

- BZ1 Roxborough type SM2 sounder (available from Verospeed, code 41-22514C), or any other low-current piezo buzzer; wire, solder, etc.

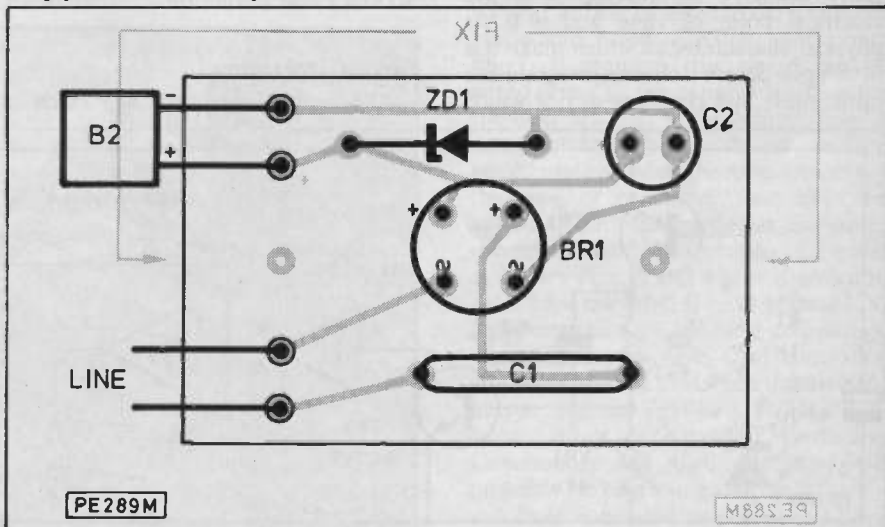


Fig.3. The simple component layout

# FIBRE OPTIC LIGHT PEN

BY R. A. PENFOLD

*Get to the point*

*Most light pens have a wide angle of view which restricts their speed and accuracy. This design uses fibre optic cable, which concentrates on the target area with greater precision.*

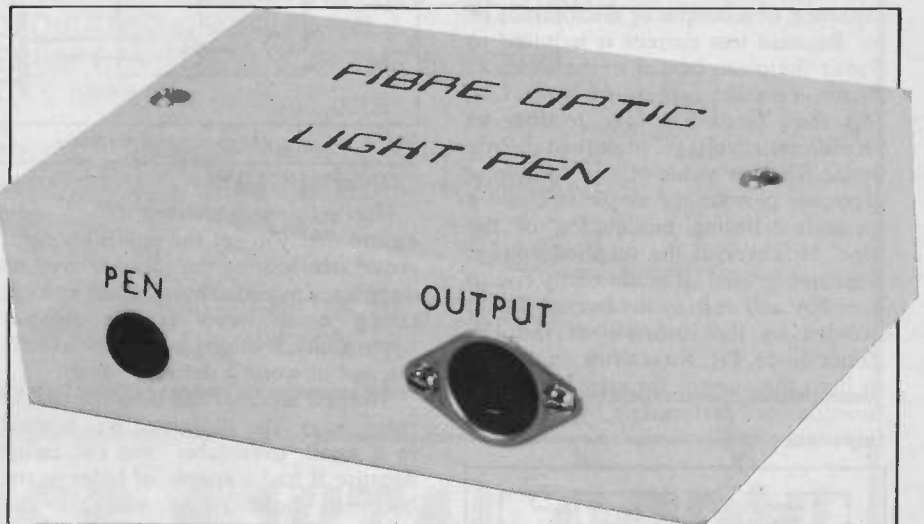
ALTHOUGH a light pen is far from being the most original of project ideas, an unusual feature of this design is the use of a fibre optic cable. With a conventional light pen the 'pen' part of the unit houses a photodiode or phototransistor which usually connects to the main electronics (which are contained in a separate housing) via a screened cable, although with some units all the electronics are contained in the 'pen' itself. This can work well, but with most types of photodiode and phototransistor the angle of view is fairly wide. This is true even with most devices that have a built-in lens, and the practical result is often a lack of consistency with the light pen tending to point to an area of the screen rather than a point. This is not actually of great importance in some applications such as menu selection, but in more critical functions it can render a light pen unusable.

With a fibre optic light pen the 'pen' part of the unit has no electronics at all, and is merely the end of a fibre optic cable. A pen casing or something of this nature can be used here in order to make the device easier to hold and use, but it has no other purpose (not so much a light pen as a very light pen). The photocell is housed on the printed circuit board with the rest of the electronics, and in this case a special fibre optic photodiode is used. This is actually a fairly ordinary photodiode from the electrical point of view, and it is its physical characteristics which make it a fibre optic device. It has an integral fibre optic guide and clamping device which

enable it to be easily coupled to the fibre optic cable. In fact it is just a matter of inserting the cable into the aperture and then tightening a sort of screw terminal.

Apart from its increased interest value, this approach also offers excellent performance. In particular, the

television picture is constructed renders the process imperceptible to the human eye, it is actually produced by a spot of light scanning across and down the screen in a series of horizontal lines. Fifty scans of the screen are completed each second, and with the usual



narrowness of the filament in the cable (usually 1 millimetre in diameter) combined with the fact that only light hitting the filament almost parallel to the direction of the cable will be effectively coupled into it, results in the light pen responding to only a very small area of the screen. This helps to give consistent results as well as good accuracy and resolution.

interlacing technique alternate lines are scanned on the first pass, then the missing lines are scanned on the next pass, and so on, with twenty five complete pictures being completed each second.

A computer has circuits which generate the timing signals for the production of the display, and if it has a light pen input this normally operates in conjunction with two counters which are part of the display generator circuit. The most common arrangement has one counter reset at the beginning of each

### Circuit Operation

Although the speed at which a

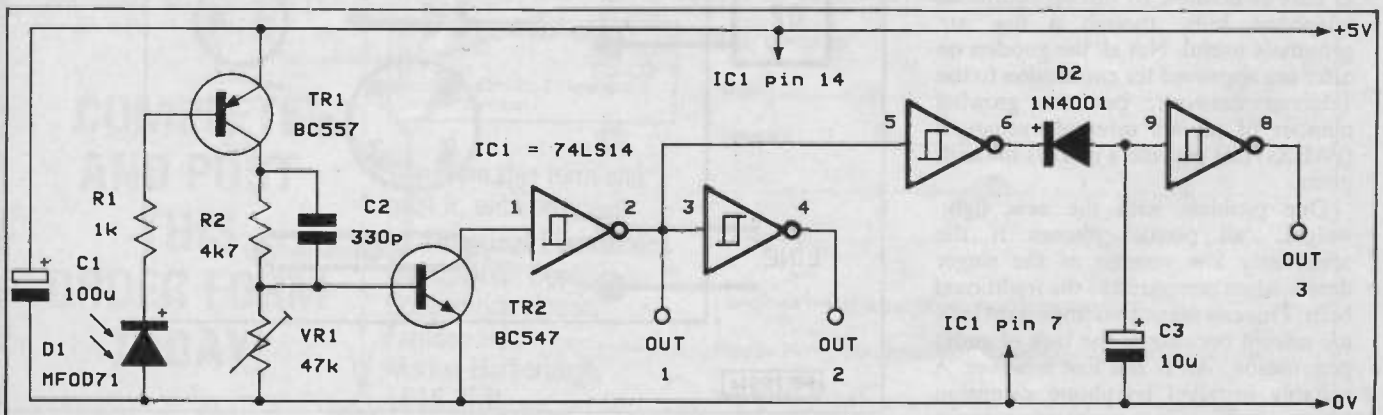


Fig.1. The circuit diagram of the Fibre Optic Light Pen

frame and incremented as each new line of the display is commenced. The second counter is reset at the start of each line scan, and is incremented from (say) 0 to 255 during the course of each line scan. With some computers (notably those that use a 6845 CRT controller) the two counters operate together to provide a single large number which increases during the course of each frame scan.

In either event, the purpose of the light pen is to detect the spot of light as it passes through the pen's field of view, and to send a strobe pulse to the counter circuit which 'freezes' the count. From the values read from the counter circuit it is possible for software routines to determine the position of the light pen on the screen.

The photocell used in a light pen must be a reasonably fast type, and although most phototransistors are adequate, the higher speed of a photodiode is preferable. The disadvantage of a photodiode is that it is relatively insensitive, and in this case the relatively small amount of light taken from the screen and transmitted down the cable to the device exacerbates the problem. A large amount of amplification is therefore needed in order to give a logic compatible output from the minute current pulse generated by the photodiode.

D1 is the photocell and it is used in the reverse biased mode. In this mode the diode has the very low reverse leakage current associated with a diode, but only when it is in darkness. The pulses of light from the screen cause a much higher leakage level, although still one which is quite small in absolute terms. This provides a base bias current to TR1 which supplies an amplified current into the base of TR2. This biases TR2 hard into conduction. VR1 is a sensitivity control, it is adjusted for a setting that gives a good compromise between sensitivity and consistency of readings.

TR2 might be able to directly drive

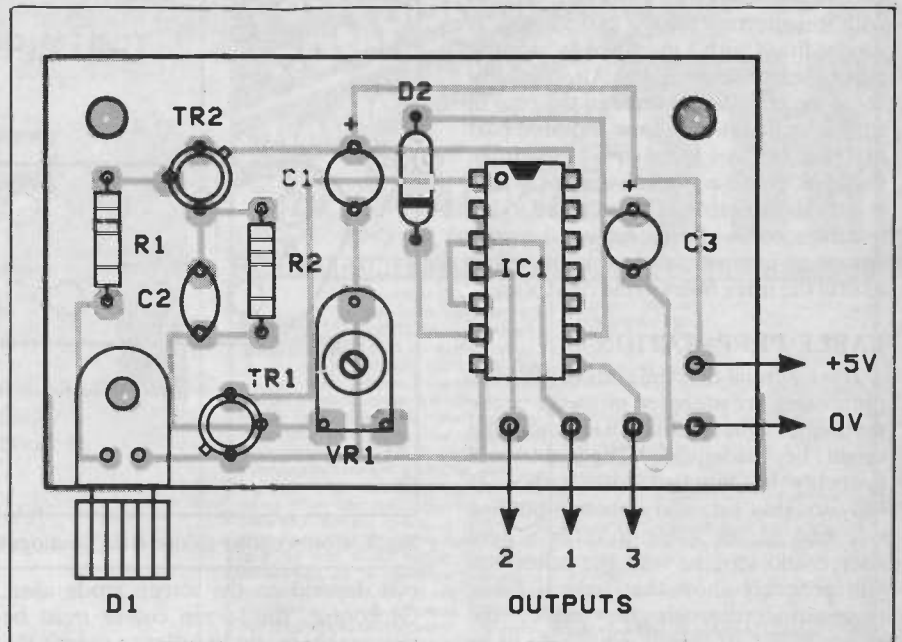


Fig.2. P.c.b. and wiring details

some light pen inputs correctly, but in most cases some buffering to give a standard logic output signal will be needed, and a phase inversion may also be required. IC1 provides two inverting Schmitt Triggers that give antiphase output signals, and one or other of these should be suitable for any lightpen input.

Two stages of IC1 are left unused, but the remaining two are used in a simple circuit which smoothes the output pulses to provide a high output level when the pulses are present. This signal can be used to automatically indicate to the software when the pen is in position on the screen and new readings are available from the light pen registers. Of course, this is only possible if the computer has a spare digital or analogue input available which can be used to monitor this output. Where no suitable input is available the alternative of manual indication via the keyboard has to be used.

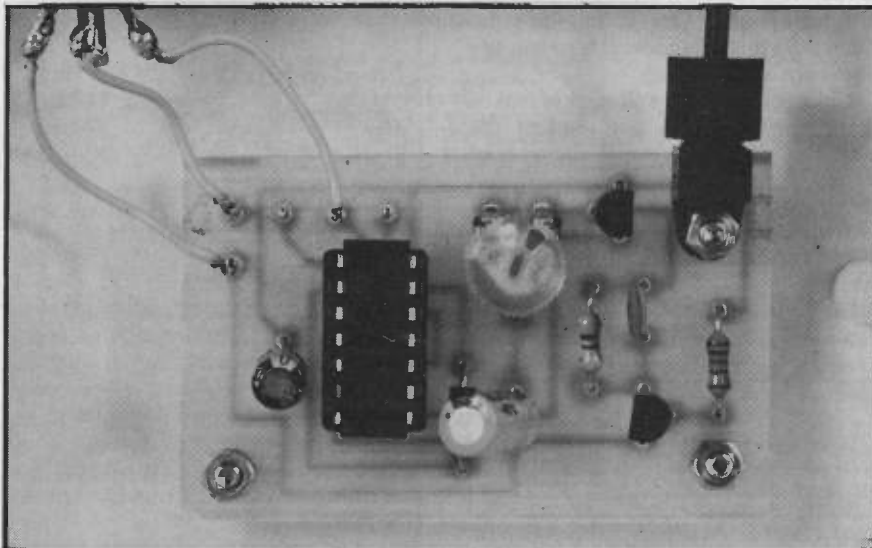
The circuit requires only a +5 volt supply, and as the current consumption is only a few milliamps the computer should be able to provide this without any difficulty.

### CONSTRUCTION

The printed circuit layout for the unit is provided in Fig. 2, and the only unusual aspect of construction is the mounting of D1. This is bolted to the board using a 6BA screw about 6 millimetres long plus a matching fixing nut. There are two plastic pins on the underside of D1 and well towards the front of the device, and matching holes for these could be drilled in the board. However, there seems to be no problem if these are simply trimmed off using wire cutters.

The unit can be fitted into practically any small plastic case. On the prototype the output leads are taken to a DIN socket, and are coupled to the computer via a lead fitted with the appropriate plugs. If preferred the board can be wired direct to the connector which fits the light pen port of the computer, with an exit hole being drilled at the appropriate point on the case. Obviously the type of connector used must be varied to suit the particular computer concerned, and as a couple of typical examples Figs. 3 and 4 give connection details for the BBC B (and Master 128) and Amstrad CPC464/6128 computers. These all have a 6845 CRT controller, and seem to work best when driven from output 1 of the light pen. Results with most other computers (including Commodore and Atari machines) will probably be best using output 2.

A hole is needed to permit the fibre optic cable to pass through to the interior of the case, and this must be carefully



positioned so that it is accurately aligned with the aperture for the cable in D1. It can be fitted with a grommet to give the unit a neater appearance. Alternatively, the board can be mounted in the case in such a way that the screw terminal part of D1 protrudes through a hole cut in the case. This is more convenient in that it enables the cable to be attached to D1 and removed without opening the case, but great care would have to be taken to drill the three holes in the right places.

## CABLE PREPARATION

It is essential that the ends of the fibre optic cable are prepared properly, or the amount of light reaching the photodiode might be inadequate. The cable will probably be supplied with both ends only roughly cut, and although holding one end of the cable towards a light source and looking into the other end will probably show that light is being transmitted through the cable, the transmission efficiency is unlikely to be adequate. The easiest way of preparing the end of the cable seems to be to just cut it through using a sharp modelling knife. It should be cut with a single press on the knife, being careful to make the cut at right angles to the cable and to cut through nothing other than the cable. The cable should then work efficiently without the need for any polishing or filing of the filament.

## IN USE

Obviously the software routines for the light pen must be designed to suit the particular computer with which the unit will be utilized, and the manual (or an advanced manual) should give details of the light pen registers and how they can be used. In the case of the BBC computers the high order byte of the light pen counter is read by first writing a value of 16 to address &FE00, and then reading from address &FE01. The low byte is read by writing 17 to address &FE00 and then reading from &FE01. Multiplying the high order byte by 256 and adding it to the low order byte gives the total value in the counter. Note that the light pen registers of the 6845 are not accurate if the screen scrolls. This simple routine will read the light pen registers and display the total count on the screen.

```

10 MODE 5
20 COLOUR 1
30 COLOUR 131
40 ?&FE00 = 16
50 A = ?&FE01 * 256
60 ?&FE00 = 17
70 B = ?&FE01
80 PRINT A + B
90 FOR D = 1 TO 300:NEXT
100 CLS
110 GOTO 40
    
```

There will be a large offset to remove from the counter value before it can be manipulated to indicate a screen position, and the mathematics needed

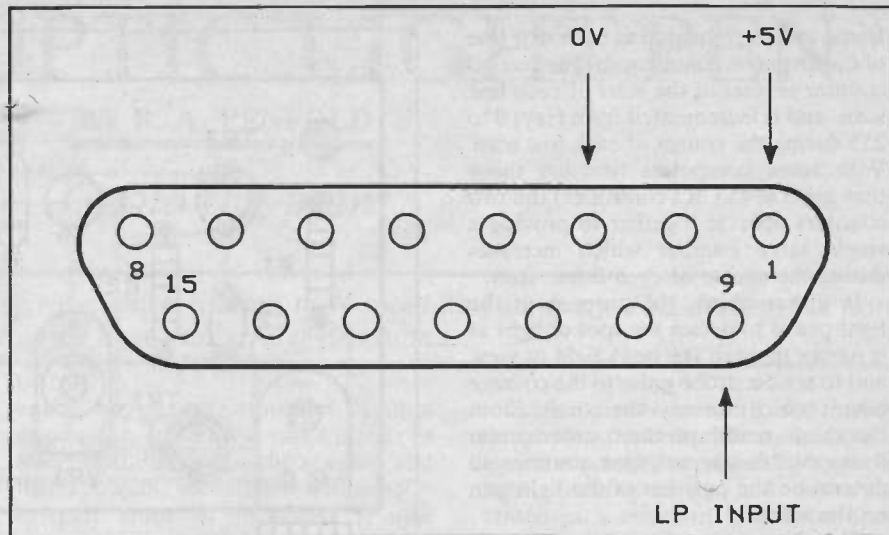


Fig.3. Connections to the BBC analogue part

will depend on the screen mode used. Of course, the screen colour must be reasonably bright in order to permit the light pen to operate. VR1 is adjusted for the lowest sensitivity that gives good results at any point on the screen (the screen brightness tends to be lower in the corners). If automatic operation is required one of the 'firebutton' inputs on the analogue port can be used to read output 3 of the light pen.

Incidentally, the MFOD71 diode is intended for use with a standard 2.2 millimetre fibre optic cable with a 1 millimetre diameter core, and it will not properly clamp in place any other type. About 0.7 to 1 metre of cable should be sufficient. An important point to keep in mind is that fibre optic cables can be damaged if they are taken through tight curves. With most types a minimum radius of 20 to 30 millimetres is recommended.

About 5 millimetres of the outer cladding must be removed from the end of the cable which fits into D1. I did not find ordinary wire strippers to be very good for this task, but the sleeving can be removed without too much difficulty by carefully cutting it away using a sharp knife. Be careful not to cut into the filament as this could severely impair the efficiency of the cable.

It is not essential to fit some form of finger grip onto the 'pen' end of the cable, but due to the small diameter of the cable it will be much easier to use the unit if this is done, and it is not difficult to fit something like an old ballpoint pen casing onto the end of the cable.

The Amstrad CPC464/6128 computers also have a 6845 CRT controller, and it is read at IN/OUT address &8F00. Values

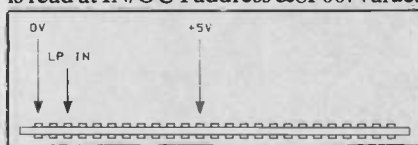


Fig.4. Connection details for the Amstrad

of 16 and 17 are first written to IN/OUT address &8C00 in order to read the high order and low order bytes respectively.

Results with the unit seem to be very good, and the readings seem to be more stable than with the other light pen designs that I have tried. However, with any light pen it is essential to hold the pen still in order to obtain good results, and the light pen circuits of some computers have a tendency to 'glitch' occasionally. This can usually be overcome by taking several readings and discarding any that are well away from the average reading. The remaining readings can then be used to calculate a final average value.

PE

## COMPONENTS . . .

### RESISTORS

R1 1k  
R2 4k7  
All 0.25W 5% carbon

### POTENTIOMETER

VR1 47k sub-min hor preset

### CAPACITORS

C1 100u 10Vradial elect  
C2 330p ceramic plate  
C3 10u 25Vradial elect

### SEMICONDUCTORS

IC1 74LS14  
TR1 BC557  
TR2 BC547  
D1 MFOD71  
D2 1N4001

### MISCELLANEOUS

Small plastic case, about 1 metre of 2.2mm diameter fibre optic cable, printed circuit board, connecting cable and connectors, 14 pin DIL IC holder, pins, wire, etc.  
(The MFOD71 and fibre optic cable are available from Maplin Electronic Supplies Ltd.)

# WEDNESDAY ELECTRONICS

## MINIPOWER POWER SUPPLY UNIT

£29.95



At last! A full power supply unit at a really affordable price. The brief specification is as follows:-

- 0-30 VDC output, fully adjustable.
- 0-1.5 amps.
- 0.01% Load Regulation.
- Ripple rejection 65 db
- Line regulation 0.3%
- Small size for your bench, just 165mm x 85mm x 60mm.
- Weight: 850 gm.

Send cheque/postal order for £31.70 (incl. £1.75 p&p) to: **WEDNESDAY ELECTRONICS, 4 CHURCH STREET, OFFENHAM, WORCS WR11 5RW.** Allow 14 days delivery. ACCESS CARDS WELCOME

# TRAINEE RADIO OFFICERS

Are you looking for a secure shore-based job which offers a rewarding career in the forefront of modern Telecommunications technology... then consider joining GCHQ as a Trainee Radio Officer. Training involves a 32 week residential course, (plus 6 weeks extra if you cannot touch type) after which you will be appointed RADIO OFFICER and undertake a variety of specialist duties covering the whole of the spectrum from DC to light.

**We offer you: Job Security · Good Career Prospects · Opportunities for Overseas Service · Attractive Salaries... and much more.**

To be eligible you must hold or hope to obtain on MRGC or HNC in a Telecommunications subject with an ability to read morse of 20wpm.

Anyone with PMG, MPT or 2 years relevant radio operating experience is also eligible. The Civil Service is an equal opportunities employer.

**Salaries:** Starting pay for trainees is age pointed to 21 years. For those aged 21 or over entry will be at £6,572. After training an RO will start at £9,758 rising by 5 annual increments to £14,387 inclusive of shift and weekend working allowance.

Write or telephone for an application form to:-



THE RECRUITMENT OFFICE, GCHQ, ROOM A/1108 OAKLEY, PRIORS ROAD, CHELTENHAM, GLOS GL52 5JZ OR TELEPHONE (0242) 32912/3

For KITS & COMPONENTS - Choose the easy way - with <sup>\*refundable with first order</sup>

Send 50p\* & SAE for CATALOGUE

ORDERS: RING (01) 567 8910 - 24 HRS.

# TK

## HIGH SECURITY LOCK KIT POWER STROBE KIT

Designed for use with our lock mechanism (701 150) this kit will operate from a 9V to 15V supply drawing a standby current of only 50uA. There are over 5000 possible 4-digit combinations and the sequence can be easily changed. To make things even more difficult for an unauthorised user an alarm can be sounded after 3 to 9 incorrect entries - selectable by means of a link. The alarm can sound for a few seconds to over 3 minutes preventing further entries. A latched or momentary output is available making the unit ideal for door locks, burglar alarms, car immobilisers, etc. A membrane keyboard or pushbutton switches may be used and a beep sounds when a key is depressed. Kit includes high quality PCB, all components, connectors, high power piezo buzzer and full assembly and user instructions.

XK121	LOCK KIT	£15.95
350 118	Set of keyboard Switches	£4.00
KB12S	12-Way Membrane Keyboard	£9.98
7Q1 150	Electric Lock Mechanism	£16.50

## MICROPROCESSOR TIMER KIT

Designed to control 4 outputs independently switching on and off at preset times over a 7-day cycle. LED display of time and day, easily programmed via 20 way keyboard. Ideal for central heating control including different switching times for week-ends). Battery back-up circuit. Includes box. 18 time settings.

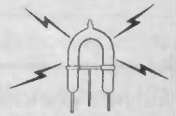
CT600K		£42.90
XK114	Relay Kit for CT6000 includes PCB, connectors and one relay. Will accept up to 4 relays. 3A/240V c/o contacts	£4.30
701 115	Additional Relays	£1.80

## VERSATILE REMOTE CONTROL KIT

This kit includes all components (+ transformer) to make a sensitive IR receiver with 16 logic outputs (0-15V) which with suitable interface circuitry (relays, triacs, etc - details supplied) can be used to switch up to 16 items of equipment on or off remotely. The outputs may be latched (to the last received code) or momentary (on during transmission) by specifying the decoder IC and a 15V stabilised supply is available to power external circuits. Supply: 240V AC or 15-24V DC at 10mA. Size (excluding transformer) 9 x 4 x 2 cms. The companion transmitter is the MK18 which operates from a 9V PP3 battery and gives a range of up to 60ft. Two keyboards are available MK9 (4-way) and MK10 (16-way), depending on the number of outputs to be used.

MK12 IR Receiver (incl. transformer)	£14.85
MK18 Transmitter	£7.50
MK9 4-Way Keyboard	£2.00
MK10 16-Way Keyboard	£5.95
601 133 Box for Transmitter	£2.60

Designed to produce a high intensity light pulse at a variable frequency of 1 to 15Hz, this kit also includes circuitry to trigger the light from an external voltage source (eg. a loudspeaker) via an opto isolator.



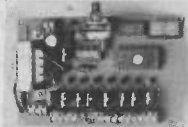
Instructions are also supplied on modifying the unit for manual triggering, as a slave flash in photographic applications or as a warning beacon in security applications. The kit includes a high quality pcb, components, connectors, 5Ws strobe tube and full assembly instructions. Supply: 240V ac. Size: 75x50x45.

XK124 Stroboscope Kit ..... £12.50

## 8 WAY SEQUENCER KIT

The DL8000K is an 8-way sequencer kit with built in opto-isolated sound to light input which comes complete with a pre-programmed EPROM containing EIGHTY - YES 80! different sequences including standard flashing and chase routines. The KIT includes full instructions and all components (even the PCB connectors) and requires only a box and a control knob to complete. Other features include manual sequence speed adjustment, zero voltage switching, LED mimic lamps and sound to light LED and a 300W output per channel. And the best thing about it is the price:

ONLY £28.50



## DISCO LIGHTING KITS

DL1000K This value-for-money 4-way chaser features by-directional sequence and dimming. 1kW per channel. £17.50  
DLZ1000K - A lower cost uni-directional version of the above. Zero switching to reduce interference. £9.85  
DLA/1 Optional opto input allowing audio 'beat'/light response ..... 70p  
DL3000K -3-channel sound to light kit features zero voltage switching, automatic level control and built-in microphone. 1kW per channel. £14.25

## DVM/ULTRA SENSITIVE THERMOMETER KIT

Based on the ICL 7126 and a 3 1/2 digit liquid crystal display, this kit will form the basis of a digital multimeter (only a few additional resistors and switches are required - details supplied), or a sensitive digital thermometer (-50°C to +150°C) reading 0-1°. The kit has a sensitivity of 200mV for a full-scale reading, automatic polarity and overload indication. Typical battery life of 2 years (PP3). £17.00



# TK

**ELECTRONICS**  
13 BOSTON RD.  
LONDON W7 3SJ  
Tel: 01 567 8910

ORDERING INFORMATION:  
ALL PRICES EXCLUDE VAT

FREE P&P on orders over £20 (UK only), otherwise add 75p + VAT. Overseas P&P: Europe £2.75. Elsewhere £6.50. Send cheque/PO/Barclaycard/Access No. with order. Giro No. 529314002.

LOCAL AUTHORITY AND EXPORT ORDERS WELCOME  
GOODS BY RETURN SUBJECT TO AVAILABILITY



# SURFACE ACOUSTIC WAVE DEVICES

BY ANDREW ARMSTRONG

## *Applications of acoustic signal processing*

*Surface acoustic waves can be used to provide precisely controlled filter characteristics, and neatly outperform discrete component filters. In addition, they can provide functions not otherwise practical, such as fast realtime convolution and chirp radar signal generation/processing.*

SEVERAL TYPES types of piezoelectric crystals have the property that waves can be set up on their surface, like ripples on a pond, by electrical excitation. The effect is reciprocal, so that an electrical signal can easily be generated from the wave. This immediately suggests one application: a delay line. In fact, devices using this property can do far more than provide a delay, but in order to understand them it is first necessary to investigate the waves more closely.

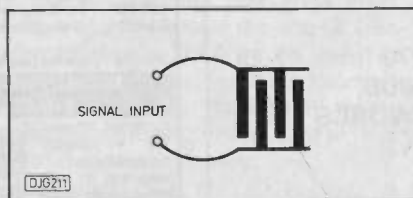
### WAVE PROPAGATION

First of all let us consider a wave set up in a simple crystal with a cubic lattice. The majority of such waves would be bulk waves of various sorts. It is helpful if you visualise the crystal as consisting of little round weights each with six springs connecting to adjacent weights. A bulk wave would simply be a wave of spring compression travelling through the body of the crystal, for example along the line of one set of springs. As each weight deflects, one spring is stretched, one is compressed, and the other four are bent. In this simple wave, the weight undergoes linear motion only, in the direction of propagation of the wave.

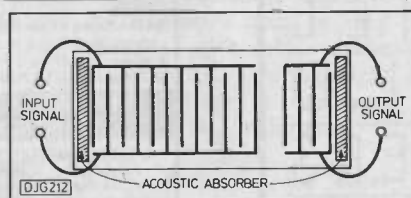
The performance of an atom in a crystal lattice is very much like that of the weights in our model. The six bonds constitute a stiff suspension, so the coupling between one atom and the next is tight and the wave propagates rapidly. The effect is different for a wave launched on the surface of the crystal, though. The atoms here are suspended on five bonds rather than six, and the propagation of a wave on this relatively floppy suspension is slower than a bulk wave. The movement of an atom on the surface of the crystal is in an arc as against the linear motion experienced by atoms in the body of the material.

All this means that if a wave can be launched on the surface, it will tend not to excite bulk modes but will remain on the surface. Fig.1 shows the form of a

transducer which can launch a surface wave. The piezoelectric effect of the crystal causes expansion and contraction of the areas of crystal between the fingers of the transducer, and thus launches a wave in two directions.



**Fig.1.** A simple broadband transducer. The transducers consist of metalised strips laid down on the surface of the crystal.



**Fig.2.** The concept of a simple s.a.w. filter.

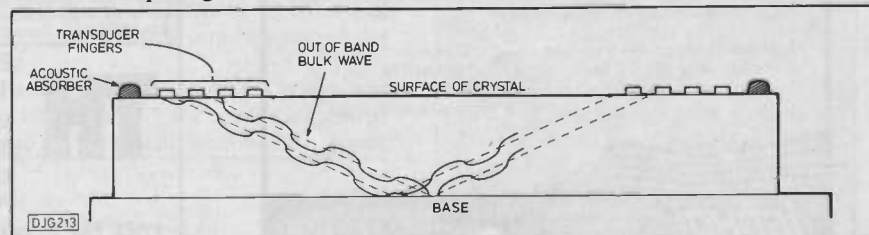
In a real device, such as the simple filter shown in Fig.2, the wave travelling in one direction is absorbed by an acoustic absorber, and only the wave travelling towards the receiving transducer is used. This means that 6dB is lost on transmission, and a further 6dB on reception. The long transducer used for transmission has the effect that if the wavelength of the wave launched does not fit the spacing of the transducer

fingers accurately it will not be launched with full efficiency. This gives a frequency selectivity, but in this simple case the shape of the response is not one which is normally considered useful. One can visualise a series of beats between the wavelength of the wave and the spacing of the transducer as the frequency is varied, so that there are peaks and troughs in the frequency response.

### UNWANTED EFFECTS

The intention of the transducer is to launch a surface wave, but we can deduce from the law of the conservation of energy that it will do other things as well. Fig.3 shows how a bulk wave can be launched at a frequency outside the passband of the surface waves launched by the transducer. As the diagram shows, this bulk wave can couple signals from input to output and thus degrade the out-of-band response. This effect is minimised by mounting the crystal on an acoustically absorbent base.

Another effect which can cause problems is called triple transit. What happens is that a wave launched from the sending transducer is reflected from the receiving end and then reflected back from the transmitting end again, so that it is finally received by the receiving transducer after three times the normal time delay. By this time the signal is much attenuated, and of course we are only dealing with in-band signals anyway, but it can cause ripples in the passband and can smear signals in the time domain. This would clearly be



**Fig.3.** A bulk wave is launched at this specific angle at the frequency for which the contributions from each part of the transducer are in phase. Despite loss on reflection, some signal reaches the other transducer.

important if the filter were to be used in an application where accurate pulse response is important, such as television or radar receivers.

At first sight it might seem that triple transit could be reduced almost to nothing by using a well matched acoustic absorber at the receiving end, but this is not the whole story. Even if we assume that the absorber is so well matched that it appears to the signal just like an infinitely long piece of crystal, the mere presence of a transducer will disturb things. If the transducer is actually loaded with a matched electrical load the disturbance is far worse. The effect can be likened to teeing a 50Ω load in the middle of a long 50Ω cable. Reflections will inevitably occur from the tee point.

If the send and receive transducers are not electrically matched, the attenuation of the filter can be very high. To quote an example, the Signal Technology BP1102 70MHz bandpass filter (2MHz bandwidth) is quoted as having input and output impedances in series with 10pF. At 70MHz, 10pF has an impedance of 227R, so any input signal will be significantly attenuated before it reaches the crystal unless the capacitance is tuned out by means of a series inductor.

The attenuation of this device is quoted in the data sheet as 24dB, but this is with the use of matching inductors. Without them, an attenuation of 44dB is measured. Unfortunately, even with this narrow bandwidth the response is degraded due to triple transit if matching is used, and the effect is worse with higher bandwidths.

If the loading on the transducers is minimised, there is still a certain amount of reflection from the transducer fingers simply due to their presence. A simple transducer layout would involve metalisation covering about half the total area of the transducer. The middle part of each finger does not contribute much to the performance so it can be omitted, thus reducing the mechanical loading on the acoustic wave and hence cutting down the reflection. This type of pattern is illustrated in Fig.4.



Fig.4. Leaving out the middle of the transducer finger in this manner considerably reduces the mechanical loading on the crystal.

## MATERIALS

There is one saving grace for some wider bandwidth filters. A more efficient material is often used. For narrow bandwidth filters quartz is the usual material, but for wider bandwidth devices lithium niobate or lithium

tantalate is used. These materials have a piezoelectric response which couples more effectively to the transducers, so that matching is not normally necessary.

There is another disadvantage to the use of lithium niobate and lithium tantalate, though. The quartz ST cut substrates (similar to the AT cut used for oscillator crystals) has almost zero temperature coefficient. Lithium niobate, on the other hand, has a temperature coefficient of about -90 PPM/°C, so the centre frequency of the filter depends on the temperature. This causes problems for some military and telecomms applications.

## APPLICATIONS

One of the major applications of s.a.w. devices is filtering, so it is worth considering a couple of types of design in use. It is worth noting that probably the largest volume for s.a.w. devices of any sort is as i.f. filters in domestic television sets. In this application they can keep costs down and performance up, as the performance of filters available at a very low cost in quantity is very good. Misadjustment in production and degradation in use no longer represent problems, which has also helped.

First of all consider the bandpass characteristics. A rectangular transducer like the one shown in Fig.2 will give an approximately  $\sin(x)/x$  frequency response. The approximation is due to the finite number of elements in the transducer. In general the frequency response of a s.a.w. device approximates to the fourier transform of the apodisation (phase and weighting) function of the transducer. This last is intuitively obvious because if you hit the transducer with an impulse you will generate a time response corresponding with the transducer pattern.

To generate a bandpass filter function, a  $\sin(x)/x$  transducer pattern is used, as illustrated in Fig.5. Of course, there would be many more fingers to the transducer in a real design. In this design, the amount of overlap of the fingers determines the relative amplitude of the wave launched from each part of the transducer, and the relative placement controls the phase. Thus we have a filter design in which the amplitude and phase characteristics are almost independent. This is specially important in radar, television, and digital data applications, where an

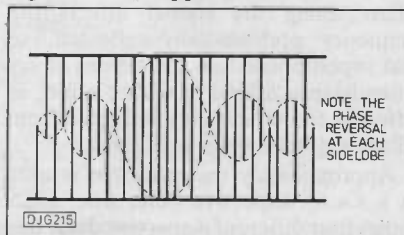


Fig.5. This pattern, used in conjunction with a broadband transducer, will give a bandpass response.

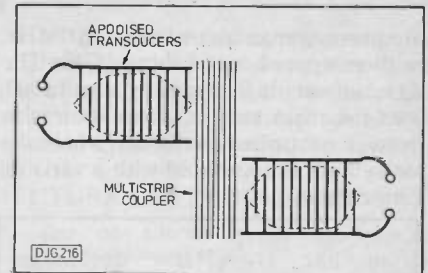


Fig.6. The multistrip coupler prevents the two apodised transducers from interacting.

uneven phase response can cause serious degradation of the pulse response.

In general, to provide any particular frequency and phase response, a numerical inverse Fourier transform is carried out on data representing the desired frequency and phase response and, with the application of fudge factors to compensate for the fact that a theoretically infinite function has to be represented by a finite number of elements, the resulting data specifies the transducer pattern. For anyone keen on the maths of filter design, s.a.w. filters can be designed with a vast number of zeros, but no poles.

So far, the filter designs we have looked at consist of one apodised transducer which determines the frequency response, and one broadband transducer. The reason for this is that if two apodised transducers were used, the resulting filter response would be that of each of the transducers multiplied together. This would multiply the problems of design, and of manufacturing tolerances. To avoid this problem, and to gain the advantage of cascaded filters, a multistrip coupler is used. This serves as a broadband transducer which receives and relaunches the wave to a second apodised transducer which is offset from the first one. This technique is shown in Fig.6.

Another interesting transducer arrangement is possible. Because amplitude and phase response can be determined separately, it is possible to design a filter with a specified amplitude response but employing carefully phased transducers which only launch a wave in one direction (in band) and cancel the reverse wave. In this way, the otherwise minimum loss of 12dB can be cut almost to nothing, so that the overall efficiency depends on the piezoelectric coupling efficiency and the accuracy of the electrical matching. Of course, this type of design has the problems of response ripple and non-linear phase response as might be expected.

## OSCILLATORS

Two types of s.a.w. device are used as frequency determining elements in oscillators. The one most like unto a filter is the delay line. Delay lines are used to make oscillators in the

frequency range above about 500MHz, with an upper limit of about 3GHz. The Q is not very high, typically about 1000, and the main area of application is in voltage controlled oscillators, where the delay lines is associated with a variable phase shifter.

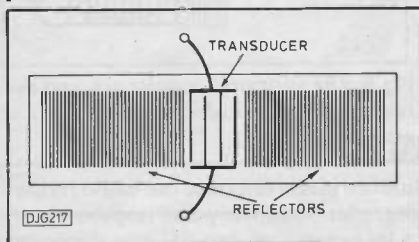


Fig.7. A single resonator

It is also possible to make a resonator, which works much like a microwave cavity resonator. This technique is shown in Fig.7. The Q can be as high as 6,000,000, which is higher than that available from an ordinary bulk mode resonator, in other words the familiar quartz crystal. The frequency range is from about 50MHz to about 1GHz, and the main application is in oscillators requiring excellent spectral purity and very low phase noise. This can be important in some microwave applications.

As with tuned circuits, resonators can be applied to filters as well as to oscillators. The coupled resonator pattern shown in Fig.8 provides a narrow bandpass response with a low loss.

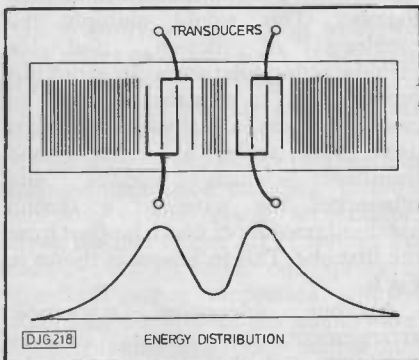


Fig.8. A pair of coupled resonators

## CHIRP RADAR

Chirp radar uses the same principle that bats use to lower the peak pulse power while keeping the energy content high enough to be useful. The frequency of the transmitted pulse is swept in a controlled manner during transmission. Though the pulse may have a long duration, and therefore occupy a large spatial length at any particular frequency bandwidth is short. If the inverse of the function used to sweep the frequency is employed at the receiver, the pulse is effectively compressed as accurately as the match between the transform used on transmit and its inverse used on receive.

This technique enables the bat to generate acoustic radar pulses which

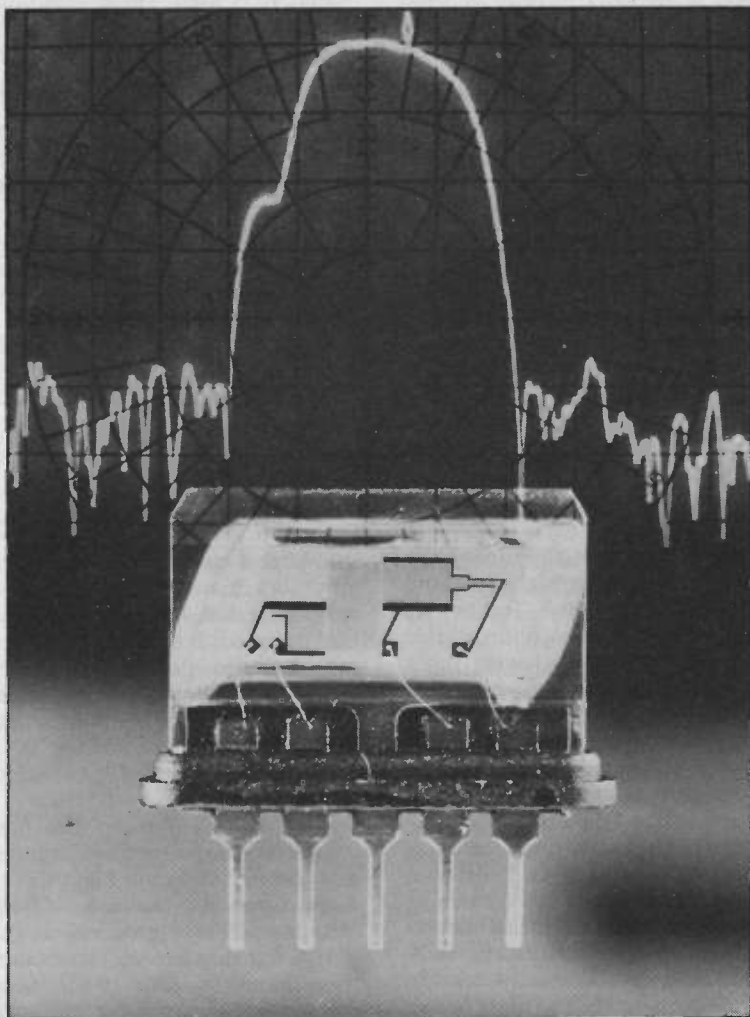


Photo.1. A Siemens of W361 S.A.W. filter pictured against its frequency response curve

have enough energy to give useful range, without demanding more peak power than it can supply. The same argument applies to semiconductor radar transmitters, which cannot provide, for example, a 100ns long pulse with a peak power of 1kW, but which may be able to provide 10W for 10 $\mu$ s.

The chirp may be generated by feeding a pulse into a dispersive surface acoustic wave (d.s.a.w.) delay line. A dispersive line is one which has a different time delay for different frequencies. An impulse contains a wide spread of frequencies, and a dispersive delay line disperses these frequencies. This type of effect can sometimes be observed when passing through a tunnel supported on one side by pillars. Interference effects mean that the angle subtended to the pillars along the tunnel affects the frequency preferentially reflected, so that superimposed on the echoes of say a handclap is a kind of wheep noise, as different frequencies are reflected from pillars a different distance away.

Approximately this principle is used in a s.a.w. dispersive delay line. Fig.9 shows four different dispersive delay line techniques – all of these use a different path length for different frequencies. To reconstitute a pulse from the chirp a

delay line with the inverse spacing of the dispersive elements is used.

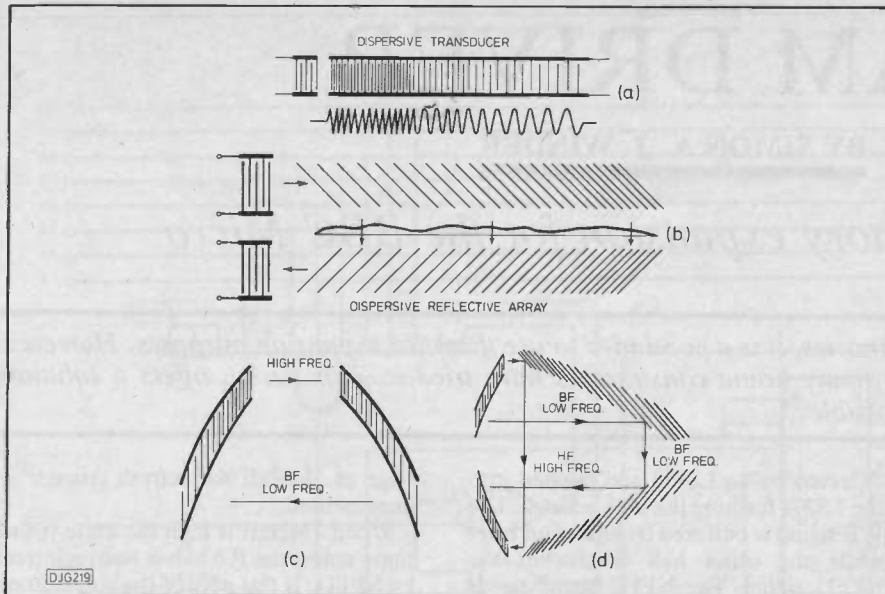
Normally a linear frequency sweep would be used for the chirp, because with this type of chirp a doppler shift simply manifests itself as a slight tuning offset. Other chirp laws are possible, however, and can give better signal to noise ratios for any given sidelobe levels and main lobe spreading.

## OTHER DISPERSIVE APPLICATIONS

The physical length of a chirp radar pulse can be quite substantial. This gives rise to another possible application of the technique. If a very long chirp is used, and if the received signal is mixed with the transmitted signal, then the result will be a constant frequency dependent on the range. Clearly this is only suitable when there is only one substantial target, but it is ideal to produce an altimeter. The ground is certainly a substantial target.

This type of radar altimeter is even suitable for use in satellites, though I don't know whether it is used in this application at present.

Another fairly obvious application of a dispersive delay line is as a spectrum



**Fig.9.** Different realisations of dispersive delay lines. Type (d) can have dispersive transducers and dispersive reflectors, thus allowing a greater range of responses to be achieved

analyser. If a burst of signal is fed into the input of a line, the output will be a time representation of the frequency spectrum of the input. To put it another way, if the output envelope were displayed on an oscilloscope synchronised with the input signal burst, you would see the familiar spectrum analyser display.

The spectrum analysis is not completely accurate because the act of gating the signal input to the line introduces  $\sin(x)/x$  sidelobes to the signals. The longer the burst of input signal, the less effect the  $\sin(x)/x$  sidelobes have but the longer the minimum time output per unit frequency, hence the less the resolution. In addition to this, the finite number of elements in the line imposes a limitation, but despite all these factors this type of device is very useful. It does, in fact, provide an accurate Fourier transform of the input signal.

## CONVOLUTION

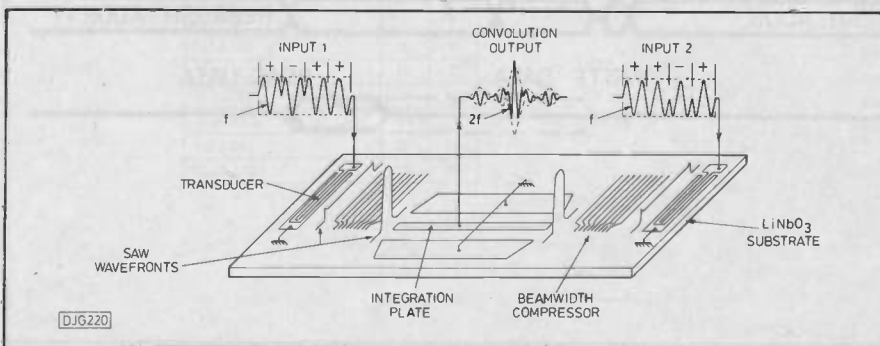
The s.a.w. Fourier transformer carries out the Fourier transform much faster than even the best f.f.t. (fast Fourier transform) algorithms on computer can manage. The s.a.w. convolver (no weed

this) is similarly ahead of the competition in its field.

Mathematically, convolution is the integral of two functions multiplied together. In electronics this process may be used for signal processing in spread spectrum telecommunication systems, or as a correlator to recognise a specific code, which must be applied repetitively to one of the inputs of the device. A possible layout for a convolver is shown in Fig.10.

In a convolver, two signals are concentrated so that when they interact under the convolution electrode, they mix non-linearly giving rise to the product of the two signals. The electrode integrates this product, and the output is the convolution product of the two input signals with a time compression of 2.

If a signal  $r(t)$  is repetitively applied to one input, with a repetition rate equal to twice the time delay in the device, it will perform, with respect to the other input, as a filter with impulse response  $r(t)$ . The time compression means that gating must be applied to the output, but if this is carried out correctly an adaptive filter is possible because the input  $r(t)$  can be changed to fit current requirements.



**Fig.10.** This illustrates the functioning of a convolver

In this type of device, the maximum duration of the signal to be convolved is set by the length of the convolution electrode, and the useful bandwidth is limited by the transducers.

## FUTURE DEVELOPMENTS

Ten or fifteen years ago s.a.w. technology was novel and under development. Now it is a standard part of the engineer's armoury, and a vast range of off-the-shelf devices is available. Development is still taking place, however, to improve various device parameters and so open up new market areas. This is carefully necessary for the producers of s.a.w. devices, because as the speed of available digital processors increases they take over applications previously reserved for s.a.w. For example, there is no reason in principle why the chirp transmitted in a chirp radar should not be generated digitally, even if a s.a.w. device is needed for the receive processing.

A whole new application area awaits when the loss in s.a.w. filters can be reduced to about 2dB, when roofing filters for television tuners will be practical. In this application, the signal from the aerial is fed into a s.a.w. filter having a frequency range of say 400 to 800 MHz. This will allow television signals through with minimal attenuation, while cutting out unwanted signals such as the police radios, CBs, radio amateurs to name but a few. Narrower bandwidth low loss filters could serve in portable telephones, pagers and the like as input filters connected to the aerial.

Such market expansion should ensure that s.a.w. devices are with us for the foreseeable future.

**PLEASE  
MENTION  
PRACTICAL  
ELECTRONICS  
WHEN  
RESPONDING TO  
ADVERTISEMENTS**

# RAM DRIVER

BY SIMON A. J. WINDER

## Low/cost memory expansion for the BBC Micro

*With the falling price of dynamic memories, it is a good idea to use them for expansion purposes. However, interfacing them is difficult and not many home constructors have tried it. This design offers a solution using as few extra components as possible.*

READERS may be aware of the advantages of dynamic RAMs in terms of cost and size but, due to the complexity of control required, together with the necessity for refresh, may find difficulty in interfacing these DRAMs to their home micros. This circuit was designed to drive a bank of eight 4164-15 RAM i.c.s from the BBC's 1MHz bus resulting in an extra 64K RAM paged in the usual way.

The eight RAM i.c.s have all their address and control lines connected in parallel to the corresponding outputs from this circuit. The D and Q pins are connected together on each i.c. and taken to a data line from the bus, so that eight i.c.s make up a byte.

Paging is performed by writing the page number to &FCFF which is

detected by an LS133 and latched into the LS374 forming the high address. The  $\overline{WE}$  signal is buffered by half of an LS74 while the other half de-glitches the NPF $\overline{D}$  signal. The NPF $\overline{C}$  signal needs no de-glitching in this application.

The circuit produces the signals for  $\overline{RAS}$  only refresh cycles while 1MHzE is low, and read/early write cycles when 1MHzE is high.

When 1MHzE is low the refresh address, from an LS393 counter, is presented to the RAM address bus. A pulse of about 50ns duration is produced on both edges of 1MHzE by an LS86 to trigger half of an LS123 to produce the  $\overline{RAS}$  cycle. When this monostable times out (160ns later) the  $\overline{RAS}$  line goes low latching the low address or refresh address into the RAMs. On the leading

edge of 1MHzE the refresh counter is incremented.

When 1MHzE is high the cycle is the same unless the RAM has been selected by NPF $\overline{D}$ . If this occurs, the signal from the second half of the LS123 is gated to the  $\overline{CAS}$  line latching in the high address which comes from the enabled LS374.  $\overline{CAS}$  is brought high again when 1MHzE returns low, causing the RAM outputs to be tri-stated off after a read. The 100R resistors help prevent ringing on the strobe lines.

The circuit should need no buffering if used on its own and should be well decoupled with 47nF capacitors.

This description is simplified because in actual fact the individual gate propagation delays are crucial to the circuit's operation. PE

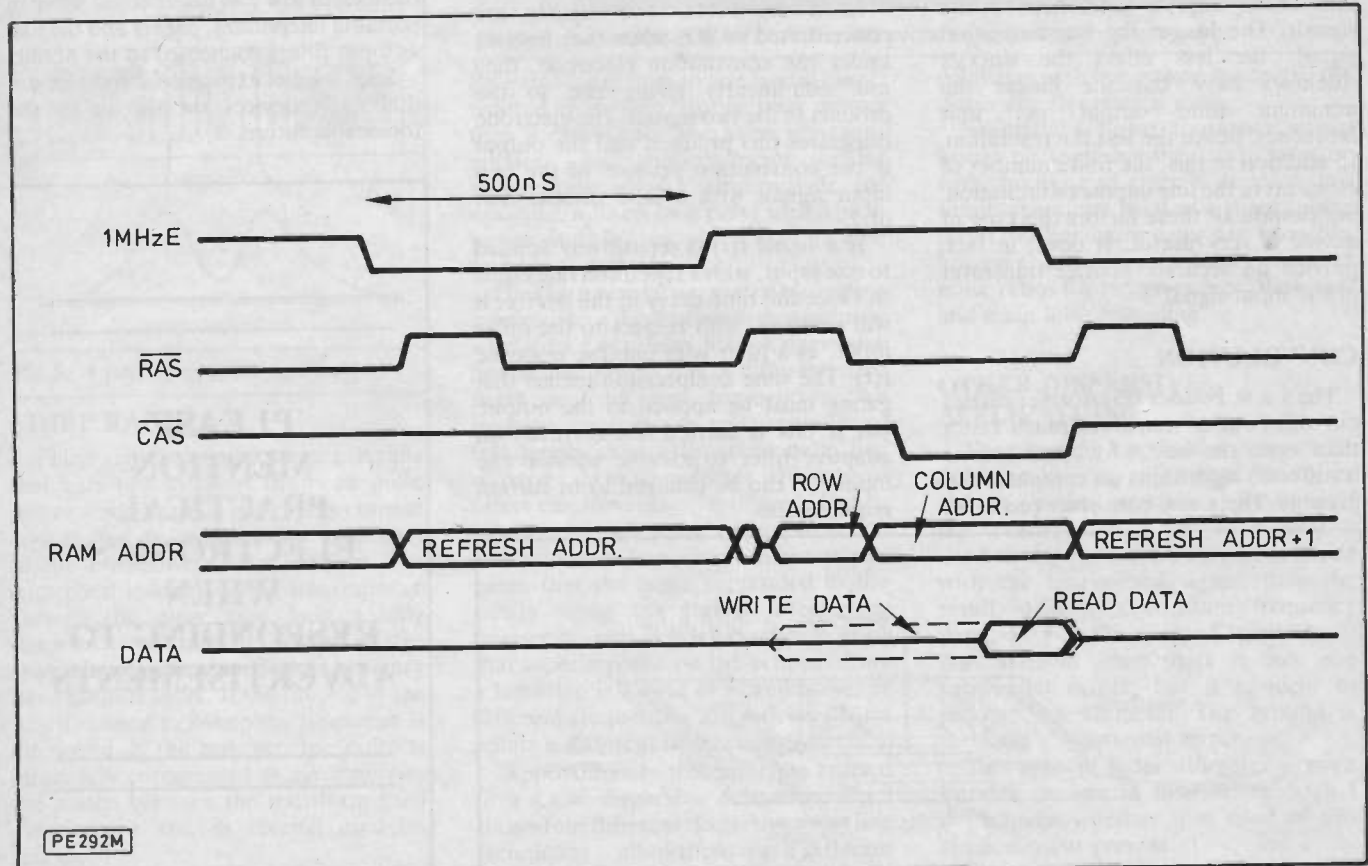
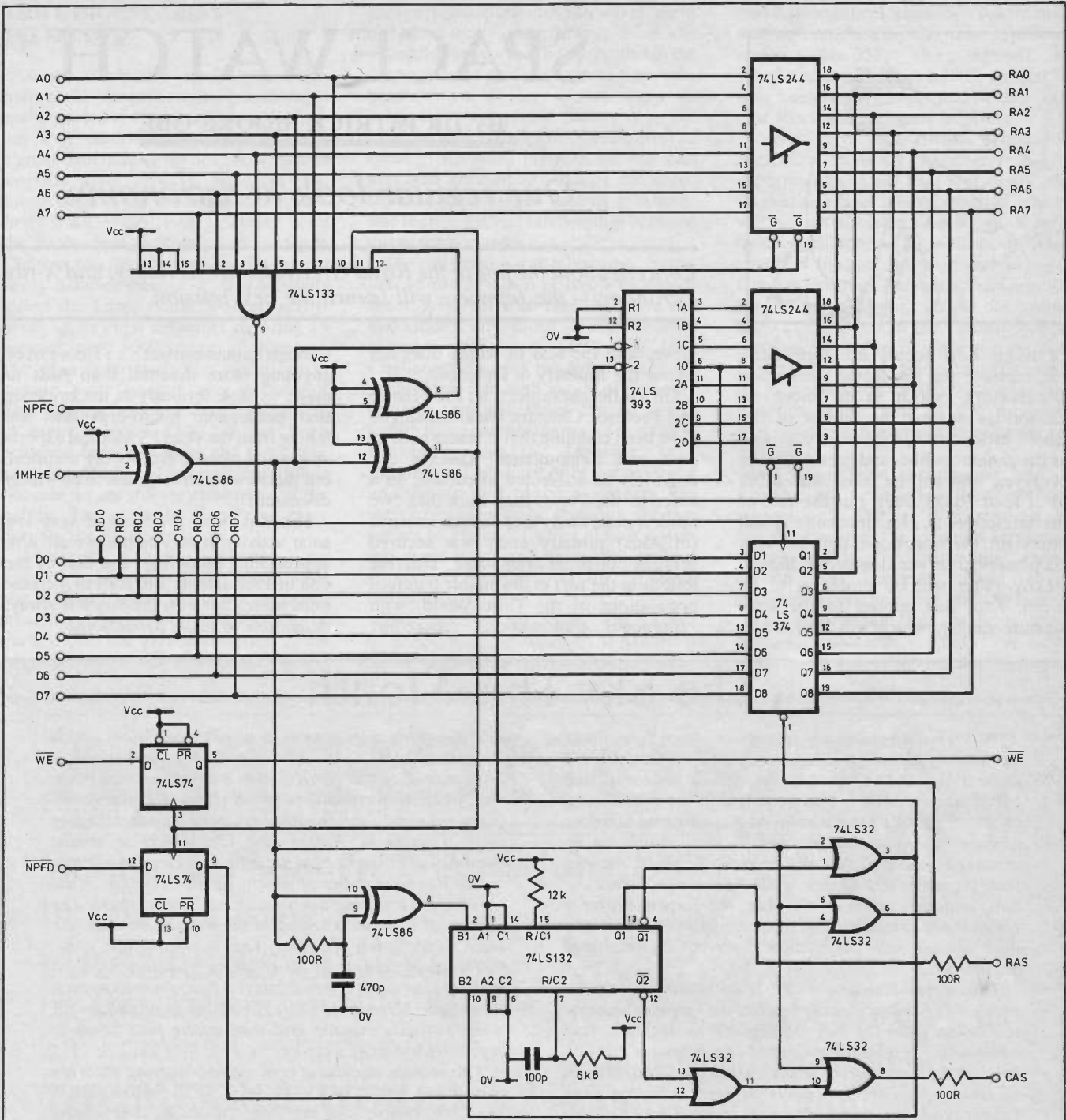
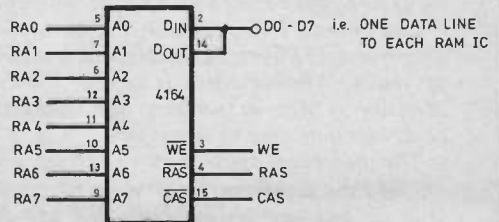


Fig.1. The timing diagram for the RAM interface



POWER SUPPLY CONNECTIONS

IC TYPE	Vcc	0V
4154	8	16
74LS86	14	7
74LS32	14	7
74LS133	16	8
74LS74	14	7
74LS123	16	8
74LS393	14	7
74LS244	20	10
74LS374	20	10



PE 291M

Fig.2. Circuit diagram and connections

# SPACEWATCH

BY DR PATRICK MOORE OBE

*Our regular look at astronomy*



THERE now seems no hope of a reprieve for the Royal Greenwich Observatory, which is to move to Cambridge against the wishes of the whole astronomical community as well as the general public (and presumably the taxpayer, who will be faced with a bill of at least £6,000,000), but the fate of the telescopes at Herstmonceux is still uncertain; there are hopes that they may be preserved in working order, though clearly there will be problems to be faced. This also applies to the laser satellite ranger, which will be hard to

move, and the loss of which does not please the Ministry of Defence.

On a different subject, Sir Fred Hoyle and Professor Chandra Wickramasinghe have been claiming that diseases such as Aids and Legionnaires' Disease can definitely be attributed to comets. In a letter to the Press, they state that "we think it most likely that in each instance (of Aids) primary entry was secured through infected rainwater entering lesions in the feet in the mainly barefoot populations of the Third World, with subsequent transmissions proceeding

through human contact . . . Do we need anything more dreadful than Aids to make us look seriously at the evidence that pathogenic micro-organisms are falling from the skies?" Medical experts in general remain profoundly sceptical, but this new claim is certain to be widely discussed.

This has been a period of very low solar activity. It may be that we are now approaching minimum, and that by the end of 1987 activity will start to increase once more, but with the Sun it is always dangerous to make predictions!

*Concern about the fate of the Royal Greenwich Observatory; and X-ray astronomy – the Japanese will launch the next mission.*

## The Sky This Month

THIS is not a particularly good month from the point of view of planetary observers, though Venus continues to be a brilliant object in the south-east for some time before sunrise. Mars remains visible in the west during the evening, but its magnitude has now dropped to below 1; large telescopes are needed to show much on its shrunken disk. Jupiter is also on view after dark, moving from Aquarius into Pisces, while Saturn rises before the Sun, and remains in Ophiuchus, the Serpent-bearer – which is not officially a Zodiacal constellation, but which does intrude into the Zodiac between Scorpius and Sagittarius.

This leaves Mercury, which is an evening object for much of February, and reaches its greatest eastern elongation from the Sun (18 degrees) on the 12th. It is surprisingly bright; the magnitude on February 4 is 0.9, brighter than any star in the sky apart from Sirius, though of course Mercury can never be seen against a dark background, and one has to bear in mind how brilliant it really is. The planet reaches inferior conjunction on the 27th, so that before then it will of course be lost to view.

Last month I wrote about the "Schröter effect", or discrepancy between the theoretical and observed phase of Venus. Whether there is also a Schröter effect for Mercury is not so certain, but adequately-equipped observers may care to investigate.

The theoretical phase is 80 on February 5, 65 per cent on the 9th, dichotomy (50 per cent) on the 12th, and only 20 per cent on the 19th. The apparent diameter ranges from just over 5 to just over 8 seconds of arc – much the same as that of Mars at the moment.

Halley's Comet, still in the Crater area, is now too faint to be seen with instruments of the size used by most amateurs. Of the non-periodical comets on view, Wilson's has dropped into the far south, but Sorrells' comet reaches perihelion on March 9, and should be observable even though its magnitude during February is below 11.

The evening skies are now dominated by Orion, which is unmistakable; Sirius is also at its best, and seems to flash various colours even though it is in fact a pure white star. (Ancient astronomers called it red, but it certainly is not red today, and frankly I am quite sure that it never was!) Capella in Auriga (the Charioteer) is almost overhead after dark; note the little triangle of stars close beside it, one member of which, Epsilon Aurigæ, is the remarkable eclipsing binary with a 27-year period. The Square of Pegasus is setting in the west; in the east, the main constellation of spring, Leo, is coming into view.

The most famous of all eclipsing binaries, Algol, is high up after dark. Every 2½ days it fades from its normal magnitude (2) down to 3.4, remaining at minimum for a mere twenty minutes and then taking four hours to regain its lost light.

This month, minima at convenient observing times are due on the 2nd, at 02h.4; the 4th, 23h.2; the 7th, 20h.0; the 25th, 00h.9; and the 27th, at 21h.8. It is always interesting to see how Algol changes in brightness over periods of only a few minutes during the course of an eclipse.

Another variable star in the news is SU Tauri, in the Bull. This is an R Coronæ star, usually about magnitude 9.7, but which at unpredictable intervals falls by several magnitudes. The latest fade began last November. Whether SU Tauri will have returned to maximum by February cannot be forecast much in advance; but of course, telescopes of reasonable size are needed to show it at any time. Evidently the fadings of R Coronæ stars are due to the accumulation of 'soot' in their atmospheres. From Britain, R Coronæ itself, in the 'bowl' of the Crown, is the only star of the class which is on the fringe of naked-eye visibility when at maximum.

PE

**THE LARGEST X-RAY TELESCOPE**

X-ray astronomy could not begin before the development of rockets; it really started in 1963, but although much has been learned since then there is still a great deal that we do not know. British workers have always been in the forefront of X-ray research, and a team from the University of Leicester, with the Rutherford Appleton Laboratory at Chilton, has now completed the largest X-ray detector ever built. It is officially called the Large Area Counter, and is made up of eight detectors covering an area of some 5000 square centimetres. The plan is to study the variations in cosmic X-ray sources over periods of time ranging from less than a second up to many months. This has not been achieved before in quite the same way, and is clearly of great importance because we are still very uncertain of the nature of some of the X-ray emitters – notably the 'bursters'.

Moreover, it seems that some X-ray sources are associated with black holes, the famous Cygnus X-1 being the prime example. Material which is about to be sucked over the eventual horizon of the black hole is so intensely heated that it

gives off radiations at X-ray wavelengths before disappearing forever from the accessible universe. The variations in the X-ray sources give a clue as to their size, because an object cannot vary its luminosity in a period shorter than the time taken for light (or X-radiation) to cross it. Knowing the size, we can also make an attempt to estimate the mass, because with a black hole or a neutron star there is a direct relationship between diameter and mass.

We can build X-ray telescopes, but as yet we are not in a position to launch them ourselves. The Russians have not announced any more X-ray missions before 1990 and, following the Challenger disaster, the American space programme is in such a state of disarray that no time schedules can be given. Under these circumstances we must look elsewhere, and the Japanese have stepped in. They have only just emerged into the top rank of space pioneers, but their first 'deep-space' missions, the two probes to Halley's Comet almost a year ago, were completely successful, and we all have a great respect for Japanese technology.

The satellite to carry the X-ray telescope is called Astro-C. It has been tested at the Japanese Institute of Space

and Astronautical Science in Tokyo, and will be launched by the new Japanese rocket, Mu-352. The take-off is scheduled for February 1987, so that it may already have happened by the time that this article appears in print.

Apart from the British telescope, Astro-C carries another X-ray experiment, from the University of Osaka; this is an all-sky monitor, which will search for short bursts of X-rays from weak sources as well as obvious changes in the more powerful and familiar emitters. There is also a Gamma Ray Burst detector, which has come from Los Alamos in the United States; the plan here is to monitor the sky for isolated flashes of gamma-rays. This will be of tremendous interest, because we have to admit that at the moment gamma-ray astronomy is very much in its infancy.

All this is most encouraging, and it stresses, yet again, that there are no international barriers in astronomy. A few decades ago, the idea of a Japanese rocket carrying experiments from Britain and America would have sounded far-fetched, but nothing is less remarkable today. Let us hope that Astro-C succeeds. There is no conceivable reason why it should not.

# ASTRONOMY

**NOW****Volume 1. Number. 1 April-June 1987**

In the first issue:

**PULSARS AS CLOCKS**by the Astronomer Royal,  
Sir Francis Graham-Smith**THE BIZARRE WORLD  
OF MIRANDA**

by Dr. Garry E. Hunt

**FIRST STEPS IN  
ASTROPHOTOGRAPHY**

by H.J.P. Arnold

**THE WILLIAM  
HERSCHEL SOCIETY**

by A.V. Sims

**THE SCHMIDT-  
NEWTONIAN**

by Barry Pemberton

plus a host of regular  
features, including:

The Night Sky this Quarter

Reviews of Books and  
Instruments

Society News

Letters and Comments

Latest Astronomical News

from Around the World

Observers' Page

**Available at all good newsagents Price £1.25**



# THE PE 30 PLUS 30

PART TWO BY GRAHAM NALTY

*An amp of excellence!*

*The PE 30 + 30 is a very high quality amplifier with engineering features and sound quality well in advance of any comparable manufactured amplifier. With its high quality case, it will look as well as sound attractive in any hi-fi environment. See February issue for part one.*

Try to make each solder joint the best you have done as poor solder joints can cause inferior sound, or even cause failure. When you have completed the soldering, check the board for bits of solder bridging tracks by holding up to the light.

You can now fit the transformer, mains circuitry and reservoir capacitors into the case. It may be a good idea to leave off the front panel and heat sink until after you have tested the working of the board in case you need to take the board out. The front panel is attached to the case by the fixing nuts for the mains switch and headphone sockets on the left and by double sided sticky tape on the right.

When the amplifier is completely wired (it may be helpful at this stage to leave off the wires from the CD and radio inputs) you can now test it. Examine every component visually one last time to spot any errors you may have failed to detect. Take out the fuses on the p.c.b. and solder a high wattage resistor of 50 ohms to either end of each fuseholder. Next turn VR5 fully anticlockwise for minimum bias voltage to the output transistors. Switch the mains on and check all the voltages at the test points with a digital (ideally) or analogue multimeter. To allow for voltage drop across the resistors, the voltage should read about 80% of the working voltage for that point except voltages across diodes or at the outputs of IC1 and IC2 and in the disc circuitry. With a stereo amplifier, an error in one channel may not be repeated in the other so this makes finding possible faults easier.

When all the test voltages are OK, you can now set the quiescent current in the output transistors. I would suggest that you set the quiescent current at around 40 mA. A higher quiescent current will give you more 'depth' to the sound, if you know what I mean, but will make greater demands on the heat sink. There are a number of ways to do this:

1. With an oscilloscope set to DC, observe the voltage drop across R49 and R50 in each channel. For a 40 mA quiescent current the DC volts drop across R49 and R50 combined should read 12mV.

2. Use a digital multimeter to measure the voltage drop.

3. Using an analogue multimeter, observing the increase in volts drop across either of the resistors (R66,67) which bypass the fuseholder.

4. To increase the current, turn VR5 (VR105) slowly until the required reading is achieved. If you are using the analogue multimeter across the resistors bypassing the fuseholder, adjust until the voltage reading has increased by 2v for each channel.

The final check is to set the output offset voltage. With the value of R35 selected (220K), the offset should be within 200mV either way, which I regard as a maximum limit. Above this there is an unwelcome noise when you connect the speakers to the amplifier. If the output offset is positive, you can reduce it by increasing the value of R35; if negative you can reduce the offset by decreasing R35. Some readers may prefer to use a 470K preset pot in place of R35, but my own preference is for a little bit extra DC offset rather than an extra wiper contact in the circuit.

The amplifier as described is capable of excellent sound quality. However, you can only achieve the sound quality of the prototype if you follow the instructions faithfully and, very important, use components of the

quality specified. If, for example, you use ordinary 1% metal film resistors in place of the Holcos, you may save about £3, but you may well have an amplifier that sounds quite a bit inferior to the prototype. If you wish to use better components than specified you can be sure of even better sound than the prototype. In this amplifier, resistors can be more easily upgraded than capacitors, because of space considerations. Even though Holco resistors sound noticeably better than low cost 1% metal films, the improvements in using bulk metal foil resistors with temperature coefficients down to 5 parts per million per degree centigrade and better in critical parts is remarkable. Other possible improvements are the use of gold plated photo and loudspeaker sockets, silver plated switches and Kimber cable for internal wiring. Although Kimber cable is quite expensive, it is the only cable I have found so far which sounds extremely good and is an acceptable size for internal wiring. Also you may change TR9 and TR10 to a dual matched pair such as MATO1GH. This may well give audibly better sound as a result of close matching and closer temperature tracking. The same may well apply to TR11 and TR12.

PE

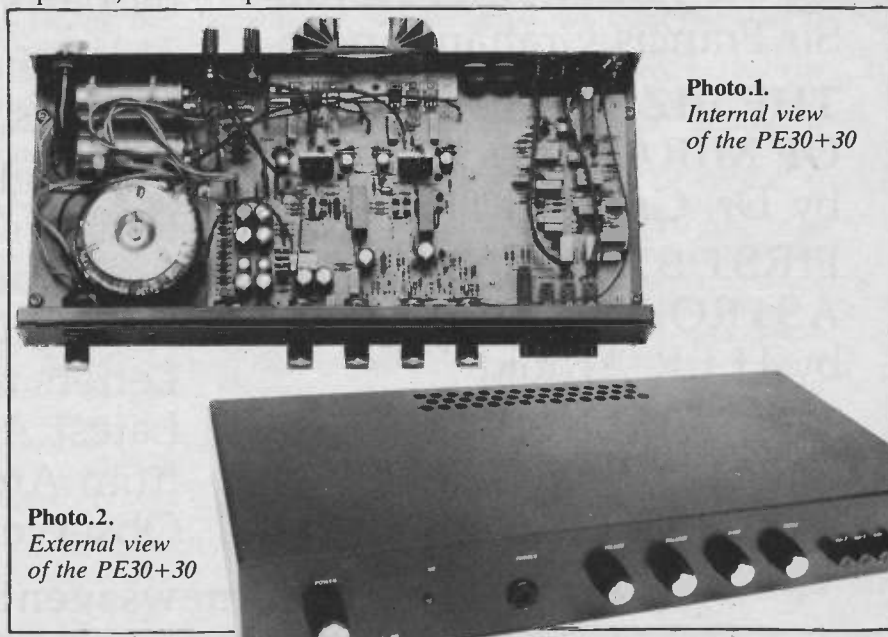
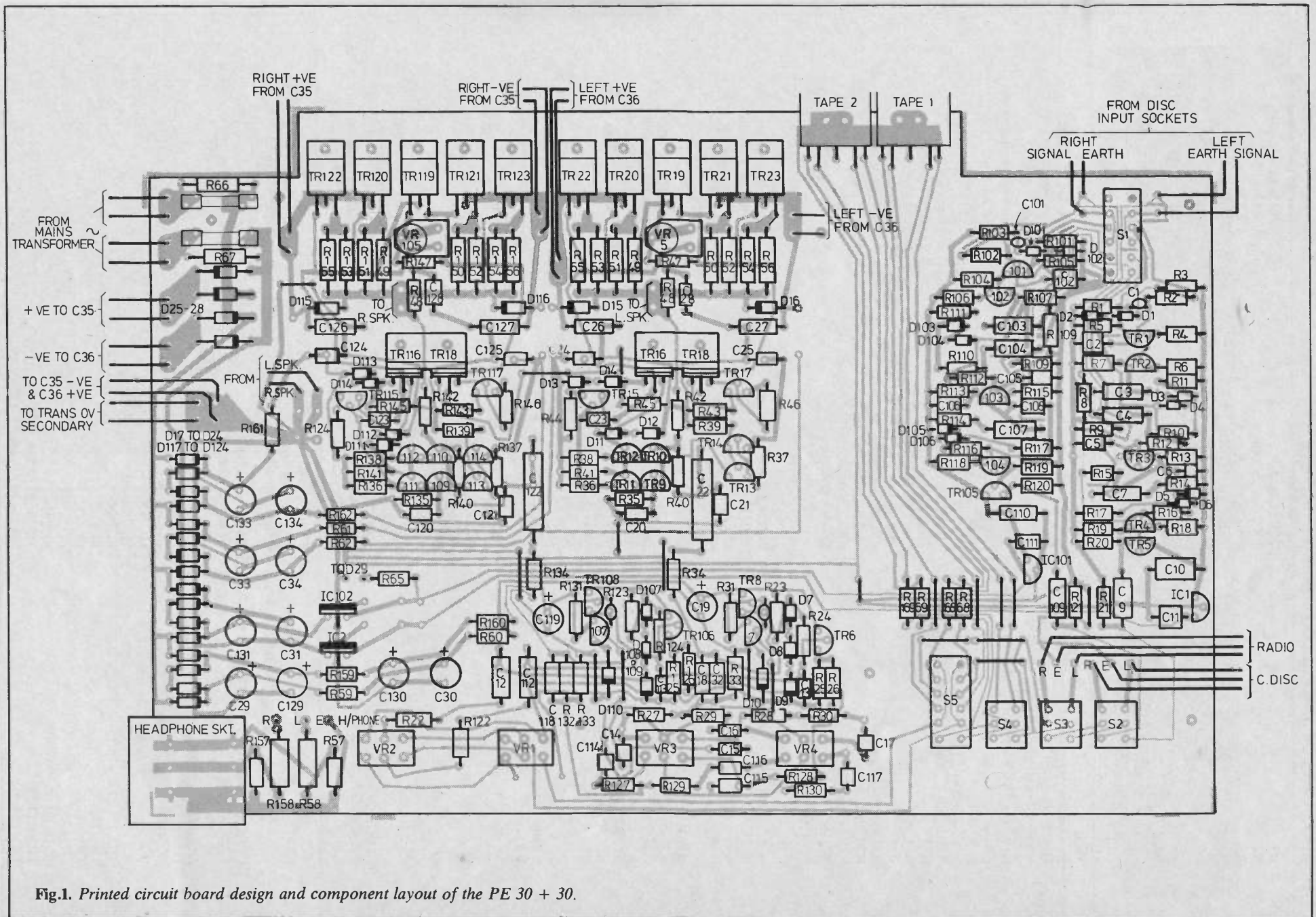


Photo.1.  
Internal view  
of the PE30+30

Photo.2.  
External view  
of the PE30+30



PE 30 PLUS 30

Fig.1. Printed circuit board design and component layout of the PE 30 + 30.

**PARTS LIST FOR MOVING COIL STAGE**

R1	100R Holco H8
R2	10K 2% metal film
R3	47K 2% metal film
R4,R6	100R 1% metal film
R5	22R 1% metal film
R7	470R 1% metal film
R8	220K 2% metal film
C1	10µF 6.3v tantalum
C2	10nF Polycarbonate
C3	470nF Polyester
D1,D2	1N4148
TR1	2SD786,2SC2385
TR2	2SB737,2SA978
S1 + button	4P C/O

Holco H8 resistors are specified as 0.5% tolerance 50 ppm/°C temperature coefficient.

**Standard kit**

**Improved performance**

100R Bulk metal foil
10K Holco H8
47K5 Holco H8
100R Holco H8
22R1 Holco H8
475R Holco H8
221K Holco H8

10nF Polystyrene
470nF Polycarbonate

4P C/O ITT FOX-N silver plated
-----------------------------------

**PARTS LIST FOR MAIN AMPLIFIER**

R9	68K1 Holco H8
R10,R16,R35	220K 2% metal film
R11,R17,R23,R24,R31,R39,R41	47K 2% metal film
R12,R18,R22,R26,R29,R30,R33,R36,R38	1K 1% metal film
R13	27K 1% metal film
R14,R59	3K3 1% metal film
R15	1K5 1% metal film
R19,R65,R43,R45	22K 1% metal film
R20,R65	4K7 2% metal film
R21	470K 2% metal film
R25,R32	6K8 1% metal film
R27,R28,R63,R64	10K 1% metal film
R34	4K75 Holco H8
R37,R58	330R 1% metal film
R40	2k21 Holco H8
R42	221K Holco H8
R44	15R 2% metal film
R46	47R 2% metal film
R47	470R 2% metal film
R49,R50,R53,R54	OR15 2½w w/w
R49-R56	-
R57	680R 1W
R60	2K2 2% metal film
R61,R62	100R 2% meal film
R66,R67	47R 2½-.5w w/w
VR1	100K MN balance
VR2	50K Log stereo
VR3	100K Lin stereo
VR4	10K Lin stereo
VR5	2K2 Horizontal preset carbon

**Standard Kit**

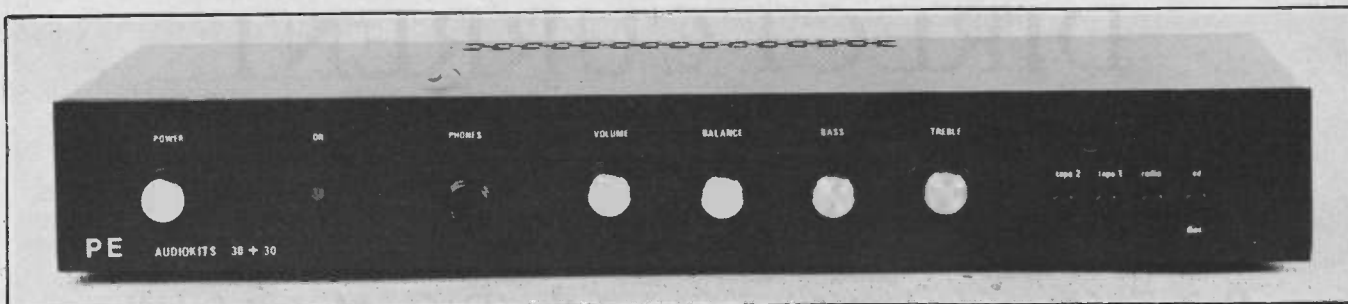
**Improved performance**

68K Bulk metal foil
221K Holco H8
27K5 Holco H8
1K Holco H8
27K4 Holco H8
3K32 Holco H8
1K5 Holco H8
22K1 Holco H8
4K75 Holco H8
442K Holco H8
6K81 Holco H8
10K Holco H8
4K7 Bulk metal foil
332R Holco H8
2K2 Bulk metal foil
221K Bulk metal foil
15R Holco H8
47R5 Holco H8
475 Holco H8

-
Holco H2 1% 1RO
Holco H2 1% 681R
2K21 Holco H8
100R Holco H8

cermet

C4,C19m,C12m,C32	470nF Polyester	470nF polycarbonate
C5,C13	100pF Polystyrene	-
C6	33nF 5% Polyester	-
C7	100nF 5% Polyester	-
C8,C11,C28	220nF Polyester	220nF Polycarbonate
C9	1uF Polyester	1uF Polycarbonate
C14,C15	47nF 5% Polyester	-
C16,C17	10nF 5% Polyester	10nF 2½% Polystyrene
C19	220uF 25v radial	220uF 25v Mullard 108
C21	470pF Polystyrene	-
C22	4.7uF Polycarbonate	-
C23	47pF Polystyrene	-
C24,C25,C31	100uF 40v radial	100uF 40v Mullard 108
C26,C27	10uF 40v axial	22uF 40v Mullard 108
C29,C30,C33,C34	220uF 40v radial	220uF 40v Mullard 108
C35,C36	6800uF 35v can	10,000uF 40v BHC ALS20A
D3-D14	1N4148	-
D15-D24	1N4002	-
D25-D28	1N5401	-
D29-D31	green l.e.d.	-
IC1	MC7L815	-
IC2	MC7818CT	-
TR3,TR5,TR6-10,TR14,TR17	BC184C	-
TR4,TR15	BC214C	-
TR11-TR13	BC547C	-
TR16	BD244C	-
TR18,TR19	BD243C	-
TR20 (TR22)	TIP131,BDW73B,BDT63A,BDW93B	-
TR21 (TR23)	TIP136,BDW74B,BDT62A,BDW94B	-



**PARTS LIST**

All the above parts are duplicated for the other channel except;

- R64,R65.
- VR1-VR4
- C35,C36
- D25-D29

	Standard Kit	Improved performance
S2-S4	2P C/O	2P C/O ITTFOX-N
S5	4P C/O	4P C/O ITTFOX-N
S6	2P mains switch	-
Buttons for push button switches	-	-
25 pin DIN 180° sockets	-	-
6 Phono chassis sockets	-	Phone socket - gold
5 Knobs	-	-
4 PCB fuse mounts	-	-
1 fuseholder 5 x 20mm	-	-
23 .15A fuses	-	-
12 .5A fuse	-	-
1 fuseholder cover	-	-
1 rectangular cover	-	-
2 4mm terminal sockets black	)	Mitchell amplifier
2 4mm terminal sockets red	)	terminals
2 Brackets for driver transistors	-	-
1 VDR 26j	-	-
1 1/2m 3 core mains cable	-	-
1 3/8" dia grommet	-	-
4BA and 6BA nuts, bolts, washers and solder tags	-	-
66BA x 3/8" threaded spacers	-	-
1 Mains transformer 120VA 0-240V primary	22-0-22 secondary	25-0-25 secondary
5m assorted cable for internal wiring	-	5m Kimber cable

**VOLTAGE TEST POINTS**

From	To	Voltage
Junction D1,R3	0v	1.2
CollectorTR2	0v	0.7-3
CollectorTR3	0v	5-10
EmitterTR5	0v	4-9
Junction D7 R23	0v	1.8
CollectorTR8	0v	16-26
EmitterTR8	0v	7-12
BaseTR11	0v	1.2
Anode D13	Cathode D14	1.2
BaseTR13	EmitterTR14	1.2
BaseTR18	EmitterTR19	1.2

**NEXT MONTH:**

INFORMATION ON THE POWER SUPPLY,  
PLUS A FEW POINTS ARISING.

PCB IS AVAILABLE THROUGH THE  
PCB SERVICE  
(see page 60).  
A FULL KIT OF PARTS IS AVAILABLE FROM

Audiokits, 6 Mill Close,  
Borrowash, Derby DE7 3GU.  
Also see advert.

# DIRECT CURRENT MOTORS

PART ONE BY BRIAN BROOKS

## Principles and characteristics of the D.C. Motor family

D.c. motors are found almost everywhere. Typical domestic uses of d.c. motors are in cassette recorders, hair dryers, cameras, toys, battery powered shavers, and "cordless" kitchen appliances. In cars they drive the wipers, washers, ventilation fans and start the engine. In industry d.c. motors are used extensively, ranging in size from tiny micromotors in instruments right up to thousands of horsepower in steel mills and mines.

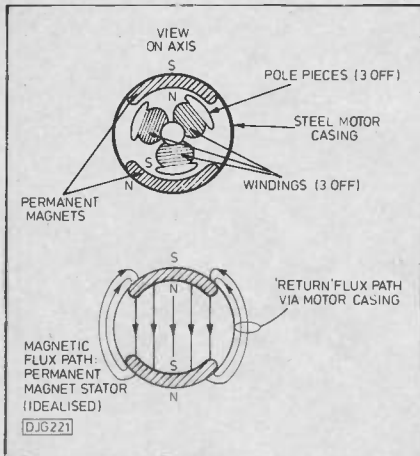


Fig.1.

### PRINCIPLES

Despite the wide range of application, all d.c. motors operate on the same principle, that a wire carrying an electric current in a magnetic field experiences a force proportional to the current and the strength of the magnetic field. The force acts at right angles both to the current and the magnetic field, and its direction is reversed if *either* the current of the magnetic field is reversed. Reversing *both* the magnetic field and the current will leave the direction of the force unchanged — a property which enables some motors to run from both a.c. and d.c.

In permanent magnet (PM) Motors the magnetic field is provided by one or more permanent magnets guided by iron or steel pole pieces and sometimes the outer casing of the motor itself. Usually this is the stationary part of the motor. The wire which carries the current is wound on the rotating part of the motor and can be done in a variety of ways.

The simplest way is that used in cheap model motors where a three pole laminated structure is used. Fig 1 shows the construction of a typical small model motor and the magnetic flux paths. The magnetic field is produced by two ferrite magnets, curved to fit inside the steel motor casing and magnetised through their thickness. This produces a strong magnetic field through the centre of the motor. Magnetic flux has to travel by closed paths and does so via the steel motor casing. Current flowing in one winding produces a force which turns the rotor to align with the magnetic field. At this point the rotor would remain stationary with no further tendency to rotate. However, if current was now connected to one of the other windings the rotor would again move and align in a new position.

Current is carried to the rotor by means of two "brushes" which make contact with a conducting ring on the rotor. This ring (or commutator) is divided into three segments arranged to work in conjunction with the brushes to

switch the current from winding to winding as the motor rotates. Fig 2 shows the operation of the motor. In the position shown, current flows in one direction through the winding on pole B and in the opposite direction through the two other windings which are effectively connected in series. Pole B is attracted to the south magnetic stator pole and poles A and C are attracted to the north magnetic stator pole. These forces cause the rotor to move clockwise. A small clockwise movement brush contacting segment Z of the commutator. This has the effect of reversing the current in winding A (which is now in series with winding B). The direction of current flow in the other windings is left unchanged. Pole A now repels the north magnetic stator pole and motor rotation continues. The next action of the commutator is when pole B aligns with the south magnetic stator pole and the negative brush changes from armature segment Y to segment X. The current in the winding on pole B is thus reversed and pole B now repels the south

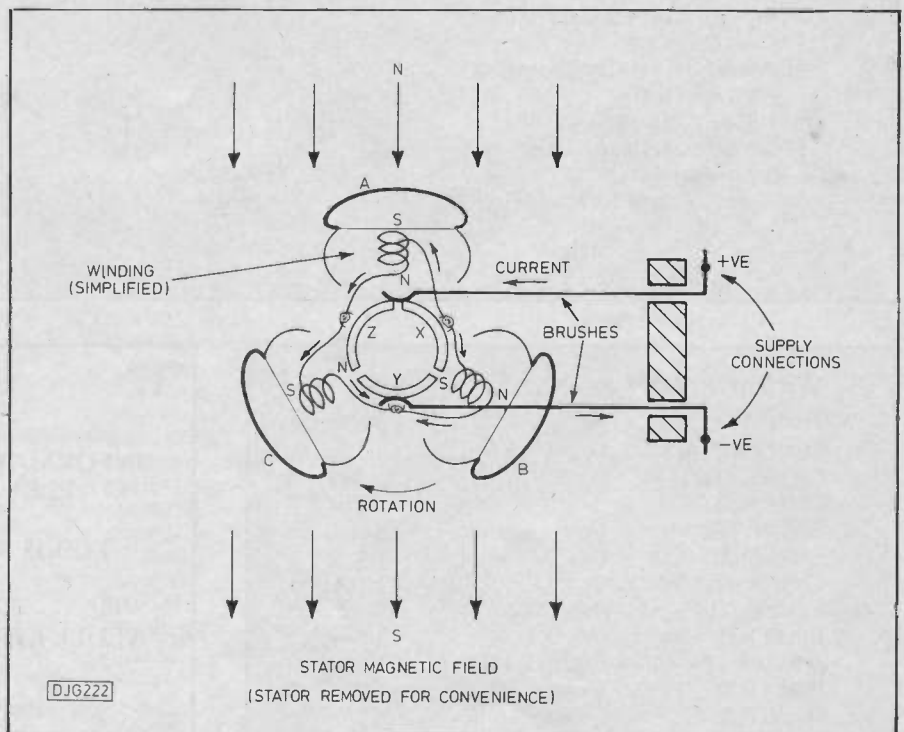
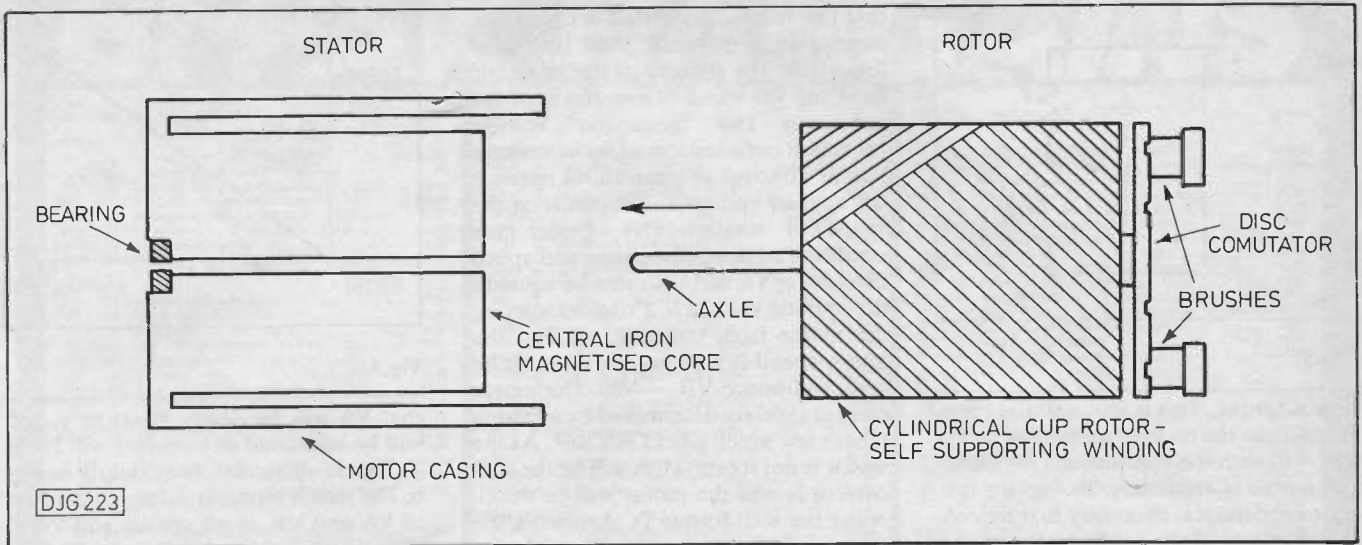


Fig.2.



**Fig. 3.**

magnetic stator pole. The whole cycle of rotation continues in this way with the current switched from winding to winding and reversed by the combined action of the commutator and brushes.

### VARIATIONS

The three pole type of motor shown is about the simplest arrangement that will work satisfactorily. It suffers from several shortcomings but because of its simplicity it is compact and can be made cheaply. One such shortcoming is that the torque varies in the motor turns. At high speeds this is not a problem because the inertia of the motor and its load have a smoothing "flywheel" effect. Reliable low speed running is a problem however, with the motor tending to jump from one preferred position to another as it rotates.

These problems are solved in large motors by the use of rotors with larger numbers of poles, and corresponding numbers of commutator segments, along with carefully designed stators to give better distribution of the magnetic field. Some larger motors such as the ones used in better model railway engines have seven pole rotors and a circular ring magnet for the stator. This gives smooth slow running characteristics with low vibration and noise.

Larger motors have even greater numbers of poles (thirty or more in some cases) so that the rotor begins to look cylindrical, and the winding methods are more complicated. As well as these standard 'iron rotor' motors there is a variety of other types of construction to provide desirable characteristics for particular jobs. Servo control systems, for example, require low inertia motors for quick response. Motors for applications such as these are frequently of the "ironless rotor" type where the windings are in the form of a self supporting cylinder, open at one end with a disc shaped commutator at the other. A radial

magnetic field in which the windings rotate is formed between a central iron core and an outer cylindrical shell. Fig 3 shows this type of construction.

In another type of motor the rotor is in the form of a disc rotating between two circular magnets. Brushes on either side of the disc carry the current to the windings and the whole rotor assembly resembles a double-sided circular printed circuit board with the windings and commutator etched onto it. The list of variations is almost endless.

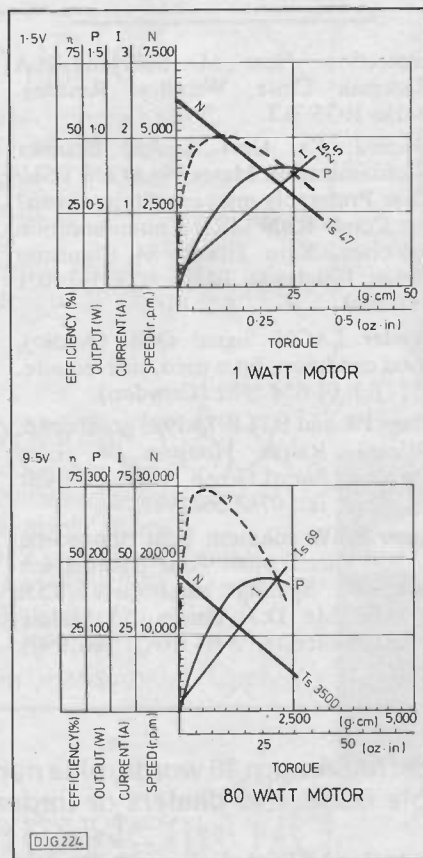
The motors considered so far have magnetic fields provided by permanent magnets. In another group of motors the magnetic field is provided by electromagnets. These are usually in the form of windings around stationary pole pieces which are energised either in series or parallel with the rotor, or possibly a combination of both. The ability to alter the magnetic field strength as well as the current in the rotor makes such motors an extremely useful source of industrial motive power because they are easy to control. Such motors are worthy of mention here because of their widespread use in everything from vacuum cleaners upwards. Their control possibilities are beyond the scope of this article, which will concentrate on permanent magnet motors.

### CHARACTERISTICS

In the section headed "Principles" it was stated that the force on a current carrying conductor in a magnetic field is proportional to the current and the field. From this it follows that within limits the output torque of a motor with a constant magnetic field is directly proportional to the current. Fig 4 shows manufacturers curves for a typical small motor rated at about 1W and another much larger motor rated at 80W. These are based on an axis of torque (T) at a constant voltage and give curves of speed (N), efficiency (n), power (P) and current (I).

As predicted, the relationship between current and torque is a straight line. Regardless of the voltage applied or the speed of rotation the T/I ratio is a constant for any one motor. It is a function of the number of turns on the rotor, the strength of the magnets, the type and amount of iron in the rotor and stator, and the air gap between the two (among other less important things).

The second relationship that can be derived from the curves is that of speed



**Fig. 4.**

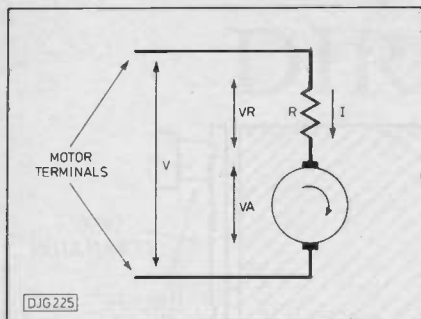


Fig.5.

versus torque. This is also a straight line which links the no load speed (the speed at  $T = 0$ ) with the stall torque ( $T_s$ ) where the motor is stationary. To explain this characteristic it is necessary first to look at the effects of the applied voltage and the rotor resistance. The motor can be represented as in fig 5 by an ideal wound rotor with no resistance, in series with a separate resistor which represents the true effective winding resistance as seen at the terminals. The terminal voltage applied to the motor is the sum of the ideal rotor voltage  $V_A$  and the voltage drop across the winding resistance  $V_R$ .

Voltage  $V_A$  is the so-called "back EMF" which is generated in the rotor windings as they rotate. The generated voltage behaves according to the laws of electromagnetic induction which state

that the voltage generated in conductor moving in a magnetic field is related linearly to the strength of the magnetic field and the speed of movement of the conductor. This "generated" voltage (note that permanent magnet motors are just as effective as generators) opposes the applied voltage and depends on the speed of rotation ( $N$ ). Under any condition of applied voltage and speed the sum of  $V_A$  and  $V_R$  must be equal to the applied voltage  $V$ . Consider starting the motor from standstill. At first the motor speed is zero and so  $V_A$  must be zero and hence  $V_R = V$ . The motor current is solely determined by applying Ohm's law which gives  $I = V_R/R$ . As the motor is not rotating this will be the stall current  $I_s$  and the motor will be developing the stall torque  $T_s$ . Assuming the motor is free to rotate it will accelerate and  $V_A$  will begin to increase linearly with speed. As this happens  $V_R$  which is the difference between  $V_A$  and applied voltage  $V$  will begin to decrease. The current  $I$  which is given by  $V_r/R$  will also begin to decrease, and hence the torque  $T$  which is proportional to  $I$  will decrease. This process continues as the motor accelerates: the speed increases and the torque decreases until a stable point is reached where the motor torque matches the requirement of the load. For a free running motor the only load will be bearing friction and air resistance so

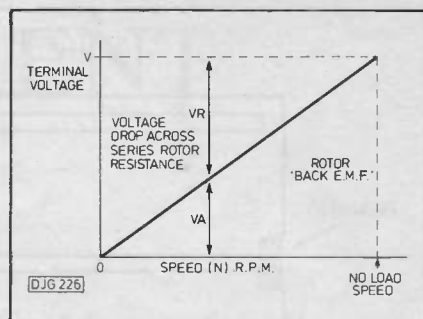


Fig.6.

that  $V_A$  will be nearly equal to  $V$ ,  $V_R$  will be small and so therefore will  $I$  and  $T$ . This is all shown more clearly in Fig 6. The motor terminal voltage is the sum of  $V_A$  and  $V_R$  at all speeds and  $V_A$  is directly proportional to speed. The motor current  $I$  and hence the torque are directly proportional to  $V_R$ . The relationship between torque and speed at constant applied voltage is therefore linear and can be summarised as  $SPEED = 1 - TORQUE$  (ignoring the units of measurement).

The two linear relationships developed here can be exploited in various ways to control the speed and torque of small motors. A variety of circuits, some simple, others more complicated will be described in the next part of this article. **PE**

## PE BAZAAR

**Drives 40TSS** £40 Centronics serial printer £65 10ML Winchester + controller card £200. Ian 0487 815045 Evenings. Ian Crowe, 59 Great Whyte, Ramsey, Huntingdon, Cambs, PE17 1HL.

**Wanted signal generator**, must be solid state with manual and circuit. Full details, price, s.a.e. to: K. Bailey, 40 Seymour Close, Selly Park, Birmingham, B29 7SD. Tel: 021-472 3688.

**Farnell stabilised power supply 5V 5A** £50, Variac Transformer £50, O.N.O. Phone Mansfield 22886 after 6pm. B. Boocock, 13 Normanton Drive, Mansfield, Notts NG18 3AQ.

**Wanted circuits** for Leak Varislope Valve pre-amp 1961 or similar. Plus guitar pre-post gain pre-amp circuits. David Hewitt, 3 St Mary's Way, Glascote, Tamworth, Staffs B77 3EY.

**Wanted mode P.S.U.** +5V @ 2.5A, +12V @ 2A, -12V @ 0.1A £16. S½Cct

protection. New. M. Sullivan, 26A Rickman Close, Woodley, Reading, Berks RG5 3LL.

**Wanted: Ex. Govt. Geiger Counter** (Contamination Meter No.1) c/w PSU/Case Preferably mint condition. Swop? Av. Cond. R209 MKII Communication Receiver. Kent Grant, 84 Comiston Drive, Edinburgh EH10 5QT. Tel: 031 447 2803.

**Leader LAG27 Signal Gen.** (Audio), good condition, little used, sine, square. £55. Tel: 01-654 1882 (Croydon).

**Mags PE and ETI 1973-1983** good cond. Offers? Ralph Houston, 6 East Crescent, Sneyd Green, Stoke-on-Trent ST1 6ES. Tel: 0782 268769.

**Laser 5mW coherent light Spiroscope** desk + head £400. Four channel ten program lighting controllers £55. Details: Mr. D.J. Grubb, 25 Middle Street, Worcester WR1 1NQ. Tel: 0905 29690.

**Speech synthesiser** £33. TV sound tuner £16. Drum Rhythm Generator £22. Vero 19" rack Cabinet £33. R.W. Hearn, 10 Speedwell Close, Pakefield, Lowestoft, Suffolk, NR33 7DU. Tel: 0502 66026.

**Citizen miniature Dot-Matrix printer** mechanism £42. SAE full practical details to include parallel/Serial interface. Alan Lee, 8 Compton Rise, Pinner, Middlesex HA5 5HR. Tel: 01-866 4579.

**Wanted 16K RAM** for VIC 20, must be cheap. Details from Karl Rhodes. Tel: 061 747 5660.

**For Sale Pye Cambridge radio telephone** base station VHF/AM. Phone for full details, offers, T. Henderson. Tel: 041 647 5098.

**New units** Tuac: TL30 power Amp, PS30 supply, VA06 Preamp, PSU2 supply, Rayner 5 watt mono. £5 the lot. Contact: W.L. Scott, 194, Elsenham Street, London SW18 5NR. Tel: 01-870 6112.

Readers free advertising service. Maximum 16 words, plus name address, phone number. For publication in next available issue. (No dealers or traders).

Send to PE BAZAAR, Practical Electronics, 16 Garway Road, London W2 4NH

# BI-PAK BARGAINS

Pack No.	Qty	Description	Price	Pack No.	Qty	Description	Price	Pack No.	Qty	Description	Price
<b>RESISTORS</b>											
VP1	300	Assorted Resistors mixed values & types	£1.00	VP205	10	Small Green LEDs, 3mm	£1.00	VP181	25	BC183L Sil. Trans. NPN 30v 200mA T092	£1.00
VP2	300	Carbon Resistors 1/2-watt pre-formed, mixed	£1.00	VP206	10	Large Yellow LEDs, 5mm	£1.00	VP182	5	SJE5451 Sil. Power Trans. NPN 80v 4A Hfe20+	£1.00
VP3	200	1/4 watt Min. Carbon Resistors mixed values	£1.00	VP207	15	Small Yellow LEDs, 3mm	£1.00	VP183	2	NPN/PNP pairs Sil. Power Trans. Ila SJE5451	£1.00
VP4	200	1/2-watt Resistors mixed values & types	£1.00	VP208	10	Large LEDs Clear showing red, 2"	£1.00	VP184	4	2N6289 Sil. Power Trans. NPN 40v 40w 7A Hfe30+	£1.00
VP16	50	Wirewound Resistors mixed watt values	£1.00	<b>DIODES</b>			£1.00	VP165	6	BFT33 NPN Sil. Trans. 80v 5A Hfe50-200 T039	£1.00
VP112	1	Sub Resistance Box, 36 values 5 ohms-1K ohms	£4.75	VP29	30	Assorted volts Zeners, 550mW-2w	£1.00	VP166	5	BFT34 NPN Sil. Trans. 100v 5A Hfe50-200 T039	£1.00
VP140	50	Precision Resistors 1% tol	£1.00	VP30	10	Assorted volts Zeners, 10w, coded	£1.00	VP167	1	BUY69C NPN T03 VCB 500 10a 100w Hfe15+	£1.00
VP181	100	1 and 2 watt Resistors, assorted values	£1.00	VP31	10	5a SCR's T066 50-400v, coded	£1.00	VP168	10	BC478 eqvt. BCY71 PNP Sil. Trans. T018	£1.00
<b>CAPACITORS</b>											
VP5	200	Assorted Capacitors all types	£1.00	VP32	20	3a SCR's T066 up to 400v, uncoded	£1.00	VP169	10	BXS21 eqvt. BC394 NPN Sil. Trans. 80v 50mA T018	£1.00
VP6	200	Ceramic Capacitors, Min. mixed values	£1.00	VP33	200	Sil. Diodes like IN4148	£1.00	VP170	10	Assorted Power Trans. NPN/PNP coded & data	£1.00
VP8	100	Mixed Ceramic Disc, 68pF-015pF	£1.00	VP34	200	Sil. Diodes like OA200/BAX13-16	£1.00	VP171	10	BF955 NPN T0-39 Sil. Trans. eqvt. BF258 100mA	£1.00
VP9	100	Assorted Polyester/Polyethylene Capacitors	£1.00	VP35	50	1a IN4000 Diodes, all good, uncoded	£1.00	VP172	10	SM1502 PNP T0-39 Sil. Trans. 100v 100mA HFe100+	£1.00
VP10	50	C280 Capacitors, Metal foil, mixed values	£1.00	VP49	30	Assorted Sil. Rects. 1a-10a, mixed volts	£1.00	VP200	30	OC71 type Germ. AF Transistors, uncoded	£1.00
VP11	50	Electrolytics all sorts	£1.00	VP141	40	IN4002 Sil. Rects. 1as 100v, preformed pitch	£1.00	VP201	25	OC45 Germ. FR Transistors	£1.00
VP12	40	Electrolytics, 47mF-150mF, mixed volts	£1.00	VP142	4	40a Power Rectifiers, silicon T048 300PNV	£1.00	VP202	15	BFY51 type Sil. 1a Transistors	£1.00
VP13	30	Electrolytics, 150mF-1000mF, mixed volts	£1.00	VP143	5	BY187 12KV Sil. Diodes in carriers, 2.5MA	£1.00	<b>I.C.S.</b>			
VP15	25	01/250v Min. Layer Metal Caps	£1.00	VP184	3	4a 400v Triacs, plastic	£1.00	VP40	40	TTL I.C.s all new gates - Flip Flop - MSI, Data	£4.00
VP146	25	Solid Tantalum Caps, mixed values	£1.00	VP187	10	SCR's 800MA 20v 2N5064, plastic, T092	£1.00	VP41	40	CMOS I.C.s all new, Data	£4.00
VP180	25	Tantalum Bead Caps, assorted values	£1.00	VP194	50	OA91 point contact Germ. Diodes, uncoded	£1.00	VP55	10	I.C.s 4116 memories	£2.00
VP182	4	1000uF 50v Electrolytics	£1.00	VP195	50	OA47 gold bonded Germ. Diodes, uncoded	£1.00	VP59	20	Assorted I.C.s linear, etc, all coded	£2.00
VP192	30	Min. Electrolytics mixed values, 47mF-1000mF, 6-16v	£1.00	VP196	50	OA70-79 detector Diodes, Germ.	£1.00	VP209	12	74LS30	£2.00
VP193	6	Sub Min. Electrolytics, 2 x 1000/2200/3300mF 10-16v	£1.00	VP197	50	OA90 type Germ. Diodes, uncoded	£1.00	VP210	12	74LS74	£2.00
<b>OPTOS</b>											
VP24	10	125' Clear showing red LED's	£1.00	VP198	40	BA248 Sil. Diodes, 350v 2A, fast recovery	£1.00	VP211	10	CD4011B	£2.00
VP25	10	Mixed shape and colours LED's	£1.00	VP222	20	3a Stud Rectifiers, 50-400v	£1.00	VP212	10	CD4011B	£2.00
VP26	15	Small 125' Red LED's	£1.00	<b>TRANSISTORS</b>							
VP27	15	Large 2" Red LED's	£1.00	VP38	100	Sil. Trans. NPN plastic, coded, With data	£3.00	VP213	10	CD4017B	£2.00
VP28	10	Rectangular 2" Red LED's	£1.00	VP39	100	Sil. Trans. PNP plastic, coded, With data	£3.00	VP214	10	CD4069B	£2.00
VP57	25	Opto Special Pack, Assorted, Super value	£5.00	VP45	50	BC107/8 PNP Transistors, Good, uncoded	£1.00	VP215	10	741P 8 pin	£1.50
VP130	6	RED 7 Seg. CC 14mm x 7.5mm RDP FND 353 LED Display	£2.00	VP46	50	BC177/8 PNP Transistors good, uncoded	£1.00	VP216	10	555 Timers 8 pin	£1.50
VP131	4	GREEN 7 Seg. CA 6" LDP XAN6520 LED Display	£2.00	VP47	10	Sil. Power Trans. Similar 2N3055, uncoded	£1.00	<b>TOOLS</b>			
VP132	5	RED 7 Seg. CC 6" LDP XAN6940 LED Display	£2.00	VP48	5	Pairs NPN/PNP plastic Power Trans. 4a, data	£1.00	VP102	1	13 piece Tool Set, Screwdrivers, pliers, etc.	£7.50
VP133	6	RED Overflow 5" 3xCA 3xCC 683050 LED Display	£2.00	VP50	60	NPN Sil. Switching Trans. T0-18 and T0-92	£1.00	VP103	1	6 piece STANLEY Screwdriver set, Flat & Crosspoint	£3.50
VP134	5	GREEN Overflow 6" CA XAN6530 LED Display	£2.00	VP51	100	PNP Sil. Switching Trans. T0-18 and T0-92	£1.00	VP104	1	Ratchet Screwdriver Set, 4 blades, Real Value	£1.75
VP135	5	RED 7 Seg. CA 3" XAN3061 LED Display	£2.00	VP60	20	BC183B Sil. Trans. NPN 30v 200mA Hfe240+ T092	£1.00	VP139	1	Pick-Up Tool, spring loaded	£1.75
VP136	3	DUAL RED 7 Seg. CA DL527 DPR LED Display	£2.00	VP515	15	BC171B Sil. Trans. NPN 45v 100mA Hfe240+ T092	£1.00	VP217	1	Helping Hand	£4.00
VP137	3	DUAL RED 7 Seg. CA DL727 DPR LED Display	£2.00	VP512	15	TIS90 Sil. Trans. NPN 40v 400mA Hfe100+ T092	£1.00	VP218	1	Watch makers Screwdriver Set, 6 piece	£1.75
VP138	20	Assorted LED Displays, Our mix, with data	£5.00	VP513	15	TIS91 Sil. Trans. PNP 40v 400mA Hfe200+ T092	£1.00	VP219	1	Miniature Side Cutters	£1.55
VP147	1	Pair Opto Coupled Modules	£0.60	VP514	15	MPSA56 Sil. Trans. PNP 80v 800mA Hfe50+ T092	£1.00	VP220	1	Miniature Bent-nose Pliers	£1.55
VP199	4	DL707R LED Displays CA	£1.00	VP515	20	BF595 Sil. Trans. NPN EQVT. BF184 H.F. T092	£1.00	VP221	1	Miniature Long-nose Pliers	£1.55
VP203	15	Triangular shape LED's, Mixed colours	£1.00	VP516	20	BF495 Sil. Trans. NPN EQVT. BF173 H.F. T092	£1.00				
VO204	10	Large Green LED's, 5mm	£1.00	VP517	15	ZTX500 series Sil. Trans. PNP plastic	£1.00				
				VP518	15	ZTX107 Sil. Trans. NPN EQVT. BC107, plastic	£1.00				
				VP519	15	ZTX108 Sil. Trans. NPN EQVT. BC108, plastic	£1.00				

# BI-PAK

Send your orders to Dept. EK, BI-PAK PO BOX 6 WARE, HERTS  
TERMS CASH WITH ORDER. SAME DAY DESPATCH. ACCESS.  
BARCLAYCARD ALSO ACCEPTED. TEL 0763-48851. GIRO 388 7006.  
ADD 15% VAT and £1.00 PER ORDER POSTAGE AND PACKING.



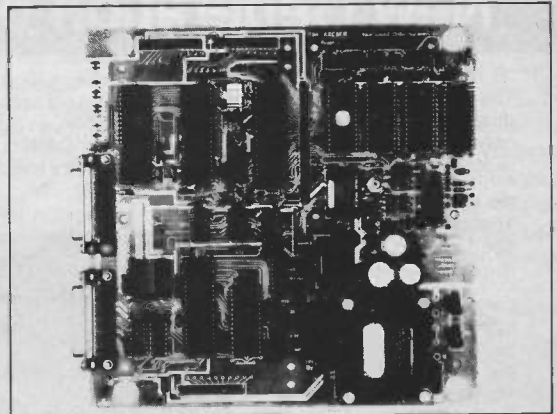
Use your credit card. Ring us on 0763-48851 NOW and get your order even faster. Goods normally sent 2nd Class Mail.  
Remember you must add VAT at 15% to your order.  
Total Postage add £1.00 per Total order.

## The Archer Z80 SBC

The SDS ARCHER - The Z80 based single board computer chosen by professionals and OEM users.

- ★ Top quality board with 4 parallel and 2 serial ports, counter-timers, power-fail interrupt, watchdog timer, EPROM & battery backed RAM.

- ★ **OPTIONS:** on board power supply, smart case, ROMable BASIC, Debug Monitor, wide range of I/O & memory extension cards.
- from £185 + VAT.



## The Bowman 68000 SBC

The SDS BOWMAN - The 68000 based single board computer for advanced high speed applications.

- ★ Extended double Eurocard with 2 parallel & 2 serial ports, battery backed CMOS RAM, EPROM, 2 counter-timers, watchdog timer, powerfail interrupt, & an optional zero wait state half megabyte D-RAM.
  - ★ Extended width versions with on board power supply and case.
- from £295 + VAT.



## Sherwood Data Systems Ltd

Sherwood House, The Avenue, Farnham Common, Slough SL2 3JX. Tel. 02814-5067





**NEPTUNE I, II**  
2.5Kg at 1120mm  
Hydraulic using water



**EXPANDABLE CONVEYOR SYSTEM**  
stepper drive belt length 0.5-5.0m



**WIDE RANGE GAUGES, SENSORS ETC FOR ROBOTIC WORK-CELLS IN OUR FREE BROCHURE.**



**MENTOR**  
1Kg at 420mm  
DC servos

**ROBOTS**  
From only **£475!**

# WALLI IS FREE!

WALLI is a powerful high level language (Work-cell Amalgamated Logical Linguistic Instructions) for controlling up to 4 robots and their peripheral equipment simultaneously from single computer (BBC, Apple IIe or IBM PC). WALLI is supplied FREE with any robot.



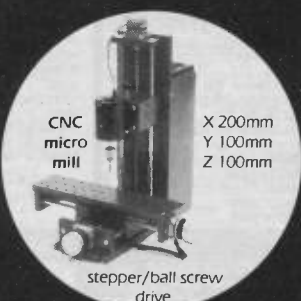
**INDEXING TABLE**  
stepper drive 4 steps/degree



**NAIAD**  
Water hydraulic/DC servo/pneumatic.  
500gm at 500mm with see through perspex cylinders.



**SERPENT I, II**  
2Kg at 400 or 650mm  
DC servo/pneumatic SCARA



**CNC micro mill**  
X 200mm  
Y 100mm  
Z 100mm  
stepper/ball screw drive.

**UKs WIDEST RANGE of low cost robotic & FMS equipment.**

Tel 0264 50093

Telex 477019 ASR.G

**West Portway Ind. Est., Andover, Hants. SP10 3PE**

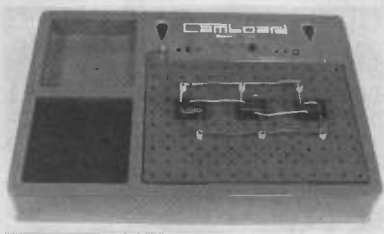
# New Generation of Solderless Breadboards

The Camboard CM series are a new generation of breadboards which enable both schematic and pcb circuits to be built and tested, directly onto the breadboard without modification, straight from a diagram or picture, in an electronics magazine or book (the first and only solderless breadboard to do this). This breakthrough in solderless breadboarding saves considerable time and effort trying to redesign the circuit layout to match the connector strips on other breadboards.

**No soldering**  
The components and wires need no soldering and are re-useable.

**Largest single Breadboard in the UK**

Normally when prototyping the larger the circuit the more breadboard's you have to buy and join together. The new Camboard CM series breadboard is the biggest single breadboard available in the UK measuring a massive 180mm x 129mm, but prices start from only £2.99 excluding VAT.



**CM Tray**

The tray enables you to use your Camboard breadboard with the following advantages, two power terminals are fitted for batteries, psu.

Conductive foam is in one hole, which enables you to put static sensitive ic's in, before they are transferred to the breadboard, the other hole enables components to be stored. When not in use the breadboard can be turned over to protect the components on it. Cut out holes enable switches etc to be mounted.

If you have a circuit which you want to build, simply count up how many IC's (max 16 pin) you need, and select the relevant CM board, extra IC holders are available separately.

Model No	Max No. 16 pin IC's	Unit Price excl VAT	With CM Tray
CM-0	0	£2.99	£4.36
CM-1	1	£3.49	£4.79
CM-3	3	£3.99	£5.18
CM-6	6	£5.99	£6.92
CM-16	16		£11.68
DIL IC holder (16 pin)	1	£0.99	

**All prices exclude VAT but include postage and packing.**

Prices apply to UK only  
For detail of this and other Camboard products write or telephone.

**How to order**

Simply send your order, enclosing cheque or postal order to:  
Camboard  
Unit 16, Barnwell Business Park  
Cambridge CB5 8UZ  
Telephone: Cambridge (0223) 240926

# Camboard

Electronic Prototyping Systems

SHOPS AND MAIL ORDER COMPANIES CONTACT US FOR 'TRADE TERMS'

## INDUSTRY NOTEBOOK

REPORT BY TOM IVALL – PE's NEXUS

*Where is education leading us*

*Kenneth Baker's proposed City Technology Colleges are a response to industry's need for more skilled technicians and engineers. But is it true that specialisation at an earlier age will raise the standard of industry engineering?*

So far there has been no great rush of electronics companies to sponsor Kenneth Baker's proposed new City Technology Colleges. You may remember that the Secretary of State for Education and Science put forward this idea late last year. The CTCs are intended to provide a broad secondary education for 11 to 18-year-olds but with a strong bias towards science and technology.

They are to be independent of local authorities but will not charge fees. Indeed the free education is intended to help out mainly in the big cities where the existing public education system is under the greatest strain. CTCs will be owned and run by companies, trusts or other organizations and will receive financial grants from the government.

In a speech to employers and teachers Mr Baker said he would like these new technical schools to give pupils a familiarity with information technology and an understanding of its applications. And Mr Baker was himself an enthusiastic minister for information technology at one point. So you would expect electronics companies to show a certain amount of interest, especially as these firms are always complaining that the country's education system fails to supply them with enough skilled people at the technician and technician engineer level.

But paying out money is a different matter. The hard-nosed businessmen who run these companies – some of them struggling with recession and declining profits (see December 1986 Notebook) – may not see any obvious return from such an investment in people. The CTCs' catchment areas may not be in the right places to help the firms with a local supply of skilled workers, and in any case a General Election is coming up and a change of government could scotch the whole plan.

Furthermore some UK industrialists, like more European educationists, think that our children already specialise too early in school – the familiar Arts-Science divide – and this process is being continued in the CTCs. They would

rather have their workforce well and broadly educated up to the age of 18 or the early twenties, and sufficiently literate and numerate to be able to take in their own specialized industrial training. For example, the BBC recently advertised for arts and other graduates not necessarily connected with science or technology to train as broadcast engineers. It was a shot in the dark and they didn't expect much of a response. But it proved embarrassingly successful. They received about 8000 enquiries.

The CTC idea is just one more shift in the constantly changing pattern of educational organization. Much more fundamental is Mr Baker's recent proposal for a nationally defined curriculum for all schools, as in France and some other countries. We have also seen much turmoil involving teachers, parents and pupils. All this agitation may well arise from our fundamentally subjective and value-laden views of what education is supposed to be for. Is it to develop the potentialities of the individual, or to produce model citizens conforming to the ideals of the state, or simply to churn out meal tickets and factory fodder?

The question is too broad for this particular column. More to the point, perhaps, is to enquire "what is industry for?" That includes the electronics industry of course and may shed some light back on technical education. So far in these monthly notebooks I have been discussing the electronics industry on a rather parochial basis, as if it were a social entity, as if the successes, failures, problems, etc. of its member firms really mattered in themselves.

But for many ordinary people, and perhaps some PE readers, these domestic concerns will hold very little interest. So let's look at this industry in a larger context: its effect, if any, on the world we live in, on the society we belong to, and therefore on us as individuals. I say "if any" because the most significant influence could be working in the opposite direction. We as individuals could be, though very indirectly, shaping what the industry is

and does. If this is a valid point, you could use the analogy of a closed-loop control system or an amplifier with negative feedback: there are two signal paths, working in opposite directions.

The electronics industry is, of course, based on a branch of physics. From the science we have derived a technology. This exploits the natural behaviour of the electron to make it do things that are useful to mankind. The industry manufactures objects which embody this technology, designs them so that they can be applied successfully to particular tasks, and trades these objects on the market. But at this point the process 'takes off' and can fly in various directions, because all kinds of human motives and interests are at work. The motives are principally those of the sellers and buyers, but others, for example from government and politics, have an effect as well.

So it is unrealistic to consider the technology/industry in isolation from the society which produces it. Technological determinism doesn't hold water. You can certainly say that technologists and industrialists create things which change our lives. These individuals, however, are part of society and subject to its pressures. Furthermore the technology and products we have are a symptom of the kind of society we are: they develop in particular directions in response to our material, emotional and spiritual needs. Television and other domestic electronic systems, for example, are technological responses to the needs of the 'nuclear family' for entertainment and even 'company' in homes that are becoming socially isolated from communities.

Before continuing this theme next month, let me leave you with a quotation from the historian R.H. Tawney: "The purpose of industry is obvious. It is to supply man with things which are necessary, useful or beautiful, and thus to bring life to body or spirit." This is a somewhat oracular statement, but worth bearing in mind as a reference point when we come to consider how the purpose as seen by Tawney often gets deflected or forgotten altogether. **PE**

# SAXON MOSFET AMPLIFIERS

## UNBEATABLE PRICES!!!

**SLAVE MODEL**  
AP 100 100W RMS ..... £69  
AP 200 200W RMS ..... £89

**2 INPUT GENERAL PURPOSE MODEL**  
AP 100S ..... £79  
AP 200S ..... £99

**P.A. MODEL**  
★ 6 INPUTS  
★ 3 CHANNELS  
★ ECHO IN/OUT

★ TREBLE/BASS EACH CHANNEL ★ INDIVIDUAL VOLUMES  
★ MASTER PRESENCE

Write or phone for a **FREE BROCHURE** on these incredible amplifiers

**P.E. HYPERCHASER** ..... £84.95

**4 CHANNEL PSEUDO INTELLIGENT LIGHT UNIT**  
★ 16 Programmes  
★ Manual Flash Buttons  
★ Manual/Auto Programme  
★ Strobe Outputs  
★ Individual Dimming  
★ Sound To Light

Not just a light unit but a sophisticated & comprehensive effects unit. A full kit of parts including P.C.B., Facia, Case, etc. Reprint of article on request.

**P.E. STAR DESK** ..... £209

★ + 4 CHANNEL LIGHT MIXING DESK  
★ 8 Channel Twin Preset Mixer  
★ 4 Independent Channels  
★ 8 Programmes  
★ 1KW Output/Channel (can be boosted to 2KW/Ch)  
★ Timed Crossfade  
★ Soft/Hard Sequence

A truly magnificent unit ideal for clubs, groups, drama, etc. A full kit of parts inc. PCB, Facia, Case, etc. Reprint of article on request.

**CROYDON DISCO CENTRE** ..... VISA

327 Whitehorse Road, Croydon, Surrey CR0 2HS  
(01) 884 8007 9am-5pm. Mon-Sat. (Closed Wed.)

Post & Packing £4 per item. Please allow 14 days for delivery

CMOS	4089	80p 74LS55	17p 74LS257	42p 2806CTC 800p	LINEAR IC S	LM301	26p	
4000	13p 4083	16p 74LS73	26p 74LS258	52p 280AS10 860p	AN-214P	200p	LM324	35p
4001	13p 4095	58p 74LS75	28p 74LS260	38p 280AS10/700p	AN-240P	150p	LM325	45p
4002	13p 4098	50p 74LS76	28p 74LS266	28p 280ADART 680p	AN-360	120p	LM339	40p
4006	36p 4099	45p 74LS78	28p 74LS273	52p 280ADART 680p	AN-410	160p	LM380	50p
4007	13p 4502	30p 74LS83	43p 74LS279	40p 74LS280	AN-7114	180p	LM381	160p
4008	29p 4503	32p 74LS85	45p 74LS280	140p 74LS280	AN-7115	180p	LM382	130p
4010	21p 4504	55p 74LS90	32p 74LS293	30p 7400	AY3-1270	300p	LM387	100p
4011	13p 4505	20p 74LS91	75p 74LS365	37p 7401	AY3-1350	300p	LM709 DIL	30p
4012	13p 4507	33p 74LS92	38p 74LS366	37p 7402	AY3-8910	360p	LM723	40p
4013	15p 4508	70p 74LS93	30p 74LS367	31p 7402	AY3-8912	180p	LM741 DIL	110p
4014	34p 4510	37p 74LS96	67p 74LS373	55p 7405	AY5-3600	670p	LM747 MET	45p
4016	34p 4511	40p 74LS107	32p 74LS374	55p 7406	CA270	40p	LM747	58p
4017	31p 4513	80p 74LS109	34p 74LS375	58p 7407	CA3046	60p	LM748	35p
4018	33p 4514	75p 74LS112	36p 74LS376	80p 7408	CA3048	30p	LM749	35p
4019	28p 4515	75p 74LS113	32p 74LS377	72p 7409	CA3086	280p	LM750	40p
4020	35p 4515	75p 74LS113	32p 74LS377	72p 7409	CA3086E	150p	M-51518	180p
4021	36p 4516	40p 74LS114	35p 74LS378	72p 7409	CA3090AD	75p	M-51515BL	270p
4022	36p 4518	38p 74LS123	42p 74LS379	72p 7409	CA3130E	300p	M-51517L	280p
4023	13p 4519	30p 74LS124	85p 2114	200p 7420	CA3130E	30p	MB3712	280p
4024	13p 4520	38p 74LS125	36p 27256	400p 7421	CA3130S	250p	MC1327	260p
4025	13p 4521	90p 74LS126	36p 2532	330p 7425	CA3130S	30p	NE555	20p
4026	60p 4522	90p 74LS132	45p 2764	240p 7425	CA3189E	250p	MC1327	260p
4027	16p 4526	40p 74LS133	34p 2772	200p 7425	CA3240E	90p	NE555	20p
4028	29p 4527	44p 74LS136	35p 2782	260p 7442	HA-1156W	110p	NE556	40p
4029	35p 4528	40p 74LS138	38p 2718	200p 7437	HA-1397	150p	SAS520	110p
4030	17p 4529	75p 74LS139	35p 2764	240p 7442	HA-1306W	270p	SAS570	110p
4031	40p 4532	75p 74LS145	65p 2168	75p 7451	HA-1319	250p	SN76003N	140p
4032	54p 4551	80p 74LS146	90p 6116	110p 7454	HA-1335	170p	SN76180N	70p
4033	60p 4553	190p 74LS148	90p 6116	160p 7470	HA-1342	170p	SN761815	75p
4034	80p 4555	29p 74LS151	32p 6264-15	260p 7473	HA-1366WR	100p	TB0000	62p
4035	45p 4556	190p 74LS153	40p 6502	300p 7474	HA-1388	180p	TA-7120	80p
4036	180p 4557	190p 74LS153	40p 6502	300p 7474	HA-1377	220p	TA-7137P	65p
4037	78p 4583	60p 74LS154	90p 6802	220p 7481	HA-1399	180p	TA-7149	400p
4038	48p 4584	30p 74LS158	47p 6821	140p 7486	LA-1352	230p	TA-7193P	400p
4039	190p 4585	42p 74LS157	30p 6840	31p 7485	LA-1365	140p	TA-7200	200p
4040	35p 4586	74LS158	33p 6850	110p 7486	LA-1377	240p	TA-7203	180p
4041	38p 4587	74LS158	33p 6850	110p 7486	LA-1385	140p	TA-7204	100p
4042	30p 74LS SERIES	74LS160	48p 8080A	400p 7489	LA-1385	140p	TA-7205	80p
4043	36p 74LS00	15p 74LS162	48p 8080A	400p 7490	LA-1397	240p	TA-7206	200p
4044	36p 74LS01	15p 74LS163	48p 8155	390p 7493	LA-1397	240p	TA-7207	180p
4045	45p 74LS02	15p 74LS164	43p 8156	380p 7495	LA-1402	140p	TA-7208	100p
4047	45p 74LS03	15p 74LS185	65p 8224	270p 7497	LA-1405	130p	TA-7209	100p
4048	27p 74LS04	15p 74LS188	74p 8226	270p 74107	LA-1405	130p	TA-7210	100p
4049	18p 74LS08	15p 74LS188	92p 8228	270p 74111	LA-1405SK	140p	TA-7211	100p
4050	20p 74LS09	15p 74LS170	80p 8250	85p 74119	LA-1412	260p	TA-7212	100p
4051	37p 74LS10	15p 74LS174	38p 8251	300p 74122	LA-1425	210p	TA-7213	100p
4052	37p 74LS10	15p 74LS174	38p 8251	300p 74122	LA-1440	70p	TB0000	35p
4053	37p 74LS11	15p 74LS175	42p 8251	300p 74123	LA-1420	120p	TB0810S	60p
4054	53p 74LS13	22p 74LS190	55p 8255	360p 74125	LA-1420	120p	TB0820	75p
4055	52p 74LS14	30p 74LS191	52p 8256A	1200p 74126	LA-1440	45p	TB0830	100p
4056	52p 74LS14	30p 74LS192	50p 8256A	1200p 74126	LA-1440	45p	TB0850	100p
4060	40p 74LS15	15p 74LS193	51p 8257A	370p 74141	LA-1422	130p	TB0930	100p
4063	52p 74LS21	15p 74LS194	53p 8259	370p 74145	LA-1430	130p	TB0940	100p
4066	20p 74LS22	15p 74LS195	52p 8271	4400p 74153	LA-1460	170p	TB0950	200p
4067	130p 74LS24	38p 74LS196	62p 8275	650p 74157	LA-1481	180p	TB0970	100p
4068	13p 74LS27	15p 74LS197	52p 8272	1300p 74155	LA-1512	120p	TA1170	100p
4069	13p 74LS28	15p 74LS221	58p 8282	400p 74160	LA-1512	120p	TA1170	100p
4070	13p 74LS28	15p 74LS240	55p 8283	400p 74164	LA-1512	120p	TA1170	100p
4071	13p 74LS30	15p 74LS241	55p 8284	500p 74167	LA-1512	120p	TA1170	100p
4072	13p 74LS32	17p 74LS242	65p 8288	1000p 74173	LA-1512	120p	TA1170	100p
4073	13p 74LS33	17p 74LS243	65p 8288	1000p 74173	LA-1512	120p	TA1170	100p
4075	13p 74LS37	15p 74LS244	50p 8748	2800p 74175	LA-1512	120p	TA1170	100p
4076	45p 74LS38	17p 74LS245	50p 8748	2800p 74175	LA-1512	120p	TA1170	100p
4077	13p 74LS40	16p 74LS247	50p 8748	2800p 74175	LA-1512	120p	TA1170	100p
4078	13p 74LS42	32p 74LS248	50p 8748	2800p 74175	LA-1512	120p	TA1170	100p
4082	13p 74LS47	56p 74LS249	92p 280ADNA	650p 74182	LA-1512	120p	TA1170	100p
4085	40p 74LS51	16p 74LS253	50p 280BP10 2500	74197	LA-1512	120p	TA1170	100p
4086	32p 74LS54	16p 74LS256	60p 280ACTC 250p	74393	LA-1512	120p	TA1170	100p

Please add 50p and VAT at 15% Govt. Colleges, etc. orders accepted

Quantities given for Large Quantities Same Day Dispatch

All brand-new Components

All values are new and checked

Ring for items not listed. We stock 3,000 items

**GRANDATA LTD.**  
9 & 12 THE BROADWAY, PRESTON ROAD  
WEMBLEY, MIDDLESEX, ENGLAND  
Telephone: 01-904 2093 & 904 1115/6  
Telex: 932885 Summit

# TRANSFORMERS EX-STOCK

MAINS ISOLATORS		25/50V or 25-0-25V		15/30V or 15-0-15V	
PriSec 0-120Vx2 (60-1KV TAPPED SECS)		2x25V Tap Secs. Volts available 5, 7, 8, 10, 13, 15, 17, 20, 25, 30, 33, 40, 50, 0-25-0-25V		2x15V Tap Sec. Volts available 3, 4, 5, 6, 8, 9, 10, 12, 15, 18, 20, 24, 30 or 15-0-15V	
VA	Price P&P	25V	50V Price P&P	15V	30V Price P&P
20	7.06 2.18	1	0.5 5.01 1.76	1	0.5 3.86 1.41
60	11.51 2.31	2	1 6.09 1.90	2	1 5.24 1.70
100	13.43 2.59	4	2 10.94 2.20	4	2 8.47 1.92
200	19.03 3.10	8	4 21.84 2.25	8	3 9.82 2.10
250	23.01 3.24	12	6 21.84 2.25	12	4 11.72 2.20
350	28.46 3.40	16	8 30.89 3.15	16	5 14.49 2.31
500	35.45 3.66	20	10 36.66 3.80	20	6 16.40 2.40
1000	64.28 4.62	24	12 43.87 3.80	24	8 21.95 2.60
1500	82.92 5.95			30	10 25.32 2.84
2000	99.76 6.36			30	15 31.66 3.51
3000	139.39 O/A			24	12 28.07 2.95
6000	296.89 O/A			30	20 43.22 5.95
115 or 240V CT					

AUTOS		CASED AUTOS	
30/60V or 30-0-30V Pn. 2x120V, 2x30V Tap Secs. Volts available 6, 8, 10, 12, 15, 18, 20, 24, 30, 35, 40, 48, 50, 24-0-24 or 0-30-0-30V		240V Cable IP 115V USA SIKTS O/P	
VA	Price P&P	VA	Price P&P
60	11.51 2.31	20	8.34 1.76
100	13.43 2.59	250	10.34 1.98
200	19.03 3.10	80	11.33 1.87
250	23.01 3.24	150	14.67 2.20
350	28.46 3.40	250	17.87 3.02
500	35.45 3.66	500	29.32 3.19
1000	64.28 4.62	1000	40.29 4.34
1500	82.92 5.95	2000	73.33 5.28
2000	99.76 6.36	3000	105.26 O/A
3000	139.39 O/A		
6000	296.89 O/A		

SPLIT BOBBIN TYPES	
6VA to 100VA Pri 0-120Vx2 Two secondaries on each e.g. 0-6Vx2 to give 0V or 12V or 0-6-0V	
VA	Price P&P
4	5.15 1.70
2	5.94 1.90
3	6.31 2.05
6	8.15 2.50
10	11.91 2.10
12	13.20 2.25
16	15.73 2.60
20	21.17 3.04
30	26.31 3.10
60	53.92 4.90
83	62.09 5.65

BRIDGE RECTIFIERS	
35A	100V 3.00
12.5A	500V 3.62

EDUCATIONAL METERS	
Screw terminals 0-10A or 0-30V DC 78x98mm £3.98 + 60p P&P	

7296 36/48 Price P&P

0.5	1 6.51 1.50
2	4 17.81 2.54
3	6 21.87 2.75
5	10 39.08 3.70
6	12 48.94 3.99
8	16 53.39 4.20

WINDING SERVICES

3VA-15VA  
Single or 3-phase  
Plus TOROIDS  
Stock items by return  
PLEASE ADD 15% VAT TO ALL ITEMS AFTER P&P

**BARRIE ELECTRONICS LTD**  
Unit 211, Stratford Workshops  
Burford Road, London E2 2SP  
Tel: 01-555 0228 (3 lines)

# AFFORDABLE ACCURACY

## Quality Multimeters from Cirkit</

# CRICKLEWOOD ELECTRONICS LTD



## It's no secret...

that there is a *real difference* at *Cricklewood Electronics*. That's why you should never be without the *FREE CRICKLEWOOD ELECTRONICS COMPONENTS CATALOGUE*, for sheer variety, *competitive prices* and *service* from the U.K.'s number one 100% component shop. No gimmicks, no gadgets or computers, just components, millions of them, all easily available by mail order, calling or credit card telephone orders. Just pick up the phone (or a pen) to get your *FREE* copy now (no SAE required). You have nothing to lose.

**CRICKLEWOOD ELECTRONICS LIMITED**  
40 Cricklewood Broadway, London NW2 3ET

Tel: 01-450 0995/01-452 0161  
Telex: 91 4977



PE

# HI-FIDELITY WITH SOUND PRINCIPLES



Complete Hi-Fi kit for less than £140

- ★ 40 watts RMS per channel into 8 Ω, 80 watts into 4 Ω
- ★ High current output, stabilised PSU for power amps
- ★ Minimum capacitor passive equalisation design
- ★ MM/MC with infra cut, CD, Rad, Tape 1 & 2 inputs
- ★ Rugged TO3 complementary output & PSU transistors
- ★ Comprehensive instructions, quality components

Much is said about amplifier design. Specification and technical performance alone no longer rules supreme. Concepts such as musicality are regarded as sacred by the Hi-Fi fraternity. The state of the art is for amplifiers to have high output current capability, high overload margins be "neutral sounding yet articulate and dynamic". High feedback designs are definitely out, capacitors and cables affect the sound.

Where does the engineer stand in all this? We think you would like an amplifier with real state of the art features but over the top in insignificant design detail. You are unhappy at paying for a mass produced product. You appreciate a top class system but cannot justify the price of more exotic products. Building your own to an exclusive and well engineered design has a definite attraction.

GATE ONE utilises the latest audiophile techniques in its design. Great attention is given to the layout with separate signal and component earths. RIAA equalisation and tone controls (with in/out switch) are of a passive design. A low lift switch lets you tailor response to compensate for loudspeaker deficiency. A unique volume control circuit increases overload margin and optimises S/N ratio. All power transistors including the fully regulated PSU are TO3 Type with large chip area to minimise distortion due to thermal effects.

You can buy a GATE ONE in kit form for £139.61 inc. or a GATE MONITOR ONE stereo power amp with 3 line inputs for £114.85 inc. Both have a professionally finished case and include all components. Both are available fully assembled and tested. Order now or send for further comprehensive details.

**GATEHOUSE AUDIO (PE)** Money back guarantee if kit returned unused.  
PO Box 6, Evesham, Worcs. WR11 4NP.

## 1987 CATALOGUE

Out early November! Reserve your copy now! Bigger and better than ever — 80 pages packed with components and equipment, from humble resistors to high tech scopes! Bargain List, Order Forms and £1.50 Discount Vouchers all included for just £1.00 inc. post.

### POWER SUPPLIES

**Z993** 65 Watt switch mode multi-output power supply. Astec Model AA12790. Offered at around one-third normal price, this has to be the Bargain of the Year!! Compact unit 195x105x50mm accepting 115/230V ac input. Outputs:  
+5V 3A  
+12V 2.9A  
+18V 1.0A  
-5V 0.2A

**£29.95**

**Z468** Switched mode PSU by Europower, model EP3008/MMS. Eurocard size 160x100mm. 230V input, 5V at 3A and 12V at ½A output. Excellent value. £19.95

**Z482** Siliconix mains input, 4.5V DC 150mA output to 3.5mm jack plug on 2m lead. Built-in continental 2-pin plug. Size 62 x 46 x 35 ..... £1.50

**Z975** Power Supply Unit. As used in 'Teach in 86'. Built in 13A plug. Case 92x57x45mm. Output 14V at 600mA AC ..... £3.50

**Z973** P.S.U. kit. Mains input, output via LM317T regulator 10V - 20V at 1A (set by preset on panel). Kit consists of regulator panel, already assembled, mains transformer, heat sink, V218 case, terminals. Excellent value at ..... £8.50

**Z483** NI-CAD Panel 177x144mm PCB with one massive Varta Deac 57x50mm Ø rated 7.2V 1000mAh and another smaller Deac 32x35mm Ø rated 3.6V 600mAh. The price of these Ni-cad stacks new is over £20. Also on the panel is a mains input charger transformer with two separate secondaries wired via bridge rectifiers, smoothing capacitors and a relay to the output tags. The panel weights 1kgm... All this for just. £6.00

### KEYBOARDS

**TATUNG VT1400** Video Terminal Keyboard Brand new cased unit 445x225x65/25mm 71 Alpha-numeric and function keys, + separate 14 key numeric keypad. ASCII output via curly cord and 6 way plug. Data and connexion sheet supplied. Now only ..... £17.50

**COMPUTERS LYNX** keyboard 58 full travel keys size 334 x 112 mm Brand new Reduced to ..... £5.95

**Z470** COMPONENT UNIT. Panel 130x165mm with 10 x 74 series IC's, all in sockets, R's, C's etc inc 100uF 16V tant. Also 5A DPCO relay and 6 brass pillars 60mm long supporting a steel panel upon which is mounted a mains transformer giving 5V and 12V output; 7805KC regulator and a screened box 110x80x30mm with phono input containing 76131 stereo pre-amp IC + associated components. Various plugs and sockets. Amazing value — components must be worth over £50.  
Yours for just ..... £4.50

**Z475** TRIAC PANEL — 240 x 165mm. 14 triacs 2N6346, TXAL116B or sim. 200V 6-8A; 16 SCR's C106A1 4A 30V; 6 x 4099 in skts; 15 suppressors; 37 ZTX450; min 12V relay; R's C's plugs etc. Only £4.50

### 'NEWBRAIN' PANELS

**Z494** Motherboard microprocessor panel 265x155mm Complete PCB for computer. Z80, char EPROM etc. 68 chips altogether + other associated components, plugs, skts etc. .... £5.50

**Z495** RAM panel. PCB 230x78mm with 14 x MM5290-2 (4116) (2 missing) giving 28k of memory. Also 8 LS chips. These panels have not been soldered, so chips can easily be removed if required. £5.00

### 'NEWBRAIN' PSU

**BRAND NEW** Stabilized Supply in heavy duty ABS case with rubber feet. Input 220/240V ac to heavy duty transformer via suppressor filter. Regulated DC outputs: 6-5V at 1-2A; 13-5V at 0-3A; -12V at 0.05A. All components readily accessible for mods etc. Chunky heatsink has 2 x TIP31A. Mains lead (fitted with 2 pin continental plug) is 2m long. 4 core output lead 1.5m long fitted with 6 pole skt on 0.1" pitch. Overall size 165x75x72mm. .... £5.95 10 for £40

### FLASH UNIT

**Z488** Complete apart from case. Xenon tube, neon indicator, on/off switch, trigger wires. Requires 3V supply. 50x55x30mm Brand new, with data ..... £2.70

### NEW THIS MONTH

Full details in Bargain List 27  
**CB MICROPHONE**

Hand held with push to talk switch. Curly lead. 600R Dynamic ..... £2.95

**CIRCUIT TEST**  
DC continuity tester. Needs 2xAA cells. 90cm long lead has croc clip. .... 50p

**MINI DRILL**  
Precision geared plastic. Brass chuck takes up to 1.2mm bit. Storage in handle. 115mm long. .... £1.69

**TELEPHONE**  
Non-BT approved single piece. Push button with auto redial. Ivory. Wall bracket. 4m lead (half is coiled) ... £5.99

**CRAFT KNIVES**  
Miniature type has 12 snap off sections. 9mm wide blade is fully retractable and can be locked in position. Supplied with spare blade. 125mm long. .... 50p  
Heavy duty version of above — 18mm wide blade, 7 sections, 150mm long. .... 95p

**LOGIC PROBE**  
For TTL, CMOS etc. LED and sound indication Pulse enlargement capability allows pulse direction down to 25nsec. Max-f = 20MHz ..... £9.99

**STEREO TUNER**  
**Z497** AM/FM STEREO TUNER PANEL. Complete radio chassis with push button selection for LW/MW/FM and ON/OFF. Ferrite rod for LW & MW selection, co-ax socket for FM aerial. Supplied with mains transformer and rectifier/smoothing cap, and wiring details. PCB is 333x90mm. .... £12.95

**ABS MULTIPURPOSE BOXES**  
Easily punched or drilled. The 6 larger sizes have brass inserts into which screws fit holding the lid in place. The 2 smaller sizes uses self tappers. PCB slots. Black  
V207 71 x 46 x 22mm ..... 60p  
V208 107 x 53 x 18mm ..... 80p  
V210 75 x 56 x 35mm ..... 100p  
V213 95 x 71 x 35mm ..... 109p  
V216 115 x 95 x 37mm ..... 135p  
V217 145 x 95 x 55mm ..... 184p  
V218 207 x 122 x 77mm ..... 345p  
V219 214 x 143 x 57mm ..... 295p

**HAVE A 3 DAY BREAK on GREENWELD!**  
FULL DETAILS IN CATALOGUE



All prices include VAT, just add 60p P&P. Min Access order £10. Official orders from schools etc. welcome — min invoice charge £10. Our shop has enormous stock of components and is open 9-5.30 Mon-Sat. Come and see us!!!

443C Millbrook Road Southampton SO1 0HX Tel (0703) 772501/783740

# P.C. BOARDS

Printed circuit boards for certain PE constructional projects are now available from the PE PCB Service, see list. They are fully drilled and roller tinned. All prices include VAT and postage and packing. Add £2 per board for overseas airmail. Remittances should be sent to: **PE PCB Service, Practical Electronics, Practical Electronics Magazines, 16 Garway Road, London W2 4NH.** Cheques should be crossed and made payable to Practical Electronics.

Please note that when ordering it is important to give project title, order code and the quantity. Please print name and address in Block Capitals. Do not send any other correspondence with your order.

Readers are advised to check with prices appearing in the current issue before ordering.

**NOTE: Please allow 28 days for delivery. We can only supply boards listed here.**

## TELEPHONE ORDERS (LINES OPEN 24 HOURS)

You can now order your printed circuit boards by telephone, quoting your Access credit number. The number to ring is: 0268 289923. In stock items will be despatched within 24 hours of receipt of order. If you ring out of office hours please state your order, credit card number and address clearly, as the order is recorded on an answering machine.

Board description	Code	Qty	Price

Name & Address:

Please supply the p.c.b.(s) listed on the enclosed form. Remittances should be sent to: **PE PCB Service, Practical Electronics, Practical Electronics Magazines, 16 Garway Road, London, W2 4NH.** Cheques should be crossed and made payable to Intrapress. Printed circuit boards for certain PE constructional projects are now available from the PE PCB Service, see list. They are fully drilled and roller tinned. All prices include VAT and postage and packing. Add £2 per board for overseas airmail.

Power Control Interface	504-01	£3.90	
Disc Drive PSU	504-02	£6.54	
Modular Audio Power System	APRIL '85		
Pt-3: Test Signal Source	504-09	£4.20	
Power Supply	504-10	£4.17	
Amstrad Synthesizer Interface	505-01	£4.23	
Rugby Clock Pt-2	504-03	£24.22	
"	MAY '85	504-05	£5.12
"		504-06	£9.54
"		504-07	£5.40
"		504-08	£10.24
CBM64 Music Keyboard			
Keyboard	JUNE '85	506-02	£4.55
Main PCB		506-03	£3.90
MTX 8 Channel A to D		507-01	£3.92
Voltmeter Memory Adapter	JULY '85	506-01	£3.90
Envelope Shaper	AUG '85	508-01	£3.90
Car Boot Alarm	SEPT '85	509-01	£3.90
RS232To Centronics Converter		509-03	£4.95

Touch Control PSU	OCT '85	001	£4.90
Exp. with Robots (double-sided)		004	£16.91
Modulated Syndrum		005	£4.90
CBM User Port Expander		006	£3.93
Model Railway Track Control		010	£5.44
*Bytebox: ROM Board (double-sided)		002	£12.75
ZIF Socket		003	£3.90
RAM Board	NOV '85	007	£4.95
Battery Backed RAM		008	£3.90
EPROM Board		009	£3.90
*Special Price - Complete set of 5 boards		00A	£23.00
DEC '85			
Model Railway Rec Board - A		016	£3.90
Track Control Rec Board - B		017	£4.86
		018	£3.93
Test Load		019	£3.90
Exp. with Robots		022	£3.90
Spectrum Speech Synth & 8-Bit I/O Port (double sided)	JAN '86		
		023	£6.49
Burglar Alarm Main Board		020	£4.97
Bell Driver	FEB '86	021	£3.90
Logic Probe		024	£4.20
Computer Movement Detector		509-02	£3.90
Clock Timer		027	£6.38
Fibre Optic Audio Link			
Transmitter	MAR '86	025	£3.90
Receiver		026	£3.90
Set of two boards		00B	£5.87
Hardware Restart (double-sided)		508-02	£6.98
Temperature/Analogue Interface		101	£3.90
Sound Activated Switch		102	£5.30
Photographic Trigger Unit			
Set of two boards	APRIL '86	00C	£6.63
IEEE1000 PSU		105	£4.62
Scratch and Rumble Filter		106	£4.51
Notcher Effects Unit		107	£5.61
Logic Checker	MAY '86	108	£4.09
D.F. Beacon Timer		109	£5.31
STEBus backplane		110	£10.90
Guitar Tracker		111	£5.92
Thermocouple Interface		112	£3.90
PE Hobby Board	JUNE '86	113	£22.81
BBC Light-pen		114	£3.90
Passive IR Detector		115	£3.90
200MHz counter			
Main board	JULY '86	116	£16.26
Display board		117	£12.35
Set of two boards		00D	£25.88
Fibre Optic Data Link			
Set of two boards	SEPT '86	00E	£8.46
PEHBD/A-A/D		120	£6.42
Drum Synthesizer	OCT '86	121	£6.42
Time Delay - Mains (Set of 2)		122	£6.64
Mains Dimmer		123	£3.90
Remote control Joystick	NOV '86	124	£8.90
Set of two boards			
Wireless Baby Alarm		125	£8.79
Set of two boards			
Video Enhancer	DEC '86	126	£4.90
Video Fader	JAN '87	127	£4.50
Scrambler		128	£6.50
" (set of two)		128a	£12.00
PE Promenader (double side) main board		129	£25.00
" Power supply		130	£8.50
FEB '87			
PE Promenader Playback Unit		133	£12.90
PE Promenader Extension Prom		131	£7.90
PE Hi-Stab		132	£6.90
PE 30 Plus 30		134	£14.90
PE 30 Plus 30		134	£29.50
4 Channel Enhancer	MAR '87	135	£4.60
Light Pen		136	£4.10
Bell Repeater		137	£3.30
Ultrasonic Measure		138	£9.50

# PRACTICAL ELECTRONICS

## ADVERTISING DEPT.

### FULL-TIME TRAINING COURSES

2 YEAR

**B-TEC National Diploma (OND)  
ELECTRONICS &  
COMMUNICATIONS ENGINEERING**  
*(Television & Computing)*

15 MONTHS

**B-TEC National Certificate (ONC)  
ELECTRONIC EQUIPMENT SERVICING**  
*(Television & Video)*

15 MONTHS

**B-TEC National Certificate (ONC)  
COMPUTING TECHNOLOGY**

9 MONTHS

**B-TEC Higher National Certificate (HNC)  
COMPUTING TECHNOLOGY  
& ROBOTICS**

HIGH PERCENTAGE OF COLLEGE BASED  
PRACTICAL WORK

SHORT COURSES WITH PREVIOUS  
KNOWLEDGE

NO EXTRA CHARGES FOR OVERSEAS  
STUDENTS

COURSES COMMENCE

5th JANUARY/20th APRIL 1987

**LONDON ELECTRONICS  
COLLEGE**

Dept: AA, 20 Penywern Road,  
London SW5 9SU. Tel: 01-373 8721

### SURPLUS/REDUNDANT ELECTRONIC COMPONENTS WANTED

I/Cs - Tuners - Transistors - Valves - Diodes etc. any quantity considered - immediate payment.

**ADM ELECTRONIC SUPPLIES**  
Tel: 0827 873311

Carbon Film Resistors 1/4W E24 series 0-51R to 10MΩ - 1p  
100 off per value - 75p 1000 off in even hundreds per value - £7  
Metal Film 1/4W 10R0 to 1MΩ 5% E12 series - 2p 1% E24 series - 3p  
BC107/8/9 - 12p BC547/8/9 - 8p BC182L 184L - 10p  
BFY0/5/2 - 20p 2N3055 - 50p TIP31A,32A - 25p TIP41,42, - 40p

Tantalum head subminiature electrolytics (Mids/Volts)  
0-1/35, 0-22/35, 0-47/35, 3-3/16, 4-7/16 - 14p 4-7/35 - 15p  
2-2/35, 4-7/25, 10/5 - 15p 4-7/35, 6/8/16 - 16p 10/16, 22/6 - 20p

Aluminium Electrolytics (Mids/Volts)  
1/50, 2-2/50, 4-7/25, 4-7/50, 10/16, 10/25, 10/50 - 5p 22/16, 22/25 - 6p  
22/50, 47/16, 47/25, 47/50 - 6p 100/16, 100/25 - 7p 100/50 - 12p  
100/100 - 14p 220/16 - 18p 220/25, 220/50 - 10p 470/16, 470/25 - 11p  
100/25 - 25p 1000/35, 220/25 - 22p 4700/25 - 70p

Miniature Polyester Capacitors 250V Wkg. Vertical Mounting  
01, .015, .022, .033, .047, .068 - 4p 0-1 - 5p 0-15, .22 - 6p 0-47 - 8p

Mylor Capacitors 100V Wkg. Vertical Mounting E12 Series  
1000p to 8200p - 3p .01 to .068 - 4p 0-15p 0-15, 0-22 - 6p

Subminiature Ceramic Plate 100V Wkg. E12 Series Vertical Mounting  
2% 1P8 to 47P - 3p 56P to 330P - 4p 10% 390P to 4700P - 4p

Polystyrene Capacitors 63V Wkg. E12 Series Axial Mounting  
10P to 820P - 3p 1000P to 10,000 - 4p 12,000P - 5p  
1N4148 - 2p 1N4002 - 4p 1N5404 - 14p W01 bridge - 25p  
0A91 - 6p

Zener diodes E24 series 3V3 to 33V 400mW - 8p 1 watt - 12p  
L.E.D's Red, Green & Yellow 3mm & 5mm - 10p 8mm - 35p  
20mm fuse 0-1A to 5A quick blow - 5p 5P Anti Surge - 8p  
High Speed drills 0.8mm, 1.0mm, 1.3mm, 1.5mm, 2mm - 25p  
Expo Reliant drilling machines 12V d.c. with improved 3-jaw chuck 6.50  
Nicads AA - 80p HP11 - £2 PP3 - £4.20 Universal Charges - £6.50  
Glass reed switches single pole make contacts - 8p Magfrets - 12p

VAT inclusive. Return postage 20p (free over £5). Lists free.

**THE C.R. SUPPLY CO.,**

127 Chesterfield Road,  
Sheffield S8 0RN. Tel. 557771.

### TURN YOUR SURPLUS

ICS transistors etc into cash, immediate settlement. WE also welcome the opportunity to quote for complete factory clearance.

Contact **COLES-HARDING & Co,**  
103 South Brink, Wisbech, Cambs.  
ESTABLISHED OVER 10 YEARS\*  
Tel: 0945 584188



- Velleman Electronic Kits
- Test Equipment & Tools
- Instrument Cases

(Mon-Sat. 9.30-5.30 Closed Thurs)

13A Station Rd, Cullercoats, North Shields,  
Tyne & Wear NE30 4PQ. Tel. 091 251 4363

**adam hall supplies Ltd.**

The largest selection of flight case fittings and loudspeaker cabinet components in Europe.



**HARDWARE  
SOUND EQUIPMENT**

Stockists & Distributors of

**CELESTION**  
THE FIRST NAME IN ACOUSTICS

A complete range of professional crossovers & filters.

Unit G, The Cordwainers, Temple Farm Industrial Est.,  
Sutton Rd, Southend-on-Sea, Essex Tel: (0702) 613922

### MISCELLANEOUS

CLEARING LABORATORY, scopes, generators, P.S.U.'s, bridges, analysers, meters, recorders etc. Tel. 0403-76236.

### CUSTOMISED FRONT PANELS

Self adhesive labels to your own design in plastic or aluminium. Wide range of colours. DIY kit available.

### FOTOBOARD

Single Sided & Double Sided in a wide range of sizes. SAE for full price list.

### MINIATURE CORDLESS SOLDERING IRON

New product - operates from butane gas.

### ELECTRONIC ALARM SERVICES

143 Farnham Road, Handsworth, Birmingham B21 8EF.  
Tel: 021-523 6747. Private & professional enquiries welcome

**THE SCIENTIFIC WIRE COMPANY**  
811 Forest Road, London E17. Telephone 01-531 1568

ENAMELLED COPPER WIRE	1lb	8 oz	4 oz	2 oz
SWG 8 to 34	3.63	2.09	1.10	0.88
35 to 39	3.82	2.31	1.27	0.93
40 to 43	6.00	3.20	2.25	1.61
44 to 47	8.67	5.80	3.49	2.75
48	15.96	9.58	6.38	3.69

SILVER PLATED COPPER WIRE	1lb	8 oz	4 oz	2 oz
14 to 30	9.09	5.20	2.93	1.97
TINNED COPPER WIRE				
14 to 30	3.97	2.41	1.39	0.94

Fluxcore Solder 5.90 3.25 1.82 0.94  
Post Free. Please add V.A.T. at 15%. Orders under £2 add 20p  
SAE for list of copper and resistance wire.  
Dealer enquiries welcome.

### ORDER FORM PLEASE WRITE IN BLOCK CAPITALS

Please insert the advertisement below in the next available issue of Practical Electronics for .....

insertions. I enclose Cheque/P.O. for £.....  
(Cheques and Postal Orders should be crossed Lloyds Bank Ltd. and made payable to Practical Electronics)


NAME .....

ADDRESS .....

The prepaid rate for classified advertisements is 20 pence per word (minimum 12 words), box number £1.00 extra. Semi-display setting £8 per single column centimetre (minimum 2.5 cms). All cheques, postal orders, etc. to be made payable to Intrapress and crossed. Treasury notes should always be sent registered post. Advertisements, together with remittance, should be sent to Practical Electronics, 16 Garway Road, London W2 4NH. Tel. (0322) 521069.

# CLASSIFIED ADVERTISEMENTS

20p/WORD TEL: 01-727 7010 - ITS EASY

## Group Dynamics Ltd

46 Oxford Street, London W1N 9FJ. Tel: 01-580 3766

### Technical Project Co-ordinator Circa £7.000

Group Dynamics is a small company specialising in the rental and sale of keypad voting systems for conferences.

We are seeking a person to control the technical side of our projects, which involves programming the system to clients brief, travelling to the conference with the equipment (often overseas), installing the system ensuring its smooth running with a team of others for the duration of the meeting. The candidate will be able to program home computers competently and understand this type of equipment at machine software level. Also an understanding of digital electronics to serious hobbyist level will have been attained.

The candidate is likely to be between 18-25, live in London and ideally hold a clean driving licence.

For further information call Chris Kwantes on: 01-580 3766

## COMPONENTS

**ELECTRONIC DESIGN SERVICES**, EPROM programming (2708-27512), PAL programming from Masters or Fuse Plots. Also PAL Design Services from Text. Boolean Expressions, etc. U.E.D. Ltd., Castlebellingham, Co. Louth, Ireland. Tel: 042-72127.

**COMPONENT TESTER** Turns any oscilloscope with X-Y input facility into a valuable component tester. Tests all types of semiconductors, capacitors, resistors etc, in or out of circuit and displays result on CRT. Ideal fault finding tool. Complete with test leads and instructions. Only £19.95 + £2 p&p. Send cheque/P.O. to DMR Electronics (PE), 23 Regent St., Queensbury, Bradford, West Yorkshire BD13 1AU. Tel: 0274 882892.

**INSULATING TAPE** - 10p roll, 200 Carbon film resistors - £1. **OUTNOW!** - I.C. Electronics latest discount catalogue. Send name, address + £1. (refundable); I.C. Electronics, Mail Order Dept. A1, P.O. Box 130, Aberdeen AB9 8HQ.

## SERVICES

**DESIGN SERVICES**, microprocessor, special interfaces, analogue, digital, signalling, alarm systems, PCB design and artwork. Prototype and small batch production. **ALAB ELECTRONICS**, Grantham (0476) 860089.

**SERVICE SHEETS** from £2.50/Isae ctv/mus-c/combs £3.50/Isae. Sae Newnes & TV Technic Books in stock. Thousands Service & Repair Manuals. SAE Free Review/pricelists. TIS (PE), 76 Church St., Larkhall (0698 883334), Lanarkshire.

**HEATHKIT U.K. SPARES AND SERVICE CENTRE**, Cedar Electronics, Unit 12, Station Drive, Bredon, Tewkesbury, Glos. Tel. (0684) 73127.

**PRACTICAL ELECTRONICS** June 1967 to August 1984 (less April 1969, April 1970, April 1981, July 1982 and July 1984) in immaculate condition. Offers for the lot to K. Palmer, 5 Tirril Way, Middlesbrough, Cleveland TS7 8PN.

## d.c.electronics

THE Source For All Your Component Requirements.

ALL components are professional grade, brand new with manufacturers marking and guarantee.

**SPECIAL BARGAINS - ONLY £1 EACH**

- 200 0.25W resistors, mixed values (max 5 your choice)
- 50 0.4W resistors, mixed values (max 5 your choice)
- 40 1N4148 computer diodes
- 30 1N4001 1A power diodes
- 15 BC182L NPN transistors
- 15 BC212L PNP transistors
- 30 Ceramic plate caps - you specify value
- 10 Electrolytic caps 47-470uF - you specify value

Only our catalogue can tell the full story - send SAE (9x6) for your FREE copy now.

Dept. P, 34 The Platters, Rainham, Kent, ME8 0DJ.

Mail order only, cash, PD or cheque with order. 60p P&P. Prices incl VAT.

**TO ADVERTISE ON THESE PAGES**  
TEL: 01-727 7010

## MAKE YOUR INTERESTS PAY!

More than 8 million students throughout the world have found it worth their while! An ICS home-study course can help you get a better job, make more money and have more fun out of life! ICS has over 90 years experience in home-study courses and is the largest correspondence school in the world. You learn at your own pace, when and where you want under the guidance of expert personal tutors. Find out how we can help you. Post or phone today for your FREE information pack on the course of your choice (tick one box only)

Electronics <input type="checkbox"/>	Radio, Audio and TV Servicing <input type="checkbox"/>
Basic Electronic Engineering (City & Guilds) <input type="checkbox"/>	Radio Amateur Licence Exam (City & Guilds) <input type="checkbox"/>
Electrical Engineering <input type="checkbox"/>	Car Mechanics <input type="checkbox"/>
Electrical Contracting/Installation <input type="checkbox"/>	Computer Programming <input type="checkbox"/>
<b>GCE</b> over 40 'O' and 'A' level subjects <input type="checkbox"/>	

**ICS**

Name \_\_\_\_\_ P Code \_\_\_\_\_  
Address \_\_\_\_\_  
International Correspondence Schools, Dept. EDS 37, 312/314 High St., Sutton, Surrey SM1 1PR. Tel: 01-643 9568 or 041-221 2926 (24 hrs).

## INDEX TO ADVERTISERS

A.D.M. Electronic Supplies	61	Hall Supplies, Adam	61
Barrie Electronics	58	Hart Electronic Kits	18
BiPak Components	55	I.C.S.	62
B.K. Electronics	IBC	London Electronics College	61
Camboard	56	Magenta Electronics	IFC
Cirkit	58	M.J.R. Wholesale	62
Coles Harding	61	Maplin Electronics	OBC
Cricklewood Electronics	59	Mendascope	18
Croydon Disco	58	Omni	18
C.R. Supply Co.	61	Phononics (Becker)	24
Cybernetics	56	Riscomp	17
D.C. Electronics	62	Scientific Wire Co.	61
E.S.R. Electrical Components	61	Service Trading Co.	18
Electronic Alarm Services	61	Sherwood Data	55
Exchange Resources	62	Specialist Semi Conductors	39
Gatehouse Audio	59	Tandy	13
G.C.H.Q.	39	Technomatic	10,11
Grandata	58	T.K. Electronics	39
Greenweld Electronics	59	Wednesday Electronics	39

## ELECTRONICS & COMPUTING

**INDIVIDUALS** You don't have to continue working on things you don't believe in, with people who'd want you locked up if they knew what you really thought...

Promoting Equality of Opportunity. For businesses and people who want a say in how their technology is used. EIP Ltd., 28 Milsom St., BATH BA1 1DP (0225) 69671

## EXCHANGE RESOURCES

**RECRUITMENT AGENCY & BUSINESS CONSULTANCY**

**BUSINESSES** How would you like to try an agency that rewards you for ethical decisions? And deal with businesses which respect your views?

**BATH 0225 69671**

## £1 BARGAIN PACKS

- |   |   |
|---|---|
| PK 1. 350 Assorted resistors. Full length leads.    | PK 20. 2 Pairs D.C. plugs & sockets c/w leads & PP3 clip. |
| PK 2. 400 Assorted resistors. Pre-formed leads.     | PK 21. 25 Assorted transistors. All new & coded.          |
| PK 3. 60 Assorted resistors. Wire wound.            | PK 22. 15 Assorted I.C.'s. All new & coded.               |
| PK 4. 200 Assorted capacitors.                      | PK 23. 50 Assorted unmarked & untested I.C.'s.            |
| PK 5. 200 Ceramic capacitors.                       | PK 24. 100 Assorted diodes.                               |
| PK 6. 60 Electrolytic capacitors.                   | PK 25. 20 E.H.T. diodes.                                  |
| PK 7. 2 2200µf 100 volt capacitors.                 | PK 26. 3 Large power-fin heatsinks. TO3.                  |
| PK 8. 2 4700µf 30 volt capacitors.                  | PK 27. 1 4 section 7 segment I.L.D. clock display.        |
| PK 9. 12 Assorted rotary potentiometers. Single.    | PK 28. 20 Assorted neons. Panel mounting & wire ended.    |
| PK 10. 6 Assorted rotary potentiometers. Dual.      | PK 29. 1 Microphone c/w lead, switch, plugs & stand.      |
| PK 11. 12 Assorted slider potentiometers.           | PK 30. 3 Microphone inserts.                              |
| PK 12. 40 Assorted pre-set potentiometers.          | PK 31. 3 Dynamic speakers c/w lead & 3.5mm plug.          |
| PK 13. 5 100K lin multirum potentiometers.          | PK 32. 2 Telescopic serials.                              |
| PK 14. 5 1 meg lin multirum potentiometers.         | PK 33. 1 Stereo cassette tape head.                       |
| PK 15. 12 Assorted switches.                        | PK 34. 2 Small cassette motors.                           |
| PK 16. 1 bank 4-way push button switches c/w knobs. | PK 35. 1 Large cassette motor.                            |
| PK 17. 1 4 pole 5-way wafle switch.                 | PK 36. 1 Wire pack. Mains cable.                          |
| PK 18. 15 Assorted control knobs.                   | PK 37. 1 Wire pack. Screened signal cable.                |
| PK 19. 20 Assorted plugs and sockets.               | PK 38. 1 Wire pack. Connecting wire. Assorted.            |

Postal order or cheque with order. Please add £1 postage & packing per order. Shop open 9.30-6.00 Mon to Sat. Closed all day Thursday.

**MJR WHOLESALE, 238 Waterside, Chesham, Bucks HP5 1PG. Tel: 0494 771033**

