

PRACTICAL

NOVEMBER 1986 · £1.25

ELECTRONICS

SCIENCE AND TECHNOLOGY

**WIRELESS
BABY ALARM**

**IR REMOTE
JOY STICK**

**LCD TV
REVIEW**

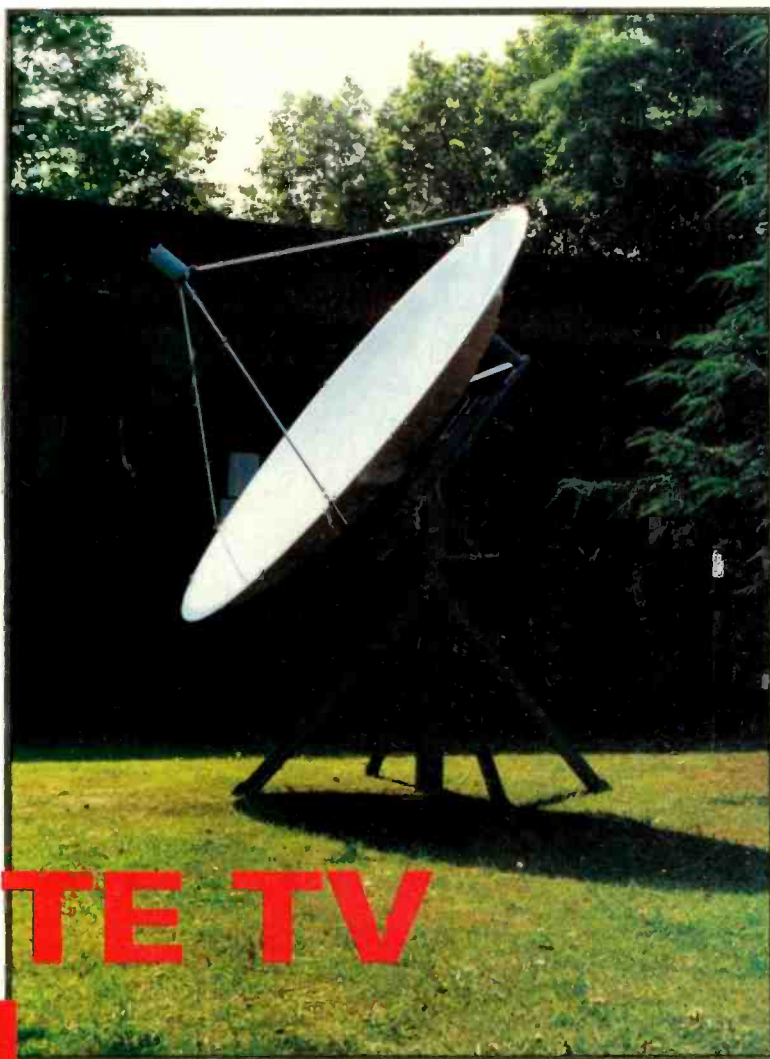
**DESIGN AND
TECHNOLOGY**

**BUILD YOUR
OWN D.I.Y.**

SATELLITE TV SYSTEM

FOR AROUND

£250



**FREE TO
ENTER
POCKET
L.C.D. TV
FUN
COMPETITION!**

Full kits include pcb's, hardware, cases (unless stated otherwise), IC sockets, wire, nuts & bolts. Article reprints extra 70p each.

THIS MONTH'S KITS - S.A.E. OR PHONE FOR PRICES

PASSIVE INFRA-RED DETECTOR July 86	£38.46
ECHO REVERB UNIT July 86	£41.95
THERMOCOUPLE INTERFACE FOR DVM Jun 86	£15.98
NOTCHER EFFECTS UNIT May 86	£31.46

TTL LOGIC CHECKER May 86	£20.95	MODEL RAILWAY TRACK CONTROL Nov 85	£44.98
SOUND ACTIVATED SWITCH Apr 86	£41.55	'SQUINT' ROBOT EYES Nov 85	£9.55
SCRATCH & RUMBLE FILTER (Stereo) Apr 86	£18.89	TOUCH CONTROL PSU Oct 85	£31.22
PHOTOGRAPHIC TRIGGER UNIT Apr 86	£35.68	MODULATED SYNDROM Oct 85	£29.24
TEMPERATURE/ANALOGUE INTERFACE Apr 86	£43.87	RS232 TO CENTRONICS CONVERTER Sept 85	£49.44
SPECTRUM HARDWARE RESTART (uncased) Mar 86	£28.49	CAR BOOT ALARM Sept 85	£12.89
AMSTRAD I/O Mar 86	£24.18	COMPUTER ENVELOPE SHAPER Aug 85	24.39
FIBROPTIC AUDIO LINK Mar 86	£27.65	VOLTMETER MEMORY ADAPTOR July 85	£11.99
FIBROPTIC CABLE 80p/metre	£14.15	STYLUS KEYBOARD FOR COM 64 Jun 85	£10.50
LOGIC PROBE Feb 86	£17.26	SYNTHESIZER INTERFACE FOR COM 64 Jun 85	£17.26
COMPUTER MOVEMENT DETECTOR Feb 86	£17.43	AMSTRAD SYNTHESIZER INTERFACE May 85	£27.90
SPECTRUM SPEECH SYNTH & 8-BIT I/O PORT Jan 86	29.58	CYLINDER THERMOSTAT May 85	£23.95
HIGH PERFORMANCE STEPPING MOTOR DRIVER Dec 85	£22.98	BBC POWER CONTROL INTERFACE Apr 85	£22.98
EXTRAS: Transformer £5.98; Case £2.95; BBC lead & plug £1.98; Motor-1D35 £14.50; MD200 £16.80.		GIUITAR ACTIVE TONE CONTROL less case Sept 83	£14.36
COMMODORE USER PORT EXPANDER Nov 85	£11.98	PROGRAM CONDITIONER June 83	£22.40
		AUTO TEST SET May 83	£41.54
		WIPE DELAY Apr 83 less relay	£9.89
		BATTERY TESTER Apr 83	£15.90

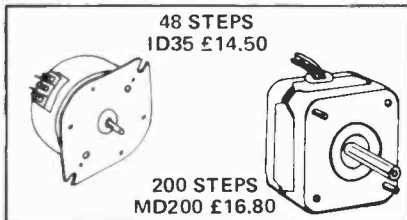
DIGITAL CAPACITANCE METER

A superb instrument with a five digit 0.5 inch LED display giving direct readout of pF, nF and uF from 1pF to 1,000 uF. Exceptionally easy to use. A crystal timebase eliminates setting up procedures. Ideal for schools, labs, and industry as well as electronics enthusiasts from beginners to experts. Complete kit - including PCB, case, all components and hardware, £39.57. Reprints of article 70p.

HIGH PERFORMANCE STEPPING MOTOR DRIVER

As featured in December issue
Kit including PCB, I.C. & All Parts £22.98
Transformer 30V 18VA £5.98 extra
Case (houses PCB only) £2.95 extra
Lead & Connector for BBC Computer £1.98
Motors - 1D35 £14.50 - MD200 £16.80
TEA1012 also available separately £6.88. Data £1.99

STEPPING MOTORS



48 STEPS
ID35 £14.50

200 STEPS
MD200 £16.80

BBC STEPPER MOTOR INTERFACE KIT £13.99 PCB, driver IC, components, connectors and leads included. Demonstration software, listings, circuit diagram, pcb layout and construction details given. Requires unregulated 12Vdc power supply. INTERFACE KIT (ref PE) £13.99
OPTIONAL POWER SUPPLY PARTS £4.67



PE HOBBYbus

Kit including double sided p.c.b. excluding DIN sockets £49.98.
DIN 41612 a+c sockets £2.20 each or 10 for £18.

KAYCOMP MICROPROCESSOR TRAINER AND SINGLE BOARD COMPUTER

A new single board training and evaluation system for the 16-bit 68000 Series Microprocessor. A standard working system in kit form costs just £110.00 including VAT. Programs are developed and written with the aid of an on-board monitor program. The system is programmed and run via an RS232 link from either a standard terminal or a BBC Computer programmed to act as a terminal (we supply the necessary software). Optional extras include a line by line assembler, a peripheral I/O port and timer, and a G64 bus interface. Full sets of technical literature, programming information and manufacturers' data sheets are available to accompany the system.

AVAILABLE FROM STOCK NOW
PHONE OR WRITE FOR FULL DETAILS REF PE10

68705 MICROCONTROLLER TRAINER

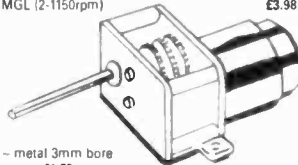
A stand-alone unit with hexadecimal keyboard and 9-digit seven-segment display. Uses a control oriented 68705 microprocessor with a comprehensive monitor system. A bank of 8 LEDs and switches allows I/O control programs to be run before connecting to 'real' external circuits. An A/D-D/A board is also available along with full support literature. An excellent introduction to machine code programming right down to 'bit' level. Used in many educational establishments. A complete system costs under £50.
All in stock - Phone or write for details PE10

68000

68000 'Kaycomp' system with monitor program, 8MHz system clock, 2k x 16 RAM, and RS232 duart interface (in kit form need +5, +12, -12V supplies) £110.00
68230 P.I.T. add-on £11.97
G64 bus interface add-on £5.49
8k x 16 RAM upgrade £9.24
Assembler + disassembler program £24.46

DC MOTOR SETS

MOTOR - GEARBOX ASSEMBLIES 1.5V-4.5V
Miniature precision made. Complete with quality electric motors. Variable reductions ratios. Long 3mm dia output shafts. Small unit - type MGS (3-2200rpm) £3.49
Large unit - type MGL (2-1150rpm) £3.98



PULLEY WHEELS - metal 3mm bore
10mm dia £1.75
20mm dia £1.84
30mm £1.99
METAL COLLAR WITH screw - 3mm bore 24p
FLEXIBLE SPRINT COUPLING 3mm L31mm 68p
FLEXIBLE METAL COUPLING 3mm £2.98

DC MOTOR 1.5V-4.5V RPM 4,400-8,700
Shaft dia 2mm L10mm. Body 29x38mm
DC MOTOR TYPE - Dc28 £1.98

FLEXIBLE STEEL SPRING DRIVING BELT 47p
12" long. Joins to itself or 2 more can be joined where long lengths are needed.

MINI MODEL MOTORS 1.5-3V



TYPE MM1 59p
TYPE MM2 61p

BBC HEART RATE

BBC Heart Rate Monitor - Ready Built £35.99

Practise relaxation or monitor fitness with this plug-in heart rate monitor. Connects directly to the BBC computer. Programs give continuous heart rate displays, bar charts, graphs etc. Supplied with sensor, software & instructions - ready to plug in and use.

EDUCATIONAL SETS



ADVENTURES WITH ELECTRONICS

An easy to follow book suitable for all ages. Ideal for beginners. No soldering, uses an S-Dec Breadboard. Gives clear instructions with lots of pictures. 16 projects - including three radios, siren metronome, organ, inter-com, timer, etc. Helps you learn about electronic components and how circuits work. Component pack includes an S-Dec breadboard and all the components for the projects. Adventures with Electronics £3.58. Component pack £20.98 less battery.

DRY BATTERY CHARGER

AS FEATURED IN P.E.

We have produced a full kit of parts to build the Dry Battery Charger featured in the August issue of P.E. This is a designer approved full kit of parts complete with Case, PCB, and a set of four special top quality Battery Holders.

The metal case lid swings open so that the batteries are fully enclosed during charging for complete safety.

Any number of batteries (up to 4) can be charged at a time. The kit is supplied in 3 versions for AA cells, C cells, or D cells. These differ only in the type of battery holders and charging resistors supplied.

Conversion kits are available to change between types.

DIY BATTERY CHARGER KITS

AA cells - £24.12
C cells - £25.27
D cells - £26.57

VERKON DC-DC CONVERTERS

These compact efficient voltage converters allow one or two NICAD or ALKALINE cells to be used as the power source for circuits requiring 6, 9, 12, 14 or 20 volts. The economy and reliability gains that come from this arrangement are excellent - just compare the cost of a single NICAD cell with that of a NICAD PP3. This is only part of the story - we have a full leaflet which shows how to calculate the savings which can be made. Just send a stamped addressed envelope for more information, performance curves etc.

VERKON DC-DC CONVERTERS

V6	6 volts from 1 Nicd or Alk-Mn	£7.28
V9a	9 volts from 1 Nicd	£7.28
V12	12v from 1 Alk-Mn	£7.28
V112	14v from 2 x Nicd	£8.63
V118	20v from 2 x Nicd	£8.63

CATALOGUE

Brief details of each kit, book contents, and illustrations and descriptions of our range of tools and components are all included. Robotics and Computing section included. Our advert shows just a selection of our products. Up to date price list enclosed. Official orders welcome. Catalogue & Price List - Send £1 in stamps etc or add £1 to your order. Price list only 9x4 SAE. Catalogue free to schools/colleges requested on official letterhead.

SHOP NOW OPEN - CALLERS WELCOME

MAGENTA ELECTRONICS LTD.
PE10, 135 HUNTER STREET,
BURTON-ON-TRENT,
STAFFS DE14 2ST.
0283 65435 Mon-Fri 9-5.
Shop Hours 9-5 Mon-Fri.
Add £1.00 P&P TO ALL ORDERS.
PRICES INCLUDE VAT.
SAE ALL ENQUIRIES.
OFFICIAL ORDERS WELCOME.

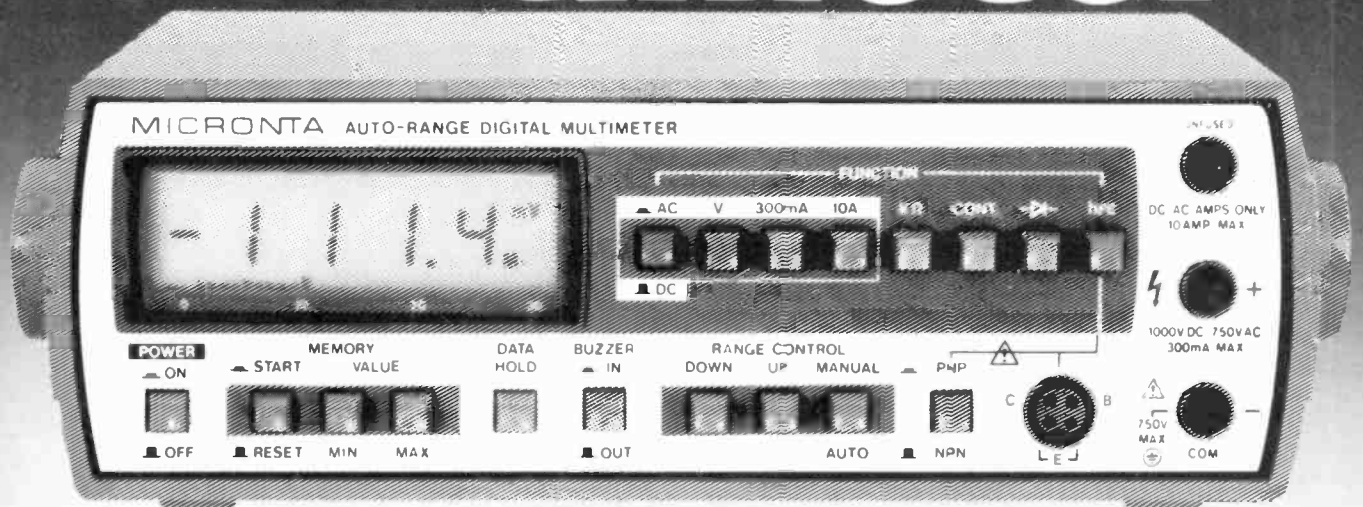
Access/Barclaycard (Visa) by phone or post.
24 hr Answerphone for credit card orders.



OVERSEAS: Payment must be sterling.
IRISH REPUBLIC and BFPO: UK PRICES.
EUROPE: UK PRICES plus 10%.
ELSEWHERE: write for quote.



Micronta[®] The ultimate Multimeter



Benchtop Auto-Range Digital Multimeter. Convenient all-pushbutton operation. Built-in 31-segment bargraph provides a simultaneous analogue-type display that makes peaks and trends more apparent. Built-in transistor checker with front-panel pin socket gives you true hfe (gain) measurements of small signal types. Separate diode-check mode for open/short/leakage tests of semiconductor junctions. Memory function stores minimum and maximum values of a changing input and displays them at the touch of a button. Data-hold mode freezes both display readings until you reset. High-contrast $3\frac{2}{3}$ digit LCD has

indicators for all measuring units, operating modes and low battery alert. Full autoranging with manual up and down override. Measures to 1000 volts DC, 750 volts AC (accurate from 45 Hz to 10 kHz). AC/DC current to 10 amps. Resistance to 30 megohms. Input impedance: 10 megohms on DCV/ACV ranges, more than 100 megohms on DC 300 mV range. Dual detented carrying handle doubles as a stand. $2\frac{1}{16} \times 8 \times 4\frac{3}{4}$ ". Fused and overload protected. Includes test leads. Requires 4 "C" batteries.

22-195 £79.95

Digital Logic Probe And Pulser... Speed Up TTL/LS And CMOS Testing



Digital Logic Probe. Colour-coded LEDs indicate high, low or pulsed logic states (up to 10 MHz). Simultaneous tone output frees your eyes for faster testing. Has switches for normal or pulse modes. CMOS or TTL/LS testing. Input impedance 100k ohms. Minimum detectable pulse width: 50 ns. Operates from 4.7 to 15 VDC. 22-303 £14.95



Digital Logic Pulser. Together, the pulser and probe make an effective diagnostic team for testing today's digital circuits. Produces single $5 \mu\text{s}$ pulse or a continuous 5 Hz pulse train at the push of a button. Features overload protection and low output impedance. Operates from 4.7 to 15 VDC.

22-304 £16.95

Tandy[®]

For The Best In High Quality Electronics

Over 300 Tandy Stores And Dealerships Nationwide.
See Yellow Pages For Address Of Store Nearest You

Tandy Corporation (Branch UK), Tandy Centre, Leamore Lane, Bloxwich, Walsall. WS2 7PS

BBC Micro Computer System

BBC Master Series	
AMB15 BBC MASTER Foundation computer 128K	£435 (a)
AMB12 BBC MASTER Econet computer 128K (only ANFS)	£348 (a)
AMC06 Turbo (65C102) Expansion Module	£87 (b)
ADF13 Rom Cartridge	£13 (d)
ADF10 Econet Module	£49 (c)
ADJ22 Ref. Manual Part I	£14.50 (c)
ADJ23 Ref. Manual Part II	£14.50 (c)
ADJ24 Advanced Ref. Manual	£19.50 (c)
ACORN ADD-ON PRODUCTS	
Z80 2nd Processor	£329 (a)
6502 2nd Processor	£162 (b)
Multiform Z80 2nd Processor	£299 (b)
Acorn Teletext Adaptor	£125 (b)
Acorn IEEE Interface	£278 (a)
UPGRADE KITS	
1770 DFS Upgrade for Model B	£43.50 (d)
Dual Disc Controller Board for Model B	
Incl. 1770 controller	£35 (c)
1.2 OS ROM	£7.50 (d)
DNFS ROM	£17.50 (d)
ADFS Rom (for B with 1770 DFS & B Plus)	£26 (d)
TORCH UNICORN products including the IBM Compatible GRADUATE In stock	
For detailed specification or information on our comprehensive BBC range please write to us.	

DISC DRIVES

These are fully cased and wired drives with slim line high quality mechanisms. Drives supplied with cables manuals and formatting disc suitable for the BBC computer. All 80 track drives are supplied with 40/80 track switching as standard. All drives can operate in single or dual density format.

PD800P (2 x 400K/2 x 640K 40/80T DS) with built in monitor stand	£249 (a)	3.5" DRIVES
PD800P (2 x 400K/2 x 640K 40/80T DS)	£269 (a)	1 x 400K/1 x 640K 80T DS TS35
TS400 1 x 400K/1 x 640K 40/80T DS	£109 (b)	1
PS400 with psu 1 x 400K/1 x 640K 40/80T DS	£129 (b)	PS35 1 w/psu
		2 x 400K/1 x 640K 80T DS TD35
		2
		PS35 2 with psu
		PD35 2 with psu

3M FLOPPY DISCS

High quality discs that offer a reliable error free performance for life. Each disc is individually tested and guaranteed for life. Ten discs are supplied in a sturdy cardboard box.

5 1/4" DISCS		3 1/2" DISCS	
40 SS DD	£10.50 (d)	40T DS DD	£12.75 (d)
80T SS DD	£14.75 (d)	80T SS DD	£16.00 (d)
		80T SS DD	£18 (d)
		80T SS DD	£25 (d)

DISC ACCESSORIES

FLOPPICLENE Disc Head Cleaning Kit with 20 disposable cleaning discs ensures continued optimum performance of the drives... 3 1/2" £16 (d), 5 1/4" £14.50 (d)

Single Disc Cable	£8 (d)	Dual Disc Cable	£8.50 (d)
10 Disc Library Case	£1.80 (c)	30 Disc Case	£8 (c)
40 Disc Lockable Box	£14 (c)	100 Disc Lockable Box	£19 (c)

MICROVITEC

All 14" monitors now available in plastic or metal cases, please specify your requirement.

14" RGB		14" RGB with PAL & Audio	
1431 Std Res	£179 (a)	1431 AP Std Res	£199 (a)
1451 Med Res	£229 (a)	1451 AP Med Res	£275 (a)
1441 Hi Res	£375 (a)		
Swivel Base for Plastic 14" Microvitecs	£20 (c)		

20" RGB with PAL & Audio	
2030CS Std Res	£380 (a)
2040CS Hi Res	£685 (a)

TAXAN 12" RGB

SUPERVISION III with amber/green option	£330 (a)
MITSUBISHI XC1404 14" RGB Med Res IBM & BBC Compatible	£229 (a)

MONOCHROME MONITORS:

TAXAN KX1201G Hi Res 12" Etched Green Screen	£90 (a)
TAXAN KX1203A Hi Res 12" Etched Amber Screen	£105 (a)
PHILIPS BM7502 12" Hi Res Green Screen	£75 (a)
PHILIPS BM7522 12" Hi Res Amber Screen	£79 (a)
Swivel Base for Kaga Monochrome fitted with Digital Clock	£21 (c)

PRINTERS

EPSON	
LX-80NLQ	£195 (a)
Optional Tractor Feed	£20 (c)
FX85 (80col) NLQ 8K RAM	£315 (a)
FX105 (136col)	£449 (a)
JX90 4 colour printer	£420 (a)
LQ800 (80col)	£495 (a)
LQ1000	£729 (a)
LQ1500 (136col) 2K buffer	£875 (a)
LQ1500 (136col) 32K buffer	£950 (a)
Integrex Colour Printer	£549 (a)

PLOTTERS	
Epson H180: A44 colour Plotter	£345 (a)
TAXAN	
KP810 80 Col NLQ	£220
KP910 156 Vol NLQ	£379 (a)
JUKI 6100 Daisy Wheel	£289 (a)
HR15LX (Serial)	£285 (a)
HR15LX (Serial)	£365 (a)

Paper:	
2000 Sheets Fanfold:	
9.5" x 11"	£13 (b)
14.5" x 11"	£18.50 (b)
Labels: (per 1000)	
3.5" x 17/16" Single row	£5.25 (d)
27/16" x 17/16" Triple row	£5.00 (d)

ACCESSORIES

EPSON	
FX plus sheet feeder	£129.00 (b)
LX80 Sheet Feeder	£48.00 (b)
Paper Roll Holder	£37.00 (d)
FX80 Tractor attachment	£37.00 (c)
Interfaces: 8143 RS232	£28.00 (c)
8148 RS232 + 2K	£57.00 (c)
8132 Apple II	£90.00 (c)
8185 IEEE + cable	£85.00 (c)
Serial & Parallel interfaces with larger buffers available.	
Ribbons: RX/FX/MX80	£5.00 (d)
RX/FX/MX100	£10.00 (d)
LX80	£8.00 (d)
Spare pens for H180	£7.50/set (d)
FX80 Tractor Attachment	£37 (c)
KAGA TAXAN	
RS232 Interface + 2K Buffer	£85 (c)
Ribbon KP810/910	£8.00 (d)
JUKI:	
RS232 Interface	£85 (c)
Spare Daisy Wheel	£14.00 (d)
Ribbon	£2.50 (d)
Sheet Feeder	£182 (a)
Tractor Feed Attachment	£129 (a)
BROTHER HR15:	
Sheet Feeder	£189 (a)
Tractor Feeder	£99 (a)
Ribbons Carbon or Nylon	£4.50 (d)
Red Correction Ribbon	£2.00 (d)
BBC Printer Lead:	
Parallel (42")	£7.00 (d)
Serial	£7.00 (d)
Printer Leads can be supplied to any length.	

MODEMS

All modems listed below are BT approved

MIRACLE 3000:	
A new range of microprocessor based modems offering of upto 2400 baud, full duplex. Features include 'HAYES' protocol compatibility, auto answer, auto dial, speed buffering, printer port, data security option etc. Mains powered.	
WS3000 V2123 (V21 & V23)	£295 (b)
WS3000 V22 (as above plus 1200 baud full duplex)	£495 (b)
WS3000 V22bis2400 (as above plus 2400 baud full duplex)	£850 (b)
MIRACLE 2000	
A world standard modem covering V21, V23 (Bell 103/113/108 outside UK) and including 75, 300, 600, 1200 baud ratings. Optional Auto dial, auto answer cards, complete control from computer keyboard. WS2000 £102 (b)	

GEC DATACHAT 1223:	
BABT approved modem complying with CCITT V23 standard. Supplied with software	
	£75 (b)

Data Cables for above modems available for most computers.

Serial Test Cable	
Serial Cable switchable at both ends allowing pin options to be re-routed or linked at either end using a 10 way switch making it possible to produce almost any cable configuration on site.	
Available as M/M or M/F	£24.75 (d)

SPECIAL OFFER

2764-25	£2.00
27128-25	£2.50
6264LP-15	£3.40

ATTENTION

All prices in this double page advertisement are subject to change without notice.

ALL PRICES EXCLUDE VAT
Please add carriage 50p unless indicated as follows:
(a) £8 (b) £2.50 (c) £1.50 (d) £1.00

Serial Mini Patch Box	
Allows an easy method to reconfigure pin functions without rewiring the cable assembly. Jumpers can be used and reused.	
	£22 (d)

Serial Mini Test	
Monitors RS232C and CCITT V24 Transmissions, indicating status with dual colour LEDs on 7 most significant lines.	
	£22.50 (d)

GANG OF EIGHT

INTELLIGENT FAST EPROM COPIER

Copies up to eight eproms at a time and accepts all single rail eproms up to 27256. Can reduce programming time by 80% by using manufacturer's suggested algorithms. Fixed Vpp of 21 & 25 volts and variable Vpp factory set at 12.5 volts. LCD display with alpha moving message. £395 (b).

SOFTY II

This low cost intelligent eprom programmer can program 2716, 2516, 2532, 2732, and with an adaptor, 2564 and 2764. Displays 512 byte page on TV - has a serial and parallel I/O routines. Can be used as an emulator, cassette interface. Softy II. Adaptor for 2764/2564. £25.00 (c)

UV ERASERS

All erasers with built in safety switch and mains indicator.

UV1 B erases up to 6 eproms at a time	£47 (c)
UV1 T as above but with a timer	£59 (c)
UV140 erases up to 14 eproms at a time	£88 (b)
UV141 as above but with a timer	£88 (b)

I.D. CONNECTORS

(Speedblock Type)			
No of ways	Header	Receptacle	Edge Conn.
10	90p	85p	120p
20	145p	125p	195p
26	175p	150p	240p
34	200p	160p	320p
40	220p	190p	340p
50	235p	200p	390p

D CONNECTORS

No of Ways				
	9	15	25	37

MALE:				
Ang Pins	120	180	230	350
Solder	60	85	125	170
IDC	175	275	325	-
FEMALE:				
St Pin	100	140	210	380
Ang pins	160	210	275	440
Solder	90	130	195	290
IDC	195	325	375	-
St Hood	90	95	100	120
Screw Lock	130	150	175	-

TEXTPOOL ZIF

SOCKETS	24-pin	£7.50
	28-pin	£9.00
	40-pin	£12

EDGE CONNECTORS

2 x 6-way (commodore)	0.1"	0.156"
2 x 10-way	150p	300p
2 x 12-way (vic 20)	-	350p
2 x 18-way	-	140p
2 x 23-way (ZX81)	175p	220p
2 x 25-way	225p	220p
2 x 28-way (Spectrum)	200p	-
2 x 36-way	250p	-
1 x 43-way	260p	-
2 x 22-way	190p	-
2 x 43-way	395p	-
1 x 77-way	400p	500p
2 x 50-way (S100conn)	600p	-

EURO CONNECTORS

DIN 41612	Plug	Socket
2 x 32 way St Pin	230p	275p
2 x 32 way Ang Pin	275p	320p
3 x 32 way St Pin	260p	300p
3 x 32 way Ang Pin	375p	400p
IDC Skt A + B	400p	-
IDC Skt A + C	400p	-
For 2 x 32 way please specify spacing (A + B, A + C).		

MISC CONNS

21 pin Scart Connector	200p
8 pin Video Connector	200p

AMPHENOL CONNECTORS

Solder		ZDC	
36 way plug	500p	475p	
36 way skt	550p	500p	
24 way plug			
IEEE	475p	475p	
24 way skt			
IEEE	500p	500p	
PCB Mtg Skt Ang Pin			
24 way 70p		36 way 75p	

GENDER CHANGERS

25 way D type	
Male to Male	£10
Male to Female	£10
Female to Female	£10

RS 232 JUMPERS

(25 way D)	
24" Single end Male	£5.00
24" Single end Female	£5.25
24" Female Female	£10.00
24" Male Male	£9.50
24" Male Female	£9.50

RIBBON

(grey/metre)			
10-way	40p	34-way	160p
16-way	60p	40-way	180p
20-way	85p	50-way	200p
26-way	120p	64-way	280p

DIL HEADERS

Solder		IDC	
14 pin	40p	100p	
16 pin	50p	110p	
18 pin	80p	-	
20 pin	75p	-	
24 pin	100p	150p	
28 pin	160p	200p	
40 pin	200p	225p	

TECHNOLINE VIEWDATA SYSTEM

Using 'Prestel' type protocols for information and orders phone 01-450 9764. 24 hour service, 7 days a week.

74 SERIES			
7400	30p	74181	340p
7401	30p	74182	140p
7402	30p	74184	180p
7403	30p	74185A	180p
7404	36p	74190	130p
7405	30p	74191	130p
7406	40p	74192	110p
7407	40p	74193	115p
7408	30p	74194	110p
7409	30p	74195	80p
7410	30p	74196	130p
7411	30p	74197	110p
7412	30p	74198	220p
7413	50p	74199	220p
7414	70p	74201	110p
7415	36p	74202	110p
7416	40p	74203	300p
7417	40p	74204	180p
7418	40p	74205	180p
7419	40p	74206	180p
7420	40p	74207	180p
7421	60p	74208	170p
7422	36p	74209	170p
7423	36p	74210	170p
7424	36p	74211	170p
7425	40p	74212	170p
7426	40p	74213	170p
7427	40p	74214	170p
7428	43p	74215	170p
7429	30p	74216	170p
7430	30p	74217	170p
7431	36p	74218	170p
7432	36p	74219	170p
7433	30p	74220	170p
7434	30p	74221	170p
7435	30p	74222	170p
7436	30p	74223	170p
7437	30p	74224	170p
7438	40p	74225	170p
7439	40p	74226	170p
7440	40p	74227	170p
7441	90p	74228	170p
7442A	70p	74229	170p
7443A	100p	74230	170p
7444	110p	74231	170p
7445	100p	74232	170p
7446A	100p	74233	170p
7447A	100p	74234	170p
7448	120p	74235	170p
7449	120p	74236	170p
7450	36p	74237	170p
7451	35p	74238	170p
7452	36p	74239	170p
7453	36p	74240	170p
7454	36p	74241	170p
7455	36p	74242	170p
7456	55p	74243	170p
7457	55p	74244	170p
7458	55p	74245	170p
7459	55p	74246	170p
7460	55p	74247	170p
7461	55p	74248	170p
7462	55p	74249	170p
7463	55p	74250	170p
7464	55p	74251	170p
7465	55p	74252	170p
7466	55p	74253	170p
7467	55p	74254	170p
7468	55p	74255	170p
7469	210p	74256	170p
7470	55p	74257	170p
7471	55p	74258	170p
7472	55p	74259	170p
7473	55p	74260	170p
7474	55p	74261	170p
7475	60p	74262	170p
7476	45p	74263	170p
7477	45p	74264	170p
7478	45p	74265	170p
7479	45p	74266	170p
7480	45p	74267	170p
7481	180p	74268	170p
7482A	100p	74269	170p
7483A	125p	74270	170p
7484	110p	74271	170p
7485	42p	74272	170p
7486	210p	74273	170p
7487	55p	74274	170p
7488	55p	74275	170p
7489	55p	74276	170p
7490A	55p	74277	170p
7491	70p	74278	170p
7492A	70p	74279	170p
7493A	55p	74280	170p
7494	110p	74281	170p
7495	80p	74282	170p
7496	80p	74283	170p
7497	210p	74284	170p
7498	190p	74285	170p
7499	190p	74286	170p
7500	190p	74287	170p
7501	190p	74288	170p
7502	190p	74289	170p
7503	190p	74290	170p
7504	190p	74291	170p
7505	190p	74292	170p
7506	190p	74293	170p
7507	190p	74294	170p
7508	190p	74295	170p
7509	190p	74296	170p
7510	190p	74297	170p
7511	190p	74298	170p
7512	190p	74299	170p
7513	190p	74300	170p
7514	190p	74301	170p
7515	190p	74302	170p
7516	190p	74303	170p
7517	190p	74304	170p
7518	190p	74305	170p
7519	190p	74306	170p
7520	190p	74307	170p
7521	190p	74308	170p
7522	190p	74309	170p
7523	190p	74310	170p
7524	190p	74311	170p
7525	190p	74312	170p
7526	190p	74313	170p
7527	190p	74314	170p
7528	190p	74315	170p
7529	190p	74316	170p
7530	190p	74317	170p
7531	190p	74318	170p
7532	190p	74319	170p
7533	190p	74320	170p
7534	190p	74321	170p
7535	190p	74322	170p
7536	190p	74323	170p
7537	190p	74324	170p
7538	190p	74325	170p
7539	190p	74326	170p
7540	190p	74327	170p
7541	190p	74328	170p
7542	190p	74329	170p
7543	190p	74330	170p
7544	190p	74331	170p
7545	190p	74332	170p
7546	190p	74333	170p
7547	190p	74334	170p
7548	190p	74335	170p
7549	190p	74336	170p
7550	190p	74337	170p
7551	190p	74338	170p
7552	190p	74339	170p
7553	190p	74340	170p
7554	190p	74341	170p
7555	190p	74342	170p
7556	190p	74343	170p
7557	190p	74344	170p
7558	190p	74345	170p
7559	190p	74346	170p
7560	190p	74347	170p
7561	190p	74348	170p
7562	190p	74349	170p
7563	190p	74350	170p
7564	190p	74351	170p
7565	190p	74352	170p
7566	190p	74353	170p
7567	190p	74354	170p
7568	190p	74355	170p
7569	190p	74356	170p
7570	190p	74357	170p
7571	190p	74358	170p
7572	190p	74359	170p
7573	190p	74360	170p
7574	190p	74361	170p
7575	190p	74362	170p
7576	190p	74363	170p
7577	190p	74364	170p
7578	190p	74365	170p
7579	190p	74366	170p
7580	190p	74367	170p
7581	190p	74368	170p
7582	190p	74369	170p
7583	190p	74370	170p
7584	190p	74371	170p
7585	190p	74372	170p
7586	190p	74373	170p
7587	190p	74374	170p
7588	190p	74375	170p
7589	190p	74376	170p
7590	190p	74377	170p
7591	190p	74378	170p
7592	190p	74379	170p
7593	190p	74380	170p
7594	190p	74381	170p
7595	190p	74382	170p
7596	190p	74383	170p
7597	190p	74384	170p
7598	190p	74385	170p
7599	190p	74386	170p
7600	190p	74387	170p

LINEAR ICs

Part No.	Package	Part No.	Package	Part No.	Package
AD7581	18pin	LM309	30pin	TBA231	12pin
AD7582	18pin	LM309A	30pin	TBA232	12pin
AD7583	18pin	LM309B	30pin	TBA233	12pin
AD7584	18pin	LM309C	30pin	TBA234	12pin
AD7585	18pin	LM309D	30pin	TBA235	12pin
AD7586	18pin	LM309E	30pin	TBA236	12pin
AD7587	18pin	LM309F	30pin	TBA237	12pin
AD7588	18pin	LM309G	30pin	TBA238	12pin
AD7589	18pin	LM309H	30pin	TBA239	12pin
AD7590	18pin	LM309I	30pin	TBA240	12pin
AD7591	18pin	LM309J	30pin	TBA241	12pin
AD7592	18pin	LM309K	30pin	TBA242	12pin
AD7593	18pin	LM309L	30pin	TBA243	12pin
AD7594	18pin	LM309M	30pin	TBA244	12pin
AD7595	18pin	LM309N	30pin	TBA245	12pin
AD7596	18pin	LM309P	30pin	TBA246	12pin
AD7597	18pin	LM309Q	30pin	TBA247	12pin
AD7598	18pin	LM309R	30pin	TBA248	12pin
AD7599	18pin	LM309S	30pin	TBA249	12pin
AD7600	18pin	LM309T	30pin	TBA250	12pin
AD7601	18pin	LM309U	30pin	TBA251	12pin
AD7602	18pin	LM309V	30pin	TBA252	12pin
AD7603	18pin	LM309W	30pin	TBA253	12pin
AD7604	18pin	LM309X	30pin	TBA254	12pin
AD7605	18pin	LM309Y	30pin	TBA255	12pin
AD7606	18pin	LM309Z	30pin	TBA256	12pin
AD7607	18pin	LM309AA	30pin	TBA257	12pin
AD7608	18pin	LM309AB	30pin	TBA258	12pin
AD7609	18pin	LM309AC	30pin	TBA259	12pin
AD7610	18pin	LM309AD	30pin	TBA260	12pin
AD7611	18pin	LM309AE	30pin	TBA261	12pin
AD7612	18pin	LM309AF	30pin	TBA262	12pin
AD7613	18pin	LM309AG	30pin	TBA263	12pin
AD7614	18pin	LM309AH	30pin	TBA264	12pin
AD7615	18pin	LM309AI	30pin	TBA265	12pin
AD7616	18pin	LM309AJ	30pin	TBA266	12pin
AD7617	18pin	LM309AK	30pin	TBA267	12pin
AD7618	18pin	LM309AL	30pin	TBA268	12pin
AD7619	18pin	LM309AM	30pin	TBA269	12pin
AD7620	18pin	LM309AN	30pin	TBA270	12pin
AD7621	18pin	LM309AO	30pin	TBA271	12pin
AD7622	18pin	LM309AP	30pin	TBA272	12pin
AD7623	18pin	LM309AQ	30pin	TBA273	12pin
AD7624	18pin	LM309AR	30pin	TBA274	12pin
AD7625	18pin	LM309AS	30pin	TBA275	12pin
AD7626	18pin	LM309AT	30pin	TBA276	12pin
AD7627	18pin	LM309AU	30pin	TBA277	12pin
AD7628	18pin	LM309AV	30pin	TBA278	12pin
AD7629	18pin	LM309AW	30pin	TBA279	12pin
AD7630	18pin	LM309AX	30pin	TBA280	12pin
AD7631	18pin	LM309AY	30pin	TBA281	12pin
AD7632	18pin	LM309AZ	30pin	TBA282	12pin
AD7633	18pin	LM309BA	30pin	TBA283	12pin
AD7634	18pin	LM309BB	30pin	TBA284	12pin
AD7635	18pin	LM309BC	30pin	TBA285	12pin
AD7636	18pin	LM309BD	30pin	TBA286	12pin
AD7637	18pin	LM309BE	30pin	TBA287	12pin
AD7638	18pin	LM309BF	30pin	TBA288	12pin
AD7639	18pin	LM309BG	30pin	TBA289	12pin
AD7640	18pin	LM309BH	30pin	TBA290	12pin
AD7641	18pin	LM309BI	30pin	TBA291	12pin
AD7642	18pin	LM309BJ	30pin	TBA292	12pin
AD7643	18pin	LM309BK	30pin	TBA293	12pin
AD7644	18pin	LM309BL	30pin	TBA294	12pin
AD7645	18pin	LM309BM	30pin	TBA295	12pin
AD7646	18pin	LM309BN	30pin	TBA296	12pin

Dear Sir,

May I commend you for bringing the nuclear debate into the columns of Practical Electronics, while expressing disappointment at the poor quality of the United Kingdom Atomic Energy Authority's contribution.

Here was a golden opportunity to put the nuclear case forward to an informed readership which would be able to grasp the science behind the issue.

Instead, William McMillan took nearly a page to tell us nothing and put forward the bizarre view that 2,500 deaths at Bhopal may be beneficial in producing 'positive information' to improve chemical industry safety in the future.

McMillan studiously avoided the problem areas of nuclear waste, cost and construction difficulties, the unreliability of some reactors, leaks and the other spectres raised by the anti-nuclear lobby.

His 'case' can be summarised in one sentence: A fifth of our electricity is nuclear; demand for electricity is rising; other countries use nuclear power; death, destruction and disaster make the future safer for the survivors and don't give children and pensioners matches to play with if you've got a gas cooker.

I believe a case can be made for nuclear power within the context of a comprehensive energy policy, but McMillan's slipshod and uninformative advocacy has not increased my confidence in that view.

Yours faithfully,

Robert G. Rae

Dear Sir,

After reading your editorial in P.E. August 86 I would like to agree with you wholeheartedly regarding your statement 'we have a collective responsibility to promote, educate and stimulate interest in the subjects which so dramatically affect our lives and the world in which we live.'

This letter is simply to let you know that as a Lecturer in the South Bradford Work Practice Unit (which opens its doors to approx. 1400 fourth-formers per year in the Bradford area - each youngster normally attending for one week) I believe this responsibility presents an exciting challenge. If we can offer new technology in such a package as to be attractive to the younger generation and open their eyes sufficiently for them to want to be part of this, then Britain may once again be amongst the world leaders in science and technology.

Within the Work Practice Unit

I have attempted to achieve this by presenting electronics and robotics as an exciting challenge. The most rewarding aspect being when a youngster with little or no previous knowledge and in many cases a fear of technology, requests more information on buying components, building circuits and using their home computer to control robots (better than playing games?). I am pleased to be in a position which enables my personal enthusiasm for electronics and new technology to generate this interest in others. This especially applies when there are magazines such as yours around providing the backup and in keeping my own knowledge up to date.

I am not sure if you are aware of the existence of Work Practice Units in Bradford, but should you express interest as to the range of our activities in the South Bradford unit I would be only too willing to supply this information (South Bradford Work Practice Unit, Bradford & Ilkley Community College, Smith Street Buildings, Bradford BD7 1AY).

Lawrence Hamburg

Dear Sir,

I am the owner of an MTX 512 micro manufactured by Memotect Ltd. I have also been getting your electronics magazine since 1981 but have never seen any interfacing projects specifically for this computer.

Most are either for the BBC or Spectrum owners and although they are in the majority, are not the only computer owners. There are almost 4000 MTX owners, and since the price was lowered to £69.95 for the 32K version 'MTX 500' and £119.95 for the 64K version there will soon be a lot more MTX owners.

Although it is often possible to adapt many of your published interfaces for my MTX the software is the most awkward and almost impossible part (in particular if it is for the BBC micro).

Therefore would it be possible to include the MTX computers in the 'PE Hobby Bus' project before I lose faith in your magazine altogether. One very important project for the hobby bus which would also be of interest to radio amateurs like myself would be an RTTY (Radio Teletype) unit with programmable baud rates, tone shifts and also different word lengths, ie 5 bit BAUDAUT or 8 bit ASCII etc.

Yours sincerely,

James J. McCarthy

NEWS AND REVIEWS

- COMPETITION** 43
If you think £89.95 is too much to pay for the latest in l.c.d. technology, then have a go at getting one for FREE.
- WHAT'S NEW** 10
A look at some of the new products from the world of electronics.
- WHAT'S HAPPENING** 12
Current events in the world of science, technology and electronics.
- WHAT'S TO COME** 12
What present developments might bring in the future.
- COUNTDOWN** 12
Forthcoming events in the electronics world.
- CATALOGUE CASEBOOK** 10
A guide to the latest electronics catalogues available.
- POINTS ARISING** 10
What's wrong

REGULAR FEATURES

- SPACEWATCH AND THE SKY THIS MONTH** 21
by Patrick Moore OBE
Our regular astronomy page reports on current events and phenomena in the world of space exploration and astronomy. Plus, what to look for in the sky this month.
- THE LEADING EDGE** by Barry Fox 14
In-depth news on the technology behind the technology. This month - Richard Branson's successful bid to get the Blue Ribband and how it proved to be a useful exercise for the military.
- INDUSTRY NOTEBOOK** by Nexus 36
Our regular look at the electronics industry. This month more on the Nimrod fiasco and a government ultimatum to GEC.

PE SERVICES

- BAZAAR** 50
A useful page for bargain hunters. Free readers advertisement service.
- PCB SERVICE** 48
We provide p.c.b. patterns for most of our constructional projects or if you haven't the facilities to make your own, we supply top quality tinned copper clad ready made p.c.b.s, at very reasonable prices.
- PE ARMCHAIR BOOK SERVICE** 44
We can supply a large range of books direct to your door on a wide variety of electronics and science related subjects. Whatever your particular interest, the PE book service can fulfil your reading needs.
- SUBSCRIPTIONS, BACK ISSUES AND BINDERS** 49
Take advantage of our special TV OFFER this month and you can save at least £10 on the Citizen pocket l.c.d. TV. It makes an ideal christmas gift for anyone.

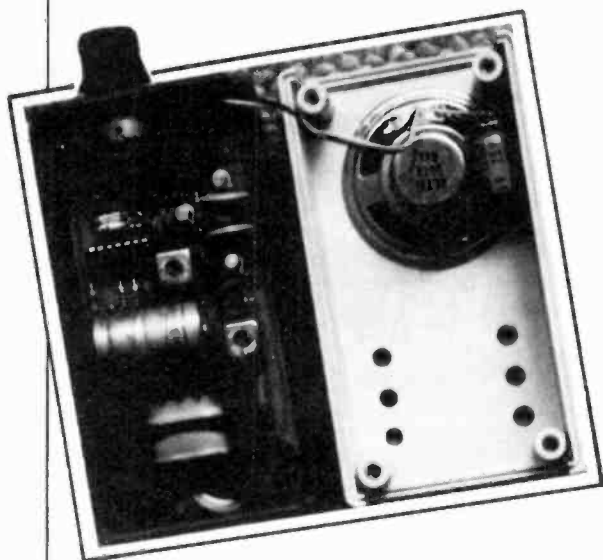
PROJECTS TO BUILD

WIRELESS BABY ALARM by R.E. Head

The mains wiring in any premises provides a useful and practical medium for speech transmission and a basic design gives rise to numerous applications such as the versatile baby alarm described in this article.

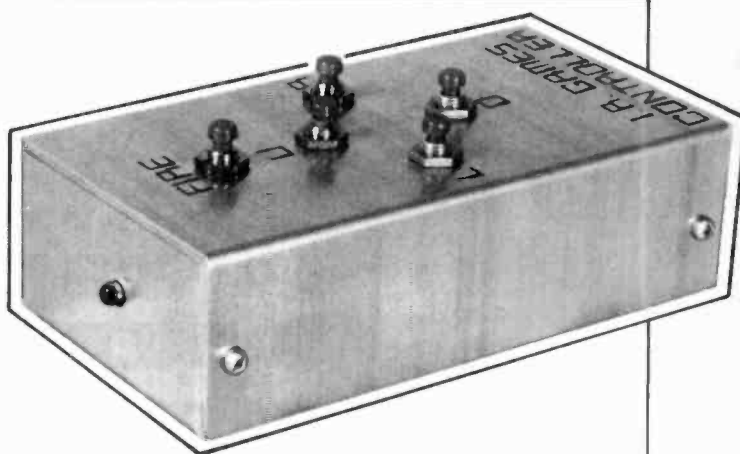
EPROM PROGRAMMER (continued from October)

This concludes the design of one of the most versatile programmers available to the hobbyist. It uses excellent software and hardware techniques which enable it to programme almost any device.



32

38



SHOESTRING SATELLITE by Andrew Randle

A novice's approach to DIY satellite TV. This is a comprehensive guide to constructing your own dish and receiving unit for around £250. Andrew Randle was a finalist in the Philips European Young Scientists contest and gained a merit certificate for this design.

26

REMOTE CONTROLLED JOYSTICK by R.A. Penfold

This application of I.R. technology gives you the freedom you need when you're defending your home base from alien invaders or simply plotting a circuit diagram. The remote control joystick is an extremely useful computer add-on and may be used with any switch-type computer joystick or user port.

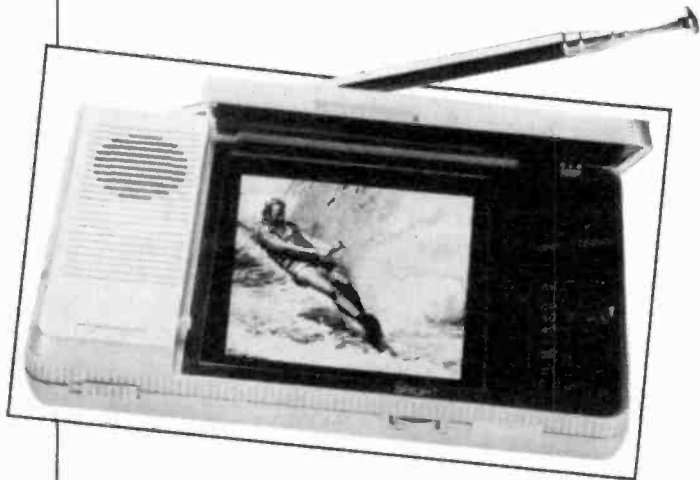
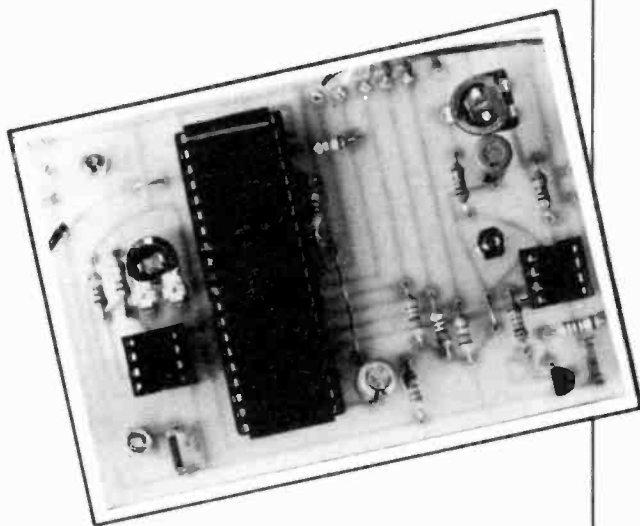
16

DESIGN AND TECHNOLOGY

EXPERIMENTAL ELECTRONICS by The Prof.

When we come up with a reasonable working design for a particular application, we tend to use variations of it whenever it is applicable. This is the safest and easiest way to design circuits. For example, how many class A or B type amplifiers have been described in the hobbyist press over the years? This month we experiment with the less common class D amplifier.

22



VIDEO PICKUPS by Vivian Capel

With the growing interest in TV and video technology in both the consumer and hobbyist sector, this month's technology feature deals with the proliferation of video pick-up devices and in particular the charge-coupled device.

40

LCD TECHNOLOGY by The Prof.

A brief look at l.c.d. technology and its use in modern miniature TV designs. Plus the latest from citizen UK and our special offer.

42



NEPTUNE I, II
2.5Kg at 1120mm
Hydraulic using water



EXPANDABLE CONVEYOR SYSTEM

stepper drive belt length 0.5 - 5.0m

WIDE RANGE GAUGES, SENSORS ETC FOR ROBOTIC WORK-CELLS IN OUR FREE BROCHURE.



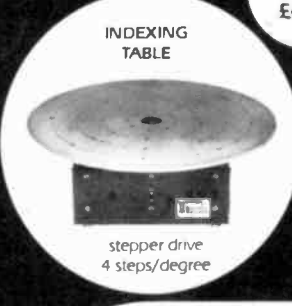
MENTOR
1 Kg at 420mm

DC servos

ROBOTS From only £475!

WALLI IS FREE!

WALLI is a powerful high level language (Work-cell Amalgamated Logical Linguistic Instructions) for controlling up to 4 robots and their peripheral equipment simultaneously from single computer (BBC, Apple IIe or IBM PC). WALLI is supplied FREE with any robot.



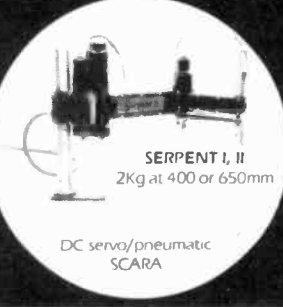
INDEXING TABLE

stepper drive 4 steps/degree



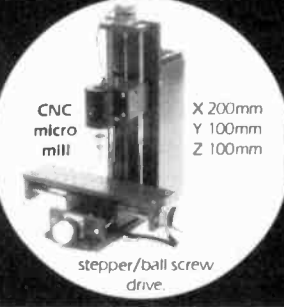
NAIAD Water hydraulic/ DC servo/ pneumatic.

500gm at 500mm with see through perspex cylinders.



SERPENT I, II
2Kg at 400 or 650mm

DC servo/pneumatic SCARA



CNC micro mill X 200mm Y 100mm Z 100mm

stepper/ball screw drive.

UKs WIDEST RANGE of low cost robotic & FMS equipment.

Tel 0264 50093

Telex 477019 ASR.G

West Portway Ind. Est., Andover, Hants. SP10 3PE

KIT AND PCB SERVICE

AUDIO EFFECTS

	Unboxed	Boxed
Blow Box	SET 214	£24.83 £29.33
Flanger	SET 153	£23.95 £28.45
Frequency Changer	SET 172	£40.06 £45.56
Frequency Doubler	SET 98	£10.80 £15.30
Fuzz (Smooth)	SET 209F	£15.08 £19.58
Guitar Modulo	SET 196	£19.06 £23.56
Guitar Overdrive	SET 56	£23.54 £29.04
Hand Clapper	SET 197	£22.19 £26.69
Multi-Processor	SET 189	£53.53 £61.33
Reverb - Stereo	SET 203	£32.04 £36.54
Rhythm Generator	SET 240	£54.49 £59.99
Ring Mod (Simple)	SET 179	£19.40 £23.90
Storm Effects	SET 154	£18.10 £23.60
Tom-Tom Synth	SET 190	£14.87 £19.37
Tremolo	SET 136	£11.12 £15.62
Vibrato	SET 137	£23.55 £29.05
Wah (Auto & Manual)	SET 140	£18.86 £24.36
Wah (Triggered)	SET 58	£14.34 £18.84



PE & EE KITS

	Unboxed	Boxed
Chorus Flanger (PE*)	SET 235	£54.49 £59.99
Cybervox (EE*)	SET 28	£39.26 £44.76
Disco Light Control (PE*)	SET 245F	£57.00 £62.50
Echo-Reverb (PE*)	SET 128	£52.16 £57.66
Mixer 4ch Mono (PE*)	SET 229M	£44.45 £49.95
Mixer 4ch Stereo (PE*)	SET 229S	£82.15 £89.95
Noise Gate (PE*)	SET 227	£22.11 £26.61
Phaser (PE*)	SET 226	£36.86 £42.36
Reverb - Mono (EE*)	SET 232	£22.85 £27.35
Ring Modulator (PE*)	SET 231	£40.08 £45.58
Signal Gen (PE*)	SET 233	£41.46 £46.96
Thunder & Lightning (PE*)	SET 250T	£26.00 £29.50
Wind & Rain Storm (PE*)	SET 250W	£26.00 £29.50

* = Kit as Published

GEIGER COUNTERS

PE Geiger, audio & meter output - Unit 264 with heavy duty box as published with normal black steel box without box	£69.50 £39.50 £55.00
POCKET Geiger, LED readout - SET 271	£39.50
READY BUILT (new design) sound, meter and computer output - SET TZ-272	£75.50

PCB SERVICE

Chorus Flanger (Jan 85) PCBs 235A-B	(SET)	£9.06
Dig Delay-MCS (June 85) PCBs 234A-E	(SET)	£29.50
Disco Light (Dec 85) PCBs 245A-B	(SET)	£7.17
Echo-Reverb (Sep 84) PCBs 218S-B	(SET)	£8.14
Mini Sampler (Jun 85) PCBs 234A-B	(SET)	£11.00
Mixer (Jan 86) PCB 229A	(EACH)	£3.10
Noise Gate (May 85) PCB 227A		£4.35
Phaser (Oct 84) PCBs 226A-B	(SET)	£7.44
Ring Mod (Dec 84) PCB 231A		£5.27
Scope Simul (Dec 85) PCB 247A		£3.33
Signal Gen (Feb 85) PCB 233A		£4.53
Storm Effects (Jun 86) PCB 250A	(EACH)	£6.07
Geiger Counter (PE Aug 86)		£4.83
Chip tester (Aug 86)		£6.55

CONTROLLERS

Bass Boost	SET 138B	£9.12	£13.62
Compander	SET 238	£18.49	£22.99
Envelope Shaper	SET 174	£20.70	£25.20
Fader (Voice Op)	SET 167	£17.72	£22.22
Graphic Equaliser	SET 217	£20.83	£25.33
Guitar To Synth	SET 173	£35.91	£41.41
Headphone Amp Mono	SET 156M	£13.57	£18.07
Headphone Amp Stereo	SET 156S	£22.15	£26.65
Hum Cut	SET 141	£12.31	£16.81
Microphone Pre-amp	SET 144	£10.43	£14.93
Mixer 4 channel Mono Simple	SET 256	£15.49	£19.99
Mock Stereo	SET 213	£19.87	£24.37
Sustain	SET 222	£20.81	£25.31
Tone Control	SET 139	£15.51	£21.01
Treble Boost	SET 138T	£9.12	£13.62
Vocoder	SET 152	£72.15	£79.95
Vodalek Robot Voice	SET 155	£13.81	£18.31

OTHERS

Metronome	SET 143	£16.85	£21.35
Roger (2-Gong)	SET 126	£12.13	£16.63
Roger (Single)	SET 127	£9.41	£13.91
Sirens (Drum Trlg)	SET 199	£19.25	£23.75
Sirens (Multi)	SET 151	£16.66	£21.16
Voice Op Switch	SET 123	£15.91	£20.41

COMPUTER PROJECTS

'Scope Simulator (PE*)	SET 247	£39.00	£44.50
Dig Delay & Mcs (PE*)	SET 234	£162.00	£198.50
Mini Sampler (PE*)	SET 246	£69.50	£75.00
Rhythm Gen (Computer)	SET 185	£29.14	£34.64
Synth to Computer	SET 184	£21.65	£26.15
Chip tester - 24 pin (PE*)	SET 258F	£35.80	£39.30
Chip tester - 16 pin (PE*)	SET 258S	£29.00	£32.50
Mini Music Tuner (EE*)	SET 259	£19.00	£22.50
Signal Tracer (EE*)	SET 261	P.O.A.	P.O.A.

FOOT PEDALS

Linkafex Chorus	SET 204	£37.26	£42.76
Linkafex Delay	SET 206	£36.39	£42.09
Linkafex Equaliser	SET 216	£19.73	£25.43
Linkafex Flanger	SET 207	£29.22	£34.92
Linkafex Fuzz	SET 209L	£17.54	£23.24
Linkafex Modulo	SET 211	£19.71	£25.41
Linkafex Overdrive	SET 215	£19.43	£25.13
Linkafex Phaser	SET 205	£28.68	£34.38
Linkafex Sustain	SET 223	£20.77	£26.47

PARTS & CATALOGUE

Boxes - Linkafex Robust Diecast, SET 234 19 inch steel rack, others Black Steel & Aluminium. All kits include PCBs, parts, instructions. Free wire & solder with boxed sets. Further details in Catalogue of over 70 kits - Send 9 x 4 S.A.E. (Overseas Catalogue send £1.00 or 5 IRCs).

ORDERS & POST

Mail order, CWO, CHQ, PO, Access, Visa. Details correct at press, E&OE. Add 15% VAT. Add P&P - unboxed kits £1.00 each, SET 234 £3.50. Other boxed kits £1.50 each. PCBs add 70p total regardless of qty. Insurance 50p per £50. Overseas P&P in catalogue.

Text photocopies - DDL-MCS £1.50, others 50p each. Send large stamped envelope.

BECKER-PHONOSONICS, Dept PE6N,
8 Finucane Drive, Orpington,
Kent BR5 4ED. Tel: 0689 37821.

PE SCIENCE AND TECHNOLOGY

VOLUME 22 No. 11
NOVEMBER 1986

ISSN 0032 - 6372

Editor: Richard Barron
Personal Assistant: Karen Poole
Editorial Assistant:

Mary-Ann Hubers

Consultant (Electronics):

R. A. Penfold

Advertisement Manager:

Alfred Tonge

Publisher: Angelo Zgorelec

Readers' Enquiries

All editorial correspondence should be addressed to the editor and any letters requiring a reply should be accompanied by a stamped addressed envelope. Please address editorial correspondence to: **Practical Electronics**, 16 Garway Rd., London W2 4NH. Tel. 01-727 7010

We regret that lengthy technical enquiries cannot be answered over the phone.

Advertisements

All correspondence relating to advertisements, including classified ads, should be addressed to: **The advertisement manager, Practical Electronics**, 25 Glenhurst Avenue, Bexley, Kent DA5 3HQ. Tel. (0322) 521069.

PE Services

Practical Electronics offers a wide range of services to readers including: p.c.b.s, books, subscriptions, back numbers, and software listings. However, due to increased administration costs we can no longer provide photocopies of articles over three years old. Also the availability of back numbers is rapidly declining.

In order to avoid disappointments, in the future, we suggest that you take out a subscription. Not only will you avoid missing an issue but you will also save money and in most cases receive your copy before it is in the local newsagents.

PE EDITORIAL TEL. 01-727 7010

ADVERTISEMENT DEPT.

TEL. (0322) 521069

MY BIT AT THE BEGINNING - 4

Practical Electronics (published for 22 years) is one of the oldest 'electronics' magazines around today. Over the years there have been difficult times and much change, none more so than in recent months. PE has had two changes of editorship, a new owner, new publisher, a change of address and naturally a host of associated problems. (I'll say no more about that.)

But these are, I'm pleased to say, now behind us and it's time to look forward to the next 22 years of publishing a successful, first class electronics magazine.

In order to provide top quality editorial which caters for newcomers as well as our existing readership, I have formulated a forward schedule, for 1987, which comprises a balanced selection of articles and ensures that all future issues will contain something of interest to everyone. As well as our now famous constructional projects, there will be, each month, a broad range of special features which cover technology, design, experimentation, and home micro interfacing. Also in order to provide more extensive back up, our p.c.b. service has been improved to include printed p.c.b. patterns, the book service will be providing a much wider range of titles and we will have more exclusive offers such as our pocket multimeter which is proving extremely popular.

As British Rail would say, "We're getting there". We just hope to get there faster!

Richard Barron

DID YOU KNOW?

Practical Electronics has been around for 22 years this month. Happy Birthday!

Amstrad have launched a new range of IBM PC Compatible computers - The cheapest being around only £399.

Since the mid-1970's the world market for electronic components has risen at an average annual rate of 12 percent. However Western Europe's share of the total market is only around 20 percent.

NEXT MONTH

In the December issue of PE we have a host of special features and special offers and we're giving away a catalogue worth 70p-FREE! (See page 37 for details)

OUR DECEMBER 1986 ISSUE WILL BE ON SALE FRIDAY, 7th November 1986

© Intrapress 1986. Copyright in all drawings, photographs and articles published in PRACTICAL ELECTRONICS is fully protected, and reproduction or imitations in whole or part are expressly forbidden. All reasonable precautions are taken by PRACTICAL ELECTRONICS to ensure that the advice and data given to readers is reliable. We cannot, however, guarantee it, and we cannot accept legal responsibility for it. Prices quoted are those current as we go to press.

WHAT'S NEW . . .

POINTS ARISING

GEIGER COUNTER AUGUST 1986

In Fig.5, C15 and C16 were marked as R15 and R16. C28 was shown the wrong way round on the p.c.b. layout. C19 and C20 should be shown connected to ground not REF.

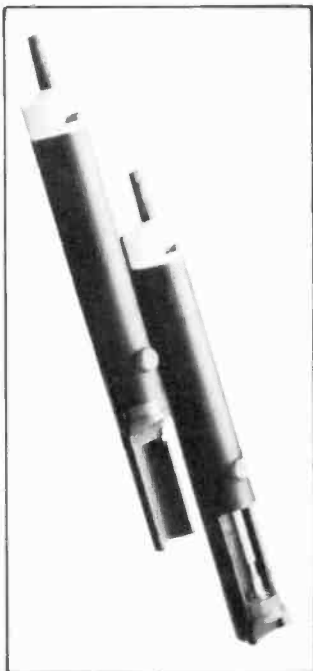
PERCUSSION SYNTHESISER OCTOBER 1986

On Fig.2 IC1b pin 5 should read pin 10 and C10 should be 100u, not 100p.

Pocket Geiger Counter

A miniature pocket sized Geiger Counter has been released by Becker Phonosonics. Known as the Geiger-mite, it is battery operated, and measures only 40 x 56 x 85mm. The primary readout is by an l.e.d. indicator that flashes in response to each nuclear radiation impact.

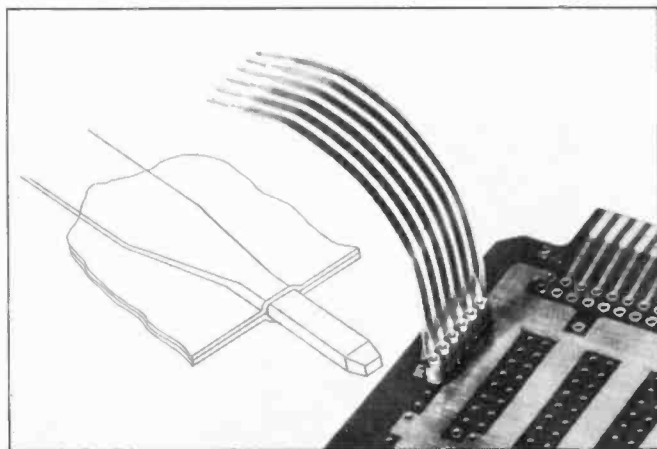
Additionally, it has an output suitable for use with a crystal earpiece for audio monitoring. Its output is also compatible with TTL and computer inputs for impact count analysis. Using the sensitive ZP1310 Geiger-Muller tube it is the infant relative of the Geiger counter recently published in Practical Electronics. The price is only £46.92, including VAT and postage and is available in readily assembled kit form, with full constructional details, solely from Phonosonics.



Flat Cable

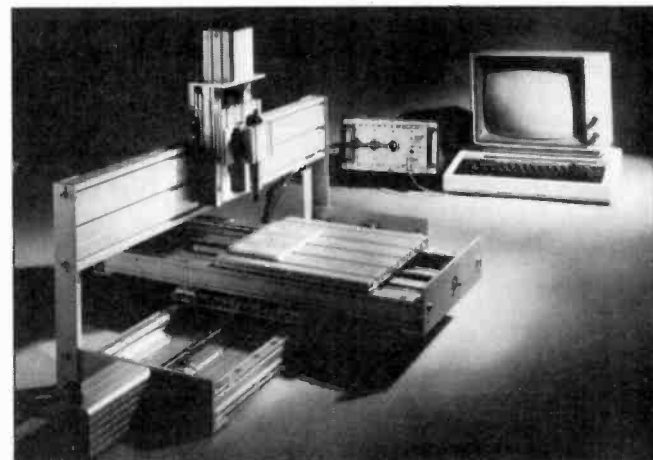
A new series of flexible jumper cables has been introduced by Aries Electronics. The solid pin and transition from solid to flat conductors mean that the conductors are flexible but the pin remains sturdy.

DeciFlex jumpers are available in one, two or three inch lengths.



Pump Relaunch

OK Industries, who have an extensive range of antistatic products, have relaunched their DP3 static-free desoldering pump. Manufactured in line with UI and MIL standards, it has an easy to clean and change bayonet type conductive tip and sells for just £2.95 inc VAT.



Alarming

Riscomp Limited announce an addition to their range of security products; a new control panel with a difference. Known as the CA1382, the unit provides an extensive range of facilities, and yet its operation has been simplified to the extent that it may be used by all members of the family without considerable instruction. A major contribution to the simplified operation is the automatic system testing which is carried out every time the unit is switched on, with an l.e.d. indicating correct operation. Additionally, the entire operation is controlled by a single key operated on/off switch. A built in exit & entrance buzzer provides audible warning of the unit's operation, whilst the alarm memory allows the unit to be set up without annoyance to the neighbours. Provision for sounding the alarm by means of a personal attack switch, even though the unit may not be switched on, has been included. Housed in an attractive steel case, the CA1382 is available either fully built and tested or in self assembly form. In either case it is accompanied by a comprehensive data sheet which simplifies its installation. Price of self assembly unit: £39.95 + VAT., or fully built & tested: £44.95 + VAT.

More Midi

Binatone International Ltd., the UK's largest privately owned consumer electronics company has recently launched a new midi system. As with most of their products, it offers a wide range of features at an affordable price.

Features include 5-band graphic equaliser, 3-band tuner, headphone and mic sockets, matching speakers and is CD compatible.

Simple As XYZ

Leewood Developments Ltd have produced a range of practical XYZ tables which have real applications in a variety of environments. They can be programmed with any computer or terminal having an RS 232 or 423 capability.

The standard table has a movement of 400mm x 250mm x 60mm making it useful for such tasks as drilling p.c.b.s., small component assembly, routing, cutting or merely as an educational tool. Its own interface contains a microprocessor and operating system ROMs with 2 x 8K RAM for 600 blocks of instruction storage.

Resolution is 200 steps per millimetre, rest to datum point within 1/100mm and interpolation on X and Y axis as standard.



Head Adjustments

Electronic Brokers now supply the Grundig VG1000 video generator which is specially designed for measurement and testing applications. One of its main features is a special pattern output for video recorder testing which permits precise head adjustments to be made.

Other features include digital circle production with permanent memory and zero drift, multi-burst, modulated scale, right and left screen limiting and 75 ohm outputs for colour carrier, vertical blank and sync outputs.

WHAT'S NEW . . .

SM Transformers

Avel-Lindberg have now added what are claimed (not confirmed) to be the first power supply transformers to the ever growing choice of surface mounted devices (SMD's) available to engineers engaged in SMT/p.c.b. design. The Avel type OB/SM flat-pack transformers span a range from 1.8 to 24VA (1.8, 3.5, 5, 8, 9, 12, 15, 19, 24VA). These small rectangular, flat transformers are tested with a one minute 5000V a.c. Hipot test in compliance with IEC 742, VDE 0551.

Dual 50/60Hz primary windings can be series or parallel connected for 120V or 240V operation; and dual secondary windings give 5, 6, 8, 9, 12, 15 and 18Vr.m.s. in parallel and 10, 12, 16, 18, 24, 30 and 36Vr.m.s. when series connected. The non-concentric twin primary and secondary windings are wound on separate bobbins which gives maximum isolation and low inter-winding capacitance. The core construction and winding configuration achieve a near toroidal characteristic with low radiated noise, high efficiency and low temperature rise.

X-Technology

Hitachi have introduced a new high contrast, wide viewing angle LCD that offers an improvement of over 100% in visibility when compared to normal LCD's. This dramatic improvement is achieved using Hitachi's new X-Technology and high duty ratio dynamic drive techniques.

At ten inches long the new LCD - the LM585X - is screen size compatible to a ten inch CRT. It has 640 x 200 pixels and an effective display area of 220 x 166 mm.

The LCD's low power consumption, coupled with the fact that it is just 12mm thick, make it ideal for portable applications in modern equipment such as pocket TV's (see our special offer).

Who Cares?

Portable phone technology has now been extended to the "Carephone". Carephones take the form of a pendant which can be worn around the neck and linked to an Answercall machine.

For the old, handicapped or ill, this new equipment from BT should prove to be very popular and potentially life-saving.

Free Modems from Micronet

Micronet have a large stock of Modems and are issuing them free of charge to members who subscribe to both Micronet and Prestel for one full year in advance.

The modems available are the VTX5000 for the Sinclair Spectrum and the Modem 2000 for the BBC.

Masterswitch

Originally designed to switch a number of signal sources, eg. computer, video recorder etc. into one TV set, the MASTERSWITCH can find a use wherever manual switching of low level radio frequency or video signals is required.

Applications may be found in Amateur and CB radio, in schools and laboratories, or in conjunction with the domestic TV installation.



5V at 100A

High efficiency Victor modules now available from Powerline Electronics enable a 5 volt switched-mode power supply capable of supplying 100A to be built using only four modules.

Each module measures only 6x12 cm with a height of 12mm, yet the unusually high switching frequency of 2 MHz in this application gives power conversion efficiency levels in excess of 80%, coupled with very low ripple. Basic output accuracy is 2%, but adjustment is possible by applying a control voltage to the TRIM input.

CATALOGUE CASEBOOK



Over the last month we have received the following catalogues:

A brochure from **Branco Tools Ltd.**, outlining their range of **Jokari cable strippers**. Details from Branco Tools Ltd., 7 Birchway, Prestbury, Cheshire, SK10 4BD.

Toolrange's catalogue of **Consumables and Accessories** from: Toolrange Ltd., Upton Road, Reading, Berks, RG3 4JA.

The **home toolshop** catalogue from: **Toolmail (GMC) Ltd.**, 170 High Street, Lewes, E. Sussex. (price £1.95).

A free colour brochure on the new **A/D co-processor** board for the **MultiBus** system from: **GE Datel UK Ltd.**, Belgrave House, Basing View, Basingstoke, Hants, RG21 2YS.

Powerlines Shortform catalogue of **laboratory PSUs** from: Powerline Electronics Ltd., 5 Nimrod Way, Elgar Rd., Reading, Berks.

The complete range of **RS products** available in the **Electromail** catalogue (688 pages, price £2.50) from Electromail, PO Box 33, Corby, Northants, NN17 9EL.

A new leaflet from **Hitachi** on their family of high speed **single chip processors** from: Hitachi Electronic Components. Tel: (0923) 46488.

RF Products 6-page catalogue of **communications filters** and multicouplers from: **RF Products inc.**, Davis & Copewood Sts, Camden, New Jersey 08103, USA.

Tiny Switch

What is claimed to be the smallest snap-action switch on the market has been announced by Cherry Electrical Products Ltd. Measuring only 8.2 x 2.7 x 10.6mm, Cherry's new ultra-miniature DH series occupies only 70% of the space required for a conventional micro-miniature switch.

Ideal for use in miniature equipment applications e.g. consumer electronics, pocket

recorders, wrist watches, audio and optical equipment, as well as professional portable systems, the ultra-miniature DH switch weighs only 300mg. Despite its small size the DH switch can handle currents of up to 0.5 Amp and is available with either silver or gold plated contacts. Current breaking capacity of the silver plated versions is 50mA to 500mA at 24VDC and 5 to 50mA for the gold plated contacts.

WHAT'S HAPPENING . . .
WHAT'S TO COME . . .

FIRM CONTACT

Further details of the products, services and companies mentioned in the News pages of Practical Electronics may be obtained from the following sources:

OK Industries UK Ltd, Barton Farm Industrial Estate, Chickenhall Lane, Eastleigh, S95 5RR.

Texas Instruments Ltd, Hill and Knowlton (UK) Limited, 5-11 Theobalds Road, London WC1X 8SH.

Aries Electronics, Alfred House, 127 Oatlands Drive, Weybridge, Surrey, KT13 9LB.

Electronic Brokers Limited, 140-146 Camden Street, London, NW1 9PB.

Riscomp Limited, 51 Poppy Road, Princes Risborough, Bucks HP17 9DB.

Phonosonics, 8 Finucane Drive, Orpington, Kent, BR5 4ED.

Masterpiece Products, Masterpiece Cabinets Ltd., Annsroft, Shrewsbury, SY5 8AN.

Leewood Development Ltd., Leewood Works, Upton, Huntingdon, Cambs., PE17 5YQ.

Mitsubishi Electric Corporation, Public Relations Department, 2-3 Mrunouchi 2-chome, Chiyoda-ku, Tokyo 100, Japan.

Engineering Information Department, BBC Broadcasting House, London W1A 1AA.

Matthey Electronics, Burslem, Stoke-on-Trent, ST6 3AT.

Bal Components Ltd., Bermuda Road, Nuneaton, Warwickshire, CV10 7QF.

In-car total information systems

We have heard quite a lot about in-car navigation systems over the last few months. Several companies have showed prototype designs of their systems and seem to have been able to disguise their faults and shortcomings fairly well.

One of the latest systems is a joint venture from the Mitsubishi Electric Company and the Japan Radio Company. They claim that it is the first practical automobile navigation system using satellites and it will be commercially available in 1989.

The new system is a combination of a global positioning system (GPS) and a stand alone navigational system consisting of a GPS receiver, geomagnetic sensor, speed sensor, control unit, map generator and colour CRT (Should be an l.c.d.?)

The thinking behind this combination is that conventional navigation systems cannot be accurate over a period of time because of accumulated error. Using both systems, even when a car is in a tunnel, say, and thus

unable to receive satellite information, the stand-alone system takes over using information from its sensors. Mitsubishi say that "in the future, a total information system will be developed for a more comfortable driving environment with reduced psychological burdens on the driver. It will have a computer to control a display panel and all the separate systems, such as self diagnosis, driving information, air conditioning, television, audio and mobile phone systems. Operation, display and monitoring of these systems will be done on a CRT display".



l.c.d Trend

The trend towards portable computers, test instruments and computers has created a massive worldwide demand for large l.c.d.s. They are getting bigger, more reliable and with the associated electronics, very easy to use. Many of the old problems associated with CRTs do not exist in l.c.d. technology. They are low voltage operated, light and now, fairly easy to produce.

Hitachi, one of the world's leading manufacturers of l.c.d.s., are introducing a powerful new controller which is software compatible with the HD6845 CRT controller. This allows CRT to l.c.d. conversion with the minimum of effort.

The HD6345, as it is called, provides high speed parallel data transfer allowing a high resolution display to be controlled with up to 400 x 640 pixels. In addition, it has many built-in functions such as scrolling, blinking and inversion. Obviously as the l.c.d. technology advances the implications to designers are enormous. Already in Japan, you can get a truly flat l.c.d. TV which literally hangs on the wall like a picture. The future might bring portable video phones, high resolution pocket TV's and.... You tell us.

Calculating Markets

Texas Instruments, who have had years of experience in the calculator business, now offer a solar powered calculator aimed specifically at the education market.

They see a need to make all school work more relevant, stimulating and engaging as well as encouraging practical skills and promoting real-life application of knowledge. They say, "in order to fulfil these aims the education system will need equipment which assists and excites pupils to cope with the radical changes". According to them, the TI 31 Solar is just such a machine. It's sleek, useful and comes complete with slide on carrying case, owners manual and a two year guarantee.

Logical Changes

The world of standard TTL and CMOS devices is changing. Texas Instruments, Philips and Signetics who are jointly developing advanced CMOS logic (ACL), have had to move away from the standard pin-out of logic i.c.s. to gain the advantages of advanced bi-polar speeds and CMOS low power.

The new ACL family provides great improvements over the previous limits of CMOS technology. They use one-micron technology to give three times the speed of high speed CMOS and yet still offer 24mA of output current.

COUNTDOWN

If you are organising any electrical, computing, electronic, radio or scientific event, big or small, drop us a line. We shall be glad to include it here. Address details to COUNTDOWN, Practical Electronics, 16 Garway Road, Bayswater, London W2 4NH.

PLEASE NOTE: Some of the exhibitions and events mentioned here are trade only or may be restricted to certain visitors. Also please check dates, times and any other relevant details with the organisers before setting out as we cannot guarantee the accuracy of the information presented here.

Instrumentation 87, Feb 25-26, Harrogate Exhibition Centre, March 25-26, Bristol Crest Hotel.

Audio 86, Nov 12-15, Olympia 2.

Sound Comm 86 Oct 1-2, Manchester.

Test and Transducer, Oct 28-30, Wembley Conference Centre.

Drives/Motors/Controls & PC Systems, Nov 25-27, NEC, Birmingham.

Pascal 3 day course (residential), Herts.

Laboratory Manchester 87, April 8-9.

British Electronics Week 87 Olympia, April 28-30.

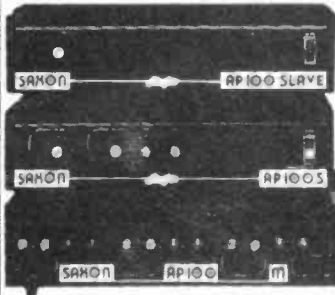
British Manufacturing Technology Week 87, Olympia, June 2-5.

IEEIE Lectures (various), Oct-Nov 86.

International Packaging Show, Metropole, Brighton, Oct 7-9,

SAXON MOSFET AMPLIFIERS

UNBEATABLE PRICES!!!



SLAVE MODEL
 AP 100 100W RMS £69
 AP 200 200W RMS £89

2 INPUT GENERAL PURPOSE MODEL
 AP 100S £79
 AP 200S £99

P.A. MODEL

- ★ 6 INPUTS
- ★ 3 CHANNELS
- ★ ECHO IN/OUT

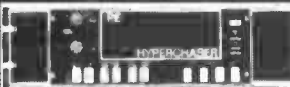
- ★ TREBLE/BASS EACH CHANNEL ★ INDIVIDUAL VOLUMES
- ★ MASTER PRESENCE

AP 100M £99
 AP 200M £119

Write or phone for a **FREE BROCHURE** on these incredible amplifiers

P.E. HYPERCHASER

£84.95



- 4 CHANNEL PSEUDO INTELLIGENT LIGHT UNIT**
- ★ 16 Programmes
 - ★ Manual Flash Buttons
 - ★ Manual/Auto Programme
 - ★ Strobe Outputs
 - ★ Individual Dimming
 - ★ Sound To Light

Not just a light unit but a sophisticated & comprehensive effects unit. A full kit of parts including P.C.B., Facia, Case, etc. Reprint of article on request.

P.E. STAR DESK

£209



- 8 + 4 CHANNEL LIGHT MIXING DESK**
- ★ 8 Channel Twin Preset Mixer
 - ★ Strobe Outputs
 - ★ 4 Independent Channels
 - ★ 4/8 Channel Sequences
 - ★ 8 Programmes
 - ★ Manual Flash Buttons
 - ★ 1KW Output/Channel (can be boosted to 2KW/Ch)
 - ★ Timed Crossfade
 - ★ Soft/Hard Sequence

A truly magnificent unit ideal for clubs, groups, drama, etc. A full kit of parts inc. PCB, Facia, Case, etc. Reprint of article on request.



CROYDON DISCO CENTRE

327 Whitehorse Road, Croydon, Surrey CR0 2HS
 (01) 684 8007 9am-5pm. Mon-Sat. (Closed Wed.)
 Post & Packing £4 per item. Please allow 14 days for delivery



TRAINEE RADIO OFFICERS

THE START OF SOMETHING NEW

If you are leaving College and planning a career in modern communications or if your present job lacks interest and challenge... why not join us in GCHQ? We are recruiting

RADIO OFFICERS

who after initial training will become members of an organisation that is in the forefront of communications technology. Government Communications Headquarters can offer you a satisfying and rewarding career in the wide field of communications. Training involves a 32 week course (38 weeks if you come straight from Nautical College) which will fit you for appointment to RADIO OFFICER.

Not only will you find the work as an R O extremely interesting but there are also good prospects for promotion opportunities for overseas travel and a good salary. Add to this the security of working for an important Government Department and you could really have the start of something new.

The basic requirement for the job is two years' radio operating experience or hold a PMG, MPT or MRGC or be about to obtain a MRGC.

Registered disabled people are welcome to apply.

Salaries start at £5,817 at age 19 to £6,920 at age 25 and over during the training and then £7,954 at 19 to £10,162 at 25 and over as a Radio Officer. Increments then follow annually to £13,777 inclusive of shift and week-end working allowances.

For full details and application form 'phone 0242 32912/3 or write to:



Recruitment Office, Government Communications Headquarters, Oakley, Priors Road, Cheltenham, Gloucestershire, GL52 5AJ.

RETAIL • MAIL ORDER
 TRADE • EXPORT •
 EDUCATION
**HENRY'S
 NEW
 CATALOGUE**

WITH
**FREE
 DISCOUNT
 VOUCHERS**
 (Total value £4.00)

COMPONENTS
 SEMICONDUCTORS • CONNECTORS • TEST
 AND MEASURING INSTRUMENTS
 CABLES • TOOLS • BOARDS • BOXES
 AUDIO AND PA EQUIPMENT • SECURITY
 AND COMMUNICATIONS • TV-VIDEO
 HI-FI • COMPUTER ACCESSORIES

PLUS - PLENTY OF BARGAINS

**POST
 TODAY**

SEND LARGE S.A.E. (min 12" x 9" with
 46p stamp UK) - (Overseas send
 £1.00 with address) Price £1.00 to callers
**FREE ON WRITTEN REQUEST TO ALL TRAINING
 AND EDUCATIONAL ESTABLISHMENTS** (ref PE)

**OFFICIAL
 ORDERS
 WELCOME**

QUANTITY DISCOUNTS AVAILABLE
HENRY'S AUDIO ELECTRONICS
 404 Edgware Road, London W2 1ED.
 Sales office: 01-258 1831
OPEN 6 DAYS A WEEK - ALL WELCOME



**£500 of Electronic Equipment
 to be WON in the new**

Cirkit catalogue.



£1.20

- ★ £8 worth discount vouchers
- ★ 164 pages featuring over 3,000 products.
- ★ Many new products, plus all the old favourites
- ★ £500 worth of electronic equipment and components to be won in our catalogue competition.
- ★ On sale at your newsagent from 16th October, or direct from the address below.



Cirkit Distribution Ltd



Park Lane, Broxbourne, Herts. EN10 7NQ Tel: (0992) 444111. Tlx: 22478

THE LEADING EDGE

REPORT BY BARRY FOX

LAST year Richard Branson, head of the Virgin music and airline empire, missed out on winning back the Blue Riband prize for the fastest Atlantic crossing by literally a few miles. After running the best part of 3000 miles at up to 50 knots his boat, *Virgin Challenger*, hit a piece of driftwood and sunk just 138 nautical miles short of the finishing line.

The boat went down with a load of high tech electronics centred on a Data General computer which had been logging performance. The plan had been to send all the logged data back to the control centre, above the Virgin Megastore in London's Oxford Street, by radio telex. But the system proved too complicated for its own good. The waves buffeting the boat made the electrodes inside the video screen shake so much the image was unreadable. The telex link worked well for the first two days of the crossing, but then the system failed. The inverter, which converted the boat's 24 volt DC supply to 240 AC 'mains', blew a 20 amp circuit breaker. It wouldn't re-set. One theory at the time was that in the high sea, the boat propellers left the water, so the engines ran fast while off-load and the generator created a voltage surge. The 24 volt supply on the boat was always varying widely, from as little as 2 volts up to 40 volts.

Within days of the sinking, the Virgin crew were planning 'next time'. Branson decided to spend £1.5 million on a new boat to be called *Virgin Atlantic Challenger II*. It made the run in June 1986 and broke the record. Branson has got his money back on publicity. Electronics companies who provided the equipment have won plenty of publicity too. The boat was built in just five months from design to launch, almost a record in its own right.

The little known side to the story is that the military was thrilled to see Branson investing millions in *VAC II*. It gave the RAF a one-off chance to try tracking a 22 metre craft running 3,000 nautical miles at 50 knots. Also *VAC II* confirmed the military's worst fears about serious weaknesses in the new technology of communications navigation, on which modern weapons like the Cruise missiles depend for guidance.

Behind all the ballyhoo the key requirement was to track the position of *VAC II* so that the 2000 people in a string of back-up teams always knew exactly where she was. The boat crew needed to receive weather forecasts, shipping traffic information and advice on how far it was from the next refuelling stop. Last year there were sensors all round the boat, which provided the data for dispatch by radio telex via British Telecom's maritime radio station at Portishead, near Bristol. This year DG adopted a completely different approach which could well point the way to future mobile communication in hostile conditions. There were no automatic sensors, but data was still sent by telex. This fifty year old technology is much more reliable for communicating technical data than crackly speech radio.

ONLY ONE MICRO

DG put an Eclipse 32 bit minicomputer into the control centre above the Virgin Megastore in Oxford Street and used it to send radio telexes to *VAC II*. The only computer on the boat was a tiny lap-top Microscribe, the size of a paperback book. This has a liquid crystal display screen which is unaffected by buffetting. The Microscribe is made in Wales with 320K RAM memory. Data General wrote software which lets it work like the trip computer in a car. When the *VAC II* crew entered their position and speed, the LCD screen immediately told them the best position for the next mid-Atlantic refuelling stop and what speeds were needed to stay inside the record. The lap-top also worked as a portable telex terminal, sending data and messages back to the control centre minicomputer when speech radio failed because of interference. A thermal printer gave hardcopy text. The Microscribe and printer are battery-powered and thus independent of the erratic power supply on the boat which wrecked last year's system. The difficult part was to build a battery charger for the Microscribe which would tolerate the 2-40 volt swing supply. A small British firm, repair of Milton Keynes, built a stabilized circuit which produced a rock steady 12 volts charging.



Because the boat bounced violently at racing speed, the lap-top had to be secured by Velcro pads to the operator's knee. Although the publicity pictures show an operator daintily typing text, in mid Atlantic the only way to get messages through was to grasp the computer with both hands and type with thumbs. The telexes were full of typing mistakes but still decipherable.

The boat carried equipment from Racal which receives signals from the two satellite navigations systems Transit Satnav (satellite navigation) system and Navstar GPS (global positioning system). Satnav relies on satellites which orbit the earth and can only be contacted for 20 minutes every hour. Accuracy depends on how long a vehicle stands still, taking a series of plots from the moving satellite. This is of little use to a craft racing at 50 knots to break a record. Navstar is in theory far more accurate. The vehicle takes three simultaneous readings from three satellites. The received signals are time-coded and comparison of the different delays gives a position reading which is only accurate to a few tens of metres. The US military conceived Navstar but only got the money to realise the plan by promising to transmit two signals, one coded for military use only and the other 'clear' for civilian use. Navstar needs 18 satellites in geostationary orbit. So far only 7 have been launched. The NASA Challenger shuttle, Titan and Ariane

Branson's Blue Riband bid – good for him, good for England and good for the military – the stories behind the story.

failures have delayed completion by two years. Branson's crew gave up trying to use the satellite system and relied instead on the conventional Loran and Omega systems which give bearings from a chain of radio beacons. The military is embarrassed by the satellite system delays because weaponry including the Cruise missile relies on Navstar.

The RAF jumped at the chance of dropping spare fuel filters from a Nimrod out of St Mawgan in Cornwall. Using EMI Searchwater radar the Nimrod found the tiny *VAC II* in thick fog, and dropped canisters exactly 50 metres in front of the invisible target from a height of 20 metres. They were picked up and in the engine room within two minutes.

There is a neat irony in the decision by Branson's crew to carry also an inexpensive hand-held radio direction finder, made by Lokata of Falmouth. This is the gadget which fell foul of the Ministry of Defence when Lokata filed a patent in 1982. Without realising it, Lokata had re-invented a short range missile guidance system, as for instance used by the Exocet. Lokata is a radar receiver without a transmitter. It simply pinpoints the radar beams which other ships and beacons transmit. The London Patent Office stopped Lokata selling the gadget because it was a defence secret. But under pressure from the MP for Falmouth, the MOD relented. Boats, including *VAC II*, now carry it as a battery powered back-up to the main radar.

The much publicized radio silence from *VAC II* while the crew struggled to purge water and air from the fuel supply



underlines the risk of putting high technology electronics on a small boat. *VAC II* was carrying two radar scanners and two 250 watt SSB radio transmitters in addition to the satellite navigation equipment and conventional Decca marine navigation equipment. When all this was switched on it drew around 80 amps of power. While the engines were shut down the only source of power was the boat batteries. Using the navigation and communications electronics without the engine running would very soon have flattened the batteries. There would then have been no power left to start the engines again.

There's another irony in Branson's success. British Telecom proudly announced that it had provided telex terminals, telex lines and a dedicated radio telex link to help keep the crew in touch with base. "Telex is the largest and most widely spread text messaging service in the world" puffed BT. "It is available for more than 200 countries with 104 000 users in the UK and two

million worldwide." By coincidence BT's proud announcement came on the same day that its telex service chiefs were having a crisis meeting in London to try and decide what could be done about the appalling service offered by 'telex enquiries'. This is the control room in London which helps telex users find the numbers to call.

The only approved way into telex enquiries is via the operator on 100. The staff are working on antiquated equipment in a cramped room with no space to put extra seats. As a result it is often impossible to get a telex enquiry answered during working hours. The phones are either all engaged or just ring and ring and ring. "We are acutely aware of the problem," admits BT. "The new building won't be ready for two years. We are urgently examining what we can do in the meantime."

It's lucky for Richard Branson he didn't need to check telex enquiries while racing for the Blue Riband. He would have reached England before he got his answer!

One thought for the future. If Virgin does anything like this again, and wants anything more than superficial press coverage, will they please use a little more common sense in laying out the control room press facilities. This year, as last year, the press could have as much to eat and drink as they liked, chat at the free bar, watch pop videos and generally lig and pose as only the pop press know how. In a back room, where there was really no room for visitors, a constant stream of fascinating radio message came over the comms system. I was lucky enough to get 'backstage' for a while, and hear what most people were missing.

Why on earth couldn't the Virgin empire have rigged up a relay system so that the radio telephone chats were there for anyone else to hear - either by loudspeaker in an ante room or through headphones? Most of the Virgin staff were far too busy fawning over the TV crews to help the less glamorous press with more serious interest. **PI**



Virgin control room - Central London

REPORT BY BARRY FOX

INFRA RED COMPUTER CONTROLLER

BY R.A. PENFOLD

Freedom for joysticks

A remote control joystick unit which gives you the freedom you need for action packed computer games. This project may find other applications in computer control such as turtle graphic systems.

ALTHOUGH infra red remote control seems to have become commonplace with consumer electronics such as television and hi-fi equipment, it is something that has yet to have much impact in the computer world. This is perhaps a strange state of affairs since it is something that could be more useful and advantageous when playing computer games than for changing television channels (or whatever). This

standard Atari/Commodore games port, such as the Amstrad computer's joystick port. It can also be connected to a user port such as the one on the BBC model B machine, but when used in this manner it is obviously only suitable for use with custom written software. These are topics which are considered in more detail at the end of this article.

Providing a simple on/off infra red link is not particularly difficult, but the

available, and these have the advantage of taking care of all the encoding and decoding processes. Their disadvantage is that they require supply voltages which can not easily be provided at the receiving end by the +5 volt output of the joystick port.

An alternative is to utilize UARTs (universal asynchronous receiver/transmitters) to provide the encoding and decoding. However, in order to give

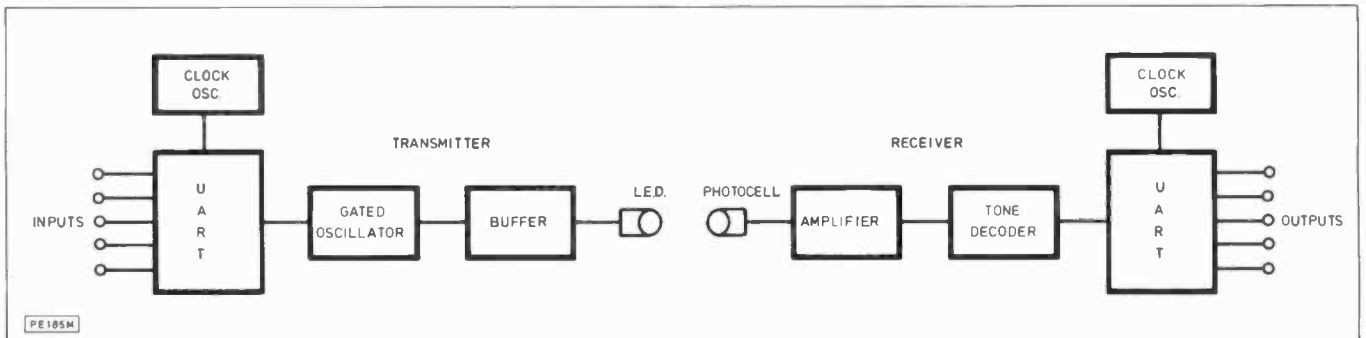


Fig. 1. Double encoding/decoding system

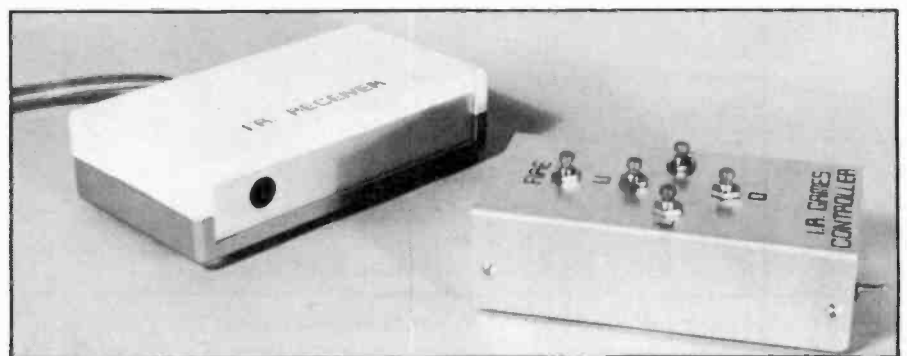
infra red remote control system is designed to replace a standard Atari/Commodore type joystick, and it will operate with any software that is compatible with an ordinary joystick. The receiver simply plugs into the joystick port and is powered from the computer. The hand-held controller is battery powered, and has five push button switches (up, down, left, right, and fire) which are used to control the on-screen action. The unit could actually be wired up to a conventional joystick if preferred, but for a hand-held controller ordinary push button switches are generally much easier to use. The system will operate reliably over a maximum range of about 4 metres or so.

Being a switch type controller it is obviously incompatible with joystick ports that are intended for operation with potentiometer type joysticks (such as the BBC and Dragon joystick ports). It can be adapted to operate with joystick ports which have a slightly non-

ENCODING/DECODING

current application requires something well beyond straightforward on/off switching. Some means of encoding five switching actions onto the on/off link is required, together with complementary decoding at the receiver to recover the five original signals. The obvious approach is to use the special remote control integrated circuits that are

reliable results it would not just be a matter of driving the infra red l.e.d. from the transmitting UART, and then amplifying the signal from the photocell to a suitable level to drive the receiving UART. With serial communications the shape of the transmitted waveform is all important, and any time distortion ('smearing') of the waveform is likely to result in corrupted data. A tone encoding/decoding system would



IR COMPUTER CONTROLLER

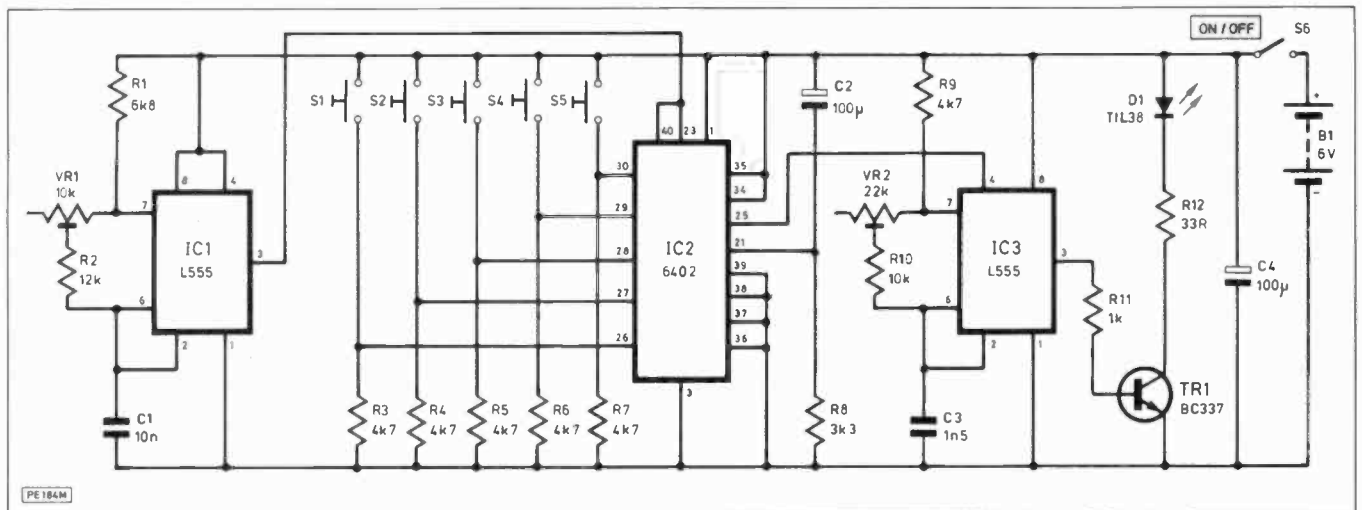


Fig. 2. Controller unit circuit diagram

therefore need to be used in conjunction with the UARTs. This gives a double encoding decoding system of the type outlined in Fig. 1.

A clock oscillator at the transmitter sets the rate at which the UART transmits data (the baud rate). The output signal from the UART starts with a pulse having a duration of 16 clock cycles, and this is the start bit. It is required to provide synchronisation at the receiving UART. Then the output it set to the logic level dictated by the first input, and again the duration is sixteen clock cycles. This process is repeated, in sequence, for inputs two to five, and finally a stop bit equal to sixteen clock cycles is produced. The purpose of the stop bit is mainly to ensure that there is a reasonable gap between one byte of data and the next. In this case the circuit is arranged so that the UART provides a continuous stream of data, and almost as soon as the stop bit of one byte has finished the start bit of the next byte is commenced.

The output signal from the UART is used to gate a high frequency oscillator, and this in turn drives the infra red l.e.d. via a buffer stage which provides a suitably high drive current for the l.e.d.

A photocell at the receiver converts received infra red pulses into small electrical pulses, and these are then boosted to a usable level by a high gain amplifier. A tone decoder converts the tone signal back into the serial waveform which is fed to the receiving UART. A clock oscillator again determines the baud rate, and this must obviously be set to accurately match that of the transmitter if accurate decoding is to be provided. When the UART detects a start bit, it then samples the input waveform at the appropriate times to determine the state of each bit. The detected states are stored in a data latch, and when a complete set of five data bits has been received, the correct five bit word is set up on the outputs. This word

is latched on the outputs until a new byte has been received and is transferred to the outputs.

Although this system lacks extreme simplicity, it seems to work well in practice and is reasonably inexpensive to implement. The UART and other stages at the receiver will operate well from a 5 volt supply, and the transmitter can be powered economically from a 6 volt battery. This arrangement was therefore the one which was adopted for the final system.

CONTROLLER CIRCUIT

The full circuit diagram of the hand-held controller unit appears in Fig. 2.

IC2 is the UART and it is the industry standard 6402 device. Although serial interface devices are highly complex and often have quite high current consumptions, the 6402 is a CMOS type which draws only a fraction of a milliamp in this circuit where it is operating at a fairly modest speed. All the standard serial word formats are available, and the required format is programmed into the device by setting pins 35 to 39 to the appropriate logic levels, and taking pin 34 high in order to load the control word into the device. In this case a word format of one start bit, five data bits, and one stop bit is selected.

C2 and R8 provide IC2 with a reset pulse at switch-on. R3 to R7 pull the five data inputs of IC2 low, but push button switches S1 to S5 pull their respective inputs high when they are activated.

IC1 is a 555 timer connected in the astable mode. It acts as the clock oscillator and sets the baud rate at approximately 300. Originally a higher baud rate of about 1000 was tried, but a reduction to 300 gave better reliability, and is still fast enough to give no noticeable delay between operating one of the push button switches and the computer providing a response. VR1 enables the baud rate to be trimmed to

COMPONENTS . . .

CONTROLLER

RESISTORS

R1	6k8
R2	12k
R3-R7, R9	4k7 (6 off)
R8	3k3
R10	10k
R11	1k
R12	33
All resistors 0.25W 5% carbon	

POTENTIOMETERS

VR1	10k sub-min hor preset
VR2	22k sub-min hor preset

CAPACITORS

C1	10nF poly layer
C2, C4	100µ 10V radial elect (2 off)
C3	1n5 poly layer

SEMICONDUCTORS

IC1, IC3	L555P (2 off)
IC2	6402
TR1	BC337
D1	TIL38

MISCELLANEOUS

S1, S5	Momentary action push button switches (5 off)
S6	SPST sub-min toggle switch
B1	6 volt (4 x HP7 in plastic holder)
Case about 133 x 70 x 38mm; Printed circuit board PE PCB Service order code PE124; PP3 style battery connector; 40-pin d.i.l. i.c. holder; 8-pin d.i.l. i.c. holder (2 off); Wire, solder, etc.	

IR COMPUTER CONTROLLER

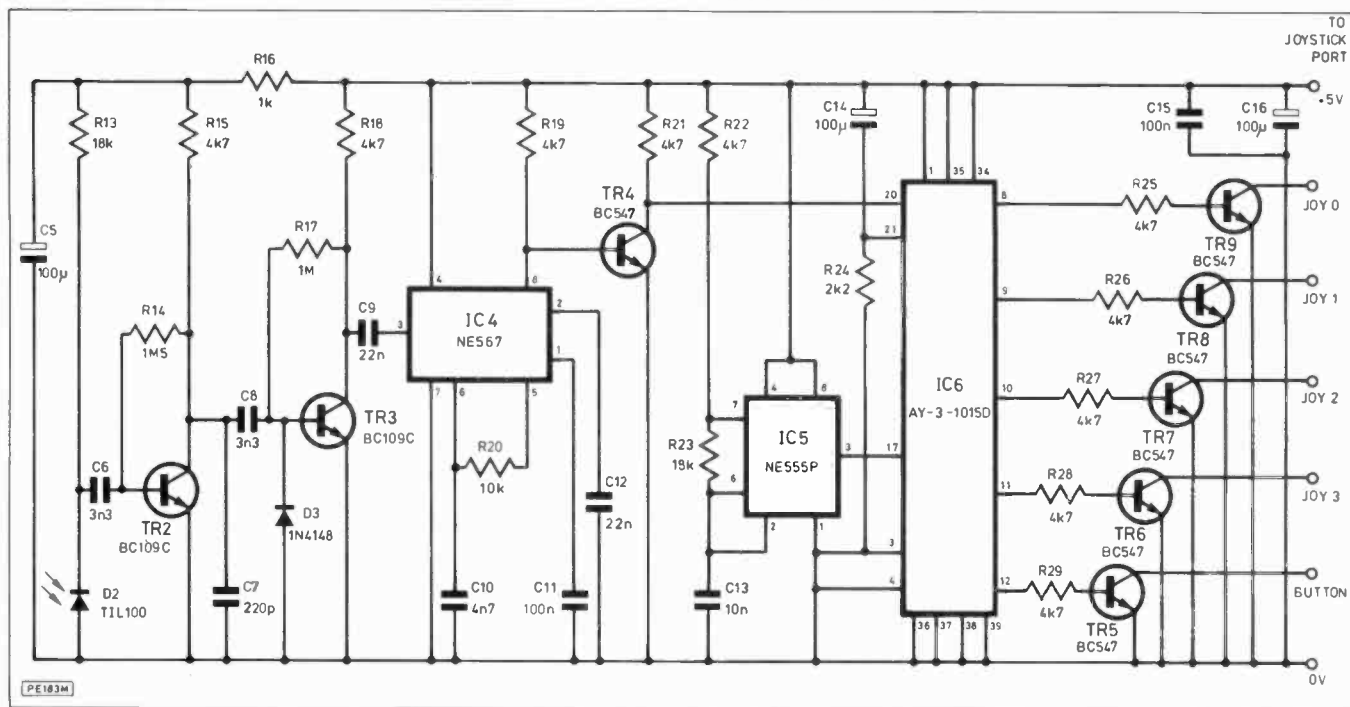


Fig. 3. Receiver unit circuit diagram

COMPONENTS . . .

RECEIVER

RESISTORS

R13,R23	18k (2 off)
R14	1M5
R15,R18,R19,R21, R22,R25-R29	4k7 (10 off)
R16	1k
R17	1M
R20	10k
All resistors 0.25W 5% carbon	

CAPACITORS

C5,C14,C16	100µ 10V radial elect (3 off)
C6,C8	3n3 poly layer
C7	220p ceramic plate
C9,C12	22n poly layer (2 off)
C10	4n7 poly layer
C11	100n poly layer
C13	10n poly layer
C15	100n ceramic

SEMICONDUCTORS

IC4	NE567
IC5	NE555P
IC6	AY-3-1015D or 6402
TR2,TR3	BC109C (2 off)
TR4-TR9	BC547 (6 off)
D2	T1L100
D3	1N4148

MISCELLANEOUS

SK1 9-way D socket; case about 153 x 84 x 39mm; Printed circuit board PE PCB service order code PE124; 40 pin d.i.l. i.c. holder; 8 pin d.i.l. i.c. holder (2 off); 7-way ribbon cable; Wire, solder, etc.

precisely match that of the receiver. The clock signal is also fed to the Control Register Load input of IC2, and this provides the required continuous data stream from the unit. It is advantageous to use a low power version of the 555 for IC1 in order to minimise the battery drain, but a standard type will operate in the circuit.

IC3 is another 555 astable, and again it is advisable to use a low power type in order to minimise battery drain. This oscillator is gated by the serial output of IC2, and the gating is achieved simply by driving pin 4 of IC3 with the serial signal. This switches off IC3 when pin 4 goes low, and gates it off when pin 4 is taken high. VR2 permits IC3's operating frequency to be adjusted to suit the tone decoder at the receiver. TR1 acts as the buffer stage at the output of IC3, and it drives infra red l.e.d. D1 at a current of about 100 milliamps. The overall current consumption of the circuit is considerably lower than this figure though, since the l.e.d. is driven with a roughly squarewave signal, and the average l.e.d. current is only about 50 milliamps. Also, the oscillator and D1 are gated off for a proportion of the time. The current consumption is therefore largely dependent on the number of push button switches that are operated, and varies between about 12 milliamps under stand-by conditions, to around 65 milliamps with all five switches activated. Of course, in normal use no more than two or possibly three switches at a time would normally be operated, and the average current consumption is only around 25 milliamps. This can be economically provided by four HP7 size batteries connected in series.

RECEIVER CIRCUIT

The circuit diagram for the receiver unit is shown in Fig. 3, and as will be apparent from this, the receiver is slightly more involved than the transmitter.

IC6 is the receiving UART, and this can be another 6402 type, or the somewhat less expensive alternative of an AY-3-1015D can be used. In the interests of minimising current consumption the AY-3-1015D is only recommended for use in the receiver and not in the transmitter. C14 and R24 provide the reset pulse at switch-on, and the program inputs set the same word format as for the transmitter circuit. IC5 is a 555 connected in the astable mode, and it acts as the clock oscillator. IC5 can be a standard 555 since there is no advantage in keeping the current consumption of the receiver down to a very low level.

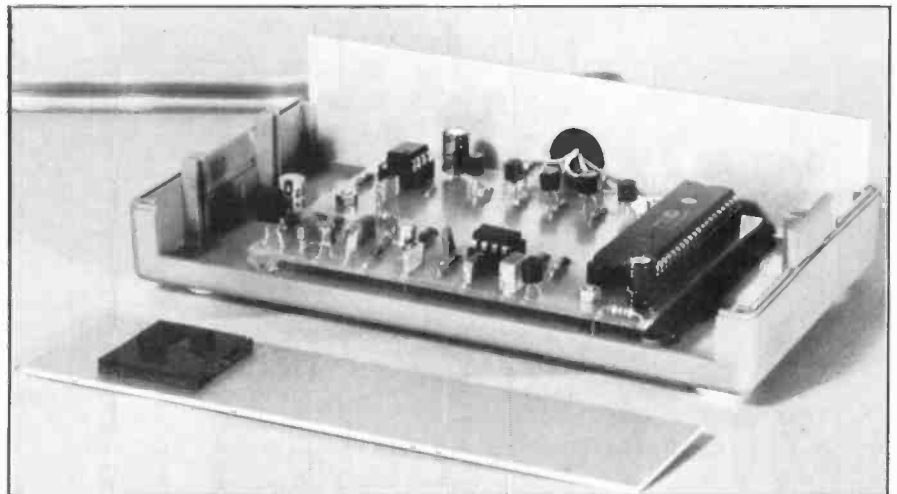
When a push button in the controller is activated the corresponding data output of IC6 goes high. However, in order to simulate a joystick it is a short circuit to ground that is required when one of the buttons is operated. The requested switching action is obtained by driving a common emitter switching transistor (TR5 to TR9) from each data output of the UART. Incidentally, the UARTs have eight data inputs and outputs, but where a word format of less than eight data bits is selected it is the most significant bit or bits that become inoperative.

The UART is preceded by the amplifier and tone decoder circuits. D2 is the photocell, and this is a large area photodiode with built-in infra red filter.

IR COMPUTER CONTROLLER

It is reverse biased by R13, and the pulses of infra red light cause an increase in its leakage current which generate negative voltage pulses at its cathode terminal. These are coupled by C6 to the input of a high gain common emitter amplifier based on TR2. C7 slightly restricts the upper frequency response of TR2 which helps to give reduced noise and improved stability. Further amplification is provided by another common emitter amplifier built around TR3. D3 prevents the input waveform from being seriously distorted when the input signal is strong enough to overload TR3. This is important as this distortion could prevent the tone decoder from functioning properly.

The tone decoder is a phase locked loop type built around IC4, an NE567 which is specifically designed for this purpose. It has what is essentially a standard phase locked loop configuration with a current controlled oscillator (CCO), phase comparator, and lowpass filter. It has some additional stages which are a quadrature phase detector, a voltage detector, and an open collector output transistor. The phase detector is effectively an electronic switch which is opened when the output of the CCO is positive going, and closed when this signal is negative going. The input signal is fed to the electronic switch, and when the phase locked loop has achieved lock, positive half cycles will pass through the switch but negative half cycles will be blocked. In other words a simple half wave rectifier action is provided. The output signal from the electronic switch is smoothed by C11, and the resultant strong positive bias is fed to the voltage detector. The latter is



activated and switches on the output transistor.

If lock is not achieved the electronic switch will be operated with what is random phasing when compared to any input signal. This gives no significant bias voltage at the output of the switch, and the output transistor is switched off. R19 is a load resistor for the output transistor, and the decoded serial output signal is available at pin 8 of IC4. Unfortunately it is of the wrong polarity to directly drive the input of the UART, but TR4 inverts the signal and provides IC6 with an input of the right polarity.

CONTROLLER CONSTRUCTION

Details of the controller printed circuit board are provided in Fig. 4. IC2 is a CMOS device and as it is also a fairly expensive component the use of a (40 pin d.i.l.) IC holder for this device should be regarded as mandatory. Do

not fit IC2 into place until the rest of the components have been fitted to the board, and leave it in its antistatic packaging until that time. Handle the device no more than is absolutely necessary. Fit pins to the board at the points where connections to the off-board components will be made, and do not overlook the three link wires.

The case needs to be a reasonably small type which can be comfortably and easily hand-held, but obviously it also needs to have adequate dimensions to take the board plus the batteries. The latter are four HP7 size cells fitted in a plastic battery holder. Connections to the holder are via a standard PP3 style battery clip. The prototype controller is housed in an inexpensive aluminium case which has approximate dimensions of 133 by 70 by 38 millimetres. This is just about large enough to accommodate everything, with the component panel mounted at the front of the unit, and D1 aimed through a 'window' drilled at a suitable position in the front panel. This leaves room for the batteries to fit into the space at the rear of the unit in a short style battery holder. The component panel must be mounted on spacers or stand-offs so that the connections on the underside of the board are kept clear of the metal case.

On/off switch S6 is mounted out of the way on the rear panel, leaving the top panel free for the control switches. The switches on the prototype are arranged in a fairly logical pattern, but it might be worthwhile experimenting with different layouts. For example, placing the direction switches in an arc with the firebutton beneath might look a little strange, but it should enable the buttons to be easily operated with one hand while the unit is held in the other. Whatever layout is used it will take a short while for users to become accustomed to it, but before long use of the unit should become almost instinctive. Inexpensive push button switches are used on the prototype, but in the light of experience it would probably be better to use a type having

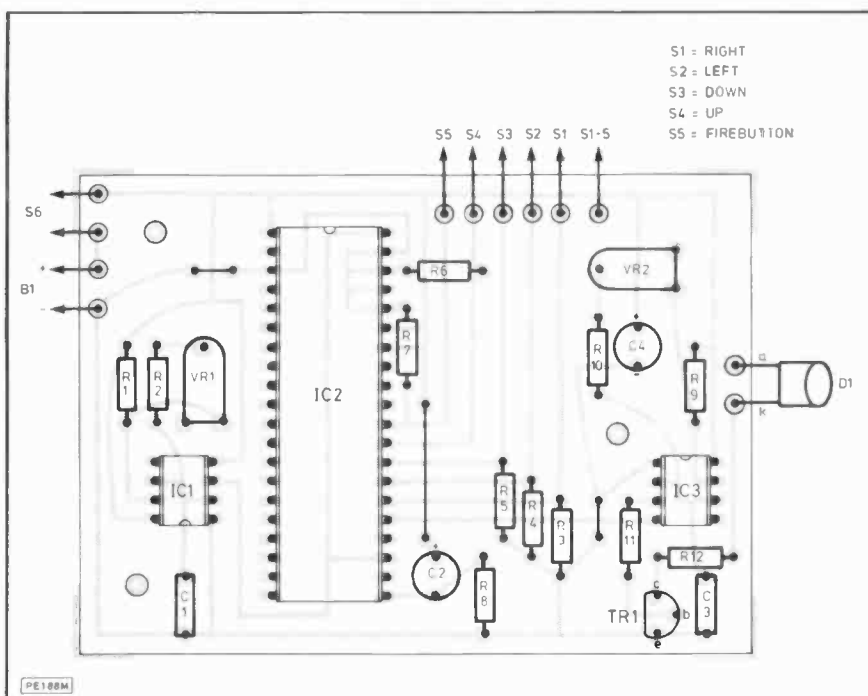


Fig. 4. Transmitter p.c.b. and wiring details

IR COMPUTER CONTROLLER

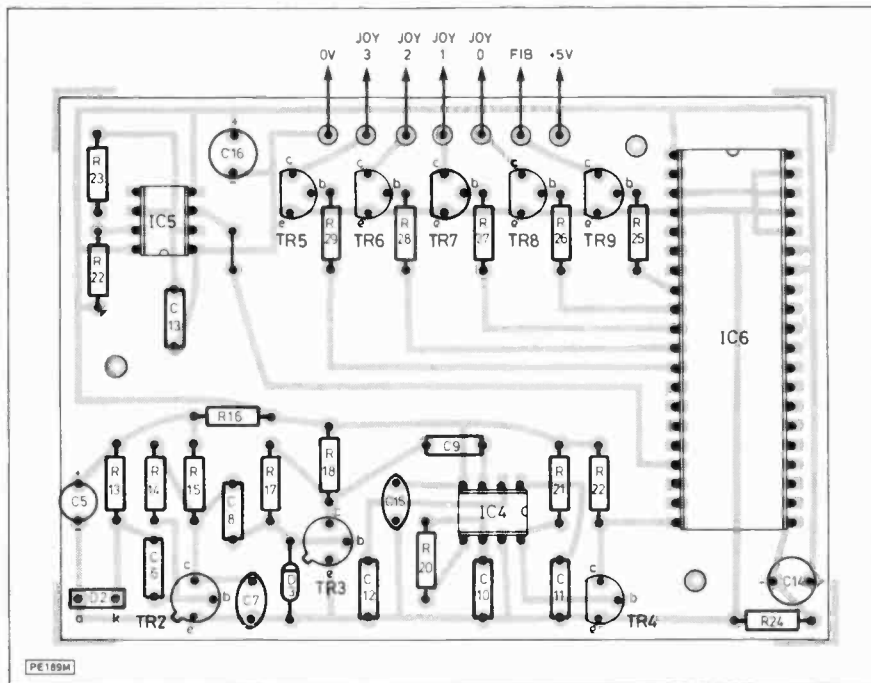


Fig. 5. Receiver p.c.b. and wiring details

a large button. However, make sure that the proposed switches do not require more depth than the case can provide. Also, the switches can not be mounted on the rear section of the top panel as they would be obstructed by the battery beneath.

To complete the controller the small amount of hard-wiring is added. A piece of six way ribbon cable provides a neat way of connecting the board to S1 to S5.

RECEIVER CONSTRUCTION

Refer to Fig. 5 for details of the receiver printed circuit board. The antistatic handling precautions outlined earlier should, of course, be borne in mind when dealing with IC6. Be careful to fit D2 the right way around – the side which carries the type number etc. should be facing towards C5 and R13.

A plastic box with metal front and rear panels and outside dimensions of 153 by 39 millimetres makes a neat and functional housing for the receiver unit. The printed circuit board is mounted on the base panel using 6BA fixings which should include spacers about 6 millimetres long. These prevent distortion and possible damage to the board when it is bolted in place, and also serve to bring D2 to a more suitable height. There are deep mounting pillars moulded into the base panel, but these are of no value in this case, and might actually get in the way. If this should happen they can easily be drilled away using a drill bit of about 10 millimetres in diameter.

A 'window' for D2 must be drilled in the front panel to provide an exit route for the cable to SK1. This hole should be fitted with a grommet to protect the

cable. The cable is a piece of 7 way ribbon cable about half a metre in length, and SK1 is a 9 way D-type. Fig. 6 gives connection details for SK1. Be careful to identify each lead correctly and to avoid any crossed wires. The use of 'rainbow' ribbon cable is very helpful in this respect.

There are two stages of alignment of the unit. First RV2 must be adjusted to give a suitable carrier frequency so that the basic infra red link is established, and then VR1 must be set to give a transmitter baud rate which precisely matches that of the receiver. Ideally an accurate frequency counter would be used to measure the centre frequency of the phase locked loop, and to then measure the output frequency of IC3 so that it could be set to the same frequency. Similarly, the output frequency of IC5 would be measured, and RV1 would be adjusted to give the same output frequency from IC1.

It is not too difficult to set up the unit quite accurately without the aid of any test gear. Start with VR1 at a roughly central setting, and then adjust VR2 to find a setting that provides a link between the controller and the receiver. In fact there should be a narrow range of settings that give an effective link,

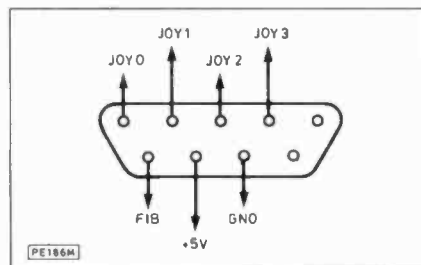


Fig. 6. Connections to the 9-way D connector

and VR2 is set at the centre of this range. The unit may work perfectly well at this stage, but if the transmitter and receiver baud rates are not reasonably accurately matched one or more of the control switches will have the wrong effect. Adjustment of VR1 should correct this, and there should be a fairly wide range of settings that give correct operation. VR1 is adjusted to roughly the middle of this range.

When using the unit bear in mind that it is quite directional, and that the transmitter must be roughly aimed at the receiver, with no obstructions in between. Alignment is much more critical near the maximum range of the system than it is at short range.

OTHER COMPUTERS

It should be possible to use the unit with other computers that have a controller input for switch type joysticks. However, although some computers have controller ports that are very similar to the standard Atari/Commodore type, they are not all totally compatible. For example, Fig. 7 provides details of the Amstrad joystick port. This has obvious similarities with the Atari/Commodore type, but one difference is that the 5 volt supply output

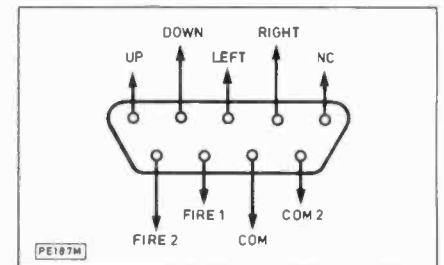


Fig. 7. Amstrad joystick port has crucial differences to the standard Commodore/Atari type

is replaced with a second firebutton input. Also, there are two 'common' terminals, and this permits two joysticks to be connected to the port.

The unit could be connected to the user port of the BBC model B computer, driving (say) inputs PB0 to PB4. No pull-up resistors would be needed on the open collector outputs of the unit as these are present on the user port inputs. A drawback of this method is that commercial software is incompatible with the controller, but there should be little difficulty in writing one's own software to suit the system, and it might be possible to make suitable modifications to published games software for the BBC machine.

With a little modification the system could possibly be used in applications other than games control. For instance, turning the system on its head it should be quite feasible to transmit five bit codes from an output port and to use them to control a 'turtle' or other device where the lack of a connecting cable would be very advantageous. PE

SPACEWATCH

BY DR PATRICK MOORE OBE

*Is there life on Mars?*

THE supernova 1986G in the strange galaxy Centaurus A continues to provide astronomers with valuable data, even though it has now declined so much that it has become very hard to identify. Spectra have indicated the presence of calcium clouds in between Centaurus A and our Galaxy; their existence has been confirmed by new studies of the spectrum of a supernova seen some years ago in the spiral galaxy M 83 in Hydra, which belongs to the same group as Centaurus A. Evidently the light from both supernovæ has come to us via the

same intergalactic cloud. Incidentally, the M.83 supernova was another of Evans' discoveries; his grand total is now thirteen – easily a record for an amateur observer. It does show what can be done with sufficient patience and skill; Evans' largest telescope is a 16in reflector, which by professional standards is tiny.

Sadly, two of the world's great experts in the field of meteorite study have died: Lincoln La Paz, at the age of 88; and H.H. Nininger, at the age of 99. La Paz, whom I knew well, was the founder of the Institute of Meteoritics at the

University of New Mexico, Albuquerque; Nininger has probably been the world's most enthusiastic and skilful collector of meteorites. His collection is now at the Arizona State University.

At the moment the American programme of exploring the planets by unmanned space-craft is in abeyance. The Galileo probe to Jupiter (by-passing the asteroid Amphitrite on the way) is one of the projects to be postponed indefinitely, and of course the Space Telescope has no hope of being launched before 1988 at the earliest. The European launcher Ariane has also run into trouble. It may well be that the next

Continued on page 41

The Sky This Month

THIS is not a particularly good month for planets. For observers in the southern hemisphere both Mercury and Venus are well placed – Venus actually comes to its greatest brilliancy, magnitude -4.6 , on October 1st – but both are too far south to be properly seen from Britain. Mars is still an evening object, but the magnitude has now fallen to -0.5 , two magnitudes fainter than it was during opposition in July; Saturn sets soon after the Sun; and although Jupiter is on view for much of the night, it also is rather low for British observers.

Halley's Comet, incidentally, is almost impossible to see this month with any telescope. It remains in the constellation of Crater, but is above the horizon only during daylight, and of course it has faded very considerably. Regrettably it must be said that amateurs in general have seen the last of it, though the major observatories will continue to follow it for a year or two yet.

The Moon is new on October 3rd and full on the 17th. On October 3rd there is a rather interesting eclipse of the Sun. It is annular along most of the track, but total for a maximum length of one-third of a second over a small part of the North Atlantic. The annular path begins between the north-eastern part of Asia and North America, extending between 18.56 GMT and 19.15 GMT, and has a maximum length of 2.6 seconds. The partial phase is visible from much of North America, the Arctic area, Iceland and the northern part of South America. The region of totality is in the Iceland-Greenland area, but does not cross dry land, so it will be interesting to find out if anyone actually sees it! Because the Sun is still 'quiet', the shape of the corona will be of the spot-minimum type.

There is also a total eclipse of the Moon, on the 17th. This at least will be visible from Britain. It begins at 17.30 GMT and ends at 21.06 GMT, with the total phase extending between 18.41 and 19.55. It is some time since we saw a good total eclipse; this will provide a good opportunity for photographic enthusiasts. (Incidentally,

it is interesting to recall that at the total lunar eclipse of last April, not visible from Britain, most observers – including myself – who had the good fortune to be in the southern hemisphere made use of totality to carry out final observations of Halley's Comet; but the Rev. Robert Evans preferred to make his regular scan of galaxies in the hunt for supernovæ – which is why he can be sure that the supernova, in Centaurus A, which I discussed in last month's article, was not visible then.)

The Orionid meteors last from the 15th to the 25th of this month, and the Taurids begin in the 26th, but neither shower is particularly prolific. Vesta, the brightest of the asteroids, comes to opposition on October 3rd, but as its magnitude is only 6.4 it will not be visible with the naked eye. Binoculars will show it, but it looks exactly like a star. If anyone cares to search for it, here is the position: RA Oh 49m, declination $-7^{\circ}45'$.

As the evenings draw in, some of the magnificent winter groups start to make their entry; the Pleiades in Taurus are now quite high soon after dark, Capella rising, Vega descending. The main October group is Pegasus, which is high in the south. This is the best time of the year to look for Fomalhaut, the southernmost of the first-magnitude stars to be visible from England. Do not confuse it with Diphda or Beta Ceti, which also lies below the Square of Pegasus; Fomalhaut is much the lower-down of the two, and is a magnitude the brighter. Fomalhaut, incidentally, is one of the stars found by the IRAS satellite to have a huge infra-red excess, possibly indicative of planet-forming material.

Ursa Major, the Great Bear, is at its lowest in the north, which means that the W of Cassiopeia is not far from the zenith. The west is occupied by large, rather faint and formless constellations, of which the best-known are Hercules and Ophiuchus. Also low in the south-west are the dim Zodiacal groups of Capricornus and Aquarius. The 'summer triangle' (Vega, Debeb, Altair) is still much in evidence; of the three, only Altair actually sets as seen from Britain.

EXPERIMENTAL ELECTRONICS

BY THE PROF.

Class conscious circuits

P.E. has published dozens of amplifier designs over the years, many of which have been variations of pretty much the same circuit. This article deals with a less common type of audio amp which could be used in many applications.

IN DAYS gone by things were very simple as far as classes of amplification were concerned, with just the three basic types to choose from. These days there are so many different types that it could prove difficult to track them all down, and there seems to be some confusion as to what's what when it comes to the more obscure types. For the experimenter these "new" classes of amplification represent an interesting alternative to the more usual class B type which has a lot in its favour, but perhaps suffers from "familiarity breeding contempt", with super-fi designs raising far less interest than they once did.

CLASS CONSCIOUS

Probably most readers will be familiar with the operation of class A and class B designs, but we will consider these briefly here as they have relevance to other types of amplifier, and most of the "improved" types are really variations of one or other of these (usually class B variations).

Class A amplifiers are the ordinary type as used in normal low level stages, with the basic method of biasing being as shown in Figure 1(a). R_a biases TR_a so that approximately half the supply voltage appears the collector of TR_a , and R_a connects to the collector of TR_a rather than the positive supply rail in order to introduce negative feedback which partially compensates for variations in current gain from one device to another. Having the collector at half the supply voltage permits the highest possible peak to peak output voltage swing before either set of output half cycles becomes clipped. C_a and C_b are merely d.c. blocking capacitors.

Class A amplifiers work very well at low power levels, and it would be reasonable to ask why not simply step up the power levels for high power applications? This is not so much a

problem with fidelity as with wasted power. In fact in sheer performance terms class A power amplifiers are difficult to beat, but output devices and power supplies that would normally be associated with something like $2 \times 40W$ amplifiers could be struggling to give 10 watts per channel in a class A set up. For maximum efficiency the loudspeaker would need to be connected in place of load resistor R_b , but this would still leave as much power being dissipated in TR_a as in the speaker, and there would be a high quiescent current through the loudspeaker which would shift the cone off its normal central position. This would give less than optimum results from the loudspeaker, and it would be more normal to use transformer coupling or some other arrangement which avoids having the quiescent current passing through the speaker. This introduces losses though (and probably a reduction in fidelity as well), and a typical class A power amplifier offers only about 20 to 25% efficiency, and there are plenty that are less efficient than this. Class A amplifiers are also inefficient in that they consume the same average power regardless of whether

they are driven at full power or there is no output at all.

The class B arrangement of Fig. 1(b) is a class A driver stage followed by a complementary emitter follower output stage (TR_b and TR_c). On positive output excursions TR_b drives the loudspeaker, while TR_c drives it on negative output half cycles. The two output devices have only about unity voltage gain, but their high current gain provides the circuit with a low output impedance so that a loudspeaker can be driven with a peak to peak potential which is something approaching the supply voltage. In practice the output transistors are often Darlington Pairs or some similar arrangement, with power MOSFETs featuring here in up-market designs. Class B circuits seem too good to be true in that there is no quiescent bias through the output stage, and this helps to keep down the power consumption under practical operating conditions. It is also advantageous in applications where battery power has to be used.

In practice it is unusual to have zero bias through the output stage due to problems with crossover distortion. With

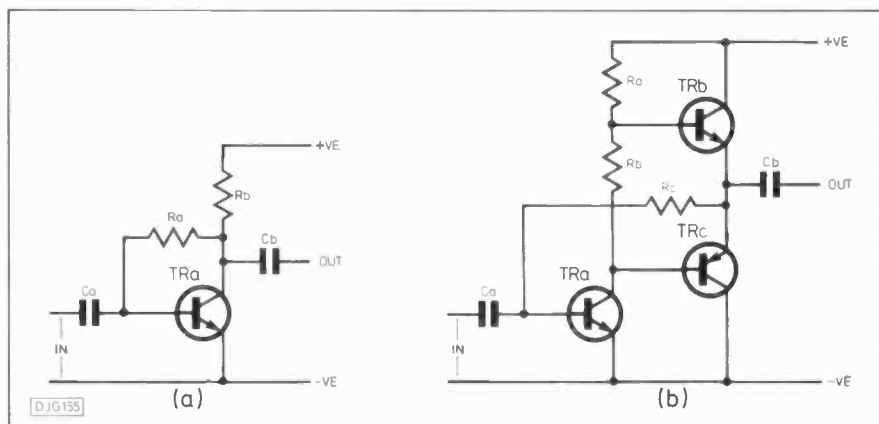


Fig. 1. Class A amplifiers

CLASS CONSCIOUS CIRCUITS

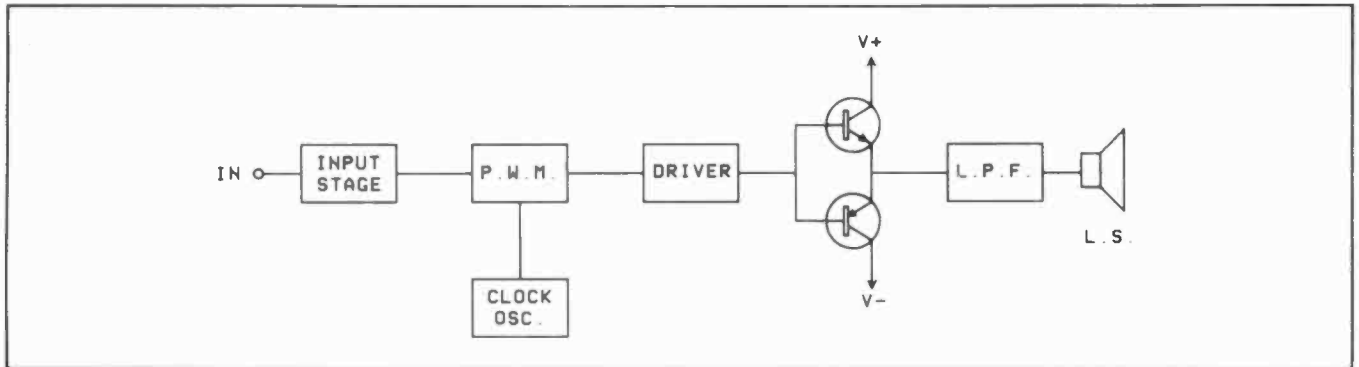


Fig. 2. Class D amp block diagram

the bases of TRb and TRc simply wired straight together and Rb omitted, about 1.3 volts peak to peak would be needed at the collector of TRa before any output signal at all would be produced. This is due to the forward bias of about 0.65 volts or thereabouts needed before a silicon transistor will start to conduct. Rb overcomes this problem by providing a quiescent forward bias of about 1.3 volts. In a real amplifier the output transistors are often biased to the point where a substantial stand-by current flows, and this is done to bypass the early (and far from linear) part of their transfer characteristics. Usually a significant amount of negative feedback has to be used as well in order to get the crossover distortion down to really low levels, and the quiescent bias has to be carefully stabilised in order to prevent thermal runaway and the destruction of the output transistors.

DIGITAL AUDIO

Although many people seem to be under the impression that class C amplification is a form of exotic audio amplification, it is in fact a very simple form of radio frequency amplification. The amplifying device is reverse biased,

which can effectively be achieved with a bipolar transistor amplifier by omitting any bias components at all. This results in the amplifying device only conducting for part of one half cycle, and efficiency figures in excess of 90% can be achieved.

Class D is the original form of improved audio power amplifier, and it was a feature of some Sinclair audio designs of the sixties (I seem to remember a module for use in a class D set up was published in *Practical*

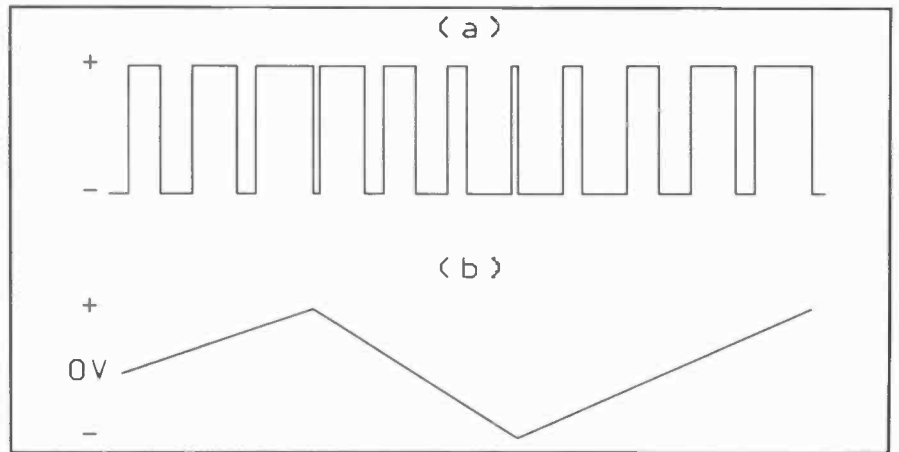


Fig. 3. PCM output (a), produced by input waveform (b)

Unfortunately, the load has to be a tuned circuit so that the "ringing" effect of this resonant circuit fills in the missing part of the output waveform. It is for this reason that class C is only applicable to RF amplification.

Electronics at about that time). In more recent times it has been used in the Sony TA-N88 2 by 160 watt amplifier of the late seventies-early eighties. It is a modified form of class B amplifier which offers increased efficiency and other

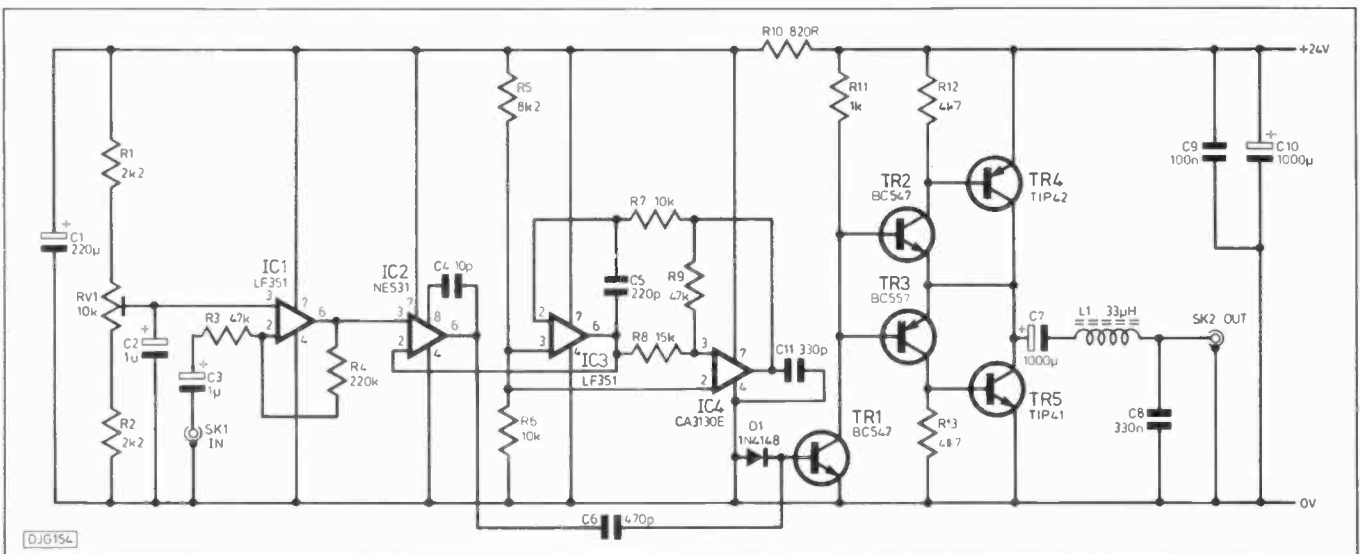


Fig. 4. Typical circuit example of a practical Class D amplifier

advantages, although this system is not without its drawbacks as well. With class B circuits offering in the region of 60 to 70% efficiency there may not seem to be much point in striving for lower losses. The point to keep in mind here is that the wasted power is mostly lost in the form of heat in the output transistors. While improved efficiency may not greatly reduce the size of the power supply needed for a given output power, it does enable smaller power transistors with much smaller heatsinks to be used.

Fig. 2 shows the general make up of a class D amplifier. The perfectly ordinary input stage is followed by a pulse width modulator and clock oscillator, and these are at the heart of the system. The clock has an operating frequency that is typically 100kHz to 200kHz, and the output of the pulse width modulator is a pulse stream at this frequency. The mark-space ratio of the output signal is 1 to 1 under quiescent conditions, but it varies in sympathy with the input signal voltage. The pulse width increases and decreases in proportion to the input signal voltage, so that the average output voltage is identical to the input voltage. Fig. 3 helps to explain this process, and it simply shows a triangular input waveform and the corresponding output waveform.

The signal from the pulse width modulator is fed to a conventional class B driver and output stage, or what is almost a conventional set up. In this case the usual quiescent bias to the output transistors is not needed as they are simply being switched between the fully off and fully on states. Not only does this totally eliminate any problems with crossover distortion, it also prevents any form of non-linearity through the driver and output transistors from adversely affecting performance. Problems with thermal runaway causing the destruction of the output transistors are also totally banished.

Although the output signal may not look very much like the original audio input, when fed to a loudspeaker it would probably give an output of quite respectable fidelity. This occurs due to the very poor ultrasonic performance of an ordinary loudspeaker, which results in it responding to the average output voltage rather than to individual pulses. This is not a satisfactory way of doing things though, since from the electrical point of view we would then have what is effectively a class B amplifier driving the loudspeaker flat-out regardless of the audio input level. Even allowing for the fact that the loudspeaker's impedance would probably be relatively high at the frequencies involved here, this could give a level of efficiency more in keeping with an unimaginative class A design rather than one intended to be super-efficient.

The lowpass filter at the output provides the solution to the problem, and this should ideally provide about 80dB of attenuation at the clock frequency. The main purpose of the filter is to block the clock signal so as to give an output signal that is equal to the average output voltage (the wanted audio output), whilst ensuring that the individual pulses do not drive large currents through the loudspeaker. It also ensures that in a multiway speaker system all the output power is not directed to the tweeters, with the dire consequences that could result from this. Another important role of the filtering is to reduce the radio frequency interference radiated by the loudspeaker leads to an insignificant level.

On the face of it this method has advantages as far as distortion is concerned, but apart from reducing the quiescent bias through the output stage to zero it seems to have little advantage over a class B circuit as far as efficiency is concerned. Things are not quite what they seem though, and the crucial point as far as efficiency is concerned is that the output transistors act as switches. When in the off state one of the output devices passes no significant current, and although it is subjected to virtually the full supply voltage, it consequently dissipates no significant power. There is a similar state of affairs when an output device is switched on, but this time it is subjected to a low voltage but passes a high current. When fully turned on the voltage across the device will be low but significant, and it is this factor that makes the output stage less than 100% efficient. However, in excess of 90% can be achieved which is certainly quite impressive.

DRAWBACKS

With all its advantages it is fair to question why class D circuits have not taken over from the class B variety years ago? Far from a takeover happening, class D designs have remained a rarity and have achieved no real commercial success. The first point that has to be made is that class D circuits are not genuinely distortionless. Linearity in the driver and output stages might not be important, but linearity through the pulse width modulator is. In practice low levels of distortion can be achieved here, but distortion products will not be immeasurably low. Power supply regulation is also crucial to the linearity of the system, since any loading of the supply on signal peaks will reduce the average output voltage, tending to flatten the peaks and cause distortion.

These problems are not severe though, and excellent distortion performance can be achieved. It is probably the switching of the output devices at high speed which has proved to be the fatal flaw. For the circuit to achieve good

performance the output transistors must switch at very high speed, and this combined with the fairly high voltages and low impedances involved results in strong radio interference being generated. To combat this a case which provides good screening is really needed, together with a high slope lowpass filter at the output. Unfortunately, the output filter must obviously be a passive type capable of handling large currents with minimal losses. There is no point in having a 95% efficient output stage and a lowpass filter which wastes most of the output power. This can lead to a situation where a matchbox size 2 by 50 watt amplifier requires a massive and very expensive output filter in order to make it really usable.

Another factor working against Class D is simply that its initial gimmicky image is one that it has never really lived down, and the same is perhaps also true of its early reputation for poor reliability. From my own experience with amplifiers of this type, I would say that the main problem with them is that while they are very straightforward and easy in theory, in practice it can be difficult to better the overall performance of even a quite modest class B design.

D CIRCUIT

Probably many electronics enthusiasts are familiar with the basic principle of class D amplification, but I doubt if many have ever constructed one, or even heard the results from a ready made type. A practical class D amplifier can be very much less complex than one might think, and results from a simple home constructor design are sufficiently good to make it well worthwhile giving it a try. The circuit of Fig. 4 provides a good starting point.

ICI is the input amplifier, and it operates as a simple inverting amplifier having a voltage gain of just under five times. Lowpass filtering could be included in this stage to prevent stray RF pick up from producing heterodyne whistles by reacting with the clock oscillator. No problems of this type experienced with the prototype but a capacitor of a few picofarads in parallel with R4 should rectify matters if any difficulties of this type should be experienced. RV1 enables the quiescent output voltage of the input stage to be adjusted, and this is set to optimise the large signal handling performance of the circuit.

The pulse width modulator is comprised of comparator IC2 and clock oscillator IC3/4. The latter is a conventional square/triangular waveform generator having IC2 as the Miller Integrator and IC3 as the trigger circuit. In this case it is the triangular waveform from the output of IC2 that is required. C11 smoothes out some

irregularities on the squarewave signal which would otherwise cause severe distortion on the peaks of the triangular waveform. It is important to have a good quality clock signal as the distortion level on the audio output signal is directly related to this.

Fig. 5 helps to illustrate the way in which the pulse width modulator functions. In (a) the input signal (represented by the dotted line) is at its quiescent level, which is half way between the signal peaks of the clock oscillator. The output of the comparator goes high when the clock signal is at a higher voltage than the input voltage level, or low when it is not, giving the required 1 to 1 mark space ratio output signal. A higher input voltage results in the clock being higher in voltage than the input signal for a smaller proportion of the time, giving shorter output pulses as in (b). A lower input voltage has the opposite effect with longer output pulses. This gives the desired effect with an average output voltage that is inversely proportional to the audio input level. The inversion through the modulator could be avoided by swapping over the inputs to the comparator, but obviously the inversion is of no real consequence.

The pulse width modulated signal is at a frequency of about 200kHz, and it is coupled by C6 to a virtually conventional class B output stage. It differs from the standard configuration in that no biasing components are needed as the circuit is driven hard into clipping, and as explained previously, the components to provide the usual quiescent bias through the output stage are unnecessary for class D operation. Each half of the complementary output stage consists of two common emitter amplifiers with 100% negative feedback. In theory these provide better efficiency than the Darlington Pair arrangement of Fig. 6, with a lower voltage drop through each output transistor when it is in the on state. In practice the original output stage used in Fig. 4 seems to give greater output voltage swing, but with significant amounts of current mysteriously disappearing into the output transistors. Possibly a lack of switching speed somewhere results in both output transistors becoming briefly switched on simultaneously on each transition, but for whatever reason the alternative output stage of Fig. 6 represents a safer alternative for those who are not determined to squeeze the last milliwatt of output power from the unit.

L1 and C8 are the output lowpass filter, and this gives around 30 to 40dB of attenuation at 200kHz. This is sufficient to protect any tweeters in the loudspeaker system against an excessive power level, but it does not guarantee a low level of RF radiation. Lowering the

cut-off frequency of the filter to improve attenuation of the pulses is not a good idea as it would result in severe attenuation of the higher audio output frequencies. A multistage filter could be used, but it must not provide a low load impedance at the clock frequency. Other alternatives would be to use a tuned circuit of the "wavetrap" type to provide the main filtering, or to raise the clock frequency so that greater clock attenuation is provided by a given lowpass filter. Bear in mind though, that massive clock attenuation does not give a better sound than that obtained with a filter of moderate performance.

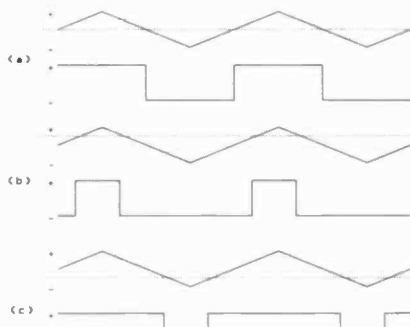


Fig. 5. In each pair of waveforms the upper one is the clock oscillator signal with the dotted line representing the input voltage. The lower waveform is the PWM output.

CONSTRUCTION

Reasonable care needs to be taken with the component layout and wiring of any power amplifier, and class D types are certainly no exception to this. In particular keep the wiring around the driver and output stage short, avoid earth loops, and try to keep the input stage reasonably well isolated from the output stage to avoid stray feedback between the two.

The main constructional problem is the inductor in the output lowpass filter (L1), which must not be an ordinary RF choke. These have a resistance value which is far too high and a current rating which is far too low. An inductor of the type used in loudspeaker crossovers is required. The value of this component is not very high, and it would not be too difficult to wind a suitable component using about 18 swg enamelled copper wire (which is what I managed to do after a little experimentation). The core must be a material suitable for audio use though, or this component could introduce significant amounts of distortion.

**FOR MORE INFORMATION
ABOUT AMPLIFIERS AND
CIRCUIT DESIGN SEE OUR
BOOK SERVICE PAGE 44**

IMPROVEMENTS

An output power of about 8 watts RMS is available into an 8 ohm impedance loudspeaker, or something approaching double this into a 4 ohm type (with C8 increased to 680nF and L1 reduced to 180μH). A much higher output power could be obtained by boosting the supply voltage, but the value of R10 must then be increased to maintain the supply voltage to the low level stages at about 12 volts. With the output transistors mounted on small finned heatsinks they seem to become no more than warm, and the circuit certainly achieves significantly better efficiency than a class B equivalent.

The audio output quality is reasonable, but is certainly below hi-fi standards. The obvious way to improve matters would be to use a more complex clock oscillator offering a more linear signal, and class D circuits can certainly achieve low levels of intrinsic distortion. However, bear in mind that it is quite possible to use negative feedback to obtain reduced distortion, and that the average class B design if used open loop would sound very much worse than this amplifier. An initial test with some feedback gave encouraging results. R4

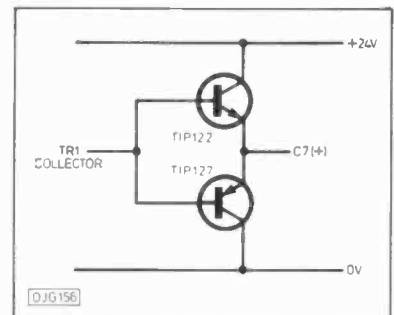


Fig. 6. Darlington Pair

was raised to 1M to boost the open loop gain of the input stage, and then a 330nF capacitor and a 220k resistor in series were used to couple the negative feedback from the loudspeaker to pin 2 of IC1 (but note that the inputs to IC2 must be swapped over in order to give the correct phasing). Apart from reduced distortion another benefit of using overall negative feedback is that it will tend to iron out the small amount of high frequency roll-off introduced by the output filter. Do not be tempted to set the cutoff frequency of the filter too low and then compensate for this with feedback, as the result would be poor power bandwidth performance.

Class D amplification certainly represents an interesting field for the experimenter with its difficult but not insurmountable problems, and it is a worthwhile sphere of operation for the audio circuits enthusiast who has difficulty getting excited about class B designs any more. **PE**

A NOVICE'S APPROACH TO DIY SATELLITE TV

BY ANDREW RANDLE

Build a complete set-up for around £250

Despite its high cost, enthusiasm for home satellite TV reception is growing rapidly especially in the US and Western Europe. Now it is available for anyone with a bit of know how, time and patience, a limited budget and Practical Electronics - Read On!

AS PART of an 'A' level course I have just successfully completed my own satellite TV system for the 11GHz 'cable' band. I have been involved in researching, designing and constructing the system over the last two years or so. I aim to give some helpful tips to the would be constructor from my own experiences. I cannot go into every constructional detail and modification I made to get my system usable as it would take far too long and is beyond the scope of this article. I purely intend this to be a guideline to the potential constructor and to give an idea of what is involved in such a project before it is actually undertaken. All the books and magazine articles which I have read tend to make it sound a relatively straightforward project to take on, indeed at the simplest level it is quite straightforward although there are problems which I came across which I had not previously seen highlighted in the various texts.

Because I have a severely limited budget, I aimed to make the dish and electronics as cheaply as possible. This meant keeping things 'simple' when compared with some of the very sophisticated commercial equipment which is now widely available. A commercial system may cost £1000 or more, I could not afford this so I set myself a limit of £300 material costs. The resulting project actually cost me nearer £250 as I was able to obtain some materials from local sources quite cheaply.

DISH CONSTRUCTION

This was the most time-consuming and physically 'hard work' part of the project. It is very useful to have an obliging helper. I am lucky to have a practically minded father who was as enthusiastic about the project as I and was more than willing to help me with the hard manual work, such as mixing concrete. I decided to build a two metre GRP reflector with an F/D ratio of 0.5, i.e. the focal point occurs one metre above the centre of the dish. On reflection I think a two metre dish is possibly the largest that an 'amateur' can

successfully build by himself using the techniques I am about to describe; for a larger dish different methods would need to be employed in order to maintain accuracy. I cannot stress enough the need for strict accuracy control when creating the paraboloid mould - constant checking and modification is required in order to keep errors to the absolute minimum, ideally within $\pm 0.5\text{mm}$! This type of tolerance is very difficult to achieve and can only be striven for by the hobbyist constructor.

After much deliberation I decided to

satisfactory quarter mould is built four castings can be made and then joined to form a dish. I personally did not opt for this method because of the difficulties in joining the pieces together accurately, also if a mistake is made on the mould then it is moulded four times over. There are merits in using this alternative method such as portability, i.e. if the dish can be broken down into four pieces it could be easily moved in a family car from one site to another if the need arose. In the solid form a trailer is required (or in my case a helpful

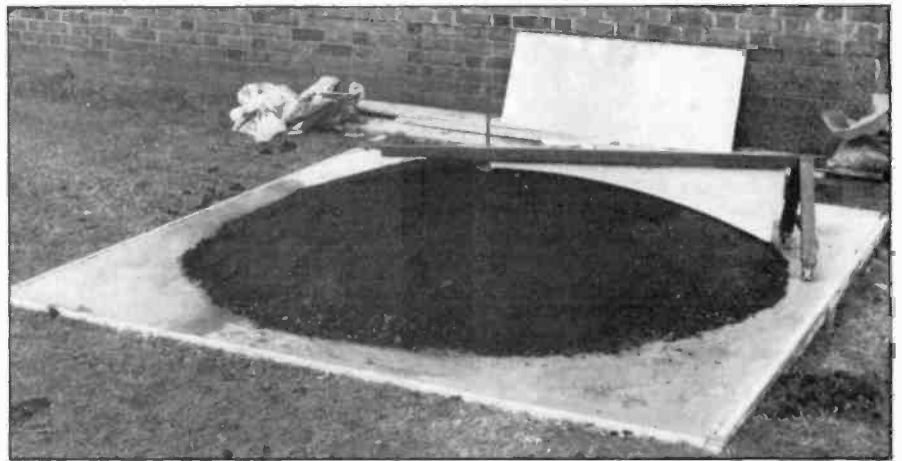


Fig. 1. Rough parabola made from earth, rubble and slag using the profile as a guide.



Fig. 2. A high gloss finish is obtained by coating the mould with 'Shellac' or a similar varnish.

create a paraboloid shape by rotating a shaped profile around a mound. There are other methods such as constructing a wooden 'plug' in quadrant form, once a

teacher's horsebox!).

Also if the only place available for moulding is a small garage then you may have no choice but to use this method. I

should point out that the styrene fumes given off by curing thixotropic resin such as that used in fibreglassing can be dangerous if the workshop is not well ventilated. Because of this fact I actually moulded my dish outside during the summer. This had two advantages in that I had no problems with ventilation and also it was the middle of the summer holidays so there were no children around my school who could become 'interested'. In fact, I built myself a large polythene cover for the mould in order to protect it from the rain. This also allowed me to maintain a reasonably controlled atmosphere during the curing time of the GRP.

THE MOULD

So how did I actually go about constructing the mould? Firstly, a very flat and level floor is required. Since I was working outside I decided to build myself a 'floor' out of concrete. The floor must be as flat as the dish should be accurate. If the wheels of the profile move up and down as it is rotated then errors occur. Ideally I would have used an existing floor which I could check for flatness. As I did not have a suitable site available I built a good base out of a very wet mixture of concrete - this enabled me to ram the mixture into a level surface easily with a plank of wood. Once set the base can be checked with either a spirit level or by throwing water on and seeing if puddles occur or if it drains away. Once I was satisfied with the base I started work on the mould proper.

The next task was to create a very accurate parabola on paper which I could then stick on to a piece of plywood and cut and file down to. With the advantage of hindsight, it may be a better idea to make the profile out of say aluminium as this would be far less prone to wearing away with use. I constructed the parabola using a simple computer program which utilised the formula:

$$X = \frac{Y^2}{4 \times \text{Diameter } x f/D \text{ Ratio}}$$

Of course you do not have to use a computer for this although I used around ninety separate coordinates. It would be tedious to say the least to do this on a pocket calculator! Armed with my printout of coordinates I then plotted each one onto the back of wallpaper. Certain kinds of wallpaper are ideal as they have small indentations in the back to provide a key for the paste. These marks make it very easy to plot the points accurately. I then glued the paper template onto some plywood and carefully cut down to it. The next task is to think about the design of the actual profile device. I used a simple construction using a central axle and two castors. A point which may be overlooked is the fact that the profile needs some adjustment in height to allow for the various

layers of mould. I raised and lowered the castors by drilling several location holes in the 'legs', this gave me three working heights between which I could change. Over the central axle I slipped plastic washers of various thicknesses to correspond to the changes in wheel height. Now I was ready to begin making the parabolic mould.

The bulk of the mould I made from some old slag I found discarded from the school boiler - any rubble, soil or sand is suitable for this part (see fig 1). There is no point in making the whole mould in solid concrete as it would be prone to severe cracking in bad weather. I built up the shape using my profile as a guide. I stopped building about 2cm under the profile to allow for a fairly thin layer of concrete. Again I mixed quite a wet mixture of cement to enable it to be easily used with the profile. Getting the mix right is really a matter of trial and error - too wet and an accurate shape is impossible to obtain, too dry and the profile is difficult to use. I left the concrete mould to dry out for a week before proceeding to the next stage.

The next stage was applying a skin of plaster. I went to several building merchants for advice on the plaster to use. I eventually came up with something known as 'fine casting plaster'. The plaster is quite cheap and very similar to plaster of Paris. I raised my profile about 0.5cm before applying the plaster. This allowed me to fill in any inaccuracies of the concrete and gave me a workable layer to sand down later. The plaster is a very strange substance to use as it 'goes off' and becomes unworkable in around ten minutes. With this in mind a very wet mix was made. This means that the work area becomes very messy with plaster flying around everywhere - old clothes are a must!

After a bit of practice an extremely smooth surface can be obtained straight from the rotating profile, this means that a minimum amount of sanding is required later. You must work very fast and get a good finish first time around as it is very difficult to remove once set should things go wrong. A word of warning here - at this stage I had not built myself any protection from the weather. I applied the plaster and left it overnight to set, unfortunately it rained heavily and in the morning hundreds of tiny pits had occurred in the surface. I had to remove the plaster and try again, this is how I know that it is very difficult to remove! The plastering process is possibly the most important part of the mould construction and also one of the quickest. In a warm dry atmosphere the plaster should be completely hard after a day.

Once satisfied with the 'raw' plastered mould I began lightly sanding the shape by hand. The use of electric sanders is forbidden here as large flat areas are likely to be made. A fine grade of glass-

paper wrapped around a rubber pad is the best way I found of getting a remarkably smooth surface. Whilst sanding you must keep checking the accuracy of the mould with the profile to make sure too much has not been taken off. After smoothing down, the mould should be sealed with some kind of varnish. I used three coats of shellac which gave the mould an almost 'wooden' appearance, it also gave a really high gloss finish which is essential if a clean release is to be made (see fig 2).

This glossy surface was polished further with the application of lots of beeswax mould releasing compound. Just to make sure I also applied some 'PVAL' which is again a releasing agent. With the mould completed, all that was left now was to 'lay the dish up'. I had heard of several systems of mould construction which are similar to this but use sand as the sole mould material. The sand is apparently sprayed with resin to form a solid surface. I think my method, which perhaps takes more time and effort, is probably more reliable than this. It is essential to end up with a very solid mould to work on. I fear that a sand mould sprayed with resin may well not be strong enough to use rollers on when 'laying up'.

'LAYING UP'

Before I took this project on I knew nothing about fibreglassing techniques. I owe all my knowledge to a local boat builder I contacted who was more than happy to lend me his expertise. There is more involved in GRP work than you may expect so I was glad of his help. To start with you must ensure good ventilation. As I have already said the fumes can be dangerous so beware. It is a good idea to have all your tools, resins, etc. close at hand in case you need to do any alterations quickly. Again resin is a material which becomes unworkable quite fast if it is in the right conditions. It is again a matter of trial and error for the 'novice' to decide how much catalyst is required to a certain amount of resin. If too much is used then resin can be wasted. This should be avoided as it is quite expensive. If not enough catalyst is added then the curing process will take a long time to complete. Also you must ensure that the catalyst is thoroughly mixed with the resin otherwise certain areas may not 'go off'.

Before 'laying up' begins it is essential to tailor the chopped strand mat. This simply means cutting out the fibreglass you are going to use so it can be swiftly positioned once laying up begins. For my dish I applied a heavy 'gel coat' and gave the whole mould a basic three laminates of chopped strand mat. These were layed at right angles to each other to maintain maximum strength. Fibreglass is a very versatile medium to use because everything does not have to be completed in one go. Fibreglass parts can be easily

DIY SATELLITE PROJECT

added to cured GRP as required – this means that any inserts or strengthening can be added on different days. On the back of my three laminates I secured eight cardboard ribs. The ribs were made by cutting strips of corrugated card and folding them into a triangular section. These were held together by masking tape.

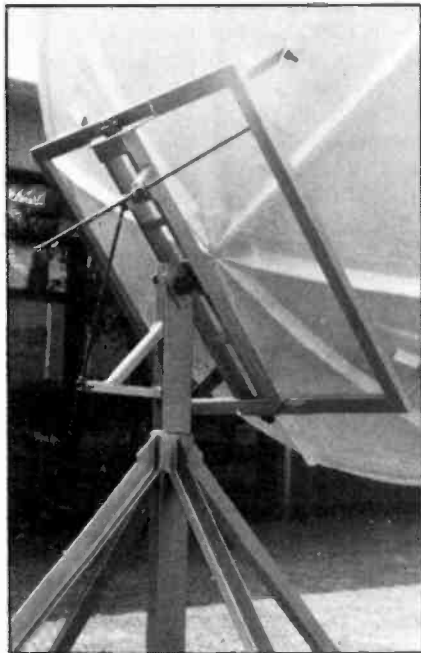


Fig. 3. The use of a box section square to provide rigidity to the dish. Note the eight GRP ribs for the same purpose.

Once the basic laminates have cured, the ribs can be held in place on the mould with more tape. It is then a matter of laying GRP strips over the ribs to hold them down and provide the strengthening required. I used eight ribs radially and one ring strengthener around the edge of the dish, this ring was made by laying in a rope. Again retrospectively it may have been better to just use several ring strengtheners as this would have perhaps made the dish more rigid with less weight. The whole point of the strengtheners is to stop the dish moving in the wind. A dish of this size has quite severe wind loading – if the dish moves by a centimetre in the wind then the picture will be lost. Now is the time to make provision for joining the dish to its mount. The way I did this was as follows. I cut out four large metal plates and bent them to approximately the shape of the back of the dish. Prior to this I had drilled lots of large holes in them to allow the resin to impregnate through. To these large plates I welded pieces of angle iron, these were to be the actual linkage points. The design I opted for is such that on the back of the reflector is a large square of box section (see fig 3). This is to provide more rigidity to the GRP. If your system is to have a similar part then the metal plates should be glassed in whilst joined to it. This 'in situ' method ensures that the dish anchorage points

are in exactly the right position. Also the reflector does not distort at all if it is not properly cured.

Lifting the dish from the mould is perhaps one of the most satisfying parts of the project – that is providing it comes off cleanly! Releasing the dish again requires the help of more than one person. You start by making about 20 softwood wedges which are driven between the GRP and the mould. As you work your way around the dish several cracking noises may be heard. Do not worry unduly as this is quite normal. When you have forced in about $\frac{3}{4}$ of the wedges the whole structure should suddenly pop up off the mould. I found that a lot of the plaster had been ripped off with the dish. This is not a problem in one-off production as the mould probably will not be used again. I also found that the shellac had some kind of reaction with the fibreglass resulting in it being stained a pinkish colour, which I removed by wet and dry papering – this also revealed an excellent surface finish. The more work you originally put into the mould the better the dish will turn out.

GRP cures quite quickly, overnight in fact. I left my dish for a week however before I lifted it to ensure that it was



Fig. 4. The scalar feedhorn for the 11 Ghz band.

properly cured. Once the dish has been cleaned up it is possible to carry out a few preliminary tests to make sure the shape is working. I did this by getting a friend to stand a distance away and speak whilst I held my head at the focus. Interesting effects are heard if things are working properly. By the way if you try this outside, beware of any aircraft that may be around. You could impair your hearing if you happen to be at the focus of the dish whilst a low flying aircraft

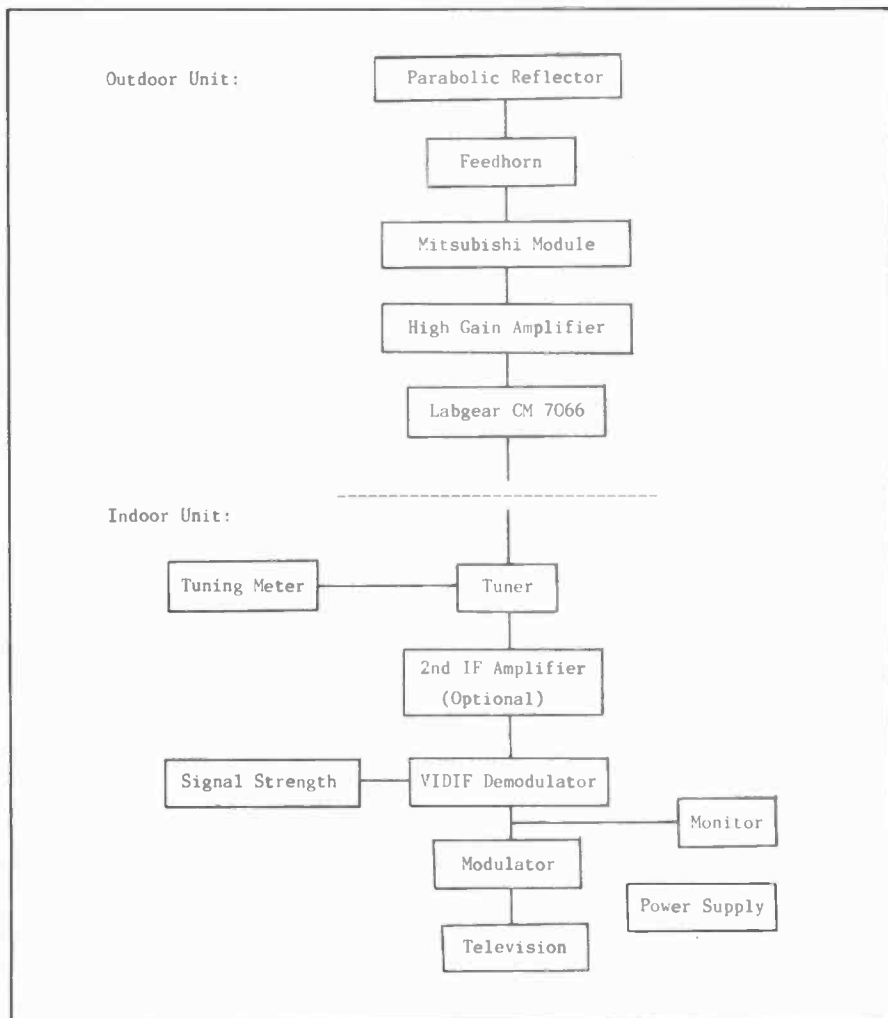


Fig. 5. Block diagram of the complete system.

DIY SATELLITE PROJECT

passes over! If the dish is not working at this stage then it should be checked using a male version of the profile. If it has opened out or closed up during curing then it may need adjusting by attaching wires across the front or back of the dish. Hopefully you will not need to do this if you have been careful during the other stages. Once you have built the reflector you must start thinking about the mounting arrangement.

THE MOUNT

I decided to use a Polar mount as it is easy to use once set up. Other mounts such as Az-EI and fixed mounts may be easier to build, though, if you do not feel competent enough in metal work or you lack the facilities required. Actual design of the mount is a matter of personal choice. As long as the mount is sturdy enough to keep the dish still in the weather and it has provision for some kind of fine adjustment, then you should be OK. I constructed my mount out of very heavy pieces of scrap metal. Ideally the mount should be made from extruded sections of aluminium which would make the whole thing far easier to move around. I did not intend to move my dish once it was set up so I was not too worried about this. Some kind of calibration on the mount should be included so the elevation can be accurately set when lining up the dish. There are various novel ways of doing this. I simply drew a vertical line on the main stem of my dish and used a protractor to read off the elevation angle directly. This idea worked well after a bit of practice. An azimuth scale would be an advantage also although I do not think it is as important. If you can be sure of the elevation then it is just a matter of swinging the dish across the geostationary arc until a signal is located. Once positioned a mark can be made for future reference.

REFLECTIVITY

GRP is not reflective to 11GHz radio waves so a suitable coating must be applied to the dish's front surface. I spent a great deal of time researching this particular aspect of the project. All the magazine articles I read on the subject said to use kitchen foil bonded on with resin. This would work fine if you can do it! I tried sticking on foil but found the finish was very rippled and not really good enough. Also there was a problem finding a suitable adhesive which would stand up to the weather. With these problems in mind I set about testing various surfaces for microwave reflectivity.

I was lucky enough to be able to borrow a small microwave source from my Physics department. The microwave source literally enabled me to bounce microwaves off the surface to be tested and measure the relative strength. The surfaces I tested included aluminium

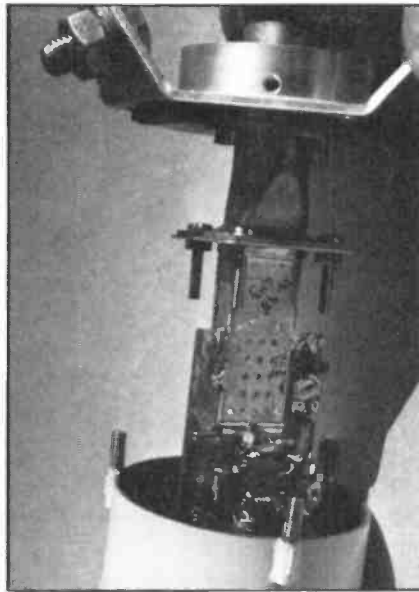


Fig. 6. The low noise converter. The waveguide is screwed straight onto the Mitsubishi module and the high gain amplifier is soldered to this.

paint, metallic 'flake' paint, bronze dust, graphite and nickel, among others. I found that the nickel worked just as well as kitchen foil. The nickel I used came in an aerosol form which I could simply spray the surface of the dish with. This provided both good reflectivity and an excellent surface finish. The nickel I used was of the type used for RF shielding purposes. It is available from RS Components for around £12 per can. I used two cans so it worked out quite economically when compared with the metal sprays and wire gauze used by the 'experts'. The microwave equipment I borrowed was also very useful to check the geometry of the dish. By mounting the receiver at the focal point and 'firing' microwaves at the dish from a large

distance away I was able to confirm that my parabola was working as an amplifier.

ELECTRONICS

This is potentially the most expensive part of the system. My aim was to build a larger than necessary dish to account for losses due to non 'state of the art' electronics. The trend nowadays is to make smaller and smaller dishes. The reduced amplification with a small dish is compensated for by very sophisticated electronics costing hundreds of pounds, way out of my reach! I am not trying to say that the electronic system I used is the best available, it is simply enough to get you going on a tight budget. It is possible to achieve worthwhile results using this system but with more money the picture quality could be significantly improved. I am about to describe the bare bones of a system.

LOW NOISE CONVERTER

This is usually the part that costs a lot of money. In most systems the head unit consists of the feedhorn, converter and LNA (Low Noise Amplifier). Out of these it is the LNA which is the most difficult to construct and the most expensive. Normally they employ GaAs FETS which are still expensive to buy off the shelf. Because of this fact I decided not to use an LNA at all but to just rely on my large dish, feedhorn, converter and a simple amplifier. The feedhorn I used was of the concentric ring type that is quite common now. These can be made easily providing you have access to machinery to turn such a device. Alternatively, a feedhorn can be made from PCB material and copper strip.

I was again pushed for time so I decided to buy one ready-made. I purchased one from Harrison Electronics for around £45 which is reasonable. The feedhorn they supplied me with consisted of the actual concentric rings made from a piece of turned aluminium mounted on a back plate. It has a waveguide pipe and flange with a straight forward circular to rectangular transition (see fig 4). The feedhorn is intended to be used with dishes supplied by them so a slight amount of modification was required to enable me to fix the device onto my tripod. It is essential that the tripod is adjustable to allow the feedhorn and LNC unit to be mounted anywhere on the dish, just in case the focus does not appear where it should do! Also peaking of the focus is certain to be required when the dish is initially set up. I achieved adjustment by making three 'polycarbonate' mounting brackets which were screwed onto the edge of the dish. With the use of 'U' bolts and a curve on the mounting bracket I was able to make a very adjustable tripod. This is a point which is often overlooked and can be quite difficult to solve.

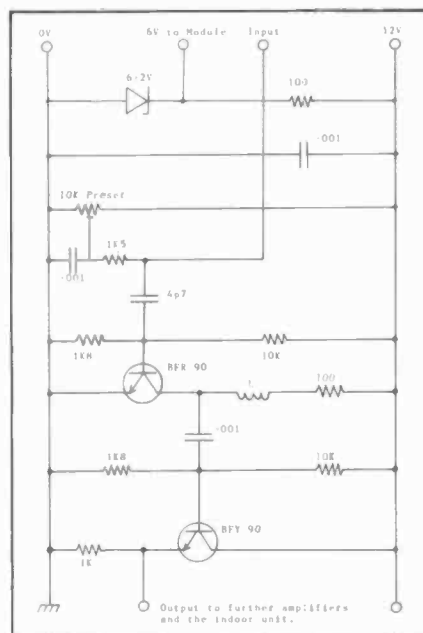


Fig. 7. Circuit diagram of the high gain UHF amplifier used in the head unit.

DIY SATELLITE PROJECT

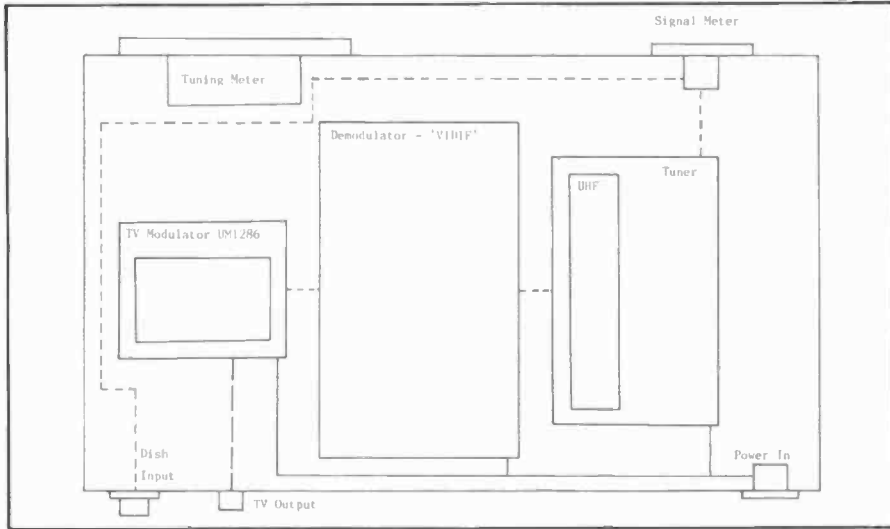
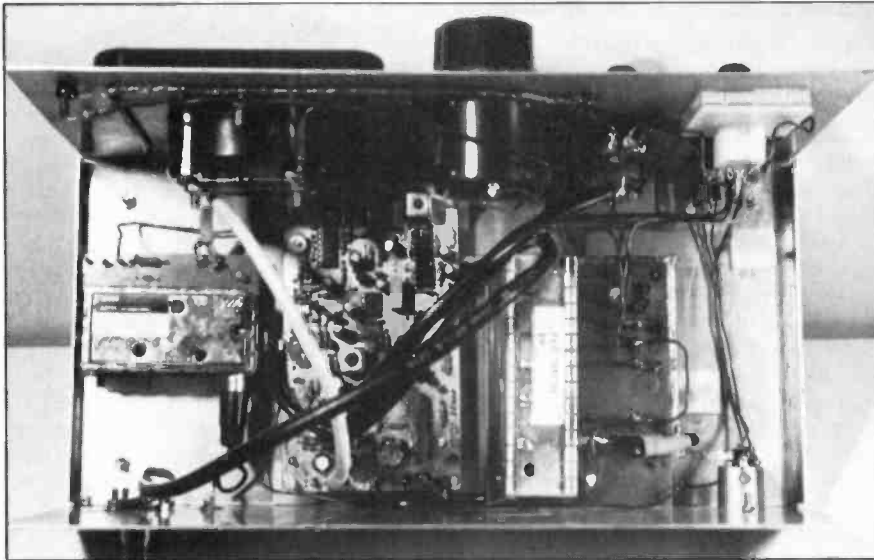


Fig. 8. Internal layout of the indoor unit.



Screwed onto the flange of the feedhorn's waveguide was the converter module. The module I used was the famous Mitsubishi Fo-Up 11kf. These were designed as microwave detectors but double up as an LNC at a reasonable price. I purchased mine for £30 last year from Aspen Electronics (although the price may have altered now). The unit does require some modifications to enable it to function correctly but is basically ready to go. Be careful to earth yourself when handling the device as static can play havoc with it given the chance! Mounted straight after the modules output pin is a high gain amplifier. This is relatively straightforward to build as long as UHF construction techniques are observed, double sided PC board, short track lengths, etc. I actually soldered the amplifier onto the back of the Mitsubishi module (see fig 6). This made a compact unit which was easy to get at should the need for operational modifications arise. I have included the circuit diagram of the amplifier (fig 7).

I had some difficulty in obtaining the transistors used in the circuit but I event-

ually found them at Norwich Electronic Components. I mounted the module and amplifier in a copper tube to avoid local signal breakthrough. In order to make the housing completely waterproof I made a rubber washer to seal the joint between the feedhorn and tube. This also reduces any electrolytic effects between the two metals. The coax I used to couple the outdoor unit to the indoor unit was extremely low loss and in fact was old transmitting cable. Choice of cable is very important as losses at these

frequencies can be very high. Consequently cable runs should be kept to as short a length as possible. The output of the converter is in the region of 500-800MHz depending on the signal being received. This means that normal TV UHF amplifiers can be used from now on. I used a Labgear CM7066 in my coax downlead to provide extra amplification. Several of these amplifiers could be used if need be. The power for the whole system comes from a 12V power supply which I will describe later.

INDOOR UNIT

Again I have tried to keep the indoor electronics fairly simple. The whole system is based on the 'VIDIF' board supplied by Wood and Douglas. The VIDIF is a wideband FM demodulator which is primarily intended for amateur radio applications such as slow scan television. The board is available either ready built for around £60 or in kit form for £40. The kit is quite simple to construct and set up, providing access to basic test gear is available. The VIDIF gives sound provision with a standard 6MHz spacing. This needs altering for satellite use as many different sound IFs exist. Perhaps the best way to do this is to build yourself a little variable oscillator. It should have a range of 0.4MHz to 1.5MHz, this should be mixed in with the sound input signal to produce a difference frequency of 6MHz from 6.4MHz to 7.5MHz. This is a technique commonly used in Europe where several sound IFs are in operation. The oscillator should be tunable from the front panel of the indoor unit as this makes for simple adjustments for the various channels.

Preceding the demodulator board is the UHF tuner, which can be of any type. The output from the dish I fed straight into the tuner's input pin. You may find that an extra amplifier between the demodulator and the tuner helps. I however found it made little difference. The tuner requires a 30V supply to operate the 'varicap' system, this is provided by a diode tripler in the 12V power supply.

That basically is the complete system. In fact I added a UM1286 modulator after the 'VIDIF' so I could connect up

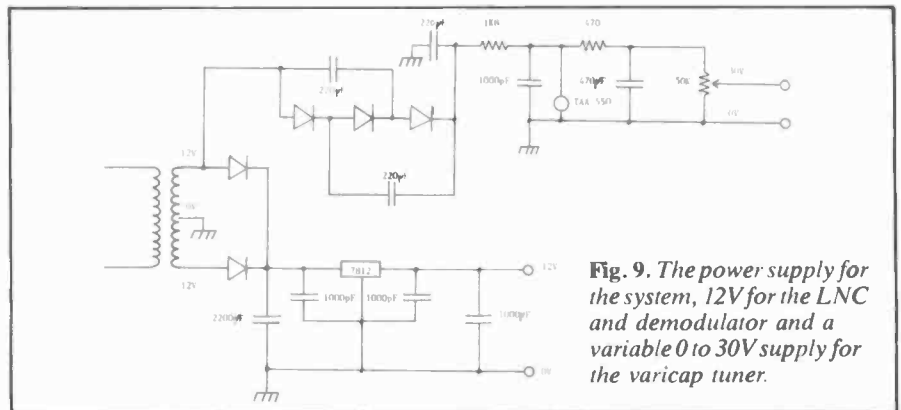


Fig. 9. The power supply for the system, 12V for the LNC and demodulator and a variable 0 to 30V supply for the varicap tuner.

DIY SATELLITE PROJECT

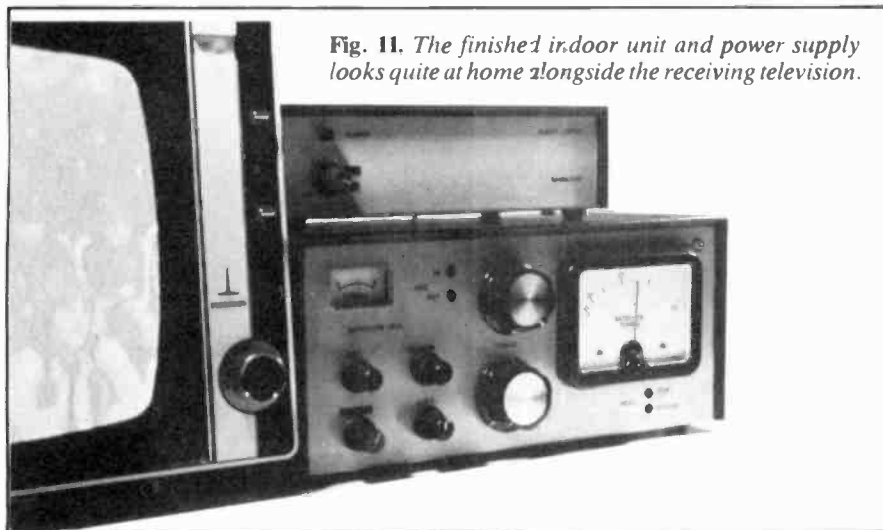


Fig. 11. The finished indoor unit and power supply looks quite at home alongside the receiving television.

to a TV or monitor. Taking the output straight from the VIDIF into a monitor may be easier to begin with. If you are to use a modulator which tunes to channel E36 then beware that the signal you are trying to receive does not belong there as well or problems may arise.

It is a good idea to screen each individual part of the indoor unit. Local signal breakthrough can be a problem if precautions are not taken. You may spend hours trying to tune into some strange cultural programme on 'The Arc Channel' only to realise that you are actually watching channel 4! Some of these seemingly obvious points are often overlooked in articles written for beginners so I think they are worth stating. It is also a good idea to have a prominent OV rail running through the indoor unit which should be set up in such a way as to avoid feedback loops. If the individual parts of the system are wired together haphazardly then potential problems of feedback may go unnoticed. I wired in a Ov 'loom' made from coax braiding flattened and tinned with solder. This made consequential wiring up simple and easy to follow.

The power supply for the system produces 12V for the LNC and demodulator and has a 30V output for the varicap tuner. The circuit (see fig 9) is quite simple and of standard design except maybe for the trebling achieved by the diodes. This is quite clever in operation. The 220 micro Farad capacitors 'stack' the voltages on top of each other producing quite high values, somewhere around 50V after the third diode so make sure the capacitors used are of an appropriate rating. The transformer itself should be of 500mA and upwards. I used a 1.5A model just to keep everything running without building up too much heat. The TAA 550 and the 7812 regulator can become quite warm in operation so watch out if you are poking around inside!

The 12V for the LNC can be fed down the coax line along with the signal and using capacitors and inductors to separate

the components out at either end, or a separate power lead can be used. I used a 12V line going out to the dish, the OV return line being provided by the coax outer.

The whole point of me building this system was to enable me to receive the cable channels currently being broadcast

ACKNOWLEDGEMENTS

I would be lying to say that I completed this project entirely by myself and received no external guidance. I was continually surprised at how willing large companies and individuals were to help me. For detailed information on the various aspects of such a project a polite letter to an appropriate company can pay dividends. There have been many people who have helped and encouraged me over the past two years. I would like to thank all of them. I would particularly like to thank Ray Curtis, Alan Wright, Tony Benson, John Randle and Oliver Matthews for all the practical help and advice they have given me, also Paul Wright of Paul Wright Mouldings Ltd who gave up his own time to help me mould the dish. I must also thank my school's Physics department, RC Snelling TV Ltd and the Marconi group of companies which have all been most helpful. **PE**

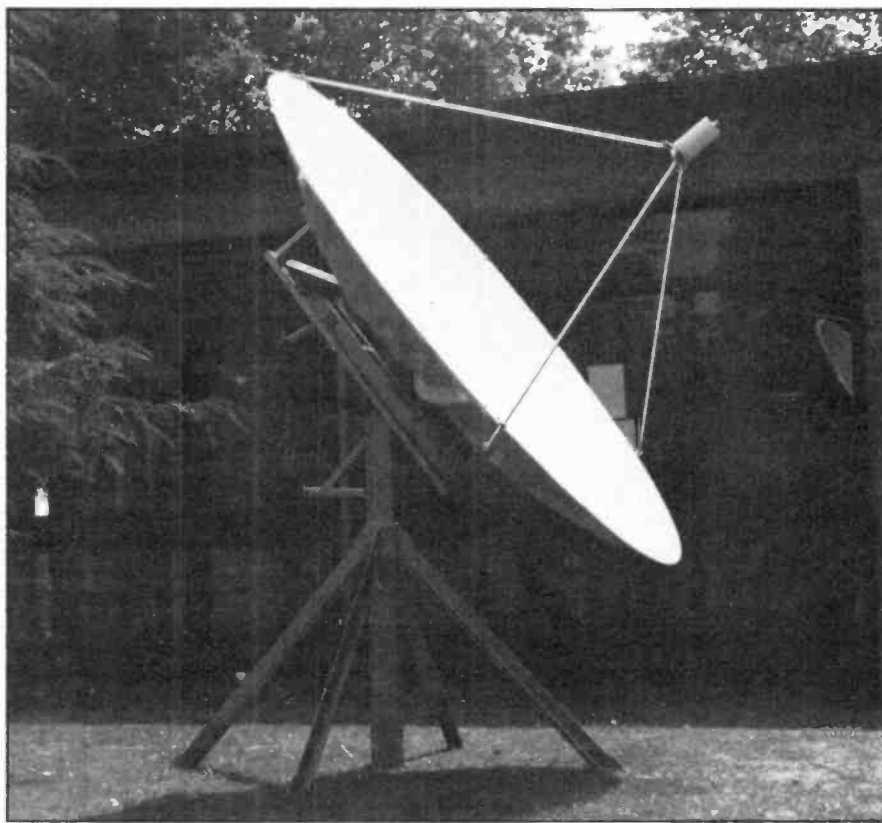


Fig. 10. The completed outdoor unit.

by the Intelsat and Eutelsat satellites. There is no point in listing all the channels here as they are frequently changing and there are lists available in various magazines. Finding the satellite is a lengthy process if you have not got any specialised equipment. I found the best way was to tune through the frequencies whilst an assistant swung the dish through what you think is the geostationary arc. With small adjustments in

elevation, the satellite should eventually be found.

Using this system you should be able to receive reasonable but noisy pictures from several different channels. There is no doubt that the addition of an LNA would make the quality of reception far better, certainly as good as terrestrial broadcasts. If you are like me and cannot afford such luxuries then you will have to make do! **PE**

WIRELESS BABY ALARM

BY R.E. HEAD

Mind at rest when baby at rest!

A through-the-mains audio transmitter and receiver gives a neat solution to messy intercom wiring. Simply plug it in and listen in any room in the house!

MOST Baby Alarm systems are hard-wired, and involve running long lengths of thin, rather vulnerable, cable around the rooms, up the stairs etc. Apart from the inherent disturbance and untidiness this leads to, there is little flexibility if it is necessary to move either transmitter or receiver around the house.

The units described in this article were designed to get around these problems by using the household mains wiring. This allows either transmitter or receiver to be located in any room, and easily moved at will. The units can even be used whilst gardening, plugging the receiver unit into a three-core mains extension lead.

Referring to the block diagram, the transmitter unit comprises a frequency modulated oscillator running at approximately 360 kHz., at which the home power wiring presents a fairly high impedance. The modulating signal is provided by a capacitor microphone coupled with an integrated circuit which both amplifies the microphone signal and compresses it. This makes the system sensitive to both whimpers and cries!

The receiver unit has a limiting amplifier tuned to the incoming signal at 360 kHz picked up from the mains wiring. This drives both a signal present detector (to light an l.e.d), and a phase-lock-loop Fm demodulator. The output

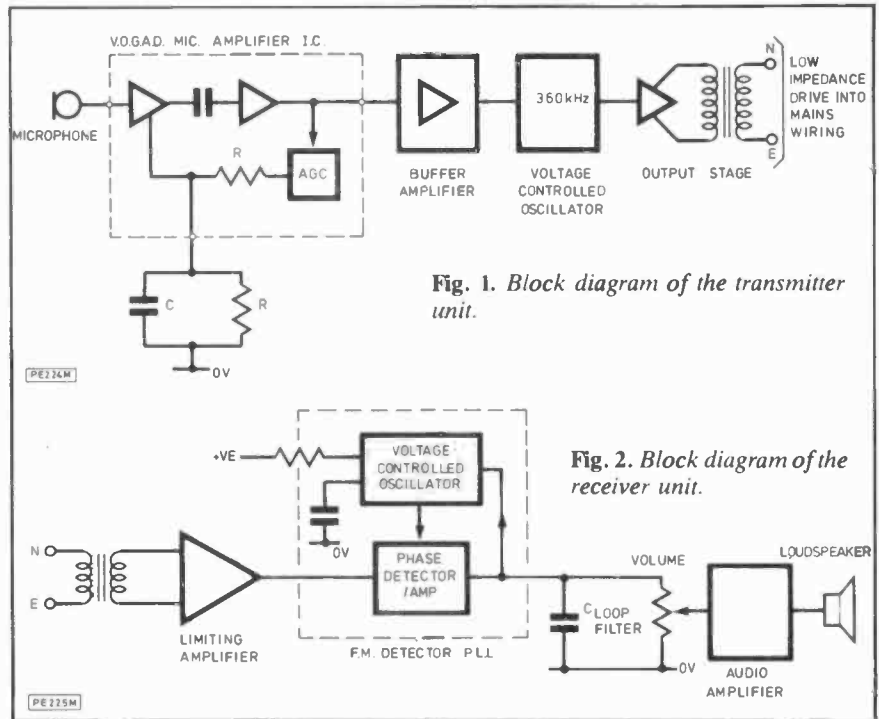


Fig. 1. Block diagram of the transmitter unit.

Fig. 2. Block diagram of the receiver unit.

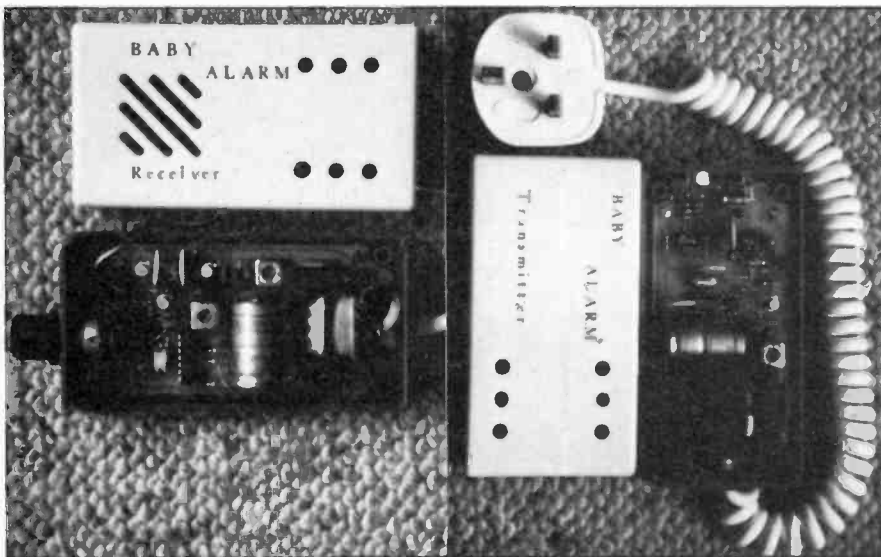
from the demodulator is passed via a filter and volume control to an integrated circuit audio amplifier and hence to a small loudspeaker. My prototypes of these units fitted into small "Veroboxes".

TRANSMITTER CIRCUITRY

The capacitor microphone, powered by R2, is connected to the microphone amplifier, IC2, an Electromail Voice Operated Gain Adjust Device (VOGAD) integrated circuit. This device offers some 40dB of gain at maximum sensitivity, reducing to 20dB with high level input signals. It is similar to that found in some domestic cassette recorders offering automatic record level control. The attack/decay characteristic of this AGC circuit is controlled by R1/C3 and is really rather subjective. I have set the attack time to 8mS, and the decay time to 0.5S. The attack time is $A = 0.4mS \times C3 (0.4 \times 22 = 8.8mS)$. The decay time is determined by R1, C3, the discharge time of the capacitor.

The output of IC2 is buffered and amplified by IC3, an operational amplifier. The gain of this stage is set to approximately 6.

The frequency modulated oscillator is a 74 series TTL voltage controlled oscillator integrated circuit. This has its



WIRELESS BABY ALARM

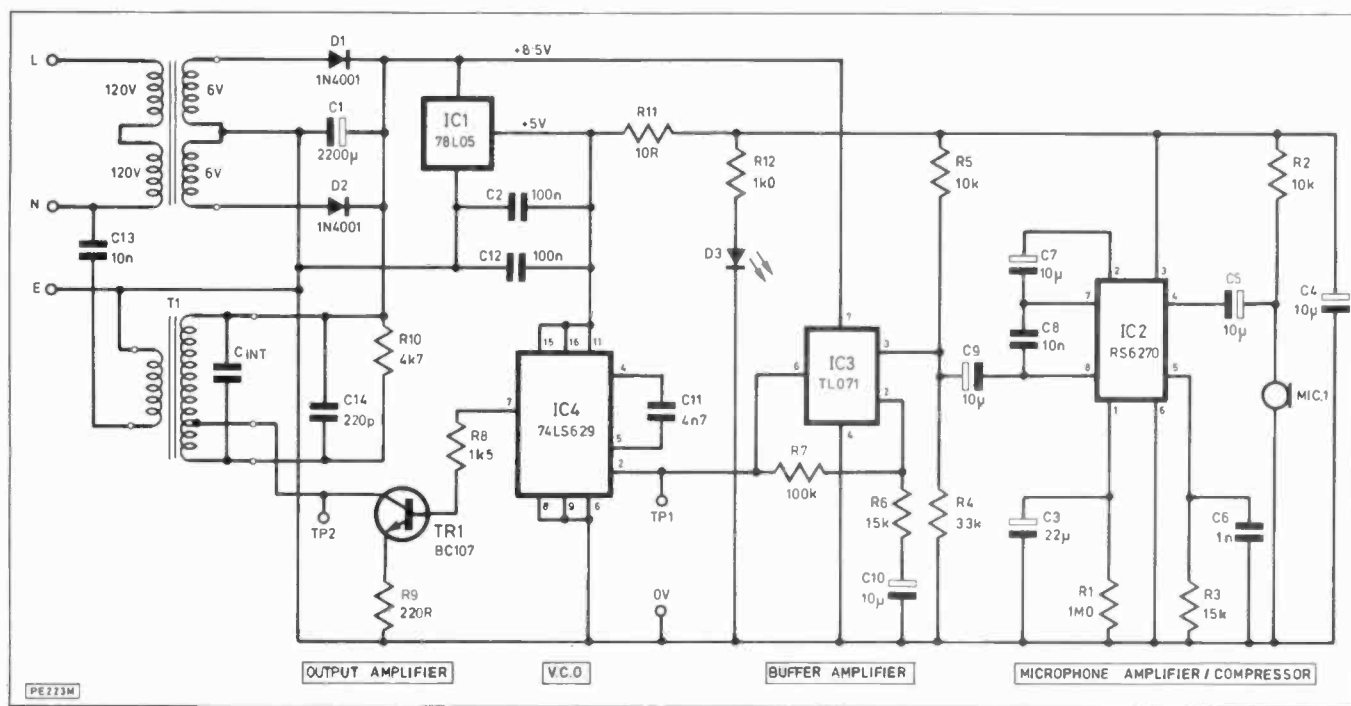


Fig. 3. Transmitter circuit diagram.

frequency determined simply by C11, and is set to a centre frequency of 360kHz. The modulating voltage varies the oscillator frequency by $\pm 10\%$ maximum deviation under normal use.

The output of this oscillator is buffered by TR1, with a tuned transformer output stage. The coil/capacitor parallel tuned circuit is damped by R10 to cover the 72kHz range of the oscillator. This has the effect of reducing the Q very considerably, but making the output stage extremely easy to tune.

The secondary of this transformer is coupled into the mains via C13 and drives between neutral and earth. The neutral and earth of the mains are linked at the local sub station, but since that is a distance away adequate signal is available throughout the house. The transformer specified (see parts list) is a standard IF transformer with integral tuning capacitor normally resonant around 450kHz. In this design C16 lowers this frequency to 360kHz.

RECEIVER CIRCUIT

The receiver detects the incoming signal between neutral and earth using the same type of coil as the transmitter uses. This is damped to cover the required range and amplified by TR1 driving a second tuned circuit. The secondary winding on this drives the phase-lock-loop integrated circuit, an NE565, arranged as an FM detector.

The oscillator frequency is set by R14, C10, ($F_o = 1.2/4 \times R14 \times C10$), to be approximately 360kHz. The phase detector output is filtered by C16, R13 and C18 and coupled by the volume control to the LM380 audio amplifier driving an 8ohm loudspeaker. TR1's collector when receiving the FM signal

has several volts at 360kHz on it. This is rectified by D1 and smoothed by C9. The resultant positive voltage biases on TR3 and illuminates the signal present lamp. When no signal is present, TR2 is biased on by R11, R12 which has the effect of muting the audio signal, and avoiding the unpleasant hissing noise of the phase-lock-loop IC trying to lock onto no signal.

These units were designed onto printed boards to fit into small plastic veroboxes - see parts list. If a different type is selected, bear in mind that mains is on the printed board and that the box

should be fairly rigid. The units can be produced on stripboard, but the finished units will be rather larger. Also, the IF transformers specified will not readily fit onto 0.1 inch pierced board.

TRANSMITTER CONSTRUCTION & TESTING

Assemble all the components except R10 onto the printed board. The tags on the mains transformer should be inserted with care, as it is possible to break the primary winding connections from the

COMPONENTS . . .

TRANSMITTER

RESISTORS

R1	1M
R2, R5	10K (2 off)
R3, R6	15K (2 off)
R4	33K
R7	100K
R8	1K5
R9	220
R10	4K7
R11	10R

CAPACITORS

C1	2200 μ 10v. electrolytic
C2, C12	100n disc ceramic 30v. (2 off)
C3	22 μ 6v. tantalum
C4, C5, C7, C9, C10	(5 off) 10 μ 6v. tantalum
C6	1n polystyrene
C8	10n disc ceramic 30v.
C11	4n7 polystyrene (2% type)
C13	10n disc ceramic 1kv.
C14	220p polystyrene (2% type)

SEMICONDUCTORS

IC1	LM 78L05 Voltage regulator
IC2	SN 74LS629 Dual VCA
IC3	TL 071 Operational Amplifier
IC4	RS 6270 VOGAD Circuit
TR1	BC107 or BC108
D1, D2	IN4001 1 amp rectifier diode (2 off)
i.e.d 1/4 inch	

MISCELLANEOUS

IF transformer Cirkit Holdings YRCS 11098; transformer, RS 207-829, pcb type 6v. 3VA.
MIC1, microphone, miniature electret type, two wire;
Printed Board PE order code PE125, box 120x65x40mm, grommet, mains Lead etc.

WIRELESS BABY ALARM

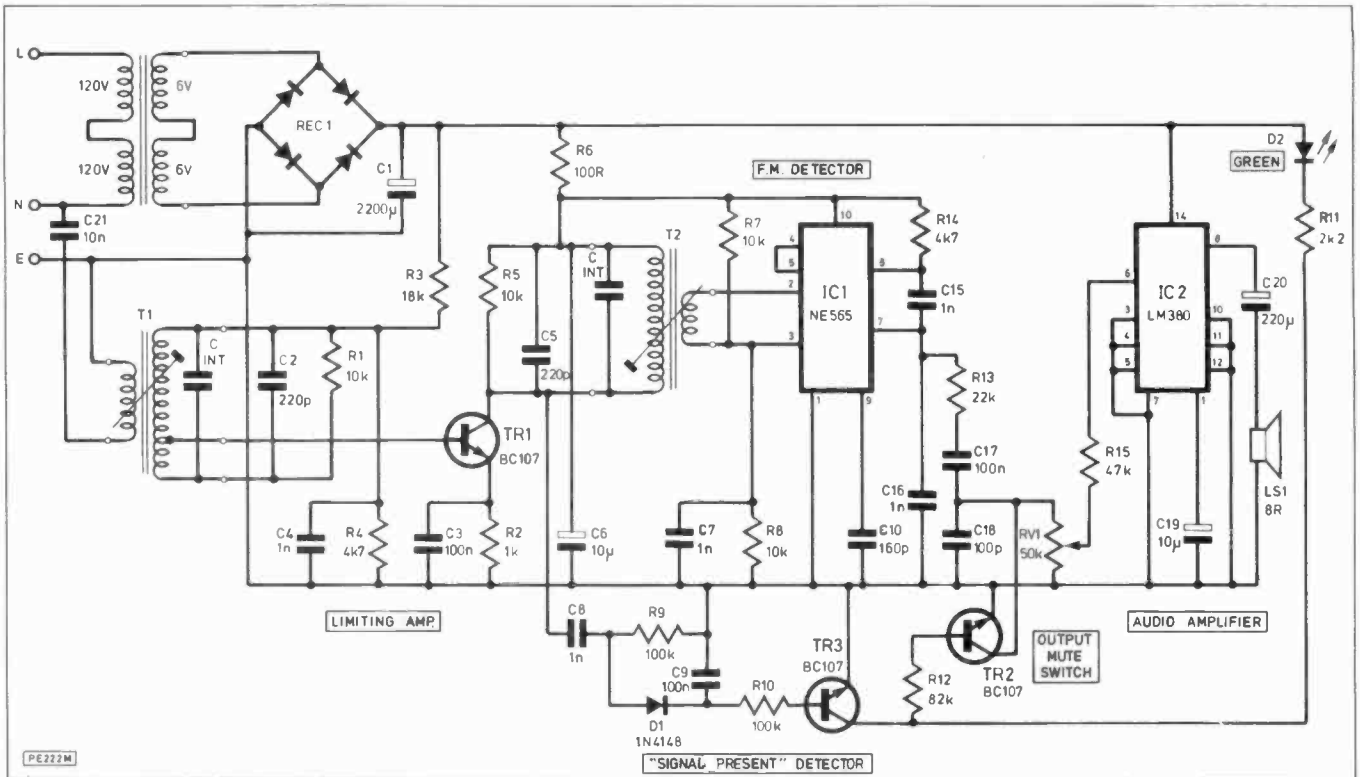


Fig. 3. Receiver Circuit Diagram.

tags if forced. Open out the holes on the board if necessary. Additionally, the case tabs on the IF transformer require slotted holes. This transformer has an orange core. Wire a three core 3-5 amp mains lead of the desired length to the printed board. Whilst testing the unit, it is worthwhile fixing a short length of insulating tape to the copper side of the board over the mains transformer connections. This prevents accidents! For safety's sake, when the board is ready for testing, fit it into the box base before applying power. To hold the board, use four off 6 x 1/4 inch screws. The base needs holes drilled for the mains lead at one end, using a grommet and a cable clip of some sort. At the other end of the box drill two holes, one a press fit

for the microphone, the other for the l.e.d.

When ready, apply power to the unit. The l.e.d. should glow dimly. With a voltmeter, check the volts across C1, which should be in the order of 8-9 volts. Then check the voltage across C2 which should be 5 volts.

Test voltage between oV tag and TP1, this should be 3-8 volts, and if an oscilloscope is available the amplified signal from the microphone should be observed (approximately 600mVp/p). If an oscilloscope is not available, fit R10, and carefully adjust the IF transformer core to the top, then screw in half a turn. If an oscilloscope is available, connect probe to TP2, and adjust the core of the transformer for maximum signal

amplitude. Then fit R10.

The lid can now be fitted to the box. If it is envisaged to use the units for long periods of time (i.e. more than 5-6 hours) drill several small holes in the lid of the box to ventilate the mains transformer – see photographs.

RECEIVER CONSTRUCTION & TESTING

Assemble all the components onto the printed board, with the exceptions of R1, R5 and TR2. As I have noted in the details on transmitter construction, observe caution when fitting the transformers on the board, also please fit the board into the box base before applying

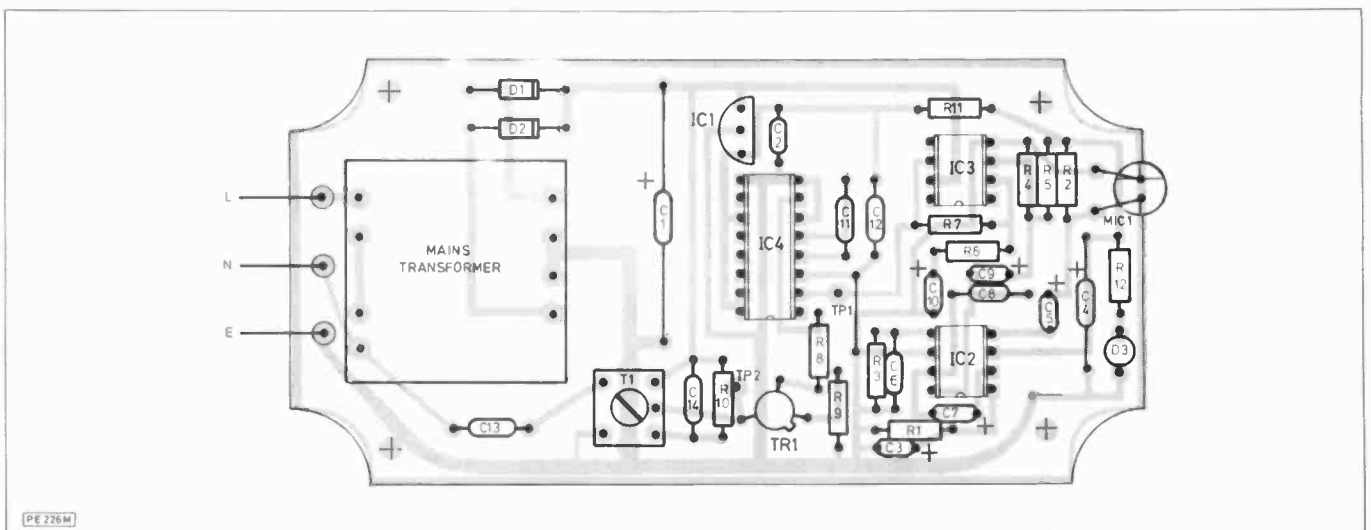


Fig. 4. Transmitter p.c.b. component layout and wiring details.

COMPONENTS . . .

RESISTORS

R1, R5,	
R7, R8	10K (4 off)
R2	1K
R3	18K
R4	4K7
R6	100
R9, R10	100K (2 off)
R11	2K2
R12	82K
R13	22K
R14	4K7 2%
R15	47K
VR1	50K logarithmic miniature

CAPACITORS

C1	2200 μ 25v. electrolytic
C2, C5	220p polystyrene (2 off)
C3,	
C9, C17 (4 off)	100n disc ceramic
C4	10n disc ceramic (miniature)
C6, C19	10 μ 6v. tantalum (2 off)
C4, C7,	
C8, C15,	
C16	1n disc ceramic (miniature)
C10	160p polystyrene (2% type)
C18	100p polystyrene (2% type)
C20	220 μ 16v. electrolytic
C21	10 n 1kv. disc

RECEIVER

SEMICONDUCTORS

IC1	NE565 phase-lock-loop
IC2	LM380 audio amplifier
TR1-TR3	BC107 or BC108
REC1	1 amp bridge rectifier (round type)
D1	IN4148 diode
I.e.d.	1/4inch

MISCELLANEOUS

IF transformers, Cirkit Holdings, YRCS 11098, YHCS 11100; transformer, RS 207-829, pcb type 6v. 3 VA; loudspeaker, 8 ohm 2" diameter, (small magnet type, not the ceramic types now available) Printed Board PE order code PE125, box 120x65x40, Grommet, Mains lead etc.

and when the receiver is working and the signal from the microphone can be heard satisfactorily, switch off, and fit TR2. This should not alter the normal operation of the units, but if the transmitter is not plugged in, the receiver should mute the noise from the phase-lock-loop chip.

The loudspeaker can now be fitted in the lid of the box. As marked with dotted lines on the board layout, fit the loudspeaker and capacitor with glue onto the plastic. I used Bostic for this, which so far has worked satisfactorily.

CONCLUSION

I have built a total of three of these sets, all of which worked more or less first time. The faults I had, apart from fitting the wrong components in the p.c.b.(!), were with the IF transformers. I had one or two of these with shorting primary turns. This was probably bad luck, but if in doubt measure the primary resistance of the winding which should be similar on all three transformers.

Another fault was with the mains transformer, as I mentioned earlier. The fitting of this component should be done with care, in fact I ruined one transformer by carelessly pushing it into a board, and then removing it again to

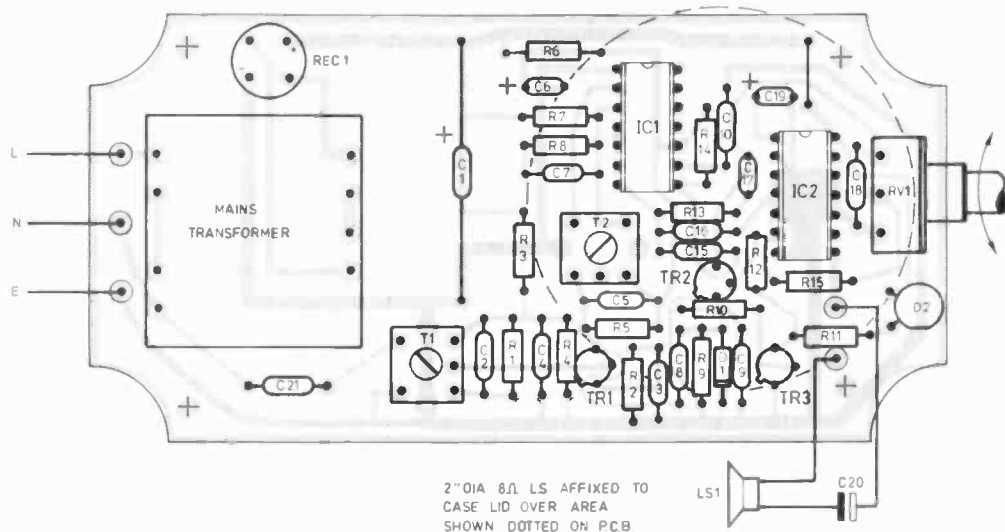


Fig. 5 Receiver p.c.b. component and wiring details.

power, as mentioned previously. The two IF transformers are colour coded, the interstage coil is roughly in the centre of the card, and has a black core, the mains coupling coil is at one side of the board, and has an orange core.

For testing purposes, wire the loudspeaker and coupling capacitor up to the board, and drill the box base for the mains lead and potentiometer slightly oversized, as the board can only be slipped into the box at a slight angle.

Apply mains to the receiver unit, (without the transmitter on), and check voltage across C1, which should be in the

order of 18 volts. Advance the volume control. A loud rushing noise should be heard from the loudspeaker, without the l.e.d. lit.

Plugging the transmitter in a socket in an adjacent room should cause the l.e.d. to light the receiver, and the rushing noise to stop. If no oscilloscope is available, adjust both IF cores carefully for maximum l.e.d. brightness. However, if you have access to an oscilloscope, connect the probe to TR1's collector (the can) and adjust the cores for maximum signal amplitude. R1 and R5 can now be fitted. TR2 is the noise mute transistor,

make some measurements. This effectively open circuited the primary windings!

During testing, if an oscilloscope is available, measure the period of the oscillator frequency on the transmitter. This should be in the order of $(1/360\text{kHz.}) = 2.78\mu\text{s}$. Then frequency of the oscillator in the NE565 PLL integrated circuit can be measured at C10, and should also be running unlocked at around about 360kHz. If more than 20% wrong then adjust R14. In the units I made all were within about 10-15% so there should be no problem.

PE

INDUSTRY NOTEBOOK

REPORT BY TOM IVAL – PEs NEXUS

The information society is coming. Expert systems software is big business and most hardware firms are catching on as information and knowledge become more important than capital and labour.

IF the electronics industry is any guide we certainly seem to be moving towards 'the information society' propounded some years ago by Daniel Bell, the Harvard University sociologist. The trend appears to be away from sheer production and selling of hardware towards the supply of services and systems which make use of the hardware in a very selective way. New firms are springing up everywhere to do this application work. Computer manufacturers, seeing the light, are buying up software companies and the rights to sell expert systems developed elsewhere.

Ferranti Computer Systems, for example, has just completed its first year as main European distributor for an expert system development tool, Inference Art, from the Inference Corporation of Los Angeles. Sperry has bought the American software company Foundation Computer Systems. Hewlett-Packard has just started to market a software package for the management of maintenance work. Called Maximo, it was developed by the US firm Project Software and Development. H-P has also launched an educational system for controlling test instruments from a personal computer – any computer, not just their own.

SOFTWARE KNOW-HOW

Of course computer manufacturers have always produced their own proprietary software and systems. But they recognize that pure software companies have a more intimate knowledge of and involvement with particular needs in industry, commerce and public services. The very existence of the software firms depends on this close relationship. As an example take the UK firm West Wiltshire Software. This supplies software to over 60 local authorities. Its effectiveness rests on its intimate knowledge of the work of local government. And it gets this knowledge because it is actually owned by a local authority – West Wiltshire District Council.

The current recession in computer manufacturing is generally thought to be part of a business cycle. An upturn is confidently expected. But it could prove to be partly structural as well – like the general decline in manufacturing

throughout the industrialized world, accompanied by permanently high levels of unemployment and an expansion of service industries.

Two other applications of information technology are becoming highly significant in industrialized society. One is the powerful combination of data transmission and information retrieval (see Barry Fox on electronic mail in the March issue and Industry Notebook on electronic finance in October). The second is automation in manufacturing industry, which is steadily moving away from the original mechanical methods to systems controlled by electronic data processing.

As an example, the time required for dimensional inspection of metal components like transmission cases is now being reduced by as much as 80–90% through the use of co-ordinate measuring machines based on microprocessors or microcomputers. Here the latest development is to program these machines not by the slow and laborious business of moving a probe over a specimen workpiece but directly from design information stored in the database of a CAD (computer aided design) system.

SOCIAL PATTERNS

All these developments can be seen merely as an intensification of the methods by which information is represented, recorded, manipulated and transmitted. In the beginning we had characters inscribed in stone or clay, then on papyrus and paper. When telegraphy and computers came along the characters were represented by electrical states and signals. But 'the information society' as envisaged by Bell is not simply more of the same thing. It is a qualitative change in the whole structure of society.

Early societies were shaped by the brute fact of scarcity. Then agriculture developed. Land became the major resource, industries were extractive, and we had feudalism. The Industrial Revolution made it possible to manufacture huge quantities of goods cheaply. Capital and labour became the principal resources. Social relations hinged increasingly on money. The labour theory of value was conceived. Problems of food supplies and



production of goods are now soluble. Indeed some countries are already experiencing over-production in agriculture and over-capacity in manufacturing.

The next transformation, according to Daniel Bell, is to a social framework based on information and knowledge as main resources rather than capital and labour. Machine technology derived from crafts and trial-and-error methods will be replaced by 'intellectual technology' using scientific method and decision rules. The 19th-century labour theory of value has already been weakened by automation and robots. Labour is being replaced by knowledge and its applications as the new source of added value. In all this, systems for storing, retrieving and processing the information are crucial to the new social framework.

Is this concept of 'the information society' likely to become a reality? Only the historians of the future will be able to say for sure.

JAPANESE HELD OFF

The United States of America has succeeded where the European Community of nations has failed – in keeping the undercutting Japanese traders at bay.

Last year the EEC asked Japan to set an overall limit on its exports to the community. The Japanese government refused this request, saying they would not accept any quantitative target whatsoever. But this year, after a protracted argument lasting for months, the US Department of Commerce managed to get the Japanese chip

manufacturers to increase the prices of their semiconductor products in the USA. Apparently the most persuasive part of the Department's argument was that, if no agreement was reached amicably, the US would impose an import duty on the Japanese chips.

Furthermore the Japanese manufacturers have agreed not to sell abnormally cheap products to other countries which might then re-sell them in the USA.

American chip manufacturers, who have secured only about 8% of the semiconductor market in Japan, have long been accusing the Japanese firms of dumping on the US market and so undermining the American electronics industry.

CRUNCH TIME

Since I reported earlier this year on GEC's proposed takeover of Plessey and on the fiasco of the Nimrod airborne early-warning radar, a great deal has happened on both these fronts. In fact they have become linked. Plessey is involved in a possible alternative to Nimrod.

First of all the GEC £1.18 billion bid for Plessey is off. The Monopolies and Mergers Commission has ruled that such a merger would not be in the public interest. It would result in one group having too much of a monopoly in telecomms and military electronics manufacturing in the UK. However, the Commission did suggest that there could be some kind of rationalization in the manufacture of System X electronic exchanges. At present both GEC and Plessey are making them.

EARLY WARNING

As for the airborne early-warning radar, the Government has become thoroughly fed up waiting for GEC Avionics to get the Nimrod system to work properly. After continually stressing the need to reduce public expenditure they are embarrassed to find they have spent some £900 million of taxpayers' money so far to no effect. So the Government has delivered an ultimatum to GEC: either produce a satisfactory system by the end of September or take your place among a string of other firms bidding for the same

contract.

BRITISH INTEREST

Five other firms are interested and have submitted proposals: Boeing, Lockheed and Grumman (all American), Marshall Engineering and Airship Industries (British). The Boeing proposal is a version of the existing American AWACS radar (Airborne Warning and Command System) and includes agreements with the UK firms, Plessey, Ferranti and Racal on electronics and software. If the Nimrod project fails the Government will make a firm decision at about the end of 1986.

PE

**REPORT BY TOM IVAL
PE's NEXUS**

No more chip dumping in the US from Japan

DON'T MISS THE CHRISTMAS SPECIAL ISSUE!

PRACTICAL

DECEMBER 1986

ELECTRONICS

IT'S A BIG ONE!

- *CHRISTMAS BUYERS GUIDE AND SPECIAL OFFER
- *MICRO FORUM IS BACK
With ideas for all home micros
- *DESIGN AND TECHNOLOGY FEATURES
- *STE IS BACK
- *FREE 80-PAGE CATALOGUE INSIDE
- *BUILD A 35-CHANNEL STAND-ALONE PROGRAMMABLE DISCO LIGHTS AND DISPLAY CONTROLLED

ON SALE FRIDAY 5th DECEMBER



EXPERIMENTAL ELECTRONICS

Speech compression using frequency shifting techniques without the associated tone change.

PEHB EPROM PROGRAMMER

Continued from last month . . .

The programming voltage (V_{pp}) is generated on board. There is a V_{pp} supply rail provided on the PEHB, but this was not used for this programmer for the following reasons.

1. Some eeproms require different V_{pp} levels, such as +12.5V, +21V or +25V. It would be difficult to derive these levels neatly from an off-board supply.

2. Those people who may wish to build the programmer to operate without the PEHB will need a V_{pp} supply.

For those who will only need one V_{pp} level, the link LK3 can be changed which will connect the off-board V_{pp} supply into the programmer. In this case IC11 and its associated components may be omitted.

IC11 is a switching regulator unit, which provides a step-up voltage conversion without the bulky inductors normally required. The component values shown will give a maximum V_{pp} level of around 26-27V. This can be set accurately using VR2. The voltage divider chain VR2, R9, R10 and R11 within the feedback loop enables setting the V_{pp} to other values. This is done by linking VPC2 or VPC3 to VPC1 via the configuration socket, so selection of the correct level is automatic when the correct type header is inserted.

VPC1 to VPC2 will give $V_{pp}=21V$ while VPC1 to VPC3 will give 12V.

The LED, D5 serves as a V_{pp} ON indicator. In fact it shows that 5V is switched through to IC11 by relay RLA.

The 5V (V_{cc}) supply to the Zero Insertion Force (ZIF) programming socket is also switched. This reduces any possible problems arising from attempting to insert/remove eeproms into a live socket. This switching is carried out by relay RLA. This relay is energised through IC9a, a high current output NAND gate. The inputs to this gate are the host reset line HRST which must be inactive (high) and the 5V control line (PON) which must be active (high).

The yellow l.e.d., D6, provides a visual indication that the ZIF socket is

powered up, i.e. it is not safe to insert/remove an eeprom.

Some eeproms, e.g type 27128 or 27256, employ a fast programming algorithm. To use this programming method requires:-

A. A machine code driver program.

B. A means of switching the supply rail to the eeprom to 6V.

The machine code driver will have to be written to suit the processor in use, but a simple means of switching and routing the 6V supply is provided by LK4. This utilises the PEHB supply rail provided for an external V_{pp} supply which should be set to 6V. If it is not required to use this facility then a link should be soldered in the PCB at the LK4 position between c and a.

The fast programming algorithm will be detailed in the data sheet for the eeprom type in question.

This only, leaves the configuration header to describe. This feature, whilst not unique, is without doubt the most cost effective means of providing a flexible programmer.

The configuration header consists of two parts, a 24 pin IC socket and a 24 pin header of the type designed for solder connection.

As can be seen from the circuit diagram, all those lines which may need to be connected to different eeprom pins are brought to the socket.

All those points to which the above lines may need to be connected are also brought to the configuration socket. Placing a header into the socket, with suitable points linked together configures the programmer to the eeprom type in one easy step.

The real beauty of the system is that with the available lines almost any type of non volatile 24/28 pin memory device can be read by making the correct links on the header.

To aid in understanding the functions and facilities of the configuration header the lines available are shown in Fig. 2 and Table 2.

Table 2. Configuration Socket assignments

Pin 1. Address line EA11.	PIN 24. ZIF skt pin 2
Pin 2. Address line EA12. PIN 23.	Zif skt pin 20
Pin 3. Address line EA13.	PIN 22. Zif skt pin 22
Pin 4. Chip Select line.	Pin 21. ZIF SKT PIN 23
Pin 5. Output Enable.	Pin 20. Zif skt pin 26
Pin 6. Address line EA14.	Pin 19. Zif skt pin 27
Pin 7. +5Vswitched (VCSW).	Pin 18. TY3 (type line 3)
Pin 8. OV.	Pin 17. V_{pp1} (VCSW when PRV=0)
Pin 9. PGM line from timer.	Pin 16. V_{pp2} (OE when PRV=0)
Pin 10. TY0 (type line 0).	Pin 15. VPC3 (link to VPC1=12V)
Pin 11. TY1 (type line 1).	Pin 14. VPC2 (link to VPC1=21V)
Pin 12. TY2 (type line 2).	Pin 13. VPC1 (VPC common)

Pins 4 & 5 above would normally be active low for common eeproms but as for any of the control lines, they are program driven and can thus assume any polarity or function that may be required. Pin 17. (V_{pp1}) becomes V_{sw} when PRV is low. Pin 16 (V_{pp2}) becomes OE when PRV is low.

COMPONENTS

RESISTORS

R1,R2,R3,R4	3k3 5% 1/8W
R5	10k
R6,R15	330
R7	1R5 4W
R8	1k2
R9	11k
R10	9k1
R11	3k9
R12	470k
R13	4k7
R14	470
VR1	50k 20 turn preset
VR2	2k 20 turn preset

CAPACITORS

C1	220p
C2	470p
C3,C4	100n
C5	22 Ω 35V tantalum

SEMICONDUCTORS

D1,D2,D3,D4.D5	IN914
D6	0.2mm Yellow l.e.d.
D7	0.2mm Red l.e.d.
IC1,IC3,IC4,IC5	74LS374
IC2,IC6	74LS244
IC7	74LS138
IC8	74LS86
IC9	74LS38
IC10	555
IC11	TL497A

MISCELLANEOUS

SK1	28pin Zero Insertion Force socket
HDR1	24pin header plug (one per config.)
RLA	SPSTD.i.l. relay 5V 500 ohm min.
RLB	DPCODIL relay 5V 500 ohm min.
L1	150 mH axial lead inductor (270mA)

PEHB EPROM PROGRAMMER

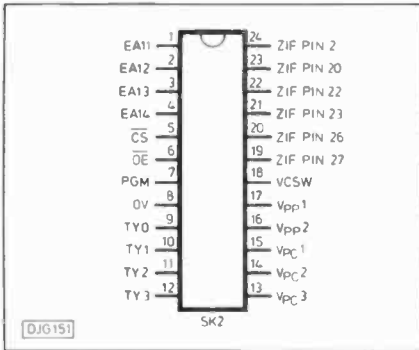
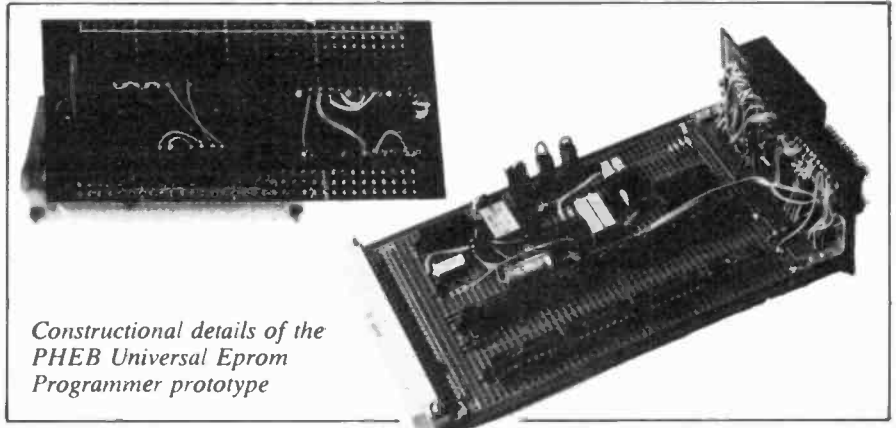


Fig. 2. Socket Assignments



Constructional details of the PHEB Universal Eprom Programmer prototype

Brief Basic Programming format

1. Skip round subroutines to Setup and Menu.
2. BUMPADDR Entry with FLAG = 0, increment workspace data pointer, eprom current address pointer. Compare eprom current address to end address. Set FLAG if end reached.
3. GETBYTE GOSUB INVERT then read eprom data lines, invert as per READMASK (type). Exit with eprom data byte.
- 4a. TOGGLE Exclusive OR control mirror with contents of READMASK (type), write to control port and save in control mirror. Then fall into . . .
- 4b. INVERT Exclusive OR control mirror with contents of READMASK (type), write to control port and save in control mirror. Then exit.
5. SETOFF Set control mirror to STANDBY (87H), output it to control port. Sets Vcsw and Vpp OFF, all control lines inactive.
6. PROMPT&GET Position cursor on input line, print PR\$ at cursor position, get one character, blank input line, exit with character in A\$.
7. GET4HEX Position cursor on input line, print PR\$ at cursor position, get 1 character 0-9 or A-F in B\$, add to A\$, repeat for 4 digits then exit or immediate exit on carriage return Chr\$(13).
8. QUIT Set control lines OFF then END.
9. ON5V Set togglebit to PON, GOSUB INVERT, delay then exit.
10. ALLorPART Prompt for (A)LL or (P)ART. If A use default start address of 0000H and default end address (type). If P then pr\$="Start Address ?" gosub GET4HEX, pr\$="End Address" gosub GET4HEX and use values returned. If value returned = Chr\$(13) then use default value.
11. SETCURR Make eprom current address = start address, output current address to eprom address lines.
12. CHECKBLANK gosub ALLorPART, gosub TESTBYTE. OK message if BLKFLAG = 0, NOTERASED message if BLKFLAG = 1.
13. TESTBYTE check each byte of eprom is = FF hex. BLNKFLAG = 1 if NOT blank, = 0 if IS blank.
14. LIST List eprom data to screen or printer Do until end address reached.
15. PROGRAM Get byte from workspace, output to eprom data lines, set control mirror to write mask (type). Gosub invert. Set toggle bit to TRIGGER. Gosub TOGGLE, wai for BUSY to go inactive then loop. Repeat until end address reached then VERIFY eprom against workspace. OK if same, Program failure if not same.
16. VERIFY Check if eprom data matches workspace data.
17. DUMP Copy eprom data to workspace.
18. LISTWS List workspace data to screen or printer.
19.
 1. Set workspace pointer to start of workspace.
 2. Set default screen printing limits, i.e. chr/line lines/page.
 3. Define default address values.
 4. Reset control lines and control mirror to standby (87H).
 5. Read header, set TYPE from B0-B3.
 6. Zero eprom address lines.
 7. Print menu screen, prompt for input, DO command.
20. Set up control lines, default values and strings.
21. MENU PRINT options on screen, Show EPROM TYPE R WORKSPACE STARTADDRESS
22. GOSUB PROMPT & GET convert A\$ to number (A) on a Gosub option (TST BLANK, LISTetc)
23. GOTO menu

The Header Type identifier lines (pins 9-12) can be read by the controlling program, and are used to report the type of header fitted, on the main menu.

This gives the operator a chance to check the header type is correct for the eprom being used.

These lines are also used by the driver program to set up the correct control line configuration for the eprom.

The correct header links for each eprom type are shown in Table 3.

CONTROL PROGRAM

No matter how flexible or sophisticated the hardware the programmer needs a controlling program. Because of the wide range of possible host computers, a Basic program was felt to be the most common software medium to introduce the concepts of eprom programming.

A program listing in Amstrad Basic, which avoids any exotic machine specific features, is available. It would not be too difficult to write one yourself to take advantage of extra facilities that your computer may have, such as colour.

However if you are at all unsure of what you are doing we recommend using the listing mentioned as a starting point.

For the more confident, or the speed freaks, a machine code driver will undoubtedly extract the ultimate performance, in fact for serious use with the larger eproms it is almost a necessity from a speed point of view.

Only a brief description of the program segments required can be given here. They are listed in the recommended order for a Basic program listing; with the often used subroutines at the beginning.

The Complete Basic Program listing is available from our Post-Sales Dept. at £2.00 including p&p. (Its a long program)

VIDEO PICK-UP DEVICES

BY VIVIAN CAPEL

A variety of pick-up lines!

Vidicons, Ultricons, Newvicons, charge-coupled devices, all are seen in video camera specifications. What, though, are their features and how do they work? This article will provide some of the answers.

THE standard video camera pickup device has for many years been the vidicon. This is the generic name given to a group of similar tubes differing mainly in the material used for the target, each being known by a particular trade name.

OPERATING PRINCIPLES

Operating principle is quite simple, being virtually the reverse of the cathode-ray tube in the domestic t.v. receiver. The target is a photoconductive layer, antimony trisulphide in standard vidicons, which is deposited on the end of the tube like the screen in the cathode-ray viewing tube. A cathode heated by a filament, generates a stream of electrons which is deflected over the target area by a scanning magnetic field set up by coils fitted around the tube.

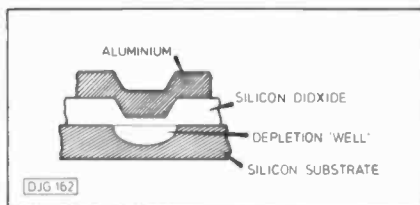


Fig 1 Construction of single CCD cell.

The target is connected to a high positive voltage which attracts and returns the negative electron beam to the supply circuit. Surface resistance of the target varies according to the light falling upon it, so the beam current changes in value as the beam scans across the picture image which is focused on the target. This produces voltage variations over a load impedance, which after insertion of sync. pulses to identify the end of each scanning line and frame, constitute the video signal.

Sensitivity of the device can be changed by altering the target voltage. Too great a sensitivity in bright light results in over-contrast, often called "soot-and-whitewash", so the voltage and sensitivity can be set by means of a simple potentiometer. Along with different lens apertures, a wide range of light conditions can be accommodated.

Illumination levels are measured in lux, or sometimes in foot-candles; the relation between these is 1 foot-candle = 10 lux. Around 10-20 lux is the minimum scene illumination to give a viewable picture with a standard monochrome vidicon of 2/3rd inch diameter. Other types using different target materials are more sensitive.

The RCA *Ultricon* for example produces pictures at less than 1 lux. Bright moonlight gives about 0.3 lux, so the sensitivity can be judged from that. The variable sensitivity facility, though, is not available with these tubes.

For colour cameras, filters in the three primary colours are commonly used in front of the tubes, and these considerably reduce the amount of light falling on the target. Sensitivity for colour is therefore lower than with a monochrome camera. Several times the illumination level is required to produce satisfactory pictures.

A major drawback with the vidicon is its vulnerability to burn in. If a bright stationary scene is left on the target for a period, it will produce a permanent image which appears as a ghost with all subsequent pictures. Accidental exposure to a very bright light such as the sun, or studio lamps for only a few seconds, will destroy that part of the target coating affected by it. Another snag is the long lag characteristic, whereby images that move or are panned at low-light, high sensitivity settings, leave trails behind them.

The *Ultricon* has a much shorter lag time but does not have such a good definition as the standard vidicon. Toshiba's *Chalnicon* tube which has a cadmium selenide target is not quite as sensitive as the *Ultricon* nor has it so short a lag time, but it has a better resolution. It is also better than the standard vidicon for lag time and sensitivity.

Another version of the vidicon is the *Newvicon* made by Matsushita which has a target made of zinc telluride and cadmium telluride. Its lag time and sensitivity is better than the standard vidicon and *Chalnicon* but not as good as the *Ultricon*; resolution though is better than the *Ultricon*. However it is

more prone to burn in than the others with the exception of the standard vidicon.

Spectral response is different for all these tubes, and the prices are several times that of the standard vidicon. It can be seen then, that there is no clear winner out of these, and camera designers must choose the features that they think best, possibly making up for deficient characteristics in the associated circuitry.

THE CCD

There are two problems that all of these tubes have in common when considered for portable battery cameras, and particularly camcorders. One is size; although not bulky, they do take up room when scanning coils, yokes, and ancillary items are included, especially with colour cameras where there is more than one tube, plus filters.

The other is current consumption. Again, while the heater does not take a high current, it all adds up along with the recorder motor and other circuitry. Understandably, camera makers have been exploring other possibilities, especially in the semi-conductor field, for camera pick-up devices.

One that has been around for several years is the charge-coupled device. Until recently, it had not been developed to the stage that it could be used as a commercial pick-up device.

The charge-coupled device consists either of a single line or a lattice of cells consisting of closely spaced metal-oxide semiconductor (MOS) capacitors. These are formed on a silicon substrate on which is deposited a thin layer of silicon dioxide. On this is mounted the individual aluminium elements.

When a voltage is applied across the aluminium element and the silicon substrate, a depletion area is formed immediately under the metal. This could be thought of as a tiny well, empty of electrons. If now an electron beam or a ray of light strikes the silicon at that point, electrons will be released into the well and partly fill it. The amount it is filled is proportional to the intensity of the exciting ray or beam.

The cells are arranged in a linear group of three, and a pulse voltage with a trailing edge is applied to each in turn. This creates a well under the pulsed cell, which is filled in proportion to the light falling on it. The next pulse on the adjacent cell creates a well there, while the trailing edge of the first pulse reduces the depth of the first one. The charge in the first well thereby drains into the second. This in turn decreases in depth as the trailing edge of the second pulse passes, so tipping the charge into the third well which has just formed by the arrival of the third pulse on the third cell.

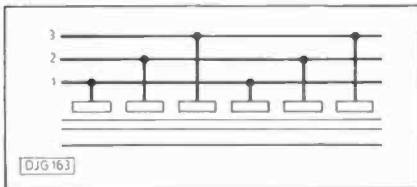


Fig 2 Connection of groups of three cells in line. Each is clocked in turn by a step pulse which is delayed from the previous one.

By now the first pulse is completely clear and the well has disappeared, so all is ready for the next trio of pulses. The third cell discharges its contents into the first cell of the next group, and so on down the line. Thus at the end of each line there appears a consecutive string of charges from each group ready to be taken off to form one line of video signal.

This is known as the three-phase CCD, other configurations, using two or four cell groups are possible. Linear charge-coupled devices consist of just a single row of cells, so these must be optically scanned by moving either the image or the CCD across the other for each field. Although simplifying the CCD, it complicates the optical system. The more

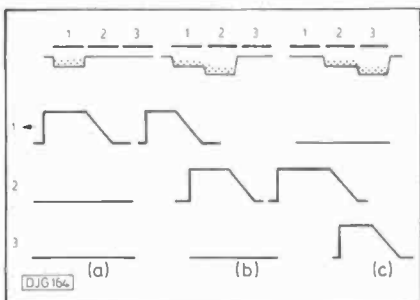


Fig 3 (a) Pulse on 1st cell creates well which is partly filled from electrons released by illumination on cell surface. (b) Trailing edge of pulse reduces well depth, while pulse on 2nd cell creates a well there. Electrons flow into it from 1st well. (c) Second well in turn reduces as trailing edge passes depositing electrons into 3rd well created by third pulse. Charge is thus moved along the line.

usual type is the lattice device which forms a rectangle of cells on which the whole of the image is focussed.

The resolution depends on the number of picture elements or pixels, which in this case is the number of capacitors on the substrate, One CCD, the RCA SID 52501 has a matrix of 512 x 320, which is 163,840 cells. These are divided into two areas of 256 x 320 elements each, one being the image area and the other for storage.

It can be appreciated that with numbers of that magnitude it would be virtually impossible to produce a CCD with every single cell perfectly operative. Faulty cells can produce a white or black spot, or more seriously, if they refuse to pass on the charges received, can result in a blank line. The blemish specification, therefore, is an important part of the CCD parameters.

SENSITIVITY

As for sensitivity, the charge-coupled device is better than conventional vidicons, although not quite as good as the Newvicon and Ultricon. The device developed for the Sony 8mm camcorder operates down to 22 lux, which is good for colour. It has 290,000 pixels giving a resolution of 300 lines.

A major advantage of the CCD is the freedom from burn in; the camera can actually be pointed at the sun without damage. It is also claimed to be free from lag. The main features are low current consumption and lack of bulk. All these make the device eminently suitable for portable video cameras and camcorders.

PE

Watch out for a Practical Project employing charged-coupled device technology in a forthcoming issue of Practical Electronics

WATCH OUT FOR SOME INTERESTING "VIDEO PROJECTS" APPEARING SOON IN PRACTICAL ELECTRONICS

Continued from page 21

major steps will be taken by the Russians, whose space-station experiments seem to be going well.

LIFE ON MARS: NEW DOUBTS

When the Viking probes landed on Mars in 1976, it was tacitly assumed that they would give a final answer to the question 'Is there Martian life?'. Lowell's brilliant-brained, canal-building civilization had long since been relegated to the realm of myth, and it had also been realized that the dark areas such as the V-shaped Syrtis Major were albedo features, often plateaux, rather than ancient sea-beds filled with vegetation; but most people believed that there would be signs of primitive Martian organisms. The Vikings carried miniature, highly-sophisticated 'laboratories' to search for any living organism and send back their results.

At first there seemed to be some contradictions, and it was generally thought that there must be something very strange about Martian chemistry. Then, after exhaustive analyses, it was generally concluded that no results could show any traces of biological activity, and that therefore Mars must be sterile.

One of the experiments, the so-called labelled-release experiment, gave initial results that seemed to be positive but were later dismissed as being non-biological. This interpretation has now been challenged by two of the experimenters, G. Lovin and P. Straat, who consider that the biological interpretation is, after all, the more likely. They maintain that the other experiments were either not sensitive enough or were, in effect, looking for the wrong signs.

If there is any life, what form is it likely to take? Lovin and Straat support the idea of something akin to terrestrial lichens, which are amazingly durable and can be found in all sorts of unlikely places. The two scientists have studied photographs of the same Martian rock taken by a Viking camera over a period of many months, and infer that greenish patches have shown changes in form and extent which would be expected in the case of lichens.

If this turns out to be correct, Mars will be even more attractive to scientists than it is now. Unfortunately we have little chance of finding out until a new probe is sent there. The Russians have announced a lander-and-rover mission for the early 1990s, but what we really need is a sample-and-return experiment of the type already carried out by the Russians in the case of the Moon. It is reasonable to hope that this will be possible before the end of the century. Then, at last, we will really know whether there is any life on Mars.

PE

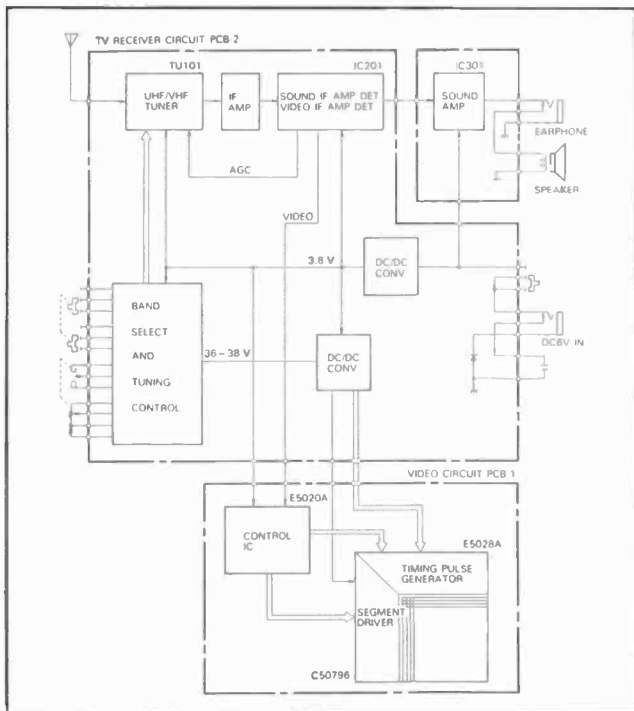
POCKET TVs AND LCD TECHNOLOGY

Pocket TV is currently one of the biggest consumer electronics crazes in America with several companies offering over twenty different models at personal stereo prices. Despite being a British company, Sinclair Radionics, that gave the world its first taste of TV miniturization, pocket TV has not really taken off in this country. This is probably due to the well publicised problems of the first models available.

Since those early days, pocket TV has come a long way. Several manufacturers now offer truly pocket sized sets with good reception, sound and picture quality.

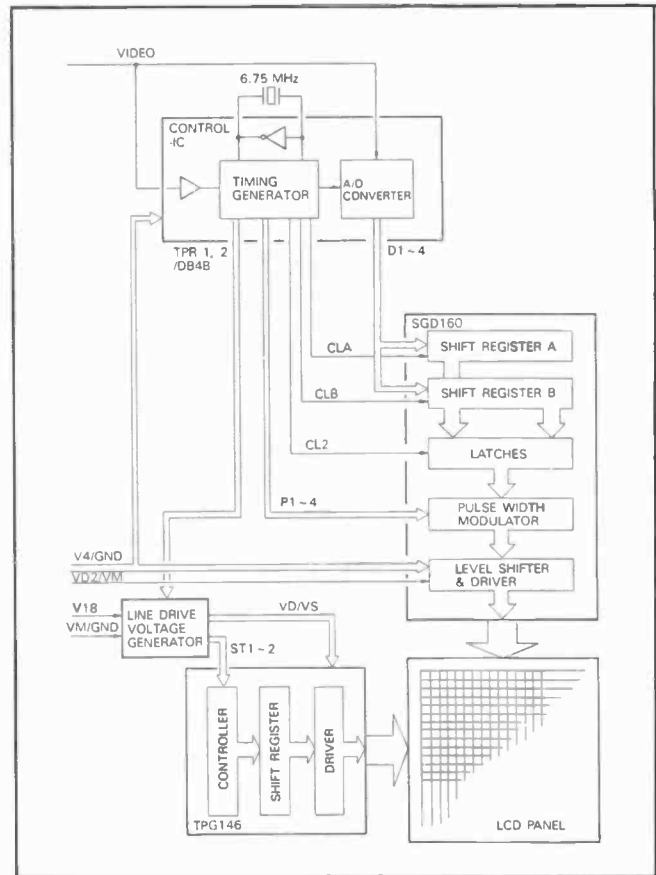
A key to the success of many of the products available, will be the public's acceptance of l.c.d. technology. Traditional TVs use CRTs which are bulky, expensive to produce, consume relatively large amounts of energy and require high voltages to function. Consequently, a number of manufacturers have turned to l.c.d. technology to overcome these drawbacks. L.c.d.s are now easy to produce due to the experience gained by manufacturers of digital watches and pocket videogames, in the seventies. They are cheap, compact and use very little power. Also, because the circuitry required to drive them is lightweight and compact, TVs can now be made which are truly portable, fitting comfortably into the palm of the hand.

One such product is the Citizen 06TA-OA which is a black and white, 2.5inch set available for around £100. It provides excellent reception, good sound quality from its built-in speaker or plug-in earphone and comes complete with battery, rod antenna and carrying case. Backlight for poor light conditions and car adapter are optional extras.



LCD PANEL

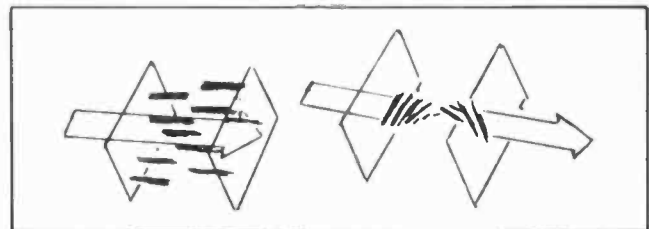
The l.c.d. panel is composed of two sheets of glass facing each other with nematic liquid crystal material filling the tiny gap between them. Two sheets of polarizer cover the outside of the glass and transparent, horizontal line and vertical segment, electrodes are fitted to the inside. Pixels are made at each intersection of the line and segment electrodes.



Molecules of liquid crystal have a spiral structure twisted about 90 degrees whenever the voltage between the segment and line electrode falls below the 1.6V threshold voltage. When the voltage exceeds 1.5V, the direction of the molecules is deflected more perpendicular to the glass surface.

OPERATION

The light from the top glass is polarized and its plane of polarization is twisted in the liquid crystal material along with its spiral structure; then the polarized light passes through the other polarizer where the component polarized light perpendicular to the polarizer is absorbed.



In the absence of an electric field, the light is twisted 90° allowing it to pass through the display. When an electric field is set up the twisting does not take place and the light is absorbed by the polariser.

When a line is selected, +12V~+18V is applied to the line electrode. If -1V~-1.5V is applied to the segment electrode, the pixel on the line electrode is driven with a higher effective voltage than another pixel that the segment electrode that has -1V~+1.5V applied to it. The brightness of the pixels is controlled by the pulse width of +1V~+1.5V and -1V~-1.5V.

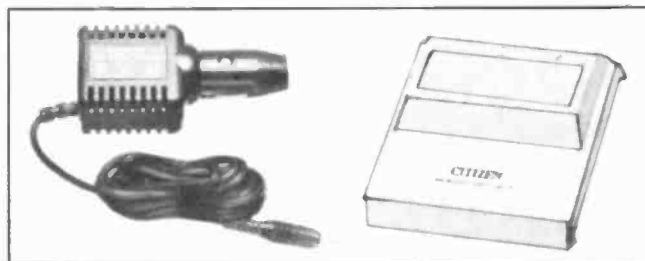
PE SERVICES

SECOND CHANCES!

**WE HAND YOU ONE OF
THE SMALLEST POCKET
LCD TVs IN THE WORLD**

FOR ONLY £89.95

INC. VAT and P&P



BACKLIGHT FOR LOW-LIGHT OPERATION
ONLY £9.95 inc VAT and P&P

CAR BATTERY ADAPTOR FOR TRAVEL ENTERTAINMENT
ONLY £9.95 inc VAT and P&P

Please send me _____ 06-TA Pocket TVs
at only £89.95 inc VAT and P&P.

Please send me _____ Car Battery adaptors
and/or _____ Backlights at only £9.95 inc VAT and P&P.

I enclose a cheque/postal order made payable to
Practical Electronics for £_____
Please debit my Barclaycard/Access
account no. _____.

Name _____

Address _____

28 DAYS GUARANTEE: If you are not entirely satisfied
with your purchase simply return the goods within
28 days and we will return your money in full.

POCKET TELEVISION ORDER FORM



**POST TO: PRACTICAL ELECTRONICS
TV OFFER, 16 GARWAY ROAD, BAYSWATER,
LONDON W2 4NH.**

LCD FREE TO ENTER COMPETITION WIN A CITIZEN 06TA-OA POCKET TV

It is obvious that l.c.d.s will make a big impact on the
future of TV, computer and communications technology.
The possibilities for l.c.d.s. are enormous.

All you have to do, to win a pocket TV, is tell us in no
more than 200 words what you think would be a novel,
useful, practical or profitable application for l.c.d.
technology.

Entries will be judged on their originality and ingenuity
and the judges' decision will be final. The winner will
receive a Citizens 06TA-OA pocket TV.

To enter simply send in your idea (not more than 200
words) by 31st November 1986, to: **Practical Electronics
LCD Competition, 16 Garway Road, Bayswater, London
W2 4NH.**

PRACTICAL ELECTRONICS ARMCHAIR BOOK SHOP

DIGITAL IC EQUIVALENTS AND PIN CONNECTIONS
A. Michaels, 1985, 256 pages, £6.45 inc p&p, Order code BP140.

LINEAR IC EQUIVALENTS AND PIN CONNECTIONS
A. Michaels, 1985, 320 pages, £6.45 inc p&p, Order code BP141.

INTERNATIONAL TRANSISTOR EQUIVALENTS GUIDE
A. Michaels, 1981, 320 pages, £4.00 inc p&p, Order code BP85.

ELECTRONICS SCIENCE PROJECTS
O. Bishop, 1982, 144 pages, £2.75 inc p&p, Order code BP104.

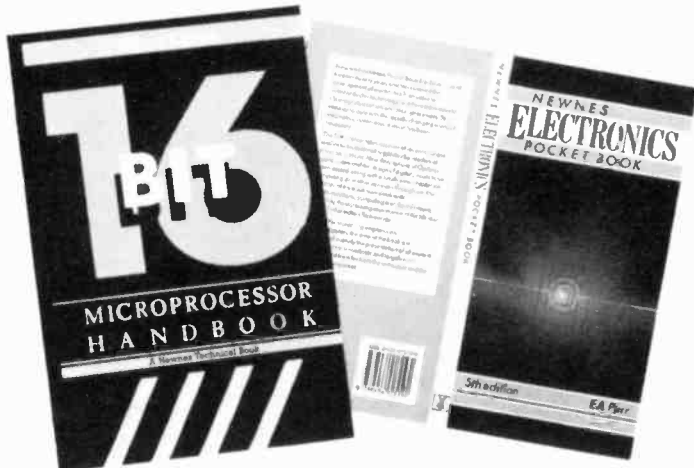
POWER SUPPLY PROJECTS
R.A. Penfold, 1980, 96 pages, £3.00 inc p&p. Order code BP76.

PRACTICAL ELECTRONIC BUILDING BLOCKS—BOOK 1
PRACTICAL ELECTRONIC BUILDING BLOCKS—BOOK 2
R.A. Penfold, 1983, Book 1 128 pages, Book 2 12 pages, £2.45 each inc p&p, Order codes BP117, BP118.

AUDIO PROJECTS
F.G. Rayer, 1981, 96 pages, £2.45 inc p&p, Order code BP90.

PRACTICAL ELECTRONICS CALCULATION AND FORMULAE
F.A. Wilson, 1979, 256 pages, £3.45 inc p&p, Order code BP53.

MORE ADVANCED ELECTRONIC MUSIC PROJECTS
R.A. Penfold, 1986, 128 pages, £3.45 inc p&p, Order code BP174.



16-BIT MICROPROCESSOR HANDBOOK
Trevor Raven

The 16-bit Microprocessor handbook examines the characteristics of the four most popular chips: 8086, Z8000, and 99000. Over 95% of the 16-bit microcomputers available on the market today incorporate one or other of them.

£9.95 inc p&p

Order code NT7

NEWNES ELECTRONICS POCKET BOOK

E.A. Parr, 5th edition, 1986

Despite the increasing emphasis on microcomputers, the aims of the book are unchanged; namely the presentation of all aspects of electronics in a readable and largely non-mathematical form for both the enthusiast and the professional engineer.

£9.45 inc p&p

Order code NT10

BEGINNER'S GUIDE TO INTEGRATED CIRCUITS

Ian R. Sinclair, Second edition 1983

"As before Ian Sinclair has managed to produce an outstanding book for the beginner to electronics." (*Everyday Electronics*)

£5.45 inc p&p

Order code NT8

INTRODUCTION TO 6800/6802 MICROPROCESSOR SYSTEMS HARDWARE, SOFTWARE AND EXPERIMENTATION

R.J. Simpson & T.J. Terrell

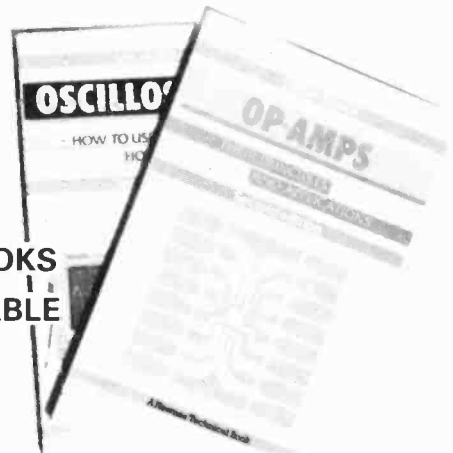
"This book is very thorough." (*Electronics and Computing*)

"This text has long been needed... essential reading." (*Micro Forecast*)

£8.45 inc p&p

Order code NT9

**QUALITY BOOKS
AT REASONABLE
PRICES**



OP-AMPS (THEIR PRINCIPLES AND APPLICATIONS)

Brian Dance, 2nd Edition 1986

This edition provides a source of practical circuits using both new devices and well-established ones like the 741, and including all component values. Written in a simple, non-mathematical style and specifically directed to the non-academic reader.

£6.00 inc p&p

Order code NT2

OSCILLOSCOPES (HOW TO USE THEM, HOW THEY WORK)

Ian Hickman, 2nd Edition 1986

This second edition has been updated to cover new techniques and new instruments which have been introduced since the publication of the first edition in 1981. Illustrated with diagrams and photographs of many more oscilloscopes than the first edition, the book will appeal to everyone who wants to know about oscilloscopes, from the school student to the graduate, from the hobbyist to the technician.

£6.00 inc p&p

Order code NT3

MODERN ELECTRONIC TEST EQUIPMENT

Keith Brindley, 1986

The subjects covered include analog and digital meters, oscilloscopes, signal sources, frequency, time and event counters, spectrum and logic analysers, displays and automatic test equipment.

£7.45 inc p&p

Order code NT4

PRACTICAL ELECTRONICS MICROPROCESSOR HANDBOOK

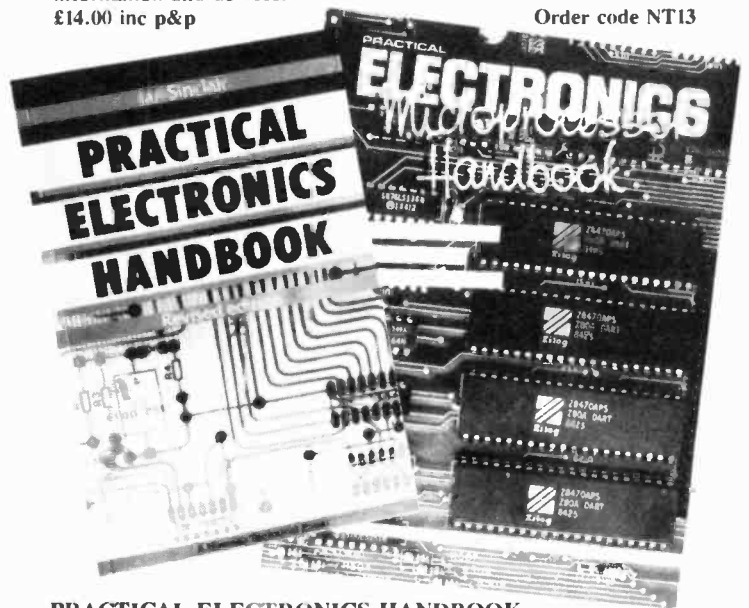
Ray Coles, 1986

Can be used to select an appropriate microprocessor for a particular task as a comprehensive reference source for the technician, as an overall introduction to the microprocessor scene, or as a primer for the engineering student.

Taken from Practical Electronics and updated to include new information and devices.

£14.00 inc p&p

Order code NT13



PRACTICAL ELECTRONICS HANDBOOK

Ian Sinclair, 1986 Revised Edition

A useful and carefully selected collection of standard circuits rules-of-thumb, and design data for professional engineers, students and enthusiasts involved in radio and electronics.

This revised edition contains more details on computers and microprocessors and has been brought up to date throughout.

£6.45 inc p&p

Order code NT1

PRACTICAL ELECTRONICS ARMCHAIR SCIENTIFIC AND TECHNICAL BOOK SHOP

QUALITY BOOKS AT REASONABLE PRICES

NEWNES RADIO AND ELECTRONICS ENGINEER'S POCKET BOOK

Keith Brindley

First published in 1940 and continuously in print ever since the book is an A-Z of information from aerial dimensions to zener diodes, abbreviations and symbols to world time.

This splendid and unsurpassed pocket reference book cannot be too strongly recommended to anyone with an interest in the fascinating fields of radio and electronics engineering

£6.00 inc p&p

Order code NT11

SERVICING PERSONAL COMPUTERS

M. Toolely, 1985

"At last a crucial gap in the huge pile of micro-computer literature is filled." (*Education Equipment*)

"A very worthwhile publication." (*Television*)

£18.45 inc p&p

Order code NT12

PRACTICAL DESIGN OF DIGITAL CIRCUITS

Ian Kampel, 1986

"This is a book which the reader will refer to repeatedly as a source of instruction and inspiration." (*Whats New in Electronics*)

£11.00 inc p&p

Order code NT5

THE ART OF MICRO DESIGN

A.A. Berk, 1984

"After reading this book the reader should be able to read manufacturers' data sheets and begin micro-design with confidence and an up to date knowledge of the chips and techniques available . . . Good luck!" (*Everyday Electronics*)

£14.45 inc p&p

Order code NT6



INTRODUCTION TO MICROCOMPUTER ENGINEERING

D.A. Fraser, Department of Electronics Chelsea College, University of London, 1985, 295 pages

This book presents the material needed for a serious technical course on the design and operation of microcomputers, and on the properties of microprocessors which form the heart of the computer. The text follows introductory courses on electronic logic and programming, and can be used in conjunction with practical work on microcomputers.

Contents: Basics; The intel8085; The Zilog Z-80; The Motorola 6800; The MOS-Technology MCS6502; Other Microprocessors; Subsystems: Analogue Signals; Systems and Testing.

£15.00 inc p&p

Order code EN3

PRINCIPLES OF COMPUTER COMMUNICATION NETWORK DESIGN

J. Seidler, Institute of Fundamentals of Informatics, Polish Academy of Sciences, Translation Editor: Richard Deasington, IBM United Kingdom Laboratories Ltd, Southampton, 1983, 567 pages

This unified and systematic analysis of network performance and theory of operation is compatible with the recent trend in computer systems which indicates the growing importance of computer networks. It reflects the technical progress in the field of electronic digital circuits, and describes, classifies and evaluates the quality and optimisation of the rules of computer communication systems operation.

£20.45 inc p&p

Order code EN4

THE MICRO IN THE LABORATORY

C.G. Morgan, Lecturer, University of Salford, 1984, 194 pages

The book begins with a survey of computer concepts and electronics as they affect the laboratory worker. It explains the type of computer equipment needed to collect data efficiently. Next, taking the BBC computer as an actual example, you'll see how to record data and analyse the results. Voltage output comes next, with the control of external laboratory equipment from the micro.

"... is certainly one of the best in the area of using microcomputers in the laboratory . . . thoroughly recommended." (*Laboratory Computer*)

£9.45 inc p&p

Order code N2

APPLIED CIRCUIT THEORY - MATRIX AND COMPUTER METHODS

P.R. Addy, Department of Electrical and Electronic Engineering, University of London King's College, 1980, 490 pages

Contents: Basic Circuit Theory; Matrix Analysis of Networks; Non-Linear DC Analysis; Nodal Admittance Matrix Methods; Two-part Analysis; Transfer Function Analysis; State Variable Analysis; Sensitivity Analysis; Tolerance Analysis.

"If you are seeking a book to take you from fundamental circuit concepts to computer-aided analysis and design then this is certainly worth considering." (*A.M. Close, Heriot-Watt University, in Computer-aided Design*)

£10.50 inc p&p

Order code EN1

UNDERSTANDING & EXPANDING YOUR AMSTRAD 464, 664 & 6128

Alan Trevenor, 350 pages

Starting with an easy but in-depth approach to understanding how the Amstrad computers and Z80 processor work, even those with little electronics knowledge will be able to get to grips with all the important pieces of hardware.

With this knowledge - plus some inexpensive components - exciting projects can be undertaken. A speech synthesizer, expansion ROM board and a 4-channel Rs 232 interface are introduced and - for the more adventurous - a complete EPROM programmer and a local area network for office, factory or school. Software to drive each project is included in the book and Assembly language programming is introduced with many examples. The complete kits described in each project, made by Halstead Designs, are readily available if you need them!

This book lifts your Amstrad computer from a novelty to a really useful adjunct to your life.

Note: software disc available direct from Amsoft.

£9.45 inc p&p

Order code N1

DIGITAL AND MICROPROCESSOR ENGINEERING

S.J. Cahill, Senior Lecturer, School of Electrical and Electronic Engineering, Ulster Polytechnic, 1981, 513 pages

This presentation of the topics of random and microprocessor logic in an unusually unified manner, places particular emphasis on design strategems based on current integrated circuits.

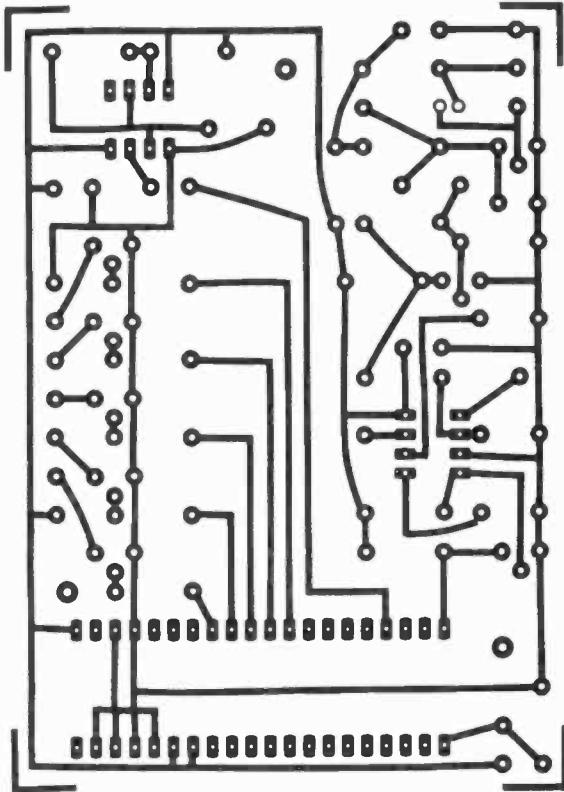
£15.10 inc p&p

Order code EN2

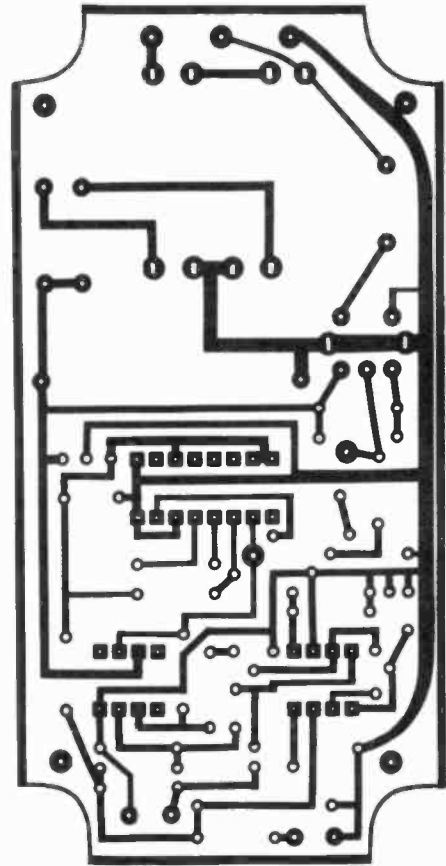
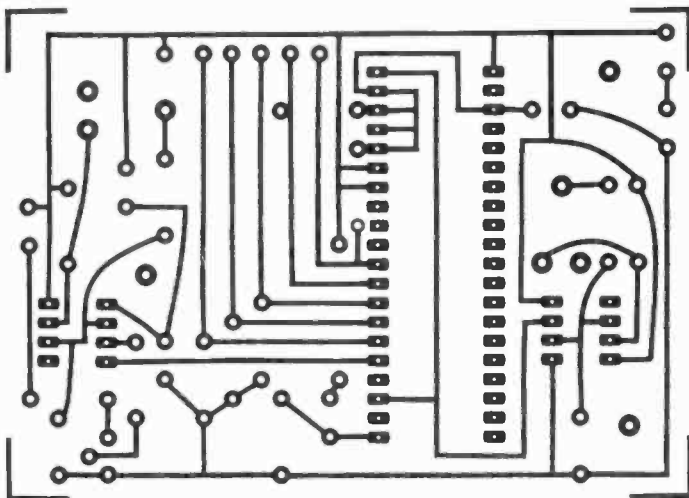


PE PCB PATTERNS

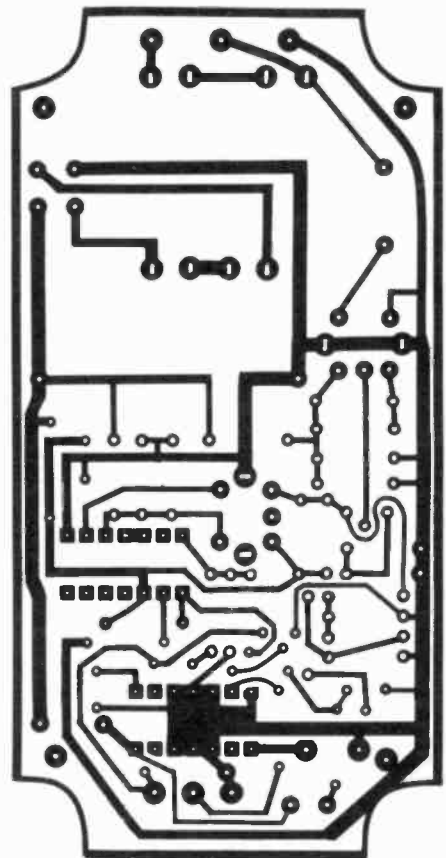
It has become apparent that many readers make their own p.c.b.s. Therefore we will be printing p.c.b. designs in each issue to compliment our p.c.b. service. We can no longer supply any p.c.b. pattern through the post.



*IR Remote Control Joystick Unit
PE 124 (Set of two)*



*Wireless Baby Alarm
PE 125 (Set of two)*



P.C. BOARDS

Printed circuit boards for certain PE constructional projects are now available from the PE PCB Service, see list. They are fully drilled and roller tinned. All prices include VAT and postage and packing. Add £2 per board for overseas airmail. Remittances should be sent to: **PE PCB Service, Practical Electronics, Practical Electronics Magazines, 16 Garway Road, London W2 4NH.** Cheques should be crossed and made payable to Practical Electronics.

Please note that when ordering it is important to give project title, order code and the quantity. Please print name and address in Block Capitals. Do not send any other correspondence with your order.

Readers are advised to check with prices appearing in the current issue before ordering.

NOTE: Please allow 28 days for delivery. We can only supply boards listed here.

TELEPHONE ORDERS (LINES OPEN 24 HOURS)

You can now order your printed circuit boards by telephone, quoting your Access credit number. The number to ring is: 0268 710722. In stock items will be despatched within 24 hours of receipt of order. If you ring out of office hours please state your order, credit card number and address clearly, as the order is recorded on an answering machine.

PROJECT TITLE	ORDER CODE	COST
MAR '84 Spectrum Autosave	430-01	£2.90
JUNE '84 Cross Hatch Generator	406-01	£3.52
JULY '84 Simple Logic Analyser I EPROM Duplicator Alarm System Oscilloscope Calibrator	407-01 407-02 407-03 407-04	£7.73 £3.74 £3.19 £4.23
AUG '84 Comm. 64 RS232C Interface Field Measurement " " Simple Logic Analyser II	408-01 408-02 408-03 408-05	£3.02 £3.19 £2.90 £2.93
SEPT '84 Parallel to Serial Converter Through the Mains Controller " "	409-01 409-02 409-03	£2.92 £2.90 £2.90
OCT '84 Logic Probe	410-01	£2.90
NOV '84 Computer DFM Adaptor	411-01	£2.90
DEC '84 Ni-Cad Charger	412-01	£2.90
JAN '85 Outrider Car Computer (Set of 2)	501-01	£9.10
FEB '85 Modular Audio Power System Pt-1: Power Amp Board Spectrum DAC/ADC Board	502-01 502-02	£4.19 £3.69
MAR '85 Modular Audio Power System Pt-2: Pre-Amp/Line Driver Main Board Heart Beat Monitor - Main Circuit Board - Detector Low Cost Speech Synthesiser	503-01 503-02 503-03 503-04 503-05	£5.00 £5.12 £8.90 £6.62 £3.42
Power Control Interface Disc Drive PSU Modular Audio Power System Pt-3: Test Signal Source Power Supply	504-01 504-02 504-09 504-10	£3.36 £6.54 £4.20 £4.17

Amstrad Synthesizer Interface Rugby Clock Pt-2 " " " " " "	MAY '85	505-01 504-03 504-05 504-06 504-07 504-08	£4.23 £24.22 £5.12 £9.54 £5.40 £10.24
CBM64 Music Keyboard Keyboard Main PCB	JUNE '85	506-02 506-03	£4.55 £3.50
MTX 8 Channel A to D Voltmeter Memory Adapter	JULY '85	507-01 506-01	£3.92 £3.28
Envelope Shaper	AUG '85	508-01	£3.73
Car Boot Alarm RS232 To Centronics Converter	SEPT '85	509-01 509-03	£2.90 £4.95
Touch Control PSU Exp. with Robots (double-sided) Modulated Syndrum	OCT '85	001 004 005	£3.17 £16.91 £3.80
CBM User Port Expander Model Railway Track Control *Bytebox: ROM Board (double-sided) ZIF Socket RAM Board Battery Backed RAM EPROM Board *Special Price - Complete set of 5 boards	NOV '85	006 010 002 003 007 008 009 00A	£3.93 £5.44 £2.75 £2.90 £4.95 £3.74 £2.93 £23.00
DEC '85			
Model Railway Track Control	Rec Board - A Rec Board - B Rec Board - B Ext	016 017 018	£3.90 £4.86 £3.93
Test Load		019	£2.90
Exp. with Robots Spectrum Speech Synth & 8-Bit I/O Port (double sided)	JAN '86	022 023	£3.71 £6.49
Burglar Alarm Main Board Bell Driver Logic Probe Computer Movement Detector	FEB '86	020 021 024 509-02	£4.97 £2.90 £4.20 £3.20
Clock Timer Fibre Optic Audio Link Transmitter Receiver Set of two boards Hardware Restart (double-sided)	MAR '86	027 025 026 00B 508-02	£6.38 £2.99 £3.23 £5.87 £6.98
Temperature/Analogue Interface Sound Activated Switch Photographic Trigger Unit Set of two boards IEEE1000 PSU Scratch and Rumble Filter	APRIL '86	101 102 00C 105 106	£3.30 £5.30 £6.63 £4.62 £4.51
Notcher Effects Unit Logic Checker D.F. Beacon Timer STEbus backplane	MAY '86	107 108 109 110	£5.61 £4.09 £5.31 £10.90
Guitar Tracker Thermocouple Interface PE Hobby Board BBC Light-pen	JUNE '86	111 112 113 114	£5.92 £2.90 £22.81 £2.90
Passive IR Detector 200MHz counter Main board Display board Set of two boards	JULY '86	115 116 117 00D	£3.54 £16.26 £12.35 £25.88
Fibre Optic Data Link Set of two boards PEHBD/A-A/D	SEPT '86	00E 120	£8.46 £6.42
Drum Synthesizer Time Delay - Mains (Set of 2) Mains Dimmer	OCT '86	121 122 123	£6.42 £6.64 £2.90
Remote control Joystick Set of two boards Wireless Baby Alarm Set of two boards	NOV '86	124 125	£8.90 £8.79

BACK ISSUES

Back issues are available from our editorial office at only £1.50 inc. p&p. It is, unfortunately, impossible to continue with our photocopying service – as it is at the moment. Administration of this service is very time-consuming and uneconomical. However, should a back issue be out of stock we may be able to photocopy selected articles up to three years old. The answer is, of course – get a subscription – it will avoid these problems in the future.



PE BAZAAR

A free readers' advertising service

Please publish the following small ad. FREE in the next available issue. I am not a dealer in electronics or associated equipment. I have read the rules.

Signature Date

Please read the RULES then write your advertisement here – one word to each box. Add your name, address and/or phone no.

COUPON VALID FOR POSTING WITHIN ONE MONTH OF COVER DATE, (One month later for overseas readers.)

SEND TO: PE BAZAAR, PRACTICAL ELECTRONICS, 16 GARWAY ROAD, LONDON, W2 4NH.

RULES Maximum of 16 words plus address and/or phone no. Private advertisers only (trade or business ads. can be placed in our classified columns). Items related to electronics only. No computer software. PE cannot accept responsibility for the accuracy of ads. or for any transaction arising between readers as a result of a free ad. We reserve the right to refuse advertisements. Each ad. must be posted within one month of cover date. Ads will not appear (or be returned) if these rules are broken.

Name & Address:			

BAZAAR

Please note: Bazaar is a small ads service provided free to readers not associated with the trade. If you require a small trade advertisement please contact our classified department. Tel: 01-727 7010

Stabilised power supplies made by Amplicon valves 12V 5V good condition and reliable. Accept any offer. J. Works, 1 Highbarns, Hemel Hempstead, Herts HP3 8AQ. Tel: 0442 50277.

Variable voltage transf input 230/240V output 0–250V 0.5KVA 2.5 amps Max totally enclosed type. Offers wanted. E.G. Priestley, FBIS, 6 Lynden Avenue, Windhill, Shipley, West Yorkshire BD18 1HF.

Set of W.W.M.S.F. clock R.C.B. 3 double sided 2 single sided most IC. Offers wanted. E.G. Priestley, FBIS, 6 Lynden Avenue, Windhill, Shipley, West Yorkshire BD18 1HF. BFD 0274 593382.

New Z80 BBC second processor with discs and manuals £320. Also other items, send for list. R.W. Kingdon,

Zelmont the Sands, Farnham, Surrey GU10 1LTD. Tel: 0252 22725.

New hand cranked wee megger series 3 MarkIV avo8mkIII multimeter AVO multiminder AVO volyage multiplier mark 7 o feers. Mr. L.T. Cowell, 69 Crewe Road, Haslington, Crewe.

Swap Eddystone 960 transistor RX for Texas T199/4A perophas (stand) alone thermal printer Rs232 Disc interface. M.J. Lang (Gaduk), 11 Ramsay Way, Burnham-on-Sea, Somerset.

Wanted plug in tele text adaptor. J. Fulton, Derrynasser, Dromore, Co Tyrone, BT78 3BE.

Pair R.S. Soldering Stations 24 Volt 50 Watt complete with irons, tips, plugs, sponges. £25 each. Dave Owen, West Penyllan, Churchstoke, Powys, Wales. Tel: 05885 329.

Texas silent 700 printer (722) wanted for spares. Also manual or any Info wiring diagrams etc. Mr C. Salter, 19 Saintfield Road, Belfast BT8 4AF. Tel: 0232 642687.

150w switchmode psu +5v@13A

+12V@11.5A +12v@1.0A +24v@1.7A +12v@0.2A working perfectly. Tel 59027 after 6.00 pm. S. Cramp, 68 Heath Drive, Chelmsford, Essex.

Sale Practical Electronics 68 number from 1972 to 1986. I will send list. Y. Ferreira, 13 Danehurst St., London SW6 6SA.

20 years P.E. in Binders – offers. Also components galore. Tel: 01-205 0221.

Many technical books, magazines, service sheets, radio and TV valves (all guaranteed). Send S.A.E. for details. Mr F.D. Brown, 6 Ryan Close, Ferndown, Dorset BH22 9TP.

ICL termi-printer with keyboard and complete service manual, £45. 10 amp 5 volt regulated power supply, £18. M.J. Dixon, 3 Newlands Drive, Halesowen. Tel: 021-421 3732.

Brand new components. 200 capacitors, 200 diodes, 100 transistors, 50 ICs. Good assortment £15 post free. K. Bailey, 40 Seymour Close, Selly Park, Birmingham B29 7JD.

PRACTICAL ELECTRONICS

ADVERTISING DEPT.

TELEPHONE
01-727 7010
FOR SPACE

F.I.Diag.E

Formed in 1981 in recognition of the special knowledge and skills required by persons involved in fault diagnosis, plant management, maintenance and problem solving.

At the present admission is based solely on competence and capability without regard to age or academic attainments.

To obtain further particulars send a fully stamped and addressed envelope to:

INSTITUTION OF DIAGNOSTIC ENGINEERS

3 Wycliffe Street, Leicester LE1 5LR28 England

★ BAKER ★
GROUP P.A. DISCO
AMPLIFIERS post £2



150 watt Output, 4 input Mixer pre-amp, illustrated **£39**
150 watt Output, Slave 500 mv. Input 3 Speaker Outputs **£30**
150 + 150 watt Stereo, 300 watt Mono Slave 500 mv. Inputs **£145**
150 watt P.A. Vocal, 8 Inputs, High/Low Mixer Echo Socket **£149**
60 watt Mobile 240v AC and 12v DC. 4-8-16 ohm + 100v line **£89**
Compact PA amp 20 + 20 Stereo or 40 watts Mono **£65**
30 watt Guitar/PA Amplifier, 2 inputs **£59 PP £1**
30 Watt COMBI, 12in. Speaker, Treble, Bass etc. **£95 PP £5**

FAMOUS LOUDSPEAKERS FULLY GUARANTEED

Make	Model	Size	Watts	Ohms	Price	Post
GOODMANS	HIFAX	7 1/2 x 4 1/4 in	100	8	£34	£2
BAKER	DISCO/GROUP	10in.	50	8/16	£18	£2
BAKER	MID-RANGE	10in	100	8	£25	£2
BAKER	DISCO/GROUP	12in	120	8/16	£30	£2
BAKER	WOODFER	12in	80	8	£25	£2
GOODMANS	DISCO/GROUP	12in	120	8/15	£36	£2
BAKER	DISCO/GROUP	15in	100	8/16	£30	£4
H+H	DISCO/GROUP	15in	100	4/8/16	£65.50	£4
GOODMANS	HP/BASS	15in	250	8	£74	£4
GOODMANS	HPD/BASS	18in.	230	8	£87	£4

COMPACT FULL RANGE SPEAKER SYSTEMS size 24 x 17 x 12in
120 watts **£35**, 200 watts **£115**, 400 watts **£185** each Carr **£10**.
MID-H-TOP 300 watts add on system complete **£125** each Carr **£10**.

DISCO CONSOLE Twin Decks, mixer pre amp **£149**, Carr **£10**.
Drive Powered 120 watt **£199**, or Complete Disco **£295**, Carr **£30**.

MAINS TRANSFORMERS Price Post

250-0-250V 60mA, 6.3V 2A.	£5.00	£1
350-0-350V 250mA, 6.3V 6A CT.	£14.00	£2
220V 25mA, 6V 1 Amp £3.00 220V 45mA, 6V 2 Amp	£4.00	£1

LOW VOLTAGE TAPPED OUTPUTS AVAILABLE

1 amp 6, 8, 10, 12, 16, 18, 20, 24, 30, 36, 40, 48, 60	£8.00	£2
ditto 2 amp £10.50 3 amp £12.50 5 amp £16.00	£14.00	£2

LOW VOLTAGE MAINS TRANSFORMERS £5.50 each post paid
9V, 3A; 12V, 3A; 16V, 2A; 20V, 1A; 30V, 1 1/2A; 30V, 5A + 17-0-17V, 2A; 35V, 2A; 20-40-60V, 1A; 12-0-12V, 2A; 20-0-20V, 1A.

PANEL METERS 50µA, 100µA, 500µA, 1mA, 5mA, 100mA, 500mA, 1 amp, 2 amp, 5 amp, 25 volt, VU 2 1/4 x 2 1/4 in. **£5.50** post 50p

MINI MULTI TESTER Volts AC-DC, ohms, milliamps **£8.50**

DELUXE RANGE DOUBLER METER 50K O.P.V. **£25.00 PP £1**
7 x 5 x 2in Ohms 20meg, volts 0-25, 1000, current 50ua, 10a.

PROJECT CASES Black Vinyl Covered Steel Top, All Base
4 x 2 1/2 x 2 1/4 in **£3.00**, 6 x 4 x 1 1/2 in **£4.00**, 8 x 5 x 2in **£4.50**,
11 x 6 x 3in **£8.00**, 11 3/4 x 6 x 5in **£10.00**, 15 x 8 x 4in **£13.50**.

ALUMINIUM PANELS 18 x w x 12 x 12in **£2.00**, 14 x 9in **£2.00**,
6 x 4in **85p**, 12 x 8in **£1.50**, 10 x 7in **£1.10**, 8 x 6in **£1.00**,
14 x 3in **85p**, 12 x 5in **£1.00**, 16 x 10in **£2.35**, 16 x 6in **£1.50**.

ALUMINIUM BOXES, MANY OTHER SIZES IN STOCK.
4 x 2 1/2 x 2in **£1.35**, 3 x 2 x 1in **£1.15**, 6 x 4 x 2in **£2.00**, 8 x 6 x 3
£3.40, 12 x 5 x 3in **£4.00**, 6 x 4 x 3in **£2.50**, 10 x 7 x 3in **£4.00**.

HIGH VOLTAGE ELECTROLYTICS

20/500V 75p	220/400V £2	32 + 32/500V £2
32/350V 45p	8 + 8/450V 85p	32 + 32/350V 85p
47/350V 75p	20 + 20/350V 75p	80 + 40 + 20/350V 95p

GEARED TWIN GANGS 365 + 365 + 25 + 25pf **£2.00**

REVERSE VERNIER cord drive 90p, Spindle Extender **£1.50**.

VERNIER DIALS, 0-100, 36mm, **£2.50**, 50mm, **£3.00**.

RADIO COMPONENT SPECIALISTS

337 WHITEHORSE ROAD, CROYDON
SURREY, U.K. Tel: 01-684 1665
Post 85p Minimum. Callers Welcome. ACCESS VISA

List, Large S.A.E. Delivery 7 days Closed Wednesday

INDEX TO ADVERTISERS

Advanced Security Products	53	Magenta Electronics	IFC
BiPak Components	54	Maplin Electronics	OBC
B.K. Electronics	55	Omega	53
Cricklewood Electronics	51	Phasor Circuits	53
Croydon Disco	13	Phonosonics (Becker)	8
Cybernetic Applications	8	Radio Component Specialists	52
C.R. Supply Co.	53	Riscomp	54
E.S.R. Components	53	Scientific Wire Co.	53
Grandata	51	Tandy	3
Henries Audio	13	Technomatic	4,5
I.G.S.	53	T.K. Electronics	51
London Electronics College	53		

ORDER FORM PLEASE WRITE IN BLOCK CAPITALS

Please insert the advertisement below in the next available issue of Practical Electronics for

insertions. I enclose Cheque/P.O. for £.....

(Cheques and Postal Orders should be crossed Lloyds Bank Ltd. and made payable to Practical Electronics)

NAME

ADDRESS

The prepaid rate for classified advertisements is 20 pence per word (minimum 12 words), box number £1.00 extra. Semi-display setting £8 per single column centimetre (minimum 2.5 cms). All cheques, postal orders, etc. to be made payable to Intrapress and crossed. Treasury notes should always be sent registered post. Advertisements, together with remittance, should be sent to Practical Electronics, 16 Garway Road, London W2 4NH. Tel. (0322) 52 1069.

PRACTICAL ELECTRONICS

ADVERTISING DEPT.

SERVICES

HEATHKIT U.K. SPARES AND SERVICE CENTRE. Cedar Electronics, Unit 12, Station Drive, Bredon, Tewkesbury, Glos. Tel. (0684) 73127.

ELECTRONIC DESIGN SERVICES, EPROM programming (2708-27512). PAL programming from Masters or Fuse Plots. Also PAL Design Services from Text, Boolean Expressions, etc. U.E.D. Ltd., Castlebellingham, Co. Louth, Ireland. Tel: 042-72127.

TO ADVERTISE ON THESE PAGES
TEL: 01-727 7010

COMPONENTS

Transformers and Power Supplies at very low prices. Manufacturers surplus and end of production runs. All English Made. Send S.A.E. for list. Titan Transformers, Central Hall, Duncombe Street, Grimsby, DN32 7EG

CLEARING LABORATORY. scopes, generators, P.S.U.'s, bridges, analysers, meters, recorders etc. Tel. 0403-76236.

RESISTORS, CAPACITORS, PRESETS, NUTS & BOLTS, SELFTAPPING SCREWS, SOLDER TAGS, STAND OFFS, CABLE TIES. All available in money saving packs. All values or sizes individually packed for ease of use, no sorting or grading necessary. All components guaranteed brand new, full specification. Always have the components you want at hand send for my free lists today. I.G.S. Components, Dept PE, 18 Queensway, Shelley, Ongar, Essex CM5 0BN.

COMPONENT PANELS Ideal for hobbyist. Equipment. Each pack (13 panels) includes:- 75 I.c.s. (CPU, I/O ports, rams, gates etc.) 149 transistors 23 LEDs, 11 7-segs and 29 push buttons, 4 crystals, numerous diodes, resistors, capacitors, chokes, pots, etc. etc. All this for £12 per pack + £1.50 P&P. V.S.E. 212 Dudley Hill Road, Bradford 2, W. Yorks. BD2 3DF (0274) 636652.

Carbon Film Resistors 1/4W E24 series 0-51R to 10MΩ - 1p
100 off per value - 75p 1000 off in even hundreds per value - £7
Metal Film 1/4W 10R0 to 1MΩ 5% E12 series - 2p 1% E24 series - 3p
BC107/8/9 - 12p BC547/8/9 - 8p BC557/8/9 - 8p BC182L, 184L - 10p
BFY50/51/52 - 20p 2N3055 - 50p TIP31A, 32A - 25p TIP 41, 42, - 40p

Tantalum bead subminiature electrolytics (MkHs/Volts)
0-1/35, 0-22/35, 0-47/35, 3-3/16, 4-7/16 - 14p 4-7/35 - 15p
2-2/35, 4-7/25, 10/6 - 15p 4-7/35, 6-8/16 - 16p 10/16, 22/6 - 20p

Aluminium Electrolytics (MkHs/Volts)
1/50, 2-2/50, 4-7/25, 4-7/50, 10/16, 10/25, 10/50 - 5p 22/16, 22/25 - 8p
22/50, 47/16, 47/25, 47/50 - 8p 100/16, 100/25 - 7p 100/50 - 12p
100/100 - 14p 220/16 - 18p 220/25, 220/50 - 10p 470/16, 470/25 - 11p
1000/25 - 25p 1000/35, 2200/25 - 22p 4700/25 - 70p

Miniature Polyester Capacitors 250V Wtg. Vertical Mounting
01, 015, 022, 033, 047, 068 - 4p 0-1 - 5p 0-15, 0-22 - 8p 0-47 - 8p

Mylar Capacitors 100V Wtg. Vertical Mounting E12 Series
1000p to 8200p - 3p 0-1 to 0-68 - 4p 0-1 - 5p 0-15, 0-22 - 8p

Subminiature Ceramic Plate 100V Wtg. E12 Series Vertical Mounting
2% 1P8 to 47P - 3p 56P to 330P - 4p 10% 390P to 4700P - 4p

Polystyrene Capacitors 63V Wtg. E12 Series Axial Mounting
10P to 820P - 3p 1000P to 10,000P - 4p 12,000P - 5p
1N4148 - 2p 1N4002 - 4p 1N4006 - 8p 1N5404 - 14p W01 bridge - 25p
0A91 - 8p

Zener diodes E24 series 3V3 to 33V 400mW - 8p 1 watt - 12p
LED's Red, Green & Yellow 3mm & 5mm - 8p 8mm - 35p
20mm fuse 0-1A to 5A quick blow - 5p 5P Anti Surge - 8p
High Speed diodes 0-8mm, 1-0mm, 1-3mm, 1-5mm, 2mm - 25p
Expo Helmer drilling machines 12V d.c. with improved 3-jaw chuck £6.50
Necods AA - 80p HP11 - £2 PFP - £4.20 Universal Chargers - £6.50
Glass reed switches single pole make contacts - 8p Magnets - 12p

VAT inclusive. Return postage 20p (free over £5). Lists free

THE C.R. SUPPLY CO.,
127 Chesterfield Road,
Sheffield S8 0RN. Tel. 557771.

BENCH POWER SUPPLY

Stabilised output. 5-9-12 & 15v at 1 amp. Overload protected. £22.95

DUAL POWER SUPPLY

Fully regulated and current limited. Metered voltage and current. 0-25v, 1 amp. £69.50

LOGIC PROBE

Switched for TTL or CMOS. £17.95

INFRA-RED REMOTE CONTROL

High security. Numerous applications, switching house and car alarms, garage doors, car locks, etc. £26.

Prices include p&p. All products carry a 12 mth guarantee. Trade enquiries welcome.

Phasor Circuits, 12 Kendall Road, Leicester, LE4 7GP. Tel: (0533) 830953.

FULL-TIME TRAINING COURSES

2 YEAR

B-TEC National Diploma (OND)
ELECTRONICS & COMMUNICATIONS ENGINEERING
(Television & Computing)

15 MONTHS

B-TEC National Certificate (ONC)
ELECTRONIC EQUIPMENT SERVICING
(Television & Video)

15 MONTHS

B-TEC National Certificate (ONC)
COMPUTING TECHNOLOGY

9 MONTHS

B-TEC Higher National Certificate (HNC)
COMPUTING TECHNOLOGY & ROBOTICS

HIGH PERCENTAGE OF COLLEGE BASED PRACTICAL WORK
SHORT COURSES WITH PREVIOUS KNOWLEDGE
NO EXTRA CHARGES FOR OVERSEAS STUDENTS

Prospectus from:

LONDON ELECTRONICS COLLEGE

Dept: AA, 20 Penywern Road,
London SW5 9SU. Tel: 01-373 8721

ESR ELECTRONIC COMPONENTS

- Full range of components
- Motors & Servos
- Robot Arms & Interfaces
- Velleman Electronic Kits

Send for New Catalogue 60p inc. P&P

13A Station Rd, Cullercoats, North Shields,
Tyne & Wear NE30 4PQ. Tel. 091 251 4363

PLEASE MENTION PRACTICAL ELECTRONICS WHEN REPLYING TO ADVERTISEMENTS

OMEGA ELECTRONICS

SPECIALISTS IN COMPUTER IC'S

NEW LATEST AND FASTEST MEMORY AND CMOS DEVICES

COMPUTER IC'S		EPROM 5v CMOS 25ons	
DRAM 5v NMOS 15ons		27C64 8Kx8	700p
4164 64Kx1 120p		27C256 32Kx8	1200p
41256 256Kx1 350p			
4416 16Kx4 200p			
4146A 64Kx4 490p			
		280 CPU & INTRF	
		280 CPU	180p
		280 PIO	200p
		280 CTC	200p
		280 SIO	500p
		280 DART	580p

CMOS							
4000	15p	4028	32p	4052	37p	4094	48p
4001	15p	4029	38p	4053	37p	4095	70p
4002	15p	4030	20p	4054	60p	4096	50p
4006	45p	4031	90p	4055	60p	4099	80p
4007	15p	4032	80p	4056	60p	4501	40p
4008	40p	4033	125p	4060	45p	4502	50p
4009	29p	4034	89p	4072	15p	4503	38p
4010	32p	4035	47p	4066	24p	4508	90p
4011	15p	4036	225p	4067	130p	4510	38p
4012	15p	4037	105p	4068	15p	4511	48p
4013	25p	4038	75p	4069	15p	4512	48p
4014	35p	4039	285p	4070	15p	4514	75p
4015	35p	4040	38p	4071	15p	4515	80p
4016	15p	4041	52p	4072	15p	4516	40p
4017	31p	4042	15p	4073	15p	4517	19p
4018	33p	4043	38p	4075	15p	4520	40p
4019	28p	4044	38p	4076	45p	4525	60p
4020	38p	4045	105p	4077	15p	4527	50p
4021	40p	4046	48p	4078	15p	4528	42p
4022	38p	4047	45p	4081	15p	4532	80p
4023	15p	4048	29p	4082	15p	4555	48p
4024	28p	4049	40p	4085	30p	4556	49p
4025	15p	4050	20p	4086	35p	4584	35p
4026	89p	4051	38p	4089	80p	4585	42p
4027	28p			4093	23p		

74HC							
74HC00	24p	74HC51	24p	74HC157	56p	74HC241	85p
74HC02	24p	74HC74	45p	74HC158	56p	74HC242	85p
74HC04	25p	74HC86	45p	74HC161	75p	74HC244	85p
74HC08	24p	74HC107	35p	74HC164	60p	74HC245	95p
74HC10	24p	74HC109	40p	74HC165	65p	74HC257	55p
74HC11	24p	74HC123	50p	74HC166	60p	74HC259	75p
74HC14	50p	74HC132	65p	74HC173	60p	74HC273	90p
74HC20	24p	74HC138	52p	74HC174	80p	74HC373	90p
74HC22	24p	74HC139	52p	74HC175	52p	74HC374	85p
74HC32	36p	74HC153	52p	74HC240	99p	74HC640	100p
74HC42	50p						

ANY IC SUPPLIED - IF IT EXISTS WE WILL SUPPLY IT.
ORDERS OVER £25 p&p FREE + 15% VAT
OTHERWISE ADD 50p p&p + 15% VAT
QUOTATIONS FOR QUANTITY ON REQUEST.

OMEGA ELECTRONICS
189 BEVERLEY DRIVE, EDGWARE, MIDDLESEX HA8 5NL
01-952 4802
MAIL ORDER ONLY.
PRICES SUBJECT TO CHANGE WITHOUT NOTICE.

WHO CAN PUT A PRICE ON A PEACE OF MIND
PROFESSIONAL EQUIPMENT AT LOW! LOW! PRICES.
HOME SECURITY IS NOW AVAILABLE AT TRADE PRICES
ADVANCED SECURITY PRODUCTS LTD
2 Ealing Road, Aintree,
Liverpool L9 0HU, Merseyside.
Tel: 051-525 3440
FREE CATALOGUE PHONE OR S.A.E.

THE SCIENTIFIC WIRE COMPANY			
811 Forest Road, London E17. Telephone 01-531 1568			
ENAMELLED COPPER WIRE			
SWG	1 lb	8 oz	4 oz
8 to 34	3.63	2.09	1.10
35 to 39	3.82	2.31	1.27
40 to 43	6.00	3.20	2.25
44 to 47	8.67	5.80	3.49
48	15.96	9.58	6.38
			3.69
SILVER PLATED COPPER WIRE			
14 to 30	9.09	5.20	2.93
TINNED COPPER WIRE			
14 to 30	3.97	2.41	1.39
Fluxcore			0.94
Solder	5.90	3.25	1.82
			0.94

Prices include P&P VAT. Orders under £2 add 20p.
SAE for list of copper and resistance wire.
Dealer enquiries welcome.

INSTALL YOUR OWN SYSTEM AND SAVE

SECURITY

MODULES ACCESSORIES KITS

NEW

Control Unit CA 1382

with automatic circuit testing and simple on/off operation.

- Fully automatic siren re-set.
- Audible entry exit warning.
- Alarm Sounded memory.
- 2 separate loop inputs + 24hr circuits.
- Built-in electronic siren.
- Easily installed, full instructions supplied.



This brand new control panel provides effective and reliable control of all types of security installations. Using advanced electronics, the unit automatically checks the loop circuits every time that it is switched on, thereby reducing the possibility of false alarms and incorrect operation. Using a simple on/off key switch, it is easily operated by all members of the family. Additionally, 24hr personal attack and anti-tamper protection is provided irrespective of whether or not the unit is switched on. Housed in a strong, attractive steel case, the unit is supplied with full operating instructions and 2 keys. Supplied fully built and tested ready for installation.

Also available in kit form with built-in electronics
£39.95 + VAT

ONLY £44.95 + VAT

Lighting Controller DP 3570

only **£13.95 + VAT**



This versatile module provides timed switching of loads up to 3A for pre set times between 10 secs and 5 mins. The timed period being triggered by the opening or closing of an external loop or switch. The built-in 12V 250mA power supply is available for operating external sensors. Priced only £13.95 + VAT Suitable plastic enclosure. £2.85 + VAT.

500W Quartz Halogen Floodlight FL 500

only **£14.95 + VAT**



Whilst intended for security lighting applications, this unit is suitable for lighting patios, pathways and gardens etc. Supplied complete with 500W lamp, priced only £14.95 + VAT Protective grill, £1.95 + VAT

Infra-red System IR 1470

only **£25.61 + VAT**



Consisting of separate transmitter and receiver both of which are housed in attractive moulded cases, the system provides an invisible modulated beam over distances of up to 50ft operating a relay when the beam is broken. Intended for use in security systems, but also ideal for photographic and measurement applications. Size 80 x 50 x 35mm.

HW 1250 - Enclosure & fixings for CA 1250

only **£9.50 + VAT**



This attractive case is designed to house the control unit CA 1250, together with the appropriate LED indicators and key switch. Supplied with the necessary mounting pillars and punched front panel, the unit is given a professional appearance by an adhesive silk screened label. Size 200 x 180 x 70mm.

Control Unit CA 1250

Price **£19.95 + VAT**



This tried and tested control unit represents the finest value for money in control systems, providing the following features.

- Built-in electronic siren drives 2 loud speakers
- Provides exit and entrance delays together with fixed alarm time
- Battery back up with trickle charge facility
- Operates with magnetic switches, pressure pads, ultrasonic or I.R. units
- Anti-tamper and panic facility
- Stabilised output voltage
- 2 operating modes full alarm, anti tamper and panic facility
- Screw connections for ease of installation
- Separate relay contacts for external loads
- Test loop facility

Digital Ultrasonic Detector US 5063

only **£13.95 + VAT**



- 3 levels of discrimination against false alarms
 - Crystal control for greater stability
 - Adjustable range up to 25ft
 - Built-in delays
 - 12v operation
- This advanced module uses digital signal processing to provide the highest level of sensitivity whilst discriminating against potential false alarm conditions.

Complete systems from only £39.95 + VAT

For full information of systems and accessories, send or call for details.

RISCOMP LIMITED

Dept. PE 61,
51 Poppy Road,
Princes Risborough,
BUCKS HP17 9DB
Tel: (084 44) 6326



Order by phone or mail or call at our showroom and see

UNITS ON DEMONSTRATION

Monday to Friday 9.00 - 5.00 p.m.
Saturday 9.00 - 1.00 p.m.

Please add 15% VAT and 75p P&P to all UK orders. Export no VAT - postage at cost

Individual Enclosure SC 5063

only **£2.95 + VAT**

Suitable metal enclosure for housing the ultrasonic module type US 5063. Supplied with the necessary mounting pillars and screws etc.

BI-PAK BARGAINS

Pack No.	Qty	Description	Price
VP100	300	Assorted Resistors mixed values & types	£1.00
VP2	300	Carbon Resistors 1/4-watt pre-formed, mixed	£10.00
VP3	200	1/4-watt Min. Carbon Resistors mixed values	£1.00
VP4	200	1/2-watt Resistors mixed values & types	£1.00
VP5	200	Assorted Capacitors all types	£1.00
VP6	200	Ceramic Caps. Miniature, mixed values	£1.00
VP8	100	Mixed Carbon Disc. 50kΩ - 500kΩ	£1.00
VP9	100	Assorted polyester/polystyrene Caps	£1.00
VP10	50	C280 Caps. metal foil, mixed values	£1.00
VP11	50	Electrolytics, all sorts	£1.00
VP12	40	Electrolytics, 47mF-150mF, mixed volts	£1.00
VP13	30	Electrolytics, 150mF-1000mF, mixed volts	£1.00
VP14	50	Silver Mica Caps. mixed values	£1.00
VP15	25	0/1250V Min. Layer Metal Caps	£1.00
VP16	50	Wirewound Res. mixed watt values	£1.00
VP17	50	Metres PVC Single Strand Wire, mixed cols	£1.00
VP18	40	Metres PVC Multi Strand Wire, mixed cols	£1.00
VP19	40	Metres PVC Single/Multi Strand Wire	£1.00
VP20	6	Rocker Switches, 2x 240V	£1.00
VP21	10	Assorted Switches, slide, push, etc	£1.00
VP22	200	Sq. Inches total Copper Clad Board	£1.00
VP23	10	40mm Slider Pots. 100K Lin	£1.00
VP24	10	125" Clear shrouding red LEDs	£1.00
VP25	10	Mixed shape and colours red LEDs	£1.00
VP26	15	Small 125" Red LEDs	£1.00
VP27	15	Large 2" Red LEDs	£1.00
VP28	10	Rectangular 2" Red LEDs	£1.00
VP29	30	Assorted volts Zeners 250mW-2w	£1.00
VP30	10	Assorted volts Zeners 10w, coded	£1.00
VP31	10	5a SCR's T066 50-400v, coded	£1.00
VP32	20	3a SCR's T066 up to 400v, coded	£1.00
VP33	200	Si Diodes like 1N4148	£1.00
VP34	200	Si Diodes like OA200/BAX13/16	£1.00
VP35	50	1a 1N4000 Diodes, all good, uncoded	£1.00
VP36	100	Sq. Inches total Copper Fibre-Glass Board	£1.00
VP37	8	Black Pioneer Knobs, 1/2" Dia	£1.00
VP38	100	Si Trans. NPN plastic coded Data	£3.00
VP39	100	Si Trans. PNP plastic coded Data	£3.00
VP40	40	TTL I.C.'s all new gates - Flip Flop - MSI Data	£4.00
VP41	40	CMOS I.C.'s all new, inc. data	£4.00
VP42	10	Black Heatshinks, R TO-3 and TP220, Drilled	£1.00
VP43	4	Power-Fin Heatshinks 2 x TO-3, 2 x TO-66	£1.00
VP44	15	Asst. Heatshinks, TO-18 18-220	£1.00
VP45	50	BC107/8 NPN Transistors Good, uncoded	£1.00
VP46	50	BC177/8 PNP Transistors Good, uncoded	£1.00
VP47	10	Si Power Trans. Similar 2N3055, Uncoded	£1.00
VP48	5	Pairs NPN/PNP Plastic Power Trans. Data 4a	£1.00
VP49	30	Asst. Si Rects. 1a-10a, Mixed volts	£1.00
VP50	60	NPN Si Switching Trans. TO-18 and TO-92	£1.00
VP51	60	PNP Si Switching Trans. TO-18 and TO-92	£1.00
VP52	15	Asst. Audio Plugs. Photo-Din-Jack, etc	£1.50

Pack No.	Qty	Description	Price
VP53	15	Asst. Audio Sockets. Photo-Din-Jack etc	£1.50
VP54	20	Asst. I.C. Di Sockets 8-40 Pin	£2.50
VP55	10	3 x 4116 Memories	£2.00
VP56	100	Semiconductors from around the world, Mixed	£4.00
VP57	25	Opto Special pack Assorted, Super Value	£5.00
VP58	10	Hybrid LED Colour displays	£4.00
VP59	20	Asst. I.C.'s, linear, etc. All coded	£2.00
VP60	100	All sorts Transistors, NPN/PNP	£1.00
VP61	1	Sichuan and Dns Kit PCB Inc drill transfers etc	£10.50
VP62	1	Electronic Buzzer, 8v, 25MA	£0.95
VP63	1	Electronic Buzzer, 8v, 25MA	£0.95
VP64	1	TECASBOTV 36 Component and Semiconductor Pack	£8.00
VP65	1	Telephone Pick-up Coil with 3.5mm Jack Plug	£1.25
VP66	1	Phone Speaker with 3.5mm Jack Plug	£1.45
VP67	1	2m Ohm/Inches Tape	£1.00
VP68	1	Small Plastic Vial, with suction base	£2.50
VP69	1	Signal injector, push button operation	£2.50
VP70	1	Logic Probe/Tester Supply 4.5v-18, DTL, TTL, CMOS	£10.50
VP71	1	Universal Tester with carabiner buzzer	£5.00
VP72	1	Electrical Circuit Tester for cars, electrical, TV	£1.00
VP73	1	13 Piece Tool Set. Screwdrivers, pliers, etc	£7.50
VP74	1	6 Piece "Starliner" Screwdriver Set. Flat & Crosspoint	£3.50
VP75	1	Ratchet Screwdriver Set. 4 blades. Real Value	£1.75
VP76	1	Piezo buzzer, miniature 12v	£1.25
VP77	1	Universal Tester with carabiner buzzer	£1.25
VP78	1	Sub Resistance Box. 36 values 50ohms-1Kohm	£4.75
VP79	1	Coax Antenna Switch. 2 way	£4.75
VP80	1	High Pass Filter/Suppressor. CB/TV	£0.50
VP81	1	Low Pass Filter, VHS/TV Band	£3.00
VP82	1	Miniature FM Transmitter/Babyphone	£6.50
VP83	6	RED 7 Seg. CC. 14mmx7.5mm FND353 LED Display	£2.00
VP84	4	GREEN 7 Seg. CC. 6' LDP XAN6520 LED Display	£2.00
VP85	5	RED 7 Seg. CC. 6' LDP XAN6940 LED Display	£2.00
VP86	5	RED Overload 6' 3x3CA 3x3C 363090 LED Display	£2.00
VP87	5	GREEN Overload 5' CA XAN6530 LED Display	£2.00
VP88	5	RED 7 Seg. CA. 3' XAN3061 LED Display	£2.00
VP89	3	DUAL RED 7 Seg. CA DL527 DPR LED Display	£2.00
VP90	3	DUAL RED 7 Seg. CA DL727 DPR LED Display	£2.00
VP91	20	Assorted LED Displays - var mix, with data	£9.00
VP92	1	Push-up Tool, spring loaded	£1.75
VP93	50	Precision Resistors 2-1% 10v	£1.00
VP94	10	1N4002 Si Rects. 1a 10v, preformed pitch	£1.00
VP95	4	40A Power Rectifiers, silicon, TP48 300VPI	£1.00
VP96	5	BY178 12KV SiL Diodes in carriers, 2.5MA	£1.00
VP97	4	100K Lin Multi-turn Pots. ideal var. cap. tuning	£1.00
VP98	10	Assorted Pots, inc. dual & switched types	£1.75
VP99	25	Solid tantalum Caps. mixed values	£1.00
VP100	1	Pair Opto Coupled Modules	£0.80
VP101	30	Presets, horizontal and vertical, mixed values	£1.00
VP102	20	BC1838 SiL Trans. NPN 30v 200mA Hfe240+	TO92 £1.00

Pack No.	Qty	Description	Price
VP103	25	BC1718 SiL Trans. NPN 45v 100mA Hfe240+	TO92 £1.00
VP104	15	RT828 SiL Trans. NPN 40v 400mA Hfe100+	TO92 £1.00
VP105	15	T1591 SiL Trans. PNP 40v 400mA Hfe100+	TO92 £1.00
VP106	15	MPSA56 SiL Trans. PNP 80v 800mA Hfe50+	TO92 £1.00
VP107	20	BF595 SiL Trans. NPN eqvt. BF184 H.F.	TO92 £1.00
VP108	20	BF495 SiL Trans. NPN eqvt. BF173 H.F.	TO92 £1.00
VP109	15	ZTX500 series SiL Trans. PNP plastic	£1.00
VP110	15	ZTX107 SiL Trans. NPN eqvt. BC107, plastic	£1.00
VP111	15	ZTX108 SiL Trans. NPN eqvt. BC108, plastic	£1.00
VP112	25	BC183L SiL Trans. NPN 30v 200mA	TO92 £1.00
VP113	5	SJES451 SiL Power Trans. NPN 80v 4A Hfe20+	£1.00
VP114	2	NPN/PNP pairs SiL Power Trans. like SJE541	£1.00
VP115	4	ZN6289 SiL Power Trans. NPN 40v 400mA Hfe30+	£1.00
VP116	5	BF133 NPN SiL Trans. 80v 5A Hfe50-200	TO99 £1.00
VP117	5	BF134 NPN SiL Trans. 100v 5A Hfe50-200	TO99 £1.00
VP118	1	BUV69C NPN TO3 VCB 500 10A 100v Hfe15+	£1.00
VP119	10	BC478 eqvt. BCy71 PNP SiL Trans.	TO18 £1.00
VP120	10	BX521 eqvt. BC394 NPN SiL Trans. 80v 50mA	TO18 £1.00
VP121	10	Assorted Power Trans. NPN/PNP coded & data	£1.00
VP122	10	BF355 NPN TO-39 SiL Trans. eqvt. BF258 225v 100mA	£1.00
VP123	10	SM1502 PNP TO39 SiL Trans. 100v 200mA Hfe100+	£1.00
VP124	150	De-soldered SiL Trans. from boards. 10mm leads, good	£1.00
VP125	15	DiL Switches 1 & 2 way slide. 6 way SPST. Assst	£1.00
VP126	20	LES and MES Bulbs, assorted volts	£1.00
VP127	30	Fuses 20mm x 1 1/4" Glass, assorted values	£1.00
VP128	1	Pack Assorted Hardware, nuts, bolts, etc	£1.00
VP129	5	Asst. Battery Holders & Clips. PP3, AA, etc	£1.00
VP130	3	Pairs Croc. Clips insulated 2 small. 1 large set	£1.00
VP131	25	Tantalum Bead Caps. assorted values	£1.00
VP132	100	1 and 2 watt Resistors, assorted values	£1.00
VP133	4	1000µF 50v Electrolytics	£1.00
VP134	12	Phono Plugs, Sockets and Connectors. 4 of each	£1.00

Pack No.	Qty	Description	Price
BPX1	4	Different popular books on Electronics Projects. Hours of interesting reading and construction. Normal Retail £8.00. Bi-Pak Special Offer £6.00.	£6.00
BPX2	1	IC Projects Book, including IC Eqvts. Book, Digital, CMOS and Op Amos & TTL Data Book. Normal Retail £8.50. Bi-Pak Special Offer £4.00.	£4.00
BPX3	3	Computer Books on Programming - Micro Processors - ZX81 etc. Normal Retail £8.00. Bi-Pak Special Offer £2.50.	£2.50
BPX4	1	International Transistor Equivalents Guide, Babani Pub. Latest edition BP85. Plus "FREE" with Bi-Pak's compliments. 10 popular SiL Trans. valued over £1.00. Bi-Pak Special Offer £2.95.	£2.95
BPX5	1	IC 555 Projects Book (Timer) 167 pages, over 50 project circuits to build and Data, etc., on IC555 Timers. Plus "FREE" with Bi-Pak's compliments. 4 x IC555, valued at £1.20. Bi-Pak Special Offer £2.50.	£2.50

PLEASE NOTE "NO VAT" ON BOOKS

BI-PAK

Send your orders to Dept PE BI-PAK PO BOX 6 WARE, HERTS
TERMS CASH WITH ORDER. SAME DAY DESPATCH. ACCESS
BARCLAYCARD ALSO ACCEPTED. TEL 0763-48851. GIRO 388 7006
ADD 15% VAT AND £1.00 PER ORDER POSTAGE AND PACKING

Use your credit card. Ring us on 0763-48851 NOW and get your order even faster. Goods normally sent 2nd Class Mail. Remember you must add VAT at 15% to your order. Total Postage add £1.00 per Total order.

OMP POWER AMPLIFIER MODULES

PRICES INCLUDE V.A.T. * PROMPT DELIVERIES * FRIENDLY SERVICE * LARGE S.A.E. 28p STAMP FOR CURRENT LIST

OMP POWER AMPLIFIER MODULES

Now enjoy a world-wide reputation for quality, reliability and performance at a realistic price. Four models available to suit the needs of the professional and hobby market: i.e. Industry, Leisure, Instrumental and Hi-Fi. etc. When comparing prices, NOTE all models include Toroidal power supply, Integral heat sink, Glass fibre P.C.B. and Drive circuits to power compatible Vu meter. Open and short circuit proof. **Supplied ready built and tested.**



OMP100 Mk II Bi-Polar Output power 110 watts R.M.S. into 4 ohms. Frequency Response 15Hz - 30KHz -3dB. T.H.D. 0.01%. S.N.R. -118dB. Sens for Max output 500mV at 10K. Size 355 x 115 x 65mm. **PRICE £33.99 + £3.00 P&P.**



OMP/MF100 Mos-Fet Output power 110 watts R.M.S. into 4 ohms. Frequency Response 1Hz - 100KHz -3dB. Damping Factor 80. Slew Rate 45V/uS. T.H.D. Typical 0.002%. Input Sensitivity 500mV. S.N.R. -125dB. Size 300 x 123 x 60mm. **PRICE £39.99 + £3.00 P&P.**

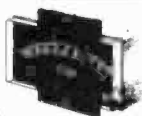


OMP/MF200 Mos-Fet Output power 200 watts R.M.S. into 4 ohms. Frequency Response 1Hz - 100KHz -3dB. Damping Factor 250. Slew Rate 50V/uS. T.H.D. Typical 0.001%. Input Sensitivity 500mV. S.N.R. -130dB. Size 300 x 150 x 100mm. **PRICE £62.99 + £3.50 P&P.**



OMP/MF300 Mos-Fet Output power 300 watts R.M.S. into 4 ohms. Frequency Response 1Hz - 100KHz -3dB. Damping Factor 350. Slew Rate 60V/uS. T.H.D. Typical 0.0008%. Input Sensitivity 500mV. S.N.R. -130dB. Size 330 x 147 x 102mm. **PRICE £79.99 + £4.50 P&P.**

NOTE: Mos-Fets are supplied as standard (100KHz bandwidth & Input Sensitivity 500mV). If required, P.A. version (50KHz bandwidth & Input Sensitivity 775mV). Order - Standard or P.A.



Vu METER Compatible with our four amplifiers detailed above. A very accurate visual display employing 11 L.F.D. diodes (7 green, 4 red) plus an additional on/off indicator. Sophisticated logic control circuits for very fast rise and decay times. Tough moulded plastic case, with tinted acrylic front. Size 84 x 27 x 45mm. **PRICE £8.50 + 50p P&P.**

LOUDSPEAKERS 5" to 15" up to 400 WATTS R.M.S. Cabinet Fixing in stock. Huge selection of McKenzie Loudspeakers available including Cabinet Plans. Large S.A.E. (28p) for free details.



POWER RANGE
8" 50 WATT R.M.S. Hi-Fi/Disco.
20 ohm magnet 1" ally voice coil. Ground ally fixing escutcheon Res. Freq. 40Hz. Freq. Resp. to 6KHz. Sens. 92dB. PRICE £10.99 Available with black grille £11.99 P&P £1.50 ea.
12" 100 WATT R.M.S. Hi-Fi/Disco
50 ohm magnet 2" ally voice coil. Ground ally fixing escutcheon. Die-cast chassis. White cone. Res. Freq. 25Hz. Freq. Resp. to 4KHz. Sens. 95dB. PRICE £28.60 - £3.00 P&P ea.

McKENZIE
12" 85 WATT R.M.S. C1285GP Lead Guitar/Keyboard/Disco.
2" ally voice coil. Ally centre dome. Res. Freq. 45Hz. Freq. Resp. to 6.5KHz. Sens. 98dB. PRICE £29.99 + £3.00 P&P ea.
12" 85 WATT R.M.S. C1285TC P.A./Disco 2" ally voice coil. Twin cone.
Res. Freq. 45Hz. Freq. Resp. to 14KHz. PRICE £31.49 + £3.00 P&P ea.
15" 150 WATT R.M.S. C15 Bass Guitar/Disco.
3" ally voice coil. Die-cast chassis. Res. Freq. 40Hz. Freq. Resp. to 4KHz. PRICE £57.87 + £4.00 P&P ea.
10" 60 WATT R.M.S. 1060GP Gen. Purpose/Lead Guitar/Keyboard/Mid. P.A.
2" voice coil. Res. Freq. 75Hz. Freq. Resp. to 7.5KHz. Sens. 99dB. PRICE £19.99 + £2.00 P&P.
10" 200 WATT R.M.S. C10200GP Guitar/Keyboard/Disco.
2" voice coil. Res. Freq. 45Hz. Freq. Resp. to 7KHz. Sens. 101dB. PRICE £44.76 + £3.00 P&P.
15" 200 WATT R.M.S. C15200 High Power Bass.
Res. Freq. 40Hz. Freq. Resp. to 5KHz. Sens. 101dB. PRICE £62.41 + £4.00 P&P.
15" 400 WATT R.M.S. C15400 High Power Bass.
Res. Freq. 40Hz. Freq. Resp. to 4KHz. Sens. 102dB. PRICE £89.52 + £4.00 P&P.

WEM
5" 70 WATT R.M.S. Multiple Array Disco etc.
1" voice coil. Res. Freq. 52Hz. Freq. Resp. to 5KHz. Sens. 89dB. PRICE £22.00 + £1.50 P&P. ea.
8" 150 WATT R.M.S. Multiple Array Disco etc.
1" voice coil. Res. Freq. 48Hz. Freq. Resp. to 5KHz. Sens. 92dB. PRICE £32.00 + £1.50 P&P. ea.
10" 300 WATT R.M.S. Disco/Sound re-enforcement etc.
1 1/2" voice coil. Res. Freq. 35Hz. Freq. Resp. to 4KHz. Sens. 92dB. PRICE £36.00 + £2.00 P&P. ea.
12" 300 WATT R.M.S. Disco/Sound re-enforcement etc.
1 1/2" voice coil. Res. Freq. 35Hz. Freq. Resp. to 4KHz. Sens. 94dB. PRICE £47.00 + £3.00 P&P. ea.

SOUNDLAB (Full Range Twin Cone)
5" 60 WATT R.M.S. Hi-Fi/Multiple Array Disco etc.
1" voice coil. Res. Freq. 63Hz. Freq. Resp. to 20KHz. Sens. 86dB. PRICE £9.99 + £1.00 P&P. ea.
6 1/2" 60 WATT R.M.S. Hi-Fi/Multiple Array Disco etc.
1" voice coil. Res. Freq. 56Hz. Freq. Resp. to 20KHz. Sens. 89dB. PRICE £10.99 + £1.50 P&P. ea.
8" 60 WATT R.M.S. Hi-Fi/Multiple Array Disco etc.
1 1/2" voice coil. Res. Freq. 38Hz. Freq. Resp. to 20KHz. Sens. 89dB. PRICE £12.99 + £1.50 P&P. ea.
10" 60 WATT R.M.S. Hi-Fi/Disco etc.
1 1/2" voice coil. Res. Freq. 35Hz. Freq. Resp. to 15KHz. Sens. 89dB. PRICE £16.49 + £2.00 P&P.

PANTEC HOBBY KITS. Proven designs including glass fibre printed circuit board and high quality components complete with instructions.

FM MICROTRANSMITTER (BUG) 90/105MHz with very sensitive microphone. Range 100/300 metres. 57 x 46 x 14mm (9 volt) **Price: £8.62 + 75p P&P.**

3 WATT FM TRANSMITTER 3 WATT 85/115MHz varicap controlled professional performance. Range up to 3 miles 35 x 84 x 12mm (12 volt) **Price: £14.49 + 75p P&P.**

SINGLE CHANNEL RADIO CONTROLLED TRANSMITTER/RECEIVER 27MHz. Range up to 500 metres. Double coded modulation. Receiver output operates relay with 2amp/240 volt contacts. Ideal for many applications. Receiver 90 x 70 x 22mm (9/12 volt). **Price: £17.82** Transmitter 80 x 50 x 15mm (9/12 volt). **Price: £11.29** P&P + 75p each. S.A.E. for complete list.



3 watt FM Transmitter

BURGLAR ALARM

Better to be 'Alarmed' than terrified. **Thandar's famous 'Minder' Burglar Alarm System.** Superior microwave principle. Supplied as three units, complete with interconnection cable. **FULLY GUARANTEED.**

Control Unit - Houses microwave radar unit, range up to 15 metres adjustable by sensitivity control. Three position, key operated fascia switch - off - test - armed 30 second exit and entry delay.

Indoor alarm - Electronic swept freq. siren. 104dB output.

Outdoor Alarm - Electronic swept freq. siren 98dB output. Housed in a tamper-proof heavy duty metal case.

Both the control unit and outdoor alarm contain rechargeable batteries which provide full protection during mains failure. Power requirement 200/260 Volt AC 50/60Hz. Expandable with door sensors, panic buttons etc. Complete with instructions.

SAVE £138.00 Usual Price £228.85

BKE's PRICE £89.99 + £4.00 P&P

Why buy a collection of self-assembly boards!

IDEAL for Workshops, Factories, Offices, Home, etc. Supplied ready built.



OMP LINNET LOUDSPEAKERS

The very best in quality and value. Made specially to suit today's need for compactness with high sound output levels. Finished in hard wearing black vinyl with protective corners, grille and carry handle. All models 8 ohms. Full range 45Hz - 20KHz. Size 20" x 15" x 12". Watts R.M.S. per cabinet Sensitivity 1W 1mtr dB.

OMP 12-100 Watts 100dB. Price £149.99

per pair.

OMP 12-200 Watts 102dB. Price £199.99

per pair.

Delivery Securicor £8.00 per pair



OMP 19" STEREO RACK AMPS



Professional 19" cased Mos-Fet stereo amps. Used the World over in clubs, pubs, discos etc. With twin Vu meters, twin toroidal power supplies, XLR connections. MF600 Fan cooled. Three models (Ratings R.M.S. into 4ohms). Input Sensitivity 775mV.

MF200 (100 + 100)W. £169.00 Securicor

MF400 (200 + 200)W. £228.85 Delivery

MF600 (300 + 300)W. £299.99

1 K-WATT SLIDE DIMMER

- Control loads up to 1Kw
- Compact Size 4 1/2" x 1" x 2 1/2"
- Easy snap in fixing through panel, cabinet cut out
- Insulated plastic case
- Full wave control using 8 amp triac
- Conforms to BS800

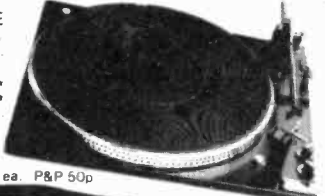
BS800

Suitable for both resistive and inductive loads. Innumerable applications in industry, the home, and disco's, theatres etc.

PRICE £13.99 + 75p P&P

BSR P295 ELECTRONIC TURNTABLE

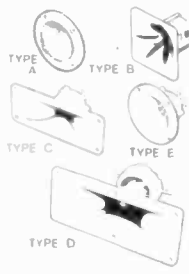
Electronic speed control 45 & 33 1/3 rpm. Plus: Minus variable pitch control. Belt driven. Aluminium platter with strobed rim. Cue lever. Anti-skate (bias device). Adjustable counter-balance. Manual arm. Standard cartridge fixings. Supplied complete with cut out template & D.C. Operation 9.14V D.C. 65mA. **Price £36.99 - £3.00 P&P.**



ADC Q4 mag cartridge for above. Price £4.99 ea. P&P 50p

PIEZO ELECTRIC TWEETERS MOTOROLA

Join the Piezo revolution. The low dynamic mass (no voice coil) of a Piezo tweeter produces an improved transient response with a lower distortion level than ordinary dynamic tweeters. As a crossover is not required these units can be added to existing speaker systems of up to 100 Watts (more if 2 put in series). **FREE EXPLANATORY LEAFLETS SUPPLIED WITH EACH TWEETER.**



TYPE 'A' (KSN2036A) 3" round with protective wire mesh. Ideal for bookshelf and medium sized Hi-Fi speakers. Price £4.90 each + 40p P&P

TYPE 'B' (KSN1005A) 3 1/2" super horn. For general purpose speakers, disco and P.A. systems etc. Price £5.99 each + 40p P&P

TYPE 'C' (KSN6016A) 2" x 5" wide dispersion horn. For quality Hi-Fi systems and quality discos etc. Price £6.99 each + 40p P&P

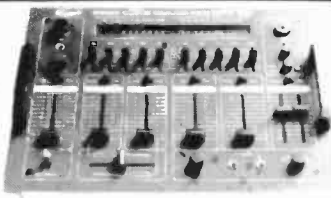
TYPE 'D' (KSN1025A) 2" x 6" wide dispersion horn. Upper frequency response retained extending down to mid range (2KHz). Suitable for high quality Hi-Fi systems and quality discos. Price £9.99 each + 40p P&P

TYPE 'E' (KSN1038A) 3 1/2" horn tweeter with attractive silver finish trim. Suitable for Hi-Fi monitor systems etc. Price £5.99 each + 40p P&P

LEVEL CONTROL Combines on a recessed mounting plate, level control and cabinet input jack socket 85 x 85 mm. Price £3.99 + 40p P&P

STEREO DISCO MIXER

STEREO DISCO MIXER with 2 x 5 band L & R graphic equalisers and twin 10 segment LED Vu Meters. Many outstanding features. 5 Inputs with individual faders providing a useful combination of the following: 3 Turntables (Mag), 3 Mics, 4 Line plus Mic with talk over switch, Headphone Monitor, Pan Pot L & R, Master Output controls. Out put 775mV. Size 360 x 280 x 90mm. **Price £134.99 - £3.00 P&P**



B. K. ELECTRONICS Dept PE

UNIT 5, COMET WAY, SOUTHWEND-ON-SEA, ESSEX, SS2 6TR TEL: 0702-527572

POSTAL CHARGES PER ORDER £1.00 minimum. OFFICIAL ORDERS WELCOME, SCHOOLS, COLLEGES, GOVERNMENT BODIES, ETC. PRICES INCLUSIVE OF V.A.T. SALES COUNTER VISA/ACCESS/C.O.D. ACCEPTED



**ON
SALE
FROM
14TH
NOV.
DON'T
MISS
YOUR
FREE
GIFT.
ORDER
YOUR
COPY
NOW!**

1987 BUYER'S GUIDE TO ELECTRONIC COMPONENTS

Maplin

**FREE!
BATTERY
CONDITION
TESTER**
SEE INSIDE COVER FOR FURTHER DETAILS

**HUNDREDS OF
NEW PRODUCTS!
£1.50**

Pick up a copy of our new 1987 catalogue from all branches of W.H. Smith for just £1.50. Or post this coupon now, to receive your copy by post for just £1.50 + 40p p & p. If you live outside the U.K. send £2.50 or 11 International Reply Coupons. I enclose £1.90.

Name

Address

.....Post Code PE/11/86

**AVAILABLE
IN ALL
W.H. SMITH
STORES FROM
14TH NOV.
ORDER YOUR
COPY NOW!**

MAPLIN ELECTRONIC SUPPLIES LTD.

Mall Order: P.O. Box 3, Rayleigh, Essex SS6 8LR.
Telephone: Southend (0702) 554161

SHOPS

- BIRMINGHAM Lynton Square, Perry Barr, Tel: 021-356 7292.
- LONDON 159-161 King Street, Hammersmith, W6.
Telephone: 01-748 0926.
- MANCHESTER 8 Oxford Road, Tel: 061-236 0281.
- SOUTHAMPTON 46-48 Bevois Valley Road, Tel: 0703 225831.
- SOUTHEND 282-284 London Rd, Westcliff-on-Sea, Essex.
Telephone: 0702-554000
Shops closed all day Monday.