

THE No.1 MAGAZINE FOR ELECTRONICS TECHNOLOGY & COMPUTER PROJECTS

EVERYDAY

MARCH 2002

PRACTICAL

ELECTRONICS

£2.85

**PIC
VIRUS
ZAPPER**
Experimental
viral infection
zapper

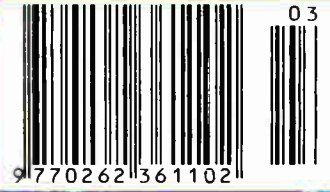


**RELATIVE
HUMIDITY
METER**
Analogue,
calibration free

MINI-ENIGMA
Message
encryption

**PLUS
PROGRAMMING PIC
INTERRUPTS - Part 1**

<http://www.epemag.wimborne.co.uk>



GAS MASKS RUSSIAN, new and boxed standard NATO filter, £39.
LOW COST NIGHT VISION system, Russian handheld complete with infra-red illuminator, 100m range. Runs on 2 AA batteries, just £109.95.

COBRA NIGHT VISION equipment also stocked, more info on our web site at www.cobra-optics.co.uk.

ELECTRIC SCOOTERS 18kph, 24V motor, 6 hour charge time, 22kg weight, max load 90kg, running time up to 1 hour, range 15km, 8.5A motor, 24V, direct drive. Our Price £229.95. Ref ESCOOT.

VOICE CHANGERS Hold one of these units over your phone mouthpiece and you can adjust your voice using the controls on the unit. Battery operated, £15. Ref CC3.

EMMINENCE LOUDSPEAKERS 12in. dia. 50W nom, 100W peak, 16 ohm impedance. Pack of 4 just £39.95. Ref SPEAK39.

PIR SECURITY SWITCHES These brand new swivel mounting PIR units will switch up to 2 kilowatts. Adjustable sensitivity, light level and time delay (9 seconds to 10 minutes), 15m detection range, mains operated, waterproof, £5.99 Ref PIR1PACK or a pack of 5 for £22.95 Ref PIR5PACK or 10 for £39.95 Ref PIR10PACK.

12V 16Ah SEALED LEAD-ACID BATTERIES, new and boxed, unused, pack of 4 £44.95 Ref CYC7 or £15.95 each Ref CYC6.

12V 6.5Ah SEALED LEAD-ACID BATTERIES, new and boxed, pack of 5 £34.95 Ref CYC65A or individually at £8.99 Ref CYC65B.

12V 12Ah SEALED LEAD ACID BATTERIES, 100mm x 150mm x 95mm, 4kg. £15 each. Ref SSLB.

SEALED LEAD-ACID CHARGER AND FLOAT CHARGER. Complete unit will charge 12V lead acids and maintain them with an automatic trickle charge. Charger on its own is £15 Ref LAC or charger and a 12V 12Ah battery (all fully cased) is £25 Ref ACB.

AERIAL PHOTOGRAPHY KIT. This rocket comes with a built-in camera! It flies up to 500 feet (150m), turns over and takes an aerial photograph of the ground below. The rocket then returns with its film via its parachute. Takes 110 film. Supplied with everything including a launch pad and 3 motors (no film). £29.99 Ref Astro.

BUILD YOUR OWN WINDFARM FROM SCRAP. New publication gives step-by-step guide to building wind generators and propellers. Armed with this publication and a good local scrapyard could make you self-sufficient in electricity! £12. Ref LOT81.

MAGNETIC CREDIT CARD READERS AND ENCODING INFO, £9.95. Cased with fileleads, designed to read standard credit cards! Complete with control electronics p.c.b. and manual covering everything you could want to know about what's hidden in that magnetic strip on your card! Just £9.95 Ref BAR31.

77 KILO LIFT MAGNET. These Samarium magnets measure 57mm x 20mm and have a threaded hole (5/16th UNF) in the centre and a magnetic strength of 2.2 gauss. We have tested these on a steel beam running through the offices and found that they will take more than 170lb. (77kg) in weight before being pulled off. Supplied with keeper. £19.95 ea. Ref MAG77.

HYDROGEN FUEL CELL PLANS. Loads of information on hydrogen storage and production. Practical plans to build hydrogen fuel cell (good workshop facilities required). £8 set. Ref FCP1.

STIRLING ENGINE PLANS. Interesting information pack covering all aspects of Stirling engines, pictures of home made engines made from an aerosol can running on a candle! £12. Ref STIR2.

12V OPERATED SMOKE BOMBS. Type 3 is a 12V trigger and 3 smoke canisters, each canister will fill a room in a very short space of time! £14.99. Ref SB3. Type 2 is 20 smaller canisters (suitable for mock equipment fires etc.) and 1 trigger module for £29. Ref SB2. Type 1 is a 12V trigger and 20 large canisters, £49. Ref SB1.

BRAND NEW NATO ISSUE RADIATION DETECTORS, SALE PRICE JUST £69.95. Current NATO issue standard emergency services unit. Used by most of the world's military personnel. New and boxed. Normal retail price £400. Bull's bargain price just £69.95. Ref PDRM.

BASIC GUIDE TO BIO DIESEL. How to make diesel fuel from used kitchen oil, £6. Ref BIOF.

SAVE ££££s. RCB UNITS. Inline IEC lead with fitted RC breaker. Installed in seconds. Fit to any computer, monitor, office equipment and make it safe! Pack of 10 just £9.98. Ref LOT5B.

INFRA-RED REMOTE CONTROL WATCHES, £16.99.

VIBRATING WATCHES, vibrate when your phone rings, £16.99.

PULSE WATCHES, display your pulse, £16.99.

www.quemex.co.uk

MINIATURE TOGGLE SWITCHES. These top quality Japanese panel mounting toggle switches measure 35mm x 13mm x 12mm, are 2-pole changeover and will switch 1A at 250V a.c., or 3A at 125V a.c. Complete with mounting washers and nuts. Supplied as a box of 100 switches for £29.95. Ref SWT35 or a bag of 15 for £4.99. Ref SWT34.

STEPPER MOTORS. Brand new stepper motors, 4mm fixing holes with 47.14mm fixing centres, 20mm shaft, 6-35mm diameter, 5V/phase, 0.7A/phase, 1.8 deg. step (200 step). Body 56mm x 36mm. £14.99 each. Ref STEP6, pack of 4 for £49.95.

BASIC GUIDE TO LOCKPICKING. New publication gives you an insight! £6. Ref LPK.

NEW HIGH POWER MINI BUG. With a range of up to 800 metres and a 3 days use from a PP3 this is our top selling bug! Less than 1in. square and a 10m voice pick-up range. £28. Ref LOT102.

IR LAMP KIT. Suitable for CCTV cameras, enables the camera to be used in total darkness! £6. Ref EF138.

INFRA-RED POWERBEAM. Handheld battery powered lamp, 4in. reflector, gives out powerful pure infra-red light! Perfect for CCTV use, night sights, etc. £29. Ref PB1.

YOUR HOME COULD BE SELF-SUFFICIENT IN ELECTRICITY. Comprehensive plans with loads of info on designing systems, panels, control electronics etc. £7. Ref PV1.

200 WATT INVERTERS, plugs straight into your car cigarette lighter socket and is fitted with a 13A socket so you can run your mains operated devices from your car battery. £49.95. Ref SS66.

THE TRUTH MACHINE. Tells if someone is lying by micro tremors in their voice, battery operated, works in general conversation and on the phone and TV as well! £42.49. Ref TD3.

INFRA-RED FILM. 6in. square piece of flexible infra-red film that will only allow IR light through. Perfect for converting ordinary torches, lights, headlights etc. to infra-red output using only standard light bulbs. Easily cut to shape. 6in. square. £15. Ref IRF2. A 12in. square for £29.95. Ref IRF2A.

HYDROGEN FUEL CELLS. Our new hydrogen fuel cells are 1V at up to 1A output, hydrogen input, easily driven from a small electrolysis assembly or from a hydrogen source, our demo model uses a solar panel with the output leads in a glass of salt water to produce the hydrogen! Each cell is designed to be completely taken apart, taken back together and expanded to whatever capacity you like (up to 10 watts and 12V per assembly). Cells cost £49. Ref HF11.

SMALL ALARMS. Mains powered, made by the famous Gent company, easy fit next to light fittings, power point. Pack of 5 £15. Ref SS23, pack of 12 £24. Ref SS24.

CCTV CAMERAS FROM £25. Check out our web site at www.cctvatuff.co.uk and www.home-cctv.co.uk.

14 WATT SOLAR PANELS. Amorphous silicon panel fitted in an anodised aluminium frame. Panel measures 3ft. by 1ft. with 3m leads for easy connection. 3ft. x 1ft. solar panel £79. Ref MAG45. Unframed 4 pack, 8-9W (3ft. x 1ft.) £99. Ref SOLX. 35 watts of solar power for just £99. 4 panels, each one 3ft. x 1ft. and producing 8W min., 13V. Pack of four £99. Ref SOLX.

NEW 12V 12in. SQUARE SOLAR PANEL. Kevlar backed, 3 watt output, copper strips for easy solder connections. £22. Ref 15P42.

NEW UNIVERSAL SOLAR CHARGER. Charges AAAs, AAs, Cs and D-type NiCads. £9.99. Ref UNISOL.

12V SOLAR POWER WATER PUMP. Perfect for many 12V d.c. uses, from solar fountains to hydroponics! Small and compact yet powerful, works direct from our 10W solar panel in bright sun. Max H/ft: 17ft, max flow = 8 lpm, 1.5A. Ref AC88. £18.99.

SOLAR MOTORS. Tiny motors which run quite happily on voltages from 3-12V d.c. Works on our 6V amorphous 6in. panels and you can run them from the sun! 32mm dia., 20mm thick. £1.50 each. www.mamodspares.co.uk.

SUPERDEKAN RADAR DETECTOR. Whistler 1630. Detects both radar and laser, X, K and KA bands, speed cameras and all known speed detection systems, 360 degree coverage, front and rear waveguides, 1.1in. x 2.7in. x 4.6in., fits on visor or dash, new low price £99. Ref WH1630. Other models available at www.radargun.co.uk.

BUG DETECTORS. A new detector at a sensible price! Detects bugs hidden in rooms, computers etc., between 1-200MHz, adjustable sensitivity, 9V PP3 battery required. £29.95. Ref BD22.

GIANT WEATHER BALLOONS made by Torex, we blew one up to 7ft. diameter then it popped due to stones on the ground! £13.99. Ref TOTEX.

PHILIPS VP406 LASER DISC PLAYERS, sale price just £9.95. Scart output, just put your video disc in and press play, standard audio and video outputs. £9.95. Ref VP406.

12V DC SIRENS. Very loud, suitable for indoors or outdoors, two-tone, 160mm x 135mm, finished in white with bracket. £4.99. Ref SIR2A.

FREEZER/MAINS FAIL ALARMS. Designed to fit around the mains cable on a freezer this alarm will sound if the device is unplugged from the mains supply, battery operated, cased, built-in sounder. Ideal for TVs, Hi-Fi equipment etc. £7.01. Ref FREE2.

BARNET CROSSBOWS. We stock the entire range of crossbows, check out our web site at www.xbows.co.uk.

HOT AIR BALLOON KITS. Everything you need to build a 1-7m high, 4.5m in circumference, hot air balloon, launch over a small burner or heater. £12.49. Ref HA1.

CROOKES RADIOMETER. Fascinating glass bulb contains blades driven around by the sun. £9.9. Ref SC120B.

GIANT TV OR PC VIEWING SCREEN. Turn your TV into a super-size screen, converts small screens into a super size 26in. £26.99. Ref SVA2.

RADIOSONDES. Made by Valsala, unused, they measure pressure, temperature and humidity. Model RS80, good stripper at £15. Ref SONDE.

AIR WIND POWER MODULE. Produces nearly 400 watts of power from the wind, 1.14m blade, 12V d.c. output, 3 year warranty, built-in battery regulator. £549. Ref AIR1.

WORMERIES. The ideal solution for your kitchen waste! Supplied complete with worms. Turn your rubbish into liquid feed! Two sizes available, small (ideal for 1-2 people), £25.45. Ref WM2, and a large one (ideal for 4 or more), £42.44. Ref WM1.

COMPLETE WIRELESS CCTV SYSTEM. Includes monitor, camera, up to 100m range, audio and video, UK legal, complete with infra-red lights. £169. Ref WMS333.

PELTIER MODULES. 56W, 40mm x 40mm, 16V, sealed edges, new and boxed. Supplied with 18-page Peltier design manual featuring circuit designs, design information etc. 1 module and manual is £29.99. Ref PELT1. pack of 4 modules and manual is £99.99. Ref PELT2. The manual on its own is £4. Ref PELT3.

DC MOTOR. 12V d.c., general purpose model motor, 70mm x 50mm, 12V d.c., permanent magnet, 4mm x 25mm shaft. £6. Ref GPM1. pack of 10 is just £40. Ref GPM2.

180R.P.M. MAINS MOTOR. Induction type, 90mm x 70mm, 50mm x 5mm shaft, 12A continuous rating, thermal protected. £22. Ref MG1.

SOLID STATE RELAYS. P.C.B. mounting, these relays require 3-32V d.c. to operate but will switch up to 3A a.c. mains. Pack of 4 £5. Ref SPEC1B.

12V RELAYS. 2 x 2 c/o 16A contacts p.c.b. mount (will fit Vero), tray of 25 relays for just £9.95. Ref SPEC1.

VENNER TIME CONTROLS. Designed to be wired in permanently they will switch up to 16A 240V a.c. motorised with dial and pins. New and boxed. £15. Ref VTS.

GYROSCOPES. We still sell original 1917 design, hours of fun for all the family, complete with stand, string, box and info. £6. Ref EP70.

INNOVATIONS. We also sell a wide range of innovative products for the home, these are at www.seemans.com.

INVERTERS. Convert 12V d.c. into 240V mains (modified sine wave). 300 watt (150 watt continuous), £99.95. Ref VER3. 600 watt model (330 watt continuous), £79.97. Ref VER4.

10 WATT SILICON SOLAR PANEL, 10 year life, waterproof, 365mm x 365mm x 26mm, 14V, 10W, 1.8kg, framed. £84.99. Ref PAN.

STICKY LABELS. Small address labels etc. are very useful and can be ordered online at www.stickon.co.uk.

RED L.E.D.s, Hewlett Packard red l.e.d.s, 5V operation, available in a pack of 50 for £8, Ref SS200, or 500 for £9.95. Ref SS201.

MICROSOFT TRACKBALL AND MOUSE. Called the Microsoft Ballpoint this has 4 buttons, a trackball and PS2 connector. Will work with most PCs, £5.99. Ref EP50.

MAXON WALKIE TALKIES, up to 2 mile range, UK legal, 300 channel, 2 x walkie talkies, £74.95. Ref. Maxon1. Chargers £14. Ref. Maxon2. battery packs £12. Ref. Maxonb (otherwise uses AAA batteries).

2-WAY MIRROR KIT. Contains enough material to make up to a 500mm x 2200mm mirror (excl. glass), full instructions. £19.95. Ref WF001.

22 AIR RIFLE. Under lever type, powerful Chinese training rifle, £38.26. Ref A1047, 500 pellets, £2.68. Ref A1091.

22 AIR RIFLE STANDARD TYPE. Chinese training rifle, on legal limit for air rifles, £29.75. Ref A1040. Pellets £2.68. Ref A1091.

SHUT THE BOX. Check out www.bullybeef.co.uk for a range of pub games and magic tricks.

WANT TO MAKE SOME MONEY? STUCK FOR AN IDEA? We have collated 140 business manuals that give you information on setting up different businesses, you peruse these at your leisure using the text editor on your PC. Also included is the certificate enabling you to reproduce (and sell) the manuals as much as you like! £14. Ref EP74.

ANICS CO2 GAS POWERED PISTOL. Russian handheld pistol powered by Sparklets CO2 cylinders (give approx. 70 shots), fires steel BB. Pistol £58.22. Ref AGA101, tub of 1,500 BB shot £5.10. Ref A1015, pack of 5 CO2 cartridges £3.50. Ref GAS5.

33 KILO LIFT MAGNET. Neodymium, 32mm diameter with a fixing bolt on the back for easy mounting. Each magnet will lift 33 kilos, 4 magnets bolted to a plate will lift an incredible 132 kilos! £15. Ref MAG33. Pack of 4 just £39. Ref MAG33AA.

BSA METEOR AIR RIFLE. UK made, 22 rifle, top quality professional air rifle. £84.15. Ref BSAMET 500 Lazapelli pellets £5. Ref LAZABELL.

MAMOD 1313 TEIA TRACTION ENGINE. Attractive working model of traditional steam engine. £85. Ref 1313.

MAMOD STEAM ROADSTER (white), magnificent working steam model car. £112. Ref 1319.

MAMOD STEAM WAGON. Working model steam wagon finished in blue. £112. Ref 1318. Brown version (with barrels). £122. Ref 1450.

POCKET SPY MONOCULAR. Clever folding monocular with 8 x 21 magnification, made by Helios, with case. £14.99. Ref MONOC.

KEVLAR BRITISH ARMY HATS. Broken or missing straps, hence just £8 each. Ref KEV99.

CCTV SYSTEMS, £24.99. Complete with camera, 20 metres of cable, p.c.a. and info simple connection to scart. £24.99. Ref CCTVCAM2.

FM BROADCAST BAND HIGH POWER TRANSMITTERS can be viewed and bought online at www.veronica-kits.co.uk.

TONER CARTRIDGES FOR COPIERS AND PRINTERS can be bought online at www.nationaltoners.co.uk.

VELOSOLEX. Traditional French style two-stroke moped (engine over front wheels), black only. £695. Ref VELO. Delivered direct in a box, you need to fit the pedals etc. then register it with your local DVLC.

HYDROPONIC GROWING SYSTEMS. Complete, everything you need apart from plants and light, contains grow tank, nutrients, pump, tester etc. GT205 710mm x 390mm, NFT system. £31.45. Ref GT205. GT424 1070mm x 500mm, NFT system. £56.65. Ref GT424.

ELECTRIC BIKES, £679. Viking, built-in indicators, radio, lights, 13mph, 5 hour charge, Shimano gears, up to 50 mile range, horn, 26in. wheels, suspension, no licence needed, key operated, £679. Ref VIKING.

PIR PCBs. These contain a standard PIR detector circuit with all components, easy to wire up and use. Pack of 4 £6. Ref PIRB.

NEBULISER, WATER ATOMISER. Ultrasonic module that you place in water, atomises the water into a very fine mist, many applications from special effects to scientific. £69. Ref NEBB.

PORTABLE X-RAY MACHINE PLANS. Easy to construct plans on a simple and cheap way to build a home X-ray machine! Effective device, X-ray sealed assemblies, can be used for experimental purposes. Not a toy or for minors! £6/set. Ref FXP1.

TELEKINETIC ENHANCER PLANS. Mystify and amaze your friends by creating motion with no known apparent means or cause. Uses no electrical or mechanical connections, no special gimmicks yet produces positive motion and effect. Excellent for science projects, magic shows, part demonstrations or serious research and development of this strange and amazing psychic phenomenon. £4/set. Ref FTK1.

ELECTRONIC HYPNOSIS PLANS & DATA. This data shows several ways to put subjects under your control. Included is a full volume reference text and several construction plans that when assembled can produce highly effective stimuli. This material must be used cautiously. It is for use as entertainment at parties etc. only by those experienced in its use. £15/sets. Ref FEH2.

GRAVITY GENERATOR PLANS. This unique plan demonstrates a simple electrical phenomena that produces an anti-gravity effect. You can actually build a small mock spaceship out of simple materials and without any visible means cause it to levitate. £10/sets. Ref FGRA1.

TESLA COIL/LIGHTNING DISPLAY GLOBE PLANS. Produces up to 750,000 volts of discharge, experiment with extraordinary HV effects. 'Plasma in a jar', St Elmo's fire, corona, excellent science project or conversation piece. £5/SET. Ref F/BTC1/LG5.

COPPER VAPOUR LASER PLANS. Produces 100mW of visible green light. High coherency and spectral quality similar to argon laser but easier and less costly to build, yet far more efficient. This particular design was developed at the Atomic Energy Commission of NEGEV in Israel. £10/SET. Ref F/CLV1.

VOICE SCRAMBLER PLANS. Miniature solid-state system turns speech sound into indecipherable noise that cannot be understood without a second matching unit. Use on telephone to prevent third party listening and bugging. £6/SET. Ref FV/S9.

PULSED TV JOKER PLANS. Little handheld device utilises pulse techniques that will completely disrupt TV picture and sound! Works on FM too! Discretion advised. £6/SET. Ref F/TJ5.

BODYHEAT TELESCOPE PLANS. Highly directional long range device uses recent technology to detect the presence of living bodies, warm and hot spots, heat leaks etc. Intended for security, law enforcement, research and development etc. Excellent security device or very interesting science project. £8/SET. Ref F/BHT1.

BURNING, CUTTING CO2 LASER PLANS. Projects an invisible beam of heat capable of burning and melting materials over a considerable distance. This laser is one of the most efficient, converting 10% input power into useful output. Not only is this device a workhorse in welding, cutting and heat processing materials, but it is also a likely candidate as an effective directed energy beam. Burning and etching wood, cutting, plastics, textiles etc. £12/SET. Ref F/LC7.

AIR RIFLES FROM LESS THAN £40, CROSSBOWS, WIDE RANGE OF BB GUNS, AMMO, TARGETS, PISTOLS, REPLICA GUNS, UZI MACHINE GUN REPLICAS (BB), REPEATERS, LASER SIGHTS, ELECTRIC BB, GAS BB
www.airpistol.co.uk

INKJET CARTRIDGES FROM JUST £3 AT
www.officebits.co.uk

BULL ELECTRICAL
UNIT D, HENFIELD BUSINESS PARK,
HENFIELD, SUSSEX BN5 9SL
TERMS: CASH, PO OR CHEQUE WITH
ORDER PLUS £5.00 P&P (UK) PLUS VAT
24 HOUR SERVICE £7.50 (UK) PLUS VAT
OVERSEAS ORDERS AT COST PLUS £3.50
(ACCESS/VISA/SWITCH ACCEPTED)
phone: 01273 491490 Fax 491813
Sales@bull-electrical.com

www.bullnet.co.uk

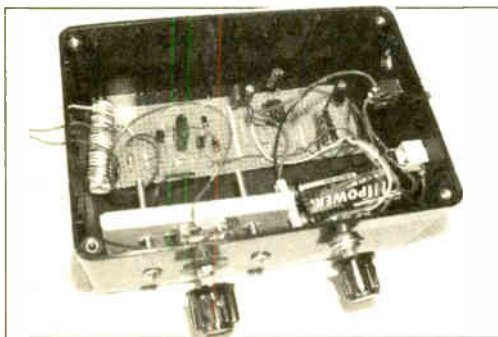
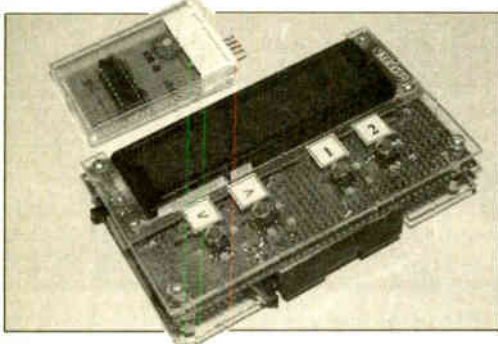
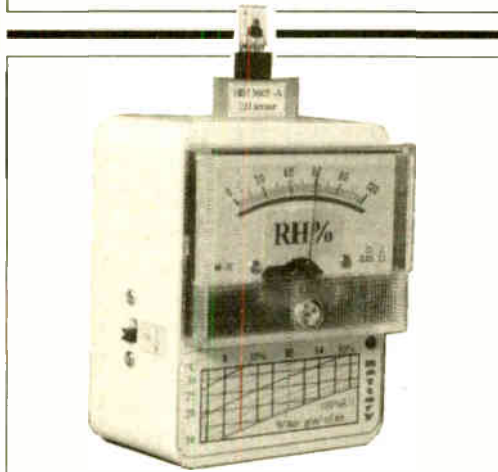
ISSN 0262 3617
PROJECTS ... THEORY ... NEWS ...
COMMENTS ... POPULAR FEATURES ...

VOL. 31. No. 3 MARCH 2002
Cover illustration by Jonathan Robertson

EVERYDAY PRACTICAL ELECTRONICS

INCORPORATING ELECTRONICS TODAY INTERNATIONAL

www.epemag.wimborne.co.uk
EPE Online: www.epemag.com



© Wimborne Publishing Ltd 2002. Copyright in all drawings, photographs and articles published in EVERYDAY PRACTICAL ELECTRONICS is fully protected, and reproduction or imitations in whole or in part are expressly forbidden.

Our April 2002 issue will be published on Thursday, 14 March 2002. See page 147 for details

Projects and Circuits

- MK484 SHORTWAVE RADIO** by Tom Merryfield **156**
The MK484 is a replacement for the once popular ZN414 radio receiver i.c.
- INGENUITY UNLIMITED** hosted by Alan Winstanley **162**
Lightning Detector; Dog and Cat Scarer; Pico Prizewinners
- RH METER** by Bill Mooney **173**
How healthy is the moisture content in your home? By monitoring its Relative Humidity you can then take steps to control it
- PIC VIRUS ZAPPER** by Andy Flind **184**
Can disease be cured electronically? Investigate this controversial subject for yourself!
- PIC MINI-ENIGMA** by Nick Dossis **209**
Share encrypted messages with your friends – true Spymaster entertainment!

Series and Features

- NEW TECHNOLOGY UPDATE** by Ian Poole **160**
Superconducting transistors evolved from astronomical research
- CIRCUIT SURGERY** by Alan Winstanley and Ian Bell **166**
Choosing the right battery; Four-layer devices
- PROGRAMMING PIC INTERRUPTS – 1** by Malcolm Wiles **168**
How to use interrupts successfully with your PIC programs
- TEACH-IN 2002 – 5. Taking the Pressure – more on Strain, plus Accelerometers and Pressure Sensors, with experiments** **192**
by Ian Bell and Dave Chesmore
Continuing our tutorial and practical series – making sense of the real world
- PRACTICALLY SPEAKING** by Robert Penfold **202**
A general look at cable and wiring requirements and types
- NET WORK – THE INTERNET PAGE** surfed by Alan Winstanley **206**
DVD Resources; Stripboard Designer

Regulars and Services

- EDITORIAL** **155**
- NEWS** – Barry Fox highlights technology's leading edge **164**
Plus everyday news from the world of electronics
- ELECTRONICS VIDEOS** Our range of educational videos **178**
- READOUT** John Becker addresses general points arising **181**
- BACK ISSUES** Did you miss these? Many now on CD-ROM! **190**
- SHOPTALK** with David Barrington, The *essential* guide to component buying for *EPE* projects **200**
- PLEASE TAKE NOTE** Time Delay Touch Switch; Toolkit TK3; PIC Spectrum Analyser **200**
- CD-ROMS FOR ELECTRONICS** **204**
A wide range of CD-ROMs for hobbyists, students and engineers
- DIRECT BOOK SERVICE** **216**
A wide range of technical books available by mail order, plus more CD-ROMs
- PRINTED CIRCUIT BOARD AND SOFTWARE SERVICE** **219**
PCBs for *EPE* projects. Plus *EPE* software
- ELECTRONICS MANUALS** **220**
Essential reference works for hobbyists, students and service engineers
- ADVERTISERS INDEX** **224**

Readers Services • Editorial and Advertisement Departments **155**

Visit our website
www.distel.co.uk

THE ORIGINAL SURPLUS WONDERLAND!

THIS MONTH'S SELECTION FROM OUR VAST EVER CHANGING STOCKS

Surplus always
wanted for cash!

THE AMAZING TELEBOX

Converts your colour monitor into a QUALITY COLOUR TV!!



TV SOUND & VIDEO TUNER
CABLE COMPATIBLE*

The **TELEBOX** is an attractive fully cased mains powered unit, containing all electronics ready to plug into a host of video monitors or AV equipment which are fitted with a composite video or SCART input. The composite video output will also plug directly into most video recorders, allowing reception of TV channels not normally receivable on most television receivers* (TELEBOX MB) Push button controls on the front panel allow reception of 8 fully tunable "all art" UHF colour television channels. TELEBOX MB covers virtually all television frequencies VHF and UHF including the **HYPERBAND** as used by most cable TV operators. Ideal for desktop computer video systems & PIP (picture in picture) setups. For complete compatibility - even for monitors without sound - an integral 4 watt audio amplifier and low level Hi Fi audio output are provided as standard. Brand new - fully guaranteed.

TELEBOX ST for composite video input type monitors £36.95
TELEBOX STL as ST but fitted with integral speaker £39.50
TELEBOX MB MultiBand VHF/UHF/Cable/Hyperband tuner £69.95
For overseas PAL versions state 5.5 or 6 mHz sound specification.
*For cables & hyperband signal reception Telebox MB should be connected in a cable type service. Shipping on all Telebox's code (B)

NEW State of the art PAL (UK spec) UHF TV tuner module with composite 1V pp video & NICAM Hi Fi stereo sound outputs. Micro electronics all on one small PCB only 73 x 150 x 52 mm enable full tuning control via a simple 3 wire link to an IBM pc type computer. Supplied complete with simple working program and documentation. Requires +12V & +5V DC to operate. **BRAND NEW - Order as MY00. Only £49.95 code (B)**
See www.distel.co.uk/data_my00.htm for picture & full details

FLOPPY DISK DRIVES 2 1/2" - 8"

All units (unless stated) are **BRAND NEW** or removed from often brand new equipment and are fully tested, aligned and shipped to you with a full 90 day guarantee. Call or see our web site www.distel.co.uk for over 2000 unlisted drives for spares or repair.

- 3 1/4" Mitsubishi MF355C-1. 1.4 Meg. Laptops only £25.95(B)
- 3 1/4" Mitsubishi FU355C-D. 1.4 Meg. Non laptop £18.95(B)
- 5 1/4" Teac FD-55GHF 1.2 Meg (for IBM pc's) RFE £18.95(B)
- 5 1/4" Teac FD-55F-03-U 720K 40/80 (for BBC's etc) RFE £29.95(B)
- 5 1/4" **BRAND NEW** Mitsubishi MF501B 360K £22.95(B)
- Table top case with integral PSU for Hi 5 1/4" Floppy / HD £29.95(B)
- 8" Shugart 800/801 8" SS refurbished & tested £210.00(E)
- 8" Shugart 810 8" SS HH Brand New £195.00(E)
- 8" Shugart 851 8" double sided refurbished & tested £260.00(E)
- 8" Mitsubishi M2894-63 double sided NEW £295.00(E)
- 8" Mitsubishi M2896-63-02U DS slimline NEW £295.00(E)
- Dual 8" cased drives with integral power supply 2 Mb £499.00(E)

HARD DISK DRIVES 2 1/2" - 14"

- 2 1/2" TOSHIBA MK1002MAV 1.1Gb laptop (12.5 mm H) **New** £79.95
- 2 1/2" TOSHIBA MK2101MAN 2.16 Gb laptop (19 mm H) **New** £89.50
- 2 1/2" TOSHIBA MK4309MAT 4.3Gb laptop (8.2 mm H) **New** £105.00
- 2 1/2" TOSHIBA AMK6409MAV 8.1Gb laptop (12.7 mm H) **New** £190.00
- 2 1/2" to 3 1/2" conversion kit for Pc's, complete with connectors £14.95
- 3 1/2" FUJITSU FK-309-26 20mb MFM V/F RFE £59.95
- 3 1/2" CONNER CP3024 20 mb IDE I/F (or equiv.) RFE £59.95
- 3 1/2" CONNER CP3044 40 mb IDE I/F (or equiv.) RFE £69.00
- 3 1/2" QUANTUM 40S Prodriv e 42mb SCSI I/F. New RFE £49.00
- 5 1/4" MINISCRIIBE 3425 20mb MFM I/F (or equiv.) RFE £49.95
- 5 1/4" SEAGATE ST-238R 30 mb FILL I/F Refurb £69.95
- 5 1/4" CDC 64205 30 40mb Hi MFM I/F RFE tested £69.95
- 5 1/4" HP 97548 850 mb SCSI RFE tested £99.00
- 5 1/4" HP C3010 2 GByte SCSI differential RFE tested £195.00
- 8" NEC D2246 85 Mb SMD interface. New £199.00
- 8" FUJITSU M2322K 160Mb SMD I/F RFE tested £195.00
- 8" FUJITSU M2392K 2 Gb SMD I/F RFE tested £345.00
- Many other drives in stock - Shipping on all drives in code (C1)

TEST EQUIPMENT & SPECIAL INTEREST ITEMS

- MITS. FA3445ETKL 14" Industrial spec SVGA monitors £245
- FARNELL 0-60V DC @ 50 Amps, bench Power Supplies £195
- FARNELL AP3080 0-30V DC @ 80 Amps, bench Supply £1850
- 1kw to 400 kw - 400 Hz 3 phase power source - ex stock £POA
- IBM 8230 Type 1, Token ring base unit driver £760
- Wayne Kerr RA200 Audio frequency response analyser £1750
- IBM 53F5501 Token Ring ICS 20 port lobe modules £95
- IBM MAU Token ring distribution panel B228-23-5050N £550
- AIM 501 Low distortion Oscillator 9Hz to 330KHz, IEEE £250
- ALLGON 8360.11805-1880 MHz hybrid power combiners £6500
- Trend DSA 274 Data Analyser with G703(2M) 64 v/o £1550
- Marconi 6310 Programmable 2 to 22 GHz sweep generator £1550
- Marconi 2022C 10KHz-1GHz RF signal generator £4995
- Marconi 2030 opt 03 10KHz-1.3 GHz signal generator, New £3750
- HP1650B Logic Analyser £POA
- HP3781A Pattern generator & HP3782A Error Detector £1800
- HP6621A Dual Programmable GPIB PSU 0-7 V 160 watts £675
- HP6264 Rack mount variable 0-20V @ 20A metered PSU £POA
- HP4121A DC to 22 GHz four channel test set £7900
- HP8130A opt 020 300 MHz pulse generator, GPIB etc £550
- HP A1, A0 8 pen HPGL high speed drum plotters - from HP DRAFTMASTER 1 B pen high speed plotter £1800
- EG+G Brookdeal 95035C Precision lock in amp £POA
- View Eng. Mod 1200 compensated inspection system Sony DXC-3000A High quality CCD colour TV camera Keithley 590 CV capacitor / voltage analyser £3750
- Racal IC440 dual 40 channel voice recorder system Fluke 45KVA 3 pin On Line UPS - New batteries Emerson AP130 2.5kVA industrial spec UPS £2100
- Mann Tally MT645 High speed line printer £2200
- Intel SBC 486/133SE Multibus 486 system 8Mb Ram £945
- Siemens K4400 64Kb to 140Mb demux analyser £2950

IC's - TRANSISTORS - DIODES

OBSOLETE - SHORT SUPPLY - BULK
10,000,000 items EX STOCK

For MAJOR SAVINGS
CALL OR SEE OUR WEB SITE www.distel.co.uk

VIDEO MONITOR SPECIALS

One of the highest specification monitors you will ever see - At this price - Don't miss it!!

Mitsubishi FA3415ETKL 14" SVGA Multisync colour monitor with fine 0.28 dot pitch tube and resolution of 1024 x 768. A variety of inputs allows connection to a host of computers including IBM PC's in CGA, EGA, VGA & SVGA modes. BBC, COMMODORE (including Amiga 1200), ARCHIMEDES and APPLE. Many features: Etched faceplate, text switching and LOW RADIATION MPP specification. Fully guaranteed, in EXCELLENT title used condition.

Tilt & Swivel Base £4.75
VGA cable for IBM PC included.
External cables for other types of computers available - CALL
Only £119 (E) Order as MTS-SVGA

Ex demo 17" 0.28 SVGA Mitsubishi Diamond Pro monitors, Full multisync etc.
Full 90 day guarantee. Only £199.00 (E)

Just in - Microvitec 20" VGA (800 x 600 res.) colour monitors. Good SH condition - from £299 - CALL for Info

PHILIPS HCS35 (same style as CM8833) attractively styled 14" colour monitor with RGB and standard composite 15.625 KHz video inputs via SCART socket and separate phono jacks. Integral audio power amp and speaker for all audio visual uses. Will connect direct to Amiga and Atari BBC computers. Ideal for all video monitoring & security applications with direct connection to most colour cameras. High quality with many features such as front concealed flap controls, VCR correction button etc. Good used condition - fully tested - guaranteed.
Dimensions: W14" x H12 3/4" x 15 1/2". **Only £99.00** (E)

PHILIPS HCS31 Ultra compact 9" colour video monitor with standard composite 15.625 KHz video input via SCART socket. Ideal for all monitoring & security applications. High quality, ex-equipment fully tested & guaranteed (possible minor screen bums). In attractive square black plastic case measuring W10" x H10" x 13 1/2" D. 240 V AC mains powered. **Only £79.00** (D)

KME 10" 15M10009 high definition colour monitors with 0.28" dot pitch. Superb clarity and modern styling. Operates from any 15.625 kHz sync RGB video source, with RGB analog and composite sync source as Atari, Commodore Amiga, Acorn Archimedes & BBC. Measures only 13 1/2" x 12" x 11". Good used condition. **Only £125** (E)

20" 22" and 26" AV SPECIALS

Superbly made UK manufacture. P.I.L. all solid state colour monitors, complete with composite video & optional sound input. Attractive teak style case. Perfect for Schools, Shops, Disco, Clubs, etc. In EXCELLENT little used condition with full 90 day guarantee.

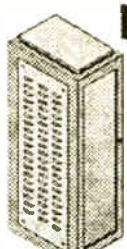
20"....£135 22"....£155 26"....£185 (F)

We probably have the largest range of video monitors in Europe. All sizes and types from 4" to 42" call for info.

DC POWER SUPPLIES

Virtually every type of power supply you can imagine. Over 10,000 Power Supplies Ex Stock. Call or see our web site.

- HP6030A 0-200V DC @ 17 Amps bench power supply £1950
- Intel SBC 486/125C08 Enhanced Multibus (MSA) New £1150
- Nikon HFX-11 (Ephiphol) exposure control unit £1450
- PHILIPS PM5518 pro. TV signal generator £1250
- Motorola VME Bus Boards & Components List. SAE / CALL £POA
- Trilo 0-18 vol linear, metered 30 amp bench PSU. New £550
- Fujitsu M3041R 600 LPM high speed band printer £1950
- Fujitsu M3041D 600 LPM printer with network interface £1250
- Perkin Elmer 299B Infrared spectrophotometer £500
- Perkin Elmer 597 Infrared spectrophotometer £3500
- VG Electronics 1035 TELETEXT Decoding Margin Meter LightBand 60 output high spec 2u rack mount Video VDA's £495
- Sekonik SD 150H 18 channel digital Hybrid card recorder £1995
- B&K 2633 Microphone pre amp £300
- Taylor Hobson Talysurf amplifier / recorder £750
- ADC SS200 Carbon dioxide gas detector / monitor £1450
- BBC AM20/3 PPM Meter (Ernest Turner) + drive electronics £75
- ANRITSU 9654A Optical DC-2.5Gb waveform monitor £5650
- ANRITSU M59001B1 0.6-1.7 um optical spectrum analyser £POA
- ANRITSU ML93A optical power meter £990
- ANRITSU Fibre optic characteristic test set £POA
- R&S FTDZ Dual sound unit £650
- R&S SBUF-E1 Vision modulator £775
- WILTRON 6630B 12 4 / 20GHz RF sweep generator £5750
- TEK 2445 150 MHz 4 trace oscilloscope £1250
- TEK 2465 300 MHz 300 MHz oscilloscope rack mount £1955
- TEK TDS380 400MHz digital realtime + disk drive, FFT etc £2900
- TEK TD5524A 500MHz digital realtime + colour display etc £5100
- HP3585A Opt 907 20Hz to 40 MHz spectrum analyser £3950
- PHILIPS PW1730/10 60KV XRAY generator & accessories £POA
- CLAUDE LYONS 12A 240v single phase auto volt. regs £325
- CLAUDE LYONS 100A 240/415V 3 phase auto volt regs £2900



19" RACK CABINETS

Superb quality 6 foot 40U Virtually New, Ultra Smart Less than Half Price!

Top quality 19" rack cabinets made in UK by Optima Enclosures Ltd. Units feature designer, smoked acrylic lockable front door, full height lockable half louvered back door and louvered removable side panels. Fully adjustable internal fixing struts, ready punched for any configuration of equipment mounting + plus ready mounted integral 12 way 13 amp socket switched mains distribution strip make these racks some of the most versatile we have ever sold. Racks may be stacked side by side and therefore require only two side panels to stand singly or in multiple bays. Overall dimensions are 77 1/2" H x 32 1/2" D x 22" W. Order as:
OPT Rack 1 Complete with removable side panels. £345.00 (G)
OPT Rack 2 Rack 2 less side panels. £245.00 (G)

Over 1000 racks, shelves, accessories
19" 22" & 24" wide 3 to 46 U high.
Available from stock !!

32U - High Quality - All steel RakCab

Made by Eurocraft Enclosures Ltd to the highest possible spec, rack features all steel construction with removable side, front and back doors - front and back doors are hinged for easy access and all are lockable with five secure 5 lever barrel locks. The front door is constructed of double walled steel with a 'designer style' smoked acrylic front panel to enable status indicators to be seen through the panel, yet remain unobtrusive. Internally the rack features fully slotted reinforced vertical fixing members to take the heaviest of 19" rack equipment. The two movable vertical fixing struts (extras available) are pre punched for standard 'cage nuts'. A mains distribution panel internally mounted to the bottom rear, provides 8 x IEC 3 pin Euro sockets and 1 x 13 amp 3 pin switched utility socket. Overall ventilation is provided by fully louvered back door and double skinned top section with top and side louvres. The top panel may be removed for fitting of integral fans to the sub plate etc. Other features include, lifted castors and floor levelers, pre-punched utility panel at lower rear for cable / connector access etc. Supplied in excellent, slightly used condition with keys. Colour Royal blue. External dimensions mm=1625H x 635D x 603 W (64" H x 25" D x 23 3/4" W)

Sold at LESS than a third of makers price !!

A superb buy at only £245.00 (G)
42U version of the above only £345 - CALL
12V BATTERY SCOOP - 60% off !!
A special bulk purchase from a cancelled export order brings you the most amazing savings on these ultra high spec 12v DC 14 Ah rechargeable batteries. Made by Hawker Energy Ltd, type SB515 featuring pure lead plates which offer a far superior shelf & guaranteed 15 year service life. Fully BT & BS2900 approved. Supplied BRAND NEW and boxed. Dimensions 200 wide, 137 high, 77 deep. MB bolt terminals. Fully guaranteed. Current makers price over £70 each. **Our Price £35 each (C) or 4 for £99 (E)**

RELAYS - 200,000 FROM STOCK

Save \$\$\$'s by choosing your next relay from our Massive Stocks covering types such as Military, Octal, Cradle, Hermetically Sealed, Continental, Contactors, Time Delay, Reed, Mercury Wetted, Solid State, Printed Circuit Mounting etc. CALL or see our web site www.distel.co.uk for more information. Many obsolete types from stock. Save \$\$\$'s

COLOUR CCD CAMERAS BIG & Saver

Undoubtedly a miracle of modern technology & our special buying power! A quality product featuring a fully cased COLOUR CCD camera at a give away price! Unit features full auto light sensing for use in low light & high light applications. A 1C mm fixed focus wide angle lens gives excellent focus and resolution from close up to long range. The composite video output will connect to any composite monitor or TV (via SCART socket) and most video recorders. Unit runs from 12V DC so ideal for security & portable applications where mains power not available. Overall dimensions 66 mm wide x 117 deep x 43 high. Supplied BRAND NEW & fully guaranteed with user data. 100's of applications including Security, Home Video, Web TV, Web Cams etc, etc.
Web ref = LK33 **ONLY £99.00 or 2 for £180.00 (E)**

SOFTWARE SPECIALS

NT4 WorkStation, complete with service pack 3 and licence - OEM packaged. **ONLY £89.00 (D)**
ENCARTA 95 - CDROM, Not the latest - but at this price! £7.95
DOS 5.0 on 3 1/2" disks with concise books & CD Biosic £14.95
Windows for Workgroups 3.11+ Dos 6.22 on 3 1/2" disks £55.00
Wordperfect 6 for DOS supplied on 3 1/2" disks with manual £24.95
shipping charges for software is code B

DISTEL on the web !! - Over 16,000,000 items from stock - www.distel.co.uk



ALL MAIL TO
Dept PE, 29/35 Osborne Rd
Thornton Heath
Surrey CR7 8PD
Open Mon - Fri 9.00 - 5:30

LONDON SHOP
Open Mon - Sat 9:00 - 5:30
215 Whitehorse Lane
South Norwood
On 6A Bus Route
N. Thornton Heath &
Salisbury Park SR Rail Stations

DISTEL
Visit our web site
www.distel.co.uk
email = admin@distel.co.uk

ALL ENQUIRIES
0208 653 3333
FAX 0208 653 8888

All prices for UK Mainland. UK customers add 17.5% VAT to TOTAL order amount. Minimum order £10. Bona Fide account orders accepted from Government, Schools, Universities and Local Authorities - minimum account order £50. Cheques over £100 are subject to 10 working days clearance. Carriage charges (A)-£3.00, (A1)-£4.00, (B)-£5.00, (C)-£6.50, (C1)-£12.50, (D)-£15.00, (E)-£18.00, (G)-£20.00, (G)-CALL. Allow approx 6 days for shipping - faster CALL. All goods supplied to our Standard Conditions of Sale and unless stated guaranteed for 90 days. All guarantees on a return to base basis. All rights reserved to change prices / specifications without prior notice. Orders subject to stock. Descriptions for volume. Top CASES price paid for surplus goods. All trademarks, tradenames etc acknowledged © Deplot Electronics 1999 L & O E. 07.99

NEXT MONTH

PIC-CONTROLLED INTRUDER ALARM

This sophisticated multi-zone intruder detection system offers the following deluxe monitoring facilities:

- alphanumeric liquid crystal display of all functions
- monitors up to eight zones, including "panic" and anti-tamper
- zone intrusion indicated via bell, buzzer, strobe and l.c.d.
- bell shut-off time adjustable, 5 to 20 mins
- zone entry/exit time adjustable, 1 to 99 secs
- access via keypad-entered alphanumeric PIN code, changeable
- keypad selection of control options
- mains powered, plus trickle-charged battery back-up
- interchangeable use of open or closed circuit sensors
- l.c.d. preview of zone sensor status
- system checking via indicator lights without activating the bell
- "panic" button always enabled for immediate use
- "passive" advice (buzzer) of zone sensor status when required
- accepts all conventional types of switched-output commercial sensor
- optional slave keypad with separate PIN code for access to selected zone
- plus many more features

ELECTRIC GUITAR TUNER

This guitar tuner design uses a very simple frequency comparison circuit that works just as well whether the input to the comparator is at the fundamental frequency or a harmonic. This avoids the need for any signal processing other than a simple input amplifier.

The display is just a single l.e.d. that flashes at a rate equal to the difference between the guitar's frequency and the correct frequency. Correct tuning is therefore indicated by a steady state from the l.e.d. indicator. The unit is powered from a small 9V battery and it is fully portable.

This project is simple enough to be tackled by a complete beginner at electronic project construction. No test equipment is needed to set up the finished unit, but an accurately tuned instrument or pitch-pipes are needed to provide reference frequencies.



SOLAR CHARGE AND GO

With more and more people "travelling" and using mobile phones, not only to keep in touch with family and friends but also as an item of safety equipment, there comes the need to recharge when miles from the nearest power point or car battery. This solar-operated circuit will charge a nominal 2.4V or 3.6V nickel-cadmium or nickel metal hydride mobile phone battery. It may also be used to power an inexpensive 3V personal cassette player (the type that normally uses two AA size cells). You could listen to music or learn the local language!

FREE GIANT OP.AMP DATA CHART

NO ONE DOES IT BETTER

EVERYDAY
PRACTICAL
ELECTRONICS

INCORPORATING **ELECTRONICS TODAY INTERNATIONAL**

**DON'T MISS AN
ISSUE - PLACE YOUR
ORDER NOW!**
Demand is bound to be high

APRIL 2002 ISSUE ON SALE THURSDAY, MARCH 14

QUASAR ELECTRONICS LIMITED

Unit 14 Sunningdale, BISHOPS STORTFORD, Herts. CM23 2PA

TEL: 01279 467799 FAX: 07092 203496

ADD £2.00 P&P to all orders (or 1st Class Recorded £4, Next day Insured £2.50) £7 Europe £5.00. Rest of World £10.00. We accept all major credit cards. Make cheques/PO's payable to Quasar Electronics. Prices include 17.5% VAT, MAIL ORDER ONLY FREE CATALOGUE with order or send 2 x 1st class stamps (refundable) for details of over 150 kits & publications.

PROJECT KITS

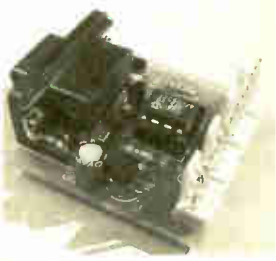
Our electronic kits are supplied complete with all components, high quality PCBs (NOT cheap Tripad strip board!) and detailed assembly/operating instructions

- **2 x 25W CAR BOOSTER AMPLIFIER** Connects to the output of an existing car stereo cassette player, CD player or radio. Heatsinks provided. PCB 76x75mm 1046KT £24.95
- **3-CHANNEL WIRELESS LIGHT MODULATOR** No electrical connection with amplifier. Light modulation achieved via a sensitive electret microphone. Separate sensitivity control per channel. Power handling 400W/channel. PCB 54x112mm. Mains powered. Box provided. 6014KT £24.95
- **12 RUNNING LIGHT EFFECT** Exciting 12 LED light effect ideal for parties, discos, shop-windows & eye-catching signs. PCB design allows replacement of LEDs with 220V bulbs by inserting 3 TRIACS. Adjustable rotation speed & direction. PCB 54x112mm 1026KT £15.95; BOX (for mains operation) 2026BX £9.00
- **DISCO STROBE LIGHT** Probably the most exciting of all light effects. Very bright strobe tube. Adjustable strobe frequency. 1-60Hz. Mains powered. PCB: 60x68mm. Box provided. 6037KT £28.95
- **ANIMAL SOUNDS** Cat, dog, chicken & cow. Ideal for kids farmyard toys & schools. SG10M £5.95
- **3 1/2 DIGIT LED PANEL METER** Use for basic voltage/current displays or customise to measure temperature, light, weight, movement, sound levels, etc. with appropriate sensors (not supplied). Various input circuit designs provided. 3061KT £13.95
- **IR REMOTE TOGGLE SWITCH** Use any TV/VCR remote control unit to switch onboard 12V/1A relay on/off. 3058KT £10.95
- **SPEED CONTROLLER** for any common DC motor up to 100V/5A. Pulse width modulation gives maximum torque at all speeds. 5-15VDC. Box provided. 6067KT £12.95
- **3 x 8 CHANNEL IR RELAY BOARD** Control eight 12V/1A relays by Infra Red (IR) remote control over a 20m range in sunlight. 6 relays turn on only the other 2 toggle on/off. 3 operation ranges determined by jumpers. Transmitter case & all components provided. Receiver PCB 76x89mm 3072KT £52.95

PRODUCT FEATURE

COMPUTER TEMPERATURE DATA LOGGER

PC serial port controlled 4-channel temperature meter (either deg C or F). Requires no external power. Allows continuous temperature data logging of up to four temperature sensors located 200m+ from motherboard/PC. Ideal use for old 386/486 computers. Users can tailor input data stream to suit their purpose (dump it to a spreadsheet or write your own BASIC programs using the INPUT command to grab the readings). PCB just 38mm x 38mm. Sensors connect via four 3-pin headers, 4 header cables supplied but only one DS18B20 sensor. Kit software available free from our website. ORDERING: 3145KT £23.95 (kit form); AS3145 £29.95 (assembled); Additional DS18B20 sensors £4.95 each



- **SOUND EFFECTS GENERATOR** Easy to build. Create an almost infinite variety of interesting/unusual sound effects from birds chirping to sirens. 9VDC. PCB 54x85mm 1045KT £8.95
- **ROBOT VOICE EFFECT** Make your voice sound similar to a robot or Darlek. Great fun for discos, school plays, theatre productions, radio stations & playing jokes on your friends when answering the phone! PCB 42x71mm. 1131KT £8.95
- **AUDIO TO LIGHT MODULATOR** Controls intensity of one or more lights in response to an audio input. Safe, modern opto-coupler design. Mains voltage experience required. 3012KT £8.95
- **MUSIC BOX** Activated by light. Plays 8 Christmas songs and 5 other tunes. 3104KT £7.95
- **20 SECOND VOICE RECORDER** Uses non-volatile memory - no battery backup needed. Record/replay messages over & over. Playback as required to greet customers etc. Volume control & built-in mic. 6VDC. PCB 50x73mm. 3133KT £12.95
- **TRAIN SOUNDS** 4 selectable sounds: whistle blowing, level crossing bell, 'clackety-clack' & 4 in sequence. SG01M £6.95
- **PC CONTROLLED RELAY BOARD** Convert any 286 upward PC into a dedicated automatic controller to independently turn on/off up to eight lights, motors & other devices around the home, office, laboratory or factory using 8 240VAC/12A onboard relays. DOS utilities, sample test program, full-featured Windows utility & all components (except cable) provided. 12VDC PCB 70x200mm. 3074KT £31.95
- **2 CHANNEL UHF RELAY SWITCH** Contains the same transmitter/receiver pair as 30A15 below plus the components and PCB to control two 240VAC/10A relays (also supplied). Ultra bright LEDs used to indicate relay status. 3082KT £27.95
- **TRANSMITTER RECEIVER PAIR 2-button keyfob style** 300-375MHz Tx with 30m range. Receiver encoder module with matched decoder IC. Components must be built into a circuit like kit 3082 above. 30A15 £14.95
- **PIC 16C71 FOUR SERVO MOTOR DRIVER** Simultaneously control up to 4 servo motors. Software & all components (except servos/control pots) supplied. 5VDC. PCB 50x70mm 3102KT £15.95
- **UNIPOLAR STEPPER MOTOR DRIVER** for any 5/8/8 lead motor. Fast/slow & single step rates. Direction control & on/off switch. Wave, 2-phase & half-wave step modes. 4 LED indicators. PCB 50x65mm. 3109KT £14.95
- **PC CONTROLLED STEPPER MOTOR DRIVER** Control two unipolar stepper motors (3A max each) via PC printer port. Wave, 2-phase & half-wave step modes. Software accepts 4 digital inputs from external switches & will single step motors. PCB fits in D-shell case provided. 3113KT £17.95
- **12-BIT PC DATA ACQUISITION/CONTROL UNIT** Similar to kit 3093 above but uses a 12 bit Analogue-to-Digital Converter (ADC) with internal analogue multiplexer. Reads 8 single ended channels or 4 differential inputs or a mixture of both. Analogue inputs read 0-4V. Four TTL/CMOS compatible digital input/outputs. ADC conversion time <10uS. Software (C, QB & Win), extended D shell case & all components (except sensors & cable) provided. 3118KT £52.95
- **LIQUID LEVEL SENSOR/RAIN ALARM** Will indicate fluid levels or simply the presence of fluid. Relay output to control a pump to add/remove water when it reaches a certain level. 1080KT £5.95
- **AM RADIO KIT 1 Tuned Radio Frequency front-end** single chip AM radio IC & 2 stages of audio amplification. All components inc. speaker provided. PCB 32x102mm. 3063KT £10.95
- **DRILL SPEED CONTROLLER** Adjust the speed of your electric drill according to the job at hand. Suitable for 240V AC mains powered drills up to

X FACTOR PUBLICATIONS

THE EXPERTS IN RARE & UNUSUAL INFORMATION!

Full details of all X-FACTOR PUBLICATIONS can be found in our catalogue. NB: Minimum order charge for reports and plans is £5.00 PLUS normal P&P

- **SUPER-EAR LISTENING DEVICE** Complete plans to build your own parabolic dish microphone. Listen to distant voices and sounds through open windows and even walls! Made from readily available parts. R002 £3.50
- **LOCKS** - How they work and how to pick them. This fact filled report will teach you more about locks and the art of lock picking than many books we have seen at 4 times the price. Packed with information and illustrations. R008 £3.50
- **RADIO & TV JOKER PLANS** We show you how to build three different circuits for disrupting TV picture and sound plus FM radio! May upset your neighbours & the authorities! DISCRETION REQUIRED. R017 £3.50
- **INFINITY TRANSMITTER PLANS** Complete plans for building the famous Infinity Transmitter. Once installed on the target phone, device acts like a room bug. Just call the target phone & activate the unit to hear all room sounds. Great for home-office security! R019 £3.50
- **THE ETHER BOX CALL INTERCEPTOR PLANS** Grabs telephone calls out of thin air! No need to wire-in a phone bug. Simply place this device near the phone lines to hear the conversations taking place! R025 £3.00
- **CASH CREATOR BUSINESS REPORTS** Need ideas for making some cash? Well this could be just what you need! You get 40 reports (approx. 800 pages) on floppy disk that give you information on setting up different businesses. You also get valuable reproduction and duplication rights so that you can sell the manuals as you like. R030 £7.50

SURVEILLANCE

High performance surveillance bugs. Room transmitters supplied with sensitive electret microphone & battery holder/clip. All transmitters can be received on an ordinary VHF/FM radio between 88-108MHz. Available in Kit Form (KT) or Assembled & Tested (AS).

ROOM SURVEILLANCE

- **MTX - MINIATURE 3V TRANSMITTER** Easy to build & guaranteed to transmit 300m @ 3V. Long battery life. 3-5V operation. Only 45x18mm. B 3007KT £6.95 AS3007 £11.95
- **MTX - MINIATURE 9V TRANSMITTER** Our best selling bug. Super sensitive, high power - 500m range @ 9V (over 1km with 18V supply and better aerial). 45x19mm. 3018KT £7.95 AS3018 £12.95
- **HPTX - HIGH POWER TRANSMITTER** High performance, 2 stage transmitter gives greater stability & higher quality reception. 1000m range 6-12V DC operation. Size 70x15mm. 3032KT £9.95 AS3032 £18.95
- **MMTX - MICRO-MINIATURE 9V TRANSMITTER** The ultimate bug for its size, performance and price. Just 15x25mm. 500m range @ 9V. Good stability. 6-18V operation. 3051KT £8.95 AS3051 £14.95
- **VTX - VOICE ACTIVATED TRANSMITTER** Operates only when sounds detected. Low standby current. Variable trigger sensitivity. 500m range. Peaking circuit supplied for maximum RF output. On/off switch. 6V operation. Only 63x38mm. 3028KT £12.95 AS3028 £21.95
- **HARD-WIRED BUG/TWO STATION INTERCOM** Each station has its own amplifier, speaker and mic. Can be set up as either a hard-wired bug or two-station intercom. 10m x 2-core cable supplied. 9V operation. 3021KT £15.95 (kit form only)
- **TRVS - TAP RECORDER VOX SWITCH** Used to automatically open a tape recorder (not supplied) via its REMOTE socket when sounds are detected. All conversations recorded. Adjustable sensitivity & turn-off delay. 115x19mm. 3013KT £9.95 AS3013 £21.95



TELEPHONE SURVEILLANCE

- **MTRX - MINIATURE TELEPHONE TRANSMITTER** Attaches anywhere to phone line. Transmits only when phone is used. Tune-in your radio and hear both parties. 300m range. Uses line as aerial & power source. 20x45mm. 3016KT £8.95 AS3016 £14.95
- **TRI - TELEPHONE RECORDING INTERFACE** Automatically record all conversations. Connects between phone line & tape recorder (not supplied). Operates recorders with 1.5-12V battery systems. Powered from line. 50x33mm. 3030KT £9.95 AS3030 £18.95
- **TPA - TELEPHONE PICK-UP AMPLIFIER/WIRELESS PHONE BUG** Place pick-up coil on the phone line or near phone earpiece and hear both sides of the conversation. 3055KT £11.95 AS3055 £20.95

HIGH POWER TRANSMITTERS

- **1 WATT FM TRANSMITTER** Easy to construct. Delivers a crisp, clear signal. Two-stage circuit. Kit includes microphone and requires a simple open dipole aerial. 8-30VDC. PCB 42x45mm. 1008KT £14.95
- **4 WATT FM TRANSMITTER** Comprises three RF stages and an audio preamplifier stage. Piezoelectric microphone supplied or you can use a separate preamplifier circuit. Antenna can be an open dipole or Ground Plane. Ideal project for those who wish to get started in the fascinating world of FM broadcasting and want a good basic circuit to experiment with. 12-18VDC. PCB 44x146mm. 1028KT £22.95 AS1028 £34.95
- **15 WATT FM TRANSMITTER (PRE-ASSEMBLED & TESTED)** Four transistor based stages with Philips 6BL8 88 in final stage. 15 Watts RF power on the air. 88-108MHz. Accepts open dipole, Ground Plane, 5/8, J, or YAGI antenna. 12-18VDC. PCB 70x220mm. SW5 meter needed for alignment. 1021KT £99.95
- **SIMILAR TO ABOVE BUT 25W OUTPUT.** 1031KT £109.95

- **STABILISED POWER SUPPLY 2-30V/5A** As kit 1007 above but rated at 5Amp. Requires a 24VAC/5A transformer. 1096KT £27.95
- **MOTORBIKE ALARM** Uses a reliable vibration sensor (adjustable sensitivity) to detect movement of the bike to trigger the alarm & switch the output relay to which a siren, bikes horn, indicators or other warning device can be attached. Auto-reset. 6-12VDC. PCB 57x64mm. 1011KT £11.95 Box 2011BX £7.00
- **CAR ALARM SYSTEM** Protect your car from theft. Features vibration sensor, courtesy/boot light voltage drop sensor and bonnet/boot earth switch sensor. Entry/exit delays. Auto-reset and adjustable alarm duration. 6-12V DC. PCB: 47mm x 55mm 1019KT £11.95 Box 2019BX £8.00
- **PIEZO SCREAMER** 110dB ear piercing noise. Fits in box with 2 x 35mm piezo elements built into their own resonant cavity. Use as an alarm siren or just for fun! 6-9VDC. 3015KT £10.95
- **COMBINATION LOCK** Versatile electronic lock comprising main circuit & separate keypad for remote opening of lock. Relay supplied. 3029KT £10.95
- **ULTRASONIC MOVEMENT DETECTOR** Crystal locked detector frequency for stability & reliability. PCB 75x40mm houses all components. 4-7m range. Adjustable sensitivity. Output will drive external relay/circuits. 9VDC. 3049KT £13.95
- **PIR DETECTOR MODULE** 3-lead assembled unit just 25x35mm as used in commercial burglar alarm systems. 3076KT £8.95
- **INFRARED SECURITY BEAM** When the invisible IR beam is broken a relay is tripped that can be used to sound a bell or alarm. 25 metre range. Mains rated relays provided. 12VDC operation. 3130KT £12.95
- **SQUARE WAVE OSCILLATOR** Generates square waves at 6 preset frequencies in factors of 10 from 1Hz-100kHz. Visual output indicator. 5-18VDC. Box provided. 3111KT £8.95
- **PC DRIVEN POCKET SAMPLER/DATA LOGGER** Analogue voltage sampler records voltages up to 2V or 20V over periods from milli-seconds to months. Can also be used as a simple digital scope to examine audio & other signals up to about 5kHz. Software & D-shell case provided. 3112KT £18.95
- **20 MHz FUNCTION GENERATOR** Square, triangular and sine waveform up to 20MHz over 3 ranges using 'coarse' and 'fine' frequency adjustment controls. Adjustable output from 0.2V p-p. A TTL output is also provided for connection to a frequency meter. Uses MAX038 IC. Plastic case with printed front/rear panels & all components provided. 7-12VAC. 3101KT £69.95

BARGAIN BUY!

Great introduction to electronics. Ideal for the budding electronics expert! Build a radio, burglar alarm, water detector, Morse code practice circuit, simple computer circuits, and much more! NO soldering, tools or previous electronics knowledge required. Circuits can be built and unassembled repeatedly. Comprehensive 68-page manual with explanations, schematics and assembly diagrams. Suitable for age 10+. Excellent for schools. Requires 2 x AA batteries. ONLY £14.95 (phone for bulk discounts).



30-In-ONE Electronic Projects Lab

WEB: <http://www.QuasarElectronics.com>
email: epesales@QuasarElectronics.com

Secure Online Ordering Facilities
Full Kit Listing, Descriptions & Photos
Kit Documentation & Software Downloads

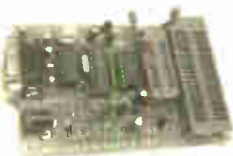
'PICALL' PIC Programmer

Kit will program ALL 8*, 18*, 28 and 40 pin serial AND parallel programmed PIC micro controllers. Connects to PC parallel port. Supplied with fully functional pre-registered PICALL DOS and WINDOWS AVR software packages, all components and high quality DSPTH PCB. Also programs certain ATMEL AVR, serial EPROM 24C and SCENIX SX devices. New PIC's can be added to the software as they are released. Software shows you where to place your PIC chip on the board for programming. Now has blank chip auto sensing feature for super-fast bulk programming. *A 40 pin wide ZIF socket is required to program 8 & 18 pin devices (available at £15.95).



3117KT	'PICALL' PIC Programmer Kit	£59.95
AS3117	Assembled 'PICALL' PIC Programmer	£69.95
AS3117ZIF	Assembled 'PICALL' PIC Programmer c/w ZIF socket	£84.95

ATMEL AVR Programmer



Powerful programmer for Atmel AT90Sxxxx (AVR) micro controller family. All fuse and lock bits are programmable. Connects to serial port. Can be used with ANY computer and operating system. Two LEDs to indicate programming status. Supports 20-pin DIP AT90S1200 & AT90S2313 and 40-pin

DIP AT90S4414 & AT90S8515 devices. NO special software required - uses any terminal emulator program (built into Windows). The programmer is supported by BASCOM-AVR Basic Compiler software (see website for details). NB ZIF sockets not included.

3122KT	ATMEL AVR Programmer	£24.95
AS3122	Assembled 3122	£39.95

Atmel 89Cx051 and 89xxx programmers also available.

PC Data Acquisition & Control Unit

With this kit you can use a PC parallel port as a real world interface. Unit can be connected to a mixture of analogue and digital inputs from pressure, temperature, movement, sound, light intensity, weight sensors, etc. (not supplied) to sensing switch and relay states. It can then process the input data and use the information to control up to 11 physical devices such as motors, sirens, other relays, servo motors & two-stepper motors.



FEATURES:

- 8 Digital Outputs: Open collector, 500mA, 33V max.
- 16 Digital Inputs: 20V max. Protection 1K in series, 5-1V Zener to ground.
- 11 Analogue Inputs: 0-5V, 10 bit (5mV/step.)
- 1 Analogue Output: 0-2.5V or 0-10V. 8 bit (20mV/step.)

All components provided including a plastic case (140mm x 110mm x 35mm) with pre-punched and silk screened front/rear panels to give a professional and attractive finish (see photo) with screen printed front & rear panels supplied. Software utilities & programming examples supplied.

3093KT	PC Data Acquisition & Control Unit	£99.95
AS3093	Assembled 3093	£124.95

See opposite page for ordering information on these kits

ABC Mini 'Hotchip' Board

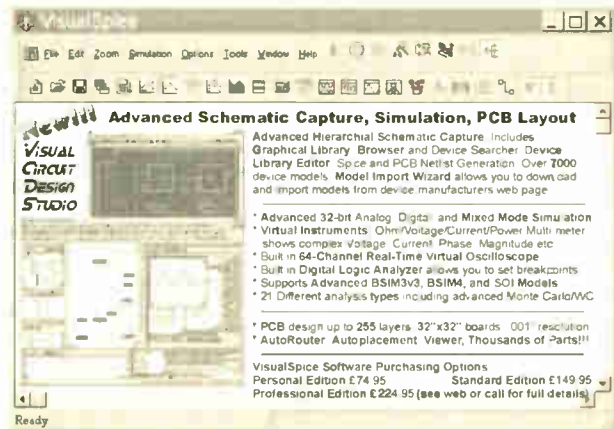


Currently learning about microcontrollers? Need to do something more than flash a LED or sound a buzzer? The ABC Mini 'Hotchip' Board is based on Atmel's AVR 8535 RISC technology and will interest both the beginner and expert alike. Beginners will find that they can write and test a simple program, using the BASIC programming language, within an hour or two of connecting it up.

Experts will like the power and flexibility of the ATMEL microcontroller, as well as the ease with which the little Hot Chip board can be "designed-in" to a project. The ABC Mini Board 'Starter Pack' includes just about everything you need to get up and experimenting right away. On the hardware side, there's a pre-assembled micro controller PC board with both parallel and serial cables for connection to your PC. Windows software included on CD-ROM features an Assembler, BASIC compiler and in-system programmer. The pre-assembled boards only are also available separately.

ABCMINISP	ABC MINI Starter Pack	£64.95
ABCMINIB	ABC MINI Board Only	£39.95

Advanced Schematic Capture and Simulation Software



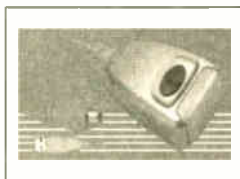
Serial Port Isolated I/O Controller

Kit provides eight 240VAC/12A (110VAC/15A) rated relay outputs and four optically isolated inputs. Can be used in a variety of control and sensing applications including load switching, external switch input sensing, contact closure and external voltage sensing. Programmed via a computer serial port, it is compatible with ANY computer & operating system. After programming, PC can be disconnected. Serial cable can be up to 35m long, allowing 'remote' control. User can easily write batch file programs to control the kit using simple text commands. NO special software required - uses any terminal emulator program (built into Windows). All components provided including a plastic case with pre-punched and silk screened front/rear panels to give a professional and attractive finish (see photo).

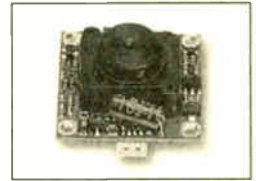


3108KT	Serial Port Isolated I/O Controller Kit	£54.95
AS3108	Assembled Serial Port Isolated I/O Controller	£69.95

Video Surveillance



- C-MOS B/W Camera 15mm/15mm £29.00
- C-MOS Colour Camera 15mm/15mm £65.00
- PCB B/W Camera 32mm/32mm £24.00
- PCB Colour Camera w/Audio 32mm/32mm £65.00
- 23cm (1.3GHz) Video/Audio Transmitter £35.00
- 13cm (2.4GHz) Video/Audio Transmitter £35.00
- 1-2 Watt 2.4GHz Video/Audio Transmitter £120.00
- 4" TFT Boxed Colour Monitor w/Audio £110.00
- Video to VGA Converter £65.00
- VGA to Video Converter £90.00
- 10m Outdoor IR Illuminator £55.00



All prices exclude VAT.

Many more products on our website:

WWW.BITZTECHNOLOGY.COM

Tel: 01753 522 902 Fax: 01753 571 657

SPECIAL OFFERS



TEKTRONIX 2445A
4-ch 150MHz delay,
cursors etc. Supplied
with 2 Tektronix probes.

ONLY **£425**

TEKTRONIX 2232 Digital Storage Scope.
Dual Trace, 100MHz, 100MS with probes ... £525
H.P. 54501A Dg. Oscilloscope, 100MHz 4-Ch ... £425
H.P. 3312A Function Gen., 0-1Hz-13MHz,
AM/FM Sweep/PV/Gate/Burst etc. ... £300
FARNELL Dual PSU XA35-2T, 0-35V, 0-2A,
Twice QMD, I.c.d. Display ... £180
CIRRUS CRL254 Sound Level Meter
with Calibrator 80-120dB, LEO ... £150
EDDYSTONE 100Z Receiver, 150kHz-30MHz
+ Broadcast FM, unused ... £125
FARNELL AMM255 Automatic Mo
Meter, 1-5MHz-2GHz, unused ... £300
FARNELL DSQ1 Low Frequency Syn Sig. Gen.,
0-501Hz-99.99kHz, low distortion, TTL/
Square/Pulse Outputs etc. ... £95
FLUKE 8060A Handheld True RMS, DMM,
4½ digit ... As new £150, used £95
BECKMAN HD110 Handheld 3½ digit DMM, 28
ranges, with battery, leads and carrying case. £40

H.P. 3310A Function Gen., 0-005Hz-5MHz,
Sine/Sq/Tri/Ramp/Pulse ... £125
FARNELL LFM4 Sine/Sq Oscillator, 10Hz-1MHz,
low distortion, TTL output, Amplitude Meter ... £125
H.P. 5454A Logic Probe with 5464A Logic
Pulser and 547A Current Tracer ... £90
FLUKE 77 Multimeter, 3½-digit, handheld ... £60
FLUKE 77 Series 11 ... £70
HEME 1000 L.C.B. Clair P. Meter, 00-1000A,
in carrying case ... £80

Racal 9008 ONLY **£95**

Automatic Modulation Meter, AM/FM 1.5MHz-2GHz

Datron 1061 ONLY **£150**

High Quality 5.5-Digit Bench
Multimeter

Datron 1061A ONLY **£225**

High Quality 6½ digit Bench
Multimeter

Racal Receiver RA1772 ONLY **£250**

True RMS/4 wire/Current Converter

50kHz-30MHz
L.E.D. Display, Basically working.

MARCONI 2019A



AM/FM SYNTHESISED SIGNAL
GENERATOR
80 kHz - 1040MHz

NOW ONLY **£400**

MARCONI 893C AF Power Meter, Sine Measurement
Unused £100, Used £90
MARCONI 893B, No Sine £30
MARCONI 2810 True RMS Voltmeter, Autoranging,
5Hz-25MHz ... £195
GOULD J3B Sine/Sq Osc., 10Hz-100kHz,
low distortion ... £75-£125
AVO 8 Mk. 6 in Every Ready case, with leads etc. £80
Other AVOs from ... £50
GOODWILL GVT427 Dual Ch AC Millivoltmeter,
10mV-300V in 12 ranges, Freq. 10Hz-1MHz ... £100-£125
SOLARTRON 7150 DMM 6½-digit
True RMS-IEEE ... £95-£150
SOLARTRON 7150 Plus ... £200

HIGH QUALITY RACAL COUNTERS

9904 Universal Timer Counter, 50MHz ... £50
9916 Counter, 10Hz-520MHz ... £75
9918 Counter, 10Hz-560MHz, 9-digit ... £50
WAYNE KERR B424 Component Bridge ... £125
RACAL/AIM 9343M LCR Databridge,
Digital Automeasurement of R, C, L, Q, D ... £200
HUNTRON TRACKER Model 1000 ... £125
FLUKE 8050A 4.5 Digit, 2A, True RMS ... £75
FLUKE 8010A 3.5 Digit, 10A ... £50
FLUKE 8012A 3.5 Digit, 2A ... £40

SOLARTRON 7045 ONLY **£30**

Bench Multimeter

4-5 Digit Bright L.E.D. with leads.

Portable Appliance Tester ONLY **£180**

Megger Pat 2

H.P. 8012B DC PSU 0-60V, 0-50A, 1000W ... £1000
FARNELL AP60/50 1KW Autoranging ... £1000
FARNELL H60/50 0-60V 0-50A ... £750
FARNELL H60/25 0-60V, 0-25A ... £400
Power Supply HPS301D, 0-30V, 0-10A ... £140
FARNELL L30-2 0-30V, 0-2A ... £80
FARNELL L30-1 0-30V, 0-1A ... £90

Many other Power Supplies available
Isolating Transformer, 240V In/Out 500VA ... £40



GOULD OS300
Dual Trace, 20MHz
Tested with Manual

ONLY **£95**

OSCILLOSCOPES

TEKTRONIX TDS350 dual trace, 200MHz, 1GS Unused £1500
TEKTRONIX TDS320 dual trace, 100MHz, 500MS ... £1200
TEKTRONIX TDS310 dual trace, 50MHz, 200MS ... £950
LECROY 9400A dual trace, 175MHz, 5GS ... £1500
HITACHI VC8523, d'rtace, 20MHz, 20MS, delay etc. Unused £800
PHILIPS PM3092 2+2-ch., 200MHz, delay etc. £700 as new £950
PHILIPS PM3092 4-ch., 400MHz, delay cursors etc. ... £1500
TEKTRONIX 2445 4-ch., 300MHz, delay cursors etc. ... £300
TEKTRONIX 2445A/B 4-ch 150MHz, delay cursors etc. £500-£300
TEKTRONIX 468 Dig. Storage, dual trace, 100MHz, delay ... £450
TEKTRONIX 466 Analogue Storage, dual trace, 100MHz ... £250
TEKTRONIX 465 dual trace, 350MHz, delay sweep ... £550
TEKTRONIX 475 dual trace, 200MHz, delay sweep ... £400
TEKTRONIX 465B dual trace, 100MHz, delay sweep ... £325
PHILIPS PM217 dual trace, 50MHz, delay ... £200-£250
GOULD OS1100 dual trace, 30MHz, delay ... £150
HAMEG HM303 dual trace, 30MHz component tester ... £275
HAMEG HM203.7 dual trace, 20MHz component tester ... £200
FARNELL DTV20 dual trace, 20MHz component tester ... £125
Many other Oscilloscopes available

MARCONI 2022E Synth AM/FM Sig Gen
10kHz-10MHz I.c.d. display etc. ... £325-£750

H.P. 8657A Synth sig gen, 100kHz-1040MHz ... £2000
H.P. 8656B Synth sig gen, 100kHz-900MHz ... £1350
H.P. 8656A Synth sig gen, 100kHz-900MHz ... £995
R&S APR8E Synth, 1Hz-200kHz sig. gen.,
balancing/unsaturated output, I.c.d. display ... £425
PHILIPS PM3228 sig gen, 100kHz-100MHz with
200MHz, freq. counter, IEEE ... £550
RACAL 9081 Synth AM/FM sig gen, 5kHz-1024MHz ... £250
H.P. 3325A Synth function gen, 21MHz ... £800
MARCONI 6500 Amplitude Analyser ... £1500
H.P. 4192A Impedance Analyser ... £3000
H.P. 4754A LCR Meter, 10kHz-10MHz ... £2750
H.P. 8903A Distortion Analyser ... £1000
WAYNE KERR 3245 Inductance Analyser ... £2000
H.P. 8112A Synth Generator, 50MHz ... £1250
MARCONI 2440 Frequency Counter, 20GHz ... £1000
H.P. 5350B Frequency Counter, 20GHz ... £2000
H.P. 5424A 10Hz-18GHz Frequency Counter ... £800
H.P. 1650B Logic Analyser, 80-channel ... £1000
MARCONI 2035 Mod Meter, 500kHz-2GHz ... £750

RADIO COMMUNICATIONS TEST SETS

MARCONI 2955/2956A ... £1500
RODHE & SCHWARZ MITT 0-1-1000MHz ... £2000
SCHLUMBERGER 4040 ... £900

JUST IN

H.P. 8063B DC Electronic Load, 3-240V/0-10A, 250W ... PDA
H.P. 86312A PSU, 0-20V/0-2A ... £400
H.P. 86311B PSU, 0-15V/0-3A ... £400
H.P. 86390 PSU Dual, 0-15, 0-3A/0-12, 0-1-5A ... £750
H.P. 8632B PSU, 0-20V/0-5A ... £500
H.P. 6623A PSU, triple output ranging from 0-7V 0-5A to
0-20V 0-4A ... £850
H.P./AGILENT 34401A DMM 6½ digit ... £400/£450
H.P. 3478A DMM 5½ digit ... £275
FLUKE 45 DMM dual display ... £400
KEITHLEY 2010 DMM 7½ digit ... £350
KEITHLEY 617 Programmable Electrometer ... £1250
RACAL Counter type 1999 2.6GHz ... £1500
H.P. 4338B Milliohmmeter ... £300
RACAL Counter type 1999 2.6GHz ... £300
H.P. Counter type 53131A 3GHz ... £350
H.P./AGILENT 33120A Func. Gen./ARB, 100kHz-15MHz ... £900/£1000
SONIX/TEKTRONIX AFG320 Arbitrary Func. Gen ... £1250
H.P. 8904A Syn. Function Gen, DC-600MHz ... £1000/£1250
BLACK STAR JUPITOR 2010 Func. Gen, 0.2Hz-2MHz with
frequency counter ... £140
H.P. 8116A Pulse Generator, 1mH-50MHz ... £1950
H.P. 8657B Syn Sig. Gen, 0-1-2080MHz ... £2800
CO-AXIAL SWITCH, 1.5GHz ... £40
IEEE CABLES ... £10

SPECTRUM ANALYSERS

H.P. 8561B 50Hz-6.5GHz ... £6500
H.P. 8560A 50Hz-2.9GHz synthesised ... £5000
H.P. 8596A 9kHz-2.9GHz ... £4500/£5000
H.P. 8591E 14kHz-1.9GHz, 75 Ohm ... £3500
H.P. 8583A with 8559A 100kHz-21GHz ... £2250
H.P. 8558B with 8559A 100kHz-1500MHz ... £1250
H.P. 3585A 20Hz-40MHz ... £3000
H.P. 3580A 5Hz-50kHz ... £800
ADVANTECH RA131B 10kHz-3.5GHz ... £3500
EATON/AILTECH 757 0-001-22GHz ... £1500
MARCONI 2382 100Hz-400MHz, high resolution ... £2000
MARCONI 2370 30Hz-110MHz ... from £500
H.P. 182 with 8557 10kHz-350MHz ... £500
H.P. 1411 SYSTEMS ...
8553 16kHz-110MHz ... from £500
8554 500kHz-1205MHz ... from £750
8555 10MHz-18GHz ... from £1000
TEKTRONIX 491 10MHz-12.4GHz ... £500
H.P. 8443 Tracking Gen/Counter, 110MHz ... £250
H.P. 8444 Opt 059 ... £750
B&K 2033R Signal Analyser ... £750
H.P. 5372A Frequency & Time Interval Analyser ... £2250
H.P. 8754A Network Analyser, 4MHz-1300MHz ... £1250
H.P. 3557A Network Analyser, 5Hz-200MHz ... £3000
H.P. 35310A Mod Domain Analyser Opt 001003 ... £5000
OWO SOKKI CF300 Portable FFT Analyser ... £1500

STEWART of READING

110 WYKEHAM ROAD, READING, BERKS. RG6 1PL
Telephone: (0118) 2659041. Fax: (0118) 9351696
www.stewart-of-reading.co.uk

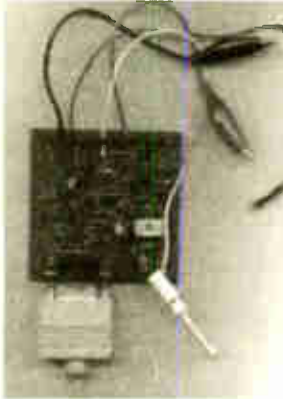
Callers welcome 9am-5.30pm Monday to Friday (other times by arrangement)

Used Equipment – GUARANTEED. Manuals supplied

This is a VERY SMALL SAMPLE OF STOCK. SAE or Telephone for lists.
Please check availability before ordering.
CARRIAGE all units £16. VAT to be added to Total of Goods and Carriage

NEW From FED – In Circuit Debugging for PIC 16F87x series

Operates with all FED PIC Development applications (PIXIE, WIZPIC, PICDESIM, C Compiler)



In Circuit Debugger Board

What is In-Circuit Debugging (ICD) ?

In Circuit Debugging is a technique where a monitor program runs on the PIC in the application circuit. The ICD board connects to the PIC and to the PC. From any of our applications it is then possible to set breakpoints on the PIC, run code, single step, examine registers on the real device and change their values. The ICD makes debugging real time applications faster, easier and more accurate than simulation tools available for the PIC.

Features

- Allows real hardware to be examined & programs to be debugged and to be *run in real time* on your application
- Powered from the application circuit (3.3V to 5V)
- The FED ICD requires only one data I/O pin on the PIC which can be chosen from any of ports B, C or D.
- Can program and re-program applications in circuit
- Up to 3 breakpoints
- Run, single step and step over, run to cursor line, set PC to any value in the program
- Trace execution in the original C or Assembler source files
- Animate operation to trace variables at breakpoints or watch the program executing
- Auto Run application if ICD not connected
- View and change values of PIC special function and general purpose registers, W and the ports.
- Uses a standard (3 wire) serial interface to a PC

Prices

In Circuit Debugger Board - £30.00

You will also need a copy of PICDESIM, WIZPIC, our C Compiler, or PIXIE, all of which operate with the ICD board.

PIXIE

Visual Development for the FED PIC C Compiler

- An application designer for the FED PIC C Compiler FULLY including the PIC C Compiler
- Drag a software component on to your design & set up the parameters using check boxes, drop down boxes and edit boxes (see shot right).
- Connect the component to the PIC pins using the mouse
- Select your own C functions to be triggered when events occur (e.g. Byte received, timer overflow etc.)
- Simulate, Trace at up to 10x the speed of MPLAB
- Generate the base application automatically and then add your own functional code in C or assembler
- Supports 14/16 bit core PICS - 16F87x, 16C55x, 16C6x, 16F8x, 16C7xx 18Cxx
- C Compiler designed to ANSI C Standards

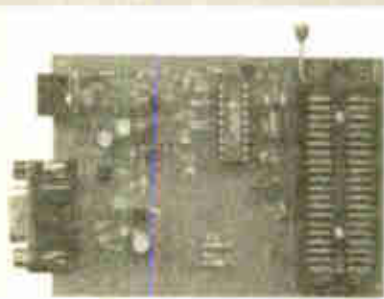


Prices

PIXIE with Introductory manual (C Manuals on CD) - £70

PIXIE with WIZPIC, Serial Programmer, or Development Board £50.00 CD-ROM

PIC & AVR Programmers



PIC Serial Programmer (Left) including 18Cxxx

Handles serially programmed PIC devices in a 40 pin multi-width ZIF socket. 16C55X, 16C6X, 16C7X, 16C8x, 16F8X, 12C508, 12C509, 16C72XPIC 14000, 16F87X, 18Cxxx etc. Also In-Circuit programming. Operates on PC serial port

Price : £45/kit
£50/built & tested

PIC Introductory – Programs 8 & 18 pin devices : 16C505, 16C55X, 16C61, 16C62X, 16C71, 16C71X, 16C8X, 16F8X, 12C508/9, 12C671/2 **£25/kit.**

AVR – AVR1200, 2313, 4144, 8515, 8535, 4434 etc. in ZIF. 4.5V battery powered.
Price : £40 for the kit or £45 built & tested.

All our Programmers operate on PC serial interface. No hard to handle parallel cable swapping ! Programmers supplied with instructions, + Windows 3.1/95/98/NT software. Upgrade programmers from our web site !

NEW - PIC Development Board



For ALL 40 pin PICS from 16cxxx, 16Fxxx and 18cxxx

- Includes In-Circuit Programmer – NO separate programmer required
- LCD module interface (1:1) plus contrast control
- Hex keypad interface
- 4 LED's and driver
- 32 I/O pins available on IDC headers
- Variable resistor for A/D
- Socket for 12C EEPROM
- 1A 5V regulator on board
- 2 serial interfaces
- CD-ROM supplied with FED PIC BASIC and Compiler
- Peripherals operate only on port D and E leaving others free

Prices

Kit with integrated programmer hardware **£35.00**
CD-ROM including FED PIC BASIC compiler **£5.00**
Other options available – please ring or see web site

Manual on CD-ROM or download free from our web site

Forest Electronic Developments

12 Buldown Walk, Sway, Lymington, Hants SO41 6DU

Email – info@fored.co.uk, or sales@fored.co.uk

Web Site – <http://www.fored.co.uk>

01590 681511 (Voice/Fax)

Prices are fully inclusive, Add £3.00 for P&P and handling to each order. Cheques/POs payable to Forest Electronic Developments, or phone with credit card details.



18C452

New architecture (more instructions + Hardware multiply), 40MHz clock, 16K program words, 1536 bytes RAM. Easy to upgrade from 16F877

18C452/JW £20.00
18C452/OTP £8.00

Prices fully inclusive

<http://www.fored.co.uk>



MAIL ORDER ONLY • CALLERS BY APPOINTMENT

**EPE MICROCONTROLLER
P.I. TREASURE HUNTER**

The latest MAGENTA DESIGN - highly stable & sensitive - with I.C. control of all timing functions and advanced pulse separation techniques.

- High stability drift cancelling
- Easy to build & use
- No ground effect, works in seawater



- Detects gold, silver, ferrous & non-ferrous metals

- Efficient quartz controlled microcontroller pulse generation.
- Full kit with headphones & all hardware

KIT 847£63.95

PIC PIPE DESCALER

- SIMPLE TO BUILD
- HIGH POWER OUTPUT
- AUDIO & VISUAL MONITORING
- SWEPT FREQUENCY

An affordable circuit which sweeps the incoming water supply with variable frequency electromagnetic signals. May reduce scale formation, dissolve existing scale and improve lathering ability by altering the way salts in the water behave. Kit includes case, P.C.B., coupling coil and all components. High coil current ensures maximum effect. L.E.D. monitor.



KIT 868 £22.95 POWER UNIT.....£3.99

MICRO PEST SCARER

Our latest design - The ultimate scarer for the garden. Uses special microchip to give random delay and pulse time. Easy to build reliable circuit. Keeps pets/pests away from newly sown areas, play areas, etc. uses power source from 9 to 24 volts.

- RANDOM PULSES
- HIGH POWER
- DUAL OPTION



Plug-in power supply £4.99

KIT 867.....£19.99

KIT + SLAVE UNIT.....£32.50

WINDICATOR

A novel wind speed indicator with LED readout. Kit comes complete with sensor cups, and weatherproof sensing head. Mains power unit £5.99 extra.

KIT 856.....£28.00

★ TENS UNIT ★

DUAL OUTPUT TENS UNIT
As featured in March '97 issue.

Magenta have prepared a FULL KIT for this excellent new project. All components, PCB, hardware and electrodes are included. Designed for simple assembly and testing and providing high level dual output drive.

KIT 866. Full kit including four electrodes £32.90

Set of 4 spare electrodes
£6.50

**1000V & 500V INSULATION
TESTER**



Superb new design. Regulated output, efficient circuit. Dual-scale meter, compact case. Reads up to 200 Megohms.

Kit includes wound coil, cut-out case, meter scale, PCB & ALL components.

KIT 848.....£32.95

**EPE
TEACH-IN
2000**

Full set of top quality NEW components for this educational series. All parts as specified by EPE. Kit includes breadboard, wire, croc clips, pins and all components for experiments, as listed in introduction to Part 1.

*Batteries and tools not included.

TEACH-IN 2000 -

KIT 879 £44.95

MULTIMETER £14.45

SPACEWRITER

An innovative and exciting project. Wave the wand through the air and your message appears. Programmable to hold any message up to 16 digits long. Comes pre-loaded with "MERRY XMAS". Kit includes PCB, all components & tube plus instructions for message loading.

KIT 849.....£16.99

12V EPROM ERASER

A safe low cost eraser for up to 4 EPROMS at a time in less than 20 minutes. Operates from a 12V supply (400mA). Used extensively for mobile work - updating equipment in the field etc. Also in educational situations where mains supplies are not allowed. Safety interlock prevents contact with UV.

KIT 790.....£29.90

**SUPER BAT
DETECTOR**

**1 WATT O/P, BUILT IN
SPEAKER, COMPACT CASE
20kHz-140kHz
NEW DESIGN WITH 40kHz MIC.**

A new circuit using a 'full-bridge' audio amplifier i.c., internal speaker, and headphone/tape socket. The latest sensitive transducer, and 'double balanced mixer' give a stable, high performance superheterodyne design.

KIT 861.....£24.99

ALSO AVAILABLE Built & Tested... £39.99



**PORTABLE ULTRASONIC
PEST SCARER**

A powerful 23kHz ultrasound generator in a compact hand-held case. MOSFET output drives a special sealed transducer with intense pulses via a special tuned transformer. Sweeping frequency output is designed to give maximum output without any special setting up.

KIT 842.....£22.56

**68000 DEVELOPMENT
TRAINING KIT**

- NEW PCB DESIGN
- 8MHz 68000 16-BIT BUS
- MANUAL AND SOFTWARE
- 2 SERIAL PORTS
- PIT AND I/O PORT OPTIONS
- 12C PORT OPTIONS

KIT 621

£99.95

- ON BOARD 5V REGULATOR
- PSU £6.99
- SERIAL LEAD £3.99



Stepping Motors

MD38...Mini 48 step...£8.65

MD35...Std 48 step...£9.99

MD200...200 step...£12.99

MD24...Large 200 step...£22.95



**MOSFET MkII VARIABLE BENCH
POWER SUPPLY 0-25V 2.5A**

Based on our Mk1 design and preserving all the features, but now with switching pre-regulator for much higher efficiency. Panel meters indicate Volts and Amps. Fully variable down to zero. Toroidal mains transformer. Kit includes punched and printed case and all parts. As featured in April 1994 EPE. An essential piece of equipment.



Kit No. 845£64.95

**EPE
PROJECT
PICS**

Programmed PICs for all* EPE Projects
16C84/18F84/16C71
All **£5.90** each

PIC16F877 now in stock
£10 inc. VAT & postage

(*Some projects are copyright)

ULTRASONIC PEST SCARER

Keep pets/pests away from newly sown areas, fruit, vegetable and flower beds, children's play areas, patios etc. This project produces intense pulses of ultrasound which deter visiting animals.

- KIT INCLUDES ALL COMPONENTS, PCB & CASE
- EFFICIENT 100V TRANSDUCER OUTPUT
- COMPLETELY INAUDIBLE TO HUMANS



- UP TO 4 METRES RANGE
- LOW CURRENT DRAIN

KIT 812.....£15.00

SIMPLE PIC PROGRAMMER

INCREDIBLE LOW PRICE! Kit 857 **£12.99**

INCLUDES 1-PIC16F84 CHIP SOFTWARE DISK, LEAD CONNECTOR, PROFESSIONAL PC BOARD & INSTRUCTIONS

Power Supply £3.99

EXTRA CHIPS:
PIC 16F84 £4.84

Based on February '96 EPE. Magenta designed PCB and kit. PCB with 'Reset' switch, Program switch, 5V regulator and test L.E.D.s, and connection points for access to all A and B port pins.

PIC 16C84 DISPLAY DRIVER

INCLUDES 1-PIC16F84 WITH DEMO PROGRAM SOFTWARE DISK, PCB, INSTRUCTIONS AND 16-CHARACTER 2-LINE

LCD DISPLAY

Kit 860 **£19.99**

Power Supply £3.99

FULL PROGRAM SOURCE CODE SUPPLIED - DEVELOP YOUR OWN APPLICATION!

Another super PIC project from Magenta. Supplied with PCB, industry standard 2-LINE x 16-character display, data, all components, and software to include in your own programs. Ideal development base for meters, terminals, calculators, counters, timers - Just waiting for your application!

PIC 16F84 MAINS POWER 4-CHANNEL CONTROLLER & LIGHT CHASER

- WITH PROGRAMMED 16F84 AND DISK WITH SOURCE CODE IN MPASM
- ZERO VOLT SWITCHING
- MULTIPLE CHASE PATTERNS
- OPTO ISOLATED 5 AMP OUTPUTS
- 12 KEYPAD CONTROL
- SPEED/DIMMING POT.
- HARD-FIRED TRIACS

Kit 855 **£39.95**

LOTS OF OTHER APPLICATIONS

Now features full 4-channel chaser software on DISK and pre-programmed PIC16F84 chip. Easily re-programmed for your own applications. Software source code is fully 'commented' so that it can be followed easily.

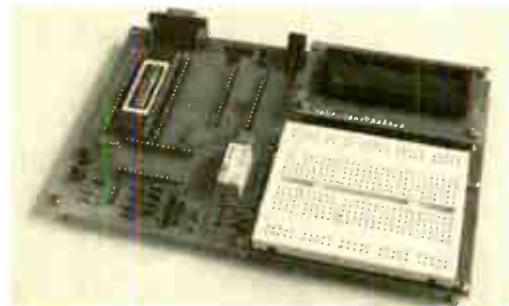
8-CHANNEL DATA LOGGER

As featured in Aug./Sept. '99 EPE. Full kit with Magenta redesigned PCB - LCD fits directly on board. Use as Data Logger or as a test bed for many other 16F877 projects. Kit includes programmed chip, 8 EEPROMs, PCB, case and all components.

Kit 877 **£49.95** inc. 8 x 256K EEPROMS

ICEBREAKER

□□□□□□□□□□



PIC Real Time In-Circuit Emulator

- Icebreaker uses PIC16F877 in circuit debugger
- Links to Standard PC Serial Port (lead supplied)
- Windows™ (95+) Software included
- Works with MPASM and MPLAB Microchip software
- 16 x 2 L.C.D., Breadboard, Relay, I/O devices and patch leads supplied

As featured in March '00 EPE. Ideal for beginners AND advanced users. Programs can be written, assembled, downloaded into the microcontroller and run at full speed (up to 20MHz), or one step at a time.

Full emulation means that all I/O ports respond exactly and immediately, reading and driving external hardware.

Features include: Reset; Halt on external pulse; Set Breakpoint; Examine and Change registers, EEPROM and program memory; Load program, Single Step with display of Status, W register, Program counter, and user selected 'Watch Window' registers.

Kit 900 . . . **£34.99**

POWER SUPPLY **£3.99** STEPPING MOTOR **£5.99**

EPE PIC TOOLKIT 3

NEW

- THE LATEST TOOLKIT BOARD - 8, 18, 28 AND 40-PIN CHIPS
- MAGENTA DESIGNED P.C.B. WITH COMPONENT LAYOUT AND EXTRAS
- L.C.D., BREADBOARD AND PIC CHIP INCLUDED
- ALL TOP QUALITY COMPONENTS AND SOFTWARE SUPPLIED

Kit 880 . . . **£34.99** with 16F84 . . . **£39.99** with 16F877

PIC TOOLKIT V2

- SUPER UPGRADE FROM V1 • 18 28 AND 40 PIN CHIPS
- READ, WRITE, ASSEMBLE & DISASSEMBLE PICS
- SIMPLE POWER SUPPLY OPTIONS 5V-20V
- ALL SWITCHING UNDER SOFTWARE CONTROL
- MAGENTA DESIGNED PCB HAS TERMINAL PINS AND OSCILLATOR CONNECTIONS FOR ALL CHIPS
- INCLUDES SOFTWARE AND PIC CHIP

Kit 878 . . . **£22.99** with 16F84 . . . **£29.99** with 16F877

EPE PIC Tutorial

At last! A Real, Practical, Hands-On Series

- Learn Programming from scratch using PIC16F84
- Start by lighting I.e.d.s and do 30 tutorials to Sound Generation, Data Display, and a Security System.
- PIC TUTOR Board with Switches, I.e.d.s, and on board programmer

PIC TUTOR BOARD KIT

Includes: PIC16F84 Chip, TOP Quality PCB printed with Component Layout and all components* (*not ZIF Socket or Displays). Included with the Magenta Kit is a disk with Test and Demonstration routines.

Kit 870 **£27.95**, Built & Tested **£42.95**

Optional: Power Supply - **£3.99**, ZIF Socket - **£9.99**

LCD Display **£7.99** LED Display **£6.99**

Reprints Mar/Apr/May 98 - **£3.00** set 3

SUPER PIC PROGRAMMER

- READS, PROGRAMS AND VERIFIES
- WINDOWS™ SOFTWARE
- PIC16C6X, 7X, AND 8X
- USES ANY PC PARALLEL PORT
- USES STANDARD MICROCHIP • HEX FILES
- OPTIONAL DISASSEMBLER SOFTWARE (EXTRA)
- PCB, LEAD, ALL COMPONENTS, TURNED-PIN SOCKETS FOR 18, 28, AND 40 PIN ICs

- SEND FOR DETAILED INFORMATION - A SUPERB PRODUCT AT AN UNBEATABLE LOW PRICE.

Kit 862 **£29.99**

Power Supply **£3.99**

DISASSEMBLER SOFTWARE **£11.75**

PIC STEPPING MOTOR DRIVER

INCLUDES PCB, PIC16F84 WITH DEMO PROGRAM, SOFTWARE DISC, INSTRUCTIONS AND MOTOR.

Kit 863 **£18.99**

FULL SOURCE CODE SUPPLIED ALSO USE FOR DRIVING OTHER POWER DEVICES e.g. SOLENOIDS

Another NEW Magenta PIC project. Drives any 4-phase unipolar motor - up to 24V and 1A. Kit includes all components and 48 step motor. Chip is pre-programmed with demo software, then write your own, and re-program the same chip! Circuit accepts inputs from switches etc and drives motor in response. Also runs standard demo sequence from memory.

MAGENTA

All prices include VAT. Add **£3.00** p&p. Next day **£6.99**

Tel: 01283 565435 Fax: 01283 546932 E-mail: sales@magenta2000.co.uk

032002

ESR ELECTRONIC COMPONENTS

Station Road, Cullercoats, Tyne & Wear, NE30 4PQ

Prices Exclude Vat @17.5%
UK Carriage £1.50 (less than 1kg)
£3.50 greater than 1kg

Cheques / Postal orders payable to ESR Electronic Components.
PLEASE ADD CARRIAGE & VAT TO ALL ORDERS

See Next / Last Months Ad. for ELECTRONIC COMPONENTS

DIL Sockets

Stamped Pin

6 Pin DIL 0.3" £0.07
8 Pin DIL 0.3" £0.06
14 Pin DIL 0.3" £0.11
16 Pin DIL 0.3" £0.11
18 Pin DIL 0.3" £0.12
20 Pin DIL 0.3" £0.12
24 Pin DIL 0.6" £0.13
40 Pin DIL 0.6" £0.19

Turned Pin

8 Pin DIL 0.3" £0.11
14 Pin DIL 0.3" £0.20
16 Pin DIL 0.3" £0.23
18 Pin DIL 0.3" £0.25
20 Pin DIL 0.3" £0.28
24 Pin DIL 0.6" £0.35
28 Pin DIL 0.6" £0.39

ZIF Sockets

Universal ZIF DIL Sockets
24 Way 0.3-0.6" £5.78
28 Way 0.3-0.6" £6.60
32 Way 0.3-0.6" £7.50
40 Way 0.3-0.6" £8.93

Transistor Headers

10 Way Transistor £0.42
14 Way Transistor £0.42
16 Way Transistor £0.48
20 Way Transistor £0.48
24 Way Transistor £0.52
34 Way Transistor £0.56
40 Way Transistor £0.63
50 Way Transistor £0.84

Large Range of Connectors in stock - Fully illustrated details on our web site inc. quantity discounts.

D Type Connectors

Solder Bucket

9 Way Male Plug £0.20
9 Way Female Socket £0.20
15 Way Male Plug £0.28
15 Way Female Socket £0.29
15 Way H.D. Plug £0.48
23 Way Male Plug £0.44
23 Way Female Socket £0.50
25 Way Male Plug £0.30
25 Way Female Skt £0.35

IDC Ribbon Mounting

9 Way Male Plug £1.08
9 Way Female Socket £0.93
15 Way Male Plug £1.30
15 Way Female Socket £1.30
23 Way Male Plug £1.10
25 Way Female Socket £1.13
IDC Crimp Tool £11.80

Right Angled PCB

9 Way Male Plug £0.33
9 Way Female Socket £0.33
15 Way Male Plug £0.39
15 Way Female Socket £0.39
15 Way H.D. Socket £0.58
25 Way Male Plug £0.48
25 Way Female Socket £0.50

Plastic D Covers

9 Way Cover - Grey £0.29
9 Way Cover - Black £0.30
15 Way Cover - Grey £0.32
15 Way Cover - Black £0.32
23 Way Cover - Grey £0.38
23 Way Cover - Black £0.38
25 Way Cover - Grey £0.34
25 Way Cover - Black £0.37
9 to 9 Cover / Case £0.80
25 to 25 Cover / Case £3.84
9 to 25 Cover / Case £0.80

PCB Box Headers

10 Way Straight £0.23
14 Way Straight £0.33
16 Way Straight £0.32
20 Way Straight £0.41
26 Way Straight £0.55
34 Way Straight £0.68
40 Way Straight £0.68
50 Way Straight £1.03
10 Way 90 £0.32
14 Way 90 £0.39
16 Way 90 £0.42
20 Way 90 £0.63
26 Way 90 £0.82
34 Way 90 £0.81
40 Way 90 £1.17
50 Way 90 £1.14

PCB Latch Headers

10 Way Straight £0.41
14 Way Straight £0.45
16 Way Straight £0.51
20 Way Straight £0.55
26 Way Straight £0.73
34 Way Straight £0.98
40 Way Straight £0.98
50 Way Straight £1.27
10 Way 90 £0.46
14 Way 90 £0.48
16 Way 90 £0.54
20 Way 90 £0.59
26 Way 90 £0.81
34 Way 90 £1.03
40 Way 90 £1.23
50 Way 90 £1.41

IDC Headers

14 Way DIL £0.51
16 Way DIL £0.53
24 Way DIL £0.90
40 Way DIL £1.37

RF Connectors

BNC Plug 50Ω Solder £0.99
BNC Plug 50Ω Crimp £0.68
BNC Plug 75Ω Solder £1.08
BNC Plug 75Ω Crimp £0.68
BNC Chassis Socket £0.81
F Plug - Twist £0.24
F Plug - Crimp £0.26
TNC Plug 50Ω Solder £1.24
TNC Plug 50Ω Crimp £0.85
TNC Plug 75Ω Solder £1.40
TNC Plug 75Ω Crimp £1.16
UHF Plug 9mm Cable £0.63
UHF Plug 11mm Cable £0.75
UHF Chassis Skt 7 Strap £0.54
UHF Chassis Skt. Rnd. £0.73

Extensive range of RF connectors in stock, inc. FME, SMA, Mini UHF & N Type.

Terminals

Colours Red, Black, Green, Blue, White or Yellow

2mm Solder Plugs £0.18
2mm Chassis Sockets £0.28
4mm Plugs - Solder £0.33
4mm Plugs - Screw £0.38
4mm Shrouded Plugs £0.40
4mm Chassis Sockets £0.24
4mm Binding Posts £0.46
33mm Cracodile Clips £0.10

Power Connectors

DC Low Voltage

DC Plug 0.71D 2.35OD £0.47
DC Plug 1.31D 3.40D £0.32
DC Plug 1.71D 4.00D £0.47
DC Plug 1.71D 4.50D £0.47
DC Plug 2.11D 5.00D £0.25
DC Plug 2.51D 5.00D £0.26
DC Plug 3.11D 6.30D £0.44
DC Line Socket 2.1mm £0.57
DC Line Socket 2.5mm £0.58
DC Chassis Skt 2.1mm £0.44
DC Chassis Skt 2.5mm £0.41

IEC Mains 6A 250Vac

3 Pin IEC Line Socket £1.08
3 Pin IEC Line Socket £1.78
3 Pin Chassis Plug £0.58
8 Way Bulgin £0.72

Toggle Switches

3A 125V 1A 250V
5mm Ø Mounting Hole

SPST 5 x 10mm £0.53
SPDT 5 x 10mm £0.53
SPST C/off 5 x 10mm £1.01
DPDT 9.2 x 10mm £0.63

Sub-Miniature

3A 125V 1A 250V
5mm Ø Mounting Hole

SPST 8 x 13mm £0.58
SPDT 8 x 13mm £0.55
SPDT c/off 8 x 13mm £0.65
SPDT c/o Biased 2 way £1.18
SPDT c/o Biased 1 way £1.15
DPDT 12 x 13mm £0.65
DPDT c/o 12 x 13mm £0.88
DPDT c/o Biased 2W £1.20
DPDT c/o Biased 1W £1.28

Slide Switches

Miniature

1A 125V 3A 250V
6.2mm Ø Mounting Hole

SPST 8 x 13mm £0.58
SPDT 8 x 13mm £0.55
SPDT c/off 8 x 13mm £0.65
SPDT c/o Biased 2 way £1.18
SPDT c/o Biased 1 way £1.15

Rotary Switches

150mA 250V Make before Break 22mm Ø
9.8mm Ø Mounting Hole

1 Pole 12 Way £0.84
2 Pole 6 Way £0.84
3 Pole 4 Way £0.84
4 Pole 3 Way £0.84

Push Switches

Miniature Round

250mA 125V 28 x 10mm
7mm Ø Mounting Hole

Non Latching Push to Make
Black, Red, Yellow, Green,
Blue or White £0.23
Non Latching Push to Break
Black PTB £0.24

Standard Square

1A 250V
39 x 15MM
12mm Ø Mounting Hole

Non Latching Push to Make
Black, Red, Blue
or White £0.60
Latching - push On push Off
Black, Red, Blue
or White £0.65

Wire & Cable Ribbon Cable

Price per 305mm (1ft)

10 Way Grey Ribbon £0.10
16 Way Grey Ribbon £0.17
20 Way Grey Ribbon £0.24
26 Way Grey Ribbon £0.29
34 Way Grey Ribbon £0.38
40 Way Grey Ribbon £0.49
50 Way Grey Ribbon £0.52
60 Way Grey Ribbon £0.64

Enamelled Copper Wire

Per 50g (2oz) Reel
500g reels available

14 SWG Enamelled £1.03
16 SWG Enamelled £1.03
18 SWG Enamelled £1.03
20 SWG Enamelled £1.03
22 SWG Enamelled £1.06
24 SWG Enamelled £1.18
26 SWG Enamelled £1.29
28 SWG Enamelled £1.31
30 SWG Enamelled £1.33
32 SWG Enamelled £1.35
34 SWG Enamelled £1.37
36 SWG Enamelled £1.63
38 SWG Enamelled £1.96
40 SWG Enamelled £1.96

Tinned Copper Wire

500g reels available

14 SWG Tinned £1.03
16 SWG Tinned £1.03
18 SWG Tinned £1.03
20 SWG Tinned £1.06
22 SWG Tinned £1.06
24 SWG Tinned £1.08
26 SWG Tinned £1.08

Rocker Switches

Miniature

13 x 19mm Mounting Hole

SPST 4A 250V £0.57
SPST 6A Red Neon £1.65
SPST 3A Red LED £1.92
SPDT 6A 250V £0.75
DPST 4A 250V £0.81
DPST 4A Red Neon £1.10
DPST 3A Amber Neon £1.40
DPST 3A Green Neon £1.32

Standard

10 (SP) 22 (DP) x 30mm
Mounting Hole

SPST 10A 250V £0.60
SPST 16A 250V £0.75
SPST 15A Red Neon £0.90
SPST 16A 250V £0.90
DPST 10A 250V £0.75
DPST 15A Red Neon £1.18
DPST Amber Neon £1.25
DPST Green Neon £1.25
DPDT 10A 250V £0.90

Relays

PCB Mounting

1A 24Vdc DPDT 5V £1.38
1A 24Vdc DPDT 12V £2.00
3A 110V SPDT 6V £0.58
3A 110V SPDT 12V £0.60
5A 110V SPDT 6V £0.72
5A 110V SPDT 12V £0.93
5A 110V DPDT 12V £0.93
5A 240V DPDT 6V £1.76
5A 240V DPDT 12V £1.55
10A 240V SPDT 6V £1.44
10A 240V SPDT 12V £1.44
10A 240V SPDT 24V £1.44

Computer Accessories Adaptors

9M Gender Changer £1.73
9F Gender Changer £1.73
25M Gender Changer £2.20
25F Gender Changer £2.43
9 Male - 25 Female £1.73
9 Female - 25 Male £1.73
9M - 6 Mini Dim Male £2.48
9F - 6 Mini Dim Female £2.23
5M Din - 6M Mini Din £1.73
5F Din - 6M Mini Din £1.73

Yesters / Patch Boxes

Mini Tester 7 LEDs £4.72
Check Tester 18 LEDs £6.32
Enhanced+Switches £15.18
25D Patch Box M-F £2.64
Anti-Static Wrist Strap £2.76
RS232 Surge Protector £5.43
5A Surge Protector £5.20
13A Surge Protector £10.00
4 Gong Surge Block £10.50

Leads & Cables

1.5m Printer Lead £2.55
2m BD Printer Lead £2.98
5m BD Printer Lead £4.98
10m BD Printer Lead £9.88
2m IEEE1284 Printer L £4.38
5m IEEE1284 Printer L £8.90
10m IEEE1284 Printer L £16.13
Serial Printer 25M-9F £4.88
Serial Printer 25M-25F £4.38

Null Modem Leads

9 Female - 9 Female £4.38
25 Female - 25 Female £6.48
9 Female - 25 Female £4.38
9F25F to 9F25F £4.88

Modem Leads

25Mole to 9Female £4.08
25Mole to 25Female £3.78

PC Link Leads

Interf. 25M to 25M £3.88

Patch Lead

25Mole to 25Mole £3.60
36Mole to 36Mole £2.60

Internal Leads

Floppy Cable A/B £2.28
Hard Disk 2xIDE £1.65
Hard Disk 2xATA66 £3.38
Power 3' - 2 x 3' £1.88
Power 5' - 2 x 3' £1.88
Power 5' - 3 x 3' £1.88

Boxes & Cases

Many more sizes available

General Purpose Plastic

75 x 56 x 25mm £0.99
75 x 51 x 22mm £0.99
111 x 57 x 22mm £1.12
79 x 61 x 40mm £1.70
100 x 76 x 41mm £1.79
118 x 98 x 45mm £2.08
150 x 100 x 60mm £2.77
150 x 80 x 50mm £2.72

Diecast Aluminium

50 x 50 x 31mm £2.67
100 x 50 x 25mm £3.50
112 x 62 x 31mm £4.18
120 x 65 x 40mm £4.61
150 x 80 x 50mm £6.56
121 x 95 x 61mm £7.06

Also in stock

Low Profile Crystals, 2 & 3 Pin Ceramic Resonators

3.579545MHz £0.41
3.6864MHz £0.41
4.0MHz £0.41
4.194304MHz £0.41
4.433629MHz £0.41
4.91527MHz £0.41
6.0MHz £0.41
6.144MHz £0.41
7.3728MHz £0.41
8.0MHz £0.49
8.862738MHz £0.39
10.0MHz £0.38
11.0MHz £0.40
11.0592MHz £0.41
12.0MHz £0.41
14.7456MHz £0.41
16.0MHz £0.41
20.0MHz £0.42

Details on our web site

Opto Electronics

Full details on Web site

3mm White 900mcd £2.13
3mm Red Led £0.07
3mm Green Led £0.09
3mm Yellow Led £0.09
3mm Orange Led £0.10
3mm Blue 40mcd £0.78
3mm Blue 60mcd £0.78
3mm Blue 100mcd £0.96
3mm Blue 550mcd £0.69
3mm White 300mcd £0.69
5mm White 1100mcd £0.15
3mm Bi-Colour £0.15
3mm Tri-Colour £0.24
3mm Red Led £0.07
5mm Green Led £0.08
5mm Yellow Led £0.08
5mm Orange Led £0.10
5mm Blue 50mcd £0.78
5mm Blue 80mcd £0.78
5mm Blue 100mcd £0.78
5mm Blue 450mcd £1.12
5mm White 1000mcd £1.12
5mm Red Flashing £0.37
5mm Green Flashing £0.37
5mm Yellow Flashing £0.37
5mm Bi-Colour Led £0.15
5mm Tri-Colour Led £0.15

7 Segment Displays

0.56" Red C.Cathode £0.65
0.56" Red C.Anode £0.65
0.3" Red C.Cathode £0.65
0.3" Red C.Anode £0.65

Infr. Red Devices

3mm IR Emitter £0.15
5mm IR Emitter £0.30
5mm Photo-Transistor £0.15
5mm Photo-Transistor £0.52
Photo Diode £0.76
4N25 Opto-Coupler £0.25
4N26 Opto-Coupler £0.36
4N32 Opto-Coupler £0.36
6N135 Opto-Coupler £0.96
6N136 Opto-Coupler £0.85
6N137 Opto-Coupler £0.90
6N138 Opto-Coupler £0.84
6N139 Opto-Coupler £0.90
CNY17-1 O-Coupler £0.38
CNY17-2 O-Coupler £0.32
CNY17-3 O-Coupler £0.48
IS-74 Opto-Coupler £0.40
IS-74 O-Coupler £0.42
ISQ-74 Opto-Coupler £1.41
MOC3020 Opto-Triac £0.49
MOC3041 Opto-Triac £0.70
Mini LDR £0.45
ORP12 LDR £1.10

Equipment Wire

Black, Brown, Red, Orange, Yellow, Green, Blue, Purple, Grey & White. Per 100m

Solid 1/0.6mm £2.67
Stranded 1/0.2mm £2.44

Extra Flat Cable

Black, Brown, Red, Yellow, Green, Blue & White

25m 55/0.1mm Cable £2.16
Block & Red 20A 1kV Double Insulated. £7.20
10m 260/0.07mm

Crystals

DT-38 Small Can £0.39
32.768KHz
HC-49/U Case
1.8432MHz £1.08
2.0MHz £1.46
2.4576MHz £0.84
3.2768MHz £0.51

CCTV Camera Modules & Systems

CMOS & CCD camera modules, wide range of units including Black & White, Colour, Micro-Miniature, Sub-Miniature & Miniature.

CMOS Black & White

Sub-Miniature (24 x 24 x 27mm) 110k Pixel
Lens 3.6mm F1.4 >1.9 Lux
Power 12Vdc 50mA

660-800 £23.75 + vot
Miniature (35 x 35 x 28mm) 100k Pixel
Lens 3.6mm F1.4 >0.5 Lux
Power 12Vdc 40mA

660-800 £22.56 + vot

CCD Black & White

Pinhole (32 x 32 x 14mm)
Sensor 298k Pixel >1.0 Lux
Lens 3.7mm F1.2 90mA
Power 12Vdc 110mA

660-812 £29.21 + vot
Pinhole+Audio (32 x 32 x 28mm)
Sensor 298k Pixel >1.0 Lux
Lens 3.7mm F1.2 90mA
Power 12Vdc 120mA

660-816 £32.18 + vot

CMOS Colour

Miniature + Audio (31 x 31 x 28mm)
Sensor 270k Pixel >7 Lux
Lens 7.8mm F1.2 56
Power 12Vdc 30mA

660-840 £38.61 + vot

Full range & detailed specs. available upon request. Complete outdoor systems also stocked. Including PIR triggered, Multiple camera & Auto video start units. Prices from £27.65 inc cable, PSU & fixings.

Technical books & CD ROMs

Data Table & Equivalent charts from ECA

Characteristics, pin outs, equivalents & selector tables for semiconductor are available as pdf per book or on CD ROM. Demo version of the CD ROMs & full details of the complete range are available from our web site.

Full details of UK, European or Worldwide Order Information on our web site.

Tel: 0191 2514363 Fax: 0191 2522296 Email: sales@esr.co.uk http://www.esr.co.uk

EVERYDAY PRACTICAL ELECTRONICS

INCORPORATING ELECTRONICS TODAY INTERNATIONAL

THE No.1 MAGAZINE FOR ELECTRONICS TECHNOLOGY & COMPUTER PROJECTS

VOL. 31 No. 3 MARCH 2002

Editorial Offices:
EVERYDAY PRACTICAL ELECTRONICS EDITORIAL
WIMBORNE PUBLISHING LTD., 408 WIMBORNE ROAD EAST,
FERNDOWN, DORSET BH22 9ND
Phone: (01202) 873872. Fax: (01202) 874562.
Email: epe@wimborne.co.uk
Web Site: <http://www.epemag.wimborne.co.uk>
EPE Online www.epemag.com
EPE Online Shop: www.epemag.wimborne.co.uk/shopdoor.htm
See notes on Readers' Enquiries below – we regret lengthy technical enquiries cannot be answered over the telephone.

Advertisement Offices:
EVERYDAY PRACTICAL ELECTRONICS ADVERTISEMENTS
MILL LODGE, MILL LANE
THORPE-LE-SOKEN, ESSEX CO16 0ED
Phone/Fax: (01255) 861161
Email: epeads@aol.com

QUERIES

It still surprises me that many readers do not seem to be aware of some of the services we offer. In virtually every issue there are adverts for *Back Issues*, our cover always gives URLs for both the EPE UK web site and our EPE Online web site. *Shoptalk* highlights where to buy unusual components and gives the web addresses for free downloads of software etc., whilst the *PCB Service* gives details of the p.c.b.s and software that are available for our projects, and subscription and binder prices etc. are given below. Plus, of course, our shop on the UK web site allows you to order books, p.c.b.s, back issues, CD-ROMs etc.

But still we get letters, phone calls, faxes and emails from readers who obviously have the magazine but want to know about one of the above services. Sometimes it seems they just want to ask something – anything! We are, of course, happy to help with queries but often it would save everyone some time if readers would please check in the magazine before contacting us. Unfortunately, our time has to be mainly dedicated to producing EPE.

ELECTRONIC EPE

The EPE Online web site is hosted for us by Max and Alvin in Alabama, USA, this allows us to sell EPE Online in US dollars (a currency that is widely understood around the world) and to charge the \$9.99 it costs for a year's subscription instantly (something that we could not easily achieve in the UK when EPE Online was set up back in 1998 – yes, it has been going over 3 years now. EPE Online is also still a bit of a mystery to some readers who expect us to email them issues once they have paid; that is not how it works.

Once you have logged on to the Online web site (www.epemag.com) you can pay for a year's subscription or back issues with a credit card, which is then automatically checked and charged in about 20 seconds, while you are on-line, and then you can download the magazine to your computer and read it in Adobe Acrobat (you do not need to stay on-line to read it if you save it to your hard disk). You can, of course, also print out the magazine. The next time you go back to EPE Online from the same computer the system should remember you and allow you to download the next issue from your subscription. Should it not remember you, you can log on with the account number and a password issued when you first paid for the subscription.

It sounds a bit complicated but in practice it really is very straightforward and user friendly. So if you are based on the other side of the world (or even in the UK) and you want to get copies without the delay and hassle of the post then EPE Online might be the way to go.

There is also a range of books, CDs etc. available in US dollars from the Online web site, again for those who find it easier to buy in that currency; you can even buy a subscription to the printed magazine there if you so wish. If you want to give it a try, log on and download the free issue that is available. The Library on the site also contains a number of articles and supplements from past issues that are available for free download.



AVAILABILITY

Copies of EPE are available on subscription anywhere in the world (see below), from all UK newsagents (distributed by COMAG) and from the following electronic component retailers: Omni Electronics and Yebbo Electronics (S. Africa). EPE can also be purchased from retail magazine outlets around the world. An Internet on-line version can be purchased and downloaded for just \$9.99(US – approx £7.70) per year available from www.epemag.com

SUBSCRIPTIONS

Subscriptions for delivery direct to any address in the

UK: 6 months £15, 12 months £28.50, two years £52; Overseas: 6 months £18 standard air service or £27 express airmail, 12 months £34.50 standard air service or £52 express airmail, 24 months £64 standard air service or £99 express airmail.

Online subscriptions, for downloading the magazine via the Internet, \$9.99(US – approx £7.70) for one year available from www.epemag.com.

Cheques or bank drafts (in £ sterling only) payable to *Everyday Practical Electronics* and sent to EPE Subs. Dept., Wimborne Publishing Ltd. 408 Wimborne Road East, Ferndown, Dorset BH22 9ND. Tel: 01202 873872. Fax: 01202 874562. Email: subs@epemag.wimborne.co.uk Also via the Web at: <http://www.epemag.wimborne.co.uk>. Subscriptions start with the next available issue. We accept MasterCard, Amex, Diners Club, Switch or Visa. (For past issues see the *Back Issues* page.)

BINDERS

Binders to hold one volume (12 issues) are available from the above address. These are finished in blue p.v.c., printed with the magazine logo in gold on the spine. Price £5.95 plus £3.50 p&p (for overseas readers the postage is £6.00 to everywhere except Australia and Papua New Guinea which cost £10.50). Normally sent within seven days but please allow 28 days for delivery – more for overseas.

Payment in £ sterling only please. Visa, Amex, Diners Club, Switch and MasterCard accepted, minimum card order £5. Send, fax or phone your card number and card expiry date with your name, address etc. Or order on our secure server via our UK web site. Overseas customers – your credit card will be charged by the card provider in your local currency at the existing exchange rate.



Editor: MIKE KENWARD

Deputy Editor: DAVID BARRINGTON

Technical Editor: JOHN BECKER

Business Manager: DAVID J. LEAVER

Subscriptions: MARILYN GOLDBERG

Administration: FAY KENWARD

Editorial/Admin: (01202) 873872

Advertisement Manager:

PETER J. MEW, Frinton (01255) 861161

Advertisement Copy Controller:

PETER SHERIDAN, (01202) 873872

On-Line Editor: ALAN WINSTANLEY

EPE Online (Internet version) Editors:

CLIVE (MAX) MAXFIELD and ALVIN BROWN

READERS' ENQUIRIES

E-mail: techdept@epemag.wimborne.co.uk
We are unable to offer any advice on the use, purchase, repair or modification of commercial equipment or the incorporation or modification of designs published in the magazine. We regret that we cannot provide data or answer queries on articles or projects that are more than five years old. Letters requiring a personal reply *must* be accompanied by a **stamped self-addressed envelope or a self-addressed envelope and international reply coupons**. All reasonable precautions are taken to ensure that the advice and data given to readers is reliable. We cannot, however, guarantee it and we cannot accept legal responsibility for it.

COMPONENT SUPPLIES

We do not supply electronic components or kits for building the projects featured, these can be supplied by advertisers (see *Shoptalk*). We advise readers to check that all parts are still available before commencing any project in a back-dated issue.

ADVERTISEMENTS

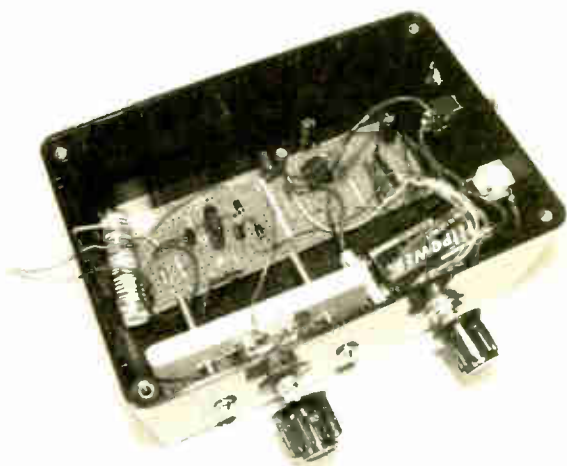
Although the proprietors and staff of EVERYDAY PRACTICAL ELECTRONICS take reasonable precautions to protect the interests of readers by ensuring as far as practicable that advertisements are *bona fide*, the magazine and its Publishers cannot give any undertakings in respect of statements or claims made by advertisers, whether these advertisements are printed as part of the magazine, or in inserts.

The Publishers regret that under no circumstances will the magazine accept liability for non-receipt of goods ordered, or for late delivery, or for faults in manufacture.

TRANSMITTERS/BUGS/TELEPHONE EQUIPMENT

We advise readers that certain items of radio transmitting and telephone equipment which may be advertised in our pages cannot be legally used in the UK. Readers should check the law before buying any transmitting or telephone equipment as a fine, confiscation of equipment and/or imprisonment can result from illegal use or ownership. The laws vary from country to country; readers should check local laws.

MK484 SHORTWAVE RADIO



TOM MERRYFIELD

Hit the shortwave trail with this two chip receiver

ALTHOUGH many constructors have cut their teeth on building ZN414 radio circuits, the device, sadly no longer in production, now has a first class replacement in the MK484 a.m. radio chip.

The MK484 i.c. is a similarly three-pinned device with a.g.c. (automatic gain control) requiring only a few components to make a high quality tuner with a maximum supply voltage of just 1.8V. But that isn't all! The author was intrigued to see if it performed as well as its predecessor with the popular LM386 audio amplifier i.c. added to make a simple but effective shortwave radio project with loudspeaker output.

CIRCUIT DESCRIPTION

The results were quite surprising and the full circuit diagram for the MK484 Shortwave Radio is shown in Fig. 1.

As with f.e.t.s, the circuit's high input impedance (several megohms!) is exploited to receive shortwave frequencies up to several megahertz (MHz), so long as the tuned circuit has negligible losses, thereby maintaining good selectivity.

The tuned circuit of the receiver is formed by L1, wound from 24 s.w.g. enamelled copper wire, and variable capacitor VC1. (For Cx and the aerial coil L2, see later.) Resistor R1 is needed to bias IC1, with capacitor C1 ensuring stability. As with other "front end" tuner components these should be soldered close to IC1, with coil L1 and VC1 leads to the circuit board kept as short as possible.

Resistor R3 and capacitor C2 play an important role in setting the optimum gain for the MK484. In theory, the gain could be increased until instability results but there would be a loss in audio quality – i.e.,

more noise – well before this point. Hence the selection of R3 and C2 values.

Given that the maximum allowable supply to the MK484 should not exceed 1.8V, in conjunction with resistor R4, diodes D1 and D2 stabilise the voltage at about 1.5V. Due to the voltage drop across resistor R3, this falls to between 1.3V and 1.4V; a typically safe working voltage for the radio chip.

Capacitor C3 is needed to block d.c. getting through to the following audio stage, whilst coupling IC1's output signal to the LM386 audio amplifier IC2, via Volume control VR1, at pin 3. Note also the bypass capacitor C4 preventing any stray r.f. from being connected to IC2.

From this point onwards the circuit is fairly typical with capacitor C5 setting the gain of IC2 and pins 2, 4 and 7 tied to ground, the latter via capacitor C6.

The inclusion of R6, C9, R5 and C7 prevents instability, thereby avoiding distortion in the output. In fact, the value of resistor R5 could be raised slightly higher to 18 ohms.

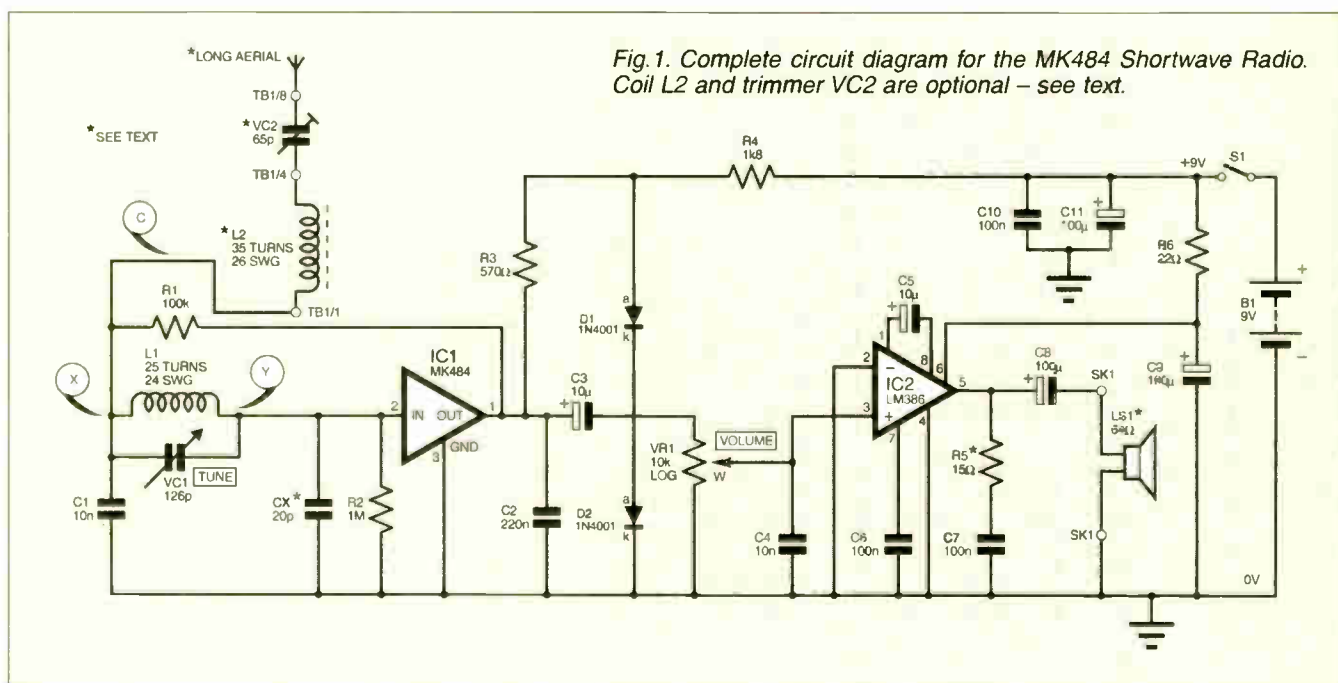


Fig. 1. Complete circuit diagram for the MK484 Shortwave Radio. Coil L2 and trimmer VC2 are optional – see text.

With the output impedance being fairly low, a 64 ohm speaker gives a strong and even output but should be placed away from the tuned circuit area to avoid spurious feedback. For weaker signals however, Walkman type headphones can be used.

Q FACTOR AND AERIAL COIL

One point to bear in mind is that beyond 4MHz, losses in the tuned circuit heavily affect the selectivity. That is, the ability of a receiver to magnify a selected signal and reject others without an appreciable loss in gain.

In trials, the main coil L1 being loosely wound from 24 s.w.g. enamelled wire at 25 turns provided a suitable Q factor whilst still giving a broad enough tuning range.

As with most high gain devices at the front end, overloading tends to be a problem. This was certainly clear with the prototype. An ATU (Antenna Tuning Unit) would be ideal here in terms of matching the impedance of the aerial system and thus the signal to that of the receiver's input.

Failing that, an adequate measure is to connect up a long aerial lead via an aerial coil (L2) wound on a length of ferrite rod, and connected to the junction of R1, L1/VC1, via lead C (see Fig.1 and Fig.2.) This, in effect, provides additional tuning by sliding the aerial coil along the ferrite rod.

The long aerial itself can be any thin p.v.c. insulated connecting wire of 10 metres or so mounted as high as possible. For the most part this gives adequate results.

GETTING IN TRIM

In the prototype, a trimmer capacitor, VC2, was wired to the aerial circuit in series with the aerial coil L2 to give additional selectivity. With appropriate adjustment, this proved very effective in selecting individual signals from the crowded shortwave bands.

However, one precaution has to be observed; it is important to keep the aerial circuit and thus the aerial coil L2 well away from the main coil L1 and the receiver's input. Otherwise the signal can in effect bypass or "leapfrog" ahead instead of passing through the aerial coil!

Although the prototype was built on stripboard, a terminal block is ideal for wiring up the aerial coil L2 and trimmer capacitor VC2 and divorcing it from the tuned input circuit (Fig.2).

As a rough and ready filter, polystyrene capacitor Cx is needed to subdue stronger signals. Although a 20pF capacitor has been quoted, any value from 20pF to 50pF can be tried. In case a polystyrene isn't available, a ceramic-dipped or multi-layered capacitor also works well.

COIL WINDING

Some readers may be surprised at home-made coils being used in the receiver as opposed to commercial types. In trials, these proved far more effective than the latter whilst being simple to make and inexpensive.

Unfortunately, a badly constructed coil can impinge on the performance by inhibiting the Q factor. On the other hand this can be easily avoided, the key being a good former and plenty of patience.

The former on which coil turns are wound can be a sheet of thin cardboard or gum paper about 40mm by 35mm wide rolled into a tube. Its diameter should be slightly larger than that of any ferrite rod/slab used so it can freely slide up and down. It is, therefore, a good idea to make this check before proceeding further.

It is also important to apply sticky tape *inside* as well as out. This keeps the former robust enough to withstand compressive stresses.

As for winding the turns, any difficulties can be avoided by handling the wire tactfully so it doesn't tie itself up in knots. A good start is essential by securing the first few turns with insulation tape to prevent them from unwinding.

For the main coil L1, loosely wind 25 turns of 24 s.w.g. enamelled copper wire

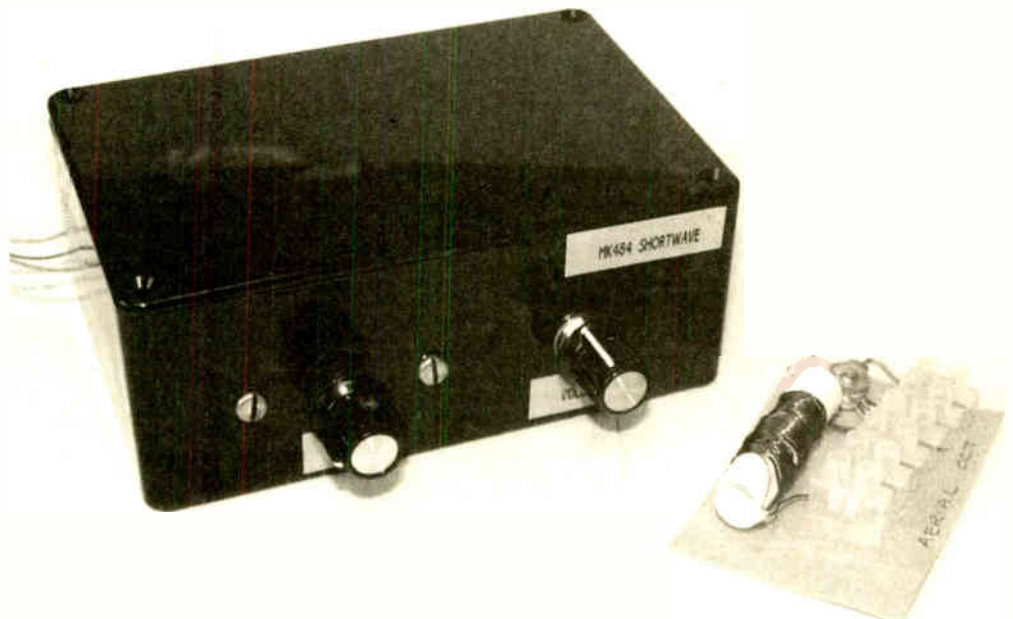
onto the cardboard former, making sure there is a gap between most turns. Leaving short lengths at the start and finish of the coil for later attachment to the circuit board. Once completed, fasten the start and end windings with adhesive insulation tape and scrape the enamel coating off the end of the leads.

The aerial coil L2 should be made up of 35 turns of 26 s.w.g. enamelled wire more tightly wound with most turns touching. Once complete, check for any weak points and seal over with another application of tape or wax. The enamel coating for the "tailends" can be gently scraped off using sand-paper or emery cloth.

CONSTRUCTION

Despite employing quite a few capacitors, the receiver's simplicity means building it should not be too complicated a task.

COMPONENTS		Approx. Cost Guidance Only	£18 excl. speaker & case	
Resistors		See SHOP TALK page	Semiconductors	
R1	100k		D1, D2	1N4001 1A 50V rect. diode (2 off)
R2	1M		IC1	MK484 a.m. radio i.c.
R3	570Ω		IC2	LM386 low voltage audio amp.
R4	1k8			
R5	15Ω			
R6	22Ω			
All 0.25W 5% carbon film				
Potentiometers			Miscellaneous	
VR1	10k min. rotary carbon, log.		LS1	64 ohm 0.3W loudspeaker (see text)
Capacitors			SK1	3.5mm mono jack socket
C1, C4	10n mylar poly. (2 off)		S1	s.p.s.t. toggle switch
C2	220n mylar polyester		TB1	8-way screw terminal block
C3, C5	10μ radial elect. 25V (2 off)		L1, L2	tuning coils (see text)
C6, C7	100n disc ceramic, 5mm pitch (2 off)		Stripboard, 0.1in. matrix, size 50 holes by 15 strips; plastic case, size approx. 160mm x 90mm x 55mm; 24 s.w.g. and 26 s.w.g. enamelled wire for coils; ferrite rod/slab; 8-pin d.i.l. socket; 9V battery, with PP3 type clips; long aerial wire (10m p.v.c. covered connecting wire); plastic knob, 16mm skirted; 12.5mm long hexagonal spacer; M2.5 x 15mm screw; M4 x 30mm stud with nut (2 off); adhesive strips and card for aerial formers; solder pins; solder etc.	
C8, C11	100μ radial elect. 25V (2 off)			
C9	100μ axial elect. 25V			
C10	100n mylar polyester			
Cx	20p axial polystyrene (see text)			
VC1	126p min. a.m./f.m. tuning capacitor (ZN414 type)			
VC2	5.5p to 65p min. trimmer			



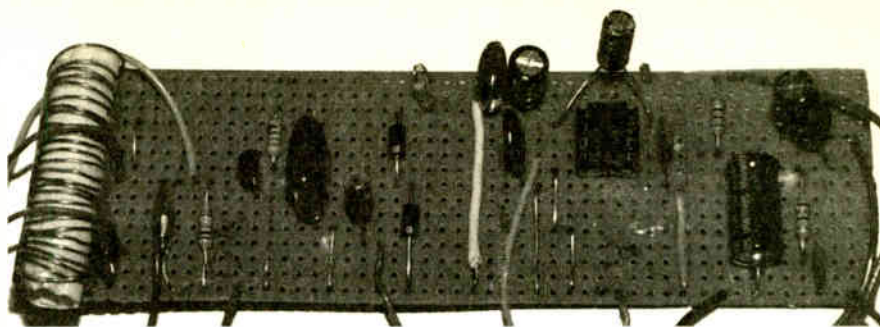
The prototype was built on a piece of strip-board measuring 50 holes by 15 copper tracks.

The topside component layout, interwiring and details of the breaks required in the underside copper tracks are shown in Fig.2. Commence construction by making all the necessary copper track breaks and inserting all the link wires (9 off).

This should be followed by inserting the resistors, capacitors, diodes and the two i.c.s. Care should, of course, be taken to ensure that diodes and electrolytic capacitors are inserted the correct way round. Wiring-up the aerial coils, volume control and tuning capacitor is carried out later when assembling the circuit board into a case.

Because the MK484 i.c. can be damaged by excessive heat, some form of heatsink is necessary during soldering. For instance, holding the device with metal tweezers to conduct the heat away whilst soldering it in; or attaching a croc-clip. An i.c. holder should be used for the LM386, IC2.

Once the soldering is complete, check for dry joints and tiny splashes of solder between tracks – the latter can be very easily missed, contributing to the “invisible short circuit” phenomenon. Also, double-check that all polarised components are correctly wired on the circuit board.



Prototype stripboard component layout.

As stated previously, the aerial coil L2 and trimmer capacitor VC2 should not be soldered directly to the board, but instead are wired via an 8-way terminal block. To help reduce losses at higher frequencies, keep the tuned circuit leads as short as possible.

TESTING

Although designed for shortwave use, the receiver can be easily tested in medium wave mode to see if everything works.

A pre-wound MW coil or one made from 30s.w.g. wire of 50 to 60 turns on a ferrite rod acts as the main coil for receiving MW frequencies. Also, no aerial, aerial coil or trimmer is required. If all is well, a strong and

even output should be heard from the speaker or headphones at a half turn of the Volume control VR1.

CASING IT UP

Bearing in mind the prototype was used for the reception of high frequency bands with Walkman type headphones, the unit was cased in a box approximately 160mm × 95mm × 55mm high, without the speaker.

This kept things simple by using a 3.5mm mono socket for either headphone or a loudspeaker output. If preferred, a speaker could be mounted in a bigger case with a series of perforations over the speaker section.

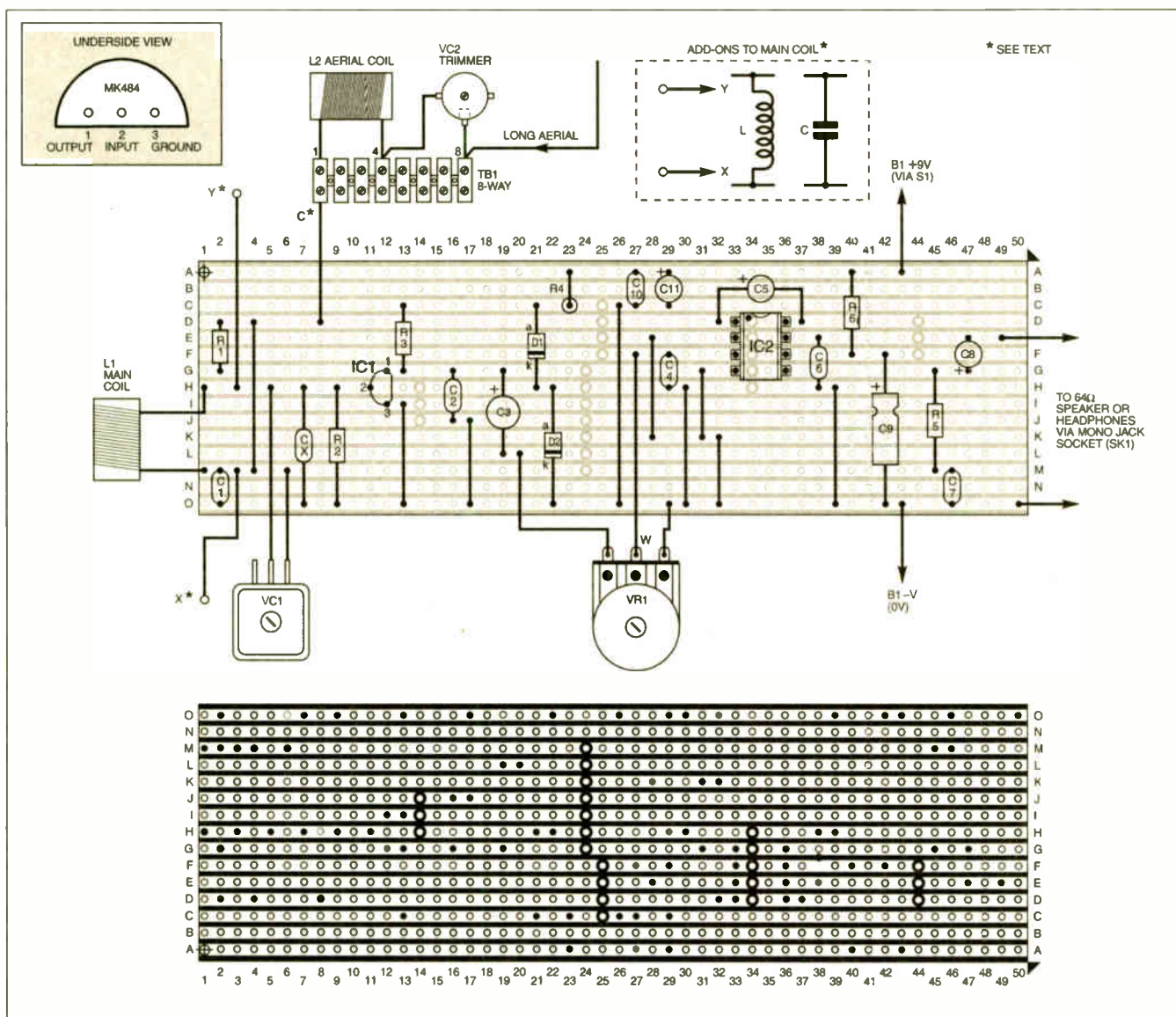


Fig.2. Stripboard component layout, interwiring and details of breaks required in the underside copper tracks. Pinout details (underside) for the MK484 radio chip are shown inset top left. Leads X and Y are for attaching additional tuning components.

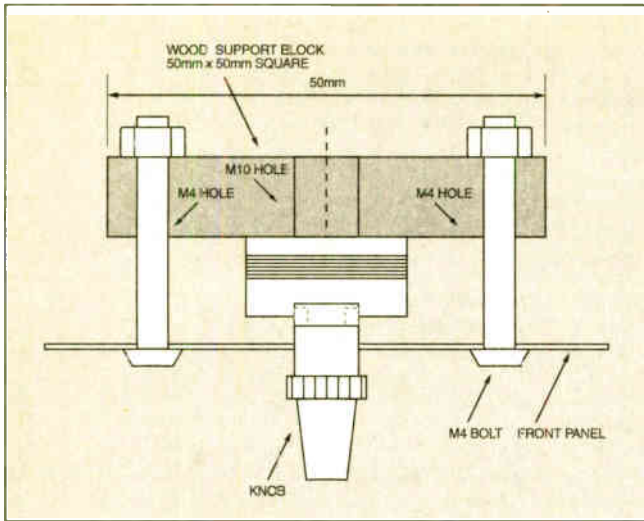


Fig.3. Suggested method of fitting the variable tuning capacitor VC1 to the front panel.

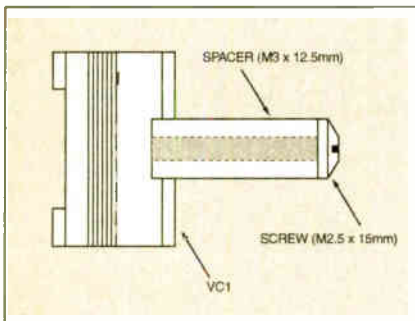
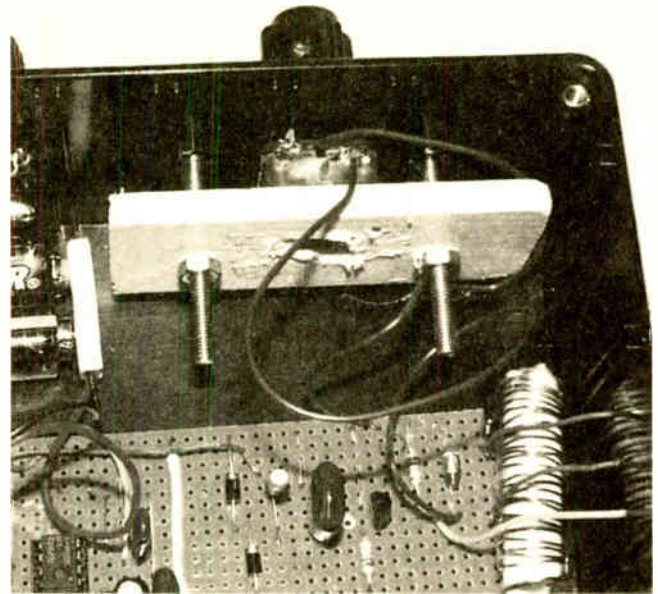


Fig.4. Lengthening the tuning capacitor spindle.

In terms of varying the frequency range, this can be achieved by adding a second coil or low value polystyrene capacitor in parallel with the main coil. Hence the leads X and Y in Fig.2. Given that the main coil L1 is soldered in-circuit, the "additions" can be wired up using a terminal block; as

with the aerial circuit this is placed outside of the case. The circuit board and battery were simply affixed to the bottom panel of the case using adhesive pads.

TUNING CAPACITOR

More challenging is mounting the standard a.m. variable capacitor (VC1) securely to the panel. Basically, this isn't easy because of the tuner's dimensions, so a bit of improvising is needed.

As Fig.3 shows, a square offcut of thin wood or plastic measuring around 50mm x 50mm acts as a support to keep VC1 in place relative to the panel via M4 studs after drilling holes.

The problem of lengthening VC1's shaft is solved by using a hexagon spacer secured with an M2.5 screw of appropriate length, see Fig.4. Care is needed here not to drive the screw too far into the capacitor, this risks damaging the vanes. A knob can then be attached,

preferably with an adjustable grub screw fixing.

RESULTS

The prototype picked up many stations from all over Europe including Sweden and Denmark and several American religious broadcasts on the 41 metre band. The latter signals, however, required fine-tuning via the trimmer using a small screwdriver.

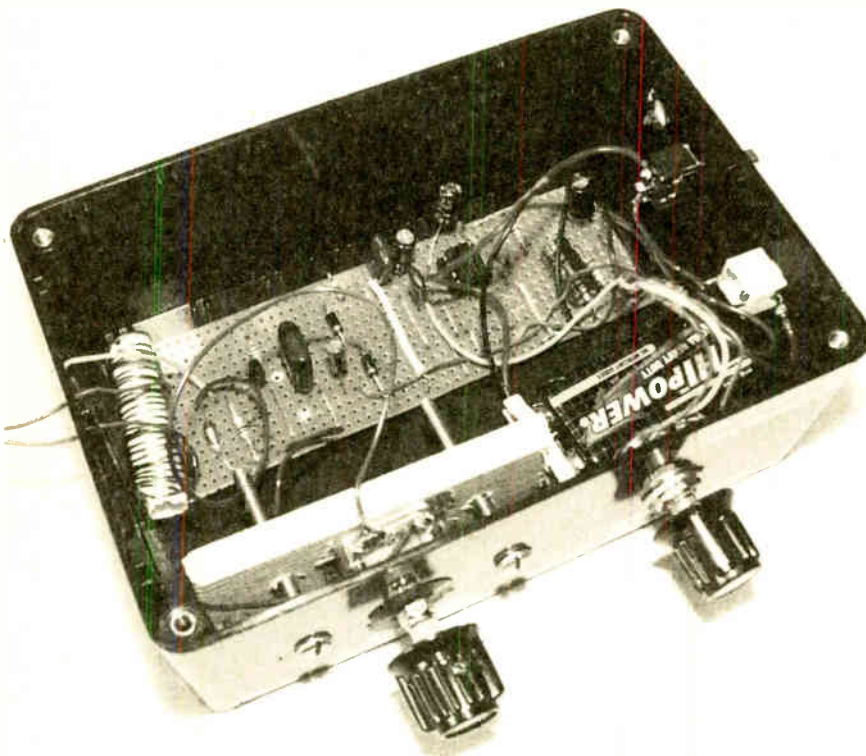
For higher frequencies, including the 25 metre band, little or no adjustment of the aerial coil may be needed. This includes broadcasts from China and many arabic stations including the United Arab Emirates.

Depending on atmospheric conditions and propagational effects, some fading of the signal is likely to occur at these frequencies. Of course, this happens with more complex receivers but to a lesser degree due to better signal processing and more stages.

That being said, Radio Korea, Turkey and Egypt were received loud and clear. Generally, the best time to try the h.f. bands is during the evenings when propagation conditions are better.

For those who would like to experiment, using different coils or varying the turns of the main coil always brings interesting results.

With practised intuition, plenty of signals can be tuned in, making the MK484 radio chip an impressive replacement for the ZN414. □



The completed prototype MK484 Shortwave Radio.



New Technology Update

Superconducting transistors known as quatratan devices have evolved from research into particle detection in astronomy. Ian Poole reports.

SUPERCONDUCTORS have been known for many years. Their unusual attribute of having zero resistance seems almost to go against the laws of physics. Generally they are associated with high current machines and electromagnets.

However, they are equally applicable to smaller current electronic circuits where they can bring significant benefits. A further advantage is that although superconductors would only operate at very low temperatures, originally within a few degrees of absolute zero, many new materials are being developed that superconduct at much higher temperatures.

In a new development a three-terminal device with transistor-like properties has been developed by Emeritus Physics Fellow Norman Booth at Oxford University in the UK in collaboration with a group in Naples, Italy.

Their super-conducting device, called a "quasi-particle trapping device" or quatratan (QTT), behaves in a very similar fashion to a transistor. It is anticipated that this device will be used for research projects, particularly in close proximity to arrays of highly sensitive superconducting sensors and detectors that are being used far more widely in astronomy, X-ray micro-analysis and in mass spectrometry applications. As a further advantage, the new quatratan can be fabricated so that they act as radiation detectors, as well as providing high degrees of amplification.

The new device is particularly convenient to use because it operates well at the very low temperatures required for this work. Conventional semiconductor transistors do not operate well at these temperatures and dissipate a large amount of heat that is difficult to remove efficiently so that the overall temperature of the assembly does not rise.

What are Superconductors?

To understand how superconductors work it is necessary to look at a normal conductor. The nuclei in a normal conducting material are arranged in a regular lattice. They are surrounded by electrons that have escaped from their atoms and are free to move around the lattice. When an electric field is applied across the lattice the electrons are forced to move under the influence of this field. However, the electron movement is hindered by the nuclei and the impurities in the conductor. This causes the electrons to scatter and not flow in an orderly fashion, instead the flow is more random. This impedes the flow of the electrons and gives rise to resistance.

In the case of a superconductor there is an interaction between the nuclei and

electrons but in this case the effect results in electrons being able to flow unimpeded through the lattice. What happens is that as one electron flows through the lattice it distorts it. When a second electron approaches the first, it is attracted by the greater density of the positive charge where the nuclei have been pulled together. This effect overcomes the repulsive force that would normally exist between two electrons and they travel together as a pair known as a Cooper pair. These pass through the lattice with no obstruction and as a result there is no resistance.

As the temperature increases the nuclei start to vibrate more and eventually a point is reached where the Cooper pairs start to break up and the material rapidly reverts to its normal state, along with the associated resistance. This effect can also occur if the level of current becomes too high. This is known as the critical current.

Other Properties

There are a number of other properties associated with superconducting states. One of these is a property known as diamagnetism where no magnetic field exists within the conductor. Currents are set up on the surface of the conductor, creating a field that is equal and opposite to the applied field.

A further effect is related to the quantum tunnelling. If two superconductors are separated by an insulating layer between ten and twenty Angstroms thick it is found that two electrons can tunnel through it with no resistance. The effect is known as the Josephson effect and the device is known

as a Josephson junction. The device can be used in switching applications because if the junction is placed in a magnetic field the critical current is reduced. The switching action occurs very fast enabling it to be used in applications where other switches could not be used as effectively.

Transistor Developments

The quatratan device grew out of Booth's work in developing a solar neutrino detector using superconducting principles. The device can be thought of as a three-terminal superconducting transistor. It possesses features such as voltage and current gain, isolation between output and input, impedance compatibility with other devices, low power dissipation, high speed, and the possibility of being easy to manufacture.

Electronic signals are amplified by applying a voltage or current to the injector electrode that consists of a thin film superconductor. The intermediate electrode that consists of a bi-layer of superconductor and a normal metal constitutes the area where the amplification is provided.

In operation quasi-particles are injected into the intermediate electrode giving up their energy to heat the electrons in the normal metal. In turn this increases the current through the detector junction. As a result amplification is obtained when an electrical signal (which may be either a voltage or current) is applied to the injector electrode. Current gains anywhere between 70 and 1000 have been measured, demonstrating that the device provides some very useful levels of gain.

It is also found that an output signal can be produced from the device when an electromagnetic wave passes through it. When this occurs the signal passes through the transparent substrate and is then absorbed by the injector electrode. In this way it can detect electromagnetic signals – an important feature of the device that enables it to be used in many more applications.

A unique and interesting feature of the device is that it is almost polarity insensitive. It can be used as an equivalent of either a *pn*p or *npn* transistor, simply by reversing the polarities of the power supplies.

Future

Two further devices can also be fabricated by reversing polarities within the structure. The development team under Booth believe that this opens the door to possibilities of making complex devices using large scale integration techniques. Applications for these devices may include cryogenic particle and radiation detection systems.

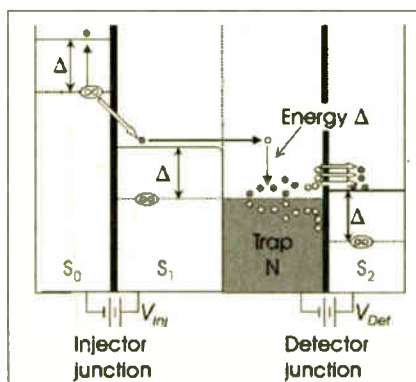


Fig.1. Energy diagram of quatratan operation. The films S₀, S₁ and S₂ are superconducting and N is a normal metal. Quasi-particles injected into the intermediate electrode give up their energy Δ to heat the electrons in the normal metal. This increases the current through the detector junction.

**SPECIAL
READER -
SEE WEBSITE
FOR DETAILS**

PROTEUS VSM

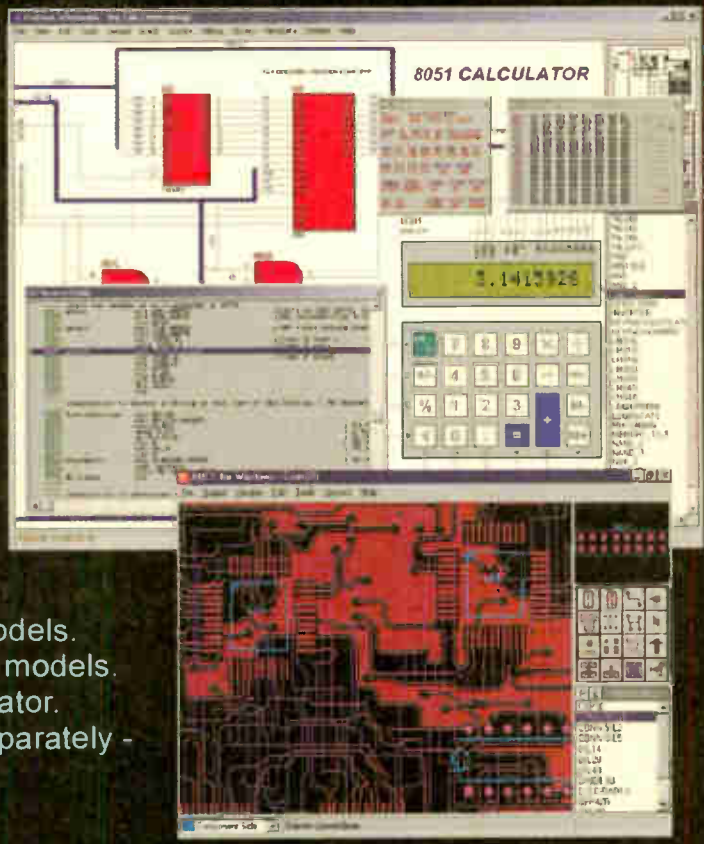
Virtual System Modelling

Build It In Cyberspace

www.labcenter.co.uk

Develop and test complete micro-controller designs without building a physical prototype. PROTEUS VSM simulates the CPU and any additional electronics used in your designs. And it does so in real time. *

- CPU models for PIC and 8051 and series micro-controllers available now. 68HC11 coming soon. More CPU models under development. See website for latest info.
- Interactive device models include LCD displays, RS232 terminal, universal keypad plus a range of switches, buttons, pots, LEDs, 7 segment displays and much more.
- Extensive debugging facilities including register and memory contents, breakpoints and single step modes.
- Source level debugging supported for selected development tools.
- Integrated 'make' utility - compile and simulate with one keystroke.
- Over 4000 standard SPICE models included. Fully compatible with manufacturers' SPICE models.
- DLL interfaces provided for application specific models.
- Based on SPICE3F5 mixed mode circuit simulator.
- CPU and interactive device models are sold separately - build up your VSM system in affordable stages.
- ARES Lite PCB Layout also available.



labcenter
Electronics

*E.g. PROTEUS VSM can simulate an 8051 clocked at 12MHz on a 300MHz Pentium II.

**Write, phone or fax for your free demo CD - or email info@labcenter.co.uk.
Tel: 01756 753440. Fax: 01756 752857. 53-55 Main St, Grassington. BD23 5AA.**

INGENUITY UNLIMITED



WIN A PICO PC BASED OSCILLOSCOPE WORTH £586

- 100MS/s Dual Channel Storage Oscilloscope
- 50MHz Spectrum Analyser
- Multimeter • Frequency Meter
- Signal Generator

If you have a novel circuit idea which would be of use to other readers then a Pico Technology PC based oscilloscope could be yours. Every 12 months, Pico Technology will be awarding an ADC200-100 digital storage oscilloscope for the best IU submission. In addition, a DrDAQ Data Logger/Scope worth £69 will be presented to the runner up.



Our regular round-up of readers' own circuits. We pay between £10 and £50 for all material published, depending on length and technical merit. We're looking for novel applications and circuit designs, not simply mechanical, electrical or software ideas. Ideas *must be the reader's own work and must not have been submitted for publication elsewhere*. The circuits shown have NOT been proven by us. *Ingenuity Unlimited* is open to ALL abilities, but items for consideration in this column should be typed or word-processed, with a brief circuit description (between 100 and 500 words maximum) and full circuit diagram showing all relevant component values.

Please draw all circuit schematics as clearly as possible.

Send your circuit ideas to: Alan Winstanley, *Ingenuity Unlimited*, Wimborne Publishing Ltd., 408 Wimborne Road East, Ferndown Dorset BH22 9ND. (We do not accept submissions for *IU* via E-mail.)

Your ideas could earn you some cash and a prize!

Lightning Detector – Ahead in the Clouds

THE circuit diagram of Fig.1 is a very sensitive static electricity detector that can provide an early warning of approaching storms from inter-cloud discharge well before an earth-to-sky return strike takes place. An aerial (antenna) formed of a short length of wire detects storms within a two mile radius.

The circuit emits an audible warning tone from a piezo buzzer, or flashes an l.e.d. for each discharge detected, giving you advance warning of impending storms so that precautions may be observed, such as unplugging modems, switching off computers and so forth.

The primary feature is the circuit's ability to be set close to self-oscillation, with its relaxation optimised via the bias resistor values shown in the circuit diagram. The oscillator is d.c. coupled and feedback is routed through the collector (c) of transistor TR1 to the base (b) of TR2, while the overall loop gain is set with the multiturn (12, 18 or 22) preset VR1.

Capacitor C3 sets the fixed phase at the emitter (e) of TR2, and at the wiper of VR1 capacitor C2 increments the phase shift for oscillation to occur. (Any similar small signal high-gain transistor can probably be used, e.g. a BC548C – ARW)

The collector of TR2 outputs a 42kHz sinewave once triggered, and is coupled by capacitor C4 to the base of TR3. Diode D1 rectifies the positive-going phase of the oscillator, to bias TR3 on and output a d.c. voltage at TR3 emitter. This drives WD1, a self-contained piezo-electric sounder. A pulsed l.e.d. D2 can be added as an option for a visual indication if required.

Setting Up

To set the circuit up, adjust preset VR1 for oscillation by monitoring test point TP1, which should be at roughly 7V peak-to-peak. Test point TP2 should be at +6V d.c. Now re-adjust VR1 back slightly to stop oscillation; use a screwdriver to touch the aerial-side of C1 several times; the alarm should sound for 1 or 2 seconds then stop. If it continues, make

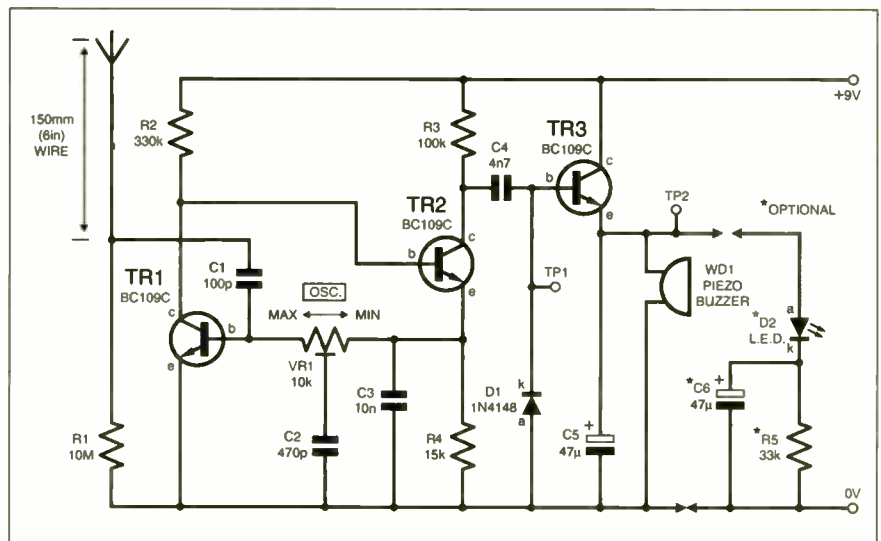


Fig.1. Circuit diagram for the Lightning Detector. Note that preset VR1 should be a cermet multiturn type.

a very small adjustment back, and recheck. The other method is to electrostatically charge a plastic ruler, and then draw your finger close to discharge, about two metres away from the aerial.

Powered from a 9V battery, the Lightning Detector circuit consumes about 600µA in standby. Powered continuously it could provide a good year of uninterrupted monitoring.

When sounding the alarm, the current will rise to 4mA depending on the low current sounder WD1. A minimum 3V device is required for a good output level, and it will produce a "pinging" alarm to warn in real time of any electrostatic pulse activity.

Brian M. Lucas,
St Helier, Jersey,
Channel Islands.

INGENUITY UNLIMITED

BE INTERACTIVE

IU is your forum where you can offer other readers the benefit of your Ingenuity. Share those ideas, earn some cash and possibly a prize!



Dog and Cat Scarer

– Buzz Off

THE circuit diagram of Fig.2 is a high output ultrasonic transmitter which was primarily intended to act as a dog and cat scarer, which can be used by individuals to act as a deterrent against some animals. It should *not* be relied upon as a defence against aggressive dogs but it may help distract them or encourage them to go away.

The circuit uses a standard 555 timer IC1 set up as an oscillator using a single RC network to give a 40kHz square wave with an equal mark/space ratio. This frequency is above the hearing threshold for humans, but is known to be an irritating frequency for dogs and cats.

Since the maximum current that a 555 timer can supply is 200mA an amplifier stage was required so a high-power H-bridge network was devised, formed by the four transistors TR1 to TR4. A second 555 timer IC2 forms a buffer amplifier that feeds one input of the H-bridge driver, with an inverted waveform to that of IC1 output being fed to the opposite input of the H-bridge.

This means that conduction occurs through the complementary pairs of TR1/TR4 and TR2/TR3 on alternate marks and spaces, effectively doubling the voltage across the ultrasonic transducer, LS1. This is optimised to generate a high output at ultrasonic frequencies.

This configuration was tested by decreasing the frequency of the oscillator to an audible level and replacing the ultrasonic transducer with a loudspeaker; the results were astounding. If the circuit was fed by a bench power supply rather than a battery that restricts the available current, the output

PICO PRIZEWINNERS

Once again it's time for us to consider our prizewinners, three lucky *Ingenuity Unlimited* contributors each receiving valuable prizes of Pico PC-based Oscilloscopes generously donated to *Everyday Practical Electronics* by PICO Technology Ltd (www.picotech.com). Our thanks as always to Pico for their magnanimous support in keeping alive the spirit of "ingenious" circuit design and for generally promoting an interest in exploring the fascinating world of electronics.

All the contributions published between August 2001 and February 2002 were carefully considered by Editor Mike Kenward and host Alan Winstanley for originality and technical merit, appropriateness and completeness. As always, the overall presentation was used as a tie-breaker. The finalists each had their own particular merits making the judges' decision a very tough one!

FIRST PRIZE: *L.E.D. DYNAMO TORCH* by Alan Bradley (Feb 2002), who wins a superb PC-based Pico ADC200-50 Dual-Channel Storage Oscilloscope. The circuit was an interesting application of high brightness l.e.d.s coupled to a dynamo generator, to produce a self-powered flashlight that evolved through methodical experimentation. We are especially pleased to award first prize to a previous Pico runner-up – Alan won a Pico ADC-40 in the October 1998 issue.

RUNNERS-UP: *Precision UV Timer* by Ian Hill (Jan 2002), who wins a PICO ADC-40 PC-based oscilloscope. This was an interesting timer circuit to help produce consistent results with UV exposures, using the mains sine wave to provide an accurate clock signal.

Wein Bridge Audio Generator by Paul Fellingham (Sept 2001), who wins a PICO ADC-40 PC-based oscilloscope. A thoroughly developed audio oscillator using an a.g.c. circuit instead of an expensive thermistor to provide stability.

Congratulations to all PICO prizewinners. Readers, how is your ingenuity? If you have an electronic circuit idea that uses some degree of novelty or "lateral thinking", or you have a circuit tip you would like to share with readers, then why not submit it for possible publication in *Ingenuity Unlimited*? We pay between £10-£50 for each article published and, of course, there's a chance to win a Pico PC-based Oscilloscope as well! We cannot accept items by email, and all articles must be sent by letter post to the Editorial address.

reached 110dB with 4A running through the speaker, which is plenty loud enough!

The Dog and Cat Scarer was activated using a normally open push switch S1 to control the current consumption, but many forms of automatic switching could be used such as pressure sensitive mats, light beams or PIR sensors. Thus it could be utilised as part of a dog or cat deterrent system to help prevent

unwanted damage to gardens or flowerbeds, or a battery powered version can be carried for portable use. Consider also using a lead-acid battery if desired, and a single chip version could be built using the 556 dual timer i.c. to save space and improve battery life.

*D. Stringwell,
Scunthorpe,
North Lincs.*

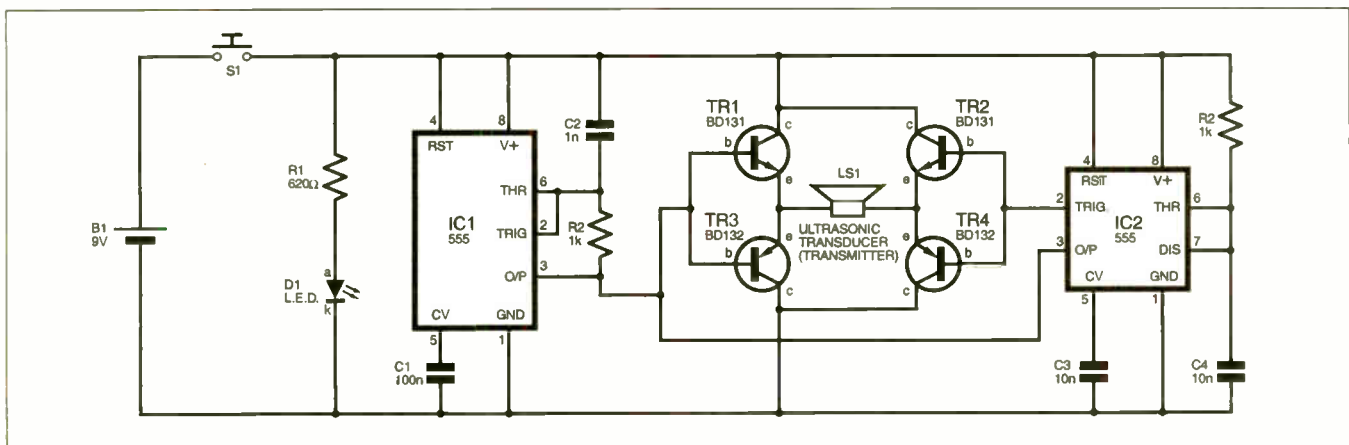


Fig.2. Circuit diagram for a harmless Dog and Cat Scarer.

EPE BINDERS

KEEP YOUR MAGAZINES SAFE – RING US NOW!

This ring binder uses a special system to allow the issues to be easily removed and re-inserted without any damage. A nylon strip slips over each issue and this passes over the four rings in the binder, thus holding the magazine in place.

The binders are finished in hard-wearing royal blue p.v.c. with the magazine logo in gold on the spine. They will keep your issues neat and tidy but allow you to remove them for use easily.

The price is £5.95 plus £3.50 post and packing. If you order more than one binder add £1 postage for each binder after the initial £3.50 postage charge (overseas readers the postage is £6.00 each to everywhere except Australia and Papua New Guinea which costs £10.50 each).

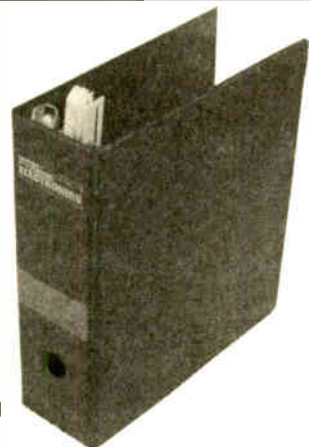
Send your payment in £'s sterling cheque or PO (Overseas readers send £ sterling bank draft, or cheque drawn on a UK bank or pay by card), to **Everyday Practical Electronics, Wimborne Publishing Ltd, 408 Wimborne Road East, Ferndown, Dorset BH22 9ND. Tel: 01202 873872. Fax: 01202 874562.**

E-mail: editorial@epemag.wimborne.co.uk. Web site: <http://www.epemag.wimborne.co.uk>

Order on-line from www.epemag.wimborne.co.uk/shopdoor.htm



We also accept card payments. Mastercard, Visa, Amex, Diners Club or Switch (minimum card order £5). Send your card number and card expiry date plus Switch Issue No. with your order.



CD COPYING LEGALITY CHALLENGED

There is a confusion in law about the right of CD producers to prevent their CDs from being copied for individual use. Barry Fox reports.

RECORD giant BMG is the first record company in the world to use copy-protection on widely released chart CDs; Natalie Imbruglia's *White Lilies Island* and Five's *Greatest Hits*. Some customers have complained about the unwelcome side effect that the CD only plays in low fidelity on a PC. Although the sleeves and artwork do not refer to copy protection, they do credit a system called Cactus Data Shield from Midbar of Israel. Midbar confirms that the technology used to modify PC playback is covered by international patent application WO 01/80546.

The CD is a "multi-session" disc of a type normally used to let audio and computer data share the same disc. The data and audio are recorded at physically different positions, and the ROM drive in a PC goes first to the data area. On the Imbruglia and Five CDs the data is actually music in heavily compressed form, encrypted so that a PC can only read it with the help of authorised software which is also stored in the data area. The encrypted music cannot be copied by normal PC software. But innocent listeners get only heavily compressed sound.

Although BMG claims that the number of complaints has been "very low", and orchestrated by anti-protection lobbyists, the record company has now backed down on the experiment and new versions of the two discs are being pressed without copy-protection. The tell-tale signs are the reference to Midbar/Cactus on the rear of the artwork and a clear band on the playing surface of the disc which separates the music and data sections.

Congressional Intervention

In the US, Universal's new compilation CD of Fast and Furious rock music is similarly copy-protected but clearly marked with consumer warnings.

But this has not pacified the Congressional Internet Caucus Committee, a public interest group which works to educate Congress and the public on information technology. The Committee is warning the music industry that selling CDs which prevent or inhibit home recording may violate the Audio Home Recording Act (AHRA) of 1992. The AHRA levies a royalty of 2 per cent on the price of recording equipment and 3 per cent on recording media such as tapes and discs. Well over \$5 million a year is now collected.

Co-Chairman Rick Boucher has now asked the music industry's main trade bodies, the Recording Industry Association of America and International Federation of the Phonographic Industry, to justify taking money from consumers in return for the right to copy, while using technology to try and prevent copying.

Speaking also for the IFPI, Hilary Rosen, President and CEO of the RIAA, says:

"Copy-protection is not new to the entertainment industry – most movies and

videogames sold today have some form of protection. The recording industry is taking steps to get 'in tune' (with) the right balance between preventing wholesale copying and uploading to the Internet, while still allowing some copying onto hard drives or CD-Rs for personal use. Fans may rest assured that these companies' first priority will remain the listening experience."

Martin Dalglish, of British hifi company Linn, warns that finding the right technology is getting harder all the time because hardware manufacturers are finding it increasingly difficult to obtain good quality CD drive components. So they often build computer ROM drives into their consumer CD and DVD players; and

some of the copy-protection systems are designed to interfere with ROM drive playback.

Changing the Rules

"The recent non-CDs from BMG change the rules in a totally unpredictable way. There is no published specification and therefore it is impossible for Linn or any other company to predict the playability of these discs. The CD players we make all react in different ways."

The UK is the only country in Europe where it remains illegal to copy one's own CD for personal use. Like the US, most major European states levy a royalty on recording media. But lawyers for the IFPI's Head Office in London insist there is no link in law between paying a royalty and the right to make a copy.

"So using copy-protection CDs does not violate any laws, and the situation will not change when the EU's Copyright Directive comes into force at the end of this year"

FREE METER!

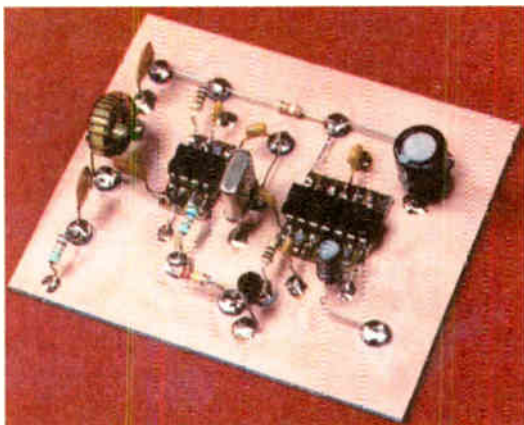


TO CELEBRATE the launch of its new On-Line store, Lascar Electronics is giving away a free multimeter to anyone who visits their website site and spends over £50 (ex. VAT and carriage) on any of the digital panel meters, data loggers or power supplies listed. The DMM 350 multimeter is equipped with five functions and 19 ranges, with each test position selected by a simple turn of the function/range rotary selector switch. The promotion is available while stocks last.

For more information contact Lascar Electronics Ltd., Module House, Whiteparish, Salisbury, Wilts SP5 2SJ. Tel: 01794 884567. Fax: 01794 884616.

Email: lascar@netcomuk.co.uk. Web: www.lascarelectronics.com.

COPPER ISLAND



NO – not a suggestion for where to go on holiday, Cooper Island is a printed circuit board manufacturing technique! It is said to make electronic construction faster and easier than ever before, and without chemicals or drilling.

The quick and easy-to-use technique utilises specially shaped "pads" that are made of copper laminate. These are glued to a copper laminate base board to implement your design. The pads are then used as electrically isolated "copper islands". Your components are soldered between the pads, and from the pads to the baseboard wherever ground connections are required, the baseboard acting as the ground plane.

This system seems like it could be a boon to home electronics and radio constructors where prototypes, one-offs, or a small number of boards are required without the need to make p.c.b.s in the normal way.

The Copper Island Construction Outfit is a complete 262-piece self-contained kit. It is housed in a neat compartment box with a hinged lid and contains pads for 8, 14 and 16-pin i.c.s, round pads for leaded components and special pads for miniature screened r.f. coils.

Adhesive, tweezers, pressure rod and an abrasive cleaning block are also included, plus two sheets of copper laminate boards measuring 150mm x 100mm. Full instructions are enclosed and extra pads and "top-up" materials are available.

The kit is priced at £15 plus £2.95 UK P&P (no credit/debit cards please). It is available by mail order from J. D. Walters, 11 King George V Avenue, Mansfield, Notts, NG18 4ER. Tel: 01623 465443. Web: www.copperisland.biz.

NATIONAL VINTAGE COMMUNICATIONS FAIR

SUNDAY 5 May 2002, the National Vintage Communications Fair will be held at N.E.C. Birmingham. It is open from 10.30am to 4.00pm at an entry price of £5 (under 14's free).

It will be the Tenth Anniversary Special and there will be masses of vintage wireless sets, crystal sets, valve amplifiers, classic hi-fi, horn loudspeakers, record players, gramophones, early televisions, old telephones, records, valves and spares, plus all sorts of mechanical and electrical antiques and collectables. The fair is scheduled to have 300 stallholders – one of which will be our sister publication *Radio Bygones*.

For more information contact N.V.C.F., 13 Belmont Road, Exeter, Devon EX1 2HF. Tel: 01392 411565.

Email: sun.press@btinternet.com.

Web: www.anglefire.com/tx/sunpress.

WYTHALL RALLY

SUNDAY 10 March 2002, the 17th annual Wythall Radio and Computer Rally takes place at Wythall Park, Silver Street, Wythall near Birmingham, on the A435 just two miles from junction 3 of the M42. Doors open from 10am to 4pm. Admission is £1.50.

There will be plenty of traders in three halls and a large marquee. Bar and refreshment facilities are on site and there is a bring and buy stand. A free park and ride service is provided.

For more information contact Rally organiser Martin G8VXX on 0121 474 2077, evenings. Fax: 0121 742 3471, working hours. Talk in on S22.

Email: enquiries@wrcrally.co.uk. Web: www.wrcrally.co.uk.

YOU WON'T GET YOUR FINGERS BURN T

It may surprise you but buying an Antex soldering iron costs less than you think in the long run. British made to exacting standards, they last significantly longer than imported brands. And with a wide range of thermally balanced soldering irons, you can pick up a "fixed temperature" or "in-handle" temperature model that will suit your needs perfectly.

None of which will burn a hole in your pocket.

If your hobby demands the best iron for the job but you don't want to get your fingers burnt by the cost, visit our website or your electronics retailer for the coolest models around.

Pick up an

ANTEX

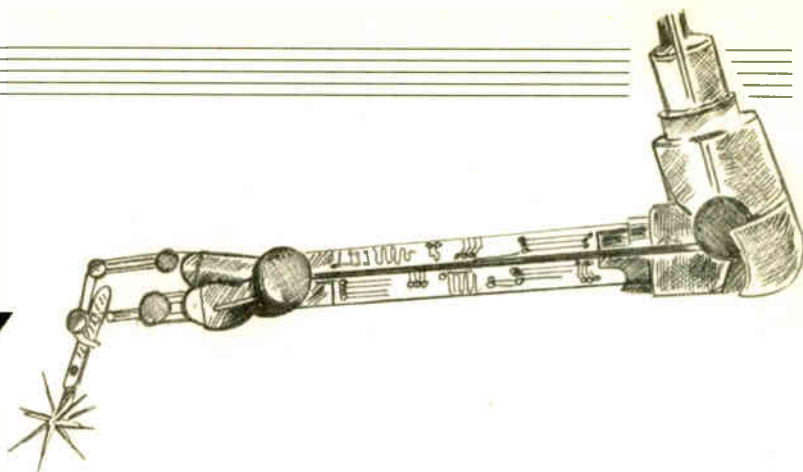
Not just any old iron.



www.antex.co.uk

2 Westbridge Industrial Estate Tavistock
Devon PL19 8DE Tel 01822 613565

CIRCUIT SURGERY



**ALAN WINSTANLEY
and IAN BELL**

We offer some advice for selecting the right battery for your project, and describe four-layer semiconductor devices.

The Right Battery

Our thanks to *John Robertson* who writes:

I'm having problems with some of my electronics projects. When I build them and switch on to check how well they function, I have notice that when testing it with my multimeter, the voltage across the supply line is much lower than the required voltage which is 9V. I have used several brands of PP3 9V battery but I'm not sure whether I'm using the right type.

It was recommended I use a PP9, which did work but it was too large. I would prefer to use a smaller PP3 battery, but could you please give me any suggestions of what type of battery I could use. Thank you,

John Robertson, by Email.

Choosing the right battery for your projects, John, depends on several factors, the main aim being to match the battery against the supply voltage and current needed by your circuit. Having picked the correct battery voltage (9V), you have to consider the capacity of the battery. What is the right capacity depends on how much current you want to draw and for how long.

You'll have to calculate the current or measure it with an ammeter. A battery's capacity is measured in ampere-hours and it indicates how much current the battery can supply over time, before its voltage starts to fall (the battery goes "flat").

The capacity is related to size and the battery's chemical composition, and for electronic projects you will probably use alkaline batteries rather than zinc chloride or carbon zinc types. I couldn't find any data for the PP9 battery you used, these are very old fashioned, relatively rare and becoming increasingly obsolete. However, its large capacity meant that it was well suited to powering the portable transistor radios of its era.

These days a 9V PP3 battery (also known as the LR61 or 1604 type) is adequate for many products, because the current needed by circuits is generally far lower, so a lower capacity (therefore physically smaller) battery

can provide a stable 9V rail. In industry, the quest is always to provide ever smaller, faster products using lower voltages and smaller batteries, as evidenced by the mobile phone.

The variation in voltage you noticed is partly caused by the ageing effect of the battery. As it starts to "flatten", its internal resistance increases, which starts to restrict the maximum current that can flow and the voltage across its terminals starts to fall. A battery is generally considered "flat" when its voltage drops to 0.8V per cell (noting that a 9V battery contains six 1.5V cells).

Dips and Tips

If the load current increases, then the battery voltage will dip as you observed. To help overcome these dips, it is very common to place a large electrolytic capacitor (say 100µF to 470µF) across the supply lines, which acts as a reservoir for the bat-

Table 1 Comparison of popular battery capacities (from Eveready data)

Size	Voltage	Capacity mAh	
		Carbon Zinc	Alkaline
AAA	1.5	540	1250
AA	1.5	950	2850
C	1.5	3000	8350
D	1.5	5900	18000
1604	9.0	400	595
908 Lantern	6.0	12000	26000
915 Lantern	6.0	11000	26000
918 Lantern	6.0	n/a	52000

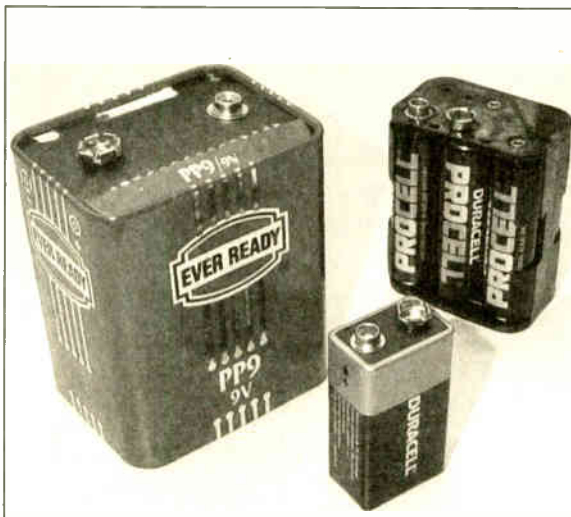
tery, helping to ensure that enough current can be supplied to the circuit at peak times, until the performance becomes so bad that the battery must be changed.

The other likely reason for those voltage dips is that the battery, even a new one, just hasn't sufficient capacity to start with: it's too small. If you "shunt" a battery by drawing a very great current, inevitably the voltage across its terminals will fall. The only answer is to increase the capacity of the supply, and if 9V is required you have no choice but to use separate 1.5V cells in a battery holder instead.

The web site of Eveready Batteries at <http://data.energizer.com> provides data sheets for most of their products. Their consumer alkaline range includes the 9V 1604 type, which has a stated capacity of 595mAh, which means that it could in theory supply 595mA over the duration of one hour before the voltage tailed off too much.

To give you some idea, Eveready states that capacity figures are based on a 25mA continuous current to 0.8V cut-off per cell. So once you calculate or measure the current drawn by the circuit, you will start to get an idea of battery suitability.

Compare this with an individual 1.5V cell: an Eveready AA alkaline cell has a stated capacity of 2850mAh (2.85Ah). Put six of them in series and you have a 9V 2850mAh battery pack with nearly five times the capacity of a PP3, but



A rare (old) traditional 9V battery compared with a 9V PP3 type battery (centre) and a 9V power pack using six AA (1.5V) cells in a holder.

of course it is physically larger. Connect them all in parallel, and you would have a 1.5V battery with a 17.1Ah capacity instead. (Think about how we calculate the value of capacitors in series or parallel.)

By way of comparison, an Eveready 918 6V Lantern Battery has a capacity of 52000mAh (52Ah) which is as much as some 12V car batteries can manage. Table 1 is a summary of battery capacities as published by Eveready. (While on the Eveready site, be sure to read their fascinating *History of the Eveready Flashlight*.) I hope that helps. ARW.

Four Layer Devices

Sam Carson asks in the *EPE Chat Zone* (the message board on our web site, www.epemag.wimborne.co.uk):

Could anyone tell me what it means if something is a "four layer semiconductor device"? I am unsure of this term.

A thyristor, also known as an SCR (silicon controlled rectifier) is described as a four-layer device because, as can be seen in Fig. 1 it is constructed from four layers of silicon of alternating type (that is, *p-n-p-n* (*p* and *n* type semiconductor). Compare this with a bipolar junction transistor (bjt) which is three-layer – either *p-n-p* or *n-p-n*. The thyristor is constructed like two overlapping transistors – the *np* of a *pn*p transistor which overlaps the *np* of an *npn* type, as indicated by the dotted boxed in Fig.1a. This leads to the transistor equivalent circuit in Fig.1b. The circuit symbol of a thyristor is shown in Fig.1c.

The thyristor is a unidirectional device, meaning that, like a diode, current will only flow one way through it (from anode to cathode). However, if we simply apply an anode-cathode voltage no current will flow until the device is *triggered* by a gate current. This is not like a transistor, however, which turns off again if the base or gate current is removed; the thyristor's anode-cathode current *continues to flow* even if the gate current stops. It will only stop when anode-cathode voltage is removed or if the anode-cathode current drops below a certain minimum level. Thus the trigger current causes the thyristor to *latch* on.

We can understand this behaviour by looking at the equivalent circuit of the thyristor in Fig.1b. The "trigger" gate current turns on transistor TR1. The collector current of TR1 provides a base current for TR2, turning that on too. In a similar manner the collector current of TR2 provides more base current for TR1 turning it on even more. This is a positive feedback effect that quickly ensures that both transistors conduct. Once the gate has triggered this condition is self-sustaining, so gate current is no longer needed. The thyristor can only be turned off by reducing its anode-cathode current below some critical point, known as the *holding current*.

The gate current is unfortunately not the only way to turn on a thyristor. A sufficiently fast rising anode-cathode voltage can also trigger the device, due to the capacitances inherent in the thyristor's structure. To prevent this, *RC* snubber

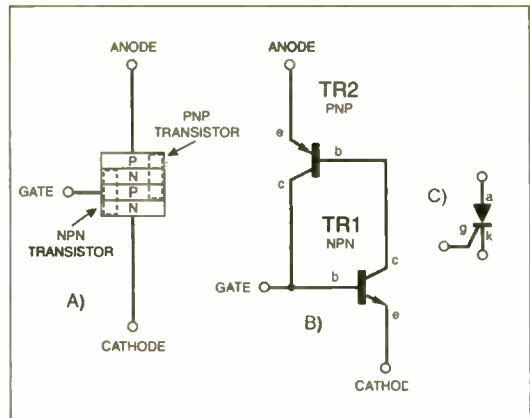


Fig.1. (a) Four layer pnnp construction of a thyristor (SCR), (b) equivalent circuit, (c) circuit symbol for an SCR.

circuits can be used to reduce the rise-time of voltages across the thyristor, which has been dealt with in this column in the past.

The voltage across a thyristor when it is ON typically has a minimum value of around 1V, but may be higher (2V to 3V) for high current devices; the ON current can be very high (tens of amps in high power devices). The OFF current is very small – a leakage current. The maximum OFF voltage (supply voltage) can be very high – hundreds of volts in high power devices.

The trigger current must be applied for long enough to allow the device to turn on (typically microseconds, but this varies between devices). Thyristors also take a time to switch off (maybe tens or hundreds of microseconds, again this varies a lot between different types). *IMB*.

SQUIRES

MODEL & CRAFT TOOLS

A COMPREHENSIVE RANGE OF MINIATURE HAND AND POWER TOOLS AND AN EXTENSIVE RANGE OF

ELECTRONIC COMPONENTS

FEATURED IN A FULLY ILLUSTRATED

528 PAGE MAIL ORDER CATALOGUE

2002 ISSUE

Note: If you have ordered from 2001 copy you will receive the new catalogue automatically

**SAME DAY DESPATCH
FREE POST AND PACKAGING**

Catalogues: FREE OF CHARGE to addresses in the UK.
Overseas: CATALOGUE FREE, postage at cost charged to credit card

**Squires, 100 London Road,
Bognor Regis, West Sussex, PO21 1DD**

TEL: 01243 842424

FAX: 01243 842525

SHOP NOW OPEN



FRUSTRATED!

Looking for ICs TRANSISTORS?

A phone call to us could get a result. We offer an extensive range and with a world-wide database at our fingertips, we are able to source even more. We specialise in devices with the following prefix (to name but a few).



2N 2SA 2SB 2SC 2SD 2P 2SJ 2SK 3N 3SK 4N 6N 17 40 AD
ADC AN AM AY BA BC BD BDT BDV BDW BDX BF
BFR BFS BFT BFX BFY BLY BLX BS BR BRX BRY BS
BSS BSV BSW BSX BT BTA BTB BRW BU BUK BUT BUV
BUW BUX BUY BUZ CA CD CX CXA DAC DG DM DS
DTA DTC GL GM HA HCF HD HEF ICL ICM IRF J KA
KIA L LA LB LC LD LF LM M M5M MA MAB MAX MB
MC MDAJ MJE MJF MM MN MPS MP5A MP5H MP5U
MRF NJM NE OM OP PA PAL PIC PN RC S SAA SAB
SAD SAJ SAS SDA SG SI SL SN SO STA STK STR STRD
STRM STRS SV1 T TA TAA TAG TBA TC TCA TDA TDB
TEA TIC TIP TIPL TEA TL TLC TMP TMS TPU U UA
UAA UC UDN ULN UM UPA UPC UPD VN X XR Z ZN
ZTS + many others

We can also offer equivalents (at customers' risk)

We also stock a full range of other electronic components
Mail, phone, Fax Credit Card orders and callers welcome



Connect

Cricklewood Electronics Ltd

40-42 Cricklewood Broadway London NW2 3ET
Tel: 020 8452 0161 Fax: 020 8208 1441

PROGRAMMING PIC INTERRUPTS

MALCOLM WILES

Part 1

How to use Interrupts successfully with your PIC programs.

The Microchip PIC family of microcontrollers supports interrupts. However, relatively few of the projects published in *EPE* to date have used interrupts.

Programming a PIC to use interrupts is not completely straightforward (but then sometimes neither is programming a PIC to do anything!) There are some special considerations that need to be borne in mind.

This article gives a general introduction to the topic of writing PIC software to handle interrupts, with special reference to the PIC16x84 and PIC16F87x families, which are the most popular with hobbyists. This article concentrates on how to write programs to handle interrupts. There are also some timing and related issues that need to be taken into account when designing circuits to use interrupts. For full details, please refer to the relevant PIC data sheet.

The assembler dialect used in the examples is MPASM, but translation to TASM (e.g. by *EPE PIC Toolkit Mk2* or *Mk3/TK3*) should be straightforward. The software discussed is available as stated later and includes the source code .ASM (MPASM), plus pre-assembled files .HEX (MPASM) and .OBJ (TASM).

There are several example programs and experiments, all of which are designed to be run on the circuit shown in Fig.1. This could be set up on a solderless breadboard, or on *PIC Toolkit Mk3*. Access to a PIC programmer (such as one of the *EPE Toolkits*) is assumed.

WHAT ARE INTERRUPTS?

An interrupt is an event which causes the PIC to suspend what it is currently doing and execute a special piece of program designed to process that event. When the event has been processed, the PIC resumes what it was doing at the point it broke off.

Interrupts are useful because they free a program from continually having to check ("poll") whether external events that it needs to process have occurred. Instead it can be arranged that the events

themselves cause the necessary processing code to be run automatically.

To a PIC, it's maybe a bit like having the phone ring while you're reading a book. You put a bookmark in the book, put it down, pick up the phone and deal with the phone call. When the phone call ends, you pick up the book again and resume reading where you left off.

INTERRUPT CAUSES

On the PIC16x84 family there are four events that can cause interrupts. These are:

- a rising or falling edge (configurable) on the RB0/INT pin
- the TMR0 counter wrapping from H'FF' to 0
- a change on any of the RB4 to RB7 pins (configured as inputs)
- an EEPROM write complete event

The PIC16F87x family adds a further ten interrupt events to this list. Since the principles of handling all interrupts are similar, we won't discuss the ones that are

specific to the '87x family in this article.

There are two bits associated with each individual interrupt in the PIC's special function registers. These are:

- an Interrupt Flag bit, which is set when the corresponding event has occurred
- an Interrupt Enable bit, which is set (by software) if the corresponding event is to cause an interrupt. By default, at power up, all interrupt enable bits are set to zero, so that no interrupts are enabled unless the software specifically turns them on.

Enabling an interrupt means that when the corresponding event occurs, the PIC will transfer control immediately to a special Interrupt Service Routine (ISR) to process that interrupt. It does not affect the setting of the interrupt flag bit. If the interrupt is not enabled when the corresponding event occurs, the flag bit is still set, but the ISR is not called. If a flag bit is set and the corresponding enable bit is then set, the ISR will be called immediately.

There is one further bit, the Global Interrupt Enable bit (GIE). This is like a master override switch: if this is zero then all interrupts are disabled, irrespective of the settings of the individual event interrupt enable bits. If the GIE bit is set to 1, then all interrupt events whose individual interrupt enable bits are set will cause interrupts.

Apart from the flag bit associated with the EEPROM Write Complete event, all these bits are in the INTCON special function register. Table 1 lists the INTCON register interrupt bits for the PIC16x84 and PIC16F87x families.

The flag and enable bits for the additional interrupts on the '87 family are located in the Peripheral Interrupt Registers, PIE1, PIE2, PIR1 and PIR2 (see data sheet).

INTERRUPT VECTOR

When an interrupt occurs, the PIC executes a call to program memory Location 4. It is usual to assemble a GOTO ISR instruction in this location (as in these example programs), where ISR is the label of the interrupt service routine, although it is possible for the ISR itself to start at

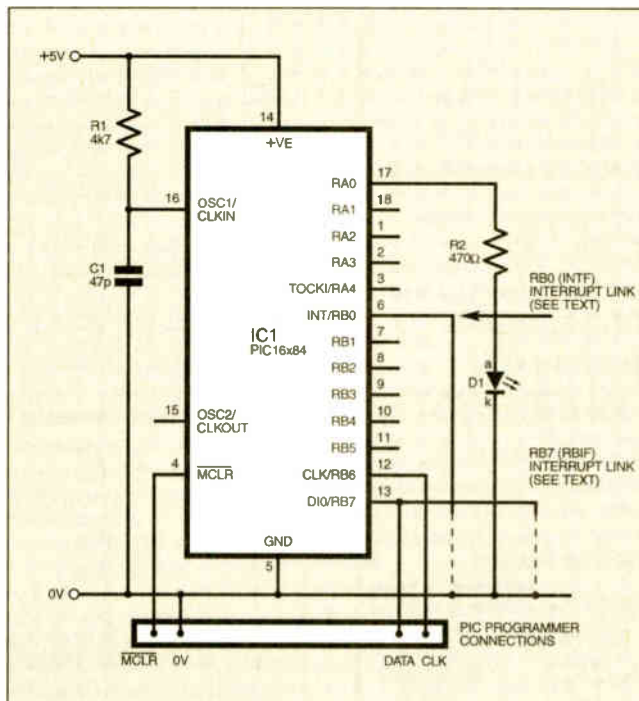


Fig.1. Circuit diagram as used for the Interrupt experiments.

Table 1. PIC16x84 and PIC16F87x INTCON register bits

Bit 7:	GIE: Global Interrupt Enable bit 1 = Enables all un-masked interrupts 0 = Disables all interrupts
Bit 6 (x84):	EEIE: EE Write Complete Interrupt Enable bit 1 = Enables the EE write complete interrupt 0 = Disables the EE write complete interrupt
Bit 6 (87x):	PEIE: Peripheral Interrupt Enable bit 1 = Enables all un-masked peripheral interrupts 0 = Disables all peripheral interrupts
Bit 5:	TOIE: TMR0 Overflow Interrupt Enable bit 1 = Enables the TMR0 interrupt 0 = Disables the TMR0 interrupt
Bit 4:	INTE: RB0/INT External Interrupt Enable bit 1 = Enables the RB0/INT external interrupt 0 = Disables the RB0/INT external interrupt
Bit 3:	RBIE: RB Port Change Interrupt Enable bit 1 = Enables the RB port change interrupt 0 = Disables the RB port change interrupt
Bit 2:	TOIF: TMR0 Overflow Interrupt Flag bit 1 = TMR0 register has overflowed (must be cleared in software) 0 = TMR0 register did not overflow
Bit 1:	INTF: RB0/INT External Interrupt Flag bit 1 = The RB0/INT external interrupt occurred 0 = The RB0/INT external interrupt did not occur
Bit 0:	RBIF: RB Port Change Interrupt Flag bit 1 = When at least one of the RB7:RB4 pins changed state (must be cleared in software) 0 = None of the RB7:RB4 pins have changed state

Additional Peripheral Interrupt Register bits for the PIC16F87x series are located in registers PIE1, PIE2, PIR1 and PIR2 (see data sheet).

Location 4 if preferred. (*EPE programmers prior to TK3 always require a GOTO at Location 4. Ed.*)

Because the **GOTO** ISR instruction is effectively a pointer, it is common to refer to Location 4 as the *Interrupt Vector*.

EXPERIMENTS

Now we have just about enough background to look at an example. First, though, a few practical comments regarding the software and hardware.

The HEX files include Configuration data which is automatically loaded into the PIC when the code is sent to it via *PIC Toolkit TK3* and MPASM-type programmers. The "embedded" code configures the PIC for RC oscillator, power-up timer enabled, watchdog timer disabled, code protection disabled.

However, *EPE programmers Toolkit Mk1, Mk2, PIC Tutorial, PICtutor* and the original *EPE Simple PIC16C84 Programmer* cannot handle HEX files or embedded Config data.

In these cases, the Config data must be sent to the PIC in the normal manner required by the programmers before the OBJ program code is sent. The PIC should be configured for RC oscillator, power-up timer enabled, watchdog timer disabled (code protection is automatically disabled with these programmers).

Although RC Oscillator mode is suggested, you may use a crystal oscillator mode instead if you prefer, configuring the PIC accordingly. A suitable crystal would be a 3.2768MHz type (XT mode) although other frequencies could be used instead.

Be aware that if assembling the ASM code yourself, none of the *EPE* PIC programmers can assemble embedded Config instructions or Macro coding structures and that only *Toolkit Mk2 V2.4* and *Toolkit TK3* can handle "Include" files. The exception to this statement is

that TK3 can handle embedded Config data in the source code when it is in the form:

```
__CONFIG H'3FF3'
```

The above command (as used in the example source code files) translates for the PIC16F84 as CP off, POR on, WDT off, RC oscillator. The command for CP off, POR on, WDT off, XT crystal is:

```
__CONFIG H'3FF1'
```

Where a programmer/assembler cannot handle such Macro and Include structures, the full equivalent code must be appropriately typed into the ASM file as required, and then assembled. Config values, if your assembler cannot handle them directly, should be sent via the normal Configuration option that you are already accustomed to using.

With the Include file (P16F84.INC), for example, the required Equates defined within it (it is readable as a text file) should be typed into the program in the region where the statement INCLUDE P16F84 is made and this statement should then be deleted (or commented out). You do not need to type in those equates which are not used in the programs. Your Assembler will advise if you miss any.

EXPERIMENT 1

The full source code for the first experiment, INTPROG1, is shown in Listing 1. Load its appropriate INTPROG1.HEX or INTPROG1.OBJ into the PIC (having sent Config data separately if necessary – as discussed above).

This program turns on the l.e.d. connected to PIC port RA0, waits for about a second (with the oscillator rate set as in Fig.1, typically about 2.5MHz for 4k7/47pF), then turns it off again. Connect a wire to RB0 and touch this to a

convenient 0V point somewhere. This causes an RB0/INT interrupt (INTF set), and the ISR turns on the l.e.d.

After a variable time up to another second (depending on where it was in the count up to 10 sequence), the main loop turns the l.e.d. back off again. This sequence can now be repeated indefinitely, so touch the wire on 0V a few more times just to see.

CONTEXT

Let's have a close look at the program in Listing 1. Firstly, what's all this SWAPF stuff at the beginning and end of the ISR?

Imagine we're just entering the ISR: the main program loop has been interrupted. This can happen between *any* two instructions; exactly where is just a matter of chance depending on exactly when we happen to touch the wire to 0V.

Now suppose the interrupt actually happened between the two instructions:

```
B1: XORWF COUNT,W
      (interrupt occurs here)
B2: BTFSS STATUS,Z
```

The main program has just done an Exclusive-OR of COUNT with W (which holds a value of 10 from the previous instruction MOVLW 10), and is about to go on and test the Z flag in the STATUS register to see if the result was zero (i.e. COUNT = 10). But in between the ISR will run, and this does an INCF ICOUNT,F instruction. This will overwrite the Z flag. So when the ISR exits, and the main program resumes at the instruction labelled B2, that Z test will be invalid.

Therefore the ISR must save anything before it changes it, and restore it before it exits. The phone analogy used earlier is perhaps not accurate enough; rather than reading a book when the phone rings, imagine you were in the middle of reconciling your bank statement and had lots of sums and calculations part completed on a sheet of paper. It is as if, when you put the phone down, you had obliterated all those calculations with notes of the phone conversation.

The bits and pieces that a program uses as working state are often referred to as its *Context*, and so the preamble and postamble in the ISR is called Saving and Restoring Context.

The most important items of Context on a PIC are the various flags in the STATUS register, and the contents of the accumulator (Working register) W, but there may be others. If the ISR uses indirect addressing, for example, then it will need to preserve FSR. On the '87x family if more than 2K of program memory is used then preservation of PCLATH may become important, as it may on the 16x84 family too if computed GOTO Tables are used other than in Page 0.

The Context preserving instructions in Listing 1 for saving W and STATUS are those recommended by Microchip.

This in itself is an interesting sequence. Why is the rather obscure SWAPF instruction used, and not the more obvious:

```
MOVWF SAVEW
MOVF STATUS,W
MOVWF SAVES
```

Recall that the MOVF instruction affects the Z flag in the STATUS register. Suppose that Z is currently set. If you now do a MOVF STATUS,W instruction, do you expect the Z bit (bit 2) in W to be:

(a) set, because that's how it was in the STATUS register, or

(b) clear, because the MOVF instruction has cleared Z because STATUS was non-zero?

(You might need to wrap a wet towel round your head at this point and think about it!)

The data sheets give no clear answer on this question. The author has tested it on both a 16F84 and a 16F877, and found that it is (a) in both cases. Further, he has found demo code (for a PIC16C745) on the Microchip Website written by Microchip that actually uses the MOVF STATUS, MOVWF SAVES sequence to preserve STATUS in its ISR. So it is probably OK to use this alternative.

The SWAPF instruction does not affect STATUS, so the situation using that instruction is unambiguous. That's maybe why the recommended code is that way. To save our minds boggling too much we will use the Microchip recommended sequence (with SWAPF) throughout this article. Note, however, that STATUS is actually stored in SAVES with its nibbles reversed. On exit, the sequence:

```
POP:   SWAPF SAVES,W
       MOVWF STATUS
```

reverses the nibbles back to the correct order. Now STATUS has been put back it cannot be affected further, so the STATUS non-affecting SWAPF must again be used to restore W:

```
SWAPF SAVEW,F ; reverse the nibbles
              ; in SAVEW
SWAPF SAVEW,W ; reverse back to
              ; original order and
              ; load into W
```

Finally, this special instruction is always used to exit from an ISR:

```
RETIE
```

This resumes the main program at the instruction after it was interrupted. We'll return to this a bit later.

SAVING ADDITIONAL CONTEXT ITEMS

Once W and STATUS have been safely stored, then it's easier to save any other Context items that may need preserving. This is because W and STATUS can now be changed, so there are no constraints on which instructions may be used.

So, for example, to additionally save FSR, the following sequence could be used:

```
ISR: MOVWF SAVEW ; save W
     SWAPF STATUS,W
     MOVWF SAVES ; save STATUS
     MOVF FSR,W ; OK to use
                ; MOVF and
                ; change
                ; STATUS here
     MOVWF SAVEF ; save FSR
                ; body of ISR
                ; goes here
```

LISTING 1

```
; INTPROG1.ASM
; Switch on LED if RB0 interrupt
LIST P=16F84,R=DEC
   _CONFIG H'3FF3'

; Macros
#DEFINE BANK0 BCF 0x03,5
#DEFINE BANK1 BSF 0x03,5

; Equates for registers
INCLUDE P16F84.INC ; or type in required Equates here instead

; Data locations
SAVEW: EQU 0x20 ; preserve W during interrupts
SAVES: EQU 0x21 ; preserve STATUS during interrupts
COUNT: EQU 0x22 ; count of timer ticks
ICOUNT: EQU 0x23 ; number of interrupts
DELAY: EQU 0x25 ; delay loop counter

; code
ORG 0
GOTO INIT ; Reset vector
ORG 4
GOTO ISR ; Interrupt vector
ORG 5

; initialise PIC
INIT: CLRF PORTA ; initialise all port outputs to zero
      CLRF PORTB
      BANK1
      CLRF TRISA ; RA0 - RA4 all outputs
      MOVLW B'00000001' ; RB0 input, rest outputs
      MOVWF TRISB
      MOVLW B'00000111' ; enable PORTB pullups, falling edge RB0,
                        ; PSA to TMR, prescale /256

      MOVWF OPTION_REG
      BANK0

; interrupt setup
      BSF INTCON,INTE ; enable INTF (RB0/INT) interrupt
      BSF INTCON,GIE ; enable global interrupts

; data initialisation
      BSF PORTA,0 ; turn on the LED

; main loop
MAIN: CLRF COUNT ; clear ticks count
      CLRF TMR0 ; clear internal clock count-up
A2: BCF INTCON,TOIF ; clear the TMR0 wrapped flag
A1: BTFSS INTCON,TOIF ; has TMR0 wrapped yet?
      GOTO A3 ; no, go back and wait for it to wrap
      INCF COUNT,F ; bump count of wraps
      MOVLW 10 ; about 10 bumps/sec at 2MHz clock
B1: XORWF COUNT,W ; sets Z if COUNT = W
B2: BTFSS STATUS,Z ; test Z
      GOTO A2 ; Z not set so COUNT <> 10
      BCF PORTA,0 ; wraps COUNT = 10 so switch off led
      GOTO MAIN ; and repeat main loop
A3: MOVLW 250 ; a short delay loop
      MOVWF DELAY ; load the delay counter
A4: INCF DELAY,F ; bump delay counter
      BTFSS STATUS,Z ; and test if it's zero
      GOTO A4 ; it's not so spin
      GOTO A1 ; go back and wait for TMR0 to wrap

; Interrupt service routine
ISR: MOVWF SAVEW ; save W
      SWAPF STATUS,W
      MOVWF SAVES ; save STATUS
      BTFSS INTCON,INTF ; test INTF
      GOTO POP ; not an INTF interrupt

; there is an INTF interrupt
      INCF ICOUNT,F ; bump count of interrupts
      BSF PORTA,0 ; turn on the led
      BCF INTCON,INTF ; clear the interrupt
POP: SWAPF SAVES,W ; restore STATUS
      MOVWF STATUS
      SWAPF SAVEW,F ; restore W
      SWAPF SAVEW,W
      RETFIE ; exit ISR
      END ; of program
```

The POP sequence is straightforward too, noting only that FSR needs to be restored before STATUS is restored:

```
POP: MOVF SAVEF,W ; restore FSR
      MOVWF FSR
      SWAPF SAVES,W ; restore
                        ; STATUS
      MOVWF STATUS
      SWAPF SAVEW,F ; restore W
      SWAPF SAVEW,W
      RETFIE ; exit ISR
```

The same would apply to saving PCLATH, and to any other register that also needs to be preserved.

EXPERIMENT 2

Suppose that in the main loop of INT-PROG1 (Listing 1) there had been an access to data stored in EEPROM. This is illustrated in program INTPROG2 with the addition of the code at A3 and variable EBYTE (equated to 0x24 at the head of the source code); INTPROG1 is otherwise unchanged. The new A3 code is shown in Listing 2.

(The author knows there's no obvious reason for doing an EEPROM access in this simple program, but bear with him because the point illustrated is important.) Load the PIC with INTPROG2. Now repeat Experiment 1.

If you are lucky, you may get the l.e.d. to flash on a few times, but the chances are that the PIC will appear to "die" very quickly, the l.e.d. will stop coming on, and a reset will be necessary to get it going again.

Reset the PIC and repeat the experiment a few times, because as we'll see in a minute there is a large element of chance in how this experiment works.

So what's gone wrong? The EEPROM access code is copied straight out of the PIC's data sheet, so that must surely be OK? See if you can figure it out before reading on.

It's nothing to do with the EEPROM access as such. What has happened is the Context problem in reverse. INTPROG2 works until, by chance, the interrupt occurs between the BANK1 and BANK0 (many readers will be more familiar with the equivalent terms PAGE1 and PAGE0) instructions below A3.

The ISR is entered with the Bank setting bits (RP0 and RP1) set for Bank 1. Thus, when it executes the BSF PORTA,0 instruction, what it actually does is set bit 0 of Location 5 in Bank 1. This is the TRISA register, and so the effect is to make RA0 an input. Hence the l.e.d. on RA0 flashes no more.

Thus after preserving the main program's Context, the ISR has also to establish its own Context. In this case after saving STATUS, the ISR needs to be set for Bank 0 as illustrated by the ISR routine section shown in Listing 3. Adding this instruction is the only change from INTPROG2. Load the PIC with INTPROG3, then repeat Experiment 2. This should now work correctly, like INTPROG1.

It is worth noting that the PIC16x84 family only make use of Bank setting bit RP0 and the data sheet states that RP1 should be maintained clear (= 0).

Listing 2. A3 code section for INTPROG2

```
; code to read a byte from EEPROM
A3:  MOVLW 0 ; EEPROM address 0
      MOVWF EEADR ; into the address reg
      BANK1
      BSF EECON1,RD ; initiate read
      BANK0
      MOVF EEDATA,W ; copy EEPROM data to W
      MOVWF EBYTE ; and store in main memory
      MOVLW 250 ; a short delay loop
      MOVWF DELAY ; load the delay counter
A4:  INCF DELAY,F ; bump delay counter
      BTFSSTATUS,Z ; and test if it's zero
      GOTO A4 ; it's not so spin
      GOTO A1 ; go back and wait for TMR0 to wrap
```

MURPHY'S LAW OF INTERRUPTS

Looking at the A3 section in Listing 2, you might have imagined that the chances of getting an interrupt in the two-instruction interval (BANK1/BSF EECON1,RD) where it would cause trouble were remote. However, Experiment 2 has demonstrated Murphy's Law of Interrupts: if an interrupt *can* occur at the most awkward time, it *will*, and more often than you think.

Code using interrupts needs to be bullet-proof against these Context issues, or it will inevitably suffer strange and random failures that are difficult to reproduce and debug.

BANK SWITCHING

The need to be careful is even greater on the '87x family of devices, where there are four Banks and a much greater chance that the Context will not be Bank 0 when the interrupt occurs.

A further issue on the '87x family is that there may be physically separate general purpose memory on up to four Banks (John Becker showed how to access this memory in June 2001 - PIC16F87x Extended Memory). This means that, when the ISR is entered, it cannot assume that it has the correct Bank set up to access the save variables and store the main program's Context - and it can't change the Bank setting without corrupting the Context!

Is this an insoluble chicken-and-egg problem? Happily not - on '87x devices there are 16 locations, H'70' to H'7F', which map to the same physical memory independent of the Bank settings.

The simplest solution on the '87x is to locate the ISR's Context saving variables (e.g. SAVES, SAVEW) in this H'70' to

H'7F' area, then it doesn't matter which Bank is switched in when the ISR is entered.

On the 'x84 family this problem is masked because there is physically only one Bank of general purpose registers, and accesses to general purpose registers in Bank 1 map automatically to Bank 0.

INTERRUPT SETTING

INTPROG4 is a version of INTPROG3 that uses the PORTB change interrupt (RBIF) to turn on the l.e.d. instead of the RB0/INT interrupt (INTF). A change on any of the pins RB7 through RB4 could be set to cause an RBIF interrupt. Program 4 has been written to switch on the l.e.d. if either of RB7 or RB6 is pulled to 0V, but to ignore changes on RB5 and RB4.

Move the wire from RB0 to either RB6 or RB7. Load INTPROG4 and repeat Experiment 2. The program should work correctly with RB6 and RB7, but not with any other RB pin.

There are several significant differences between INTPROG4 and the previous programs. The source code is shown in Listing 4.

Read through Listing 4 looking particularly at the ISR, and observe that handling the RBIF interrupt is noticeably more complex than handling the INTF interrupt.

Firstly, the PORTB register must be read in order that the changed value is latched by the PIC, otherwise it will not be possible to clear the RBIF interrupt.

Secondly, we don't know which of the RB7 or RB6 pins has changed, and it could be more than one of them, so we have to work that out. A soft copy of the last value read from PORTB is kept to do this.

Thirdly, we only know something has changed, we don't know what (remember that INTF can be configured to interrupt on either a rising or falling edge).

In a more complex program, several interrupt sources might be enabled, i.e. several interrupt enable flags might be set.

LISTING 3. Amended ISR section used in INTPROG3.

```
ISR:  MOVWF SAVEW ; save W
      SWAPF STATUS,W
      MOVWF SAVES ; save STATUS
      BANK0 ; ensure bank 0 is set
      BTFSSTATUS,INTF ; test INTF
      GOTO POP ; not an INTF interrupt
```

LISTING 4. Main source code listing for INTPROG4.

```

ORG 0           ; reset vector
GOTO INIT
ORG 4
GOTO ISR       ; Interrupt vector
ORG 5

; initialise PIC
INIT:  CLRF PORTA ; initialise all port outputs to
           ; zero

      CLRF PORTB
      BANK 1
      CLRF TRISA ; RA0-4 all outputs
      MOVLW B'11110001' ; RB7-4 inputs, RB3-1
           ; outputs, RB0 input

      MOVWF TRISB
      MOVLW B'00000111' ; enable PORTB pullups,
           ; PSA to TMR, prescale /256

      MOVWF OPTION_REG
      BANK 0

; interrupt setup
      MOVF PORTB,W ; clear initial mismatch on
           ; PORTB

      MOVWF SOFTB ; and initialise soft copy
      BCF INTCON,RBIF ; and ensure flag bit is clear
      BSF INTCON,RBIE ; enable RBIF interrupt
      BSF INTCON,GIE ; enable global interrupts

; data initialisation
      BSF PORTA,0 ; turn on the l.e.d.

; main loop
MAIN:  CLRF COUNT ; clear ticks count
      CLRF TMR0 ; clear internal clock
           ; count-up

A2:    BCF INTCON,T0IF ; clear the TMR0 wrapped
           ; flag

A1:    BTFSS INTCON,T0IF ; has TMR0 wrapped yet?
      GOTO A3 ; no, read the EEPROM
      INCF COUNT,F ; bump count of wraps
      MOVLW 10 ; about 10 bumps/sec at
           ; 2MHz clock

B1:    XORWF COUNT,W ; sets Z if COUNT = W
B2:    BTFSS STATUS,Z ; test Z
      GOTO A2 ; Z not set so COUNT < 10
      BCF PORTA,0 ; wraps COUNT = 10 so
           ; switch off l.e.d.

      GOTO MAIN ; and repeat main loop

; code to read a byte from EEPROM
A3:    MOVLW 0 ; EEPROM address 0
      MOVWF EEADR ; into the address reg
      BANK 1
      BSF EECON1,RD ; initiate read

      BANK 0
      MOVF EEDATA,W ; copy EEPROM data to W
      MOVWF EBYTE ; and store in main memory
      GOTO A1 ; go back and wait for TMR0
           ; to wrap

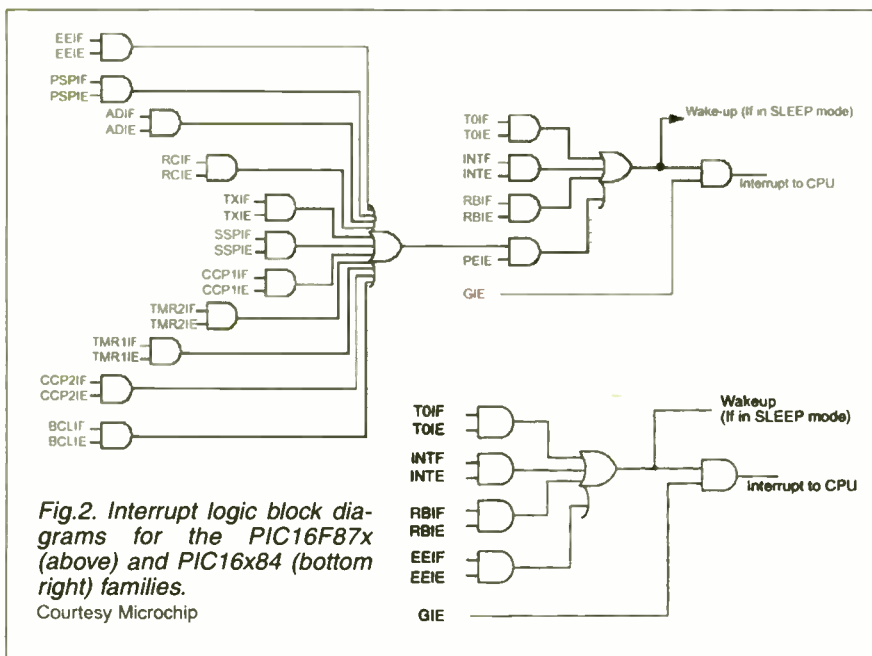
; Interrupt service routine
ISR:   MOVWF SAVEW ; save W
      SWAPF STATUS,W
      MOVWF SAVES ; save STATUS
      BANK 0 ; ensure Bank 0 set for
           ; PORT access

      ; first check that it's an RBIF interrupt
      BTFSS INTCON,RBIF ; test RBIF
      GOTO POP ; not an RBIF interrupt
      ; read PORTB and compare with last PORTB value read
      ; see if either RB7 or RB6 have changed
      MOVF PORTB,W ; read PORTB - also resets
           ; the input latches and clears
           ; mismatch
      MOVWF BPORT ; and make a working copy
           ; in BPORT
      XORWF SOFTB,W ; sets bits in W where
           ; changes from last value
           ; read
      ANDLW B'11000000' ; are there changes in RB7 or
           ; RB6?
      BTFSC STATUS,Z ; Z clear if there are changes
      GOTO CLR ; Z set so no changes - exit
           ; if RB7 or RB6 now reads 0, switch on the l.e.d.
      BTFSS BPORT,7 ; skip if RB7 reads 1
      BSF PORTA,0 ; if RB7 = 0 switch on the
           ; l.e.d.
      BTFSS BPORT,6 ; skip if RB6 reads 1
      BSF PORTA,0 ; if RB6 = 0 switch on the
           ; l.e.d.

; housekeeping
CLR:   BCF INTCON,RBIF ; clear the interrupt
      INCF ICOUNT,F ; bump count of interrupts
      MOVF BPORT,W ; and make an updated soft
           ; copy of PORTB

; restore Context and exit
POP:   SWAPF SAVES,W ; restore STATUS
      MOVWF STATUS
      SWAPF SAVEW,F ; restore W
      SWAPF SAVEW,W
      RETFIE ; exit ISR
      END ; of program

```



Any one of the corresponding events might have occurred when the ISR is entered. It's also possible that several events might have occurred simultaneously, so that more than one flag bit might be set.

The ISR needs to check for every possibility by reading all the flag bits for which interrupts might be enabled, and to respond appropriately.

Block diagrams of the interrupt logic for the PIC16F87x and PIC16x84 families are shown in Fig.2

OBTAINING SOFTWARE

The demonstration software for this article is available from the *EPE* Editorial office on 3.5-inch (for which a nominal handling charge applies), or *free* from the *EPE* web site. See this month's *Shoptalk* page for more details.

NEXT MONTH

In Part 2, we examine other aspects that need to be considered when using interrupts.

RH METER

BILL MOONEY

Uses a capacitive sensor to measure the Relative Humidity (RH) of air.

ALTHOUGH we consider air to consist of nitrogen, oxygen and a little carbon dioxide, one other component is essential for normal life, namely water. Too much or too little water in our atmosphere soon leads to discomfort and even serious health problems.

Static charge build-up with all its consequences is directly related to low humidity. Air humidity also has large effects on many engineering and building materials in everyday use. Also, without water in the atmosphere we wouldn't have weather, as we know it.

The RH Meter (Hygrometer) described here uses a new capacitive RH (relative humidity) sensing element to give an accurate measure of the relative humidity of air. The sensor contains on-chip integrated signal processing to give a d.c. output proportional to RH. The element is laser trimmed to a preset output span so that a simple but very effective RH meter can be produced without the need for calibration in standard atmospheres.

The traditional analogue meter readout is a visually comfortable way or representing the ambient RH. But a ground referenced analogue output is also provided for PC or PIC recording, processing or data logging.

HUMIDITY

Relative Humidity is a measure of the amount of water in air. The scale covers from 0% which is "bone" dry to 100% when the air is referred to as "saturated". We are used to living in an atmosphere between about 30%RH and 70%RH.

Above 70% RH things are getting a little humid and over 80% it is downright uncomfortable and rain-forest like. Humid air feels warmer than it really is because of the reduction in evaporative cooling of the skin. In very high humidity conditions, moulds and fungi proliferate but dust mites prefer it slightly less humid at around 60%RH.

There are many other effects of high RH such as breakdown of materials like insulating foams releasing toxic gases and increased warping and break-up of chip board and similar cellulose building composites. At high RH we run the risk of a

small drop in temperature suddenly taking the air above saturation. This means condensation or liquid water everywhere. Water in this state is very corrosive, metals rust, paint flakes off, materials which should never get wet irreversibly distort.

LOW LEVEL

Below 30% RH we start to dry out and it feels cooler than it really is because of increased ease of skin evaporation. Humans perceive humidity in part as a temperature effect. Many houses hit 15% RH or lower in late autumn when the central heating comes on. This results in various infections as the protective mucus linings of our mouth and airways dry out.

Apart from low oxygen content a major enemy of Everest climbers and arctic explorers is low RH. The atmosphere is freeze-dried and the human skin becomes dehydrated and brittle and finally cracks.

Similarly, frosty nights can easily result in unhealthy low RH levels. At low RH the electrical resistivity of most materials increases to greater than a million megohms per square ($10^{12}\Omega$). This results in huge static electricity generation and charge build-up. Shocks and discharges from carpets, clothing and cars, become intolerable and, of course, there are increased fire risks.

Atmospheric humidity is particularly important to timber merchants. When we buy wood from the DIY we must select inside or outside conditioned timber. Try using wood which is seasoned and cut outside for your inside shelves and they will warp and crack unacceptably.

MEASURING RH

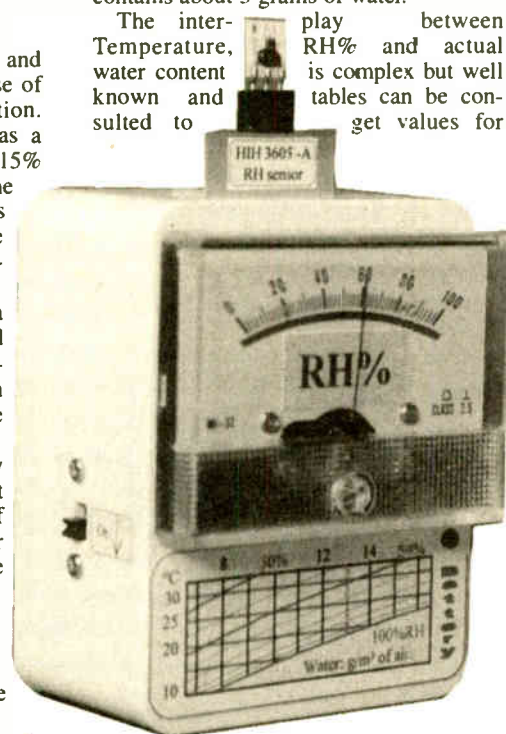
There are several ways of measuring and expressing the amount of water in the air, including dewpoint, vapour pressure and wet bulb depression or psychrometry. But Relative Humidity (RH%) is by far the widest used and most familiar descriptor for moisture in air.

The RH scale also corresponds well to our perception of moisture level. RH is defined as the ratio (expressed as percent) of the

actual partial vapour pressure to the saturated vapour pressure at the prevailing temperature. Without the temperature RH does not define the actual water content as the water content increases with temperature.

A more intuitive definition of RH is the ratio of the water content of air to its water content at saturation expressed as a percentage. Or simply how close we are to saturation. An example will put some reality into this. One cubic meter of air at 40%RH weighs about 1kg at 10°C and contains about 3 grams of water.

The interplay between Temperature, RH% and actual water content is complex but well known and tables can be consulted to get values for



specific conditions. At some point the amount of water in air reaches a limit which we recognise as saturation or 100% Relative Humidity.

Another example will give a feel for what this means in reality. Taking one cubic meter of air at 50% RH and 20°C, it contains 7g of water. If water is added to this air it will reach saturation or 100%RH at a water content of 14g.

Taking this sample of air at 50% RH/20°C containing 7g of water per cubic meter, if we increase the temperature to 25°C it would need to contain 10g of water to maintain the same 50% RH. This is why many commercial RH meters also contain a thermometer. But even if the temperature is not known the RH figure tells us how

“wet” the air is, which is what we need to know and is therefore a great way of expressing this property.

Finally, and probably to add to the confusion, it must be pointed out that when we refer to the capacity of air to “hold” water and similar phrases we are not strictly correct in physics terms. But it is a useful model. In fact, water vapour behaves quite independently of the other gases so that you could have an RH value for just water vapour in a space. The prevailing pressure of the air/water system is the sum of the partial (independent) pressures of each of the gases.

CAPACITIVE SENSOR

Dew point, Psychrometry, and vapour pressure measurements give accurate direct measures of RH. But these methods require us to take some action such as twirling a wet and dry bulb psychrometer for several minutes just to get a single figure.

Automatic measures which give a varying voltage representing RH are required for control, data logging and automatic PC processing. Such sensors have been around for some time in the form of conductive cells. But the latest capacitive sensors are particularly easy to use, yet give instrument quality accuracy and long term reliability.

The Honeywell HIH3605 device is a good example as it contains on-board interfacing electronics to produce a linear voltage/RH output. The internal elements and the construction of the HIH3605 are shown in Fig.1.

It contains a small planar capacitor made from an absorptive polymer dielectric with porous platinum plates. A top layer of porous polymer on the surface protects the sensor from dust, dirt, and oily contamination. But it should still be treated with care.

When moisture enters the dielectric the capacitance changes in proportion to the mass of water present. The sensing capacitor and the small interfacing circuit are integrated on a ceramic base with just three pins to supply power and for output.

If a stable supply of exactly 5V is used, the output voltage span is from 0.80V to

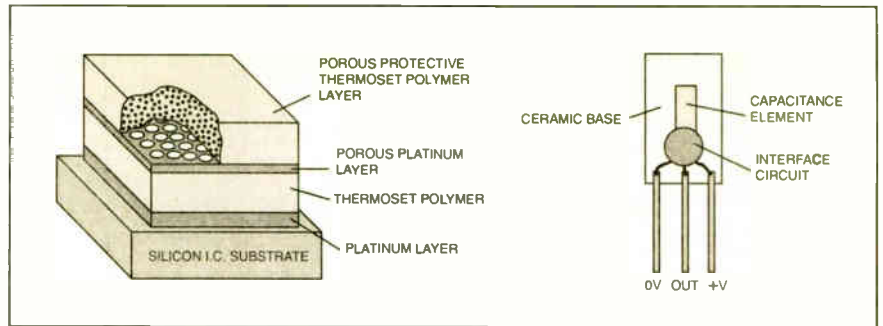
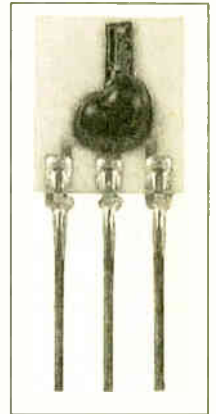


Fig.1 (above). Internal elements and construction of the HIH3605 capacitive RH sensor.



(Right). The Honeywell HIH3605 capacitive RH sensor.

3.90V for 0%RH to 100%RH at 25°C. The change in this span with temperature is small enough to be ignored for this project, see Fig.2. For example, the 100%RH value drops to 3.50V at 85°C which is a higher temperature than likely to be encountered with this meter. But automatic temperature correction is a simple matter for high temperature applications.

It is usually possible to be confident in the RH readings to within 5%RH, with a little care such as allowing enough settling down time. This is very adequate for our RH Meter and in fact most conditioning systems work to this accuracy. Small fluctuations in RH of 1% or so can still be detected for comparative purposes. Getting very accurate RH measurements is difficult and usually means invoking a complex set of corrections.

CIRCUIT DESCRIPTION

The full circuit of the RH Meter is shown in Fig.3. After initial setting up, the RH sensor's output (X1) is connected to the non-inverting input at pin 3 of IC1a. This is a voltage follower and faithfully delivers the sensor output to the moving coil meter ME1.

The output of IC1a is also the take-off point for output socket SK1 when the signal is required for external processing. A low value resistor R8 protects the i.c. from accidental shorts and has no effect on high impedance loads.

For 0%RH the meter must read 0V but this corresponds to 0.80V output from the sensor X1. A potential divider network consisting of resistors R3, R4 and preset

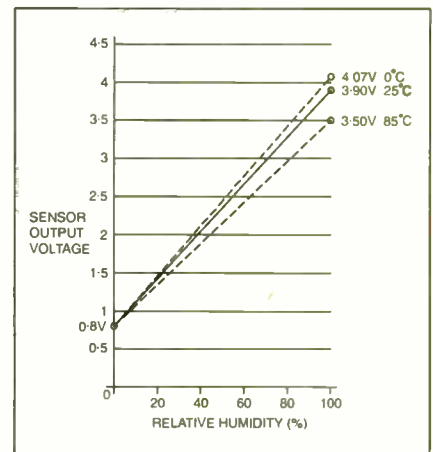


Fig. 2. HIH3605 output voltage for 0% to 100%RH.

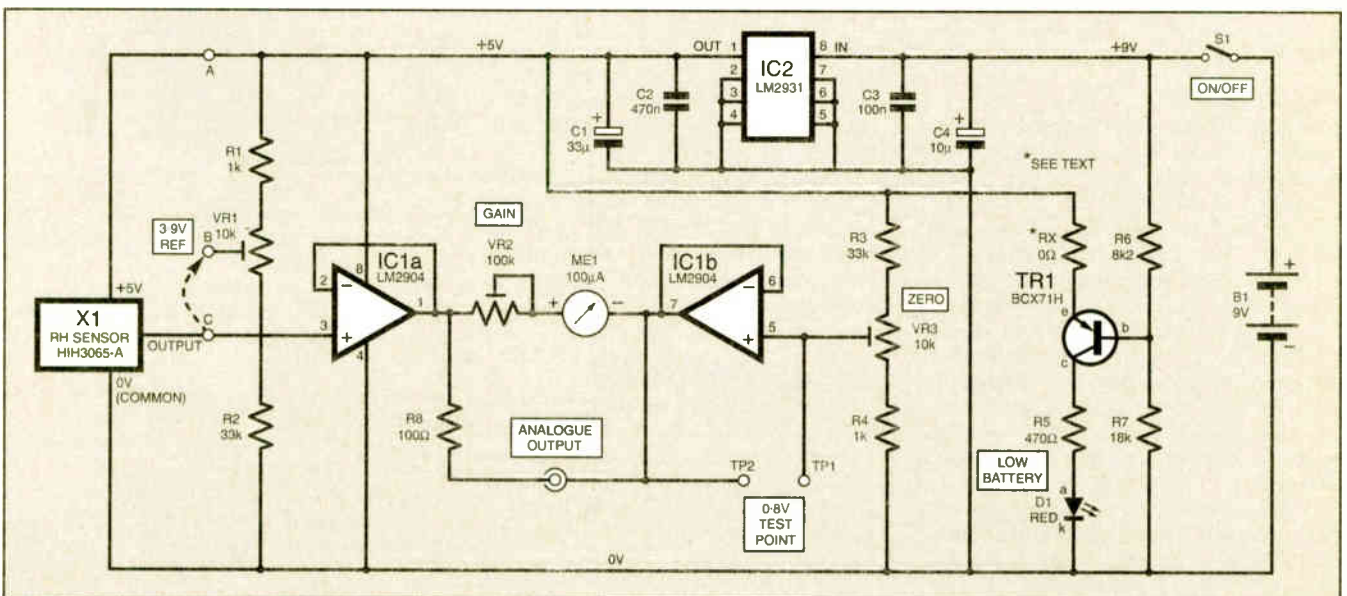


Fig.3. Complete circuit diagram for the RH Meter. Resistor RX is a “zero ohm jumper” but can be an SMD resistor having a value less than 10 ohms or be just a link wire.

VR3 is set to exactly 0.80V and after isolation by IC1b provides a steady 0.80V to meter ME1's negative terminal. When the sensor output is at 0.80V i.e. 0%RH, the meter therefore has 0.80V on both terminals and reads 0%RH.

The potential divider made up of R1, VR1, R2 is used as a 3.90V reference for setting up. The output socket, SK1, ground is connected to the output of IC1b (at pin 7) and the RH signal is taken from IC1a pin 1 so that a span of 0V to 3.1V represents the full RH scale. Preset VR2 is used for setting the meter ME1 gain to give 100% RH reading at full-scale, see later "Setting Up".

REGULATED SUPPLY

The published calibration for the sensor, which we rely on for this project (it's largely what we pay for) assumes an exact 5V

supply. This is provided by IC2 which is a low dropout, low quiescent current, regulator designed for battery equipment. The array of capacitors (C1 to C4) on its input and output pins are essential for its stability.

The LM2931 can operate down to 5.2V thus squeezing the last bit of charge from a PP3 type battery. With a total current drain of just 1.4mA the RH Meter should give up to 400 hours service from an alkaline PP3 battery.

Transistor TR1 drives the low battery indicator i.e.d. D1. Its emitter (e) is connected to the 5V stabilised line. But its base (b) is connected to the unregulated 9V supply through a potential divider made up of resistors R6 and R7. With the values shown, the base reaches 0.6V lower than the emitter at about 5.6V from the battery. At this point TR1 turns on and starts to supply i.e.d. current. The increased internal resistance of the battery and the increased current drain results in a sharp end point.

In the prototype the i.e.d. began to light about 10 hours before a final rapid drop in meter reading and shutdown over a few minutes. This gives sufficient warning that the battery needs changing whilst maintaining an accurate reading.

CONSTRUCTION

The RH Meter is built on a small "surface mount" printed circuit board and the component layout is shown twice-size in Fig.4 for clarity. A full-size (1 to 1) copper

foil master pattern is also included in this diagram. Note that the components are mounted directly on the copper pads.

The construction method described here uses surface mount components (SMDs) and some care is needed, particularly with the i.c. leads, when soldering them in place. Although not essential, the application of a non reactive flux pen to the p.c.b. before placement of the SMDs will ensure good solder wetting.

A simple method of placing chip components is to solder one end first. Align the component on the pads and hold it in place by gently pressing it onto the pads. One end can now be soldered to fix it in place. The second end can then be soldered with ease.

Try to use minimal solder and in fact to remove any excess with a solderwick. Minimal solder reduces stress on the chip, which is particularly important for chip capacitors. Particular care should be taken with the high value ceramic capacitors C2 and C3. They can easily crack and the end contacts can detach.

The component marked RX is a zero ohm jumper which is used here for neatness. These devices are used in mass production for minimal inductance which is not important in this application. A low value resistor, less than 10 ohms, could be used or even a wire link for the non-perfectionist.

The two i.c.s can be soldered by fixing pins 1 and 8 first. Pin 1 can be marked on the SO8 i.c. package in several ways,

COMPONENTS

Resistors

R1, R4	1k (2 off)	See SHOP TALK page
R2, R3	33k (2 off)	
R5	470Ω	
R6	8k2	
R7	18k	
R8	100Ω	
Rx	zero ohm jumper or wire link (see text)	

All SM case size 1206

Potentiometers

VR1, VR3	10k (2 off)
VR2	100k

All SM min. preset type 3204 (4mm)

Capacitors

C1	33μ SM tantalum, 16V
C2	470n SM ceramic, case size 1206
C3	100n SM ceramic, case size 1206
C4	10μ SM tantalum, 16V

Semiconductors

D1	3mm red i.e.d.
TR1	BCX71H pnp transistor, SM case SOT23
IC1	LM2904 dual op.amp SM case size SO8
IC2	LM2931 5V regulator SM case size SO8
X1	HH3605-A capacitive RH sensor

Miscellaneous

S1	s.p.d.t. sub-min. slide switch
SK1	phono socket, chassis mounting
ME1	100μA moving coil panel meter, calibrated 0 to 100, with 60mm x 46mm face
B1	9V battery, with PP3 type connector lead

Printed circuit board available from the EPE PCB Service, code 338; plastic case, with brass-threaded inserts for lid, size 79mm x 61mm x 40mm approx.; 3-pin in-line socket for RH sensor; 10mm x 10mm x 1mm thick aluminium angle bracket; multistrand connecting wire; solder etc.

Approx. Cost
Guidance Only

£29

excluding meter & batt.

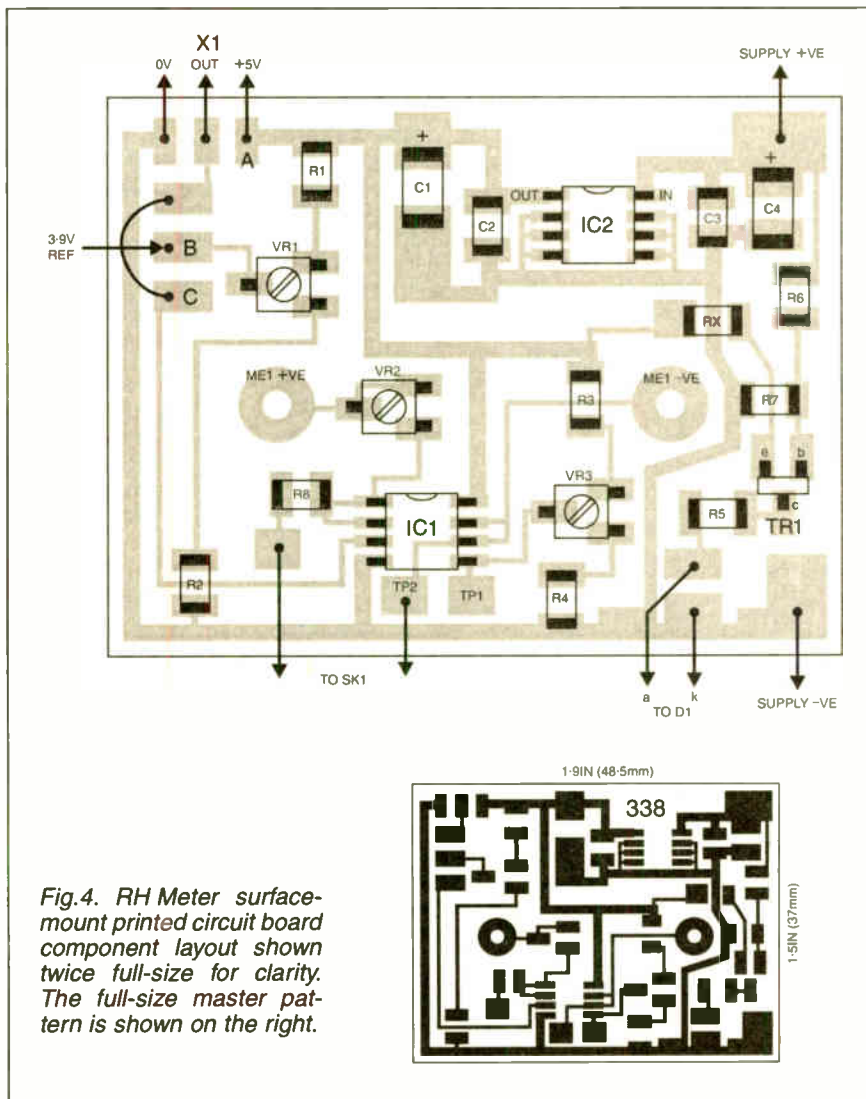


Fig.4. RH Meter surface-mount printed circuit board component layout shown twice full-size for clarity. The full-size master pattern is shown on the right.

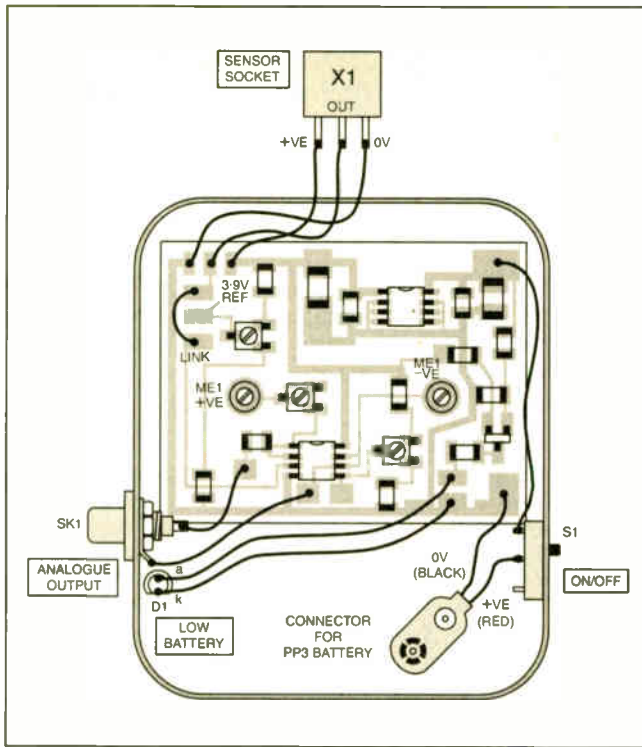


Fig.5. Interwiring from the circuit board to off-board components.

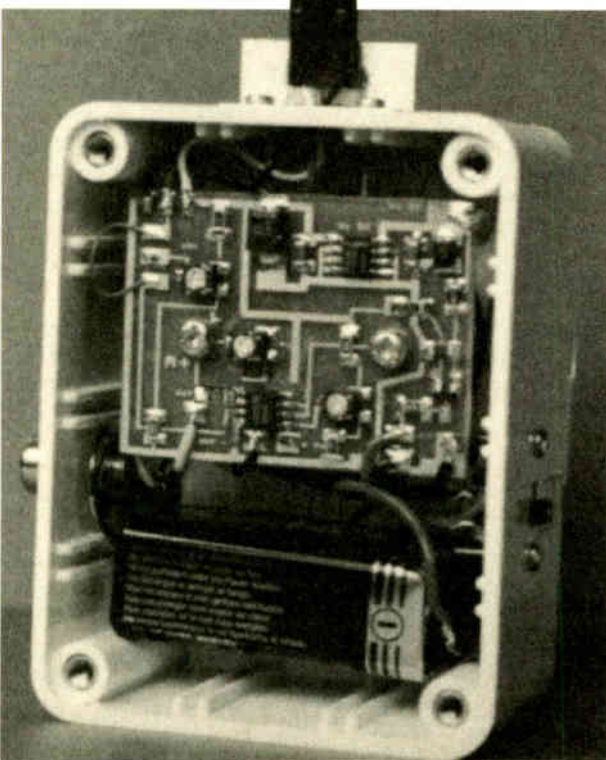
usually by a light band across the pin 1 end. Most SO packages also have a chamfered edge along the pin 1 side. The i.c. pins are very close and a magnifier will be a help to check for any solder bridges.

Transistor TR1 also needs care as the SOT23 case is quite small and any magnetism of the tweezers is quite a nuisance.

FINAL ASSEMBLY

The p.c.b. conveniently fits onto the back of the 100µA moving coil meter,

Prototype model showing general layout inside case.



ME1. The 3mm bolts hold the p.c.b. in place and electrically connect the meter to the circuit. The meter suggested is a very common type with 26mm spacing. If a different meter is preferred, the connection can be made by soldering leads from the meter to the circular p.c.b. pads.

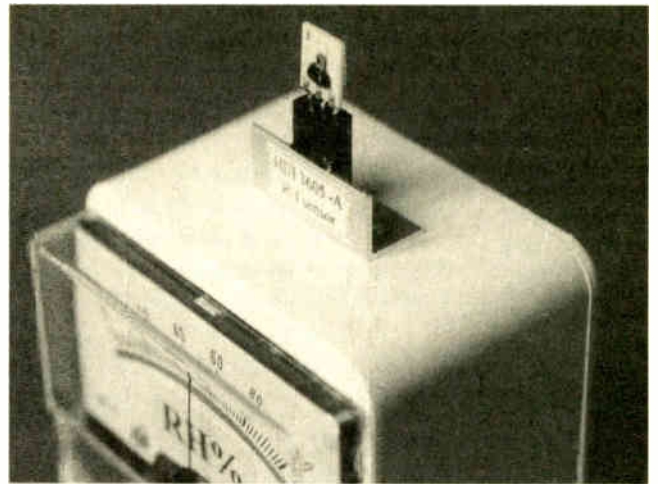
Select a project box (prototype size approx. 79mm x 61mm x 40mm) with metal screw holes for the lid rather than self-tap types as regular access is required for changing the battery. A small piece of sponge on the inside of the lid can be used to hold the battery in place.

The positioning of the off-board components within the plastic case should be finalised and the box drilled out to take these parts. You will need to drill a series of small holes around the required meter cutout and the jagged edges around the resulting larger hole should be smoothed down with a file. The components can now be mounted on the case; the prototype model layout is shown in the photographs.

The interwiring inside the case is shown in Fig.5. The battery condition i.e.d. D1, output socket SK1 and the On-Off switch S1 are all readily accessible and can be wired up after the p.c.b. is fixed in place.

SENSOR

The meter reads up to 100%RH and it is easy to get to this reading in various circumstances. But for extended periods it is



(Above). The sensor plugged into its socket on the top of the meter case.

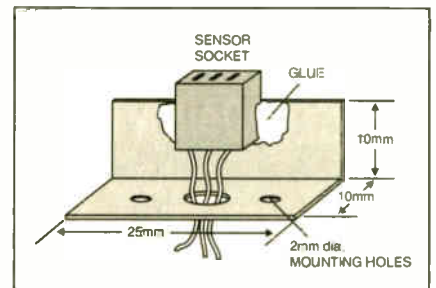


Fig.6 (right). Details of the sensor mounting bracket.

probably not so good for the ink-jet decoration on the case, not to mention condensation on the p.c.b.

Monitoring high RH inside test chambers, animal cages and so-on is best done by extending the sensor probe with a 3-way lead. The recommended HIH3605-A sensor comes in a 0.1inch pitch, 3-pin single-in-line (SIL) format. It can be plugged-in or soldered. If a socket is used, it is easy to add a small extension lead when required.

Suitable 0.1in. pitch pre-wired plugs and sockets can be selected from the popular Futaba and other makes used for model radio control work. These are widely available from model shops. It is convenient to cut the socket along with a short length of lead from a ready-made extension. Choose a socket which makes a tight fit.

Run the sensor wires from the circuit board through a small hole in the case "top" to the sensor SIL socket. The socket can be fixed to a short length of 1mm thick, 10mm x 10mm, aluminium angle bracket using rapid setting epoxy, as shown in Fig.6. This bracket can be fixed to the case with two 2mm bolts, see photographs.

The data sheet suggests that the HIH3605 capacitive humidity sensor is light sensitive. In practice this means direct sunlight. The naked sensor seems insensitive to changes at normal room light levels.

Moving it into weak sunlight from a window causes a small increase in indicated RH%. But bright summer sunlight causes a sudden switch-off. For these conditions therefore, a shield should be made and a black or even translucent 35mm film-tub is ideal. Drill several holes in the cover to ensure good air circulation yet provide shade from direct light.

Finally, the decorative graph, Fig.7, gives useful information on RH, temperature and air moisture content. The RH sensor output pin should not be connected to the p.c.b. meter input, pad C, until the calibration sequence has been completed.



Using an extension lead for non-friendly environments.

SETTING UP

After a really close check on the wiring, the supply current should be checked on first switch-on. There is some spread in the i.c. current drain specifications but the total current should be around 1.4mA.

The first operation is to set the 0.80V reference. Connect a good quality high impedance voltmeter between the test point TP1 on the circuit schematic, which is the VR3 slider, and the 0V (battery -ve) line. Using a small well-fitting screwdriver adjust preset VR3 until the voltmeter reads exactly 0.80V. This should be very simple to achieve if the preset is in good mechanical condition.

Miniature presets like the specified type 3204 have a limited number of reset cycles before the moving contact works loose and the "resistor" value changes a little. Once it is set, VR3 should not need further adjustment. If IC1 operation is correct, this 0.80V reference should appear at IC1b output pin 7, which is marked as TP2 on the circuit. This is also a check on the voltmeter and whether it is loading the potential divider chain.

To set meter ME1 to full-scale deflection (f.s.d.) it is necessary to use an accurate 3.9V source. This is provided by the potential divider network around preset VR1 and is available at pad B. Connect the voltmeter between pad B and 0V line and adjust VR1 to give exactly 3.90V, again assuming the test meter does not load the potential source. This should also be stable and need not be set again.

Now solder a temporary link from IC1a input, pad C, to the 3.9V Ref, pad B. This 3.9V signal represents 100% RH and meter ME1 f.s.d. should now be set to 100% using preset VR2.

Moving coil meters require the mechanical zero, on the face of the meter, to be set. Present day meters can be a bit marginal in quality and this adjustment may need to be repeated. This adjustment must be made with the meter held in the vertical position as the makers seem to have lost the art of balancing the meter movement.

Similarly the readings should also be made with the meter vertical. The temporary link from pad C to B can now be removed and the sensor X1 output pin connected to the meter input, pad C. If a meter with a 0 to 100 calibration is used the RH Meter should



Sensor socket glued to the mounting bracket.

now be reading the ambient humidity in RH%.

IN USE

Given the many variables, including the analogue output meter mechanics and settling down time, the RH Meter should easily read the actual RH to within a 5 per cent band. The moving coil meter graduations are at 2% intervals so small relative values can be tracked. This is a very small change in RH terms and is more than adequate for most purposes.

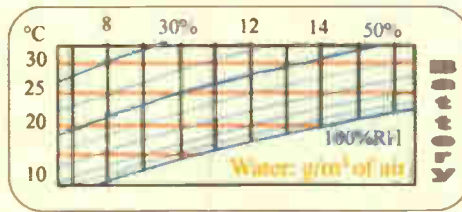


Fig. 7. Room temperature RH graph for mounting on the meter case.

Determining absolute RH more accurately than this gets difficult. Individually certified versions of the sensor can be obtained for scientific and close-in control purposes. The fact that the manufacturers can do this is a good indication of the excellent quality and reliability of HIH series technology. Taking the output to a PC using a DAC will allow much smaller changes, from around 1%RH up to the full 100% RH range to be investigated with almost perfect linearity.

To check the operation of the RH Meter and underline our confidence in the calibration it is useful to check the operation. A few simple experiments will get you started in the world of RH.

The sensor is described as chemically resistant and durable in harsh environments. However, it is suggested that the sensing area is treated with care and not handled directly.

The first test is to put a finger tip up close to the sensor, not actually touching it. After a second or so the reading usually rises by about 10% from the body's near-skin humidity. Breathing on the sensor will drive it to about 80%RH, the normal RH of the breath. However, getting in close will drive the reading up to 100% due to condensation as when breathing on a mirror. The meter will stay at 100% for several seconds and will then drop back to the original reading.

Prolonged exposure to such high humidity or contact of the sensor with liquid water for any length of time, results in a temporary 3% shift in the RH reading. In this case the sensor will need to recondition over 30 minutes or more.

The RH of air reduces if the temperature is increased. An example of this is the air flowing through a computer monitor or TV. On a humid day when the ambient humidity was 70% the warm air from the monitor was reading 40%RH. Another example of reducing RH consisted of blowing air from a hair dryer in a room where the ambient RH was 65%. In this case the warmed air passing through the dryer dropped to about 25%RH.

Again a few minutes is needed for the reading to get back to the ambient value. If the sensor itself is warmed it will momentarily lose heat to the air within a couple of millimetres of the sensor reducing its RH.

This kind of experiment soon gives the user a feel for response times, re-settling times and other sources of error. There are many charts available linking RH, moisture content and temperature depending on the particular end use. The small chart shown in Fig.7, and suggested as a decoration for the meter front panel, is useful for getting a general view of the relationship between RH and moisture over typical room temperatures. □



VIDEOS ON ELECTRONICS

A range of videos selected by *EPE* and designed to provide instruction on electronics theory. Each video gives a sound introduction and grounding in a specialised area of the subject. The tapes make learning both easier and more enjoyable than pure textbook or magazine study. They have proved particularly useful in schools, colleges, training departments and electronics clubs as well as to general hobbyists and those following distance learning courses etc



BASICS

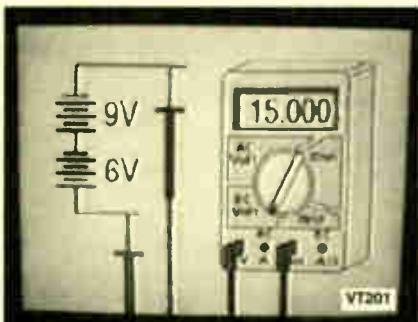
VT201 to VT206 is a basic electronics course and is designed to be used as a complete series, if required.

VT201 54 minutes. Part One; D.C. Circuits. This video is an absolute must for the beginner. Series circuits, parallel circuits, Ohms law, how to use the digital multimeter and much more. Order Code VT201

VT202 62 minutes. Part Two; A.C. Circuits. This is your next step in understanding the basics of electronics. You will learn about how coils, transformers, capacitors, etc are used in common circuits. Order Code VT202

VT203 57 minutes. Part Three; Semiconductors. Gives you an exciting look into the world of semiconductors. With basic semiconductor theory. Plus 15 different semiconductor devices explained.

Order Code VT203



VT204 56 minutes. Part Four; Power Supplies. Guides you step-by-step through different sections of a power supply. Order Code VT204

VT205 57 minutes. Part Five; Amplifiers. Shows you how amplifiers work as you have never seen them before. Class A, class B, class C, op.amps. etc. Order Code VT205

VT206 54 minutes. Part Six; Oscillators. Oscillators are found in both linear and digital circuits. Gives a good basic background in oscillator circuits. Order Code VT206

£34.95 each
inc. VAT & postage

Order 8 or more get one extra FREE
Order 16 get two extra FREE

VCR MAINTENANCE

VT102 84 minutes: Introduction to VCR Repair. Warning, not for the beginner. Through the use of block diagrams this video will take you through the various circuits found in the NTSC VHS system. You will follow the signal from the input to the audio/video heads then from the heads back to the output.

Order Code VT102

VT103 35 minutes: A step-by-step easy to follow procedure for professionally cleaning the tape path and replacing many of the belts in most VHS VCR's. The viewer will also become familiar with the various parts found in the tape path.

Order Code VT103

DIGITAL

Now for the digital series of six videos. This series is designed to provide a good grounding in digital and computer technology.

VT301 54 minutes. Digital One; Gates begins with the basics as you learn about seven of the most common gates which are used in almost every digital circuit, plus Binary notation. Order Code VT301

VT302 55 minutes. Digital Two; Flip Flops will further enhance your knowledge of digital basics. You will learn about Octal and Hexadecimal notation groups, flip-flops, counters, etc. Order Code VT302

VT303 54 minutes. Digital Three; Registers and Displays is your next step in obtaining a solid understanding of the basic circuits found in today's digital designs. Gets into multiplexers, registers, display devices, etc. Order Code VT303

VT304 59 minutes. Digital Four; DAC and ADC shows you how the computer is able to communicate with the real world. You will learn about digital-to-analogue and analogue-to-digital converter circuits. Order Code VT304

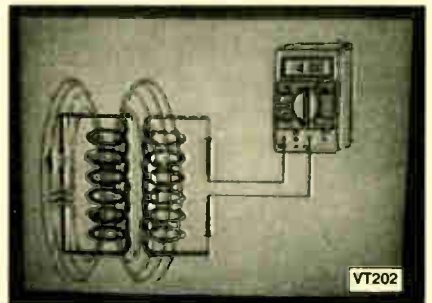
VT305 56 minutes. Digital Five; Memory Devices introduces you to the technology used in many of today's memory devices. You will learn all about ROM devices and then proceed into PROM, EPROM, EEPROM, SRAM, DRAM, and MBM devices. Order Code VT305

VT306 56 minutes. Digital Six; The CPU gives you a thorough understanding in the basics of the central processing unit and the input/output circuits used to make the system work. Order Code VT306

RADIO

VT401 61 minutes. A.M. Radio Theory. The most complete video ever produced on a.m. radio. Begins with the basics of a.m. transmission and proceeds to the five major stages of a.m. reception. Learn how the signal is detected, converted and reproduced. Also covers the Motorola C-QUAM a.m. stereo system. Order Code VT401

VT402 58 minutes. F.M. Radio Part 1. F.M. basics including the functional blocks of a receiver. Plus r.f. amplifier, mixer oscillator, i.f. amplifier, limiter and f.m. decoder stages of a typical f.m. receiver. Order Code VT402

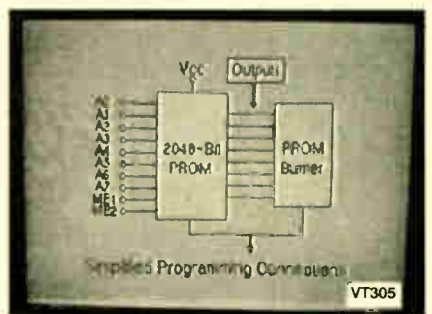


VT403 58 minutes. F.M. Radio Part 2. A continuation of f.m. technology from Part 1. Begins with the detector stage output, proceeds to the 19kHz amplifier, frequency doubler, stereo demultiplexer and audio amplifier stages. Also covers RDS digital data encoding and decoding. Order Code VT403

MISCELLANEOUS

VT501 58 minutes. Fibre Optics. From the fundamentals of fibre optic technology through cable manufacture to connectors, transmitters and receivers.

Order Code VT501
VT502 57 minutes. Laser Technology A basic introduction covering some of the common uses of laser devices, plus the operation of the Ruby Rod laser, HeNe laser, CO₂ gas laser and semiconductor laser devices. Also covers the basics of CD and bar code scanning. Order Code VT502



ORDERING: Price includes postage to anywhere in the world.

OVERSEAS ORDERS: We use the VAT portion of the price to pay for *airmail* postage and packing, wherever you live in the world. Just send £34.95 per tape. All payments in £ sterling only (send cheque or money order drawn on a UK bank). Make cheques payable to Direct Book Service.

Visa, Mastercard, Amex, Diners Club and Switch orders accepted – please give card number, card expiry date and Switch Issue No.

Orders are normally sent within seven days but please allow a maximum of 28 days, longer for overseas orders.

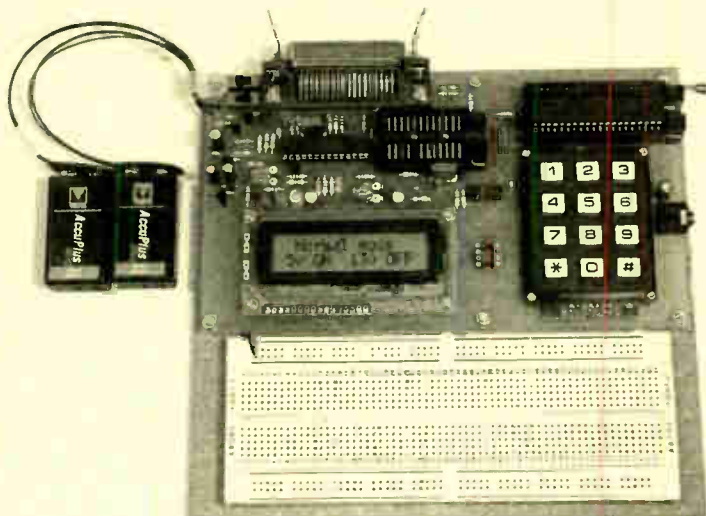
Send your order to: Direct Book Service, Wimborne Publishing Ltd., 408 Wimborne Road East, Ferndown, Dorset BH22 9ND

Tel: 01202 873872. Fax: 01202 874562. E-mail: dbs@epemag.wimborne.co.uk

Online store: www.epemag.wimborne.co.uk/shopdoor.htm

Each video uses a mixture of animated current flow in circuits plus text, plus cartoon instruction etc., and a very full commentary to get the points across. The tapes are imported by us and originate from VCR Educational Products Co, an American supplier. We are the worldwide distributors of the PAL and SECAM versions of these tapes. (All videos are to the UK PAL standard on VHS tapes unless you specifically request SECAM versions.)

Learn About Microcontrollers



PIC Training & Development System

The best place to start learning about microcontrollers is the PIC16F84. This is easy to understand and very popular with construction projects. Then continue on using the more sophisticated PIC16F877 family.

The heart of our system is a real book which lies open on your desk while you use your computer to type in the programme and control the hardware. Start with four very simple programmes. Run the simulator to see how they work. Test them with real hardware. Follow on with a little theory.....

Our complete PIC training and development system consists of our Universal mid range PIC programmer, a 306 page book covering the PIC16F84, a 212 page book introducing the PIC16F877 family, and a suite of programmes to run on a PC. The module is an advanced design using a 28 pin PIC16F872 to handle the timing, programming and voltage switching requirements. The module has two ZIF sockets and an 8 pin socket which between them allow most mid range 8, 18, 28 and 40 pin PICs to be programmed. The plugboard is wired with a 5 volt supply. The software is an integrated system comprising a text editor, assembler disassembler, simulator and programming software. The programming is performed at normal 5 volts and then verified with plus and minus 10% applied to ensure that the device is programmed with a good margin and not poised on the edge of failure. Requires two PP3 batteries which are not supplied.

- Universal mid range PIC programmer module
- + Book Experimenting with PIC Microcontrollers
- + Book Experimenting with the PIC16F877 (2nd edition)
- + Universal mid range PIC software suite
-+ PIC16F84 and PIC16F872 test PICs. £157.41
- UK Postage and insurance. £ 7.50
- (Europe postage & Insurance. . £13.00. Rest of world. . £22.00)

Experimenting with PIC Microcontrollers

This book introduces the PIC16F84 and PIC16C711, and is the easy way to get started for anyone who is new to PIC programming. We begin with four simple experiments, the first of which is explained over ten and a half pages assuming no starting knowledge except the ability to operate a PC. Then having gained some practical experience we study the basic principles of PIC programming, learn about the 8 bit timer, how to drive the liquid crystal display, create a real time clock, experiment with the watchdog timer, sleep mode, beeps and music, including a rendition of Beethoven's *Für Elise*. Finally there are two projects to work through, using the PIC16F84 to create a sinewave generator and investigating the power taken by domestic appliances. In the space of 24 experiments, two projects and 56 exercises the book works through from absolute beginner to experienced engineer level.

Ordering Information

Telephone with Visa, Mastercard or Switch, or send cheque/PO for immediate despatch. All prices include VAT if applicable. Postage must be added to all orders. UK postage £2.50 per book, £1.00 per kit, maximum £7.50. Europe postage £3.50 per book, £1.50 per kit. Rest of World £6.50 per book, £2.50 per kit.
Web site:- www.brunningsoftware.co.uk

NEW 32 bit PC Assembler

Experimenting with PC Computers with its kit is the easiest way ever to learn assembly language programming. If you have enough intelligence to understand the English language and you can operate a PC computer then you have all the necessary background knowledge. Flashing LEDs, digital to analogue converters, simple oscilloscope, charging curves, temperature graphs and audio digitising. Kit now supplied with our 32 bit assembler with 84 page supplement detailing the new features and including 7 experiments PC to PIC communication. Flashing LEDs, writing to LCD and two way data using 3 wires from PC's parallel port to PIC16F84.

- Book Experimenting with PCs £21.50
- Kit 1a 'made up' with software £52.00
- Kit 1u 'unmade' with software £45.00

C & C++ for the PC

Experimenting with C & C++ Programmes teaches us to programme by using C to drive the simple hardware circuits built using the materials supplied in the kit. The circuits build up to a storage oscilloscope using relatively simple C techniques to construct a programme that is by no means simple. When approached in this way C is only marginally more difficult than BASIC and infinitely more powerful. C programmers are always in demand. Ideal for absolute beginners and experienced programmers.

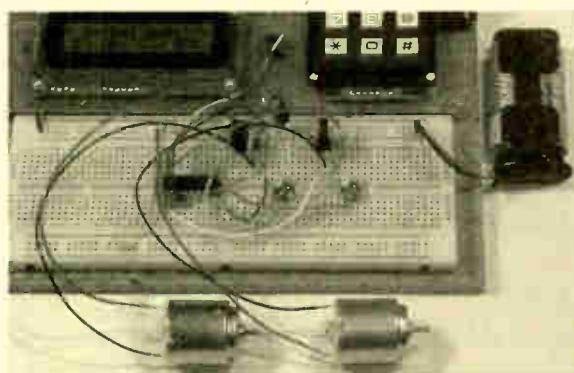
- Book Experimenting with C & C++ £24.99
- Kit CP2a 'made up' with software £32.51
- Kit CP2u 'unmade' with software £26.51
- Kit CP2t 'top up' with software £12.99

The Kits

The assembler and C & C++ kits contain the prototyping board, lead assemblies, components and programming software to do all the experiments. The 'made up' kits are supplied ready to start. The 'top up' kit is for readers who have already purchased kit 1a or 1u. The kits do not include the book.

Hardware required

All systems in this advertisement assume you have a PC (386 or better) and a printer lead. The experiments require no soldering.



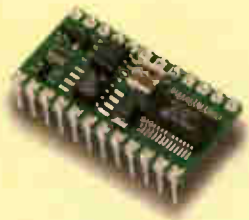
Experimenting with the PIC16F877

The second PIC book starts with the simplest of experiments to give us a basic understanding of the PIC16F877 family. Then we look at the 16 bit timer, efficient storage and display of text messages, simple frequency counter, use a keypad for numbers, letters and security codes, and examine the 10 bit A/D converter.

The 2nd edition has two new chapters. The PIC16F627 is introduced as a low cost PIC16F84. We use the PIC16F627 as a step up switching regulator, and to control the speed of a DC motor with maximum torque still available. Then we study how to use a PIC to switch mains power using an optoisolated triac driving a high current triac.

Mail order address:

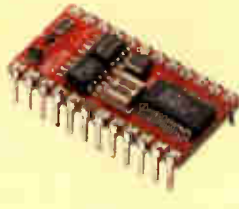
Brunning Software 138 The Street, Little Clacton, Clacton-on-sea, Essex, CO16 9LS. Tel 01255 862308



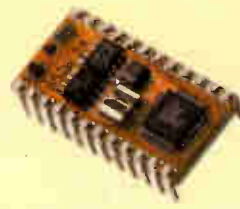
BS2-IC



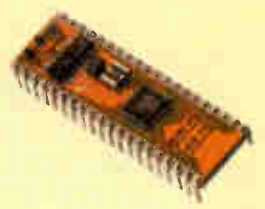
BS2-SX



BS2E-IC

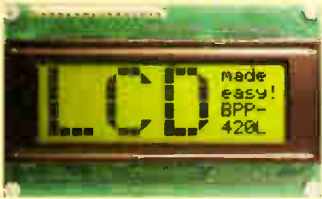


BS2P/24



BS2P/40

Parallax BASIC Stamps - still the easy way to get your project up and running!



Serial Alphanumeric and Graphic Displays, Mini-Terminals and Bezel kits

www.milinst.com



Animated Head



3-Axis Machine



Six-Legged Walkers



Robotic Arms

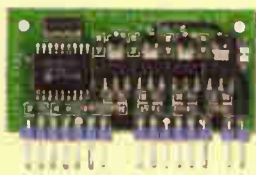


Bipeds

Robotic models for both the beginner and the advanced hobbyist



Servo Drivers



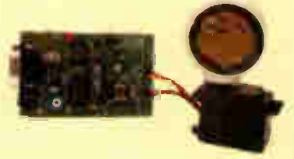
Motor Drivers



On-Screen Displays



DMX Protocol



U/Sound Ranging

Animatronics and Specialist Interface-Control Modules



Quadravox MP3 & Speech Systems



SensoryInc Voice Recognition



Parallax Ubicom Tool Kits



Tech-Tools PIC & Rom Emulators



BASICMicro PIC BASIC Compilers

Development Tools

Milford Instruments Limited Tel 01977 683665, Fax 01977 681465, sales@milinst.com

READOUT

E-mail: editorial@epemag.wimborne.co.uk

John Becker addresses some of the general points readers have raised. Have you anything interesting to say? Drop us a line!

WIN A DIGITAL MULTIMETER

A 3 $\frac{1}{2}$ digit pocket-sized I.c.d. multimeter which measures a.c. and d.c. voltage, d.c. current and resistance. It can also test diodes and bipolar transistors.

Every month we will give a Digital Multimeter to the author of the best *Readout* letter.



★ LETTER OF THE MONTH ★

ELECTRONIC COURSES

Dear EPE,

I am a teacher of Design Technology currently specialising in teaching electronics in a secondary school in Lancashire. This is a new subject for us at GCSE and I have been encouraged in my teaching through a scheme supported by Marconi, amongst others. The most general aim of the scheme is initially to encourage all schools in the country to offer an electronics based course at GCSE.

Recently I have been selected to train as a trainer for other teachers and am currently undergoing accreditation to do this. Part of this accreditation involves a research project. I have decided to look at the relevance of the current approach to GCSE examinations with regard to electronics education in the widest sense, so I was interested to read your *Editorial* in Jan '02.

Although members of the Marconi scheme possess a variety of approaches, I think we all agree that our target is to produce students who are capable of studying for higher electronics qualifications and then move into industry as innovators, technicians and professionals.

As part of the scheme members are currently working on a new ECT (Electronic and Communications Technology) syllabus which we hope to offer as an examination in the next few years. We are just as concerned as you at the way some examination boards are

effectively discouraging schools and students from being creative with electronics.

I personally am trying very hard to move away from component based teaching to a mainly systems approach, but I feel that this conflicts with the Board's expectations of students. We are being asked to equip students with such specific knowledge that the subject becomes difficult to teach in the two years of Key Stage 4 and, therefore, many schools are having to target students with this knowledge in the three years before that. This I am sure discourages students who do not get more of an overview of the hi-tech work, which they are actually capable of producing, using modern software and chips. They could be put off the subject before they even attempt GCSE.

I would be really interested to take this discussion further and would be grateful if any readers who have any contacts in industry or further education who would be willing to speak to me about what they expect from GCSE students. I am happy for you to quote my email address.

**Simon Wolf, via email,
wolf@horwich14.freemove.co.uk**

Thank you Simon, it is good to have a positive approach to electronics education being expressed through these pages. We hope you receive a wealth of feedback through your email address.

MEMORY AIDS PLUS LINUX

Dear EPE,

Thanks for the explanation in *Circuit Surgery* (Jan '02) concerning the equation $f = 1/2\pi RC$. I too have always struggled with dozens of zeroes in my calculations and often got results which seemed to be wrong by a factor of a million or so, give or take a couple of billion. Here are a couple of memory aids which I find useful:

NPN and *PNP* transistor symbols: *NPN* – Not Pointing in, *PNP* – PoiNting at Plate (referring to the arrowhead on the emitter). I'm not proud of it, maybe readers can think of something better, but it works for me.

I was pleased to see Craig Shelly's letter (Jan '02), particularly the paragraph about Linux. I built an intranet server, using *Red Hat Linux* and *Apache*. It ran "24/7" for months without a single hiccup and only stopped when a Microsoft devotee switched the machine off. Linux appears to be very stable indeed, though I have to admit that I keep it on a separate hard disk on my home PC, in an inexpensive drive caddy. That way I can be sure that my Win 98 disk won't get overwritten, or vice versa.

I think that Linux would be a good platform for any electronics projects which involve connection to a PC. The latest versions of Windows make it very difficult to talk directly to the hardware ports. This is a problem with Win 2000, XP and NT. The huge size of these operating systems also means that it is virtually impossible to re-use obsolescent PCs for hobby purposes. The required disk space and RAM upgrades would cost too much, and an "old" Pentium 100 would practically die under the burden. Have you looked at the implications of talking to the hardware directly under Linux? I suspect it will work but I need to be sure.

Jon Lester, via email

Thanks for your comments Jon. No, I have not investigated Linux. To be intentionally provocative, we've had a fair bit of correspondence in Readout on Linux, but no-one has ever offered us a project that was based on it. What are you all doing with Linux apart from telling us how good it is?!

Incidentally, talking about re-using old PCs, a BBC Radio 4 program recently suggested that anyone with a working but unwanted PC should offer it to a charity organisation for their own use – apparently there are many without computer facilities and who could benefit from the simple facilities of an older machine.

TK3 AND LAPTOPS

Dear EPE,

In the article on *Toolkit TK3* you ask for feedback about using it with laptops. I have been using it on a Compaq Armada 1592 laptop (P233 64MB and Win 95 osr2) – originally on the old hardware. I recently received the new hardware as a kit from Magenta and have now used this as well without any problems! I also added my text editor of choice, EDITPAD – free for private use, download from www.editpadlite.com.

I like the new software and hardware and found them both easy to use.

Bob Allan, via email

Thanks Bob, that's useful info which I am pleased to share with readers.

PIC LEARNING

Dear EPE,

I am relatively new to electronics and have worked my way through your excellent *Teach-In 2000* course. I'm a partner in a market-gardening business and have used some of the ideas from the course to design (I use the term loosely!) a fairly simple irrigation controller for our polythene tunnels. We're organic growers and rather low-tech so some of the more sophisticated and expensive proprietary controllers on the market wouldn't suit.

Building this one successful design has whetted my appetite and having been aware of the great use of PIC microcontrollers through the pages of your magazine, feel I'd like to learn about them. Although there's obviously a great deal of information around both in *EPE* and from other sources, being a novice in electronics in general and programming in particular and not having a huge amount of time or indeed cash, can you please point me in the right direction to get me started on the PIC learning-curve? What are the basic essentials? For instance, would I be able to both program and teach myself about PICs from scratch using your *Toolkit TK3* and the software or would I need more basic information?

Barry Ward, via email

Hi Barry, it's always good to know when people have been inspired by something I've designed or written! PICs are certainly capable

of controlling irrigation, as my PIC Water Monitor of Sep '01 might suggest.

To learn about PICs I still maintain that my 3-part PIC Tutorial of March to May '98 is the best inexpensive way. Copies of the texts are available at the usual Back Issue prices. The CD-ROM version (PICtutor) is also recommended as it provides a simulation interface which allows you to experiment with writing simple PIC codes and observe them being processed on-screen. Both routes have their own development p.c.b.s, that for PICtutor is professionally manufactured, whereas that for the '98 version is for self-construction.

TK3 is not suitable as a learning guide – it is a programming system for more experienced programmers.

MSF SIGNAL REPEATER

Dear EPE,

Would it be possible that Andy Flind's *MSF Signal Repeater* design of July '98 would work in a similar application with the WWVB signal here in the USA? I have an application where we are trying to use several of the new low cost auto-set clocks in a factory.

**Steve Davenport,
Laurinburg, NC, USA,
via email**

Andy says he does not know but thinks that it probably only requires the frequency to be returned from 50Hz to 60Hz.

EDUCATIONAL FAILINGS

Dear EPE,

I recently retired as an electrical technician owing to ill health and decided to enter the teaching profession. Technically I thought that my skills were reasonable (I have an HND and a Post Advanced Diploma in Power Engineering).

I took up a course to gain a teaching certificate and whilst doing so I was approached by a chap who was about to set himself up as a Private Training Provider operating within a local college. Unfortunately the entrants were of such low quality he could not offer any electrical subjects, the learners' knowledge of mathematics was abysmal and so I was asked to teach mechanical engineering subjects. Recall that we in the electrical industry had made the change to metric many years ago.

But worse was to come, most of the drawings were in Imperial units. I saw at first hand how much difficulty learners had using Imperial measurements when they had only been taught in metric. I thought it immoral to use Imperial units when colleges and schools were forbidden to do so, but under the Blair Public/Private initiative Private Training Providers seemed exempt from this ruling. And according to our national body EMTA, the Engineering and Manufacturing (used to be called Marine) Training Authority, we had to teach what employers wanted and the claim was made that Employers did want Imperial!

I felt that we as a country would never make the progression to be European unless we did what the Government dictated in the sixties: become a metric nation. Before I resigned through frustration I made representations to the Training Body and the departments of trade and industry and the department of Education and found that no one wanted to rock the boat, all claimed that we have to use Imperial because we deal with North America.

I did eventually get a concession from EMTA in that they then claimed that we only needed to "teach a knowledge of Imperial units". Which is a million kilometres away from "Competence in" which an NVQ is supposed to be about.

My arguments that the rest of Europe also have dealings with the USA and that they did not use metric was to no avail. I argued that we have

a factor by which every Imperial dimension could be converted to metric and *visa versa* (i.e. 25.4mm = 1 inch) and hence there was no problem.

Now do not get me wrong I have no problems with the use of Imperial if Employers actually want that. But remember my employer only got the poorer quality learners, usually those without any worthwhile GCSEs, i.e. Ds, Es and ungraded. They had beautiful gold embossed school leavers' portfolios full of awards for good attendance etc.

It was whilst working at the college I saw that every time the college tried to offer more worthwhile subjects, such as Programmable Logic Controllers (another of my interests), there was virtually no interest and the planned courses had to be cancelled. The same has happened at another local college that franchised out the teaching of City and Guilds courses in electronics to a private training provider who has since virtually ceased offering the electronics (it is still advertised but not actually offered.) He now concentrates on offering The European Computer Driving License and a C&G networking course. Both colleges spent thousands of pounds on buying PLC equipment which is now lying dormant and which incidentally would not have been purchased by the private sector because they need to show a profit.

I believe that eventually I saw what was happening. It would appear that we should really raise our school leaving age to 18 or 19, because the old technical colleges have had to lower their standards to accommodate the poorer quality intake and the universities have done likewise so that only by attending University can one reach the level of qualifications, which I gained by college.

The general school leaving standard is now so very low. Going to college should now be regarded as simply continuing school education. Perhaps this is why 16-year-olds can no longer claim unemployment benefit? Our only saving grace is that the better students do go to university, but this means that employers can only get suitably educated staff by recruiting university graduates.

Herein lies the problem for the older generation, modern employers do not realise how much experience and knowledge older technicians have, who get discriminated against. My last employer asked all his electricians and

mechanics to become NVQ qualified and to a man they resisted because they quite rightly said that they had been there for up to 20 years and if the employer did not think they were competent then fire them. The employer said that they had to prove to the operator that they only employed competent technicians. Most of us had ONCs and some like me had HNDs/HNCs and even one had a degree but the employer stated that we all had to become NVQ qualified.

When I studied for a teaching certificate it included an NVQ assessor's award, what is called a D32/D33, and we were taught that medical doctors, for example, would be regarded as having been qualified to NVQ level 4 or 5. I suggested that if I am insulted by being regarded as having an NVQ how much so would a university graduate be.

The NVQ in fact only proves that one is capable of doing what the employer requires him to do in his normal work. But a great industry has been created and one has to put in many hours of work to present a suitable and assessed portfolio in order to gain the NVQ, a qualification which incidentally was created by the government to reduce paper qualifications but which, in fact, has created a mountain of paperwork both for the candidate and the assessor.

I have also concluded that perhaps the population is such that we will never be able to educate sufficient people to the level that industry require. Perhaps more people of my generation were the lucky ones. I never had a day's unemployment and was sufficiently able not to get myself too specialised.

One final point about the level of our universities. My son gained a first class honours, and his employer in Europe issued instructions that the only university graduates which they will offer employment to will be a very small select group from specific UK Universities because they have found the general output to be below what they require.

Name withheld by request

It is extremely disturbing that we still do not seem to have an education system that satisfies industry's requirements, despite successive changes made by governments of all flavours. The Letter of the Month, from Simon Wolf, does, however, offer hope.

SPELL-BINDING

Dear EPE,

Yet another *magickal* issue of *EPE* - Jan '02! I usually dive straight into *Readout* but I could not resist starting at the proper place (page 1). The ingenuity of Thomas Scarborough never ceases to amaze me. At last I am reading *Teach-In 2002*, it's a little more advanced than previous ones.

Andy Flind's power supply looks a good one, it appears to be based on the traditional design for lab supplies. At first I was concerned about Bart Trepak's *Touch Switch* circuit being live, then I realised that the sensor plate is behind 2-3mm thickness of plastic.

After thinking about the requirements of *PIC Magick Musick* I believe I could do it with only one PIC, but it would need an 8MHz crystal. By the way, I have never encountered a 4MHz PIC that would not run reliably at 8MHz even with XT osc.

Peter Hemsley, via email

Thanks Peter for your kind comments, all author's like praise!

Yes, in principle, it does seem that one PIC could cope with Magick Musick, but the difficulties of ensuring tonal consistency at all stages of note generation, ultrasonic transmission and reception are extensive. Rather than spend that amount of time, which would not change the ultimate usefulness of the design, I preferred to take the easy route and use two PICs - they are not expensive.

I too have frequently "over-run" a PIC using a higher oscillator rate than its data sheet specs

suggest (only recently I was successfully running an '877 at 10MHz, and then realised it was only the 4MHz version in the socket!). I would not wish to use such techniques, though, in a published article since correct operation could not be guaranteed in all cases.

MAGICKAL SERMONS

Dear EPE,

Regarding the January edition of *EPE* and *Magick Musick*, my father was president of the London Magic Circle many years ago, and won the International Award for Magic three times (magic design). I should use your *Magick Musick* to punctuate my sermons!

Rev. Thomas Scarborough, via email

That's fascinating about your Dad, Thomas. I should have persisted with my original intent for Magick Musick to generate harp sounds - they really would have been even more appropriate to your preaching!

BIT MAPS RE-SURFACE!

In Readout of Nov '01 Javier Fernandez raised the subject of converting bitmaps for use with graphics l.c.d.s and PICs. Ultimately several readers reported that they could not access the web addresses quoted. Querying this with Javier, he responded:

Yes, indeed, the quoted pdf path does not seem to work any longer. However, it should still be possible to have access to that app-note, by navigating web-page www.hantronix.com.

Javier Fernandez, via email

MICROCHIP CD-ROMS

Dear EPE,

I'm looking for somewhere that I can get the "full Microchip 2001 technical library" CD-ROMs that were included with the Oct '01 magazine, or failing that, where can I get the info from the web?

Michael Edwards, Cape Town, via email

Back issues of Oct '01 are still available and if you purchase one you will automatically receive the free CD-ROM. Alternatively, all the info on the CD-ROM is available separately via Microchip's site at www.microchip.com. You can also order the CD-ROM from Microchip via that address.

EGG TIMERS

Dear EPE,

I read the letter from Anonymous Pupil about an egg timer in your Dec '01 issue. You say that since 1990 you have not published such a project. But if you look in Oct '93 you will find a constructional project for an *L.E.D. Sandglass*, by Mark Daniels. I think this was a nice and neat project and I still have this article.

Harry de Groot,
Cape Town, South Africa,
via email

Thanks Harry - when looking at my master list of projects since 1990 it did not occur to me to look under Sandglass (and '93 was "before my time")!

BBC BASIC

Dear EPE,

Please note the popularity of BASIC_on_chip PIC systems! I've worked with many BASIC dialects, from "Integer" and Applesoft through various proprietary "enhanced" TinyBASICS, Microsoft's Q/Quick series, even HP_Technical running on a luggable Unix_in_ROM system (!).

Only the BBC versions had the knack of being intuitive, orthogonal, friendly and fast. So traditional Beeb BASIC lacks the edge of C++, the panache of Java, the rigour of Pascal and ADA, the elegant power of an Archimedes, or the bloated over-kill of VBA... who cares?

Beeb BASIC was robust, compact, economical, quick, easy to use, painless to edit, did much remarkably well, and had an integrated, multi-pass, symbolic assembler "up its sleeve" for emergencies. What more can you ask of a utility language?

Nik, Lifetime secretary of MBUG, Mersey BBC User Group, via email

You are not alone in such feelings Nik, see Richard Russell's letter that follows!

BBC BASIC AGAIN

Dear EPE,

OK, you dangled the bait so I'll take it! In your reply to Trevor Cattermole's letter (Jan '02) about BBC BASIC you say "In fact most readers have moved on now, and it seems best that they do". Why? What have you got against BBC BASIC (or is it BASIC in general)?

I use BBC BASIC on an almost daily basis in my professional activities for a very well known broadcasting organisation. I know for a fact that it is also used by other professional engineers in the course of their work. It might not be in the same league as Visual BASIC (let alone Visual C++) but nonetheless it is a very useful tool which can often give quick results.

I am not a regular reader of your magazine, but it was drawn to my attention by a reader who has subsequently bought BBC BASIC for Windows.

Richard Russell (G4BAU), M.A. C.Eng. M.I.E.E., via email.

To which I replied:

Fishing's not really my scene, but Basic certainly is. I learned programming using Commodore PET Basic, found BBC to be just a variant but better in several respects, got into Amstrad's PCs and used GW, followed by the superior QuickBASIC and sidetracked into QBasic (which is far less versatile). Visual BASIC it took me long time to begin to explore, which eventually I did following readership pressure, but soon found I understood it and appreciated its facilities, resulting in my Toolkit TK3 software (Nov '01).

No, I have nothing against BASIC and have never got on with C, but have not needed to explore BBC BASIC again, which I did not know still existed until recently. No reader has ever offered us anything written in a current version.

QB and VB are readily available, though, and on the face of it I can see no justification for adding another dialect to those that we support now. However, if enough readers disagree with me and prove BBC's worth in a large way we could reconsider. We have, though to adopt a certain consistency in the type of projects we publish and facilities needed to implement them.

Richard then came back with:

Not being a reader of your magazine, I hadn't realised that the use of BASIC was an aspect of some of your projects. I can well understand that you would want to standardise on one dialect, although I would have thought Visual BASIC might be a little daunting for many of your readers. There is no doubting its power, though.

I am quite surprised that you weren't aware of the continued existence of BBC BASIC, as the DOS version (BBC BASIC (86) Plus) has been on the market for about 15 years! It was for a

long time sold by a company called M-Tec Computer Services (who advertised in some national magazines) but they ceased trading a couple of years ago. Since then it has been available directly from me.

BBC BASIC for Windows is a brand new version which I have been developing for about the last two years, and which was released in October '01. Its principal market is those people who have fond memories of the BBC Micro, but I have tried to bring it up to date and to provide powerful interfaces into the Windows OS, without adding unnecessary complication.

I then asked: how do you promote your version and justify its existence in the face of competition? Which prompted:

My word, you are provocative! I didn't think, in our capitalist society, one needed to "justify" producing a product in competition with an existing one!

Putting to one side whether BBC BASIC for Windows is, in any serious way, competitive with Visual BASIC my justification for its existence is that there are still quite a few people around who learned to program in BBC BASIC, and prefer it to the alternatives. It was, after all, the standard BASIC taught in schools in the 1980s, and I know a few schools still use it even today.

It's wrong to think of BBC BASIC as being associated solely with the BBC Micro/BBC Master; it was also the resident language in the Acorn Electron, Acorn Archimedes, Cambridge Computer Z88 and Amstrad NC100. Machine-specific implementations have been produced for the RM Nimbus, Tatung Einstein, Amstrad CPC 664/6128, Wren Executive, RM 480Z, Victor Sirius and Apple Mac (all but the last supplied by me). In addition there are generic Z80 CP/M and MS-DOS versions. You can read all about the history of BBC BASIC at:

www.rtrussell.co.uk/products/bbcbasic/history.html

But, Richard, in a "capitalist society" there has to be a financial incentive to producing a product that one wants supported. To do so just for the love of it is praiseworthy, but not exactly commercial! And in that vein, we have to cater for a broader picture, for obvious commercial reasons! Similarly, although we love to keep older readers happy, who may well have fond memories of 20 years ago (like myself), we have to consider the needs of the new generations of readers too who have no knowledge or interest in bygone eras, however beneficial the concepts of those eras may seem to those "in the know".

Incidentally, we have a series of articles scheduled which are based around PICAXE devices, a programming system that uses a variant of BASIC in which to write commands. Coming soon, as they say!

SPECTRUM URL

Dear EPE,

I have tried the quoted URL link address you quote in your *Spectrum Analyser* of Feb '02 but I can't get anywhere, just the usual 404 page.

Incidentally, to avoid multiple copies of VB6 runtime files, including `inpout32.dll`, can be moved to `Windows\System` folder. I found my system already had them installed.

Peter Hemsley, via email

Somehow an extra slash got in after ORG, delete it and you'll get in ok, as I've just proved (www.foo.tho.org/charles/fft.html). Doing a search via www.google.com on FFT and on Fast Fourier Transform reveals masses of related links as well.

Yes, the VB runtime files can be moved as you say. We still have to supply them with our VB software, though, for the sake of those who do not already have them (which is a pity as they take up a good 1MB of disk/web space!)

PIC SPECTRUM ANALYSER

Dear EPE,

I've just been reading your *PIC Spectrum Analyser* in Feb '02. Firstly, thanks for raising this subject and for the many excellent projects in *EPE*. I am not a professional pure mathematician, but I have for various reasons been exposed to Fourier Transforms and spectral analysis over the last year or so, both as part of my job and in relation to private projects.

For more information I would refer readers to *Numerical Recipes in C*, 2nd ed., Press W.H. et al. Also there is an excellent book, *The Scientist and Engineer's Guide to Digital Signal Processing* available free as PDFs from Analog Devices (www.analog.com/technology/dsp/training/materials/dsp_book_index.html) or from the book's home page (www.dspguide.com). Many people, myself included, take issue with the Numerical Recipes coding style, in particular that it appears to have been transliterated from the Fortran version of the book (which came first). It is, however, an absolute must-have reference for mathematical and statistical programming, even if you only use the example code as a starting point for your own implementations.

In the source article you cite, Paul Cuthbertson emphasises the importance of the truism that aliasing is a major issue when using Fourier Transforms, whereas your project has no bandwidth-limiting filter on the input.

The Nyquist (or Shannon) Sampling Theorem states that a continuous signal can be properly sampled only if it does not contain frequency components above half of the sampling rate. This cut-off frequency is sometimes called the Nyquist Critical Frequency (NCF). If any frequencies above this are present in the input signal they will be aliased to signals below the NCF. e.g. you sample at approximately 100kHz; the NCF is therefore 50kHz.

To prevent gross aliasing errors, you really need to band-limit the input signal with something like an 8th order Chebyshev low-pass filter. Using cascaded Sallen-Key 2nd low-pass components, this could be constructed from a single quad op-amp with a minimum unit gain bandwidth of around 2MHz (something like a MAX4334). This could be retro-fitted to the input of your unit. In addition, it is now generally accepted that the Nyquist criteria represent a worst-case boundary condition, and that practical real-world systems need to use "over-sampling" where, rather than sample at just twice your expected maximum frequency, you would do it at four or more times the peak.

The subject of which type of anti-aliasing filter design to use is also important. I suggested using a Chebyshev due to its steep skirt and because the Spectrum is intended for audio use. If the input was of a different type, say a digital stream with fast rising edges, a Bessel filter might be better because of its softer impulse response. However, sampling at just twice the peak frequency and operating in a narrow band doesn't give much room for manoeuvre, so a compromise would have to be reached. This is a complicated area, as I'm sure you appreciate.

Nick de Smith, via email

Thanks for the informative comments Nick, which I regret were too long to include in their entirety.

Regarding filters, that would have taken me into a realm higher than I wished to take for this simple circuit, since, as you say, the whole subject of filter types would have been raised. Such matters are more suited to a tutorial type of article than a simple constructional one. However, readers who wish to take things further are recommended to browse via the links you suggest and those that I quoted.

We would be interested to learn how readers use this analyser. One has told us he wishes to use it in connection with astronomical observations, though he did not say in what capacity.

PIC VIRUS ZAPPER

ANDY FLIND



*Can disease be cured electronically?
An experimental circuit for zapping viruses.*

NOT SO long ago the fascinating story of Dr. Royal Raymond Rife and his Rife Generator was related in the pages of *EPE* (An End To All Diseases – April '01 Supplement). This device was supposedly capable of curing many ailments including some cancers, and a large number of Internet sites devoted to it can be found.

However, it was complex and used a special valve similar to an X-ray device, which renders it difficult and possibly dangerous for most home constructors to experiment with. To compound the problem, no-one seems to be sure exactly how it worked, and apparently some of the remaining examples may even be “red herrings”, non-working devices constructed to discredit Dr. Rife during some political skulduggery!

For enthusiasts and experimenters with bio-electronic devices however, Royal Raymond is far from being the only source of interesting ideas. Another prominent worker in this field is Dr. Hulda Regehr Clark, the originator of a design for an electronic “Zapper” which is also claimed to cure most ills, including cancer. This device is very simple and can be built easily by anyone with electronic constructional knowledge, so it can be presented here for readers to try for themselves if they wish.

UNDER COVER

As in Rife's case, there may be some political intrigue in the story of the Zapper. It was originally brought to the attention of *EPE* editorial staff some three years ago through an email from an enthusiast in New Zealand. A copy of this was forwarded to the present author who did not have Internet access at the time.

No details of the device were given but it was stated that they were to be found in a book entitled *The Cure For All Cancers* by Dr. Clark. At the time this book was listed with other works by her in an American catalogue, so it was suggested that *EPE* might order it via the Internet on the author's behalf. A prompt reply stated that Dr. Clark's books were out of print and no longer available, but something about its tone suggested that further

enquiries might be unwise! Being rather fond of life, both the author and *EPE*'s staff dropped the matter.

Since then time and the Internet have eliminated much of this kind of secrecy and an advertisement offering Dr. Clark's books has appeared in a magazine entitled *Nexus*, placed by a stockist in Devon, England, so a copy of the one containing the Zapper circuit was promptly ordered for study.

substances encountered in modern daily life. Dr. Clark says, obviously enough, that to cure the problem we should get rid of the flukes, stop ingesting isopropyl alcohol and flush out the toxins.

This is a simplified description of the book's main theme and readers wishing to learn more are advised to purchase a copy. The suggested treatment is partly herbal but consists largely of eliminating contact with the contaminants. Since these are contained in a vast array of processed foods and in materials such as plastics and products like shampoo and detergents some dedication would be required to follow the regimen to the letter.

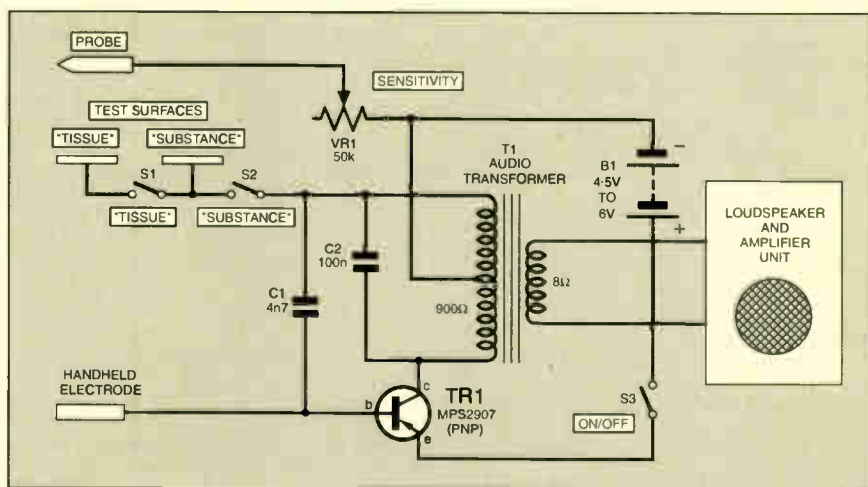


Fig. 1. Circuit diagram for the Synchronometer.

Dr. Clark's theory is that all cancers have a common cause and can therefore be cured by the same means. She claims that most people have in their bodies tiny parasites called “Human Intestinal Flukes”. Normally these only live out part of their life cycles within us but the additional presence of a substance called “Isopropyl Alcohol” in our bodies causes them to remain within us for their cycle. During later parts of this they produce a growth-inducing substance that can trigger cancer. Many readers will know Isopropyl Alcohol as the stuff recommended for cleaning tape recorder heads, but it is apparently present in many other products.

The book also claims that most of us are contaminated by many other toxins, ranging from heavy metals to all kinds of unnatural chemicals originating from

It is also claimed that metals used in dentistry are harmful and should be removed. Whilst one of these is mercury, a highly toxic substance known to cause serious problems for some people, the usual alternative to mercury amalgam fillings is a type of plastic which also meets with disapproval. In short, the options for the true Clark treatment enthusiast are a bit thin.

SYNCHROMETER

However, the book also offers a couple of electronic circuits. One of these is for a device called the Synchronometer, which is claimed to detect the presence of parasites and contaminants within the body. It uses “samples” placed on two test surfaces, plus a handheld electrode and a probe electrode.

The basic circuit diagram for the Synchronometer is shown in Fig.1. Readers

can decide for themselves whether they feel it would work or not. It has been redrawn for this article since the layout in the book is difficult to follow, to put it mildly.

It appears to be a form of oscillator with the bias current for the transistor passing through the user's body so that variations in body resistance will alter the frequency to some extent. Dr. Clark suggests that the 'quality' of the sound produced by the circuit alters in some way when the contaminant being tested for is present and she refers to this effect as "resonance".

Readers wishing to investigate this area are advised to purchase the book for further details as the procedures given for using this circuit are too complex to be described here.

ZAPPER

The second circuit given is the Zapper, which has generated a great deal of interest. A quick search with one of the Internet search engines will reveal a large number of sites concerned with Dr. Clark and her Zapper and it is even possible to find circuits and construction details amongst these. Since it is easy to construct and use and so many people swear by its effectiveness, it is hard to dismiss the Zapper as "quackery" without putting it to a test.

The Zapper circuit given in the book is shown in Fig.2. It is essentially the standard 555 oscillator circuit, operating at about 28kHz. The user holds two electrodes connected to ground (negative) and

the output of the circuit (positive) so that a small current flows through the body, pulsed on and off at this frequency. This treatment is carried out for seven minutes, repeated three times in succession with intervals of twenty to thirty minutes.

The claim is that the first treatment kills the parasites and on dying these release bacteria and viruses, so the second is necessary to kill these and the third kills any remaining viruses released by dying bacteria. The book warns that once the first treatment has been administered it is unwise to miss the two follow-ups as released bacteria and viruses might cause havoc if not subsequently "zapped".

An interesting observation is that the current applied to the body is unidirectional, in that when energized one electrode is always positive and the other always negative. This is the opposite to the recommendation for most bio-electronic devices such as TENs pain-relievers, but the prevailing wisdom seems to be that the Zapper's current flow should be unidirectional. To date the author has not encountered any opinion as to which hand should be positive and which negative, or even if this matters!

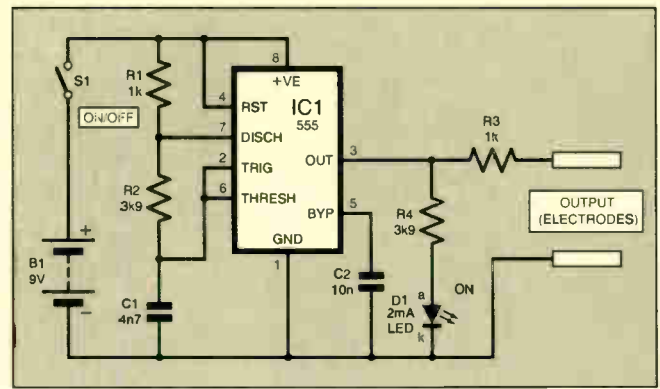


Fig.2. Circuit diagram for the original Zapper.

ORIGINAL CIRCUIT

The original book circuit was tried using a standard 555 timer (IC1) in preference to one of the CMOS variants in case the transition speed of the output waveform was important. The only modifications to the original circuit are shown in Fig.3. These are the addition of a couple of supply decoupling capacitors C1 and C2 and the omission of the l.e.d.

Inclusion of the l.e.d. is supposed to indicate that the circuit is operating but it would not tell the user if a fault caused the output of the 555 to be permanently high! Most EPE readers will have better ways to check the output anyway, such as a meter which will indicate somewhere close to half the supply voltage if the circuit is operating, or an

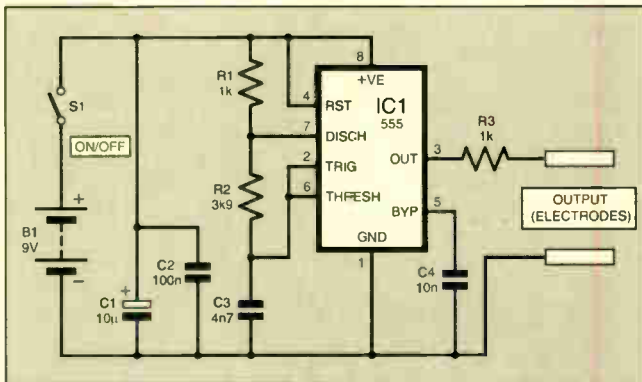


Fig.3. Original Zapper circuit with minor changes.

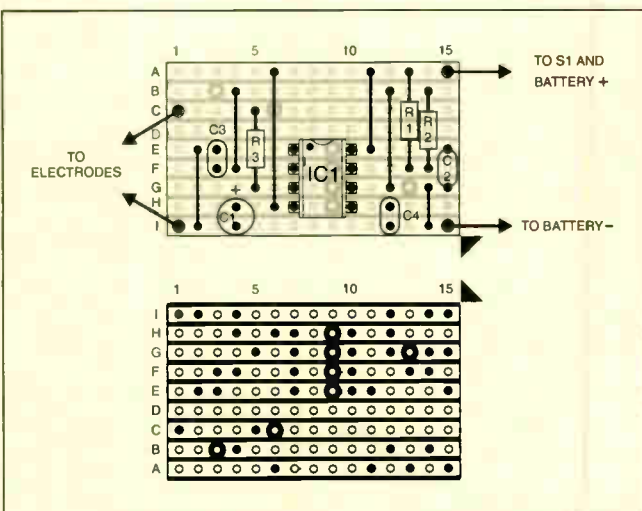


Fig.4. Stripboard construction of the original Zapper.

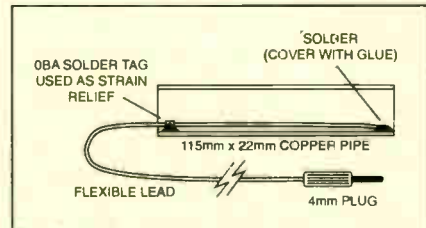


Fig.5. Suggested electrode construction.

COMPONENTS

Modified Original Zapper

Resistors

R1, R3 1k (2-off)
R2 3k9

All 0.6W 1% metal film

Capacitors

C1 10µ radial elect. 50V
C2 100n ceramic
C3 4n7 ceramic
C4 10n ceramic

Semiconductors

IC1 555 timer

Miscellaneous

S1 s.p.s.t. toggle or slide switch

Stripboard 0.1in. matrix, 9 strips by 15 holes; 8-pin d.i.l. socket; 9V battery (PP3 type); 22mm dia. copper tube for electrodes; solder tags (2 off); solder pins; solder etc.

Approx. Cost
Guidance Only

£5

excluding electrodes & batt.



Completed PIC-based Virus Zapper together with copper tube electrodes.

oscilloscope for inspecting the output waveform.

The constructional method described in the book involves holes punched in a cardboard box and a lot of wire and croc clips! This is hardly a reliable form of construction so a simple layout using stripboard is shown in Fig.4.

Many constructors will already have the components to hand and will be able to put this circuit together very easily if they wish to simply try the idea. The handheld electrodes can be made from 22mm copper plumbing pipe. The method used by the author is shown in Fig.5. The connecting wire is soldered to the inside of each pipe and an OBA solder tag soldered inside at the other end is used for strain relief. Some glue spread over the solder connections prevents corrosion.

The electrodes should be wrapped in cloth or paper kitchen towel which has been dipped in water with a small amount of dissolved salt to aid conductivity for a good contact. One of these should be held in each hand and the treatment repeated three times as explained earlier. After use the electrodes should be well rinsed to avoid corrosion due to the salt.

Summary

Enthusiasts for this device claim that it is effective in dealing with most viral

infections, some going so far as to claim they haven't had even a common cold in years! Apparently they either 'zap' every few days as a general precaution or they use it at the first signs of a cold or other illness before it has had time to take hold properly. Sounds worth trying at least, but the author is still waiting for the onset of a cold in order to experiment!

NETWORK

A search on the Internet revealed further circuits for the device, some of which represent improvements on the original. One of these is shown in Fig.6 as an example of another circuit which could easily be put together from parts many readers will already have. However, these basic circuits are tedious to use because they involve clock-watching to time both the treatments and the intervals, or operation of a timer of some kind which is awkward when one is holding two electrodes which have been dipped in salt water!

Another design found on the Internet was for a PIC-driven device which provided not only the treatment but also all the timings, which struck the author as a particularly good idea. The purveyor of this circuit also felt that a lower operating frequency of about 2.5kHz was better as it would penetrate further into the user's body tissues.

This is probably so, but there seems to be a considerable body of opinion that the actual operating frequency of the Clark Zapper is relatively unimportant. Since EPE readers deserve only the best a PIC-driven design has been developed for this article and it has to be said that it is a much easier way to try out this form of treatment.

The status of the unit is indicated by three coloured l.e.d.s. A Yellow one indicates a treatment in progress, a Green one displays for the periods between each treatment, and a Red one warns the user when battery replacement is due. A bleeper indicates the start and end of each treatment, making it easy to use whilst watching TV or during any other occupation for which one normally sits still for an hour or so.

PIC VIRUS ZAPPER

The full circuit diagram for the PIC Virus Zapper is shown in Fig.7. The main supply is provided by a 9V PP3 type battery. This voltage is too high for the PIC (IC2) so it is reduced to 5V by regulator IC1 which is a low-dropout micropower type, better suited for battery operation than the standard 78L05.

The PIC's oscillator uses a 4MHz crystal X1 to give an internal clock of 1MHz. The three l.e.d.s D1, D2 and D3 are low-current (2mA) types driven directly by IC2 through current limiting resistors R3 and R4. Since D2 and D3 are never "on" together they share the common resistor R4.

Bleeps are produced from piezoelectric sounder WD1. This is a type without an internal drive circuit as the author feels it is cheating to use a d.c.-operated type when the PIC can be programmed to generate a squarewave signal for sounder driving!

Battery voltage sensing is carried out by one of the PIC inputs (RB0). This "sees" an input voltage as being either "high" or "low" so preset potentiometer VR1 is adjusted so that it is seen as "low" when the battery voltage falls to about 7V. When this is detected red l.e.d. D1 is turned on.

The Zapper output is controlled by PIC outputs RB4 and RB5 which go high alternately. When RB4 goes high it turns on transistor TR1 which turns on TR2 to pull the output up to full battery supply voltage. When RB4 goes low RB5 goes high to turn on transistor TR3 to pull the output low. This generates a squarewave at the full battery supply voltage from a low impedance, suitable for application through the electrodes. Resistor R9 limits the maximum output current to a safe value if the electrodes are accidentally shorted together.

One further point regarding the circuit is the connection of RA0 and RB7 to the positive and negative supply lines respectively. This is simply for convenience in the physical layout where it enables these voltages to be routed around the printed circuit board (p.c.b.) without the need for "between pin" tracks.

Constructors who make their own p.c.b.s from the magazine artwork will probably appreciate this. One of the many advantages of designing with PIC microcontrollers is that it is perfectly acceptable to do this so long as the pins concerned are designated as inputs by the program.

CONSTRUCTION

Most of the components for this project are mounted on a p.c.b. and the topside layout and full-size foil master are shown in Fig.8. This board is available from the EPE PCB Service, code 337.

Assembly should present no real problems for most constructors. An 18-pin d.i.l.

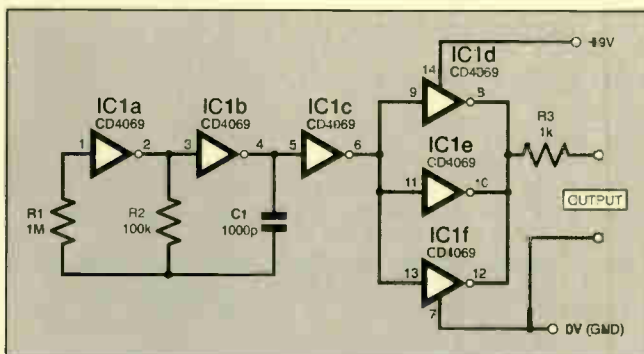


Fig.6. Another Zapper circuit from the Internet.

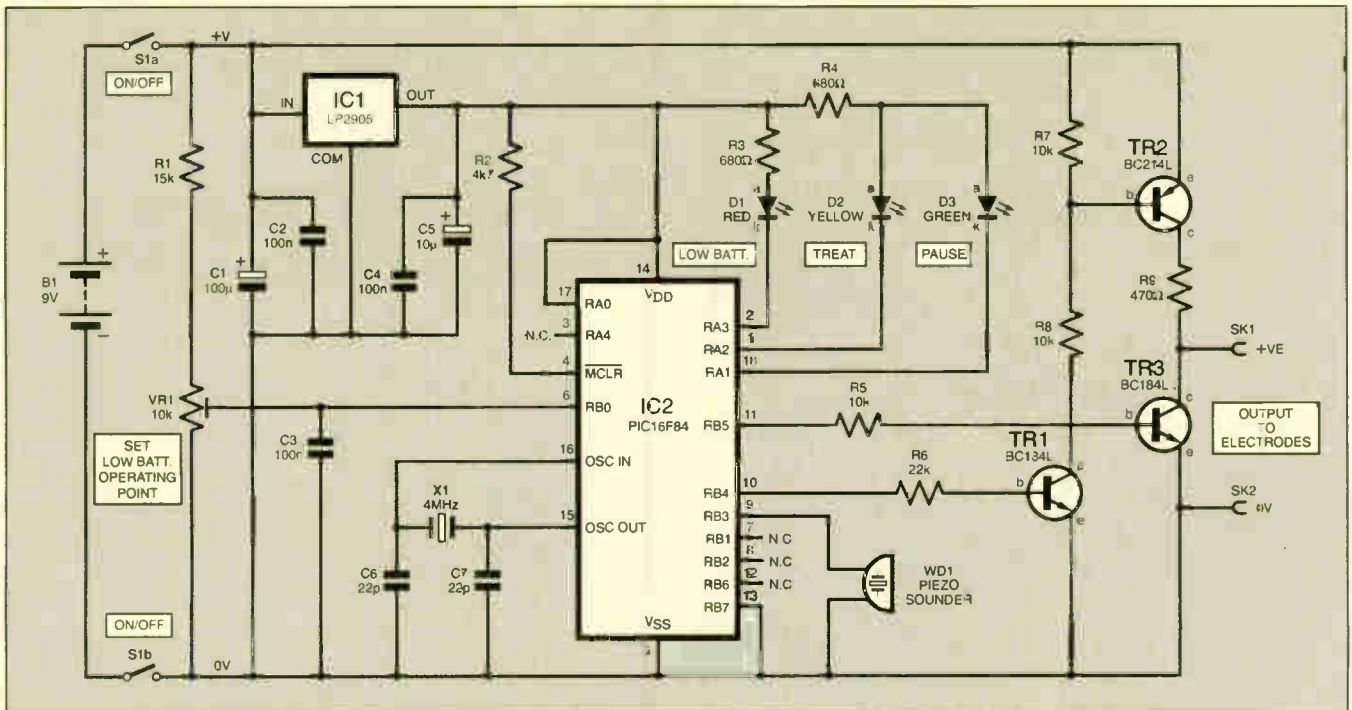


Fig.7. Complete circuit diagram for the PIC Virus Zapper.

COMPONENTS

PIC-based Zapper

Resistors

R1	15k
R2	4k7
R3, R4	680Ω (2 off)
R5, R7, R8	10k (3 off)
R6	22k
R9	470Ω

All 0.6W 1% metal film

Potentiometer

VR1	10k 22-turn cermet preset, vertical
-----	-------------------------------------

Capacitors

C1	100μ radial elect. 16V
C2, C3, C4	100n ceramic (3 off)
C5	10μ radial elect. 50V
C6, C7	22p ceramic

Semiconductors

D1	2mA red l.e.d.
D2	2mA yellow l.e.d.
D3	2mA green l.e.d.
TR1, TR3	BC184L <i>n</i> pn silicon transistor (2-off)
TR2	BC214L <i>p</i> np silicon transistor
IC1	LP2905 5V micropower positive regulator
IC2	PIC16F84 microcontroller, pre-programmed

Miscellaneous

X1	4MHz crystal
WD1	piezo sounder, 4kHz
S1	d.p.d.t. slide switch
SK1, SK2	4mm chassis socket and plug (1 red, 1 black)

Printed circuit board available from the EPE PCB Service, code 337; case, size 34mm x 80mm x 145mm; 18-pin d.i.l. socket; multistrand connecting wire; 22mm dia. copper tube for electrodes; solder tags (2 off); solder pins; solder etc.

Approx. Cost
Guidance Only

£22

excluding electrodes & batt.

EPE PIC VIRUS ZAPPER

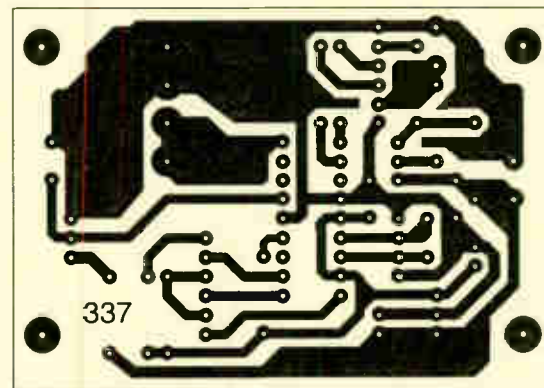
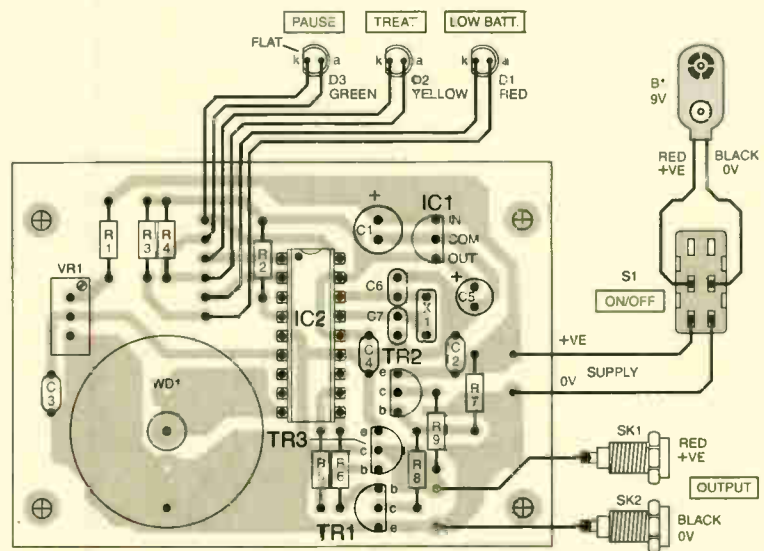


Fig.8. Printed circuit board component layout, interwiring to off-board components and full-size master pattern. Details of electrode construction are given in Fig.5.

socket is recommended for the PIC, IC2. Two different types of sounder can be used for WD1 so holes are provided to suit the pins of either. The type used should have a resonant frequency of 4kHz as this is the drive frequency used and these devices generate a lot more noise at resonance.

The power supply should be tested *before* insertion of the PIC by powering the circuit and checking for the presence of 5V across pin 5 and pin 14 of the socket for IC2. After that it's just a question of inserting the PIC, completing the assembly and checking the operation.



(Above). General positioning of components inside the plastic case of the PIC Virus Zapper. The finished circuit board is shown below.

ASSEMBLY

The board is designed to fit onto the mounting pillars of a widely available and inexpensive plastic case (with battery compartment) measuring just 145mm x 80mm x 34mm. Interwiring from the circuit board to off-board components is also included in Fig.8. Two robust 4mm sockets are used for the electrode lead connections and the slide switch S1 is fitted for turning the unit on and off.

The three l.e.d.s are connected using a short length of ribbon cable and glued into position. The actual soldering of the ribbon cable to the l.e.d.s should be done as quickly as possible, as one of these failed on the prototype and it seems likely that heat from soldering was the cause.

Because the sounder is inside the case its sound is muffled to some extent and it was found that the beeps could sometimes be missed when watching television. A row of five small holes drilled in the side of the rear half of the case adjacent to the sounder overcame this problem.

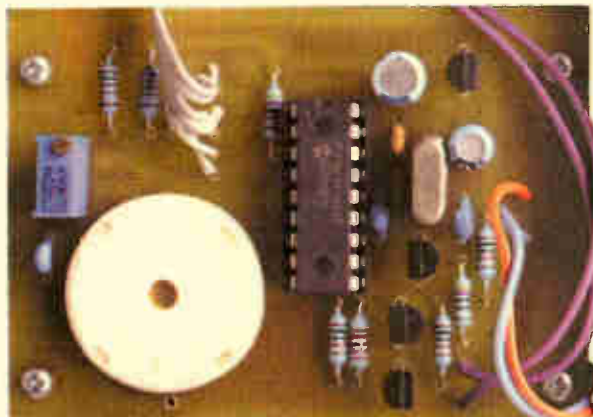
SETTING UP

It is necessary to set up preset VR1 to the correct point. If an adjustable power supply is available this can be set to about 7V and VR1 adjusted so that the Red l.e.d. D1 just illuminates.

Immediately following switch-on, the unit should bleep once and the Yellow l.e.d. D2 should flash for thirty seconds. This allows the user to moisten the electrodes and take a firm hold of them before treatment commences. After this there will be another bleep and the Yellow l.e.d. will stay on continuously for seven minutes. During this period the output should be present so a meter across it will read about half the battery supply voltage or an

oscilloscope will show the 2.5kHz output squarewave.

Next there will be a further bleep, the Yellow l.e.d. will extinguish and the Green one (D3) will light to indicate the interval between treatments. After 28 minutes there will be a further bleep, the green l.e.d. will extinguish and the yellow one will begin flashing again, and the sequence will repeat.



This should happen once more, but following the third treatment the green l.e.d. should remain on indefinitely and the unit should bleep every five seconds to remind the user to switch off.

Supply current taken by the circuit varies according to the stage reached in the program but the prototype takes about 4mA when flashing l.e.d. D2 and about 7mA plus whatever is delivered through the electrodes (usually about 2mA) when treating, and about 6mA during the intervals. This is small enough to allow a lot of use from an alkaline PP3 battery.

SOFTWARE

The software for the PIC Virus Zapper is available on a 3.5 inch PC-compatible disk from the EPE Editorial office, for which a nominal handling charge is made. It is available for free download from the EPE ftp site. More details are given on the EPE PCB Service page.

Ready-programmed PIC16F84s are being made available to readers by the author. For further details see the *Shoptalk* page.

SUMMING UP

So there you have it, a de-luxe Dr. Clark Zapper as good as any likely to be

Further Reading

The Cure For All Cancers – Dr. Hulda Regehr Clark, New Century Press (US). ISBN1-890035-00-9. Melanie Davies, The Cottage, Bovisand Lane, Down Thomas, Devon, PL9 0AE. Phone: 01752 862411 (UK suppliers of Dr. Hulda Clark's books)

Interesting Zapper websites:

www.zapperplans.com/plans.html (circuit of Fig.5, how to construct).
www.drclark.net/disease/zapper.htm more info on Dr. Clark and the zapper.
www.rilfe.com/hulda_clark.html (an objective review of Dr. Clark's books).
www.ess-in.com/index.htm (view pictures of two commercially produced zappers).
www.home.att.net/~dennis.shepard/health.htm (another site selling a zapper, pdf file about it).
www.huldaclark.com/BuildZapper.htm (book sales and construction details).
www.zapperplans.com/plans.html (pdf file of a PIC-based circuit, no program given).

found on the Internet or elsewhere and certainly much better than the one described in the book! It can be built for a fraction of the price of those available ready-made.

Does it work? American Internet sites offering Zappers all state that they are *not* approved by the FDA (their official government medical body) and are "for experimental use only" but at least their sale hasn't been banned yet.

To date, it's too early for the author to give an opinion one way or the other, but there are a lot of users who praise this little device so it's worth trying.

As always with experimental projects of this type, feedback from readers who build and try it will be most welcome as this may eventually prove its worth. □



CROWNHILL PIC BASIC

Write and compile your first program in under 5 minutes
Distribute your applications ROYALTY FREE
Technical Support direct from the author
Dedicated user group mailing list
Easy to navigate Windows IDE
CDROM includes software and example programs
Book Includes worked examples and projects
Supports the popular PIC micro's including Flash devices



Crownhill PIC BASIC PRO produces tight concise code from your programs, written in the easy to learn yet powerful BASIC language. The compiler will produce code for the popular 12-bit and 14-bit micros.

For a FREE LITE version of PIC BASIC PRO visit www.letbasic.com

The PICBASIC PLUS Compiler presents a range of interfacing solutions for the most exotic peripherals. Such as the I2C bus, Alphanumeric and Graphic types of LCD, and 2 or 3-wire SPI.

A FREE Lite version of PIC BASIC Plus! is available from www.letbasic.com



For more in-depth information about our products please visit our website at www.letbasic.com

LITE versions of both products are available from www.letbasic.com

Free Download @ www.letbasic.com

Crownhill Associates Ltd
32 Broad Street Ely Cambridge CB7 4AH
Tel: 01353 666709 Fax: 01353 666710
Order Online: www.letbasic.com

all prices exclude delivery and VAT @ 17.5%

We can supply back issues of *EPE* by post, most issues from the past three years are available. An *EPE* index for the last five years is also available – see order form. Alternatively, indexes are published in the December issue for that year. Where we are unable to provide a back issue a photostat of any one article (or one part of a series) can be purchased for the same price. Issues from Jan. 2001 onwards are also available to download from www.epemag.com.

DID YOU MISS THESE?

NOV '00

PROJECTS • PIC Pulsometer • Opto-Alarm System • Sample-and-Hold • Handclap Switch.
FEATURES • The Schmitt Trigger-Part 1 • Ingenuity Unlimited • PIC Toolkit Mk2 Update V2.4 • Circuit Surgery • New Technology Update • Net Work – The Internet • FREE Transistor Data Chart.

DEC '00

PROJECTS • PIC-Monitored Dual PSU-Part 1 • Static Field Detector • Motorists' Buzz-Box • Twinkling Star • Christmas Bubble • Festive Fader • PICtogram.
FEATURES • The Schmitt Trigger-Part 2 • Ingenuity Unlimited • Interface • Circuit Surgery • New Technology Update • Quasar Kits Review • Net Work – The Internet • 2000 Annual Index.

JAN '01

PROJECTS • Versatile Optical Trigger • UFO Detector and Event Recorder • Two-Way Intercom • PIC-Monitored Dual PSU-Part 2.
FEATURES • Using PICs and Keypads • The Schmitt Trigger-Part 3 • New Technology Update • Circuit Surgery • Practically Speaking • Ingenuity Unlimited • CIRSIM Shareware Review • Net Work – The Internet.



FEB '01

PROJECTS • Ice Alert • Using LM3914-6 Bargraph Drivers • Simple Metronome • PC Audio Power Meter.
FEATURES • The Schmitt Trigger-Part 4 • Ingenuity Unlimited • Circuit Surgery • New Technology Update • Net Work – The Internet • Free 16-page supplement – How To Use Graphics L.C.D.s With PICs.

MAR '01

PROJECTS • Doorbell Extender • Body Detector • DIY Tesla Lightning • Circuit Tester
FEATURES • Understanding Inductors • The Schmitt Trigger-Part 5 • Circuit Surgery • Interface • New Technology Update • Net Work – The Internet Page.

APRIL '01

PROJECTS • Wave Sound Effect • Intruder Alarm Control Panel-Part 1 • Sound Trigger • EPE Snug-Bug Pet Heating Control Centre.
FEATURES • The Schmitt Trigger-Part 6 • Practically Speaking • Ingenuity Unlimited • Circuit Surgery • Net Work – The Internet Page • FREE supplement – An End To All Disease.

MAY '01

PROJECTS • Camcorder Mixer • PIC Graphics L.C.D. Scope • D.C. Motor Controller • Intruder Alarm Control Panel-Part 2.
FEATURES • The Schmitt Trigger-Part 7 • Interface • Circuit Surgery • Ingenuity Unlimited • New Technology Update • Net Work – The Internet Page.

JUNE '01

PROJECTS • Hosepipe Controller • In-Circuit Ohmmeter • Dummy PIR Detector • Magfield Monitor.
FEATURES • Controlling Jodrell Bank • PIC1687x Extended Memory Use • Practically Speaking • Ingenuity Unlimited • New Technology Update • Circuit Surgery • Net Work – The Internet Page.

JULY '01

PROJECTS • Stereo/Surround Sound Amplifier • PIC to Printer Interface • Perpetual Projects 1 – Solar-Powered Power Supply and Voltage Regulator • MSF Signal Repeater and Indicator.
FEATURES • The World of PLCs • Ingenuity Unlimited • Circuit Surgery • New Technology Update • Net Work – The Internet Page.

AUG '01

PROJECTS • Digitimer • Lead-Acid Battery Charger • Compact Shortwave Loop Aerial • Perpetual Projects 2 – L.E.D. Flasher – Double Door-Buzzer.
FEATURES • Controlling Power Generation • Ingenuity Unlimited • Interface • Circuit Surgery • New Technology Update • Net Work – The Internet Page.

SEPT '01

PROJECTS • Water Monitor • L.E.D. Super Torches • Synchronous Clock Driver • Perpetual Projects 3 – Loop Burglar Alarm – Touch-Switch Door-Light – Solar-Powered Rain Alarm.
FEATURES • Controlling Flight • Ingenuity Unlimited • Practically Speaking • Circuit Surgery • New Technology Update • Net Work – The Internet Page.

OCT '01

PROJECTS • PIC Toolkit Mk3 • Camcorder Power Supply • 2-Valve SW Receiver • Perpetual Projects 4 – Gate Sentinel – Bird Scarer – In-Out Register.
FEATURES • Traffic Control • Ingenuity Unlimited • New Technology Update • Circuit Surgery • Interface • Net Work – The Internet Page • Free 2 CD-ROMs – Microchip 2001 Tech Library.



NOV '01

PROJECTS • Capacitance Meter • Pitch Switch • Lights Needed Alert • Teach-In 2002 Power Supply.
FEATURES • Teach-In 2002 – Part 1 • Practically Speaking • Circuit Surgery • New Technology Update • Ingenuity Unlimited • Net Work – The Internet Page • Free 16-page Supplement – PIC Toolkit TK3 For Windows



DEC '01

PROJECTS • Ghost Buster • PIC Polywhatsit • Twinkling Lights • Mains Failure Alarm.
FEATURES • Teach-In 2002 – Part 2 • Marconi – The Father of Radio • Interface • Ingenuity Unlimited • Circuit Surgery • New Technology Update • Net Work – The Internet Page • 2001 Annual Index.

Jan 02

PROJECTS • PIC Magick Musick • Time Delay Touch Switch • Versatile Bench Power Supply • Forever Flasher.
FEATURES • Teach-In 2002 – Part 3 • Practically Speaking • Ingenuity Unlimited • New Technology Update • Circuit Surgery • Net Work – The Internet Page.

Feb '02

PROJECTS • PIC Spectrum Analyser • Guitar Practice Amp • HT Power Supply • Versatile Current Monitor.
FEATURES • Teach-In 2002 – Part 4 • Ingenuity Unlimited • Russian Space Shuttle Revisited • Circuit Surgery • Interface • New Technology Update • Net Work – The Internet Page.

BACK ISSUES ONLY £3.30 each inc. UK p&p.

Overseas prices £3.80 each surface mail, £5.25 each airmail.

We can also supply issues from earlier years: 1998 (except Jan. to May, July, Nov., Dec.), 1999, 2000 (except Feb., July). Where we do not have an issue a photostat of any one article or one part of a series can be provided at the same price.

ORDER FORM – BACK ISSUES – PHOTOSTATS – INDEXES

Send back issues dates

Send photostats of (article title and issues date)

Send copies of last five years indexes (£3.30 for five inc. p&p – Overseas £3.80 surface, £5.25 airmail)

Name

Address

..... Tel.

I enclose cheque/P.O./bank draft to the value of £

Please charge my Visa/Mastercard/Amex/Diners Club/Switch £ Switch Issue No.

Card No. Card Expiry Date

Note: Minimum order for cards £5.

SEND TO: Everyday Practical Electronics, Wimborne Publishing Ltd., 408 Wimborne Road East, Ferndown, Dorset BH22 9ND.
Tel: 01202 873872, Fax: 01202 874562.

E-mail: orders@epemag.wimborne.co.uk On-line Shop: www.epemag.wimborne.co.uk/shopdoor.htm
Payments must be in £ sterling – cheque or bank draft drawn on a UK bank. Normally supplied within seven days of receipt of order.

Send a copy of this form, or order by letter if you do not wish to cut your issue.

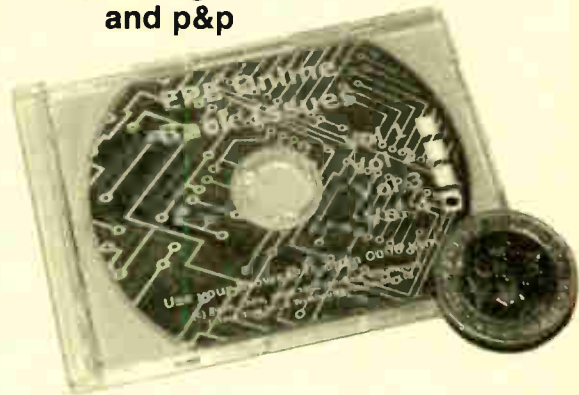
M03/02

STORE YOUR BACK ISSUES IN YOUR WALLET!



**VOL 5
NOW AVAILABLE**

**ONLY
£12.45** each
including VAT
and p&p



A great way to buy *EPE* Back Issues – our wallet-sized CD-ROMs contain back issues from our *EPE Online* website plus bonus articles, all the relevant PIC software and web links. All this for just £12.45 each including postage and packing.

VOL 1 CONTENTS

BACK ISSUES – November 1998 to June 1999 (all the projects, features, news, IUs etc. from all eight issues). Note: No advertisements or Free Gifts are included. **PIC PROJECT CODES** – All the available codes for the PIC based projects published in these issues.

VOL 2 CONTENTS

BACK ISSUES – July 1999 to December 1999 (all the projects, features, news, IUs, etc. from all six issues). Note: No advertisements or Free Gifts are included. **PIC PROJECT CODES** – All the available codes for the PIC-based projects published in these issues.

VOL 3 CONTENTS

BACK ISSUES – January 2000 to June 2000 (all the projects, features, news, IUs, etc. from all six issues). **PIC PROJECT CODES** – All the available codes for the PIC-based projects published in these issues.

VOL 4 CONTENTS

BACK ISSUES – July 2000 to Dec. 2000 (all the projects, features, news, IUs etc. from all six issues). **PROJECT CODES** – All the available codes for the programmable projects in these issues.

VOL 5 CONTENTS

BACK ISSUES – January 2001 to June 2001 (all the projects, features, news, IUs etc. from all six issues). **PROJECT CODES** – All the available codes for the programmable projects in these issues, including those for *Interface*.

EXTRA ARTICLES – ON ALL VOLUMES

BASIC SOLDERING GUIDE – Alan Winstanley's internationally acclaimed fully illustrated guide.

UNDERSTANDING PASSIVE COMPONENTS – Introduction to the basic principles of passive components.

HOW TO USE INTELLIGENT L.C.D.s, By Julyan Ilett – An utterly practical guide to interfacing and programming intelligent liquid crystal display modules.

PhyzyB COMPUTERS BONUS ARTICLE 1 – Signed and Unsigned Binary Numbers. By Clive "Max" Maxfield and Alvin Brown.

PhyzyB COMPUTERS BONUS ARTICLE 2 – Creating an Event Counter. By Clive "Max" Maxfield and Alvin Brown.

INTERGRAPH COMPUTER SYSTEMS 3D GRAPHICS – A chapter from Intergraph's book that explains computer graphics technology in an interesting and understandable way with full colour graphics.

EXTRA ARTICLE ON VOL 1 & 2

THE LIFE & WORKS OF KONRAD ZUSE – a brilliant pioneer in the evolution of computers. A bonus article on his life and work written by his eldest son, including many previously unpublished photographs.

NOTE: These mini CD-ROMs are suitable for use on any PC with a CD-ROM drive. They require Adobe Acrobat Reader (available free from the Internet – www.adobe.com/acrobat)

Order on-line from

www.epemag.wimborne.co.uk/shopdoor.htm
or www.epemag.com (USA \$ prices)
or by phone, Fax, E-mail or Post

BACK ISSUES CD-ROM ORDER FORM

Please send me (quantity) BACK ISSUES CD-ROM VOL 1
Please send me (quantity) BACK ISSUES CD-ROM VOL 2
Please send me (quantity) BACK ISSUES CD-ROM VOL 3
Please send me (quantity) BACK ISSUES CD-ROM VOL 3
Please send me (quantity) BACK ISSUES CD-ROM VOL 5
Price £12.45 each – includes postage to anywhere in the world.

Name

Address

..... Post Code

I enclose cheque/P.O./bank draft to the value of £

Please charge my Visa/Mastercard/Amex/
Diners Club/Switch

£

Card No.

Expiry Date Switch Issue No.

SEND TO: **Everyday Practical Electronics,
Wimborne Publishing Ltd.,
408 Wimborne Road East, Ferndown, Dorset BH22 9ND.**
Tel: 01202 873872. Fax: 01202 874562.
E-mail: orders@epemag.wimborne.co.uk

Payments must be by card or in £ Sterling – cheque or bank draft drawn on a UK bank.

Normally supplied within seven days of receipt of order.
Send a copy of this form, or order by letter if you do not wish to cut your issue.

TEACH-IN 2002

Part Five – Taking the Pressure – more on strain, plus accelerometers and pressure sensors

IAN BELL AND DAVE CHESMORE



Making Sense of the Real World: Electronics to Measure the Environment

LAST month in Part 4 we looked at strain gauge sensors and found that we needed to use bridge circuits and differential amplifiers to make effective use of them. Therefore we spent some time looking at the properties of differential signals and bridges, and we investigated the topic of source impedance, which is needed to deal with the possibility of our circuits loading the sensors.

This month we take a more practical look at the same topics and discuss the design of differential amplifiers for sensor applications. We also return to strain gauges and examine some of their various applications. In particular we focus on their application for measuring pressure, and describe a simple weighing machine in Lab Work. First, though, there's more to discuss about op.amps in relation to their use in sensor circuits.

OP.AMP SPECS

In Part 4 we discussed the ideas of differential signals and input impedance and loading in general terms – these concepts relate directly to some important op.amp specifications.

In a real circuit the actual rejection of noise or drift common to both halves of a differential signal depends on how perfect the differential amplifier used for this purpose is

The ratio of (unwanted) output change to common mode input change is called **Common Mode Gain** (A_{CM} , Amplification Common Mode) and the ratio of differential gain to common mode gain is called the **Common Mode Rejection Ratio** (CMRR). CMRR is measured in decibels (dB). A value of 80dB to 110dB is fairly typical for op.amps, but lower and higher values occur (for the OPI77 it is 110dB to 126dB).

High common mode gain, and hence poor CMRR, affects gain accuracy in some configurations and determines the ability of the op.amp to ignore noise common to both inputs. Common mode rejection is particularly important in sensor applications where very small differential signals from sensors must be amplified in the presence of noise, or where temperature compensation signals

must be accurately dealt with. Sensor applications such as strain measurement often demand high CMRR amplifiers with CMRR values in excess of 100dB.

For an op.amp, **Common-Mode Input Impedance** is the effective impedance between either input terminal and ground, and is ideally infinite. **Differential Input Impedance** is the apparent impedance between the inputs, also ideally infinite.

The input impedances will take the form of capacitance in parallel with resistance. Sometimes the capacitance is not considered and only resistance is quoted. Input capacitances may also be quoted separately. FET-input op.amps have particularly high input resistance (e.g. 10^{12} ohms).

We have to be very careful, though, to distinguish between the input impedance of the op.amp itself and a circuit built using an op.amp. The circuit may have a low input impedance even if the op.amp has a very high impedance.

DIFFERENTIAL AMPLIFIER PITFALLS

As we have noted, the op.amp is a differential amplifier. However, in order to use it as a practical amplifier we have to apply negative feedback. The most straightforward op.amp-based amplifier circuits (the inverting and non-inverting amplifiers) have a single ended input, but the differential amplifier configuration (Fig.5.1) would appear to suit our purpose – if the op.amp has a good CMRR the circuit seems to provide what we need.

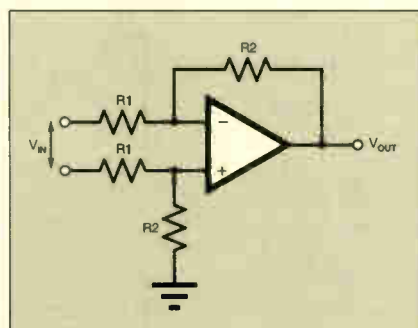


Fig.5.1. Differential amplifier.

Be careful with such assumptions! Good op.amp performance does not guarantee good circuit performance. The CMRR of the circuit in Fig.5.1 is a good example of this as it depends strongly on the matching of the resistor values. The differential gain of the circuit is given by $R2/R1$ – the design assumes that the two $R1$ values, and the two $R2$ values, are exactly the same.

In fact, with an ideal op.amp and exactly matched resistors, the CMRR would be infinite (ideal). With real resistors, however, we get a variation in values which degrades the matching and reduces the CMRR.

For example, consider a typical differential amplifier with a gain of 100 in which $R1$ is $1k\Omega$ and $R2$ is $100k\Omega$. If there is a value difference of 5% between the two $R1$ resistors, or between the two $R2$ resistors, then we get a CMRR of only 26dB, even with an ideal op.amp.

For a 1% variation we get about 40dB, for 0.1% about 60dB and for 0.01% about 80dB. So we need some very expensive resistors to get even a half-decent performance from this circuit.

A possible solution is to use a trimmer to vary one of the resistor values until the common mode gain is minimized. We only need one trimmer for this as it is the ratio of $R2$ to $R1$ which is of prime importance. However, this approach is not easy because the trimmer must be very stable and we still need very high accuracy resistors to get good CMRR.

Another problem with the circuit in Fig.5.1 is that it is difficult to adjust the signal gain (e.g. using a trimmer or potentiometer) as we have to vary two resistors by exactly the same amount. We could use

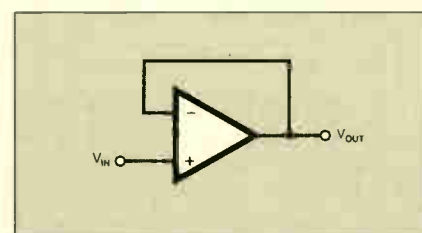


Fig.5.2. Unity gain buffer amplifier.

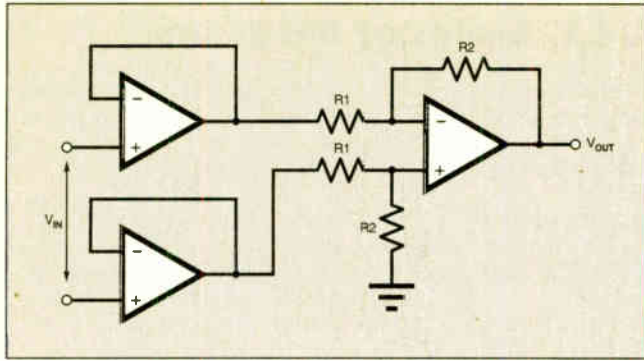


Fig.5.3. Differential amplifier with buffered inputs.

a dual-gang potentiometer, but the matching between the two values is likely to be poor, resulting, as we have seen, in very poor CMRR.

BUFFERING

CMRR and gain adjustment are not the only problem with Fig.5.1 – we also have to stop for a moment and consider another matter of importance that was discussed earlier – input impedance. As we are considering differential signals we need to know the differential input impedance in Fig.5.1. Many sensors have high internal resistance and we therefore require amplifiers with high input resistance in order to use these sensors.

To find the input resistance of the circuit in Fig.5.1 we recall the idea of the virtual short circuit discussed in Part 2. The gain of the op.amp is so high that its two inputs are effectively at the same voltage, or effectively connected together. This is like having the two input resistors connected in series across the differential input, thus the differential input resistance is equal to $2R1$.

This input resistance will be quite small compared with the op.amp input resistance. We could try to use high value resistors, but this would impair circuit operation – remember that the op.amp needs bias current and this results in voltage drops across external resistors.

Amplifiers with very large input resistance are called *buffers*. Sometimes these do not have a great deal of voltage gain, but this can be provided by subsequent stages.

For example, the circuit shown in Fig.5.2 has unity gain, but has very high input impedance, particularly if a high input impedance op.amp, such as a FET-input op.amp, is used.

We can combine Fig.5.1 and Fig.5.2 to give a differential amplifier with high input impedance as shown in Fig.5.3. It still has poor CMRR, but it would be useful in situations where

we know that any common mode signals are small.

INSTRUMENTATION AMPLIFIERS

To solve the CMRR problem we have to use a different circuit configuration. The key circuit is a two op.amp differential output amplifier as shown in Fig.5.4. The differential gain (differential input to differential output) is given by $(1 + 2R2 / R1)$ and the common mode gain is one (unity). For a more detailed description of this circuit see Panel 5.1.

The circuit in Fig.5.4 has a differential output, but this is easily converted to a single ended signal using a standard differential amplifier configuration, as shown in Fig.5.5. This circuit is known as an **instrumentation amplifier (in.amp)** as it is so commonly used in sensor and instrumentation systems.

The in.amp (Fig.5.5) overcomes the problems highlighted with the previous circuits. The inputs go straight into the high impedance inputs of the op.amps so the input impedance is high. The large differential gain with respect to common mode gain available from the first stage means that the problem of poor CMRR in the differential amplifier stage is far less severe. The in.amp can achieve very good CMRR.

The gain of the amplifier is easily varied using a single resistor, $R1$. The resistor (or adjustable preset) should be physically close to the op.amps – using a panel-mounted potentiometer would degrade

circuit performance. However, if panel-mounting has to be used, then the wiring should be shielded (screened).

The differential amplifier output stage is usually used with low (e.g. $\times 2$) or unity gain. For unity gain $R3 = R4$.

It is worth pointing out that the inputs of the circuits in Fig.5.2 to Fig.5.8 cannot be simply capacitively coupled to an a.c. source as the op.amps require a d.c. path for bias currents. A high value resistor (e.g. $1M$) must be connected between the op.amp(s) input and ground if a.c. coupling is used. Similarly, a generator sensor such as a thermocouple cannot simply be placed across the differential inputs of Fig.5.2 and Fig.5.3.

OPTIMISING IN.AMPS

In.amps are often used in demanding applications, such as the amplification of low voltage signals from a strain gauge bridge. In order to get the best performance from these circuits great care must be taken in their design and implementation.

Referring to Fig.5.6, which shows an in.amp schematic with some additional details, the following points are important in the design of high precision sensor circuits.

In.amps must be constructed using high quality op.amps with high input impedances, low bias currents, low offsets, and good CMRR. Offsets can be trimmed as shown in Fig.5.6 (by $VR1$), using just one of the input op.amps ($IC1$ or $IC2$). However, if possible, this technique should be avoided by using ultra low offset op.amps.

The CMRR of the differential amplifier stage (around $IC3$) can be trimmed by balancing the $R4/R3$ resistor ratios as mentioned previously. To do this, apply a common mode signal and adjust the trimmer ($VR2$) for minimum output.

The feedback resistors of the output stage of the in.amp are labelled *sense* and *reference* in Fig.5.6. Wiring these terminals directly to the load as shown eliminates errors due to losses in the wiring or external circuitry.

The supply should be capacitively decoupled (ideally for each op.amp), close to the op.amps and with a combination of higher value (say $0.25\mu F$ to $0.5\mu F$) and

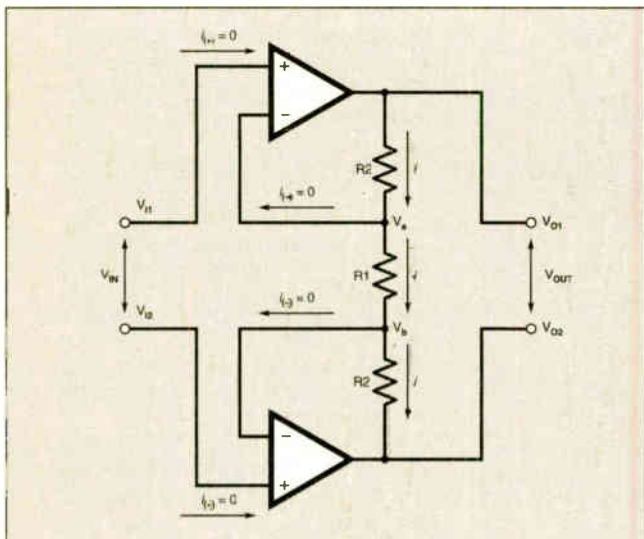


Fig.5.4. Differential output amplifier.

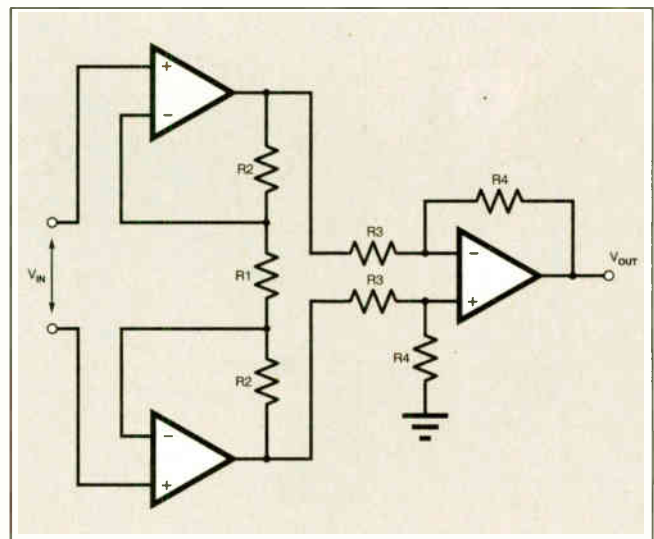


Fig.5.5. Instrumentation amplifier (in.amp).

lower value (say 0.01 μ F) capacitors. The supply has two rails (+VE and -VE) so you need a set of decoupling capacitors for each (C_{S1} to C_{S4} in Fig.5.6). These suppress power supply noise (that might otherwise find its way onto the output) by bypassing transients.

HIGH QUALITY

To get good performance, high quality plus high accuracy (1% or better) resistors with low temperature coefficients should be used. Errors in high precision circuits can come from unexpected sources. The fact that resistors in different parts of a circuit have on average quite different voltage levels across them, means that their power dissipation, and hence self-heating, can be quite different.

So even if all the resistors have the same temperature coefficient, their relative values can change, resulting in gain errors or other problems. Using resistors having a higher power rating than strictly necessary (as long as they are of equal quality) and using large value resistors can help alleviate this problem.

The in.amp may have very good CMRR at d.c., but not at very high frequencies. Thus radio frequency interference (RFI) picked up at the in.amp input may end up (after rectification by the op.amp internal circuits) as a d.c. error. This can be reduced using an RFI suppression circuit (C1, C2 and R5 in Fig.5.6).

The cutoff frequency (-3dB) of the input filter is given by the usual formula $1/2\pi RC$, where R is the sum of the two resistances and C is the sum of the three capacitances. With 20k Ω resistors, capacitors C1 at 1nF, and C2 at 22nF, the cutoff frequency is around 166Hz.

The resistors and C1 and C2 must be high accuracy (1% resistors and 5% capacitors or better) to prevent unbalancing the input and degrading the CMRR. As well as potential CMRR reduction, the RFI circuit results in higher loading of the source (particularly for low R4 and R5 values) and higher noise (particularly for high R4 and

PANEL 5.1. Analysing the In.amp

To analyse the in.amp (instrumentation amplifier) circuit configuration, we assume that ideal op.amps are used, allowing us to use our helpful simplifying assumptions: the op.amp gain is infinite so the two op.amp inputs are at the same voltage (virtual short circuit), and the op.amp input impedance is infinite so the op.amp input current is zero.

First we consider the fully differential amplifier (Fig.5.4) on its own, its (differential) input voltage V_{in} is $V_{i1} - V_{i2}$. The virtual short circuit means that the voltages on either side of R1 are equal to the input voltages, that is $V_a = V_{i1}$ and $v_b = V_{i2}$.

The zero op.amp input current means that all the current in R1, i , also flows in the other two resistors. The differential output voltage is equal to the voltage drop across the three resistors. By Ohm's Law this is simply:

$$V_{out} = V_{o1} - V_{o2} = i(R1 + 2R2).$$

We know the voltage across R1 is $V_{i1} - V_{i2}$ so, again using Ohm's Law we find that $i = (V_{i1} - V_{i2}) / R1 = V_{in} / R1$.

Replacing i in our previous expression for V_{out} with this gives $V_{out} = V_{in}(R1 + 2R2) / R1$. Rearranging this equation gives us the differential gain, $V_{out} / V_{in} = (R1 + 2R2) / R1 = 1 + 2R2 / R1$.

The in.amp simply adds a standard op.amp differential amplifier after the differential output amplifier. The gain of this stage is $R4 / R3$ so the overall differential gain of the in.amp is $(1 + 2R2 / R1) \times (R4 / R3)$.

Returning to the differential output amplifier, let's see what happens if we apply a common mode signal. For example, if we increase both V_{i1} and V_{i2} by the same amount then V_a and V_b will follow this change due to the virtual short circuit.

The voltage *difference* has not changed, i.e. the voltage across R1 has not changed, so the current through it will remain the same. The *differential* output voltage will not change but output voltages with respect to ground will shift by the same amount as the inputs. Thus the common mode gain of the differential output amplifier is 1 (unity).

R5 values). It should therefore only be used when needed.

Having discussed the fine details of d.c. amplification, let's describe various sensors with which such techniques are required (recall that we discussed strain gauges last month).

ACCELEROMETERS

When an object is in motion and it changes its velocity, it is said to experience an **acceleration**. In many applications, acceleration (or deceleration - slowing down) can be very large and disastrous.

Take, for example, a car travelling at 40kph and hitting a very solid brick wall. The car will stop very quickly and the deceleration experienced by the occupants will be extremely large. If the driver

is not wearing a seatbelt his (or her) head will hit the windscreen with the force of about one tonne (1000kg = 2205lb)! This type of rapid deceleration is called a **shock**.

We can work out how much deceleration occurs if we know how long it takes the car to stop. Assume it stops in 0.1s, then 40kph = 11.1ms⁻¹ and the deceleration is 11.1/0.1 = 111ms⁻² or 11.3g. If it takes 0.01s (10ms) then the deceleration will be 1111ms⁻² or 113g! (Remember that 1g is the acceleration due to gravity = 9.8ms⁻²).

Objects vibrating also experience acceleration and deceleration, the size of which depends on the frequency of vibration and its maximum amplitude. The peak acceleration, a , for any object vibrating at a frequency f with peak amplitude x is given by:

$$a = 4\pi^2 f^2 x$$

Let's take an example to illustrate this equation. Say we have a pneumatic road hammer and it vibrates at 10Hz. If the end of the hammer moves by 1cm (0.01m) for each vibration, then the peak acceleration that the person operating the hammer experiences is:

$$4 \times \pi^2 \times 10^2 \times 0.01 = 39.5s^{-2} = 4g$$

How do we measure acceleration? All accelerometers operate on the same basic principle - the **spring-mass** system (which we shall look at in Lab 5.2). Think of a spring connected to a mass, the other end of the spring being anchored. If the entire system is accelerated then the mass pulls away from the anchor point but is kept back by the force in the spring.

As the mass moves further away, the force in the spring gets stronger until the force on the mass ($F = ma$) equals that of the spring, i.e. they are in equilibrium. It turns out that the distance moved by the mass is proportional to the acceleration, so

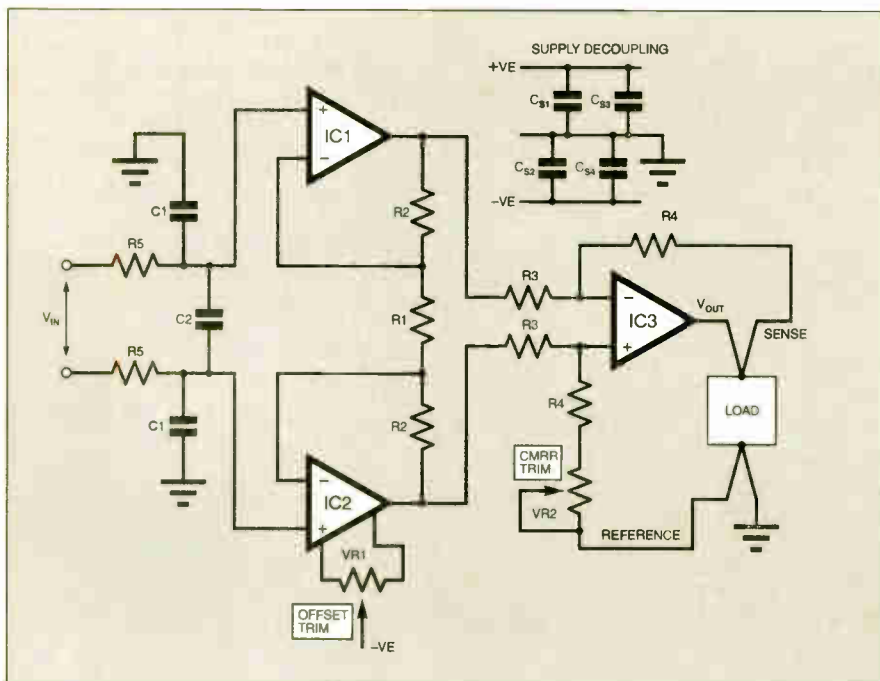


Fig.5.6. Instrumentation amplifier with improvements over the circuit in Fig.5.5

we can reduce the measurement problem to one of measuring distance.

The mass used in accelerometers is called the **test mass** or **seismic mass**. Many modern accelerometers use either silicon strain gauges or a piezoelectric crystal to measure distances. Fig.5.7 shows a device based on a piezoelectric crystal and has the seismic mass held against the crystal by a spring.

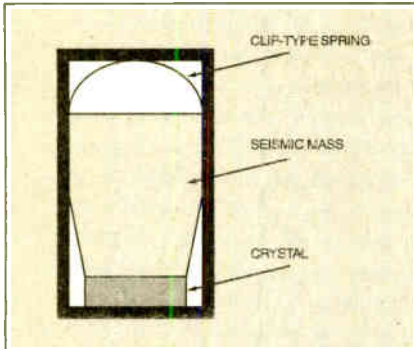


Fig.5.7. Example of a piezoelectric accelerometer.

Modern accelerometers are integrated with digital logic and can produce digital outputs. Analog Devices produce several devices with one and even two axes. A one-axis sensor, the ADXL105 was used in the *Pocket g-Meter* in *EPE* July 2000. This device produces a voltage output proportional to acceleration, whereas the two-axis ADXL202 produces frequency outputs. Unfortunately, accelerometers are expensive devices and we will not be building any Lab Work circuits that use them.

FEEL THE PRESSURE

Pressure is defined as force per area and there are three forms of pressure measurement:

Absolute pressure – pressure measured relative to a perfect vacuum. A common measure of pressure is pounds per square inch *absolute* (psia). An example is barometric (or atmospheric) pressure.

Differential pressure – this is the difference between two measurement points and is often measured in pounds per square inch *differential* (psid).

Gauge pressure – pressure measured relative to ambient pressure, measurement is again in pounds per square inch *gauge* (psig). An example is measurement of blood pressure.

Measurement units for pressure can be a bit confusing since there are several, but all are in the form *force per unit area*.

You may have an old barometer with a mercury column; this measures atmospheric pressure in mmHg (millimetres of mercury). Other older barometers used water instead of mercury, which made them very large and the measurement unit was in inches of water (inH₂O). More modern barometers measure in millibars (mB) or in atmospheres (atm). The SI unit of pressure is the Pascal (Pa).

Table 5.1 gives conversions between the various units. For example, if the weather forecaster says the pressure will be 1030mB then from the table we can work out that this is equivalent to 14.57psi (1038mB = 1.038 Bar).

Table 5.1. Conversions between Different Pressure Units

Unit	Equivalent
1psi	51.714mmHg
1psi	27.680inH ₂ O
1psi	6.8946kPa
1 Bar	14.504psi
1 atm	14.696psi

PRESSURE SENSORS

The basic principle of operation of a pressure sensor is to convert changes in position of a diaphragm into an electrical signal, which is usually carried out using strain gauges.

We can see how this works if we think about an aneroid barometer, which is a sealed metal chamber with a vacuum inside. Changes in atmospheric pressure cause the chamber to change in size and this is converted to movement of a needle. If we place strain gauges on the sides of the chamber then we can measure changes in their resistance and therefore changes in pressure.

This type of sensor is an absolute sensor. Differential sensors also have a diaphragm but instead of a vacuum on one side, that side is connected to a second pressure source. The diaphragm moves according to the difference in pressure between the two sides. A gauge sensor is a differential sensor with one side of the diaphragm open to the air, usually via a small hole.

Commercial pressure sensors use four silicon strain gauges connected in a bridge format (identical to that used in Fig.5.9 of the Lab Work weighing machine). Fig.5.8 shows a cross-section of an absolute pressure sensor which shows the evacuated chamber below the diaphragm acting as the reference.

Pressure sensors are sensitive to temperature and they often have a temperature

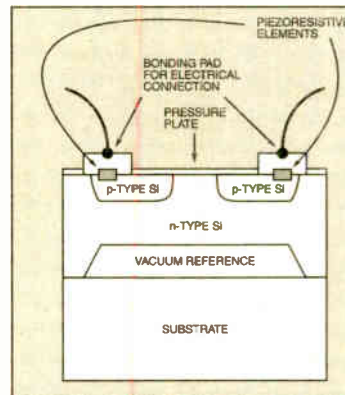


Fig.5.8. Cross-section of an absolute pressure sensor.

Table 5.2. Characteristics of Some Sensym Pressure Sensors

Device	Operating Pressure	Proof Pressure (typical)	Full Scale Span	Temperature Coefficient	Input Resistance	Output Resistance
SX01*	0-1psid	20psi	20mV	-2300ppm°C ⁻¹	4.65kΩ	4.65kΩ
SX05*	0-5psid	20psi	75mV	-2300ppm°C ⁻¹	4.65kΩ	4.65kΩ
SX15**	0-15psid	30psi	110mV	-2150ppm°C ⁻¹	4.65kΩ	4.5kΩ
SX30**	0-30psid	60psi	110mV	-2150ppm°C ⁻¹	4.65kΩ	4.5kΩ
SX100**	0-100psid	150psi	150mV	-2150ppm°C ⁻¹	4.65kΩ	4.5kΩ
SX150**	0-150psid	200psi	110mV	-2150ppm°C ⁻¹	4.65kΩ	4.5kΩ

* differential only (SX01D, SX05D)

** These can be absolute (SX15A, etc) or differential (SX15D, etc)

Adapted from www.sensortech.com/dl/sx.pdf

sensor built in to provide for temperature compensation. Characteristics of one series of sensors from Sensym (now Sensortech, www.sensortech.com) are listed in Table 5.2; these are fairly typical sensors.

In Table 5.2, the column labelled Proof Pressure states the maximum pressure that can be applied without damage.

USING PRESSURE SENSORS

Pressure sensors are expensive (minimum about £18) and need to be treated carefully. Never immerse a sensor in liquid unless it is designed for that purpose. Also, because the silicon wafer complete with gold and aluminium bonding is exposed to the air, any moisture or other liquid present in the air could cause device failure.

A third consideration is the material in the body of the sensor – in some sensors this is stainless steel, which is not a problem, but in others (particularly low cost) the body is plastic. This is not compatible with petrol (gasoline) which may cause the material to soften or dissolve!

ATMOSPHERIC PRESSURE

We have all heard weather forecasters mentioning pressure and seen isobars (lines of equal pressure) on weather maps. Why is air pressure so important?

Firstly, rotation of the Earth and the effect of solar radiation mean that air is not stationary and moves in complex ways in the atmosphere. We often see on weather maps that air tends to circulate around high and low pressure regions and the speed of rotation varies considerably.

Take a hurricane, for example, wind speeds can reach over 100 miles per hour and at the centre of the hurricane is a region of very low pressure. When we see tightly packed isobars on a weather map, we know that it is going to be windy.

Also, there are times when high pressure regions become established when we have clear skies and warm weather in summer, and cold, usually frosty weather, in winter.

High pressure is also associated with interference on television when UHF radio waves become trapped in the atmosphere and travel long distances before returning to the Earth. Under normal conditions, the signals from remote stations will have attenuated sufficiently not to interfere, but under high pressure, they travel much further and cause interference.

LAB WORK

In Lab Work we now perform some experiments using strain gauges.

TEACH-IN 2002 – Lab Work 5

DAVE CHESMORE and ALAN WINSTANLEY

Strain Gauge Weighing Machine

As we saw last month, strain gauges are useful for measuring forces on objects. Here in Lab 5.1 we use two strain gauges attached to an aluminium beam to measure bend due to the weight of an object. The beam is made of 1mm thick aluminium sheet cut to 1cm wide and 8cm long. It is attached at one end to a rigid support as shown in Photo 5.3.

The gauges are placed above and below the beam at about 2cm away from the fixed end. When the beam is bent downwards the top gauge will be extended and the bottom gauge will be compressed. The gauges are placed in a bridge circuit (Fig.5.9) in such a way as to double the voltage change as compared with only one gauge.

You will recall from Part 4 that the change in resistance of a strain gauge is small and the signal needs to be amplified perhaps by 1000 times. The output of the bridge is therefore connected to an instrumentation amplifier (in.amp) built around op.amps IC1, IC2 and IC3. The amplifier has a gain of 1000 set by the ratio of R4 and VR3 as explained in the Tutorial section on in.amps.

The bridge is built around two strain gauges (X1 and X2), resistor R3 and preset potentiometer VR1. In this circuit, R3 is 120Ω since this is the nominal resistance of the strain gauges and VR1 can be varied around this value. X1 is the bottom gauge and X2 the upper gauge.

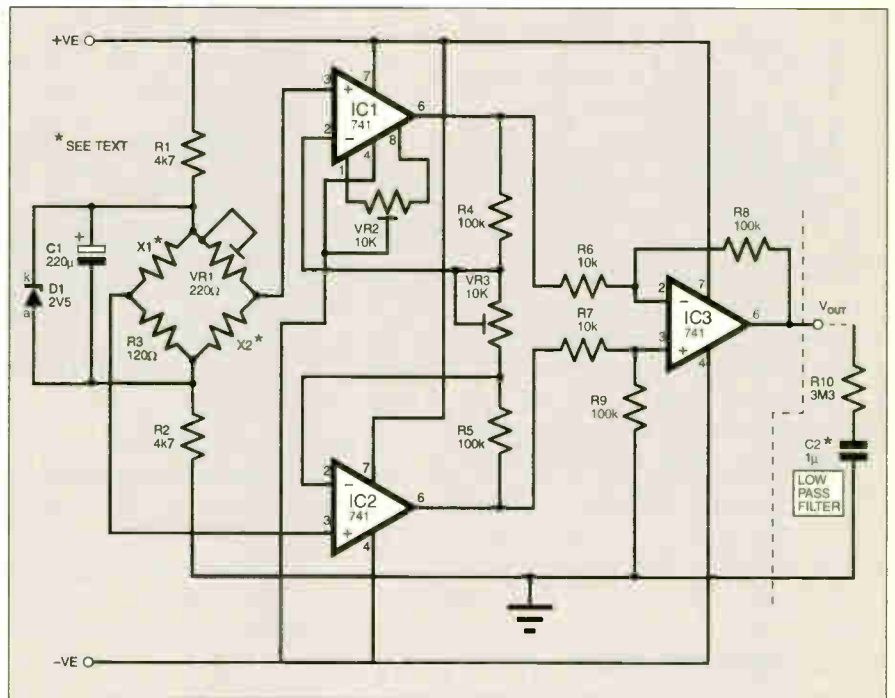


Fig.5.9. Circuit diagram for an experimental weighing machine.

If you use strain gauges that have a different resistance to those suggested in the components list, then make sure VR1 and R3 are the same value as the gauges when they are unstressed. All resistors should ideally be close tolerance, i.e. 2% or 1%.

The bridge needs a stable voltage which is provided by the voltage reference diode D1 (here this is 2.5V but you may use any Zener diode between 2V and 5V). The circuit requires a ±12V supply, which can be provided by the *Teach-In* power supply described in Part 1.

CONSTRUCTION

Referring to Fig.5.9 and Photo 5.1, construct the circuit carefully on breadboard. For the moment, omit resistor R10 and capacitor C2.

The strain gauges are delicate and their wires should be soldered to a small section of stripboard. This can be secured to the aluminium strip using Blu-Tack (Photo 5.2). The sensors have a self-adhesive backing allowing them to be fixed firmly to the aluminium, one on each surface.

For our test model, we constructed the support shown in Photo 5.3, but the aluminium strip assembly could equally well be taped securely to the overhang of a work surface.

Attach the wires from the strain gauges, connect all power supply leads and the Picoscope, which should be set to read voltage, and turn the power on.

With no weights on the beam, adjust preset VR2 (offset null) until the output voltage is as close to 0V as possible. You may need to adjust VR1 slightly to accommodate any tolerance variations in resistor R3 and the strain gauges.

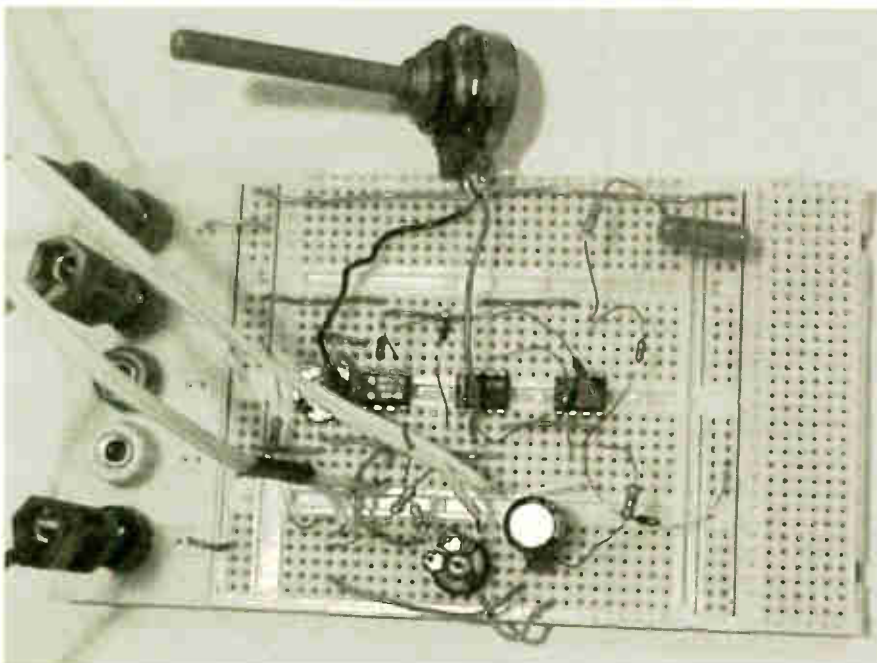


Photo 5.1. Breadboard assembly for Fig.5.9.

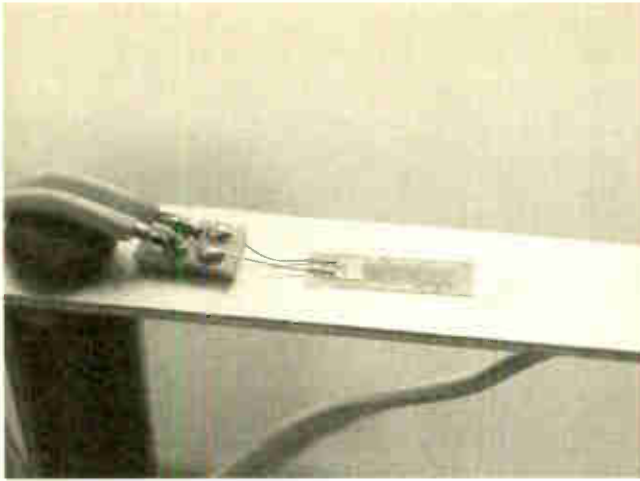


Photo 5.2. Strain sensor assembly.

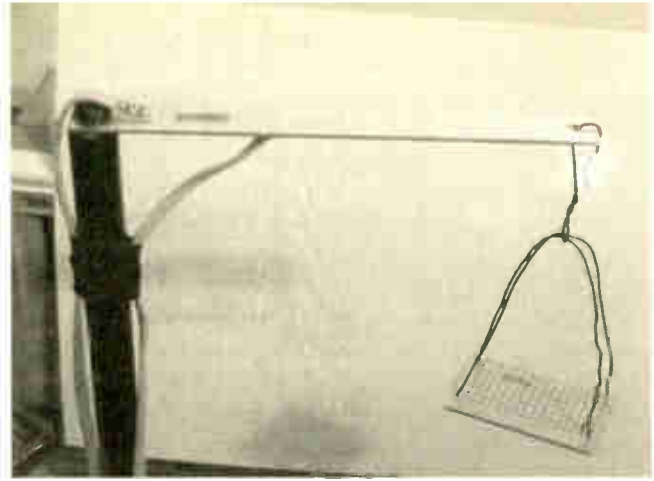


Fig.5.3. Weighing machine support assembly (see text).

Place a weight (e.g. 100g) on the beam (use a hook of wire) and examine the output voltage – it should have changed positively. If it has gone down then swap the wires from the bridge. Potentiometer VR3 allows you to adjust the output to a reasonable value. Change the weight and see what happens; hopefully the relationship between output voltage and weight should be fairly linear!

The circuit can give a good sensitivity, around 10mV/g^{-1} , and works well for 100g weights and a bit above, but be careful not to bend the beam too far! One noticeable problem with the circuit is a drift in the zero point over time. You could replace the 741 op.amps by OP177s to see if this is improved.

By now including components R10 and C2, you can add a low pass filter that helps to reduce any signal noise.

Lab 5.2 Spring-Mass Oscillation

One of the most familiar physics experiments is to look at oscillations of a mass connected to a spring. In fact, we have seen through the Tutorial that this is the basis of an accelerometer. We can use the weighing machine from Lab 1, together with the Picoscope, to plot changes in force when a mass is attached to a spring.

Attach a spring (any type that will respond to a weight of about 100gms) to the end of the beam of the weighing machine and a weight to the other end. When you pull the weight and release it, it should oscillate for a time before stopping. Use the Picoscope to plot the output voltage.

It might be expected that a nice clean decaying sinewave would be the resulting waveform, but remember that the beam also has a mass and is elastic. Consequently, we get a combination of the oscillations of the beam and of the weight.

Try “twanging” the beam without any weights attached and observing the signal using the Picoscope. However, the amplitude of the beam’s oscillation without the weight will be smaller, at a higher frequency and may be difficult to see.

Lab 5.3. The Problem of Noise

When trying to process the signals generated by many forms of sensor, it is important to compensate for the effects of electrical noise and interference that may be picked up along the way. This is

COMPONENTS

Approx. Cost
Guidance Only

£30

N.B. Some components are repeated between Lab Works

See
SHOP
TALK
page

Lab 5.1 and 5.2

Resistors

R1, R2	4k7 (2 off)
R3	120Ω
R4, R5	100k (2 off)
R6, R7	10k 1% (2 off)
R8, R9	100k 1% (2 off)
R10	3M3

All 0.25W 5% carbon film unless stated (see text).

Potentiometers

VR1	220Ω sub-min preset
VR2, VR3	10k sub-min preset (2 off)

Capacitors

C1	220μ radial elect. 16V
C2	1μ polyester

Semiconductors

D1	2.5V reference diode (see text)
IC1 to IC3	741 op.amp (3 off)

Miscellaneous

X1, X2	120Ω strain gauge, 8mm (2 off)
--------	--------------------------------

Aluminium strip, 1mm x 1cm x 3cm; beam support (see text); small piece of stripboard (see text); light-duty spring.

Lab 5.3a (Fig.5.10)

Resistors

R1	220Ω
R2	100k
R3	22k
R4, R6	2k2 (2 off)
R5	100Ω

All 0.25W 1% carbon film

Capacitor

C1	10n polyester
----	---------------

Semiconductors

D1	4V7 Zener diode
IC1	555 timer

Miscellaneous

B1	9V PP3 battery
----	----------------

Lab 5.3b (Fig. 5.11)

Resistors

R1	1k
R2	22k

Potentiometer

10κ	sub-min preset
-----	----------------

Semiconductor

IC1	OP177 or similar op.amp
-----	-------------------------

Lab 5.4

Resistors

R1, R2	1k (2 off)
R3, R4	22k (2 off)

Semiconductor

IC1	OP177 op.amp
-----	--------------

Lab 5.5

Resistors

R1	8k25 1% (or 8k2 see text)
R2	43.2Ω 1% (or 47Ω see text)
R3, R4	100k (2 off)
R5 to R8	10k 1%

0.25W 5% unless stated.

Potentiometer

VR1	4k7 sub-mm preset
-----	-------------------

Semiconductors

IC1	LM334 constant current generator
IC2 to IC4	741 op.amp (3 off)

Miscellaneous

X1	SX100A Sensym 100psi pressure sensor (see <i>Shoptalk</i>)
----	---

especially true when sensor signals are transmitted over long wires, as the accuracy and usefulness of signals can be degraded considerably by noise.

In this Lab Work we demonstrate the basic problems of noise and how to overcome them.

To simulate a remote signal source, a 1kHz 555 square wave generator can be

constructed using the circuit of Fig.5.10. This is a completely “floating” circuit that is powered from a 9V battery, with Zener diode D1 limiting the rail voltage to 4.7V. This demonstration should *not* be powered from the *Teach-In* power supply otherwise its “floating” characteristic will not exist.

Construct the circuit of Fig.5.10 on part of your solderless breadboard and monitor

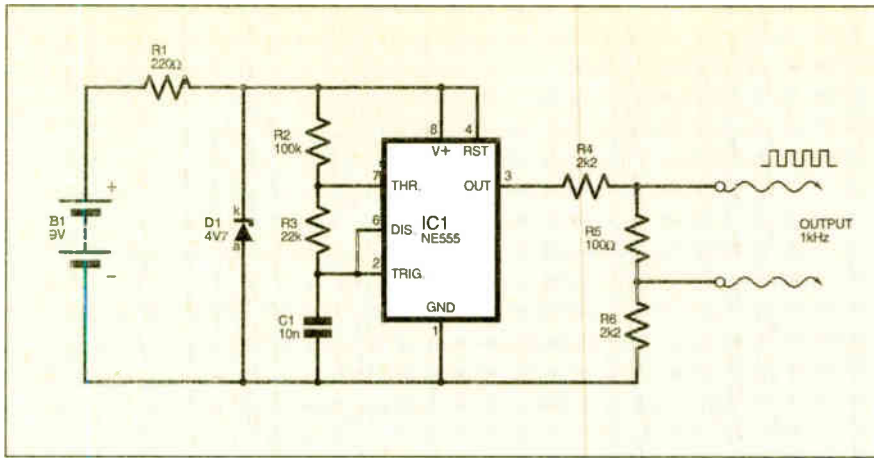


Fig.5.10. Battery operated square wave generator.

the output between IC1 pin 3 and 0V using your Picoscope (see Fig.5.11). Select a suitable timebase, stop the display (spacebar) then click on-screen to place two rulers. The Picoscope display will measure the time period between them – ours was $969\mu\text{s}$ ($f = 1/t$ so frequency = 1.03kHz).

A simple non-inverting amplifier based on an OP177 op.amp is shown in Fig.5.12. Assemble this on your breadboard, and hook it to the Teach-In $\pm 12\text{V}$ power supply.

Connect the op.amp's output and 0V to the Picoscope, and also temporarily connect the wiper of preset VR1 to IC1 pin 3. Vary the potentiometer and observe the output voltage, in order to check that the amplifier is functioning.

By using a very slow timebase and trimming VR1, we obtained results as in

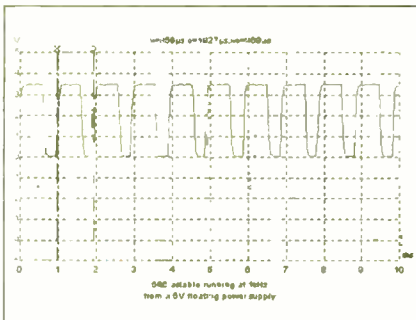


Fig.5.11. Output of Fig.5.10 as monitored by the Picoscope.

Fig.5.13 – note that the Picoscope display will clip the signal at $\pm 5\text{V}$.

Now we need to simulate a signal source connected by relatively long wires. Take two 3-metre (approximately) lengths of general purpose hook-up wire (solid core is better) and twist them together. Simply insert one lead into the 0V rail on the breadboard, close to IC1, and connect the other lead to IC1 pin 3, the non-inverting input.

Observe the Picoscope display (select a timebase of, say, 20ms per division). Our results are shown in Fig.5.14.

Note that although Fig.5.14 apparently indicates a square wave, something else has actually happened. The op.amp has, in fact, amplified the noise that is present on those long wires, which act as antennae, picking up the a.c. electrical signal from the mains wiring all around the building.

A clue is provided in the frequency measurement, which is calculated as 50Hz, as shown, i.e. the UK mains frequency (overseas, you may measure 60Hz). The Picoscope display has clipped the noise signal to just $\pm 5\text{V}$.

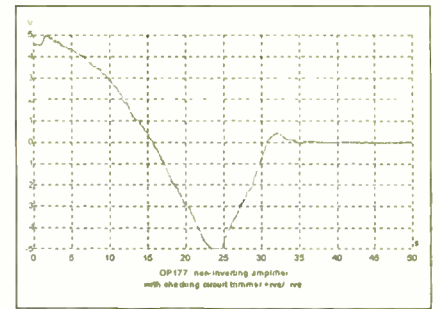


Fig.5.13. Display produced using the circuit in Fig.5.12 when using VR1.

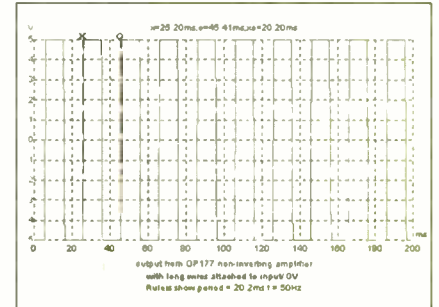


Fig.5.14. Display produced using the circuit in Fig.5.12 when using long wires.

This gives an idea of the scale of the problem facing us when we need to transmit low magnitude signals, e.g. those from a strain gauge, over long wires and amplify them to obtain meaningful results.

The next stage is to connect the 555 astable oscillator in Fig.5.10 as the signal

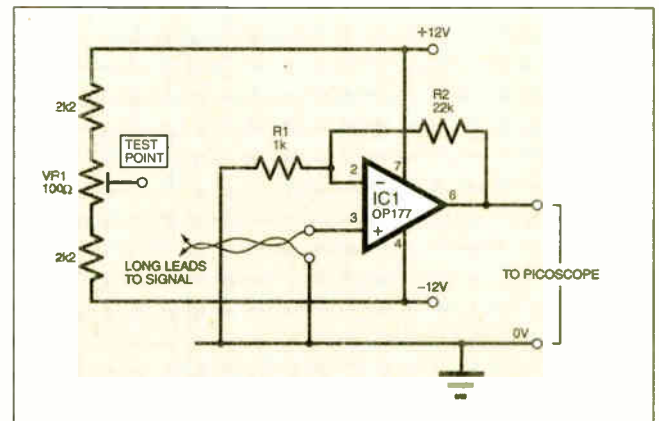
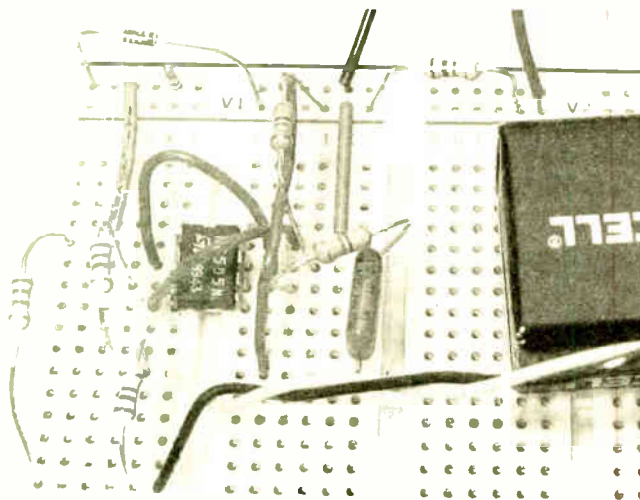
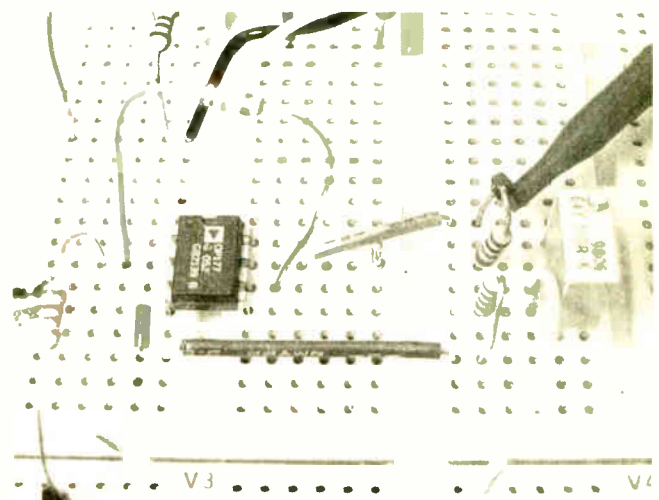


Fig.5.12. Non-inverting test amplifier circuit.



Breadboard assembly for Fig.5.10.



Breadboard assembly for Fig.5.12.

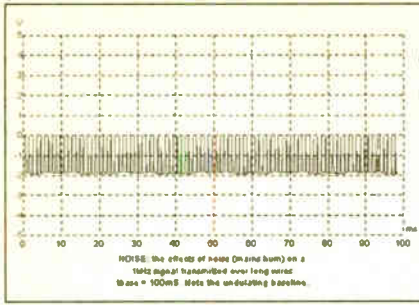


Fig.5.15. Display produced when the circuit in Fig.5.10 is connected to that in Fig.5.12.

source to the op.amp, using the long leads to hook across the 100Ω output resistor (R5). Thus we simulate a sensor's electronic signal of approximately 100mV magnitude being transmitted to an amplifier. Observe the Picoscope display. Fig 5.15 confirms a reading of about 1kHz.

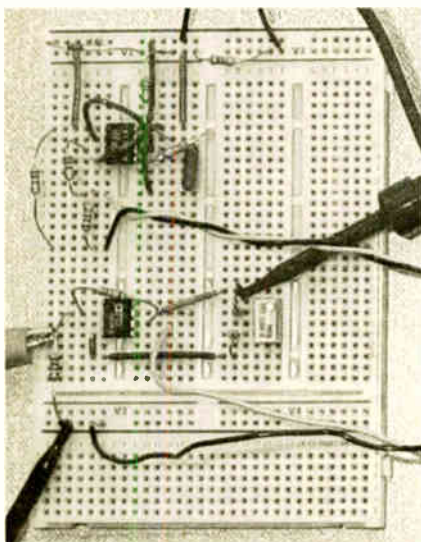
Although the problem of noise is less evident in this simple demonstration, it is still very much there, especially when sensor wires extend for many tens of metres or more. Designers must be mindful of this and the steps needed to "design-out" such problems by using differential amplifiers instead.

Experiment further, if possible, by using extremely long wires, or if you have a reel of it available, compare the use of screened leads or twisted wires. Try to route the wires near to "noisy" electrical loads, such as motors or mains transformers.

Next month we discuss noise in more detail and at the end of *Teach-In* series we will demonstrate a simple radio-frequency system that offers an alternative way of monitoring the environment without the need to use long wires.

Lab 5.4. A Differential Approach to Noise

In Fig.5.16 is shown a simple differential amplifier that can be assembled on breadboard using an OP177 or similar op.amp. Use VR1 from Fig.5.12 to apply a test d.c. voltage to each input in turn; temporarily ground the other input to 0V with a link wire. This time the output will tend to saturate either high or low when the trimmer is adjusted.



Breadboard assembly for Fig.5.10 and Fig.5.12.

The 555 oscillator is again used as a floating signal source and this should now be connected across the two differential inputs of the amplifier by using the two long wires. The op.amp can be monitored again using the Picoscope, see Fig.5.17.

This time we observed that there was much less tendency for the signal to be affected by outside interference from mains hum. Using a differential method like this is clearly likely to ensure that signals from sensors will not be unduly affected by outside sources of noise, hum, electrical spikes and so on.

Other measures that may need to be taken include the appropriate use of shielding and screening, both of the wires themselves and sometimes the measuring equipment and apparatus as well.

Lab 5.5. Atmospheric Air Pressure Sensor

The circuit diagram in Fig.5.18 is for an atmospheric pressure sensor that measures 950mB to 1050mB and uses a Sensym

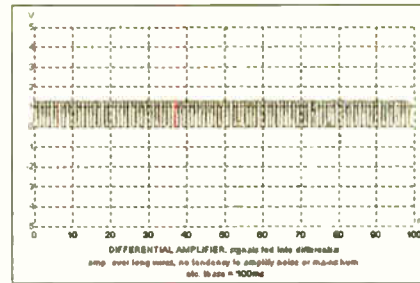


Fig.5.17. Display produced using the circuit of Fig.5.16 with that in Fig.5.10.

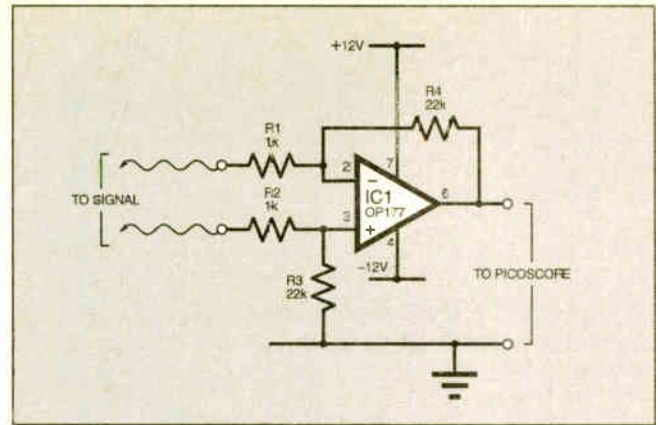


Fig.5.16. Differential amplifier test circuit.

SX100 absolute pressure sensor with a pressure range of 0 to 100psia.

Before examining the circuit, we need to work out the overall gain required, given the sensitivity of 1mV per psia. Looking at Table 5.1, 1 Bar is equal to 14.504psi, so 1mB equals 0.014504psi and 1psi equals $1/0.014504 = 68.95$ mB. Since the SX100 has an output of 1mV per psi then a gain of 68.95 will give an output such that 1V represents a pressure of 1000mB. The output from the circuit in mV can therefore be read in mB.

As the SX100 sensors are temperature sensitive they need a temperature compensation circuit. This can be achieved in a number of ways, including thermistors, diodes and transistors. The method used here is taken from the SX series datasheet from Sensortronics (www.sensortronics.com) and uses a constant current source device, type LM334 (IC1 in Fig.5.18) which is temperature sensitive.

The resistor values for R1 and R2 have been selected from Table 2 in the LM334 datasheet to give the best temperature compensation for a power supply voltage of 12V. They should be 1% tolerance, although the nearest E12 or E24 series values can be used instead.

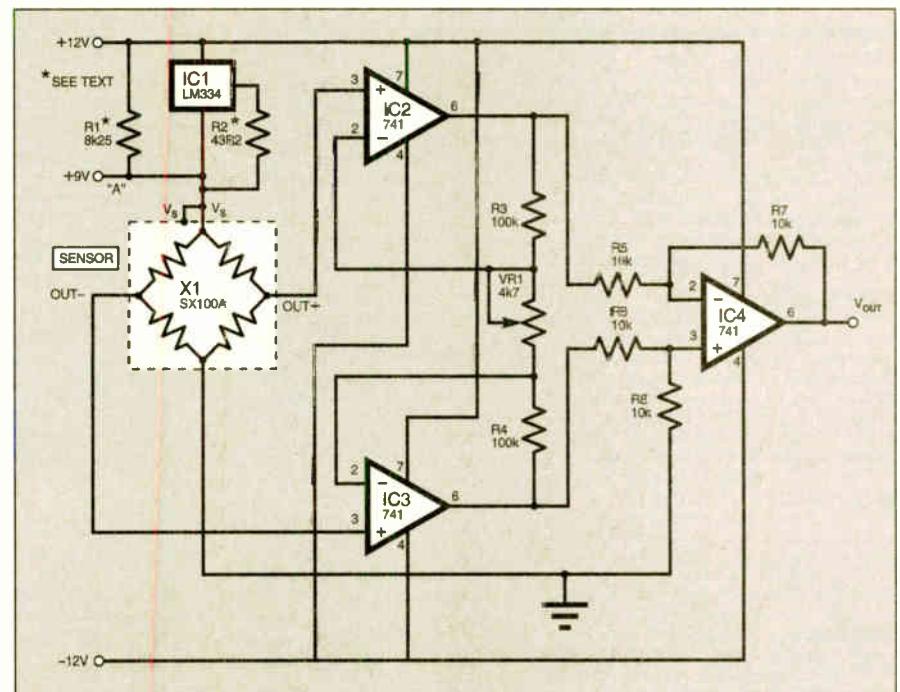


Fig.5.18. Circuit diagram for an experimental air pressure sensor.

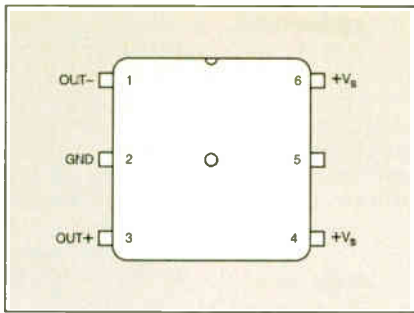


Fig. 5.19. Pinout for the SX100 pressure sensor.

It will be seen that the sensor (X1) is represented as a bridge-constructed device, whose respective outputs feed into op.amps IC2 and IC3, the first stage of an in.amp. The second stage of the in.amp is formed around IC4 and is a differential amplifier. The overall gain of the in.amp is between 60 and 80, variable by potentiometer VR1.

Construct the circuit on breadboard, see Photo 5.4. The pinouts for the sensor are shown in Fig.5.19.

The circuit should be powered at $\pm 12V$. Following switch on, the bridge supply voltage at test point A should be 9V. Monitor the output of the amplifier and vary VR1 until the output is close to 1V. If it is negative then swap the Out+ and Out- connections from the sensor.

Calibrating the sensor is not very easy unless you have access to a pressure source or a digital barometer. A wall-mounted aneroid barometer is not accurate enough. There are, however, occasions when the weather conditions are very stable, usually during a period of high pressure. When this occurs, the

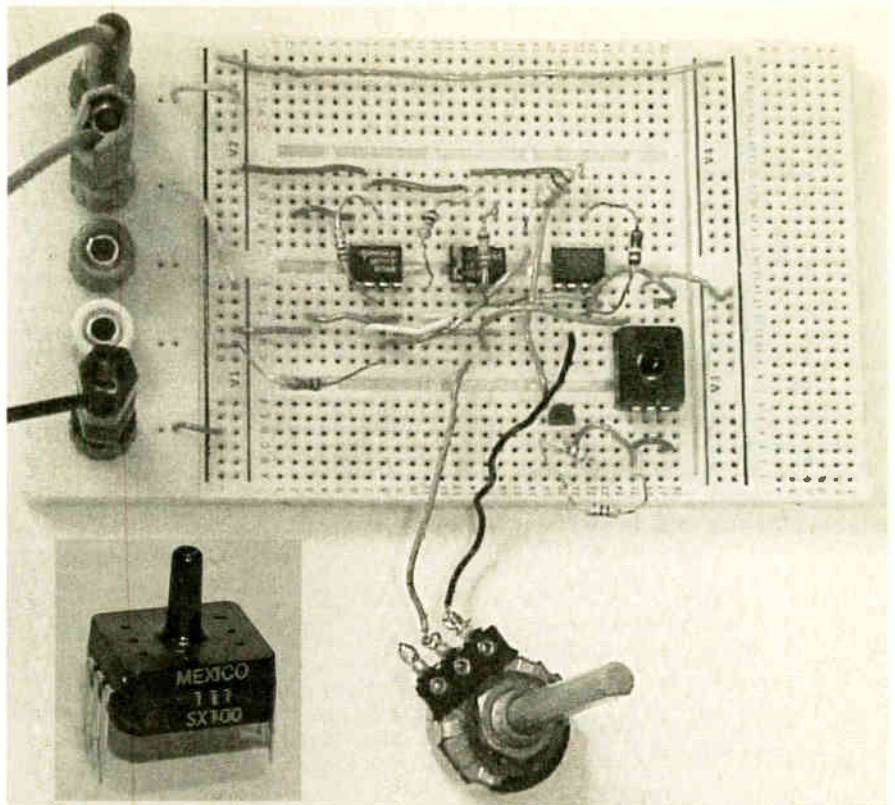


Photo 5.4. Breadboard assembly for the circuit in Fig.5.18, with the inset at the left showing a close-up of the SX100 pressure sensor.

pressure is usually mentioned on weather forecasts and the circuit calibrated by varying VR1 until the output in millivolts reads the pressure in millibars.

One thing to note – air pressure also varies as a function of height above sea level, decreasing with altitude. The circuit we have described here is not compensated for altitude!

NEXT MONTH

In Part 6 next month we examine noise in more detail, plus magnetic fields and how to sense them.

If you have any queries directly related to this series, you can write to the authors c/o the Editorial address, or you can email them to teach-in@epemag.demon.co.uk (no file attachments or general electronic queries please).

SHOP TALK

with David Barrington

MK484 Shortwave Radio

We can give you two sources for the MK484 radio chip used in the MK484 Shortwave Radio project. **Rapid Electronics** (☎ 01206 751166 or www.rapidelectronics.co.uk) list the MK484 as code 82-1026 and it is supplied with a useful data sheet. They also list a suitable miniature (ZN414 type) tuning capacitor, code 12-0250, and a 100mm length ferrite rod, code 88-3098. The other supplier of the 3-pin radio i.c. is **ESR** (☎ 0191 251 4363 or www.esr.co.uk), who list it as just MK484. The tuning capacitor is listed by them as code 896-110.

The remaining parts for the SW receiver should be readily available from most of our components advertisers.

PIC Virus Zapper

A pre-programmed PIC16F84 microcontroller for the *PIC Virus Zapper* can be purchased from the author for the sum of £6 (add £1 for overseas). Orders (mail only) should be sent to **Andy Flind, 22 Holway Hill, Taunton, Somerset, TA1 2HB**. Payments should be made out to *A. Flind*. For those who wish to program their own PICs, the software is available from the Editorial offices on a 3.5in. PC-compatible disk (EPE Disk 5), see *PCB Service* page 219. It is also available Free via the EPE web site: <ftp://ftp.epemag.wimborne.co.uk/pub/PICS/VirusZapper>.

The 4kHz resonance piezoelectric sounder (code 172-7295) and the plastic case (code 244-8577) used in the model both came from RS and can be ordered through any *bona-fide* stockists, including many of our advertisers. You can order direct (credit card only) from **RS** on ☎ 01536 444079 or at rswww.com. Expect to pay a post and packing charge.

The printed circuit board is available from the *EPE PCB Service*, code 337 (see page 219).

RH Meter

We understand that the Honeywell HIH3605-A capacitive humidity sensor called for in the *RH Meter* project is stocked by **Farnell** (☎ 0113 263 6311 or www.farnell.com), code 723-4624, and by **RS** (☎ 01536 444079 or rswww.com) code 334-2975. A post and packing charge may be incurred.

The rest of the components for this project should be easy to find, but being

mostly surface mount types you will probably have to order in multiple quantities. If you have difficulty locating surface mount versions of the LM2931 and LM2904 try Farnell, see earlier. The small surface mount printed circuit board is available from the *EPE PCB Service*, code 338 (see page 219).

PIC Mini-Enigma

The 2-channel 20-character alphanumeric display module used in the *PIC Mini-Enigma* project appears to be widely stocked. However, they do seem to vary in price and their interconnecting arrangements, having data/segment wiring pads on the side, top or bottom edges of the p.c.b., and you will need to adapt the wiring to the display. The i.c.d. must incorporate a HD44780 controller chip. (The type in normal widespread use.)

This project requires two PIC16F84s, one for Enigma and the other for the "Matchbox" unit. A pair of ready-programmed PICs can be purchased from **Magenta Electronics** (☎ 01283 565435 or www.magenta2000.co.uk) for the inclusive price of £11.80 (overseas add £1 p&p). The software is available on a 3.5in. PC-compatible disk (EPE Disk 5) for the sum of £3 (UK), to cover admin costs (for overseas, see page 219). It is also available Free from the EPE web site at: <ftp://ftp.epemag.wimborne.co.uk/pubs/PICS/Enigma>.

Teach-In 2002 – Lab 5

This month's *Teach-In 2002 – Lab Work 5* needs two special sensor transducers. The strain gauge came from **Rapid** (☎ 01206 751166 or www.rapidelectronics.co.uk) and is their type 23 (for aluminium), code 78-1110. Unfortunately, the Sensym SX100A pressure sensor appears to be unavailable at the time of going to press. **Farnell** (☎ 0113 263 6311 or www.farnell.com) can supply an alternative SX15A (order code 674-217) which can be used if the gain of the circuit is changed to 10.

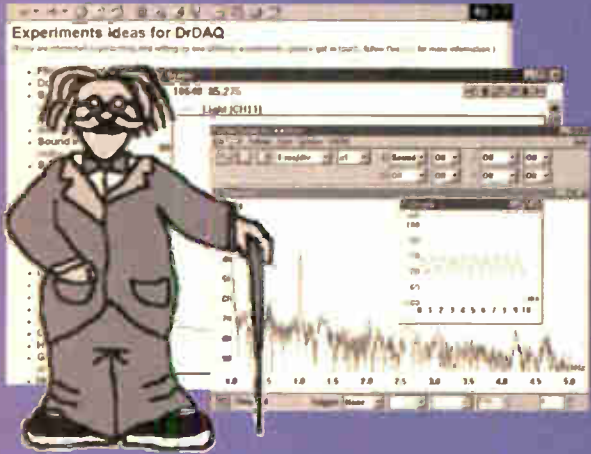
PLEASE TAKE NOTE

Time Delay Touch Switch Jan '02
Page 26, Fig.2. Note that the p.c.b. foil master should be a "mirror image" (flipped-over) of that shown, i.e. viewed from other side.

PIC Spectrum Analyser Feb '02
The RS part number for the TDA703 analogue-to-digital converter should be 181-9754.

Toolkit TK3 Nov '01
Update version V1.2 is now on the FTP site. file 07Jan02 TK3 updates.TXT details the enhancements.

Measure pH, Voltage, Humidity, Sound & Light, on your PC!



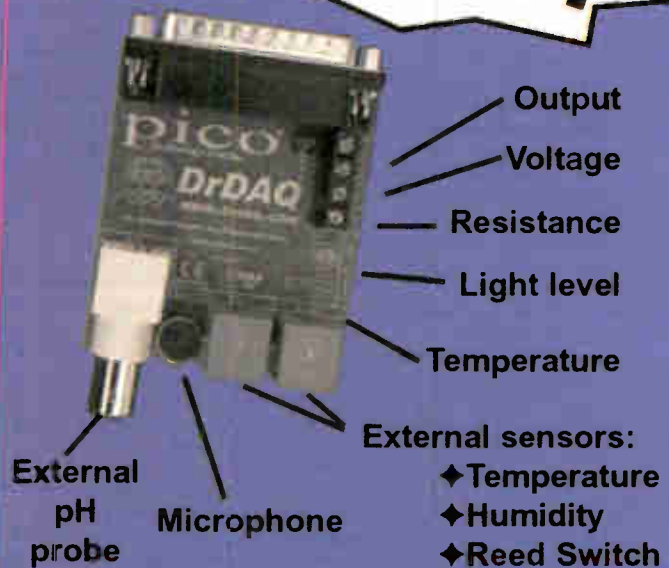
- ✓ Very low cost
- ✓ Built in sensors for light, sound (level and waveforms) and temperature
- ✓ Use DrDAQ to capture fast signals (eg sound waveforms)
- ✓ Outputs for control experiments
- ✓ Supplied with both PicoScope (oscilloscope) and PicoLog (data logging) software

Only £59!
+ VAT

The DrDAQ is a low cost data logger from Pico Technology. It is supplied ready to use with all cables, software and example science experiments.

DrDAQ represents a breakthrough in data logging. Simply plug DrDAQ into any Windows PC, run the supplied software and you are ready to collect and display data. DrDAQ draws its power from the parallel port, so no batteries or power supplies are required.

As well as the built in sensors, DrDAQ has two sockets for external sensors. When a sensor is plugged in, the software detects it and automatically scales readings. For example, if a temperature sensor is plugged in, readings are displayed in °C. Details are provided to allow users to develop their own sensors.



To order the DrDAQ please choose one of the following options:

- i) Visit our web site and place an order over the Internet,
- ii) Place an order over the phone by ringing the number below, or,
- iii) Fill out the order form and either fax it, or post it back to Pico Technology.

DrDAQ Order Form:			
Quantity	Package	Price inc VAT	Total
	DrDAQ + Software	£69.32	
	DrDAQ + 2 Temp Sensors	£92.85	
	DrDAQ + 2 Temp, pH Electrode, Humidity + Reed Switch Sensors	£175.08	
	Delivery	£4.11	£4.11
Grand Total		£	

Name			
Address			
Post code			
Phone			
Credit Card	<input type="checkbox"/> Visa / <input type="checkbox"/> Mastercard / <input type="checkbox"/> Switch / <input type="checkbox"/> Amex		
Card Number			
Expiry Date	/	Start Date & or Issue No.	
Cheque with order	<input type="checkbox"/>		

Pico Technology Ltd, The Mill House, Cambridge Street, St Neots, Cambridgeshire. PE19 1QB
 Tel: 01480 396395, Fax: 01480 396296, E-mail: post@picotech.com, Web: www.drdaq.com

WorldRadioHistory

A Data Logging Breakthrough

PICO
Technology Limited

PRACTICALLY SPEAKING

Robert Penfold looks at the Techniques of Actually Doing It!

ONE of the low-tech aspects of this hi-tech hobby is the wire that can be found in every project. Modern construction techniques have reduced the amount of hard wiring, but every project includes at least a few wires and cables. Many projects are fairly bristling with them.

The subject of cables is perhaps slightly more hi-tech than one might think. Looking through one of the larger electronic component catalogues will probably reveal many pages of wires and cables, with dozens of different types listed. For newcomers this may be surprising, but there is no universal cable that suits all eventualities. A cable that is perfect for a television aerial down lead is not much use for wiring up projects, and vice versa.

Hard Wiring

One type of wire every constructor needs is connecting wire, which is also called hook-up or equipment wire. Whatever you call it, this is a thin wire having plastic insulation, and it is used for making the connections from circuit boards to controls and sockets, or any wiring of this general type. There are usually several types on offer in electronic component catalogues.

There are two basic types, which are the single and multi-core varieties. The single core type has the advantage that it can be formed into complex shapes, and it will retain those shapes. This makes it easy to run the wire neatly from point A to point B. It also makes it easier to form several wires into what is effectively one multi-way cable.

However, single core connecting wire is little used in practice. Its major flaw is that the wire is easily damaged when the plastic insulation is stripped away. Even using proper wire strippers, there is a risk of the wire being nicked slightly. This tends to seriously weaken the wire at that point, usually causing it to break if there is any flexing of the wire. While wire having multiple cores is not immune from this problem, it is much less vulnerable to it.

Making the Grade

Both types of equipment wire are produced in light-, medium-, and heavy-duty varieties. Light-duty equipment wire is usually described as something like "10/0-1", which means that it has 10 strands of 0.1mm diameter wire. This type of wire can only be used for currents of up to about 500mA, but the maximum current in most projects is only a fraction of this figure.

However, a medium duty wire such as a 7/0-2 type is probably better for general project wiring. The maximum current rating for this type of wire is about 1.5A.

An even heavier gauge is needed for projects such as power supplies and power amplifiers, which often involve maximum currents of several amps. Heavy-duty 24/0-2 wire can handle currents of up to 6A and is adequate for most purposes. Heavy-duty equipment wires are unwieldy and difficult to use. Only use a wire of this type where high currents are involved.

Single core equipment wire is generally available in only a limited range of sizes. In fact, these days most catalogues only list one size, if it is

these days is for the diameter of the wire to be given in millimetres. For instance, 14s.w.g. wire is very thick at about 2mm in diameter, and 40s.w.g. wire is very fine at a mere 0.125mm.

Ribbon Cable

Ribbon cable is a multi-way type that has numerous insulated wires laid side by side and joined together. This produces a flat ribbon-like cable that usually has from 10 to about 60 wires.

One type of ribbon cable is specifically designed for use with computer connectors that utilise solderless connections. The 0.05in. pitch of the wires matches the pitch of the terminals on the connectors. This cable is grey in colour apart from a red lead at one edge. By convention, the red lead is used to connect pin 1 of one connector to pin one of the other connector.

A second type of ribbon cable is of more use when building electronic projects. It is essentially the same, but the wires have insulation of different colours. The colour of the insulation may seem to be of no importance, but it enables each wire to be easily identified.

The idea is to use ribbon cable instead of a conventional cable-form produced from individual wires. This type of ribbon cable is normally sold in 10-way and 20-way varieties, but it is easy to peel off a section having the required number of wires (see Fig.1).

Cross-talk

Ribbon cable provides an easy way of making multiple connections from a circuit board to off-board components such as sockets and potentiometers, but it is best not to merge too many connections into one group. A capacitor consists of two metal electrodes separated by a layer of insulation. A ribbon cable consists of pairs or wires separated by a layer of insulation, and each pair or wires therefore form a capacitor.

The capacitance from one wire to the next is not very great, and will normally be no more than a few picofarads. However, this can still be enough to couple a signal from one wire to the next.

With something like three wires running from a circuit board to a potentiometer, the capacitance in the cable is likely to be too small to have any detrimental effects. Using a four-way ribbon cable to carry the connections to an input socket and an output type is more dubious. This tends to couple some of the output signal

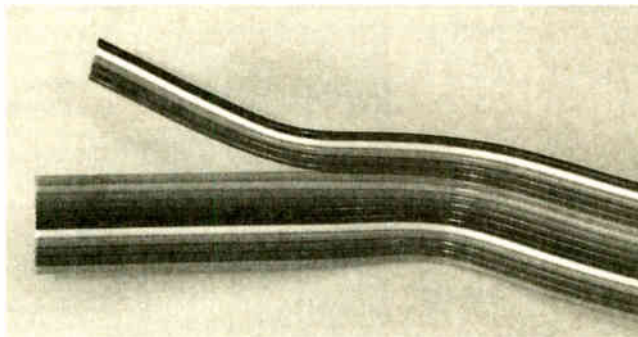


Fig.1. Ribbon cable peels apart to produce a cable having the required number of ways (wires). The ribbon cable shown here is the multi-coloured type.

included at all. The most common size is 1/0-6, which is suitable for light and medium duty applications.

There are other types of single core wire, and most catalogues list enamelled copper wire in a range of sizes. This type of wire has a very thin layer of insulation that is more or less just a coat of varnish. Wire strippers are not needed with enamelled wire, and the insulation can be scraped away using a miniature file or a penknife.

Enamelled wire is unsuitable for most applications because of the ease with which the insulation is damaged. The main application for enamelled copper wire is home-made inductors (coils) and transformers. Tinned copper wire has no isolation, and is mainly used for link-wires on circuit boards.

Originally, single core wires were available in a range of standard wire gauges (s.w.g.). The available gauges ran from about 14 to 40. These gauge sizes were apparently used for all sorts of things, including knitting needles.

You may still encounter references to something like 24s.w.g. wire, or even 24a.w.g. (American wire gauge). However, the more normal method

back to the input, which usually guarantees instability. If in doubt, use a separate piece of cable for each component, which is often the easiest way to do things anyway.

Screened Leads

Component catalogues usually list many other types of multi-way cable, and some of these are for specific purposes such as mains leads and RS232C serial cables. Novice constructors are unlikely to use any of these. However, the various types of screened cable are a different matter.

Screened leads are used for audio cables such as the ones used to connect hi-fi components together. The problem with long audio cables is that electrical noise tends to be picked up

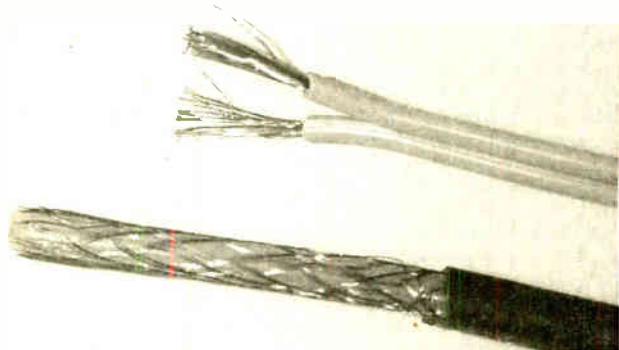


Fig.2. Twin lapped audio cable (top) and 75 ohm coaxial cable (bottom).

in the wires. Mains "hum" is the primary problem, but these days most environments are polluted with electrical noise from radio stations, television sets, etc.

A single screened cable has an insulated wire at its centre, and this is surrounded by some form of screen. In the case of an audio cable, this is usually a number of fine wires that are wrapped around the insulation of the inner wire. This is known as a lapped screen. With some audio cables and many cables that are designed for high frequency use, the wires are woven into a braiding (or mesh).

The lower cable in Fig.2 is a coaxial cable for high frequency use, and this has a simple form of braided screen. The upper cable is a twin audio type and this has a lapped screen. In either case, an overall plastic sheath insulates the screen and holds everything together.

The screen always carries the earth or common (0V) connection, and it provides a barrier between the inner conductor and the outside world. This prevents electrical noise from reaching the inner conductor, or any signals making the trip in the opposite direction.

Audio projects usually have metal cases that are earthed to the negative supply rail, and provide overall screening of the components and wiring. However, under some circumstances it is still necessary to use

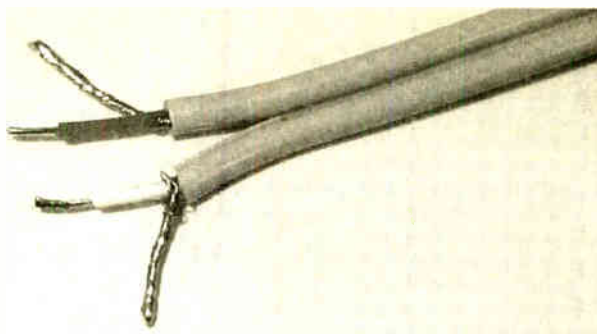


Fig.3. A twin screened (lapped) cable prepared for connection.

screened leads within a project. One reason is simply that the input of the circuit is so sensitive that it becomes a case of the more screening the better.

A more common reason is that the circuit provides a very high level of voltage gain, and that even a minute amount of stray feedback from the output to the input could cause instability. This usually manifests itself in the form of the circuit breaking into oscillation. Using screened leads to carry the input and output connections helps to minimise any stray feedback.

Seeing Double

Audio cables usually carry stereo signals and require twin screened lead. One type is effectively just two single screened leads joined side by side (see Fig.2). This is the best type, since the inner conductors are screened from each other as well as the outside world.

Individual screening virtually eliminates any stray coupling from one lead to the other, which could otherwise reduce the stereo channel separation. The cheaper type has an overall screen for the two inner conductors, but no screening between them. It is best to restrict the use of overall screened cables to applications that require short cables.

Audio cables tend to differ in terms of their quality rather than in any fundamental electrical difference. Cables for operation at high frequencies are different in that they are designed to operate with sources and loads having a certain impedance.

These are generally called coaxial (or just "coax") cables, although strictly speaking, all screened cables

are of the coaxial variety. Where a project requires a specific type of screened cable, such as a low-noise audio type or a 75-ohm coaxial cable, the article concerned should explain the exact requirements.

Making Connections

Using screened cables is a bit fiddly, but it is not too difficult. The first task is to remove a piece of the outer sheath from one end of the cable. Ordinary wire strippers work well with thin audio cables, but a special heavy-duty type is required for most coaxial cables. Alternatively, a modelling knife can be used to make two cuts through the sheath on opposite sides of the cable, so that the sheath can be peeled back and trimmed. Either way, try not to damage the fine wires in the screen.

With a lapped cable the wires in the screen can be pulled to one side and twisted together to form a short lead. It is best to tin the wires with solder so that they cannot splay apart again. Remove a short piece of insulation from the inner conductor using wire strippers, tin the end of the wire with solder, and the lead is ready to be connected (see Fig.3).

This method works with some braided cables, but it can be difficult to separate the braiding into individual wires. An alternative, which can also be used with lapped cables, is to first cut back the screen so that only a few millimetres of exposed wire remain. Tin the exposed screen with solder, trying not to overheat and seriously melt the plastic parts of the cable.

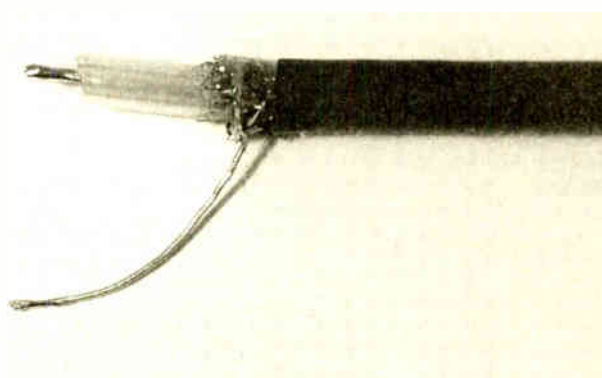


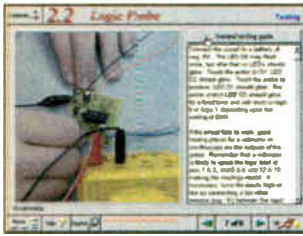
Fig.4. A coaxial cable that has been prepared for connection.

Take a short piece of tinned copper wire, wrap it around the screen, but leave 10mm or 20mm of excess wire to act as the leadout wire for the screen. Solder the wire to the screen, again taking care not to damage the cable.

Finally, remove a piece of insulation from the end of the inner conductor, and then tin this and the end of the leadout wire for the screen. This produces something like Fig.4, which is ready for connection.

ELECTRONICS CD-ROMS

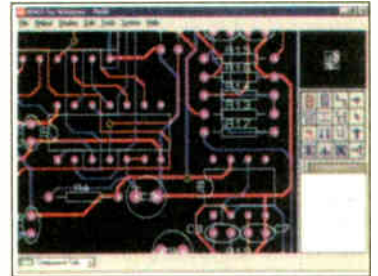
ELECTRONICS PROJECTS



Logic Probe testing

Electronic Projects is split into two main sections: **Building Electronic Projects** contains comprehensive information about the components, tools and techniques used in developing projects from initial concept through to final circuit board production. Extensive use is made of video presentations showing soldering and construction techniques. The second section contains a set of ten projects for students to build, ranging from simple sensor circuits through to power amplifiers. A shareware version of Matrix's CADPACK schematic capture, circuit simulation and p.c.b. design software is included. The projects on the CD-ROM are: Logic Probe; Light, Heat and Moisture Sensor; NE555 Timer; Egg Timer; Dice Machine; Bike Alarm; Stereo Mixer; Power Amplifier; Sound Activated Switch; Reaction Tester. Full parts lists, schematics and p.c.b. layouts are included on the CD-ROM.

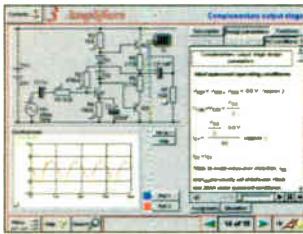
ELECTRONICS CAD PACK



PCB Layout

Electronics CADPACK allows users to design complex circuit schematics, to view circuit animations using a unique SPICE-based simulation tool, and to design printed circuit boards. CADPACK is made up of three separate software modules. (These are restricted versions of the full Labcenter software.) **ISIS Lite** which provides full schematic drawing features including full control of drawing appearance, automatic wire routing, and over 6,000 parts. **PROSPICE Lite** (integrated into ISIS Lite) which uses unique animation to show the operation of any circuit with mouse-operated switches, pots, etc. The animation is compiled using a full mixed mode SPICE simulator. **ARES Lite** PCB layout software allows professional quality PCBs to be designed and includes advanced features such as 16-layer boards, SMT components, and an autorouter operating on user generated Net Lists.

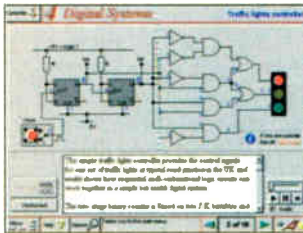
ANALOGUE ELECTRONICS



Complimentary output stage

Analogue Electronics is a complete learning resource for this most difficult branch of electronics. The CD-ROM includes a host of virtual laboratories, animations, diagrams, photographs and text as well as a SPICE electronic circuit simulator with over 50 pre-designed circuits. Sections on the CD-ROM include: **Fundamentals** – Analogue Signals (5 sections), Transistors (4 sections), Waveshaping Circuits (6 sections). **Op.Amps** – 17 sections covering everything from Symbols and Signal Connections to Differentiators. **Amplifiers** – Single Stage Amplifiers (8 sections), Multi-stage Amplifiers (3 sections). **Filters** – Passive Filters (10 sections), Phase Shifting Networks (4 sections), Active Filters (6 sections). **Oscillators** – 6 sections from Positive Feedback to Crystal Oscillators. **Systems** – 12 sections from Audio Pre-Amplifiers to 8-Bit ADC plus a gallery showing representative p.c.b. photos.

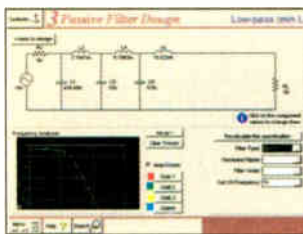
DIGITAL ELECTRONICS



Virtual laboratory – Traffic Lights

Digital Electronics builds on the knowledge of logic gates covered in *Electronic Circuits & Components* (opposite), and takes users through the subject of digital electronics up to the operation and architecture of microprocessors. The virtual laboratories allow users to operate many circuits on screen. Covers binary and hexadecimal numbering systems, ASCII, basic logic gates, monostable action and circuits, and bistables – including JK and D-type flip-flops. Multiple gate circuits, equivalent logic functions and specialised logic functions. Introduces sequential logic including clocks and clock circuitry, counters, binary coded decimal and shift registers. A/D and D/A converters, traffic light controllers, memories and microprocessors – architecture, bus systems and their arithmetic logic units.

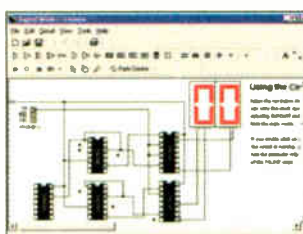
FILTERS



Filter synthesis

Filters is a complete course in designing active and passive filters that makes use of highly interactive virtual laboratories and simulations to explain how filters are designed. It is split into five chapters: **Revision** which provides underpinning knowledge required for those who need to design filters. **Filter Basics** which is a course in terminology and filter characterization, important classes of filter, filter order, filter impedance and impedance matching, and effects of different filter types. **Advanced Theory** which covers the use of filter tables, mathematics behind filter design, and an explanation of the design of active filters. **Passive Filter Design** which includes an expert system and filter synthesis tool for the design of low-pass, high-pass, band-pass, and band-stop Bessel, Butterworth and Chebyshev ladder filters. **Active Filter Design** which includes an expert system and filter synthesis tool for the design of low-pass, high-pass, band-pass, and band-stop Bessel, Butterworth and Chebyshev op.amp filters.

DIGITAL WORKS 3.0



Counter project

Digital Works Version 3.0 is a graphical design tool that enables you to construct digital logic circuits and analyze their behaviour. It is so simple to use that it will take you less than 10 minutes to make your first digital design. It is so powerful that you will never outgrow its capability.

- Software for simulating digital logic circuits
- Create your own macros – highly scalable
- Create your own circuits, components, and i.c.s
- Easy-to-use digital interface
- Animation brings circuits to life
- Vast library of logic macros and 74 series i.c.s with data sheets
- Powerful tool for designing and learning

“C” FOR PICMICRO MICROCONTROLLERS



C for PICmicro Microcontrollers is designed for students and professionals who need to learn how to use C to program embedded microcontrollers. This product contains a complete course in C that makes use of a virtual C PICmicro which allows students to see code execution step-by-step. Tutorials, exercises and practical projects are included to allow students to test their C programming capabilities. Also includes a complete Integrated Development Environment, a full C compiler, Arizona Microchip's MPLAB assembler, and software that will program a PIC16F84 via the parallel printer port on your PC. (Can be used with the *PICtutor* hardware – see opposite.)

Although the course focuses on the use of the PICmicro series of microcontrollers, this product will provide a relevant background in C programming for any microcontroller.

PRICES

Prices for each of the CD-ROMs above are:

Hobbyist/Student£45 inc VAT
 Institutional (Schools/HE/FE/Industry).....£99 plus VAT
 Institutional 10 user (Network Licence)£199 plus VAT

(UK and EU customers add VAT at 17.5% to “plus VAT” prices)

Interested in programming PIC microcontrollers? Learn with **PICtutor**



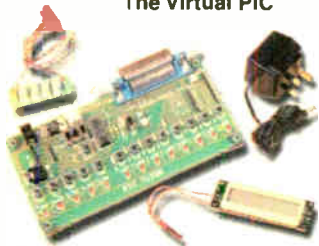
The Virtual PIC

This highly acclaimed CD-ROM by John Becker, together with the PICtutor experimental and development board, will teach you how to use PIC microcontrollers with special emphasis on the PIC16x84 devices. The board will also act as a development test bed and programmer for future projects as your programming skills develop. This interactive presentation uses the specially developed **Virtual PIC Simulator** to show exactly what is happening as you run, or step through, a program. In this way the CD provides the easiest and best ever introduction to the subject. Nearly 40 Tutorials cover virtually every aspect of PIC programming in an easy to follow logical sequence.

HARDWARE

Whilst the CD-ROM can be used on its own, the physical demonstration provided by the **PICtutor Development Kit**, plus the ability to program and test your own PIC16x84s, really reinforces the lessons learned. The hardware will also be an invaluable development and programming tool for future work.

Two levels of PICtutor hardware are available – Standard and Deluxe. The Standard unit comes with a battery holder, a reduced number of switches and no displays. This version will allow users to complete 25 of the 39 Tutorials. The Deluxe Development Kit is supplied with a plug-top power supply (the Export Version has a battery holder), all switches for both PIC ports plus I.C. and 4-digit 7-segment I.E.D. displays. It allows users to program and control all functions and both ports of the PIC. All hardware is supplied **fully built and tested** and includes a PIC16F84.



Deluxe PICtutor Hardware

PICtutor CD-ROM

Hobbyist/Student £45 inc. VAT
 Institutional (Schools/HE/FE Industry) . . . £99 plus VAT
 Institutional 10 user (Network Licence) .£199 plus VAT

HARDWARE

Standard Development Kit£47 inc. VAT
 Deluxe Development Kit£99 plus VAT
 Deluxe Export Version£96 plus VAT

(UK and EU customers add VAT at 17.5% to "plus VAT" prices)

ELECTRONIC COMPONENTS PHOTOS

A high quality selection of over 200 JPG images of electronic components.

This selection of high resolution photos can be used to enhance projects and presentations or to help with training and educational material. They are royalty free for use in commercial or personal printed projects, and can also be used royalty free in books, catalogues, magazine articles as well as worldwide web pages (subject to restrictions – see licence for full details).

Also contains a **FREE** 30-day evaluation of Paint Shop Pro 6 – Paint Shop Pro image editing tips and on-line help included!

Price **£19.95 inc. VAT**



NEW VERSION 2

ELECTRONIC CIRCUITS & COMPONENTS V2.0



Circuit simulation screen

Provides an introduction to the principles and application of the most common types of electronic components and shows how they are used to form complete circuits. The virtual laboratories, worked examples and pre-designed circuits allow students to learn, experiment and check their understanding. Version 2 has been considerably expanded in almost every area following a review of major syllabuses (GCSE, GNVQ, A level and HNC). It also contains both European and American circuit symbols. Sections include: **Fundamentals**: units & multiples, electricity, electric circuits, alternating circuits. **Passive Components**: resistors, capacitors, inductors, transformers. **Semiconductors**: diodes, transistors,

op.amps, logic gates. **Passive Circuits**. **Active Circuits**. **The Parts Gallery** will help students to recognise common electronic components and their corresponding symbols in circuit diagrams. Selections include: **Components**, **Components Quiz**, **Symbols**, **Symbols Quiz**, **Circuit Technology**.

Included in the Institutional Versions are multiple choice questions, exam style questions, fault finding virtual laboratories and investigations/worksheets.

Hobbyist/Student £45 inc VAT
 Institutional (Schools/HE/FE/Industry) £99 plus VAT
 Institutional Site Licence £499 plus VAT

(UK and EU customers add VAT at 17.5% to "plus VAT" prices)

ELECTRONICS IN CONTROL

Two colourful animated courses for students on one CD-ROM. These cover Key Stage 3 and GCSE syllabuses. **Key Stage 3**: A pictorial look at the Electronics section featuring animations and video clips. Provides an ideal introduction or revision guide, including multi-choice questions with feedback. **GCSE**: Aimed at the Electronics in many Design & Technology courses, it covers many sections of GCSE Electronics. Provides an ideal revision guide with Homework Questions on each chapter. Worked answers with an access code are provided on a special website.

Single User **£29 inc. VAT**. Multiple User **£39 plus VAT**
 Student copies (available only with a multiple user copy) **£6 plus VAT**
 (UK and EU customers add VAT at 17.5% to "plus VAT" prices)

MODULAR CIRCUIT DESIGN

Contains a range of tried and tested analogue and digital circuit modules, together with the knowledge to use and interface them. Thus allowing anyone with a basic understanding of circuit symbols to design and build their own projects. Version 3 includes data and circuit modules for a range of popular PICs; includes PICAXE circuits, the system which enables a PIC to be programmed without a programmer, and without removing it from the circuit. Shows where to obtain free software downloads to enable BASIC programming. Essential information for anyone undertaking GCSE or "A" level electronics or technology and for hobbyists who want to get to grips with project design. Over seventy different Input, Processor and Output modules are illustrated and fully described, together with detailed information on construction, fault finding and components, including circuit symbols, pinouts, power supplies, decoupling etc.

Single User **£19.95 inc. VAT**. Multiple User **£34 plus VAT**
 (UK and EU customers add VAT at 17.5% to "plus VAT" prices)

Minimum system requirements for these CD-ROMs: Pentium PC, CD-ROM drive, 32MB RAM, 10MB hard disk space. Windows 95/98/NT/2000/ME, mouse, sound card, web browser.

Please send me:

CD-ROM ORDER FORM

- Electronic Projects
- Analogue Electronics
- Digital Electronics
- Filters
- Digital Works 3.0
- Electronics CAD Pack
- C For PICmicro Microcontrollers
- PICtutor
- Electronic Circuits & Components V2.0

Version required:

- Hobbyist/Student
- Institutional
- Institutional 10 user
- Institutional site licence

Note: The software on each version is the same (unless stated otherwise above), only the licence for use varies.



- PICtutor Development Kit – Standard
- PICtutor Development Kit – Deluxe

- Deluxe Export

Note: The CD-ROM is not included in the Development Kit prices.

- Electronic Components Photos
- Electronics In Control – Single User
- Electronics In Control – Multiple User
- Modular Circuit Design – Single User
- Modular Circuit Design – Multiple User

Note: The software on each version is the same, only the licence for use varies.

Full name:

Address:

Post code: Tel. No:

Signature:

I enclose cheque/PO in £ sterling payable to WIMBORNE PUBLISHING LTD for £

Please charge my Visa/Mastercard/Amex/Diners Club/Switch: £ Card expiry date:

Card No: Switch Issue No.

ORDERING ALL PRICES INCLUDE UK POSTAGE

Student/Single User/Standard Version price includes postage to most countries in the world
 EU residents outside the UK add £5 for airmail postage per order

Institutional, Multiple User and Deluxe Versions – overseas readers add £5 to the basic price of each order for airmail postage (do not add VAT unless you live in an EU (European Union) country, then add 17.5% VAT or provide your official VAT registration number).

Send your order to:

Direct Book Service
 Wimborne Publishing Ltd
 408 Wimborne Road East
 Ferndown, Dorset BH22 9ND

To order by phone ring

01202 873872. Fax: 01202 874562

Goods are normally sent within seven days

E-mail: orders@wimborne.co.uk

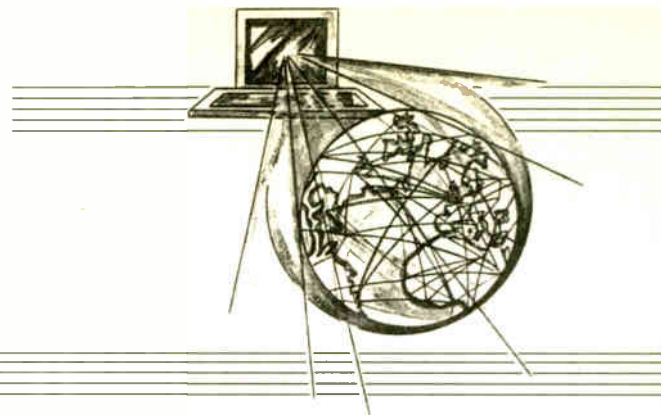
Online shop:

www.epemag.wimborne.co.uk/shopdoor.htm

SURFING THE INTERNET

NET WORK

ALAN WINSTANLEY



WELCOME to *Net Work*, our monthly column specially written for Internet users. If you are a new reader of our magazine don't forget that you can browse through the indexes of previous issues, dating back to 1998, by visiting our web site at <http://www.epemag.wimborne.co.uk>. You can visit our popular free "Chat Zone" where you can interact with other readers using a text-based message board.

Also you can subscribe or renew your subscription using our secure order forms, and, of course, there's our online Shop ([/shop-door.htm](#)) where a large range of electronics and radio books, back issues and reprints are available for purchase on-line. We also host our free source codes for our PIC projects at <ftp://ftp.epemag.wimborne.co.uk/pub/PICS> from where they can be downloaded for free! Lastly, don't forget that you can buy *EPE* and download it to your computer for just \$9.99(US) for 12 issues (about £7.20) from our *EPE Online* web site at www.epemag.com.

DVD Resources

Very recently I trundled into my local Maplin store in search of a DVD-ROM drive for my PC, only to be told that they have all been discontinued . . . !

In the UK the DVD player was *the* consumer product to get at Christmas 2001 and prices for DVD players are still falling. Adding a DVD player (DVD-ROM) is a very worthwhile and simple upgrade for PC users, and 16-speed DVD ROM drives are available for only £50 from computer stores. Some magazine cover disks are available in DVD format and they include more video footage and content than can ever be squeezed onto a CD-ROM. This month's *Net Work* offers web users a few pointers to DVD (Digital Versatile Disk) resources available out there in cyberspace.

If you're thinking of buying a PC DVD-ROM drive, it is always worth searching the Internet to see what's on offer, so query some shopping carts to compare prices. You will probably have a far wider choice than any computer store can offer, plus you get an opportunity to do some homework first.

A good place to start is the official Internet DVD FAQ for the [rec.video.dvd](mailto:rec.video.dvd@usenet) Usenet newsgroup at www.dvddemystified.com/dvdfaq.html which is extremely comprehensive. A DVD Frequently Asked Questions page is at <http://faq.inmatrix.com> where there are some pointers available to those who are new to DVDs, including information on region codes.

To play DVD movie footage you will need some decoder hardware and software as well. Windows 95/98 *cannot* play DVDs *directly* (both Windows ME and Windows XP can), and Apple users probably have an easier life in this respect. Before you do anything, check DVD compatibility in your operating system first (look around Windows Media Player especially) as you may be able to fetch free upgrades or patches over the Internet: check www.microsoft.com as required.

Free But Not Easy

A search for freeware DVD software players produced very mixed results. You can try a freeware player at www.maximus-dvd.com or search Google for alternatives. However, the general feeling seems to be that commercial software produces better and more consistent performance. Earlier software packages or bundled programs sometimes had compatibility problems so a current software product is probably the best answer.

A very popular DVD player is Cyberlink's PowerDVD 4 which is available for download and direct purchase from www.gocyberlink.com. Version 4 installed and worked perfectly on my own system, unlike an earlier version, and it is also Windows XP compatible if you don't get on with Windows Media Player. It costs \$49.95 for the download edition.

Be aware that you can change the region code no more than five times in PowerDVD after which the software will lock you into

your fifth selection. It is fully skinnable so you can change its look and feel; a "skin" kit is available online, as are PDFs showing you how to compose your own skins using your own graphics package. (I'm working on a stripboard version!)

More details are at www.dvdonet.com from where more skins can also be downloaded (those intended for V3 also ran on the latest V4). If you have a TV card installed as well, consider Cyberlink's PowerVCR 2 which includes PowerDVD 3 and turns your system into a complete video recorder – provided you have the hard disk space! This and more can be downloaded from Cyberlink's web site.

Other DVD resources include www.digital-digest.com/dvd/downloads/playback.html where there are some applications available for Linux and Apple users. Several DVD stores are online, including Amazon (www.amazon.co.uk) and the BBC (www.bbc-shop.com). Time to break out *The Matrix* on DVD again, to see if I understand it!

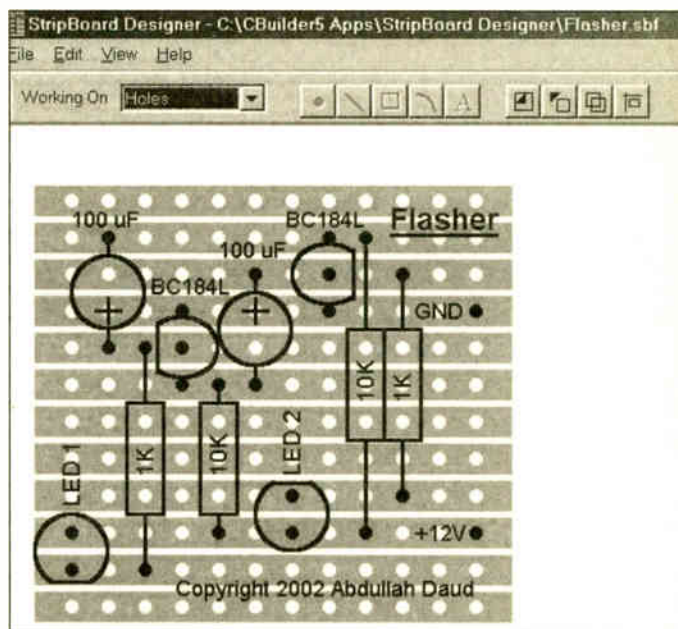
Stripboard Designer

When developing circuits it is often a good idea to prototype them on stripboard if possible, which gives you the flexibility needed to modify the circuit design. Many hobbyists crave for a PC software package that will assist in designing the component and copper track layouts on-screen.

Several years ago a package called "Stripboard Magic" made a brief appearance but there has been nothing available since then. A simple stripboard layout program is now offered by Abdullah Daud who emails me to say that a free demo version can be downloaded from his web site at www.geocities.com/stripboarddesigner. It has no schematic capture function but may still help to design the component layout.

The simple program includes the ability to draw shapes, place wires or make holes. Also included is a small component library to get you started. The program is in its early days, and I noted the odd glitch placing component shapes, but there's no beating the principle of trying shareware first so why not download the trial and check it out for yourself. The likely cost to buy will be \$25.00.

You can email the author at alan@epemag.demon.co.uk.



Screenshot of StripBoard Designer Version 1.1.

£1 BARGAIN PACKS Selected Items

PIEZO ELECTRIC SOUNDER, also operates efficiently as a microphone. Approximately 30mm diameter, easily mountable, 2 for £1. Order Ref: 1084.

LIQUID CRYSTAL DISPLAY on p.c.b. with i.c.s etc. to drive it to give 2 rows of 8 figures or letters with data. Order Ref: 1085.

30A PANEL MOUNTING TOGGLE SWITCH. Double-pole. Order Ref: 166.

SUB MIN TOGGLE SWITCHES. Pack of 3. Order Ref: 214.

HIGH POWER 3in. SPEAKER (11W 8ohm). Order Ref: 246.

MEDIUM WAVE PERMEABILITY TUNER. It's almost a complete radio with circuit. Order Ref: 247.

HEATING ELEMENT, mains voltage 100W, brass encased. Order Ref: 8.

MAINS MOTOR with gearbox giving 1 rev per 24 hours. Order Ref: 89.

ROUND POINTER KNOBS for flatted ¼in. spindles. Pack of 10. Order Ref: 295.

REVERSING SWITCH. 20A double-pole or 40A single pole. Order Ref: 343.

LUMINOUS PUSH-ON PUSH-OFF SWITCHES. Pack of 3. Order Ref: 373.

SLIDE SWITCHES. Single pole changeover. Pack of 10. Order Ref: 1053.

PAXOLIN PANEL. Approximately 12in. x 12in. Order Ref: 1033.

CLOCKWORK MOTOR. Suitable for up to 6 hours. Order Ref: 1038.

TRANSISTOR DRIVER TRANSFORMER. Maker's ref. no. LT44, impedance ratio 20k ohm to 1k ohm; centre tapped, 50p. Order Ref: 1/23R4.

HIGH CURRENT RELAY, 12V d.c. or 24V a.c., operates changeover contacts. Order Ref: 1026.

3-CONTACT MICROSWITCHES, operated with slightest touch, pack of 2. Order Ref: 861.

HIVAC NUMERIC TUBE, Hivac ref XN3. Order Ref: 865 or XN11 Order Ref: 866.

2IN. ROUND LOUDESPEAKERS. 50Ω coil. Pack of 2. Order Ref: 908.

5K POT, standard size with DP switch, good length ¼in. spindle, pack of 2. Order Ref: 11R24.

13A PLUG, fully legal with insulated legs, pack of 3. Order Ref: GR19.

OPTO-SWITCH on p.c.b., size 2in. x 1in., pack of 2. Order Ref: GR21.

COMPONENT MOUNTING PANEL, heavy paxolin 10in. x 2in., 32 pairs of brass pillars for soldering binding components. Order Ref: 7RC26.

HIGH AMP THYRISTOR, normal 2 contacts from top, heavy threaded fixing underneath, think amperage to be at least 25A, pack of 2. Order Ref: 7FC43.

BRIDGE RECTIFIER, ideal for 12V to 24V charger at 5A, pack of 2. Order Ref: 1070.

TEST PRODS FOR MULTIMETER with 4mm sockets. Good length flexible lead. Order Ref: D86.

LUMINOUS ROCKER SWITCH, approximately 30mm square, pack of 2. Order Ref: D64.

MES LAMP HOLDERS slide on to ¼in. tag, pack of 10. Order Ref: 1054.

HALL EFFECT DEVICES, mounted on small heatsink, pack of 2. Order Ref: 1022.

12V POLARISED RELAY, 2 changeover contacts. Order Ref: 1032.

PROJECT CASE, 95mm x 66mm x 23mm with removable lid held by 4 screws, pack of 2. Order Ref: 876.

LARGE MICROSWITCHES, 20mm x 6mm x 10mm, changeover contacts, pack of 2. Order Ref: 826.

COPPER CLAD PANELS, size 7in. x 4in., pack of 2. Order Ref: 973.

100M COIL OF CONNECTING WIRE. Order Ref: 685.

WHITE PROJECT BOX, 78mm x 115mm x 35mm. Order Ref: 106.

LEVER-OPERATED MICROSWITCHES, ex-equipment, batch tested, any faulty would be replaced, pack of 10. Order Ref: 755.

MAINS TRANSFORMER, 12V-0V-12V, 6W. Order Ref: 811.

QUARTZ LINEAR HEATING TUBES, 306W but 110V so would have to be joined in series, pack of 2. Order Ref: 907.

REELS INSULATION TAPE, pack of 5, several colours. Order Ref: 911.

LIGHTWEIGHT STEREO HEADPHONES. Order Ref: 989.

THERMOSTAT for ovens with ¼in. spindle to take control knob. Order Ref: 857.

MINI STEREO 1W AMP. Order Ref: 870.

SELLING WELL BUT STILL AVAILABLE

IT IS A DIGITAL MULTITESTER, complete with backrest to stand it and hands-free test prod holder. This tester measures d.c. volts up to 1,000 and a.c. volts up to 750; d.c. current up to 10A and resistance up to 2 megs. Also tests transistors and diodes and has an internal buzzer for continuity tests. Comes complete with test prods, battery and instructions. Price £6.99. Order Ref: 7P29.

INSULATION TESTER WITH MULTIMETER. Internally generates voltages which enable you to read insulation directly in megohms. The multimeter has four ranges: AC/DC volts, 3 ranges DC milliamps, 3 ranges resistance and 5 amp range. These instruments are ex-British Telecom but in very good condition, tested and guaranteed OK, probably cost at least £50 each, yours for only £7.50 with leads, carrying case £2 extra. Order Ref: 7.5P4.

REPAIRABLE METERS. We have some of the above testers but slightly faulty, not working on all ranges, should be repairable, we supply diagram, £3. Order Ref: 3P176.

PHILIPS 9in. MONITOR. Not cased, but it is in a frame for rack mounting. It is high resolution and was made to work with the IBM 'One per disk' computer. price £15. Order Ref: 15P1.

METAL CASE FOR 9in. MONITOR. Supplied as a flat pack, price £12. Order Ref: 12P3.

ANOTHER PROJECT CASE. Should be very suitable for a non-recognisable bug or similar hand-held device. It is 150mm long, 36mm wide and 15mm thick. Originally these were TV remote controls, price 2 for £1. Order Ref: 1068.

A MUCH LARGER PROJECT BOX. Size 216mm x 130mm x 85mm with lid and 4 screws. This is an ABS box which normally retails at around £6. All brand new, price £2.50. Order Ref: 2.5P28.

BTTELEPHONE EXTENSION WIRE. This is proper heavy duty cable for running around the skirting board when you want to make a permanent extension. Four cores properly colour coded, 25m length only £1. Order Ref: 1067.

HEAVY DUTY POT. Rated at 25W, this is 20 ohm resistance so it could be just right for speed controlling a d.c. motor or device or to control the output of a high current. Price £1. Order Ref: 1/33L1.

1mA PANEL METER. Approximately 80mm x 55mm, front engraved 0-100. Price £1.50 each. Order Ref: 1/16R2.

VERY THIN DRILLS. 12 assorted sizes vary between 0.6mm and 1.6mm. Price £1. Order Ref: 128.

EVEN THINNER DRILLS. 12 that vary between 0.1mm and 0.5mm. Price £1. Order Ref: 129.

D.C. MOTOR WITH GEARBOX. Size 60mm long, 30mm diameter. Very powerful, operates off any voltage between 6V and 24V D.C. Speed at 6V is 200 rpm, speed controller available. Special price £3 each. Order Ref: 3P108.

FLASHING BEACON. Ideal for putting on a van, a tractor or any vehicle that should always be seen. Uses a Xenon tube and has an amber coloured dome. Separate fixing base is included so unit can be put away if desirable. Price £5. Order Ref: 5P267.

MOST USEFUL POWER SUPPLY. Rated at 9V 1A, this plugs into a 13A socket, is really nicely boxed. £2. Order Ref: 2P733.

MOTOR SPEED CONTROLLER. These are suitable for D.C. motors for voltages up to 12V and any power up to 1/6h.p. They reduce the speed by intermittent full voltage pulses so there should be no loss of power. In kit form these are £12. Order Ref: 12P34. Or made up and tested, £20. Order Ref: 20P39.

BALANCE ASSEMBLY KITS. Japanese made, when assembled ideal for chemical experiments, complete with tweezers and 6 weights 0.5 to 5 grams. Price £2. Order Ref: 2P44.

CYCLE LAMP BARGAIN. You can have 100 6V 0.2A MES bulbs for just £2.50 or 1,000 for £20. They are beautifully made, slightly larger than the standard 6.3V pilot bulb so they would be ideal for making displays for night lights and similar applications.

SOLDERING IRON, super mains powered with long-life ceramic element, heavy duty 40W for the extra special job, complete with plated wire stand and 245mm lead, £3. Order Ref: 3P221.

HIGH AMP THYRISTOR. Normal two contacts from the top and heavy threaded fixing underneath. We don't know the amperage of this but think it to be at least 25A. Price 50p each. Order Ref: 1/7RC43.

THREE LEVEL PRESSURE SWITCH. All 3 are low pressures and the switch could be blow-operated. With a suitable tubing these switches could control the level of liquid, etc., price £1. Order Ref: 67.

BREAKDOWN UNIT. Order Ref: BM41001. This is probably the most valuable breakdown unit that you have ever been offered. It contains the items specified below, just 2 of which are currently selling at £3.50 each. Other contents are:

Computer grade electrolytics, 330μF 250V DC, you get 4 of these, 4,700μF at 50V DC, you get 2 of these, 1,000μF at 16V DC, you get one of these, and 16A 250V double rocker switch, 115V to 250V selector switch. You also get a standard flat pin instrument socket, a 250V 5A bridge rectifier, 2 x 25A bridge rectifiers mounted on an aluminium heatsink but very easy to remove.

2 *NPN* power transistors ref. BUV47, currently listed by Maplins at £3.50 each, a power thyristor, Mullard ref. BTW69 or equivalent, listed at £3.

All the above parts are very easy to remove. 100s of other parts not so easy to remove, all this is yours for £5. Order Ref: 1/11R8.



RELAYS

We have thousands of relays of various sorts in stock, so if you need anything special give us a ring. A few new ones that have just arrived are special in that they are plug-in and come complete with a special base which enables you to check voltages of connections of it without having to go underneath. We have 6 different types with varying coil voltages and contact arrangements.

Coil Voltage	Contacts	Price	Order Ref:
12V DC	4-pole changeover	£2.00	FR10
24V DC	2-pole changeover	£1.50	FR12
24V DC	4-pole changeover	£2.00	FR13
240V AC	1-pole changeover	£1.50	FR14
240V AC	4-pole changeover	£2.00	FR15

Prices include base

MINI POWER RELAYS

For p.c.b. mounting, size 28mm x 25mm x 12mm, all have 16A changeover contacts for up to 250V. Four versions available, they all look the same but have different coils:

6V Order Ref: FR17
12V Order Ref: FR18
24V Order Ref: FR19
48V Order Ref: FR20

Price £1 each less 10% if ordered in quantities of 10, same or mixed values.

4 CIRCUIT 12V RELAY. Quite small, clear plastic enclosed and with plug-in tags, £1. Order Ref: 205N.

NOT MUCH BIGGER THAN AN OXO CUBE. Another relay just arrived is extra small with a 12V coil and 6A changeover contacts. It is sealed so it can be mounted in any position or on a p.c.b. Price 75p each, 10 for £6 or 100 for £50. Order Ref: FR16.

BIG POWER RELAY. These are open type fixed by screws into the threaded base. Made by Omron, their ref: MM4. These have 4 sets of 25A changeover contacts. The coil is operated by 50V AC or 24V DC, price £6. Order Ref: 6P.

SIMILAR RELAY but smaller and with only 2 sets of 25A changeover contacts. Coil voltage 24V DC, 50V AC, £4. Order Ref: 4P.

BIG POWER LATCHING RELAY. Again by Omron, their ref: MM2K. This looks like a double relay, one on top of the other. The bottom one has double-pole 20A changeover contacts. The top one has no contacts but when energised it will lock the lower relay either on or off depending on how it is set. Price £6. Order Ref: 6P.

RECHARGEABLE NICAD BATTERIES. AA size, 25p each, which is a real bargain considering many firms charge as much as £2 each. These are in packs of 10, coupled together with an output lead so are a 12V unit but easily dividable into 2 x 6V or 10 x 1.2V. £2.50 per pack, 10 packs for £25 including carriage. Order Ref: 2.5P34.

BUY ONE GET ONE FREE

ULTRASONIC MOVEMENT DETECTOR. Nicely cased, free standing, has internal alarm which can be silenced. Also has connections for external speaker or light. Price £10. Order Ref: 10P154.

CASED POWER SUPPLIES which, with a few small extra components and a bit of modifying, would give 12V at 10A. Originally £9.50 each, now 2 for £9.50. Order Ref: 9.5P4.

3-OCTAVE KEYBOARDS with piano size keys, brand new, previous price £9.50, now 2 for the price of one. Order Ref: 9.5P5.

1.5V-6V MOTOR WITH GEARBOX

Motor is mounted on the gearbox which has interchangeable gears giving a range of speeds and motor torques. Comes with full instructions for changing gears and calculating speeds, £7. Order Ref: 7P26.

MINI BLOWER HEATER

1kW, ideal for under desk or airing cupboard, etc., needs only a simple mounting frame, price £5. Order Ref: 5P23.

IT IS VERY POWERFUL. In fact it is almost ¼h.p. and can be driven by a 12V battery, so one on each wheel would drive a go-kart and its passenger. Made by the famous Smiths company, this motor should give a good, long, trouble-free service. Offered at £12 each or if you order a pair, then you can have the pair for £20. Order Ref: 12P41.

TERMS

Send cash, PO, cheque or quote credit card number. If order under £25 and for heavy items add £4.50 carriage. If lightweight add postage which you think will cover.

J & N FACTORS
Pilgrim Works (Dept.E.E.)
Stairbridge Lane, Bolney
Sussex RH17 5PA
Telephone: 01444 881965
E-mail: jnfactors@aol.com



A COMPLETE RANGE OF INVERTERS

150W TO 2500W - 12V & 24V

A Complete range of regulated inverters to power 220V and 240V AC equipment via a car, lorry or boat battery. Due to their high performance (>90%) the inverters generate very little heat. The high stability of the output frequency (+/-1%) makes them equally suitable to power sensitive devices.

These inverters generate a modified sine wave, which are considerably superior to the square waves which are produced by most other inverters. Due to this superior feature they are capable of powering electrical equipment such as TV,s, videos, desktop & notepad computers, microwave ovens, electrical lamps, pumps, battery chargers, etc.

Low Battery Alarm

The inverters give an audible warning signal when the battery voltage is lower than 10.5V (21V for the 24V version). The inverter automatically shuts off when the battery voltage drops below 10V (20V for the 24V version). Fuse protected input circuitry.

Order Code	Power	Voltage	Price
651.581	150W Continuous	12V	£36.39
651.578	150W Continuous	24V	£36.39
651.582	300W Continuous	12V	£50.64
651.585	300W Continuous	24V	£50.64
651.583	600W Continuous	12V	£101.59
651.593	600W Continuous	24V	£101.59
651.587	1000W Continuous	12V	£177.18
651.597	1000W Continuous	24V	£177.18
651.602	1500W Continuous	12V	£314.52
651.605	1500W Continuous	24V	£314.52
651.589	2500W Continuous	12V	£490.54
651.599	2500W Continuous	24V	£490.54



ILLUSTRATION SHOWN IS 600W 24V VERSION

All prices are inclusive of V.A.T. Carriage £5.00 Per Order

Many uses include:- * Fetes * Fairgrounds * Airshows * Picnics * Camping * Caravans * Boats * Carnivals * Field Research and * Amateur Radio field days * Powering Desktop & Notepad Computers.

DELIVERY CHARGES ARE £6.00 PER ORDER. OFFICIAL ORDERS FROM SCHOOLS, COLLEGES, GOVT. BODIES, PLC,S ETC. PRICES ARE INCLUSIVE OF V.A.T. SALES COUNTER. VISA AND ACCESS ACCEPTED BY POST, PHONE OR FAX, OR EMAIL US AT SALES@BKELEC.COM ALTERNATIVELY SEND CHEQUE OR POSTAL ORDERS MADE PAYABLE TO BK ELECTRONICS.



B.K. ELECTRONICS



UNIT 1, COMET WAY, SOUTHEND-ON-SEA, ESSEX. SS2 6TR
TEL.: +44(0)1702-527572 FAX.:+44(0)1702-420243

For Full Specifications View our web site at:-
WWW.BKELEC.COM/INVERTERS.HTM



PLASTIC BOXES & ENCLOSURES

Contact us for your free catalogue

S.L.M. (Model) Engineers Ltd
Chiltern Road
Prestbury
Cheltenham
GL52 5JQ
Website: www.slm.uk.com
Telephone 01242 525488
Fax 01242 226288



DISTANCE LEARNING SHORT COURSES with BTEC CERTIFICATION

Analogue and Digital Electronics, Fibre Optics, Fault Diagnosis, Mechanics, Mathematics and Programmable Logic Controllers

- Suitable for beginners and those wishing to update their knowledge and practical skills
- Courses are very practical and delivered as self contained kits
- No travelling or college attendance
- Learning is at your own pace
- Each course can stand alone or be part of a modular study programme
- Tutor supported and BTEC certified

For information contact:
NCT Ltd., P.O. Box 11
Wendover, Bucks HP22 6XA
Telephone 01296 624270; Fax 01296 625299
Web: <http://www.nct.ltd.uk>

Constructional Project

PIC MINI-ENIGMA

NICK DOSSIS

Share encrypted messages with your friends – true Spymaster entertainment!

PIC Mini-Enigma was born out of the author's interest in both encryption techniques and PIC microcontrollers. The initial idea was to create a PIC-based unit that would enable the user to type in a brief text message, which can then be encrypted at the press of a button.

By the same token, if the encrypted message was typed into the unit it could be decoded into the original text message. This would enable two people to send secret messages to each other and be safe in the knowledge that the text would be very difficult to decipher without using the unit.

The design also has the unique capability of allowing the user to download a message to the data EEPROM (electrically erasable programmable read only memory) of a second PIC, housed in a tiny box, such as a matchbox. The information from the "matchbox" memory can then be

retrieved by the other person at a later time by using their own Mini-Enigma unit.

DATA SWAPPING

At the time that the idea was conceived, the author was playing around with the PIC16F84 and an alphanumeric liquid crystal display (l.c.d.). After connecting the l.c.d. to the PIC and programming it to show a line of text, it was discovered that some of the characters were being displayed incorrectly.

Further investigation showed that two of the data lines from the PIC to the l.c.d. had inadvertently been swapped over. It was this error which had caused the incorrect text to appear on the screen.

This gave rise to thoughts about the way the l.c.d. requires an ASCII-coded data byte to be sent to it to cause the required letter to be displayed. Naturally, by suitably altering the order of the bits that make



up the byte, a different character could be displayed instead.

This seemed to be an ideal way of encrypting a line of text within the PIC, and is the basis of the program that controls this project.

ENIGMATIC

The original Enigma unit was a coding machine used in the Second World War by the Germans. It was a very complex machine, which amongst other features contained interchangeable connecting wires and rows of scramblers, which changed their position every time a letter was encoded.

This method ensured that there was hardly any duplication of encoded text because the letters were altered automatically after every encryption. It took the British several years to crack Enigma's coding technique.

The Mini-Enigma described here does not profess to be the miniature equivalent of the original machine. However, the encryption technique uses a coding method that alters the way individual letters are encrypted. To the untrained eye, it is very difficult to crack the code.

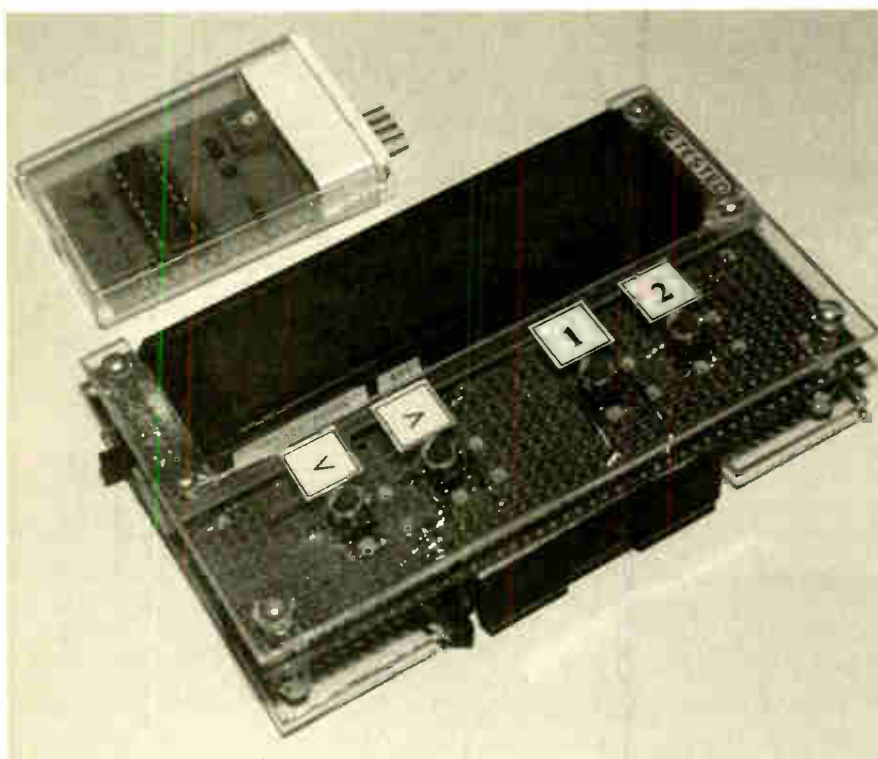
ENCRYPTION METHOD

The method of encryption, which is documented in the assembly program, utilises a codeword set by the user and which is stored in the Enigma's data EEPROM. This means that the way in which the message is encrypted can be altered and so deciphering the text will only be possible by using the same codeword that was used to encrypt the original message. The codeword can be up to eight digits long.

First, regard alphabet letters A to Z as numerical values from 1 to 26. Then, for example, if the codeword is set as ABCD this would have an equivalent numerical value of 1234 (see Table 1). Now suppose the message BYEBYE needs to be encrypted, the process is as follows:

Since the codeword is ABCD, its first letter, A, has an allocated value of 1. This is added to the allocated value of the first letter of the message, B, i.e. $B + 1 = C$. C thus becomes the code letter for B at this point of the encryption.

The second letter of the message has the value 2 added to it as it is the alphabet value of second character of the combination. This converts the letter Y into letter A.



This procedure repeats itself until the last letter of the codeword has been reached. The process then begins again by starting back at the first number of the codeword.

In this fashion, the message **BYEBYE** becomes encrypted as **CAHFZG**. See Example 1.

Example 1:

Message **B Y E B Y E**
 Codeword **A B C D A B**
 1 2 3 4 1 2
 Encryption **C A H F Z G**

It can clearly be seen that the encryption method is very secure because although the original message contains two identical words, the encrypted version does not give any clues that this is the case. Remember also that the Mini-Enigma can be programmed to accept an 8-digit codeword comprising any of the 26 letters of the alphabet, therefore making the possibility of somebody decoding the encrypted message even harder.

It should be noted that the encrypted message is totally dependent on the codeword. Mini-Enigma units which have been programmed with different codewords will encrypt the message in a totally different way. An example of this is outlined in Example 2 when the codeword is changed to **BCDE**.

Example 2:

Message **B Y E B Y E**
 Codeword **B C D E B C**
 2 3 4 5 2 3
 Encryption **D B I G A H**

The basis of the software is to either add or subtract the individual codeword values to the ASCII code which is sent to the l.c.d. Coding the text adds the value and decoding the text subtracts the value.

The problem encountered when using this method was that ASCII codes 27 to 38 are not letters and therefore there had to be software routines incorporated to bypass

these values when an addition or subtraction occurred.

DATA TRANSFER

As mentioned earlier, the unit also includes the facility for downloading an encrypted message into the data EEPROM of a second PIC, housed in a separate box, from hereon referred to as the "Matchbox" unit.

The data transfer uses a unique protocol which was specifically designed for this project and allows the encrypted ASCII code of each character to be transmitted serially from the unit to the PIC inside the Matchbox.

The connections between the Mini-Enigma unit and the Matchbox are via a 4-pin connector. These connections comprise the +5V and 0V supply, plus data and clock lines.

For all intents and purposes, the data is transmitted over two wires, data and clock. Because the Matchbox is controlling the data transfer and its clock is running at a slower speed than the Mini-Enigma, this ensures that the data transfer runs without errors. There is specific handshaking associated with the protocol, which is written into the software of both units.

When the Matchbox is first energised, it waits for either a "load" or "save" instruction from the Mini-Enigma:

Lines: Clock Data
 Load: 0 1
 Save: 1 0

Table 1 – ASCII and Codeword Values used in the Enigma Unit

	Letter	ASCII Code	Codeword value		Letter
1	A	0100 0001	0000 0001	1	A
2	B	0100 0010	0000 0010	2	B
3	C	0100 0011	0000 0011	3	C
4	D	0100 0100	0000 0100	4	D
5	E	0100 0101	0000 0101	5	E
6	F	0100 0110	0000 0110	6	F
7	G	0100 0111	0000 0111	7	G
8	H	0100 1000	0000 1000	8	H
9	I	0100 1001	0000 1001	9	I
10	J	0100 1010	0000 0010	2	J
11	K	0100 1011	0000 0011	3	K
12	L	0100 1100	0000 0100	4	L
13	M	0100 1101	0000 0101	5	M
14	N	0100 1110	0000 0110	6	N
15	O	0100 1111	0000 0111	7	O
16	P	0101 0000	0000 0000	0	P
17	Q	0101 0001	0000 0001	1	Q
18	R	0101 0010	0000 0010	2	R
19	S	0101 0011	0000 0011	3	S
20	T	0101 0100	0000 0100	4	T
21	U	0101 0101	0000 0101	5	U
22	V	0101 0110	0000 0110	6	V
23	W	0101 0111	0000 0111	7	W
24	X	0101 1000	0000 1000	8	X
25	Y	0101 1001	0000 1001	9	Y
26	Z	0101 1010	0000 0010	2	Z

Once it has received its instruction, the Matchbox program is then diverted to the relevant routine. The basis of the protocol is shown later in Table 2.

ENIGMA CIRCUIT

The circuit diagram for the Mini-Enigma is shown in Fig.1.

The heart of the system is the PIC16F84 microcontroller, IC2. Its oscillator is run in RC (resistor-capacitor) mode, with potentiometer VR2 presetting the speed. The capacitance is that inherent in the PIC itself and a separate capacitor is not used.

Even though communication between the Mini-Enigma and the additional Matchbox memory uses serial data transfer, software routines ensure that the exact timing is not too critical. Consequently, crystal control is not needed.

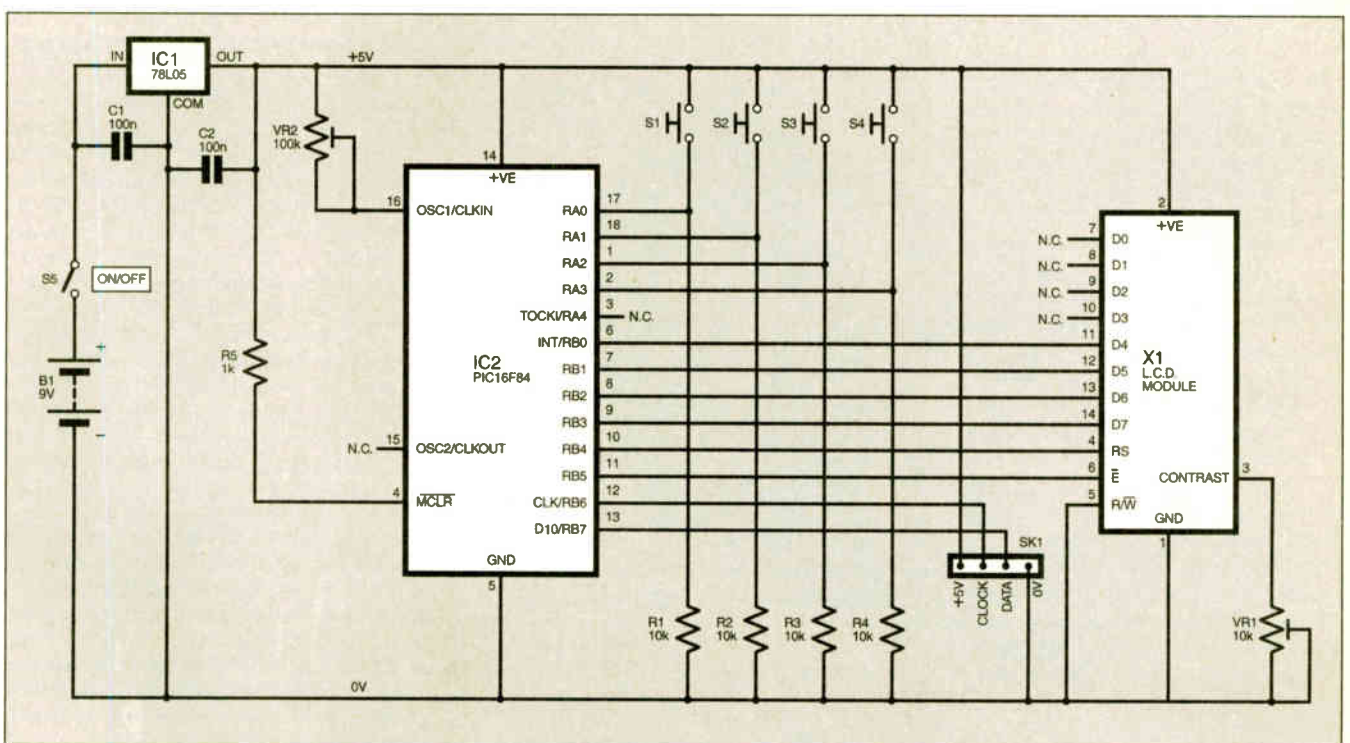


Fig.1. Circuit diagram for the main aspect of the Mini-Enigma unit.

The PIC is connected via port pins RB0 to RB5 to a 20-character x 2-line alphanumeric liquid crystal display (l.c.d.), X1. This is controlled in standard 4-bit mode. Preset potentiometer VR1 controls the screen contrast.

PIC port pins RA0 to RA3 are held normally-low by resistors R1 to R4 and are taken high whenever the relevant pushbutton switch, S1 to S4, is pressed.

Communication with the Matchbox memory unit is via clock pin RB6 and data pin RB7.

The circuit is powered by a 9V PP3 battery, via on/off switch S5. Regulator IC1 reduces the supply to +5V, as required by the PIC and l.c.d. Capacitors C1 and C2 decouple and smooth the supply.

MATCHBOX MEMORY CIRCUIT

The circuit diagram for the additional Matchbox memory unit is shown in Fig.2. It consists primarily of another PIC16F84 microcontroller, IC3. It does not require a battery because it receives its power from the host Mini-Enigma via the 4-way connector.

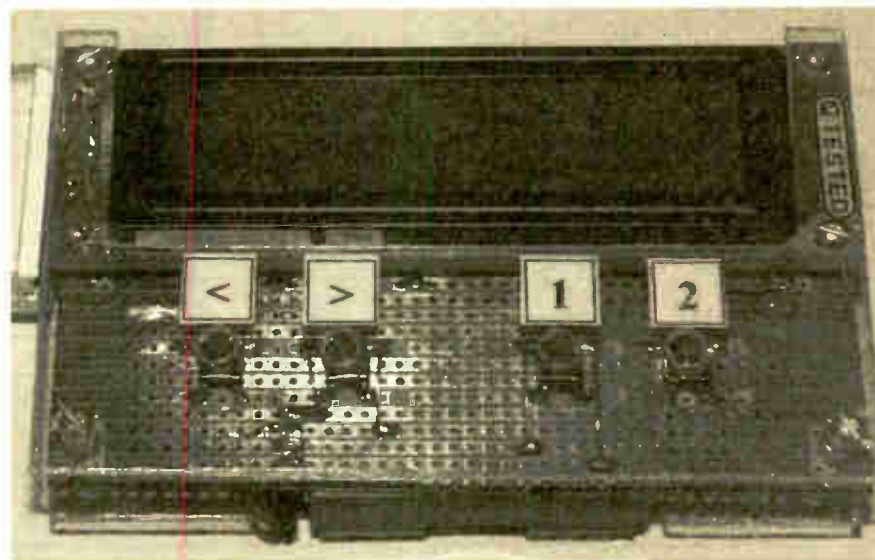
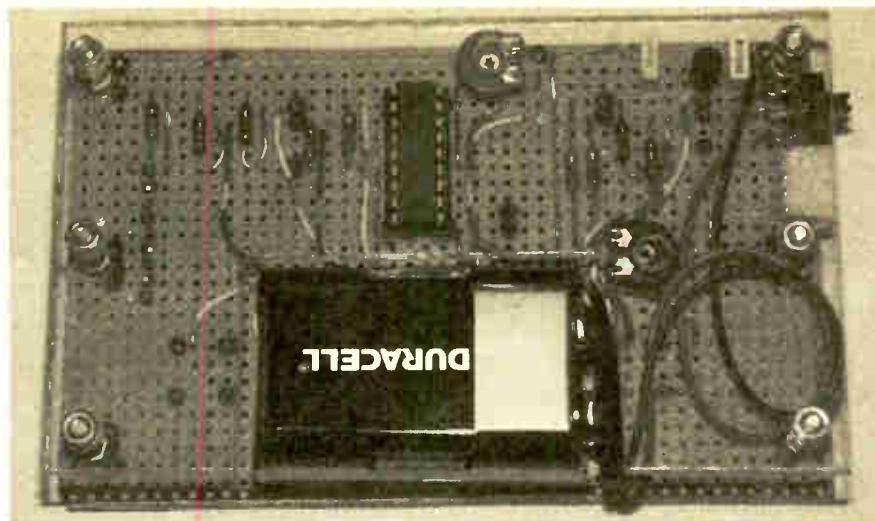
The clock and data lines are held normally-low via resistors R6 and R7, but are under control of the Mini-Enigma when the two units are connected.

This PIC runs at a slower speed than the one in the Mini-Enigma, as set by capacitor C3 and variable by preset VR3.

ENIGMA BOARD

The component layout and track cutting details for the Mini-Enigma and its Matchbox unit are shown in Fig.3. Ensure that all the track cuts are made. Use 22s.w.g. plastic covered solid copper wire for the link connections. Dual-in-line (d.i.l.) sockets should be used for the PICs.

Referring to Fig.3a, solder the components onto the stripboard in the following order: d.i.l. socket, links, resistors, 1mm terminal pins, voltage regulator, capacitors, on/off switch S5, edge connector, pushbutton switches S1 to S4, and the battery lead.



Note that the published Mini-Enigma has fewer resistors than shown in the top photograph.

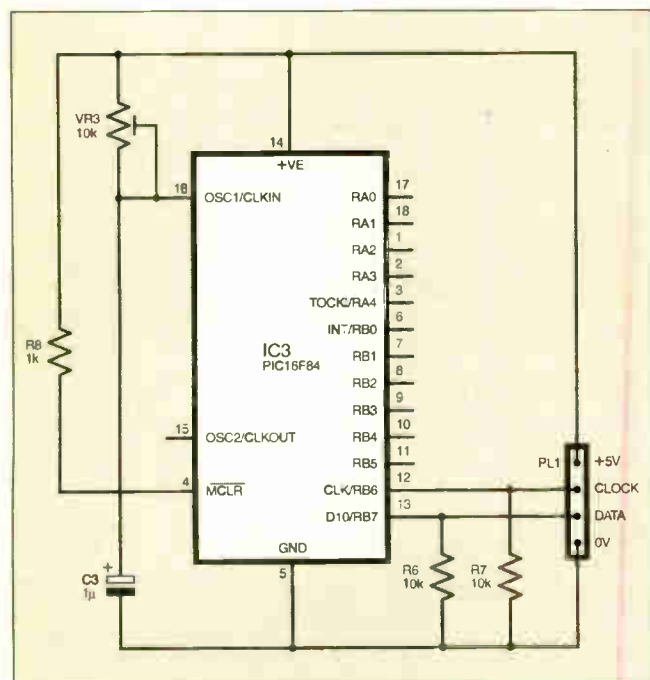
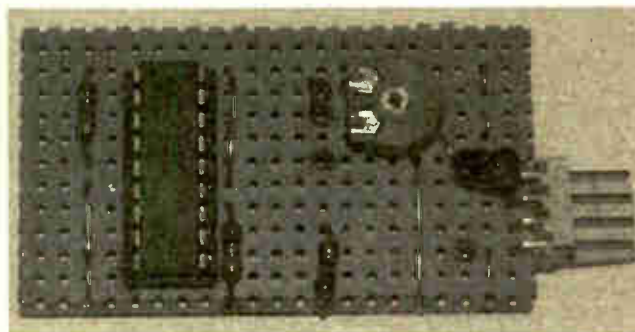


Fig.2. Circuit diagram for the "Matchbox" unit.

Note that switches S1 to S4 plus four additional link wires are soldered on the track-side of the stripboard.

Once the basic stripboard assembly is complete, use double-sided tape to stick the battery holder onto the back of the stripboard. Then connect the longer wires that route around the battery.

Do not wire-up the l.c.d. or plug in the PIC yet.

Check that the component layout and solder joints are sound. If at any stage of testing the results are not correct, disconnect the battery immediately. Re-check the component positions and solder joints, and then restart the checks.

Apply power to the stripboard and check that +5V appears at various components according to the circuit diagram. If all is well following this initial power check, disconnect the battery, connect the l.c.d., making sure that there is enough slack in the cable to assemble the unit, and then insert the preprogrammed PIC (assembly file E2.ASM). With power applied again, do another check that 5V is still present as required.

Check that the PIC's input pins 1, 2, 17 and 18 are normally low, and that pressing the pushbutton switches makes the relevant pins go high.

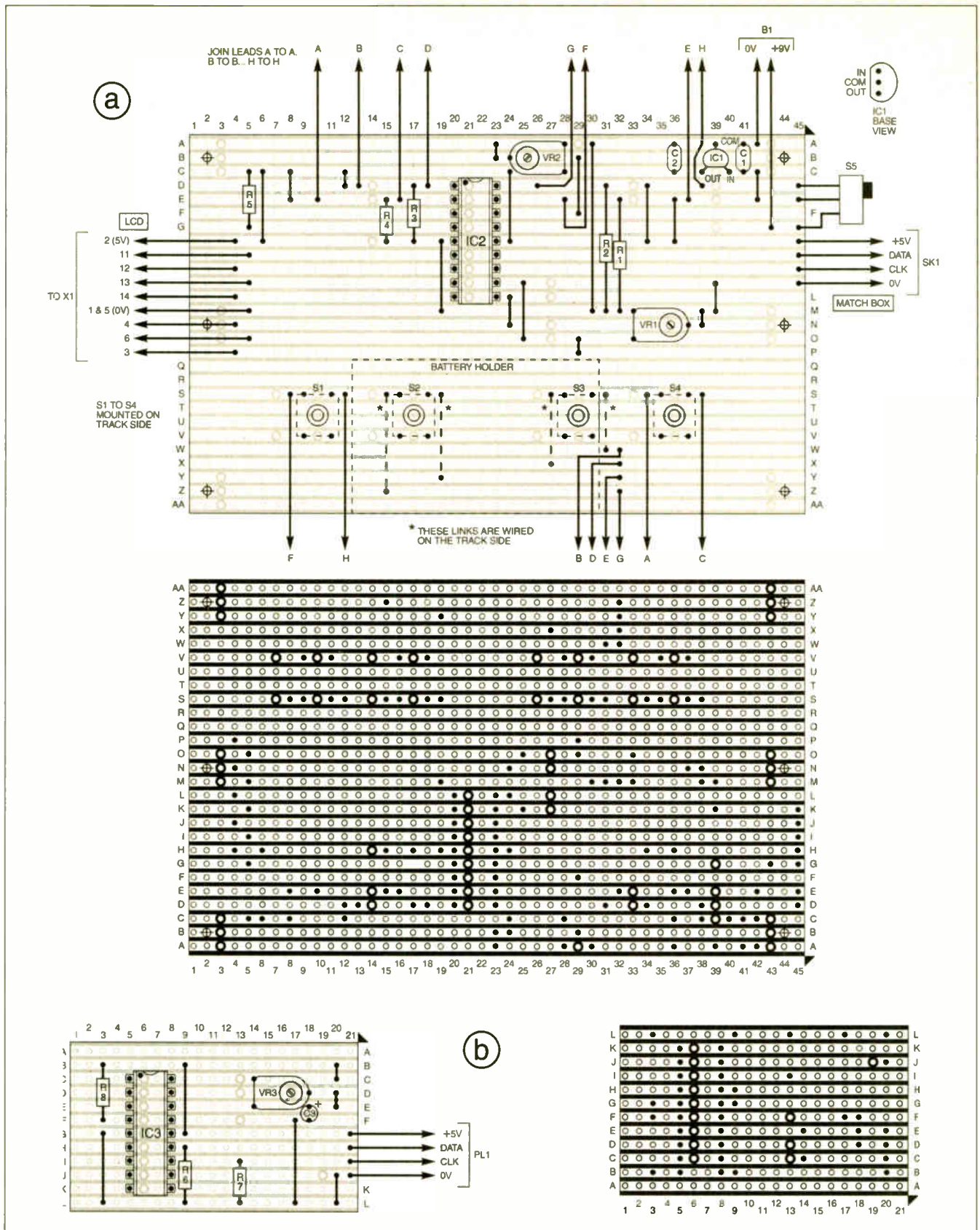


Fig.3. Stripboard component layouts and details of underside copper track breaks for the Mini-Enigma (a) and Matchbox unit (b). Note that in Fig.3a switches S1 to S4 and four link wires are mounted on the trackside. The lettered links should be made using insulated solid hook-up wire, linking like-lettered points (i.e. A to A, B to B, etc.).

Adjust the l.c.d. contrast control, VR1, until the start-up screen is seen clearly. The screen display modes are discussed later.

Adjust the clock rate control, VR2, until the unit works at a satisfactory speed for pushswitch presses. In the prototype, this was with VR2 set for a resistance of about 10kΩ to 15kΩ.

MATCHBOX MEMORY BOARD

Referring to Fig.3b, assemble the Matchbox memory board.

The small piece of stripboard used was intended to be small enough to fit snugly inside a standard size matchbox. A match-

box was felt to be suitable because it is inconspicuous and conceals the electronics, an ideal cover for the budding spy!

However, the author found that the stripboard is also the ideal size to fit inside an empty Tic-Tac box, the clear box matching the theme of the Enigma unit. So this is the enclosure that was used in the prototype.

COMPONENTS

Resistors

R1 to R4, R6, R7 10k (6 off)
R5, R8 1k (2 off)
All 0.6W metal film

Capacitors

C1 to C2 100n ceramic, 0.2in pitch
C3 1 μ radial elect. 16V

Potentiometers

VR1, VR3 10k min. horiz. skeleton preset (2 off)
VR2 100k min. horiz. skeleton preset

Semiconductors

IC1 78L05 +5V 100mA voltage regulator
IC2, IC3 PIC16F84 microcontroller, each separately pre-programmed (2 off)

Miscellaneous

S1 to S4 push-to-make switch, p.c.b. mounting 0.2in x 0.3in pitch, 6mm to 7mm "push actuator" (see text) (4 off)

S5 min s.p.c.o. slide switch, p.c.b. mounting
SK1 4-way edge connector, female, p.c.b. mounting
PL1 4-way edge connector, male, p.c.b. mounting
X1 2-line x 20-characters per line alphanumeric l.c.d., with standard HD44780 controller

Stripboard, 0.1in pitch, 45 holes x 27 strips; stripboard, 0.1in pitch, 21 holes x 12 strips; 18-pin d.i.l. socket (2 off); 25mm 6BA nuts and bolts (see text); clear acrylic perspex sheet (2mm x 117mm x 70mm) (2 off); 9V PP3 battery and connecting clip; Tic-Tac box (see text).

Software: Available as stated in *Shoptalk*.

See
SHOP
TALK
page

Approx. Cost
Guidance Only

£25
excluding case

The 4-way edge connector is fitted to the stripboard so that it protrudes through the hole in the Tic-Tac box, although the hole needs to be made a little larger to stop the box fouling on the Enigma's on/off switch when the two units are plugged together.

Solder components onto stripboard in order of d.i.l. socket, link wires, resistors and edge connector. Do not insert the PIC yet. Check the assembly for errors.

Adjust VR3 (PIC clock rate) for an effective resistance of about 3.1k Ω to 3.8k Ω .

Before inserting the PIC, plug the unit into the Enigma's connector (space limitations may make it necessary to switch on the Enigma first). Check that +5V is present as indicated in the circuit diagram.

If the checks are satisfactory, disconnect the unit from the Enigma and insert the second preprogrammed PIC (assembly file EEPROM.ASM).

ENCLOSURE

The author wanted the Mini-Enigma to look a little bit different from the usual constructional projects, but did not find the standard types of enclosure to be suitable. Consequently, the prototype was built using two pieces of 2mm thick clear acrylic perspex which form the "bread" of the stripboard sandwich.

Referring to Fig.4, cut the two pieces of perspex to the same size. Cut the slots and drill to match the mounting holes in the stripboard and l.c.d. Drill additional holes in the front piece of perspex to allow the pushbutton switches (S1 to S4) to protrude through. The whole unit is transparent allowing the electronics to be visible.

Cut a space in the back piece of perspex to allow access to the PP3 battery without having to take the unit to pieces. The 4-way female serial connector is mounted on the side of the stripboard and is positioned so that the Matchbox memory unit is able to be plugged into the Mini-Enigma.

The on/off slide switch, S5, is also mounted at the side.

The whole sandwich can now be combined into one unit, using 6BA bolts and with additional nuts to create spacers between the l.c.d. and the stripboard. Labels can now be secured above the

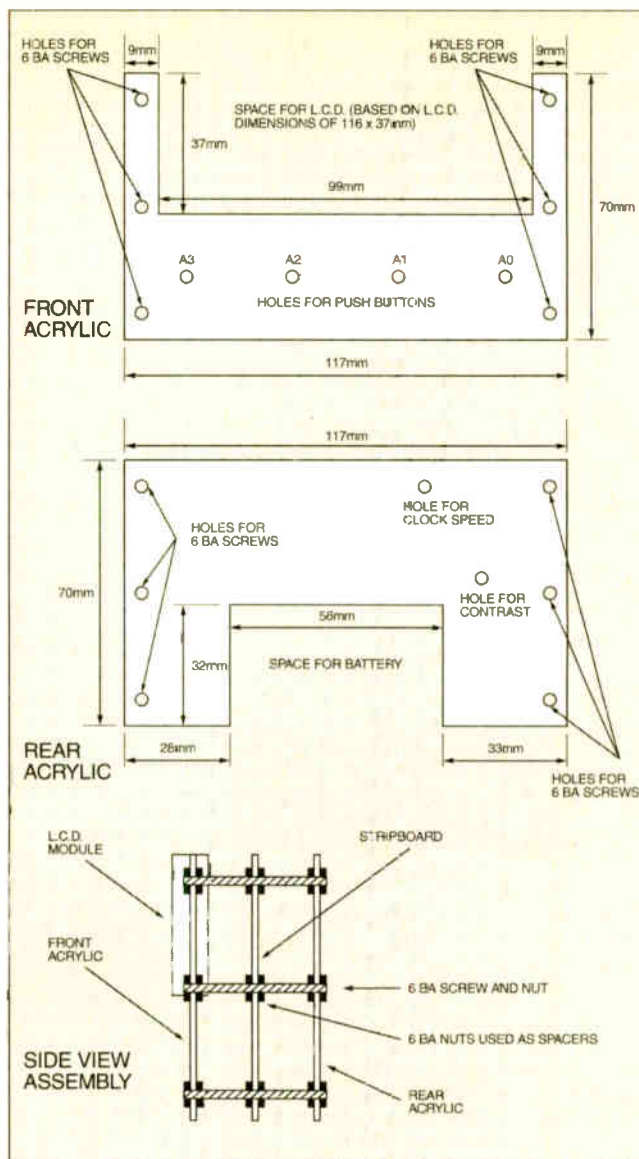
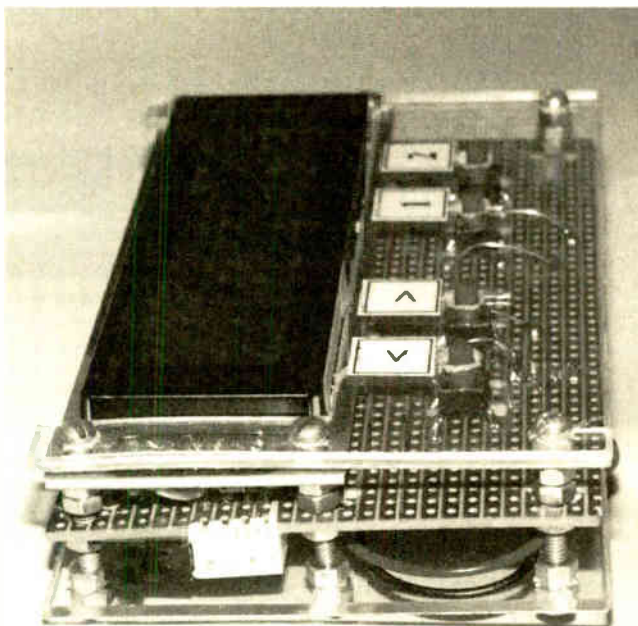


Fig.4. Construction details of the perspex plates and how they "sandwich" the Mini-Enigma stripboard.



End view of the assembled Mini-Enigma "sandwich".

pushswitches, showing from left to right the legends "<", ">", "1", "2" (see photos).

CODE CHECKS

When assembly and checking are complete, insert the pre-programmed PICs, follow the operating instructions discussed presently and check that data can be interchanged between units.

First code a line of text on the main unit and then save it into the Matchbox. Switch everything off and then attempt to load the data back into the Enigma. If problems are experienced when transferring data, adjust the speed of the Matchbox using preset VR3 and try again.

From experience there is quite a narrow "window" for the resistance value, found to be around 3kΩ to 4kΩ. It should be noted, however, that once data transfer has been achieved successfully VR3 should never need to be adjusted again.

OPERATING TECHNIQUE

When the Enigma is first switched on, the Start-up screen appears:



Start-up screen.

Pressing any key changes the display to show Screen 1, in which instructions are given on the lower line:

Pressing switch "<" or ">" causes the current letter of the codeword or message you wish to record, as shown on the top line and underlined, to rotate down ("<") or up (">") through the alphabet. When the required letter is reached, press switch "1" (Enter) to select it. The underline then moves to the next character cell and the required letter can again be reached by using "<" or ">", and selected by "1".

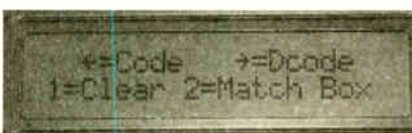


Screen 1, for entering a message or codeword.

If a wrong letter is entered this can be rectified by again pressing switch "1" before pressing "<" or ">". This deletes the last letter entered.

A message of up to 40 characters can be entered onto the top line if required. Once 20 characters have been entered, both lines of the screen rotate to the left so that the text can be followed on the screen, with the instructions being duplicated so that they can be seen at all times.

Once the codeword or message has been completed switch "2" (Next) can be pressed, to take you to Screen 2:

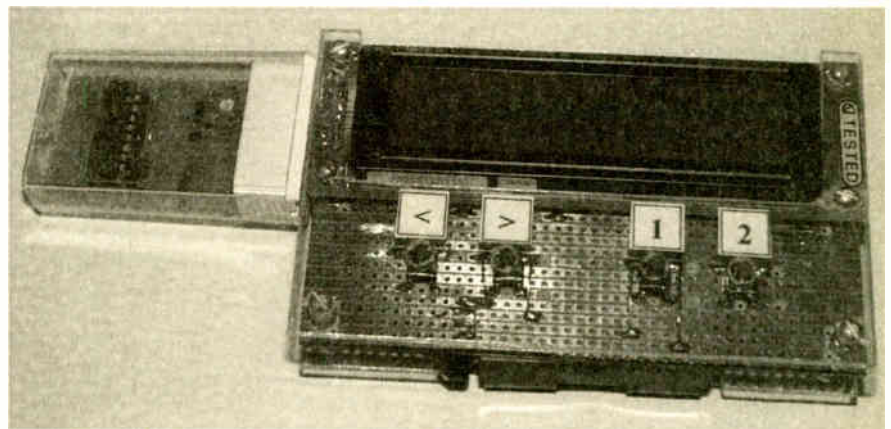


Screen 2, function choice.

Table 2 – Data Save and Load Routines

Step	Mini-Enigma	Matchbox Unit
1.		Wait for Save signal
2.	Send Save signal	
3.		Accept Save signal
4.		Send high clock signal
5.	Receive high clock signal	
6.	Send data bit X	
7.		Accept bit X
8.	Wait for low clock signal	
9.		Process data and send low clock signal
10.	Receive low clock signal	
11.		Loop back to step 4 until 8-bit word is complete
12.		Store 8-bit word in EEPROM memory
13.		Loop back to step 5 until 8-bit word is complete

Step	Mini-Enigma	Matchbox Unit
1.		Wait for Load signal
2.	Send Load signal	
3.		Accept Load signal
4.	Pause	
5.		Retrieve EEPROM memory
6.	Wait for high clock signal	
7.		Send high clock signal and data bit X
8.	Accept high clock signal and data bit X	
9.		Send low clock signal
10.	Accept low clock signal	
11.		Loop back to step 5 until 8-bit word is complete
12.		Loop back to step 6 until 8-bit word is complete
13.		Store data in indirect file memory



Matchbox unit plugged into Mini-Enigma.

If the unit has been powered up for the first time, or if the codeword is to be altered, press switch "2" (now indicated as Match Box). This will take you to Screen 3:



Screen 3. Second choice of functions.

Pressing "1" (codeword) then shows a screen display such as the following:



Screen 4. Choice of codeword saving or retention.

The top line shows the new codeword just created via Screen 1 (e.g. ABCD). The second line shows the current codeword already stored in the Enigma's EEPROM (e.g. ZYA). Pressing the "<" switch

stores the top line codeword into the EEPROM as the new codeword, overwriting the existing one. However, pressing the ">" switch instead causes the new codeword to be ignored, while retaining the existing one.

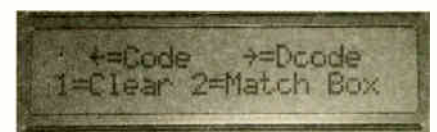
In either instance, the switch press causes Screen 1 to be displayed again.

A text message can then be "keyed in" using the "<," ">" and "1" keys, e.g.:



Screen 1 again, for message entering.

Once complete, pressing switch "2" once more displays Screen 2:



Screen 2 again, this time for choice of message function

If the text entered is a normal message and you wish to encrypt it, press "<". If the text entered is encrypted and you wish to discover the original message, press ">". If you wish to abort, pressing "1" clears the memory and returns to Screen 1, allowing you to enter some new text.

If either the "<" or ">" switches are pressed, the screen then shows two lines of text, the top line is the original text which was entered (either manually or via the matchbox), and the bottom line is the coded or decoded version.



An original message (top) and its encryption (lower).

Pressing the "<" or ">" switches while viewing the text shifts the screen left or right. This is particularly useful when the message contains more than 20 letters.

Once the viewing of text has been finished, press "2", which returns the display to Screen 2. This causes the coded or decoded text (as just shown on line 2) to be stored in the Enigma's memory. Coding or decoding can be carried out again if wished. Pressing "1" clears the memory and returns to Screen 1.

TRANSFERRING DATA

A 40-digit encrypted message can be "saved" to a Matchbox memory unit for future retrieval. The procedure for this is as follows:

Type in the required message and proceed to Screen 2 to encrypt the message. Once the encrypted message is on the screen, press "2" to return to Screen 2. As said earlier, this has the effect of storing the encrypted message in the Enigma's memory. Plug the Matchbox memory into Enigma and then press "2" again, which then produces the following message on Screen 3.



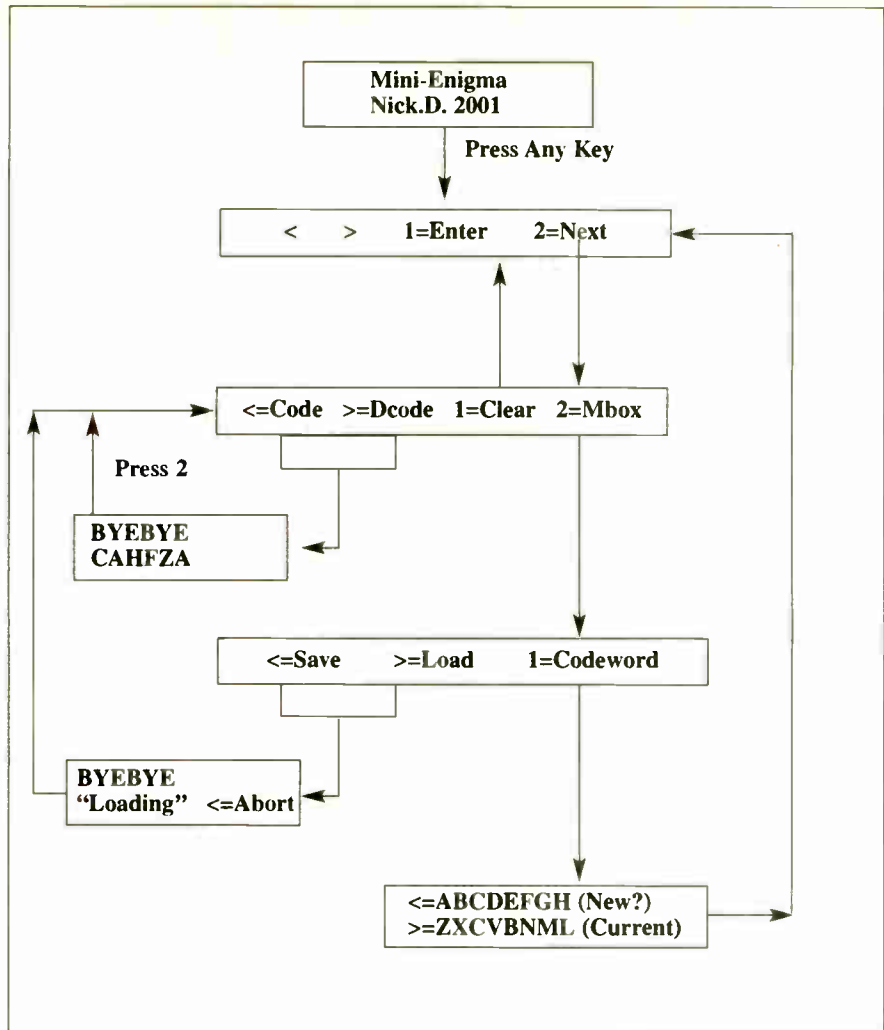
Screen 3 again, offering choice of data transfer function.

Pressing the appropriate key begins the data transfer either to ("<") save) or from (">") load) the Matchbox memory. The following screen appears just prior to loading commencing:



Screen immediately prior to loading a Matchbox message.

When loading or saving data, each letter transferred appears on the screen starting on line 1. If the message is shorter than 40 characters then the data transfer finishes once the final letter of the message has been received. The program does this by looking for ASCII



The logic flow chart for using Mini-Enigma.

code 128 (binary 1000000). If this character is recognised as being transferred then both programs end the data transfer.

The data transfer takes about 100 seconds for all 40 characters, and once complete the l.c.d. reverts back to Screen 2. This allows the user either to clear the Enigma's memory and start again, or to decode the received message. Once the data transfer has been completed, the Matchbox unit can either be unplugged and passed onto a friend, or it can be left plugged into the Enigma where another load or save can be performed.

If problems are experienced when loading or saving to the memory unit, pressing the "<" key aborts the transfer. If for some reason problems still exist, remove the memory unit and re-boot the Mini-Enigma unit by switching off and then switching back on.

Be aware that sometimes the first bit (bit 7) of the first character transferred becomes corrupted (i.e. it is made high instead of low), the software in the Enigma clears bit 7 of all characters before it shows them on the l.c.d. to eliminate this problem.



An encrypted message from the Matchbox unit (top) and its decoded meaning (lower).



A late model of the Enigma, circa 1947.

ACKNOWLEDGEMENTS

John Becker, PIC Tutorial series March to May '98. The author says he did not start reading the Tutorial until Dec '00, but by Feb '01 he had written the basics of the code for this project.

Simon Singh, The Codebook, published by The 4th Estate, which gives excellent descriptions of many different encryption techniques and includes the history of the original Enigma unit.

Jack Chisnall, the author's late Grandfather who bought him his first copy of Everyday Electronics in the mid 1970's.

DIRECT BOOK SERVICE

NOTE: ALL PRICES INCLUDE UK POSTAGE



EPE TEACH-IN 2000 CD-ROM

The whole of the 12-part *Teach-In 2000* series by John Becker (published in *EPE* Nov '99 to Oct 2000) is now available on CD-ROM. Plus the *Teach-In 2000* interactive software covering all aspects of the series and Alan Wmstanley's *Basic Soldering Guide* (including illustrations and Desoldering).

Teach-In 2000 covers all the basic principles of electronics from Ohm's Law to Displays, including Op.Amps, Logic Gates etc. Each part has its own section on the interactive software where you can also change component values in the various on-screen demonstration circuits.

The series gives a hands-on approach to electronics with numerous breadboard circuits to try out, plus a simple computer interface which allows a PC to be used as a basic oscilloscope.

ONLY £12.45 including VAT and p&p

Order code Teach-In CD-ROM

Circuits and Design

PRACTICAL REMOTE CONTROL PROJECTS

Owen Bishop

Provides a wealth of circuits and circuit modules for use in remote control systems of all kinds; ultrasonic, infra-red, optical fibre, cable and radio. There are instructions for building fourteen novel and practical remote control projects. But this is not all, as each of these projects provides a model for building dozens of other related circuits by simply modifying parts of the design slightly to suit your own requirements. This book tells you how.

Also included are techniques for connecting a PC to a remote control system, the use of a microcontroller in remote control, as exemplified by the BASIC Stamp, and the application of ready-made type-approved 418MHz radio transmitter and receiver modules to remote control systems.

160 pages

Order code BP413

£6.49

ELECTRONICS PROJECTS USING ELECTRONICS WORKBENCH plus FREE CD-ROM

M. P. Horsey

This book offers a wide range of tested circuit modules which can be used as electronics projects, part of an electronics course, or as a hands-on way of getting better acquainted with Electronics Workbench. With circuits ranging from 'bulbs and batteries' to complex systems using integrated circuits, the projects will appeal to novices, students and practitioners alike.

Electronics Workbench is a highly versatile computer simulation package which enables the user to design, test and modify their circuits before building them, and to plan PCB layouts on-screen. All the circuits in the book are provided as runnable Electronics Workbench files on the enclosed CD-ROM, and a selection of 15 representative circuits can be explored using the free demo version of the application.

Contents: Some basic concepts; Projects with switches, LEDs, relays and diodes; Transistors; Power supplies; Op.amp projects; Further op.amp circuits; Logic gates; Real logic circuits; Logic gate multivibrators; The 555 timer; Flip-flops,

counters and shift registers; Adders, comparators and multiplexers; Field effect transistors; Thyristors, triacs and diacs; Constructing your circuit; Index.

227 pages

Order code NE29

£16.99

DISCOVERING ELECTRONIC CLOCKS

W. D. Phillips

This is a whole book about designing and making electronic clocks. You start by connecting HIGH and LOW logic signals to logic gates. You find out about and then build and test bistables, crystal-controlled astables, counters, decoders and displays. All of these subsystems are carefully explained, with practical work supported by easy to follow prototype board layouts.

Full constructional details, including circuit diagrams and a printed circuit board pattern, are given for a digital electronic clock. The circuit for the First Clock is modified and developed to produce additional designs which include a Big Digit Clock, Binary Clock, Linear Clock, Andrew's Clock (with a semi-analogue display), and a Circles Clock. All of these designs are unusual and distinctive.

This is an ideal resource for project work in GCSE *Design and Technology: Electronics Product*, and for project work in AS-Level and A-Level *Electronics and Technology*.

194 pages, A4 spiral bound

Order code DEP1

£17.50

50 SIMPLE LED CIRCUITS

R. N. Soar

Contains 50 interesting and useful circuits and applications, covering many different branches of electronics, using one of the most inexpensive and freely available components - the Light Emitting Diode (or L.E.D.). Also includes circuits for the 707 Common Anode Display.

A useful book for the library of both beginner and more advanced enthusiasts alike.

62 pages

Order code BP42

£3.49

DOMESTIC SECURITY SYSTEMS

A. L. Brown

This book shows you how, with common sense and basic do-it-yourself skills, you can protect your home. It also gives tips and ideas which will help you to maintain and improve your home security, even if you already have an alarm. Every circuit in this book is clearly described and illustrated, and contains components that are easy to source. Advice and guidance are based on the real experience of the author who is an alarm installer, and the designs themselves have been rigorously put to use on some of the most crime-ridden streets in the world.

The designs include all elements, including sensors, detectors, alarms, controls, lights, video and door entry systems. Chapters cover installation, testing, maintenance and upgrading.

192 pages

Order code NE25

£15.99

MICROCONTROLLER COOKBOOK

Mike James

The practical solutions to real problems shown in this cookbook provide the basis to make PIC and 8051 devices really work. Capabilities of the variants are examined, and ways to enhance these are shown. A survey of common interface devices, and a description of programming models, lead on to a section on development techniques. The cookbook offers an introduction that will allow any user, novice or experienced, to make the most of microcontrollers.

240 pages

Order code NE26

£21.99

A BEGINNER'S GUIDE TO TTL DIGITAL ICs

R. A. Penfold

This book first covers the basics of simple logic circuits in general, and then progresses to specific TTL logic integrated circuits. The devices covered include gates, oscillators, timers, flip-flops, dividers, and decoder circuits. Some practical circuits are used to illustrate the use of TTL devices in the 'real world'.

142 pages

Order code BP332

£5.45

ELECTRONIC MODULES AND SYSTEMS FOR BEGINNERS

Owen Bishop

This book describes over 60 modular electronic circuits, how they work, how to build them, and how to use them. The modules may be wired together to make hundreds of different electronic systems, both analogue and digital. To show the reader how to begin building systems from modules, a selection of over 25 electronic systems are described in detail, covering such widely differing applications as timing, home security, measurement, audio (including a simple radio receiver), games and remote control.

200 pages

Order code BP266

£4.45

PRACTICAL ELECTRONICS CALCULATIONS AND FORMULAE

F. A. Wilson, C.G.I.A., C.Eng., F.I.E.E., F.I.E.R.E., F.B.I.M.

Bridges the gap between complicated technical theory, and 'cut-and-ried' methods which may bring success in design but leave the experimenter unfulfilled. A strong practical bias - tedious and higher mathematics have been avoided where possible and many tables have been included.

The book is divided into six basic sections: Units and Constants, Direct-Current Circuits, Passive Components, Alternating-Current Circuits, Networks and Theorems, Measurements.

256 pages

Order code BP53

£5.49

Computing & Robotics

NEW

SPECIAL INTRODUCTORY OFFER

ONLY £6.99 (including UK p&p) (Offer ends 30th April 2002)

WINDOWS XP EXPLAINED

N. Kantaris and P. R. M. Oliver

If you want to know what to do next when confronted with Microsoft's Windows XP screen, then this book is for you. It applies to both the Professional and Home editions.

The book was written with the non-expert, busy person in mind. It explains what hardware requirements you need in order to run Windows XP successfully, and gives an overview of the Windows XP environment.

The book explains: How to manipulate Windows, and how to use the Control Panel to add or change your printer, and control your display; How to control information using WordPad, Notepad and Paint, and how to use the Clipboard facility to transfer information between Windows applications; How to be in control of your filing system using Windows Explorer and My Computer; How to control printers, fonts, characters, multimedia and images, and how to add hardware and software to your system; How to configure your system to communicate with the outside world, and use Outlook Express for all your email requirements; How to use the Windows Media Player 8 to play your CDs, burn CDs with your favourite tracks, use the Radio Tuner, transfer your videos to your PC, and how to use the Sound Recorder and Movie Maker; How to use the System Tools to restore your system to a previously working state, using Microsoft's Website to update your Windows set-up, how to clear up, defragment and scan your hard disk, and how to backup and restore your data; How to successfully transfer text from those old but cherished MS-DOS programs.

268 pages

Order code BP514

£6.99

INTRODUCING ROBOTICS WITH LEGO MINDSTORMS

Robert Penfold

Shows the reader how to build a variety of increasingly sophisticated computer controlled robots using the brilliant Lego Mindstorms Robotic Invention System (RIS). Initially covers fundamental building techniques and mechanics needed to construct strong and efficient robots using the various "click-together" components supplied in the basic RIS kit. Explains in simple terms how the "brain" of the robot may be programmed on screen using a PC and "zapped" to the robot over an infra-red link. Also, shows how a more sophisticated Windows programming language such as Visual BASIC may be used to control the robots.

Detailed building and programming instructions provided, including numerous step-by-step photographs.

288 pages - large format

Order code BP901

£14.99

MORE ADVANCED ROBOTICS WITH LEGO MINDSTORMS - Robert Penfold

Covers the Vision Command System

Shows the reader how to extend the capabilities of the brilliant Lego Mindstorms Robotic Invention System (RIS) by using Lego's own accessories and some simple home constructed units. You will be able to build robots that can provide you with 'waiter service' when you clap

your hands, perform tricks, 'see' and avoid objects by using 'bats radar', or accurately follow a line marked on the floor. Learn to use additional types of sensors including rotation, light, temperature, sound and ultrasonic and also explore the possibilities provided by using an additional (third) motor. For the less experienced, RCX code programs accompany most of the featured robots. However, the more adventurous reader is also shown how to write programs using Microsoft's VisualBASIC running with the ActiveX control (Spirit.OCX) that is provided with the RIS kit.

Detailed building instructions are provided for the featured robots, including numerous step-by-step photographs. The designs include rover vehicles, a virtual pet, a robot arm, an 'intelligent' sweet dispenser and a colour conscious robot that will try to grab objects of a specific colour.

298 pages

Order code BP902

£14.99

PIC YOUR PERSONAL INTRODUCTORY COURSE

SECOND EDITION John Morton

Discover the potential of the PIC microcontroller through graded projects - this book could revolutionise your electronics construction work!

A uniquely concise and practical guide to getting up and running with the PIC Microcontroller. The PIC is one of the most popular of the microcontrollers that are transforming electronic project work and product design.

Assuming no prior knowledge of microcontrollers and introducing the PICs capabilities through simple projects, this book is ideal for use in schools and colleges. It is the ideal introduction for students, teachers, technicians and electronics enthusiasts. The step-by-step explanations make it ideal for self-study too: this is not a reference book - you start work with the PIC straight away.

The revised second edition covers the popular reprogrammable EEPROM PICs: P16C84/16F84 as well as the P54 and P71 families.

270 pages

Order code NE36

£13.99

INTRODUCTION TO MICROPROCESSORS

John Crisp

If you are, or soon will be, involved in the use of microprocessors, this practical introduction is essential reading. This book provides a thoroughly readable introduction to microprocessors, assuming no previous knowledge of the subject, nor a technical or mathematical background. It is suitable for students, technicians, engineers and hobbyists, and covers the full range of modern microprocessors.

After a thorough introduction to the subject, ideas are developed progressively in a well-structured format. All technical terms are carefully introduced and subjects which have proved difficult, for example 2's complement, are clearly explained. John Crisp covers the complete range of microprocessors from the popular 4-bit and 8-bit designs to today's super-fast 32-bit and 64-bit versions that power PCs and engine management systems etc.

222 pages

Order code NE31

£18.99

Testing, Theory and Reference

Bebop To The Boolean Boogie

By Clive (call me Max) Maxfield
Specially Imported by EPE –
Excellent value

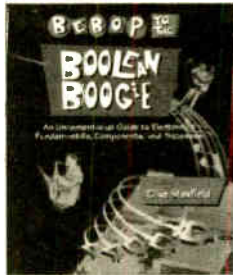
An Unconventional Guide to Electronics
Fundamentals, Components and Processes

This book gives the "big picture" of digital electronics. This indepth, highly readable, up-to-the-minute guide shows you how electronic devices work and how they're made. You'll discover how transistors operate, how printed circuit boards are fabricated, and what the innards of memory ICs look like. You'll also gain a working knowledge of Boolean Algebra and Karnaugh Maps, and understand what Reed-Muller logic is and how it's used. And there's much, MUCH more (including a recipe for a truly great seafood gumbo!)

Hundreds of carefully drawn illustrations clearly show the important points of each topic. The author's tongue-in-cheek British humor makes it a delight to read, but this is a REAL technical book, extremely detailed and accurate. A great reference for your own shelf, and also an ideal gift for a friend or family member who wants to understand what it is you do all day. . . .
470 pages – large format

Order code BEB1

£26.95



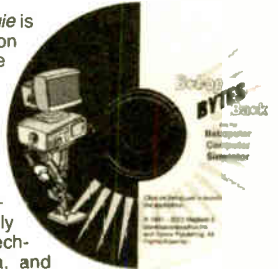
BEBOP BYTES BACK (and the Bebopter Computer Simulator) CD-ROM

Clive (Max) Maxfield and Alvin Brown

This follow-on to *Bebop to the Boolean Boogie* is a multimedia extravaganza of information about how computers work. It picks up where "Bebop I" left off, guiding you through the fascinating world of computer design . . . and you'll have a few chuckles, if not belly laughs, along the way. In addition to over 200 megabytes of mega-cool multimedia, the CD-ROM contains a virtual microcomputer, simulating the motherboard and standard computer peripherals in an extremely realistic manner. In addition to a wealth of technical information, myriad nuggets of trivia, and hundreds of carefully drawn illustrations, the CD-ROM contains a set of lab experiments for the virtual microcomputer that let you recreate the experiences of early computer pioneers. If you're the slightest bit interested in the inner workings of computers, then don't dare to miss this!
Over 800 pages in Adobe Acrobat format

Order code BEE2 CD-ROM

£18.95



DIGITAL ELECTRONICS – A PRACTICAL APPROACH With FREE Software: Number One Systems – EASY-PC Professional XM and Pulsar (Limited Functionality) Richard Monk

Covers binary arithmetic, Boolean algebra and logic gates, combination logic, sequential logic including the design and construction of asynchronous and synchronous circuits and register circuits. Together with a considerable practical content plus the additional attraction of its close association with computer-aided design including the FREE software.

There is a 'blow-by-blow' guide to the use of EASY-PC Professional XM (a schematic drawing and printed circuit board design computer package). The guide also conducts the reader through logic circuit simulation using Pulsar software. Chapters on p.c.b. physics and p.c.b. production techniques make the book unique, and with its host of project ideas make it an ideal companion for the integrative assignment and common skills components required by BTEC and the key skills demanded by GNVQ. The principal aim of the book is to provide a straightforward approach to the understanding of digital electronics.

Those who prefer the 'Teach-In' approach or would rather experiment with some simple circuits should find the book's final chapters on printed circuit board production and project ideas especially useful.
250 pages

Order code NE28

£17.99

FREE SOFTWARE

DIGITAL GATES AND FLIP-FLOPS

Ian R. Sinclair

This book, intended for enthusiasts, students and technicians, seeks to establish a firm foundation in digital electronics by treating the topics of gates and flip-flops thoroughly and from the beginning.

Topics such as Boolean algebra and Karnaugh mapping are explained, demonstrated and used extensively, and more attention is paid to the subject of synchronous counters than to the simple but less important ripple counters.

No background other than a basic knowledge of electronics is assumed, and the more theoretical topics are explained from the beginning, as also are many working practices. The book concludes with an explanation of micro-processor techniques as applied to digital logic.

200 pages

Order code PC106

£9.95

EDA – WHERE ELECTRONICS BEGINS

By Clive "Max" Maxfield and Kuhoo Goyal Edson

EDA, which stands for *electronic design automation*, refers to the software tools (computer programs) used to design electronic products. EDA actually encompasses a tremendous variety of tools and concepts. The aim of this book is to take a 30,000-foot view of the EDA world. To paint a "big picture" that introduces some of the most important EDA tools and describes how they are used to create integrated circuits, circuit boards and electronic systems. To show you how everything fits together without making you want to bang your head against the nearest wall.

"Did you ever wonder how the circuit boards and silicon chips inside your personal computer or cell phone were designed? This book walks you through the process of designing a city on an alien planet and compares it to designing an electronic system. The result is a fun, light-hearted and entertaining way to learn about one of the most important – and least understood – industries on this planet."

John Barr, Managing Director, Robertson Stephens

SPECIALY IMPORTED BY EPE – EXCELLENT VALUE

98 pages – Large format

Order code EDA1

£29.95

UNDERSTANDING ELECTRONIC CONTROL SYSTEMS

Owen Bishop

Owen Bishop has produced a concise, readable text to introduce a wide range of students, technicians and professionals to an important area of electronics. Control is a highly mathematical subject, but here maths is kept to a minimum, with flow charts to illustrate principles and techniques instead of equations.

Cutting edge topics such as microcontrollers, neural networks and fuzzy control are all here, making this an ideal refresher course for those working in industry. Basic principles, control algorithms and hardwired control systems are also fully covered so the resulting book is a comprehensive text and well suited to college courses or background reading for university students.

The text is supported by questions under the headings Keeping Up and Test Your Knowledge so that the reader can develop a sound understanding and the ability to apply the techniques they are learning.

228 pages

Order code MGH3

£17.99

HOW ELECTRONIC THINGS WORK – AND WHAT TO DO WHEN THEY DON'T

Robert Goodman

You never again have to be flummoxed, flustered or taken for a ride by a piece of electronics equipment. With this fully illustrated, simple-to-use guide, you will get a grasp on the workings of the electronic world that surrounds you – and even learn to make your own repairs.

You don't need any technical experience. This book gives you: Clear explanations of how things work, written in everyday language. Easy-to-follow, illustrated instructions on using test equipment to diagnose problems. Guidelines to help you decide for or against professional repair. Tips on protecting your expensive equipment from lightning and other electrical damage. Lubrication and maintenance suggestions.

Covers: colour TVs, VCRs, radios, PCs, CD players, printers, telephones, monitors, camcorders, satellite dishes, and much more!
394 pages

Order code NE35

£18.99

The books listed have been selected by *Everyday Practical Electronics* editorial staff as being of special interest to everyone involved in electronics and computing. They are supplied by mail order direct to your door. Full ordering details are given on the last book page.

FOR A FURTHER SELECTION OF BOOKS
SEE THE NEXT TWO ISSUES OF EPE

All prices include UK postage

Audio and Music

PREAMPLIFIER AND FILTER CIRCUITS

R. A. Penfold

This book provides circuits and background information for a range of preamplifiers, plus tone controls, filters, mixers, etc. The use of modern low noise operational amplifiers and a specialist high performance audio preamplifier i.c. results in circuits that have excellent performance, but which are still quite simple. All the circuits featured can be built at quite low cost (just a few pounds in most cases). The preamplifier circuits featured include: Microphone preamplifiers (low impedance, high impedance, and crystal). Magnetic cartridge pick-up preamplifiers with R.I.A.A. equalisation. Crystal/ceramic pick-up preamplifier. Guitar pick-up preamplifier. Tape head preamplifier (for use with compact cassette systems).

Other circuits include: Audio limiter to prevent overloading of power amplifiers. Passive tone controls. Active tone controls. PA filters (highpass and lowpass). Scratch and rumble filters. Loudness filter. Mixers. Volume and balance controls.

92 pages

Order code BP309

£4.49

HIGH POWER AUDIO AMPLIFIER CONSTRUCTION

R. A. Penfold

Practical construction details of how to build a number of audio power amplifiers ranging from about 50 to 300/400 watts r.m.s. includes MOSFET and bipolar transistor designs.

96 pages

Order code BP277

£4.49

ELECTRONIC MUSIC AND MIDI PROJECTS

R. A. Penfold

Whether you wish to save money, boldly go where no musician has gone before, rekindle the pioneering spirit, or simply have fun building some electronic music gadgets, the designs featured in this book should suit your needs. The projects are all easy to build, and some are so simple that even complete beginners at electronic project construction

can tackle them with ease. Stripboard layouts are provided for every project, together with a wiring diagram. The mechanical side of construction has largely been left to the individual constructors to sort out, simply because the vast majority of project builders prefer to do their own thing.

None of the designs requires the use of any test equipment in order to get them set up properly. Where any setting up is required, the procedures are very straightforward, and they are described in detail.

Projects covered: Simple MIDI tester, Message grabber, Byte grabber, THRU box, MIDI auto switcher, Auto/manual switcher, Manual switcher, MIDI patchbay, MIDI controlled switcher, MIDI lead tester, Program change pedal, Improved program change pedal, Basic mixer, Stereo mixer, Electronic swell pedal, Metronome, Analogue echo unit.

138 pages

Order code PC116

£10.95

Testing, Theory, Data and Reference

SCROGGIE'S FOUNDATIONS OF WIRELESS AND ELECTRONICS - ELEVENTH EDITION

S. W. Amos and Roger Amos

Scroggie's Foundations is a classic text for anyone working with electronics, who needs to know the art and craft of the subject. It covers both the theory and practical aspects of a huge range of topics from valve and tube technology, and the application of cathode ray tubes to radar, to digital tape systems and optical recording techniques.

Since *Foundations of Wireless* was first published over 60 years ago, it has helped many thousands of readers to become familiar with the principles of radio and electronics. The original author Sowerby was succeeded by Scroggie in the 1940s, whose name became synonymous with this classic primer for practitioners and students alike. Stan Amos, one of the fathers of modern electronics and the author of many well-known books in the area, took over the revision of this book in the 1980s and it is he, with his son, who have produced this latest version.

400 pages **Order code NE27** £21.99

ELECTRONICS MADE SIMPLE

Ian Sinclair

Assuming no prior knowledge, *Electronics Made Simple* presents an outline of modern electronics with an emphasis on understanding how systems work rather than on details of circuit diagrams and calculations. It is ideal for students on a range of courses in electronics, including GCSE, C&G and GNVQ, and for students of other subjects who will be using electronic instruments and methods.

Contents: waves and pulses, passive components, active components and ICs, linear circuits, block and circuit diagrams, how radio works, disc and tape recording, elements of TV and radar, digital signals, gating and logic circuits, counting and correcting, microprocessors, calculators and computers, miscellaneous systems.

199 pages (large format) **Order code NE23** £13.99

TRANSISTOR DATA TABLES

Hans-Günter Stelde

The tables in this book contain information about the package shape, pin connections and basic electrical data for each of the many thousands of transistors listed. The data includes maximum reverse voltage, forward current and power dissipation, current gain and forward transmittance and resistance, cut-off frequency and details of applications.

A book of this size is of necessity restricted in its scope, and the individual transistor types cannot therefore be described in the sort of detail that maybe found in some larger and considerably more expensive data books. However, the list of manufacturers' addresses will make it easier for the prospective user to obtain further information, if necessary.

Lists over 8,000 different transistors, including f.e.t.s.
200 pages **Order code BP401** £6.45

ELECTRONIC TEST EQUIPMENT HANDBOOK

Steve Money

The principles of operation of the various types of test instrument are explained in simple terms with a minimum of mathematical analysis. The book covers analogue and digital meters, bridges, oscilloscopes, signal generators, counters, timers and frequency measurement. The practical uses of the instruments are also examined.

Everything from Oscillators, through R, C & L measurements (and much more) to Waveform Generators and testing Zeners.

202 pages **Order code PC109** £9.95

GETTING THE MOST FROM YOUR MULTIMETER

R. A. Penfold

This book is primarily aimed at beginners and those of limited experience of electronics. Chapter 1 covers the basics of analogue and digital multimeters, discussing the relative merits and the limitations of the two types. In Chapter 2 various methods of component checking are described, including tests for transistors, thyristors, resistors, capacitors and diodes. Circuit testing is covered in Chapter 3, with subjects such as voltage, current and continuity checks being discussed.

In the main little or no previous knowledge or experience is assumed. Using these simple component and circuit testing techniques the reader should be able to confidently tackle servicing of most electronic projects.

96 pages **Order code BP239** £3.45

NEWNES ELECTRONICS TOOLKIT - SECOND EDITION

Geoff Phillips

The author has used his 30 years experience in industry to draw together the basic information that is constantly demanded. Facts, formulae, data and charts are presented to help the engineer when designing, developing, evaluating, fault finding and repairing electronic circuits. The result is this handy workmate volume: a memory aid, tutor and reference source which is recommended to all electronics engineers, students and technicians.

Have you ever wished for a concise and comprehensive guide to electronics concepts and rules of thumb? Have you ever been unable to source a component, or choose between two alternatives for a particular application? How much time do you spend searching for basic facts or manufacturer's specifications? This book is the answer, it covers resistors, capacitors, inductors, semiconductors, logic circuits, EMC, audio, electronics and music, telephones, electronics in lighting, thermal considerations, connections, reference data.

158 pages **Order code NE20** £15.99

PRACTICAL ELECTRONIC FAULT FINDING AND TROUBLESHOOTING

Robin Pain

This is not a book of theory. It is a book of practical tips, hints, and rules of thumb, all of which will equip the reader to tackle any job. You may be an engineer or technician in search of information and guidance, a college student, a hobbyist building a project from a magazine, or simply a keen self-taught amateur who is interested in electronic fault finding but finds books on the subject too mathematical or specialized.

The book covers: Basics - Voltage, current and resistance; Capacitance, inductance and impedance; Diodes and transistors; Op-amps and negative feedback; Fault finding - Analogue fault finding, Digital fault finding; Memory; Binary and hexadecimal; Addressing; Discrete logic; Microprocessor action; I/O control; CRT control; Dynamic RAM; Fault finding digital systems; Dual trace oscilloscope; IC replacement.

274 pages **Order code NE22** £20.99

AN INTRODUCTION TO LIGHT IN ELECTRONICS

F. A. Wilson

This book is not for the expert but neither is it for the completely uninitiated. It is assumed the reader has

some basic knowledge of electronics. After dealing with subjects like Fundamentals, Waves and Particles and The Nature of Light such things as Emitters, Detectors and Displays are discussed. Chapter 7 details four different types of Lasers before concluding with a chapter on Fibre Optics.

161 pages **Order code BP359** £5.45

UNDERSTANDING DIGITAL TECHNOLOGY

F. A. Wilson C.G.I.A., C.Eng., F.I.E.E., F.I. Mgt.

This book examines what digital technology has to offer and then considers its arithmetic and how it can be arranged for making decisions in so many processes. It then looks at the part digital has to play in the ever expanding Information Technology, especially in modern transmission systems and television. It avoids getting deeply involved in mathematics.

Various chapters cover: Digital Arithmetic, Electronic Logic, Conversions between Analogue and Digital Structures, Transmission Systems. Several Appendices explain some of the concepts more fully and a glossary of terms is included.

183 pages **Order code BP376** £5.45

Project Building

ELECTRONIC PROJECT BUILDING FOR BEGINNERS

R. A. Penfold

This book is for complete beginners to electronic project building. It provides a complete introduction to the practical side of this fascinating hobby, including:

Component identification, and buying the right parts; resistor colour codes, capacitor value markings, etc; advice on buying the right tools for the job; soldering; making easy work of the hard wiring; construction methods, including stripboard, custom printed circuit boards, plain matrix boards, surface mount boards and wire-wrapping; finishing off, and adding panel labels; getting "problem" projects to work, including simple methods of fault-finding.

In fact everything you need to know in order to get started in this absorbing and creative hobby.

135 pages **Order code BP392** £5.45

45 SIMPLE ELECTRONIC TERMINAL BLOCK PROJECTS

R. Bebbington

Contains 45 easy-to-build electronic projects that can be constructed, by an absolute beginner, on terminal blocks using only a screwdriver and other simple hand tools. No soldering is needed.

Most of the projects can be simply screwed together, by following the layout diagrams, in a matter of minutes and readily unscrewed if desired to make new circuits. A theoretical circuit diagram is also included with each project to help broaden the constructor's knowledge.

The projects included in this book cover a wide range of interests under the chapter headings: Connections and Components, Sound and Music, Entertainment, Security Devices, Communication, Test and Measuring.

163 pages **Order code BP378** £5.45

30 SIMPLE IC TERMINAL BLOCK PROJECTS

R. Bebbington

Follow on from BP378 using ICs.

117 pages **Order code BP379** £5.49

HOW TO DESIGN AND MAKE YOUR OWN P.C.B.S

R. A. Penfold

Deals with the simple methods of copying printed circuit board designs from magazines and books and covers all aspects of simple p.c.b. construction including photographic methods and designing your own p.c.b.s.

80 pages **Order code BP121** £4.49

IC555 PROJECTS

E. A. Parr

Every so often a device appears that is so useful that one wonders how life went on before without it. The 555 timer is such a device. It was first manufactured by Signetics, but is now manufactured by almost every semiconductor manufacturer in the world and is inexpensive and very easily obtainable.

Included in this book are over 70 circuit diagrams and descriptions covering basic and general circuits, motor car and model railway circuits, alarms and noise makers as well as a section on 556, 558 and 559 timers. (Note. No construction details are given.)

A reference book of invaluable use to all those who have any interest in electronics, be they professional engineers or designers, students of hobbyists.

167 pages **Order code BP44** £4.49

BOOK ORDERING DETAILS

All prices include UK postage. For postage to Europe (air) and the rest of the world (surface) please add £1 per book. For the rest of the world airmail add £2 per book. Send a PO, cheque, international money order (£ sterling only) made payable to **DIRECT BOOK SERVICE** or card details, Visa, Mastercard, Amex, Diners Club or Switch - minimum card order is £5 - to: **DIRECT BOOK SERVICE, WIMBORNE PUBLISHING LIMITED, 408 WIMBORNE ROAD EAST, FERNDOWN, DORSET BH22 9ND.**

Books are normally sent within seven days of receipt of order, but please allow 28 days for delivery - more for overseas orders. Please check price and availability (see latest issue of *Everyday Practical Electronics*) before ordering from old lists.

For a further selection of books see the next two issues of *EPE*.
Tel 01202 873872 Fax 01202 874562. E-mail: dbs@epemag.wimborne.co.uk
Order from our online shop at: www.epemag.wimborne.co.uk/shopdoor.htm

BOOK ORDER FORM

Full name:

Address:

.....

.....

..... Post code: Telephone No:

Signature:

I enclose cheque/PO payable to DIRECT BOOK SERVICE for £

Please charge my card £ Card expiry date

Card Number Switch Issue No.

Please send book order codes:

Please continue on separate sheet of paper if necessary

PCB SERVICE

Printed circuit boards for most recent *EPE* constructional projects are available from the PCB Service, see list. These are fabricated in glass fibre, and are fully drilled and roller tinned. All prices include VAT and postage and packing. Add £1 per board for airmail outside of Europe. Remittances should be sent to **The PCB Service, Everyday Practical Electronics, Wimborne Publishing Ltd., 408 Wimborne Road East, Ferndown, Dorset BH22 9ND. Tel: 01202 873872; Fax 01202 874562; E-mail: orders@epemag.wimborne.co.uk. On-line Shop: www.epemag.wimborne.co.uk/shopdoor.htm.** Cheques should be crossed and made payable to *Everyday Practical Electronics* (Payment in £ sterling only). **NOTE: While 95% of our boards are held in stock and are dispatched within seven days of receipt of order, please allow a maximum of 28 days for delivery – overseas readers allow extra if ordered by surface mail. Back numbers or photostats of articles are available if required – see the Back Issues page for details.**

Please check price and availability in the latest issue.
Boards can only be supplied on a payment with order basis.

PROJECT TITLE	Order Code	Cost
★EPE Mood PICker	JULY '99 233	£6.78
L.E.D. Stroboscope (Multi-project PCB)	932	£3.00
★8-Channel Analogue Data Logger	AUG '99 237	£8.88
Freezer Alarm (Multi-project PCB)	932	£3.00
Child Guard	SEPT '99 241	£7.51
Variable Dual Power Supply	242	£7.64
Micro Power Supply	OCT '99 243	£3.50
★Interior Lamp Delay	244	£7.88
Mains Cable Locator (Multi-project PCB)	932	£3.00
Vibralarm	NOV '99 230	£6.93
Demister One-Shot	245	£6.78
★Ginormous Stopwatch – Part 1	246	£7.82
★Ginormous Stopwatch – Part 2	DEC '99 247	£7.85
Giant Display	248	£3.96
Serial Port Converter	249	£4.44
Loft Guard		
Scratch Blanker	JAN '00 250	£4.83
Flashing Snowman (Multi-project PCB)	932	£3.00
★Video Cleaner	FEB '00 251	£5.63
Find It	252	£4.20
★Teach-In 2000 – Part 4	253	£4.52
High Performance Regenerative Receiver	MAR '00 254, 255	£5.45
★EPE Icebreaker – PCB257, programmed PIC16F877 and floppy disc	256	Set
Parking Warning System	Set only	£22.99
★Micro-PICscope	APR '00 259	£4.99
Garage Link – Transmitter	261	Set
Receiver	262	£5.87
Versatile Mic/Audio Preamplifier	MAY '00 260	£3.33
PIR Light Checker	263	£3.17
★Multi-Channel Transmission System – Transmitter	264	Set
Receiver	265	£6.34
Interface	266	
★Canute Tide Predictor	JUNE '00 267	£3.05
★PIC-Gen Frequency Generator/Counter	JULY '00 268	£5.07
g-Meter	269	£4.36
★EPE Moodloop	AUG '00 271	£5.47
Quiz Game Indicator	272	£4.52
Handy-Amp	273	£4.52
Active Ferrite Loop Aerial	SEPT '00 274	£4.57
★Remote Control IR Decoder	Software only	–
★PIC Dual-Channel Virtual Scope	OCT '00 275	£5.15
Handclap Switch	NOV '00 270	£3.96
★PIC Pulsometer	Software only	–
Twinkling Star	DEC '00 276	£4.28
Festive Fader	277	£5.71
Motorists' Buzz-Box	278	£5.39
★PICogram	279	£4.91
★PIC-Monitored Dual PSU-1 PSU	280	£4.75
Monitor Unit	281	£5.23
Static Field Detector (Multi-project PCB)	932	£3.00
Two-Way Intercom	JAN '01 282	£4.76
UFO Detector and Event Recorder		
Magnetic Anomaly Detector	283	Set
Event Recorder	284	£6.19
Audio Alarm	285	
★Using PICs and Keypads	Software only	–
Ice Alarm	FEB '01 287	£4.60
★Graphics L.C.D. Display with PICs (Supp)	288	£5.23
Using the LM3914-6 L.E.D. Bargraph Drivers		
Multi-purpose Main p.c.b.	289	Set
Relay Control	290	£7.14
L.E.D. Display	291	
★PC Audio Power Meter	Software only	–
Doorbell Extender: Transmitter	MAR '01 292	£4.20
Receiver	293	£4.60
Trans/Remote	294	£4.28
Rec./Relay	295	£4.92
EPE Snug-bug Heat Control for Pets	APR '01 296	£6.50
Intruder Alarm Control Panel		
Main Board	297	£6.97
External Bell Unit	298	£4.76
Camcorder Mixer	MAY '01 299	£6.34
★PIC Graphics L.C.D. Scope	300	£5.07
Hosepipe Controller	JUNE '01 301	£5.14
Magfield Monitor (Sensor Board)	302	£4.91
Dummy PIR Detector	303	£4.36
★PIC16F87x Extended Memory	Software only	–

PROJECT TITLE	Order Code	Cost
Stereo/Surround Sound Amplifier	JULY '01 304	£4.75
Perpetual Projects Uniboard-1	305	£3.00
Solar-Powered Power Supply & Voltage Reg.		
MSF Signal Repeater and Indicator		
Repeater Board	306	£4.75
Meter Board	307	£4.44
★PIC to Printer Interface	308	£5.39
Lead/Acid Battery Charger	AUG '01 309	£4.99
Shortwave Loop Aerial	310	£5.07
★Digitimer – Main Board	311	£6.50
– R.F. Board	312	£4.36
Perpetual Projects Uniboard-2		
L.E.D. Flasher – Double Door-Buzzer	305	£3.00
Perpetual Projects Uniboard-3	SEPT '01 305	£3.00
Loop Burglar Alarm, Touch-Switch Door-Light		
and Solar-Powered Rain Alarm		
L.E.D. Super Torches – Red Main	313	Set
– Display Red	314	£6.10
– White L.E.D.	315	£4.28
★Sync Clock Driver	316	£5.94
★Water Monitor	317	£4.91
Camcorder Power Supply	OCT '01 318	£5.94
PIC Toolkit Mk3	319	£8.24
Perpetual Projects Uniboard-4	305	£3.00
Gate Sentinel, Solar-powered Bird Scarer and		
Solar-Powered Register		
Teach-In 2002 Power Supply	NOV '01 320	£4.28
Lights Needed Alert	321	£5.39
Pitch Switch	322	£5.87
Capacitance Meter – Main Board (double-sided)	323	Set
– Display Board (double-sided)	324	£12.00
★PIC Toolkit TK3 – Software only	–	–
4-Channel Twinkling Lights	DEC '01 325	£6.82
Ghost Buster – Mic	326	Set
– Main	327	£5.78
★PIC Polywhatsit – Digital	328	Set
– Analogue	329	£7.61
Forever Flasher	JAN '02 330	£4.44
Time Delay Touch Switch	331	£4.60
★PIC Magick Musick	332	£5.87
Versatile Bench Power Supply	333	£5.71
★PIC Spectrum Analyser	FEB '02 334	£7.13
Versatile Current Monitor	335	£4.75
Guitar Practice Amp	336	£5.39
★PIC Virus Zapper	MAR '02 337	£4.75
RH Meter	338	£4.28
★PIC Mini-Enigma – Software only	–	–
★Programming PIC Interrupts – Software only	–	–

EPE SOFTWARE

Software programs for *EPE* projects marked with a single asterisk ★ are available on 3.5 inch PC-compatible disks or free from our Internet site. The following disks are available: **PIC Tutorial** (Mar-May '98); **PIC Toolkit Mk2 V2.4d** (May-Jun '99); **EPE Disk 1** (Apr '95-Dec '98); **EPE Disk 2** (1999); **EPE Disk 3** (2000); **EPE Disk 4** (2001); **EPE Disk 5** (Jan 2002 issue to current cover date); **EPE Teach-In 2000**; **EPE Spectrum**; **EPE Interface Disk 1** (October '00 issue to current cover date). ★★PIC Toolkit TK3 software (Nov '01) is on CD-ROM. The 3.5 inch disks are £3.00 each (UK), the CD-ROM is £6.95 (UK). Add 50p each for overseas surface mail, and £1 each for airmail. All are available from the *EPE PCB Service*. All files can be downloaded free from our Internet FTP site: <ftp://ftp.epemag.wimborne.co.uk>.

EPE PRINTED CIRCUIT BOARD SERVICE

Order Code Project Quantity Price

Name

Address

Tel. No.

I enclose payment of £..... (cheque/PO in £ sterling only) to:



**Everyday
Practical Electronics**



**MasterCard, Amex, Diners
Club, Visa or Switch**



Minimum order for cards £5 Switch Issue No.

Card No.

Signature..... Card Exp. Date.....

NOTE: You can also order p.c.b.s by phone, Fax, E-mail or via our Internet site on a secure server:

<http://www.epemag.wimborne.co.uk/shopdoor.htm>

**WHETHER ELECTRONICS IS YOUR HOBBY
OR YOUR LIVELIHOOD . . .**

**YOU NEED THE MODERN ELECTRONICS MANUAL
and the ELECTRONICS SERVICE MANUAL**

THE MODERN ELECTRONICS MANUAL (CD-ROM VERSION ONLY)



**NEW
CD-ROM
VERSION OF THE
MODERN
ELECTRONICS MANUAL
AVAILABLE NOW
SPECIAL INTRODUCTORY
OFFER
£5 OFF
REGULAR PRICE
OFFER ENDS MAY 31st 2002
Or buy both Manuals and
save even more**

**The essential reference
work for everyone
studying electronics**

- Over 800 pages
- In-depth theory
- Projects to build
- Detailed assembly instructions
- Full components checklists
- Extensive data tables
- Manufacturers' web links
- Easy-to-use Adobe Acrobat format
- Clear and simple layout
- Comprehensive subject range
- Professionally written
- Regular Supplements

EVERYTHING YOU NEED TO GET STARTED AND GO FURTHER IN ELECTRONICS!

The revised CD-ROM edition of the Modern Electronics Base Manual (MEM) contains practical, easy-to-follow information on the following subjects:

BASIC PRINCIPLES: Electronic Components and their Characteristics (16 sections from Resistors and Potentiometers to Crystals, Crystal Modules and Resonators); Circuits Using Passive Components (10 sections); Power Supplies; The Amateur Electronics Workshop; The Uses of Semiconductors; Digital Electronics (6 sections); Operational Amplifiers; Introduction to Physics, including practical experiments; Semiconductors (5 sections) and Digital Instruments (3 sections).

CIRCUITS TO BUILD: There's nothing to beat the satisfaction of creating your own projects. From basic principles, like soldering and making printed circuit boards, to the tools needed for circuit-building, the Modern Electronics Manual and its Supplements describe clearly, with appropriate diagrams, how to assemble a radio, loudspeaker circuits, amplifiers, car projects,

a computer interface, measuring instruments, workshop equipment, security systems, medical and musical circuits, etc. The Base Manual describes 12 projects including a Theremin and a Simple TENS Unit.

ESSENTIAL DATA: Extensive tables on diodes, transistors, thyristors and triacs, digital and linear i.c.s.

EXTENSIVE GLOSSARY: Should you come across a technical word, phrase or abbreviation you're not familiar with, simply look up the glossary included in the Manual and you'll find a comprehensive definition in plain English.

The Manual also covers **Safety** and provides web links to component and equipment **Manufacturers and Suppliers**. The most comprehensive reference work ever produced at a price you can afford, the CD-ROM edition of **THE MODERN ELECTRONICS MANUAL** provides you with all the *essential* information you need.

THE MODERN ELECTRONICS MANUAL (MEM - CD-ROM version only)

Revised CD-ROM Edition of Basic Work: Contains over 800 pages of information in Adobe Acrobat format. Edited by John Becker.

Regular Supplements: Additional CD-ROMs each containing four 160-page Supplements of additional material will be available for £19.95 each to MEM buyers. Information on the availability and content of each Supplement CD-ROM will be sent to you as they become available.

Presentation: CD-ROM suitable for any modern PC. Requires Adobe Acrobat Reader which is included on the MEM CD-ROM.

Price of the Basic Work: ~~£29.95~~ OFFER PRICE £24.95 POST FREE. Offer ends May 31st 2002

ORDER BOTH MANUALS TOGETHER AND SAVE ANOTHER £10

A mass of well-organised and clearly explained information is brought to you by expert editorial teams whose combined experience ensures the widest coverage

Regular Supplements to these unique publications, keep you abreast of the latest technology and techniques if required

ELECTRONICS SERVICE MANUAL

(PRINTED VERSION ONLY)

EVERYTHING YOU NEED TO KNOW TO GET STARTED IN REPAIRING AND SERVICING ELECTRONIC EQUIPMENT

SAFETY: Be knowledgeable about Safety Regulations, Electrical Safety and First Aid.

UNDERPINNING KNOWLEDGE: Specific sections enable you to Understand Electrical and Electronic Principles, Active and Passive Components, Circuit Diagrams, Circuit Measurements, Radio, Computers, Valves and Manufacturers' Data, etc.

PRACTICAL SKILLS: Learn how to identify Electronic Components, Avoid Static Hazards, Carry Out Soldering and Wiring, Remove and Replace Components.

TEST EQUIPMENT: How to Choose and Use Test Equipment, Assemble a Toolkit, Set Up a Workshop, and Get the Most from Your: Multimeter and Oscilloscope, etc.

SERVICING TECHNIQUES: The regular Supplements include vital guidelines on how to Service Audio Amplifiers, Radio Receivers, TV Receivers, Cassette Recorders, Video Recorders, Personal Computers, etc.

TECHNICAL NOTES: Commencing with the IBM PC, this section and the regular Supplements deal with a very wide range of specific types of equipment – radios, TVs, cassette recorders, amplifiers, video recorders etc..

REFERENCE DATA: Detailing vital parameters for Diodes, Small-Signal Transistors, Power Transistors, Thyristors, Triacs and Field Effect Transistors. Supplements include Operational Amplifiers, Logic Circuits, Optoelectronic Devices, etc.

ELECTRONICS SERVICE MANUAL

(ESM – Printed version only)

Basic Work: Contains around 900 pages of information. Edited by Mike Tooley BA
Regular Supplements: Unlike a book or encyclopedia, this Manual is a living work – continuously extended with new material. If requested, Supplements are sent to you on approval approximately every three months. Each Supplement contains around 160 pages – all for only £23.50+£2.50 p&p. You can, of course, return any Supplement (within ten days) which you feel is superfluous to your needs. You can also purchase a range of past Supplements to extend your Base Manual on subjects of particular interest to you.

Presentation: Durable looseleaf system in large A4 format

Price of the Basic Work: ~~£39.95~~ **SALE PRICE £24.95**
 (to include a recent Supplement FREE). Offer ends May 31st 2002.

The essential work for servicing and repairing electronic equipment

- Around 900 pages
- Fundamental principles
- Troubleshooting techniques
- Servicing techniques
- Choosing and using test equipment
- Reference data
- Easy-to-use format
- Clear and simple layout
- Vital safety precautions
- Professionally written
- Regular Supplements
- Sturdy gold blocked ring-binder



Guarantee

Our 30 day money back guarantee gives you **complete peace of mind**. If you are not entirely happy with the *Electronics Service Manual*, for whatever reason, simply return it to us in good condition within 30 days and we will make a **full refund of your payment** – no small print and no questions asked. All we ask is that you pay the return postage. (Overseas buyers also have to pay our overseas postage charge). Sorry, but we can only make *exchanges on the Modern Electronics Manual (CD-ROM version) if the CD-ROM is faulty*, we cannot offer a money back guarantee on this product as the content can be printed out.

Wimborne Publishing Ltd., Dept Y3, 408 Wimborne Road East, Ferndown, Dorset BH22 9ND. Tel: 01202 873872. Fax: 01202 874562.
 Online shop: www.epemag.wimborne.co.uk/shopdoor.htm

PLEASE send me



- THE MODERN ELECTRONICS MANUAL (CD-ROM version only)
- ELECTRONICS SERVICE MANUAL plus a FREE SUPPLEMENT (Printed version only)
- I enclose payment of £24.95 (for one Manual) or £39.90 for both Manuals (saving another £10 by ordering both together) plus postage if applicable. (Offers end May 31st 2002)
- I also require the appropriate Supplements four times a year. These are billed separately and can be discontinued at any time. (Please delete if not required.)

FULL NAME
 (PLEASE PRINT)

ADDRESS

POSTCODE

SIGNATURE

- I enclose cheque/PO in UK pounds payable to Wimborne Publishing Ltd.
- Please charge my Visa/Mastercard/Amex/Diners Club/Switch Switch Issue No.....

Card No.

Card Exp. Date

ORDER FORM

Simply complete and return the order form with your payment to the following address:
 Wimborne Publishing Ltd, Dept. Y3, 408 Wimborne Road East, Ferndown, Dorset BH22 9ND
 We offer a 30 day MONEY BACK GUARANTEE on ESM – see the panel above for details.

POSTAGE CHARGES FOR ESM

MEM CD-ROM POST FREE TO ALL COUNTRIES
 (Note we use the VAT portion of the MEM CD-ROM payment to pay for overseas postage)

Postal Region	Price PER ESM PRINTED MANUAL	
	Surface	Air
Mainland UK	FREE	–
Scottish Highlands,		
UK Islands & Eire	£6 each	–
Europe (EU)	–	£22 each
Europe (Non-EU)	£22 each	£29 each
USA & Canada	£26 each	£36 each
Far East & Australasia	£33 each	£40 each
Rest of World	£26 each	£48 each

Please allow four working days for UK delivery.
 NOTE: Surface mail can take over 10 weeks to some parts of the world. Each ESM weighs about 4kg when packed.

EVERYDAY
PRACTICAL
ELECTRONICS

CLASSIFIED

INCORPORATING ELECTRONICS TODAY INTERNATIONAL

Everyday Practical Electronics reaches twice as many UK readers as any other UK monthly hobby electronics magazine, our sales figures prove it. We have been the leading monthly magazine in this market for the last seventeen years.

If you want your advertisements to be seen by the largest readership at the most economical price our classified and semi-display pages offer the best value. The prepaid rate for semi-display space is £8 (+VAT) per single column centimetre (minimum 2.5cm). The prepaid rate for classified adverts is 30p (+VAT) per word (minimum 12 words).

All cheques, postal orders, etc., to be made payable to Everyday Practical Electronics. VAT must be added. Advertisements, together with remittance, should be sent to Everyday Practical Electronics Advertisements, Mill Lodge, Mill Lane, Thorpe-le-Soken, Essex CO16 0ED. Phone/Fax (01255) 861161.

For rates and information on display and classified advertising please contact our Advertisement Manager, Peter Mew as above.

Valve Output Transformers: Single ended 50mA, £4.50; push/pull 50W, £38; 100W, £53. Mains Transformers: Sec 220V 30mA 6V 1A, £3; 250V 60mA 6V 2A, £5; 250V 80mA 6V 2A, £6. High Voltage Caps: 50µF 350V, 68µF 500V, 150µF 385V, 330µF 400V, 470µF 385V, all £3 ea., 32+32µF 450V £5, 4µF 800V oil filled paper block, £10. Postage extra.
Record Decks and Spares: BSR, Garrard, Goldring, motors, arms, wheels, headshells, spindles, etc. Send or phone your want list for quote.

RADIO COMPONENT SPECIALISTS

337 WHITEHORSE ROAD, CROYDON SURREY, CR0 2HS. Tel: (020) 8684 1685
Lots of transformers, high volt caps, valves, output transformers, speakers, in stock. Phone or send your wants list for quote.

Test Equipment



Service Manuals.

Contact

www.cooke-int.com

Tel: +44 01243 55 55 90

TIS - Midlinbank Farm Ryeland, Strathaven ML10 6RD

Manuals on anything electronic

Circuits - VCR £8, CTV £6
Service Manuals from £10
Repair Manuals from £5
P&P any order £2.50

Write, or ring 01357 440280 for full details of our lending service and FREE quote for any data

BTEC ELECTRONICS TECHNICIAN TRAINING

VCE ADVANCED ENGINEERING ELECTRONICS AND ICT
HNC AND HND ELECTRONICS
NVQ ENGINEERING AND IT
Next course commences
16th SEPTEMBER 2002
FULL PROSPECTUS FROM

LONDON ELECTRONICS COLLEGE (Dept EPE) 20 PENYWERN ROAD EARLS COURT, LONDON SW5 9SU TEL: (020) 7373 8721

THE BRITISH AMATEUR ELECTRONICS CLUB

exists to help electronics enthusiasts by personal contact and through a quarterly Newsletter.

For membership details, write to the Secretary:

Mr. M. P. Moses,
5 Park View, Cwmaman,
Aberdare CF44 6PP

Space donated by
Everyday Practical Electronics

X-10® Home Automation
We put you in control™

Why tolerate when you can automate?
An extensive range of 230V X-10 products and starter kits available. Uses proven Power Line Carrier technology, no wires required.
Products Catalogue available Online.
Worldwide delivery.

Laser Business Systems Ltd.
E-Mail: info@laser.com
<http://www.laser.com>
Tel: (020) 8441 9788
Fax: (020) 8449 0430




OLIMEX

<http://www.olimex.com/pcb>

PCB prototypes for \$26

FR-4, 1.5 mm, 35/35 um copper, 160x100 mm, double side, PTH, soldermask, component silkscreen production in 3-5 working days made in Bulgaria
no import tax to Europe, UK and US

IS THIS YOUR COMPUTER?
Random Crashes, Data Loss, Premature Component Failure



The demand for a faster PC is turning up the heat inside your PC. Monitor and protect it with the PC Thermometer. Features: Temperature display, Fan control & monitor, Audible alarm, Fits Drive Bay.

Circuit Innovations 24 Leasmires Avenue Easingwold York YO61 3DU
www.circuit-innovations.co.uk
Other Design, Manufacturing & PCB Services too!

ROBOLOGIC

Hobby Robotics Components BasicX Microcontrollers Development Kits
sales@robologic.co.uk
www.robologic.co.uk

MARCONI RADIO COMMUNICATIONS TEST SET MODEL 2955 £900
ANDO SPECTRUM ANALYSER MODEL AC 8211 £900
Both in good working order
Tel. 01484 663429.

VVT TRANSFORMERS

Transformers and Chokes for all types of circuits including specialist valve units
Custom design or standard range
High and low voltage

Variable Voltage Technology Ltd
Unit 24 Samuels Whites Estate
Cowes, Isle of Wight PO31 7LP
Tel: 01983 280592 Fax: 01983 280593
email: sales@vvt-cowes.freeserve.co.uk
www.vvttransformers.co.uk

2002 CATALOGUE
PLEASE SEND SAE FOR A FREE COPY TO:
FML ELECTRONICS
FREEPOST NEA 3627 BEDALE
NORTH YORKSHIRE, DL8 2BR
TEL: 01677 425840
SUPPLIERS OF ELECTRONIC COMPONENTS, EPE KITS AND PARTS FOR TEACH-IN 2002

Z88 NOW AVAILABLE WITH 128K AND 512K - OZ4

ALSO SPECTRUM AND QL PARTS
W. N. RICHARDSON & CO.
PHONE/FAX 01494 871319
E-mail: wnr@compuserve.com
RAVENSMOOR, CHALFONT ST PETER, BUCKS, SL9 0NB

WANTED: GENIUS
for a challenging, one-off commission!
Good rate paid. Apply in confidence with why it should be you to:
Mr Tony Scott,
4 Holmere Cottages, The Green,
Ashill, Thetford, Norfolk IP25 7AT.

Miscellaneous

FREE PROTOTYPE PRINTED CIRCUIT BOARDS! Free prototype p.c.b. with quantity orders. Call Patrick on 028 9073 8897 for details. Agar Circuits, Unit 5, East Belfast Enterprise Park, 308 Albertbridge Road, Belfast BT5 4GX.

EDUCATIONAL ELECTRONIC KITS, GCSE. Physics, Hobbyist. 2 x 1st class stamps for catalogue. Electro teach, PO Box 2594, Cannock, WS12 4YH.
www.electroteach.com.

PRINTED CIRCUIT BOARDS - QUICK SERVICE. Prototype and production artwork raised from magazines or draft designs at low cost. PCBs designed from schematics. Production assembly, wiring and software programming. For details contact Patrick at Agar Circuits, Unit 5, East Belfast Enterprise Park, 308 Albertbridge Road, Belfast, BT5 4GX. Phone 028 9073 8897, Fax 028 9073 1802. E-mail agar@argonet.co.uk.

G.C.S.E. ELECTRONICS KITS, at pocket money prices. S.A.E. for FREE catalogue. SIR-KIT Electronics, 52 Severn Road, Clacton, CO15 3RB, <http://www.geocities.com/sirkituk/index.htm>.

VALVES AND ALLIED COMPONENTS IN STOCK - please ring for free list. Valve equipment repaired. Geoff Davies (Radio). Phone 01788 574774.

VOLT DVC250.1 BASS DRIVERS, 1 pair for sale. £200 o.n.o. Telephone 01452 545109.

COPPER ISLAND CONSTRUCTION OUTFITS. Build electronics circuits easily without etching or drilling. Full instructions enclosed. Just £17.95. Duncan Walters, 11 King George V Avenue, Mansfield, NG18 4ER. Further information phone 01623 465443. www.copperisland.biz.

TRAIN TODAY FOR A BETTER FUTURE

Now you can get the skills and qualifications you need for greater success with an ICS Home Study Course. Learn in the comfort of your own home at the pace and times that suit you. ICS is the world's largest, most experienced home study school. Over the past 100 years ICS have helped nearly 10 million people to improve their job prospects. Find out how we can help YOU! Post or phone today for **FREE INFORMATION** on the course of your choice

Electrical Contracting & Installation
Electrical Engineering
C&G/ICS Basic Electronic Engineering
C&G/ICS Basic Mechanical Engineering
TV and Video Servicing
Radio and Hi-Fi Servicing
Refrigeration Heating & Air Conditioning
Motorcycle Maintenance

FREEPHONE 0500 581 557

Or write to: International Correspondence Schools, FREEPOST 882, 8 Elliot Place, Clydeway Skypark, Glasgow, G3 8BR. Tel: 0500 581 557 or Tel/Fax: Dublin 285 2533.

Please send me my Free Information on your Electronics Courses.

Mr/Mrs/Ms/Miss
(BLOCK CAPITALS PLEASE) _____ Date of Birth / /

Address _____

Postcode _____

Occupation _____ Tel. No. _____

From time to time, we permit other carefully screened organisations to write to you about products and services. If you would prefer not to hear from such organisations please tick box Dept. ZEEVC182

Bowood Electronics Ltd

Suppliers of Electronic Components

Batteries, Buzzers, Capacitors, Connectors, Diodes, Cases, Ferrites, Fuses, Heatshrink, ICs, Inverters, L.E.D.s, P.C.B., Potentiometers, Power Supplies, Presets, Rectifiers, Relays, Resistors, Soldering Equipment, Stripboard, Switches, Test Meters, Thermistors, Thyristors, Tools, Transistors, Triacs . . .

Catalogue available **NOW**

Send 41p stamp or visit our website

Website: <http://www.bowood-electronics.co.uk>
sales@bowood-electronics.co.uk



Mall Order Only
7 Bakewell Road, Baslow, Derbyshire, DE45 1RE, UK
Telephone/Fax: 01246 583777

Watch Slides on TV.

Make videos of your slides. Digitise your slides (using a video capture card)

"Liesgang diatv" automatic slide viewer with built in high quality colour TV camera. It has a composite video output to a phono plug (SCART & BNC adaptors are available). They are in very good condition with few signs of use. More details see www.diatv.co.uk.
£91.91 + VAT = £108.00



Board cameras all with 512 x 582 pixels 8-5mm 1/3 inch sensor and composite video out. All need to be housed in your own enclosure and have fragile exposed surface mount parts. They all require a power supply of between 10V and 12V DC 150mA.

47MIR size 60 x 36 x 27mm with 6 infra red LEDs (gives the same illumination as a small torch but is not visible to the human eye) £37.00 + VAT = £43.48

30MP size 32 x 32 x 14mm spy camera with a fixed focus pin hole lens for hiding behind a very small hole £35.00 + VAT = £41.13

40MC size 39 x 38 x 27mm camera for 'C' mount lens these give a much sharper image than with the smaller lenses £32.00 + VAT = £37.60

Economy C mount lenses all fixed focus & fixed iris

VSL1220F 12mm F1.6 12 x 15 degrees viewing angle £15.97 + VAT £18.76

VSL4022F 4mm F1.22 63 x 47 degrees viewing angle £17.65 + VAT £20.74

VSL6022F 6mm F1.22 42 x 32 degrees viewing angle £19.05 + VAT £22.38

VSL8020F 8mm F1.22 32 x 24 degrees viewing angle £19.90 + VAT £23.38

Better quality C Mount lenses

VSL1614F 16mm F1.6 30 x 24 degrees viewing angle £26.43 + VAT £31.06

VWL813M 8mm F1.3 with iris 56 x 42 degrees viewing angle £77.45 + VAT = £91.00

1206 surface mount resistors E12 values 10 ohm to 1M ohm
100 of 1 value £1.00 + VAT 1000 of 1 value £5.00 + VAT

866 battery pack originally intended to be used with an orbital mobile telephone it contains 10 1-6Ah sub C batteries (42 x 22 dia. the size usually used in cordless screwdrivers etc.) the pack is new and unused and can be broken open quite easily
£7.46 + VAT = £8.77



Please add £1.66 + vat = £1.95 postage & packing per order

JPG Electronics

Shaws Row, Old Road, Chesterfield, S40 2RB.

Tel 01246 211202 Fax 01246 550959

Mastercard/Visa/Switch

Callers welcome 9.30 a.m. to 5.30 p.m. Monday to Saturday

Radio Bygones

WHETHER your interest is in domestic radio and TV or in amateur radio, in military, aeronautical or marine communications, in radar and radio navigation, in instruments, in broadcasting, in audio and recording, or in professional radio systems fixed or mobile, RADIO BYGONES is the magazine for you.

ARTICLES on restoration and repair, history, circuit techniques, personalities, reminiscences and just plain nostalgia – you'll find them all. Plus features on museums and private collections and a full-colour photo-feature in every issue.

IT'S MOSTLY about valves, of course, but 'solid-state' – whether of the coherer and spark-gap variety or early transistors – also has a place.

FROM THE DAYS of Maxwell, Hertz, Lodge and Marconi to what was the state-of-the-art just a few short years ago . . .

THERE IS ALSO a selection of free readers' For Sale and Wanted advertisements in every issue.

Radio Bygones covers it all!

THE MAGAZINE is published six times a year, and is only available by postal subscription. It is not available at newsagents.

TO TAKE OUT a subscription, or to order a sample copy, please contact:

RADIO BYGONES, Wimborne Publishing Ltd.,
408 Wimborne Road East, Ferndown, Dorset BH22 9ND.
Tel: 01202 873872. Fax 01202 874562.

Web sites: www.radiobygones.co.uk
www.radiobygones.com

FREE 304-page colour catalogue

Great value for Speakers, Microphones, Headphones, Aerials, Transmitters, TV Amps, Plugs, Sockets, Leads, CD Storage Cases, CCTV Security, Connectors, Adaptors, Switch Boxes, Cables, Discs, Amplifiers & Effects, Mixers, Amplifiers, Turntables, Musicians Leads, Car Audio, Test Equipment, Hobby Kits, Computer Leads & Accessories, Power Supplies, Inverters, Transformers, Battery Chargers, Tools, Soldering, Switches, Fuses, Indicators, Cable & Wire, Crossovers, Speaker Hardware, PA Amps, and a great deal more . . . all for the price of a stamp.

Sky Electronics

40-42 Cricklewood Broadway,
London, NW2 3ET

Tel: 020 8450 0995

Fax: 020 8208 1441

Email: sales@cricklewoodelectronics.com
www.skyelectronics.co.uk

The Catalogue is FREE to shop callers or send stamps to the value of £1.85 to cover postage.

ELECTRONICS 2002

N. R. BARDWELL LTD (Est. 1948)

100	Signal Diodes 1N4148	£1.00
75	Rectifier Diodes 1N4001	£1.00
50	Rectifier Diodes 1N4007	£1.00
10	W01 Bridge Rectifiers	£1.00
10	555 Timer I.C.s	£1.00
4	741 Op Amps	£1.00
50	Assorted Zener Diodes 400mW	£1.00
12	Assorted 7-segment Displays	£1.00
25	5mm I.e.d.s, red, green or yellow	£1.00
25	3mm I.e.d.s, red, green or yellow	£1.00
75	5mm I.e.d.s, green, 6-5mm legs	£1.00
50	Axial I.e.d.s, 2mcd red Diode Package	£1.00
25	Asstd. High Brightness I.e.d.s, var cols	£1.00
20	BC182L Transistors	£1.00
25	BC212L Transistors	£1.00
30	BC237 Transistors	£1.00
30	BC327 Transistors	£1.00
30	BC328 Transistors	£1.00
20	BC547 Transistors	£1.00
20	BC547B Transistor	£1.00
30	BC548 Transistors	£1.00
30	BC549 Transistors	£1.00
25	BC557 Transistors	£1.00
30	BC558 Transistors	£1.00
30	BC559 Transistors	£1.00
20	2N3904 Transistors	£1.00
100	1nf 50V wkg Axial Capacitors	£1.00
100	4n7 50V wkg Axial Capacitors	£1.00
80	Asstd capacitors electrolytic	£1.00
80	Asstd. capacitors 1nF to 1µF	£1.00

200	Asstd. disc ceramic capacitors	£1.00
50	Asstd. Sxel Presets (sm, stand cermet)	£1.00
50	Asstd. RF chokes (inductors)	£1.00
50	Asstd. grommets	£1.00
80	Asstd. solder tags, p/conn, terminals	£1.00
10	Asstd. crystals - plug in	£1.00
8	Asstd. di switches	£1.00
20	Miniature slide switches sp/co	£1.00
100	Asstd. beads (ceramic, teflon, fish spine)	£1.00
80	Asstd. small stand offs, Uthroughs etc	£1.00
30	Asstd. diil sockets up to 40 way	£1.00
10	TV coax plugs, plastic	£1.00
40	metres very thin connecting wire, red	£1.00
20	1in. glass reed switches	£1.00
100	Any one value 1/4W 5% cf resistors range	£0.45
	1R to 10M	£1.45
10	7812 Voltage Regulators	£1.00
300	Asstd. resistors, 1/4W/1/2W, mostly on	£1.00
	tapes	£1.00

288 Abbeydale Road, Sheffield S7 1FL
 Phone: 0114 255 2886 ★ Fax: 0114 255 5039
 e-mail: sales@bardwells.co.uk ★ Web: www.bardwells.co.uk
 Prices include VAT. Postage £1.65
 44p stamp for lists or disk
POs, Cheques and Credit Cards accepted



DIGITAL TEST METER

Built-in transistor test socket and diode test position.
 DC volts 200mV to 1000V.
 AC volts 200V to 750V.
 DC current 200mA to 10A.
 Resistance 200 ohms to 2000K ohms.

£5.99 incl. VAT

SEE OUR WEB PAGES FOR MORE COMPONENTS AND SPECIAL OFFERS
www.bardwells.co.uk

COVERT VIDEO CAMERAS

Black and White Pin Hole Board Cameras with Audio. Cameras in P.I.R., Radios, Clocks, Briefcases etc. Transmitting Cameras with Receiver (Wireless). Cameras as above with colour. Audio Surveillance Kits and Ready Built Units, Bug Detector etc.

A.L. ELECTRONICS

Please phone **0181 203 6008** for free catalogue.
 Fax **0181 201 5359**

E-mail: surveillance@btclick.com www.uspy.com

New DTI approved Video Transmitters and Receivers (Wireless)
 Major credit cards now taken

SHERWOOD ELECTRONICS

FREE COMPONENTS

Buy 10 x £1 Special Packs and choose another one FREE

SP1	15 x 5mm Red LEDs	SP135	6 x Miniature slide switches
SP2	12 x 5mm Green LEDs	SP136	3 x BFY50 transistors
SP3	12 x 5mm Yellow LEDs	SP137	4 x W005 1-5A bridge rectifiers
SP6	15 x 3mm Red LEDs	SP138	20 x 2-2/63V radial elect. caps.
SP7	12 x 3mm Green LEDs	SP140	3 x W04 1-5A bridge rectifiers
SP8	10 x 3mm Yellow LEDs	SP142	2 x CMOS 4017
SP10	100 x 1N4148 diodes	SP143	5 Pairs min. crocodile clips (Red & Black)
SP11	30 x 1N4001 diodes	SP145	6 x ZTX300 transistors
SP12	30 x 1N4002 diodes	SP146	10 x 2N3704 transistors
SP20	20 x BC184 transistors	SP147	5 x Stripboard 9 strips x 25 holes
SP21	20 x BC212 transistors	SP151	4 x 8mm Red LEDs
SP23	20 x BC549 transistors	SP152	4 x 8mm Green LEDs
SP24	4 x CMOS 4001	SP153	4 x 8mm Yellow LEDs
SP25	4 x 555 timers	SP154	15 x BC548 transistors
SP26	4 x 741 Op.Amps	SP156	3 x Stripboard, 14 strips x 27 holes
SP28	4 x CMOS 4011	SP160	10 x 2N3904 transistors
SP29	3 x CMOS 4013	SP161	10 x 2N3906 transistors
SP34	20 x 1N914 diodes	SP165	2 x LF351 Op.Amps
SP36	25 x 10/25V radial elect. caps.	SP166	20 x 1N4003 diodes
SP37	12 x 100/35V radial elect. caps.	SP167	6 x BC107 transistors
SP39	10 x 470/16V radial elect. caps.	SP168	6 x BC108 transistors
SP40	15 x BC237 transistors	SP172	4 x Standard slide switches
SP41	20 x Mixed transistors	SP175	20 x 1/63V radial elect. caps.
SP42	200 x Mixed 0.25W C.F. resistors	SP177	10 x 1A 20mm quick blow fuses
SP47	5 x Min. PB switches	SP182	20 x 4-7/63V radial elect. caps.
SP49	4 x 5 metres stranded core wire	SP183	20 x BC547 transistors
SP102	20 x 8-pin DIL sockets	SP187	15 x BC239 transistors
SP103	15 x 14-pin DIL sockets	SP189	4 x 5 metres solid core wire
SP104	15 x 16-pin DIL sockets	SP192	3 x CMOS 4066
SP109	15 x BC557 transistors	SP193	20 x BC213 transistors
SP112	4 x CMOS 4093	SP195	3 x 10mm Yellow LEDs
SP115	3 x 10mm Red LEDs	SP197	6 x 20 pin DIL sockets
SP116	3 x 10mm Green LEDs	SP198	5 x 24 pin DIL sockets
SP124	20 x Assorted ceramic disc caps	SP199	5 x 2.5mm mono jack plugs
SP126	8 x Battery clips - 4 ea. PP3 + PP9	SP200	5 x 2.5mm mono jack sockets
SP130	100 x Mixed 0.5W C.F. resistors		
SP131	2 x TL071 Op.Amps		
SP133	20 x 1N4004 diodes		
SP134	15 x 1N4007 diodes		

RESISTOR PACKS - C.Film

RP3	5 each value - total 365 0.25W	£3.00
RP7	10 each value - total 730 0.25W	£4.25
RP10	1000 popular values 0.25W	£6.15
RP4	5 each value-total 365 0.5W	£4.00
RP8	10 each value-total 730 0.5W	£6.65
RP11	1000 popular values 0.5W	£8.40

2002 Catalogue now available £1 inc. P&P or FREE with first order. P&P £1.25 per order. NO VAT
 Orders to:
Sherwood Electronics,
7 Williamson St., Mansfield,
Notts. NG19 6TD.

ADVERTISERS INDEX

A.L. ELECTRONICS	224
ANTEX	165
N. R. BARDWELL	224
BITZ TECHNOLOGY	150
B.K. ELECTRONICS	Cover (iii)/208
BOWOOD ELECTRONICS	223
BRUNNING SOFTWARE	179
BULL ELECTRICAL	Cover (ii)
CRICKLEWOOD ELECTRONICS	167
CROWNHILL ASSOCIATES	189
DISPLAY ELECTRONICS	146
EPTSOFT	Cover (iv)
ESR ELECTRONIC COMPONENTS	154
FOREST ELECTRONIC DEVELOPMENTS	151
ICS	223
J&N FACTORS	207
JPG ELECTRONICS	223
LABCENTER	161
MAGENTA ELECTRONICS	152/153
MILFORD INSTRUMENTS	180
NATIONAL COLLEGE OF TECHNOLOGY	208
PICO TECHNOLOGY	201
QUASAR ELECTRONICS	148/149
SHERWOOD ELECTRONICS	224
SKY ELECTRONICS	223
SLM (MODEL) ENGINEERS	208
SQUIRES	167
STEWART OF READING	150

ADVERTISEMENT MANAGER: PETER J. MEW
ADVERTISEMENT OFFICES:
 EVERYDAY PRACTICAL ELECTRONICS, ADVERTISEMENTS,
 MILL LODGE, MILL LANE, THORPE-LE-SOKEN,
 ESSEX CO16 0ED.
 Phone/Fax: (01255) 861161

For Editorial address and phone numbers see page 155



POWER AMPLIFIER MODULES-LOUDSPEAKERS-MIXERS 19 INCH STEREO AMPLIFIERS-ACTIVE CROSS/OVERS.

* PRICES INCLUDE V.A.T.
* PROMPT DELIVERY

OMP MOS-FET POWER AMPLIFIERS HIGH POWER, TWO CHANNEL 19 INCH RACK

10,000's
SOLD
TO PRO
USERS



THE RENOWNED MXF SERIES OF POWER AMPLIFIERS

FOUR MODELS:- MXF200 (100W + 100W) MXF400 (200W + 200W)
MXF600 (300W + 300W) MXF900 (450W + 450W)

ALL POWER RATINGS ARE R.M.S. INTO 4 OHMS, WITH BOTH CHANNELS DRIVEN.
FEATURES:- * Independent power supplies with two toroidal transformers
* Twin L.E.D. Vu Meters * Level controls * Illuminated on/off switch * Jack / XLR inputs
* Speakon Outputs * Standard 775mV inputs * Open and Short circuit proof * Latest Mos-Fets
for stress free delivery into virtually any load * High slew rate * Very low distortion * Aluminium cases * MXF600 & MXF900 fan cooled with D.C. Loudspeaker and thermal protection.

USED THE WORLD OVER IN CLUBS, PUBS, CINEMAS, DISCOS ETC

SIZES:-
MXF200 W19" D11" H3 1/2" (2U)
MXF400 W19" D12" H5 1/4" (3U)
MXF600 W19" D13" H5 1/4" (3U)
MXF900 W19" D14" H5 1/4" (3U)

PRICES:- MXF200 £175.00 MXF400 £233.85
MXF600 £329.00 MXF900 £449.15
SPECIALIST CARRIER DEL £12.50 Each



FLIGHTCASED LOUDSPEAKERS

A new range of quality loudspeakers, designed to take advantage of latest loudspeaker technology and enclosure designs. All models utilise high quality studio cast aluminium loudspeakers with factory fitted grilles, wide dispersion constant directivity horns, extruded aluminium corner protection and steel ball corners, complemented with heavy duty black covering. The enclosures are fitted as standard with top hats for optional loudspeaker stands. The FC15-300 incorporates a large 16 X 6 inch horn. All cabinets are fitted with the latest Speakon connectors for your convenience and safety. Five models to choose from.



PLEASE NOTE:- POWER RATINGS QUOTED ARE IN WATTS R.M.S. FOR EACH INDIVIDUAL CABINET ALL ENCLOSURES ARE 8 OHMS

15-15 Inch speaker
12-12 Inch speaker

- ibf FC15-300 WATTS Freq Range 35Hz-20kHz, Sens 101dB. Size H695 W502 D415mm
Price:- £299.00 per pair
 - ibf FC12-300 WATTS Freq Range 45Hz-20kHz, Sens 96dB. Size H600 W405 D300mm
Price:- £249.00 per pair
 - ibf FC12-200 WATTS Freq Range 40Hz-20kHz, Sens 97dB. Size H600 W405 D300mm
Price:- £199.00 per pair
 - ibf FC12-100 WATTS Freq Range 45Hz-20kHz, Sens 100dB. Size H546 W380 D300mm
Price:- £179.00 per pair
 - ibf WM12-200 WATTS Freq Range 40Hz-20kHz, Sens 97dB. Size H418 W600 D385mm
Price:- £125.00 Each
- SPECIALIST CARRIER DEL:- £12.50 per pair, wedge monitor £7.00 each
Optional Metal Stands PRICE:- £49.00 per pair Delivery:- £6.00

CATALOGUE 2001 2002

Robots
Test & Tents
Electronic Kits
The Sky's The Limit
Catalogue
Communication
Security

B.K. Electronics
Unit 1, Comet Way, Southend-on-Sea, Essex, S.S.26 6TR
Tel: 01702-527572 Fax: 01702-420243
E-mail: sales@bkelec.com
Web Site: www.bkelec.com

FREE OUR Sky... over 3000 items... The catalogue is free with any item ordered from this advert and to personal callers or £4.00 to cover P&P if ordered separately. This is fully refundable with your first order.

100 WATT ACTIVE SUB BASS AMPLIFIER PANEL



AN ACTIVE SUB BASS AMPLIFIER WITH A TRUE 100W RMS OUTPUT, SUPERB CONSTRUCTION WITH THE FACILITIES TO INTEGRATE SEAMLESSLY INTO MOST HI-FI OR HOME CINEMA SETUPS. USE THIS PANEL PLUS ONE OF OUR LOUDSPEAKERS TO MAKE YOUR OWN SUB WOOFER THAT WILL MATCH OR BEAT MOST COMMERCIALY AVAILABLE SUB WOOFERS.

FEATURES:- * 100W RMS INTO 8 OHMS * HIGH AND LOW LEVEL INPUTS * TOROIDAL TRANSFORMER * SHORT CIRCUIT PROTECTION * D.C. SPEAKER PROTECTION * FREQUENCY ROLL OFF, LOWER 10Hz, UPPER 60Hz TO 240Hz (FULLY ADJUSTABLE) * AC3 COMPATIBLE FILTER CAN BE BYPASSED FOR 5-1 FORMATS. * AIRTIGHT CONSTRUCTION * TENS OF THOUSANDS OF OUR PANELS ALREADY IN USE. * COMPLETE WITH LEADS

SPECIFICATIONS:- * POWER 100W RMS @ 8 OHMS * FREQ RESP. 10Hz 15kHz -3dB * DAMPING FACTOR >200 * DISTORTION 0.05% * S/N A WEIGHTED >100dB * SUPPLY 230V A.C. * WEIGHT 2.7Kg * SIZE H254 X W254 X D94mm

THERE ARE 2 VERSIONS OF THE ABOVE PANEL AVAILABLE :- **BSB100/8 8 OHM VERSION** **BSB100/4 4 OHM VERSION** BOTH PANELS ARE PRICED AT £117.44 + £5.00 P&P INCL. V.A.T. CHECK WEBSITE FOR PANELS UP TO £500W

OMP X03-S STEREO 3 WAY ACTIVE CROSSOVER SWITCHABLE 2-WAY



FEATURES:-
Advanced 3-Way Stereo Active Cross-Over (Switchable two way), housed in a 19" x 1U case. Each channel has three level controls: Bass, Mid & Top. The removable front fascia allows access to the programmable DIL switches to adjust the cross-over frequency. There are two versions available: X03-S Bass-Mid 125/250/500Hz, Mid-Top 1.8/3/5kHz, all at 24 dB per octave. X03-B Bass-Mid 250/500/800Hz, Mid-Top 1.8/3/5kHz, all at 24 dB per Octave. Please make sure you ask for the correct model when ordering. The 2/3 way selector switches are also accessed by removing the front fascia. Each stereo channel can be configured separately. Bass Invert Switches are incorporated on each channel. Nominal 775mV input/output. Fully compatible with the OMP Rack Amplifier and Modules.

BOTH MODELS PRICED AT £117.44 + £5.00 P&P

OMP MOS-FET POWER AMPLIFIER MODULES SUPPLIED READY BUILT AND TESTED

These modules now enjoy a world-wide reputation for quality, reliability and performance at a realistic price. Our models are available to suit the needs of the professional and hobby market i.e. Industry, Leisure, Instrumental and Hi-Fi etc. When comparing prices, NOTE that all models include toroidal power supply, integral heatsink, glass fibre P.C.B. and drive circuits to power a compatible Vu meter. All models are open and short circuit proof.

- THOUSANDS OF MODULES PURCHASED BY PROFESSIONAL USERS
- OMP/MF 100 Mos-Fet Output Power 110 watts R.M.S. into 4 ohms, frequency response 1Hz - 100kHz -3dB, Damping Factor >300, Slew Rate 45V/uS, T.H.D. typical 0.002%, Input Sensitivity 500mV, S.N.R. 110dB, Size 300 x 123 x 60mm. Price:- £42.85 + £4.00 P&P
 - OMP/MF 200 Mos-Fet Output Power 200 watts R.M.S. into 4 ohms, frequency response 1Hz - 100kHz -3dB, Damping Factor >300, Slew Rate 50V/uS, T.H.D. typical 0.001%, Input Sensitivity 500mV, S.N.R. 110dB, Size 300 x 155 x 100mm. Price:- £66.35 + £4.00 P&P
 - OMP/MF 300 Mos-Fet Output Power 300 watts R.M.S. into 4 ohms, frequency response 1Hz - 100kHz -3dB, Damping Factor >300, Slew Rate 60V/uS, T.H.D. typical 0.001%, Input Sensitivity 500mV, S.N.R. 110dB, Size 330 x 175 x 100mm. Price:- £83.75 + £5.00 P&P
 - OMP/MF 450 Mos-Fet Output Power 450 watts R.M.S. into 4 ohms, frequency response 1Hz - 100kHz -3dB, Damping Factor >300, Slew Rate 75V/uS, T.H.D. typical 0.001%, Input Sensitivity 500mV, S.N.R. 110dB, Fan Cooled, D.C. Loudspeaker Protection, 2 Second Anti Thump Delay, Size 385 x 210 x 105mm. Price:- £135.85 + £6.00 P&P
 - OMP/MF 1000 Mos-Fet Output Power 1000 watts R.M.S. into 2 ohms, frequency response 1Hz - 100kHz -3dB, Damping Factor >300, Slew Rate 75V/uS, T.H.D. typical 0.001%, Input Sensitivity 500mV, S.N.R. 110dB, Fan Cooled, D.C. Loudspeaker Protection, 2 Second Anti Thump Delay, Size 422 x 300 x 125mm. Price:- £261.00 + £12.00 P&P

NOTE: MOS-FET MODULES ARE AVAILABLE IN TWO VERSIONS: STANDARD - INPUT SENS 500mV/BANDWIDTH 100kHz OR PEC (PROFESSIONAL EQUIPMENT COMPATIBLE) - INPUT SENS 775mV, BANDWIDTH 50kHz ORDER STANDARD OR PEC

DELIVERY CHARGES:- PLEASE INCLUDE AS ABOVE, TO A MAXIMUM AMOUNT £30.00. OFFICIAL ORDERS FROM SCHOOL, COLLEGES, GOVT. PLCs ETC. PRICES INCLUSIVE OF V.A.T. SALES COUNTER. CREDIT CARD ORDERS ACCEPTED BY POST PHONE OR FAX.

B.K. ELECTRONICS REF D5
UNIT 1 COMET WAY, SOUTHEND-ON-SEA, ESSEX, SS2 6TR.
TEL.: 01702-527572 FAX.: 01702-420243
Web:- <http://www.bkelec.com> E-Mail sales@bkelec.com

'Electronics and Computing Principles V7'

A Complete PC Based Electronics and Computing Course.

ELECTRONICS - ELECTRICAL - MATHEMATICS - COMPUTER SCIENCE - INFORMATION TECHNOLOGY - PIC MICRO CONTROLLERS - PHYSICAL SCIENCE

Electronics and Computing Principles V7.1

DC AC Electrical Semi-Conductors Op-Amps Maths Digital Computing Testing Micro PIC@ Toolbox Lab Index SAQ Window

BIPOLAR TRANSISTOR: Signal Amplifier

MATHEMATICAL: Signal Processing

SYSTEMS: OPN: Strata: System Development

POINT TESTING: Oscilloscopes

ACTIVE FILTERS: RC High Pass Active Filter.

$f_c = \frac{1}{2 \times \pi \times R1 \times C1}$

$Z_{in} = \sqrt{R1^2 + Xc^2}$

$Av = \frac{R2}{Z_{in}}$

$V_{out} = V_{in} \times Av$

f_c 'cut-off' @ -3dB point = 1.59kHz
 Xc of 100nF @ 1.59kHz = 1k
 Z_{in} @ 3dB point = 1.41k
 $Av = (-7.07)$
 V_{out} @ -3dB = -7.07mV

$V_{in} = 1mV$

$V_{out} = -7.07mV$

V_{out} vs $Freq$ graph showing Pass Band and f_c 'cut-off'.

Parameters:
 $C2 = 100nF$
 $R1 = 1k$
 $R2 = 10k$

Controls:

More than a thousand fully interactive Electronics and Computing topics.

FREE V7.1 upgrade to add Computer Science and Information Technology.

Mathematics Principles from simple numbers to statistics.

PIC Micro controllers, Toolbox, Components and Equipment Picture Dictionary, Electrical topics all in one package.

OPTIONAL EPT Electronics Lab hardware add-on unit for real practical electronics experiments.

Used in hundreds of schools, colleges and universities in the UK and overseas.

Covers GCSE, A'Level, BTEC Nationals and University courses.

Extremely easy to use for interactive learning with a unique approach to multiple choice Self-Assessment-Questions.

A huge source of dynamic electronics and computing information all in one place.

Select printing, clipboard, explanatory text, calculations and graphs from toolbar buttons.

OnLine £29.95 + VAT p.a.
 Personal user CD-ROM £99.95 +VAT
 Education CD-ROM £299.95 +VAT
 (Includes unlimited multi-user site licence.)

FREE TRIAL DOWNLOAD
 complete package
 with a description by
 Robert Penfold
www.eptsoft.com

Windows from '95 to XP

eptsoft limited. Pump House, Lockram Lane, Witham, Essex. UK. CM8 2BJ.
 Tel: +44 (0)1376 514008. Fax: +44 (0)870 0509660. Email: info@eptsoft.com.
 Switch, Delta, Visa and MasterCard accepted.
 No additional postage or airmail charges.