

FREE GRAPHICS LCD SUPPLEMENT

THE No.1 MAGAZINE FOR ELECTRONICS TECHNOLOGY & COMPUTER PROJECTS

EVERYDAY

FEBRUARY 2001

PRACTICAL

ELECTRONICS

INCORPORATING ELECTRONICS TODAY INTERNATIONAL

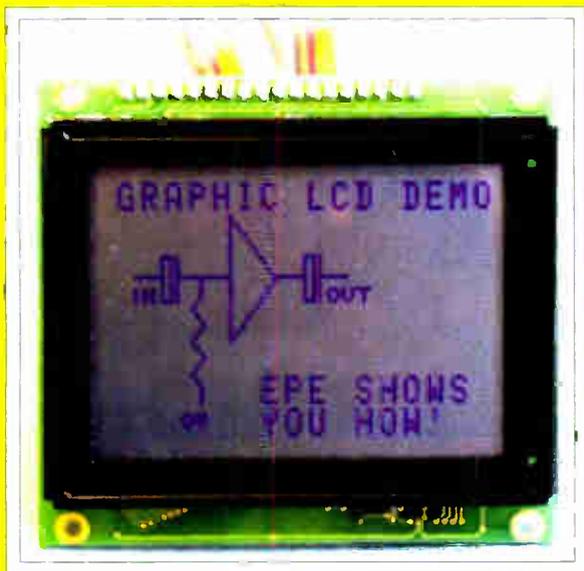
£2.75

ICE ALERT

Watch out for icy roads

Special Supplement

USING GRAPHICS LCD DISPLAYS WITH PICS



PC AUDIO POWER METER

Measures audio amp output power

METRONOME

A Top Tenner £10 project

PLUS

Circuit Surgery • Ingenuity Unlimited

<http://www.epemag.wimborne.co.uk>



12v 18Ah SEALED LEAD ACID BATTERIES,
new and boxed, unused pack of 4 £39.95
ref CYC7 or £15 each ref CYC6

AUTOMATIC CHARGER For the above batteries charges
2 at once, charge level indicator circuitry, 6 hour charge £10 ref CYC8

**A new range of 12v to
240v INVERTERS**
IV400S (400 watt) £89
IV800S (800 watt) £159
IV1200S (1200 watt) £219

ECG MACHINES? 76v 10AH BATT/24V 8A TX Ex
government ECG machines! Measures 390X320X120mm, on the front
are controls for scan speed scan delay, scan mode, loads of connections
on the rear including video out etc. On the front panel are two DIN
sockets for connecting the body sensors to Sensors not included.
Inside 2 x 6v 10AH lead acid batts (not in good condition), pcb's and
a 8A? 24v toroidal transformer (mains in) sold as seert, may have one
or two broken knobs etc due to poor storage £15 99 ref VP2

SODIUM LAMP SYSTEMS £75.70 Complete system
with 250w or 400watt SON-T Agro bulb, reflector with bulb holder and
remote ballast and starter (uncased) all you need is wire. 250W
system ref SLS1, 400W system SLS2.

PCSUPPORT HANDBOOK The ultimate technical guide
to building and maintaining PC's. Over 460 AA pages packed with
technical data and diagrams just £10 ref PCBK1. If you want 4 copies
for £33 ref PCBK2. Also available is a CD packed with diagnostic
programmes to use with the book £5 ref PCBK1

D SIZE NICADS Tagged, 1200mA, 1.2v pack of 4 for £6 ref
CYC9 or as a pack of 24 for £22 ref CYC10

D SIZE SEALED LEAD ACID BATTERIES

2v 2.5Ah rechargeable sealed lead acid battery made by Cyclon
60x45mm (standard D size) supplied as a pack of 12 or 20 giving you
options for battery configurations eg 12v at 5Ah, 24v at 2.5Ah, 6v at
10Ah. These batteries are particularly useful in that you can arrange
them in your project to optimise space etc (eg boat ballast etc) Pack
of 12 £10 ref CYC4, pack of 20 £16 ref CYC5

HYDROPONICS DO YOU GROW YOUR OWN?
We have a full colour hydroponics catalogue available containing
nutrients, pumps, fittings, environmental control light fittings, plants,
test equipment etc Ring for your free copy.

PC COMBINED UPS AND PSU The unit has a total power
of 292 watts, standard mother board connectors and 12 peripheral
power leads for drives etc. Inside is 3 12v 7.2Ah sealed lead acid
batteries. Backup time is 8 mins at full load or 30 mins at half load.
Made in the UK by Magnum, 110 or 240vac input, +5v at 35A, -5v at 5A,
+12v at 9A, -12v at 5A outputs 170x260x220mm new and boxed
£29 95 Ref PCUPS2

**ALTERNATIVE ENERGY CD, PACKED WITH
HUNDREDS OF ALTERNATIVE ENERGY RE-
LATED ARTICLES, PLANS AND INFORMATION
ETC £14.50 REF CD56**

AERIAL PHOTOGRAPHY KIT This rocket comes with
a built in camera! It flies up to 500 feet (150 m) turns over, and takes
an aerial photograph of the ground below. The rocket then returns with
its film via its parachute. Takes 110 film. Supplied complete with
everything including a launch pad and 3 motors (no film) £29 98 ref
ASTRO

PROJECT BOXES Another bargain for you are these smart
ABS project boxes smart two piece screw together case measuring
approx 6"x5"x2" complete with panel mounted LED. Inside you will find
loads of free bits, tape heads, motors, chips resistors, transistors etc.
Pack of 20 £19 95 ref MD2

TELEPHONES Just in this week is a huge delivery of tel-
ephones, all brand new and boxed. Two piece construction - illu-
minated keypad, tone or pulse (switchable) recall, redial and pause,
high/low and off ringer switch and quality construction. Off white colour
and is supplied with a standard international lead (same as US or
modems) if you wish to have a BT lead supplied to convert the phones
these are £1 55 each ref BTLX. Phones £4.99 each ref PH210 off £30
ref SS2

3HP MAINS MOTORS Single phase 240v brand new, 2
pole 340x180mm, 2850 rpm, built in automatic reset overload protec-
tor, keyed shaft (40x16mm) Made by Leeson £99 each ref LEE1

BUILD YOUR OWN WINDFARM FROM SCRAP
New publication gives step by step guide to building wind generators
and propellers. Armed with this publication and a good local scrap
yard could make you self sufficient in electricity! £12 ref LOT81

**CHIEFTAN TANK DOUBLE LASERS 9 WATT +3
WATT + LASER OPTICS** Could be adapted for laser
listener, long range comms etc. Double beam units designed to fit in the
barrel of a tank, each unit has 2 semi conductor lasers and motor drive
units for alignment. 7 mile range, no circuit diagrams due to MOD,
new price £50 000? us? £199. Each unit has two gallium Arsenide
injection lasers, 1 x 9 watt, 1 x 3 watt, 900nm wavelength, 28vdc,
600hz pulse freq. The units also contain a receiver to detect reflected
signals from targets £99 Ref LOT4

**MAGNETIC CREDIT CARD READERS AND
ENCODING MANUAL £9.95** Cased with flyleads, designed to
read standard credit cards! complete with control electronics PCB and
manual covering everything you could want to know about what's
hidden in that magnetic strip on your card! just £9 95 ref BAR31

SOLAR POWER LAB SPECIAL 2x6"x6" 6v 130mA
cells, 4 LED's, wire, buzzer, switch + relay or motor. £7.99 REF SA27

SOLAR NICAD CHARGERS 4x AA size £9 99 ref 6P476,
2 x C size £9 99 ref 6P477

BRAND NEW MILITARY ISSUE DOSE ME-

TERS Current NATO issue Standard emergency services unit
Used by most of the worlds Military personnel New and boxed Normal
retail price £400. BULLS bargain price just £99! The PDRM 82 M is a
portable, lightweight, water resistant gamma radiation survey meter
to measure radiological dose rate in the range 0.1 to 300 centigrays
per hour in air. The Geiger Muller (G.M.) tube detecting unit is energy
and polar response corrected. The radiation level is displayed on a
Liquid Crystal Display. The microcomputer corrects for the non-
linearity of the G.M. tube response. The instrument is powered by
three international C size batteries giving typically 400 hours opera-
tion in normal conditions. The dose rate meter PDRM 82 M designed
and selected for the United Kingdom Government, has been fully
evaluated to satisfy a wide range of environmental conditions and is
nuclear hard. The construction enables the instrument to be easily
decontaminated. The instrument is designed for radiation surveys for
post incident monitoring. Used in a mobile role, either carried by
troops or in military vehicles for rapid deployment enabling radiation
hot spots to be quickly located. Range 0 - 300 cGy/h in 0.1 cGy/h
increments. Over range to 1500 cGy/h - indicates flashing 300 Accu-
racy (20% of true dose rate +0.1 cGy/h, 0 - 100 cGy/h 130% of true dose
rate, 100 - 300 cGy/h Energy Response 0.3 MeV to 3 MeV - within
120% (Ra 226) 80 KeV to 300 KeV - within 140% (Ra 226) Detector
Energy compensated Halogen quenched Geiger Muller Tube. Con-
trols Combined battery access and ON/OFF switch. Batteries 3
International standard C cells. Weight 560gms. Operating Tempera-
ture Range -30deg C to +60 deg C. Indications High contrast 4 digit
LCD. Battery low indication Dose rate Rising/Falling £99 ref PDRM

Hydrogen fuel cells Our new Hydrogen fuel cells are 1v
at up to 1A output, Hydrogen input, easily driven from a
small electrolysis assembly or from a hydrogen source, our
demo model uses a solar panel with the output leads in a
glass of salt water to produce the hydrogen! Each cell is
designed to be completely taken apart, put back together
and expanded to what ever capacity you like, (up to 10watts
and 12v per assembly. Cells cost £49 ref HFC11

**PHILIPS VP406 LASER DISC PLAYERS, SCART
OUTPUT, JUST PUT YOUR VIDEO DISK IN AND PRESS PLAY.
STANDARD AUDIO AND VIDEO OUTPUTS, £14.96 REF VP406**

SMOKE ALARMS Mains powered, made by the famous
Gent company, easy fit next to light fittings, power point. Pack of 5
£15 ref SS23, pack of 12 £24 ref SS24

**4AH D SIZE NICADS pack of 4 £10 ref 4AHPK
SENDER KIT** Contains all components to build a AVV transmit-
ter complete with case £35 ref VSXX2

10 WATT SOLAR PANEL Amorphous silicon panel
fitted in a anodized aluminum frame. Panel measures 3" by 1" with
screw terminals for easy connection. 3" x 1" solar panel £56 ref
MAG45

12V SOLAR POWERED WATER PUMP Perfect for
many 12v DC uses, from solar fountains to hydroponics! Small and
compact yet powerful works direct from our 10 watt solar panel in
bright sun. Max hold 17 ft. Max flow = 8 Lpm, 1 5A Ref AC8 18 99

**SOLAR ENERGY BANK KIT 50x6"x12" 6v solar
panels (amorphous) +50 diodes £99 ref EF112
PINHOLE CAMERA MODULE WITH AUDIO!**
Superb board camera with on board sound! extra small just 28mm
square (including microphone) ideal for covert surveillance. Can be
hidden inside anything - even a matchbox! Complete with 15 metre
cable, psu and tv/r connectors, £49 95 ref CC6J

SOLAR MOTORS Tiny motors which run quite happily on
voltages from 3-12vdc. Works on our 6v amorphous 6" panels and
you can run them from the sun! 32mm dia 20mm thick £1 50 each

WALKIE TALKIES 1 MILE RANGE £37/PAIR REF MAG30

**LIQUID CRYSTAL DISPLAY Bargain prices,
40 character 1 line 154x16mm £6.00 ref SMC4011A
YOUR HOME COULD BE SELF SUFFICIENT IN
ELECTRICITY** Comprehensive plans with loads of info on
designing systems, panels, control electronics etc £7 ref PV1

AUTO SUNCHARGER 155x300mm solar panel with diode
and 3 metre lead and cigar plug 12v 2w £12.99 REF AUG10P3

SOLAR POWER LAB SPECIAL 2x6"x6" 6v 130mA
cells, 4 LED's, wire, buzzer, switch + relay or motor £7.99 REF SA27

SOLAR NICAD CHARGERS 4 x AA size £9 99 ref
6P476, 2 x C size £9 99 ref 6P477

MINATURE TOGGLE SWITCHES These top quality
Japanese panel mount toggle switches measure 35x13x12mm, are
2 pole changeover and will switch 1A at 250vac, or 3 A at 125vac.
Complete with mounting washers and nuts. Supplied as a box of 100
switches for £29 95 ref SWT35 or a bag of 15 for £4 99 ref SWT34

VOICE CHANGERS Hold one of these units over your
phone mouth piece and you can adjust your voice using the controls
on the unit! Battery operated £15 ref CC3

BULL ELECTRICAL

250 PORTLAND ROAD, HOVE, SUSSEX.
BN3 5QT. (ESTABLISHED 50 YEARS).

MAIL ORDER TERMS: CASH, PO OR CHEQUE
WITH ORDER PLUS £4.00 P&P PLUS VAT.

24 HOUR SERVICE £6.50 PLUS VAT.
OVERSEAS ORDERS AT COST PLUS £3.50
(ACCESS, VISA, SWITCH, AMERICAN EXPRESS)

phone orders : 01273 203500

FAX 01273 323077

Sales@bull-electrical.com

**30 WATTS OF SOLAR POWER for just £69,
4 panels each one 3'x1' and producing
8w, 13v. PACK OF FOUR £69 ref SOLX**

200 WATT INVERTERS plugs straight into your car
cigarette lighter socket and is fitted with a 13A socket so you can run
your mains operated devices from your car battery £49 95 ref SS66

THE TRUTH MACHINE Tells if someone is lying by micro
tremors in their voice. battery operated, works in general conversa-
tion and on the phone and TV as well! £42 49 ref D3

INFRA RED FILM 6" square piece of flexible infra red film that
will only allow IR light through. Perfect for converting ordinary
torches, lights, headlights etc to infra red output, only using standard
light bulbs. Easily cut to shape. 6" square £15 ref IRF2

33 KILO LIFT MAGNET Neodymium 32mm diameter with
a fixing bolt on the back for easy mounting. Each magnet will lift 33
kilos. 4 magnets bolted to a plate will lift an incredible 132 kilos! £15
ref MAG33 Pack of 4 just £39 reg MAG33AA

HYDROGEN FUEL CELL PLANS Loads of information
on hydrogen storage and production. Practical plans to build a
Hydrogen fuel cell (good workshop facilities required) £8 set ref FCP1

STIRLING ENGINE PLANS interesting information pack
covering all aspects of Stirling engines, pictures of home made
engines made from an aerosol can running on a candle! £12 ref STIR2

ENERGY SAVER PLUGS Saves up to 15% electricity
when used with fridges, motors up to 2A, light bulbs, soldering irons
etc. £9 ea ref LOT17, 10 pack £69 ref LOT72

12V OPERATED SMOKE BOMBS Type 3 is a 12v
trigger and 3 smoke canisters. each canister will fill a room in a
very short space of time! £14 99 ref SB3. Type 2 is 20 smaller
canisters (suitable for mock equipment fires etc) and 1 trigger
module for £29 ref SB2. Type 1 is a 12v trigger and 20 large canisters
£49 ref SB1

HI POWER ZENON VARIABLE STROBES Useful
12v PCB fitted with hi power strobe tube and control electronics and
speed control potentiometer. Perfect for interesting projects. pack of 10
£49 ref FLS2

NEW LASER POINTERS 4.5mw 75 metre range hand
held unit runs on two AA batteries (supplied) 670nm £29 ref DEC49J

**HOW TO PRODUCE 35 BOTTLES OF WHISKY
FROM A SACK OF POTATOES** Comprehensive 270
page book covers all aspects of spirit production from everyday
materials. Includes construction details of simple stills. £12 ref MS3

NEWHIGH POWER MINI BUG With a range of up to 800
metres and a 3 days use from a PP3 this is our top selling bug! less
than 1" square and a 10m voice pickup range. £28 ref LOT102

IR LAMP KIT Suitable for cctv cameras, enables the camera
to be used in total darkness! £6 ref EF138

INFRA RED POWER BEAM Handheld battery powered
lamp, 4 inch reflector gives out powerful pure infrared light! perfect for
CCTV use, night sights etc. £29 ref RBP1

SUPER WIDEBAND RADAR DETECTOR Detects
both radar and laser. X K and KA bands. speed cameras and all
known speed detection systems. 360 degree coverage, front &
ear waveguides, 1" x 2" 7" x 4" 6" fits on visor or dash £149

LOPTX Made by Samsung for colour TV £3 each ref SS52

LAPTOP LCD SCREENS 240x175mm £12 ref SS51

**WANT TO MAKE SOME MONEY? STUCK FOR
AN IDEA?** We have collated 140 business manuals that give
you information on setting up different businesses, you peruse these
at your leisure using the text editor on your PC. Also included is the
certificate enabling you to reproduce (and sell) the manuals as much
as you like! £14 ref EP74

ELECTRONIC SPEED CONTROLLER KIT For the
above motor is £19 ref MAG17. Save £5 if you buy them both together.
1 motor plus speed controller rrp is £41, offer price £36 ref MOT5A

INFRA RED REMOTE CONTROLS made for TV's but
may have other uses pack of 100 £39 ref IREM

RCB UNITS In line IEC lead with fitted RC
breaker. Installed in seconds. Pack of 3
£9.98 ref LOT5A

**On our web sites you
can**

1. Order online.
2. Check your premium bonds.
3. Enter our auction or build your own.
4. Add E-commerce to your own site.
5. Discover our software site, optical site, hydro-
ponics site, holiday home exchange site, inkjet
site, hotels site.
6. View our web camera.
7. Invest in our future.

<http://www.bullnet.co.uk>

**YOUR HOME COULD BE SELF SUFFICIENT IN
ELECTRICITY** Comprehensive plans with loads of info on
designing systems, panels, control electronics etc £7 ref PV1

AUTO SUNCHARGER 155x300mm solar panel with diode
and 3 metre lead and cigar plug 12v 2w £12.99 REF
AUG10P3 **STEPPER MOTORS** Brand new stepper motors,
4mm fixing holes with 47 14mm fixing centres, 20mm shaft, 6.35mm
diameter, 5v/phase, 0.7A/phase, 1.8 deg step (200 step) Body
56x36mm £14 99 ea ref STEP6, pack of 4 for £49 95 PIC based
variable speed controller kit £15 ref STEP7

ISSN 0262 3617

PROJECTS ... THEORY ... NEWS ...
COMMENTS ... POPULAR FEATURES ...

VOL. 30. No. 2 FEBRUARY 2001

Cover illustration by Jonathan Robertson

EVERYDAY

PRACTICAL

ELECTRONICS

INCORPORATING **ELECTRONICS TODAY INTERNATIONAL**

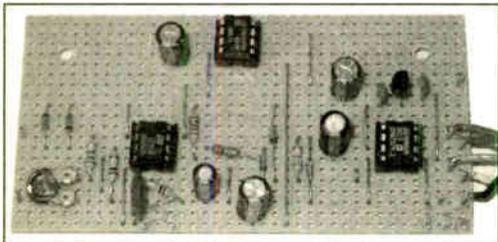
www.epemag.wimborne.co.uk

EPE Online: www.epemag.com



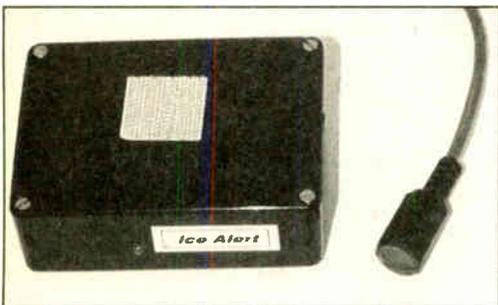
Projects and Circuits

- ICE ALERT** by Terry de Vaux-Balbirnie **92**
Tri-colour l.e.d. warns motorists and gardeners of impending frost danger
- SIMPLE METRONOME** by Owen Bishop **102**
Have a good musical *time* with another Top-Tenner project!
- PC AUDIO POWER METER** by Robert Penfold **112**
Measures audio amplifier power output via your PC computer
- USING LM3914-6 BARGRAPH DRIVERS** by Raymond Haigh **121**
A designer's guide to this versatile range of voltage monitoring devices
- INGENUITY UNLIMITED** hosted by Alan Winstanley **130**
Garden Lighting Controller



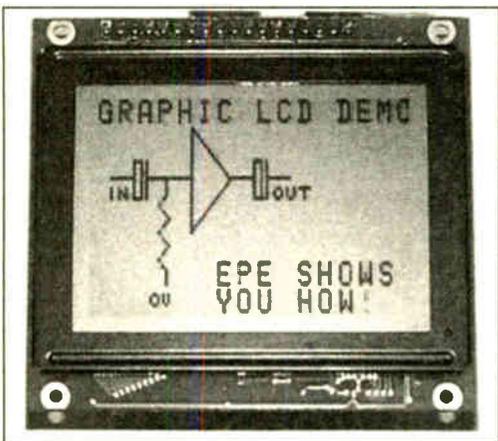
Series and Features

- NEW TECHNOLOGY UPDATE** by Ian Poole **100**
Organic l.e.d.s make their appearance
- CIRCUIT SURGERY** by Alan Winstanley and Ian Bell **107**
Voltage multipliers; More on Multimeters
- NET WORK - THE INTERNET PAGE** surfed by Alan Winstanley **134**
Net browser formats
- THE SCHMITT TRIGGER - 4. Astable, PWM, Triangle Waveforms, Transducer Interface** by Anthony H. Smith **138**
A designers' guide to investigating and using Schmitt triggers



Regulars and Services

- EDITORIAL** **91**
- NEWS** - Barry Fox highlights technology's leading edge **98**
Plus everyday news from the world of electronics
- SHOPTALK** with David Barrington **104**
The *essential* guide to component buying for EPE projects
- ELECTRONICS MANUALS** **110**
Essential reference works for hobbyists, students and service engineers
- READOUT** John Becker addresses general points arising **118**
- ELECTRONICS VIDEOS** Our range of educational videos **128**
- CD-ROMS FOR ELECTRONICS** **129, 132**
Teach-In 2000; Electronic Projects; Filters; Digital Works 3.0; Parts Gallery + Electronic Circuits and Components; Digital Electronics; Analogue Electronics; PICtutor; Modular Circuit Design; Electronic Components Photos; C For PIC Micros; CAD Pack
- BACK ISSUES** Did you miss these? Some now on CD-ROM! **135**
- DIRECT BOOK SERVICE** **146**
A wide range of technical books available by mail order
- PRINTED CIRCUIT BOARD AND SOFTWARE SERVICE** **149**
PCBs for EPE projects plus EPE software
- ADVERTISERS INDEX** **152**



Free 16-Page Supplement

- HOW TO USE GRAPHICS L.C.D.S WITH PICS** by John Becker **Between 116 and 117**
A step-by-step guide to understanding and using pixel-matrixed graphics liquid crystal displays with your PIC microcontroller projects

© Wimborne Publishing Ltd 2001. Copyright in all drawings, photographs and articles published in EVERYDAY PRACTICAL ELECTRONICS is fully protected, and reproduction or imitations in whole or in part are expressly forbidden.

Our March 2001 issue will be published on Thursday, 8 February 2001. See page 83 for details

Readers Services • Editorial and Advertisement Departments 91

Visit our website
www.distel.co.uk

THE ORIGINAL SURPLUS WONDERLAND!

THIS MONTH'S SELECTION FROM OUR VAST EVER CHANGING STOCKS

Surplus always
wanted for cash!

THE AMAZING TELEBOX

Converts your colour monitor into a QUALITY COLOUR TV!!



TV SOUND &
VIDEO TUNER
CABLE COMPATIBLE

The TELEBOX is an attractive fully cased mains powered unit, containing all electronics ready to plug into a host of video monitors or AV equipment which are fitted with a composite video or SCART input. The composite video output will also plug directly into most video recorders, allowing reception of TV channels not normally receivable on most television receivers* (TELEBOX MP). Push button controls on the front panel allow reception of 8 fully tuneable 'off air' UHF colour television channels. TELEBOX MP covers virtually all television frequencies VHF and UHF including the HYPERBAND as used by most cable TV operators. Ideal for desktop computer video systems & PIP (picture in picture) setups. For complete compatibility - even for monitors without sound - an integral 4 watt audio amplifier and low level Hi Fi audio output are provided as standard. Brand new - fully guaranteed.

TELEBOX ST for composite video input type monitors £36.95
TELEBOX ST as ST but fitted with integral speaker £39.50
TELEBOX MB Multiband VHF/UHF/Cable/Hyperband tuner £69.95
For overseas PAL versions state 5.5 or 6 MHz sound specification.
*For cable / hyperband signal reception Telebox MB should be connected to a cable type service. Shipping on all Teleboxes, code (B)

NEW State of the art PAL (UK spec) UHF TV tuner module with composite TV pp video & NICAM hi fi stereo sound outputs. Micro electronics all on one small PCB only 73 x 160 x 52 mm enable full tuning control via a simple 3 wire link to an IBM pc type computer. Supplied complete with simple working program and documentation. Requires +12V & +5V DC to operate. **BRAND NEW - Order as MY00. Only £49.95 code (B)**
See www.distel.co.uk/data_my00.htm for picture + full details

FLOPPY DISK DRIVES 2 1/2" - 8"

All units (unless stated) are **BRAND NEW** or removed from often brand new equipment and are fully tested, aligned and shipped to you with a full 90 day guarantee. Call or see our web site www.distel.co.uk for over 2000 unlisted drives for spares or repair

- 3 1/2" Mitsubishi MF355C-L 1.4 Meg. Laptops only £25.95(B)
- 3 1/2" Mitsubishi MF355C-D 1.4 Meg. Non laptop £18.95(B)
- 5 1/4" Teac FD-55GFR 1.2 Meg (for IBM pc's) RFE £18.95(B)
- 5 1/4" Teac FD-55F-03-U 720K 40/80 (for BBC's etc) RFE £29.95(B)
- 5 1/4" BRAND NEW Mitsubishi MF501B 360K £22.95(B)
- Table top case with integral PSU for HH 5 1/4" Floppy / HD £29.95(B)
- 8" Shugart 800/801 8" SS refurbished & tested £210.00(E)
- 8" Shugart 810 8" SS HH Brand New £195.00(E)
- 8" Shugart 851 8" double sided refurbished & tested £260.00(E)
- 8" Mitsubishi M2894-63 double sided NEW £295.00(E)
- 8" Mitsubishi M2896-63-02U DS slimline NEW £295.00(E)
- Dual 8" hard drives with integral power supply 2 Mb £499.00(E)

HARD DISK DRIVES 2 1/2" - 14"

- 2 1/2" TOSHIBA MK1002MAV 1.1Gb laptop (12.5 mm H) New £79.95
 - 2 1/2" TOSHIBA MK2101MAN 2.16 Gb laptop (19 mm H) New £89.50
 - 2 1/2" TOSHIBA MK4309MAT 4.3Gb laptop (8.2 mm H) New £105.00
 - 2 1/2" TOSHIBAMK6409MAV 6.1Gb laptop (12.7 mm H) New £190.00
 - 2 1/2" to 3 1/2" conversion kit for PC's, complete with connectors. £14.95
 - 3 1/2" FUJII FK-309-26 20mb MFM I/F RFE £59.95
 - 3 1/2" CONNER CP3024 20 mb IDE I/F (for equiv.) RFE £59.95
 - 3 1/2" CONNER CP3044 40 mb IDE I/F (for equiv.) RFE £69.00
 - 3 1/2" QUANTUM 40S Prodrive 42mb SCSI I/F, New RFE £49.00
 - 5 1/4" MINISCRIBE 3425 20mb MFM I/F (for equiv.) RFE £49.95
 - 5 1/4" SEAGATE ST-238R 16 Mb RLL I/F Refurb £69.95
 - 5 1/4" CDC 94205-51 40mb HH MFM I/F RFE tested £69.95
 - 5 1/4" HP 97548 85 Mb SCSI RFE tested £99.00
 - 5 1/4" HP C3010 2 Gbyte SCSI differential RFE tested £195.00
 - 8" NEC D2246 85 Mb SMD interface. New £199.00
 - 8" FUJITSU M2322K 160Mb SMD I/F RFE tested £195.00
 - 8" FUJITSU M2392K 2 Gb SMD I/F RFE tested £345.00
- Many other drives in stock - Shipping on all drives is code (C1)

TEST EQUIPMENT & SPECIAL INTEREST ITEMS

- MITS. FA3445ETKL 14" Industrial spec SVGA monitors £245
- FARNELL 0-60V DC @ 50 Amps, bench Power Supplies £995
- FARNELL AP3080 0-30V DC @ 80 Amps, bench Supply £1850
- 1kW to 400 kW - 400 Hz 3 phase power sources - ex stock £1850
- IBM 8230 Type 1, Token ring base unit driver £760
- Wayne Kerr RA200 Audio frequency response analyser £2500
- IBM 53F5501 Token Ring ICS 20 port local modules £750
- IBM MAU Token ring distribution panel B228-23-5050N £2500
- AIM 501 Low distortion Oscillator 9Hz to 330KHz, IEEE £550
- ALLGON 8360.11805-1880 MHz hybrid power combiners £250
- Trend DSA 274 Data Analyser with G703(2M) 64 v/f EPOA
- Marconi 6310 Programmable 2 to 22 GHz sweep generator £6500
- Marconi 2022C 10KHz - 1GHz RF signal generator £1950
- Marconi 2030 opt 03 10KHz - 1.3 GHz signal generator, New £3750
- HP1650B Logic Analyser £3750
- HP3781A Pattern generator & HP3782A Error Detector EPOA
- HP6621A Dual Programmable GPIB PSU 0.7-1.6V 160 watts £1800
- HP6264 Rack mount variable 0-20V @ 20A metered PSU £675
- HP54121A DC to 22 GHz low channel test set EPOA
- HP8130A opt 020 300 MHz pulse generator, GPIB etc £7900
- HP A1, A0 8 pen HPGL high speed drum plotters for HP DRAFTERMASTER 18 pen high speed plotter £550
- EG+G Brookdeal 95035C Precision lock in amp £750
- View Eng. Mod 1200 computerised inspection system EPOA
- Sony DXC-3000A High quality CCD colour TV camera £995
- Kelthley 590 CV capacitor / voltage analyser EPOA
- Racal ICR40 dual 40 channel voice recorder system £3750
- Fiskers 45KVA 3 ph On Line UPS - New batteries £9500
- Emerson AP130 2.5KVA industrial spec. UPS £2100
- Mann Tally MT645 High speed line printer £2200
- Intel SBC 486/133SE Multibus 486 system 8Mb Ram £495
- Siemens K4400 64Kb to 140Mb demux analyser £2950

IC's - TRANSISTORS - DIODES

OBSOLETE - SHORT SUPPLY - BULK
10,000,000 items EX STOCK
For MAJOR SAVINGS

CALL OR SEE OUR WEB SITE www.distel.co.uk

VIDEO MONITOR SPECIALS

One of the highest specification monitors you will ever see -
At this price - Don't miss it!!

Mitsubishi FA3415ETKL 14" SVGA Multisync colour monitor with fine 0.28 dot pitch tube and resolution of 1024 x 768. A variety of inputs allows connection to a host of computers including IBM PC's in CGA, EGA, VGA & SVGA modes, BBC, COMMODORE (including Amiga 1200), ARCHIMEDES and APPLE. Main features: Etched faceplate, text switching and LOW RADIATION MPP specification. Fully guaranteed, in EXCELLENT little

used condition. £119 (E) Order as MITS-SVGA
TV & Swivel Base £4.75
VGA cable for IBM PC included.

External cables for other types of computers available - CALL

Ex demo 17" 0.28 SVGA Mitsubishi Diamond Pro monitors, Full multisync etc.
Full 90 day guarantee. Only £199.00 (E)

Just In - Microvitec 20" VGA (800 x 600 res.) colour monitors. Good SH condition - from £299 - CALL for info

PHILIPS HCS31 (same style as CM8633) attractively styled 14" colour monitor with both RGB and standard composite 15.625 KHz video inputs via SCART socket and separate phono jacks. Integral audio power amp and speaker for all audio visual uses. Will connect direct to Amiga and Atari BBC computers. Ideal for all video monitoring / security applications with direct connection to most colour cameras. High quality with many features such as front concealed flap controls, VCR correction button etc. Good used condition - fully tested - guaranteed
Dimensions: W14" x H12 3/4" x 15 1/2" £99.00 (E)

PHILIPS HCS31 Ultra compact 9" colour video monitor with standard composite 15.625 KHz video input via SCART socket. Ideal for all monitoring / security applications. High quality, ex-equipment fully tested & guaranteed (possible minor screen burns). In attractive square black plastic case measuring W10" x H10" x 13 1/2". 240 V AC mains powered. Only £79.00 (D)

KME 10" 15M10009 high definition colour monitors with 0.28" dot pitch. Superb clarity and modern styling. Operates from 15.625 khz sync RGB video source, with RGB analog and composite sync such as Atari, Commodore Amiga, Acorn Archimedes & BBC. Measures only 13 1/2" x 12" x 11". Good used condition. Only £125 (E)

20" 22" and 26" AV SPECIALS

Superbly made UK manufacture. PIL all solid state colour monitors, complete with composite video & optional sound input. Attractive teak style case. Perfect for Schools, Shops, Disco, Clubs, etc. In EXCELLENT little used condition with full 90 day guarantee.

20"....£135 22"....£155 26"....£185(F)

We probably have the largest range of video monitors in Europe. All sizes and types from 4" to 42" call for info.

DC POWER SUPPLIES

Virtually every type of power supply you can imagine. Over 10,000 Power Supplies Ex Stock
Call or see our web site.

- HP6030A 0-200V DC @ 17 Amps bench power supply £1950
- Intel SBC 486/125C08 Enhanced Multibus (MSA) New £1150
- Nikon HF-X11 (Ephiphot) exposure control unit £1450
- PHILIPS PM5518 - pro. TV signal generator £1250
- Motorola VME Bus Boards & Components List. SAE / CALL EPOA
- IO 0-18 vdc linear, metered 30 amp bench PSU. New £550
- Fujitsu M3041R 600 LPM high speed band printer £1950
- Fujitsu M3041D 600 LPM printer with network interface £1250
- Perkin Elmer 299B Infrared spectrophotometer £500
- Perkin Elmer 597 Infrared spectrophotometer £3500
- VG Electronics 1035 TELETEXT Decoding Margin Meter £3250
- LightBand 60 output high spec 2u rack mount Video VDA's £495
- Sekonic SD 150H 18 channel digital Hybrid chart recorder £1995
- B&K 2633 Microphone pre amp £300
- Taylor Hobson Talysurf amplifier / recorder £750
- ADC S5200 Carbon dioxide gas detector / monitor £1450
- BBC AM203 PPM Meter (Ernest Turner) + drive electronics £75
- ANRITSU 9654A Optical DC 2.5Gb waveform monitor £5650
- ANRITSU MS9001B1 0.6-1.7 um optical spectrum analyser EPOA
- ANRITSU ML93A optical power meter £990
- ANRITSU Fibre optic characteristic test set EPOA
- R&S FTDZ Dual sound unit £650
- R&S SBUFE-1 Vision modulator £775
- WILTRON 6630B 12.4 / 20GHz RF sweep generator £5750
- TEK 2445 150 MHz 4 trace oscilloscope £1250
- TEK 2465 300 MHz 300 MHz oscilloscope rack mount £1955
- TEK TDS380 400MHz digital realtime + disk driver, FFT etc £2900
- TEK TDS524A 500MHz digital realtime + colour display etc £5100
- HP3585A Opt 907 20Hz to 40 MHz spectrum analyser £3950
- PHILIPS PW1730 10 60KV XRAY generator & accessories EPOA
- CLAUDE LYONS 12A 240V single phase auto. volt. regs £325
- CLAUDE LYONS 100A 240/415V 3 phase auto. volt. regs £2900

19" RACK CABINETS

Superb quality 6 foot 40U
Virtually New, Ultra Smart
Less than Half Price!

Top quality 19" rack cabinets made in UK by Optima Enclosures Ltd. Units feature designer, smoked acrylic lockable front door, full height lockable half louvered back door and louvered removable side panels. Fully adjustable internal fixing struts, easily pinched for any configuration of equipment mounting, plus ready mounted integral 12 way 13 amp socket switched mains distribution strip make these racks some of the most versatile we have ever sold. Racks may be stacked side by side and therefore require only two side panels to stand singly or in multiple bays. Overall dimensions are: 77 1/2" H x 32 1/2" D x 22" W. Order as:
OPT Rack 1 Complete with removable side panels. £345.00 (G)
OPT Rack 2 Back, Less side panels. £245.00 (G)

Over 1000 racks, shelves, accessories
19" 22" & 24" wide 3 to 46 U high.
Available from stock !!

32U - High Quality - All steel RakCab

Made by Eurocraft Enclosures Ltd to the highest possible spec, rack features all steel construction with removable side, front and back doors. Front and back doors are hinged for easy access and all are lockable with five secure 5 lever barrel locks. The front door is constructed of double walled steel with a 'designer style' smoked acrylic front panel to enable status indicators to be seen through the panel, yet remain unobtrusive. Internally the rack features fully slotted reinforced vertical fixing members to take the heaviest of 19" rack equipment. The two movable vertical fixing struts (extras available) are pre punched for standard 'cage nuts'. A mains distribution panel internally mounted to the bottom rack, provides 8 IEC 3 pin Euro sockets and 1 x 13 amp 3 pin switched utility socket. Overall ventilation is provided by fully louvered back door and double skinned top section with top and side louvers. The top panel may be removed for fitting of integral fans to the sub plate etc. Other features include: fitted castors and floor levelers, pre-punched utility panel at lower rear for cable / connector access etc. Supplied in excellent, slightly used condition with keys. Colour Royal blue. External dimensions mm=1625H x 635D x 603 W (64" H x 25" D x 23 3/4" W)

Sold at LESS than a third of makers price !!

A superb buy at only £245.00 (G)
42U version of the above only £345 - CALL

12V BATTERY SCOOP - 60% off !!

A special bulk purchase from a cancelled export order brings you the most amazing savings on these ultra high spec 12v DC 14 Ah rechargeable batteries. Made by Hawker Energy Ltd, type SBS15 featuring pure lead plates which offer a far superior shelf & guaranteed 15 year service life. Fully BT & BS21 approved. Supplied BRAND NEW and boxed. Dimensions 200 wide, 137 high, 77 deep. M6 bolt terminals. Fully guaranteed. Current makers price over £70 each. Our Price £35 each (C) or 4 for £99 (E)

RELAYS - 200,000 FROM STOCK

Save ££££'s by choosing your next relay from our Massive Stocks covering types such as Military, Octal, Cradle, Hermetically Sealed, Continental, Contactors, Time Delay, Reed, Mercury Watted, Solid State, Printed Circuit Mounting etc. CALL or see our web site www.distel.co.uk for more information. Many obsolete types from stock. Save ££££'s

COLOUR CCD CAMERAS

Undoubtedly a miracle of modern technology & our special buying power! A quality product featuring a fully cased COLOUR CCD camera at a give away price! Unit features full autolight sensing for use in low light & high light applications. A 10 mm fixed focus wide angle lens gives excellent focus and resolution from close up to long range. The composite video output will connect to any composite monitor or TV (via SCART socket) and most video recorders. Unit runs from 12V DC so ideal for security & portable applications where mains power not available. Overall dimensions 66 mm wide x 117 mm x 43 high. Supplied BRAND NEW & fully guaranteed with user data, 100's of applications including Security, Home Video, Web TV, Web Cams etc, etc.

Web ref = LK33 ONLY £99.00 or 2 for £180.00 (B)

SOFTWARE SPECIALS

NT4 WorkStation, complete with service pack 3 and licence - OEM packaged. ONLY £89.00 (B)
ENCARTA 95 - CDROM. Not the latest - but at this price! £7.95
DOS 5.0 on 3 1/2" disks with concise books &w OBIasic £14.95
Windows for Workgroups 3.11 + Dos 6.22 on 3 1/2" disks £55.00
Wordperfect 6 for DOS supplied on 3 1/2" disks with manual £24.95
shipping charges for software is code B

DISTEL on the web !! - Over 16,000,000 items from stock - www.distel.co.uk

-ELECTRONICS-

ALL MAIL TO
Dept PE, 29/35 Osborne Rd
Thornton Heath
Surrey CR7 8PD
Open Mon - Fri 9.00 - 5:30

LDN SHOP
Open Mon - Sat 9:00 - 5:30
215 Whitehorse Lane
South Norwood
On 66A Bus Route
N. Thornton Heath &
Selhurst Park SR Rail Stations

DISTEL
Visit our web site
www.distel.co.uk
email = admin@distel.co.uk

ALL ENQUIRIES
0208 653 3333
FAX 0208 653 8888

NEXT MONTH

DIY LIGHTNING

Short of divine intervention, most of us are never going to get to control nature's most spectacular effect. However, thanks to the genius of a 144-year-old physicist, you can.

The purpose of this article is to allow you, the reader, to build a working Tesla coil (see photo) with an arc output of at least 50cm, giving you a general idea as to why and how it works and a few ideas for some of the fun effects that can be demonstrated with it. But, be warned, the output from this project is easily capable of killing you if not treated with due respect.

DOORBELL EXTENDER

This "through the mains" unit will extend your doorbell so you can hear it in the garage or workshop. It will also act as a control system to switch on or off a remote appliance from the comfort of your armchair, or as a safety button for the bed-ridden etc.

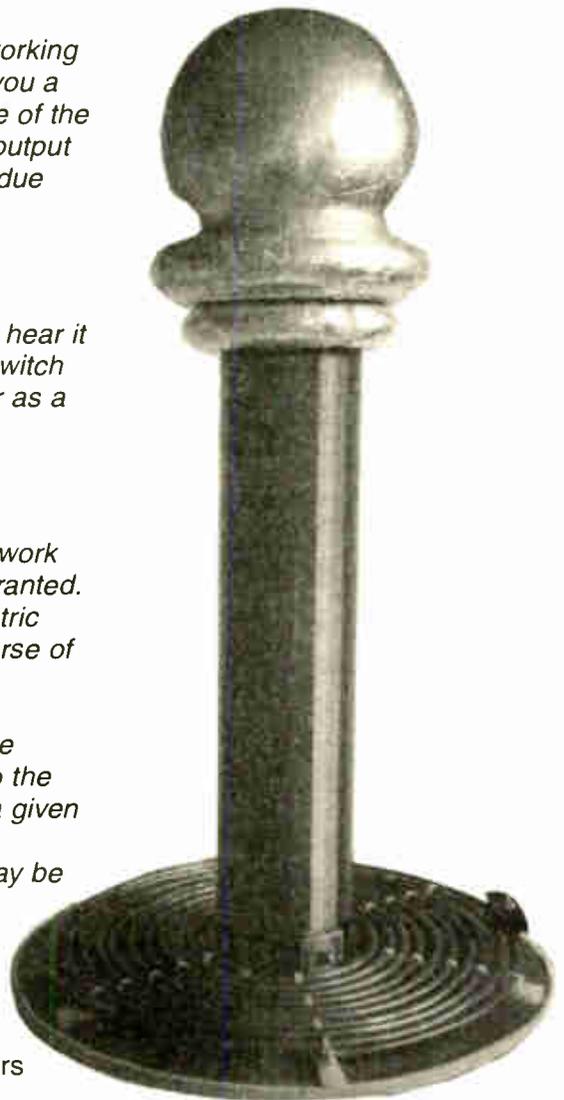
BODY DETECTOR

Capacitance is an extraordinary phenomenon, in that it is able to work through empty space. This is a quality that is normally taken for granted. The accumulation of charge on a metal plate gives rise to an electric field, which will affect another plate in direct proportion to the inverse of its distance. Capacitance, also, is one of a vast range of physical phenomena that may be translated into electrical oscillations.

The Body Detector featured in this article relies on the fact that the human body itself possesses a fairly large order of capacitance to the ground, and that if such a body approaches the positive plate of a given capacitor, its value will rise.

Due to its high sensitivity and good stability, the Body Detector may be attached to a wide variety of metal objects – in the process sensitising the entire object concerned.

Although in theory the Body Detector is dependent on the electric field which surrounds the human body, in effect it acts as though an invisible field were created around the object concerned – similar to the "invisible" defence shields seen in the latest Star Wars movie.



PLUS ALL THE REGULAR FEATURES

NO ONE DOES IT BETTER

EVERYDAY
PRACTICAL
ELECTRONICS
INCORPORATING **ELECTRONICS TODAY INTERNATIONAL**

**DON'T MISS AN
ISSUE – PLACE YOUR
ORDER NOW!**
Demand is bound to be high

MARCH 2001 ISSUE ON SALE THURSDAY, FEBRUARY 8

QUASAR ELECTRONICS LIMITED

Unit 14 Sunningdale, BISHOPS STORTFORD, Herts. CM23 2PA

TEL: 01279 306504 FAX: 07092 203496

ADD £2.00 P&P to all orders for 1st Class Ricopacked £4, Next day (Insured £250) £7, Europe £4.00, Rest of World £6.00. We accept all major credit cards. Make cheques/P.O.s payable to Quasar Electronics. Prices include 17.5% VAT, MAIL ORDER ONLY. FREE CATALOGUE with order or send 2 x 1st class stamps (refundable) for details of over 150 kits & publications.

PROJECT KITS

Our electronic kits are supplied complete with all components, high quality PCBs (NOT cheap Tripad strip board!) and detailed assembly/operating instructions

- **2 x 25W CAR BOOSTER AMPLIFIER** Connects to the output of an existing car stereo cassette player, CD player or radio. Heatsinks provided PCB 75x75mm 1046KT £27.95
- **3-CHANNEL WIRELESS LIGHT MODULATOR** No electrical connection with amplifier. Light modulation achieved via a sensitive electret microphone. Separate sensitivity control per channel. Power handling 400W/channel. PCB 54x112mm. Mains powered Box provided. 6014KT £27.95
- **12 RUNNING LIGHT EFFECT EXCITING** 12 LED light effect ideal for parties, discos, shop-windows & eye-catching signs. PCB design allows replacement of LEDs with 220V bulbs by inserting 3 TRIACS. Adjustable rotation speed & direction PCB 54x112mm. 1026KT £17.95; BOX (for mains operation) 2026BX £10.00
- **DISCO STROBE LIGHT** Probably the most exciting of all light effects. Very bright strobe tube. Adjustable strobe frequency 1-60Hz. Mains powered PCB 60x68mm. Box provided 6037KT £31.95
- **ANIMAL SOUNDS** Cat, dog, chicken & cow. Ideal for kids farmyard toys & schools. SG10M £6.95
- **3 1/2 DIGIT LED PANEL METER** Use for basic voltage/current displays or customise to measure temperature, light, weight, movement, sound levels, etc. with appropriate sensors (not supplied). Various input circuit designs provided 3061KT £13.95
- **IR REMOTE TOGGLE SWITCH** Use any TV/VCR remote control unit to switch onboard 12V/1A relay on/off 3058KT £10.95
- **SPEED CONTROLLER** for any common DC motor up to 100V/5A. Pulse width modulation gives maximum torque at all speeds. 5-15VDC. Box provided. 3067KT £12.95
- **3 x 8 CHANNEL IR RELAY BOARD** Control eight 12V/1A relays by Infra Red (IR) remote control over a 20m range in sunlight 6 relays turn on only, the other 2 toggle on/off 3 operation ranges determined by jumpers. Transmitter case & all components provided Receiver PCB 76x89mm 3072KT £52.95

PRODUCT FEATURE

4 WATT FM TRANSMITTER

Small but powerful 4 Watt 88-108MHz FM transmitter with an audio preamplifier stage and 3 RF stages. Accepts a wide variety of input sources - the electret microphone supplied, a tape player or for more professional results, a separate audio mixer (like our 3-Input Mono Mixer kit 1052). Can be used with an open dipole or ground plane antenna. Supply: 12-15V DC/0-5A. PCB: 45 x 145mm.

ORDERING INFO: Kit 1028KT £24.95.
OPTIONAL EXTRAS: 3-Input Mono Mixer Kit 1052KT £17.95. AS1028 £39.95.



- **SOUND EFFECTS GENERATOR** Easy to build. Create an almost infinite variety of interesting/unusual sound effects from birds chirping to sirens. 9VDC. PCB 54x75mm. 1045KT £9.95
- **ROBOT VOICE EFFECT** Make your voice sound similar to a robot or Dorek. Great fun for discos, school plays, theatre productions, radio stations & playing jokes on your friends when answering the phone! PCB 42x71mm. 1131KT £9.95
- **AUDIO TO LIGHT MODULATOR** Controls intensity of one or more lights in response to an audio input. Safe, modern opto-coupler design. Mains voltage experience required. 3012KT £8.95
- **MUSIC BOX** Activated by light. Plays 8 Christmas songs and 5 other tunes. 3104KT £7.95
- **20 SECOND VOICE RECORDER** Uses non-volatile memory - no battery backup needed. Record/replay messages over & over. Playback as required to greet customers etc. Volume control & built-in mic. 6VDC. PCB 50x73mm. 3131KT £12.95
- **TRAIN SOUNDS** 4 selectable sounds: whistle blowing, level crossing bell, 'chickety-clack' & 4 in sequence. SG01M £6.95
- **PC CONTROLLED RELAY BOARD** Convert any 286 upward PC into a dedicated automatic controller to independently turn on/off up to eight lights, motors & other devices around the home, office, laboratory or factory using 8 240VAC/12A onboard relays. DOS utilities, sample test program, full-featured Windows utility & all components (except cable) provided. 12VDC. PCB 70x200mm. 3074KT £31.95
- **2 CHANNEL UHF RELAY SWITCH** Contains the same transmitter/receiver pair as 30A15 below plus the components and PCB to control two 240VAC/10A relays (also supplied). Ultra bright LEDs used to indicate relay status. 3082KT £27.95
- **TRANSMITTER RECEIVER PAIR** 2-button keyboard style 300-375MHz Tx with 30m range. Receiver encoder module with matched decoder IC. Components must be built into a circuit like kit 3082 above. 30A15 £14.95
- **PC DATA ACQUISITION/CONTROL UNIT** Use your PC to monitor physical variables (e.g. pressure, temperature, light, weight, switch state, movement, relays, etc.), process the information & use results to control physical devices like motors, sirens, relays, servo & stepper motors. Inputs: 16 digital & 11 analogue. Outputs: 8 digital & 1 analogue. Plastic case with printed front panels, software utilities, programming examples & all components (except sensors & cable) provided. 12VDC. 3093KT £99.95
- **PIC 16C71 FOUR SERVO MOTOR DRIVER** Simultaneously control up to 4 servo motors. Software & all components (except servos/control pots) supplied. 5VDC. PCB 50x70mm 3102KT £19.95
- **PC SERIAL PORT ISOLATED I/O BOARD** Provides eight 240VAC/10A relay outputs & 4 optically isolated inputs. Designed for use in various control & sensing applications e.g. load switching, external switch input sensing, contact closure & external voltage sensing. Controlled via serial port & a terminal emulator program (built into Windows). Can be used with ANY computer/operating system. Plastic case with printed front panels & all components (except cable) provided. 3108KT £54.95
- **UNIPOLAR STEPPER MOTOR DRIVER** for any 5/6/8 lead motor. Fast/slow & single step rates. Direction control & on/off switch. Wave, 2-phase, half-wave step modes. 4 LED indicators. PCB 50x65mm 3109KT £14.95
- **PC CONTROLLED STEPPER MOTOR DRIVER** Control two unipolar stepper motors (3A max. each) via PC printer port Wave, 2-phase & half-wave step modes. Software accepts 4 digital inputs from external switches & will single step motors PCB fits in D-shell case provided. 3113KT £17.95
- **12-BIT PC DATA ACQUISITION/CONTROL UNIT** Similar to kit 3093 above but uses a 12 bit Analogue-to-Digital Converter (ADC) with internal analogue multiplexer. Reads 8 single ended channels or 4 differential inputs or a mixture of both. Analogue inputs read 0-4V Four TTL/CMOS compatible digital input/outputs. ADC conversion time <10µs. Software (C, QB & Win), extended D shell case & all components (except sensors & cable) provided. 3118KT £52.95

X FACTOR PUBLICATIONS

THE EXPERTS IN RARE & UNUSUAL INFORMATION!

- Full details of all X-FACTOR PUBLICATIONS can be found in our catalogue. N.B. Minimum order charge for reports and plans is £5.00 PLUS normal P&P
- **SUPER-EAR LISTENING DEVICE** Complete plans to build your own parabolic dish microphone. Listen to distant voices and sounds through open windows and even walls! Made from readily available parts. R002 £3.50
 - **TELEPHONE BUG PLANS** Build your own micro-battle telephone bug. Suitable for any phone. Transmits over 250 metres - more with good receiver. Made from easy to obtain, cheap components. R006 £2.50
 - **LOCKS** - How they work and how to pick them. This fact filled report will teach you more about locks and the art of lock picking than many books we have seen at 4 times the price. Packed with diagrams and illustrations. R008 £3.50
 - **RADIO & TV JOKER PLANS** We show you how to build three different circuits for disrupting TV picture and sound plus FM radio! May upset your neighbours & the authorities! DISCRETION REQUIRED. R017 £3.50
 - **INFINITY TRANSMITTER PLANS** Complete plans for building the famous infinity transmitter. Once installed on the target phone, device acts like a room bug. Just call the target phone & activate the unit to hear all room sounds. Great for home/office security! R019 £3.50
 - **THE ETHER BDX CALL INTERCEPTOR PLANS** Grabs telephone calls out of thin air! No need to wire in a phone bug. Simply place this device near the phone lines to hear the conversations taking place! R025 £3.00
 - **CASH CREATOR BUSINESS REPORTS** Need ideas for making some cash? Well this could be just what you need! You get 40 reports (approx 800 pages) on floppy disk that give you information on setting up different businesses. You also get valuable reproduction and duplication rights so that you can sell the manuals as you like. R030 £7.50

SURVEILLANCE

High performance surveillance bugs. Room transmitters supplied with sensitive electret microphone & battery holdover. All transmitters can be received on an ordinary VHF-FM radio between 88-108MHz. Available in Kit Form (KT) or Assembled & Tested (AS).

ROOM SURVEILLANCE

- **MTX - MINIATURE 3V TRANSMITTER** Easy to build & guaranteed to transmit 300m @ 3V Long battery life. 3-5V operation. Only 45x18mm. ● 3007KT £6.95 AS3007 £11.95
- **MRTX - MINIATURE 9V TRANSMITTER** Our best selling bug. Super sensitive, high power - 500m range @ 100m 1km with 18V supply and better aerial! 45x19mm. 3018KT £7.95 AS3018 £12.95
- **HPTX - HIGH POWER TRANSMITTER** High performance, 2 stage transmitter gives greater stability & higher quality reception 1000m range 6-12V DC operation Size 70x15mm. 3032KT £9.95 AS3032 £18.95
- **MMTX - MICRO-MINIATURE 9V TRANSMITTER** The ultimate bug for its size, performance and price. Just 15x25mm 500m range @ 9V Good stability 6-18V operation. 3051KT £8.95 AS3051 £14.95
- **VTX - VOICE ACTIVATED TRANSMITTER** Operates only when sounds detected. Low standby current. Variable trigger sensitivity. 500m range. Peaking circuit supplied for maximum RF output. On/off switch 6V operation. Only 63x38mm. 3028KT £12.95 AS3028 £21.95
- **HARD-WIRED BUG/TWO STATION INTERCOM** Each station has its own amplifier speaker and mic. Can be set up as either a hard-wired bug or two-station intercom. 10m x 2-core cable supplied. 9V operation. 3021KT £15.95 (kit form only)
- **TRVS - TAP RECORDER VOX SWITCH** Used to automatically operate a tape recorder (not supplied) via its REMOTE socket when sounds are detected. All conversations recorded. Adjustable sensitivity & turn-off delay. 115x19mm. 3013KT £9.95 AS3013 £21.95

TELEPHONE SURVEILLANCE

- **MTTX - MINIATURE TELEPHONE TRANSMITTER** Attaches anywhere to phone line. Transmits only when phone is used. Tune-in your radio and hear both parties. 300m range. Uses line as aerial & power source. 20x45mm. 3016KT £8.95 AS3016 £14.95
- **TR - TELEPHONE RECORDING INTERFACE** Automatically record all conversations. Connects between phone line & tape recorder (not supplied). Operates recorders with 1.5-12V battery systems. Powered from line. 50x33mm. 3033KT £9.95 AS3033 £18.95
- **TPA - TELEPHONE PICK-UP AMPLIFIER/WIRELESS PHONE BUG** Place pick-up coil on the phone line or near phone earpiece and hear both sides of the conversation. 3055KT £11.95 AS3055 £20.95
- **1 WATT FM TRANSMITTER** Easy to construct. Delivers a crisp, clear signal. Two-stage circuit. Kit includes microphone and requires a simple open dipole aerial. 8-30VDC. PCB 42x45mm. 1009KT £14.95
- **4 WATT FM TRANSMITTER** Comprises three RF stages and an audio preamplifier stage. Piezoelectric microphone supplied or you can use a separate preamplifier circuit. Antenna can be an open dipole or Ground Plane. Ideal project for those who wish to get started in the fascinating world of FM broadcasting and want a good basic circuit to experiment with. 12-18VDC. PCB 44x146mm. 1028KT £24.95 AS1028 £39.95
- **15 WATT FM TRANSMITTER (PRE-ASSEMBLED & TESTED)** Four transistor based stages with Philips BL788 in final stage. 15 Watts RF power on the air. 88-108MHz. Accepts open dipole, Ground Plane, 5/8, J, or YAGI configuration antennas. 12-18VDC. PCB 70x220mm. SVWS meter needed for alignment. 1021KT £27.95
- **SIMILAR TO ABOVE BUT 25W Output.** 1031KT £84.95
- **STABILISED POWER SUPPLY 3-30V/2.5A** Ideal for hobbyist & professional laboratory. Very reliable & versatile design at an extremely reasonable price. Short circuit protection. Variable DC voltages (3-30V). Rated output 2.5 Amps. Large heatsink supplied. You just supply a 24VAC/5A transformer. PCB 55x112mm. Mains operation. 1007KT £18.95.
- **STABILISED POWER SUPPLY 2-30V/5A** As kit 1007 above but rated at 5Amp. Requires a 24VAC/5A transformer. 1096KT £32.95.
- **MOTORBIKE ALARM** Uses a reliable vibration sensor (adjustable sensitivity) to detect movement of the bike to trigger the alarm & switch the output relay to which a siren, bikes horn, indicators or other warning device can be attached. Auto-reset. 6-12VDC. PCB 57x64mm. 1011KT £19.95. Box 2011BX £7.00
- **CAR ALARM SYSTEM** Protect your car from theft. Features vibration sensor, courtesy/boot light voltage drop sensor and bonnet/boot earth switch sensor. Entry/exit delays, auto-reset and adjustable alarm duration. 6-12V DC. PCB: 47mm x 55mm. 1019KT £12.95. Box 2019BX £3.00
- **PIEZO SCREAMER** 110dB of ear piercing noise. Fits in box with 2 x 35mm piezo elements built into their own resonant cavity. Use as an alarm siren or just for fun! 6-9VDC. 3015KT £10.95
- **COMBINATION LOCK** Versatile electronic lock comprising main circuit & separate keypad for remote opening of lock. Relay supplied. 3029KT £10.95
- **ULTRASONIC MOVEMENT DETECTOR** Crystal locked detector frequency for stability & reliability. PCB 75x40mm. houses all components. 4-7m range. Adjustable sensitivity. Output will drive external relay/circuits. 9VDC. 3049KT £13.95
- **PIR DETECTOR MODULE** 3-leads assembled unit just 25x35mm as used in commercial burglar alarm systems. 3076KT £8.95
- **INFRARED SECURITY BEAM** When the invisible IR beam is broken a relay is tripped that can be used to sound a bell or alarm 25 metre range. Mains rated relays provided. 12VDC operation. 3130KT £12.95
- **SQUARE WAVE OSCILLATOR** Generates square waves at 6 preset frequencies in factors of 10. 1Hz-100KHz. Visual output indicator. 5-18VDC. Box provided. 3111KT £8.95
- **PC DRIVEN POCKET SAMPLER/DATA LOGGER** Analogue voltage sampler records voltages up to 2V or 20V over periods from milli-seconds to months. Can also be used as a simple digital scope to examine audio & other signals up to about 5KHz. Software & D-shell case provided. 3112KT £18.95
- **20 MHz FUNCTION GENERATOR** Square, triangular and sine waveform up to 20MHz over 3 ranges using 'coarse' and 'fine' frequency adjustment controls. Adjustable output from 0-2V p-p. A TTL output is also provided for connection to a frequency meter. Uses MAX038 IC. Plastic case with printed front panels & all components provided. 7-12VAC. 3101KT £69.95

Credit Card Sales: 01279 306504

BARGAIN BUY!

Great introduction to electronics. Ideal for the budding electronics expert! Build a radio, burglar alarm, water detector, Morse code practice circuit, simple computer circuits, and much more! NO soldering, tools or previous electronics knowledge required. Circuits can be built and unassembled repeatedly. Comprehensive 68-page manual with explanations, schematics and assembly diagrams. Suitable for age 10+. Excellent for schools. Requires 2 x AA batteries. ONLY £14.95 (phone for bulk discounts).

30-in-ONE Electronic Projects Lab



WEB: <http://www.QuasarElectronics.com>
email: epesales@QuasarElectronics.com

Secure Online Ordering Facilities
Full Kit Listing, Descriptions & Photos
Kit Documentation & Software Downloads

ABC Mini 'Hotchip' Board



Currently learning about microcontrollers? Need to do something more than flash a LED or sound a buzzer? The ABC Mini 'Hotchip' Board is based on Atmel's AVR 8535 RISC technology and will interest both the beginner and expert alike. Beginners will find that they can write and test a simple program, using the BASIC programming language, within an hour or two of connecting it up. Experts will like the power and flexibility of the Atmel microcontroller, as well as the ease with which the little Hot Chip board can be "designed-in" to a project. The ABC Mini Board 'Starter Pack' includes just about everything you need to get up and experimenting right away. On the hardware side, there's a pre-assembled microcontroller PC board with both parallel and serial cables for connection to your PC. Windows software included on CD-ROM features an Assembler, BASIC compiler and an in-system programmer. The pre-assembled boards only are also available separately.

ABCMINISP	ABC MINI Starter Pack	£64.95
ABCMINIB	ABC MINI Board Only	£39.95

ATMEL 89xxxx Programmer



Powerful programmer for Atmel 8051 microcontroller family. All fuse and lock bits are programmable. Connects to serial port. Can be used with ANY computer and operating system. 4 LEDs to indicate programming status. Supports 89C1051, 89C2051, 89C4051, 89C51, 89LV51, 89C52, 89LV52, 89C55, 89LV55, 89S8252, 89LS8252, 89S53, 89LS53 devices. NO special software required – uses any terminal emulator program (built into Windows). **NB: ZIF sockets not included.**

3123KT	ATMEL 89xxx Programmer	£24.95
AS3123	Assembled 3023	£39.95

Atmel 89C051 and AVR programmers also available.

Educational Robot Kits



This range of nine computerised battery robot kits teaches the basic principles of robotic sensing and locomotion. Each of the kits features pre-assembled PCBs, hardware and mechanical drive systems that can be handled by almost anyone from aged 10 and up. Only basic hand tools are required for assembly. These fascinating robots allow you to experience and learn any one of the following features: sound sensor, remote control, infra-red sensor, wired control and/or programmable memory. **See the full range of these high quality Japanese robot kits on our website or call for details.**

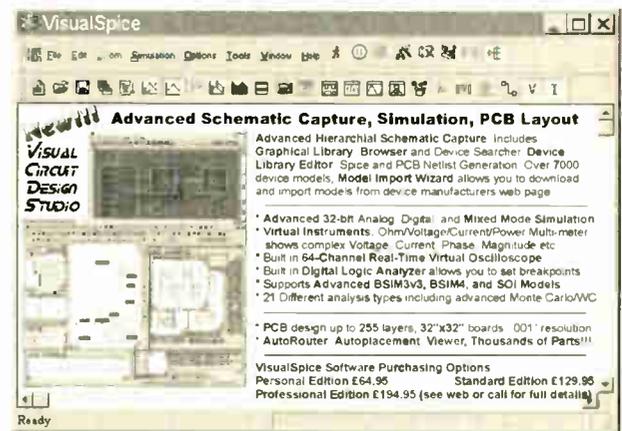
'PICALL' PIC Programmer

Kit will program ALL 8, 18, 28 and 40-pin serial AND parallel programmed PIC micro controllers. Connects to the parallel port of a PC. Supplied with fully functional pre-registered PICALL DOS and WINDOWS AVR software packages, all components and high quality DSPTH PCB. Also programs certain ATMEL AVR, serial EPROM and SCENIX SX devices. New PICs can be added to the software as they are released. Software shows you where to place your PIC chip on the board for programming. Now has new-chip auto sensing feature for super-fast bulk programming.



3117KT	'PICALL' PIC Programmer Kit	£59.95
AS3117	Assembled 'PICALL' PIC Programmer	£69.95
AS3117ZIF	Assembled 'PICALL' PIC Programmer c/w ZIF socket	£84.95

Advanced Schematic Capture, Simulation, PCB Layout



Serial Port Isolated I/O Controller

Kit provides eight 12A 240V AC (15A 110V AC) rated relay outputs and four optically isolated inputs. Can be used in a variety of control and sensing applications including load switching, external switch input sensing, contact closure and external voltage sensing. Programmed via a computer serial port, it is compatible with ANY computer and operating system. After programming, PC can be disconnected. Serial cable can be up to 35m long, allowing 'remote' control. User can easily write batch file programs to control the kit using simple text commands. NO special software required – uses any terminal emulator program (built into Windows). All components provided including a plastic case with pre-punched and silk screened front/rear panels to give a professional and attractive finish (see photo).



3108KT	Serial Port Isolated I/O Controller Kit	£54.95
AS3108	Assembled Serial Port Isolated I/O Controller	£69.95

Bell College
Almada Street
Hamilton
Scotland ML3 0JB
Tel: 01698 283100
Fax: 01698 282131



Make your Expertise pay!

In today's world you need qualifications to obtain and keep employment. Our open learning courses make obtaining those qualifications as convenient as possible.

Choose from our dozens of SQA accredited units, either singly to **update your skills** or as a group to obtain a **Higher National Certificate**.

- Learn at your own pace in your own home
- Support from professional engineers via phone, FAX and the internet
- Courses from Introductory Bridging Modules to HNC Electronics
- Units from Programmable Logic Controllers to Engineering Computing

DON'T DELAY - we are waiting to hear from you.

Contact Laura Murdoch, Open Learning Co-ordinator
Tel 01698 283100 Ext. 214.
E-mail l.murdoch@bell.ac.uk
Web: http://floti.bell.ac.uk/openlearning

Member of the British Association for Open Learning
Preview Centre for FT Knowledge



Bell College of Technology is a registered charity No. Sc 021179, providing quality Higher Education and Training opportunities for all.



SQUIRES

MODEL & CRAFT TOOLS

A COMPREHENSIVE RANGE OF MINIATURE HAND AND POWER TOOLS AND AN EXTENSIVE RANGE OF ELECTRONIC COMPONENTS
FEATURED IN A FULLY ILLUSTRATED
432-PAGE MAIL ORDER CATALOGUE

2001 ISSUE

**SAME DAY DESPATCH
FREE POST AND PACKAGING**

Catalogues: FREE OF CHARGE to addresses in the UK.
Overseas: CATALOGUE FREE, postage at cost charged to credit card

**Squires, 100 London Road,
Bognor Regis, West Sussex, PO21 1DD**

TEL: 01243 842424

FAX: 01243 842525

SHOP NOW OPEN



MARCONI 2019A

AM/FM SYNTHESISED SIGNAL GENERATOR
80 kHz - 1040MHz
NOW ONLY **£400**

- H.P. 3312A Function Gen., 0-1Hz-13MHz, AM/FM Sweep/Tri/Gate/Burst etc. £300
H.P. 3310A Function Gen., 0-005Hz-5MHz, Sine/Sq/Tri/Ramp/Pulse £125
FARNELL LFM4 Sine/Sq Oscillator, 10Hz-1MHz, low distortion, TTL output, Amplitude Meter £125
H.P. 545A Logic Probe with 546A Logic Pulsar and 547A Current Tracer £90
FLUKE 77 Multimeter, 3 1/2-digit, handheld £60
FLUKE 77 Series 11 £70
HEME 1000 L.C.D. Clamp Meter, 00-1000A, in carrying case £60

RACAL 9008
Automatic Modulation Meter, AM/FM
1.5MHz-2GHz
ONLY **£95**

- H.P. 8494A Attenuator, DC-4GHz, 0-11dB, N SMA £250
H.P. 8492A Attenuator, DC-18GHz, 0-6dB, APC7 £95
MANY OTHER ATTENUATORS, LOADS, COUPLERS ETC. AVAILABLE

DATRON 1061
HIGH QUALITY 5 1/2-DIGIT BENCH MULTIMETER
True RMS/4 wire Res/Current Converter/IEEE
£150

TIME 1051 LOW OHM RES. BOX
0-01 ohm to 1Mohm in 0-01 ohm steps.
UNUSED **£100**

- STILL AVAILABLE AS PREVIOUSLY ADVERTISED WITH PHOTOS**
- MARCONI 893C AF Power Meter, Sine Measurement
Unused £100, Used £60
- MARCONI 893B No Sine £30
MARCONI 2610 True RMS Voltmeter, Autoranging, 5Hz-25MHz £195
GOULD J3B Sine/Sq Osc., 10Hz-100kHz, low distortion £75-£125
AVO 8 Mk. 6 in Every Ready case, with leads etc. £80
Other AVOs from £50
GOODWILL GFC8010G Freq. Counter, 1Hz-120MHz, unused £75
GOODWILL GVT427 Dual Ch AC Millivoltmeter, 10mV-300V in 12 ranges, Freq. 10Hz-1MHz £100-£125
SOLARTRON 7150 DMM 6 1/2-digit Tru RMS-IEEE £95-£150

- HIGH QUALITY RACAL COUNTERS**
- SOLARTRON 7150 Plus £200
RACAL TRUE RMS VOLTMETERS
9300 5Hz-20MHz usable to 60MHz, 10V-316V £95
9300B Version £150
9301/9302 RF Version to 1.5Hz from £200-£300
9904 Universal Timer Counter, 50MHz £50
9916 Counter, 10Hz-520MHz £75
9918 Counter, 10Hz-560MHz, 9-digit £50
FARNELL AMM255 Automatic Mod Meter, 1.5MHz-2GHz, unused £400

CLASSIC AVOMETER DA116
Digital 3.5 Digit
Complete with batteries and leads
ONLY **£30**

SOLARTRON 7045 BENCH MULTIMETER
4 1/2-Digit bright I.e.d. with leads
It's so cheap you should have it as a spare
ONLY **£30**

- MARCONI TF2015 AM/FM sig gen, 10-520MHz £175
RACAL 9008 Auto Mod Meter, 1.5MHz-2GHz £200
LEVELL TS200DMP RC Oscillator, 1Hz-1MHz £50
Sine Sq. Meter, battery operated (batts not supplied)
FARNELL LF1 Sine/Sq. Oscillator, 10Hz-1MHz £75
RACAL/AM 9343M LCR Databridge Digital Auto measurement of R, C, L, O, D £200
HUNTRON TRACKER Model 1000 £125
H.P. 5315A Universal Counter, 1GHz, 2-ch £80
FLUKE 8050A DMM 4 1/2-digit 2A True RMS £75
FLUKE 8010A DMM 3 1/2-digit 10A £50

- RADIO COMMUNICATIONS TEST SETS**
- MARCONI 2952/2955 £200
MARCONI 2955A/2960 £250
- MARCONI 2022E Synth AM/FM sig gen
10kHz-1.01GHz I.c.d. display etc £525-£750
H.P. 8672A Synth 2-18GHz sig gen £4000
H.P. 8657A Synth sig gen, 100kHz-1040MHz £2000
H.P. 8656B Synth sig gen, 100kHz-900MHz £1350
H.P. 8656A Synth sig gen, 100kHz-900MHz £995
H.P. 8640A AM/FM sig gen, 500kHz-102MHz £400
H.P. 8640A AM/FM sig gen, 500kHz-512MHz £250
PHILIPS PM5328 sig gen, 100kHz-180MHz with 200MHz, freq counter, IEEE £550
RACAL 9081 Synth AM/FM sig gen, 5-520MHz £250
H.P. 3325A Synth function gen, 21MHz £600
MARCONI 6500 Amplitude Analyser £1500
H.P. 4275A Meter, 10kHz-10MHz £2750
H.P. 8903A Distortion Analyser £1000
WAYNE KERR 3245 Inductance Analyser £2000
H.P. 8112A Pulse Generator, 50MHz £1250
DATRON AutoCal Multimeter, 5 1/2-7 1/2-digit, 1065/1061A/1071 from £300-£600

- MARCONI 2400 Frequency Counter, 20GHz £1000
H.P. 5350B Frequency Counter, 20GHz £2000
H.P. 5342A 10Hz-18GHz Frequency Counter £900
FARNELL AP100/30 Power Supply £1000
FARNELL AP70/30 Power Supply £800
PHILIPS PM5418TN Colour TV Pattern Generator £1750
PHILIPS PM5418TX Colour TV Pattern Generator £2000
B&K Accelerometer, type 4366 £300
H.P. 11692D Dual Directional Coupler, 2MHz-18GHz £1600
H.P. 11691D Dual Directional Coupler, 20GHz £1250
TEKTRONIX P6109B Probe, 100MHz readout, unused £50
TEKTRONIX PE106A Probe, 250MHz readout, unused £85
FARNELL AMM2000 Auto Mod Meter, 10Hz-2.4GHz Unused £950
MARCONI 2035 Mod Meter, 500kHz-2GHz from £750
TEKTRONIX 577 Transistor Curve Tracer £200

ROHDE & SCHWARZ APN 62
Synthesised 1Hz-200kHz Signal Generator
Balanced/unbalanced output
LCD display
£425

H.P. 6012B DC PSU, 0-60V, 0-50A, 1000W £1000
FARNELL AP60/50 1kW Autogenerator £1000
FARNELL H6050 0-60V 0-50A £750
FARNELL H6025 0-60V 0-25A £400
Power Supply HPS3010 0-30V 0-10A £140
FARNELL L30-2 0-30V 0-2A £80
FARNELL L30-1 0-30V 0-1A £60
Many other Power Supplies available
Isolating Transformer 250V In/Out 500VA £40

WELLER EC3100A
Temperature controlled Soldering Station
200°C-450°C Unused **£125**

SCOPE FOR IMPROVEMENT

GOULD OS 300
Dual Trace, 20MHz
Tested with Manual
FOR THE FIRST TIME EVER ONLY **£95**
It's so cheap you should replace that old scope

- SPECTRUM ANALYSERS**
- TEKTRONIX 492 50kHz-18GHz £3500
EATON/AILTECH 757 0-001-22GHz £2500
ADVANTEST R3261A 9kHz-2.6GHz synthesised £4000
H.P. 853A (Dig. Frame) with 8559A 100kHz-21GHz £2750
H.P. 8558B with main frame, 100kHz-1500MHz £1250
H.P. 3580A Audio Analyser 5Hz-50kHz, as new £1000
MARCONI 2382 100Hz-400kHz high resolution £2000
B&K 2033R Signal Analyser £1500
H.P. 182 with 8557 10kHz-350MHz £500
MARCONI 2370 30Hz-110MHz from £500
- H.P. 141 SYSTEMS**
8553 1kHz-110MHz from £500
8554 500kHz-1250MHz from £750
8555 10MHz-18GHz from £1000

- UNUSED OSCILLOSCOPES**
- TEKTRONIX TD540A 4-ch, 500MHz delay, etc., £800 as new £950
PHILIPS PM3082 2+2-ch, 100MHz delay etc. £700 as new £800
TEKTRONIX TD5465 dual trace, 100MHz delay etc. £800
TEKTRONIX 2465B 4-ch, 400MHz, delay cursors etc. £1250
TEKTRONIX 2465 4-ch, 300MHz, delay cursors etc. £900
TEKTRONIX 2445/AB 4-ch 150MHz, delay cursors etc. £500-£900
TEKTRONIX 468 dig storage dual trace, 100MHz delay £450
TEKTRONIX 466 Analogue storage, dual trace, 100MHz £250
TEKTRONIX 485 dual trace, 350MHz delay sweep £600
TEKTRONIX 475 dual trace, 200MHz delay sweep £400
TEKTRONIX 465B dual trace, 100MHz delay sweep £325
PHILIPS PM3217 dual trace, 50MHz delay £250-£300
GOULD 051100 dual trace, 30MHz delay £200
HAMEG NM303.4 dual trace, 30MHz component tester £325
HAMEG NM303 dual trace, 30MHz component tester £300
HAMEG NM203.7 dual trace, 20MHz component tester £250
FARNELL DT20 dual trace, 20MHz component tester £180

PORTABLE APPLIANCE TESTER
Megger Pat 2 ONLY **£180**

STEWART OF READING
110 WYKEHAM ROAD, READING, BERKS. RG6 1PL
Telephone: (0118) 9268041. Fax: (0118) 9351896
Callers welcome 9am-5.30pm Monday to Friday (other times by arrangement)

Used Equipment - GUARANTEED. Manuals supplied
This is a VERY SMALL SAMPLE OF STOCK. SAE or Telephone for lists.
Please check availability before ordering.
CARRIAGE all units £16. VAT to be added to Total of Goods and Carriage

KITMASTER EDUCATIONAL KITS FROM GREENWELD

RADIO CLUBS - NOVICES - COLLEGES - SCHOOLS

www.greenweld.co.uk

SOLID STATE KITS

ALL KITS BUILT ON TRIPAD PCB BUILD AS YOU SEE SYSTEM	FULL KIT & INSTRUCTIONS	PERFECT FOR NOVICE FIRST TIME BUILDERS IN ELECTRONICS	
KMX1 2-IC MK484 MW RADIO	£11.50	KMB43 AUDIO NOISE GENERATOR	£11.50
KMX3 1-IC + TRAN MW RADIO	£11.50	KMB45 GENERAL 3 TRANSISTOR AMP	£8.75
KMX5 MK484 + 2030 MW RADIO	£21.95	KMB46 LM386 AMPLIFIER GENERAL	£6.75
KMX7 MK484 TUNER MW, NO AMP	£7.50	KMB48 COMMON PRE-AMP RADIO	£6.75
KMB2 BASIC CRYSTAL SET AMPLIFIED	£11.50	KMB49 PEST SCARER HIGH PITCH	£14.99
KMB4 WORKSHOP AMPLIFIER	£11.50	KMB50 VARIABLE FREQ. OSCILLATOR	£6.75
KMX11 S. METER	£11.95	KMB51 AUTOMATIC NIGHT LIGHT	£6.75
KMB44 SIMPLE HF MW ATU	£9.25	KMB52 FROST ALARM	£6.99
KMB8 SW TUNER GENERAL	£11.50	KMB63 PRESSURE MAT & ALARM	£16.50
KMC1 BASIC CRYSTAL SET MW	£7.95	KMB54 GUITAR TUNER	£11.50
KMB61 MW SIGNAL BOOSTER	£14.99	KMB55 TOUCH ALARM	£6.99
KMB9 FAKE CAR ALARM FLASHER	£6.30	KMB56 SIMPLE LIGHT METER	£16.50
KMB10 2 L.E.D. FLASHER	£5.95	KMB57 L.E.D. CONTINUITY METER	£5.50
KMB11 LOW VOLTS L.E.D. ALARM 9-12V	£6.30	KMB58 SOUND-OPERATED SWITCH	£7.95
KMB12 LIE DETECTOR WITH METER	£11.50	KMB58A 8 FLASHING L.E.D.s	£8.25
KMB13 TOY ORGAN	£7.95	KMB59 TBA 820M AUDIO AMP	£12.75
KMB14 METRONOME IC CONTROL	£6.30	KMB60 TDA 2030 AUDIO AMP	£11.50
KMB15 TOUCH SWITCH	£6.30	KMB62 ELECTRONIC DICE GAME	£10.30
KMB16 HEADS OR TAILS GAME	£6.30	KMB63 ADVANCED THERAMIN-MUSIC	£12.75
KMB17 SIREN	£5.95	KMB64 TOUCH DELAY LAMP	£7.95
KMB18 RAIN DETECTOR	£5.95	KMB65 FISHERMAN'S ROD BITE ALARM	£5.99
KMB19 CONTINUITY TESTER	£5.50	KMB66 BEAM BREAK DETECTOR ALARM	£9.75
KMB20 MORSE CODE OSCILLATOR	£5.95	KMB67 LATCHING BURGLAR ALARM	£9.25
KMB21 BURGLAR ALARM L.E.D. & SPEAKER	£6.30	KMB68 LIGHT-OPERATED RELAY	£9.25
KMB22 LOOP SECURITY ALARM	£6.30	KMB69 MICROPHONE PRE-AMP	£9.25
KMB23 VIBRATION ALARM	£5.95	KMB70 MAGNETIC ALARM-MODELS	£9.25
KMB25 HAND TREMOR GAME	£5.95	KMB72 BATH OR WATER BUTT ALARM	£8.25
KMB26 RAIN SYNTHESIZER - NOISE	£11.95	KMB73 0-18 VOLT POWER SUPPLY UNIT	£8.25
KMB27 AUTO LIGHT DARK INDICATOR	£5.95	KMB74 FM BUG POWER SUPPLY 0-9V	£7.99
KMB28 ADJ LOW LIGHT INDICATOR	£5.95	KMB76 2 TRANSISTOR FM BUG	£9.95
KMB29 DARK ACTIVATED L.E.D. FLASHER	£5.95	KMB77 CHIRP GENERATOR	£8.25
KMB30 LIGHT ACTIVATED TONE ALARM	£5.95	KMB78 TONE BURST GENERATOR	£8.25
KMB31 CAR ELECTRIC PROBE	£5.75	KMB79 SOUND EFFECTS GENERATOR	£11.95
KMB32 SIGNAL INJECTOR	£5.75	KMB80 LIGHT METER - PHOTOGRAPHY	£11.95
KMB33 MOISTURE METER - L.E.D.	£5.95	KMB81 LIGHT OSCILLATOR - PHOTOGRAPHY	£11.50
KMB34 L.E.D. TRANSISTOR TESTER NPN	£5.75	KMB82 LIGHT-ACTIVATED RELAY	£11.50
KMB35 DIODE TESTER - L.E.D.	£5.75	KMB83 DARK-ACTIVATED RELAY	£11.50
KMB36 L.E.D. TRANSISTOR TESTER PNP	£5.75	KMB84 SOUND SIREN + LOUD AMPLIFIER	£13.95
KMB37 IC 555 TESTER - L.E.D.	£6.75	KMX12 AUDIO PROBE	£11.95
KMB38 0-18 MIN TIMER L.E.D. & SPEAKER	£6.75	KMX14 CHILD SPEAK LAMP	£8.25
KMB39 TOY THERAMIN MUSIC	£8.25	KMZ1 SW GEN RECEIVER	£16.50
KMB40 AMPLIFIED RF PROBE + METER	£11.95		
KMB41 TRANSMITTER RF INDICATOR L.E.D.	£5.95		

NEW RADIO VALVE KITS

LOW PRICED ECONOMY RANGE

ALL ESSENTIAL PARTS SUPPLIED - VALVES - TRANSFORMERS - SPEAKERS - TAGSTRIP - POTENTIOMETERS - KNOBS - TUNING CAPACITORS - AERIAL FORMERS - VALVE HOLDERS - RADIO CHASSIS - CAPACITORS - RESISTORS - SOLDER - WIRE - PLUS FULL INSTRUCTIONS

PLEASE NOTE: CASES ARE NOT INCLUDED

KMK1 VALVE RADIO POWER SUPPLY UNIT, IDEAL FOR MOST OF OUR KITS. HT 210 VOLTS D.C. AND LT 6-3 VOLTS A.C.	£26.00
KMK2 VALVE PSU HIGHER OUTPUT, OK FOR MOST OF OUR KITS. HT 250 VOLTS D.C. AND LT 6-3 VOLTS A.C. BOTH PSUs HAVE 100 mA TRANSFORMERS	£28.00
KMK3 TWO VALVE REGEN RADIO, WORKS ON MW OR SW INTERCHANGEABLE AERIAL COIL FORMER. COMES WITH SPEAKER - OUR BEST SELLER	£31.50
KMK4 ONE VALVE AMPLIFIER USES THE EL84 VALVE STILL MADE TODAY. IDEAL SHACK PROJECT. EASY TO BUILD, GOOD SPEAKER VOLUME	£16.50
KMK6 ONE VALVE REGEN RADIO. THIS KIT COMES WITH GOOD QUALITY EARPIECE. CAN BE USED EITHER MW OR SW. GIVES GOOD RESULTS	£18.50
KMK7 THIS VERY GOOD AMPLIFIER USES THE EL84 AND ECL83 VALVES. A VERY VALUABLE TWO VALVE AMP IN THE SHACK. GOOD SPEAKER VOLUME	£23.00
KMK8 ONE VALVE EXPERIMENTAL CRYSTAL SET WITH SOLID STATE INCORPORATED. IDEAL FOR HAM EXPERIMENTS. GOOD SPEAKER VOLUME	£22.00
KMK9 ONE VALVE MW RADIO THIS ONE IS NOT REGEN. INSTEAD IT HAS SOLID STATE AS WELL. GOOD SPEAKER VOLUME, EASY TO BUILD	£26.00
KMK10 MODERN TWO VALVE MW RADIO WITH SOLID STATE. USES TWO VALVES MADE TODAY. NO COILS TO WIND, GOOD SPEAKER VOLUME	£31.50
KMK11 ANOTHER TYPE OF DESIGN TWO VALVE SW RADIO. OPERATES APPROX. 6MHz TO 14MHz. IDEAL GENERAL SW SET, GOOD SPEAKER VOLUME	£33.50
KMK12 TWO VALVE AMPLIFIED CRYSTAL SET, MW OR SW. IDEAL HAM KIT INCORPORATES OA90 DIODE WITH EL84 AND ECC83 VALVES, LOUDSPEAKER	£31.50
KMK13 TRY BUILDING THIS TWO VALVE REGEN RADIO. USES THE EF91 AND ECL80 VALVES, GOOD SPEAKER VOLUME, REGEN MW OR SW	£31.50
KMK14 LOOK AT THIS ONE, IT'S A THREE VALVE MW OR SW REGEN SET WITH RF STAGE, GOOD SELECTIVITY, GOOD SPEAKER VOLUME	£39.95
KMK15 MW OR SW THREE VALVE REGEN RADIO USING A DIFFERENT SYSTEM, THIS USES EF91, EF80, EL84, VERY LOUD SPEAKER	£39.95
KMK16 FOUR VALVE MW OR SW TOP OF THE RANGE, DESIGNED FOR EASY BUILDING NOVICES, GOOD SELECTIVITY, GOOD SPEAKER VOLUME	£55.00

LOOK! NEW BATTERY VALVE KITS - RADIOS - AMPLIFIERS

ALL THESE BATTERY KITS WORK AT JUST 9VOLTS D.C.

KMT1 BATTERY ELIMINATOR - DON'T WANT TO USE A BATTERY? USE OUR PSU, GIVES 9VOLTS D.C. AND 1-5 VOLTS D.C. FOR ALL BATTERY KITS	£27.95
KMT2 BATTERY MW THREE VALVER AND A GOOD ONE, USES TWO IT4 VALVES WITH A DL96, VERY LOUD SPEAKER, GOOD PROJECT	£39.95
KMT3 SHORT WAVE BATTERY THREE VALVER, COMES WITH THREE AERIAL FORMERS, IDEAL HAM PROJECT, GOOD SPEAKER VOLUME	£44.99
KMT4 WANT A BATTERY VALVE AMPLIFIER? TRY THIS TWO VALVE AMPLIFIER, IDEAL FOR THE SHACK, MANY USES, VERY LOUD SPEAKER	£26.50
KMT5 BATTERY TWO VALVE MW CRYSTAL SET, STRICTLY FOR THE HAM EXPERIMENTER. USES IT4 AND DL96 WITH OA90, GOOD SPEAKER VOLUME	£33.95
KMT6 BATTERY TWO VALVE MW RADIO INCORPORATING SOLID STATE, NO OUTSIDE AERIAL NEEDED, GOOD SPEAKER VOLUME, GOOD PROJECT	£39.99
KMT7 BATTERY TWO VALVE GENERAL SW RADIO, 6MHz TO 14MHz APPROX. NO REGEN, VERY LOUD SPEAKER, EASY TO BUILD	£39.95

ALL RADIO CHASSIS PRE-DRILLED AND VALVE BASES FITTED READY FOR QUICK ASSEMBLY

Visit our new web site: <http://www.kit-master.co.uk>
<http://www.greenweld.co.uk>

For our FREE catalogue E-mail: service@greenweld.co.uk

P&P £3.00
£10 OVERSEAS AND NEXT DAY

MAIL ORDER ONLY
PLEASE ALLOW UP TO
28 DAYS FOR DELIVERY

ALL KITMASTER KITS DESIGNED



BY DAVID JOHNS



FREE CATALOGUE

GREENWELD OFFERS A MASSIVE RANGE OF LOW COST ELECTRONIC COMPONENTS, NEW AND SURPLUS. WHETHER YOUR INTEREST IS IN ELECTRONICS, MODEL ENGINEERING, AUDIO, COMPUTERS OR ROBOTS, WE HAVE SOMETHING FOR YOU.

LOOK! NEW BATTERY VALVE KITS YES, THEY'RE HERE. IF YOU'RE LIKE US AND DON'T WANT TO BOTHER WITH BATTERIES, WE SUGGEST YOU BUILD T1 BATTERY ELIMINATOR FIRST THEN YOU CAN CHOOSE WHICH RADIO TO START ON. WE WILL ADD THAT T2 IS AN EXCELLENT LITTLE MEDIUM WAVE SET, IT'S WORTH CONSIDERING AND IT'S GOT GOOD VOLUME, EASY TO BUILD.

Send now for our comprehensive
FREE catalogue



WE ACCEPT PAYMENT BY
CHEQUE, POSTAL ORDER
AND CREDIT CARD



UNIT 24, WEST HORNDON
INDUSTRIAL PARK
WEST HORNDON, BRENTWOOD,
ESSEX CM13 3XD



TEL: 01277 811042
FAX: 01277 812419

MAIL ORDER ONLY • CALLERS BY APPOINTMENT

**EPE MICROCONTROLLER
P.I. TREASURE HUNTER**

The latest MAGENTA DESIGN - highly stable & sensitive - with I.C. control of all timing functions and advanced pulse separation techniques.

- High stability drift cancelling
- Easy to build & use
- No ground effect, works in seawater



- Detects gold, silver, ferrous & non-ferrous metals

- Efficient quartz controlled microcontroller pulse generation.
- Full kit with headphones & all hardware

KIT 847£63.95

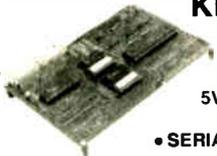
**PORTABLE ULTRASONIC
PESt SCARER**

A powerful 23kHz ultrasound generator in a compact hand-held case. MOSFET output drives a special sealed transducer with intense pulses via a special tuned transformer. Sweeping frequency output is designed to give maximum output without any special setting up.

KIT 842.....£22.56

**68000 DEVELOPMENT
TRAINING KIT**

- NEW PCB DESIGN
- 8MHz 68000 16-BIT BUS
- MANUAL AND SOFTWARE
- 2 SERIAL PORTS
- PIT AND I/O PORT OPTIONS
- 12C PORT OPTIONS



**KIT 621
£99.95**

- ON BOARD 5V REGULATOR
- PSU £6.99
- SERIAL LEAD £3.99

Stepping Motors

MD38...Mini 48 step...£8.65

MD35...Std 48 step...£9.99

MD200...200 step...£12.99

MD24...Large 200 step...£22.95



PIC PIPE DESCALER

- SIMPLE TO BUILD
- HIGH POWER OUTPUT
- AUDIO & VISUAL MONITORING
- SWEPT FREQUENCY

An affordable circuit which sweeps the incoming water supply with variable frequency electromagnetic signals. May reduce scale formation, dissolve existing scale and improve lathering ability by altering the way salts in the water behave.

Kit includes case, P.C.B., coupling coil and all components. High coil current ensures maximum effect. L.E.D. monitor.

KIT 868 £22.95 POWER UNIT.....£3.99



**MICRO PESt
SCARER**

Our latest design - The ultimate scarer for the garden. Uses special microchip to give random delay and pulse time. Easy to build reliable circuit. Keeps pets/pests away from newly sown areas, play areas, etc. uses power source from 9 to 24 volts.

- RANDOM PULSES
- HIGH POWER
- DUAL OPTION



Plug-in power supply £4.99

KIT 867.....£19.99

KIT + SLAVE UNIT.....£32.50

WINDICATOR

A novel wind speed indicator with LED readout. Kit comes complete with sensor cups, and weatherproof sensing head. Mains power unit £5.99 extra.

KIT 856.....£28.00

★ TENS UNIT ★

DUAL OUTPUT TENS UNIT

As featured in March '97 issue.

Magenta have prepared a FULL KIT for this excellent new project. All components, PCB, hardware and electrodes are included. Designed for simple assembly and testing and providing high level dual output drive.

KIT 866. Full kit including four electrodes £32.90

Set of 4 spare electrodes
£6.50

**1000V & 500V INSULATION
TESTER**



Superb new design. Regulated output, efficient circuit. Dual-scale meter, compact case. Reads up to 200 Megohms.

Kit includes wound coil, cut-out case, meter scale, PCB & ALL components.

KIT 848.....£32.95

**EPE
TEACH-IN
2000**

Full set of top quality NEW components for this educational series. All parts as specified by EPE. Kit includes breadboard, wire, croc clips, pins and all components for experiments, as listed in introduction to Part 1.

*Batteries and tools not included.

TEACH-IN 2000 -

KIT 879 £44.95

MULTIMETER £14.45

SPACEWRITER

An innovative and exciting project. Wave the wand through the air and your message appears. Programmable to hold any message up to 16 digits long. Comes pre-loaded with "MERRY XMAS". Kit includes PCB, all components & tube plus instructions for message loading.

KIT 849.....£16.99

12V EPROM ERASER

A safe low cost eraser for up to 4 EPROMS at a time in less than 20 minutes. Operates from a 12V supply (400mA). Used extensively for mobile work - updating equipment in the field etc. Also in educational situations where mains supplies are not allowed. Safety interlock prevents contact with UV.

KIT 790.....£29.90

**SUPER BAT
DETECTOR**

1 WATT O/P, BUILT IN
SPEAKER, COMPACT CASE
20kHz-140kHz

NEW DESIGN WITH 40kHz MIC.

A new circuit using a 'full-bridge' audio amplifier i.c., internal speaker, and headphone/tape socket. The latest sensitive transducer, and 'double balanced mixer' give a stable, high performance superheterodyne design.

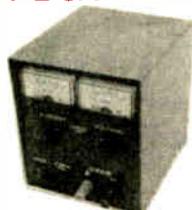


KIT 861.....£24.99

ALSO AVAILABLE Built & Tested... £39.99

**MOSFET MKII VARIABLE BENCH
POWER SUPPLY 0-25V 2.5A**

Based on our Mk1 design and preserving all the features, but now with switching pre-regulator for much higher efficiency. Panel meters indicate Volts and Amps. Fully variable down to zero. Toroidal mains transformer. Kit includes punched and printed case and all parts. As featured in April 1994 EPE. An essential piece of equipment.



Kit No. 845£64.95

**EPE
PROJECT
PICS**

Programmed PICs for all* EPE Projects
16C84/18F84/16C71
All **£5.90 each**
PIC16F877 now in stock
£10 inc. VAT & postage
(*some projects are copyright)

ULTRASONIC PESt SCARER

Keep pets/pests away from newly sown areas, fruit, vegetable and flower beds, children's play areas, patios etc. This project produces intense pulses of ultrasound which deter visiting animals.

- KIT INCLUDES ALL COMPONENTS, PCB & CASE
- EFFICIENT 100V TRANSDUCER OUTPUT
- COMPLETELY INAUDIBLE TO HUMANS

- UP TO 4 METRES RANGE
- LOW CURRENT DRAIN



KIT 812.....£15.00

SIMPLE PIC PROGRAMMER

INCREDIBLE LOW PRICE! Kit 857 **£12.99**

INCLUDES 1-PIC16F84 CHIP
SOFTWARE DISK, LEAD
CONNECTOR, PROFESSIONAL
PC BOARD & INSTRUCTIONS

Power Supply £3.99

EXTRA CHIPS:
PIC 16F84 £4.84

Based on February '96 EPE. Magenta designed PCB and kit. PCB with 'Reset' switch, Program switch, 5V regulator and test L.E.D.s, and connection points for access to all A and B port pins.

PIC 16C84 DISPLAY DRIVER

INCLUDES 1-PIC16F84 WITH
DEMO PROGRAM SOFTWARE
DISK, PCB, INSTRUCTIONS
AND 16-CHARACTER 2-LINE
LCD DISPLAY

Kit 860 **£19.99**

Power Supply £3.99

FULL PROGRAM SOURCE
CODE SUPPLIED - DEVELOP
YOUR OWN APPLICATION!

Another super PIC project from Magenta. Supplied with PCB, industry standard 2-LINE x 16-character display, data, all components, and software to include in your own programs. Ideal development base for meters, terminals, calculators, counters, timers - Just waiting for your application!

PIC 16F84 MAINS POWER 4-CHANNEL CONTROLLER & LIGHT CHASER

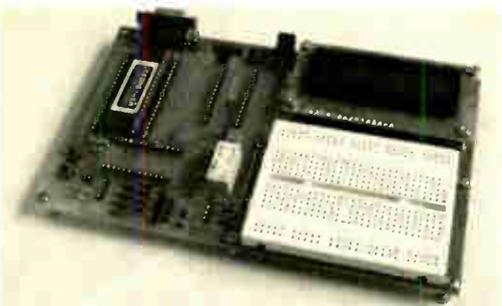
- WITH PROGRAMMED 16F84 AND DISK WITH SOURCE CODE IN MPASM
- ZERO VOLT SWITCHING
- MULTIPLE CHASE PATTERNS
- OPTO ISOLATED 5 AMP OUTPUTS
- 12 KEYPAD CONTROL
- SPEED/DIMMING POT.
- HARD-FIRED TRIACS

Kit 855 **£39.95**

LOTS OF OTHER APPLICATIONS

Now features full 4-channel chaser software on DISK and pre-programmed PIC16F84 chip. Easily re-programmed for your own applications. Software source code is fully 'commented' so that it can be followed easily.

ICEBREAKER



PIC Real Time In-Circuit Emulator

- Icebreaker uses PIC16F877 in circuit debugger
- Links to Standard PC Serial Port (lead supplied)
- Windows™ (95+) Software included
- Works with MPASM and MPLAB Microchip software
- 16 x 2 L.C.D., Breadboard, Relay, I/O devices and patch leads supplied

As featured in March '00 EPE. Ideal for beginners AND advanced users. Programs can be written, assembled, downloaded into the microcontroller and run at full speed (up to 20MHz), or one step at a time.

Full emulation means that all I/O ports respond exactly and immediately, reading and driving external hardware.

Features include: Reset, Halt on external pulse; Set Breakpoint; Examine and Change registers, EEPROM and program memory; Load program, Single Step with display of Status, W register, Program counter, and user selected 'Watch Window' registers.

KIT 900 . . . **£34.99**

POWER SUPPLY **£3.99** STEPPING MOTOR **£5.99**

EPE PIC Tutorial

At last! A Real, Practical, Hands-On Series

- Learn Programming from scratch using PIC16F84
- Start by lighting I.e.d.s and do 30 tutorials to Sound Generation, Data Display, and a Security System.
- PIC TUTOR Board with Switches, I.e.d.s, and on board programmer

PIC TUTOR BOARD KIT

Includes: PIC16F84 Chip, TOP Quality PCB printed with Component Layout and all components* (*not ZIF Socket or Displays). Included with the Magenta Kit is a disk with Test and Demonstration routines.

KIT 870 **£27.95, Built & Tested £42.95**

Optional: Power Supply - **£3.99**, ZIF Socket - **£9.99**

LCD Display **£7.99** LED Display **£6.99**

Reprints Mar/Apr/May 98 - **£3.00** set 3

PIC TOOLKIT V2

- SUPER UPGRADE FROM V1
- 18, 28 AND 40-PIN CHIPS
- READ, WRITE, ASSEMBLE & DISASSEMBLE PICS
- SIMPLE POWER SUPPLY OPTIONS 5V-20V
- ALL SWITCHING UNDER SOFTWARE CONTROL
- MAGENTA DESIGNED PCB HAS TERMINAL PINS AND OSCILLATOR CONNECTIONS FOR ALL CHIPS
- INCLUDES SOFTWARE AND PIC CHIP

KIT 878 . . . **£22.99** with 16F84 . . . **£29.99** with 16F877

SUPER PIC PROGRAMMER

- READS PROGRAMS, AND VERIFIES
- WINDOWS™ SOFTWARE
- PIC16C6X, 7X, AND 8X
- USES ANY PC PARALLEL PORT
- USES STANDARD MICROCHIP
- HEX FILES
- OPTIONAL DISASSEMBLER SOFTWARE (EXTRA)
- PCB, LEAD, ALL COMPONENTS, TURNED-PIN SOCKETS FOR 18, 28, AND 40 PIN ICs

- SEND FOR DETAILED INFORMATION - A SUPERB PRODUCT AT AN UNBEATABLE LOW PRICE.

Kit 862 **£29.99**

Power Supply £3.99

DISASSEMBLER SOFTWARE **£11.75**

PIC STEPPING MOTOR DRIVER

INCLUDES PCB, PIC16F84 WITH DEMO PROGRAM, SOFTWARE DISC, INSTRUCTIONS AND MOTOR.

Kit 863 **£18.99**

FULL SOURCE CODE SUPPLIED ALSO USE FOR DRIVING OTHER POWER DEVICES e.g. SOLENOIDS

Another NEW Magenta PIC project. Drives any 4-phase unipolar motor - up to 24V and 1A. Kit includes all components and 48 step motor. Chip is pre-programmed with demo software. then write your own, and re-program the same chip! Circuit accepts inputs from switches etc and drives motor in response. Also runs standard demo sequence from memory.

8-CHANNEL DATA LOGGER

As featured in Aug./Sept '99 EPE Full kit with Magenta redesigned PCB - LCD fits directly on board. Use as Data Logger or as a test bed for many other 16F877 projects. Kit includes programmed chip, 8 EEPROMs, PCB, case and all components.

KIT 877 **£49.95** inc. 8 x 256K EEPROMS

MAGENTA

All prices include VAT. Add **£3.00** p&p. Next day **£6.99**

Tel: 01283 565435 Fax: 01283 546932 E-mail: sales@magenta2000.co.uk

022001



Station Road, Cullercoats, Tyne & Wear, NE30 4PQ



All Major Credit cards Accepted SWITCH SOLO Prices Exclude Vat @17.5%. Add £1.25 (UK) carriage & Vat to all orders. Cheques / Postal orders payable to ESR Electronic Components.

See Next Last Months Ad for COMPONENT ACCESSORIES

Table listing electronic components such as 4000 Series, 74HC Series, and 74LS Series with their respective part numbers and prices.

Table listing electronic components including RAM, Bridge Rectifiers, A/D Converters, uControllers, Voltage Regulators, Diodes, and Transistors.

Table listing electronic components including Diodes, Transistors, Electrolytic Radial, Electrolytic Axial, Resistors, Preset Resistors, and Potentiometers.

EVERYDAY PRACTICAL ELECTRONICS

INCORPORATING ELECTRONICS TODAY INTERNATIONAL

THE No.1 MAGAZINE FOR ELECTRONICS TECHNOLOGY & COMPUTER PROJECTS

VOL. 30 No. 2 FEBRUARY 2001

SOMETHING SOGGY

I asked Marilyn what I should write my Editorial about this month; as she was gazing out of the window at the level of the River Allen just a few feet from my office, her reply was "Something soggy". Despite the flood protection wall (built through Wimborne at great expense a few years ago), our small office garden was awash because the water table was so high and the river just a foot or so from the top of the wall and our office floor level. At least at the time it had stopped raining – probably only for a day or so – and the water level was receding.

What has all this got to do with technology? Well, nothing really, and that is the point. Whilst we can monitor the water levels and the weather with all means of high tech gubbins, we can't do anything about changing it. We have satellites and the Internet, we have mind-boggling electro-mechanical data storage (see the *Millipede News* item last month), we can generate massive amounts of power by all sorts of means, but we still fail to protect ourselves and our homes from the effects of the elements. Our world is far more powerful than we are, and it will no doubt remain so.

COMMERCIAL

Of course, we live in a commercial world where profit rules – if someone could make money from flood protection, like they can from communications, then we would soon see more barriers, pumps and pipes to protect vulnerable areas. Sadly, at present this is not the case, but maybe insurance companies and their regularly flooded customers could make schemes viable in the future. With, of course, electronics to monitor and control the systems.

There are few bounds to what we can achieve – as electronics developments continue to prove – if it is financially worthwhile. We are, however, still limited to what we can achieve when the elements decide to be nasty. However, next month we intend to show you how to generate your own lightning – see page 83.



AVAILABILITY

Copies of *EPE* are available on subscription anywhere in the world (see below), from all UK newsagents (distributed by COMAG) and from the following electronic component retailers: Omni Electronics and Yebo Electronics (S. Africa). *EPE* can also be purchased from retail magazine outlets around the world. An Internet on-line version can be purchased for just \$9.99(US) per year available from www.epemag.com

SUBSCRIPTIONS

Subscriptions for delivery direct to any address in the

UK: 6 months £14.50, 12 months £27.50, two years £50; Overseas: 6 months £17.50 standard air service or £27 express airmail, 12 months £33.50 standard air service or £51 express airmail, 24 months £62 standard air service or £97 express airmail.

Online subscriptions, for downloading the magazine via the Internet, \$9.99(US) for one year available from www.epemag.com.

Cheques or bank drafts (in £ sterling only) payable to *Everyday Practical Electronics* and sent to EPE Sub. Dept., Allen House, East Borough, Wimborne, Dorset BH21 1PF. Tel: 01202 881749. Fax: 01202 841692. E-mail: subs@epemag.wimborne.co.uk. Also via the Web at: <http://www.epemag.wimborne.co.uk>. Subscriptions start with the next available issue. We accept MasterCard, Switch or Visa. (For past issues see the *Back Issues* page.)

BINDERS

Binders to hold one volume (12 issues) are available from the above address. These are finished in blue p.v.c., printed with the magazine logo in gold on the spine. Price £5.95 plus £3.50 p&p (for overseas readers the postage is £6.00 to everywhere except Australia and Papua New Guinea which cost £10.50). Normally sent within seven days but please allow 28 days for delivery – more for overseas.

Payment in £ sterling only please. Visa, Switch and MasterCard accepted, minimum credit card order £5. Send, fax or phone your card number and card expiry date with your name, address etc. Or order on our secure server via our UK web site. Overseas customers – your credit card will be charged by the card provider in your local currency at the existing exchange rate.

Editorial Offices:

EVERYDAY PRACTICAL ELECTRONICS EDITORIAL
ALLEN HOUSE, EAST BOROUGH, WIMBORNE
DORSET BH21 1PF
Phone: Wimborne (01202) 881749
Fax: (01202) 841692.

E-mail: editorial@epemag.wimborne.co.uk
Web Site: <http://www.epemag.wimborne.co.uk>
EPE Online www.epemag.com

See notes on Readers' Enquiries below – we regret lengthy technical enquiries cannot be answered over the telephone.

Advertisement Offices:

EVERYDAY PRACTICAL ELECTRONICS ADVERTISEMENTS
MILL LODGE, MILL LANE
THORPE-LE-SOKEN, ESSEX CO16 0ED
Phone/Fax: (01255) 861161

Editor: MIKE KENWARD

Deputy Editor: DAVID BARRINGTON

Technical Editor: JOHN BECKER

Business Manager: DAVID J. LEAVER

Subscriptions: MARILYN GOLDBERG

Administration: FAY KENWARD

Editorial/Admin: Wimborne (01202) 881749

Advertisement Manager:

PETER J. MEW, Frinton (01255) 861161

Advertisement Copy Controller:

PETER SHERIDAN, Wimborne (01202) 882299

On-Line Editor: ALAN WINSTANLEY

EPE Online (Internet version) Editors:

CLIVE (MAX) MAXFIELD and ALVIN BROWN

READERS' ENQUIRIES

E-mail: techdept@epemag.wimborne.co.uk

We are unable to offer any advice on the use, purchase, repair or modification of commercial equipment or the incorporation or modification of designs published in the magazine. We regret that we cannot provide data or answer queries on articles or projects that are more than five years old. Letters requiring a personal reply *must* be accompanied by a **stamped self-addressed envelope or a self-addressed envelope and international reply coupons**. All reasonable precautions are taken to ensure that the advice and data given to readers is reliable. We cannot, however, guarantee it and we cannot accept legal responsibility for it.

COMPONENT SUPPLIES

We do not supply electronic components or kits for building the projects featured, these can be supplied by advertisers (see *Shoptalk*). We advise readers to check that all parts are still available before commencing any project in a back-dated issue.

ADVERTISEMENTS

E-mail: adverts@epemag.wimborne.co.uk

Although the proprietors and staff of EVERYDAY PRACTICAL ELECTRONICS take reasonable precautions to protect the interests of readers by ensuring as far as practicable that advertisements are *bona fide*, the magazine and its Publishers cannot give any undertakings in respect of statements or claims made by advertisers, whether these advertisements are printed as part of the magazine, or in inserts.

The Publishers regret that under no circumstances will the magazine accept liability for non-receipt of goods ordered, or for late delivery, or for faults in manufacture.

TRANSMITTERS/BUGS/TELEPHONE EQUIPMENT

We advise readers that certain items of radio transmitting and telephone equipment which may be advertised in our pages cannot be legally used in the UK. Readers should check the law before buying any transmitting or telephone equipment as a fine, confiscation of equipment and/or imprisonment can result from illegal use or ownership. The laws vary from country to country; readers should check local laws.



Constructional Project

ICE ALERT

TERRY de VAUX-BALBIRNIE

Red alert for a frost warning!

THIS project gives an indication of the outside temperature by the changing appearance of a three-colour light-emitting diode (l.e.d.). Above a certain threshold (nominally 6°C), it will be off. As the temperature falls, it will progressively appear Green (below 6°C), Yellow (below 4°C) and Red (below 2°C). These operating points could be changed over a small range to suit the application.

The Ice Alert will be found particularly useful by car drivers. However, readers will find many other applications for it. For example, gardeners could use it to monitor the temperature inside a greenhouse or at the ground surface from a point inside the house.

EARLY WARNING

In many situations, the actual temperature of the surroundings does not need to be known. It is sufficient to be aware of it falling towards freezing point (0°C). When driving a car, steps may then be taken to reduce speed and be alert to the possibility of icy patches developing on the road.

When used in a car, the Ice Alert must not be relied on by the driver or used as a substitute for normal vigilance. It is designed simply to provide additional information which may assist safe driving.

Experienced motorists know that there may be isolated frosty patches even when the general temperature is several degrees above freezing point. Since the sensor takes a few minutes to respond, isolated regions having a lower temperature may not be "seen".

APPEARANCE

The circuit is built in a small plastic box. On the front panel a 3mm tri-colour l.e.d. shows through a small hole (see photograph). A temperature sensor is connected through a length of twin wire to a piece of screw terminal block on the circuit board.

Depending on the application, the sensor will need to be protected against mechanical damage and weatherproofed. For automotive use, it will be attached to a suitable place underneath the car.

When installed in a car, the inter-connecting lead will be fairly short. However,

for other purposes it might be considerably longer. The system was used successfully with a lead 10m (33ft. approx.) in length. It could probably be made longer than this but the constructor would need to make the necessary tests.

THERMAL CHECK

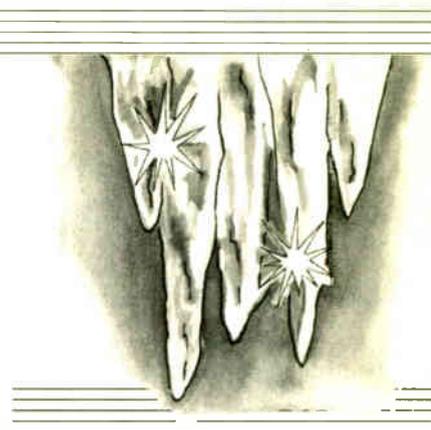
It may be possible to set up the circuit without calibration using common sense methods but this is not advised. For best results you will need to use a good quality laboratory-type thermometer capable of reading over the range 0°C to 10°C with an accuracy of 0.5°C.

Beware of inexpensive digital thermometers whose good resolution (say, 0.1°C) may deceive the user into thinking that they must be accurate. The author's was "out" by almost 1.5°C.

Calibration does not take long and it may be possible to borrow a suitable thermometer from a local school or college for an hour or two. Note that a photographic thermometer is not suitable because its scale often starts at 15°C.

POWERING UP

When used in the car, the circuit receives current through the ignition switch so, while left unattended, no current



is drawn. With the ignition on, the current required by the prototype unit is between 7mA (with no colour showing) and 40mA with yellow. Such a low value imposes very little load on the charging system.

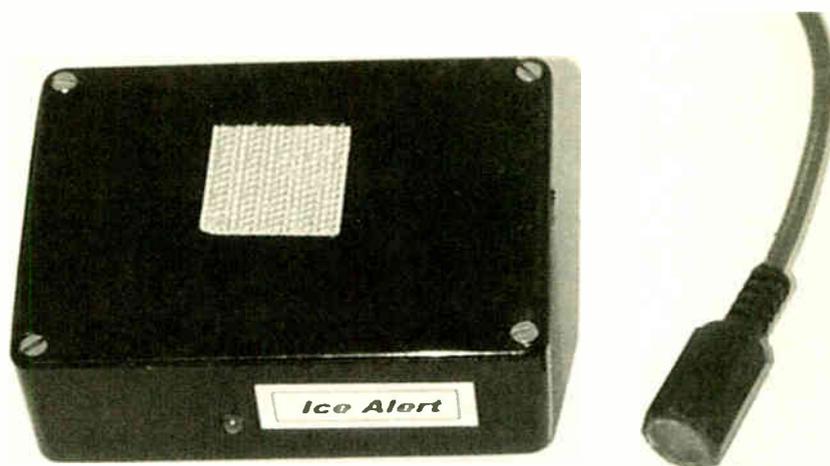
If the circuit is to be used for other than car purposes, it may be operated from a 9V battery (for example, the PP3 type) which can be accommodated inside the unit. When using such a supply, it will be necessary to include a pushbutton switch to power-up the circuit only when required. The current drawn will be less than that stated above for a 12V supply but, even so, continuous operation will soon drain the battery.

CIRCUIT DESCRIPTION

The complete circuit diagram for the Ice Alert is shown in Fig.1. The temperature sensor consists of miniature bead thermistor, R1. This relatively simple, small and inexpensive device proved to have several advantages over temperature sensing i.c.s.

Note that the thermistor should be of the specified type if the circuit is to work without modification. Other types of thermistor could be used but the user may need to experiment with component values. More will be said about this later.

Ignore capacitor C1 for the moment. The thermistor R1 is connected in series with fixed resistor R2. This forms a potential divider connected across Zener diode D1. The Zener diode operates in conjunction with resistor R4 to provide a fixed 5.1V (nominal) supply.



Completed Ice Alert. The small square of Velcro enables it to be easily installed below a vehicle dashboard.

As the battery voltage rises or falls, the voltage appearing across resistor R4 will be the difference between that of the supply and the Zener breakdown voltage. Of course, the supply will need to exceed 5.1V for this to happen.

RISING VOLTAGE

As the temperature falls, the resistance of thermistor R1 increases and so does the voltage across it. At the operating temperatures (6°C, 4°C and 2°C), the voltages will be some 2.8V, 3.95V and 3.1V respectively. Note that these figures are approximate and are given only for the purpose of illustration.

By sensing the voltage across the thermistor, the tri-colour l.e.d., D2, may be made to operate at the correct temperatures. From now on, 6°C is referred to as the "upper fixed point", 4°C the "intermediate fixed point" and 2°C the "lower fixed point".

In operation, only a few microamps flow through thermistor R1. Its power dissipation is therefore only a matter of microwatts and this results in very low self-heating. Its ability to measure temperature is therefore hardly affected by the heating effect of the current.

Capacitor C1 is connected in parallel with the thermistor. If the sensor connecting lead is fairly long, it tends to pick up "hum" from a.c. power fields and this could cause the l.e.d.s to flicker near the operating points. The capacitor bypasses the a.c. while having no effect on the standing d.c. voltage. This allows the l.e.d.s to switch more smoothly.

SMALL CHANGE

Integrated circuit IC1 is a quad operational amplifier (op.amp). This means that it contains four identical units contained in a single 14-pin package. Only three of the sections (IC1a, IC1b and IC1c) are actually used. The unused op.amp is "grounded" on the circuit board.

The inverting input of IC1a (pin 2), the non-inverting input of IC1b (pin 5) and the non-inverting input of IC1c (pin 12) are connected together and these, in turn, are connected to the top end of thermistor R1.

When the temperature of the thermistor is high, the voltage between these inputs and the 0V line will be low. When the temperature is low, the voltage here will be relatively high.

The remaining op.amp inputs (IC1a non-inverting input pin 3, IC1b inverting input pin 6 and IC1c inverting input pin 13) are connected to the sliding contacts of preset potentiometers VR2, VR1 and VR3 respectively. These provide adjustments to the operating points. The specified devices are multiturn trimmers which makes for very easy, accurate and convenient adjustment at the setting-up stage.

The ends of VR1 and VR2 tracks are connected in parallel and share fixed resistors R5 and R6 to form potential divider arrangements. The whole network is connected across D1, the 5.1V Zener stabilised supply. The fixed resistors limit the range of voltage available at the sliding contacts between some 2.5V and 3.6V.

With the specified thermistor this corresponds to a change from -5°C to +12°C approximately. This easily covers the range

of temperatures over which the device is likely to be used.

Preset potentiometer VR3 works in a similar way to VR1 and VR2 but it has its own pair of resistors R3 and R7 to form a potential divider. The range of voltage available is 2.2V to 3.3V and this corresponds to a change from -1°C to +18°C approximately.

Stabilising the voltage applied to the potential dividers gives a precision effect and helps to maintain operating accuracy.

INPUT CONDITIONS

Look at IC1c first. Preset VR3 will be adjusted so that when the temperature sensed by the thermistor is 6°C (the upper fixed point) or less, the non-inverting input (pin 12) voltage will exceed the inverting one (pin 13).

Under these conditions, the output at pin 14 will be high and current will flow through current-limiting resistor R10 into the base (b) of transistor TR1. This turns it on and the collector (c) goes low. The l.e.d. (D2) is now enabled because there is a conducting path from the common cathode (k) to the 0V line.

When a higher temperature than the upper fixed point is detected, the input conditions are reversed and IC1 pin 14 will be low. With TR1 off, the conducting path is removed and the l.e.d. will not operate. A full description of how the tri-colour l.e.d. works is given later.

Preset VR2 is adjusted so that the voltage at IC1a non-inverting input (pin 3) is more than that at the inverting one (pin 2) for temperatures above 2°C (the lower fixed point). During this period, pin 1 is high and current can flow through current-limiting resistor R8 and the green l.e.d. section. Green will, therefore, show between the upper and lower fixed points.

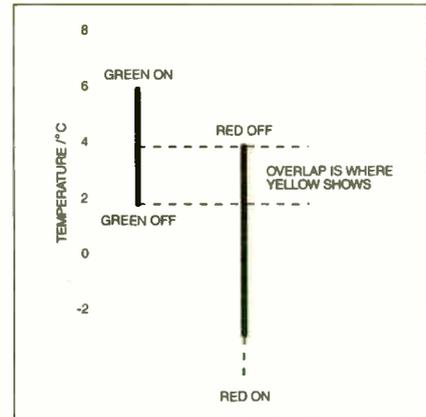


Fig.2. Tri-colour l.e.d. switching levels.

Preset VR1 will be adjusted so that the inverting input voltage of IC1b (pin 6) is less than that at the non-inverting one (pin 5) below 4°C (the intermediate fixed point). During this time, pin 7 will be high and the red l.e.d. section operates through current-limiting resistor R9. Red will show with temperatures below the intermediate fixed point.

This is best illustrated with the diagram shown in Fig. 2. The overall effect is that nothing will happen above the upper fixed point (because the l.e.d. is disabled), green will show down to the intermediate fixed point, yellow down to the lower fixed point (because both l.e.d. sections are on) and red below the lower fixed point (because the green section goes off).

COLOURFUL DESCRIPTION

For those who are not familiar with the tri-colour l.e.d., a brief description follows. Unlike a conventional l.e.d. this has three pinout leads - not two. The centre one is the common cathode (k) and is connected

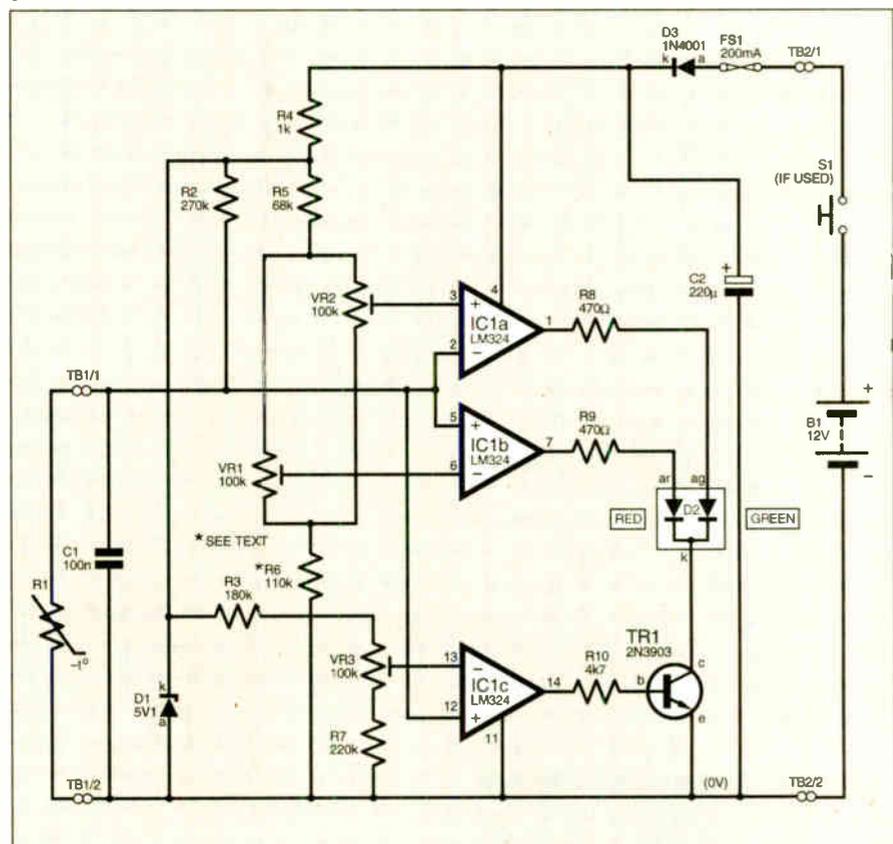


Fig.1. Complete circuit diagram for the Ice Alert.

to 0V. The other leads are the anodes of separate red and green l.e.d.s. (ar and ag respectively) contained within a white translucent plastic package.

With current flowing through the red section only, the effect will obviously be red. Similarly, when current flows through the green section only, the effect will be green.

However, if both l.e.d. sections pass current, the red and green light diffuse and mix in the milky white plastic body to give a "yellow". Any student of physics will know that red light (a primary colour) mixed with green light (a primary colour) gives the secondary colour, yellow. Note that this is not the same as mixing red and green paint!

COMPONENTS

Resistors

R1	miniature bead thermistor: resistance at 25°C 150k and at 0°C 535k approx.
R2	270k
R3	180k
R4	1k
R5	68k
R6	110k (or 100k and 10k in series – see text)
R7	220k
R8, R9	470Ω (optional 330Ω for 9V battery – see text) (2 off)
R10	4k7

All 0.25W 5% carbon film, except R1

See
SHOP
TALK
page

Potentiometers

VR1, VR2	
VR3	100k multiturn preset, vertical mounting, top adjustment. Pins to be in line and having a spacing of 2.5mm (3 off)

Capacitors

C1	100n metallised polyester
C2	220μ radial elect. 25V

Semiconductors

D1	5V1 0.5W Zener diode
D2	3mm tri-colour l.e.d.
D3	1N4001 rect. diode
TR1	2N3903 npn transistor
IC1	LM324 quad op.amp

Miscellaneous

FS1	200mA 20mm quick-blow fuse and p.c.b. mounting fuse clips
S1	miniature s.p.s.t. push-to-make switch (for internal battery use)

Printed circuit board available from EPE PCB Service, code 287; plastic box, external size 75mm x 56mm x 25mm (larger if using an internal battery); 14-pin d.i.l. socket; 3A automotive-type wire; 2-core stranded connecting wire as required; auto-type connectors; silicone sealant (see text); solder etc.

Approx. Cost
Guidance Only

£16
excluding batt.

PROTECTION

A supply is connected to the circuit through on-off switch S1 (if powered using an internal battery), fuse FS1 and diode D3. This latter component provides reverse-polarity protection. Thus, if the supply were to be connected in the opposite sense, the diode would fail to conduct and nothing would happen.

Fuse FS1 will blow if the current rises excessively in the event of a short-circuit. This is vital when a car battery is used because these can deliver an enormous current under short-circuit conditions. This could melt p.c.b. tracks, cause burns and be a general fire hazard.

Since the car charging circuit provides a rather unsmooth output, capacitor C2 is included to condition it and provide a suitable supply for the rest of the circuit.

CONSTRUCTION

Construction is based on a single-sided printed circuit board (p.c.b.). The upside component layout and full-size underside copper foil track master are shown in Fig.3. This board is available from the EPE PCB Service, code 287.

All components, apart from the thermistor (R1) and on-off switch S1 (if used) are mounted on the p.c.b. Begin construction by drilling the two fixing holes and soldering the link wire in place as indicated. Note that this is difficult to do after preset VR2 has been soldered in position.

Add the pieces of screw terminal block, the 14-pin d.i.l. socket for IC1 (but do not insert the i.c. itself yet) and the fuse clips. If fuse clips such as those shown in the photograph are not available, use a p.c.b. mounting fuseholder or a small fuseholder mounted off-board.

Solder all fixed resistors and capacitor C1 in position. Note that if a 9V battery is to be used as the power supply, resistors R8 and R9 could be reduced to 330 ohms if the l.e.d. does not turn out to be bright enough in use. In the interests of long battery life, however, leave them as they are.

To make up the specified value for resistor R6, you could use a 100k (kilohms) and a 10k unit connected in series (as in the prototype unit). Add capacitor C2 and diodes D1 and D3 taking care over the polarity of these components. The orientation of D1 is correct as shown.

To the beginner, it may seem as if it is the wrong way round. However, because it is a Zener diode it operates in reverse bias. The negative lead of C2 is clearly indicated and is slightly shorter than the positive one.

Next, solder the preset potentiometers in place. These should be mounted as shown in Fig.3 and the photograph (with the adjustment screw on VR1 and VR2 at top right and for VR3 bottom right). The circuit will work if they are mounted in the opposite sense but the instructions given later regarding their adjustment will be incorrect and the effect might be confusing. Note that the preset potentiometers should be of the type having a top adjustment screw and with the pins in line (rather than in the form of a triangle).

TRI-COLOUR L.E.D.

Now look at the tri-colour l.e.d. (D2). The common cathode (k) lead is the centre one and the red and green anode (ar and ag respectively) are on each side of it. It is important to solder this device with the anode leads located correctly. If they are incorrectly placed, the colours will be interchanged and this would give strange results at the setting-up stage.

The longer of the two anode leads is the red and the shorter one green, see inset diagram in Fig.3. After taking note of which is which, cut them to a length of 10mm, bend them carefully through right angles and solder them in position.

If you lose track of which lead is which, the specified unit is different in the way the end leads enter the body. If you look carefully, you will see that the red one is bent through a right angle whereas the green one makes an obtuse angle.

Adjust the preset potentiometers in the following way (assuming they are of the specified pattern and have been mounted as indicated in Fig.3): VR1 and VR2 fully clockwise and VR3 full anti-clockwise. Note that these devices usually click if the screw continues to be turned after the sliding contact has reached the ends of its track.

Finally, place a 200mA quick-blow fuse between the fuse clips and insert IC1 into its socket taking care over the orientation.

TESTING

Do not test the unit by immersing the thermistor in water. This is because tap water is a reasonably good conductor of electricity and it would effectively short-circuit the leads. This would give an apparent reduction in the resistance of the thermistor and lead to totally incorrect results.

Do not wait until the thermistor has been waterproofed or the slower response time would make calibration inconvenient.

The circuit should be tested and adjusted using a 9V battery (an alkaline PP3 type would be suitable). This should be done before mounting the p.c.b. in its case. In this way, any small faults may be corrected more conveniently.

Since water must be avoided for the reason stated above, use cooking oil for calibration. This is a non-conductor so will not interfere with correct operation. Place a small amount of this in a small plastic container to provide a depth of 30mm approximately. Put it in a freezer for 15 minutes or so until the temperature has fallen to -5°C or thereabouts.

While waiting for the oil to cool, prepare the thermistor. Using two sections of a 2A screw terminal block, connect the thermistor to a short piece of light-duty twin wire. Connect the other ends to terminal block TB1 on the p.c.b. Connect a PP3 battery snap (or as required) to TB2 taking care over the polarity – red (+) wire to TB2/1 and black (-) wire to TB2/2.

When the cooking oil is taken out of the freezer, it may have partially solidified. If necessary, wait until it softens then place the thermometer bulb and thermistor in it. Make sure both the thermometer bulb and thermistor are well covered. Connect the battery – the l.e.d. should light up red.

STIRRING IT

With the aid of an assistant, keep the oil stirred constantly and take a continuous note of its temperature.

When the temperature rises to 2°C, adjust preset VR2 anti-clockwise to the point where the green l.e.d. just comes on (the display will now show *yellow*). When the temperature reaches 4°C, adjust VR1 anti-clockwise so the red l.e.d. just goes off (the colour is now *green*). When 6°C is reached, adjust VR3 clockwise until the l.e.d. goes off (no colour shows).

You may need to repeat the procedure several times to obtain the required operating points.

BE PREPARED

The following assumes that the Ice Alert circuit is to be used in a vehicle. If not, work accordingly.

Decide on a suitable position for the main unit. The l.e.d. should be clearly visible from the driving position. Attach it using a "Velcro" pad.

Decide on a suitable site for the sensor. This needs to be placed as low as possible or the temperature indicated may not be a true reflection of that near the road. Also, it must be kept as far away as possible from the exhaust system or anything else which becomes hot.

There will probably be a suitable site in the region of the front bumper. Try to find a place where there will be a free flow of air around the sensor unit while the car is moving.

very small and will not cause any problems. Note, however, that the l.e.d. will go *off* if this were to happen. Should the wire break, the l.e.d. would show red.

PROTECTION RACKET

The thermistor (R1) now needs to be waterproofed and protected. Use a short piece of plastic tube to contain it. In the prototype unit, the end of an old phono plug was used.

Push the ends of the connecting wires through the hole in one end of the tube and solder them to the thermistor using minimum heat to prevent damage. Do not cut down the leads (or if you have to, remove the minimum amount) since even more heat would reach the thermistor during soldering and there would be a greater risk of damage.

Push the thermistor and soldered connections so they are completely inside the tube. Making certain the soldered joints are kept well separated, fill the tube with clear silicone sealant. This must be of a type which cures to become tough and rubbery. Use the material available in a small tube from various manufacturers (such as *Loctite Clear Adhesive Sealant*). Products such as "bathroom sealant" have not been tested and might not be suitable.

the material to harden. It must now be handled with care. Take care not to put the connecting lead under any strain.

CASING UP

The p.c.b. should now be attached inside a small plastic case. Where the unit is being used in a car, the box need only be large enough to accommodate the circuit panel plus a little extra to allow for connections to be made to the p.c.b.-mounted terminal blocks.

If an internal 9V battery is used, you will need a larger box. You also need to include a push-to-make switch (S1) in the positive supply lead to conserve battery life.

Measure the position of the l.e.d. on the p.c.b. and drill a hole in the front of the box to correspond with it. This should only be large enough to allow the tip of the l.e.d. to pass through.

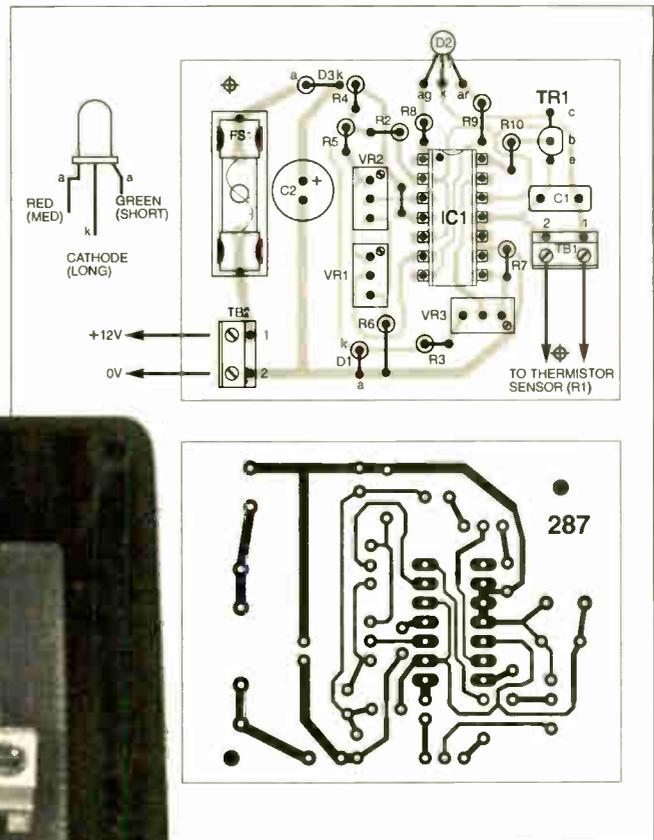
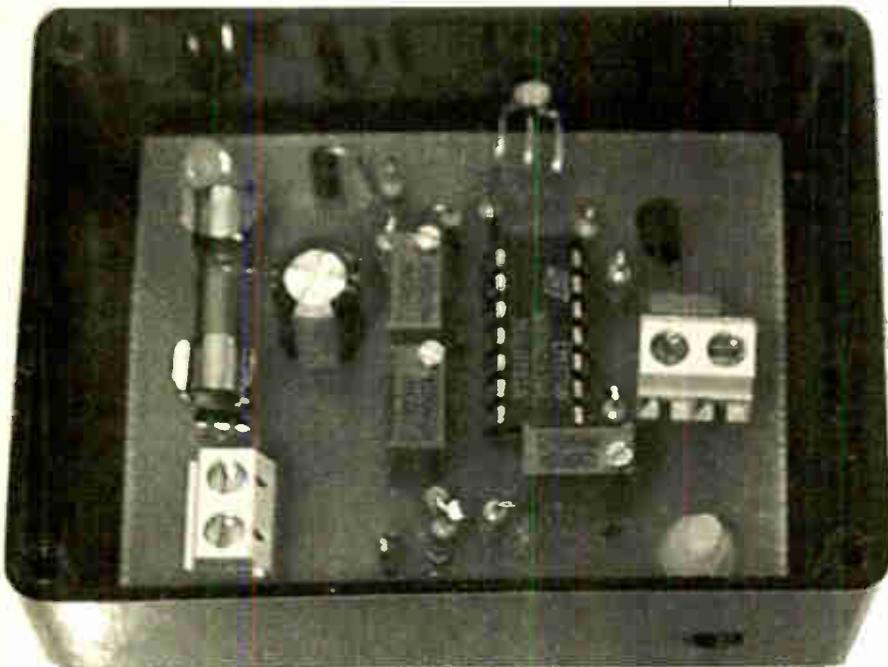


Fig.3. Printed circuit board component layout and full size foil master pattern.



Ice Alert completed circuit board secured inside a small plastic box with nylon fixings. The tri-colour l.e.d. can be seen at the top.

Measure the length of light-duty two-core wire needed to connect the thermistor sensor to the main unit. This does not need to be of automotive quality but it must be of the *stranded* type. Do not use single-core wire or it would break easily in service.

"Ordinary" (non-automotive) wire may be used because, in the event of a short-circuit between the "live" sensor wire and the car chassis (0V) or between the wires, the maximum current which can flow is limited by resistors R2 and R4 in series. This will be

Check that all bare wires and the thermistor itself are deeply embedded in the silicone material and allow it to harden. It is absolutely essential for the thermistor and its end leads to be completely waterproofed and great care must be taken over this process. The operating points will be greatly affected by even small traces of moisture. The completed sensor appears in the photograph.

Leave the sensor for 24 hours (or whatever curing time is shown on the tube) for



The bead thermistor temperature sensor encased in a phono plug.

Hold the p.c.b. in position just above the base of the box and *gently* bend the l.e.d. leads as necessary so its tip takes up the correct position in the hole drilled for it. Mark the positions of the p.c.b. fixing holes. Remove the p.c.b. again and drill these through.

Make a hole for on-off switch, S1 (if used). Drill a small hole in the side near terminal block TB2 position for the power supply wires (unless an internal supply is used) and a further one near TB1 for the sensor wires.

Attach the p.c.b. using small nylon fixings. Place plastic washers on the bolt shanks to keep the soldered joints on the underside clear of the base of the box. Make sure the l.e.d. leads are not left under any strain.

INSTALLING

Attach the thermistor sensor in its chosen position. This can possibly be done using a small plastic clip or some epoxy resin adhesive. It is important to support the connecting wire close to the sensor using a further clip. This will remove the strain at the point where it enters the tubular "casing".

Route the sensor wire back to the main unit. *Note: whenever it passes through a hole in metal, a protective rubber grommet must be used.* Pass the wires through the appropriate hole in the box and connect them to TB1.

CONNECTING UP

Connections now need to be made to the car electrical system. *Before proceeding, the car battery must be disconnected. (Check the car's manual to make sure it is OK to disconnect the battery before proceeding.) This is essential procedure. If you do not do it, there is risk of causing a short circuit which could result in wires becoming red hot and burns to the skin.* The supply must be made using light-duty auto-type cable and with proper car-type connectors.

If you have a radio of the type having a numerical code, make sure you have this available to re-enter it when the supply is re-established. Also make sure you know how to do this by referring to the instructions supplied with the radio.

A safer alternative to making direct connections would be to plug the unit into the cigar lighter socket. This method is rather less attractive but does have the advantage of being quick and easy.

WIRING UP

For permanent wiring, connect TB2/1 to a point via an existing fuse which is live only when the ignition is switched on and TB2/2 to an existing earth point (car chassis). It may be that the easiest place to obtain a feed to the circuit is at the rear of the radio or audio system. Connections to existing wires may be made using "snap-lock" connectors.

If you decide to use the wires leading to the radio, identify the correct positive one to use because there are likely to be two of them. One is a constant +12V feed to maintain the memory settings and the other will probably be via the "car radio" position on the ignition switch. The latter would be suitable for the new circuit.

If any wire passes through a hole in metal, a rubber grommet must be used to prevent cutting by the sharp edge and possibly causing a short-circuit. Apply strain relief to both the sensor and power supply wires inside the case by applying tight cable ties to them.

Re-connect the car battery and switch on the ignition. The l.e.d. should be off (assuming the temperature outside is above the upper fixed point). You could wait for a cold day to make a final test. However, a rough check on operation could be made by using a freezer spray applied to the sensor. Remember, it will take some time to respond.

When using the Ice Alert for other than car purposes, it may be necessary to place the sensor more than 10m from the main unit. This could be necessary, for example, if you wished to monitor the temperature in a remote greenhouse from a point inside the house. In cases such as these, check that the l.e.d. sections operate relatively "cleanly" (without too much flickering).

This type of problem could probably be reduced by using light-duty single screened cable for the inter-connecting lead instead of ordinary twin wire. The screening would be connected to 0V (that is to TB1/2) and the inner core to TB1/1. Note that the resistance of any wiring used will be much

less than that of the thermistor. The effect of the resistance of the connecting lead is therefore negligible.

CHOICE OF THERMISTOR

The circuit will work correctly if the specified thermistor is used. However, it is appreciated that some readers will be restricted in their choice of thermistor.

If you must use one of a different pattern, use the usual "negative temperature coefficient" variety (that is, as the temperature rises, the resistance falls) having a resistance of some hundreds of kilohms at 0°C. Halve this figure and select the nearest available value of fixed resistor. Use this in the R2 position.

If the circuit now works correctly, all well and good. If not, use link wires instead of resistors R3, R5, R6 and R7. This will give the maximum range of adjustment of the preset potentiometers (from 0V to 5.1V). Although they may be more awkward to adjust, it should now be possible to set up the correct operating points.

RESPONSE TIME

Although it takes a while for the sensor to respond to large changes in temperature, this is not generally a problem. While the car is parked, the sensor will assume the temperature of the surrounding air.

When driving along, the changes will probably not be very great and the sensor should respond within a few minutes. If the sensor is placed in the air flow, the response will be faster.

When used in a vehicle, the Ice Alert **MUST NOT** be relied on by the driver or used as a substitute for normal driving vigilance. It is designed simply to provide additional information which may assist safe driving. □



EPE BINDERS

KEEP YOUR MAGAZINES SAFE – RING US NOW!

This ring binder uses a special system to allow the issues to be easily removed and re-inserted without any damage. A nylon strip slips over each issue and this passes over the four rings in the binder, thus holding the magazine in place.

The binders are finished in hard-wearing royal blue p.v.c. with the magazine logo in gold on the spine. They will keep your issues neat and tidy but allow you to remove them for use easily.

The price is £5.95 plus £3.50 post and packing. If you order more than one binder add £1 postage for each binder after the initial £3.50 postage charge (overseas readers the postage is £6.00 each to everywhere except Australia and Papua New Guinea which costs £10.50 each).

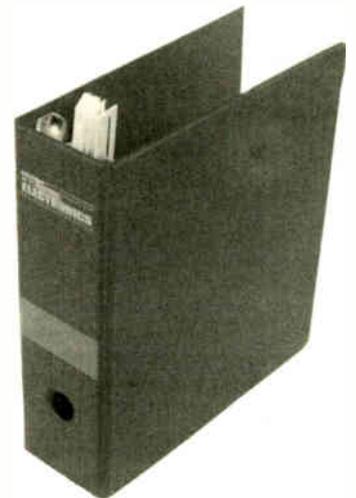
Send your payment in £'s sterling cheque or PO (Overseas readers send £ sterling bank draft, or cheque drawn on a UK bank or pay by card), to **Everyday Practical Electronics, Allen House, East Borough, Wimborne, Dorset BH21 1PF. Tel: 01202 881749. Fax: 01202 841692.**

E-mail: editorial@epemag.wimborne.co.uk

Web site: <http://www.epemag.wimborne.co.uk>



We also accept card payments. Mastercard, Visa or Switch (minimum card order £5). Send your card number and card expiry date plus Switch Issue No. with your order.



from
£60 (inc)
Shareware Version
Download & Order Online!

PROTEUS VSM

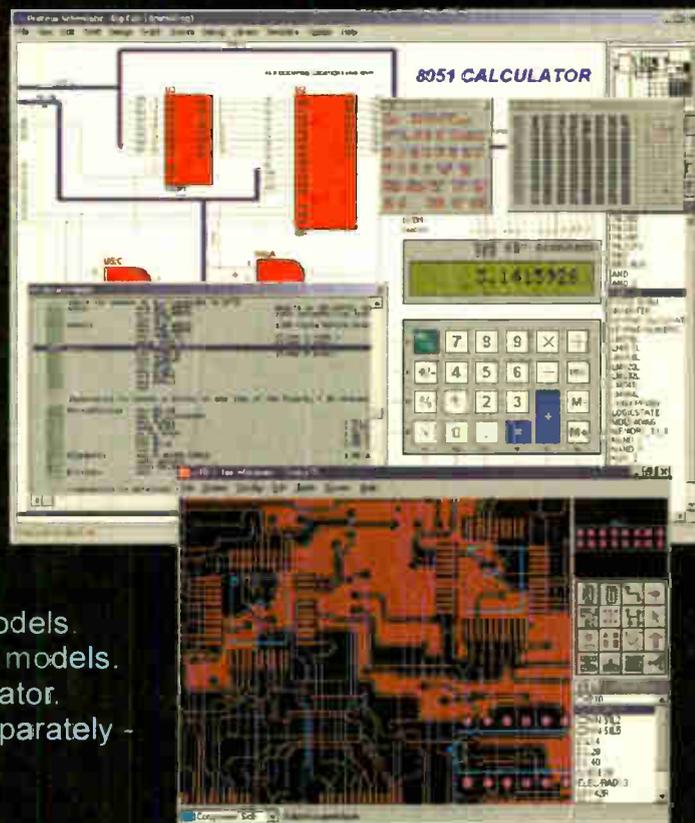
Virtual System Modelling

Build It In Cyberspace

www.labcenter.co.uk

Develop and test complete micro-controller designs without building a physical prototype. PROTEUS VSM simulates the CPU and any additional electronics used in your designs. And it does so in real time. *

- CPU models for PIC and 8051 and series micro-controllers available now. 68HC11 coming soon. More CPU models under development. See website for latest info.
- Interactive device models include LCD displays, RS232 terminal, universal keypad plus a range of switches, buttons, pots, LEDs, 7 segment displays and much more.
- Extensive debugging facilities including register and memory contents, breakpoints and single step modes.
- Source level debugging supported for selected development tools.
- Integrated 'make' utility - compile and simulate with one keystroke.
- Over 4000 standard SPICE models included. Fully compatible with manufacturers' SPICE models.
- DLL interfaces provided for application specific models.
- Based on SPICE3F5 mixed mode circuit simulator.
- CPU and interactive device models are sold separately - build up your VSM system in affordable stages.
- ARES Lite PCB Layout also available.



labcenter
Electronics

*E.g. PROTEUS VSM can simulate an 8051 clocked at 12MHz on a 300MHz Pentium I

Write, phone or fax for your free demo CD - or email info@labcenter.co.uk.
Tel: 01756 753440. Fax: 01756 752857. 53-55 Main St, Grassington. BD23 5AA.

TEXT FILES NOT IMMUNE TO VIRUSES

Contrary to what is widely believed, the latest computer viruses *can* live and propagate through text files. Barry Fox alerts us.

VIRUS wars have taken a nasty new twist. E-mail viruses are getting past anti-virus software by disguising themselves as help files which hide in plain text that had previously been thought safe. Anti-virus software must work in completely new ways to trap them. There is widespread confusion over what systems are at risk and how best to protect them.

VIRUS EXECUTIVES

Until recently viruses spread as executable code programs, attached to plain text E-mails. The text message encourages the recipient to open the attachment by clicking on it. This runs the program which deliberately corrupts data on the PC's hard disk, makes copies of itself and attaches them to outgoing E-mails, so as to spread the infection. Traditional anti-virus software scans attachments before they are opened, looking for the "signature" of known viruses. PC users have felt safe to open and read E-mails as long as they do not click on any attached file.

Bubble Boy, the first virus to infect without an attachment, exploited a security loophole in Microsoft's Outlook Internet mail reader. The virus code is written as lines of HTML code which are included in the text message. Outlook treats the text as an Internet page and runs the code to release the virus. Expert PC users who understand the risk, and also understand Microsoft's jargon, can download a program which modifies Outlook to stop it being fooled (<http://www.microsoft.com/technet/security/bulletin/ms00-046.asp>).

BEWARE SILLY TITLES

Now a new virus, confusingly known as Verona, Romeo and Juliet or BleBla plays a much more devious trick which is likely to fool a wider range of Internet mail readers. A text message with a silly title, such as Hey You, Sorry or From Shake-Beer, arrives with two attached files, a Help file called **Myjuliet.chm** and a program called **MyRomeo.exe**. Just reading the text message makes Windows save the two attachments to its standard Temporary folder where the Help file automatically runs and triggers the program to infect the PC. This then tries to send copies to other addresses stored in the mail reader.

Romeo and Juliet does no damage to the hard disk and has not spread because the Polish Internet servers it uses to spread infection were quickly shut down. So there has been very little publicity.

"But the code now exists as a template which the hacker community can share and modify to make it much more

dangerous" warns Nick Galea, CEO of GFI, a Maltese company which makes software to protect office networks. "Then we shall see PCs damaged as soon as people read a text message."

Galea thinks that protection software must start checking E-mails for the effects viruses may cause, not just known signatures.

SYMANTEC'S WARNING

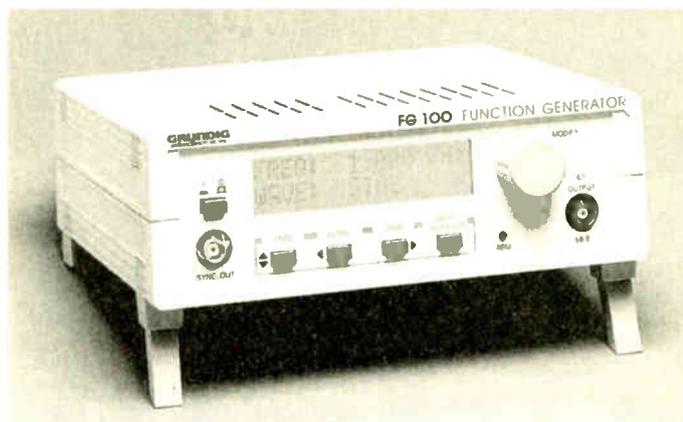
Eric Chien, chief researcher at Symantec's Anti-Virus Centre, warns that this is much easier with office networks than standalone PCs. A network server can store and check all incoming E-mails before distributing them to office staff. Individual PCs collect E-mail direct from the Internet. Symantec has developed a system called PopProxy which shunts incoming E-mail into a buffer file on the PC, and checks plain text for tell-tale code. The user only sees the mail after it has

been checked. Symantec has built PopProxy into the latest version of its Norton Anti-Virus software, NAV 2001, but done surprisingly little to explain or promote it.

Graham Cluley of Sophos thinks the only long term solution is to use proprietary E-mail services and readers, such as Compuserve, AOL or Cix, which treat text only as text, ignore any lines of code which are embedded and never dress plain text up as HTML.

"Better to choose a safe reader in the first place, than go on spending money on anti-virus software that tries to make unsafe readers safe". Opinions differ on what Internet readers are safe, but the one thing everyone agrees on is that Microsoft, the most widely used, has been the least safe. All too often it sends the text twice in the same message, once plain and safe and once in HTML and risky. The sender is not usually aware of this.

20MHz FUNCTION GENERATOR



VANN Draper Electronics, the manufacturer and world-wide distribution company for Grundig *digimess* Instruments, has announced a new 20MHz function generator.

The FG100 provides a wide frequency range of 0.5Hz to 20MHz with a high accuracy of 0.5 per cent monitored by an internal microprocessor. Output wave shapes include sine, triangle, square and sawtooth, with variable symmetry enabling pulse signals to be produced.

A back-lit alphanumeric display provides concise readings of settings and frequency, as well as communication modes when using the built-in RS232C interface.

Other key features include internal sweep, d.c. offset, variable output level from 10mV to 10V, plus sync output. It operates as stand-alone or PC controlled.

Priced at £199 the FG100 is available direct from Vann Draper or their authorised distributors. For more details contact Vann Draper Electronics Ltd, Dept EPE, Stenson House, Stenson, Derby DE73 1HL. Tel: 01283 704706. Fax: 01283 704707. E-mail: sales@vanndraper.co.uk. Web: www.vanndraper.co.uk.

B.A.E.C. SEEKS PIC ENTHUSIASTS!

THE Editorial of the British Amateur Electronics Club's recent newsletter laments the decline in contributions to it. The Editor, George Burton, expressed the opinion that the B.A.E.C. should follow *EPE's* example and place a strong emphasis on the use of PIC microcontrollers.

George asks, "How many of our members have seen a PIC chip let alone used one? It is these members I am trying to find. We have to start using these multi-purpose components or shall fade away – reminiscing how we used to do it".

We suggest that any reader who knows about PICs (and there are many thousands of you) and would like to join the B.A.E.C. and share their knowledge with other members through contributions to the Newsletter should do so *now*. You will be warmly welcomed, as will other non-PIC electronics enthusiasts.

The Club is open to anyone interested in electronics – and that's all of you! (We know that a *trickle* of you have joined recently, well done. How about a *flood* – dare we mention the word in the present climate?)

The B.A.E.C. has existed for many decades and deserves your support so that it can progress into the future. We encourage you to contact the Chairman, George Burton, 581 Fishponds Road, Fishponds, Bristol BS16 3AA. Tel: 0117 9654800. E-mail: prontaprint.bristol@cablenet.co.uk. Web: <http://members.tripod.com/~baec>. Mention *EPE* when contacting George.

TRAFFIC REPORTS COMPETITORS

By Barry Fox

THE cellphone companies are spending billions on licences to spend more billions building third generation networks. The last thing they need is competition from conventional radio services which can offer 3G features at far lower cost.

After ten months of trials a Californian startup, backed by Texas Instruments, Motorola and Paul Allen, is offering digital radio broadcasters a system which competes head-on with 3G. Command Audio lets drivers listen to the latest traffic, weather, sports and news information, the moment they get in the car. While driving they can switch between music in real time, and the latest news updates.

The technology was developed and patented by Command Audio in Redwood City and John Ryan, who heads up Macrovision, the world leader in video copy protection. A control centre compresses a wide selection of conventional radio programmes into 2.4Kbps streams and broadcasts them as data channels. The receiver, which looks like a chubby TV remote control, has memory chips which continually store the last eight hours of sub-channel audio, for instant skip and scan access at the press of a button.

Command has trialled the system in Denver and Phoenix using data subcarriers on FM radio stations and prototype handsets made by RCA and Thomson. Most countries, except the US, are adopting the European digital radio system which can carry much more digital data than FM radio – around 1.5Mbps of which some 75 per cent is used for music and the rest set aside for data (the UK allocation is 20 per cent or 230Kbps but could be increased; Singapore already allows 35 per cent). So far digital broadcasters have used their data capacity to deliver Internet pages but Command believes drivers would prefer on-demand audio.

Quentin Howard, Chief Executive of the UK's commercial digital radio network Digital One, has long enthused over data by radio. He says: "We have built a radio network that can deliver very high data rates to an unlimited number of users from just 70 transmitters. The new cellular networks will each require some 6000 transmitters and will never be able simultaneously to serve the same number of consumers as we can".

Howard thinks Command Audio is a "neat idea" but questions whether listeners will be prepared to pay the \$12 a month subscription which Command is talking about.

MAPLIN CD-ROM

MAPLIN Electronics' latest CD-ROM catalogue has recently been released. It contains around 15,000 products, ranging from individual components to state-of-the-art electronic equipment.

The CD-ROM, which has been developed in HTML, is designed with the same functions as Maplin's website and runs on Internet Explorer 5 (available to download from the CD-ROM).

The new "Web-enabled" CD-ROM allows you to construct your order offline. Once Submit has been pressed the browser is launched automatically allowing orders to be stock checked and processed for sameday despatch.

To receive a copy of the CD-ROM, which costs £1.99, contact the Order Line on 0870 264 6000 and quote order code CQ07, or click on the icon at www.maplin.co.uk. Maplin's press release states the contact address as Maplin Electronics, Valley Road, Wombwell, Barnsley S73 0BS. Mention *EPE* when contacting Maplin.

RIPPING MUSIC

By Barry Fox

MP3 ripping is now a living room reality. Korean electronics giant Samsung is the first big brand name in household audio to offer a range of mini, midi and micro hi-fi systems with integrated MP3 ripper. Until now consumers have had to use a PC to download MP3 music from the Internet or "rip" CDs by converting the content into MP3 (MPEG-1, Layer 3) code. The PC must then be connected to a portable solid state player like the Diamond Rio, to transfer the music for portable playback.

Three new home audio stacks from Samsung (costing between £350 and £500) have a CD player, built-in MP3 encoder and dockable Yepp solid-state player with 32MB SmartMedia card for 30 minutes recording time. The owner just plays a disc while transferring the music to the portable, without needing to own a PC or know anything about computers and computing.

ROBOT KITS

AN E-mailed newsletter from Quasar Electronics informs us that "We have introduced a range of educational electronic robot kits. We really like them. They are high quality, excellent designs, good fun and educational. What more could you ask for in life . . .". Indeed!

Quasar have lots more educational kits (and others). You will find info about them at: www.quasarelectronics.com/educational-electronic-projects.htm. There is also a mirror site at www.electronic-kits-and-projects.com/home.htm.

Tel: 01279 306504.

E-mail: sales@quasarelectronics.com.

Note Quasar's fax: 07092 203496.

SQUIRES TOOLS

SQUIRES Model and Craft Tools 2001 catalogue has recently arrived at HQ. It contains an excellent (dare we say "fully comprehensive"?) variety of the tools and associated modelling accessories that any self-respecting hobbyist requires. The electronic components range has been expanded and all goods are available by post-free mail order.

In over 400 well presented and itemised pages, Squires' cat is a *must* to have on your workbench. It's also *free of charge* – just contact Squires and they'll send you a copy:

Squires Model and Craft Tools, Dept EPE, 100 London Road, Bognor Regis, W. Sussex PO21 1DD. Tel: 01243 842424. Fax: 01243 842525. (No Web as yet, but it's on its way!)

EOCS Website Launched

THE Electronic Organ Constructors Society website www.eocs.org.uk is now on-line. So far as is known, the EOCS is the only international society devoted to amateur electronic organ building. If this is your interest, have a good browse of the site, and even participate in the EOCS equivalent of our Chat Zone.

You can also contact the Society via Trevor Hawkins, Hon. Sec., EOCS, 23 Blenheim Road, St Albans, Herts AL1 4NS. Tel: 01727 857344. Mention *EPE*.

New Technology Update

Last month Ian Poole discussed organic lasers. He now looks at the emerging technology of organic I. e. d. s.

SURPRISINGLY the cathode ray tube still offers the best performance for many display applications. Modern alternatives, including liquid crystal displays, electro-luminescent displays and a variety of other types, have not managed to capture the market to the degree achieved by the c.r.t.

Organic Displays

However, a new breed of displays is beginning to appear. Termed Organic Light Emitting Diode (OLED) displays, they offer some real advantages over displays that are currently available. Unlike traditional liquid crystal displays (l.c.d.s) these OLED displays are self-luminous and do not require back-lighting. As back-lights take up additional space it means that OLED displays can be made thinner and more compact than many other types.

A further advantage is that OLED displays have a very wide viewing angle. This can be up to 160 degrees, even in bright sunlight.

They also consume relatively little power, and can run from supplies between 2 and 10 volts. This makes them very attractive for many applications where voltage supplies and power consumption are an issue.

A further advantage of the low power consumption is an improvement in EMC performance. As drive levels are low, the risk of radiating signals is much reduced, and this is particularly useful when designing products for which regulations on emissions are relatively tight.

Operation

There are two basic types of display, active and passive. However, they both rely on the same basic principles. The basic OLED cell structure consists of four layers of organic material positioned between a metallic cathode and a transparent anode. The organic layers comprise a hole injection layer, a hole transport layer, an emissive layer and an electron transport layer, as shown in Fig.1.

A voltage is applied across the cell and positive and negative charges recombine in the emissive layer as in an ordinary diode. As a result of the recombination light is produced. Most of the recombination takes place in the emissive layer, although some does occur elsewhere. To improve the efficiency the design of the structure is optimised to ensure this recombination takes place in the emissive layer where light is produced. Further enhancement of the light output is gained by doping the emissive layer with a small level of highly fluorescent molecules.

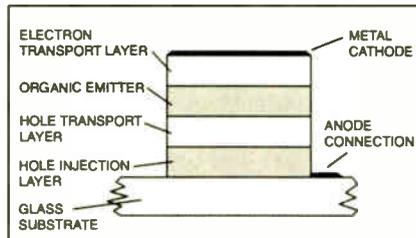


Fig.1. OLED Structure

Passive displays

Passive OLED displays are less complicated than their active counterparts. They are well suited for low cost and low information content applications like alphanumeric displays. They are formed by providing an array of OLED pixels. The cathodes and anodes are arranged in rows and columns and by selecting the relevant row and column the required pixel can be activated. These can be scanned and successively lit to give the required pattern.

Kodak have developed a unique method for fabricating these devices. The simplicity of the process means that costs are kept to a minimum.

First a "rib" or "base and pillar" structure is pre-formed on patterned anode lines. The organic materials are then deposited and the nature of the deposition process means that the OLED display panel with the required electrical isolation for the cathode lines is automatically formed.

One of the major advantages of this method of fabrication is that no new processes have been introduced and it can be easily be adapted to high throughput manufacturing.

Active displays

As the name suggests, the passive display does not include any additional electronics. This limits its application to the more simple displays where the individual rows and columns can be easily accessed. Once the pixel count rises to the level that graphics can be displayed it becomes necessary to include the drive circuitry within the display itself. This is normally included in the substrate where a back plane can be constructed. In this way a very sophisticated high resolution graphics display can be created, suitable for applications like television screens, computer monitors and the like.

The use of polysilicon technology is key to the manufacture of these displays because it provides a high carrier mobility. This gives the thin film transistors (TFT) that are used a high current carrying capacity and fast switching speed essential for the correct operation of these displays.

Each individual pixel in the display can be addressed separately via the electronic circuitry in the back plane that consists of the TFTs and associated capacitors.

The basic circuitry is relatively simple and combined with the straightforward fabrication of the display itself, there are no intrinsic limitations to the pixel count, resolution or actual size of the display. This makes it particularly attractive for high resolution displays of the types needed for televisions and computer monitors.

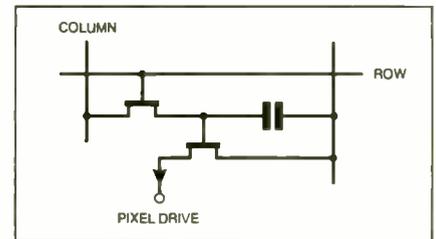


Fig.2. Active display driver circuit

Missing pixels

Missing pixels occur on any large display. It is normal to allow displays to be sold that have a small number of defects. If this were not done then the yields would be unacceptably low and prices exceedingly high. When this occurs with an OLED display the pixel is left dark, and this is unlikely to be noticed by the eye. Faulty l.c.d. displays often produce a point of light and this is far more visible.

Future

Whilst much of the work that has been described has been undertaken by Kodak, other companies are also working on the displays and forming alliances that will enable production to move forward more swiftly.

In one development, DuPont Displays have acquired UniAx Corporation of California. Other companies are active as well. In an alliance, Covion Organic Semiconductors GmbH from Frankfurt have linked up with eMagin Corp in New York. In this alliance Covion will provide the display technology for use in eMagin's current and future display products. This alliance is in turn partnering IBM to further develop OLED-on-silicon technology for use in a number of advanced display based applications.

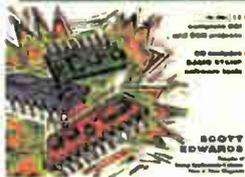
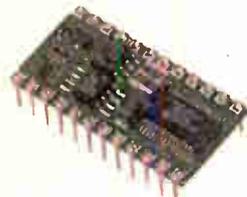
In view of the level of work being undertaken, it can be seen that the industry is taking this new development very seriously, and soon OLED displays should start to appear in products on the market in large quantities.

CONTROL & ROBOTICS

Milford Instruments

BASIC Stamp Microcontrollers

Still the simplest and easiest way to get your project or development work done. BASIC Stamps are small computers that run BASIC programmes. With either 8 or 16 Input-Output pins they may be connected directly to push-buttons, LEDs, speakers, potentiometers and integrated circuits such as digital thermometers, real-time clocks and analog-digital converters. BASIC Stamps are programmed using an ordinary PC running DOS or Windows. The language has familiar, easy-to-read instructions such as FOR...NEXT, IF...THEN and GOTO. Built-in syntax make it easy to measure and generate pulses, read push-buttons, send/receive serial data etc. Stamps from £25 (single quantities), Full development kits from £79



Full information on using BASIC Stamps plus lots of worked projects and practical electronics help. CD-ROM also includes 30+ past magazine articles and Stamp software. £29.95

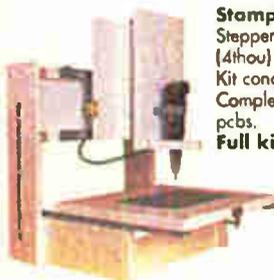


New to PICs or just wanting to learn more tricks? We stock the excellent PIC primer books from David Benson - suitable for the complete beginner to the advanced user.



SERIAL LCDs

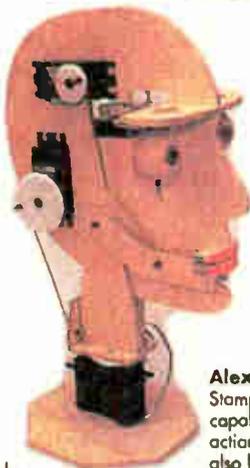
Banish the hassle of interfacing to LCD displays. We stock a comprehensive range of alphanumeric and Graphic LCDs - all with an easy-to-use standard RS232 serial interface. Sizes from 2x16 to 4x40 plus 128x64 graphic panels. Prices start at £25 (single quantity)



Stamp2 based 3-axis machine
Stepper drive to X, Y and Z axes with 0.1mm (4thou) resolution. Kit contains pre-machined frame components. Complete with Windows software for drilling pcbs.
Full kit at £249, Part kit at £189

TecArm4

New range of robotic arms for educational and hobbyist use with super powerful servos. Controlled from PC (Windows freeware provided) or from optional keypad. Stands about 450mm high when fully extended. Kit includes all pre-cut body parts, servo controller board, servos and software. Requires 9v Dc. Kits start at £189



Alex- Animated Head

Stamp2 based controller with voice record-playback capability, PIR input and/or random playback. 4-servo actions are recorded/edited one track at a time. May also be controlled from PC.
Head kits start at £29. Controllers from £29



On Screen Display
Superimpose text onto standard CCTV from simple RS232 serial line. Ready built/tested at £59

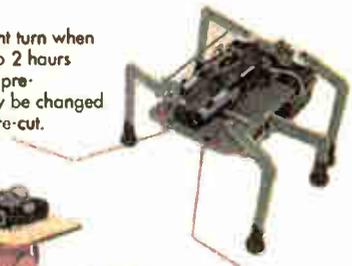
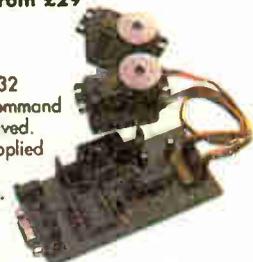
IR Decoder Board

Control your project using a standard domestic IR remote. 7 Output lines (5v @ 20mA) may be set to momentary or toggle action. Simple teaching routine. Requires 9-12vDC. Supplied built and tested.
£29 single quantity



Servo Driver Board

Control up to 8 standard hobby servos from an RS232 serial data line using this controller board. Simple command structure holds servos in position until update is received. Fully built and tested - requires 9vDC and servos. Supplied with Windows freeware.
£29 single quantity. Optional keypad available.



BigFoot

Stamp1 based walking humanoid. Walks forwards/backwards with left and right turn when detects obstacles. Electronics pcb pre-built and tested. Programme pre-loaded but may be changed with supplied software.
Full kit £68



Milford Instruments

120 High Street, South Milford, LEEDS LS25 5AQ
Tel: 01977 683665 Fax: 01977 681465

All prices exclude VAT and shipping.

BASIC Stamp is the registered trademark of Parallax Inc. For further details on the above and other interesting products, please see our web site - www.milinst.demon.co.uk

Top Toppers

SIMPLE METRONOME

OWEN BISHOP Project 6



This short collection of projects, some useful, some instructive and some amusing, can be made for around the ten pounds mark. The estimated cost does not include an enclosure. All of the projects are built on stripboard, and most have been designed to fit on to boards of standard dimensions. All of the projects are battery-powered, so are safe to build. In a few cases in which, by its nature, the project is to be run for long periods, power may be provided by an inexpensive mains adaptor. Again, the cost of such a unit is not included.

AS WELL as its obvious benefit to musicians (aspiring or arrived), this project can be used as a pacer by those busy with aerobics or other on-the-spot exercises. Its display consists of a row of light-emitting diodes (l.e.d.s). These are flashed one at a time, in order from left to right and repeating continuously.

A rotary switch selects the number of l.e.d.s flashed, which is equal to the number of beats in a bar. It allows the user to choose between 2/4, 3/4 and 4/4 time signatures:

- 1, 2, 1, 2, 1, 2, ...
- 1, 2, 3, 1, 2, 3, 1, 2, 3, ...
- 1, 2, 3, 4, 1, 2, 3, 4, 1, 2, 3, 4, ...

Another common time signature is 6/8 but, as the fourth note in each bar is often slightly accented, this can be obtained by using the 3/4 setting and doubling the tempo. The Tempo (Rate) is set by a variable resistor (potentiometer) and covers the range from *Largo* to *Presto*.

The Simple Metronome also has an audio output. This is provided by a piezoelectric sounder which emits a short beep at the beginning of each bar, that is, on the count of "one", which is when the left-most l.e.d. comes on.

HOW IT WORKS

The full circuit diagram for the Simple Metronome is shown in Fig.1. The basic tempo is provided by timer IC1. This i.c. is a dual version of the well-known 555 timer. The other timer within IC1 is used to switch on the piezoelectric sounder WD1 when triggered.

The timer that controls tempo is wired as an astable multivibrator, which means that it generates a continuous series of pulses at a definite rate. Its frequency is controlled by the setting of Rate control VR1.

With the values shown in Fig.1, the frequency of the astable is variable from just over 1Hz up to 6Hz. A polyester capacitor is used for C4 because the capacitance of

this type does not vary with age and with use, as does that of the electrolytic type.

The output signal at pin 9 from the astable goes to the clock input (pin 14) of a divide-by-eight counter, IC2. The counter is incremented on the rising edge of each pulse. It has eight outputs, of which one goes to logic high at each count. The others remain at logic low.

For the counter to run, its reset input (pin 15) must be held low. A brief high level on the reset input triggers the counter to reset to zero.

As counting proceeds, the outputs would normally go high in order from 0 to 7, repeating. However, we use only the first five outputs in this circuit. For example, if we set Beat switch S2a for four beats to the bar, IC2 outputs 0, 1, 2 and 3 go high in that order. Then, when output 4 goes high, the high level is fed through S2 to the reset pin (IC2 pin 15).

Thus, as soon as output 4 (which would be a count of 5) goes high, the counter is

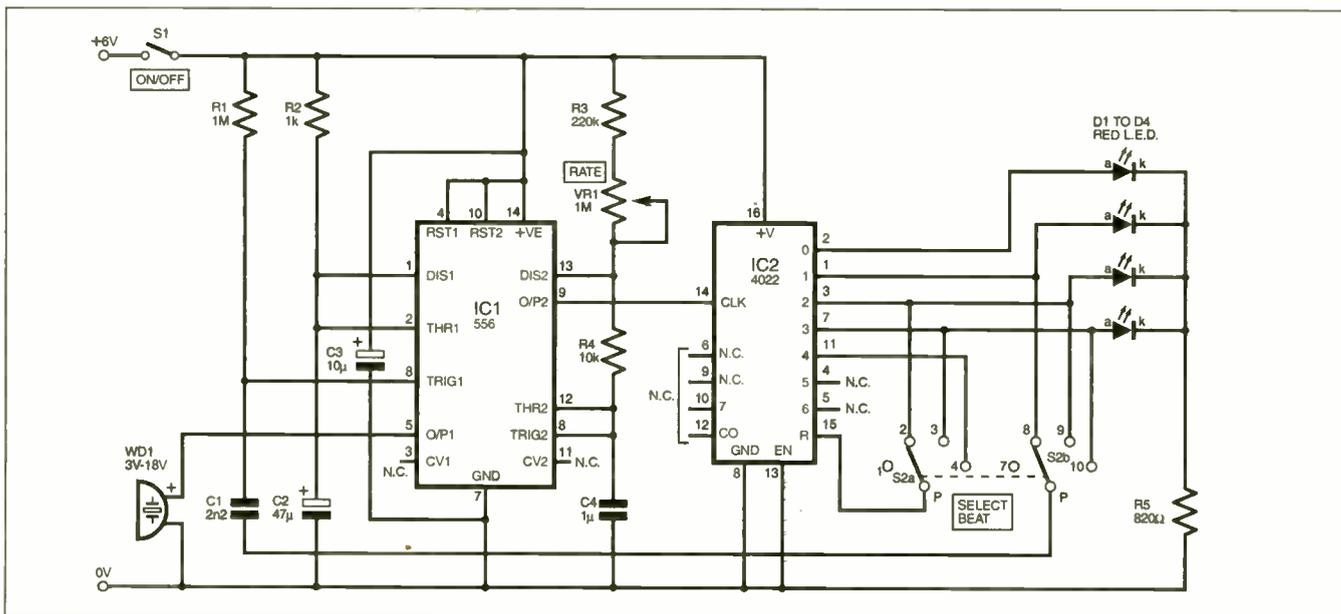


Fig.1. Complete circuit diagram for the Simple Metronome.

reset to zero. This takes only a few milliseconds, so it appears that the counter goes straight from count 4 to count 0. Similarly, we can use S2a to select outputs 3 and 2 to make the counter reset on the counts of 4 and 3 for 3/4 and 2/4 times.

AUDIO COUNT

The audio bleep, count one, is produced by piezoelectric sounder WD1 that normally produces a high-pitched tone when it is switched on. To make the short "bleep", we use the second timer within IC1, wired as a monostable multivibrator.

With the values chosen for resistor R2 and capacitor C2, the monostable delivers a single high pulse of 0.05s duration every time its trigger input (pin 6) is made low. Note that we need a low-going input to trigger the timer (compare this to resetting, which requires a high input).

To make the "beeps" coincide with the first count of each sequence, we need to trigger the timer as the l.e.d. goes out in the final count of each sequence. If there are four beats to the bar, for example, the monostable is triggered when the count of three ends.

The required connections are made by switch S2b. The pole (p) or wiper of S2b is connected through a capacitor (C1) to the trigger pin (pin 6) of IC1. This input is normally held high by the pull-up resistor R1. A low-going level at the pole of S2b is

sufficient to pull the input voltage down below 2V for long enough to trigger the monostable.

When IC2 switches the l.e.d.s on or off, this alters the load on the supply and may cause voltage spikes that upset the action of the counter. To avoid these, capacitor C3 is connected across the supply rails.

CONSTRUCTION

The Simple Metronome circuit is built on a 0.1 inch matrix rectangle of stripboard, having 29 copper strips by 39 holes.

The component layout, interwiring and details of breaks required in the copper tracks are shown in Fig.2.

The unit runs on 6V, which may be provided by four 1.5V dry cells in a battery box. Alternatively, use a 6V mains power supply adaptor. An inexpensive one supplying 100mA at 6V d.c. unregulated is adequate.

If you are intending to house this project in a case, there are three items that should be mounted on the case: the power On/Off switch S1, the variable potentiometer VR1, and the rotary selector switch S2.

COMPONENTS

Resistors		See SHOP TALK page
R1	1M	
R2	1k	
R3	220k	
R4	10k	
R5	820Ω	
All 0.25W 5% carbon film or better.		
Potentiometer		
VR1	1M rotary carbon, linear	
Capacitors		
C1	2n2 polyester film	
C2	47μ elec. 16V, axial	
C3	10μ elect. 16V, axial	
C4	1μ polyester	
Semiconductors		
D1 to D4	5mm red l.e.d. (other sizes or colours optional)	
IC1	556 dual timer	
IC2	4022 CMOS divide-by-8 counter, with 1-of-8 outputs	
Miscellaneous		
S1	s.p.s.t. toggle switch	
S2	2-pole 6-way rotary switch (see text)	
WD1	single-tone piezoelectric sounder, 3V to 16V.	

Stripboard 0.1 inch matrix, size 29 copper strips by 39 holes; 14-pin i.c. socket; 16-pin i.c. socket; battery holder, with 4 x 1.5V cells or unregulated mains adaptor, see text; 1mm solder terminal pins (10 off); pointer knobs for VR1 and S2; multistrand connecting wire; solder, etc.

Approx. Cost
Guidance Only

£10

excluding case

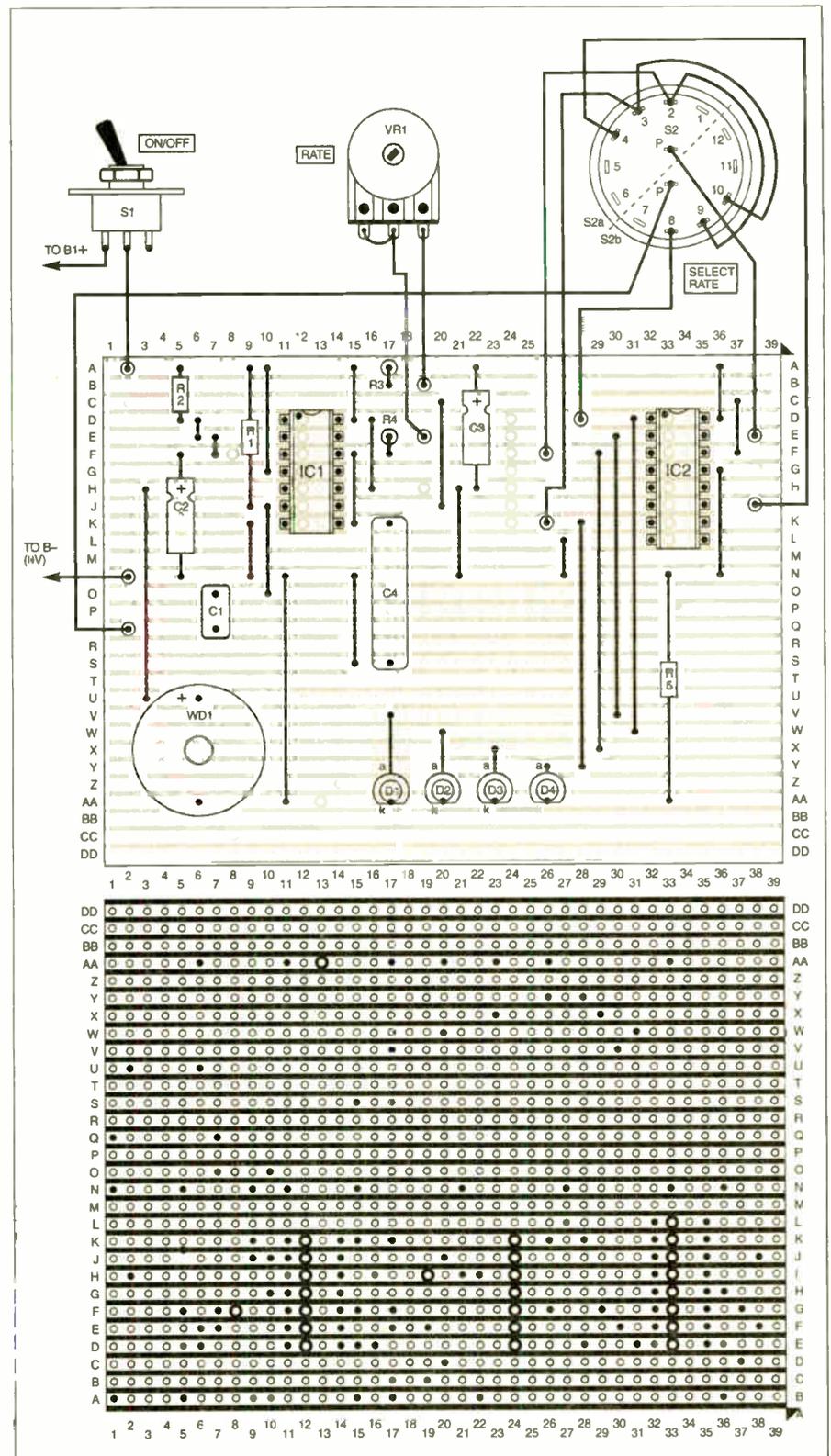
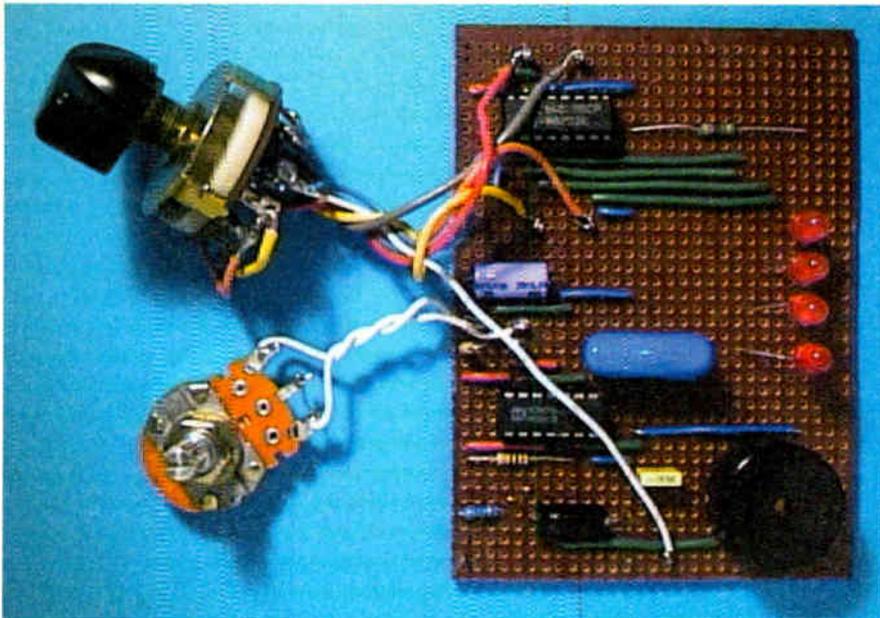


Fig.2. Simple Metronome stripboard component layout, interwiring to off-board components and details of breaks required in the copper tracks.



Component layout on the prototype circuit board. The finished unit can be mounted in a plastic box, with holes drilled for the l.e.d.s.

The rotary switch is relatively expensive and may put the cost of the project just above the £10 limit if you cannot find a cheap one. The component wiring diagram of Fig.2 shows a 2-pole 6-way switch, but a

3-pole 4-way switch or a 4-pole 3-way switch can be used equally well.

Alternatively, instead of a switch, you can solder a "flying lead" to each of the solder pins at points Q2 and E38 in Fig. 2.

Terminate each of the flying leads with a miniature crocodile clip. These clips are used for connecting to two of the terminal pins at D28, F26, K26 and J38, depending on the "beat" setting required.

FINAL ASSEMBLY AND CHECKING

Following the component layout in Fig.2, first assemble the two circuits connected to IC1. When it is complete, temporarily connect the solder terminal pin at Q2 to the positive supply. If you then transfer the connection briefly to the 0V line, a short "beep" should be heard.

Use a voltmeter or logic probe to monitor the output from the astable circuit at pin 9. Check that the frequency of the signal varies according to the setting of Beat control VR1.

Now complete construction of the project by adding the components associated with IC2 and the l.e.d.s. Wiring for the 2-pole 6-way Beat select rotary switch (S2) is also shown in Fig.2. Try to mount the l.e.d.s in as straight a row as possible and at the same height above the board. Check that the circuit now works as described earlier.

Finally, mount the off-board components (if the project is cased) and add labels for S2 and VR1. The latter may be calibrated in frequency or in musical terms. □

SHOP TALK

with David Barrington

How To Use Graphics L.C.D.s with PICs (Supplement)

The main point of consideration encountered when checking out components for the Graphics L.C.D. Demo Board, given in this month's special supplement, will be the graphics l.c.d. module. The author used a Powertip PG12864 graphics display purchased from RS Components, and is currently priced at £27.92 (excl VAT/p&p). This can be ordered through **Electromail** (☎ 01536 304555 or <http://rswww.com>), code 329-0329.

We understand that **Magenta** (☎ 01283 565435 or www.magenta2000.co.uk) are hoping to supply graphic displays, with pin a connector at a reasonable cost in the near future. We suggest readers track their web site or give them a call for the latest news.

Contrary to the components list, you need an *unprogrammed* PIC16F877 chip; three lots of software will be installed and manipulated as you progress. A scan through our advertising pages should produce suppliers of PICs. Also, it follows that you must have a PIC programmer (such as the *PIC Toolkit Mk2* - May/June '99) to accompany this design.

The printed circuit board is available from the *EPE PCB Service*, code 288. The software is available on a 3.5-in. PC-compatible disk (*EPE Disk 4*) from the *EPE Editorial Office* for the sum of £3 each (UK), to cover admin. costs. (For overseas charges see page 149). It is also available free via the *EPE* web site: <ftp://ftp.epemag.wimborne.co.uk/pubs/PICS/graphiclcd>.

Using The LM3914-6 L.E.D. Bargraph Drivers

Being popular devices, you should have no trouble ordering the National Semiconductors' LM3914 (linear), 3915 (log.) and 3916 (VU) family of l.e.d./bargraph display i.c.s, called for in the LM3914-6 feature, through your local component supplier.

It is a good idea to coat adjoining walls of the l.e.d.s with black paint to prevent "light spread" if making up your own bargraph display. It was found that 3mm dia. low current l.e.d.s gave the best results, probably due to less material thickness of the plastic body/shell.

The small, resistor-like, 4-7mH and 1mH r.f. chokes for the Relay Control unit link cable should be well stocked. The three printed circuit boards are available from the *EPE PCB Service* as a set, codes 289, 290, 291 (see page 149).

Ice Alert

The specified Philips bead thermistor used in the *Ice Alert* project has a rating of 150kΩ at 25°C and about 535kΩ at 0°C. This device was purchased from **Maplin** (☎ 0870 264 6000 or www.maplin.co.uk), code FX43W.

There is some latitude in the range of the thermistor used and it is appreciated that in some areas constructors will be limited in their choice. If you must use a different type, select one of the "negative

temperature coefficient" variety - that is, as the temperature rises the resistance falls - having a resistance of hundreds of kilohms at 0°C. Halve this figure and select the nearest fixed value resistor for R2.

The rest of the components for this unit should be readily available from our component advertisers. Do not forget, if you are installing the unit in a vehicle, the supply connections must be made using light-duty auto-type cable and with proper car-type connectors. Also, make sure you use nylon fixings when mounting the p.c.b. in its case.

The small printed circuit board is available from the *EPE PCB Service*, code 287 (see page 149). Finally, if installing the unit in a vehicle, check the car's manual to make sure it is safe to disconnect the battery before installation.

PC Audio Power Meter

Several components called for in the *PC Audio Power Meter* could cause local sourcing problems. Most of the items used in the author's model came from **Maplin** (☎ 0870 264 6000 or www.maplin.co.uk).

They supplied the 3W and 50W wirewound resistors. To order write/quote "W" then value (i.e. W0.1) for the 3W type and "X" then value (X3R9) for the 50W type. Suitable twin spring-loaded loud-speaker terminals are also stocked, code BW71P. They do not give an electrical rating for the terminal.

The Analog Devices AD7896AN 12-bit 8μs ADC chip and the ICL7660CPA switched capacitor voltage converter i.c. should be fairly widely stocked. Try **Cricklewood** (☎ 0181 452 0161) and **Maplin** (codes NP36P and NR54J respectively). The choice of case is left to individual taste. But it *must* be a *metal* type, due to heat generated within the case.

The software for this project is available on a 3.5-in. PC-compatible disk (*EPE Disk 4*) from the *EPE Editorial Office* for the sum of £3 each (UK), to cover admin costs (for overseas see page 149). It is also available free via the *EPE* web site:

<ftp://ftp.epemag.wimborne.co.uk/pubs/audlomet>.

Simple Metronome

We do not expect any component buying problems to arise when shopping for parts for the *Simple Metronome*, this month's Top Tenner project.

The component wiring diagram shows a 2-pole 6-way rotary switch, but a 3-pole 4-way or 4-pole 3-way type can also be used in this circuit. Likewise with the single-tone piezoelectric buzzer, most of these sounders operate from a broad range of d.c. voltages and many of our component advertisers will be able to offer a suitable device.

PLEASE TAKE NOTE

Versatile Mic/Audio Preamp

May '00

In a recent issue we highlighted the problems of sourcing the SSM2166P mic. preamp chip for the *Versatile Mic/Audio Preamp* project and asked for help in finding some. We have just received news that **FML Electronics** (☎ 01677 425840) now have some in stock.

£1 BARGAIN PACKS Selected Items

CROCODILE CLIPS. Small size, 10 each red and black. Order Ref: 116.

PLASTIC HEADED CABLE CLIPS. Nail in type, several sizes. Pack of 50. Order Ref: 123.

30A PANEL MOUNTING TOGGLE SWITCH. Double pole. Order Ref: 166.

SUB MIN TOGGLE SWITCHES. Pack of 3. Order Ref: 214.

HIGH POWER 3in. SPEAKER (11W 8ohm). Order Ref: 246.

MEDIUM WAVE PERMEABILITY TUNER. It's almost a complete radio with circuit. Order Ref: 247.

HEATING ELEMENT. Mains voltage 100W, brass encased. Order Ref: 8.

MAINS MOTOR with gearbox giving 1 rev per 24 hours. Order Ref: 89.

ROUND POINTER KNOBS for flatted 1/4in. spindles. Pack of 10. Order Ref: 295.

CERAMIC WAVE CHANGE SWITCH. 12-pole, 3-way with 1/4in. spindle. Order Ref: 303.

REVERSING SWITCH. 20A double pole or 40A single pole. Order Ref: 343.

LUMINOUS PUSH-ON PUSH-OFF SWITCHES. Pack of 3. Order Ref: 373.

SLIDE SWITCHES. Single pole changeover. Pack of 10. Order Ref: 1053.

PAXOLIN PANEL. Approximately 12in. x 12in. Order Ref: 1033.

CLOCKWORK MOTOR. Suitable for up to 6 hours. Order Ref: 1038.

TRANSISTOR DRIVER TRANSFORMER. Maker's ref. no. LT44, impedance ratio 20k ohm to 1k ohm, centre tapped, 50p. Order Ref: 1/23R4.

HIGH CURRENT RELAY. 12V D.C. or 24V A.C., operates changeover contacts. Order Ref: 1026.

2-CORE CURLY LEAD. 5A, 2m. Order Ref: 846.

3 CHANGEOVER RELAY. 6V A.C., 3V D.C. Order Ref: 859.

3 CONTACT MICRO SWITCHES, operated with slightest touch. Pack of 2. Order Ref: 861.

HIVAC NUMICATOR TUBE. Hivac ref XN3. Order Ref: 865.

2IN. ROUND LOUDSPEAKERS. 50Ω coil. Pack of 2. Order Ref: 908.

5K POT, standard size with DP switch, good length 1/4in. spindle, pack of 2. Order Ref: 11R24.

13A PLUG, fully legal with insulated legs, pack of 3. Order Ref: GR19.

OPTO SWITCH on p.c.b., size 2in. x 1in., pack of 2. Order Ref: GR21.

1000W FIRE SPIRALS. In addition to repairing fires, these are useful for making high current resistors. Price 4 for £1. Order Ref: 223.

BRASS ENCASED ELEMENT. Mains working, 80W standard replacement in some fridges but very useful for other heating purposes. Price £1 each. Order Ref: 8.

PEA LAMPS, only 4mm but 14V at 0.04A, wire ended, pack of 4. Order Ref: 7RC28.

HIGH AMP THYRISTOR, normal 2 contacts from top, heavy threaded fixing underneath, think amperage to be at least 25A, pack of 2. Order Ref: 7FC43.

BRIDGE RECTIFIER, ideal for 12V to 24V charger at 5A, pack of 2. Order Ref: 1070.

TEST PRODS FOR MULTIMETER with 4mm sockets. Good length very flexible lead. Order Ref: D86.

LUMINOUS ROCKER SWITCH, approximately 30mm square, pack of 2. Order Ref: D64.

MES LAMP HOLDERS, slide onto 1/4in. tag, pack of 10. Order Ref: 1054.

HALL EFFECT DEVICES, mounted on small heatsink, pack of 2. Order Ref: 1022.

12V POLARISED RELAY, 2 changeover contacts. Order Ref: 1032.

PROJECT CASE, 95mm x 66mm x 23mm with removable lid held by 4 screws, pack of 2. Order Ref: 876.

LARGE MICRO SWITCHES, 20mm x 6mm x 10mm, changeover contacts, pack of 2. Order Ref: 826.

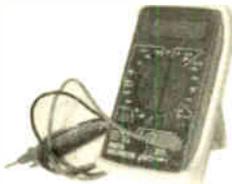
PIEZO ELECTRIC SOUNDER, also operates efficiently as a microphone. Approximately 30mm diameter, easily mountable, 2 for £1. Order Ref: 1084.

LIQUID CRYSTAL DISPLAY on p.c.b. with ICs etc. to drive it to give 2 rows of 8 characters, price £1. Order Ref: 1085.

THIS MONTH'S SPECIAL

IT IS A DIGITAL

MULTITESTER, complete with backrest to stand it and hands-free test prod holder. This tester measures d.c. volts up to 1,000 and a.c. volts up to 750; d.c. current up to 10A and resistance up to 2 megs. Also tests transistors and diodes and has an internal buzzer for continuity tests. Comes complete with test prods, battery and instructions. Price £6.99. Order Ref: 7P29.



1mA PANEL METER. Approximately 80mm x 55mm, front engraved 0-100. Price £1.50 each. Order Ref: 1/16R2.

VERY THIN DRILLS. 12 assorted sizes vary between 0.6mm and 1.6mm. Price £1. Order Ref: 128.

EVEN THINNER DRILLS. 12 that vary between 0.1mm and 0.5mm. Price £1. Order Ref: 129.

BT PLUG WITH TWIN SOCKET. Enables you to plug 2 telephones into the one socket for all normal BT plugs. Price £1.50. Order Ref: 1.5P50.

D.C. MOTOR WITH GEARBOX. Size 60mm long, 30mm diameter. Very powerful, operates off any voltage between 6V and 24V D.C. Speed at 6V is 200 rpm, speed controller available. Special price £3 each. Order Ref: 3P108.

FLASHING BEACON. Ideal for putting on a van, a tractor or any vehicle that should always be seen. Uses a Xenon tube and has an amber coloured dome. Separate fixing base is included so unit can be put away if desirable. Price £5. Order Ref: 5P267.

MOST USEFUL POWER SUPPLY. Rated at 9V 1A, this plugs into a 13A socket, is really nicely boxed. £2. Order Ref: 2P733.

MOTOR SPEED CONTROLLER. These are suitable for D.C. motors for voltages up to 12V and any power up to 1/6h.p. They reduce the speed by intermittent full voltage pulses so there should be no loss of power. In kit form these are £12. Order Ref: 12P34. Or made up and tested, £20. Order Ref: 20P39.

BT TELEPHONE EXTENSION WIRE. This is proper heavy duty cable for running around the skirting board when you want to make a permanent extension. 4 cores properly colour coded, 25m length. Only £1. Order Ref: 1067.

LARGE TYPE MICROSWITCH with 2in. lever, changeover contacts rated at 15A at 250V, 2 for £1. Order Ref: 1/2R7.

BALANCE ASSEMBLY KITS. Japanese made, when assembled ideal for chemical experiments, complete with tweezers and 6 weights 0.5 to 5 grams. Price £2. Order Ref: 2P44.

CYCLE LAMP BARGAIN. You can have 100 6V 0.5A MES bulbs for just £2.50 or 1,000 for £20. They are beautifully made, slightly larger than the standard 6.3V pilot bulb so they would be ideal for making displays for night lights and similar applications.

DOORBELL PSU. This has AC voltage output so is ideal for operating most doorbells. The unit is totally enclosed so perfectly safe and it plugs into a 13A socket. Price only £1. Order Ref: 1/30R1.

INSULATION TESTER WITH MULTIMETER. Internally generates voltages which enable you to read insulation directly in megohms. The multimeter has four ranges, AC/DC volts, 3 ranges DC milliamps, 3 ranges resistance and 5 amp range. These instruments are ex-British Telecom but in very good condition, tested and guaranteed OK, probably cost at least £50 each, yours for only £7.50 with leads, carrying case £2 extra. Order Ref: 7.5P4.

REPAIRABLE METERS. We have some of the above testers but slightly faulty, not working on all ranges, should be repairable, we supply diagram, £3. Order Ref: 3P176.

TWO MORE POST OFFICE INSTRUMENTS

Both instruments contain lots of useful parts, including sub-min toggle switch sold by many at £1 each. They are both in extremely nice cases, with battery compartment and flexible carrying handles, so if you don't need the instruments themselves, the case may be just right for a project you have in mind.

The first is **Oscillator 87F.** This has an output, continuous or interrupted, of 1kHz. It is in a plastic box size 115mm wide, 145mm high and 50mm deep. Price only £1. Order Ref: 7R1.

The other is **Amplifier Ref. No. 109G.** This is in a case size 80mm wide, 130mm high and 35mm deep. Price £1. Order Ref: 7R2.

HEAVY DUTY POT

Rated at 25W, this is 20 ohm resistance so it could be just right for speed controlling a d.c. motor or device or to control the output of a high current amplifier. Price £1. Order Ref: 1/33L1.

STEPPER MOTOR

Made by Philips as specified for the wind-up torch in the Oct '00 Practical Electronics is still available, price £2. Order Ref: 2P457.

SOLDERING IRON, super mains powered with long-life ceramic element, heavy duty 40W for the extra special job, complete with plated wire stand and 245mm lead, £3. Order Ref: 3P221.

RELAYS

We have thousands of relays of various sorts in stock, so if you need anything special give us a ring. A few new ones that have just arrived are special in that they are plug-in and come complete with a special base which enables you to check voltages of connections of it without having to go underneath. We have 6 different types with varying coil voltages and contact arrangements. All contacts are rated at 10A 250V AC.



Coil Voltage	Contacts	Price	Order Ref:
12V DC	4-pole changeover	£2.00	FR10
24V DC	2-pole changeover	£1.50	FR12
24V DC	4-pole changeover	£2.00	FR13
240V AC	1-pole changeover	£1.50	FR14
240V AC	4-pole changeover	£2.00	FR15

Prices include base

NOT MUCH BIGGER THAN AN OXO CUBE. Another relay just arrived is extra small with a 12V coil and 6A changeover contacts. It is sealed so it can be mounted in any position or on a p.c.b. Price 75p each, 10 for £6 or 100 for £50. Order Ref: FR16.

RECHARGEABLE NICAD BATTERIES. AA size, 25p each, which is a real bargain considering many firms charge as much as £2 each. These are in packs of 10, coupled together with an output lead so are a 12V unit but easily dividable into 2 x 6V or 10 x 1.2V. £2.50 per pack, 10 packs for £25 including carriage. Order Ref: 2.5P34.

FOR QUICK HOOK-UPS. You can't beat leads with a croc clip each end. You can have a set of 10 leads, 2 each of 5 assorted colours with insulated crocodile clips on each end. Lead length 36cm, £2 per set. Order Ref: 2P459.



12V 8A DC POWER

SUPPLY. Totally enclosed with its own cooling fan. Normal mains operation. Price £11. order Ref: 11P6.

TWIN 13A SWITCHED SOCKET. Standard in all respects and complete with fixing screws. White, standard size and suitable for flush mounting or in a surface box. Price £1.50. Order Ref: 1.5P61.

BIG 12V TRANSFORMER. It is 55VA so that is over 4A which is normal working, intermittently it would be a much higher amperage. Beautiful transformer, well made and very well insulated, terminals are in a plastic frame so can't be accidentally touched. Price £3.50. Order Ref: 3.5P20.

BUY ONE GET ONE FREE

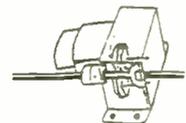
ULTRASONIC MOVEMENT DETECTOR. Nicely cased, free standing, has internal alarm which can be silenced. Also has connections for external speaker or light. Price £10. Order Ref: 10P154.

CASED POWER SUPPLIES which, with a few small extra components and a bit of modifying, would give 12V at 10A. Originally £9.50 each, now 2 for £9.50. Order Ref: 9.5P4.

3-OCTAVE KEYBOARDS with piano size keys, brand new, previous price £9.50, now 2 for the price of one. Order Ref: 9.5P5.

1.5-6V MOTOR WITH

GEARBOX. Motor is mounted on the gearbox which has interchangeable gears giving a range of speeds and motor torques. Comes with full instructions for changing gears and calculating speeds, £7. Order Ref: 7P26.



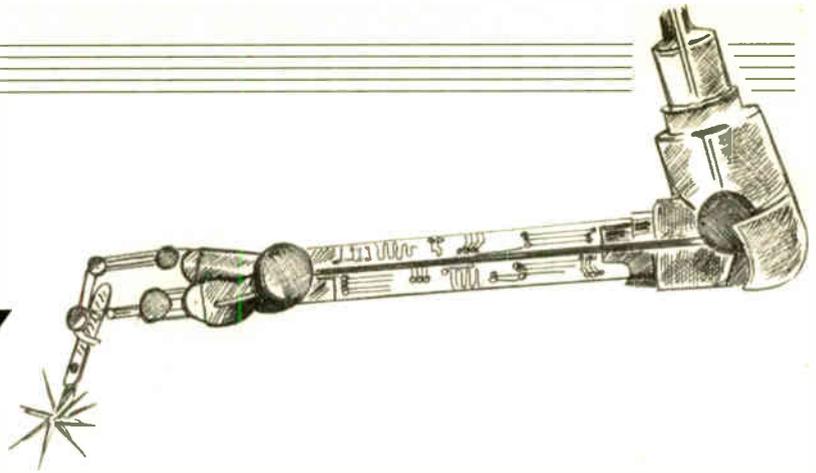
MINI BLOWER HEATER. 1kW, ideal for under desk or airing cupboard, etc., needs only a simple mounting frame, price £5. Order Ref: 5P23.

TERMS

Send cash, PO, cheque or quote credit card number - orders under £25 add £3.50 service charge.

J & N FACTORS
Pilgrim Works (Dept.E.E.)
Stairbridge Lane, Bolney
Sussex RH17 5PA
Telephone: 01444 881965
E-mail: jnfactors@aol.com

CIRCUIT SURGERY



**ALAN WINSTANLEY
and IAN BELL**

Our intrepid surgeons pump up the power, plus more on multimeter polarity.

Charge Pumps

VOLTAGE multipliers require an a.c. input, but it is also possible to use transistors or logic gates to control the capacitor charging and switching required for voltage "multiplication". Such circuits are called **charge pumps** and are, in fact, available as i.c.s, including the TPS60100 series from Texas Instruments. These chips are typically used for low voltage conversion (e.g. +1.8V to +5V), or negative supply generation (e.g. -5V from +5V) and commonly they have fixed output voltages.

For non-standard conversions and higher output voltages, a charge pump can be built from basic components – an example is outlined in Fig.1. In this circuit CMOS inverters are used to drive a network of capacitors and diodes to achieve (ideally) a quadrupling of the input voltage. The circuit is best understood by remembering that CMOS inverters consist of two transistors in a "push-pull" configuration such that at a given time only one transistor is switched on.

This is basically equivalent to two complementary switches, as illustrated in Fig.2,

which in turn can be considered as a two-way switch connecting the output to either ground (0V) or the positive supply alternately. Re-drawing Fig.1 in this form results in the circuit of Fig.3, from which we can see that one end of each capacitor is alternately connected to ground and +V_{DD}.

How It Works

In the following description of how this circuit works we'll ignore diode voltage drops to keep things simple. In practice they will mean that the actual voltages are not quite the exact multiples of the input.

To begin with let's consider capacitor C1. When the input clock is high (+V_{DD}), this is inverted by switch S1 which connects one end of C1 to ground (0V), so C1 charges up to +V_{DD}.

When the clock goes low again, it is inverted by S1, so the negatively charged plate of C1 is now at +V_{DD}. The voltage that currently exists across C1's plates means that the total voltage at point A is pushed up to +2 × V_{DD}, i.e. a combination of +V_{DD} from the supply, and +V_{DD} from C1.

While point A is at +2 V_{DD} (i.e. when the clock is low), one end of capacitor C2 is connected to ground via switch S2 and the other end to point B. So C2 will charge to +2 × V_{DD} with current flowing from Point A via D2. During this time D1 is reverse biased.

The process of charging C2 will actually discharge C1 to some extent. Thus it will actually take several clock cycles for C2 to charge to the point that it has +2 × V_{DD} across it. When the clock goes high again, C1 will again charge to +V_{DD} via D1, replenishing the charge it pumped into C2.

Meanwhile (with clock high), the negative side of C2 will be connected to +V_{DD} so the voltage at B will be +3 × V_{DD} and capacitor C3 will charge to this voltage via diode D3, just as C2 charged to +2 × V_{DD} via D2. In a similar way C3 will charge to +4 × V_{DD}.

The voltage at point A switches between V_{DD} and +2 × V_{DD}, the voltage at B switches between +3 × V_{DD} and +2 × V_{DD}, and the voltage at point C switches between +3 × V_{DD} and +4 × V_{DD} as the clock switches high to low. In order to get a d.c. output, diode D4 is used to charge capacitor C4 to +4 × V_{DD} from C3.

Negative output voltages can be obtained by reversing the diodes in the chain and connecting the V_{in} point to ground. In practice the output voltages obtained will be less than those described due to diode drops and other "losses" in the circuit.

Upstaged Multipliers

This circuit (Fig.1) can be extended by adding further stages so you can multiply the input voltage by quite a large amount (10 or more stages are quite feasible). The current available from the output depends on the current available from the inverters and on the values of the capacitors. If you use 4049s this will be a couple of milliamps. You can wire

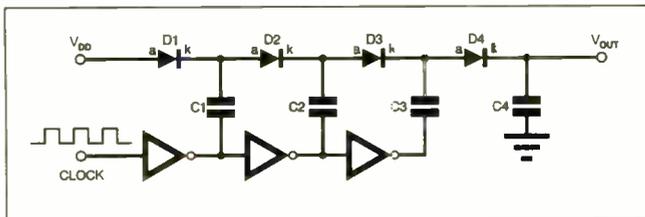


Fig.1. Example circuit of a CMOS inverter-based charge pump d.c. voltage multiplier. Note V_{OUT} is approx. four times V_{IN}.

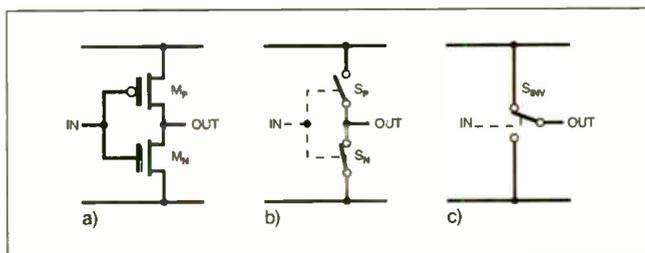


Fig.2. The CMOS inverter (a) can be viewed as two voltage controlled switches such that when one is on the other is switched off (b), this in turn can be viewed as a changeover switch connecting the output to either +V or 0V depending on the input voltage (c).

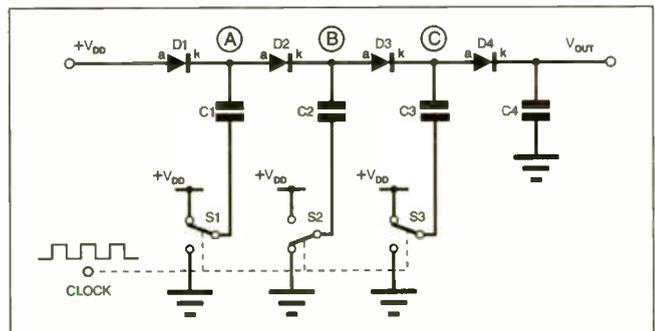


Fig.3. The multiplier circuit of Fig.1 re-drawn to show the switching action of the CMOS inverters in a voltage multiplier.

CMOS inverters in parallel to increase the current capacity.

For a practical circuit you can also consider using an inverter to make a simple CMOS oscillator to provide the clock for the pump chain; the frequency is not particularly critical and should typically be 50kHz to 100kHz. The capacitor values in the charge pump circuit are also not crucial at this frequency, 10nF to 100nF should be suitable.

When constructing these circuits you *must* take note of the voltage ratings of the capacitors – for example do not use a 25V rated capacitor for an output at 48V! The output voltage will have some ripple, so the use of a larger output capacitor will reduce the ripple voltage. The diodes should be switching diodes such as 1N4148, rectifier diodes (e.g. 1N4001) are unsuitable.

Making Headroom

One of the problems with this circuit is poor load regulation – the output voltage will drop as the load current increases. This can be overcome using a Zener diode at the output or by using a simple feedback circuit as shown in Fig.4.

In this circuit the final stage of the pump uses a *tristate* device to allow the pump to be switched off or isolated by the comparator when the output reaches a certain voltage. This voltage should be set to be somewhat lower than the “open circuit” voltage with no load and the pump on all the time. This gives the circuit some “headroom” to cope with load variations. Notice that we incorporated a clock circuit as well.

Under very light load conditions the final stage in Fig.4 will be off most of the time,

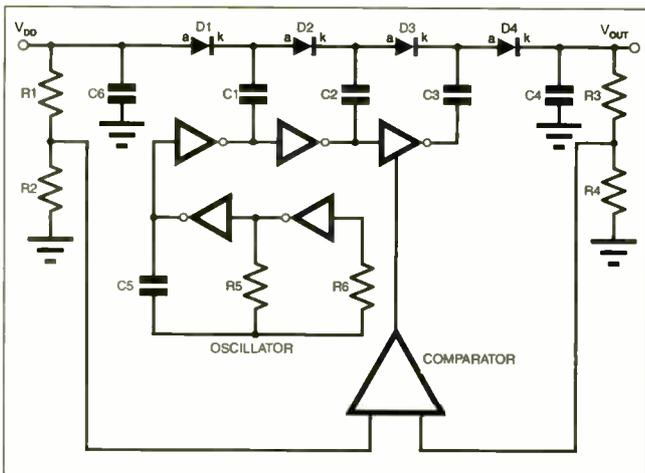


Fig.4. Charge pump circuit with the output regulated to be a fixed multiple of V_{IN} .

with the pump switching on now and then to replenish the charge in the output capacitor. As the load current increases the output capacitor will discharge more rapidly and the pump will have to be on more often to keep the output voltage at the required level. If the load increases further still, the pump will have to be on all the time, after which regulation will be lost and the output voltage will drop as the load increases, just as it will do with the original circuit.

The values of resistors R1 to R4 are chosen so that the same voltage appears at the output of both potential dividers. For example if V_{DD} was +9V and R1 and R2 were equal, they would produce a +4.5V reference level. If the desired output was 48V – which is the value mentioned in the question last month – R3 and R4 would be selected to give +4.5V

too. The comparator would then switch on the output stage of the pump when the output voltage fell below 48V (i.e. the comparator input fell below 4.5V).

Note that the need for “headroom” for the regulated circuit will mean the effective “multiplication factor” for the input to output voltage will be reduced in this version of the circuit and this should be borne in mind when deciding how many stages are required. I.M.B.

Darlington Drivers

I am going to be using a ULN2803A Darlington array in a forthcoming project. I am planning initially to use only four of the transistors, so I would like to know if the remaining ones should be left open circuit or connected to V_{CC} . John Pickard, by E-mail.

These devices are useful general-purpose buffers containing eight Darlington transistor drivers which enable higher power (and higher voltage) loads to be driven directly by low voltage logic circuits. Each buffer is rated at 500mA continuous output sink current, and you can parallel the outputs to handle even higher loads: they are ideal for lamps, i.e.d. arrays, stepper motors etc.

The ULN28xx range pinouts are shown in Fig.5. They have open-collector outputs, with built-in clamping diodes for back-e.m.f. protection – see how all the diode cathodes (k) are commoned to pin 10. A dual-in-line package can handle as much as 300 watts of load, provided that the buffers are strobed at a suitable duty cycle.

I checked the Allegro data book for clues, and it shows that each buffer has internal resistors, presumably to make the buffers 5V

TTL/CMOS compatible. The 2803 uses a 2k7 resistor on each base, plus a 10k divider biasing it to ground (0V).

On that basis, I would say that it is safe to leave device inputs floating. You can also download a data sheet from Allegro at www.allegromicro.com. ARW.

More on Multimeters

Following up on the item on using multimeters to test transistors (Circuit Surgery October

2000), my thanks to Peter Hemsley who writes by E-mail:

The polarity of the positive and negative leads of an analogue meter (i.e. positive comes out of the negative terminal) are not as expected due to the simple circuitry employed and no-one considers it necessary to have extra switching to correct the polarity. The circuit consists of a current meter, a variable resistance (to set the zero) and a battery all in series, so the negative connection of the meter is connected to the negative test lead, and the positive test lead is connected to the negative of the battery. Hence the reversal of polarity. Digital multimeters use a completely different method, the test leads are effectively connected to the input of the DVM i.e. measuring voltage.

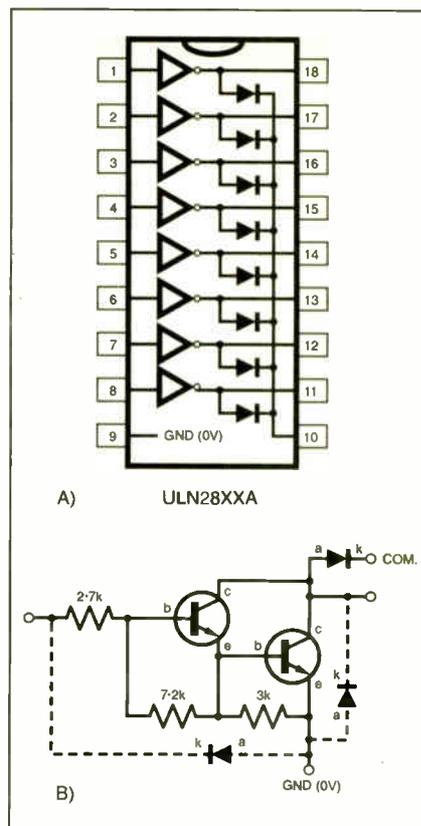


Fig.5. (a) Pinout details for the ULN28XX Darlington array and (b) basic circuit.

One method of producing a voltage proportional to resistance is to pass a constant current through the resistor being measured, but this has the disadvantage that the current source needs to be stable and not suffer from drift. The usual way of measuring resistance is to use the ratio-metric method, where the resistor being measured is connected in series with a reference resistor across a voltage source (usually a few hundred millivolts).

The resistor under test is connected to the measuring input and the reference resistor to the reference input of the DVM i.e., the resulting reading is then the ratio of the voltage across the unknown and the reference resistor. Thus the accuracy of the reading is determined by only the accuracy of the reference resistor.

Thank you for the extra information. For reference Fig. 6 is the internal circuit of a typical moving coil resistance meter. Notice how the battery's negative terminal is indeed connected to the positive test socket. ARW.

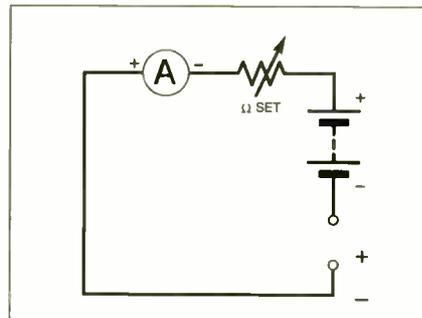


Fig.6. Internal view of an analogue multimeter set for resistance measurement. The positive terminal is connected to the battery negative pole.

*All in all, it can be
thoroughly recommended.*

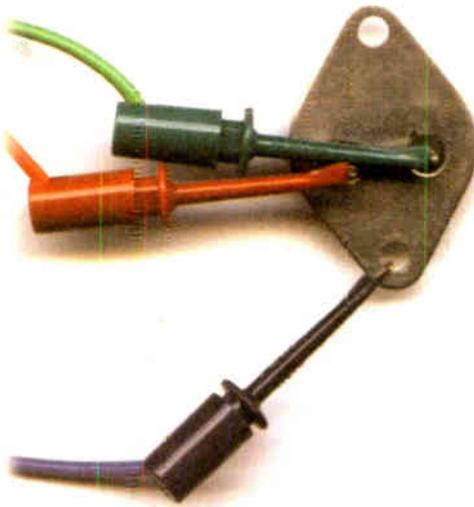
Everyday Practical Electronics - 10/2000

A must-try product

Parnell - 9/2000

What does it offer?

- Automatic component identification
- Pinout identification
- Important parameter measurement
- Clear scrollable pages
- No nonsense simplicity and power



What components are supported?

- Bipolar transistors
- Darlington transistors
- Diode protected transistors
- Resistor shunted transistors
- Enhancement mode MOSFETs
- Depletion mode MOSFETs
- Junction FETs
- Low power triacs and thyristors
- Diodes and diode networks
- LEDs including 2 lead and 3 lead bicolours

We just know you will fall in love with this thing.

We Guarantee it!!

Contact us for a comprehensive data pack. Alternatively, order a Peak Atlas and you can just send it back to us for a full refund if you are not happy for any reason.

You can pay using a cheque, postal order, credit or debit card. Please contact us for overseas or volume orders - you will be pleasantly surprised.

peak electronic design limited

From UK
Tel. 01298 70012
Fax. 01298 22044

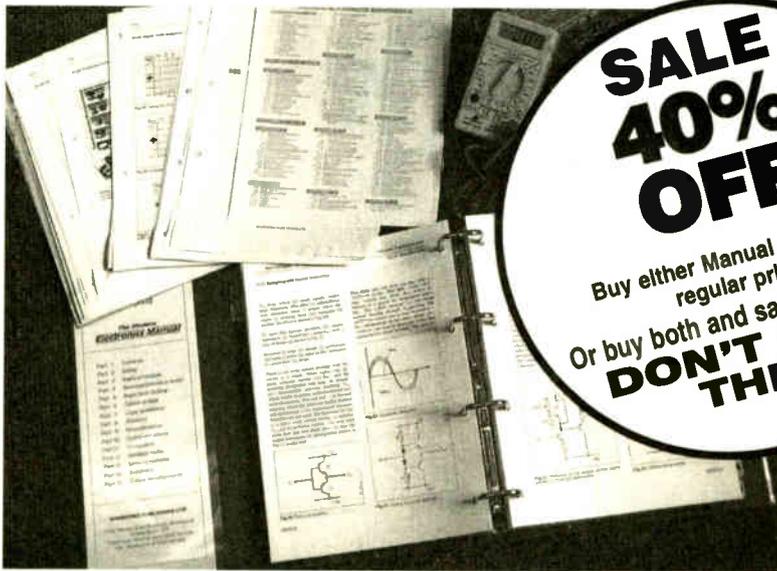
From Outside UK
Tel. +44 1298 70012
Fax. +44 1298 22044

Internet
Web: www.peakelec.co.uk
Email: sales@peakelec.co.uk

West Road House,
West Road,
Buxton, Derbyshire,
SK17 6HF, UK

**WHETHER ELECTRONICS IS YOUR HOBBY
OR YOUR LIVELIHOOD . . .
YOU NEED THE MODERN ELECTRONICS MANUAL
and the ELECTRONICS SERVICE MANUAL**

THE MODERN ELECTRONICS MANUAL



**SALE
40%
OFF**

Buy either Manual at 40% off
regular price.

Or buy both and save even more.
**DON'T MISS
THIS!**

*The essential reference
work for everyone
studying electronics*

- Over 900 pages
- In-depth theory
- Projects to build
- Detailed assembly instructions
- Full components checklists
- Extensive data tables
- Detailed supply information
- Easy-to-use format
- Clear and simple layout
- Comprehensive subject range
- Professionally written
- Regular Supplements
- Sturdy gold blocked ring-binder

EVERYTHING YOU NEED TO GET STARTED AND GO FURTHER IN ELECTRONICS!

The revised edition of the Modern Electronics Base Manual contains practical, easy-to-follow information on the following subjects:

BASIC PRINCIPLES: Electronic Components and their Characteristics (16 sections from Resistors and Potentiometers to Crystals, Crystal Modules and Resonators), Circuits Using Passive Components (9 sections), Power Supplies, The Amateur Electronics Workshop, The Uses of Semiconductors, Digital Electronics (6 sections), Operational Amplifiers, Introduction to Physics, Semiconductors (6 sections) and Digital Instruments (5 sections).

CIRCUITS TO BUILD: There's nothing to beat the satisfaction of creating your own project. From basic principles, like soldering and making printed circuit boards, to circuit-building, the Modern Electronics Manual and its Supplements describe clearly, with appropriate diagrams, how to assemble radios, loudspeakers,

amplifiers, car projects, computer interfaces, measuring instruments, workshop equipment, security systems, etc. The Base Manual describes 13 projects including a Theremin and a Simple TENS Unit.

ESSENTIAL DATA: Extensive tables on diodes, transistors, thyristors and triacs, digital and linear i.c.s.

EXTENSIVE GLOSSARY: Should you come across a technical word, phrase or abbreviation you're not familiar with, simply turn to the glossary included in the Manual and you'll find a comprehensive definition in plain English.

The Manual also covers **Safety** and **Suppliers**. The most comprehensive reference work ever produced at a price you can afford, the revised edition of **THE MODERN ELECTRONICS MANUAL** provides you with all the *essential* information you need.

THE MODERN ELECTRONICS MANUAL

Revised Edition of Basic Work: Contains over 900 pages of information. Edited by John Becker.

Regular Supplements: Approximately 160-page Supplements of additional information which, if requested, are forwarded to you immediately on publication (four times a year). These are billed separately and can be discontinued at any time.

Presentation: Durable looseleaf system in large A4 format

Price of the Basic Work: ~~£39.95~~ **SALE PRICE £23.97** (to include a recent Supplement **FREE**)

Guarantee

Our 30 day money back guarantee gives you **complete peace of mind**. If you are not entirely happy with either Manual, for whatever reason, simply return it to us in good condition within 30 days and we will make a **full refund of your payment** – no small print and no questions asked.

(Overseas buyers do have to pay the overseas postage charge)

ELECTRONICS SERVICE MANUAL

EVERYTHING YOU NEED TO KNOW TO GET STARTED IN REPAIRING AND SERVICING ELECTRONIC EQUIPMENT

SAFETY: Be knowledgeable about Safety Regulations, Electrical Safety and First Aid.

UNDERPINNING KNOWLEDGE: Specific sections enable you to Understand Electrical and Electronic Principles, Active and Passive Components, Circuit Diagrams, Circuit Measurements, Radio, Computers, Valves and manufacturers' Data, etc.

PRACTICAL SKILLS: Learn how to identify Electronic Components, Avoid Static Hazards, Carry Out Soldering and Wiring, Remove and Replace Components.

TEST EQUIPMENT: How to Choose and Use Test Equipment, Assemble a Toolkit, Set Up a Workshop, and Get the Most from Your Multimeter and Oscilloscope, etc.

SERVICING TECHNIQUES: The regular Supplements include vital guidelines on how to Service Audio Amplifiers, Radio Receivers, TV Receivers, Cassette Recorders, Video Recorders, Personal Computers, etc.

TECHNICAL NOTES: Commencing with the IBM PC, this section and the regular Supplements deal with a very wide range of specific types of equipment – radios, TVs, cassette recorders, amplifiers, video recorders etc..

REFERENCE DATA: Detailing vital parameters for Diodes, Small-Signal Transistors, Power Transistors, Thyristors, Triacs and Field Effect Transistors. Supplements include Operational Amplifiers, Logic Circuits, Optoelectronic Devices, etc.

The essential work for servicing and repairing electronic equipment

- Around 900 pages
- Fundamental principles
- Troubleshooting techniques
- Servicing techniques
- Choosing and using test equipment
- Reference data
- Easy-to-use format
- Clear and simple layout
- Vital safety precautions
- Professionally written
- Regular Supplements
- Sturdy gold blocked ring-binder

ELECTRONICS SERVICE MANUAL

Basic Work: Contains around 900 pages of information. Edited by Mike Tooley BA

Regular Supplements: Approximately 160-page Supplements of additional information which, if requested, are forwarded to you immediately on publication (four times a year). These are billed separately and can be discontinued at any time.

Presentation: Durable looseleaf system in large A4 format

Price of the Basic Work: ~~£39.95~~ SALE PRICE £23.97 (to include a recent Supplement FREE)

ORDER BOTH MANUALS TOGETHER AND SAVE ANOTHER £8

A mass of well-organised and clearly explained information is brought to you by expert editorial teams whose combined experience ensures the widest coverage
Regular Supplements to these unique publications, each around 160 pages, keep you abreast of the latest technology and techniques if required

REGULAR SUPPLEMENTS

Unlike a book or encyclopedia, these Manuals are living works – continuously extended with new material. If requested, Supplements are sent to you approximately every three months. Each Supplement contains around 160 pages – all for only £23.50+£2.50 p&p. You can, of course, return any Supplement (within ten days) which

you feel is superfluous to your needs. You can also purchase a range of past Supplements to extend your Base Manual on subjects of particular interest to you.

Supplements. Our unique system is augmented by readers' requests for new information. Through this service you are able to let us know exactly what information you require in your Manuals.

RESPONDING TO YOUR NEEDS

We are able to provide you with the most important and popular, up to date, features in our

You can also contact the editors directly in writing if you have a specific technical request or query relating to the Manuals.

PLEASE send me

THE MODERN ELECTRONICS MANUAL plus a FREE SUPPLEMENT

ELECTRONICS SERVICE MANUAL plus a FREE SUPPLEMENT

I enclose payment of £23.97 (for one Manual) or £39.94 for both Manuals (saving another £8 by ordering both together) plus postage if applicable.

I also require the appropriate Supplements four times a year. These are billed separately and can be discontinued at any time. (Please delete if not required.)

Should I decide not to keep the Manual/s I will return it/them to you within 30 days for a full refund.

FULL NAME
 (PLEASE PRINT)

ADDRESS

.....POSTCODE

SIGNATURE

I enclose cheque/PO payable to Wimborne Publishing Ltd.

Please charge my Visa/Mastercard/Switch Switch Issue No.

Card No. Card Exp. Date

ORDER FORM

Simply complete and return the order form with your payment to the following address:

Wimborne Publishing Ltd, Dept. Y2, Allen House, East Borough, Wimborne, Dorset BH21 1PF

We offer a 30 day MONEY BACK GUARANTEE

– if you are not happy with either Manual simply return it to us in good condition within 30 days for a full refund.

Overseas buyers do have to pay the overseas postage – see below.

POSTAGE CHARGES

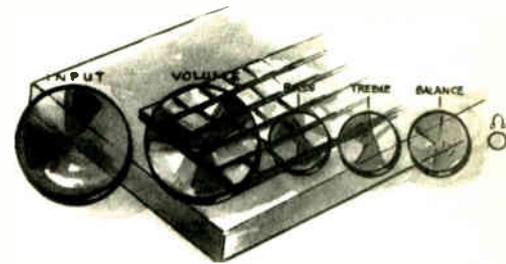
Postal Region	Price PER MANUAL	
	Surface	Air
Mainland UK	FREE	–
Scottish Highlands, UK Islands & Eire	£5.50 each	–
Europe (EU)	–	£20 each
Europe (Non-EU)	£20 each	£26 each
USA & Canada	£25 each	£33 each
Far East & Australasia	£31 each	£35 each
Rest of World	£25 each	£45 each

Please allow four working days for UK delivery.
 NOTE: Surface mail can take over 10 weeks to some parts of the world. Each Manual weighs about 4kg when packed.

esm2

Constructional Project

PC AUDIO POWER METER



ROBERT PENFOLD

PC computer interface for measuring power output from audio amplifiers

THIS project is the latest in the occasional series of PC-based test equipment. Previous units were based on circuits from the *Interface* series of articles. This device is based on an analogue-to-digital converter (ADC) featured in the series, but it is otherwise original.

It enables a PC to measure power, and it is primarily intended for use with audio power amplifiers. However, the interface uses d.c. coupling and it could probably be modified for use in some d.c. power measuring applications.

When used for audio power measurement it provides an 8 Ω dummy load, and shows the peak power and voltage delivered to the load. It also has a virtual panel meter that shows the r.m.s. power level when using sinewave test signals. With sinewave test signals the r.m.s. power level is easily calculated, since it is exactly half the peak power level.

The 12-bit ADC is scaled to read voltages from 0V to 40.95V. With 40 volts into an 8 Ω load it equates to 200 watts ($40 \times 40 = 1600$, $1600/8 = 200$), or 100 watts r.m.s. when using a sinewave test signal. The 8 Ω dummy load can handle a little over 100 watts r.m.s. provided it is equipped with adequate heatsinking.

The circuit connects to the printer port of the host PC, and the port does not need to be a bidirectional type. The power meter program is written in *Visual Basic 6*, and it requires Windows 95, 98 or ME to run. Note that it will *not* work with other versions of Windows. Visual Basic 6 produces programs that are incompatible

with 16-bit versions of Windows such as version 3.1. Windows NT and 2000 do not permit the form of direct port access, which is essential to the operation of this software.

DUMMY LOAD

The block diagram of Fig.1 shows the system used in the PC Audio Power Meter. The input signal is connected to a dummy load, which is simply an 8 Ω resistor that takes the place of a loudspeaker. This

on the assumption of an 8 Ω load impedance could have huge errors if the impedance of the loudspeaker was actually more like 6 Ω or 12 Ω at the test frequency.

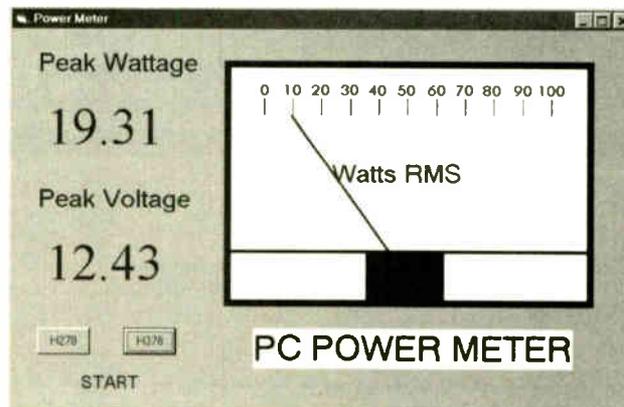
Another problem in using a loudspeaker as the load is that the load would not be purely resistive. There would also be elements of capacitance and inductance, and this slightly complicates matters. With a load that is pure resistance the output current is precisely in-phase with the output voltage.

PEAK PRACTICE

In order to calculate the peak output power it is merely necessary to measure the peak output voltage. From this voltage and the load resistance it is possible to calculate the output power using the method used previously (square the voltage and divide this figure by the load resistance).

Things are more complicated when using a loudspeaker as the load. Because the precise impedance is an unknown quantity, the output voltage and current must both be measured. Simply multiplying the peak voltage by the peak current may not give an accurate figure for peak power, because maximum current might not coincide with maximum voltage.

With capacitance and inductance in the load there are so-called imaginary currents to deal with, as well as the real currents. The point to remember here is that current can flow into and out of theoretically perfect capacitors and inductors, but they do not dissipate any power. To be sure of accurate results the output current and voltage must be continuously sampled and processed by a multiplier circuit to produce a power reading that is always accurate. The peak reading from the multiplier will truly reflect the peak output power from the amplifier.



Virtual screen display of the PC Power Meter.

avoids having unduly loud test tones coming from a loudspeaker used as the load, and it also simplifies measurements.

The main problem with using a loudspeaker as the load is that its actual impedance can vary considerably from its nominal figure of 8 Ω . The actual impedance tends to vary significantly with changes in the input frequency. Measurements made

SYSTEM OPERATION

To avoid complications and ensure consistent test conditions, most audio power amplifier testing is undertaken using a dummy load resistor. For the reasons outlined previously, it is essential to the operation of this power measuring system that the load is a resistor and not a loudspeaker.

The signal fed to the load is also fed to an attenuator that is used to give the correct

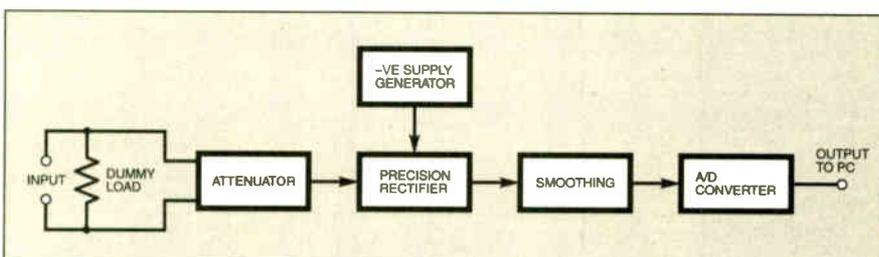


Fig. 1. Block diagram for the PC Audio Power Meter system.

scaling. The ADC has a full-scale reading of 4095, which is achieved at an input potential of 5V. By reducing the input potential by a ratio of a little over 7-to-1 the full-scale input voltage of the circuit as a whole is increased to the required figure of 40-95. The attenuation is adjustable so that the unit can be calibrated against an accurate reference voltage.

With symmetrical waveforms it is only necessary to measure the peak positive or negative input voltage, but not both as they will be the same. With asymmetric waveforms there can be a substantial difference between the peak positive and negative voltages, making it necessary to measure both in order to guarantee accurate results.

In this unit the output of the attenuator is fed to a precision full-wave rectifier so that both sets of half-cycles are measured. The rectifier circuit requires a negative supply, and this is derived from the 9V battery via a simple switch-mode circuit.

The output of the rectifier feeds a smoothing circuit that has a short attack time and a much longer decay period. The effect of this is very much like a peak-hold circuit, with a d.c. output voltage that is equal to the peak input potential.

Resistors R1 and R4 each take little more than one percent of the total power fed to the load, and a rating of two or three watts is therefore adequate for these.

The input attenuator consists of fixed resistor R5 and preset VR1. The latter enables the full-scale sensitivity to be adjusted so that the unit can be accurately calibrated.

IC1 is a dual operational amplifier and it is used in the precision rectifier. Simply feeding the signal through a diode does not give the desired result due to the non-linearity of all semiconductor diodes. An ordinary silicon diode requires a forward bias of about 0.6V before it will start to conduct significantly, and the forward resistance then plummets with only a small increase in the applied voltage.

This means that around 0.6V is needed before any output signal is produced, and



applies the feedback if the output goes negative. This gives what is virtually a standard voltage follower circuit, but the output signal, whatever its polarity, is boosted by about 0.6V.

On positive half cycles D3 feeds the output signal to the smoothing circuit. The voltage added at the output of IC1a by D1 counteracts the losses through D3, giving accurate half-wave rectification via IC1a and D3. IC1b operates as an inverting amplifier having unity voltage gain, and this inverts the output signal from IC1a. On

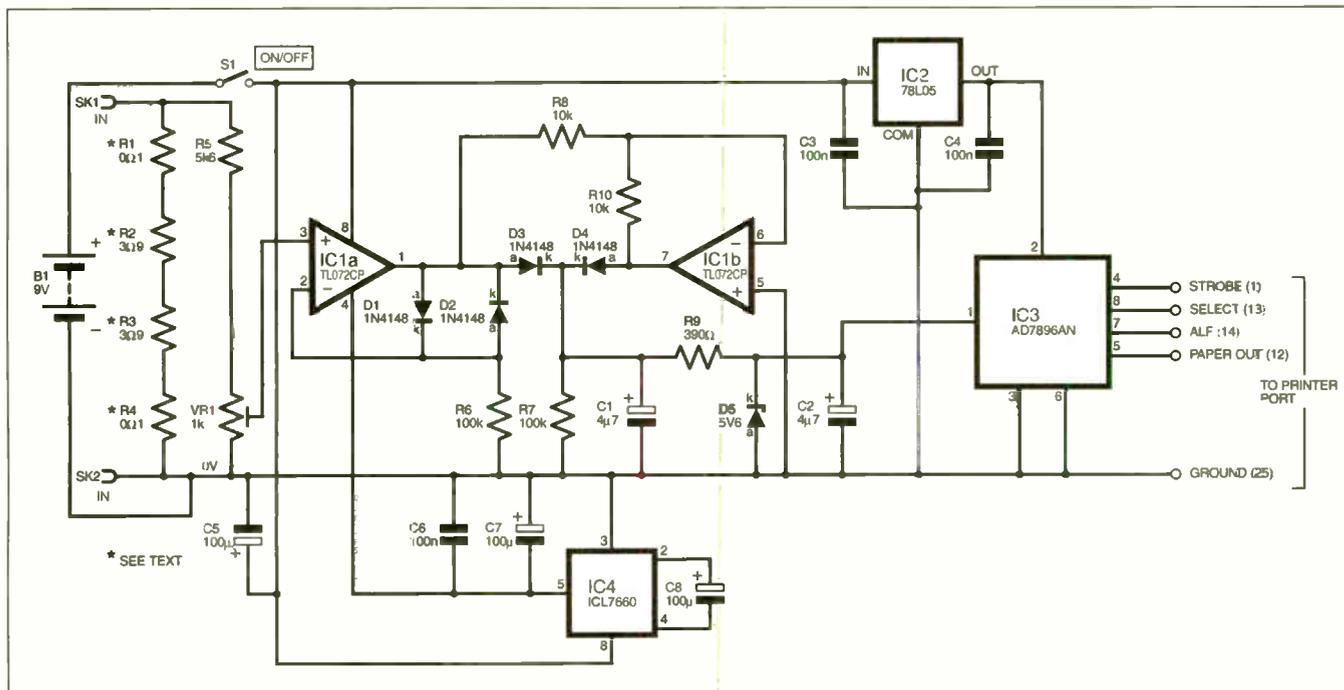


Fig.2. Complete circuit diagram for the PC Audio Power Meter. Note that resistors R1 to R4 must be high wattage types.

The ADC is a 12-bit type that uses serial interfacing to the PC. This enables 12-bit values to be read by way of just two input lines and two output types. Four of the printer port's handshake lines are adequate to provide the interfacing, making it unnecessary for the port to have bidirectional data lines.

CIRCUIT OPERATION

The full circuit diagram for the PC Audio Power Meter appears in Fig.2. The required value for the dummy load is 8Ω, but this is not a "preferred" value. To make up the value of 8Ω, four resistors (R1 to R4) are connected in series. R2 and R3 provide most of the resistance and therefore have to dissipate most of the power. Accordingly, they have power ratings of 50 watts each.

at higher input potentials the output voltage is about 0.6V or so lower than it should be. There are diodes that offer lower forward voltage drops, but none give adequate performance where good linearity is required.

The standard solution to the problem is to include two diodes in the negative feedback circuit of a non-inverting amplifier. In this case the diodes are D1 and D2, and the amplifier is IC1a. At input potentials of less than about 0.6V there is no significant feedback through D1 and D2, which results in IC1 operating at its open loop voltage gain.

This gain is very high, so only a small input voltage is needed to send the output about 0.6V positive or negative. Diode D1 then starts to apply strong negative feedback if the output goes positive, or D2

negative input half cycles the output of IC1b therefore produces positive half cycles that are fed to the smoothing circuit via diode D4.

The negative voltage added at the output of IC1a by D2 produces a positive voltage at the output of IC1b. This voltage counteracts the voltage drop through D4, giving the required precision rectification. The combined output of D3 and D4 does, of course, provide full-wave rectification.

The smoothing circuit has the smoothing capacitance provided by C1 and C2 in parallel. The low source impedance of the rectifier circuit provides a fast attack time, but the high value of resistor R7 produces a much slower decay time.

The value of the smoothing capacitance has to be a compromise. A high value is needed in order to avoid jittery readings at

low frequencies, but also makes the unit slow to respond to a reduction in power level. The specified values for C1 and C2 represent something close to the minimum that should be used. Resistor R9 and diode D5 form a protection circuit that limits the input voltage to the converter to about -0.65 volts and +5.6 volts.

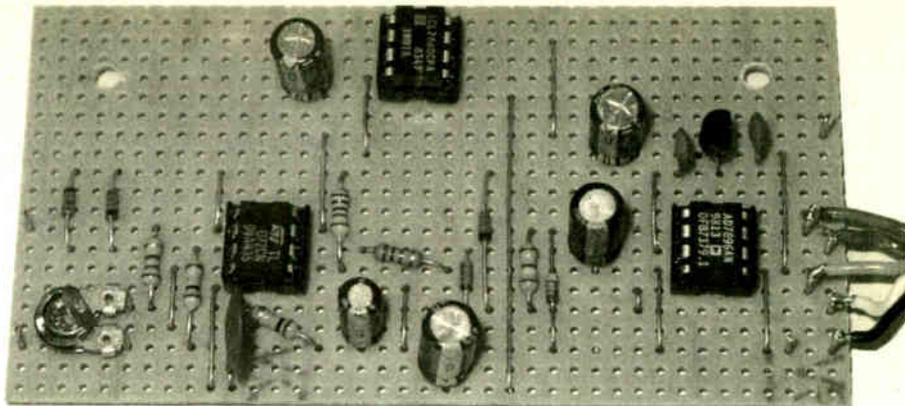
DIGITAL CONVERSION

The ADC device, IC3, requires no discrete components. It requires a 5V supply, and this is derived from the 9V battery by way of a 5V monolithic voltage regulator (IC2). The full-scale input voltage of the converter is equal to the supply potential.

The chip interfaces to the PC via a simple four-wire serial system. The computer pulses pin 7 low to start a conversion and then monitors pin 8, which goes low when the conversion has been completed.

The first bit is then read from pin 5, a clock pulse is supplied to pin 4, the next bit is read from pin 5, another pulse is supplied to pin 4, and so on until 16 bits have been read. Note, though, that the first four bits are always at zero, and that the converter only provides 12 valid bits of data.

The negative supply for IC1 is provided by a simple switch-mode power supply based on IC4. This chip uses a d.p.d.t. electronic switch to first connect C8 to the 9V supply, and then connect it to the output. The switching is arranged so that a negative supply is produced on smoothing capacitor C7, and despite losses through IC4 the negative supply voltage is only marginally lower than the positive supply potential.



Component layout on the completed circuit board.

There is a slight imbalance in the supply potentials, but the difference is not large enough to be of any practical consequence. The current consumption of the entire circuit is about 8mA to 10mA. A PP3-size battery is just about adequate to supply this, but six AA size cells in a holder is a more practical choice if the unit will receive a great deal of use.

CONSTRUCTION

Most of the components are assembled on a stripboard that measures 39 holes by 20 copper strips. This can conveniently be cut from a standard 39 by 29 or 39 by 39 stripboard. The component layout for the board and the underside view showing the breaks in the copper strips are given in Fig.3.

Construction follows along the usual lines with the two mounting holes being drilled in the board, the breaks being made in the strips, and then the components and link wires are fitted. The chips

used for IC3 and IC4 are MOS types that require the standard anti-static handling precautions.

In particular, they must be fitted in holders (sockets), and the use of a holder for IC1 is also recommended.

Do not fit the integrated circuits into the holders until all the wiring has been completed, and try to touch the pins as little as possible. Keep the integrated circuits away from any likely sources of strong static charges.

The link-wires are made from 22 or 24 s.w.g. tinned copper wire. It is a good idea to insulate the longer wires with p.v.c. sleeving to ensure that there are no accidental short-circuits. Fit single-sided solder pins at the points where connections to the off-board components such as SK1 and SK2 will be made. Generously tin the tops of the pins with solder, and it should then be easy to make reliable connections to them later on.

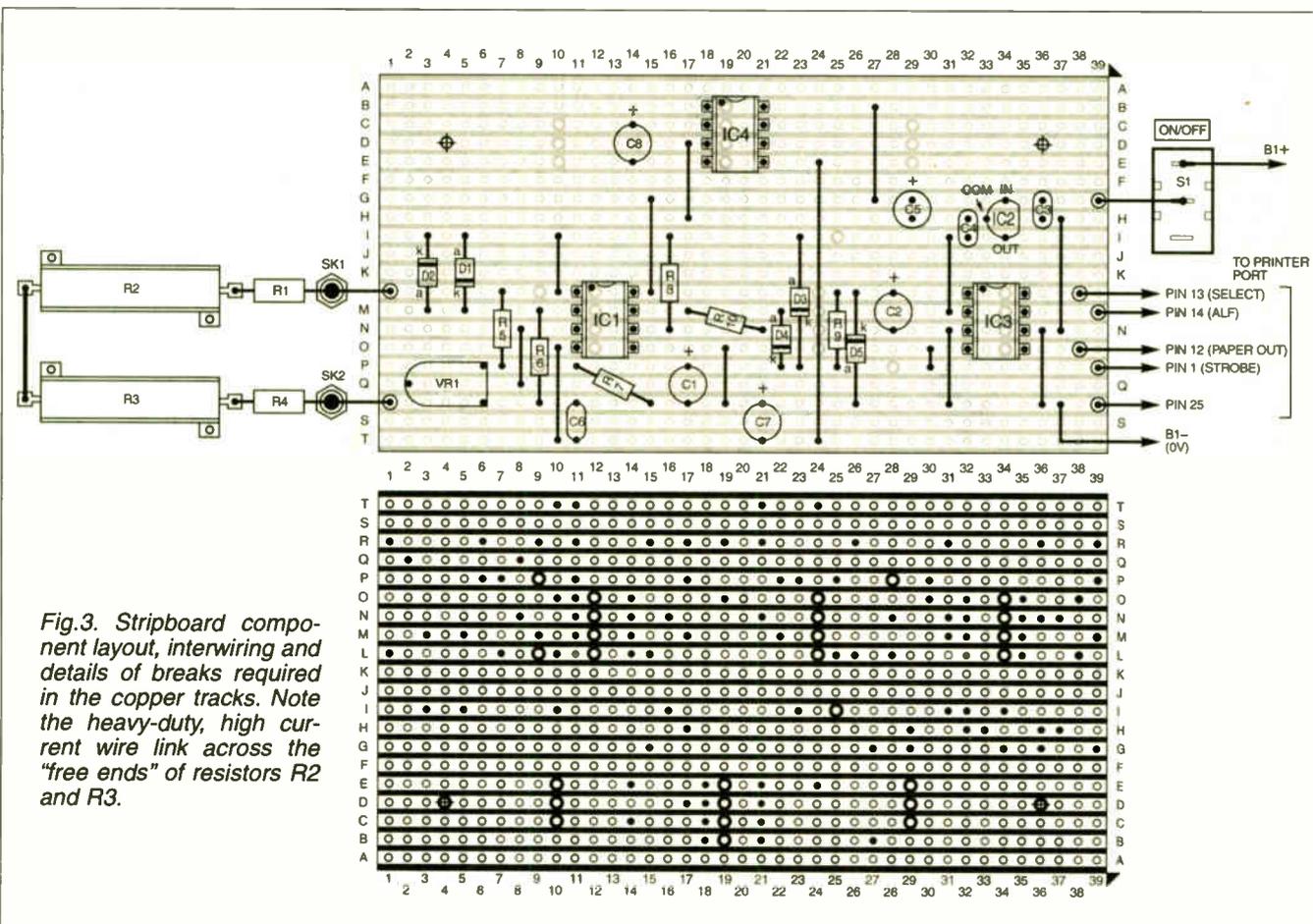


Fig.3. Stripboard component layout, interwiring and details of breaks required in the copper tracks. Note the heavy-duty, high current wire link across the "free ends" of resistors R2 and R3.

ENCLOSURE

A metal case must be used for this project due to the substantial amount of heat generated by R2 and R3 when measuring high power levels. Note that these resistors can only be used continuously at their rated powers if they are fitted on substantial heatsinks rated at about 3°C per watt.

Provided the unit is housed in a reasonably large metal case having ventilation grilles the case should provide adequate heatsinking. If it is likely that the unit will be used with high output powers for long periods it is safer to fit the resistors onto large heatsinks.

The resistors, with or without heatsinks, are fitted on the base panel of the case near the rear of the unit, leaving sufficient space for the circuit board at the front (see photograph). It is advisable to use heatsink

compound to ensure that there is a good thermal contact between the resistors and the heatsink or chassis.

The fixings for the circuit board must include spacers about 6mm or more in length so that the connections on the underside of the board are kept well clear of the metal case.

Switch S1 is mounted at any convenient point on the front panel. SK1 and SK2 must be heavy-duty sockets that are capable of handling the high currents involved in this application. The types of connector that are normally used for loudspeaker outputs are the best choices, such as terminal posts or heavy-duty spring terminals.

Resistors R1 and R4 are connected between the sockets and the two high-power resistors, as shown in Fig.3. A wire to connect R2 and R3 is also needed, and is included in Fig.3, as is all the hard wiring. This wire carries high currents of up to about 5A r.m.s. and a fairly heavy gauge of wire must therefore be used. Ordinary hook-up wire is suitable for the connections from sockets SK1 and SK2 to the circuit board, since this is a low current connection.

LINKING-UP

The easiest way to make the connections to the printer port of the PC is to hard wire one end of the cable to the circuit board, and to connect the other end to a 25-way male D-type connector. This type of connector is the standard type for the printer ports of desktop PCs. Virtually any 5-way cable is suitable, but about one metre of ribbon cable is probably the best choice.

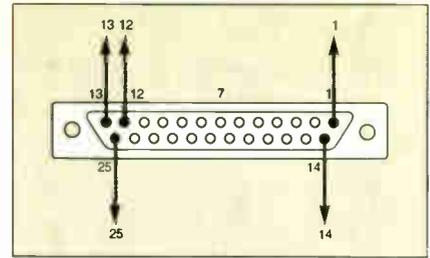


Fig.4. The five connections to the 25-way male D-connector.

The pin numbering and connections to the 25-way connector are shown in Fig.4, which shows the connector viewed from the rear (i.e. the side to which the connections are made). An exit slot for the cable must be filed in one side of the rear panel.

The alternative method is to wire the circuit board to a 25-way D-connector fitted on the rear panel. The interface is then connected to the PC via a suitable 25-way D-connector lead. This is in some ways the neater way of doing things, but is more difficult and expensive to implement. Also, great care has to be taken to ensure that all the connections are carried through correctly to the PC.

CALIBRATION AND USE

Since the unit is d.c. coupled, the easiest calibration method is to feed the input from a bench power supply unit. An accurate multimeter is used to set a known output voltage, and preset VR1 is then adjusted to give the appropriate voltage reading

COMPONENTS

Resistors

R1, R4	0Ω1 3W 5% wirewound (2 off)
R2, R3	3Ω29 50W wirewound (2 off)
R5	5k6 0.25W 5% carbon film
R6, R7	100k 0.25W 5% carbon film (2 off)
R8, R10	10k 0.6W 1% metal film (2 off)
R9	390Ω 0.25W 5% carbon film

Potentiometer

VR1	1k miniature preset, horizontal
-----	---------------------------------------

See
SHOP
TALK
page

Capacitors

C1, C2	4μ7 radial elect. 50V (2 off)
C3, C4, C6	100n disc ceramic (3 off)
C5, C7, C8	100μ radial elect. 10V (3 off)

Semiconductors

D1 to D4	1N4148 signal diode (4 off)
D5	5V6 400mW Zener diode
IC1	TL072CP dual op.amp
IC2	78L05 +5V 100mA voltage regulator
IC3	AD7896AN 12-bit ADC
IC4	ICL7660 voltage converter

Miscellaneous

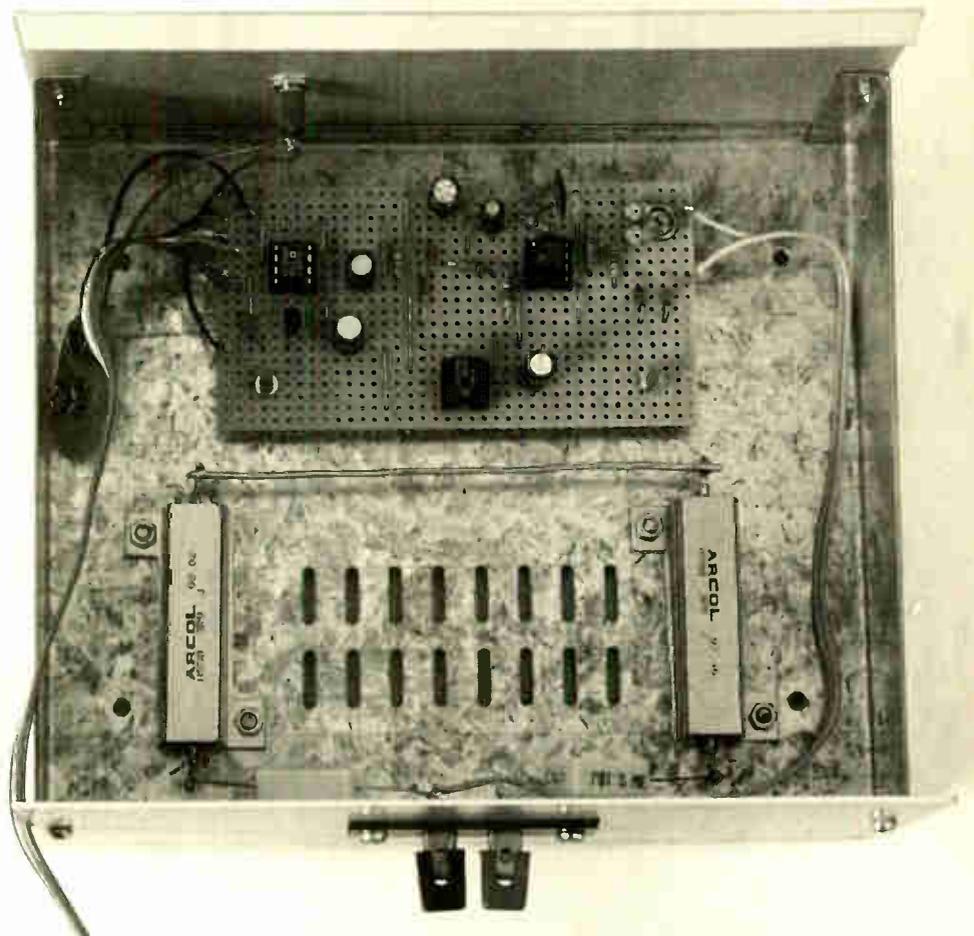
S1	s.p.s.t. min. toggle switch
B1	9V battery (PP3 type - see text)
SK1, SK2	spring terminals (see text)

Metal case, 175mm x 160mm x 85mm (approx); 0.1-inch matrix stripboard, 39 holes x 20 strips; 8-pin d.i.l. socket (3 off); battery connector; 25-pin male D-type connector and 5-way lead (see text); connecting wire; fixings; solder, etc.

Approx. Cost
Guidance Only

£27

excluding case & batt.



General internal layout of components inside the metal case. The high power resistors (R2, R3) are bolted to the metal base panel, either side of the vent slots.

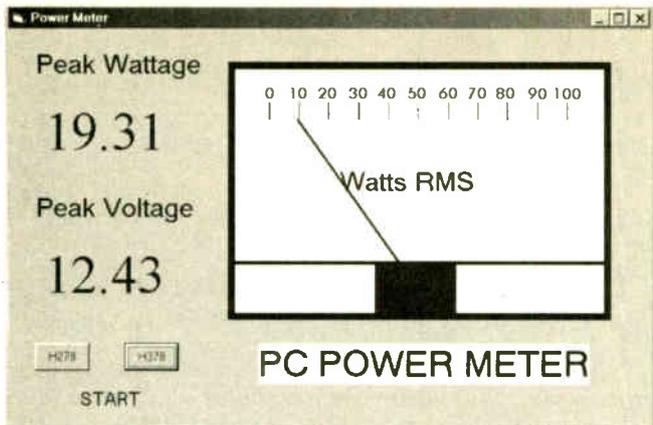


Fig.5. Screen dump of the PC Audio Power Meter in action.

from the on-screen voltage display. Bear in mind that the dummy load will give quite high current flows when using even quite low input voltages. If loading of the power supply is a problem, temporarily disconnect the dummy load while the unit is calibrated.

Also bear in mind that one input socket (SK2) connects to earth. If one output of the power supply is also earthed it is essential to connect the supply with the correct polarity or it will be short-circuited.

When testing most ready-made amplifiers it does not matter which way round the outputs are connected to the inputs of the power meter interface. Ready-made amplifiers usually have double insulation and no connection to the mains earth lead. It would clearly be prudent to check this point before connecting an amplifier to the interface. If one output is connected to the mains earth lead, then this output must connect to the earth rail of the interface, which will almost certainly be earthed via the PC.

Home constructed power amplifiers that are mains powered normally have one output connected to the mains earth, and it is then imperative that this output connects to the earth rail of the interface. Home built amplifiers that use the bridging technique usually have an earthed chassis, but neither output connected to earth. **Amplifiers of this type must not be used with this interface, and very high output currents would flow if they were connected to the unit.**

FOUR-OHM LOAD

It is easy to modify the unit to provide a 4Ω load. The simplest method is to replace R1 and R2 with a shorting link, or to have a heavy duty switch connected across them so that the unit can be switched from 8Ω to 4Ω operation. Obviously this method halves the power rating of the dummy load to a little over 50 watts.

The alternative is to add another set of four resistors in parallel with the existing dummy load. These could be connected via a heavy-duty switch to permit switching between 4Ω and 8Ω operation. The advantage of this method is that the power rating of the dummy load is doubled when the extra resistors are used. Of course, a given input voltage produces double the current flow and power level when a 4Ω load is used. The digital display will then read equivalent r.m.s. power and not the peak power level.

PROGRAM OPERATION

A screen dump of the program in operation is shown in Fig.5. Clicking on either of the buttons sets the printer port address range used and starts the program. Printer port 1 is normally at base address H378, and port 2 is usually at H278.

The digital readouts provide readings of peak power and voltage, and the analogue readout on a virtual panel meter gives the equivalent r.m.s. power value. *Note that the r.m.s. reading is only valid when using sinewave test signals with no serious clipping of the output signal.*

The routine that reads the converter and updates the displays is assigned to a timer. Initially the timer is disabled, but operating one of the command buttons assigns the appropriate values to the variables that store the port addresses and then enables the timer. The routine assigned to the timer starts by generating a pulse to start a conversion. A hold-off is then needed to allow time for the conversion to be completed.

This can be provided by monitoring the Busy output of the converter, which goes low when a conversion has been completed. This method was used for previous EPE designs that used the AD7896 converter chip, but it seems to result in the program tending to hang when used with some printer ports.

The Busy line is connected to the printer port so that this method can be tried by those who like to "do their own thing", but the use of a delay loop seems to be the

safer option. This is the method used here, and the delay subroutine is also used to lengthen all the control signals from the computer. This reduces the risk of problems with stray coupling in the connecting cable.

Next the data is clocked out, read bit by bit, and assembled into a 12-bit value. Dividing the value from the converter by 800 and 100 respectively provides the current and voltage readings. The software provides no current readout, but this value is available in the Current variable for anyone who wishes to use it in his or her own version.

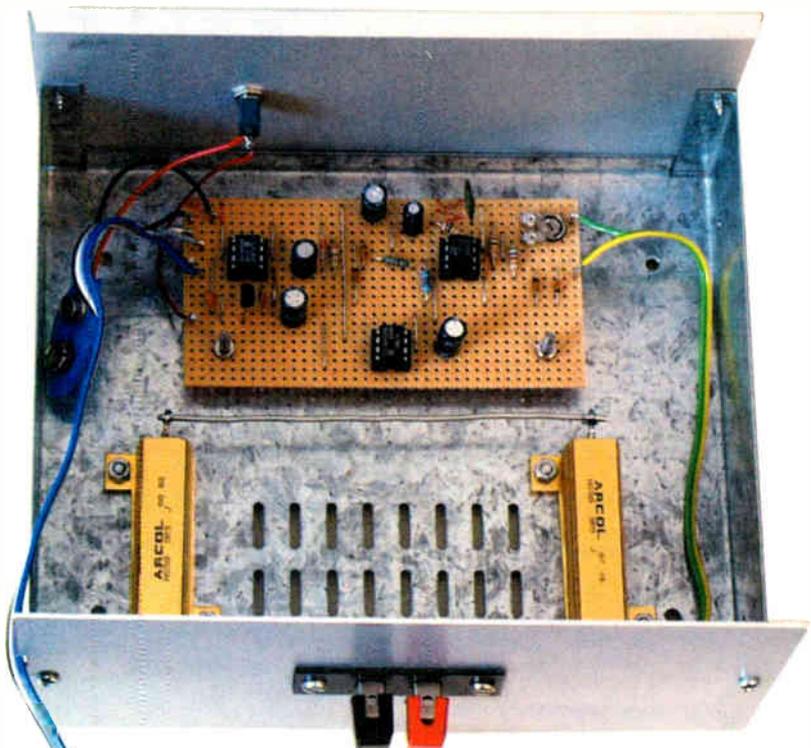
Multiplying the current and voltage readings provides the measured power level, and some further mathematics then limits readings to a manageable two decimal places. Some further mathematics then produce a value that can be used as the X2 co-ordinate of Line1, which is the pointer of the virtual panel meter.

OBTAINING SOFTWARE

The PC Audio Power Meter's software is available from the EPE web site (free) or from the Editorial Office (a small charge applies). See this month's *Shoptalk* page. You need to have Visual Basic 6 already installed on your computer.

The program has been compiled to what is almost a stand-alone .EXE file (source code is also supplied). There are no INP and OUT commands in Visual Basic 6, and these are added using a Freeware file called INPOUT32.DLL. This file should be included in the same directory as the program file, or in the Windows/System directory.

No installation is required and the program can be run using the usual Start button followed by the Run option. Alternatively, find the program file using Windows Explorer and then double click on it. □



Completed unit showing the two heavy-duty, spring-loaded loudspeaker output terminals fixed to the rear panel.

HOW TO USE GRAPHICS LIQUID CRYSTAL DISPLAYS WITH PICS

JOHN BECKER

A step-by-step guide to understanding and using pixel-matrixed graphics l.c.d.s with your PIC microcontroller projects.

GRAPHICS liquid crystal displays have been available for several years. It would appear, though, that *EPE* readers have not successfully explored them. At least, that seems the logical conclusion since we have never been offered a design which uses them.

One reason may be that the prices of such devices have, in many instances, been somewhat expensive. Whilst many continue to be pricy for the average hobbyist, less expensive ones have been making their appearance.

Possibly the principal reason we have not been offered working designs is that readers have not been able to obtain, let alone interpret, the data sheets associated with them.

The latter stumbling block very much faced the author when he decided that he would like to know how to use graphics displays. Intermittently over several days, he scoured the Internet in search of their manufacturers and suppliers. As it turned out, there are quite a few around the globe, but when it came to obtaining data sheets – well, that was a totally different matter.

DATA DENIAL

Farnell appeared to have a selection of displays within a reasonable price range, but stated “no parametric data available”. Attempting to Net-search for the manufacturer of these devices, Perdix, only revealed countless sites to do with *partridges* (a bird for which the Latin and Greek name is *perdix*!)

Whilst research had showed that RS Components supplies graphics displays, the only data sheet (RS

298-4613) available turned out to be specific to a development kit which uses them.

However, in the RS catalogue, the manufacturer of their displays is quoted as Powertip. Doing a Net-search, and eventually accessing Powertip’s web site in Taiwan, rudimentary data on the devices was located. But, frustratingly, Powertip denies access to its data sheets by those who are not registered distributors.

Contacting the technical department at RS, the author was put in touch with an agent who imports from Powertip. This company sent Powertip’s data sheet, a document which might, perhaps, be understandable to those already familiar with graphics l.c.d.s but is certainly not conducive to teaching those who do not. Its

intelligibility is also marred by having been translated by someone inadequately familiar with English. Gross errors of fact were spotted as well.

To cut short a lengthy and convoluted tale, no manufacturer or supplier could be found who had adequate data for graphics displays available for download.

TOSHIBA T6963C

During the Net searches, however, various manufacturers had stated that their displays were controlled by the Toshiba T6963C chip, the same device as used by Powertip. Seemingly, then, the control architecture offered by the T6963C could be regarded as an “industry standard”, and thus worth pursuing further through a Powertip display, the PG12864.

Toshiba state that the T6963C is an l.c.d. controller that has an 8-bit parallel data bus plus control lines for reading or writing through a microcontroller interface (such as a PIC).

It has a 128-word character generator ROM (read only memory) which can control an external display RAM (random access memory) of up to 64 kilobytes. It can be used in text, graphic and combination text-and-graphic modes, and includes various attribute functions.

Searching Toshiba’s web site, the T6963C was eventually located (under Analogue & Peripherals/LCD Driver!), and its 46 page data sheet downloaded.

This data turned out to be the key to getting to grips with graphics l.c.d.s. Not so much because the data sheet was intelligible (which it did not become until much later), but because it gave programming examples of controlling the T6963C, albeit written in a microcontroller command language unknown to the author.

There were, though, sufficient commands whose structure appeared to be close to some other machine code dialects with which the author is familiar, for a translation to PIC microcontroller language to be attempted.

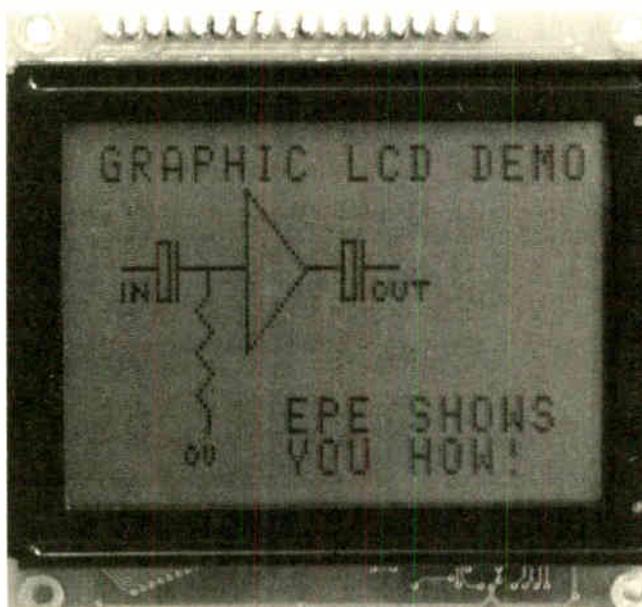


Photo 1. Graphics l.c.d. screen showing the display generated by the author’s first demo program.

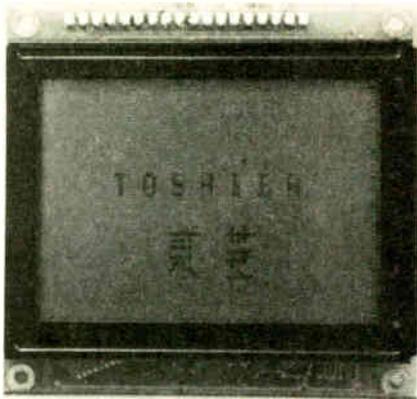


Photo 2. Toshiba's demo display.

Success was achieved when the display in Photo 2 appeared on the author's Powertip PG12864 64 x 128 pixel graphics l.c.d. screen - eventually!

POWERTIP PG12864

Whilst it is the Powertip PG12864 graphics display (RS 329-0329) used in the demos

discussed, the commands are relevant to *any* graphics l.c.d. which uses the Toshiba T6963C controller, although the pin count/order may differ between display types. The PG12864 has the pinouts shown in Fig.1.

The PG12864 has a full dot-matrix l.c.d. structure consisting of a visible screen area having 128 dots x 64 dots (8192 dots in total). There are eight data lines, D0 to D7, and six control lines comprising WR, RD, CE, CD, RST and FS, names which will be clarified shortly.

The display has a single positive supply line (Vdd) at pin 3. The recommended working voltage is 5V, with an absolute maximum of 7V. There are two 0V connections, of which GND (pin 2) is the signal ground (Vss), and FG (pin 1) is the ground connection for the display's metal frame (bezel).

Display contrast is controlled via pin 4, named as CX in Fig.1 but can also be referred to as V0. This pin is normally

connected to a negative voltage supply, of about -5V, via a contrast-adjusting preset potentiometer of typically 10kΩ to 25kΩ.

A summary of the pin functions is given in Table 1.

Which brings us to the first of the major discrepancies found in Powertip's own data sheet (be warned if you obtain it!):

1. Powertip quote data line D0 as being MSB. It's not. D0 is LSB (see Table 1).

2. Powertip also show an incorrect circuit diagram for the control of the screen contrast. The control pot is shown wrongly connected across pin 3 (+5V) and pin 9 (RST) with the wiper on pin 4 (CX). Furthermore, pin 9 is marked as V_{EE} (-VE). This configuration does not work.

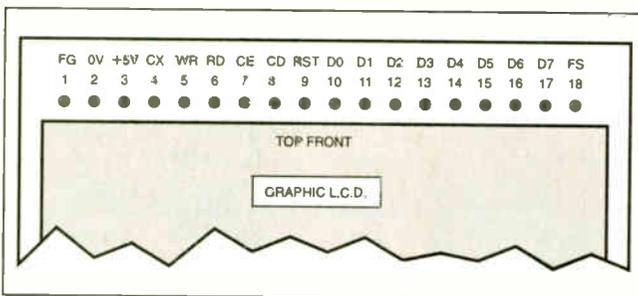


Fig. 1. Pinouts of the Powertip PG12864 graphics l.c.d. module.

Table 1. Graphics l.c.d. pinout functions.

Pin	Symbol	Function
1	FG	Frame ground (connected to metal bezel)
2	GND	Signal ground supply (Vss)
3	+5V	Positive supply for logic (Vdd)
4	CX	Negative supply (V0) for l.c.d. contrast (-3.5V approx)
5	WR	Data write (active low)
6	RD	Data read (active low)
7	CE	Chip enable (active low)
8	CD	CD = 1, WR = 0: command write CD = 1, WR = 1: command read CD = 0, WR = 0: data write CD = 0, WR = 1: data read
9	RST	Module reset (active low)
10-17	D0-D7	Data bus (D0 = LSB, D7 = MSB)
18	FS	Font select: FS = 0: 8 x 8 dots font FS = 1 (or open-circuit): 6 x 8 dots font

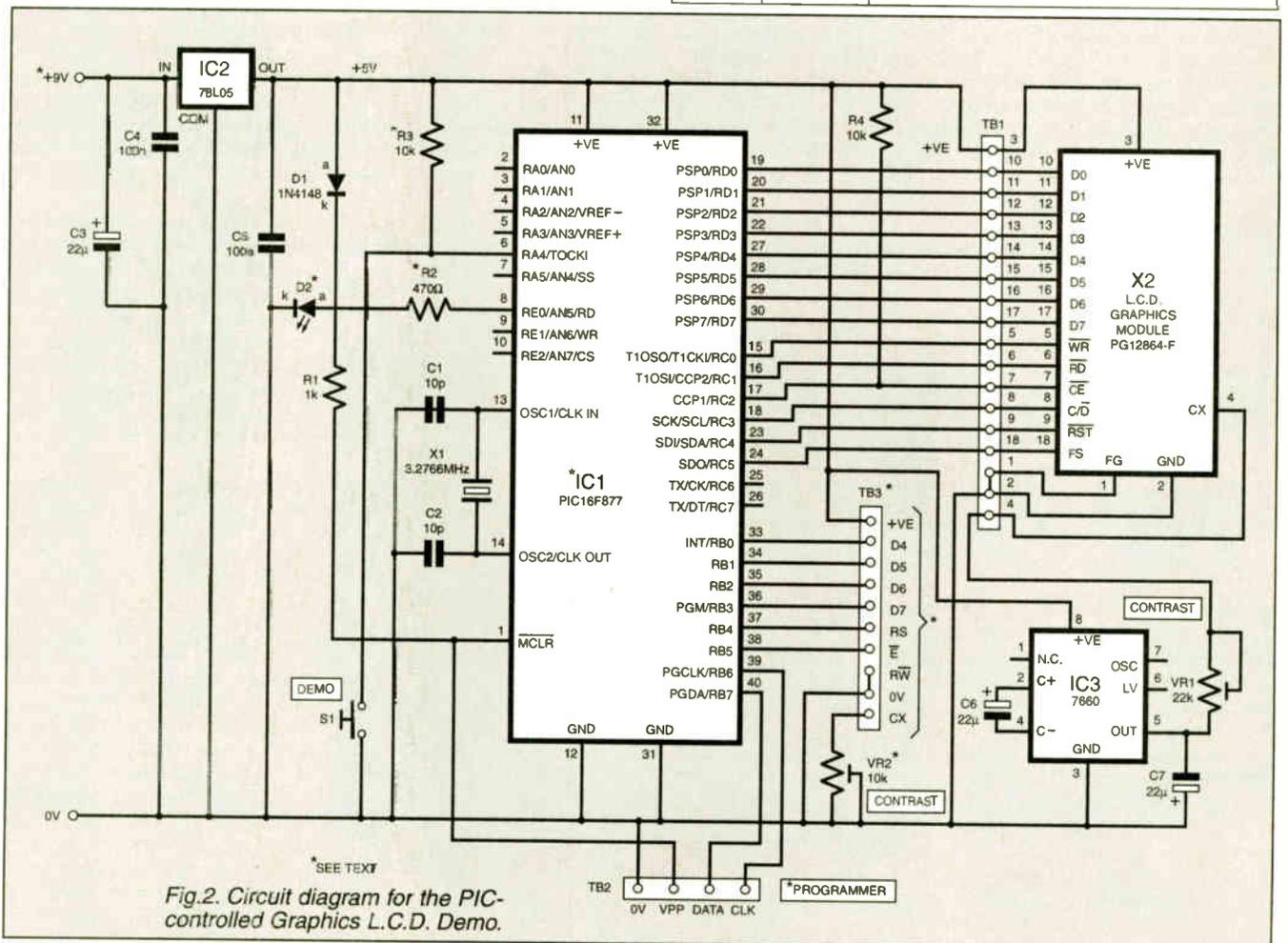


Fig. 2. Circuit diagram for the PIC-controlled Graphics L.C.D. Demo.

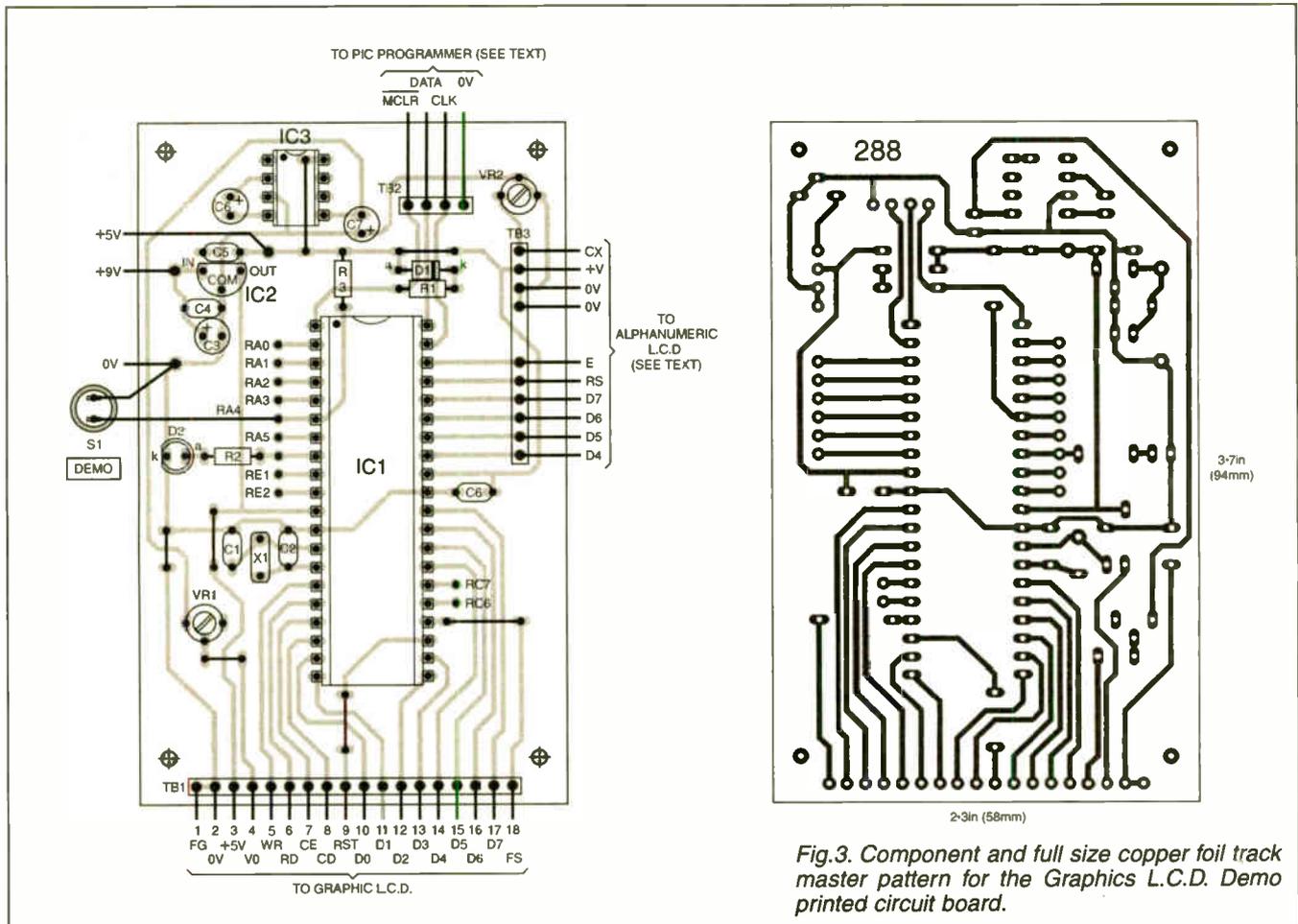


Fig. 3. Component and full size copper foil track master pattern for the Graphics L.C.D. Demo printed circuit board.

Pin 9 (RST) does not go to -VE. It is held at logic 1 (+5V) for normal control chip operation and may be taken (briefly) to 0V to reset the chip, but it *must never be taken negative*, nor should one side of the control pot ever be connected to this pin.

Experimentation showed that the control pot's wiper *should* be connected to pin 4. One outer terminal of the pot then connects to a negative supply of, for example, -5V. The unused pot terminal is best connected to the wiper. This is illustrated in the demo circuit diagram (Fig. 2.). The preset is adjusted until the desired contrast is observed.

The Toshiba data sheet does not discuss l.c.d. contrast setting, whilst that from RS is highly ambiguous on the subject.

DEMO CIRCUIT

The circuit diagram which the author used in his examination of the PG12864 display is shown in Fig. 2. The circuit includes a PIC16F877 microcontroller (IC1), a crystal (X1) and its two capacitors (C1, C2), a 5V voltage regulator (IC2), a negative voltage inverter (IC3) with its two capacitors (C6, C7), the PG12864 l.c.d. display (X2) which is connected to the PIC via connector pins TB1, contrast controlling preset (VR1) and switch S1.

Components R1 and D1 are included so that the PIC may be programmed on-board via connector TB2 and a suitable PIC programmer, such as the author's *PIC Toolkit Mk2* (May-June '99).

Resistor R2 and l.e.d. D2 were used by the author when originally translating the Toshiba demo program, the l.e.d. being set on or off at strategic points in the developing software. They have been left in and

COMPONENTS		Approx. Cost Guidance Only	£50 excluding case & batt.
Resistors	R1 1k R2 470Ω R3, R4 10k (2 off) All 0.25W 5% carbon film.		microcontroller, pre-programmed (see text)
Potentiometers	VR1 22k (or 25k) min. preset, round VR2 10k min. preset, round (see text)	IC2 IC3	78L05 +5V 100mA regulator 7660 negative voltage converter
Capacitors	C1, C2 10p ceramic, 5mm pitch (2 off) C3, C6, C7 22μ radial elect. 16V (3 off) C4, C5 100n ceramic, 5mm pitch (2 off)		Miscellaneous S1 min. s.p. push-to-make switch X1 3.2768MHz crystal (see text) X2 graphics l.c.d. module, Toshiba T6963C-based, 64 x 128 pixels, e.g. Powertip PG12864-F (see text)
Semiconductors	D1 1N4148 signal diode D2 red l.e.d. (see text) IC1 PIC16F877		Printed circuit board, available from the <i>EPE PCB Service</i> , code 288; 8-pin d.i.l. socket; 40-pin d.i.l. socket; terminal pin header strips and connectors (see text); 18-way ribbon cable (a few centimetres); p.c.b. supports (4 off); solder, etc.

may be similarly used by readers when writing their own software. The control line is PORTE pin 0 (RE0).

Resistor R4 is included to keep the l.c.d.'s CE line high when the PIC is being programmed (so avoiding random displays appearing on the screen during that operation).

Resistor R3 biases high open-collector pin RA4 allowing demo-stepping switch S1 to operate correctly.

Components VR2 and TB3 are discussed in a moment.

A d.c. supply of between about 7V and 12V (nominally stated as +9V) can be used for powering the circuit via the 5V regulator, IC2.

Incidentally, the crystal clock frequency is not a critical matter and other frequencies could be used. If a crystal of greater than 4MHz is used, though, the PIC's configuration bit OS1

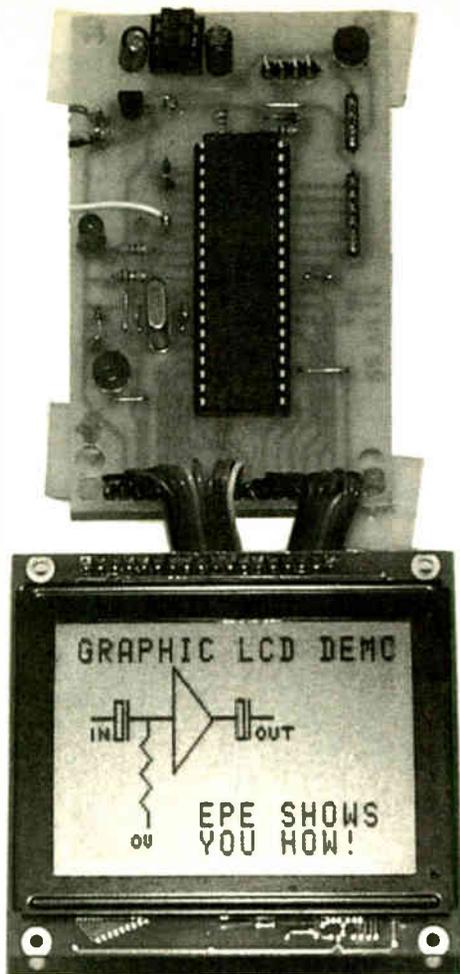


Photo 3. Demo printed circuit board assembly.

should be set high and OS0 set low (see later).

For his own demo board, the author in fact uses a 5MHz crystal, which does fractionally speed up Demo 8.

It may also be worth bearing in mind that the author's forthcoming follow-up constructional article, in which a PIC16F877 and the same graphics l.c.d. are used, also requires a 5MHz crystal.

PRINTED CIRCUIT BOARD

It is emphasised that unless you have a PIC programmer, there is no point in building this design since much of the discussion here concerns experimental software changes that you are recommended to try. These changes, once made, need the software to be re-assembled and downloaded to the PIC.

A printed circuit board design and its component layout are shown in Fig.3. This board is available from the *EPE PCB Service*, code 288.

You will observe that the p.c.b. includes components VR2 and TB3 towards the right. These are the points at which the author also included an ordinary alphanumeric l.c.d. so that various routines could be monitored during the development of the software translation from Toshiba to PIC.

The holes and tracks have been left intact so that the p.c.b. could be used as a future general-purpose development board with either type of l.c.d., and in conjunction with a PIC16F877.

A circuit diagram for the second l.c.d. is

CONSTRUCTION

It is expected that all who build the circuit will be sufficiently experienced not to need constructional advice. It is recommended, though, that sockets are used for IC1 and IC3, and that pin header strips are used for the TB1 to TB3 connections.

Ideally, a graphics l.c.d. should be purchased that already has a suitable pin connector wired to it (see this month's *Shoptalk* page). The connections to the p.c.b. are in the "natural" order of the PG12864 l.c.d. used (as shown previously in Fig.1).

PIC PROGRAMMING

Having built the board and proved its workability, three lots of software need to be programmed into the PIC, one now and two later.

Before doing so, though, the PIC needs to be configured with the following settings (which are all *PIC Toolkit Mk2* default settings for a PIC16F877 running at 4MHz):

CP1	CP0	DBG	NIL	WRT	CPD	LVP
1	1	1	1	1	1	0
BOR	CP1	CP0	POR	WDT	OS1	OS0
0	1	1	0	0	0	1

Note that Logic 1 and Logic 0 in the settings do NOT necessarily mean that the function is on/off respectively – refer to the PIC '87 data sheet if you need to know more (also see earlier regarding the oscillator rate).

For the first part of the discussion that follows, you need the Toshiba demo

	LSB	0	1	2	3	4	5	6	7	8	9	A	B	C	D	E	F
MSB	0	!	"	#	\$	%	&	'	()	*	+	,	-	.	/	
1	0	1	2	3	4	5	6	7	8	9	:	;	<	=	>	?	
2	@	A	B	C	D	E	F	G	H	I	J	K	L	M	N	O	
3	P	Q	R	S	T	U	V	W	X	Y	Z	[\]	^	_	
4	'	a	b	c	d	e	f	g	h	i	j	k	l	m	n	o	
5	P	q	r	s	t	u	v	w	x	y	z	{		}	~		
6	5	6	7	8	9	0	1	2	3	4	5	6	7	8	9	A	B
7	E	x	E	ö	ö	ö	ü	ü	9	0	ü	ü	ü	ü	ü	ü	ü

Fig.4. Character set for the Powertip PG12864 display (note that the last two lines may differ in some modules).

not included here, but the pin order and functions, and the controlling software subroutines, are the same as used in other recent "normal" l.c.d. projects designed by the author and published in *EPE*. The connections can be ascertained by studying any of those. In Fig.2, the connections are shown as TB3, with VR2 as the contrast control.

program loaded into the PIC, GRAPHEPE.OBJ (source code name GRAPHEPE.ASM). The software is written in TASM, but *PIC Toolkit Mk2* can translate between TASM and MPASM if the latter is the programming language you are used to.

Two other program files will be loaded into the PIC later on.

The software is available free via the *EPE* web site, or on 3.5-inch disk (for which a nominal handling charge is made) from the Editorial office. See *Shoptalk* for details of both matters.

Having loaded the Toshiba demo, the display shown earlier in Photo 2 should be seen. It may be necessary for preset VR1 to be adjusted before the image is clearly visible.

It is this demo result which is first discussed before moving on to the author's demos, for which various exercises are suggested at some points.

DISPLAY STRUCTURE

Before starting to discuss programming detail, it is necessary to understand the physical arrangement of the ways in which data can be shown on the l.c.d. screen. There are three options, which can be summarised as:

1. **Alphanumeric text display** using the built-in character generator (as with any standard alphanumeric l.c.d.). 128 characters are available, as shown in Fig.4, and which are called by their own location numbers. In a very loose sense they can be regarded as the equivalent of ASCII characters. The addressing number order runs from zero to 127. Writing any of these values to the screen displays the "text" character associated with it. The characters in lines 7 and 8 may be slightly different in some variants of the PG12864 display.

2. **User-defined character generation and display.** Again this is similar to the facilities available on standard alphanumeric l.c.d.s, but the quantity of characters that can be simultaneously stored is far greater, 128 compared to the typical eight. The addressing order runs from 128 to 255. Writing any of these values to the screen displays the character that the user has created and allocated to the address value.

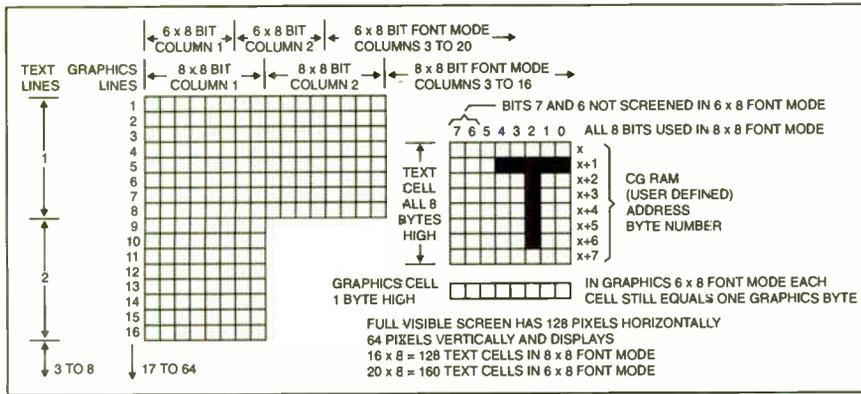


Fig.5. Pixel, column and row distribution for the graphics I.C.D.

3. User-defined graphics detail generation in which the "character" size is one pixel high by eight pixels wide (i.e. a single byte). Any value between zero and 255 can be written to the screen and the setting of the binary bits that make up that value determines whether a screen pixel is turned on or off.

For both character modes, the characters are all eight pixels high, but the width can be specified as six or eight pixels. That is, the character generation (font) can be set for 6 x 8 or 8 x 8 format.

Line FS controls the font choice, FS = 0 for 8 x 8, FS = 1 for 6 x 8. The pin has an internal pull-up resistor that holds it high (FS = 1) and the pin may be left unconnected if the 6 x 8 font is required (also see later).

In 8 x 8 font mode (FS = 0), the screen can display 16 characters horizontally and 8 vertically. In 6 x 8 font mode (FS = 1), the display format is 20 horizontal x 8 vertical characters. It is conventional to refer to the character display in terms of lines (horizontal) and columns (vertical). See Fig.5.

For the graphics mode, 64 character locations can be written to vertically. Horizontally, the quantity is determined by the width mode set for the characters, i.e. 20 or 16.

There are two screen memory areas to which data is written, known as the Text screen and the Graphics screen. The Text screen displays the built-in and user-defined characters. The Graphics screen displays only graphics data.

The I.C.D. can be programmed to display Text only, Graphics only, or Text and Graphics combined.

There are many additional display attribute features that can be implemented, such as highlighting, blanking, flashing, panning etc.

COMING NEXT

The next several sections of this discussion relate to the T6963C I.C.D. controller, and how Toshiba's example programs are interpreted using the PG12864 graphics display and a PIC16F877 microcontroller, resulting in the display shown earlier in Photo 2.

Following this, the author's own examples of PIC-microcontrolling the I.C.D. in a variety of situations will be described. In a future issue, this same graphics I.C.D. will be the display used in a PIC-controlled audio frequency oscilloscope (currently having the working title of PIC G-Scope).

There is lot of information discussed from hereon, but it is illustrated with working program examples, and with many points at which you can experiment with various commands in the author's own demos.

As usual with this type of article, the author tries to lead you carefully from step to step.

CONTROL MATTERS

Those of you familiar with alphanumeric ("intelligent") I.C.D. displays will be aware that they can be operated in either 4-bit or 8-bit data mode. They can also be controlled by just two control lines, RS and E, and rely on a predetermined delay between sending bytes or nibbles of data.

The same is not true of graphics displays. Those using the T6963C can only be operated in 8-bit mode. They use five control lines and require status check routines to be performed before each action. Timed delays are not used, nor can they be used between data transfers.

There are, though, delay requirements concerning the order in which the data and control lines are taken high or low, a matter which is discussed now. Status checking will be examined shortly.

CONTROL LINES

Data is written to or read from the I.C.D. via the eight data lines D0 to D7. Three control lines are used in most read or write situations:

CD: selection of data or command function, 0 = Data, 1 = Command

CE: chip enable, 0 = enabled, 1 = disabled

RD or WR: read or write functions. These are two separate lines and the relevant one is taken low to be active, with the other remaining high.

The timing characteristics for the setting of the data and control lines are shown in Fig.6 and Table 2.

Since the I.C.D. includes its own oscillator, the timings shown are independent of the clock rate controlling a PIC microcontroller.

PIC PORT SETTINGS

In the demo programs, PIC PORTC is used for setting the I.C.D. control lines, and PORTD for the data input/output lines.

Some microcontrollers and microprocessors have internal registers which allow the same data port to be used either for input or for output without the user having to specify the port's function, other than by the write or read command.

For example, the required port (e.g. parallel port connector on a PC computer) has two separate register addresses, one for inputting data, the other for outputting it. These would be equated as values at the head of the program, e.g. OUTPUT = &H378 (output register), INPORT = &H379

Table 2. Toshiba T6963C Timing Values

Item	Symbol	Min	Max	Unit
C/D Set-up Time	t_{CDS}	100	-	ns
C/D Hold Time	t_{CDH}	10	-	ns
CE, RD, WR Pulse Width	t_{CE}, t_{RD}, t_{WR}	80	-	ns
Data Set-Up Time	t_{DS}	80	-	ns
Data Hold Time	t_{DH}	40	-	ns
Access Time	t_{ACC}	-	150	ns
Output Hold Time	t_{OH}	10	50	ns

Test Conditions: $V_{DD} = 5.0V \pm 10\%$, $V_{SS} = 0V$, $T_a = -20$ to $75^\circ C$

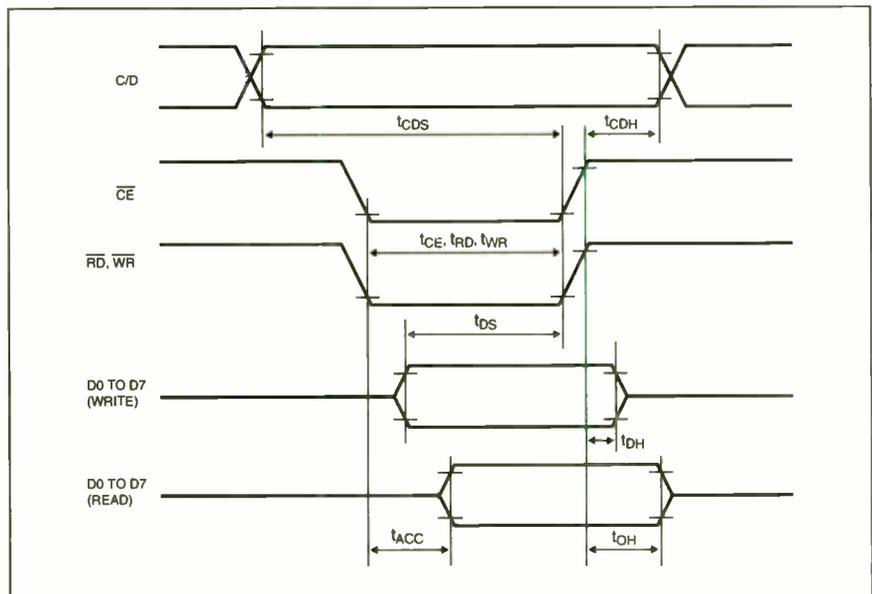


Fig.6. Timing waveforms for the Toshiba T6963C graphics I.C.D. controller, see also Table 2.

Table 3. Toshiba T6963C Status Register Settings

STA0 D0 Check command execution capability	0 : Disable 1 : Enable
STA1 D1 Check data read/write capability	0 : Disable 1 : Enable
STA2 D2 Check Auto mode data read capability	0 : Disable 1 : Enable
STA3 D3 Check Auto mode data write capability	0 : Disable 1 : Enable
STA4 D4 Not used	
STA5 D5 Check controller operation capability	0 : Disable 1 : Enable
STA6 D6 Error flag. Used for Screen Peek and Screen copy commands	0 : No error 1 : Error
STA7 D7 Check the blink condition	0 : Display off 1 : Normal display

(input register), both numbers referring to the same physical port.

To read data from the port, a command such as `VALUE = INP(INPORT)` would load the data present on the port connector and store it into the variable `VALUE`.

Similarly, to write data held in variable `VALUE` to the port, a command such as `OUT(OUTPORT), VALUE` would be used.

PIC microcontrollers, though, do not have this dual-function automatically available. A port's data direction register (DDR) has to have its input/output directions actively set from within the program prior to data input or output.

As you are no doubt aware, this is where `PAGE` and `TRIS` commands come into use in the PIC16x84, for example, setting the `STATUS` register Page (Bank) address through which the DDR is changed (`STATUS` bit 5 = high).

The PIC16F877, as used for this demo, has two `STATUS` register bits to be manipulated in order to enter the DDR setting mode, `STATUS` bits 5 and 6 (`RP0` and `RP1` – their full use will be discussed in a forthcoming *EPE* feature article). To set for Bank 1 (to access the DDR register), `RP1` is set low, and `RP0` is set high. To return to Bank 0 (for accessing the data port itself rather than its DDR), `RP0` is returned low.

When Banks 2 and 3 are not used (as with this demo), it is convenient to define the setting of `RP0` using the familiar `PAGE` commands, e.g.:

```
#DEFINE PAGE0 BCF STATUS,5
#DEFINE PAGE1 BSF STATUS,5
```

With `RP1` held low, switching back and forth between DDR and data port addresses is simplified, and is the technique used in the demo programs.

STATUS CHECKS

Just as a PIC microcontroller has a `STATUS` register which informs of the results following various functions or commands (through bits `C`, `DC` and `Z`), so too does the T6963C. It is an 8-bit register of which seven bits are used, having the functions shown in Table 3.

In practice, there are only three forms of status check normally required, depending on the type of control function being used at that moment. There is an easy logic to status checks and examples of those used for different circumstances are illustrated in the author's own demo routines.

Let's take the most frequently used status check as a first example. It is used immediately prior to writing data (of any sort, display data or command data) to the l.c.d. It simply entails reading the `STATUS` register to check whether bits `STA0` and `STA1` are high (= 1), and if not, then waiting until they are. This is shown in the flow chart of Fig.7.

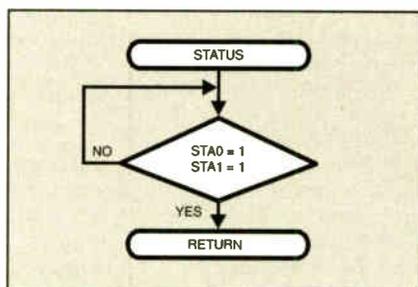


Fig.7. Flow chart for the most commonly used status check, which waits for bits `STA0` and `STA1` to become high (logic 1).

To explain the convention of the flow charts used in this discussion, the entry and exit points of the routine are indicated by the oval shapes enclosing, for example, the name of the routine and its end point.

Thus in Fig.7, the "working" aspect of the chart is simply that within the diamond shape. Here the question being represented is what status do `STA0` and `STA1` have. The question is repeated until they are both at logic 1, whereupon the routine ends.

An example of writing data to the l.c.d. is shown in the flow chart of Fig.8. It

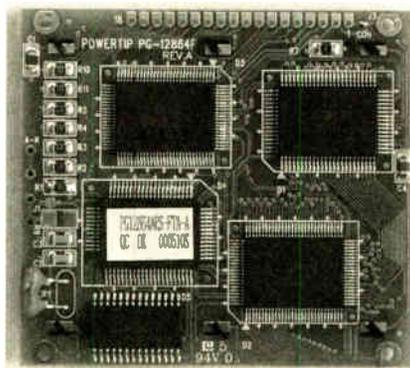


Photo 3. The minutely detailed rear view of the Powertip PG12864 display.

Listing 1. CHECK3 – Status check for PORTD `RD0/RD1` (`STA0/STA1`) = 3. See also flow chart Fig.9.

```
CHECK3:
PAGE1 ; set for Bank 1 (DDR bank)
MOVLW 255
MOVWF TRISD ; set PORTD for input
PAGE0 ; set for Bank 0 (Data port bank)
; RST CD CE RD WR
MOVLW %00011001 ; 1 1 0 0 1
MOVWF PORTC ; set CE, RD low
NOP ; pause to allow port to stabilise
CK3:
BTFSS PORTD,0 ; PORTD bit 0 set?
GOTO CK3 ; no
CK3A:
BTFSS PORTD,1 ; PORTD bit 1 set?
GOTO CK3A ; no
; RST CD CE RD WR
MOVLW %00011111 ; 1 1 1 1 1
MOVWF PORTC ; set controls high
NOP ; pause to allow port to stabilise
PAGE1
CLRF TRISD ; set PORTD as outputs
PAGE0
RETURN
```

shows the status check, and then a rectangle stating the next action to be taken (write data) following the successful status check. After which the routine ends.

Immediately prior to reading the status register, command lines are set for `CD` and `WR` high, with `CE` and `RD` low:

CD	CE	RD	WR
1	0	0	1

This condition remains throughout the repeated checking of the status. Upon its successful conclusion, all four lines are returned high:

CD	CE	RD	WR
1	1	1	1

In the PIC program, the status checking flow chart becomes that in Fig.9.

Note that the square brackets statement [`CALL CHECK3`] indicates the command the PIC software issues in order to access the routine. Square brackets statements are used in other flow charts for a similar purpose.

The entry point address label of `CHECK3` has been given because the routine checks if the value of input bits 0 and 1 is equal to 3 (binary 11, i.e. both high).

The PIC source coding involved is shown in Listing 1. Note that the `RST` bit is that which controls the reset of the T6963C (but does not perform such functions as

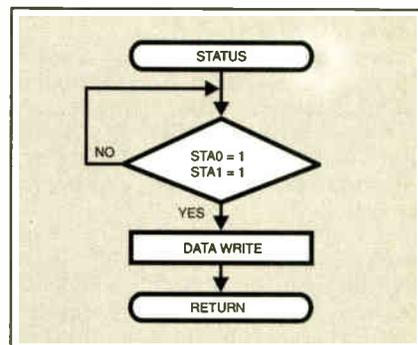


Fig.8. Flow chart for writing data to the l.c.d.

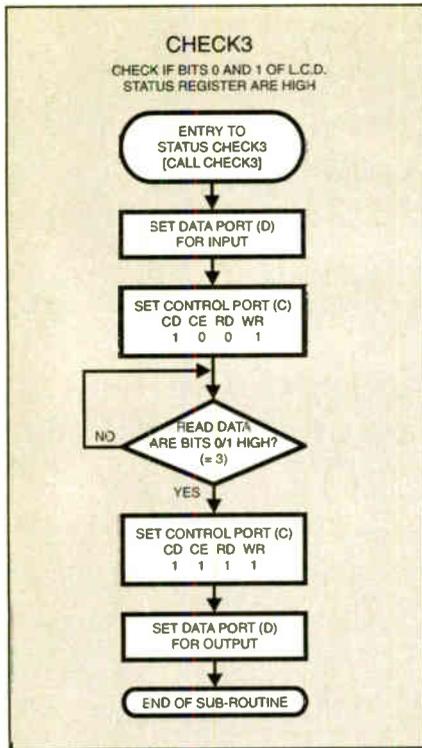


Fig.9. Flow chart for status check named as CHECK3.

screen or memory clearing). It is held high throughout the normal use of the l.c.d., only being cleared briefly when the program commences.

In the Listings, note that the Labels are placed above the commands in order to conserve page space. In the full source code, they are to the left and the commands are indented as usual. In preparing this text for publication, other minor cosmetic changes have been made to some listings compared to the actual source code itself.

DATA WRITE

On entry to the data write routine (OUTDATA) the control lines are first set for data output in which line CD is taken low, with the other control lines set high:

CD	CE	RD	WR
0	1	1	1

The data to be sent is then placed on the data port output lines. Now, with CD

remaining low, the CE and WR command lines are taken low, leaving RD high:

CD	CE	RD	WR
0	0	1	0

Next, and still leaving CD low, the CE and WR lines are again taken high:

CD	CE	RD	WR
0	1	1	1

After which the data write routine can be exited, leaving CD low. However, the author chooses to leave all control lines in the known setting of all high, so the previous routine is followed by returning CD high before exiting or performing the next required command:

CD	CE	RD	WR
1	1	1	1

The PIC source coding lines for the OUTDATA routine are shown in Listing 2 and associated flow chart in Fig.10.

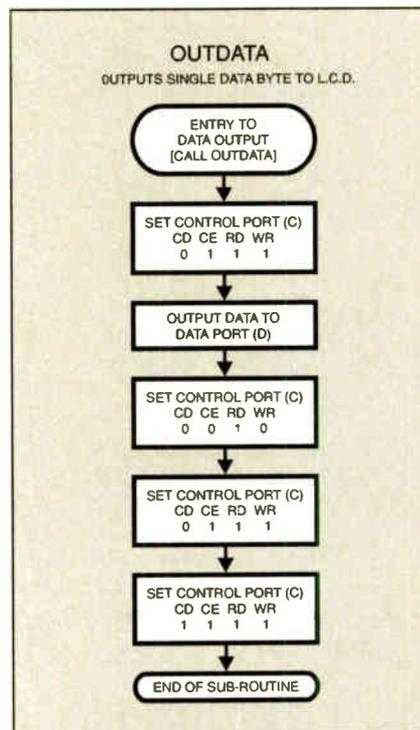


Fig.10. Flow chart for outputting data to the l.c.d.

Listing 2. OUTDATA – send data to l.c.d. routine. See also flow chart Fig.10.

```

OUTDATA:
MOVWF TEMPA           ; temp store val brought in on W
                      ; RST CD CE RD WR
MOVLW %00010111      ; 1 0 1 1 1
MOVWF PORTC           ; set CD low
MOVF TEMPA,W         ; get stored data
MOVWF PORTD          ; send data
NOP                   ; pause to allow port to stabilise
                      ; RST CD CE RD WR
MOVLW %00010010      ; 1 0 0 1 0
MOVWF PORTC           ; set CD, CE, WR low
NOP                   ; pause
                      ; RST CD CE RD WR
MOVLW %00010111      ; 1 0 1 1 1
MOVWF PORTC           ; set CE, WR high
NOP                   ; pause
                      ; RST CD CE RD WR
MOVLW %00011111      ; 1 1 1 1 1
MOVWF PORTC           ; set CD high
RETURN
  
```

TOSHIBA'S DEMO

Having set the first simple scenes, it seems best to illustrate the capabilities of a graphics l.c.d.

controlled by a Toshiba T6963C by first discussing the sub-routines used in Toshiba's own demo program, the results of which you saw in Photo 2.

The program listings shown are the author's translations to PIC control language from the language used in Toshiba's original program (written for their microcontroller type TMPZ84C00P). Slight changes to Toshiba's program have been made apart from the translations.

The program is written for a 20 column x 8 line display, in 8 dots mode (font).

FIXED VARIABLES

As shown in our full program source code listing file, the PIC source code has its usual EQUates and #DEFINES set at the beginning. Then follow fixed equates values for some specific commands, as specified by Toshiba, and shown in Listing 3.

Then, as said earlier, PORTC is set for control line output, and PORTD for data input/output.

It is worth noting that l.c.d. line FS (that which selects between font widths, FS = 0 = 8-bit, FS = 1 = 6-bit) is controlled by PORTC bit 5. The selection of which font mode is chosen is provided in the sub-routine which sets the DDR registers for PORTC and PORTD. As said earlier, line FS has an internal pull-up resistor.

The choice of having FS high or low is then determined by the DDR setting of PORTC bit 5 (TRISC bit 5). With DDR bit 5 set for input (= 1), PORTC bit 5 presents a high impedance to line FS, which thus adopts the logic high status as set by the internal pull-up resistor.

With the DDR bit 5 set for output (= 0), line FS is thus controllable by the output value of PORTC bit 5. With Toshiba's demo, DDR bit is set high to use the 6 x 8 font. All the author's demo routines which write to PORTC have bit 5 set permanently low, which with DDR bit 5 set for output causes FS to be permanently set low, so selecting the 8-bit font.

Should you want 6-bit mode for another design, set DDR bit 5 for input, as with Toshiba's demo. Note that when programming the PIC *in situ*, the l.c.d. will show screen data in 6 x 8 font mode since PORTC is held in high impedance during programming.

DEMO SUBROUTINES

The PIC source code for calling each of Toshiba's demo routines to be discussed is shown in Listing 4. The first four routines are required to be run at the start of any program. They specify the address locations and column area of the Text and Graphics display memory areas.

The l.c.d.'s total available memory runs from addresses \$0000 to \$FFFF

Listing 3. Toshiba's fixed variables

TXHOME:	.EQU \$40	; text home (start) location
TXAREA:	.EQU \$41	; text area, i.e. number of active columns
GRHOME:	.EQU \$42	; graphics home (start) location
GRAREA:	.EQU \$43	; graphics area, i.e. number of active columns
AWRON:	.EQU \$B0	; autowrite on command
AWROFF:	.EQU \$B2	; autowrite off command
OFFSET:	.EQU \$22	; graphics offset
ADPSET:	.EQU \$24	; set address pointer command
PEEK:	.EQU \$E0	; read data from screen command

Listing 4. PIC source code for calling Toshiba's demo routines

```
CALL TEXTHOME ; set Text Home address
CALL GRAPHHOME ; set Graphic Home address
CALL TEXTAREA ; set Text Area
CALL GRAPHAREA ; set Graphic Area

CALL SETMODE ; set Mode (e.g. OR mode, internal
              ; Character Generator)
CALL SETOFFSET ; set Offset register for character code
              ; $80
CALL SETDISPLAY ; set Display Mode (Text on, Graphics
              ; and Cursor off)
CALL CLRTEXT ; clear Text Area
CALL WRITTECG ; write to external (user-defined)
              ; character generator RAM
CALL WTDD ; write Text Display data (internal CG
              ; ROM)
CALL WTDD2 ; write Text Display data (external CG
              ; RAM) upper part
```

Listing 5. TEXTHOME – set Text Home address. See also flow chart Fig.11.

```
CLRF ADRMSB ; set Text Home address to $0000
CLRF ADRLSB
CALL CMDADR ; send 2 bytes of address data
MOVLW TXHOME
CALL SENDCMD ; send TXHOME command
RETURN
```

Listing 6. CMDADR – send command address to LCD. See also flow chart Fig.12.

```
CALL CHECK3 ; read status for DA0/DA1 = 3
MOVF ADRLSB,W ; send address LSB
CALL OUTDATA
CALL CHECK3 ; read status for DA0/DA1 = 3
MOVF ADRMSB,W ; send address MSB
CALL OUTDATA
RETURN
```

(64K bytes). The l.c.d.'s actual *visible screen* area, though, is 1024 bytes (1K) and so 64K of available memory area can be regarded as holding up to 64K/1K = 64 screen pages of data. As will be seen later, this allows for pages of data to be stored "behind the scenes" and then called as required by simply changing the Text Home or Graphic Home addresses.

Toshiba state that Text data, Graphic data and user-defined CG RAM can be freely allocated to the full memory area, a matter on which they do not elaborate. It would seem logical, though, for the total area required for each data set to depend upon the total data required to be stored for that set.

Toshiba's demo, for example, has seven text letters, amounting to 7 × 8 = 56 bytes of data (each letter is eight bytes high) and eight user-created graphic symbols, making a further 8 × 8 = 64 bytes. Toshiba allocate the Text Home address to \$0000 and the Graphics Home address to \$0200, thus allocating a maximum of 512 bytes available for text use should the demo be expanded upon.

The routines which set these facts are TEXTHOME and GRAPHHOME. Referring to routine TEXTHOME in Listing 5 and Fig.11, the text address value (\$0000) is set into the 2-byte address word consisting of bytes ADRMSB and ADRLSB, which in this instance are both cleared to zero.

The routine CMDADR (command address) is then called, in which the

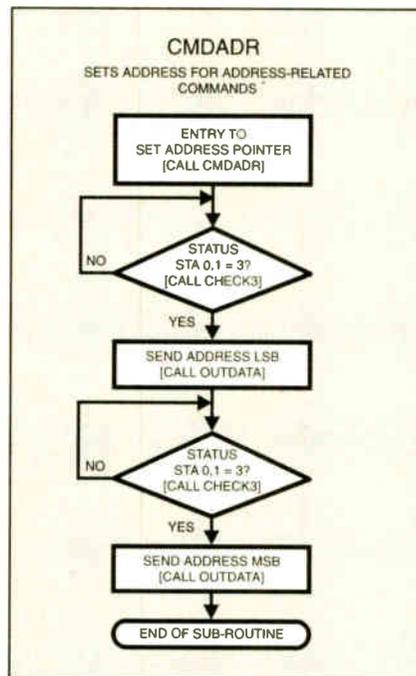


Fig.12. Flow chart for routine CMDADR.

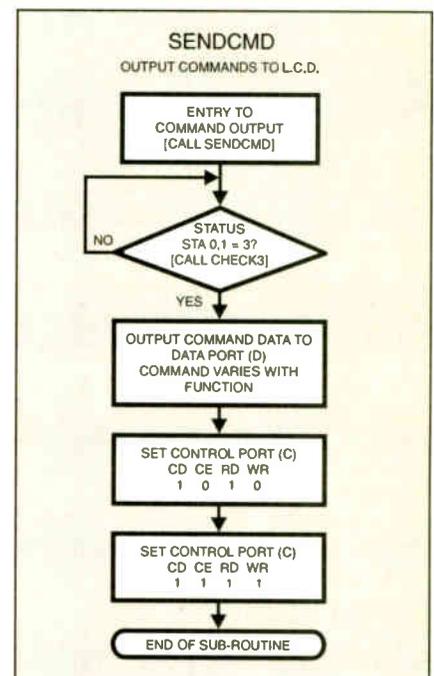


Fig.13. Flow chart for routine SENDCMD.

MSB/LSB address is sent to the l.c.d., as shown in Listing 6, and flow chart CMDADR in Fig.12.

As will be seen, the first action in CMDADR is to check the l.c.d. status via sub-routine CHECK3, as discussed earlier (Listing 1, Fig.9).

Next, the address LSB is sent to the l.c.d. via the OUTDATA routine, also discussed earlier (Listing 2, Fig.10). A further CHECK3 status check is made and the address MSB is sent, again via OUTDATA, and the routine is exited.

The address is now stored in the l.c.d. but has not been acted upon yet. It is brought into action at the end of Listing 5 by sending the TXHOME command to the l.c.d. via sub-routine SENDCMD.

The value of TXHOME, you will recall, was specified at the beginning of the program (see Listing

3) to be \$40. This is a fixed command value that must be sent to the l.c.d. via routine SENDCMD each time the Text Home address is changed. Other commands are sent in other situations, as will become apparent as we discuss and illustrate them.

The SENDCMD routine is shown in Listing 7 and its flow chart Fig.13.

Having sent the TXHOME command, a RETURN is made to the calling routine.

From Listing 5, you will have seen that the command to be sent, TXHOME in

Listing 7. SENDCMD – send command instruction to LCD. See also flow chart Fig.13.

```
MOVWF TEMPA ; temp store val brought in on W
CALL CHECK3 ; read status for DA0/DA1 = 3
MOVF TEMPA,W ; recall stored data
MOVWF PORTD ; send stored data
NOP ; RST CD CE RD WR
MOVLW %00011010 ; 1 1 0 1 0
MOVWF PORTC ; set CE, WR low
NOP ; RST CD CE RD WR
MOVLW %00011111 ; 1 1 1 1 1
MOVWF PORTC ; set all high
RETURN
```

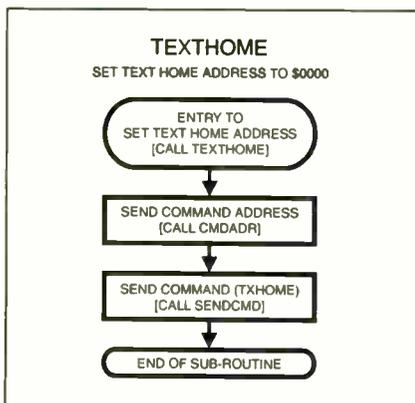


Fig.11. Flow chart for routine TEXTHOME.

Listing 8. TEXTAREA – set Text Area. See also flow chart Fig.14.

```

CLRF AD RMSB      ; set Text area (columns)
MOVW COLUMN,W    ; column quantity (preset for 20 columns)
MOVWF ADRLSB
CALL CMDADR      ; send 2 bytes of address data
MOVLW TXAREA
CALL SENDCMD     ; send TXAREA command
RETURN

```

Listing 9. SETMODE – set INT/EXT/AND-OR-XOR mode. See Table 4.

```

MOVLW %10000000 ; External CG RAM, OR mode
CALL SENDCMD     ; send command
RETURN

```

Listing 10. SETDISPLAY – set text/graphics/cursor on/off. See Table 4.

```

MOVLW %10010100 ; text on, graphic off, cursor &
                  ; blink off ($94)
CALL SENDCMD     ; send command
RETURN

```

Listing 11. SETOFFSET – Set Offset register.

```

CLRF AD RMSB      ; address value stated by Toshiba $0002
MOVLW $02
MOVWF ADRLSB
CALL CMDADR      ; send command address
MOVLW OFFSET
CALL SENDCMD     ; send OFFSET command
RETURN

```

this instance, is loaded into PIC register W (MOVLW TXHOME). On entry to SENDCMD (Listing 7), the value is stored in a temporary register, simply called TEMP, although it could have any other name if preferred.

The now-familiar CHECK3 status check is made, after which the value stored in TEMP is recalled and output to PORTD, the data input/output port, which is in its default state and set for output.

Following a one cycle pause (NOP) for stabilisation of the port, the command port, PORTC, sets CE and WR low, leaving the other bits high. Again a one cycle pause occurs to allow the I.C.D. to accept the data, and then CE and WR are taken high again, followed by a return to the calling routine. The I.C.D. will now have accepted the Text Home address of \$0000.

In routine GRAPHHOME (set the Graphic Home address – not shown), the process is identical to that for TEXTHOME, this time sending \$0200 as the address, and GRHOME as the actioning command.

AREA SETTING

Text and Graphics area setting is then performed respectively by routines TEXTAREA (Listing 8 and Fig.14) and the closely similar GRAPHAREA (not shown).

The business of Text and Graphics areas is somewhat subtle, and does not actually refer to the area of the display that is visible. It refers to the areas set aside for Text and Graphics data storage, and determines the way in which data is ultimately shown on screen. The area is specified by the number of columns it contains. A column,

as said earlier, is specified as being one byte wide.

Later, a routine (AUTOWRITE) is demonstrated that allows automatic incrementing of addresses when data is repeatedly written to the I.C.D.

When Autowrite is on, addresses are incremented along the length of each allocated screen line right up to the end of the column count set through the relevant Area command. At the end of line, the address is incremented to the start of the next line. The process continues for as many increments as required.

If the Text Area, for example, has been set for 20 columns, the length of each line is 20 columns long. This means that if you start at the beginning of line 1 and write data to the I.C.D. 20 times, line 1 will be filled in incremental order. The 21st write, though, will place the next data byte at the start of line 2.

When the I.C.D. has been set for 6-bit mode, the actual screen area seen is also 20 columns wide, therefore you can repeatedly write text to the I.C.D. 20 (columns) x 8 (lines) = 160 times and the actual screen area will be filled with consecutive data along all 20 character positions through all eight text lines.

If, however, the data screen area has been set to 40 columns, for example, the same writing of 160 characters will have a different visual effect.

Line 1 will be filled up to position 20 and the screen will show the characters as before. The next 20 writes to the I.C.D., though, will be stored in the remaining 20 bytes of the column area allocated, which is "off-screen". These 20 bytes will not be seen. On the 41st write to the I.C.D., the first byte of the next line will be written to, which is once again "in-screen" and will thus be visible on the display.

So, in order to completely fill the actual screen area by writing consecutive data bytes in autowrite mode, 320 writes must be made, and only uneven-numbered groups of 20 characters (1, 3, 5 etc) will be seen. The evenly number groups of 20 characters (2, 4, 6 etc) will remain unseen.

The alternative, when in 40-column mode, is to write 20 bytes of data to line 1, reset the address for the start of line 2 and write another 20 bytes, and so on for the other visible lines.

Of course, using 40-column mode allows addresses to be set for displaying separately in the first 20 bytes of each line, and another batch of data stored separately and unseen into the last 20 bytes of each

line. It is then possible to issue commands which cause either the first block to be displayed, or the second. In other words, to switch between I.C.D. blocks (pages) as referred to earlier.

In their demo, however, Toshiba do not illustrate this paging facility (although it is illustrated later in the author's own demo program).

Toshiba simply set the Text Area for 20 columns width, as is performed via subroutine TEXTAREA in Listing 8. At the start of the demo program, the author has allocated variable COLUMN as the store for the column width value, setting it for 20 (\$14).

In the TEXTAREA routine, the Text Area is set into the same variables as were used earlier in the address setting routines, AD RMSB and ADRLSB. This double-byte value (\$0014 = 20 decimal) is also sent to the I.C.D. via the same command address setting routine (CMDADR), followed by the command TXAREA being sent via the SENDCMD routine. (To set the area for 40 columns would require an address value of \$0028 = 40 decimal to be sent.)

Routine GRAPHAREA (not shown) sets the graphics area in the same fashion, also for 20 columns, but with the actioning command becoming GRAREA instead of TXAREA.

MODE SETTING

There are two forms of mode defined by Toshiba which, regrettably, they only define as Mode and Display Mode (see Table 4). The various forms will be demonstrated more fully in the author's demos.

Table 4

Mode itself is subdivided into the following six sub-modes and codes (where X can be 0 or 1):

OR mode	1	0	0	0	X	0	0	0
XOR mode	1	0	0	0	X	0	0	1
AND mode	1	0	0	0	X	0	1	1
Text Attribute mode	1	0	0	0	X	1	0	0
Internal CG ROM mode	1	0	0	0	0	X	X	X
External CG RAM mode	1	0	0	0	1	X	X	X

Display Mode is also split into six sub-modes and codes:

Display off	1	0	0	1	0	0	0	0
Text on, graphic off	1	0	0	1	0	1	X	X
Text off, graphic on	1	0	0	1	1	0	X	X
Text on, graphic on	1	0	0	1	1	1	X	X
Cursor on, blink off	1	0	0	1	X	X	1	0
Cursor on, blink on	1	0	0	1	X	X	1	1

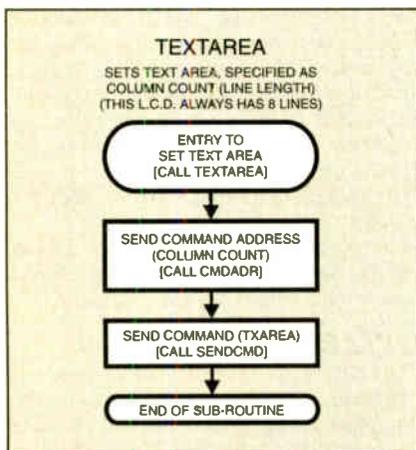


Fig.14. Flow chart for routine TEXTAREA.

Listing 12. CLRTXT – clear text screen.

```

CLRTXT:
CLRF AD RMSB           ; set address ($0000)
CLRF AD RLSB
CALL SCREENADR        ; set screen write address
MOVLW AWRON           ; autowrite on
CALL SENDCMD          ; send AWRON command
MOVLW 8                ; number of lines to clear
MOVWF LOOPC
CLR2:
MOVF COLUMN,W         ; column length
MOVWF LOOPB
CLR3:
MOVLW 0                ; write 0
CALL AUTOWRITE        ; autowrite and increment
DECFSZ LOOPB,F
GOTO CLR3
DECFSZ LOOPC,F
GOTO CLR2
MOVLW AWROFF          ; autowrite off
CALL SENDCMD          ; send AWROFF command
RETURN

```

Listing 13. SCREENADR – send data read/write address to LCD.

```

CALL CHECK3           ; read status for DA0/DA1 = 3
MOVF AD RLSB,W        ; send address LSB
CALL OUTDATA
CALL CHECK3           ; read status for DA0/DA1 = 3
MOVF AD RMSB,W        ; send address MSB
CALL OUTDATA
MOVLW ADPSET          ; address pointer
CALL SENDCMD          ; send ADPSET command
RETURN

```

Listing 14. AUTOWRITE – autowrite data and increment address.

```

MOVWF TEMP A         ; temp store value brought in on W
CALL CHECK8          ; read status for DA3 = 8
MOVF TEMP A,W        ; recall stored value
CALL OUTDATA         ; output data
RETURN

```

OR mode is required in the Toshiba demo. This allows data to be written to the screen and ORED with any data already existing at the same location. The routine (SETMODE) is shown in Listing 9.

All that is involved is to send the command for OR mode (%10000000 or \$80 or 128 decimal) to the l.c.d. via the SENDCMD routine which was discussed earlier.

The setting of the Display Mode (SETDISPLAY) has its routine shown in Listing 10, in which Text is turned on, and Graphics and the cursor are turned off. Again the only action required is to send the appropriate command (%10010100 or \$94 or 148 decimal) to the l.c.d. via SENDCMD.

OFFSET SETTING

The Display Mode command, though, is shown in Toshiba's demo as following routine SETOFFSET, in which an offset register value command is issued. Listing 11 shows what is required.

Toshiba's explanation of the use of the offset register is not fully intelligible. The interpretation, however, appears to be that the offset register is used to determine the external (user-defined) character generator RAM area.

The T6963C assigns this generator so that when text character codes \$80 to \$FF are written to the l.c.d. they are treated in the same way as the "normal" text characters of the internal character generator RAM, which are called through codes \$00 to \$7F. That is, you write only one value to the screen to display the eight bytes of the character held in the CG RAM.

This is in contrast to writing true graphics data to the screen, in which eight bytes of data have to be individually sent.

Toshiba go on to state that setting the offset register to a value of 2 sets the CG RAM address to \$1400, which then allows the user-defined characters to be called by their allocated code, between \$80 and \$FF. The implications of attempting to use different offset addresses have not been explored.

As with setting Home and Area values, and referring to Listing 11, the offset value is set into the 2-byte address as \$0002 and the CMDADR routine called. This is followed by the OFFSET command being issued via SENDCMD.

The routine next in order of calling is SETDISPLAY, as discussed in the previous section.

INTO ACTION

This completes the basic initialisation of the l.c.d. and it is now ready to have real data sent to it for display on screen. The first data to be written, though, clears the screen of any previous data which might exist. At switch on, for example, random data could automatically (and unpredictably) be set into the screen and other areas.

Routine CLRTXT is that which clears the Text screen (there is no need to clear the Graphics screen since this has been deactivated in the Display Mode setting).

The source code is shown in Listing 12, see also flow chart SENDLOOP in Fig.15.

The text address from which data is to be cleared is first set to \$0000. Because it is data that is to be sent (as opposed to commands as with the previous routines), an Address Pointer command has to be sent as well, ADPSET.

A separate routine (SCREENADR) has been written that sets both the data address and the Address Pointer command. It is shown in Listing 13 and its flow chart is identical to the CMDADR routine (Listing 6) except that the sending of ADPSET is added at the end.

Following the call to SCREENADR (from Listing 12), Autowrite is set on by issuing the AWRON command. Next a LOOPC value is allocated, holding the number of lines to be cleared (eight). Then a LOOPB value, which holds the line length (COLUMN) involved, is set.

The subroutine CLR3 is then entered, in which the value of zero is repeatedly written to the l.c.d. for the duration of the nested decrementing loops.

At each writing, the data is written to the screen via routine AUTOWRITE (Listing 14), in which the screen address is automatically incremented after each byte is written. As discussed earlier, all addresses are filled in order and in relation to the column value previously set in the initialisation routines. This will be more clearly seen later in the author's Demo 9.

On each entry to AUTOWRITE, the value brought in on W (in this instance zero) is temporarily stored in variable TEMP A. A status check is then called, but not the CHECK3 routine seen previously. This time, because we are in Autowrite mode, it is CHECK8 which is called, in which the status register is checked for the value of 8 (bit 3 high). The process is almost identical to that used in CHECK3 and is not listed here.

On conclusion of the check, the data in variable TEMP A is recalled and sent to the l.c.d. via the usual OUTDATA routine.

SYMBOL CREATION

Toshiba now illustrate the creation of characters (symbols) for storage in the external (user-defined) CG RAM. The data is specified in a table (EXTCG) that holds the 64 byte values that make up the eight component parts of the Japanese characters

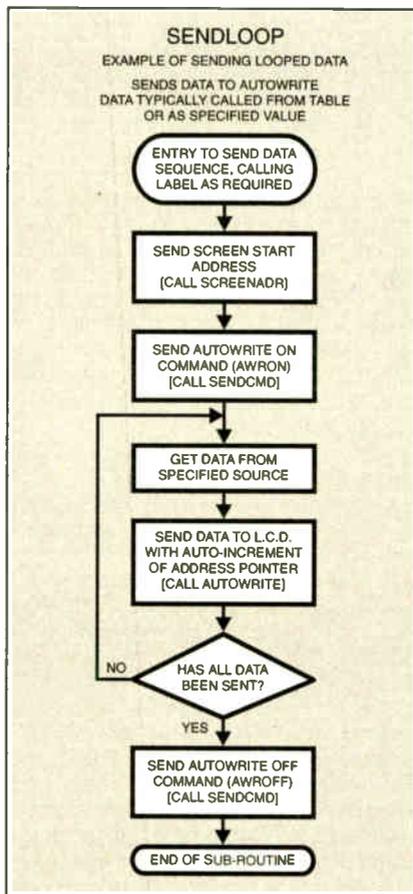


Fig.15. Flow chart for routine SENDLOOP.

Listing 15. WRITECG – write to external (user-defined) character generator.

```
WRITECG:
MOVLW $14           ; set CG RAM start address to
MOVWF AD RMSB      $1400
CLRf ADRLSB
CALL SCREENADR     ; send 2 bytes of address data +
                   ; address pointer
MOVLW AWRON        ; set autowrite on
CALL SENDCMD       ; send AWRON command
MOVLW 64           ; set loop for 8 sets of 8 bytes (= 64)
MOVWF STORE
CLRf LOOPB
EXCG:
MOVf LOOPB,W       ; get loop value
CALL EXT CG        ; get data from table position set by
                   ; loop val
CALL AUTOWRITE     ; autowrite and increment address
INCF LOOPB,F       ; increment loop counter
DECFSZ STORE,F     ; decrement counter, is it zero?
GOTO EXCG          ; no, so repeat
MOVLW AWROFF       ; yes, turn off autowrite
CALL SENDCMD       ; send AWROFF command
RETURN
```

seen earlier in Photo 2. The routine is illustrated in Listing 15 (WRITECG – see also flow chart SENDLOOP, Fig.15).

On entry to WRITECG, the CG RAM address at which the data writing commences is set at \$1400. This is the value referred to earlier when Offsets were discussed. The Autowrite process is used and the address written to is automatically incremented on each data write.

Apart from data being called from a table, the routine is similar to that used for clearing the text screen (in which the written data had a value of 0).

The table is not illustrated here in full, but the following shows the data Toshiba specifies for creating the first user-defined character (the first column is the command and the second shows the value in binary):

```
RETLW $01    $01 = 00000001
RETLW $01    $01 = 00000001
RETLW $FF    $FF = 11111111
RETLW $01    $01 = 00000001
RETLW $3F    $3F = 00111111
RETLW $21    $21 = 00100001
RETLW $3F    $3F = 00111111
RETLW $21    $21 = 00100001
```

If you ignore the 0s in the binary code, concentrate on the 1s and look at Photo 2, you will see that the 1s represent the active pixels of the top left quadrant of the first Japanese symbol.

The remaining aspects of the symbols are similarly created.

For each block of eight data bytes read from the table and stored in CG RAM, a counter (internal to the T6963C) is automatically incremented, from \$80 up to, in this table's instance, \$87. These eight values are the addresses which are called in order to display the user-generated symbols on screen. In other words, to display the first symbol discussed, a value of \$80 would be written to the l.c.d.'s text screen, a value of \$81 for the second, etc.

Having been created, the symbols are called in the order specified in another table via routines WTDD2 and WTDD3. Both are very similar to that in Listing 15, relating to different addresses and calls to other tables. They are not shown here. The method is the same as that used during the

creation of the symbols – a screen start address is specified and the symbols consecutively written to that and subsequent addresses. Accessing table EXPRT1, routine WTDD2 calls and writes the following data bytes to line 5 commencing at column 8 (address value \$6C = 5 × 20 + 8 = 108 decimal):

```
RETLW $80
RETLW $81
RETLW $00
RETLW $00
RETLW $84
RETLW $85
```

Note the inclusion of zero bytes, specifying blank characters (from the text character

CG ROM) to be written to the screen. Routine WTDD3 behaves similarly, accessing table EXPRT2 and writing data to the sixth line, again starting at column 8.

The table-specified order of writing can be changed if desired for other display circumstances. The data stored in the character generation table (EXTCG) can also be changed to suit the user's needs. This point will be amply illustrated in the author's later demos.

TEXT WRITING

Toshiba then go on to show how text itself is written to the screen, using the l.c.d.'s own internal character generator (CG ROM).

The following data bytes are accessed from table TXPRT and written to generate the word TOSHIBA, as shown in Photo 2.

```
RETLW $34 ; T
RETLW $00 ; blank
RETLW $2F ; O
RETLW $00 ; blank
RETLW $33 ; S
RETLW $00 ; blank
RETLW $28 ; H
RETLW $00 ; blank
RETLW $29 ; I
RETLW $00 ; blank
RETLW $22 ; B
RETLW $00 ; blank
RETLW $21 ; A
```

For example, the data byte value of \$34 specifies CG ROM location \$34 at which the character for letter T is stored (as defined during the device's manufacture), and value \$2F specifies letter O, and so on. Again note the inclusion of zero bytes for spaces.

Routine WTDD illustrates the text values being written to the screen. It is practically identical to the WTDD2 and WTDD3 routines except that a different data table (TXPRT) is accessed. It is not listed here.

TOSHIBA TO ASCII

It is reiterated that the values for the CG ROM characters held by the T6963C are not the same numbers as specified by ASCII codes. They are in fact ASCII values less 32. For instance, letter A in ASCII

has a value of 65 decimal (\$41). Deduct 32 from this and you obtain the value of 33 decimal (\$21) for letter A in the Toshiba code, as shown at the end of the table in the previous section.

The author's later demo will illustrate a routine in which alphanumeric characters can be specified in the normal PIC fashion of enclosing the required ASCII character in single quotes (e.g. 'A') and for the routine to then automatically translate its ASCII value into a Toshiba value.

Following the completion of writing the characters to the screen, Toshiba's program ends and no further action occurs.

You might care, though, to change some of the data in Toshiba's demo and see what results occur. There will, however, be much more opportunity for such things in the author's demos, which we move on to now.

AUTHOR'S DEMOS

Before progressing, it is necessary to load two programs into the PIC, the author's demo routines, for which the first file is GEPE456.OBJ (source code GEPE456.ASM). It too is written in TASM.

Additionally, a text file needs to be loaded into the PIC's EEPROM data memory. The file is called DUCK08.MSG (for reasons that will become clear!) and is a Message file of the type recognised by PIC Toolkit Mk2 for sending to the PIC's EEPROM. Beware that other programmers may not necessarily recognise the format (or be capable of directly accessing the EEPROM data memory).

DEMO CONTENT

The first matter examined is that of substituting different patterns for use as user-generated CG RAM symbols. The resulting display is shown in Photo 1, earlier.

After the PIC setup procedure, the column width (COLUMN) is then set at 34 (see label GRAPHIC) and the l.c.d. SETUP routine is called, in which all the subroutines discussed previously are actioned.

Two new routines, CLRGRAPH and CLRCG, are also sent, in which the graphics and user-defined CG RAM areas are cleared. The routines are closely similar to the CLRTEXT routine and not listed here.

Then follow the author's 12 demos in which not only are routines covered that Toshiba did not illustrate, but you are given the opportunity to change various command codes and observe the results via your demo board.

A switch monitoring routine is placed within or between demos so that you can keep the results on screen until the switch (S1) is pressed to action the next demo. Labels are given to each demo call so that some demos can be *remmed* out, or jumps made from one demo to another further down. When Demo 12 has been finished with, a return to Demo 1 is made.

DEMO 1 Diagram and words

In Demo 1, a set of data held in table form (CGTABLE) is read and stored in the user-defined CG RAM, in a similar way to which Toshiba's Japanese symbols were created and shown. These symbols represent the component parts of a

Listing 16. Data for first character (\$80) in table CGTABLE, representing the "amplifier" top left, plus first slope down.

```
RETLW %10000000
RETLW %11000000
RETLW %10100000
RETLW %10010000
RETLW %10001000
RETLW %10000100
RETLW %10000010
RETLW %10000001
```

simple electronic circuit, as shown earlier in Photo 1.

There are 15 characters created, each comprising eight bytes, making a total of 120 bytes. They are stored in consecutive CG RAM locations which are called with value codes of \$80 to \$8E (whereas Toshiba's occupied calling locations \$80 to \$87). The subroutine SETCG is used for this process. The routine is closely similar to that in Listing 15 and is not shown here. The first part of the symbol creation table is shown in Listing 16.

Unlike Toshiba's demo, the calling table (AMPLIFIER) does not insert blank character cells. Instead the data is written by several subroutines so that it is placed at the exact screen addresses required.

For example, the routine labelled CIRCUIT specifies that the location for the first symbol is to be placed at Column 5 Line 1, in which both lines and columns now start at zero (they started at 1 in Toshiba's demo).

The column required is specified by the value loaded into W. The selection of LINE 1 is then specified by the call to LINE1. The LINE call is one of several in which the line number is specified by the called address, i.e. a call to LINE2 would specify that Line 2 was the required line (see the source code for the listing).

Calculation of the screen address at which the first character is to be placed is in relation to the line number called, the number of columns specified for the display (column width), and with the column value as set into W prior to the call added to the total. Readers will no doubt be able to write a more compact routine than is used in the demo.

The routine which reads the table and sends data to screen is SHOWCG (not listed here but similar to Listing 15). Part of the listing for table AMPLIFIER is shown in Listing 17.

Note that the screen displays some small text characters as part of the circuit diagram. These have also been created as user-defined CG RAM symbols. The l.c.d. does not keep small characters as part of its fixed text symbol library.

Listing 17. First part of AMPLIFIER table.

```
RETLW $80 ; amp top left
RETLW $83 ; amp input
RETLW $86 ; cap top
RETLW $83 ; amp input
RETLW $83 ; amp input
RETLW $81 ; amp left
RETLW $82 ; amp slope down
RETLW $83 ; amp output
RETLW $86 ; cap top
RETLW $83 ; amp output
RETLW $8B ; word IN
```

The normal size letters shown on the screen are created using the l.c.d.'s own internal text generator. The letters required are specified in a table (TABLE1) and called in order, with the l.c.d. screen address to which they are written being changed when needed.

The address setting and table calling routines (WORDS and SHWTXT) are similar to those used for sending the circuit diagram symbols to the screen and not shown here. Part of the text-holding TABLE1 called is shown in Listing 18.

Listing 18. First part of TABLE1.

```
RETLW 'G'
RETLW 'R'
RETLW 'A'
RETLW 'P'
RETLW 'H'
RETLW 'I'
RETLW 'C'
RETLW ''
```

In routine SHWTXT, after TABLE1 has been called, 224 is added to the returned value. This is the equivalent of subtracting 32 from the ASCII value held in the table, so converting it to the Toshiba code value (as discussed earlier).

Exercise 1.1.

Experiment with changing the text content sent to the screen, and its positioning.

Exercise 1.2

Do the same with the graphics display, perhaps even completely creating your own replacement drawing.

DEMO 2 Bit setting and clearing

Pressing the switch now starts the second demo, which illustrates how individual pixel bits on the screen can be set or cleared (see Photo 4).

It uses the same illustration as in Demo 1 but to the right of it now draws a square and then clears it, followed by drawing it again, indefinitely. At the centre of the square a single pixel is shown constantly set.

The action uses a delay loop between the setting or clearing of each pixel so that it is in semi-slow motion.

For the first time in any of the demos so far, the Graphics screen itself is used for this action, superimposed on the circuit diagram, which you will recall makes use of the Text screen.

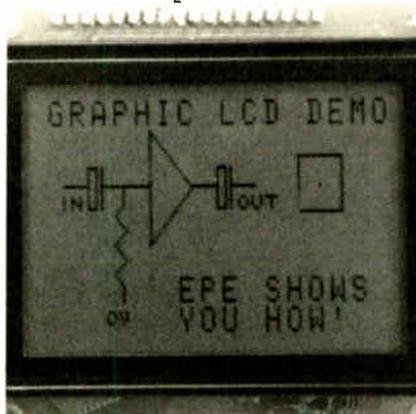


Photo 4. The square being drawn in Demo 2.

The first part of the demo routine is shown in Listing 19.

On entry to Demo 2, the first commands ensure that the display is placed on screen page 1 (more on this later). Both Text and Graphics screens are then activated by the commands:

```
MOVLW %10011100 ; text & graphic
                    on, cursor & blink off
CALL SENDCMD ; send command
```

Until the display mode is changed, anything written to the Text or Graphic screens will be shown. Hence you continue to see the text-generated characters on the Text screen, plus the graphics-generated square data being drawn on the Graphics screen.

The Graphics screen is made up of 64 horizontal lines (raster lines) each of which contains the same number of columns as previously set during the initialisation. The address of any byte on screen is in relation to the line number and the column number. The pixel to be manipulated is one of the eight bits within the selected byte.

Table 5. Pixel bit setting codes

Code	Function
11110XXX	Bit Reset
11111XXX	Bit Set
1111X000	Bit 0 (LSB)
1111X001	Bit 1
1111X010	Bit 2
1111X011	Bit 3
1111X100	Bit 4
1111X101	Bit 5
1111X110	Bit 6
1111X111	Bit 7 (MSB)

To set a screen address, subroutine GLINE (graphics line – not shown) is told which column is required and on which line. It then calculates the address. For example, shortly after entry to Demo 2, column 12 line 23 is the required address. As shown in Listing 19, the column value (12) is loaded into the address LSB and W is then loaded with the line value (23). GLINE is then called.

GLINE performs a rudimentary multiplication routine, multiplying the line number by the number of columns specified in the initialisation. The actual column number required is then added to the total.

The selected pixel is turned on or off in relation to the value of bit 3 of a command byte (BITVAL) which is sent via a specific bit writing routine, BITWRITE. Bit 3 = 0 causes the screen pixel bit to be reset (cleared), and bit 3 = 1 sets the bit (turns it on). The bit itself is specified by the 3-bit code in bits 0 to 2.

Table 5 illustrates the logic. Listing 19 shows part of the routine, performing the setting of the square's single central bit.

In subroutine BITWRITE, the screen address is set from the calculated address value, and then the BITVAL byte is written to the screen, but as a command rather than actual screen data. See Listing 20.

In the square drawing routines, manipulation of the pixel-controlling bit within the byte at the selected address is done by an 8-value (0 to 7) incrementing counter (STORE1). The bit to be set or cleared is stated by the counter value.

Listing 19. First part of DEMO2 bit setting/clearing routine.

```

MOV LW 12           ; set single centre bit
MOV WF ADRLSB      ; set column number
MOV LW 23           ; set graph line
CALL GLINE         ; multiply by line length to get address
MOV LW %11111000   ; set bit 0
CALL BITWRITE
MOV LW %11111000   ; bits 0-2 indicate bit affected
MOV WF STORE1      ; bit 3 high = set, low = clear

```

There are several sub-routines within the square drawing demo (not shown here), which respectively cause the apparent movement of the square's perimeter.

During upwards or downwards drawing, the selected bit value remains constant. It is the address of the line/column which is changed, adding or subtracting the column width value depending on the direction of "travel".

In the full source code, note how bit 3 is toggled high or low at the end of each drawing of the square, so alternating between bit setting and bit clearing.

Exercise 2.1.

Set the display mode so that only the square being drawn is displayed.

Exercise 2.2.

Change the screen address at which the square is drawn, together with the centre active pixel.

Exercise 2.3.

Rewrite the square drawing program so that the drawing appears to take place in an anticlockwise fashion, instead of moving clockwise.

Exercise 2.4.

Is your logical thinking up to drawing a circle instead of a square?

Having finished Exercises 2.1 to 2.4, reinstate the Display Mode so that the circuit diagram and bit setting displays are both seen (text and graphics on).

Pressing the switch starts Demo 3.

DEMO 3 Text highlighting

Demo 3 illustrates text highlighting and flashing (see Photo 5). Part of the controlling routine is shown in Listing 21.

The action taken in Demo 3 is to highlight the words at the top of the screen (GRAPHIC LCD DEMO) by inverting them, causing clear letters to be shown on a dark background. Similarly with the other captions (EPE SHOWS YOU HOW), but with them flashing on and off within their dark background.

The control bytes which are responsible for these actions are written to the graphics screen area, consequently any graphics within the graphics screen at the affected locations are overwritten.

Referring to Table 6, the commands for inverting text characters against the background are:

```

MOV LW %0000101 ; attribute reverse command
MOV WF ATTRIB   ; store it
CALL SETATTR    ; call set attribute routine

```

The chosen command (%0000101 in this instance) is written to a temporary variable, ATTRIB, and then subroutine SETATTR is called. The routine is closely similar to other screen writing routines and is not listed here.

Table 6. Screen attribute codes

Code	Function
XXXX0000	Normal display
XXXX0101	Reverse display
XXXX0011	Inhibit display
XXXX1000	Blink of normal display
XXXX1101	Blink of reverse display
XXXX1011	Blink of inhibit display

Autowrite mode is used in SETATTR. The required address is first set, Autowrite is turned on and then a loop repeatedly sends the value held in ATTRIB to the required graphics screen area.

Any text character superimposed on that area via the text screen is affected by the ATTRIB value "beneath" it, in this case inverting it.

The blink-reverse command is %00001101, and is sent to the graphics screen area in the same way, having specified the required address and number of bytes involved:

```

MOV LW %00001101 ; blink reverse
MOV WF ATTRIB
CALL SETATTR

```

When all the attribute values have been sent to the required locations, the text has to be set for Attribute Mode, as is performed in Listing 22. The essential commands are:

```

MOV LW %10000100 ; text attribute mode
CALL SENDCMD     ; send command

```

The following commands are also sent to ensure that the correct screen mode is set following any changes you may have made in the previous exercises:

```

MOV LW %10011100 ; text & graphic on, cursor & blink off
CALL SENDCMD     ; send command

```

Exercise 3.1.

Referring to the Attribute table (Table 6), experiment with using the other highlight options available. Also try putting the commands at other places on screen and observe what effect is produced.

Listing 20. BITWRITE – write single bit routine.

```

MOV WF BITVAL ; temp store val brought in on W
CALL SCREENADR ; set screen write address
MOV F BITVAL,W
CALL SENDCMD ; send BITVAL command
RETURN

```

Listing 21. DEMO3 – fill selected graphics area with reverse attribute value, first section, for top line.

```

DEMO3:
MOV LW 2 ; set graphic address ($02xx)
MOV WF ADRMSB
MOV LW 0 ; set column
CALL LINE0 ; set cell number for line stated
MOV LW 16 ; character quantity to be affected
MOV WF LOOPC
MOV LW %00000101 ; attribute reverse
MOV WF ATTRIB
CALL SETATTR

```

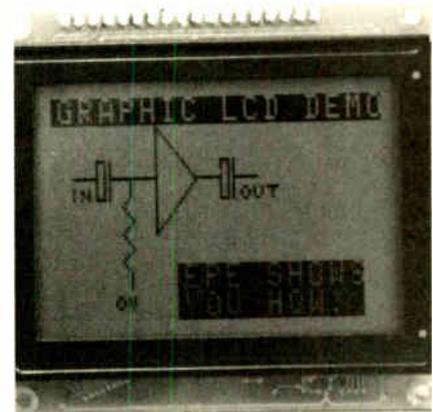


Photo 5. Screen as seen during part of Demo 3.

DEMO 4 Cursor Setting

Demo 4 illustrates how the cursor can be used. The basic routine is in Listing 23.

First it is necessary to specify the screen address at which the cursor is to be positioned, and issue the commands generated in subroutine CSRADR (see Listing 24):

```

CALL CMDADR ; send command address
MOV LW CSRPOS ; cursor position command
CALL SENDCMD ; send command

```

Unlike other address setting calls, the cursor position is specified by the actual display screen line and column position. Thus to set the cursor for line 3 column 15, it is these two values which are sent as the address, rather than having the position calculated in relation to the first screen byte location and the column width set (as you saw occurring for placing text on screen).

Thus, for this line 3 column 15 example, the column position (15) is placed into the address LSB, and the line number (3)

Listing 22. Final section of attribute setting routine, setting for Text Attribute mode.

```

MOV LW %10000100 ; text attribute mode
CALL SENDCMD ; send command
MOV LW %10011100 ; text & graphic on, cursor & blink off
CALL SENDCMD ; send command
RETURN

```

Listing 23. DEMO4 – Cursor setting.

```

DEMO4:
MOVLW %10010111 ; text on, graphic off, cursor & blink on
CALL SENDCMD    ; send command
                ; set cursor position + type
MOVLW 15        ; set column
MOVWF ADRLSB
MOVLW 3         ; set line
MOVWF ADRLSB
CALL CSRADR
CALL CSRTYP    ; set type (specified in sub-routine)
RETURN        ; (from 1 to 8 lines high)

```

placed into the MSB, following which the call to routine CSRADR is made, where the address is actioned:

```

MOVLW 15        ; set column
MOVWF ADRLSB
MOVLW 3         ; set line
MOVWF ADRLSB
CALL CSRADR

```

Cursors having eight different heights can be created, as illustrated in Fig.16. Listing 25 shows the command (%10100111) which generated the full 8-line cursor, "line" in this instance meaning a graphics line (of which there are 64, as stated earlier).

The cursor type command is issued in routine CSRTYP (Listing 25), which on this occasion is for an 8-line cursor.

As you will see from Fig.16, the cursor type is selected logically, with bits 0 to 2 holding the binary number whose decimal equivalent is the cursor line-count (height) value.

STATIC CURSOR

It is important to note that the cursor position remains in the same screen position to which it has been allocated. There is no facility for it be automatically incremented in position when writing text to the screen, unlike with standard alphanumeric l.c.d.s, where the cursor can be set to be "actively mobile".

You will also see from Demo 5, where switching between screen pages is performed, that the cursor position is always related to the actual location on the visible screen, rather than to the screen memory locations previously discussed.

When changing the cursor position on screen, it is only necessary to specify the address at which it is to be placed. Once the cursor type has been specified and actioned (via CSRTYP), it is not necessary to specify it again, unless you wish to change the type.

Note that the cursor can be set to flash or to remain static. The Display option controls its action (see Table 4).

On entry to Demo 4, the display mode is set for text on, graphic off, cursor and blink on, using the commands:

```

MOVLW %10010111 ; text on, graphic off, cursor & blink on
CALL SENDCMD    ; send command

```

Note that with the graphic screen now turned off, the attribute commands behind the top text line no longer cause the text to be inverted. However, the blinking text line continues to blink because the text attribute mode has not been cancelled.

Listing 24. CSRADR – Cursor position (address) setting.

```

CSR:
CALL CMDADR    ; send command address
MOVLW CSRPOS  ; cursor position command
CALL SENDCMD  ; send command
RETURN

```

Listing 25. CSRTYPE – set cursor type. See also flow chart Fig.16.

```

CSRTYP:
MOVLW %10100111 ; 8-line
CALL SENDCMD    ; send command
RETURN

```

Exercise 4.1.

Experiment with different addresses for the cursor to be placed, and also with the cursor type.

Exercise 4.2.

How would you stop the flashing of the bottom text lines, returning them to normal text display mode?

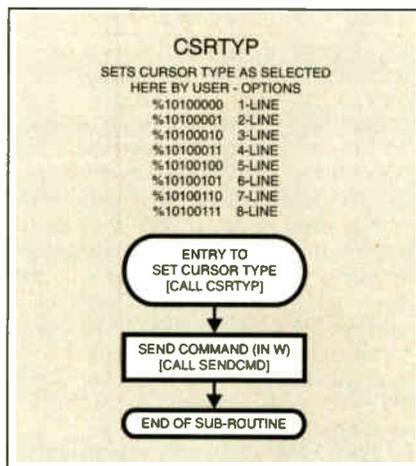


Fig.16. Flow chart for cursor type setting routine plus the cursor codes.

DEMO 5 Panning between pages

In Demo 5 panning between screen pages is illustrated. The principle of l.c.d. pages was discussed when describing how the column width setting determined how data was written to the display screen.

You would not have been aware of it at the time, but when writing text to the screen in Demo 1, text was also written into the region which we can call Page 2. That text simply says "THIS IS PAGE 2".

Panning occurs between the main page (page 1) and page 2. It has been slowed by the inclusion of a delay routine, but this can be omitted (or extended) if preferred in other applications. See the full source code for program details. It is based upon the TEXTHOME routine in Listing 5.

The Text Home address is initially set for page 1, line 1 column 1. A loop is then entered in which the address is repeatedly incremented, causing the display to shift by one column each time from right to left, each shift followed by a short pause.

As the display shifts left, so page 2 will gradually become revealed, with the progressive disappearance of page 1.

At the end of the preset loop count, the shifting is reversed so that it shifts from left to right, to again reveal page 1, with the disappearance of page 2.

The process repeats until such time that you press the switch to enter Demo 6.

If at the end of Demo 4 you had left the cursor and lower text lines flashing, you will see that the cursor does not shift in position while the panning occurs. Nor will the screen area which contains the instructions for text flashing. As the screen pans, the text beneath the flashing commands will shift away from those commands and cease to flash in the positions beyond them.

Note that the l.c.d.'s nature dictates that changes to the screen images do not instantly take effect. There is a short time that it takes for the display's liquid crystals to realign themselves following any change. This results in a brief "ghost" image of the display as it was prior to being shifted. The effect is especially noticeable in situations such as panning or switching between pages.

Exercise 5.1.

Experiment with changing the rate at which the screen pans.

Exercise 5.2.

Increase the column width setting and write text of your own invention to the area which can be regarded as page 3. Then set the panning loop lengths so that page 3 is revealed following page 2.

Exercise 5.3.

How many pages can you create, write to and pan through?

Exercise 5.4.

What happens if you cause the graphic screen to pan rather than the text screen?

Exercise 5.5.

What happens if you pan both screens? Restore the original column width and panning loops to the original values before progressing to Demo 6.

DEMO 6 Switching between pages

Demo 6 is a variant of the action performed in Demo 5. Here the pages are switched between, rather than panned.

Exercise 6.1.

Perform the same experiments as in the exercises for Demo 5. Again ensure that the originally settings exist before you enter Demo 7.

DEMO 7 AND, OR, XOR

In Demo 7 (listing not shown), the AND, OR and XOR modes (Table 4) are demonstrated. Press the switch to enter the demo.

On entry, a return is made to page 1 with both Text and Graphics screens active. The previous text characters will be seen, plus probably the residual state of the square drawing demo on the graphics screen. The Text Attribute mode is also cleared. Initially, the OR display mode is active. These actions take place in the first few subroutines of Demo 7.

In the principal demo routine, an area of the graphics screen has a pattern written to it, the area of which spans part of the "circuit diagram". The process is similar to that in flow chart SENDLOOP.

The pattern is created by writing the binary value 10101010 to alternate lines within the area, and 01010101 to the other alternate lines.

This pattern is written as an Attribute, moving it into the variable ATTRIB and then writing this to the l.c.d. via the SETATTR routine which was demonstrated earlier. The key lines are as follows:

```
MOVLW %10101010 ; fill graphic with  
                    val shown  
BTSS LOOPD,0  
MOVLW %01010101 ; fill graphic with  
                    val shown  
MOVWF ATTRIB  
CALL SETATTR      ; send value
```

When the pattern has been written to the designated area, the choice of whether it is ANDed, ORed or XORed with the text is available. As set, XOR mode is chosen. The choice of mode is actioned by sending that value as a command to the l.c.d. via the SENDCMD routine.

Following the sending of the selected command, the choice of which text and graphics screens are active is offered (refer back to Table 7). In the demo, the Text and Graphics On mode is selected, and the chosen value sent as a command via the SENDCMD routine.

Exercise 7.1

Experiment with choosing different options from the modes offered and note the results.

DEMO 8 Quackery!

Now we come to a complex example of creating a moving picture via the Graphics screen. Press the switch to enter Demo 8, and observe a bit of quackery (see Photo 6)!

You will see two creatures which might just be confused by some as being ducks! On the assumption that they might be, one of them opens its beak periodically and the word QUACK appears briefly on screen.

The ducks are also seen to be very sedately swimming slowly to the right. As the rightmost exits the screen area, another duck begins to appear on the left. A pattern of water is placed at the bottom of the screen, and a text message is at the top.

The water and text are created and displayed by the program in the manner discussed in previous routines. The water is a

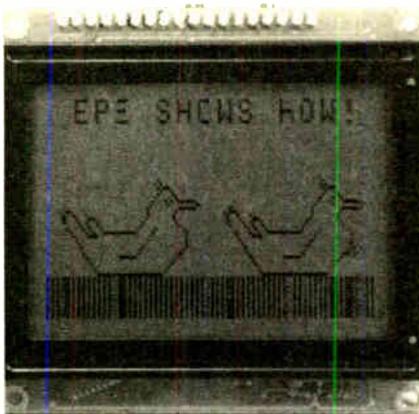


Photo 6. The birds sedately "swim" across the screen in Demo 8.

pattern created by writing a series of 01010101 bytes to the graphics screen. The text is held in a table.

What is interesting, though, is that the data for the ducks themselves is not actually programmed into the source code, but has been programmed into the PIC's EEPROM data memory from a pattern held in a separate text file on disk (DUCK08.MSG).

This is the data you were asked to send to the PIC as part of its programming for the author's demos. Other data could be written instead and similarly downloaded to the EEPROM. The .MSG file can be read (and amended) through a normal text editor.

SIMPLE IN PRINCIPLE

A really complex set of programming commands is involved in creating this screen, and there is insufficient room to show it. The principles are simple, though:

First the water is displayed, plus the top line text. The ducks are identical and the pattern for just one is held in the EEPROM, where it is stored as a set of values for writing to the character generator (user-defined) RAM. The pattern is retrieved and written to the CG RAM. Detail of part of the bird's beak is also retrieved and stored as a separate CG RAM byte.

The data, except for the extra beak detail, is then written twice to the graphics screen, so that two ducks are shown.

The Graphics screen itself is now repeatedly read, line by line within the "Duck zone", and the bytes within each line are shifted (rotated) right, so that the LS bit of one byte shifts into the Carry register, which is then shifted into the next byte as the MS bit, and so on for all 16 bytes of each line.

The final shift right causes the final LS bit to be shifted into a holding register, from where in the next cycle it is shifted into the first byte of the line as the MS bit.

The same is performed for each of the 28 graphics lines involved. The effect is that of a line of ducks slowly swimming across the screen.

On every eighth cycle of shifting lines to the right, the separate beak section is called into action and placed so that one bird appears to have its beak open. Coincident with this, the word QUACK is written to the screen. A short pause follows in which no shifting occurs. Then the extra beak section is removed, and blanks written in place of QUACK.

Various experimental routines were written to see which method could create the fastest swimming effect. To be honest, the author was a bit disappointed that he could not get the ducks moving faster, but he still finds the display amusing!

It was decided, incidentally, not to use the panning technique illustrated earlier. This only shifts the screen by complete bytes. The ducks, though, are shifted by individual pixels, creating a smoother effect.

SCREEN READING

Whilst the full program cannot be included on these pages, it is pertinent to describe some of it in greater detail.

Each screen byte is read, shifted right to bring in the previous Carry from the left as the MS bit and to shift out the current LS bit into the Carry. The byte is then restored back on screen.

This occurs one line at a time, with a final "overflow" byte holding the Carry status of each line concluded, and which is shifted in from the left at the start of the reading procedure for the same line on the next batch round.

The routines involved, with two exceptions, are variants on those already discussed. The first exception is the EEPROM data read routine. There is nothing special about this that is worthy of discussion now. It was described in principle in the author's *PIC Tutorial* of March-May '98, again in the *PICTutor* CD ROM, and then expanded upon as a modification to suit PIC16F87x use, in *EPE* Oct '99 (*Mini PIC Tutorial*).

The other exception that is appropriate here, is the reading from the screen routine, DATAREAD, as shown in Flow Chart Fig.17.

In the full source code the command that instructs the l.c.d. to make a screen read is defined in PEEK, and it is this value which is written as the operative command.

Two sets of status checking are required for screen reads. CHECK6 is the first in which a wait occurs until status bit 6 is *low* – not *high* as in other status checks.

Then follows a CHECK3 status check, as has previously been discussed. However, in order to make the reading routine more efficient, neither check is made by calling the labelled subroutines. It is made *in-situ* within the read routine itself.

On conclusion of the CHECK3 equivalent, CD is taken low, and the byte presented by the l.c.d. to PORTD is read. It is this value which the l.c.d. has read from the addressed screen byte. The byte is temporarily stored in RDBYTE, the routine ended, and a return made to the calling routine. Now RDBYTE can be suitably dealt with as required.

There are no exercises suggested for Demo 8 (or the remainder yet to come). Think up something for yourself!

When you feel you are on the verge of "quacking-up" watching those darned ducks interminably crossing the screen (no, there's no shooting gallery program offered!), press the switch to enter Demo 9.

DEMO 9 Text Character Set

All that Demo 9 does is to display the full in-built text character set in order across the screen (see Fig.4 earlier).

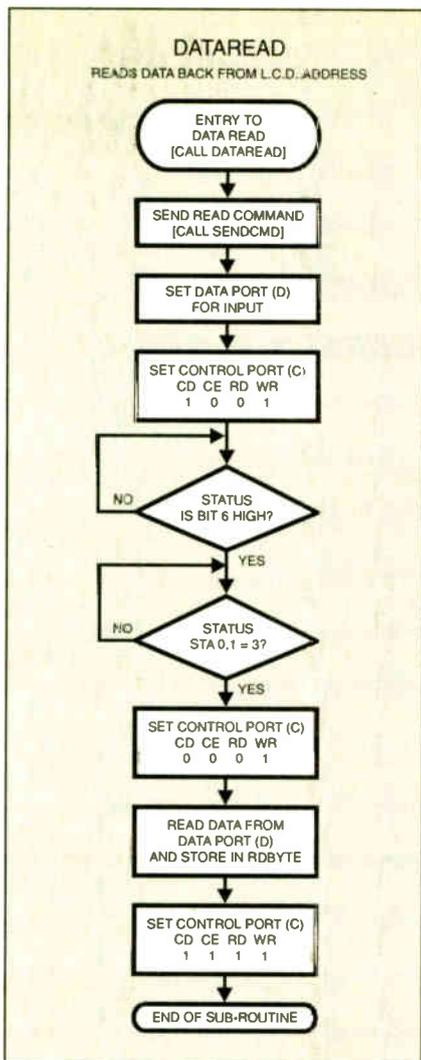


Fig.17. Flow chart for DATAREAD routine.

DEMO 10 Graphics Set Used

Pressing the switch again enters Demo 10. This displays all the user-defined symbols that have been created and stored in the CG RAM. It includes those from the circuit diagram (those on the first line) and downloaded from the EEPROM as the duck detail.

Imagination is needed to interpret which symbol is which part of the demos. The beak, perhaps, is obvious as the penultimate symbol. So too are small sub-captions from the circuit diagram.

DEMO 11 Waveform (1)

Pressing the switch again to enter Demo 11 shows the results of the author's preparatory experiments with drawing waveforms on screen, with an ultimate view to designing the forthcoming *PIC G-Scope*.

In this example, the waveform is drawn horizontally and is seen shifting from top to bottom.

Note how the text is placed on the screen with the waveform shifting beneath it. A delay routine is included in the program and you can change the rate of shift. The number of waveforms seen can also be changed (determined by the rate of incrementing variable COUNT).

The routine shows another instance of writing individual bits to the screen, making use of a look-up table.

Whilst it is a complex program, ensuring that the waveform is not only created, but also erased on the next cycle, there is nothing special about its routines in terms of using the l.c.d.

DEMO 12 Waveform (2)

Demo 12 is similar to Demo 11, except that the waveform is created vertically in the traditional scope style, shifting horizontally (see Photo 6). It too was an experiment prior to designing the *PIC G-Scope*. Do as you like with it.

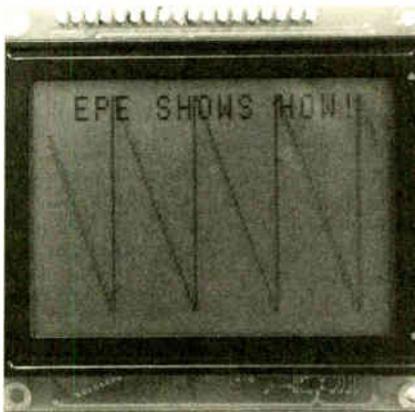


Photo 6. Waveform generated in Demo 12.

REPETITION

Pressing the switch again returns you to Demo 1.

When experimenting with the exercise suggestions, it is probably best if you re-mount the calls to those demos you do not need to see at that time, placing a semi-colon in front of the respective CALL commands.

For each change that you make to the program, it must be reassembled from the source code to a format suitable for downloading (sending) to the PIC. The program is written in TASM, which requires it to be assembled as a .OBJ file for sending to the PIC via a programming tool such as *PIC Toolkit Mk2*.

If you prefer to work with the MPASM dialect, *Toolkit* can translate from TASM to MPASM. In which case any re-assembly would need to be to a .HEX file if you are then using an MPASM-type programmer.

When writing your own future programs you will find that many of the author's routines are ideally suited to use as library routines. You will also spot many ways in which you can deviate from the exactness of the routines while still retaining their essence.

Additionally, you will find that some routines can be "tightened-up" to become more efficient - changing bits, for example, instead of complete bytes. The LINE and GLINE commands, as another example, deserve attention to make them more efficiently programmed.

WINDING UP

Without the guidance of Toshiba's demo program, the author would have found it extremely difficult to get to know the operation of the T6963C l.c.d. controller.

It has to be said, though, that it would have been appreciated had Toshiba's examples gone further. There is much that was left to be discovered by logical deduction and by trial and error. Much of it has been achieved, as the author's demos illustrate. Nonetheless, there are still some questions unanswered, possibly more than are immediately apparent.

Should readers investigate beyond the regions explored through the author's demos, they might care to share their findings with others, submitting them for possible inclusion in *Readout*. You might even design a circuit based on a graphics l.c.d. that you would like to submit for possible inclusion as an *EPE* constructional project.

Give Editor Mike Kenward a call if you have an idea which you think might interest us and other readers.

DOWNLOAD SITES

The Toshiba T6963C data sheet was downloaded from www.toshiba.com/taec/components/Datasheet/T6963CDS.PDF. Note that the device is designed to control many different l.c.d. formats and some of the data is not relevant to the PG12864.

The Powertip data sheet is not available for download except by authorised Powertip agents (besides which, the author found it to be unhelpful and in some cases grossly inaccurate). Powertip's site is at www.powertip.com.tw.

The RS data sheet (RS 298.4613), which is also available from Electromail, was also found to be unhelpful (and of little relevance to the Powertip PG12864 as a separate entity).

Another graphics l.c.d. site is at www.varitronix.com. Some of their l.c.d.s are also controlled by the Toshiba T6963C, but adequate data sheets could not be located.

Kent Displays Inc of the USA have a site at www.kentdisplays.com which is interesting for its l.c.d.s that retain their image even after power has been switched off. They do not use the T6963C controller, however.

Microchip's site, from where a PIC16F877 data sheet can be downloaded, is at www.microchip.com.

The *EPE* web site, from where the software for this demo can be downloaded (and where lots of other matters of interest exist!), is at www.epemag.wimborne.co.uk.

Finally, if you are interested in Partridges (see earlier!) try doing a search on *Perdix*, via www.google.com. Google is an excellent search engine anyway and is well worth adding to your list of favourite sites. Thanks to friend Alan Winstanley for having told us about it! □



Video Surveillance

- CMOS B&W Camera 15mm x 15mm £29.00
- CMOS Colour Camera 15mm x 15mm £65.00
- Board Camera, B&W, 32mm x 32mm £24.00
- Board Camera, Colour, with Audio, 32mm £65.00
- 23cm (1.3GHz) Video/Audio Transmitter £35.00
- 13cm (2.4GHz) Video/Audio Transmitter £35.00
- 1W Booster for 2.4GHz £120.00
- 2W Booster for 1.3GHz £130.00
- 1.3GHz/4-channel Receiver and Switcher £85.00
- 2.4GHz/4-channel Receiver and Switcher £85.00
- Quad (B&W) £95.00
- 4in. boxed TFT Colour Monitor with Audio £110.00
- 2in. TFT Colour Monitor Module £85.00

Order your list for 100 electronics kits free of charge

Also we stock RF parts, power modules and more CCTV/security products

BITZ TECHNOLOGY LTD

Tel: 01753 522902 Fax: 01753 571567

E-mail: sales@bitztechnology.com

Website: www.bitztechnology.com

**FREE 240-page
colour catalogue**

Great value for Speakers, Microphones, Aerials, Headphones, Transmitters, TV Amps, Plugs, Sockets, Leads, CD Storage Cases, CCTV, Security, Connectors, Adaptors, Switch Boxes, Gadgets, Disco Lighting & Effects, Mixers, Amplifiers, Turntables, Musicians' Leads, Car Audio, Test Equipment, Hobby Kits, Computer Leads & Accessories, Power Supplies, Inverters, Transformers, Battery Chargers, Tools, Soldering, Switches, Fuses, Indicators, Cable & Wire, Crossovers, Speaker Hardware, PA Amps, and a great deal more... all for the price of a stamp.

SKY ELECTRONICS
Tel: 020 8450 0995
Fax: 020 8208 1441

Sky Electronics

40-42 Cricklewood Broadway London NW2 3ET
Tel: 020 8450 0995 Fax: 020 8208 1441
www.skyelectronics.co.uk

The Catalogue is FREE to callers or send stamps to the value of £1.85 to cover postage.

ELECTRONICS 2001

Our **Hot Pods**

**Come in a variety
of models**



Antex thermally balanced soldering irons are fast, easy to handle and very safe. Plus you get a wide range of different voltages and wattages.

So race off with a 'fixed temperature' iron or try the 'In Handle' temperature controlled model.

Each one comes with a choice of a PVC or a burn-proof silicone lead, has been manufactured in the UK and meets CE conformity. And with Antex you get a big choice of soldering bits to suit every need.

But while our irons sell faster than a dragster, they come at a price that won't burn a hole in your pocket.

So visit our web site or your electronics retailer and take one for a test drive

ANTEX

NOT JUST ANY OLD IRON

**YOU CAN NOW BUY ANTEX
EQUIPMENT ON-LINE**

ALL ON-LINE ORDERS OVER £20 TAKEN IN FEBRUARY
AND MARCH WILL RECEIVE A 25% DISCOUNT

www.antex.co.uk

READOUT

E-mail: editorial@epemag.wimborne.co.uk

John Becker addresses some of the general points readers have raised. Have you anything interesting to say? Drop us a line!

WIN A DIGITAL MULTIMETER

A 3½ digit pocket-sized l.c.d. multimeter which measures a.c. and d.c. voltage, d.c. current and resistance. It can also test diodes and bipolar transistors.

Every month we will give a Digital Multimeter to the author of the best Readout letter.



★ LETTER OF THE MONTH ★

MIRRORS AND SMOKE

Dear EPE,

I just would like to share my experiences that prove, beyond all doubt, that PICs work with mirrors and smoke.

Having built the wonderful *PIC Icebreaker* board (Mar '00) and got the old l.e.d. flashing, the time had come to move onto more adventurous projects. As I enjoy playing with PCs as well, the COMMS port seemed a good place to go to. After studying all the data books and writing a simple loop to send a set of letters out of the PIC's USART, I dumped the program into the 16F877. Feeling very bold, the baud rate was set to 19.2Kb. HyperTerminal was fired up, only to display a whole bunch of gobbledegook.

Then I remembered that your *8-Channel Data Logger* (Aug/Sep '99) also sends data to the PC. Checking its circuit I found that signal polarities were the same as mine! A lot of scratching on the Internet revealed that "on an RS232 port, a digital High is represented by a Low voltage", which is upside-down.

Then it also strikes me! The data book is printed in the Northern hemisphere and the *Data Logger* was also designed up North, and here I am sitting in the Southern hemisphere! So all I have to do now is turn the Data Book upside-down and everything should work fine. No go! Now the levels are right, but I am sending the Stop Bit first, then the MSB, followed by all the other bits and then the Start Bit!

But hang on, if I turn the book right way up again and put a mirror there... Aaah, now it looks better and I can push up the baud rate to 115Kb and it all hums along merrily with "The Quick Brown Fox...". So it seems that we "Southerners" definitely need a mirror to make the USART work properly!

Now comes the proof that they also need smoke to work. I accidentally let some smoke out of a PIC the other day using 20V and it stopped working. Unfortunately, it dispersed before I could catch it all so that I could not put it back to make the PIC work again. Anyone out there got a PIC re-smoker for me?

Seriously though, nowhere in documentation that I have seen does it state that an inversion is required to get from a PIC into RS232. With a simple transistor inverter she works like a dream.

Thanks a lot to *EPE* for giving me the tools to get started with PICs. The articles and circuits were very helpful.

**Mike Von Der Heyden,
Kimberley, South Africa**

Thought provoking comments Mike! The world of serial is full of wonders and little documentation. In my Data Logger I used interrupts in machine code with an inversion.

However, we thought that all constructors were familiar with the concept that some electronics components should only be used the "right way round" and so guess that digital Highs and Lows might be equally polarity (and thus hemispherically) conscious! (Only joking, I must reassure the novices amongst you - our projects are globally compatible without reorientation, with the possible exception of my Musical Sundial, Jun '99!)

And, er, yes, you've got to keep the smoke in any electronics component. Once it gets out, the component's demise is usually assured. Perhaps there might be a way, though, that I can incorporate a PIC re-smoker with the new PIC Toolkit for Windows that I'm working on! Any of you ingenious readers have suggestions on this point?

BLANKET WEED CONTROL

Dear EPE,

I've been looking to buy a commercially available electronic blanket weed controller for my pond, but am astounded at the prices being asked for what appear to be relatively simple devices. I know of several people also keen to get one, but not at the prices quoted. This would seem to be an ideal project for you to feature.

It would appear that these devices use a variable low frequency transmitter (1kHz to 7kHz) with two wires wrapped around the outflow pipes, each wire in opposing directions. The exact detail of how it all works is vague. It seems that calcium carbonate is an important part of cell wall chemistry in the weed. If the mineral is modified (polarised? ionically modified?) the weed can't absorb it so well and growth is retarded. Or so I've read.

The problem is, very mixed feedback on results. Many purchasers are impatient or have other water problems which hinder the function of the unit. Interest is huge - but who will risk spending lots of dosh if it might not work?!

For some idea on the level of interest, try a quick net search for "electronic blanket weed" via www.google.com, it yields over 2000 sites!

Brendan Cunningham, via the Net

It seems that the technique might be similar to water pipe descaling, a subject that we have covered constructionally in the Experimental Electronic Pipe Descaler (Aug '93) and PIC Pipe Descaler (Oct '97). Both units used variable frequency, the latter unit using a PIC to control it.

Following publication in '97, a great deal of Readout correspondence resulted, and which seemed to (by-and-large) confirm the effectiveness of the device. As to whether it might work as you require, I cannot speculate. Do any readers know?

VB AND PORTS

Dear EPE,

How do you access a PC's ports when using Visual Basic? What are the equivalents of the QBASIC INP and OUT instructions? I've just started playing with VB5 (cheap because a generation behind!) and without the ability to access those ports the whole point of a computer disappears. Maybe the Pro version has them. Any ideas?

Alan S. Raistrick, via the Net

Well, Alan, I'm using VB6 and accessing the parallel printer port using the Freeware INP/OUT32.DLL as introduced to us by Robert Penfold in his Interface series. It is available for free download from our web site (in the Interface folder) and is also on EPE Disk 3. It is extremely easy to use.

It seems crazy, though, that VB does not allow direct access to the ports. Such a facility is an imperative for the type of software that I write for a PC.

Incidentally, although Chat Zone readers have given me advice on using VB and the comms (serial) ports, I have not yet achieved fully satisfactory interfacing with them. Can any readers point me (and others) to a freeware/shareware serial interface program that is as easy to use as INP/OUT32?

VB FOR FREE!

Dear EPE,

I'm glad to see that you are supporting Visual Basic. I have a lot of experience with it and always look forward to your PIC/VB projects. May I recommend to the readers who may not be able to afford any of the VB suites, that there is a free version available for download at:

<http://support.microsoft.com/support/vb5/vb5cce/default.asp>

This is the VB5 Control Creation Edition, and will be of use for most Visual Basic projects.

Paul Finnerty, via the Net

Thanks Paul. I'm finding VB6 superb to work with. Wish I'd got to know how to use VB years ago - my Teach-In 2000 series would have benefited and allowed even more facilities, and fewer programming commands! Upgrading from VB5 to VB6 is not greatly expensive (neither is buying VB6 directly).

Coincidentally, another reader has recently sent the following as well:

Readers may wish to try the Control Creation

Edition, available via <http://msdn.microsoft.com/vbasic/downloads/cce/>. This is intended to be used for creation of ActiveX controls but it can be used for standard EXE based applications with the limitation that the project cannot be compiled to an EXE file. It is functional in all other respects.

**Mark Jiggins,
Hersham, Surrey,
via the Net**

Thanks Mark, it seems like readers are spoilt for VB choice!

PIC PORTS

Dear EPE,

Can PICs store data on their ports?

Peter Mayhew, via the Net

Yes, Peter, as I discussed and showed in my PIC Tutorial of Mar-May '98. Any data written to a PIC's port will remain there until intentionally changed. It can also be manipulated while remaining on the port, rotated, ANDed, OR'd, inverted, etc.

PROGRAMMING HISTORY

Dear EPE,

I was interested in Peter Kelly's *Letter of the Month* (Dec '00), and especially his frustration with the common programming construct **FOR A = I to K**. Most programmers actually use I, J, K, L, M for loop counters, and not because "I" might stand for Index. Their use (and I don't condone it) is largely historical.

Fortran IV (blimey that seems a long time ago) defined these variable names as *Integers*. So they were used as loop counters. It seems to have stuck, even if some programmers don't know why.

We have come a long way in language development, many of us will remember programming languages (particularly the many forms of BASIC) where the variable name was limited to two characters. Indeed in my early programming days using DEC's BASIC+ under RSTS/E this is what we were limited to. Somehow we managed to turn out really quite sophisticated applications. So there's a bit (ouch) of programming history for the archives. Thanks for a great magazine.

Godric Goodrich (G4NLA),
via the Net

Ah, now "I" know - thanks Godric! When I was teaching myself how to program (late 1970's) I too was limited to two characters for variables. It's amazing how one coped. I was also limited to only 32K of memory in which to contain my programs and to 1MHz at which to run them (Commodore PET). (It was also when I learnt to hate "I" as a variable name!)

What such limitations taught, though, was the ability to condense and refine one's code to the absolute minimum. These days there is so much memory and speed available that code compactness often "goes out the window (Windows?!)" - sadly, this can encourage programmers to become sloppy in their code writing, using far more program lines than are really needed, and which could be achieved with a bit more thought (although with more time spent at it, it has to be admitted).

I also recall using cassette recorders as the storage medium. These took ages to read and write. At times I could power up the PET and have time to make coffee before it had loaded a program! It was not until the early 80's that disk drives became available for the PET (storing about 360K of data per disk).

At the time of writing, Dell Computers have just advised me that they now have PCs with Pentium 4 processors running at 1.5GHz (1500MHz), and having disk drives storing 40 gigabytes, all for around £1600 (about half of what the PET system cost me in total 20-odd years ago!)

WHAT PROGRAMMER?

Dear EPE,

I have just started thinking about programming my own PICs, having previously bought only programmed ones. After reading different advertising extracts, I am now totally confused about which to buy? Which is the best all rounder for the newcomer and which will program the widest range of chips?

Mark Cowley, via the Net

As you seem to have found, Mark, there are many commercial PIC programmers on the market. Indeed Microchip appear to encourage people to design their own programmer and provide rudimentary information about doing so in their data books etc.

We are not familiar with the programmers available from our advertisers and cannot comment on their merits. However, I can make two observations.

First, it seems likely that the programming facilities available from Microchip (e.g. MPLab, MPSim, MPASM) will cover the entire range of their PIC and other products. This would seem to be a route you should investigate as you want "the widest range". However, my own (brief)

experience with MPASM was that it seemed slow to access when developing program code.

Another choice open to you is my PIC Toolkit Mk2, originally published in May-Jun '98, with additional software enhancements since then, the latest (V2.4) having been published with the Dec '00 issue. As a frequent writer of programs for PICs, I placed a very heavy emphasis on the speed and ease of use of Toolkit.

I am currently working on Mk3 (Toolkit for Windows) which has even more facilities. Toolkit, though, is principally designed for use with the PIC16x84 and PIC16F87x EEPROM-based devices (although there are some other PICs that it can also program).

TEACH-IN 2000 CD

Dear EPE,

I found out about your *Teach-In 2000* electronics series (Nov '99 - Oct '00) in recent magazines. This is just what I've been looking for as a practical introduction to electronics. I have little electronics experience and no equipment.

I was wondering if there is a resources pack available for this series, or do you recommend a particular component supplier? Are the articles available as a stand-alone package, or do I have to purchase the back issues of the magazine?

Andrew Fielden, via the Net

There are two choices now available, Andrew. Back-issues of the magazine in printed paper format can be bought as stated on the Back Issues pages in any edition of EPE. The software that accompanies that format is available on a 3.5-in disk, as stated on the PCB Service page or free from our ftp site.

Alternatively, you can now buy the recently introduced *Teach-In 2000 CD-ROM* which includes the full series in PDF format (which can be viewed under Acrobat), and also the software. The CD-ROM version also includes Alan Winstanley's Basic Soldering Guide as a bonus article!

At the time that the series commenced, the following companies advised us that they were supplying some or all of the components: ESR Electronic Components, Magenta Electronics, FML Electronics, N.R. Bardwell - see their adverts for contact details.

MPSIM TUTORIAL

Dear EPE,

Over the past couple of years your *PIC Toolkit*, *PIC16F87x* and *PIC Tutorial* articles have been most informative and interesting and must have given many of your readers a much better understanding into the operation and uses for these devices.

I believe that, as a sequel to these articles, a brief tutorial on the Microchip simulator MPSIM would be of great help, not only to the more experienced programmer, but particularly to those just starting. This simulator software (freely available), not only allows the program to be executed one step at a time, but also allows the contents of any of the registers to be displayed in either binary, decimal or hexadecimal or all three, so that the effects of each step can be watched.

This feature is particularly useful when studying the Status register flags after an instruction. This software also has the advantage of not requiring any extra hardware.

Walter Scanes,
Stroud, via the Net

Personally, I am quite content to develop code in "real-time" by running it directly on a PIC. There are many easy techniques available when you want, including temporary attachment of I.e.d.s, alphanumeric I.c.d.s or direct interface to a PC.

However, I recognise that MPSIM offers an important programming development facility, and one which I believe many readers find to be invaluable. We will give thought to your helpful suggestion Walter.

WHY NOT USE C?

Dear EPE,

Regarding the *Readout* discussion on a replacement for QBasic, Visual Basic and Delphi are unique to PCs so I wondered if some of your readers (especially students) might consider learning C. This language is useful for programming microcontrollers and PCs. C is defined by an ANSI standard and hence it is possible to write portable code that will work on many machines with a few or no changes. It is a compiled language and is thus fast (Visual Basic is partially interpreted). A free DOS ANSI C Compiler is available from Borlands website, go to www.borland.com and click Community, Login and Downloads.

Even if you don't use a compiler, C is a very useful basis for writing pseudocode for your assembly language programmes. This is because it was designed to be able to do almost anything assembly language could do. And, because its designers didn't like typing, C will save you writer's cramp!

Also, C is useful for employment as it is replacing assembly language for programming microcontrollers. C is a subset of the new language ANSI C++, while Borland C++ Builder is the C++ equivalent of Visual Basic.

I found the best C book to be *The C Programming Language* (second edition) by Brian W. Kernighan and Dennis M. Ritchie (known as K&R2) which describes the C89 ANSI standard. K&R2 is sort of the official book on C and has the advantage of being short.

Alan Bradley, via the Net

Thanks for your comments Alan. Knowing a bit about C, I appreciate your sentiments. However, we do not think that the majority of our readers have an interest in the language and so do not feel that we should "take it on-board". What do others think?

HOT OFFER

Dear EPE,

I recently built the *Temperature Interface* of Oct '00. As I use Linux and not MS Windows I wrote a small C program to control it. This is a command line program with only a text output at present. If I get time to learn a bit more I will add a pretty GUI front end.

In the meantime, I thought I would let you know there is life outside MS Windows. If anyone wants a copy of my program they can E-mail me at n.elliott@ntlworld.com

Norman Elliot, via the Net

Thanks Norman. Now, Linux, there's a name we have not had mentioned in *Readout* so far as I recall (will we see it again, eh, readers?).

ZAPPING PICS

Dear EPE,

Can static electrical damage to a PIC cause partial changes to its stored programme/performance, or would it always cause a total failure?

Alex Cunningham, via the Net

It seems highly likely that program code could be disrupted under some conditions of static electrical exposure. Whilst one might normally expect total fatality from static discharge, it is possible that the discharge intensity might decay as it travels through the structure of the PIC (or other semiconductor device). This would cause damage to some parts but not others.

Always discharge static electricity from yourself by touching a grounded (earthed) conductor before handling such devices, even though most modern devices are far more robust than they used to be some years ago. Also, always ensure that your soldering iron is earthed to prevent electrical charge building up on its body as well.

If the integrity of a PIC is suspect it is always worthwhile trying to reconfigure and reprogram it.



NATIONAL
COLLEGE OF
TECHNOLOGY

DISTANCE LEARNING COURSES in:

Analogue and Digital Electronics, Fibre Optics, Fault Diagnosis, Mechanics, Mathematics and Programmable Logic Controllers leading to a

BTEC PROFESSIONAL DEVELOPMENT CERTIFICATE

- Suitable for beginners and those wishing to update their knowledge and practical skills
- Courses are very practical and delivered as self contained kits
- No travelling or college attendance
- Learning is at your own pace
- Each course can stand alone or be part of a modular study programme
- Tutor supported and BTEC certified

For information contact:
NCT Ltd., P.O. Box 11
Wendover, Bucks HP22 6XA
Telephone 01296 624270; Fax 01296 625299
Web: <http://www.nct.ltd.uk>

FRUSTRATED!

Looking for ICs TRANSISTORS?

A phone call to us could get a result. We offer an extensive range and with a world-wide database at our fingertips, we are able to source even more. We specialise in devices with the following prefix (to name but a few).



2N 2SA 2SB 2SC 2SD 2P 2SJ 2SK 3N 3SK 4N 6N 17 40 AD
ADC AN AM AY BA BC BD BDT BDV BDW BDX BF
BFR BFS BFT BFX BFY BLY BLX BS BR BRX BRY BS
BSS BSV BSW BSX BT BTA BTB BRW BU BUK BUT BUV
BUW BUX BUY BUZ CA CD CX CXA DAC DG DM DS
DTA DTC GL GM HA HCF HD HEF ICL ICM IRF J KA
KIA L LA LB LC LD LF LM M M5M MA MAB MAX MB
MC MDAJ MJE MJF MM MN MPS MPSA MPSH MPSU
MRF NJM NE OM OP PA PAL PIC PN RC S SAA SAB
SAD SAJ SAS SDA SG SI SL SN SO STA STK STR STRD
STRM STRS SVI T TA TAA TAG TBA TC TCA TDA TDB
TEA TIC TIP TIPL TEA TL TLC TMP TMS TPU U UA
UAA UC UDN ULN UM UPA UPC UPD VN X XR Z ZN
ZTS + many others

We can also offer equivalents (at customers' risk)

We also stock a full range of other electronic components
Mail, phone, Fax Credit Card orders and callers welcome



Connect

Cricklewood Electronics Ltd

40-42 Cricklewood Broadway London NW2 3ET
Tel: 0181 452 0161 Fax: 0181 208 1441



A COMPLETE RANGE OF INVERTERS

150W TO 1000W - 12V & 24V

A Complete range of regulated inverters to power 220V and 240V AC equipment via a car, lorry or boat battery. Due to their high performance (>90%) the inverters generate very little heat. The high stability of the output frequency (+/-1%) makes them equally suitable to power sensitive devices.

These inverters generate a modified sine wave, which are considerably superior to the square waves which are produced by most other inverters. Due to this superior feature they are capable of powering electrical equipment such as TV's, videos, microwave ovens, electrical lamps, pumps, battery chargers, etc.

Low Battery Alarm

The inverters give an audible warning signal when the battery voltage is lower than 10.5V (21V for the 24V version). The inverter automatically shuts off when the battery voltage drops below 10V (20V for the 24V version). Fuse protected input circuitry.

Order Code	Power	Voltage	Price
651.581	150W Continuous	12V	£38.49
651.578	150W Continuous	24V	£38.49
651.582	300W Continuous	12V	£54.36
651.585	300W Continuous	24V	£54.36
651.583	600W Continuous	12V	£118.42
651.593	600W Continuous	24V	£118.42
651.587	1000W Continuous	12V	£174.60
651.597	1000W Continuous	24V	£174.60

All prices are inclusive of V.A.T. Carriage £6.00 Per Order



ILLUSTRATION SHOWN IS 651.583 600W VERSION

Many uses include:- * Fetes * Fairgrounds * Airshows * Picnics * Camping * Caravans * Boats * Carnivals * Field Research and * Amateur Radio field days.

DELIVERY CHARGES ARE £6.00 PER ORDER. OFFICIAL ORDERS FROM SCHOOLS, COLLEGES, GOVT. BODIES, PLC,S ETC. PRICES ARE INCLUSIVE OF V.A.T. SALES COUNTER. VISA AND ACCESS ACCEPTED BY POST, PHONE OR FAX, OR EMAIL US AT SALES@BKELEC.COM ALTERNATIVELY SEND CHEQUE OR POSTAL ORDERS MADE PAYABLE TO BK ELECTRONICS.



B.K. ELECTRONICS



UNIT 1, COMET WAY, SOUTHEND-ON-SEA, ESSEX. SS2 6TR
TEL.: +44(0)1702-527572 FAX.: +44(0)1702-420243

For Full Specifications View our web site at:-
WWW.BKELEC.COM/INVERTERS.HTM

Special Constructional Feature

USING THE

LM3914-6 L.E.D.

BARGRAPH DRIVERS

RAYMOND HAIGH

Getting to grips with this versatile family of l.e.d. and bargraph driver i.c.s couldn't be easier. We include practical circuits and a multi-purpose p.c.b. set that will turn ten l.e.d.s into a robust, easily read, voltage display – and more!

WHEN something more robust, or more easily read, than a moving coil meter is needed, one of the LM3914-6 family of dot- or bargraph drivers and an l.e.d. display will usually provide a solution.

Manufactured by National Semiconductors, this "family" of chips (three) is extremely versatile. A single resistor and ten l.e.d.s are the only extra components required to produce a basic voltmeter or signal-strength meter. Two or three more resistors enable sensitivity to be adjusted, or the range expanded until a small, but critical, voltage change fills the entire display.

INTERNAL STRUCTURE

The internal arrangement of the LM3914 i.c. is shown in Fig.1.

The Comparators

At the heart of the device is a chain of ten resistors which set the bias on ten comparators so that l.e.d.s are switched on sequentially as the input voltage rises. The LM3914, 5 and 6 are identical apart from the values of the resistors in the voltage divider chain.

In the LM3914 the resistors have equal values to produce the *linear* response required for voltmeter applications. The resistors in the LM3915 are scaled *logarithmically*, and span 0dB to 30dB in ten 3dB steps, making this version suitable for signal-strength and power meters. The resistors in the LM3916 are related in a *semi-log* fashion to simulate a VU meter.

Input Buffer

A high input impedance buffer stage minimises loading on the circuit under

measurement. The stage is protected against reverse polarity inputs by a shunt connected diode, and up to 35V can be applied to input pin 5 before any damage occurs.

This can be increased to 100V by placing a 39 kilohms resistor in series with the input. Pin 5 *must* be connected to the 0V rail via a resistor of not more than 100 kilohms ohms or l.e.d. 10 will lock on.

Reference Voltage

Although the ends of the resistor chain can be connected to external reference voltages, it is generally more convenient to use the reference produced within the i.c. Typically 1.25V (it can vary from 1.2V to 1.34V), it is brought out at pins 7 and 8.

The voltage at pin 7 (Reference Out) can be increased to a maximum of 12V by connecting pin 8 (Ref. Adj.) to the 0V rail via

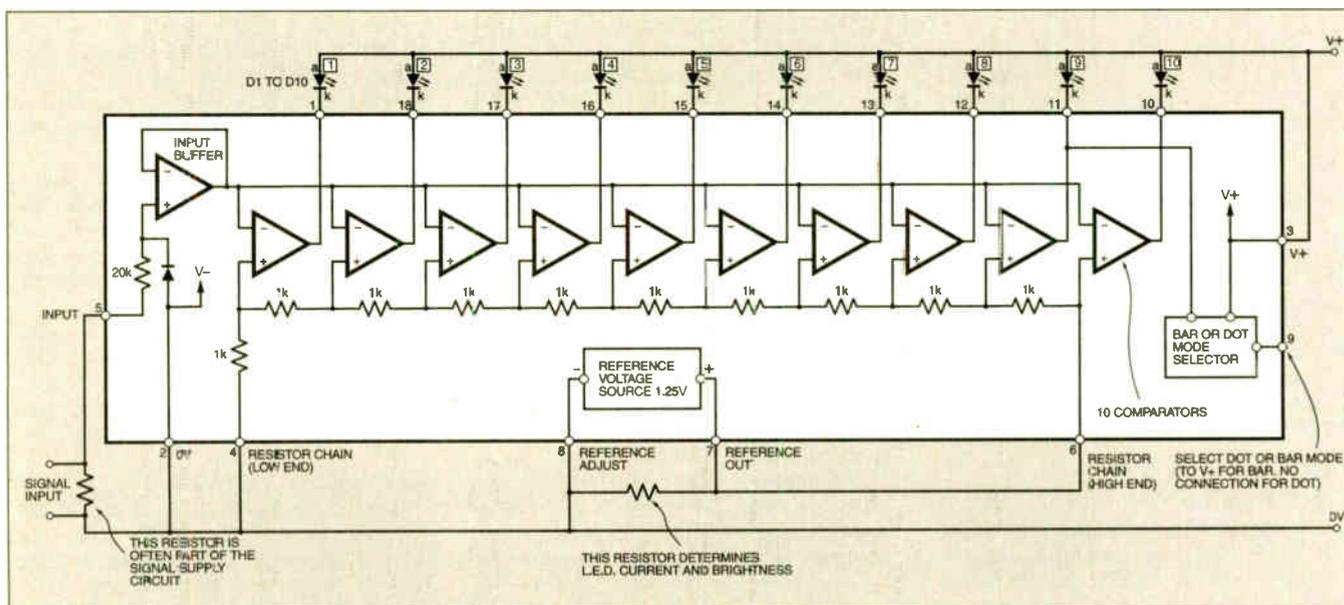


Fig.1. Block schematic diagram for the LM3914 l.e.d. bargraph driver showing the simplest external circuit. The LM3915 and LM3916 are identical except for the values of the internal resistors which determine the switching of the comparators.

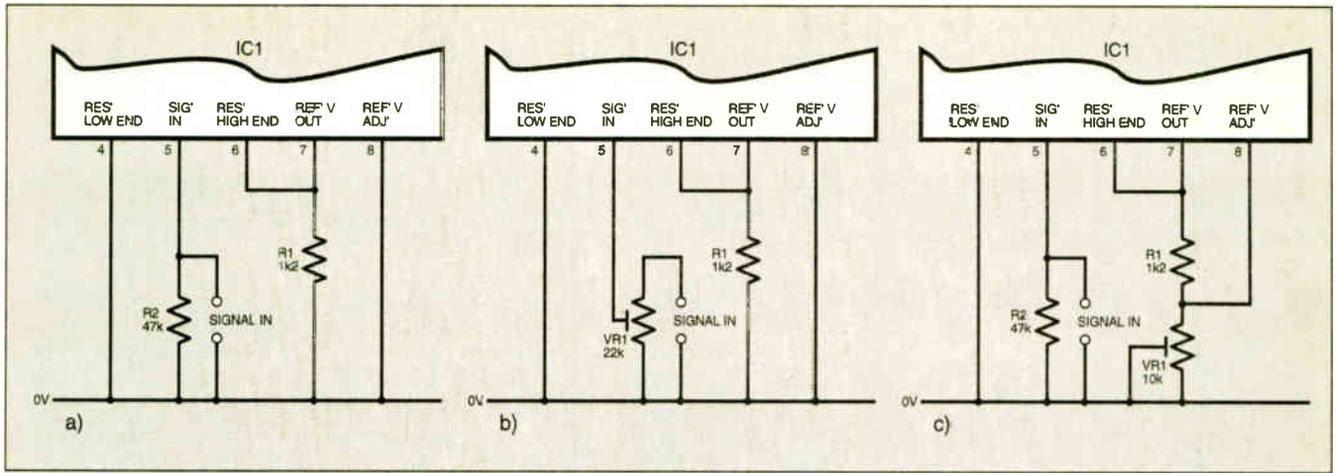


Fig.2a. Basic Sensitivity. Connecting the internal resistor chain directly across the 1.25V reference gives an input sensitivity, to i.e.d. D10 on, of 1.25V. Fig.2b. Reducing Sensitivity (Method One). Connecting the input to pin 5 via a preset potentiometer is the simplest way of reducing sensitivity. Fig.2c. Reducing Sensitivity (Method Two). Grounding pin 8 (Reference Adjust) via potentiometer VR1 increases the voltage across the internal resistor chain. This increases the input voltage required to turn i.e.d. D10 on. With a value of 10k for VR1, the sensitivity can be varied from 1.25V to more than 10V.

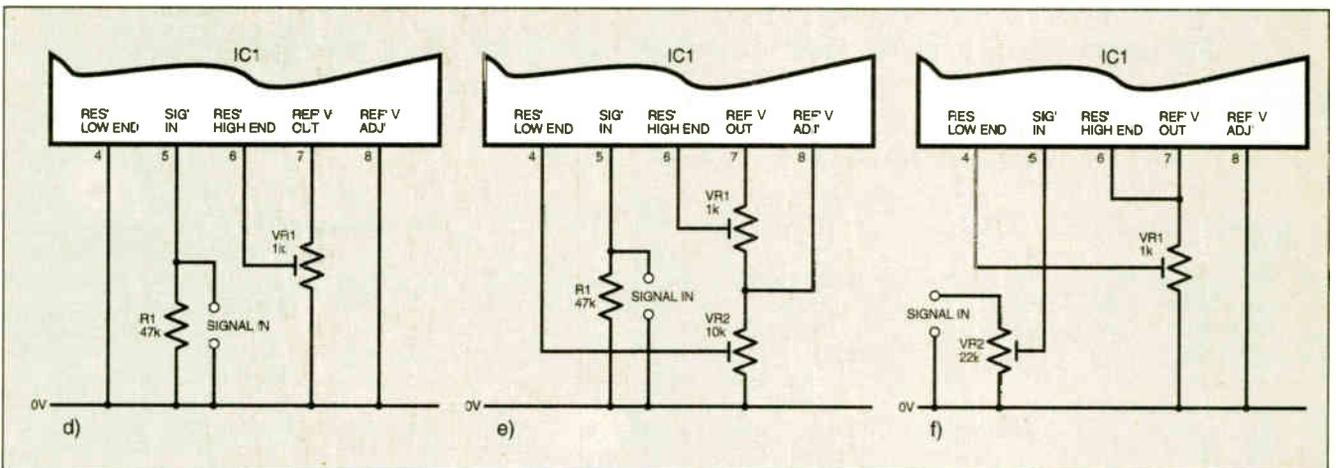


Fig.2d. Increasing Sensitivity. By connecting the "high" end of the internal resistor chain to the slider of potentiometer VR1, the input voltage to turn i.e.d. D10 on can be reduced to 0.1V or less. Fig.2e. Expanded Range (Method One). Connecting the ends of the internal resistor chain to the sliders of potentiometers VR1 and VR2 enables i.e.d. D1 and i.e.d. D10 "on" voltages to be adjusted. In this way a small, but critical, voltage change can be expanded to fill the entire display. Fig.2f. Expanded Range (Method Two). Connecting the "low" end of the internal resistor chain to the slider of VR1 enables range minimum (the input voltage required to turn i.e.d. D1 on) to be set between one tenth of range maximum and close to range maximum. Range maximum (the input voltage required to turn i.e.d. D10 on) is set by potentiometer VR2.

a resistor. The ability to increase the internal reference in this way makes it easier to set sensitivity over wider limits.

Bar or Dot Mode

A Bar or Dot mode selector is brought out to pin 9. Leaving pin 9 unconnected results in a dot display. Connecting pin 9 to pin 3 produces a bargraph.

Supply Voltage and Current

The supply voltage to the chip can be as low as 3V. It must, however, always be at least 1.5V more than the reference voltage applied to the "high" end of the internal resistor chain. The absolute maximum supply voltage is 25V.

Standby current (all i.e.d.s off) varies from around 3mA with a 5V supply to 10mA with a 20V power supply rail.

FIXING L.E.D. CURRENT

Current flow through each individual i.e.d. is ten times the current drain on the internal reference. L.E.D. current can, therefore, be programmed by a resistor connected between pin 7 and pin 8 (see Fig.1).

If the internal resistor chain is connected across the reference source (it usually is) the current through it must be added to the current through the programming resistor. When the LM3914 is used, the total resistance of the chain is nominally 10 kilohms, and i.e.d. current can be calculated from the following formula:

$$\text{L.E.D. current} = 10 \left(\frac{1.25}{R} + \frac{1.25}{10k} \right)$$

when R is the value of the programming resistor.

With a 1.2k programming resistor, individual i.e.d. current is:

$$10 \left(\frac{1.25}{1200} + \frac{1.25}{10000} \right) = 11.6\text{mA}$$

and the current in bargraph mode with all i.e.d.s on would, of course, rise to 116mA.

The reference voltage and value of the resistor chain can vary significantly between samples of the i.c., and some departure from the calculated current can be expected. The resistor chains in the LM3915 and LM3916 exceed 20 kilohms, and their contribution to i.e.d. current can usually be ignored.

SENSITIVITY AND RANGE

The input voltage required to turn i.e.d. 10 (D10) on is equal to the reference voltage applied to the "high" end of the resistor chain. Similarly, the input required to turn i.e.d. one (D1) on is determined by the voltage applied to the "low" end.

There are limitations. The "low" end of the chain cannot be taken below the 0V rail, and the potential on the "high" end cannot exceed 1.5V below the power supply voltage. The internal reference can be set no higher than 12V.

The various ways in which the sensitivity and measurement range can be adjusted are illustrated in Fig.2a to Fig.2f. A brief description of the various methods of adjusting the input sensitivity follows:

Basic Sensitivity (Fig.2a)

Connecting pin 6 to pin 7 applies the internal reference to the "high" end of the resistor chain and the input voltage required to turn i.e.d. 10 (D10) on is, therefore, fixed at 1.25V.

The "low" end of the chain, pin 4, is connected to the negative terminal of the

reference, pin 8, via the 0V rail. The input voltage required to turn l.e.d. one (D1) on is, therefore, one-tenth of 1.25V or 125mV, and each increment of 125mV turns another l.e.d. on.

L.E.D. current is programmed by resistor R1 which is, in effect, connected across the internal reference source.

Reducing Sensitivity (Fig.2b):

Method One

Applying the input signal via potentiometer, VR1, enables the voltage for l.e.d. 10 on to be set at any level above the 1.25V internal reference. Inputs much in excess of 50V should be connected via a fixed resistor of suitable value to avoid the power rating of the potentiometer being exceeded.

Reducing Sensitivity (Fig.2c):

Method Two

The reference voltage at pin 7 can be increased by connecting pin 8 to the 0V rail via a resistor. In Fig.2c, the current flowing in resistor R1 is grounded via preset potentiometer VR1 (wired as a variable resistor), thereby increasing the voltage at pin 7 and pin 8. Applying this increased reference voltage to the "high" end of the internal resistor chain increases the voltage required to turn l.e.d. 10 on.

The formula relating resistor values to reference voltage is:

$$\text{Reference voltage} = 1.25 \left(1 + \frac{VR1}{R1} \right) + VR1 \times \frac{80}{10^6}$$

(The above formula allows for an 80µA current flowing out of pin 8 to ground via VR1.)

By making the resistor between pin 8 and ground (0V) a 10 kilohms preset potentiometer, the reference voltage can be varied from 1.25V (VR1 at zero resistance) to 12V (VR1 near maximum).

Increasing Sensitivity (Fig.2d)

The basic sensitivity of 1.25V can be low for some applications. If preset VR1 is connected across the reference voltage and its slider (moving contact) taken to the "high" end (pin 6) of the internal resistor chain, the input to turn l.e.d. 10 on can be varied from 1.25V down to 100mV.

Expanding the Range (Fig.2e):

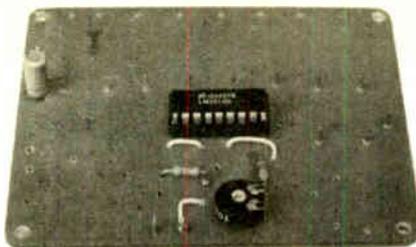
Method One

Sometimes it is desirable to expand a small, but critical, voltage range to fill the entire display. Battery condition checkers often rely on circuits of this kind.

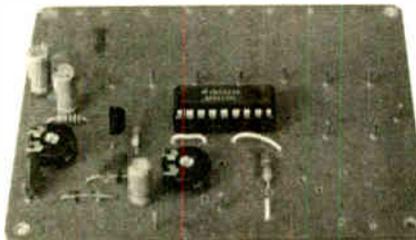
Range maximum is set just above the fully charged or "fresh" voltage, and range minimum is set a little below the voltage at which the working of the equipment would be impaired. Different coloured l.e.d.s representing "good", "acceptable" and "dubious" ensure an easily read display, and a resistor to simulate the normal load should be wired across the cell under test.

In Fig.2e, preset potentiometer VR2 increases the reference voltage at pin 7. The "low" end of the internal resistor chain (pin 4) is connected to its slider enabling range minimum to be shifted over wide limits.

Adjustment of range maximum is facilitated by connecting the "high" end of the chain (pin 6) to the slider of VR1.



Voltmeter with adjustable input sensitivity (1.25V to 10V) circuit board. See Fig.2c for circuit and Fig.10a for p.c.b. details.



Signal-Strength Meter (dot-mode) with amplified and rectified input. See Fig.2a for sensitivity fixing, Fig.5 for input circuit and Fig.10e for p.c.b. details.

The resistance of VR2 should be chosen to increase the voltage on pin 7 to a level just above range maximum. If necessary, connect fixed and variable resistors in series to produce the desired value.

Expanding the Range (Fig.2f):

Method Two

A more versatile method of expanding the range is shown in Fig.2f, where the circuit is configured for a basic sensitivity of 1.25V. Connecting the slider of preset VR1 to the "low" end of the resistor chain enables range minimum to be set anywhere between one-tenth of range maximum and close to range maximum.

Range maximum is set at any level above 1.25V by potentiometer VR2.

ACCURACY

Accuracy is partially dependant on the switching precision of the comparators, and their performance improves as the voltage across the internal chain of resistors approaches its maximum value. For this reason, the sensitivity adjusting circuits given in Fig.2c and 2e are to be preferred when accuracy is paramount. The circuits in 2b and 2f will, however, function with power supply voltages down to 3V.

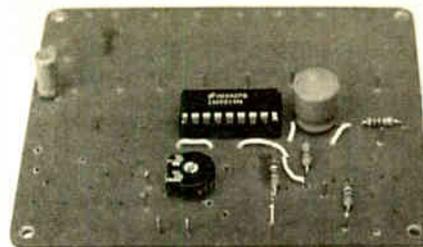
Temperature variations, over a 0°C to 70°C range, have a negligible effect, especially if the voltage across the internal resistor chain is kept high.

When considering the question of accuracy, it should always be remembered that this method of displaying voltage lacks the precision of a digital or large moving-coil meter. The l.e.d.s are switched in a series of one-tenth steps and, to avoid display ambiguity, one l.e.d. fades out whilst the next is switching on.

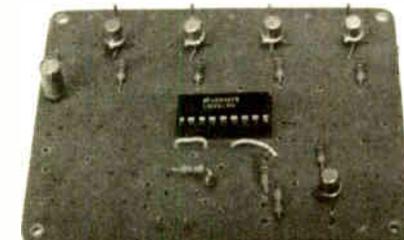
Unless, therefore, there is considerable expansion, the display inevitably represents an approximation of the voltage being measured.

DISSIPATION

The manufacturers of the devices quote an absolute maximum power dissipation of



Bargraph display with "warning" flasher. Sensitivity adjustable from 1.25V upwards. See Fig.4 for circuit and Fig.10c for board details.



Remote Relay Driver circuit board. See Fig.7 for circuit diagram and Fig.10f for board details. It is possible to control up to 10 relays, using the control board of Fig.9.

1365mW, and this figure has to be de-rated if the ambient temperature is higher than normal. When the display is configured in the bar mode, it is prudent, therefore, to check that total dissipation does not exceed, say, 600mW when all l.e.d.s are on.

Voltage drop across the l.e.d.s is determined by colour. It is near enough 2V for red, yellow and green l.e.d.s, and around 3-6V for white and blue.

To calculate dissipation, deduct the l.e.d. voltage drop from the supply voltage to give the voltage across the i.c., and multiply this by the total l.e.d. current plus, say, 10mA for device standing current.

With red l.e.d.s working at 10mA, and with a supply voltage of 12V:

Voltage across i.c. = 12 - 2 = 10V.

Maximum current = 10 + (10 × 10) = 110mA

Maximum dissipation = 10 × 110 = 1100mW, which is too high for safety.

Adopting dot instead of bar mode will bring dissipation within safe limits, and l.e.d. current can be reduced by increasing the value of the resistor between pin 7 and pin 8. However, for many applications using standard l.e.d.s, a current of 10mA is required to produce a bright enough display.

Dissipation can, of course, be reduced by reducing the supply voltage to the i.c., but it must always be 1.5V or more above the voltage applied to the internal resistor chain. When the supply to the i.c. has to be high for this reason, dissipation can be reduced by using a separate power supply of 3V or 5V for the l.e.d.s.

If separate supplies are inconvenient, dissipation can be kept within safe limits by placing a 470 ohm resistor in series with each l.e.d.. The manufacturers suggest a single resistor placed in series with the l.e.d.'s common anode lead (the l.e.d. end of this resistor should be bypassed to the 0V rail by a 10µF electrolytic capacitor). With this method there may be a perceptible reduction in brightness as the bargraph extends.

STABILITY

The circuit may become unstable if the l.e.d. connecting leads are longer than 150mm. A 10 μ F electrolytic capacitor connected across the power supply rails, and mounted reasonably close to pins 2 and 3, avoids this possibility.

Instability can also arise if the internal resistor chain is connected to independent reference voltages of high impedance. Bypassing pin 6 to ground via a 100nF capacitor will eliminate any problems.

L.E.D.S

The efficiency of l.e.d.s (light emitting diodes) in terms of light output for a given current varies considerably. The so-called "high brightness" l.e.d.s certainly produce a vivid display, but this is usually achieved by adopting current levels of 20mA or more.

If current economy is important, either to contain dissipation or to extend battery life, low current l.e.d.s, which are very luminous at 2mA, represent an ideal solution. The 3mm types seem brighter than their 5mm counterparts, no doubt because the light source is not obscured by so much plastic.

By using low current l.e.d.s in the dot mode with a 3V supply, and increasing the l.e.d. current programming resistor to 10 kilohms (R1 in Fig.2a), a very economical voltage display can be produced.

BARGRAPH DISPLAYS

Rectangular l.e.d.s are more appropriate for bar graphs, and separate diodes can be combined into a ten l.e.d. display. A method of doing this is illustrated in Fig.3.

The provision of a bezel avoids the difficulty of cutting a neat rectangular slot in the instrument case, and l.e.d.s of different colour can be combined. The meeting faces of the l.e.d.s must be coated with dark paint before being glued together, or light spread will be a problem.

Ten segment displays can be purchased for little more than the cost of separate l.e.d.s. This does, however, deny the constructor the opportunity to mix l.e.d.s of different colours.

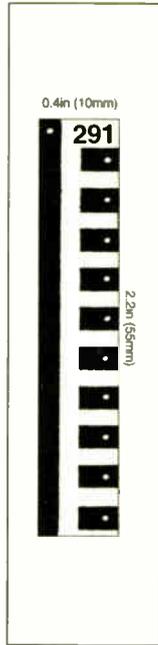
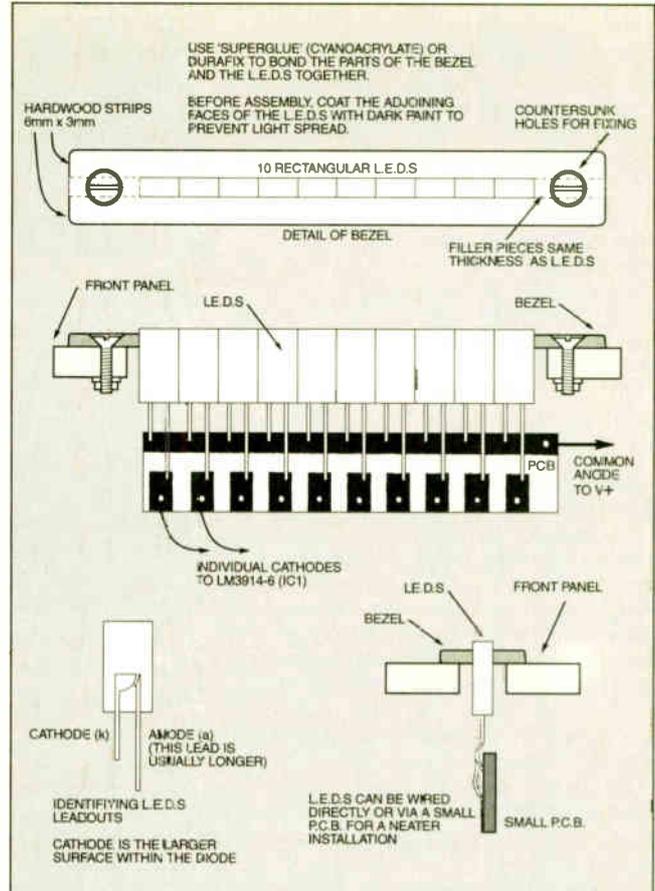


Fig.3b. Full-size L.E.D. Display foil master.

Fig.3a. Assembly details for making the l.e.d. bargraph.



"Homebrewed" bargraph display using separate l.e.d.s.



FLASHING DISPLAYS

How the entire display can be made to flash when a critical voltage level has been reached is shown in Fig.4. Bargraph mode (pin 9 to pin 3) must be adopted with this arrangement.

The display can be made to start flashing from l.e.d. 2 onwards. Simply connect resistor R2 in series with the anode (a), and take the junction of resistor R3 and capacitor C2 to the cathode (k), of the l.e.d. where flashing is to start.

SIGNAL STRENGTH METERS

Bargraph drivers are commonly used for signal strength and power meters. The LM3915, with its logarithmic response, is the natural choice for applications of this kind.

The simplest system involves the direct connection of the signal to pin 5. Remember to include a blocking capacitor if d.c. is present: a 220nF ceramic or polystyrene component is suitable.

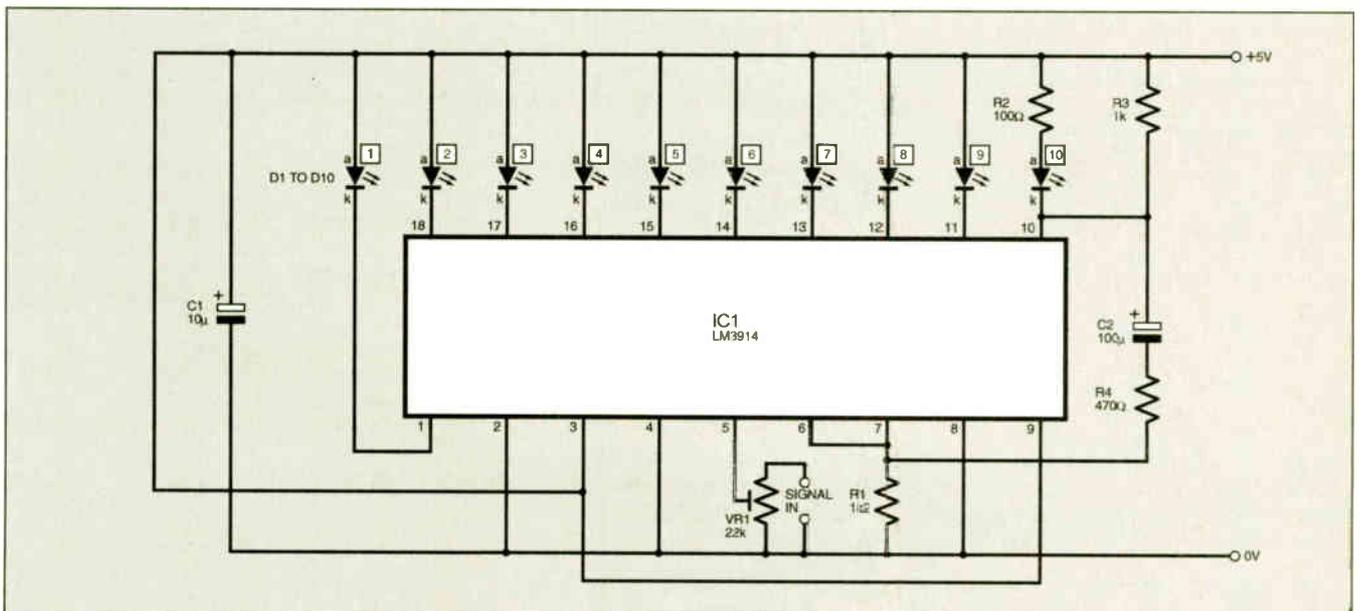


Fig.4. Circuit diagram for the Bargraph display, with alarm flasher. When D10 is activated it begins to flash.

The manufacturers recommend dot mode and a 30mA i.e.d. current when this method is adopted. If, however, the display seems patchy at high signal levels, try the bar mode and a lower i.e.d. current.

When a sensitivity greater than the basic 1-25V is required, use the circuit given in Fig.2d.

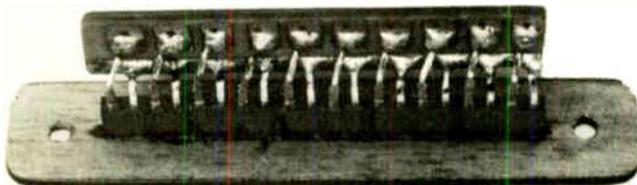
RECTIFIERS

Better results can be obtained by rectifying the signal and applying d.c. to the bargraph driver. A suitable circuit is given in Fig.5.

Transistor TR1 amplifies the signal to ensure that diodes D1 and D2 are working in their conductive region. The diodes are arranged in a voltage doubling circuit, and preset potentiometer VR1 should be set just short of signal clipping in TR1 to ensure that they are driven hard. Potentiometer VR2 is then set to deliver the required input to the i.c.

The high input impedance of the field-effect transistor, TR1, minimises loading on the signal circuit, and reservoir capacitor C5 sharpens the i.e.d. display. The amplifier and rectifier circuit can be teamed with the basic i.c. arrangement illustrated in Fig.2a. and a 12V power supply is required.

If the bargraph mode is chosen, take one or other of the measures outlined earlier to



ensure that dissipation is not excessive. The stabilising capacitor across the power supply, C1, should be increased to 47µF when this circuit is used.

POWER METERS

Signal strength meters can be adjusted to indicate power levels. The load is known (the speaker impedance quoted by the manufacturers), and the power delivered is, of course, proportional to the voltage developed across it.

How a dummy load, test meter and the bargraph driver are connected during the setting up process is shown in the circuit of Fig.6. Simply inject a signal into the amplifier, increasing it until the test meter indicates that the maximum power level has been reached, then set preset VR1 to light i.e.d. 10.

The formula relating power to voltage and load impedance is also given in Fig.6: e.g., with a 4 ohm speaker, 10 watts is being supplied when 6.3V is developed across the dummy load, 50 watts when the voltage is 14V, and 100 watts when the voltage is 20V.

The setting up signal should be below 1kHz because the accuracy of most test meters reduces at frequencies much higher than this. Provided the response of the amplifier is wide enough, 50Hz from a low voltage transformer can be applied if a signal generator is not available.

Test meters indicate the r.m.s. values of a.c. voltages, and the power meter will,

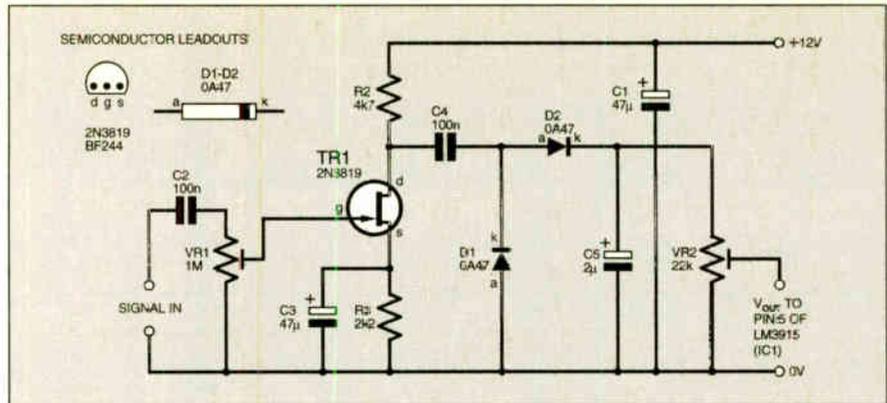


Fig.5. Amplifier and rectifier stages for the Signal Strength Meter. R1 is the i.e.d. brightness resistor, not shown here – see Fig.2a. VR2 acts as the input (pin 5) grounding resistor (R2 in Fig.2a).

therefore, display r.m.s. power levels. If peak power is to be displayed, set VR1 so that i.e.d. 10 (D10) lights when the voltage reading on the test meter is 0.707 times the value indicated by the formula in Fig.6.

REMOTE RELAY DRIVER

If switching transistors and relays are substituted for the i.e.d.s, the LM3914 can be used to control up to ten functions via a two-wire link.

The circuit diagram for a Relay Driver set-up using the LM3914 is given in Fig.7. When one of the comparators draws current, the voltage developed across base/emitter resistor, R4 to R8, makes the relevant transistor collector (c) conduct and the associated relay coil is energised. Diodes D1 to D5 shunt the high voltage developed across the relay coil when the transistor turns off.

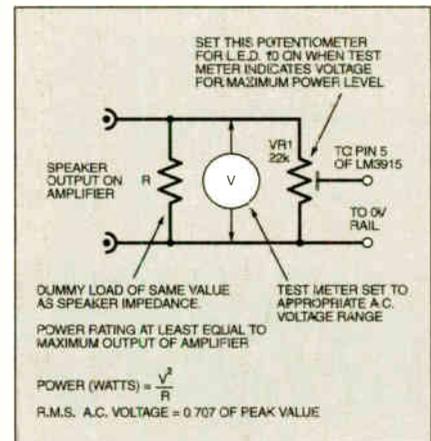


Fig.6. Setting up bargraph drivers to display peak r.m.s. power.

The combination of resistors R1 and R2 fixes the voltage across the resistor chain at 9V. This ensures a good difference between trigger levels and adjustment of the control voltages is less critical. Only

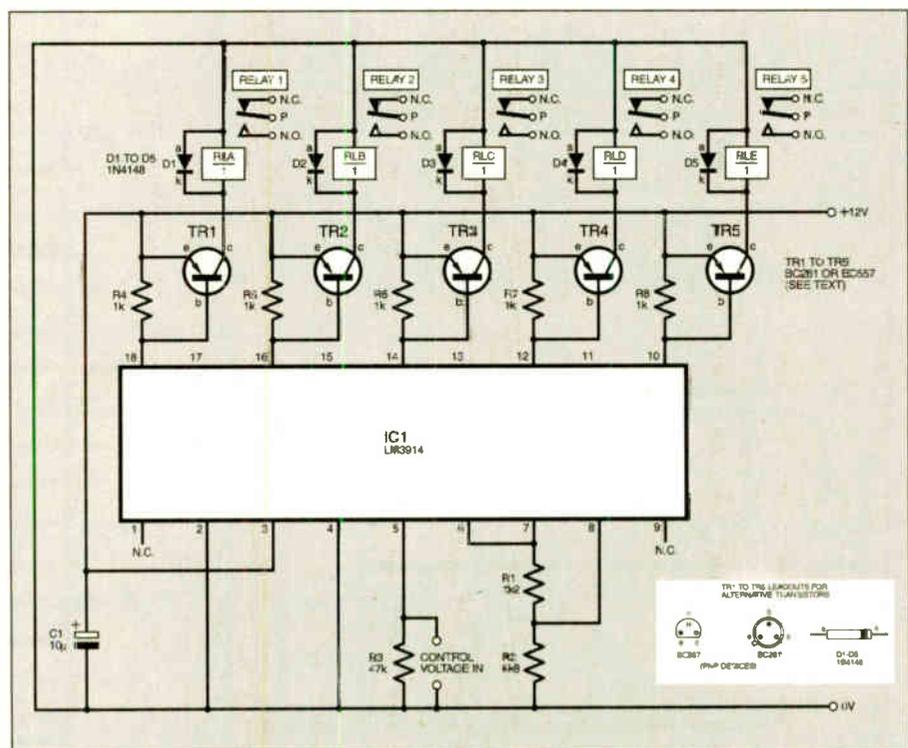


Fig.7. Circuit diagram for using the LM3914 as a relay driver. Remote control of up to ten relays, via two wires, is possible.

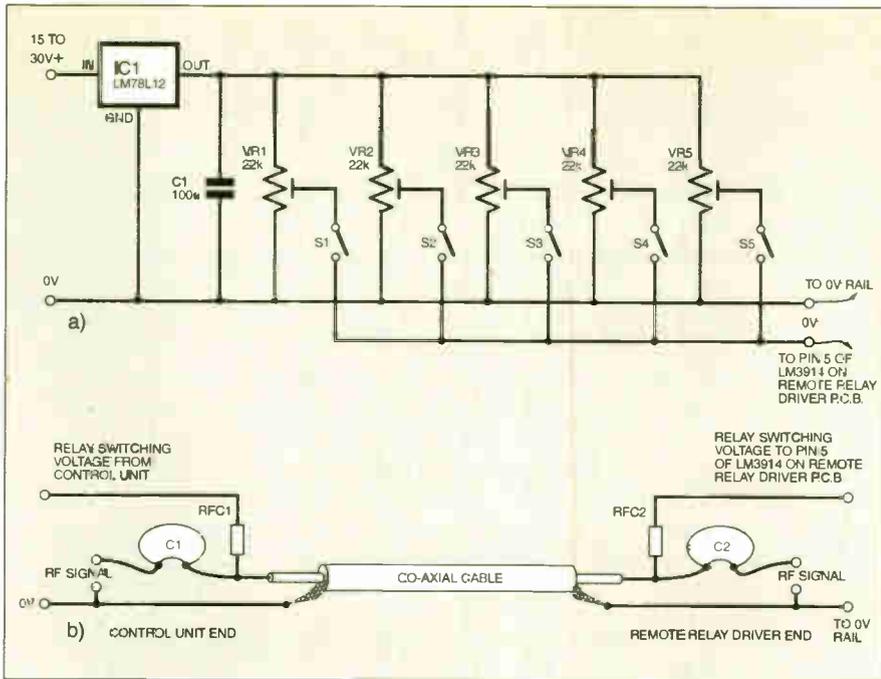
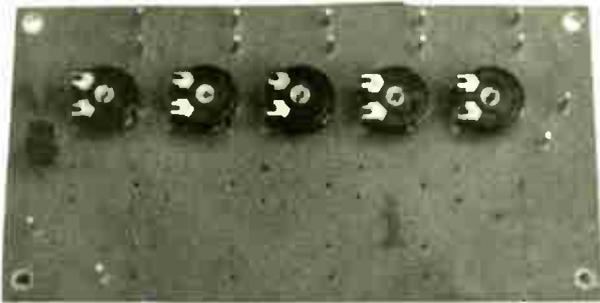


Fig. 8. Control Unit and applying switching voltages via an r.f. signal cable. (a) circuit diagram and (b) cable interlink details.



Relay Control board (for 5 relays).

five relay circuits are shown, but all ten outputs from the i.c. can be used if desired.

A relay control board circuit diagram is given in Fig.8a. Control voltages are set by potentiometers VR1 to VR5 and selected by switches S1 to S5. Voltage regulator IC1 ensures that the correct voltage levels are maintained. Broad band r.f. noise developed by the i.c. is bypassed by capacitor C1.

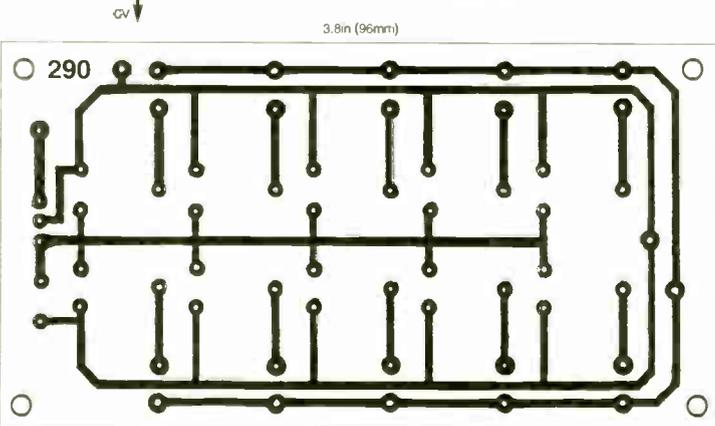
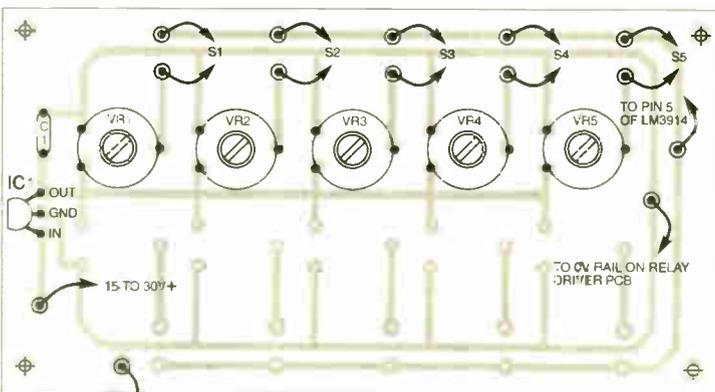


Fig. 9. Relay Control p.c.b. component layout and foil master.

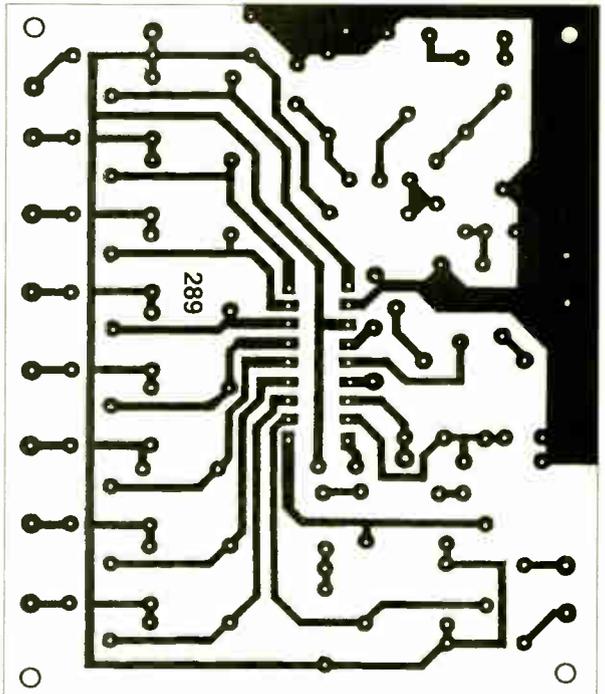
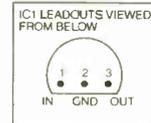


Fig. 11. Full-size Multi-purpose L.E.D. Driver foil master.

This avoids problems when the control voltages are carried by an r.f. signal cable in the manner illustrated in Fig.8b. Here, r.f. chokes, RFC1 and RFC2, isolate the signals from the control circuitry, and blocking capacitors C1 and C2 prevent the flow of d.c. into the signal circuits.

Select the inductance of the chokes to suit the signal frequencies: e.g., 4-7mH for low and medium frequencies, and 1mH for medium and high frequencies. The capacitors can be 100nF ceramic type.

Alternatively, three-core cable can be used: one wire supplying low voltage power for the LM3914 and, say, drive motors, another the control voltages, and the third a common 0V rail.

The only disadvantage to the system is that only one relay can be activated at any one time. However, with up to ten circuits available, this is no great drawback.

CIRCUIT ASSEMBLY

The full-size foil and component sides of a p.c.b. for the Relay Driver Control Board are shown in Fig.9. Although five circuits are shown, provision is made on both p.c.b.s for all ten to be installed should this be required.

The components for the various circuits are best assembled on a small printed circuit board (p.c.b.). The full-size, copper foil side of a multi-purpose board, which can accommodate all of the circuits discussed, is shown in Fig.11. The various topside component layouts are illustrated in Fig.10a to Fig.10f, also see the photographs. The board (one only) is part of a set which is available from the *EPE PCB Service*, codes 289/290/291.

It is a good idea to use a holder for the LM3914/6, and solder pins, inserted at the lead out points, ease the task of off-board wiring. Use a small crocodile clip as a heat-shunt when soldering the f.e.t. (TR1) and germanium diodes (D1, D2) for the "rectified" version of the Signal Strength Meter in Fig.5. Remember to include the wire links, and always check the orientation of electrolytics and semiconductors before applying power to the board.

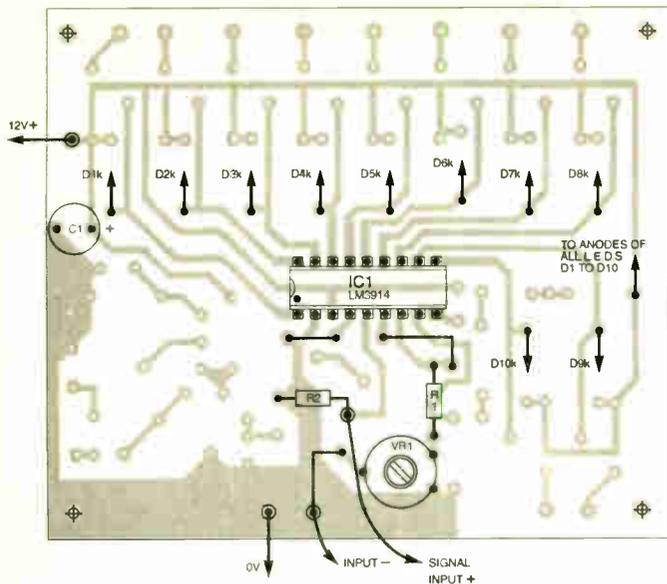


Fig.10a. Component layout for Voltmeter with adjustable input sensitivity (1.25V-10V). See Fig.2c for input circuit. C1 is a 10µF capacitor connected across the supply rails.

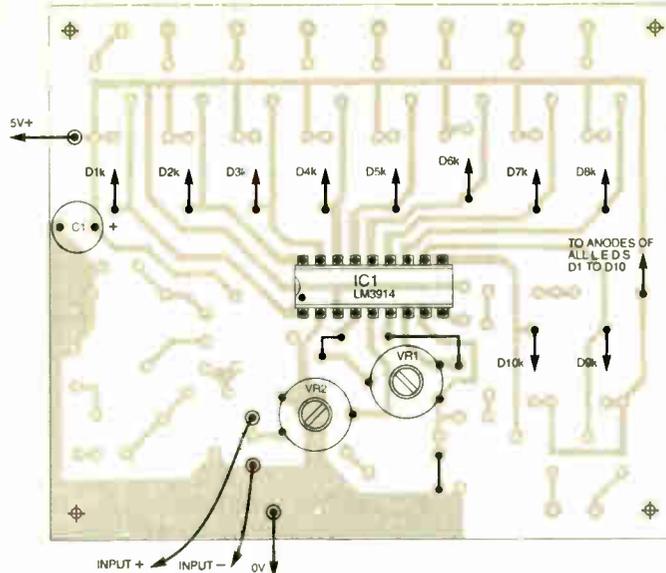


Fig.10b. Component layout for expanded range dot mode voltmeter. See Fig.2f for circuit.

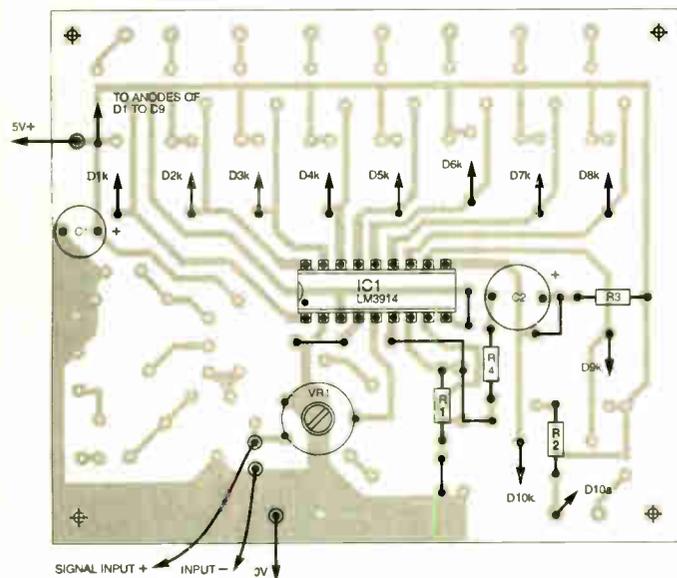


Fig.10c. Component layout for Bargraph display, with alarm flasher. Sensitivity adjustable from 1.25V upwards. See Fig.4 for circuit.

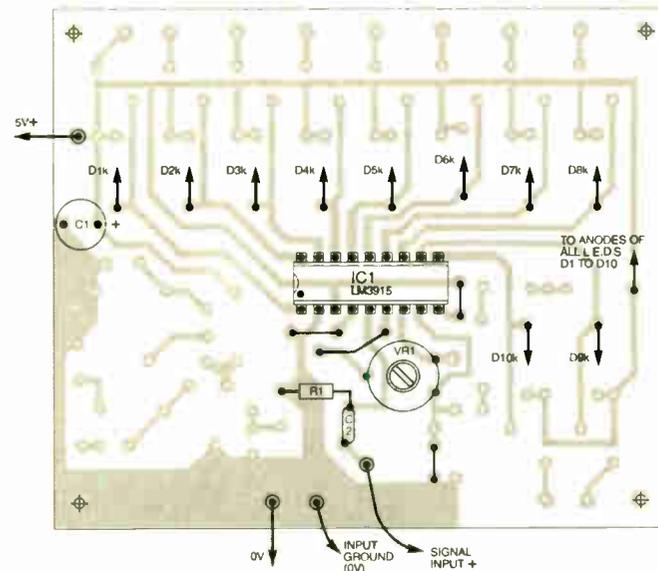


Fig.10d. Component layout for basic bar-mode Signal-Strength Meter. Input sensitivity adjustable over a 100mV to 1.25V range. See Fig.2d for circuit. C2 is a 220nF d.c. blocking capacitor at the input.

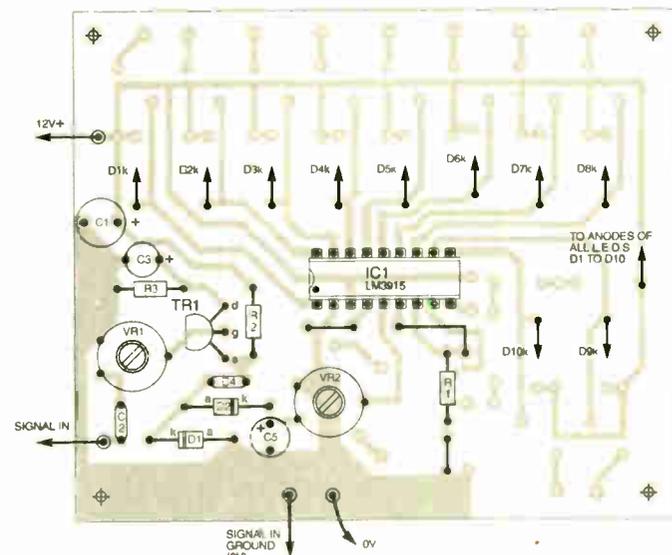


Fig.10e. Component layout for Signal-Strength Meter (dot-mode), with amplified and rectified input. See Fig.5 for input circuit. See Fig.2a for i.c. sensitivity fixing circuit.

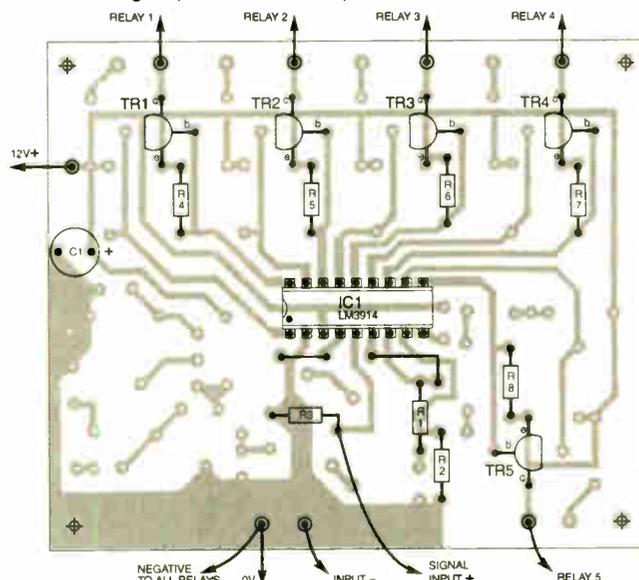


Fig.10f. Component layout for Remote Relay Driver. See Fig.7 for circuit diagram. Up to ten relays can be controlled.

VIDEOS ON ELECTRONICS

A range of videos selected by *EPE* and designed to provide instruction on electronics theory. Each video gives a sound introduction and grounding in a specialised area of the subject. The tapes make learning both easier and more enjoyable than pure textbook or magazine study. They have proved particularly useful in schools, colleges, training departments and electronics clubs as well as to general hobbyists and those following distance learning courses etc



BASICS

VT201 to VT206 is a basic electronics course and is designed to be used as a complete series, if required.

VT201 54 minutes. Part One; D.C. Circuits. This video is an absolute must for the beginner. Series circuits, parallel circuits, Ohms law, how to use the digital multimeter and much more.

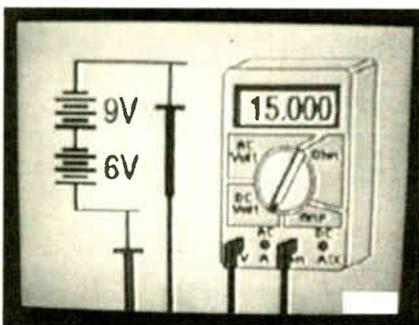
Order Code VT201

VT202 62 minutes. Part Two; A.C. Circuits. This is your next step in understanding the basics of electronics. You will learn about how coils, transformers, capacitors, etc are used in common circuits.

Order Code VT202

VT203 57 minutes. Part Three; Semiconductors. Gives you an exciting look into the world of semiconductors. With basic semiconductor theory. Plus 15 different semiconductor devices explained.

Order Code VT203



VT204 56 minutes. Part Four; Power Supplies. Guides you step-by-step through different sections of a power supply.

Order Code VT204

VT205 57 minutes. Part Five; Amplifiers. Shows you how amplifiers work as you have never seen them before. Class A, class B, class C, op.amps. etc.

Order Code VT205

VT206 54 minutes. Part Six; Oscillators. Oscillators are found in both linear and digital circuits. Gives a good basic background in oscillator circuits.

Order Code VT206

£34.95 each
inc. VAT & postage

Order 8 or more get one extra FREE
Order 16 get two extra FREE

VCR MAINTENANCE

VT102 84 minutes: Introduction to VCR Repair. Warning, not for the beginner. Through the use of block diagrams this video will take you through the various circuits found in the NTSC VHS system. You will follow the signal from the input to the audio/video heads then from the heads back to the output.

Order Code VT102

VT103 35 minutes: A step-by-step easy to follow procedure for professionally cleaning the tape path and replacing many of the belts in most VHS VCR's. The viewer will also become familiar with the various parts found in the tape path.

Order Code VT103

DIGITAL

Now for the digital series of six videos. This series is designed to provide a good grounding in digital and computer technology.

VT301 54 minutes. Digital One; Gates begins with the basics as you learn about seven of the most common gates which are used in almost every digital circuit, plus Binary notation.

Order Code VT301

VT302 55 minutes. Digital Two; Flip Flops will further enhance your knowledge of digital basics. You will learn about Octal and Hexadecimal notation groups, flip-flops, counters, etc.

Order Code VT302

VT303 54 minutes. Digital Three; Registers and Displays is your next step in obtaining a solid understanding of the basic circuits found in today's digital designs. Gets into multiplexers, registers, display devices, etc.

Order Code VT303

VT304 59 minutes. Digital Four; DAC and ADC shows you how the computer is able to communicate with the real world. You will learn about digital-to-analogue and analogue-to-digital converter circuits.

Order Code VT304

VT305 56 minutes. Digital Five; Memory Devices introduces you to the technology used in many of today's memory devices. You will learn all about ROM devices and then proceed into PROM, EPROM, EEPROM, SRAM, DRAM, and MBM devices.

Order Code VT305

VT306 56 minutes. Digital Six; The CPU gives you a thorough understanding in the basics of the central processing unit and the input/output circuits used to make the system work.

Order Code VT306

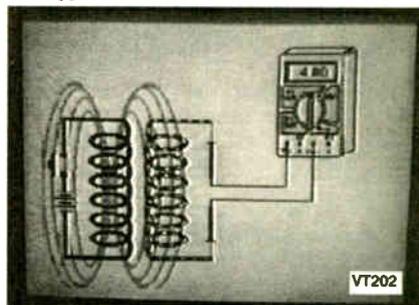
RADIO

VT401 61 minutes. A.M. Radio Theory. The most complete video ever produced on a.m. radio. Begins with the basics of a.m. transmission and proceeds to the five major stages of a.m. reception. Learn how the signal is detected, converted and reproduced. Also covers the Motorola C-QUAM a.m. stereo system.

Order Code VT401

VT402 58 minutes. F.M. Radio Part 1. F.M. basics including the functional blocks of a receiver. Plus r.f. amplifier, mixer oscillator, i.f. amplifier, limiter and f.m. decoder stages of a typical f.m. receiver.

Order Code VT402



VT403 58 minutes. F.M. Radio Part 2. A continuation of f.m. technology from Part 1. Begins with the detector stage output, proceeds to the 19kHz amplifier, frequency doubler, stereo demultiplexer and audio amplifier stages. Also covers RDS digital data encoding and decoding.

Order Code VT403

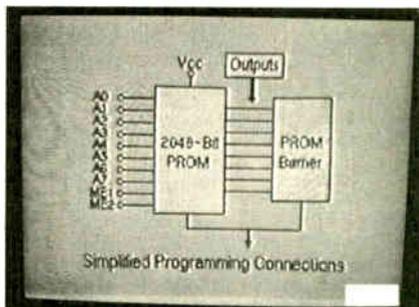
MISCELLANEOUS

VT501 58 minutes. Fibre Optics. From the fundamentals of fibre optic technology through cable manufacture to connectors, transmitters and receivers.

Order Code VT501

VT502 57 minutes. Laser Technology A basic introduction covering some of the common uses of laser devices, plus the operation of the Ruby Rod laser, HeNe laser, CO₂ gas laser and semiconductor laser devices. Also covers the basics of CD and bar code scanning.

Order Code VT502



Each video uses a mixture of animated current flow in circuits plus text, plus cartoon instruction etc., and a very full commentary to get the points across. The tapes are imported by us and originate from VCR Educational Products Co, an American supplier. We are the worldwide distributors of the PAL and SECAM versions of these tapes. (All videos are to the UK PAL standard on VHS tapes unless you specifically request SECAM versions.)

ORDERING: Price includes postage to anywhere in the world.

OVERSEAS ORDERS: We use the VAT portion of the price to pay for airmail postage and packing, wherever you live in the world. Just send £34.95 per tape. All payments in £ sterling only (send cheque or money order drawn on a UK bank). Make cheques payable to Direct Book Service.

Visa, Mastercard and Switch orders accepted - please give card number, card expiry date and Switch Issue No.

Orders are normally sent within seven days but please allow a maximum of 28 days, longer for overseas orders.

Send your order to: Direct Book Service, Allen House, East Borough, Wimborne, Dorset BH21 1PF

Direct Book Service is a division of Wimborne Publishing Ltd., Publishers of *EPE*

Tel: 01202 881749. Fax: 01202 841692

E-mail: dbs@epemag.wimborne.co.uk

NEW

EPE TEACH-IN 2000

Now on CD-ROM



The whole of the 12-part *Teach-In 2000* series by John Becker (published in EPE Nov '99 to Oct 2000) is now available on CD-ROM. Plus the *Teach-In 2000* software covering all aspects of the series and Alan Winstanley's *Basic Soldering Guide* (including illustrations and Desoldering).

Teach-in 2000 covers all the basic principles of electronics from Ohm's Law to Displays, including Op.Amps, Logic Gates etc. Each part has its own section on the interactive software where you can also change component values in the various on-screen demonstration circuits.

The series gives a hands-on approach to electronics with numerous breadboarded circuits to try out, plus a simple computer interface which allows a PC to be used as a basic oscilloscope.

ONLY £12.45 including VAT and p&p

NOTE: This mini CD-ROM is suitable for use on any PC with a CD-ROM drive. It requires Adobe Acrobat Reader (available free from the Internet – www.adobe.com/acrobat)

Order on-line from www.epemag.com or by Phone, Fax, E-mail or Post

TEACH-IN 2000 CD-ROM ORDER FORM

Please send me (quantity) TEACH-IN 2000 CD-ROM
Price £12.45 (approx \$20) each – includes postage to anywhere in the world.

Name

Address

..... Post Code

I enclose cheque/P.O./bank draft to the value of £

Please charge my Visa/Mastercard/Switch £

Card No.

Expiry Date Switch Issue No.

Note: Minimum order for cards £5.

SEND TO: Everyday Practical Electronics, Allen House,
East Borough, Wimborne, Dorset BH21 1PF.
Tel: 01202 881749 Fax: 01202 841692.
E-mail: orders@epemag.wimborne.co.uk

Payments must be by card or in £ Sterling – cheque or bank draft drawn on a UK bank.
Normally supplied within seven days of receipt of order.
Send a copy of this form, or order by letter if you do not wish to cut your issue.

Radio Bygones

The leading magazine for vintage radio enthusiasts



Now Also Available To
BUY ONLINE
www.radiobygones.com
Log on, pay by credit card and download the magazine to your PC
ONLY \$9.99 (US dollars)
FOR 6 ISSUES
A free issue is available

WHETHER your interest is in domestic radio and TV or in amateur radio, in military, aeronautical or marine communications, in radar and radio navigation, in instruments, in broadcasting, in audio and recording, or in professional radio systems fixed or mobile. RADIO BYGONES is the magazine for you.

ARTICLES on restoration and repair, history, circuit techniques, personalities, reminiscences and just plain nostalgia – you'll find them all. Plus features on museums and private collections and a full-colour photo-feature in every issue.

IT'S MOSTLY about valves, of course, but 'solid-state' – whether of the coherer and spark-gap variety or early transistors – also has a place.

FROM THE DAYS of Maxwell, Hertz, Lodge and Marconi to what was the state-of-the-art just a few short years ago . . .

THERE IS ALSO a selection of free readers' For Sale and Wanted advertisements in every issue.

Radio Bygones covers it all!

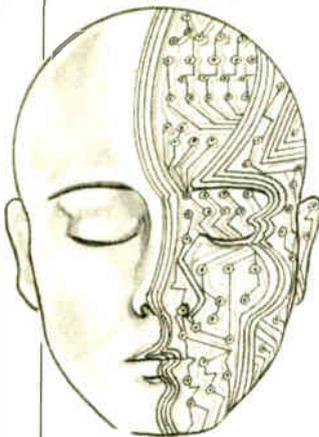
THE MAGAZINE is published six times a year, and is only available by postal subscription. It is **not** available at newsagents.

TO TAKE OUT a subscription, or to order a sample copy, please contact:

RADIO BYGONES, Allen House, East Borough, Wimborne, Dorset BH21 1PF.

Tel: 01202 381749. Fax 01202 841692. Web sites: www.radiobygones.co.uk www.radiobygones.com

INGENUITY UNLIMITED



Our regular round-up of readers' own circuits. We pay between £10 and £50 for all material published, depending on length and technical merit. We're looking for novel applications and circuit designs, not simply mechanical, electrical or software ideas. Ideas *must be the reader's own work* and **must not have been submitted for publication elsewhere**. The circuits shown have NOT been proven by us. *Ingenuity Unlimited* is open to ALL abilities, but items for consideration in this column should be typed or word-processed, with a brief circuit description (between 100 and 500 words maximum) and full circuit diagram showing all relevant component values.

Please draw all circuit schematics as clearly as possible.

Send your circuit ideas to: Alan Winstanley, *Ingenuity Unlimited*, Wimborne Publishing Ltd., Allen House, East Borough, Wimborne, Dorset BH21 1PF. (We do not accept submissions for *IU* via E-mail.)

Your ideas could earn you some cash and a prize!



WIN A PICO PC BASED OSCILLOSCOPE

- 50MSPS Dual Channel Storage Oscilloscope
- 25MHz Spectrum Analyser
- Multimeter • Frequency Meter
- Signal Generator

If you have a novel circuit idea which would be of use to other readers then a Pico Technology PC based oscilloscope could be yours.

Every six months, Pico Technology will be awarding an ADC200-50 digital storage oscilloscope for the best IU submission. In addition, two single channel ADC-40s will be presented to the runners-up.

Garden Lighting Controller – Delayed Action

THE circuit diagram shown in Fig.1 provides on/off pushbutton control for a Garden Lighting System. In addition, there is a 1½ hour timeout facility, as well as remote control inputs at CMOS levels for external control use if desired.

In these days of "PICS with everything" this is an example of good old-fashioned logic. Assuming the lighting is off (IC2a at reset), IC3 is held at reset via OR gate IC1d.

Pressing switch S2 sets IC2a via OR gate IC1c, taking pin 13 high. This energises the relay RLA which switches on the lighting, via the relay contacts. Since pin 12 of IC2a is now low, IC3 is allowed to count.

Once the Q14 output, pin 3 of IC3, goes high, flip-flop IC2a is reset via IC1a and IC1b, removing the drive to transistor TR1. Further presses of switch S2 during the timing interval will reset the timer via IC1c and IC1d, so causing the time interval to start again. Pressing switch S1 at any time resets

the flip-flop and the timer via IC1b, IC2, and IC1d.

The 14-stage ripple counter IC3 contains a multivibrator clock, the frequency of which is set by C1, R6, and R7 to around 1.5Hz. After 8,192 cycles Q14 output will go high (and low again after a further 8,192 cycles, making 2¹⁴ in all – ARW), which equates to a delay of 1-52 hours.

The contact arrangement of RLA1 is not shown as it depends on your application. The author used a d.p.d.t. relay, with its normally open contacts in parallel, switching the mains side of the lighting transformer. Ensure adequate fusing is provided and that you take care to *ensure full isolation* between the low voltage and mains parts of the circuit, if applicable.

Remote Control

The remote control inputs provided were intended for a system based on the Holtek

HT12 series of encoders/decoders. Overall the system will then provide multipoint control, with the knowledge that if the lights are left on, they will turn off automatically, preserving the life of the lamps in the outside fittings. Note that the HT12D decoder chips have latching outputs and that if used in conjunction with this circuit, steps must be taken to ensure a momentary pulse is supplied.

As a final tip, I originally had a Hozelock 24V a.c. lighting set. Most systems are now 12V, so in order to use the original transformer I placed a 1N4001 diode in series with 12V 4W lamps. By arranging an equal number of fittings to operate on each half cycle (reversing the orientation of the diode), the transformer sees a balanced load and the 12V lamps will not burn out.

David Geary,
Blackheath,
London.

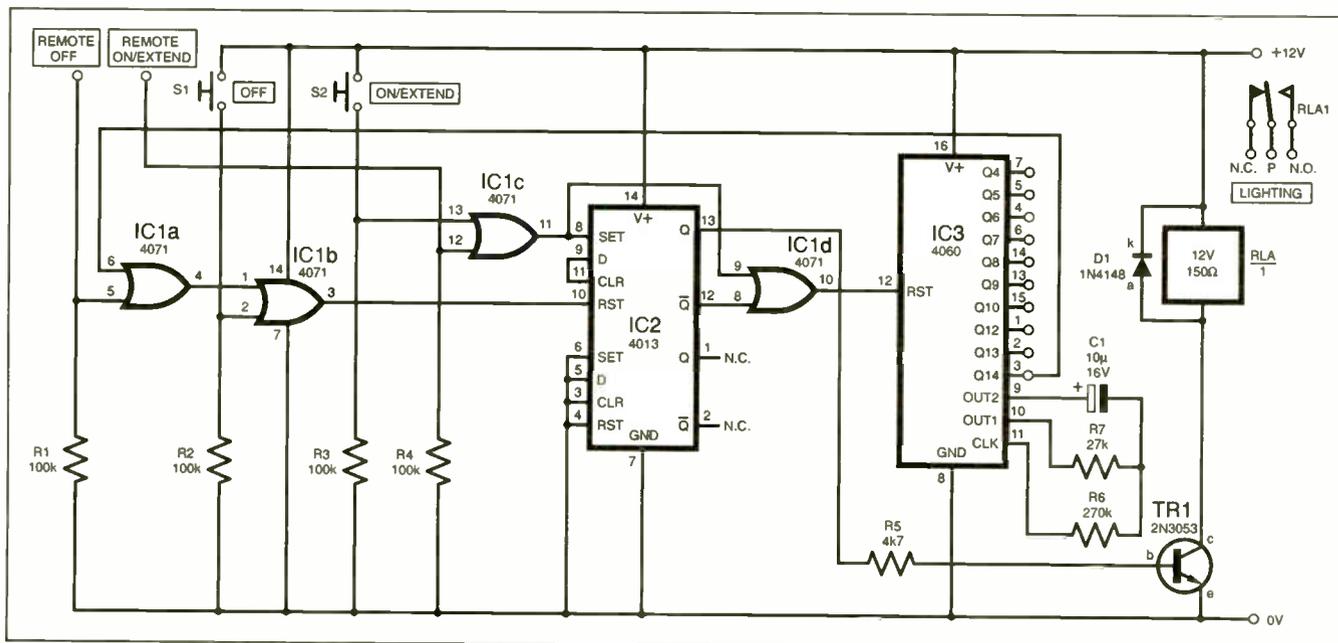


Fig.1. Circuit diagram for a Garden Lighting Controller, with timeout and remote control features.

SURVEILLANCE

Electronic Surveillance Equipment Kits from the UK's No.1 Supplier

SUMA DESIGNS has been supplying professional quality electronic surveillance equipment kits for over 20 years. Whether your requirement is hobbyist, amateur or professional you can be sure that you are buying from a company that knows the business. We ONLY sell surveillance products, no alarms, disco lights or computer bits. All of our kits are designed for self assembly and are well tried, tested and proven. All kits are supplied complete with top grade components, fibreglass PCB, full instructions, circuit diagrams and assembly details. Unless otherwise stated all transmitter kits are tuneable and can be received using an ordinary VHF FM radio.

UTX Ultra-miniature Room Transmitter

At less than 1/2 the size of a postage stamp the UTX is the smallest room transmitter kit in the world! Incredible 10mm x 20mm including microphone, 3-12V operation. Range up to 500m. **£13.95**

MTX Micro-miniature Room Transmitter

Our best selling room transmitter kit. Just 17mm x 17mm including mic. Extremely sensitive. 3-12V operation. Range up to 1000m. **£14.95**

STX High-performance Room Transmitter

High performance transmitter with buffered output for greater stability and range. Measures just 22mm x 22mm including mic. 6-12V operation. Range up to 1500m. **£16.95**

VT500 High-power Room Transmitter

Our most powerful room transmitter with around 250mW of output power. Excellent range and penetration. Size 20mm x 40mm, 6-12V operation. Range up to 3000m. **£17.95**

VXT Voice-activated Room Transmitter

Triggers only when sounds are detected by on-board mic. Variable trigger sensitivity and on-time with LED trigger indicator. Very low standby current. Size 20mm x 67mm, 9V operation, range up to 1000m. **£21.95**

HVX400 Mains Powered Room Transmitter

Connects directly to 240V AC supply. Ideal for long-term monitoring. Size 30mm x 35mm, range up to 500m. **£21.95**

SCRX Subcarrier Scrambled Room Transmitter

To increase the security of the transmission the audio is subcarrier modulated. Receiver now requires the decoder module (SCDM) connected to allow monitoring. Size 20mm x 67mm, 9V operation, up to 1000m range. **£24.95**

SCDM Subcarrier Decoder for SCRX

Connects to earphone socket on receiver and provides decoded audio output to headphones. Size 32mm x 70mm, 9-12V operation. **£27.95**

UTLX Ultra-miniature Telephone Transmitter

Smallest kit available. Connects onto telephone line, switches on and off automatically as phone is used. All conversations transmitted. Size 10mm x 20mm, powered from line, up to 500m range. **£13.95**

TLX700 Micro-miniature Telephone Transmitter

Best selling kit. Performance as UTLX but easier to assemble as PCB is 20mm x 20mm. **£14.95**

STLX High-performance Telephone Transmitter

High-performance transmitter with buffered output for greater stability and range. Connects onto telephone line and switches on and off automatically as phone is used. Both sides of conversation transmitted up to 1000m. Powered from line. Size 22mm x 22mm. **£16.95**

PTS7 Automatic Telephone Recording Interface

Connects between telephone line (anywhere) and normal cassette recorder. Automatically switches recorder on and off as phone is used. Both sides of any conversation recorded. 9V operation, size 20mm x 67mm. **£21.95**

CD400 Pocket Size Bug Detector/Locator

LED and piezo bleeper pulse slowly. Pulse rate and tone pitch increase as signal source is approached. Variable sensitivity allows pinpointing of signal source. 9V operation, size 45mm x 54mm. **£34.95**

CD600 Professional Bug Detector/Locator

Multicolour bargraph LED readout of signal strength with variable rate bleeper and variable sensitivity allows pinpointing of any signal source. When found, unit is switched into AUDIO CONFIRM mode to distinguish between bugging devices and legitimate signals such as pagers, cellphones etc. Size 70mm x 100mm. 9V operation. **£59.95**

QTX180 Crystal Controlled Room Transmitter

Narrow band FM crystal transmitter for ultimate in privacy. Output frequency 173.225 MHz. Designed for use with QRX180 receiver unit. Size 20mm x 67mm, 9V operation, range up to 1000m. **£44.95**

QLX180 Crystal Controlled Telephone Transmitter

Specifications as per QTX180 but connects onto telephone line to allow monitoring of both sides of conversations. **£44.95**

QSX180 Line Powered Crystal Telephone Transmitter

Connects onto telephone line, switches on and off as phone is used. Power is drawn from line. Output frequency 173.225 MHz. Designed for use with QRX180 receiver. Size 32mm x 37mm. Range up to 500m. **£39.95**

QRX180 Crystal Controlled FM Receiver

Specifically designed for use with any of the SUMA 'O' range kits. High sensitivity design. Complex RF front end section supplied as pre-built and aligned sub-assembly so no difficult setting up. Headphone output. PCB size 60mm x 75mm. 9V operation. **£69.95**

TKX900 Signalling/Tracking Transmitter

Transmits a continuous stream of audio beeps. Variable pitch and bleep rate. Ideal for signalling, alarm or basic tracking uses. High power output. Size 25mm x 63mm, 9-12V operation, up to 2000m range. **£23.95**

MBX-1 HI-FI Micrc Broadcaster

Connects to headphone socket of CD player, Walkman or Hi-Fi and broadcasts your favourite music around house and garden up to 250m. Size 27mm x 60mm, 9V operation. **£22.95**

DLTX/RX Radio Remote Switch System

Two kits, transmitter sends a coded signal (256 selectable codes) when button pressed. Receiver detects signal, checks code and activates relay. Can be set to be momentary or toggle (on/off) operation. Range up to 100m, 9V operation on both units. TX 45mm x 45mm, RX 35mm x 90mm. **£44.95**

TO ORDER:

Post, fax or telephone your order direct to our sales office. Payment can be Credit card (Visa or Mastercard), Postal Order, cash (please send registered) or cheques. Kits despatched same day (cheques need clearing). All orders sent by recorded or registered post. Please add postage as follows:

ORDER UP TO £30.00: To UK £2.50 To EUROPE £5.50 All other £7.50

ORDERS OVER £30.00: To UK £3.80 To EUROPE £7.50 All others call

Overseas customers please use credit cards or send sterling cheque or bank draft.



SEND 2 x 1st CLASS STAMPS FOR OUR 2000 KIT CATALOGUE CONTAINING FULL DETAILS OF THESE AND OTHER KITS.

A BUILD-UP SERVICE IS AVAILABLE ON ALL OF OUR KITS, DETAILS IN CATALOGUE. VISIT OUR WEBSITE: www.suma-designs.co.uk

Please note: Some of our part numbers are being unscrupulously used by other companies selling kits eg. MTX, VXT. DO NOT BE MISLEAD! These are NOT GENUINE SUMA KITS which are only available direct from us or our appointed distributors.

If you wish to collect kits direct from our office
PLEASE TELEPHONE

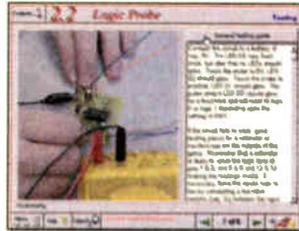
SUMA DESIGNS

Dept. EE, The Workshops, 95 Main Road,
Baxterley, Warwickshire, CV9 2LE, U.K.
Website: www.suma-designs.co.uk

TEL/FAX: 01827 714476
(24 HOUR ORDERLINE)
email: sales@suma-designs.co.uk

Everyday Practical Electronics are pleased to be able to offer all readers these **ELECTRONICS CD-ROMS**

ELECTRONICS PROJECTS

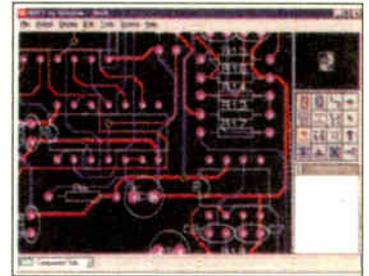


Logic Probe testing

Electronic Projects is split into two main sections: **Building Electronic Projects** contains comprehensive information about the components, tools and techniques used in developing projects from initial concept through to final circuit board production. Extensive use is made of video presentations showing soldering and construction techniques. The second section contains a set of ten projects for students to build, ranging from simple sensor circuits through to power amplifiers. A shareware version of Matrix's CADPACK **schematic capture, circuit simulation and p.c.b. design** software is included. The projects on the CD-ROM are: Logic Probe; Light, Heat and Moisture Sensor; NE555 Timer; Egg Timer; Dice Machine; Bike Alarm; Stereo Mixer; Power Amplifier; Sound Activated Switch; Reaction Tester. Full parts lists, schematics and p.c.b. layouts are included on the CD-ROM.

ELECTRONICS CAD PACK

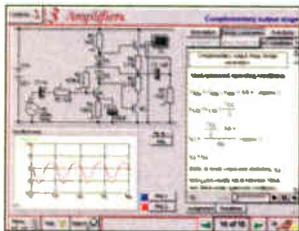
NEW



PCB Layout

Electronics CADPACK allows users to design complex circuit schematics to view circuit animations using a unique SPICE-based simulation tool, and to design printed circuit boards. CADPACK is made up of three separate software modules: **ISIS Lite** which provides full schematic drawing features including full control of drawing appearance, automatic wire routing, and over 6,000 parts. **PROSPICE Lite** (integrated into ISIS Lite) which uses unique animation to show the operation of any circuit with mouse-operated switches, pots, etc. The animation is compiled using a full mixed mode SPICE simulator. **ARES Lite** PCB layout software allows professional quality PCBs to be designed and includes advanced features such as 16-layer boards, SMT components, and even a **fully functional autorouter**.

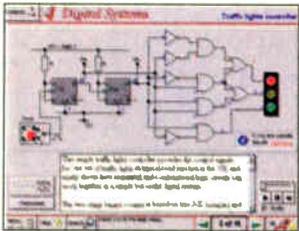
ANALOGUE ELECTRONICS



Complimentary output stage

Analogue Electronics is a complete learning resource for this most difficult branch of electronics. The CD-ROM includes a host of virtual laboratories, animations, diagrams, photographs and text as well as a SPICE electronic circuit simulator with over 50 pre-designed circuits. Sections on the CD-ROM include: **Fundamentals** – Analogue Signals (5 sections), Transistors (4 sections), Waveshaping Circuits (6 sections). **Op.Amps** – 17 sections covering everything from Symbols and Signal Connections to Differentiators. **Amplifiers** – Single Stage Amplifiers (8 sections), Multi-stage Amplifiers (3 sections). **Filters** – Passive Filters (10 sections), Phase Shifting Networks (4 sections), Active Filters (6 sections). **Oscillators** – 6 sections from Positive Feedback to Crystal Oscillators. **Systems** – 12 sections from Audio Pre-Amplifiers to 8-Bit ADC plus a gallery showing representative p.c.b. photos.

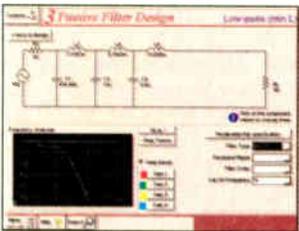
DIGITAL ELECTRONICS



Virtual laboratory – Traffic Lights

Digital Electronics builds on the knowledge of logic gates covered in *Electronic Circuits & Components* (opposite), and takes users through the subject of digital electronics up to the operation and architecture of microprocessors. The virtual laboratories allow users to operate many circuits on screen. Covers binary and hexadecimal numbering systems, ASCII, basic logic gates, monostable action and circuits, and bistables – including JK and D-type flip-flops. Multiple gate circuits, equivalent logic functions and specialised logic functions. Introduces sequential logic including clocks and clock circuitry, counters, binary coded decimal and shift registers. A/D and D/A converters, traffic light controllers, memories and microprocessors – architecture, bus systems and their arithmetic logic units.

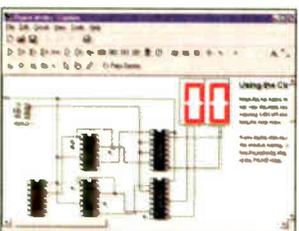
FILTERS



Filter synthesis

Filters is a complete course in designing active and passive filters that makes use of highly interactive virtual laboratories and simulations to explain how filters are designed. It is split into five chapters: **Revision** which provides underpinning knowledge required for those who need to design filters. **Filter Basics** which is a course in terminology and filter characterization, important classes of filter, filter order, filter impedance and impedance matching, and effects of different filter types. **Advanced Theory** which covers the use of filter tables, mathematics behind filter design, and an explanation of the design of active filters. **Passive Filter Design** which includes an expert system and filter synthesis tool for the design of low-pass, high-pass, band-pass, and band-stop Bessel, Butterworth and Chebyshev ladder filters. **Active Filter Design** which includes an expert system and filter synthesis tool for the design of low-pass, high-pass, band-pass, and band-stop Bessel, Butterworth and Chebyshev op.amp filters.

DIGITAL WORKS 3.0



Counter project

Digital Works Version 3.0 is a graphical design tool that enables you to construct digital logic circuits and analyze their behaviour. It is so simple to use that it will take you less than 10 minutes to make your first digital design. It is so powerful that you will never outgrow its capability.

- Software for simulating digital logic circuits
- Create your own macros – highly scalable
- Create your own circuits, components, and i.c.s
- Easy-to-use digital interface
- Animation brings circuits to life
- Vast library of logic macros and 74 series i.c.s with data sheets
- Powerful tool for designing and learning

“C” FOR PICMICRO MICROCONTROLLERS

NEW



C for PICmicro Microcontrollers is designed for students and professionals who need to learn how to use C to program embedded microcontrollers. This product contains a complete course in C that makes use of a virtual C PICmicro which allows students to see code execution step-by-step. Tutorials, exercises and practical projects are included to allow students to test their C programming capabilities. Also includes a complete Integrated Development Environment, a full C compiler, Arizona Microchip's MPLAB assembler, and software that will program a PIC16F84 via the parallel printer port on your PC. (Can be used with the *PICtutor* hardware – see opposite.)

Although the course focuses on the use of the PICmicro series of microcontrollers, this product will provide a relevant background in C programming for any microcontroller.

PRICES

Prices for each of the CD-ROMs above are:

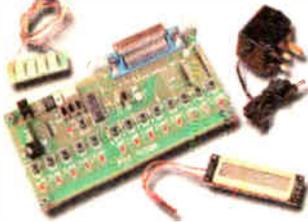
Hobbyist/Student£45 inc VAT
Institutional (Schools/HE/FE/Industry).....£99 plus VAT
Institutional 10 user (Network Licence).....£199 plus VAT

(UK and EU customers add VAT at 17.5% to “plus VAT” prices)

Interested in programming PIC microcontrollers? Learn with **PICtutor** by John Becker



The Virtual PIC



Deluxe PICtutor Hardware

This highly acclaimed CD-ROM, together with the PICtutor experimental and development board, will teach you how to use PIC microcontrollers with special emphasis on the PIC16x84 devices. The board will also act as a development test bed and programmer for future projects as your programming skills develop. This interactive presentation uses the specially developed **Virtual PIC Simulator** to show exactly what is happening as you run, or step through, a program. In this way the CD provides the easiest and best ever introduction to the subject.

Nearly 40 Tutorials cover virtually every aspect of PIC programming in an easy to follow logical sequence.

HARDWARE

Whilst the CD-ROM can be used on its own, the physical demonstration provided by the **PICtutor Development Kit**, plus the ability to program and test your own PIC16x84s, really reinforces the lessons learned. The hardware will also be an invaluable development and programming tool for future work. Two levels of PICtutor hardware are available – Standard and Deluxe. The **Standard** unit comes with a battery holder, a reduced number of switches and no displays. This version will allow users to complete 25 of the 39 Tutorials. The **Deluxe Development Kit** is supplied with a plug-top power supply (the **Export Version** has a battery holder), all switches for both PIC ports plus l.c.d. and 4-digit 7-segment l.e.d. displays. It allows users to program and control all functions and both ports of the PIC. All hardware is supplied **fully built and tested** and includes a PIC16F84.

PICtutor CD-ROM

Hobbyist/Student£45 inc. VAT
 Institutional (Schools/HE/FE Industry) ...£99 plus VAT
 Institutional 10 user (Network Licence) .£199 plus VAT

HARDWARE

Standard PICtutor Development Kit£47 inc. VAT
 Deluxe PICtutor Development Kit£99 plus VAT
 Deluxe Export Version£96 plus VAT

(UK and EU customers add VAT at 17.5% to "plus VAT" prices)

ELECTRONIC COMPONENTS PHOTOS

A high quality selection of over 200 JPG images of electronic components. This selection of high resolution photos can be used to enhance projects and presentations or to help with training and educational material. They are royalty free for use in commercial or personal printed projects, and can also be used royalty free in books, catalogues, magazine articles as well as worldwide web pages (subject to restrictions – see licence for full details). Also contains a **FREE** 30-day evaluation of Paint Shop Pro 6 – Paint Shop Pro image editing tips and on-line help included!

Price **£19.95** inc. VAT

ELECTRONIC CIRCUITS & COMPONENTS + THE PARTS GALLERY

Provides an introduction to the principles and application of the most common types of electronic components and shows how they are used to form complete circuits. The virtual laboratories, worked examples and pre-designed circuits allow students to learn, experiment and check their understanding. Sections include: **Fundamentals:** units & multiples, electricity, electric circuits, alternating circuits. **Passive Components:** resistors, capacitors, inductors, transformers. **Semiconductors:** diodes, transistors, op.amps, logic gates. **Passive Circuits . Active Circuits**

The **Parts Gallery** will help students to recognise common electronic components and their corresponding symbols in circuit diagrams. Selections include: **Components, Components Quiz, Symbols, Symbols Quiz, Circuit Technology**

Hobbyist/Student.....£34 inc VAT
 Institutional (Schools/HE/FE/Industry).....£89 plus VAT
 Institutional 10 user (Network Licence).....£169 plus VAT

(UK and EU customers add VAT at 17.5% to "plus VAT" prices)

MODULAR CIRCUIT DESIGN

This CD-ROM contains a range of tried and tested analogue and digital circuit modules, together with the knowledge to use and interface them. Thus allowing anyone with a basic understanding of circuit symbols to design and build their own projects.

Essential information for anyone undertaking GCSE or "A" level electronics or technology and for hobbyists who want to get to grips with project design. Over seventy different Input, Processor and Output modules are illustrated and fully described, together with detailed information on construction, fault finding and components, including circuit symbols, pinouts, power supplies, decoupling etc.

Single User Version **£19.95** inc. VAT

Multiple User Version **£34** plus VAT

(UK and EU customers add VAT at 17.5% to "plus VAT" prices)

Minimum system requirements for these CD-ROMs: PC with 486/166MHz, VGA+256 colours, CD-ROM drive, 32MB RAM, 10MB hard disk space. Windows 95/98, mouse, sound card, web browser.

CD-ROM ORDER FORM

Please send me:

Electronic Projects

Analogue Electronics

Digital Electronics

Filters

Digital Works 3.0

Electronics CAD Pack

C For PICmicro Microcontrollers

PICtutor

Electronic Circuits & Components +The Parts Gallery

Version required:

Hobbyist/Student

Institutional

Institutional 10 user

Note: The software on each version is the same, only the licence for use varies.

PICtutor Development Kit – Standard

PICtutor Development Kit – Deluxe

Deluxe Export

Note: The CD-ROM is not included in the Development Kit prices.

Electronic Components Photos

Modular Circuit Design – Single User

Modular Circuit Design – Multiple User

Note: The software on each version is the same, only the licence for use varies.

Full name:

Address:

.....Post code:Tel. No:

Signature:

I enclose cheque/PO in £ sterling payable to WIMBORNE PUBLISHING LTD for £

Please charge my Visa/Mastercard/Switch: £Card expiry date:

Card No: Switch Issue No.

ORDERING

ALL PRICES INCLUDE UK POSTAGE

Student/Single User/Standard Version price includes postage to most countries in the world

EU residents outside the UK add £5 for airmail postage per order

Institutional, Multiple User and Deluxe Versions – overseas readers add £5 to the basic price of each order for airmail postage (**do not add VAT** unless you live in an EU country, then add 17½% VAT or provide your official VAT registration number).

Send your order to:
Direct Book Service
Allen House, East Borough, Wimborne
Dorset BH21 1PF

Direct Book Service is a division of Wimborne Publishing Ltd. To order by phone ring

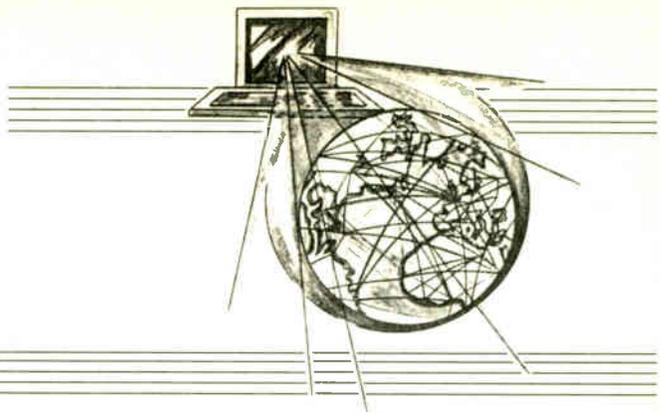
01202 881749. Fax: 01202 841692

Goods are normally sent within seven days
 E-mail: orders@epemag.wimborne.co.uk

SURFING THE INTERNET

NET WORK

ALAN WINSTANLEY



A Tasty Dish

A RECENT TV programme followed the progress of a number of trainee chefs as they passed through a training school. The tutor demonstrated how to turn out a certain dish which the students had to re-create as accurately as possible in the allotted time. If it didn't quite look as they intended, they were told, it didn't matter too much because the customer would never know what the "proper" dish was supposed to look like anyway!

I thought that this principle could apply to web design. Each web browser has its own peculiarities in the way it can handle cascading style sheets, tables, text, Javascript and more besides. A web site optimised for one browser can look a mess in another, or on another system. It is possible to use browser-sniffing scripts to detect the type of browser being used, and direct the user to a suitable version of the site developed for his web browser, but running several versions of a site just adds to the cost of its design and development.

A more realistic approach is to make the site look reasonably "accurate" when viewed in any of the popular browsers on popular platforms, and also try to design for a certain screen resolution, also being mindful of any functionality needed (cookies, secure ordering, Javascript and so on). If a web site designer aims for a middle ground, then there is a good chance that most of the users looking in will see an acceptable version of the "dish", especially as they will probably never know what the dish was supposed to look like anyway.

I sometimes check the web site statistics of my client sites, and I can say that anything from 65 per cent up to 95 per cent of people use Microsoft Internet Explorer 5. The rest use Netscape Navigator, Opera or a small number of specialist text-based browsers.

Netscape 6.0

Netscape's latest incarnation of its web browser is now available for download from their website at www.netscape.com. Navigator 6 has been completely rebuilt from the ground up, and uses Netscape's "Gecko" engine, so by rights it's a Version One browser, rather than a Version Six upgrade. It has been coded on an open-source basis. "Netscape 6 is the most standards-compliant browser ever released. It is the first browser to deliver the robust, consistent, cross-platform web standards support that developers have been demanding. It supports more web standards, more deeply, more consistently across platforms than any other browser, and it's being released simultaneously on Windows, Macintosh, and Linux" says Netscape's web site.

This standards compliance will come as a novelty to many designers, who, like myself, have become accustomed to adapting, scrapping and rewriting code to make it work properly in all the popular browsers. In practice, the striving for compliance is a double-edged sword though.

Not every web user will want to persevere with a download in excess of 20MB from Netscape's site: the first stage downloads a small installer program after which various options can be selected to customise the download. You can also choose the more sensible option of downloading the re-installation files themselves, rather than letting Netscape try to upgrade your system "on the fly".

Installation Snags Overcome

I downloaded the 23MB needed to install Navigator 6. The file transfer went flawlessly but worryingly, it wanted to de-install my existing version of Netscape Navigator first, until I realised it actually referred to my beta version of Netscape 6 and not my older Navigator 4.6. Then the installation routine stalled completely, forcing me to reboot. Nevertheless the installation process was completed properly afterwards, and soon I was pointing Netscape's new browser towards various web sites.

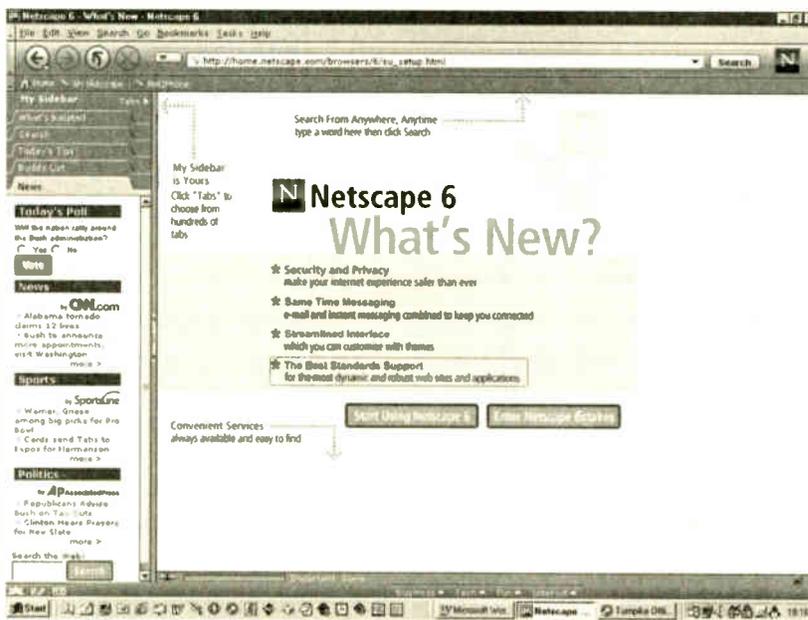
The first thing I noticed was that it was somewhat slow to launch, but before long I was greeted with a stylish window and a multitude of navigation bars. Version 6 has configurable "skins" or themes to adapt the appearance, or you can revert to the classic Navigator style instead. A neat draggable sidebar can be selected to fill with your choice of channels when you go online, and it has a built-in Buddy List to keep track of friends when on-line, and links to enable Net2Phone to be downloaded. Furthermore, it imports Internet Explorer Favorites immediately, a welcome feature. Many other features are available in the configurable sidebar.

More problematic for designers, though, is that some current web pages were broken up when viewed in Navigator 6. Some

Javascripted functions failed to function properly and "sliced" images – which are arranged in tables – were sometimes broken up; furthermore the new browser doesn't support certain functions whatsoever.

If the pages have been coded to obey the rules, then in theory there shouldn't be a problem, yet until now designers have had to work with web browsers that have not been entirely compliant: now having made web sites compatible with older browsers, we must agonise over the more strict rules-obedience of Navigator 6 instead.

The challenge now is to code all pages precisely in accordance with published HTML standards, and also make everything backwards-compatible for the older generations of web browsers as well. The hope is that ultimately we can eventually dump our legacy web browsers and move onto something which is stable, predictable and compliant, and in this respect Netscape 6 is a welcome move in the right direction. If only it had happened five years ago.



BACK ISSUES

We can supply back issues of EPE by post, most issues from the past five years are available. An EPE index for the last five years is also available – see order form. Alternatively, indexes are published in the December issue for that year. Where we are unable to provide a back issue a photostat of any one article (or one part of a series) can be purchased for the same price. Issues from July 2000 onwards are also available to download from www.epemag.com.

DID YOU MISS THESE?

OCT '99

PROJECTS • Interior Lamp Delay • Mains Cable Detector • QWL Loudspeaker System • Micro Power Supply.
FEATURES • PIC16F87x Mini Tutorial • Practical Oscillator Designs-4 • Circuit Surgery • Interface • Ingenuity Unlimited • Net Work – The Internet.

NOV '99

PROJECTS • Acoustic Probe • Vibralarm • Ginormous Stopwatch-1 • Demister One-Shot.
FEATURES • Teach-In 2000-Part 1 • Ingenuity Unlimited • Practically Speaking • Practical Oscillator Designs-5 • Circuit Surgery • New Technology Update • Net Work – The Internet
FREE Identifying Electronic Components booklet.

DEC '99

PROJECTS • PIC Micro-Probe • Magnetic Field Detector • Loft Guard • Ginormous Stopwatch – Giant Display-2.
FEATURES • Teach-In 2000-Part 2 • Practical Oscillator Designs-6 • Interface • Ingenuity Unlimited (Special) • Circuit Surgery • Network-The Internet • 1999 Annual Index.

JAN '00

PROJECTS • Scratch Blanka • Versatile Burglar Alarm • Flashing Snowman • Vehicle Frost Box.
FEATURES • Ingenuity Unlimited • Teach-In 2000-Part 3 • Circuit Surgery • Practically Speaking • Tina Pro Review • Net Work – The Internet.



FEB '00 Photostats Only

PROJECTS • PIC Video Cleaner • Voltage Monitor • Easy-Typist Tape Controller • Find It – Don't Lose It!
FEATURES • Technology Timelines-1 • Circuit Surgery • Teach-In 2000-Part 4 • Ingenuity Unlimited • Interface • Net Work – The Internet.

MAR '00

PROJECTS • EPE ICEbreaker • High Performance Regenerative Receiver-1 • Parking Warning System • Automatic Train Signal.
FEATURES • Teach-In 2000 – Part 5 • Practically Speaking • Technology Timelines-2 • Ingenuity Unlimited • Circuit Surgery • New Technology Update • Net Work – The Internet.

APRIL '00

PROJECTS • Flash Slave • Garage Link • Micro-PICscope • High Performance Regenerative Receiver-2.
FEATURES • Teach-In 2000-Part 6 • Ingenuity Unlimited • Technology Timelines-3 • Circuit Surgery • Interface • Telcan Home Video • Net Work – The Internet.

MAY '00

PROJECTS • Versatile Mic/Audio Preampfier • PIR Light Checker • Low-Cost Capacitance Meter • Multi-Channel Transmission System-1.
FEATURES • Teach-In 2000-Part 7 • Technology Timelines-4 • Circuit Surgery • Practically Speaking • Ingenuity Unlimited • Net Work – The Internet • *FREE* Giant Technology Timelines Chart.

JUNE '00

PROJECTS • Atmospheric Electricity Detector-1 • Canute Tide Predictor • Multi-Channel Transmission System-2 • Automatic Nightlight.
FEATURES • Teach-In 2000 – Part 8 • Technology Timelines-5 • Circuit Surgery • Interface • New Technology Update • Ingenuity Unlimited • Net Work – The Internet.

JULY '00

PROJECTS • G-Meter • Camera Shutter Timer PIC-Gen Frequency Generator/Counter • Atmospheric Electricity Detector-2.
FEATURES • Teach-In 2000-Part 9 • Practically Speaking • Ingenuity Unlimited • Circuit Surgery • PIC0 DrDAQ Reviewed • Net Work – The Internet.



AUG '00

PROJECTS • Handy-Amp • EPE Moodloop • Quiz Game Indicator • Door Protector
FEATURES • Teach-In 2000-Part 10 • Cave Electronics • Ingenuity Unlimited • Circuit Surgery • Interface • New Technology Update • Net Work – The Internet.

SEPT '00

PROJECTS • Active Ferrite Loop Aerial • Steeplechase Game • Remote Control IR Decoder • EPE Moodloop Power Supply.
FEATURES • Teach-In 2000-Part 11 • New Technology Update • Circuit Surgery • Ingenuity Unlimited • Practically Speaking • Net Work – The Internet Page.



OCT '00

PROJECTS • Wind-Up Torch • PIC Dual-Chan Virtual Scope • Fridge/Freezer Alarm • EPE Moodloop Field Strength Indicator.
FEATURES • Teach-In 2000-Part 12 • Interface • Ingenuity Unlimited • New Technology Update • Circuit Surgery • Peak Atlas Component Analyser Review • Net Work – The Internet Page.

NOV '00

PROJECTS • PIC Pulsometer • Opto-Alarm System • Sample-and-Hold • Handclap Switch.
FEATURES • The Schmitt Trigger-Part 1 • Ingenuity Unlimited • PIC Toolkit Mk2 Update V2.4 • Circuit Surgery • New Technology Update • Net Work – The Internet • *FREE* Transistor Data Chart.

DEC '00

PROJECTS • PIC-Monitored Dual PSU-Part1 • Static Field Detector • Motorists' Buzz-Box • Twinkling Star • Christmas Bubble • Festive Fader • PICtogram.
FEATURES • The Schmitt Trigger-Part 2 • Ingenuity Unlimited • Interface • Circuit Surgery • New Technology Update • Quasar Kits Review • Net Work – The Internet • 2000 Annual Index.

JAN '01

PROJECTS • Versatile Optical Trigger • UFO Detector and Event Recorder • Two-Way Intercom • PIC-Monitored Dual PSU-Part 2.
FEATURES • Using PICs and Keypads • The Schmitt Trigger-Part 3 • New Technology Update • Circuit Surgery • Practically Speaking • Ingenuity Unlimited • CIRSIM Shareware Review • Net Work – The Internet.

BACK ISSUES ONLY £3.00 each inc. UK p&p.

Overseas prices £3.50 each surface mail, £4.95 each airmail.

We can also supply issues from earlier years: 1992 (except March, April, June to Sept. and Dec.), 1993 (except Jan. to March, May, Aug., Dec.), 1994 (except April to June, Aug., Oct. to Dec.), 1995 (No Issues), 1996 (except Jan. to May, July, Aug., Nov.), 1997 (except Feb. and March), 1998 (except Jan., March to May, July, Nov., Dec.), 1999.
We can also supply back issues of ETI (prior to the merger of the two magazines) for 1998/9 – Vol. 27 Nos 1 to 13 and Vol. 28 No. 1. We are not able to supply any material from ETI prior to 1998. Please put ETI clearly on your order form if you require ETI issues.
Where we do not have an issue a photostat of any one article or one part of a series can be provided at the same price.

ORDER FORM – BACK ISSUES – PHOTOSTATS– INDEXES

- Send back issues dates
- Send photostats of (article title and issues date)
- Send copies of last five years indexes (£3.00 for five inc. p&p – Overseas £3.50 surface, £4.95 airmail)

Name

Address

- I enclose cheque/P.O./bank draft to the value of £
- Please charge my Visa/Mastercard/Switch £ Switch Issue No.

Card No. Card Expiry Date

Note: Minimum order for credit cards £5. Please supply name and address of cardholder if different from that shown above.
SEND TO: **Everyday Practical Electronics, Allen House, East Borough, Wimborne, Dorset BH21 1PF.**

Tel: 01202 881749. Fax: 01202 841692.
E-mail: orders@epemag.wimborne.co.uk

Payments must be in £ sterling – cheque or bank draft drawn on a UK bank. Normally supplied within seven days of receipt of order.
Send a copy of this form, or order by letter if you do not wish to cut your issue.

MQ2/01

STORE YOUR BACK ISSUES IN YOUR WALLET!



A great way to buy *EPE* Back Issues – our wallet-sized CD-ROMs contain back issues from our *EPE Online* website plus bonus articles, all the relevant PIC software and web links. All this for just £12.45 each including postage and packing.

VOL 1 CONTENTS

BACK ISSUES – November 1998 to June 1999 (all the projects, features, news, IUs etc. from all eight issues). Note: No advertisements or Free Gifts are included.

PIC PROJECT CODES – All the available codes for the PIC based projects published in issues from November 1998 to June 1999.

EPE ONLINE STORE – Books, PCBs, Subscriptions, etc.

VOL 2 CONTENTS

BACK ISSUES – July 1999 to December 1999 (all the projects, features, news, IUs, etc. from all six issues). Note: No advertisements or Free Gifts are included.

PIC PROJECT CODES – All the available codes for the PIC-based projects published in issues from July to December 1999.

EPE ONLINE STORE – Books, PCBs, Subscriptions, etc.

VOL 3 CONTENTS

BACK ISSUES – January 2000 to June 2000 (all the projects, features, news, IUs, etc. from all six issues). Note: No advertisements or Free Gifts are included.

PIC PROJECT CODES – All the available codes for the PIC-based projects published in issues from January to June 2000.

EXTRA ARTICLES – ON ALL VOLUMES

BASIC SOLDERING GUIDE – Alan Winstanley's internationally acclaimed fully illustrated guide.

UNDERSTANDING PASSIVE COMPONENTS – Introduction to the basic principles of passive components.

HOW TO USE INTELLIGENT L.C.D.s, By Julyan Ilett – An utterly practical guide to interfacing and programming intelligent liquid crystal display modules.

PhyzyB COMPUTERS BONUS ARTICLE 1 – Signed and Unsigned Binary Numbers. By Clive "Max" Maxfield and Alvin Brown.

PhyzyB COMPUTERS BONUS ARTICLE 2 – Creating an Event Counter. By Clive "Max" Maxfield and Alvin Brown.

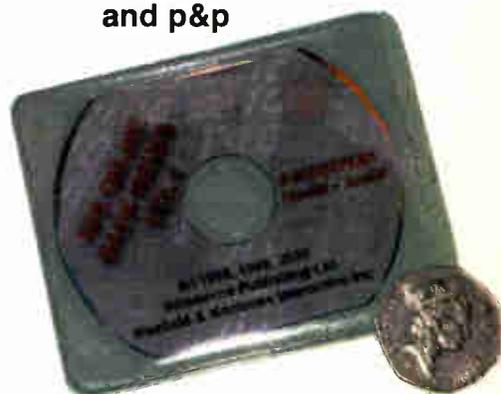
INTERGRAPH COMPUTER SYSTEMS 3D GRAPHICS – A chapter from Intergraph's book that explains computer graphics technology in an interesting and understandable way with full colour graphics.

EXTRA ARTICLE ON VOL 1 & 2

THE LIFE & WORKS OF KONRAD ZUSE – a brilliant pioneer in the evolution of computers. A bonus article on his life and work written by his eldest son, including many previously unpublished photographs.

**VOL 3
NOW AVAILABLE**

**ONLY
£12.45 each**
including VAT
and p&p



NOTE: This mini CD-ROM is suitable for use on any PC with a CD-ROM drive. It requires Adobe Acrobat Reader (available free from the Internet – www.adobe.com/acrobat)

Order on-line from www.epemag.com or by
Phone, Fax, E-mail or Post

BACK ISSUES CD-ROM ORDER FORM

Please send me (quantity) BACK ISSUES CD-ROM **VOL 1**

Please send me (quantity) BACK ISSUES CD-ROM **VOL 2**

Please send me (quantity) BACK ISSUES CD-ROM **VOL 3**

Price £12.45 (approx \$20) each – includes postage to anywhere in the world.

Name

Address

..... Post Code

I enclose cheque/P.O./bank draft to the value of £

Please charge my Visa/Mastercard/Switch £

Card No.

Expiry Date Switch Issue No.

Note: Minimum order for cards £5.

SEND TO: **Everyday Practical Electronics, Allen House,
East Borough, Wimborne, Dorset BH21 1PF.**

Tel: 01202 881749. Fax: 01202 841692.

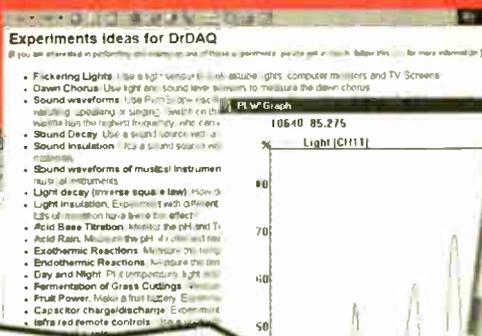
E-mail: orders@epemag.wimborne.co.uk

Payments must be by card or in £ Sterling – cheque or bank draft drawn on a UK bank.

Normally supplied within seven days of receipt of order.

Send a copy of this form, or order by letter if you do not wish to cut your issue.

The science lab in a PC



- Output
- Voltage
- Resistance
- Light level
- Temperature
- External sensors
- pH
- Microphone

Only £59!
+VAT

The DrDAQ is a low cost data logger from Pico Technology. It is supplied ready to use with all cables, software and example science experiments.

DrDAQ represents a breakthrough in data logging. Simply plug DrDAQ into any Windows PC, run the supplied software and you are ready to collect and display data. DrDAQ draws its power from the parallel port, so no batteries or power supplies are required.

- ✓ Very low cost
- ✓ Built in sensors for light, sound (level and waveforms) and temperature
- ✓ Use DrDAQ to capture fast signals (eg sound waveforms)
- ✓ Outputs for control experiments
- ✓ Supplied with both PicoScope (oscilloscope) and PicoLog (data logging) software

FREE Science Experiments Over The Web!

The Pico Technology Library of Science Experiments contains a number of educational experiments suitable for use with oscilloscope and data logging products.

The experiments are written by science teachers and industry experts. So that you can find an experiment of interest easily, we have divided them into five subjects: biology, chemistry, physics, electronics and general science. You can find these experiments at: www.picotech.com/experiments/index.html



To order the DrDAQ please choose one of the following guidelines:

- i) Fill out the order form and either fax it, or post it back to Pico Technology.
- ii) Visit our web site and place an order over the internet, or,
- iii) Place an order over the phone by ringing the number below.

DrDAQ Order Form:			
Quantity	Package	Price inc VAT	Total
	DrDAQ + Software	£69.32	
	DrDAQ + 2 Temperature Sensors	£92.85	
	DrDAQ + 2 Temperature Sensors + pH Electrode	£116.32	
	Delivery (per item)	£4.11	
Grand Total		£	

Name			
Address			
Post code			
Phone			
Credit Card	Visa / Mastercard / Switch / Amex		
Card Number			
Expiry Date	/	Start Date & / or Issue No.	
Cheque with order	<input type="checkbox"/>		

EPE

Pico Technology Ltd, The Mill House, Cambridge Street, St Neots, Cambridgeshire. PE19 1QB
Tel: 01480 396395, Fax: 01480 396296, E-mail: post@picotech.com, Web: www.drdaq.com

pico
Technology Limited

Special Series

THE SCHMITT TRIGGER

ANTHONY H. SMITH

Part 4

In this short series, we investigate the Schmitt trigger's operation; explore the various ways of implementing its special characteristics and also look at how we can use it to create oscillators and pulse width modulators.

Astable, PWM, Triangle Waveforms, Transducer Interface

LAST month, in Part Three of this series, we saw how the Schmitt trigger can be used as the central element in monostable and bistable multivibrator circuits. This month, we'll look at the third member of the multivibrator family, the *astable* multivibrator, and we'll see how it can be adapted to form a pulse width modulator. We'll also examine the use of hysteresis in generating triangle waves, and we'll investigate the Schmitt's important role as an interface for sensor devices.

TIME FOR SOME RELAXATION . . .

Both the monostable and bistable multivibrators examined last month have at least one stable state, i.e., they remain in a constant, stable state until "triggered" by an external signal. The *astable* multi-vibrator, on the other hand, has no stable state: the circuit alternates from one state to another, and continues to *oscillate* without need of any external trigger signals.

The astable falls into a class of oscillators known as *relaxation* oscillators, circuits in which the voltages or currents change suddenly at least once during each cycle. The circuit diagram of a simple, dual-rail astable, using the LF351 op.amp as a comparator, is shown in Fig.4.1a. Note how the circuit has both positive feedback (essential to the Schmitt trigger function), and negative feedback applied via resistor R3. We can understand how the astable works by referring to the circuit waveforms in Fig.4.1b.

Assume that IC1's output voltage, V_{OUT} , is at its positive saturation level, V_{SAT+} . The potential $V+$ at the non-inverting input (pin 3) will sit at a positive level defined by V_{SAT+} , resistor R1 and R2. This is the *upper threshold voltage*, V_{TU} . During the period T1, the voltage V_{C1} on timing capacitor C1 will increase, exponentially, in a positive direction as C1 is charged via timing resistor R3.

. . . AND REGENERATION

Eventually, when V_{C1} just exceeds V_{TU} , the comparator "trips" and V_{OUT} starts to go negative. The positive feedback provided by resistor R2 provides the familiar *regenerative* action which ensures that V_{OUT} rapidly traverses from positive saturation to negative saturation, denoted V_{SAT-} .

During period T2, V_{C1} starts to decrease as capacitor C1's electric field begins to "relax" and the energy stored in it starts to dissipate. However, the process does not stop when the voltage on capacitor C1 reaches zero; instead, V_{C1} becomes increasingly negative as C1 charges toward V_{SAT-} .

During this time, the non-inverting input voltage, $V+$, sits at a negative level, V_{TL} , the *lower threshold voltage*. When the *negative* voltage on C1 just exceeds V_{TL} , the comparator trips again and V_{OUT} rapidly returns to its positive saturation level, V_{SAT+} . The process now repeats, and V_{OUT} alternates between its

two, *unstable* states at a frequency determined by capacitor C1 and resistor R3.

Essentially, the circuit is simply a dual-rail, inverting Schmitt trigger with thresholds set by resistors R1 and R2 as described in Part Two of this series:

$$V_{TU} = \frac{R1 \times V_{SAT+}}{R1 + R2} \text{ (volts),} \quad \text{and:} \quad V_{TL} = \frac{R1 \times V_{SAT-}}{R1 + R2} \text{ (volts)}$$

However, the circuit effectively provides its own input in the form of the exponentially varying voltage on C1. The "mark" and "space" time periods, T1 and T2, are given by:

$$T1 = \tau \ln \left\{ \frac{V_{SAT+} - V_{TL}}{V_{SAT+} - V_{TU}} \right\} \text{ (seconds),}$$

$$\text{and: } T2 = \tau \ln \left\{ \frac{V_{SAT-} - V_{TU}}{V_{SAT-} - V_{TL}} \right\} \text{ (seconds),}$$

where the *time constant* $\tau = (C1 \times R3)$ (seconds), and \ln represents the natural logarithm.

ASYMMETRICAL OUTPUT LEVELS

The circuit was built using the component values as shown in Fig.4.1a. With the supply rails set to $+V_S = +5V$ and $-V_S = -5V$, the output saturation levels were found to be $V_{SAT+} = +4.20V$ and $V_{SAT-} = -3.65V$. Using the equations given above, the thresholds should be $V_{TU} = +0.979V$ and $V_{TL} = -0.850V$. The actual values, measured by observing the voltage levels at the non-inverting input (pin 3), were $V_{TU} = +0.98V$ and $V_{TL} = -0.86V$.

With $C1 = 3.3nF$ and $R3 = 100k\Omega$, $\tau = 0.33ms$. Therefore, using the measured values for V_{SAT+} , V_{SAT-} , V_{TU} and V_{TL} , the equations for periods T1 and T2 yield values of 149 μs and 167 μs , respectively.

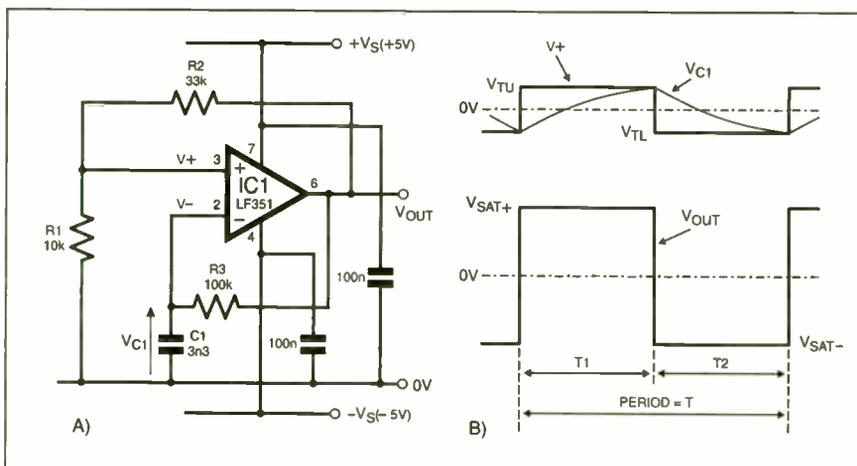
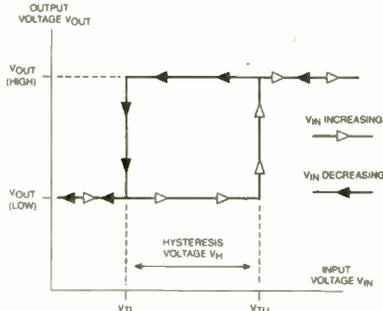


Fig.4.1(a). Astable multivibrator based on a Schmitt trigger and (b) circuit waveforms.

The measured values were $T_1 = 144\mu\text{s}$ and $T_2 = 160\mu\text{s}$. The fact that T_1 does not equal T_2 is due to the asymmetry in the output saturation levels, which also results in the magnitude of the thresholds being unequal. Whether or not this unequal *mark-space ratio* is a problem depends entirely on the application.

DUTY CYCLE

The mark-space ratio of a rectangular waveform is more properly expressed in terms of *duty cycle*, where:

$$\text{Duty Cycle} = \frac{T_1}{T_1 + T_2} \times 100\%$$

In the above case, we see that the output duty cycle is $144\mu\text{s}/(144\mu\text{s} + 160\mu\text{s}) = 47.4\%$. If we can adapt the circuit such that $V_{\text{SAT}+} = -V_{\text{SAT}-}$, and hence $V_{\text{TU}} = -V_{\text{TL}}$, we find that:

$$T_1 = T_2 = \tau \ln \left\{ \frac{V_{\text{SAT}+} + V_{\text{TU}}}{V_{\text{SAT}+} - V_{\text{TU}}} \right\} \text{ (seconds)}$$

resulting in a 50% duty cycle.

One way to achieve this is to use an op.amp with "rail-to-rail" output swing, whereby V_{OUT} swings to within a few millivolts of each supply rail. Provided IC1's output is lightly loaded and the magnitudes of the supply rails are equal, this approach ensures that $|V_{\text{SAT}+}| = |V_{\text{SAT}-}|$. If a rail-to-rail op.amp is not available, consider the use of output "clamping" using back-to-back Zener diodes or a diode bridge arrangement, both of which were described in Part Two.

The astable's oscillation frequency is given by

$$\text{Frequency, } f = 1/T$$

where T is the period of the output cycle. Since $T = T_1 + T_2$, it follows that when $T_1 = T_2$, the frequency is simply $f = 1/(2 \times T_1)$, and can be found from:

$$\text{Frequency, } f = \frac{1}{2\tau \ln \left\{ \frac{V_{\text{SAT}+} + V_{\text{TU}}}{V_{\text{SAT}+} - V_{\text{TU}}} \right\}} \text{ (Hz)}$$

Clearly, the frequency can be increased either by reducing τ , or by decreasing the size of the threshold voltages. More about this later.

CHOICE OF OP.AMP

The LF351 is a good choice of op.amp for use in multivibrators like the one in Fig.4.1. Although it does not provide "rail-to-rail" performance, it is a reasonably fast device with good slew rate (typically $13\text{V}/\mu\text{s}$), and its j.f.e.t. input stage results in very low input bias currents.

With capacitor $C_1 = 3.3\text{nF}$ and resistor $R_3 = 100\text{k}\Omega$, the circuit produced a well-shaped rectangular output at just over 3kHz . Reducing R_3 to $10\text{k}\Omega$ increased the frequency to just under 30kHz , and although the output shape was still good, the measured values of T_1 and T_2 were somewhat different from the calculated values due to changes in the thresholds resulting from the effects of finite bandwidth.

Reducing C_1 to 330pF increased the frequency to 150kHz , although the edges of the output waveform were noticeably sloped. With $C_1 = 100\text{pF}$ the frequency was just over 300kHz , but the output waveshape was now "trapezoidal". Although the LF351 has a *unity-gain* bandwidth of around 4MHz , its ability to generate "sharp" square waves at frequencies above 100kHz is limited by the effects of finite slew-rate.

LOW FREQUENCIES

Generating low frequency waveforms requires a large time constant. To some degree, this can be achieved by maximising capacitor C_1 , although for a *bipolar* astable like the one in Fig.4.1, where V_{C_1} swings both positive and negative, C_1 must be a non-polarised type, which limits the maximum capacitance available. (Although large-value, non-polarised electrolytic capacitors are available, they often have relatively large leakage currents which can affect the circuit's operation quite considerably).

At first sight, selecting a large value for resistor R_3 would appear to be the simplest way of maximising τ , especially as resistance values up to $10\text{M}\Omega$ are readily available. However, the effects of input bias current, I_{B} , flowing into (or out of) the inverting input should not be ignored, especially where accurate control of frequency and duty cycle are required.

For example, let's say we built the astable using an op.amp with an input bias current of around 200nA (not uncommon for devices like the LM358 or 741). When R_3 is small ($<100\text{k}\Omega$), the bias current has negligible effect on the charging and discharging of C_1 . However, when R_3 is in the region of $1\text{M}\Omega$ or more, the input bias current becomes relatively large compared to the current flowing through R_3 , and effectively "unbalances" the charging action. (The capacitor leakage currents mentioned above can have a similar effect). Although this will not stop the astable oscillating, it can have a marked effect on duty cycle and frequency.

Fortunately, the LF351's very low input bias current (typically just 50pA at room temperature) permits the use of large values for resistor R_3 with little effect on performance. For instance, with $C_1 = 1\mu\text{F}$ (non-polarised) and $R_3 = 1\text{M}\Omega$, the circuit of Fig.4.1 produced a square wave with period $T = 0.954\text{s}$ and pulse width $T_1 = 0.449\text{s}$. At 47% , the duty cycle was just short of the 50% needed for a perfectly "symmetrical" square wave, but this was due to the unequal magnitudes of $V_{\text{SAT}+}$ and $V_{\text{SAT}-}$, not to the effects of input bias current.

COMMON MODE INPUT RANGE

The LF351 is just one of many op.amps available with low input bias currents. Other devices with low I_{B} are the Harris/Intersil CA3140 (single; $I_{\text{B}} = 10\text{pA}$ typ.); the National Semiconductor LMC662 (dual; $I_{\text{B}} = 0.002\text{pA}$ typ.); the Motorola MC33182 (dual; $I_{\text{B}} = 30\text{pA}$ typ.); and the Texas Instruments TLC27L2 (dual; $I_{\text{B}} = 0.7\text{pA}$ typ.). There are many others to choose from.

Another important input parameter that should not be overlooked when designing any op.amp or comparator circuit is the *common mode input voltage range*. As we saw in Part Two, the common mode input voltage range defines the allowable input voltage that can be tolerated by the device without malfunction.

When operating on $\pm 5\text{V}$ supplies, the LF351's common mode range is typically $+5\text{V}$, -2V . Therefore, resistors R_1 and R_2 (Fig.4.1) should be selected to ensure that the voltage, V_+ , at the non-inverting input (pin 3) terminal (and, hence, at the inverting input (pin 2)) cannot go outside this range, otherwise the op.amp might not function properly. With $R_1 = 10\text{k}\Omega$ and $R_2 = 33\text{k}\Omega$, V_+ will not exceed $\pm 1.2\text{V}$ even if V_{OUT} swings as much as $\pm 5\text{V}$.

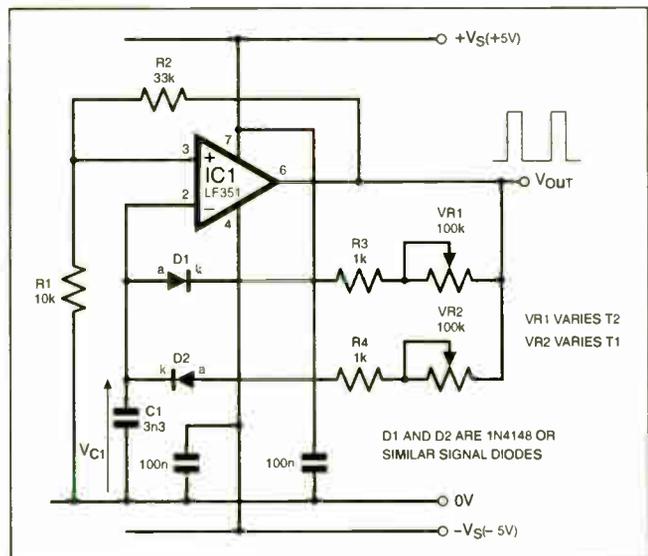


Fig.4.2. Circuit modifications to the astable results in a Variable Width Pulse Generator.

VARIABLE PULSE GENERATOR

The simple astable of Fig.4.1 can easily be adapted to produce a rectangular output with widely variable duty cycle. The required modifications are shown in the circuit diagram Fig.4.2, where R_3 has been replaced by the diode/resistor network comprising D_1 , D_2 , R_3 , R_4 , VR_1 and VR_2 .

The presence of the diodes allows capacitor C_1 to be charged and discharged at different rates. For example, when V_{OUT} is high (at $V_{\text{SAT}+}$), C_1 charges via D_2 , R_4 and potentiometer VR_2 . Diode D_1 is reverse biased, so only R_4 and VR_2 control the charging current flowing into C_1 , and hence determine the width of the time period T_1 .

When V_{OUT} goes low (to $V_{\text{SAT}-}$), D_2 becomes reverse biased and C_1 discharges via D_1 , R_3 and VR_1 now dictate the rate of discharge, and hence control the width of T_2 .

Typical waveforms generated by the Variable Width Pulse Generator circuit are shown in Fig.4.3, obtained with $C1 = 3.3nF$, $R3$ plus $VR1 = 30k\Omega$, and $R4$ plus $VR2 = 10k\Omega$. The exponential waveform, V_{C1} , shows how capacitor $C1$ charges rapidly and then discharges relatively slowly, resulting in $T1 = 18.8\mu s$ and $T2 = 59.2\mu s$.

Potentiometers $VR1$ and $VR2$ provide independent control of $T1$ and $T2$, and with the values shown allow the duty cycle to be varied from around 1.5% to 98.5%. By switching in different values of $C1$, say in decade ranges from $1nF$ to $10\mu F$, the circuit is capable of producing pulse widths ranging from around $1\mu s$ to over half a second.

SINGLE RAIL ASTABLE

A single rail version of the astable multivibrator is shown in Fig.4.4. Using an op.amp like the TS902 having rail-to-rail input and output swings simplifies the design procedure. Provided the output is not heavily loaded, V_{OUT} will swing from $0V$ to $+V_S$, removing any ambiguity about the values of V_{SAT-} and V_{SAT+} . Furthermore, there is no need to worry about the input signals, $V+$ and $V-$, straying outside the common mode input voltage range.

Since V_{OUT} swings rail-to-rail, we can assume that $V_{SAT-} = 0V$ and $V_{SAT+} = +V_S$, and making these substitutions in the equations for $T1$ and $T2$ quoted previously for the dual-rail astable, we find that:

$$T1 = \tau \ln \left\{ \frac{+V_S - V_{TL}}{+V_S - V_{TU}} \right\} \text{ (seconds)}$$

$$\text{and: } T2 = \tau \ln \left\{ \frac{V_{TU}}{V_{TL}} \right\} \text{ (seconds)}$$

where the time constant $\tau = (C1 \times R3)$ (seconds).

Since the circuit is basically an adaptation of the single rail Schmitt trigger described in Part Two, the threshold voltages, V_{TU} and V_{TL} are given by:

$$\text{Upper Threshold Voltage, } V_{TU} = \frac{(V_{REF} \times R2) + (+V_S \times R_{TH})}{R_{TH} + R2} \text{ (volts)}$$

$$\text{and: Lower Threshold Voltage, } V_{TL} = \frac{(V_{REF} \times R2)}{R_{TH} + R2} \text{ (volts)}$$

where R_{TH} is the Thévenin equivalent resistance of the $R1a$ - $R1b$ potential divider:

$$R_{TH} = \frac{R1a \times R1b}{R1a + R1b} \text{ (ohms)}$$

and V_{REF} is the reference voltage generated by the potential divider $R1a$ - $R1b$ and the positive supply:

$$V_{REF} = \frac{+V_S \times R1b}{R1a + R1b} \text{ (volts)}$$

Introducing R_{TH} and V_{REF} allows us to represent the single rail astable with its equivalent circuit shown in Fig.4.5a. We will consider the equivalent circuit in more detail, shortly. First, we'll examine the performance of the Single Rail Astable with voltage follower circuit - shown in Fig.4.4.

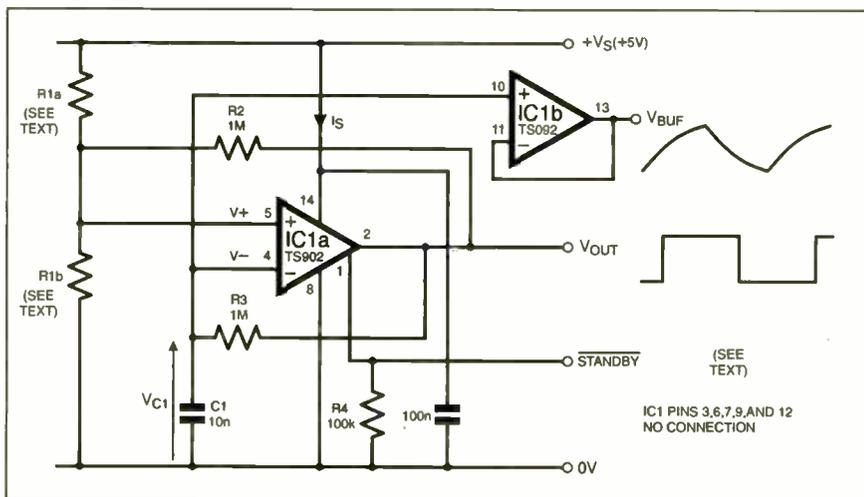


Fig.4.4. Circuit diagram for a Single-Rail Astable with voltage follower.

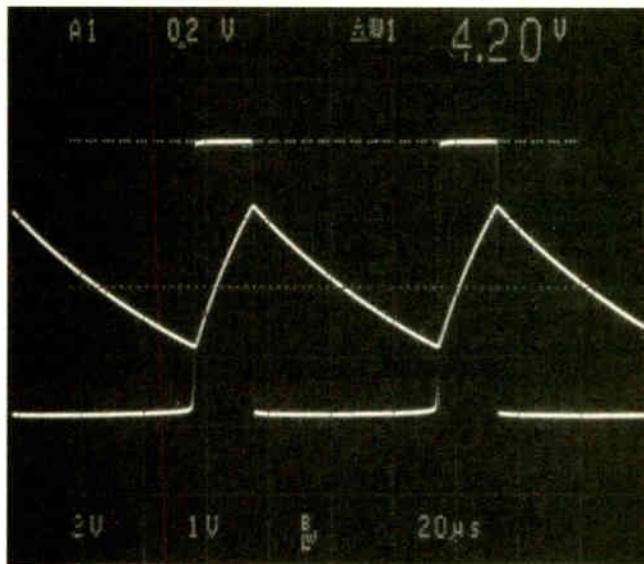


Fig.4.3. Pulse Generator Waveforms. Pulse waveform is V_{OUT} ($2V/div.$). Exponential waveform is timing capacitor voltage, V_{C1} ($1V/div.$). Timebase: $20\mu s/div.$

POWER SAVING

Although not exceptionally fast (the slew rate is typically $0.8V/\mu s$), the STMicroelectronics TS902 has very low input bias current ($I_B = 1pA$ typ.) which, as we have seen, is important when using large resistance values. It also features a "standby" function, whereby its current consumption can be reduced to a minimal level to save power. More about this later.

Since the resistance values in Fig.4.4 are large, it is important not to "load" the circuit nodes when probing the waveforms. Even using a 'scope probe with a $10M\Omega$ input impedance would significantly load the op.amp inputs and would affect the astable's operation.

This can be avoided by connecting the second half of the dual TS902 as a voltage follower (IC1b) which "buffers" the sensitive nodes. By connecting the follower to either of IC1a's inputs, the threshold levels and exponential waveform can be observed by connecting the 'scope probe to IC1b's low-impedance output. Note, however, that the signals will be "shifted" by IC1b's input offset voltage, which can be as much as $\pm 10mV$.

CIRCUIT PERFORMANCE

Initially, the Single Rail Astable (Fig.4.4) circuit was built with $R1a = R1b = 200k\Omega$. With $C1 = 10nF$ and $R3 = 1M\Omega$, the time constant $\tau = 10ms$. With $+V_S = +5V$, the theoretical values of $T1$ and $T2$ calculated using the equations earlier are $T1 = 1.82ms$ and $T2 = 1.82ms$. The actual, measured values were $T1 = 1.90ms$ and $T2 = 1.91ms$, equivalent to a duty cycle of 49.9%.

Next, with $R1a = 150k\Omega$ and $R1b = 300k\Omega$, the measured values were $T1 = 2.75ms$ and $T2 = 1.47ms$, corresponding to a duty cycle of 65.2%. The calculated values are $T1 = 2.63ms$ and $T2 = 1.40ms$.

Finally, with $R1a = 300k\Omega$ and $R1b = 150k\Omega$, the measured values were $T1 = 1.45ms$ and $T2 = 2.75ms$, corresponding to a duty cycle of 34.5%. The calculated values are $T1 = 1.40ms$ and $T2 = 2.63ms$.

Clearly, the measured results are in close agreement with the theoretical values. However, it is the variation in duty cycle which is most interesting. For the case where resistors $R1a$ and $R1b$ have equal values of $200k\Omega$, the equivalent value of V_{REF} was $2.5V$, i.e., 50% of $+V_S$, and the duty cycle was 49.9%.

When $R1a = 150k\Omega$ and $R1b = 300k\Omega$, the equivalent value of V_{REF} was $3.333V$, i.e., 66.7% of $+V_S$, and the duty cycle was 65.2%. Lastly, when $R1a = 300k\Omega$ and $R1b = 150k\Omega$, the equivalent value of V_{REF} was $1.667V$, i.e., 33.3% of $+V_S$, and the duty cycle was 34.5%.

Notice that for each case the duty cycle varies linearly with V_{REF} and is almost directly proportional to V_{REF} as a percentage of $+V_S$. Furthermore, the value of R_{TH} is $100k\Omega$ for each case, i.e., only V_{REF} varies from one case to another, all other values remain constant.

Clearly, V_{REF} is controlling the duty cycle, an important finding that we'll investigate shortly.

SUPPLY CURRENT AND FREQUENCY

With resistors R1a and R1b at 200kΩ, R3 at 1MΩ and capacitor C1's value changed to 100nF, Fig.4.4's circuit produced an output frequency of 27.5Hz. Decreasing C1 by two decades to 1nF increased the output frequency to 2275Hz, roughly a hundred-fold increase. The upper limit is about 15kHz: at higher frequencies, the output waveform takes on a "trapezoidal" shape because the TS902 does not have the slow rate necessary to produce rectangular waveforms beyond 20kHz.

It is a fact of life that all circuits, whether linear or digital, tend to consume more power at higher operating frequencies; consequently, the supply current is also greater. The predominant reason for this increase is that capacitances, either external to the active device (like C1), or internal (such as junction capacitances), must be charged and discharged every cycle.

Excessive supply current can be a major problem, especially in battery-powered systems where battery life is inversely proportional to power consumption. Clearly, one way to reduce current drain is to use smaller capacitances wherever possible.

For instance, with C1 shorted out to make V_{OUT} continually high, the average current taken by Fig.4.4's circuit was 222μA. This is the "static" or "quiescent" operating current. Then, with C1 = 1nF and R3 = 1MΩ, such that $\tau = 1$ ms, the astable oscillated at 2275Hz and the average supply current was 332μA, an increase of 110μA on the static value.

However, with C1 = 100nF and R3 = 10kΩ ($\tau = 1$ ms), the astable again oscillated at 2275Hz but the supply current was 426μA, an increase of 204μA on the static value. Clearly, the increase in current has almost doubled compared to the case above, even though the time constant, and hence the operating frequency, remain the same.

A DISABLING FEATURE

Another way to reduce the circuit current drain is to switch off any sections that aren't required. In a notebook computer, for example, the processor can "power down" the internal modem when not in use, thereby conserving battery energy. Even in relatively small circuits, switching off any sub-circuit that is not needed will reduce the average power consumption.

The TS902 dual op.amp provides a "standby" feature which makes it easy to reduce current drain. When the STANDBY terminal (pin 1) is high (connected to $+V_S$), the op.amps function normally. However, if STANDBY is pulled low (to 0V), both op.amps in the package are "disabled" and the outputs go to a high impedance state.

The effect on the astable's current consumption is quite dramatic. For instance, with C1 = 100nF and R3 = 10kΩ, and with STANDBY high (circuit oscillating at 2275Hz), the op.amp supply current, I_S , was 420μA. However, with STANDBY pulled low, the circuit stopped oscillating and I_S fell to just 13μA.

FREQUENCY STABILITY

For precision applications demanding high frequency stability, a crystal-controlled oscillator would be a better choice than the astable of Fig.4.4. Nevertheless, when an op.amp or comparator with rail-to-rail output swing is used, the astable's operating frequency and duty cycle remain remarkably constant with changes in supply voltage.

For example, using one half of the rail-to-rail LMC6762 dual comparator for IC1a, and with C1 = 10nF and R3 = 100kΩ, the circuit's frequency and duty cycle were measured as 2539Hz and 49.94% with $+V_S$ at +5V. With $+V_S$ increased to +15V, the values were 2549Hz and 50.27%. The fact that the frequency and duty cycle changed by less than one per cent is due to a "balancing" effect between the switching thresholds and charging current.

As the supply voltage increases, V_{OUT} , and hence the charging current into C1, also increase, and so C1 charges and discharges more quickly. However, the increase in $+V_S$ causes a corresponding increase in hysteresis voltage (the difference between V_{TU} and V_{TL}), such that C1 has "further" to charge and discharge. The net effect is that T1 and T2 remain fairly constant with changes in $+V_S$.

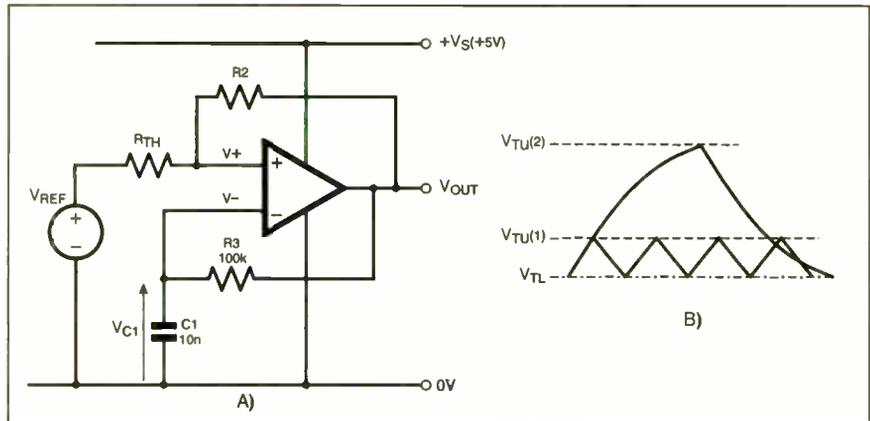


Fig.4.5(a). Equivalent circuit of the single rail astable, and (b) graph showing capacitor charging and discharging between different thresholds.

PULSE WIDTH MODULATION

We saw how changing the relative values of resistors R1a and R1b effectively varies the value of V_{REF} and causes a corresponding change in output duty cycle. If we dispense with R1a and R1b and use a voltage source for V_{REF} as shown in Fig.4.5a, V_{REF} can then be used to modulate the width of the output pulses.

Waveforms in Fig.4.5b shows C1's voltage, V_{C1} , when the capacitor charges and discharges between different thresholds. For the case where V_{C1} starts from V_{TL} and charges to the relatively large threshold voltage $V_{TU(2)}$, the waveform takes on the familiar "exponential" shape. However, if the same capacitor is charged and discharged with the same current over a relatively narrow range from V_{TL} to $V_{TU(1)}$, the waveform is much more "linear" and appears almost triangular.

A circuit that can be built to experiment with the pulse width modulator, where R1 and R2 set the thresholds, and C1 and R3 determine the time constant, is illustrated in Fig.4.6. This part of the circuit is basically the same as that in Fig.4.5a, but with the equivalent resistance R_{TH} replaced by a real resistor, R1, and with equivalent voltage V_{REF} replaced by the modulating voltage V_{MOD} .

Since the difference between V_{TU} and V_{TL} is the hysteresis voltage, V_H , we can ensure that capacitor C1 charges over a narrow range by making resistor R2 much larger than R1 such that V_H is very small compared to V_{OUT} . This also results in the average voltage, V_+ , at the non-inverting input being approximately equal to V_{MOD} , that is: $V_+ \approx V_{MOD}$. Similarly, since V_{C1} charges between the thresholds established at the non-inverting input, the average voltage, V_- , at the inverting input will also be approximately equal to V_{MOD} , that is: $V_- \approx V_{MOD}$.

Therefore, during T1 when V_{OUT} is at V_{SAT+} , and C1 is charging via R3, the charging current is simply: $I_{CHARGE} = (V_{OUT} - V_-)/R3$, or $I_{CHARGE} = (V_{SAT+} - V_{MOD})/R3$. Similarly, during T2 when V_{OUT} is at V_{SAT-} , and C1 is discharging via R3, the discharging current is simply: $I_{DISCHARGE} = (V_{SAT-} - V_{MOD})/R3$. If IC1b has a rail-to-rail output swing, such that $V_{SAT+} = +V_S$ and $V_{SAT-} = 0$, then

$$I_{CHARGE} = (+V_S - V_{MOD})/R3 \text{ and } I_{DISCHARGE} = (-V_{MOD})/R3.$$

Now, the rate of change of voltage on a capacitor is given by: $\Delta V_C/\Delta t = I/C$, where ΔV_C is the change in voltage, Δt is the time period, I is the current and C is the capacitance. During T1, the voltage on C1 rises from V_{TL} to V_{TU} , and so $\Delta V_C = V_{TU} - V_{TL} = V_H$. Therefore, $V_H/T1 = I_{CHARGE}/C1$. Rearranging and substituting for I_{CHARGE} we find that:

$$T1 = \frac{V_H \times C1 \times R3}{+V_S - V_{MOD}} \quad (\text{seconds}).$$

Similarly, during T2, the voltage on C1 falls from V_{TU} to V_{TL} , and so $\Delta V_C = V_{TL} - V_{TU} = -V_H$. Therefore, $-V_H/T2 = I_{DISCHARGE}/C1$. Rearranging and substituting for $I_{DISCHARGE}$ we find that:

$$T2 = \frac{V_H \times C1 \times R3}{V_{MOD}} \quad (\text{seconds}).$$

Now, we saw earlier that

$$\text{Duty Cycle} = \frac{T1}{T1 + T2} \times 100\%,$$

and by substituting for T1 and T2, we find that:

$$\text{Duty Cycle} = \frac{V_{MOD}}{+V_S} \times 100\%.$$

Clearly, the duty cycle is directly proportional to the modulating voltage, V_{MOD} . The circuit diagram of Fig.4.6 works well with most dual, rail-to-rail op.amps having low input bias current; the STMicroelectronics TS912 and National Semiconductor LMC6482 are good examples. In this circuit, a voltage follower, IC1a, buffers the voltage on VR1's wiper. The buffer is essential to ensure that resistor R1 is driven from a low impedance voltage source. (If a good quality, external d.c. voltage source is available, IC1a can be omitted). IC1b could, of course, be a rail-to-rail comparator, but this would require a separate op.amp to form the voltage follower.

Careful layout and proper decoupling are good practice when "breadboarding" any of the circuits in this series. However, with resistor R1 = 10kΩ and R2 = 1MΩ, the hysteresis voltage in Fig.4.6 is only 50mV, and so the slightest noise or interference can introduce significant "jitter" to the output waveform. To minimise these problems, make sure a good quality, "clean" d.c. power supply is used to generate + V_S . Resistor R4 combined with capacitor C2 form a low-pass filter which removes any mains pickup on potentiometer VR1 wiper, and capacitor C3 (which should be as close as possible to IC1) provides decoupling for the op.amps. A large-value electrolytic capacitor, say 100μF, in parallel with C3 can also help.

LINEAR RELATIONSHIP

Pulse width modulators can be grouped into two categories: those whose frequency remains constant as duty cycle is varied, and those – like the circuit in Fig.4.6 – where both the duty cycle *and* output frequency vary with V_{MOD} .

The graphical results obtained using the TS912 dual op.amp for IC1 are shown in Fig.4.7. Notice how the output frequency varies considerably, peaking when $V_{MOD} = +V_S/2$, when T1 and T2 are both at a minimum.

It is possible to use op.amps whose input and output voltage swing extends from 0V to some voltage less than + V_S . For example, tests using the dual LM358 op.amp revealed an output swing from 0V to 3.7V. Therefore, V_{MOD} would be limited to a maximum of 3.7V, although in practice the limit would be 3.5V since this is the common mode input limit for a supply voltage of +5V. There is still a linear relationship between duty cycle and V_{MOD} , although duty cycle is now proportional to V_{MOD} as a fraction of V_{SAT+} (the positive output saturation voltage), not + V_S .

Pulse Width Modulation (PWM) is a versatile and widely used function in electronic systems, and finds uses in areas such as motor control, switched mode power supplies and data transmission.

TRIANGULAR WAVES

Throughout this series we've seen how a *triangular* waveform can be useful when testing the thresholds of a Schmitt trigger, so it's appropriate to describe how a Schmitt trigger can be used as part of a triangle wave generator.

We saw in Fig.4.5b how the exponential voltage waveshape on a capacitor can be made to appear triangular by limiting the range over which the capacitor charges and discharges. This could be achieved using the circuit in Fig.4.4 by making resistor R2 much larger than the parallel combination of resistors R1a and R1b, such that the hysteresis is very small compared to + V_S . Then, by connecting IC1b as an amplifier rather than as a follower, the small amplitude "pseudo-triangle" on C1 could be increased to a useful magnitude.

The disadvantage of this approach is that the large gain required (in the region of 50 to 100) would lead to problems with noise and offsets, and in any event the output waveshape would never be truly triangular.

FUNCTION GENERATOR

A more effective approach is shown in Fig.4.8, where a dual op.amp is used to form a non-inverting Schmitt trigger and an *integrator*. These two circuit elements are connected in a closed feedback loop known as a *function generator* where the Schmitt trigger generates a square wave output, $V_{OUT(SQ)}$, which forms the input to the integrator, and the integrator generates a triangular output, $V_{OUT(TRI)}$, which is fed back to the input of the Schmitt.

Assume that the output of IC1a is in positive saturation, that is: $V_{OUT(SQ)} = V_{SAT+}$. This voltage forces a positive current to flow into resistor R3, and since no current flows into IC1b's inverting input (we can ignore the negligible input bias current), all of this current must flow into capacitor C1.

Op.amp IC1b has negative feedback applied via C1; this means that its output will go to whatever voltage is necessary to maintain its inverting input, V_- , at the same potential as its non-inverting input, V_+ . Since V_+ is at 0V, this means V_- is forced to equal 0V,

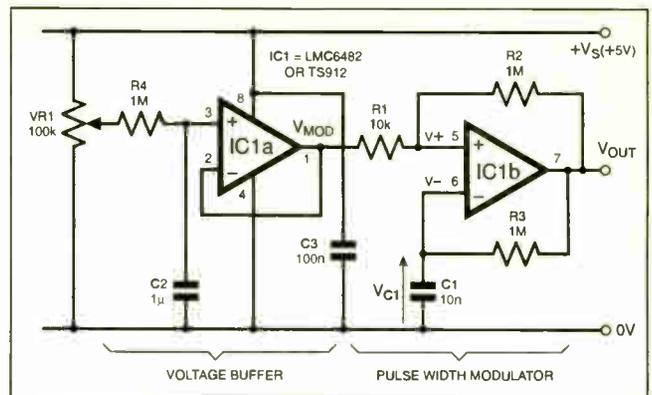


Fig.4.6. Circuit diagram for an experimental Pulse Width Modulator.

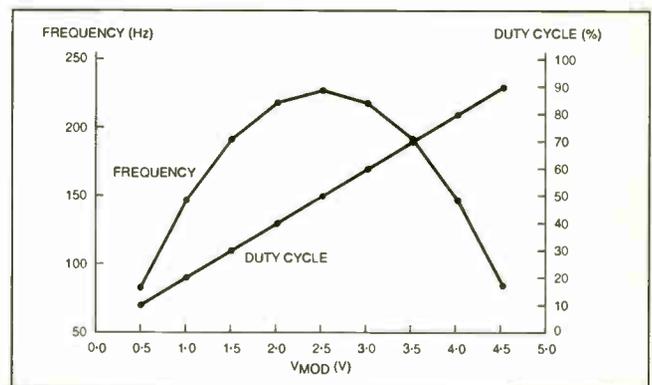


Fig.4.7. Graph showing the output frequency and duty cycle versus modulation voltage for the Pulse Width Modulator circuit using the TS912 op.amp.

also. Therefore, a *constant* current equal to $V_{SAT+}/R3$ flows into R3 and then into C1.

Now, we saw earlier that when a capacitor is charged by a constant current, its voltage varies *linearly*. Consequently, as the voltage on C1 increases linearly, IC1b's output, $V_{OUT(TRI)}$, must ramp linearly in a *negative* direction to maintain V_+ equal to V_- .

Eventually, when $V_{OUT(TRI)}$ crosses the Schmitt's lower threshold voltage, IC1a's output goes from positive to negative saturation, that is $V_{OUT(SQ)} = V_{SAT-}$. This results in a constant, *negative* current equal to $V_{SAT-}/R3$ flowing into R3 and C1. Consequently, IC1b's output must now ramp linearly in a *positive* direction to maintain V_- equal to V_+ .

When $V_{OUT(TRI)}$ crosses the Schmitt's upper threshold, IC1a's output, $V_{OUT(SQ)}$, goes back into positive saturation, and the process repeats. The resulting waveform at IC1b's output is a triangle wave which ramps between the Schmitt's threshold levels, i.e., the amplitude of $V_{OUT(TRI)}$ equals the hysteresis voltage, V_H .

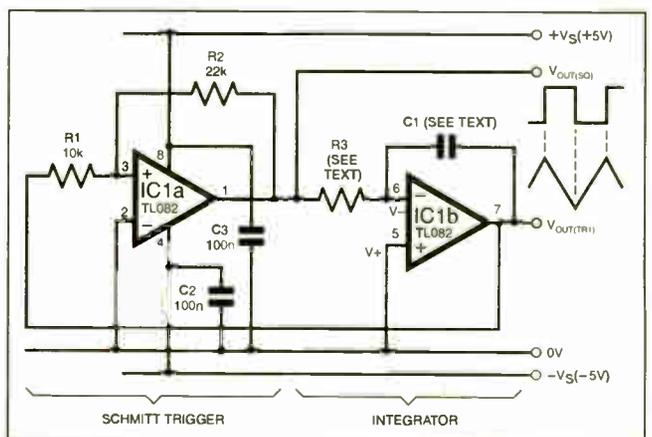


Fig.4.8. Circuit diagram combining a Schmitt trigger and integrator to form a Function Generator.

AMPLITUDE AND FREQUENCY

Since the hysteresis V_H is set by resistors R1 and R2, the magnitude of $V_{OUT(TRI)}$ can be controlled by varying the ratio of these resistors. The time constant τ equals $(C1 \times R3)$ which, together with V_H , determines the pulse widths and frequency of operation:

$$T1 = \tau \times \left\{ \frac{V_H}{V_{SAT+}} \right\} \text{ (s); } T2 = \tau \times \left\{ \frac{V_H}{-V_{SAT-}} \right\} \text{ (s);}$$

$$\text{and Frequency } f = \frac{(V_{SAT+}) \times (-V_{SAT-})}{V_H \times (V_{SAT+} - V_{SAT-}) \times \tau} \text{ (Hz)}$$

If V_H , V_{SAT+} and V_{SAT-} are held constant, the frequency can be continually adjusted by making R3 a variable resistor, and can be varied in decade steps by switching in different values of C1.

With R3 = 20k Ω and C1 = 1nF, the waveforms produced using a TL082 dual op.amp are shown in Fig.4.9. The TL082 has very low input bias current and is specified for operation with supplies up to $\pm 15V$. Although reasonably fast, it is not a rail-to-rail device; this can be seen in Fig.4.9, where $V_{OUT(SQ)}$ swings between -3.6V and +4.2V, resulting in a slight asymmetry in the triangle wave timing. Notice how linear the triangle wave is: compare it with the "exponential" waveform shown in Fig.4.3.

When operating on $\pm 5V$ supply rails, the TL082 produces a well-shaped triangle wave at frequencies up to 60kHz. At higher frequencies, the triangle peaks start to look "rounded" and the square wave edges become "sloped" due to slew rate limitations.

ZERO-CROSSING DETECTOR

In the circuits we have examined so far, the Schmitt trigger has been used in a "self-contained" fashion to generate an output waveform. However, some of the most useful applications for the Schmitt exploit its ability to convert an analogue signal (often slowly changing or poorly shaped) into a digital signal with well-defined amplitude and rapid transition times.

In this capacity, the Schmitt forms an ideal *interface* between sensors and digital systems, two examples of which will be described shortly. First, though, we shall see how the Schmitt is used as a *zero-crossing detector*.

In certain applications, particularly in commercial and industrial power systems, it is necessary to detect when the sinusoidal mains voltage waveform crosses through zero. This "zero-crossing" point can be used to trigger power devices such as thyristors, where it is useful in minimising the electromagnetic interference generated when the devices switch on and off.

There are many ways of detecting the mains zero-crossing point; the circuit in Fig.4.10a is just one incarnation of a zero-crossing

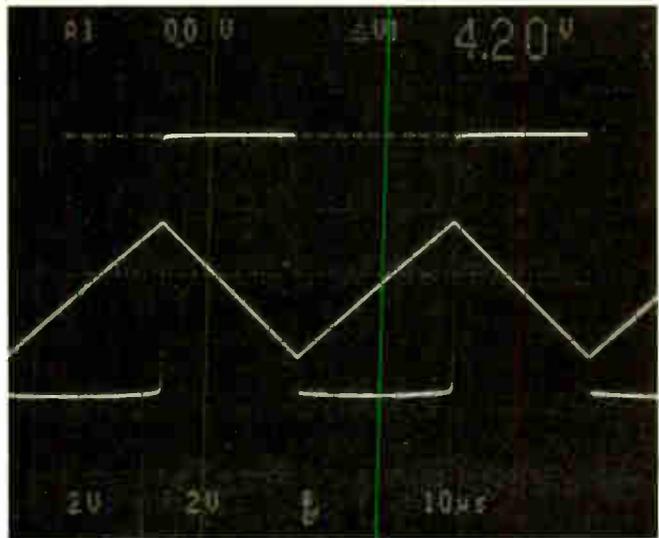


Fig.4.9. Function Generator Waveforms. Pulse waveform is $V_{OUT(SQ)}$ (2V/div.). Triangular waveform is $V_{OUT(TRI)}$ (2V/div.). Timebase: 10 μ s/div.

detector which uses a transformer, T1, to provide a mains reference signal. In practice, the circuit would probably be arranged differently to allow transformer T1 to provide power to a load. However, as it stands, the circuit can easily be breadboarded for experimental purposes, and provides a good example of *temporal* hysteresis which was introduced in Part Two.

TRANSFORMER SECONDARY VOLTAGE

Transformer T1 in Fig.4.10a has a root mean square (r.m.s.) secondary voltage of $V_{SEC(RMS)}$ of 12V (transformers with different secondary voltages could be used with appropriate circuit modifications). Therefore, the *peak* secondary voltage is $V_{SEC(PEAK)} = \pm \sqrt{2} \times 12V$, or $\pm 17V$. Since T1 is effectively "off load", we must assume that V_{PEAK} could be a maximum of $\pm 20V$.

Since comparator IC1 is powered by a single +5V rail, resistors R1, R2 and R3 must be selected to ensure the voltage, V_- , at the comparator's inverting input remains within its common mode range, which for the TLC393 is 0V to +4V. Using the *superposition theorem*, the voltage at the inverting input can be found:

Inverting Input Voltage,

$$V_- = \frac{V_{SEC} \times (R2//R3)}{R1 + (R2//R3)} + \frac{(+V_S) \times (R1//R3)}{R2 + (R1//R3)} \text{ (volts)}$$

where // means "in parallel with".

Clearly, since $+V_S$ is positive, V_- will be a maximum when V_{SEC} is at its maximum positive value, namely +20V. With R1 = 680k Ω , R2 = 100k Ω , and R3 = 100k Ω , we find that:

$$V_-(\text{max}) = \frac{20 \times (100k\Omega//100k\Omega)}{680k\Omega + (100k\Omega//100k\Omega)} + \frac{5 \times (680k\Omega//100k\Omega)}{100k\Omega + (680k\Omega//100k\Omega)} = 1.37 + 2.33 = 3.7V$$

Therefore, provided $V_{SEC(PEAK)}$ does not exceed 20V and $+V_S$ is regulated to +5V, V_- will remain within the 0V to 4V common mode input voltage range.

Now, we require the comparator to trip each time the mains sinusoid crosses the zero point. Provided T1's primary and secondary voltages are in phase, this will coincide with the secondary voltage crossing zero, i.e., when $V_{SEC} = 0$. Substituting this value in the expression for V_- , we see that:

$$V_- \text{ at zero-crossing point} = 0 + \frac{5 \times (680\Omega//100k\Omega)}{100k\Omega + (680k\Omega//100k\Omega)} = 0 + 2.33 = 2.33V.$$

Therefore, by selecting resistors R4 and R5 to make the non-inverting input voltage, V_+ , equal to 2.33V also, the comparator will trip each time the mains signal crosses zero. With R4 = 150k Ω and R5 = 130k Ω , the quiescent value of V_+ is 2.32V.

Resistor R6 and capacitor C1 provide around 0.5V of temporal hysteresis; this decays to zero after about 1ms as shown by the circuit waveform diagram in Fig.4.10b. The amount of this "transient" hysteresis can be increased by reducing R6 and/or increasing C1 if there is excessive noise on V_{SEC} .

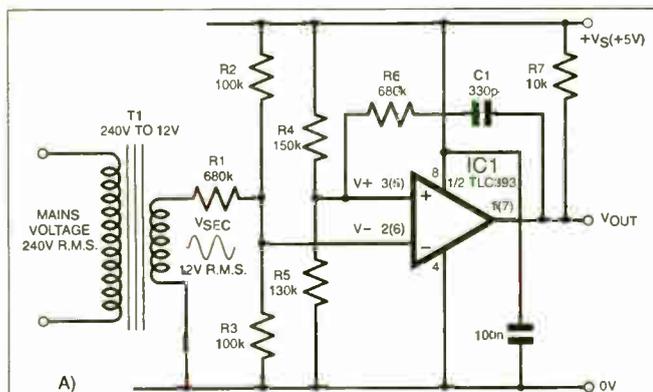
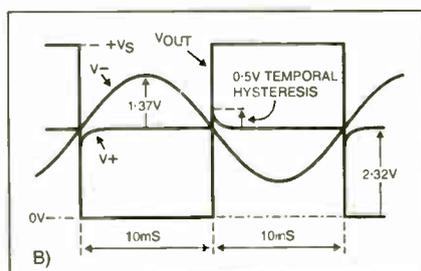


Fig.4.10a. Circuit diagram for a Zero-Crossing Detector using a transformer and an inverting Schmitt trigger.

Fig.4.10b (right). circuit waveforms for the Zero-Crossing Detector.



PULL-UP RESISTOR

The TLC393 is a low-power, dual comparator with open drain output, therefore a pull-up resistor, R7, is needed at the output. Resistor R7 can be omitted if a comparator like the TLC3702 having rail-to-rail output swing is used.

Both the TLC393 and TLC3702 have very low input bias currents (typically just 5pA) so large resistance values can be used for R1 to R6. If an alternative device such as the LM393 is used, beware that the bias currents are much larger (250nA maximum), so it may be necessary to scale down the resistor values.

Tests on the Zero-Crossing Detector circuit of Fig.4.10a revealed that the timing error (the time difference between the zero-crossing points and the rising or falling edge of V_{OUT}) was less than 65µs, which is just 0.33% of the 20ms mains period.

Finally, a word of caution. When experimenting with zero-crossing detectors, never be tempted to connect the Schmitt trigger circuitry directly to the mains supply. Not only is this likely to destroy the low voltage components, but it also bypasses the galvanic isolation provided by the transformer, a practice which can be fatal.

TEMPERATURE DETECTOR

Temperature is probably the most commonly measured physical parameter, so it is not surprising that it can be measured with many different types of sensor, such as thermocouples, RTDs (resistance temperature detectors), thermistors, and so on.

The humble bipolar junction transistor (BJT) makes a surprisingly good temperature sensor. For most silicon devices, the base-emitter junction exhibits a reasonably linear temperature coefficient of around $-2\text{mV}/^\circ\text{C}$. How an *npn* transistor can be combined with an amplifier and Schmitt trigger to produce an inexpensive temperature detector is shown in Fig.4.11.

Transistor TR1 is the sensor. It is "diode-connected" (its base and collector are connected together), and is biased by resistor R1 which produces a nominal collector current, I_C , of around 100µA. Provided the supply voltage, $+V_S$, is held constant, the only changes in base-emitter voltage, V_{BE} , will be due to changes in TR1's ambient temperature.

Almost any low-power, small-signal, *nnp* silicon transistor could be used, but the 2N3904 is well-suited to temperature measurement and is widely used for temperature sensing applications. The combination of resistor R2 and capacitor C1 form a low-pass filter which helps to remove any mains pickup or other low-frequency noise which gets onto the sensor. (If TR1 is located some distance from IC1a, it should be connected to the circuit via a "twisted pair" of wires to minimise pickup on the wires themselves).

Op.amp IC1a should have a wide output swing to accommodate as much gain as possible. With resistor R3 selected at 120kΩ and R4 at 30kΩ, the amplifier has a gain of five, such that $V_A = 5 \times (V_{BE} + \Delta V_{BE})$, where V_{BE} is the quiescent, room temperature base-emitter voltage, and ΔV_{BE} is the change in V_{BE} caused by temperature variations.

THRESHOLD LEVELS

Op.amp IC1b acts as a comparator and forms the Schmitt trigger, with hysteresis set by resistors R7 and R8; trimmer pot VR1 provides a variable reference voltage, V_{REF} , at the inverting input which is used to calibrate the detector. The circuit values have been chosen such that the Schmitt's thresholds correspond to temperature levels of approximately $+25^\circ\text{C}$ and $+35^\circ\text{C}$, although it could be adapted to trip at other temperatures if required.

Assuming TR1's temperature coefficient is $-2\text{mV}/^\circ\text{C}$, an increase in temperature of 10°C will cause a change in V_{BE} of: $\Delta V_{BE} = 10^\circ\text{C} \times (-2\text{mV}/^\circ\text{C}) = -20\text{mV}$. The corresponding change in V_A will be: $\Delta V_A = 5 \times \Delta V_{BE} = 5 \times -20\text{mV} = -100\text{mV}$. Therefore, the Schmitt trigger's hysteresis must be set to 100mV; provided V_{OUT} swings from 0V to +5V, this is accomplished by selecting R7 = 2kΩ and R8 = 100kΩ.

The values chosen for R5, VR1 and R6 provide a V_{REF} range of around 2.60V to 3.20V. This allows the circuit to be calibrated to accept any value of V_{BE} at 25°C from 540mV to 640mV. The way

this relates to the circuit's behaviour can be understood by following the calibration routine.

CALIBRATING THE DETECTOR

Assuming the particular sample of transistor TR1 in Fig.4.11 has a room temperature ($+25^\circ\text{C}$) value of $V_{BE} = 580\text{mV}$, such that $V_A = 5 \times 580\text{mV} = 2.9\text{V}$. Starting with V_{REF} at its maximum value such that V_{OUT} is low and the l.e.d. D1 is on, preset VR1 is carefully adjusted until V_{REF} is just slightly less than V_A , at which point the comparator trips. V_{OUT} goes high and the l.e.d. turns off.

If the temperature now increases slightly, the comparator does not trip – the hysteresis prevents it from doing so. However, when the temperature increases to $+35^\circ\text{C}$, the value of V_A will be low enough to take IC1b's non-inverting input voltage below V_{REF} : the comparator trips, V_{OUT} goes low and l.e.d. D1 turns on, signaling that the upper temperature threshold has been reached. Whilst V_{OUT} remains low, the l.e.d. stays on until TR1's temperature has fallen back down to $+25^\circ\text{C}$, at which point the comparator trips again and D1 turns off.

When calibrating the detector, the simplest way to raise TR1's temperature is to apply heat from a soldering iron; it can quickly be cooled down again using "freezer spray", or by touching it with a suitable object (e.g. a screwdriver) which has been left in the freezer for an hour or so!

The circuit's accuracy depends largely on the "quality" of its calibration. *Repeatability* (the degree to which the circuit trips at the same threshold levels over a period of time) depends mainly on the stability of the hysteresis levels, which in turn depend on V_{OUT} and $+V_S$.

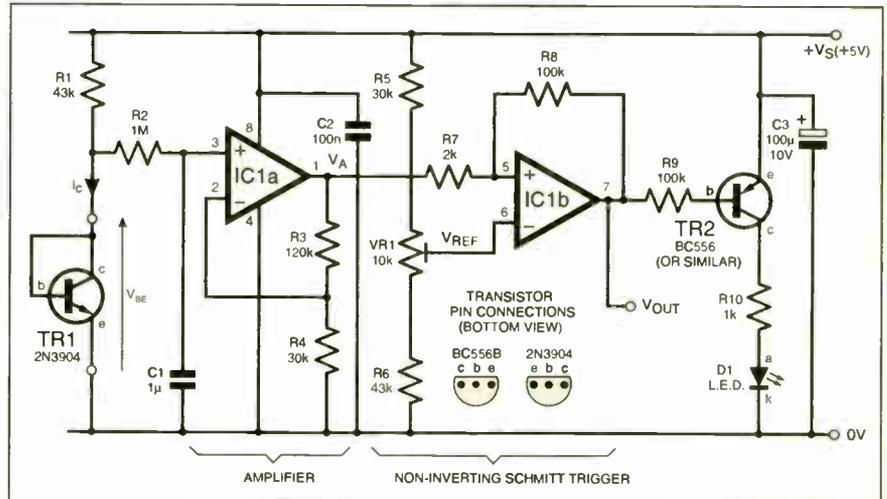


Fig.4.11. Circuit diagram for a transistor-based Temperature Detector.

TRIPPING THE LIGHT FANTASTIC

Like temperature, light is also a commonly measured quantity, and can be sensed using devices like photodiodes, phototransistors and light dependent resistors (l.d.r.s). Usually made from Cadmium Sulphide (CdS), the l.d.r. is strictly a *photoconductive cell* in which the conductivity increases in logarithmic fashion as the light intensity increases.

Light dependent resistors are relatively cheap and make ideal sensors for threshold-type light detectors. An example circuit diagram for a Light Detector with an audio output is shown in Fig.4.12. The l.d.r. sensor (R2) is connected, together with VR1 and R1, in a potential divider network at the input to an inverting Schmitt trigger formed by comparator IC1a. A second comparator, IC1b, is configured as a "gated" astable which drives the piezoelectric sounder WD1.

Preset potentiometer VR1 is used to set the trigger threshold. The values chosen for R1 and VR1 depend on the particular light level that must trip the comparator. For instance, if the circuit is required to detect a range of relatively high light intensities, then resistor R1 and preset VR1 must be small; on the other hand, operation in dull conditions will require higher resistance values.

Tests on three samples of the NORP12 revealed that in bright sunlight the sensor resistance ranged from 40 to 50 ohms. In relatively dark conditions, however, the sensors' resistance was in the hundreds of kilohms range.

Few of us are likely to possess a calibrated light source, so the easiest way to experiment with this circuit is to place the l.d.r. sensor at varying distances from a mains-powered, filament-type 60W

light bulb in an otherwise darkened room. Changing the distance between sensor and bulb effectively varies the light intensity falling on the sensor.

For example, at just 3cm from the bulb, the sensor resistance was measured as 104Ω; with the distance increased to 30cm the resistance increased to 552Ω. (Interestingly, the relationship between distance and resistance is fairly linear, suggesting the l.d.r. could be used in conjunction with a light source as a crude "distance meter" – albeit only in the dark!)

MID-HYSTERESIS POINT

With resistors R3 and R4 both equal to 10kΩ, and provided IC1a has a rail-to-rail output swing, the mid-hysteresis point of the Schmitt trigger will be $+V_S/2$, or 2.5V. Therefore, if preset VR1 is adjusted such that R1+VR1 equals the sensor resistance at the required light level, then the voltage, V_{SENSE} , on l.d.r. R2 will also equal 2.5V and the comparator will trip.

In this circuit (Fig.4.12), resistor R5 must be selected to provide adequate hysteresis. The degree of hysteresis required will depend on the operating conditions. One reason for requiring hysteresis is to eliminate the effects of background light fluctuations which could otherwise cause the detector to "oscillate" about the trip point.

However, a more important reason for requiring hysteresis in this kind of experimental set-up is to suppress the effects of mains "ripple" in the light bulb intensity. With the values of R1+VR1 set to 470Ω, and with the sensor (R2) located 3cm from the 60W bulb, the r.m.s. component of V_{SENSE} was measured as 25mV. This a.c. component is caused by the 50Hz mains voltage which effectively "modulates" the light intensity at 100Hz and acts as a kind of "noise". (Why is the modulation frequency twice the mains frequency?)

An r.m.s. voltage of 25mV corresponds to a peak-to-peak ripple voltage of 71mV. Therefore, resistor R5 must be selected to provide hysteresis of at least 71mV such that the ripple voltage on V_{SENSE} does not upset the trip point. With R5 = 240kΩ, the thresholds are $V_{TL} = 2.449V$ and $V_{TU} = 2.551V$ and the hysteresis is $V_H = 102mV$. Reducing R5 will increase the hysteresis if more "noise immunity" is required.

GATED OSCILLATOR

When the light intensity is low, the l.d.r. sensor's resistance is large compared to R1+VR1, and so V_{SENSE} is greater than 2.5V, causing IC1a's output to be in negative saturation. Since the TLC3702 dual comparator is capable of rail-to-rail output swings, diode D1's cathode (k) potential will be very near to 0V.

Consequently, D1 is forward biased, effectively "clamping" the voltage on capacitor C2 to around 0.7V. This prevents the astable from oscillating, and forces IC1b's output voltage into positive saturation such that there is no voltage across the piezoelectric sounder WD1.

However, as the l.d.r. sensor (R2) is moved closer to the light source, its resistance falls and V_{SENSE} decreases. When the sensor resistance is low enough, the detector trips and IC1a's output goes

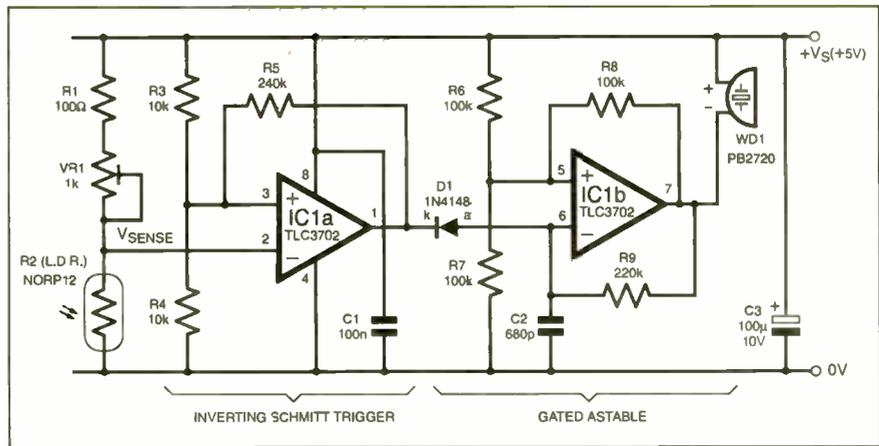


Fig.4.12. Circuit diagram for a Light Detector, with audible output.

high, reverse biasing diode D1. The astable is now free to run, and the squarewave voltage at IC1b's output causes WD1 to sound.

RESONANT FREQUENCY

Capacitor C2 and resistor R9 set the astable's time constant. This should be chosen to set the operating frequency as close as possible to the piezoelectric sounder's resonant frequency. With the component values shown in Fig.4.12, the frequency is around 4.4kHz, quite close to WD1's resonant frequency of 4.5kHz. If alternative sounders are used, C2 and R8 should be adjusted, if necessary, to suit the sounder's characteristics.

Calibrating the Detector stage is easy. Start with preset VR1 at its minimum resistance and locate the l.d.r. sensor R2 at the required distance from the light bulb. Then, slowly adjust VR1 until sounder WD1 just begins to sound.

As the sensor is moved either side of the threshold point (the preset distance from the bulb), the sounder should turn on and off "cleanly". However, if resistor R5 is removed from the circuit, such that the comparator no longer has any hysteresis, the sounder will now produce a "squawking" sound when the sensor is moved near the trip point: this is caused by the mains ripple effectively modulating the astable's output frequency.

This dramatic effect is a perfect example of how hysteresis can be used to overcome the problems caused by noise and interference. In this case, the unwanted signal is the ripple voltage on V_{SENSE} . It oscillates at twice the mains frequency simply because the mains sinusoid reaches a peak (one positive, one negative) twice each cycle: each peak in the mains voltage causes a slight increase in the bulb's light output, i.e., the light intensity is "modulated" at twice the 50Hz mains frequency.

LOOKING AHEAD

The Light Detector circuit in Fig.4.12 employs not one, but two Schmitt triggers, each performing a different task. There can be little doubt that the Schmitt function is a versatile and essential element in analogue systems built using op.amps and comparators. However, as we shall see in Part Five, the Schmitt trigger finds many applications in digital systems, where specialised Schmitt trigger logic gates are available to simplify the design task.

SAVE UP TO 66p AN ISSUE

EVERYDAY
PRACTICAL
ELECTRONICS

INCORPORATING ELECTRONICS TODAY INTERNATIONAL

SUBSCRIPTION ORDER FORM

Annual subscription rates (2001):

- 6 Months: UK £14.50, Overseas £17.50 (standard air service),
£27 (express airmail)
- 1 Year: UK £27.50, Overseas £33.50 (standard air service)
£51 (express airmail)
- 2 Years: UK £50.00, Overseas £62.00 (standard air service)
£97 (express airmail)

To: Everyday Practical Electronics,
Allen House, East Borough, Wimborne, Dorset BH21 1PF
Tel: 01202 881749 Fax: 01202 841692
E-mail: subs@epemag.wimborne.co.uk



SUBSCRIPTION ORDER FORM

I enclose payment of £..... (cheque/PO in
£ sterling only),
payable to Everyday Practical Electronics

My card number is:
Please print clearly, and check that you have the number correct

Signature

Card Ex. Date Switch Issue No.

Subscriptions can only start with the next available issue.
For back numbers see the Back Issues page.

Name

Address

Post code 2/01

DIRECT BOOK SERVICE

NEW SOFTBACK
EDITION

Only £14.99

THE INVENTOR OF STEREO - THE LIFE AND WORKS OF ALAN DOWER BLUMLEIN

Robert Charles Alexander

This book is the definitive study of the life and works of one of Britain's most important inventors who, due to a cruel set of circumstances, has all but been overlooked by history.

Alan Dower Blumlein led an extraordinary life in which his inventive output rate easily surpassed that of Edison, but whose early death during the darkest days of World War Two led to a shroud of secrecy which has covered his life and achievements ever since.

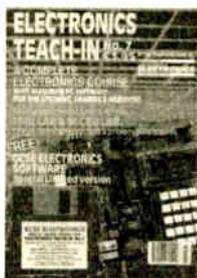
His 1931 Patent for a Binaural Recording System was so revolutionary that most of his contemporaries regarded it as more than 20 years ahead of its time. Even years after his death, the full magnitude of its detail had not been fully utilized. Among his 128 patents are the principal electronic circuits critical to the development of the world's first electronic television system. During his short working life, Blumlein produced patent after patent breaking entirely new ground in electronic and audio engineering.

During the Second World War, Alan Blumlein was deeply engaged in the very secret work of radar development and contributed enormously to the system eventually to become 'H2S' - blind-bombing radar. Tragically, during an experimental H2S flight in June 1942, the Halifax bomber in which Blumlein and several colleagues were flying, crashed and all aboard were killed. He was just days short of his thirty-ninth birthday.

420 pages

Order code NE32

£14.99



TEACH-IN No. 7. ANALOGUE AND DIGITAL ELECTRONICS COURSE

(published by *Everyday Practical Electronics*)

Alan Winstanley and Keith Dye B.Eng(Tech)AMIEE

This highly acclaimed *EPE Teach-In series*, which included the construction and use of the *Mini Lab* and *Micro Lab* test and development units, has been put together in book form.

An interesting and thorough tutorial series aimed specifically at the novice or complete beginner in electronics. The series is designed to support those undertaking either GCSE Electronics or GCE Advanced Levels, and starts with fundamental principles.

If you are taking electronics or technology at school or college, this book is for you. If you just want to learn the basics of electronics or technology you must make sure you see it. *Teach-In No. 7* will be invaluable if you are considering a career in electronics or even if you are already training in one. The *Mini Lab* and software enable the construction and testing of both demonstration and development circuits. These learning aids bring electronics to life in an enjoyable and interesting way: you will both see and hear the electron in action! The *Micro Lab* microprocessor add-on system will appeal to higher level students and those developing microprocessor projects.

152 pages

Order code T17

£3.95

TEACH-IN 2000 plus FREE software

John Becker

The *Teach-In 2000* series is now available on CD-ROM, see advert elsewhere in this issue.

NEW

PROJECT CONSTRUCTION

PRACTICAL REMOTE CONTROL PROJECTS

Owen Bishop

Provides a wealth of circuits and circuit modules for use in remote control systems of all kinds; ultrasonic, infra-red, optical fibre, cable and radio. There are instructions for building fourteen novel and practical remote control projects. But this is not all, as each of these projects provides a model for building dozens of other related circuits by simply modifying parts of the design slightly to suit your own requirements. This book tells you how.

Also included are techniques for connecting a PC to a remote control system, the use of a microcontroller in remote control, as exemplified by the BASIC Stamp, and the application of ready-made type-approved 418MHz radio transmitter and receiver modules to remote control systems.

160 pages

Order code BP413

£5.99

PRACTICAL ELECTRONIC MODEL RAILWAY PROJECTS

R. A. Penfold

The aim of this book is to provide the model railway enthusiast with a number of useful but reasonably simple projects that are easily constructed from readily available components. Stripboard layouts and wiring diagrams are provided for each project. The projects covered include: constant voltage controller; pulsed controller; pushbutton pulsed controller; pulsed controller with simulated inertia, momentum and braking; automatic signals; steam whistle sound effect; two-tone horn sound effect; automatic two-tone horn effect; automatic chuffer.

The final chapter covers the increasingly popular subject of using a computer to control a model railway layout, including circuits for computer-based controllers and signalling systems.

151 pages

Order code BP384

£4.99

A PRACTICAL INTRODUCTION TO SURFACE MOUNT DEVICES

Bill Mooney

This book takes you from the simplest possible starting point to a high level of competence in handworking with surface mount devices (SMD's). The wider subject of SM technology is also introduced, so giving a feeling for its depth and fascination.

Subjects such as p.c.b. design, chip control, soldering techniques and specialist tools for SM are fully explained and developed as the book progresses. Some useful constructional projects are also included.

Whilst the book is mainly intended as an introduction it is also an invaluable reference book, and the browser should find it engrossing.

120 pages

Order code BP411

£4.99

FAULT-FINDING ELECTRONIC PROJECTS

R. A. Penfold

Starting with mechanical faults such as dry joints, short-circuits etc, coverage includes linear circuits, using a meter to make voltage checks, signal tracing techniques and fault finding on logic circuits. The final chapter covers ways of testing a wide range of electronic components, such as resistors, capacitors, operational amplifiers, diodes, transistors, SCRs and triacs, with the aid of only a limited amount of test equipment.

The construction and use of a Tristate Continuity Tester, a Signal Tracer, a Logic Probe and a CMOS Tester are also included.

136 pages

Order code BP391

£4.99

TEST EQUIPMENT CONSTRUCTION

R. A. Penfold

This book describes in detail how to construct some simple and inexpensive but extremely useful, pieces of test equipment. Stripboard layouts are provided for all designs, together with wiring diagrams where appropriate, plus notes on construction and use.

The following designs are included:-

AF Generator, Capacitance Meter, Test Bench Amplifier, AF Frequency Meter, Audio Multivoltmeter, Analogue Probe, High Resistance Voltmeter, CMOS Probe, Transistor Tester, TTL Probe. The designs are suitable for both newcomers and more experienced hobbyists.

104 pages

Order code BP248

£3.99

HOW TO DESIGN AND MAKE YOUR OWN P.C.B.s

R. A. Penfold

Deals with the simple methods of copying printed circuit board designs from magazines and books, and covers all aspects of simple p.c.b. construction including photographic methods and designing your own p.c.b.s.

66 pages

Order code BP121

£3.99

ELECTRONIC PROJECT BUILDING FOR BEGINNERS

R. A. Penfold

This book is for complete beginners to electronic project building. It provides a complete introduction to the practical side of this fascinating hobby, including the following topics:

Component identification, and buying the right parts; Resistor colour codes, capacitor value markings, etc; Advice on buying the right tools for the job; Soldering, with advice on how to produce good joints and avoid "dry" joints; Making easy work of the hard wiring; Construction methods, including stripboard, custom printed circuit boards, plain material board, surface mount boards and wire-wrapping; Finishing off, and adding panel labels; Getting "problem" projects to work, including simple methods of fault-finding; In fact everything you need to know in order to get started in this absorbing and creative hobby.

135 pages

Order code BP392

£4.95

The books listed have been selected by *Everyday Practical Electronics* editorial staff as being of special interest to everyone involved in electronics and computing. They are supplied by mail order to your door. Full ordering details are given on the last book page.

FOR A FURTHER SELECTION OF BOOKS SEE THE NEXT TWO ISSUES OF EPE.

Note our UK postage costs just £2.00 no matter how many books you order!

RADIO / TV VIDEO

ELECTRONIC PROJECTS FOR VIDEO ENTHUSIASTS

R. A. Penfold

This book provides a number of practical designs for video accessories that will help you get the best results from your camcorder and VCR. All the projects use inexpensive components that are readily available, and they are easy to construct. Full construction details are provided, including stripboard layouts and wiring diagrams. Where appropriate, simple setting up procedures are described in detail; no test equipment is needed.

The projects covered in this book include: Four channel audio mixer, Four channel stereo mixer, Dynamic noise limiter (DNL), Automatic audio fader, Video faders, Video wipers, Video crispener, Mains power supply unit.

109 pages

Order code BP356

£4.95

SETTING UP AN AMATEUR RADIO STATION

I. D. Poole

The aim of this book is to give guidance on the decisions which have to be made when setting up any amateur radio or short wave listening station. Often the experience which is needed is learned by one's mistakes, however, this can be expensive. To help overcome this, guidance is given on many aspects of setting up and running an efficient station. It then proceeds to the steps that need to be taken in gaining a full transmitting licence.

Topics covered include: The equipment that is needed; Setting up the shack; Which aerials to use; Methods of construction; Preparing for the licence.

An essential addition to the library of all those taking their first steps in amateur radio.

86 pages

Order code BP300

£3.95

EXPERIMENTAL ANTENNA TOPICS

H. C. Wright

Although nearly a century has passed since Marconi's first demonstration of radio communication, there is still research and experiment to be carried out in the field of antenna design and behaviour.

The aim of the experimenter will be to make a measurement or confirm a principle, and this can be done with relatively fragile, short-life apparatus. Because of this, devices described in this book make liberal use of cardboard, cooking foil, plastic bottles, cat food tins, etc. These materials are, in general, cheap to obtain and easily worked with simple tools, encouraging the trial-and-error philosophy which leads to innovation and discovery.

Although primarily a practical book with text closely supported by diagrams, some formulae which can be used by straightforward substitution and some simple graphs have also been included.

72 pages

Order code BP278

£3.50

25 SIMPLE INDOOR AND WINDOW AERIALS

E. M. Noll

Many people live in flats and apartments or other types of accommodation where outdoor aerials are prohibited, or a lack of garden space etc. prevents aerials from being erected. This does not mean you have to forgo shortwave-listening, for even a 20-foot length of wire stretched out along the skirting board of a room can produce acceptable results. However, with some additional effort and experimentation one may well be able to improve performance further.

This concise book tells the story, and shows the reader how to construct and use 25 indoor and window aerials that the author has proven to be sure performers. Much information is also given on shortwave bands, aerial directivity, time zones, dimensions etc.

50 pages

Order code BP136

£1.75

TWO EXCITING BOOKS

Specially imported by **EPE**

Bebop To The Boolean Boogie

By Clive (call me Max) Maxfield
ORDER CODE BEB1 **£24.95**

An Unconventional Guide to Electronics Fundamentals, Components and Processes

The Foreword by Pete Waddell, Editor, *Printed Circuit Design* reads:

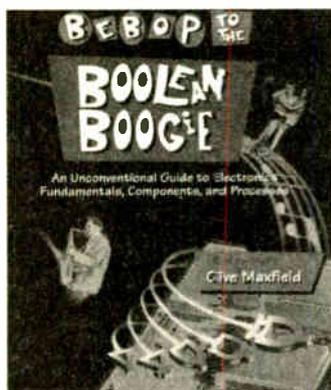
"Personally, I think that the title of this tome alone (hmmm, a movie?) should provide some input as to what you can expect. But, for those who require a bit more: be forewarned, dear reader, you will probably learn far more than you could hope to expect from *Bebop to the Boolean Boogie*, just because of the unique approach Max has to technical material. The author will guide you from the basics through a minefield of potentially boring theoretical mish-mash, to a Nirvana of understanding.

You will not suffer that fate familiar to every reader: re-reading paragraphs over and over wondering what in the world the author was trying to say. For a limey, Max shoots amazingly well and from the hip, but in a way that will keep you interested and amused. If you are not vigilant, you may not only learn something, but you may even enjoy the process. The only further advice I can give is to 'expect the unexpected'."

This book gives the "big picture" of digital electronics. This indepth, highly readable, up-to-the-minute guide shows you how electronic devices work and how they're made. You'll discover how transistors operate, how printed circuit boards are fabricated, and what the innards of memory ICs look like. You'll also gain a working knowledge of Boolean Algebra and Karnaugh Maps, and understand what Reed-Muller logic is and how it's used. And there's much, MUCH more (including a recipe for a truly great seafood gumbo!).

Hundreds of carefully drawn illustrations clearly show the important points of each topic. The author's tongue-in-cheek British humor makes it a delight to read, but this is a REAL technical book, extremely detailed and accurate. A great reference for your own shelf, and also an ideal gift for a friend or family member who wants to understand what it is you do all day....

By importing these books ourselves we have managed to make them available at an exceptional price.



Bebop Bytes Back

By Clive "Max" Maxfield and Alvin Brown

ORDER CODE BEB2 **£29.95**

An Unconventional Guide To Computers Plus FREE CD-ROM which includes: Fully Functional Internet-Ready Virtual Computer with Interactive Labs
The Foreword by Lee Felsenstein reads:

"1. The more time you spend with this book and its accompanying CD-ROM, the more you'll get out of it. Skimming through it won't take you where you want to go. Paying serious attention, on the other hand, will teach you more about computers than you can imagine. (You might also see a few beautiful sunrises.)

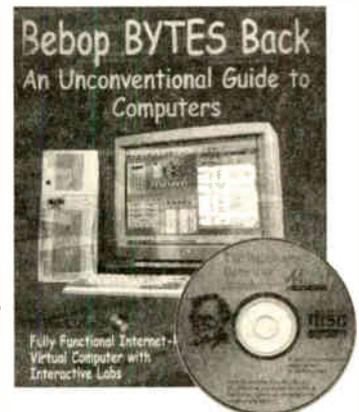
2. The labs work on two levels: on and under the surface. When you're performing the labs you'll need to look for patterns that build up from individual events.

3. When you're done, you won't look any different. You won't get a trophy or a certificate to hang on your wall. You'll have some knowledge, and some skill, and you'll be ready to find more knowledge and develop more skill. Much of this will be recognisable only to someone who has the same knowledge and skill."

This follow-on to *Bebop to the Boolean Boogie* is a multimedia extravaganza of information about how computers work. It picks up where "Bebop 1" left off, guiding you through the fascinating world of computer design...

...and you'll have a few chuckles, if not belly laughs, along the way. In addition to over 200 megabytes of mega-cool multimedia, the accompanying CD-ROM (for Windows 95 machines only) contains a virtual microcomputer, simulating the motherboard and standard computer peripherals in an extremely realistic manner. In addition to a wealth of technical information, myriad nuggets of trivia, and hundreds of carefully drawn illustrations, the book contains a set of lab experiments for the virtual microcomputer that let you recreate the experiences of early computer pioneers.

If you're the slightest bit interested in the inner workings of computers, then don't dare to miss this one!



Audio and Music

VALVE & TRANSISTOR AUDIO AMPLIFIERS

John Linsley Hood

This is John Linsley Hood's greatest work yet, describing the milestones that have marked the development of audio amplifiers since the earliest days to the latest systems. Including classic amps with valves at their heart and exciting new designs using the latest components, this book is the complete world guide to audio amp design.

Contents: Active components; Valves or vacuum tubes; Solid-state devices; Passive components; Inductors and transformers; Capacitors, Resistors, Switches and electrical contacts; Voltage amplifier stages using valves; Valve audio amplifier layouts; Negative feedback; Valve operated power amplifiers; Solid state voltage amplifiers; Early solid-state audio amplifiers; Contemporary power amplifier designs; Pre-amplifiers; Power supplies (PSUs); Index.

250 pages

Order code NE24

£19.99

AUDIO AMPLIFIER PROJECTS

R. A. Penfold

A wide range of useful audio amplifier projects, each project features a circuit diagram, an explanation of the circuit operation and a stripboard layout diagram. All constructional details are provided along with a shopping list of components, and none of the designs requires the use of any test equipment in order to set up properly. All the projects are designed for straightforward assembly on simple circuit boards.

Circuits include: High impedance mic preamp, Low impedance mic preamp, Crystal mic preamp, Guitar a-nd

GP preamplifier, Scratch and rumble filter, RIAA preamplifier, Tape preamplifier, Audio limiter, Bass and treble tone controls, Loudness filter, Loudness control, Simple graphic equaliser, Basic audio mixer, Small (300mW) audio power amp, 6 watt audio power amp, 20/32 watt power amp and power supply, Dynamic noise limiter.

A must for audio enthusiasts with more sense than money!

116 pages

Order code PC113

£9.95

MAKING MUSIC WITH DIGITAL AUDIO

Ian Waugh

In this practical and clearly written book, Ian Waugh explains all aspects of the subject from digital audio basics to putting together a system to suit your own music requirements. Using the minimum of technical language, the book explains exactly what you need to know about: Sound and digital audio, Basic digital recording principles, Sample rates and resolutions, Consumer sound cards and dedicated digital audio cards.

On a practical level you will learn about: sample editing, digital multi-tracking, digital FX processing, integrating MIDI and digital audio, using sample CDs, mastering to DAT and direct to CD, digital audio and Multimedia.

This book is for every musician who wants to be a part of the most important development in music since the invention of the gramophone. It's affordable, it's flexible, it's powerful and it's here now! It's digital and it's the future of music making.

256 pages

Order code PC114

£14.95

POSTAGE

You only pay

£2.00

per order

(UK postage)

NO MATTER HOW MANY BOOKS YOU ORDER

Overseas Readers see ORDERING DETAILS on the next page for overseas postage prices

CIRCUITS AND DESIGN

AN INTRODUCTION TO PIC MICROCONTROLLERS

Robert Penfold

Designing your own PIC based projects may seem a daunting task, but it is really not too difficult providing you have some previous experience of electronics.

The PIC processors have plenty of useful features, but they are still reasonably simple and straightforward to use. This book should contain everything you need to know.

Topics covered include: the PIC register set; numbering systems; bitwise operations and rotation; the PIC instruction set; using interrupts; using the analogue to digital converter; clock circuits; using the real time clock counter (RTCC); using subroutines; driving seven segment displays.

166 pages Order code BP394 £5.99

PRACTICAL OSCILLATOR CIRCUITS

A. Flind

Extensive coverage is given to circuits using capacitors and resistors to control frequency. Designs using CMOS, timer i.c.s and op.amps are all described in detail, with a special chapter on "waveform generator" i.c.s. Reliable "white" and "pink" noise generator circuits are also included.

Various circuits using inductors and capacitors are covered, with emphasis on stable low frequency generation. Some of these are amazingly simple, but are still very useful signal sources.

Crystal oscillators have their own chapter. Many of the circuits shown are readily available special i.c.s for simplicity and reliability, and offer several output frequencies. Finally, complete constructional details are given for an audio sinewave generator.

133 pages Order code BP393 £4.99

PRACTICAL ELECTRONIC CONTROL PROJECTS

Owen Bishop

Explains electronic control theory in simple, non-mathematical terms and is illustrated by 30 practical designs suitable for the student or hobbyist to build. Shows how to use sensors as input to the control system, and how to provide output to lamps, heaters, solenoids, relays and motors.

Computer based control is explained by practical examples that can be run on a PC. For stand-alone systems, the projects use microcontrollers, such as the inexpensive and easy-to-use Stamp BASIC microcontroller.

198 pages Order code BP377 £5.99

PRACTICAL ELECTRONICS HANDBOOK -

Fifth Edition. Ian Sinclair

Contains all of the everyday information that anyone working in electronics will need.

It provides a practical and comprehensive collection of circuits, rules of thumb and design data for professional engineers, students and enthusiasts, and therefore enough background to allow the understanding and development of a range of basic circuits.

Contents: Passive components, Active discrete components, Circuits, Linear I.C.s, Energy conversion components, Digital I.C.s, Microprocessors and microprocessor

systems, Transferring digital data, Digital-analogue conversions, Computer aids in electronics, Hardware components and practical work, Microcontrollers and PLCs, Digital broadcasting, Electronic security.

440 pages Order code NE21 £14.99

COIL DESIGN AND CONSTRUCTIONAL MANUAL

B. B. Babani

A complete book for the home constructor on "how to make" RF, IF, audio and power coils, chokes and transformers. Practically every possible type is discussed and calculations necessary are given and explained in detail. Although this book is now twenty years old, with the exception of toroids and pulse transformers little has changed in coil design since it was written.

96 pages Order code 160 £3.99

OPTOELECTRONICS CIRCUITS MANUAL

R. M. Marston

A useful single-volume guide to the optoelectronics device user, specifically aimed at the practical design engineer, technician, and the experimenter, as well as the electronics student and amateur. It deals with the subject in an easy-to-read, down-to-earth, and non-mathematical yet comprehensive manner, explaining the basic principles and characteristics of the best known devices, and presenting the reader with many practical applications and over 200 circuits. Most of the i.c.s and other devices used are inexpensive and readily available types, with universally recognised type numbers.

182 pages Order code NE14 £14.99

OPERATIONAL AMPLIFIER USER'S HANDBOOK

R. A. Penfold

The first part of this book covers standard operational amplifier based "building blocks" (integrator, precision rectifier, function generator, amplifiers, etc), and considers the ways in which modern devices can be used to give superior performance in each one. The second part describes a number of practical circuits that exploit modern operational amplifiers, such as high slew-rate, ultra low noise, and low input offset devices. The projects include: Low noise tape preamplifier, low noise RIAA preamplifier, audio power amplifiers, d.c. power controllers, opto-isolator audio link, audio millivolt meter, temperature monitor, low distortion audio signal generator, simple video fader, and many more.

120 pages Order code BP335 £4.95

A BEGINNERS GUIDE TO CMOS DIGITAL ICs

R. A. Penfold

Getting started with logic circuits can be difficult, since many of the fundamental concepts of digital design tend to seem rather abstract, and remote from obviously useful applications. This book covers the basic theory of digital electronics and the use of CMOS integrated circuits, but does not lose sight of the fact that digital electronics has numerous "real world" applications.

The topics covered in this book include: the basic concepts of logic circuits; the functions of gates, inverters and other logic "building blocks"; CMOS logic i.c. characteristics, and their advantages in practical circuit design; oscillators and monostables (timers); flip/flops, binary dividers and binary counters; decade counters and display drivers.

119 pages Order code BP333 £4.95

AUDIO AND MUSIC

INTRODUCTION TO DIGITAL AUDIO

(Second Edition) Ian Sinclair

The compact disc (CD) was the first device to bring digital audio methods into the home.

This development has involved methods and circuits that are totally alien to the technician or keen amateur who has previously worked with audio circuits. The principles and practices of digital audio owe little or nothing to the traditional linear circuits of the past, and are much more comprehensible to today's computer engineer than the older generation of audio engineers.

This book is intended to bridge the gap of understanding for the technician and enthusiast. The principles and methods are explained, but the mathematical background and theory is avoided, other than to state the end product.

128 pages Order code PC102 £7.95

PROJECTS FOR THE ELECTRIC GUITAR

J. Chatwin

This book is for anyone interested in the electric guitar. It explains how the electronic functions of the instrument work together, and includes information on

the various pickups and transducers that can be fitted. There are complete circuit diagrams for the major types of instrument, as well as a selection of wiring modifications and pickup switching circuits. These can be used to help you create your own custom wiring.

Along with the electric guitar, sections are also included relating to acoustic instruments. The function of specialised piezoelectric pickups is explained and there are detailed instructions on how to make your own contact and bridge transducers. The projects range from simple preamps and tone boosters, to complete active controls and equaliser units.

92 pages Order code BP358 £4.95

VALVE AMPLIFIERS

Second Edition. Morgan Jones

This book allows those with a limited knowledge of the field to understand both the theory and practice of valve audio amplifier design, such that they can analyse and modify circuits, and build or restore an amplifier. Design principles and construction techniques are provided so readers can devise and build from scratch, designs that actually work.

The second edition of this popular book builds on its main strength - exploring and illustrating theory with practical applications. Numerous new sections include: output transformer problems; heater regulators; phase splitter analysis; and component technology. In addition to the numerous amplifier and preamplifier circuits, three major new designs are included: a low-noise single-ended LP stage, and a pair of high voltage amplifiers for driving electrostatic transducers directly - one for headphones, one for loudspeakers.

488 pages Order code NE33 £24.99

VALVE RADIO AND AUDIO REPAIR HANDBOOK

Chas Miller

This book is not only an essential read for every professional working with antique radio and gramophone equipment, but also dealers, collectors and valve technology enthusiasts the world over. The emphasis is firmly on the practicalities of repairing and restoring, so technical content is kept to a minimum, and always explained in a way that can be followed by readers with no background in electronics. Those who have a good grounding in electronics, but wish to learn more about the practical aspects, will benefit from the emphasis given to hands-on repair work, covering mechanical as well as electrical aspects of servicing. Repair techniques are also illustrated throughout.

A large reference section provides a range of information compiled from many contemporary sources, and includes specialist dealers for valves, components and complete receivers.

288 pages Order code NE34 £19.99

LOUDSPEAKERS FOR MUSICIANS

Vivan Capel

This book contains all that a working musician needs to know about loudspeakers; the different types, how they work, the most suitable for different instruments, for cabaret work, and for vocals. It gives tips on constructing cabinets, wiring up, when and where to use wadding, and when not to, what fittings are available, finishing, how to ensure they travel well, how to connect multi-speaker arrays and much more.

Ten practical enclosure designs with plans and comments are given in the last chapter, but by the time you've read that far you should be able to design your own!

164 pages Order code BP297 £4.99

BOOK ORDERING DETAILS

Our postage price is the same no matter how many books you order, just add £2.00 to your total order for postage and packing (overseas readers add £4 for countries in the EEC, or add £7 for all countries outside the EEC, surface mail postage) and send a PO, cheque, international money order (£ sterling only) made payable to **Direct Book Service** or credit card details, Visa, Mastercard or Switch - minimum card order is £5 - to:

DIRECT BOOK SERVICE, ALLEN HOUSE, EAST BOROUGH, WIMBORNE, DORSET BH21 1PF

Books are normally sent within seven days of receipt of order, but please allow 28 days for delivery (more for overseas orders). Please check price and availability (see latest issue of *Everyday Practical Electronics*) before ordering from old lists.

For a further selection of books see the next two issues of *EPE*.

DIRECT BOOK SERVICE IS A DIVISION OF WIMBORNE PUBLISHING LTD.

Tel 01202 881749 Fax 01202 841692. E-mail: dbb@epemag.wimborne.co.uk

BOOK ORDER FORM

Full name:

Address:

.....

..... Post code: Telephone No:

Signature:

I enclose cheque/PO payable to DIRECT BOOK SERVICE for £

Please charge my Visa/Mastercard/Switch £ Card expiry date

Card Number Switch Issue No

Please send book order codes:

Please continue on separate sheet of paper if necessary

PCB SERVICE

Printed circuit boards for most recent *EPE* constructional projects are available from the PCB Service, see list. These are fabricated in glass fibre, and are fully drilled and roller tinned. All prices include VAT and postage and packing. Add £1 per board for airmail outside of Europe. Remittances should be sent to The PCB Service, *Everyday Practical Electronics*, Allen House, East Borough, Wimborne, Dorset BH21 1PF. Tel: 01202 881749; Fax 01202 841692; E-mail: orders@epemag.wimborne.co.uk. Cheques should be crossed and made payable to *Everyday Practical Electronics* (Payment in £ sterling only).

NOTE: While 95% of our boards are held in stock and are dispatched within seven days of receipt of order, please allow a maximum of 28 days for delivery – overseas readers allow extra if ordered by surface mail.

Back numbers or photostats of articles are available if required – see the *Back Issues* page for details.

Please check price and availability in the latest issue.

Boards can only be supplied on a payment with order basis.

PROJECT TITLE	Order Code	Cost
★ RC-Meter	APR '98 188	£7.66
★ Dice Lott	MAY '98 192	£8.05
EPE Mood Changer	JUNE '98 193	£7.75
★ AT89C2051/1051 Programmer		
Main Board	194	£8.50
Test Board	195	£8.69
★ Reaction Timer	Software only	–
★ PIC16x84 Toolkit	JULY '98 196	£6.96
★ Greenhouse Computer		
Control Board	197	£9.08
Float Charger	AUG '98 199	£6.59
Lightbulb Saver	202	£3.00
Personal Stereo Amplifier (Multi-project PCB)	SEPT '98 932	£3.00
★ Greenhouse Radio Link	200	£8.32
★ PIC Altimeter	201	£8.15
Voice Processor	OCT '98 203	£7.18
IR Remote Control		
– Transmitter	205	£3.00
– Receiver	206	£3.50
★ PIC Tape Measure	NOV '98 207	£6.82
Electronic Thermostat – T-Stat	208	£4.00
PhizzzB		£14.95
A – PCB B – CD-ROM C – Prog. Microcontroller	See (A)(B)(C)	each
15-Way IR Remote Control		
Switch Matrix	211	£3.00
15-Way Rec/Decoder	212	£4.00
Damp Stat	DEC '98 209	£4.50
Handheld Function Generator	213	£4.00
★ Fading Christmas Lights	215	£5.16
PhizzzB I/O Board (4-section)	216	£3.95
Twinkle Twinkle Reaction Game	JAN '99 210	£7.55
★ EPE Mind PICKler	214	£6.30
PhizzzB I/O Board (4-section)	216	£3.95
Alternative Courtesy Light Controller	217	£6.72
Light Alarm	FEB '99 218	£6.78
★ Wireless Monitoring System		
Transmitter	219+a	£9.92
Receiver	220+a	£8.56
★ PIC MIDI Sustain Pedal	Software only	–
★ Wireless Monitoring System-2	MAR '99	See Feb '99
F.M. Trans/Rec Adaptors	219a/220a	
★ Time and Date Generator	221	£7.37
Auto Cupboard Light	222	£6.36
Smoke Absorber	223	£5.94
Ironing Board Saver	APR '99 224	£5.15
Voice Record/Playback Module	225	£5.12
Mechanical Radic (pair)	226A&B	£7.40
★ Versatile Event Counter	207	£6.82
PIC Toolkit Mk2	MAY '99 227	£8.95
A.M./F.M. Radio Remote Control		
Transmitter	228	£3.00
Receiver	229	£3.20
★ Musical Sundial	JUNE '99 231	£9.51
PC Audio Frequency Meter	232	£8.79
★ EPE Mood PICKer	JULY '99 233	£6.78
12V Battery Tester	234	£6.72
Intruder Deterrent	235	£7.10
L.E.D. Stroboscope (Multi-project PCB)	932	£3.00
Ultrasonic Puncture Finder	AUG '99 236	£5.00
★ 8-Channel Analogue Data Logger	237	£8.88
Buffer Amplifier (Oscillators Pt 2)	238	£6.96
Magnetic Field Detective	239	£6.77
Sound Activated Switch	240	£6.53
Freezer Alarm (Multi-project PCB)	932	£3.00
Child Guard	SEPT '99 241	£7.51
Variable Dual Power Supply	242	£7.64
Micro Power Supply	OCT '99 243	£3.50
★ Interior Lamp Delay	244	£7.88
Mains Cable Locator (Multi-project PCB)	932	£3.00
Vibralarm	NOV '99 230	£6.93
Demister One-Shot	245	£6.78
★ Ginormous Stopwatch – Part 1	246	£7.82
★ Ginormous Stopwatch – Part 2	DEC '99	
Giant Display	247	£7.85
Serial Port Converter	248	£3.96
Loft Guard	249	£4.44
Scratch Blanker	JAN '00 250	£4.83
Flashing Snowman (Multi-project PCB)	932	£3.00

PROJECT TITLE	Order Code	Cost
★ Video Cleaner	FEB '00 251	£5.63
Find It	252	£4.20
★ Teach-In 2000 – Part 4	253	£4.52
High Performance Regenerative Receiver	MAR '00 254, 255	
256 Set	256	
★ EPE Icebreaker – PCB257, programmed PIC16F877 and floppy disc	Set Only	£22.99
Parking Warning System	258	£5.08
★ Micro-PICscope	APR '00 259	£4.99
Garage Link – Transmitter	261	£5.49
Receiver	262	£5.87
Versatile Mic/Audio Preamplifier	MAY '00 260	£3.33
PIR Light Checker	263	£3.17
★ Multi-Channel Transmission System		
Transmitter	264	
Receiver	265	
Interface	266	£6.34
★ Canute Tide Predictor	JUNE '00 267	£3.05
★ PIC-Gen Frequency Generator/Counter	JULY '00 268	£5.07
G-Meter	269	£4.36
★ EPE Moodloop	AUG '00 271	£5.47
Quiz Game Indicator	272	£4.52
Handy-Amp	273	£4.52
Active Ferrite Loop Aerial	SEPT '00 274	£4.67
★ Remote Control IR Decoder	Software only	–
★ PIC Dual-Channel Virtual Scope	OCT '00 275	£5.15
Handicap Switch	NOV '00 270	£3.96
★ PIC Pulsometer	Software only	–
Twinkling Star	DEC '00 276	£4.28
Festive Fader	277	£5.71
Motorists' Buzz-Box	278	£5.39
★ PICtogram	279	£4.91
★ PIC-Monitored Dual PSU-1		
PSU	280	£4.75
Monitor Unit	281	£5.23
Static Field Detector (Multi-project PCB)	932	£3.00
Two-Way Intercom	JAN '01 282	£4.76
UFO Detector and Event Recorder		
Magnetic Anomaly Detector	283	
Event Recorder	284	
Audio Alarm	285	£6.19
★ Using PICs and Keypads	Software only	–
Ice Alarm	FEB '01 287	£4.60
★ Graphics L.C.D. Display with PICs (Supp)	288	£5.23
Using the LM3914-6 L.E.D. Bargraph Drivers		
Multi-purpose Main p.c.b.	289	
Relay Control	290	
L.E.D. Display	291	£7.14
★ PC Audio Power Meter	Software only	–

EPE SOFTWARE

Software programs for *EPE* projects marked with an asterisk ★ are available on 3.5 inch PC-compatible disks or free from our internet site. The following disks are available: **PIC Tutorial** (Mar-May '98 issues); **PIC Toolkit Mk2** (May-Jun '99 issues); **EPE Disk 1** (Apr '95-Dec '98 issues); **EPE Disk 2** (Jan-Dec '99); **EPE Disk 3** (Jan-Dec '00); **EPE Disk 4** (Jan '01 issue to current cover date); **EPE Teach-In 2000**; **EPE Interface Disk 1** (October '00 issue to current cover date). The disks are obtainable from the *EPE PCB Service* at £3.00 each (UK) to cover our admin costs (the software itself is free). Overseas (each): £3.50 surface mail, £4.95 each airmail. All files can be downloaded free from our internet FTP site: [ftp://ftp.epemag.wimborne.co.uk](http://ftp.epemag.wimborne.co.uk).

EPE PRINTED CIRCUIT BOARD SERVICE

Order Code Project Quantity Price

Name

Address

I enclose payment of £..... (cheque/PO in £ sterling only) to:



Everyday Practical Electronics
MasterCard, Visa or Switch No.



Minimum order for cards £5 Switch Issue No.

Card No.

Signature..... Card Exp. Date.....

NOTE: You can also order p.c.b.s by phone, Fax, E-mail or via our internet site on a secure server:
<http://www.epemag.wimborne.co.uk>

Everyday Practical Electronics reaches twice as many UK readers as any other UK monthly hobby electronics magazine, our audited sales figures prove it. We have been the leading monthly magazine in this market for the last sixteen years.

If you want your advertisements to be seen by the largest readership at the most economical price our classified and semi-display pages offer the best value. The prepaid rate for semi-display space is £8 (+VAT) per single column centimetre (minimum 2.5cm). The prepaid rate for classified adverts is 30p (+VAT) per word (minimum 12 words).

All cheques, postal orders, etc., to be made payable to Everyday Practical Electronics. VAT must be added. Advertisements, together with remittance, should be sent to Everyday Practical Electronics Advertisements, Mill Lodge, Mill Lane, Thorpe-le-Soken, Essex CO16 0ED. Phone/Fax (01255) 861161.

For rates and information on display and classified advertising please contact our Advertisement Manager, Peter Mew as above.

Valve Output Transformers: Single ended 50mA, £4.50; push/pull 15W, £27; 30W, £32; 50W, £38; 100W, £53. Mains Transformers: Sec 220V 30mA 6V 1A, £3; 250V 60mA 6V 2A, £5; 250V 80mA 6V 2A, £6. High Voltage Caps: 50µF 350V, 68µF 500V, 150µF 385V, 330µF 400V, 470µF 385V, all £3 ea., 32+32µF 450V £5. Postage extra.
Record Decks and Spares: BSR, Garrard, Goldring, motors, arms, wheels, headshells, spindles, etc. Send or phone your want list for quote.

RADIO COMPONENT SPECIALISTS

 **337 WHITEHORSE ROAD, CROYDON SURREY, CR0 2HS. Tel: (020) 8684 1666**
Lots of transformers, high volt caps, valves, output transformers, speakers, in stock. Phone or send your wants list for quote.

Z88 NOW AVAILABLE WITH 128K AND 512K - OZ4
ALSO SPECTRUM AND QL PARTS
W. N. RICHARDSON & CO.
PHONE/FAX 01494 871319
E-mail: wnr@compuserve.com
RAVENSMEAD, CHALFONT ST PETER, BUCKS, SL9 0NB

TIS - Midlinbank Farm Ryeland, Strathaven ML10 6RD
Manuals on anything electronic
Circuits - VCR £8, CTV £6
Service Manuals from £10
Repair Manuals from £5
P&P any order £2.50
Write, or ring 01357 440280 for full details of our lending service and FREE quote for any data

BTEC ELECTRONICS TECHNICIAN TRAINING
GNVQ ADVANCED ENGINEERING (ELECTRONIC) - PART-TIME
HND ELECTRONICS - FULL-TIME
B.Eng FOUNDATION - FULL-TIME
Next course commences Monday 29th January 2001
FULL PROSPECTUS FROM
LONDON ELECTRONICS COLLEGE (Dept EPE) 20 PENYVERN ROAD EARLS COURT, LONDON SW5 9SU
TEL: (020) 7373 8721

THE BRITISH AMATEUR ELECTRONICS CLUB
exists to help electronics enthusiasts by personal contact and through a quarterly Newsletter.
For membership details, write to the Secretary:
Mr. M. P. Moses,
5 Park View, Cwmaman, Aberdare CF44 6PP
Space donated by Everyday Practical Electronics

Miscellaneous

X-10® Home Automation
We put you in control™
Why tolerate when you can automate?
An extensive range of 230V X-10 products and starter kits available. Uses proven Power Line Carrier technology, no wires required.
Products Catalogue available Online.
Worldwide delivery.
Laser Business Systems Ltd.
E-Mail: info@laser.com
http://www.laser.com
Tel: (020) 8441 9788
Fax: (020) 8449 0430

PRINTED CIRCUIT BOARDS - QUICK SERVICE. Prototype and production artwork raised from magazines or draft designs at low cost. PCBs designed from schematics. Production assembly, wiring and software programming. For details contact Patrick at Agar Circuits, Unit 5, East Belfast Enterprise Park, 308 Albertbridge Road, Belfast, BT5 4GX. Phone 028 9073 8897, Fax 028 9073 1802, E-mail agar@argonet.co.uk.
PROTOTYPE PRINTED CIRCUIT BOARDS one offs and quantities, for details send s.a.e. to B. M. Ansbro, 38 Poynings Drive, Hove, Sussex BN3 8GR, or phone 01273 883871, Mobile 07949 598309. E-mail b.m.a@cwctv.net.
FREE PROTOTYPE PRINTED CIRCUIT BOARDS! Free prototype p.c.b. with quantity orders. Call Patrick on 028 9073 8897 for details. Agar Circuits, Unit 5, East Belfast Enterprise Park, 308 Albertbridge Road, Belfast BT5 4GX.
G.C.S.E. ELECTRONIC KITS, at pocket money prices. S.A.E. for FREE catalogue. SIR-KIT Electronics, 52 Severn Road, Clacton, CO15 3RB.
VALVE ENTHUSIASTS: Capacitors and other parts in stock. For free advice/lists please ring, Geoff Davies (Radio), Tel. 01788 574774.
100kV D.C. GENERATOR. An inexpensive high voltage source for the hobbyist/experimenter. Numerous applications including anti-gravity research. For details send sae to AL Tech, 5 White Lodge, Newmarket, Suffolk CB8 0SS.

WE PAY CASH
For Unused Surplus and Obsolete
Electronic Components
Telecomm Spares
Tel: 01438 814545 Fax: 01438 814630

EPE NET ADDRESSES
EPE FTP site: ftp://ftp.epemag.wimborne.co.uk
Access the FTP site by typing the above into your web browser, or by setting up an FTP session using appropriate FTP software, then go into quoted sub-directories:
PIC-project source code files: /pub/PICS
PIC projects each have their own folder; navigate to the correct folder and open it, then fetch all the files contained within. *Do not try to download the folder itself!*
EPE text files: /pub/docs
Basic Soldering Guide: solder.txt
Ingenuity Unlimited submission guidance: ing_unl.txt
New readers and subscribers info: **epe_info.txt**
Newsgroups or Usenet users advice: **usenet.txt**
Ni-Cad discussion: **nicadfaq.zip** and **nicad2.zip**
Writing for **EPE** advice: **write4us.txt**

Ensure you set your FTP software to ASCII transfer when fetching text files, or they may be unreadable.
Note that any file which ends in .zip needs unzipping before use. Unzip utilities can be downloaded from:
http://www.winzip.com or **http://www.pkware.com**

On-line readers! Try the EPE Chat Zone - a virtually real-time Internet "discussion board" in a simple to use web-based forum!
http://www.epemag.wimborne.co.uk/wwwboard
Or buy EPE Online: www.epemag.com

TRAIN TODAY FOR A BETTER FUTURE

Now you can get the skills and qualifications you need for career success with an ICS Home Study Course. Learn in the comfort of your own home at the pace and times that suit you. ICS is the world's largest, most experienced home study school. Over the past 100 years ICS has helped nearly 10 million people to improve their job prospects. Find out how we can help YOU. Post or phone today for FREE INFORMATION on the course of your choice

Electrical Contracting & Installation
Electrical Engineering
C&G/ICS Basic Electronic Engineering
C&G/ICS Basic Mechanical Engineering
TV and Video Servicing
Radio and Hi-Fi Servicing
Refrigeration Heating & Air Conditioning
Motorcycle Maintenance

FREEPHONE 0500 581 557

Or write to: International Correspondence Schools, FREEPOST 882, 8 Elliot Place, Clydeside Skypark, Glasgow, G3 9BR. Tel: 0500 581 557 or Tel/Fax: Dublin 285 2533.

Please send me my Free Information on your Electronics Courses.

Mr/Mrs/Ms/Miss (BLOCK CAPITALS PLEASE) _____ Date of Birth / / _____
 Address _____
 Postcode _____
 Occupation _____ Tel. No. _____
 From time to time, we permit other carefully screened organisations to write to you about products and services if you would prefer not to hear from such organisations please tick box Dept. ZEEVC1A1

ELECTRONICS SURPLUS CLEARANCE SALE

SCOOP PURCHASE:

FLUKE HAND HELD DIGITAL MULTIMETER, MODEL 8024B

Cancelled export order 750V AC/DC 2 amp AC/DC Resistance 20Megohm plus Siemens range. Also measures temperature -20°C to +1265°C. Temp. probe not included. Calibrated for K-type thermocouple. Peak hold facility. Supplied brand new and boxed but with original purchasing organisation's small identifying mark on case. Test leads and handbook included.

Offered at a fraction of original price: £47.50, p&p £6.50

THE ELECTRONICS SURPLUS TRADER - This is a listing of new first class components, books and electronic items at below trade prices. Includes manufacturers' surplus and overstocks. Also obsolete semiconductors, valves and high voltage caps and components. Send two first class stamps for large catalogue.

(Dept E) CHEVET SUPPLIES LTD

157 Dickson Road, BLACKPOOL FY1 2EU
Tel: (01253) 751858. Fax: (01253) 302979

E-mail: chevett@globalnet.co.uk Telephone Orders Accepted
Callers welcome Tues, Thurs, Fri and Sat.



Professional 88-108MHz FM Broadcasting Kits

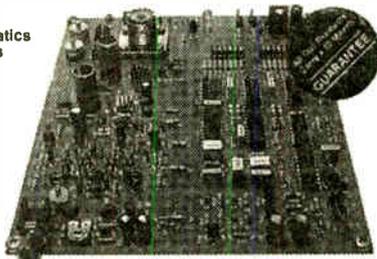
All Our Kits Include

Detailed Instructions with Schematics
High Quality Screen Printed PCBs
High Quality Components

Our Product Range Includes

Transmitters from 0.05W to 35W
FM Stereo Coders
Audio Compressor Limiters
Antennas
RF Power Amps

Our Kits Are Also Available
Fully Assembled And Tested



1W Professional PLL FM Transmitter for Licensed Use in the UK

Visit our Website at <http://www.veronica.co.uk>

WE DELIVER WORLD-WIDE AND ACCEPT MAJOR CREDIT CARDS

Contact Us Now For A Free Brochure

Tel 01274 883434 Fax 01274 428665

email info@veronica.co.uk

Unit 5/6 1A Sandbeds/Albert Rd Queensbury BRADFORD BD13 1AA



VARIABLE VOLTAGE TRANSFORMERS

INPUT 220V/240V AC 50/60HZ OUTPUT 0V-260V

PANEL MOUNTING

	Price	P&P
0-5KVA 2.5 amp max	£33.00	£6.00
		(£45.84 inc VAT)
1KVA 5 amp max	£45.25	£7.00
		(£61.39 inc VAT)

SHROUDED

0-5KVA 2.5 amp max	£34.00	£6.00
		(£47.00 inc VAT)
1KVA 5 amp max	£46.25	£7.00
		(£62.57 inc VAT)
2KVA 10 amp max	£65.00	£8.50
		(£86.36 inc VAT)
3KVA 15 amp max	£86.50	£8.50
		(£111.63 inc VAT)

5KVA 25 amp max £150.00 (+ Carriage & VAT)

Buy direct from the Importers. Keenest prices in the country.

500VA ISOLATION TRANSFORMER

Input lead 240V AC. Output via 3-pin 13A socket. 240V AC continuously rated, mounted in fibreglass case with handle. Internally fused. Price £35.00 carriage paid + VAT (£41.13)

TOROIDAL L.T. TRANSFORMER

Primary 0-240V AC. Secondary 0-30V + 0-30V 600VA. Fixing bolt supplied. Price £25.00 carriage paid + VAT (£29.38)

COMPREHENSIVE RANGE OF TRANSFORMERS - LT - ISOLATION & AUTO

110V-240V Auto transfer either cased with American socket and mains lead or open frame type. Available for immediate delivery.

ULTRA VIOLET BLACK LIGHT BLUE FLUORESCENT TUBES

4ft. 40 watt	£14.00 (callers only)	(£16.45 inc VAT)
2ft 20 watt	£9.00 (callers only)	(£10.58 inc VAT)
12in 8 watt	£4.80 + 75p p&p	(£6.52 inc VAT)
9in 6 watt	£3.96 + 50p p&p	(£5.24 inc VAT)
6in 4 watt	£3.96 + 50p p&p	(£5.24 inc VAT)

For either 6in, 9in or 12in tubes £8.05 + £1.40 p&p (£8.75 inc VAT)

The above Tubes are 3500/4000 angst. (350-400nm) ideal for detecting security markings effects lighting & Chemical applications. Other Wavelengths of UV TUBE available for Germicidal & Photo Sensitive applications. Please telephone your enquiries

400 WATT BLACK LIGHT BLUE UV LAMP

GES Mercury Vapour lamp suitable for use with a 400W PF Ballast. Only £39.95 incl. p&p & VAT



5 KVA ISOLATION TRANSFORMER

As New. Ex-Equipment, fully shrouded, Line Noise Suppression, Ultra Isolation Transformer with terminal covers and knock-out cable entries. Primary 120V/240V. Secondary 120V/240V, 50/60Hz, 0.005F Capacitance. Size, L 37cm x W 19cm x H 16cm, Weight 42 kilos. Price £120 + VAT. Ex-warehouse. Carriage on request.

24V DC SIEMENS CONTACTOR

Type 3TH0022-0B 2 x NO and 2 x NC 230V AC 10A. Contacts. Screw or Din Rail fixing. Size H 120mm x W 45mm x O 75mm. Brand New Price £7.63 incl. p&p and VAT.

240V AC WESTOOL SOLENOIDS

Model TT2 Max. stroke 16mm, 5lb. pull. Base mounting. Rating 1. Model TT6 Max. stroke 25mm, 15lb. pull. Base mounting. Rating 1. Series 400 Max. stroke 28mm, 15lb. pull. Front mounting. Rating 2. Prices inc p&p & VAT. TT2 £5.88, TT6 £8.81, Series 400 £8.64.

AXIAL COOLING FAN

230V AC 120mm square x 38mm 3 blade 10 watt Low Noise fan. Price £7.29 incl. p&p and VAT. Other voltages and sizes available from stock. Please telephone your enquiries.

INSTRUMENT CASE

Brand new. Manufactured by Imhof. L 31cm x H 18cm x 19cm Deep. Removable front and rear panel for easy assembly of your components. Grey textured finish, complete with case feet. Price £6.45 incl. p&p and VAT. 2 off £28.20 inclusive.

DIECAST ALUMINIUM BOX

with internal PCB guides. Internal size 265mm x 165mm x 50mm deep. Price £9.93 incl. p&p & VAT. 2 off £17.80 incl.

230V AC SYNCHRONOUS GEARED MOTORS

Brand new Ovoid Gearbox Crouzet type motors. H 65mm x W 55mm x D 35mm, 4mm dia. shaft x 10mm long. 6 RPM anti cw. £9.99 incl. p&p & VAT. 20 RPM anti cw. Depth 40mm £11.16 incl. p&p & VAT.

16 RPM REVERSIBLE Crouzet 220V/230V

50Hz geared motor with ovoid geared box. 4mm dia. shaft. New manu. surplus. Sold complete with reversing capacitor, connecting block and circ. Overall size: h 68mm x w 52mm x 43mm deep. PRICE incl. P&P & VAT £9.99

EPROM ERASURE KIT

Build your own EPROM ERASURE for a fraction of the price of a made-up unit. Kit of parts less case includes 12in. 8watt 2537, Angst Tube Ballast unit, pair of bi-pin leads, neon indicator, on/off switch, safety microswitch and circuit £15.00 + £2.00 p&p. (£19.98 inc VAT)

WASHING MACHINE WATER PUMP

Brand new 240V AC fan cooled. Can be used for a variety of purposes. Inlet 1 1/2 in., outlet 1 in dia. Price includes p&p & VAT. £11.20 each or 2 for £20.50 inclusive.

SERVICE TRADING CO

57 BRIDGMAN ROAD, CHISWICK, LONDON W4 5BB

Tel: 0181-995 1560 FAX: 0181-995 0549



Ample Parking Space



MANUFACTURER OF HIFI AUDIO MODULES AND TOROIDAL TRANSFORMERS SINCE 1971

CONTACT US NOW FOR A FREE CATALOGUE

ILP DIRECT LTD.

SPONG LANE, ELMSTED, ASHFORD, KENT TN25 5JU

TEL +44 1233 750481 FAX +44 1233 750578



N. R. BARDWELL LTD (EPE)

100	Signal Diodes 1N4148	£1.00	200	Asstd. disc ceramic capacitors	£1.00
75	Rectifier Diodes 1N4001	£1.00	50	Asstd. Skel Presets (sm, stand, cermet)	£1.00
50	Rectifier Diodes 1N4007	£1.00	50	Asstd. RF chokes (inductors)	£1.00
10	W01 Bridge Rectifiers	£1.00	80	Asstd. grommets	£1.00
10	555 Timer I.C.s	£1.00	80	Asstd. solder tags, picoms, terminals	£1.00
4	741 Op Amps	£1.00	10	Asstd. crystals - plug in	£1.00
50	Assorted Zener Diodes 400mW	£1.00	24	Asstd. coil formers	£1.00
12	Assorted 7-segment Displays	£1.00	8	Asstd. di switches	£1.00
25	5mm I.e.d.s, red, green or yellow	£1.00	20	Miniature slide switches sp/co	£1.00
25	3mm I.e.d.s, red, green or yellow	£1.00	10	Standard slide switches dp/dt	£1.00
50	Axial I.e.d.s, Zmcd red Diode Package	£1.00	100	Asstd. beads (ceramic, teflon, fish spine)	£1.00
25	Asstd. High Brightness I.e.d.s, var coils	£1.00	80	Asstd. small stand offs, I/throughs etc	£1.00
20	BC182L Transistors	£1.00	30	Asstd. di sockets up to 40 way	£1.00
25	BC212L Transistors	£1.00	10	TV coax plugs, plastic	£1.00
30	BC237 Transistors	£1.00	40	metres very thin connecting wire, red	£1.00
20	BC327 Transistors	£1.00	20	1in. glass reed switches	£1.00
30	BC328 Transistors	£1.00	20	Magnetic ear pps with lead and plug	£1.00
30	BC547 Transistors	£1.00	100	Any one value 1/4W 5% cf resistors range	
30	BC548 Transistors	£1.00	1R to 10M		£0.45
30	BC549 Transistors	£1.00	10	7812 Voltage Regulators	£1.00
25	BC557 Transistors	£1.00			
30	BC558 Transistors	£1.00			
30	BC559 Transistors	£1.00			
20	2N3904 Transistors	£1.00			
100	1in 50V wkg Axial Capacitors	£1.00			
100	4N7 50V wkg Axial Capacitors	£1.00			
12	1uf 250V encapsulated radial plastic				
80	cased capacitors	£1.00			
80	Asstd capacitors electrolytic	£1.00			
80	Asstd. capacitors 1nF to 1µF	£1.00			

288 Abbeydale Road, Sheffield S7 1FL

Phone: 0114 255 2886 ★ Fax: 0114 250 0689

e-mail: sales@bardwells.co.uk ★ Web: www.bardwells.co.uk

Prices include VAT, Postage £1.65

44p stamp for lists or disk



DIGITAL TEST METER

Built-in transistor test socket

and diode test position.

DC volts 200mV to 1000V.

AC volts 200V to 750V.

DC current 200mA to 10A.

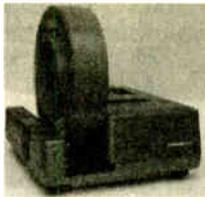
Resistance 200 ohms to

2000K ohms.

£6.99 incl. VAT

Watch Slides on TV.

Make videos of your slides. Digitise your slides (using a video capture card)
 "Liesgang diatv" automatic slide viewer with built in high quality colour TV camera. It has a composite video output to a phono plug (SCART & BNC adaptors are available). They are in very good condition with few signs of use. More details see www.diatv.co.uk.
 £91.91 + VAT = £108.00



Board cameras all with 512 x 582 pixels 8.5mm 1/3 inch sensor and composite video out. All need to be housed in your own enclosure and have fragile exposed surface mount parts. They all require a power supply of between 10V and 12V DC 150mA.
 47MIR size 60 x 36 x 27mm with 6 infra red LEDs (gives the same illumination as a small torch but is not visible to the human eye) £37.00 + VAT = £43.48
 30MP size 32 x 32 x 14mm spy camera with a fixed focus pin hole lens for hiding behind a very small hole £35.00 + VAT = £41.13
 40MC size 39 x 38 x 27mm camera for 'C' mount lens these give a much sharper image than with the smaller lenses £32.00 + VAT = £37.60
 Economy C mount lenses all fixed focus & fixed iris
 VSL1220F 12mm F1.6 12 x 15 degrees viewing angle £15.97 + VAT £18.76
 VSL4022F 4mm F1.22 63 x 47 degrees viewing angle £17.65 + VAT £20.74
 VSL6022F 6mm F1.22 42 x 32 degrees viewing angle £19.05 + VAT £22.38
 VSL8020F 8mm F1.22 32 x 24 degrees viewing angle £19.90 + VAT £23.38

Better quality C Mount lenses

VSL1614F 16mm F1.6 30 x 24 degrees viewing angle £26.43 + VAT £31.06
 VWL813M 8mm F1.3 with iris 56 x 42 degrees viewing angle £77.45 + VAT = £91.00
 1206 surface mount resistors E12 values 10 ohm to 1M ohm
 100 of 1 value £1.00 + VAT 1000 of 1 value £5.00 + VAT

866 battery pack originally intended to be used with an orbital mobile telephone it contains 10 1.6Ah sub C batteries (42 x 22 dia. the size usually used in cordless screw-drivers etc.) the pack is new and unused and can be broken open quite easily
 £7.46 + VAT = £8.77



Please add £1.66 + vat = £1.95 postage & packing per order

JPG Electronics

276-278 Chatsworth Road, Chesterfield, S40 2BH.

Tel 01246 211202 Fax 01246 550959

Mastercard/Visa/Switch

Callers welcome 9.30 a.m. to 5.30 p.m. Monday to Saturday

Millions of quality components at lowest ever prices!

Plus anything from bankruptcy – theft recovery – frustrated orders – over productions etc.
 Send 54p stamped self-addressed label or envelope for clearance lists.

Brian J Reed

6 Queensmead Avenue, East Ewell, Epsom, Surrey KT17 3EQ

Tel: 07775 945386 or 0208 393 9055

Mail Order UK only.

Lists are updated and only 40 are sent out every 2 weeks. This normally ensures that orders can be fulfilled where only a few thousands of an item is available. (Payment is returned if sold out. I do not deal in credit notes).

COVERT VIDEO CAMERAS

Black and White Pin Hole Board Cameras with Audio. Cameras in P.I.R., Radios, Clocks, Briefcases etc. Transmitting Cameras with Receiver (Wireless). Cameras as above with colour. Audio Surveillance Kits and Ready Built Units, Bug Detector etc.

A.L. ELECTRONICS

Please phone 0181 203 6008 for free catalogue.

Fax 0181 201 5359

E-mail: surveillance@btclick.com www.uspy.com

New DTI approved Video Transmitters and Receivers (Wireless)

Major credit cards now taken

SHERWOOD ELECTRONICS

FREE COMPONENTS

Buy 10 x £1 Special Packs and choose another one FREE

SP1	15 x 5mm Red LEDs	SP133	20 x 1N4004 diodes
SP2	12 x 5mm Green LEDs	SP134	15 x 1N4007 diodes
SP3	12 x 5mm Yellow LEDs	SP136	3 x BFY50 transistors
SP6	15 x 3mm Red LEDs	SP137	4 x W005 1.5A bridge rectifiers
SP7	12 x 3mm Green LEDs	SP138	20 x 2.2/63V radial elect. caps.
SP8	10 x 3mm Yellow LEDs	SP140	3 x W04 1.5A bridge rectifiers
SP10	100 x 1N4148 diodes	SP142	2 x CMOS 4017
SP11	30 x 1N4001 diodes	SP143	5 Pairs min. crocodile clips (Red & Black)
SP12	30 x 1N4002 diodes	SP145	6 x ZTX300 transistors
SP20	20 x BC184 transistors	SP146	10 x 2N3704 transistors
SP21	20 x BC212 transistors	SP147	5 x Stripboard 9 strips x 25 holes
SP23	20 x BC549 transistors	SP151	4 x 8mm Red LEDs
SP24	4 x CMOS 4001	SP152	4 x 8mm Green LEDs
SP25	4 x 555 timers	SP153	4 x 8mm Yellow LEDs
SP26	4 x 741 Op.Amps	SP154	15 x BC548 transistors
SP28	4 x CMOS 4011	SP156	3 x Stripboard, 14 strips x 27 holes
SP29	3 x CMOS 4013	SP160	10 x 2N3904 transistors
SP31	4 x CMOS 4071	SP161	10 x 2N3906 transistors
SP36	25 x 10/25V radial elect. caps.	SP165	2 x LF351 Op.Amps
SP37	15 x 100/35V radial elect. caps.	SP166	20 x 1N4003 diodes
SP39	10 x 470/16V radial elect. caps.	SP167	6 x BC107 transistors
SP40	15 x BC237 transistors	SP168	6 x BC108 transistors
SP41	20 x Mixed transistors	SP172	4 x Standard slide switches
SP42	200 x Mixed 0.25W C.F. resistors	SP175	20 x 1/63V radial elect. caps.
SP47	5 x Min. PB switches	SP177	10 x 1A 20mm quick blow fuses
SP102	20 x 8-pin DIL sockets	SP182	20 x 4-7/63V radial elect. caps.
SP103	15 x 14-pin DIL sockets	SP183	20 x BC547 transistors
SP104	15 x 16-pin DIL sockets	SP187	15 x BC239 transistors
SP105	4 x 74LS00	SP191	3 x CMOS 4023
SP109	15 x BC557 transistors	SP192	3 x CMOS 4066
SP111	12 x Assorted polyester caps	SP193	20 x BC213 transistors
SP112	4 x CMOS 4093	SP195	3 x 10mm Yellow LEDs
SP115	3 x 10mm Red LEDs	SP197	6 x 20 pin DIL sockets
SP116	3 x 10mm Green LEDs	SP198	5 x 24 pin DIL sockets
SP118	2 x CMOS 4047	SP199	5 x 2.5mm mono jack plugs
SP120	3 x 74LS93		
SP124	20 x Assorted ceramic disc caps		
SP130	100 x Mixed 0.5W C.F. resistors		
SP131	2 x TL071 Op.Amps		

RESISTOR PACKS – C.Film

RP3	5 each value – total 365 0.25W	£2.95
RP7	10 each value – total 730 0.25W	£4.20
RP10	1000 popular values 0.25W	£5.95
RP4	5 each value-total 365 0.5W	£3.90
RP8	10 each value-total 730 0.5W	£6.55
RP11	1000 popular values 0.5W	£8.25

2001 Catalogue now available £1 inc. P&P or FREE with first order. P&P £1.25 per order. NO VAT

Orders to:

Sherwood Electronics,
7 Williamson St., Mansfield,
Notts. NG19 6TD.

ADVERTISERS INDEX

A.L. ELECTRONICS	152
ANTEX	117
N. R. BARDWELL	151
BELL COLLEGE OF TECHNOLOGY	86
BITZ TECHNOLOGY	117
B.K. ELECTRONICS	Cover (iii)/120
BRIAN J. REED	152
BULL ELECTRICAL	Cover (ii)
CHEVET SUPPLIES	151
CRICKLEWOOD ELECTRONICS	120
DISPLAY ELECTRONICS	82
EPTSOFT	Cover (iv)
ESR ELECTRONIC COMPONENTS	90
FOREST ELECTRONIC DEVELOPMENTS	106
GREENWELD	87
ICS	151
ILP DIRECT	151
J&N FACTORS	105
JPG ELECTRONICS	152
LABCENTER ELECTRONICS	97
MAGENTA ELECTRONICS	88/89
MILFORD INSTRUMENTS	101
NATIONAL COLLEGE OF TECHNOLOGY	120
PEAK ELECTRONIC DESIGN	109
PICO TECHNOLOGY	137
QUASAR ELECTRONICS	84/85
SERVICE TRADING CO	151
SHERWOOD ELECTRONICS	152
SKY ELECTRONICS	117
SQUIRES	86
STEWART OF READING	86
SUMA DESIGNS	131
VERONICA KITS	151

ADVERTISEMENT MANAGER: PETER J. MEW

ADVERTISEMENT OFFICES:

EVERYDAY PRACTICAL ELECTRONICS, ADVERTISEMENTS,

MILL LODGE, MILL LANE, THORPE-LE-SOKEN,

ESSEX CO16 0ED.

Phone/Fax: (01255) 861161

For Editorial address and phone numbers see page 91



POWER AMPLIFIER MODULES-LOUDSPEAKERS-MIXERS 19 INCH STEREO AMPLIFIERS-ACTIVE CROSS/OVERS.

* PRICES INCLUDE V.A.T.
* PROMPT DELIVERY

OMP MOS-FET POWER AMPLIFIERS HIGH POWER, TWO CHANNEL 19 INCH RACK

10,000's
SOLD
TO PRO
USERS



THE RENOWNED MXF SERIES OF POWER AMPLIFIERS

FOUR MODELS:- MXF200 (100W + 100W) MXF400 (200W + 200W)
MXF600 (300W + 300W) MXF900 (450W + 450W)

ALL POWER RATINGS ARE R.M.S. INTO 4 OHMS, WITH BOTH CHANNELS DRIVEN
FEATURES:- * Independent power supplies with two toroidal transformers
* Twin L.E.D. Vu Meters * Level controls * Illuminated on/off switch * Jack / XLR inputs
* Speakon Outputs * Standard 775mv inputs * Open and Short circuit proof * Latest Mos-Fets
for stress free delivery into virtually any load * High slew rate * Very low distortion * Aluminium cases * MXF600 & MXF900 fan cooled with D.C. Loudspeaker and thermal protection.

USED THE WORLD OVER IN CLUBS, PUBS, CINEMAS, DISCOS ETC

MXF200 W19" D11" H3 1/2" (2U)
MXF400 W19" D12" H5 1/2" (3U)
MXF600 W19" D13" H5 1/2" (3U)
MXF900 W19" D14" H5 1/2" (3U)

PRICES:- MXF200 £175.00 MXF400 £233.85
MXF600 £329.00 MXF900 £449.15
SPECIALIST CARRIER DEL £12.50 Each



OMP XO3-S STEREO 3 WAY ACTIVE CROSSOVER SWITCHABLE 2-WAY



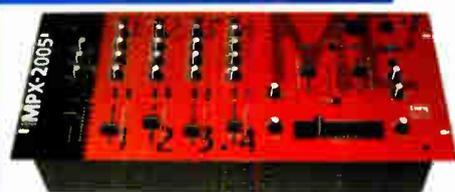
BASS MID TOP BASS/MID TOP BASS MID/TOP
CONFIGURED 3 WAY 2 WAY BASS/MID COMBINED 2 WAY MID/TOP COMBINED

FEATURES:-

Advanced 3-Way Stereo Active Cross-Over (Switchable two way), housed in a 19" x 1U case. Each channel has three level controls: Bass, Mid & Top. The removable front fascia allows access to the programmable DIL switches to adjust the cross-over frequency: There are two versions available:-
XO3-S Bass-Mid 125/250/500Hz, Mid-Top 1.8/3/5kHz, all at 24 dB per octave.
XO3 Bass-Mid 250/500/800Hz, Mid-Top 1.8/3/5kHz, all at 24 dB per Octave.
Please make sure you ask for the correct model when ordering.
The 2/3 way selector switches are also accessed by removing the front fascia. Each stereo channel can be configured separately. Bass Invert Switches are incorporated on each channel. Nominal 775mV Input/output. Fully compatible with the OMP Rack Amplifier and Modules.

BOTH MODELS PRICED AT :- £117.44 + £5.00 P&P

STEREO DISCO MIXER MPX 2005



- * 4 STEREO INPUT CHANNELS
- * 2 DJ MIC INPUTS
- * SEPARATE TONE CONTROLS FOR EACH CHANNEL
- * HEADPHONE MONITOR WITH PFL
- * ASSIGNABLE CROSSFADE
- * 2 MASTER OUTPUTS WITH INDIVIDUAL GAIN CONTROLS
- * REMOVABLE CROSSFADE

STEREO DISCO MIXER WITH:- * SEPARATE TONE CONTROLS FOR EACH CHANNEL * 2 DJ MIC INPUTS * DJ MIC HAS ITS OWN TONE CONTROL, GAIN AND AUTO TALK OVER * 4 STEREO CHANNELS WITH INDIVIDUAL FADERS AND ASSIGNABLE CROSSFADE * CHANNELS SWITCHABLE TURNABLE (MAG CARTRIDGE), CD, LINE, TAPE ETC. * HEADPHONE MONITOR WITH PREFADE LISTEN * TWO OUTPUTS WITH SEPARATE GAIN CONTROLS * EFFECTS SEND AND RETURN * 2 X LED VU METERS CAN MONITOR MASTER CHANNELS A OR B OR PFL LEVEL
SIZE : 482 X 222 X 110mm PRICE :- £169.00 + £5.00 P&P

100 WATT ACTIVE SUB BASS AMPLIFIER PANEL



AN ACTIVE SUB BASS AMPLIFIER WITH A TRUE 100W RMS OUTPUT. SUPERB CONSTRUCTION WITH THE FACILITIES TO INTEGRATE SEAMLESSLY INTO MOST HI-FI OR HOME CINEMA SETUPS. USE THIS PANEL PLUS ONE OF OUR LOUDSPEAKERS TO MAKE YOUR OWN SUB WOOFER THAT WILL MATCH OR BEAT MOST COMMERCIALY AVAILABLE SUB WOOFERS.

FEATURES:- * 100W RMS INTO 8 OHMS * HIGH AND LOW LEVEL INPUTS * TOROIDAL TRANSFORMER * SHORT CIRCUIT PROTECTION * D.C. SPEAKER PROTECTION * FREQUENCY ROL OFF, LOWER 10Hz, UPPER 60Hz TO 240Hz (FULLY ADJUSTABLE) * AC3 COMPATIBLE FILTER CAN BE BYPASSED FOR 5-1 FORMATS. * AIRTIGHT CONSTRUCTION * TENS OF THOUSANDS OF OUR PANELS ALREADY IN USE. * COMPLETE WITH LEADS

SPECIFICATIONS:- * POWER 100W RMS @ 8 OHMS * FREQ RESP. 10Hz 15kHz -3dB * DAMPING FACTOR >200 * DISTORTION 0.05% * S/N A WEIGHTED >100dB * SUPPLY 230V A.C. * WEIGHT 2.7Kg * SIZE H254 X W254 X D94mm

THERE ARE 2 VERSIONS OF THE ABOVE PANEL AVAILABLE :- BSB100/8 8 OHM VERSION BSB100/4 4 OHM VERSION BOTH PANELS ARE PRICED AT £117.44 + £5.00 P&P INCL. V.A.T

ibl FLIGHTCASED LOUDSPEAKERS

A new range of quality loudspeakers, designed to take advantage of latest loudspeaker technology and enclosure designs. All models utilise high quality studio cast aluminium loudspeakers with factory fitted grilles, wide dispersion constant directivity horns, extruded aluminium corner protection and steel ball corners, complimented with heavy duty black covering. The enclosures are fitted as standard with top hats for optional loudspeaker stands. The FC15-300 incorporates a large 16 X 6 inch horn. All cabinets are fitted with the latest Speakon connectors for your convenience and safety. Five models to choose from.



PLEASE NOTE:- POWER RATINGS QUOTED ARE IN WATTS R.M.S. FOR EACH INDIVIDUAL CABINET ALL ENCLOSURES ARE 8 OHMS

15=15 Inch speaker
12=12 Inch speaker

- ibl FC15-300 WATTS Freq Range 35Hz-20kHz, Sens 101dB, Size H695 W502 D415mm Price:- £299.00 per pair
- ibl FC12-300 WATTS Freq Range 45Hz-20kHz, Sens 96dB, Size H600 W405 D300mm Price:- £249.00 per pair
- ibl FC12-200 WATTS Freq Range 40Hz-20kHz, Sens 97dB, Size H600 W405 D300mm Price:- £199.00 per pair
- ibl FC12-100 WATTS Freq Range 45Hz-20kHz, Sens 100dB, Size H546 W380 D300mm Price:- £179.00 per pair
- ibl WM12-200 WATTS Freq Range 40Hz-20kHz, Sens 97dB, Size H418 W600 D385mm Price:- £125.00 Each

SPECIALIST CARRIER DEL:- £12.50 per pair, wedge monitor £7.00 each
Optional Metal Stands PRICE:- £49.00 per pair Delivery:- £6.00

10 INCH AND 12 INCH 100W RMS SUB BASS LOUDSPEAKERS

TWO SUPERB SUB WOOFER LOUDSPEAKER DRIVERS TO ACCOMPANY OUR SUB BASS AMPLIFIER PANEL BELOW. BOTH DRIVERS OFFER GOOD BASS RESPONSE AT A REASONABLE COST. THE BSB12-100 HAS BEEN USED FOR MANY YEARS IN AN AWARD WINNING SUB BASS SYSTEM

FOR TH/SM SPECIFICATIONS VIEW OUR WEB SITE AT <http://www.bkelec.com>

12 INCH LOUDSPEAKER	BSB12-100	10 INCH LOUDSPEAKER	BSB10-100
POWER IMPEDANCE	100W 8 OHMS	POWER IMPEDANCE	100W 8 OHMS
SENSITIVITY	90dB	SENSITIVITY	89dB
WEIGHT	3.8Kg	WEIGHT	2.3Kg
PRICE	£24.95	PRICE	£19.99
CARRIAGE	£5.00	CARRIAGE	£5.00

OMP MOS-FET POWER AMPLIFIER MODULES

SUPPLIED READY BUILT AND TESTED

These modules now enjoy a world-wide reputation for quality, reliability and performance at a realistic price. Four models are available to suit the needs of the professional and hobby market i.e. Industry, Leisure, Instrumental and Hi-Fi etc. When comparing prices, NOTE that all models include toroidal power supply, integral heatsink, glass fibre P.C.B. and drive circuits to power a compatible Vu meter. All models are open and short circuit proof.

THOUSANDS OF MODULES PURCHASED BY PROFESSIONAL USERS

OMP/MF 100 Mos-Fet Output Power 110 watts R.M.S. into 4 ohms, frequency response 1Hz - 100kHz -3dB, Damping Factor >300, Slew Rate 45V/uS, T.H.D. typical 0.002%, Input Sensitivity 500mV, S.N.R. 110dB, Size 300 x 123 x 60mm. Price:- £42.85 + £4.00 P&P

OMP/MF 200 Mos-Fet Output Power 200 watts R.M.S. into 4 ohms, frequency response 1Hz - 100kHz -3dB, Damping Factor >300, Slew Rate 50V/uS, T.H.D. typical 0.001%, Input Sensitivity 500mV, S.N.R. 110dB, Size 300 x 155 x 100mm. Price:- £66.35 + £4.00 P&P

OMP/MF 300 Mos-Fet Output Power 300 watts R.M.S. into 4 ohms, frequency response 1Hz - 100kHz -3dB, Damping Factor >300, Slew Rate 60V/uS, T.H.D. typical 0.001%, Input Sensitivity 500mV, S.N.R. 110dB, Size 330 x 175 x 100mm. Price:- £83.75 + £5.00 P&P

OMP/MF 450 Mos-Fet Output Power 450 watts R.M.S. into 4 ohms, frequency response 1Hz - 100kHz -3dB, Damping Factor >300, Slew Rate 75V/uS, T.H.D. typical 0.001%, Input Sensitivity 500mV, S.N.R. 110dB, Fan Cooled, D.C. Loudspeaker Protection, 2 Second Anti Thump Delay. Size 385 x 210 x 105mm. Price:- £135.85 + £6.00 P&P

OMP/MF 1000 Mos-Fet Output Power 1000 watts R.M.S. into 2 ohms, frequency response 1Hz - 100kHz -3dB, Damping Factor >300, Slew Rate 75V/uS, T.H.D. typical 0.001%, Input Sensitivity 500mV, S.N.R. 110dB, Fan Cooled, D.C. Loudspeaker Protection, 2 Second Anti Thump Delay. Size 422 x 300 x 125mm. Price:- £261.00 + £12.00 P&P

NOTE:- MOS-FET MODULES ARE AVAILABLE IN TWO VERSIONS: STANDARD - INPUT SENS 500mV BANDWIDTH 100kHz OR PROFESSIONAL EQUIPMENT COMPATIBLE - INPUT SENS 775mV BANDWIDTH 50kHz

B.K. ELECTRONICS
UNIT 1 COMET WAY, SOUTHEND-ON-SEA,
ESSEX. SS2 6TR.

TEL.: 01702-527572 FAX.: 01702-420243
Web:- <http://www.bkelec.com> E-Mail sales@bkelec.com

REF D2

'Electronics and Computing Principles V7'

'95, '98, NT or 2000

Principles V7'

Studying electronics or computing or just want to keep up-to-date in a easy and enjoyable way, then this fully interactive software is for you.

visit eptsoft.com or telephone for full details of more than a thousand menu items.

Electronics:-

Atomic Structures, DC Current flow, Basic Electronics, Simple DC Circuits, Types of Switching, Variable Voltages, Ohm's Law, DC Voltage, DC Current, Series/Parallel Resistors, AC Measurements, AC Voltage and Current, AC Theory, RCL Series/Parallel Circuits, Capacitance, Capacitors, Inductance, Inductors, Impedance, Communication System, Signals, Attenuators, Passive/Active Filters, Tuned Circuits, Coupling and Selectivity, Oscillators, Circuit Theorems, Diode Theory, Diode Applications, Transistor Theory, Bipolar Transistor, Transistor Configurations, Transistor Circuits, Field Effect Transistors, Operational Amplifier Theory and Applications, Sum and Difference Amplifiers.

Electrical:-

DC and AC Power, SCR, Power Supplies, Voltage Regulators, Magnetism, Motors/Generators, Transformers, Three Phase Systems.

Digital Techniques:-

Logic Gates, Flip Flops, Combinational Logic, Counters, Counting, Shift Registers, Logic Interfacing, Timers, Boolean Algebra and DeMorgan's Theorems.

Microprocessors and PIC Microcontrollers:-

Basic Micro-Computer, Busses, A.L.U, Clock and Reset, Instructions and Control, Memory Cells, ROM and RAM, Memory Addressing, Interrupts, PIC Introduction, PIC16F84 Architecture, PIC16C71 A/D, Byte, Bit, Latch and Control Instructions.

Personal user £99.95 +VAT
Education £299.95 +VAT
(Includes unlimited multi-user site licence.)

Measurement and Component Testing:-

Analogue multi-meter, Measurement, Component Testing.

Mathematics:-

Simple Numbers, Number Types, Roots, Triangle Ratio's, Triangle Angles, Area, Surface Area and Symmetry, Volume, Percentages, Ratio's, Fractions, Vectors, Circle Angles, Laws, Algebra Rules, Powers, Simplifying, Equations, Graphing, Slope and Translation, Angles, Complex Numbers, Statistics, Lottery Number Probability, Science.

Computer Science:-

Hardware Devices, Data Structures, Data Files, Binary Numbers, Binary Arithmetic.

Toolbox:-

DC Calculations, AC Calculations, Numbers, Applications.

Self-Assessment Questions:-

DC, AC, Power, Semi-Conductors, Op-Amps, Digital, Mathematics.

Components and Equipment Picture Dictionary:-

High quality digital camera images and explanatory text.

ELECTRONICS LAB (Optional add-on hardware).

eptsoft limited. Pump House, Lockram Lane, Witham, Essex. UK. CM8 2BJ.
Tel: +44 (0)1376 514008. Fax: +44 (0)870 0509660. Email: info@eptsoft.com.

Switch, Delta, Visa and MasterCard accepted.

No additional postage or airmail charges.

World Radio History