

EVERYDAY

FEBRUARY 2000

PRACTICAL

ELECTRONICS

INCORPORATING **ELECTRONICS TODAY INTERNATIONAL** £2.65

THE No.1 **MAGAZINE FOR ELECTRONICS TECHNOLOGY & COMPUTER PROJECTS**

New Series

**TECHNOLOGY
TIMELINES**

How we got
where we are

**PIC CONTROLLED
VIDEO CLEANER**
Stabilises video
viewing



Starter Project

**VOLTAGE
MONITOR**

Keep an eye on
battery condition

EASY TYPIST

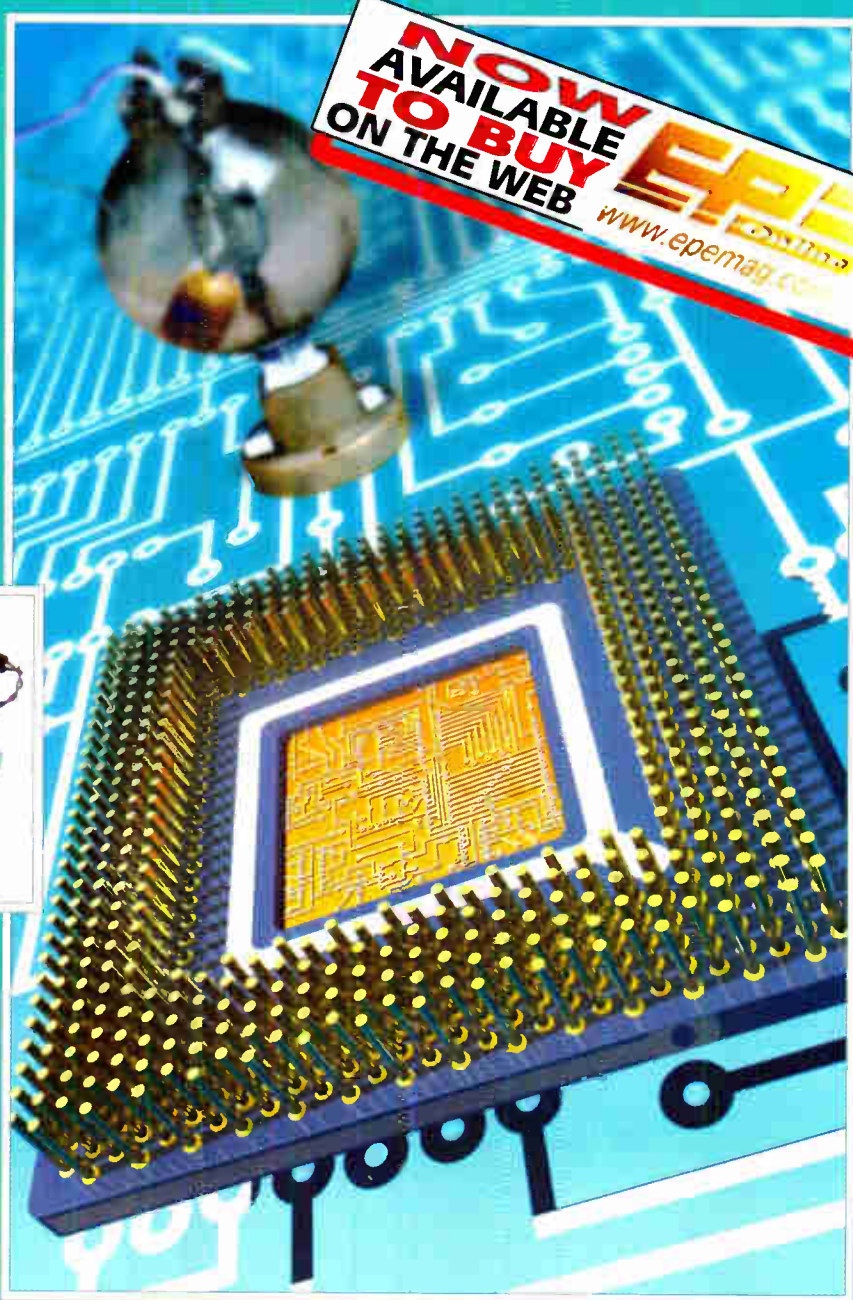
Automatic tape controller

PLUS

**EPE TEACH-IN 2000
PART 4 - Diodes and LEDs**

<http://www.epemag.wimborne.co.uk>

**NOW
AVAILABLE
TO BUY
ON THE WEB**
EPE
www.epemag.com



12v 18Ah SEALED LEADACID BATTERIES, new and boxed, unused pack of 4 £39.95 ref CYC7 or £15 each ref CYC6

AUTOMATIC CHARGER For the above batteries, charges 2 at once, charge level indicator circuitry, 6 hour charge. £10 ref CYC8

A new range of 12v to 240v INVERTERS

IV400S (400 watt) £89.IV800S (800 watt) £159.IV1200S (1200 watt) £219

ECG MACHINES 7.6v 10AH BATT/24V 8A TX Ex government ECG machines! Measures 390x320x120mm, on the front are controls for scan speed, scan delay, scan mode loads of connections on the rear including video out etc. On the front panel are two DIN sockets for connecting the body sensors to Sensors not included, Inside 2 x 6v 10AH lead acid batts (not in good condition), pcb's and a 8A? 24v toroidal transformer (mains in) sold as seen, may have one or two broken knobs etc due to poor storage. £15.99 ref VP2

SODIUM LAMP SYSTEMS £75.70 Complete system with 250w or 400 watt SON-T Agro bulb, reflector with bulb holder and remote ballast and starter (uncased) all you need is wire. 250W system ref SLS1, 400W system SLS2.

PC SUPPORT HANDBOOK The ultimate technical guide to building and maintaining PCs. Over 460 A4 pages packed with technical data and diagrams just £10 ref PCBK. If you want 4 copies for £33 ref PCBK2. Also available is a CD packed with diagnostic programmes to use with the book £5 ref PCBK1

D SIZE NICADS Tagged, 1200mA, 1.2v pack of 4 for £6 ref CYC9 or as a pack of 24 for £22 ref CYC10

D SIZE SEALED LEAD ACID BATTERIES

2v 2.5ah rechargeable sealed lead acid battery made by Cyclon 60x45mm (standard D size) supplied as a pack of 12 or 20 giving you options for battery configurations eg 12v at 5ah, 24v at 2.5ah, 6v at 10ah. These batteries are particularly useful in that you can arrange them in your project to optimise space etc (eg boat ballast etc) Pack of 12 £10 ref CYC4, pack of 20 £16 ref CYC5

HYDROPONICS DO YOU GROW YOUR OWN?

We have a full colour hydroponics catalogue available containing nutrients, pumps, fittings, environmental control, light fittings, plants, test equipment etc Ring for your free copy.

PC COMBINED UPS AND PSU The unit has a total power of 292 watts, standard mother board connectors and 12 peripheral power leads for drives etc. Inside is 3 12v 7.2ah sealed lead acid batteries. Backup time is 8 mins at full load or 30 mins at half load. Made in the UK by Magnum, 110 or 240vac input, +5v at 35A, -5v at 5A, +12v at 9A, -12v at 5A outputs. 170x260x220mm new and boxed £29.95 Ref PCUPS2.

ALTERNATIVE ENERGY CD, PACKED WITH HUNDREDS OF ALTERNATIVE ENERGY RELATED ARTICLES, PLANS AND INFORMATION ETC £14.50 REF CDS6

AERIAL PHOTOGRAPHY KIT This rocket comes with a built in camera! it flies up to 500 feet (150 m) turns over, and takes an aerial photograph of the ground below. The rocket then returns with its film via its parachute. Takes 110 film. Supplied complete with everything including a launch pad and 3 motors (no film) £29.98 ref astro

PROJECT BOXES Another bargain for you are these smart ABS project boxes, smart two piece screw together case measuring approx 6"x5"x2" complete with panel mounted LED. Inside you will find loads of free bits, tape heads, motors, chips resistors, transistors etc. Pack of 20 £19.95 ref MD2

TELEPHONES Just in this week is a huge delivery of telephones, all brand new and boxed. Two piece construction - illuminated keypad, tone or pulse (switchable), recall, redial and pause, high/low and off ringer switch and quality construction. Off white colour and is supplied with a standard international lead (same as US or modems) if you wish to have a BT lead supplied to convert the phones these are £1.55 each ref BTXL. **Phones £4.99 each ref PH2 10 off £30 ref SS2**

3HP MAINS MOTORS Single phase 240v, brand new, 2 pole, 340x180mm, 2850 rpm, builtin automatic reset overload protector, keyed shaft (40x16mm) Made by Leeson £99 each ref LEE1

BUILD YOUR OWN WINDFARM FROM SCRAP New publication gives step by step guide to building wind generators and propellers. Armed with this publication and a good local scrap yard could make you self sufficient in electricity! £12 ref LOT81

CHIEFTAN TANK DOUBLE LASERS 9 WATT + 3 WATT + LASER OPTICS Could be adapted for laser listener, long range comms etc Double beam units designed to fit in the barrel of a tank, each unit has 2 semi conductor lasers and motor drive units for alignment. 7 mile range, no circuit diagrams due to MOD, new price £50,000? us? £199. Each unit has two gallium Arsenide injection lasers, 1 x 9 watt, 1 x 3 watt, 900nm wavelength, 28vdc, 600Hz pulse freq. The units also contain a receiver to detect reflected signals from targets. £199 Ref LOT4.

MAGNETIC CREDIT CARD READERS AND ENCODING MANUAL £9.95 Cased with flyleads, designed to read standard credit cards! complete with control electronics PCB and manual covering everything you could want to know about whats hidden in that magnetic strip on your card! just £9.95 ref BAR31

SOLAR POWER LAB SPECIAL 2x 6"x6" 6v 130mA cells, 4LED's, wire, buzzer, switch + relay or motor. £7.99 REF SA27

SOLAR NICAD CHARGERS 4 x AA size £9.99 ref 6P476, 2 x C size £9.99 ref 6P477 **YOUR HOME COULD BE SELF SUFFICIENT IN ELECTRICITY** Comprehensive plans with loads of info on designing systems, panels, control electronics etc £7 ref PV1

AUTO SUNCHARGER 155x300mm solar panel with diode and 3 metre lead and cigar plug. 12v 2w £12.99 REF AUG10P3 **STEPPER MOTORS** Brand new stepper motors, 4mm fixing holes with 47 14mm fixing centres, 20mm shaft, 6.35mm diameter, 5v/phase, 0.7A/phase, 1.8 deg step (200 step) Body 56x36mm. £14.99 ea ref STEP6, pack of 4 for £49.95 PIC based variable speed controller kit £15 ref STEP7

WAREHOUSE CLOSING SALE
Come and visit our Sussex warehouse, fill your car (or van) with loads of goodies at bargain prices. We must clear this warehouse regardless of cost, first come, first served, 10,000 square feet of bargains to browse. Call us for an appointment and directions. Appointments only.

Hydrogen fuel cells

Our new Hydrogen fuel cells are 1v at up to 1A output, Hydrogen input, easily driven from a small electrolysis assembly or from a hydrogen source, our demo model uses a solar panel with the output leads in a glass of salt water to produce the hydrogen! Each cell is designed to be completely taken apart, put back together and expanded to what ever capacity you like, (up to 10watts and 12v per assembly. Cells cost £49 ref HFC11

PHILIPS VP406 LASER DISC PLAYERS, SCART OUTPUT, JUST PUT YOUR VIDEO DISK IN AND PRESS PLAY, STANDARD AUDIO AND VIDEO OUTPUTS, FULLY TESTED AND WORKING. £24.95 REF VP406

SMOKE ALARMS Mains powered, made by the famous Gent company, easy fit next to light fittings, power point. Pack of 5 £15 ref SS23, pack of 12 £24 ref SS24

4AH D SIZE NICADS pack of 4 £10 ref 4AHPK SENDER KIT Contains all components to build a VHF transmitter complete with case £35 ref V5XX2

10 WATT SOLAR PANEL Amorphous silicon panel fitted in a anodized aluminium frame. Panel measures 3' by 1' with screw terminals for easy connection. 3' x 1' solar panel £55 ref MAG45 **Unframed 4 pack (3'x1') £58.99 ref SOLX**

12V SOLAR POWERED WATER PUMP Perfect for many 12v DC uses. from solar fountains to hydroponics! Small and compact yet powerful works direct from our 10 watt solar panel in bright sun. Max hd: 17 ft. Max flow = 8 Lpm. 1 5A Ref AC8 £18.99

SOLAR ENERGY BANK KIT 50x 6"x12" 6v solar panels (amorphous) + 50 diodes £99 ref EF112

PINHOLE CAMERA MODULE WITH AUDIO! Superb board camera with on board sound! extra small just 28mm square (including microphone) ideal for surveillance. Can be hidden inside anything - even a matchbox! Complete with 15 metre cable, psu and tv/rv connectors. £49.95 ref CC6J

SOLAR MOTORS Tiny motors which run quite happily on voltages from 3-12vdc. Works on our 6v amorphous 6" panels and you can run them from the sun! 32mm dia 20mm thick £1.50 each **WALKIE TALKIES 1 MILE RANGE £37/PAIR REF MAG30**

LIQUID CRYSTAL DISPLAYS Bargain prices, 16 character 4 line, 62x25mm £5.99 ref SMC1640A 40 character 1 line 154x18mm £6.00 ref SMC4011A

YOUR HOME COULD BE SELF SUFFICIENT IN ELECTRICITY Comprehensive plans with loads of info on designing systems, panels, control electronics etc £7 ref PV1

AUTO SUNCHARGER 155x300mm solar panel with diode and 3 metre lead and cigar plug. 12v 2w £12.99 REF AUG10P3

SOLAR POWER LAB SPECIAL 2x 6"x6" 6v 130mA cells, 4LED's, wire, buzzer, switch + relay or motor. £7.99 REF SA27

SOLAR NICAD CHARGERS 4 x AA size £9.99 ref 6P476, 2 x C size £9.99 ref 6P477

MINATURE TOGGLE SWITCHES These top quality Japanese panel mount toggle switches measure 35x13x12mm, are 2 pole changeover and will switch 1A at 250vac, or 3 A at 125vac. Complete with mounting washers and nuts. Supplied as a box of 100 switches for £29.95 ref SWT35 or a bag of 15 for £4.99 ref SWT34

VOICE CHANGERS Hold one of these units over your phone mouth piece and you can adjust your voice using the controls on the unit! Battery operated £15 ref CC3

BULL ELECTRICAL
250 PORTLAND ROAD, HOVE, SUSSEX.
BN3 5QT. (ESTABLISHED 50 YEARS).
MAIL ORDER TERMS: CASH, PO OR CHEQUE
WITH ORDER PLUS £4.00 P&P PLUS VAT.
24 HOUR SERVICE £6.50 PLUS VAT.
OVERSEAS ORDERS AT COST PLUS £3.50
(ACCESS, VISA, SWITCH, AMERICAN EXPRESS)
phone orders : 01273 203500
FAX 01273 323077
Sales@bull-electrical.com

30 WATTS OF SOLAR POWER for just £69, 4 panels each one 3'x1' and producing 8w, 13v. PACK OF FOUR £69 ref SOLX

200 WATT INVERTERS plugs straight into your car cigarette lighter socket and is fitted with a 13A socket so you can run your mains operated devices from your car battery. £49.95 ref SS66

THE TRUTH MACHINE Tells if someone is lying by micro tremors in their voice, battery operated, works in general conversation and on the 'phone and TV as well! £42.49 ref TD3

INFRA RED FILM 6" square piece of flexible infra red film that will only allow IR light through. Perfect for converting ordinary torches, lights, headlights etc to infra red output only using standard light bulbs. Easily cut to shape. 6" square £15 ref IRF2

33 KILO LIFT MAGNET Neodymium, 32mm diameter with a fixing bolt on the back for easy mounting. Each magnet will lift 33 kilos, 4 magnets bolted to a plate will lift an incredible 132 kilos! £15 ref MAG33 Pack of 4 just £39.95 ref MAG33AA

HYDROGEN FUEL CELL PLANS Loads of information on hydrogen storage and production. Practical plans to build a Hydrogen fuel cell (good workshop facilities required) £8 set ref FCP1

STIRLING ENGINE PLANS Interesting information pack covering all aspects of Stirling engines, pictures of home made engines made from an aerosol can running on a candle! £12 ref STIR2

ENERGY SAVER PLUGS Saves up to 15% electricity when used with fridges motors up to 2A. Light bulbs, soldering irons etc £9 ea ref LOT71, 10 pack £69 ref LOT72

12V OPERATED SMOKE BOMBS Type 3 is a 12v trigger and 3 smoke canisters, each canister will fill a room in a very short space of time! £14.99 ref SB3. Type 2 is 20 smaller canisters (suitable for mock equipment fires etc) and 1 trigger module for £29 ref SB2. Type 1 is a 12v trigger and 20 large canisters £49 ref SB1

HIPOWER ZENON VARIABLE STROBES Useful 12v PCB fitted with hi power strobe tube and control electronics and speed control potentiometer. Perfect for interesting projects etc 70x55mm 12vdc operation. £6 ea ref FL51. pack of 10 £49 ref FL52

NEW LASER POINTERS 4.5mm, 75 metre range, hand held unit runs on two AA batteries (supplied) 670nm. £29 ref DEC49J

HOW TO PRODUCE 35 BOTTLES OF WHISKY FROM A SACK OF POTATOES Comprehensive 270 page book covers all aspects of spirit production from everyday materials. Includes construction details of simple stills. £12 ref MS3

NEW HIGH POWER MINI BUV With a range of up to 800 metres and a 3 days use from a PP3 this is our top selling bug! less than 1" square and a 10m voice pickup range. £28 Ref LOT102

IR LAMP KIT Suitable for CCTV cameras, enables the camera to be used in total darkness! £8 ref EF138

INFRA RED POWERBEAM Handheld battery powered lamp, 4 inch reflector, gives out powerful pure infrared light! perfect for CCTV use, night sights etc. £29 ref PB1

SUPER WIDEBAND RADAR DETECTOR Detects both radar and laser, X K and KA bands, speed cameras, and all known speed detection systems. 360 degree coverage, front & rear waveguides, 1.1"x2.7"x4.6" fits on visor or dash £149

LOPTX Made by Samsung for colour TV £13 each ref SS52

LAPTOP LCD SCREENS 240x175mm, £12 ref SS51

WANT TO MAKE SOME MONEY? STUCK FOR AN IDEA? We have collated 140 business manuals that give you information on setting up different businesses, you peruse these at your leisure using the text editor on your PC. Also included is the certificate enabling you to reproduce (and sell) the manuals as much as you like! £14 ref EP74

HIGH POWER DC MOTORS, PERMANENT MAGNET 12 - 24v operation, probably about 1/4 horse power, body measures 100m x 75mm with a 60mm x 5mm output shaft with a machined flat on it. Fixing is simple using the two threaded bolts protruding from the front. £22 ref MOT4



Online
web catalogue
bull-electrical.com

ELECTRONIC SPEED CONTROLLER KIT For the above motor is £19 ref MAG17. Save £5 if you buy them both together, 1 motor plus speed controller rrp is £41, offer price £36 ref MOT5A

INFRA RED REMOTE CONTROLS made for TVs but may have other uses pack of 100 £39 ref IREM

RCB UNITS Inline IEC lead with fitted RC breaker. Installed in seconds. Pack of 3 £9.98 ref LOT5A

On our web sites you can

1. Order online.
2. Check your premium bonds.
3. Enter our auction or build your own.
4. Add E-commerce to your own site.
5. Discover our software site, optical site, hydroponics site, holiday home exchange site, inkjet site, hotels site.
6. View our web camera.
7. Invest in our future.

<http://www.bullnet.co.uk>

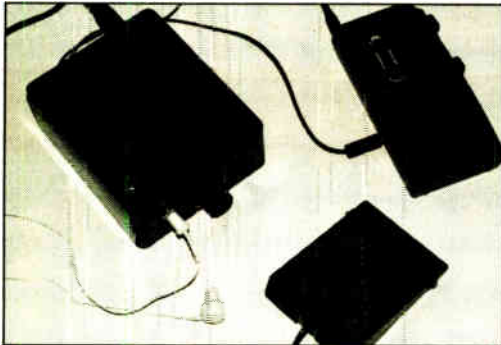
ISSN 0262 3617
PROJECTS ... THEORY ... NEWS ...
COMMENTS ... POPULAR FEATURES ...

VOL. 29. No. 2 FEBRUARY 2000

Cover illustration by Jonathan Robertson

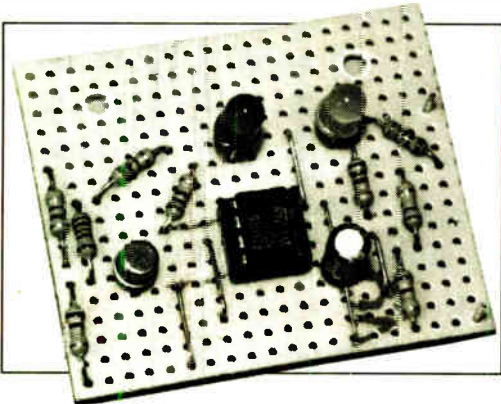
EVERYDAY
PRACTICAL
ELECTRONICS
INCORPORATING **ELECTRONICS TODAY INTERNATIONAL**

<http://www.epemag.wimborne.co.uk>



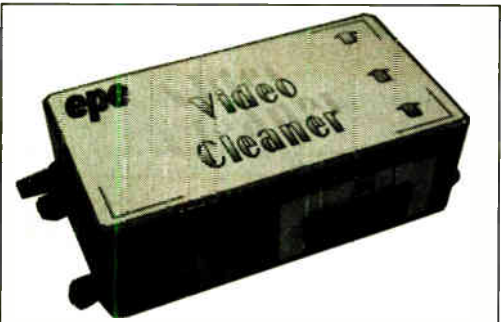
Projects and Circuits

- EASY-TYPIST TAPE CONTROLLER** by Andy Flind 92
Soundly helps copy-typists who can't type!
- VOLTAGE MONITOR** by Robert Penfold 102
This month's Starter Project illuminates your battery's condition
- PIC VIDEO CLEANER** by Mike Delaney 114
Improving video viewing on poorly maintained TVs and VCRs
- FIND IT - DON'T LOSE IT!** by Terry de Vaux-Balbirnie 140
Offering the key to enlightened location finding!
- INGENUITY UNLIMITED** hosted by Alan Winstanley 143
Mini Disc Optical Interface; VCO Generator



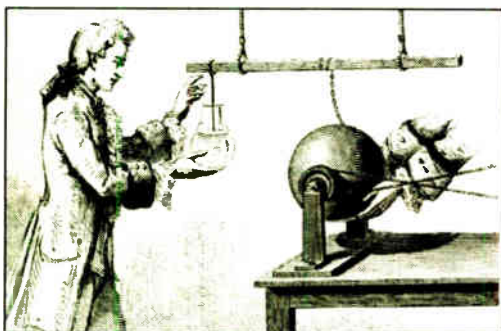
Series and Features

- NEW TECHNOLOGY UPDATE** by Ian Poole 96
Latest developments in I.e.d. efficiency
- TECHNOLOGY TIMELINES - 1. Days of Yore** 108
by Clive "Max" Maxfield and Alvin Brown
Who, what, where and when - the fascinating story of how technology developed in the last millennium
- INTERFACE** by Robert Penfold 120
12-Bit serial ADC using the AD7896
- CIRCUIT SURGERY** by Alan Winstanley and Ian Bell 122
Bistable Switches; Noise Source; Op.amps - Signal Handling
- TEACH-IN 2000 - 4. Diodes and L.E.D.s** by John Becker 128
Essential info for the electronics novice, with breadboard experiments and interactive computer simulations
- NET WORK - THE INTERNET PAGE** surfed by Alan Winstanley 148
Sweet Dreamcasts; Cut the Phone Tariffs; Christmas Litmus



Regulars and Services

- EDITORIAL** 91
- NEWS** - Barry Fox highlights technology's leading edge 99
Plus everyday news from the world of electronics
- READOUT** John Becker addresses general points arising 105
- CD-ROMS FOR ELECTRONICS** 126
Parts Gallery + Electronic Circuits and Components; Digital Electronics; Analogue Electronics; plus PICtutor, plus Modular Circuit Design
- SHOPTALK** with David Barrington 136
The essential guide to component buying for EPE projects
- ELECTRONICS MANUALS** 138
Essential reference works for hobbyists, students and service engineers. Plus digital multimeter special offer
- DIRECT BOOK SERVICE** 144
A wide range of technical books available by mail order
- BACK ISSUES** Did you miss these? 146
- ELECTRONICS VIDEOS** Our range of educational videos 147
- PRINTED CIRCUIT BOARD AND SOFTWARE SERVICE** 149
PCBs for EPE projects. Plus EPE software
- ADVERTISERS INDEX** 152



© Wimborne Publishing Ltd 2000. Copyright in all drawings, photographs and articles published in EVERYDAY PRACTICAL ELECTRONICS is fully protected, and reproduction or imitations in whole or in part are expressly forbidden.

Our March 2000 issue will be published on Friday, 4 February 2000. See page 83 for details

Readers Service • Editorial and Advertisement Departments 91

Visit our website
www.distel.co.uk

THE ORIGINAL SURPLUS WONDERLAND!

THIS MONTH'S SELECTION FROM OUR VAST EVER CHANGING STOCKS

Surplus always
wanted for cash!

THE AMAZING TELEBOX

Converts your colour monitor into a QUALITY COLOUR TV!!



**TV SOUND &
VIDEO TUNER**
CABLE COMPATIBLE*

The TELEBOX is an attractive fully cased mains powered unit, containing all electronics ready to plug into a host of video monitors or AV equipment which are fitted with a composite video or SCART input. The composite video output will also plug directly into most video recorders, allowing reception of TV channels not normally receivable on most television receivers* (TELEBOX MB). Push button controls on the front panel allow reception of 8 fully tuneable 'off air' UHF colour television channels. TELEBOX MB covers virtually all television frequencies VHF and UHF including the HYPERBAND as used by most cable TV operators. Ideal for desktop computer video systems & PIP (picture in picture) setups. For complete compatibility - even for monitors without sound - an integral 4 watt audio amplifier and low level Hi Fi audio output are provided as standard. Brand new - fully guaranteed.

TELEBOX ST for composite video input type monitors £36.95
TELEBOX STL as ST but fitted with integral speaker £39.50
TELEBOX MB Multiband VHF/UHF/Cable/Hyperband tuner £69.95
For overseas PAL versions state 5.5 or 6 mhz sound specification.
*For cable / hyperband signal reception Telebox MB should be connected to a cable type service. Shipping on all Teleboxes, code (B)

NEW State of the art PAL (UK spec) UHF TV tuner module with composite 1V pp video & NICAM Hi fi stereo sound outputs. Micro electronics all on one small PCB only 73 x 160 x 52 mm enable full tuning control via a simple 3 wire link to an IBM pc type computer. Supplied complete with simple working program and documentation. Requires +12V & +5V DC to operate. **BRAND NEW - Order as MY00. Only £49.95 code (B)**
See www.distel.co.uk/data_my00.htm for picture + full details

FLOPPY DISK DRIVES 2½" - 8"

All units (unless stated) are BRAND NEW or removed from often brand new equipment and are fully tested, aligned and shipped to you with a full 90 day guarantee. Call or see our web site www.distel.co.uk for over 2000 unlisted drives for spares or repair.

- 3½" Mitsubishi MF355C-L, 1.4 Meg. Laptops only £25.95(B)
- 3½" Mitsubishi MF355C-D, 1.4 Meg. Non laptop £18.95(B)
- 5¼" Teac FD-55GFR 1.2 Meg (for IBM pc's) RFE £18.95(B)
- 5¼" Teac FD-55F-03-U 720K 4080 (for BBC's etc) RFE £29.95(B)
- 5¼" BRAND NEW Mitsubishi MF501B 360K £22.95(B)
- Table top case with integral PSU for HI 5¼" Floppy / HD £29.95(B)
- 8" Shugart 800/801 8" SS refurbished & tested £210.00(E)
- 8" Shugart 810 8" SS HI Brand New £195.00(E)
- 8" Shugart 851 8" double sided refurbished & tested £260.00(E)
- 8" Mitsubishi M2894-63 double sided NEW £295.00(E)
- 8" Mitsubishi M2896-63-02U DS slimline NEW £295.00(E)
- Dual 8" cased drives with integral power supply 2 Mb £499.00(E)

HARD DISK DRIVES 2½" - 14"

- 2½" TOSHIBA MK1002MAV 1.1Gb laptop (12.5 mm H) New £79.95
- 2½" TOSHIBA MK2101MAN 2.16 Gb laptop (19 mm H) New £89.50
- 2½" TOSHIBA MK4309MAT 4.3Gb laptop (8.2 mm H) New £105.00
- 2½" TOSHIBA MK6409MAV 6.1Gb laptop (12.7 mm H) New £190.00
- 2½" to 3½" conversion kit for PC's, complete with connectors £14.95
- 3½" FUJI FK-309-26 20mb MFM I/F RFE £59.95
- 3½" CONNER CP3024 20 mb IDE I/F (or equiv.) RFE £59.95
- 3½" CONNER CP3044 40 mb IDE I/F (or equiv.) RFE £69.00
- 3½" QUANTUM 40S Prodril vs 42mb SCSI I/F, New RFE £49.00
- 5¼" MINISCRIIBE 3425 20mb MFM I/F (or equiv.) RFE £49.95
- 5¼" SEAGATE ST-238R 30 mb RLL I/F Refurb £69.95
- 5¼" CDC 94205-51 40mb HM MFM I/F RFE tested £69.95
- 5¼" HP 9754H 850 Mb SCSI RFE tested £99.00
- 5¼" HP C3010 2 Gbyte SCSI differential RFE tested £195.00
- 8" NEC D2246 85 Mb SMD interface. New £199.00
- 8" FUJITSU M2322K 160Mb SMD I/F RFE tested £195.00
- 8" FUJITSU M2392K 2 Gb SMD I/F RFE tested £345.00

Many other drives in stock - Shipping on all drives is code (C1)

TEST EQUIPMENT & SPECIAL INTEREST ITEMS

- MITS. FA3445ETKL 14" Industrial spec SVGA monitors £245
- FARNELL 0-60V DC @ 50 Amps, bench Power Supplies £995
- FARNELL AP3080 0-30V DC @ 80 Amps, bench Supply £1850
- 1kW to 400 kW - 400 Hz 3 phase power sources - ex stock £1450
- IBM 8230 Type 1, Token ring base unit driver £760
- Wayne Kerr RA200 Audio frequency response analyser £2500
- IBM 53F501 Token Ring ICS 20 port lobe modules £750
- IBM MAU1 Token ring distribution panel 8228-23-5050N £95
- AIM 501 Low distortion Oscillator 9Hz to 330KHz, IEEE £550
- ALD GON 8360 1 180V-1800 MHz hybrid power combiners £250
- Tron DS 274 Data Analyser with C703(2M) 64 io £650
- Marconi 6310 Programmable 2 to 22 GHz sweep generator £1550
- Marconi 2022C 10KHz-1GHz RF signal generator £4995
- Marconi 2030 opt 30 10KHz-1.3 GHz signal generator, New £3750
- HP1650B Logic Analyser EPOA
- HP3781A Pattern generator & HP3782A Error Detector £1800
- HP6621A Dual Programmable GPIB PSU 0-7 V 160 watts £675
- HP6264 Rack mount variable 0-20V @ 20A metered PSU £675
- HP54121A DC to 22 GHz four channel test set £7900
- HP8130A opt 020 300 MHz pulse generator, GPIB etc £550
- HP A1, A0 8 pen HPGL high speed drum plotters - from HP DRAFTMASTER 1 8 pen high speed plotter £750
- EG-G Brookdeale 950353C Precision lock in amp £1800
- View Eng. Mod 1200 computerised inspection system EPOA
- Sony DXC-3000A High quality CCD colour TV camera £995
- Keithley 590 CV capacitor / voltage analyser EPOA
- Racal ICR40 dual 40 channel voice recorder system £3750
- Fiskers 45KVA 3 ph On Line UPS - New batteries £9500
- Emerson AP130 2.5KVA industrial spec UPS £2100
- Menn Tally MT645 High speed line printer £2200
- Intel SBC 486/133ES Multibus 486 system, 8Mb Ram £945
- Siemens K4400 64Kb to 140Mb demux analyser £2950

IC's - TRANSISTORS - DIODES

OBSOLETE - SHORT SUPPLY - BULK
10,000,000 items EX STOCK

For MAJOR SAVINGS
CALL OR SEE OUR WEB SITE www.distel.co.uk

VIDEO MONITOR SPECIALS

One of the highest specification monitors you will ever see -
At this price - Don't miss it!!

Mitsubishi FA3415ETK 14" SVGA Multisync colour monitor with fine 0.28 dot pitch tube and resolution of 1024 x 768. A variety of inputs allows connection to a host of computers including IBM PC's in CGA, EGA, VGA & SVGA modes, BBC, COMMODORE (including Amiga 1200), ARCHIMEDES and APPLE. Low features: Etched faceplate, text switching and LOW RADIATION MPR specification. Fully guaranteed, in EXCELLENT little

used condition. **Only £119 (E)** Order as MITS-SVGA
Tilt & Swivel Base £4.75
VGA cable for IBM PC included.

External cables for other types of computers available - CALL

Ex demo 17" 0.28 SVGA Mitsubishi Diamond Pro monitors, Full multisync etc.
Full 90 day guarantee. **Only £199.00 (E)**

Just In - Microvitec 20" VGA (800 x 600 res.) colour monitors.
Good SH condition - from £299 - CALL for Info

PHILIPS HCS35 (same style as CM8833) attractively styled 14" colour monitor with both RGB and standard composite 15.625 KHz video inputs via SCART socket and separate phono jacks. Integral audio power amp and speaker for all audio visual uses. Will connect direct to Amiga and Atari BBC computers. Ideal for all video monitoring / security applications with direct connection to most colour cameras. High quality with many features such as front concealed flap controls, VCR correction button etc. Good used condition - fully tested - guaranteed
Dimensions: W14" x H12¾" x 15¾" D. **Only £99.00 (E)**

PHILIPS HCS31 Ultra compact 9" colour video monitor with standard composite 15.625 KHz video input via SCART socket. Ideal for all monitoring / security applications. High quality, ex-equipment fully tested & guaranteed (possible minor screen burns). In attractive square black plastic case measuring W10" x H10" x 1¾" D. 240 V AC mains powered. **Only £79.00 (D)**

KME 10" 15M10009 high definition colour monitors with 0.28" dot pitch. Superb clarity and modern styling. Operates from any 15.625 KHz sync RGB video source, with RGB analog and composite sync such as Atari, Commodore Amiga, Acorn Archimedes & BBC. Measures only 13¾" x 12" x 11". Good used condition. **Only £125 (E)**

20" 22" and 26" AV SPECIALS

Superbly made UK manufacture. PII all solid state colour monitors, complete with composite video & optional sound input. Attractive tek style case. Perfect for Schools, Shops, Disco, Clubs, etc. In EXCELLENT little used condition with full 90 day guarantee.

20".....£135 22".....£155 26".....£185 (F)

We probably have the largest range of video monitors in Europe, All sizes and types from 4" to 42" call for info.

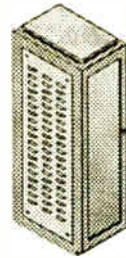
DC POWER SUPPLIES

Virtually every type of power supply you can imagine. Over 10,000 Power Supplies Ex Stock
Call or see our web site.

19" RACK CABINETS

Superb quality 6 foot 40U
Virtually New, Ultra Smart
Less than Half Price!

Top quality 19" rack cabinets made in UK by Optima Enclosures Ltd. Units feature designer, smoked acrylic lockable front door, full height lockable half louvered back door and louvered removable side panels. Fully adjustable internal fixing struts, ready punched for any configuration of equipment mounting plus ready mounted integral 12 way 13 amp socket switched mains distribution strip make these racks some of the most versatile we

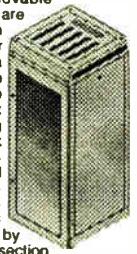


have ever sold. Racks may be stacked side by side and therefore require only two side panels to stand singly or in multiple bays. Overall dimensions are: 77½" H x 32¾" D x 22" W. Order as:
OPT Rack 1 Complete with removable side panels. £345.00 (G)
OPT Rack 2 Rack, Less side panels £245.00 (G)

Over 1000 racks, shelves, accessories
19" 22" & 24" wide 3 to 46 U high.
Available from stock !!

32U - High Quality - All steel RakCab

Made by Eurocraft Enclosures Ltd to the highest possible spec, rack features all steel construction with removable side, front and back doors. Front and back doors are hinged for easy access and all are lockable with five secure 5 lever barrel locks. The front door is constructed of double walled steel with a 'designer style' smoked acrylic front panel to enable status indicators to be seen through the panel, yet remain unobtrusive. Internally the rack features fully slotted reinforced vertical fixing members to take the heaviest of 19" rack equipment. The two movable vertical fixing struts (extras available) are pre-punched for standard 'cage nuts'. A mains distribution panel internally mounted to the bottom rear, provides 8 x IEC 3 pin Euro sockets and 1 x 13 amp 3 pin switched utility socket. Overall ventilation is provided by fully louvered back door and double skinned top section with top and side louvers. The top panel may be removed for fitting of integral fans to the sub plate etc. Other features include: fitted castors and floor levelers, pre-punched utility panel at lower rear for cable / connector access etc. Supplied in excellent, slightly used condition with keys. Colour Royal blue. External dimensions mm=1625H x 635D x 603 W. (64" H x 25" D x 23¾" W)



Sold at LESS than a third of makers price !!

A superb buy at only £245.00 (G)
42U version of the above only £345 - CALL

12V BATTERY SCOOP - 60% off !!

A special bulk purchase from a cancelled export order brings you the most amazing savings on these ultra high spec 12v DC 14 Ah rechargeable batteries. Made by Hawker Energy Ltd, type SBS15 featuring pure lead plates which offer a far superior shelf & guaranteed 15 year service life. Fully BT & BS6290 approved. Supplied BRAND NEW and boxed. Dimensions 200 wide, 137 high, 77 deep. M6 bolt terminals. Fully guaranteed. Current makers price over £70 each **Our Price £35 each (C) or 4 for £99 (E)**

RELAYS - 200,000 FROM STOCK

Save ££££ by choosing your next relay from our Massive Stocks covering types such as Military, Octal, Cradle, Hermetically Sealed, Continental, Contactors, Time Delay, Reed, Mercury Wetted, Solid State, Printed Circuit Mounting etc. CALL or see our web site www.distel.co.uk for more information. Many obsolete types from stock. Save ££££

COLOUR CCD CAMERAS

Undoubtedly a miracle of modern technology & our special buying power! A quality product featuring a fully cased COLOUR CCD camera at a give away price! Unit features full auto light sensing for use in low light & high light applications. A 10 mm fixed focus wide angle lens gives excellent focus and resolution from close up to long range. The composite video output will connect to any composite monitor or TV (via SCART socket) and most video recorders. Unit runs from 12V DC so ideal for security & portable applications where mains power not available.

Overall dimensions 66 mm wide x 117 deep x 43 high. Supplied BRAND NEW & fully guaranteed with user data, 100's of applications including Security, Home Video, Web TV, Web Cams etc. etc.

Web ref = LK33 **ONLY £99.00 or 2 for £180.00 (B)**

SOFTWARE SPECIALS

NT4 WorkStation, complete with service pack 3 and licence - OEM packaged. **ONLY £89.00 (B)**
ENCARTA 95 - CDROM, Not the latest - but at this price! £7.95
DOS 5.0 on 3½" disks with concise books c/w QBasic. £14.95
Windows for Workgroups 3.11a-DOS 6.22 on 3.5" disks £55.00
Wordperfect 6 for DOS supplied on 3½" disks with manual £24.95
shipping charges for software is code B

DISTEL on the web !! - Over 100,000,000 items from stock - www.distel.co.uk

Display
Electronics

ALL MAIL TO
Dept PE, 29/35 Osborne Rd
Thornton Heath
Surrey CR7 8PD
Open Mon - Fri 9.00 - 5.30

LONDON SHOP
Open Mon - Sat 9.00 - 5.30
215 Whitehorse Lane
South Norwood
On 68A Bus Route
N. Thornton Heath &
Selhurst Park SR Rail Stations

DISTEL
Visit our web site
www.distel.co.uk
email = admin@distel.co.uk

ALL ENQUIRIES
0208 653 3333
FAX 0208 653 8888



All prices for UK Mainland. UK customers add 17.5% VAT to TOTAL order amount. Minimum order £10. Bona Fide account orders accepted from Government, Schools, Universities and Local Authorities - minimum account order £50. Cheques over £100 are subject to 10 working days clearance. Carriage charges (A)-£3.00, (A1)-£4.00, (B)-£5.00, (C)-£8.00, (D)-£12.00, (E)-£15.00, (F)-£20.00, (G)-CALL. Allow approx 6 days for shipping - later CALL. All goods supplied to our Standard Conditions of Sale and unless stated guaranteed for 90 days. All transactions on a return to base basis. All rights reserved to change prices / specifications without prior notice. Orders subject to stock. Discounts for volume. Top CASH prices paid for surplus goods. All trademarks, tradenames etc acknowledged © Display Electronics 1999. E & O.E. 0799.

NEXT MONTH

EPE ICEBREAKER

Real time PIC In-Circuit Emulator, Programmer, Debugger and Development System

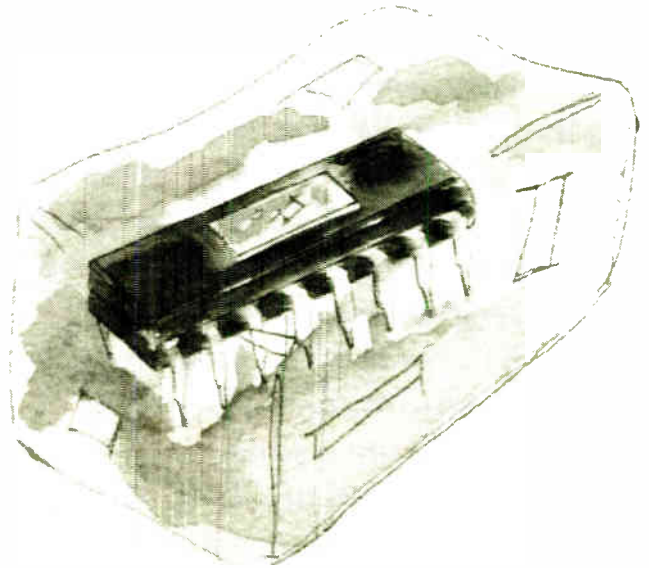
Icebreaker uses the very latest features of the PIC16F877 range of high performance RISK microcontrollers. These advanced chips communicate via a PC serial port and allow code to be programmed, run, and debugged.

Working in a Windows environment with Microchip's MPLAB software, programs can be written, loaded and tested by 'single stepping' or running at full speed in their final application board.

In-Circuit Emulation means that as the programs step or run, the I/O ports on the chip respond immediately – reading and driving any external hardware.

Commands include: Reset; Halt on external pulse; Set single breakpoint; Examine and change registers, program, and EEPROM; Load program from .HEX file, Single step – with display of Status bits, W register, Program Counter, and selected 'Watch window' registers. The development board has switches, i.e.d.s, connectors for add-on l.c.d. and 7-segment l.e.d. displays, socket for plug top power supply, voltage regulator, 9-pin serial connector, "patch areas" and space for a small "breadboard".

For beginners and advanced users – from simple programs such as those from the EPE PIC Tutorial (code written for the PIC16F84 or 'C84 also runs on the '877), to large complicated programs using the many special features of the PIC chips.



Starter
Project

AUTOMATIC TRAIN SIGNAL

This very simple starter project is a two-colour (red/green) signal for a model railway. It uses a simple form of automatic operation, and if you stop the train in front of the signal it automatically switches from "green" to "red". When the train is restarted the signal automatically switches to "green" again. To an onlooker it appears as though the signal is changing colour and the train is responding to the change. In reality, the train and the signal are both responding to changes in the track voltage.

PARKING WARNING SYSTEM

An unusual system which bounces a coded infra-red beam off the car in order to detect its position. When the preset sensed distance has been reached, a buzzer and l.e.d.s are operated to warn the driver it's time to stop.

TECHNOLOGY TIMELINES - 2

The Journey Continues

TEACH-IN 2000 PART 5

PLUS: ALL THE REGULAR FEATURES

NO ONE DOES IT BETTER

EVERYDAY
PRACTICAL
ELECTRONICS
INCORPORATING **ELECTRONICS TODAY INTERNATIONAL**

**DON'T MISS AN
ISSUE – PLACE YOUR
ORDER NOW!**

Demand is bound to be high

MARCH ISSUE ON SALE FRIDAY, FEBRUARY 4

Professional Quality Electronic

SURVEILLANCE

Equipment & Kits

The 'MILLENNIUM' is HERE!!

The year 2000 is a double celebration for SUMA DESIGNS as it signifies 20 YEARS in business as the UK's No.1 supplier of professional quality electronic surveillance equipment in kit and modular form. What we don't know about surveillance is not worth knowing!! Because everything we sell is designed and manufactured in our own rural workshops by our own experienced engineers we avoid the over inflated prices charged by the big city operators.

We import NOTHING!! and can export EVERYTHING!!

NEW FOR 2000 THE MILLENNIUM BUG CATALOGUE

WATCH THIS SPACE FOR ANNOUNCEMENT OF THE NEW SUMA 2000 MILLENNIUM BUG CATALOGUE SOON TO BE RELEASED CONTAINING A BRAND NEW RANGE OF SURVEILLANCE KITS, MODULES AND PRODUCTS INCLUDING:

- * **ROOM TRANSMITTERS AND MONITORING EQUIPMENT**
- * **TELEPHONE TRANSMITTERS AND MONITORING EQUIPMENT**
- * **BODYWORN DEVICES**
- * **BUG DETECTION EQUIPMENT**
- * **TRACKING AND DIRECTION FINDING EQUIPMENT**
- * **BROADBAND, VHF, UHF, CRYSTAL CONTROLLED, SYNTHESISED**
- * **RECEIVERS AND RECORDERS**
- * **VIDEO CAMERAS AND TRANSMISSION EQUIPMENT**
- * **SURVEILLANCE HINTS, TIPS AND 'KNOW-HOW'**

FOR OUR CURRENT CATALOGUE PLEASE SEND TWO FIRST CLASS STAMPS TO THE ADDRESS SHOWN BELOW. OVERSEAS PLEASE SEND TWO IRC'S
WEBSITE ONLINE SOON

**SUMA
DESIGNS**

DEPT. 22 THE RIDGE 21002
25 MAIN ROAD, EASTBURY
WIMBORNE, DORSET
UK TEL: 01258 51271

NO.1 FOR KITS!



**8 CAVANS WAY,
BINLEY INDUSTRIAL
ESTATE.
COVENTRY CV3 2SF
Tel: 01203 650702
Fax: 01203 650773
Mobile: 0860 400683**

(Premises situated close to Eastern-by-pass in Coventry with easy access to M1, M6, M40, M42, M45 and M69)

OSCILLOSCOPES

Beckman 9020 - 20MHz - Dual Channel	£150
Gould OS 245A/250/265/300/350/351/4000	from £125
Hewlett Packard 180A/180C/181A/182C	from £150
Hewlett Packard 1740A, 1741A, 1744A, 100MHz Dual Channel	from £300
Hewlett Packard 541000 - 1GHz Digitizing	£1250
Hewlett Packard 54200A - 50MHz Digitizing	£500
Hewlett Packard 54201A - 300MHz Digitizing	£1250
Hewlett Packard 54512B - 300MHz - 1 GS/s 4-Channel	£2250
Hewlett Packard 54501A - 100MHz - 100 Ms/s 4-Channel	£1250
Hitachi V152F/V302B/V302F/V353F/V550B/V650F	from £105
Hitachi V650F - 60MHz Dual Channel	£200
Hitachi V1100A - 100MHz 4-Channel	£300
Intron 2020 - 20MHz Digital Storage (NEW)	£450
iwatou SS5710/SS5702 - 20MHz	from £125
Meguro - M50 1270A - 20 MHz Digital Storage (NEW)	£450
Lecroy 9304 AM - 200MHz - 100 Ms/s 4-Channel	£3000
Lecroy 9450A - 300MHz/400 Ms/s D.S.O. 2-Channel	£2250
Philips PM 3055 - 50MHz Dual Timebase	£450
Philips PM 3211/PM 3212/PM 3214/PM 3217/PM 3234/PM 3240/PM 3243/ PM 3244/PM 3261/PM 3262/PM 3263/PM 3540	from £125
Philips PM 3295A - 400MHz Dual Channel	£1600
Philips PM 3335 - 50MHz/20 Ms/s D.S.O. 2-Channel	£950
Tektronix 455 - 50MHz Dual Channel	£200
Tektronix 464/466 - 100MHz Analogue Storage	from £300
Tektronix 465/465B - 100MHz Dual Channel	from £300
Tektronix 468 - 100MHz D.S.O.	£500
Tektronix TAS 475 - 100MHz - 4-Channel	£395
Tektronix 475/475A - 200MHz/250MHz Dual Channel	from £400
Tektronix 485 - 350MHz - 2-Channel	£750
Tektronix 2211 - Digital Storage - 50MHz	£800
Tektronix 2213 - 60MHz Dual Channel	£350
Tektronix 2215 - 60MHz Dual Channel	£375
Tektronix 2220 - 80MHz Dual Channel D.S.O.	£350
Tektronix 2221 - 80MHz Digital Storage 2-Channel	£350
Tektronix 2225 - 50MHz Dual Channel	£350
Tektronix 2235 - 100MHz Dual trace	£600
Tektronix 2335 - Dual Trace 100MHz (portable)	£600
Tektronix 2440 - 300MHz/500 Ms/s D.S.O. 2-Channel	£2500
Tektronix 2445 - 150MHz - 4-Channel + DIMM	£390
Tektronix 2445A - 100MHz - 4-Channel	£300
Tektronix 2476B - 400MHz - 4-Channel	£6500
Tektronix 5403 - 60MHz - 2 or 4-Channel	from £150
Tektronix 7313, 7603, 7623, 7633 - 100MHz 4-Channel	from £225
Tektronix 770A - 250MHz 4-Channel	from £350
Tektronix 790A - 500MHz	from £400
Trio CS-1022 - 20MHz - Dual Channel	£125

Other scopes available too

SPECIAL OFFER

HITACHI V212 - 20MHz DUAL TRACE	£160
HITACHI V222 - 20MHz DUAL TRACE + ALTERNATE MAGNIFY	£180

SPECTRUM ANALYSERS

Ando ACB211 - Spectrum Analyser 1.7GHz	£1995
Anritsu MS62B - 10kHz-1700MHz	£1995
Anritsu MS3401A + MS3401B - (10Hz-30MHz)	£3500 + £395
Anritsu MS610B - 100MHz - 2-Channel (Mini)	£4500
Anritsu MS710F - 100kHz-23GHz Spectrum Analyser	£5500
Avcom PS46SS - 100MHz - portable	£850
Hameg 8028/8038 - Spectrum Analyser/Tracking Gen + 100MHz Oscilloscope	£1000
Hewlett Packard 182R with 8559A (10MHz-21GHz)	£2750
Hewlett Packard 182T + 8558B - 0-1 to 1500MHz	£1250
Hewlett Packard 853A + 8558B - 0-1 to 1500MHz	£2250
Hewlett Packard 3562A Dual Channel Dynamic Sig. Analyser	£3750
Hewlett Packard 3580A - 5Hz-50kHz	£800
Hewlett Packard 3582A - 0-2Hz-25-9kHz (Dual Channel)	£2000
Hewlett Packard 3585A - 20Hz-40MHz	£4000
Hewlett Packard 8569B - (0-01 to 22GHz)	£4250
Hewlett Packard 8506A - 'S' Parameter Test Set	£2500
Hewlett Packard 8733A - Network Analyser	£3000
Hewlett Packard 8733B - Network Analyser	from £4500
IFR 7750 - 10kHz-1GHz	£2000
Meguro MSA 4901 - 1-300GHz (AS NEW)	£750
Meguro MSA 4912 - 1-1GHz (AS NEW)	£1000
Rohde & Schwarz - SWOB 5 Polyskop 0.1-1300MHz	£2100
Takeda Rilken 4132 - 1-0GHz Spectrum Analyser	£1900
Tektronix 7L18 with mainframe (1.5-60GHz with external mixers)	£2000
Tektronix 495P - 100Hz-1.8GHz programmable	£4500
Tektronix 496P - 1kHz-1.8GHz Spectrum Analyser	£4250

MISCELLANEOUS

Adret 740A - 100kHz-1120MHz Synthesised Signal Generator	£900
Anritsu MG 3601A Signal Generator 0-1-1040MHz	£1250
Anritsu ME 462B DF-3 Transmission Analyser	£2500
Anritsu MG 545B Signal Generator 0.05-1050MHz	£750
Boonton 92C R/F Millivoltmeter	£195
Boonton 93A True RMS Voltmeter	£195
Dranzet 626 - AC/DC - Multifunction Analyser	£900
EIP 331 - Frequency Counter 18GHz	£450
EIP 545 - Frequency Counter 18GHz	£1250
EIP 575 - Frequency Counter 18GHz	£1950
Etek SMPS - Power Supply 60V-30V	£350
Farnell TSV-70 MKII Power Supply (70V - 5A or 35V - 10A)	£200
Farnell DSG-1 Synthesised Signal Generator	£125
Farnell AP 30250A Power Supply 3V - 250A	£1750
Feedback PFG 605 Power Function Generator	£150
Fluke 5100A - Calibrator	£1950
GN ELM1 EPR31 PCM Signalling Recorder	£1500
Guideline 9152 - 112 Battery Standard Cell	£550
Hewlett Packard 1630D - Logic Analyser (43 Channels)	£500
Hewlett Packard 16500A/B and C - Fitted with 16510A/16514A/16530A/16531A Logic Analyser	from £2000
Hewlett Packard 331A - Distortion Analyser	£300
Hewlett Packard 333A - Distortion Analyser	£300
Hewlett Packard 334A - Distortion Analyser	£300
Hewlett Packard 3325A - 2 MHz Synthesiser/Function Generator	£900
Hewlett Packard 3335A - Synthesised Signal Generator (200Hz-81MHz)	£2750
Hewlett Packard 3336C - Synthesised Signal Generator (10Hz-21MHz)	£800
Hewlett Packard 3455 - 6 1/2 Digit Multimeter (Autocal)	£500
Hewlett Packard 3456A - Digital Voltmeter	£500
Hewlett Packard 3488A - HP - 1B Switch Control Unit (various Plug-ins available)	£550
Hewlett Packard 35600A - Dual Channel Dynamic Signal Analyser	£3750
Hewlett Packard 3586A - Selective Level Meter	£800
Hewlett Packard 3711A/3712A/3791B/3793B - Microwave Link Analyser	£1800
Hewlett Packard 3746A - Selective Measuring Set	£350
Hewlett Packard 3776A - PCM Terminal Test Set	£1000
Hewlett Packard 3779A/3779C - Primary Mux Analyser	from £400
Hewlett Packard 3784A - Digital Transmission Analyser	£5000

Hewlett Packard 3785A - Jitter Generator + Receiver	£1250
Hewlett Packard 37900D - Signalling Test Set (No. 7 and ISDN)	£4250
Hewlett Packard P382A - Variable Attenuator	£250
Hewlett Packard 4192A - LF Impedance Analyser	£6500
Hewlett Packard 4262A - Digital LCR Meter	£950
Hewlett Packard 4342A - 'O' Meter	£600
Hewlett Packard 435A or B Power Meter (with 8481A/8484A)	from £400
Hewlett Packard 4376A and 437B - Power Meter and Sensor	from £300
Hewlett Packard 4948A - (TIMS) Transmission Impairment M/SET	£1000
Hewlett Packard 4972A - Lan Protocol Analyser	£1250
Hewlett Packard 5183 - Waveform Recorder	£1250
Hewlett Packard 5238A - Frequency Counter 100MHz	£250
Hewlett Packard 5314A - (NEW) 100MHz Universal Counter	£250
Hewlett Packard 5316A - Frequency Counter - 1GHz - (HP1B) with OPTS 001/003/004/005	£400
Hewlett Packard 5335A - 200MHz High Performance	£500
Hewlett Packard 5324A - Microwave Frequency Counter (500MHz-18GHz) Opts 1 + 3	£800
Hewlett Packard 5359A - High Resolution Time Synthesiser	£2950
Hewlett Packard 5370B - Universal Timer/Counter	£2000
Hewlett Packard 5384A - 225MHz Frequency Counter	£500
Hewlett Packard 5385A - Frequency Counter - 1GHz - (HP1B) with OPTS 001/003/004/005	£750
Hewlett Packard 6033A - Power Supply Autorange (20V - 30A)	£750
Hewlett Packard 6253A - Power Supply 20V - 3A Twin	£200
Hewlett Packard 6255A - Power Supply 40V - 1.5A Twin	£200

HEWLETT PACKARD 6261B Power Supply 20V - 50A £350 Discount for Quantities

Hewlett Packard 6264B - Power Supply (0-20V, 0-25A)	£300
Hewlett Packard 6266B - Power Supply 40V - 5A	£220
Hewlett Packard 6271B - Power Supply 60V - 3A	£220
Hewlett Packard 6624A - Quad Power Supply	£2000
Hewlett Packard 6624B - Power Supply (20V)	£800
Hewlett Packard 6652A - 20V - 2.5A System P.S.U	£750
Hewlett Packard 7475A - 6 Pen Plotter	£250
Hewlett Packard 7550A - 8 Pen Plotter	£350
Hewlett Packard 778D - Coax Dual Directional Coupler	£600
Hewlett Packard 8015A - 50MHz Pulse Generator	£500
Hewlett Packard 8165A - 60kHz Programmable Signal Source	£1250
Hewlett Packard 8180A - Data Generator	£1500
Hewlett Packard 8182A - Data Analyser	£1500
Hewlett Packard 8350B - Sweep Oscillator Mainframe (various plug-in options available)	£2500
Hewlett Packard 83554A - Wave Source Module 26.5 to 40GHz	£3500
Hewlett Packard 83555A - Millimeter - Wave Source Module 33-50GHz	£4250
Hewlett Packard 8624A - Vector Voltmeter	£350
Hewlett Packard 8620C - Sweep Oscillator Mainframe	from £250
Hewlett Packard 8640B - Signal Generator (512MHz + 1024MHz)	from £850
Hewlett Packard 8642A - Signal Generator (0-01 to 1050MHz) High Performance Synthesiser	£2500
Hewlett Packard 8656A - Synthesised Signal Generator (990MHz)	£850
Hewlett Packard 8658B - Synthesised Signal Generator	£1450
Hewlett Packard 8657A - Signal Generator (100kHz-1040MHz)	£1900
Hewlett Packard 8660D - Synthesised Signal Generator (10kHz-2600MHz)	£2250
Hewlett Packard 8750A - Storage Normaliser	£295
Hewlett Packard 8756A - Scalar Network Analyser	£1500
Hewlett Packard 8757A - Scalar Network Analyser	£2250
Hewlett Packard 8901A - Modulation Analyser	£1000
Hewlett Packard 8902B - Modulation Analyser	£2000
Hewlett Packard 8903C - Distortion Analyser	£1600
Hewlett Packard 8903B - Distortion Analyser (Mini)	£1500
Hewlett Packard 8920A - R/F Comms Test Set	£2500
Hewlett Packard 8922B/G/H - Radio Comms Test Sets (G.S.M.)	from £8000
Hewlett Packard 8958A - Cellular Radio Interface	£1000
Kroh-Hite M2-15/C - Minizoo 15kV Hard Disk ESD Simulator	£1750
Kroh-Hite 2200 - Lin/Log Sweep Generator	£995
Kroh-Hite 4024A - Oscillator	£250
Kroh-Hite 5200 - Sweep Function Generator	£350
Kroh-Hite 6500 - Phase Meter	£250
Leader LDM-170 - Distortion Meter	£350
Leader 3216 - Signal Generator (100kHz-140kHz) AM/FM/CW with built-in FM stereo modulator (mini)	£995
Marconi 1066B - Demultiplexer and Frame Alignment Monitor (new)	£POA
Marconi 2019 - 80kHz-1040MHz Synthesised Signal Generator	£750
Marconi 2019A - 80kHz-1040MHz Synthesised Signal Generator	£1000
Marconi 2111 - UHF Synthesiser (new)	£POA
Marconi 2185 - Synthesised Function Generator	£250
Marconi 2305 - Modulation Meter	£1750
Marconi 2337A - Automatic Distortion Meter	£150
Marconi 2610 - True RMS Voltmeter	£700
Marconi 2871 - Data Comms Analyser	£500
Marconi 2955 - Radio Comms Test Set	£2000
Marconi 3310 - Sweep Generator - Programmable - new (2-20GHz)	£5500
Marconi 6950/6960 - Power Meter & Sensor	from £500
Marconi 6960 - Power Meter & Sensor	£2950
Marconi 893 - A/F Power Meter	£1250
Philips PM5167 MHz Function Generator	£400
Philips 5190 - L.F. Synthesiser (G.P.I.B.)	£800
Philips 5185 - Synthesised Function Generator	£1500
Philips PM5519 - TV Pattern Generator	£350
Philips PM5716 - 50MHz Pulse Generator	£525
Prema 4000 - 6 1/2 Digit Multimeter (NEW)	£200
Quartzlock 2A - Off-Air Frequency Standard	£200
Racal 1992 - 1-3GHz Frequency Counter	£700
Racal 611/6151 - GSM Radio Comms Test Set	£POA
Racal Dana 9081/9082 - Synthesised Signal Generator 620MHz	from £400
Racal Dana 9084 - Synthesised Signal Generator 104MHz	£450
Racal 9301A - True RMS R/F Multivoltmeter	£300
Racal Dana 9302A - R/F Multivoltmeter (new version)	£375
Racal Dana 9303 - R/F Level Meter & Head	£650
Racal Dana 9317 - UHF Frequency Meter 500MHz	£175
Rohde & Schwarz LFM2 - 60MHz Group Delay Sweep Generator	£950
Rohde & Schwarz CMTA 94 - GSM Radio Comms Analyser	£6995
Schaffner NSG 203A - Line Voltage Variation Simulator	£750
Schaffner NSG 222A - Interference Simulator	£2000
Schaffner NSG 223 - Interference Generator	£700
Schlumberger 2720 - 125MHz Frequency Counter	£400
Schlumberger 4031 - 1GHz Radio Comms Test Set	£4995
Schlumberger Stablock 4040 - Radio Comms Test Set	£1995
Schlumberger 7060/7065/7075 - Multimeters	from £350
Stanford Research DS 340 - 15MHz Synthesised Function (NEW) and Arbitrary Waveform Generator	£1200
Syntron Donner 6030 - Microwave Frequency Counter (26-5GHz)	£1995
Tektronix AM503 + TM501 + P6302 - Current Probe Amplifier	£995
Tektronix PG506 + TG501 + SG503 + TM503 - Oscilloscope Calibrator	£1995
Tektronix 577 - Curve Tracer	£1150
Tektronix 1240 - Logic Analyser	£500
Tektronix 141A - PAL Test Signal Generator	£250
Tektronix AA5001 + TM5006 M/F - Programmable Distortion Analyser	£1995
Tektronix TM5003 + AFG 5101 - Arbitrary Function Generator	£1500
Tektronix - Plug-ins - many available such as SC504, SW503, SG502, PG508, FG504, FG503, TG501, TR503 + many more	£POA
Time 9811 - Programmable Resistance	£400
Time 9814 - Voltage Calibrator	£550
Valhalla Scientific - 2724 Programmable Resistance Standard	£1500
Wandel & Gottermann M/F - Error Analyser Test Set	£950
Wandel & Gottermann PCM4 (+ options)	£3950
Wandel & Gottermann MU30 - Test Point Scanner	£1500
Wayne Kerr 4225 - LCR Bridge	£800
Wavelek 171 - Synthesised Function Generator	£250
Wavelek 172B - Programmable Signal Source (0-0001Hz-13MHz)	£POA
Wavelek 184 - Sweep Generator - 5MHz	£250
Wavelek 3010 - 1-1GHz Signal Generator	£1250
Wiltron 6409 - RF Analysers (1MHz-2GHz)	£POA
Wiltron 66205 - Programmable Sweep Generator (3-6GHz-6.5GHz)	£650
Wiltron 6747-20 - Swept Frequency Synthesiser (10MHz-20GHz)	£3950
Yokogawa 3655 - Analysing Recorder	£POA

**MANY MORE ITEMS AVAILABLE -
SEND LARGE SAE FOR LIST OF EQUIPMENT
ALL EQUIPMENT IS USED -
WITH 30 DAYS GUARANTEE.
PLEASE CHECK FOR AVAILABILITY BEFORE ORDERING -
CARRIAGE & VAT TO BE ADDED TO ALL GOODS**

£1 BARGAIN PACKS - List No. 1

1,000 items appear in our Bargain Packs List - request one of these when you next order.

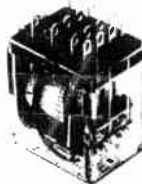
- 2 LITHIUM COIN CELLS, 3V p.c.b. mounting. Order Ref: 1078.
 2 x 5A BRIDGE RECTIFIERS with heatsink couplers for 12V charger. Order Ref: 1070.
 2 x AMP PULL CORD CEILING SWITCHES, brown. Order Ref: 921.
 5 x REELS INSULATION TAPE. Order Ref: 911.
 2 x CORD GRIP SWITCH LAMP HOLDERS. Order Ref: 913.
 1 x DC VOLTAGE REDUCER, 12V-6V. Order Ref: 916.
 LIGHTWEIGHT STEREO HEADPHONES, moving coil so superior sound. Order Ref: 896.
 2 x 25W CROSSOVERS for 4ohm loudspeakers. Order Ref: 22.
 2 x Nicad CONSTANT CURRENT CHARGERS, easily adaptable to charge almost any NiCad Battery. Order Ref: 30.
 18V-0-18V 10VA mains transformer. Order Ref: 813.
 2 x WHITE PLASTIC BOXES with lids, approx. 3in. cube. Lid has square hole through the centre so these are ideal for light-operated switch. Order Ref: 132.
 2 x REED RELAY KITS, you get 8 reed switches and 2 coil sets. Order Ref: 148.
 12V-0-12V 6VA mains transformer, p.c.b. mounting. Order Ref: 938.
 1 x BIG-PULL SOLENOID, mains operated, has 1/2in. pull. Order Ref: 871.
 1 x BIG-PUSH SOLENOID, mains operated, has 1/2in. push. Order Ref: 872.
 1 x MINI MONO AMP. 3W into 4 ohm speaker or 1W into 8 ohm. Order Ref: 495.
 1 x MINI STEREO 1W AMP. Order Ref: 870.
 15V DC 150mA P.S.U., nicely cased. Order Ref: 942.
 1 x IN-FLIGHT STEREO UNIT is a stereo amp. Has two most useful mini moving coil speakers. Made for BOAC passengers. Order Ref: 29.
 1 x 0-1mA PANEL METER. Full vision face 70mm square. Scaled 0-100. Order Ref: 756.
 2 x LITHIUM BATTERIES. 2.5V penlight size. Order Ref: 874.
 2x3m TELEPHONE LEADS. With BT flat plug. Ideal for 'phone extensions, fax, etc. Order Ref: 552.
 1 x 12V SOLENOID. Has good 1/2in. pull or could push if modified. Order Ref: 232.
 3 x IN-FLEX SWITCHES. With neon on/off lights, saves leaving things switched on. Order Ref: 7.
 2 x 6V 1A MAINS TRANSFORMERS. Upright mounting with fixing clamps. Order Ref: 9.
 1 x HUMIDITY SWITCHES. As the air becomes damper, the membrane stretches and operates a microswitch. Order Ref: 32.
 4 x 13A ROCKER SWITCH. Three tags so on/off, or changeover with centre off. Order Ref: 42.
 1 x SUCK OR BLOW-OPERATED PRESSURE SWITCH. Or it can be operated by any low pressure variation, such as water level in tanks. Order Ref: 67.
 1 x 6V 750mA POWER SUPPLY. Nicely cased with mains input and 6V output lead. Order Ref: 103A.
 12 VERY FINE DRILLS. For p.c.b. boards etc. Normal cost about 80p each. Order Ref: 128.
 5 x MOTORS FOR MODEL AEROPLANES. Spin to start so needs no switch. Order Ref: 134.
 6 x MICROPHONE INSERTS. Magnetic 400 ohm, also act as speakers. Order Ref: 139.
 6 x NEON INDICATORS. In panel mounting holders with lens. Order Ref: 180.
 1 x IN-FLEX SIMMERSTAT. Keeps your soldering iron etc. always at the ready. Order Ref: 196.
 1 x ELECTRIC CLOCK. Mains operated. Put this in a box and you need never be late. Order Ref: 211.
 4 x 12V ALARMS. Makes a noise about as loud as a car horn. All brand new. Order Ref: 221.
 2 x (6in. x 4in.) SPEAKERS. 16 ohm 5 watts, so can be joined in parallel to make a high wattage column. Order Ref: 243.
 1 x PANOSTAT. Controls output of boiling ring from simmer up to boil. Order Ref: 252.
 2 x OBLONG PUSHSWITCHES. For bell or chimes, these can switch mains up to 5A so could be footswitch if fitted in pattress. Order Ref: 263.
 50 x MIXED SILICON DIODES. Order Ref: 293.
 1 x 6 DIGIT MAINS OPERATED COUNTER. Standard size but counts in even numbers. Order Ref: 28.
 2 x 6V OPERATED REED RELAYS. One normally on, other normally closed. Order Ref: 48.
 1 x CABINET LOCK. With two keys. Order Ref: 55.
 6 1/2 80.5 WATT SPEAKER. Order Ref: 824.
 1 x SHADED POLE MAINS MOTOR. 3/4in. stack, so quite powerful. Order Ref: 85.
 1 x CASE, 3 1/2 x 2 1/4 x 1 3/4 with 13A socket pins. Order Ref: 845.
 2 x CASES. 2 1/2 x 2 1/4 x 1 3/4 with 13A pins. Order Ref: 565.
 4 x LUMINOUS ROCKER SWITCHES. 10A mains. Order Ref: 793.

SOME EXTRA SPECIAL RELAYS

The first is a sub-miniature, not much bigger than an Oxo cube, and is sealed 12V with one set of change-over contacts rated at 3A up to 250V. Being sealed this can be mounted in any position and it has PCB contacts. Price 75p each, 10 for £6 or 100 for £50. Order Ref: FR16.

PLUG-IN RELAYS WITH VERY SPECIAL BASE

These are special because all the connections to the coil and contacts are all on the surface so the base can be mounted on a metal or plastic base, and being on the surface it is very easy to check the various actions of the relay. We have quite a number of different types with varying coil voltages and contact arrangements. All the contacts are rated at 10A up to 250V AC.



Coil Voltage	Contacts	Price	Order Ref.
12V DC	4-pole changeover	£2.00	FR10
12V DC	2-pole changeover	£1.50	FR11
24V DC	2-pole changeover	£1.50	FR12
24V DC	4-pole changeover	£2.00	FR13
240V AC	1-pole changeover	£1.50	FR14
240V AC	4-pole changeover	£2.00	FR15

VERY THIN DRILLS. 12 assorted sizes vary between 0.6mm and 1.6mm. Price £1. Order Ref: 128.

EVEN THINNER DRILLS. 12 that vary between 0.1mm and 0.5mm. Price £1. Order Ref: 129.

TWIN TELEPHONE JACK PLUG. Enables you to plug 2 telephones into the one socket for all normal BT plugs. Price £1.50. Order Ref: 1.5P67.

D.C. MOTOR WITH GEARBOX. Size 60mm long, 30mm diameter. Very powerful, operates off any voltage between 6 and 24 D.C. Speed at 6V is 200 rpm, speed controller available. Special price £3 each. Order Ref: 3P108.

FLASHING BEACON. Ideal for putting on a van, a tractor or any vehicle that should always be seen. Uses an Xenon tube and has an amber coloured dome. Separate fixing base is included so unit can be put away if desirable. Price £5. Order Ref: 5P267.

MOTOR SPEED CONTROLLER. These are suitable for D.C. motors for voltage up to 12 and any power up to 1/6 h.p. They reduce the speed by intermittent full voltage pulses so there should be no loss of power. In kit form these are £12. Order Ref: 12P34. Or made up and tested, £20. Order Ref: 20P39.

MOST USEFUL POWER SUPPLY. Rated at 9V 1A, this plugs into a 13A socket. Is really nicely boxed. £2. Order Ref: 2P733.

BT TELEPHONE EXTENSION WIRE. This is proper heavy duty cable for running around the skirting board when you want to make a permanent extension. 4 cores properly colour coded, 25m length. Only £1. Order Ref: 1067.

NOW YOURS FOR £12.50!

A 12V 18AH sealed lead acid battery by high class manufacturer, brand new and with a 12 months guarantee. If you can buy a pack of 4 saving us carriage and packing costs, then you can have the 4 for £48 including VAT. Order Ref: 12.5P3.

LIGHT ALARM. A circuit for this appears in the February issue. However, we have a rather less complicated model already made up and in a nice case. Price only £3. Order Ref: 3P155.

ULTRA VIOLET VIEWING UNIT. This is a very neat metal enclosure about the size of a 6in. cube. The lamp and control gear are in the top compartment and an open space with a platform below allows you to inspect paper or other objects under the UV light. Intended for 230V mains operation. Price £12. Order Ref: 12P35.

TWIN 13A SWITCHED SOCKET. Standard in all respects and complete with fixing screws. White, standard size and suitable for flush mounting or in a surface box. Price £1.50. Order Ref: 1.5P61.

12V 8A POWER SUPPLY. Totally enclosed with its own cooling fan. Normal mains operation. Price £11. Order Ref: 11P6.

SOUND SWITCH. Can be operated by clapping hands, shouting or almost any other noise. Comes complete with instructions, assembled and ready to work but needs casing. Price only £3. Order Ref: 3P246.

VERY POWERFUL BATTERY MOTORS. Were intended to operate portable screwdrivers. Approximately 2 1/2in. long, 1 1/2in. diameter, with a good length of spindle. Will operate with considerable power off any voltage between 6V and 12V D.C. Price £2. Order Ref: 2P456. Quantity discount 25% for 100.

SPECIAL YUASA BATTERY OFFER. You can have 5 x 12V Yuasa batteries, the one we normally sell for £3.50, for £15. These batteries have a capacity of 2.3AH. This may be a bit low for some jobs, but remember you can join them in parallel to give you a higher amperage. Order Ref: 15P77.

CHARGER FOR YUASA BATTERY. This battery charger plugs into a 13A socket, charges at approximately 1/2A so it would charge this battery overnight. Complete with croc clips, ready to go. £5. Order Ref: 5P269.

GROWERS PLEASE NOTE: We now have a very useful 100W soil heater. This is essentially 5V 20A power supply, completely encased and with built-in cooling fan. We supply with it 10m of cable with instructions on how to couple it to give the recommended 10W per sq. ft. or 5W per sq. ft. or a very low 2.5W per sq. ft. Price for complete i.c.u. £15. Order Ref: 15P79.

BIG 12V TRANSFORMER. It is 55VA so over 4A. Beautifully made and well insulated. Live parts are in a plastic frame so cannot be accidentally touched, £3.50. Order Ref: 3.5P20.

1mA PANEL METER. Approximately 80mm x 50mm, front engraved 0-100, price £1.50. Order Ref: 1/16R2. LIGHT ALARM. Or it could be used to warn when any cupboard door is opened. The light shining on the unit makes the bell ring. Completely built and neatly cased, requires only a battery, £3. Order Ref: 3P155.

WATER LEVEL ALARM. Be it bath, sink, cellar, sump or any other thing that could flood. This device will tell you when the water has risen to the present level. Adjustable over quite a useful range. Neatly cased for wall mounting, ready to work when battery fitted. £3. Order Ref: 3P156.

BIKE RADIO. In fact, it's more than a radio, it's an alarm and a spotlight. The radio is battery operated, of course, and needs 3 AA cells. Only one band but this is the FM band so will receive Radio 1 and 2. Comes complete with handlebar fixing clips. Price £4. Order Ref: 4P72.

PHILIPS 9in. MONITOR. Not cased, but it is in a frame for rack mounting. It is high resolution and was made to work with the IBM. 'One per disk' computer. Price £15. Order Ref: 15P1.

METAL CASE FOR 9in. MONITOR. Supplied as a flat pack. Price £12. Order Ref: 12P3.

INSULATION TESTER WITH MULTIMETER. Internally generates voltages which enable you to read insulation directly in megohms. The multimeter has four ranges AC/DC volts, 3 ranges DC milliamms, 3 ranges resistance and 5 amp range. Ex-British Telecom but in very good condition, tested and guaranteed, probably cost at least £50 each, yours for only £7.50 with leads, carrying case £2 each. Order Ref: 7.5P4.

REPAIRABLE METERS. We have some of the above testers but faulty, not working on all ranges, should be repairable, we supply diagrams. £3. Order Ref: 3P176.

FOR QUICK HOOK-UPS.

You can't beat leads with a croc clip each end. You can have a set of 10 leads, 2 each of 5 assorted colours with insulated crocodile clips on each end. Lead length 36cm, £2 per set. Order Ref: 2P459.



RECHARGEABLE NICAD AA BATTERIES. You can have these at a bargain price of 50p each, but you have to buy a pack of 10 which would give you a 12V rechargeable battery. However, it is quite easy to divide into 2 x 6V rechargeables or 10 x 1.2V rechargeables. Order Ref: 5P287. Made by Varta.

BUY ONE GET ONE FREE

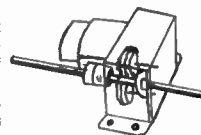
ULTRASONIC MOVEMENT DETECTOR. Nicely cased, free standing, has internal alarm which can be silenced. Also has connections for external speaker or light. Price £10. Order Ref: 10P154.

CASED POWER SUPPLIES which, with a few small extra components and a bit of modifying, would give 12V at 10A. Originally £9.50 each, now 2 for £9.50. Order Ref: 9.5P4.

3-OCTAVE KEYBOARD with piano size keys, brand new, previous price £9.50, now 2 for the price of one. Order Ref: 9.5P5.

1.5-6V MOTOR WITH GEARBOX.

Motor is mounted on the gearbox which has interchangeable gears giving a range of speeds and motor torques. Comes with full instructions for changing gears and calculating speeds, £6. Order Ref: 7P26.



TERMS

Send cash, PO, cheque or quote credit card number - orders under £25 add £3.50 service charge.

J & N FACTORS

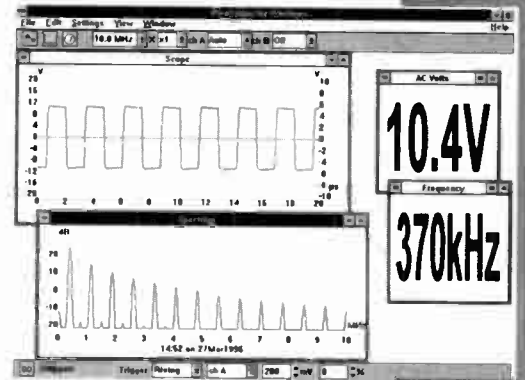
Pilgrim Works (Dept. E.E.)
Stairbridge Lane, Bolney,
Sussex RH17 5PA

Telephone: 01444 881965

Transform your PC.... Into an oscilloscope, spectrum analyser and multimeter...

The Pico Technology range of PC based oscilloscopes offer performance only previously available on the most expensive 'benchtop' scopes. By intergrating several instruments into one unit, they are both flexible and cost effective.

Connection to a PC gives these virtual instruments the edge over traditional oscilloscopes: the ability to print and save waveforms is just one example. Units are supplied with PicoScope for Windows which is powerful, yet simple to use, with comprehensive on line help.



Features

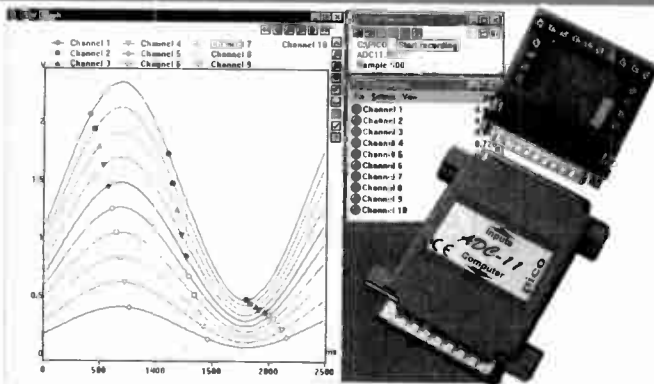
- ▼ A fraction of the cost of comparable benchtop scopes
- ▼ Oscilloscope and data logging software supplied
- ▼ Prices from £69 (excl VAT)
- ▼ Up to 100 MS/s sampling
- ▼ Up to 50 MHz spectrum analyser
- ▼ Up to 16 bit resolution

Applications

- ▼ Video
- ▼ Automotive
- ▼ Audio
- ▼ Electronics design
- ▼ Fault finding
- ▼ Education



Easy, affordable measurement



- ▼ Prices from £59 (excl. VAT)
- ▼ Software supplied (WIN & DOS)
- ▼ Supplied with software drivers & examples
- ▼ Free software upgrades and support
- ▼ Easy and intuitive to use
- ▼ Up to 20,000 samples per second
- ▼ 1 to 22 channels
- ▼ Parallel or serial port connection

Pico Technology data acquisition products allow your computer to display and record voltages. By connecting suitable sensors, they can be used to measure voltage, pressure, humidity, temperature, resistance, light... in fact anything you need to measure.

Terminal blocks connect to the input socket on the ADC-11 or ADC-16 and provide screw terminal inputs. The ease of use means the possibilities for exciting data logging projects are endless!

Call for a **FREE** catalogue and software demonstration disk or visit our web site.
 Fax: +44 (0)1954 211880 Tel: +44 (0)1954 211716
 E-mail: post@picotech.com
 Web: www.picotech.com

Have a look at our example application: "Using an ADC-16 to monitor battery discharge" on our web site, at: www.picotech.com/applications.html

All units are supplied with software. Prices exclude VAT and delivery.

PICO
Technology Limited

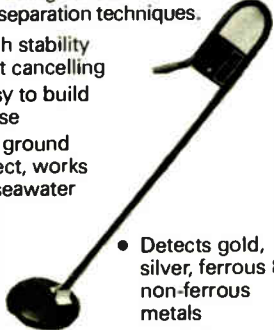


MAIL ORDER ONLY • CALLERS BY APPOINTMENT

EPE MICROCONTROLLER PI. TREASURE HUNTER

The latest MAGENTA DESIGN - highly stable & sensitive - with I.C. control of all timing functions and advanced pulse separation techniques.

- High stability drift cancelling
- Easy to build & use
- No ground effect, works in seawater



- Detects gold, silver, ferrous & non-ferrous metals

- Efficient quartz controlled microcontroller pulse generation.
- Full kit with headphones & all hardware

KIT 847.....£63.95

PORTABLE ULTRASONIC PEST SCARER

A powerful 23kHz ultrasound generator in a compact hand-held case. MOSFET output drives a special sealed transducer with intense pulses via a special tuned transformer. Sweeping frequency output is designed to give maximum output without any special setting up.

KIT 842.....£22.56

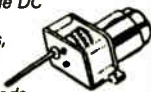
MK. II ACOUSTIC PROBE

• NEW DESIGN
 • HIGH SENSITIVITY & POWER
 Picks up vibrations amplifies, and drives headphones. Sounds from engines, watches, pipes and speech through walls can be heard clearly. Useful for mechanics, instrument engineers and nosey parkers! Very effective device.

KIT 876.....£29.95

DC Motor/Gearboxes

Our Popular and Versatile DC Motor/Gearbox sets. Ideal for Models, Robots, Buggies etc. 1.5 to 4.5V Multi ratio gearbox gives wide range of speeds.



LARGE TYPE - MGL £6.95
 SMALL - MGS - £4.77

Stepping Motors

MD38...Mini 48 step...£8.65
 MD35...Std 48 step...£9.99
 MD200...200 step...£12.99
 MD24...Large 200 step...£22.95



MOSFET MKII VARIABLE BENCH POWER SUPPLY 0-25V 2-5A.

Based on our Mk1 design and preserving all the features, but now with switching pre-regulator for much higher efficiency. Panel meters indicate Volts and Amps. Fully variable down to zero. Toroidal mains transformer. Kit includes punched and printed case and all parts. As featured in April 1994 EPE. An essential piece of equipment.



Kit No. 845.....£64.95

PIC PIPE DESCALER

- SIMPLE TO BUILD
- HIGH POWER OUTPUT
- AUDIO & VISUAL MONITORING
- SWEPT FREQUENCY

An affordable circuit which sweeps the incoming water supply with variable frequency electromagnetic signals. May reduce scale formation, dissolve existing scale and improve lathering ability by altering the way salts in the water behave. Kit includes case, P.C.B, coupling coil and all components. High coil current ensures maximum effect. L.E.D. monitor



KIT 868£22.95 POWER UNIT.....£3.99

MICRO PEST SCARER

Our latest design - The ultimate scarer for the garden. Uses special microchip to give random delay and pulse time. Easy to build reliable circuit. Keeps pets/pests away from newly sown areas, play areas, etc. Uses power source from 9 to 24 volts.



- RANDOM PULSES
- HIGH POWER
- DUAL OPTION

Plug-in power supply £4.99

KIT 867.....£19.99

KIT+SLAVE UNIT.....£32.50

WINDICATOR

A novel wind speed indicator with LED readout. Kit comes complete with sensor cups, and weatherproof sensing head. Mains power unit £5.99 extra.

KIT 856.....£28.00

★ TENS UNIT ★

DUAL OUTPUT TENS UNIT

As featured in March '97 issue.

Magenta have prepared a FULL KIT for this excellent new project. All components, PCB, hardware and electrodes are included. Designed for simple assembly and testing and providing high level dual output drive.

KIT 866.... Full kit including four electrodes £32.90

Set of 4 spare electrodes £6.50

1000V & 500V INSULATION TESTER



Superb new design. Regulated output, efficient circuit. Dual-scale meter, compact case. Reads up to 200 Megohms. Kit includes wound coil, cut-out case, meter scale, PCB & ALL components.

KIT 848.....£32.95

EPE TEACH-IN 2000

Full set of top quality NEW components for this educational series. All parts as specified by EPE. Kit includes breadboard, wire, croc clips, pins and all components for experiments, as listed in Introduction to Part 1. *Batteries and tools not included.

TEACH-IN 2000 -

KIT 879 **£44.95**

MULTIMETER **£14.45**

SPACEWRITER

An innovative and exciting project. Wave the wand through the air and your message appears. Programmable to hold any message up to 16 digits long. Comes pre-loaded with 'MERRY XMAS'. Kit includes PCB, all components & tube plus instructions for message loading.

KIT 849.....£16.99

12V EPROM ERASER

A safe low cost eraser for up to 4 EPROMs at a time in less than 20 minutes. Operates from a 12V supply (400mA). Used extensively for mobile work - updating equipment in the field etc. Also in educational situations where mains supplies are not allowed. Safety interlock prevents contact with UV.

KIT 790.....£29.90

SUPER BAT DETECTOR

1 WATT O/P, BUILT IN
SPEAKER, COMPACT CASE
20kHz-140kHz

NEW DESIGN WITH 40kHz MIC.

A new circuit using a 'full bridge' audio amplifier i.c., internal speaker, and headphone/tape socket. The latest sensitive transducer, and 'double balanced mixer' give a stable, high performance superheterodyne design.

KIT 861.....£24.99

ALSO AVAILABLE Built & Tested£39.99



SIMPLE PIC PROGRAMMER

INCREDIBLE LOW PRICE! Kit 857 **£12.99**

INCLUDES 1-PIC16F84 CHIP
SOFTWARE DISK, LEAD
CONNECTOR, PROFESSIONAL
PC BOARD & INSTRUCTIONS

Power Supply £3.99

EXTRA CHIPS:
PIC 16F84 £4.84

Based on February '96 EPE. Magenta designed PCB and kit. PCB with 'Reset' switch, Program switch, 5V regulator and test L.E.D.s, and connection points for access to all A and B port pins.

PIC16C84 LCD DISPLAY DRIVER

INCLUDES 1 PIC16F84
WITH DEMO PROGRAM
SOFTWARE DISK, PCB,
INSTRUCTIONS AND
16-CHARACTER 2-LINE
LCD DISPLAY

Kit 860 **£19.99**

Power Supply £3.99

FULL PROGRAM SOURCE
CODE SUPPLIED - DEVELOP
YOUR OWN APPLICATION!

Another super PIC project from Magenta. Supplied with PCB, industry standard 2-LINE x 16-character display, data, all components, and software to include in your own programs. Ideal development base for meters, terminals, calculators, counters, timers - Just waiting for your application!

PIC16F84 MAINS POWER 4-CHANNEL CONTROLLER & LIGHT CHASER

- WITH PROGRAMMED 16F84 AND DISK WITH SOURCE CODE IN MPASM
- ZERO VOLT SWITCHING MULTIPLE CHASE PATTERNS
- OPTO ISOLATED 5 AMP OUTPUTS
- 12 KEYPAD CONTROL
- SPEED/DIMMING POT.
- HARD FIRED TRIACS

Now features full 4 channel chaser software on DISK and pre-programmed PIC16F84 chip. Easily re-programmed for your own applications. Software source code is fully 'commented' so that it can be followed easily.

Kit 855 **£39.95**

LOTS OF OTHER APPLICATIONS

PIC TOOLKIT V1

- PROGRAMS PIC16C84 and 16F84 • ACCEPTS TASM AND MPASM CODE
- Full kit includes PIC16F84 chip, top quality p.c.b. printed with component layout, turned pin PIC socket, all components and software*
*Needs QBASIC or QUICKBASIC

Kit 871 . . . **£13.99**. Built and tested **£21.99**

PhizzyB ALL PARTS FOR SERIES INCLUDING PCBs, PROGRAMMED CHIP, CD-ROM AND DISPLAYS

MAIN BOARD - FULL KIT	£131.95	BUILT	£149.95
I/O PORT KIT	£16.99	BUILT	£24.99
L.C.D.	£12.49	POWER SUPPLY ..	£3.99
8-BIT SWITCH/LATCH	£7.95	INT. MODULE ..	£10.45

68000 DEVELOPMENT AND TRAINING KIT

- NEW PCB DESIGN
- 8 MHz 68000 16-BIT BUS
- MANUAL AND SOFTWARE
- 2 SERIAL PORTS
- PIT AND I/O PORT OPTIONS
- I2C PORT OPTIONS



Kit 621

£99.95

- ON BOARD 5V REGULATOR
- PSU £6.99
- SERIAL LEAD £3.99

Mini-Lab & Micro Lab Electronics Teach-In 7

As featured in EPE and now published as Teach-In 7. All parts are supplied by Magenta. Teach-In 7 is £3.95 from us or EPE

Full Mini Lab Kit - £119.95 - Power supply extra - £22.55
Full Micro Lab Kit - £155.95
Built Micro Lab - £189.95



EPE PIC Tutorial

At Last! A Real Practical, Hands-On Series

- Learn Programming from scratch using PIC16F84
- Start by lighting l.e.d.s and do 30 tutorials to Sound Generation, Data Display, and a Security System
- PIC TUTOR Board with Switches, l.e.d.s, and on board programmer

PIC TUTOR BOARD KIT

Includes: PIC16F84 Chip, TOP Quality PCB printed with Component Layout and all components* (*not ZIF Socket or Displays). Included with the Magenta Kit is a disk with Test and Demonstration routines.

Kit 870 **£27.95**, Built & Tested **£42.95**

Optional: Power Supply - £3.99, ZIF Socket - £9.99

LCD Display **£7.99** LED Display **£6.99**

Reprints Mar/Apr/May 98 - £3.00 set 3

PIC TOOLKIT V2

- SUPER UPGRADE FROM V1 • 18, 28 AND 40-PIN CHIPS
- READ, WRITE, ASSEMBLE & DISASSEMBLE PICS
- SIMPLE POWER SUPPLY OPTIONS 5-20V
- ALL SWITCHING UNDER SOFTWARE CONTROL
- MAGENTA DESIGNED PCB HAS TERMINAL PINS AND OSCILLATOR CONNECTIONS FOR ALL CHIPS
- INCLUDES SOFTWARE AND PIC CHIP

Kit 878 . . . **£22.99** with 16F84 . . . **£29.99** with 16F877

SUPER PIC PROGRAMMER

- READS PROGRAMS AND VERIFIES
- WINDOWS™ SOFTWARE
- PIC16C6X, 7X, AND 8X
- USES ANY PC PARALLEL PORT
- USES STANDARD MICROCHIP • HEX FILES
- OPTIONAL DISASSEMBLER SOFTWARE (EXTRA)
- PCB, LEAD, ALL COMPONENTS, TURNED PIN SOCKETS FOR 18, 28, AND 40 PIN ICs.

- SEND FOR DETAILED INFORMATION - A SUPERB PRODUCT AT AN UNBEATABLE LOW PRICE.

Kit 862 **£29.99**

Power Supply £3.99

DISASSEMBLER SOFTWARE **£11.75**

PIC STEPPING MOTOR DRIVER

INCLUDES PCB, PIC16F84 WITH DEMO PROGRAM, SOFTWARE DISK, INSTRUCTIONS AND MOTOR.

Kit 863 **£18.99**

FULL SOURCE CODE SUPPLIED. ALSO USE FOR DRIVING OTHER POWER DEVICES e.g. SOLENOIDS.

Another NEW Magenta PIC project. Drives any 4-phase unipolar motor - up to 24V and 1A. Kit includes all components and 48 step motor. Chip is pre-programmed with demo software, then write your own, and re-program the same chip! Circuit accepts inputs from switches etc and drives motor in response. Also runs standard demo sequence from memory.

8-CHANNEL DATA LOGGER

As featured in Aug./Sept. '99 EPE. Full kit with Magenta redesigned PCB - LCD fits directly on board. Use as Data Logger or as a test bed for many other 16F877 projects. Kit includes programmed chip, 8 EEPROMs, PCB, case and all components.

Kit 877 **£49.95** inc. 8 x 256K EEPROMS

MAGENTA

All prices include VAT. Add £3.00 p&P. Next Day £6.99

Tel: 01283 565435 Fax: 01283 546932 E-mail: sales@magenta2000.co.uk

022000



Station Road, Cullercoats, Tyne & Wear, NE30 4PQ



All Major Credit cards Accepted... Prices Exclude Vat @17.5%. Add £1.25 carriage & Vat to all orders.

See Next / Last Months Ad. for COMPONENT ACCESSORIES

Table listing electronic components such as resistors, capacitors, and diodes with their respective part numbers and prices.

Table listing electronic components including integrated circuits, transistors, diodes, and various passive components.

Table listing electronic components including capacitors, resistors, and other parts, with a 'Quality Components' section at the bottom.

Tel: 0191 2514363 Fax: 0191 2522296 Email: sales@esr.co.uk http://www.esr.co.uk

EVERYDAY PRACTICAL ELECTRONICS

INCORPORATING ELECTRONICS TODAY INTERNATIONAL

THE No.1 MAGAZINE FOR ELECTRONICS TECHNOLOGY & COMPUTER PROJECTS

VOL. 29 No. 2 FEBRUARY 2000

Editorial Offices:
EVERYDAY PRACTICAL ELECTRONICS EDITORIAL
ALLEN HOUSE, EAST BOROUGH, WIMBORNE
DORSET BH21 1PF
Phone: Wimborne (01202) 881749
Fax: (01202) 841692. **Due to the cost we cannot reply to overseas orders or queries by Fax.**
E-mail: editorial@epemag.wimborne.co.uk
Web Site: <http://www.epemag.wimborne.co.uk>
Online Edition www.epemag.com
See notes on Readers' Enquiries below – we regret lengthy technical enquiries cannot be answered over the telephone.

Advertisement Offices:
EVERYDAY PRACTICAL ELECTRONICS ADVERTISEMENTS
MILL LODGE, MILL LANE
THORPE-LE-SOKEN, ESSEX CO16 0ED
Phone/Fax: (01255) 861161

A HIGH PRICE

Is overcharging restricting UK development of electronic trading? Comments in Alan Winstanley's *Net Work* column this month show just how expensive use of the Internet is in the UK in comparison with the USA. What is also obvious to us (we maintain Web sites both in the UK and in the USA) is that the cost of UK web space is far higher than that in the USA. The higher call rates, as discussed in *Net Work*, may not seem significant, but what really made Internet use and services take off in the USA was the introduction of virtually free access for all.

Anyone who has seen any American TV recently cannot fail to realise just how big Internet use is. Not only does every advert carry a URL, many of them are only advertising Web sites. Whilst there are a few such adverts in the UK, it is obvious that we are way behind what is happening on the other side of the pond. They also have a number of TV programmes aimed at web surfers, buying online etc.

Development in the USA has been so rapid and so all encompassing that the FCC are now taking steps to ensure that a situation of "haves" and "have-nots" does not arise. Their worry is that those with web access – the vast majority of the US population in one way or another – will have the power of the knowledge resource behind them, whilst a poorer section of the community may be starved of such access and find it harder and harder to stay in touch with today's modern world, thus restricting the job opportunities open to this group. The FCC are forcing high tech companies to pay for systems that give access to all by placing computers into schools and communities which cannot afford them themselves.

We can certainly see a future where access to the Web and E-mail etc will be essential for virtually all businesses and, of course, the ability to use the technology is already essential in many jobs. The problem with technology is that it moves at an ever increasing pace – just look at how far we have come from nowhere in the last 100 years or so. It is essential for the UK to keep up with electronic trading worldwide.

OOPS!

My silly mistake in the last editorial was spotted immediately by the Editors of our Online Edition, but not as yet pointed out by any readers – I guess you are all too polite. I should have said most of us won't be around for the next century, not the next millennium. Perish the thought – a thousand more years of editing *EPE*; could be worse I suppose.



Editor: MIKE KENWARD

Deputy Editor: DAVID BARRINGTON

Technical Editor: JOHN BECKER

On-Line Editor: ALAN WINSTANLEY

Business Manager: DAVID J. LEAVER

Subscriptions: MARILYN GOLDBERG

Editorial: Wimborne (01202) 881749

Advertisement Manager:
PETER J. MEW, Frinton (01255) 861161

Advertisement Copy Controller:
PETER SHERIDAN, Wimborne (01202) 882299

READERS' ENQUIRIES

E-mail: techdept@epemag.wimborne.co.uk
We are unable to offer any advice on the use, purchase, repair or modification of commercial equipment or the incorporation or modification of designs published in the magazine. We regret that we cannot provide data or answer queries on articles or projects that are more than five years old. Letters requiring a personal reply *must* be accompanied by a **stamped self-addressed envelope or a self-addressed envelope and international reply coupons. Due to the cost we cannot reply to overseas queries by Fax.**

All reasonable precautions are taken to ensure that the advice and data given to readers is reliable. We cannot, however, guarantee it and we cannot accept legal responsibility for it.

COMPONENT SUPPLIES

We do not supply electronic components or kits for building the projects featured, these can be supplied by advertisers (see *Shoptalk*). We advise readers to check that all parts are still available before commencing any project in a back-dated issue.

ADVERTISEMENTS

E-mail: adverts@epemag.wimborne.co.uk
Although the proprietors and staff of EVERYDAY PRACTICAL ELECTRONICS take reasonable precautions to protect the interests of readers by ensuring as far as practicable that advertisements are *bona fide*, the magazine and its Publishers cannot give any undertakings in respect of statements or claims made by advertisers, whether these advertisements are printed as part of the magazine, or in inserts.

The Publishers regret that under no circumstances will the magazine accept liability for non-receipt of goods ordered, or for late delivery, or for faults in manufacture. Legal remedies are available in respect of some of these circumstances, and readers who have complaints should first address them to the advertiser.

TRANSMITTERS/BUGS/TELEPHONE EQUIPMENT

We advise readers that certain items of radio transmitting and telephone equipment which may be advertised in our pages cannot be legally used in the UK. Readers should check the law before buying any transmitting or telephone equipment as a fine, confiscation of equipment and/or imprisonment can result from illegal use or ownership. The laws vary from country to country; readers should check local laws.

AVAILABILITY

Copies of *EPE* are available on subscription anywhere in the world (see right), from all UK newsagents (distributed by COMAG) and from the following electronic component retailers: Omni Electronics and Maplin in S. Africa. *EPE* can also be purchased from retail magazine outlets around the world. An Internet on-line version can be purchased from www.epemag.com



SUBSCRIPTIONS

Annual subscriptions for delivery direct to any address in the UK: £26.50. Overseas: £32.50 standard air service, £50 express airmail. Cheques or bank drafts (in £ sterling only) payable to Everyday Practical Electronics and sent to EPE Sub. Dept., Allen House, East Borough, Wimborne, Dorset BH21 1PF. Tel: 01202 881749. Fax: 01202 841692. E-mail: subs@epemag.wimborne.co.uk. Also via the Web at: <http://www.epemag.wimborne.co.uk>. Subscriptions start with the next available issue. We accept MasterCard or Visa. (For past issues see the *Back Issues* page.)

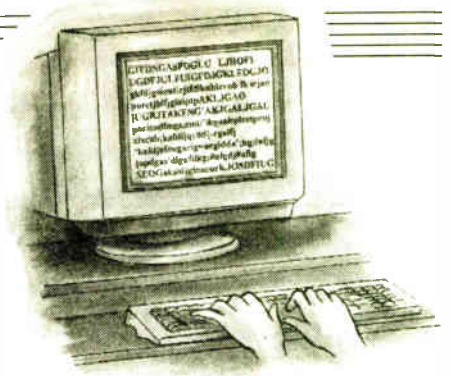
BINDERS

Binders to hold one volume (12 issues) are available from the above address. These are finished in blue p.v.c., printed with the magazine logo in gold on the spine. Price £5.95 plus £3.50 p&p (for overseas readers the postage is £6.00 to everywhere except Australia and Papua New Guinea which cost £10.50). *Normally sent within seven days but please allow 28 days for delivery – more for overseas.*

Payment in £ sterling only please. Visa and MasterCard accepted, minimum credit card order £5. Send, fax or phone your card number and card expiry date with your name, address etc. Or order on our secure server via our web site. Overseas customers – your credit card will be charged by the card provider in your local currency at the existing exchange rate.

EASY-TYPIST TAPE CONTROLLER

ANDY FLIND



Improve keyboard skills, audio/visual presentations and script prompter

THIS little project was devised to speed the task of typing text into a computer, though it will probably find plenty of other uses. It plays recorded speech a few words at a time, waiting for a prompt before continuing. This allows people who cannot type without looking at the screen or keyboard to type rapidly and continuously since it removes the need to refer frequently to the text being typed, which in the case of handwriting can be extremely tedious.

There are, of course, other ways to enter text into a computer. Printed matter of suitable quality can be scanned and read with optical character recognition, but this assumes that a reasonably powerful computer is available together with the software and a scanner, and it cannot be used with handwriting.

Voice recognition software is now available but this requires serious computing power and still has an error rate which many people find unacceptable. Also, it is difficult to see how this kind of software will ever be able to deal with words which sound the same, such as "to", "too" and "two" in the foreseeable future.

PAUSE FOR THOUGHT

The time-honoured way to do the job is to dictate the text into a tape recorder and play it back whilst typing, but this normally requires a "transcribing machine" as used by audio typists. The difference between these and ordinary tape players is that they can be started and stopped almost instantly and can "back-space" to play the last few words again, usually with footswitch control. They are expensive though, and rarely found outside the office environment.

However, an ordinary cheap microcassette recorder can be used provided a couple of extra features are added. It should be prevented from stopping in the middle of a word so that everything played is intelligible, to remove the need for back-spacing, and it should be possible to control it from a footswitch.

This is what the Easy-Typist does. The text is recorded in short "bursts" of as many words as the typist can reasonably remember, with brief silences of about a second between bursts.

This is much easier to do than it sounds and requires very little practice, certainly far less than the "training" required by most voice-recognition software products. It can then be played back with the recorder connected to this project which stops it automatically at each brief silence, allowing the preceding phrase to be typed before playback is resumed by a press of the footswitch.

The whole process is simple, rapid and inexpensive to implement since it will work with the cheapest of microcassette recorders. It can also be used with any old computer that will run a wordprocessor, or even with a typewriter.

OTHER APPLICATIONS

Although the intended use is easier typing, other applications for this project will include anything where audio information has to be dished out in discrete chunks with the user operating a switch of some kind to continue to the next section. Audio

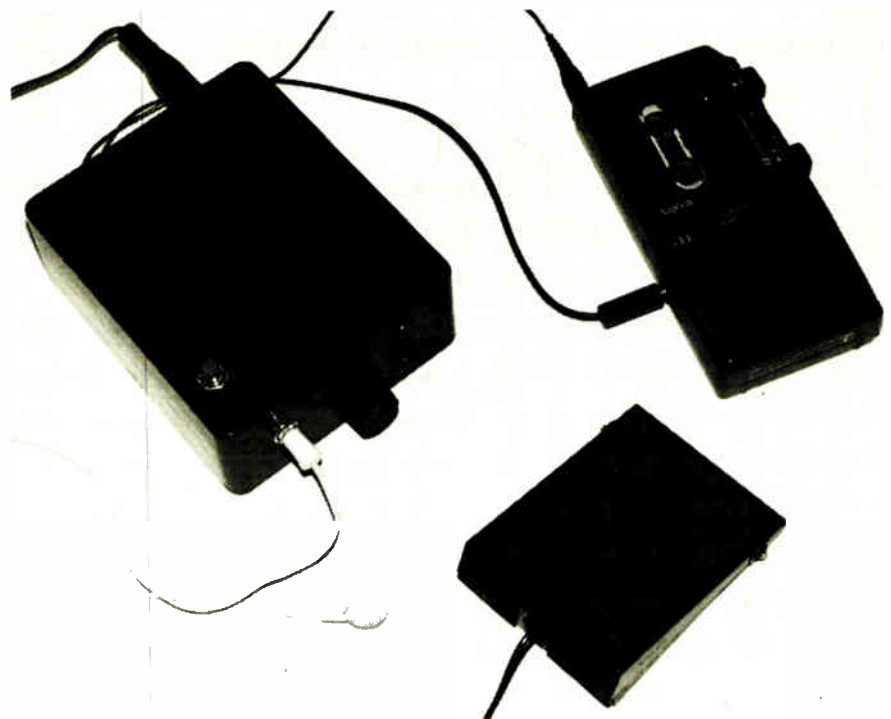
presentations and displays, operating instructions and perhaps drivers' navigation information would all be practical uses.

The direction lists generated by programs such as "Autoroute" would be ideal for it. Items such as instrument readings or test notes could be made directly to a recorder and written up easily later. No doubt readers will be able to think of many more applications.

As mentioned, microcassette dictation recorders are now readily available and very cheap with some models costing under £20. Provided the recorder has earphone and external power sockets and operates from a 3V supply (2 x AAA batteries is common) it can be used with this project. It is not necessary to modify it in any way, so any guarantee in force will not be affected.

HOW IT WORKS

A block diagram of the Easy-Typist is shown in Fig.1. The signal from the recorder's earphone socket passes straight through to the earphone, but is monitored by an amplifier with a voltage gain of about eleven.



Easy-Typist linked to a microcassette, earpiece and the footswitch.

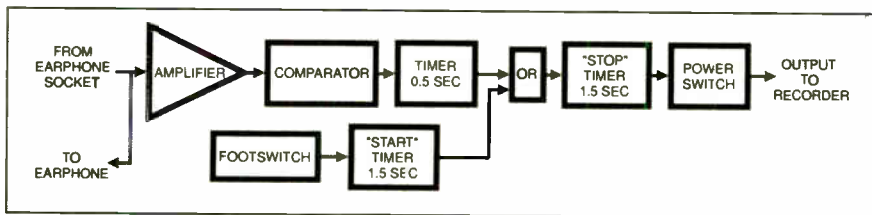


Fig.1. Simplified block diagram for the Easy-Typist.

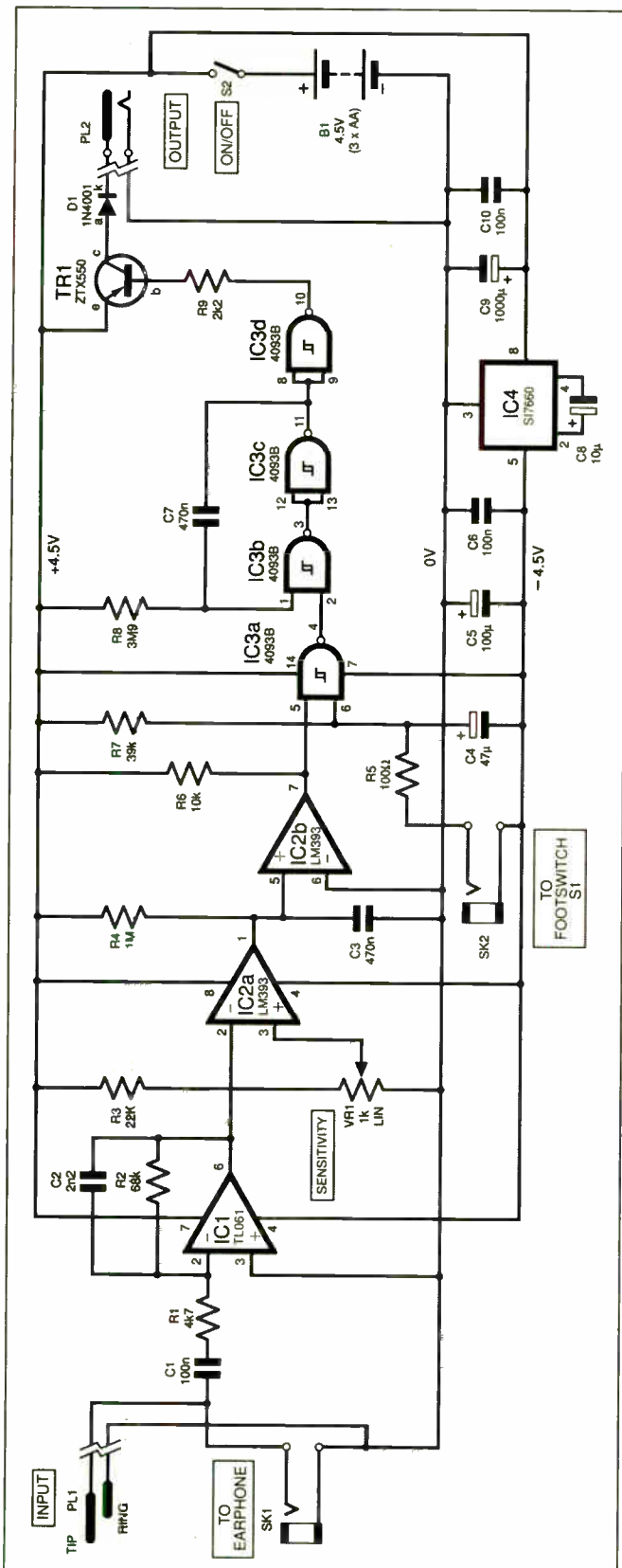


Fig.2. Complete circuit diagram for the Easy-Typist Tape Controller.

The amplifier is used because at normal listening levels the voltage across an earphone is very small, typically only a few millivolts. It also allows some control of the frequency response which improves circuit performance.

The amplifier drives a comparator. Each time the voltage of the amplifier's output waveform exceeds the reference set by the sensitivity control, the comparator restarts a timer which runs for about half a second to deal with the natural gaps found even in continuous speech.

The output from this is combined with the input from the footswitch so that either will operate the output, again through a timer which in this case operates only when the circuit switches off to ensure a positive turn-off action. The footswitch also has a timer, so that a quick press always operates the recorder for long enough to reach the next bit of speech.

Finally, there is an electronic switch to control power to the recorder itself. To avoid the need for modifications to the recorder it is started and stopped by using an external power supply and turning this on and off. Plugging an external supply into these recorders normally disconnects the internal batteries, so the Easy-Typist supplies power, in this case via a transistor.

CIRCUIT DESCRIPTION

The full circuit diagram for the Easy-Typist is shown in Fig.2. The input signal from PL1 is returned to the earphone socket SK1 but is also connected to the amplifier op.amp IC1 which has a voltage gain of eleven at 650Hz. An overall "speech" bandwidth of about 200Hz to 2kHz is set by capacitors C1 and C2.

Whenever the amplifier output exceeds the reference level set by Sensitivity control VR1 comparator IC2a discharges capacitor C3, causing the output of IC2b to go low. IC2a and IC2b have open collector outputs to which load resistors R4 and R6 are connected from the positive power supply. It takes C3 about half a second to recharge via R4 to the point where IC2b's output returns to the high state, giving the "timer" action needed to keep running with normal speech.

Combination with the signal from the footswitch is performed by the Schmitt NAND gate IC3a. Taking either of the inputs of this gate low causes its output to go high.

When footswitch S1 is operated it discharges capacitor C4. The time taken for resistor R7 to recharge this capacitor guarantees around 1.5 seconds running time following switch operation.

The next two gates, IC3b and IC3c, ensure a positive switch-off action. When the input from IC3a goes low, the output of IC3b goes high and the output of IC3c goes low. This is fed back to the other input of IC3b through capacitor C7, ensuring that the "off" state is maintained for at least the 1.5 seconds it takes for this capacitor to charge through resistor R8.

POWER PLAY

Finally, IC3d inverts the signal to give the correct polarity of base drive to transistor TR1 which controls the power to the microcassette recorder. Diode D1 reduces the voltage slightly as a 4.5V supply with only the drop introduced by TR1 might damage a recorder intended to operate from 3V. In practice a single diode here gives about the right output voltage.

The supply for this circuit is taken from three "AA" cells giving 4.5V. The SI7660 "voltage converter" IC4 generates a negative supply for the op.amp and the comparators which gives them a more suitable working voltage and also allows the battery negative to be used as the circuit "ground" (0V) to simplify the design.

Supply decoupling capacitors are provided, these are C5, C6, C9 and C10. The unusually large value of C9 is intended to absorb the start-up surges of the recorder's motor. Output to the recorder is from plug PL2, whilst switch S2 is provided to switch off the power when the unit is not in use.

CONSTRUCTION

Construction of this project is straightforward although it does call for a fine-tipped soldering iron. All the components are assembled on a piece of 0.1in. matrix stripboard, 14 strips by 33 holes. The upside component layout and details of breaks required in the underside copper tracks are shown in Fig.3.

The thirty-eight breaks should be made first. It's worth checking these carefully with a strong magnifying glass before continuing as an almost invisible strip of copper sometimes remains around the edge of a break and can be very difficult to find later.

Following this the 21 links should be fitted. These should be followed by the resistors, diode D1, the small capacitors, and transistor TR1. Finally, the sockets for the four i.c.s should be fitted, followed by the electrolytic capacitors.

It will be seen that some of the small ceramic capacitors have their leads bent outwards to accommodate a wider hole pitch; where this is necessary care is needed to avoid breaking them. There are seven external connection points on the board. The use of solder pins for these is highly recommended as they provide more robust connections which can be made from the component side.

COMPONENTS

Resistors

R1	4k7
R2	68k
R3	22k
R4	1M
R5	100Ω
R6	10k
R7	39k
R8	3M9
R9	2k2

All 0.6W 1% metal film

Potentiometer

VR1	1k rotary carbon, lin.
-----	------------------------

Capacitors

C1, C6, C10	100n resin-dipped ceramic (3 off)
C2	2n2 resin-dipped ceramic
C3, C7,	470n resin-dipped ceramic. (2 off)
C4	47μ radial elec. 10V
C5	100μ radial elec. 10V
C8	10μ radial elec. 63V
C9	1000μ radial elec. 10V

Semiconductors

D1	1N4001 1A 50V rectifier diode
TR1	ZTX550 pnp silicon transistor
IC1	TL061 op.amp
IC2	LM393 dual comparator
IC3	4093B CMOS quad 2-input NAND Schmitt trigger
IC4	SI7660 voltage converter

Miscellaneous

PL1	3.5mm mono jack plug
PL2	d.c. power plug, see text.
SK1	3.5mm mono chassis socket
SK2	6.35mm mono chassis socket
S1	footswitch, momentary press-to-make type
S2	small s.p.s.t. slide switch.
B1	4.5V battery pack (3 x AA cells in holder)

Stripboard 0.1in. matrix, size 14 strips x 33 holes; plastic case, size 118mm x 98mm x 45mm approx.; 8-pin d.i.l. socket (3 off); 14-pin d.i.l. socket; control knob; multistrand connecting wire; solder pins, solder etc.

Approx. Cost
Guidance Only

£15

excl. footswitch & batts.

See
SHOP
TALK
page

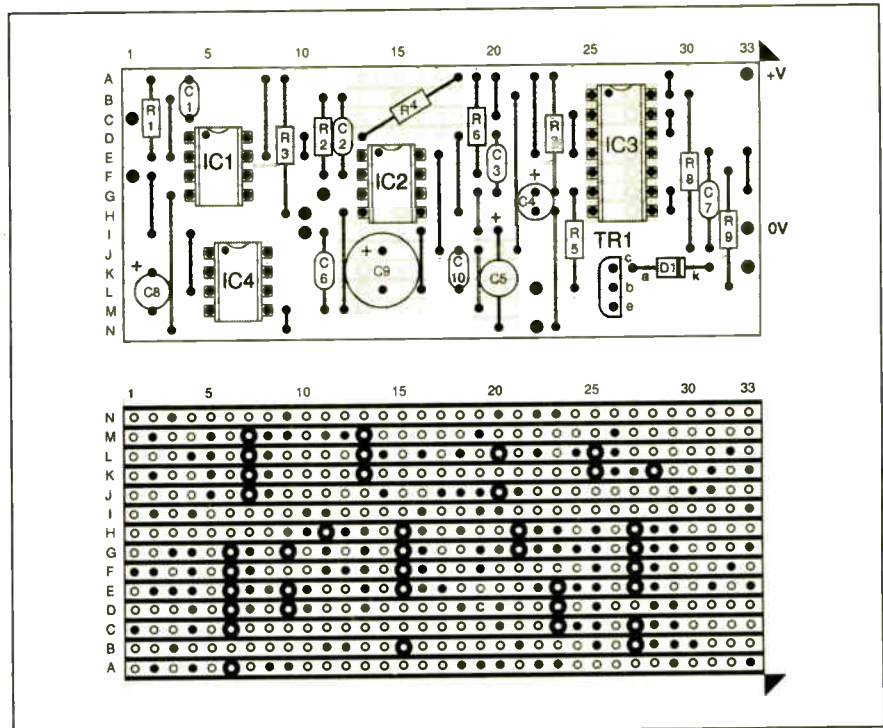


Fig.3. Easy-Typist stripboard component layout and details of breaks (38) required in the underside copper tracks.

FIRST TESTS

A useful initial test is to power the board without any of the i.c.s inserted, preferably from a current-limited bench supply. Apart from a brief surge as the decoupling capacitors charge, there should be virtually no current drain. The reason for this test is to check there are no major short-circuits present without risk to the i.c.s.

If all seems well IC4 can be inserted. When powered again with 4.5V, a 9V supply should appear across pin 4 and pin 7 of IC1's socket, pins 4 and 8 of IC2's socket and pins 7 and 14 of IC3's socket.

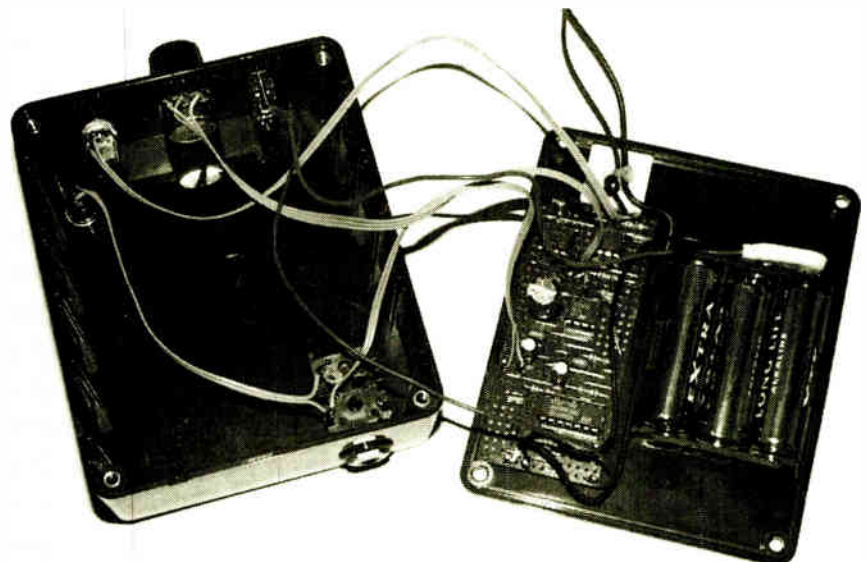
If this checks out, IC1 can be plugged in. With no input, output pin 6 should settle to around 0V (using the battery negative as the reference point). Next, IC3 can be inserted. Once capacitor C4 has had time to charge, both inputs (pins 5 and 6) to IC3a will be high, so IC3 pin 4 should be low, pin 3 should be high, pin 11 low and pin 10

high so transistor TR1 should be off. Shorting the connections for footswitch S1 should reverse all these polarities and cause the output to appear from TR1 collector (c) and diode D1.

SPEECH TEST

It should now be possible to test the stage around IC2 using a recorder with an earphone and some recorded speech. At this stage the recorder can operate from its internal batteries, there is no need to connect it to the supply from this project. The earphone must be connected though, since most recorders of this type use a series resistor to reduce power to the earphone and if it is not present the output voltage will rise considerably.

The output of IC2b should be monitored with a meter and the recorder should be played at normal volume through the earphone. The output of IC2b, at pin 7, should



Completed unit showing circuit board and battery holder mounted on the lid.

be low whilst the speech is playing and go high when it stops. Some adjustment to Sensitivity control VR1 will probably be necessary to achieve this, although the setting of this control has not proved to be at all critical.

A recording of some speech with appropriate one-second silences will be found useful for this test. Remember that, when the speech stops, it will take around half a second for the output of IC2b to go high. Checking the output of IC2a is not recommended unless an instrument with a very high input impedance is available.

A signal generator could be used in place of the recorder, of course. If this is available, it should be set to inject a level of 5mV r.m.s. (15mV peak-to-peak) at about 600Hz to 700Hz. If this works, the output from transistor TR1 and diode D1 can be checked as operating correctly with the sound input present and absent.

BOXING-UP

With all tests completed and correct, the board can be fitted into a case of the user's own choice and connected as shown in Fig.4. In the prototype, the Input plug PL1 is a 3.5mm mono jack plug dangling on a short lead, whilst the Earphone socket SK1 is a 3.5mm mono chassis socket attached to the case. The power plug PL2 for the microcassette recorder is one of the miniature d.c. power plugs used with many items these days, the exact type and connection polarity will depend on the recorder it is to be used with.

The footswitch was purchased as an inexpensive ready-to-use item. It came with a standard 6.35mm mono jack plug so a socket for this was fitted to the case. Although not shown, a small pushbutton switch is fitted to the case and connected in parallel with the footswitch socket for applications where operation with this is more convenient.

MISSING LINK

A comment regarding the pitfalls of working with stripboard can be made here. Sharp-eyed readers may spot a link to the right of R6 at the top of the board which connects positive supply to a section of

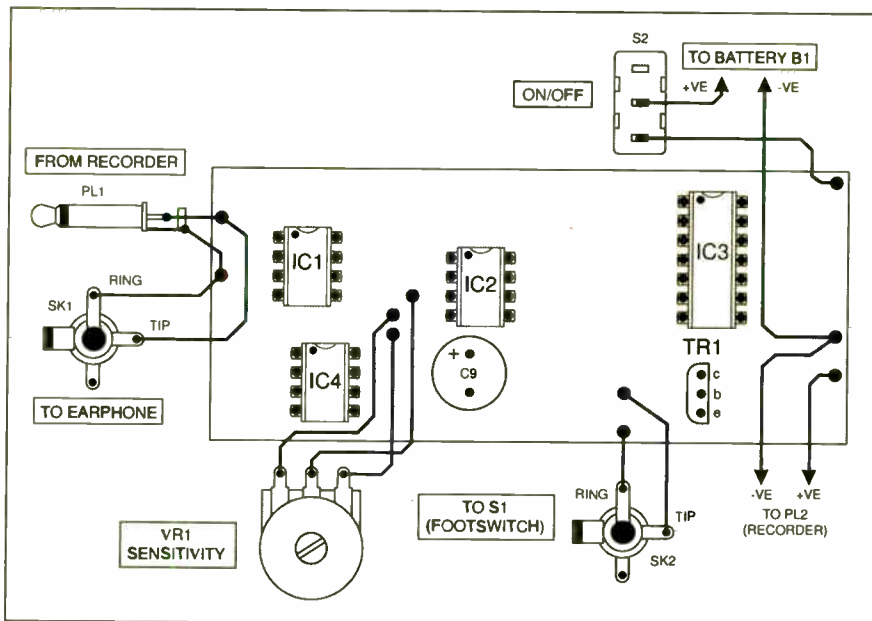


Fig.4. Interwiring from the circuit board to off-board components. The two plugs, PL1 and PL2, are wired on extended leads.

track with a break at either end, but going to nothing else.

Originally this link was not present. Neither was the right-hand track break so this section of track was connected to IC3 pin 2 and, more importantly, IC3 pin 4. This wouldn't be a problem since it didn't connect with anything else, right?

Wrong! The next track down connects to pin 1 and pin 5 of IC2, and capacitance between stripboard tracks can be astonishingly high. When IC2 pin 1 turns off, the connection to it becomes high-impedance, even though it is connected to ground by the 470nF capacitor C3.

The scenario, then, went as follows. IC2 output turned off and the voltage across C3 rose slowly as it charged from resistor R4. When it reached ground potential, IC2b changed state, causing IC3a output to go low. A bit of this transition to the low state was fed back into C3 through the inter-track capacitance, pulling it down enough to cause IC2b to switch on again and the final result was a slow oscillation.

So, the circuit which had functioned

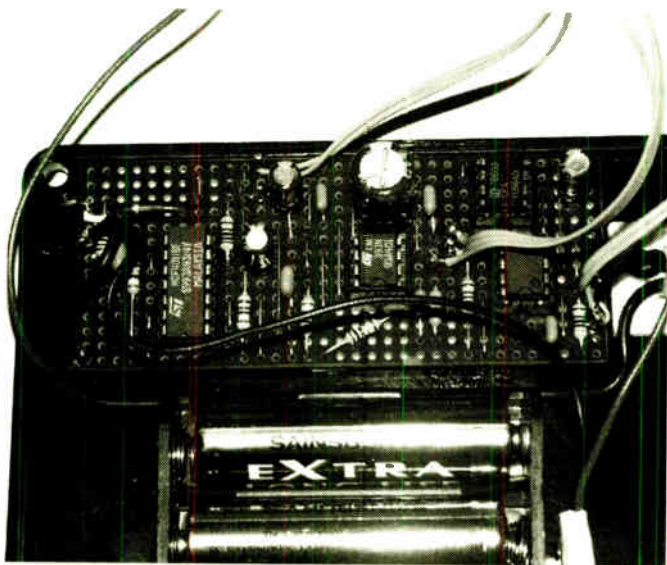
perfectly as a breadboard "rats-nest" refused to behave as a neatly constructed stripboard unit! Worse, it worked fine without either IC2 or IC3, but not when both were present, so the immediate assumption was that there must be a short-circuit or a missed break between these two.

It took around three hours to figure out the true cause of the malfunction. The cure, of course, was to remove the feedback path by disconnecting the unused track section with an extra break, and to improve on this by tying it to the nearest supply rail. This is a good example of the type of problem that can befall the unwary stripboard user which may be helpful to others encountering similar troubles.

THE LAST WORD

To finish, here are a few more possible uses for this little gadget. It would make an ideal prompter for use when giving talks or speeches. It could be used for audio-visual training, or by actors learning their lines.

Finally, it might render it's original purpose obsolete by helping to train the user in touch-typing! □



Circuit board component layout and wiring.



Completed Easy-Typist showing additional pause switch button on top of the case.

New Technology Update

Ian Poole looks at the latest development to improve the light efficiency of l.e.d.s.

IT IS now some years since light emitting diodes (l.e.d.s) were first available for use. Since then they have become very popular as convenient and reliable indicators.

Originally l.e.d.s were only available in red. Now having undergone a considerable amount of development they are available in a wide variety of colours. Orange and yellow were the first to follow red, but most other colours are available, although they are slightly more expensive. Infra-red emitters are also available, and these are widely used in remote controls for televisions, video recorders and a wide variety of other products that need remote control.

The cost of these indicators and displays is very low. Standard indicator lamps are available for a few pence, and high output devices are a little more. Alpha-numeric displays are also very reasonably priced, making them ideal for use in home electronic products as well as many commercial ones.

Beginnings

The phenomenon behind light emitting diodes was first seen many years ago. A British development engineer named H. J. Round, who was famous for many thermionic valve developments, first noticed it in 1907 when he was making some investigations into point contact crystal detectors. He reported these discoveries in *Electrical World*, although no further work was done.

The idea was not taken any further for several years, and did not surface again until it was observed by O. V. Losov in 1922. Unfortunately, he lived in Leningrad and he was killed in the Second World War when Hitler advanced on Russia. Although he published a total of four patents up until 1942, the details of his work were never discovered. However, it was Messrs. Bay and Szigeti who actually patented l.e.d.s in 1939.

The l.e.d. resurfaced again in 1951 after the discovery of the bipolar transistor. A team of researchers led by K. Lehovac started investigations into the effect. The level of research grew rapidly and a number of companies were involved. This resulted in the first light emitting diodes being marketed in the late 1960s.

Basics

Light emitting diodes are a specialised form of $p-n$ junction. They are different from normal $p-n$ junctions in that they must be fabricated from a compound semiconductor like gallium arsenide, gallium phosphide or indium phosphide. In the example of gallium arsenide, gallium has a valency of three and arsenic a valency of five and as such they are known as group III-V semiconductors. Other compound semiconductors are also formed from group III-V materials. The more common

semiconductors, silicon and germanium do not emit light.

In a $p-n$ junction it is found that the p -type region has an excess of holes and the n -type region an excess of electrons caused by the doping. When a forward bias is applied to the junction the electrons are attracted across the junction region into the p -type region. The same potential pulls the holes in the opposite direction, but across the junction. When the holes and electrons meet they start to recombine. As a result of this action a current flows across the junction.

When this occurs in an l.e.d., energy is released, some of which is in the form of photons. Interestingly it is found that more light is usually produced from the p -type side of the junction, and this is kept closest to the surface of the diode to ensure that the minimum amount of light is absorbed.

To produce light of the colour or correct wavelength the correct materials must be used and the device tailored for the application. Pure gallium arsenide releases energy in the infra-red portion of the spectrum. To enable light in the visible red end of the spectrum to be produced aluminium is added to the semiconductor to give aluminium gallium arsenide (AlGaAs). Phosphorus can also be added to give red light.

For other colours other materials are used. For example gallium phosphide gives green light and aluminium indium gallium phosphide is used for yellow and orange light. Most l.e.d.s are based on gallium semiconductors.

Efficiency

One of the problems that is common to most forms of light emitter is that of efficiency. The common incandescent light

bulb is notoriously inefficient, and l.e.d.s also have a relatively low level of efficiency. Whilst this may not be a major consideration in many applications it is nevertheless a major factor in many designs, particularly those that are battery powered.

A typical l.e.d. may consume as much as 20mA and most of this is dissipated as heat. If the efficiency was improved then the current consumption could be correspondingly reduced, thereby saving battery power. As many of the i.c.s used in pieces of equipment like cellular phones only consume a milliamp or so, and provide a large amount of functionality, this means that the proportion of current being used to give a simple indication is very high.

Over the years improvements have been made to improve the technology. As most of the light is generated at the p -type side of the junction, this is generally placed closer to the surface of the semiconductor so that any light that is produced has less distance to travel through the semiconductor and hence less light is absorbed.

Other techniques to improve the efficiency are also employed. Often a coating applied to the surface of the diode to match the refractive index can triple the light output, but despite this procedure a complete match cannot be obtained and it is found that only half of the internally reflected light is released.

It is also possible to encapsulate the l.e.d. in plastic that better matches the refractive indices to help reduce reflections, but this only yields a small increase in output.

New Development

In a l.e.d. it has been found that a large proportion of the light is lost as a result of total internal reflection at the interface with the air. In a new initiative, NASA is licensing some of the fruits of its development for nominal fees and with the minimum of formalities. One of these is a structure for an l.e.d. where the level of light that is lost by internal reflection is greatly reduced.

The improvement is achieved by having a reverse taper on the semiconductor chip. This changes the direction that some of the light takes so that it strikes the air-semiconductor interface at an angle so that a greater proportion of the light is transmitted through the interface and not reflected back, see Fig. 1.

The real elegance of the new idea lies in its simplicity. This makes it easy to implement and as a result it is expected that the idea will be taken up quite quickly.

With l.e.d.s being widely used it is anticipated that the new l.e.d.s will soon become commonplace, finding uses in aircraft, spatial marking lights, traffic signals and even as night lights in homes.

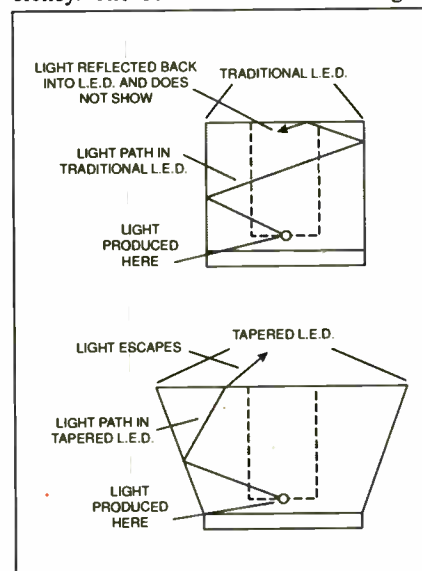
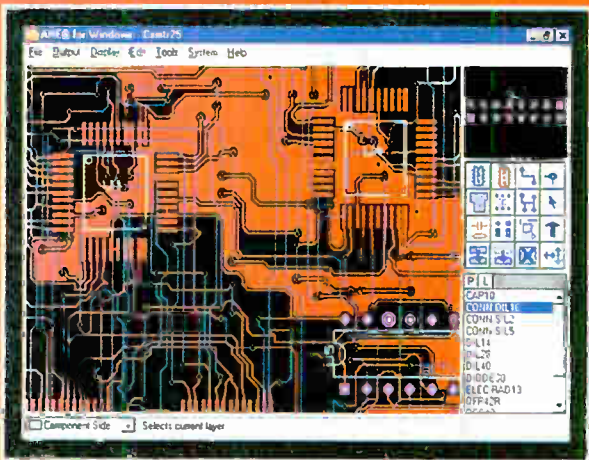
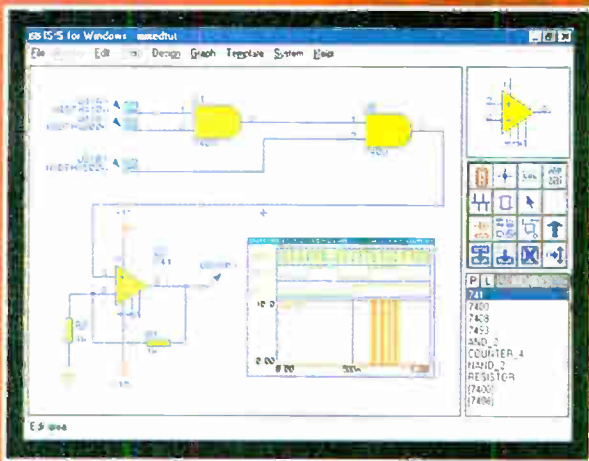


Fig. 1. Light paths for traditional and new reverse tapered l.e.d.s.

PROTEUS

including **NEW SIMULATOR**

PRO SPICE 3F5



Simulation

- Berkeley SPICE3F5 analogue simulation kernel
- True mixed mode simulation.
- New analysis types include multi-plot sweeps, transfer curves, distortion and impedance plots.
- Active Components: Switches, Pots etc.
- Over 1000 new library parts with SPICE models.
- Greater ease of use.

"a constant high level of capability throughout"

EWV CAD Review Round Up September 1998

Schematic Capture

- Produces attractive schematics like in the magazines.
- Netlist, Parts List & ERC reports.
- Hierarchical Design.
- Full support for buses including bus pins.
- Extensive component/model libraries.
- Advanced Property Management.
- Seamless integration with simulation and PCB design.

PCB Design

- Automatic Component Placement.
- Rip-Up & Retry Autorouter with tidy pass.
- Pinswap/Gateswap Optimizer & Back-Annotation.
- 32 bit high resolution database.
- Full DRC and Connectivity Checking.
- Shape based gridless power planes.
- Gerber and DXF Import capability.

SHAREWARE VERSIONS
NOW WITH INTERACTIVE CIRCUIT ANIMATION
Download your copy now

<http://www.labcenter.co.uk>

"the **BEST** all-round **PROGRAM**"

EWV CAD Review Round Up September 1998

Available in 5 levels - prices from £295 to £1625 + VAT.
Call now for further information & upgrade prices.

labcenter
Electronics

Write, phone or fax for your free demo disk, or ask about our full evaluation kit.
Tel: 01756 753440. Fax: 01756 752857. EMAIL: info@labcenter.co.uk
53-55 Main St, Grassington. BD23 5AA. WWW: <http://www.labcenter.co.uk>

Fully interactive demo versions available for download from our WWW site.
Call for educational, multi-user and dealer pricing - new dealers always wanted
Prices exclude VAT and delivery. All manufacturer's trademarks acknowledged



ADD £2.00 P&P to all orders (or 1st Class Recorded £4. Next day (Insured £250) £7 Europe £3.50 Rest of World £5.00. We accept all major credit cards. Make cheques/PO's payable to Quasar Electronics. Prices include 17.5% VAT MAIL ORDER ONLY FREE CATALOGUE with order or send 2 x 1st class stamps (refundable) for details of over 150 kits & publications.

PROJECT KITS

OUR PROJECT KITS COME COMPLETE WITH ALL COMPONENTS, HIGH QUALITY PCBs, DETAILED ASSEMBLY/OPERATING INSTRUCTIONS

- **2 x 25W CAR BOOSTER AMPLIFIER** Connects to the output of an existing car stereo cassette player, CD player or radio. Heatsinks provided. PCB 76x75mm. 1046-KT £24.95
- **1W+1W STEREO AMPLIFIER MODULE** Uses Samsung KA2209 IC (equivalent to the TDA2822) designed for portable cassette players & radios. 1.8-9VDC. PCB 35x50mm. 3087-KT £9.95
- **10W+10W STEREO AMPLIFIER MODULE** Uses TDA2009 class audio power amp IC designed for high quality stereo applications. 8-28VDC. PCB 45x80mm. 3088-KT £9.95
- **18W BTL AUDIO AMPLIFIER MODULE** Low voltage, high power mono 18W BTL amp using HA13118 IC. Delivers 14W into 4 Ohm's (1% THD) with 13.2V supply. Thermal/shock protection. 8-18VDC. Heatsink provided. PCB 57x55mm. 3105-KT £8.50
- **3-CHANNEL WIRELESS LIGHT MODULATOR** No electrical connection with amplifier. Light modulation achieved via a sensitive electret microphone. Separate sensitivity control per channel. Power handling 400W/channel. PCB 54x112mm. Mains powered. Box provided. 5014-KT £23.45
- **12 RUNNING LIGHT EFFECT** Exciting 12 LED light effect ideal for parties, discos, shop-windows & eye catching signs. PCB design allows replacement of LEDs with 220V bulbs by inserting 3 TRIACs. Adjustable rotation speed & direction. PCB 54x112mm. 1026-KT £10.95; BOX (for mains operation) 2026-KT £9.50
- **DISCO STROBE LIGHT** Probably the most exciting of all light effects. Very bright strobe light. Adjustable strobe frequency. 1-60Hz. Mains powered. PCB: 60x68mm. Box provided. 6037-KT £28.90
- **SOUND EFFECTS GENERATOR** Easy to build. Create an almost infinite variety of interesting/unusual sound effects from birds chirping to sirens. 9VDC. PCB 54x85mm. 1045-KT £8.95
- **ROBOT VOICE EFFECT** Make your voice sound similar to a robot or Dariaf. Great fun for discos, school plays, theatre productions, radio stations & playing jokes on your friends when answering the phone! PCB 42x71mm. 1131-KT £7.95
- **AUDIO TO LIGHT MODULATOR** Controls intensity of one or more lights in response to an audio input. Safe, modern opto-coupler design. Mains voltage operation required. 3012-KT £6.95
- **MUSIC BOX** Activated by light. Plays 8 Christmas songs and 5 other tunes. 3104-KT £6.50
- **20 SECOND VOICE RECORDER** Uses non-volatile memory - no battery backup needed. Record/replay messages over & over. Playback as built-in mic. 6VDC. PCB 50x73mm. 3131-KT £11.95
- **TRAIN SOUNDS** 4 selectable sounds : whistle blowing, level crossing bell, 'clickety-clack' & 4 in sequence. 5G01M £4.95
- **ANIMAL SOUNDS** Cat, dog, chicken & cow. Ideal for kids farmyard toys & schools. 5G10M £4.50
- **3 1/2 DIGIT LED PANEL METER** Use for basic voltage/current displays or customise to measure temperature, light, weight, movement, sound levels, etc., with appropriate sensors (not supplied). Various input circuit designs provided. 3061-KT £11.95
- **IR REMOTE TOGGLE SWITCH** Use any TV/VCR remote control unit to switch onboard 12V/1A relay on/off. 3058-KT £8.95

X FACTOR PUBLICATIONS

THE EXPERTS IN RARE & UNUSUAL INFORMATION!

Full details of all X-FACTOR PUBLICATIONS can be found in our catalogue. N.B. Minimum order charge for reports and plans is £5.00 P.L.U.S. normal P&P

- **SUPER-EAR LISTENING DEVICE** Complete plans to build your own portable ear microphone. Listen to distant voices and sounds through open windows and even walls! Made from readily available parts. R007 £3.50
- **TELEPHONE BUG PLANS** Build your own micro-battle telephone bug. Suitable for any phone. Transmits over 250 metres - more with good receiver! Made from easy to obtain, cheap components. R106 £2.50
- **LOCKS** - How they work and how to pick them! This fact filled report will teach you more about locks and the art of lock picking than many books have seen at 4 times the price. Packed with information and illustrations. R008 £3.50
- **RADIO & TV JOCKER PLANS** We show you how to build three different circuits for disrupting TV picture and sound plus FM radio! May upset your neighbours & the authorities! DISCRETION REQUIRED. R017 £3.50
- **INFINITY TRANSMITTER PLANS** Complete plans for building the famous Infinity Transmitter. Once installed on the target phone, device acts like a room bug. Just call the target phone & activate the unit to hear all room sounds. Great for home/office security! R019 £3.50
- **THE ETHER BOX CALL INTERCEPTOR PLANS** Grabs telephone calls out of the air! No need to wire-in a phone bug. Simply place this device near the phone lines to hear the conversations taking place! R023 £3.00
- **CASH CREATOR BUSINESS REPORTS** Need ideas for making some cash? Well this could be just what you need! You get 40 reports (approx. 800 pages) on floppy disk that give you information on setting up different businesses. You also get valuable reproduction and duplication rights so that you can sell the manuals as you like. R030 £7.50

- **SPEED CONTROLLER** for any common DC motor up to 100V/5A. Pulse width modulation gives maximum torque at all speeds. 5-15VDC. Box provided. 3067-KT £10.95
- **3 x 8 CHANNEL IR RELAY BOARD** Control eight 12V/1A relays by Infra Red (IR) remote control over a 20m range in sunlight. 6 relays turn on only, the other 2 toggle on/off. 3 operation days determined by jammers. Transmitter case & all components provided. Receiver PCB 76x89mm. 3072-KT £43.95
- **PC CONTROLLED RELAY BOARD** Convert any 286 upward PC into a dedicated automatic controller to independently turn on/off up to eight lights, motors & other devices around the home, office, laboratory or factory using 8 240VAC/12A onboard relays. DOS utilities, sample test program, full-featured Windows utility & all components (except cable) provided. 12VDC. PCB 70x200mm. 3074-KT £28.95
- **2 CHANNEL UHF RELAY SWITCH** Contains the same transmitter/receiver pair as 30A15 below plus the components and PCB to control two 240VAC/10A relays (also supplied). Ultra bright LEDs used to indicate relay status. 3082-KT £25.95
- **TRANSMITTER RECEIVER PAIR** 2-button key-look style 300-375MHz Tx with 30m range. Receiver encoder module with matched decoder IC. Components must be built into a circuit like kit 3082 above. 30A15 £13.95
- **TELEPHONE LINE RELAY SWITCH** Turn on/off 4 relays over your phone line from anywhere in the world. 4 digit security code. Line protection circuitry built-in (non-approved). PCB 78x105mm. 3096-KT £42.95
- **PC DATA ACQUISITION/CONTROL UNIT** Use your PC to monitor physical variables (e.g. pressure, temperature, light, weight, switch state, movement, relays, etc.), process the information & use results to control physical devices like motors, sirens, relays, servo & stepper motors. Inputs: 16 digital & 11 analogue. Outputs: 8 digital & 1 analogue. Plastic case with printed front/rear panels, software utilities, programming examples & all components (except sensors & cable) provided. 12VDC 3093-KT £79.95
- **PIC 16C71 FOUR SERVO MOTOR DRIVER** Simultaneously control up to 4 servo motors. Software & all components (except servos/control pots) supplied. 5VDC. PCB 50x70mm. 3102-KT £13.95

BARGAIN BUY!

Great introduction to electronics. Ideal for the budding electronics expert! Build a radio, burglar alarm, water detector, Morse code practice circuit, simple computer circuits, and much more! NO soldering, tools or previous electronics knowledge required. Circuits can be built and assembled repeatedly. Comprehensive 68 page manual with explanations, schematics and assembly diagrams. Suitable for age 10+. Excellent for schools. Requires 2 x AA batteries. ONLY £14.95 (phone for bulk discounts).

- **PC SERIAL PORT ISOLATED I/O BOARD** Provides eight 240VAC/10A relay outputs & 4 optically isolated inputs. Designed for use in various control & sensing applications (e.g. load switching, external switch input sensing, contact closure & external voltage sensing. Controlled via serial port & a terminal emulator program (built into Windows). Can be used with ANY computer/operating system. Plastic case with printed front/rear panels & all components (except cable) provided. 3108-KT £44.95
- **UNIPOLAR STEPPER MOTOR DRIVER** for any 5/8 lead motor. Fast/slow & single step rates. Direction control & on/off switch. Wave, 2-phase & half-wave step modes. 4 LED indicators. PCB 50x55mm. 3109-KT £12.95
- **PC CONTROLLED STEPPER MOTOR DRIVER** Control two unipolar stepper motors (8A max. each) via PC printer port. Wave, 2-phase & half-wave step modes. Software accepts 4 digital inputs from external switches & will single step motors. PCB fits in D-shell case provided. 3113-KT £15.95
- **12-BIT PC DATA ACQUISITION/CONTROL UNIT** Similar to kit 3093 above but uses a 12 bit Analogue-to-Digital Converter (ADC) with internal analogue multiplexer. Reads 8 single ended channels or 4 differential inputs or a mixture of both. Analogue inputs read 0-4V. Four TTL/CMOS compatible digital inputs/output ADC conversion time <10µs. Software (C, QB & Win), extended D shell case & all components (except sensors & cable) provided. 3118-KT £44.95
- **LIQUID LEVEL SENSOR/RAIN ALARM** Will indicate fluid levels or simply the presence of fluid. Relay output to control a pump to add/remove water when it reaches a certain level. 1080-KT £6.95
- **UNIVERSAL TIMER** Seven crystal controlled timing operations in steps of 0.1s from 0.1 to 6553.6s or 1 second steps from 0.1 to 6553.6s. Allows 4 signal input types from push button to electrically isolated voltage switching sources. On-board relay will switch 240V/5A. Box, software & all components provided. PCB 56 x 97mm. 3054-KT £24.95

SURVEILLANCE

High performance surveillance bugs. Room transmitters supplied with sensitive electret microphone & battery holder clip. All transmitters can be received on an ordinary VHF/FM radio between 88-108MHz. Available in Kit Form (KT) or Assembled & Tested (AS).

ROOM SURVEILLANCE

- **MTX - MINIATURE 3V TRANSMITTER** Easy to build & guaranteed to transmit 300m @ 3V. Low battery life. 3-5V operation. Only 45x18mm. ● 3007KT £4.95 AS3007 £9.95
- **MRX - MINIATURE 9V TRANSMITTER** Our best selling bug. Super sensitive, high power - 500m range @ 9V (over 1km with 18V supply and better aerial). 45x19mm. 3018KT £5.95 AS3018 £11.95
- **HPX - HIGH POWER TRANSMITTER** High performance, 2 stage transmitter gives greater stability & higher quality reception. 1000m range @ 12V DC operation. Size 70x15mm. 3032KT £6.95 AS3032 £16.95
- **MRX - MICRO-MINIATURE 9V TRANSMITTER** The ultimate bug for its size, performance and price. Just 15x25mm. 500m range @ 9V. Good stability. 6-18V operation. 3015KT £7.95 AS3015 £13.95
- **VX - VOICE ACTIVATED TRANSMITTER** Operates only when sounds detected. Low standby current. Variable trigger sensitivity. 500m range. Peaking circuit supplied for maximum RF output. On/off switch. 6V operation. Only 63x38mm. 3028KT £7.95 AS3028 £24.95
- **HARD-WIRED BUG/TWO STATION INTERCOM** Each station has its own amplifier, speaker and mic. Can be set up as either a hard-wired bug or two station intercom. 10m x 2-core cable supplied. 9V operation. 3021KT £11.95 (kit form only).
- **TRVS - TAPE RECORDER VOX SWITCH** Used to automatically operate a tape recorder (not supplied) via its REMOTE socket when sounds are detected. All conversations recorded. Adjustable sensitivity & turn-off delay. 115x19mm. 3013KT £6.95 AS3013 £18.95

- **STEREO VU METER** shows peak music power using 2 rows of 10 LEDs (mixed green & red) moving bar display. 0-30db. 3089-KT £10.95
- **AM RADIO KIT 1** Tuned Radio Frequency front-end, single chip AM radio IC & 2 stages of audio amplification. All components inc. speaker provided. PCB 32x102mm. 3063-KT £9.95
- **DRILL SPEED CONTROLLER** Adjust the speed of your electric drill according to the job at hand. Suitable for 240V AC mains powered drills up to 700W power. PCB: 48mm x 65mm. Box provided. 6074-KT £15.90
- **3 INPUT MONO MIXER** Independent level control for each input and separate bass/treble controls. Input sensitivity: 240mV. 18V DC. PCB: 60mm x 185mm. 1052-KT £16.95
- **ELECTRONIC SIREN** 5 Watt. Impressive 5W power output. Suitable for alarm systems, car, motorbikes, etc. Output frequency 1-2kHz. 6-12V DC. PCB: 37mm x 71mm. Siren not provided. 1003-KT £5.95
- **NEGATIVE/POSITIVE ION GENERATOR** Standard Cockcroft-Walton multiplier circuit. Mains voltage operation required. 3057-KT £8.95

TELEPHONE SURVEILLANCE

- **MTX - MINIATURE TELEPHONE TRANSMITTER** Attaches anywhere to phone line. Transmits info when phone is used! Tune in your radio and hear both parties. 300m range. Uses line as aerial & power source. 20x45mm. 3016KT £4.95 AS3016 £10.95
- **TRI - TELEPHONE RECORDING INTERFACE** Automatically records all conversations. Connects between phone line & tape recorder (not supplied). Operates recorders with 1.5-12V battery systems. Powered from line. 50x33mm. 3033KT £5.95 AS3033 £15.95
- **TPA - TELEPHONE PICK-UP AMPLIFIER/WIRELESS PHONE BUG** Place pick up coil on the phone line or near phone earpiece and hear both sides of the conversation. 3055KT £9.25 AS3055 £18.95
- **1 WATT FM TRANSMITTER** Easy to construct. Delivers a crisp clear signal. Two stage circuit. Kit includes microphone and requires a simple open diode aerial. 8-30VDC. PCB 42x45mm. 1009-KT £9.95
- **4 WATT FM TRANSMITTER** Comprises three RF stages and an audio amplifier stage. Piezoelectric microphone supplied or you can use a separate pre-amplifier circuit. Antenna can be an open diode or Ground Plane. Ideal project for those who wish to get started in the fascinating world of FM broadcasting and want a good basic circuit to experiment with. 12-18VDC. PCB 44x146mm. 1028-KT £18.95
- **15 WATT FM TRANSMITTER (PRE-ASSEMBLED & TESTED)** Four transistor based stages with Philips BLY 88 in final stage. 15 Watts RF power on the air. 88-108MHz. Accepts open diode, Ground Plane, 5/8 J, or YAGI configurations antennas. 12-18VDC. PCB 70x220mm. SWS meter needed for alignment. 1021-KT £64.95
- **SIMILAR TO ABOVE BUT 25W Output.** 1028-KT £69.95

- **3V/1.5V TO 9V BATTERY CONVERTER** Replace expensive 9V batteries with economic 1.5V batteries. IC based circuit steps up 1 or 2 AA' batteries to give 9V/18mA. 3035-KT £4.95
- **STABILISED POWER SUPPLY 3-30V/2.5A** Ideal for hobbyist & professional laboratory. Very reliable & versatile design at an extremely reasonable price. Short circuit protection. Variable DC voltages (3-30V). Rated output 2.5 Amps. Large heatsink supplied. You just supply a 24VAC/3A transformer. PCB 55x112mm. Mains operation. 1007-KT £17.50. Custom Designed Box 2007 £34.95
- **STABILISED POWER SUPPLY 2-30V/5A** As kit 1007 above but rated at 5Amp. Requires a 24VAC/5A transformer. 1096-KT £29.95. Custom Designed Box 2096 £34.95
- **RFI POWER SUPPLY** Designed to power RF transmitters/receivers. Blocks high frequencies & eliminates problems like noise, overheating, standing waves, etc. Output: 12-14VDC/3A. Thermal/shock circuit protection & electronic stabilisation. You just supply a 18VAC/3A transformer. PCB 72x82mm. 1171-KT £24.95
- **MOTORBIKE ALARM** Uses a reliable vibration sensor (adjustable sensitivity) to detect movement of the bike to trigger the alarm & switch the output relay to which a siren, bikes horn, indicators or other warning device can be attached. Auto-reset. 6-12VDC. PCB 57x64mm. 1011-KT £10.95 Box £5.95
- **CAR ALARM SYSTEM** Protects your car from theft. Features vibration sensor, courtesy/boot light voltage drop sensor and bonnet/boot earth switch sensor. Entry/exit delays, auto-reset and adjustable alarm duration. 6-12V DC. PCB: 47mm x 55mm. 1019-KT £9.95 Box £6.50
- **LIGHT ALARM** Protect your valuables. Alarm sounds if circuit detects a small amount of light. Place in cash box etc. 3008-KT £4.50
- **PIEZO SCREAMER** 110db of ear piercing noise. Fits in box with 2 x 35mm piezo elements built into their own resonant cavity. Use as an alarm siren or just for fun! 6-9VDC. 3015-KT £8.95
- **COMBINATION LOCK** Versatile electronic lock comprising main circuit & separate keypad for remote opening of lock. Relay supplied. 3029-KT £8.95
- **ULTRASONIC MOVEMENT DETECTOR** Crystal locked detector frequency for stability & reliability. PCB 75x40mm houses all components. 4-7m range. Adjustable sensitivity. Output will drive external relay/circuits. 9VDC. 3049-KT £11.95
- **PIR DETECTOR MODULE** 3-lead assembled unit just 25x35mm as used in commercial burglar alarm systems. 3076-KT £7.95
- **INFRA-RED SECURITY BEAM** When the invisible IR beam is broken a relay is tripped that can be used to sound a bell or alarm. 25 metre range. Mains rated relays provided. 12VDC operation. 3130-KT £10.95
- **FUNCTION GENERATOR** Quad Op Amp oscillator & wave shaper circuit generates audio range square waves (6Hz-6KHz), triangle & pseudo sine outputs. 9VDC. 3023-KT £9.95
- **LOGIC PROBE** tests CMOS & TTL circuits & detects false pulses. Visual & audio indication of logic state. Full instructions supplied. 3024-KT £6.95
- **SQUARE WAVE OSCILLATOR** Generates square waves at 6 preset frequencies in factors of 10 from 1Hz-100KHz. Visual output indicator. 5-18VDC. Box provided. 3111-KT £7.95
- **PC DRIVEN POCKET SAMPLER/DATA LOGGER** Analogue voltage sampler records voltages up to 2V or 20V over periods from milli-seconds to months. Can also be used as a simple digital scope to examine audio & other signals up to about 5KHz. Software & D-shell case provided. 3112-KT £18.95
- **20 MHz FUNCTION GENERATOR** Square, triangular & sine waveform up to 20MHz over 3 ranges using 'coarse' and 'fine' frequency adjustment controls. Adjustable output from 0-2V p-p. A TTL output is also provided for connection to a frequency meter. Uses MAX038 IC. Plastic case with printed front/rear panels & all components provided. 7-12VAC. 3101-KT £49.95

30-In-ONE

Electronic Projects Lab



- **LED DICE** Classic intro to electronics & circuit analysis. 7 LEDs simulate dice roll, slow down & land on a number at random. 555 IC circuit. 3003-KT £7.95
- **STAIRWAY TO HEAVEN** Tests hand-eye co-ordination. Press switch when green segment of LED lights to climb the stairway - miss & start again! Good intro to several basic circuits. 3005-KT £7.95
- **ROULETTE LED** 'Ball' spins round the wheel, slows down & drops into a slot. 10 LEDs. Good intro to CMOS decade counters & Op-Amps. 3006-KT £9.95
- **DUAL LED DICE PIC** 16C54 circuit performs similar function to 3003-KT above but two dice. Good intro to micro-controllers. 3071-KT £11.95
- **9V XENON TUBE FLASHER** Transformer circuit steps up 9V battery to flash a 25mm Xenon tube. Adjustable flash rate (0.25-2 Sec's). 3022-KT £10.95
- **LED FLASHER** 1.5 ultra bright red LED's flash in 7 selectable patterns. 3052M-KT £4.50
- **LED FLASHER 2** Similar to above but flash in sequence or randomly. Ideal for model railways. 3052B-KT £4.50
- **ESD64 PIC PROGRAMMER** Reads, programs & verifies. Uses any PC parallel port. All hardware, software & documentation needed to learn & test this IC provided. 3081-KT £20.95
- **SERIAL PIC PROGRAMMER** for all 8/18/28/40 pin DIP serial programmed PICs. 3rd party software supplied expires after 21 days (costs US\$25 to register). 3096-KT £12.95
- **PICALL SERIAL & PARALLEL PIC PROGRAMMER** for all 8/18/28/40 pin DIP parallel AND serial PICs. Includes fully functional & registered software (DOS, W3.1, W95.0). 3117-KT £54.95
- **ATMEL 89C051 PROGRAMMER** Simple to-use yet powerful programmer for the Atmel 89C1051, 89C2051 & 89C4051 uCs. Programmer does NOT require special software other than a terminal emulator program (built into Windows). Can be used with ANY computer/operating system. 3121-KT £24.95

WEB: <http://www.QuasarElectronics.com>
email: epesales@QuasarElectronics.com

Secure Online Ordering Facilities
Full Kit Listing, Descriptions & Photos
Kit Documentation & Software Downloads

LIVE WEB EVENTS

**Barry Fox reports on the latest attempts to improve
live action on the Web.**

PHILIPS wants to extend E-commerce on the Internet to pay-viewing of special events, by exploiting a feature of the newly ratified MPEG-4 standard. MPEG-4 can carry acceptable pictures and sound at a few tens of Kbps, because it is object-oriented. The stationary background and moving foreground are separately coded, and re-combined in the PC. Background ambient sound is separately coded from speech or music.

Philips has developed a system which uses MPEG-4 to provide an overall view of a sports pitch or concert stage, along with background crowd noise. The players and performers only appear on screen, and the music or commentary are only heard, when the PC-user pays a fee by credit card. Advertisements on boards are tailored to the location of the target audience.

Web Overload

However, as proved by the Netaid live Webcast, the Internet has a long way to go before it can challenge conventional TV, and paying for faster PCs and ISDN access into the home is no answer if the main delivery system is overloaded. This message came over loud and clear from the fuzzy disjointed video images that arrived from Web cover of the Netaid pop concerts held in London, Geneva and New York on 9 October '99. The UN-backed website (<http://www.netaid.org>) used 1500 servers at 90 locations round the world.

Cisco Systems (<http://www.cisco.com>) and the organisers designed the system to handle 125,000 simultaneous hits, and one million a minute – ten times the peak rate for Internet cover of the last Olympics. Netaid's target was to break the billion hit barrier.

Internet news reports after the event (<http://dailynews.yahoo.com>) put the total number of people who visited the site at 2.4 million. Those who did log on had to download the latest version of the RealPlayer G2 decoding software before they could receive live video and sound (<http://www.realaudio.com>).

Even with 64Kbps ISDN access to the Netaid site, with a Pentium 3 processor running at 500MHz and Windows 98, the postage stamp live pictures frequently collapsed into an irregular display of frozen and blurred images. Material coded at 34Kbps often delivered at an average of 4Kbps, sometimes dropping to zero data rate. Motion was, at best, very jerky. Sound quality remained reasonably consistent throughout.

Those who watched on TV got a much

better deal. The BBC in Britain promoted the event through its own Web Site (<http://news.bbc.co.uk>) and joined with MTV to broadcast the concert live. TV

stations in 60 countries relayed the event. UNESCO also offered a menu of audio interviews on its Web Site (<http://www.unesco.org>).

Big Cheese Declares War



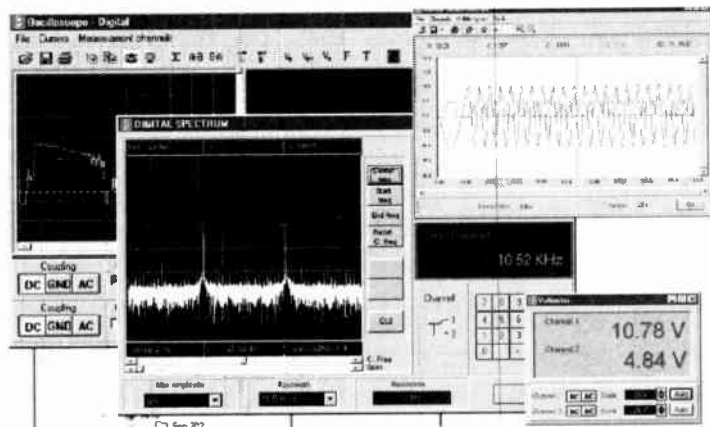
AS part of the next BBC2 *Robot Wars* series, a radio-controlled robot tastefully (?) called *The Big Cheese*, will be taking part. It is shaped like a large wedge of cheese and is sponsored by dairy company St Ivel. Roger Plant of Plant Engineering in Somerset is the designer.

Of technical interest (rather than gastronomic) is the fact that the robot is controlled by low power radio modules from Wood & Douglas. The ST500 and SR500 synthesised transmitter and receiver used cover the 400-500MHz band and have multichannel capability. The sensitive receiver and matching 100mW transmitter are ideal for short and medium range applications.

Comments Roger Plant, "Having competed in *Robot Wars* before, we believe we've got it right this time". His previous robot, *The Mule*, was voted the best engineered robot in the last series of *Robot Wars*.

Wood & Douglas Ltd can be contacted at Dept EPE, Lattice House, Baughurst Road, Baughurst, Tadley, Hants RG26 5LP. Tel: 0118 981 1444. Fax: 0118 981 1567. E-mail: info@woodanddouglas.co.uk. Web: www.woodanddouglas.co.uk.

LOW COST VIRTUAL TOOLS



Two low cost single and dual channel PC-based test instruments have been released by test and measurement specialists Vann Draper Electronics. Both models feature a 20MHz real-time, 40Ms/s digital storage oscilloscope, 20MHz spectrum analyser, one second to 999 hours data logger and an AC/DC voltmeter.

The virtual instruments are designed to look and operate like conventional bench instruments. They include cursor and on-screen readouts of amplitude, frequency, trigger level and time. Results and waveforms can be stored either for future reference or additional analysis. A simple plug-in card operates with a PC under Windows 3.1, 95, 98 or NT.

The SCP201 and SCP202 are priced at £159 and £199 respectively and are equally suited to applications in industry, education, production and service. The software allows the addition of other instruments in the range to be easily added. Full demonstration software is available on CD-ROM.

For more information contact Vann Draper Electronics Ltd., Dept EPE, Stenson House, Stenson, Derby DE73 1HL. Tel: 01283 704706. Fax: 01283 704707. E-mail: sales@vanndraper.co.uk. Web: www.vanndraper.co.uk.

FREE EPTSOFT

ASTONISHING – the popular *Electronics Principles* educational software has been made available to hobbyists, students and engineers *absolutely free!*

We have never had occasion to doubt the sanity of our friends at eptsoft Ltd (who used to trade as EPT Educational Software) and we can't believe it's slipped now, but *free software?* . . . Well, they must have a good reason, as well as still having the Seasonal Spirit of Christmas (and the Millennium)!

Electronics Principles on-line electronic course is a huge "virtual textbook" of electronics information, containing hundreds of worked examples, from simple D.C. theory to PIC microcontrollers, over a thousand colourful electronics images and accompanying text.

It has been explained to us that the company's fully interactive software package, *Electronics, Electrical and Mathematics Principles V6*, is available in hundreds of UK colleges, including many of the top universities, as supporting software for electronics courses. Providing *Electronics Principles Online* free gives students the opportunity to access this information as a follow-up to their studies outside the classroom.

As an additional service to students and those wishing to study electronics, eptsoft Ltd is inviting colleges and universities to provide website addresses to enable quick and easy searches to be made when investigating UK electronics courses.

For more details contact eptsoft Ltd, Dept EPE, Pump House, Lockram Lane, Witham, Essex CM8 2BJ. Tel/Fax: 01376 514008. E-mail: info@eptsoft.com.

Web: www.eptsoft.com.

FREE PIC BASIC

FOR those of you who don't feel inclined to learn PIC Language (but you could, easily, if you wanted to), there is a *Free PIC Basic* compiler for Win95/98 available for download from Leading Edge Technology's website.

LET has released this program to encourage the use of the Microchip PIC16Cxx series of microcontrollers, along with the company's range of low-cost PIC programmers and related products. The compiler supports PIC types '54 to '57, '71, '84 and '508/9.

For more information contact Leading Edge Technology Ltd., Dept EPE, White Rose House, Triq Ix-Xintill, Tarxien, Malta PLA11. Tel: 00356 678509. Fax: 00356 667484.

E-mail: johnmorr@email.keyworld.net.
Web: <http://let.cambs.net>

Electromail's CD-ROM Cat

RECENTLY received at HQ is the latest Electromail CD-ROM catalogue. As sister company to RS Components, which is one of the UK's largest distributor of electronic, electrical and mechanical products, Electromail makes this vast range available to technical hobbyists and small businesses. The CD-ROM catalogue contains over 107,000 products, as well as an extensive library of datasheets, and access to specialised technical helplines.

The CD-ROM costs £3.99 and is available by post, or by phoning or faxing with credit card details. Contact details are:

Electromail, PO Box 33, Dept EPE, Corby, Northants NN17 9EL. Tel: 01536 204555. Fax: 01536 405555. The RS website is at <http://rswww.com>.

Flash Trap Folly

By Barry Fox

AFTER a year's development work, a British invention that can fool vehicle speed trap cameras recently went on sale for £200. The Home Office says it is "unreliable and ineffective" and anyone who tries it risks arrest for "conspiring to pervert the course of justice" and contravening the Department of Transport's Construction and Use Regulations.

Photographer Alwyn Morris licensed Backflash of Mansfield in Nottinghamshire to manufacture and market the device which he patented a year ago. A slave flash unit by a car's number plate is triggered by any photo flash and reacts so quickly that it fogs the film or blinds a digital image sensor. The slave reacts either to visible flash or infra-red as used in some new cameras to trap motorists without their knowledge.

Although Backflash explains how the slave can be fitted near a car's number plates, and proved to work by taking a Polaroid photo or pointing an infra-red TV control at it, the company adds the disclaimer "we do not advocate use against traffic enforcement cameras". The recommended use is to protect famous people against paparazzi cameras.

The Department of Transport and Highways Agency reckons that no company could get rich on selling only to camera-shy celebrities. "Apart from breaking the law" says a Home Office spokeswoman "the police can still read a fogged image by reversing its positive/negative polarity".

When Backflash failed to answer questions, spokeswoman Jane Cheffings explained that "Those responsible for the invention felt it inappropriate to continue the conversation ... you will see from the media coverage and technical data this is the information we are willing to enpart (sic)".

Jackson Tuning Caps Revived

IT will be a relief to readers involved in radio receiver design to learn that, after experiencing severe financial problems, the renowned Jackson Brothers company has been purchased by Mainline Electronics, and that the future production of variable capacitors and ball drives is assured. The first catalogue produced under the new ownership has been received here at HQ. It is well worth acquiring. New ranges of products are planned.

A longer report appears in the Christmas '99 issue (No. 62) of our sister publication *Radio Bygones*. The full story of Jackson's earlier troubles makes harrowing reading, but the company is now back on track.

For more details on Jackson Brothers products, contact Mainline Electronics, Dept EPE, PO Box 235, Leicester LE2 9SH. Tel: 0116 277 7648. Fax: 0116 247 7551. E-mail: sales@mainlinegroup.co.uk.

PIC BASIC

Write your PICmicro programs in BASIC!

Quicker and easier than "C" or assembler Expanded BASIC Stamp I compatible instruction set. True compiler provides faster program execution and longer programs than BASIC interpreters. 12CIN and 121COUT instructions to access external serial EEPROMs. More user variables Peek and Poke instructions to access any PICmicro register from BASIC. Serial speeds to 115k baud. In-line assembler and Call support (call your assembly routines). Supports PIC12C67x, PIC14Cxxx, PIC16C55x, 6xx, 7xx, 84, 92x and PIC16F8x/PIC16F8xx microcontrollers. Use in DOS or Windows Compatible with most PICmicro programmers. The low-cost PicBasic Compiler (PBC) makes it easy to write programs for the fast Microchip PICmicros. PBC converts these programs into hex or binary files that can be programmed directly into a PICmicro microcontroller. The easy-to-use BASIC language makes PICmicro programming available to everyone with its English-like instruction set. No more scary assembly language!

With Support for 16F877 and Smart Memory Card

The **PicBasic Pro** Compiler runs on PC compatibles. It can create programs for the PIC12C67x, PIC12CE67x, PIC14Cxxx, PIC16C55x, 6xx, 7xx, 84, 9xx, PIC16CE62x and PIC16F8x and 16F8xx microcontrollers. The PicBasic Pro Compiler instruction set is upward compatible with the BASIC Stamp II and Pro uses BS2 syntax. Programs can be compiled and programmed directly into a PICmicro, eliminating the need for a BASIC Stamp module. These programs execute much faster than their Stamp equivalents. They may also be protected so no one can copy your code!

Pic Basic – £49.95

Pic Basic Pro – £149.95

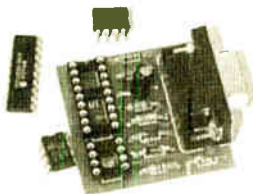
Supplied with full 168-page manual
Free PIC MACRO compiler
Free program Editor
Free Windows Front End
and sample basic programs including code to support 1M Smart memory card

PIC PROGRAMMER KIT Now with WINDOWS SOFTWARE DRIVER!

Programs the Popular PIC 16C84, 16F84, 24xx series serial memory devices. Connects to the serial port of a PC and requires NO EXTERNAL power supply. The kit includes instructions for assembly, circuit diagram and component layout.

This handy little programmer is easy to build, taking no more than 30 minutes to assemble and test. The Professional quality PCB is double-sided, through-plated with solder resist and screen printing to aid efficient assembly. It is supplied with driver software to run in DOS on a 386 PC upwards and under Windows 95 on 486 or Pentium and a Disk full of interesting projects, tips and data sheets for PIC devices, including FREE Assembler and Simulator.

Only £15.00 including Delivery and VAT
(requires 9-pin D-type to 9-pin D-type cable to connect to serial port of PC). CABLE £5 INC. VAT AND DELIVERY



PIC Micro CD ROMs NOW TWO CD ROMS!

Packed with information. PIC MICRO data sheets, Programs and Diagrams, Application notes, PDF Viewer includes PING-PONG and TETRIS with video and sound out of a PIC'84. BASIC language ASSEMBLY routines! Data sheets on thousands of Micro-controllers and support parts categorised by manufacturer. This must be the best value for money.

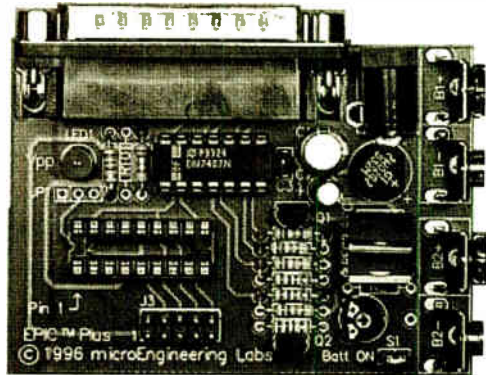
£10 inc P&P & VAT – a "MUST BUY!"

Crownhill Associates Limited

The Old Bakery, New Barns Road, Ely, Cambridge, CB7 4PW
Tel: 01353 666709 Fax: 01353 666710
www.crownhill.co.uk E-mail: sales@crownhill.co.uk

EPIC™

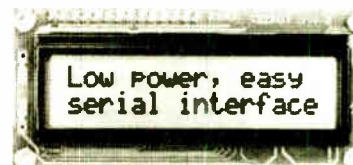
- Low cost programmer for PIC12Cxxx, PIC12CExxx, PIC14Cxxx, PIC16C505, 55x, 6xx, 7xx, 84, 9xx, PIC16CE62x and PIC16F8xx microcontrollers
- ZIF adapters available for 8/18- and 40/28-pin DIP, 8-, 18- and 28-pin SOIC, 44-pin MQFP and 44- and 68-pin PLCC PICmicros
- Runs off two 9-volt batteries or optional AC adapter
- Connects to PC parallel printer port
- Software upgradeable for future PICmicros
- Includes "8051" style PICmicro macro assembler
- Available assembled and tested or as bare board with diskette



Download the full 168-page PICBASIC Manual and sample programs
<http://www.crownhill.co.uk> and order On-Line via our secure server.

EPIC Programmer £49.95

or **£35** if purchased with
PIC BASIC or PIC BASIC Pro
25-pin Parallel Cable £5.95
PIC16F84 £1.90 each
PIC 16F877 4MHz £5.75 each
PIC 16F877 20MHz £6.75 each
PIC 16F876 4MHz £5.20 each
PIC 16F874 4MHz £5.35 each
PIC 16F873 4MHz £4.75 each
PIC 12C508/509 £0.65 each
24LC116 £0.75 each
24LC32 £0.75 each
25LC65 £1.50 each
PIC 16C622 £2.50 each
Call for other PIC devices
All PICs stocked!



LCD DISPLAYS £7.50 each

(2 x 16-line) Ideal for use with PIC Basic & Pro

Unless shown as in VAT and P&P, all prices are exclusive of £5 P&P and 17.5% VAT

Pay via:
ACCESS, VISA or SWITCH
Secure On-line ordering
www.crownhill.co.uk

VOLTAGE MONITOR

ROBERT PENFOLD

Keep an eye on your battery's condition with this low-cost starter project.

THIS simple Voltage Monitor device has two l.e.d. indicators that switch on if the monitored supply voltage falls below separate threshold levels. The obvious application is in battery operated equipment where erroneous results could be obtained if the battery potential falls below a critical level.

Having twin threshold levels is very useful, as one can be set slightly above the critical voltage, and it will then give a warning if the battery will soon need replacement. The circuit can also be used with mains powered equipment to monitor the d.c. supply voltage, and it will then give a warning if the supply voltage drops to an inadequate level due to a malfunction.

ON THE THRESHOLD

With the specified resistor values the circuit provides threshold potentials of 10V and 12V, but by altering the values of four resistors these voltages are easily changed. They can be set at any potentials from about 3.5V to 30V, but note that *the supply voltage to the monitor circuit must never exceed 36 volts*. The mathematics required to work out the modified circuit values is extremely simple – more later.

For battery monitoring applications the current consumption of the monitor is a critical factor. There is no point in having a monitor that draws such a high supply current that battery life is greatly reduced.

This circuit has a typical current consumption of around 0.6mA under standby conditions. This should not greatly reduce the operating life of even a low capacity battery such as a PP3 type. The current consumption increases by about 4mA per l.e.d. when the circuit is activated.

COMPARATOR

The Voltage Monitor circuit is based on the two voltage comparators in an LM393N i.c. A voltage comparator is very similar to an operational amplifier (op.amp). Like an operational amplifier, each comparator has inverting (-) and non-inverting (+) inputs. If the non-inverting input is at a higher voltage than the inverting input the output goes high, and if the inverting input is at the greater voltage the output goes low.

This is again the same as for an op.amp, but there is a subtle difference in that the

output stage of a comparator is an open collector type. In other words, there is a *switching transistor* at the output that is used to control a load of some kind. The load in this case is an l.e.d. indicator.

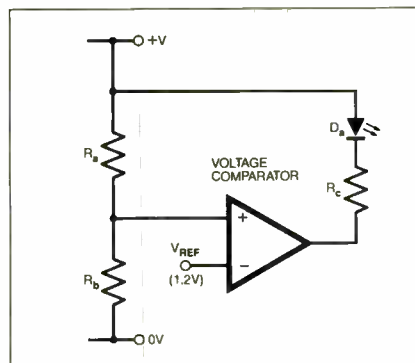


Fig. 1. The basic arrangement for each voltage detector.

The basic scheme of things used in each of the voltage detector circuits is shown in Fig. 1. The inverting input (-) of the comparator is fed with a highly stable reference potential of 1.2V, and the non-inverting input (+) is fed from the supply lines via a potential divider (Ra/Rb). A certain fraction of the supply voltage is therefore fed to the non-inverting input, and this fraction is controlled by the values of resistors Ra and Rb.

Suppose that the potential divider provides one tenth of the supply voltage to the non-inverting input. With a supply potential of 12V or more there will be 1.2 volts or more at the non-inverting input, and the output transistor of the comparator will be switched off.

If the supply voltage falls below 12V, the potential fed to the non-inverting input goes below 1.2V, and

the inverting input is then at the higher voltage. The output transistor then switches on and activates l.e.d. Da. Resistor Rc limits the output current to the required level.

CIRCUIT DETAILS

The full circuit diagram for the Voltage Monitor appears in Fig. 2. The two comparators, within IC2, share a common voltage reference, and this is a simple shunt regulator that has resistor R4 as the voltage stabiliser.

The ICL8069 used in the IC1 position is a highly accurate and stable voltage reference chip, and *not* a simple Zener diode. It will operate efficiently in currents as low as 50µA, which is important in this application where low current consumption is a definite asset. It operates at a current in the region of 200µA in this circuit.

THRESHOLD VOLTAGES

The threshold voltage of the detector based on IC2a is determined by the values of resistors R1, R2, and R3. Two resistors in series are used in the upper arm of the potential divider because this enables the threshold value to be set accurately using ordinary preferred values.

With resistor R3 at 120 kilohms (120k), the threshold voltage is equal to one volt per 100 kilohms of resistance through the potential divider. This resistance is fractionally more than 1200k (1.2 megohms), giving a threshold voltage of 12V.

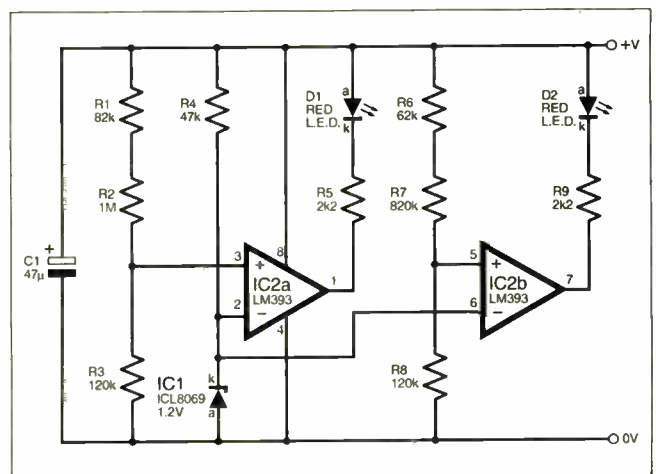


Fig. 2. Full circuit diagram for the Voltage Monitor. It is essential that an in-line fuseholder, with a 100mA fuse, is included in the positive supply input lead if the monitor is to be installed in a car, boat, caravan etc.

The switching voltage of the other comparator is controlled by the values of resistors R6, R7, and R8. With fractionally more than 1000k (1M) of resistance through the potential divider this gives a threshold potential of 10V.

It is easy to work out the resistance values for other threshold voltages provided resistors R3 and R8 are left at a value of 120k. Multiplying the required voltage by one hundred gives the total resistance through the potential divider in kilohms. Deducting 120 from this then gives the total resistance through the upper section of the divider. In other words, this gives the required series resistance through R1 and R2, or R6 and R7 in the second voltage detector.

As an example, suppose that a threshold potential of 7.5V is required. Multiplying 7.5 by 100 gives a total resistance for the potential divider of 750k. Deducting 120k from this gives an answer of 630k through the upper arm of the divider.

The required value is unlikely to conveniently match up with a preferred value, and this is certainly the case here. The nearest preferred value to 630k is 620k, which is actually an error of under two-percent. In some applications this margin of error is acceptable, and it would then be in order to use a value of 620k for resistors R1 or R6, and a link wire for R2 or R7. If an error of two percent is not acceptable, a 10k resistor and a 620k component in series give exactly the required resistance of 630k.

Things will not always work out quite this well, and in some cases it might be necessary to accept a small error even if two resistors are used. However, the error should only be a fraction of one percent, which is insignificant.

CURRENT AFFAIRS

The l.e.d. current and brightness will be quite low if the unit is used to detect low threshold voltages of around five volts. To compensate for this resistors R5 and R9 should be reduced from 2k2 to 1k.

Similarly, at high threshold potentials of around 20V to 30V the l.e.d. current will become relatively high, although it should still be no more than about 13mA per l.e.d. Increasing the value of R5 and R9 to 3k9 will keep the l.e.d. current at about 5mA.

The operating current of IC1 varies enormously over the operating voltage range of the circuit, but with the specified value of 47k for resistor R4 the operating current remains within the acceptable range for the ICL8069.

CONSTRUCTION

Construction of the Voltage Monitor project is extremely simple indeed, and it should be within the capabilities of complete beginners. The circuit is built on a piece of stripboard and the component layout, together with details of the breaks required in the underside copper tracks, are shown in Fig.3.

The stripboard measures 20 holes by 17 copper strips, and a board of this size is trimmed from one of the standard size pieces using a hacksaw. Stripboard is quite brittle, so cut carefully along rows of holes using a minimum of force. File any rough edges to a neat finish and then drill the two 3mm diameter mounting holes and make the five breaks in the copper strips.

The board is now ready for the components and link-wires to be fitted. With a small board such as this it is not necessary to worry too much about the exact order in which the components are fitted,

but it is probably best to fit the resistors and link-wires

COMPONENTS

Resistors

R1	82k
R2	1M
R3,R8	120k (2 off)
R4	47k 5% carbon film
R5,R9	2k2 5% carbon film (2 off)
R6	62k
R7	820k

All 0.6 watt 1% carbon film unless noted

Capacitor

C1	47µ radial elect. 40V
----	-----------------------

Semiconductors

D1,D2	5mm red l.e.d. (2 off)
IC1	ICL8069 voltage reference
IC2	LM393N dual comparator

Miscellaneous

Stripboard, size 0.1 inch pitch, having 20 holes by 17 strips; 8-pin d.i.l. socket; multistrand connecting wire; solder pins; solder, etc.

Approx. Cost
Guidance Only

£5

first, followed by the single capacitor and the semiconductors.

The four link-wires are quite short and they can be made using some of the wire trimmed from the resistor leadouts. Be careful to fit capacitor C1 with the correct polarity. Use single-sided solder pins at the two points where the supply will be connected to the board.

Although it is not a static-sensitive component, it is still a good idea to mount the LM393N comparator, IC2, on the circuit board via a holder. There is a slight

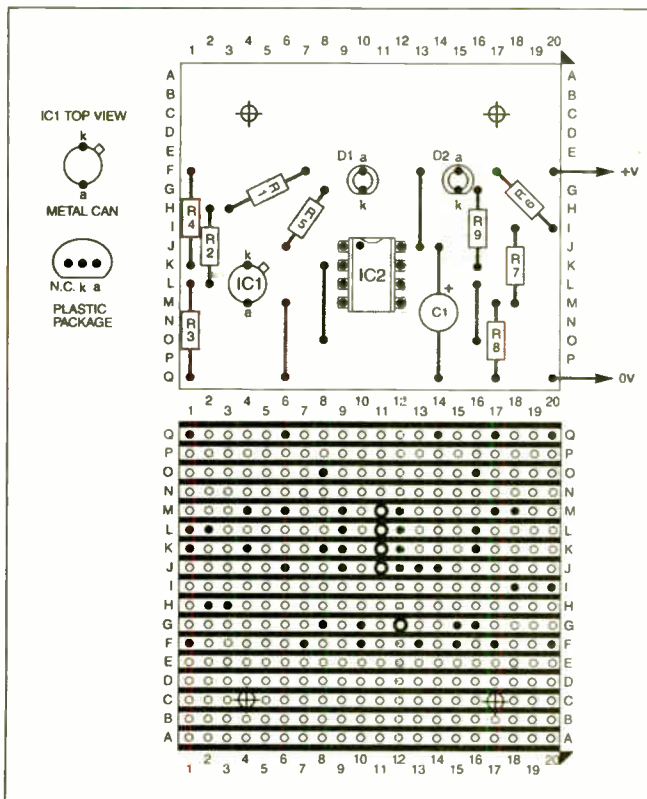
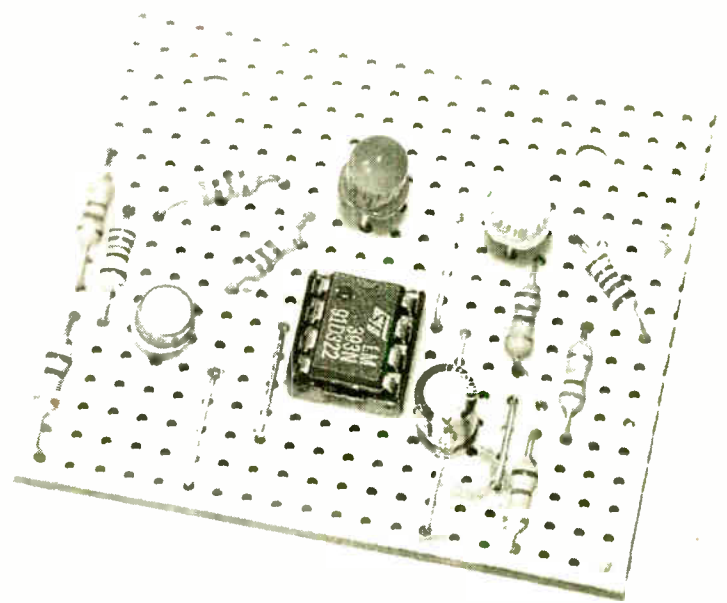


Fig.3. Stripboard topside component layout and details of breaks required in the copper tracks.



Layout of components on the completed Voltage Monitor circuit board.

complication with IC1, which is produced in metal cased and plastic encapsulated versions. The metal cased version (two pins), as used on the prototype, is shown in Fig.3.

However, it is actually the plastic cased version (three pins) that is available from most suppliers these days. With the plastic version the flat side of the case should be on the left as viewed in Fig.3 (i.e. facing towards resistors R2 and R3). Ignore the pin marked N.C.

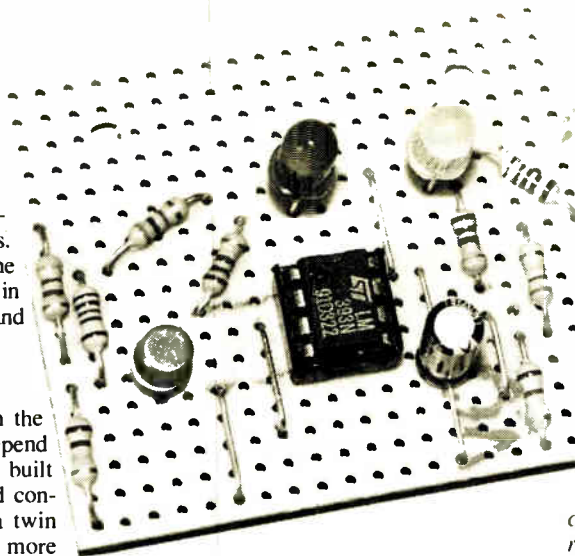
ASSEMBLY

To some extent the way in which the unit is constructed and used will depend on the precise application. It can be built into a small plastic or metal box and connected to the main equipment via a twin lead. In most cases, however, it is more likely to be incorporated into another project.

Either way, the circuit board and I.e.d.s can be dealt with in two ways. Either the board can be mounted on the case and hard wired to the I.e.d.s on the front panel, or the I.e.d.s can be mounted on the circuit board and then fitted into holders on the front panel of the case.

Due to the small size and weight of the circuit board this second method works well with any I.e.d. holders of reasonable quality. If the I.e.d.s are not mounted on the circuit board, fit single-sided solder pins on the board in place of the I.e.d.s. The pins provide an easy means of making reliable connections to the board.

Make sure the I.e.d.s are connected with the correct polarity. The cathode (k) lead-out of an I.e.d. is normally indicated by a shorter leadout wire and that side of the case being flat.



TESTING

If a suitable variable voltage supply is available, connect the output of the supply to the input of the monitor circuit and vary the voltage around the threshold levels. With the supply potential above the threshold levels both I.e.d.s should remain off, but reducing the supply should result in the I.e.d.s switching on at the appropriate threshold voltages.

For highly critical applications the threshold levels can be "fine tuned" by tweaking the values of resistors R1 and R6. An increase in value raises the threshold voltage, and a reduction in value decreases the threshold level. Provided one percent tolerant resistors are used in the potential dividers the accuracy of the circuit should be very good though, and for most applications no adjustment to the values should be needed.

In the absence of a suitable power supply the unit can be given a rough check using some batteries. Use a battery or batteries in series to provide a supply potential that is somewhat higher than the higher threshold level. With 10V and 12V threshold voltages for instance, a 15V or 18V battery supply could be used. Both I.e.d.s should be switched off when using this supply potential.

Now try a lower battery voltage that is slightly less than the lower threshold level. For example, a 9V battery could be used with 10V and 12V threshold levels. Both I.e.d.s should then switch on.

If there is any sign of a malfunction, disconnect the supply immediately and recheck the circuit board for errors.

IN USE

Note that it is essential to wire an in-line fuseholder fitted with a low current fuse (about 100mA) in the positive supply lead if the unit is used to monitor the supply of a car, boat, caravan, etc. Otherwise there is a risk of a fault causing a very large current to flow, which could result in a fire.

Experienced constructors should have no difficulty in using the unit to monitor the d.c. supply voltage of a mains powered project, but this is something that should not be attempted by those of limited experience.

Make sure the monitor is connected to the supply with the right polarity. The semiconductors and CI could be damaged if the supply connections are reversed. □

Radio Bygones

The leading magazine for vintage radio enthusiasts

WHETHER your interest is in domestic radio and TV or in amateur radio, in military, aeronautical or marine communications, in radar and radio navigation, in instruments, in broadcasting, in audio and recording, or in professional radio systems fixed or mobile, RADIO BYGONES is the magazine for you.

ARTICLES on restoration and repair, history, circuit techniques, personalities, reminiscences and just plain nostalgia – you'll find them all. Plus features on museums and private collections and a full-colour photo-feature in every issue.

IT'S MOSTLY about valves, of course, but 'solid-state' – whether of the coherer and spark-gap variety or early transistors – also has a place.

FROM THE DAYS of Maxwell, Hertz, Lodge and Marconi to what was the state-of-the-art just a few short years ago . . .

There is also a selection of free readers' advertisements in every issue.

Radio Bygones – covers it all!

THE MAGAZINE is published six times a year, and is available by postal subscription only. It is not available at newsagents.

TO TAKE OUT a subscription, or to request a sample copy, please complete the form and return it to:

RADIO BYGONES, Allen House, East Borough, Wimborne, Dorset BH21 1PF. Tel 01202 881749. Fax 01202 841692.

Web sites: www.radiobygones.co.uk www.radiobygones.com

A SAMPLE COPY of Radio Bygones	£3.25
SUBSCRIPTIONS (post paid) 1 year	2 year
UNITED KINGDOM	£18.50 £35.00
REST OF EUROPE (AIRMAIL)	£19.50 £37.00
REST OF THE WORLD (AIRMAIL)	£23.75 £44.25

- Yes, I would like a sample copy of RADIO BYGONES
- Yes, I would like to take out a subscription for:
 - One year (6 issues) Two years (12 issues)
- I enclose a cheque/Eurocheque/PO for £ payable to Wimborne Publishing Ltd
- Please debit my Visa/Mastercard

NOTE Minimum credit card payment is £5

My credit card number is:

□□□□ □□□□ □□□□ □□□□

Please print clearly, and check that you have the number correct

The Card is valid from: to:

My name is

My address is

.

Postcode/Zip

Signature

2/00

READOUT

John Becker addresses some of the general points readers have raised. Have you anything interesting to say? Drop us a line!

WIN A DIGITAL MULTIMETER

A 3½ digit pocket sized I.c.d. multimeter which measures a.c. and d.c. voltage, d.c. current and resistance. It can also test diodes and bipolar transistors.

Every month we will give a Digital Multimeter to the author of the best *Readout* letter.



★ LETTER OF THE MONTH ★

INGENIOUS!

Dear EPE,

On obtaining *EPE* Nov '99, I wasted no time in trying out the *One Volt L.E.D.* from *Ingenuity Unlimited*. Instead of winding the inductor myself, I salvaged a toroidal mains filter common-mode choke. I am a self-employed computer monitor repairer, I have plenty lying around. The one I picked was because it was simply the easiest to get at on the pile of scrap chassis, and just happened to have a pair of windings of 23 turns each – near enough!

As ZTX650s are not common in my line of work, I picked a device certain to out-perform, a BD433. Resistor R1 was made up from a 2k2 resistor and 50k preset, so that I could have a twiddle and observe the result – had you noticed that if you pulse-drive a red L.e.d. hard enough it produces orange light?

The blocking oscillator produced excellent results, I couldn't resist experimenting! The L.e.d. will light either way round if connected across the collector winding, and produces brighter light than across the transistor collector/emitter as shown. However, if you really want to produce some light, put the L.e.d. across R1 with the cathode to TR1 base and the anode to the top tap of the inductor,

although a single L.e.d. gets rather hot, and isn't likely to last long. Five or six L.e.d.s in parallel seem to work well, without noticeable temperature rise.

The value of R1 doesn't seem to make much difference. I suspect that the flyback phase of the oscillation cycle is using the L.e.d. leakage to feed negative regeneration to the transistor's base, which is not a good idea! An ordinary diode connected in inverse parallel with the L.e.d.s is required to damp the reverse voltage across them. This makes no difference to the light intensity.

As you may have gathered, this topic is of considerable interest to me. How about a *Circuit Surgery* special on calculating windings and toroid core dimensions, with some guidance on how to estimate energy transfer and how to determine the frequency of operation?

I. Field, Letchworth, Herts

That's what we like to hear – readers taking ideas from published designs and modifying them for their own purposes or whims. More power to you all!

We've passed your CS suggestion to our Circuit Surgeon, Alan W, who is at the cutting-edge, so to speak!

designs etc. It is not due to some whim of mine that Readout pages have a lot of letters concerning PICs and other programming matters, it's because they are the subjects that most readers write to us about. We get far, far more letters than ever reach these pages and when writing on other subjects (not necessarily suitable as Readout matters), readers often also offer comments on what we are publishing.

Yes, the SP0256 device we remember well, and I too have played around with it, it was sadly missed when it became obsolete.

ENVELOPING TEACH-IN

First the exclamation, and then the simple explanation:

Big Al... thanks for your help, I have got the *Teach-In 2000* now and it is MOST wonderful... er... I never knew that a directory was the same as a folder... I always baulked at the word "directory" as I always thought this to be synonymous with "registry" and other such things that I have tried to steer clear of.

Ian Gill, via the Net

We'll, that's the satisfactory conclusion to an E-mail discussion between Ian and our Online Editor Alan. Ian had queried with Alan what I had meant in my TEACHIN.TXT software file when I referred to "creating a directory". It never occurred to me that anyone who had a computer would not know what a directory is. Alan points out that "newer Windows 98 users will use the word folder".

Thanks Ian for the praise, thanks Alan for helping Ian (and other '98 fans as well perhaps).

But Ian, why should you be afraid of "registry"? Or are you being humorous and making an indirect reference to Marriage (as in "Registrar of")?

PICMAN

Dear EPE,

As a PICman of long standing I would like to contribute my two cents worth to the PIC or not to PIC debate.

I first found out about PICs way back in '89 I think, when CMOS PICs first became available in the UK. Of course they were the 16C5X series, where previously only NMOS versions had been available, which were mask programmed and therefore not suitable for small scale use. Having obtained and studied the data sheet and later the data book my thoughts were "Microchip are onto a winner here". And I was right, they must be the most popular microcontroller on the market.

Wanting to get my hands on a PIC, I built a simple parallel port programmer. But I didn't have an assembler, so designed a set of macros for the PIC instruction set and used the macros to assemble my PIC programs into PIC code. Simple! Who says you can't make do with what you've got?

The problem with PICs is that they are so darned useful (and cheap). Designing software is not really any different to doing it in hardware, except software comes free after you have spent the time writing it, and hardware costs hard earned cash, so software should be a part of electronics and not a separate subject. After all you are just designing the logic in software instead of wiring up i.c.s.

To illustrate the point of using PICs, I spent a few hours one evening re-designing the *Ginormous Display* (Dec '99) without using any kind of microprocessor. The result was a circuit considerably more complex, what with a UART, Baud rate generator, 4-bit comparator, data latch, 7-segment decoder/driver, plus glue logic. And the expense of it all!

I would also like to say a few words concerning the *PIC Micro-Probe* (Dec '99). I have no doubt it is a useful tool, but it isn't the be all and end all of debugging. In most of my programming errors, the problem is not that the program loses its way, but algorithms not handling the data correctly, or protocol problems between different sections of code. All caused, of course, by brain failure when writing the code.

My preferred method of debugging is to use the simulator in MPLAB, not to simulate the whole program but to test sections of it to ensure it is working correctly. MPLAB is very easy to use once you get the hang of it, not as easy to learn as *Toolkit* but much better for writing and debugging code. I would suggest anyone who wants to write their own code should give MPLAB a try.

Peter Hemsley,
Somercotes, Alfreton, Derbys, via the Net

I admire your initiative and agree with your comments.

As a further comment, no-one objects to "yet another op.amp project" or one that uses any manner of other "standard" devices. To my mind, PICs should be equally regarded as "standard". It's not as though readers have to program them themselves, all our PIC-based projects can have their PICs bought as pre-programmed devices which simply plug straight in, as does any other dual-in-line i.c.

PIC CHANCE

Dear EPE,

Referring to your Nov '99 Editorial, I would like to share my views on the topic of "Give PICs a Chance".

Here in South Africa, there are so many people who would like to play with or learn the PIC microcontroller that I am often inundated with requests for help on the subject. As I am among the top PIC enthusiasts in SA (or so everyone reckons), I know how versatile these devices are, and believe that your magazine fills a need in PIC. I know there are people who are "PIC Ignorant" but they are normally converted the day they try to do some digital controller of any sort, and end up with boards of TTL chips. So please, keep up the PIC projects, as many students here use them as the basis for university and college assignments.

About General Instruments selling them since 1982, this is indeed true, as in 1995 I repaired a module coming from an AEG washing machine, 10 years old, with a PIC1654 (TTL version). I even believe that General Instruments used the RISC PIC core in other products such as the SP0256 Speech Synthesizer (remember this one? – the *EE Speech Synthesizer* Project for the BBC Micro in 1983) and maybe the AY-3-8910 programmable sound generator, and also in some GI chips in the Interface One for the Sinclair ZX Spectrum. Very, very interesting.

Please keep up the good work, your magazine is great, and the only one that bothers to provide any PIC source code and/or flow diagrams.

Jason Mitchell,
Gauteng, South Africa, via the Net

We know full well that the great majority of our readers have an interest in PIC related

TEACH-IN DISPLAY

Dear EPE,

Further to the *Teach-In 2000* "hieroglyphics" question raised in *Readout* Jan '00: When my screen printed garbage, I rang John Becker who helpfully suggested that the problem may be something to do with the `codepage` in use by the system. After some experimenting I came up with the following solution:

In the directory where you installed the *Teach-In 2000* software, create a batch file called `MENU.BAT` with the following commands in the file:

```
mode con codepage prepare=((437)
C:\WINDOWS\COMMAND\ega2.cpi)
mode con codepage select=437
ty2kmenu.exe
```

make sure the file `MENU.BAT` is now saved to disk.

Whenever you want to run the *Teach-In 2000* software run the batch file you just created, i.e. `MENU.BAT`.

Alternatively you could create a shortcut to this file on your desktop if you are using Windows 95 or Windows 98.

Hope this helps out others who are having the same problems with the software.

Gordon Murgatroyd, via the Net

So I thanked Gordon for the useful suggestion, but expressed my concern that the user's system would be changed and not be re-instated when Teach-In is exited. Gordon came back with the following:

Yes, I do have a solution. The user needs to add two lines similar to the above `mode con` lines which are found in the `AUTOEXEC.BAT` file on the user's C: drive and could be copied from `AUTOEXEC.BAT` using the copy and paste commands.

The following are those copied verbatim from my `AUTOEXEC.BAT` file:

```
mode con codepage prepare=((850)
C:\WINDOWS\COMMAND\ega.cpi)
mode con codepage select=850
```

I've tried the above technique and it appears to work on my system and leave it in the same state as when the system booted. Of course, this will only work when the system in question has an `AUTOEXEC.BAT` file since I believe this is not absolutely required for Windows 95/98.

The only ideal solution for today's modern systems would be to use a programming environment more suited to Windows such as Visual Basic or, better still, Borland/Inprise Delphi, for the creation of the *Teach-In* software.

The batch file solution is not ideal, I'll be the first to admit that, but it works for me.

Since Gordon replied I've done further tests on my machines (and I've recently acquired two more, including a Win98 Dell and Win NT Dell). Gordon's solution works on some, but not all. There is the nagging suspicion, though, that the problem is more likely to occur with machines that have been upgraded. Those of mine which are purely Win 3.1, or Win 95 or Win 98 are perfectly happy with QBasic and with the old EasyPC I referred to last month. It's the machines that started off as 3.1 but have been upgraded to 95 on which the "hieroglyphs" can be caused to occur, either in QBasic or in EasyPC, but never in both for the same country code settings.

I have not yet been able to reproduce the problem in the purely Win 95 and Win 98 machines. The Win 98 machine does not recognise codepage commands, nor does one Win 95 machine at EPE HQ. (The Win NT I've not been able to access yet - it came from my wife's employers when they upgraded to later machines and requires an entry password, which has still to be advised!)

I'm hoping for more reader feedback on this curious hieroglyphs situation.

PIRATE-PROOF CDs

Dear EPE,

I've just decided to drop my fortnightly computer magazine in favour of *EPE*. Yours has a lot more interesting stuff in it. I've been following the series on *Oscillators* (Jul-Dec '99) and, as getting a copy off the counter was not always possible, a subscription was the only choice.

The news item on page 874 of the Nov '99 issue, where the company C-Dilla are planning to launch a copy protection system, is in itself no problem for me. However, if the report is correct and I will not be able to play music CDs on my PC, I shall be more than a little upset.

I purchased a high-performance multi-media PC almost a year ago, and took great pains to ensure that one of its many capabilities was to play stereo CDs to delight my ears while I used it to perform other tasks. Some CDs even have a computer track included, such as some Classic FM cover disks.

My system is perfectly capable of copying CDs I believe, but as I don't play any of the fancy games, and my son believes that his *Amega* is a better computer anyway, there isn't even the temptation. The copy facility does have its uses though. A friend is a musician who plays his own compositions on a "Chapman Stick", and gets them professionally recorded on a CD master. My machine then provides him with all the copies he needs to sell. For a single instrument, it sounds like four John Williams and just as professional.

The piracy of "pop" music is probably extensive, and the urge to stem it is understandable. But I believe that technology is its own worst enemy, much like a knife blade which is all cutting edge and no handle. There will always be someone who finds a way to misuse it.

In the meantime, I do not accept clumsy attempts to protect "intellectual property" which prevent me from being enraptured by Clannad while reading through some of the banal E-mail I get.

An interesting thought here. If they don't bother to warn the purchaser that the CD won't work on the PC's hi-fi system and he/she takes it home and plugs it in, hoping to hear their favourite blasting from the speakers, and all he/she gets is a "disc faulty" message and the CD rejected, will they be able to get their money back? Can they complain to the trading standards that the CD was not fit for the purpose it was purchased?

Arthur Lawrance, Poole, Dorset

Anyone care to add to this potentially interesting debate?

P.C.B. PRODUCTION

Dear EPE,

I hope this may help N. Dyson (Sep '99 *Readout*) regarding p.c.b. production: Whilst at college, the design package I preferred printed from a dot-matrix in either 1:1 scale for preview purposes or 2:1 for production quality. The latter meant reducing by 50% using a photocopier and at the same time transferring to acetate. This worked well providing the copy quality was good. It was required at times to double the design back to back to block the UV light during exposure, although with some adjustment to the copier settings, one copy could be used. This may save the cost of special ink or a new printer.

Also, I would like to congratulate you on the merger with *ETI*. I had concerns that the competition to produce designs for all standards of enthusiast would be reduced with less competition, and that you might go completely into PIC design which I feared you were nearing. I had hoped that you would introduce more stripboard designs and projects using more components rather than a programmed i.c. The starter projects are excellent examples, and long may they continue.

Martin Smith, Banff, Scotland

Points well noted, Martin. Thank you.

In my published reply to N. Dyson, I said that my new ink-jet printer produced excellent acetate images for use with UV exposure onto photosensitive p.c.b. material. I now have to add a caution to that comment. Having run out of the original Epson ink supplied with the printer, I made the mistake of replacing it with a much cheaper brand, to my regret!

This ink slowly spread out across the acetate, refusing to dry adequately (although images on paper were perfect). The results were terrible and required a great deal of touch-up work on the final exposed and etched board to make them usable. I have now reverted to Epson's own ink!

Yes, many people find that stripboard provides a good constructional medium for one-offs. However, I prefer to use p.c.b.s, not only because I have the facilities, but also because I feel that the chances of making a constructional error are much reduced, all the connections being pre-ordained!

MORE INGENUITY

Dear EPE,

I have enjoyed reading *EPE* for a considerable time, though my knowledge of electronics is very limited. Many people told me that modern electronics with its complexity was becoming beyond the amateur. However, I became interested in the possibility of using various simple devices. The first unit I built was an auto-dialler, and a last number redial on the handset.

This worked well so I linked it to a p.i.r. sensor as a burglar alarm. This has one advantage over most auto-diallers in that when activated you can listen in. I also designed a simple unit for my camera, with p.i.r. for taking wild-life photographs. I had not been able to purchase any of the above units ready-made at a reasonable cost.

Roy Hancock, Witheridge, Tiverton, Devon

Yes, Roy, there is much that can be achieved by hobbyist electronics enthusiasts without becoming involved in high-tech designs and control systems. We applaud your resistance to those who said otherwise, and commend you on your ingenuity.

We must, though, caution readers about attempting to connect non-approved electronic equipment to the public service telephone network. Doing so is against the law. We assume that Roy used his auto-dialler with a private telephone system that was not subject to legal requirements.

EPE IN ZIMBABWE

Dear EPE,

In his letter (*Readout* Sep '99), Mr Cornish, who for an unknown time was a resident here in Zimbabwe, said he had problems in getting copies of *EPE* due to restrictions imposed by the Zimbabwean Government. It's now four years since I started reading your magazine. I live 290km away from the capital city Harare but am getting my copy of *EPE* on time from a general dealer shop which is supplied by a distribution company based in Harare. It is also sold by street newspaper vendors and in bookshops. There are no Government restrictions on *EPE*.

Innocent Mutasa, Masvingo, Zimbabwe

*Thank you for the reassurance and your lengthy letter, of which the above is a brief edited extract. We hope you will understand that we cannot publish your political comments in *EPE*, even though you obviously feel passionately about your country.*

LAST LINER

As to where the last line of last month's *Readout* disappeared in the system we have no idea. Here's what the final statement should have read: "he was humorously (*humorilly?*) commenting on his own previous misuse!"

CONTROL & ROBOTICS

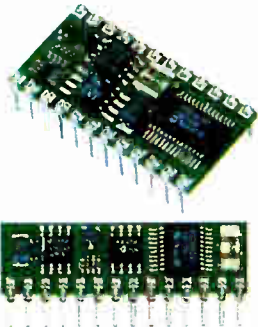
Milford Instruments

BASIC Stamp Microcontrollers

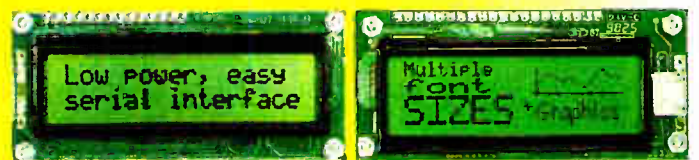
Still the simplest and easiest way to get your project or development work done. BASIC Stamps are small computers that run BASIC programmes. With either 8 or 16 Input-Output pins they may be connected directly to push-buttons, LEDs, speakers, potentiometers and integrated circuits such as digital thermometers, real-time clocks and analog-digital converters. BASIC Stamps are programmed using an ordinary PC running DOS or Windows. The language has familiar, easy-to-read instructions such as FOR...NEXT, IF...THEN and GOTO. Built-in syntax make it easy to measure and generate pulses, read push-buttons, send/receive serial data etc. Stamps from **£25** (single quantities), Full development kits from **£79**



Full information on using BASIC Stamps plus lots of worked projects and practical electronics help. CD-ROM also includes 30+ past magazine articles and Stamp software. **£29.95**



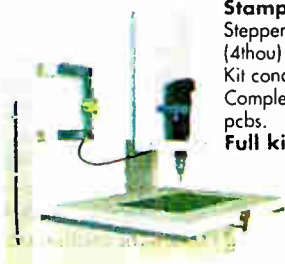
New to PICs or just wanting to learn more tricks? We stock the excellent PIC primer books from David Benson - suitable for the complete beginner to the advanced user.



SERIAL LCDs

Banish the hassle of interfacing to LCD displays. We stock a comprehensive range of alphanumeric and Graphic LCDs - all with an easy-to-use standard RS232 serial Interface. Sizes from 2x16 to 4x40 plus 128x64 graphic panels. Prices start at **£25** (single quantity)

Stamp2 based 3-axis machine
Stepper drive to X, Y and Z axes with 0.1mm (41µm) resolution. Kit contains pre-machined frame components. Complete with Windows software for drilling pcbs.
Full kit at £249, Part kit at £189



StampBug
Stamp1 based walking insect. Forwards, backwards and left/right turn when feelers detect object in path. Up to 2 hours roving from 4xAA Nicads. Chips pre-programmed but programme may be changed (software supplied). Body parts pre-cut.
Full kit £68



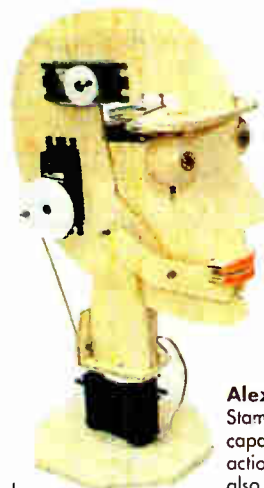
TecArm4
New range of robotic arms for educational and hobbyist use with super powerful servos. Controlled from PC (Windows freeware provided) or from optional keypad. Stands about 450mm high when fully extended. Kit includes all pre-cut body parts, servo controller board, servos and software. Requires 9v Dc. Kits start at **£189**



BigFoot
Stamp1 based walking humanoid. Walks forwards/backwards with left and right turn when detects obstacles. Electronics pcb pre-built and tested. Programme pre-loaded but may be changed with supplied software.
Full kit £68

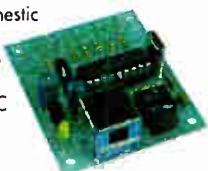


On Screen Display
Superimpose text onto standard CCTV from simple RS232 serial line. Ready built/tested at **£59**

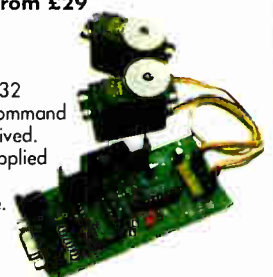


Alex- Animated Head
Stamp2 based controller with voice record-playback capability, PIR input and/or random playback. 4-servo actions are recorded/edited one track at a time. May also be controlled from PC.
Head kits start at £29. Controllers from £29

IR Decoder Board
Control your project using a standard domestic IR remote. 7 Output lines (5v @ 20mA) may be set to momentary or toggle action. Simple teaching routine. Requires 9-12vDC. Supplied built and tested.
£29 single quantity



Servo Driver Board
Control up to 8 standard hobby servos from an RS232 serial data line using this controller board. Simple command structure holds servos in position until update is received. Fully built and tested - requires 9vDC and servos. Supplied with Windows freeware.
£29 single quantity. Optional keypad available.

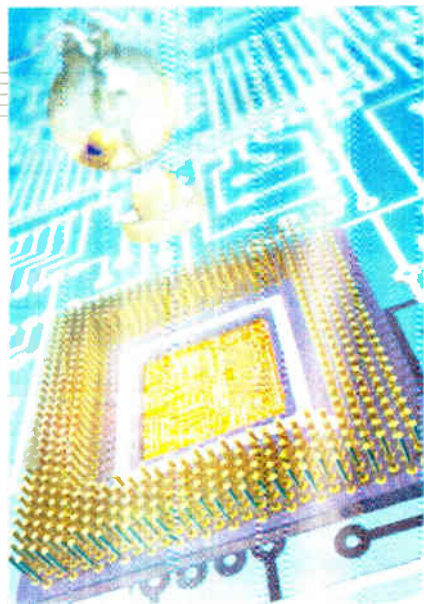


Milford Instruments

120 High Street, South Milford, LEEDS LS25 5AQ
Tel: 01977 683665 Fax: 01977 681465

All prices exclude VAT and shipping. **BASIC Stamp** is the registered trademark of Parallax Inc. For further details on the above and other interesting products, please see our web site www.milinst.demon.co.uk

TECHNOLOGY TIMELINES



PART 1 – DAYS OF YORE

CLIVE "MAX" MAXFIELD AND ALVIN BROWN

Boldly going behind the beyond, behind which no-one has boldly gone behind, beyond, before!

TODAY it is difficult to imagine a world where communication between continents could take months, an incandescent light bulb could cause a crowd to gasp in awe, and the most complicated calculations were performed using only pencil and paper. By comparison, we now find ourselves in the rather strange position that a whole generation has grown up surrounded by the trappings of modern technological civilization.

This generation can barely conceive life without the near-instantaneous communication, entertainment, and data processing and presentation capabilities provided by such gadgets as radios, television, cellphones and computers.

Yet the thought of personal computers in the home was inconceivable to the vast majority of the population as little as 20 years ago. Similarly, colour television was well beyond the means of most households when it was introduced a little over 40 years ago; only a tiny minority of the population had any access to a telephone just sixty years ago; and even a rudimentary radio was the privilege of the favoured few only 80 years ago.

In fact the 20th Century has seen phenomenal technological progress (along with corresponding impacts on our culture). In many respects we've gone from close to nothing (technology-wise) to where we are today in the last 100 years, and many observers feel that our current accomplishments represent only the "tip of the iceberg". Thus, as we enter the 21st Century we are poised on the brink of unimaginable possibilities and potentialities. As Captain James T. Kirk would have it: "We are boldly going behind the beyond, behind which no one has boldly gone behind, beyond, before!"

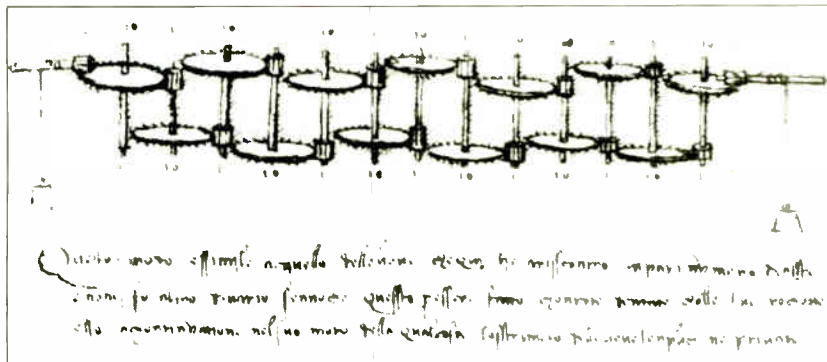
WHO, WHAT, WHEN, WHERE?

The purpose of this series is to review how we got where we are today (and where we look like ending up tomorrow). In this first installment, we shall cast our gaze into the depths of time to consider the state of the art as the world was poised to enter the 20th Century.

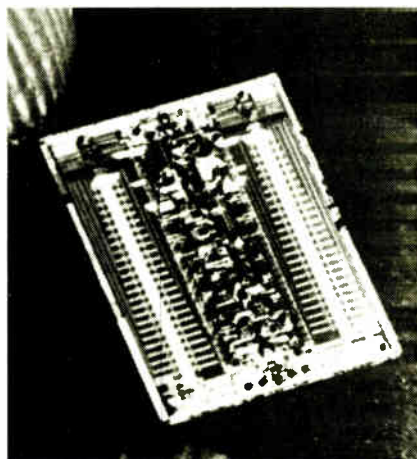
Then, over the coming months, we will take a retrospective view of the technological developments of the last millennium as we investigate the key people and events in three arenas: Physics and electronics, Communications, Computers.

During our discussions we shall discover the way in which everything is interrelated, such that inventions in disparate fields can be combined in ways their originators never dreamt of, catapulting us into a future none of us can conceive in our wildest dreams.

Knowing how rapidly things have changed over the last few decades, only a fool would dare to predict the future with any level of confidence. Thus, we shall leave such pontifications to the final installment, where we shall consider emerging new technologies and peer into our crystal balls to cast some predictions for technological advancements over the next 100 years.



The sketch in Leonardo da Vinci's notebook which illustrates his ideas for a calculating machine, in the year 1500. Courtesy of IBM.



By complete contrast with the sketch of 1500, detail of a modern 64KB memory chip. Courtesy of IBM.

PHYSICS AND ELECTRONICS PRIOR TO 1900

Early man knew of the two major forms of electricity: static electricity and naturally occurring lightning. However, very little was understood about either of these phenomena until the 18th Century (except in generalities such as waving a sword around in a thunderstorm wasn't a good idea).

THE FIRST LIGHTNING SCIENTIST

Early cultures explained lightning in terms of myth and magic. It wasn't until 1752 that lightning's secrets began to be revealed when Benjamin Franklin performed his notorious kite experiment. Franklin tied a metal key to the end of a kite string, set the kite flying during a

thunderstorm (do NOT try this at home!), and collected and stored electrical energy in a Leyden jar.

(A Leyden jar is a device that early experimenters used to store and investigate electric energy. Early implementations consisted of a cylindrical glass container with layers of metal foil on the inside and outside.)

Based on these experiments, Franklin concluded that electrical current had travelled from the storm clouds down the kite string. By this he proved that lightning was actually a natural form of electricity. (This experiment was extremely dangerous, as was demonstrated by one Professor Richman who received a more-than-bracing stroke of lightning from his apparatus.)

STATIC ELECTRICITY GENERATORS

The Italian Count Alessandro Giuseppe Antonio Anastasio Volta invented numerous gadgets in his lifetime, including a device based on static electricity called the *electrophorous*. This consisted of one metal plate covered with ebonite and a second metal plate with an insulated handle. When the ebonite-covered plate was rubbed, it gained a negative electric charge.

When the other plate with the handle was subsequently placed over it, a positive electric charge was attracted to its lower surface and a negative charge was repelled to the upper surface. This type of charge-accumulating device replaced earlier Leyden jars and formed the basis of the electronic components called condensers (capacitors) used today.

BATTERIES

Another of Count Volta's inventions was the electric battery in 1800. These *Voltaic accumulators* as they were known played an important part in ushering in the "era of electricity".

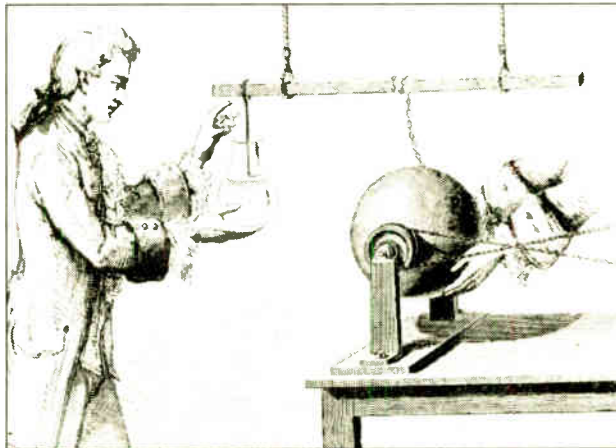
The first battery consisted of two bowls of salt solution that were connected by means of a metal strip dipping in the solution and connecting one bowl to the next. One end of the metal strip was made of copper, while the other was formed from tin or zinc. Volta subsequently improved on his initial design by making it less "watery" and more compact. He achieved this using small round plates of copper and zinc, separated by discs of cardboard moistened in salt solution. The resulting *Voltaic pile* produced a steady stream of electricity and was the forerunner of today's batteries. The measure of electric potential was named the *Volt* in his honour.

ELECTROMAGNETICS

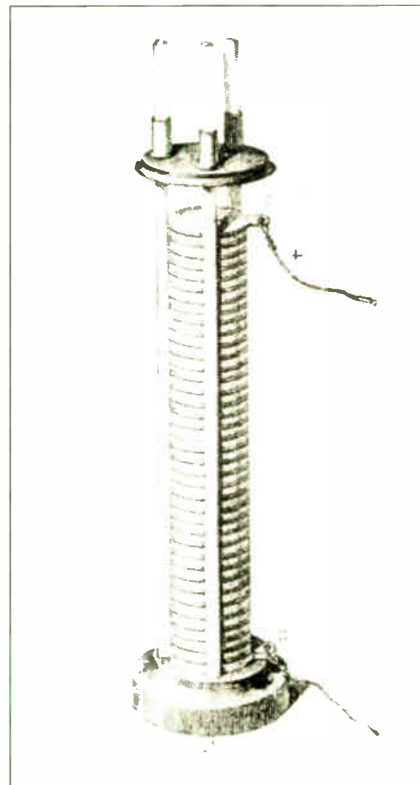
Following in the footsteps of Benjamin Franklin and other early scientists, the English physicist and chemist Michael

Faraday was made famous by his studies of electricity and electromagnetism. In the early part of the 19th Century, Faraday discovered that electricity could be made by moving a magnet inside a wire coil. This led him to build the first electric motor, generator, and transformer.

(Around the same time that Faraday was working on his experiments, Andre Ampere was also investigating the effects of electric currents in magnetic fields and Georg Ohm started studying the electrical resistance exhibited by different materials. Based on their work, the unit of current was called an *Amp* and the unit of resistance an *Ohm* in their honour.)



Historical artwork of a man (at left) holding a Leyden jar, which is being used to store electricity generated by the spherical electrostatic generator at right. The Leyden jar contains water and a brass rod. The man holding it acts as an earthed conductor. Now rarely used outside of the classroom, the Leyden jar was invented at the University of Leyden in the Netherlands in 1746. Courtesy of Science Photo Library.



Volta's "pile" or battery of 1800. Volta (1745-1827) was a professor of physics at the University of Pavia, Italy. Courtesy of Science Photo Library.

TIMELINES

1500: Italy. Leonardo da Vinci sketches details of a rudimentary mechanical calculator.

1565: The pencil is invented.

1588: The Spanish Armada comes to visit England (they were soon to regret this).

1600: John Napier invents a simple multiplication table called Napier's Bones (he also invented logarithms - 1614).

1621: William Oughtred invents the slide rule (based on John Napier's logarithms).

1623: Wilhelm Schickard invents the first mechanical calculator.

1642: Blaise Pascal invents a mechanical calculator, the Arithmetic Machine.

1671: Baron Gottfried von Leibniz invents a mechanical calculator, the Step Reckoner.

1746: Holland. Leyden jar invented.

1752: America. Benjamin Franklin performs his notorious kite experiments.

1770: The eraser is invented.

1775: Italy. Count Alessandro Giuseppe Antonio Anastasio Volta invents a static electricity generator/the *electrophorous*.

1800: Italy. Count Alessandro Giuseppe Antonio Anastasio Volta invents the first battery.

1801: France. Joseph-Marie Jacquard invents a loom control using punched cards.

1820: France. Andre Ampere investigates the force on an electric current in a magnetic field.

1821: England. Michael Faraday invents the first electric motor.

1821: England. Michael Faraday plots the magnetic field around a conductor.

1821: England. Sir Charles Wheatstone reproduces sound.

1822: England. Charles Babbage starts to build a mechanical calculating machine, the Difference Engine.

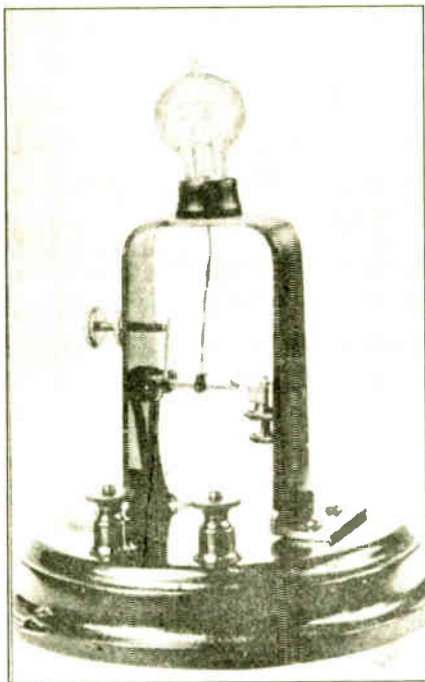
1822: France. Andre Ampere discovers that two wires with electric currents attract.

1823: England. Michael Faraday liquifies chlorine.

Faraday introduced several words that we still use today to discuss electricity, including *anode*, *cathode*, *electrode* and *ion*. Faraday was a great speaker and every year on Christmas Day he presented special lectures for children. The unit of capacitance (an amount of electrical charge) called the *Farad* was named in his honour, and "Faraday Lectures" are still held to this day presented by famous guest speakers.

NOTHING SUCKS LIKE A GEISSLER!

In 1855, a German glass blower named Heinrich Geissler invented a powerful vacuum pump. Geissler then proceeded to use his pump to evacuate a glass tube containing electrodes to a previously unattainable vacuum. Using these *Geissler Tubes*, experimenters discovered a form of radiation, which they called *cathode rays*. These tubes, which subsequently became known as *cathode ray tubes* (CRTs), were to prove instrumental in the discovery of all sorts of



The first electric lamp with a light bulb. It was designed by Thomas Alva Edison (1847-1931) in 1879. Edison had invested \$50,000 and a year of his time to conduct the 6,000 trials whilst researching a practical light bulb. Courtesy Science Photo Library.

things, including the electron and X-rays. Over time, CRT-based displays were to include oscilloscopes, radar screens, television sets, and computer monitors.

INCANDESCENT LIGHT BULBS

Who invented the first electric light bulb? Do we hear you cry "*The American Inventor, Thomas Alva Edison*"? Well it's certainly true that Edison did invent a light bulb, but he wasn't the first! In 1878, an English physicist and electrician, Sir Joseph Wilson Swan, successfully demonstrated a true incandescent bulb – a year earlier than Edison. Like Edison, Swan's light bulb employed a conducting filament mounted in a glass bulb from which air was evacuated leaving a vacuum.

In 1883, William Hammer, an engineer working for Edison, observed that he could detect electrons flowing through the vacuum from the lighted filament to a metal plate mounted inside the bulb. Although Hammer discovered this phenomena, it subsequently became known as the *Edison Effect*.

As Edison later admitted, he did not even understand Ohm's law at that time. Thus, the Edison Effect remained an unexplained curiosity for fifteen years until J.J. Thompson discovered the existence of electrons. One reason the Edison Effect is significant is that it was to lead to the invention of vacuum tubes.

CROOKES' TUBE

As the heir to a large fortune, the experimenter William Crookes had the resources to carry out scientific investigations in the comfort of his private laboratory. Following the development of the cathode ray tube, Crookes devised a series of experiments based on his own version called the *Crookes' Tube*.

By placing an obstacle, a Maltese Cross, in the path of his cathode rays and casting a shadow in the fluorescent end of the tube, Crookes demonstrated that these rays usually travelled in straight lines. Crookes also showed that the beam of cathode rays could be deflected by means of a magnet. These studies led to the discovery of the electron by J.J. Thompson in 1887. Crookes' observations of the dark space at the cathode also led to the discovery of X-rays by Wilhelm Conrad Roentgen in 1896.

DISCOVERY OF THE ELECTRON

The son of a Manchester bookseller, Joseph John (J.J.) Thompson entered college at the age of fourteen (so we can assume he wasn't a complete dingbat) and was later elected a fellow of the Royal Society and appointed to the Chair of Physics at the Cavendish Laboratory in Cambridge University.

In 1897, whilst investigating cathode rays using Geissler's tubes, J.J. Thompson made his greatest discovery. In addition to providing evidence that these rays consisted of charged particles (which J.J. called corpuscles, but which later became known as *electrons*), he also measured the ratio of their charge to mass and was able to show that the mass of these particles was approximately 1/1800 that of a hydrogen atom. This discovery won Thompson the Nobel Prize in 1906.

X-RAYS

In the latter part of the 19th century, the German physicist Wilhelm Conrad Roentgen discovered that some unknown radiation coming from a Crookes' Tube caused certain crystals to glow. He also discovered that this radiation (which became known as *X-rays*) could pass through solid objects and affect photographic plates. The first medical use of this discovery was an X-ray image he made of his wife's hand.



An early ornamental Crookes' tube, with metal flowers which glowed when a current flowed.

TIMELINES

- 1827: England. Sir Charles Wheatstone constructs a microphone.
- 1827: Germany. Georg Ohm investigates electrical resistance and defines Ohm's Law.
- 1829: England. Sir Charles Wheatstone invents the concertina.
- 1831: England. Michael Faraday creates the first electric dynamo.
- 1831: England. Michael Faraday creates the first electric transformer.
- 1831: England. Michael Faraday discovers magnetic lines of force.
- 1831: England. Michael Faraday discovers that a moving magnet induces an electric current.
- 1831: England. Michael Faraday discovers the principle of electro-magnetic induction.
- 1832: England. Joseph Henry discovers self-inductance.
- 1832: England. Charles Babbage conceives the first mechanical computer/the Analytical Engine.
- 1833: England. Michael Faraday defines the laws of electrolysis.
- 1837: America. Samuel Finley Breese Morse exhibits an electric telegraph.
- 1837: England. Sir Charles Wheatstone and Sir William Fothergill Cooke patent the 5-needle electric telegraph.

Roentgen completed his research in just eight weeks and announced his discovery to the world in 1896. The implications of his work were immediately recognized, and some hospitals began to use X-rays within a few weeks of hearing the news of his discovery. Roentgen went on to win a Nobel Prize in Physics in 1901, and his X-rays now affect most people's lives in one way or another.

COMMUNICATIONS PRIOR TO 1900

The earliest form of signalling was a man running from one place to another with a verbal message. Perhaps the most famous example of this was exhibited in 490BC, when Pheidippides carried the news of victory at the Battle of Marathon 26 miles to Athens and then dropped down dead from exhaustion!

SMOKE AND MIRRORS

Drums and smoke signals have also been used since ancient times, along with trumpets and other audible signalling devices. In one example, chains of Roman soldiers were stationed on hilltops to shout messages to each other. Using this method it was claimed that a signal could be relayed 450 miles in 48 hours! (If they were lucky, the message that was received bore more than a passing resemblance to the one that had been transmitted.)

Signallers in England used beacons to send long distance messages (hence the presence of so many landmarks called "Beacon Hill" or "Signal Hill"). In fact, this method was used to send a message from Plymouth to London to communicate the approach of the Spanish Armada in 1588.

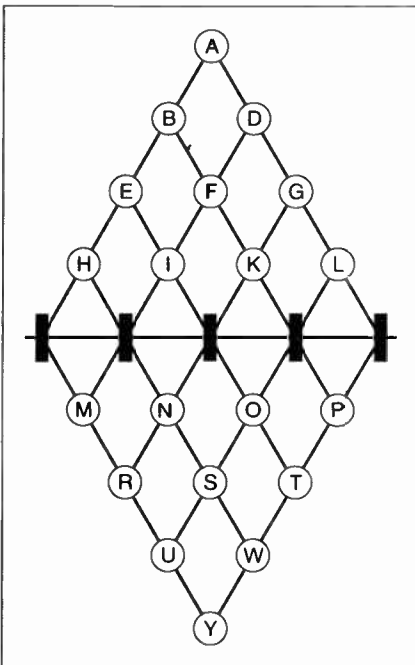
Unfortunately, these early signalling techniques were relatively slow and

unreliable. In the early 1820s, scientists like Faraday and Ampere began their investigations into electromagnetics, little suspecting that their work would pave the way for much faster and more reliable communications systems in the future.

ELECTRIC TELEGRAPH

In 1837, the British physicist and inventor Sir Charles Wheatstone teamed with his friend Sir William Fothergill Cooke to invent the first British electric telegraph (in 1829, Wheatstone had invented the concertina, so presumably he didn't have too many friends left).

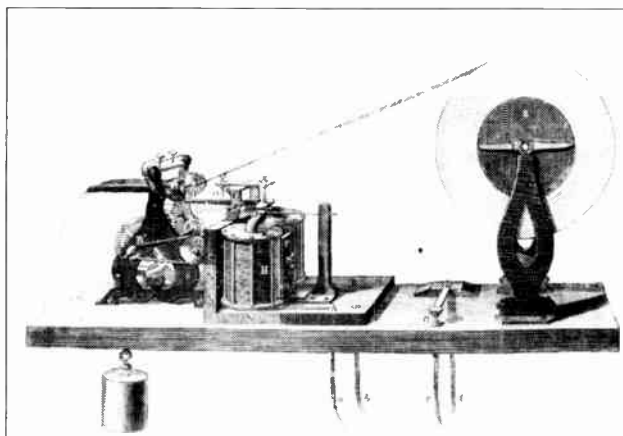
Their first instrument used five wires to control five needles at the receiver, each of which could be set to one of two positions. The letters of the alphabet were laid out using a matrix arrangement, and a pair of needles could be used to point to a specific letter. Thus, messages were sent by controlling pairs of needles in sequence.



The five-needle telegraph of Cooke and Wheatstone.

This five-needle system was replaced in 1843 with a two-needle device, which required only three wires. In this case, letters of the alphabet were identified by counting the number of deflections of the needles. This system made the news in 1845 when it was used to transmit a message about a murderer who had been seen leaving Slough, leading to his arrest at Paddington.

These systems (especially the two-needle version) became very popular in railway signalling apparatus, and in fact they can still be found in use to this day in remote parts of the globe.



Morse code receiver. When a message was to be received, the weight (bottom left) was released turning the mechanism and feeding a strip of paper from a reel (Z). Electrical telegraph signals coming in from wires (a and b) energised electromagnets (H), which pulled down the iron or steel plate above them. By means of a pivoted lever, this raised the print head (H) which placed indentations in the paper strip which could be read. Courtesy of Science Photo Library.

In the same year that Wheatstone and Cooke were inventing their original five-needle system, the American inventor Samuel Finley Breese Morse was developing his version of a telegraph. Morse's system was based on a pattern of "dots" and "dashes" which he called Morse Code. This system enabled the transmission of a message over a single wire. The Morse Telegraph was eventually adopted as the worldwide standard, because it was easier to construct and more reliable than the British versions.

The first telegraph cable connecting England and France was laid across the English Channel in 1845. This was followed in 1858 by the first transatlantic cable linking Valentia, Ireland and Trinity Bay, Newfoundland. On the 16th of August 1858, Queen Victoria exchanged messages with President Buchanan in America. Four days later, Cunard agents in New York sent the first commercial message to report a collision between two steamships: the *Arabia* and the *Europa*.

Unfortunately, no one at that time really understood the extreme conditions that existed at the bottom of the Atlantic Ocean. The cable's insulation quickly degraded and messages became unintelligible only one month after it was laid. In fact, it was almost a decade until the first permanent transatlantic link – all 1,852 nautical miles of it – was completed on 27 July 1866.

FAXING CIRCA 1842!

The first occurrence of electromechanical techniques being used to capture, transmit, and reproduce an image occurred in 1842, only five years after Queen Victoria has ascended to the throne of England, when a Scotsman called Alexander Bain came up with a rather ingenious idea.

Bain cut an image he wished to transmit out of a thin sheet of tin, which he then placed on a moving base. Above the base was a swinging pendulum formed from a conducting wire with a pointed metal weight on the end. As the base moved slowly under the pendulum, the swinging weight periodically made contact with the metal image, thereby completing an electrical circuit. Thus, the light and dark areas of

TIMELINES

1842: England. Joseph Henry discovers that an electrical spark between two conductors is able to induce magnetism in needles – this effect is detected at a distance of 30 metres.

1842: Scotland. Alexander Bain demonstrates first electromechanical means to capture/transmit/and reproduce an image.

1843: England. Augusta Ada Lovelace publishes her notes explaining the concept of a computer.

1843: England. Sir Charles Wheatstone and Sir William Fothergill Cooke patent the 2-needle electric telegraph.

1844: America. Morse Telegraph connects Washington and Baltimore.

1845: England. Michael Faraday discovers the rotation of polarised light by magnetism.

1845: England. The electronic telegraph is first used to help apprehend a criminal.

1845: England/France. First telegraph cable is laid across the English Channel.

1846: Germany. Gustav Kirchhoff defines Kirchhoff's laws of electrical networks.

1847: England. George Boole publishes his first ideas on symbolic logic.

1850: England. Francis Galton invents teletype printer.

1850: The paper bag is invented.

1852: France. Jean Foucault invents the first gyroscope.

1853: Scotland/Ireland. Sir Charles Tilston Bright laid the first deepwater cable between Scotland and Ireland.

1854: Crimea. Telegraph used in Crimean War.

1855: Germany. Heinrich Geissler invents a powerful vacuum pump.

1855: England. James Clerk Maxwell explains Faraday's lines of force using mathematics.

1858: Atlantic. First transatlantic telegraph cable is laid (and later fails).

1858: England. Queen Victoria exchanges transatlantic telegraph messages with President Buchanan in America.

1858: America. Cunard agents in New York send first commercial telegraph message to report a collision between two steam ships.

1859: Germany. Hittorf and Plucker invent the cathode ray tube (CRT).

1865: Ireland – Newfoundland. Atlantic cable links Valentia (Ireland) and Trinity Bay (Newfoundland).

1865: England. James Clerk Maxwell predicts the existence of electromagnetic waves that travel in the same way as light.

1866: Ireland/USA. First permanent transatlantic telegraph cable is laid.

the image (represented by the presence and absence of the metal sheet) were converted into an electrical signal.

This signal was then used to control a relay moving in time with the pendulum. In turn, the relay pressed a pencil down onto a piece of paper, which was mounted on another base moving in time with the first one. Thus, the original image could be transmitted and reproduced as a pencil drawing.

Bain had essentially created the precursor to the modern Fax (*facsimile*) machine, but his device never really caught on, because creating the image to be transmitted took longer than travelling to the intended recipient and drawing it out by hand!

OPTICAL TOASTERS!

The 19th century was jam-packed with weird and wonderful inventions. For example, Denis Redmond of Dublin, Ireland sent a letter to the *English Mechanic and World Science* publication in 1878. In his letter, Redmond described creating an array of selenium photocells, each of which was used to control a corresponding platinum wire. As the intensity of light on a particular photocell increased, it caused more current to flow through its associated platinum wire, which therefore glowed more brightly.

Although it only contained around 10 × 10 elements, this device could apparently represent moving silhouettes, which was pretty amazing for the time. In fact Redmond's invention is conceptually very similar to today's semiconductor diode array cameras and liquid-crystal computer screens (plus it had the advantage that you could use it to toast bread).

VICTORIAN TV?

The German inventor Paul Gottlieb Nipkow proposed a novel technique for scanning, transmitting and reproducing pictures in 1884. Nipkow's technique was based on the use of flat circular disks containing holes punched in a spiral formation.

The way this worked was that a light was used to project an image onto a spinning *Nipkow Disk*. As the outermost hole on the disk traversed the image, the light passed through the hole to hit a light-sensitive phototube. The intensity of the light was modified by the light and dark areas in the image, thereby modulating the electrical signal coming out of the phototube.

The holes were arranged such that as soon as the outermost hole had exited the image the next hole began its trek. Since the holes were arranged in a spiral formation each hole traversed a different slice, or line, across the image.

At the other end of the process was a brilliant lamp and a second spinning Nipkow Disk. The electrical signal coming out of the phototube was used to modulate the lamp, which was projected onto the second disk. The modulated light passed through the holes in the second disk to construct a line-by-line display on a screen.

Although the resulting image was constructed as a series of lines, the speed of the disk combined with persistence of vision meant that an observer saw a reasonable (albeit low resolution) facsimile of the original picture. Although his system could only be used to transmit static images, Nipkow's

technique was conceptually similar to modern-day television.

THE TELEPHONE

At the age of 14, the Scottish inventor Alexander Graham Bell was tremendously excited by a demonstration of a "speaking machine" created by Sir Charles Wheatstone. Bell and his older brother subsequently built their own device that emulated the human mouth, throat, tongue and bellow-like lungs, and used it to produce human-like sounds.

Some time later, the German physicist Hermann von Helmholtz wrote a thesis stating that vowel sounds could be produced by combining the effects of electrical tuning forks and resonators. Bell heard about this paper, but due to the fact that he couldn't read German, he mistakenly believed that Helmholtz was saying it would be possible to transmit sounds as electrical signals through a wire. This was to lead to what Bell would later describe as a "very valuable blunder".

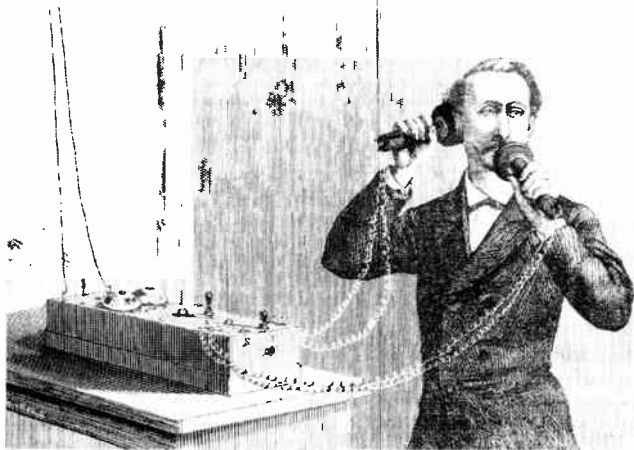
Bell's interest in the spoken word continued, stimulated by the fact that his mother was deaf. The family emigrated to Canada in 1870, and a year later Bell began teaching at a school for the deaf in Boston, USA. Bell first conceived the idea of the telephone in 1874 – the same year that he met Thomas Watson – a young electrician who was to become Bell's long-time assistant.

SAVED BY THE BELL

Bell filed a patent application for the telephone on the 14th February 1876 (just a few hours before another inventor called Elisha Gray attempted to file a sort of pre-patent known as a caveat for a similar device). On the 10th of March, 1876, intelligible human speech was heard over the telephone for the first time when Bell spilt some acid and Watson heard him calling over their experimental apparatus saying "Mr Watson – come here – I need you!"

It is interesting to note that Bell's original telephone had no signalling device to let the user know when there was an incoming call. In June 1877, Watson devised a "thumper" that would strike the diaphragm of the receiving telephone box to make a tapping sound.

The first commercial telephone service went into operation in 1877. This was



Historical artwork of a man using a Bell telephone. In this original telephone system, the speaker and receiver were identical. This telephone was invented by Alexander Graham Bell (1847-1922) who filed the patent on 14 February 1876. Courtesy Science Photo Library.

TIMELINES

1872: First simultaneous transmission from both ends of a telegraph wire.

1873: England. James Clerk Maxwell describes the electromagnetic nature of light and publishes his theory of radio waves.

1874: America. Alexander Graham Bell conceives the idea of the telephone.

1875: America. Edison invents the mimeograph.

1875: England. James Clerk Maxwell states that atoms must have a structure.

1876: America. 10th March. Intelligible human speech heard over Alexander Graham Bell's telephone for the first time.

1876: America. Alexander Graham Bell patents the telephone.

1876: America. Thomas Alva Edison sets up world's first industrial laboratory at Menlo Park, New Jersey.

1877: America. Thomas Watson devised a "thumper" to alert users to incoming telephone calls.

1877: America. First commercial telephone service went into operation.

1878: America. First public long-distance telephone line between Boston and Providence becomes operational.

1878: England. Sir Joseph Wilson Swan demonstrates a true incandescent light bulb.

1878: England. William Crookes invents his version of a cathode ray tube – Crookes' Tube.

1878: Ireland. Denis Redmond demonstrates capturing an image using selenium photocells.

1879: America. Thomas Alva Edison invents an incandescent light bulb (a year after Sir Joseph Wilson Swan in England).

1879: England. William Crookes postulates that cathode rays may be negatively charged particles.

1880: America. Alexander Graham Bell patents an optical telephone system, the Photophone.

followed by the first long-distance line for public use between Boston and Providence in 1878. (In 1880 Bell patented an optical telephone system, which he called the *Photophone*. However, his early telephone proved to be much more practical, and optical communication systems would have to wait for another hundred years.)

WIRELESS TELEGRAPH

In 1865, the brilliant British physicist James Clerk Maxwell, a professor at Cambridge University, predicted the existence of electromagnetic waves that travelled in the same way as light. The first person to actually transmit and receive these "radio waves" in a laboratory environment was Heinrich Rudolf Hertz, a professor of physics at Karlsruhe Polytechnic in Germany.

Between 1885 and 1889, Hertz used the energy stored in large capacitors to create electric sparks, which in turn produced electromagnetic waves. He then received these waves using an aerial formed from a loop of wire with a small gap between the ends. When a large spark was generated by the transmitter, a smaller spark could be observed jumping across the gap at the receiver.



Guglielmo Marconi and his radio equipment, 1896. Courtesy Marconi PLC.

Unfortunately, Hertz died of a brain tumour at only 36 years of age without knowing for sure that it was possible to transmit and receive radio waves over large distances.

The idea that the radio waves theorized by Maxwell and demonstrated by Hertz could be used for long distance communication intrigued many physicists, scientists and inventors.

In 1880, a professor of Physics called Edouard Eugene Desire Branly at the Catholic University of Paris created the *Branly Coherer*. This was based on his discovery that loose zinc and silver filings would cling together when exposed to even a distant spark transmission field. By clinging together, the filings provided a path that exhibited increased conductivity, and this effect could be used to detect the presence of a transmission. Based on this work, the French now claim that Branly invented the wireless telegraph.

In 1894, Oliver Joseph Lodge, who held the chair in Physics at the University College in Liverpool, increased the usefulness of the Branly Coherer by adding a device that shook the filings loose between spark receptions. Lodge's device became a standard apparatus in early wireless telegraphy. Unfortunately, after making his contribution to the world as we know it, Lodge spent the rest of his life undertaking psychic research and attempting to communicate with the dead ("Hello Oliver, are you there?").

MARCONI

In reality, no one person "invented" wireless communications as we know them today. It is true that for more than 100 years Guglielmo Marconi has been called the "inventor of radio". Marconi was certainly a genius, but it's also fair to say that he built on the ideas and inventions of others (as did others).

For example, the Russian professor called Alexander Popov (also spelled "Popoff") conceived the idea of using the Branly Coherer to pick up static or atmospheric electricity, thereby allowing him to detect approaching thunderstorms (the precursor to the lightning detection systems we use today). Furthermore, Popov reported sending

and receiving a wireless signal across a distance of 600 yards in 1895. Based on this work, the Russians now claim that Popov invented the wireless telegraph.

As an electrician in Italy, Marconi first became interested in electromagnetic radiation after reading about Hertz's experiments and Popov's ideas for storm detection. Marconi fully appreciated the possibilities of using radio waves as a means of signalling over large distances, and he patented a successful system of radio telegraphy while only 22 years of age.

Sad to relate the Italian government showed no interest in Marconi's work, so his mother (Annie Jameson of the well-known Irish Whisky family) brought him to London, where their influential relatives financed his experiments and brought him into contact with people who could help further his ambitions.

During the early years, Marconi progressively improved on the distances he could achieve with his equipment. In 1897 he managed to send the Morse Code message "let it be so" 8.7 miles across the Bristol Channel. And in 1899, the East Goodwin lightship used one of Marconi's wireless telegraphs to request assistance after it had been rammed in dense fog by the steam ship *M.F. Matthews*. This was the first recorded use of a wireless telegraph to save lives.

TIMELINES

1880: France. Edouard Eugene Desire Branly invents the Branly Coherer.

1880: France. Pierre and Jacques Curie discover piezoelectricity.

1883: America. William Hammer and Thomas Alva Edison discover the "Edison Effect".

1884: Germany. Paul Gottlieb Nipkow uses spinning disks to scan/transmit and reproduce images.

1887: England. J. J. Thomson discovers the electron.

1887: England. William Crookes demonstrates that cathode rays travel in straight lines.

1887: Germany. Heinrich Hertz demonstrates the transmission/reception and reflection of radio waves.

1888: America. First coin-operated public telephone invented.

1889: America. Almon Brown Strowger invents the first automatic telephone exchange.

1890: America. Census is performed using Herman Hollerith's punched cards and automatic tabulating machines.

1892: America. First automatic telephone switchboard comes into service.

1894: England. Oliver Joseph Lodge repeats the tests of Heinrich Hertz with a modified Branly Coherer.

1894: Germany. Heinrich Hertz discovers that radio waves travel at the speed of light and can be refracted and polarised.

1894: Italy. Guglielmo Marconi invents wireless telegraphy.

1895: America. Dial telephones go into Milwaukee's city hall.

1895: Germany. Wilhelm Konrad Roentgen discovers X-rays.

1895: Russia. Alexander Popov (also Popoff) constructs a receiver for natural electrical waves and tries to detect thunderstorms.

1897: England. Guglielmo Marconi transmits a Morse Code message "let it be so" across the Bristol Channel.

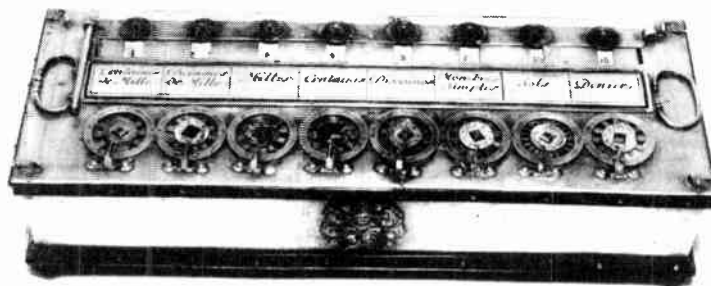
1897: England. Marconi establishes the first Marconi-station at The Needles (Isle of Wight, England), sending a signal to the English coast over 22km.

Acknowledgements

We express our special thanks to IBM Archives for their supplying illustrations for this article. We also thank the Science Photo Library and Marconi PLC for their illustrations.

NEXT MONTH

In Part 2 of this series we'll look at computing prior to 1900 and at the development of physics and electronics in the 20th century, including the invention of the vacuum tube, the transistor and much, much more.

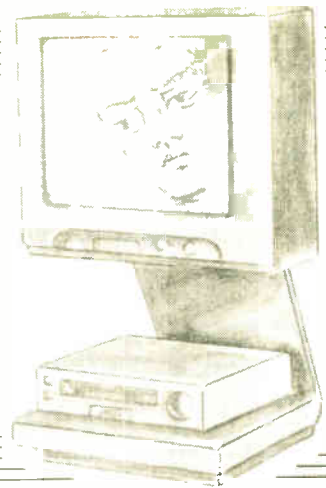


A forerunner of modern computers. Courtesy of IBM.

PIC VIDEO CLEANER

MIKE DELANEY

Checkout your PICture quality.



THIS project is the result of a visit by the author to a friend's home to see a video recorder and portable TV the friend had installed in his son's bedroom that was giving trouble. He was complaining that the picture was "flickering" and the brightness varying.

The brightness variation was particularly noticeable when watching at night with the light turned down low. Both of the units had been obtained from second-hand shop, and they did not want to know about any problems.

Using a known good tape and head cleaner etc., the system was duly checked out. After much experimentation it was discovered that the problem lay with the tape – a recently-purchased "Block Buster" – because the good tape, along with his home-recorded tapes, all worked fine. You could see that the picture flickered and the brightness was indeed wavering, but this did not happen with the same movie on the main TV in the lounge.

Making further enquiries, from another friend who is in the TV trade, it transpired that the problem was caused by something called "Macrovision*", which is a VCR-to-VCR copy-prevention system. This purposely introduces interference pulses on the video tape. Not all sets are disturbed in this way, and it was suspected that the portable was simply over-sensitive. Searching on the Net, an article was discovered which described these pulses in detail.

MAKING A START

"First identify the cause" seemed a good approach. This entailed using a video sync-separator i.e., type LM1881 from National Semiconductor, to see exactly what was happening to the signal on an oscilloscope. The LM1881 has been around for a long time and all the application data that was needed came from National's web site.

Breadboarding revealed some strange goings-on indeed! It was not surprising that the portable TV was having a struggle. The resulting sync pulse waveform, showing details of the introduced "interference", can be seen in Fig.1.

This simplified diagram shows the difference between a "clean" signal and the interference pulses added to prevent tape-to-tape copying. VCRs use the amplitude of the black level voltage immediately following the Line Sync pulse to set their a.g.c. level. They also rely on incoming sync pulses on the video information, unlike TVs which have their own sync circuits built in. Because the added pulses are variable both in amplitude and repeat timing the brightness of the picture can vary and the line and frame stability can be affected to a point where it is almost unrecognisable.

These interference pulses are added between the end of the

frame-sync pulse and the first video information. They repeat at intervals of about two seconds and are themselves in sync with the line-sync pulses. In this way they do not stop the average TV from working satisfactorily, but prevent copying (despite the fact that Copyright laws allow you to make a back-up copy of any legally purchased tape for your own use), and in my friend's case sometimes interfere with a sensitive TV.

ON THE LINE

Clearly it would be necessary to remove the interference pulses and replace them with an appropriate d.c. level since the TV or VCR requires a reference voltage to set its brightness. The first twenty or so lines following the vertical sync pulse are not seen on a correctly set up TV, so it does not matter if they are lost.

However, it is necessary to allow the colour burst and correct horizontal sync pulses through during this time, otherwise it would upset the operation of the TV. Therefore, it is not just a case of erasing all information up to the start of the video information.

There is occasionally more interference added for a period of about a dozen lines before the vertical sync pulse, and this must also be taken into account when designing any circuit.

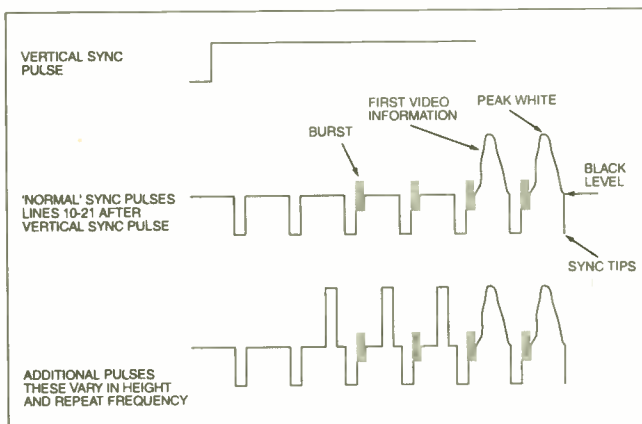


Fig.1. Sync pulse showing interference details.



PIC Video Cleaner showing input SCART socket.

BLOCK DIAGRAM

A simplified block schematic for the PIC Video Cleaner is shown in Fig.2.

The Sync Separator LM1881 splits the video sync signal into its constituent parts, two of which, Composite Sync and Frame Sync, are used by the PIC microcontroller. The PIC synchronises with these two inputs, and turns on either the video switching i.c. (IC3) or the black level clamp i.c. (IC4).

FIRMWARE

Most of the work is done by the PIC microcontroller and the sync timing waveform is shown in Fig.3. The cycle begins with the rising edge of the Frame Sync Pulse, following this the PIC waits for the next falling edge of the Line Sync Pulse (A). It is this which is used to start the cycle and subsequently determine which of the two AD810 multiplexers to turn on and which to turn off.

Each Line Sync pulse is detected and counted as it arrives. In this way the PIC remains in sync with the incoming video signal line-by-line.

After the first 25 or so lines following Frame Sync, all of the video information is allowed through. So for about the next 290 lines, C4 is turned off and IC3 is turned on and the PIC, IC2, simply counts in the Line Sync pulses.

After this period more multiplexer switching is needed to eliminate the interference added just before Frame Sync goes low. The PIC then checks for Frame Sync and when this is detected the whole cycle repeats for the even field, and so on, *ad infinitum!*

CHOICE OF COMPONENTS

Initial tests using a 4MHz PIC microcontroller proved that it was too slow; the delay between detecting a sync pulse and responding to it was too great. Changing to a 10MHz device solved this problem. There is still some jitter but this has no adverse effect on the observed image.

Video switching in the Video Cleaner is carried out by a pair of Analog Devices AD810 video amplifiers (Fig.4) which have a disable mode built in, simplifying multiplexing. One is used for the video signal, while the other is merely for switching the black level voltage.

It was found in tests that the AD810s were very stable, not prone to bursting into oscillation, provided the p.c.b. was carefully laid out.

The power supply is straightforward. The PIC requires +5V, which will suit the LM1881, and the AD810s need a split plus and minus 5V. Both of these are produced in the

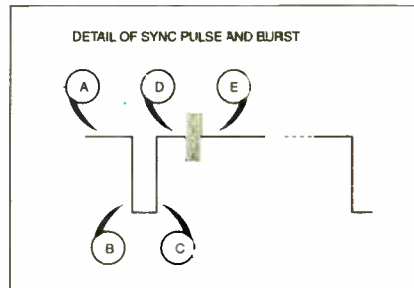
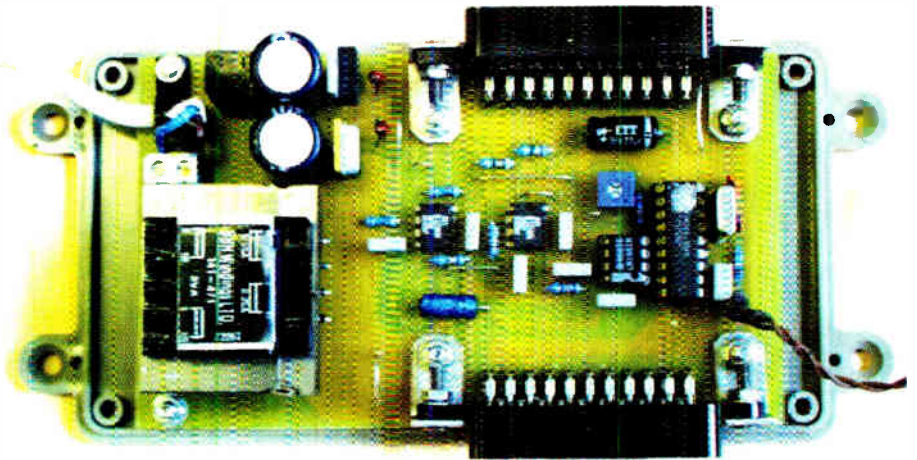


Fig.3. Sync timing of the PIC used to clean up the output from the video recorder. (A) Enable gating to check for falling edge of line (horizontal) sync pulse. (B) Line Sync detected. Turn on IC3 to allow video sync through. (C) Turn off IC3, turn on IC4 and allow black level through. (D) Turn off IC4, turn on IC3 to allow burst through from video. (E) Turn off IC3, turn on IC4 to allow black level voltage through. Wait for approximately 60µs before looping back to (A).

circuit by a split secondary transformer and two voltage regulators.

Note that the supplies to each i.c. are individually decoupled with 100nF capacitors. The regulators *MUST* be decoupled with *solid tantalum* capacitors placed very

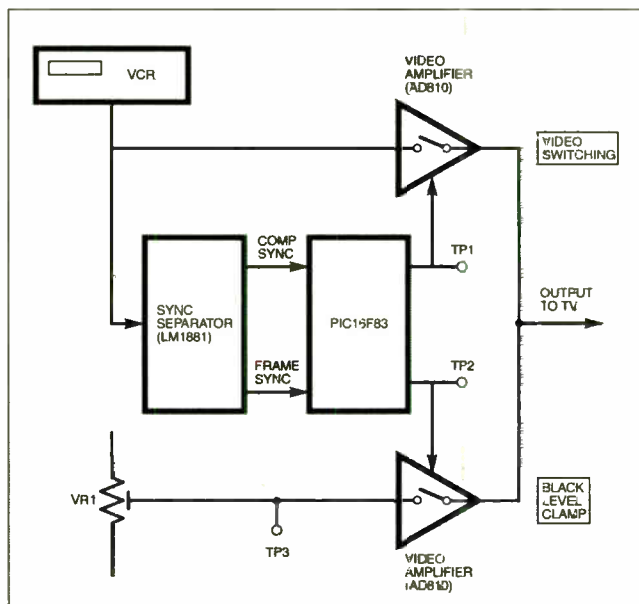


Fig.2. Video Cleaner block diagram showing video signal and control signal paths.

COMPONENTS

Resistors

- R1 680k
- R2, R7, R8 75Ω (3 off)
- R3, R4 750Ω (2 off)
- R5, R6, R9 1k (3 off)

All 0-6W 1% metal film

See
**SHOP
TALK**
page

Potentiometer

- VR1 2k cermet preset

Capacitors

- C1, C2, C3 C7 to C10 100n polyester (7 off)
- C4, C5 22p ceramic disc (2 off)
- C6 6µ8 axial elect. 16V
- C11 22µ axial elect. 16V
- C12, C13 1000µ radial elect. 16V (2 off)
- C14, C15 1µ tantalum bead (2 off)

Semiconductors

- D1 5mm red l.e.d.
- REC1 1A 25V bridge rectifier
- IC1 LM1881N video sync separator
- IC2 PIC16F83-10P microcontroller preprogrammed (10MHz version)
- IC3, IC4 AD810 low power, current-feedback video amp with disable (2 off)
- IC5 7805 -5V 1A voltage regulator
- IC6 7905 -5V 1A voltage regulator

Miscellaneous

- X1 10MHz crystal
- T1 3VA mains transformer, with 0V-6V, 0V-6V@0-25A sec.
- SK1, SK2 21-pin right-angle SCART socket (2 off)
- SK3 2-way p.c.b. mounting mains connecting block (10A 230V a.c.)

Printed circuit board available from the EPE PCB Service, code 251; plastic case, size 44mm x 146mm x 75mm (int); 8-pin d.i.l. socket; 18-pin socket; L-shaped support metal bracket (4 off); multistrand connecting wire; mains cable; 3mm nuts, bolts and washers (6 off each); p.c.b. spacer (6 off); rubber grommet; P-clip for mains lead; l.e.d. clip; sleeving; solder etc.

Approx. Cost
Guidance Only

£40

excl. SCART skts, mains cable

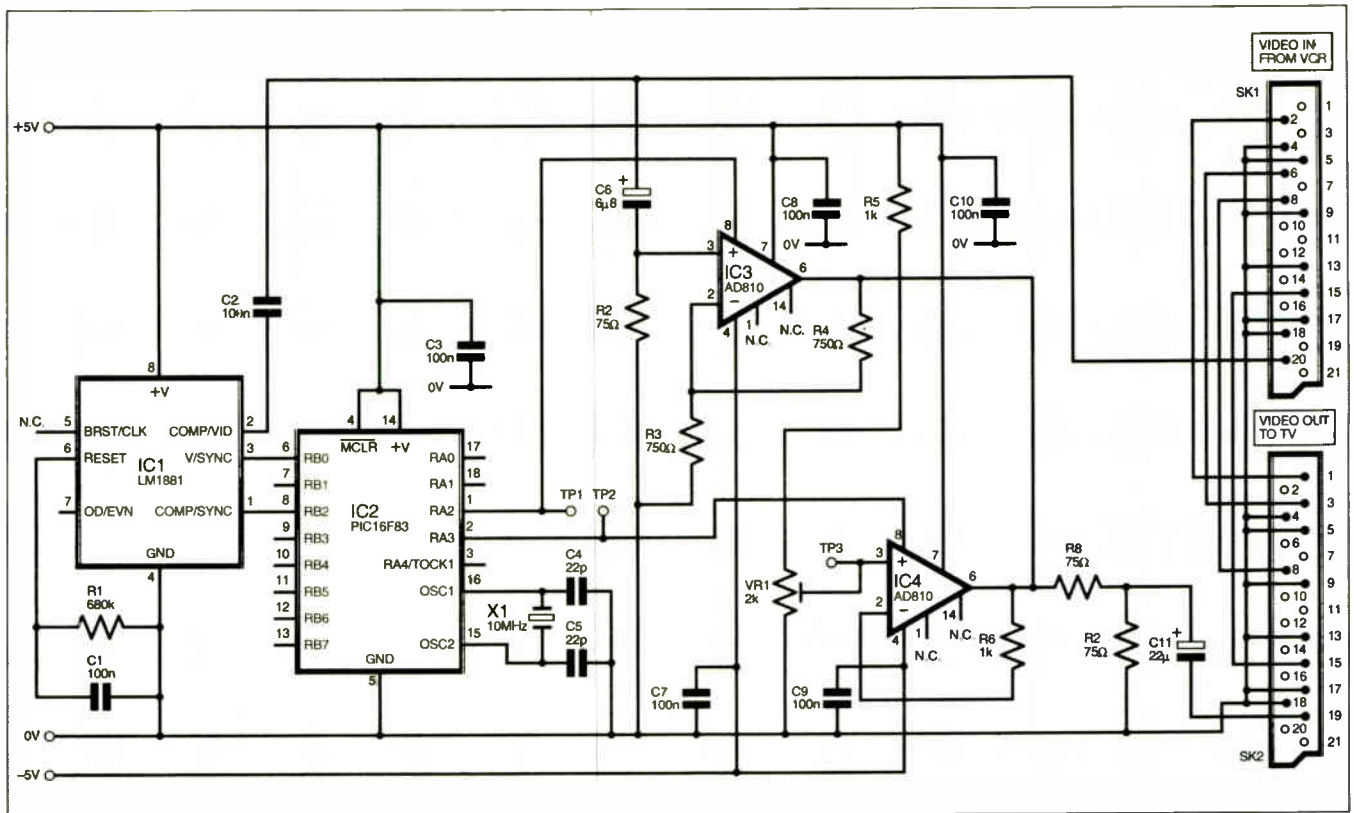


Fig.4. Main circuit diagram of the PIC Video Cleaner showing the sync separator, PIC microcontroller and input/output stages.

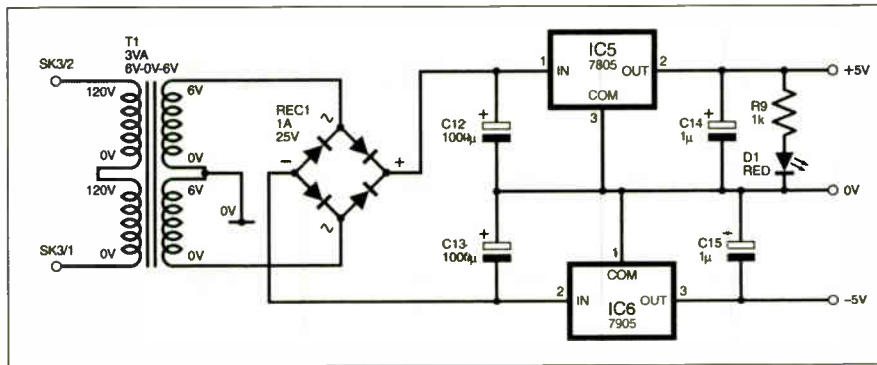


Fig.5. PIC Video Cleaner regulated power supply circuit diagram.

close to their pins. They have a far superior (less) leakage factor than electrolytics.

Standard right-angled p.c.b. mounting SCART connectors are used for signal input and output. If your VCR does not have SCART connectors simply connect the video output to pin 20 of the SCART socket SK1, and take the output from pin 19 of SK2. It is not necessary to connect the sound through the circuit in this case.

CIRCUIT DETAILS

The sync separator, PIC microcontroller and amplifier stages for the PIC Video Cleaner are shown in Fig.4. The regulated power supply circuit diagram is shown in Fig.5.

The incoming video signal, from pin 20 of input socket SK1, is a.c. coupled into IC3, the video switching AD810, by capacitor C6 and terminated at 75Ω by resistor R2. It is also a.c. coupled into the video sync separator IC1 by capacitor C2. The LM1881 (IC1) splits this into its constituent parts, two of which, Vertical Sync and Composite Sync, are fed to the PIC (IC2) at pin 6 (RB0) and pin 8 (RB2) respectively.

As IC2 receives the Line Sync pulses it counts them, and depending upon the line number sets the two lines to the DISABLE pins (8) of IC3 and IC4. When the disable line is low, the output of the relevant video amp (IC3 or IC4) goes high impedance so blocking the input signal, while logic 1 (+5V) turns the device on and its input signal is allowed to pass through.

Video amp IC3 is configured as a ×2 amplifier and IC4 is used as a unity-gain buffer switching the d.c. black level obtained from the voltage divider network of resistor R5 and preset VR1.

Resistors R7 and R8 terminate the output of the AD810s at 75 ohms and capacitor C11 couples the output to the TV.

CONSTRUCTION

BE AWARE THAT RAW MAINS IS PRESENT ON THE BOARD. THIS MAY PROVE LETHAL IF TOUCHED!

Before undertaking any testing, take the precaution of placing insulating tape over the underside of the completed circuit board where the soldered connections protrude before handling the unit with the supply in pass.

Construction of the PIC Video Cleaner project is based on a single-sided printed circuit board (p.c.b.). All the components, with the exception of the power-on l.e.d. D1, are mounted directly on the p.c.b. D1 is mounted on one side of the case and short wires are soldered to it and its position on the p.c.b.

The printed circuit board component layout and full-size copper foil master are shown in Fig.6. This board is available from the *EPE PCB Service*, code 251.

Component placing should cause no problems. Check the orientation of the i.c.s and electrolytic capacitors before soldering them in place. There are a few jumper/test points and these should be left long enough to attach a 'scope or DVM. As is usual practice, start by mounting the lowest profile components first and the mains transformer last.

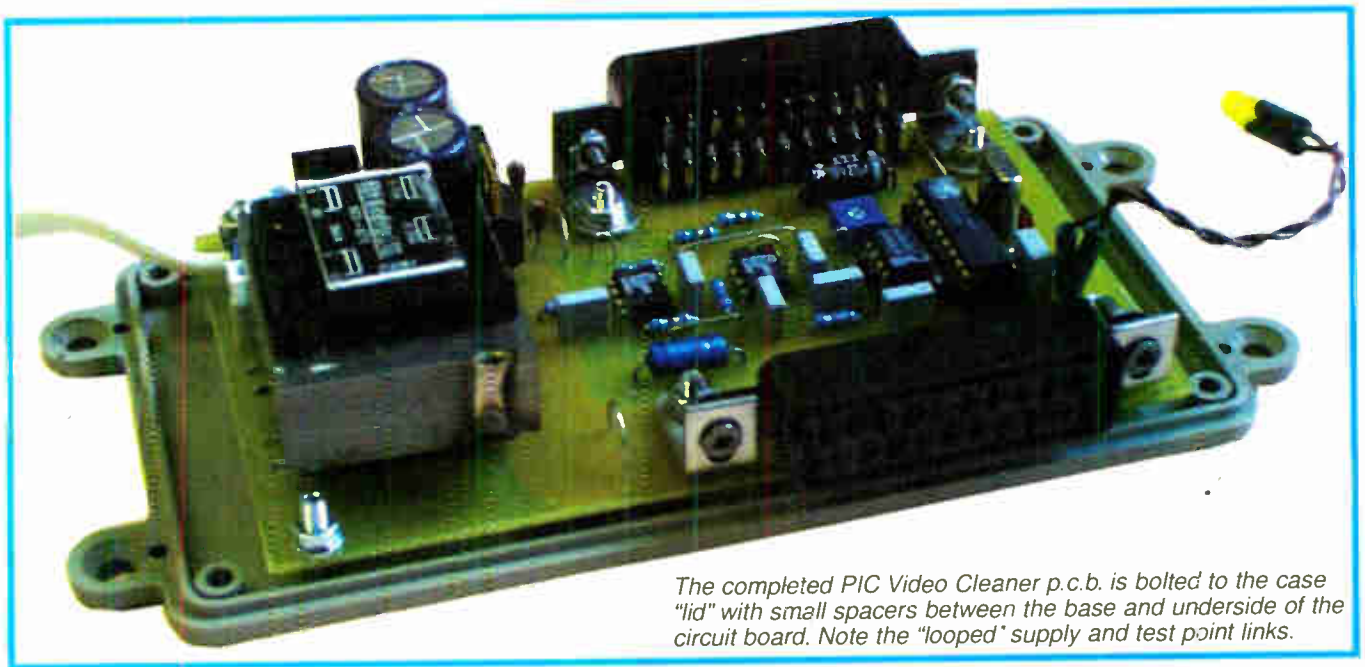
Do not use i.c. sockets for IC3 or IC4. Instead, these should be soldered *directly* to the board in order to avoid affecting the video signal due to parasitic capacitance – be as quick as possible when carrying out this operation.

The PIC IC2 and IC1 are both mounted in sockets. These sockets should be turned-pin types if possible for reliability.

The unit should be housed in a plastic case, with holes cut in it for the SCART sockets and l.e.d. If the box suggested is used the SCART sockets will just protrude, making it easier to access when the box is assembled.

The SCART sockets are supported with metal L-shaped brackets. This helps to prevent the soldered connections failing due to stress when inserting or removing their plugs.

The circuit board is mounted with six 3mm bolts and spacers onto the bottom of the box. Using the unpopulated p.c.b. as a drilling template will ensure correct alignment of the mounting holes.



The completed PIC Video Cleaner p.c.b. is bolted to the case "lid" with small spacers between the base and underside of the circuit board. Note the "looped" supply and test point links.

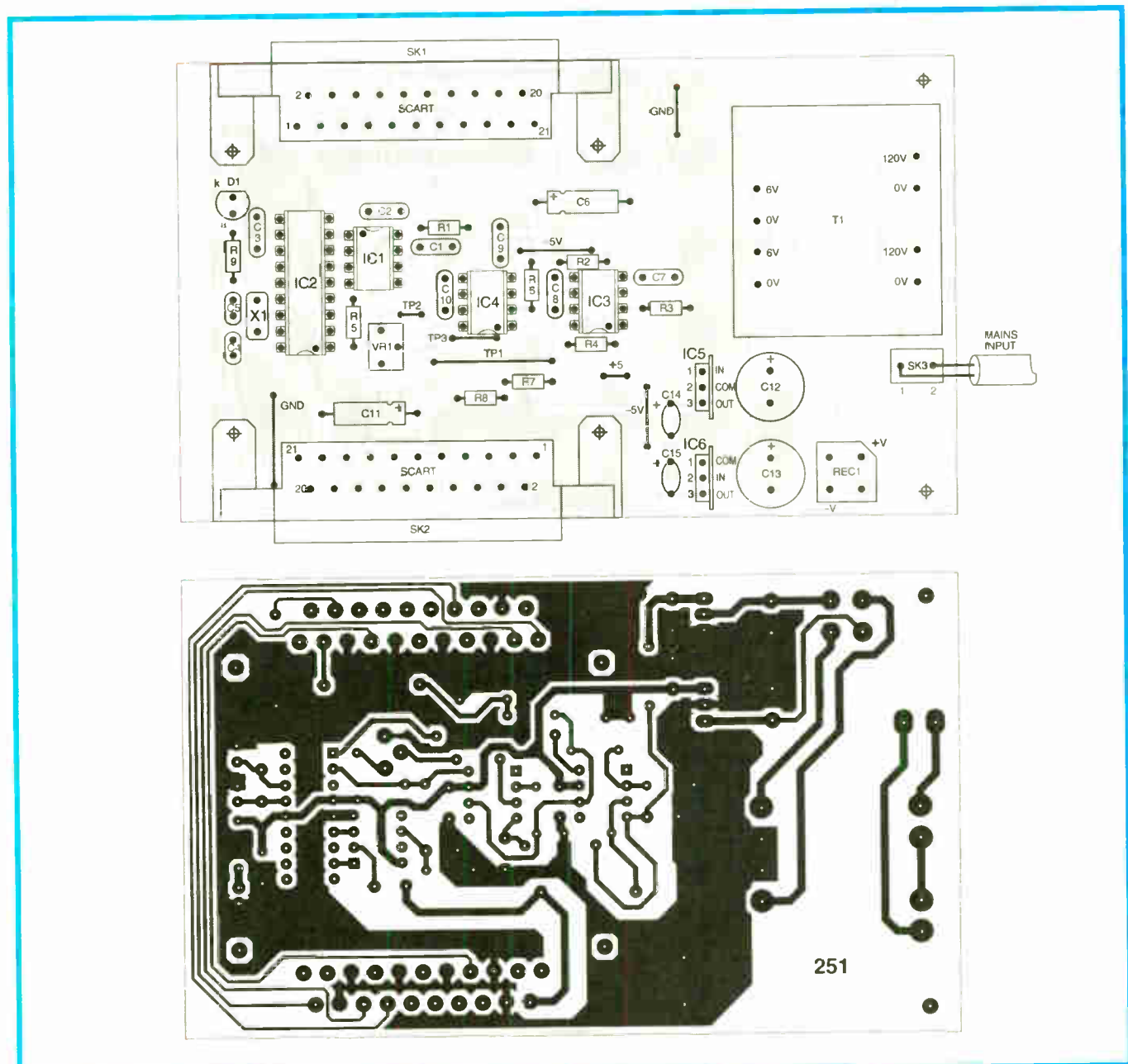
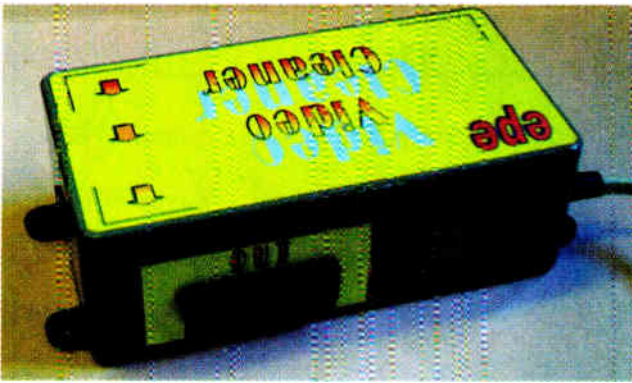


Fig.6. Printed circuit board component layout and full-size copper foil master pattern for the PIC Video Cleaner. The SCART sockets are bolted to the p.c.b. via small right-angle brackets.



Completed unit showing the output SCART socket.

TESTING AND SETTING UP

Having completed placing the components check the the i.c.s and electrolytic capacitors are mounted correctly. Then check for short circuits on the 5V lines with a meter. If these check out apply mains to the circuit and confirm you have +5V and -5V supplies present, and nothing is getting hot.

There is only one preset, so setting up may be done "live", but you will need a second video recorder. It should not be necessary to record a tape in order to set up the PIC Video Cleaner. Select the video channel on the TV. Play back a good quality video tape through the video recorder and select the "AV" channel on the second recorder. This should give direct picture feed-through from SCART to SCART. Now vary VR1 until clean whites and a stable picture are obtained. This completes setting up.

Complete mounting the unit in its case, carefully pushing I.e.d. D1 into position as you close up the top and secure the mains cable.

FAULT FINDING.

If things do not work and the component placement checks out, carefully check the board for solder-whiskers or dry joints. Check that the 5V supplies are both present

and correct to within $\pm 100mV$.

If these are both correct disconnect the power and remove the PIC. This allows the two disable lines to IC3 and IC4 to be connected to ground (0V) or +5V without damaging the PIC.

With IC2 removed first establish that a normal tape will play back through your TV by connecting test point TP1 to +5V and TP2 to ground (0V). Doing this turns the video signal ON, and disables the rest of the circuit.

If this works, reverse the leads and use a multimeter to check that the black level voltage is present at test point TP3 and is also enabled via IC4 on the junction of R7/R8/C11. This should vary from zero to 3.3V, as the preset is turned.

Assuming that this is correct, power down and replace IC2. If you have access to an oscilloscope check that the 10MHz clock is running on pins 15 and 16 of IC2, and that the MCLR line, pin 4, is at +5V.

Acknowledgements

Analog Devices AD810 data. Antti Paarlahti at <http://www.cs.tut.fi> FAQ and details of line pulses. National Semiconductor's LM1881 data. This sheet is also a useful source of information on the composition of the video signal and sync pulses.

* Macrovision is a registered trademark of Macrovision Corporation, USA

The sync pulses to the PIC should be clean and the 'scope should have no trouble locking on to the VSYNC line.

Should the sync pulses appear to be unstable, having a variable length and frequency then the playback VCR is suspect. This problem would be caused by dirty or worn heads. Try using a head cleaning tape first, and if this does not correct the problem the VCR should be swapped for another, newer, one.

SOFTWARE

The software for the PIC Video Cleaner is available from the Editorial Office on a 3.5 inch disk, for which a nominal handling charge is levied. Alternatively, it may be downloaded *Free* from the EPE web site.

A ready-programmed PIC chip is also available and full details, including the above options, can be found in the *Shoptalk* page in this issue.

IN THE FUTURE

This circuit should be fairly future-proof since all the work is done by the PIC. It should only be a matter of re-writing the firmware to overcome any changes which may come along.

My friend's son? Quite happy!

NEXT MONTH WE CONTINUE OUR JOURNEY BACK TO THE FUTURE PLUS - WE SHOW HOW TO BREAK THE ICE

★ TECHNOLOGY TIMELINES-2 ★ EPE ICEBREAKER ★

EVERYDAY
PRACTICAL
ELECTRONICS
INCORPORATING ELECTRONICS TODAY INTERNATIONAL
THE No.1 MAGAZINE FOR ELECTRONICS TECHNOLOGY & COMPUTER PROJECTS

SUBSCRIPTION ORDER FORM

Annual subscription rates (2000): UK £26.50
Overseas £32.50 (surface mail) £50 (airmail)

To: Everyday Practical Electronics,
Allen House, East Borough, Wimborne, Dorset BH21 1PF
Tel: 01202 881749 Fax: 01202 841692
E-mail: subs@epemag.wimborne.co.uk

Name

Address

Post code

I enclose payment of £..... (cheque/PO in £ sterling only),
payable to Everyday Practical Electronics
Access or Visa No.



--	--	--	--	--	--	--	--	--	--	--	--	--	--	--	--	--	--	--	--

Signature.....

Card Ex. Date

Please supply name and address of cardholder if different from the subscription address shown below. Subscriptions can only start with the next available issue. For back numbers see the Editorial page.

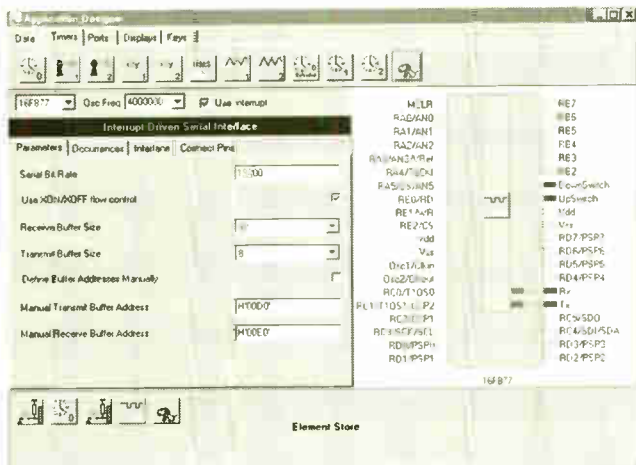
2/00

WIZPIC - A Totally new way to develop PIC software



WIZPIC - a new front end to FED's popular PICDESIM development program

- Rapid Application Development for the PIC microcontroller
- Drag and drop your software component selections on to your design
- Included components support timers, serial interfaces, I2C, LCD, 7 Seg displays, keypads, switches, port controls, and many more.
- Connect software components to PIC pins by point & click using the mouse
- Set parameters for each component from drop down list boxes, check boxes, or text entry
- Links your code automatically into library events (e.g. Button Pressed, Byte Received etc

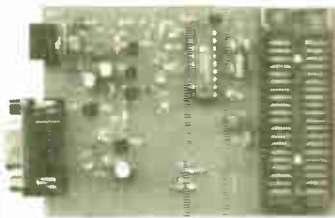


- Automatically generates your base application including full initialisation, interrupt handling and main program loop
- The complete PICDESIM program is integrated into WIZPIC - total editing/assembly/simulation support in one program
- Blazingly fast - simulates up to 10 times faster than MPLAB
- Includes Waveform Analyser - examine your simulation results on a logic analyser style window
- Also includes the Element Editor to enable you to create your own components with ease.
- WIZPIC supports all 14 bit core PIC's - 12C67x, 16C55x, 16C6x, 16C7x, 16C8x, 16C87x etc.

Prices

PICDESIM £20. WIZPIC - £30, or buy the WIZPIC CD-ROM including PIC data sheets & source material - £35.
Upgrade - PICDESIM users £10.00 floppy / £15.00 CD-ROM

Programmiers for PIC & AVR



PIC Serial Programmer (Left)

Handles serially programmed PIC devices in a 40 pin multi-width ZIF socket. 16C55X, 16C6X, 16C7X, 16C8X, 16F8X, 12C508, 12C509, 16C72XPIC 14000, 16F87X, etc.
Also In-Circuit programming.
Operates on PC serial port

Price : £45/kit - £50/built & tested

PIC Introductory - Programs 8 & 18 pin devices : 16C505, 16C55X, 16C61, 16C62X, 16C71, 16C71X, 16C8X, 16F8X, 12C508/9, 12C671/2 etc. **£25/kit.**

AVR - AVR - 1200,2313,4144,8515, 8535, 4434 etc. in ZIF. 4.5V battery powered. Price : £40 for the kit or **£45 built & tested.**

All our Programmiers operate on PC serial interface. No hard to handle parallel cable swapping ! Programmiers supplied with instructions, + Windows 3.1/95/98/NT software. **Upgrade programmiers from our web site !**

Forest Electronic Developments

60 Walkford Roac, Christchurch, Dorset, BH23 5QG.
E-mail - info@fored.co.uk, or sales@fored.co.uk
Web Site - <http://www.fored.co.uk>

01425-274068 (Voice/Fax)

Prices are fully inclusive. Add £3.00 for P&P and handling to each order. Cheques/POs payable to Forest Electronic Developments, or phone with credit card details.

C Compiler

FED PIC C Compiler Price Crash !

Supports all PIC 16Cxx, 12C6xx devices
Designed to ANSI Standards

Integrated Compiler Environment includes FED's PICDESIM for simulation/debugging

Ring/Write for details or visit our Web Site:
<http://www.fored.co.uk>

Now - £60 CD-ROM, £75 with printed manuals

16F877

Fully supported by WIZPIC, PICDESIM, the serial programmer and our C Compiler.

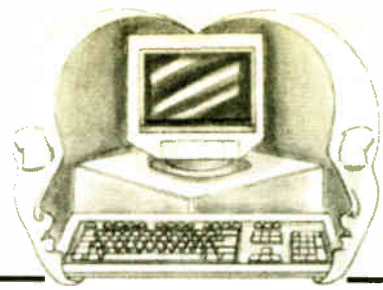
16F877-04	£5.50
16F877-20	£6.00



<http://www.fored.co.uk>

INTERFACE

Robert Penfold



A 12-BIT SERIAL A/D CONVERTER USING THE AD7896

A PREVIOUS *Interface* article covered interfacing a serial analogue-to-digital converter to a PC parallel port, but the original design provided only eight-bit resolution. Things move on, and chips that provide higher resolutions are available.

The chip used in the converter featured here is the AD7896AN successive approximation converter, which provides 12-bit resolution (4096 levels). It requires four lines plus a ground connection to interface to the PC, and the handshake lines of a PC printer port can provide these.

One At A Time

It should perhaps be explained that with a serial converter the data is read one bit at a time, which gives a saving of some 11 connecting wires with a 12-bit converter. Some extra lines are needed to control the chip and the flow of data, but overall there are still far less inputs and outputs used than there are bits of data.

The drawback of the serial approach is that it significantly complicates the software side of things. What would take one or two lines of code with a parallel converter can take dozens with a serial type. Reading a serial chip is also slower, although the maximum rate at which conversions can be taken is likely to be limited by the converter itself rather than the speed at which the data can be transferred.

The AD7896AN can handle up to 100,000 conversions per second, which is fast enough for most applications. However, in order to achieve this rate in practice an assembly language routine would probably have to be used to control and read the converter.

Minimalist Circuit

The circuit diagram for the 12-bit Serial A/D Converter appears in Fig.1, and the pin functions for the 8-pin d.i.l. version are shown in Fig.2. It will be apparent from the circuit that the AD7896AN enables a minimalist approach to be taken. In fact, the only discrete component required is supply decoupling capacitor C1. Potentiometer VR1 is simply there for test purposes, and it enables a variable 0V to 5V signal to be applied to the input at pin 1 of IC1.

Incidentally, the input voltage range of the chip is from supply rail to supply rail. There are separate analogue and digital ground terminals at pin 3 and pin 6 respectively, but in normal use these are both connected to the 0V supply rail. The power consumption of the AD7896AN is very low at only about 9mW.

Making A Start

In order to take a reading from the device a low pulse is first applied to the Start Conversion input (pin 7). This activates the built-in track-and-hold circuit, and then starts the conversion process.

Data must not be read until the conversion has been completed, and one way of handling this is to use a timing loop to provide a suitable hold-off. Alternatively, the Busy output at pin 8 goes high during the conversion process. This output can be monitored, with a reading being taken once the Busy output has returned to the low state.

The data appears on pin 5, and it is clocked out by way of pin 4. New bits of data are output on pin 5 on the falling edge of the clock signal at pin 4. The reading process is therefore a matter of generating a clock pulse on pin 4, reading the state of pin 5, generating another clock pulse, reading pin 5 again, and so on until

all 12 bits have been read. A software routine is used to recombine the individual bits of data into a 12-bit value. Matters are complicated slightly by having four leading zeros that must be clocked out before the 12 bits of data are output.

In the circuit diagram of Fig.1 the Start Conversion and Serial Clock Input are respectively controlled by the Auto Line Feed (ALF) and Strobe handshake outputs. The Busy output is monitored using the Select In handshake input, and data is read via the Paper Out handshake input. The interface connects to the printer port by way of a male 25-way D-type connector, and connection details for this are provided in Fig.3.

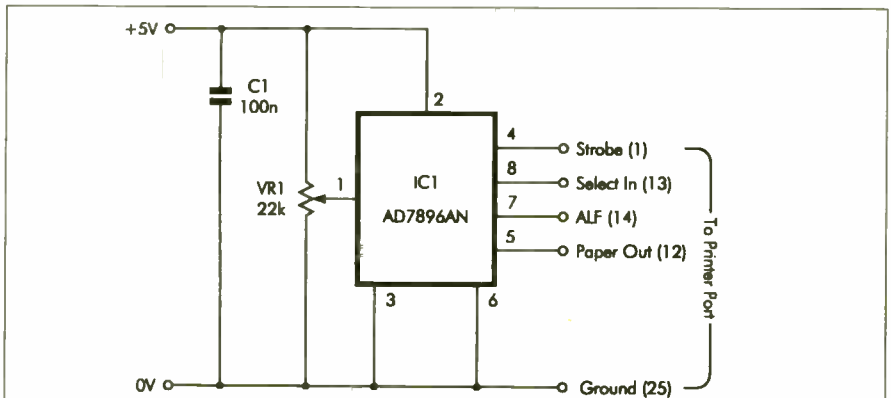


Fig.1. The complete circuit diagram for the 12-bit Serial A/D Converter.

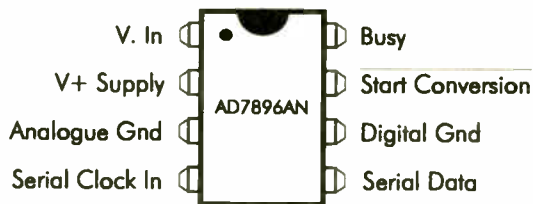


Fig.2. Pinout details and functions for the 8-pin version of the AD7896 12-bit A/D Converter.

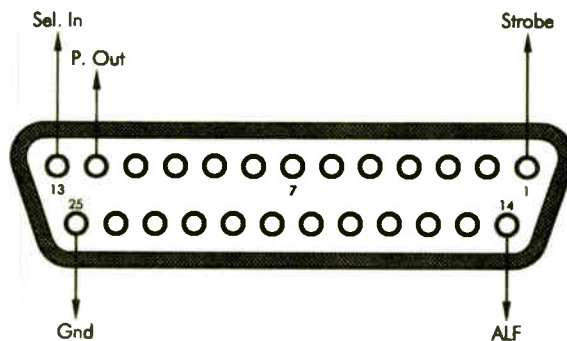


Fig.3. Details of the five connections to the Printer Port. Connections to the port are via a male 25-way D-type connector.

Listing 1: Converter Program

```
unit Adconv;

interface

uses
  SysUtils, WinTypes, WinProcs, Messages, Classes, Graphics,
  Controls,
  Forms, Dialogs, ExtCtrls, StdCtrls;

type
  TForm1 = class(TForm)
    Panel1: TPanel;
    Timer1: TTimer;
    Button1: TButton;
    Button2: TButton;
    procedure Timer1Timer(Sender: TObject);
    procedure Button1Click(Sender: TObject);
    procedure Button2Click(Sender: TObject);
  private
    { Private declarations }
  public
    { Public declarations }
  end;

var
  Form1: TForm1;
  Prn1: Word;
  Prn2: Word;
  Prn3: Word;
  Reading: Word;
  Dta: Byte;
  Busy: Byte;
  S: String;
```

implementation

```
{$R *.DFM}

procedure TForm1.Timer1Timer(Sender: TObject);
begin
  Prn1 := 632;
  Prn2 := 633;
  Prn3 := 634;
  Port[Prn3] := 1;
  Port[Prn3] := 3;
  Port[Prn3] := 1;
  Repeat
    Busy := Port[Prn2] AND 16;
  Until Busy = 0;
  Port[Prn3] := 0;
  Port[Prn3] := 1;
  Port[Prn3] := 0;
  Port[Prn3] := 1;
  Reading := 0;
  Dta := Port[Prn2] AND 32;
  If Dta = 32 Then Reading := 2048;
  Port[Prn3] := 0;
  Port[Prn3] := 1;
  Dta := Port[Prn2] AND 32;
  If Dta = 32 Then Reading := (Reading + 1024);
  Port[Prn3] := 0;
  Port[Prn3] := 1;
  Dta := Port[Prn2] AND 32;
  If Dta = 32 Then Reading := (Reading + 512);
  Port[Prn3] := 0;
  Port[Prn3] := 1;
  Dta := Port[Prn2] AND 32;
```

```

  If Dta = 32 Then Reading := (Reading + 256);
  Port[Prn3] := 0;
  Port[Prn3] := 1;
  Dta := Port[Prn2] AND 32;
  If Dta = 32 Then Reading := (Reading + 128);
  Port[Prn3] := 0;
  Port[Prn3] := 1;
  Dta := Port[Prn2] AND 32;
  If Dta = 32 Then Reading := (Reading + 64);
  Port[Prn3] := 0;
  Port[Prn3] := 1;
  Dta := Port[Prn2] AND 32;
  If Dta = 32 Then Reading := (Reading + 32);
  Port[Prn3] := 0;
  Port[Prn3] := 1;
  Dta := Port[Prn2] AND 32;
  If Dta = 32 Then Reading := (Reading + 16);
  Port[Prn3] := 0;
  Port[Prn3] := 1;
  Dta := Port[Prn2] AND 32;
  If Dta = 32 Then Reading := (Reading + 8);
  Port[Prn3] := 0;
  Port[Prn3] := 1;
  Dta := Port[Prn2] AND 32;
  If Dta = 32 Then Reading := (Reading + 4);
  Port[Prn3] := 0;
  Port[Prn3] := 1;
  Dta := Port[Prn2] AND 32;
  If Dta = 32 Then Reading := (Reading + 2);
  Port[Prn3] := 0;
  Port[Prn3] := 1;
  Dta := Port[Prn2] AND 32;
  If Dta = 32 Then Reading := (Reading + 1);
  Str(Reading, S);
  Panel1.Caption := S;
end;
```

```

procedure TForm1.Button1Click(Sender: TObject);
begin
  Timer1.Enabled := False;
end;
```

```

procedure TForm1.Button2Click(Sender: TObject);
begin
  Timer1.Enabled := True;
end;
```



Fig.4. The converter program in action. The maximum reading is 4095.

Software

The example program provided in Listing 1 is for Delphi 1, and it requires a form equipped with a panel to display readings, two buttons that are used to stop and start the converter, and a timer that controls the rate at which readings are taken. With a large font selected for the panel's caption, the finished program should look something like Fig.4 when run.

The main procedure starts by setting variables Prn1, Prn2, and Prn3 at the addresses of printer port two. (Values of 888, 889, and 890 will normally be required here if the interface is used with

printer port one.) The next three lines generate the start conversion pulse on the ALF output, and a Repeat...Until loop then monitors the Busy line and loops the program until it has gone low.

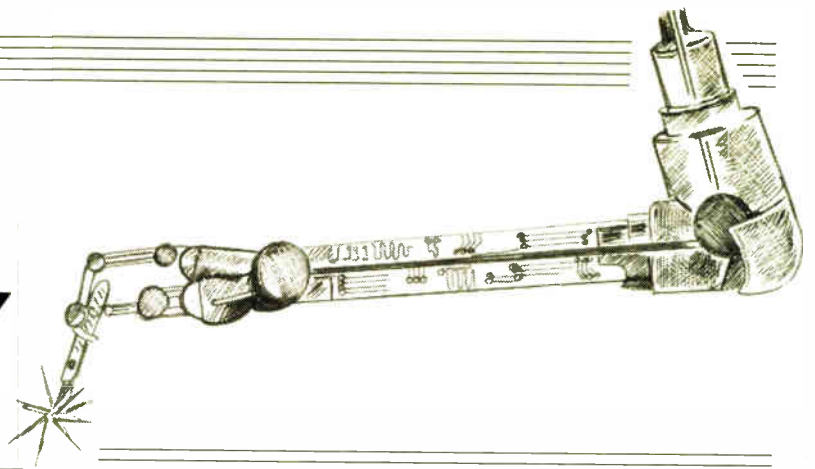
After the unwanted leading zeros have been clocked out the program starts to clock out and read data from the converter. The value read from the port is stored in variable Dta, and this value is augmented by the appropriate amount when a bit is high. For example, if the most significant bit is high, Dta is augmented by 2048. The value is left unaltered if a bit is at zero. Eventually all 12 bits have been read in, and the final value in Dta is then

displayed on the panel. The stop and start buttons disable and enable the conversion process by simply switching the timer component on and off.

A 12-bit resolution gives returned values in the range 0 to 4095, and gives much better resolution than an 8-bit converter with its range of 0 to 255. In normal digital display terms it provides something between three and half and four digit resolution.

This converter should give good results in applications such as accurate temperature and voltage measurement, and future *Interface* articles will feature some practical designs based on the AD7896AN chip.

CIRCUIT SURGERY



**ALAN WINSTANLEY
and IAN BELL**

Our team of "surgeons" continue their op.amp extravaganza, explaining more of the terminology used by manufacturers to describe the characteristics of operational amplifiers. We look at CMOS transmission gates too.

Bistable Switches

BEFORE we continue with our in-depth look at op.amps, first a question from *N. J. How* in Malaysia about a guitar distortion pedal:

"I need to build a bistable switch, which can be used as a bypass switch for my home made guitar distortion pedal. My question is, can I use a T-type flip-flop to control a 4066 CMOS transmission gate and provide clean switching? Does the 4066 "on" resistance depend on the control voltage or perhaps the current?"

I also have some noise coming out from my distortion effect. I am using a 2N3904 transistor to amplify the signal and also to produce the desired effect. Can I reduce the noise by changing this part? If I can, what transistor should I use?"

By "bistable switch" we assume you mean something that will alternately activate and deactivate an electronic bypass each time you press the pedal switch. Whilst you could use a suitable mechanical switch to directly bypass the distortion circuit – this would be an easy solution, and is a common approach in effects pedals – it may prove more noisy and less reliable than an electronic solution.

You are correct to suggest that a T-type flip-flop can be used to obtain bistable (push-on/push-off) control action for a logic signal from a switch. For this the switch must be a momentary action rather than a mechanical latching action. The

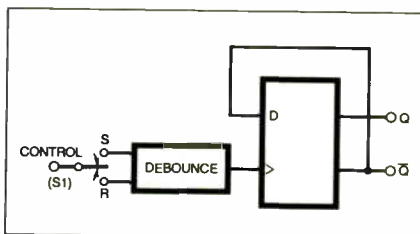


Fig.1a. A toggle-type (T-type) flip-flop can be constructed from a D-type flip-flop. S1 can be a centre-off, biased switch, or a pair of momentary-action pushswitches, debounced.

T-type flip-flop could be implemented using a D-type with its \bar{Q} output connected to its D input (see Fig. 1a), with the push-switch generating the clock pulse.

You would need to debounce the switch, which is easiest if you have a changeover switch as it can be accomplished using an SR flip-flop (or the S and R inputs of another D-type). See Fig.1b or refer to *Teach-In '98*, Part 7, May 1998, page 376, for more on switch debounce. (Photostats are available.)

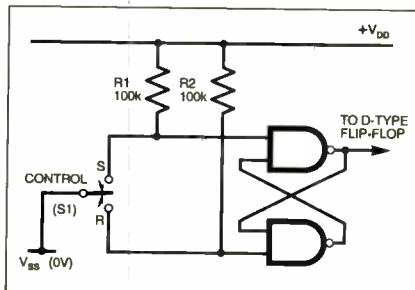


Fig.1b. A debounce circuit to toggle a T-type latch using a mechanical switch.

The output of the T-type flip-flop could certainly be used to control a 4016 or 4066-type bilateral switch (also called a transmission gate). Each gate is effectively a CMOS "switch" which can be closed using an external Enable signal: taking the Enable pin high will close the switch (On condition), see Fig.2a. When the control line is taken low, the transmission gate adopts its Off condition. Being bidirectional, transmission gates will switch both d.c. and a.c. signals. Each 14-pin 4016 or 4066 package contains four such switches.

Data sheets on typical devices (e.g. the HEF4066B) are available from the Philips Semiconductors web site at www-eu3.semiconductors.com/acrobat/datasheets. The pinout details are shown in Fig.2b. These devices have many other uses, even for switching audio channels noise-free or for selecting an oscillator timing resistor using a logic circuit.

The on resistance of a 4066 depends on supply voltage, input voltage and

temperature. If used correctly the control voltage should not have a large effect as it connects to a NOT gate inside the chip, rather than directly to the MOS transistors.

The internal circuitry has to provide a complementary control signal for the two complementary MOS transistors in the analogue switch, so you do not get to control their gate voltages directly. As with all logic, the control input must be driven with the correct voltage levels for proper operation. The internal circuitry for both devices is published in the Philips data sheets.

A typical value for the 4066's on resistance at a supply of 10V, at room temperature, and with a full logic-level control voltage would be 120 ohms (typically varying from 100 to 120 ohms with input voltage). There are a large number of other analogue switch i.c.s which will give better performance than the 4066, but for a higher price than the 40p you might pay for a 4066.

On resistances as low as 10 ohms are available, but 20 to 90 ohms is more typical for basic switches and more complex

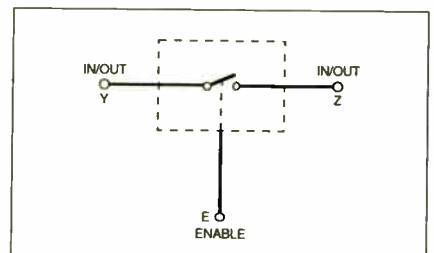


Fig.2a. A single transmission gate has a typical On resistance of 120 ohms.

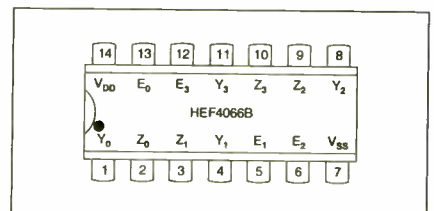


Fig.2b. Pinout details for a quad bilateral switch. i.c.

devices often have larger on resistances. Note that the pin-compatible 4016 has a higher on resistance than the 4066.

In addition to on resistance, the many parameters that might be of interest to the user of analogue switches include signal range, on resistance matching and crosstalk of multiple switches, leakage current, noise, distortion, bandwidth, charge injection and logic compatibility of the control inputs. Different devices may provide the best performance in one or more of these categories.

You also get a variety of switch configurations to choose from, from basic s.p.s.t./s.p.d.t. switches with either normally open or closed "contacts" to multiplexers and crosspoint switches. The RS Components catalogue (also see <http://rswww.com>), for example, lists over 60 analogue switch and multiplexer i.c.s so there are plenty to choose from. Prices vary from a couple of pounds for a basic switch to £20 for a high performance multiplexer.

Making A Noise

Returning to the reader's second query, the "noise" problem is difficult to diagnose without a lot more information. All electronic components generate noise which depends on factors such as temperature, applied voltages and operational modes (for example diodes are noisy in reverse breakdown). Sometimes, individual devices may be excessively noisy due to the presence of defects.

It is possible that the transistor is the source of the noise, but it may be due to the circuit design, or the individual transistor, rather than a general property of the 2N3904. Note that the 2N3904 (an *n*p**n** bipolar junction transistor) is actually optimised for *switching*, rather than *audio* applications so one may find a better device, however a distortion pedal is not a conventional audio application – great care is usually taken avoid it! You can get transistors that are targeted at low-noise audio applications, for example BC184L and BC549 (or e.g. the 2N5210 according to *Towers' International Transistor Selector*).
IMB

Op.Amps Continued

Following on from our item in the Dec. '99 and Jan. 2000 issues, we have more space this month to describe further operating characteristics of op.amps. You will often see the following expressions used in data sheets or catalogues and they can be used to distinguish between different op.amps, so that the most appropriate device can be selected.

● **Supply Current Used and Maximum Supply Current** – The current into +V_{CC} or +V_{DD} supply terminal under specified conditions.

As with power dissipation you need to distinguish between figures for typical, maximum and quiescent (no signal) conditions. Supply current is important in low power applications (e.g. battery powered circuits).

Again, as with power dissipation, low operational supply current is often quoted as the selling point of micropower op.amps – typical values are tens of microamps (µA) or less, compared with hundreds of

microamps to milliamps for normal op.amps. Some low-power devices have a shutdown control that stops operation and reduces supply current to very low levels.

● **Output Short Circuit Duration** – The length of time the output can be shorted to ground (0V), or the supplies, without causing damage to the op.amp.

For many devices this is infinity due to the inclusion of short circuit protection circuitry inside the op.amp.

● **Maximum Peak-to-Peak Output Swing** – Maximum peak-to-peak output voltage that can be obtained without clipping the waveform due to saturation.

For many devices this is very close to the power supply voltages. This only applies at low frequencies, where the maximum undistorted output signal is said to be *power-supply limited*, see Fig. 3. At higher frequencies the op.amp can still produce these voltages but distortion occurs as it cannot change the output fast enough (see *Slew Rate* later).

Signal handling

● **Large Signal Gain (A) or Open Loop Voltage Gain.**

This is ideally infinite. In real discrete op.amps it typically ranges from tens of thousands to millions. For op.amps within larger integrated circuits lower gain op.amps may be used where they are suitable and provide savings over using higher performance circuits.

The gain specified on data sheets is for low frequency operation and op.amp gain is deliberately made to fall as frequency increases, in order to prevent instability. As we noted previously, the very high gain means that the differential input voltage in normal operation is very small (see Fig.3 in Dec. '99 *Circuit Surgery*).

Gain may be specified as a simple number e.g. 100,000, as a ratio of voltages e.g. 100V/mV, or in decibels, e.g. 100dB (in these three examples the gain is the same). The gain in decibels is found by taking the gain as a number, taking the logarithm and multiplying by 20, e.g. 100dB = 20log(100,000).

Although in some cases op.amps with particularly high gains may be preferable, the precise value of the gain for *individual* op.amps of a given type does not usually matter. This is because op.amps are often used with negative feedback in circuits in which the *gain of the circuit* depends on the external components and not on the gain of the op.amp – it just has to be large! This means that the fall in gain of the *op.amp* with frequency mentioned above does not affect the circuit until the very high frequencies at which the op.amp's gain reduces.

● **Common Mode Rejection Ratio (CMRR)** – This is the ability to reject signals common to both inputs – remember the op.amp is a *differential* amplifier, so it

should ignore signals which are the same on both inputs.

Signals which are the same on both inputs are called *common-mode* signals – the common mode input voltage (CMV) is the average of the two input voltages, i.e. (V₂ + V₁)/2. Ideally, a change in CMV should not affect the output, but in practice it does (the ratio of output and common mode input is called *common mode gain*, A_{CM}).

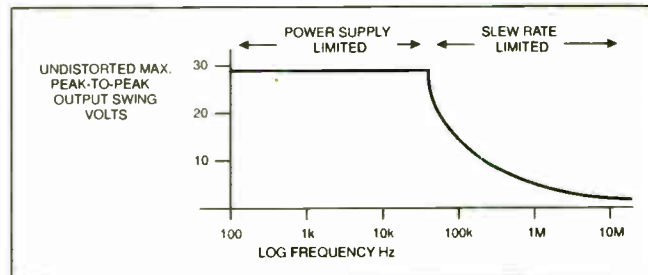


Fig.3. Graph showing the maximum undistorted peak-to-peak output amplitude for a sine wave from a typical general purpose op.amp operating on a ±15V supply (actual figures would depend on the device and supply voltage used). Note the relatively low frequency at which maximum output can be produced. Higher speed op.amps would give better performance in this respect.

CMRR affects gain accuracy in some configurations and determines the ability of the op.amp to ignore noise common to both inputs. This is particularly important in "instrumentation" applications where very small differential signals from sensors must be amplified in the presence of noise. Special instrumentation amplifier chips are available for this purpose. CMRR is measured in dB, 80dB to 100dB is fairly typical, but lower and higher values occur.

● **Unity Gain Bandwidth (f_u) or Gain Bandwidth Product (GBW)** – The range of frequencies for which open loop gain is greater than one.

Typical values for general purpose devices are in the range of tens of kilohertz to a few megahertz, but may be higher – into the gigahertz range for special high frequency/high speed devices.

● **Slew Rate** – Maximum rate of change of output (closed loop).

Slew rates are often quoted in volts per microsecond. For example, a value of 2V/µs would mean that the time that the op.amp's output took to change from 0V to 5V due to a step change at the inputs would be 2.5µs.

Typical slew rates for general-purpose devices are from a few hundred millivolts to a few volts per microsecond, but much faster devices are available with slew rates of hundreds or thousands of volts per microsecond. A fast device with a slew rate of 1200V/µs could change its output from 0V to 5V in 4.2ns.

The easiest way to think about slew rate is in terms of the response time to step change, as illustrated by the above examples. However, slew rate also determines the maximum peak-to-peak undistorted output for any type of waveform, including pure sine waves. At lower frequencies the maximum undistorted output is usually determined by the power supply voltage, but as frequency increases the op.amp's output cannot move fast enough to "follow the shape" of large amplitude waveforms (see Fig. 3).

If the required peak output voltage is V_m and the slew rate is S (in volts per second) the maximum frequency sine wave that can be output without distortion is:

$$f = \frac{S}{2\pi V_m}$$

For example for $2V/\mu s$ and $15V$ this is $21kHz$, not a particularly high frequency. In this respect low slew rate can be the significant limiting factor with some well-known general-purpose op.amps such as the 741.

● **Supply Voltage Rejection Ratio** (or power supply sensitivity) – The ability to prevent changes in supply voltage from causing changes in the output voltage.

Changes in supply current due to activities of loads or other parts of the circuit cause changes in supply voltage (the supply and its wiring have non-zero resistance). This is measured in decibels and defined in a similar way to CMRR.

● **Input Resistance/Impedance** – **Common-Mode Input Impedance** is the effective impedance from either input terminal to ground and is ideally infinite. **Differential Input Impedance** is apparent impedance between the inputs (also ideally infinite).

The input impedances will take the form of capacitance in parallel with resistance. Sometimes the capacitance is not considered and only resistance is quoted. Input capacitances may also be quoted separately. f.e.t.-input op.amps have a particularly high input resistance (e.g. 10^{12} ohms).

Input impedance, however, is often not the main concern as the effective input impedance is increased by the use of negative feedback amplifier configurations. It is therefore bias currents which are often more important.

Offsets

● **Input Offset Voltage V_{IO}** – Ideally with a differential input of zero the op.amp's output should be zero, but in real op.amps there will typically be a non-zero output.

The *offset* voltage is defined as the d.c. voltage which must be supplied between the inputs to force the quiescent (zero input voltage) open-loop (no feedback resistors) output voltage to zero. This can be regarded as d.c. noise in any op.amp circuit processing d.c. signals (as many op.amp circuits do).

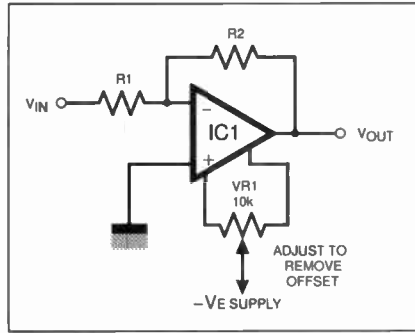


Fig.4. Typical Offset Null circuit.

The offset cannot be distinguished from the wanted signal and is processed by the circuit. The offset is typically small, but will be amplified by the circuit and may cause significant problems. In op.amp applications in which only a.c. signals are of interest offsets are less likely to be a problem as they simply cause a shift in operating point.

Some op.amps have offset adjustment circuits that allow an external trimmer potentiometer, connected to the appropriate pins, to be used to set the output voltage to zero, see Fig.4. The problem with this approach is that offsets can drift with time and are quite temperature sensitive. Low offset op.amps must be used in circuits where d.c. accuracy is required.

Bias currents flow in the external components connected to the op.amp (e.g. the resistors used to set the gain) and in doing so cause voltage drops. If these voltage drops are not equal at the op.amp's two inputs the difference will be amplified by the op.amp and appear as a d.c. error at the output.

Adding a resistor to one of the inputs to balance the resistance through which the bias current flows can minimise this effect. This is illustrated in Fig.5. The bias current to the inverting input flows through R1 or R2, so making R3 equal to the parallel combination of R1 and R2 will result in the same voltage at the two inputs due to the bias currents (assuming the bias currents are equal).

● **Temperature Coefficient of Input Offset Voltage** – Specifies how V_{IO} changes with temperature. As we noted

above, offset changes with temperature and this parameter tells you by how much.

● **Input Bias Current (I_{IB})** – Bipolar op.amps require bias (base) currents for the transistors connected to their inputs, and op.amps with f.e.t. inputs have leakage currents at the inputs.

The input bias current tells you how large these currents are, and is defined as the average current into the two inputs with the output at zero volts. This can vary greatly for different types of op.amp, from femtoamps (10^{-15} A) to tens of microamps, with bipolar op.amps having larger input bias currents than f.e.t.-input op.amps.

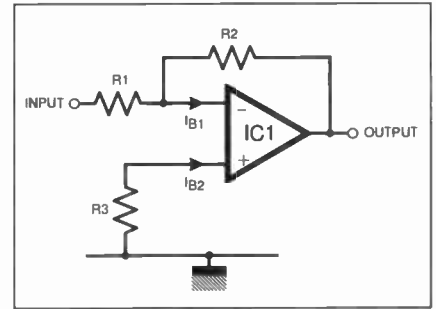


Fig.5. Resistor R3 balances the resistance seen by the two bias currents in order to reduce the offset caused by voltage drops due to the bias currents flowing in the external components.

● **Input Offset Current (I_{IO})** – The difference between the currents into the two inputs with output at zero volts, i.e. ($I_{B1} - I_{B2}$) where I_{B1} and I_{B2} are the input currents for the two inputs (Fig.5).

Ideally these currents will be equal, but in practice they are not, so I_{IO} will be non-zero. The input currents have to flow through the external circuitry and will cause offsets even if the impedances connected to the two inputs are equal.

● **Temperature Coefficient of Input Offset Current** – Specifies how I_{IO} changes with temperature.

In next month's *Circuit Surgery* we'll be describing the internal aspects of op.amps, and offering a selector chart of popular types. *IMB*



N. R. BARDWELL LTD (EPE)

100	Signal Diodes 1N4148	£1.00
75	Rectifier Diodes 1N4001	£1.00
50	Rectifier Diodes 1N4007	£1.00
10	W01 Bridge Rectifiers	£1.00
10	555 Timer I.C.s	£1.00
4	741 Op Amps	£1.00
50	Assorted Zener Diodes 400mW	£1.00
12	Assorted 7-segment Displays	£1.00
25	5mm l.e.d.s. red, green or yellow	£1.00
25	3mm l.e.d.s. red, green or yellow	£1.00
50	Axial l.e.d.s. 2mcd red Diode Package	£1.00
25	Assd. High Brightness l.e.d.s. var cols	£1.00
20	BC182L Transistors	£1.00
25	BC212L Transistors	£1.00
30	BC237 Transistors	£1.00
20	BC237 Transistors	£1.00
30	BC328 Transistors	£1.00
30	BC547 Transistors	£1.00
30	BC548 Transistors	£1.00
30	BC549 Transistors	£1.00
25	BC557 Transistors	£1.00
30	BC559 Transistors	£1.00
30	BC559 Transistors	£1.00
20	2N3904 Transistors	£1.00
100	1nF 50V wkg Axial Capacitors	£1.00
100	4n7 50V wkg Axial Capacitors	£1.00
12	1uf 250V encapsulated radial plastic cased capacitors	£1.00
80	Assd capacitors electrolytic	£1.00
80	Assd capacitors 1nF to 1uF	£1.00

200	Assd. disc ceramic capacitors	£1.00
50	Assd. Skel Presets (sm, stand, cermet)	£1.00
50	Assd. R.F. chokes (inductors)	£1.00
50	Assd. grommets	£1.00
80	Assd. solder tags, p/conn, terminals	£1.00
10	Assd. crystals - plug in	£1.00
24	Assd. coil formers	£1.00
8	Assd. di switches	£1.00
20	Miniature slide switches spico	£1.00
10	Standard slide switches dp/dt	£1.00
100	Assd. beads (ceramic, teflon, fish spine)	£1.00
80	Assd. small stand offs, w/throughs etc	£1.00
30	Assd. di sockets up to 40 way	£1.00
10	TV coax plugs, plastic	£1.00
20	Small spring loaded terminals	£1.00
40	metres very thin connecting wire, red	£1.00
20	1in. glass read switches	£1.00
20	Magnetic ear pips with lead and plug	£1.00
100	Any one value 1/4W 5% cf resistors range 1R to 10M	£0.45
10	7812 Voltage Regulators	£1.00

Prices include VAT. Postage £1.45. 3tp stamp for Lists
288 Abbeydale Road, Sheffield S7 1FL
Phone (0114) 2552886 Fax (0114) 2500689

E-mail sales@Bardwells.co.uk
Web site: http://www.bardwells.co.uk



DIGITAL TEST METER

Ideal for TEACH-IN 2000

Built-in transistor test socket and diode test position.
DC volts 200mV to 1000V.
AC volts 200V to 750V.
DC current 200mA to 10A.
Resistance 200 ohms to 2000K ohms.

Special offer to EPE readers

£5.99 incl. VAT

LEADING EDGE TECHNOLOGY LTD

KW18D Kordin Industrial Estate, Paola, MALTA

UNIVERSAL PIC PROGRAMMER £49.95



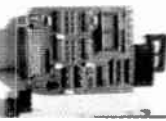
SERIAL and PARALLEL Programming modes (unlike cheap programmers). **Universal ZIF** socket, no more damaged/broken pins, inferior products can ruin expensive chips!

Supports: PIC12C5XX, 12C6XX, 14XXX, 16C5XX, 16C50X, 16C6XX, 16C7XX, more

than 75 devices. Free Software updates. Memory 24LCXXX, 85CXX, 93CXX.

Includes CD with **PIC-BASIC, DataSheets and Software for DOS and Windows.**

PIC ICE II Pic54-57, 71 & 84. In-Circuit Emulator £59.95



In Circuit Emulator for 54/55/56/57/71/84 PICs. A/D emulated for 16C71.

Integrated Editor/Assembler, Tracer with Single-step, breakpoints etc. Supplied with leads, manual, software and hardware projects. Pic-Basic and DataSheets on CD rom.

PIC12C508/9 ICE and PROGRAMMER £59.95



In Circuit Emulator. Single-Step, set Breakpoints, test code before programming the PIC. Supplied with leads, 10 breadboard circuits which include DVM, StopWatch, Smoke Alarm, Sound & Light. CD with PIC BASIC Compiler and Examples.

Serial LCD 16 x 2 lines £17.95



AlphaNumeric and Graphics. Easy interface to RS232 or I2C bus (User selectable). Features include full cursor control, standard ASCII characters + Graphics and LCD contrast control.

Other Products, see our Website for further information.

MEGAPROM Eeprom Programmer

Universal ZIF for 27xx, 28xx, 29xx, EEprom, Flash and 24 series memory **£69.95**

GAL Programmer

Read, Write, Copy SGS/NSC/Lattice 16v8A/B/D/Z, 20v8A/B/D/Z and 22V10 GALS with standard JEDEC files **£49.95**

EPROM EMULATOR 128k x 8-bit or 2 x 64k

Emulates all Roms from 2716 to 27101 **£59.95**

DELUXE SMARTCARD PROGRAMMER

Read/Write to all types of Smartcard including Satellite, GSM etc. Supplied with large amount of "interesting" card information **£79.95**

SMARTDRIVE Development System

The complete Smartcard solution. Make your own security cards. Connects to PC serial port, supplied with Software, source, *.DLLs on CD and working ISO7816 card to experiment with. **£69.95**

FREE PIC BASIC COMPILER FOR WINDOWS

Supports Pic16C54-57, 71, 84, 508/9 produces stand alone machine code (no runtime modules). Standard BASIC syntax, more than 40 commands.

Why pay £50+ when ours is free? Download it from our Website now! Or supplied on CD with PicDataSheets - **£5.00** (to cover handling etc).

WEBSITE <http://LET.cambs.net>
E-mail johnmorr@keyworld.net

All products manufactured in Malta and carry a 12 months Parts & Labour guarantee

ORDER DIRECT: Tel: (00 356) 678509 Fax (00 356) 667484
SAME DAY DESPATCH

Registered AirMail £5.50. NO VAT PAYABLE



HALF PRICE CCTV CAMERAS!



HIGH QUALITY EXTRA SMALL B&W CAMERA

1/3in. CCD BOARD CAMERA WITH AUTO BACKLIGHT COMPENSATION 128 STEP ELECTRONIC IRIS AND 380 TV LINES RESOLUTION. 320,000 PIXELS AND 0-2 LUX LEVEL GIVES REMARKABLE CRYSTAL CLEAR PICTURES 32mm (w) x 32mm (h) x 20mm (h) MAPLINS PRICE £79.99
OUR PRICE £35.00
3-6mm WIDE ANGLE LENS ADD £5 AUDIO



Camera PSU and Cable Kit

A total solution for powering and connecting to our range of board camera modules and covert cameras. The kit contains a quality plug-in mains adaptor and a 20m pre-wired cable

One end of the cable has a SCART plug, an audio phone plug, a video phone plug and a DC power socket. The lead from the mains adaptor is plugged into the DC socket and either the SCART plug or audio and video phone plugs are plugged into your TV, monitor or VCR.

MAPLINS PRICE £24.99. OUR PRICE **£12.90**



CAMERA CASING WITH SWIVEL WALL BRACKET TO TAKE ANY OF OUR BOARD CAMERAS **£3.90**

MONOCHROME AND COLOUR DOME CAMERAS



TV System
Resolution
Min. Illumination
Lens Angle
Voltage Supply
Video Out
Focal Length
Chipset

Technical Data

Monochrome

CCIR/EIA
>380TVL
0-5 lux
78°
12V (9-15V)
1V p-p, 75Ω
4-3mm
Sharp

Colour

CCIR/EIA
380TVL
2 lux
78°
12V ±10%
1V, p-p, 75Ω
4-3mm
Sony

COMPACT 80mm DIAMETER QUALITY DOME CAMERAS WITH FULLY ADJUSTABLE INTERNAL MODULES WHICH WALK BUT CANNOT BE SEEN! EASY CEILING OR WALL MOUNT.

250mm CONNECTION LEAD FITTED.

DISCREET, PROFESSIONAL AND VERY AFFORDABLE.

MONO **£46** COLOUR **£66**

AUDIO MODEL ADD £5. USE WITH OUR CABLE KIT



DUMMY CCTV CAMERAS WITH ACTIVE LED

Very realistic dummy camera with cable, swivel bracket and batteries. Some cunning customers convert it to a real camera by fitting a B/W or colour board!

MRRP £23.50

OUR PRICE **£10.00** each

2 for **£18** 5 for **£41**

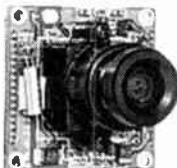
P&P £3 Any Quantity

DUMMY BELL BOX

With active LED and Police Badge Label 15in. x 9in. x 6in.

£10 each

SONY COLOUR CCTV BOARD CAMERAS



The best colour cameras we have ever seen - the rich colours and crystal clear images amazed our buyer! High grade Sony image sensor chip has auto iris and 290,000 pixels, 330 TV line resolution and LUX level 2. Standard UK PAL works on any TV or monitor. Use with our camera PSU and cable kit (see above), size 32mm x 32mm, 12V DC or will work off PP3 9V battery

NEW LOWER PRICE **£56.00** (audio add £5)

UNUSUAL NOCTURNAL CCTV CAMERAS



These twin-board B/W cameras can see in total darkness up to 20ft. Made for chimney and drain inspection but very useful for baby monitoring or any situation where an invisible beamed camera is needed. Don't confuse with basic LED models which only work up to 5ft. Made to our specification in Japan.

As illustration but with 8 yellow super LEDs. 12V 300mA. Size: 32mm x 32mm x 32mm.

ONLY **£48.50** incl. 90°-78° or 60° LENS

LASER POINTERS

PROFESSIONAL MODEL FIRES A SMALL RED LASER DOT OVER 250 METERS - BUILT INTO SMART KEYRING.

LIST PRICE £29.25
(ONLY SOLD TO ADULTS)

2 FOR **£10**

10 FOR **£45**

ALL GOODS ARE BRAND NEW AND PERFECT. BULK BUYERS PLEASE ASK FOR JOHN. PRICES INCLUDE VAT. £3 P.P. ANY SIZE ORDER



A.S.A. (Est. 1979)
51 Cambridge Road
Middlesbrough
TS5 5NL

Order Hotline
01642 851256
Fax:
01642 823173

Everyday Practical Electronics are pleased to be able to offer all readers these **ELECTRONICS CD-ROMS**

ANALOGUE ELECTRONICS

by Mike Tooley

Analogue Electronics is a complete learning resource for this most difficult branch of electronics. The CD-ROM includes a host of virtual laboratories, animations, diagrams, photographs and text as well as a SPICE electronic circuit simulator with over 50 pre-designed circuits.

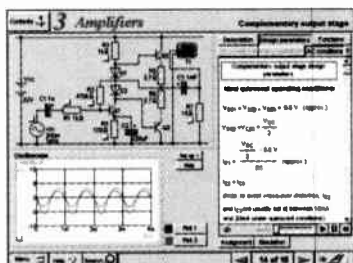
FUNCTIONS

The component values on all circuits can be edited and the user can use the simulation engine to see how the value of each component affects circuit performance. You can, for instance, alter frequency and phase angle and plot outputs on a virtual oscilloscope or show load line graphs etc.

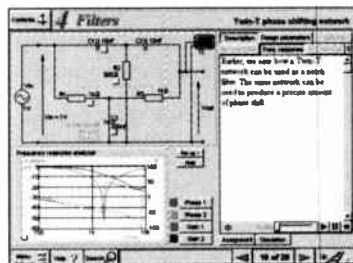
COVERAGE

Sections on the CD-ROM include: **Fundamentals** – Analogue Signals (5 sections), Transistors (4 sections), Waveshaping Circuits (6 sections); **Op.Amps** – 17 sections covering everything from Symbols and Signal Connections to Differentiators; **Amplifiers** – Single Stage Amplifiers (8 sections), Multi-stage Amplifiers (3 sections); **Filters** – Passive Filters (10 sections), Phase Shifting Networks (4 sections), Active Filters (6 sections); **Oscillators** – 6 sections from Positive Feedback to Crystal Oscillators; **Systems** – 12 sections from Audio Pre-Amplifiers to 8-Bit ADC plus a gallery showing representative p.c.b. photos.

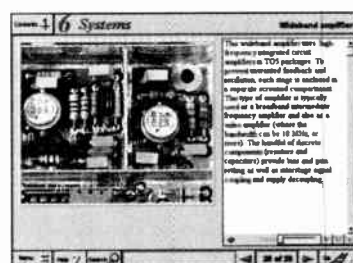
- Includes SPICE circuit simulator with over 50 circuits
- Unique virtual laboratories
- Editable assignments
- Design parameters for circuits included
- Complete hi-fi amplifier case study



Complimentary output stage.



Twin-T phase shifting network



Gallery – Wideband Amplifier

Prices for each of the two CD-ROMs above are:

Hobbyist/Student£45 inc VAT
 Institutional (Schools/HE/FE/Industry).....£99 plus VAT
 Institutional 10 user (Network Licence).....£199 plus VAT

(UK and EU customers add VAT at 17.5% to "plus VAT" prices)

ELECTRONIC CIRCUITS & COMPONENTS + THE PARTS GALLERY by Mike Tooley

Electronic Circuits & Components provides an introduction to the principles and application of the most common types of electronic components and shows how they are used to form complete circuits. The virtual laboratories, worked examples and pre-designed circuits allow students to learn, experiment and check their understanding as they proceed through the sections on the CD-ROM. Sections on the disk include: **Fundamentals**: units & multiples, electricity, electric circuits, alternating circuits. **Passive Components**: resistors, capacitors, inductors, transformers.

Semiconductors: diodes, transistors, op.amps, logic gates. **Passive Circuits**. **Active Circuits**

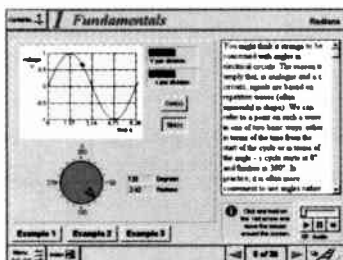
The Parts Gallery – many students have a good understanding of electronic theory but still have difficulty in recognising the vast number of different types of electronic components and symbols.

The Parts Gallery helps overcome this problem; it will help students to recognise common electronic components and their corresponding symbols in circuit diagrams. Selections on the disk include: **Components, Components Quiz, Symbols, Symbols Quiz, Circuit Technology**

Hobbyist/Student£34 inc VAT
 Institutional (Schools/HE/FE/Industry)£89 plus VAT
 Institutional 10 user (Network Licence)£169 plus VAT

(UK and EU customers add VAT at 17.5% to "plus VAT" prices)

TWO APPLICATIONS ON ONE CD-ROM

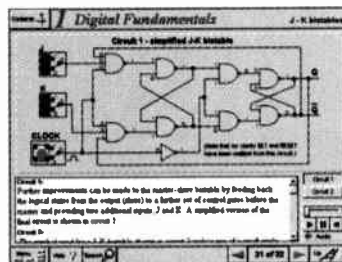


Virtual laboratory – sinusoids

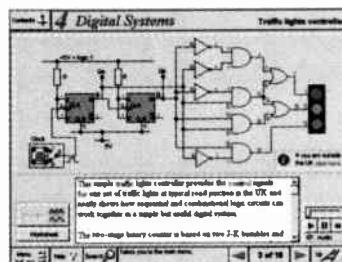
DIGITAL ELECTRONICS

by Mike Tooley

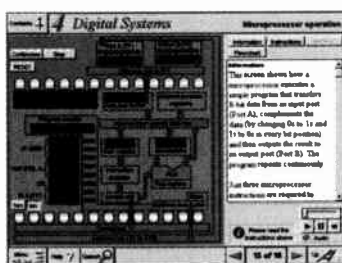
Digital Electronics builds on the knowledge of logic gates covered in *Electronic Circuits & Components* (below), and takes users through the subject of digital electronics up to the operation and architecture of microprocessors. The virtual laboratories allow users to operate many circuits on screen.



Virtual laboratory – Flip-Flops



Virtual laboratory – Traffic Lights



Microprocessor

FUNDAMENTALS

Fundamentals introduces the basics of digital electronics including binary and hexadecimal numbering systems, ASCII, basic logic gates and their operation, monostable action and circuits, and bistables – including JK and D-type flip-flops.

COMBINATIONAL LOGIC

Multiple gate circuits, equivalent logic functions and specialised logic functions such as majority vote, parity checker, scrambler, half and full adders. Includes fully interactive virtual laboratories for all circuits.

SEQUENTIAL LOGIC

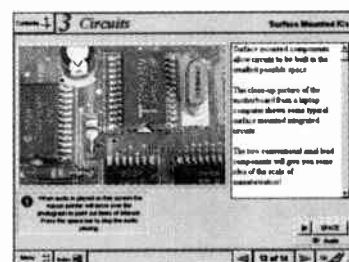
Introduces sequential logic including clocks and clock circuitry, counters, binary coded decimal and shift registers.

DIGITAL SYSTEMS

A/D and D/A converters and their parameters, traffic light controllers, memories and microprocessors – architecture, bus systems and their arithmetic logic units.

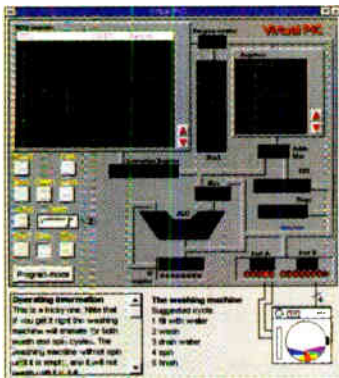
GALLERY

A catalogue of commonly used IC schematics taken from the 74xx and 40xx series. Also includes photographs of common digital integrated circuits and circuit technology.



Circuit technology screen

Interested in programming PIC microcontrollers? Learn with **PICtutor** by John Becker



The Virtual PIC

This highly acclaimed CD-ROM, together with the PICtutor experimental and development board, will teach you how to use PIC microcontrollers with special emphasis on the PIC16x84 devices. The board will also act as a development test bed and programmer for future projects as your programming skills develop. This interactive presentation uses the specially developed **Virtual PIC Simulator** to show exactly what is happening as you run, or step through, a program. In this way the CD provides the easiest and best ever introduction to the subject.

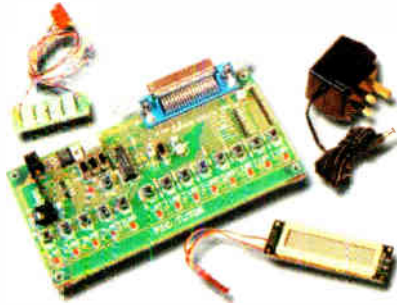
Nearly 40 Tutorials cover virtually every aspect of PIC programming in an easy to follow logical sequence.

HARDWARE

Whilst the CD-ROM can be used on its own, the physical demonstration provided by the **PICtutor Development Kit**, plus the ability to program and test your own PIC16x84s, really reinforces the lessons learned. The hardware will also be an invaluable development and programming tool for future work once you have mastered PIC software writing.

Two levels of PICtutor hardware are available – Standard and Deluxe. The **Standard** unit comes with a battery holder, a reduced number of switches and no displays. This version will allow users to complete 25 of the 39 Tutorials.

The **Deluxe** Development Kit is supplied with a plug-top power supply (the **Export** Version has a battery holder), all switches for both PIC ports plus l.c.d. and 4-digit 7-segment l.e.d. displays. It allows users to program and control all functions and both ports of the PIC and to follow the 39 Tutorials on the CD-ROM. All hardware is supplied **fully built and tested** and includes a PIC16F84 electrically erasable programmable microcontroller.



Deluxe PICtutor Hardware

PICtutor CD-ROM

Hobbyist/Student£45 inc. VAT
 Institutional (Schools/HE/FE Industry)£99 plus VAT
 Institutional 10 user (Network Licence).....£199 plus VAT

HARDWARE

Standard PICtutor Development Kit£47 inc. VAT
 Deluxe PICtutor Development Kit£99 plus VAT
 Deluxe Export Version£96 plus VAT
 (UK and EU customers add VAT at 17.5% to "plus VAT" prices)

MODULAR CIRCUIT DESIGN by Max Horsey and Philip Clayton

This CD-ROM contains a range of tried and tested analogue and digital circuit modules, together with the knowledge to use and interface them. Thus allowing anyone with a basic understanding of circuit symbols to design and build their own projects.

Essential information for anyone undertaking GCSE or "A" level electronics or technology and for hobbyists who want to get to grips with project design. Over seventy different Input, Processor and Output modules are illustrated and fully described, together with detailed information on construction, fault finding and components, including circuit symbols, pinouts, power supplies, decoupling etc.

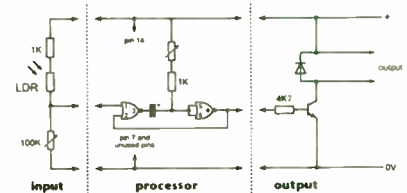
Single User Version £19.95 inc. VAT

Multiple User Version £34 plus VAT

(UK and EU customers add VAT at 17.5% to "plus VAT" prices)

designing your circuit

Simply select your modules from the wide choice available, read how they work and join them up to make your circuit



"I found that I could design a circuit without my teacher's help. And it worked! Everything was to hand – which chips to use – and which pins did what." Andrew Preston (GCSE student)

A Web Browser is required for Modular Circuit Design – one is provided on the *EPE CD-ROM No. 1* (see below) but most modern computers are supplied with one.

Minimum system requirements for these CD-ROMs: PC with 486/33MHz, VGA+256 colours, CD-ROM drive, 8MB RAM, 8MB hard disk space. Windows 3.1/95/98/NT, mouse, sound card (not required for *PICtutor* or *Modular Circuit Design*).

CD-ROM ORDER FORM

Please send me:

- Electronic Circuits & Components +The Parts Gallery
 Analogue Electronics
 Digital Electronics
 PICtutor

- Hobbyist/Student
 Institutional
 Institutional 10 user

Note: The software on each version is the same, only the licence for use varies.

- PICtutor Development Kit – Standard
 PICtutor Development Kit – Deluxe Deluxe Export

Note: The PICtutor CD-ROM is not included in the Kit prices.

- Modular Circuit Design – Single User
 Modular Circuit Design – Multiple User

Full name:

Address:

Post code:Te. No:

Signature:

I enclose cheque/PO in £ sterling payable to WIMBORNE PUBLISHING LTD for £

Please charge my Visa/Mastercard: £ Card expiry date:

Card No:

Please supply name and address of cardholder if different to the delivery address.

ORDERING

ALL PRICES INCLUDE UK POSTAGE

Student/Single User/Standard Version price includes postage to most countries in the world
 EU residents outside the UK add £5 for airmail postage per order

Institutional, Multiple User and Deluxe Versions – overseas readers add £5 to the basic price of each order for airmail postage (do not add VAT unless you live in an EU country, then add 17½% VAT or provide your official VAT registration number).

Send your order to:

Direct Book Service
 Allen House, East Borough, Wimborne
 Dorset BH21 1PF
 (Mail Order Only)

Direct Book Service is a division of Wimborne Publishing Ltd. To order by phone ring

01202 881749. Fax: 01202 841692

We cannot reply to overseas orders by Fax
 Goods are normally sent within seven days

Demos (not Modular Circuit Design) available on the *EPE CD-ROM No. 1* (Free with the November '98 issue of *Everyday Practical Electronics* magazine) – send £2 for this CD-ROM if you require the demos. Minimum order for credit card payment is £5.

TEACH-IN 2000

Part Four – Diodes and L.E.D.s

JOHN BECKER



What we are doing during this *Teach-In 2000* series (of at least 10 parts) is to lead you through the fascinating maze of what electronics is all about! We are assuming that you know nothing about the subject, and are taking individual components and concepts in simple steps and showing you, with lots of examples, what you can achieve, and without it taxing your brain too much!

Through the first three parts you will have gained a fair amount of hands-on experience of using resistors, capacitors, potentiometers, l.e.d.s and inverter gates. In this part we take a look at the diode family in general, and also examine l.e.d.s more closely. We then move on to describing the first part of a computer interface that will allow you to actually see waveforms on your computer screen.

THERE'S a simpler way to generate a square wave frequency than you have been using in Parts 2 and 3, and it uses just one inverter of a 74HC14 Schmitt trigger i.c. Modify the breadboard layout of Fig.3.17 last month so that it looks like that in Fig.4.1, but, for the moment leave out the components numbered D2 and D3, and put a 1kΩ resistor (R1) in position D3. (See also Panel 4.4).

The assembly should be at the far left of the breadboard as other circuits will be added later, follow the breadboard numbers shown. Use the same component values as shown in Fig.4.2, the circuit diagram for the oscillator as now required.

Power up the circuit and variously adjust VR1 to prove that the rate at which light emitting diode (l.e.d.) D1 flashes is just as controllable as with the oscillator in the layout of Part 3 Fig.3.1. It is important to note that this oscillator will only function with a Schmitt trigger inverter (such as the 74HC14 you are using here). A "normal" inverter, such as the 74HC04, will *not* work in this circuit.

Confirm that at slower oscillation rates it is obvious that the l.e.d. is turned on for the same length of time as it is turned off. In other words, that the circuit has a *square wave* output.

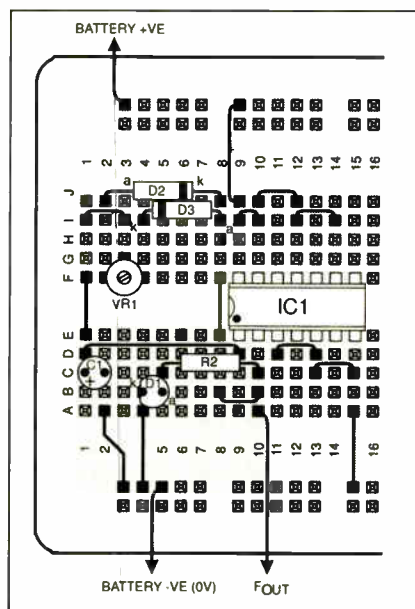


Fig.4.1. Breadboard layout for the circuit in Fig.4.3 (and for Fig.4.2 with modifications).

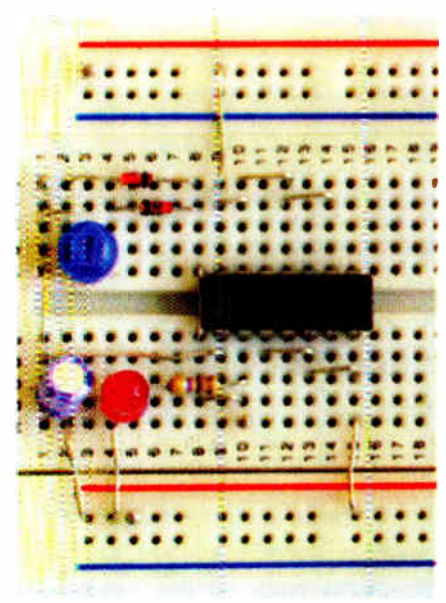


Photo 4.1. The breadboard assembly for Fig.4.1 and Fig.4.3.

VARIABLE WAVEFORM

Now modify the breadboard to include the components numbered D2 and D3 (see Photo 4.1). The equivalent circuit diagram is shown in Fig.4.3. Remove the resistor you put in the D3 position.

Components D2 and D3 are ordinary silicon diodes of type 1N4148. We shall discuss diodes once you've discovered what they can do for an oscillator circuit.

The 1N4148 diodes in your component pack should be of about the same size and shape as the resistors you have been using. They are likely to have their identity coded on them using coloured bands, in resistor fashion. The code, read from left to right, should be yellow, brown, yellow, grey, meaning, of course, 4148. The yellow

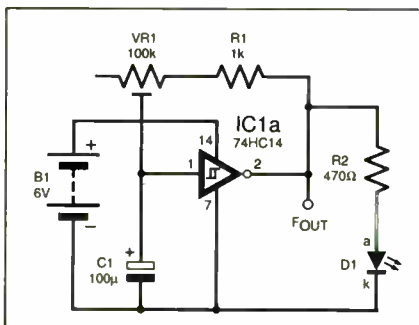


Fig.4.2. Schmitt trigger-based oscillator circuit, with square wave output.

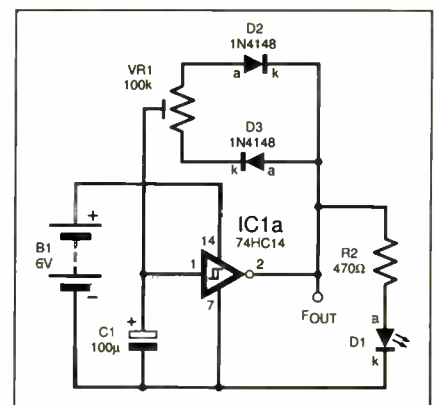


Fig.4.3. Schmitt trigger-based oscillator circuit with variable mark-space ratio control.

banded end should be placed in the breadboard to correspond with the letter *k* shown on the layout in Fig.4.1 (we shall explain later what the *k* means in this context).

Again, power up the circuit and variously adjust VR1 and observe what happens to the period for which the l.e.d. is on compared to that during which it is turned off. What you will observe is that you are able to modify the oscillator's periods of relative on-offness. In other words, you can change its *mark-space ratio*, where *mark* means on (logic 1) and *space* means off (logic 0).

With your meter, also monitor IC1a pin 1 and note the way in which the voltage changes there. You should find that the relative rates at which the voltage rises and falls are variable.

To understand why the diodes should be having this effect, it is necessary to look at the basic nature of a diode (we gave a clue when we said in Part 1 that an l.e.d. will only function if connected to a power supply the "correct" way round). So let's fill in a few more details about diodes, including l.e.d.s.

DIODES IN GENERAL

We shall only consider the simple points about diodes in this Tutorial. A full understanding of their nature and why they work requires a knowledge of atomic physics which, as we said in Part 3, we are not going to discuss (sorry to disappoint you!).

You do not need to understand the physics in order to know how to use diodes, whatever the type – and there are many of them.

We aim to eventually explain all terms that you encounter in this Tutorial, some of which are likely to be unfamiliar to you, but some explanations might have to wait until later parts of *Teach-In*. Be patient, and read back on this section at a later date when you have gained more information.

SIMPLEST SEMICONDUCTOR

Commonly encountered circuit diagram symbols for various members of the diode family are shown in Fig.4.4.

Diodes are the simplest form of usefully processed semiconductor, involving a single junction of a *p*-type and an *n*-type material, terms which are discussed more fully when we talk about transistors in a later Tutorial (probably Part 8). A suitably processed semiconductor, within certain limits "designed-into" it during manufacture, has the property of being able to conduct electrical current in one direction only.

PANEL 4.1 – FORWARD AND REVERSE VOLTAGE

There are two principal materials from which diodes (except l.e.d.s) are made, germanium and silicon, the latter being the more common. Other materials, such as Gallium arsenide, for example, are also used to suit different application requirements (such as l.e.d.s, for example).

In terms of signal direction routing, there is no basic difference between the materials. However, there is a difference in a property which, in some respects, is undesirable in a diode, the so-called *forward voltage drop*. No diode conducts the full voltage level present at its anode through to its cathode; there is always a voltage drop between the two (although the output voltage will never be lower than the reference voltage of the circuit to which the cathode is connected – see the Diode Program discussion).

For germanium diodes, this drop is typically a minimum of about 0.2 volts, whereas for silicon it is typically a minimum of about 0.7 volts, although for both types the actual drop depends on several factors, which include the current flowing through it, the nature of the material from which the diode is fabricated and

even its temperature. Manufacturer's data sheets state the voltage drop to be expected from a particular diode type in given circumstances.

In many instances, the higher voltage drop occurring across a silicon diode is unimportant, although for some functions the lower voltage drop across a germanium diode may be preferable. A big advantage of silicon diodes is that they can conduct higher voltages and currents than their germanium counterparts (germanium is also less plentiful and more expensive).

Although it has been said that a diode only conducts in one direction, this is not true in all circumstances. There is a limit to the amount of voltage that a diode can withstand in the opposite (cathode to anode) direction. This is known as the *reverse voltage*, or *breakdown voltage*, and varies with different types of diode construction.

Above this voltage, the diode's polarised structure breaks down and current will indeed flow back through it, often with disastrous consequences for the diode and, perhaps, other components within the circuit; diode specification parameters should never be exceeded.

This does not mean, for example, that it conducts in a left-to-right direction, or even north-to-south. It means that the *polarity* of the voltage applied across its junction determines whether or not current will be conducted through it.

Conventionally, a simple semiconducting material is regarded as having two sides, respectively called the *anode*, denoted by the letter *a*, and the *cathode*, denoted by the letter *k*. You will have seen these letters alongside the l.e.d.s. shown in the circuit diagrams from Part 2 onwards.

In this simplest of construction, the semiconductor is known as a *diode*. The term dates back into history when the thermionic valve was first introduced and means "two electrodes".

If a voltage is connected across a diode with its positive side on the anode and the negative side on the cathode, a current will flow through the diode. If, on the other hand, the voltage polarity is reversed, virtually no current will flow through the diode.

It is this property that is exploited to make other derivative devices which are known by the general name of *semiconductors*, i.e. transistors, integrated circuits, etc.

DIODE PROGRAM

Amongst your suite of *Teach-In* programs is an interactive illustration of how a diode responds to different input voltages. From the main menu select Simple Diode.

On entry to the program you will see a sinewave on the left and another waveform on the right (see Photo 4.2). They represent the signal voltage before and after it has passed through the diode.

In the centre is a circuit diagram showing the symbol for a simple diode. Note its anode (*a*) and cathode (*k*) markings. For the calculations in this display the diode is assumed to be manufactured from silicon. Resistor *R* represents the load (circuit) to which the output of the diode is connected.

The input voltage waveform is seen to be regularly oscillating between 0V and +2V. The output waveform, however, will be seen to vary only between 0V and 1.3V, with a considerable period at which it remains at 0V.

VOLTAGE DROP

One important fact to learn about any diode is that it always causes a voltage drop in any signal that passes through it from the anode (*a*) to the cathode (*k*). The term given to this characteristic is *forward voltage drop* and is explained in Panel 4.1.

What you see on the screen in the output voltage graph is the input voltage level minus 0.7V drop for a silicon diode. But, because the diode only conducts in the forward direction (*a* to *k*) the output voltage can never go below the output reference voltage (in this case 0V) to which its cathode is connected via the load, hence the misshapen 0V to 1.3V waveform.

It is important to note, though, that if the output reference voltage via the load is other than 0V, then the diode's output voltage will never go below that level. For example, if the load were to be connected to 1.0V rather than 0V, then the output waveform now on screen would be swinging between 1.0V and 1.3V.

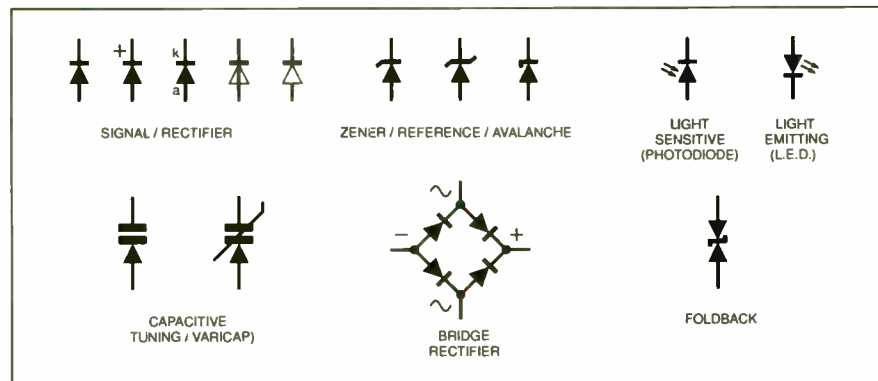


Fig.4.4. Commonly encountered circuit diagram symbols for various diode types, note that they may sometimes be enclosed in circles.

Similarly, if the output reference voltage from the diode were to be $-1.0V$ then the output voltage would swing between $-0.7V$ and $1.3V$ without distortion at its lowest point.

You can explore the way in which the diode simulation responds by shifting the range of the input voltage waveform using the up/down arrow keys, and changing the load's reference voltage using the \leftarrow and \rightarrow keys.

DIODE FAMILY

Diodes as a family have valuable uses in their own right and, by suitably doctoring the material from which they are made (manufacturers "contaminate" – *dope* – semiconductors with other materials in order to change their characteristics), they can be made to do more than just conduct in a single direction.

Simple diodes, such as the type illustrated in the computer program, have just one basic function, to allow a voltage to reach one part of a circuit but prevent the voltage from that part reaching back into the circuit preceding the diode.

This function can be used, for example, to allow only the *positive* level of an alternating (a.c.) voltage to be fed forwards through the diode whilst preventing the *negative* level from flowing backwards through it (as the program shows).

Such an action allows the a.c. signal from a transformer, for instance, to be *rec-*

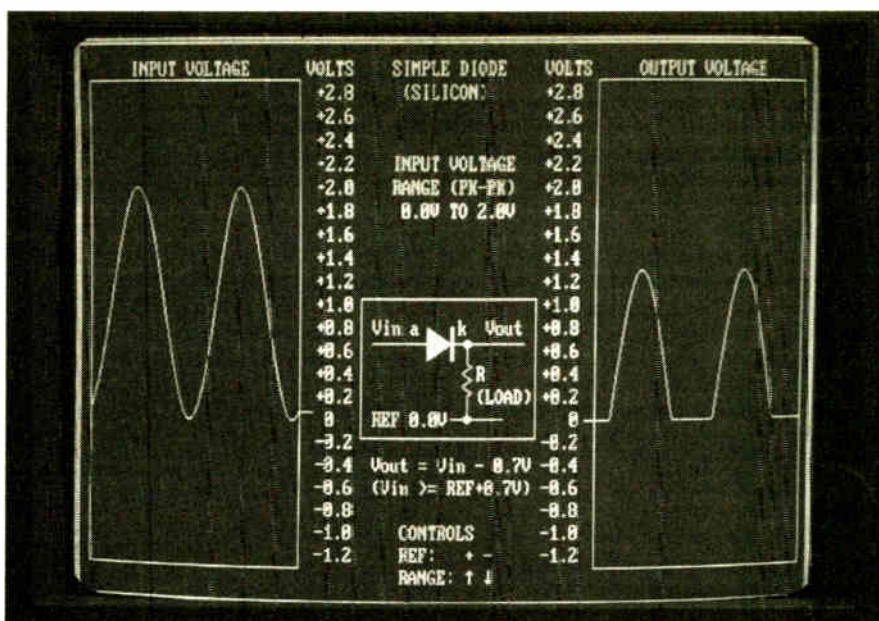


Photo 4.2. The interactive computer display which illustrates how a simple diode responds to different voltage levels.

tified (explained in a later *Teach-In* part) to produce a d.c. voltage, which in turn can be smoothed using a capacitor, so providing power to an entire circuit.

By its very nature, any simple diode can

rectify an a.c. signal so that only one half of its waveform is allowed through as a polarised voltage. It can be used in either direction, depending on whether the positive-going or negative-going aspect of

PANEL 4.2 – DIODE PARAMETERS, IDENTITIES AND POLARITY

The important parameters which are usually quoted for any diode type include the following:

- * Type – e.g. germanium or silicon
- * Application – e.g. signal, rectifier or general purpose
- * PIV – peak inverse (reverse) voltage
- * $I_{F(max)}$ – forward maximum current

Other diode parameters may be quoted in data tables and indicated by various abbreviations – they are beyond the scope of this *Teach-In*.

Some diode types (but not all) can be identified from the alphanumeric coding with which they are imprinted. In the *European* system for classifying semiconductor diodes, the coding can have either two letters and three figures, or three letters and two figures. The first two letters have the following significance:

First letter, semiconductor material:

- A Germanium
- B Silicon
- C Gallium arsenide
- D Photodiodes, etc.

Second letter, application:

- A General purpose
- B Tuning
- E Tunnel
- P Photovoltaic
- Q Light emitting
- T Controllable power rectifiers
- X Varactors, multipliers
- Y Power
- Z Zener and reference

The third letter, where included, does not generally have any particular significance, other than to the manufacturer. Zener diodes, (explained in a future *Teach-In* part), have additional letters which follow the identity numbers, showing the Zener voltage and its tolerance:

- A = $\pm 1\%$
- B = $\pm 2\%$
- C = $\pm 5\%$
- D = $\pm 10\%$

However, it has now become less easy to identify diode types from their prefix letters and many codings exist which do not conform to the above standards, as will become apparent when studying manufacturer's diode data tables.

The *American* system for identifying semiconductor diodes involves a code which commences "1N". Diodes coded according to this system cannot have their function directly identified from their number, except by referring to data sheets and tables. It is thus recommended that when a diode's function or characteristics are unknown, its part number should *always* be looked up in a data table or a catalogue.

Whilst most diodes have their identities printed on them as type numbers, sometimes identity numbers can also be colour-coded onto the diode body, in the way that resistors are colour-coded. The coloured bands are usually towards one end of the diode.

As we indicated towards the beginning of this part of *Teach-In*, holding the diode so that the bands are to the left, the code is read from left to right. For example, a diode marked yellow-brown-yellow-grey

reads as 4148, i.e. it is a type 1N4148, one of the commonest general purpose small signal silicon diodes.

POLARITY

The polarity of a diode is indicated in several different ways. With small diodes that have an imprinted alphanumeric coding (e.g. 1N4001), a painted band around the body indicates the cathode end. With colour-coded diodes, the cathode is the end at which the colour code begins. In some instances, it is the case style which indicates polarity (for which manufacturer's data should be consulted).

If in doubt, polarities can be checked using the diode-check facility found on many digital multimeters.

They can also be checked using an analogue meter, setting the meter on a low resistance range and connecting the probes across the diode. When in resistance (ohms) mode, a positive voltage is normally present on the meter's *negative* (common or "-") socket (black lead) and a negative voltage on its *positive* ("+" socket) (red).

If a low resistance reading is indicated, the black probe is connected to the anode and the red probe to the cathode. A high resistance reading indicates that the polarity is the other way round.

The polarity of an l.e.d. is not always so easy to check using a meter. In most instances, though, the lead nearest the "flat" side of an l.e.d. is *normally* the cathode, the other lead being the anode.

One way to check is to connect the l.e.d. in series with a $1k\Omega$ resistor across (say) a 6V d.c. power supply. If the l.e.d. does not glow in one direction, try turning it around. If it fails to glow in this direction, it's probably dead (or you've forgotten to switch on the power!).

the waveform is required.

However, diodes are manufactured for specifically different types of rectification and other one-directional signal flow requirements. Some, for example, may be stated as being *signal* diodes and are only intended for use where the voltage and current flow are small, such as the 1N4148 you've been using.

Others may be stated as being *rectifier* types, and these are generally more robust, being capable of handling high voltages and large currents. The 1N4001 device in your components bag is one of these types, it can withstand reverse voltages of about 50V and allows a forward current of about 1A (whereas a 1N4148 has respective limits of 75V and 10mA).

Others may be manufactured in such a way as to enhance the speed at which they respond, or to increase or decrease the capacitance which is inherent in any diode. Yet others may be more suited to video or audio signal processing for a variety of reasons, including low noise characteristics.

Data tables will usually give an indication of what sort of application a particular diode type is best suited to.

OTHER FUNCTIONS

The voltage blocking characteristic of a diode has other functions. For example, one function which can be performed by diodes, in conjunction with capacitors, is to *increase* the voltage of an a.c. waveform.

Diodes are also used to prevent damage to voltage sensitive components by preventing a potentially hazardous excess or opposing-polarity voltage from reaching them, and they have uses in signal compression and limiting.

When several diodes are used to feed voltages into or out of the same part of the circuit, they have the ability to be used as logical OR gates and AND gates (more on Gates and Logic is discussed in *Teach-In* Part 6).

As you discovered at the beginning of this Tutorial, in oscillating circuits they can also be used to change the relative rates at which a generated frequency rises and falls, converting a triangle waveform into a ramp waveform, for example.

OTHER DIODE TYPES

Apart from "ordinary" signal and rectifier diodes, there are several more types available, but of a more specialised nature, including:

- * Avalanche diodes
- * Bridge rectifier diode assemblies
- * Constant current diodes
- * Foldback diodes
- * Light emitting diodes (l.e.d.s)
- * Photodiodes (light sensitive)
- * P-I-N diodes
- * Schottky diodes
- * Tuning diodes (Varicap diodes)
- * Tunnel diodes
- * Ultrafast diodes
- * Varactor diodes
- * Zener or reference diodes

We suggest you read through Panels 4.2 and 4.6 for some more specific information about diodes in general.

LIGHT EMITTING DIODES

You have, of course, been using light emitting diodes (l.e.d.s) since Part 1. It's time now to discuss them more fully.

Many materials can emit light when a current is passed through them. An ordinary filament bulb, such as used in a torch or a room light, emits light because its filament wire is heated.

Indeed, any electrically conductive substance will emit light if sufficient current passes through it so that it heats up above a certain temperature, even air – think of lightning in a thunderstorm; and there are some gases which can be made to fluoresce when a sufficiently high voltage is present across them, neon and argon, for example.

Some solids, though, have the strange property that they will emit light without being heated when only a small current at a low voltage level flows through them. Gallium arsenide is one such material, and it is from this that l.e.d.s are typically made, usually in conjunction with other substances. Depending on the nature of the substances used, l.e.d.s are available which can emit infra-red, red, orange, yellow, green, blue and white light.

L.E.D. CONDUCTION

As with the simple diode discussed earlier, l.e.d.s are used in the forward conducting direction, that is, the voltage on the anode must be higher than that at the cathode, typically between about 1.5V to 3V, according to the type.

At much below the typical voltage level, the l.e.d. will not emit light. If the voltage is too much above that level, too much current will flow and the l.e.d. will die. Consequently, a resistor (known in this type of application as a *ballast resistor*) must *always* be used in series with an l.e.d., either before the anode or after the cathode, its value being chosen so as to safely limit the maximum current flow, yet still allow sufficient for the l.e.d. to emit enough light as to be clearly visible, see Fig.4.5a.

Note, however, that some l.e.d.s have a resistor built into their case and are intended for use with specific supply voltages, but this is an exception and most do not.

Depending on the type, l.e.d.s begin to emit light when the current flowing is about 0.5mA to 1.5mA, but a current of between about 8mA and 20mA is usually required for good visibility to occur, although there are low-current l.e.d.s which

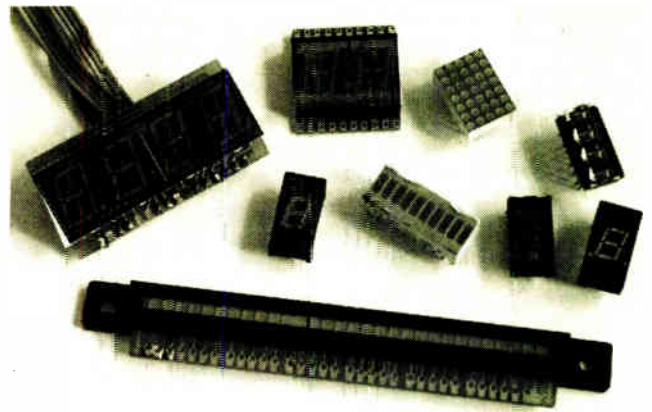


Photo 4.3. A selection of constructions which use multiple l.e.d. arrays.

glow brightly with less current. The maximum current that a typical l.e.d. can tolerate is about 30mA (but data sheets should be consulted for specific types and their limits).

Compared to filament lamps, l.e.d.s offer not only great savings in power consumption, but also offer advantages of a much longer life, smaller size, insensitivity to shocks and vibrations, and have a rapid response time.

They can also be connected to an a.c. supply, although it is often desirable to have another l.e.d. or "normal" diode connected in parallel but with an opposite polarity, i.e. cathode to anode, anode to cathode.

In this instance, a single series resistor is used to limit the current through one or other common connection, see Fig.4.5b. This action keeps the voltage level across each diode within acceptable limits during its reverse voltage condition.

With a d.c. supply voltage, it is sometimes required for several l.e.d.s to be connected in parallel, all having the same polarity and each turning on at the same time. In this case it is preferable to use a separate series resistor for each of them, see Fig.4.5c.

The reason is that each l.e.d. is likely to have slightly different current requirements and the use of a single resistor would favour the most current-hungry one, to the detriment of the light output from the others. Additionally, this method is preferable in case one l.e.d. should die, forcing an unacceptable amount of current through the others, threatening their life as well.

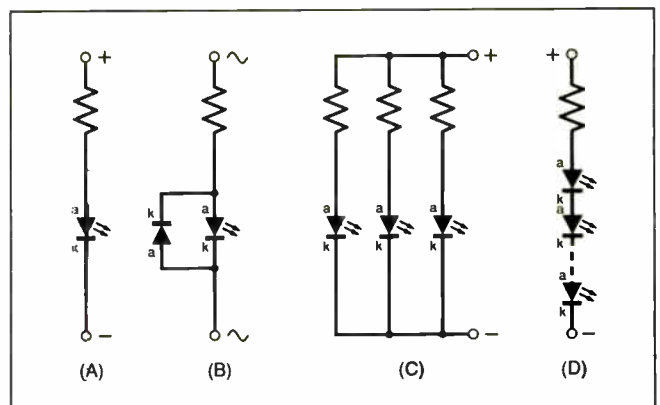


Fig.4.5 Methods of using (a) single l.e.d. (d.c. drive); (b) l.e.d. with diode in an a.c. circuit; (c) l.e.d.s in parallel (d.c.); (d) l.e.d.s in series (d.c.).

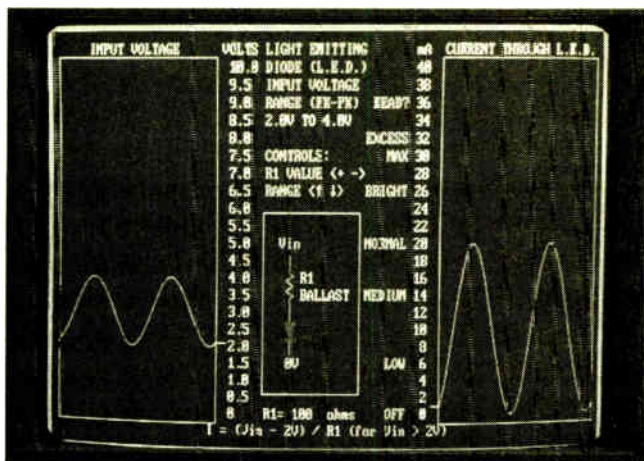


Photo 4.4. The interactive computer display which illustrates how an i.e.d. responds to varying voltages and currents.

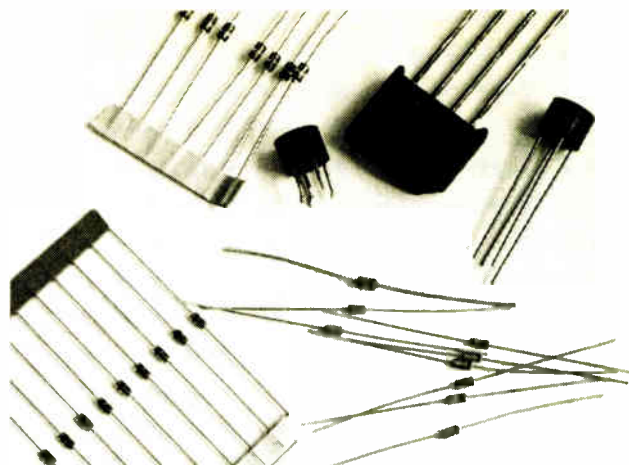


Photo 4.5. A selection of diode and bridge rectifier types.

Any number of i.e.d.s can be connected in series as long as the supply voltage available is high enough to overcome their total forward voltage drop. A single resistor is used to limit the current in the normal way, see Fig.4.5d.

Of historical interest, i.e.d.s were patented by Messrs Bay and Szigeti in 1939.

Panel 4.3 details some of the characteristics for i.e.d.s.

L.E.D. PROGRAM

From the program's main menu, select Light Emitting Diode. The screen will again display two waveforms (see Photo 4.4). The one on the left represents a positively biased sinusoidal voltage being input to an i.e.d. via a resistor (the ballast resistor.)

It should be noted that an i.e.d. is usually powered from a steady d.c. source. The screen shows a sinusoidal waveform because it better illustrates the way in which the i.e.d. responds to different voltages and currents.

The graph on the right illustrates the current that passes through the i.e.d. and ballast resistor. Alongside this graph are captions which indicate the type of response that a typical i.e.d. might produce for a given current.

The i.e.d. in this example is assumed to have a forward voltage drop of 2V. The current that passes through it is calculated as:

$$I = (V_{in} - 2V) / R1$$

This formula only holds true if the voltage across the i.e.d. is greater than 2V. For a voltage less than this, no current will flow.

The range of the input voltage can be raised or lowered using the keyboard up and down arrows. The value for R1 can be changed using the <+> and <-> keys.

As said previously, different i.e.d. types may have different current characteristics etc., and the program should only be taken as an approximate guide to how an i.e.d. will respond.

ZENER DIODES

Zener diodes, which are used to regulate (fix) voltages at particular reference levels, will be discussed later in the series when we look at power supplies. However, for interest, you can learn a bit about Zeners now by running the software menu option Zener Diodes.

PANEL 4.3 – L.E.D. CHARACTERISTICS

The principal characteristics of i.e.d.s are:

- * I_F – typical forward current
- * $I_{F(max)}$ – maximum forward current
- * V_F – forward voltage
- * V_R – reverse voltage
- * P_{TOT} – power dissipation
- * A – area of light collecting surface; may also refer to the maximum angle at which the light emission can be reasonably viewed
- * Wavelength of the maximum emitted light intensity, in nanometres (nm)
- * Light intensity for a given current

L.E.D.s are available not only as individual items, but also as multiple units, arranged so that each one within the unit can be individually controlled. Such multiple units include 7-segment displays and general purpose matrixed devices in which there are several rows of diodes and several diodes in each row (see Photo 4.3).

When matrixed, the i.e.d.s will either have their cathodes joined (common cath-

ode type) or their anodes (common anode type). The two types are not interchangeable in a circuit.

Some units have two i.e.d.s in them, electrically facing in opposite directions and having different colours. The colour displayed depends on the current flow direction.

There are even some devices which house four i.e.d.s in the same package producing a mix of output colours, including red, orange, yellow, green, blue or white. Another i.e.d. type has an additional circuit built in which causes the light to flash when power is applied.

In circuit diagrams, the numerical identity of an individual i.e.d. is usually prefixed by the letter "D", although it may also be prefixed by "LED" or "LD", or sometimes by "LP" (short for Lamp). Units which contain several i.e.d.s may be prefixed by the general catch-all prefix "X", e.g. "X2".

In catalogues, i.e.d.s may be listed under "Optoelectronics" rather than under "Semiconductors".

BRIDGE RECTIFIERS

A frequently encountered type of diode construction is the bridge rectifier (see Photo 4.5). In fact, this is not a single diode, as are the others in the list given earlier, but a group of four silicon diodes connected as shown in Fig.4.4.

However, because bridge rectifiers are normally used in power supply circuits, they will be discussed when we examine that subject.

SPECIALIST DIODES

In Panel 4.5 are brief details of some specialist diodes which will not normally be encountered in most hobbyist applications. The information is given so that you know such devices exist.

ON DISPLAY

We suggest that you now move on to the Experimental article. It's different in concept to those you enjoyed in Parts 1 to 3. This time we ask you to assemble the first part of a simple circuit that allows your computer to input waveforms and voltage levels from the circuits you have been

PANEL 4.4 – UNUSED LOGIC GATE INPUTS

Note that in Fig.4.1 the inputs to the unused inverters in IC1 have been connected to either +VE or 0V. (See Fig.2.10 of Part 2 for the 74HC04/74HC14 hex inverter pinout diagram.) We did not wish to trouble you with this point before, but it is good practice to *always* connect unused CMOS logic gate inputs to one or other of the power supply lines.

This prevents them "floating" and picking up stray electrical interference and static electricity. It is only unused *inputs* which need to be "tied" in this way. *Never* tie unused *outputs* to the power rails.

creating so far, and those yet to come. It's an eye-opener!

Then, in Part 5 next month, we examine different waveform shapes, and shall be able to illustrate some via the computer display – not only as simulations but as actual real-time waveforms that you create via your breadboard.

PANEL 4.5 – MISCELLANEOUS DIODES

Avalanche diodes

Avalanche diodes have similar voltage and current characteristics to "ordinary" Zener diodes but have a much greater surge handling capacity combined with extremely fast switch-on times. They are commonly found in voltage suppression applications.

Constant Current diodes

Because of their superior stability, constant current diodes are ideally suited for use as current regulators and limiters, biasing elements, and for use in linear ramp generators, staircase generators etc.

Foldback diodes

A foldback diode is a device which, under voltage surge conditions, enters the avalanche mode as normal, but causes the voltage to fall from that of a breakdown value to a clamping value which remains substantially constant over a wide range of current. They are mainly found in voltage suppression applications.

P-I-N diodes

A P-I-N diode is a refined version of the

"basic" *p-n* junction diode which has special characteristics that make it suitable for use at radio frequencies. The letter I indicates that the diode has an "Intrinsic" layer sandwiched between the *p* and the *n* layers – a technicality outside the scope of this Tutorial.

Schottky diodes

A Schottky diode is a sophisticated type of diode which has a forward voltage drop that is typically about half that of a "normal" silicon diode, and has a fast reverse recovery. It finds particular use in switch mode power supplies where such attributes offer greater power conversion efficiency.

Tuning (Varicap) diodes

Tuning diodes are designed to vary their capacitance in response to changes in the voltage across them, and are thus equivalently known as Varicap (variable capacitance) diodes. They are especially used in high frequency tuning applications, VHF and UHF radio tuning for example, in place of the rotary type of variable capacitor whose capacitance range is too coarse

or too large to be practical. Their use also has the great benefit that no mechanical action is involved.

Tunnel diodes

Tunnel diodes are specially processed diodes whose forward conduction displays a negative resistance characteristic. Such diodes can be used in low noise amplifiers or in oscillator circuits, up to microwave frequencies.

Ultrafast diodes

Ultrafast recovery rectifier diodes feature high reverse voltage capability, very short recovery times, very low switching losses, and low-noise turn-off switching. They are suitable for use in switch-mode power supplies and similar fast rectifier applications.

Varactor diodes

Varactor diodes are another type of diode whose capacitance can be changed according to the applied voltage. They find use in voltage multiplying circuits (doubling, tripling, etc.), where their non-linear action can be used to generate harmonic multiples of a fundamental frequency.

TEACH-IN 2000 – Experimental 4

COMPUTER INTERFACE

WHAT we want to do in this Experimental article is to enable you to use your computer as an item of test equipment. This will let you make very simple connections between the computer via its parallel printer port cable and your various breadboard circuits – past, present and future.

In other words, we are going let the computer become a simple form of oscilloscope – an item of test equipment that shows both digital and analogue waveforms on its screen while they happen.

Don't expect the full facilities or speed of a true oscilloscope, or indeed of commercial computer-based oscilloscope simulators. Such items would set you back several hundred pounds. Our simple interface should cost you less than £20.

It has to be said, though, that the speed at which your computer runs will have a significant bearing on the rate at which the program can obtain data from the interface. This will place limits on the signal waveform frequency that can be displayed.

INTERFACE MODULE

Basically all the interface consists of a connector socket into which a standard (Centronics) parallel printer port cable plugs. The socket's pins are on a different spacing to that of your breadboard and so we have produced a specially designed printed circuit board (p.c.b.) into which you need to solder the connector and a set

of terminal pins. The terminal pins then plug into your breadboard.

This set-up allows the computer to read the status (logic 0 or logic 1) of five separate connections made to its input lines. Additionally, eight other separate connections can be made to the computer's output lines, allowing it to control various future breadboard assemblies.

Next month we also describe and illustrate a very simple breadboard circuit, using just one i.c., that will allow you to actually see on screen the waveforms that you create with the oscillator described in this month's Tutorial.

IT'S AN EYE-OPENER

You will find that using this simulated test gear facility, with its four program options, is an absolute eye-opener. When the author first used an oscilloscope in his early days of electronics (long before computers were even imagined to be commonplace household items) it was like having a blindfold removed from his eyes. He could *actually see* what was happening. (Moreover, he actually built

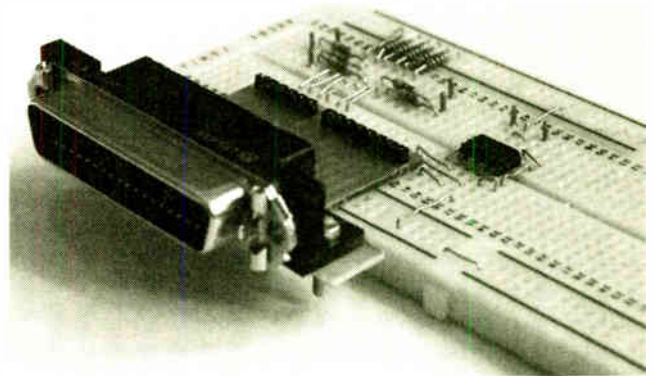


Photo 4.6. Computer interface connector plugged into the breadboard.

the oscilloscope himself from ex-Government "surplus" components.)

Whilst you will have found out that reading a meter display has been very informative to you so far (and will continue to be so), this computer interface will open up your electronics horizons even further.

Having said that, though, when you become more experienced in electronics than you are now, *do* purchase a *real* oscilloscope (or even a *virtual 'scope* – one that uses an interface unit plus a PC as the display controller). It will allow you to do far, far more than our simple interface can do, and at an enormously faster rate. In the

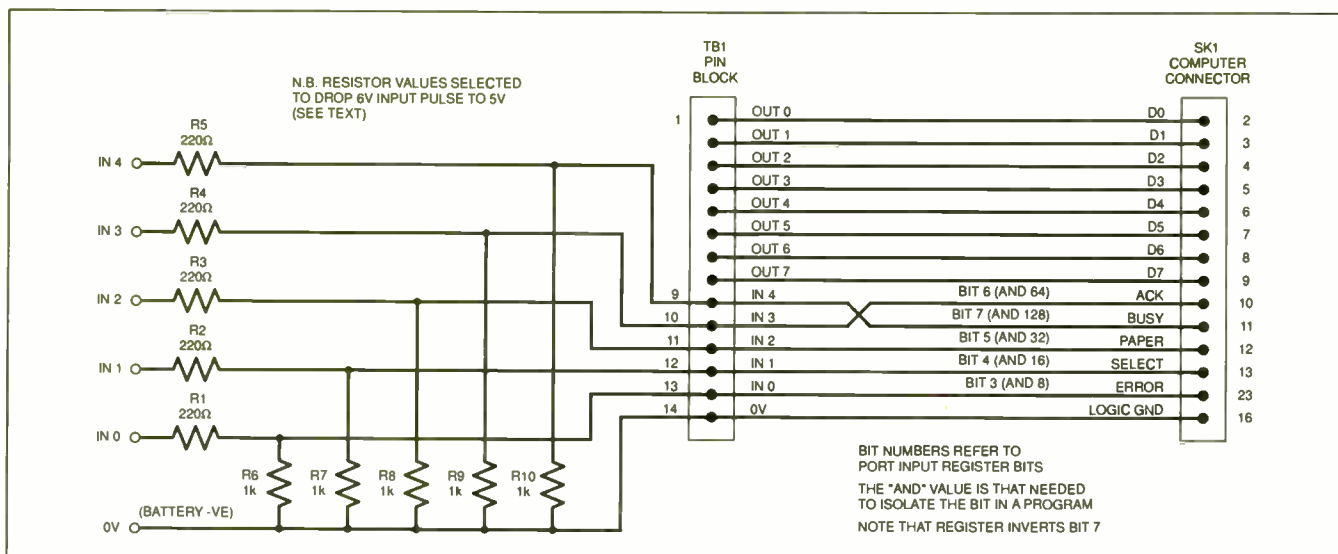


Fig.4.6. Circuit diagram for the simple breadboard to computer interface.

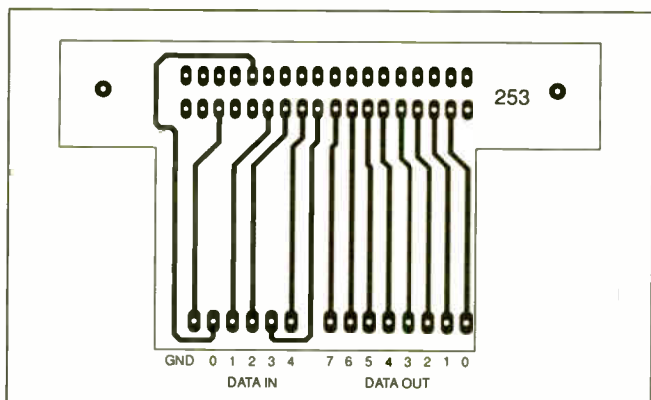


Fig.4.7. Full size printed circuit board copper foil track master layout pattern.

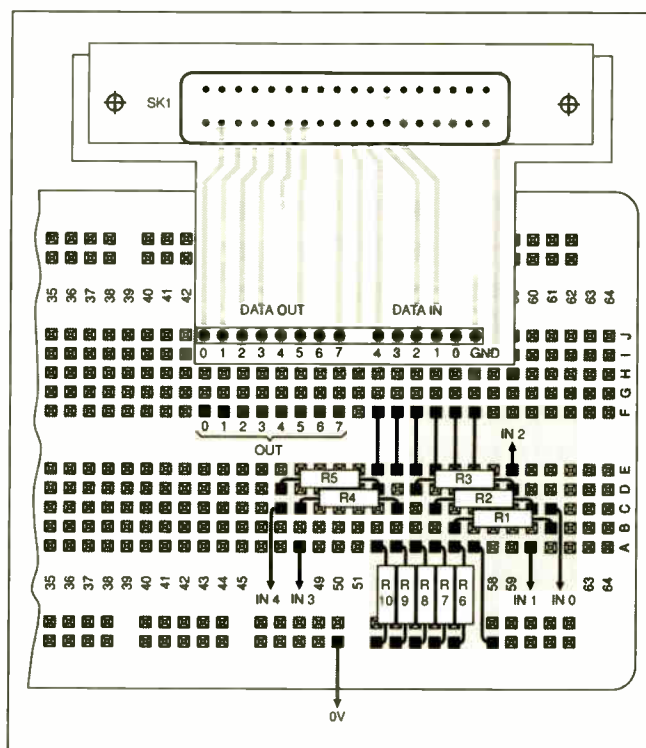


Fig.4.8. Component layout for the computer interface circuit.

author's workshop a 'scope is without doubt the most used item of test gear he has, the second is/are his multimeters, and thirdly is/are his computers.

INTERFACE CIRCUIT

The complete circuit for the basic *digital* interface between the computer and breadboard is shown in Fig.4.6. A second part to the interface will be described next month – the part which allows *analogue* waveforms to be input, the analogue-to-digital converter (ADC).

The computer's parallel printer port has eight output data lines, D0 to D7, which are connected to a terminal pin block, at which point they become re-named as OUT0 to OUT7. There are also five printer port lines which can be used as data inputs from terminal pins IN0 to IN4. Strictly speaking, they are normally used by the printer to send status messages back to the computer, hence their names at the computer end.

The resistor configurations are included in the IN0 to IN4 data lines to keep the voltages input to the computer below 5V. It is assumed that your computer's voltage input limit is 5V. Your breadboard circuits, however, are powered at about 6V. What the

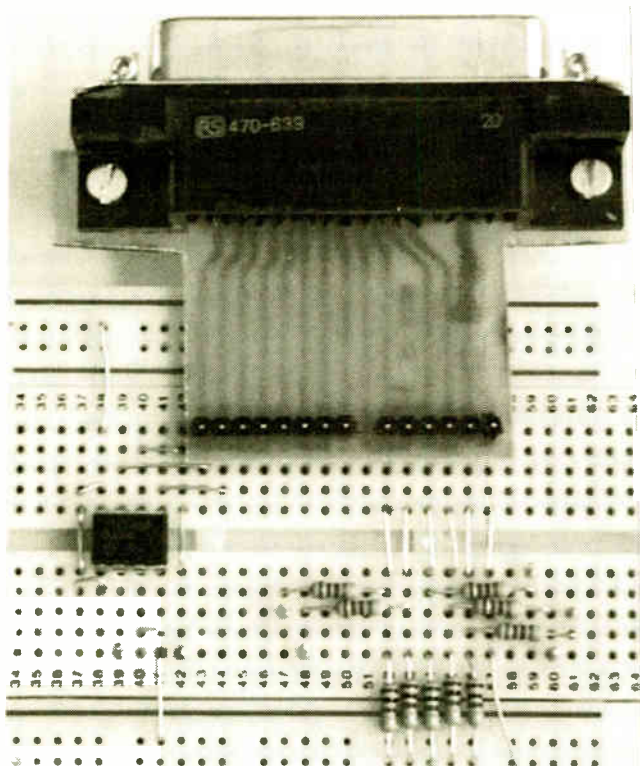


Photo 4.7. Computer interface component layout details. The integrated circuit on the left (and its additional connections shown) are the analogue to digital converter interface to be described in Part 5.

resistors do is to reduce (*attenuate*) the 6V levels to 5V.

PRELIMINARY ADVICE

To assemble your interface connector board, it is necessary to do just a bit of soldering. In the Introduction to Part 1 we said that some would be needed and recommended that, if you were unfamiliar with soldering, you should obtain a copy of our *Basic Soldering Guide* either from EPE HQ or via our web site.

As you will see from the interface board's assembly and tracking details in Fig.4.7 and Fig.4.8, you should not find these few solder joints hard to make. Having made them, though, *it is imperative that you should check that none of the joints undesirably link with others.*

With a close-up magnifying glass, double-triple check that there are no solder connections between adjacent pads or tracks. If there are, just touch the hot soldering iron to them and they should separate. If this fails, use a sharp knife or scraper tool to cut through the offending connections.

As an additional check, use your multimeter on a low Ohms range to check that adjacent tracks/joints on the board are isolated from each other.

The *Teach-In* Computer Interface printed circuit board is available from the *EPE PCB Service*, code 253.

INTERFACE ASSEMBLY

Carefully push the computer connector socket pins through the holes on the printed circuit board, so that they protrude on the "track side". Do not solder them yet. Securely bolt the socket to the board through the two holes provided, enlarging them with a drill if necessary. Now carefully solder the pins to their tracks. Ignore those pins which do not have tracks – they do not need to be soldered.

Take a strip of terminal pins and cut off a length of eight and a length of six. Turn each strip so that its shorter pin lengths are downwards, and press the strip firmly onto a hard surface that will not damage and cause fury in your household! Press down until the pins are barely protruding on that side (but just enough showing so that a meter probe can contact each one).

Insert the terminal strips into the board, with their pins protruding from the track-side, and solder them. Now check that all the solder joints are OK, as cautioned above.

When satisfied with the board, press the assembly firmly into the end of the breadboard as shown in Fig.4.8 (also see Photo 4.7). Note the breadboard hole numbers and position the assembly accordingly. Do not insert into the breadboard the other components shown until we tell you to.

INTERFACE TESTING

With one end of the computer's parallel port printer lead plugged into the computer (and with the computer switched off), plug the other end into the interface board assembly. If any other equipment is connected to your printer port via an adaptor, disconnect it.

Power up the computer in the usual way. In the unlikely event that the computer behaves in any way out of the ordinary,

immediately switch it off, unplug the connector from the interface board and recheck that all the solder connections are satisfactory.

From the *Teach-In* main menu select Parallel Port Data Display/Set. On the resulting screen are three boxes of data, as shown in Photo 4.8.

The two upper boxes are associated with data input. The lower one, Output Byte, is concerned with data output and is the one we are interested in first.

As we shall explain further in Part 6, a computer *byte* of data consists of eight *bits* (of data), where each data bit can be set high or low (logic 1 or logic 0). The bits in this instance are those that can be set onto the eight output lines on the interface board, 0 to 7 (many identity numbers in computing and digital electronics commence at 0).

In the Output Byte box, the first line shows the bit numbers in reverse order (another computer/digital convention). Each of the bits can be set high or low from your keyboard, using the same numbered keys. Line two (Byte) shows the status of each bit as you set or clear it (1 and 0 respectively).

The arrangement of the bit values of the byte is in fact a *binary number* (although in many applications this fact may not be important) and its value in decimal is shown in line three, Value.

Experiment with pressing your numeral keys and see the effect in the Output Byte box. Now, with your meter on a suitable scale for reading 5V d.c., take voltage readings at the top of the OUT0-OUT7 terminal pins. The meter's COM probe should contact with the GND terminal pin. For each logic 1 shown on screen, that same OUT terminal pin should read about +5V. For logic 0 it should read as 0V.

It is regrettable that the order of the connector pins dictates that the numerical order of the terminal pins has to be the reverse of that on screen; be aware of this when taking the voltage readings.

PORT ADDRESS

You may have now found a problem – *it don't work!* A three-in-one chance, perhaps, that this is so. The problem you may encounter is that the computer has internal settings that dictate by which "register" address (route) data is output to its parallel printer port pins.

The address frequently used is that at port register location &H378 (378 hexadecimal – 888 decimal) and this is the address used as the default by the computer program. It is stated as such at the top right of your screen. There are two other addresses that might be encountered on your computer system, &H278 and &H3BC (decimal 632 and 956). Your program can be set to use either of these instead. (Incidentally, hexadecimal and binary numbers are discussed in Part 6.)

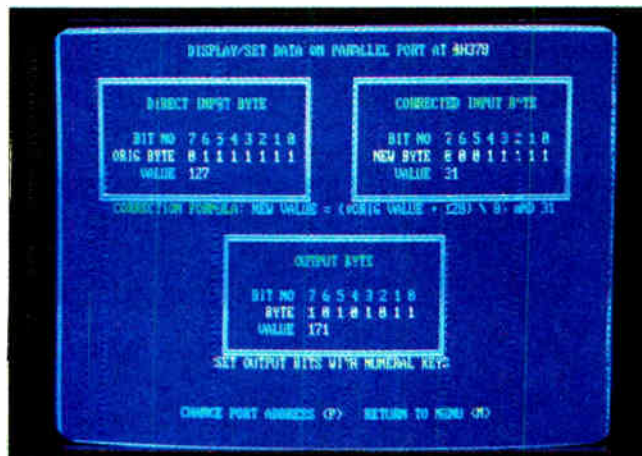


Photo 4.8. Parallel Port Display/Set screen on the interactive computer display.

Press <P>, to change the port address to &H278. Now try the above tests again. If the pins still do not change their logic state in response to your numerical keying, press <P> again to select port address &H3BC. Try the pin logic test again.

If none of the port addresses allow you to set logic values on the terminal pins, again recheck all your assembly, including proper connection of the printer port cable at both ends. If there is still no success, consult your computer manual or supplier. (Please also tell us at *EPE* about this, stating the computer type and what voltage readings you actually get.)

Once the correct port address has been found, it will automatically be stored for future use by the program when you next call the main menu. Note that it is our software that holds the address – no change is made to the computer's own system data.

DATA INPUT TEST

Having completed the data output test, it seems logical to do an input test! Plug resistors R1 to R10 into the breadboard as shown in Fig.4.8 and with values as shown in Fig.4.6. (Do it with the computer unplugged from the breadboard.)

With the computer reconnected, look at the two top boxes on the computer screen and make a note of the binary and decimal values shown. We shall discuss the difference between the two boxes next month. The right-hand box (box 2) should show binary bits 4 to 0 as zeroes.

Clip your battery's negative lead to the 0V pin on the breadboard. Now clip the battery's positive lead to the IN0 pin on the breadboard. In box 2, bit 0 should have changed from logic 0 to logic 1. Removing the positive lead from the IN0 pin should return that bit to logic 0.

Do the same for the other breadboard input pins, IN1 to IN4. All should change status accordingly.

The success of this test depends on the Port address still being set to that found necessary for the Output test.

PULSE TEST

Remove the battery connections used for the Input test. Connect the battery back onto the power input pins for the oscillator circuit you were using in this month's Tutorial.

Ensure that a link exists between the 0V connection of that circuit and the 0V

connection of the interface circuit. Make a crocodile-clipped connection between IC1a pin 2 (Fout) and interface input IN0.

Set VR1 of the oscillator to a midway position and use a 100 μ F (or greater) capacitor for C1. This allows a square wave at a slow rate to be sent to the IN0 pin.

Observe bit 0 of screen box 2. It should repeatedly change between 0 and 1 in time with the changing output of IC1a. You can try adjusting VR1 to change the rate, but you will find that at the more extreme settings the computer may fail to respond. This is because one or other side of the waveform is too brief for it to be recognised by the computer. This will be especially true with slower computers.

What you can do to alleviate some of this problem is to remove both diodes (D2 and D3) from the breadboard, and place a 1k Ω resistor in the D3 position (as you did at the beginning of the this month's Tutorial). This will cause a square wave output to be generated whatever the setting of VR1. The oscillation rate, though, must be kept slow enough for the computer to respond to it.

Just for interest, observe box 2 when the oscillator is connected to any of the other interface input pins.

UNTIL NEXT MONTH

Next month we shall discuss other aspects of the computer interface and its program. Until then, though, you can experiment with the Frequency Counter and Pulse Waveform displays, selectable from the main menu.

In both programs you have the option to set the "active bit", in other words to specify to which of the interface input pins the oscillator is connected. With the Pulse display, also experiment with the Display Step option.

Do not change the Port address that you found to be active in the original Output tests.

If your computer has sufficient speed, try speeding up the breadboard oscillator's rate.

We shall explain both of the programs next month, and describe the additional

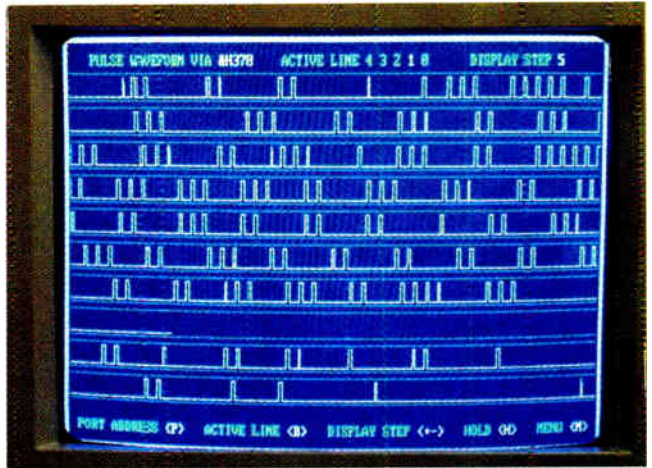


Photo 4.9. Typical pulse waveforms input to the computer via the simple interface board.

(and very simple) breadboard circuit that will let you display the shape of the waveform that occurs at the VR1/C1 junction of the oscillator, via the Analogue Input Waveform Display program.

We shall also discuss waveform shapes in general.

Until next month, then, 'bye!

SHOP TALK

with David Barrington

PIC Video Cleaner

As the design for the *Video Cleaner* project is based around a printed circuit board (p.c.b.), the choice of components will need to be selected to fit on the p.c.b. Also, a couple of the semiconductors are a bit special and not readily available.

Dealing with the 3VA mains transformer first. This was purchased from Farnell (☎ 0113 263 6311 or www.farnell.com), code 141-471. You could use a different transformer provided you can "hard-wire" it to the p.c.b.

Like most of the "specials" for this project, the plastic box (code 223-440) and metal socket support brackets (146-318) also came from the above company. The right-angle SCART sockets should be available from most of our component advertisers.

Turning to the semiconductors, Farnell supplied the LM1881 video sync separator (code 410-536), the AD810 low-power video amp (code 295-127) and the 1KAB10E 1-2A 40V bridge rectifier (code 371-208). Note the bridge rectifier is sold in packs of five.

The PIC used in this project must be the 10MHz version. For those who would like a ready-programmed PIC, one is available from Magenta Electronics (☎ 01283 565435) or <http://magenta2000.co.uk> for the inclusive price of £5.90 (overseas readers add £1 for postage). Our understanding is that they will be using the F84 which is pin compatible with the F83. For those who wish to program their own PICs, the software is available from the Editorial Offices on a 3.5in. PC-compatible disk, see *EPE PCB Service* page 149. If you are an Internet user, it can be downloaded *Free* from our FTP site: <ftp://ftp.epemag.wimborne.co.uk/pubs/PICS/videocleaner>.

The printed circuit board is available from the *EPE PCB Service*, code 251.

Find It

Most of the components needed to construct the *Find It* project should be readily available parts. The specified i.e.d. used in the model is a "high brightness" type which was found to give better results than the standard variety. The high brightness types are now common shelf lines, however, watch out, some i.e.d.s may have a narrow viewing angle which could cause "off-centre" viewing problems.

You may have to search through the various resistor ranges to track down the high value ones that are needed to make up the two series resistors that form the "frequency" resistor R5. It looks as though the author found his amongst the 0.6W and 1W (high voltage) metal film ranges. If difficulties should arise finding these, try Maplin (www.maplin.co.uk), codes M10M and V4M7.

Most of our component advertisers should be able to offer a suitable miniature type light dependent resistor. The one in the model came from the above company, code AZ83E. Readers who have difficulty obtaining the miniature l.d.r. could use the old favourite ORP12 type but a larger case may be needed. Also, resistor R1 may need to be reduced in value as explained in the text.

The micropower 7611 op.amp has been used in past projects and should be obtainable from most of our components advertisers. Finally, the small printed circuit board is available from the *EPE PCB Service*, code 252 (see page 149).

Voltage Monitor

The LM393N 8-pin dual comparator called for in the *Voltage Monitor*, this month's "starter project", appears to be stocked by most of our components advertisers. However, the voltage reference chip could cause some concern.

The voltage reference type ICL8069 is produced in metal cased and plastic encapsulated versions. Although the prototype model shows the metal can version, the plastic package seems to be the one most widely stocked, so we have included the pinout details (top views) for both versions in the article. If readers do experience any problems sourcing the 8069 locally, the plastic version is listed by Maplin, code YH39N. The small stripboard will need to be cut to size from a larger standard piece. Finally, it is **most important** that an in-line fuse/holder is included in the positive supply lead if the unit is to be used in a car, caravan, boat etc.

Easy-Typists Tape Controller

Not too much can go wrong when ordering parts for the *Easy-Typist Tape Controller* project, except perhaps locating the 8-pin voltage converter i.c. Of course, you are left on your own regarding selection of a microcassette machine.

We can only find the SI7660 voltage converter listed by Maplin, code YY75S. They also supplied the little sprung, momentary action (biased-off), footswitch pedal, code DU99H.

Once again, you will have to cut a standard piece of stripboard down to size for this project.

Teach-In 2000 (Part 4)

This month a small "interlink" printed circuit board, for the Computer Interface – Experimental 4 exercise, has been added to the components for this month's instalment of *Teach-In 2000* series. This p.c.b. is available from the *EPE PCB Service*, code 253.

For details of special *Teach-In* packs readers should contact: ESR Electrical Components (☎ 0191 251 4363 or web <http://www.esr.co.uk>) – Hardware/Tools and Components Pack.

Magenta Electronics (☎ 01283 565435 or <http://www.magenta2000.co.uk>) – Multimeter and Components Kit 879.

FML Electronics (☎ 01677 425840) – Basic Components Sets.

N. R. Bardwell (☎ 0114 2552886) – Digital Multimeter special offer.

SQUIRES

MODEL AND CRAFT TOOLS

A comprehensive range of Miniature Hand and Power Tools
and now an extensive range of
ELECTRONIC COMPONENTS
featured in a fully illustrated

336-page Mail Order Catalogue

1999 Issue

SAME DAY DESPATCH

FREE POST & PACKING

Catalogue free of charge to addresses in United Kingdom.
For overseas send 6 International Reply Coupons to:

**Squires, 100 London Road,
Bognor Regis, West Sussex
PO21 1DD**

Tel: 01243 842424

Fax: 01243 842525

SHOP NOW OPEN



DISTANCE LEARNING COURSES in:

Analogue and Digital Electronics
Circuits, Fibres & Opto-Electronics
Electronic Testing & Fault Diagnosis
Programmable Logic Controllers
Mechanics and Mechanisms
GCSE and BTEC Mathematics

- Courses to suit **beginners** and those wishing to **update** their knowledge and practical skills
- Courses are delivered as self-contained kits
- No travelling or college attendance
- Learning is at your own pace
- Courses may have **BTEC Certification and Tutoring**

For information contact:

NCT Ltd., P.O. Box 11

Wendover, Bucks HP22 6XA

Telephone 01296 624270; Fax 01296 625299

Web: <http://www.nct.ltd.uk>

HOW DOES YOUR EQUIPMENT MEASURE UP? AT STEWART OF READING THERE'S ALWAYS 'SCOPE' FOR IMPROVEMENT!

TEKTRONIX 2445 4-ch. delay sweep, cursors, readout. **ONLY £700**

PHILIPS PM3217 - Dual Trace 50MHz Delay VERY GOOD OSCILLOSCOPE incl. 2 probes, Pouch & Front cover. **FROM £200-£300**

GOULD OS300 Dual Trace 20MHz Light weight. Very good value. **ONLY £160**

GOULD OS1100 - Dual Trace, 30MHz Delay. Very bright, supplied with manual and two probes. **£200**

TEKTRONIX 400 SERIES

466 Digital Storage Dual Trace 100MHz Delay £350
466 Analogue Storage Dual Trace 100MHz Delay £250
485 Dual Trace 35MHz Delay Sweep £750
475 Dual Trace 20MHz Delay Sweep £450
465 Dual Trace 100MHz Delay Sweep £350

FLUKE SCOPE METERS
Models 93/96/99. Dual Trace 50MHz + Digital Storage etc.
Unused from £400 to £650

MARCONI 2022E Syn AM/FM SIG. GEN. 10 kHz-1.01GHz Up to +100dBm output, phase mod, i.c.d. display, keyboard entry, etc., small, lightweight. **£525-£750**

MARCONI 6311 prog sweep gen, 10MHz-20GHz £3750
HP 8657A syn sig gen, 100kHz-100MHz £2500
HP 8658B syn sig gen, 100kHz-990MHz £1350
HP 8658A syn sig gen, 100kHz-990MHz £990
GIGATRONIC 7100 syn sig gen, 10MHz-20GHz, good signal purity £5000
MARCONI 2107 AM/FM phase locked sig gen, 10kHz-1024MHz £1200
HP 8646A sig gen, 500kHz-1024MHz £450
HP 8640A sig gen, 500kHz-534kHz £250
HP4275A LCR meter, 10kHz-10MHz £2750
HP4192A LF impedance analyser, 5Hz-13MHz £5000
HP 8803C distortion analyser £780
MARCONI 2305 mod meter, 500kHz-2GHz from £900
FARNELL AM42200 auto mod meter, 10Hz-24GHz, unused £360
STABLOCK 4015 radio comm test set £2250
HP 5360B freq counter, 20GHz £2000
HP 3468 noise source, 10MHz-18GHz £500
HP 11882D dual dir coupler, 2GHz-18GHz £1600
HP 11881D dual dir coupler, 2GHz-18GHz £1250
WAYNE KERR inductance analyser 24S £2000
H.P. 8112A pulse generator, 50MHz £1250
DATRON Auto Cal multimeter, 5 1/2-7 1/2 digit, 10651061A/1071 From £300-£500

RACAL 1988 freq counter, 1-3GHz, IEEE etc. £400
MARCONI 2440/2442 freq counter, 20GHz/28GHz... From £1250
PHILIPS PM5328 sig gen, 100kHz-180MHz, with built-in 200 MHz freq. counter, IEEE £550
MARCONI 6500 amplitude analyser £1500
FARNELL PSU type AP100/30 £1000
FARNELL PSU type AP70/30 £850
B&K Accelerometer type 4366 £250
TEKTRONIX probes P61055, 50MHz readout, unused £50
TEKTRONIX probes P6106A 250MHz readout, unused £85

UNUSED OSCILLOSCOPES

PHILIPS PM3082 2 + 2 ch., 200MHz delay TB cursors, etc. £350
PHILIPS PM3082 2 + 2 ch., 100MHz delay, etc. £300
TEKTRONIX TAS485 dual trace, 100MHz delay, etc. £300

UNUSED OSCILLOSCOPES

TEKTRONIX TDS350 dual trace, 200MHz, 1GS/Sec... £1500
TEKTRONIX TAS485 4-channel, 200MHz etc. £1100
HP 54610B dual trace, 500MHz, 20MS... £2800
HP 54600B dual trace, 100MHz, 20MS... £1100
GOULD 400 dual trace, 20MHz, 100MS... £300

MARCONI 2610 TRUE RMS VOLTMETER
Digital/Analogue, As new
ONLY £250

SPECTRUM ANALYSERS

R.P. 8582A 1kHz-22GHz £9000
R.P. 8655E 9kHz-6.5kHz with Opt 004041/01/105/110, 857171A card and 85024A high freq. probe £9000
B.P. 8690A 10kHz-1.8GHz (75-ohm) £2250
H.P. 8538B with main frame 100kHz-1500MHz... £1250
H.P. 853A (dig frame) with 8558A 100kHz-21GHz £2750
H.P. 3582A dual channel 25kHz £1500
MARCONI 2382 100Hz-400MHz high resolution £2000
3&K 2203SR signal analyser £1500
ADVANTEST TR4131 10kHz-3.5GHz £2750
MARCONI 2370 30Hz-110MHz From £500

4-P. 141 Systems:
3553 1kHz-110MHz From £500
8554 500kHz-1250MHz From £750
8555 10MHz-18GHz... From £1000

MARCONI TF2015 AM/FM Sig Gen 10-520MHz **£175**

RACAL 9008 Automatic mod meter 1-5MHz-2GHz **£200**

WAYNE KERR AMM255 Automatic Modulation Meter AM/FM 1-5MHz-2GHz 3 1/2 digit **Unused £400**

GOODWILL GFC 8010G FREQUENCY COUNTER, Range 1Hz-120MHz, 8-Digit Display, 15mV RMS Sensitivity **Unused £75**

GOODWILL GYT427 DUAL CHANNEL A.C. MILLIVOLTMETER 10V/300V in 12 ranges Frequency 10Hz-1MHz **Used £100 Unused £125**

A Classic Bench Multimeter
Solatron 7045 - 4 1/2 Digit, bright l.e.d. Working with leads. **ONLY £30**
It's so cheap you should have it as a spare

FARNELL L302 Bench Power Supply 0-30 Volts; 0-2 Amps. Constant D.C. outputs/Constant current. **ONLY £80**

SPECIAL OFFERS
FOR ORDERS BEFORE 31st JANUARY 2000 OR WHILEST STOCK LASTS
TEKTRONIX 2215 - Dual Trace 60MHz Sweep Delay Includes 2 probes **NOW ONLY £275**

HC3502 Dual Trace 20MHz 5mV-20V/Div; 0-2u sec/0-5 Sec/Div; X-Y; X5 Magnifier; TV/Sync etc. **UNUSED £140**

POWER SUPPLY Model HSP3010, 0-30V, 0-10 Amps current limiting 2 meters **£120**

Solatron 7150 DDMM 6 1/2 digit True RMS IEEE **£150**

FLUKE MULTIMETERS
Type 8050A 4 1/2-digit, 2A True RMS £75
Type 8010A 3 1/2-digit, 10A £50
Type 8012A 3 1/2-digit, 2A £40
H.P. 5315A Universal Counter, 1GHz 2 ch. £80
RACAL 9818 Frequency Counter, 10Hz-560MHz £50

GOULD J3B Sine/Square Oscillator 100Hz-100kHz. Low distortion **ONLY £95**

FARNELL LF1 Sine/Sq Oscillator 10Hz-1MHz **ONLY £75**

LEVELL TG200DMP RC Oscillator 1Hz-1MHz Sine/Square, meter, battery operated (Batteries not supplied) **£50**

STEWART of READING
110 WYKEHAM ROAD, READING, BERKS. RG6 1PL
Telephone: (0118) 9268041. Fax: (0118) 9351696
Callers welcome 9am-5.30pm Monday to Friday (other times by arrangement)

Used Equipment - GUARANTEED. Manuals supplied
This is a VERY SMALL SAMPLE OF STOCK. SAE or Telephone for lists. Please check availability before ordering.
CARRIAGE all units £16. VAT to be added to Total of Goods and Carriage

**WHETHER ELECTRONICS IS YOUR HOBBY
OR YOUR LIVELIHOOD . . .
YOU NEED THE MODERN ELECTRONICS MANUAL
and the ELECTRONICS SERVICE MANUAL**

THE MODERN ELECTRONICS MANUAL



The essential reference work for everyone studying electronics

- Easy-to-use format
- Clear and simple layout
- Comprehensive subject range
- In-depth theory
- Projects to build
- Detailed assembly instructions
- Full components checklists
- Extensive data tables
- Detailed supply information
- Professionally written
- Regular Supplements
- Sturdy ring-binder

EVERYTHING YOU NEED TO GET STARTED AND GO FURTHER IN ELECTRONICS!

The revised edition of the Modern Electronics Base Manual contains practical, easy-to-follow information on the following subjects:

BASIC PRINCIPLES: Electronic Components and their Characteristics (16 sections from Resistors and Potentiometers to Crystals, Crystal Modules and Resonators), Circuits Using Passive Components (9 sections), Power Supplies, The Amateur Electronics Workshop, The Uses of Semiconductors, Digital Electronics (6 sections), Operational Amplifiers, Introduction to Physics, Semiconductors (6 sections) and Digital Instruments (5 sections).

CIRCUITS TO BUILD: There's nothing to beat the satisfaction of creating your own project. From basic principles, like soldering and making printed circuit boards, to circuit-building, the Modern Electronics Manual and its Supplements describe clearly, with appropriate diagrams, how to assemble radios, loudspeakers,

amplifiers, car projects, computer interfaces, measuring instruments, workshop equipment, security systems, etc. The Base Manual describes 13 projects including a Theremin and a Simple TENS Unit.

ESSENTIAL DATA: Extensive tables on diodes, transistors, thyristors and triacs, digital and linear i.c.s.

EXTENSIVE GLOSSARY: Should you come across a technical word, phrase or abbreviation you're not familiar with, simply turn to the glossary included in the Manual and you'll find a comprehensive definition in plain English.

The Manual also covers **Safety** and **Suppliers**. The most comprehensive reference work ever produced at a price you can afford, the revised edition of **THE MODERN ELECTRONICS MANUAL** provides you with all the **essential** information you need.

• **THE MODERN ELECTRONICS MANUAL**

Revised Edition of Basic Work: Contains over 900 pages of information. Edited by John Becker.

Regular Supplements: Approximately 160-page Supplements of additional information which, if requested, are forwarded to you immediately on publication (four times a year). These are billed separately and can be discontinued at any time.

Presentation: Durable looseleaf system in large A4 format

Price of the Basic Work: £39.95 (to include a recent Supplement **FREE**)

Guarantee

Our 30 day money back guarantee gives you **complete peace of mind**. If you are not entirely happy with either Manual, for whatever reason, simply return it to us in good condition, together with the Digital Multimeter, within 30 days and we will make a **full refund of your payment** – no small print and no questions asked.

(Overseas buyers do have to pay the overseas postage charge)

ELECTRONICS SERVICE MANUAL

EVERYTHING YOU NEED TO KNOW TO GET STARTED IN REPAIRING AND SERVICING ELECTRONIC EQUIPMENT

SAFETY: Be knowledgeable about Safety Regulations, Electrical Safety and First Aid.

UNDERPINNING KNOWLEDGE: Specific sections enable you to Understand Electrical and Electronic Principles, Active and Passive Components, Circuit Diagrams, Circuit Measurements, Radio, Computers, Valves and manufacturers' Data, etc.

PRACTICAL SKILLS: Learn how to identify Electronic Components, Avoid Static Hazards, Carry Out Soldering and Wiring, Remove and Replace Components.

TEST EQUIPMENT: How to Choose and Use Test Equipment, Assemble a Toolkit, Set Up a Workshop, and Get the Most from Your Multimeter and Oscilloscope, etc.

SERVICING TECHNIQUES: The regular Supplements include vital guidelines on how to Service Audio Amplifiers, Radio Receivers, TV Receivers, Cassette Recorders, Video Recorders, Personal Computers, etc.

TECHNICAL NOTES: Commencing with the IBM PC, PC-XT, PC-AT, this section and the regular Supplements deal with a very wide range of specific types of equipment.

REFERENCE DATA: Detailing vital parameters for Diodes, Small-Signal Transistors, Power Transistors, Thyristors, Triacs and Field Effect Transistors. Supplements include Operational Amplifiers, Logic Circuits, Optoelectronic Devices, etc.

The essential work for servicing and repairing electronic equipment

- Easy-to-use format
- Clear and simple layout
- Vital safety precautions
- Fundamental principles
- Troubleshooting techniques
- Servicing techniques
- Choosing and using test equipment
- Reference data
- Professionally written
- Regular Supplements
- Sturdy ring-binder

ELECTRONICS SERVICE MANUAL

Basic Work: Contains around 900 pages of information. Edited by Mike Tooley BA

Regular Supplements: Approximately 160-page Supplements of additional information which, if requested, are forwarded to you immediately on publication (four times a year). These are billed separately and can be discontinued at any time.

Presentation: Durable looseleaf system in large A4 format

Price of the Basic Work: £39.95 (to include a recent Supplement FREE)

ORDER BOTH MANUALS TOGETHER AND SAVE OVER £10!

A mass of well-organised and clearly explained information is brought to you by expert editorial teams whose combined experience ensures the widest coverage
Regular Supplements to these unique publications, each around 160 pages, keep you abreast of the latest technology and techniques if required

REGULAR SUPPLEMENTS

Unlike a book or encyclopedia, these Manuals are living works – continuously extended with new material. If requested, Supplements are sent to you approximately every three months. Each Supplement contains around 160 pages – all for only £23.50+£2.50 p&p. You can, of course, return any Supplement (within ten days) which

you feel is superfluous to your needs. You can also purchase a range of past Supplements to extend your Base Manual on subjects of particular interest to you.

RESPONDING TO YOUR NEEDS

We are able to provide you with the most important and popular, up to date, features in our

Supplements. Our unique system is augmented by readers' requests for new information. Through this service you are able to let us know exactly what information you require in your Manuals.

You can also contact the editors directly in writing if you have a specific technical request or query relating to the Manuals.

PLEASE send me a Digital Multimeter (offer ends Mar 17, 2000) together with

THE MODERN ELECTRONICS MANUAL plus a FREE SUPPLEMENT

ELECTRONICS SERVICE MANUAL plus a FREE SUPPLEMENT

I enclose payment of £39.95 (for one Manual) or £69.75 for both Manuals (saving over £10 by ordering both together) plus postage if applicable.

I also require the appropriate Supplements four times a year. These are billed separately and can be discontinued at any time. (Please delete if not required.)

Should I decide not to keep the Manual/s I will return it/them and the Digital Multimeter to you within 30 days for a full refund.

FULL NAME
(PLEASE PRINT)

ADDRESS

.....POSTCODE

SIGNATURE

I enclose cheque/PO payable to Wimborne Publishing Ltd.

Please charge my Visa/Mastercard

Card No. Card Exp. Date

ORDER FORM

Simply complete and return the order form with your payment to the following address:

Wimborne Publishing Ltd, Dept. Y2, Allen House,

East Borough, Wimborne, Dorset BH21 1PF

We offer a 30 day MONEY BACK GUARANTEE

– if you are not happy with the Manual simply return it to us in good condition together with the Multimeter within 30 days for a full refund.

Overseas buyers do have to pay the overseas postage – see below.

POSTAGE CHARGES

Postal Region	Price PER MANUAL	
	Surface	Air
Mainland UK	FREE	–
Scottish Highlands, UK Islands & Eire	£5.50	–
Europe (EU)	–	£20
Europe (Non-EU)	£20	£26
USA & Canada	£25	£33
Far East & Australasia	£31	£35
Rest of World	£25	£45

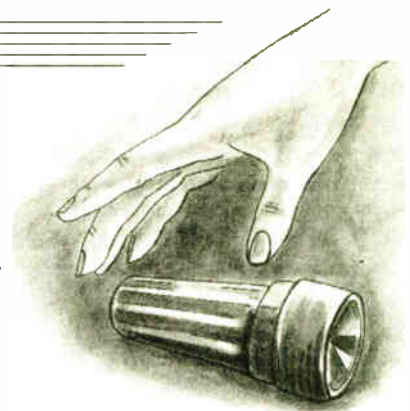
Please allow four working days for UK delivery.

NOTE: Surface mail can take over 10 weeks to some parts of the world. Each Manual weighs about 4kg when packed.

esm2bw

FIND IT - DON'T LOSE IT!

TERRY DE VAUX-BALBIRNIE



Locates almost anything in the dark!

A FUSE blows and the lights go out. Everything goes dark. You fumble for the torch – you know it's there somewhere – but where?

Let this little gadget show you where!

FIND IT

With the battery-powered Find It circuit, you will always be able to locate a torch, bunch of keys, door lock – just about anything – in darkness!

While sufficient light reaches a sensor (light dependent resistor – l.d.r.) on the unit, nothing happens. However, when it is dark enough, a light-emitting diode (l.e.d.) begins to flash briefly about once every five seconds. This helps to locate the item.

If preferred, you could increase or reduce the flash rate. However, any increase would reduce the life of the battery.

LIGHTING THE WAY

There are many ways of using this circuit and readers will, no doubt, have their own ideas. One method would be to attach the unit to a wall close to the object to be

“found”. Alternatively, a hook could be fitted to the box so that, say, a bunch of keys or a torch could be hung from it (see photograph).

It would also be possible to attach the unit to a portable item. In some cases, it might even be possible to build the circuit panel inside a piece of equipment but the reader will need to make certain that he or she is totally aware of any safety implications and must be competent at doing the job correctly.

If you are going to use the device to locate a door lock, it may be convenient to have only the l.e.d. showing next to the lock and connect it to the unit mounted on the inside of the door.

As well as household applications, this circuit will be found handy in many outdoor pursuits. Campers and anglers will certainly find uses for it. Note that, in some cases, it will be necessary to waterproof the box and this is left up to the constructor.

The circuit draws power from two AA-size alkaline cells which should give some one or two years of service. Since it requires more current while the l.e.d. is flashing, the actual life of the batteries will depend on the number of hours of darkness in a given 24 hour period. It also depends on what

degree of illumination is set for the unit to begin operating.

While sufficient light reaches the sensor (so that the l.e.d. is off), the current requirement of the prototype circuit is only 5 μ A which may be regarded as negligible. While the l.e.d. is flashing, this rises to an average 250 μ A approximately.

This small operating current is achieved by using a short duty cycle – that is, the l.e.d. is off for much longer than it is on – about 65 times longer. Thus, in each five second cycle the l.e.d. is only actually operating for some 0.08s (80ms).

Although while glowing the l.e.d. draws about 10mA, the average requirement is therefore only 150 μ A approximately. This is added to the 100 μ A approximately required by the rest of the circuit giving 250 μ A. If it is assumed that there are eight hours of operation in a 24 hour period, the average overall current requirement is therefore only 80 μ A approximately.

While the battery voltage exceeds about 2.5V, the l.e.d. will flash brightly. It will become correspondingly dimmer down to about 2V which is the practical end point.

CIRCUIT DESCRIPTION

The complete circuit diagram for the Find It project is shown in Fig.1. This may be considered to comprise two sections. The first is the light sensing part based on IC1 and associated components and the second, the l.e.d. flasher centred on IC2.

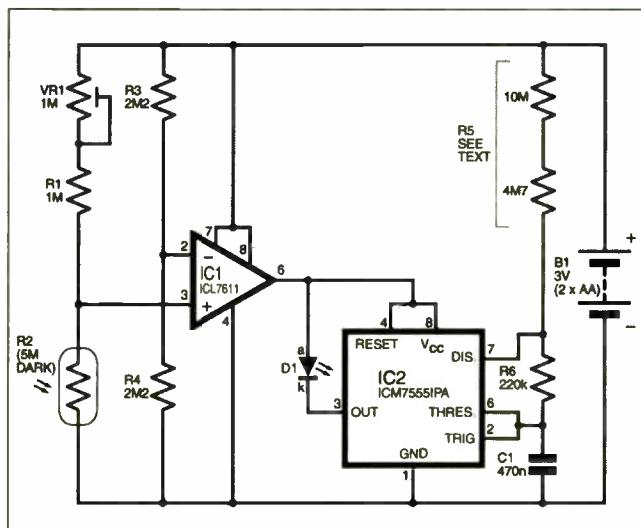
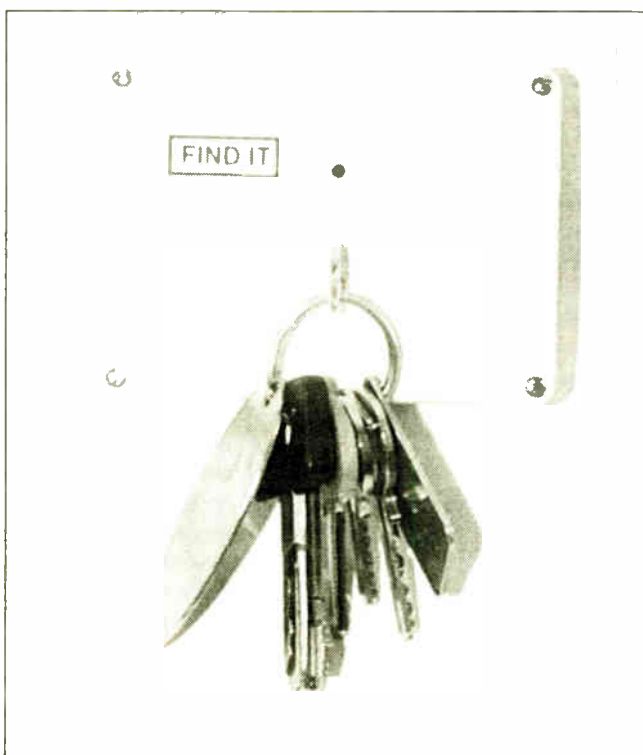


Fig.1. Complete circuit diagram for Find It. Left, Find It being used as an illuminated keyring hook.

Integrated circuit IC1 is an operational amplifier (op.amp). This has been specially selected for its ability to operate from a low supply voltage combined with an exceptionally small standby operating current.

Looking at the light sensor stage first, the op.amp inverting input (pin 2) is maintained at a voltage equal to one-half that of the supply (nominally 1.5V), due to the effect of equal value resistors R3 and R4 connected as a potential divider across the power supply. Since these have a very high resistance, the continuous current flowing through them is only a fraction of a microamp.

The op.amp non-inverting input, pin 3, is connected to a further potential divider. The top arm of this comprises preset potentiometer VR1 connected in series with fixed resistor R1. The lower one is simply light-dependent resistor (l.d.r.) R2.

As the intensity of light reaching the l.d.r.'s sensitive surface falls, its resistance rises and so does the voltage across it and hence at the non-inverting input, pin 3. Depending on the adjustment of VR1, this voltage will exceed that at the inverting input, pin 2, at the operating light level.

A simple rule about op.amps is this. When the voltage applied to the non-inverting input exceeds that at the inverting one (as will happen here in dim light), the output (pin 6) will be high. When it is less (bright light), it will be low.

The ICL7611 has an almost full output swing between the supply voltage, and its output will therefore go from 0V to 3V nominal as the light level falls to the required operating point.

LIGHT FLASHER

Now let us look at the l.e.d. flasher based on IC2. This consists of an astable (free-running pulse generator). Its frequency is related to the value of resistor R5 (in the prototype, this consisted of two resistors connected in series to make up the required value), resistor R6 and capacitor C1.

The *on* times (during which the output, pin 3, is high) are provided when C1 charges through resistors R5 and R6 to two-thirds of supply voltage (2V approx.). After that, the capacitor discharges via internal circuitry through resistor R6 alone to one-third of supply voltage (1V approx.) and this gives the *off* period during which pin 3 is low.

This cycle repeats indefinitely as long as a supply exists to pin 8 and the reset input at pin 4 is high. With the values of components specified, each cycle takes about five seconds.

Since resistor R5 has a much higher value than R6, capacitor C1 charging time is much longer than the discharge time. Thus, the time during which output pin 3 is high is much greater than when it is low. If an l.e.d. was connected between pin 3 and the 0V rail, this would give the opposite effect to that which was required – it would be on for longer than it was off!

To overcome this, the current-sinking capability of IC2 is exploited. That is, current is able to flow from supply positive through the l.e.d. and *into* the output.

With the l.e.d. connected like this, current will flow through it when pin 3 is *low* rather than when it is high. The result is that the on transitions are much shorter than the off

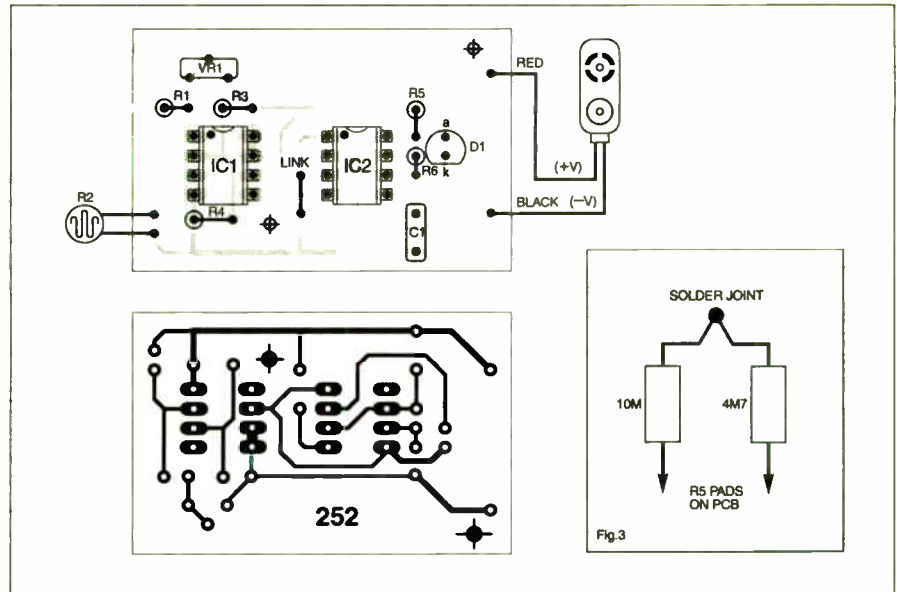


Fig.2. Printed circuit board component layout and full size copper foil master pattern. Fig.3 (inset). How to make up R5 by wiring two resistors in series.

ones. Note that there is no need to use a current-limiting resistor connected in series with the l.e.d. because the operating current is limited to a suitable level by the chip itself.

Referring back to the operation of IC1, its output (pin 6) is connected to IC2 pin 8 (supply positive) and pin 4 (reset) so, while IC1 output is high (that is, when the l.d.r. is sufficiently dark) the criteria are met for the astable to operate and the l.e.d. flashes.

In the original version of the circuit, the l.e.d. D1 anode (a) was connected direct to supply positive so relieving IC1 of its load. However, even with IC1 pin 6 low (and so apparently no supply existing for IC2), the l.e.d. continued to flash dimly!

It seems that current sinking through the l.e.d. provided a weak supply for IC2 which allowed it to oscillate. In the final version of the circuit the anode of D1 is connected to IC1 output and this solves the above problem. When the l.d.r. receives sufficient light, there is no power supply for IC2 and nothing happens.

Using IC1 to switch on the power supply for IC2 has a particular advantage in that IC2 draws no current at all while the l.d.r. receives sufficient light and this greatly reduces the standby current requirement of the circuit as a whole.

CONSTRUCTION

All components, except the cell holder, are mounted on a small single-sided printed circuit board (p.c.b.). The topside component layout and full size underside copper foil track master are shown in Fig.2. This board is available from the *EPE PCB Service*, code 252.

Begin construction by drilling the fixing holes then solder the i.c. sockets and single link wire in position. Do not insert the i.c.s themselves yet, however. Follow with all other components except the l.e.d. D1 and l.d.r. R2.

The suggested value for resistor R5 (14.7M Ω) may be made up using a 10M Ω unit connected in series with a 4.7M Ω one. These are arranged as shown in Fig.3 with the free ends soldered to the "R5" pads on the p.c.b.

Raising the value of the combination would reduce the flash rate and vice-versa.

COMPONENTS

Resistors

R1	1M (or as required – see text)
R2	sub-min light-dependent resistor (5mm dia. 5M Ω dark – see text)
R3, R4	2M2 (2 off)
R5	14M7 (10M and 4M7 connected in series or as required – see text)
R6	220k
All	0.25W 5% carbon film, except R2.

Potentiometer

VR1	1M min enclosed carbon preset, vert.
-----	--------------------------------------

Capacitor

C1	470n min. metallised polyester – 5mm pin spacing
----	--

Semiconductors

D1	3mm red high-brightness l.e.d. – see text.
IC1	ICL7611 micropower op.amp.
IC2	ICM75551PA low power CMOS timer.

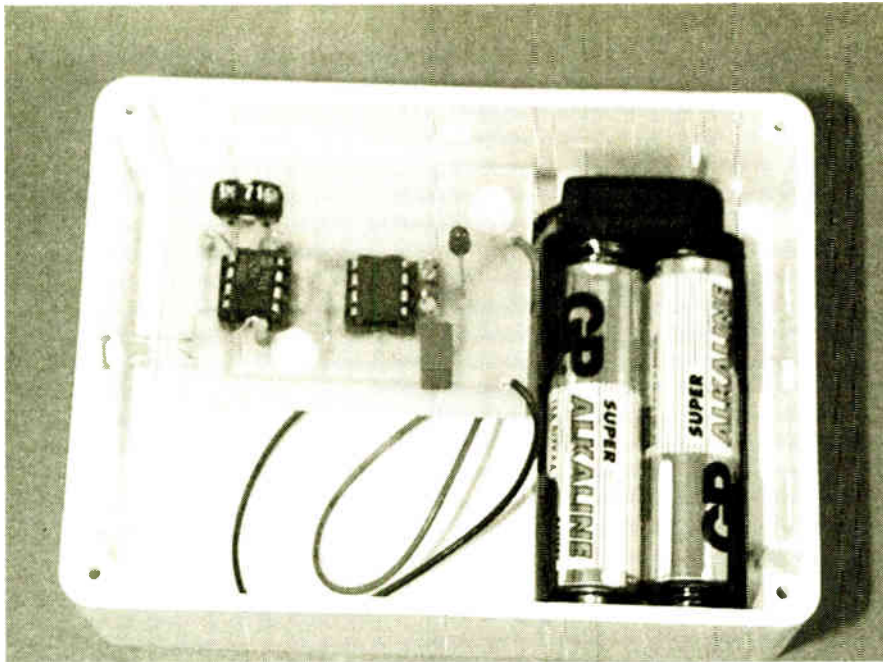
Miscellaneous

B1	3V battery pack (2 x AA cells, with holder)
----	---

Printed circuit board available from the *EPE PCB Service*, code 252; plastic case, size 102mm x 76mm x 38mm external; 8-pin d.i.l. socket (2 off); PP3-type battery connector (or as appropriate for the holder); multistrand connecting wire; solder, etc.

Approx. Cost
Guidance Only

£10
excluding batts.



Completed unit showing positioning of the circuit board and the two-cell holder. Note the light dependent resistor (l.d.r.) mounted in one side panel.

A 10 megohm, resistor alone would give a rate of about one flash every three seconds.

If you are using the specified miniature l.d.r. having a "dark" resistance of about 5MΩ, then the suggested value of resistor R1 will probably be found to work well. If you use a different l.d.r. having a lower "dark" resistance (say, the common ORP12 type), you may need to reduce the value of R1 to, say, 100kΩ.

FINAL ASSEMBLY

Hold the p.c.b. a small distance above the base of the box and decide how long the l.e.d. and l.d.r. leads need to be. The l.e.d. should be soldered so that its tip will eventually stand slightly higher than the face of the lid. Take care over its polarity (the slightly shorter lead is the cathode (k).

Note that the specified l.e.d. used in the prototype is the *high-brightness* type and this was found to give better results than the standard variety. However, beware of any l.e.d. which has a narrow viewing angle. This could prevent it from being seen if the user is too far off-axis.

The l.d.r. leads should be of such a length that its "window" will take up a position level with either the top face or side of the box depending on the layout decided on. Solder it in place using as little heat as possible to prevent possible damage.

If you wish to mount the l.e.d. remotely from the p.c.b., use a piece of light-duty twin-stranded wire soldered to its copper pads on the p.c.b. When soldering the l.e.d. to the other end, take care over the polarity.

Also, be careful to avoid short-circuits at the joints. Insulate and waterproof them as necessary using heat-shrinkable sleeving. Solder the end wires of the PP3-type battery connector (or as appropriate for the battery holder being used) to the "+V" (red) and "0V" (black) points on the p.c.b.

Insert the i.c.s, with the correct orientation, into their sockets. Since they are both CMOS components, they could possibly be damaged by static charge which might exist on the body. It would therefore be wise to touch something which is earthed (such as

a water tap) to remove any such charge before handling the pins.

TESTING

A check may be carried out before mounting the p.c.b. in the box. In that way, any faults will be more easily rectified.

Adjust preset VR1 fully anti-clockwise (as viewed from the top edge of the p.c.b.). This will allow the circuit to respond without having to cover the l.d.r. completely and this will make testing easier. Insert the cells into their holder taking care with the polarity and connect it up.

With the l.d.r. covered with the hand, the l.e.d. D1 should flash about once every five seconds. Be patient because you will have to wait longer than this for the first flash. The actual rate is not particularly important but it could be made faster or slower by reducing or increasing the value of R5 respectively.

Now, uncover the l.d.r. so that light falls on it. The l.e.d. should stop flashing. If you find difficulty making it work, try again with the l.d.r. covered more carefully or take the unit into a dark cupboard.

Adjust VR1 so that the circuit operates at the required degree of illumination. You may find that you need to make further small adjustments when the circuit panel is

mounted in position.

BOX IT

If a hook or something similar is to be attached to the case, take account of the p.c.b. position so that any fixings will not cause a short-circuit.

Remove the connector from the cell holder. Position the p.c.b. on the bottom of the box and mark through the fixing holes. Remove the p.c.b. again and drill them through.

Decide where the hole is to be drilled to allow light to reach the l.d.r. It must not be obscured too much during use or this would result in the l.e.d. flashing more than necessary with a consequent increase in the current requirement.

In the prototype, the l.d.r. leads were bent through right-angles (see photograph) and the hole was made in the side of the box. However, the exact arrangements will depend on the application.

Carefully measure the positions of the l.e.d. and l.d.r. and drill the holes for these components. The hole for the l.e.d. should be of such a diameter that its tip will protrude through it only slightly. That for the l.d.r. should be a little smaller than its window so that this will lie just behind the hole when the p.c.b. is in position.

If required, you could drill a small hole to allow preset VR1 to be adjusted from outside the case using a small screwdriver or trimming tool. However, this was not done in the prototype.

FINISHING OFF

Attach the p.c.b. using plastic spacers on the bolt shanks so that the l.e.d. and l.d.r. take up their correct positions. Attach the cell holder to the bottom of the box using a small fixing.

Secure the lid of the case taking care that the l.e.d. engages with its hole and test the circuit under real conditions. Make further adjustments to preset VR1 if necessary so that the l.e.d. begins to flash at the required light level.

Clockwise rotation of the sliding contact (as viewed from the top edge of the p.c.b.) allows operation with less light. If you would like the l.e.d. to start flashing under dimmer conditions and this is not possible with VR1 adjusted fully clockwise, increase the value of resistor R1 – 2:2 megohms would be a good starting point.

Put the Find It into service. When the l.e.d. begins to flash too dimly to be seen effectively, it is time to replace the batteries. □

SEMI-CONDUCTORS & ACCESSORIES		PRICE EACH	CONNECTORS (Continued)		PRICE EACH
BC182, BC184, BC212, BC212L, 2N2904 OR 2N2906	4p		PHONE PLUGS RED OR BLACK 10p; LINE SOCKET (METAL) 25p		
BC347B, BC548B, BC549B, BC557B OR BC558B	ONLY 5p		PHONE CHASSIS SOCKETS (P&T): SINGLE 14p; TWI-WAY 20p; CORD 34p		
BRIDGE RECTIFIERS: W005 11p; 2A 200V 50 14p; 3.2A 40V 14p			DIN 3-PIN PLUG 5p; LINE SOCKET 13p; CHASSIS SOCKET 2p		
0.5A VOLTAGE REGULATORS 78XXL 5V, 8V, 12V OR 15V	14p		DIN 3-PIN PLUG 14p; 5-PIN (240): CHASSIS SOCKET 19p; PLUG 14p		
0.5A VOLTAGE REGULATORS 78XXL 5V, 8V, 12V OR 15V	14p		LOW VOLTAGE DC POWER CONN 2-pin: CHASSIS SOCKET 24p		
DIODE IN914 2p; THYRISTOR C1068 14p; CMOS 4011B 9p			UH F RF PL258 PLUG 37p; REDUCER 24p; 50229 SQUARE SOCKET 24p		
TTL 7400 OR 7404 9p; TO3 HEAT-SINKS 2M1 99p; 601 E2 4p			IEC 6A MAINS 6-WAY DISTRIBUTION BOARD 14.99; PLUG TO SUIT 74p		
BATTERY HOLDERS & CLIPS			MAINS CASSETTE LEAD 49p; PLUG ONLY 24p; POWER TERMINAL 49p		
6 x AA SHORT 23p; PP3/PP6 CONNECTOR CLIP 7p			MAINS DIMMER SWITCH 400V 59p; BC BATTERY HOLDER 49p; PLUG 49p		
CAPACITORS			FUSE HOLDERS & FUSES		
POLYESTER: 22NF 4p; 47NF 5p; 220NF 7p; 330NF 9p; 2U2 12p			PANEL MFG FUSEHOLDERS (Finger Release): 20mm 17p; 31mm 24p		
DISC CERAMIC 50V 5MM (0.9) 10HF	NCW ONLY 4p		IN-LINE CAR FUSEHOLDER 10p; MAINS PLUG TOP FUSE 13A 6p		
AXIAL ELECTROLYTICS (STD): 10F 63V, 100V, 250V 2p; 45V 4p			KNOBES		
2U2 63V, 3U3 63V 2p; 350V 4p; 4U7 63V 10U 25V, 40V 2p; 700V 9p			MIXER STYLE KNOB (ASSORTED COLOUR CAPS) 19mm DIA. 9p		
100UF 160V 15p; 22U 16V, 25V 2p; 40V 3p; 63V 4p; 100V 6p			ALUMINIUM INLAY CONTROL, KNOBS LINE OR CALIBRATED 37mm 39p		
33UF 16V, 40V 2p; 63V 4p; 47UF 10V, 25V 2p; 63V 4p; 100V 4p			RESISTORS		
100UF 16V, 25V 2p; 150UF 16V 2p; 220UF 10V 3p; 25V 4p; 63V 6p			0.5W 5% E24 10R to 10M AS AVAILABLE 1p; MIN PRESETS W/H 6p		
220UF 100V 24p; 330UF 10V 3p; 16V 4p; 63V 13p; 100V 13p; 70UF 10V			SWITCHES		
4p; 25V 5p; 40V 5p; 50V 14p; 680UF 16V 4p			MAINS TOGGLE SWITCH SPST 3A 250V BY ARROW NOW ONLY 52p		
1000UF 6V3, 10V 4p; 15V 5p; 15V, 25V 7p; 40V 19p; 63V 49p			ILLUMINATED MAINS ROCKER SWITCH DPST BY SWANN BLACK 82p		
2200UF 10V 7p; 16V 14p; 25V 40V 19p; 50V 89p; 3300UF 10V 15p			ROTARY SWITCH 1-POLE 12-WAY BY ALPHA NOW ONLY 49p		
CONNECTORS			DI. SWITCHES (SPST): 7-WAY 14-PIN 25p; 9-WAY 18-PIN 39p		
JACK PLUGS (MONO PLASTIC) 2.5mm, 3.5mm 9p; 6.3mm 14p			LOOKING FOR KITS? SEND SAE FOR DETAILS OF EYE KITS WE PRODUCE		
JACK LINE SOCKETS (MONO PLASTIC) 2.5mm 9p; 3.5mm, 6.3mm 17p			ALL MAJOR CREDIT CARDS, CHEQUES & P.O'S ACCEPTED. NO VAT		
JACK CHASSIS SOCKET (MONO): 2.5mm 9p; 6.3mm SWITCHED 29p			FMJ ELECTRONICS, FREEPOST NEA3627		
ALL ITEMS SUBJECT TO AVAILABILITY. SALE ENDS 31 MARCH 2000			BLDALE, NORTH YORKSHIRE, DL3 2BR		
Send LARGE SAE for OCT 88 COMPONENT lists			TEL: 01677 428490		
UK P&P NOW FREE ON ORDERS OVER £7 (otherwise 1c)					

INGENUITY UNLIMITED



Our regular round-up of readers' own circuits. We pay between £10 and £50 for all material published, depending on length and technical merit. We're looking for novel applications and circuit tips, not simply mechanical or electrical ideas. Ideas *must be the reader's own work* and **not have been submitted for publication elsewhere.** The circuits shown have NOT been proven by us. *Ingenuity Unlimited* is open to ALL abilities, but items for consideration in this column should preferably be typed or word-processed, with a brief circuit description (between 100 and 500 words maximum) and full circuit diagram showing all relevant component values. **Please draw all circuit schematics as clearly as possible.** Send your circuit ideas to: Alan Winstanley, *Ingenuity Unlimited*, Wimborne Publishing Ltd., Allen House, East Borough, Wimborne, Dorset BS21 1PF. They could earn you some real cash and a prize!



WIN A PICO PC BASED OSCILLOSCOPE

- 50MSPS Dual Channel Storage Oscilloscope
- 25MHz Spectrum Analyser
- Multimeter • Frequency Meter
- Signal Generator

If you have a novel circuit idea which would be of use to other readers then a Pico Technology PC based oscilloscope could be yours. Every six months, Pico Technology will be awarding an ADC200-50 digital storage oscilloscope for the best IU submission. In addition, two single channel ADC-40s will be presented to the runners-up.

Mini Disc Optical Interface – Link-Up

BEING the proud owner of a new Mini Disc recorder, my problem was that I only had the usual line output on my hi-fi system to record from. I wanted to use the MD to its fullest extent to record digitally instead, so as not to lose any quality at all.

I found the answer in the shape of a fibre optical transmitting module for a standard optical cable (itself available in the High Street). The Toshiba TOTX176 module has its own drive circuitry for the emitter i.e.d. and can be used as an interface. A datasheet is available from the Toshiba web site at <http://www.toshiba.com>.

In the end, the source for the digital signals was to be found on the rear of the CD ROM

in my PC, not in the hi-fi system at all (see Fig.1). The connections were simple, 5V, ground and the signal wire which can be picked up from the rear of the CD ROM drive.

The Toshiba transmitter is available from Maplin, part no. SV09K, and this can be soldered to a small piece of stripboard and fitted within the PC. I used a spare drive bay blanking plate to mount the opto-emitter unit. The Mini Disc player can then be connected to the PC CD ROM drive when required. Hobbyists could experiment using old spare CD ROM drives as well.

*P. Mcleod,
Ross on Wye.*

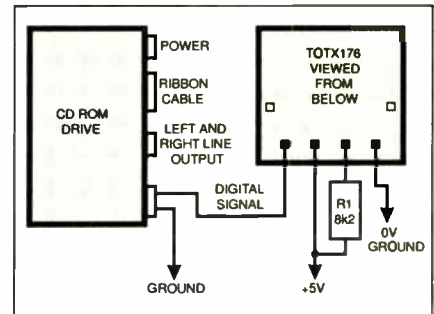


Fig.1. Mini Disc Optical Interface.

BE INTERACTIVE

IU is *your* forum where you can offer others readers the benefit of your Ingenuity. Share those ideas, earn some cash and possibly a prize!

VCO Generator – Sine/Square Triangle Output

THE circuit diagram of Fig.2 was an attempt to produce a waveform generator using simple building blocks instead of proprietary generator chips. In the outline circuit shown, IC1a and associated parts form a switched sign amplifier.

When the MOSFET transistor TR1 is switched off, IC1a acts as a non-inverting amplifier with a gain of +1. When TR1 is on, the gain is -1. IC1b forms an integrator with resistor R5 and capacitor C1. Its output ramps up with a negative input and down with a positive input.

The NAND gates IC2a and IC2b, along with resistors R7 and R8, form a large hysteresis Schmitt trigger so that when the integrator ramps up to three-quarters of the total supply it switches high and when it ramps down to one-quarter it switches low. The Schmitt controls the "sign" of IC1a and thus the slope of IC1b. The triangular waveform from the integrator (IC1b) goes to IC1c, which is a simple inverting amplifier fitted with a "dead band limiter" comprising D1 and D2, two identical Zener diodes.

When the triangular waveform from the integrator exceeds the forward plus the Zener voltages (in either polarity) the gain of the amplifier is reduced. This rounds off the peaks to give a fair approximation of a sine wave.

With a power supply of +6V and a Zener value of 2.2V, resistor R11 should be adjusted to give the best results. A value of 11 kilohms is about right. Both the frequency

and the sensitivity are controlled by resistor R5 and capacitor C1.

*A. E. Whittaker,
Stone, Staffs*

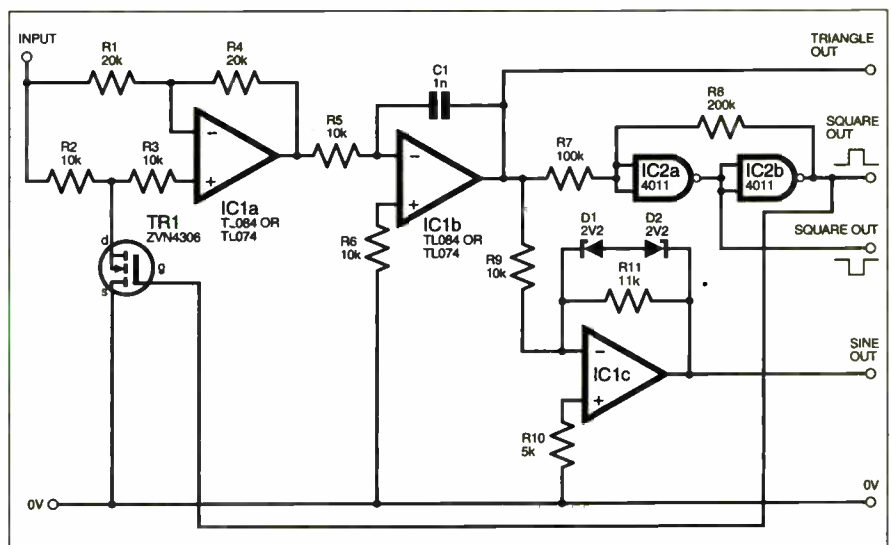


Fig.2. Circuit diagram for the VCO Waveform Generator.

DIRECT BOOK SERVICE

BOOK OF THE MONTH

£1 off if purchased before February 4, 2000

THE INVENTOR OF STEREO - THE LIFE AND WORKS OF ALAN DOWER BLUMLEIN

Robert Charles Alexander

This book is the definitive study of the life and works of one of Britain's most important inventors who, due to a cruel set of circumstances, has all but been overlooked by history.

Alan Dower Blumlein led an extraordinary life in which his inventive output rate easily surpassed that of Edison, but whose early death during the darkest days of World War Two led to a shroud of secrecy which has covered his life and achievements ever since.

His 1931 Patent for a Binaural Recording System was so revolutionary that most of his contemporaries regarded it as more than 20 years ahead of its time. Even years after his death, the full magnitude of its detail had not been fully utilized. Among his 128 patents are the principal electronic circuits critical to the development of the world's first electronic television system. During his short working life, Blumlein produced patent after patent breaking entirely new ground in electronic and audio engineering.

During the Second World War, Alan Blumlein was deeply engaged in the very secret work of radar development and contributed enormously to the system eventually to become 'H2S' - blind-bombing radar. Tragically, during an experimental H2S flight in June 1942, the Halifax bomber in which Blumlein and several colleagues were flying, crashed and all aboard were killed. He was just days short of his thirty-ninth birthday.

420 pages Hrbdck

Order code NE32

£29.99

EPE BOOKS



TEACH-IN No. 7, plus FREE SOFTWARE ANALOGUE AND DIGITAL ELECTRONICS COURSE

(published by *Everyday Practical Electronics*)

Alan Winstanley and Keith Dye B.Eng(Tech)AMIEE

This highly acclaimed *EPE Teach-In* series, which included the construction and use of the *Mini Lab* and *Micro Lab* test and development units, has been put together in book form. Additionally, EPT Educational Software have developed a GCSE Electronics software program to complement the course and a FREE DISK covering the first two parts of the course is included with the book.

An interesting and thorough tutorial series aimed specifically at the novice or complete beginner in electronics. The series is designed to support those undertaking either GCSE Electronics or GCE Advanced Levels, and starts with fundamental principles.

If you are taking electronics or technology at school or college, this book is for you. If you just want to learn the basics of electronics or technology you must make sure you see it. *Teach-In No. 7* will be invaluable if you are considering a career in electronics or even if you are already training in one. The *Mini Lab* and software enable the construction and testing of both demonstration and development circuits. These learning aids bring electronics to life in an enjoyable and interesting way; you will both see and hear the electron in action! The *Micro Lab* microprocessor add-on system will appeal to higher level students and those developing microprocessor projects.

160 pages

Order code 117

£3.95

The books listed have been selected by *Everyday Practical Electronics* editorial staff as being of special interest to everyone involved in electronics and computing. They are supplied by mail order to your door. Full ordering details are given on the last book page.

FOR A FURTHER SELECTION OF BOOKS SEE THE NEXT TWO ISSUES OF EPE.

Note our UK postage costs just £1.50 no matter how many books you order!

RADIO / TV VIDEO

ELECTRONIC PROJECTS FOR VIDEO ENTHUSIASTS

R. A. Penfold

This book provides a number of practical designs for video accessories that will help you get the best results from your camcorder and VCR. All the projects use inexpensive components that are readily available, and they are easy to construct. Full construction details are provided, including stripboard layouts and wiring diagrams. Where appropriate, simple setting up procedures are described in detail; no test equipment is needed.

The projects covered in this book include: Four channel audio mixer, Four channel stereo mixer, Dynamic noise limiter (DNL), Automatic audio fader, Video faders, Video wipers, Video crispener, Mains power supply unit.

109 pages

Order code BP356

£4.95

SETTING UP AN AMATEUR RADIO STATION

I. D. Poole

The aim of this book is to give guidance on the decisions which have to be made when setting up any amateur radio or short wave listening station. Often the experience which is needed is learned by one's mistakes, however, this can be expensive. To help overcome this, guidance is given on many aspects of setting up and running an efficient station. It then proceeds to the steps that need to be taken in gaining a full transmitting licence.

Topics covered include: The equipment that is needed; Setting up the shack; Which aerials to use; Methods of construction; Preparing for the licence.

An essential addition to the library of all those taking their first steps in amateur radio.

86 pages

Order code BP300

£3.95

EXPERIMENTAL ANTENNA TOPICS

H. C. Wright

Although nearly a century has passed since Marconi's first demonstration of radio communication, there is still research and experiment to be carried out in the field of antenna design and behaviour.

The aim of the experimenter will be to make a measurement or confirm a principle, and this can be done with relatively fragile, short-life apparatus. Because of this, devices described in this book make liberal use of cardboard, cooking foil, plastic bottles, cat food tins, etc. These materials are, in general, cheap to obtain and easily worked with simple tools, encouraging the trial-and-error philosophy which leads to innovation and discovery.

Although primarily a practical book with text closely supported by diagrams, some formulae which can be used by straightforward substitution and some simple graphs have also been included.

72 pages

Order code BP278

£3.50

25 SIMPLE INDOOR AND WINDOW AERIALS

E. M. Noll

Many people live in flats and apartments or other types of accommodation where outdoor aerials are prohibited, or a lack of garden space etc. prevents aerials from being erected. This does not mean you have to forgo shortwave listening, for even a 20-foot length of wire stretched out along the skirting board of a room can produce acceptable results. However, with some additional effort and experimentation one may well be able to improve performance further.

This concise book tells the story, and shows the reader how to construct and use 25 indoor and window aerials that the author has proven to be sure performers.

Much information is also given on shortwave bands, aerial directivity, time zones, dimensions etc.

50 pages

Order code BP136

£1.75

PROJECT CONSTRUCTION

PRACTICAL REMOTE CONTROL PROJECTS

Owen Bishop

Provides a wealth of circuits and circuit modules for use in remote control systems of all kinds; ultrasonic, infrared, optical fibre, cable and radio. There are instructions for building fourteen novel and practical remote control projects. But this is not all, as each of these projects provides a model for building dozens of other related circuits by simply modifying parts of the design slightly to suit your own requirements. This book tells you how.

Also included are techniques for connecting a PC to a remote control system, the use of a microcontroller in remote control, as exemplified by the BASIC Stamp, and the application of ready-made type-approved 418MHz radio transmitter and receiver modules to remote control systems.

160 pages

Order code BP413

£5.99

PRACTICAL ELECTRONIC MODEL RAILWAY PROJECTS

R. A. Penfold

The aim of this book is to provide the model railway enthusiast with a number of useful but reasonably simple projects that are easily constructed from readily available components. Stripboard layouts and wiring diagrams are provided for each project. The projects covered include: constant voltage controller; pulsed controller; pushbutton pulsed controller; pulsed controller with simulated inertia, momentum and braking; automatic signals; steam whistle sound effect; two-tone horn sound effect; automatic two-tone horn effect; automatic chuffer.

The final chapter covers the increasingly popular subject of using a computer to control a model railway layout, including circuits for computer-based controllers and signalling systems.

151 pages

Order code BP384

£4.99

A PRACTICAL INTRODUCTION TO SURFACE MOUNT DEVICES

Bill Mooney

This book takes you from the simplest possible starting point to a high level of competence in handworking with surface mount devices (SMD's). The wider subject of SM technology is also introduced, so giving a feeling for its depth and fascination.

Subjects such as p.c.b. design, chip control, soldering techniques and specialist tools for SM are fully explained and developed as the book progresses. Some useful constructional projects are also included.

Whilst the book is mainly intended as an introduction, it is also an invaluable reference book, and the browser should find it engrossing.

120 pages

Order code BP411

£4.99

FAULT-FINDING ELECTRONIC PROJECTS

R. A. Penfold

Starting with mechanical faults such as dry joints, short-circuits etc, coverage includes linear circuits, using a meter to make voltage checks, signal tracing techniques and fault finding on logic circuits. The final chapter covers ways of testing a wide range of electronic components, such as resistors, capacitors, operational amplifiers, diodes, transistors, SCRs and triacs, with the aid of only a limited amount of test equipment.

The construction and use of a Tristate Continuity Tester, a Signal Tracer, a Logic Probe and a CMOS Tester are also included.

136 pages

Order code BP391

£4.99

TEST EQUIPMENT CONSTRUCTION

R. A. Penfold

This book describes in detail how to construct some simple and inexpensive but extremely useful, pieces of test equipment. Stripboard layouts are provided for all designs, together with wiring diagrams where appropriate, plus notes on construction and use.

The following designs are included:- AF Generator, Capacitance Meter, Test Bench Amplifier, AF Frequency Meter, Audio Multivoltmeter, Analogue Probe, High Resistance Voltmeter, CMOS Probe, Transistor Tester, TTL Probe.

The designs are suitable for both newcomers and more experienced hobbyists.

104 pages

Order code BP248

£3.99

HOW TO DESIGN AND MAKE YOUR OWN P.C.B.'S

R. A. Penfold

Deals with the simple methods of copying printed circuit board designs from magazines and books, and covers all aspects of simple p.c.b. construction including photographic methods and designing your own p.c.b.s.

86 pages

Order code BP121

£3.99

ELECTRONIC PROJECT BUILDING FOR BEGINNERS

R. A. Penfold

This book is for complete beginners to electronic project building. It provides a complete introduction to the practical side of this fascinating hobby, including the following topics:

Component identification, and buying the right parts; Resistor colour codes, capacitor value markings, etc; Advice on buying the right tools for the job; Soldering, with advice on how to produce good joints and avoid "dry" joints; Making easy work of the hard wiring; Construction methods, including stripboard, custom printed circuit boards, plain matrix board, surface mount boards and wire-wrapping; Finishing off, and adding panel labels; Getting "problem" projects to work, including simple methods of fault-finding; In fact everything you need to know in order to get started in this absorbing and creative hobby.

135 pages

Order code BP392

£4.95

CIRCUITS AND DESIGN

AN INTRODUCTION TO PIC MICROCONTROLLERS

Robert Penfold

Designing your own PIC based projects may seem a daunting task, but it is really not too difficult providing you have some previous experience of electronics. The PIC processors have plenty of useful features, but they are still reasonably simple and straightforward to use. This book should contain everything you need to know.

Topics covered include: the PIC register set; numbering systems; bitwise operations and rotation; the PIC instruction set; using interrupts; using the analogue to digital converter; clock circuits; using the real time clock counter (RTCC); using subroutines; driving seven segment displays.
166 pages **Order code BP394** **£5.99**

PRACTICAL OSCILLATOR CIRCUITS

A. Flind

Extensive coverage is given to circuits using capacitors and resistors to control frequency. Designs using CMOS, timer i.c.s and op.amps are all described in detail, with a special chapter on "waveform generator" i.c.s. Reliable "white" and "pink" noise generator circuits are also included.

Various circuits using inductors and capacitors are covered, with emphasis on stable low frequency generation. Some of these are amazingly simple, but are still very useful signal sources.

Crystal oscillators have their own chapter. Many of the circuits shown are readily available special i.c.s for simplicity and reliability, and offer several output frequencies. Finally, complete constructional details are given for an audio sinewave generator.
133 pages **Order code BP393** **£4.99**

PRACTICAL ELECTRONIC CONTROL PROJECTS

Owen Bishop

Explains electronic control theory in simple, non-mathematical terms and is illustrated by 30 practical designs suitable for the student or hobbyist to build. Shows how to use sensors as input to the control system, and how to provide output to lamps, heaters, solenoids, relays and motors.

Computer based control is explained by practical examples that can be run on a PC. For stand-alone systems, the projects use microcontrollers, such as the inexpensive and easy-to-use Stamp BASIC microcontroller. These projects are chosen to introduce and demonstrate as many aspects as possible of the programming language and techniques.
198 pages **Order code BP377** **£5.99**

PRACTICAL ELECTRONICS HANDBOOK -

Fourth Edition, Ian Sinclair

Contains all of the everyday information that anyone working in electronics will need.

It provides a practical and comprehensive collection of circuits, rules of thumb and design data for professional engineers, students and enthusiasts, and therefore enough background to allow the understanding and development of a range of basic circuits.

Contents: Passive components, Active discrete components, Discrete component circuits, Sensing components, Linear I.C.s, Digital I.C.s, Microprocessors and microprocessor systems, Transferring digital data, Digital-analogue conversions, Computer aids in electronics, Hardware components and practical work, Standard metric wire table, Bibliography, The HEX scale, Index.
440 pages **Order code NE21** **£14.99**

COIL DESIGN AND CONSTRUCTIONAL MANUAL

B. B. Babani

A complete book for the home constructor on "how to make" RF, IF, audio and power coils, chokes and transformers. Practically every possible type is discussed and calculations necessary are given and explained in detail. Although this book is now twenty years old, with the exception of toroids and pulse transformers little has changed in coil design since it was written.
96 pages **Order code 160** **£3.99**

OPTOELECTRONICS CIRCUITS MANUAL

R. M. Marston

A useful single-volume guide to the optoelectronics device user, specifically aimed at the practical design engineer, technician, and the experimenter, as well as the electronics student and amateur. It deals with the subject in an easy-to-read, down-to-earth, and non-mathematical yet comprehensive manner, explaining the basic principles and characteristics of the best known devices, and presenting the reader with many practical applications and over 200 circuits. Most of the i.c.s and other devices used are inexpensive and readily available types, with universally recognised type numbers.
182 pages **Order code NE14** **£14.99**

OPERATIONAL AMPLIFIER USER'S HANDBOOK

R. A. Penfold

The first part of this book covers standard operational amplifier based "building blocks" (integrator, precision rectifier, function generator, amplifiers, etc), and considers the ways in which modern devices can be used to give superior performance in each one. The second part describes a number of practical circuits that exploit modern operational amplifiers, such as high slew-rate, ultra low noise, and low input offset devices. The projects include: Low noise tape preamplifier, low noise RIAA preamplifier, audio power amplifiers, d.c. power controllers, opto-isolator audio link, audio millivolt meter, temperature monitor, low distortion audio signal generator, simple video fader, and many more.
120 pages **Order code BP335** **£4.95**

A BEGINNERS GUIDE TO CMOS DIGITAL ICs

R. A. Penfold

Getting started with logic circuits can be difficult, since many of the fundamental concepts of digital design tend to seem rather abstract, and remote from obviously useful applications. This book covers the basic theory of digital electronics and the use of CMOS integrated circuits, but does not lose sight of the fact that digital electronics has numerous "real world" applications.

The topics covered in this book include: the basic concepts of logic circuits; the functions of gates, inverters and other logic "building blocks"; CMOS logic i.c. characteristics, and their advantages in practical circuit design; oscillators and monostables (timers); flip/flops, binary dividers and binary counters; decade counters and display drivers.

The emphasis is on a practical treatment of the subject, and all the circuits are based on "real" CMOS devices. A number of the circuits demonstrate the use of CMOS logic i.c.s in practical applications.
119 pages **Order code BP333** **£4.95**

AUDIO AND MUSIC

INTRODUCTION TO DIGITAL AUDIO

(Second Edition)

Ian Sinclair

Digital recording methods have existed for many years and have become familiar to the professional recording engineer, but the compact disc (CD) was the first device to bring audio methods into the home. The next step is the appearance of digital audio tape (DAT) equipment.

All this development has involved methods and circuits that are totally alien to the technician or keen amateur who has previously worked with audio circuits. The principles and practices of digital audio owe little or nothing to the traditional linear circuits of the past, and are much more comprehensible to today's computer engineer than the older generation of audio engineers.

This book is intended to bridge the gap of understanding for the technician and enthusiast. The principles and

methods are explained, but the mathematical background and theory is avoided, other than to state the end product.
128 pages **Order code PC102** **£7.95**

PROJECTS FOR THE ELECTRIC GUITAR

J. Chatwin

This book is for anyone interested in the electric guitar. It explains how the electronic functions of the instrument work together, and includes information on the various pickups and transducers that can be fitted. There are complete circuit diagrams for the major types of instrument, as well as a selection of wiring modifications and pickup switching circuits. These can be used to help you create your own custom wiring.

Along with the electric guitar, sections are also included relating to acoustic instruments. The function of specialised piezoelectric pickups is explained and there are detailed instructions on how to make your own contact and bridge transducers. The projects range from simple preamps and tone boosters, to complete active controls and equaliser units.
92 pages **Order code BP358** **£4.95**

MIDI SURVIVAL GUIDE

Vic Lennard

Whether you're a beginner or a seasoned pro, the MIDI Survival Guide shows you the way. No maths, no MIDI theory, just practical advice on starting up, setting up and ending up with a working MIDI system.

Over 40 cabling diagrams. Connect synths, sound modules, sequencers, drum machines and multitracks. How to budget and buy secondhand. Using switch, thru and merger boxes. Transfer songs between different sequencers. Get the best out of General MIDI. Understand MIDI implementation charts. No MIDI theory.
104 pages **Temporarily out of print**

PRACTICAL ELECTRONIC MUSICAL EFFECTS UNITS

R. A. Penfold

This book provides practical circuits for a number of electronic musical effects units. All can be built at relatively low cost, and use standard, readily available components. The projects covered include: Waa-Waa Units; Distortion Units; Phaser; Guitar Envelope Shaper; Compressor; Tremolo Unit; Metal Effects Unit; Bass and Treble Boosters; Graphic Equaliser; Parametric Equaliser. The projects cover a range of complexities, but most are well within the capabilities of the average electronics hobbyist. None of them require the use of test equipment and several are suitable for near beginners.
102 pages **Order code BP368** **£4.95**

LOUDSPEAKERS FOR MUSICIANS

Vivan Capel

This book contains all that a working musician needs to know about loudspeakers; the different types, how they work, the most suitable for different instruments, for cabaret work, and for vocals. It gives tips on constructing cabinets, wiring up, when and where to use wadding, and when not to, what fittings are available, finishing, how to ensure they travel well, how to connect multi-speaker arrays and much more.

Ten practical enclosure designs with plans and comments are given in the last chapter, but by the time you've read that far you should be able to design your own!
164 pages **Order code BP297** **£4.99**

BOOK ORDERING DETAILS

Our postage price is the same no matter how many books you order, just add **£1.50** to your total order for postage and packing (overseas readers add **£3** for countries in the EEC, or add **£6** for all countries outside the EEC, surface mail postage) and send a PO, cheque, international money order (£ sterling only) made payable to **Direct Book Service** or credit card details, Visa or Mastercard - minimum credit card order is **£5** - to:

DIRECT BOOK SERVICE, ALLEN HOUSE, EAST BOROUGH, WIMBORNE, DORSET BH21 1PF (mail order only).

Books are normally sent within seven days of receipt of your order but please allow 28 days for delivery (more for overseas orders). Please check price and availability (see latest issue of *Everyday Practical Electronics*) before ordering from old lists.

For a further selection of books see the next two issues of *EPE*.

DIRECT BOOK SERVICE IS A DIVISION OF WIMBORNE PUBLISHING LTD. Tel 01202 881749
Fax 01202 841692. Due to the cost we cannot reply to overseas orders or queries by Fax.
E-mail: dbs@epemag.wimborne.co.uk

BOOK ORDER FORM

Full name:

Address:

..... Post code: Telephone No:

Signature:

I enclose cheque/PO payable to DIRECT BOOK SERVICE for £

Please charge my Visa/Mastercard £ Card expiry date

Card Number

Please send book order codes:

Please continue on separate sheet of paper if necessary

1a

BACK ISSUES

We can supply back issues of *EPE* and *ETI* (see panel) by post, most *EPE* issues from the past five years are available. An *EPE* index for the last five years is also available – see order form. Alternatively, indexes are published in the December issue for that year. Where we are unable to provide a back issue a photostat of any one article (or one part of a series) can be purchased for the same price.

DID YOU MISS THESE?

AUG '98

PROJECTS • Lightbulb Saver • Float Charger • PC Transistor Tester • Greenhouse Computer – 2 • Time Machine Update.
FEATURES • TEACH-IN '98 – 10 • Circuit Surgery • Techniques • Ingenuity Unlimited.

SEPT '98

PROJECTS • Mains Socket Tester • Personal Stereo Amplifier • Greenhouse Radio Link • PIC Altimeter.
FEATURES • TEACH-IN '98 – 11 • Ingenuity Unlimited • Circuit Surgery • Interface • Net Work • Crocodile Clips Review.

OCT '98

PROJECTS • Voice Processor • Digiserv R/C Channel Expander • Reliable Infra-Red Remote Control • PC Capacitance Meter.
FEATURES • Easy PCB Making • Using LM335 and LM35 Temperature Sensors • Circuit Surgery • Ingenuity Unlimited • Net Work.

NOV '98 Photostats Only

PROJECTS • PIC Tape Measure • 15-way Infra-Red Remote Control • T-Stat Electronic Thermostat – 1 • PhizzyB Computers – 1.
FEATURES • Circuit Surgery • Ingenuity Unlimited • New Technology Update • Net Work – The Internet • Easy PC for Windows 95 Review • FREE *EPE* CD-ROM No.1.

DEC '98 Photostats Only

PROJECTS • EPE Mind PICKler-1 • Fading Christmas Lights • Handheld Function Generator • Damp Stat Electronic Thermostat • PhizzyB Computers-2.
FEATURES • PhizzyB Computers-2 Understanding Computers • Circuit Surgery • Ingenuity Unlimited • Index • FREE 48-page Understanding Passive Components booklet.

JAN '99

PROJECTS • Alternative Courtesy Light Controller • Twinkle Twinkle Reaction Game • Volume Compressor • PhizzyB Computers-3 • EPE Mind PICKler-2.
FEATURES • New Technology Update • From Russia With Love • Circuit Surgery • PhizzyB Computers-3 • Net Work.



FEB '99

PROJECTS • PIC MIDI Sustain Pedal • Light Alarm • Wireless Monitoring System-1 • PhizzyB Computers-4.
FEATURES • Ingenuity Unlimited • Sclar Project • PhizzyB Computers-4.

MAR '99

PROJECTS • Smoke Absorber • Auto Cupboard Light • PhizzyB Computers-5 • Time and Date Generator • Wireless Monitoring System-2.
FEATURES • Ingenuity Unlimited • I/ITSEC Show Report • PhizzyB Computers-5 • Practically Speaking • Circuit Surgery • Net Work.

APRIL '99

PROJECTS • Mechanical Radio • Voice Record/Playback Module • Versatile Event Counter • PhizzyB Computers-6 • Ironing Board Saver.
FEATURES • Microcontrollers • PhizzyB Computers-6 • MAX761 D.C. to D.C. Converter • Interface • Circuit Surgery • Net Work • FREE 48-page Basic Soldering Guide booklet.

MAY '99

PROJECTS • MIDI Handbells • A.M./F.M. Radio Remote Control • PhizzyB Computers-7 • PIC Toolkit Mk2-1.
FEATURES • PC Engines – From 4004 to Pentium III • Ingenuity Unlimited • Practically Speaking • PhizzyB Computers-7 • Circuit Surgery • New Technology Update • Net Work • FREE pull-out 7400 series Pinout Data Chart.

JUNE '99

PROJECTS • Clipping Video Fader (Starter Project) • PC Audio Frequency Meter • Musical Sundial • PIC Toolkit Mk2-2.
FEATURES • Alan Dower Blumlein • Circuit Surgery • Interface • PhizzyB Computers-8 • Ingenuity Unlimited • Edison 3 Review • Net Work – The Internet.

JULY '99

PROJECTS • 12V Lead-acid Battery Tester • L.E.D. Stroboscope • EPE Mood Picker • Intruder Deterrent.
FEATURES • Practical Oscillator Designs-1 • Practically Speaking • Circuit Surgery • Ingenuity Unlimited • New Technology Update • Net Work – The Internet.

AUG '99

PROJECTS • Ultrasonic Puncture Finder • Magnetic Field Detective • Freezer Alarm • 8-Channel Analogue Data Logger-1 • Sound Activated Switch.
FEATURES • Practical Oscillator Designs-2 • Power Generation from Pipelines to Pylons-1 • Ingenuity Unlimited • Circuit Surgery • New Technology Update • Interface • Net Work – The Internet.



SEPT '99

PROJECTS • Loop Aerial SW Receiver • Child Guard • 8-Channel Analogue Data Logger-2 • Variable Dual Power Supply.
FEATURES • Practical Oscillator Designs-3 • Power Generation from Pipelines to Pylons-2 • Practically Speaking • Circuit Surgery • Ingenuity Unlimited • New Technology Update • Net Work.

OCT '99

PROJECTS • Interior Lamp Delay • Mains Cable Detector • QWL Loudspeaker System • Micro Power Supply.
FEATURES • PIC16F87x Mini Tutorial • Practical Oscillator Designs-4 • Circuit Surgery • Interface • New Technology Update • Ingenuity Unlimited • Net Work – The Internet.

NOV '99

PROJECTS • Acoustic Probe • Vibralarm • Ginormous Stopwatch-1 • Demister One-Shot.
FEATURES • Teach-In 2000-Part 1 • Ingenuity Unlimited • Practically Speaking • Practical Oscillator Designs-5 • Circuit Surgery • New Technology Update • Net Work – The Internet • FREE Identifying Electronic Components booklet.

DEC '99

PROJECTS • PIC Micro-Probe • Magnetic Field Detector • Loft Guard • Ginormous Stopwatch – Giant Display-2.
FEATURES • Teach-In 2000-Part 2 • Practical Oscillator Designs-6 • Interface • Ingenuity Unlimited (Special) • Circuit Surgery • Network-The Internet • 1999 Annual Index.

JAN '00

PROJECTS • Scratch Blanker • Versatile Burglar Alarm • Flashing Snowman • Vehicle Frost Box.
FEATURES • Ingenuity Unlimited • Teach-In 2000-Part 3 • Circuit Surgery • Practically Speaking • Tina Pro Review • Net Work – The Internet.

BACK ISSUES ONLY £2.75 each inc. UK p&p.

Overseas prices £3.35 each surface mail, £4.35 each airmail.

We can also supply issues from earlier years: 1992 (except March, April, June to Sept. and Dec.), 1993 (except Jan. to March, May, Aug., Dec.), 1994 (except April, May, June, Nov.), 1995 (except Jan., May to Sept., Nov., Dec.), 1996 (except Jan., Feb., April, May, July, Aug., Nov.), 1997, 1998 (except Jan., March to May, July, Nov., Dec.).
We can also supply back issues of *ETI* (prior to the merger of the two magazines) for 1998/9 – Vol. 27 Nos 1 to 13 and Vol. 28 No. 1. We are not able to supply any material from *ETI* prior to 1998. Please put *ETI* clearly on your order form if you require *ETI* issues.

Where we do not have an issue a photostat of any one article or one part of a series can be provided at the same price.

ORDER FORM – BACK ISSUES – PHOTOSTATS – INDEXES

- Send back issues dates
- Send photostats of (article title and issues date)
- Send copies of last five years indexes (£2.75 for five inc. p&p – Overseas £3.35 surface, £4.35 airmail)

Name

Address

I enclose cheque/P.O./bank draft to the value of £

Please charge my Visa/Mastercard £

Card No. Card Expiry Date

Note: Minimum order for credit cards £5. Please supply name and address of cardholder if different from that shown above.

SEND TO: **Everyday Practical Electronics, Allen House, East Borough, Wimborne, Dorset BH21 1PF.**

Tel: 01202 881749. Fax: 01202 841692. (Due to the cost we cannot reply to overseas queries or orders by Fax.)

E-mail: orders@epemag.wimborne.co.uk

Payments must be in £ sterling – cheque or bank draft drawn on a UK bank. Normally supplied within seven days of receipt of order.

Send a copy of this form, or order by letter if you do not wish to cut your issue.

M2/00

VIDEOS ON ELECTRONICS

A range of videos selected by *EPE* and designed to provide instruction on electronics theory. Each video gives a sound introduction and grounding in a specialised area of the subject. The tapes make learning both easier and more enjoyable than pure textbook or magazine study. They have proved particularly useful in schools, colleges, training departments and electronics clubs as well as to general hobbyists and those following distance learning courses etc



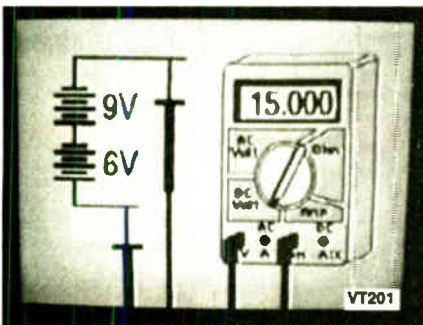
BASICS

VT201 to VT206 is a basic electronics course and is designed to be used as a complete series, if required.

VT201 54 minutes. Part One; D.C. Circuits. This video is an absolute must for the beginner. Series circuits, parallel circuits, Ohms law, how to use the digital multimeter and much more. **Order Code VT201**

VT202 62 minutes. Part Two; A.C. Circuits. This is your next step in understanding the basics of electronics. You will learn about how coils, transformers, capacitors, etc are used in common circuits. **Order Code VT202**

VT203 57 minutes. Part Three; Semiconductors. Gives you an exciting look into the world of semiconductors. With basic semiconductor theory. Plus 15 different semiconductor devices explained. **Order Code VT203**



VT204 56 minutes. Part Four; Power Supplies. Guides you step-by-step through different sections of a power supply. **Order Code VT204**

VT205 57 minutes. Part Five; Amplifiers. Shows you how amplifiers work as you have never seen them before. Class A, class B, class C, op.amps. etc. **Order Code VT205**

VT206 54 minutes. Part Six; Oscillators. Oscillators are found in both linear and digital circuits. Gives a good basic background in oscillator circuits. **Order Code VT206**

£34.95 each
inc. VAT & postage

Order 8 or more get one extra FREE
Order 16 get two extra FREE

VCR MAINTENANCE

VT102 84 minutes: Introduction to VCR Repair. Warning, not for the beginner. Through the use of block diagrams this video will take you through the various circuits found in the NTSC VHS system. You will follow the signal from the input to the audio/video heads then from the heads back to the output. **Order Code VT102**

VT103 35 minutes: A step-by-step easy to follow procedure for professionally cleaning the tape path and replacing many of the belts in most VHS VCR's. The viewer will also become familiar with the various parts found in the tape path. **Order Code VT103**

DIGITAL

Now for the digital series of six videos. This series is designed to provide a good grounding in digital and computer technology.

VT301 54 minutes. Digital One; Gates begins with the basics as you learn about seven of the most common gates which are used in almost every digital circuit, plus Binary notation. **Order Code VT301**

VT302 55 minutes. Digital Two; Flip Flops will further enhance your knowledge of digital basics. You will learn about Octal and Hexadecimal notation groups, flip-flops, counters, etc. **Order Code VT302**

VT303 54 minutes. Digital Three; Registers and Displays is your next step in obtaining a solid understanding of the basic circuits found in today's digital designs. Gets into multiplexers, registers, display devices, etc. **Order Code VT303**

VT304 59 minutes. Digital Four; DAC and ADC shows you how the computer is able to communicate with the real world. You will learn about digital-to-analogue and analogue-to-digital converter circuits. **Order Code VT304**

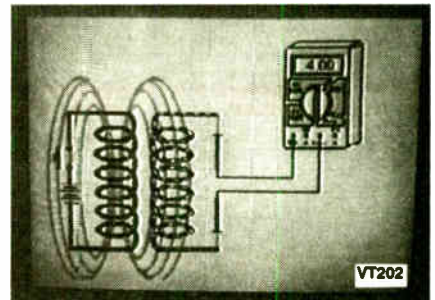
VT305 56 minutes. Digital Five; Memory Devices introduces you to the technology used in many of today's memory devices. You will learn all about ROM devices and then proceed into PROM, EPROM, EEPROM, SRAM, DRAM, and MBM devices. **Order Code VT305**

VT306 56 minutes. Digital Six; The CPU gives you a thorough understanding in the basics of the central processing unit and the input/output circuits used to make the system work. **Order Code VT306**

RADIO

VT401 61 minutes. A.M. Radio Theory. The most complete video ever produced on a.m. radio. Begins with the basics of a.m. transmission and proceeds to the five major stages of a.m. reception. Learn how the signal is detected, converted and reproduced. Also covers the Motorola C-QUAM a.m. stereo system. **Order Code VT401**

VT402 58 minutes. F.M. Radio Part 1. F.M. basics including the functional blocks of a receiver. Plus r.f. amplifier, mixer oscillator, i.f. amplifier, limiter and f.m. decoder stages of a typical f.m. receiver. **Order Code VT402**

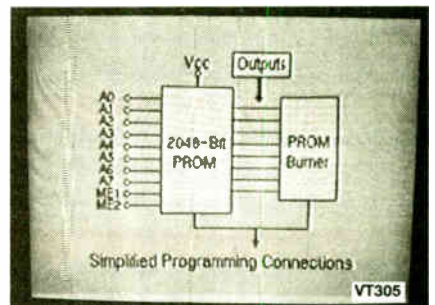


VT403 58 minutes. F.M. Radio Part 2. A continuation of f.m. technology from Part 1. Begins with the detector stage output, proceeds to the 19kHz amplifier, frequency doubler, stereo demultiplexer and audio amplifier stages. Also covers RDS digital data encoding and decoding. **Order Code VT403**

MISCELLANEOUS

VT501 58 minutes. Fibre Optics. From the fundamentals of fibre optic technology through cable manufacture to connectors, transmitters and receivers. **Order Code VT501**

VT502 57 minutes. Laser Technology A basic introduction covering some of the common uses of laser devices, plus the operation of the Ruby Rod laser, HeNe laser, CO₂ gas laser and semiconductor laser devices. Also covers the basics of CD and bar code scanning. **Order Code VT502**



Each video uses a mixture of animated current flow in circuits plus text, plus cartoon instruction etc., and a very full commentary to get the points across. The tapes are imported by us and originate from VCR Educational Products Co, an American supplier. We are the worldwide distributors of the PAL and SECAM versions of these tapes. (All videos are to the UK PAL standard on VHS tapes unless you specifically request SECAM versions.)

ORDERING: Price includes postage to anywhere in the world.

OVERSEAS ORDERS: We use the VAT portion of the price to pay for airmail postage and packing, wherever you live in the world. Just send £34.95 per tape. All payments in £ sterling only (send cheque or money order drawn on a UK bank). Make cheques payable to Direct Book Service.

Visa and Mastercard orders accepted - please give card number, card expiry date and cardholder's address if different from the delivery address.

Orders are normally sent within seven days but please allow a maximum of 28 days, longer for overseas orders.

Send your order to: Direct Book Service, Allen House, East Borough, Wimborne, Dorset BH21 1PF (Mail Order Only)

Direct Book Service is a division of Wimborne Publishing Ltd., Publishers of *EPE*
Tel: 01202 881749. Fax: 01202 841692

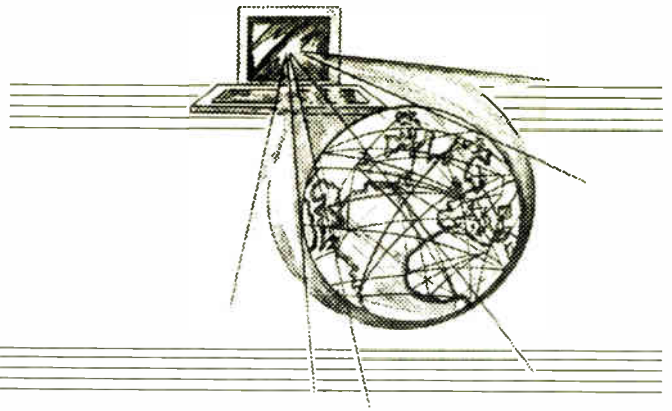
Due to the cost we cannot reply to overseas orders or queries by Fax.

E-mail: dbsl@epemag.wimborne.co.uk

SURFING THE INTERNET

NET WORK

ALAN WINSTANLEY



Sweet Dreamcasts

BEFORE Christmas I treated myself to a Sega Dreamcast games console to replace my redundant Mega Drive (Genesis in the USA) for entertainment purposes. This terrific fan-cooled 128-bit games console has an internal 33.6 modem and BT phone lead. Sega provides their own limited Java, Flash and MPEG-aware web browser disk (the Sega Dreamkey), so naturally it wasn't long before the inevitable happened and I attempted surfing the net using the TV as a monitor and the Dreamcast software keyboard to type an E-mail.

Sega's UK Internet service is managed by BT, and ultimately players will be able to challenge adversaries from all over Europe (but not, it seems, anywhere else in the world). The first stage is to create a user ID via the Dream Arena web site, which gives you a free dreamcast.com E-mail address. The access speed was then adequate enough to visit a web site or two, although many page layouts were altered drastically by the fact that they are viewed at a fixed width using a TV browser.

Considering that many web developers agonise at their clients' expense over the most trivial of design details, they all overlook one market yet to emerge in the UK – Web TV. Experience of using Sega's web browser on a TV set provides a taste of things to come for many home Internet users, when more Web TV users will gradually start to gain access to web sites (especially if they don't have a PC).

If web sites wish to capitalise on the emerging medium of Web TV, they will need to offer a Web TV option which has a fixed width page, large legible fonts that can be viewed from ten feet away, and few navigation choices. HSBC Bank already offers on-line banking by digital TV and there are many more services to come.

The Dreamcast software keyboard uses the gamepad to "press" the on-screen keys and is a pain to use, so Sega's separate AT-style keyboard (price £20) would be essential for more enthusiastic use. At the moment it would barely be worth the cost except for sending the very briefest of E-mail messages. This is because the Dreamcast provides an on-line E-mail client, so legions of Sonic the Hedgehog lovers (or their parents) are faced with making standard local-rate BT calls to compose and fetch E-mail whilst logged in to the Dreamcast web site. It would make an entertaining introduction to E-mail and the web, though.

Cut the Phone Tariffs

A friend from the USA recently visited for a few days so we decided to compare phone prices. Life for an Internet user in the Dallas Metroplex is a whole lot rosier than that of a British Telecom customer. My Texan pal uses an ordinary 56K modem and for a flat rate of \$19.99 (£12) a month he enjoys unlimited 24 x 7 Internet access. In fact he gets it for \$12 (£7) because of loyalty discount options. Local phone calls are free, as are Internet access calls. Using a NetZero account (www.netzero.net), for the price of a banner ad, on his desktop, he enjoys a free ISP.

The cost of Internet access in the US has become almost forgettable. It is not surprising that the US press boasts of how America is beating the English – supposedly the nation of shopkeepers – at their own game: American E-commerce seems to be thriving (which is why I just ordered the SETI@home T-shirt from the US today) whilst UK Internet commerce is being strangled at birth in what has rapidly become a national scandal of prohibitive phone call costs.

Remember that most users are fleeced by the BT minimum charge of 5p (8 cents) for each and every call. This aspect is almost as punitive as the lack of "unmetered" (flat rate) phone calls. I can dial in and collect the latest batch of E-mail text messages from all my POP3 boxes in under a minute (equivalent to about 1p at off-peak prices)

during the day but in effect I will pay five times that value because of the minimum charge. Every Internet access call, whether through a Sega Dreamcast or your PC, costs 5p minimum and some Internet Content Providers (notably AOL) now actively dwell on consumers' fears of racking up large phone bills. AOL wants £9.99 a month and the call is still a penny a minute.

Christmas Litmus

Over Christmas '99, many radio and TV consumer programmes chattered excitedly about the new-found novelty of purchasing goods over the Internet. Americans will laugh, but for many UK consumers, last Christmas will have been a litmus paper test for E-commerce. Now that the Internet is trendy and appealing (and not to mention a whole lot more usable), consumers are taking to ordering on-line like wildfire, and they are proving adept at sniffing out the best deals. By next Christmas the novelty of E-commerce will be taken for granted, and users will simply be concerned with finding the cheapest bargains from the most likely-looking suppliers.

Unlike the service enjoyed within the Dallas Metroplex by my acquaintance, thanks to BT's pricing and their ownership of the local loop, the situation in the United Kingdom could almost have been engineered to inhibit the uptake of the Internet by the mass market. Even looking at their high-level services, BT has subsequently backtracked on the bandwidth availability on ADSL – the available speeds have been reduced, and the cost price has been increased at the same time.

BT recently proposed the launch of BT Surftime, billed as an "unlimited access price package". Naturally, nothing is simple and the end user is offered a number of pricing options, none of which permits local voice phone calls. It is only after many months of use, if not years, that users can build up an accurate picture of their likely Internet requirements. Newcomers to the Internet must therefore take a shot in the dark regarding the best choice of tariff for them. BT's new scheme is based on its interpretation of the nation's browsing habits and for many it will be as bewildering as selecting a mobile phone tariff.

The proposals are these: **Weekend Internet** would cost £6.99 per month inc. VAT for unlimited weekend access. Or you could try the **Evening and night-time Internet** option instead for the same price, which provides unlimited access in the evening and night-time from Monday to Friday. Alternatively there's always the proposed **Daytime Internet** option which jumps to £26.99 per month for unlimited access Monday to Friday, or 1p a minute at all other times.

For heavier users like myself there's the so-called **Anytime Internet** option at £34.99 per month (\$58) charge for unlimited access at any time of any day. (At this point, my Texan friend started to laugh.) BT's 24 x 7 Internet option is thus nearly five times the cost payable in Texas after loyalty discount, and it still excludes local voice calls. Indeed, for only \$40 a month Texans can enjoy cable modem access, offering a 100 to 120-fold increase in bandwidth over a V.90 modem. Cable modems are starting to roll out in the UK too, with ntl [sic] gearing up to offer a range of hosting services as well.

I almost omitted BT's 'pay-as-you-go' option priced at 1p per minute evening, night-time and weekend or, naturally, double that price during the day. It is not yet clear whether the minimum 5p call has been ditched, but at the time of writing OFTEL has yet to approve the new package anyway, which will be "subject to availability".

The Campaign for Unmetered Telecommunications (or CUT for short) has an extensive web resource devoted to the campaign for unmetered phone calls, at www.unmetered.org.uk. I fear they still have a lot of work to do, and I wish them luck.

PCB SERVICE

Printed circuit boards for certain EPE constructional projects are available from the PCB Service, see list. These are fabricated in glass fibre, and are fully drilled and roller tinned. All prices include VAT and postage and packing. Add £1 per board for airmail outside of Europe. Remittances should be sent to **The PCB Service, Everyday Practical Electronics, Allen House, East Borough, Wimborne, Dorset BH21 1PF. Tel: 01202 881749; Fax 01202 841692 (NOTE, we cannot reply to overseas orders or queries by Fax); E-mail: orders@epemag.wimborne.co.uk**. Cheques should be crossed and made payable to *Everyday Practical Electronics (Payment in £ sterling only)*.

NOTE: While 95% of our boards are held in stock and are dispatched within seven days of receipt of order, please allow a maximum of 28 days for delivery – overseas readers allow extra if ordered by surface mail.

Back numbers or photostats of articles are available if required – see the Back Issues page for details.

Please check price and availability in the latest issue.

Boards can only be supplied on a payment with order basis.

PROJECT TITLE	Order Code	Cost
Micropower PIR Detector – 1	152	£6.69
Infra-Red Remote Control Repeater (Multi-project P.C.B.)	932	£3.00
Karaoke Echo Unit – Echo Board	159	£6.40
– Mixer Board	160	£6.75
Computer Dual User Interface	161	£6.70
★PEST Scarer	162	£6.60
Variable Bench Power Supply	932	£3.00
Universal Input Amplifier	146	£6.55
Micropower PIR Detector – 2 Controller	163	£6.72
★PIC-OLO	164	£7.02
Active Receiving Antenna	140	£6.59
Soldering Iron Controller	157	£6.63
★PIC Noughts & Crosses Game	165	£7.82
Micropower PIR Detector – 3		
Alarm Disarm/Reset Switch	166	£5.72
Ironing Safety Device	167	£5.12
Remote Control Finder	168	£6.32
Rechargeable Handlamp	169	£6.23
★PIC Water Descaler	170	£6.90
★EPE Time Machine	171	£8.34
Auto-Dim Bedlight	172	£6.63
Portable 12V PSU/Charger	173	£6.61
Car Immobiliser	175	£7.00
Safe and Sound (Security Bleeper)	179	£7.32
Surface Thermometer	174	£7.64
Disco Lights Flasher	178	£8.30
Waa-Waa Pedal (Multi-project PCB)	932	£3.00
★Virtual Scope – Digital Board	176	£14.49
Analogue Board (per board)	177	£7.34
★Water Wizard	180	£7.69
Kissometer	181	£7.67
★EPE PIC Tutorial	182	£7.99
The Handy Thing (Double-Sided)	183	£6.58
Lighting-Up Reminder	184	£5.90
★Audio System Remote Controller – PSU	185	£7.05
Main Board	186	£8.29
Simple Metal Detector (Multi-project PCB)	932	£3.00
Single or Dual-Tracking Power Supply	187	£7.90
★RC-Meter	188	£7.66
Security Auto-Light	189	£8.10
Stereo Tone Control plus 20W Stereo Amplifier		
Tone Control	190	£7.78
20W Amplifier	191	£8.58
★Dice Lott	192	£8.05
EPE Mood Changer	193	£7.75
★AT89C2051/1051 Programmer		
Main Board	194	£8.50
Test Board	195	£8.69
★Reaction Timer Software only	–	–
★PIC16x84 Toolkit	196	£6.96
★Greenhouse Computer		
Control Board	197	£9.08
PSU Board	198	£8.10
Float Charger	199	£6.59
Lightbulb Saver	202	£3.00
Personal Stereo Amplifier (Multi-project PCB)	932	£3.00
★Greenhouse Radio Link	200	£8.32
★PIC Altimeter	201	£8.15
Voice Processor	203	£7.18
★Digiserv R/C Expander	204	£7.69
IR Remote Control		
Transmitter	205	£3.00
Receiver	206	£3.50
★PIC Tape Measure	207	£5.82
Electronic Thermostat		
T-Stat	208	£4.00
PhizzyB		£14.95
A-PCB B-CD-ROM C-Prog. Microcontroller	Bee (A)(B)(C)	each
15-Way IR Remote Control		
Switch Matrix	211	£3.00
15-Way Rec/Decoder	212	£4.00
Damp Stat	209	£4.50
Handheld Function Generator	213	£4.00
★Fading Christmas Lights	215	£5.16
PhizzyB I/O Board (4-section)	216	£3.95

PROJECT TITLE	Order Code	Cost
Twinkle Twinkle Reaction Game	JAN'99	210 £7.55
★EPE Mind Plicker	214	£6.30
PhizzyB I/O Board (4-section)	216	£3.95
Alternative Courtesy Light Controller	217	£6.72
Light Alarm	FEB'99	218 £6.78
★Wireless Monitoring System – Transmitter	219+a	£9.92
Receiver	220+a	£8.56
★PIC MIDI Sustain Pedal	Software only	–
★Wireless Monitoring System-2	MAR'99	See Feb'99
F.M. Trans/Rec Adaptors	219a/220a	£7.37
★Time and Date Generator	221	£6.36
Auto Cupboard Light	222	£5.94
Smoke Absorber	223	£5.15
Ironing Board Saver	APR'99	224 £5.12
Voice Record/Playback Module	225	£7.40 pr.
Mechanical Radio (pair)	226A&B	£6.82
★Versatile Event Counter	207	£8.95
★PIC Toolkit Mk 2	MAY'99	227
A.M./F.M. Radio Remote Control		
Transmitter	228	£3.00
Receiver	229	£3.20
★Musical Sundial	JUNE'99	231 £9.51
PC Audio Frequency Meter	232	£8.79
★EPE Mood Plicker	JULY'99	233 £6.78
12V Battery Tester	234	£6.72
Intruder Deterrent	235	£7.10
L.E.D. Stroboscope (Multi-project PCB)	932	£3.00
Ultrasonic Puncture Finder	AUG'99	236 £5.00
★8-Channel Analogue Data Logger	237	£8.88
Buffer Amplifier (Oscillators Pt 2)	238	£6.96
Magnetic Field Detective	239	£6.77
Sound Activated Switch	240	£6.53
Freezer Alarm (Multi-project PCB)	932	£3.00
Child Guard	SEPT'99	241 £7.51
Variable Dual Power Supply	242	£7.64
Micro Power Supply	OCT'99	243 £3.50
★Interior Lamp Delay	244	£7.88
Mains Cable Locator – (Multi-project PCB)	932	£3.00
Vibralarm	NOV'99	230 £6.93
Demister One-Shot	245	£6.78
★Ginormous Stopwatch – Part 1	246	£7.82
★Ginormous Stopwatch – Part 2	DEC'99	
Giant Display	247	£7.85
Serial Port Converter	248	£3.96
Loft Guard	249	£4.44
Scratch Blanker	JAN'00	250 £4.83
Flashing Snowman (Multi-project PCB)	932	£3.00
★Video Cleaner	FEB'00	251 £5.63
Find It	252	£4.20
Teach-In 2000 – Part 4	253	£4.52

EPE SOFTWARE

Software programs for EPE projects marked with an asterisk ★ are available on 3.5 inch PC-compatible disks or free from our Internet site. Six disks are available: **PIC Tutorial** (Mar-May '98 issues); **PIC Toolkit Mk2** (May-Jun '99 issues); **EPE Disk 1** (Apr '95–Dec '98 issues); **EPE Disk 2** (Jan-Dec '99); **EPE Disk 3** (Jan '00 issue to current cover date); **EPE Teach-In 2000**. The disks are obtainable from the *EPE PCB Service* at £2.75 each (UK) to cover our admin costs (the software itself is free). Overseas (each): £3.35 surface mail, £4.35 each airmail. All files can be downloaded free from our Internet FTP site: <ftp://ftp.epemag.wimborne.co.uk>.

EPE PRINTED CIRCUIT BOARD SERVICE

Order Code Project Quantity Price

.....

Name.....

Address.....

.....

I enclose payment of £.....(cheque/PO in £ sterling only) to:

Everyday Practical Electronics
MasterCard or Visa No.
Minimum order for credit cards £5

.....

Signature.....Card Exp. Date.....

Please supply name and address of cardholder if different from the address shown

NOTE: You can order p.c.b.s via our Internet site on a secure server:
<http://www.epemag.wimborne.co.uk>

Everyday Practical Electronics reaches twice as many UK readers as any other independent monthly hobby electronics magazine, our audited sales figures prove it. We have been the leading independent monthly magazine in this market for the last fifteen years.

If you want your advertisements to be seen by the largest readership at the most economical price our classified and semi-display pages offer the best value. The prepaid rate for semi-display space is £8 (+VAT) per single column centimetre (minimum 2.5cm). The prepaid rate for classified adverts is 30p (+VAT) per word (minimum 12 words).

All cheques, postal orders, etc., to be made payable to Everyday Practical Electronics. **VAT must be added.** Advertisements, together with remittance, should be sent to Everyday Practical Electronics Advertisements, Mill Lodge, Mill Lane, Thorpe-le-Soken, Essex CO16 0ED. Phone/Fax (01255) 861161.

For rates and information on display and classified advertising please contact our Advertisement Manager, Peter Mew as above.

RCS VARIABLE VOLTAGE D.C. BENCH POWER SUPPLY
Up to 20 volts d.c. at 1 amp continuous, 1.5 amps peak, fully variable from 1 to 20 volts. Twin Voltage and Current meters for easy read-out. 240 volt a.c. input. Fully smoothed, size 23cmx14cmx8cm.



£45 inc. VAT
Post £4

RADIO COMPONENT SPECIALISTS

337 WHITEHORSE ROAD, CROYDON SURREY, CR0 2HS. Tel: 0181-884 1865
Lots of transformers, high volt caps, valves, output transformers, speakers, in stock. Phone or send your wants list for quote.

Z88 NOW AVAILABLE WITH 128K AND 512K - OZ4

ALSO SPECTRUM AND QL PARTS

W. N. RICHARDSON & CO.
PHONE/FAX 01494 8713196
RAVENSMED, CHALFONT ST PETER, BUCKS, SL9 0NB

X-10 Home Automation We put you in control™

Why tolerate when you can automate?

An extensive range of 230V X-10 products and starter kits available. Uses proven Power Line Carrier technology, no wires required. Products Catalogue available Online. Worldwide delivery.

Philips Pronto Intelligent Remote now available!

Laser Business Systems Ltd.



E-Mail: info@laser.com
<http://www.laser.com>
Tel: (0181) 441 9788
Fax: (0181) 449 0430



BTEC ELECTRONICS TECHNICIAN TRAINING

GNVQ ADVANCED ENGINEERING (ELECTRONIC) - PART-TIME
HND ELECTRONICS - FULL-TIME
B.Eng FOUNDATION - FULL-TIME
Next course commences Monday 10th January 2000
FULL PROSPECTUS FROM

LONDON ELECTRONICS COLLEGE (Dept EPE) 20 PENYWERN ROAD EARLS COURT, LONDON SW5 9SU TEL: 0171-373 8721

THE BRITISH AMATEUR ELECTRONICS CLUB

exists to help electronics enthusiasts by personal contact and through a quarterly Newsletter.

For membership details, write to the Secretary:

Mr. M. P. Moses,
5 Park View, Cwmaman, Aberdare CF44 6PP

Space donated by **Everyday Practical Electronics**

Miscellaneous

EX FRUIT MACHINE PARTS

FRUIT MACHINE REEL UNITS. 12V Stepper Motor, Reel, Opto, Lamp, Vac Form etc. £15 complete.
50V AC PAYOUT SOLENOIDS. Complete with coin tube and level sensor. £10.
PSU 220/240V AC IEC 5A FUSED INPUT. 50V AC 5 amp, 24V 3 amp, 5V 3 amp, 50V 10 amp, 12V 12 amp, -12V 2 amp outputs, all externally fused. Fully enclosed. £40.
MARS ME COIN VALIDATORS. 5 coin input/outputs. £25.

All parts are used. 30 day guarantee. No VAT.

Please add £3 p&p per order

Cheques/POs payable to:

H&H ELECTRONICS

6 Sheriden Way,
Aston Lodge Park,
Stone, Staffordshire ST15 8XG
Tel: 01785 811248

TIS - Midlinbank Farm Ryeland, Strathaven ML10 6RD
Manuals on anything electronic

Circuits - VCR £8, CTV £6
Service Manuals from £10
Repair Manuals from £5
P&P any order £2.50

Write, or ring 01357 440280 for full details of our leading service and FREE quote for any data

PRINTED CIRCUIT BOARDS - QUICK SERVICE. Prototype and Production. Artwork raised from magazines or draft designs at low cost. PCBs also designed from schematics. Production assembly also undertaken. For details send to P. Agar, Unit 5, East Belfast Enterprise Park, 308 Albertrbridge Road, Belfast, BT5 4GX, or phone/fax 01232 738897.

PROTOTYPE PRINTED CIRCUIT BOARDS one offs and quantities, for details send s.a.e. to B. M. Ansbro, 38 Poynings Drive, Hove, Sussex BN3 8GR, or phone Brighton 883871, fax 01273 706670.

G.C.S.E. ELECTRONIC KITS, at pocket money prices. S.A.E. for FREE catalogue. **SIR-KIT** Electronics, 52 Severn Road, Clacton, CO15 3RB.

VALVE ENTHUSIASTS: Capacitors and other parts in stock. For free advice/lists please ring, Geoff Davies (Radio), Tel. 01788 574774.

BARGAIN PARCEL of new electronic components. Including 9V mains adaptor, power supplies, miniature relays, movement detector, i.e.d.s, i.c.s, transistors, diodes, switches, sockets, car alarm bits, etc. Board mounted and loose. Cash/cheque for £20 (incl p&p) to Battlebury, 6 Woodshaw Mead, Wootton Bassett, Wilts SN4 8RB.

PCB MANUFACTURING SERVICE. Affordable PCB production from CAD or magazines (fibre glass single-sided only). For detailed information and cost, write to: Mr. Belt, 5 Velden Way, Mill Road, Market Rasen, Lincs LN8 3HD (including a sae).

ELECTRONIC PARTS, motors, printers, computers, keyboards, monitors, spares, hobby items. I am clearing out my warehouse totally, ready to move into new premises, so don't miss out, as most of these machines are in very good condition. Send sae for free lists to: Mr. A. Potter, 67 Newcroft Road, Calne, Wiltshire SN11 9EH.

IN-CIRCUIT TRANSISTOR TESTER, £31.99 (inc. p&p). SAE for info sheet: North Valley Electronics, 259 North Valley Road, Colne, Lancashire. Tel. 01282 864415.

PCBs made for home projects, tinned and drilled. Vero and breadboard layouts copied, low cost. E-mail: JFWilliams@RealMail.co.uk

EPE NET ADDRESSES

EPE FTP site: <ftp://ftp.epemag.wimborne.co.uk>

Access the FTP site by typing the above into your web browser, or by setting up an FTP session using appropriate FTP software, then go into quoted sub-directories:

PIC-project source code files: **/pub/PICS**

PIC projects each have their own folder; navigate to the correct folder and open it, then fetch all the files contained within. *Do not try to download the folder itself!*

EPE text files: **/pub/docs**

Basic Soldering Guide: **solder.txt**

EPE TENS Unit user advice: **tens.doc** and **tens.txt**

Ingenuity Unlimited submission guidance: **ing_unlt.txt**

New readers and subscribers info: **epe_info.txt**

Newsgroups or Usenet users advice: **usenet.txt**

Ni-Cad discussion: **nicadfaq.zip** and **nicad2.zip**

UK Sources FAQ: **uksource.zip**

Writing for EPE advice: **write4us.txt**

On-line readers! Try the EPE Chat Zone - a virtually real-time Internet "discussion board" in a simple to use web-based forum!

<http://www.epemag.wimborne.co.uk/wwwboard>

Or buy **EPE Online:** www.epemag.com

Ensure you set your FTP software to ASCII transfer when fetching text files, or they may be unreadable.

Note that any file which ends in **.zip** needs unzipping before use. Unzip utilities can be downloaded from:

<http://www.winzip.com> or <http://www.pkware.com>

TRAIN TODAY FOR A BETTER FUTURE

Now you can get the skills and qualifications you need for career success with an ICS Home Study Course. Learn in the comfort of your own home at the pace and times that suit you. ICS is the world's largest, most experienced home study school. Over the past 100 years ICS has helped nearly 10 million people to improve their job prospects. Find out how we can help YOU. Post or phone today for FREE INFORMATION on the course of your choice

Electrical Contracting & Installation
Electrical Engineering
C&G/ICS Basic Electronic Engineering
C&G/ICS Basic Mechanical Engineering
TV and Video Servicing
Radio and Hi-Fi Servicing
Refrigeration Heating & Air Conditioning
Motorcycle Maintenance

FREEPHONE 0500 581 557

Or write to: International Correspondence Schools, FREEPOST 882, 8 Elliot Place, Clydeaway Skypark, Glasgow, G3 8BR. Tel: 0500 581 557 or Tel/Fax: Dublin 285 2533

Please send me my Free Information on your Electronics Courses.

Mr/Mrs/Ms/Miss (BLOCK CAPITALS PLEASE) _____ Date of Birth / / _____
Address _____
Postcode _____
Occupation _____ Tel. No. _____

From time to time, we permit other carefully screened organisations to write to you about products and services. If you would prefer not to hear from such organisations please tick box Dept. ZEEF 031299

SUPPLIER OF QUALITY USED TEST INSTRUMENTS



Cooke International
Unit Four, Fordingbridge Site, Barnham, Bognor Regis, West Sussex, PO22 0HD, UK
Tel: (+44) 01243 545111/2 Fax: (+44) 01243 542457
FREE MONTHLY MAIL ORDER CATALOGUE
Web: <http://www.cooke-int.com>
E-mail: info@cooke-int.com

OPERATING & SERVICE MANUALS



Cooke International
Unit Four, Fordingbridge Site, Barnham, Bognor Regis, West Sussex, PO22 0HD, UK
Tel: (+44) 01243 545111/2 Fax: (+44) 01243 542457
FREE MONTHLY MAIL ORDER CATALOGUE
Web: <http://www.cooke-int.com>
E-mail: info@cooke-int.com

Professional 88-108MHz FM Broadcasting Kits

All Our Kits include:
Detailed Instructions with Schematics
High Quality Screen Printed PCBs
High Quality Components

Our Product Range includes:
Transmitters from 0.05W to 35W
FM Stereo Coders
Audio Compressor Limiters
Antennas
RF Power Amps

Our Kits are also available Fully Assembled and Tested



1W Professional PLL FM Transmitter for Licensee Use in the UK
Visit our Website at <http://www.veronica.co.uk>

Veronica KITS

WE DELIVER WORLD-WIDE AND ACCEPT MAJOR CREDIT CARDS
Contact Us Now For A Free Brochure
Tel 01274 883434 Fax 01274 428665
email info@veronica.co.uk
Unit 5/6 1A Sandbeds/Albert Rd Queensbury BRADFORD BD13 1AA

COVERT VIDEO CAMERAS

Black and White Pin Hole Board Cameras with Audio. Cameras in P.I.R., Radios, Clocks, Briefcases etc. Transmitting Cameras with Receiver (Wireless). Cameras as above with colour. Audio Surveillance Kits and Ready Built Units, Bug Detector etc.

A.L. ELECTRONICS

Please phone 0181 203 6008 for free catalogue.
Fax 0181 201 5359
www.uspy.com
New DTI approved Video Transmitters and Receivers (Wireless)
Major credit cards now taken

Components, Equipment & Accessories from Sky Electronics

Audio & Video - Music & Disc - Car Hi-Fi - Communications - CCTV - Electrical - Computer - Test Equipment - Power Supplies - Tools - Connectors - Cable - Speakers

- Quality Products
- Wide Range
- Lowest Prices
- Substantial Stock
- Experienced Staff

Sky Electronics

40-42 Cricklewood Broadway,
London NW2 3ET
Tel: 020 8450 0995 Fax: 020 8208 1441

£2.00 for a Catalogue including post & package apply to the above address

VARIABLE VOLTAGE TRANSFORMERS

INPUT 220V/240V AC 50/60Hz OUTPUT 0V-260V	Price	P&P
0-5KVA 2.5 amp max	£33.00	£6.00
		(£45.84 inc VAT)
1KVA 5 amp max	£45.25	£7.00
		(£61.39 inc VAT)
SHROUDED		
0-5KVA 2.5 amp max	£34.00	£6.00
		(£47.00 inc VAT)
1KVA 5 amp max	£46.25	£7.00
		(£62.57 inc VAT)
2KVA 10 amp max	£65.00	£9.50
		(£86.36 inc VAT)
3KVA 15 amp max	£86.50	£9.50
		(£111.63 inc VAT)
5KVA 25 amp max	£150.00 (+ Carriage & VAT)	
		Buy direct from the Importers. Keenest prices in the country

500VA ISOLATION TRANSFORMER
Input 240V AC. Output via 3-pin 13A socket. 240V AC continuously rated, mounted in fire-glass case with handle. Internally fused. Price £35.00 carriage paid + VAT (£41.13)

TOROIDAL L.T. TRANSFORMER
Primary 0-240V AC. Secondary 3-30V + 0-30V 600VA. Fixing bolt supplied. Price £25.00 carriage paid + VAT (£29.38)

COMPREHENSIVE RANGE OF TRANSFORMERS - LT - ISOLATION & AUTO
110V-240V Auto transfer either cased with American socket and mains lead or open frame type. Available for immediate delivery.

ULTRA VIOLET BLACK LIGHT BLUE FLUORESCENT TUBES

4ft. 40 watt	£14.00 (callers only)	(£16.45 inc VAT)
2ft 20 watt	£9.00 (callers only)	(£10.58 inc VAT)
12in 8 watt	£4.80 + 75p p&p	(£6.52 inc VAT)
9in 6 watt	£3.96 + 50p p&p	(£5.24 inc VAT)
6in 4 watt	£3.96 + 50p p&p	(£5.24 inc VAT)

230V AC BALLAST KIT
For either 6in, 9in or 12in tubes 08.05-£1.40 p&p (£8.75 inc VAT)
The above Tubes are 3500/4000 ang. (350-400nm) ideal for detecting security markings, effects lighting & Chemical applications.
Other Wavelengths of UV TUBE available for Germicidal & Photo Sensitive applications. Please telephone your enquiries.

400 WATT BLACK LIGHT BLUE UV LAMP
GES Mercury Vapour lamp suitable for use with a 400W P.F. Ballast. Only £39.95 incl. p&p & VAT

5 KVA ISOLATION TRANSFORMER
As New. Ex-Equipment, fully shrouded, Line Noise Suppression, Ultra Isolation Transformer with terminal covers and knock-out cable entries. Primary 120V/240V, Secondary 120V/240V, 50/60Hz, 0-005pF Capacitance. Size L 37cm x W 19cm x H 16cm. Weight 42 kilos. Price £120 + VAT. Ex-warehouse. Carriage on request.

24V DC SIEMENS CONTACTOR
Type 3TH922-08 2 x NO and 2 x NC 230V AC 10A. Contacts. Screw or Din Rail fitting. Size H 120mm x W 45mm x D 75mm. Brand New Price £7.63 incl. p&p and VAT.

248V AC WESTOOL SOLENOIDS
TT2 Mod. 1 Rat. 1 Max. stroke 1/2in. Base mounting 1/2in. stroke 5lbs pull approx. TT6 Mod. 1 Rat. 1 Max. stroke 1in. Base mounting 1/2in. stroke 15lb pull approx. SERIES 400 Mod. 1 Rat. 2 Max. stroke 1 1/2in. Front mounting 1/2in. stroke 15lbs pull approx. Price incl. p&p & VAT. TT5 £5.88, TT6 £8.81, SERIES 400 £7.64.

AXIAL COOLING FAN
230V AC 120mm square x 38mm 3 blade 10 watt Low Noise fan. Price £7.29 incl. p&p and VAT.
Other voltages and sizes available from stock. Please telephone your enquiries.

INSTRUMENT CASE
Brand new. Manufactured by Imhof. L 31cm x H 18cm x 19cm Deep. Removable front and rear panel for easy assembly of your components. Grey textured finish, complete with case feet. Price £16.45 incl. p&p and VAT. 2 of £28.20 inclusive.

DECAST ALUMINIUM BOX
with internal PCB guides. Internal size 265mm x 165mm x 50mm deep. Price £9.93 incl. p&p & VAT. 2 of £17.80 incl.

230V AC SYNCHRONOUS GEARED MOTORS
Brand new Ovoid Gearbox Couzlet type motors. H 65mm x W 55mm x D 35mm, 4mm dia. shaft x 10mm long, 6 RPM anti cw. £9.99 incl. p&p & VAT.
20 RPM anti cw. Depth 40mm. £11.16 incl. p&p & VAT.

SOLID STATE EHT UNIT
Input 230V/240V AC, Output approx 15KV. Producing 10mm spark. Built-in 10 sec timer. Easily modified for 20 sec. 30 sec to continuous. Designed for boiler ignition. Dozens of uses in the field of physics and electronics, e.g. supplying neon or argon tubes etc. Price less case £8.50+£2.40 P&P (£12.81 inc VAT) NMS.

EPROM ERASURE KIT
Build your own EPROM ERASURE for a fraction of the price of a made up unit. Kit of parts less case includes 12in. Swat: 2537, Angst Tube Ballast unit, pair of bi-pin leads, neon indicator, on/off switch, safety microswitch and circuit £15.80+£2.00 p&p (£19.98 inc VAT) (£19.98 inc VAT)

WASHING MACHINE WATER PUMP
Brand new 240V AC fan cooled. Can be used for a variety of purposes. Inlet 1 1/2in., outlet 1in. dia. Price includes p&p & VAT. £11.20 each or 2 for £20.50 inclusive.

MasterCard **Open Monday/Friday**

SERVICE TRADING CO

57 BRIDGMAN ROAD, CHISWICK, LONDON W4 5BB
Tel: 0181-995 1560 FAX: 0181-995 0549

Visa **Ample Parking Space**

NEW SPECIAL OFFERS

Amiga genlock pcb (uncased) for titling videos it has a 23pin D lead to plug into the computer and pcb pins for composite video in and out. When no video input is connected the normal computer display is shown on the composite video out when the video input is added the white areas on the screen are replaced by the video image. The pcb is powered from the computer. £19.98

WATCH SLIDES ON TV "Liesegang diatv" automatic slide viewer with built in high quality colour tv camera, composite video output with a BNC plug. In very good condition with few signs of use. £108.00

Board cameras all with 512x582 pixels 4.4x3.3mm sensor with composite video out. All need to be housed in your own enclosure and have fragile exposed surface mount parts and require 10V to 12V dc power supply.

47MR1 size 60x36x27mm with 6 infra red leds (gives the same illumination as a small torch would) £50.00+vat=£58.75

MP size 39x38x23mm spy camera with a fixed focus pin hole lens for hiding behind a very small hole £57+vat=£66.98

40MC size 39x38x28mm camera for 'C' mount lens this gives a much clearer picture than with the small lenses. £58.79

Standard 'C' mount lens F1.6 18mm for 40MC £26.43+vat=£31.06

Waterproof camera with stylish tilt & swivel case. £92.76+vat=£109.00 or 10+£89.32+vat=£104.95

DTA30 Handheld transistor analyser it tells you which lead is the base, the collector and emitter and if it is NPN or PNP or faulty. HMA20 handheld MOS-FET analyser identifies gate drain and source and if P or N channel DTA30 & HMA20 £38.34 each

DCA50 component analyser with lcd readout identifies transistors, mosfets, diodes & LEDs lead connections. £69.95

Speaker cabinets 2-way speaker systems with Motorola tweeters speaker dia 15" 12" 8" 250W RMS 175W RMS 100W RMS impedance 8ohm 8ohm 8ohm freq. range 40hz-20kHz 45hz-20kHz 60hz-20kHz sensitivity(W/1M) 97dB 94dB 92dB size in mm 500x720x340 450x640x345 315x460x230 weight 21.1kg 16.8kg 7.4kg price each for black vinyl coating £139.95 £99.99 £54.94 grey felt coating £159.97** £119.97** £64.99 (**not normally in stock allow 1 week for delivery)

Power amplifiers 19" rack mount with gain controls STA150 2x160Wrms (4ohm load) 14kg £202.11 STA300 2x190Wrms (4ohm load) 11kg £339.00 STA900 2x490Wrms (4ohm load) 15kg £585.00 LEDs 3mm or 5mm red or green .7p each yellow 11p each Cable ties 1p each £5.95 per 1000 £49.50 per 10,000

Rechargeable Batteries AA(HF7) 500MAH £0.99 AA 500MAH with solder tags £1.55 AA 950MAH £1.75 C(HP11) 1.2AH £2.20 C 2AH with solder tags £3.60 D(HP2) 1.2AH £2.60 D 4AH with solder tags £4.95 PP3 8.4V 110MAH £4.95 12AA with solder tags £1.55 Sub C with solder tags £2.50 AA (HP16) 180MAH £1.75 1.2 AA with tags (Phlips) CV1 £1.95 Nickel Metal Hydride AA cells high capacity with no memory. If charged at 100mA and discharged at 250mA or less 1300MAH capacity (lower capacity for high discharge rates) £2.95

Special offers please check for availability stick of 4 42x16mm Nicad batteries 171mm16mm dia with red & black leads 4.8V £5.95

5 button cell 6V 280MAh battery with wires (Varta 52520DK) £2.45

Orbital 865 battery pack 12V 1.60AH contains 10 sub C cells with solder tags (the size most commonly used in cordless screwdrivers and drills 22 diax42mm tall) it is easy to crack open and was manufactured in 1994 £8.77 each or £110.50 per box of 14

BCI pcb 190x106x50mm with slots to house a pcb the lid contains an edge connector (12-way 8mm pitch) and screw terminals to connect in wires and 5 side in cable blanks £2.95

7-segment common anode led display 12mm £0.45

GaAs FET low leakage current S8873 £12.95 each £9.95 10+ £7.95 100+ BC547A transistor 20 for £1.00

SL952 UHF Limiting amplifier LC 16 surface mounting package with data sheet £1.95

DC-DC converter Reliability model V12P5 12V in 5V 200mA out 300V input to output isolation with data £4.95 each or pack of 10 £39.50

Airpax AB2903-C large stepping motor 14V 7.5' step 27mm 68mm dia body 5.3mm shaft £8.95 or £200.00 for a box of 30

Polyester capacitors box type 2200nF lead pitch 0.9F 250V dc 18p each, 14p 100+, 9p 1000+, 1uF 250Vdc 20p each, 15p 100+, 10p 1000+

Polypropylene 1uF 400V dc (Wima MKP10) 27.5mm pitch 32x29x17mm case 75p each 60p 100+

Philips 123 series solid aluminum axial leads 33uF 10V & 22uF 40V 40p each, 25p 100+

Solid carbon resistors very low inductance ideal for RF circuits 27ohm 2W, 68ohm 2W 25p each 15p each 100+, we have a range of 0.25W 0.5W 1W and 2W solid carbon resistors, please send SAE for list.

MX180 Digital multimeter 17 ranges 1000V dc 750V ac 2Mohm 200mA transistor Hie 9V and 1.5V battery test £9.95

Hand held ultrasonic remote control £3.95

CV2486 gas relay 30x10mm dia with 3 wire terminals will also work as a neon light .20p each or £9.50 per 100

Varbatim R300NH Streamer tape commonly used on nc machines and printing presses etc. it looks like a normal cassette with a slot cut out of the top £4.95 each (£3.75 100+)

Heatsink compound tube £0.95

HV3-2405-E5 5.24V 50mA regulator ic 18-264V ac input 8 pin DIL package £3.49 each (100+ £2.25)

All products advertised are new and unused unless otherwise stated. Wide range of CMOS TTL 74HC 74F Linear Transistors kits, rechargeable batteries, capacitors, tools etc always in stock.

Please add £1.95 towards P&P (orders from the Scottish Highlands, Northern Ireland, Isle of Man, Isle of Wight and overseas may be subject to higher P&P for heavy items). VAT included in all prices.

JPG ELECTRONICS

276-278 Chatsworth Road
Chesterfield S40 2BH

Access/Visa orders:
Tel: (01246) 211202 Fax: (01246) 550959
Callers welcome 9.30 am to 5.30 pm
Monday to Saturday

Millions of quality components at lowest ever prices!

Plus anything from bankruptcy - theft recovery - frustrated orders - over productions etc. Send 50p stamped self-addressed label or envelope for clearance lists.

Brian J Reed

6 Queensmead Avenue, East Ewell, Epsom, Surrey KT17 3EQ

Tel: 07775 945386 or 0208 393 9055
Mall Order UK only.

Lists are updated and only 40 are sent out every 2 weeks. This normally ensures that orders can be fulfilled where only a few thousands of an item is available. (Payment is returned if sold out. I do not deal in credit notes).

ADVERTISERS INDEX

A.L. ELECTRONICS	151
A.S.A.	125
N. R. BARDWELL	124
B.K. ELECTRONICS	Cover (iii)
BRIAN J. REED	152
BULL ELECTRICAL	Cover (ii)
COOKE INTERNATIONAL	151
CROWNHILL ASSOCIATES	101
DISPLAY ELECTRONICS	82
EPT EDUCATIONAL SOFTWARE	Cover (iv)
ESR ELECTRONIC COMPONENTS	90
FML ELECTRONICS	142
FOREST ELECTRONIC DEVELOPMENTS	119
ICS	151
J&N FACTORS	86
JPG ELECTRONICS	152
LABCENTER ELECTRONICS	97
LEADING EDGE TECHNOLOGY	125
MAGENTA ELECTRONICS	88/89
MILFORD INSTRUMENTS	107
NATIONAL COLLEGE OF TECHNOLOGY	137
PICO TECHNOLOGY	87
QUASAR ELECTRONICS	98
SERVICE TRADING CO	151
SHERWOOD ELECTRONICS	152
SKY ELECTRONICS	151
SQUIRES	137
STEWART OF READING	137
SUMA DESIGNS	84
TELNET	85
VERONICA KITS	151

ADVERTISEMENT MANAGER: PETER J. MEW
ADVERTISEMENT OFFICES:

EVERYDAY PRACTICAL ELECTRONICS, ADVERTISEMENTS,
MILL LODGE, MILL LANE, THORPE-LE-SOKEN,
ESSEX CO16 0ED.
Phone/Fax: (01255) 861161

For Editorial address and phone numbers see page 91

SHERWOOD ELECTRONICS

FREE COMPONENTS

Buy 10 x £1 Special Packs and choose another one FREE

SP1	15 x 5mm Red LEDs	SP131	2 x TL071 Op.Amps
SP2	12 x 5mm Green LEDs	SP133	20 x 1N4004 diodes
SP3	12 x 5mm Yellow LEDs	SP134	15 x 1N4007 diodes
SP6	15 x 3mm Red LEDs	SP135	6 x Min. slide switches
SP7	12 x 3mm Green LEDs	SP136	3 x BFY50 transistors
SP10	100 x 1N4148 diodes	SP137	4 x W005 1.5A bridge rectifiers
SP11	30 x 1N4001 diodes	SP138	20 x 2-263V radial elect. caps.
SP12	30 x 1N4002 diodes	SP140	3 x W04 1.5A bridge rectifiers
SP18	20 x BC182 transistors	SP142	2 x CMOS 4017
SP20	20 x BC184 transistors	SP143	5 Pairs min. crocodile clips (Red & Black)
SP21	20 x BC212 transistors	SP145	6 x ZTX300 transistors
SP23	20 x BC549 transistors	SP146	10 x 2N3704 transistors
SP24	4 x CMOS 4001	SP147	5 x Stripboard 9 strips x 25 holes
SP25	4 x 555 timers	SP151	4 x 8mm Red LEDs
SP26	4 x 741 Op.Amps	SP152	4 x 8mm Green LEDs
SP28	4 x CMOS 4011	SP153	4 x 8mm Yellow LEDs
SP29	3 x CMOS 4013	SP154	15 x BC548 transistors
SP31	4 x CMOS 4071	SP156	3 x Stripboard, 14 strips x 27 holes
SP34	20 x 1N914 diodes	SP160	10 x 2N3904 transistors
SP36	25 x 10/25V radial elect. caps.	SP161	10 x 2N3906 transistors
SP37	15 x 100/35V radial elect. caps.	SP165	2 x LF351 Op.Amps
SP39	10 x 470/16V radial elect. caps.	SP167	6 x BC107 transistors
SP40	15 x BC237 transistors	SP168	6 x BC108 transistors
SP41	20 x Mixed transistors	SP175	20 x 1/63V radial elect. caps.
SP42	200 x Mixed 0.25W C.F. resistors	SP177	10 x 1A 20mm quick blow fuses
SP47	5 x Min. PB switches	SP182	20 x 4.7/63V radial elect. caps.
SP102	20 x 8-pin DIL sockets	SP183	20 x BC547 transistors
SP103	15 x 14-pin DIL sockets	SP187	15 x BC239 transistors
SP104	15 x 16-pin DIL sockets	SP191	3 x CMOS 4023
SP105	4 x 74LS00	SP192	3 x CMOS 4066
SP109	15 x BC557 transistors	SP193	20 x BC213 transistors
SP112	4 x CMOS 4093	SP194	8 x OA90 diodes
SP114	5 x ZTX500 transistors	SP195	3 x 10mm Yellow LEDs
SP115	3 x 10mm Red LEDs	SP197	6 x 20 pin DIL sockets
SP116	3 x 10mm Green LEDs	SP198	5 x 24 pin DIL sockets
SP118	2 x CMOS 4047		
SP120	3 x 74LS93		
SP124	20 x Assorted ceramic disc capacitors		
SP130	100 x Mixed 0.5W C.F. resistors		

RESISTOR PACKS - C.Film

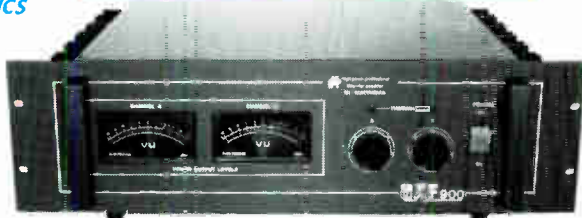
RP3	5 each value - total 365 0.25W	£2.85
RP7	10 each value - total 730 0.25W	£4.10
RP10	1000 popular values 0.25W	£5.85
RP4	5 each value-total 365 0.5W	£3.80
RP8	10 each value-total 730 0.5W	£6.45
RP11	1000 popular values 0.5W	£8.15

2000 Catalogue now available £1 inc. P&P or FREE with first order. P&P £1.25 per order. NO VAT

Orders to:
Sherwood Electronics,
7 Williamson St., Mansfield,
Notts. NG19 6TD.

**OMP MOS-FET POWER AMPLIFIERS
HIGH POWER, TWO CHANNEL 19 INCH RACK**

1000's
SOLD
TO PRO
USERS



THE RENOWNED MXF SERIES OF POWER AMPLIFIERS

FOUR MODELS:- MXF200 (100W + 100W) MXF400 (200W + 200W)
MXF600 (300W + 300W) MXF900 (450W + 450W)

ALL POWER RATINGS ARE R.M.S. INTO 4 OHMS, WITH BOTH CHANNELS DRIVEN
FEATURES: * Independent power supplies with two toroidal transformers * Twin LED Vu Meters
* Level controls * Illuminated on/off switch * Jack/XLR inputs * Speakon outputs * Standard 775mV inputs * Open and short circuit proof * Latest Mos-Fets for stress free power delivery into virtually any load * High slew rate * Very low distortion * Aluminium cases * MXF600 & MXF900 fan cooled with D.C. loudspeaker and thermal protection.

USED THE WORLD OVER IN CLUBS, PUBS, CINEMAS, DISCOS ETC

SIZES:-
MXF200 W19" D11" H3 1/2" (2U)
MXF400 W19" D12" H5 1/4" (3U)
MXF600 W19" D13" H5 1/4" (3U)
MXF900 W19" D14 1/2" H5 1/4" (3U)

PRICES:- MXF200 £175.00 MXF400 £233.85
MXF600 £329.00 MXF900 £449.15

SPECIALIST CARRIER DEL. £12.50 EACH



**FLIGHTCASED
LOUDSPEAKERS**

A new range of quality loudspeakers, designed to take advantage of the latest loudspeaker technology and enclosure designs. All models utilize high quality studio cast aluminium loudspeakers with factory fitted grilles, wide dispersion constant directivity horns, extruded aluminium corner protection and steel ball corners, complimented with heavy duty black covering. The enclosures are fitted as standard with top hats for optional loudspeaker stands. The FC15-300 incorporates a large 16 X 6 inch horn. All cabinets are fitted with the latest Speakon connectors for your convenience and safety. Five models to choose from.

WEDGE
MONITOR



PLEASE NOTE:- POWER RATINGS
QUOTED ARE IN WATTS R.M.S. FOR
EACH INDIVIDUAL CABINET.
ALL ENCLOSURES ARE 8 OHM.

15=15 inch speaker
12=12 inch speaker
ibl FC15 300 WATTS Freq Range 35Hz-20KHz, Sens 101dB, Size H695 W502 D415mm
PRICE:- £299.00 per pair
ibl FC12-300 WATTS Freq Range 45Hz-20KHz, Sens 96dB, Size H600 W405 D300mm
PRICE:- £249.00 per pair
ibl FC12-200 WATTS Freq Range 40Hz-20KHz, Sens 97dB, Size H600 W405 D300mm
PRICE:- £199.00 per pair
ibl FC12-100 WATTS Freq Range 45Hz-20KHz, Sens 100dB, Size H546 W380 D300mm
PRICE:- £179.00 per pair
ibl WM12 200 WATTS Freq Range 40Hz-20KHz, Sens 97dB, Size H418 W600 D385mm
PRICE:- £125.00 EACH
SPECIALIST CARRIER DEL:- £12.50 per pair, Wedge Monitor £7.00 each
Optional Metal Stands PRICE:- £49.00 per pair Delivery:- £6.00

OMP X03-S STEREO 3-WAY ACTIVE CROSS OVER SWITCHABLE 2 WAY



BASS MID TOP CONFIGURED 3 WAY
BASS/MID TOP 2 WAY BASS/MID COMBINED
BASS MID/TOP 2 WAY MID/TOP COMBINED

FEATURES:

Advanced 3 Way Stereo Active Cross-Over (switchable two way), housed in a 19" x 1U case. Each channel has three level controls: Bass, Mid & Top. The removable front fascia allows access to the programmable DIL switches to adjust the cross-over frequency: Bass-Mid 125/250/500Hz, Mid-Top 1.8/3/5Hz, all at 24dB per octave. The 2/3 way selector switches are also accessed by removing the front fascia. Each stereo channel can be configured separately. Bass Invert Switches are incorporated on each channel. Nominal 775mV input/output. Fully compatible with OMP Rack Amplifier and Modules.

PRICE £117.44 + £5.00 P&P

**FANE COLOSSUS POWER
VERY HIGH POWER LOUDSPEAKERS**

THE COLOSSUS RANGE OF LOUDSPEAKERS ARE DESIGNED FOR USE IN SUPERIOR HIGH POWER OUTPUT SYSTEMS. ALL MODELS ARE 8 OHM
COLOSSUS 12MB:- * 12 INCH * 450WATT R.M.S. * 900 WATTS PEAK * Sens 98 dB * Res Freq.55 Hz. * Frequency Range 40 Hz-3.5KHz PRICE £129.00
COLOSSUS 15XB:- * 15 INCH * 600WATTS R.M.S. * 1200 WATTS PEAK * Sens 99 dB * Res Freq.35 Hz. * Frequency Range 30 Hz-1.0KHz PRICE £159.00
COLOSSUS 18XB:- * 18 INCH * 600WATTS R.M.S. * 1200 WATTS PEAK * Sens 100dB * Res Freq.30 Hz. * Frequency Range 27 Hz-1.0KHz PRICE £183.00
ALL MODELS ARE DELIVERED CARRIAGE FREE(UK ONLY)



OMP MOS-FET POWER AMPLIFIER MODULES SUPPLIED READY BUILT AND TESTED

These modules now enjoy a world wide reputation for quality, reliability and performance at a realistic price. Four models are available to suit the needs of the professional and hobby market i.e. Industry, Leisure, Instrumental and Hi-Fi etc. When comparing prices, NOTE that all models include toroidal power supply, integral heat sink, glass fibre P.C.B. and drive circuits to power a compatible Vu meter. All models are open and short circuit proof.

THOUSANDS OF MODULES PURCHASED BY PROFESSIONAL USERS

OMP/MF 100 Mos-Fet Output power 110 watts R.M.S. into 4 ohms, frequency response 1Hz - 100KHz -3dB, Damping Factor >300, Slew Rate 45V/uS, T.H.D. typical 0.002%, Input Sensitivity 500mV, S.N.R. -110dB. Size 300 x 123 x 60mm.
PRICE:- £42.85 + £4.00 P&P

OMP/MF 200 Mos-Fet Output power 200 watts R.M.S. into 4 ohms, frequency response 1Hz - 100KHz -3dB, Damping Factor >300, Slew Rate 50V/uS, T.H.D. typical 0.001%, Input Sensitivity 500mV, S.N.R. -110dB. Size 300 x 155 x 100mm.
PRICE:- £66.35 + £4.00 P&P

OMP/MF 300 Mos-Fet Output power 300 watts R.M.S. into 4 ohms, frequency response 1Hz - 100KHz -3dB, Damping Factor >300, Slew Rate 60V/uS, T.H.D. typical 0.001%, Input Sensitivity 500mV, S.N.R. -110dB. Size 330 x 175 x 100mm.
PRICE:- £83.75 + £5.00 P&P

OMP/MF 450 Mos-Fet Output power 450 watts R.M.S. into 4 ohms, frequency response 1Hz - 100KHz -3dB, Damping Factor >300, Slew Rate 75V/uS, T.H.D. typical 0.001%, Input Sensitivity 500mV, S.N.R. -110dB, Fan Cooled, D.C. Loudspeaker Protection, 2 Second Anti-Thump Delay. Size 385 x 210 x 105mm.
PRICE:- £135.85 + £6.00 P&P

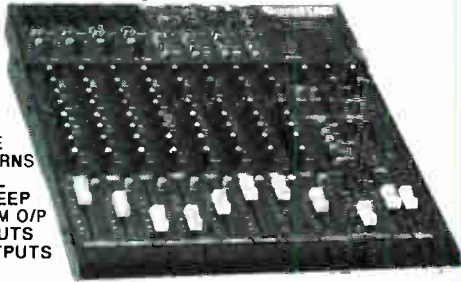
OMP/MF 1000 Mos-Fet Output power 1000 watts R.M.S. into 2 ohms, 725 watts R.M.S. into 4 ohms, frequency response 1Hz - 100KHz -3dB, Damping Factor >300, Slew Rate 75V/uS, T.H.D. typical 0.002%, Input Sensitivity 500mV, S.N.R. -110dB, Fan Cooled, D.C. Loudspeaker Protection, 2 Second Anti-Thump Delay. Size 422 x 300 x 125mm.
PRICE:- £261.00 + £12.00 P&P

NOTE: MOS-FET MODULES ARE AVAILABLE IN TWO VERSIONS: STANDARD INPUT SENS 500mV, BAND WIDTH 100KHz OR PEC (PROFESSIONAL EQUIPMENT COMPATIBLE) INPUT SENS 775mV, BAND WIDTH 50KHz ORDER STANDARD OR PEC

SoundLAB SPM 12 AND 16 CH.MIXERS

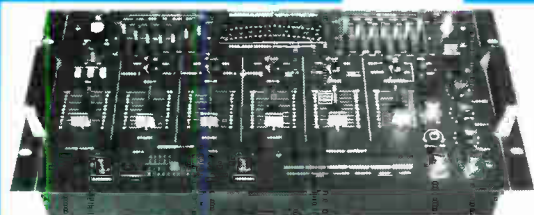
The 12 and 16 Channel SPM Series Of Studio Quality Mixers Are Ideal For Fixed Installation Stage And Mobile Use.

- * 48v PHANTOM POWER
- * BUILT IN POWER SUPPLY
- * 230V AC/50Hz
- * PEAK INPUT LEVEL LEDS
- * PRE FADE LISTEN (PFL)
- * SUB MASTER OUTPUT
- * COMBINED XLR/1/4 JACK
- * 80mm FADERS * CH.MUTE
- * 2 STEREO AUX.SEND/RETURNS
- * CONSTANT PAN CONTROL
- * 3 BAND EQ WITH MID SWEEP
- * HEADPHONE/CONTROL ROOM O/P
- * CD/TAPE INPUTS & OUTPUTS
- * BALANCED INPUTS & OUTPUTS
- * BUS ASSIGN SWITCH
- * MONITOR SEND



PRICES: SPM1202 4 MONO MIC/LINE, 4 STEREO INPUTS £299.00 FREE
SPM1602 8 MONO MIC/LINE, 4 STEREO INPUTS £399.00 UK P&P

STEREO DISCO MIXER MPX-7700 ECHO & SOUND EFFECTS



- * 4 STEREO INPUT CHANNELS
- * 2 DJ MIC INPUT CHANNELS
- * 2X7 BAND GRAPHIC EQUALISERS
- * HEADPHONE MONITOR WITH PFL
- * ASSIGNABLE CROSSFADE
- * DIGITAL ECHO

STEREO DISCO MIXER WITH:- *2X7 GRAPHIC EQUALISERS *2 MONO MIC INPUTS *DJ MIC WITH FADER, TALKOVER AND VOICE CHANGER *4 STEREO CHANNELS WITH INDIVIDUAL FADERS AND ASSIGNABLE CROSSFADE *CHANNELS SWITCHABLE, TURNTABLE (MAG CARTRIDGE), CD, LINE, TAPE, ETC. *ECHO WITH BALANCE, REPEAT AND DELAY *HEADPHONE MONITOR WITH PREFADE LISTEN *CHOICE OF 6 SOUND EFFECTS *STEREO MONO SWITCH *2 X LED VU METERS *MASTER FADER *OUTPUT 775mV *SIZE:- 482X240X115mm *POWER:- 230V AC 50/60Hz PRICE:- £169.00 + £5.00 P&P

RADIO MICROPHONE CYBERWAVE FMM 1000

- * IDEAL FOR: LIVE BANDS PUBLIC ADDRESS & KARAOKE ETC.
- * ON/STANDBY/OFF SWITCH MOUNTED ON MIC BARREL FOR EASE OF USE
- * 100 HOURS BATTERY RUNNING TIME. 1 PP3 (NOT SUPPLIED)
- * SINGLE CHANNEL RF MICROPHONE 174.23 OR 174.56MHz
- * MAINS ADAPTOR FOR RECEIVER SUPPLIED * FM LOCK INDICATOR & VOL CONTROL ON RECEIVER. PRICE:- £119.99 FREE UK P&P



DELIVERY CHARGES:- PLEASE INCLUDE AS ABOVE, TO A MAXIMUM AMOUNT £30.00. OFFICIAL ORDERS FROM SCHOOLS, COLLEGES, GOVT. BODIES, PLCs ETC. PRICES INCLUSIVE OF V.A.T. SALES COUNTER CREDIT CARD ORDERS ACCEPTED BY POST PHONE OR FAX

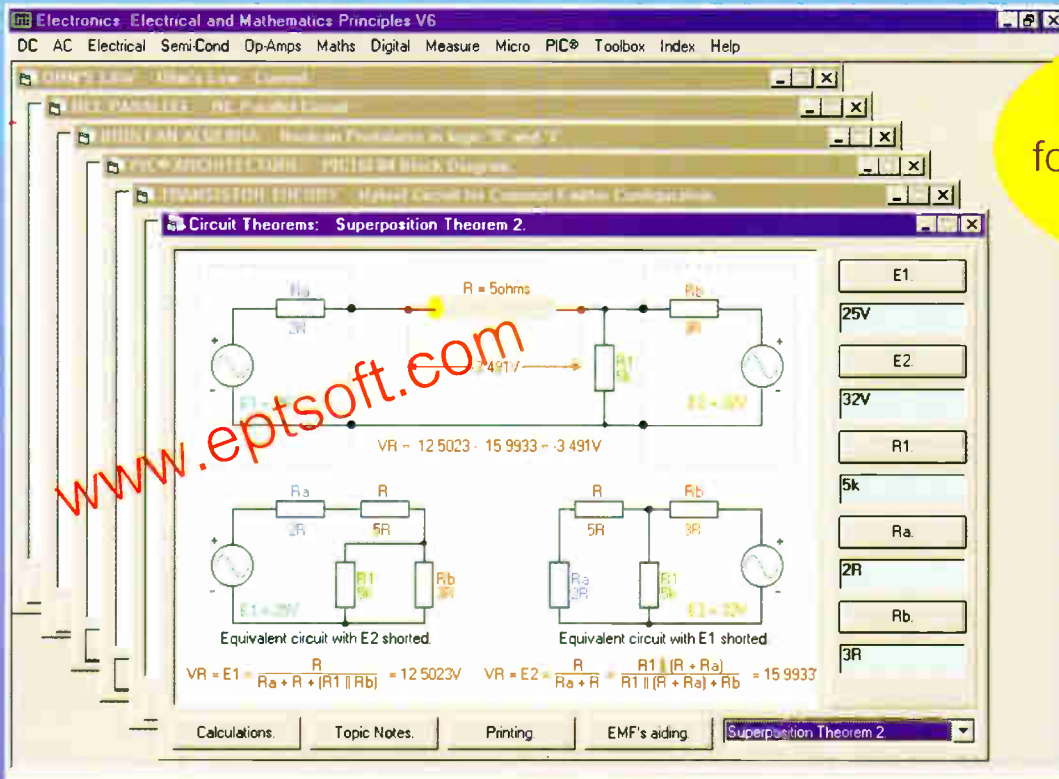
B.K. ELECTRONICS

UNIT 1 COMET WAY, SOUTHEND-ON-SEA, ESSEX, SS2 6TR.

TEL.: 01702 527572 FAX.: 01702-420243
Web:- <http://www.bkelec.com> E-mail:- Sales@bkelec.com

'Electronics, Electrical & Mathematics Principles V6'

If you are looking for an easy and enjoyable way of studying or improving your knowledge of electronics and maths then this is the software for you.



CD-ROM
for Windows '95,
'98 & NT.

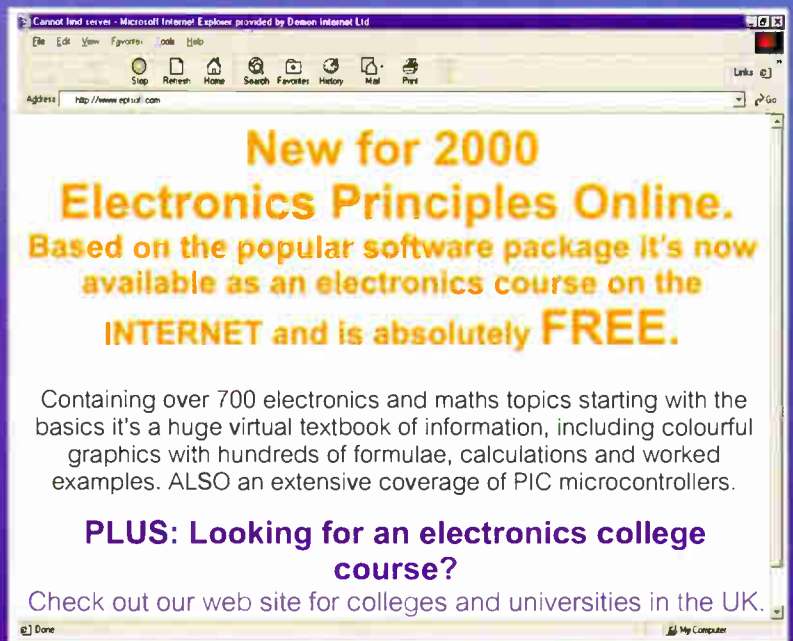
Includes:
Electronics Textbook,
Components &
Equipment Visual
Dictionary and
Mathematics
Principles all in one
package.

**A COMPLETE PC BASED
ELECTRONICS
& MATHEMATICS COURSE**

£99.95 + VAT

From Ohm's Law and simple DC through AC theory to the latest PIC16F84 and PIC16C71 micro controllers where the architecture and complete instruction set can be explored by interactive graphics. Approved by Microchip and listed on their university web site.

"Electronics Principles is a well thought out and comprehensive program that is also easy to install and stable in operation. It can be wholeheartedly recommended."
Robert Penfold. Everyday Practical Electronics magazine October 1998.



eptsoft Ltd. Pump House, Lockram Lane, Witham, Essex. UK. CM8 2BJ.
Tel: 01376 514008. Fax: 0870 0509660 info@eptsoft.com www.eptsoft.com
Switch, Delta, Visa and MasterCard payments accepted - please give card number and expiry date.
Cheques & Postal Orders should be made payable to eptsoft Ltd.