

**Hi-Fi**  
W O R L D

**Hi-Fi**

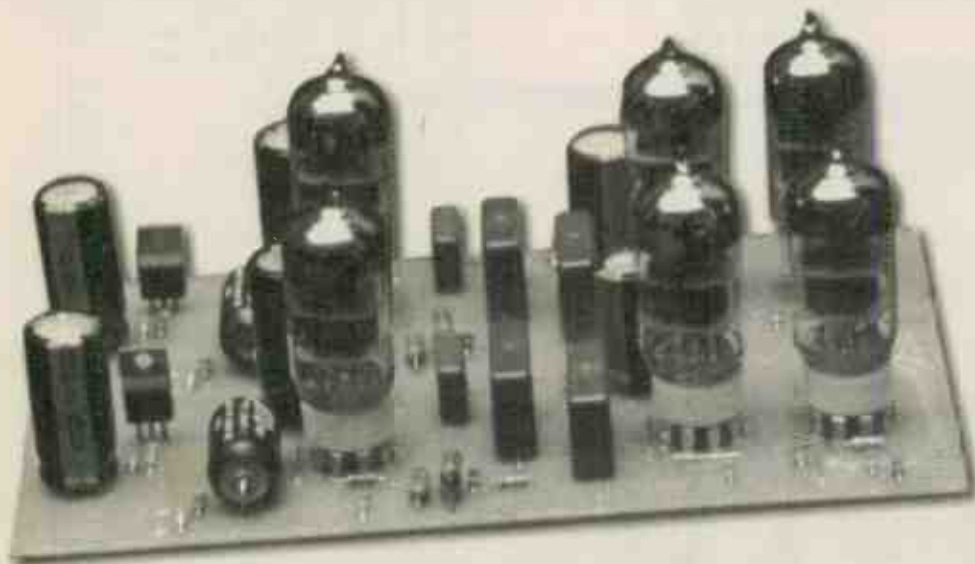


W O R L D

NO.33 DECEMBER 1997

SUPPLEMENT

# BUILD A VALVE MM/MC PHONO PREAMPLIFIER



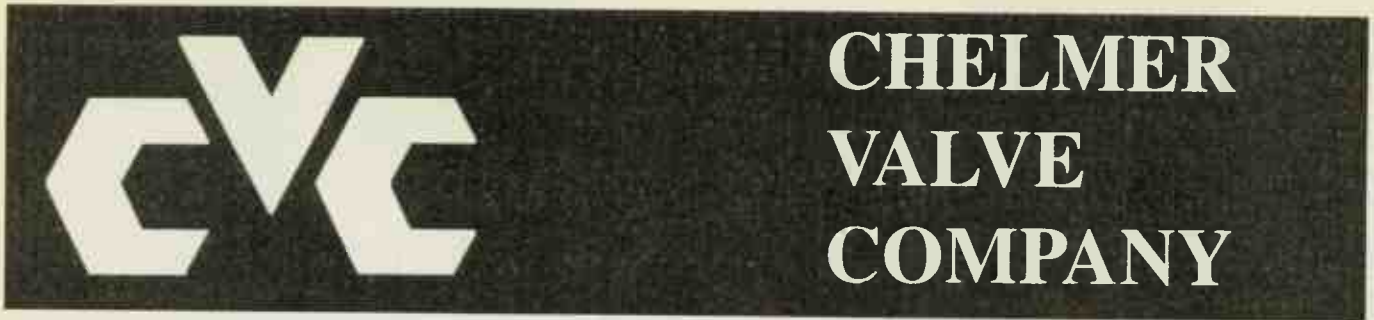
**24 bit, 96kHz  
DIGITAL CD  
TECHNOLOGY**

**Book  
Reviews**

## PORT TUNING OUR KLS3 GOLD LOUDSPEAKER

### FREE D.I.Y. SUPPLEMENT No.33

PRICE VALIDITY TO END OCT 1997 - ASK ABOUT ANY TYPES NOT ON THIS LIST



## for High Quality Audio Tubes

Everybody in the tube business knows that the justly famous Brand names of yesteryear like BRIMAR, GEC, MULLARD, RCA & TELEFUNKEN Etc. Etc. are scarce and often very expensive.

Although we supply all major brands when available (and have many in stock) our policy is to offer a range of tubes, mostly of current manufacture, the best we can find from factories around the world, which we process specially to suit audio applications. The result - CVC PREMIUM BRAND.

Our special processing includes selection for LOW NOISE, HUM & MICROPHONY and controlled BURN-IN on all power tubes to improve STABILITY and select out tubes with weaknesses Etc.

### A selection of CVC PREMIUM Audio Tubes

PRE-AMP TUBES	POWER TUBES	POWER TUBES	SOCKETS ETC.
ECC81	5.00	EL34G	7.50
ECC82	5.00	EL34 (TESLA)	8.00
ECC83	5.00	EL34 (Large Dia.)	8.50
ECC85	6.00	EL84/6BQ5	4.70
ECC88	5.00	EL509/519	13.00
ECF82	5.00	E84L/7189A	6.50
ECL82	5.00	KT66	9.50
ECL86	5.00	KT77	12.00
EF86	5.50	KT88 (Standard)	12.50
E80F Gold Pin	10.00	KT88 (Gold Special)	21.00
E81CC Gold Pin	6.80	KT88 (Gold Lion Pair)	60.00
E82CC Gold Pin	8.00	PL509/519	9.00
E83CC Gold Pin	7.50	2A3 (4 or 8 Pin)	14.50
E88CC Gold Pin	8.00	211	22.00
6EU7	6.00	300B	50.00
6SL7GT	4.50	6C33C-B	27.00
5SN7GT	4.50	6L6GC	6.50
6922	5.20	6L6WGC/5881	8.00
7025	6.50	6V6GT	5.00
		6080	11.50
		6146B	10.50
		(continued)	
		6336A	46.00
		6550A	11.00
		6550WA or WB	13.50
		7581A	11.00
		807	9.00
		811A	11.00
		812A	34.00
		845	30.00
		RECTIFIER TUBES	
		EZ80	4.00
		EZ81	4.50
		GZ32	11.00
		GZ33	9.50
		GZ34	6.50
		GZ37	7.50
		5U4G	5.00
		5V4GT	4.50
		5Y3GT	4.00
		5Z4GT	4.50
		B9A (Chassis or PCB)	1.60
		B9A (Ch or PCB) G/Plated	3.00
		Octal (Ch. or PCB)	1.80
		Octal (Ch. or PCB) G/Plated	4.20
		4 Pin (For 2A3, 300B etc.)	3.30
		4 Pin (For 2A3, 300B etc) G/Plated	5.00
		4 Pin Jumbo (For 211 etc.)	11.00
		4 Pin Jumbo (For 211 etc.) Gold Plated	15.00
		5 Pin (For 807)	3.00
		7 Pin (For 6C33C-B)	4.50
		9 Pin (For EL, PL509, Ch. or PCB)	5.00
		Screening Can (For ECC83 etc.)	2.00
		Anode Connector (For 807 etc.)	1.50
		Anode Connector (For EL509 etc.)	1.70
		Retainer (For 6L6WGC etc.)	2.00

### and a few "Other Brands" (inc. Scarce types).

5AR4/GZ34 MULLARD	20.00	6B4G RAYTHEON	27.00	6SN7GT BRIMAR	5.50	13E1 STC	110.00
5R4GY RCA, STC	7.00	6BW6 BRIMAR	5.00	12AT7WA MULLARD	5.00	805 CETRON	50.00
5R4WGY CHATHAM USA	10.00	6BX7 GT SYLVANIA	8.50	12AY7 GE-SYLVANIA	7.75	5842A GEC	15.00
5U4GB RCA or GE	12.00	6CG7/6FQ7 SYLVANIA	7.50	12AZ7 GE	7.50	6080W TUNGSTOL	12.50
5Y3WGT SYLVANIA	5.00	6CL6 RCA or GE	5.00	12BH7A GE or RCA	13.00	6550A GE	22.00
6AS7G RCA or SEIMENS	12.00	6CW4 RCA	11.00	12BY7A GE	9.00	6146B GE	17.00
6AU6WC SYLVANIA	3.50	6SL7GT STC	5.50	12E1 STC	12.50		

ALL PRICES IN U.K. POUNDS £

Please note carriage charge extra + VAT (EEC Only) - When ordering state if matching required (add £1.00 per tube).

Payment by CREDIT CARD (ACCESS, VISA, MASTERCARD) or BANKERS DRAFT, TRANSFER or CHEQUE (UK ONLY).

FAX or POST your ORDER - We shall send PROFORMA INVOICE if necessary.

**Valve Amplifiers sound better still fitted with CVC PREMIUM Valves!**

Chelmer Valve Company, 130 New London Road,  
Chelmsford, Essex CM2 0RG. England.

☎ 44 (0)1245 355296 Fax: 44 (0)1245 490064

## Contents

All rights to the designs are reserved by World Audio Design Ltd. They are published for single use by private individuals. They are not to be used for commercial gain without prior permission from World Audio Design Ltd.  
 Audio Publishing Ltd and World Audio Design Ltd accept no responsibility for accident or injury arising from the construction or use of any of the designs published.  
 All of the projects in this supplement have gone through rigorous listening and test procedures. The performance and specification of these projects can only be guaranteed on kits bought directly from World Audio Design Ltd.

**KIT NEWS**

Stay abreast of all the new component and kit arrivals in the world of DIY hi-fi.

5

**VALVE MM/MC PHONO STAGE**

Chris Found designs a novel MM/MC valve phono stage.

7

**THE IMPORTANCE OF PORTING**

Find out how to optimise the bass performance of our KLS3 Gold Dome MkII loudspeaker for larger rooms by tuning its ports with Noel Keywood.

13

**DACNOLOGY**

Chris Found takes a look at one of the first commercially-available 96kHz sampling 24-bit compatible DAC chips, the AK4324 from Asaki Kasei Microsystems, and likes what he hears.

16

**BOOK REVIEWS:****BEGINNER'S GUIDE TO TUBE AUDIO DESIGN**

As the valve revival continues apace, what more and more DIYers are looking for is a book to learn valve amp design from. Bruce Rozenblit's book could be just the ticket.

21

**THE ART AND SCIENCE OF ANALOG CIRCUIT DESIGN**

Haider Bahrani delves into this collection of analogue anecdotes (edited by Jim Williams) and comes up with some valuable nuggets of knowledge for the serious electronics enthusiast.

23

**DIY Q&A**

This month we have answers valve and solid-state as World's dedicated hands-on team solve your DIY dilemmas.

25

α

Billington Gold

Ω

Long known as specialists in rare tube brands, Billington Export provides a line of premium-grade valves to fill the increasing demand for hard-to-find tubes! BILLINGTON GOLD features specially tested valves selected for long life, low microphony and low noise. Versions with gold plated pins are available. BILLINGTON GOLD brand comes from a variety of countries around the world. We have carefully chosen the best manufacturer for each type, with an emphasis on the highest audio quality and product reliability. We stock one million valves including: BRIMAR, GE USA,

GEC UK, MAZDA, MULLARD, RCA, RUSSIAN/SOVTEK/SVETLANA, SYLVANIA, TESLA, THERMIONIC, TUNGSRAM and other rare brands, as well as stockets and CRTs.

**NEW IMPROVED QUALITY 300B**

In July 1997 we were delighted to receive the first production of the latest design Chinese 300B with improved filament support, gold plated grid & graphite coated anode [our ref: VA/300B] Carefully tested, 90 day guarantee,

- Billington OB...@ £54.00 each \*  
 ● 10 pieces @ £36.00 each \*  
 ● 20 pieces @ £35.00 each \*

**BILLINGTON GOLD**

2A3	17.25
6L6GC	9.50
6L6GT	6.45
6SL7GT	4.50
12AX7	4.50
50CA10	22.50
274B	12.00
300B/VA300B	
New improved version	54.00
807	9.95
811A	9.00
813	24.00
845	33.00
4300B	66.00
5881	8.00
6550B/B3	16.43
E81CC	5.25
E81CC-01	9.50
E82CC	4.50
E82CC-01	8.50
E83CC-01	8.50
E88CC	8.00
ECC81	4.42
ECC82	4.42
ECC83	4.50
ECC85	6.00
ECC88	4.50
EF86	9.90
EL34	7.50
EL84	3.60
GZ34	8.40
KT66	9.50
KT88 Special	
GEC replica	22.50
KT88	18.50
TT21 Chinese	27.00

**TOPCAPS**

For 2C34, 807, etc.	£2.03
For 12E1, 5B-254M, PL519	£1.95

**RARE BRANDS**

3C24EEV	27.00	12BH7 Yugoslavian	6.90	E80CC Mullard	45.00
4CX250BM [EIMAC]	60.00	12BH7A RCA	13.50	E80F Philips	18.00
4250A/QB35750 Philips	90.00	12E1 STC TTT UK	15.00	E80L Philips	31.50
5R4GY RCA	9.00	12SG7	0.60	E88CC Tesla Gold pin	8.85
5R4WGB USA	9.00	125N7GT	2.25	E180CC Mullard	5.40
5U4G Rogers	24.00	13E1 STC UK	120.00	E182CC Mullard	9.45
5Y3GT	7.50	85A2 Mullard	4.50	EB91	1.50
6AH4GT USA	7.50	350B Chinese	14.25	ECC81/CV4024 Mullard UK	7.50
6AS7G Russian	2.93	4UA	12.00	ECC82/CV4003 Mullard UK	10.20
6AU5GT GE USA	3.75	807 USA	10.50	ECC86 Mullard	5.93
6AU6WC ECG Philips	1.20	1625 USA	5.93	ECF80/6BL8	0.60
6AU8A USA	0.75	2050W RCA	8.25	ECH81 Russian	1.48
6BE6/5915 ECG Philips	0.90	5687WB Philips	5.93	ECL82 Tungstgram	2.93
6BH6 RCA	2.48	5751GE	3.90	ECL85/805	1.49
6BL3 USA	0.60	5755 Raytheon	2.63	ECL86	2.40
6C33CB Russian	29.25	5814AECG/Philips	2.70	EF3TA Mullard UK Grey	5.25
6CG7 USA	7.20	6028	0.99	EF39/CV1053	1.65
6CG7 Yugoslavian	6.75	6111WA Philips	1.50	EF86/CV4085 GEC UK	19.50
6CH6 Brimar	2.93	6336A Amperex	54.00	EF86 Russian/Svetlana	8.40
6CW4	7.80	6350 USA	1.50	EF95/CV4010 Mullard	1.95
6DL4/8255 Telefunken	4.50	6414 USA	2.99	EF184 RFT	0.99
6J4/CV5311	1.20	6463 GE USA	2.25	EL38	13.32
6J5 RCA	3.60	6550A GE USA	42.00	EL86 Russian	1.49
6J5GT Pinnacle	1.46	7119 Mullard USA	9.45	EL90 Brimar	2.25
6J7G USA	3.45	7308 ECG Philips	5.25	F2A Siemens	135.00
6L5G USA	2.70	7581A ECG Philips	25.50	F2A11 Siemens	120.00
6L6GA Sylvania	22.50	9002 [audio triode] RCA	1.50	GZ32 Philips	POA
6Q7G/CV587	2.99	A2293/CV4079	4.43	GZ37/CV378 Mullard UK	9.00
6SJ7 RCA	3.30	C3m Siemens	15.30	KT90 Yugoslavian	25.50
6SN7GT Ken Rad	5.55	CV4025	1.50	PCL82 Tungstgram	1.35
6SQ7	3.00	CV4062/E2134	5.25	PCL86 [ECL86] Russian	0.53
6U8A RCA	1.43	CV4068 Brimar	4.50	PL504	5.48
6V6 RCA Black Metal	15.00	DA42 GEC	28.50	PL519 Tungstgram	8.40
6V6GT MWT	5.85	DG7-32 Mullard	21.00	QQV03/20A GEC	5.25
6X4W Raytheon USA	3.00	E34L Tesla	12.00	S11E12/CV4060	43.50
12AZ7A USA	2.70	ESSL/CV5808 Mullard	37.50	Z2b	27.00

**RUSSIAN/SVETLANA**

6B4G	23.40
6550B-2	18.00
6550C	27.00
EL34 Svetlana	8.92
SV572-3	105.00
SV572-10	120.00
SV572-30	105.00
SV572-160	105.00
SV811-3	27.30
SV811-10	27.30

For orders over £600.00 please deduct 33%.

[Does NOT apply to items marked \*]

**WHOLESALE SECTION**

6AL5/EB91 Mullard, government box	100 pieces @ £ 75.00 [£0.75 each]*
6J5GT Russian	10 pieces @ £ 9.00 [£0.90 each]*
9002 RCA USA audio triode	100 pieces @ £ 60.00 [£0.60 each]*
E180CC/7062 Mullard UK box anode GVT	100 pieces @ £360.00 [£3.60 each]*
EF37A Mullard UK Grey	50 pieces @ £125.00 [£2.50 each]*
EF86 Russian, Identical to Svetlana EF86 but no logo	50 pieces @ £210.00 [£4.20 each]*
EL34 Chinese tested - guaranteed	50 pieces @ £200.00 [£4.00 each]*

**RARE SOCKETS**

47E [for 4212E]	ORDER CODE 47E	37.50
4B4/B5B [for PX4]	ORDER CODE 4B4/5BB	3.98
45DA [for DA100]	ORDER CODE 45DA	15.00
B5 [for ML4]	ORDER CODE 4B4/B5A	3.98
PO5 [for Aa, Ba]	ORDER CODE 5PO	11.70
Octal and B9A sockets IN STOCK...POA		
Side contact for AZ1 [CT8]	ORDER CODE 8P/8SC	10.43

All items in stock at the time of going to press. Prices in GB Pounds. Please ask for our free 50 page catalogue of valves. AMERICAN EXPRESS, MASTERCARD, VISA, accepted. MINIMUM ORDER: UK £50 + VAT & Carriage. Export £100.00 [US \$150.00] + Carriage. 3,000 OTHER TYPES OF VALVES IN STOCK! PLEASE INQUIRE FOR ANY TYPE NOT LISTED.



**IE GILLMANS TRADING ESTATE**  
**BILLINGHURST**  
**WEST SUSSEX RH14 9EZ UK**  
**TEL: (0)1403 784961 FAX: (0)1403 783519**  
 VISITORS STRICTLY BY APPOINTMENT PLEASE

# KIT NEWS

## FRESH SUPPLIES

Antique Audio Supplies of Arizona have announced the release of their 1998 catalogue. This will be positively crammed full of 'new old stock' valves as well as currently-manufactured items.

Also stocked are many hard to find parts and supplies for audio, amateur radio and antique radio restoration. A large range of books and literature for valve enthusiasts is available too.

**Antique Electronic Supplies**  
6221 South Maple Avenue,  
Tempe,  
Arizona 85283  
Tel: (001) 602 820 5411

## FALCON'S NEW STOCK

Falcon Acoustics have announced a whole slew of new products. They now stock sculpted damping foam (egg-box type) in sheets of 1000mm by 500mm by 40mm which cost £6.20 each. Three sizes of variable-length loudspeaker ports are available as well. These have diameters of 51mm, 67mm and 110mm and cost £2.40, £3.00 and £5.60 respectively.

New books on offer are AES Loudspeakers - An Anthology, vols three and four, each at a price of £30 and the Beginner's Guide To Tube Audio Design by Bruce Rozenblit for £18.

In addition, Falcon can supply a variety of computer programmes. To help you build horn 'speakers there's Bass-Horn Design software which aids the design of catenoid, exponential and hyperbolic horns (£19.17). For £176.50 B2 SPICE Ver. 2.1 offers an analogue simulation programme with a Windows schematic interface. Just enter the circuit with component values and it works out the 'net list'. CAAD-330 WIN low-frequency 'speaker simulation programme goes for £43.25 and AudioCad Pro, which manipulates

MLSSA, IMP, LMS and Audiolab data with cabinet and crossover data, will set you back £98. Last but not least, an ECHO DSP Sound Card for Audiosuite modified by Liberty is yours for £155.75.

**Falcon Acoustics**  
Tabor House,  
Norwich Road,  
Mulbarton,  
Norwich,  
Norfolk NR14 8JT  
Tel: 01508 578272

## LIFESTYLE THE RUSS ANDREWS WAY

Audio component supplier Russ Andrews has just released its Audio Lifestyle Brochure. This contains accessories such as cables, Oak Cone feet and ReVeel CD cleaner.



**Russ Andrews Accessories**  
Edge Bank House,  
Skelsmergh,  
Kendal,  
Cumbria LA8 9AS  
Tel: 01539 823247

## DOWN TO A 'T'

Tenby-based component specialist AudioCom now stock the recently-introduced T-Network electrolytic capacitors by DNM Design. The T-Network cap is constructed using the Slit-Foil method to produce a high-quality power supply filtering capacitor with low impedance. Availability of the T-Network capacitor is at present limited to 63V/10000uF and the price is £24.25 each.

**AudioCom**

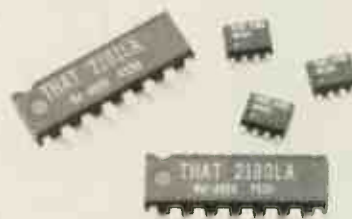
**Unit 6,**  
**Tindle Enterprise Centre,**  
**Warren Street,**  
**Tenby,**  
**Pembrokeshire SA70 7JY**  
Tel: 01834 842803

## THAT'S BETTER

There is a new family of high-performance voltage-controlled amplifiers (VCA) from the THAT Corporation. The 218X VCAs provide a significantly better distortion performance than either the well-known 2150A or SSM2018/T. Available in both trimmable (2181) and trimless (2180) versions, the 218X VCAs can be used in any quality audio application like power amp input stages.

Also new is the 4301 Dynamics Processor which provides a VCA and RMS level detector in one IC package. This comes in both DIP and surface-mount packages and provides a single-chip solution for use in compressors, limiters and gates.

Prices are as follows: 2180 - £3.91, 2180 demo board - £65.00; 2181 - £3.67, 2181 demo board - £65.00; 4301 - £5.51, 4301 demo board - £60.00. All prices are plus VAT.



**Profusion**  
Aviation Way,  
Southend,  
Essex SS2 6UN  
Tel: 01702 543500

## SPECIAL OFFERS

**\*FREE MATCHING\* NO MINIMUM ORDER REQUIRED\***

**300B SOVTEK excellent detail & bass outstanding £65 now £59 each**

**A.R. and Lumley Owners**

**6550 A JAN G.E. USA meets military spec mil-E-1 superb £30 now £24 each**

QUAD II OWNERS		PHILIPS	
KT66/7581A PHILIPS USA, the best replacement	£20 now £18 each	ECC81	£4.50
GZ32 New old stock	£15 now £10 each	ECC82	£4.50
EF86 SIEMENS and TELSAs	£9 now £8 each	E83CC	SIEMENS £10.00
		EL519	E.I. £10.00
		PL519	E.I. £10.00
		PCC88	PHILIPS £3.00
		6SL7WGT	PHILIPS £7.00
		6SN7WGTA	PHILIPS £7.00
		5687WB	PHILIPS £5.00
		5842WA	RAYTHEON £6.00
		6550C	SVETLANA £16.00
		6922	SOVTEK £3.00
LEAK & RADFORD OWNERS			
E34L TESLA BLUE GLASS widest frequency response	£12 now £10 each		
EL34WXT SOVTEK increased spec best yet from Sovtek	£7 now £6 each		
EL84 JAN PHILIPS USA a true audio EL84	£12 now £10 each		

KT66 GEC ORIGINAL limited supply matched pairs p.o.a.

**\* OPEN 7 DAYS A WEEK 9AM-9PM\* PROFESSIONAL ADVICE\***

Fast & Efficient mail order service. All valves are new, boxed and guaranteed.

Prices exclude VAT and carriage.



## SPEAKER KITS FROM IPL ACOUSTICS

Over a 9 year period I.P.L. ACOUSTICS have developed a range of high quality speaker kits, using the best units from SEAS, MOREL, AUDAX, and I.P.L. and have produced a comprehensive range of speakers which will compete with the most expensive of commercial designs.

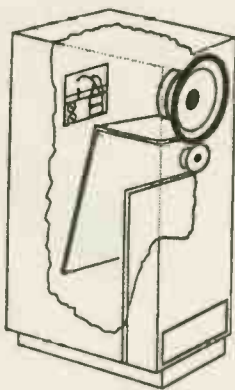
All speakers have biwired crossover kits containing high quality components and terminals.

**S5TL  
TRANSMISSION LINE**



PLUS KIT .....£383.00  
TOTAL KIT .....£506.00

**FIVE  
TRANSMISSION  
LINE KITS**



TRANSMISSION LINE  
PLUS KITS .....£172.00 -  
.....£383.00

**M3TL  
TRANSMISSION LINE**



PLUS KITS .....£172.00  
TOTAL KIT .....£236.00

**A2 H.D.A.  
AEROGEL KIT**



PLUS KIT .....£187.50  
TOTAL KIT .....£259.00

**S3TLM METAL  
TRANSMISSION LINE**



PLUS KIT .....£224.00  
TOTAL KIT .....£302.50

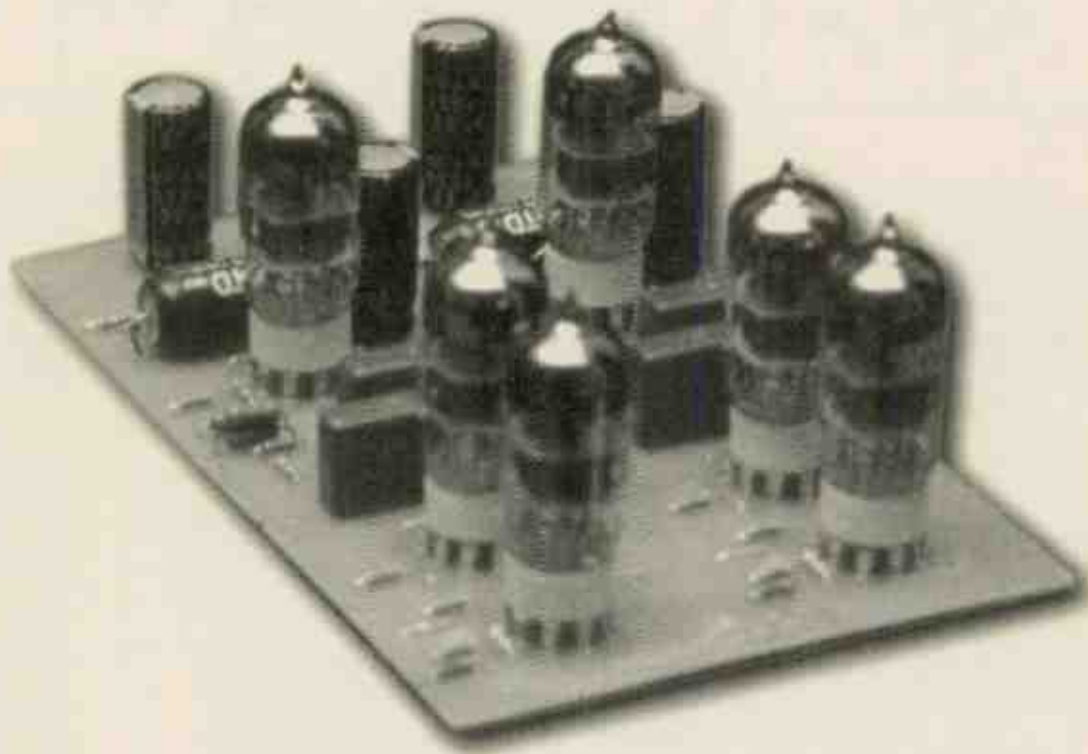
PRE-VENEERED CABINET KITS NOW AVAILABLE. Carriage charge extra on all kits.

If you would like further details please send large SAE with 36p stamp for PAGE SPEAKER BUILDING CATALOGUE, comprising VALUABLE ADVICE on DESIGNING, BUILDING, and TESTING speakers and full technical specifications including response curves of eight kits, drive units and details of SPECIALIST CABLES and ACCESSORIES. KITS FOR A.V. USE NOW AVAILABLE.

**I.P.L. Acoustics, 2 Laverton Road, Westbury, Wiltshire, BA13 3RS. Tel: 01373 823333**

# VALVE PHONO PREAMPLIFIER

Designer Chris Found brews up a valve phono stage with some novel features.



**T**his design was created as a reflection of old transistor phono stages where parallel input transistors were used to achieve a better than average noise performance. This was important when trying to reproduce the low level signals from a moving coil cartridge, minimising hiss. The use of this type of configuration means valve circuitry can have a similar performance to its

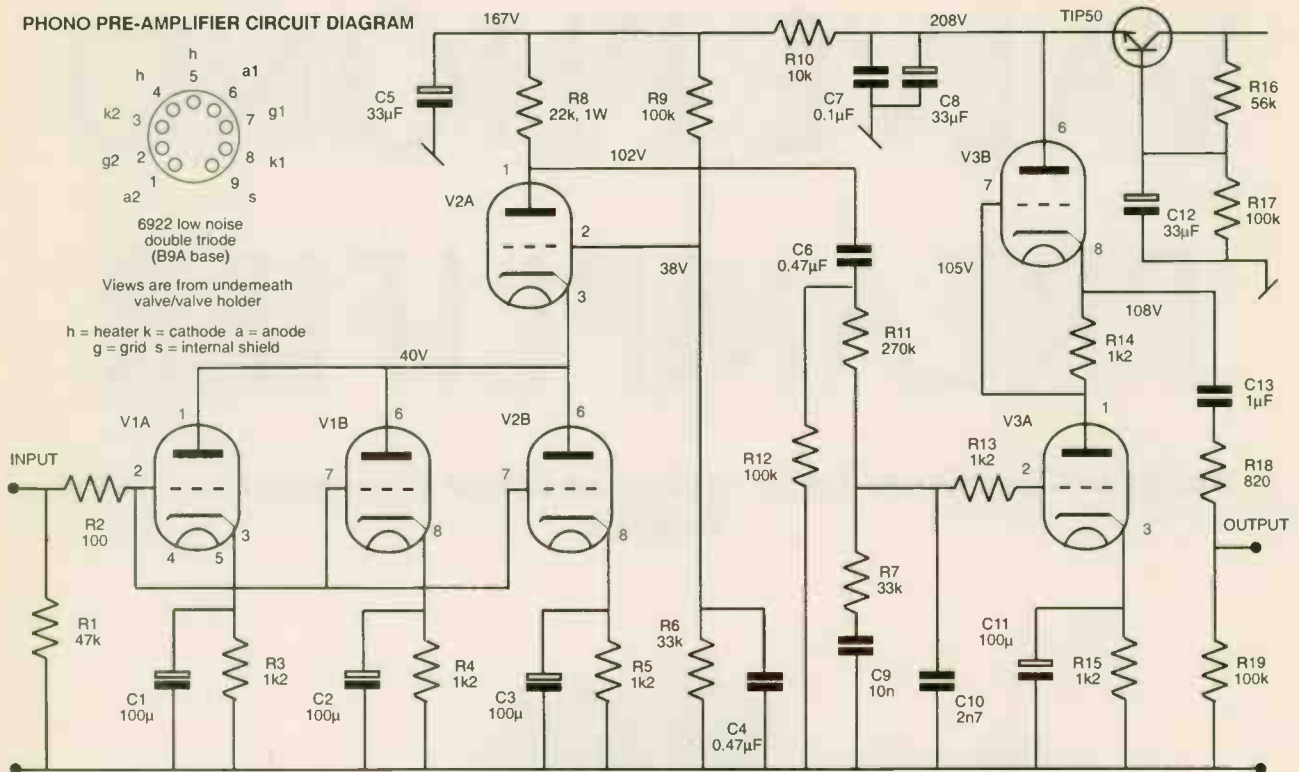
transistor brethren.

The circuit is centred around the use of a Cascode input stage to provide the best compromise between gain and linearity. The output stage that follows it uses a Shunt Regulated Push Pull (SRPP) configuration for a compromise between the best drive performance and adequate stage gain. A passive RIAA network is placed in-between the two stages and

there is no overall negative feedback.

In a standard cascode valve configuration, the upper section fulfils two functions. Firstly, it drops the voltage down to an acceptable level for the lower section to operate. Secondly it adds an extra stage of gain to the lower section. Because the signal is being fed into the cathode and not the grid of the valve there is lower gain compared to a

PHONO PRE-AMPLIFIER CIRCUIT DIAGRAM



connection to the grid, but the stage is more linear in its operational range and for most people who have studied the sonic differences, they would agree that

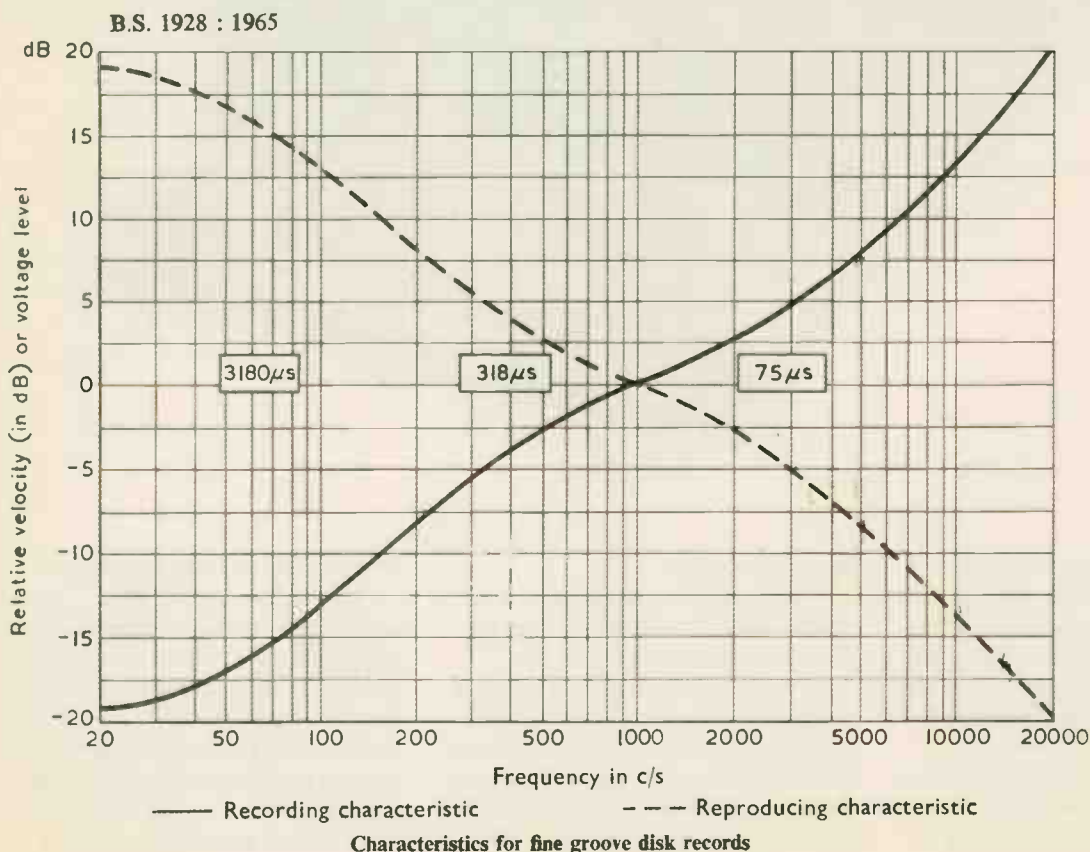
the cascode configuration has a better sound performance.

To improve the noise performance of the cascode, the input stage has an

extended configuration by increasing the lower valves from one to three in parallel, this has two benefits, a small increase in the gain of this first stage and a reduction

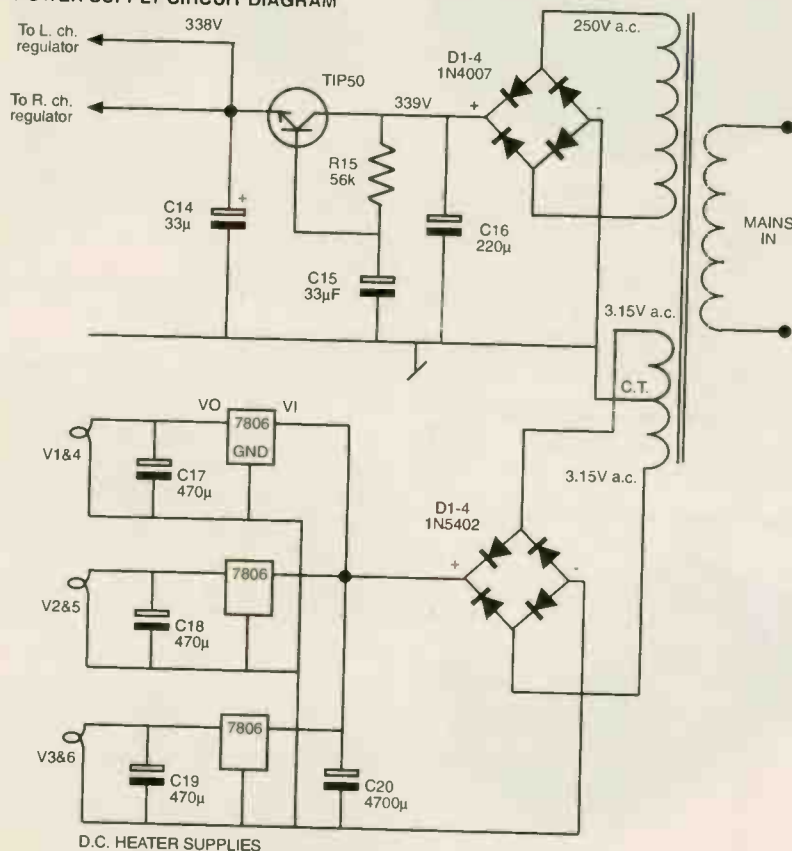
in the noise by approximately root factor of 1.5.

This allows the stage to work at lower signal levels than that possible for a single stage and allow the ideas in this article to work, further, to aid the improved noise performance. The upper section of the cascode is deliberately set to feed a lower than normal voltage to the lower section. This has the benefit of reducing power supply noise even further by isolation and although the overload factor is lower than what would be normally





## POWER SUPPLY CIRCUIT DIAGRAM



## PHONO PREAMP PARTS LIST

### RESISTORS (all 0.66W carbon film)

R1	47k
R2	100
R3	1k2
R4	1k2
R5	1k2
R6	33k
R7	33k
R8	22k, 1W carbon film/metal oxide
R9	100k
R10	10k
R11	270k
R12	100k
R13	1k2
R14	1k2
R15	1k2
R16	56k
R17	100k
R18	820
R19	100k

### CAPACITORS

C1	100μ, 25V electrolytic
C2	100μ, 25V electrolytic
C3	100μ, 25V electrolytic
C4	0.47μ, 250V polyester
C5	33μ/350V electrolytic
C6	0.47, 250V polyester
C7	0.1, 400V, polypropylene
C8	33μ, 350V electrolytic
C9	10n, 1% polystyrene 160V
C10	2n7, 1% polystyrene 160V
C11	100μ, 250V electrolytic
C12	33μ, 250V electrolytic
C13	1μ, 400V polypropylene Solen
C14	33μ, 350V electrolytic
C15	33μ, 350V electrolytic
C16	220μ, 450V electrolytic
C17	470μ, 16V electrolytic
C18	470μ, 16V electrolytic
C19	470μ, 16V electrolytic
C20	4700μ, 16V electrolytic

D1-4	1N4007
D1-4	1N5402
VI-6	6922/E88CC

### Mains transformer

primary	240Va.c.
secondary 1	240Va.c., 100mA
secondary 2	3.15V-0-3.15V, 2A

obtained with a single cascode, it is still high enough to accept high output cartridges without a problem. The stage is also sonically quieter in terms of noise as some of the rougher sounding noise is partially cancelled out by using it in this application and that allows more information to be presented to the listener.

This input stage now has the capability of working with medium output moving coil cartridges, of around 0.5mV (ref. 5cms/sec.) without the need to use an input step-up transformer or any silicon based (transistor) amplifier and this should provide an immense benefit to all valve record enthusiasts.

By separating each section of the individual parts of one channel, we will show you how the stages work together.

The input stage although described earlier works on the principle that an active load when added to a standard common cathode class A amplifier circuit, can provide the maximum voltage gain for a given stage. Where a constant current load would just provide a higher gain, this

## HOW TO SELECT MM OR MC GAIN

For Moving Coil build circuit as shown, but make R1 match the cartridge used. See below.

For Moving Magnet capacitors C1, C2 and C3 must be removed. This decreases gain from x336 to x78 by adding 'degeneration', otherwise known as feedback.

## ADJUSTING CARTRIDGE LOAD

For moving coil find recommended load for cartridge. This is commonly 100ohms, but some cartridges, like Ortofons, require 3-10ohms. Make R1 the value recommended.

For Moving Magnet. keep R1 as 47k since all MMs use this load value.

## RUMBLE/WARP FILTER

C6 changes to 0.1μF for 21Hz, -3dB

C11 changes to 10μF for 13Hz, -3dB



# The Home of *Hi-Finesse.*

Hart Audio Kits and factory assembled units use the unique combination of circuit designs by the renowned John Linsley Hood, the very best audiophile components, and our own engineering expertise, to give you unbeatable performance and unbelievable value for money.

We have always led the field for easy home construction to professional standards, even in the sixties we were using easily assembled printed circuits when Heathkit in America were still using tagboards! Many years of experience and innovation, going back to the early Dinsdale and Bailey classics gives us incomparable design background in the needs of the home constructor. This simply means that building a Hart kit is a real pleasure, resulting in a piece of equipment that not only saves you money but you will be proud to own.

Why not buy the reprints and construction manual for the kit you are interested in to see how easy it is to build your own equipment the HART way. The FULL cost can be credited against your subsequent kit purchase.

## 'AUDIO DESIGN' 80 WATT POWER AMPLIFIER.



Our John Linsley Hood designed 80 watt Power Amplifier continues to amaze all who listen to it, and it is now finding new friends among speaker manufacturers who use it to show their own products to their best advantage. Its flawless performance is a result of the combination of inspired circuit design and the very best components, specified by the designer. Such innovations as the six rail fully stabilised power supply make great contributions to the overall reproduction quality yet are not found on even the most expensive run-of-the-mill designs in the High St shop window.

We have long known that the delicacy and transparency of sound from this amplifier placed it in the world class and side-by-side comparisons with amplifiers costing five times as much still show small performance advantages, which suggests that even the most expensive amplifiers will only equal rather than exceed, its sound quality. All amplifiers in the range have the same basic quality and the decision about whether to use a preamplifier is governed by the facilities you need. The STANDARD amplifier has switching for up to three inputs, if you need more than this then a preamplifier feeding a SLAVE power amplifier will give you up to seven inputs.

If you would like to hear this incredible amplifier in action then arrange a visit to Wilmslow Audio's new premises at Broughton Astley, near Leicester. Their phone number is 01455 286603, speak to Shaun or Terry.

All amplifiers are available in kit or factory assembled form.

K1100 Complete STANDARD Amplifier Kit	£415.21
A1100 Factory Assembled version	£515.21
K1100S Complete stereo SLAVE Kit	£353.62
A1100S Factory Assembled	£522.22
K1100M MONOBLOC Amplifier Kit	£271.20
A1100M Factory Assembled	£351.20

Super Audiophile (SA) Versions of all the above come with selected audiophile components at an extra cost of only £39.30 per channel. All HART kits are designed for easy home construction to the very highest standards, and can be built by anyone of average manual ability. If you are still not convinced how easy it is to build it yourself with a HART kit you can order the Instruction Manual to read for yourself and we will refund the cost when you buy your kit!

## JOHN LINSLEY HOOD 15W SINGLE ENDED CLASS 'A' POWER AMPLIFIER

A design for the experimenter who wants to try and re-create the warmth and purity of sound given by valve amplifiers from the vintage years, without the problems of cost, deterioration and danger associated with trying to use valves today.

It employs the newly re-discovered single-ended circuit configuration to give total freedom from crossover artifacts and to give a sound that is indistinguishable from the famous 'Williamson' design, the undisputed leader of the field, with its triode connected KT66s and all-triode drivers. See our list for full details.

Reprint of Article	£2.50
CM4000 Construction Manual	£5.00

## MAINS LEADS & POWER DISTRIBUTION.

All our kits use standard IEC mains leads and these are available for a range of countries. We also stock distribution boxes with IEC sockets to minimise the space needed for power leads. See our lists for details.

## "CHIARA" HEADPHONE AMPLIFIER.



Highest quality, purpose designed, 'single ended' class 'A' headphone amplifier for 'stand alone' use or to supplement those many power amplifiers that do not have a headphone facility. Easy installation with special signal link-through feature, the unit uses our 'Andante' Ultra High Quality power supply.

Housed in the neat, black finished, Hart minibox it features the wide frequency response, low-distortion and 'musicality' that one associates with designs from the renowned John Linsley Hood. Volume and balance controls are Alps "Blue Velvet" components. Very easy to build, or available factory assembled, the kit has very detailed instructions, and comes with Hart audiograde silver solder. A valuable personal listening option and an attractive and harmonious addition to any hi-fi system.

K2100 Complete Standard Kit	£112.50
K2100SA 'Series Audiophile' Kit with selected audiophile components	£115.46
A2100SA 'Series Audiophile', Factory Assembled	£115.46
CM2100 Construction Manual	£2.50

## SHUNT FEEDBACK PICKUP PREAMPLIFIER



If you want the very best sound out of vinyl discs then you need our high quality preamplifier with Shunt Feedback equalisation. The K1450 also has an advanced front end, specially optimised for low impedance moving coil cartridges as well as moving magnet types. Selected discrete components are used throughout for ultimate sound quality. The combination of John Linsley Hood design, high quality components and an advanced double sided printed circuit board layout make this a product at the leading edge of technology that you will be proud to own. A recent review in "Gramophone" magazine endorsing this view. Bought in kit form our step by step instructions it is very easy and satisfying to assemble, or you can buy a factory assembled version if you wish.

This magnificent kit comes complete with all parts ready to assemble inside the fully finished 228 x 134 x 63mm case. Comes with full, easy to follow, instructions as well as the Hart Guide to PCB Construction, we even throw in enough Hart Audiograde Silver Solder to construct your kit!

K1450 Complete Kit	£116.58
K1450SA Audiophile Kit	£138.94
A1450SA Factory assembled Audiophile unit	£188.94

## "Andante" Linear Technology AUDIOPHILE POWER SUPPLIES



The HART "Andante" series power supplies are specially designed for exacting audio use requiring absolute minimum noise, low hum field and total freedom from mechanical noise. Utilising linear technology throughout for smoothness and musicality makes it the perfect partner for the above units, or any equipment requiring fully stabilised  $\pm 15V$  supplies.

There are two versions, K3550 has 2  $\pm 15V$  supplies and a single 15V for relays etc. K3565 is identical in appearance and has one  $\pm 15V$ . Both are in cases to match our 'Chiara' Headphone Amplifier and our K1450 'Shunt Feedback' Pickup preamp.

K3550 Full Supply with all outputs	£94.75
K3565 Power Supply for K1450 or K2100	£84.42
A3550 Factory Assembled Full Supply	£147.25

## ALPS "Blue Velvet" PRECISION AUDIO CONTROLS



Now you can throw out those noisy ill-matched carbon pots and replace with the famous Hart exclusive ALPS "Blue Velvet" range components only used selectively in the very top flight of World class amplifiers. The improvement in track accuracy and matching really is incredible giving better tonal balance between channels and rock solid image stability. Motorised versions have 5V DC motor.

<b>MANUAL POTENTIOMETERS</b>	
2-Gang 100K Lin	£15.67
2-Gang 10K, 50K or 100K Log	£16.40
2-Gang 10K Special Balance, zero crosstalk & zero centre loss	£17.48

<b>MOTORISED POTENTIOMETERS</b>	
2-Gang 20K Log Volume Control	£26.20
2-Gang 10K PD Special Balance, zero crosstalk and less than 10% loss in centre position	£26.98

## ALPS PRECISION SWITCHES.

At long last, switches to match the quality of our Alps pots. These switches not only solve the quality gap but also have features facilitating their use in real audio applications. The "Flex" version having a panel mounting control coupled to a rear mountable switch unit by a 190mm Flex Link. Also available is a motor driven option which, like the pots, can also be operated with its control knob.

HC5520. 4P 4W. Manual Control	£16.73
HC519. 4P 6W Manual	£17.95
HC5545. 8P 5W Flex Switch	£21.60
HC5560. 4P 6W Motorised	£29.80

## SOLDERING

The size of modern components makes the right soldering equipment essential for good results. Everything we offer we actually use in our own workshop. See our Lists for the full range. 845-820 XS240 ANTEX 240v 25w Soldering Iron. This is the ideal Multi-purpose iron as the bit is designed to totally surround the element giving the best heat transfer. This excellent design also means that although it is small and handy enough for modern components its heating capacity is better than larger irons of conventional construction. Excellent Value. £12.43

845-080 ST4 Lightweight Soldering Iron Stand. This has provision for the classic damp sponge for bit wiping. £3.95

## HART SUPER AUDIOGRADE SILVER SOLDER.

Hart Super Audiograde Silver Solder has been specially formulated for the serious audiophile. Not only does it give beautiful easy-to-make joints but it is designed to melt at normal soldering temperatures avoiding the possibility of thermal damage to components or the need for special high temperature irons. A very low residue flux makes perfect joints easy but eliminates the need for board cleaning after assembly.

845-007 3mtrs 22SWG in Hart Mini Tube	£3.90
845-008 100g. Reel Special Valve Grade, 20swg	£12.90
845-009 100g. Precision PCB Grade, 22swg	£14.75
845-110 100g Reel Superfine 24swg for ultra precise control and easy working	£21.45

## PRINTED CIRCUIT BOARD SOLDERING PRACTICE KIT.

Unsure whether you can construct a HART kit?, this is your chance to try! Your HART Printed Circuit Board Soldering Practice Kit comes with a range of modern components, a typical Hart quality PCB, a roll of the correct grade of solder and full instructions. It enables the enthusiast who is uncertain of his, or indeed her, ability to put together and solder a printed circuit to try their hand at minimum cost. The instructions explain the right technique and guide even an absolute beginner through the seemingly daunting, but in fact very simple, art of making a good soldered joint. Excellent value for money at only £4.99

Super Version with Hart Silver Solder £6.95

## LINSLEY-HOOD 400 SERIES SUPER HIGH QUALITY FM TUNER.

This ultra high quality analogue tuner system is the ideal companion to the 80W Audio Design Amplifier in any ultimate hi fi setup, with case size, front plate layout and even control pitches unified for stacking. Like the 80W Audio Design Amplifier this is your route to ultimate performance at incredibly modest cost! Novel circuit features include ready built pre-aligned front end, phase locked loop demodulator with a response down to DC and advanced sample and hold stereo decoder together making a tuner which sounds better than the best of the high-priced exotic but, thanks to HART engineering, remains very easy to build and set up. Since all components are selected by the designer to give the very best sound this tuner is not cheap, but in terms of its sheer sound quality it is incredible value for money.

K400 Complete Kit	£256.82
RLH8 Reprints of 3 articles covering the FM tuner.	£3.70
CM400 Construction Manual	£4.95

Send for Your FREE copy of our LISTS

All Prices include UK/EC VAT.



# Its not what you do, its HOW you do it that counts!.

## ASM100 ACTIVE SUBWOOFER MODULE



This attractive module consists of a low pass filter and power amplifier ready for you to mount in a suitable sub-woofer cabinet. The combined unit can then be combined with any new or existing hi fi or home cinema speaker system to add in the real bass punch missing from most setups.

The ASM 100 module comes as a ready-to-mount unit on a solid diecast aluminium frame/heat-sink. Input signal can be at line or speaker level for easy system integration. There are three separate stereo inputs at line level and the unit will use any signal presented or mix all inputs to add bass to any signal. The speaker level inputs are used by simply wiring the unit in parallel with the existing speakers to provide them with strong bass support. Crossover frequency can be selected to 50, 100 or 200Hz and the bass level can be adjusted by a front panel control. The 'Green' power supply switches the unit to standby if no signal is present. Drawings are included free for the compact 418 x 380 x 303mm cabinet.

With its powerful 125 watt output and versatile filtering the ASM 100 is the ideal universal active driver module for all subwoofer requirements.

ASM 100 Module, complete with IEC mains lead, instructions and ASM - W20 cabinet drawings. Pt. No. W7000 . . . . . £185.29  
W 200 S 20cm Long Throw Drive unit for use in ASM - W20 cabinet . . . . . £36.68

## VISATON HI TOWER SPEAKER KIT

A speaker kit from the VISATON range that really fits the modern idiom, giving a full uncoloured, and highly defined, sound stage combined with unobtrusive elegance that does not look out of place, even in a smaller room. A frequency response from 38-20,000Hz and a power rating of 130W make it easy to drive. The novel arrangement of five high/mid tweeters, angled at 45 degrees, creates a really dynamic sound stage with sharply defined sound staging. With its compact 200mm square section it can also be used as ultra high quality main speakers for home cinema applications. The kit includes all drive units, crossovers, terminal blocks and damping materials for you to make a stereo pair of speakers.

LK5961 Kit . . . . . £392.42



## EXPERIENCE V20



A real heavyweight performer with a total of no less than five drive units in each cabinet. Together these produce a satisfyingly smooth and wide frequency response. The single tweeter is a special 25mm high-end unit with a double coated fabric dome and ferrofluid for cooling and damping. There are two 13cm mid-range speakers and two 20cm long throw woofers for extended bass.

Nominal Power Rating	180W
Max. Music Power	300W
Impedance	4Ω
Freq. Response	29 - 30,000Hz
Crossover Frequency	450Hz, 3KHz
Mean Sound Pressure	88dB
Box Volume	100Ltr. & 7Ltr.
Size/Height	1,300mm
Width	300mm
Depth	360mm

LK5965 Per Pair . . . . . £538.70

## ASM - T20 SUBWOOFER

An easy to build, but very effective, bass reflex cabinet design using the ASM 100 Active Sub-woofer Module and the W200S, high compliance, 8" driver, with its 20mm maximum cone displacement. Easy to incorporate into a modern living environment the size of the cabinet has been kept as small as possible at 418 mm high, 303 mm wide, and 380 mm long. To aid its ease of positioning in the room both the drive unit and the vent are situated on the front of the cabinet. Despite these compact dimensions, and with a volume of only 31Ltrs, the ASM T20 gives up to 106dB with an acoustical cut-off frequency of 25 Hz.1. The cabinet is made from 19mm MDF, and needs about 8 sq.ft.

W200S 20cm. Long Throw Drive unit.  
Part No. 9030 . . . . . £36.68



## COUPLED CAVITY SUBWOOFER.

An alternative design by David Purton, from his little "Coupled Cavity Handbook", using the same drive unit but requiring a bit more woodworking skill as the speaker is set on a baffle in the middle of the box. The total box size is even smaller than the ASM T20 at only 418 mm high, 303 mm wide, and 344 mm long.

Construction Drawing. . . . . £1.50

## SPEAKER DESIGN SOFTWARE

All programs are for IBM or compatible computers.

VISATON SPEAKER PRO 6. Software (PC) for cabinet and crossover design and calculation with full extendable data bank of drive unit parameters with performance curves acquired in tests in VISATON's own anechoic chamber. This is the essential tool that turns you into a speaker designer. Full Version (3") . . . . . £45.51

BASSBOX 5.0 for WINDOWS. Harris Technologies. This program aids the design of bass enclosures by allowing you to model how a speaker will sound in a variety of boxes and then modelling the maximum loudness of the speaker/box combination. It then helps to calculate the dimensions of the box and port, if vented. Needs Windows 3.1+, DOS 5.0+, 386 or better, 4MB RAM and 44MB hard disk space. With easy-to-use printed manual. Shipping Wt. 450g SOF-BAS . . . . . £87.50

BASS HORN DESIGN. A.L.Senson. This program, patterned after Brian Smith's traxtrix horn design program, calculates dimensions for a catenoid, exponential or hyperbolic bass horn and prints out in less than a minute. Provides mouth and throat areas, back chamber volume, and dimensions to design your enclosure. SOF-HOR . . . . . £17.95

X'OVER 2.0 for WINDOWS. Harris Technologies. This package helps in the design of two and three way passive dividing networks as well as load compensating circuits and calculates values for first, second, third and fourth order networks. Same computer requirements as above but only needs 1.5MB disk space. SOF-XOV . . . . . £27.90

"QUICK & EASY TRANSMISSION LINE LOUDSPEAKER DESIGN" Larry D.Sharp. Explanatory booklet plus computer disk that requires Lotus 123, or equivalent spreadsheet software on your machine. 1993. 22pp. 215 x 280. Spiralbound. SOF-QET . . . . . £8.95

## REPLACEMENT CASSETTE HEADS.



The excellent performance of modern cassette recorders depends totally on the quality of the R/P head. Even the slightest amount of wear can impair the frequency response and distortion levels. Our HC80 is a top quality head from one of the foremost manufacturers in Japan.

It is easily fitted to most standard stereo recorders (except Sony) and will transform the performance over a worn head. The fact that we buy these in vast quantities enables us to offer them at the amazing price.

HC80 R/P Head, Std Mtg . . . . . £11.70  
Special Offer. 2 for . . . . . £17.60

HRP373 Downstream monitor combi head. SPECIAL OFFER HALF PRICE . . . . . £29.50  
HQ551A 4-Track R/P . . . . . £14.60  
HQ551S Sony Mount 4-Tr. R/P . . . . . £14.90

REEL TO REEL HEAD 999R 2/4 R/P 110mH . . . . . £16.84

PRECISION DIGITAL Triple Purpose TEST CASSETTE TC1D. Are you sure your tape recorder is set up to give its best? Our latest triple purpose test cassette checks tape speed, head azimuth and VU level without test equipment. Ideal for machine testing or when fitting new heads. A professional quality, digitally mastered test tape at a price anyone can afford.

TC1D Test Cassette. Our price only. . . . . £9.99.

CD3 "Stereophile" TEST CD. 27 Tracks for testing loudspeakers and rooms. CDSTPH3 . . . . . £8.75

## PROFESSIONAL PHONO AUDIO LEADS



Super High Quality stereo phono to phono audio lead featuring gold plated screened phono plugs with split outer contact shell ensuring positive connection to phono sockets. Plugs have red and black polarity bands. Sky blue multi-strand oxygen free copper cables with independent braided screens give minimum signal loss and crosstalk with maximum musicality at a sensible price. Directional arrows indicate preferred signal direction.

An excellent high quality lead ideal for interconnection between professional audio equipment or for use in high end domestic hi-fi systems.

4ft long . . . . . £14.98

## MAKE YOUR OWN AUDIO INTERCONNECTS.

Using our High Quality Audiophile Grade double screened signal cable. Linear crystal oxygen free copper with outside diameter to match our T711G Teflon insulated plugs.

780-911 Audiophile Signal Cable. Per metre . . . . . £3.98  
T711G Plugs, Red or Black ring . . . . . £3.25  
T711G 10 or more, mixed OK . . . . . £2.75

780-803 Speaker Cable. 322 x 0.1 OFC. Mtr. . . . . £5.42  
780-804 Speaker Cable. 511 x 0.1 OFC. Mtr. . . . . £8.90

## TECHNICAL BOOKSHELF

Bigger Range of Books. Better Prices. No "28 Day" Wait!

New Titles.  
"A BEGINNER'S GUIDE TO TUBE AUDIO DESIGN" Bruce Rozenblit. A practical book that does exactly what its title says and takes a modern look at valve amplifier construction. 132pp. ISBN 1-88280-13-3. . . . . £18.20  
"HIGH PERFORMANCE LOUDSPEAKERS" Edn. 5. Martin Colloms. Latest edition, just out. A really in-depth coverage of the whole World of speakers and high quality sound reproduction, but entirely readable in style. Just reviewed in "HiFi World". 478pp ISBN 0-4719-7089-1 . . . . . £24.95\*

NORMAL STOCK RANGE  
"AUDIO ELECTRONICS" John Linsley Hood. . . . . £18.99\*  
"THE ART OF LINEAR ELECTRONICS." John Linsley Hood . . . . . £16.95\*  
"THE ART OF ELECTRONICS" Horowitz & Hill . . . . . £35.00\*  
"DIGITAL AUDIO AND COMPACT DISC TECHNOLOGY" 3rd.Edn. 0-240 51397 5 . . . . . £19.95\*  
"INTRODUCING DIGITAL AUDIO CD, DAT AND SAMPLING" ISBN 1870775 22 8 . . . . . £7.95  
"ACTIVE FILTER COOKBOOK" Don Lancaster . . . . . £19.95  
"THE ART OF SOLDERING" 0-85935-324-3 0 . . . . . £3.95  
"HOW TO USE OSCILLOSCOPES & OTHER TEST EQUIPMENT" R.A.Penfold. BP267 . . . . . £3.50  
"LOUDSPEAKERS; THE WHY AND HOW OF GOOD REPRODUCTION." G.Briggs. 1949. . . . . £8.95  
"THE LS. DESIGN COOKBOOK" Vance Dickason. (5th Edn. . . . . £22.95  
"ELECTROSTATIC LOUDSPEAKER DESIGN AND CONSTRUCTION" Ronald Wagner BKT6 . . . . . £15.95  
"THE ELECTROSTATIC LS. DESIGN COOKBOOK" R. P. Sanders . . . . . £24.95\*  
"BULLOCK ON BOXES" Bullock & White. . . . . £8.99  
"AN INTRODUCTION TO LOUDSPEAKERS & ENCLOSURE DESIGN" V. Capel. BP256 . . . . . £3.95  
"LOUDSPEAKERS FOR MUSICIANS" BP297 . . . . . £3.95  
"THEORY & DESIGN OF LS. ENCLOSURES" J.E.Benson. . . . . £21.95  
"THE COUPLED CAVITY HANDBOOK" David Purton. . . . . £4.90

"VISATON. HOME HI FI CATALOGUE." Specifications and Thiele Small Data on all Drive Units . . . . . £4.50  
"VISATON. CAR HI FI CATALOGUE." In car guide . . . . . £3.50  
"VISATON. CABINET PROPOSALS" Book 1. In GERMAN . . . . . £6.50  
"VISATON. CABINET PROPOSALS" Book 2. In GERMAN . . . . . £6.50  
"VALVE AMPLIFIERS" Morgan Jones. 1995/6 . . . . . £24.50  
"THE VTL BOOK" David Manley 1994. BKVT1 . . . . . £17.95  
"MULLARD TUBE CIRCUITS FOR AUDIO AMPLIFIERS" BKAA27. . . . . £11.95  
"THE WILLIAMSON AMPLIFIER" 0-9624-1918-4 . . . . . £6.95  
"AN APPROACH TO AUDIO FREQUENCY AMPLIFIER DESIGN" GEC 1957. . . . . £13.95  
"AUDIO ANTHOLOGIES", articles from Audio Engineering. Six volumes covering the days when audio was young and valves were king! BKAA3/1 to 6. Price Each . . . . . All £12.95  
"THE RADIOTRON DESIGNERS HANDBOOK" (CD) . . . . . £49.00  
"PRINCIPLES OF ELECTRON TUBES" H.D.Reich PH.D . . . . . £25.95  
"POWER AMP PROJECTS" Anthology. 1970-1989 . . . . . £15.50  
"WORLD TUBE DIRECTORY" 1996-7 Sourcebook. . . . . £5.95

Don't forget, No waiting at HART! All listed books are normally in stock! Postage, unless starred, only £2 per book, maximum £4.50 for any number, any size! Starred items are heavy books costing £3.50 to send.

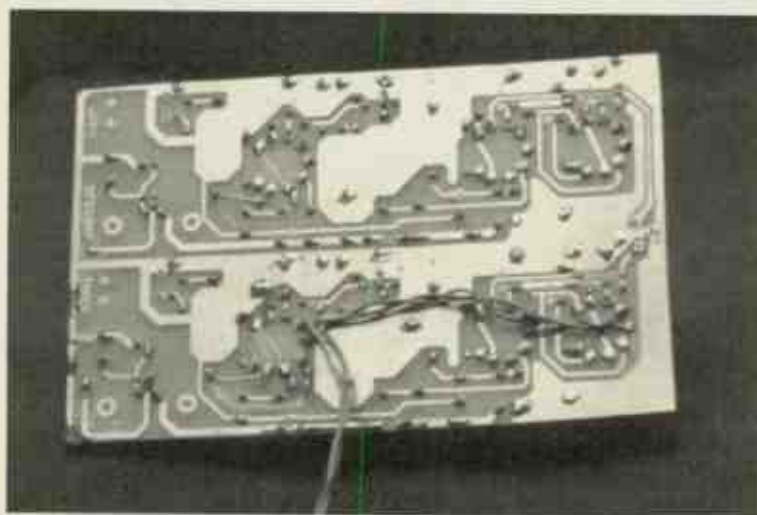
Postage for kits and other items is £2 for orders up to £20, orders over £20, post £4.50, Courier £10. We accept all major credit and debit cards, including Switch Diners and Amex.

## DEMONSTRATIONS

The ASM 100 and our 80W Power Amplifier Range can be heard at Wilmslow Audio's new premises at Broughton Astley near Leicester. Tel 01455 266603

24 Hr. ORDERLINE 01691 652894 Fax. 01691 662864

active section has the additional benefit of increasing the lower stage gain, buffering the first stage away from problems such as low impedance, capacitive loads, etc., and this in turn increases the bandwidth of the stage well into the megahertz region (MHz). This stage had a very successful life in tuner and IF circuits of



Televisions in the 1960s and some high quality audio manufacturers still use such a configuration for input stages, as in this application.

The benefit of adding two extra gain elements to the lower section increases the gain and in turn lowers the noise by the same factor, thereby creating a low noise input section suitable for use in low noise areas, such as this phono stage. Following this cascode amplifier is the passive RIAA network. This has three operating points and being passive, attenuates the mid-band signals by a factor of 10 (20dB). The network is split into two sections to aid discussion of each section.

The first section of the RIAA network deals with the low frequency boost required to correct the balance of the low frequency cut of the original mastering on the record, used to limit groove excursion. It follows a 6dB per octave slope from 50Hz (3180 $\mu$ S) to a flat response at 500Hz (318 $\mu$ S). Although there were many alterations from the original American standard of 1955 such as the IEC curve of the mid 70s, I feel that the 1955 original has the best sound. The curve was inducted into British Standards, as our copy of BS1928: 1965 shows.

An additional cut point on the RIAA

curve has now to deal with the boost in high frequencies made during recording to lessen disc surface noise. As the impedance of the boost network is now set for frequencies above 500Hz, it is a simple matter of adding an additional capacitor to provide this cut in high frequencies from 2.1215kHz (75 $\mu$ S)

upwards, to finish off the correction network.

Following the passive RIAA network, we have the second gain stage (V3, A&B) that increases the signal up to a level that is suitable to be used for a pre-amplifier or line amplifier input. This stage follows a simple configuration that is similar to the cascode front end but instead of the upper section providing gain, this section now just buffers the anode by means of a simplified cathode follower.

As with the first stage, the lower section of this SRPP stage sees an active load and therefore provides almost the maximum gain available that is possible from such a configuration. Also, with the cathode follower (V3B) above the lower section (V3A), the output impedance is reduced to a level suitable for driving connecting cables.

## RUMBLE FILTER

There is some controversy around the use of a rumble filter. For LPs with warps, which generate very large subsonic signals below 10Hz this almost a legal requirement in order to prevent cone flap with reflex loudspeakers. It also attenuates idler drive rumble, although with a good turntable this should not exist.

Both Noel and myself believe that there should be some form of low frequency filtering to stop this unnecessary information from getting through to the amplifier and speakers. I believe that the filter should be designed into the circuit and not added on as an additional stage; Noel prefers switchable filters, since bass weight is lost by such a filter.

So in this article, I have chosen to provide two sets of component values, one for those who require low frequency attenuation and the other for those who want deep, deep bass at all costs (the Japanese prefer this option).

With attenuation of this nature it is imperative to understand what is really required from a warp/rumble filter and the implications on the low frequency response in terms of sound pressure of your listening room.

For most listening rooms in the UK, it is very difficult to achieve a true 20Hz bandwidth, this is partly caused by the size of the room and also the low frequency capability of the speakers. Many sub-woofers do not reproduce signals at these frequencies and the only musical note that I know of that gets anywhere near is the 16Hz church organ pedal, rare except in the biggest organs.

So in real terms, there is no requirement for a system to reproduce any frequencies below approximately 25Hz in my view. Now, this is where arguments can start as the home cinema system has the ability on some sound tracks to reproduce down to 10Hz, so where do we stop. So I have left the choice up to you.

It is gratifying to think that that even for most high end designers, listening pleasure is increasingly being found from the LP again. Ironic that such a thing should start to happen as the world ever increasingly takes to digital technology. Valves are making a bigger comeback of course. For many years enthusiasts have had to put up with transformers or solid state amplifiers, but now enjoyment can be had from valve systems. For many years I have used valve electronics and feel that enjoyment must take precedence over technology. I hope you agree my design here meets this aim. May the records always be with you!

*Chris Found*

# TURNING to TUNING

**Noel Keyword reveals how to get better performance in larger rooms from our KLS3 Gold Dome MkII loudspeaker by tuning its reflex-loading ports.**

**W**e designed the original KLS3 back in the summer of 1994, three years ago, and since then demo models have travelled far and wide. There's nothing quite like using a loudspeaker in a variety of rooms to find out how it fares and KLS3 has always done well, often yielding bass where other designs fail. It works happily in small to medium-sized rooms, which means in the home. We designed it to produce strong bass around 50Hz, critically above the half-wavelength low-frequency limit of rooms of more than 11ft. length or so.

The fact that KLS3 can over-excite room modes in smaller rooms with similar length/breadth dimensions, plus my experiences port-tuning KLS9, prompted me to look at an alternative port tune that would better suit large rooms.

The revised set-up will favour larger rooms, 16ft. or longer, in particular. This new port arrangement is an alternative to the original, not necessarily an improvement. That's why, in the revised KLS3 cabinet plans published last month, we put the twin ports that once sat on the front baffle on to a removable rear panel.

This facilitates port-tuning and makes experiment with port size much easier.

For most circumstances, I believe the original ports are best, but the glory of building something yourself is having the freedom to experiment - and there's a lot that can be done here. Making the port panel removable enables a loudspeaker to be tuned to a room and to suit personal preferences.



The function of a port in a reflex loudspeaker is reasonably straightforward in basic intent. It is an anti-resonant system, the like of which has been used elsewhere, by Shure in their V15 cartridge for example, to suppress the effects of primary resonance.

In loudspeakers we are faced with the natural resonance of the bass unit where cone mass in conjunction with suspension compliance results in resonance ( $F_s$  or  $F_r$ ) at low bass frequencies.

Audax quote the free-air resonance of their HM210CO bass driver used in KLS3 as 31Hz. In use this is modified by the compliance of the air in the cabinet to become the 'box frequency',  $F_b$ , which



Variable length tuning ports are available from Falcon Acoustics on tel: 01508 578272. For more information, see this month's kit news.

# AUDIO LINKS

1997

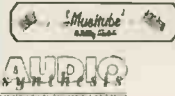
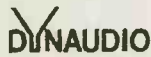
## SPECIALIST COMPONENTS CATALOGUE

£2.00 PER COPY

7 Fairmont Crescent, Scunthorpe  
North Lincolnshire DN16 1EL  
TEL/FAX (+44) 01724 - 870432

# Wilmslow ▲ Audio ▼

The name in Loudspeakers for over 30 years  
We are the UK's largest distributor of replacement drive units  
and accessories for the trade and DIY speaker builder



A range of 25 DIY loudspeaker kits from £140 - £3800 on demonstration

- ◆ Crossover design and supply
- ◆ Large range of accessories including Capacitors, Inductors,
- ◆ Resistors, Binding posts, Grille cloths and foams.
- ◆ Ports, Spikes, Cable and much, much more.

Wilmslow Audio Ltd Phone for your free catalogue  
50 Main Street  
Boughton Astley Tel: 01455 286603  
Leicester Fax: 01455 286605  
LE9 6RD

## Riverside Audio

18, Riverside, Cambridge CB5 8HL  
Telephone: (01223) 512253 Fax 01223 572629

Our aim at Riverside Audio is to enable the home constructor to build valve amplifiers which combine superb sound quality with the professional finish of the best high-end products - at a low price. Our rigorous and conservative designs ensure that you get long and trouble free service from your amplifier. We offer our amplifiers in various forms, from circuit designs, through printed circuit boards, to full kits and even fully assembled amplifiers for those who cannot wait to listen to them.

The **Riverside 4040** is our integrated amplifier. It features dual mono construction and has five line level inputs and both 4Ω and 8Ω outputs. The output stage is configured in the classic McIntosh connection, which gives stable, wide-band operation even with difficult loudspeaker loads. The stainless steel chassis and transformer cover are hand polished to a mirror finish, and come with a semi-matt black valve cover. 4xEL34, 4xECC83, 2xECC82. A full description, including circuit diagram, is given in the 4040 reference manual, £6.50. Kit £780, fully assembled £995.

Technical specification: dual mono construction, 40W/channel, 12Hz to 25kHz power bandwidth, distortion <0.1%, five line level inputs, tape output, 230/240V mains input.

Stereo amplifier circuit board: board only £49.50; component pack (including valve bases), add £63; populated board £125; full valve set, add £45. Power supply board: board only £20.50; component pack, add £44; populated board £66. Input board: board only £15.50; component pack, add £16; populated board £33.

The output transformers are configured for the McIntosh connection and have excellent low frequency response and a primary reflected impedance of 3800Ω. Full connection instructions provided. Price £70. The mains transformer is wound for dual mono construction, as this gives superior isolation between channels which sharpens imaging and eliminates inter-channel ground loops in the amplifier. Primary 0-230-240V. Secondaries 2x295V @ 0.25A (0.4A int.), 2x70V @ 30mA, 2x6.3V @ 5A. Price £60. Other primary voltages can be supplied to special order. Data sheets giving connection diagrams, specifications, as well as circuits for using each transformer, £2.50 each.

The chassis, comprising main chassis and transformer cover, is hand polished, welded 1/16" stainless steel - NC machine tooled for a perfect fit and clean finish. Each kit also includes a mesh valve cover and baseplate, finished in semi matt black. Price £310. Also available in mild steel finished in black, £195. For those who

wish to use one of these high quality chassis for their own projects, details of the chassis are given in the 4040 reference manual, £6.50.

Connector kit: twelve gold plated phono connectors, two sets of loudspeaker terminals, an IEC mains socket with integral fuse and switch, and an IEC mains lead with fitted 13A plug. £51.50. Cable kit: all cables required for the 4040, £6.

The **Riverside P2 phono preamplifier** is designed to partner the Riverside 4040 for those who enjoy the vinyl sound. Equalization is provided for moving magnet output to line level. The P2 features a high accuracy feedback RIAA equalization circuit, ensuring a natural tonality, a regulated high voltage supply per channel and cathode follower outputs 3xECC83, 1xECC81, 2xECC80. Full details and circuit diagram in the P2 reference manual, £6.50. Kit £225, fully assembled £275.

Technical specification: 47kΩ input impedance, 1kΩ impedance output for driving long interconnects.

Stereo circuit board: board only £25; component pack, add £37.50; populated board £70; full valve set £20.

The mains transformer is wound for dual mono construction and is toroidal for low leakage flux. Primary 0-230-240V. Secondaries 2x295V @ 20mA, 2x6.3V @ 0.45A, 16V @ 1A. Price £30. Other primary voltages can be supplied to special order. These transformers are also suitable for power supplies in preamplifiers and other line level valve circuits - see data sheet for details, £2.50.

The chassis (main chassis and transformer cover) is made from mild steel. Each kit comes complete with a mesh valve cover and baseplate, finished in black. Price £110. For those who wish to use a high quality chassis for their own projects, details of the chassis are given in the P2 manual, £6.50.

Connector kit: four gold plated phono connectors, IEC mains socket with integral fuse and switch, and IEC mains lead with fitted 13 A plug, £15.

We normally ship within three working days. If we do not have the item in stock we will advise you of expected delivery and confirm before despatch. P&P (in UK): £2 for each part of £40, maximum of £16; manuals free of charge. Assembled units despatched by courier free; courier service on other items £10.

Write, phone or Fax for a catalogue sheet of the full range of Riverside products.

## Arcadia Valve Amplifiers



### New Line Level Pre-Amplifiers

Two Models Available.

6 line inputs, 10dB of gain, zero feedback  
finest quality components, musical results

Model 1 £995, Model 2 £1995

"There's none of the wispy airiness and soft, slow bass that one associates with the breed - just consistently fine tone, edge-of-your-seat dynamics and effortlessness."

Jason Kennedy on the Model 1 in Hi-Fi Choice

Sept '97

OEM, TRADE AND RETAIL ENQUIRIES WELCOME

Ben-Dor, Cumb Carr Rd, Holcombe, Bury, Lancs BL8 4NN, England

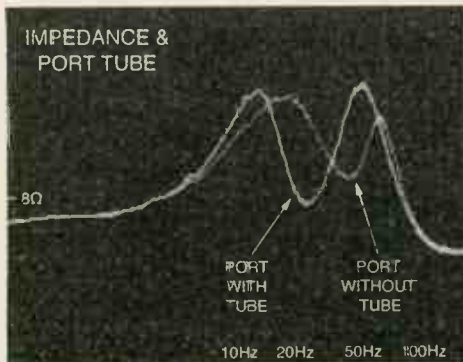
Tel/Fax: + 44 (0)1706 823025

EMAIL: SJS@AUDIOPHILE.COM

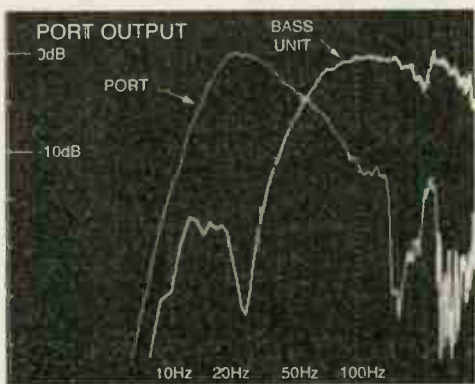
HTTP://WWW.NETFORWARD.COM/AUDIOPHILE/?SJS

SJS Electroacoustics  
HAND WOUND INTERSTAGE, OUTPUT AND MAINS TRANSFORMERS FOR VALVE AMPS

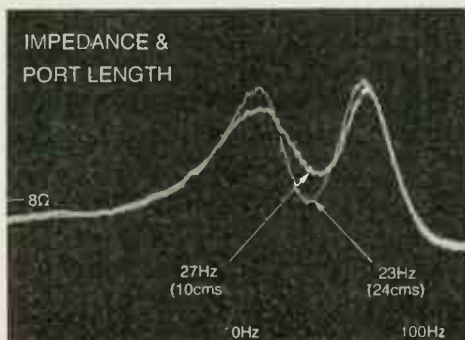




KLS3 with single 6.5cm port, without rear tube and with 24cm long tube. The tube adds air mass, lowering resonance as indicated by the electrical impedance curve from 36Hz to 23Hz.



Frequency response (near field) of the HM210CO bass driver and port output. The port peaks acoustically at 20Hz, maintaining output down to this low frequency.



At its minimum length of 10cms the port peaks at 27Hz. Extended to its full length of 24cms the acoustic output peaks at 20Hz, so KLS3 can be tuned between these limits by adjusting port length.

measures 38Hz in KLS3. This is the system's primary bass resonance (measured without ports). It puts a large peak into the electrical impedance curve at 38Hz. The anti-resonant system formed by the port is contrived to resonate out of phase at this frequency so that it opposes cone motion.

There's been no end of research on this phenomenon, for it became obvious back in the 1930s that a port can be used not only to control bass resonance but also to extend frequency response downward by a useful amount, often an octave or so. This is a big benefit for a hole in the cabinet. But its behaviour is complex and not easily exploited, which is why ports come in all shapes, sizes and positions in commercial loudspeakers.

What I need to point out is that, with port-tuning, we are faced with such a wide array of variables that one simple, optimum solution cannot exist. Where to tune the port and why depends upon the parameters a designer is seeking to optimise. Modern texts on port behaviour spend a lot of time talking about linearity and power compression effects, for example, whilst ignoring the difficulties and trade-offs that must be made in basic tuning - should a port be tuned for lowest bass response, which will provide the best measured result, or should it be tuned to put audible bass into real-life rooms? This then raises the question: what is a real-life room? And where does an issue like power compression come in?

Awkwardly - and for complex reasons - port size must be reduced to lower its frequency of operation (resonance), but this also reduces port output and increases bass distortion at higher powers. So tuning by varying size can only be carried so far. To overcome this limitation we use a ducted port - a tube or duct behind the hole

which puts extra mass in the air path, lowering frequency by another means. This is illustrated in Fig 1, which shows the behaviour of KLS3 with a 6.5cm diameter open port (no tube in place) and with a rear tube 24cms long.

With the tube in place the frequency of port resonance, indicated by the trough between the two impedance peaks, moves from 36Hz down to 23Hz - a very large difference indeed. So putting a duct on a port has a big impact on its resonant frequency and potentially gives much lower bass.

However, the impact of a duct upon port frequency response is of mainly subjective effect. Whilst the impedance curve tells an interesting story, it does not say much about sound quality. The sound radiated from a port takes over from the main drive unit at, and around, the port's resonance. A port in effect knocks the main driver dead at its resonant frequency, usefully lowering cone excursion and raising power handling. It also makes the port responsible for low-bass quality. A ducted port offers better damping of bass and therefore better bass quality. Although reflex bass does go very low it is often criticised for its quality, and damping has a lot to do with this.

The original ports of KLS3 were sized in terms of area to work higher up, at 35Hz-40Hz or so. The new port at full extension (24cms) works much lower down, at 23Hz our analysis (Fig 2) shows. This will suit larger rooms in particular. I was surprised by the bass performance of KLS9, which uses a larger cabinet, and the fact that so many constructors appreciated deep bass extension in their homes, so hopefully the deeper bass offered by this optional port arrangement for KLS3 will not go unnoticed.

So what about adjustment? Frequency can be increased by shortening the port from 24cms to its minimum of 13cms. The result this has depends upon box volume. With KLS3's 55litres there's relatively little difference, moving port frequency from 23Hz up to 27Hz. The longer port is better damped however. It is best to adjust length for best subjective sound quality.

The new port gives KLS3 more powerful and better damped bass in larger rooms. Large ports radiate a broad spread of energy and sound better controlled. As a result bass becomes drier and less 'enthusiastic', but more solid too ●

# BIT PART

The future is digital and it doesn't revolve around CD. Chris Found explains and looks at a 96kHz, 24-bit DAC for tomorrow's hi-fi.

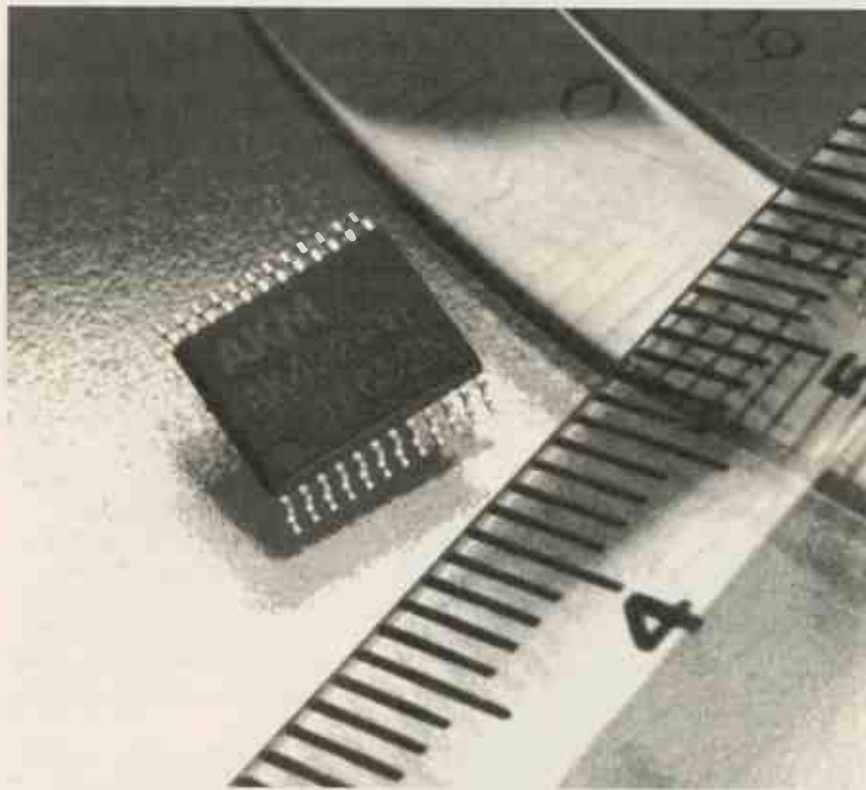
## INTRODUCTION

The world of digital audio is now changing extremely rapidly after 14 years of slow but steady improvement in the quality of CD (44.1kHz) audio. At last it looks like CD's long-lived but low-resolution standard might be replaced with one that high-end hi-fi designers have been asking for since the Compact Disc was first released onto the market.

All through the life of CD, advocates of the vinyl LP have criticised the digital disc's flaws and compromises. Records cut before the advent of digital master tapes have a wide bandwidth of over 40kHz whereas CD chops off all signals above 22.05kHz.

Most non-technical people would back the argument that what you can't directly hear doesn't matter, but that is now known not to be the case because part of what CD's encoding is removing from the music are the harmonics, and they play a vital role in the quality of the recorded sound. Harmonics are fundamental to the character and tonal colour of everything we hear. Any sound, from a violin note to the roar of Concorde flying overhead, includes masses of harmonics throughout the audio spectrum.

Recently I was able to listen to various 24-bit recordings with a sampling rate of 44.1kHz on a professional Nagra digital open-reel recorder. This showed just how



Unfortunately, because the AKM 4324 Digital to Analogue Converter is a highly miniaturised device, it can be difficult to work with.

much was missing from standard CD with its 16-bit coding - the increased realism, ambience, subtlety and fine detail that could be heard through this system made it one of the best I have listened to in a long time.

## BEYOND CD

Although Digital Video Disc and its proposed use as a medium to carry 24-bit 96kHz-sampling recordings is relatively new to the hi-fi industry, several manufacturers have already launched



products to accommodate the possible new world order.

Earlier this year, Asaki Kasei Microsystems announced their first product in the high-resolution marketplace. The AK4324 is a true 24-bit, 96kHz-sampling compatible Digital to Analogue Convertor chip and I was happy to be asked by te Asaki Kasei to evaluate one of the samples from the first production batch. My listening tests confirmed this chip is going to be something special.

Now before you start thinking about modifying your CD player, I must underline some of the problems in designing a system around this chip.

Although the Analogue to Digital and the Digital to Analogue chips are readily available, the interface electronics required to connect them together are not. There are no consumer interface transmitters or receivers at the present time designed to handle the 96kHz sampling rate. That means this chip is limited to signals of no higher than DAT's 48kHz sampling rates until these devices arrive. I do, however, have it on good authority that their first release is only a few months away - December '97/January '98.

There is only one true digital audio tape machine around at the moment which is designed to operate with the 96kHz sampling rate and that is the rather expensive (£15000-£20000 depending on the specification) Nagra open-reel machine.

All DAT machines are internally limited to a maximum 48kHz - even Pioneer's 96kHz sampling DAT portable works by doubling tape speed, and so is not compatible with the systems that are currently being proposed.

Nor are the Digital Video Disc and Digital Sound Disc (from Sony) compatible with 24-bit/96kHz for the time being, and there is little in the way of information to suggest that these discs have been settled on as carriers for 96kHz, 24-bit recordings by the music business. In fact, the wrangling going on over DVD standards for video use makes it unlikely this might happen any time soon.

#### INSIDE THE AK4324

The AK4324 chip has a parallel processing architecture, where two separate sigma-delta, 1-bit Digital to Analogue Convertors are placed in a single tiny

SSOP surface-mount package.

The use of two convertors ensures high phase accuracy performance between channels and the minimum of interaction. The chip has the ability to operate from most digital data streams - 32kHz, 44kHz, 48kHz and 96kHz - either from interface receivers or the decoders in CD players.

The chip's clock is switchable between the standard frequencies of 11.2896MHz, Philips' 256 x sampling frequency ( $F_s$ ) and 16.9344MHz (Sony/Pioneer. etc. at 384Fs) for normal operation, with further options of 128Fs and 192Fs respectively to accommodate the higher sampling rates.

Jitter is dealt with by the IC's own internal processing and is reduced to a minimum level, providing that the master clock produces a relatively clean square wave signal. Poorly defined clock waveforms at this stage will result in a high noise floor. Internal facilities include automatic digital de-emphasis, soft muting and digital attenuation to an accuracy of 24-bits.

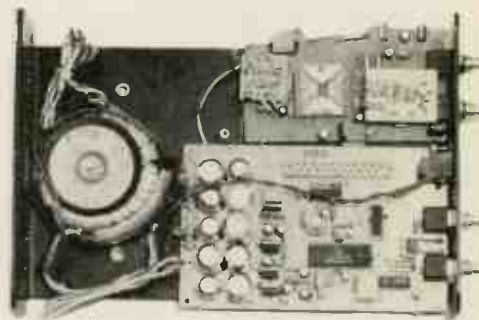
To complement the expansive array of input facilities, the audio output signals are sent through an output buffer to the outside world in a high level (1.4V) balanced form to permit maximum rejection of noise. The AK4324 has on-board first-stage analogue filtering which yields lower levels of out-of-band signals beyond its frequency limit.

#### BUILDING A PROTOTYPE DAC

An original prototype that was put together relatively quickly exceeded the noise floor specification of the data sheet by 3dB, so the book spec. is only a guide.

The sole area where the chip falls down is the 0dB output level distortion which measures around -94dB. If, however, you take the output signal down to -10dB, the distortion drops into the noise floor. The linearity of the chip is excellent, being a virtual straight line from -10dB to -105dB, and this is remarkable considering this is a relatively inexpensive device.

The prototype was designed to create a starting point for all of my future developments and since its first incarnation there have been just a couple of modifications to the original circuit, to



Looking inside an early incarnation of the AKM DAC you can see the toroidal mains transformer and the staggered-value reservoir capacitors to its right. The AKM 4324 DAC IC itself is sitting in the middle of the upper PCB.

improve certain areas that required a little tweaking.

The initial design brief I gave myself was very simple - get the chip working with a sufficient level of sound quality that would justify the time spent on the unit. I started out with tried and tested digital building blocks.

The input section comprises an RS232 interface receiver which accepts the signals from a CD player or DAT machine and increases them to a level where they are suitable for the rest of the digital electronics.

The input section also has two inputs - Direct Coupled and Capacitor Coupled. The quality of the data transfer and therefore the sound is directly related to the quality and construction of the isolation transformer which the signal flows through in the CD player or transport. For some machines a small capacitance in the data line can work wonders in taming an aggressive sounding transport.

Next is the interface receiver. This employs a universal standard 'Low Jitter' Crystal Semiconductors CS8412 in its latest incarnation. This decodes the data signal, locks it to the correct master clock frequency and finally separates the data signals into streams that the following electronics can deal with.

Following the CS8412 is a data buffer and clock regenerator which clean the waveform of the data before it enters the convertor. A re-timing circuit comes next. This reduces any jitter that may be introduced by PCB tracking or connection cables as applied in the prototype. This technique tightens up the sound staging of the convertor and fixes the positions of

# Colomor (Electronics) Ltd

170 Goldhawk Road, London W12 8HJ Tel: 0181 743 0899 Fax: 0181 749 3934 E-MAIL: gacomelli@colomor.com.co.uk

**Celebrating 30 Years 1967 - 1997**

Over 6,000 Types of Valves In Stock, Please Ask For Quote

£ p	£ p	£ p
ECC81	EL84 Sovtek	6L6GC Sylvania
ECC81 (CV455)	EL84 Mazda	6L6GT/C
ECC81 (CV4024)	EZ80	6L6WGA Sylvania
ECC82	EZ80 Mullard	6L6WGB
ECC82 Brimar	EZ81	6SL7GT
ECC82 Mullard	EZ81 Mullard	6SL7GT Brimar
ECC82 (CV4003) Brimar	GZ33 Mullard	6SL7GT USA
1175	GZ34	6SN7GT
ECC82 (CV4003) Mullard	GZ33 Mullard	6SN7GT Brimar
1470	GZ37 Mullard	6V6
ECC83 Sovtek	KT66 Matched Pair	6V6GT
ECC83 Mullard	KT88	6V6G
ECC85	VT4C-GE	6X4
ECC85 Mullard	5R4GA	6X4WA
ECC88 Tesla	5R4GY	12BY7 RCA
ECC88 Siemens	5R4GYB	12BY7A GE
ECC88 Mullard	5R4WGA	12E1 STC
E88CC Telefunken	5R4WGB	12E1 Black Anode
E88CC Mullard	5R4WGY	12E1 Old Shape
E88CC/01	5U4G	13E1 STC. UK
E88CC/01 Mullard	5U4G Brimar	85A2
ECH81	5U4GB	85A2 Mullard
ECH81 Philips	5Z3GT	807
ECL82	5Z4GT	807 USA
ECL82 German	5Z4G	6072A
EF86	6B4G Sylvania	6146
EF86 Mullard	6B4G Shouldered	6336A USA
EL33 (CV1438) Mull	6BH6	6550A
EL34 Sovtek	6FO7	6550-B2 Svetlana
EL34B	6L6G (CV1947)	6550A GE
EL34 GE USA	6L6 Metal	6550A Svetlana matched
EL37 Mullard	6L6G Colomor	pairs

## Also available

Oil filled block capacitors by TTC Dubilier  
5uf, 1uf, 2uf, 4uf all at 600V £7.05 ea  
8uf 600V: 5uf, 1KV; 1uf, 1KV;  
2uf, 800V; 4uf, 1KV £9.40 ea  
8uf, 800V £11.75 ea

Oil filled Transformer, Gardners  
Primary 110 - 240V;  
Secondary  
250-0-250; 180mA 6.3V,  
7A, 5V, 3a  
£58.75

Primary 110 240 V  
Secondary 215V  
175A B.R. 6.4V 5.5A £35.00 +Vat  
Primary 110 250V Secondary  
400-0-400  
75mA 6.3V 5A 6.3V 2.5A  
6.3V 500mA  
6.3V 300mA 4V 500mA  
£47.00

Primary 110-240V Secondary  
225-0-225V  
100mA 6.4V 1A £32.25  
Primary 115-250 440V  
Secondary 640-0-640V  
160mA 330-0-330 225mA  
£58.75

New Mains Isolation Transformers  
250V, 50Hz, 1 to 1 3kvA,  
13A fused  
Class F, 13A Skt & Plug  
£112.00 ea

240V Transformer, output  
0 18.5V  
26V, 29V, 35A & 26V, 5A  
£32.25 ea

Oil filled Chokes by Parmeko/Gardners  
2.5H, 220mA; 2.5H,  
350mA; 4.5, 150mA  
4.5H, 220mA; 4.5H,  
280mA; 5H, 110mA  
5H, 200mA; 5H, 250mA;  
all at £35.25 ea  
5H, 400mA £38.78 ea

7.5H, 250mA £35.25 ea  
10H, 75mA £23.10H,  
170mA £38.78 ea  
20H, 50mA £35.25 ea

10H, 70mA Resin Filled  
£23.50

10H, 75mA Varnished £11.75  
Other types/values in stock.  
Send sae for list

1µF, 1KV Axial TCC  
super metal pack,  
ceramic end plates, oil  
Visconol £4.00 ea

Valve Holders  
B7G -  
unskirted £0.31 ea  
B7G -  
skirted £0.65 ea  
B9A -  
unskirted £0.75 ea  
B9A - skirted £1.05 ea  
B4 - Paxolin £0.60 ea  
B5 - Paxolin £0.60 ea  
Octals - ceramic, E F  
Johnson £4.00 ea  
Other types also in stock

## Valves Wanted - New & Boxed

KT66 - GEC	£40.00 each	4212E - STC, UK	£150.00 each
KT88 - GEC	£60.00 each	PX25 -	
EL34 - Mullard	£15.00 each	Globe shaped	£100.00 each
EL37 - Mullard	£12.00 each	PX4 -	
DA30 - GEC	£80.00 each	Globe shaped	£60.00 each
PT15	£10.00 each	ECC83/EF86	£3.50 each
DA100 - GEC	£100.00 each	V503	£100.00 each

Telephone or Fax list for offers. Please quote ref HF

P&P - Orders up to £3.00 @ £1.95, £3.00 - £5.00 @ £2.25, £5.00 - £15.00 @ £2.50, £15.00 - £20.00 @ £3.35, Over £20.00 @ £4.55. Over 2 Kg. at cost.

## WANTED

Quad II Amps - up to  
£150.00 each

VAT included in all prices.  
Please ring for availability and price.

## Hertfordshire/North London AUDIO/RECORD FAIR

Sunday NOVEMBER 16th 1997  
10:30 TO 4:30

NEXT TO GRUNDY PARK  
LEISURE CENTRE  
Wolsley Hall  
Cheshunt

(M25 Junction 25 A10)

FREE PARKING

(5 mins from Cheshunt Station)

TABLES £20

ADMISSION £2

REFRESHMENTS AVAILABLE

Always Wanted:  
Vintage And Modern Equipment  
Records And CD's  
Special Bring & Buy

For further information contact Steve at:  
Silvernote ● PO Box 158 ● Cheshunt ● Herts ● EN7 6UH  
● England

Tel/Fax 01992 620 905 Inter: 00 44 1992 620 905

Ultra High Fidelity Magazine £4.95 first issue or £25.00  
1yr subscription Mastercard/Visa welcome



## SERVICE FOR ENTHUSIASTS

High quality Push-Pull or single ended  
Output, Mains, Chokes, Interstage, Input and  
Cartridge Transformers

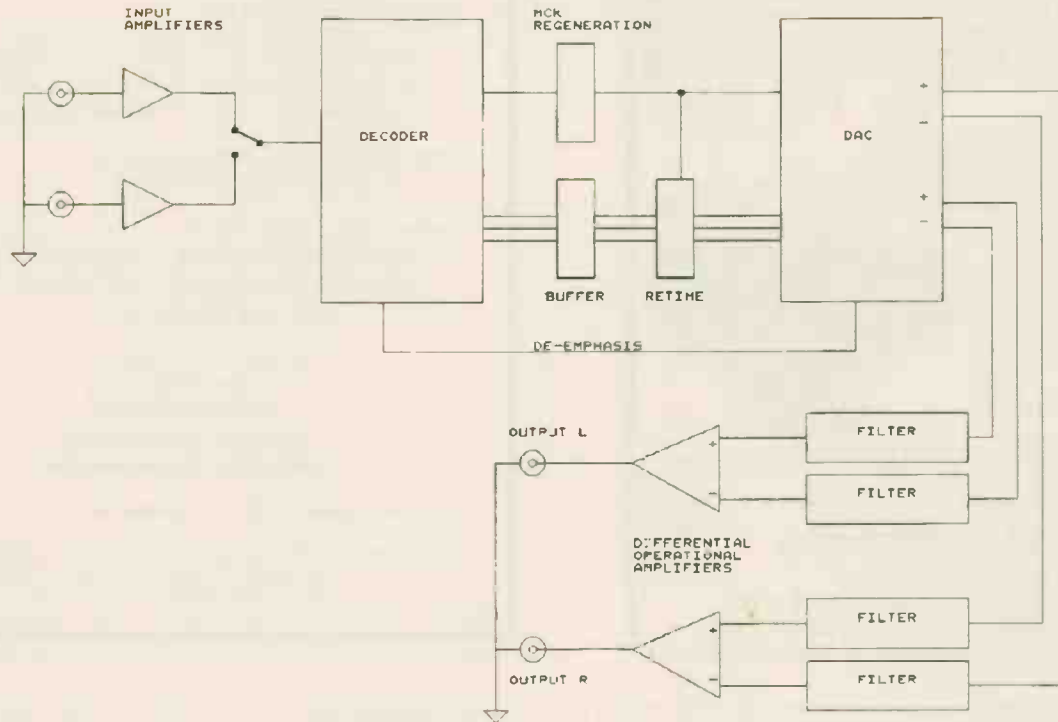


Choose from our catalogue or specify a custom  
design at no extra charge. Range of package options:  
full or half shrouded or open frame. Encapsulation, as  
illustrated for our popular size "P+" for output or  
mains. All transformers built to order by our  
craftsmen. Usually 6-8 weeks delivery. Free technical  
support for all our products (Phone, Fax or internet).  
Free catalogue. Competitive prices.

E A Sowter Ltd  
PO Box 36 IPSWICH  
IP1 2EI England  
Tel: (+44) (0) 1473 252794  
Fax: (+44) (0) 1473 236188

E-Mail: sales@sowter.co.uk  
techsupport@sowter.co.uk  
Catalogue and overseas  
agents on our Website:  
http://www.sowter.co.uk

## BLOCK DIAGRAM OF 24 BIT DAC



This block diagram shows the basic on-board operations the AKM 4324 Digital to Analogue Convertor carries out

certain instruments, such as the high notes of a piano, in their correct spatial position.

Now for the DAC itself. It's positioned as close as possible to the retimer chip to keep data lines to the DAC as short as possible. I could have used a surface-mount chip in this position but I did not feel there would be any benefit and it is a lot easier to lay out a standard package in this position.

The DAC chip is mounted on a dedicated surface-mount PCB with ground planes to keep Radio Frequency radiation and interaction at the lowest possible levels.

Following the DAC is a high-performance, fast, dual op amp that converts the balanced outputs of the DAC to single-ended and introduces a small amount of Radio Frequency filtering to keep out-of-band signals within respectable levels.

The power supply employs a technique I'm very fond of - staggered values of reservoir capacitors that create a fast but stable supply. High-performance LM317/LM337 variable voltage positive and negative regulators are employed for

all digital stages to keep the supplies as clean as possible and there's double regulation for the DAC chip in order to maintain a constant voltage irrespective of power loading. Finally, the toroidal mains transformer was slightly over-rated in terms of capacity for improved performance.

### SOUND QUALITY

In a direct comparison between 44.1kHz at 24-bit and standard 44.1kHz at 16-bit Compact Disc, the 24-bit recording really showed what we are missing, even with a basic sampling rate of 44.1kHz.

The sound stage stretched far wider than the loudspeakers' cabinets and deeper before. Vocals, whoever the artist, were positioned at the correct height and I could clearly hear the singer taking a breath in between the words of the song. Backing vocals were also defined in their own space behind the lead singer and in front of the instruments.

The instruments themselves took on a new dimension, each taking up their own proper position with a clearly defined space around them. Rhythm fans will admire the bass, which was not only more

powerful but better defined as well.

Certain instruments that are normally ill defined on CD take on a real atmosphere of their own. Cymbals, for instance, sounded totally different - I could clearly hear wood against metal, with the proper shimmering effect as the cymbal rocked from side to side when struck. Its decay lasted longer too. Another example was when the drummer changed from sticks to brushes - I knew exactly when and what drum he was using.

Piano created a special musical illusion. I could discern almost every last detail positioned across the sound stage. The operation of the foot pedals with any of their accompanying squeaks came through clearly and the tonal differences that set apart a grand and mini piano were clearer than before.

Going back to CD I found virtually everything sounded different. There was a kind of haze to the upper registers, the bass had lost most of its definition and the music just didn't sound natural. Vocals were flat, almost lifeless, in their presentation, and often blurred together with backing vocals ●

**£89-00**  
INC VAT

## AudioCad Pro

A Computer Aided Loudspeaker Design Software



As Featured in the Hi-Fi World DIY Supplement No.s 22 & 23 (June, August 1996). Still available to Hi-Fi World readers at the Reduced price: **£89-00 Inc** Plus **£5-00 P&P**

### DAAS3L+ Digital Audio Analyser System

DAAS3L+ is amongst the best Audio Analysers on the market today. It offers an excellent price performance ratio as it comes complete with calibrated microphone, G U I software, full manual and includes a PC half Card. DAAS3L+ is capable of measuring Thiele-Small parameters, Frequency response near and far field, Phase, Distortion and much more. This versatile piece of test equipment will analyse most audio signals enabling the user to test Amplifiers, crossover Etc. Ideal For Schools, Colleges, Universities, R&D, & Production Line testing.



**Price £586-33 Inc** Plus **£5-00 P&P**

System Requirement  
AT386 or better, EGA,VGA, 2MB RAM,4MB of hard disk space Will run under Windows 3.1 OS/2 in DOS window

### 12" Hi-Fi Sub Woofer Driver Elite 12-100

100 Watts RMS 8 Ohm

IDEAL FOR BOTH PASSIVE AND ACTIVE SUB WOOFER SYSTEMS

Oms: 3.03 Vas: 260L  
Qes: 0.364 Pwr: 120W  
Qts: 0.32 Re: 6.7 Ohm  
Mms: 38.4g Sens: 90dB  
Fs: 27Hz Fmax: 1319Hz  
Freq Response: 30 - 2500Hz  
Magnet Weight: 730g  
Coil Diameter: 50.5mm

Price: £24.99 inc  
Plus **£5-00 P&P any Quantity**

The above items may be ordered by post, fax or telephone and payment is welcome by cheque, draft, postal orders, Mastercard or Visa. Additionally, Official Orders are welcome from schools, colleges, government departments etc.

**B.K. ELECTRONICS**  
Unit 1 Comet Way  
Southend-On-Sea Essex SS2 6TR  
Tel: 01702- 527572 Fax: 01702-420243



## Liberty Audiosuite v 2.2

the PC based DOS and WINDOWS audio measurement and analysis system for loudspeaker and electronic circuit development and test

Now includes support for the **Turtle Beach 20 bit Multisound Fiji professional audio DSP soundcard.** (external mic/probe preamp not required with Turtle Beach card)  
\*\*\* Distortion levels to below 0.003% can now be measured \*\*\*

- \* **HIGHEST CAPABILITY**  
MLS, SINEWAVE, PINK and WHITE NOISE  
THIRD and SIXTH OCTAVE REAL TIME ANALYSER  
DISTORTION ANALYSER, and VISUALISER  
THIELE SMALL PARAMETERS, and much more
- \* **STRAIGHTFORWARD OPERATION**  
using the built-in EASY SCRIPTS
- \* **DOWN-TO-EARTH PRICE**  
Obtain the complete system with Software and manual, Probes, Turtle Beach Fiji soundcard, Calibrated mic and cables for **£696.00 excl VAT**

for **FREE DEMO DISK**, contact  
**Tony Seaford**  
**MARTON MUSIC**  
phone/fax 01282-773198  
e-mail 106505.251@compuserve.com

Full details available on <http://www.libinst.com>

also demonstrated at IPL Acoustics, Westbury, Wilts 01373-823333  
Horsham Hi-Fi, Horsham, W Sussex 01403-251587  
other locations—please call me

## FROM DINKY TWEETERS TO MASSIVE WOOFERS

THEY ARE ALL IN OUR LATEST CATALOGUE OF QUALITY LOUDSPEAKERS AND ACCESSORIES

PLUS – SPEAKER SUPPORTS, AUDIO GRADE CAPACITORS, MICROPHONES, AUDIO GRADE VALVES – AND MUCH MORE – INCLUDING OUR RENOWNED AUDIO INTERCONNECTS

SEND FOR YOUR FREE CATALOGUE TODAY

### STRACHAN ELECTRONICS

9 CROALL PLACE, EDINBURGH, EH7 4LT  
Tel: 0131 556 9549 E-mail: strachan@ndirect.co.uk  
<http://www.ndirect.co.uk/~strachan>



## FINAL HIGH END SALE!

We clear the remaining stock  
Another 15 - 25% off!




### WELL TEMPERED

Record Player (new)..... £ 459\*  
Classic (new)..... £ 789\*  
Classic (first version, demo)..... £ 649\*

### AUDIO RESEARCH

DAC1 D/Aconv. (new)..... £ 1 200\*  
LS1 line pre-amp (new)..... £ 780\*  
SP9 pre-amp (demo)..... £ 940\*  
SP15 pre-amp (new)..... £ 2 660\*  
D250 MkII power amp (new).... £ 3 090\*  
M300 MkII power amp (new).... £ 4 890\*  
Classic150 power amp (new).... £ 4 490\*

### GOLDMUND

Studiotto+T5, table+arm (new)..... £ 1 660\*  
Studio+T3F, table+arm (demo).... £ 4 990\*  
ST4, table+arm (new)..... £ 2 439\*  
Mimesis 2PH pre-amp (new)..... £ 3 359\*  
Mimesis 3 power amp (new)..... £ 2 799\*  
Super-Dialogue, speakers (new).... £ 4 990\*  
Apologue, speaker system, 185x84x115cm (new)..... £ 29 900\* (or best offer)

### MARK LEVINSON

HQD-system. The systems consists of: 2xML6A pre-amp, 2xLNC2 crossover, 6xML2 power-amp, 2xHartley 24" subwoofers in 120x180x75cm oak boxes, 2xQuad ESL mid-range in oak cabinets, 2xDecca Ribbon Tweeter in oak cabinets. The system is run for 100 hours only, absolute mint condition..... £ 16 900\* (or best offer)

Also: Berning, Cotter, Eureka, Moersch, Win and more...  
**Call for the complete list!**  
(\*) Freight costs and VAT not included  
Glotta AB - Phone: (int.) +46 8 345251, Fax: (int.) +46 8 346533,  
E-mail: alexander.sovre@mailbox.swipnet.se

# TUBE AUDIO DESIGN

by Bruce Rozenblit

Reviewed by Noel Keywood.

When a monster like the legendary Radio Designers Handbook cannot cover all aspects of valve (tube) circuitry, a relatively compact book like the 133 page *Beginners Guide to Tube Audio Design* must have limitations. Ironically, because author Bruce Rozenblit has plenty of experience and displays confidence in his writing, his necessarily brief coverages of a wide range of tube topics can be a little frustrating. But this is a beginners guide and I found it was well written for its purpose. It covers a lot of fascinating territory, giving useful insights, if not comprehensive analyses.

For example, perusing the Table of Contents I noticed Chapter 10 was titled *Stability Networks* - crucially important, yet a topic not commonly explained in any sensible manner for the practising engineer, when it can be found at all in electronics books. Stability is related to Feedback, found earlier on at Chapter 4, since applying feedback often results in stability problems, the reasons being fairly difficult to understand for the layman not versed in basic concepts. Bruce Rozenblit candidly admits so on page 62, stating "when I first started working with tube circuits and ran into stability problems I didn't know what to do and I'd give up." I know from our mail how instability can be a pig to understand and cure for home constructors and of course I've been through this mill as well!

I was disappointed that Bruce misses the obvious by omitting to explain the first move when encountering instability should be to reverse feedback polarity of an amplifier with loop feedback, but this is a 'hunt the thimble' type oversight I'm sure, where the most obvious is missed. Otherwise I found Bruce's explanations sufficiently jargon free and succinct to be useful to beginners, and the range of problems/cures covered usefully wide.

The book starts out with a very brief page of basics before diving into valve



construction, biasing and characteristics. Bruce Rozenblit has an easy explanatory style, but I would have liked to have seen some typical d.c. voltages and operating currents put into a simple example, say a triode stage working from 250V, to give an idea of what to expect. Single stage basics gives a.c. gain equations, impedances and what have you, getting quite complex with a cascode model, but considering a.c. conditions is a distant luxury if the valve isn't biased and, therefore, working properly. Establishing d.c. operating conditions might usefully have been a bit more thorough, because this is a very significant beginners topic.

A good range of topics are dealt with. After chapters on the 'vacuum tube' (this is an American book), Single Stage Basics (chapter 2), Simple Gain Circuits (chapter 3) and Negative Feedback (chapter 4), Bruce Rozenblit moves on to feedback circuits and circuit building blocks like cascode stages, etc. Chapter 8 covers output stages and transformers and 9 covers power supplies, then we meet Stability Networks in chapter 10. In effect, this is the end of the beginners section, for on page 63 to book moves to Classic

Designs. As valuable and interesting as such examples are, by definition they are not beginners territory. UK readers will recognise Williamson and Leak amplifiers, but otherwise the line up comprises American amplifiers after World War II, with the exception of a Jefferson 2A3 from 1933.

At page 83 the book publishes actual circuits designed by Bruce, acting as contributing editor to *Glass Audio*, from whence this book derives. I was surprised and impressed to see a direct coupled design included. Emphasising the melange this book is, pages 100 onward to the end carry advertising. Most of it derives from U.S. companies, making available a fascinating range of specialist products. Since this significantly increases the resources available to U.K. readers, 'cos these days the water in-between isn't much of a barrier, it's an unusual and valuable addition.

This is a very good book for beginners, that's for sure. Most of the info derives from first hand experience, imparting a relaxed and easy style to the writing. Because it promises so much and the potential to deliver is there I felt it a shame that the text for beginners was wrapped up by page 63, but then at £15.50 this is also a very inexpensive book and great value, so I do strongly recommend it for beginners and even for those with experience. There's something for everyone in the pages and much of it is good hard-core, hands on stuff ●

**Beginner's Guide to Tube Audio design**  
author **Bruce Rozenblit**  
**ISBN1-882580-13-3**  
**First published May 1997**

**Audio Amateur Press,**  
**Peterborough**  
**New Hampshire**  
**U.S.A.**

Available from **Hi-Fi World** £15.50.  
Please use Order Form on p51



# THE ART AND SCIENCE OF ANALOG CIRCUIT DESIGN

Edited by Jim Williams

Reviewed by Haider Bahrani.

Good basic knowledge aside, there is no substitute for experience. Personal experience is preferable, but the fledgling designer/engineer should still be more than keen to draw on other dabblers' thoughts. The Art And Science Of Analog Circuit Design is partly aimed at fulfilling such a need.

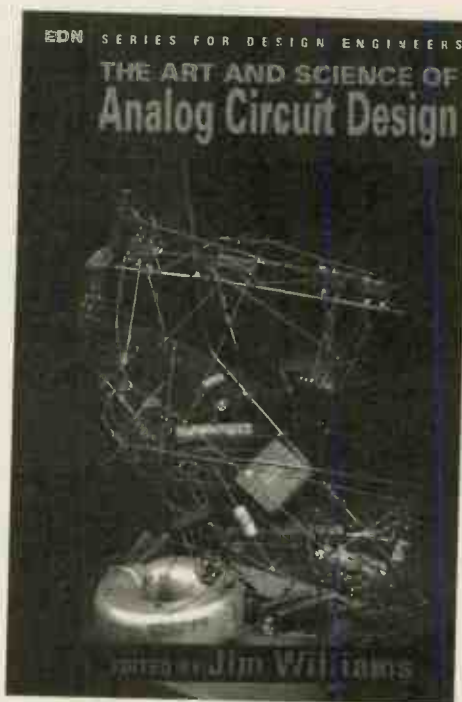
As a follow-up to a similar publication this book is a collection of essays and articles written by self-confessed analogue design engineers expressing thoughts, describing experiences, getting a little technical and sometimes trying to lay down the law. Every now and then reality rears its slightly balding head and the sheer creative madness of it all is exposed.

The book's main attraction is that there is no particular style to unify each contribution. Each of the chapters in each of its four sections captures the theme, but follows its own route to a unique end. The authors have been given licence to open their minds and have done so more than willingly.

As I have already mentioned, the book is divided up into four sections. The first of these effectively grabs the new graduate electronics engineer by the ear and introduces them to the hot end of the soldering iron and points out the three legs of a transistor. Well, actually it doesn't cut that close to the bone, but the message is loud and clear - you haven't started your learnin' till you've completed your learnin'!

Jim Williams and friends take us through different journeys, some serious, some anecdotal and some just plain funny. Chapter Five is well worth a read, particularly the part written by Gregory Kovacs' wife as the significant other in the analogue engineer's life (excepting the oscilloscope, soldering iron, multimeter, late-night pizza, etc.)

Part Two of the book is all about turning concepts into real, working circuits. This is where the co-authors



start talking with circuit diagrams and graphs, so hard hats on, folks.

Chapter Seven's Steven Roach gives a clear and interesting overview of oscilloscope design while William Gross takes us on a "... trip down the IC development road". Chapter Nine is all about breadboarding. The reader is led through the pitfalls of prototyping and bad circuit layout. A sense of humour is essential and thankfully the author has it in abundance.

The penultimate chapter in this section goes back to oscilloscopes and the design of the wide-band member of the species. Finally, we have another Jim Williams vignette on problem solving.

The third part of the book covers selling the product, which can be either the fruit of the engineer's craft or the engineer's craft itself. Chapter Thirteen places the designer in the hot shoes of the product trying to sell itself - the application letter for a job, the interview and even some sample questions are thrown in.

The final section of the book gets a

little more general, with authors' views expressed on topics ranging from 'managerial' innovation to the laws of nature. The first of these, titled 'Moore's Law,' simply states that memory density increases four-fold every three years. This is digital fighting back, or at least breathing life back into analogue: hence they are nothing without each other. Chapter Sixteen is one I am about to frame on my office wall. The author, John Willison, claims the prerequisite for being a good analogue designer is to know about 57 important facts on the subject. He lists only 37 as he seems to have forgotten the rest. Myself, I could probably muster about ten with luck!

Chapter Seventeen documents the virtues of having a lab of your own at home and how it is the single best aid to a productive design career. Barrie Gilbert then uses the eighteenth chapter to speak out on a subject that sums up the position of small hi-fi designers and manufacturers and why they seem to produce far more innovative products than the big boys. The answer is that simple team-work is left until a later stage in the development of the product: a team that takes a project from concept to production is more likely to produce an adequate product that fits well in the market place. The following chapter examines the roots of inspiration before the last one takes a philosophical look at costing, designing by mistakes and the inevitable botch of a circuit that doesn't work.

The final word? Buy this book and gain twenty years of experience ●

**The Art And Science Of Analog Circuit Design** £19.99

ISBN 0 7506 9505 6

Customer Services Dept.

Heinemann Publishers Oxford,

PO Box 382,

Oxford OX2 8RU

Tel: 01865 314301

Fax: 01865 314029

# Falcon Acoustics Ltd

Incorporating Falcon Electronics Falcon Components  
**New - Tapped Inductors.**  
 0-10mH in 1mH steps & 0-1mH in 0.1mH steps

New and updated FOCAL 'State of the Art' Kit Designs  
 Increased range of SOLEN 630v Polypropylene capacitors.  
**DRIVE UNITS:** by FOCAL and SCAS, and a pick of the best from other manufacturers.  
**CROSSOVER NETWORKS:** - Active & Passive. Components, Accessories.  
**COMPONENTS** Large range of Capacitors + Falcon Custom-wound Inductors.

**AUDIO AMATEUR PUBLICATIONS**  
 Loudspeaker Design Cookbook, NEW - A Beginners Guide to Tube Audio Design, plus lots in P/L  
 Back year sets of Speaker Builder, Audio Amateur & Glass Audio, plus the Audio Anthology Set.

**COMPUTER PROGRAMS**  
 Large selection of Programs available from the very comprehensive Liberty AudioSuite test program  
 via AIRR. LoudSpeaker Ver.6, BassBox 5.1, to the basic Bullock/White Boxresponse.  
 Also the IMP FFT Test Kit, the Mitey Mic Kit and Mic/Preamp kit for Audiosuite or AIRR

**FOCAL**  
 TECHNOLOGIE D'AVANT-GARDE  
**COLUMN C800**



**83litre Column, 90dB/watt system with a -3dB, point of 35Hz**  
 One of the comprehensive range of Focal kits from an even wider range  
 of High-Tech Loudspeaker units

Send for our FREE price list PL26. Just send a large S.A.E., (3p stamp) or U.S.S. bill overseas,  
 Europe USS1 bill or 3 International Reply Coupons (IRC) to - (Dept HFW) Tabor House,  
 Norwich Road, MULBARTON, Norwich, Norfolk, NR14 5JT Tel: (01508) 578272

# THE Service Specialists

From Classic Valve to Digital LaserDisc...

You supply the Problem, We supply the Solution!

QUAD • GRANT • LEAK • RCA • REVOX • ALTOBASS • RADFORD •  
 PIONEER • LUMLEY • TEAC • YAMAHA • AVANTIC etc.

For over 20 years we have provided un-matched technical services to  
 Enthusiast and Pro. alike. We've satisfied customers at all points of the  
 compass - even in Australia!

What makes us so popular? Simply, we're the best!

**RESTORATION.** Messrs, Leak, Walker, Radford *et al.* got it right!  
 Yesteryear's great designs are, in the main, fine. They certainly don't need  
 converting into something else, which seems to be a current trend. We will  
 carefully restore your classic using modern high-quality components; this  
 alone frequently improves the sound quality enormously. We will not,  
 though, alter the original design in an attempt to "improve" it. Enjoy owning  
 and listening to a Classic... not a latterday fad.

**REPAIR/CALIBRATION.** Even the finest equipment's will suffer an  
 occasional breakdown and need meticulous repair, calibration and  
 alignment. The only standards we recognise and work to are Manufacturers  
 Original. Our Test & Measurement facilities are probably the best in this  
 sector of the Industry... and we know how to use them!

**KIT-BUILDING.** There are numerous kits around nowadays. They all  
 require skill/experience to build satisfactorily and, in the case of valve  
 equipment, safely. Some designs are good, others ...well, let's just say  
 their 'designers' would benefit from a sojourn on that celebrated desert  
 island with only Terman and Langford-Smith for company!  
**Whichever kit you choose, though, it will benefit from a professional  
 build. We will build it, de-bug it and give you a set of Final Test figures  
 from your sample.**

**KIT-RESCUE.** In trouble? It won't work? Nil desperandum. Contact us  
 about a rescue/re-furbish.

For more details of our comprehensive services, 'phone or fax:-

**(0113) 244 0378**

**AUDIO LABORATORIES (LEEDS)**

## CRICKLEWOOD ELECTRONICS

ANSAR SUPERSOUND  
 Audio Polypropylene 400VDC±5%

The secret's in the metallized film!



Manufactured specifically for high end audio, these  
 polypropylene capacitors offer exceptional value for  
 money as they use a specially impregnated high purity  
 metallized polypropylene film, ensuring smooth,  
 detailed and transparent sound quality and extremely  
 low distortion, whether they are placed directly in the  
 signal path such as in preamplifiers or for decoupling  
 etc. Ideal for replicating old style and bulky capacitors.

Part no	Value	Price
CW100N	CAP PROPYL 100nF	£1.25
CW150N	CAP PROPYL 150nF	£1.25
CW220N	CAP PROPYL 220nF	£1.25
CW330N	CAP PROPYL 330nF	£1.25
CW470N	CAP PROPYL 470nF	£1.25
CW680N	CAP PROPYL 680nF	£1.25
CW100N	CAP PROPYL 1µF	£1.25
CW150N	CAP PROPYL 1.5µF	£1.50
CW220N	CAP PROPYL 2.2µF	£1.50
CW330N	CAP PROPYL 3.3µF	£1.85
CW470N	CAP PROPYL 4.7µF	£2.00
CW680N	CAP PROPYL 6.8µF	£2.50
CW100N	CAP PROPYL 10µF	£3.50
CW150N	CAP PROPYL 15µF	£4.50
CW220N	CAP PROPYL 22µF	£6.50
CW500N	CAP PROPYL 50µF	£9.95
CW1000N	CAP PROPYL 100µF	£20.00

Low value capacitors are artexenly used in amps &  
 preamps (especially in tone control, bass & treble  
 etc). By changing to polypropylene you can enjoy an  
 enhanced lighter, brighter sound evenly in the  
 treble and mid bass range, and a transparent lower  
 bass improvement. Close tolerance & high stability  
 ensure that both channels can be very closely  
 matched.

Part No	Value	Voltage	Price
CPA47P	CAP PROPYL 47µF	250V	£0.35
CPA100P	CAP PROPYL 100µF	250V	£0.35
CPA150P	CAP PROPYL 150µF	250V	£0.35
CPA220P	CAP PROPYL 220µF	250V	£0.35
CPA330P	CAP PROPYL 330µF	250V	£0.35
CPA470P	CAP PROPYL 470µF	250V	£0.35

Part No	Value	Price
CPA1N0	CAP PROPYL 1nF	£0.35
CPA1N5	CAP PROPYL 1.5nF	£0.35
CPA2N2	CAP PROPYL 2.2nF	£0.35
CPA4N7	CAP PROPYL 4.7nF	£0.50
CPA10N	CAP PROPYL 10nF	£0.65
CPA22N	CAP PROPYL 22nF	£0.85
CPA47N	CAP PROPYL 47nF	£1.00

**Low Impedance High  
 Temperature (105° C) Radial  
 Electrolytics ± 5%**

Superior electrolytics at affordable prices. The low  
 impedance end resistance maximises signal purity,  
 whilst the superior temperature characteristics allow  
 the capacitor to remain very stable under the most  
 varying conditions.

Part No	Value	Voltage	Price
1H50	LO 2 HI TEMP 1µF	50V	£0.25
2U2H50	LO 2 HI TEMP 2.2µF	50V	£0.25
4U7H63	LO 2 HI TEMP 4.7µF	63V	£0.25
10H63	LO 2 HI TEMP 10µF	63V	£0.25
22H63	LO 2 HI TEMP 22µF	63V	£0.30
47H63	LO 2 HI TEMP 47µF	63V	£0.35
100H63	LO 2 HI TEMP 100µF	63V	£0.50
220H50	LO 2 HI TEMP 220µF	50V	£0.75
470H63	LO 2 HI TEMP 470µF	63V	£1.25
1000H35	LO 2 HI TEMP 1000µF	35V	£1.50
2200H50	LO 2 HI TEMP 2200µF	50V	£2.25
4700H25	LO 2 HI TEMP 4700µF	25V	£2.50

**Elna Solder Lug Reservoir  
 Capacitor 10 000µF 80V**

Choose the right electrolytic for power supply use is  
 very important in keeping noise hum which allowing  
 maximum current flow for good transient & bass  
 response. Elna capacitors are respected the World  
 over for their exceptional audio attributes.

Part No	Vf/Voltage	Price
10000C80	CALELNA100µF/80V	£11.00

**Monacor Air Cored Inductors.**



A range of professional air cored inductors for 80 or  
 40 crossover filters for use up to 300W. 1.2mm  
 enamelled copper wire wound on air spliced plastic  
 bobbins.

Part No	Description	Price
89AC	89A VALVE HOLDER CERAMIC	£1.50
CC	SCREENING CAN	£2.25

Part No	Specification	Price
P15	150µH 0.150 8x19mm	£2.00
P22	220µH 0.150 48x19mm	£2.50
P33	330µH 0.20 8x19mm	£3.00
P47	470µH 0.250 50x19mm	£3.50
P68	680µH 0.350 50x19mm	£4.50
P100	1mH 0.40 59x19mm	£5.50
P150	1.5mH 0.50 70x30mm	£6.50
P220	2.2mH 0.60 70x30mm	£8.00
P330	3.3mH 0.750 70x30	£10.00

**Monacor Ferrite Inductors**



A range of professional high efficiency ferrite cored  
 inductors with very low ohmic losses for 80 or 40  
 crossovers of filters for use up to 400W  
 1.4mm enamelled copper wire (1.3mm on F1000)  
 wound on plastic bobbin.

Part No	Specification	Price
F220	2.2mH 0.150 400W	£6.50
F330	3.3mH 0.20 330W	£9.50
F470	4.7mH 0.250 140W	£11.00
F680	6.8mH 0.350 120W	£12.00
F1000	10mH 0.450 100W	£13.50

**Quality Valves  
 Affordable range of  
 High Quality Valves**

Part No	Description	Price
6550C	OUTPUT VALVE	£26.00
6L6GT	OUTPUT VALVE	£4.50
6N6GT	OUTPUT VALVE	£4.50
6V6GT	OUTPUT VALVE	£3.95
ECC81	TRIODE	£4.50
ECC82	TRIODE	£4.50
ECC83	TRIODE	£4.50
EF86	LOW NOISE PENTODE	£3.50
EL34	OUTPUT VALVE	£8.50
EL84	OUTPUT VALVE	£3.50
G234	RECTIFIER	£6.50
KT88	OUTPUT VALVE	£20.00

**Valve Holders - High quality valve  
 bases. Chassis mounting with  
 screw fittings.**

Part No	Description	Price
89AC	89A VALVE HOLDER CERAMIC	£1.50
CC	SCREENING CAN	£2.25

OCTC	OCTAL VALVE HOLDER CERAMIC	£2.00
OCTP	OCTAL VALVE HOLDER PHENOL	£1.50

for a wide range of cables. These connectors make  
 contact with ground first at insertion to eliminate pop

**Fully Gold Plated Phono  
 (RCA) Plugs with spring  
 coil cable grip.**



Part No.	Description	Price
PPG5A2	PAIR GOLD PLUGS for up to 5mm CABLE	£1.50 pair
PPG8A2	PAIR GOLD PLUGS for up to 8mm CABLE	£1.50 pair

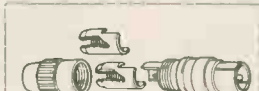
**Very High Quality  
 Phono (RCA) Plugs**



Very high quality satin grey metal with heavy gold  
 plated connections. Top collet cable grip & PTFE  
 insulators. Very low noise.

Part No	Description	Price
PPGH2	GOLD PTFE PLUGS for up to 6mm CABLE	£3.50
PPGH2	GOLD PTFE PLUGS for up to 8mm CABLE	£3.50

**Neutrik Pro-Audio Super Quality  
 Gold Plated Phono (RCA) Plugs**



Superior pair of phonos which includes 2 cable grips  
 plus 3.5-5.5mm & 5.5-7.3mm making them suitable

Part No	Description	Price
PPN2	NEUTRIK PRO AUDIO	£12.00/pair

**Extra High Quality Gold  
 Plated Phono Oxygen Free  
 (RCA) Leads (pairs)**  
 Available in 2 colours & 3 lengths. Highly flexible  
 oxygen free cable with extra moulded in control  
 grounding wire.



Part No	Length/Colour	Price
LLP10G	0.8 Metres/Green	£5.50
LLP15G	0.8 Metres/White	£5.50
LLP20G	1.5 Metres/Green	£6.50
LLP25G	1.5 Metres/White	£6.50
LLP50G	5 Metres/Green	£11.00
LLP50G	5 Metres/White	£11.00

**Base Reflex Tuning Ports**



A range of adjustable plastic ports for use in various  
 sizes of loudspeaker cabinets d=diаметer  
 L=adjustable length (mm)

Part No	Dimensions	Price
R35	d=35mm 110-210	£2.50
R50	d=50mm 150-280	£3.00
R70	d=70mm 128-245	£3.50
R100	d=100mm 160-222	£5.50
R85	d=85mm angled 45° for narrow cabinets 110-310	£6.50

**High Quality Components  
 at the right price. Please  
 add £2.00 carriage + VAT  
 to all orders. Credit Card  
 phone orders accepted.**

Cricklewood Electronics Ltd, 40 & 42 Cricklewood Broadway, London NW2 3ET. Tel: 0181 452 0161 Fax 0181 208 1441





# D.I.Y. Letters

## HOW AND 'Y'

I'm not sure whether this qualifies as a query for the main magazine or the DIY Supplement. Many of the DIY letters delve into mystical areas and talk of grid stoppers, phase shifts and other strange beasts with which I am not yet conversant. However, since I did a bit of soldering and opened the lids of not one but two amplifiers, maybe I qualify as a DIY probationer.

I recently purchased a second Ion Obelisk 3X integrated with X-Pak off-board PSU to use in bi-amp mode with my existing amp. Having internally separated the pre-amps from the power amps by cutting the clearly marked internal links, I then proceeded to use one pre-amp to drive both power amps, using the Pre Out and Power In sockets, connected by a 'Y' lead arrangement. This allows me to feed my bi-wireable 'speakers with one power amp each - in effect each half of the crossover has a channel to

itself.

The arrangement works well and sounds better than with a single amp. Having achieved bi-amping with £1200 worth of amps (at 1990 prices) for the second-hand sum of £350, I was fairly chuffed. However, two points are puzzling me and it is these with which I hope you can help.

Firstly, I do a lot of headphone listening and quickly found that the headphone socket is driven from the power amp, not the pre-amp as I had assumed. This meant making up another rather clumsy 'Y' lead to get a stereo signal to the 'phones - not a very elegant arrangement. Can you suggest a way round this?

Secondly, being a hi-fi nut, I am never satisfied. Therefore I tried rearranging the cables to allow me to drive the 'speakers 'top and bottom', rather than left and right, by using one amp to drive the tweeters and the other the woofers. The result was horrible distortion with

an intermittent quality. I have double-checked all connections but still can't get this arrangement to work, which is a pity because it would obviate the need for my first query!

Finally, would it be within the capabilities of an electro-moron like myself to bridge the power amps and would it be worthwhile? Also, is there a way I can use the extra inputs on the redundant pre-amp?

Rather a lot of questions I know, but if you can help me I promise to try actually building something. Then I'll be able to write proper DIY queries!

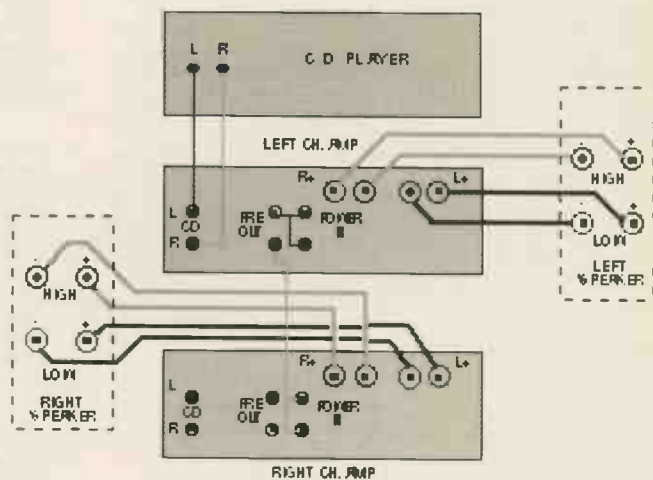
**Colin Beresford  
Billinge,  
Lancs.**

*With reference to the headphone question, you have two possibilities. One, to buy a dedicated headphone amplifier that would connect to the pre-amplifier outputs.*

*volume to an acceptable listening level and this is easily done by wiring a 220ohm 1watt resistor in series with each positive wire in the box. If you find the level is still too high, increase this resistor in incremental steps of 100ohms until you get the setting you want.*

*The only explanation I can imagine for the problem with distorted sound is insufficient earth returns - you may have removed a link that is important in this mode of operation. Check you've split the crossover correctly.*

*Bridging involves a lot of changes and the designer, when asked to develop a suitable amp, normally re-designs the unit to take the extra loading. You must bear in mind that when an amplifier is operated in bridge mode, each channel of the amplifier sees half of*



Pre-Amp Out and Power Amp In sockets give you the chance to bi-amp if you happen to have two integrated amps. One way to do this is with 'Y' cables, the bottom of the 'Y' taking the signal from the Pre-Amp Out sockets. The two 'arms' of the 'Y' then connect to the Power Amp In sockets on each amp.

*Creek Audio do a high-quality compact unit. Alternatively, make up a small box that contains a stereo jack socket and feed the 'speaker wires to this new box. You'll need some attenuation to reduce the*

*'speaker impedance, and if it isn't designed for low-impedance loads, that could push the amplifier beyond its design limits.*

*The other problem with bridged amplifiers is that each channel must be out*

# KIT & COMPONENT SUPPLIERS

## LOUDSPEAKER KIT SUPPLIERS

**Wilmslow Audio, 50 Main Street,  
Broughton Astley, Leicester LE9 6RO**  
Tel: (01455) 286603  
Fax: (01455) 286605

UK distributors of Drive Units from ATC, COLES, DYNAUDIO, KEF, MOREL, PEERLESS, RCL, SEAS, SCANSPEAK AND VOLT. Comprehensive range of high quality crossover components, acoustic damping products, connectors and veneers. Over 20 different D.I.Y. loudspeaker kits on demonstration, including ATC S0 & 100.

**B.K. Electronics, Unit 1 Comet Way,  
Southend-On-Sea, Essex, SS2 6TR**  
Tel: 01702 527572  
Fax: 01702 420243

Bringing you the Audiocad Pro - a computer aided loudspeaker design software package as featured in Hi-Fi World DIY supp. Nos. 22 and 23 (June, August 1996). Find out information on this plus our other products in our main 1/4 page advert in this months supplement

**European Precision Mouldings Ltd  
Highwyh, Sawbridgeworth,  
Herts, CM21 0JS**  
Tel: 01279 600428  
Fax: 01279 723846

Manufacturers of the Red Scorpion range of loudspeaker terminals and binding posts.

**Falcon DIY Speakers  
Falcon Acoustics Ltd., Tabor House,  
Norwich Road, Mulbarton,  
Norfolk NR14 8JT.**  
Tel: 01508 578272

UK distributors of FOCAL drive units, Kits, In Car and JMLab speaker systems plus SOLEN (SCR - Chateauroux) poly-propylene capacitors and the largest audio inductor manufacturer in the UK. Stocking Audio Amateur Publications and Computer software. Comprehensive range of D.I.Y. Speaker kits, Parts, Accessories and Books. Please send large SAE (36p) for free price list. "Everything but the wood"

**IPL Acoustics, 2 Laverton Road,  
Westbury, Wiltshire BA13 3RS.**  
Tel: 0373 823333

IPL supply a range of eight speaker kits using drive units from SEAS, Morel, Audax, Visaton etc. including four transmission lines to suit all room sizes. We also supply a full range of drive units, capacitors, and cabinet accessories as well as silver plated P.T.F.E. insulated cables.

**South Coast Speakers Ltd  
326 Portwood Road,  
Southampton, Hampshire.**  
Tel: 01703 559312

UK suppliers for High-Quality Drive Units from: SEAS VOLT VISION SCAN-SPEAK also MOREL RCL & many more. Accessories/Components all of the Highest Quality inc. ProAudio MKT Capacitors, Inductors wound to order for any values. Many DIY Kits always on demonstration in our comfortable listening area. Custom design services & friendly advice!

## VALVE AND OUTPUT TRANSFORMER SUPPLIERS

**Wilson Valves, 28 Banks Avenue,  
Golcar, Huddersfield,  
West Yorks HD7 4LZ.**  
Tel: 01484 654650  
Fax: 01484 655699

E-mail: wilsonvalves@surfink.co.uk  
We stock over 2,500 different types of valves, N.O.S. and New. Please send a S.A.E. for full list. No charge for matching. Most major credit cards accepted.

**Langrex Supplies Ltd  
1 Mayo Road, Croydon,  
Surrey CRO 2QP**  
Tel: 0181 684 1166  
Fax: 0181 684 3056

One of the largest distributors of electronic valves, tubes and semi-conductors in the UK by original UK and USA manufacturers. Obsolete types are a speciality. Telephone or fax for an immediate quotation.

**Billington Export Ltd.  
IE Gillmans Trading Estate,  
Billingshurst,  
West Sussex RH14 9EZ**  
Tel: 01403 784961  
Fax: 01403 783519

Billington Export Ltd. holds large stocks of audio valves including many obsolete brands such as Mullard, GEC, Brimar etc. as well as Sovtek, Thermionic Gold Brand and the recently introduced Billington Gold range. Also Cathode Ray Tubes (eg. used in Marantz tuner 10B). 50 page catalogue available, tel or fax for a quotation. Minimum order £50.00 UK, £100 export.

**Watford Valves  
3 Ryall Close, Bricket Wood,  
St. Albans, Herts AL2 3TS**  
Tel: 01923 893270  
Fax: 01923 879207

Specialist in new old stock and current production valves. Sole UK distributor of the Harma Diamond range selected for their superior performance. Huge range held, stockists of Mullard, GE, Philips, National, Brimar, Sylvania, Telefunken, RCA, MOV and many more. All valves are new boxed and guaranteed. For free price list and specialist advice call or fax Derek Rocco, Watford Valves.

**PM Components  
Springhead Enterprise Park,  
Springhead Road, Gravesend,  
Kent DA11 3HD**  
Tel: 0474 560521

P.M. Components Ltd are the specialist component company for High End Audio enthusiasts. We have a design and manufacturing base for audio valves and associated products and have a capability to produce custom tubes for major manufacturers. Our 70 page catalogue is available at £2.50 including U.K. postage. P.M. Components are major stockists for Golden Dragon, Mullard, GEC and Teonex valves and have a vast archive of vintage tubes gathered from every manufacturer in the world.

**Chelmer Valve Company  
130 New London Road,  
Chelmsford, Essex CM2 0RG.**  
Tel: 01245 265865 Fax: 01245 490064.  
Supplier of premium range of audio valves, other valves and components also available. (Please see our main advertisement in this supplement).

## VALVE AND OUTPUT TRANSFORMER SUPPLIERS (Con't)

**Woodside Sound Engineering,  
Arfryn, Llanboidy, Whitland. SA34 0EY**  
Tel: 01994 448271 Fax: 01994 448665  
E-Mail: woodside@arfryn.demon.co.uk  
As well as producing transformers for our own products, we can now offer an expanding range of audio transformers for new ventures and Renovations. We can wind transformers for most RADFORD amplifiers to original specification. Contact us with your requirements or a list of standard items is available on request.

## COMPONENT SUPPLIERS

**AudioCom (UK),  
Unit 6, Tindle Enterprise Centre  
Warren Street, Tenby  
Pembrokeshire, SA70 7JY**  
Tel: 01834 842803  
Fax: 01834 842804

E-Mail: audlocom@connect-wales.co.uk  
AudioCom are suppliers of Premium Grade components, including: Alps, BHC, Burr Brown, Caddock, Danish Audio Connect, Elna, Holco, Linear Technology, MIT Multicap, Nichicon, MUSE, Silver Wire (99.99% 4N), Sanyo OS-con, Sfernice, Vishay, WBT... plus many more products at very competitive prices. Free 1997 Audiophile Parts Catalogue available on request.

**Audio-Links  
7 Fairmont Crescent, Scunthorpe,  
North Lincolnshire DN16 1EL**  
Tel/Fax: 01724 870432

Large range of specialist electronic components and accessories for solid state and valve enthusiasts. Mail order and a friendly service. Monday to Saturday, 10am - 7pm. Catalogue - £2.00

**Hart Electronic Kits Ltd  
Penylan Mill, Oswestry,  
Shropshire SY10 9AF**  
24 Hr sales/enquiries Tel: 01691 652894  
A range of Audiophile kits for 80 watt Power Amplifiers, Tuners, Pre-Amps and Moving Coil/Moving Magnet RIAA Pickup Preamps. All kits are fully engineered, with our thirty years design experience, for easy constructions from circuits by John Lindsey Hood, the most respected designer in the field. Send for lists.

**V.R.R.  
30 Melbourne Avenue,  
Worthing. BN12 4RT.**  
Tel: 01903 501158  
Vintage Radio Restoration  
Bespoke output transformers for most valves, push-pull and single ended. Components and circuits provided to construct high quality valve amplifiers. Mains transformers "C" core ideal for pre-amps. Call for spec.

**AP Electronics  
20 Derwent Centre, Clarke Street,  
Derby, DE1 2BUT**  
Check out the AP ELECTRONICS catalogue. It's free with every order of over £40.00 or can be purchased for a £4.95 cheque payable to 'AUDIOKITS'. Over 80 pages include pre and power amplifier kits, high grade audiophile resistors, capacitors and semiconductors, audio and mains cables, gold and rhodium plated connectors and COMPONENT NOTES on using high grade parts. A quarterly newsletter 'AP PERFORMANCE AUDIO' has been recently launched and your first issue is free.

## COMPONENT SUPPLIERS (Con't)

**Cambridge Scientific Supplies  
12 Willow Walk,  
Cambridge CB1 1LA.**  
Tel: 01223 811 716  
Fax: 01223 501 833

Specialist wire products for the knowledgeable audiophile including:- Silver wire (>99.99% purity, stress free) unique quadruple PTFE insulated Silver wire, Silver loaded solder, PTFE sleeving and Nylon braided sleeving, premium Gold plated connectors and plugs. Custom assembly available. Call Peter Bullock for a catalogue and application note.

**Russ Andrews Accessories Ltd  
Edge Bank House, Skelsmergh,  
Kendal, Cumbria, LA8 9AS**  
Tel: 01539 823247  
Fax: 01539 823317  
Orderline: 0800 373467 (UK)

World leading supplier of the highest quality premium grade components. Loudspeaker Upgrade Handbook available. Sole UK distributor of Kimber Kable. NEW Audio Lifestyle Brochure available containing new ranges of accessories. To receive your copy just mail, phone or fax the address above.

## RESTORATION

**Audio Laboratories (Leeds)  
3, Kildare Terrace, Whitehall Road,  
Leeds, LS12 1DB**  
Tel: 0113 244 0378

Have your pet hi-fi project professionally done. With over 20 years experience in factory-grade kitbuilds and overhauls, to both valve and solidstate equipment, our good reputation stems from meticulous engineering coupled with superb measurement facilities. See our main ad. in this supplement - it tells you in greater detail how we can help.

## VINTAGE DIY

**Loricraft Audio  
4 Big Lane, Goose Green,  
Lambourn, Berks RG16 7SQ.**  
Tel: 01488 72267

Specialist restoration of 301's and 401's using genuine spares and re-manufactured parts to original pristine standards in our newly built workshops designed primarily for these purposes.

## CLASSIC TURNTABLES

**Technical & General  
P.O. Box 53, Crowborough,  
East Sussex TN6 2BY.**  
Tel: 01892 65 45 34.

The original specialist source of spares, replacements and expertise for the classic turntables. Years of actual experience and comprehensive range of parts (originals and re-manufactures), manuals, ancillaries, No dubious 'improvements' - no harmful 'modifications'. Our specialities: Connoisseurs; Garrard; Goldring; Lenco; S.M.E.; Thorens; Watts; Ortofon; Shure; Cartridges and styli for 78s, Mono LPs, Stereo LPs.

## WELDING

**N.Clark Welding & Fabrications  
14 Redhills Road  
Easton Industrial Estate  
Southwoodham Ferrers  
Essex CM3 5UP**  
Tel: 01245 323336

Precision welding and sheet metal work TIG/MIG welding, CNE Punch and Press Milling and Turning Fine Limit and General Engineering Prototype work and batch work undertaken.

of phase with its partner. This involves electronic phase reversal and not just swapping the 'speaker connections on the back of the amplifier. Chris Found

## RULES AND REGULATION

I have just upgraded my K5881 valve amplifier in accordance with your article in the November issue of Hi-Fi World and I have to say that I agree with your assessment in that the performance is much improved. The upgrade followed your diagram in Hi-Fi World and a number of small points have arisen as a result:

1) What is the grounding philosophy? I have noticed that the amplifier now hums and is noisier than previously, although I have always had a problem with keeping hum below audibility. The circuit now commons R6, C4 and the two 100ohm input resistors, whereas on the EF86 design they were independently taken back to the star earth. Currently my K5881 is wired as the new circuit diagram as it gives lowest hum.

2) Why is R6 changed from 82k to 136k? It is not mentioned in the article.

3) The article states that the sensitivity has increased. I do not experience this; if anything, it has decreased. It is very dependent upon V2 valve types as well. Golden Dragon ECC83s increase the sensitivity but the hum is unacceptable. CVC Premium ECC83s decrease the sensitivity and the hum is just audible. I am using CVC Premium 7025s. What are the optimum valve types/makes? The 7025/ECC83/12AX7WA seem to be equivalents but I am not finding this.

4) What other improvements can be made, eg valve-regulated power supply, more exotic

components or making the amp single-ended. Is it worth it? How about another article?

Andrew Riley  
North Cave,  
East Yorkshire.

*With all valve amplifiers, the best ground technique is to star all the earths at one point. This prevents noise from other parts of the circuit affecting the amp's performance. On the original K5881, I believe that there was a star ground which originated around the input.*

*With all amplifiers where modifications to improve the sound quality incorporate some changes to the feedback components there is a possibility of hum arising. This is due to the way high feedback can mask some of this hum. The earthing arrangements may need to be adjusted to compensate. Even for a competent designer this can take a lot*

*connected close together to keep currents in this area low. You can separate each connection and feed it to the star point but I don't think you'd find any benefit.*

*R6 was changed to achieve a better balance of the differential drive circuitry. This stage, when first designed, was set to give more gain than originally intended and this in turn affected the operating conditions and thus the performance.*

*Other modifications, such as those made to the input components of K5881 MkII, were made to bring operating conditions throughout the stages as close to optimum as possible, and some resistors were adjusted to suit. In the MkI version, the high level of feedback moved the operating points of the various stages from what would be considered ideal.*

*When you reduce the*

*lower than the original.*

*As to item 4), cost starts coming into the equation. Valve regulation can be used, but if you want to regulate the whole amplifier including the output stage, the price really does rack up - power valves would be needed to regulate the output stage, with another valve to provide hum cancellation.*

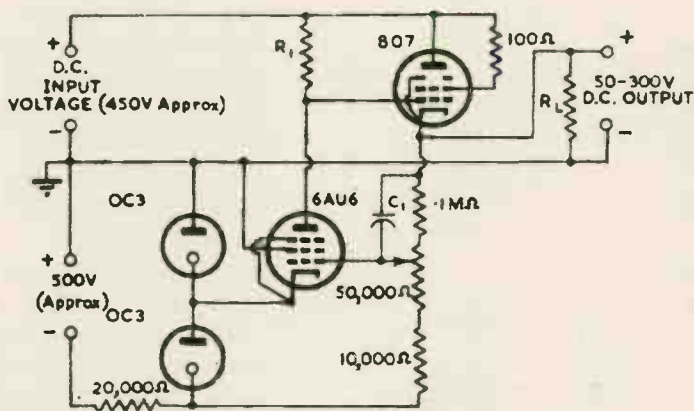
*We have a single-ended K5881 amplifier available as a kit. The K5881 push-pull is not modifiable for single-ended operation. CF*

## TALKING TECHNICS TWO

In answer to a letter from David Fellows of Cheltenham about modifying Technics' SL1000/MkII direct-drive turntable, we mentioned some electronic changes. One of these was fitting LM317T regulators.

Unfortunately, one fact was left out - the variable resistor in the external PSU which sets the supply voltage for the analogue stages (usually 32.5VDC) needs to be adjusted to give an output of 35VDC because the LM317Ts need a couple of volts headroom to operate correctly. The variable resistor which controls the logic voltage (normally 5V) should be checked to make sure it gives 5.1VDC to 5.2VDC so the low-dropout regulators have the necessary 40mV headroom. Both of these variable resistors are clearly marked on the PCB.

When setting these voltages be VERY careful, as the 140VDC supply for the neon lamp that makes up the stroboscope is on



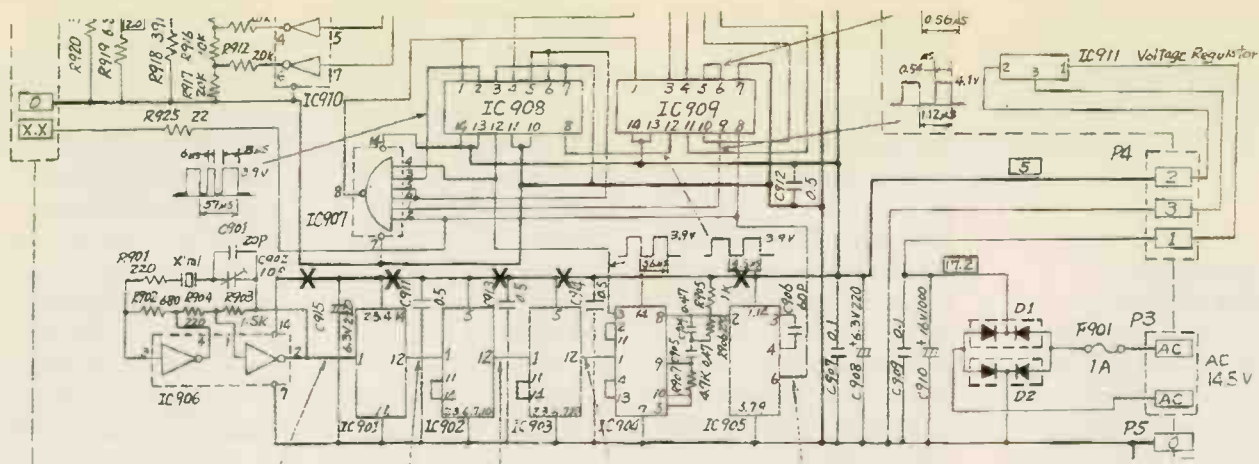
Valve regulation produces some great sounds from the component it's used with, but it isn't going to be cheap.

*of time to get right, so if it is not too obtrusive I would leave well alone.*

*If the hum is still there after you've tried everything, then the only option is to have a split heater winding made to cancel out the residue.*

*The inputs are best*

*feedback in any amplifier, the gain increases, but this is dependent upon the gm (transconductance gain) of the valves used. Certain manufacturers sacrifice some gm for a better operating range and therefore the gain of your amplifier may be slightly*



Inside the external power supply box for the SP-10MkII motor unit is the crystal oscillator circuit which controls the platter's speed. The oscillator's performance can be improved by cutting the PCB tracks and inserting 5V regulators at the points marked 'X' in the diagram.

the same board, as are uninsulated terminals carrying mains voltages.

Once these changes have been made, there's one last mechanical modification which is worth trying.

Remove the turntable's aluminium platter and you'll see a black cover plate held in place by five pozi-drive screws. This hides the belt brake and its solenoid. Take off the cover and the grey rubber damping ring beneath it. Next, prise off the circlip which attaches the brake belt at the solenoid end and then undo the single screw which holds the black plate that anchors the belt at its other end. Now you can take the brake assembly off.

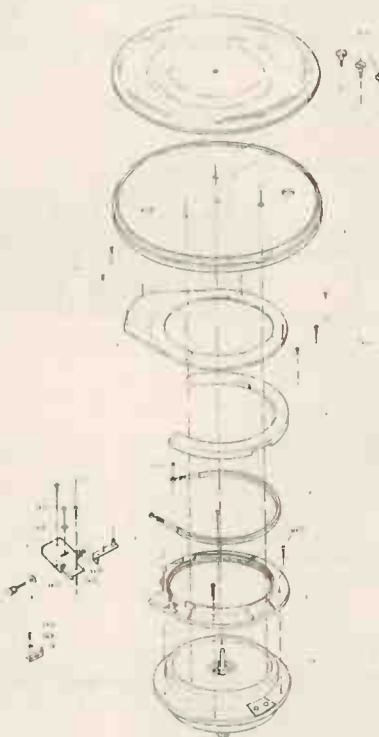
The next step is to remove the four bolts which hold the direct-drive motor itself in place. This means you can take off the moulded black plastic ring sitting around the top edge of the motor which these four bolts screw down onto. Once the plate is off, replace the bolts and tighten them.

Getting rid of this plastic rid gives much better coupling between the motor and its

mounting, and reduces background noise, improves dynamics, tightens up the bass and makes the sound smoother.

If you're thinking about checking the main bearing's condition, now is

Exploded View of Turntable



How Technics' SP-10MkII direct-drive motor is held in place on its mounting plate.

the time to do it. While the motor is bolted in place, prise off the two black rubber caps which cover the bolts which hold down

the curved metal plate that prevents the sub-platter being lifted off the stator. Lift the sub-platter up, put it carefully to one side, and start cleaning out the bearing housing with cotton buds lightly dipped in Isopropyl alcohol.

When I did this, I found some rather dirty oil at the bottom of the housing but the bearing surfaces were fine, even after at least 15 years' use, a testament to Technics' engineering! You can get new oil contained in an easy-to-use syringe from Origin Live (tel: 01703 442183) for £5. This is a special oil used by the military in arctic conditions, according to Mark Baker at OL.

Clean the bearing shaft with a lint-free rag soaked in Isopropyl alcohol and then put a couple of drops of oil into the bottom of the housing and one or two more onto the bearing shaft. It is very important you don't put too much oil into the bearing as the shaft then won't seat properly on the ball bearing at the bottom of the housing.

Slip the shaft back into the housing, let the sub-platter settle down gently into place as the air trapped in the housing

seeps out, bolt the curved metal plate back into position and re-assemble the turntable. JM

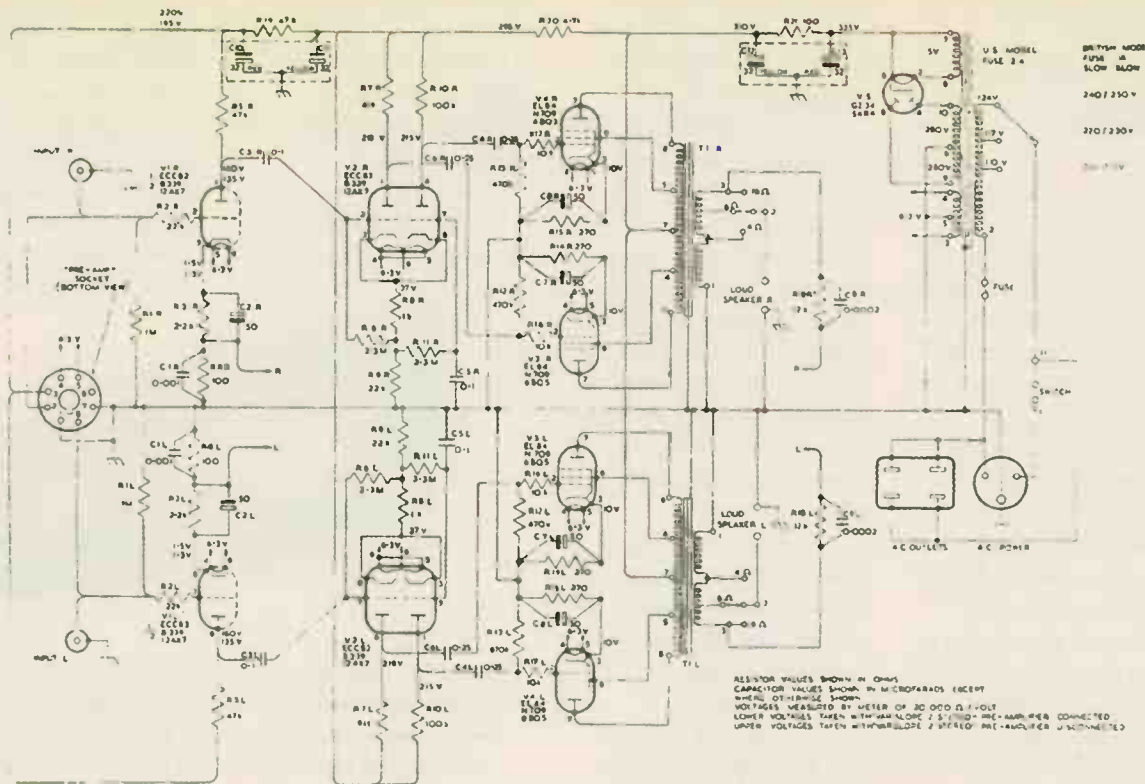
#### LEAKING

I have completely restored and rebuilt my Leak Stereo 20 valve power amplifier using Holco 0.5% 1watt metal film resistors and high-quality polypropylene capacitors throughout. Even the twin 32uF power supply caps have been replaced with Ansar polypropylene ones supplied by Russ Andrews.

I would like to change the circuit to use ECC82s in the phase-splitter stage instead of the ECC83s, and remove the feedback from the valve. How would this be done, and what improvements would this alteration make to the amp's performance?

P. Smith  
Cambuslang,  
Glasgow.

Apart from your suggested modification of changing V2 from an ECC83 to an ECC82, there are other areas that would benefit more from changes, direct coupling V1 to V2, for example. This can be achieved by putting a wire link in C3's place and making a few resistor changes. Remove R8 and



CIRCUIT DIAGRAM

Leak's Stereo 20 valve amp is a bit of a classic and can scale even higher sonic heights with a few well-chosen modifications.

R9, and place a 100kohm resistor from the cathode of V2 to ground. This effectively rebias the phase-splitter valve for DC operation and the cathode should rise to approximately 2V below the voltage of the anode of V1 (133V approximately).

This action will reduce gain in favour of an improvement in linearity. R6 and R11 now form the bias for V2b and the stage should work correctly, the gain reduced from about x20 to x6.

You can now try an ECC82 in place of the ECC83 as the biasing for this stage will automatically correct itself and there will not be much difference in gain.

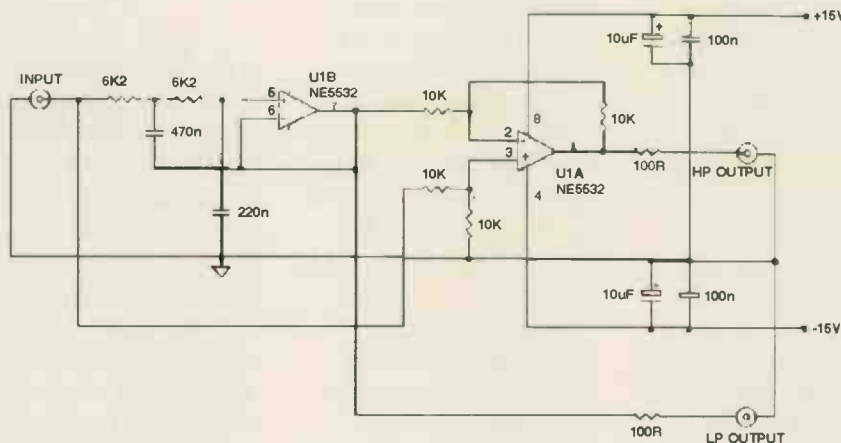
Put a resistor of 100ohms in series with the screen connections of each output valve. This will help to isolate the screen of the valve from the transformer winding and reduce interactions that are caused by the

capacitance of the screen on the transformer.

You could change the output stage from Class A

valves so that 42mA flows through each of them (2V across each cathode resistor). CF

and drive them using the HK 1200 using the pre-amp outputs of the 8000S. Can you suggest a simple active



This active filter will allow you to interface your Mordaunt-Short MS-25is and home-made active subwoofer seamlessly.

working to AB1. This will increase power slightly as well. If you decide to do this, change R14 and R15 to 47ohm and remove the ground connections of R12 and R13, connecting them instead to a negative voltage of 10V. This will bias the output

### ACTIVELY SEEKING A SUBWOOFER

My system comprises a Sony CDP-X555ES CD player, Audiolab 8000S amp and Mordaunt-Short MS-25i loudspeakers. I also have a 'spare' HK 1200 amplifier. My question is: I would like to make a pair of subwoofers

crossover circuit I could place between the 8000S and the HK 1200 so that it cuts the signal off at 100-120Hz? Would such a circuit harm either amplifier?

I could of course make a passive crossover inside the subwoofers but this strikes me as inelegant and wasteful

of amplifier power. I would appreciate any suggestions you might have.

**Darren Englibretsen  
Groningen,  
Netherlands.**

*The MS-25i 'speakers, if my memory serves me well, have a workable response down to 70Hz, so I would recommend that the crossover be changed from 100-120Hz to 80Hz. The subwoofers that would be used after this would provide better control of the bass.*

*You have not stated what sub you intend to go for, or the drive units proposed, so I am going to assume you intend to use a couple of 12in. drivers in a medium-size box.*

*The crossover detailed below works on the differential principle where the signal going into one input of an op amp will cancel out the signal feeding into the other input. Therefore, if you feed a filtered signal into one input and a direct signal into the other, the result will be the exact opposite of the filtered signal. This allows easy adjustment of filter frequency. The values shown are set for a 79.6Hz crossover, with a Bessel characteristic chosen because it is effectively linear phase.*

*The formula for working out the crossover frequency is:  $2\pi\sqrt{R1 \times R2 \times C1 \times C2}$  When calculating the values, multiply R1 through C2 first, then root the result. CF*

#### **IMPEDED BY IMPEDANCE**

At the moment my system consists of a Project 6SA turntable with an Ortofon MC 25FL cartridge, a prehistoric Technics CD player (vintage 1989), Aiwa WX-909 twin cassette deck

(three heads, twin capstans), a Rotel RQ-970BX phono pre-amp, Rotel RC/RB-850 pre and power amps and a pair of TDL RTL2s.

The turntable was bought last Christmas and is an excellent performer. I don't like CD much at all so I'm not bothered about changing my player. Maybe I'll wait till the DVD audio format sorts itself out and then decide. As for cassettes, I sometimes play them indoors but mainly in the car, so I'm not worried about changing the deck either.

The system as it stands now is totally unbalanced, so I want to upgrade my amplifier first then my 'speakers next year as finances permit.

My room size is 20ft. x 15ft. and I like Genesis, Vangelis, Jean-Michel Jarre and Pink Floyd at moderately loud volumes.

I have £1500 to spend and was thinking of your KLPP1 pre-amp (ready-built) with possibly two Arcam 9P power amps for bi-amping my current TDLs (careful with the volume control!) Solid-state power amps mean more grunt, which is just what I like. One slight problem I can see was printed in your Supplement dated June 1995, and that is the correct operation of the Low Frequency filter that reduces cone-flap with reflex 'speakers.

I quote, "As part of the phase-shifting network is formed by the input of the power amplifier it is important to note that the LF filter will only operate correctly when working into a 100kohm load, but this is standard with most valve power amps".

Now according to the Arcam brochure, the input is rated at 7.5kohm, but you suggest putting a 47kohm resistor in series with the output of the pre-amplifier. My soldering skills only go as far as making up interconnect leads, but could I get round

this mismatch by soldering a 47kohm resistor in the phono plugs? If so, what type of resistors would you suggest, and what interconnect cable would you recommend I try?

I am very keen to purchase a KLPP1 pre-amp shortly, as vinyl is the only



KLPP1's warp filter is designed to work into the high input impedance of a valve power amp. However, with the addition of two resistors and an op amp line driver it will work just as well into a solid-state power amp with its lower input impedance.

format for me, but are there any hi-fi stores doing demos or selling ready-built versions as you once published in Hi-Fi World? I would prefer a test drive before I buy!

**Keith Smith  
Maidstone,  
Kent.**

*If the input impedance of the Arcam is 7.5kohm, then the loading would indeed be too low for KLPP1's low-frequency filter to operate correctly. A 47kohm resistor in series should do the trick, but it will also attenuate the signal by a factor of 7.3. Therefore for a signal of 1V the input to the amplifiers would be a mere 137mV. The only solution is to build the filter around an op-amp that is capable of driving the low impedance of the Arcams.*

*To calculate the attenuation ratio, the formula is:  $R1+R2/R2$ . The result of this calculation is the amount of attenuation you are introducing. R1 is the resistor in series and R2 is the impedance of the amplifier.*

*You can also try varying the series resistor until a sonic change is heard. Start at 47kohms and work downwards to a minimum of 15kohm. This should give you a simple solution to your problem. Use metal film or metal oxide resistors and yes, you can fit a resistor in a*

*phono plug with care. Just wrap insulating tape around the resistor to stop it shorting to a metal-bodied plug. CF*

#### **SUPPLEMENT ADVERTISERS' INDEX**

Audio Links	14
Audiolab Leeds	24
Billington Export	4
BK Electronics	20
Chelmer Valves	IFC
Colomor	18
Cricklewood	24
Falcon Acoustics	24
Glass Audio	20
Hart Electronics	10, 12
IPL Accoustics	6
Kit Supplies	26
Langrex Supplies	22
Marton Music	20
PW Components	OBC
Riverside Audio	14
Silvernote	18, 22
SJS Electroacoustics	14
Southcoast Speakers	IBC
Sowter Transformers	18
Technical & General	22
Watford Valves	6

# DIY SPEAKER BUILDERS HEAVEN

**VISATON** speaker kits give unrivalled quality & performance are suitable for enthusiasts of any experience. Home building is a great way to cut the cost of a new speaker system, without losing quality or performance. From the traditional all round speaker, to the top class high-eng systems, home building will allow you to choose your desired finish, so tailoring your new speakers to suit your individual requirements.

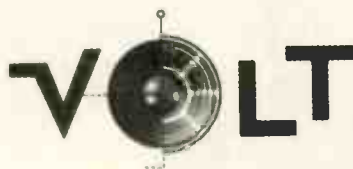


All kits are supplied with simple instructions & cabinet dimensions. No soldering is required for the "Alto" series as the crossovers come ready wired & fixed to gold plated connection terminals. The more advanced kits do require some soldering & more advanced woodworking skills.

Cabinets are available either as flat packs or pre-built needing only finishing.

UP-DATED  
Catalogue / Price lists  
now available !

Suppling....**DRIVER UNITS**



**R.C.L.**



DEVICES

ACCESSORIES

In stock

Port-tubes, grills, spikes, terminals, wadding, crossover boards, binding posts, banana plugs, MKT capacitors, air-cored inductors, resistors, DEFLEX acoustic sheets & cables.

**LEEK 2060 !!**

Upgrade now available for the Leek 2060 loudspeakers. Kit includes : MKT capacitors, OFC internal cable as well as suitable replacement 12" bass drivers.

**Help with your own Ideas**

At *South Coast Speakers* we want to help you realise your own ideas. Our Design Team offers a full after-sales service to help with any construction problems & general queries. Our Design Team can cater for specific needs with custom projects

**Design Services**

1) *Crossover Design* :

Given the parameters of the units that you wish to use we will supply a Theoretical Crossover design optimising the performance of the desired units

2) *Cabinet Design* :

In order to achieve optimum performance from the bass driver the cabinet must be the correct volume for that driver. Given the parameters of the unit we will supply cabinet dimensions together with port tube length & diameter ( if required ).

**Listening Room**

At *South Coast Speakers*

we have a comfortable listening area modded on the average family living room, giving you, the customer, a realistic idea of how your kit speaker will sound when you have completed construction & plug them in at home. There are 10 kits on demonstration ±2 from time to time.

Above all we are here to help you. We offer informed & friendly advice so please ask!

**SOUTH COAST SPEAKERS LTD.**

326, Portswood Rd. Southampton Hampshire SO17 2DT

Tel / Fax : 01703 - 559312

# TOWERING INFERNO



**WHAT ELSE SETS YOUR MUSIC  
COLLECTION ALIGHT?**

**BLOW YOUR MIND  
TAKE THE TUBE**

GOLDEN DRAGON TUBES ARE AVAILABLE FROM:

P. M. Components  
Springhead Enterprise Park  
Springhead Road  
Gravesend  
Kent DA11 8HD  
Tel: 01474 560521, Fax 333762,  
e-mail: 101650.2424@compuserve.com