

EVERYDAY
WITH **PRACTICAL**

JANUARY 1993

ELECTRONICS

INCORPORATING ELECTRONICS MONTHLY

FULLY S.O.R. £1.80

**FREE
INSIDE**

**THE LATEST ISSUE
OF DISPLAY NEWS**

CONTINUOUSLY VARIABLE
BALANCED P.S.U.

EMERGENCY LIGHTING UNIT

U.H.F. TV AERIAL AMPLIFIER

GUITAR SOFT EFFECTS UNIT

CAR ICE ALARM

**PLUS CIRCUIT SURGERY, AMATEUR RADIO,
TECHNIQUES, TECHNOLOGY UPDATE,
INTERFACE, INNOVATIONS etc.**



THE No. 1 INDEPENDENT MAGAZINE for ELECTRONICS, TECHNOLOGY and COMPUTER PROJECTS

EVERYDAY WITH PRACTICAL ELECTRONICS

INCORPORATING ELECTRONICS MONTHLY

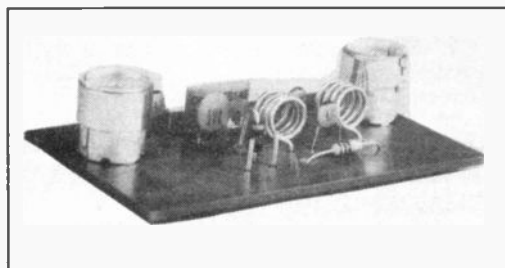
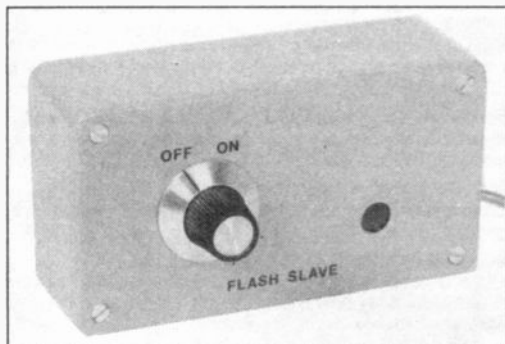
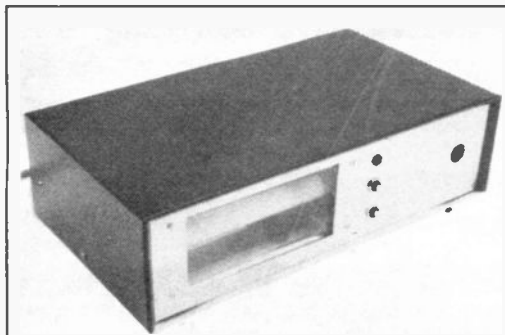
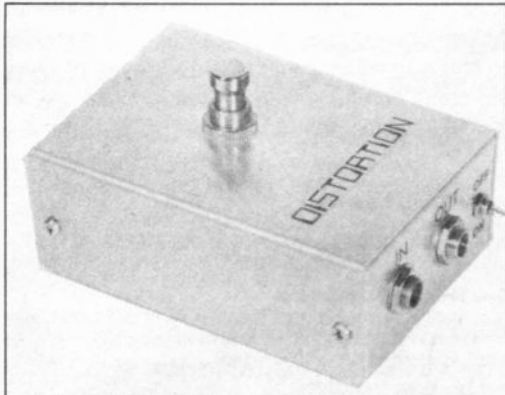
ABC
CONSUMER PRESS

VOL. 22 No. 1 JANUARY 1993

The No. 1 Independent Magazine for Electronics,
Technology and Computer Projects

ISSN 0262 3617

PROJECTS... THEORY... NEWS...
COMMENT... POPULAR FEATURES...



© Wimborne Publishing Ltd 1992. Copyright in all drawings, photographs and articles published in EVERYDAY with PRACTICAL ELECTRONICS is fully protected, and reproduction or imitations in whole or in part are expressly forbidden.

Our February '93 Issue will be published on Friday, 8 January 1993. See page 3 for details.

Projects

- EMERGENCY LIGHTING UNIT** by Mark Daniels 14
Puts the light on when required, if the mains fails
- CONTINUOUSLY VARIABLE BALANCED POWER SUPPLY** by Steve Knight 24
Provides variable balanced positive and negative outputs
- TV/UHF FILTERED AERIAL AMPLIFIER** by Brian Walker 36
Boost the signal and reduce interference with this neat unit
- SOFT DISTORTION EFFECTS UNIT** by Robert Penfold 38
A simple easy to build guitar effects unit
- FLASH SLAVE** by Robert Penfold 42
Inexpensive easy to build unit for the photographer
- CAR ICE ALARM** by Robert Penfold 44
Warns you when the outside temperature falls to zero
- MINI LAB** by Alan Winstanley and Keith Dye 60
The power supply section for our prototyping board (Teach-In '93)

Series

- CIRCUIT SURGERY** by Mike Tooley 46
Clinic for constructors - your problems solved
- TEACH-IN '93 - 3** by Alan Winstanley and Keith Dye 50
Our series for everyone learning about electronics
- INTERFACE** by Robert Penfold 64
The page for computer enthusiasts
- DOWN TO EARTH** by George Hylton 66
Some tricks with diodes
- AMATEUR RADIO** by Tony Smith G4FAI 74
Balloon Radio; Esperanto Station; Monitoring at Baldock; RIS; Videos Available; Amateurs Help Shuttle

Features

- EDITORIAL** 13
- INNOVATIONS - EVERYDAY NEWS** 22
News and new products from the world of electronics
- NEW TECHNOLOGY UPDATE** by Ian Poole 28
Improved Op.Amps; Magneto-Optic Data Storage
- FOX REPORT** by Barry Fox 30
Review of the Photokina Exhibition
- SHOPTALK** with David Barrington 34
Component buying for EPE projects
- ELECTRONICS VIDEOS** 41
Our range of educational videos
- HOME BASE** by Terry Pinnell 48
Jottings of an electronics hobbyist
- READOUT** A selection of readers letters 63
- DIRECT BOOK SERVICE** 69
Selected technical books and all Babani books by post
- PRINTED CIRCUIT BOARD SERVICE** 72
PCBs for EPE projects and an EPE PCB sale
- INDEX FOR PRACTICAL ELECTRONICS VOLUME 28** 76
FREE WITH THIS ISSUE - DISPLAY NEWS
Between pages 40 and 41

ADVERTISER'S INDEX 80

Readers Services • Editorial and Advertisement Departments 13

SURVEILLANCE

PROFESSIONAL QUALITY KITS

No. 1 for Kits

Whether your requirement for surveillance equipment is amateur, professional or you are just fascinated by this unique area of electronics SUMA DESIGNS has a kit to fit the bill. We have been designing electronic surveillance equipment for over 12 years and you can be sure that all of our kits are very well tried, tested and proven and come complete with full instructions, circuit diagrams, assembly details and all high quality components including fibreglass PCB. Unless otherwise stated all transmitters are tuneable and can be received on an ordinary VHF FM radio.

UTX Ultra-miniature Room Transmitter

Smallest room transmitter kit in the world! Incredible 10mm x 20mm including mic. 3-12V operation. 500m range.....£16.45

MTX Micro-miniature Room Transmitter

Best-selling micro-miniature Room Transmitter
Just 17mm x 17mm including mic. 3-12V operation. 1000m range.....£13.45

STX High-performance Room Transmitter

Hi performance transmitter with a buffered output stage for greater stability and range. Measures 22mm x 22mm including mic. 6-12V operation, 1500m range.....£15.45

VT500 High-power Room Transmitter

Powerful 250mW output providing excellent range and performance. Size 20mm x 40mm. 9-12V operation. 3000m range.....£16.45

VXT Voice Activated Transmitter

Triggers only when sounds are detected. Very low standby current. Variable sensitivity and delay with LED indicator. Size 20mm x 67mm. 9V operation. 1000m range...£19.45

HVX400 Mains Powered Room Transmitter

Connects directly to 240V AC supply for long-term monitoring. Size 30mm x 35mm. 500m range.....£19.45

SCRX Subcarrier Scrambled Room Transmitter

Scrambled output from this transmitter cannot be monitored without the SCDM decoder connected to the receiver. Size 20mm x 67mm. 9V operation. 1000m range.....£22.95

SCIX Subcarrier Telephone Transmitter

Connects to telephone line anywhere, requires no batteries. Output scrambled so requires SCDM connected to receiver. Size 32mm x 37mm. 1000m range.....£23.95

SCDM Subcarrier Decoder Unit for SCRX

Connects to receiver earphone socket and provides decoded audio output to headphones. Size 32mm x 70mm. 9-12V operation.....£22.95

ATR2 Micro Size Telephone Recording Interface

Connects between telephone line (anywhere) and cassette recorder. Switches tape automatically as phone is used. All conversations recorded. Size 16mm x 32mm. Powered from line.....£13.45

UTLX Ultra-miniature Telephone Transmitter

Smallest telephone transmitter kit available. Incredible size of 10mm x 20mm! Connects to line (anywhere) and switches on and off with phone use. All conversations transmitted. Powered from line. 500m range.....£15.95

TLX700 Micro-miniature Telephone Transmitter

Best-selling telephone transmitter. Being 20mm x 20mm it is easier to assemble than UTLX. Connects to line (anywhere) and switches on and off with phone use. All conversations transmitted. Powered from line. 1000m range.....£13.45

STLX High-performance Telephone Transmitter

High performance transmitter with buffered output stage providing excellent stability and performance. Connects to line (anywhere) and switches on and off with phone use. All conversations transmitted. Powered from line. Size 22mm x 22mm. 1500m range.....£16.45

TKX900 Signalling/Tracking Transmitter

Transmits a continuous stream of audio pulses with variable tone and rate. Ideal for signalling or tracking purposes. High power output giving range up to 3000m. Size 25mm x 63mm. 9V operation.....£22.95

CD400 Pocket Bug Detector/Locator

LED and piezo bleeper pulse slowly, rate of pulse and pitch of tone increase as you approach signal. Gain control allows pinpointing of source. Size 45mm x 54mm. 9V operation.....£30.95

CD600 Professional Bug Detector/Locator

Multicolour readout of signal strength with variable rate bleeper and variable sensitivity used to detect and locate hidden transmitters. Switch to AUDIO CONFORM mode to distinguish between localised bug transmission and normal legitimate signals such as pagers, cellular, taxis etc. Size 70mm x 100mm. 9V operation.....£50.95

QTX180 Crystal Controlled Room Transmitter

Narrow band FM transmitter for the ultimate in privacy. Operates on 180 MHz and requires the use of a scanner receiver or our QRX180 kit (see catalogue). Size 20mm x 67mm. 9V operation. 1000m range.....£40.95

QLX180 Crystal Controlled Telephone Transmitter

As per QTX180 but connects to telephone line to monitor both sides of conversations. 20mm x 67mm. 9V operation. 1000m range.....£40.95

QSX180 Line Powered Crystal Controlled Phone Transmitter

As per QLX180 but draws power requirements from line. No batteries required. Size 32mm x 37mm. Range 500m.....£35.95

QRX180 Crystal Controlled FM Receiver

For monitoring any of the 'Q' range transmitters. High sensitivity unit. All RF section supplied as a pre-built and aligned module ready to connect on board so no difficulty setting up. Output to headphones. 60mm x 75mm. 9V operation.....£60.95

A build-up service is available on all our kits if required.

UK customers please send cheques, POs or registered cash. Please add £1.50 per order for P&P. Goods despatched ASAP allowing for cheque clearance. Overseas customers send sterling bank draft and add £5.00 per order for shipment. Credit card orders welcomed on 0827 714476.

OUR LATEST CATALOGUE CONTAINING MANY MORE NEW SURVEILLANCE KITS NOW AVAILABLE. SEND TWO FIRST CLASS STAMPS OR OVERSEAS SEND TWO IRCS.

★★★ Specials ★★★

DLTX/DLRX Radio Control Switch

Remote control anything around your home or garden, outside lights, alarms, paging system etc. System consists of a small VHF transmitter with digital encoder and receiver unit with decoder and relay output, momentary or alternate, 8-way di1 switches on both boards set your own unique security code. TX size 45mm x 45mm. RX size 35mm x 90mm. Both 9V operation. Range up to 200m.

Complete System (2 kits).....£50.95
Individual Transmitter DLTX.....£19.95
Individual Receiver DLRX.....£37.95

MBX-1 Hi-Fi Micro Broadcaster

Not technically a surveillance device but a great idea! Connects to the headphone output of your Hi-Fi, tape or CD and transmits Hi-Fi quality to a nearby radio. Listen to your favourite music anywhere around the house, garden, in the bath or in the garage and you don't have to put up with the DJ's choice and boring waffle. Size 27mm x 60mm. 9V operation. 250m range.....£20.95

DEPT. EE

THE WORKSHOPS, 95 MAIN ROAD,
BAXTERLEY, NEAR ATHERSTONE,
WARWICKSHIRE CV9 2LE

VISITORS STRICTLY BY APPOINTMENT ONLY

**SUMA
DESIGNS**

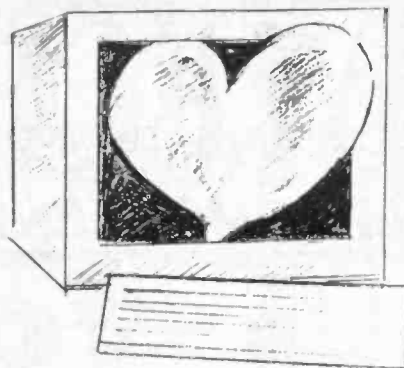


0827 714476

BIOMET

Probe the rhythm of life

The Biomet is a heart and pulse rate monitor which can be used on its own or in conjunction with a computer. The computer screen displays heart rhythm waveforms and pulse rates. Pulse rates are also shown on the Biomet's liquid crystal display screen.



Two forms of monitoring are available. With the first, the electrical impulses generated by the heart are sensed by two monitoring electrodes attached to the chest. In the second, less precise, method a finger or thumb is placed across a probe containing a light dependent resistor.

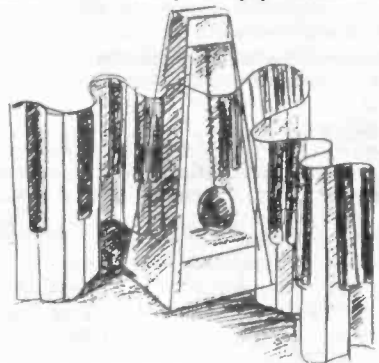
SIMPLE RADIO CONTROL SYSTEM

This extremely simple radio control system operates on the 27MHz band, and provides short range operation (up to about 6 metres). It provides simple on/off operation, with a relay in the receiver switching in sympathy with a push-button switch on the transmitter. This equipment is suitable for the control of models used indoors (or outdoors provided the limited range is borne in mind), or an application such as the remote control of doors or a camera which has an electric release socket etc.

RECHARGEABLE HAND LAMP

Most commercially available rechargeable lamps use NiCad cells since they are relatively easy to charge. Unfortunately this often results in a short output period and the need for almost continuous charging. This design employs a sealed lead acid battery which will hold its charge for a long period and provides light output over a useful length of time.

A standard Ever Ready lamp provides the basis of the unit.



METRONOME

We had hoped to bring you this simple and inexpensive metronome design this month but lack of space prevented it - sorry. We will now feature it in next month's issue.

EVERYDAY WITH PRACTICAL ELECTRONICS

FEBRUARY '93 ISSUE ON SALE FRIDAY JANUARY 8th, 1993

MAINTRA

ELECTRONIC COMPONENTS

MAINS TRANSFORMER Pri. 120V-0V, 120V-0V.

Sec. 0V-12V, 0V-12V, at 3VA

£2.62 each

PROJECT BOXES A range of high quality boxes moulded in black high impact ABS, easily drilled or punched to produce a professional looking end product

TYPE	W	L	H	PRICE
T2	75	56	25	£0.77
T4	111	57	22	£0.92
MB1	79	61	40	£1.35
MB2	100	76	41	£1.47
MB3	118	98	45	£1.71
MB4	216	130	85	£5.19
MB5	150	100	60	£2.35
MB6	220	150	64	£3.95
MB7	177	120	83	£3.42
MB8	150	80	50	£2.22

All sizes are in millimetres

SPECIAL OFFER - PROJECT BOX
As above boxes
50 x 70 x 25mm
60p each 10 for £5.00

KEY SWITCH
3 Position keyswitch
£2.35

MICRO SWITCH roller arm operation spdt 40p each

MINIATURE TOGGLE SWITCHES

spdt	60p each	spdt 3 position c/off	70p each
dpdt	70p each	dpdt 3 position c/off	80p each
spdt biased	60p each	spdt 3 position c/off biased both ways	70p each
		dpdt 3 position c/off biased one way	80p each

MINIATURE TOGGLE SWITCH pcb mounting 3pdt 50p each 10 for £4.00

MINIATURE PUSH TO MAKE SWITCH 50p each

DIL RELAYS 5 volt dp/changeover 60p 10 for £5.00

12 volt dp/changeover 80p 10 for £6.00

RELAY 10 amp contacts sp/changeover 12 volt coil £1.20 each

CAR HORN RELAY in metal can with fixing lug, s/pole on 10 amp contacts £1.00 each 6 for £5.00

20 AMP RELAY dp on 12 volt coil £1.50 each 4 for £5.00

REED RELAY 12 volt 50p each 10 for £4.00

240 VOLT AC RELAY. 3-pole c/o 10 amp contacts £1.50 each 4 for £5.00

DIL SKTS			'D' CONNECTORS		
8 pin	10 for	£0.60	plug	socket	cover
14 pin	10 for	£0.90	9 pin	30p	30p
16 pin	10 for	£1.00	15 pin	40p	40p
18 pin	10 for	£1.00	25 pin	50p	50p
20 pin	8 for	£1.00			
24 pin	8 for	£1.00			
28 pin	6 for	£1.00			
40 pin	5 for	£1.00			

ALL COMPONENTS FULL SPECIFICATION DEVICES

SEMICONDUCTORS - TRANSISTORS - ICS - DIODES - REGULATORS - ETC

VOLTAGE REGS	
TIP31B	30p ea
TIP 3055	90p ea
2N3055H	60p ea
2N3771	£1.20 ea
741 op-amp	25p ea
555 timer ic	30p ea
LM324 quad op-amp	30p ea
	8712/7805/7912/7905 all 35p each, any 4 for £1.20
	AD592An Temperature Sensor l.c. mounted on 1.5m screened lead complete with data and application notes £1.50 ea
	LM3914/LM3915 Bargraph ics £2.95 ea

MICRO IC'S

Z80A CPU	£1.20
Z80A PIO	£1.50
Z80B SIO-1	£4.00

OPTO DEVICES - LEDS - ETC

SLOTTED OPTO £1.00 each

LEDs - LEDs - LEDs

5mm rnd red/yellow/green/amber	10p each 12 for £1.00 any mix
5mm rnd high brightness red/green	20p each 6 for £1.00 any mix
5mm rnd flashing	red 60p each, yellow/green 70p each
5mm rnd bi-colour	35p each, tri-colour 45p each
LED mounted in chrome bezel red, yellow or green	30p each, 4 for £1
LED mounted in a black bezel red only	25p each, 5 for £1.00
PLASTIC BEZEL for 5mm rnd leds	10 for 40p

SIREN AND ZENON STROBE PCB

12V d.c. supply, on board Ni-Cad battery, anti-tamper connection +ve or -ve triggering requires a 8ohm speaker for the siren output. £8.75 each.

RESET TIMER PCB

Gives a timed relay closure following a momentary input. Requires 12V d.c. supply SP c/o relay output LED indication. 19 different time intervals from 25sec to 35min 20sec. £5.98 each.

ALARM CONTROL UNIT

Single zone alarm control unit built into a domestic light switch box. Ideal for home, caravan, boat, garage, shed etc.

Facilities: - Normally closed loop for pir sensors, door/window contacts etc.

Normally open loop for pressure mats.

24-hour loop for personal attack button

Visual Indication that the system is operational.

Automatic entry/exit delay.

Automatic system reset.

Alarm output cmos logic level.

SIREN

12 volt dc for external use
115db £8.95

BELL BOX

A plastic bell box cover supplied with backplate. Red/yellow/white
£6.95 each

PRICE COMPLETE WITH FULL INSTRUCTIONS £8.95

BELL/SIREN INTERFACE BOARD COMPLETE £3.95

PASSIVE INFRA-RED ALARM SENSORS

SUB-MINIATURE PASSIVE INFRA-RED SENSOR ONLY £5.95

Brand new passive infra-red sensor, measures only 33mmW x 24mmH x 29mmD. Logic level output. Full data and application notes supplied.

EX INSTALLATION SENSORS tested working.

Type 1. Measures 180 x 112 x 70mm with walk test led, relay output and tamper protection. 12 volt dc supply required £8.50 ea

Type 2. As above but a smaller unit 123 x 62 x 50mm £11.75 ea

Type 3. Ceiling mounting passive, infra red sensor 360° detection, 12V d.c. supply relay output, tamper circuit and pulse count option. Data supplied. £15.70 each.

DOOR/WINDOW CONTACTS

Surface or flush mounting, white £1.10 ea

JUNCTION BOX

white 6 way 60p

Please note: There may be variations in the size of the above passive infra red sensors depending on stock at the time of ordering. But the unit will certainly be within the stated sizes.

DUAL TECH SENSOR Microwave and passive Infra-red combined. Separate led indication for each function. Measures 120 x 75 x 50mm. Relay output 12 volt dc tamper protection £29.95 ea

BREADBOARDS - CAPACITORS - SOLAR CELLS - HEATSHRINK - ETC

SOLAR CELL 2 volt 150mA max, size 60 x 100mm £1.35 ea 5 for £6

BNC SOCKETS 50 ohm single hole fixing 50p ea 10 for £4.00

MIN BNC PLUG AND SOCKET 2 pairs for £1.50

MERCURY TILT SWITCH

Standard on/off £1.00 each
4 Contact (Directional) £1.50 each

PIEZOE VIBRATION SENSOR

with data sheet £1.00 each

BREADBOARD

173 X 65mm 840TP £5.25 each

TEXTPOOL ZIF SOCKET

28 pin zero insertion socket £5.95 each

SOLID STATE RELAY

Switch mains up to 7 amp 12 or 5 volt control voltage both types £2.95 ea

6 VOLT NI-CAD PACK 5AA NI-CADS, fast charge type £3.95

CAPACITOR 10,000 mfd 25 volt with fixing clip 60p each

CAPACITOR 470 mfd 400 volt £1.50 each 4 for £5.00

EPROMS 27C256 - 30 27C512 - 25. Once programmed but never used eprom. Mounted on a plastic carrier, can easily be removed from the carrier or used with a low insertion force socket.

27C256 £1.00 each 6 for £5.00

27C512 £1.20 each 5 for £5.00

Suitable low insertion force socket 28 pin 40p ea 3 for £1.00

MULTITURN PRESETS 20mm RECT, 500R, 1K, 5K, 10K, 20K, 50K, 100K 1MO. 40p ea, 3 for £1.00

SYS68K/CPU-2B 68000 HIGH PERFORMANCE VMEBUS BASED MICROCOMPUTER BOARD
 6800 CPU (8MHz)
 256K Dual ported RAM expandable to 1 mega byte
 Up to 32 kbyte eprom space
 8 bit status register
 Fast multi-protocol comms interface link (RS232 compatible)
VMBUS INTERFACE
 On-board single chip floppy disk controller
 Real time clock
 24-bit parallel I/O
 Over 200 pages of data supplied
£88.50 each

VIBRATION SENSITIVE ALARM BOARD WITH PIEZO SOUNDER
 Originally a bike alarm. There is a short delay after activation then the piezo sounder operates for a preset period.
£3.76 each.

ENCAPSULATED TOROIDAL TRANSFORMER
 prim, 0-120, 0-120 V
 sec, 0-15, 0-15 V 50VA
£7.85

MAINS FAN
 230V a.c. 50/60 hz
 80mm x 80mm x 25mm impedance protected
£7.05

ALARM CONTROL PANEL

- ★ Wire free alarm control panel, detectors communicate with the panel by means of radio transmitters
- ★ Speech synthesis for programming and general operating guidance
- ★ Built in user programmable telephone dialler
- ★ Up to 32 transmitters can be used
- ★ Programmable exit/entry and bell timers
- ★ Programmable user codes
- ★ Full installation data supplied, the only thing that has to be hardwired is the output to the siren/bell unit (not supplied). Please note we do not supply the transmitters but some information as to source of these will be included.
- ★ These control panels originally cost over £300.00 each. Yours for only **£49.92**.

INFRA-RED BREAK BEAM

Transmitter and receiver p.c.b. with 2 lens assemblies. 12V d.c. supply. These are ex-installation units and are not guaranteed to be working.
£4.96 pair

CRYSTAL OSCILLATORS

4.0 mhz	ALL
7.5 mhz	£1.50 each
12.0 mhz	OR
18.432 mhz	4 FOR
33.33 mhz	£5.00

30,000 SWITCHES TO CLEAR MIN TOGGLES, ROCKER, TAB, SLIDE, ETC.

45 ASSORTED SWITCHES FOR ONLY £8.95

EDGEWISE PANEL METER 0-5Ma made by Avo Ltd., sclaed 2-30 metres (linear), complete with mounting plate
£2.95 each

ALUMINIUM DIE-CAST BOX
 220mm x 145mm x 105mm deep **£7.64** each

RECHARGEABLE BATTERIES
 AA (HP7) 600 mA **93p** each
 C (HP11) 1200 mA **£2.08** each
 D (HP2) 1200 mA **£2.21** each
 PP3 8.4V 100 mA **£4.77** each

LCD DOT MATRIX GRAPHICS DISPLAY

made by Hitachi part No. LM225 module size
 270w x 150h x 13t (mm)
 display area
 239w x 104h
 640 x 200 dots
 data sheet supplied
ONLY £23.50

↓ £1.00 BARGAIN PACKS ↓

SUB-MINIATURE TOGGLE SWITCHES

P.C.B. Mounting

- BO1 S.P. on 4 for £1.00
 BO2 D.P. on 3 for £1.00

DIL SWITCHES

- BO04 4 way S.P. on 3 for £1.00
 BO05 8 way S.P. on 2 for £1.00
 BO06 12 way 90° sp on 2 for £1.00
 BO07 12 x PP3 BATTERY SNAPS
 BO08 1 x CAPACITOR 1 FARAD 5.5 VOLT
 20mm dia. x 7mm high

INSTRUMENT KNOBS (0.25" SHAFT)

- BO09 High quality grey plastic knob, collet fixing 15mm dia, 5 for £1.00
 BO10 as above but 29mm dia, 3 for £1.00
 BO11 4 x MAGNETIC EARPIECE 8 ohm with 3.5mm plug
 BO12 4 x 28 WAY TURNED PIN DILL SOCKET
 BO13 15 x 12 VOLT WIRE ENDED LAMPS
 BO14 8 x 2 PIN DIN PLUGS screw terminal connection
 BO15 2 x LIGHT DEPENDENT RESISTOR Less than 200 ohms in daylight, greater than 10 megohms in darkness
 BO16 1 x KEYPAD 20 key in 5 x 4 matrix bubble type switch contacts
 BO17 2 x PIEZO BUZZERS approx 3 to 20 volt d.c.
 BO18 5 x 78M12 VOLTAGE REGULATORS positive 12V 500mA
 BO19 4 x TL082CP bi-fet op-amps
 BO17 4 x LM324 quad op-amp
 BO17 4 x 555 Timer
 BO18 5 x 741 op-amp
 BO19 25 x IN4001 diode
 BO20 20 x IN4007 diode
 BO20 20 x ASSORTED LEDS full spec. varloous shapes and sizes
 BO21 3 x INFRA-RED DIODE TX/RX PAIRS made by Honeywell (no info)
 BO22 4 x CONSTANT CURRENT LED 5mm round, red 2-18V d.c. or a.c. nominal 14mA
 BO23 50 x IN4148 diode
 BO24 2 x INFRA-RED TRANSISTOR FPT5133
 BO25 5 x DIACS
 BO26 3 BDx33C 10 amp 100V npn transistor
 BO27 12 x 2N3702 Transistor
 BO28 12 x 2N3904 Transistor
 BO29 12 x BC337 Transistor

- BO30 4 x LM317T Variable regulator mounted on a small heatsink
 BO31 2 x MAN6610 2 digit 0.6" 7 segment display Com anode, amber
 BO32 3 x PHONO TO PHONO LEAD 63cm long
 BO33 15 x RECTANGULAR RED LEDS 6 x 6 x 2mm stackable
 BO34 1 x PHOTO SENSITIVE SCR mounted on a PCB, data sheet supplied
 BO35 4 x IEC Panel Mounting Mains Plug Snap fix
 BO36 5 x ASSORTED PIEZO TRANSDUCERS
 BO37 5 LENGTHS OF HEATSHRINK SLEEVING 8mm dia. 400mm long
 BO38 25 x CERAMIC DISC CAPACITORS 0.1 mfd 63V
 BO39 15 x MONOLITHIC CERAMIC CAPACITORS 0.1 mfd 63V, in a dil package
 BO40 25 x ASSORTED ELECTROLYTIC CAPACITORS PCB mounting useful values
 BO41 25 ASSORTED PRE-SET RESISTORS
 BO42 8 x 3.5mm LINE JACK SOCKETS (mono)
 BO43 8 x 3.5mm JACK PLUG (mono)
 BO44 8 x 3.5mm CHASSIS SOCKET (mono)
 BO45 2 x TRIACS 800 volt 8 amp
 BO46 12 x BC213L Transistor
 BO47 12 x MIN SLIDE SWITCH dpdt
 BO48 15 x MIN CERMET TRIMMER POTS (good range of values)
 BO49 1 x PCB WITH TWO LARGE LEDS 15mm square, one red and one green
 BO50 1 x 12V DC RELAY 4 pole c/o with plug in base

Please use order code when ordering the bargain packs.
 Please make cheques and postal orders payable to Mailtech.

All prlces include VAT.

Please add 75p postage to all orders.

At the moment it is not possible to have a full telephone answering service. But we will have the phone definitely manned on Mondays and Thursdays between 10am and 5pm.

**Dept EE, Mailtech
 PO Box 16 Ludlow
 Shropshire SY8 4NA
 Tel: 058 474475**

DELICIA

ELECTRONICS

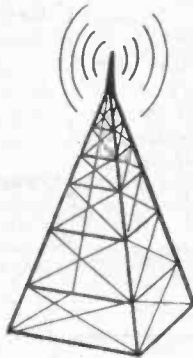
**DELICIA ELECTRONICS,
DELTA ENTERPRISES INC,
14 ST. MERYL PARK,
GLEN ROAD,
BELFAST BT11 8FY,
N. IRELAND.**

Ad. Designed by Delta's own Liam Sloan

DELICIA ELECTRONICS, WHERE THE TRANSMITTER PEOPLE COME FROM (DELICIA)

VHF/FM TRANSMITTERS

3 WATT TRANSMITTER,
covers around 3 miles
radius (expandable from
higher ground)
ONLY **£14.95**



LONG RANGE MINITURE

FM TRANSMITTER
Tunable 88-145MHz
Half the size of a matchbox
ONLY **£9.75**

CORDLESS MICROPHONE

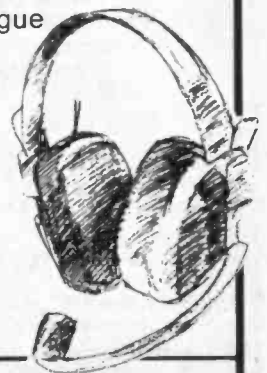
VERY STABLE SOUND, GOOD RANGE
ONLY **£14.95**

STEREO FM RADIO WATCH (YES WATCH)

ZEON DIGITAL WATCH, with FM radio, built in,
and a world timer, calculator alarm, comes with
detachable head phones, ONLY **£24.95**

HEADPHONES WITH BOOM MICROPHONE

As seen in last months Bull Catalogue
600 ohm HEADPHONES
200 ohm MICROPHONE
ONLY **£14.95**



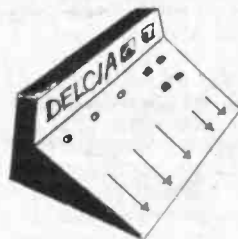
DELICIA

EVEN BETTER THAN THE
REAL THING

FULL FM BROADCASTING TRANSMITTERS

10 watt, 12V d.c.	£125.00
35 watt, 12V d.c.....	£185.00
75 watt, 240V a.c. mains.....	£315.00
150 watt, 240V a.c. mains.....	£500.00

Contact us for all types
of Broadcasting
Equipment and
Transmitters at the
cheapest price in this
Magazine!



DELICIA SPEAKERPHONE 2

Hands free speech, on hook dialling,
10 number memory, last No. redial, hold mute
buttons, record socket, Delcia telecorder, 200
compatible, cheapest price ever **£36.95**



DELICIA TELECORDER 200, ANSWERING MACHINE

Micro cassette system, call screening, built in
mic., memo recorder, digital outgoing
messages, call counter, desk/wall mountable,
available for old style phone connection or
new BT socket
ONLY **£36.95**

BUY PHONE AND ANSWER MACHINE FOR ONLY £60

VIDEO SENDER

Sends picture and sound from your video,
sattelite or computer to any TV in your
house, through the TV wave band (UHF).

Built and ready to use **£17.95**

Kit with no bother to build **£14.95**

SHORTWAVE (SW.MHz) TRANSMITTER

Crystal controlled for advanced,
£14.95 GOOD RANGE.

COMPETITION !!!!!!!

Q. What did Marconi do for radio?

ANSWERS to Delcia before 10/1/93.

The prize winner will be drawn out of a hat
and results published in our ad. in the March
'93 issue of EPE. Winner will have a choice of
Delcia goods to the value of £200.

ORDERING INFORMATION

ALL PRICES INCLUDE V.A.T. & P&P. NO MINIMUM ORDER CHARGE.

PRICES ARE SUBJECT TO CHANGE WITHOUT WARNING, PRICES WERE RIGHT AT TIME OF GOING TO PRESS.

MAKE CHEQUES AND POSTAL ORDERS PAYABLE TO DELICIA ELECTRONICS

DELICIA WE DON'T MEAN TO MAKE PRICE WARS, WE JUST DO!

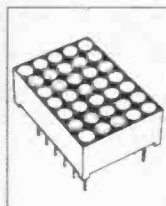
1993 CATALOGUE OUT NOW!!

160 Pages of regular lines + our famous Bargain List - 32 Pages of Surplus Bargains + First Class Reply Paid Order Form + Latest Offer Sheet - You can't afford to miss it!

ONLY £2.00 Post Free!

OPTO OMNIPOTENCE!

A big parcel of opto product - everything from surface mount LED's to massive dot matrix LCD's has recently been purchased, offering you, the constructor, professional grade devices at Bargain List Prices! Full details in our lists, but see below for some tempting offers:



LED BLOCKS

Dot matrix LED displays in both CC and CA from 35-58mm in red, green and yellow. Full details in latest list

- Z5469 Green 35mm 5x8 CC £1.60
- Z5470 HE Red 35mm 5x8 CC £1.60
- Z5471 Yellow 51mm 5x7 CC £1.75
- Z5475 Green 51mm 5x7 CC £1.75
- Z5478 HE Red 51mm 5x7 CA £1.75
- Z5479 HE Red 51mm 5x7 CC £1.75
- Z5473 Yellow 58mm 8x8 CC £3.50
- Z5477 Green 58mm 8x8 CC £3.50
- Z5480 HE Red 58mm 8x8 CC £3.50

LIQUID CRYSTAL DISPLAYS



LCD dot matrix modules fitted with controller. All supplied with data. Application notes - 16 page book £2.00

- Z5481D 16x1, 5.73mm char.ht. £4.00
 - Z5482D 16x2, 4.27mm char ht. £6.00
 - Z5484D 20x1, 5.2mm char.ht. £4.60
 - Z5485D 20x2, 4.85mm char.ht. £7.00
 - Z5486D 40x2, 5.2mm char.ht. £9.50
- All characters 5x7

JUMBO DISPLAY

LM225 Hitachi 640x200 dot LCD for PC's, WP's & Ind. equip. Module size 270x150x13mm. Display area 239x104mm. Dot size 0.32x0.46; pitch 0.35x0.49mm. Uses 16xHD61100 & 4xHD61103 chips. With comprehensive data. £39.50

OPTO ISOLATORS

- Z2771 4N30 Darlington 8 for £2
 - Z2781 CNY48 600% Darlington 6 for £2
 - Z2798 H11B2 200% Darlington 8 for £2
 - Z2779 CNY47 Transistor 10 for £2
 - Z2794 H11AV1 4kV Transistor 10 for £2
 - Z2793 H11AG1 CMOS Tr. 300% 10 for £2
 - Z2776 CNY30 SCR 200V 6 for £2
 - Z2828 H11L3 Schmitt 5mA 3 for £2
 - Z2837 MOC3011 Triac 10mA 6 for £2
 - Z2840 MOC3021LP Triac 15mA 6 for £2
- Supplied with data sheet. Booklet giving data on about 50 types £2

PC SOFTWARE AT AMAZING PRICES!!

Words & Figures by Lifetree - combined spreadsheet, word processor and database with graphics. Needs PC with DOS 2+, 256k RAM, mono or colour display. Supports over 200 printers. 546 page manual, spread out menu and disks, all in library case. Just look at the price!!

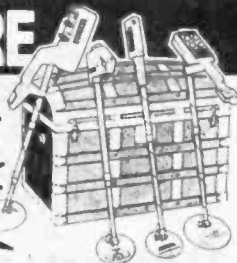
Z5442 5¼" version
Z5443 3½" version
£14.95

Z5444 PC-MIX Multitasking Interfacing Executive - enables up to 3 progs to be run simultaneously. 96 page handbook and 5¼" disk. **£4.95**

- INDIVIDUAL TUTORS - boxed set with handbook and disk **SmartGuide for DOS**
 - Z5445 5¼"; Z5446 3½" Learn to type £3.95
 - Z5448 5¼"; Z5449 3½" Learn to use DOS £3.95
 - Z5450 5¼" Learn to use your PC £3.95
- Z5452 On line reference guide to DOS commands, topics and procedures. Boxed set with handbook & 5¼" disk £4.95
Z5453 3½" version £4.95

BURIED TREASURE

So easy to find with C-Scope Metal Detectors
Gold sovereigns, Roman coins, historic pots and medals
- and lost current coinage! C-Scope Metal Detectors

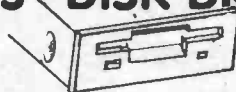


From just £79.99

C-SCOPE

Superior Metal Detectors
Full colour brochure on request - all models on view and demonstrated at our shop. Prices start from less than £80!

3.5" DISK DRIVE



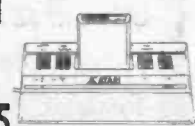
Model FD9A. Brand new and boxed, this cased 3.5" 720k unit comes complete with cables and instructions. Can be used with 1x86 & 2x86 "as is", and with 1512/1640 with mod. (Details supplied)

New Low Price £19.95

ATARI 2600 GAMES CONSOLE

Complete and boxed with joystick, power supply, TV lead and games cartridge (centipede). Not new, but fully checked and working

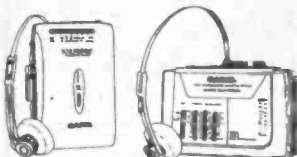
Special Price **£29.95**



THE 'Greenweld Guardian' IS OUR MONTHLY NEWSLETTER FREE TO ALL BARGAIN LIST SUBSCRIBERS - ONLY £6 A YEAR FOR THE NEXT 12 ISSUES OF ALL OUR LISTS!!

CASIO FOREGROUND MUSIC SPEAKERS

Casio have just introduced a range of personal stereos and portable audio equipment at very competitive prices:



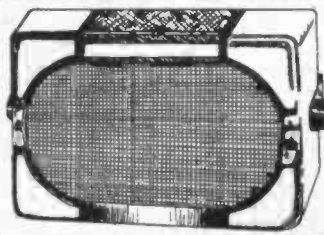
- W880 Bass boost, auto stop, belt clip £8.99
- AS51R As above but with AM/FM radio £15.99
- AS500R As AS51R, but with auto reverse £23.50
- W120 As AS500R but with graphic equalizer £27.99



- CP80 Bass boost, AM/FM/LW radio, single cassette, 6W PMPO £32.95
- CP200 Bass boost, AM/FM/LW radio, twin cassette, hi-speed dubbing, graphic equalizer, 8WPMPO £42.95
- CD510 CD player, twin cassette, AM/FM/LW radio + lots of other features, 45W PMPO £159.95

High quality for pubs, clubs etc. Bass unit, mid and 2 tweeters. Moulded cabinet with adjustable bracket. Max power 80W. Size 275x170x125mm. 4R imp.

Less than half price!
£39.95 per pr!



INSULATION TEST UNIT

Y136C 500V tester that can be used with most digital meters. 2 ranges covering 100k-1999M. Supplied with leads, batts, instructions and carry case. Original trade price £34

£12.95

CAMERA CLEARANCE

110 & 35mm - all are returns, some have small parts missing, but great value for lenses, electronics etc (most have built in flash units)

5 for £10

GREENWELD

ELECTRONIC COMPONENTS



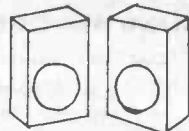
Tel: (0703) 236363
Fax: (0703) 236307

27D PARK ROAD, SOUTHAMPTON, SO1 3TB

LOW COST CASSETTE MECH

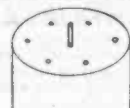
Z5488 9V stereo. Record/replay & erase head + 6 push buttons - forward, reverse, play, record, pause and stop.

Only **£2.95**
SPEAKER CABINETS



Z9121 Veneered cabinet 330x217x116mm with 100mm 4R speaker. Ideal as ext'n spkr for kitchen etc. £12.95/pr

CASSETTE MOTORS



Z5487 Mabuchi hi-torque 9V cassette motor 35mm dai x 25mm. £1.00 Box of 200 £65

RIBBON CABLE HALF CAT PRICE!

Z9122 50 way grey 100ft reel £8.50
Z9123 34 way grey 100ft reel £13.00



HART AUDIO KITS – YOUR VALUE FOR MONEY ROUTE TO ULTIMATE HI-FI

HART KITS give you the opportunity to build the very best engineered hi-fi equipment there is, designed by the leaders in their field, using the best components that are available.

Every HART KIT is not just a new equipment acquisition but a valuable investment in knowledge, giving you guided hands-on experience of modern electronic techniques.

In short HART is your 'friend in the trade' giving you, as a knowledgeable constructor, access to better equipment at lower prices than the man in the street.

You can buy the reprints and construction manual for any kit to see how easy it is to build your own equipment the HART way. The FULL cost can be credited against your subsequent kit purchase.

Our list will give you fuller details of all our Audio Kits, components and special offers.

AUDIO DESIGN 80 WATT POWER AMPLIFIER.



This fantastic John Linsley Hood designed amplifier is the flagship of our range, and the ideal powerhouse for your ultimate hi-fi system. This kit is your way to get UK performance for a few tenths of the cost!. Featured on the front cover of 'Electronics Today International' this complete stereo power amplifier offers World Class performance allied to the famous HART quality and ease of construction. John Linsley Hood's comments on seeing a complete unit were enthusiastic: "The external view is that of a thoroughly professional piece of audio gear, neat elegant and functional. This impression is greatly reinforced by the internal appearance, which is redolent of quality, both in components and in layout." Options include a stereo LED power meter and a versatile passive front end giving switched inputs using ALPS precision, low-noise volume and balance controls. A new relay switched front end option also gives a tape input and output facility so that for use with tuners, tape and CD players, or indeed any other 'flat' inputs the power amplifier may be used on its own, without the need for any external signal handling stages. 'Slave' and 'monobloc' versions without the passive input stage and power meter are also available. All versions fit within our standard 420 x 260 x 75mm case to match our 400 Series Tuner range. ALL six power supply rails are fully stabilised, and the complete power supply, using a toroidal transformer, is contained within a heavy gauge aluminium chassis/heatsink fitted with IEC mains input and output sockets. All the circuitry is on professional grade printed circuit boards with roller tinned finish and green solder resist on the component ident side, the power amplifiers feature an advanced double sided layout for maximum performance. All wiring in this kit is pre-terminated, ready for instant use!

RLH11 Reprints of latest articles.....£1.80
K1100CM HART Construction Manual.....£5.50

LINSLEY HOOD 1400 SERIES ULTRA HIGH-QUALITY PREAMP

Joining our magnificent 80 Watt power amplifier now is the most advanced preamplifier ever offered on the kit, or indeed made-up marketplace. Facilities include separate tape signal selection to enable you to listen to one programme while recording another, up to 7 inputs, cross recording facilities, class A headphone amplifier, cancellable 3-level tone controls and many other useful functions, all selected by high quality relays. For full details see our list.

LINSLEY HOOD 'SHUNT FEEDBACK' R.I.A.A. MOVING COIL & MOVING MAGNET PICKUP PREAMPLIFIERS



Modern, ultimate sound systems are evolving towards built-in preamplifiers within or near the turntable unit. This keeps noise pickup and treble loss to a minimum. We now offer two units, both having the sonically preferred shunt feedback configuration to give an accurate and musical sound, and both having the ability to use both moving magnet and moving coil cartridges.

Kit K1500 uses modern integrated circuits to achieve outstanding sound quality at minimal cost. The very low power requirements enable this unit to be operated from dry batteries and the kit comes with very detailed instructions making it ideal for the beginner. K1500 Complete kit with all components, printed circuit board, full instructions and fully finished case.....£67.99
Instructions only.....£2.80

Kit K1450 is a fully discrete component implementation of the shunt feedback concept and used with the right cartridge offers the discerning user the ultimate in sound quality from vinyl disks. Can be fitted inside our 1400 Preamp, used externally or as a standalone unit. It has a higher power requirement and needs to be powered from our 1400 Series preamplifier or its own dedicated power supply. K1450 Complete kit of board mounting parts for discrete component RIAA preamplifier.....£61.06
1500/2-8 Case to suit, including Hardware...£39.52
K1565 Power Supply in matching case. Features shielded toroidal transformer and upgrade path to full preamp power supply.....£79.42

ALPS PRECISION LOW-NOISE STEREO POTS.



To fulfil the need for higher quality controls we are now importing an exciting new range of precision audio pots in values to cover most quality amplifier applications. All in 2-gang stereo format, with 20mm long 6mm dia. steel shafts. Now you can throw out those noisy ill-matched carbon pots and replace with the real hi-fi components only used selectively in the very top flight of World class amplifiers. The improvement in track accuracy and matching really is incredible giving better tonal balance between channels and rock solid image stability. Motorised versions have 5v DC Drive motor.

2-Gang 100K Lin.....£8.67
2-Gang 10K & 50K Log.....£9.40
2-Gang 10K Special Balance, zero crosstalk and zero centre loss.....£10.48
2-Gang 20K Log (Volume Control) MOTORISED.....£19.20
2-Gang 10K Special Balance, MOTORISED, zero crosstalk and <10% centre loss with near Log/Antilog Tracks).....£19.98

STUART REEL-TO-REEL TAPE RECORDER CIRCUITS

Complete stereo record, replay and bias circuit system for reel-to-reel recorders. These circuits will give studio quality with a good tape deck. Separate sections for record and replay give optimum performance and allows a third head monitoring system to be used where the deck has this fitted. Standard 250mV input and output levels. Ideal for bringing that old valve tape recorder back to life. Suitable stereo heads are in our head list. This basic kit is suitable for advanced constructors only. K900W Stereo Kit with Wound Coils and Twin Meter Drive.....£123.93
RJS1 Reprints of Original Descriptive Articles.....£3.60

LINSLEY-HOOD CASSETTE RECORDER CIRCUITS

Complete record and replay circuits for very high quality low noise stereo cassette recorder. Circuits are suitable for use with any high quality cassette deck. Switched bias and equalisation to cater for chrome and ferric tapes. Very versatile, with separate record and play circuits and easy to assemble on plug-in PCBs. Complete with full instructions. Complete Stereo Record/Play Kit.....£62.58
VU Meters to suit.....(Each) £3.99
RLH1 & 2 Reprints of original Articles.....£2.70

HIGH QUALITY REPLACEMENT CASSETTE HEADS



Do your tapes lack treble? A worn head could be the problem. For top performance cassette recorder heads should be replaced every 1,500 hours. Fitting one of our high quality replacement heads could restore performance to better than new! Standard Inductances and mountings make fitting easy on nearly all machines (Sony are special dimensions, we do not stock) and our TC1 Test Cassette helps you set the azimuth spot on. As we are the actual importers you get prime parts at lower prices, compare our prices with other suppliers and see! All our heads are suitable for use with any Dolby system and are normally available ex stock. We also stock a wide range of special heads for home construction and industrial users.

HC80 NEW RANGE High Beta Permalloy Stereo head. Modern space saver design for easy fitting and lower cost. Suitable for chrome metal and ferric tapes, truly a universal replacement head for everything from hi-fi decks to car players and at an incredible price too!.....£8.30
HS16 Sendust Alloy Stereo Head.....£21.49
HRP373 Downstream Monitor Stereo Combination Head.....£53.90
HC15 Special Offer of Standard Quality Stereo R/P Head with slight face scratches.....3 for Only £4.80
HQ551A 4-Track RECORD & Play Permalloy Head for auto-reverse car players or quadraphonic recording.....£8.75
HM120 Standard Mono R/P Head.....£3.44
H524 Standard Erase Head.....£1.90
H561 Hi Field Erase Head for METAL Tapes.....£3.49
SM150 2/2 (Double Mono) DC Erase Head.....£5.20
HQ751E 4/4 True 4-Track Erase Head.....£57.06

REEL TO REEL HEADS

999R 2/4 Record/Play 110mH. Suits Stuart Tape Circuits.....£13.34
998E 2/4 Erase Head 1mH. Universal Mount. Suits Stuart.....£11.96

TAPE RECORDER CARE PRODUCTS

DEM1 Mains Powered Tape Head Demagnetizer, prevents noise on playback due to residual head magnetisation.....£4.08
DEM115 Electronic, Cassette Type, demagnetizer.....£8.61

Send or 'phone for your copy of our List (50p) of these and many other Kits & Components. Enquiries from Overseas customers are equally welcome, but PLEASE send 2 IRCs if you want a list sent surface post, or 5 for Airmail.

Ordering is easy. Just write or telephone your requirements to sample the friendly and efficient HART service. Payment by cheque, cash or credit card. A telephoned order with your credit card number will get your order on its way to you THAT DAY.

Please add part cost of carriage and insurance as follows: -INLAND Orders up to £20 - £1.50
Orders over £20 - £3.50 Express Courier, next working day. £10 (For safety all computer parts are only sent by courier) OVERSEAS - Please see the ordering information with our lists.



QUALITY AUDIO KITS

24 hr. SALES LINE (0691) 652894

ALL PRICES INCLUDE VAT AT 17.5%



HART ELECTRONIC KITS LTD
6 PENYLAN MILL
OSWESTRY, SHROPSHIRE
SY10 9AF

MARCO '93

ELECTRONICS CATALOGUE

A simply outstanding selection of quality electronic components and equipment.

- **BEST VALUE** • **BEST SELECTION** •
- **BEST QUALITY** • **BEST YET** •

Essential reading for both amateur and professional. 32 fully illustrated pages with hundreds of special offers and free gifts.

NORMALLY £2

FREE

**WITH THIS
COUPON**

- **BOOKS**
- **HOBBY BOXES**
- **IN-CAR EQUIPMENT**
- **PLUGS AND SOCKETS**
- **CORDLESS MICROPHONES**
- **HOBBY KITS**
- **TOOLS**
- **IC's AND TRANSISTORS**
- **SOLDERING EQUIPMENT**

Please send me my **FREE** copy of
Marco 1993 Catalogue

Name

Address

.....

.....

.....

.....

.....

.....

Post Code



SHOP OPEN 9-5 Mon-Fri 9-2 Sat --- OFFICIAL ORDERS WELCOME --- KIT LIST - S.A.E

VERSATILE BBC INTERFACE

A comprehensive interface which allows the BBC computer to be connected safely to a wide range of input and output devices. Two leads connect the interface to the User Port and the Printer port. The interface connects to the 'real world' via standard screw terminal blocks. Up to 16 outputs (all via plug-in single pole change over relays - 8 supplied) and 8 fully protected inputs. L.e.d. status monitoring is provided on all input and output lines. The interface requires an independent 12 Volt supply.

KIT 844.....£51.95

STEPPING MOTOR DRIVER & INTERFACE

A single board stand-alone stepping motor driver with built in oscillator and speed control circuits. A computer is not required with this board which will drive most unipolar 4 phase motors. Variable Acceleration, Speed, and Direction, may be controlled in HALF STEP, FULL STEP, and ONE PHASE modes. Up to 35V and 1.5A per phase. L.e.d. mimic display. Connector is provided for a computer port. The Kit includes our MD35 motor

KIT 843 £29.95 - BUILT £44.95

DIGITAL LCD THERMOSTAT

A versatile thermostat using a thermistor probe and having an I.C.d. display. MIN/MAX memories, -10 to 110 degrees celsius, or can be set to read in Fahrenheit. Individually settable upper and lower switching temperatures allow close control, or alternatively allow a wide 'dead band' to be set which can result in substantial energy savings when used with domestic hot water systems. Ideal for greenhouse ventilation or heating control, aquaria, home brewing, etc. Mains powered, 10A SPCO relay output. Punched and printed case.

KIT 841.....£29.95

4 CHANNEL LIGHT CHASER

A 1000V per channel chaser with Zero Volt Switching, Hard Drive, and full inductive load capability. Built-in mic. and sophisticated 'Beat Seeker' circuit - chase steps to music, or auto when silent. Variable speed and mic. sensitivity control, I.e.d. mimic on front panel. Switchable for 3 or 4 channels. P552 output socket. Suits Rope Lights, Pin Spots, Disco, and Display lighting.

KIT 833.....£32.13

SUPERHET LW MW RADIO

At last an easy to build SUPERHET AM radio kit. Covers Long and Medium waves. Built in loudspeaker with 1 Watt output. Excellent sensitivity and selectivity provided by ceramic IF filter. Simple alignment and tuning without special equipment. Supplied with pre-drilled transparent front panel and dial, for interesting see-through appearance.

KIT 835.....£17.16

ACOUSTIC PROBE

A very popular project which picks up vibrations by means of a contact probe and passes them on to a pair of headphones or an amplifier. Sounds from engines, watches, and speech travelling through walls can be amplified and heard clearly. Useful for mechanics, instrument engineers, and nosey parkers!

KIT 740.....£19.98

PESt SCARER

Produces high power ultrasound pulses. L.e.d. flashes to indicate power output. Battery powered 9 - 12V, or mains adaptor £2.00 EXTRA.

KIT812.....£14.81

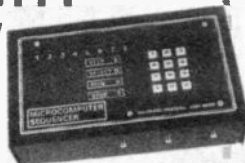
KIT HIGHLIGHT

8 CHANNEL LIGHT SHOW PROGRAMMABLE SEQUENCER KIT 838

An advanced design using a pre-programmed microcontroller IC to generate over 100 light sequences. Additional battery backed RAM area to store your own sequences. Keypad control allows lamps to be controlled manually, sequences entered and selected, and sequence speed to be increased and decreased. ZERO VOLT SWITCHING. Programs include 3 and 4 channel versions so that existing lights can be used as well as 8 channel arrangements. Special output drive using a two winding transformer ensures foolproof operation with pin-spots and other difficult loads. This is a superbly finished kit with pre-drilled case and screen printed front panel. Full LED mimic. 2 P552 output sockets, 8 Amp isolated tab triacs with heatsink.

Kit includes everything - down to the last nut and bolt. Tremendous Value.

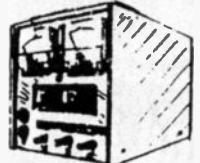
KIT PRICE £64.89



MOSFET VARIABLE BENCH POWER SUPPLY 25V 2.5A

Our own high performance design. Variable output Voltage from 0 to 25V and Current limit from 0 to 2.5A. Capable of powering almost anything. Two panel meters indicate Voltage and Current. Fully protected against short-circuits. The variable Current limit control makes this supply ideal for constant current charging of NICAD cells and batteries. A Power MOSFET handles the output for exceptional ruggedness and reliability. Uses a toroidal mains transformer.

KIT 769.....£56.82



DIGITAL CAPACITANCE METER

Provides clear readings of capacitance values from a few pF up to thousands of uF. Ideal for beginners. It allows obscurely marked components to be identified quickly and easily. Quartz controlled accuracy of 1%, and large clear 5 digit display. Kit is now supplied with a punched and printed front panel, case, all components and top quality printed circuit board. New low price.

KIT 493.....£34.95

BAT DETECTOR

An excellent circuit which reduces ultrasound frequencies between 20 and 100 kHz to the normal (human) audible range. Operating rather like a radio receiver the circuit allows the listener to tune-in to the ultrasonic frequencies of interest. Listening to Bats is fascinating, and it is possible to identify various different types using this project. Other uses have been found in industry for vibration monitoring etc.

KIT 814.....£21.44

QUICK CAPACITANCE TESTER

A low cost hand-held audio/visual unit which can identify short, open and working capacitors quickly and with a minimum of fuss. Also gives indication of leakage current. An ideal kit for beginners, built on a single printed circuit board which has large copper areas used as test pads. Only a minimum of wiring is needed. 2 I.e.d.s and a piezo transducer provide the output indication.

KIT 834.....£10.34

IONISER

A highly efficient mains powered Negative Ion Generator that clears the air by neutralising excess positive ions. Many claimed health benefits due to the ioniser removing dust and pollen from the air and clearing smoke particles. Costs virtually nothing to run and is completely safe in operation. Uses five point emitters.

KIT 707.....£17.75

ACTIVE I.R. BURGLAR ALARM

This alarm is useful where ordinary 'passive' (pir) detectors are not suitable. It works by detecting disturbances to its own short wave infra-red beam. Output is via mains rated relay contacts. Built in timer, and mains transformer.

KIT 700.....£40.74

12V EPROM ERASER

A safe low cost eraser for up to 4 EPROMs at a time in less than 20 minutes. Operates from a 12V supply (400mA). Used extensively for mobile work - updating equipment in the field etc. Also in educational situations where mains supplies are not allowed. Safety interlock prevents contact with UV.

KIT 790.....£28.51

EE TREASURE HUNTER

Our own widely acclaimed design. This sensitive Pulse Induction metal detector picks up coins and rings etc up to 20cm deep. Negligible 'ground effect' means that the detector can even be used with the head immersed in sea water. Easy to use, circuit requires only a minimum of setting up as a Quartz crystal provides all of the critical timing. Kit includes search-head, handle, case, PCB and all components.

KIT 815.....£45.95

INSULATION TESTER

A reliable and neat electronic tester which checks insulation resistance of wiring and appliances etc., at 500 Volts. The unit is battery powered, simple and safe to operate. Leakage resistance of up to 100 Megohms can be read easily. A very popular college project.

KIT 444.....£22.37

3 BAND SHORT WAVE RADIO

Covers 1.6 to 30MHz in three bands using modern miniature plug-in coils. Audio output is via a built-in loudspeaker. Advanced stable design gives excellent stability, sensitivity and selectivity. Simple to build battery powered circuit. Receives a vast number of stations at all times of the day.

KIT 718.....£30.30

DIGITAL COMBINATION LOCK

Digital lock with 12 key keypad. Entering a four digit code operates a 250V 16A relay. A special anti-tamper circuit permits the relay board to be mounted remotely. Ideal car immobiliser, operates from 12V. Drilled case, brushed aluminium keypad.

KIT 840.....£19.86

PORTABLE ULTRASONIC PESt SCARER

A powerful 23kHz ultrasound generator in a compact hand-held case. MOSFET output drives a special sealed transducer with intense pulses via a special tuned transformer. Sweeping frequency output is designed to give maximum output without any special setting up.

KIT 842.....£22.56

LIGHT RIDER DISCO LIGHTS

A six channel light driver that scans from left to right and back continuously. Variable speed control. Up to 500 watts per channel. Housed in a plastic box for complete safety. Built on a single printed circuit board.

KIT 560.....£22.41

LIGHT RIDER 9-12V CHASER LIGHTS

A low voltage DC powered end-to-end type chaser that can be set for any number of lights between 3 and 16. The kit is supplied with 16 I.e.d.s but by adding power transistors it is possible to drive filament bulbs for a larger brighter display. Very popular with car customisers and modellers. L.e.d.s can be randomly positioned and paired to give twinkling effects.

KIT 559.....£15.58

SEE OUR FULL RANGE OF KITS, BOOKS, TOOLS, AND COMPONENTS IN OUR CATALOGUE

HAMEG HM203-7 20 MHz DUAL TRACE OSCILLOSCOPE & COMPONENT TESTER

Western Europe's best selling oscilloscope - It is RELIABLE, HIGH PERFORMANCE, & EASY TO USE. Sharp bright display on 8 x 10cm screen with internal graticule. A special extra feature is the built-in component tester which allows capacitors, resistors, transistors, diodes and many other components to be checked. The quality of this instrument is outstanding, and is supported by a two year parts and labour warranty. If you are buying an oscilloscope - this is the one. - It costs a fraction more than some other 20 MHz 'scopes but it is far far superior. Supplied with test probes, mains lead, and manual.

£338.00 + £59.15 VAT Includes FREE Next-day delivery

(Cheques must be cleared)

EDUCATIONAL BOOKS & PACKS

ADVENTURES WITH ELECTRONICS

The classic book by Tom Duncan used throughout schools. Very well illustrated, ideal first book for age 10 on. No soldering. Uses an S.DEC breadboard. Book & Components £28.95, Book only £6.25

FUN WITH ELECTRONICS

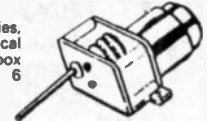
An Usborne book, wonderfully illustrated in colour. Component pack allows 6 projects to be built and kept. Soldering is necessary. Age 12 on, or younger with adult help. Book & Components £20.88, Book only £2.95

30 SOLDERLESS BREADBOARD PROJECTS

A more advanced book to follow the others. No soldering. Circuits cover a wide range of interests. Book & Components £30.69, Book only £2.95

DC MOTOR / GEARBOXES

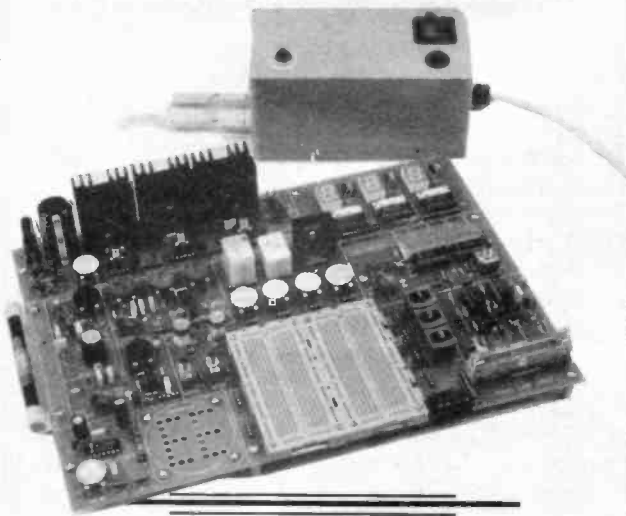
Ideal for robots, buggies, and many other mechanical projects. Min. plastic gearbox with 1.5-4.5V DC motor. 6 ratios can be set up. Small type MGS.....£4.77 Large type MGL.....£5.58



STEPPING MOTORS

For computer control via standard 4 pole unipolar drivers. MD38 - miniature 48 steps per rev.....£9.15 MD200 - miniature 200 steps per rev.....£17.10 MD35¼ - standard 48 steps per rev.....£12.99

Teach-In '93



MINI LAB KITS

ALL COMPONENTS TO ASSEMBLE
THE EPE MINI LAB ARE AVAILABLE
FROM MAGENTA.

The easy way to buy the correct parts to
follow this exciting new educational series.

Components are supplied in packs to keep
ordering simple.

A full MINI LAB consists of ML1, ML3, ML5,
ML6. These are available at a special
combined price of.....**£114.99**
or less the p.c.b.

ML2, ML3, ML5, ML6 at.....**£104.99**

The transformer unit ML4 is also needed....**£21.45**

KIT ML1 MINI-LAB P.C.B. + all components
inclusive of two breadboards for
Part 1 (Nov. '92).....**£49.95**

KIT ML2 All Components for Part 1 less
p.c.b.....**£39.95**

KIT ML3 Power Supply components.....**£19.95**

KIT ML4 Transformer unit.....**£21.45**

KIT ML5 L.E.D. Voltmeter, signal
generator, audio amplifier and
555 timer.....**£33.95**

KIT ML6 Logic probe, display, radio
tuner.....**£17.95**

(Note: batteries not included)

All prices include V.A.T. Add **£2.00 p&p.**

Tel: 0283 65435 Fax: 0283 46932

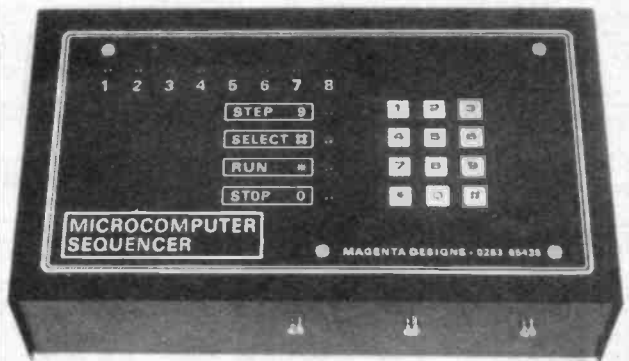
MOSFET VARIABLE BENCH POWER SUPPLY 25V 2.5A



Our own high performance design. Variable output Voltage from
0 to 25V and Current limit from 0 to 2.5A. Capable of powering
almost anything. Two panel meters indicate Voltage and Cur-
rent. Fully protected against short-circuits. The variable Current
limit control makes this supply ideal for constant current charg-
ing of NICAD cells and batteries. A Power MOSFET handles the
output for exceptional ruggedness and reliability. Uses a toroidal
mains transformer.

KIT PRICE 769 **£56.82**

LIGHT SHOW 8 CHANNEL SEQUENCER PROGRAMMABLE



An advanced design using a pre-programmed microcontroller
IC to generate over 100 light sequences. Additional battery
backed RAM area to store your own sequences. Keypad control
allows lamps to be controlled manually, sequences entered and
selected, and sequence speed to be increased and decreased.
ZERO VOLT SWITCHING. Programs include 3 and 4 channel
versions so that existing lights can be used as well as 8 channel
arrangements. Special output drive using a two winding trans-
former ensures foolproof operation with pin-spots and other
difficult loads. This is a superbly finished kit with pre-drilled case
and screen printed front panel. Full LED mimic. 2 P552 output
sockets, 8 Amp isolated tab triacs with heatsink. Kit includes
everything - down to the last nut and bolt. Tremendous Value.

KIT PRICE 838 **£64.89**

All prices include V.A.T. Add **£2.00 p&p.**

Tel: 0283 65435 Fax: 0283 46932

EVERYDAY WITH PRACTICAL ELECTRONICS

INCORPORATING ELECTRONICS MONTHLY

VOL. 22 No. 1

JANUARY '93

Editorial Offices:
EVERYDAY with PRACTICAL ELECTRONICS EDITORIAL,
6 CHURCH STREET, WIMBORNE,
DORSET BH21 1JH
Phone: Wimborne (0202) 881749
Fax: (0202) 841692. DX: Wimborne 45314.
See notes on Readers' Enquiries below - we regret that lengthy technical enquiries cannot be answered over the telephone.

Advertisement Offices:
EVERYDAY with PRACTICAL ELECTRONICS
ADVERTISEMENTS,
HOLLAND WOOD HOUSE, CHURCH LANE,
GREAT HOLLAND, ESSEX CO13 0JS.
Phone/Fax: (0255) 850596

DISCONTINUED

Maybe it's a sign of the times - just lately we have had problems with component availability. A number of items, mainly i.c.s, have simply disappeared. Although there is no particular pattern to the demise of various parts we believe it may be due to rationalisation of product lines during the recession. If the sales are low or you cannot compete with your competitors' prices then, in difficult times, it is often economically sensible to simply discontinue manufacture.

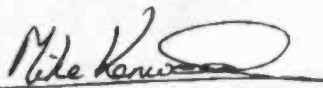
This has affected a few of our projects and we are still looking for any remaining supplies of one or two semiconductor devices. Unfortunately we have also suffered a similar problem with the Veroblock used on the *Mini Lab* (our *Teach-In '93* demonstration and development board). Vero have stopped making this product, supplies of boards are fast running out and we have been unable to locate any other remaining boards in Europe.

This has forced us to find an alternative that will accommodate the various test circuits and fit on the *Mini Lab* p.c.b. - details are in *Shop Talk*. Fortunately in this case a replacement is possible, when dealing with dedicated i.c.s this is nearly always not the case. If the dedicated i.c. disappears then repair of the equipment becomes impossible. We wonder just how many commercial products are now throw away items once they fail?

BLOWN OUT

On a similar note we have an Amstrad telephone answering machine/fax (Model FX9600AT) in the office that packed up following a storm, investigations showed the main p.c.b. needs replacing at around £250. Just one of those unlucky occurrences you may think. However, we have subsequently found that half a dozen other local Amstrads suffered the same problem, while our Sharp fax and other telephone equipment have not been affected. We also find that Amstrad have now changed the model after a relatively short product time span.

We wonder if this problem has occurred to others? If it is a basic design fault then perhaps Amstrad might feel responsible enough to sort it out without making everyone pay for a new p.c.b., which could presumably suffer similar damage again. If you have had this type of problem please let us know so that we can investigate further.



SUBSCRIPTIONS

Annual subscriptions for delivery direct to any address in the UK: £20. Overseas: £26 (£43.50 airmail). Cheques or bank drafts (in £ sterling only) payable to Everyday with Practical Electronics and sent to EPE Subscriptions Dept., 6 Church Street, Wimborne, Dorset BH21 1JH. Tel: 0202 881749. Subscriptions start with the next available

issue. We accept Access (MasterCard) or Visa payments, minimum credit card order £5.

BACK ISSUES

Certain back issues of EVERYDAY ELECTRONICS and PRACTICAL ELECTRONICS are available price £2.00 (£2.50 overseas surface mail) inclusive of postage and packing per copy - **£sterling only please**, Visa and Access (MasterCard) accepted, minimum credit card order £5. Enquiries with remittance, made payable to Everyday with Practical Electronics, should be sent to Post Sales Department, Everyday with Practical Electronics, 6 Church Street, Wimborne, Dorset BH21 1JH Tel: 0202 881749. In the event of non-availability one article can be photostatted for the same price. *Normally sent within seven days but please allow 28 days for delivery. We have sold out of Jan, Feb, Mar, Apr, June, Oct, & Dec. 88, Mar & May 89 & Mar 90 Everyday Electronics and can only supply back issues from Jan 92 to Oct 92 of Practical Electronics.*

BINDERS

Binders to hold one volume (12 issues) are available from the above address for £5.95 (£6.95 to European countries and £8.00 to other countries, surface mail) inclusive of post and packing. *Normally sent within seven days but please allow 28 days for delivery.*

Payment in £ sterling only please. Visa and Access (MasterCard) accepted, minimum credit card order £5. Send card number and card expiry date with your name and address etc.

Editor: MIKE KENWARD

Secretary: PAM BROWN

Deputy Editor: DAVID BARRINGTON

Business Manager: DAVID J. LEAVER

Subscriptions: MARILYN GOLDBERG

Editorial: WIMBORNE (0202) 881749

Advertisement Manager:
PETER J. MEW, Frinton (0255) 850596

Classified Advertisements:
Wimborne (0202) 881749

READERS' ENQUIRIES

We are unable to offer any advice on the use, purchase, repair or modification of commercial equipment or the incorporation or modification of designs published in the magazine. We regret that we cannot provide data or answer queries on articles or projects that are more than five years old. Letters requiring a personal reply must be accompanied by a stamped self-addressed envelope or a self addressed envelope and international reply coupons.

All reasonable precautions are taken to ensure that the advice and data given to readers is reliable. We cannot however guarantee it and we cannot accept legal responsibility for it.

COMPONENT SUPPLIES

We do not supply electronic components or kits for building the projects featured, these can be supplied by advertisers.

We advise readers to check that all parts are still available before commencing any project in a back-dated issue.

We regret that we cannot provide data or answer queries on projects that are more than five years old.

ADVERTISEMENTS

Although the proprietors and staff of EVERYDAY with PRACTICAL ELECTRONICS take reasonable precautions to protect the interests of readers by ensuring as far as practicable that advertisements are *bona fide*, the magazine and its Publishers cannot give any undertakings in respect of statements or claims made by advertisers, whether these advertisements are printed as part of the magazine, or are in the form of inserts.

The Publishers regret that under no circumstances will the magazine accept liability for non-receipt of goods ordered, or for late delivery, or for faults in manufacture. Legal remedies are available in respect of some of these circumstances, and readers who have complaints should first address them to the advertiser.

TRANSMITTERS/BUGS/TELEPHONE EQUIPMENT

We would like to advise readers that certain items of radio transmitting and telephone equipment which may be advertised in our pages cannot be legally used in the UK. Readers should check the law before using any transmitting or telephone equipment as a fine, confiscation of equipment and/or imprisonment can result from illegal use. The laws vary from country to country; overseas readers should check local laws.



EMERGENCY LIGHTING UNIT

MARK DANIELS

Provides up to 8 watts of "fluorescent" lighting should you suffer a power cut. Will not operate during "daylight" conditions, saving on unnecessary use of the battery.

WITH winter upon us once again, bringing with it the threat of snow and power cuts like we had during the winter of 1990/91 some form of emergency lighting would seem to be essential. The usual alternatives to mains electricity for lighting purposes include candles, torches and gas lamps, which are all very well, but try finding them in the dark when a power cut occurs unexpectedly.

A full blown emergency power system comprising a generator, or inverter and batteries with automatic start-up in the event of a power failure would be the ideal system. Unfortunately, the cost of such an ideal set-up is highly prohibitive under most normal circumstances and is probably also far from essential.

There are several self-contained emergency lighting units on the market which are suitable for domestic use, but they do suffer from one significant drawback: they normally come on immediately the power fails and remain on for the duration of the power failure. This is fine if the power is only off for a relatively short period of time, but if, as during the power cuts of winter 1990/91, it remains off for more than a few short hours the back-up batteries will completely discharge before power is restored.

Obviously if the power fails during the night the batteries will be flat when needed most during dark winter mornings, and the emergency lighting will have performed no useful service. The unit described in this article all but completely removes the problems associated with conventional emergency lighting systems by automatically switching the light on only when it is needed.

HOW IT WORKS

The Emergency Lighting Unit has two sensing circuits, one of which monitors the mains voltage, while the other



monitors the ambient light level. The sensing circuits are connected to trigger short period monostable timers, one for each of the above two conditions.

The outputs from the monostables are connected to the inputs of a two input AND gate, and as may be seen from the Truth Table in Fig. 1 the output is only high (logic 1) when both inputs are also high. Thus, from the above it may be seen that the output may only be high very briefly if both the power and light fail at practically the same instant in time.

The brief output from the AND gate is then used to trigger a bistable latching circuit, which once triggered remains latched until it receives a turn-off signal. The circuit therefore only switches on the emergency light if a power failure is accompanied by a simultaneous reduction in light level, as would occur in an occupied room at night when the power fails.

The circuit also has facilities which permit manual operation of the light as may be required when returning home in the evening after the power has already failed earlier in the day.

CIRCUIT DESCRIPTION

The Emergency Lighting Unit, the circuit diagram for which is provided in Fig. 2, is powered by a single 12V lead acid accumulator, B1. (A small sealed type, fitted internally, was used in the prototype, but any larger battery such as a car battery may be connected externally instead as described in the Modifications section).

The battery is kept in a constant state of charge by a mains powered charger. The charger provides a constant output voltage, which is essential for charging sealed lead acid accumulators, and is based around IC1, a 7812, 12V 1A voltage regulator i.c. which is operated in a boosted voltage mode to give 13.8V for charging the battery.

A potential divider network consisting of resistors R2 and R3 is connected between the output of IC1 and supply ground (0V). The common terminal of IC1 is connected to the mid-point of this potential divider, which then provides the reference ground for IC1.

Since this point is at a fixed potential above the supply ground the regulator maintains its output at 12V above this point instead of the supply ground and gives a higher than normal output voltage which may be calculated as follows:

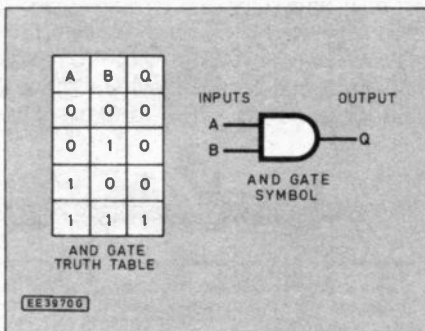


Fig. 1. An AND gate symbol and truth table.



$$\text{Output Voltage} = \frac{R2 + R3}{R2} \times 12V = 13.76\text{volts}$$

The regulator circuit is fed from a mains transformer T1 and bridge rectifier arrangement D1 to D4.

Capacitors, C3 to C6 and C9 are included for the purposes of supply decoupling, and protect the CMOS circuitry from the copious quantities of high voltage, high frequency spikes superimposed on the supply by virtue of the fast switching action of the fluorescent tube inverter. Diode, D7 protects the electronics from the potentially disastrous effects of incorrect battery connections being made!

Transistor, TR1 monitors the mains voltage via the rectified secondary output of the mains transformer, T1. Diode, D6 blocks the voltage on capacitor C2 and allows transistor, TR1 to respond rapidly to loss of mains power, having only the small charge on C1 to dissipate in the l.e.d. D5 and its series resistor, R1.

With mains present transistor TR1 is turned on and pulls pin 8, the trigger pin of the monostable, IC4 down to ground. When the mains fails TR1 turns off allowing the voltage on pin 8 of IC4 to be taken positive via resistor, R5. This initiates the timing period of the monostable which has a duration of approximately 500mS.

LIGHT SENSING

The light sensor circuit uses a cadmium sulphide (CdS) light dependent resistor (l.d.r.), R6 in a potential divider network which is used to provide an input voltage to the inverting input of op.amp, IC2, at pin 2. The non-inverting input of this amplifier is biased to half the supply voltage by a potential divider circuit consisting of resistors, R7 and R8.

When the light level falls, the resistance of the l.d.r. (R6) rises, causing the voltage at the inverting input of IC2 to rise. When this voltage exceeds that at the inverting input the op-amp's output, pin 6, falls from its current value of about 12V to zero, thus turning off transistor TR2 and consequently triggering monostable IC3, which has a timing period of approximately 25mS.

The outputs from IC3 and IC4 are fed to the inputs of one of the AND gates in IC5. The output of this gate is buffered by transistor TR3 and provides a brief trigger pulse on the gate (g) of thyristor CSR1 almost immediately after the simultaneous failure of light and mains power. Once triggered the thyristor remains conducting, even after the gate signal has been removed, thus providing the desired latching action.

There are basically two methods of commutating a thyristor once it has been fired: one is to disconnect the load, thus reducing the current flowing in the thyristor to zero. The other is to reduce the potential at its anode (a) to the same as its cathode (k), which again causes the thyristor current to reduce to zero. A modified version of the second method is used here, whereby a second thyristor, CSR2 is used in conjunction with capacitor C13 and a resistor, R19 to turn off CSR1.

Assuming CSR1 to be conducting, a pulse applied to CSR2 gate triggers it into conduction, discharging C13, the commutation capacitor, to ground (0V). This rapid movement of the charge on C13 pulls the anode of CSR1 to ground, causing the thyristor to turn off, or commutate.

Resistor, R19 is the load resistor for CSR2 and keeps this thyristor latched, whilst also allowing C13 to charge up in the opposite direction. The above process is reversed when CSR1 is re-triggered.

Switch, S2 permits manual off-switching of the lamp LP1 by shorting the (a) and (k) connections of CSR1, thus reducing the voltage across the device to zero. Likewise switch, S1 connected across TR3 collector and emitter permits the fluorescent lamp to be turned on manually.

The fluorescent tube inverter is a conventional flyback converter, consisting of just four components, R18, C11, TR4 and a high frequency transformer, T2 which is wound on a ferrite pot-core. This arrangement gives a lightweight, compact circuit having good efficiency at very low cost.

Resistor, R18 and capacitor C11 set a high oscillation frequency of around 40kHz, which is utilised by transistor TR4 in switching the primary of T2. Due to the inductive nature of the circuit and the fast

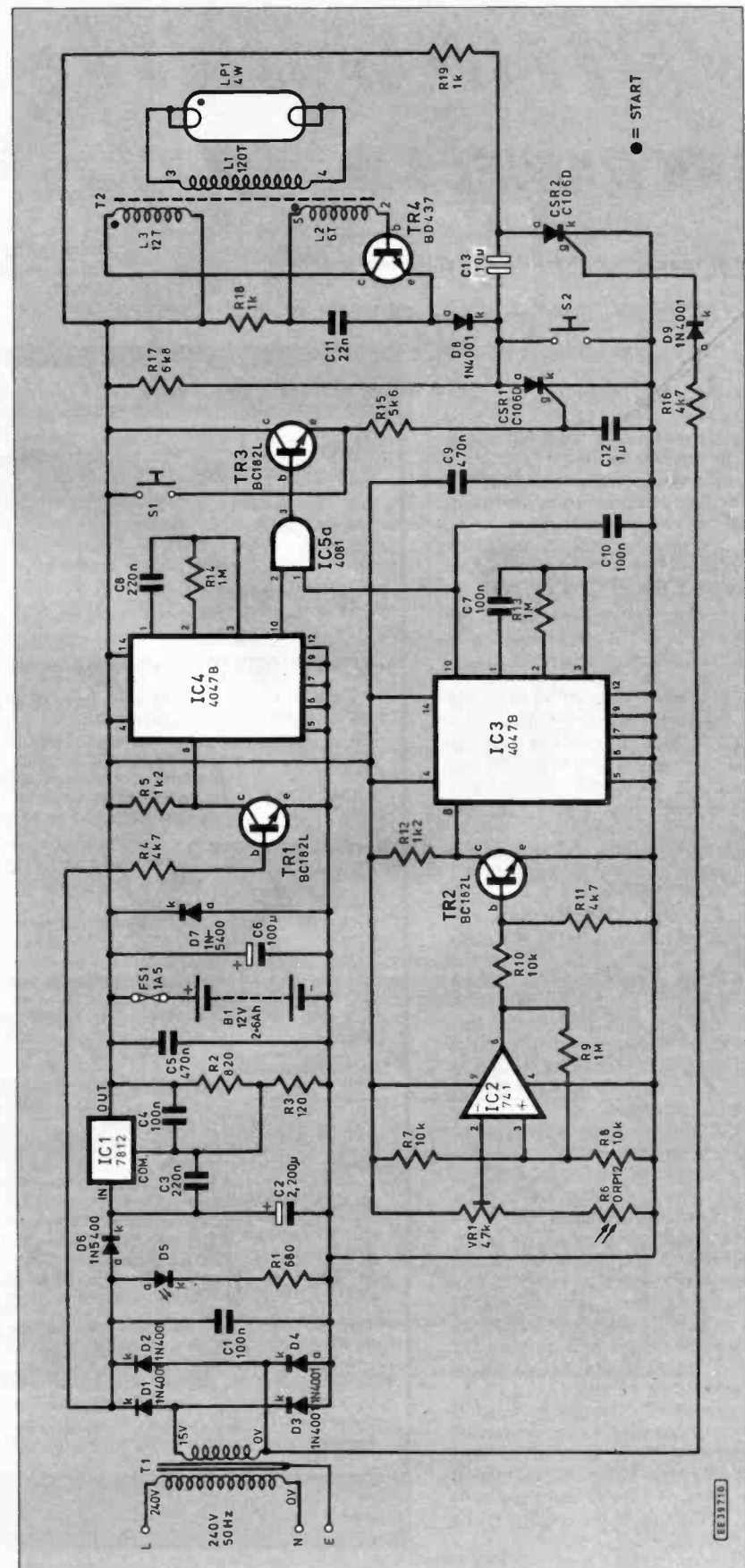
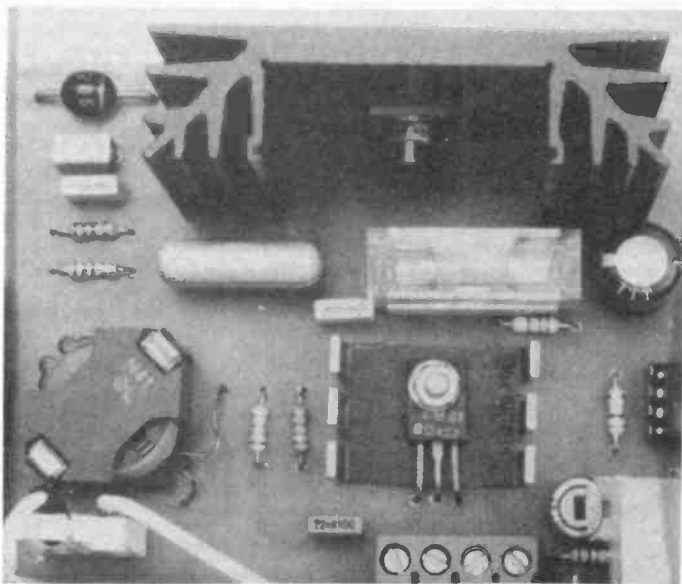


Fig. 2. Complete circuit diagram for the Emergency Lighting Unit. Capacitor C13 must be a non-polarised or reversible electrolytic. Note windings L2 and L3 are wound in an anti-clockwise direction when viewing the transformer T2 bobbin from the pin side, see Fig. 3. IC5 pins 5, 6, 8, 9, 11, 12, 14 = +V; pin 7 = 0V



Close-up showing pot-core transformer and heatsink mounting.

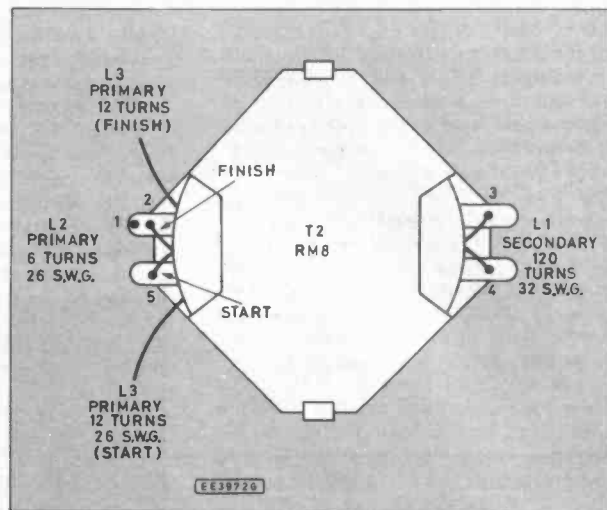


Fig. 3. Winding details for the h.f. pot-core transformer T2. Core viewed from pin side. Winding L2 and L3 are wound in an anti-clockwise direction when viewing bobbin from pin side.

switching action a high voltage is induced in the primary winding and stepped up even higher in the secondary, in fact sufficiently high as to "strike" the tube without using the heaters. Once the tube is running the voltage across it will settle down to a somewhat lower value, but still sufficiently high as to maintain ionisation of the rarefied gas inside the tube.

TRANSFORMER CONSTRUCTION

Before commencing construction of the printed circuit board it is suggested that the ferrite pot-core, high frequency transformer, T2 is wound.

The transformer is wound on an RM8 pot-core, which consists of a bobbin, two core halves and two clamps. The coils are wound on the bobbin, starting with the 120-turn secondary winding L1 which is connected between pins 3 and 4 on the bobbin (see Fig. 3).

Wind the turns evenly and in uniform layers to prevent turns from upper layers dropping down into lower layers and placing high stresses on the thin insulation of the enamelled copper wire. It is recommended that 32s.w.g. wire be used for the secondary winding, being easy to handle but sufficiently thin to allow the turns to be accommodated. The direction of this winding does not matter in relation to the other two windings, so may be wound in any direction, so long as all its windings are in the same direction.

The polarity of the next two windings, L2 and L3, is very important, and after applying a couple of layers of P.T.F.E. pipe thread tape (available from d.i.y. stores and plumbers merchants) on top of the finished secondary winding L1 a further six turns of 32s.w.g. wire are wound on between pins 2 and 5 to make up coil L2. This winding starts at pin 5 and is wound in an anti-clockwise sense, viewing the bobbin from the pin side, finishing at pin 2. A further couple of layers of P.T.F.E. tape are then applied.

Make up coil L3 by attaching a label to the end of a piece of 26s.w.g. enamelled copper wire and mark it "start". Now wind on twelve turns in the same direction as the last winding L2 and leave the ends free on the same side of the bobbin as the six turn winding.

COMPONENTS

Resistors

R1	680	R7, R8, R10	10k (3 off)
R2	820	R9, R13, R14	1M (3 off)
R3	120	R15	5k6
R4, R11, R16	4k7 (3 off)	R17	6k8
R5, R12	1k2 (2 off)	R18, R19	1k (2 off)
R6	ORP12 light dependent resistor	All	0.25W 5% carbon, except R6

Potentiometer

VR1	47k sub-min. preset, horizontal
-----	---------------------------------

Capacitors

C1, C4, C7, C10	100n 5mm pitch boxed polyester (4 off)
C2	2,200µ axial elect., 25V
C3, C8	220n polyester layer (2 off)
C5	470n polyester
C6	100µ radial elect., 25V
C9	470n monolithic ceramic
C11	22n 5mm pitch boxed polyester
C12	1µ monolithic ceramic
C13	10µ non-polarised radial elect., 100V

Semiconductors

D1 to D4, D8, D9	1N4001 50V 1A rect. diode (6 off)
D5	5mm red light emitting diode (l.e.d.)
D6, D7	1N5400 50V 3A rect. diode (2 off)
TR1, TR2, TR3	BC182L npn silicon transistor (3 off)
TR4	BD437 npn 4A power transistor
CSR1, CSR2	C106D 400V 5A thyristor (2 off)
IC1	7812 12V 1A voltage regulator
IC2	741N op.amp
IC3, IC4	4047B multivibrator (2 off)
IC5	4081 quad 2-input AND gate

Miscellaneous

T1	20VA mains transformer: 250V a.c. primary; 15V secondary
T2	RM8 ferrite pot-core transformer (see text): pot-core: B65811-JR41 (AL 4100); bobbin: B65812-J1005D1 (5-tag); clamps: B65812-A2203 (2 off)
L1	120 turns 32s.w.g. enamelled copper wire for T2
L2	6 turns 32s.w.g. enamelled copper wire for T2
L3	12 turns 26s.w.g. enamelled copper wire for T2
LP1	4W fluorescent tube, with two connectors.
B1	12V 2.6Ah sealed lead/acid battery (see text)
S1, S2	Pushbutton switch, push-to-make (2 off)
FS1	1.5A 20mm fuse and p.c.b. mounting holder

Two-part aluminium and steel case, approx size 279mm x 152mm x 76mm; 4-way p.c.b. mounting screw-terminal block (3 off); 3-way p.c.b. mounting screw-terminal block (2 off); sheet of stainless steel, size approx. 160mm x 150mm x 0.8mm (22s.w.g.), for tube reflector; 7.2°C/W heatsink, 50mm x 50mm x 14mm; small heatsink for TR4; multi-coloured connecting wire; self-adhesive feet (4 off); double-sided self-adhesive pads for mounting battery B1; 3-core mains cable; solder, etc.

Printed circuit board available from EPE PCB Service, code 816.

See
SHOP
TALK
Page

Approx cost
guidance only

£35 (excluding Batt.)

About 25mm of free ends will be sufficient for connecting to the p.c.b. Insulate L3 winding as before and, to give some protection to the windings and a neat finish, a single layer of transformer paper may be applied, gluing the two ends together to hold it in position.

Cut two pieces of ordinary writing paper to fit in the centre of the wound bobbin, then fit the bottom core piece and place both pieces of paper on its centre-pole before fitting the second core piece. The two core pieces are clamped together using the two snap-fit metal clamps, ensuring that the "earth" spikes on the

clamps are on the underside of the completed transformer with the bobbin pins.

CIRCUIT BOARD

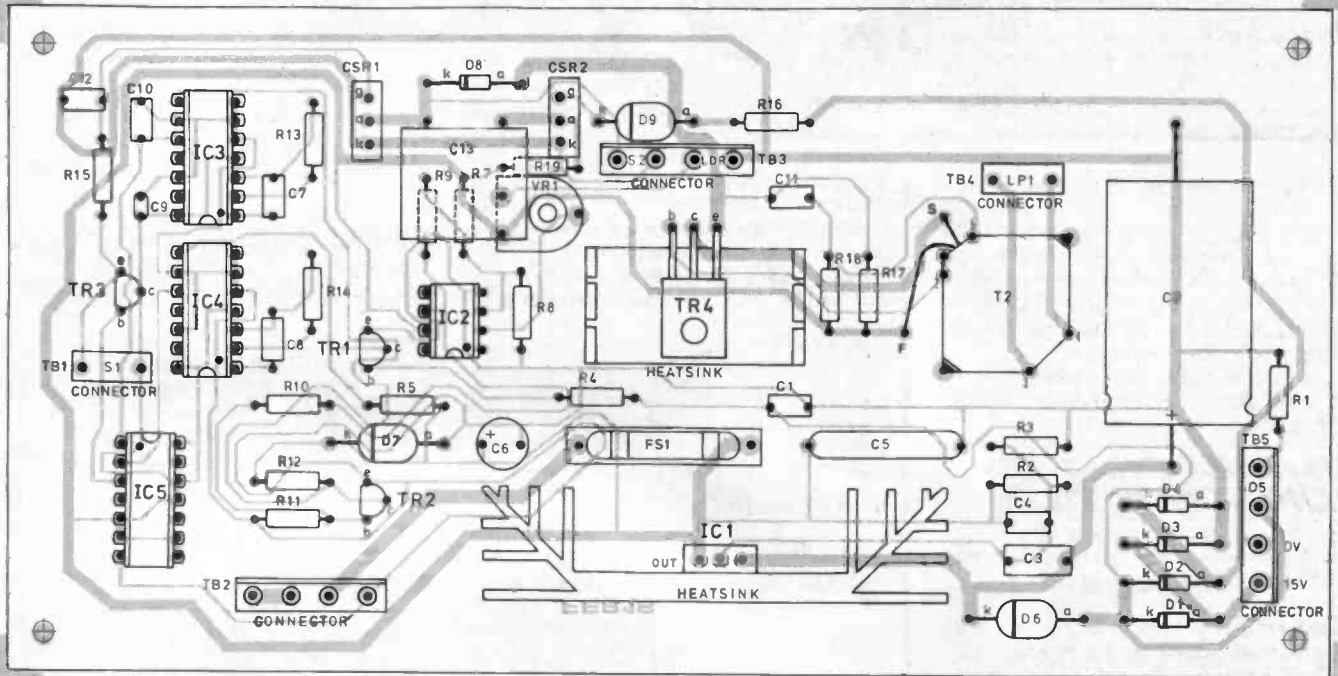
Most of the components are mounted on a single-sided glass-fibre printed circuit board (p.c.b.). The full size copper foil pattern and component layout are provided in Fig. 4. This board is available from the *PCB Service*, code 816.

The following order of assembly for the board is recommended: i.e. sockets, resistors, preset, capacitors (C13 will need to be mounted vertically), fuseholder and p.c.b. connectors (if used). Next the

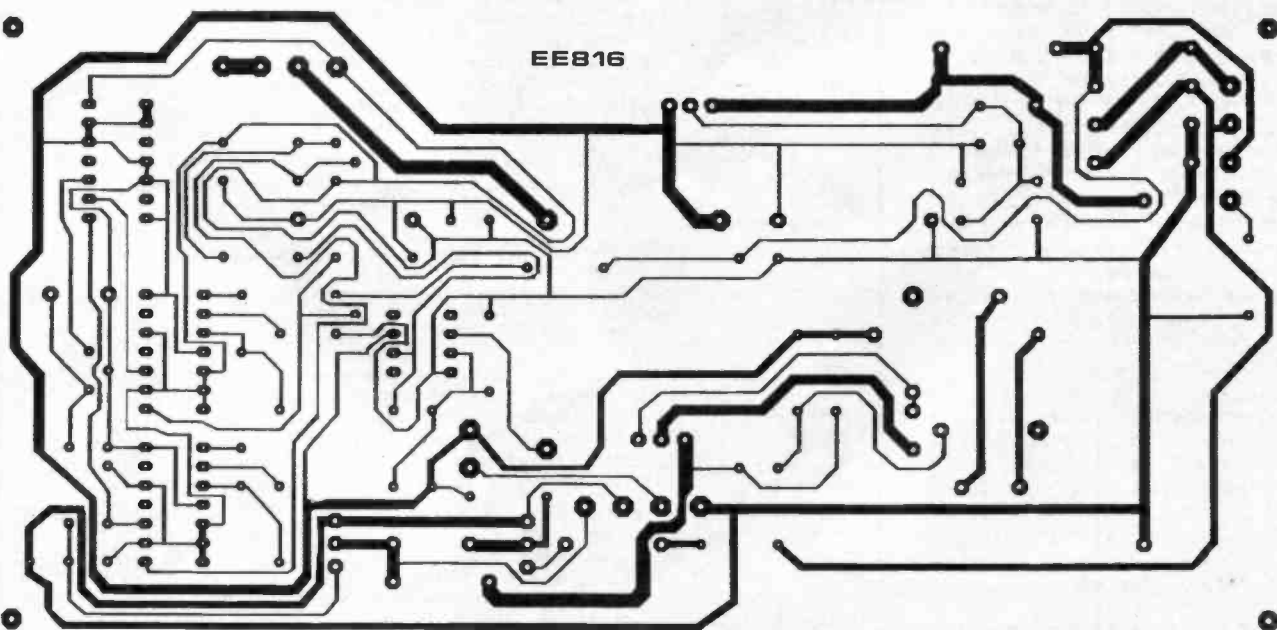
inverter transformer T2 can be mounted on the board, taking care to connect the primary correctly.

The semiconductors should be the last components to be fitted, starting with the eight diodes followed by CSR1 and CSR2. Transistors TR1 to TR3 may be fitted next, followed by TR4 and the voltage regulator, IC1.

These last two components are both fitted with heatsinks, which, in the case of the regulator, needs to be fitted before soldering it into place. No isolating kit is necessary since only IC1 is mounted on this heatsink, but a small quantity of

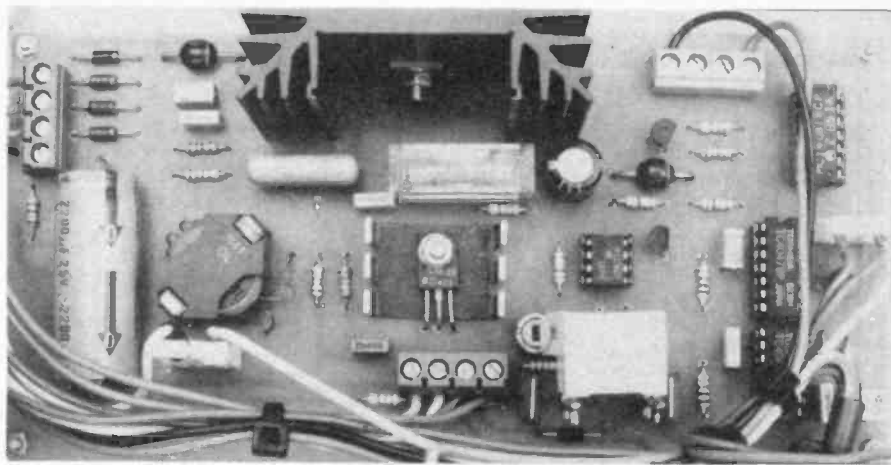


EE39736



EE816

Fig. 4. Printed circuit board component layout and full-size copper foil master pattern. The heatsink for the voltage regulator should be fitted before it is mounted on the board – see text.



heatsink compound must be applied to the mounting tab of the device. The heatsink may be bonded to the p.c.b. using a good quality cyanoacrylate adhesive ("Superglue") if desired.

WARNING:- Under NO circumstances WHATSOEVER should the adhesive be allowed to come into contact with a hot surface, such as a soldering iron, as this will cause HIGHLY TOXIC fumes to be liberated by the cyanoacrylate solvent. Therefore use only the smallest possible quantity and avoid getting any on the copper side of the p.c.b.

The voltage regulator IC1 and its heatsink are mounted vertically to aid cooling. TR4 is laid flat on top of its heatsink and both are bolted to the board using a single M3 x 12 screw and nut.

Note, the metal side of TR4 must face the p.c.b. with the heatsink in between the two. Again, a small quantity of heatsink compound, although not essential this time, may be used to aid heat transfer.

CASE PREPARATION

The case needs a fair amount of preparation work before the electronics may be fitted. A metal case *MUST* be used for safety reasons and will also help prevent any radio frequency interference produced by the tube inverter from propagating strongly outside of the case.

A two part aluminium and steel case size about 275mm x 150mm x 75mm is recommended. These are available from most component suppliers fairly cheaply.

The cutouts to be made in the front panel of the case are shown in Fig. 5. The main task is the cutting of the aperture for the fluorescent tube and is prob-

ably best tackled by drilling an 8mm hole at each corner of this cutout, inside the marked lines and then using a coping saw frame fitted with a junior hacksaw blade to make the cuts. The hole should then be tidied up and de-burred using a flat file. The rest of the holes may be made using suitable size drills and in the case of the hole for the light dependent resistor (R6) finished to size with a round file.

Cut a piece of 4mm thick clear Perspex, size 160mm x 70mm and mount the tube connectors at either end on the centre line, countersinking the mounting screws. The distance between the inner faces of the tube connectors should be 135mm. A tolerance of +0.5mm is acceptable, but must not be less than 135mm or the tube will not fit.

Using the p.c.b. as a guide, drill the four mounting holes for the board in the back left hand corner of the case (see Fig. 7) and fit four M2 x 12 screws in the holes securing them with M2 nuts. Fit another nut on each of these screws, about 5mm from the end of the thread and temporarily sit the p.c.b. on top of these to enable a suitable position to be found on the inside of the back panel for the mains transformer to be mounted, with the battery in position.

Mark and drill the main transformer T1 mounting holes with the p.c.b. and T1 out of the case. Finally drill a hole in a suitable position in the back panel, above the p.c.b. for the mains lead and fit a rubber grommet.

A suitable profile for the tube reflector is shown in Fig. 6. This is reproduced full size to enable a piece of reflective material to be bent to match. For the specified 4W tube the reflector needs to be 160mm long

and the prototype version was bent from a piece of 22s.w.g. (0.8mm) polished stainless steel measuring 160mm x 150mm.

The Perspex complete with tube connectors may now be fitted to the case immediately behind the front panel aperture. The recommended method of fixing is with a contact adhesive, which should be used in accordance with the manufacturers directions. It is suggested that the Perspex be masked off in the large central area first to avoid adhesive contact in areas which will be seen when assembled. An alternative, though less attractive method, as used on the prototype, is to use machine screws and nuts.

The reflector, fitted immediately behind the tube, and in contact with the Perspex, is secured through the bottom of the case using two small self-tapping screws.

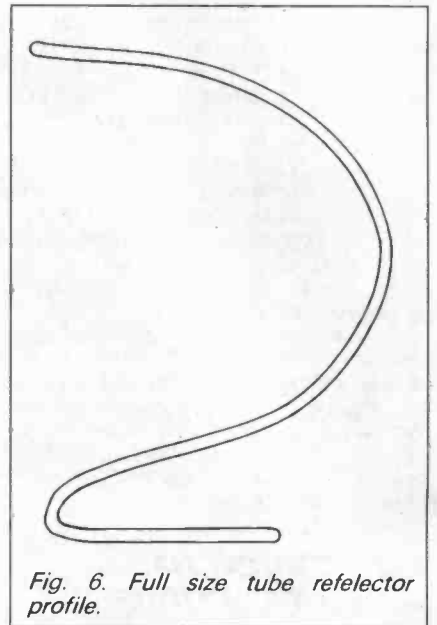


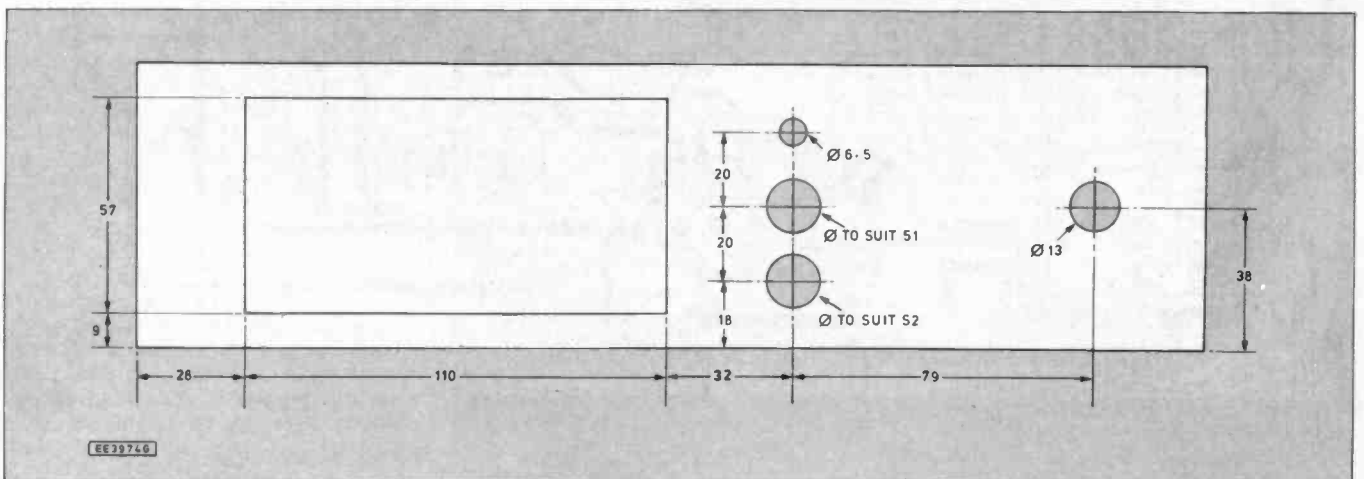
Fig. 6. Full size tube reflector profile.

FINAL ASSEMBLY

All the metal working should, by now, have been taken care of and all that remains is to fit the parts to the case and wire them all up before testing and adjusting the unit.

The light dependent resistor R6 is secured in its mounting hole by bonding it in place with cyanoacrylate adhesive. Alternatively a tight fitting rubber grommet may be used in a larger hole and the l.d.r. simply pushed into this. Fit the two pushbutton switches S1, S2 and the l.e.d.

Fig. 5. Front panel cutout and drilling dimensions. All dimensions are in millimetres.



DS in its mounting clip, in their respective positions.

Connect suitable leads to the mains transformer secondary winding connections *before* fitting it to the back panel above the p.c.b., as now is the last time these terminals will be readily accessible. Any connections which the transformer will obscure on the p.c.b. should also be made at this stage.

The transformer is fitted after the p.c.b. and with its primary connections facing away from the p.c.b. for reasons of safety. The mains Earth connection to the case is made under one of the transformer securing nuts and must *NOT* be omitted under any circumstance.

The internal battery (when installed) is fitted at the right-hand end of the case and may be secured in position using double-sided self-adhesive pads.

The internal layout of the case and all interwiring is shown in the "folded flat" drawing of Fig. 7. There is a fair amount of wiring to be done and care should be taken to follow the wiring diagram accurately.

All high voltage connections should be adequately insulated - this includes the connections to the tube. Push on receptacle connections are recommended for the internal battery's connections (do not solder directly to the battery terminals) and these should be correctly crimped or soldered to the appropriate leads.

Stranded 7/0.2mm wire is suitable for all low voltage connections and sensible use of colour coding is recommended. Do *not* forget the wire link between the two centre connections of screw terminal block TB2 as this (or a switch, see under "Modifications") connects the battery to the rest of the circuit.

SETTING UP AND TESTING

Fit a 3A (maximum) fuse to the mains plug and connect the unit to a 240 volt a.c. supply. With any luck the power indicator l.e.d. should glow (if not it is probable that it has been incorrectly connected, but this should not interfere with further testing and may be corrected later).

Press the On switch, S1 and check that the tube lights brightly and immediately. Next, check that pressing S2, the Off switch, turns the lamp off.

A room which can be readily darkened is required for the next stage of testing. Using a two-way 13A adaptor (or other multi-way connector), connect the Emergency Lighting Unit and a bedside lamp to the *same* socket outlet. Switch on the bedside lamp and the Emergency Lighting Unit and switch off the ceiling light.

Turning off the power to the lamp and the Emergency Lighting Unit simultaneously, via the socket switch, should cause the fluorescent tube to light. If not, try adjusting the sensitivity control, VR1 and testing again.

Turning the two appliances off independently of one another, or one after the other should not trigger the circuit and the tube should remain off. Restoration of just the power after a power failure will turn the tube off.

The setting of the preset light sensitivity control VR1 is best done at dusk, but may be done in a room where the ceiling lamp is fitted with a dimmer. At dusk or in a dimly lit room try triggering the unit by switching off the mains power to it

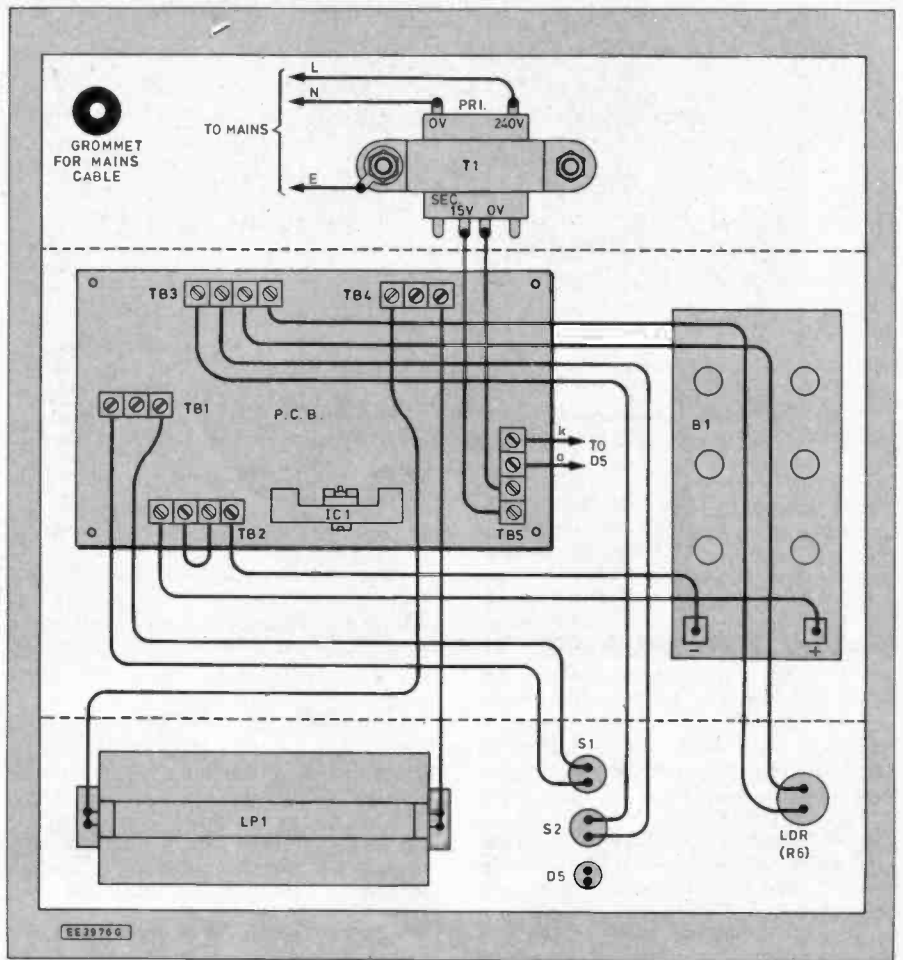
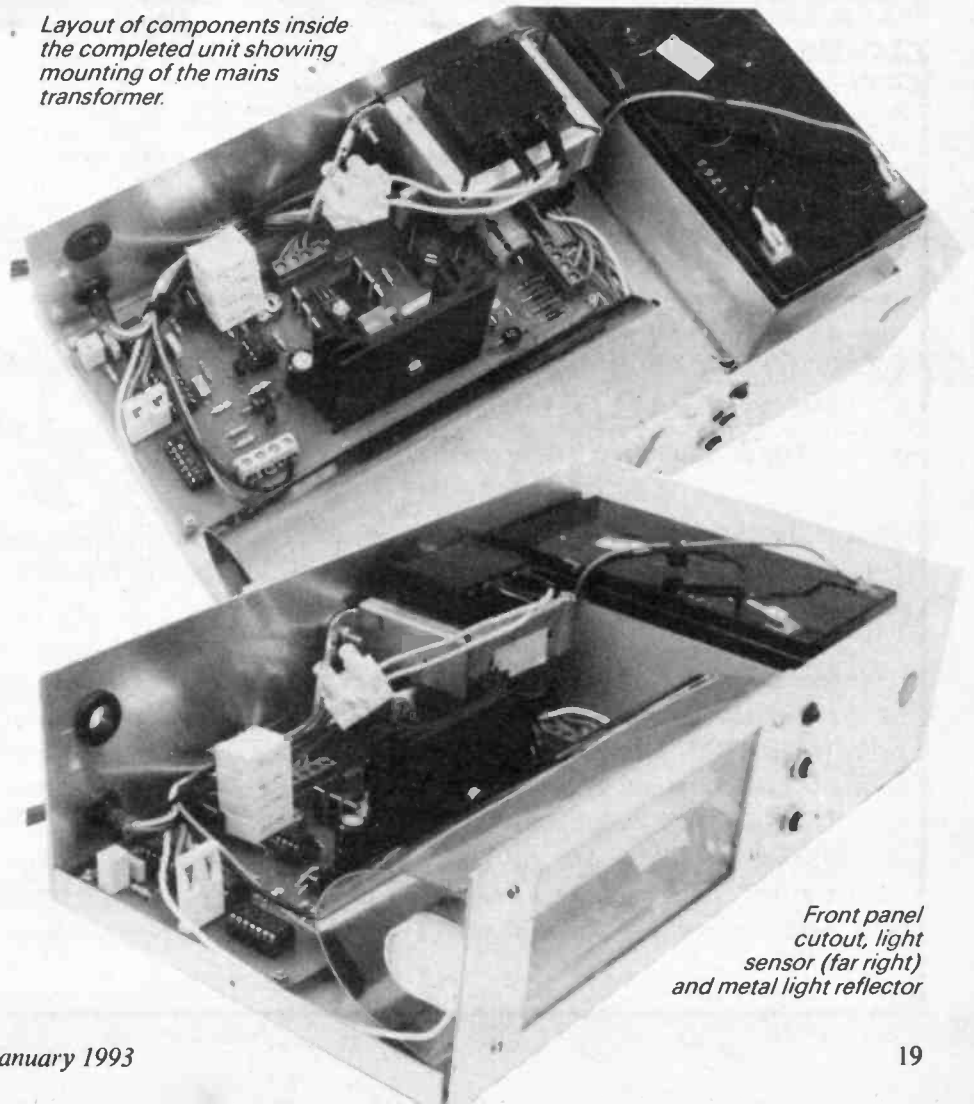
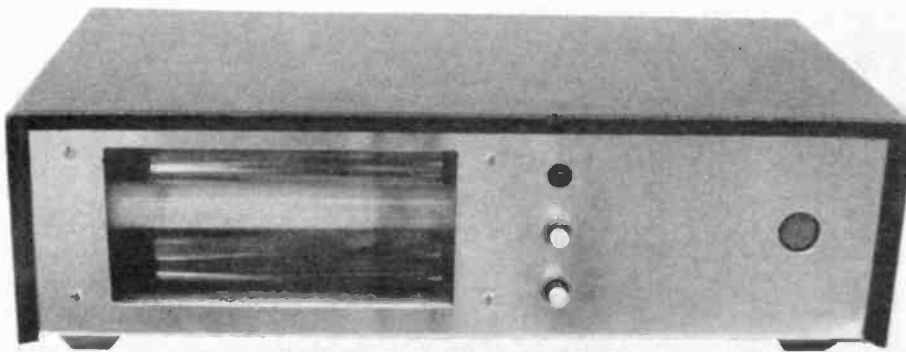


Fig. 7. Internal layout of components and interwiring from circuit board.

Layout of components inside the completed unit showing mounting of the mains transformer.



Front panel cutout, light sensor (far right) and metal light reflector



and the bedside lamp simultaneously, as above. Adjust preset, VR1 so that the Emergency Lighting Unit will only trigger below the required low light level.

This completes the setting up and calibration of the unit and the case may be finally assembled. If desired, some decals and lettering may be applied to the case to indicate functions of the front panel switches and give an indication as to the use of the completed project.

FAULT FINDING

The main area where problems are likely to occur is in the fluorescent tube inverter part of the circuit. If great care is not taken when winding transformer, T2 catastrophic problems may easily occur here, possibly resulting in the destruction of TR4 and CSR1.

It is more likely, however that the twelve-turn primary winding has been wound in the wrong direction and this will manifest itself as a failure of the tube to illuminate. If this happens, simply try reversing the connections to this winding and try again. If this does not cure the

problem assume it was correct in the first instance and look for another fault.

Bad solder joints and solder bridging adjacent tracks can cause all manner of problems and is the reason for many, otherwise good, projects being discarded! Faults of this nature are normally very easy to find, in most instances simply requiring a visual check.

Check the condition of fuse FS1. If it has ruptured, perform a quick check for any obvious causes such as above before replacing it. Do not use a fuse larger than 2A as a replacement, since the circuit should draw considerably less than 1A.

Semiconductors fitted the wrong way round can cause many and varied problems and should obviously be checked before testing them for faults. The thyristors are prime candidates for this type of error and would certainly prevent the lamp from lighting if inserted incorrectly. Both devices are fitted with their gate (g) connections towards the bottom of the board.

If, when the power returns, the lamp fails to turn off automatically, it is most

likely that the value of the capacitor C13 is too small. Placing another capacitor in parallel with it, of around half to twice its value, should effect a cure.

There is no real limit to the value which C13 may have, other than that imposed by its physical size, but the component *must be non-polarised*. This is very important as the capacitor is subjected to voltages in both directions, and an electrolytic capacitor used here may well explode!

MODIFICATIONS

Although the Emergency Lighting Unit as it stands would cover most requirements there are one or two useful modifications which may be made.

The circuit presented is designed to be capable of driving up to an eight watt tube without any alteration, and during prototyping was used with a 13 watt tube! Such a large tube is *not recommended* for extended use, but it does illustrate the rugged nature of the inverter circuit.

A useful modification would be to connect an l.e.d. and one kilohm series resistor across the "back-up" internal battery to make the unit easy to find in a dark room.

Use with an external automotive type battery during extended power failures, such as those of winter 1990/91, is possible and the charger is quite capable of charging large batteries without suffering any harm.

The wire link fitted to TB2 may be removed to allow a single-pole switch to be fitted, enabling the circuit to be isolated from the battery for storage purposes etc. This option has been ignored in the prototype as it was not felt to be essential. □

Typefit

THE TYPESETTING BUREAU LTD

PC page make-up software and typesetter output bureau

6 Church Street, Wimborne
Dorset BH21 1JH

Tel: (0202) 882299

Fax: (0202) 841692

Modem: (0202) 882270

DX: 45314 Wimborne

"For serious document production it knocks other DTP software into the proverbial cocked hat."

Those are the words of Jim Tyler, an independent journalist after reviewing Typefit for "Micro Computer Mart". His letter to us went on to say:

"I spent two years editing a magazine, I have been involved in running a DTP bureau and I currently make my living writing classic car restoration manuals for a division of Reed Business International. I would choose Typefit for any of these roles."

No we did not pay him anything – he did not even get a free copy of our software (Typefit only

costs £225 + VAT anyway). And just for the sceptics he is not a personal friend, relative or shareholder in the company.

His sentiments are backed up by our customers, some of which have changed from other well-known DTP packages costing much more – they tell us Typefit is more versatile and provides them with use of a better range of quality typefaces (230 different fonts).

With Typefit you do your own Typesetting, proof and correct your work, we provide the expensive phototypesetter and fonts to give you top quality 2000 dot per inch bromide output.

Before investing in any other DTP package and especially before spending a small fortune on a specialist typesetting computer or other equipment, please investigate Typefit.



Electromail offers you over 34,000 products – you could read all about them, **FREE.**



ELECTROMAIL

Electromail is Europe's biggest electronic, electrical and mechanical components and equipment catalogue, full of information on more than 34,000 top quality products and tools. It's so packed, that it comes in 3 parts. Usually it would cost you £6.50 but when you spend £50 on your next order, we'll provide a full refund!

Electromail gives you access to the full RS Components range of carefully selected products, together with full specifications. The Electromail catalogue is your complete guide to the leading quality products available today: with over 2,000 full colour pages, it is the Industry's premier reference work – no professional would be without it. So send for your copy now – it can be yours FREE. But hurry! The offer closes 26/2/93.

THE INDUSTRY'S TOP REFERENCE GUIDE

Electromail, PO Box 33, Corby, Northants NN17 9EL

ELECTROMAIL **CATALOGUE OFFER**

Electromail, PO Box 33, Corby, Northants NN17 9EL
Please send me the complete Electromail catalogue for which I enclose payment. I understand my payment will be refunded in full should my next purchase be over £50. This offer closes 26/2/93. Please allow 28 days for delivery. Offer applies in UK only. We ask you to use this coupon to qualify for the offer – photostat copies are acceptable.

Name: _____
 Position: _____
 Company: _____
 Address: _____
 Post Code: _____
 Tel: _____ Fax: _____

I enclose a cheque/P.O.* for £6.50
 I wish to pay by Access/Visa*. My Credit Card No. is _____ Expiry Date _____

EE193 _____ Card Holder's Signature

Innovations

A roundup of the latest Everyday News from the world of electronics

“Gogglevox” Breaks New Ground

by Hazel Cavendish

A LYMINGTON micro-electronics enthusiast has scored a bulls-eye with the world's first portable television mounted in goggles and operated from a control box the size of a cigarette packet weighing less than 16 ozs. The viewer can operate three channels or play a video, and reception equals that of any standard television in the area. It has a brilliant picture, excellent colour and perfect sound.

With a combination of sophisticated electronics and novel use of the microchip, William Johnson's "Gogglevox" is worn like a pair of light ski-goggles bringing instant TV to a viewer on the move, much as the Sony Walkman relays music to the ears of itinerant young. In fact, it has the Sony corporation worried.

No sooner had news of Johnson's invention leaked out than Sony promptly announced a similar product in the pipe-line – but Sony's will not be on the market for at least a year, and then with a specification which offers great cheer to Johnson, as it covers ground long since overtaken by the Gogglevox team.

“Microsharp”

Gogglevox uses two l.c.d. colour screens just 25mm in front of the eyes, its secret lies in the use of a patented paper thin transparent strip of “Microsharp” material which transforms the pixels into a perfect picture.

Now American and Japanese firms are vying with one another to obtain a licence

to produce Johnson's mini-wonder for their markets. He flew off to the United States in mid-November to present his brainchild to a number of keenly interested electronics companies, and continued on to Hawaii to meet a cluster of experts from Japan, all equally anxious to secure this miracle gadget for their industry. An early enquiry from Hong Kong also took Johnson on there, and he rounded up his tour with a visit to Japan's company board-rooms, as a stream of enquiries has been coming in from Japanese manufacturers.

Amazingly, the Hampshire inventor says he never had a science lesson in his life, and that everything he knows about electronics is self-taught. He claims to have been a dud at school, and became an inventor because he could not do anything else. “I have always been in the ideas business,” he says. “I was utterly fascinated when micro-electronics were developed, as the concept of miniaturisation and making things happen in a small way seemed to me to be the way to advance in the future. The Gogglevox has developed from that belief.”

His fertile imagination has produced many innovations – and lucrative products for the home market over the years, but his first major success was his invention of a miniature computer that fitted onto a sports shoe. Called the “Micropacer”, it sold immediately to an international manufacturer of sports shoes for use in the Olympics in the 1980s. The athlete running in that shoe had all the information needed at the end of the race; how fast he had travelled, the distance covered, and how long it took.

The Gogglevox is the result of six years of intensive development with the assistance of a brilliant team from Loughborough University under the leadership of Physics Professor Nicholas

Philips. “I was fortunate in having that team of geniuses who made it all possible,” says Johnson, “I was merely the igniter of the flame; they were the high achievers. Their physics enabled us to take out the pixels and produce the faultless picture we now offer; before that all you saw were little tiles of colour. We travelled a long journey together before we got there.”

Tragic Death

The tragic death in a motor cycle accident of Jonathan Heaton, a post-graduate student who was one of the most brilliant members of the team, slowed them up considerably in the development of the invention. “For months we just couldn't seem to get things right,” said Johnson, “There is always a moment when one begins to think one has made a terrible mistake – then suddenly out of the blue you pick up the line again and off you go. But it is a lot to do with Jonathan that it has all come right in the end.”

His only disappointment has been his inability to launch his invention in this country, but his approach to the electronics industry in the UK has been discouraging. “With our vast unemployment problem I felt it would have been wonderful to be able to open a British factory and offer jobs to hundreds of skilled electronic workers, but when I looked for a company capable of taking it on here there was nowhere to go. One just had to accept the fact that our electronic firms are no longer interested in the retail side. I have had to face up to the fact that the real future of my product lies in the United States and the Far East.

Fight Crime Legally

AT LAST you can construct your own LEGAL and LICENCE FREE, wire free car and burglar alarms; personal attack systems; remote shed or greenhouse monitors, remote controls for security lights and gates etc, with British designed and manufactured radio transmitter and receiver modules supplied by M&B Electronics Ltd. (not to be confused with M&B Electrical Supplies Ltd., of Hove).

In addition to radio modules, M&B Electronics offers an extensive range of products covering both the VHF and UHF telemetry, telecommand and radio alarm bands. All products are DTI approved, and Wireless and Telegraphy Act licence exempt. Products include radio transmitters and receiver modules with ranges up to 200m, wire free panic attack and smoke alarms to existing burglar alarm systems. Prices start from just £18.50 excluding VAT. For more information contact M&B Electronics Ltd., Dept EPE, The Ground Floor, Middlesex University Building, Bounds Green Road, London N11 2NQ. Tel/Fax 081 368 8277.



William Johnson wearing the “Gogglevox”.
Photo Piers Cavendish.

BRITAIN'S SHRINKING MANUFACTURING BASE

ANNUAL SURVEY reveals manufacturing sites down by 13 per cent and employee population down by 10 per cent.

A large-scale survey of manufacturing in England, Scotland and Wales has revealed a 13 per cent drop in the number of manufacturing sites, and a 10 per cent drop in the number of people employed in them, over the past 12 months.

The survey of manufacturing companies in consumer electronics, d.i.y., telecommunications, electronic data processing, office equipment, automotive, and industrial equipment sectors, showed that the number of manufacturing sites had fallen from 3,705 a year ago, to 3,201. The number of employees at these sites had fallen from 455,527 a year ago to 407,868.

The telephone survey was undertaken during July and August by Remploy Manufacturing Services, the national contract manufacturing company, as part of an annual update of its own database of manufacturing concerns.

According to Remploy, the drop in the number of manufacturing sites is the result of rationalisations, closures, mergers, and companies quitting particular market sectors.

The d.i.y. sector was worst hit, with over one in five jobs lost and a 25 per cent decline in the number of manufacturing sites. The telecommunications sector has

also been hit, with nearly 16 per cent fewer manufacturing sites than in June 1991, and a workforce almost 23 per cent smaller.

PIRATE FINES

STIFFER penalties for pirate radio stations were welcomed recently by Trade and Technology Minister Edward Leigh.

Mr Leigh said: "Pirate radio creates anarchy on the airwaves. The fine that can now be imposed in a magistrates court is increased from £2,000 to £5,000. In Crown Courts the fine continues to be unlimited.

"Pirate radio is theft, threat and thoughtlessness - theft of spectrum, threat to life, and mindless disdain for ordinary viewers and listeners.

"In one instance a pirate radio station was raided after it had interfered with the communications of an airport, the police, a bus company, the local authority, a legitimate community radio station and spoilt reception for many law abiding people."

In the first 10 months of 1992 the Radio Investigation Service carried out 401 raids on 99 stations in Britain. There have been 38 prosecutions and 38 convictions.

GREEN PROJECTS

A 10 in 1 projects kit has been introduced by Greenweld Electronics. Using the kit and breadboard supplied the following projects can be constructed: Signal Injector; Battery Tester; Audio Amplifier; Continuity Tester; Light Activated Switch; Siren; Morse Buzzer; Organ; Reaction Game and a Metronome.

A circuit diagram and wiring diagram plus a brief description is given for each project and the 10 in 1 leaflet also provides a component list and component identification information.

The complete kit costs £9.95 plus £2.75 for post and packing from Greenweld Electronics Components, Dept EPE, 27 Park Road, Southampton SO1 3TB. Tel: 0703 236363, Fax: 0703 236307. Details of many offers, competitions, free gifts and new products are given in Greenweld's monthly newsletter, *Greenweld Guardian*, available by post for £6 per year.

Low Cost Datalogger

A NEW addition to the Pico Technology range of PC-based data acquisition products has been announced recently. The ADC-16 is a high resolution data logger that plugs directly into the serial port, requiring no external power. It features 8 channels of analog input at 16 bit + resolution.

Unlike plug-in cards, it uses no expansion slots making it easy to install and ideal for use with portable PC's. The use of a serial connection cable means the unit can be positioned near the experiment to minimise noise pick-up.

It is supplied with PicoLog datalogging software which offers full use of the ADC-16's features: you can select the resolution for each channel from 8 to 16 bits and



either single ended or differential inputs. Each recorded sample can be the maximum, minimum or average of a number of readings, collected over a period of a few milliseconds to a day. The samples can be processed using a range of scaling techniques. The software also includes a comprehensive range of graphical and text reporting tools.

The ADC-16 costs £99 + VAT which includes software drivers and a manual. Pico Technology Ltd, Dept EPE, 149-151 St. Neots Road, Hardwick, Cambs CB3 7QJ. Telephone 0954 211716. Fax 0954 211880.

ELECTRONIC CAR IMMOBILISER



DESIGNED to stop vehicles going missing, "Active 8" is inexpensive and easy to fit. It works by cutting out two electrical circuits, normally starter motor and ignition, to make it doubly safe and secure.

Another major benefit is that it is fully automatic: once the ignition key is removed it is activated in eight seconds, hence the name Active 8. Simple and convenient to use, with no remote controls to be carried, it works whenever the car is left - even when paying for petrol.

The system is de-activated by turning on the ignition and pressing a virtually invisible micro thin pad, positioned for the driver's convenience. A new company, Active 8 Ltd has been established to market and distribute the immobiliser via car security specialists and other automotive outlets.

For further information contact UK Electronics Ltd, Dept EPE, Parkside House, Edge Lane Street, Royton, Oldham OL2 6DS. Tel: 061 626 4117, Fax: 061 627 4870

CONTINUOUSLY VARIABLE BALANCED POWER SUPPLY

STEVE KNIGHT

Provides balanced positive and negative outputs, variable from $\pm 4V$ to $\pm 16V$ at 300mA

IT IS often necessary, particularly for experimental purposes, to have balanced positive and negative voltages to hand, and many power units have been described in the past which have been capable of providing such outputs.

In nearly all cases, however, the output levels of these units have been fixed at such "standard" values as $\pm 5V$ or $\pm 12V$; occasionally it has been possible to switch from, say, $\pm 5V$ to $\pm 12V$, so providing two output levels. In general, such units have usually incorporated the popular 78XX and 79XX series of integrated fixed voltage regulators.

However, a disadvantage of such designs becomes clear when intermediate voltage levels are needed. It is, of course, possible to provide a limited internal adjustment by means of preset controls

that, say, a 5V regulator will turn out, perhaps, a 6V to 9V supply, but to set up both the positive and the negative rails and balance them for every different situation is a tedious and time consuming operation.

SPECIFICATION

The design offered here overcomes these disadvantages and permits a continuous and simultaneous variation in both the positive and negative regulated output voltages by the operation of a single potentiometer control. The circuit is simple and inexpensive and provides a voltage range of $\pm 4V$ to about $\pm 16V$, so covering most of the voltage requirements for experimental and test purposes.

A useful maximum load current of 300mA is available from both output

lines. The two outputs track within a maximum error of $\pm 50mV$ throughout the range and the regulation is adequate to hold the output within 200mV between the limits of no-load and full-load conditions.

Provision is made for a switched voltmeter to monitor both output lines, but this is completely optional, and by calibrating the control potentiometer (a simple procedure), the balanced outputs can be immediately determined without consulting a meter.

CIRCUIT OPERATION

The complete circuit diagram of the unit is shown in Fig. 1 where its simplicity is immediately obvious. Bridge rectifier REC 1 is used in a conventional circuit along with mains transformer T1, which has a centre-tapped secondary winding.

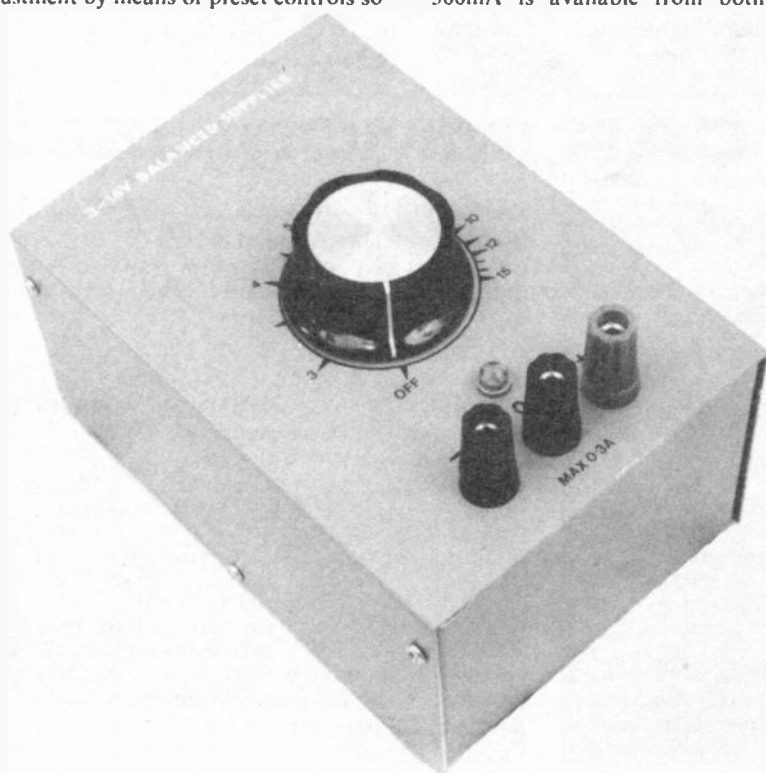
The common (earth or 0V) rail comes from the centre-tapping point of the transformer. This arrangement provides both positive and negative output rails of about 22V d.c. each which are smoothed by capacitors C1 and C2 respectively.

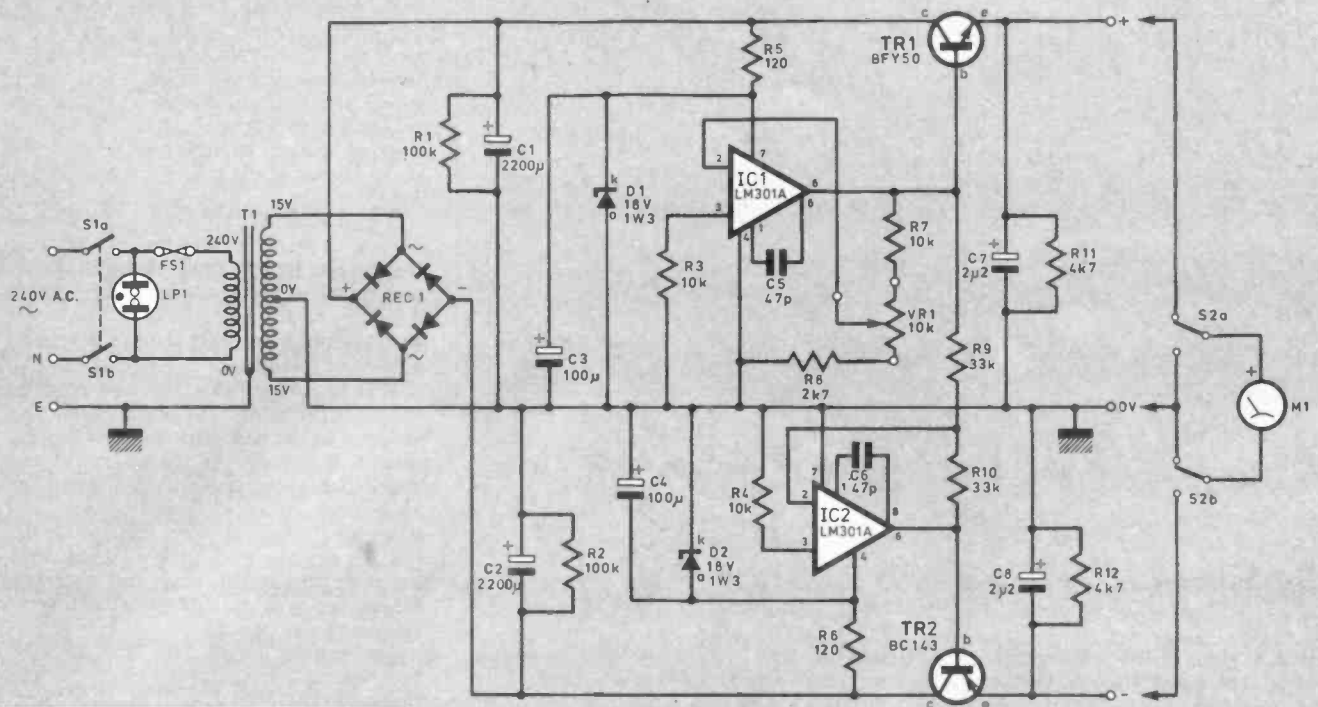
These rails, besides going to the output pass transistors TR1 and TR2, provide the supplies to the two operational amplifiers IC1 and IC2 and are stabilized to 18V by Zener diodes D1 and D2. The op-amps are used in a "master" and "slave" arrangement.

The slave, IC2, is a unity gain inverter with input resistor R9 and feedback resistor R10, and is forced to produce as output identical voltage levels but of reversed polarity to that of the master IC1. Resistors R9 and R10, for this reason, have to be identical in value and one per cent types (or better) must be used here or the tracking (which depends upon their ratio) will deteriorate. Capacitors C7 and C8 provide output decoupling.

The gain of IC1 is varied by the output adjustment control VR1 giving feedback to the inverting input, and this controls in turn the base bias of emitter follower TR1. Control is also applied to the slave regulator which similarly operates on the base bias of the negative pass transistor TR2.

This single control arrangement maintains the tracking of the two outputs of the op-amps and hence the supply levels





EE3961G

COMPONENTS

Resistors

R1, R2 100k (2 off)
 R3, R4 10k (2 off)
 R5, R6 120 (2 off)
 R7 10k 1%
 R8 2k7 (but see text)
 R9, R10 33k 1% (2 off)
 R11, R12 4k7 (2 off)
 All 0.25W 5% carbon film, unless stated otherwise.

Potentiometer

VR1 10k rotary carbon, linear with d.p. mains switch.

Capacitors

C1, C2 2200 μ radial elect., 35V (2 off)
 C3, C4 100 μ axial elect., 25V (2 off)
 C5, C6 47p ceramic (2 off)
 C7, C8 2 μ axial elect., 25V (2 off)

Semiconductors

D1, D2 18V 1.3W Zener diode (2 off)
 REC 1 50V 1A in-line bridge rectifier
 TR1 BFY50 *nnp* silicon
 TR2 BC143 *pnp* silicon
 IC1, IC2 LM301AN op.amp (2 off)

Miscellaneous

T1 Mains transformer: 240V primary; 15V-0V-15V 0.5A centre tapped secondaries
 S1 Mains On/Off switch, part of VR1
 LP1 Mains neon indicator lamp
 Printed circuit board available from EPE PCB Service, code 815; metal or ABS plastic case, see text; 4mm terminals (3 off); 1 red, 1 black, 1 brown; 0.5A fuse and clip type holder; control knob, 28mm dia. skirt; T05 "crinkle" type heatsink (2 off); coloured connecting wire; 3-core mains lead, grommet and clamping clip; solder, etc.

See
**SHOP
 TALK**
 Page

Fig. 1. Circuit diagram of the Balanced Power Supply. The meter system shown on the right is optional.

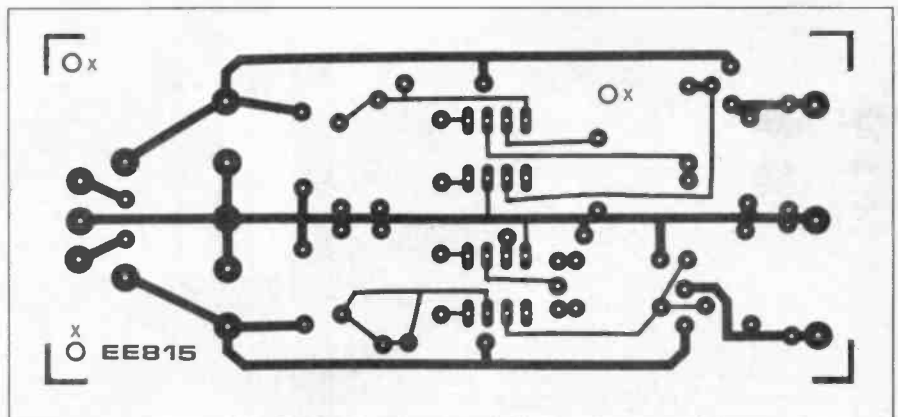
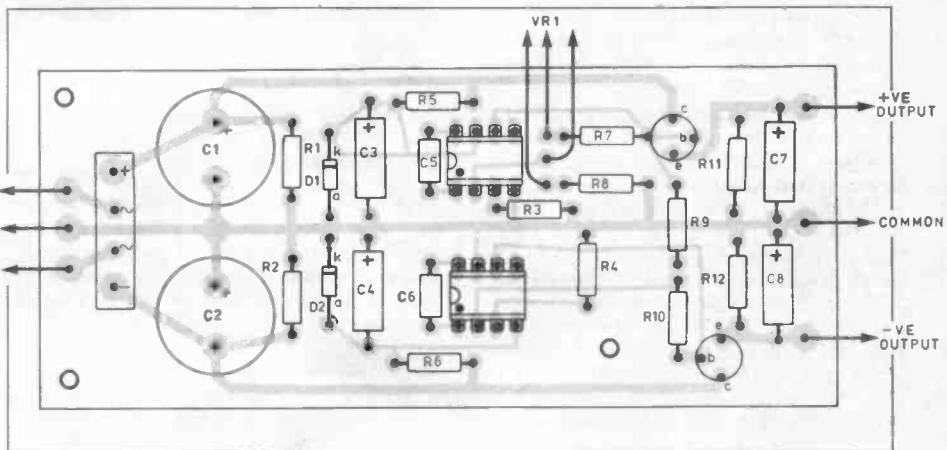


Fig. 2. P.C.B. layout and wiring.

at the emitters (e) of TR1 and TR2. Notice that the two transistors are a complementary pair, one *nnp*, the other *pnp*.

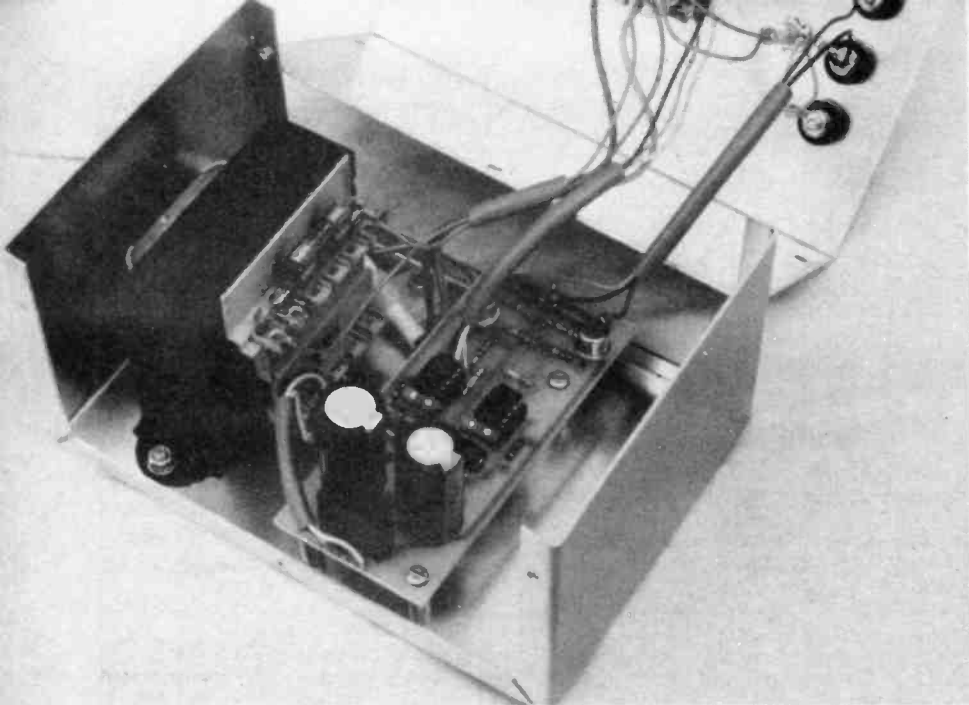
CONSTRUCTION

With the exception of the mains transformer with its fuse and switch, and the

control potentiometer VR1, everything goes on to a small printed circuit board (p.c.b.) measuring (as a minimum) 100mm by 45mm. The topside component layout, together with the full size copper foil master pattern is shown in Fig. 2. This board is available from the EPE PCB Service, code 815.

Approx cost
 guidance only

£16



All the parts used are readily obtainable; type LM301AN i.c.s were used in the prototype because they happened to be available in the author's stock. There is no reason why 741's or any functional equivalents of these op-amps cannot be employed, although these have not been tried in the model.

The usual care in soldering must be taken, as must the polarity orientation of the bridge rectifier, the electrolytics and the Zener diodes, particularly on the negative side of the board for these last two items, where the electrolytic positive terminals and the Zener cathode (k) go to the zero or common line.

The bridge rectifier is a four-pin in-line type; make sure that the order of these pins is $+\infty-\infty-$ and not $+\infty-\infty$ which would be unsuitable for this layout.

The control potentiometer VR1 is connected to the board by suitable lengths of wire from the copper pads indicated; when this control is turned fully clockwise (its maximum output state), the appropriate terminal should connect to

resistor R8. In other words, maximum output is obtained when the slider of the pot is at the R8 end of the track. No harm will come if you do happen to get it the wrong way round to begin with.

MONITORING

A voltmeter for monitoring and setting the two outputs was mentioned earlier. If you wish to build such a meter into the unit, a full scale deflection of 20V-25V is suitable, and the circuit connections to the output terminals of the power unit via a 2-pole changeover switch (toggle or slide type) are shown on the right of Fig. 1.

This does avoid the necessity of calibrating the voltage control but analogue meters do tend to be pricey and unless you have one to hand, such a metered system is not really vital. The control potentiometer calibration is quite easy and will be described later.

CASE

The prototype unit was built into a two-piece aluminium box measuring 153mm

by 102mm by 76mm, but an ABS plastic box measuring 165mm by 120mm by 75mm is available, which, though on the large size, does give additional room for the inclusion of a voltmeter if you plump to use one. The actual layout you use can be a matter of personal choice, there being nothing critical in this matter, and the panel layout of the prototype is shown in Fig. 3.

If you already have a box, it is best to obtain the mains transformer first because this is the largest (and clumsiest) component, then make sure you have room for this and the p.c.b. Fig. 4, along with the photograph(s) shows the general scheme of things.

With the lid off the box, first position the transformer at one end of the box and secure it to the base with a couple of 4BA screws. If you use the plastic box, it is a good idea to fit a piece of Bakelite or aluminium, of about 2mm thickness, underneath the transformer; this avoids the risk of any slight distortion which may occur in the plastic base and generally makes for a more substantial fitting of this heavy component.

The printed board can then be similarly fitted using the three suggested fixing holes marked X in Fig. 2, as a template. 6BA screws are adequate here; use 10mm spacers to hold the board off the box floor to avoid any possible shorting to the case.

The only holes needed in the lid portion of the box can now be drilled; these are for the control potentiometer VR1 (which includes the mains on-off switch S1), the three output terminals and a neon indicator lamp. These must be positioned so that they do not foul the mains transformer when the lid is finally fitted.

CHECKS AND CALIBRATION

The unit can be checked before fitting into the case; wire the three input terminations from the board to the mains transformer T1, using long leads so that the transformer is safely out of reach while you do your checks on the board itself. Make sure the mains earth lead is firmly connected to the case and transformer mounting using a solder tag.

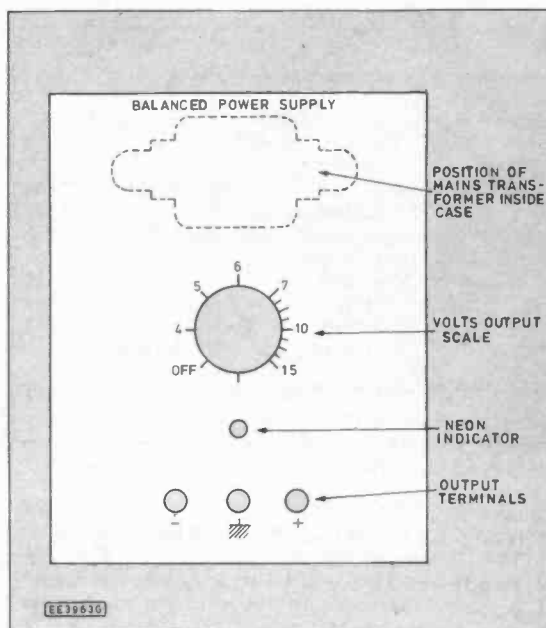


Fig. 3. Front panel layout of the supply.

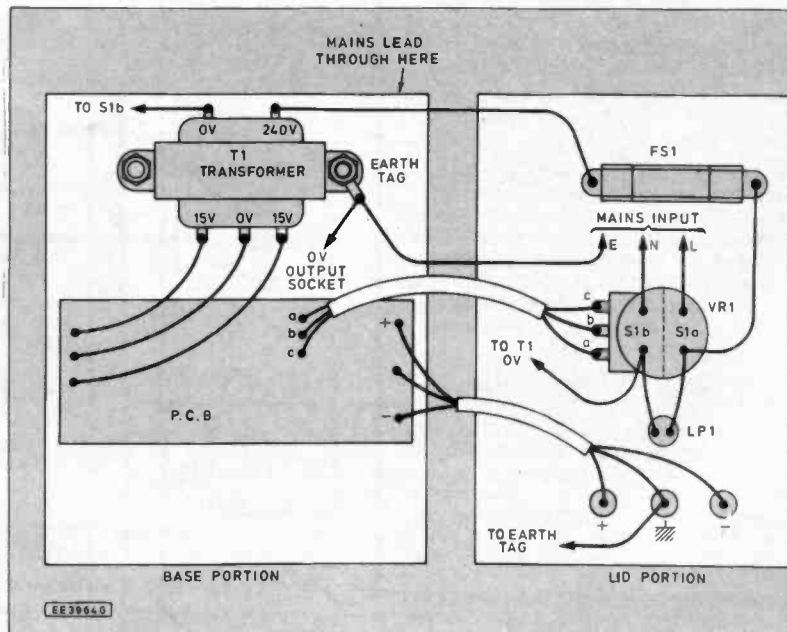


Fig. 4. Interwiring of p.c.b. and other components.

There are exposed mains connections on the mains transformer, on/off switch S1 and the fuse FS1, these should be covered with insulation sleeving. For safety, extreme care must be exercised when working on the unit.

With control VR1 fully anticlockwise, check the output across both the positive and negative output points using a reliable voltmeter; this should read between 3V and 4V. Turn VR1 fully clockwise and again check the outputs; these should now be about 16V.

Now, if all is well, check at a number of intermediate points along the potentiometer track to ensure that the two outputs remain in step throughout the range. If they do not (within about 0.1V), check on IC2 and particularly resistors R9 and R10 which must be within one per cent tolerance.

Now it may happen that you either cannot reach 16V at maximum output or you exceed it before reaching the end of the track. This comes about because of the wide tolerances found in carbon potentiometers, often as much as 20 per cent.

The output will not go beyond about 16.5V in any event because the i.c.s are operating with a supply voltage of 18V, but what you have to aim for is to get the 16V output within the last few degrees of the maximum pot position. This can be done by adjusting the value of R8 which is nominally 2.7 kilohms; if you exceed 16V by a large rotation, increase R8 to, say, 3 kilohms; if you cannot reach it, reduce R8 to, say, 2.2 kilohms.

The purist in these things might care to replace R8 with a 4.7 kilohm preset pot

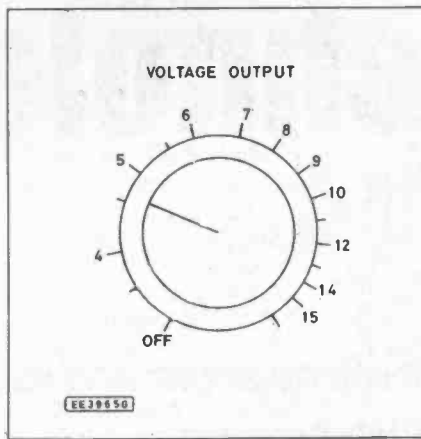


Fig. 5. Appearance of the scale when calibrated. It is suggested that the "standard" voltage i.e. 5V, 9V, 12V and 15V positions are marked with a different colour lettering.

and adjust it accordingly, but whatever you do, the object is to get the control potentiometer VR1 to cover the range 3V (this need only be approximate) to 16V with no wasted rotation at the top end. Getting this right makes the calibration of the control a lot easier at the maximum output end where non-linearity which follows from the characteristics of the i.c.s tends to cramp the scale a little.

FINAL CALIBRATION

This calibration can be done when the unit is assembled in its box and a suitable

knob fitted to the spindle of VR1. Don't use a small knob; make it at least 28mm diameter, and ensure that it has a clear pointer marking.

Set VR1 fully anticlockwise, turn the control until the output (either will do) reads 4V, then using a suitable pen or pencil (a fibre-tipped pen is best) mark the pointer position on the panel with a small dot. Repeat this process for each 1V increment up to a maximum of 15V.

The result should look like the scale shown in Fig. 5; the scale is non-linear, but when annotated with rub-down lettering will look quite attractive. A single dot at the fully anticlockwise position is useful as it acts as a marker should the knob ever be removed and need replacing accurately. This point also corresponds to the supply OFF position.

MODIFICATIONS

Constructors of this project may have a number of their own ideas about the assembly, and this is a good thing. The mains switch need not be incorporated with VR1 for instance; if you have a good wirewound 10k potentiometer, this is likely to have a much better tolerance than a carbon type. The switch can then be a separate component mounted on another part of the panel.

Higher current output can be obtained by using the existing transistors as drivers to a higher power pair, these being fed from a higher voltage line in place of the present 20V or so. Output currents up to 1A or more could then be obtained. □

SERVICE MANUALS

Available for most equipment, TV, Video, Audio, Test, Amateur Radio, Kitchen, Computers etc. etc.

We have probably the largest range of Service Information available anywhere. If you need a manual give us a call.

Originals or photostats supplied as available.

MAURITRON SERVICES (EE)

8 Cherry Tree Road, Chinnor, Oxfordshire, OX9 4QY.
Tel:- (0844) 351694. Fax:- (0844) 352554.

A selection from our vast range of Technical Books

Video Recorder Faults - Repair Guide for Beginners.....	£1.95
VHS Video Recorder Principles.....	£1.95
Transistor Equivalents and Testing Manual.....	£2.95
Transistor Radio Repair Guide.....	£1.50
Switch Mode PSU IC Type TDA-4600 Repair Guide.....	£4.95
Teletext Repair Manual for SAA range of IC's.....	£5.95
Citizens Band Radio Circuits Manual.....	£6.95
Power Supplies, Voltage Regulators & Stabilisers.....	£2.95
Telephone Code Reverse STD Location Guide.....	£3.95
Military Surplus Equipment. Giant 5 Volume Set.....	£39.95
Record Player Speed Disc.....	£0.95
SCART Euroconnector System.....	£1.49

Lots more shown in our FREE Catalogue including Valve Data, Military Circuits, Babani Books, Video Fault Guides etc.

SPECIAL OFFER

The Full Set of Books Shown Above for just £49.95. A MASSIVE saving of £25.54 over the individual price. Use Order Code MPTVSET.

TV & VIDEO TRADE REFERENCE MANUALS

VIDEO RECORDER EQUIVALENTS.

Lists all known models & their alternatives. Fully Cross referenced for fast and easy use. Order MP143.

TELEVISION CHASSIS GUIDE

Listing thousands of Models (Colour & Mono) & their Chassis Designations. Enables you to identify any chassis for any TV from the model number. Order MP18.

The above 2 books contain the most COMPREHENSIVE REFERENCE DATA available anywhere for the TV & Video Trade. Order yours today.

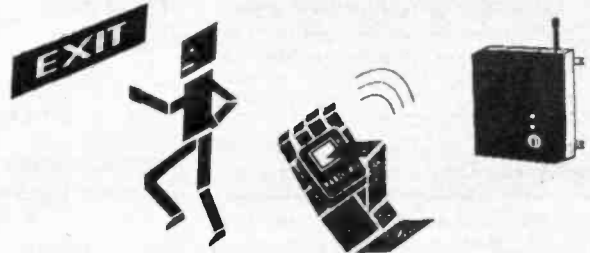
Hundreds of other Technical Guides and Repair books available. Send A5 size SAE for your FREE catalogue today.

All orders please add £2.35 post & packing.

ONLY
£5.00
each.

!!! FIGHT CRIME !!! LEGALLY USING RADIO

CONSTRUCT LEGAL AND LICENCE EXEMPT WIRE FREE SECURITY SYSTEMS FOR THE CAR, HOME, OFFICE AND BUSINESS ETC.. WITH RANGES UP TO 200M. USING UK DESIGNED AND MANUFACTURED PRODUCTS.



UHF MPT1340 Radio Data/Security Transmitter Modules....	£18.00
UHF Receiver, Data/Security Modules from only.....	£29.95
Burglar Alarm, wire free panic attack conversion kit.....	£89.50
Top Quality British 5-zone microprocessor alarm panel with wire free panic attack system.....	£139.00
Additional Radio panic attack buttons.....	£35.00
Desk Mounting 1-zone alarm distress receiver.....	£97.50
Complete personal attack radio system, including battery powered alarm receiver with 113db alarm siren and two panic buttons, ideal for shop security applications.....	£199.00

All orders: Please add £6.00 to cover p&p and insurance. All prices exclude VAT. Quantity discounts available. Payment by cheque, Access and Visa card welcome.

Manufactured in the UK.



M&B ELECTRONICS LIMITED,
The Ground Floor,
Middlesex University Building,
Bounds Green Road,
London N11 2NQ.
Telephone/Fax: 081-368 8277.



New Technology Update

Ian Poole reports on improved op.amps. and magneto-optic data storage

TWO IDEAS this month, the first will be of particular interest to hi-fi addicts as it may improve the performance of equipment being produced today. With digital methods being used increasingly nowadays, it is the analogue circuitry in the system which is the weak link. Fortunately there is a new idea to help overcome it.

The other new development is a new form of storage. It could have far reaching effects not only for the computer industry, but also the consumer market as well.

Analogue I.C.s

Operational amplifiers have long been the basic building blocks for designers of analogue circuits. Of them, the 741 must be one of the most successful i.c. designs ever, having been on the market for over 20 years and still going strong. However, many high performance op.amps. are on the market now. They boast much higher input impedances, lower noise, wider bandwidths and so forth. In fact without these higher performance circuits, equipment like the CD would not be able to reach its full potential.

One of the major problems found when developing an i.c. is that it is not easy to achieve all the required parameters in a single chip and a compromise has to be made. The reason is that to achieve a good performance in terms of noise and low signal distortion the input stage should use bipolar junction transistors. If a large bandwidth and high input impedance are required then JFETs are far superior.

To achieve all these parameters in one package Analog Devices have devised a very novel solution. They use both types of transistor in the input stage. In this way it is possible to make use of the advantages of the JFET and the bipolar transistor.

A conventional long tail pair is shown in Fig. 1, this is the basic input stage of any differential or operational amplifier. This has been modified by Analog Devices as in Fig. 2 to adopt both types of transistor. In this configuration the JFET handles eight times the current of the bipolar transistors. For the FETs to operate satisfactorily they are made very large. In fact they are larger than the output devices.

The performance of the i.c. is a distinct improvement on previous devices. An input noise level of $7\text{nV per } \sqrt{\text{Hz}}$ is achieved. In addition, the total harmonic distortion and noise is better than 0.001 per cent from below 7Hz to above 15kHz driving a 600 ohm load with a signal of 3V r.m.s.

Analog Devices are currently marketing the device as their OP-275 dual operational amplifier. In view of its specification it is likely to be widely used in a variety of applications including the hi-fi industry.

High Capacity Mini-Discs

New improved methods of data storage are constantly being investigated. One which shows great promise uses a magneto-optic system. Using the new technique it is expected that it will be possible to store up to 300 times as much data when compared with conventional magnetic storage.

In essence the system uses a laser beam to heat a minute area of the recording surface. By doing this the heated area becomes magnetised in the opposite direction to its surroundings. To detect the magnetisation another laser is used. It focuses on the area

where the data is recorded, and dependent upon the magnetisation the polarisation of the light may be changed.

The lasers used run at very low power levels. About 20mW is used for writing and slightly less than half this for reading. The light from the laser is guided to the recording surface along an optical fibre. This fibre is tapered to bring the light down to a very fine spot. In fact it is the size of this spot which governs the density of the data stored.

Flying Heads

Like the conventional magnetic recording heads the optical fibre tip has to be placed very close to the media without actually touching it. This is done by actually making the heads "fly" over the surface of the disc as it rotates. To do this very careful design of the actual shape and aerodynamics of the head is required. For conventional disc drives it is not difficult to produce a head which can maintain the correct distance above the disc without crashing into it.

In the case of the magneto-optical disc the gap has to be only about a tenth the distance away from the surface that a normal head is. This requires more development and some very careful design.

A major part of the development has been taken up in finding the correct media. This is just as important as the rest of the equipment. A multi-layered film of cobalt and platinum has been used. This was chosen because it does not corrode or need any protective layer, and it also supports some very high data densities.

It is expected that in the foreseeable future such a system will be able to store over 40 gigabits (a gigabit is one billion bits) of data in a square inch. It is estimated that the maximum limit for data density using this technique will eventually reach several hundred gigabits per square inch, well above anything which can be achieved today.

Read/Write Speed

The main problem dogging the researchers at the moment is the read and write speeds. As writing depends upon heating an area of the media a data rate of 10k bits per second is all that can be achieved. Reading speeds are similarly slow. However it is expected that these figures will rise quite rapidly before too long.

Once the problems of this method of storage have been overcome, the possibilities for its use are almost endless. Obviously the computer industry is very excited about it. In addition to this it could be used as a domestic storage medium if it can be made cheaply. With storage densities of even 40 gigabits per square inch CDs and video tapes would be a thing of the past.

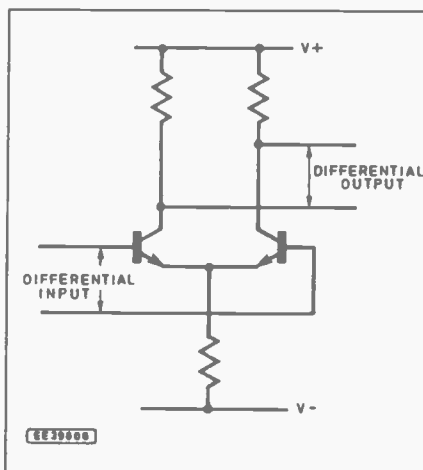


Fig. 1. Conventional long-tailed pair configuration. The basis of the operational amplifier.

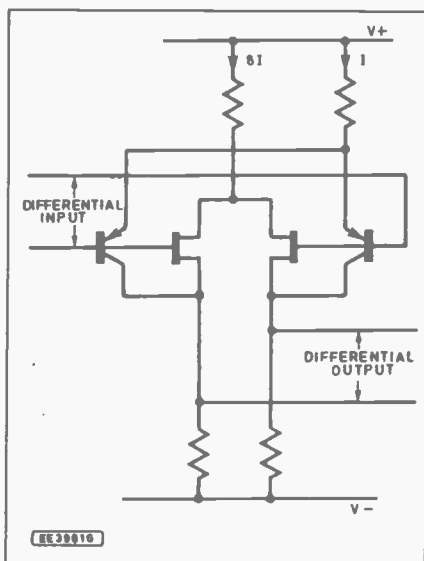
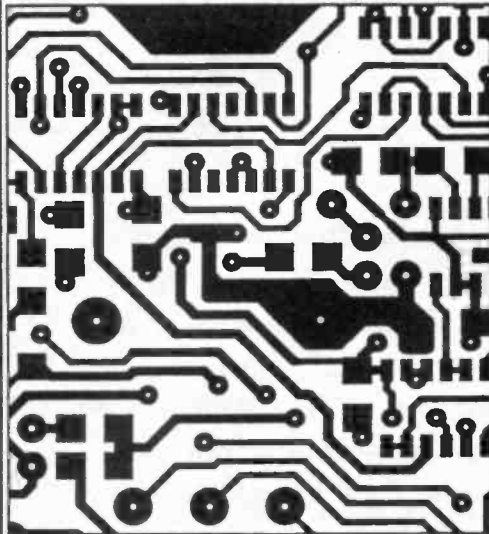


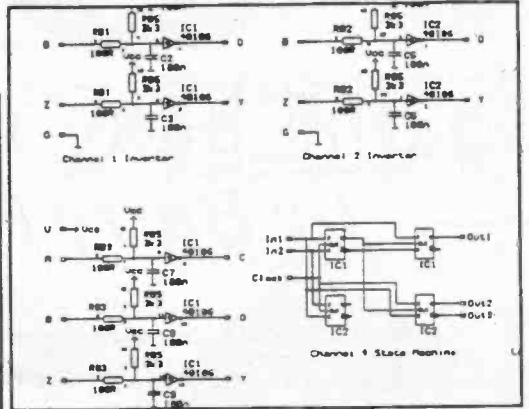
Fig. 2. New input circuit combining bipolar transistors and JFETs.

EASY-PC PCB and Circuit Diagram CAD

Forget using tapes and lightbox! Create your Circuit Boards using CAD - like the professionals.



- Runs on PC/XT/AT etc. with Hercules, CGA, EGA or VGA display and many DOS emulations.
- Design Schematics Single and Double sided and Multilayer boards including Surface Mount.
- Standard output includes Dot Matrix / Laser / Inkjet Printer, Pen Plotter, Photo-plotter and N.C. Drill.
- Extremely powerful.
- Very easy to use.



EASY-PC

Technical support is free, for life!

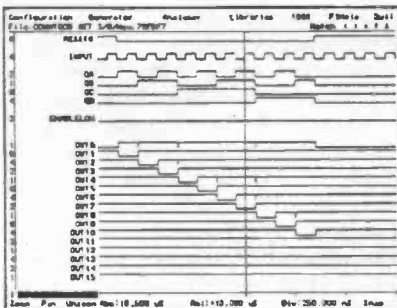
**Only
£98.00!**

Plus P&P+VAT

Over 13,000 Installations in 70 Countries Worldwide!

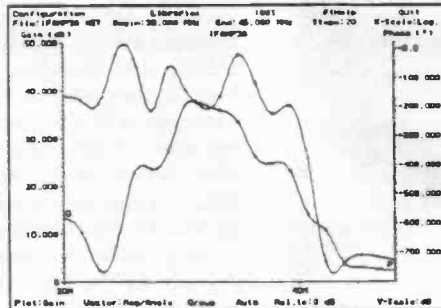
Options:-500 piece Surface Mount Symbol Library £48,
1000 piece Symbol Library £38, Gerber Import facility £98.

**DIGITAL
SIMULATION** £195



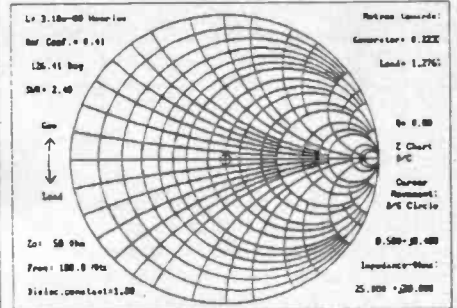
- At last! A full featured Digital Circuit Simulator for less than £1000!
- PULSAR allows you to test your designs without the need for expensive test equipment.
- Catch glitches down to a pico second per week!
- Includes 4000 Series CMOS and 74LS Libraries. 74HC/HCT libraries only £48.00 each.
- Runs on PC/XT/AT/286/386/486 with EGA or VGA.

**ANALOGUE
SIMULATION** £195



- NEW powerful ANALYSER III has full graphical output.
- Handles R's, L's, C's, Bipolar Transistors, FET's, OP-amp's, Tapped and Untapped Transformers, and Microstrip and Co-axial Transmission Lines.
- Plots Input / Output Impedance, Gain, Phase & Group Delay.
- Covers 0.001 Hz to > 10GHz
- For PC/XT/AT/286/386/486 with EGA or VGA.
- Very fast computation.

SMITH CHART CAD
£195



- Z-MATCH II simplifies RF matching and includes many more features than the standard Smith Chart.
- Handles transmission line transformers, stubs, discrete components, S Parameters etc.
- Supplied with many worked examples.
- Superbly easy to learn and use.
- Runs on IBM PC/XT/AT/386/486, CGA, EGA, VGA.
- Ideal for Education and Industry.

For full information, Write, Phone or Fax:-

Number One Systems Ltd. **I**

REF: EVD, HARDING WAY, ST. IVES, HUNTINGDON, CAMBS, ENGLAND, PE17 4WR.

Telephone: 0480 61778 (7 lines) Fax: 0480 494042

International: +44 -480-61778, Fax: +44-480-494042 ACCESS, AMEX, MASTERCARD, VISA Welcome.

- TECHNICAL SUPPORT FREE FOR LIFE!
- PROGRAMS NOT COPY PROTECTED.
- SPECIAL PRICES FOR EDUCATION.

FOX REPORT by Barry Fox



Germany has cornered the market for mammoth shows. One year Berlin stages the Funkausstellung or Radio Show, the next year Cologne hosts Photokina. Both are autumn events, timed to coincide with the run-up to Christmas and both are open to the public as well as the trade.

The Radio Show is now an International Audio and Video Fair, and Photokina has grown from a photographic show to a "world fair of imaging and sound". Barry casts his inquisitive eyes over some new developments seen in action for the first time in Europe at Photokina '92.

THIS YEAR (autumn 1992) it was Cologne's turn, with the 22nd Photokina. A total of 1569 exhibitors from 44 countries spread through twelve hanger size halls covering 230,000 square metres of floor space. The show grounds are so large that they have two separate press offices and the organisers provide a shuttle service for the press between them.

The city of Cologne knows the value of the exhibition. Anyone with an admission tickets bought for 15DM (around £5) or anyone who has an exhibitors' or press card or who works for one of the construction firms, can use all public transport in the city free, even out to the airport. This concession extends for the two days before and after the show. It is hard to imagine London Transport giving a similar concession. Small wonder that Germany has cornered the showmarket.

DIGITAL RUMBLE

Both Philips and Sony held press conferences with heavy emphasis on their new home digital recording systems, DCC and Mini Disc (MD). Both left time at the end for a lively question and answer session - in marked contrast to press conferences staged by Polaroid and 3M which wasted far too much time on audio/visual slide shows, and in the case of Polaroid even a live pop group. Scores of journalists walked out, they just do not have time for such sessions.

The battle between Philips and Sony on DCC and Mini Disc is already showing signs of the extreme nastiness which will be inevitable because each side has staked more than it can afford to lose. Karsten Frank, Head of Philips Audio in Germany claimed that all the major record companies, including the big five BMG, EMI, Polygram, WEA and Sony Music had "signed a cooperation agreement" on software support for DCC. Asked how many of these majors would have titles in the launch catalogue, Frank had to admit - not Sony.

The Philips stand put up a big DCC display, with 40 machines on working demonstration. But although Philips makes much of Matsushita's support, the Japanese company had only a token show of DCC. Most of Matsushita's vast stand was devoted to Panasonic VCRs and a new range of compact 35mm still film cameras. There were just three Technics RS-DC10 DCC prototype decks tucked away in a corner, working with headphones and quiet loudspeakers.

Panasonic's press conference was in German with no translation and concerned mainly with market figures, and no thrust on DCC. (Both Philips and Sony conferences were in English, with simultaneous translation). Just prior to the show Matsushita issued a press release announcing a bet-hedging cross licence with Sony which lets Matsushita make Mini Disc as well as DCC.

The September issue of Matsushita UK's trade magazine *Panarama* contains 16 glossy pages of Panasonic and Technics news, but not a

mention of DCC. And all this in the month that DCC is supposedly launched with Matsushita's support.

A REVELATION

In contrast, Sony's stand at *Photokina* was an enormous mock-up of New York streets with Mini Disc heavily featured under the banner "It's a revolution... Announcing the disc format that everyone has been waiting for. It's digital. It's recordable. It's mobile. It's a Sony".

Philips showed the first portable DCC, the size of an analogue Walkman. Although claimed to be a working model, the unit had no battery, and was available only for posed photographs.

Sony clarified launch plans for Mini Disc in Europe. Sales will begin in Germany, France, Italy, The Netherlands and the UK before Christmas, with the rest of Europe following early in 1993. The first products will be a record/playback portable costing 1200 DM, a playback-only portable for 900 DM and a car unit costing 1800 DM. Sony was attacked by one German journalist for setting higher prices for Mini Disc than promised at the Salzburg briefing in June.

The portables are chunky units, which will fit in an overcoat pocket, certainly not a vest pocket. Significantly all the portables on demonstration were powered by a d.c. line from a mains adaptor. None had the large and heavy nickel cadmium batteries that they would need for portable use. Sony claims two hours playback or 1.5 hours recording. In future Sony may use lithium batteries.

ON THE EDGE

The first blank discs will run for only one hour and cost around 20DM. The 74 minute version will not be available until next year, with no price yet fixed. Why, is the obvious question which the technical press asked.

As with CD, the speed at which the disc rotates varies as the disc plays and the laser moves from the short inner turns of the track spiral to the longer outer turns, to maintain a constant linear tracking velocity. As with CD the fixed linear speed can be either 1.4 metres/second for shorter playing times (under one hour) or 1.2 m/s for longer times (over one hour). But to get 74 minutes on the tiny 64mm MD, even with the five-fold data compression used, the laser must track right out to the edge of the disc. It is harder to make discs which will track accurately to the edge. Hence the delay on sales of 74 minute MD blanks.

Pre-recorded MDs will be pressed, just like CDs, on modified CD presses. Sony promises a launch list of 300 titles (a reference in the English language press release to 3000 titles was acknowledged by Sony as a mistake). Prices, says Jack Schmuckli, President of Sony in Europe, will be "around the same as for CD".

Minoru Morio, Senior Managing Director of Sony in Tokyo predicts a market for Mini Disc running at ten million units by 1995.

At Sony's press conference in Cologne, Sony implied software support from all companies and Schmuckli drew attention to the hardware licences signed by Matsushita and Thomson, adding mysteriously "There are other companies, like Bosch and Blaupunkt, and other software companies in Europe, who for technical reasons cannot be on the list but would like to be on the list".

When pushed, Sony admits it can only count on software support from Sony Music, EMI (including Virgin) and Warner.

Over the last year Warner has swung hot and cold on its support for Mini Disc. Says Schmuckli: "We have assurances from Warner that they will participate. The sample record contains music from both Sony Music and Warner. That proves Warner's interest".

A package of software and hardware will go to a thousand dealers in Germany this December. "The future belongs to discs, both CD and MD", says Wolfdieter Griess, Managing Director Sony Germany, "The issue of pre-recorded software has been over-stressed. It will not decide success or failure. MD's ability to record is what matters".

This may be true, but it is not what the record companies want to hear.

MEMORY LAPSE

Sony has now upgraded the solid state memory in the portable player to four megabits to give ten seconds buffering against jogs. Previously the buffering was one megabit and three seconds. But still Sony's demonstration of portable Mini Disc is unrealistic, the portable is only very gently moved, and the disc taken out while playing to prove the capacity of the buffer. Incidentally, shock protection works only during playback, not during recording.

On copyright issues, Schmuckli says, "This has already all been agreed with the software companies, there is no discussion. SCMS is very safe".

Sony continues to tie the launch of MD in with the tenth anniversary of the launch of CD. This is not accurate. Although there were plans to launch CD in Europe in 1982, these were delayed by the lack of software for Europe from Polygram's factory. Although CD went on sale in Japan in October 1982, the format was not launched in Europe until spring 1983.

INSTANT VISION

For ten years electronics companies have been demonstrating electronic imaging systems at Photokina, and predicting the end of film photography. But there is still no sign yet that the end is nigh.

Kodak has now been selling Kodacolor snapshot film for fifty years. Leo Thomas, President of Eastman Kodak's Imaging division, estimates that photographers will this year shoot 60 billion still images, compared with 40 billion in 1986. Seven out of ten are on colour negative film, which equates to nearly ten colour prints for every person on the planet. "We know that quality hard copy colour will be in demand for ever" says Thomas. Bruce Henry, Vice-President of the Polaroid Corporation predicts "By the year 2000 there will be more hard copy prints than now. Remember how computers were supposed to create the paperless office, in reality they have created just the opposite. We believe in hard copy".

Polaroid has now developed a compact version of the instant print cameras it has been selling for many years. However, it is doubtful if they can make a camera as small as the new generation of compact, fully automated 35mm cameras from Japan. An instant picture camera must contain a pack of large film print paper, and a mechanism to move it through a developing cycle and out of the camera. Polaroid's new Vision camera [secretly developed for five years under the code name Joshua], plays clever tricks to make it small enough to fit in a jacket pocket.

The shape of the print has been changed, from 4:4 aspect ratio to 4:3. Instead of ejecting the developing print, Vision bends it round rollers in a 180 degree U-turn and stores all ten developed prints in a compartment in the camera back. The photographer can either leave the prints there or remove them. Developing chemicals are released from a pod as the print starts moving, and is spread over its surface by the guide rollers. New film was needed, to let the 23 layer coating cope with such a tight mechanical turn.

The mechanics take up so much room that there is none left for the light path. So for use the camera opens up into a larger unit, with mirrors defining an optical triangle.

Because Polaroid film is very sensitive, the lens can have a small aperture (f 12), which gives a large depth of focussing field. To sharpen focus, Vision also switches automatically between long and short distance photography. As the shutter button is pressed the flash gun emits a pulse of infra-red light, and a sensor detects the level of light coming back. If the level is below a threshold, this signals that the view is distant and a solenoid puts a far focus correcting lens into the optical path.

The sensor also reads ambient light and refers to a look-up table of 100 exposure scenarios stored in four kilobytes of read only memory. An 8-bit microprocessor running at 10MHz chooses the best compromise between shutter speed, aperture size and flash light.

Polaroid launched Vision in Germany this winter, and will launch in



The Sony MD-Walkman portable mini disc digital recorder.



Philips DCC900 digital compact cassette (DCC) player.



Polaroid's new compact Vision camera, with on-board picture storage chamber and viewing window.

the UK next spring. The camera will cost around 80 pounds and the film, like current Polaroid film, 10 pounds for a ten shot pack. If sales are good Polaroid will switch production from Massachusetts to its factory in Scotland.

STILL IMAGES

Japanese company Canon has now given up trying to sell its Ion, electronic still image camera, as a domestic product. Canon has now repositioned Ion, which records up to 50 TV images on a small magnetic floppy disk, as an industrial tool, for use with computer graphics programs.

Sony, which started electronic photography with its Mavica disk camera ten years ago, has decided against launching it in Europe. Sony's bitter rival, Panasonic has announced a wide range of compact 35mm film cameras. Fuji has now demonstrated a new system which stores up to 40 images in a 16 megabit flash memory card. But Fuji has no firm plans for marketing the card camera.

At *Photokina* Canon gave the first demonstration of a remarkable new 35mm camera, the EOS5. This boasts "eye-controlled auto-focus". Although the technology is so far used only on a still camera, there seems no reason why it should not be modified and developed for use with video camcorders.

In a conventional auto-focus camera split beam optics sense the sharp transitions between objects in the picture which signify sharp focus. Usually the camera takes its reading only on objects in the centre of the picture. This means that the camera will not be focussed on any object off centre, for instance if the centre of the picture is distant sky. This in turn limits artistic composition.

The only option so far has been either to switch off the auto-focus system and focus manually, or point the camera direct at the off-centre object, then lock the focus and move the camera back for artistic composition of the picture. Canon's new system plays the almost unbelievable trick of detecting where the eye is looking through the view finder, and focussing on only that part of the picture.

When a photographer looks through the new view finder there are five small squares in a horizontal line across the image area. An infra-red light beam from inside the eye piece shines on the photographer's pupil, and reflects back onto a sensor. The sensor detects the position of the photographer's pupil, and puts a red marker dot in whichever of the five horizontal points the photographer has been looking at. The camera then focusses on whatever object coincides with these five points.

Because different people have different eye sight, some people will need to "train" the camera to match their vision. This is done with a brief training sequence. And once trained, the camera remains matched to the user's eye.

The only inherent problem with the system is that it only works horizontally. There is no facility to lock the focus onto objects above or below the centre line.

High-Speed 3M Colour Laser generates photographic quality prints on overhead transparencies from digital data, including Photo CD.



PAPER SANDWICH

Affirming faith in hard copy photography, both Fuji and 3M have separately developed new machines which photo labs can use to make paper prints from electronic images. Fuji's Pictrostat technology can also be used to make clone copies or enlargements of prints, as for instance delivered by an instant picture camera, for which no negative exists.

Pictrostat looks like a floor-standing photocopy machine. It takes in any digital picture signal, whether from computer or electronic camera, and drives three laser diodes which expose silver halide photographic print paper. Although the diodes represent the yellow, magenta and cyan picture content, there are no laser diodes yet available which can produce these colours. So the three diodes generate infra-red light of three different wavelengths. The light sensitive paper is sensitive to these "pseudo colours", but develops to produce visible colours.

Processing is dry. All the chemicals are stored in the light sensitive paper and are activated by light moisture. Because the spent chemicals would dull the image, the Pictrostat sandwiches the chemical "donor" paper with a blank sheet. The sandwich is heated and peeled apart, leaving the image on chemical-free paper.

A modification of the Pictrostat printer, which Fuji will next year offer to High Street processing laboratories for around 100,000 pounds, uses the same paper sandwich technology, but photo-copier optics. It forms an image of any existing colour photograph or, even solid object up to 3cms thick, on the paper, to make a perfect copy. The optics can be adjusted to enlarge an image up to 200 per cent or reduce it by 50 per cent, with a maximum print size of A4 paper.

Both Pictrostat machines take less than a minute to produce dry prints.

A DRY PROCESS

For ten years now, 3M has been trying to make a dry process printer which avoids the need to use peel apart paper, because peeling doubles print material costs to around \$2 each. 3M admits it is still looking for chemicals which can remain in the print sheet without dulling the image.

So 3M is now selling a printer and copier which, like Fuji's, uses three infra-red diodes to write the cyan, yellow and magenta signals onto silver halide paper. The difference is that 3M's processing is "wet", with conventional chemicals, but they are sealed in 25 litre tanks and circulated in a closed loop without the need for a water rinse or external plumbing. 3M will charge laboratories \$150,000 for the laser printer, with raw print material costing \$1 a sheet. Print quality from both the Fuji and 3M laser printers matches traditional photographic enlargement.

PHOTO CD

Kodak now sells a add-unit for a Nikon still film camera which records images digitally, on magnetic disk. But it costs \$20,000 each. Kodak's faith for the future is in Photo CD which functions as a "digital negative".

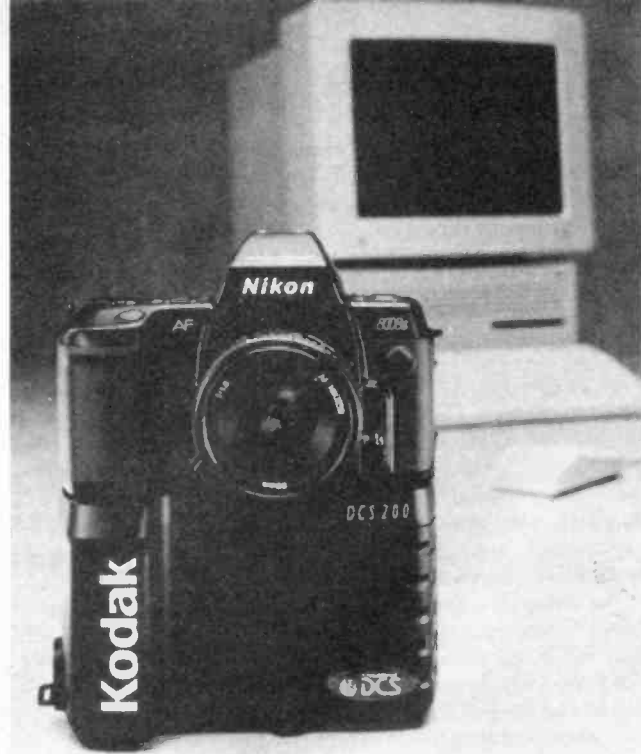
Photographers shoot their pictures on film, have it processed in the usual way and then a Kodak Photo CD centre transfers a hundred or more images onto compact disc as digital code. Kodak is now working on the missing link in the Photo CD chain, a printer that will produce high quality images from a digital negative, at low cost.

Philips showed CD-I, but also had a demonstration of Full Motion Video using both clips from music videos of Pavarotti and Bon Jovi. These were screened on direct view monitors. Although Philips' choice of the Bon Jovi clip still puzzles (because the source material is poor), the Pavarotti clip looked excellent, even when viewed from very close to the screen. There was very little sign of digital artefacts, just a slight trace of mosaic "blocking" on moving edges of the singer's face. Philips now promises the full motion video upgrade before the end of 1993 in Germany for under 500DM. Korean company Goldstar was demonstrating CD-I, too.

SPECIAL EFFECTS

Until now people with video camcorders have been able to make only relatively amateur-looking home movies. They can edit by copying selected sequences from one tape to another, and add simple effects like fades in and out. But only professionals have been able to afford the equipment needed to add the exotic special effects now seen on all TV programmes and commercials.

Next month a German specialist electronics company, Fast Electronic



Kodak's DCS200 professional add-on digital camera, combined with a Nikon still camera body, records images digitally, on a magnetic disk and is claimed to be compatible with Mackintosh and other PCs.

of Munich, will start selling the Video Machine, an extra circuit board that plugs into a 386 or 486 IBM PC or Apple Mac. The board and control software will cost around 2000 pounds, and turn a home or office computer into a video editing and effects system which mimics professional equipment costing many tens of thousands of pounds.

The PC board and software work with Microsoft Windows software. The Mac board works with the Mac's own windows system. Two playback video recorders plug into the board and a third connects to its output.

The electronics on the board convert each analogue video input signal into digital code which matches the internationally agreed professional standard and captures the full broadcast signal bandwidth of 5.5MHz. 24 bit coding of red, green and blue signals gives a range of 16.7 million colours. Picture quality is thus limited only by the tape sources and recorders used.

There is automatic adjustment between European PAL and North American NTSC video formats. The signals are converted back into analogue form at the output.

The computer screen displays windows depicting the picture content of the input signal, with "time lines" running across the screen and indicating the length of each sequence. With a conventional computer mouse, the operator breaks and joins the time lines to create an edited sequence.

Most video recorders give video signals which have unsteady picture synchronization pulses. When these signals are mixed or cut together the pictures are often unsteady on screen. The Video Machine does as all professional video equipment does and restructures the pulses. This lets it mix and cut cleanly between the inputs to produce a seamless edited sequence. Cuts and mixes are rehearsed by storing the control decisions in memory and watching the sequence on screen before copying onto tape.

The board also has three Megabytes (24 megabits) of extra memory, which is enough to store at least two full quality video pictures. This is what lets the Video Machine add special effects. Control software manipulates each image as it moves through the computer, with subtle changes of shape between each picture creating a mobile effect on screen.

The system comes with a library of over a hundred pre-programmed effects, which can make pictures tumble, fly in and out of the frame, shrink, zoom, spin and dissolve. When users get familiar with the system they can modify the library effects or can make their own completely new ones.

The memory can also store, manipulate and blend still pictures with motion sequences. The stills are sourced from any video camera or document scanner.

Cleverly, Fast Electronic has made its control software compatible with any word-processing program which will run on the Mac or under Windows. This lets an editor add titles, direct from a text file and with any font supported by the word-processor.

Demonstrations given at the exhibition by Fast and major video firms including JVC and Pioneer, back Fast's claims that a Video Machine will give serious amateur video photographers, or small businesses, the chance to produce video programmes which look as if they have been polished in a broadcast studio. Whether they do actually look as good will however depend on the artistic skill of the operator.

3D IMAGES

Finally, watch out for a very impressive new 3D still picture system unveiled in prototype form by Kodak. The US company readily acknowledges that its Depth Imaging System is far too complicated and expensive for domestic use, but sees it as ideal for eye-catching advertising displays, for instance publicity pictures outside a theatre or cinema.

Depth Imaging was developed by Roland Schindler and Bud Taylor and Kodak may very well be justified in describing it as "the best stereo imagery ever seen without glasses". The first demonstration of Depth Imaging, given at the show seems to justify their claim.

The Depth Image is formed from a large colour transparency which is back-illuminated in a conventional photographic display light-box. Without needing to wear special spectacles, viewers see a very bright, natural colour image which appears to extend both behind and in front of the light-box. The effect on some pictures is so real that if someone near the light-box puts their finger in front, it appears to blend with the perspective of the 3-D photograph.

For their first experiments Schindler and Taylor mounted a conventional single lens camera on a horizontal track, and took twelve colour pictures of the same stationary object. Each shot was taken from a slightly different position, and thus each image has a slightly different perspective.

The pictures were developed normally. The inventors then used one of Kodak's Photo CD scanners (designed to transfer photographic pictures to a compact disc) to convert each picture into digital code. The twelve sets of code were then combined, to produce a composite digital image, of very high resolution, with each picture point or pixel made from up to twelve sub-pixels.

The composite code is used to drive a light value printer. This scans photographic film with a light beam which is continually switched under control of the pixel code. So the result is a colour transparency with each pixel of the picture represented by a cluster of sub-pixels. Because sub-pixels are so small, there is no overall loss of resolution.

The transparency is bonded to a transparent sheet of plastics, embossed with a vertical raster of fine ridges which serve as lenticular lenses. The

Demonstrating the Kodak Photo CD disk the company's latest player onto a TV screen.



first pictures have a raster of just over 50 lenticules per inch. The use of lenticules is not new. The trick is how to align the sub-pixels with the lenticules, so that a viewer's left eye always sees one perspective while the right eye sees another. Kodak will say only that it has developed a computer program to control the distribution of the sub-pixels.

Because the image is effectively replicated up to a dozen times, each with a slightly different perspective visible only from one angle, a viewer can walk past the picture, seeing an apparently smooth transition from one perspective to another. This simulates real life vision. Holograms give a similar "see round" effect, but only in a single, unnatural colour, usually a ghostly green.

Kodak's transparencies measure 28cm x 35.5cm but the size can be 41cm x 51cm images, with the capacity of the printing device the only limiting factor. Although the first images are on Ektachrome transparency film they can also be reproduced as prints. Anything between six and 24 images can be combined. Where the object is moving, one camera with many lenses will be used.

The 3D system was unveiled at a lecture given by Dr. Leo Thomas, Group Vice-President and President Imaging at Eastman-Kodak in Rochester. Thomas also quoted Gerhard Popp, Head of Kodak's colour negative research team, as estimating that there are a billion silver halide crystals per square centimetre of colour negative film. But still only around one light photon in ten that hits the emulsion is captured and used. And the average image forming efficiency of those photons which are caught is only one quarter the theoretical limit. So the resolution of photographic negative film can be improved by at least a factor of ten.

To get the electronic equivalent of a single frame of Ektar 100 film would require around 324 million bits of computer data, equivalent to several dozen of the highest density floppy disks currently used with home computers.

National press photographers are now starting to use colour print film, instead of colour slide or black and white. They find that definition

is good enough, and one negative can be used to produce either colour or black and white pictures.

All this backs Kodak's now well-worn epigram - that if electronic photography and video had come first, and somebody invented silver halide film photography tomorrow, everyone would hail it as the biggest breakthrough since the invention of electronic imaging.

POSTSCRIPT

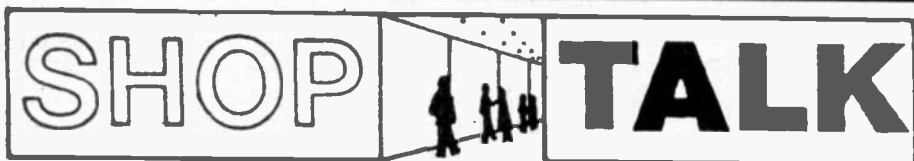
The *Photokina '92* show was notable for being "green". Stand after stand carried stickers explaining that the materials used had been recycled and would be recycled after use. Both Kodak and Fuji printed their press information packs on recycled paper. Kodak even used recycled card folders, which were works of art. "But don't take them in the rain" warned Kodak's publicity officer.

In this area, Polaroid could and should learn a lot from Kodak and Fuji. The information pack given to the press on Vision was an inch thick and contained 33 separate papers, totalling 129 pages. That was in addition to many more general press releases, for instance quoting speeches.

The Vision press releases say the same thing over and over again, in the same or similar words, but in slightly different context. It was a nightmare to try and read them and write a crisp synopsis for publication. Worse still, despite this absurd overkill, there was no clear description of vital integers, for instance the principle behind the range finder. I can only hope that my interpretation is correct.

Polaroid's classic press pack reads like an examination paper answer written by someone who does not understand what they are writing about but hopes that by writing the same thing over and over again at immense length, the examiner will not notice. Just a couple of sketches could have saved thousands and thousands of words.

And no, the paper on which Polaroid has printed this overkill, was not re-cycled. I will however do my bit and recycle it as soon as possible.



with David Barrington

Mini Lab (Teach-In '93)

We have just discovered that supplies of the Veroblocks specified for the *Mini Lab* have dried up and are no longer being manufactured. However, the good news is that the "Eurobreadboard," equivalent to two blocks, will sit on the Lab p.c.b. It does mean that it will have to be positioned using double-sided self-adhesive pads. None of the proposed "experiments" will be affected.

This month's project includes a separate power supply and the components to build this unit should be widely available.

The mains transformer and the 2A thermal resettable trip are RS types (Electromail - ☎ 0536 204555). A selection of kits has been put together by Magenta Electronics (☎ 0283 65435), including the new Euroboard.

Emergency Lighting Unit

A couple of parts called for in the *Emergency Lighting Unit* look as though they will be hard to find locally. The main item(s) is the ferrite pot-core transformer. This was purchased from Electrovalue (☎ 0784 433603) and the type numbers given in the "Comp list" should be quoted.

Small fluorescent tubes should be obtainable from various sources, but the 4W version seems in little supply. A 6 inch 4W "Mini Fluorescent Lantern", from Maplin (code ZC11M), seems to fit the bill nicely. (We understand that they are out of stock at time of going to press, but new supplies will arrive in Jan. '93). It comes in its own housing which you may be able to use.

The reversible or non-polarised electrolytic capacitor (C13-10 µF) should be stocked by most suppliers. The two

companies above certainly list it. The 12V 2.6Ah sealed accumulator battery should be widely available but make sure it will sit in the chosen metal case.

We are not sure where readers can purchase the "stainless steel" sheet for the reflector. It may be cheaper to use sheet aluminium and polish it with some metal polish.

The printed circuit board can be purchased from our *PCB Service*, code 816 (see page 73).

TV/U.H.F. Filtered Aerial Amplifier

Surprisingly, the printed circuit board mounting type of 75 ohm coaxial socket needed in the *TV/U.H.F. Filtered Aerial Amplifier* is rarely listed in our range of catalogues. However, the new edition of the *Circuit* (☎ 0992 444111) catalogue lists one and carries the stock code 10-01100.

The special in-line u.h.f./v.h.f. wideband amplifier i.c. type OM2045 was purchased from Maplin, code UL77J. Do not forget to solder pins two and three to both sides of the board.

The small double-sided printed circuit board for the aerial amplifier is available from the *EPE PCB Service*, code 814 (see page 73). If you decide to house the board in a small diecast box, you should wrap insulating tape around the bodies of the two sockets to safeguard against the possibility of "shorting" to the metal case.

Car Ice Alarm

All components required to complete the *Car Ice Alarm* should be readily available from our components advertisers. The bead

thermistor (4k7 at 25°C) should be available generally, the one in the model came from Maplin.

On a personal observation, it might be best to set the warning to come on at +4°C. Hazardous road conditions can still exist even when the temperature rises; ice patches take time to thaw.

Soft Distortion Effects Unit

There should be no problem with finding parts for the *Soft Distortion Effects Unit*. It is essential to use germanium diodes to obtain the "soft" effect.

The heavy-duty push switch is sold by many advertisers as a "footswitch" and may be a double-pole type. This is usable, you only need to use one set of contacts.

Flash Slave Unit

The components list for the *Flash Slave Unit* indicates three possibilities for the phototransistor. The BPX25 seems to be the most widely stocked. When ordering the rotary switch, you might find that it is designated as a "mains rotary" type by some suppliers.

The specified flash lead should be obtainable from any large photographic shop. It is important to heed the reference about connecting this lead with the correct polarities.

Variable Balanced Power Supply

We cannot foresee any component buying problems for those wishing to construct the *Variable Balanced Power Supply* project. However, before accepting the in-line bridge rectifier check that it complies with the contact arrangement in the diagrams and will fit on the board.

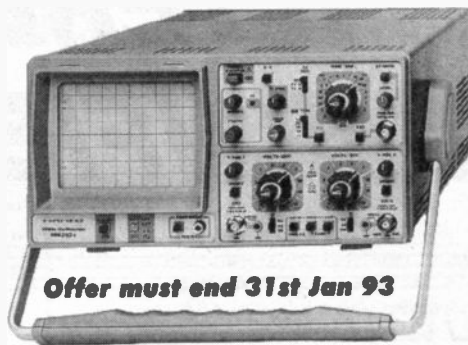
The printed circuit board is available from the *EPE PCB Service*, code 815 (see page 73).

Whistle Switch (Oct '92)

Supplies of the UM3763 have dried up in the UK. We are awaiting information from the manufacturers in Taiwan. If any readers know of a source for the UM3763 i.c. we will be pleased to hear from you.

£30 off Europe's best selling oscilloscopes!

- Excellent quality, built to last a life time
- 2 year warranty
- Each 'scope supplied with 2 sets x10 probes, manual and mains lead.



Offer must end 31st Jan 93

PART NO.	DESCRIPTION	USUAL PRICE	OFFER PRICE
HM203-7	20MHz, dual channel	£397.15	£367.00
HM205-3	20MHz, storage 'scope	£716.75	£686.00
HM604	60MHz, dual channel	£716.75	£686.00
HM1005	100MHz, 3 channel	£930.60	£899.00



MULTIMETERS

The D-MM good value meters are now even D-MMer good value!!

The TM series of low cost meters, with 3 1/2 digit LCDs, full overload protection, strong ABS cases and packed with features. Supplied with test leads, battery and manual.

Offer must end 31st Jan 93

PART NO.	DESCRIPTION	USUAL PRICE	OFFER PRICE
TM 5315	DC current (10A) continuity and diode test	£19.99	£19.25
TM 5365	Capacitance and frequency (200kHz) ranges	£36.50	£29.99
TM 5375	Frequency range (20MHz) and HFE test	£36.95	£31.49
TM 115	AC & DC current (10A), HFE and continuity test	£32.50	£30.99
TM 175	Freq. (15MHz), capacitance ranges with HFE, diode, continuity & LED test	£53.60	£45.00
TM 8020	3 3/4 digit display, freq. (4MHz) capacitance (40uF), AC+DC current to 20A	£54.76	£49.95
TM 8030	3 3/4 digit display, freq (4MHz), temp. (inc probe), AC+DC to 20A	£59.96	£55.49
7705	Capacitance meter, 1pF to 20,000uF	£39.82	£35.90



SPECTRUM ANALYSER ADAPTOR

The new TSA250 will adapt any conventional 'scope into a highly cost effective spectrum analyser. With numerous applications in RF design and development work, EMC investigations, and education.

TSA250 **£399.00**

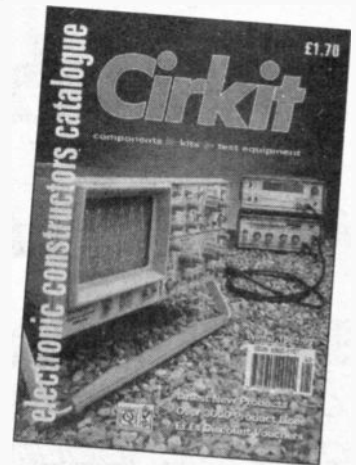
- 400kHz to 250MHz frequency range
- LC display of centre frequency
- Calibration marker

Cirkit

CIRKIT DISTRIBUTION LTD

Park Lane · Broxbourne · Hertfordshire · EN10 7NQ Telephone (0992) 444111 · Fax (0992) 464457

OUT NOW!



The Brand New Cirkit Electronic Constructors Catalogue Winter 92/93

- 192 pages
- £££'s worth discount vouchers
- 100s new products.....

Books - the latest titles.

Capacitors - new range ceramic discs, extended ranges electrolytic and polyester types.

Computers - new CAD PCB layout software.

Connectors - extended ranges of BNC, Jacks, XLR and PCB types.

Filters - new narrow band ceramic and low pass TV filters.

Hardware - additions include new range control knobs, cabinet hardware and heatsinks.

Inductors - more additions to our already extensive range.

Kits - new additions to the Velleman range.

Rigs - handheld 'CB' transceivers, wavemeters, scanning receiver accessories and aerials.

Semis - new linear ICs, transistors and a complete new range of LEDs including blue types.

Speakers - new radio mic systems.

Test Equipment - new hand-held frequency meter and satellite TV dish alignment system.

And much more besides.....

- Available at larger newsagents, from 12th November, or directly from Cirkit.

£1.70
+ 30p p&ap

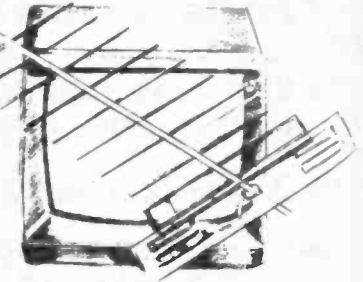
All prices include VAT at 17.5%.

Postage and packing; standard £1.40, next day delivery £4.60.

Prices correct at time of going to press, but may change in line with exchange rate fluctuations.



TV/U.H.F. FILTERED AERIAL AMPLIFIER



BRIAN WALKER

For a small outlay you will receive a good reception from your neighbours. No more unsightly aerial "stacks" on your roof if you use this customized chip. No more grotty pictures if you live in a bad reception area.

THIS circuit is intended for those suffering from bad TV reception either because they live in an area prone to such a disorder where interference is due to taxi radio, amateur radio, or un-suppressed motors etc., or where the signal is just weak. It is also intended for use in caravans where the aerial itself may be a small, inefficient set top, or similar type with little or no gain, as it conveniently runs from 12V d.c.

HOW IT WORKS

The full circuit diagram for the TV/U.H.F. Aerial Amplifier is shown in Fig. 1. The circuit is based around the OM2045, a hybrid thick film i.c. designed as a single stage broadband amplifier. Using such a device simplifies construction, there being no alignment or adjustment difficulties.

Referring to the circuit diagram, the weak signal passes from the aerial through the input socket SK1 and has its h.f. (high frequency) and v.h.f. (very high frequency) interference removed by capacitors C1, C2, and coils L1 and L2, from both the inner core, and outer braid (screen) of the coaxial download. Coil L1 has a low reactance at h.f. or v.h.f. frequency, so bypassing them, but at u.h.f. (ultra high frequency) the reactance is so high it can be ignored.

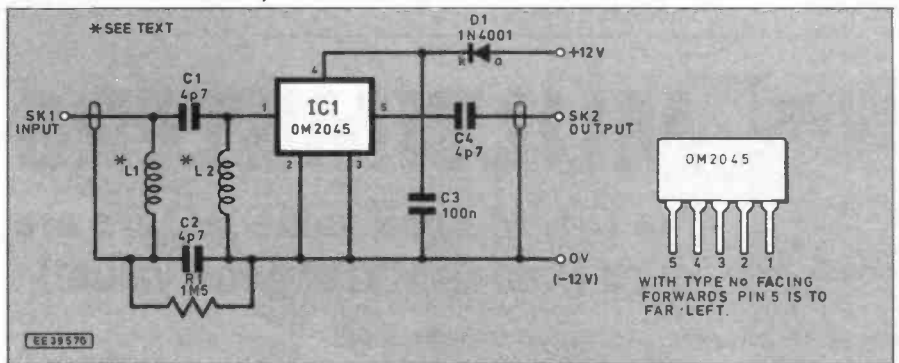


Fig. 1. Complete circuit diagram for the TV/U.H.F. Aerial Amplifier. Leadout identification for the broadband amplifier i.c. is shown inset.

The capacitors C1 and C2 have high reactance at h.f. and v.h.f. frequencies so blocking them, but let u.h.f. through easily. Coil L2 provides a further short circuit to h.f. and v.h.f. signals at the amplifier input.

The OM2045 gives a 12db of amplification and is coupled to the output socket SK2 by capacitor C4. The supply to IC1 is decoupled by capacitor C3 and diode D1 protects the circuit from reversed power connections. Resistor R1 grounds the braid of the aerial.

COMPONENTS

Resistors

R1 1M5
0.25W 5% carbon film

See
**SHOP
TALK**
Page

Capacitors

C1, C2, C4 4p7 metallised ceramic (3 off)
C3 100n ceramic

Semiconductors

D1 1N4001 1A 50V rec. diode
IC1 OM2045 wideband u.h.f./v.h.f. amplifier

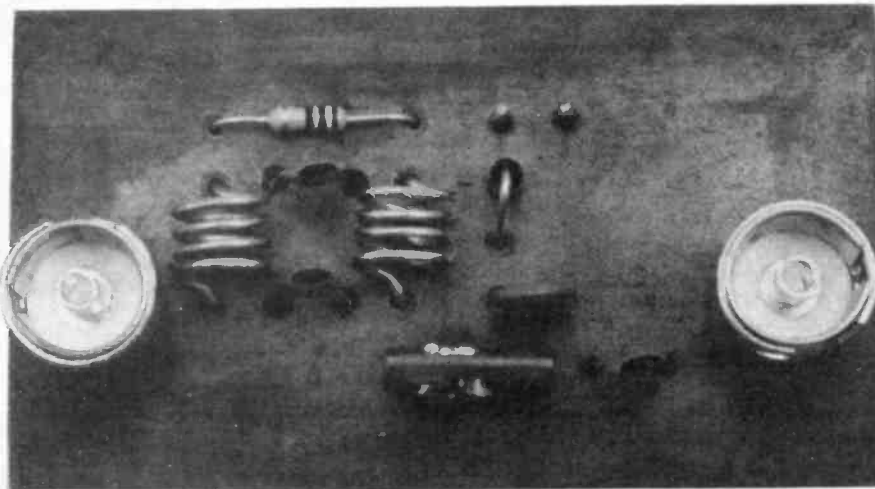
Miscellaneous

SK1, SK2 Standard 75 ohm, p.c.b. mounting coaxial socket (Belling-Lee) - 2 off
L1, L2 Coil 4-turns 20s.w.g. tinned copper wire, 6mm inside diameter and "stretched" to 6mm length - see text

Printed circuit board available from EPE PCB Service, code 814; aluminium case, preferably diecast, approx. 100mm x 50mm x 25mm; solder pins (2 off); connecting wire; solder, etc.

Approx cost
guidance only

£17



CONSTRUCTION

All components are mounted on a small double-sided printed circuit board (p.c.b.). This board is available from the EPE PCB Service, code 814.

The input and output of IC1 is a standard 75 ohm impedance, therefore the input and output connections need to be 75 ohm also. Standard Belling-Lee TV aerial sockets are used and for a standard 1.6mm fibreglass p.c.b., the tracks need to 1.5mm wide, with an earth strip either side of them, and an "earth plane" on the topside, to avoid any mismatch problems. For these reasons this circuit must be built on a p.c.b. not strip-board, tagstrips etc.

Before any components are soldered on the board, a circle of the earth plane (top side) copper needs to be removed from around each hole (Fig. 2), to stop any component lead-out wires from shorting to earth. This is conveniently done with a 3mm drill bit twisted round a few times between the fingers. Do not use a drill for this as it will most likely go all the way through!

The coils L1 and L2 can be wound from a few centimetres of 20s.w.g. tinned copper wire, as they are really little more than a spring of four turns with an inside diameter of 6mm and 6mm long. A 6mm drill bit's shank is a convenient temporary former and the four closewound turns can be carefully stretched out to a 6mm length, making sure no turns touch each other.

It is a good idea to solder the co-ax. sockets in position first as they require big joints and much heat - see Fig. 3. Other parts can then be mounted ensuring nothing metal touches the earth plane, leaving IC1 until last.

Note that pin 2 and pin 3 of IC1 need to be soldered to the earth plane *as well as* the "earth" (-12V) track on the bottom side. This means IC1 will have to be mounted well above the board to allow space for this joint. Its' pins are just long enough to allow this. Do not overheat the i.c. when soldering it in.

CASE

The p.c.b. should be mounted in an aluminium, preferably diecast, box with two 12mm diameter holes drilled for the sockets and a small hole for either the power supply wires, or a small switch, if a battery is fitted. Shakeproof washers should be used when mounting the p.c.b. as they will provide a good earth connection between the board and the box. It is necessary to wrap each socket in insulating tape as their metal sleeves are not electrically at the same potential, and may short out against the box.

TESTING

To test the finished unit connect a 12V d.c. supply or battery (8xAAA cells) and a milliammeter in series with the positive supply. A working amplifier should draw just over 2mA quiescent current, this will rise to 11.5mA when the amplifier is driven..

If a huge current is drawn, disconnect immediately and check for shorts (you did solder the i.c. in swiftly to avoid overheating, and destroying it, didn't you? Because it is very difficult to remove). If no current is drawn see if the diode is the correct way round!

If all is well so far, just connect in series with your television and say good riddance to your grotty picture! □

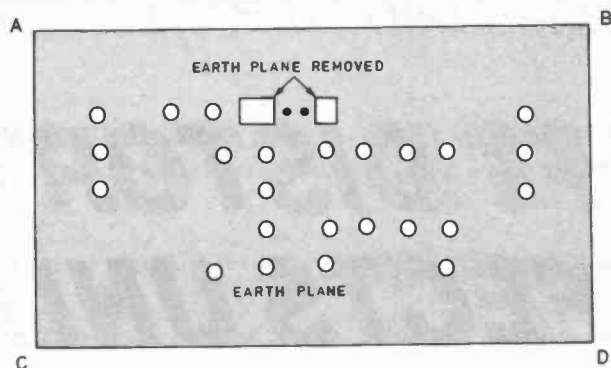


Fig. 2. Topside copper "earth plane" showing copper removed from around component holes and square cutouts around IC1 pins 1, 4 and 5. Note pins 2 and 3 are soldered to the earth plane and underside pads.

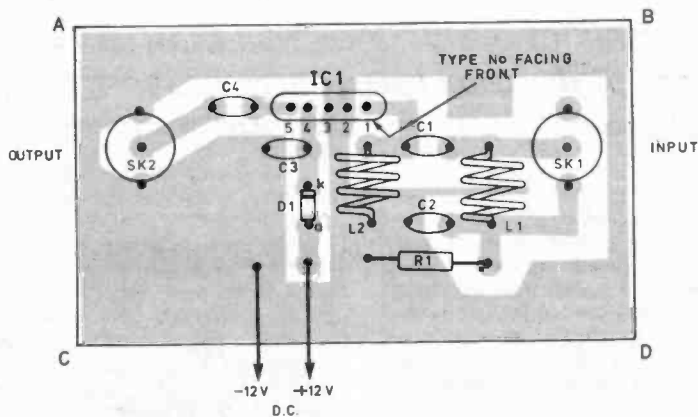
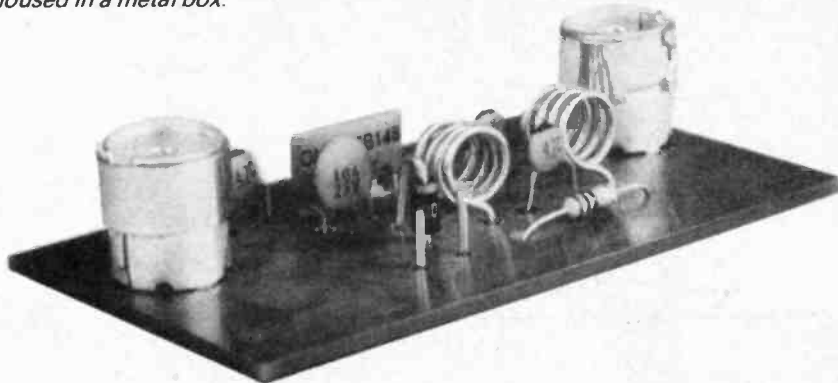


Fig. 3. Printed circuit board component layout and full size underside copper foil master pattern. The completed board is shown below. The outer bodies of the coaxial sockets will need to be covered with insulating tape if the board is to be housed in a metal box.



SOFT DISTORTION EFFECTS UNIT



ROBERT PENFOLD

A guitar effects "footswitch" that will extend your repertoire but still retain the basic guitar sound.

THE DISTORTION effect, or "fuzz" effect as it is also known, is probably the best known of all the standard electronic music effects. It is also one of the most simple to generate.

It is really a range of effects, since there are a number of ways in which the signal from the guitar can be distorted, and most of these methods have been used as the basis of "fuzz" effects units at one time or another. The sound produced by one distortion unit can therefore be distinctly different to that obtained from another box.

GOING SOFT

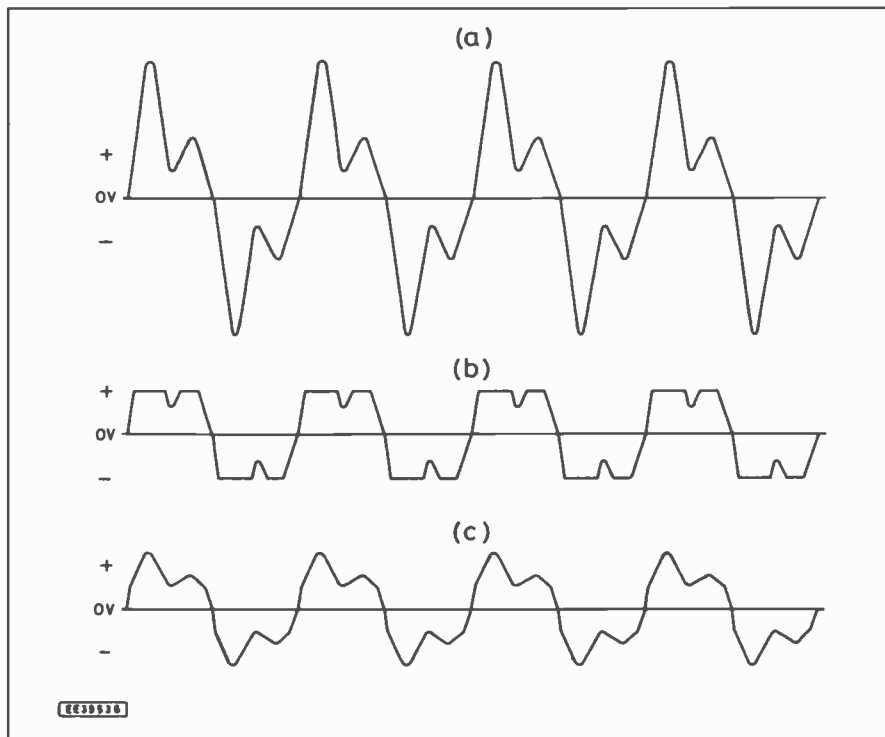
Some "fuzz" effects units are quite complex, but it is possible to obtain quite a good effect from a very simple circuit, such as the one described here. This unit provides a "soft" clipping effect, which is one that most people find more musical than the hard clipping effect used in many home constructor distortion unit designs.

A look at Fig. 1 should help to explain the difference between hard and soft clipping. In the top waveform (a) a typical input signal is shown. The waveform in (b) shows the effect of hard clipping.

With hard clipping distortion the waveform rises from the central zero volts level in the usual way, but only until it reaches a certain threshold voltage. Whether the input signal is positive or negative in polarity, it cannot force the output voltage above this threshold voltage. Eventually the input signal falls below the threshold voltage, and the output voltage then falls back towards zero in the normal way.

Soft clipping is less severe, and produces a waveform of the type shown in Fig. 1c. As before, the low voltage part of the waveform is unaffected. A degree of clipping occurs at higher voltages, but changes in the signal voltage are always reflected to some extent by changes in the output voltage.

Fig. 1. Difference between hard and soft "clipping": (a) typical input signal; (b) effect of hard clipping and (c) soft clipping of the signal.



There is more than one version of soft clipping, but in its normal form the higher the input voltage, the greater the compression of the waveform. This gives a sort of squashing effect on the waveform, rather than completely flattening the signal peaks.

STRONG ON HARMONICS

As far as the sound of the effect is concerned, hard clipping generates strong harmonic and intermodulation distortion, including many strong high frequency distortion products. This gives a very "bright" effect, but one which is also very harsh. The strong intermodulation distortion means that playing more than one note at a time is almost certain to produce some very discordant sounds.

A strong compression effect is produced as a byproduct of the hard clipping. Although the output level from the guitar varies considerably during the course of each note, the clipping ensures that the output level remains constant at the clipping level.

Soft distortion produces relatively weak high frequency harmonics, but generates strong harmonics at lower frequencies. This gives a "thicker" distortion effect. The intermodulation distortion is relatively weak, which means that it is safe to play more than one note at a time.

There is less compression because the output level does to some extent reflect variations in the input signal's amplitude. This results in the character of the guitar's basic sound being retained to some extent, but notes sustain much better.

Another point worth making is that as the input signal decays, so does the soft distortion effect. This gives quite a natural effect with the distortion gradually diminishing as notes are allowed to fade away.

There is a slight problem with hard clipping when notes are allowed to decay naturally, in that the distortion is removed suddenly as the signal drops below the clipping threshold. This gives a decay characteristic that is far from natural.

CIRCUIT DESCRIPTION

The circuit is basically just a standard clipping amplifier. The full circuit diagram for the Soft Distortion Effects Unit appears in Fig. 2. IC1 operates in the non-inverting mode, and its voltage gain is set at about 34 times by resistors R3 and R4.

However, diodes D1 and D2 are included in this negative feedback network, and these shunt resistor R3. Diode D1

is brought into conduction and shunts R3 on negative going half cycles - D2 conducts and shunts R3 on positive half cycles. This effectively reduces the value of R3 and gives lower voltage gain.

The resistance through the diodes depends on the amplitude of the output signal. The higher the output voltage, the lower their resistance and the voltage gain of the amplifier. This gives the required rounding-off on signal peaks.

In order to obtain the desired soft clipping effect it is essential to use germanium diodes for D1 and D2. These do not have well defined turn-on voltages, but instead have a resistance which steadily decreases as the applied forward voltage is increased.

The same is not true of silicon diodes such as the 1N914 and 1N4148. Using silicon diodes for D1 and D2 will give a "hard clipping" effect.

Using a "footswitch" for S2 enables the output socket to be switched between the output of the distortion unit and the di-

rect signal from the guitar. This gives a simple but effective form of in/out switching.

Using a guitar fitted with low output pick-ups will provide an output level from the distortion unit which is substantially higher than the direct signal from the guitar. This can be corrected by backing off output level control VR1 to equalize the two signal levels.

The gain of the unit is likely to be excessive if it is used with high output guitar pick-ups. Results with high output pick-ups are likely to be better if the value of resistor R4 is raised to around 10 kilohms.

The current consumption of the circuit is only about one to two milliamps. Each PP3 size battery should therefore give over 100 hours of operation.

CONSTRUCTION

The complete unit can be built on a piece of 0.1in. matrix stripboard and details of the topside component layout

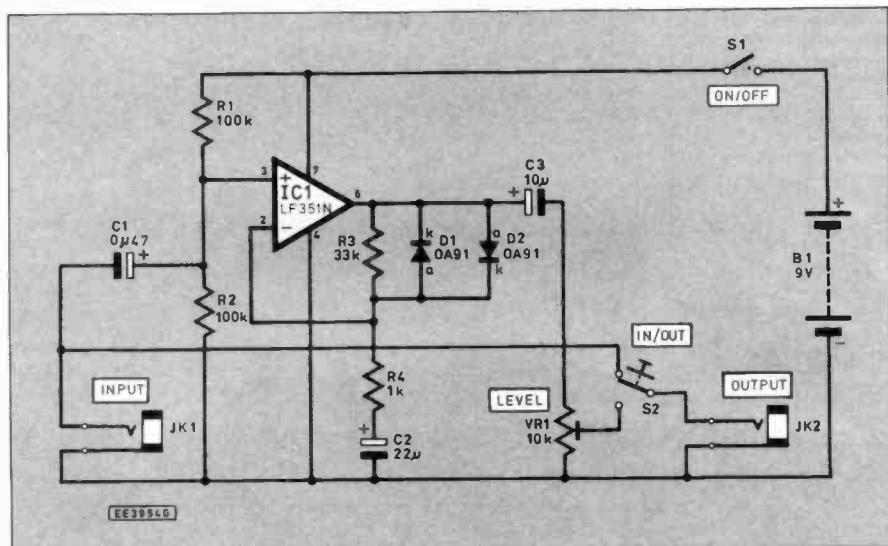


Fig. 2. Full circuit diagram of the Soft Distortion Effects Unit. It is basically just a conventional clipping amplifier. (below) The completed unit with the case opened to reveal position of the footswitch and circuit board.



COMPONENTS

Resistors

R1	100k
R2	100k
R3	33k
R4	1k
All 0.25W 5% carbon film	

See
SHOP
TALK
Page

Potentiometer

VR1	10k min. preset, horizontal
-----	-----------------------------

Capacitors

C1	0.47µ radial elect., 63V
C2	22µ radial elect., 16V
C3	10µ radial elect., 25V

Semiconductors

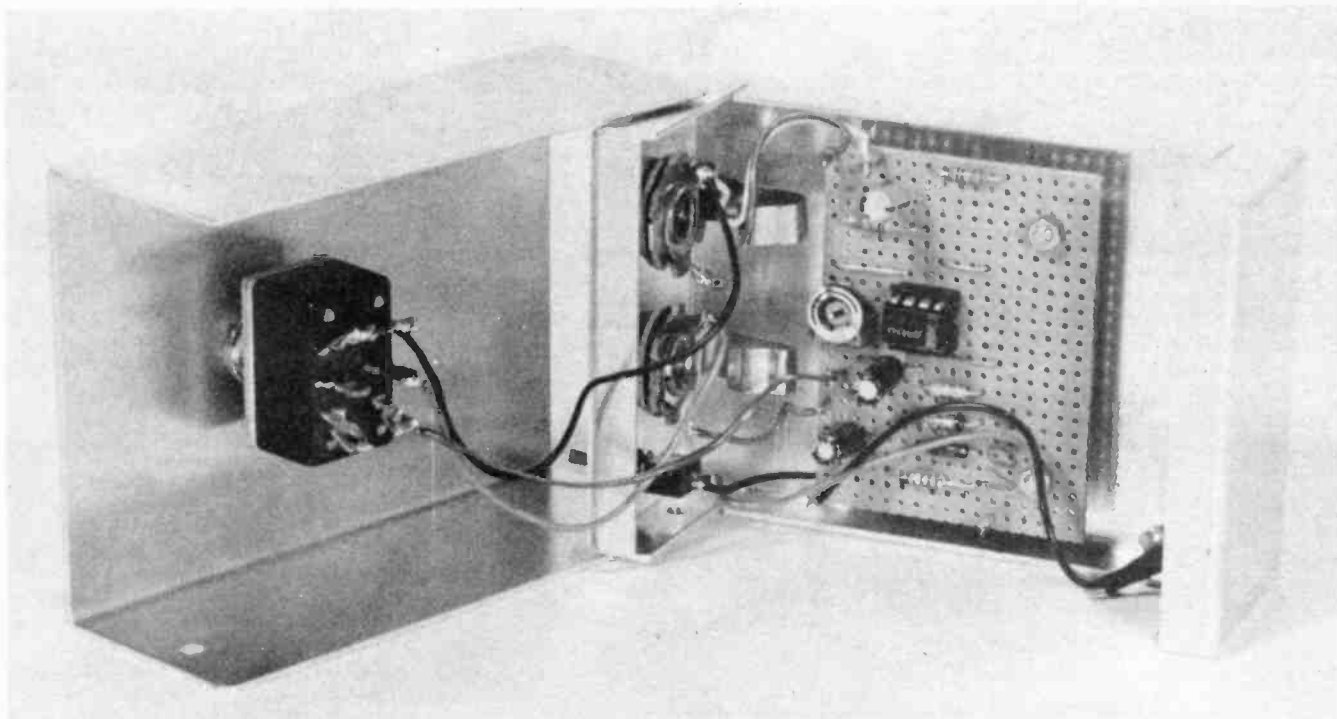
D1, D2	0A90 or 0A91 germanium diodes (2 off)
IC1	LF351N or TIL071 CP bifet op.amp

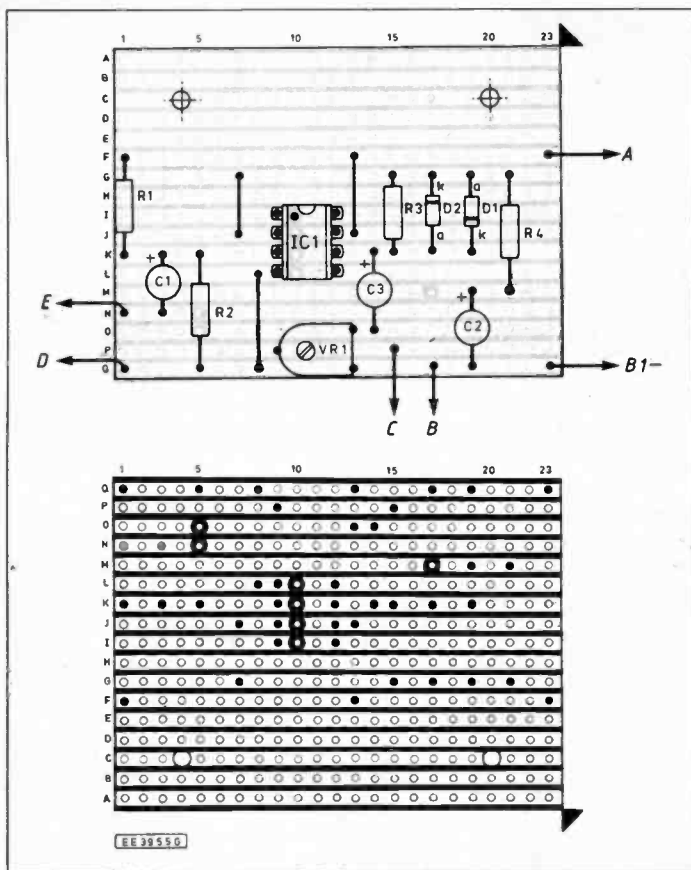
Miscellaneous

S1	s.p.s.t. min. toggle switch
S2	s.p.d.t. heavy-duty pushbutton switch
JK1, JK2	Standard jack socket (2 off)
B1	9V (PP3 size) battery, with clips

Stripboard, 0.1in. matrix, size 23 holes by 17 strips; metal case, about 102mm x 72mm x 38mm; 8-pin d.i.l. i.c. holder; wire; solder, etc.

Approx cost guidance only **£11.50**





and breaks required in the underside copper tracks are shown in Fig. 3. The board has 23 holes by 17 copper strips.

Cut out a board of this size using a hacksaw, smooth any rough edges using a small flat file, and then drill the two 3.3mm diameter mounting holes. There are six breaks in the copper strips which can be made using either the special tool or a twist drill bit of about 5mm in diameter.

Construction of the board is mainly straightforward, but do not overlook the three link wires. These can be made from 24s.w.g. tinned copper wire, or off-cut trimmings from the resistor leadouts will probably suffice.

Diodes D1 and D2 are germanium types, and as such they are more vulnerable to heat damage than are the more familiar silicon devices. It should not be necessary to use a heatshunt on each leadout when it is soldered to the board, but the joints should be completed fairly rapidly when fitting these components.

The low noise op.amp IC1 is not a static sensitive device, but it is still recommended that an i.c. holder be fitted. Also, fit single-sided solder pins at the points where connections to off-board components will be made, and tin the pins with a generous amount of solder.

Fig. 3 (above). Strip-board component layout and details of breaks required in the underside copper tracks.

CASE

The unit could be built into a tough plastic case, but a metal case is preferable for an audio project such as this. A metal case provides screening against stray pick up of mains "hum" and other electrical noise.

A diecast aluminium box is ideal for this type of project. A case of this type has excellent screening properties and is extremely tough. Unfortunately, diecast aluminium boxes are also relatively expensive. The prototype is housed in a small box of folded aluminium construction, and this proved to be adequate in all respects.

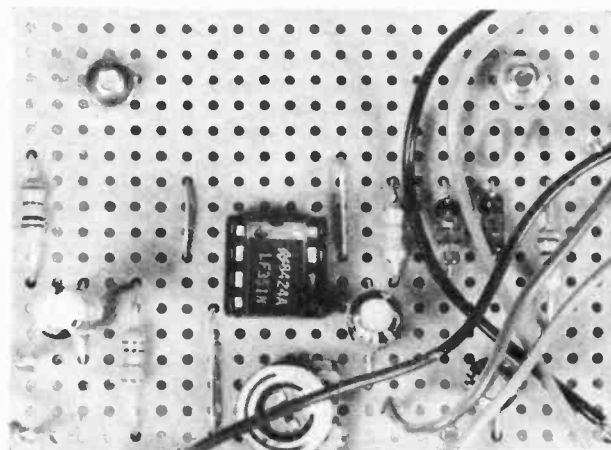
Jack sockets JK1, JK2, and switch S1 are mounted on one end panel of the case, which effectively becomes the front panel. The component board is mounted on the middle section of the base panel, leaving sufficient space for the battery towards the rear of the unit. The board is mounted using 6BA or metric M3 screws, plus spacers about 6mm long so that the connections on the underside of the board are held well clear of the metal casing.

A heavy-duty pushbutton switch (S2) is mounted on the top panel of the case.

This enables it to be operated by foot, so that the effect can be switched in and out in standard guitar effects unit fashion.

Switches of this type are normally of the suc-

The completed model showing the footswitch and input sockets



The completed board showing the three link wires.

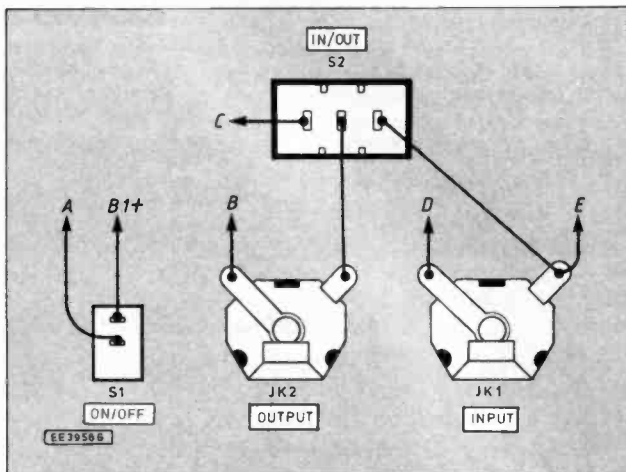


Fig. 4. Interwiring between off-board components and leads to board. Use in conjunction with Fig. 3.

cessive operation variety. In other words, one operation of the switch switches the effect out, a second operation switches the effect back in again, a third switches out the effect again, and so on. It might be difficult to obtain a single-pole switch of this type. The simplest solution is to use a double-pole type and ignore one set of three tags.

The point-to-point wiring is shown in Fig. 4, which should be used in conjunction with Fig. 3. This wiring is very straightforward, but try to keep the wiring to JK1 and JK2 reasonably short and well separated. This will ensure that there are no instability problems due to stray feedback in this wiring.

IN USE

The guitar is connected to JK1, and JK2 is connected to the guitar amplifier. Ordinary screened jack leads are needed to make both these interconnections. Preset VR1 is simply adjusted to give no subjective change in volume when the effect is switched in and out. A little trial and error is called for here.

With very high output pick-ups it is possible that the output level from the distortion unit will be slightly less than the direct output from the guitar. If this should be the case, set VR1 for maximum output (set fully clockwise) and back-off the volume control of the guitar slightly to equalize the two signal levels.

When using any unit of this type it is as well to bear in mind that it is adding extra gain into the overall setup. This means that a little extra care has to be taken in order to avoid problems with stray pickup, "hum" loops, and feedback. □



VIDEOS ON ELECTRONICS

Everyday with Practical Electronics is pleased to announce the availability of a range of videos designed to provide instruction on electronics theory. Each video gives a sound introduction and grounding in a specialised area of the subject. The tapes make learning both easier and more enjoyable than pure textbook or magazine study. They should prove particularly useful in schools, colleges, training departments and electronics clubs as well as to general hobbyists and those following distance learning courses etc.

The first four videos available are:

- ★ **1** *Electronics And You – Part 1: D.C. Series and parallel circuits and the use of a digital multimeter. Running time approx. 51 mins.*
Order code VT1 **£29.95 inc. VAT**
- ★ **2** *Part 2: A.C. Coils, capacitors, transformers and other a.c. devices. Running time approx 62 mins.*
Order code VT2 **£29.95 inc. VAT**
- ★ **3** *Part 3: Semiconductors. Basic semiconductor theory plus fifteen different semiconductor devices explained. Running time approx. 57 mins.*
Order code VT3 **£29.95 inc. VAT**
- ★ **4** *Part 4: Power Supplies. A step by step look at how they work plus trouble shooting tips. Running time approx. 56 mins.*
Order code VT4 **£29.95 inc. VAT**

Each video uses a mixture of animated current flow in circuits plus text, plus cartoon instruction etc., and a very full commentary to get the points across. The tapes are imported by us and originate from VCR Educational Products Co, an American supplier.

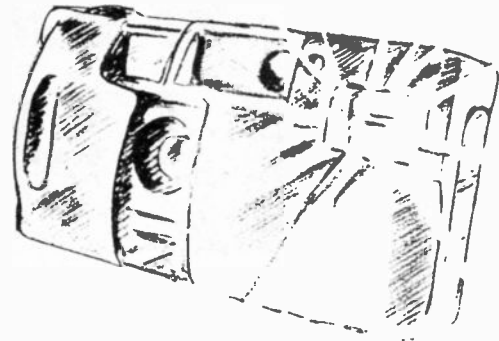
To order see our Direct Book Service "Ordering Details" – the postage for tapes is the same as for our range of books and you can order tapes and books at the same time and pay only one lot of postage.

(All videos are to the UK PAL standard on VHS tapes)

£29.95
each



FLASH SLAVE UNIT



ROBERT PENFOLD

Highlight your sets with this low-cost, fast-acting slave. Multiple flash set-ups without multiple leads.

TRADITIONALLY a flash slave unit is used in order to reduce the amount of cabling in a multi-flash set-up. The secondary flashgun is triggered by the pulse of light from the main gun, via the slave unit which is merely a fast acting light activated switch.

If more than one secondary flashgun is required, it is merely necessary to have a separate slave unit to control each of the secondary guns. This avoids having long cables trailing from the camera to the secondary flashgun or guns. It also reduces the risk of expensive accidents caused by someone tripping over the connecting leads.

Multiple flash can be difficult with some modern cameras, including many of the more sophisticated ones, due to the lack of standard flash contacts. There is usually a way around this predicament in the form of a "hot shoe" adaptor or something similar, but a flash slave unit offers what is often a more simple and convenient solution to the problem.

CIRCUIT OPERATION

The circuit diagram for the Flash Slave Unit is shown in Fig. 1. Many slave flash designs have been published in the past, and all seem to feature a triac or a thyristor

as the electronic switch. This was a good choice in the days when flashguns had quite high voltages but small currents in the trigger circuit, but it is a less wise choice these days.

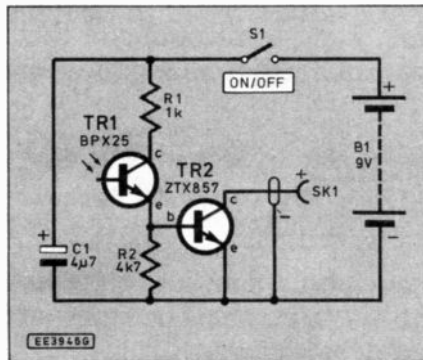


Fig. 1. The Flash Slave circuit diagram. Base terminal of TR1 is left unconnected.

Modern flashguns have quite low voltages in the trigger circuit, but use higher currents. For example, the measured voltage across the flash lead of my modern "Metz" flash unit is around 22 volts. This compares with a figure of around 175 volts for my old "Sunpak" flashguns. While this might seem to be of nothing more

than academic importance, it can lead to problems if a thyristor or triac is used to control some modern flash units.

It has to be borne in mind that once a triac or thyristor has been triggered, it will remain switched on until the current flowing through the device has fallen to a very low level. There is no problem when a high trigger voltage unit is being controlled, as the current flow in the trigger circuit falls to a very low level once the flash of light has ended.

With some flash units that have low voltage trigger circuits there seems to be a significant current flow after the light pulse has been completed, which results in the triac or thyristor being held in the "on" state. The practical result of this is that the slave flash is triggered correctly the first time in each session, but it fails to trigger the flash subsequently.

To avoid this problem the current design uses a transistor (TR2) as the switching element. This is a high voltage and high current device which will function properly with high and low voltage trigger circuits. Note that TR2 can only function properly if it is connected to the flash lead with the correct polarity (the positive lead **MUST** connect to TR2's collector (c)).

FAST RESPONSE

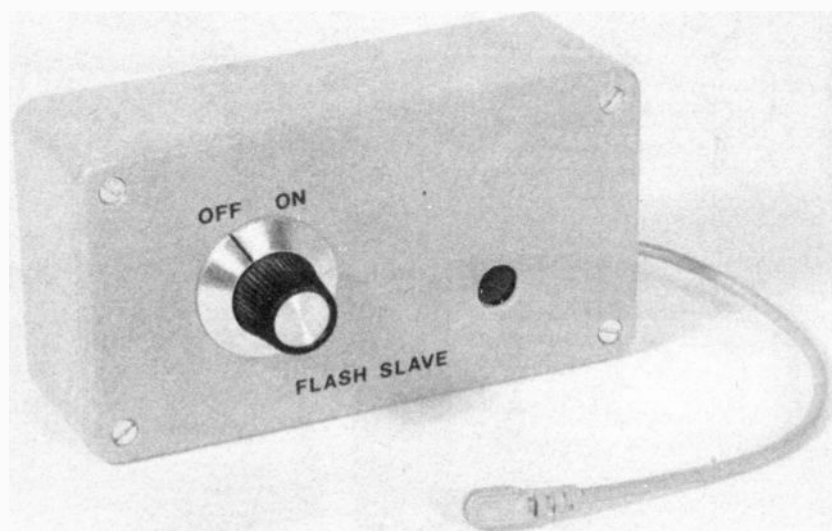
A flash slave unit must operate very rapidly, since a delay of even a few milliseconds could result in it firing after the camera's shutter has started to close. Photo-diodes and photo-transistors are both suitable for this application.

In this model, a photo-transistor (TR1) has been used as this gives better sensitivity. A BPX25 is used in the prototype, but similar devices such as the TIL81 and BPY62 were found to work just as well in this circuit.

Under ambient lighting TR1 passes small currents of only around 100 microamps. This gives a voltage across load resistor R2 which is too small to bias TR2 into conduction. When a pulse of light from the main flashgun reaches TR1, the current flow through TR1 rises substantially, TR2 is biased hard into conduction, and the slave flash is triggered.

The current flow through TR1 falls back to its original level once the pulse of light from the main gun has ceased, and TR2 then switches off. The circuit is then ready to respond to the next pulse of light from the main flashgun.

A supply decoupling capacitor C1 and a protection resistor R1 prevents the phototransistor TR1 from passing an excessive current. S1 is the on/off switch,



but as the current consumption is only around 100µA, the PP3 size battery will only run down very slowly if the unit should be inadvertently left switched on.

CONSTRUCTION

The stripboard topside component layout and wiring details are shown in Fig. 2. The underside of the board does not require any breaks in the copper strips to be made. The piece of stripboard has 15 holes by 14 copper strips.

Cut out a board of the appropriate size using a hacksaw, and then drill the two mounting holes. These can be 3.3mm in diameter, and they will then take 6BA or metric M3 mounting bolts.

If you are going to mount the board on stand-offs, the size of the mounting holes must be chosen to suit the particular stand-offs used. For stripboard, mounting nuts and bolts are recommended, as these generally provide a more secure mounting.

The components are well spaced out on the circuit board, but you should still take care to avoid accidental short circuits between strips due to excess solder. The transistor TR2 has an unusual encapsulation known as an "E-Line" case. One side is flat, while the other has slightly rounded corners and carries the type number. Make sure that rounded surface faces towards capacitor C1, and the flat side is towards resistor R2. Fit solder pins at the points where connections to S1, B1, and SK1 will be made.

The prototype is housed in a small plastic case which measures about 120mm by 65mm by 39mm, but this is actually somewhat larger than is really necessary. The component panel is mounted on the base panel, well towards one end of the case so as to leave space for the battery at the other end. The on/off switch is mounted on the lid of the case, adjacent to the battery.

A "window" for the photo-cell to "look" through must be made at the appropriate position in the lid of the case. The unit will look neater if some transparent plastic is glued in place behind the "window". However, it is not essential to do this.

Miniature coaxial plugs to match the sockets used on flash leads can be very difficult to obtain. These might be obtained. (Right) Completed circuit board showing the phototransistor.

(Below) Layout of components inside the case. Note the hole in the lid for the phototransistor.

tainable from a large photographic store, but there is a simple alternative in the form of a flash extension lead.

Cut the plug off the extension lead, together with about 150mm to 200mm of lead. Next drill a four millimetre diameter entrance hole for the cable at a suitable point on the case. Thread the cut end of the cable through the hole, prepare the end of the cable, and then connect it to the component panel.

Ideally you should use a multimeter to check the polarity of the signal from the flashgun so that the lead can be connected with the polarity shown in Fig. 2. In the absence of suitable test equipment you can resort to trial and error. It is highly unlikely that getting the flash lead connected the wrong way round will damage anything – the unit will simply not work until the lead is connected the right way round.

To complete the unit add the battery connector and the lead from the component panel to S1. The unit is then ready for testing.

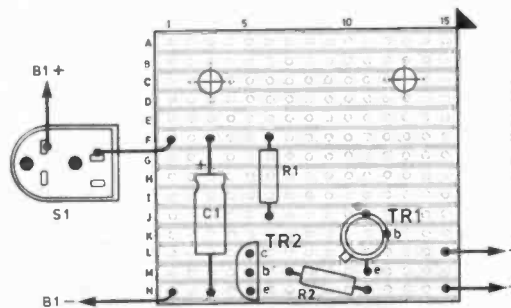
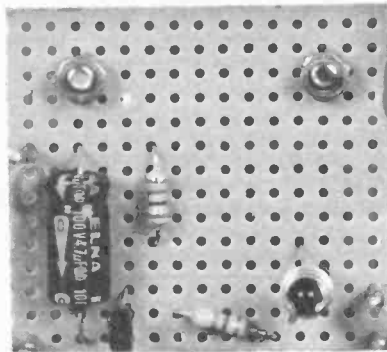


Fig. 2. Stripboard component layout and wiring. There are no breaks in the underside copper tracks.



IN USE

When using the unit it must be kept in mind that the photo-transistor is equipped with a lens which makes it quite directional. When used indoors you will probably find that it does not make much difference which way the unit is aimed. This is simply because the light from the primary flashgun will be reflected around the walls, ceiling, etc., and the flash unit will pick up the light pulses via indirect routes if there is insufficient direct pickup.

When the unit is used out-of-doors, or in a very large building, it will probably be necessary to aim it at the primary flashgun with reasonable accuracy. A large blob of Blue-Tac can be used to fix the slave unit to a tripod, light stand, or whatever, with the appropriate orientation. With the unit picking up the direct light from the primary flashgun it will probably be possible to achieve a range of 20 metres or more.

A point to bear in mind when using any unit of this type is that high light levels on the photocell can block correct operation of the unit. Always avoid aiming towards any bright light, especially direct sunlight. □

COMPONENTS

Resistors

R1 1k
R2 4k7
All 0.25W 5% carbon film.

See
SHOP
TALK
Page

Capacitor

C1 4µ7 axial elect., 63V

Semiconductors

TR1 BPX25, BPY62, TIL81, or similar npn silicon phototransistor
TR2 ZTX857 high voltage npn silicon

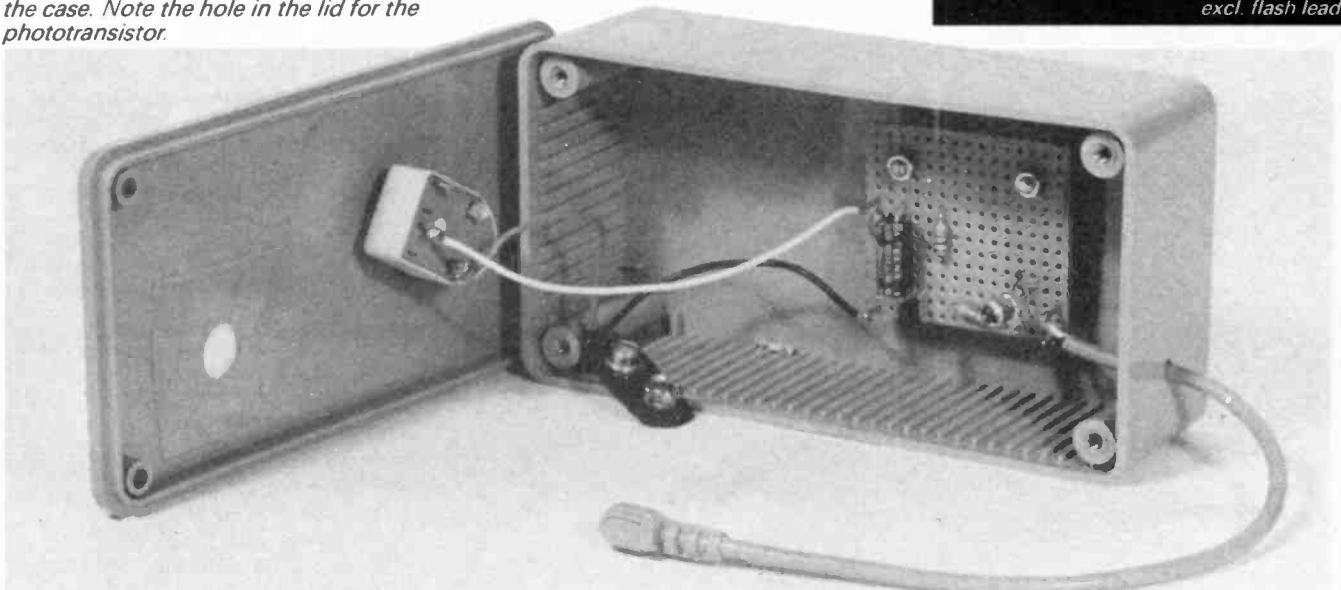
Miscellaneous

B1 9V (PP3 size) battery, with connector clips
S1 Rotary on/off switch
SK1 Flash lead (see text)
Small plastic case, approx 120mm x 65mm x 39mm; 0.1in. matrix stripboard, size 15 holes by 14 strips; control knob; connecting wire; solder pins; solder, etc.

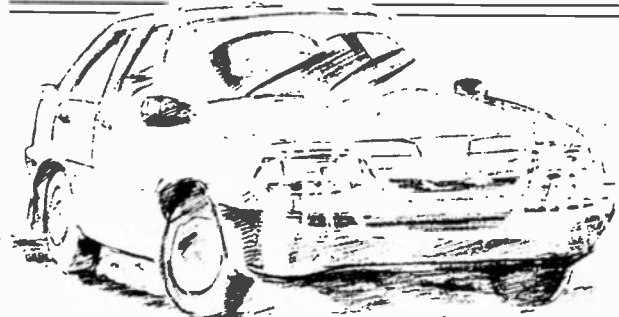
Approx cost
guidance only

£10

excl. flash lead.



CAR ICE ALARM



ROBERT PENFOLD

Take no risks! Drive carefully when the warning light comes on. Tells the driver when the outside temperatures drop below zero.

IT is argued in some quarters that car electronics projects are less popular now than they were ten or twenty years ago. This is due, they say, to the marked increase in the amount of electronics included as standard (or supplied as popular option extras) with most modern cars.

Car manufacturers seemed rather slow at introducing electronics into their products, and it is probably fair to say that many of the electronic gadgets found in modern cars appeared as "do-it-yourself" projects before they became standard production line items.

Despite the recent growth of built-in car electronics, unless you have a car with all the optional extras it is still possible to build some simple but useful car projects. The project featured here is an ice warning indicator which alerts the driver if there is a danger of ice patches on the road. The unit switches on a warning light if temperatures close to freezing point are detected by a small sensor.

CIRCUIT DESCRIPTION

The circuit diagram for the Car Ice Alarm project is shown in Fig. 1. This is based on an operational amplifier (IC1) which in this application functions as a

voltage comparator. The output is high if the non-inverting input (pin 3) is at a higher voltage than the inverting input (pin 2).

The l.e.d. indicator D1 is switched off with the output in the high state. The output goes low if the non-inverting input is at a lower voltage than the inverting input. D1 is switched on with the output in the low state.

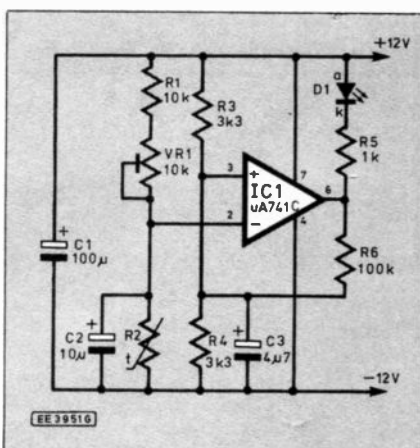


Fig. 1. Circuit diagram for the Car Ice Alarm.

The non-inverting input is fed with a reference voltage of roughly half the supply voltage. This is provided by the potential divider formed by resistors R3 and R4. Capacitor C1 decouples any noise spikes on the supply lines which could otherwise produce spurious operations of the circuit.

Another potential divider network across the supply lines provides an input voltage for IC1's non-inverting input. One element of this divider is formed by R2, which is a negative temperature coefficient thermistor. This simply means that rises in temperature result in a decrease in the resistance of R2. Its nominal resistance is 4k7 at 25°C, 318.4 ohms at 100°C, and 15k28 at 0°C.

The other arm of this potential divider is formed by the series resistance of preset VR1 and R1. VR1 is adjusted to give a resistance of 15k28 in this section of the potential divider.

This means that at temperatures above 0°C the inverting input will be at a lower voltage than the non-inverting input. This results in the output of IC1 assuming the high state, and l.e.d. D1 being switched off.

At temperatures below 0°C the voltage at the inverting input will be higher than the reference potential at the non-inverting input. This takes IC1's output low and switches on D1.

This gives the desired circuit action, but there is a slight problem in that IC1's output can go to in-between voltages with the thermistor R2 very close to the threshold temperature. IC1 can also become unstable with the circuit close to the switch-over point.

Both of these factors can result in erratic operation from the unit. Resistor R6 is included to provide a small amount of positive feedback so that stable operation is obtained, with the circuit triggering cleanly from one state to the other.

The current consumption of the circuit is about 5mA under standby conditions, rising to about 15mA when the unit is activated. In both cases this is insignificant when compared to the high capacity of a car battery.

CONSTRUCTION

The component panel is a piece of 0.1 inch pitch stripboard which has 22 holes by 17 copper strips. Details of the component layout and breaks in the underside copper tracks are shown in Fig. 2.

Diode D1 is shown as being mounted on the board in the normal way, but the easiest way of dealing with this component is to use a front panel mounted l.e.d. and hard wire it to the board. The alternative is



to mount l.e.d. D1 directly on the component panel and leave it with long leadout wires. It can then fit into a hole drilled at the appropriate position in the front panel. With this second method it is essential to get everything very accurate, or it will not be possible to manoeuvre the l.e.d. into its mounting hole.

Most l.e.d.s have their polarity indicated by a "flat" on one side of the body. It is usually the cathode ("k") leadout that is the one next to the "flat". Also, this leadout is usually shorter than the anode leadout wire. If in doubt you can always adopt trial and error. If you get the polarity of D1 wrong the unit will not function properly, but there is no risk of damaging anything.

The thermistor R2 is also shown in Fig. 2 as being on the circuit board, but in reality this is wired to the main unit via a length of twin cable. Some sleeving or insulation tape should be used to prevent any accidental short circuits at the points where this lead connects to the thermistor.

It is also essential to protect R2 and these connections from what is likely to be a pretty hostile environment. Placing a piece of large diameter p.v.c. sleeving over the lower half of R2's body, its leadout wires, and the soldered connections should give adequate protection. A covering of epoxy adhesive should also do the job quite well.

Virtually any small plastic box will accommodate this project. A hole for the thermistor is drilled at one end of the case, and another hole for the two power leads is drilled at the opposite end. The circuit is powered from the car's 12V supply, but it should be powered via the ignition switch, *not* direct from the battery.

ADJUSTMENT AND USE

Before the unit can be properly installed in the car, the preset potentiometer VR1 must be given the correct setting. The easiest way to do this is to place the thermistor in some iced water, being careful not to get the leadout wires into the water. Wait a minute or so for the thermistor to adjust to the temperature of the water.

Start with VR1 set for maximum resistance (adjusted fully clockwise). The l.e.d. D1 should not be switched on at this stage. Slowly back-off VR1 until D1 lights up.

COMPONENTS

SHOP TALK

Page

Resistors

- R1 10k
- R2 4k7 bead thermistor (at 25°C)
- R3, R4 3k3 (2 off)
- R5 1k
- R6 100k
- All 0.25W 5% carbon film

Potentiometer

- VR1 10k min. preset, horizontal

Capacitors

- C1 100µ radial elect., 16V
- C2 10µ radial elect., 25V
- C3 4µ7 radial elect., 63V

Semiconductors

- D1 Panel mounting l.e.d. red
- IC1 µA741C op.amp

Miscellaneous

Stripboard, 0.1in. matrix, size 22 holes by 17 strips, small plastic case; 8-pin d.i.l. i.c. holder; solder pins; connecting wire; solder, etc.

Approx cost
guidance only

£6

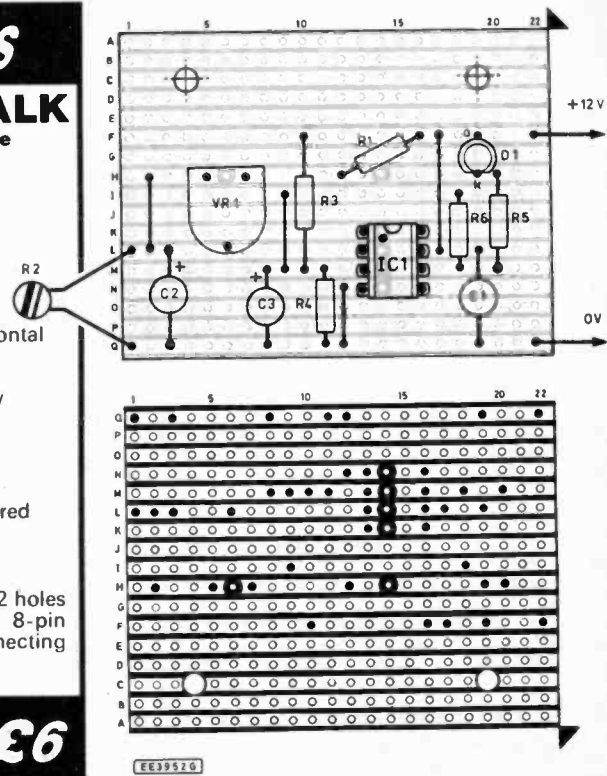


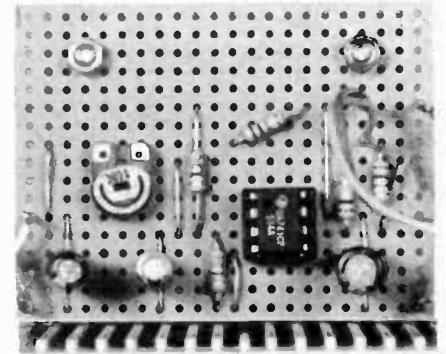
Fig. 2. Stripboard component layout and details of breaks required in the underside copper tracks.

Taking the thermistor out of the iced water should result in D1 switching off – placing the thermistor back in the iced water should result in it switching on again.

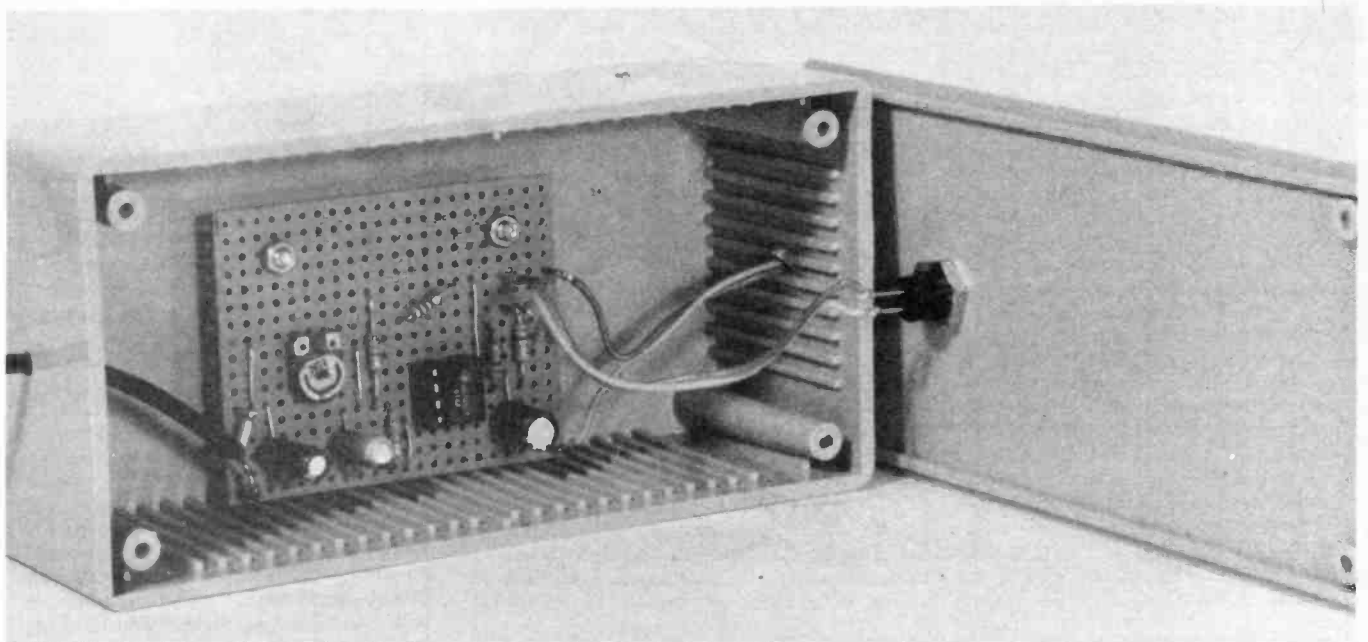
In both cases there will be a small delay while the thermistor adjusts to the changes in temperature. The unit is then ready for installation.

Some careful thought should be given to the positioning of the sensor. It should obviously be placed where it will not pick up significant heat from the engine, exhaust, etc. On the other hand, it should not be exposed to the airstream as the car moves, or to rain and spray from the road.

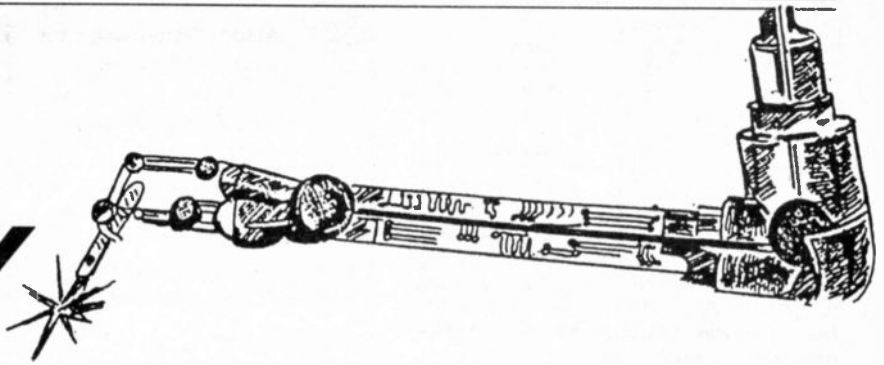
Mounting the thermistor in an open-ended tube will provide it with some protection, and give a more realistic prospect of finding somewhere suitable to mount it. Behind the front bumper guard is probably the best choice. □



Layout of components on the completed circuit board.



CIRCUIT SURGERY



MIKE TOOLEY B.A.

Once again, welcome to *Circuit Surgery*, our regular clinic for readers' problems. In this month's *Surgery* we shall be describing a range extender which can be used to permit low-level audio measurements with a simple d.c. meter. We briefly revisit the low-battery warning indicator and SCART connector described in previous instalments of *Circuit Surgery* before concluding with a few more hints and tips sent in by readers.

A.C. voltage range extender

Most inexpensive multimeters, whether they be analogue or digital, provide somewhat inferior performance on the a.c. ranges. In the case of analogue meters this problem is rather more to do with relatively low input resistance which results in excessive loading of the circuitry.

In either case, resolution and sensitivity are both generally extremely poor. These drawbacks prevent such instruments from being used to make meaningful measurements of low-level audio signals in medium and high impedance circuits.

An electronic a.c. millivoltmeter (such as Maplin's excellent XM31J) is an excellent investment for anyone involved in audio work. Such instruments are, however, relatively expensive and often well outside the budget of the enthusiast working from home.

Mindful of this problem, I set about designing a range extender for my own fairly basic analogue multimeter. This instrument offers a fairly typical sensitivity of 20 kilohm/V on the d.c. ranges but only 8

kilohm/V on a.c. The most sensitive range on d.c. is 100mV full-scale but on a.c. it is 10V full-scale (i.e. 100 times worse!).

The complete circuit of the range extender is shown in Fig. 1. The field effect transistor (f.e.t.) TR1 provides a unity gain high impedance stage, which offers an input impedance of 10 megohm. This stage virtually eliminates the loading effect of the instrument on almost any conventional audio circuitry.

The two following stages, TR2 and TR3 provide a high-gain direct coupled amplifier, the voltage gain of which is made variable by means of preset VR1. Capacitor C3 is added to limit the upper frequency response of the instrument whilst R3 provides both d.c. and a.c. feedback to stabilise the amplifier.

Dodes D1 and D2 provide signal rectification and a second feedback path (via C5 and C6) ensures linearity. The meter (M1) is simply the analogue multimeter switched to the most sensitive d.c. current range (50µA in the case of the Maplin M-2020).

The circuit of Fig. 1 offers a sensitivity

(which can be adjusted by means of VR1) of 50mV, 100mV or 500mV full-scale. In many cases, constructors will wish to have switched ranges and Fig. 2 shows how this can be achieved.

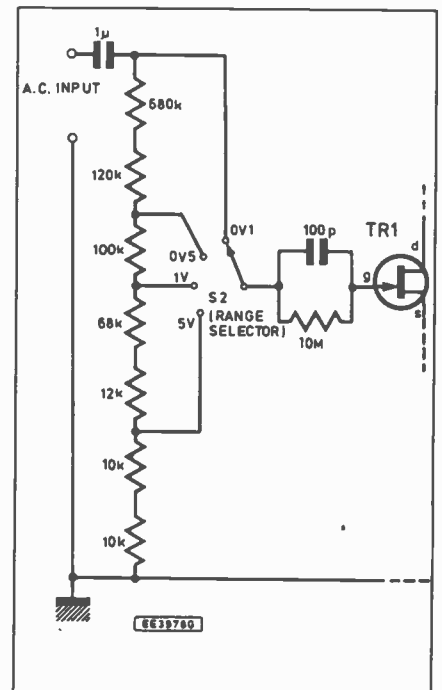
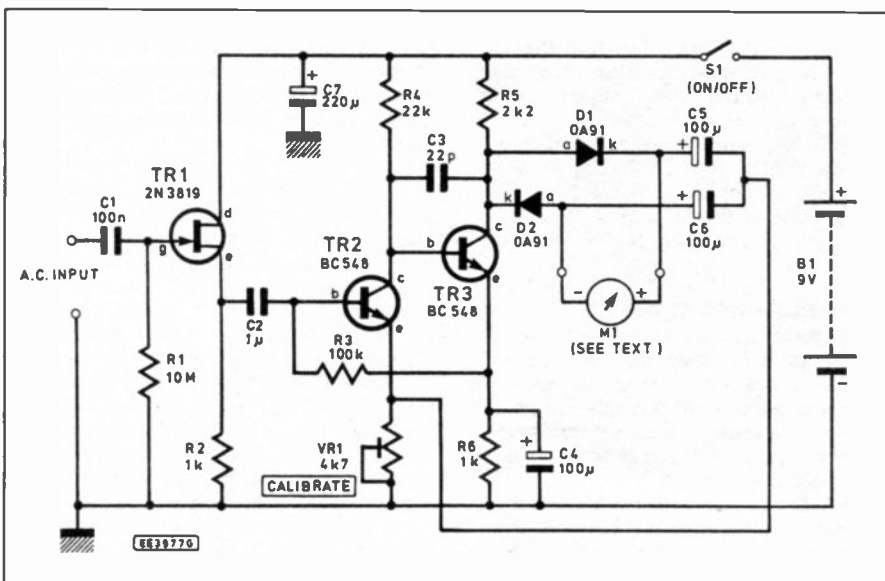
The range switch (S2) provides four a.c. ranges (0.1V, 0.5V, 1V, and 5V full-scale) and the loading effect of the input resistance is equivalent to one megohm (compared with 10 megohm for the circuit of Fig. 1). Further ranges (e.g. 10V full-scale) can easily be added by simply extending the potential divider chain with further decade values.

Calibration

A simple arrangement for calibrating the instrument is shown in Fig. 3. This circuit provides 1V r.m.s. at 50Hz from a nominal 12V transformer (it is worth checking the output voltage of the transformer using an

Fig. 2. Adding a range switching facility to the A.C. Voltage Range Extender.

Fig. 1. Circuit diagram for the A.C. Voltage Range Extender. See Fig. 2 for range switching.



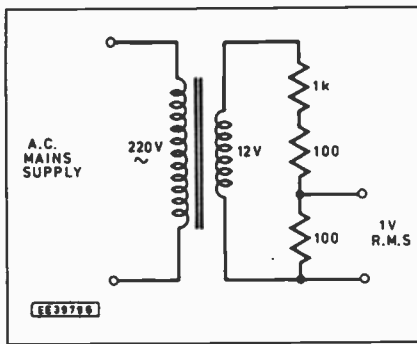


Fig. 3. Simple calibrating set up for the extender circuit Fig. 1/2.

existing multimeter connected to the 25V or 50V a.c. range before relying on this arrangement).

In order to calibrate the instrument, the extender's range switch is set to the 1V full-scale position and preset VR1 is simply adjusted for a full-scale reading on the multimeter. Readings may then be taken directly from the scale marked 0 to 10 (i.e. dividing each marked indication by 10). More accurate calibration will require the services of a calibrated audio signal generator, however an accuracy of five per cent (or better) can usually be achieved by this means.

SCART connector revisited

Several readers have queried the SCART pin connections given in *Circuit Surgery*, September 1992. In particular, there appears to be some confusion concerning the signal present at pin-20.

Our table shows pin-20 as having a dual role, either Composite Video (75 ohm, 0-1V pk-pk) or Synchronising Output (75 ohm, 0-3V pk-pk). The pin is normally used for Composite Video *Input* (the word "input" has been missed from the table). Furthermore, when used for synchronising (rather than video) the signal is an *input* not an "output" as shown.

When two items of video equipment are linked together with SCART connectors, the signals on pins 19 and 20 are crossed over. Hence, the Composite Video Output (pin-19) from one machine feeds the Composite Video Input (pin-20) on the other.

To put matters right, Fig. 4 and Fig. 5 show the wiring of 10-way and 21-way SCART interconnecting cables. The 10-way cable provides a means of interconnecting stereo audio and composite video signals whilst the 21-way cable adds RGB video, blanking and data communication signals.

The 741 is dead, long live the 741

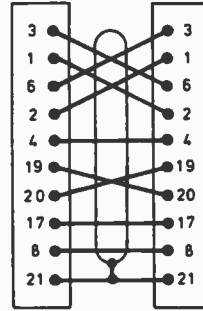
George Tworowsky from New Tredegar has made an important point concerning the improved low battery warning indicator (*Circuit Surgery*, August 1992). George writes:

"It may be O.K. for a car battery but if you use a PP3 then 2mA quiescent current is too much to pay for monitoring the state of a battery. Why not leave the 741 in its place, a history museum (where it now belongs) and use something like an LF442 or TCL27L2?"

George is quite correct; the 741 is somewhat outdated. However, I suspect that many readers have a supply of these chips waiting for something to do (I certainly have).

Low-power J-FET input operational amplifiers offer much improved performance when compared with their bipolar

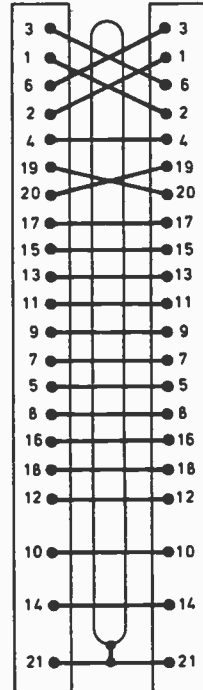
AUDIO Output Left
AUDIO Output Right
AUDIO Input Left
AUDIO Input Right
AUDIO Ground
VIDEO Output
VIDEO Input
VIDEO Ground
Function Switching
Common Ground



AUDIO Output Left
AUDIO Output Right
AUDIO Input Left
AUDIO Input Right
AUDIO Ground
VIDEO Output
VIDEO Input
VIDEO Ground
Function Switching
Common Ground

Fig. 4. 10-way SCART connecting cable

AUDIO Output Left
AUDIO Output Right
AUDIO Input Left
AUDIO Input Right
AUDIO Ground
VIDEO Output
VIDEO Input
VIDEO Ground
RED Video
RED Video Ground
GREEN Video
GREEN Video Ground
BLUE Video
BLUE Video Ground
Function Switching
Blanking
Blanking Ground
Communication Data Line 1
Communication Data Line 2
Communication Data Ground
Common Ground



AUDIO Output Left
AUDIO Output Right
AUDIO Input Left
AUDIO Input Right
AUDIO Ground
VIDEO Output
VIDEO Input
VIDEO Ground
RED Video
RED Video Ground
GREEN Video
GREEN Video Ground
BLUE Video
BLUE Video Ground
Function Switching
Blanking
Blanking Ground
Communication Data Line 1
Communication Data Line 2
Communication Data Ground
Common Ground

Fig. 5. 21-way SCART connecting cable

predecessors. The LF441CN (not LF442) is a directly pin-compatible replacement for the 741C which only requires a quiescent supply current of around 150µA. Constructors of the improved low battery warning indicator may thus find that an LF441CN proves to be more acceptable when the circuit is used in conjunction with a low-capacity battery (e.g. PP3).

Finally, it is worth noting that Maplin's price for a 741C (QL22Y) is 28p as compared with 86p for an LF441CN (QY29G). On the basis of this, I suspect that many readers will still be using the 741 for some time!

More hints and tips

Steve Reed recommends wiring low-value fixed resistors in series with the dial and indicator lamps on older mains-operated equipment. Steve says that this can be instrumental in greatly extending their working lives, "avoiding the need to fit replacement bulbs at a later date".

Mark Brown has acquired a number of ex-equipment rechargeable batteries from Greenweld at a "bargain price". These batteries are designed for use with handheld equipment but can be easily dis-

mantled allowing the individual AA-size nickel cadmium batteries to be recovered. After several charge/discharge cycles, these batteries are usually "as good as new".

G. Preston has found a great many uses for flashing l.e.d.s. These are now available at reasonable cost from many suppliers and are ideal for model making projects (avoiding the need for 555 timers and series resistors).

Next month: We shall be describing an L.E.D. Bargraph Indicator which can be used to measure the current supplied to a car battery. We also offer some advice concerning the selection and use of batteries.

In the meantime, if you have any comments or suggestions for inclusion in *Circuit Surgery*, please drop me a line at: Faculty of Technology, Brooklands College, Heath Road, Weybridge, Surrey, KT13 8TT. Please note that I cannot undertake to reply to individual queries from readers however I will do my best to answer all questions from readers through the medium of this column.

Home Base

Jottings of an electronics hobbyist – Terry Pinnell

SHOCKING AFFAIR

When something goes wrong with a mains appliance in this house, my usual reaction is to 'phone for a service engineer, despite the inevitable hefty charge that I'd much rather avoid.

This goes without saying for some things of course. You definitely won't catch me poking about in the back of our colour TV set for instance, with its complex electronics and coil voltages around 15kV. I don't expect the high tension circuits were at quite that level in those earlier days, but I still vividly remember my dad being flung the length of the room while constructing our first set.

It had a six inch green ex-radar screen, uprated to a whopping nine inch by fitting an oil-filled plastic lens in front. Dad survived the shock and a few other similar shocks in the course of his hobby, I'm pleased to say, but that particular levitation stuck in my memory and probably helped me to develop a healthy respect for mains circuitry.

But I even balk at taking the covers off more mundane items like our ageing dishwasher, which hardly contains state-of-the-art circuitry. I suppose my wariness stems from a combination of factors. For a start, without a good service manual it is often tricky working on these things. Knuckle-grazing experiences with assemblies that won't go back the right way have tempered my enthusiasm. Once you are inside, there's then the difficulty of deciding what is actually wrong. Chances are, the problem will have a commonplace cause, well known to the engineer who has seen it before.

But I guess the main reason for reaching for a phone rather than a screwdriver is that I can be pretty sure the repair will inevitably need some part or other that I won't have. On hearing those dreaded words "Needs a new pump," or "The motor's burned out," I know I'm not going to unearth anything useful in my junk box.

However, moving down to the really primitive level, I didn't think a simple fault in a pop-up toaster would get the better of me.

FOUR SLICE SAGA

Everything is OK when toasting just two slices. But when set to four, on ejecting the finished toast there is a spectacular blue flash, a loud bang, and the 13A fuse in the plug blows.

It has become even worse since the recent installation of our new trip meter. The still unrepaired toaster, blowing more regularly than a basking blue whale, now brings the entire house electricity supply to its knees, instead of just incinerating its own fuse. That means the chore of resetting the time on a couple of radios, a tea-making machine and (if left too long) resetting time and date on the video recorder. It also plays havoc with my remote-controlled lounge lighting system and unceremoniously zaps any work I might be doing on my PC.

Dismantling the toaster revealed nothing obviously amiss, although I have to admit I didn't really know what I was looking for. With the toast holder depressed, as it would be when in actual use, the resistance across the Live and Neutral terminals at the disconnected mains plug was about 40 ohms in the four-slice setting position. But surprisingly this was not momentarily shorted out when the carrier was released, as I would have expected from the symptoms.

Despite all sorts of rattling and fiddling I couldn't provoke a short, either across Live and Neutral or from either of those to Earth. I was therefore optimistic that I'd inadvertently fixed it, perhaps by the cleaning I'd done – but another explosion a few days later unhappily proved otherwise.

So, until I can think of some new approach, we are constrained to two slices at a time. Or, living dangerously, we can set it to four and try switching back to two just before it blows!

A TRIP TOO MANY

The new trip meter I mentioned is one of these residual current types. Some fault had developed with the twenty year old voltage-operated version and after predictably diagnosing it as unreparable the SEEBOARD engineer told me those were now obsolete. So I forked out £123 for this modern replacement, consoling myself with the fact that it was a small price to pay for minimising the risk of inadvertent electrocution. But experience with it so far has left me with mixed feelings. Where do you draw the line between safety and convenience in this context?

The voltage-operated version used to cut the supply if mains voltage appeared anywhere on an earth wire, a potentially lethal situation that clearly warranted an immediate disconnection. The residual current type's claim to greater safety stems from the fact that it cuts the power in much less extreme but still dangerous circumstances. For my new unit this is when there is more than 100mA of mains current flowing to earth.

The reason for its name is that it actually monitors the difference (or "residue") between the currents in the Live and Neutral cables entering the house, which logically must be due to leakage somewhere. Simplistically visualising it another way, if at some instant 3.1 amps is going into the house in total via the Live cable, then exactly 3.1 amps should be coming out via the Neutral line. Any difference must be leakage, possibly via a mains Earth conductor or maybe via some other less obvious route to real earth – but definitely not one passing through anybody.

The trouble is, this new device seems to be tripping much more frequently than its predecessor, presumably because of the quite low 100mA trigger point. Whereas a faulty appliance or my carelessness while working on a project might previously have just blown a fuse or two, now the whole house goes down. How many of these occasions are genuinely life-threatening is difficult to say, and clearly one should err on the side of safety. But I can't help feeling there ought to be some more effective way, short of fitting individual trip meters to every socket.

I'm just glad I didn't opt for the alternative 40mA device, which probably trips every time you change TV channels.

EVERYDAY WITH PRACTICAL ELECTRONICS SUBSCRIPTION ORDER FORM

Annual subscription rates (1993): UK £20.00.
Overseas £26 (surface mail) £43.50 (airmail)

To: Everyday with Practical Electronics,
6 Church Street, Wimborne, Dorset BH21 1JH

Name

Address

Post code.....



I enclose payment of £ (cheque/PO
in £ sterling only, payable to Everyday with
Practical Electronics)
Access or Visa No.

--	--	--	--	--	--	--	--	--	--	--	--	--	--	--	--	--	--	--	--

Signature.....

Card Ex. Date

Please supply name and address of card-holder if different from the subscription address shown below. Subscriptions can only start with the next available issue. For back numbers see the Editorial page.

SPARKOMATIC 4 x 150 watt CAR AMPLIFIER



The SA3200 is our top of the line 4 Channel Amplifier which is extremely well specified. It is very powerful and versatile and features separate bass and treble controls which gives the user the possibility of reducing bass response to the front speakers and adding treble for better stereo imaging. The bass response can then be increased to the rear speakers which are usually larger and capable of offering better reproduction. The SA3200 features a bridge operation switch which offers the possibility of using the amplifier in 4, 3 or 2 channel mode. The 3 channel mode is ideal for installations where rear deck speakers are used in combination with a separate subwoofer.

● 4 x 150 Watts max ● 4 x 80 Watts into 4 Ohms at less than 0.5% THD ● 2 x 80 Watts plus 1 x 160 Watts at less than 0.5% THD ● 2 x 160 Watts into 4 Ohms at less than 0.5% THD ● Separate bass and treble controls for front and rear channels ● Separate sensitivity controls for front and rear channels ● 2, 3 or 4 channel operation ● Heavy duty power wires ● Glass blasted aluminium heatsink ● High current capacity

£251.65 plus £7 p&p

SPARKOMATIC 2 x 150 watt CAR AMPLIFIER

The SA1500 is a very highly specified 2 Channel Amplifier with built-in sub bass crossover. The SA 1500, which is ideal for powering medium sized subwoofers, will also operate in bridge mode as a 150 Watt mono amplifier.

● 2 x 150 Watts max. into 4 Ohms ● 2 x 70 Watts per channel at 0.5% THD ● Bridge mode operation ● Sensitivity adjustment ranging from 100mV to 1V ● Heavy duty power wires ● Built-in sub bass crossover ● Glass blasted aluminium heatsink ● High current capacity

£117.65 plus £6.50 p&p

SPARKOMATIC 80 watt CAR POWER AMPLIFIER

The AMP 7000 produces high power at low distortion. The amplifier accommodates low level, high level and high power radio speaker inputs. The response is linear and extends beyond the capability of all music sources. This compact unit mounts easily and its quick connect terminals accept RCA or straight wire input terminals. Power rating 2 x 40 watt per channel. MMP 2 x 20 watt at 10% THD response 20Hz-20kHz. Size 160mm x 130mm x 45mm.

£32.95 plus £3.50 p&p

11 BAND COMPONENT GRAPHIC EQUALIZER FOR CARS



This neat unit connects between the line output of your car stereo and your power amplifiers so that you are able to adjust the sound as in a studio compensating for soft furnishing and sound reflections from glass, also it has a sub-woofer output to drive a separate amplifier for that extra deep bass sound. FEATURES: 2 channel inputs 4 channel outputs via phono sockets, CD input via 3.5mm jack 11 band graphic. SPECIFICATION RANGE 20Hz-60kHz THD 0.05%, S/N RATIO 85dB. EQ FREQUENCIES 60Hz, 120Hz, 250Hz, 380Hz, 500Hz, 750Hz, 1kHz, 2kHz, 4kHz, 8kHz, 16kHz (boost cut of ± 12dB) SIZE 178mm x 25mm x 140mm.

£32.70 postage £1.80

EMINENCE 4Ω PROFESSIONAL USA MADE IN CAR CHASSIS SPEAKERS

All units are fitted with big magnets "Nomex" Voice coils NOT ALUMINIUM. "Nomex" is very light and can stand extremely high temperatures, this mixture makes for high efficiency and long lasting quality of sound.

V6 6" 200W Max Range 50Hz-3kHz £34.40
V6 8" 300W Max Range 45Hz-3kHz £39.35
V10 10" 400W Max Range 33Hz-4kHz £44.45
V12 12" 400W Max Range 35Hz-3kHz £45.95
BOSS 15" 800W Max Range 35Hz-4kHz £79.90
KING 18" 1200W Max Range 20Hz-1kHz P.O.A.

Postage £3.85 per speaker.

Build your own Bazooka sub woofer tube to suit Eminence car speakers. 10mm thick fibre supplied with grille and clamp terminals finished in black vinyl.

Eminence U10. Size 270mm x 700mm
£25.95 £3.50 p&p

Eminence U12 Size 320mm x 710mm
£29.95 £3.50 p&p

RTVC

No.	Qty. per pack	Description	Price
MO20	1	30W dome tweeter by Eagle/Japan Made size 90mm x 66mm	£1
MO21	1	60W Hifi tweeter made for Jamo UK size 90mm sq.	£1
MO22	2	30 watt 8 ohm Hifi chassis speakers. Made for Hitachi UK midi systems, size 125mm sq. with large 70mm magnet	£9.00 + £2.00 p&p
MO23	2	Pod Car Speakers. Moulded in black plastic with 15 watt 10cm Goodmans unit fitted	£4.95 + £2.50 p&p
MO23A	1pr	40 watt Car Speakers made for Roadstar of Switzerland. Fitted with dual polypropylene cone and foam rubber surround. Big 70mm magnet for good base response. Supplied with grills fixing screws and cable. Size 13cm, weight 1.5Kg	£11.70 pair + £3.65 p&p or TWO pairs for £25.00 UK post paid
MO24	2	Audax JBL 40-100watt dome tweeters. High performance 10mm Ferrofluid cooled horn loaded unit for load distortion and high output. Supplied with 1st order crossover, spec. 40 watts at 3kHz, 100 watt at 8kHz, size 51mm x 51mm x 16.5mm. Ideal for car use	£7.50 + £1 p&p
MO25	2	33000µF 10V d.c. can type computer grade quality electrolytic UK made	£1
MO25A	1	47µF 385V d.c. can type electrolytic. Size 350mm x 250mm. UK made by Phillips	£1.75
MO26	2	680µF 100V d.c. can type electrolytic size 45mm x 25mm	£1
MO27	3	2200µF 25V d.c. can type electrolytic size 45mm x 25mm	£1
MO28	1	15000µF 40V d.c. can type 23A electrolytic size 113mm x 50mm	£1
MO29	1	33000µF 16V 27A can type electrolytic size 113mm x 50mm	£1
MO30	20	Assorted Variable trimmers	£1
MO31	4	Tuning capacitors 2-gang dielectric type	£1
MO32	2	10k + 10k wirewound precision potentiometer	£1
MO33	8	Rotary potentiometers	£1
MO34	5	100k multiturn Varicap type tuning potentiometer with knob size 45mm x 5mm	£1
MO35	200	Carbon resistors	£1
MO36	2	Large VU meters. Japan Made	£1
MO37	1	Large Tuning meter 125µA-0-125µA size 55mm x 47mm	£1.75
MO38	1	Dual VU meter 280µA f.s.d., size 80mm x 42mm x 15mm	£1.50
MO39	5	Coaxial Aerial Plugs, all metal type	£1
MO40	6	Fuseholders, chassis mounting for 20mm size fuses	£1
MO41	4	Fuseholders, in-line type for 20mm size fuses	£1
MO42	20	5 Pin Din 180° chassis mount sockets	£1
MO43	6	Double phono sockets	£1
MO44	5	6.35mm (1/4") Stereo Jack sockets	£1
MO45	4	6.35 (1/4") Mono Jack Plugs	£1
MO46	12	Coax Sockets chassis mount	£1
MO47	2	Case handles plated U-shape, size 97mm x 50mm	£1
MO48	30	Mixed control knobs	£1
MO49	1	Cassette tape transport mechanism, belt-drive, top loading, six piano key operation with knobs, stereo record/replay erase heads, heavy fly-wheel	£5.50 + £2.65 p&p
MO50	1	Hifi stereo pre-amp. module. Input for CD Tuner record player with diagram. Made by Mullard	£1
MO51	2	AM/FM tuner head modules. Made by Mullard	£1
MO52	3	AM I.F. modules. Made by Mullard	£1
MO53	1	FM stereo decoder module with diagram. Made by Mullard	£1
MO54	3	UHF Varicap tuned tuner heads unboxed, untested but complete. Made by Mullard	£1
MO55	1	25V d.c. 150mA Mains adaptor in neat plastic box, size 80mm x 55mm x 47mm	£1
MO55A	1	ETRI Brand new 80mm Cooling Fan. Five bladed A.C. Impedance corrected motor on a cast aluminium chassis. Size 80mm x 40mm Voltage 115V a.c. working, 130mA. Japanese made.	£5.95 + £1.40 p&p, TWO for £11.20 UK post paid
MO56	2	6V-0V-6V 4VA p.c.b. mount mains transformer 240V input, size 42mm x 33mm x 35mm. UK Made	£1
MO57	25	4 Volt miniature wire-ended bulbs	£1
MO57A	1	SRBP Copper Clad Printed Circuit Board. Size 410mm x 360mm x 2mm	£3.65 + 75 p&p
MO58	2	Mono cassette tape heads. Japan Made	£1
MO59	2	Sonotone stereo cartridge with 78 and LP Styl. Japan Made	£1
MO60	8	Bridge rectifiers 1amp 24Volt	£1
MO61	10	OC44 transistors. Remove point from top and it becomes a photo electric cell (ORP12)	£1
MO63	6	14 watt output transistors. Three complementary pairs in T066 case (replacement for AD161 + 162)	£1
MO64	5	5 watt Audio i.c. No. TBA800	£1
MO65	5	Motor Speed Control i.c.	£1
MO66	1	Digital DVM Meter i.c. Made by Plessey, with diagram	£1
MO67	4	7-Segment 0.3in i.e.d. display (red)	£1
MO68	1	Tape Deck i.c., with record replay switching. No. LM1818, with diagram	£1
MO69	2	Ferrite Rod. High grade with LW, SW & MW coils, size 140mm x 10mm	£1
MO70	1	Moving coil dynamic, handheld, ball microphone. Ross Electronics customers returns (no warranty)	£1

MAIL ORDER BARGAIN PACKS

No.	Qty. per pack	Description	Price
MO71A	1	Analogue Multimeter. Ross Electronics customers returns (no warranty)	£3.90 + 90p p&p
MO72	1	WW II EX WD headphone. A BIT OF NOSTALGIA, low impedance	£3.50 + £1.20 p&p
MO73	1	Koss Stereo Headphones on ear. Lightweight design, vari-fitting ear-cups with contour cushions, 36in. cord. 3.5mm + 6.35mm Jack plug adaptor	£3.50 + £1 p&p
MO74A	1	Tone dialling keypad, use services that require DTMF tone signals for a rotary dial pulse phone, size 90mm x 55mm x 12mm	£6.95 + 70p p&p
MO75	1	100 yard roll of single screened quick splice cable, good quality British Made	£4.50 + £2 p&p
MO76	1	100 yard 3-core 3 amp cable, coded brown, blue and green/yellow	£4.20 + £2 p&p
MO80	2	Solar Powered Wooden Kits. Easy to build aeroplane, with revolving propeller, and an old time gramophone with music chip. Supplied with glue, solar cells, electronics and pre-cut panels. One of each for	£12.00 + £1.50 p&p
MO81	1	Bump and Go Space Ship Kit with motor, wheels, p.c.b. wire and diagram. An ideal introduction for youngsters into the world of electronics and mechanics; goes all the way to the moon on two AA batteries	£8.95 + £1 p&p
MO82	1	Filofax Personal Organiser Radio/Calculator. This neat little unit simply fits inside your filofax so you can listen to AM Radio with earphone or use it as a solar powered 8-digit calculator. Punched with six holes to fit all personal organisers. UK Made under 1/2 price	£8.95 + £1 p&p
MO84	1	Multiband radio. Listen to air traffic control, aircraft, radar, public utilities VHF 54-176MHz + CB 1-80 with built in squelch control	£17.95 + £2 p&p
MO85	2	AM, FM, LW Ross Pushbutton Radio. With this neat unit you can easily tune in to five pre-set stations of your choice without fiddling or fuss, runs off six C-cell batteries or 240V mains. Output 400mW, volume and tone control. Size 230mm x 150mm x 65mm	£23.00 + £3.65 p&p
MO86	1	(As above)	£15.00 + £2.80 p&p
MO87	1	Amplifier Kit 30 + 30 Watt. An easy to build amplifier with a good specification. All components mount on single p.c.b. punched and back-printed for ease, case ready drilled finished in black vinyl with matching scale and knobs. Inputs for CD/AUX tape 1; tape II; tuner and MC phono	£40.00 + £3.65 p&p

All items prefixed with MO number MAIL ORDER only or can only be collected by prior appointment from address below. Where p&p not stated please add £3.65 per order for postage and carton charge.

RTVC

376 EDGWARE ROAD LONDON W2 1EB

MAIL ORDER TERMS, POSTAL ORDERS and/or CHEQUES with orders. Access & Visa accepted.

Nett monthly accounts to Schools, Colleges and P.L.C. only. Overseas readers write for quote on delivery.

Please cross all cheques and postal orders "Account Payee Only" and make payable to RTVC Ltd.

Phone 071 723 3462 Fax 071 723 3467

Teach-In '93

with Alan Winstanley
and Keith Dye B.Eng(Tech)AMIEE

Part 3

Teach-In '93 continues a tradition of offering an interesting and thorough tutorial series aimed specifically at the novice or complete beginner in electronics. The series is designed to support those undertaking either GCSE Electronics or GCE Advanced Levels, and starts with fundamental principles to give the student a solid foundation before proceeding onto further topics.

WE INTRODUCED in Part Two the idea of a sine wave. The domestic mains a.c. supply looks something like that in Fig. 3.1. Recall the theory of "peak" values and the fact that the peak value of the 240V a.c. (r.m.s.) supply is in fact 339V. When we talk about sine wave voltages, we nearly always mean the root-mean-square (r.m.s.) value, not the peak.

The 240V a.c. mains supply which comes out of a standard 13 amp wall supply is far too high to operate most electronic equipment. Kettles and cookers run directly from the 240V mains, however something like a radio or indeed the Mini Lab, require a much lower voltage to operate. Many digital "logic" circuits which we consider in Part Six actually require a precise 5V d.c. supply - nothing more, nothing less.

POWER SUPPLIES

In electronics it's generally necessary to convert the potentially lethal high voltage mains into a low d.c. voltage which is safe to use and easier to work with. Inside equipment you will often find a *power supply*, which is a circuit that reduces the 240V a.c. to a safe d.c. level such as 9V or 12V d.c. - just like the electrical energy which is present in a small battery.

Fig. 3.1. Waveform of the domestic a.c. mains. Frequency is 50Hz (50 cycles per second)

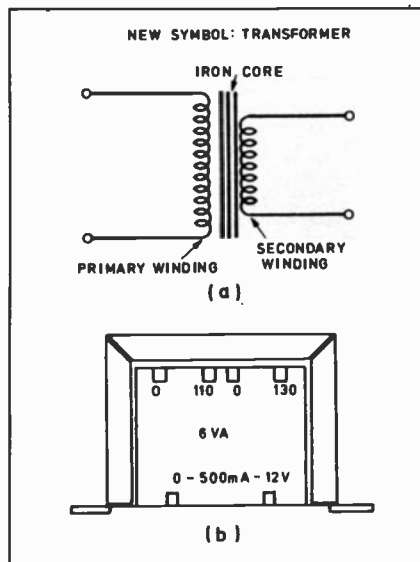
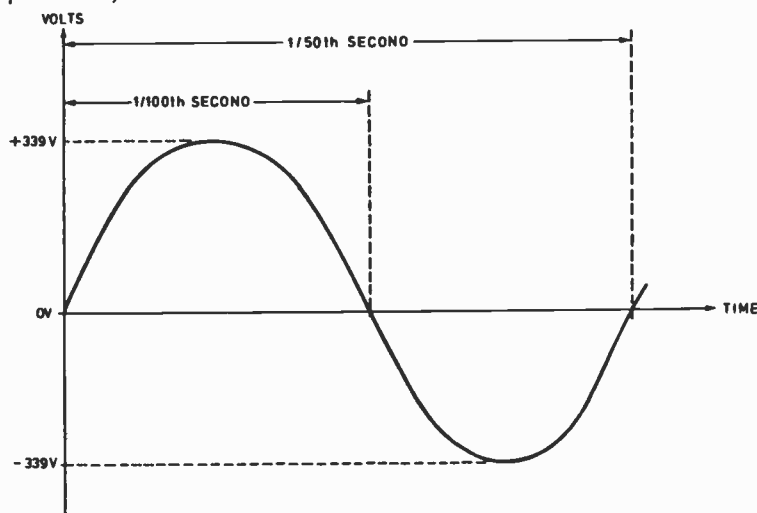


Fig. 3.2(a). Symbol for a step-down transformer.

Fig. 3.2(b). Appearance of a typical mains transformer. This is a 6VA type (12V 500mA secondary) with split primaries: connect them in series for 240V use.

TRANSFORMERS

A transformer is an electrical component which is capable of reducing a.c. voltages to a lower, safer value suitable for use with electronic circuits. They can only work on alternating currents, not direct currents. The symbol for and appearance of a typical transformer is shown in Fig. 3.2 - they consist of *two windings* of insulated copper wire, wound around a core of iron.

The primary winding is connected to the

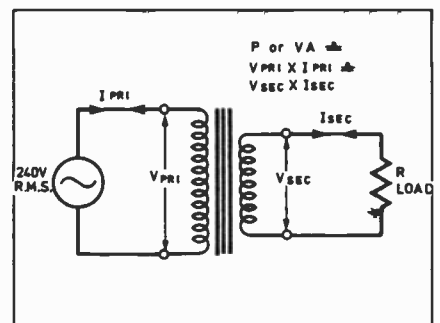
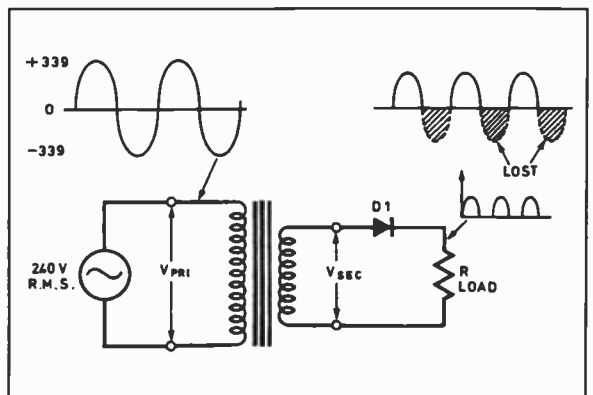


Fig. 3.3. The VA or Power rating of a transformer. It is possible for the current in the secondary (I_{SEC}) to be greater than the current in the primary circuit: however the power dissipation (voltage \times current) in both windings will be roughly the same in an ideal transformer.

Fig. 3.4. A rectifier D1 is added to the secondary circuit. This cannot conduct for one half of the sine wave, resting in a series of "humps" or half-cycles across the load resistor.



240V a.c. mains and has a greater number of "turns" of wire than the secondary winding, across which a lower a.c. voltage is induced. (Hence an inductor is the general name given to any sort of coil.)

The value of the lower voltage which appears across the secondary depends on what type of transformer you select: it could be anything from 3V to 50V a.c. or more. A *step-down* transformer has a smaller voltage across the secondary than the primary: it "steps down" the mains voltage to a useable level. Other types of transformers are available which are used for audio signals, for instance, and are not intended to be connected to the mains. An electricity sub-station is actually a giant oil-cooled transformer.

The other main parameter of interest is the current available from the secondary. There is a limit to the current which you can draw from a transformer, because each winding has a certain resistance which causes the transformer to warm up (I^2R effect) when current passes through the windings.

The VA rating of a transformer is a guide to how much power the transformer can safely dissipate without being damaged. For "VA" you could think of "Watts". We always have to specify the secondary a.c. voltage and current in a transformer circuit. We know that $P=IV$, and so if a transformer is rated at 12V a.c. 25VA for example, then the secondary is capable of supplying up to 2 amps or so: 25VA roughly equals $12V \times 2A$. Again, all voltages and currents are r.m.s. values.

Fig. 3.3 shows a hypothetical arrangement where a 240V step-down transformer has a resistor connected as a load across the secondary winding. Another important rule of transformer action is that the power ($P=IV$ again) dissipated in the secondary circuit is roughly the same as that in the primary. Hence, because the primary is at a much higher voltage (240V), the current in the primary circuit will be considerably smaller than the current in the secondary circuit:

$$V_{PRI} \times I_{PRI} = V_{SEC} \times I_{SEC} \text{ VA (or Watts.)}$$

Thus current can flow in the secondary circuit which is *higher* than the current drawn from the mains by the primary circuit.

RECTIFICATION

Even though in Fig. 3.3 we have reduced our 240V r.m.s. a.c. waveform to a lower, more manageable value, it's still not possible to use this to power an electronic circuit because it is still an alternating (a.c.), not direct (d.c.), current. It's necessary to rectify this a.c. waveform in order to produce a d.c. current – one which flows one way only, like that obtained from the Mini Lab 6V battery pack.

In Fig. 3.4 the 240V mains a.c. sinewave is stepped down by a transformer T1 to produce a lower voltage V_{SEC} across the secondary. By adding the rectifier D1, one half of the cycle is now blocked, and the current in the secondary circuit can then only flow one way. This has an effect as shown in the diagram where the voltage across the load resistor R_{LOAD} is now a series of "humps" representing one half of the sine waves.

This type of circuit is known as a half-wave rectifier because it utilises only one half of the sine wave – the other half of the cycle is chopped by the rectifier. Losing one half of the sine wave like this is not the most efficient way of using a transformer.

However the d.c. voltage which is now

produced is still unsuitable for use as a source of power, because it still bears little resemblance to the "straight line" of a d.c. battery supply. Those half cycles of the rectified sine wave need to be ironed out!

SMOOTHING

Smoothing of these "humps" is easily achieved by adding a large electrolytic smoothing capacitor (typically between $1000\mu F$ to $4,700\mu F$ or more) after the rectifier. As you may recall, these devices are *polarised* so they must *always* be connected the right way round. It is extremely dangerous to reverse-connect an electrolytic capacitor.

Referring to Fig. 3.5, the rectified a.c. voltage is now more or less smoothed out because the capacitor will charge up from the rising side of the half-cycle, and when the cycle swings back towards 0V, the capacitor releases its charge into the load before being recharged by the next cycle. This helps to maintain a roughly constant voltage across the load when there would otherwise be a gap between the humps.

The output waveform is thus a series of charging/discharging ramp-like voltages and Fig 3.5 shows the output voltage from the circuit in relation to the rectified sine wave voltage. The output is still not perfectly smooth because of the charging and discharging action of the capacitor – a "ripple voltage" is present as shown in the graph. Note that the peak value of the d.c. voltage is now the same as that of the a.c. peak voltage, because the smoothing capacitor charges up to the peak a.c. value before discharging into the load.

Therefore, the capacitor must have a voltage rating which copes with the peak value of the voltage. The rectifier must be able

to withstand a reverse voltage of *twice* the peak value: C1 maintains a positive (peak) voltage on D1 cathode (k), so when the sine wave becomes negative, in effect the *peak to peak voltage* appears across the reverse-biased rectifier. Fiendish!

The main difficulty with this circuit is the poor "transformer utilisation" caused by the rectifier not conducting for one half of the a.c. sine wave. Additionally the d.c. waveform which appears across the load still has a high "ripple" content which is not satisfactory for many circuits. Finally, if the load draws more current, the output voltage across the smoothing capacitor will start to drop, because it is *unstabilised* – see later. In short, it's not much use!

BRIDGE RECTIFIER

An arrangement which is very common in mains-operated designs is shown in Fig. 3.6(a). It uses four rectifiers D1 to D4 as a "full wave bridge rectifier" configuration. The secondary a.c. voltage from transformer T1 is applied to the bridge which "steers" the sine wave such that even the negative half of the cycle is re-polarised and directed to the positive side of the smoothing capacitor C1.

Fig. 3.6(b) shows how current flows through the rectifiers D2 and D4 on the positive-going half of the sine wave cycle – the remaining two rectifiers cannot conduct because they are reverse-biased. When the sine wave cycle is reversed as in Fig. 3.6(c), the other two rectifiers then conduct and steer the current towards the smoothing capacitor, correctly polarised. This means that both halves of the sine wave are used to power the load.

A ripple waveform, frequency 100Hz, is still present as shown in Fig. 3.6(a), but the

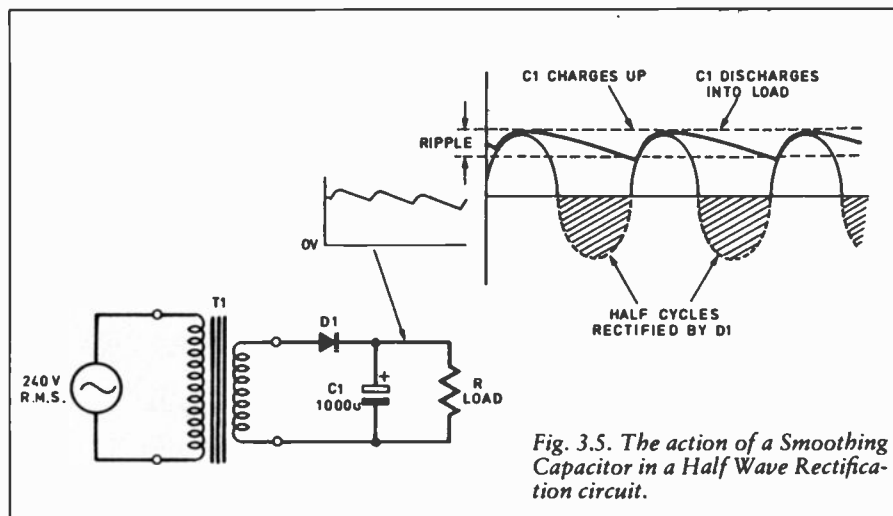


Fig. 3.5. The action of a Smoothing Capacitor in a Half Wave Rectification circuit.

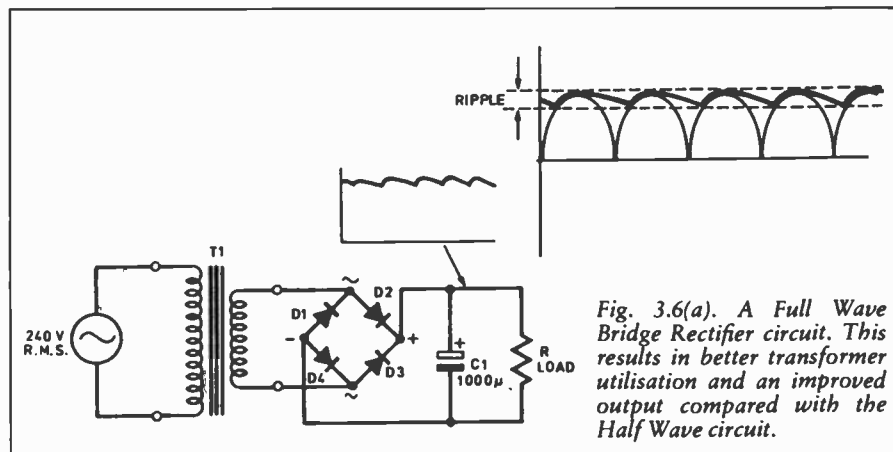


Fig. 3.6(a). A Full Wave Bridge Rectifier circuit. This results in better transformer utilisation and an improved output compared with the Half Wave circuit.

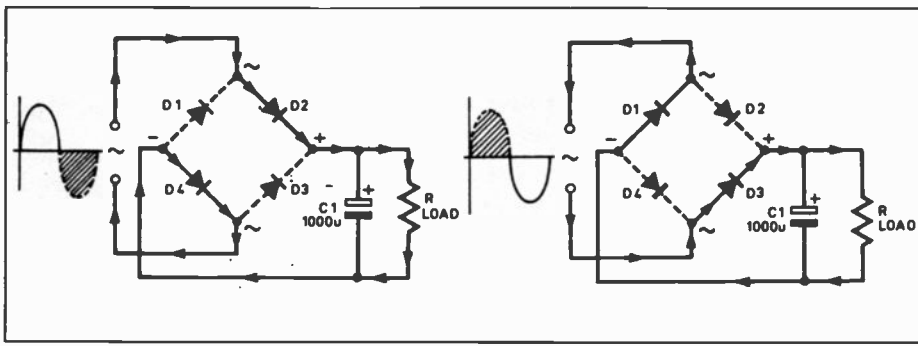


Fig. 3.6(b). Bridge Rectifier action: on the positive half of the a.c. sine wave, the current is steered by D2 and D4. D1 and D3 cannot conduct. C1 charges up as shown.

Fig. 3.6(c). On the negative half of the sine wave, D1 and D3 conduct to steer current towards C1, correctly polarised. D2 and D4 cannot conduct, being reverse biased.

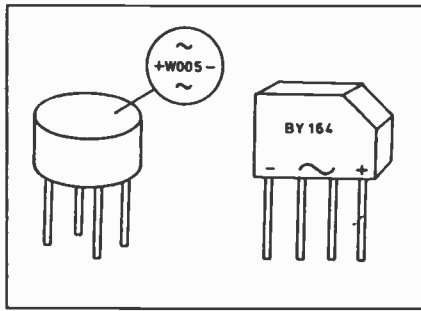


Fig. 3.7. Typical bridge rectifier packages. These contain four rectifiers, wired to form a full-wave bridge rectifier. Care must always be taken to connect them correctly.

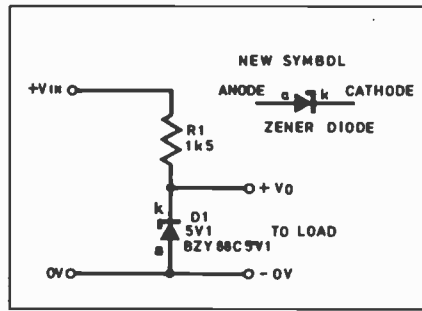


Fig. 3.8(a). Showing a 5V1 (=5.1 volts) Zener Diode with a series limiting resistor.

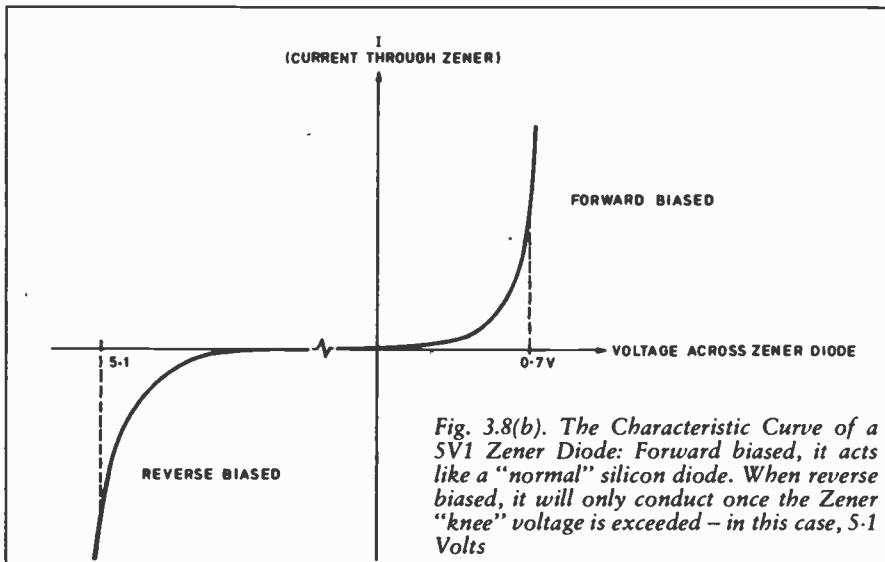


Fig. 3.8(b). The Characteristic Curve of a 5V1 Zener Diode: Forward biased, it acts like a "normal" silicon diode. When reverse biased, it will only conduct once the Zener "knee" voltage is exceeded - in this case, 5.1 Volts

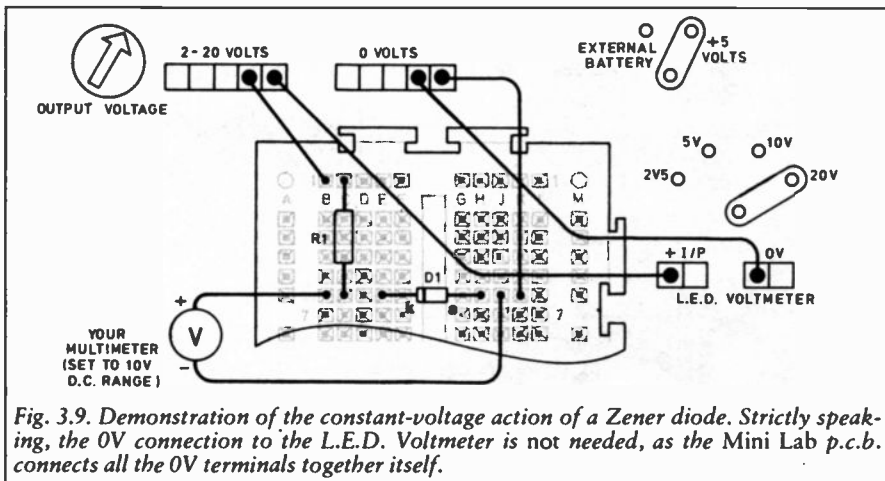


Fig. 3.9. Demonstration of the constant-voltage action of a Zener diode. Strictly speaking, the 0V connection to the L.E.D. Voltmeter is not needed, as the Mini Lab p.c.b. connects all the 0V terminals together itself.

d.c. output is of a better quality than the half wave circuit we discussed earlier because the smoothing capacitor is topped up twice as often by the bridge rectifier network. Again, note that C1 must be rated to cope with the peak voltage which appears across it. For example, a transformer with a 12V (r.m.s.) secondary voltage would charge the smoothing capacitor up to 17V peak value, so C1 should be rated at say 25V or more.

Using a bridge rectifier, there's no danger of the electrolytic being reverse-polarised, and the full cycle of the sine wave is utilised instead of half being blocked by a half wave rectifier. In spite of the ripple voltage, a reasonably smooth d.c. voltage is produced which is capable of driving many electronic circuits: it's the basis of many simple mains adaptors.

RATINGS

The four rectifiers used here can either be purchased separately provided they have both adequate Peak Inverse Voltage (PIV) ratings (remember they must cope with the peak, not r.m.s. voltage of the sine wave) and also the current requirements of the power supply. A more convenient method uses a "bridge rectifier" which contains four rectifiers ready-wired in bridge formation. Their terminals are always clearly marked like those in Fig. 3.7. Remember, it's highly dangerous to connect them incorrectly in case the electrolytic becomes reverse-polarised.

In the circuit configurations just examined, we often say that the output voltage is "unregulated" or "unregulated" because it has a tendency to drop somewhat when we draw more current. This type of circuit may form the cheapest of mains adaptors, but generally speaking, unregulated adaptors are completely unsuitable for sensitive equipment like portable lap-top computers, mobile phones or pocket T.V.'s because the voltage across the load will vary with the output current, and the off-load voltage may be excessive.

ZENER DIODES

This section requires the Mini Lab Mains Power Supply which is described elsewhere in this issue.

It's very easy to construct a power supply which is stabilised or regulated (same thing) to give a fixed voltage. Fig. 3.8(a) introduces the Zener diode which is a special version of a normal diode designed to provide a stable output voltage. This very useful component is included in some (e.g. NEA and LEAG) syllabuses but omitted from others (e.g. MEG), but it's certainly useful to familiarise oneself with its mode of operation.

In this circuit, V_{in} could be a varying or unregulated voltage, perhaps from a full-wave bridge rectifier circuit like that of Fig. 3.6. D1 is a 5.1V Zener diode which you will see is reverse-biased. A normal diode would not conduct under these circumstances, but interestingly a Zener diode can indeed conduct current, and in so doing provides a constant voltage across its terminals. The value of the constant voltage V_0 depends on which value Zener diode you select: a large range of voltages is available, typically from 2.4V up to 75V.

The Zener characteristic curve is shown in Fig. 3.8(b) which shows the sharp conduction "knee" which occurs at the Zener voltage, at which point current can then flow through the Zener but the voltage across the diode remains roughly stable.

Some operating precautions are required if the Zener is to work reliably. Firstly, you

will see that a series limiting resistor R1 is needed to prevent excessive current destroying the diode. Secondly, the input voltage V_{in} must always be somewhat greater than the Zener voltage, or the Zener cannot conduct: for instance, you can't use a 5.1V Zener with an input voltage of only 3V say. Finally, we must always bear in mind the power dissipation rating (generally in milliwatts) of the Zener to prevent the device from being damaged.

Your new *Mini Lab* Mains Power Supply includes two modern integrated-circuit (i.c.) regulators (see later) to provide fixed +5V and +12V supplies as well as a complete *variable power supply* section which will offer you anything from two to nearly 20 volts d.c. by rotating a control. It has everything you need to demonstrate circuit principles and develop your own circuits too. From now on, it's no longer necessary to use the external 6V battery pack to operate your *Mini Lab*.

For the following demonstration you need a 5.1V 400mW Zener diode together with a $1k5\ 0.25W \pm 5\%$ resistor – extremely easy to obtain from most suppliers. For this and all other experiments from now on, your *Mini Lab* needs to be prepared as follows:-

i) Select "+5V" instead of the "EXT BATT" option using the on-board selector shorting plug in the power supply section; this connects the mains-operated 5V power supply to the *Mini Lab* instead of the 6V battery pack. (Note, the 5V rail also powers the L.E.D. Voltmeter and a few other modules on the *Mini Lab* board as well.)

ii) Use the built-in on-off switches of the power supplies just like you did before, in order to disconnect the supplies from your experiments before making any modifications. Now, a constant-current i.e.d. lights (once the output exceeds about two volts) when the variable voltage supply of your *Mini Lab* is switched on. The fixed 5V and 12V rails also have individual on-off switches with i.e.d. warning indicators.

iii) Ensure that the Variable Voltage Control is fully anti-clockwise so that the output voltage is near zero before switching it on.

Now plug the *Mini Lab* Transformer Unit into the mains and connect to the *Mini Lab* board through its a.c. inlet socket, then refer to Fig. 3.9 which shows the 5V1 Zener diode and the 1k5 series limiting resistor on the Veroblock, connected to the *variable* power supply. The L.E.D. Voltmeter is set to 20V f.s.d. and is used to monitor the variable voltage. Connect your multimeter (set to 10V d.c. f.s.d.) across the Zener diode as shown.

Switch on the 5V supply (for the L.E.D. Voltmeter) and also the variable power supply and gradually increase the voltage control from minimum (about 1.2V) to maximum (18V or more) and back again. Compare the voltage readings of the L.E.D. Voltmeter against the Zener voltage monitored on your multimeter. What happens? Repeat the experiment as necessary.

Eventually the Zener diode starts to conduct and then the voltage across the Zener stabilises, no matter what the variable supply is set at – providing it's at least 5V or more. We measured a Zener voltage of 5.11V using our digital multimeter: Zeners have a typical tolerance of ± 5 per cent, so the actual Zener voltage could be between 4.8 to 5.3V or so. Reverse the Zener diode (keep R1 in place) and see what happens: now, the Zener acts just like a normal forward-biased diode.

SAFETY AND FIRST AID

In the GCSE Electronics workshop or classroom, it is forbidden to work alone when working on equipment, especially if it utilises the mains supply. In the event of an accident, should you receive an electric shock or burns then *there will be no-one nearby who can help you*.

Of course, this magazine has always carefully selected safe and sensible designs which the amateur constructor can confidently build at home, and the absorbing nature of *hobby electronics* implies that the hobbyist might indeed find him- or herself alone at home beavering away on a new project!

As far as GCSE/GCE Electronics is concerned, it is necessary to be able to demonstrate an understanding of the fundamental safety aspects of electronics. However, the section which follows on First Aid applies not just to GCSE candidates, but to everyone!

DANGERS OF ELECTRICITY TO HUMAN BEINGS

The *Mini Lab* operates from a 15V a.c. supply which is completely harmless. However, higher voltages such as the domestic a.c. mains or even higher H.T. (High Tension) or E.H.T. (Extra High Tension) voltages give rise to particular hazards.

The human heart is simply a muscle, and happens to be most susceptible to stimulation at an applied frequency of about 50Hz (which perversely also happens to be the a.c. mains frequency). The effects of electric shock are a combination of the voltage level applied and also the *current which flows through the body*, not to mention the time period of the shock itself. Assuming that an unfortunate person picks up a "live" electric device, typical effects on the hapless victim are as follows:-

CURRENT	EFFECT ON HUMAN BEINGS
1 mA	Tingling.
9mA	Probably able to release the device.
16mA	Borderline on ability to drop the faulty device.
25mA	Probably unable to release the device to escape further electric shock.
16 to 50mA	Pain. Possible unconsciousness. Heart and respiration functions probably continue.
> 100mA	Ventricular fibrillation (heart tremor). Respiratory paralysis (asphyxia, suffocation).

Severe shock and burns. POSSIBLE DEATH.

It is crucial that you understand fully that an electric current passing through the body can affect muscles, causing contractions and paralysis – which accounts for the inability to "let go" or breathe. In the case of H.T. shocks, uncontrollable muscle spasms may additionally cause the victim to be thrown some distance, causing further injuries.

Burns are caused by the current passing through skin tissue, and the level of current is partly related to the *electrical resistance of the skin*, (Ohm's Law) which in turn depends on how dry or moist the skin is. Dry skin has a higher resistance, so less current will flow. **Severe burns** may result from contact with high voltage sources like overhead power lines.

FIRST AID

In the event of a person receiving a (suspected) electric shock *from the domestic mains supply*, you must act quickly and calmly to help the victim.

AVOID TOUCHING THE VICTIM IF HE MAY STILL BE IN CONTACT WITH THE ELECTRICAL SUPPLY, OR YOU MAY RECEIVE A SHOCK YOURSELF.

ISOLATE THE SOURCE OF ELECTRIC CURRENT: SWITCH OFF AND/OR UNPLUG, OR USE AN INSULATING WOODEN POLE OR OTHER NON-CONDUCTING MATERIAL TO REACH OVER OR TO PUSH THE VICTIM CLEAR OF THE SUPPLY.

IF THE VICTIM HAS STOPPED BREATHING, APPLY ARTIFICIAL RESPIRATION (KISS OF LIFE) IMMEDIATELY.

TREAT BURNS. ELECTRICAL CONTACT BURNS ARE OFTEN DEEPER THAN THEIR SIZE SUGGESTS.

FIRSTLY RELIEVE PAIN AND REDUCE TISSUE DAMAGE AND SWELLING BY COOLING THE AFFECTED AREA WITH CLEAN COLD WATER, ICE CUBES, FROZEN PRODUCE etc.

THEN REMOVE ANY ITEMS OF A CONSTRICTIVE NATURE (RINGS, WATCHSTRAPS, BRACELETS, BELTS, BOOTS etc) BEFORE SWELLING STARTS.

APPLY A STERILE DRESSING FOR PROTECTION FROM INFECTION. DO NOT APPLY LOTIONS, OINTMENTS etc. OR PRICK BLISTERS.

SEEK MEDICAL ATTENTION IF REQUIRED.

The section on Burns Treatment is also applicable to localised dry heat burns received from a hot soldering iron.

RESISTOR CALCULATION

The calculation for the series resistor has to take into account the fact that the load placed across the Zener will draw a current. The Zener always requires a nominal current (say a few milliamps) to flow through it, too. In Fig. 3.10, a load is placed across the Zener diode which has a series resistor R1. A current I_{IN} flows into the resistor before dividing into two paths: I_Z is the current through the Zener and I_L is the maximum current which the load is likely to draw. Hence, $I_{IN} = I_Z + I_L$.

If we know the input voltage (V_{IN}) to the circuit, this voltage will be divided across the resistor R1 and the Zener diode. Therefore, $V_{IN} = V_R + V_Z$. This leads us to consider the calculation for the series limiting resistor:

$$R = \frac{(V_{IN} - V_Z)}{(I_L + I_Z)}$$

In other words, using Ohm's Law, the value of the resistor (as always) is equal to the voltage dropped across it divided by the current flowing through it. The voltage drop is the difference between the input voltage and the Zener voltage ($V_{IN} - V_Z$); the current through the resistor must be the sum of currents flowing through the Zener and the load ($I_L + I_Z$).

In our calculation above, we took into account the maximum load current. What happens if the load then draws less current than this? The resistor will still limit the current to the same value because the voltage drop across it doesn't change, but now the Zener will draw more current. Take a look at the example of Fig. 3.11(a) where a 5.1V Zener is in series with a 68 ohm resistor, across a 10V d.c. supply. A load draws 25mA. The current through the Zener can be calculated quite easily, as follows:-

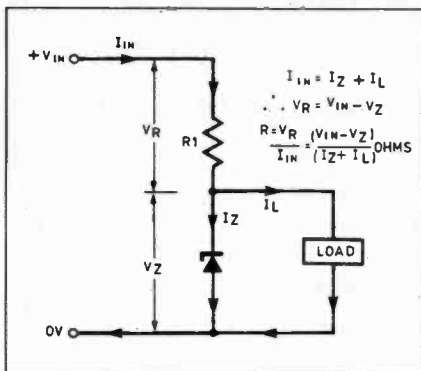


Fig. 3.10. Calculation for the series resistor: it's a lot easier than it looks!

Calculate the current through the resistor. The voltage across the resistor will be $10V - 5.1V$ (Zener voltage) = $4.9V$, so the current through the resistor (using $I = V/R$) is about $72mA$.

The Zener current accounts for the difference between the current through the resistor and the current drawn by the load. $I_Z = 47mA$.

If the load now decreases to say $5mA$, as in Fig. 3.11(b), the current through the resistor remains unchanged at $72mA$ because the voltage across it is still $4.9V$ due to Zener action. We know from Part One of *Teach-In* that the total current into a junction equals the sum of the currents going out - so if $5mA$ goes out into the load, the rest of the current ($67mA$) "sinks" into the Zener.

PROTECTION FROM ELECTRIC SHOCK - THE E.L.C.B.

The best way of all of protecting yourself from electric shock is to utilise a *Residual Current Device (R.C.D.)* or *Earth Leakage Circuit Breaker (E.L.C.B.)*. The two names are synonymous. These are available in the form of plug-in adaptors or wall-mounting sockets, and a simplified version is shown in below. An E.L.C.B. incorporates a sensitive circuit which detects any *earth leakage current* passing through to the Earth terminal. It monitors the load current flowing between Live and Neutral, and if an imbalance or difference arises then the E.L.C.B. assumes that some of the output current is leaking to Earth instead of returning to Neutral.

The E.L.C.B. will then "trip", immediately disconnecting the electrical supply. Typically, they operate within $20-30ms$ (0.03 seconds) - well before any serious harm can result, and far quicker and with greater sensitivity than a fuse. So even if you are unfortunate enough to touch a "live" wire then although current may start to flow through your body to earth, the E.L.C.B. will detect this and immediately trip, thereby saving your life!

They generally have a test switch to help you confirm that the unit is functioning correctly. Typically they cost $\pounds 15$ to $\pounds 30$ and are widely available from DIY stores. **Don't confuse them with an "M.C.B." (Miniature Circuit Breaker) which is nothing more than a resettable fuse, like the thermal cut-out FS2 in the Transformer Unit. They do not offer the sensitivity or protection of an Earth Leakage Circuit Breaker.**

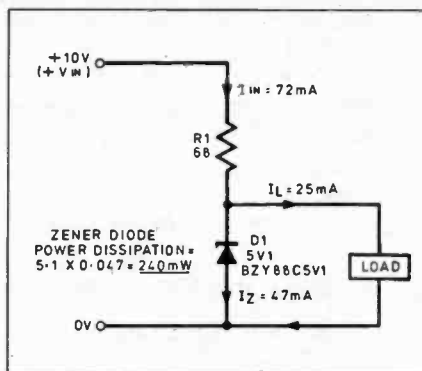
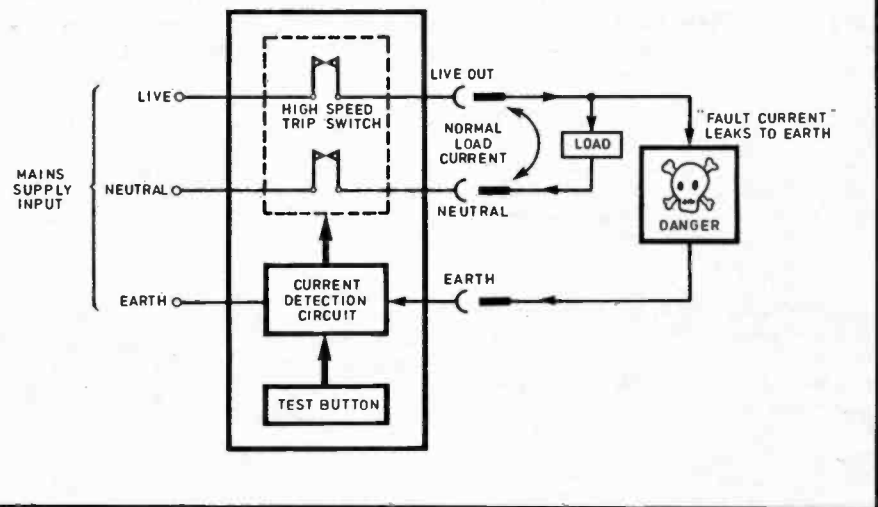


Fig. 3.11(a). Zener power dissipation with a load current (I_L) of $25mA$.

POWER DISSIPATION

Hence, if the load current decreases, the Zener current increases accordingly. We therefore have to ensure that the Zener has an adequate power dissipation rating to take account of "worst case conditions" when the current through the Zener is at its peak. A standard rating for a small Zener diode is $400mW$ to $500mW$ and the power dissipation of the Zener diode in Fig. 3.11(a) will be about $240mW$ ($P = IV$) - no problem. However, in Fig. 3.11(b) the Zener will dissipate about $340mW$ which is getting near to the maximum rating of many smaller types of Zener. Phew!

The other consideration is the power dissipation of the resistor. Use any of the power formulae to work out the values for R1 in

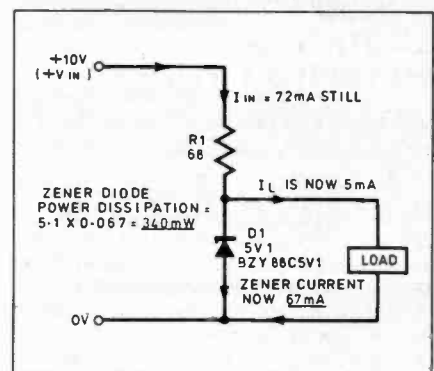


Fig. 3.11(b). When the load current reduces, the Zener diode current will increase accordingly, resulting in increased power dissipation in the Zener diode, which must be rated for "worst case" conditions.

Fig. 3.11 - $350mW$ in both cases - so a $0.5W$ type is called for.

Zener diodes are typically used to provide a fixed supply voltage to circuits where a stable supply is essential. A reasonable low-power stabilised mains adaptor could be constructed using the principles we have just examined. Unlike the simple half wave and full wave circuits described earlier, the stabilised output voltages remain more or less the same regardless of the current drawn by the load. We'll be taking a look at some interesting *integrated circuit* (i.c.) regulators later on - your *Mini Lab* has three of them, and they're really easy to use!

TEACH-IN GCSE QUESTIONS

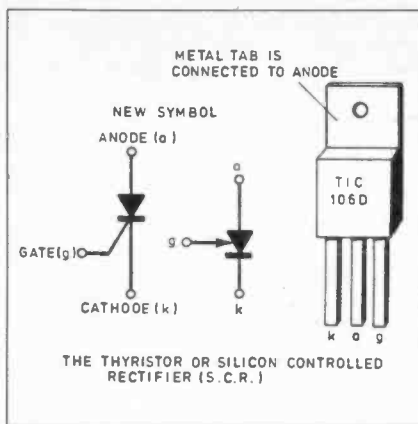


Fig. 3.12 (left). Symbol for the Thyristor (S.C.R.). Either symbol could be used, but check which one is preferred by your Examination Board.

Fig. 3.13 (right). Pin connections for the TIC106D thyristor.

THE THYRISTOR

Another interesting variation on the theme of diodes is a device called a "silicon controlled rectifier" (SCR) or "thyristor". This component is interesting and fun to use, though whilst featured in at least the LEAG and NEA Syllabuses, is omitted from at least two others (MEG and SEG). Thyristors have a third terminal called a "gate" and their symbol is shown in Fig. 3.12. The gate has an important influence on the operation of the thyristor, because current won't flow through the thyristor from anode to cathode until a suitable signal is present at the gate terminal.

A major feature however is that *once the thyristor has been triggered into conduction by the gate, current can continue to flow even if the gate signal is removed.* The only way to turn off the thyristor is to remove the power, e.g. by switching off the supply or by shorting the anode to the cathode.

THYRISTOR SPECIFICATION

For our next experiment, you will require a thyristor type TIC106D which is readily available from many suppliers. This was chosen because it is easy to handle and not so easy to damage. The specification for our TIC106D thyristor reads as follows:

V_{gt}	1.0V
I_{gt}	0.2mA
V_{rm}	400V
I_t	5A average

" V_{gt} " is the *maximum gate trigger voltage* (generally 0.8V is the minimum) and " I_{gt} " is the *maximum permissible gate trigger current*, whilst " V_{rm} " is equivalent to the PIV rating of the rectifier. " I_t " is the average forward current through the thyristor (from anode to cathode) when it is conducting.

Fig. 3.13 shows the pin connections for the TIC106D device. It has a metal tab which was designed to be bolted to a heat-dissipating radiator (a "heatsink"), but we don't need to do this in our safe, low-power experiments. The tab is connected to the anode and as such is "live" (albeit at a safe, low voltage in our circuits).

THYRISTOR EXPERIMENT

A circuit diagram to demonstrate the "latching" action of a thyristor is shown in Fig. 3.14(a). A 6V d.c. supply is provided by the Mini Lab Variable Power Supply switched via S1, a normally-closed push

Since we feel that the subject of Safety is of paramount importance in electronics, this month we reproduce two brief questions from past GCSE papers. Firstly, by kind permission of the Northern Examining Association, a safety-orientated question which appeared in their Summer 1991 Examination, Paper 2 on GCSE Electronics (2052), Question A1

QUESTION ONE: © COPYRIGHT THE NORTHERN EXAMINING ASSOCIATION

A1 A mains-operated power supply is mounted in a metal case. An earth wire is connected to the case from a three-pin plug which has its own fuse.

- State the colour(s) of the insulation of the wire which should be connected to the earth pin of the plug.
- If the case does become live, how do the earth connection and the fuse act to prevent the user from receiving an electric shock?
- The earth wire on this power pack became disconnected from the case. A person touched the power pack, which was switched on, and received a violent electric shock. As a result this person collapsed over the power pack.
What would you do to give immediate help to the person?
- (i) What do the letters "e.l.c.b." stand for?
(ii) State **one** advantage of this device over a normal fuse.

The second question is reproduced by kind permission of the Welsh Joint Education Committee, which quizzed candidates about a low-voltage soldering iron in the Summer 1990 Examination, Paper 2, Question 1.

As always, suggested answers are given. The answers are the work of the authors not the Examining Boards, and may not represent the only possible solutions.

QUESTION TWO: © COPYRIGHT THE WELSH JOINT EDUCATION COMMITTEE

1 (a) Some soldering irons are connected to the mains by a special power supply. This power supply uses a transformer to isolate the iron and allow it to operate on 24 volts.

Describe a danger which is prevented by each of the following safety features of this soldering system:

- a "power is on" indicator;
- an earth connection to the metal casing of the special power supply;
- a fuse;
- a heat resistant power cable;
- the use of the transformer to allow the iron and its cable to operate at 24 volts instead of 240 volts.

(b) The soldering iron takes 2 amps at 24 volts.

- Calculate the power of the iron (in watts).
- The following fuses are available.
0.1A, 1A, 5A, and 13A.

Which fuse would you fit to the output of the power supply?

(c) Mains-powered 9V dc supplies can often be used with radios instead of batteries.

- Give **one** function of a capacitor in this type of power supply.
- Why might it be dangerous to connect an electrolytic capacitor the wrong way around in this power supply?
- How can a large capacitor in a mains powered circuit cause a danger, even when the power is disconnected?

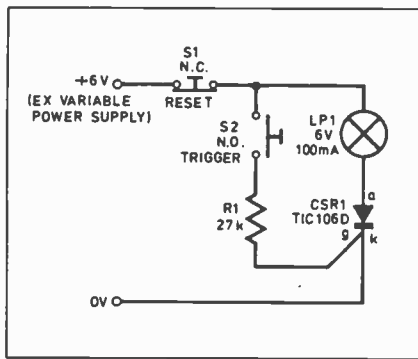


Fig. 3.14(a). The thyristor in a simple application circuit. Press S2 to trigger the device, and S1 to reset it.

switch. The thyristor is connected across the 6V supply and the anode/cathode is effectively in series with a bulb LP1.

Switch S2 is a normally open push switch which when closed, will supply +6V via resistor R1 to the gate terminal of the thyristor. R1 is needed as a series limiting resistor because the maximum voltage we can connect to the gate terminal is 1.0V with respect to 0V. Also, the maximum current we can permit to flow into the gate terminal is 0.2mA (as per the data), so the minimum value of R1 is calculated using Ohm's Law:

$$R = V / I = (6.0 - 1.0) / 0.2\text{mA}$$

$$= 25\text{k minimum.}$$

Resistors of 25k aren't made so we chose a near preferred value of 27k \pm 5% for reliable triggering.

This circuit can be assembled on the *Mini Lab* as illustrated in Fig. 3.14(b). Set the Variable P.S.U. to 6V by using either your multimeter or the L.E.D. Voltmeter to check the output voltage beforehand. (Remember to switch on the 5V d.c. supply to operate the L.E.D. Voltmeter.)

The thyristor will slot straight into the Veroblock using the orientation of the metal tab as a guide. Connect appropriate jumper wires to the adjacent switches and the filament bulb as shown then check your wiring before finally switching on the d.c. supply on the *Mini Lab*. Nothing should happen!

Press down S2 in order to "trigger" the thyristor at its gate terminal, and the lamp should illuminate. (If not, check you have wired the thyristor correctly, the bulb is firmly in its holder and the wires are firmly in their respective sockets.)

Release S2 - the bulb remains illuminated! Once the SCR has been triggered, it remains in this conductive state until it is reset. One way of doing this is to interrupt the power, so press S1 to disconnect the supply and extinguish the bulb. Press S2 again to re-trigger the thyristor.

In the non-conductive state (bulb extinguished), only a tiny "leakage" current flows through the thyristor. Using a sensitive ammeter we measured it at 0.1 microamps. In the conductive state, the current through the thyristor is limited only by the load, which in this case is a bulb. The S.C.R. can handle up to 5A (or 5A r.m.s. in a.c. circuits, when it will rectify the a.c. supply).

SIMPLE ALARM CIRCUIT

This "latching" action could be utilised in a simple alarm circuit such as that of Fig. 3.15 which is a variation of the circuit we just discussed. The "trigger" switch has been omitted altogether and a constant signal is

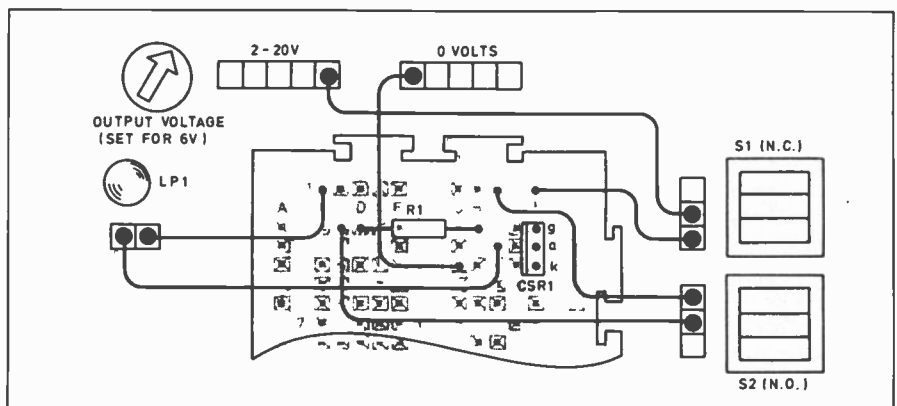


Fig. 3.14(b). Mini Lab interwiring diagram for the Thyristor demonstration. Adjust the Variable Power Supply Control to give an output of 6V.

therefore applied to the gate. However the current flowing through R1 is shorted to 0V by a continuous length of wire which forms a "closed circuit protection loop". The result is that normally, the thyristor cannot trigger because of the 0V present at its gate.

Physically cutting the wire removes the short-circuit between the gate and 0V; the gate terminal can therefore rise to the 1V it requires to trigger the thyristor which will now conduct. Replacing the short to 0V will not affect the conducting thyristor: you reset it by pressing S1. See if you can work out how to build this circuit yourself, using a length of wire to ground the gate terminal to 0V as shown. We have also replaced the

lamp with an l.e.d. and 390 ohms series limiting resistor.

You could also add the *Mini Lab's* buzzer in parallel with the bulb or R2 and D1 to generate a warning tone when the protection loop is broken. Try it: simply observe the correct positive and negative polarity of the buzzer and link it with jumper wires over to the Veroblock.

Finally have a look at the circuit diagram of Fig. 3.16 which is a thyristor incorporating a resistor and 100 μ F capacitor network on the gate terminal. See if you can build this circuit yourself - just connect it up and wait! Try different values of the capacitor if you have any available.

GCSE QUESTION (see previous page)

QUESTION ONE: ANSWERS

This was a straightforward question which commendably tested the candidates' fundamental knowledge of First Aid.

- Green/Yellow. If you didn't know that, go and stand in the corner!
- The Earth, being connected to the metal case, provides a route of very low resistance for the mains supply. It is easier for the current to take this route, rather than flowing through a human body to Earth, so when the case becomes "live", a large current will flow to Earth which soon causes the fuse to melt and disconnect the supply.
- Do not touch the victim until you have switched off and unplugged the power supply - do this straight away. Check for breathing, employing artificial resuscitation techniques *immediately* if required. (An experienced First Aider will further apply external heart compression if no heartbeat is found.) Treat any burns and then call for help.
- (i) Earth Leakage Circuit Breaker, of course! All *Teach-In* readers know that!
(ii) High sensitivity - tripping at typically 30mA current flow to Earth. You could alternatively mention the high speed of operation - typically under 30mS. The Examiners commented that few candidates seemed aware of these advantages over an ordinary fuse.

QUESTION TWO: ANSWERS

- (i) By warning that the iron is switched on, and therefore hot, it helps prevent accidental burns.
(ii) Earth prevents electrocution should the mains supply come into contact with the case.
(iii) The fuse prevents a fire hazard should a fault develop within the unit which causes an excessive current to flow.
(iv) The heat resistant cable prevents exposure of live wires should the iron tip accidentally come into contact with it.
(v) It further reduces the risk of accidental electrocution by operating the iron at a safe, low voltage.
- (i) $P = IV$, answer: 48 watts.
(ii) A 5A fuse would be sufficient. 0.1A and 1A are inadequate to supply the 2A needed; 13A is far too large to provide safe protection.
- (i) Smoothing the ripple content of the rectified supply.
(ii) This produces a potentially dangerous chemical reaction leading to explosion, which could injure the eyesight of a nearby person.
(iii) A high voltage charge could reside on the capacitor which could cause an electric shock or spark hazard, even though the power has been disconnected.

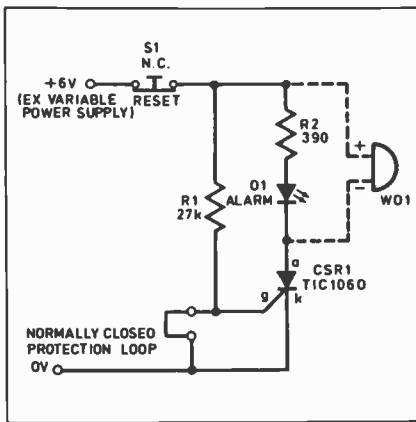


Fig. 3.15. A simple tamperproof Burglar Alarm. Cutting the protection loop triggers the Thyristor and illuminates D1 until reset. Add the Mini Lab buzzer WD1 as shown, to give an audio alarm also.

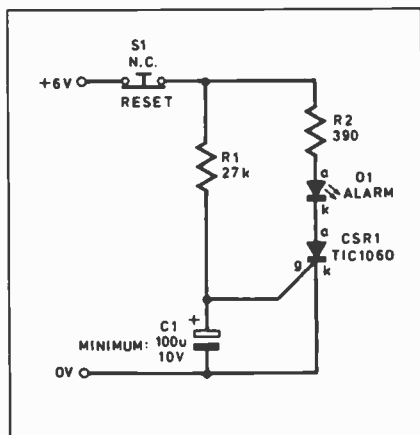


Fig. 3.16. A suggested Time Delay Indicator. Try changing the values of C1.

SAFETY

GCSE Examining Boards place a welcome emphasis on the area of safety in electronics. We have already described one dangerous situation to be avoided – that of connecting an electrolytic capacitor the wrong way round: the chemical reaction could cause an explosion. (*Only a qualified Tutor can demonstrate this effect under controlled conditions taking suitable safety precautions.*) Additionally, these components are capable of storing their charge for some considerable time, and if the equipment operates at a high voltage (such as a TV set, which may run at several tens of thousands of volts inside), a charged capacitor can be a source of an extremely unpleasant electric shock, even after the power is disconnected.

When working on certain types of equipment, you must be wary of capacitors which might have retained a high voltage charge. Look at the printing on their cans: if you see a voltage rating of, say, 400V, this gives you a clue as to their possible "contents". Discharge it slowly through a resistor – say 10k or more – and do not touch the terminals at any cost.

MINI LAB VOLTAGE

When it comes to dealing with the 240V (339V peak) domestic mains supply, it is vital that certain sensible precautions are taken to prevent injury. The low a.c. and d.c. voltages on the *Mini Lab* board are completely safe to handle as the task of stepping down the lethal mains voltage to a safe and manageable level is performed by a mains transformer.

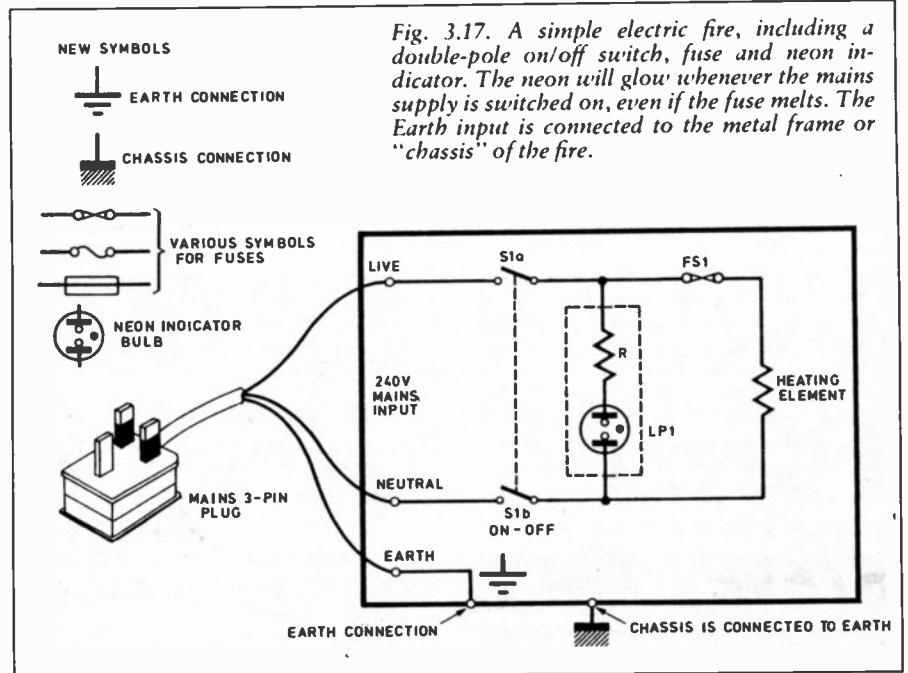


Fig. 3.17. A simple electric fire, including a double-pole on/off switch, fuse and neon indicator. The neon will glow whenever the mains supply is switched on, even if the fuse melts. The Earth input is connected to the metal frame or "chassis" of the fire.

In fact the Transformer Unit incorporates protection in two key areas. Firstly, a mains fuse is in series with the primary winding and this will melt if an excessive current is drawn on the mains side – perhaps if the transformer has an internal fault. Secondly, a thermal cut-out (a type of resettable fuse) is included on the secondary circuit and this will trip if you draw an excessive current from the secondary.

However, a more subtle safety precaution is also built into your *Mini Lab* Transformer Unit. You may have noticed that we require the Earth wire, which comes in with the Mains Live (also sometimes called "Line") and Mains Neutral supplies, to be connected to the mounting frame of the transformer. What effect does this have?

EARTHING

You are probably aware that a typical modern 240V mains cable contains three cores, which in the UK are coloured Brown (Live), Blue (Neutral) and Green/Yellow (Earth). As you now know, the mains a.c. supply takes the form of a sine wave. During one half of the sine wave cycle, the Live feed is positive with respect to Neutral, and during the second half it becomes negative – so the sine wave present on the Live alternates between +339V and -339V peak with respect to the Neutral connection. No current should normally flow to Earth, which should be at the same zero potential as Neutral.

The Earth is actually an essential safety precaution which is necessary when the mains supply is connected to any equipment which has either a metal cabinet or metal fittings (such as transformer mounting screws). Fig. 3.17 is the circuit diagram for a simple electric fire which has a single bar heating element represented by a resistor. It is connected to the domestic Live and Neutral mains supply and is switched on and off with a double-pole switch. A fuse is also shown in the Live feed. You will see these in 3-pin mains plugs or additionally within electronic equipment itself.

The metal frame or "chassis" of the electric fire is electrically connected to the Earth core, and this protects you if one of the wires inside the fire should come adrift and perhaps touch the case. A very large current suddenly flows to Earth which offers

a path of very low electrical resistance to the current, which soon causes the fuse to melt and disconnect the supply to the fire.

Without the Earth connection, the errant wire would cause the metal case to become "live" – with the result that if you touch the cabinet you will receive a potentially fatal electric shock because current will flow from the case and through your body to Earth – possibly killing you in the process. Equipment which is described as "Double Insulated" (the symbol for which is two concentric squares) does not require earthing, and such equipment only has a twin-core mains cable with no Earth core. Refer to the maker's instructions as necessary for advice.

FUSE RATING

If the heating element dissipates 1kW (1,000 watts), it draws a current of about 4 amps (use the $P = IV$ formula) at 240V r.m.s. The most common values of domestic cartridge fuse (of the type seen in mains plugs) are 1, 3, 5 and 13 Amps. There's no point in using too low a fuse rating because the current drawn by the element will simply melt the fuse even though no fault exists. A 5A fuse would provide proper protection in this circuit.

Too high a fuse rating is undesirable and dangerous, because firstly they take longer to blow than a lower value fuse, and also if a fault arises, other parts of the circuit (such as the mains cable) might overheat and catch fire before the fuse can melt (if at all). This gives rise to a serious fire hazard – so choose fuse values carefully.

Also, if you accidentally sever the cable and short put the cores, an excessively large current will flow and the fuse in the plug will melt to disconnect the supply. Hence, the fuse's most important job is actually to oversee the mains cable, not the apparatus. What fuse rating would you choose for a twin-bar (2kW) fire? Or a 25 watt soldering iron? (Answer: 13A and 1A respectively.)

INDICATORS AND SWITCHES

Also incorporated in our simple circuit is a mains neon indicator, which in this example is fitted such that it will always glow to remind you that the mains supply is switched on. Neon bulbs ionise at roughly 70-80V and require a series limiting

resistor for 240V mains operation, which are generally already built in to any 240V panel-mounting neons. However, some mains switches are available which incorporate a neon indicator: we used such a part on the Transformer Unit to good effect.

Another safety feature in our simple electric fire is the switch itself; notice how both the Live and Neutral feeds are switched simultaneously to completely isolate the fire from the mains when not in use. A single-pole switch may be utilised, in which case this must be placed in the Live feed. It is *unsafe* to switch just the Neutral on and off whilst permitting the Live to remain constantly connected. This is because, in ignorance, the user might switch off the (Neutral) supply prior to changing say a faulty electric element or a light bulb, but the circuit will actually remain live and create a possible electric shock hazard.

MAINS PLUG

One item which every item of mains-operated equipment needs is a mains plug, see Fig. 3.18. Examiners are rightly keen to ensure that you understand the implications of wiring such a plug incorrectly. You *must always* check the following crucial factors in order to ensure that a mains plug connection is both reliable and completely safe for all users, not just yourself: lives depend on it!

Check the correct value, size and type of fuse; otherwise a fire hazard may result. Check the cable for any damage, and replace if it shows sign of wear and tear.

Strip back just enough *inner* core insulation to ensure that sufficient copper core comes into contact with the plug's terminals. Ensure the screw terminal grips the copper wire properly.

Check you connect the right colour code to the right terminal; it is *very dangerous* to confuse the colour-coding and mistakes could result in a fatal electric shock being delivered.

Always ensure that the *cord-grip* system grips the *outer* insulation and prevents the cable from being jerked out of the plug. It must grip the outer insulation, not just the inner cores (which is worse than useless). A cable restraint of some kind is also necessary at the equipment-end of the cable: if the cable is pulled out from here, the "live" cable ends may cause a lethal shock.

Finally, inspect the plug to ensure it is not cracked or damaged in any way: we've seen some real horrors which in industrial/commercial use would be quite illegal. A modern plug with shrouded pins is best.

ENVIRONMENTAL ASPECTS

There are a few less obvious factors which may contribute to increasing the hazards surrounding the applications of electronics. If your classroom or workbench has poor lighting, for instance, you may fail to recognise a potentially dangerous situation – such as bare mains connections perilously close to a nearby metal screwdriver, or you may mis-read a 40V capacitor as being suitable for your 400V circuit!

Extension leads are often orange or yellow coloured so that you can't miss them – especially outdoors. Also look for warning symbols and signs on equipment which warn of high voltages. Work in surroundings which promote a safety-first approach.

Water is the biggest enemy of electrical equipment: it conducts electric current and will short out any mains or high voltage

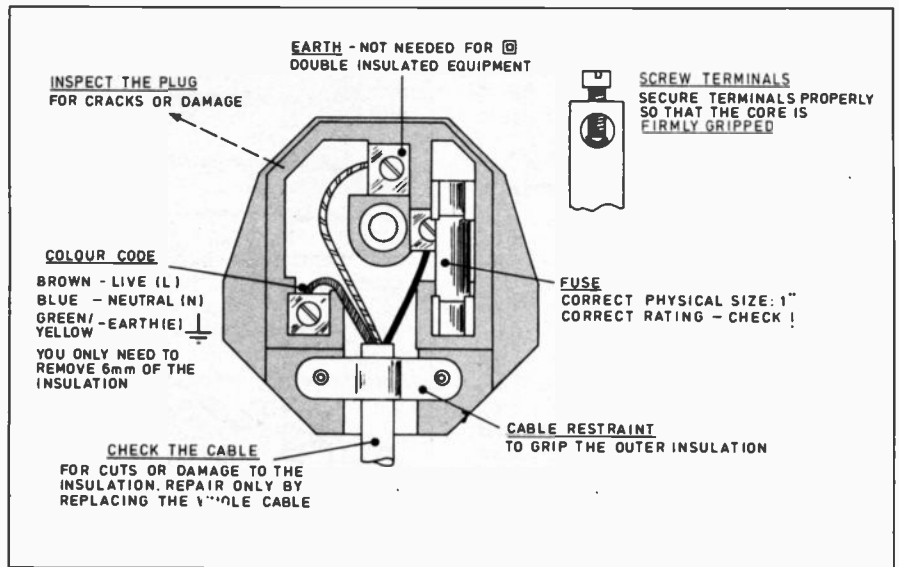


Fig. 3.18. It is dangerous to incorrectly wire a mains 3-pin plug. Use this Check List and do the job properly!

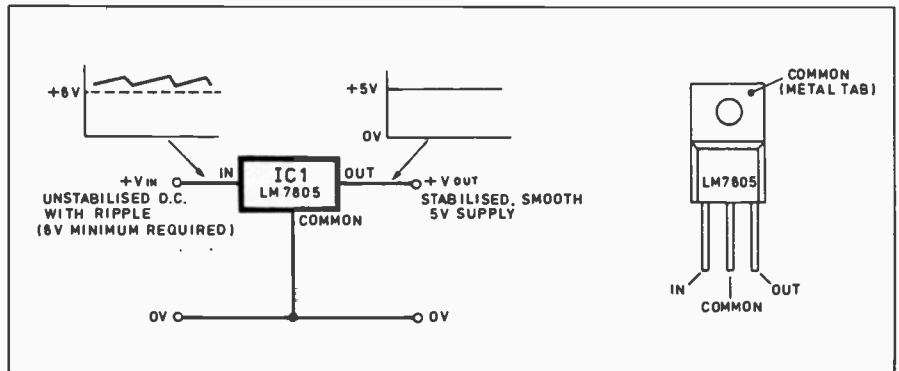


Fig. 3.19(a). A Positive (5 Volt) Fixed Voltage Regulator Integrated Circuit. The +5V output is smooth, noise-free with no ripple. The i.c. is overheat-proof and short-circuit proof. Typically, 3V appears across the i.c. so a minimum input of 8V is needed for correct operation.

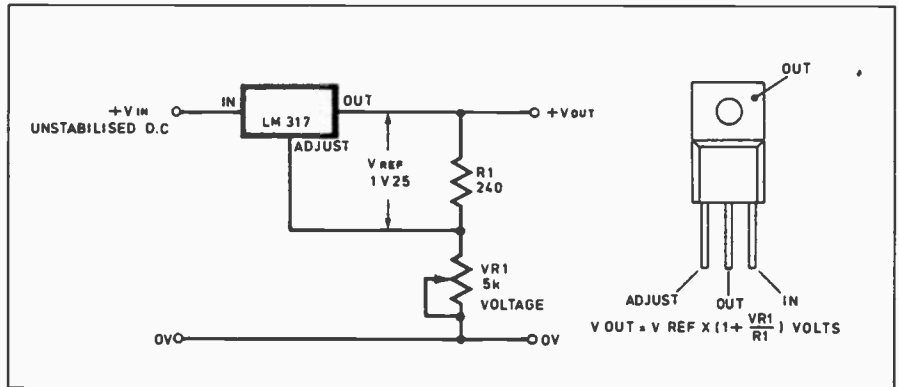


Fig. 3.19(b). The LM317 Variable Voltage Regulator i.c. The output voltage is determined by the resistance of VR1.

circuitry and could even become live itself. You must keep all mains and high voltage equipment well away from water. It is incidentally extremely dangerous to take any mains-operated and/ or high voltage equipment into a bathroom: if you have wet hands you could easily be killed if you touch any live circuitry. The only electrical sockets you will ever find in any bathroom are special safety-type outlets for razors only, which include an *isolating transformer* so that they are never directly connected to the mains.

By far the best way to protect yourself from electric shock is to utilise an *Earth Leakage Circuit Breaker (E.L.C.B.)*, also known as a *Residual Current Device (R.C.D.)* – see the separate panel which outlines their operation. The *Teach-In*

workshop is fitted with E.L.C.B.'s as a precaution: we certainly don't take risks.

GCSE Examining Boards commendably require a fundamental knowledge of First Aid action to be taken in the event of an electric shock: we detail this separately. Further advice may be sought from a First Aid Manual (e.g. as published by St. John's Ambulance).

REGULATOR I.C.s

We described earlier in this part the voltage-stabilising action of a Zener diode. These semiconductor devices are very cheap and are suitable for low power applications such as basic mains adaptors. For more demanding applications, *integrated circuit regulators* are very com-

monly utilised: the *Mini Lab* uses three. For now, all you need to know is that an integrated circuit (commonly nicknamed a "silicon chip") is a member of the class of semiconductor components: we describe in future parts of *Teach-In* a variety of integrated circuits which are capable of performing a whole host of functions, depending on their type.

Fig. 3.19(a) shows a *fixed positive voltage regulator*. The output voltage is stabilised at a certain value, such as +5V or +12V (depending on what value of regulator you choose) and this will be maintained as long as the input voltage is higher than the output by about three or four volts (the "dropout" voltage). Additionally the devices are short-circuit proof and are also protected against overheating – they simply shut down if they are asked to dissipate too much power.

Regulator i.c.s mostly look very similar to the thyristor we introduced earlier – but you must *always* connect them the right way round or they will be damaged. Connection diagrams like the one in Fig. 3.19 are generally shown in supplier's catalogues, noting that they differ between family types.

Fig. 3.19(b) is a *variable positive voltage regulator* type LM317, a very popular integrated circuit device which is very simple to use. The *Mini Lab* utilises one at the heart of the Variable Power Supply, and only an external resistor and potentiometer are required to determine the output voltage. A highly accurate 1.25V reference voltage is present across R1, and the output voltage V_{OUT} is roughly determined by the formula:

$$V_{OUT} = V_{REF} \times (1 + V_{R1} / R1) \text{ volts}$$

where V_{REF} is 1.25V and the values of the resistors are measured in ohms. Customarily R1 is set at 240ohms but 220ohms is fine. For a typical application, have a look once again at our design for the *Mini Lab* Power Supply shown elsewhere in this issue. Note also the use of a "heat sink" which is an aluminium extrusion to which the regulator is bolted to assist with the dissipation of excess heat. The design offers you a complete power supply providing from roughly 2V to 18V, and which is short-circuit proof, thermal overload proof and offers a

very high performance at a very modest price.

Next month, we introduce probably the most useful electronic component of all: the transistor. Using these amazingly versatile devices, we will demonstrate some interesting functions which could not be achieved with the basic parts we have discussed so far. Your *Mini Lab* also acquires a versatile Signal Generator capable of providing sine, square and triangle waveforms at a wide range of frequencies. There will be plenty of practical work to perform on the *Mini Lab* – join us next month!

TEACH-IN CORRECTIONS

One or two corrections from the first two parts have been pointed out by readers – thanks for your feedback.

In **Part 1** page 732 centre column, the third paragraph starts "Our 470R and 100R resistors could thus..." It should read "Our 470R and 220R resistors could thus..."

In the *Mini Lab* **Part 2**, Fig. 2 a link wire is missing from between IC1 and IC2 this is shown on the p.c.b. and should be inserted. Also in **Part 2** GCSE Answers (f) states "we know from (e) that 14mA will flow" it should say "we know from (d) that 6mA will flow". In the "Advanced Level" box (again **Part 2**) our friendly computer threw out the last two lines and I'm afraid we did not notice, they should read "frequency or range of frequencies. This application is discussed in future parts." We apologise for these mistakes. –Ed.

VEROBLOCKS

Unfortunately we have discovered that supplies of Veroblocks for the *Mini Lab* have dried up (BICC Vero have stopped manufacture). We are selecting an alternative which can be stuck to the *Mini Lab* p.c.b. using foam sticky pads. This will not affect the experiments.

electronize electronic kits

TOTAL ENERGY DISCHARGE ELECTRONIC IGNITION

A unique extended CDI system gives a super high power spark under conditions where the standard system just cannot cope. The contact breaker is retained for ease of fitting but operates only at low power.

EXTENDED CDI IGNITION parts kit £22.75 assembled £28.45

MICRO-PRESSURE CAR ALARM

A unique air pressure sensing system operates automatically without door switches etc. and is disarmed with the ignition key. Provides exit and entry delays with audible warning when triggered. Easily fitted with only three leads. A Power MOSFET output drives a siren or the car horn.

MICRO-PRESSURE CAR ALARM parts kit £15.95 assembled £22.35

VOLT DROP OPERATED CAR ALARM

A similar unit to the above but relying on the courtesy light operation and the well known volt drop detection system.

VOLT DROP CAR ALARM parts kit £14.90 assembled £20.95

MICRO PRESSURE TRIGGER

A small module to up-grade any volt drop alarm to Micro-Pressure sensing or combine the benefits of both systems.

MICRO PRESSURE TRIGGER parts kit £10.95 assembled £14.95

120dB PIEZO SIREN

A high intensity vehicle alarm siren for use with the above alarms.

120dB PIEZO SIREN assembled only £11.95

CODED INFRARED RECEIVER

A dash top mounted unit gives coded remote control of the above alarms. Includes a security chip with anti-scanning and 59,046 customer selectable combinations. Also has "Mega Bright" flashing LED to warn off intruders.

CODED IR RECEIVER parts kit £21.35 assembled £26.55

CODED INFRARED TRANSMITTER

A key ring code transmitter for the above with a range up to 5 metre.

CODED IR TRANSMITTER parts kit £13.95 assembled £17.95

All the above include cable, connectors and clear easy to follow instructions. All kits include case, PCB, everything down to the last washer, even solder. Prices are mail order discount, fully inclusive and apply to U.K. and Europe. Telephone orders accepted with VISA or ACCESS payment.

Ask for detailed brochures or order direct (please quote EE1) from :-

ELECTRONIZE DESIGN Tel. 021 308 5877
2 Hillside Road, Four Oaks, Sutton Coldfield, B74 4DQ

HENRY'S

NEW STOCKS AND SPECIAL OFFERS

ASTECS SW mode power supply

Three pin mains socket input, on/off switch. Output +5 volt 3.75 amp, +12 volt 1.5 amp, -12 volt 0.4 amp. 115-230 V AC Input
Size 7.0 x 5.3 x 2.5 ins with circuit. **£12.95** incl VAT



'POCKET' TEST INSTRUMENTS

(with case) Prices Incl VAT

* 135 Satellite Signal Finder. FS + Compass	£28.95
* 1065 Digital Lux Meter - 3 Ranges	£61.00
* 120M Sound Level Meter - 2 Ranges	£45.00
200A 20 HZ. to 200 MHZ.	
2 Range Freq. Counter	£104.58
555 Sine/Sq. 20 HZ to 150KHZ. Audio Gen. Switch Freqs.	£47.95
* 50 Digital Capacitance Meter upto 2000 mfd	£51.00
KDM6. TR Grid Dip. 6 Ranges 1.5 to 250 MHZ	£82.00
* Y225V. VHS Video Head Tester	£38.95
HZ65. Component Tester - Add to any Scope	£41.00
* ST300. AC Clamp Meter. 0/300A. 0/600V. 0/1Kohm	
SPECIAL PURCHASE	£25.95
265. 0/2000 amp AC Clamp - Add to Dmm	£15.95
202. 0/200/2000 Amp AC/DC Version	£53.95
* 323P. Wallet Type Digital Multimeter	
SPECIAL PURCHASE	£21.95

LCR DIGITAL METER Pocket size Instrument

- 3 1/2 digit LCD, 20 ranges.
- 7 Capacitance, 0/200 mfd
- 6 Inductance, 0/200H
- 7 Resistance 0/200 M ohm

£69.95 incl VAT

with leads and battery



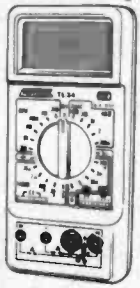
TL34
33 Range 3 1/2 digit mm
24mm Large Display
FEATURES: 5 Capacitance ranges, 6 - resistance ranges to 20M ohm Diode and transistor test. AC/DC volts ranges, 5 ranges AC/DC current to 20 amps. With leads, battery and Instructions.

£25.95 incl VAT

TL3400
31 range 3 1/2 digit mm
with 25mm Large Display
FEATURES: 4 Capacitance ranges. AC/DC volts.

AC/DC current to 20 amps. 6 resistance ranges to 40M ohm Diode test. Continuity test. Logic checker with buzzer. Auto range frequency counter. Peak hold button. Temperature test.

£39.95 incl VAT



IN STOCK AUDIO-ELECTRONICS

(Details in colour catalogue and supplements)

FULL RANGE OF TEST INSTRUMENTS -

- Scopes ■ Counters ■ Power Supplies
- Generators ■ Meters ■ Hameg ■ Metelx
- Blackstar ■ Testlab ■ Thurlby ■ Thandar

SECURITY AND COMMUNICATIONS -

- Alarms ■ Lighting ■ Detectors ■ Intercomms
- Doorphones ■ CCTV and CB Radio

AUDIO EQUIPMENT -

- For Public Address
- Hi-Power Car Systems ■ Disco and Hi-Fi
- Speakers ■ Amplifiers ■ Mics ■ Effects etc

COMPONENTS AND TOOLS - Large Range inc.

- Fans ■ Large Value Caps ■ Relays
- Transistors

ACCESSORIES -

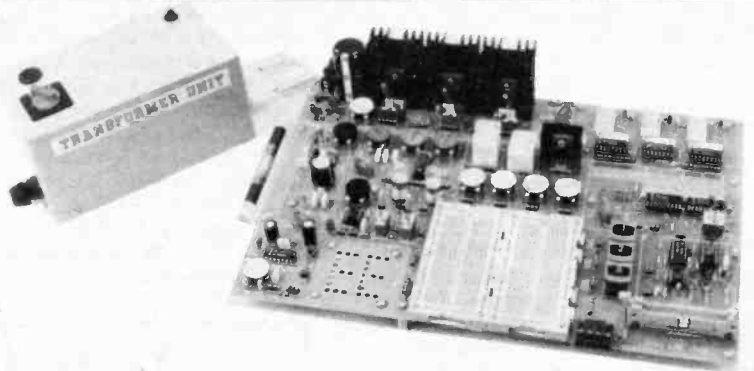
- For TV ■ Video ■ Hi-Fi
- Telephones CB etc etc.

Open 6 days a week for callers and telephone orders
UK Call/Pack/Ins £2.05
Post Free any two items

COLOUR CATALOGUE
with supplements
Send £4 (UK),
£6 (export)
£2 for callers
FREE updates for
your 91/92
catalogue send
large SAE
(34p Stamp)
FREE catalogues
with trade prices
for trade and
education -
write or fax.

HENRY'S 404 Edgware Rd, London W2 1ED
Instruments, Audio, Equipment 071-724 3564
Security, CCTV, Communications 071-724 0323
Components, Service Aids 071-723 1008
QUANTITY, EXPORT AND EDUCATION DISCOUNTS.
OFFICIAL ORDER SALES Tel: 071-258 1831. Fax: 071-724 0322

MINI LAB



Alan Winstanley & Keith Dye B.Eng(Tech)AMIEE

The Everyday with Practical Electronics Mini Lab has been created to accompany Teach-In '93, and enables the reader to assemble demonstration circuits by following the clear instructions and diagrams contained in the main text, with every chance of it working first time. The Mini Lab is an exciting learning aid which brings electronics to life in an enjoyable and interesting way: you will both see, and hear, the electron in action.

DURING the early stages of *Teach-In*, the *Mini Lab* utilises a safe low-voltage battery pack as its power source. As we progress through the tutorial, it expands to include a selection of appealing and useful circuits and soon the fixed 6V battery pack restricts the versatility of the *Mini Lab* system. Additionally, many circuits which we introduce in the coming months require precise stabilised voltages, so the external battery eventually has to become redundant.

The Power Supply section to be described is a versatile design which is very satisfying to construct on the *Mini Lab* printed circuit board (p.c.b.). It incorporates three integrated circuit (i.c.) regulators, and offers fixed voltage stabilised outputs of both +5V and +12V, and also a variable voltage d.c. supply of roughly 2V to 18V which will be useful for experimentation purposes.

TRANSFORMER UNIT

The Power Supply is constructed in two sections: the regulators are assembled onto the p.c.b., and secondly a Transformer Unit is built in a separate plastic box. This latter item contains a simple mains voltage section and is totally enclosed for safety. Fig. 1 shows the circuit diagram of the simple Transformer Unit.

Mains a.c. supply is switched through a double-pole switch S1 which completely isolates the Live and Neutral supply from the unit. S1 includes a 240V neon and so the switch illuminates when the power is switched on. The primary circuit is fused by FS1 which will melt if a fault causes an excessive current to be drawn.

A 20VA mains transformer (T1) is used which actually had two primary windings (0-110V and 0-130V) on the prototype; these are connected *in series* to enable it to operate on 240V a.c. Your own version might already have a 240V primary which is then simply connected straight to FS1/S1b. The secondary has twin windings, rated 15V a.c. 0.66A each. By connecting the winding in *parallel*, a rating of 15V a.c. 1.32A can be obtained, which gives a total power rating of 20VA.

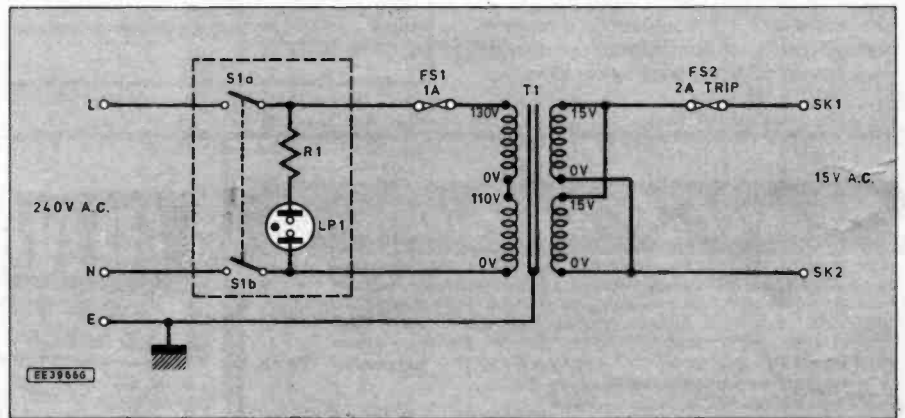
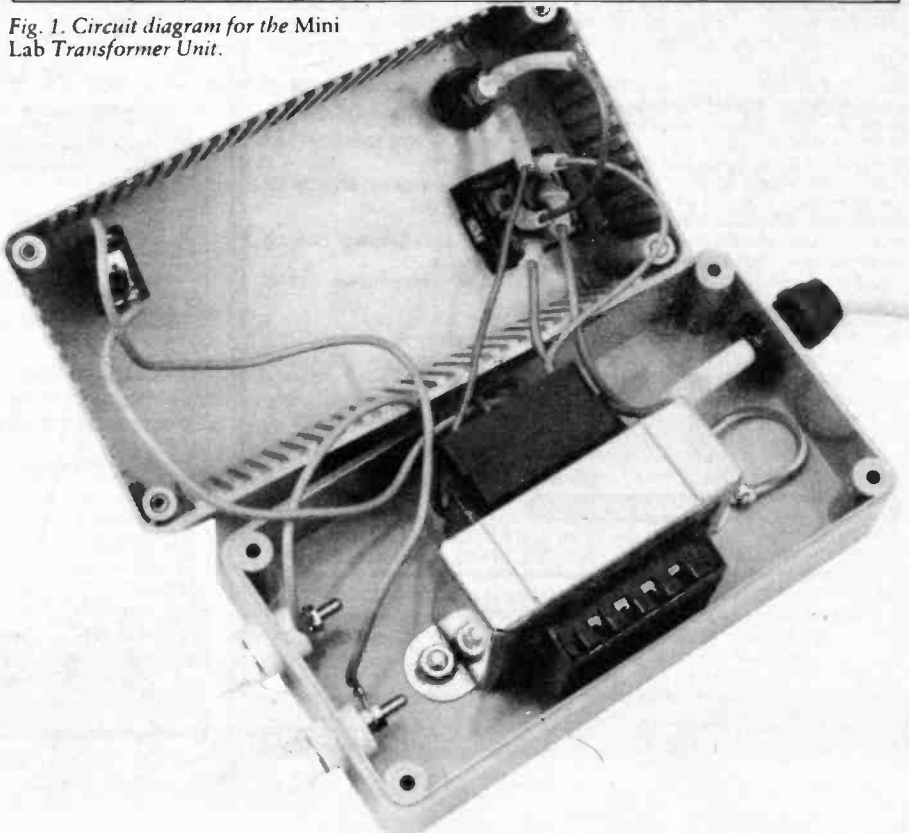


Fig. 1. Circuit diagram for the Mini Lab Transformer Unit.



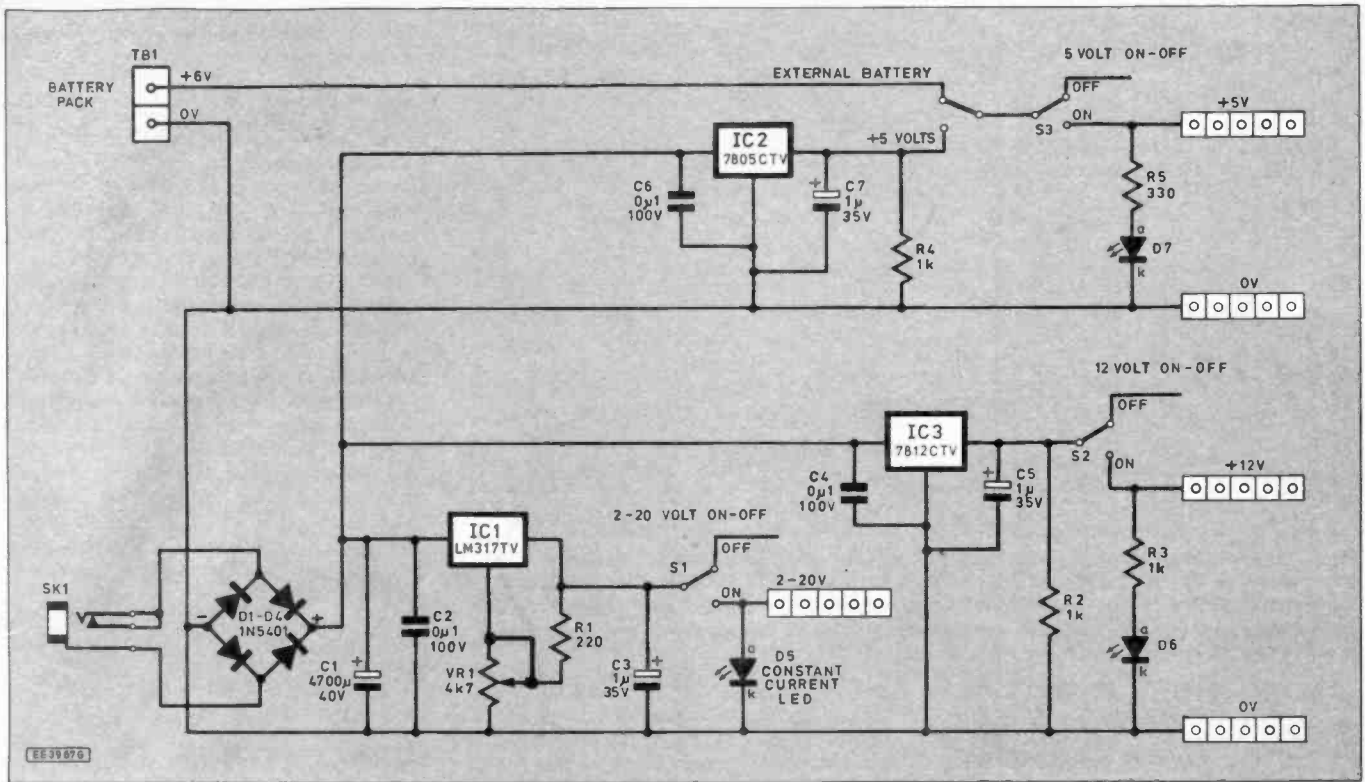


Fig. 2. Circuit diagram for the regulator section.

It is *crucial* that the secondaries are connected properly: 0V to 0V and 15V to 15V as shown. It is dangerous to wire them incorrectly. The resultant 15V a.c. (with 1.32A available) is connected via FS2, a 2A thermal resettable trip, to SK1 and SK2 which are two 4mm output terminals. FS2 will interrupt the low voltage supply in the event of an over-current fault. A twin-core lead connects the 15V a.c. to the power inlet on the *Mini Lab*.

The Earth input is to be connected to the mounting frame of T1, so that if for any reason the mains winding should short to the transformer core (perhaps the insulation fails) then a large current will flow to Earth and melt FS1, thereby disconnecting the mains supply. It also prevents the transformer mounting bolts from becoming "live".

REGULATOR SECTION

The circuit diagram of the Power Supply section to be assembled on the *Mini Lab* board is shown in Fig. 2. The 15V a.c. from the Transformer Unit connects via SK1 to four heavy-duty rectifiers D1 to D4 which together form a bridge rectifier. These rectify the 15V a.c. and C1 is a large electrolytic smoothing capacitor, which smoothes out the bridge rectifier output to give about 21V d.c. off load, as measured.

IC1 is an LM317 variable voltage regulator, the output voltage of which is determined by VR1. S1 switches the variable output on or off, and D5 is a constant current l.e.d. which illuminates when the supply is more than about +2V. Note D5 does *not* need a series limiting resistor.

IC2 is a +5V regulator i.e., the output from which is switched on or off by S3, D7 illuminating accordingly. Likewise IC3 is a +12V regulator whose output is switched by S2 and D6 lights when the +12V rail is switched on. An on-board selector shorting plug - already fitted in Part One - is employed to choose whether "EXTERNAL BATTERY" or "+5 VOLTS" is to appear at the +5V/+6V distribution socket strip; this precaution prevents both the 6V battery

and 5V supply from ever being connected together.

Note that all three regulators are short-circuit proof and include thermal shutdown, and will automatically limit the current to a safe value (about 1A) in the event of an excessive load being applied. Ultimately,

FS2 will trip out if an excessive total current is demanded from the secondary of the transformer. The extra capacitors distributed around the circuit may seem to have no function, but in fact they help to eliminate any spikes and "noise" which improves overall performance.

MINI LAB - COMPONENTS

Note, a small number of components are shown on the Power Supply circuit diagram which were actually fitted to the p.c.b. in Part One - so to avoid duplication, they are **not** repeated in this Parts List which details the part required for Part Three only.

Resistors

R1	220
R2 to R4	1k (3 off)
R5	330

All 1/4W 5% carbon film

Capacitors

C1	4700µ p.c.b. electrolytic 35V (Panasonic TSU series) 10mm pitch snap in terminals.
C2, C4, C6	0µ1 (100n) polyester 5mm pitch (3 off)
C3, C5, C7	1µ tantalum 35V (3 off)

Miscellaneous

S1, S2	S.P.D.T. sub-miniature toggle (2 off)
SK1	2.5mm p.c.b. mounting power inlet
Heatsink, 5.8 deg C/Watt TO-22Q p.c.b. solder-in type (3 off); TO-220 fixing and insulating kit (3 off); s.i.l. turned pin sockets (15 off) [+5V and 0V already installed in Part One].	

Miscellaneous

T1	Chassis mounting 20VA mains transformer, 240V primary, 0V-15V 0.6A and 0V-15V 0.6A twin secondaries
S1	Mains d.p.s.t. plastic rotary or rocker switch with built-in neon
FS1	1A 20mm fuse with panel-mounting safety fuseholder
FS2	2A panel-mounting thermal resettable trip
SK1, SK2	4mm yellow terminals (2 off)
All-plastic box 150mm x 80mm x 76mm. A sturdy type is required in view of the mass of the transformer; 4mm yellow plug (2 off); 2.5mm d.c. power plug; one metre 6A 3-core mains cable; one metre twin-core figure-8 cable; cable gland; nuts; bolts; feet etc.	

See
**SHOP
TALK**
Page

Potentiometer

VR1	4k7 0.25W horizontal preset and thumbwheel.
-----	---

Semiconductors

D1 to D4	1N5401 rectifier (4 off)
D5	Constant current l.e.d.
D6, D7	0.2inch l.e.d. (2 off)
IC1	LM317T regulator TO-220
IC2	L7805CV +5V 1.5A fixed regulator TO-220
IC3	L7812CV +12V 1.5A fixed regulator TO-220

TRANSFORMER UNIT

Price

£34
Approx

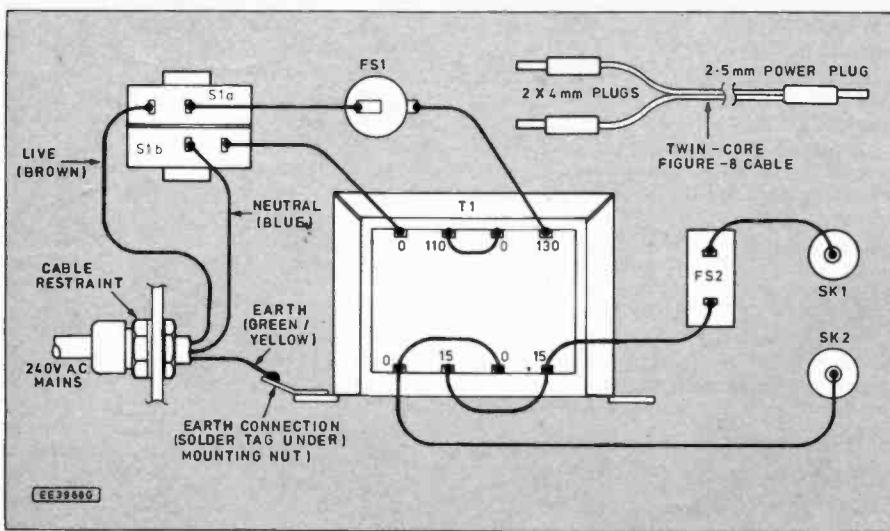


Fig. 3. Transformer Unit wiring diagram. The transformer is to be earthed as shown and no other metal fittings are permitted. If the specified switch S1 is used, then the terminals are numbered as shown. All wiring is completed with 6A cable.

CONSTRUCTION

The Transformer Unit assembly is shown in Fig. 3, and is to be constructed in an all-plastic box *only*. The size depends on the dimensions of your own transformer, but we recommend a box which measures 150 × 80 × 76mm and should accommodate most 20VA transformers.

Commence by preparing the box to accept the switch and fuses. Drill holes of the appropriate diameter, carefully filing them out to shape if necessary. The recommended "all-plastic" mains rotary switch incorporates a neon and requires a square cut-out about 26 × 26mm – other types can be used but the cut-out needs to be shaped accordingly. A separate double-pole switch and neon could be utilised also, if desired.

Prepare the case to accommodate the mains cable inlet and the two 4mm ter-

minals. You **MUST** ensure that when the box is assembled, no parts mounted on the box will touch or interfere with the transformer inside, and that everything fits together neatly – so choose the positioning of the parts with care. For safety reasons, no metal fittings (e.g. a metal toggle switch for S1) are permitted at all on the plastic box, apart from the transformer mounting bolts which are to be earthed.

Continue construction by following the interwiring diagram of Fig. 3. Use one metre of 6A, 3-core mains cable along with a cable restraint device (e.g. a "gland" or a p-clip with rubber grommet) to prevent the cable from being pulled out. The internal mains interwiring can be completed with further 6A cable, noting that the Earth input is soldered to a solder tag underneath one of the transformer mounting bolts. If you have any worries or queries, refer to an experienced

Tutor or competent electronics constructor for advice.

TRANSFORMER CONNECTIONS

Close attention must be paid to the transformer connections so that the primary is wired for 240V operation, and that the secondary 15V windings are wired in parallel correctly – 15V to 15V, and 0V to 0V *only*. These connect to the 4mm output terminals with solder tags; alternatively, ordinary 4mm sockets can be used. It is also good practice to insulate all mains joints with either heat-shrink sleeving or p.v.c. sleeving if available.

Complete the Transformer Unit by fitting a three-pin plug, fused at 3A, to the mains cable, then fabricate the *Mini Lab* connecting lead using twin-core wire terminated with 4mm plugs at one end and the d.c. power plug at the other. Finish off by adding four non-scratch adhesive feet to the underside of the plastic box. Check out all interwiring most carefully, then test the unit by plugging into the mains and switching on – the neon indicator will illuminate. Measure the output voltage with your multimeter set to A.C. Volts which should read about 15V to 16V a.c.

MINI LAB ASSEMBLY

If the specified components are used, these will fit the *Mini Lab* p.c.b. directly with no problems whatsoever. Many of the components are polarity-conscious and it is crucial that they are connected the right way round or damage will result – especially the rectifiers (the stout leads of which must be gently bent with pliers to align with the board), the smoothing capacitor, which will snap into place, and the tantalum bead capacitors. The silk-screen printing on the board clearly shows the orientation of all devices. Follow it closely (see Fig. 4).

It is best to fit the smaller components to the board first, following on with the

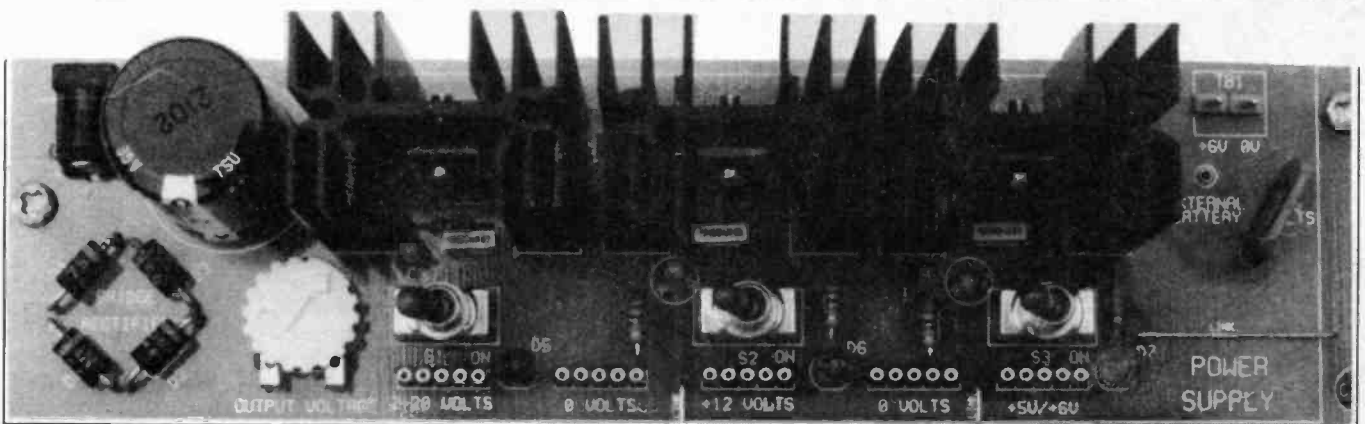
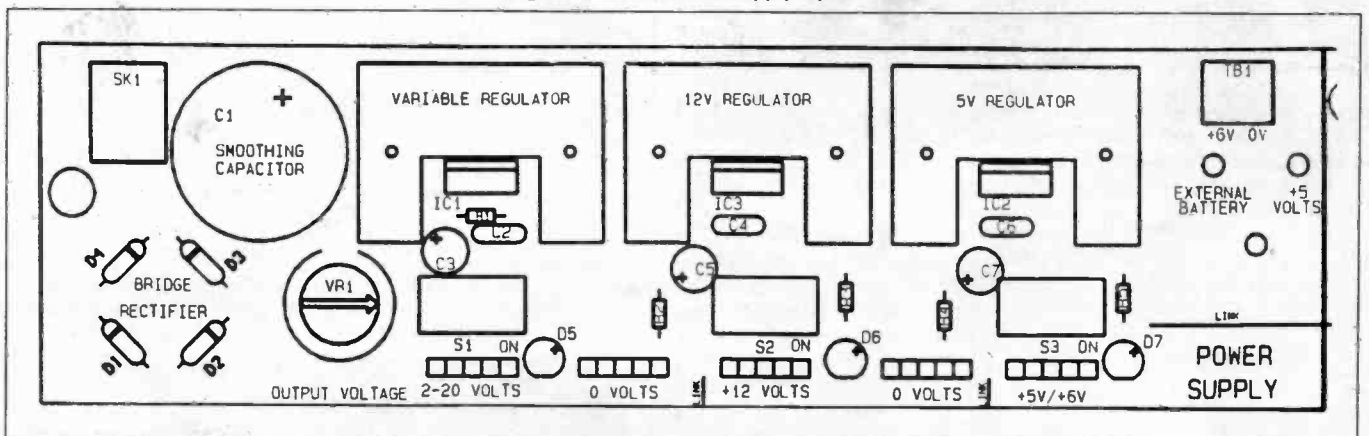


Fig. 4. Mini Lab Power Supply layout



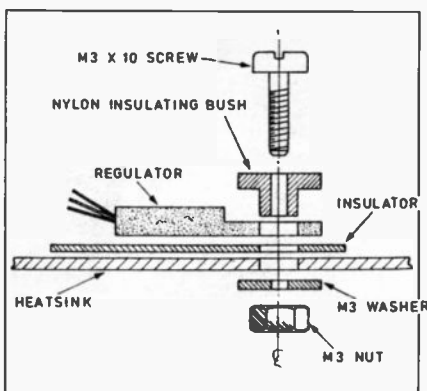


Fig. 5. Regulator mounting and insulating kit details. A standard "TO-220" fixing kit is used.

switches, heatsinks and lastly the smoothing capacitor. The three regulators are to be bolted to their heatsinks using an M3 fastener and TO220-type mounting kit which insulates the metal tabs of the devices from

the heatsink (see Fig. 5). Mount the devices onto their respective heatsinks *first* before fitting the assemblies to the board. The *only* way you will manage to solder the recommended heatsinks to the p.c.b. is with a large tip iron, rated at say 25 watts. A fine-tip iron will not be adequate, and the heatsinks *must* be completely flush against the board prior to finally being soldered into place.

Readers should actually have little difficulty with assembly providing that care is exercised so that neither the board nor the components are damaged through excess heat. With assembly completed, check that all components are correctly orientated, and inspect the soldering carefully, looking for dry or incomplete joints and shorts between adjacent solder pads.

TESTING

Now connect the Transformer Unit to the Mini Lab a.c. inlet socket and switch on the mains: check that the +5V and +12V outputs function by measuring their outputs with your multimeter – the i.e.d. indicators

should illuminate when the appropriate toggle switch is closed. Test the output of the variable regulator the same way, by rotating the voltage control – the output should be from 1.25V minimum to approximately 18V d.c. Finally, don't forget to set the selector plug to "+5V" to disconnect the battery pack. The Mini Lab L.E.D. Voltmeter actually operates from the +5V supply – try using it to measure the output voltages from your new Power Supply section which is now ready for use.

As your Mini Lab continues to grow, it becomes important that you handle it in a way which avoids physically damaging the components. The best way is to hold the unit by the breadboard(s), thumb on top and fingers underneath where there are no solder joints. Finally, you should expect the +5V regulator heatsink to often become warm or hot in operation: this is normal and there is no need to worry. The other regulators may also occasionally warm up in use.

Next Month: Signal Generator.

READOUT

THE CATS WHISKERS!

Dear Ed.,

I am writing to say how much I enjoy your magazine, which I have been reading for a goodly number of years.

I first became interested in radio as an 11-year-old lad before the war. I graduated from crystal sets to one valve reflex circuits, and thence to short wave radios, and all sorts of other noise producing devices!

Pending joining the RAF I worked in the local radio shop in the early part of the war. I served my apprenticeship charging accumulators and eventually repairing domestic radios.

I took a Monthly Radio Servicing correspondence course, which enabled me to understand the theory, the practical aspects were nicely covered by the many and varied faults on radios bought in for repair!

The early war years with the shortage of components (and skilled technicians), gave me the opportunity to learn a great deal about fault finding, improvisation, and repair of the domestic radio, and record player (radiogram in those days). It was a marvellous grounding, and the diagnostic skills learnt have stood me in good stead.

I joined the RAF in 1943 and again good fortune came my way in the shape of a basic radio/electronics course, and then four months airborne radar training. War or no

war I enjoyed servicing airborne radar, and was associated with IFF, ASV, H2S, radio altimeter, etc., names which are now consigned to the history books, but though the technology is now solid state, the principles in many instances remain the same.

After the war I had the opportunity to go back to civvy radio (as it was called), but this seemed a retrograde step and I looked for something different, but of course still in radio or electronics.

Once again I was blessed with good fortune and I found a job with the Government in communications, (back to my first love, the superhet!), this was like doing your hobby, and being paid for it!

Now in retirement I have my *Everyday Electronics* – what more could a man want?

It is interesting to note that those who have spent a life time with analogue equipment, find digital circuitry rather uninteresting. I suppose because it either works or it doesn't.

Alas the march of time – the analogue men like old soldiers will slowly fade away until the aerial socket and the loud speaker are the only analogue devices left! But not yet, so please don't give up on the analogue projects!

One final aside, whilst visiting Portugal in October I was looking for an English newspaper at a small newsagents shop, and I noticed a familiar cover, yes, the October issue of *Everyday Electronics*, what's more a week later they had the November issue.

Keep up the good work, the cats whisker brigade is still with you (just)!

Mr. P. W. Warwick
Cheltenham

WELCOME BACK

Dear Ed.,

Having taken *Practical Electronics* from the first issue in 1964, I was on the verge of finally cancelling when you brought out *Everyday with Practical Electronics*.

Welcome back to the original and worthwhile style of interesting hobby electronics in place of simply being a Computer/TV/Hi-Fi catalogue.

I appreciate the change to what seems like the original format and now look forward to reading it regularly again.

Stephen H Alsop
Managing Director
S&S Systems Ltd., Sheffield

THAT MNEMONIC

Dear Ed.,

The letter published in *Readout* of the December issue from Councillor Des Loughney about the resistor mnemonic. I would agree with the editors comments, I do not know how many similar complaints there have been but as someone at the sharp end of education and not on a committee, I can assure the councillor and his constituent that there are far worse mnemonics out there in the public domain and most if not all compiled by students.

My alternative which is non-sexist, non-racist, non-political and which gives my age away is:- Bye Bye Ruth On You Go (to) Birmingham Via Great Western

J. Stubbs (Lecturer)
Coventry

Thanks, this one (or similar versions) seems to be very popular, please keep other versions coming.

EPE Binders

Don't let your valuable issues of EPE get binned, burned or bitten (by the dog). Get one of our exquisite orange hard-back binders, slip each issue into it as you get them and you will always know where they are – we hope!

Binders to hold one volume (12 issues) are available from *Everyday with Practical Electronics*, 6 Church Street, Wimborne, Dorset BH21 1JH for £5.95 (£6.95 to European countries and £8.00 to other countries, surface mail) inclusive of postage and packing. Payment in £ sterling only please.

Binders are normally sent within seven days of receipt of your order but please allow up to 28 days for UK delivery – more overseas.

19" RACK MOUNTING EQUIPMENT CASES

This range of 19" rack cases features satin black finished 16SWG (1.5mm) steel front panels (no fixing holes visible), with the rear box assembly constructed from 20SWG (.9mm) steel. The standard units are 10" (254mm) deep. 19" project cases only 4" (101mm) deep and are available in the following popular sizes.

PROJECT CASES

Type	Height	Price
PU1	1 1/2" (44mm)	£18.02
PU2	3" (88mm)	£20.07
PU3	5" (133mm)	£22.11
PU4	7" (178mm)	£24.16
PU6	10" (266mm)	£28.25

EQUIPMENT CASES

Type	Height	Price
U1	1 1/2" (44mm)	£22.33
U2	3" (88mm)	£25.85
U3	5" (133mm)	£29.38
U4	7" (178mm)	£31.72

Delivery included (UK only)

All prices include VAT.

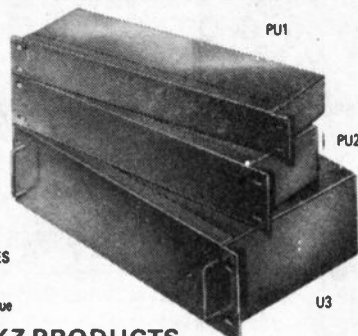
BLANKING PANELS, RACKING CONSOLES

and RACK CABINETS are also available.

Please send SAE for details

Tel: 0272 373993 for Access/Visa Sales or cheque

with order to



RACKZ PRODUCTS

PO Box 1402 Mangotsfield, Bristol, England, BS17 3RY

INTERFACE



Robert Penfold

PROBABLY everyone involved in computing occasionally has problems interconnecting two pieces of equipment via RS232C serial interfaces. It is a subject which seems to bring in a steady trickle of letters from readers in difficulty, and is certainly something that has caused me a few headaches over the years.

There are standard methods of connection which will give the desired result in most cases. It is certainly a good idea to try one of these before buying an RS232C breakout box and testing every possible combination of interconnections in an attempt to find one that works!

Pin Assignments

In an ideal world there would be no problems with serial interconnections, and a single type of lead would successfully wire together any two RS232C equipped units. In reality this is not possible since various types of connector are currently used for RS232C ports. There is in fact a standard RS232C plug/socket, which is the 25-way D-type. However, in practice there are plenty of computers, etc. which do not use this type connector, or which use the right type of connector with a non-standard method of connection.

This is not the main problem though. The connections required between two units depends on what the two units actually happen to be. A method of interconnection which works fine for a computer and a modem is unlikely to give the desired result if it is applied to a computer and a printer. You therefore have to select the right method of interconnection for

the two types of equipment you are dealing with.

The pin assignments for a standard RS232C port are shown in Fig. 1. From time to time I am asked whether this type of diagram shows an outside view, or the port as seen looking from within the computer (or whatever). The convention is for ports to be shown as outside views, not "computer's eye" views. This would seem to be the logical method, since this shows the port the way you normally see it. A few manufacturers (including Sinclair) have not stuck to this convention though.

Pin Numbers

If in doubt, remember that virtually all multi-way computer and audio connectors are marked with pin numbers, and that referring to these will make it clear which pin is which. However, unless you have exceptionally keen eyesight you will need a magnifier in order to read the pin numbers. Without the aid of a magnifier you might not even be able to see that the numbers are there!

With a 25-way connector having only two pins unused, there are obviously some 23 different pin functions on a full RS232C port. In reality most of these are simply not implemented on most RS232C ports. At least five lines are needed for two way communications with handshaking, and many ports have about eight or nine lines actually implemented.

The most important lines are the ones carried by pins two to eight, and by pin 20. Most of the others are secondary lines

(presumably to act as back-ups in the event of a damaged cable), and lines that are only needed for synchronous serial links. In a computer context you are only likely to encounter asynchronous links, where there are no lines devoted to carrying clock or other timing signals.

Serial Ports

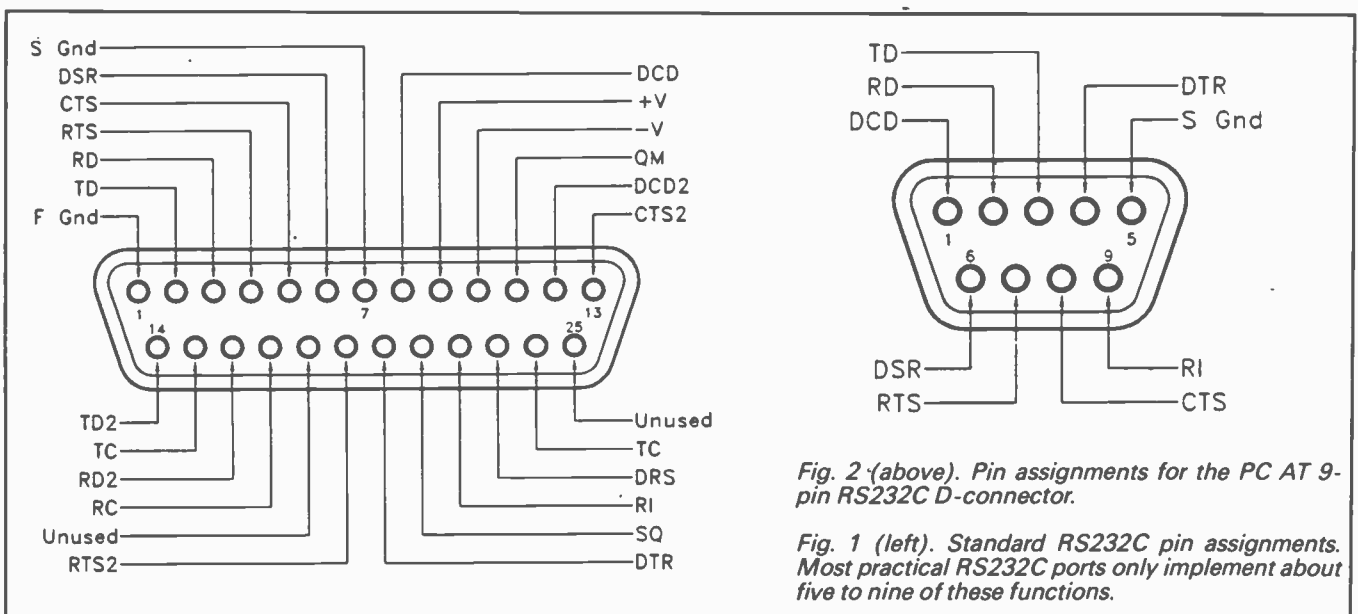
The serial ports of most modern computers, printers, etc. use a 25-way D-connector with the standard pin assignments. A wide variety of connectors are used for the serial ports of older computers. Where a different type of connector is utilized the equipment is (or was) often supplied with an adaptor so that standard RS232C leads can be used with the equipment.

For example, many PCs have nine pin D-connectors for their serial ports, but are supplied complete with nine to 25 pin "pigtail" adaptor leads. The popularity of the PC is such that the adaptors are not always needed. RS232C leads having nine pin D-connectors (or both 25 pin and nine pin D-connectors) are readily available. Fig.2 shows the pin assignments for the nine pin PC serial port.

Where a PC has a 25-way connector for its serial port, it is unlikely that anything more than these nine functions will be implemented. In fact no computer RS232C port is likely to have anything beyond these nine functions.

Missing Link

It is worth pointing out that a serial link can only work properly if the units at both ends of the system are set to operate



using the same baud rate and word format. Getting either of these wrong is likely to produce scrambled data, or the receiving device might detect that the data is being decoded incorrectly and simply refuse to do anything. At the computer end of the system the baud rate and word format are set using operating system commands. For instance, the MS/DOS Mode command for a PC, or *FX commands for a BBC computer.

Remember that most applications software has a setup program or a facility within the program which enables the baud rate and word format to be controlled. The applications program will override any serial interface parameters setup using the operating system.

With printers, plotters, etc. there are the rows of d.i.p. switches to contend with, or possibly a liquid crystal display and a number of push-buttons. Either way you will probably need to read the manual very carefully in order to get everything set up correctly.

The most basic type of two-way link

method of interconnection shown in Fig.4 will usually give good results. Two handshake lines are needed; one to control the flow of data in each direction. Matters are complicated by the fact that there are two sets of handshake lines on an RS232C port. Hence this setup has the RD and TD lines cross coupled, plus two sets of handshake lines which are also cross coupled.

In my experience it is DTR (data terminal ready) and DSR (data set ready) that are of importance in a computer context. However, it is advisable to play safe and also link the RTS (request to send) and CTS (clear to send) pins.

For a link between a computer and a printer or plotter the method of connection shown in Fig.5 is usually successful. The data link from the printer back to computer may seem to be superfluous, but it might be needed for software handshaking. Also, some printers and plotters have the ability to send data of some sort back to the computer (although this facility seems to be little used in practice).

Straight Leads

The types of lead described so far are forms of null modem cable. This is where the cable has to provide cross coupling so that inputs connect to outputs, and outputs connect to inputs. RS232C interconnections are complicated by the fact that there are two types of equipment. These are data terminal equipment (DTE) and data communications equipment (DCE).

With the former the outputs are outputs, and the inputs are inputs. Data communications equipment on the other hand, outputs information from its notional inputs, and receives information on its notional outputs.

The basic idea is to have a DCE unit at one end of the system, and a DTE device at the other. The interconnections can then be provided a simple "straight" or "pin-to-pin" cable which provides the interconnections shown in Fig.6. Of course, the cross coupling is still present, but it is within the DCE interface and does not have to be provided by the connecting cable.

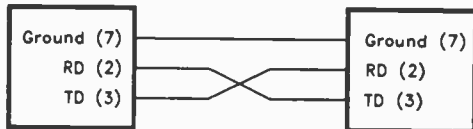


Fig. 3. Basic three wire link with no hardware handshaking.

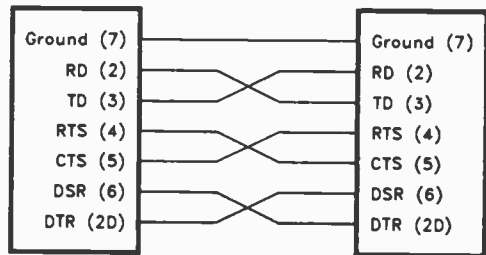


Fig. 4. Computer to computer link with handshaking.

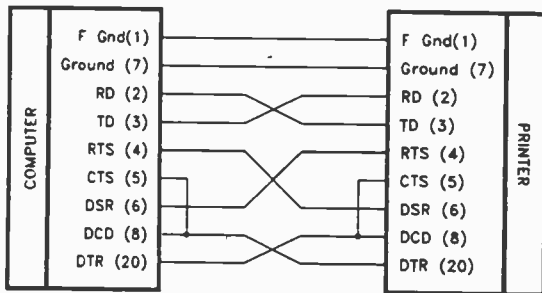


Fig. 5. The usual connections for a computer to printer link.

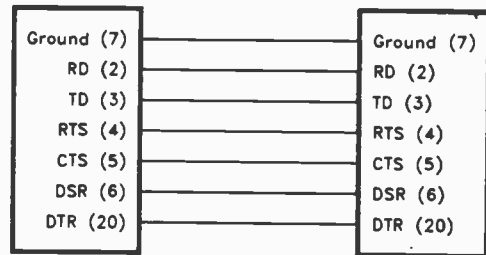


Fig. 6. A "straight" lead is needed to connect a DCE interface to a DTE type.

requires three connecting wires (Fig.3). This system has just a ground connection, plus cross-coupling of the RD (receive data) and TD (transmit data) terminals. This setup is sometimes used for computer to computer communications, and can occasionally be used to connect a computer to a peripheral device such as a printer.

There is clearly no hardware handshaking, but some systems rely on implementing the handshaking using codes sent via the RD-TD links. In other cases there is no need for handshaking because the receiving device can easily keep up with a continuous flow of data. If you try this method and the result is large chunks of missing data, then the problem is almost certainly due to missing links between the pins which carry the handshake signals.

Handshaking

For computer to computer communications with hardware handshaking the

The hardware handshaking is something less than straightforward, with some odd cross coupling and the DCD (data carrier detect) terminals being brought into action. Just why this should be necessary I am not entirely sure.

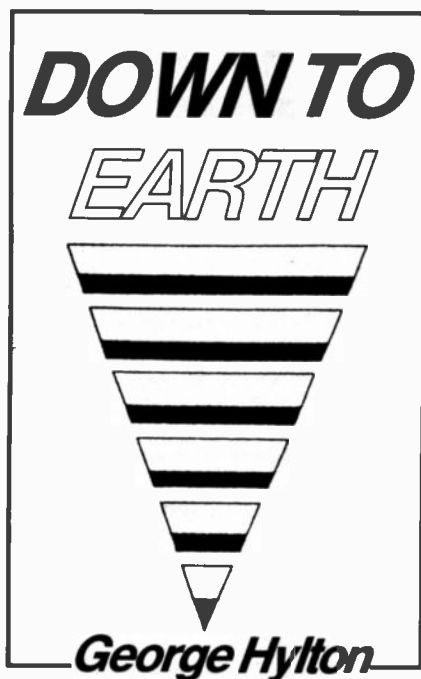
The DCD pins are inputs, but this function does not seem to be implemented on many modern printers. Even where it is implemented, the manual for the printer or plotter often seems to indicate that this input is largely ignored, and its precise function is not given. Does anyone know the purpose of the DCD line in a printer interfacing context?

Anyway, the interconnections shown in Fig.5 usually provide the desired result. If not, then the straightforward method of Fig. 4 should give correct operation. If your computer has a very basic serial port with only one handshake output, connecting this to either CTS or DSR on the printer should give a properly controlled flow of data.

Few items of computer gear are of the DCE variety. The only common DCE units are modems, which almost invariably need a straight lead to connect them to the computer.

It is worth pointing out that some RS232C ports will not work properly if a handshake input is left unconnected. This is simply because the input will "float" to the hold-off state if it is left unconnected. Fortunately, most serial ports are designed so that data can flow uninterrupted if the handshake inputs are left "floating". In a few cases though, the handshake lines may need to be cross coupled even though they are not needed to regulate the flow of data.

One final point is that the outputs of RS232C interfaces should all include current limiting. Consequently, there should be no risk of damage occurring if you experiment with various interconnections, even if two outputs should be accidentally wired together.



DODGES WITH DIODES

Rosie bought an old valve radio because she'd fallen in love with its fifties-style plastic cabinet. It didn't work. "Can you fix it for me? I only ever listen to Radio 4, long wave." The solution to the problem involved using diodes in various ways. That's what this article is really all about.

The whole radio was dead. A quick look inside showed that some dabbler had been cutting cables and altering wiring.

A write-off! However, I had to hand an old car radio, whose only fault was a broken tuning dial. By clearing out some of the valve radio's components I could fit it inside the cabinet, tuned permanently to Radio Four. The only controls needed would be volume and on/off, and I could use the existing mounting holes for these, giving a fifties appearance but nineties reliability.

POWER SUPPLY

The old radio had a typical valve-type mains transformer (Fig. 1) with a high-voltage secondary for the high tension (HT) supply (about 300V) and a low-voltage, high-current winding delivering 6.3V a.c. for valve heaters and dial lamps. The transformer was well-built and still working. I wanted to retain it for the dial lamps, at least. Could it also be used to obtain 12V d.c. for the car radio?

A check showed that the car radio drew about 100mA, rising to about 500mA

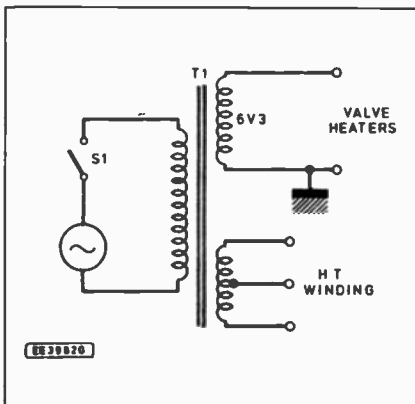


Fig. 1. Winding arrangement for a typical mains transformer for a valve radio. Some transformers have an extra low-voltage winding for the rectifier valve heater.

during loud passages of music. The four valve heaters in the old radio must have consumed at least an ampere between them. With no drain on the h.t. winding the transformer would hardly be over-worked. Worth a try.

VOLTAGE DOUBLER

One side of the 6.3V a.c. winding was "earthed" to the metal chassis. To use the existing wiring of the dial lamps it had to remain earthed. This ruled out the use of a conventional voltage-doubling rectifier for making 12V d.c. from 6V a.c. However, the less usual "half wave" form (Fig. 2) would do, since it has a common ("earth") connection for both a.c. input and d.c. output.

In operation, first D1 charges C1 to the peak value of the a.c. input, minus the drop in D1. Since the peak is about 1.4 times the nominal (r.m.s.) voltage and the drop in D1 about 1V (for a single silicon diode) this gives about 8V d.c. Next, when the a.c. has the polarity shown in Fig. 2, D2 conducts. The available voltage is the a.c. input plus the d.c. stored in C1. Again, there is a voltage drop of about 1V in D2. The upshot is that C2 eventually charges to twice the peak a.c. voltage less 2V.

Since current is drawn from the a.c. source on every half cycle there is no d.c. through the transformer winding. With 6.3V a.c. input the d.c. output should be about 16V. In fact, it was 14V when driving a small car bulb which took about 0.5A, and about 17V when there was no load. Too much for the car radio, but enough to permit the use of a 12V stabilizer (7812). Satisfactory.

DIAL LAMPS

The old, burnt-out dial lamp bulbs were marked "6.5V". This was rather surprising. Designers normally use a higher-than-needed voltage (such as 8V), because there is still enough light output but a greatly extended life. Maybe the dabbler had inserted them. Unfortunately, I couldn't buy any 8V lamps where I was. The only bulbs available that fitted were rated at 6V, 1.8W. When tried, they shone with a bright whitish light - an indication that their life expectancy would be short.

The obvious safety precaution was to connect a dropping resistance in series with each bulb, to reduce the 6.3V to, say, 4V. The nominal current for a 6V, 1.8W lamp is 0.3A. To drop 2.3V at this current needs 78 ohms, and the resistor must

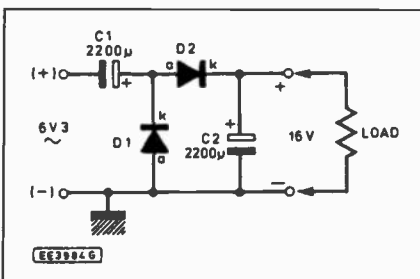


Fig. 2. Voltage doubling rectifier with common input and output line.

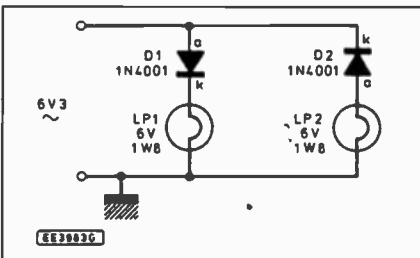


Fig. 3. Using diodes for sharing current between two lamps.

dissipate 0.69W. At 4V the lamp current will be reduced, but not much, so a likely standard value is 82 ohms and for safety its rating should be above 0.69W, indicating 1W as the stock power rating. I didn't have any suitable resistors.

What to do? I could wire the bulbs in series, so that each received half the voltage. Experience told me that this is not a good idea. If one lamp drops more voltage than the other is glows brighter. It might match the lamps initially, but if one failed and was replaced by something slightly different the variation in brightness would appear.

Why not connect a diode in series with each lamp? This would conduct on alternate half-cycles, roughly halving the current. There would also be the diode drop of around 1V, so the voltage would be reduced too. I had plenty of small rectifier diodes so this solution was adopted (Fig. 3).

To avoid passing d.c. through the 6.3V winding the diodes were connected with opposite polarities. So D1 conducts on one half cycle and D2 on the next, with current in the reverse direction. There is no net d.c. through the winding, only a jerky sort of a.c.

MAGIC EYE

The old radio had a "magic eye" tuning indicator. This was in effect a miniature cathode-ray tube. A segment of its screen lit up. By applying the receiver's a.g.c. voltage to a deflector plate the area of the illuminated segment varied with signal strength. This enabled you to tune properly.

Removing the magic eye left a gaping hole in the front panel. It had to be filled with something, preferably decorative. I decided on a cluster of four red i.e.d.s. They wouldn't do anything, but at least they look nice. They could have been driven from the 12V supply via a dropping resistance.

However, i.e.d.s are rectifiers so can generate their own d.c. from an a.c. input. They won't stand much reverse voltage, so the thing to do is connect them in parallel-reverse-polarity (Fig 4). The reverse voltage of one pair is then limited to the forward voltage of the other.

A common dropping resistance limits the a.c. Each pair of i.e.d.s receives on average half the current, and R1 can be chosen to limit this to what the i.e.d.s can stand. Note that the peak current is quite high. My i.e.d.s dropped about 1.6V, so that each series pair dropped 3.2V.

The available peak voltage, after deducting this drop, is 5.7V and with 150 ohms the peak current is 38mA. The average current for either series pair is less than half this. To be on the safe side, assume it is half and choose R1 accordingly. Most i.e.d.s will stand 10mA, many 20mA and some even more. When in doubt use a low value for the current.

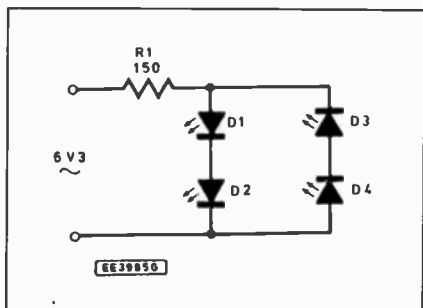


Fig. 4. Working i.e.d.s from an a.c. supply. Single i.e.d.s may be used instead of series pairs.

BARGAINS – Many New Ones This Month

THIS MONTH'S SNIP is a 250 Watt Toroidal Transformer which has tapped mains input and 3 secondaries: 230V 1 amp 20V and 6V but if these voltages are not quite what you want it is very easy to add an extra winding, 4 turns adds or subtracts 1 volt. You can also use this as a 250 watt isolation. Price only £10 but it's heavy so please add £2 carriage if not collecting. Order Ref. 10P97.

EXTRA LIGHTWEIGHT STEREO HEADPHONES. Adjustable headband. Suitable for use with all types of cassette players and radios, only £1 per pair, Order Ref. 898.

6-12V AXIAL FAN. Japanese-made 12V d.c. battery operated, brushless axial fan. 93mm square, its optimum is 12V but it performs equally well at only 6V and its current then is only 100mA, price only £4, Order Ref. 4P65. Mains power unit to operate this at variable speeds £2, Order Ref. 2P3.

ELECTRONIC BUMP & GO SPACESHIP sound and impact controlled responds to claps and shouts and reverses or diverts should it hit anything! Kit with really detailed instructions, will make ideal present for budding young electrician. Should be able to assemble but you may have to help with the soldering of the components on the PCB. Complete kit, £8.95, Order Ref. 9P9.

ECHO MUSICAL KEYBOARD. 3 octave keyboard, extremely well made and with piano size keys. New and unused only £9.50, Order Ref. 9.5P5.



20W 4 OHM SPEAKER made by Goodmans for Ford, this is mounted on a panel and has an anodized cone protector cover but can be easily removed from this. It's a beautiful reproducer and the replacement price is nearly £20. Yours for only £3, Order Ref. 3P145.

20W 4 OHM TWEETER also made by Goodmans for Ford, mounted on a baffle but easily unscrewed from this. Yours for £1.50, Order Ref. 1.5P9.

1KW BLOW HEATER. Only 6" wide so ideal where space is limited – under a desk or similar – or can be made into a portable heater for defrosting pipes, etc. Complete little unit, although motorized, is virtually silent in operation. Price £5, Order Ref. 5P23.

WHERE YOU UNLUCKY during any of the cold spells? Did any of the pipes in your loft freeze and then burst? Some friends of ours were away at the time and had ceilings come down. It could be just as cold this winter but you can avoid pipes freezing by winding our waterproof heating wire around them. Operating cost, even without thermostat, is only a few pence per week. 15m length consumes about 25 watts. This is the length we recommend for the normal house and the cost is £5.00, Order Ref. 5P109. Or, if you want specified length, send 35p per metre.

MAINS MOTORIZED MICRO SWITCHES. These 4 switches are each rated at 10A so you can control a lot of lamps or other devices. The speed of rotation is 16rpm. The switching on of each micro switch is adjustable so, with this, you could have a running light or other display. £5, Order Ref. 5P201.

AMSTRAD KEYBOARD MODEL KB5. This is a most comprehensive keyboard, having over 100 keys including, or course full numerical and qwerty. Brand new, still in maker's packing, £5, Order Ref. 5P202.

F.M. CORDLESS RADIO MIKE hand-held battery-operated professional model, has usual shaped body and head and is tuneable to transmit and be picked up on the F.M. band of any radio. Yours for only £8.50, Order Ref. 8.5P1.

4 MORE SPEAKERS: Order Ref. 1.5P11 is Japanese-made 6 1/2", 8 ohm, rated at 12W max. This is a very fine reproducer. The makers are SANYO. Yours for £1.50.

Order Ref. 900 is another Far East made 6 1/2", 4 ohm, 12W max speaker. Very nicely made, using Japanese Hitachi tools and technique, only £1. Order Ref. 896 is 6 1/2", 6 ohm, 10W, exceptionally good sounder and your for only £1.

Order Ref. 897 is another 8 ohm speaker rated at 5W but its unusual feature is that it has a built-in tweeter. Price still only £1.

MOVEMENT ALARM goes off with slightest touch. Ideal to protect car, cycle, doorway, window, stairway, etc. etc. Complete with Piezo shrieker, ready to use. Only £2 (PP3 battery not supplied). Order Ref. 2P282.

DRY BATTERIES CAN BE RECHARGED but not with a normal charger, it must be a periodic current reversal type. We can supply the kit, with data, for £9, Order Ref. 9P10.

SOLAR ENERGY EDUCATIONAL KIT an ideal present for electronics students. Kit comprises 8 solar cells, one solar motor, fan blades to fit motor and metal frame to hold it to complete a free-standing electric fan. A really well written instruction manual makes this a lovely little present. Price £8, Order Ref. 8P12B.

PROJECT BOX a first-class, Japanese two-part moulding size 95mm x 66mm x 23mm. Will hold a PP3 battery and a PCB and is ideal for many projects, nicely finished and very substantial. 2 for £1, Order Ref. 876.

HOLD IT MAGNETIC BASE embedded in a circular metal shallow disc, diameter approximately 65mm (2 1/2"), is the most powerful magnet. We have yet to find anyone who can remove this with his fingers. Ideal for adding extra shelves inside a metal case or to glass without drilling. Its uses, in fact, are innumerable. Price £2 each, Order Ref. 2P296.

12V 2A MAINS TRANSFORMER upright mounting with mounting clamp. Price £1.50, Order Ref. 1.5P8.

AM/FM RADIO CHASSIS with separate LCD clock module, complete with loudspeaker and ready to go, price is £8.50, Order Ref. 3.5P5.

2, 3 AND 4 WAY TERMINAL BLOCKS the usual grub screw types. Parcel containing a mixture of the 3 types, giving you 100 ways for £1, Order Ref. 875.

12/24V DC SOLENOID. The construction of this is such that it will push or pull as the plunger is a combined rod and piston. With 24V this is terrifically powerful but is still quite good at 12V and, of course, it can be operated by any intermediate voltage. Price £1, Order Ref. 877.

LIMITED SUPPLY ITEMS

are only described in our newsletter. Many appear in our current issue. If you order something this month you will receive this and the next three issues posted to you free of charge.

2M 3-CORE LEAD terminating with flat pin instrument socket, £1, Order Ref. 879. Ditto but with plug on the other end so that you could use this to extend an instrument lead. £1.50, Order Ref. 1.5P10.

MULTI-CORE CABLES all with 8A 230V cores so suitable for disco and other special lighting effects. With earthable woven screen and thick pvc outer. 3 core, 30p per metre, 16 core, 50p per metre, 18 core, 80p per metre, 25 core, £1 metre and 36 core, £1.50 per metre.

ULTRA THIN DRILLS Actually 0.3mm. To buy these regular costs a fortune. However, these are packed in half dozens and the price to you is £1 per pack, Order Ref. 797B.

SAFETY LEADS curly so they contract but don't hang down. Could easily save a child from being scalded. 2 core, 5A, extends to 3m, £1, Order Ref. 846, 3 core, 13A, extends to 1m, £1 each, Order Ref. 847, 3 core, 13A, extends to 3m, £2 each, Order Ref. 2P290.

ULTRA SONIC TRANSDUCERS 2 metal cased units, one transmits, one receives. Built to operate around 40kHz. Price £1.50 the pair, Order Ref. 1.5P/4.

100W MAINS TRANSFORMERS normal primaries 20-0-20 at 2.5A or 30V at 3.5A, £4, Order Ref. 4P24. 40V at 2.5A, £4, Order Ref. 4P59. 50V at 2A, £4, Order Ref. 4P60.

PHILIPS 9" HIGH RESOLUTION MONITOR black & white in metal frame for easy mounting, brand new still in maker's packing, offered at less than price of tube alone, only £15, Order Ref. 15P1.

16 CHARACTER 2-LINE DISPLAY screen size 85mm x 36mm, Alpha-numeric LCD dot matrix module with integral micro processor made by Epson, their Ref. 16027AR, £8, Order Ref. 8P48.

INSULATION TESTER WITH MULTIMETER Internally generates voltages which enables you to read insulation directly in megohms. The multimeter has four ranges. AC/DC volts, 3 ranges DC milliamps, 3 ranges resistance and 5 amp range. These instruments are ex British Telecom but in very good condition, tested and guaranteed OK, probably cost at least £50 each, yours for only £7.50, with leads, carrying case £2 extra, Order Ref. 7.5P/4.

ASTEC 135 WATT P.S.U.

230V or 115V input with outputs of +12V at 4A, +5V at 16A and -12V at 1/2A completely enclosed in plated steel case. Brand new and yours for £9.50.

MAINS 230V FAN best make "PAPST" 4 1/4" square, metal blades, £8, Order Ref. 8P8.

2MW LASER Helium neon by Philips, full spec. £30, Order Ref. 30P1. Power supply for this in kit form with case is £15, Order Ref. 15P16. or in larger case to house tube as well £18, Order Ref. 18P2. The larger unit, made up, tested and ready to use, complete with laser tube £69, Order Ref. 69P1.

1/3 HP 12V MOTOR – THE FAMOUS SINCLAIR C5 brand new, £15, Order Ref. 15P8.

SOLAR CHARGER holds 4 AA nicads and recharges these in 8 hours, in very neat plastic case, £6, Order Ref. 6P3.

FERRITE AERIAL ROD 8" Long x 3/4" diameter, made by Mullard. Complete with 2 coil formers. 2 for £1, Order Ref. 832B.

AIR SPACED TRIMMER CAPS 2-20 pf ideal for precision tuning UHF circuits, 4 for £1, Order Ref. 818B.

FIELD TELEPHONES just right for building sites, rallies, horse shows, etc., just join two by twin wire and you have two way calling and talking and you can join into regular phone lines if you want to. Ex British Telecom in very good condition, powered by batteries (not included) complete with shoulder slung carrying case, £9.50, Order Ref. 9.5P/2.

MAINS ISOLATION TRANSFORMER stops you getting "to earth" shocks. 230V in and 230V out. 150watt upright mounting, £7.50, Order Ref. 7.5P/5 and a 250W version is £10, Order Ref. 10P79.

MINI MONO AMP on PCB. Size 4" x 2" with front panel holding volume control and with spare hole for switch or tone control. Output is 4 watt into 4 ohm speaker using 12V or 1 watt into 8 ohm using 9V. Brand new and perfect, only £1 each, Order Ref. 495.

ATARI 65XE at 65K this is quite powerful, so suitable for home or business, unused and in perfect order but less PSU, only £19.50, Order Ref. 19.5P/5B.

80W MAINS TRANSFORMERS two available, good quality, both with normal primaries and upright mounting, one is 20V 4A, Order Ref. 3P106 the other 40V 2A, Order Ref. 3P107, only £3 each.

PROJECT BOX size approx 8" x 4" x 4 1/2" metal, sprayed grey, louvred ends for ventilation otherwise undrilled. Made for GPO so best quality, only £3 each, Order Ref. 3P74.

EXPERIMENTING WITH VALVES don't spend a fortune on a mains transformer, we can supply one with standard mains input and secs. of 250-0-250V at 75mA and 6.3V at 3A. £5, Order Ref. 5P167.

15W 8 OHM 8" SPEAKER & 3" TWEETER made for a discontinued high quality music centre, gives real hi-fi, and only £4 per pair, Order Ref. 4P57.

WATER PUMP very powerful with twin outlets, an ideal shower controller, mains operated, £10, Order Ref. 10P74. Ditto but with a single outlet. Same price & order ref. Please specify which one you require.

0-1MA FULL VISION PANEL METER 2 1/4" square, scaled 0-100 but scale easily removed for re-writing, £1 each, Order Ref. 756.

PCB DRILLS 12 assorted sizes between .75 and 1.5mm, £1 the lot, Order Ref. 128.

Prices include V.A.T. Send cheque/postal order or ring and quote credit card number. Add £3 post and packing.

Orders over £25 post free.

M & B ELECTRICAL SUPPLIES LTD

12 Boundary Road, Hove,
Sussex BN3 4EH
Telephone (0273) 430380
Fax or phone (0273) 410142

HOME AUTOMATION

LAMP MODULE Plugs in to UK wall socket to control incandescent lamps up to 300W Responds to ON/OFF/DIM/BRIGHT commands from controllers. £22.45

MINI TIMER Timed control of up to 4 modules twice a day. Also features direct ON/OFF/DIM/BRIGHT control plus clock functions. £29.95.

ENERLOGIC 1400e Controller

The first intelligent home automation system. A remarkable hardware + software package that adds brains to the range of X-10 modules and controllers. £349.95

Part of a remarkable range of home automation components from

SMART HOUSE SYSTEMS LTD

3 Buchanan Street, Largs, Ayrshire KA30 8PP
Tel: 0475 672589

UNDERSTANDING & INSTALLING HOME SYSTEMS, How to Automate Your Home

The best practical guide to date for the home automation enthusiast. Packed full of advice and ideas on installing home systems and equipment. 140 pages and 120 illustrations of the most up to date data on home automation. £22.95

CONTROL PORT for PCs

This I/O Port follows the general approach of the 'INTERFACING to PCs' series in this mag, BUT allows user's prototype control circuitry to be set up and run OUTSIDE the PC.

The double sided pcb fits into an I/O slot, and a ribbon cable terminating in a D-25 plug allows the control of projects with little risk to the PC. On board facilities include: 8-bit A-D, 8-bit D-A, 8 inputs, 8 latched outputs, 3 strobes and 1 IRQ.

Available as:

- (a) Etched double sided board with full instructions for drilling/assembly/testing using BASIC..... £12.50
- (b) Complete I/O card with ribbon cable and BASIC test programs. (Built and tested)..... £29.00

Also available: Test pod with D-25 socket providing analogue and digital test signals/outputs for the I/O card, with BASIC test programs on disc..... £17.00

(Please send large S.A.E. for more details)

All above prices include P&P. Mail Order only from:

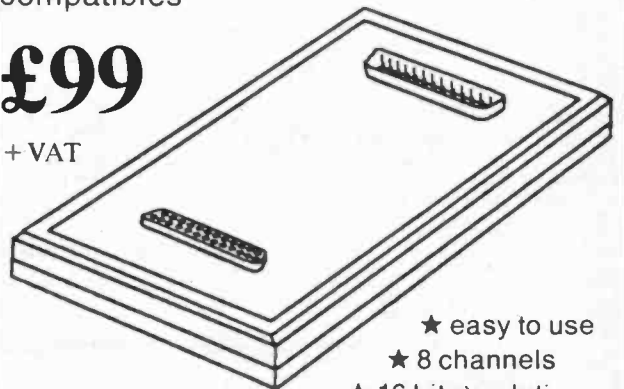
R. BARTLETT,
17, LIME TREE AVENUE, TILE HILL,
COVENTRY CV4 9EY

PICO ADC-16

ADC-16 high resolution data acquisition system with data logger software for IBM compatibles

£99

+ VAT



- ★ easy to use
- ★ 8 channels
- ★ 16 bit resolution
- ★ connects to serial port

ADC-10, 1 channel 8 bit with scope and voltmeter software **£49 + VAT**

ADC-11, 11-channel 10-bit with data logger software **£75 + VAT**

Pico Technology Limited

Broadway House, 149-151 St Neots Rd,
Hardwick, Cambs CB3 7QJ

Tel. 0954 211716 Fax. 0954 211880



LOW-COST RANGER1 PCB DESIGN FROM SEETRAX

- Circuit Schematic
 - Circuit Capture
 - PCB Design
 - Host Of Outputs
- All-In-One Design System**

£100

Fully Integrated Auto Router

£50

Ask Us About Trade-In Deals

Call Now For Demo Disk on 0705 591037

Seetrax CAE • Hinton Daubnay House
Broadway Lane • Lovedean • Hants • PO8 0SG
Tel: 0705 591037 • Fax: 0705 599036

REDUCED PRICE!

What The Press Said About RANGER1

For most small users, Seetrax Ranger1 provides a sophisticated system at an affordable price. It is better than EasyPC or Tsien's Boardmaker since it provides a lot more automation and takes the design all the way from schematic to PCB - other packages separate designs for both, that is, no schematic capture. It is more expensive but the ability to draw in the circuit diagram and quickly turn it into a board design easily makes up for this.

**Source JUNE 1991
Practical Electronics**

Pay by Visa or Access



SPECIAL EVERYDAY ELECTRONICS BOOKS



ELECTRONICS TEACH-IN 88/89 - INTRODUCING MICROPROCESSORS

Mike Tooley BA (published by *Everyday Electronics*)
A complete course that can lead successful readers to the award of a City and Guilds Certificate in Introductory Microprocessors (726/303). The book contains everything you need to know including full details on registering for assessment, etc.

Sections cover Microcomputer Systems, Micro-processors, Memories, Input/Output, Interfacing and Programming. There are various practical assignments and eight Data Pages covering the most popular microprocessor chips.

An excellent introduction to the subject even for those who do not wish to take the City and Guilds assessment...
80 pages (A4 size) **Order code TI 88 89** £2.45

ELECTRONIC PROJECTS BOOK 1

Published by *Everyday Electronics* in association with *Magenta Electronics*.

Contains twenty of the best projects from previous issues of *EE* each backed with a kit of components. The projects are: Seashell Sea Synthesiser, EE Treasure Hunter, Mini Strobe, Digital Capacitance Meter, Three Channel Sound to Light, BBC 16K sideways Ram, Simple Short Wave Radio, Insulation Tester, Stepper Motor interface, Eprom Eraser, 200MHz Digital Frequency Meter, Infra Red Alarm EE Equaliser

Ioniser, Bat Detector, Acoustic Probe, Mainstester and Fuse Finder, Light Rider - (Lapel Badge, Disco Lights, Chaser Light), Musical Doorbell, Function Generator, Tilt Alarm, 10W Audio Amplifier, EE Buccaneer Induction Balance Metal Detector, BBC Midi Interface, Variable Bench Power Supply, Pet Scarer, Audio Signal Generator.
128 pages (A4 size) **Order code EP1** £2.45

ELECTRONICS TEACH-IN No. 3 - EXPLORING ELECTRONICS (published by *Everyday Electronics*)

Owen Bishop
Another *EE* value for money publication aimed at students of electronics. The course is designed to explain the workings of electronic components and circuits by involving the reader in experimenting with them. The book does not contain masses of theory or formulae but straightforward explanations and circuits to build and experiment with.

Exploring Electronics contains more than 25 useful projects, assumes no previous knowledge of electronics and is split into 28 easily digestible sections.
88 pages (A4 size) **Order code TI3** £2.45

ELECTRONICS TEACH-IN No. 4 INTRODUCING DIGITAL ELECTRONICS (published by *Everyday Electronics*)

Michael J. Cockcroft
Although this book is primarily a City & Guilds Introductory-level course (726/301), approximately 80% of the informa-

tion forms a very basic introduction to electronics in general, it therefore provides an excellent introductory text for beginners and a course and reference book for GCSE students.

Full details on registering for C&G assessment, details of assessment centres, components required and information on the course in general are given.

The City & Guilds introduction-to-module 726/301 reads: "A candidate who satisfactorily completes this module will have a competence to identify basic components and digital integrated circuits and connect them together to form simple working circuits and logic units." This provides an excellent introduction to the book.
112 pages (A4 size) **Order code TI4** £2.95

ELECTRONICS TEACH-IN No. 5 GUIDE TO BUILDING ELECTRONIC PROJECTS

Published by *Everyday Electronics*
Due to the demand from students, teachers and hobbyists we have put together a range of articles from past issues of *Everyday Electronics* that will assist those involved with the construction of electronic projects.

The book contains the complete *Project Development for GCSE* series.

Contents: Features - First Steps in Project Building; Building with Vero; Project Development for GCSE; Getting your Projects Working; Guide to Printed Circuit Boards; Choosing and Using Test Equipment - The Multimeter, The Oscilloscope, P.S.U.s, Logic Probes, Digital Frequency Meters, Signal Generators, etc; Data - Circuit Symbols; Component Codes; Resistors; Identifying Components; Capacitors; Actually Doing It - Understanding the Circuit Diagram, Component Codes, Mounting circuit boards and controls, Understanding Capacitors; Projects - Lie Detector, Personal Stereo Amplifier, Digital Experimenters' Unit, Quilzmaster, Siren Effects Unit; UV Exposure Unit; Low-cost Capacitance Meter, Personal Radio.
88 pages (A4 size) **Order code TI5** £2.95

EVERDAY ELECTRONICS DATA BOOK

Mike Tooley BA (published by *EE* in association with *PC Publishing*)

This book is an invaluable source of information of everyday relevance in the world of electronics. It contains not only sections which deal with the essential theory of electronic circuits, but it also deals with a wide range of practical electronic applications.

It is ideal for the hobbyist, student, technician and engineer. The information is presented in the form of a basic electronic recipe book with numerous examples showing how theory can be put into practice using a range of commonly available "industry standard" components and devices.

A must for everyone involved in electronics!
256 pages **Order code DATA** £8.95

DIRECT BOOK SERVICE

The books listed have been selected by *Everyday with Practical Electronics* editorial staff as being of special interest to everyone involved in electronics and computing. They are supplied by mail order direct to your door. Full ordering details are given on the last book page. For another selection of books see next month's issue

ELECTRONIC TEST EQUIPMENT HANDBOOK

Steve Money
The principles of operation of the various types of test instrument are explained in simple terms with a minimum of mathematical analysis. The book covers analogue and digital meters, bridge oscillators, signal generators, counters, timers and frequency measurement. The practical uses of the instruments are also examined.

Everything from Audio oscillators, through R, C & L measurements (and a whole lot more!) to Waveform Generators and testing Zeners. A truly comprehensive book for the hobbyist, student, technician and engineer.
206 pages **Order code PC109** £8.95

HOW TO TEST ALMOST EVERYTHING ELECTRONIC - 2nd EDITION

Jack Darr and Delton T. Horn
Describes electronic tests and measurements - how to make them with all kinds of test equipment, and how to interpret the results. New sections in this edition include logic probes, frequency counters, capacitance meters, and more. (An American book.)
190 pages **Order code T2925** £9.05

GETTING THE MOST FROM YOUR MULTIMETER

R. A. Penfold
This book is primarily aimed at beginners and those of limited experience of electronics. Chapter 1 covers the basics of analogue and digital multimeters, discussing the relative merits and the limitations of the two types. In Chapter 2 various methods of component checking are described, including tests for transistors, thyristors, resistors, capacitors and diodes. Circuit testing is covered in Chapter 3, with subjects such as voltage, current and continuity checks being discussed.

In the main little or no previous knowledge or experience is assumed. Using these simple component and circuit testing techniques the reader should be able to confidently tackle servicing of most electronic projects.
96 pages **Order code BP239** £2.95

MORE ADVANCED USES OF THE MULTIMETER

R. A. Penfold
This book is primarily intended as a follow-up to BP239, (see above), and should also be of value to anyone who already understands the basics of voltage testing and simple component testing. By using the techniques described in chapter 1 you can test and analyse the performance of a range of components with just a multimeter

TESTING, THEORY AND REFERENCE

(plus a very few inexpensive components in some cases). Some useful quick check methods are also covered.

While a multimeter is supremely versatile, it does have its limitations. The simple add-ons described in chapter 2 extended the capabilities of a multimeter to make it even more useful. The add-ons described include an active r.f. probe, a high resistance probe, an a.c. sensitivity booster, and a current tracer unit.
84 pages **Order code BP265** £2.95

THE ILLUSTRATED DICTIONARY OF ELECTRONICS - 4th EDITION

Rufus P. Turner and Stan Gibilisco
With more than 27,000 terms used in electronics today, this collection is THE most comprehensive dictionary available. Including all practical electronics and computer terms, it is as up-to-date as the latest advances in the field itself! Tables and data on subjects most often consulted for projects and experiments are included. Other conversion tables include English/metric and metric/English conversions for units of energy, power and volume, and Fahrenheit/Celsius temperature conversion charts.

Setting this edition apart from other electronic dictionaries is its emphasis on illustration. Featuring more than complete definitions, this fourth edition includes over 450 detailed drawings and diagrams.

All entries are listed in alphabetical order. Abbreviations and initials are listed in sequence with whole words. All terms of more than one word are treated as one word. (An American book.)
648 pages **Order code T2900** £23.95

ELECTRONICS - A "MADE SIMPLE" BOOK

G. H. Olsen
This book provides excellent background reading for our *Introducing Digital Electronics* series and will be of interest to everyone studying electronics. The subject is simply explained and well illustrated and the book assumes only a very basic knowledge of electricity.
330 pages **Order code NE10** £4.95

PRACTICAL ELECTRONICS CALCULATIONS AND FORMULAE

F. A. Wilson, C.G.I.A., C.Eng., F.I.E.E., F.I.E.R.E., F.B.I.M.
Bridges the gap between complicated technical theory, and "cut-and-try" methods which may bring success in design but leave the experimenter unfulfilled. A strong

practical bias - tedious and higher mathematics have been avoided where possible and many tables have been included.

The book is divided into six basic sections: Units and Constants, Direct-current Circuits, Passive Components, Alternating-current Circuits, Networks and Theorems, Measurements.
256 pages **Order code BP53** £3.95

PRACTICAL DIGITAL ELECTRONICS HANDBOOK

Mike Tooley (Published in association with *Everyday Electronics*)

The vast majority of modern electronic systems rely heavily on the application of digital electronics, and the *Practical Digital Electronics Handbook* aims to provide readers with a practically based introduction to this subject. The book will prove invaluable to anyone involved with the design, manufacture or servicing of digital circuitry, as well as to those wishing to update their knowledge of modern digital devices and techniques. Contents: Introduction to Integrated circuits; basic logic gates; monostable and bistable devices; timers; microprocessors; memories; input and output devices; interfaces; microprocessor buses. Appendix 1: Data; Appendix 2: Digital test gear projects; tools and test equipment; regulated bench power supply; logic probe; logic pulser; versatile pulse generator; digital IC tester; current tracer; audio logic tracer; RS-232C breakout box; versatile digital counter/frequency meter. Appendix 3: The oscilloscope. Appendix 4: Suggested reading. Appendix 5: Further study.
208 pages **Order code PC100** £6.95

ELECTRONICS - BUILD AND LEARN

R. A. Penfold
The first chapter gives full constructional details of a circuit demonstrator unit that is used in subsequent chapters to introduce common electronic components - resistors, capacitors, transformers, diodes, transistors, thyristors, fets and op amps. Later chapters go on to describe how these components are built up into useful circuits, oscillators, multivibrators, bistables and logic circuits.

At every stage in the book there are practical tests and experiments that you can carry out on the demonstrator unit to investigate the points described and to help you understand the principles involved. You will soon be able to go on to more complex circuits and tackle fault finding logically in other circuits you build.
120 pages **Order code PC103** £5.95

AUDIO AND MUSIC

LOUDSPEAKERS FOR MUSICIANS

Vivian Capel
This book contains all that a working musician needs to know about loudspeakers; the different types, how they work, the most suitable for different instruments, for cabaret work, and for vocals. It gives tips on constructing cabinets, wiring up, when and where to use wadding, and when not to, what fittings are available, finishing, how to ensure they travel well, how to connect multi-speaker arrays and much more.

Ten practical enclosure designs with plans and comments are given in the last chapter, but by the time you've read that far you should be able to design your own!
164 pages **Order code BP297** **£3.95**

MAKE MONEY FROM HOME RECORDING

Clive Brooks
Now that you've spent a fortune on all that recording gear, MIDI and all, wouldn't it be nice to get some of it back? Well here's the book to show you how.

It's packed with money making ideas, any one of which will recoup the price of the book many times over. Whether you have a fully fledged recording studio at home, or just a couple of stereo cassette recorders and a microphone, you'll be able to put the ideas in this book into practice and make money.
105 pages **Order code PC104** **£5.95**

INTRODUCTION TO DIGITAL AUDIO

(Second Edition)
Ian Sinclair
Digital recording methods have existed for many years and have become familiar to the professional recording engineer, but the compact disc (CD) was the first device to bring digital audio methods into the home. The next step is the appearance of digital audio tape (DAT) equipment.

All this development has involved methods and circuits that are totally alien to the technician or keen amateur who has previously worked with audio circuits. The principles and practices of digital audio owe little or nothing to the traditional linear circuits of the past, and are much more comprehensible to today's computer engineer than the older generation of audio engineers.

This book is intended to bridge the gap of understanding for the technician and enthusiast. The principles and methods are explained, but the mathematical background and theory is avoided, other than to state the end product.
128 pages **Order code PC102** **£6.95**

SYNTHESIZERS FOR MUSICIANS

R. A. Penfold
Modern synthesizers are extremely complex, but they mostly work on principles that are not too difficult to

understand. If you want to go beyond using the factory presets or the random poking of buttons, this is the book for you.

It covers the principles of modern synthesis - linear arithmetic as used by Roland, phase distortion (Casio), Yamaha's frequency modulation, and sampling - and then describes how the instruments are adjusted to produce various types of sound - strings, brass, percussion, etc. The theoretical side of synthesis is treated in an easy to understand way - the technical information being restricted to what you need to know to use your instrument effectively.
168 pages **Order code PC105** **£6.95**

AUDIO

F. A. Wilson, C. G. I. A., C.Eng., F.I.E.E., F.I.E.R.E., F.B.I.M.
Analysis of the sound wave and an explanation of acoustical quantities prepare the way. These are followed by a study of the mechanism of hearing and examination of the various sounds we hear. A look at room acoustics with a subsequent chapter on microphones and loudspeakers then sets the scene for the main chapter on audio systems - amplifiers, oscillators, disc and magnetic recording and electronic music.
320 pages **Order code BP111** **£3.95**

CIRCUITS AND DESIGN

REMOTE CONTROL HANDBOOK

Owen Bishop
Remote control systems lend themselves to a modular approach. This makes it possible for a wide range of systems, from the simplest to the most complex, to be built up from a number of relatively simple modules. The author has tried to ensure that, as far as possible, the circuit modules in this book are compatible with one another. They can be linked together in many different configurations to produce remote control systems tailored to switch a table lamp on and off, or to operate an industrial robot, this book should provide the circuit you require.
226 pages **Order code BP240** **£3.95**

COIL DESIGN AND CONSTRUCTION MANUAL

B. B. Babani
A complete book for the home constructor on "how to make" RF, IF, audio and power coils, chokes and transformers. Practically every possible type is discussed and calculations necessary are given and explained in detail. Although this book is now rather old, with the exception of torroids and pulse transformers little has changed in coil design since it was written.
96 pages **Order code I60** **£2.50**

30 SOLDERLESS BREADBOARD PROJECTS - BOOK 1

R. A. Penfold
Each project, which is designed to be built on a "Vero-board" breadboard, is presented in a similar fashion with a brief circuit description, circuit diagram, component layout diagram, components list and notes on construction and use where necessary. Whenever possible, the components used are common to several projects, hence with only a modest number of reasonably inexpensive components, it is possible to build in turn, every project shown. Recommended by BICC-Vero.
160 pages **Order code BP107** **£2.95**

BOOK 2 -
All projects use CMOS i.c.s. but the items on component identification etc., are not repeated from Book 1.
160 pages **Order code BP113** **£2.25**

ELECTRONIC CIRCUITS HANDBOOK

Michael Tooley BA
This book aims to explode two popular misconceptions concerning the design of electronic circuits: that only those with many years of experience should undertake circuit design and that the process relies on an understanding of advanced mathematics. Provided one is not too ambitious, neither of these popularly held beliefs is true.

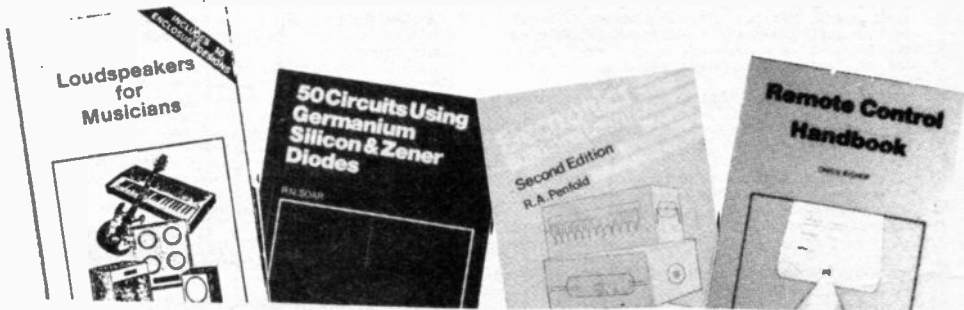
Specifically, this book aims to provide the reader with a unique collection of practical working circuits together with supporting information so that circuits can be produced in the shortest possible time and without recourse to theoretical texts.

Furthermore, information has been included so that the circuits can readily be modified and extended by readers to meet their own individual needs. Related circuits have been grouped together and cross-referenced within the text (and also in the index) so that readers are aware of which circuits can be readily connected together to form more complex systems. As far as possible, a common range of supply voltages, signal levels and impedances has been adopted.

As a bonus, ten test gear projects have been included. These not only serve to illustrate the techniques described but also provide a range of test equipment which is useful in its own right.
277 pages **Temporarily out of print**

AUDIO IC CIRCUITS MANUAL

R. M. Marston
A vast range of audio and audio-associated i.c.s. are readily available for use by amateur and professional design engineers and technicians. This manual is a guide to the most popular and useful of these devices, with over 240 diagrams. It deals with i.c.s. such as low frequency linear amplifiers, dual pre-amplifiers, audio power amplifiers, charge coupled device delay lines, bar-graph display drivers, and power supply regulators, and shows how to use these devices in circuits ranging



from simple signal conditioners and filters to complex graphic equalizers, stereo amplifier systems, and echo/reverb delay line systems etc.
168 pages **Order code NE13** **£12.95**

HOW TO DESIGN ELECTRONIC PROJECTS

R. A. Penfold
The aim of this book is to help the reader to put together projects from standard circuit blocks with a minimum of trial and error, but without resorting to any advanced mathematics. Hints on designing circuit blocks to meet your special requirements are also provided.
128 pages **Temporarily out of print**

50 CIRCUITS USING GERMANIUM SILICON AND ZENER DIODES

R. N. Soar
Contains 50 interesting and useful circuits and applications, covering many different branches of electronics, using one of the most simple and inexpensive of components - the diode. Includes the use of germanium and silicon signal diodes, silicon rectifier diodes and Zener diodes, etc.
64 pages **Order code BP36** **£1.95**

DESIGNING WITH LINEAR ICs

G. C. Loveday
A book that deals with the design of the vital area of analog circuitry covering design with modern linear integrated circuit devices. The first chapter introduces the reader to important design techniques, test strategies, layout, and protection and also includes a section on the use of a typical CAD tool. There are separate chapters that cover in depth the use of op-amps, comparators and timers each with detailed design examples and reader exercises. A final chapter brings all the previous work together in a number of complete design problems with fully worked solutions. The text is essentially non-mathematical and is supported by many diagrams.
64 pages **Order code BM3** **Special Price £5.00**

TIMER/GENERATOR CIRCUITS MANUAL

R. M. Marston
This manual is concerned mainly with waveform generator techniques and circuits. Waveform generators are used somewhere or other in most types of electronic equipment, and thus form one of the most widely used classes of circuit. They may be designed to produce outputs with sine, square, triangle, ramp, pulse, staircase, or a variety of other forms. The generators may produce modulated or unmodulated outputs, and the outputs may be of single or multiple form.

Waveform generator circuits may be built using transistors, op-amps, standard digital ICs, or dedicated waveform or "function" generator ICs.

The manual is divided into eleven chapters, and presents over 300 practical circuits, diagrams and tables. The subjects covered include: Basic principles; Sine wave generators; Square wave generators; Pulse generator circuits; "Timer IC" generator circuits; Triangle and sawtooth generators; Multi-waveform generation; Waveform synthesizer ICs; Special waveform generators; Phase-locked loop circuits; Miscellaneous "555" circuits.
267 pages **Order code NE18** **£12.95**

OPTOELECTRONICS CIRCUITS MANUAL

R. M. Marston
A useful single-volume guide to the optoelectronics device user, specifically aimed at the practical design engineer, technician, and the experimenter, as well as the electronics student and amateur. It deals with the subject in an easy-to-read, down-to-earth, and non-mathematical yet comprehensive manner, explaining the basic principles and characteristics of the best known devices, and presenting the reader with many practical applications and over 200 circuits. Most of the i.c.s. and other devices used are inexpensive and readily available types, with universally recognised type numbers.
182 pages **Order code NE14** **£12.95**

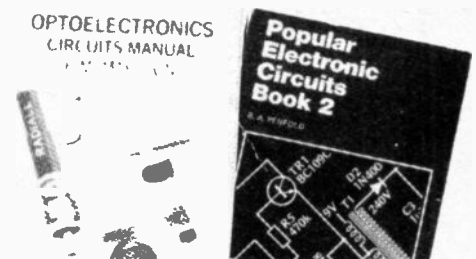
POPULAR ELECTRONIC CIRCUITS - BOOK 1

POPULAR ELECTRONIC CIRCUITS - BOOK 2
R. A. Penfold
Each book provides a wide range of designs for electronic enthusiasts who are capable of producing working projects from just a circuit diagram without the aid of detailed construction information. Any special setting-up procedures are described.
BOOK 1 1160 pages **Order code BP80** **£2.95**
BOOK 2 160 pages **Order code BP98** **£2.95**

CMOS CIRCUITS MANUAL

R. M. Marston
Written for the professional engineer, student or enthusiast. It describes the basic principles and characteristics of these devices and includes over 200 circuits. All the circuits have been designed, built and fully evaluated by the author; all use inexpensive and internationally available devices.
187 pages **Order code NE12** **£12.95**

Note - our postage charge is the same for one book or one hundred books!



PROJECT CONSTRUCTION

HOW TO DESIGN AND MAKE YOUR OWN P.C.B.s

R. A. Penfold
Deals with the simple methods of copying printed circuit board designs from magazines and books and covers all aspects of simple p.c.b. construction including photographic methods and designing your own p.c.b.s.
80 pages **Order code BP121** £2.50

HOW TO GET YOUR ELECTRONIC PROJECTS WORKING

R. A. Penfold
We have all built projects only to find that they did not work correctly, or at all, when first switched on. The aim of this book is to help the reader overcome just these problems by indicating how and where to start looking for many of the common faults that can occur when building up projects.
96 pages **Temporarily out of print**

ELECTRONIC SCIENCE PROJECTS

O. Bishop
These projects range in complexity from a simple colour temperature meter to an infra-red laser. There are novelties such as an electronic clock regulated by a resonating spring, and an oscilloscope with solid-state display. There are scientific measuring instruments such as a pH meter and an electrocardiometer. All projects have a strong scientific flavour. The way they work, and how to build and use them are fully explained.
144 pages **Temporarily out of print**

BEGINNER'S GUIDE TO BUILDING ELECTRONICS PROJECTS

R. A. Penfold
Shows the complete beginner how to tackle the practical side of electronics, so that he or she can confidently build the

electronic projects that are regularly featured in magazines and books. Also includes examples in the form of simple projects.
112 pages **Order code 227** £1.95

TEST EQUIPMENT CONSTRUCTION

R. A. Penfold
This book describes in detail how to construct some simple and inexpensive but extremely useful, pieces of test equipment. Stripboard layouts are provided for all designs, together with wiring diagrams where appropriate, plus notes on construction and use.

The following designs are included:- AF Generator, Capacitance Meter, Test Bench Amplifier, AF Frequency Meter, Audio Millivoltmeter, Analogue Probe, High Resistance Voltmeter, CMOS Probe, Transistor Tester, TTL Probe. The designs are suitable for both newcomers and more experienced hobbyists.
104 pages **Order code BP248** £2.95

COMPUTING

HOW TO CHOOSE A SMALL BUSINESS COMPUTER SYSTEM

D. Weala **NEW**
This book is for anyone intending to buy an IBM compatible computer system, whether it is their first system or a replacement. There are sections on hardware, application and systems programs, and how to actually make your choice as well as sections on the law, ergonomics and a glossary or common terms. The text contains many useful tips and some warnings (which could save much effort and expense). After having read this book you should have a better idea of what is suitable for your needs, how to obtain it and how to ensure that the system is operated with the minimum of difficulty.
144 pages **Order code BP323** £4.95

SERVICING PERSONAL COMPUTERS - 2nd EDITION

Mike Toolley BA
The revised and enlarged second edition contains a new chapter on the IBM PC, AT, TX and compatibles. It is essential for anyone concerned with the maintenance of personal computer equipment or peripherals, whether professional service technician, student or enthusiast.
240 pages (Hard cover) **Order code NE15** £25

HOW TO EXPAND, MODERNISE AND REPAIR PCs AND COMPATIBLES

R. A. Penfold
Not only are PC and compatible computers very expandable, but before long most users actually wish to take advantage of that expandability and start upgrading their PC systems. Some aspects of PC upgrading can be a bit confusing, but this book provides advice and guidance on the popular forms of internal PC expansion, and should help to make things reasonably straightforward and painless. Little knowledge of computing is assumed. The only assumption is that you can operate, a standard PC of some kind (PC, PC XT, PC AT, or a 80386 based PC).
The subjects covered include: PC overview; Memory upgrades; Adding a hard disk drive; Adding a floppy disk drive; Display adaptors and monitors; Fitting a maths co-processor; Keyboards; Ports; Mice and digitisers; Maintenance (including preventative maintenance) and Repairs, and the increasingly popular subject of d.i.y. PCs.
156 pages **Order code BP271** £4.95

AN INTRODUCTION TO 6502 MACHINE CODE

R. A. & J. W. Penfold
No previous knowledge of microprocessors or machine code is assumed. Topics covered are: assembly language and assemblers; the register set and memory; binary and hexadecimal numbering systems; addressing modes and the instruction set, and also mixing machine code with BASIC. Some simple programming examples are given for 6502-based home computers like the VIC-20, ORIC-1/Atmos, Electron, BBC and also the Commodore 64.
112 pages **Order code BP147** £2.95

AN INTRODUCTION TO PROGRAMMING THE BBC MODEL B MICRO

R. A. & J. W. Penfold
Written for readers wanting to learn more about programming and how to make best use of the incredibly powerful model B's versatile features. Most aspects of the BBC Micro are covered, the omissions being where little could usefully be added to the information provided by the manufacturer's own manual.
144 pages **Order code BP139** £1.95

THE PRE-BASIC BOOK

F. A. Wilson, C.G.I.A., C.ENG., F.I.E.E., F.I.E.R.E., F.B.I.M.
Another book on BASIC but with a difference. This one does not skip through the whole of the subject and thereby leave many would-be programmers floundering but instead concentrates on introducing the technique by looking in depth at the most frequently used and more easily understood computer instructions. For all new and potential micro users.
192 pages **Order code BP146** £2.95

DATA

PRACTICAL ELECTRONIC DESIGN DATA

Owen Bishop
This book is a comprehensive ready-reference manual for electronics enthusiasts of all levels, be they hobbyists, students or professionals. A helpful major section covers the main kinds of component, including surface-mounted devices. For each sort, it lists the most useful and readily available types, complete with details of their electronic characteristics, pin-outs and other essential information. A special feature of this section are the easily followed charts and tables which advise the reader on how to select the best type of component for any particular purpose.

Basic electronic units are defined, backed up by a compendium of the most often required formulae, fully explained. There are five more extensive sections devoted to circuit design, covering analogue, digital, radio, display, and power supply circuits. Over 150 practical circuit diagrams cover a broad range of functions. The reader is shown how to adapt these basic designs to a variety of applications. Many of the circuit descriptions include step-by-step instructions for using most of the standard types of integrated circuit such as operational amplifiers, comparators, filters, voltage converters and switched-mode power supply devices, as well as the principal logic circuits.
328 pages **Order code BP316** £4.95

INTERNATIONAL TRANSISTOR EQUIVALENTS GUIDE

A. Michaels
Helps the reader to find possible substitutes for a popular selection of European, American and Japanese transistors. Also shows material type, polarity, manufacturer and use.
320 pages **Order code BP85** £3.95

RADIO/TV

BEGINNER'S GUIDE TO RADIO - 9th EDITION

Gordon J. King
Radio signals, transmitters, receivers, antennas, components, valves and semiconductors, CB and amateur radio.
266 pages **Order code NE08** £6.95

SETTING UP AN AMATEUR RADIO STATION

I. D. Poole
The aim of this book is to give guidance on the decisions which have to be made when setting up any amateur radio or short wave listening station. Often the experience which is needed is learned by one's mistakes, however, this can be expensive. To help overcome this, guidance is given on many aspects of setting up and running an efficient station. It then proceeds to the steps that need to be taken in gaining a full transmitting licence.

Topics covered include: The equipment that is needed; Setting up the shack; Which aereals to use; Methods of construction; Preparing for the licence.

An essential addition to the library of all those taking their first steps in amateur radio
86 pages **Order code BP300** £3.95

EXPERIMENTAL ANTENNA TOPICS

H. C. Wright
Although nearly a century has passed since Marconi's first demonstration of radio communication, there is still research and experiment to be carried out in the field of antenna design and behaviour.

The aim of the experimenter will be to make a measurement or confirm a principle, and this can be done with relatively fragile, short-life apparatus. Because of this, devices described in this book make liberal use of cardboard, cooking foil, plastic bottles, cat food tins, etc. These materials are, in general, cheap to obtain and easily worked with simple tools, encouraging the trial-and-error philosophy which leads to innovation and discovery.

Although primarily a practical book with text closely supported by diagrams, some formulae which can be used by straightforward substitution and some simple graphs have also been included.
72 pages **Order code BP278** £3.50

NEWNES SHORTWAVE LISTENING HANDBOOK

Joe Pritchard G1UQW
Part One covers the "science" side of the subject, going from a few simple electrical "first principles", through a brief treatment of radio transmission methods to simple receivers. The emphasis is on practical receiver designs and how to build and modify them, with several circuits in the book.

Part Two covers the use of sets, what can be heard, the various bands, propagation, identification of stations, sources of information, QSLing of stations and listening to amateurs. Some computer techniques, such as computer Morse decoding and radio teletype decoding are also covered.
224 pages **Order code NE16** £14.95

DIRECT BOOK SERVICE ORDERING DETAILS

Please state the title and order code clearly, print your name and address and add the required postage to the total order.

Add £1 to your total order for postage and packing (overseas readers add £1.50 for countries in Europe, or add £3 for all countries outside Europe, surface mail postage) and send a PO, cheque, international money order (£ sterling only) made payable to Direct Book Service or credit card details (including card expiry date), Visa or Mastercard (Access) - minimum credit card order is £5 - quoting your name and address, the order code and quantities required to DIRECT BOOK SERVICE, 33 GRAVEL HILL,

WIMBORNE, DORSET BH21 1RW (mail order only).

Although books are normally sent within seven days of receipt of your order, please allow a maximum of 28 days for delivery. Overseas readers allow extra time for surface mail post.

Please check price and availability (see latest issue of *Everyday with Practical Electronics*) before ordering from old lists.

Note - our postage charge is the same for one book or one hundred books!

MORE BOOKS NEXT MONTH

DIRECT BOOK SERVICE IS A DIVISION OF WIMBORNE PUBLISHING LTD.

BABANI BOOKS

We now supply *all* the books published by Bernard Babani (Publishing) Ltd. We have always supplied a selected list of Babani books and you will find many of them described on the previous pages or in next months issue of *Everyday with Practical Electronics* (the books with a BP prefix to the order code are Babani books).

Many readers have asked us to also supply various other Babani books, which have a reputation for value for money. Our customers tell us they appreciate our speedy service and low postage charge and they

would like to be able to purchase all the books from us and thus keep the postage charge to an absolute minimum (£1 for UK p&p no matter how many books you buy). We are pleased to be able to respond; with the aid of Michael Babani (M.D.) we are now able to meet all your requirements for their books. *If it's Babani and in print we can supply it.* Babani presently list over 180 different technical titles those *not* described in detail on the previous *Direct Book Service* pages or in next months issue are listed below:

Code	Title	Price	Code	Title	Price	Code	Title	Price
208	Practical Stereo & Quadrophony Handbook	£0.75	BP145	25 Simple Tropical and MW Band Aerials	£1.75	BP250	Programming in FORTRAN 77	£4.95
214	Audio Enthusiast's Handbook	£0.85	BP148	Computer Terminology Explained	£1.95	BP251	Computer Hobbyists Handbook	£5.95
219	Solid State Novelty Projects	£0.85	BP149	A Concise Introduction to the Language of BBC Basic	£1.95	BP258	Learning to Program in C	£4.95
226	A Practical Introduction to Digital ICs	O.O.P.	BP152	An Introduction to Z80 Machine Code	£2.75	BP260	A Concise Introduction to OS/2	£2.95
BP28	Resistor Selection Handbook	£0.60	BP153	An Introduction to Programming the Amstrad CPC 464 & 664	£2.50	BP261	A Concise Introduction to Lotus 1-2-3 (Revised Edition)	£3.95
BP37	50 Projects using Relays, SCRs and TRIACs	£2.95	BP154	An Introduction to MSX BASIC	£2.50	BP262	A Concise Introduction to Wordperfect (Revised Edition)	£3.95
BP39	50 (FET) Field Effect Transistor Projects	£2.95	BP156	An Introduction to QL Machine Code	£2.50	BP263	A Concise Introduction to dBASE	£3.95
BP44	IC 555 Projects	£2.95	BP157	How to Write ZX Spectrum & Spectrum+ Games Programs	£2.50	BP264	A Concise Advanced User's Guide to MS-DOS	O.O.P.
BP48	Electronic Projects for Beginners	£1.95	BP158	An Introduction to Programming the Commodore 16 & Plus 4	£2.50	BP269	An Introduction to Desktop Publishing	£5.95
BP49	Popular Electronic Projects	£2.50	BP159	How to Write Amstrad CPC464 Games Programs	£2.50	BP270	A Concise Introduction to Symphony	£3.95
BP56	Electronic Security Devices	O.O.P.	BP161	Into the QL Archive	£2.50	BP272	Interfacing PC's & Compatibles	£3.95
BP58	50 Circuits Using 7400 Series IC's	£2.50	BP162	Counting on QL Abacus	£2.50	BP273	Practical Electronic Sensors	£4.95
BP63	Alternating Current Theory (Elements of Electronics - Book 2)	£3.50	BP171	Easy Add-on Projects for Amstrad CPC 464, 664, 6128 and MSX Computers	£2.50	BP274	A Concise Introduction to SuperCat5 Short Wave Superhet Receiver Construction	£2.95
BP68	Choosing and Using Your Hi-Fi	£1.65	BP174	More Advanced Electronic Music Projects	£2.95	BP276	High Power Audio Amplifier Construction	£3.95
BP74	Electronic Music Projects	O.O.P.	BP175	How to Write Word Game Programs for the Amstrad CPC 464, 664 and 6128	£2.95	BP277	A Concise Introduction to Excel	£3.95
BP76	Power Supply Projects	£2.50	BP182	MIDI Projects	£2.95	BP280	Getting the Most From Your PC's Hard Disc	£3.95
BP78	Practical Computer Experiments	£1.75	BP187	A Practical Reference Guide to Word Processing on the Amstrad PCW8256 and PCW8512	£5.95	BP283	A Concise Introduction to SmartWare II	£4.95
BP84	Digital IC Projects	£1.95	BP190	More Advanced Electronic Security Projects	£2.95	BP284	Programming in QuickBASIC	£4.95
BP86	An Introduction to BASIC Programming Techniques	£1.95	BP191	Simple Application of the Amstrad CPC's for Writers	£2.95	BP286	A Reference Guide to Basic Electronics Terms	£5.95
BP90	Audio Projects	£2.50	BP192	More Advanced Power Supply Projects	£2.95	BP287	A Reference Guide to Practical Electronics Terms	£5.95
BP94	Electronic Projects for Cars and Boats	£1.95	BP193	LOGO for Beginners	£2.95	BP288	A Concise Introduction to Windows 3.0	£3.95
BP95	Model Railway Projects	£2.95	BP196	BASIC & LOGO in Parallel	£2.95	BP291	A Concise Introduction to Ventura	£3.95
BP97	IC Projects for Beginners	£1.95	BP197	An Introduction to the Amstrad PC's	£5.95	BP292	Public Address Loudspeaker Systems	£3.95
BP99	Mini-matrix Board Projects	£2.50	BP198	An Introduction to Antenna Theory	£2.95	BP293	An Introduction to Radio Wave Propagation	£3.95
BP106	Modern Op-amp Projects	£1.95	BP200	A Concise Introduction to GEM	£2.95	BP294	A Concise Introduction to Microsoft Works	£4.95
BP109	The Art of Programming the 1K ZX81	£1.95	BP243	BBC BASIC86 on the Amstrad PC's and IBM Compatibles - Book 1: Language	£3.95	BP298	A Concise Introduction to the Mac System & Finder	£3.95
BP114	The Art of Programming the 16K ZX81	£2.50	BP244	BBC BASIC86 on the Amstrad PC's and IBM Compatibles - Book 2: Graphics and Disk Files	£3.95	BP299	Practical Electronic Filters	£4.95
BP122	Audio Amplifier Construction	£2.95	BP245	Digital Audio Projects	£5.95	BP302	A Concise Users Guide to Lotus 1-2-3 Release 3.1	£3.95
BP126	25 Simple Amateur Band Aerials	£1.95	BP248	Musical Applications of the Atari ST's	£5.95	BP303	Understanding PC Software	£4.95
BP128	BASIC & PASCAL in Parallel	£1.50	BP249	More Advanced MIDI Projects	£2.95	BP307	A Concise Introduction to QuarkXPress	£4.95
BP129	20 Programs for the ZX Spectrum & 16K ZX81	£1.95				BP311	An Introduction to Scanners and Scanning	£4.95
BP129	An Introduction to Programming the ORIC-1	£1.95				BP312	An Introduction to Microwaves	£3.95
BP132	25 Simple SW Broadcast Band Aerials	£1.95				BP313	A Concise Introduction to Sage	£3.95
BP133	An Introduction to Programming the Dragon 32	£1.95				BP314	A Concise Introduction to Quattro Pro	£4.95
BP136	25 Simple Indoor and Window Aerials	£1.75				BP318	A Concise User's Guide to MS-DOS 5	£4.95
BP137	BASIC & FORTRAN in Parallel	£1.95				BP325	A Concise User's Guide to Windows 3.1	£4.95
BP138	BASIC & FORTH in Parallel	£1.95						
BP143	An Introduction to Programming the Atari 600/800XL	£1.95						
BP144	Further Practical Electronics Calculations & Formulae	O.O.P.						

IF NO PRICE IS SHOWN THE BOOK IS OUT OF PRINT (O.O.P.)
SEE PREVIOUS PAGE FOR FULL ORDERING DETAILS

PCB SERVICE

Printed circuit boards for certain EPE constructional projects are available from the PCB Service, see list. These are fabricated in glass fibre, and are fully drilled and roller tinned. All prices include VAT and postage and packing. Add £1 per board for airmail outside of Europe. Remittances should be sent to The PCB Service, *Everyday with Practical Electronics*, 6 Church Street, Wimborne, Dorset BH21 1JH. Cheques should be crossed and made payable to *Everyday with Practical Electronics* (Payment in £ sterling only).

NOTE: While 95% of our boards are now held in stock and are despatched within seven days of receipt of order, please allow a maximum of 28 days for delivery - overseas readers allow extra if ordered by surface mail.

Please check price and availability in the latest issue.

Boards can only be supplied on a payment with order basis.

SALE!

All p.c.b.s on this page reduced to 1/2 PRICE

(Just send half the price shown, while stocks last.)
PCBS ON OPPOSITE PAGE PRICES AS SHOWN

PROJECT TITLE		Order Code	Cost
Video Guard Alarm	FEB '87	556	£3.80
Computer Buffer/Interface	MAR '87	560	£3.32
Fridge Alarm	MAY '87	565	£3.00
Monomixer	JULY '87	571	£4.75
Noise Gate	SEP '87	577	£4.41
Multi-Chan Remote Light Dim Relay/Decoder	JUNE '88	601	£4.86
Power Supply		603	£3.00
Video Wiper	JULY '88	612	£6.75
Tea Tune Thermostat	AUG '88	609	£3.00
Time Switch		614	£4.84
Suntan Timer		610	£3.07
Car Alarm		615	£3.12

PROJECT TITLE		Order Code	Cost
Eprom Eraser	OCT '88	620	£4.07
Doorbell Delay	NOV '88	616	£3.56
Infra-Red Object Counter (Set)		622/3/4	£9.28
Downbeat Metronome	DEC '88	629	£4.84
Continuity Tester	FEB '89	619	£2.67
Sound-to-Light Interface	MAR '89	637	£6.24
Midi Pedal		639	£7.00
Midi Merge		640	£3.00
Audio Lead Tester		641	£5.77
Light Sentinel: Main Board	APR '89	632	£9.20
Remote Interface (4 bds)		633	£4.59
4-Channel Auto-Fader Interface		642	£6.80
Electron A/D Interface	MAY '89	645	£4.84
Programmable Pocket Timer	JULY '89	648	£3.82
Electronic Spirit Level	AUG '89	649	£3.85
Distance Recorder		651	£5.23
Xenon Beacon	SEP '89	650	£4.13
Probe Pocket Treasure Finder		653	£4.12
Power Supplies: Fixed Voltage		654	£4.08
Variable Voltage		655	£4.48
Music on Hold	OCT '89	646	£3.85
Power Supplies - 25V 700mA		656	£4.35
30V 1A		657	£4.55
EE Seismograph - Control		658	£4.08
Detector		659	£4.22
Logo/Logo & Spectrum		660	£6.49
Wash Pro	NOV '89	643	£3.83
Logo/lego & Sepctrum Interface		664	£5.60
Biofeedback Monitor - Front End	NOV '89	661	£4.52
Processor		662	£4.56
EEG Electrode Impedance Meter	DEC '89	665	£3.98
Biofeedback Signal Generator	JAN '90	666	£4.08
Quick Cap Tester	FEB '90	668	£3.92
Weather Stn: Anemom. - Freq./Volt Board		670	£3.94
Optional Display		669	£3.73
Wind Direction		673/674	£4.22
System Power Supply		675	£3.59
Prophet In-Car Ioniser		676	£3.18
Weather Stn: Display Driver	MAR '90	672 & 678	£4.22
Display and Sensor		671	£4.47
Fermostat Mk2		677	£4.28
Superhet Broadcast Receiver/Tuner/Amp		679/680	£4.22

PCB SERVICE

PROJECT TITLE	Order Code	Cost
Stereo Noise Generator APR '90	681	£4.24
Digital Experimenter's Unit - Pulse Generator	682	£4.46
Power Supply	683	£3.66
Enlarger Timer	684	£4.28
Weather Stn: Rainfall/Sunlight Display	685	£4.27
Rainfall Sen and Sunlight Sen	686/687	£4.16
Amstrad Speech Synthesiser MAY '90	689	£4.68
80 Metre Direct Conversion Radio JUN '90	691	£4.95
Mains Appliance Remote Control JUL '90		
Encoder Board A	694	£6.61
Encoder Board B	695	£4.78
The Tester	696	£4.15
Mains Appliance Remote Control AUG '90		
Mains ON/OFF Decoder	697	£4.55
(5 or more 697's ordered together £3.25 each)		
Simple Metronome	698	£3.94
Hand Tally: Main Bd and Display Bd SEP '90	699, 700	£10.95
Alarm Bell Time-Out	701	£4.10
Mains Appliance Remote Control		
Temperature Controller (p.c.b. only)	702	£5.20
Ghost Waker OCT '90	703	£4.32
Frequency Meter	704	£5.25
Freq. Meter/Tachometer NOV '90	705	£3.98
EE Musketeer (TV/Video/Audio)	706	£5.78
Microcontroller Light Sequencer DEC '90	708/709	£10.90
Versatile Bench Power Supply Unit	710	£4.24
Teach-In '91, Part 1 - L200 Module	711	£3.93
Dual Output Module	712	£4.13
LM723 Module	713	£4.21
Spatial Power Display JAN '91	714	£5.33
Amstrad PCW Sound Generator	715	£5.03
Teach-In '91, Part 2 - G.P. Transistor Amp	717	£3.77
Dual Op.Amp Module	718	£3.83
Intercom (Teach-In '91 Project 2)	719	£4.41
Analogic Test Probe	720	£3.24
MARC Phone-In FEB '91	721	£6.87
Teach-In '91 Part 3 - TBA820M Amplifier	723	£4.05
High Quality Power Amp	724	£4.93
Bench Amplifier (Teach-In '91 Project 3)	725	£4.45
Gingernut 80m Receiver		
R.F. section (726), Voltage Regulator (727)	726/7/8	£3.06
Audio Amplifier (728)		
	all 3 together	£8.16
Pocket Tone Dialler MAR '91	729	£4.36
Battery To Mains Inverter	730	£4.97
Simple Basic Alarm	731	£4.50
Car Code Lock (pair)	732a/b	£4.69
Teach-In '91 Part 4 -		
Sinusoidal Oscillator	733	£4.39
8038 Oscillator	734	£4.15
Waveform Generator (Teach-In '91 Project 4)	735	£4.72
Humidity Tester APR '91	716	£4.97
Model Train Controller (double-sided)	736	£9.75
Electronic Die (Teach-In '91 Project 5)	737	£4.93
Teach-In '91 Part 5 - Digital Counter Module	738	£4.35
Modular Disco Lighting System MAY '91		
Switched Power Output Module	739	£5.91
Digital LCD Thermostat-Control Board	740	£4.05
-Power/Relay Board	741	£3.76
Pulse Generator (Teach-In '91 Project 6)	742	£4.97
Teach-In '91 Part 6 - Timer Module	743	£4.62
Digilogue Car Tachometer JUN '91	744	£5.63
Modular Disco Lights - Simple Chaser	745	£5.00
Sweeper Module	746	£5.17
Automatic Light Control - PSU Board	747	£4.88
Logic Board	748	£5.17
Radio Receiver (Teach-In '91 Project 7)	749	£4.57
Teach-In '91 Part 7 - R.F. Amplifier Module	750	£4.23
Modular Disco Lights - Masterlink JULY '91	752	£6.36
Ultrasonic Proximity Meter		
Display Unit (753) & Sensor Unit (754)	753/754	£7.06
Disco Lights (Teach-In '91 Project 8)		
PSU and Pre-amplifier	755	£4.54
Low, Mid, High Filter/Triac (set of 3 boards)	756	£11.00
Teach-In '91 Part 8 - Solid State Switch Module	757	£4.24

PROJECT TITLE	Order Code	Cost
Mod. Disco Lights - Pattern Gen AUG '91	760	£6.79
Teach-In '91 Part 8 - Light Sensitive Switch	761	£4.74
Opto-Link (Teach-In '91 Project 9) - Transmitter	762	£4.85
Receiver	763	£4.88
Portable PESt Scarer	764	£3.77
Capacitance Meter SEP '91	765	£5.17
Modular Disco Lights - Dimmer Interface	765	£8.17
Mod. Disco Lights OCT '91		
VU Sound Module (Double-sided)	767	£8.68
UV Exposure Unit	768	£4.63
PC-Scope Interface - Main Board	769	£6.95
Expansion Plug (Double-sided)	770	£5.96
Mod. Disco Lights NOV '91		
Superchaser (Double-sided)	771	£6.91
Supersweep (Double-sided)	772	£8.26
Bicycle Alarm	773	£5.01
Darts Scorer	774	£7.90
Knockerbox DEC '91	775	£5.35
Signal Generator - Main Board	776	£7.46
PSU	777	£4.73
Mind Machine - Main Board	778	£7.00
Auto Nightlight	779	£5.03
Mind Machine - Programmer Board JAN '92	780	£7.39
Transistor Checker	781	£4.63
Stepping Motor Driver/Interface	782	£10.39
Micro-Sense Alarm	783	£5.42
Telesound FEB '92	784	£4.66
Programmable Timer	785	£4.63
Auto Garage Light MAR '92	786	£6.10
Versatile BBC Computer Interface	787	£11.59
Economy Seven Timer	788	£5.20
Sonic Continuity Tester APR '92	789	£4.79
Telephone Ringer	790	£5.46
Experimental Weighing Scale MAY '92	792	£5.17
12V Drill Charger/PSU (both boards)	793	£5.31
Digital Servo Interface JUNE '92	791	£4.73
Tie Pulser	794	£5.19
CCD Reverb Unit	795	£6.39
Switch-Mode Power Supply	796	£7.01
UV Exposure Timer JULY '92	797	£5.33
Cricket Game	798	£6.77
Quick Prom	799	£5.61
Gas Alarm AUG '92	800	£5.47
Dual Metronome	801	£6.74
Ultrasonic Tape Measure SEP '92	802	£6.06
Quicktest	803	£4.82
Extended Range Capacitance Meter OCT '92	804	£5.63
Traffic Lights System	806	£5.04
Mini Lab NOV '92	MINI LAB	£14.95
EPE Altimet (Altimeter)	807	£6.30
Personal Stereo Amplifier	808	£6.47
Inverter Daughter Board (for March '91 project)	809	£3.00
Universal Infra-Red Remote Control DEC '92	811T/811R	£6.56
Combination Switch	812	£5.68
Christmas Lights Colour Spectrum	813	£5.97
TV/UHF Aerial Amp (double-sided) JAN '93	814	£7.23
Continuously Variable Balanced Power Supply	815	£5.65
Emergency Lighting Unit	816	£6.77

EPE PRINTED CIRCUIT BOARD SERVICE

Order Code Project Quantity Price

Name.....

Address.....

I enclose payment of £ (cheque/PO
in £ sterling only to
VISA Everyday with Practical Electronics)
Access (MasterCard) or Visa No.
Minimum order for credit cards £5

Signature..... Card Ex. Date.....

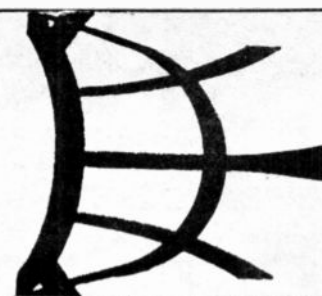
Please supply name and address of card-holder if different from the address shown

BLOCK CAPITALS PLEASE

REPORTING

AMATEUR RADIO

Tony Smith G4FAI



BALLOON RADIO

There seems to have been quite a stir in Victoria, Australia, last May when the Shepparton & District Amateur Radio Club launched a weather balloon with a radio transmitter and computer aboard which broadcast on the 2 metre band, by voice, every minute.

The transmissions gave the time since launch; outside and inside temperatures; altitude; and rate of climb. Amateurs over a wide area monitored and recorded the transmissions and over a hundred reports were received by the club, with the best over a distance of more than 1,200km.

Gil Griffith, VK3CQ, was about 180km from the launch and has sent me a print-out of his observations from the time he first picked up the transmissions 53 minutes after launch, when the balloon was at 23,000ft.

His observations record that it reached 66,000ft after 2hrs 18min before bursting and descending by parachute. His last full entry is at 2hrs 50min when the parachute was at 32,660ft and signal strength was down to S1 and fading. It landed at about 3hrs 20min and after three days was found by a search party in a tree in New South Wales with the radio package intact and in good condition.

Gil's print-out is quite fascinating. Apart from recording the vagaries of the flight, particularly in the last half-hour as the balloon struggled to reach maximum height, it shows some interesting variations in signal strength as the flight progressed. This gradually increased to S9 at 29,330ft dropping to S2 at 32,660ft. By 45,000ft it had worked up to S9 again, remaining almost constant at this level up to 65,000ft apart from a drop to S5 between 55-58,000ft, going down to S5 again at maximum height.

Gil's set-up for receiving the signals was quite straightforward. He used a hand-held transceiver with a quarter wave ground plane antenna, switching to a 10 element horizontal beam to obtain compass bearings for his report.

It must have been quite exciting following the progress of the balloon and recording all this information. This is the sort of experimental activity many radio amateurs love to get involved in, and of course short-wave listeners can do the same thing without a transmitter.

ESPERANTO STATION

The latest newsletter of ILERA, the International League of Esperantist Radio Amateurs (or, to give its proper name, the Internacia Ligo de Esperantistaj Radio Amatoroj), reports that a Special Event amateur station, OE1XEW, was operated from the 1992 Esperanto Congress in Vienna which was attended by over 3,300 people from 69 countries.

The station was operated by Esperanto speaking amateurs from Germany, Austria,

Italy, France and England, and made about 200 contacts of which about a quarter were in Esperanto.

ILERA aims to encourage the use of amateur radio by existing Esperantists and to encourage existing radio amateurs to learn and use the language. If you want to hear what Esperanto sounds like, look out for the ILERA nets on Tuesdays at 1430hrs on 7066kHz; Wednesdays at 0830 on 3764-3770; and Sundays at 0745, also on 3764-3770 (clearest frequency). All times are UK local.

For more information about ILERA, write to Barry Foreman G0EXS, 10 Wilmington Close, Brighton BN1 8JE. For information about Esperanto itself, contact The Esperanto Centre, 140 Holland Park Avenue, London W11 4UF. Tel: 071-727 7821.

MONITORING AT BALDOCK

The annual report of the Radiocommunications Agency (RA), referred to in my November column, mentions the work of the Agency's Radio Monitoring Station at Baldock in Hertfordshire.

This station's main purpose is to investigate and clear interference to international radio services, especially those concerned with safety of life, and to monitor the use of the spectrum.

It covers all frequencies from 9kHz to 18GHz and undertakes direction finding, frequency measurement and signal analysis, and measurement of field strength and spectrum occupancy. For direction finding it obtains cross bearings from suitably located stations run by other national administrations which, like Baldock, are members of the International Monitoring Service.

Of particular concern to amateurs is the importance attached to identification of allocated frequencies which are under-used, to improve spectrum usage planning. There has long been a saying in the amateur world, "If you don't use it, lose it!", and this is an increasing possibility in the face of today's intense demand for more spectrum by all services.

The station is in three parts. A terrestrial monitoring station, principally concerned with frequencies up to 30MHz, which is continuously manned, and during 1991/92 had a success rate of 97 per cent for clearance of complaints of persistent interference.

A second part comprises mobile teams which systematically monitor usage of the PMR (Private Mobile Radio) bands on a national basis, interference to terrestrial services and satellite earth stations, continental interference, and carry out other tasks such as data/speech comparison and propagation studies.

The third part is the satellite monitoring station which was built to monitor communications satellites but nowadays also monitors the broadcast satellites.

RIS

Another interesting aspect of the work of the RA, covered in its Annual Report, is the Radio Investigation Service, the objective of which is to ensure that authorised radio users within the UK can operate without undue interference. This is achieved by ensuring that licensed users, including radio amateurs, adhere to the conditions of their licences, and by taking action, where necessary, against those who disregard the rules.

In 1991/92, the RIS inspection programme included aeronautical and marine radio, fixed services, broadcasting, paging and hobby radio. In the space available here, this bare outline cannot do justice to the surprisingly wide range of radio services and users covered by the RIS, and the importance of their work in protecting the radiocommunications of the emergency services.

VIDEOS AVAILABLE

Two videos from the RA, however, vividly bring to life the work of both the Monitoring Station and the RIS, and are well worth seeing. These are *The Listening Ear - A look at Baldock Monitoring Station*, and *In Touch - A look at the R.I.S.*, each around 10-12 minutes.

Although short, they show the impressive highly sophisticated equipment used by both services and provide interesting examples of the work involved, packing a great deal of information in the time they have. I found them both fascinating and illuminating.

These videos can be borrowed for short periods free of charge by amateur radio clubs, or other bona fide interested groups. Written requests should be sent to the Radiocommunications Agency Librarian, Room 605, Waterloo Bridge House, Waterloo Road, London SE1 8UA. Tel: 071-215 2352 for enquiries or further information.

AMATEURS HELP SHUTTLE

On September 18, a small battery-powered amateur radio transceiver successfully linked astronauts with NASA Mission Control after computers handling official communications at White Sands in New Mexico failed briefly, plunging the shuttle into a temporary communications blackout.

The onboard 2-metre transceiver was part of the Shuttle Amateur Radio Experiment (SAREX) used by astronauts to talk to school children and licensed amateurs on earth. Mission Control in Houston asked amateur operators in the nearby SAREX control room to transmit a message to Astronaut Jay Apt, N5QWL. This was relayed via an Australian amateur who was standing by for a scheduled shuttle contact at Queensland University of Technology. (*W5YI Report*).

FREE CATALOGUE

CRICKLEWOOD ELECTRONICS

CRICKLEWOOD ELECTRONICS LTD, 40 CRICKLEWOOD BROADWAY, LONDON NW2 3ET
Tel: 081 452 0161 Fax: 081 208 1441

BOOKS 	BOXES & CASES 	CABLE & WIRE 	CAPACITORS 	CONNECTORS 	KITS
RESISTORS 	SEMI-CONDUCTORS 	SPEAKERS 	VIDEO HEADS 	SWITCHES 	TOOLS & BENCHWARE

SEND NOW FOR THE **CRICKLEWOOD ELECTRONICS** COMPONENT CATALOGUE
 ONE OF THE BEST RANGES AVAILABLE

Name.....
 Address.....

Millions of quality components at lowest ever prices!

Plus Tools, Watches, Fancy Goods, Toys.
 Mail order UK only.

All inclusive prices –
NO post, or VAT etc to add on.
 Send 34p stamped self addressed label or envelope for catalogue/clearance list.

At least 2,100 offers to amaze you.

Brian J Reed
6 Queensmead Avenue, East Ewell
Epsom, Surrey KT17 3EQ
Tel: 081-393 9055

SECURITY EQUIPMENT

INSTALL YOURSELF & SAVE! SAVE!

Complete range of security parts to protect your house and property. Passive infra-red sensors ultra-sonic movement detectors, control panels, cable, etc etc supplied with instructions.

QUALITY AUDIO MODULES

Power amplifiers from 10-125W, mixer units, pre-amplifiers etc. Build your own disco units, guitar amps, public address systems etc., etc.

CALL FOR FREE LITERATURE TODAY

AUTONA LTD TEL 084 44 6386
51 POPPY ROAD, PRINCES RISBOROUGH, BUCKS. HP17 9DB

Micro AMPS 8051

"C" COMPILER £125

BASIC COMPILER £99

ICE51 £225

ICE751 £495

66 SMITHBROOK KILNS, CRANLEIGH, SURREY GU6 8JJ, UK

Tel: +44(0)483 268999

Fax: +44(0)483 268397



CAMBRIDGE COMPUTER SCIENCE LIMITED

Borland C++ 2.0 for DOS & Windows complete with mouse	£45.00
LCD modules..... 16 char by 1: £4.00, 20 char by 2: £6.00, 40 char by 1: £6.00	
3.5" 720K Diskette Drives.....	£25.00 each
Used hard disk drives, 112MByte £110, 70MByte £75, 40MByte £45, 20MByte £29, 10MByte £14, Limited quantities, phone before ordering	
Used PC memory/IO card AST six pack with 384k RAM.....	£15.00 each
Used IBM PC hard disk controller, 8 bit MFM.....	£5.00 each
Used Tsenglabs, multi I/O → mono video card for PCs.....	£10.00 each
Used Compaq Enhanced Colour Graphics Card.....	£5.00 each
'Lucky Dip' PC cards, untested, no warranty, various types.....	£1.00 each
5.25" Disk Drives, 1.2MByte Sllmline PC.....	£19.00 each
5.25" Disk Drives, 80 Tk, DSDD.....	£19.00 each
5.25" Disk Drives, 80 Tk, DSDD Used, No Wty.....	£7.00 each
(The £7.00 drives are sold on a strictly "as is" basis)	
5.25" Disks, DSDD, 48tpi, boxes of 10.....	£2.00/box
Digital multimeter, 14 ranges, inc. leads & manual.....	£9.00 each
Apricot Disk drive PSU 5V @ 2.5A, 12V @ 2A.....	£10.00 each
5V @ 6A PSU.....	£4.00 each
5V @ 10A PSU.....	£5.00 each
Disk Drive Data lead BBC Micro to Disk Drive(s)..... Single 2.00 Dual £4.00 each	
Disk Drive Power lead BBC Micro to Disk Drive(s)..... Single 2.00 Dual £4.00 each	
68000 CPUs 8MHz.....	£2.50 each
8086 CPU chips.....	£2.00 each
Z80A CPU, CTC, PIO.....	£1.20each; DMA £2.00; £4.50 all 4
74LS TTL, pick and mix, buy 10 or more for.....	£0.12 each
Types available: '00 '02 '04 '08 '10 '11 '12 '13 '14 '15 '20 '21 '26 '27 '30 '32 '33 '37 '38 '42 '74 '85 '86 '96 '107 '109 '122 '125 '132 '136 '138 '139 '145 '151 '153 '157 '158 '160 '162 '163 '164 '165 '174 '191 '193 '240 '253 '257 '260 '298 '353 '365 '366 '375 '385 '390 '399 '670 '682	
27128 EPROMS (Ex equipment).....	£1.20 each or £5.00/5
27128 EPROMS.....	£2.50 each
27C256 EPROMS (Ex Equipment).....	£1.40 each
27256 EPROMS.....	£2.60 each
27C256 EPROMS.....	£3.50 each
27C512 EPROMS (Ex Equipment).....	£1.40 each
256K DRAM (Ex Equipment).....	£0.40 each
1MBit-10 DRAM (Ex Equipment).....	£1.40 each
6116 2K Byte SRAM.....	£1.10 each
6264-12 8K Byte SRAM.....	£3.80 each
62256-10 32K Byte SRAM.....	£5.00 each
65256 32K Byte rams.....	£4.00 each
8K Byte NV ram chips.....	£3.00 each or £10.00 four
16, 18 & 20 pin dll low profile IC sockets 0.3" wide.....	£0.40/10; £3.00/100
22 & 24 pin dll low profile IC sockets 0.4" wide.....	£0.40/10; £3.00/100
24, 28, 32, 40 & 48 pin dll low profile IC sockets 0.6" wide.....	£0.40/10; £3.00/100
Circuit tester, finds faults in TTL & CMOS logic circuits, inc leads.....	£6.00 each
Metal project boxes drilled & painted but unused 28 x 32.5 x 5cm.....	£4.00 each
Eurocard Racks.....	£10.00 each
Smoke detectors.....	£4.00 each
Used computer cards many useful components (large ones socketed)	
Winl controller (WD HDC chip).....	£1.00 each
CPU card (8088, 280 & EPROMs).....	£3.00 each
Keyboards, Full Qwerty, number pad and LCD.....	£8.00 each
Desktop computer case with 200W mains PSU (used).....	£19.00 each
Used IBM PC Cases with PSU.....	£30.00 each

Prices include postage. Add £1 (plus VAT) to orders below £5.00. All items new unless stated. Add 17.5% VAT to all prices. Send an SAE for our latest list or for more info.

Dept EE, 374 Milton Road, Cambridge CB4 1SU
Tel: 0223 424602, 0831 430496 or 0831 430552 (Mail order only)

PRACTICAL ELECTRONICS INDEX – 1992

Volume 28 January 1992 to October 1992

Everyday Electronics and
Everyday with
Practical Electronics
index appeared last month.

Features

3-D Television <i>Adam Forth</i>	34 April
1991 A Year In Consumer Electronics <i>Ian Burley</i>	14 January
Alpha 21064 Microprocessor	9 May
Car Electronics <i>Ian Burley</i>	30 October
Cassette Tapes for Cars <i>Arthur King</i>	26 August
Ceramic Batteries <i>Ian Poole</i>	17 May
CES Show Chicago	14 August, 19 September
CES Show Las Vegas	26 April
Colour Image Scanning <i>Kenn Garroch</i>	11 March
Comdex Fall '91	25 January
Compact vs SLR <i>Carolyn Vaughan</i>	23 September
Computer Communications <i>Steve Jackson</i>	30 August
Computer Electronics <i>Anthony Robertson</i>	8 June
Ecological Printing Kyocera FS-1500A	33 July
Electricity Generation <i>John Brook</i>	13 July
Electronic Imagery <i>Kenn Garroch</i>	35 September
Electronic Mail <i>Arthur King</i>	37 April
Electronic Organiser <i>Arthur King</i>	13 August
Electronics In The Outdoor Theatre <i>Fiona Cammie & Carolyn Vaughan</i>	40 September
Electronics Units (SIU) <i>Ashley Jones</i>	22 February
End of the Phone As We Know It <i>James McHann</i>	45 February
Flash Memory <i>Alan Howe</i>	25 July
Fuel Cells for Cars <i>Alan Beck</i>	34 February
Games, Handheld Computer <i>Kevan Garroch/Julian Musgrave</i>	10 February
Getting To Grips With Logic <i>Kenn Garroch</i>	22 October
High Speed Data <i>Simon Valence</i>	14 March
In-Car Stereo Systems <i>Kenn Garroch</i>	23 August
Intel Chips Speeds-up Processor	30 March
Interactive Compact Disc (CD-I) <i>Arthur King</i>	10 July
Inside VHS	34 March
Kodak XL7700 Digital Tone Printer	6 March
Liquid Crystal Flat Screen <i>Andrew Armstrong</i>	30 April
Making Semiconductors <i>Mike Sanders</i>	40 April, 32 May, 33 June, 40 July
Meteor Radio Communications <i>Ian Poole</i>	28 June
Micronet	39 March
Microwave Signature Laboratory <i>Francis Anderson</i>	28 July
Multimedia <i>Julie Saunders</i>	20 January
Multimedia '92 <i>Rod Allen</i>	34 August
Music Goes Digital <i>Kenn Garroch</i>	11 May
Portable Electronics <i>Kenn Garroch</i>	13 April
Reader Survey	44 August
SCART Connector	44 March
Semiconductors – The Future <i>Ian Poole</i>	45 January
Small Is Beautiful <i>Jane Fuller</i>	10 April

Space Salvage of Olympus <i>John Brook</i>	39 February
Television Future <i>Kenn Garroch</i>	14 June
Television World-Wide Reception <i>Gary Smith & Keith Hamer</i>	30 September
Unijunction Transistor <i>Samuel Dick</i>	37 August
Video Jargon Buzzwords	64 March
Video Recorders	22 March
Video Signal	53 March

Constructional Project

Digiscope '92 <i>John Becker</i>	41 June
DTMF Decoder <i>Richard B Sagar</i>	48 September
Echo and Reverb Effects Unit <i>M. P. Horsey</i>	40 October
Greenhouse Watering Systems <i>Owen Bishop</i>	48 January
Infra-Red Torch <i>Robert Penfold</i>	49 April
Sub-Woofer <i>Jeff Macauley</i>	40 May
Tide Meter <i>John Becker</i>	35 July
Transistor Tester <i>Owen Bishop</i>	47 February
Tuning Fork <i>John Becker</i>	48 August
Video Fader <i>Colin MacIesh</i>	54 March

How It Works

Answering Machine <i>Richard Topping</i>	32 January
Automation, Century Of, <i>Derek Gooding</i>	28 October
Camera, SLR <i>Derek Gooding</i>	28 September
Dimmer Switch <i>Derek Gooding</i>	30 July
Engine Management <i>Derek Gooding</i>	28 August
Flash Gun <i>Kevin Garway</i>	32 February
LJ Electronics Workbench <i>Chris Kelly</i>	23 June
Loudspeaker <i>Alan Jones</i>	28 May
Logitech Fotoman <i>Richard Milner</i>	12 June
Personal Stereo <i>Jim Jaskins</i>	32 April
Plug-In Timer <i>Derek Gooding</i>	26 June
Video Enhancer <i>Howard Jones</i>	32 March

Regulars

Barry Fox	62 January, 62 February, 70 March, 62 April, 54 May, 54 June, 54 July, 6 August, 10 September, 10 October
Computing News	8 September, 5 October
Errata	5 January
Ian Burley	7 August, 11 September, 11 October
Innovations – News	6 January, 6 February, 4 March, 6 April, 6 May, 6 June, 6 July, 10 August, 4 September, 4 October
Latest Electronics – Active Badges, Floppies and Digital Cameras	25 February
Letters	5 January, 5 February, 47 March, 36 April, 4 May, 4 June, 4 July, 4 August, 6 September, 6 October
New Product Developments	17 March, 26 April, 22 May, 18 June, 18 July, 18 August, 13 September, 15 October
Practical Computing	8 July, 8 August

Practical Technology 40 January
 Silicon Valley 13 January, 15 February, 45 March
 Squeaky Clean Power 34 February
 Wavelengths 5 January, 5 February, 47 March,
 36 April, 4 May, 4 June, 4 July, 4 August,
 6 September, 6 October
 What's New 9 January, 8 February, 9 March,
 8 April, 8 May

Reviews

AEG Olympia Lapbook 17 April
 Apple PowerBook 10 January, 19 April
 Book Reviews 43 February, 30 May, 52 June
 Canon S-50 Speakers 19 May
 DataFlex Camfax 24 April
 Diode, Transistor & FET Circuits Manual 43 January
 Electronize Car Alarm 30 January
 Ferguson Camcorder 28 March
 Ferguson FV57H Video Recorder 24 March
 Hunting Of The Snark 43 January
 ITT Nokia 3782 Video Recorder 26 March
 Kodak Photo CD 17 February
 Lazerline Stereo Sender 21 May
 Logitech Fotoman 12 June
 Micro-Cap III Software 49 March
 Nintendo Game Boy 16 April
 Number One Analyser 3 36 January
 Psion Laptop Organiser 20 April
 Satmaster Satellite Setting-Up Software 11 June

Sharp Organiser 22 April
 Sony Data Discman 14 April
 Sony Watchman TV 15 April
 Technics Surround Sound 20 May
 Toshiba Video Recorder 23, 27 March
 Vortex Laptop 18, 21 April
 Vtech Video Painter 38 January
 Weka Electronics Repair Manual 39 January
 Workbench, LJ Electronic, Software 23 June

Techniques

Bio-Feedback 45 October
 Cassette Recorder Repair 57 January
 Cuk Convertors 31 February
 Electronic Design 53 August
 Infra-Red Headphone Link 49 May
 Lamp Switching 31 February
 Microprocessor Lights Sequencer 49 July
 Perpetual Motion 53 September
 Power Supplies 62 March
 SW Radio Receiver 49 June
 TV Reception 57 April
 Video Amplifier 62 March

Competition

Car Burglar Alarm 33 January

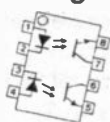
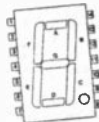
Catalogue

Greenweld Winter Supplement March

OMNI ELECTRONICS

174 Dalkeith Road, Edinburgh EH16 5DX ★ 031 667 2611

The supplier to use if you're looking for:-



A WIDE RANGE OF

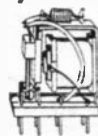
★ COMPONENTS AIMED AT THE ★
 HOBBYIST



★ COMPETITIVE VAT INCLUSIVE ★
 PRICES



★ MAIL ORDER – generally by ★
 RETURN OF POST



★ FRIENDLY SERVICE ★

OPEN:

Monday-Thursday 9.15 - 6.00

Friday 9.15-5.00

Saturday 9.30-5.00



**UK DISTRIBUTOR AND
 STOCKIST FOR THE COMPLETE
 ILP RANGE**

- ★ AMPLIFIER MODULES
- ★ PRE-AMPLIFIERS
- ★ 100V LINE TRANSFORMERS
- ★ TOROIDAL TRANSFORMERS
- ★ LIGHTING TRANSFORMERS

*Write, phone or fax
 for data and prices*

Jaytee Electronic Services

143 Reculver Road, Beltinge, Herne Bay, Kent CT6 6PL
 Telephone: (0227) 375254. Fax: (0227) 365104

Everyday with Practical Electronics reaches twice as many UK readers as any other independent monthly hobby electronics magazine, our audited ABC sales figures prove it. We have been the leading independent monthly magazine in this market for the last seven years

If you want your advertisements to be seen by the largest readership at the most economical price our classified and semi-display pages offer the best value. The prepaid rate for semi-display space is £8 (+ VAT) per single column centimetre (minimum 2.5cm). The prepaid rate for classified adverts is 30p (+ VAT) per word (minimum 12 words).

All cheques, postal orders, etc., to be made payable to Everyday with Practical Electronics. VAT must be added. Advertisements, together with remittance, should be sent to the Classified Advertisement Dept., Everyday with Practical Electronics, 6 Church Street, Wimborne, Dorset BH21 1JH. Tel: (0202) 881749.

For rates and information on display advertisements (1/4th page and larger spaces) please contact our Advertisement Manager, Peter Mew on 0255 850596.

Semiconductor Clearance
 Z80-CPU £0.59, 27C256 £1.37, LM334Z £0.49
 8085AHC £1.33, 6522 £1.43, NE531 £0.79, etc

Workshop reorganisation enables us to offer a limited quantity of unused stock at an unrepeatable fraction of the normal prices. All components are 100% no-quibble guaranteed. 1000's of semi's: Microprocessor logic, linear, discretes, hardware, etc. Send £1 for extensive lists.

Profile Electronics (EPE), 100-102 Woodhouse Rd, Leytonstone, London E11 3NA
 Min. order £10. Please add £2.50 P&P plus VAT at current rate
 10% Educational Discount on all official orders

* LOW COST * IBM-PC SHAREWARE/PD * HI QUALITY MEDIA *

By distributing functionally grouped sets of Shareware/PD programs for IBM/PC compatible machines on high quality HD disks we are able to offer an unprecedented selection of software tools for evaluation by the electronics enthusiast / business user, at prices which MUST be checked out before you spend £££ elsewhere

Electronics*Design*Simulation*CAD*Printing*UMs*Tutorial*Business

BTEC ELECTRONICS TECHNICIAN FULL-TIME TRAINING

THOSE ELIGIBLE CAN APPLY FOR E.T. GRANT SUPPORT AN EQUAL OPPORTUNITIES PROGRAMME

O.N.C., O.N.D. and H.N.C.
 Next course commences
Monday 11th January 1993
 FULL PROSPECTUS FROM

LONDON ELECTRONICS COLLEGE
 (Dept EE) 20 PENYVERN ROAD
 EARLS COURT, LONDON SW5 9SU
 TEL: 071-373 8721

STUDY ELECTRONICS ON A PC

Over 80 fully interactive, menu driven, graphics screens, containing charts, graphs, circuit diagrams, formulae and theory. With user inputs and calculated outputs. Covers subjects from electron flow, through analysis of AC and DC circuits, to semi-conductors.

£39.95 + £2.00 P&P
 Credit Card orders 0376 514008
 SAE for details:
E.P.T. Educational Software
 Pump House, Lockram Lane
 Witham, Essex CM8 2BJ

Typefit

The Typesetting programme for all your Typesetting needs.

If you need typesetting for your Adverts, Brochures, etc. Typefit can help you. Please telephone

0202 882299

N. R. BARDWELL LTD (EE)

200	Signal diodes 1N4148.....	£1.00
75	Rectifier Diodes 1N4001.....	£1.00
50	Rectifier Diodes 1N4007.....	£1.00
56	Rectifier Diodes 1N5401.....	£1.00
100	Asstd Zeners.....	£1.00
10	NE555 Timer ICs.....	£1.00
8	C106D 400V 6 amp thyristors.....	£1.00
8	BFY51 Transistors.....	£1.00
30	BC478 Transistors.....	£1.00
30	MPSA42 Transistors.....	£1.00
50	Rectangular red i.e.d.s.....	£1.00
25	Asstd. high brightness i.e.d.s.....	£1.00
24	Miniature red i.e.d.s 3mm dia.....	£1.00
50	Axial i.e.d.s (Diode package) wide angle i.e.d.s.....	£1.00
12	Asstd. seven segment displays.....	£1.00
30	Asstd. i.F. transformers.....	£1.00
48	Asstd. coil formers.....	£1.00
100	Asstd. RF chokes (inductors).....	£1.00
30	Asstd connectors edge-dil-sil etc.....	£1.00
10	4P 3W MBB min. rotary switches.....	£1.00
20	1 inch Glass reed switches.....	£1.00
20	Magnetic ear pipe plus lead & plug.....	£1.00
20	Min SP/CO slide switches.....	£1.00
30	Asstd. dil sockets up to 40 pin.....	£1.00
20	24-way turned pin i.C. sockets.....	£1.00
18	40 pin d.I.L. wire wrap i.C. sockets.....	£1.00
2	ORP12 light dependant resistors.....	£1.00
200	Printed circuit board 20mm fuse clips.....	£1.00
200	Asstd. disc ceramic capacitors.....	£1.00
80	Asstd. capacitors 1in to 1in.....	£1.00
80	Asstd electrolytic capacitors.....	£1.00
80	47UF 16V Radial electrolytics.....	£1.00
75	47UF 63V Radial electrolytics.....	£1.00
80	10UF 16V Radial electrolytics.....	£1.00
50	10UF 50V Radial electrolytics.....	£1.00
80	22UF 25V Radial electrolytics.....	£1.00
80	33UF 16V Radial electrolytics.....	£1.00
50	47UF 50V Radial electrolytics.....	£1.00
80	100UF 10V Radial electrolytics.....	£1.00
80	220UF 16V Radial electrolytics.....	£1.00
80	470UF 10V Radial electrolytics.....	£1.00
40	1000UF 10V Radial electrolytics.....	£1.00
12	1000UF 25V Axial electrolytics.....	£1.00
1	1 Farad 5.5V memory back up capacitor.....	£1.00
1	Peltier effect heat pump.....	£1.95
1	10 watt Stereo amplifier, 4 controls plus data.....	£2.95

Prices include VAT, postage £1.25. Stamp for Lists

288 Abbeydale Road, Sheffield S7 1FL
Phone (0742) 552886. Fax (0742) 500689

IT PAYS TO ADVERTISE IN

EVERYDAY WITH PRACTICAL ELECTRONICS

Your advert will reach twice as many UK readers than with any other independent monthly hobby electronics magazine

PC TECHNICAL SHAREWARE

Would you like to see the best range of low cost technical and scientific public domain & shareware for IBM PC in the UK? HUGE RANGE includes: PACKET, FAX, RX, TX control, PCB design, Circuit and ANTENNA analysis, OSD logging, CAD ELECTRONIC & MECH engineering, SCIENTIFIC, MATHS & STATS, MEDICAL PROGRAMMING SOURCE CODE, DATA, EDUCATIONAL, WINDOWS, BUSINESS and lots more

Write, phone or fax today for your free 124 page printed catalogue

 The Public Domain Software Library
 Winscombe House, Beacon Road
 Crowborough, Sussex TN6 1UL
 Tel 0892 663298, Fax 0892 667473

 The Association of Shareware Professionals
 ASP Approved Vendor

THE BRITISH AMATEUR ELECTRONICS CLUB

exists to help electronics enthusiasts by personal contact and through a quarterly Newsletter. For membership details, write to the Secretary

Mr J. S. Hind, 7 Carlyle Road
West Bridgford, Nottingham NG2 7NS
 Space donated by Everyday with Practical Electronics

Miscellaneous

G.C.S.E. ELECTRONICS KITS at pocket money prices. S.A.E. for FREE catalogue. SIR-KIT ELECTRONICS, 70 Oxford Road, Clacton CO15 3TE.

PROTOTYPE PRINTED CIRCUIT BOARDS one offs and quantities, for details send s.a.e. to B. M. Ansbro, 38 Poynings Drive, Sussex BN3 8GR, or phone Brighton 720203.

OUTDOORS electronic photo-electric control unit for switching mains lights on at dusk, off at dawn. 5A rating, £15.40. Taytronics, 8 Park Avenue, Markfield, Leicestershire LE67 9WA.

THE HOMEBUILT DYNAMO (Plans). Reviewed 1989 in PE January and Model Engineer December 15th. Price £42 post paid airmail from Alfred Forbes, PO Box 3919, Auckland, New Zealand. Tel (09) 818-8967.

IF YOU LIVE in the Bedfordshire area and are looking for components, come and see our large stocks at reasonable prices. Surpl Electronics, 216 Leagrave Road, Luton. (Closed Wednesdays.)

VALVES WANTED:KT66 £30, KT88 £40, PX4 £45, PX25 £45. High prices offered. Full wanted and sales lists available. Vintage Wireless Company, Bristol. Tel 0272 565472, Fax 0272 575442.

DIGITAL electronics tutor software for IBM PC £5 only from JDSOFT. Tel 061 430 5208.

Contact

HST for all your component needs. Send for your free catalogue and details of special offers.

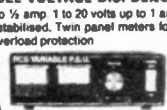
HST Ltd
 Technology House
 Prospect Road, Carlton
 Nottingham NG4 6LA
 Tel: 0602 587225. Fax: 0602 484530

RCS VARIABLE VOLTAGE D.C. BENCH POWER SUPPLY

1 to 24 volts up to 1/2 amp 1 to 20 volts up to 1 amp 1 to 16 volts up to 1 1/2 amps d.c. Fully stabilised. Twin panel meters for instant voltage and current readings. Overload protection

Fully variable
 Operates from 240V a.c.
 Compact Unit
 Size 9 x 5 1/2 x 3in
NEW MODEL Up to 39volts d.c. at 6 amps. 10 amps peak. Fully variable
 Twin panel meters. Size 14 1/2 x 11 x 4 1/2in. £99 inc VAT. Carr £6

£45 inc. VAT
 + Post and insurance £4



RADIO COMPONENT SPECIALISTS
 337 WHITEHORSE ROAD, CROYDON
 SURREY, U.K. Tel: 081-6841865

List, Large SAE. Delivery 7 days. Callers welcome. Closed Wednesday

NEW VHF MICROTRANSMITTER KIT

Tunable 80-135MHz, 500 metre range, sensitive electret microphone, high quality PCB.

SPECIAL OFFER complete kit ONLY £6.95

Assembled and ready to use £9.95 post free.

Credit card orders telephone 021 411 1821. Fax 021 411 2365

Send 2x1st class stamps for Catalogue. Cheques/P.O.s payable to:

QUANTEK ELECTRONICS
 Kits Dept. (EE), 3 Houlday Road, West Heath, Birmingham B31 3HL
SHOP NOW OPEN - CALLERS WELCOME

MAKE YOUR INTERESTS PAY!

Over the past 100 years more than 10 million students throughout the world have found it worth their while! An ICS home-study course can help you get a better job, make more money and have more fun out of life! ICS has over 100 years experience in home-study courses and is the largest correspondence school in the world. You learn at your own pace, when and where you want under the guidance of expert personal tutors. Find out how we can help YOU. Post or phone today for **FREE INFORMATION** on the course of your choice. (Tick one box only!)

Electronics	<input type="checkbox"/>	TV, Video & Hi-Fi Servicing	<input type="checkbox"/>
Basic Electronic Engineering (City & Guilds)	<input type="checkbox"/>	Refrigeration & Air Conditioning	<input type="checkbox"/>
Electrical Engineering	<input type="checkbox"/>	Car Mechanics	<input type="checkbox"/>
Electrical Contracting/Installation	<input type="checkbox"/>	Computer Programming	<input type="checkbox"/>

GCSE/GCE/SCE over 40 examination subjects to choose from

Name _____ Address _____

ICS International Correspondence Schools Dept ECS 13
312/314 High Street, Sutton, Surrey SM1 1PR or 041-221 7373 (24 hours)

Technical Information Services

76 CHURCH STREET, LARKHALL, LANARKSHIRE, ML9 1HE

Tel. (0698) 884585 Mon-Fri 8.30am - 5.00pm

Tel. (0698) 883334 Outwith business hours

FAX facility available all day on both lines

Write now with an SAE for your

FREE QUOTE FREE VOUCHERS & FREE CATALOGUE

Remember, not only do we have EVERY service sheet ever produced, but we also have

THE WORLDS LARGEST COLLECTION OF SERVICE MANUALS

& WE ARE SOLE SUPPLIERS OF VARIOUS FAULT-FINDING GUIDES REPAIR MANUALS & TECHNICAL MANUALS

CTV, Video, CD, Hi-Fi, Camcorder, Satellites, Computers, Domestic Equip., etc.

DATA REFERENCE MANUAL ".....essential for the serious electrician"
FREE updating and a 10% discount voucher only £5.95
Incorporates Unique Model-Identification and Chassis Data

COMPONENTS

For TV ★ Video
Audio ★ Computer

WE CAN SUPPLY A VAST RANGE OF SPARES for many makes of TV, Video, Computer & Audio Equipment. WRITE (End. s.a.e. please) or PHONE FOR A 'PRICE & AVAILABILITY' on your requirements. **0452 526883**

VIDEO BELT KITS	
AMSTRAD VCR4600/4700/5200	£3.19
FISHER FVHP905/906/908	£3.03
JVC HR3300/3330/3680	£3.30

Large range of Pinch Rollers, Idlers, Heads, etc., from stock

SERVICE MANUALS	
FIDELITY ZK3000 Chassis	£7.50
PHILIPS CST427/428	£4.99
TOSHIBA STU2/L Tuner	£6.99

SEMICONDUCTORS			
BU508A	£1.50	TDA4601	£3.25
LM733CN	£2.43	UC3884	£8.95
P8255A	£2.85	UPC1378H	£2.82
STK0029	£8.69	UPC1397C	£4.94
STK4141H	£8.79	UPD8039LC	£12.99
TAT280P	£8.88	V20-8MHz	£10.73
TAR210H	£8.52	Z7C256-200	£2.98

This is just a very small sample of our stock.

COMPUTER SPARES		
AMSTRAD/SINCLAIR	ATARI	
40028 G. Array	CO25913 DMA (ST)	£33.24
PCW 9512 Serv. Manual	User Manual (STFM)	£10.00
AY38912	PC900V/H11L3 (ST)	£2.88
SED9420CAC	ROM Basic (XE/L)	£4.58
STK7356	THERMISTOR (ST-PSU)	£1.37
TEA2000	PC713V (STE-PSU)	£2.34
TMS4532-NL4	25C2331 (ST-PSU)	£1.59
ZT8650	COMMODORE	
ZK8302(OL)	17.7344MHz Xtal	£4.99
ZK8401	C64C User Manual	£4.39
Spec + 2 ROM	C64 User Manual	£4.25
Spec./OL Modulator	C64/C Service Manual	£16.00
Spec. 48K Speaker	6510 CPU	£10.03
Spec. 48K Membrane	6526 CIA	£11.11
+/128K Membrane	6569 VIC	£19.95
OL Membrane	8520 Amiga	£12.35
PHILIPS (CM8833)	8565 VIC	£22.96
Service Manual - Mk 1	906114-01 PLA	£9.24
Line O/P TX - Mk 1	251641-02 PLA	£4.49
IC-TDA3505	MB81416-12 DRAM (C16)	£4.99

Send £1.25 for our Selected Spares CATALOGUE. Includes voucher spendable on future orders

Order by Post or Phone. We accept payment by VISA ACCESS, DELTA, SWITCH, Cheque or P.O. Post & Packing is £1.20. No VAT to add on.

All items subject to availability. Prices can change without notice.

MARAPET (EEA)
1 HORNBEAM MEWS
GLOUCESTER GL2 0UE

Hesing Technology

Cromwell Chambers, 8 St. Johns Street, Huntingdon, Cambs. PE18 6DD
Tel: (0480) 433156 Fax: (0480) 413357

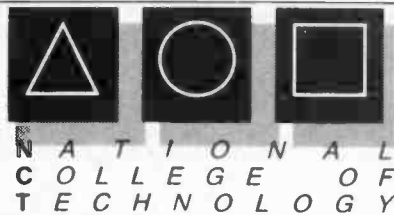
TEST EQUIPMENT

Supply
Maintenance
Commissioning

SYSTEM CONSULTANCY

Replacement Parts
Supply of Service & Operators Manuals
Components

Distributors for:
WAUGH INSTRUMENTS, RAMTEST LTD., KRENZ ELECTRONICS, PANTHER



DISTANCE LEARNING COURSES

The National College of Technology offer a range of packaged learning short courses for study at home or in an industrial training environment which carry national BTEC awards. Study can commence at any time and at any level enabling you to create a study routine to fit around existing commitments. Courses on offer include:

Analogue Electronics
Digital Electronics
Fibre/Optoelectronics
Programmable Logic Controllers

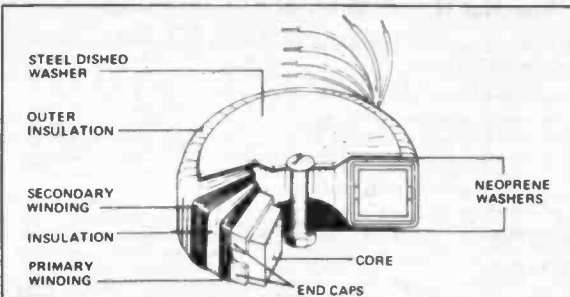
Tutor support and BTEC certification are available as options with no travelling or college attendance required. These very popular courses which are ideal for vocational training contain workbooks, audio cassette lectures, PCB's, instruments, tools, components and leads as necessary to support the theoretical and practical training. Whether you are a newcomer to electronics or have some experience and simply need an update or certification, there is probably a distance learning course ready for you. Write or telephone for details to:

National College of Technology
NCT Ltd., PO Box 11
Wendover, Bucks
Tel: (0296) 624270



The UK Distributor for Standard Toroidal Transformers

* 106 types available from stock
* Sizes from 15VA to 625VA



Write or phone for free Data Pack

Jaytee Electronic Services

143 Reculver Road, Beltinge, Herne Bay, Kent CT6 6PL
Telephone: (0227) 375254

LEDs 3mm or 5mm red or green 6p each, yellow 11p each. High intensity red, green or yellow, 5mm 30p each.
Cable ties 1p each. £5.95 per 1000. £49.50 per 10,000

Stepping motor 4 phase 12V 7.5 step 50 ohms. £8.95
SAA1027 stepping motor driver chip. £3.95
FM Transmitter kit, good quality sound. £8.60

High quality photo resist copper clad epoxy glass boards
Dimensions single sided double sided
3x4 inches £0.95 £1.07
4x8 inches £2.40 £2.68
6x12 inches £5.37 -
12x12 inches £10.66 -

Rechargeable Batteries
AA (HP7) 500mAh £0.99
AA 700mAh £1.95
C 240mAh with solder tags. £3.60
D 400mAh with solder tags. £4.95
1/2AA with solder tags. £1.55
AAA (HP16) 180mAh £1.75
AA 500mAh with solder tags. £1.55
C (HP11) 1.6Ah £2.20
D (HP23) 2.1Ah £2.95
PP3 8V 110mAh. £4.95
Sub C with solder tags. £2.50
1/3 AA with tags (Philips CTV). £1.95

Standard charger, charges 4 AA cells in 5 hours or 4Cs or 4Ds in 12-14 hours + 1x PP3 (1, 2, 3 or 4 cells may be charged at a time). £5.95
High power charger, as above but charges the Cs and Ds in 5 hours; AAs, Cs and Ds must be charged in 2s or 4s. £10.95

Special offers - please check for availability
F cells 32dia x 37mm £3.95
F cell with solder tags, 1.2V. £4.30
42mm x 16mm dia. 1.2V. £1.45
Stick of 4 171mm x 16mm dia., with red & black leads 4.8V. £5.95
4 cell battery 94mm x 25mm dia. (1/2C cells). £3.50

Computer grade capacitors with screw terminals.
3500µf 20V 125. 87000µf 10V £1.95;
6800µf 15V £2.95; 1000µf 16V £1.50
7 segment common anode led display, 12mm. £0.45
LM2931AT 5.0 low drop out 5V regulator TO220 package. £0.85
7812 and 7912 12V 1A regulators. £2.00 per 100
LM337k TO3 case variable regulator. £1.60 100 + £1.10
BS250 P channel mosfet 45p. BC559 transistor per 100 £3.95

Used 8748 Microcontroller. £3.50
SL952 UHF Limiting amplifier LC 16 surface mounting package with data sheet. £1.95
AM27502. £1.25 each. 90p 100 + £2.00
CD4007UB. 10p 100 + 9p 1000 +
TV Mains switch, 4A double pole with momentary contacts for remote control. pack of 10 £3.95
box of 60 £19.95
DC-DC converter. Reliability model. V12P5, 12V in 5V 200mA out. 300V input to output. Isolation with data. £4.95 each or pack of 10. £39.50
Hour counter used 7 digit 240V ac 50Hz. £1.45
Resistor pack 2500 resistors 1/8-2W 50 different values. £8.95

Resistor jumbo pack 25000, 1/4 and 1/2W resistors our choice of values and size, will be mainly in boxes or rolls of 1000, 2000 and 5000 of one type. £25.00
Qwerty keyboard, 58 key good quality switches new. £5.00

Qwerty keyboard with serial output, no data (used). £6.00
Polyester capacitors, box type. 22.5mm lead pitch 1µf 250V dc 20p each. 15p 100 +, 10p 1000 + 2.2µf 250V dc 30p each. 20p 100 +, 15p 1000 + 3.3µf 100V dc 30p each. 20p 100 +, 15p 1000 + 1µf 50V bipolar electrolytic axial leads, 15p each, 7.5p 1000 +

0.22µf 250v polyester axial leads, 15p each. 100 + 7.5p each
Philips 123 series solid aluminium axial leads.
33µf 10V & 2.2µf 40V 40p each. 25p 100 +
Multilayer AXI ceramic capacitors all 5mm pitch.
100V 100p. 150p. 220p. 10,000p (10n)
10p each. 5p 100 +, 3.5p 1000 +

Welwyn W239W 120 ohm 35p each. 20p 100 + 680 ohm 2W metal film resistor. 4p 100 + 2p 1000 +
Solid carbon resistors, very low inductance, ideal for RF circuits. 27ohm 2W 680hm 2W 25w each. 15p each 100 +, we have a range of 0.25W. 0.5w, 1w and 2w solid carbon resistors - please send SAE for list
Intelegent 4 digit alphanumeric (5x7 dot 0.145") led LED display, 12 pin 0.6 inch wide package, Siemens type DL1414 £2.50 each, £2.00 30 + data sheets £1.00

AMD 27256-3 Eroms £2.00 each. £1.25 100 + DIP switch 3PCO 12 pin (ERG SDC-3-023) 60p each. 40p 100 +
Disk Drive Boxes for a 5, 25 disk drive with room for a power supply light, grey plastic 67mm x 268mm x 247mm. £7.95 or £49.50 for 10 Hand Held Ultrasonic remote control. £3.95
Computer grade 58000µf 60V capacitors with screw terminals. £4.95
CV2486 gas relay 30mm x 10mm dia with 3 wire terminals, will also work as a neon light. 20p each. £7.50 per 100
A23 12V car alarm remote control and lighter battery. 75p each. £50.00 100 +
40 x 370V a.c. motor start capacitor (dielelectric type containing no PCBs). £8.95 each £49.50 for 10

All products advertised are new and unused unless otherwise stated.
Wide range of CMOS TTL 74HC 74F Linear Transistors kits, rechargeable batteries, capacitors, tools etc. always in stock
Please add 95p towards P&P VAT included in all prices

IPG ELECTRONICS
276-278 Chatsworth Road
Chesterfield S40 2BH
Access/Visa Orders:
(0246) 211202
Callers welcome

A. NORTON	75	JPG ELECTRONICS	80
N. R. BARDWELL	78	MAGENTA ELECTRONICS	10/11
R. BARTLETT	68	MAILTECH	4/5
BK ELECTRONICS	Cover (iii)	MAPLIN ELECTRONICS Cover (iv)	
BRIAN J. REED	75	MARAPET	79
BULL ELECTRICAL	Cover (ii)	MARCO TRADING	9
CAMBRIDGE COMP. SCIENCE	75	MAURITRON	27
CIRKIT DISTRIBUTION	35	M&B ELECT. SUPPLIES	67
COMPELEC	80	M&B ELECTRONICS	27
CRICKLEWOOD ELECTRONICS	75	MICRO AMPS	75
CR SUPPLY COMPANY	80	NATIONAL COLLEGE OF TECH. 79	
DELICIA ELECTRONICS	6	NUMBER ONE SYSTEMS	29
ELECTRONIC DESIGN	59	OMNI ELECTRONICS	77
ESR ELECTRONIC COMP	12	PICO TECHNOLOGY	68
GREENWELD ELECTRONICS	7	RACKZ PRODUCTS	63
HART ELECTRONIC KITS	8	RADIO & TV COMPONENTS	49
HENRY'S AUDIO ELECTRONICS	59	RS COMPONENTS	21
HESING TECHNOLOGY	79	SEETRAX CAE	68
ICS	79	SHERWOOD ELECTRONICS	80
JAYTEE ELECTRONIC SERVICES	77 & 79	SMART HOUSE SYSTEMS	68
		SUMA DESIGNS	2
		TECHNICAL INFO. SERVICES	79
		TYPESSETTING BUREAU	20

SHERWOOD ELECTRONICS
9 Lower Birchwood, Somercotes, Derbyshire DE55 4NG
£1 Special Packs - select 1 pack FREE for every 10 purchased

SP1	15 x 5mm Red Leds	SP47	200 x Mixed 0.25W C.Film resistors
SP2	15 x 5mm Green Leds	SP47	5 x Min. push button switches
SP3	12 x 5mm Yellow Leds	SP102	20 x 8 pin DIL sockets
SP6	15 x 3mm Red Leds	SP103	15 x 14 pin DIL sockets
SP7	12 x 3mm Green Leds	SP104	15 x 16 pin DIL sockets
SP8	10 x 3mm Yellow Leds	SP112	6 x Cmos 4093
SP10	100 x 1N4148 diodes	SP113	12 x 1N5400 diodes
SP11	30 x 1N4001 diodes	SP125	10 x 1000µf/16V radial elect caps
SP12	30 x 1N4002 diodes	SP129	5 x 5mm cylindrical Red Leds
SP18	20 x BC182 transistors	SP130	100 x Mixed 0.5W C.Film resistors
SP20	20 x BC184 transistors	SP131	2 x TL082 Op-amps
SP23	20 x BC549 transistors	SP132	20 x 1N4004 diodes
SP25	5 x 555 timers	SP133	15 x 1N4007 diodes
SP26	5 x 741 Op-amps	SP135	6 x Miniature slide switches
SP28	6 x Cmos 4011	SP136	10 x OA90 diodes
SP36	25 x 10x25V radial elect caps.	SP137	4 x W005 1.5A 50V bridge rect.
SP37	20 x 100/40V radial elect caps.		

RESISTOR PACKS - 0.25W C.Film
RP3 5 each value - total 365 £2.75
RP7 10 each value - total 730 £4.25
RP10 1000 popular values £5.75

1993 Catalogue now available £1 or FREE with first order over £5

Cheques or P.O. to **SHERWOOD ELECTRONICS**
NO VAT Please add £1 P&P to all orders

Metal detector boards with Data has tuner, mode, discriminate, headphone jack, on/off volume & push button facilities. £7.95 ea *
35mm Camera returns with auto flash, wind on etc., £6 ea or 2 for £10
100k Lin. Joystick, mech. £11 *
Dictaphone cassette, mech/record erase playback heads, 6V solenoid, motor, half effect switch. £2.00 ea *
T.V./Printer stands. £3.95 ea *
Bicc-Veri Easyfire construction kit. £4.95 ea *
Dot matrix LCD 10x2 lines. £3.75 ea *
40 characters x 1 line dot matrix LCD with data. £15.00 *
2 digit 16 segment VF display with data. £2.95 ea *
4 digit intelligent dot matrix display. £6.00 *
17 segment V.F. display with driver board and data. £2.99 ea *
8 digit liquid crystal display. £1.75 ea *
4 digit LCD with 7211 driver chip. £3.50 ea *
Digital clock display. £2.50 *
11 key membrane keypad. £1.50 ea *
Keyboard 392mm x 180mm/100 keys on board + LCD + 74HC05/80C49 easily removable. £4.95
19" 3U sub rack enclosures. £8.95
12V stepper motor, 48 steps per rev. 7.3° step angle. £3.95 ea *
Stepper motor board with 2 slotted opto + 2 mercury tilt switches. £3.95 ea *
1000 mixed ¼ watt 1% resistors. £4.95 ea *
250 electrolytic axial + radial caps. £4.95 ea *
200 off mixed polyester caps. £7.95 *
100 Mixed trimmer caps popular values. £4.95 *
100 off Phono plugs (red/black/grey). £3.50 *
50 mixed terminal blocks. £2.95 *
25 off ass't. buzzers & sounders. £4.95 *
Cable box UHF modulator/video preamp/transformer/R's + C's/leads. £6.95
1000 off mixed Multilayer Ceramic Caps. £7.95
Solar cell modules 0.45V 700mA. £2.95 ea *
B.B.C. Micro to disc drive lead. £1.50 *
Car Burglar alarm vibration auto entry/exit delay. £5.95 ea *
Single zone alarm panel auto entry/exit delay housed in domestic light socket. £9.95 ea *
P.C. P.S.U. 50 watt 115-230V input + 5V 4A + 12V 2.5A output with built in fan, IEC inlet + on off. £9.95 ea

STC P.S.U. 240V input 5V 6A output (converts to 12V 3A details available). £5.95 ea *
240V input 5V 10A output (converts to 12V 5A no details). £5.95 ea *
600W line output transformers. £1.25 ea *
240V in 0-12V 0.75A out transformer. £1.75 *
240V in 0-28V 62VA out transformer. £2.75 *
Transformer + PCB gives 2x7.5V 32VA with skt for 5 or 12V regulator, will power floppy drive. £3.75 ea *
Ultrasonic transducers (transmit + receive). £1.50 pair
3 to 16V Piezoelectric sounders. 50p
9VDC electromechanical sounder. 50p
24V DC electromechanical sounder. 50p *
2A 250V keyswitch 3 position key removable in two positions. £1.50 *
DIL switches PCB MT 3/4/6 way. 35p
5V SPCC SIL reed relay. 40p *
5V 2PCO DIL miniature relay. 60p
12V 2PCO or 4PCO continental relay. 60p *
12V 10A PCB MT (to make contact) relay. 95p *
3 to 12V electro magnetic acoustic transducer with data. 75p *
2.4576/8.8329/21.10 MHz crystals 50p ea *
Bridges 25A 200V £1.00 *
2A 100V. 50p
31B Mixed components pack. £4.95
25 off mixed relays. £5.95
40 off mixed toggle switches. £9.95
50 off mixed switches, toggle, rocker, slide, micro. £9.95
Miniature axial chokes 0.1, 0.18, 0.12, 0.33, 0.39, 0.15, 1, 3.3UH 10p ea. 100 for £7.50 *
250 off 16/22/24/40 way IC Sks. £4.95
Crystal Oscillators 10/24/48 MHz. £1 ea *
Spider Plug Leads. 75p ea

QUANTITY DISCOUNTS AVAILABLE PLEASE RING
We also buy all forms of electronic components, p.s.u.'s, disk drives etc. Lists to below address.

ALL PRICES INCLUDE V.A.T. PLEASE ADD £2.00 p&p EXCEPT ITEMS MARKED * WHICH ARE 50P. SAE FOR BULK BUYING LIST PAYMENT WITH ORDER TO:
Dept EE, COMPELEC, 14 Constable Road, St. Ives, Huntingdon, Cambs PE17 6EQ. Tel/Fax: 0480 300819

Carbon Film resistors ¼W 5% E24 series 0.51 R to 10MΩ 100 off per value - 75p, even hundreds per value totalling 1000. £6.00 per
Metal Film resistors ¼W 10R to 1 MΩ 5% E12 series - 2p. 1% E24 series 3p
Mixed metal/carbon film resistors ¼W E24 series 1R0 to 10MΩ 1p
1 watt mixed metal/carbon Film 5% E12 series 4R7 to 10 Megohms 5p
Linear Carbon pre-sets 100mW and ¼W 10R to 4M7 E6 series 7p
Miniature polyester capacitors 250V working for vertical mounting
015, 022, 033, 047, 068-4p 0.1 5p, 0.12, 0.15, 0.22, 6p, 0.47, 8p, 1.0 - 12p
Mylar (polyester) capacitors 100V working E12 series vertical mounting
1000p to 8200p - 3p, 0.1 to 0.68 - 4p, 0.1 - 5p, 0.12, 0.15, 0.22, 6p, 0.47/50V - 8p
Submin ceramic plate capacitors 100V wkg vertical mountings. E12 series
2pc 1.8pf to 47pf - 3p, 2% 56pf to 330pf - 4p, 10% 390p-4700p
Disc/plate ceramics 50V E12 series 1P0 to 1000P. E6 Series 1500P to 47000P 4p
Polystyrene capacitors 63V working E12 series long axial wires
10pf to 820pf - 5p, 1000pf to 10,000pf - 6p, 12,000pf 2p
741 Op Amp - 20p, 555 Timer 20p
cmos 4001 - 20p, 4011 - 22p, 4017 40p
ALUMINIUM ELECTROLYTICS (Mfds/Volts)
1/50, 2.2/50, 4.7/50, 10/25, 10/50
22/16, 22/25, 22/50, 33/16, 47/16, 47/25, 47/50
100/16, 100/25 7p; 100/50 12p; 100/100
220/16 8p; 220/25, 220/50 10p; 470/16, 470/25
1000/25 25p; 1000/35, 2200/25 35p; 4700/25
Submin. tantalum bead electrolytics (Mfds/Volts)
0.1/35, 0.22/35, 0.47/35, 1.0/35, 3.3/16, 4.7/16
2.2/35, 4.7/25, 4.7/35, 6.8/16 15p; 10/16, 22/6
33/10, 47/6, 22/16 30p; 47/10 35p; 47/16 60p; 47/35
VOLTAGE REGULATORS
1A + or - 5V, 8V, 12V, 15V, 18V & 24V - 55p, 100mA 5.8, 12, 15, V + 30p
DIODES (piv/amps)
75/25mA 1N4148 2p, 800/1A 1N4006 4p, 400/3A 1N5404 14p, 115/15mA OA91 8p
100/1A 1N4002 3p, 1000/1A 1N4007 5p, 60/1.5A 5M1 5p, 100/1A bridge 25p
400/1A 1N4004 4p, 1250/1A BY 127 10p, 30/15A OA47 10p
Zener diodes E24 series 3V3 to 33V 400mW - 8p, 1 watt 12p
Battery snaps for PP3 - 6p for PP9 12p
L.E.D.'s 3mm, 5mm, Red, Green, Yellow - 10p, Grommets 3mm - 2p, 5mm 2p
Red flashing L.E.D.'s require 9-12V supply only 50p
Mains indicator neons with 220k resistor 10p
20mm fuses 100mA to 5A, 0, blow 6p, surge 10p, Holders, chassis, mounting 6p
High speed pc drill 0.8, 1.0, 1.3, 1.5, 2.0mm - 30p, Machines 12V dc £7.00
HELPING HANDS 6 ball joints and 2 cor clips to hold awkward jobs £3.50p
AA/HP7 Nicad rechargeable cells 90p each. Universal charger unit £6.50p
AA/HP7 zinc/carbon batteries in packs of 4. £1.10 per pack
Glass reed switches with single pole make contacts - 8p, Magnets 12p
0.1" Stripboard 2½" x 1" 9 rows 25 holes - 25p, 3" x 2½" 24 rows 37 holes 70p
Jack plugs 2.5 & 3.5m - 14p; Sockets Panel Mtg. 2.5 & 3.5m 10p
Ear pieces 2.5 & 3.5mm, dynamic - 20p; 3.5mm crystal 50p

TRANSISTORS
BC107/8/9 - 12p, BC547/8/9 - 8p, BC557/8/9 - 8p, BC182, 182L, BC183, 183L
BC184, 184L, BC212, 212L - 10p,
BC327, 337, 337L - 12p, BC727, 737 - 12p, BD135/6/7/8/9 - 25p, BCY70 - 18p,
BFY50/51/52 - 20p,
BFX88 - 15p, 2N3055 - 50p, TIP31, 32 - 30p, TIP41, 42 - 40p, BU208A - £1.20, RF195, 197 - 12p
Ionisers with seven year guarantee, list price £16.95 £12.50
All prices are inclusive of VAT. Postage 30p (free over £5). Stamp for list.

THE CR SUPPLY CO
127 Chesterfield Rd., Sheffield S8 0RN
Tel: 0742 557771 Return posting

Published on approximately the first Friday of each month by Wimborne Publishing Ltd., 6 Church Street, Wimborne, Dorset BH21 1JH. Printed in England by Benham & Co. Ltd. Colchester, Essex. Distributed by Seymour, Windsor House, 1270 London Road, Norbury, London SW16 4DH. Sole Agents for Australia and New Zealand - Gordon & Gotch (Asia) Ltd., South Africa - Central News Agency Ltd. Subscriptions INLAND £30 and OVERSEAS £26 (£43.50 air mail) payable to "Everyday with Practical Electronics" Subs Dept, 6 Church Street, Wimborne, Dorset BH21 1JH. EVERYDAY with PRACTICAL ELECTRONICS is sold subject to the following conditions, namely that it shall not, without the written consent of the Publishers first having been given, be lent, resold, hired out or otherwise disposed of by way of Trade at more than the recommended selling price shown on the cover, and that it shall not be lent, resold, hired out or otherwise disposed of in a mutilated condition or in any unauthorised cover by way of Trade or affixed to or as part of any publication or advertising, literary or pictorial matter whatsoever.

OMP MOS-FET POWER AMPLIFIERS
HIGH POWER, TWO CHANNEL 19 INCH RACK

THOUSANDS PURCHASED BY PROFESSIONAL USERS



THE RENOWNED MXF SERIES OF POWER AMPLIFIERS
FOUR MODELS:- MXF200 (100W + 100W) MXF400 (200W + 200W)
MXF600 (300W + 300W) MXF900 (450W + 450W)

ALL POWER RATINGS R.M.S. INTO 4 OHMS, BOTH CHANNELS DRIVEN
FEATURES: ★Independent power supplies with two toroidal transformers ★ Twin L.E.D. Vu meters ★ Level controls ★ Illuminated on/off switch ★ XLR connectors ★ Standard 775mV inputs ★ Open and short circuit proof ★ Latest Mos-Fets for stress free power delivery into virtually any load ★ High slew rate ★ Very low distortion ★ Aluminium cases ★ MXF600 & MXF900 fan cooled with D.C. loudspeaker and thermal protection.

USED THE WORLD OVER IN CLUBS, PUBS, CINEMAS, DISCOS ETC.

SIZES:- MXF200 W19"xH3" (2U)xD11"
MXF400 W19"xH5" (3U)xD12"
MXF600 W19"xH5" (3U)xD13"
MXF900 W19"xH5" (3U)xD14"

PRICES:- MXF200 £175.00 MXF400 £233.85
MXF600 £329.00 MXF900 £449.15
SPECIALIST CARRIER DEL. £12.50 EACH



OMP VARSPEED TURNTABLE CHASSIS



★ Manual arm ★ Steel chassis ★ Electronic speed control 33 & 45 R.P.M. ★ Vari pitch control ★ High torque servo driven DC motor ★ Transit screws ★ 1/2" die cast platter ★ Neon strobe ★ Calibrated balance weight ★ Removable head shell ★ 1/2" cartridge fixings ★ Cue lever★ 220/240V 50/60Hz ★ 390x305mm ★ Supplied with mounting cut-out template.

PRICE £61.30 + £3.70 P&P

OPTIONAL MAGNETIC CARTRIDGES

STANTON AL500mkII GOLDRING G950
PRICE £16.95 + 50P P&P PRICE £7.15 + 50P P&P

STEREO DISCO MIXER DJ6500

STEREO DISCO MIXER with 2 x 7 band L & R graphic equalisers with bar graph LED Vu meters. **MANY OUTSTANDING FEATURES:-** including Echo with repeat & speed control, DJ Mic with tone control & talk-over switch, 7 Channels with individual faders plus cross fade, Cue Headphone Monitor. Useful combination of the following inputs:- 3 turntables (mag), 3 mics, 5 Line for CD, Tape, Video etc.



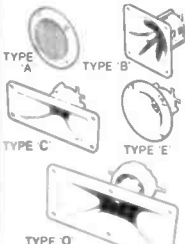
Price £134.99 + £5.00 P&P

★ WITH ECHO ★
SIZE: 482 x 240 x 120mm

PIEZO ELECTRIC TWEETERS - MOTOROLA

Join the Piezo revolution! The low dynamic mass (no voice coil) of a Piezo tweeter produces an improved transient response with a lower distortion level than ordinary dynamic tweeters. As a crossover is not required these units can be added to existing speaker systems of up to 100 Watts (more if two are put in series). **FREE EXPLANATORY LEAFLETS ARE SUPPLIED WITH EACH TWEETER.**

TYPE 'A' (KSN1036A) 3" round with protective wire mesh. Ideal for bookshelf and medium sized Hi-Fi speakers. Price £4.90 + 50p P&P.
TYPE 'B' (KSN1005A) 3 1/2" super horn for general purpose speakers, disco and P.A. systems etc. Price £5.99 + 50p P&P.
TYPE 'C' (KSN1018A) 2" x 5" wide dispersion horn for quality Hi-Fi systems and quality discos etc. Price £6.99 + 50p P&P.
TYPE 'D' (KSN1025A) 2" x 6" wide dispersion horn. Upper frequency response retained extending down to mid-range (2KHz). Suitable for high quality Hi-Fi systems and quality discos. Price £9.99 + 50p P&P.
TYPE 'E' (KSN1038A) 3 1/4" horn tweeter with attractive silver finish trim. Suitable for Hi-Fi monitor systems etc. Price £5.99 + 50p P&P.
LEVEL CONTROL Combines, on a recessed mounting plate, level control and cabinet input jack socket. 85x85mm. Price £4.10 + 50p P&P.



OMP LINNET LOUDSPEAKERS

THE VERY BEST IN QUALITY AND VALUE

Made especially to suit today's need for compactness with high output sound levels, finished in hard wearing black vinylide with protective corners, grille and carrying handle. Each unit incorporates a 12" driver plus high frequency horn for a full frequency response of 45Hz-20KHz. Both models are 8 Ohm Impedance. Size: H20" x W15" x D12".



CHOICE OF TWO MODELS
POWER RATINGS QUOTED IN WATTS RMS FOR EACH CABINET

OMP 12-100WATTS (100dB) PRICE £163.50 PER PAIR
OMP 12-200WATTS (200dB) PRICE £214.55 PER PAIR

SPECIALIST CARRIER DEL. £12.50 PER PAIR

IN-CAR STEREO BOOSTER AMPS



PRICES: 150W £49.99 250W £99.99
400W £109.95 P&P £2.00 EACH

THREE SUPERB HIGH POWER CAR STEREO BOOSTER AMPLIFIERS
150 WATTS (75 + 75) Stereo, 150W Bridged Mono
250 WATTS (125 + 125) Stereo, 250W Bridged Mono
400 WATTS (200 + 200) Stereo, 400W Bridged Mono
ALL POWERS INTO 4 OHMS
Features:
★ Stereo, bridgable mono ★ Choice of high & low level inputs ★ L & R level controls ★ Remote on-off ★ Speaker & thermal protection.

OMP MOS-FET POWER AMPLIFIER MODULES SUPPLIED READY BUILT AND TESTED.

These modules now enjoy a world-wide reputation for quality, reliability and performance at a realistic price. Four models are available to suit the needs of the professional and hobby market i.e. Industry, Leisure, Instrumental and Hi-Fi etc. When comparing prices, NOTE that all models include toroidal power supply, integral heat sink, glass fibre P.C.B. and drive circuits to power a compatible Vu meter. All models are open and short circuit proof.

THOUSANDS OF MODULES PURCHASED BY PROFESSIONAL USERS



OMP/MF 100 Mos-Fet Output power 110 watts R.M.S. into 4 ohms, frequency response 1Hz - 100KHz -3dB, Damping Factor > 300, Slew Rate 45V/uS, T.H.D. typical 0.002%, Input Sensitivity 500mV, S.N.R. -110 dB. Size 300 x 123 x 60mm.
PRICE £40.85 + £3.50 P&P



OMP/MF 200 Mos-Fet Output power 200 watts R.M.S. into 4 ohms, frequency response 1Hz - 100KHz -3dB, Damping Factor > 300, Slew Rate 50V/uS, T.H.D. typical 0.001%, Input Sensitivity 500mV, S.N.R. -110 dB. Size 300 x 155 x 100mm.
PRICE £64.35 + £4.00 P&P



OMP/MF 300 Mos-Fet Output power 300 watts R.M.S. into 4 ohms, frequency response 1Hz - 100KHz -3dB, Damping Factor > 300, Slew Rate 60V/uS, T.H.D. typical 0.001%, Input Sensitivity 500mV, S.N.R. -110 dB. Size 330 x 175 x 100mm.
PRICE £81.75 + £5.00 P&P



OMP/MF 450 Mos-Fet Output power 450 watts R.M.S. into 4 ohms, frequency response 1Hz - 100KHz -3dB, Damping Factor > 300, Slew Rate 75V/uS, T.H.D. typical 0.001%, Input Sensitivity 500mV, S.N.R. -110 dB, Fan Cooled, D.C. Loudspeaker Protection, 2 Second Anti-Thump Delay. Size 385 x 210 x 105mm.
PRICE £132.85 + £5.00 P&P

NOTE: MOS-FET MODULES ARE AVAILABLE IN TWO VERSIONS: STANDARD - INPUT SENS 500mV, BAND WIDTH 100KHz, PEC (PROFESSIONAL EQUIPMENT COMPATIBLE) - INPUT SENS 775mV, BAND WIDTH 50KHz. ORDER STANDARD OR PEC.



Vu METER Compatible with our four amplifiers detailed above. A very accurate visual display employing 11 L.E.D.s (7 green, 4 red) plus an additional on/off indicator. Sophisticated logic control for very fast rise and decay times. Tough moulded plastic case, with acrylic tinted front. Size 84 x 27 x 45mm.
PRICE £8.70 + 50p P&P

LOUDSPEAKERS



LARGE SELECTION OF SPECIALIST LOUDSPEAKERS AVAILABLE, INCLUDING CABINET FITTINGS, SPEAKER GRILLES, CROSS-OVERS AND HIGH POWER, HIGH FREQUENCY BULLETS AND HORNS, LARGE (A4) S.A.E. (50p STAMPED) FOR COMPLETE LIST.

☐ - From McKenzie Professional Series
☐ - From McKenzie Studio Series

McKENZIE:- INSTRUMENTS, P.A., DISCO, ETC

ALL McKENZIE UNITS 8 OHMS IMPEDANCE
8" 100 WATT ☐ C8-100GP GEN. PURPOSE, LEAD GUITAR, EXCELLENT MID, DISCO. PRICE £31.45 + £2.00 P&P
RES. FREQ. 80Hz, FREQ. RESP. TO 7KHz, SENS 96dB.
10" 100WATT ☐ C10-100GP GUITAR, VOICE, KEYBOARD, DISCO, EXCELLENT MID. PRICE £38.89 + £2.50 P&P
RES. FREQ. 72Hz, FREQ. RESP. TO 6KHz, SENS 97dB.
10" 200WATT ☐ C10-200GP GUITAR, KEYB'D, DISCO, EXCELLENT HIGH POWER MID. PRICE £53.21 + £2.50 P&P
RES. FREQ. 69Hz, FREQ. RESP. TO 5KHz, SENS 97dB.
12" 100WATT ☐ C12-100GP HIGH POWER GEN. PURPOSE, LEAD GUITAR, DISCO. PRICE £40.35 + £3.50 P&P
RES. FREQ. 49Hz, FREQ. RESP. TO 7KHz, SENS 98dB.
12" 100WATT ☐ C12-100TC (TWIN CONE) HIGH POWER, WIDE RESPONSE, P.A., VOICE, DISCO. PRICE £41.39 + £3.50 P&P
RES. FREQ. 45Hz, FREQ. RESP. TO 12KHz, SENS 97dB.
12" 200WATT ☐ C12-200B HIGH POWER BASS, KEYBOARDS, DISCO, P.A. PRICE £71.91 + £3.50 P&P
RES. FREQ. 45Hz, FREQ. RESP. TO 5KHz, SENS 99dB.
12" 300WATT ☐ C12-300GP HIGH POWER BASS, LEAD GUITAR, KEYBOARDS, DISCO ETC. PRICE £95.66 + £3.50 P&P
RES. FREQ. 49Hz, FREQ. RESP. TO 7KHz, SENS 100dB.
15" 100WATT ☐ C15-100BS BASS GUITAR, LOW FREQUENCY, P.A., DISCO. PRICE £59.05 + £4.00 P&P
RES. FREQ. 40Hz, FREQ. RESP. TO 5KHz, SENS 98dB.
15" 200WATT ☐ C15-200BS VERY HIGH POWER BASS. PRICE £80.57 + £4.00 P&P
RES. FREQ. 40Hz, FREQ. RESP. TO 3KHz, SENS 98dB.
15" 250WATT ☐ C15-250BS VERY HIGH POWER BASS. PRICE £90.23 + £4.50 P&P
RES. FREQ. 39Hz, FREQ. RESP. TO 4KHz, SENS 99dB.
15" 400WATT ☐ C15-400BS VERY HIGH POWER, LOW FREQUENCY BASS. PRICE £105.46 + £4.50 P&P
RES. FREQ. 40Hz, FREQ. RESP. TO 4 KHz, SENS 100dB.
18" 500WATT ☐ C18-500BS EXTREMELY HIGH POWER, LOW FREQUENCY BASS. PRICE £174.97 + £5.00 P&P
RES. FREQ. 27Hz, FREQ. RESP. TO 2KHz, SENS. 98dB.

EARBENDERS:- HI-FI, STUDIO, IN-CAR, ETC

ALL EARBENDER UNITS 8 OHMS (Except EB8-50 & EB10-50 which are dual impedance tapped @ 4 & 8 ohm)
BASS, SINGLE CONE, HIGH COMPLIANCE, ROLLED SURROUND
8" 50watt EB8-50 DUAL IMPEOENCE, TAPPED 4/8 OHM BASS, HI-FI, IN-CAR. PRICE £8.90 + £2.00 P&P
RES. FREQ. 40Hz, FREQ. RESP. TO 7KHz SENS 97dB.
10" 50watt EB10-50 DUAL IMPEDENCE, TAPPED 4/8 OHM BASS, HI-FI, IN-CAR. PRICE £13.65 + £2.50 P&P
RES. FREQ. 40Hz, FREQ. RESP. TO 5KHz, SENS. 99dB.
10" 100watt EB10-100 BASS, HI-FI, STUDIO. PRICE £30.39 + £3.50 P&P
RES. FREQ. 35Hz, FREQ. RESP. TO 3KHz, SENS 96dB.
12" 100watt EB12-100 BASS, STUDIO, HI-FI, EXCELLENT DISCO. PRICE £42.12 + £3.50 P&P
RES. FREQ. 26Hz, FREQ. RESP. TO 3 KHz, SENS 93dB.
FULL RANGE TWIN CONE, HIGH COMPLIANCE, ROLLED SURROUND
5 1/4" 60watt EB5-60TC (TWIN CONE) HI-FI, MULTI-ARRAY DISCO ETC. PRICE £9.99 + £1.50 P&P
RES. FREQ. 63Hz, FREQ. RESP. TO 20KHz, SENS 92dB.
6 1/2" 60watt EB6-60TC (TWIN CONE) HI-FI, MULTI-ARRAY DISCO ETC. PRICE £10.99 + 1.50 P&P
RES. FREQ. 38Hz, FREQ. RESP. TO 20KHz, SENS 94dB.
8" 60watt EB8-60TC (TWIN CONE) HI-FI, MULTI-ARRAY DISCO ETC. PRICE £12.99 + £1.50 P&P
RES. FREQ. 40Hz, FREQ. RESP. TO 18KHz, SENS 99dB.
10" 60watt EB10-60TC (TWIN CONE) HI-FI, MULTI-ARRAY DISCO ETC. PRICE £16.49 + £2.00 P&P
RES. FREQ. 35Hz, FREQ. RESP. TO 12KHz, SENS 98dB.

TRANSMITTER HOBBY KITS

PROVEN TRANSMITTER DESIGNS INCLUDING GLASS FIBRE PRINTED CIRCUIT BOARD AND HIGH QUALITY COMPONENTS COMPLETE WITH CIRCUIT AND INSTRUCTIONS

3W TRANSMITTER 80-108MHz, VARICAP CONTROLLED PROFESSIONAL PERFORMANCE. RANGE UP TO 3 MILES, SIZE 38 x 123mm, SUPPLY 12V @ 0.5AMP.
PRICE £14.85 - £1.00 P&P

FM MICRO TRANSMITTER 100-108MHz, VARICAP TUNED, COMPLETE WITH VERY SENS FET MIC, RANGE 100-300m. SIZE 56 x 46mm, SUPPLY 9V BATTERY.
PRICE £8.90 - £1.00 P&P

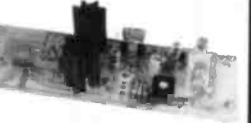


PHOTO: 3W FM TRANSMITTER

B.K. ELECTRONICS
UNITS 1 & 5 COMET WAY, SOUTHEND-ON-SEA, ESSEX. SS2 6TR.
Tel.: 0702 - 527572 Fax.: 0702 - 420243

BUYER'S GUIDE TO ELECTRONIC COMPONENTS 1993

Maplin



BS 5750
Part 2 1987

Level B:
Quality Assurance
RS12750



Order your copy of the New MAPLIN Catalogue on sale NOW!
Pick up a copy from any branch of WHSMITH or from our chain of shops for just £2.95 or
post this coupon now to receive your copy for just £3.45 inc. p&p. If you live outside the
U.K. send £5.50 or 14 IRC's for Airmail in Europe/surface mail outside Europe,
or £10.65 or 21 IRC's for Airmail outside Europe,
I enclose £3.45/£5.50/£10.65 (delete as applicable).

Name.....
Address.....
Post Code.....
Send to Maplin Electronics,
P.O. Box 3, Rayleigh,
Essex, England,
SS6 8LR.
E893

**Over 700 product packed pages with
hundreds of brand new products.
On sale now, only £2.95**

Available from all branches of WHSMITH and
Maplin shops nationwide. Hundreds of new
products at super low prices!