

EVERYDAY

JULY 1998

PRACTICAL

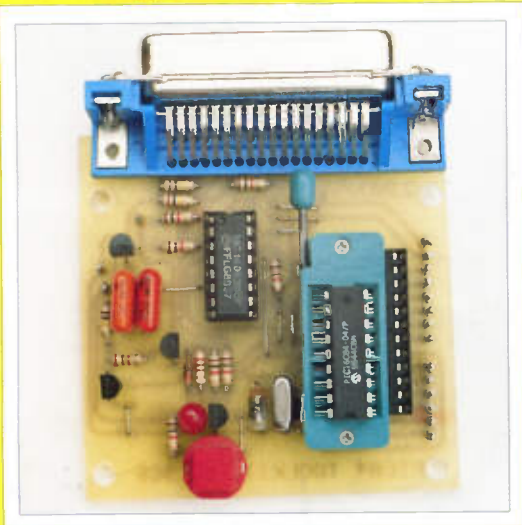
ELECTRONICS

<http://www.epemag.wimborne.co.uk>

£2.65

EPE PIC 16x84 TOOLKIT

High speed programmer,
disassembler and
TASM/MPASM translator
with **FREE** software

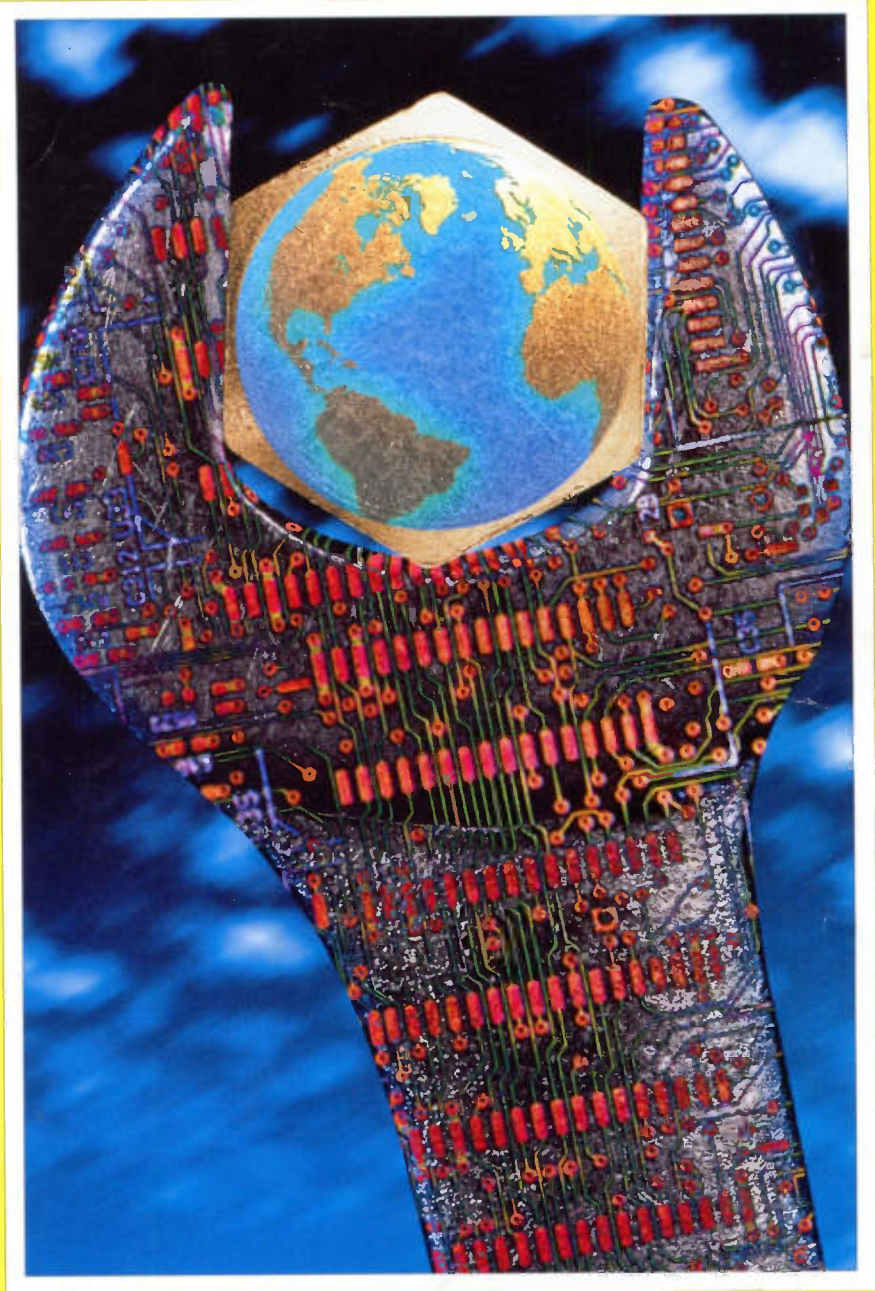


NOISE CANCELLING UNIT Reduce noise with 'anti-sound' **GREENHOUSE COMPUTER**

Microcontrolled
monitoring & control

LOW BATTERY INDICATOR

Micropower battery
condition indicator



**THE No.1 MAGAZINE FOR
ELECTRONIC TECHNOLOGY
& COMPUTER PROJECTS**



PLUS Ingenuity Unlimited • New Technology Update
Techniques • Innovations • Circuit Surgery

WIND GENERATORS 380 WATT

1.14 metre dia blades, carbon matrix blades, 3 year warranty, 12vdc output, 24v version available, control electronics included, brushless neodymium cubic curve alternator, only two moving parts, maintenance free, simple roof top installation, start up speed 7mph, max output (30mph) 380w. £499 ref AIR1

HYDROPONICS

DO YOU GROW YOUR OWN?

We have a full colour hydroponics catalogue available containing nutrients, pumps, fittings, environmental control, light fittings, plants, test equipment etc

Ring for your free copy.

PORTABLE X RAY MACHINE PLANS Easy to construct plans on a simple and cheap way to build a home X-ray machine! Effective device, X-ray sealed assemblies, can be used for experimental purposes. Not a toy or for minors! £6/5et. Ref F/XP1.

TELEKINETIC ENHANCER PLANS Mystify and amaze your friends by creating motion with no known apparent means or cause. Uses no electrical or mechanical connections, no special gimmicks yet produces positive motion and effect. Excellent for science projects, magic shows, party demonstrations or serious research & development of this strange and amazing psychic phenomenon. £4/5et Ref FITKE1.

ELECTRONIC HYPNOSIS PLANS & DATA This data shows several ways to put subjects under your control. Included is a full volume reference text and several construction plans that when assembled can produce highly effective stimuli. This material must be used cautiously. It is for use as entertainment at parties etc only, by those experienced in its use. £15/5et Ref F/EH2

GRAVITY GENERATOR PLANS This unique plan demonstrates a simple electrical phenomena that produces an anti-gravity effect. You can actually build a small mock spaceship out of simple materials and without any visible means - cause it to levitate. £10/5et Ref FGRA1.

WORLDS SMALLEST TESLA COIL/LIGHTNING DISPLAY GLOBE PLANS Produces up to 750,000 volts of discharge, experiment with extraordinary HV effects, 'Plasma in a Jar', St Elmo's fire, Corona, excellent science project or conversation piece. £5/5et Ref F/BTC1/LG5.

COPPER VAPOUR LASER PLANS Produces 100mw of visible green light. High coherency and spectral quality similar to Argon laser but easier and less costly to build yet far more efficient. This particular design was developed at the Atomic Energy Commission of NEGEV in Israel. £10/5et Ref F/CV11.

VOICE SCRAMBLER PLANS Miniature solid state system turns speech sound into indecipherable noise that cannot be understood without a second matching unit. Use on telephone to prevent third party listening and bugging. £6/5et Ref F/V59.

PULSED TV JOKER PLANS Little hand held device utilises pulse techniques that will completely disrupt TV picture and sound! Works on FM too! DISCRETION ADVISED. £8/5et Ref F/TJ5.

BODYHEAT TELESCOPE PLANS Highly directional long range device uses recent technology to detect the presence of living bodies, warm and hot spots, heat leaks etc. Intended for security, law enforcement, research and development, etc. Excellent security device or very interesting science project. £8/5et Ref F/BHT1.

BURNING, CUTTING CO2 LASER PLANS Projects an invisible beam of heat capable of burning and melting materials over a considerable distance. This laser is one of the most efficient, converting 10% input power into useful output. Not only is this device a workhorse in welding, cutting and heat processing materials but it is also a likely candidate as an effective directed energy beam weapon against missiles, aircraft, ground-to-ground, etc. Particle beams may very well utilize a laser of this type to blast a channel in the atmosphere for a high energy stream of neutrons or other particles. The device is easily applicable to burning and etching wood, cutting, plastics, textiles etc. £12/5et Ref F/LC7.

DYNAMO FLASHLIGHT Interesting concept, no batteries needed just squeeze the trigger for instant light apparently even works under water in an emergency although we haven't tried it yet! £6.99 ref SC152

ULTRASONIC BLASTER PLANS Laboratory source of sonic shock waves. Blow holes in metal, produce 'cold' steam, atomize liquids. Many cleaning uses for PC boards, jewellery, coins, small parts etc. £8/5et Ref F/ULB1.

ANTI DOG FORCE FIELD PLANS Highly effective circuit produces time variable pulses of acoustical energy that dogs cannot tolerate. £6/5et Ref F/DOG2

LASER BOUNCE LISTENER SYSTEM PLANS Allows you to hear sounds from a premises without gaining access. £12/5et Ref F/LLIST1

PHASOR BLAST WAVE PISTOL SERIES PLANS Handheld, has large transducer and battery capacity with external controls. £6/5et Ref F/PS4

INFINITY TRANSMITTER PLANS Telephone line grabber/room monitor. The ultimate in home/office security and safety! simple to use! Call your home or office phone, push a secret tone on your telephone to access either: A) On premises sound and voices or B) Existing conversation with break-in capability for emergency messages. £7 Ref F/TELEGRAB

BUG DETECTOR PLANS Is that someone getting the goods on you? Easy to construct device locates any hidden source of radio energy! Sniffs out and finds bugs and other sources of bothersome interference. Detects low, high and UHF frequencies. £5/5et Ref F/BD1

ELECTROMAGNETIC GUN PLANS Projects a metal object a considerable distance - requires adult supervision. £5 ref F/EML2

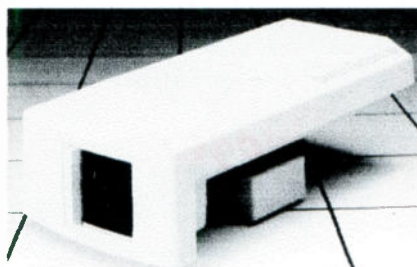
ELECTRIC MAN PLANS, SHOCK PEOPLE WITH THE TOUCH OF YOUR HAND! £5/5et Ref FEMA1

SOLAR POWERED WIND UP RADIOS BACK IN! These FM/AM radios have a solar panel and a hand operated charger! £17.95 ref SOLRAD

PARABOLIC DISH MICROPHONE PLANS Listen to distant sounds and voices, open windows, sound sources in 'hard to get' or

hostile premises. Uses satellite technology to gather distant sounds and focus them to our ultra sensitive electronics. Plans also show an optional wireless link system. £8/5et Ref F/PM5

2 FOR 1 MULTIFUNCTIONAL HIGH FREQUENCY AND HIGH DC VOLTAGE, SOLID STATE TESLA COIL AND VARIABLE 100,000 VDC OUTPUT GENERATOR PLANS Operates on 9-12vdc, many possible experiments. £10 Ref F/HW7/ TCL4



COLOUR CCTV VIDEO CAMERAS,

BRAND NEW AND, CASED, FROM £99.

Works with most modern video's, TV's, Composite monitors, video grabber cards.

Pal, 1v P-P, composite, 75ohm, 1/3" CCD, 4mm F2.8, 500x582, 12vdc, mounting bracket, auto shutter, 100x50x180mm, 3 months warranty, 1 off price £119 ref XEF150, 10 or more £99 ea 100+ £89

CIRCUIT PACKS Packs of 35 circuit diagrams covering lasers, SW radios, gauges, bugs, char etc. Pack1, Pack2, Pack3 £4.99 each. **SMOKE ALARMS** Mains powered, made by the famous Gent company, easy fit next to light fittings. power point. £4.99 ref SMMX **CONVERT YOUR TV INTO A VGA MONITOR FOR £26!** Converts a colour TV into a basic VGA screen. Complete with built in psu, lead and sware.. ideal for laptops or a cheap upgrade. Supplied in kit form for home assembly. SALE PRICE £25 REF SA34

***15 WATT FM TRANSMITTER** Already assembled but some RF knowledge will be useful for setting up. Preamp req'd, 4 stage 80-108mhz, 12-18vdc, can use ground plane, yagi or dipole £69 ref 1021 ***4 WATT FM TRANSMITTER KIT** Small but powerful FM transmitter kit. 3 RF stages, mic & audio preamp included £24 ref 1028

YUASHA SEALED LEAD ACID BATTERIES 12v 15AH at £18 ref LOT8 and below spec 6v 10AH at £5 a pair

ELECTRIC CAR WINDOW DE-ICERS Complete with cable, plug etc. SALE PRICE JUST £4.99 REF SA28

AUTO SUNCHARGER 155x300mm solar panel with diode and 3 solar lead fitted with a cigar plug. 12v2watt. £12.99 REF AUG10P3 **SOLAR POWER LAB SPECIAL** You get 2 6"x6" 6v 130mA cells, 4 LEDs, wire, buzzer, switch + 1 relay or motor. £7.99 REF SA27

SOLAR NICAD CHARGERS 4 x AA size £9.99 ref 6P476, 2 x C size £9.99 ref 6P477

GIANT HOT AIR BALLOON KIT Build a 4.5m circumference, fully functioning balloon, can be launched with home made burner etc. Reusable (until you loose it!) £12.50 ref HA1

AIR RIFLES .22 As used by the Chinese army for training purposes, so there is a lot about! £39.95 REF EF78. 500 pellets £4.50 ref EF80

REGISTER FOR OUR
ELECTRONIC NEWSLETTERS
BULL-ELECTRICAL.COM

BULL ELECTRICAL

250 PORTLAND ROAD, HOVE, SUSSEX.

BN3 5QT. (ESTABLISHED 50 YEARS).

MAIL ORDER TERMS: CASH, PO OR CHEQUE

WITH ORDER PLUS £3.50 P&P PLUS VAT.

24 HOUR SERVICE £5.00 PLUS VAT.

OVERSEAS ORDERS AT COST PLUS £3.50

(ACCESS, VISA, SWITCH, AMERICAN EXPRESS)

phone orders : 01273 203500

FAX 01273 323077

Sales@bull-electrical.com

INFRA RED FILM 6" square piece of flexible infra red film that will only allow IR light through. Perfect for converting ordinary torches, lights, headlights etc to infra red output only using standard light bulbs. Easily cut to shape. 6" square £15 ref IRF2

HYDROGEN FUEL CELL PLANS Loads of information on hydrogen storage and production. Practical plans to build a Hydrogen fuel cell (good workshop facilities required) £8 set ref FCP1

STIRLING ENGINE PLANS Interesting information pack covering all aspects of Stirling engines, pictures of home made engines made from an aerosol can running on a candle! £12 ref STIR2

12V OPERATED SMOKE BOMBS Type 3 is a 12v trigger and 3 smoke cannisters, each cannister will fill a room in a very short space of time! £14.99 ref SB3. Type 2 is 20 smaller cannisters (suitable for simulated equipment fires etc) and 1 trigger module for £29 ref SB2. Type 1 is a 12v trigger and 20 large cannisters £49 ref SB1

HI POWER ZENON VARIABLE STROBES Useful 12v PCB fitted with hi power strobe tube and control electronics and speed control potentiometer. Perfect for interesting projects. etc. 70x55mm 12vdc operation. £6 ea ref FLS1, pack of 10 £49 ref FLS2

RUSSIAN BORDER GUARD BINOCULARS £1799 Probably the best binoculars in the world! ring for colour brochure

NEW LASER POINTERS 4.5mw, 75 metre range, hand held unit runs on two AA batteries (supplied) 670nm. £29 ref DEC49

HOW TO PRODUCE 36 BOTTLES OF WHISKY FROM A SACK OF POTATOES Comprehensive 270 page book covers all aspects of spirit production from everyday materials. Includes construction details of simple stills etc. £12 ref MS3

NEW HIGH POWER MINI BUG With a range of up to 800 metres and a 3 days use from a PP3 this is our top selling bug! less than 1" square and a 10m voice pickup range. £28 ref LOT102

BUILD YOUR OWN WINDFARM FROM SCRAP New publication gives step by step guide to building wind generators and propellers. Armed with this publication and a good local scrap yard could make you self sufficient in electricity! £12 ref LOT81

NEW LOW COST VEHICLE TRACKING TRANSMITTER KIT £29 range 1.5-5 miles, 5,000 hours on AA batteries, transmits info on car direction, left and right turns, start and stop information

Works with any good FM radio. £29 ref LOT101a

CCTV CAMERA MODULES 46x70x29mm, 30 grams, 12v 100mA auto electronic shutter, 3.8mm F2 lens, CCIR, 512x492 pixels, video output is 1v p-p (75 ohm). Works directly into a scart or video input on a tv or video. IR sensitive. £79.95 ref EF137

IR LAMP KIT Suitable for the above camera, enables the camera to be used in total darkness! £6 ref EF138

UK SCANNING DIRECTORY As supplied to Police, MOD, M15 and GCHQ! covers everything from secret government frequencies, eye in the sky, prisons, military aviation etc. £18.50 ref SCANB

INFRA RED POWERBEAM Handheld battery powered lamp, 4 inch reflector, gives out powerful pure infrared light! perfect for CCTV use, night sights etc. £29 ref PB1

SUPER WIDEBAND RADAR DETECTOR Detects both radar and laser, X, K and KA bands, speed cameras, and all known speed detection systems. 360 degree coverage, front & rear waveguides, 1.1"x2.7"x4.6" fits on sun visor or dash £149 ref

CHIEFTAN TANK DOUBLE LASERS 9 WATT+3 WATT+LASER OPTICS

Could be adapted for laser listener, long range communications etc. Double beam units designed to fit in the gun barrel of a tank, each unit has two semi conductor lasers and motor drive units for alignment. 7 mile range, no circuit diagrams due to MOD, new price £50,000? us? £199. Each unit has two gallium arsenide injection lasers, 1 x 9 watt, 1 x 3 watt, 900nm wavelength, 28vdc, 600hz pulse frequency. The units also contain an electronic receiver to detect reflected signals from targets. £199 for one. Ref LOT4

NEW LOW PRICED COMPUTER/WORKSHOP/HI-FI RCB UNITS Complete protection from faulty equipment for everybody! Inline unit fits in standard IEC lead (extends it by 750mm), fitted in less than 10 seconds, reset/test button, 10A rating £6.99 each ref LOT5. Or a pack of 10 at £49.90 ref LOT6. If you want a box of 100 you can have one for £250!

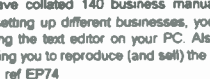
DIGITAL PROPORTIONAL B GRADE RADIO CONTROLLED CARS From World famous manufacturer these are returns so they will need attention (usually physical damage) cheap way of buying TX and RX plus servos etc for new projects etc. £20 each sold as seen ref LOT2DP

MAGNETIC CREDIT CARD READERS AND ENCODING MANUAL £9.95 Cased with flyleads, designed to read standard credit cards! complete with control electronics PCB and manual covering everything you could want to know about whats hidden in that magnetic strip on your card! just £9.95 ref BAR31

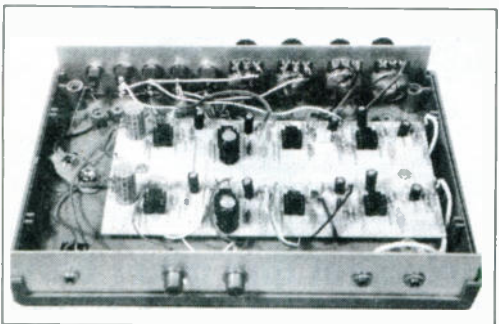
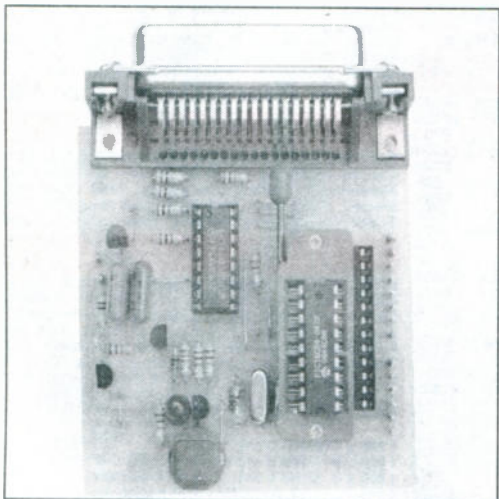
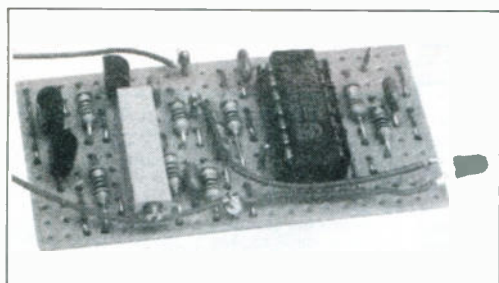
WANT TO MAKE SOME MONEY? STUCK FOR AN IDEA? We have collated 140 business manuals that give you information on setting up different businesses, you peruse these at your leisure using the text editor on your PC. Also included is the certificate enabling you to reproduce (and sell) the manuals as much as you like! £14 ref EP74

HIGH POWER DC MOTORS, PERMANENT MAGNET

12 - 24v operation, probably about 1/4 horse power, body measures 100mm x 75mm with a 60mm x 5mm output shaft with a machined flat on it. Fbaing is simple using the two threaded bolts protruding from the front



£22ea REF mot4



Projects and Circuits

- LOW BATTERY INDICATOR** by Andy Flind 484
Micropowered in-circuit battery condition monitor
- GREENHOUSE COMPUTER - 1** by Colin Meikle 492
Microcontrolled plant (and gardener) pampering for all seasons
- NOISE CANCELLING UNIT** by Robert Penfold 518
Tune in to the sound of silence
- PIC16x84 TOOLKIT** by John Becker 526
At last, a versatile PIC '84 programmer, disassembler and bi-lingual translator with TASM and MPASM compatibility!
- INGENUITY UNLIMITED** hosted by Alan Winstanley 541
Electronic Dice; Generating Short Pulses with Ripple Counters; Linear Regulator Performance Monitor; Enthusiast's Radio

Series and Features

- NEW TECHNOLOGY UPDATE** by Ian Poole 491
Research into keeping chips cool is hotting-up!
- INTERFACE** by Robert Penfold 506
Team quiz monitoring via the PC's printer port
- TEACH-IN '98 - An Introduction to Digital Electronics - 9** 508
by Ian Bell, Rob Miles, Dr Tony Wilkinson, Alan Winstanley
This month: Counters and Shifters
- PEAK DCA50 COMPONENT ANALYSER** by Andy Flind 536
Reviewing a neat device for automatic analysis of discrete semiconductors
- USING THE L200CV VOLTAGE REGULATOR** by Andy Flind 538
Variable voltage regulation with all the protection you could ask for
- CIRCUIT SURGERY** by Alan Winstanley and Ian Bell 539
Lightly Awoken; Resets Cause Upsets; Trailing the Light Fantastic; Ingenious Neon Torch
- NET WORK - THE INTERNET PAGE** surfed by Alan Winstanley 549
More on FTP from DOS; Latest News

Regulars and Services

- EDITORIAL** 483
- INNOVATIONS** - Barry Fox highlights technology's leading edge 487
Plus everyday news from the world of electronics
- CD-ROMS FOR ELECTRONICS** 500
Parts Gallery + Electronic Circuits and Components; Digital Electronics
- READOUT** John Becker addresses general points arising 503
- BACK ISSUES** Did you miss these? 505
- SHOPTALK** with David Barrington 537
The *essential* guide to component buying for *EPE* projects
- DIRECT BOOK SERVICE** 544
A wide range of technical books available by mail order
- ELECTRONICS VIDEOS** Our range of educational videos 547
- PRINTED CIRCUIT BOARD SERVICE** 548
PCBs for *EPE* projects. Plus *EPE* software
- ADVERTISERS INDEX** 552

© Wimborne Publishing Ltd 1998. Copyright in all drawings, photographs and articles published in **EVERYDAY PRACTICAL ELECTRONICS** is fully protected, and reproduction or imitations in whole or in part are expressly forbidden.

Our August '98 issue will be published on Friday, 3 July 1998. See page 475 for details.

Surplus always wanted for cash!

THE ORIGINAL SURPLUS WONDERLAND!

THIS MONTH'S SELECTION FROM OUR VAST EVER CHANGING STOCKS

Surplus always wanted for cash!

LOW COST PC's

SPECIAL BUY 'AT 286'

40Mb HD + 3Mb Ram



Industrial grade 12Mhz HI GRADE 286 systems Made in the USA to an industrial specification, the system was designed for total reliability. The compact case houses the motherboard, PSU and EGA video card with single 5 1/4" 1.2 Mb floppy disk drive & Integral 40Mb hard disk drive to the front. Real time clock with battery backup is provided as standard. Supplied in good used condition complete with enhanced keyboard, 640k + 2Mb RAM, DOS 4.01 and 90 DAY Full Guarantee. Ready to Run!

Order as HIGRADE 286 **ONLY £99.00** (E)
Optional Fitted extras: VGA graphics card £29.00
1.44Mb 3 1/2" floppy disk drive (instead of 1.2 Mb) £19.95
Wordperfect 6.0 for Dos - when 3 1/2" FDD option ordered £12.50
NE2000 Ethernet (thick, thin or twisted) network card £29.00

INTEL 486DX-33 SYSTEMS

Limited quantity of this 2nd user, superb small size desktop unit. Fully featured with standard simm connectors 30 & 72 pin. Supplied with keyboard, 4 Mb of RAM, SVGA monitor output, 256k cache and integral 120 Mb IDE drive with single 1.44 Mb 3.5" floppy disk drive. Fully tested and guaranteed. Fully expandable. Only **£199.00** (E)
Many other options available - call for details.

FLOPPY DISK DRIVES 3 1/2" - 8"

Massive purchases of standard 5 1/4" and 3 1/2" drives enables us to present prime product at industry beating low prices! All units (unless stated) are BRAND NEW or removed from often brand new equipment and are fully tested, aligned and shipped to you with a full 90 day guarantee. Call for over 2000 unlisted drives for spares or repair.

- 3 1/2" Panasonic JU363/4 720K or equivalent RFE £24.95 (B)
- 3 1/2" Mitsubishi MF355C-L 1.4 Meg. Laptops only £25.95 (B)
- 3 1/2" Mitsubishi MF355C-D 1.4 Meg. Non laptop £18.95 (B)
- 5 1/4" Teac FD-55FR 1.2 Meg (for IBM pc's) RFE £18.95 (B)
- 5 1/4" Teac FD-55F-03-U 720K 40/90 (for BBC's etc) RFE £22.95 (B)
- 5 1/4" BRAND NEW Mitsubishi MF501B 360K £22.95 (B)
- Table top case with integral PSU for HH 5 1/4" Flopp or HD £29.95 (B)
- 8" Shugart 800/801 8" SS refurbished & tested £210.00 (E)
- 8" Shugart 810 8" SS HH Brand New £195.00 (E)
- 8" Shugart 851 8" double sided refurbished & tested £260.00 (E)
- 8" Mitsubishi M2894-63 double sided NEW £295.00 (E)
- 8" Mitsubishi M2896-63-02U DS slimline NEW £295.00 (E)
- Dual 8" cased drives with integral power supply 2 Mb £499.00 (E)

HARD DISK DRIVES

- 2 1/2" TOSHIBA (19 mm H) MK2101MAN 2.16 Gb. New £199.00
 - 2 1/2" TOSH (12.5 mm H) MK1002MAV 1.1 Gb laptop. New £115.00
 - 2 1/2" to 3 1/2" conversion kit for PC's, complete with connectors £15.95
 - 3 1/2" FUJII FK-309-26 20mb MFM I/F RFE £59.95
 - 3 1/2" CONNER CP3024 20 Mb IDE I/F (or equiv.) RFE £59.95
 - 3 1/2" CONNER CP3044 40mb IDE I/F (or equiv.) RFE £69.00
 - 3 1/2" RODIME R030575 45mb SCSI I/F (Mac & Acorn) £69.00
 - 3 1/2" QUANTUM 40S Prodrive 42mb SCSI I/F, New RFE £49.00
 - 3 1/2" WESTERN DIGITAL 850mb IDE I/F New £185.00
 - 5 1/4" MINISCRIBE 3425 20mb MFM I/F (or equiv.) RFE £49.95
 - 5 1/4" SEAGATE ST-238R 30 mb RLL I/F Refurb £69.95
 - 5 1/4" CDC 94205-51 40mb HH MFM I/F RFE tested £69.95
 - 5 1/4" HP 97548 850 Mb SCSI RFE tested £99.00
 - 5 1/4" HP C3010 9 Gbyte SCSI differential RFE tested £185.00
 - 8" NEC D2246 85 Mb SMD interface New £199.00
 - 8" FUJITSU M2322K 160Mb SMD I/F RFE tested £195.00
 - 8" FUJITSU M2392K 2 Gb SMD I/F RFE tested £345.00
- Many other drives in stock - Shipping on all drives is code (D)

THE AMAZING TELEBOX

Converts your colour monitor into a QUALITY COLOUR TV!!



TV SOUND & VIDEO TUNER
CABLE COMPATIBLE

The TELEBOX is an attractive fully cased mains powered unit, containing all electronics ready to plug into a host of video monitors made by makers such as MICROVITEC, ATARI, SANYO, SONY, COMMODORE, PHILIPS, TATUNG, AMSTRAD etc. The composite video output will also plug directly into most video recorders, allowing reception of TV channels not normally receivable on most television receivers* (TELEBOX MB). Push button controls on the front panel allow reception of 8 fully tuneable 'off air' UHF colour television channels. TELEBOX MB covers virtually all television frequencies VHF and UHF including the HYPERBAND as used by most cable TV operators. A composite video output is located on the rear panel for direct connection to most makes of monitor or desktop computer video systems. For complete compatibility - even for monitors without sound - an integral 4 watt audio amplifier and low level Hi Fi audio output are provided as standard.

- TELEBOX ST for composite video input type monitors £36.95
 - TELEBOX ST as ST but fitted with integral speaker £39.50
 - TELEBOX MB Multiband VHF/UHF/Cable/Hyperband tuner £69.95
- For overseas PAL versions state 5.5 or 6 mHz sound specification. *For cable / hyperband signal reception Telebox MB should be connected to a cable type service. Shipping on all Teleboxes*, code (B)

DC POWER SUPPLIES

Virtually every type of power supply you can imagine. Over 10,000 Power Supplies Ex Stock. Call for info / list.

IC's - TRANSISTORS - DIODES

OBSOLETE - SHORT SUPPLY - BULK
6,000,000 Items EX STOCK

For MAJOR SAVINGS - CALL FOR SEMICONDUCTOR HOTLIST

VIDEO MONITOR SPECIALS

One of the highest specification monitors you will ever see -
At this price - Don't miss it!!

Mitsubishi FA3415ETKL 14" SVGA Multisync colour monitor with fine 0.28 dot pitch tube and resolution of 1024 x 768. A variety of inputs allows connection to a host of computers including IBM PCs in CGA, EGA, VGA & SVGA modes, BBC, COMMODORE (including Amiga 1200), ARCHIMIDES and APPLE. Many features: Etched faceplate, text switching and LOW RADIATION MPPR specification. Fully guaranteed, supplied in EXCELLENT little used condition.

Tilt & Swivel Base £4.75
VGA cable for IBM PC types. **Only £119** (E)
Order as MITS-SVGA
External cables for other types of computers CALL.

As New - Ex Demo
17" 0.28 SVGA Mitsubishi Diamond Pro monitors
Full multisync etc. Full 90 day guarantee. £325.00 (E)

Just in - Microvitec 20" VGA (800 x 600 res.) colour monitors.
Good SH condition - from £299 - CALL for info

PHILIPS HCS35 (same style as CM8833) attractively styled 14" colour monitor with both RGB and standard composite 15.625 KHz video inputs via SCART socket and separate phono jacks. Integral audio power amp and speaker for all audio visual uses. Will connect direct to Amiga and Atari BBC computers. Ideal for all video monitoring / security applications with direct connection to most colour cameras. High quality with many features such as front concealed flap controls, VCR correction button etc. Good used condition - fully tested - guaranteed.
Dimensions: W14" x H12 1/2" x 15 1/2" D.
Only £99 (E)

PHILIPS HCS31 Ultra compact 9" colour video monitor with standard composite 15.625 KHz video input via SCART socket. Ideal for all monitoring / security applications. High quality, ex-equipment fully tested & guaranteed (possible minor screen burns). In attractive square black plastic case measuring W10" x H10" x 13 1/2" D. 240 V AC mains powered.
Only £79.00 (D)

KME 10" 15M10009 high definition colour monitors with 0.28" dot pitch. Superb clarity and modern styling. Operates from any 15.625 khz sync RGB video source, with RGB analog and composite sync such as Atari, Commodore Amiga, Acorn Archimedes & BBC. Measures only 13 1/2" x 12" x 11". Good used condition.
Only £125 (E)

20" 22" and 26" AV SPECIALS

Superbly made UK manufacture. PIL all solid state colour monitors, complete with composite video & optional sound input. Attractive teak style case. Perfect for Schools, Shops, Disco, Clubs, etc. In EXCELLENT little used condition with full 90 day guarantee.

20"....£135 22"....£155 26"....£185 (F)

SPECIAL INTEREST ITEMS

- MITTS FA3445ETKL 14" Industrial spec SVGA monitors £245
- 1kW to 400 kW - 400 Hz 3 phase power sources - ex stock EPOA
- IBM 8230 Type 1, Token ring base unit driver £760
- Wayne Kerr RA200 Audio frequency response analyser £2500
- IBM 53F5501 Token Ring ICS 20 port lobe modules £750
- IBM MAU Token ring distribution panel 8228-23-5050N £95
- IBM 501 Low distortion Oscillator 9Hz to 330KHz, IEEE £550
- Trend DSA 274 Data Analyser with G703(2M) 64 Vc EPOA
- Marconi 6310 Programmable 2 to 22 GHz sweep generator £6500
- HP1650B Logic Analyser £3750
- HP3781A Pattern generator & HP3782A Error Detector EPOA
- HP6621A Dual Programmable GPIB PSU 0-7 V 160 watts £1800
- HP6264 Rack mount variable 0-20V @ 20A metered PSU £675
- HP54121A DC to 22 GHz four channel test set EPOA
- HP7580A 18 pen HPGL high speed drum plotter £1850
- F&B Wadbrook space, insurance spec 1 hour rated fire safe £650
- EX-G Brookdeal 95035C Precision lock in amp £950
- View Eng. Mod 1200 computerised inspection system EPOA
- Sony DXC-3000A High quality CCD colour TV camera £1100
- CSZ VERY Large 3 cavity thermal shock chamber EPOA
- Philips PW173010 XRAY generator with accessories EPOA
- Kethley 590 Cv capacitor / voltage analyser EPOA
- Racal ICR40 dual 40 channel voice recorder system £3750
- Flickers 45KVA 3 ph On Line UPS - New batteries £9500
- ICI R5030UJ34 Cleanline ultrasonic cleaning system EPOA
- Mann Tally MT645 High speed line printer £2900
- Intel SBC 486/133SE Multibus 486 system. 8Mb Ram £245
- Intel SBC 486/125C08 Enhanced Multibus (MSA) NEW £1450
- Zeta 3220-05 A0 4 pen HPGL fast drum plotters £1150
- Nikon HPX-11 (Ephiphot) exposure control unit £1450
- Motorola VME Bus Boards & Components List. SAE / CALL EPOA
- Trio 0-18 vdc linear, metered 30 amp bench PSU. New £550
- Fujitsu M3041R 600 LPM band printer £1950
- Fujitsu Eimer 2998 Infrared spectrophotometer £1250
- Perkin Elmer 597 Infrared spectrophotometer £500
- VG Electronics 1035 TELETEXT Decoding Margin Meter £3500
- LightBand 60 output high spec 2u rack mount Video VDA's £3750
- Sekonic SD 150H 18 channel digital Hybrid chart recorder £495
- Taylor Hobson Talysurf amplifier / recorder £1995
- System Video 1152 PAL waveform monitor £750
- Siemens K4400 64Kb to 140Mb demux analyser £485
- £2950

19" RACK CABINETS

Superb quality 6 foot 40U
Virtually New, Ultra Smart
Less than Half Price!



Top quality 19" rack cabinets made in UK by Optima Enclosures Ltd. Units feature designer, smoked acrylic lockable front door, full height lockable half louvered back door and louvered removable side panels. Fully adjustable internal fixing struts, ready punched for any configuration of equipment mounting plus readily mounted integral 12 way 13 amp socket switched mains distribution strip make these racks some of the most versatile we have ever sold. Racks may be stacked side by side and therefore require only two side panels to stand singly or in multiple bays. Overall dimensions are: 77 1/2" H x 32 1/2" D x 22" W. Order as:
OPT Rack 1 Complete with removable side panels. £345.00 (G)
OPT Rack 2 Rack, Less side panels £245.00 (G)

Over 1000 racks, shelves, accessories
19" 22" & 24" wide 3 to 46 U high.
Available from stock !!

32U - High Quality - All steel RakCab

Made by Eurocraft Enclosures Ltd to the highest possible spec, rack features all steel construction with removable side, front and back doors. Front and back doors are hinged for easy access and all are lockable with five secure 5 lever barrel locks. The front door is constructed of double walled steel with a 'designer style' smoked acrylic front panel to enable status indicators to be seen through the panel, yet remain unobtrusive. Internally the rack features fully slotted reinforced vertical fixing members to take the heaviest of 19" rack equipment. The two movable vertical fixing struts (extras available) are pre punched for standard 'cage nuts'. A mains distribution panel internally mounted to the bottom rear, provides 8 x IEC 3 pin Euro sockets and 1 x 13 amp 3 pin switched utility socket. Overall ventilation is provided by fully louvered back door and double skinned top section with top and side louvers. The top panel may be removed for fitting of integral fans to the sub plate etc. Other features include: fitted castors and floor levers, prepunched utility panel at lower rear for cable / connector access etc. Supplied in excellent, slightly used condition with keys. Colour Royal blue. External dimensions mm-1625H x 635D x 603 W. (64" H x 25" D x 23 3/4" W)
Sold at LESS than a third of makers price !!



A superb buy at only £245.00 (G)
42U version of the above only £345 - CALL

BATTERY SCOOP - 50% off !!

A special bulk purchase from a cancelled export order brings you the most amazing savings on these ultra high spec 12v DC 14 AH rechargeable batteries. Made by Hawker Energy Ltd, type SB515 featuring pure lead plates which offer a far superior shelf & guaranteed 15 year service life. Fully BT & BS6290 approved. Supplied BRAND NEW and boxed. Dimensions 200 wide, 137 high, 77 deep. M6 bolt terminals. Fully guaranteed. Current makers price over £70 each! **Our Price £35 each (C) or 4 for £99 (D)**

RELAYS - 200,000 FROM STOCK

Save £££'s by choosing your next relay from our massive stocks covering types such as Military, Octal, Cradla, Hermetically Sealed, Contactors, Time Delay, Reed, Mercury, Wetted, Solid State, Printed Circuit Mounting, CALL US WITH YOUR NEEDS. Many obsolete types from stock. Save £££'s

LOW COST RAM & CPU'S

INTEL 'ABOVE' Memory Expansion Board. Full length PC-XT and PC-AT compatible card with 2 Mbytes of memory on board. Card is fully selectable for Expanded or Extended (286 processor and above) memory. Full data and driver disks supplied. RFE. Fully tested and guaranteed. Windows compatible. £59.95
Half length 8 bit memory upgrade cards for PC AT XT expands memory either 256k or 512k in 64k steps. May also be used to fill in RAM above 640k DOS limit. Complete with data.
Order as: XT RAM UG. 256K. £34.95 or 512K £39.95

SIMM SPECIALS

- 1 MB x 9 SIMM 9 chip 120ns £8.50
 - 1 MB x 9 SIMM 3 chip 80 ns £10.50 or 70ns £11.95
 - 1 MB x 9 SIMM 3 chip 80 ns £10.50 or 70ns £11.75
 - 4 MB 70 ns 72 pin SIMM - with parity - Only £35.00
 - INTEL 486-DX33 CPU £19.95 INTEL 486-DX66 CPU £59.00
- FULL RANGE OF CO-PROCESSORS EX STOCK - CALL FOR £££
MOTOROLA 25 Mhz 68040 (XC68040RC25M) CPU'S £59.00
shipping charges for RAM / CPU upgrades is code B

SOFTWARE SPECIALS

NT4 WorkStation, complete with service pack 3 and licence - OEM packaged.
Special Price ONLY £99.00
Microsoft - Windows for Workgroups 3.11 & DOS 6.22. Supplied on 3 1/2" disks with license & documentation documentation. £39.95
DOS 5.0 on 3 1/2" disks with concise books c/w QBASIC. £14.95
Wordperfect 6 for DOS supplied on 3 1/2" disks with manual £24.95
shipping charges for software is code B

Visit our London shop for a full range of Test Equipment and other bargains



ALL MAIL & OFFICES
Open Mon - Fri 9.00 - 5.30
Dept PE , 32 Biggin Way
Upper Norwood
LONDON SE19 3XF

LONDON SHOP
Open Mon - Sat 9.00 - 5.30
215 Whitehorse Lane
South Norwood
On 68A Bus Route
N. Thornton Heath &
Selhurst Park SR Rail Stations

NEW DISTEL ©
Visit our web site
www.distel.co.uk
email admin@distel.co.uk

ALL ENQUIRIES
0181 679 4414
FAX 0181 679 1927

All prices for UK Mainland. UK customers add 17.5% VAT to TOTAL order amount. Minimum order £10. Bona Fide account orders accepted from Government, Schools, Universities and Local Authorities - minimum account order £50. Cheques over £100 are subject to 10 working days clearance. Carriage charges (A)=£3.00, (B)=£4.00, (C)=£5.00, (D)=£12.00, (E)=£15.00, (F)=£18.00, (G)=CALL. Allow approx 6 days for shipping - faster CALL. All goods supplied to our Standard Conditions of Sale and unless stated guaranteed for 90 days. All guarantees on a return to base basis. All rights reserved to change prices / specifications without prior notice. Orders subject to stock. Discounts for volume. Top CASH prices paid for surplus goods. All trademarks etc acknowledged. © Display Electronics 1997. E & O.E. 1/18

NEXT MONTH

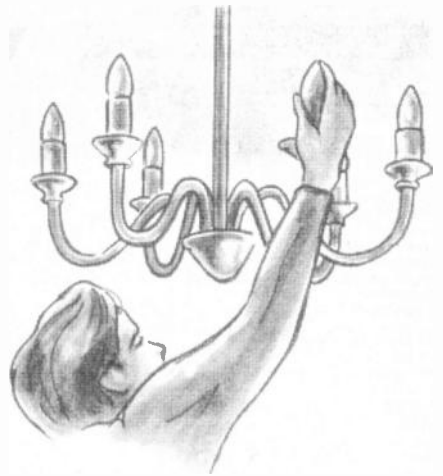
PC TRANSISTOR TESTER

Put your PC to practical work. This PC Transistor Tester connects to the parallel printer port of a PC, and provides a digital readout of d.c. current gain via the monitor. This full constructional project is an "improved" version of a circuit first featured in the September 1996 issue of EPE (Interface, pp. 690 and 691).

It is also the first of several PC test gear projects having their origins in past articles in the Interface series. This PC Transistor Tester, in common with the other designs, is very simple and quite inexpensive to build, but offers a high level of performance.

There is a big advantage in basing test gear projects on a PC in that it provides a sophisticated digital readout at virtually no cost, provided you already have access to a PC. Where necessary, the PC and the software can effectively provide much of the control logic for the program.

Both NPN and PNP transistors can be checked using this system.



FLOAT CHARGER

Don't get caught flat in an emergency. Keep your sealed lead/acid batteries in tip-top condition with this low-cost charger.

In recent years, small sealed lead/acid batteries have become widely available, and are becoming recognised as a useful alternative to nickel-cadmium cells for many applications.

They are available in a wide range of capacities and usually have a nominal voltage of either 6V (3 cells) or 12V (6 cells). They can provide very high output currents and do not exhibit the "memory" effect of NiCads, making them ideal for situations where they are to be continuously topped up by a "float" charger, ready to supply emergency power when required.

This unit provides a precisely regulated voltage, together with a current limit to prevent excessive charging currents and therefore prolong the life of the battery.

LAMPSAVER

Lightbulbs tend to blow when they are switched on, this is because when the filament is cold its resistance is low and it can be instantly placed across the peak mains voltage of 325 volts. A 100W bulb, which would normally draw around 430mA, could therefore pass up to 5A instantaneously. If you arrange to always connect the bulb to the mains when the mains alternating voltage is at zero volts - which it is 100 times a second - you can prolong the life of the bulb.

This simple, inexpensive circuit does just that using an opto-isolator i.c. to provide zero voltage switching. Users will not be aware of the operation of the circuit until they realise that the time between bulb changes has increased.

EVERYDAY

PRACTICAL

ELECTRONICS

**DON'T MISS AN ISSUE -
PLACE YOUR ORDER NOW!**

**AUG ISSUE ON SALE
FRIDAY, JULY 3**

NEW
for
1998

Crownhill Associates Limited

The Old Bakery, New Barns Road, Ely, Cambs

Tel: 01353 666709 Fax: 01353 666710

email: sales@crownhill.co.uk

<http://www.crownhill.co.uk>



PIC12C508/509

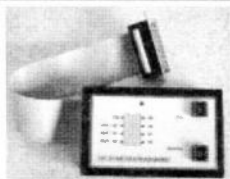
DEVELOPMENT SYSTEM

This integrated development environment offers a unique software development tool for the PIC 12C508 / 509. The package consists of 508/509 In-Circuit Emulator, Programmer, EDICE a fully integrated Assembler with trace functions & ICE508 tracer/disassembler.

The development system is supplied with MPASM assembler/disassembler and 10 projects, including circuit diagrams and unprotected source code.

Projects cover subjects from simple sound effect generator through to an accurate Digital Volt Meter, Smoke Alarm, Stop Watch, LCD display driver, Keypad encoder and more

Introductory Price **£59.95** + VAT P&P



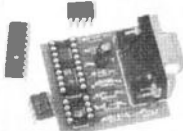
Look out for more kits soon!

NEW! PIC PROGRAMMER KIT

Programs the Popular PIC 16C84, 16F84, 12C508/9 and 24xx series serial memory devices. Connects to the serial port of a PC and requires NO EXTERNAL power supply. The kit includes instructions for assembly, circuit diagram and component layout.

This handy little programmer is easy to build, taking no more than 30 mins. to assemble and test. The Professional quality PCB is double-sided, through-plated with solder resist and screen printing to aid efficient assembly. It is supplied with driver software to run in DOS on a 286 PC upwards and under Windows 95 on 486 or Pentium and a Disk full of interesting projects, tips and data sheets for PIC devices, including FREE Assembler and Simulator (requires 9-pin D-type to 9-pin D-type cable to connect to serial port of PC). CABLE £5 INC. VAT AND DELIVERY.

COMPLETE KIT just **£15.00** including VAT and Delivery (UK Only)
Or READY BUILT **£20.00** INCLUDING VAT AND DELIVERY (UK ONLY)



AMAZING LOW PRICES PIC 84 & MEMORY

PIC16C84 /04p

1-10 £2.00
11-100 £1.90
101-500 £1.80

PIC16C620 £1.95
PIC16C621 £2.25
PIC16C622 £2.50

PIC 12C508/509 DIL

1-10 £1.20
11-50 £1.10
51-100 £1.05

24LC65

1-50 £1.50

24LC16

1-50 £1.00

PIC Prices exclude VAT + P&P

1998 Microchip CD ROM

- Packed with information
 - All current data sheets
 - Programs and Diagrams
 - Application notes
 - PDF Viewer
- £10 inc. VAT P&P (in UK)**

PIC BASIC COMPILER

- Expanded BASIC Stamp I compatible instruction set
- True compiler provides faster program execution and longer programs than BASIC interpreters
- I2CIN and I2COUT instructions to access external serial EEPROMs and other I2C devices
- More user variables
- Peek and Poke instructions to access any PIC register from BASIC
- Serial speeds to 9600 baud
- In-line assembler and Call support
- Supports all most popular PICs
PIC16C55x, 6x, 7x, 8x, 92x and PIC14000 micros
- Use with any PIC programmer

Write your PIC programs in BASIC! The PicBasic Compiler converts BASIC programs into hex or binary files that can be programmed directly into a PIC microcontroller. The easy-to-use BASIC language makes PIC programming available to everyone with its English-like instruction set.

Supplied with Universal PIC CHIP Programmer, connects to Parallel port of PC and programs all popular PIC micros. Complete with programming toolkit - Editor, Assembler & Programming software
Supplied with sample programs including circuit diagrams

PACKAGE with programmer & PIC 16x84

£99.95 + P&P VAT

PIC BASIC without programmer or PIC84

£49.95 + P&P VAT

<http://www.crownhill.co.uk/picbasic>

NOW AVAILABLE

RANGER 2

for Windows 95™

The Complete, Integrated Schematic & PCB Layout Package

Windows Ranger 2

For Windows 95 & NT

- New Hierarchical Circuit
- Split Devices • Gate & Pin Swap
- New Edit Devices in Circuit
- Copper Fill • Power Planes
- Autorouter • Back Annotation

£250

Ranger 2 Outputs:
Full Windows Outputs
Plus - HP-GL
Gerber
NC Drill
AutoCad DXF

Windows Ranger 2 with Spectra SP2

Ranger & Spectra Autorouter provide the most cost effective PCB Design system available. A powerful, intuitive system at an outstanding price!

£600

Windows Ranger 2 Upgrade

Upgrade your existing PCB Package to Windows Ranger 2.

£150

SPECIAL OFFER Ranger 2 Lite £35 (Prices exc VAT/P&P)

Demo Software - download from <http://biz.ukonline.co.uk/seetrax>

Call 01730 260062

Fax 01730 267273 Old Buriton Lineworks, Kiln Lane, Buriton, Petersfield, Hants. GU31 5SJ



SEETRAX
Advanced Systems & Technology for PCB Manufacture

SQUIRES

MODEL AND CRAFT TOOLS

A comprehensive range of miniature hand and power tools featured in a fully illustrated

144 page Mail Order Catalogue

1998 Issue

**SAME DAY DESPATCH
FREE POST & PACKING**

For your free copy of our catalogue write, telephone or fax to:

Squires, The Old Corn Store,
Chessels Farm, Hoe Lane,
Bognor Regis, West Sussex
PO22 8NW

Tel/Fax: 01243 587009



Radio - Tech

Radio Modules at Lower Prices
than any catalogue, Guaranteed !



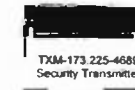
TXM-418-A or F Transmitter



SILRX-418-A or F Receiver



BIM-418-F
Approved to MPT1340



TXM-173-225-4689
Security Transmitter



RXM-173-225-4666-60
VHF Security Receiver

Part	Catalogue RRP**	Our Price
TXM-418-A (9V)	£ 14.50	£ 10.99
TXM-418-F (3V)		
SILRX-418-A or SILRX-418-F	£ 29.95	£ 22.48
BIM-418-F or BIM-433-F	£ 58.00	£ 49.92
TXM-173-225 (1mW) or TXM-173-225- (10mW)	£ 42.00	£ 20.48
RXM-173-4666	£ 64.75	£ 24.65

**Typical Catalogue Company RRP effective Jan 1998 ex VAT

Prices Exclude VAT and Carnage. P & P add £1.50 for orders < £ 100.00 otherwise £6.00 of next day delivery.

Telephone Sales 01992 576107

Fax 01992 561994



<http://www.radio-tech.co.uk> e-mail: sales@radtec.demon.co.uk

HOW DOES YOUR EQUIPMENT MEASURE UP? AT STEWART OF READING THERE'S ALWAYS 'SCOPE' FOR IMPROVEMENT!

**CAN YOU BELIEVE IT 4 TRACE TEXTRONIX 7704A
FOR ONLY £350**



2x200MHz, 2x175MHz Sweep Delay Graphics etc
OTHER COMBINATIONS AVAILABLE

TEKTRONIX 2215 - DUAL TRACE 60MHz



Sweep Delay, includes 2 probes
ONLY £400



PHILIPS PM3217 - Dual Trace 50MHz Delay
This really is a very good oscilloscope
Including 2 Probes, Pouch & Front Cover
Only £400

TEKTRONIX 400 SERIES



468 Digital Storage Dual Trace 100MHz Delay
466 Analogue Storage Dual Trace 100MHz Delay
465 Dual Trace 350MHz Delay Sweep
475 Dual Trace 200MHz Delay Sweep
466 Dual Trace 100MHz Delay Sweep

PHILIPS PM3296A Dual Trace 400MHz Dual TB Delay Cursors IEEE £2250
FLUKE PM3062 2+2Ch 100MHz Delay TB Cursors £999
TEKTRONIX 2465 4 Ch 300MHz Delay Sweep Cursors etc £2000
TEKTRONIX 2465/2465A 4 Ch 150MHz Delay Sweep from Cursors etc £1000
TEKTRONIX TA5465 Dual Trace 100MHz Delay Cursors £900
TEKTRONIX 2235 Dual Trace 100MHz Delay Sweep £750
IWATSU SS5711 4 Ch 100MHz Delay Sweep £550
PHILIPS 3055 2+1 Ch 50MHz Delay Dual/TB £475
GOULD OS100 Dual Trace 30MHz £240
GOULD OS300 Dual Trace 20MHz £200

MARCONI 2019 Syn AM/FM Signal Gen 80KHz-1040MHz £1400
MARCONI 2017 Phased Lock AM/FM Signal Gen 10KHz-1024MHz £1750

**CAN YOU BELIEVE IT - A 1GHZ GENERATOR
FOR ONLY £450**



H.P. 8640A AM/FM Signal Gen 500KHz-1024MHz - Audio Option £325
FARNELL SSG520 Syn AM/FM Signal Gen 10-520MHz £450
MARCONI 6311 Programmable Sweep Gen 10MHz-20GHz £4500
H.P. 8656A Syn Signal Gen 0.1 - 990MHz £1500
PHILIPS PM5190 Programmable Syn Func Gen 0.1MHz-50MHz £1500
PHILIPS PM5192 Programmable Syn Func Gen 0.1MHz-20MHz £1000
H.P. 3325A Syn Function Gen 21MHz £1250
PHILIPS PM5134 Sweep Func Gen 0.001Hz-20MHz £400
PHILIPS PM5132 Sweep Func Gen 0.1Hz-2MHz £250



CLASSIC AVO METER
A Digital AVO DA116 3 1/2 digit
Complete with Batteries and Leads
Only £30



METROM
9A - 500V Battery Megger (a useful back-up
for fault finding)
Complete with Batteries and Leads
£33



SOLARTRON 7045
4 1/2 digit Bench Multimeter with leads
£80



SOLARTRON 7151 DMM 6 1/2 digit IEEE £450
SOLARTRON 7150 DMM 6 1/2 digit IEEE £300
True RMS

LOOK!!

**BRAND NEW OSCILLOSCOPES - NEVER
USED LIMITED STOCK**



DMS 3850A DIGITAL STORAGE/DMM
Handheld LCD Display 2 Channel 50MS/S. Auto range 4 digit
DMM/Capacitance/Frequency Counter Battery Operation or external
7.5-9VDC. AC Adaptor (Not supplied). RS232C Comes in Black Carrying
Pouch complete with 2 scope probes, DMM leads. Manual
FOR ONLY £400



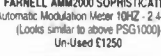
DTS 40 DIGITAL STORAGE
Dual Trace 40MHz 20MS/S Storage. Cursors - On Screen Readout. Sweep
Delay Interface etc. etc. Supplied Unused in original box complete with 2
Probes & Manual
AMAZING VALUE AT £400



DTA 20 Dual Trace 20MHz AR Mag TV Trig etc.
Unused & boxed supplied with 2 probes & Manual £225



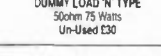
FARNELL PSG1000 10KHz - 1GHz
Am/Fm Synthesised Signal Generator Portable
Un-Used £1500



FARNELL AM2000 SOPHISTICATED
Automatic Modulation Meter 10Hz - 2.4GHz
(Looks similar to above PSG1000)
Un-Used £1250



WAYNE KERR AMZ55
Automatic Modulation Meter AM/FM 1.5MHz - 2GHz 31/2 Digit
Un-Used £500



DUMMY LOAD N TYPE
50ohm 75 Watts
Un-Used £30

NEW & HARDLY USED



PANASONIC VP8177A FM/AM SIGNAL GENERATOR
100KHz-100MHz, FM 0 - 100KHz, Output - 100mV-99dB AM 0-60%, 32 Preset
Memory, Digital Display Frequency & Output
Un-Used £750



KENWOOD FL150A WOW/FLUTTER METER
0.001%-10% Freq 30Hz-20.15kHz
RMS/AVERAGE PEAK. Weighted Filters.
Digital Display or rpm. 4 digit Freq Counter
(0.1KHz-9.999KHz/0.01KHz-350KHz)
Used £400 Un-Used £300



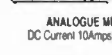
POWER SUPPLY MODEL HSP3010
0-30 Volts, 0-10 Amps
Current Limiting, 2 Meters
Used £150 Un-Used £200



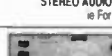
**GOODWILL GVT427 DUAL
CHANNEL AC MILLIVOLTMETER**
10uV 300V in 12 Ranges
Frequency 10Hz - 1MHz
Used £100 Un-Used £125



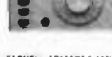
GOODWILL GFC 8010G FREQUENCY COUNTER
Range 1Hz - 100MHz
8 Digit Display 15MHz RMS Sensitivity
Un-Used £75



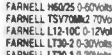
ANALOGUE MULTIMETER Model HC260TR AC/DC Volts:
DC Current 10Amps, 17 Ranges, Continuity Buzzer, Transistor Tester
Un-Used £15



STEREO AUDIO BALANCE to UNBALANCED CONVERTOR
for Car Radio Servicing Un-Used £10



FARNELL LFI
Sine / So Oscillator
10Hz - 1MHz
Un-Used £75



POWER SUPPLIES
FARNELL AP100/30 0-100Volts, 0-30Amps Auto Ranging £1000
FARNELL H60/25 0-60Volts, 0-25Amps £400
FARNELL TS170/2M 70Volts, Sample/20Volts 10Amps £200
FARNELL L12-10C 0-12Volts, 0-10Amps £175
FARNELL LT30-0 0-30Volts, 0-2Amps Ticker £180
FARNELL LT30-1 0-30Volts, 0-4Amps Ticker £130
THURLBY-THANIGAR TSP1020 Precision PSU 18Volts, 20Amps £275
THURLBY-THANIGAR TSP3222 Programmable 32Volts, 2Amps Twice GPIB Digital £450
THURLBY PL310 0-30Volts, 0-2Amps GPIB Digital £150
THURLBY PL310 0-30Volts, 0-1Amps Digital £110
MANY MORE POWER SUPPLIES AVAILABLE



STEWART of READING

110 WYKEHAM ROAD, READING, BERKS. RG6 1PL
Telephone: (0118) 9268041. Fax: (0118) 9351696
Callers Welcome 9 am - 5.30 pm Monday to Friday (other times by arrangement)



Used Equipment - GUARANTEED. Manuals supplied

This is a VERY SMALL SAMPLE OF STOCK. SAE or Telephone for lists. Please check availability before ordering. CARRIAGE all units £16. VAT to be added to Total of Goods and Carriage.

**FREE!
FREE!
FREE!
FREE!
FREE!
FREE!
FREE!
FREE!
FREE!**

FREE! FREE! FREE! FREE! FREE! FREE! FREE!
OUR 1998
CATALOGUE
AND LATEST
BARGAIN LIST
ABSOLUTELY
FREE!

PHONE, FAX OR WRITE TODAY!

GREENWELD
ELECTRONIC COMPONENTS

27D Park Road · Southampton · SO15 3UQ
TELEPHONE: 01703 236363 FAX: 01703 236307
E-Mail: greenweld@aol.com INTERNET: <http://www.greenweld.co.uk>

SURVEILLANCE PROFESSIONAL QUALITY KITS

No. 1 for Kits

Whether your requirement for surveillance equipment is amateur, professional or you are just fascinated by this unique area of electronics SUMA DESIGNS has a kit to fit the bill. We have been designing electronic surveillance equipment for over 12 years and you can be sure that all our kits are very well tried, tested and proven and come complete with full instructions, circuit diagrams, assembly details and all high quality components including fibreglass PCB. Unless otherwise stated all transmitters are tuneable and can be received on an ordinary VHF FM radio.

Genuine SUMA kits available only direct from Suma Designs. Beware inferior imitations!

UTX Ultra-miniature Room Transmitter

Smallest room transmitter kit in the world! Incredible 10mm x 20mm including mic. 3V-12V operation. 500m range..... £16.45

MTX Micro-miniature Room Transmitter

Best-selling micro-miniature Room Transmitter. Just 17mm x 17mm including mic. 3V-12V operation. 1000m range..... £13.45

STX High-performance Room Transmitter

High performance transmitter with a buffered output stage for greater stability and range. Measures 22mm x 22mm, including mic. 6V-12V operation, 1500m range. £15.45

VT500 High-power Room Transmitter

Powerful 250mW output providing excellent range and performance. Size 20mm x 40mm. 9V-12V operation. 3000m range..... £16.45

VXT Voice-Activated Transmitter

Triggers only when sounds are detected. Very low standby current. Variable sensitivity and delay with LED indicator. Size 20mm x 67mm. 9V operation. 1000m range. £19.45

HVX400 Mains Powered Room Transmitter

Connects directly to 240V A.C. supply for long-term monitoring. Size 30mm x 35mm. 500m range..... £19.45

SCRX Subcarrier Scrambled Room Transmitter

Scrambled output from this transmitter cannot be monitored without the SCDM decoder connected to the receiver. Size 20mm x 67mm. 9V operation. 1000m range..... £22.95

SCLX Subcarrier Telephone Transmitter

Connects to telephone line anywhere, requires no batteries. Output scrambled so requires SCDM connected to receiver. Size 32mm x 37mm. 1000m range..... £23.95

SCDM Subcarrier Decoder Unit for SCRX

Connects to receiver earphone socket and provides decoded audio output to headphones. Size 32mm x 70mm. 9V-12V operation..... £22.95

ATR2 Micro-Size Telephone Recording Interface

Connects between telephone line (anywhere) and cassette recorder. Switches tape automatically as phone is used. All conversations recorded. Size 16mm x 32mm. Powered from line..... £13.45

UTLX Ultra-miniature Telephone Transmitter

Smallest telephone transmitter kit available. Incredible size of 10mm x 20mm! Connects to line (anywhere) and switches on and off with phone use. All conversation transmitted. Powered from line. 500m range..... £15.95

TLX 700 Micro-miniature Telephone Transmitter

Best-selling telephone transmitter. Being 20mm x 20mm it is easier to assemble than UTLX. Connects to line (anywhere) and switches on and off with phone use. All conversations transmitted. Powered from line. 1000m range..... £13.45

STLX High-performance Telephone Transmitter

High performance transmitter with buffered output stage providing excellent stability and performance. Connects to line (anywhere) and switches on and off with phone use. All conversations transmitted. Powered from line. Size 22mm x 22mm. 1500m range..... £16.45

TKX900 Signalling/Tracking Transmitter

Transmits a continuous stream of audio pulses with variable tone and rate. Ideal for signalling or tracking purposes. High power output giving range up to 3000m. Size 25mm x 63mm. 9V operation..... £22.95

CD400 Pocket Bug Detector/Locator

LED and piezo bleeper pulse slowly, rate of pulse and pitch of tone increase as you approach signal. Gain control allows pinpointing of source. Size 45mm x 54mm. 9V operation..... £30.95

CD600 Professional Bug Detector/Locator

Multicolour readout of signal strength with variable rate bleeper and variable sensitivity used to detect and locate hidden transmitters. Switch to AUDIO CONFORM mode to distinguish between localised bug transmission and normal legitimate signals such as pagers, cellular, taxis etc. Size 70mm x 100mm. 9V operation..... £50.95

QTX180 Crystal Controlled Room Transmitter

Narrow band FM transmitter for the ultimate in privacy. Operates on 180MHz and requires the use of a scanner receiver or our QRX180 kit (see catalogue). Size 20mm x 67mm. 9V operation. 1000m range..... £40.95

QLX180 Crystal Controlled Telephone Transmitter

As per QTX180 but connects to telephone line to monitor both sides of conversations. 20mm x 67mm. 9V operation. 1000m range..... £40.95

QSX180 Line Powered Crystal Controlled Phone Transmitter

As per QLX180 but draws power requirements from line. No batteries required. Size 32mm x 37mm. Range 500m..... £35.95

QRX 180 Crystal Controlled FM Receiver

For monitoring any of the 'Q' range transmitters. High sensitivity unit. All RF section supplied as pre-built and aligned module ready to connect on board so no difficulty setting up. Output to headphones. 60mm x 75mm. 9V operation..... £60.95

A build-up service is available on all our kits if required.

UK customers please send cheques, POs or registered cash. Please add £2.00 per order for P&P. Goods despatched ASAP allowing for cheque clearance. Overseas customers send Sterling Bank Draft and add £5.00 per order for shipment. Credit card orders welcomed on 01827 714476.

OUR LATEST CATALOGUE CONTAINING MANY MORE NEW SURVEILLANCE KITS NOW AVAILABLE. SEND TWO FIRST CLASS STAMPS OR OVERSEAS SEND TWO IRCS.

★★★ Specials ★★★

DLTX/DLRX Radio Control Switch

Remote control anything around your home or garden, outside lights, alarms, paging system etc. System consists of a small VHF transmitter with digital encoder and receiver unit with decoder and relay output, momentary or alternate, 8-way d.i.l. switches on both boards set your own unique security code. TX size 45mm x 45mm. RX size 35mm x 90mm. Both 9V operation. Range up to 200m.

Complete System (2 kits)..... £50.95

Individual Transmitter DLTX..... £19.95

Individual Receiver DLRX..... £37.95

MBX-1 Hi-Fi Micro Broadcaster

Not technically a surveillance device but a great idea! Connects to the headphone output of your Hi-Fi, tape or CD and transmits Hi-Fi quality to a nearby radio. Listen to your favourite music anywhere around the house, garden, in the bath or in the garage and you don't have to put up with the DJ's choice and boring waffle.

Size 27mm x 60mm. 9V operation. 250m range..... £20.95

**SUMA
DESIGNS**

**DEPT. EE
THE WORKSHOPS, 95 MAIN ROAD,
BAXTERLEY, NEAR AATHERSTONE,
WARWICKSHIRE CV9 2LE
VISITORS STRICTLY BY APPOINTMENT ONLY**



**Tel/Fax:
01827 714476**

The Alternative Oscilloscope

Pico Technology provides an alternative to costly, bulky and complicated oscilloscopes. The ADC range of virtual instrumentation enables your PC to perform as an **oscilloscope, spectrum analyser and digital multimeter.**

- ▼ Upto 100 MS/s sampling and 50 MHz spectrum analysis
- ▼ A fraction of the price of comparable benchtop DSOs
- ▼ Simple Windows based user interface

The practical alternative
Connection to a PC gives virtual instruments the edge over traditional

"...the most powerful, flexible test equipment in my lab."

oscilloscopes: the ability to print and save waveforms is just one example. Advanced trigger modes, such as save to disk on trigger, make tracking down elusive intermittent faults easy. Combining several instruments into one small unit means it is lighter and more portable. When used with a notebook computer, field engineers can carry a complete electronics lab in their PC.



The simple alternative

Virtual instruments eradicate the need for bewildering arrays of switches and dials associated with traditional 'benchtop' scopes. The units are supplied with PicoScope for Windows software.

Controlled using the standard Windows interface, the software is easy to use with full on line help. Installation is easy and no configuration is required; simply plug into the parallel port and it is ready to go. We provide a two year guarantee and free technical support via phone, fax or E-mail.



The low cost alternative

The Pico range of PC based oscilloscopes work with your PC - anything from a dustbin-ready 8086 to the latest pentium. The PicoScope software utilises your monitor to display data. This gives you a larger, clearer display than any scope, at a fraction of the price.

The savings don't stop there: All those expensive upgrades needed for traditional oscilloscopes: such as FFT maths, disk drives and printers are already built into your computer. The PC has made computing affordable, now Pico has made test equipment affordable too.

Seeing is understanding

FROM £59



Call for a **FREE** demo disk or visit our web site.
Fax: (0)1954 211880 Tel: (0)1954 211716
E-mail: post@picotech.co.uk <http://www.picotech.com>

Broadway House 149-151 St Neots Road Hardwick Cambridge CB3 7QJ UK



The complete monitoring system

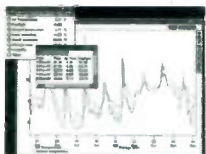
Temperature

The **EnviroMon** system, from Pico Technology is one of the most versatile and cost effective monitoring systems on the market today. It can measure temperatures from -55 to 300°C, check light and humidity levels or record the position of a switched system. Its applications are endless; from food storage & preparation to energy management.

Open Door

Humidity

Light



At the core of the system is the logger, which stores up to 15,000 readings and displays them from each sensor in turn. Reports can be printed on a stand-alone printer or data sent to a PC for long term storage and graphical

analysis using the powerful supplied software, EnviroMon for Windows.

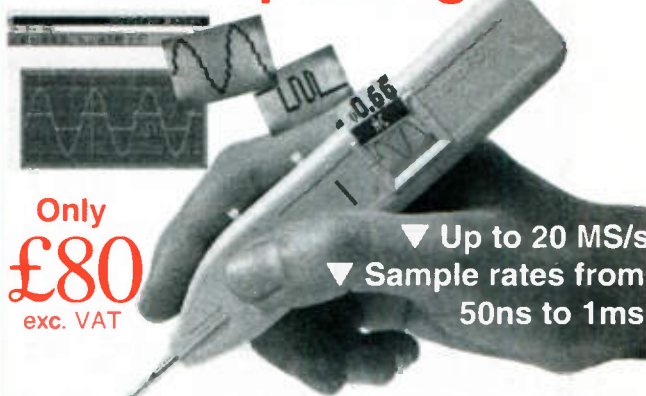
The EnviroMon system records data 24 hours a day, 365 days a year, even if the mains power fails. Should a parameter goes out of range, it alerts you with various alarms or a telephone message.

EnviroMon Starter kit £395 + VAT

Call for full product range and FREE demo disk or visit our web site.

Pico Technology Limited, Broadway House,
149-151 St. Neots Rd, Hardwick, Cambridge, CB3 7QJ UK
Tel: 01954 -211716 Fax: 01954 -211880
E-mail: post@picotech.co.uk <http://www.picotech.com>

The best things come in small packages



Only £80
exc. VAT

- ▼ Up to 20 MS/s
- ▼ Sample rates from 50ns to 1ms

Oscilloscopes are becoming smaller and lighter: Now Pico Technology brings you the latest development, the **osziFOX** hand held scope. Despite its small size, its performance can match that of a service oscilloscope. With sampling rates of up to 20 MSs, even signals in microprocessor circuits can be measured. The osziFOX is ideal for taking measurements in digital circuits, telephone installations, hobby electronics, production line tests and on-the-spot measuring. It provides the ultimate in portability and flexibility.

As with the rest of the Pico Technology range, the PC link gives the osziFOX the edge: the ability to print and save waveforms is just one example. Complete price £98.11 including VAT + P&P (UK), cables and software included.

Tel: 01954 -211716 Fax: 01954 -211880
E-mail: post@picotech.co.uk
Visit our web site: www.picotech.com
Pico Technology Limited, Broadway House, 149-151 St. Neots Rd, Hardwick, Cambridge, CB3 7QJ



MAIL ORDER ONLY ● CALLERS BY APPOINTMENT

EPE MICROCONTROLLER P.I. TREASURE HUNTER

The latest MAGENTA DESIGN - highly stable & sensitive - with MC control of all timing functions and advanced pulse separation techniques.

● New circuit design 1994

- High stability drift cancelling
- Easy to build & use
- No ground effect, works in seawater



- Detects gold, silver, ferrous & non-ferrous metals

- Efficient quartz controlled microcontroller pulse generation.
- Full kit with headphones & all hardware

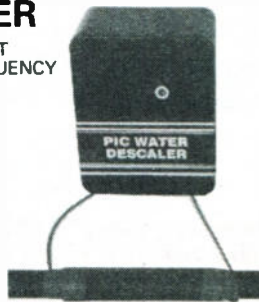
KIT 847.....£63.95

PIC PIPE DESCALER

- SIMPLE TO BUILD
- HIGH POWER OUTPUT
- AUDIO & VISUAL MONITORING
- SWEPT FREQUENCY

An affordable circuit which sweeps the incoming water supply with variable frequency electromagnetic signals. May reduce scale formation, dissolve existing scale and improve lathering ability by altering the way salts in the water behave. Kit includes case, P.C.B, coupling coil and all components. High coil current ensures maximum effect. L.E.D. monitor

KIT 868£22.95 POWER UNIT.....£3.99



SPACEWRITER

An innovative and exciting project. Wave the wand through the air and your message appears. Programmable to hold any message up to 16 digits long. Comes pre-loaded with "MERRY XMAS". Kit includes PCB, all components & tube plus instructions for message loading.

KIT 849.....£16.99

12V EPROM ERASER

A safe low cost eraser for up to 4 EPROMS at a time in less than 20 minutes. Operates from a 12V supply (400mA). Used extensively for mobile work - updating equipment in the field etc. Also in educational situations where mains supplies are not allowed. Safety interlock prevents contact with UV.

KIT 790.....£28.51

MICRO PEST SCARER

Our latest design - The ultimate scarer for the garden. Uses special microchip to give random delay and pulse time. Easy to build reliable circuit. Keeps pets/pests away from newly sown areas, play areas, etc. Uses power source from 9 to 24 volts.

- RANDOM PULSES
- HIGH POWER
- DUAL OPTION

KIT 867.....£19.99

KIT + SLAVE UNIT.....£32.50

Plug-in power supply £4.99



SUPER BAT DETECTOR

1 WATT O/P, BUILT IN
SPEAKER, COMPACT CASE
20kHz-140kHz

NEW DESIGN WITH 40kHz MIC.

A new circuit using a 'full bridge' audio amplifier i.c., internal speaker, and headphone/tape socket. The latest sensitive transducer, and 'double balanced mixer' give a stable, high performance superheterodyne design.

KIT 861.....£24.99

ALSO AVAILABLE Built & Tested£39.99



PORTABLE ULTRASONIC PEST SCARER

A powerful 23kHz ultrasound generator in a compact hand-held case. MOSFET output drives a special sealed transducer with intense pulses via a special tuned transformer. Sweeping frequency output is designed to give maximum output without any special setting up.

KIT 842.....£22.56

SUPER ACOUSTIC PROBE

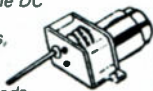
Our very popular project - now with ready built probe assembly and diecast box. Picks up vibrations amplifies, and drives headphones. Sounds from engines, watches, and speech through walls can be heard clearly. Useful for mechanics, instrument engineers and nosey parkers! A very useful piece of kit.

KIT 865.....£29.95

DC Motor/Gearboxes

Our Popular and Versatile DC motor/Gearbox sets. Ideal for Models, Robots, Buggies etc. 1-5 to 4-5V Multi ratio gearbox gives wide range of speeds.

LARGE TYPE - MGL £6.95
SMALL - MGS - £4.77



Stepping Motors

MD38...Mini 48 step...£8.65
MD35...Std 48 step...£9.99
MD200...200 step...£12.99
MD24...Large 200 step...£22.95



WINDICATOR

A novel wind speed indicator with LED readout. Kit comes complete with sensor cups, and weatherproof sensing head. Mains power unit £5.99 extra.

KIT 856.....£28.00

★ TENS UNIT ★

DUAL OUTPUT TENS UNIT

As featured in March '97 issue.

Magenta have prepared a FULL KIT for this excellent new project. All components, PCB, hardware and electrodes are included. Designed for simple assembly and testing and providing high level dual output drive.

KIT 866.... Full kit including four electrodes £32.90

Set of 4 spare electrodes £6.50

1000V & 500V INSULATION TESTER

Superb new design. Regulated output, efficient circuit. Dual-scale meter, compact case. Reads up to 200 Megohms. Kit includes wound coil, cut-out case, meter scale, PCB & ALL components.

KIT 848.....£32.95



E.E. TREASURE HUNTER P.I. METAL DETECTOR MK1

Magenta's highly developed & acclaimed design. Quartz crystal controlled circuit MOSFET coil drive. D.C. coupled amplification. Full kit includes PCB, handle, case & search coil.

- KIT INC. HEADPHONES
- EFFICIENT CMOS DESIGN
- POWERFUL COIL DRIVE

- DETECTS FERROUS AND NON-FERROUS METAL - GOLD, SILVER, COPPER ETC.
- 190mm SEARCH COIL
- NO 'GROUND EFFECT'

KIT 815.....£45.95



MOSFET MkII VARIABLE BENCH POWER SUPPLY 0-25V 2-5A.

Based on our Mk1 design and preserving all the features, but now with switching pre-regulator for much higher efficiency. Panel meters indicate Volts and Amps. Fully variable down to zero. Toroidal mains transformer. Kit includes punched and printed case and all parts. As featured in April 1994 EPE. An essential piece of equipment.



Kit No. 845.....£64.95

3-NOTE DOORCHIME

IDEAL BEGINNERS PROJECT

Uses SAB0600 chip to produce natural sounding 3-note chime. Adjustable pitch - so that two can be used for front and back doors. Kit includes P.C.B., all parts and instructions. No case or battery

KIT 869.....£5.99



ULTRASONIC PEST SCARER

Keep pets/pests away from newly sown areas, fruit, vegetable and flower beds, children's play areas, patios etc. This project produces intense pulses of ultrasound which deter visiting animals.

- KIT INCLUDES ALL COMPONENTS, PCB & CASE
- EFFICIENT 100V TRANSDUCER OUTPUT
- COMPLETELY INAUDIBLE TO HUMANS
- UP TO 4 METRES RANGE
- LOW CURRENT DRAIN

KIT 812.....£14.81



SIMPLE PIC PROGRAMMER

INCREDIBLE LOW
PRICE!

Kit 857 **£12.99**

INCLUDES 1-PIC16C84 CHIP
SOFTWARE DISK, LEAD
CONNECTOR, PROFESSIONAL
PC BOARD & INSTRUCTIONS

Power Supply £3.99

EXTRA CHIPS:
PIC 16C84 £4.84

Based on the design in February '96 *EPE* article, Magenta have made a proper PCB and kit for this project. PCB has 'reset' switch, Program switch, 5V regulator and test L.E.D.s. There are also extra connection points for access to all A and B port pins.

PIC16C84 LCD DISPLAY DRIVER

INCLUDES 1-PIC16C84
WITH DEMO PROGRAM
SOFTWARE DISK, PCB,
INSTRUCTIONS AND
24-CHARACTER 2-LINE
LCD DISPLAY

Kit 860 **£19.99**

Power Supply £3.99

FULL PROGRAM SOURCE
CODE SUPPLIED - DEVELOP
YOUR OWN APPLICATION!

Another super PIC project from Magenta. Supplied with PCB, industry standard 2-LINE x 24-character display, data, all components, and software to include in your own programs. Ideal development base for meters, terminals, calculators, counters, timers - Just waiting for your application!

★ Chip is pre-programmed with demo display ★

PIC16C84 MAINS POWER 4-CHANNEL CONTROLLER & LIGHT CHASER

- WITH PROGRAMMED 16C84 AND DISK WITH SOURCE CODE IN MPASM
- ZERO VOLT SWITCHING - 10 CHASE PATTERNS
- OPTO ISOLATED
- 4 X 3 KEYPAD CONTROL
- SPEED CONTROL POT.
- HARD FIRED TRIACS
- 4 CHANNELS @5 AMPS

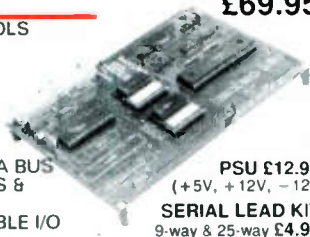
Now features full 4-channel chaser software on DISK and pre-programmed PIC16C84 chip. Easily re-programmed for your own applications. Software source code is fully 'commented' so that it can be followed easily.

Kit 855 **£39.95** LOTS OF OTHER APPLICATIONS

68000 DEVELOPMENT AND TRAINING KIT

KIT 601
£69.95

- USED WORLDWIDE IN SCHOOLS & COLLEGES
- FULL FEATURED MONITOR, LINE ASSEMBLER & CROSS ASSEMBLER DISK
- NOW WITH EXPANDED RAM & ROM
- FULL 8MHz 68000 16-BIT DATA BUS
- FULL MANUAL, DATA COMMS & SOFTWARE DISK
- 2 SERIAL PORTS & EXPANDABLE I/O



PSU £12.99

(+5V, +12V, -12V)

SERIAL LEAD KIT
9-way & 25-way £4.99

Mini-Lab & Micro Lab Electronics Teach-In 7

As featured in *EPE* and now published as Teach-In 7. All parts are supplied by Magenta. Teach-In 7 is £3.95 from our *EPE*

Full Mini Lab Kit - £119.95 -
Power supply extra - £22.55
Full Micro Lab Kit - £155.95
Built Micro Lab - £189.95



EPE PIC Tutorial

NEW!

At Last! A Real, Practical, Hands-On Series
3-Part Series - Starting March '98

- Learn Programming from scratch
- Uses Re-Programmable PIC16C84 Chip
- Start by lighting an l.e.d. and work up through over 30 tutorials to Sound Generation, Data Display, and a Security System
- PIC TUTOR Board has Input Switches, Output l.e.d.s, and on board programmer

PIC TUTOR BOARD KIT

Includes: PIC16C84 Chip, TOP Quality PCB printed with Component Layout and all components* (*not ZIF Socket or Displays). Included with the Magenta Kit is a disk with Test and Demonstration routines.

KIT 870 **£27.95, Built & Tested £42.95**
Optional: Power Supply - £3.99, ZIF Socket - £9.99

LCD Display - With Software and Connection details **£7.99**
LED Display - Including Software..... **£6.99**

PIC TOOLKIT

NEW!

- PROGRAMS PIC16C84 and 16F84
- ACCEPTS TASM AND MPASM CODE

Full kit includes PIC16C84 chip, top quality p.c.b. printed with component layout, turned pin PIC socket, all components and software*
*Needs QBASIC or QUICKBASIC

KIT 871 . . . **£13.99.** Built and tested **£21.99**

SUPER PIC PROGRAMMER

- READS, PROGRAMS, AND VERIFIES
- WINDOWSTM SOFTWARE
- PIC16C6X, 7X, AND 8X
- USES ANY PC PARALLEL PORT
- USES STANDARD MICROCHIP • HEX FILES
- OPTIONAL DISASSEMBLER SOFTWARE (EXTRA)
- PCB, LEAD, ALL COMPONENTS, TURNED PIN SOCKETS FOR 18, 28, AND 40 PIN ICs.

• SEND FOR DETAILED
INFORMATION - A
SUPERB PRODUCT AT AN
UNBEATABLE LOW PRICE.

Kit 862 **£29.99**

Power Supply £3.99

DISASSEMBLER
SOFTWARE **£11.75**

PIC STEPPING MOTOR DRIVER

INCLUDES: PCB,
PIC16C84 WITH
DEMO PROGRAM,
SOFTWARE DISK,
INSTRUCTIONS
AND MOTOR.

Kit 863 **£18.99**

FULL SOURCE CODE SUPPLIED.
ALSO USE FOR DRIVING OTHER
POWER DEVICES e.g. SOLENOIDS.

Another NEW Magenta PIC project. Drives any 4-phase unipolar motor - up to 24V and 1A. Kit includes all components and 48 step motor. Chip is pre-programmed with demo software, then write your own, and re-program the same chip! Circuit accepts inputs from switches etc and drives motor in response. Also runs standard demo sequence from memory.

MAGENTA

All prices include VAT. Add £3.00 p&P. Next Day £6.99

Tel: 01283 565435 Fax: 01283 546932 E-mail: Magenta_Electronics@compuserve.com



Station Road, Cullercoats, Tyne & Wear, NE30 4PQ

All Major Credit cards Accepted
 Prices Exclude Vat @17.5%. Add £1.25 carriage & Vat to all orders. Cheques / Postal orders payable to ESR Electronic Components.

See Next / Last Months Ad. for COMPONENT ACCESSORIES

DIL Sockets

- Stamped Pin**
 - 6 Pin DIL 0.3" £0.06
 - 8 Pin DIL 0.3" £0.06
 - 14 Pin DIL 0.3" £0.11
 - 16 Pin DIL 0.3" £0.11
 - 18 Pin DIL 0.3" £0.12
 - 20 Pin DIL 0.3" £0.11
 - 24 Pin DIL 0.6" £0.13
 - 28 Pin DIL 0.6" £0.13
 - 40 Pin DIL 0.6" £0.19
- Turned Pin**
 - 8 Pin DIL 0.3" £0.11
 - 14 Pin DIL 0.3" £0.20
 - 16 Pin DIL 0.3" £0.23
 - 18 Pin DIL 0.3" £0.26
 - 20 Pin DIL 0.3" £0.28
 - 24 Pin DIL 0.6" £0.35
 - 28 Pin DIL 0.6" £0.41

SIL Pin Header Strip

- 1 x 36 Way Straight £0.38
 - 2 x 36 Way Straight £0.56
 - 1 x 36 Way 90 £0.54
 - 2 x 36 Way 90 £0.80
- Available in 2, 3, 4, 5 & 10 way. Also female PCB sockets & jumper links.

20 Way Socket Strip £0.54

Transistor Sockets

- T018-4 Base Socket £0.24
- T05 Base Socket £0.24

IDC Cable Sockets

- 14 Way Socket £0.23
- 14 Way Socket £0.34
- 16 Way Socket £0.31
- 20 Way Socket £0.26
- 26 Way Socket £0.35
- 34 Way Socket £0.52
- 40 Way Socket £0.66
- 50 Way Socket £0.75

PCB Box Headers

- 10 Way Straight £0.27
- 14 Way Straight £0.36
- 16 Way Straight £0.36
- 20 Way Straight £0.41
- 26 Way Straight £0.57
- 34 Way Straight £0.63
- 40 Way Straight £0.96
- 50 Way Straight £0.96
- 10 Way 90 £0.33
- 16 Way 90 £0.42
- 20 Way 90 £0.53
- 26 Way 90 £0.70
- 34 Way 90 £0.72
- 40 Way 90 £0.83
- 50 Way 90 £0.95

PCB Latch Headers

- 10 Way Straight £0.50
- 16 Way Straight £0.70
- 20 Way Straight £0.78
- 26 Way Straight £0.81
- 34 Way Straight £0.86
- 40 Way Straight £1.56
- 50 Way Straight £1.29
- 10 Way 90 £0.58
- 16 Way 90 £0.78
- 20 Way 90 £0.82
- 26 Way 90 £1.06
- 34 Way 90 £1.14
- 40 Way 90 £1.26
- 50 Way 90 £1.74

DIL Headers

- 14 Way DIL £0.54
- 14 Way DIL £0.59
- 20 Way DIL £0.90
- 40 Way DIL £1.02

Transition Headers

- 10 Way Transition £0.49
- 14 Way Transition £0.47
- 16 Way Transition £0.47
- 20 Way Transition £0.54
- 26 Way Transition £0.62
- 34 Way Transition £0.67
- 40 Way Transition £0.90
- 50 Way Transition £1.02

RF Connectors

- BNC Plug 50Ω Solder £0.93
 - BNC Plug 50Ω Crimp £0.62
 - BNC Plug 75Ω Solder £0.95
 - BNC Plug 75Ω Crimp £0.70
 - BNC Chassis Socket £0.83
 - F Plug - Twist £0.24
 - F Plug - Crimp £0.26
 - TNC Plug 50Ω Solder £1.24
 - TNC Plug 50Ω Crimp £0.85
 - TNC Plug 75Ω Solder £1.40
 - TNC Plug 75Ω Crimp £1.16
 - UHF Plug 5mm Cable £0.63
 - UHF Plug 11mm Cable £0.83
 - UHF Chassis Skt - Sar £0.50
 - UHF Chassis Skt - Rnd £0.73
- Extensive range of RF connectors in stock, inc FME, SMA, Mini UHF & N Type.

Terminals

- Colours: Red, Black, Green, Blue, White or Yellow
- 2mm Solder Plugs £0.18
- 2mm Chassis Sockets £0.26
- 4mm Solder Plugs £0.30
- 4mm Stackable Plugs £0.40
- 4mm Chassis Sockets £0.23
- 4mm Binding Posts £0.54
- 33mm Crocodile Clips £0.13

Power Connectors DC Low Voltage

- DC Plug 0.71D 2.350D £0.46
- DC Plug 1.31D 3.400D £0.32
- DC Plug 1.71D 4.000D £0.50
- DC Plug 1.71D 4.750D £0.46
- DC Plug 2.11D 5.000D £0.24
- DC Plug 2.51D 5.000D £0.24
- DC Plug 3.11D 6.300D £0.46
- DC Line Socket 2.1mm £0.56
- DC Line Socket 2.5mm £0.56
- DC Chassis Skt 2.1mm £0.46
- DC Chassis Skt 2.5mm £0.46

IEC Mains 6A 250Vac

- 3 Pin IEC Line Socket £1.14
- 3 Pin IEC Line Plug £1.83
- 3 Pin IEC Chassis Socket £0.56
- 3 Pin Chassis Plug £0.72

8 Way Bulgin

- 8 Pin Line Plug P551 £4.08
- 8 Pin Chassis Skt P552 £1.39

Toggle Switches

- Sub-Miniature**
 - 3A 125V 1A 250V £0.30
 - 5mm Ø Mounting Hole £0.58
 - SPST 5 x 10mm £0.60
 - SPDT 5 x 10mm £0.60
 - SPDT c/o Off 5 x 10mm £0.86
 - DPDT 9.2 x 10mm £0.66

Miniature

- 6A 125V 3A 250V £2.65
- 6.2mm Ø Mounting Hole
- SPST 8 x 13mm £0.70
- SPDT 8 x 13mm £0.60
- SPDT c/off 8 x 13mm £0.60
- SPDT c/o Biased 2 way £1.10
- SPDT c/o Biased 1 way £1.04
- DPDT 12 x 13mm £0.72
- DPDT c/off 12 x 13mm £0.80
- DPDT c/o Biased 2 way £1.28
- DPDT c/o Biased 1 way £1.28

Standard

- 1A 125V 5A 250V £0.22
- 11mm Ø Mounting Hole
- SPST 18 x 30mm £1.44
- SPDT 18 x 30mm £1.42
- SPDT c/off 18 x 30mm £1.52
- DPDT 21 x 30mm £1.78
- DPDT c/off 21 x 30mm £2.02

Slide Switches

- Miniature**
 - 300mA 125V £0.84
 - 7 x 15mm Mounting Hole £0.15
 - DPDT 7 x 23mm £0.15

Standard

- 1A 125V 5A 250V £0.20
- 5.5 x 12mm Mounting Hole £0.24
- DPDT 12 x 35mm £0.24
- DPDT c/o 12 x 35mm £0.27

Rotary Switches

- 150mA 250V Make before Break 22mm Ø 9.8mm Ø Mounting Hole
- 1 Pole 12 Way £0.84
- 2 Pole 6 Way £0.84
- 3 Pole 4 Way £0.84
- 4 Pole 3 Way £0.84

Push Switches

- Miniature Round**
 - 250mA 125V 28 x 10mm 7mm Ø Mounting Hole
 - Non Latching Push to Make Black PTM £0.24
 - Red PTM £0.24
 - Yellow PTM £0.24
 - Green PTM £0.24
 - Blue PTM £0.24
 - White PTM £0.24
 - Non Latching Push to Break Black PTB £0.24

Standard Square

- A 250V 39 x 15.5mm 12mm Ø Mounting Hole
- Non Latching Push to Make Black PTM £0.60
- Red PTM £0.60
- Blue PTM £0.60
- White PTM £0.60
- Latching - push On push Off Black £0.65
- Blue £0.65
- White £0.65

Rockers Switches Miniature

- 6A 250V Solder Tags
 - SPST 21 x 14 x 16mm £0.69
 - DPDT 21 x 24 x 22mm £0.96
- SPST - Red Neon £1.02
- SPST - Green Neon £1.02
- SPST - Amber Neon £1.02

Standard

- 15A 250V Push on Tags
 - SPST 30 x 11 x 22mm £0.62
 - DPDT 30 x 25 x 22mm £1.12

Illuminated

- 15A 250V Push on Tags
 - SPST 30x14mm Red £0.84
 - DPST 30x25mm Red £1.40
 - DPST 30x25mm Amber £1.40
 - DPST 30x25mm Green £1.40

Relays

- PCB Mounting
 - 1A 24Vdc DPDT 5V £1.44
 - 1A 24Vdc DPDT 12V £1.44
 - 3A 110V SPDT 6V £0.58
 - 3A 110V SPDT 6V £0.58
 - 3A 110V SPDT 6V £0.58
 - 5A 110V SPDT 12V £0.72
 - 5A 110V DPDT 6V £0.93
 - 5A 110V DPDT 12V £0.93
 - 5A 240V DPDT 6V £1.76
 - 5A 240V DPDT 12V £1.76
 - 10A 240V SPDT 6V £1.25
 - 10A 240V SPDT 12V £1.44
 - 10A 240V SPDT 24V £1.44

Computer Accessories Adaptors

- 9M Gender Changer £2.18
- 9F Gender Changer £2.29
- 25M Gender Changer £2.60
- 25F Gender Changer £2.80
- 9 Male - 25 Female £1.90
- 9 Female - 25 Male £1.90
- 9A - 6 Mini Din Male £2.40
- 9F - 6 Mini Din Female £2.40
- 5M Din - 6F Mini Din £2.08
- 5F Din - 6M Mini Din £2.08

Testers / Patch Boxes

- Mini Tester 7 LEDs £6.68
- Check Tester 18 LEDs £6.98
- Enhanced + Switches £15.25
- 25D Jumper Box M-F £2.90
- 25D Patch Box M-F £7.32
- Anti-Static Wrist Strap £4.76
- RS232C Line Protector £5.43
- Moins Surge Protector £11.99
- 4 Gang Surge Block £15.50

Leads & Cables

- 1.5m Printer Lead £3.40
- 5m Printer Lead £9.38
- 10m Printer Lead £12.38
- Serial Printer 25M-9F £4.50
- Serial Printer 25M-25F £4.45
- Null Modem Leads**
 - 9 Female - 9 Female £3.45
 - 25 Female - 25 Female £4.63
 - 9 Female - 25 Female £2.90
 - 9.85F to 9.85F £5.54
- Modem Leads**
 - 25Mole to 9Female £4.08
 - 25Mole to 25Female £4.75
- PC Link Leads**
 - Interlink 25M to 25M £5.70
- Patch Lead**
 - 25Mole to 25Mole £4.12
 - 36Mole to 36Mole £5.90
- Internal Leads**
 - Floppy Cable A/B £4.70
 - Hard Disk 2xIDE £2.32
 - Power 3/4-2 x 3/4 £1.88
 - Power 5/4-2 x 5/4 £1.50
 - Power 5/4-2 x 3/4 £2.24
 - Power 5/4-3/4 5/4 £2.24

Networking

- 2 Piece TIA/EIA BNC T Piece FFF £2.40
- BNC Coupler F £1.02
- BNC Coupler M £1.65
- BNC Ratchet Crimper £17.44
- 50Ω BNC Terminator £1.24
- Thinned Cable per m £0.39

Boxes & Cases

Many more sizes available



General Purpose Plastic

- 75 x 56 x 25mm £0.93
- 75 x 51 x 22mm £0.93
- 111 x 51 x 22mm £1.05
- 79 x 61 x 40mm £1.55
- 100 x 76 x 41mm £1.69
- 118 x 98 x 45mm £1.95
- 150 x 100 x 60mm £2.65
- 150 x 80 x 50mm £2.47

Diecast Aluminium

- 50 x 50 x 31mm £2.24
- 100 x 50 x 25mm £2.98
- 112 x 62 x 31mm £3.55
- 120 x 65 x 40mm £4.02
- 150 x 80 x 50mm £5.36
- 121 x 95 x 61mm £5.99

Two Piece Aluminium

- 133 x 70 x 37mm £2.08
- 102 x 102 x 37mm £1.94
- 102 x 70 x 37mm £1.76
- 133 x 102 x 37mm £2.19
- 102 x 63 x 50mm £1.86
- 76 x 51 x 25mm £1.34
- 152 x 102 x 50mm £2.90
- 178 x 127 x 63mm £3.62
- 203 x 152 x 76mm £4.68
- 102 x 102 x 63mm £2.15
- 133 x 102 x 63mm £2.57
- 152 x 102 x 76mm £3.23

Steel/Aluminium Plastic coated steel top, Aluminium base

- 152 x 114 x 44mm £4.19
- 203 x 127 x 51mm £4.99
- 229 x 127 x 63mm £5.62
- 114 x 63 x 57mm £3.04

Wire & Cable Ribbon Cable

- Price per 300mm (1ft)
- 10 Way Grey Ribbon £0.11
- 16 Way Grey Ribbon £0.17
- 20 Way Grey Ribbon £0.22
- 26 Way Grey Ribbon £0.28
- 34 Way Grey Ribbon £0.38
- 40 Way Grey Ribbon £0.48
- 50 Way Grey Ribbon £0.53
- 60 Way Grey Ribbon £0.64

Enamelled Copper Wire

- Per 50g (2oz) Reel
 - 500g reels available
 - 14 SWG Enamelled £0.95
 - 16 SWG Enamelled £0.95
 - 18 SWG Enamelled £0.95
 - 20 SWG Enamelled £0.95
 - 22 SWG Enamelled £1.10
 - 24 SWG Enamelled £1.12
 - 26 SWG Enamelled £1.18
 - 28 SWG Enamelled £1.20
 - 30 SWG Enamelled £1.22
 - 32 SWG Enamelled £1.24
 - 34 SWG Enamelled £1.25
 - 36 SWG Enamelled £1.50
 - 40 SWG Enamelled £1.81
- Tinned Copper Wire**
 - Per 50g (2oz) Reel
 - 500g reels available
 - 16 SWG Tinned £0.95
 - 18 SWG Tinned £0.95
 - 20 SWG Tinned £0.99
 - 22 SWG Tinned £0.99
 - 24 SWG Tinned £1.01
- Continued....

EVERDAY PRACTICAL ELECTRONICS PROJECTS Discounted Component Kits Now Available

Full details on our Web site <http://www.esr.co.uk>

Pulsed Peizo Sounder

High output peizo sounder with flying leads, built in driver & pulsed circuit. 3-20Vdc, 18mA, 85dB (Min 9Vdc), 42mm Ø.

£0.85 ea £0.79 (25+) Normal Price £1.60

DM830 Digital Multimeter

A sturdy well designed 3 1/2 Digit LCD multimeter ideal for hobby or professional use. Covering five functions with 18 range including 10Ac Current - DC Volts, AC Volts, DC Current, Resistance, Diode Test, also with simple function generator output. Supplied complete with battery, test leads & operating instructions. CE Approved.



PCB Material & Equipment FREE Fully illustrated catalogue, send SAE (60p Stamps)

EVERYDAY PRACTICAL ELECTRONICS

VOL. 27 No. 7

JULY '98

Editorial Offices:

EVERYDAY PRACTICAL ELECTRONICS EDITORIAL
ALLEN HOUSE, EAST BOROUGH, WIMBORNE
DORSET BH21 1PF

Phone: Wimborne (01202) 881749

Fax: (01202) 841692. Due to the cost we cannot reply to overseas orders or queries by Fax.

E-mail: editorial@epemag.wimborne.co.uk

Web Site: <http://www.epemag.wimborne.co.uk>

See notes on Readers' Enquiries below - we regret lengthy technical enquiries cannot be answered over the telephone.

Advertisement Offices:

EVERYDAY PRACTICAL ELECTRONICS
ADVERTISEMENTS

MILL LODGE, MILL LANE

THORPE-LE-SOKEN, ESSEX CO16 0ED

Phone/Fax: (01255) 861161

EXPENSIVE?

It is interesting to note how various readers view the hobby of electronics; we sometimes get response from readers regarding the cost of the hobby being rather high, what with the price of test gear and tools, plus components and hardware by mail order for projects, etc. However, if we see any response from industry, perhaps on the price of the magazine, books or manuals, it is usually commenting on the excellent value for money we can offer.

It all comes down to how you view electronics - as a constructional hobby or for training and education. Do you simply want to be able to construct the equivalent of a commercial product at a significant saving? - often no longer possible with the manufacturers' buying power and mass production savings; or do you look upon it as a true hobby which gives the pleasure of doing, learning and developing your skills? There is, of course, the added fillip with some projects of being able to build something which you cannot buy, or of being able to tailor a design to meet your own individual requirements.

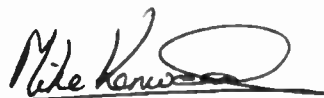
I.C. INSIDE

Sometimes we are asked to explain what goes on inside i.c.s and perhaps to give an internal circuit. Basically that is not possible; when you think that the latest Pentium chip contains over seven million (yes million) active devices and that even a very basic op.amp or timer i.c. probably has hundreds of active components inside it, it would take nearly the whole magazine to give a reasonable explanation of the circuit, including a circuit diagram. Such knowledge is really unnecessary; provided you understand what the chip does and what the figures on the data sheet mean, then you can use it simply as an active component. Few equipment design engineers will have any knowledge of the "component level" internal circuitry of the i.c.s they use.

Our *Teach-In '98* series lets you into the secrets of operation of digital i.c.s and how to design circuits which use them. With the whole world becoming more digital every month, it is useful knowledge.

ON-LINE

Observant readers will notice another name on our list of *EPE* workers (right). Alan Winstanley has been producing our Web Pages from the start of our electronic presence. Alan works for us on a freelance basis, but our Web site and ftp site are such an important part of the operation, and Alan has total control over them, that we felt it was high time we recognised his contribution in that area. Regular readers will also be aware of his not insignificant editorial contributions; he is a valuable member of our team and the one who keeps *EPE* in front of an ever-growing high tech. Web audience.



AVAILABILITY

Copies of *EPE* are available on subscription anywhere in the world (see below), from all UK newsagents (distributed by Seymour) and from the following UK electronic component retailers: Maplin - all stores throughout the UK (and in S. Africa); Greenwell Electronics; Omni Electronics. *EPE* can also be purchased from retail magazine outlets around the world.



SUBSCRIPTIONS

Annual subscriptions for delivery direct to any address in the UK: £26. Overseas: £32 standard air service, £49.50 express airmail. Cheques or bank drafts (in £ sterling only) payable to *Everyday Practical Electronics* and sent to EPE Subscriptions Dept., Allen House, East Borough, Wimborne, Dorset BH21 1PF. Tel: 01202 881749. Subscriptions start with the next available issue. We accept MasterCard or Visa. (For past issues see the *Back Issues* page.)

BINDERS

Binders to hold one volume (12 issues) are available from the above address. These are finished in blue p.v.c., printed with the magazine logo in gold on the spine. Price £5.95 plus £3.50 post and packing (for overseas readers the postage is £6.00 to everywhere except Australia and Papua New Guinea which cost £10.50). Normally sent within seven days but please allow 28 days for delivery - more for overseas orders.

Payment in £ sterling only please. Visa and MasterCard accepted, minimum credit card order £5. Send, fax or phone your card number and card expiry date with your name, address etc. Or order on our secure server via our web site.

Editor: MIKE KENWARD

Secretary: PAM BROWN

Deputy Editor: DAVID BARRINGTON

Technical Editor: JOHN BECKER

On-Line Editor: ALAN WINSTANLEY

Business Manager: DAVID J. LEAVER

Subscriptions: MARILYN GOLDBERG

Editorial: Wimborne (01202) 881749

Advertisement Manager:

PETER J. MEW, Frinton (01255) 861161

Advertisement Copy Controller:

PETER SHERIDAN, Wimborne (01202) 882299

READERS' ENQUIRIES

We are unable to offer any advice on the use, purchase, repair or modification of commercial equipment or the incorporation or modification of designs published in the magazine. We regret that we cannot provide data or answer queries on articles or projects that are more than five years old. Letters requiring a personal reply *must* be accompanied by a stamped self-addressed envelope or a self-addressed envelope and international reply coupons. Due to the cost we cannot reply to overseas queries by Fax.

All reasonable precautions are taken to ensure that the advice and data given to readers is reliable. We cannot, however, guarantee it and we cannot accept legal responsibility for it.

COMPONENT SUPPLIES

We do not supply electronic components or kits for building the projects featured, these can be supplied by advertisers (see *Shoptalk*).

We advise readers to check that all parts are still available before commencing any project in a back-dated issue.

We regret that we cannot provide data, or answer queries, on projects that are more than five years old.

ADVERTISEMENTS

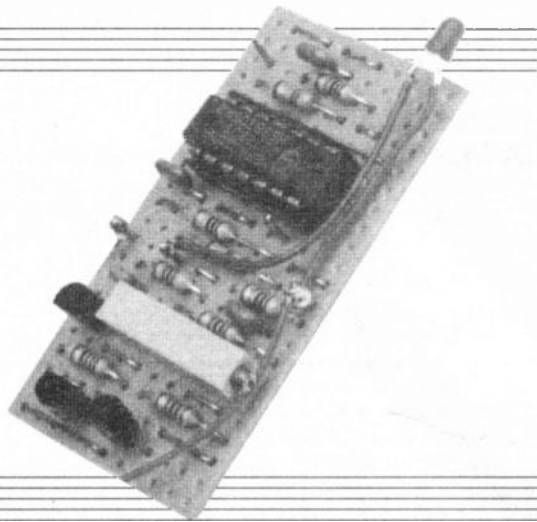
Although the proprietors and staff of EVERYDAY PRACTICAL ELECTRONICS take reasonable precautions to protect the interests of readers by ensuring as far as practicable that advertisements are *bona fide*, the magazine and its Publishers cannot give any undertakings in respect of statements or claims made by advertisers, whether these advertisements are printed as part of the magazine, or in inserts.

The Publishers regret that under no circumstances will the magazine accept liability for non-receipt of goods ordered, or for late delivery, or for faults in manufacture. Legal remedies are available in respect of some of these circumstances, and readers who have complaints should first address them to the advertiser.

TRANSMITTERS/BUGS/TELEPHONE EQUIPMENT

We advise readers that certain items of radio transmitting and telephone equipment which may be advertised in our pages cannot be legally used in the UK. Readers should check the law before buying any transmitting or telephone equipment as a fine, confiscation of equipment and/or imprisonment can result from illegal use or ownership. The laws vary from country to country; overseas readers should check local laws.

LOW BATTERY INDICATOR



ANDY FLIND

A micropower in-circuit, i.e.d. battery condition indicator for your projects.

THIS project began life as a battery condition monitor for the *EPE Mood-Changer* design described in last month's issue. As it is not immediately apparent to the user whether the *EPE Mood-Changer* is operating or not a low-battery warning of some kind is essential. However the usual method, using an l.e.d. that remains lit above a pre-set supply voltage, appeared unsatisfactory as it would inevitably draw more current than the main circuit!

MICROPOWER

Thoughts on the problem eventually led to the design of this circuit and it was then realised that, with micropower operation and a wide supply voltage range, it could be used in many other designs. Because of this it is presented here as a completely separate project. The use of a compact stripboard layout allows it to be constructed cheaply and fitted into an odd corner of space that will exist in almost any project, and it can be adjusted to work with most common battery voltages.

In use the circuit gives one long flash of the l.e.d. (light emitting diode) when first switched on to confirm that the battery is actually present and not completely "dead". If the supply voltage subsequently falls below a pre-set voltage, generally about two thirds of the original value given by a fresh battery, it will flash briefly at intervals of about five seconds.

This minimal use of the l.e.d. coupled with a CMOS control circuit keeps the average current consumption below 50µA for most supply voltages, which is considerably less than that of most battery indicators.

CIRCUIT DESCRIPTION

The full circuit diagram for the Low Battery Indicator appears in Fig.1. The first part, constructed around two CMOS NAND gates IC1a and IC1b, is an oscillator with a period of about five seconds.

The output of this oscillator drives input pin 13 of IC1d through a differentiating circuit consisting of capacitor C2 and resistor R6, pulsing it high for about

100ms each cycle. At the same time the output from the oscillator passes through a potential divider consisting of pre-set VR1 with resistors R3 and R4 to the base of transistor TR1.

So long as the battery supply voltage is sufficient for the voltage to TR1 base (b) to exceed about half a volt TR1 will be turned on and its collector (c) voltage will go low. This low voltage goes to the other input, pin 12, of IC1d, ensuring that the output of IC1d remains high whilst the battery voltage is above the pre-set "failure" level.

When it falls below this level however, transistor TR1 will not conduct, so the voltage at pin 12 will remain high. When this happens the output of IC1d will pulse low each time pin 13 is pulsed high.

The output from IC1d pin 11 goes to pin 9, an input to IC1c. The other input to this gate, pin 8, is normally high as capacitor C3 is kept charged by resistor R7, so the output at IC1c pin 10 is normally low, but begins pulsing high when the negative-going pulses start appearing from IC1d. These positive-going output pulses drive the output stage for the l.e.d. D1.

On power-up, charging of capacitor C3, with current from R7, takes a couple of seconds. During this period, input pin 8 of IC1c is effectively pulled low so the output from pin 10 goes high to provide a

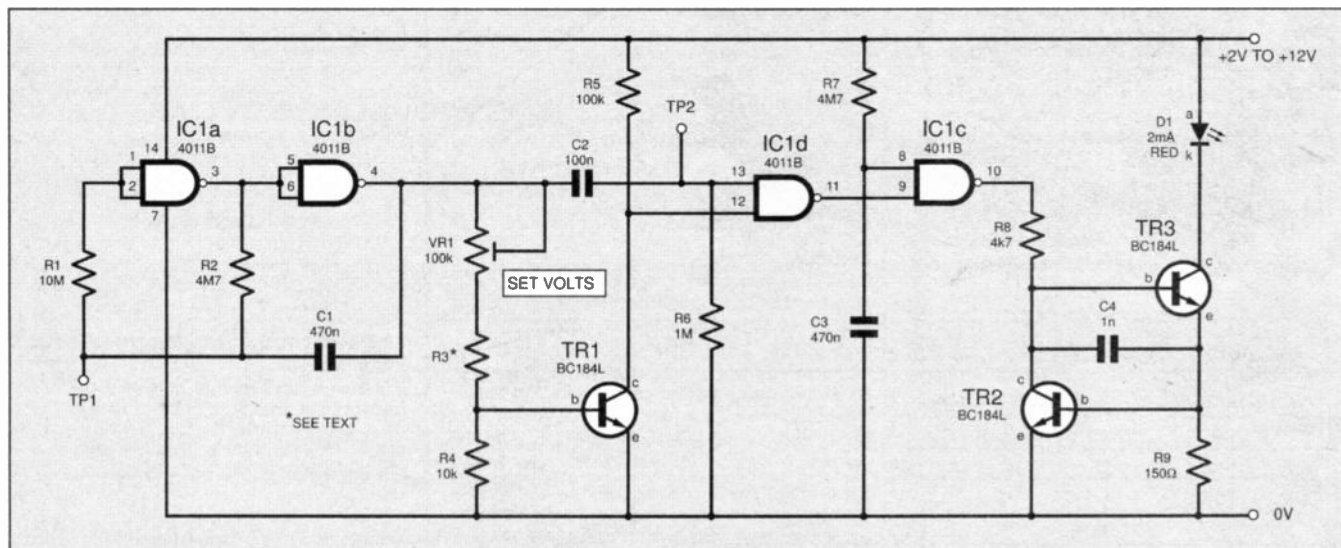


Fig. 1. Complete circuit diagram for the Low Battery Indicator. The value of resistor R3 is selected by reference to Table 1.

single long flash from D1. This confirms that the battery is initially present and working.

CONSTANT BRIGHTNESS

The l.e.d. D1 is driven by a "constant current" circuit built with transistors TR2 and TR3. The purpose of this is to ensure almost constant brightness over a wide range of supply voltages and to avoid the need to adjust resistor values in this part of the circuit to suit the voltage to be used. It also gives better results at the extreme low end of the operating supply range, which is around two volts.

A disadvantage of this type of current generator is a tendency to oscillate at high frequencies. During "breadboard" testing of this design oscillation was found to be taking place at about 60MHz, but the addition of capacitor C4 completely eliminated the problem.

For initial adjustment the two test points TP1 and TP2 can be forced high by connecting them directly to the positive supply. This stops the oscillator with pin 4 high, and also holds pin 13 high. The l.e.d. will now illuminate continuously when transistor TR1 is "off" and go out when it "conducts".

ON THE THRESHOLD

If the supply voltage is set to the proposed "battery failure" value, preset VR1 can easily be adjusted to the point where the l.e.d. D1 is on the threshold of operation. The value of resistor R3 must be chosen to suit the supply voltage as shown in Table 1.

A minor disadvantage of using the base-emitter junction voltage of a transistor as a reference is that it varies with temperature at the rate of about 2mV per degree Centigrade. If the operating temperature range is assumed to be zero to 35 degrees, which is probably wider than will be encountered in most applications, this will result in a total change of about 70mV.

The threshold voltage for conduction at normal room temperature is about 550mV, so the overall variation is about 13 per cent. If the unit is set up at mid-temperature this will mean a maximum error of about plus or minus 6.5 per cent.

When applied to a 9V supply, with a "failure" voltage set to 6V the maximum error will be plus or minus 380mV. In practice operation at these temperature extremes is unlikely so the errors encountered will normally be much smaller. For this simple application they should be perfectly acceptable.

CONSTRUCTION

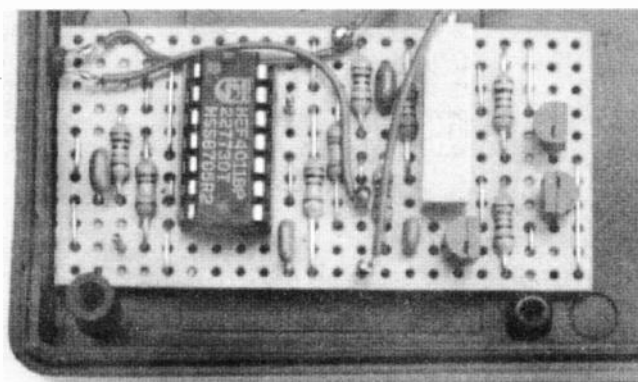
To avoid the need to purchase or make a p.c.b. (printed circuit board) whenever one of these units is required the circuit is constructed on a piece of 0.1in. matrix strip-board with 11 strips of 22 holes. The component layout is shown in Fig.2, together with the copper side showing the breaks required in the copper tracks.

There are nineteen breaks in all. As always, it's a good idea to inspect them carefully with a strong magnifying glass as minute strips of copper sometimes remain around their edges and can subsequently prove difficult to trace.

There are fourteen link wires, all of which are short so they can be made using bare tinned wire for simplicity. A d.i.l. socket is recommended for IC1. Although not essential this will simplify testing if any problems arise at this stage.

The resistors are all placed horizontally to give the unit a low profile. The value of R3 should be chosen from Table 1 for the intended operating voltage. The circuit can be operated with battery voltages from 3V to 12V, with "failure" voltages between around 2V and 9V respectively.

Preset VR1 should be a multi-turn type, the horizontal 18-turn unit shown was chosen mainly for its low profile compared to the square multi-turn types. Connection pins for the supply, l.e.d. and test points simplify setting up and making the external connections.



Component layout on the completed prototype circuit board.

Table 1: Selection of Failure Voltage resistor

Nominal Voltage	Failure Voltage	R3 Value
3	2	2k2
4.5	3	2k2
6	4	15k
9	6	47k
12	9	100k

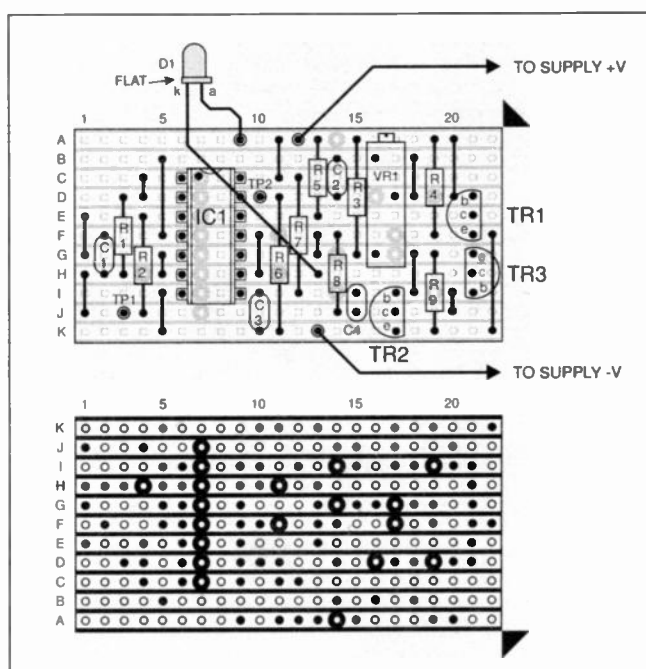


Fig.2. Stripboard component layout, wiring and underside details of breaks required in the copper tracks.

COMPONENTS

Resistors

R1 10M
R2, R7 4M7 (2 off)
R3 see text
R4 10k
R5 100k
R6 1M
R8 4k7
R9 150Ω
All 0.6W 1% metal film

Potentiometer

VR1 100k 18-turn cermet preset, horizontal

Capacitors

C1, C3 470n resin-dipped ceramic (2 off)
C2 100n resin-dipped ceramic
C4 1n resin-dipped ceramic

Semiconductors

D1 2mA red l.e.d.
TR1, TR2, TR3 BC184L npn transistors
IC1 4011B CMOS quad 2-input NAND gate

Miscellaneous

Stripboard, 0.1in. matrix, size 11 strips x 22 holes; 14-pin d.i.l. socket; supply hook-up wire; single-sided solder pins; solder etc.

See
SHOP
TALK
Page

Approx Cost
Guidance Only **£6.50**

TESTING

Testing is best carried out using a variable voltage bench power supply and ideally should be done at about the normal operating temperature. The two test points, TP1 and TP2, are shorted to the positive supply. l.e.d. D1 is connected to the board, then the supply voltage is set to the proposed "failure" value and preset VR1 is adjusted to the operating point of D1.

To assist in finding this easily it may be helpful to remember that clockwise

rotation of VR1 lowers the operating point, moving towards turning D1 off, whilst anti-clockwise rotation raises it and moves towards turning D1 on. Once the desired point has been found and set, the connections to the test points can be removed and a final operational check can be made.

FINAL CHECKS

The supply voltage should be raised to the normal operating value. When it is applied to the circuit D1 should give one long flash of about two seconds and then remain "off". If the supply voltage is now gradually reduced, when the "failure" value is reached D1 should begin to flash briefly about once every five seconds.

The operating voltage of a typical red l.e.d. is about 1.5V to 2V. It follows that it may not be possible to set the circuit to operate at 2V so where it is used for monitoring a 3V battery supply it may be necessary to set operation to about 2.25V. This should prove to be acceptable for most applications.

The only other precaution is that the circuit may generate a small amount of local electrical noise since the oscillator produces a square-wave output and has a gradually changing input to one of its two CMOS gates. If use with a radio receiver circuit is planned it would be wise to check first that there will be no problems with this. For most other projects, especially ones using very low supply currents, this should prove a very useful addition. □

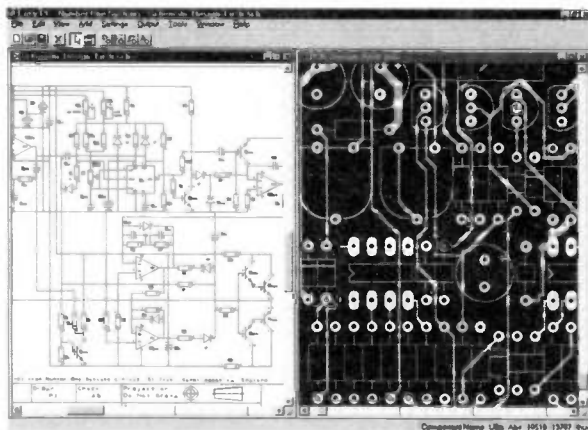


With the finished circuit board being small and compact, there should be no problem in finding room for it within the case of most battery driven projects.

Here it is installed, using pieces of Blu-Tack, in the lid of last month's EPE Mood Changer project.

New Easy-PC

Professional CAD for Windows 95 and NT



- Produce Complex Designs Faster
- Revolutionary Time Saving Features Dramatically Improve productivity.
- Track and Component Editing - a dream!
- Full links to our Analogue, Digital and Electromagnetic Simulators.
- NO pin, net or layer limits!
- Powerful, high speed Shape based Autorouters available.
- Very Competitive Pricing.

Number One Systems

Ask for demo disc or download working demo from web site

UK/EEC:

Ref: EVD, Harding Way, St.Ives, Cambridgeshire, PE17 4WR, United Kingdom
Tel: 01480 461778 Fax: 01480 494042 International: +44 1480 461778 / 494042

USA:

Ref: EVD, 126 Smith Creek Drive, Los Gatos, CA 95030
Tel/Fax: (408) 395-0249

<http://www.numberone.com>

Listening is a Lost Cause

Packing more data onto audio discs is a desirable objective – but what quality will we accept? asks Barry Fox.

IN AN humiliating climb-down, record industry trade bodies the IFPI (International Federation of the Phonographic Industry) and RIAA (Recording Industry Association of America) have had to abandon the listening tests they promised to choose the best technology for DVD-Audio, the next generation hifi disc. The International Steering Committee set up by the IFPI and RIAA 18 months ago had said it would report to the world's record companies, by the end of 1997. Now the ISC admits it cannot "choose a winning sound format".

DVD, the new digital video disc, already has surround sound to accompany the movie pictures but it is digitally compressed by a "lossy" system which throws away some data on the assumption that the human ear will not notice. The hifi and record companies want to use the full 4.7GB capacity of the disc for lossless surround sound, with nothing thrown away, to give much higher sound quality than a CD.

HOW TO JUDGE?

The ISC underestimated the difficulty of finding a test method that satisfies the hifi industry, which has never been able to agree on the best way to judge sound quality. The Committee did not foresee the heavy political and commercial agendas which create disagreement on what system is best even within record companies and between their own artists. North America's draconian anti-trust laws stop business competitors collaborating. The number of systems on offer is still growing, with disagreements hardening.

Until recently Philips and Sony had been coy about plans for their DSD, Direct Stream Digital, system which codes sound as a very rapid stream of single bits, instead of the long PCM words used by CD and all other proposals for DVD Audio.

Now they are promoting DSD as the "digital Rosetta Stone" and telling consumers they "need to migrate from the Compact Disc". Bob Stuart, founder of hifi industry group the Acoustic Renaissance for Audio, and Managing Director of British hifi company Meridian Audio, has published a paper which attacks DSD technology as "unacceptable".

Dolby Laboratories already provides the lossy compression system, Dolby Digital AC-3, used for DVD movie discs. Now Dolby is licensing a lossless PCM system invented by British

engineers Peter Craven and (the late) Michael Gerzon, and owned by Meridian.

Pioneer, Panasonic and Samsung all have rival PCM systems.

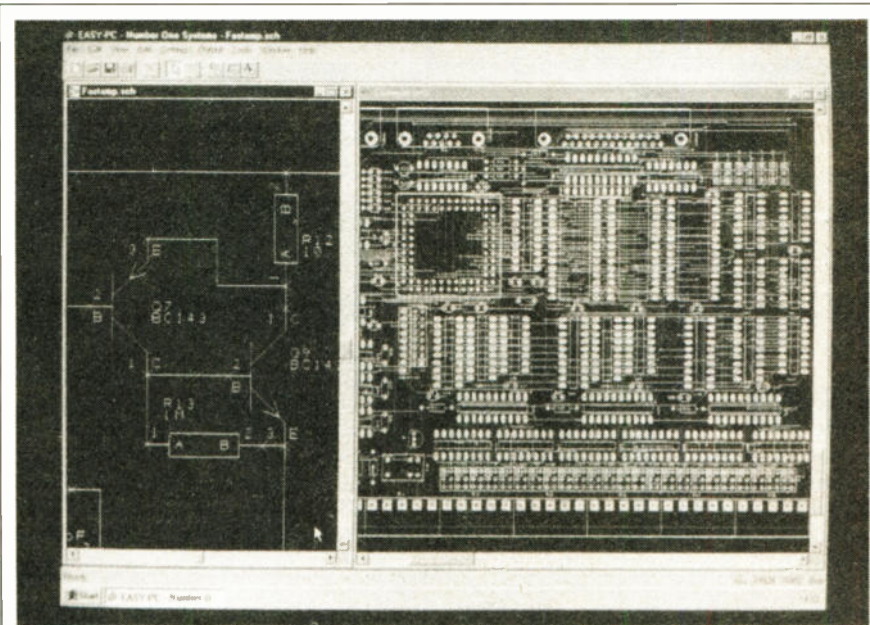
AGAIN A STANDARDS BATTLE

"Abandoning centralised listening tests does not mean that the introduction of DVD Audio will be slowed" say the IFPI and RIAA, hoping that "the availability of a number of sound formats need not result in separate DVD players in the marketplace".

The record companies have unhappy experience of past standards battles, like

VHS versus Betamax and Mini Disc versus the Digital Compact Cassette, so they want the ISC to finish the job it started. The ISC says the electronics industry should develop a DVD Audio player that automatically self-adjusts to whatever disc standard the owner tries to play on it.

Says Tony Griffiths, who pioneered digital recording with Decca, "The ISC shouldn't abandon testing, just because it's difficult, they should just alter the time-scale". Bob Stuart believes the ISC has overlooked a simple solution to the whole mess. "If you have a lossless system, you don't need to do a listening test. All you have to do is check what data comes out".



EASY-PC FOR WINDOWS 95

Easy-PC for Windows is the fourth generation Schematic Capture and PCB CAD product from Number One Systems. Many readers, and contributors to *EPE*, use Easy-PC in its various forms and will undoubtedly be pleased to know about this latest product.

The original Easy-PC was introduced ten years ago, winning a British Design Award in 1989. The new product is completely new and has been written to take advantage of the facilities offered by the Windows 32-bit operating system. There are *no limits* to any of the major parameters: no limits to pin counts, net counts, layers, track widths or pad dimensions. "If you run out of capacity anywhere", says Adrian Espin, MD at Number One Systems, "simply add more memory"!

For more information contact Number One Systems Ltd., Dept EPE, Harding Way, St Ives, Cambs PE17 4WR. Tel: 01480 461778. Fax: 01480 494042.

Web: <http://www.numberone.com>.

Y2K AND MICROSOFT

By Barry Fox

MICROSOFT admits that software released only four years ago cannot cope with the date change from 1999 to 2000. The company is still testing some products and will never test others.

Microsoft has split its products into five categories; fully Year 2000 compliant, compliant with minor problems, not compliant, still under test, and too old to warrant testing. Details are posted in a "resource centre" on the Internet at www.microsoft.com/year2000.

Older versions of Windows 3.1 and 95 are not fully compliant. Some dates will have to be entered manually, and by keyboard not mouse. Microsoft is still "investigating" and does not yet have a full set of software fixes which users can download from the Internet.

Seven pages of daunting jargon reveal that Version 2 of Access, Microsoft's database software released in April 1994, will misinterpret 00 as 1900. Version 4.3 of the Office Professional suite of programs will also give problems because it contains Access.

Version 5 of the popular DOS wordprocessor, Word, gives the most serious problems. Documents dated 2000 or later may be corrupted when saved. The PC then freezes and refuses to work until shut down and re-started. Microsoft has not yet been able to produce a fix and suggests that users try updating to Version 5.5 or 6.

Already there is something new for computer users to worry about. The recently announced Euro currency sign is a strange E with two lines added. The European Union says the E was inspired by the Greek letter Epsilon, and is also the first letter of Europe. The lines represent the hoped-for stability of the currency.

"The sign is very convenient and will soon be on every new computer or typewriter keyboard" assures the EU. Maybe. But it is not on any existing keyboard or included in any existing computer character set.

Microsoft pledges that when Windows 98 goes on sale, it will "support the Euro currency symbol". Win 95 can be upgraded but Microsoft is doing nothing about Windows 3 or DOS.

Microsoft recently sent out a four page press release on the Euro sign. But there was no sign of any Euro signs. Microsoft denies that this is because the company cannot yet print them.

Windows 98

BROWSING the Net recently for information about the forthcoming Windows 98 operating system revealed a news item from Microsoft, of which the following is a precis:

On 7 January '98, Microsoft began a limited Consumer Beta Preview Program, with the goal of letting home users of the Windows 95 operating system get an early experience with Windows 98 Beta 3 before general product availability.

"We developed this program based on feedback from users of Windows 95 who wanted a chance to preview the next version of Windows before release", said Jonathan Roberts, Director of Windows marketing at Microsoft.

Windows 98 has improvements in key areas of overall product quality, Internet functionality, entertainment features, and support for the latest hardware. With Windows 98, users can speed up their system, so programs load faster and hard-drive storage is used more efficiently to gain up to 30 per cent more free hard-drive space without compressing the drive.

Also featured are new desktop navigation options, including single-click program launch, forward and back buttons, and an easier-to-customize Start Menu. The system is intended to make your computer more entertaining with better 3-D support for exciting, immersive gaming, as well as support for DVD drives that provide better sound and video, and can hold 15 times more information than a CD-ROM.

Universal Serial Bus (USB) is broadly supported in Windows 98. With USB you can connect joysticks, video-conferencing cameras, scanners, and more to your PC easily and without rebooting.

The full production version of Windows 98, will allow users of Windows 3.1 and '95 to upgrade their system. Your local Microsoft agent should be able to tell you more. There is also a Microsoft web page with questions and answers about the program and its expansion at: <http://www.microsoft.com/windows98/info/preview.htm>.

700MHz PENTIUM

AT the recent *CeBIT Trade Fair*, Intel demonstrated a Pentium II processor running at 702MHz, which is more than twice as fast as its current production processor, which runs at 333MHz.

Intel's spokesman Michael Sullivan said that "This is still a technology demonstration, but that is where we are going".

The company also demonstrated technology that will be used in its future Merced processor. Michael Sullivan would not say how fast Merced chips would run, but pointed out that they will be based on a more advanced process than the Pentium II. "Past history is that a new process eventually gets you more speed", he said.

Current trends have been for a doubling of computer speeds every 18 months.

Browsing Intel's web site revealed a report which stated that the Merced chip is the first microprocessor based on IA-64 technology and is scheduled for production in 1999.

The report said that last October, Intel and Hewlett Packard revealed the first details of their jointly defined Explicitly Parallel Instruction Computing (EPIC) technology, the foundation for the new 64-bit Instruction Set Architecture (ISA).

EPIC technology breaks through

the sequential nature of conventional processor architectures by allowing the software to communicate explicitly to the processor when operations can be done in parallel. Increased performance is realised by reducing the number of branches and branch mis-predicts, and reducing the effects of memory-to-processor latency (the time taken to retrieve data from memory).

The future 64-bit Intel Architecture (IA-64) applies EPIC technology to deliver explicit parallelism, massive resources and inherent scalability not available with conventional RISC (Reduced Instruction Set Computing) architectures.

For more information, browse Intel's web site at <http://www.intel.com>.

A Few Dates for Your Diary

25-26 Sept '98: *27th Leicester Amateur Radio Show*, Donington International Exhibition Centre, Donington Park, Castle Donington Leics. For stand and table bookings contact John Theodorson, G4MTP, tel/fax 01664 790966, E-mail G4MTP@mail.com. Other enquiries to Geoff Dover, G4AFJ, tel 01455 823344, fax 01455 828273. Also: <http://members.aol.com/jtheotlc/LARS>.

14 Nov '98: *AMS'98 Computer and Electronics Show*. Bingley Hall, Staffordshire Showground, Weston Road, Stafford. More details from Sharwood Promotions, tel: 01473 741533, fax: 01473 741361, E-mail: services@sharwood.co.uk.

Don't forget that there is now a fast route to finding out about computer fairs via the Net: <http://www.computerfairs.co.uk> and <http://www.netextra.co.uk>. Those we publicise in *EPE* have been advised to us directly by their organisers. If you want to publicise an event, let us know - can't promise to include it, but we'll try.

QR4TM

QUICKROUTE



Quickroute Makes it Easy



SPECIFICATION

- Modern user interface with dockable tool bars & active buttons
- Multi-sheet schematic capture at the press of a button.
- Power rail & data bus support
- 32 Bit mixed mode analogue & digital simulation
- Support for a range of SPICE .MODEL statements.
- Copper flood fill
- Netlist import & export
- CAD/CAM file import/export. Gerber Viewer.
- PCB Design with 1-8 layer autorouter
- WMF, DXF, & SPICE file export
- 1000+ Library Symbols
- Engineering Change & Design Checking



FREE DEMO

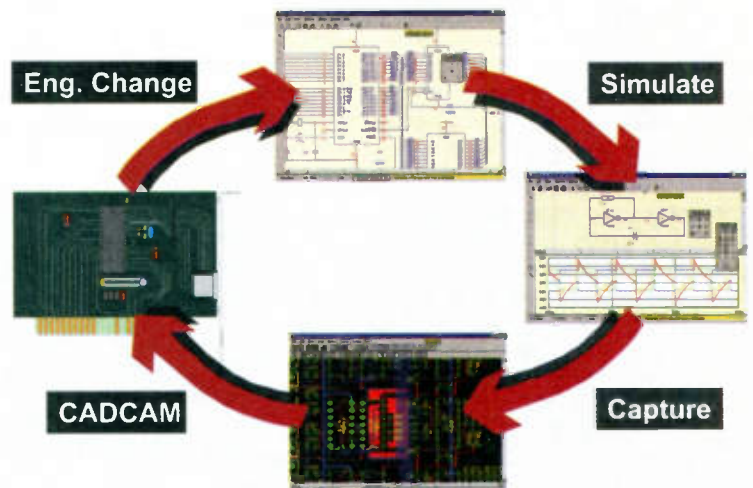
Download a free demonstration version from our web site at <http://www.quickroute.co.uk>

30 DAY MONEY BACK GUARANTEE

It's not hard to see why Quickroute is so easy to use! We've integrated mixed mode simulation, schematic capture, PCB design with autorouting and CAD-CAM support into one integrated environment. Best of all, prices start at just £99.88 inclusive* for the complete system with support for 300 pins - less than the price of some simulators alone!

Quickroute 4.0 features a modern user interface with active buttons and dockable tool bars. Frequently used tools can appear on floating tool palettes for quick access, and with tool-tips and on-line help you can be sure of getting information on Quickroute's features fast.

To create a schematic in Quickroute 4.0, simply click on the symbol browser and select and place symbols onto the design area. Use the 'intelligent' wires, power rails and data bus elements to quickly wire up your schematic and simulate the design as required. When completed, simply press a button to capture the schematic, a PCB rats nest will then appear (no messy netlists required!).



Use the multi layer autorouter, and/or manual routing to complete your PCB together with copper fill, etc as required. Finally print your design, or create CAD/CAM files suitable for manufacture (we even include a Gerber viewer for checking).

But it doesn't end there! Quickroute 4.0 includes engineering change for automatic updating of your PCB from the schematic, netlist import & export so that you can link to other EDA packages (including many simulators), DXF, SPICE, and WMF file export together with over 1000 library symbols.

Call us now and find out why Quickroute 4.0 Makes it Easy!

	Price	UK Inclusive Price*
QR4 300 Pin	£79.00	£99.88
QR4 800 Pin	£149.00	£182.13
QR4 Full	£249.00	£299.63

*Includes UK P&P and VAT. Phone for EC/World prices.
**Design cycle figure shows screen shots from different projects.
Prices & specification subject to change without notice.

FREEphone Ref 411
0800 731 28 24

FAX 0161 476 0505 TEL 0161 476 0202
Quickroute Systems Ltd Regent House
Heaton Lane Stockport SK4 1BS UK
Copyright (C) 1998 Quickroute Systems Ltd. All rights reserved. All trademarks are the property of their respective owners.

Electronics Principles 5.0

'A COMPLETE PC BASED ELECTRONICS COURSE'

If you are looking for an easy and enjoyable way of studying or improving your knowledge of electronics then this is the software for you.

Now includes the PIC16C84 & PIC16C71 hardware and instruction set.

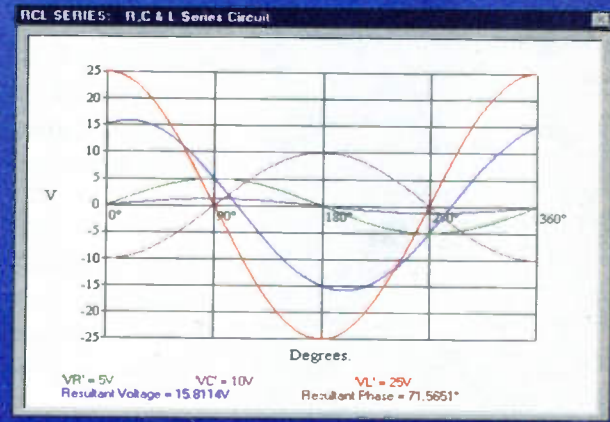
Electronics Principles 5.0 is a significant upgrade of our popular educational software. Now contains even more analogue, digital and microcomputer theory. PLUS over a hundred new mathematics topics further your understanding of formulae and calculations. Telephone for a comprehensive list or upgrade details.

This software has been developed to teach electronics and is suited to both the complete novice and the more advanced student or hobbyist wanting quick revision and access to hundreds of electronics formulae. It is extremely easy to use. Just select a topic, which is always presented as a default diagram (no blank screens!) and input your own values. Alternatively, use those from any standard electronics text book to see the results. frequency response curves, calculation of logic states, voltages and currents etc.

Graphics presentation has been enhanced and speeded-up with new menus and indexing which enables a quicker access and more informative description of the extended range of five hundred and sixty electronics and mathematics topics.

The PIC16C84 microcontroller hardware and instruction set has been introduced and brought to life through colourful interactive graphics where you can study the architecture of this device by changing the data values to simulate all of the registers, direct/indirect addressing, program/data memory and input/output port configuration. Along with those analogue to digital functions of the PIC16C71. If you would like to learn more about the principles of these popular microcontrollers then it could not be made easier.

Electronics Principles software is currently used in hundreds of UK and overseas schools and colleges to support City & Guilds, GCSE, A-Level, BTEC and university foundation courses. Also NVQ's and GNVQ's where students are required to have an understanding of electronics principles.



Still only £99.95*

EPT Educational Software. Pump House, Lockram Lane, Witham, Essex. UK. CM8 2BJ.
 Tel/Fax: 01376 514008. sales@eptsoft.demon.co.uk http://www.eptsoft.demon.co.uk
 *UK and EC countries add £2 per order for post & packing. VAT should be added to the total.
 Outside Europe £3.50 for air mail postage by return.
 Switch, Delta, Visa and Mastercard orders accepted - please give card number and expiry date.
 Cheques & Postal Orders should be made payable to EPT Educational software.

New Technology Update

Research into keeping chips cool is hotting-up! Ian Poole reports

ONE of the major problems facing i.c. designers is that of heat dissipation. The increasing complexity of i.c.s means that there are greater amounts of heat generated within them.

The problem has been with designers since the very earliest days of i.c.s. Originally it was thought that the limit for the number of components on a chip would be reached very quickly. Fortunately CMOS technology enabled the brick wall that was being approached to be surmounted. Now i.c.s, in particular some of today's processors, have enormous numbers of transistors.

However, new ideas will shortly be required to enable the levels of heat currently being generated to be easily dissipated if development of i.c.s is not to stop. The problem is highlighted by the fact that the current Pentium processor, which contains around 7.2 million transistors, needs its own fan to remove the heat. This is fine for present technologies but, with ever larger, faster and more complicated i.c.s being devised, new techniques will shortly be required.

The rate of development in this area of technology is very fast. A law has even been devised. Known as Moore's Law, it is named after Dr Gordon Moore, the founder of Intel. It states that semiconductor transistor density, and hence performance, doubles approximately every 18 months. Along with this, there is an increase in the amount of heat generated. He made this prediction in the 1970s and so far he has been proved to be correct.

PC Freezer

There are a number of advantages to be gained in keeping i.c.s cool. Not only does their reliability improve, but it is also found that CMOS devices run faster at lower temperatures. There is a 30 per cent improvement in speed gained by reducing the temperature of a device from about 100°C down to 0°C. If the temperature is reduced still further, much greater gains can be made. The reason arises from the increased carrier mobility and other second order effects.

To achieve this, a company called KryoTech have demonstrated a system where the processor is cooled to a temperature of around -40°C using vapour phase refrigeration. This process is about 50 times as effective as forced air and it is very convenient because it uses a well proven technology.

The temperature reduction to -40°C gives a speed increase of about a third for a processor and can be easily guaranteed. At a recent exhibition the company demonstrated a 300MHz processor running at 400MHz.

The temperature of -40°C has been chosen because it is the practical lower limit for this type of refrigeration. If lower temperatures were used then further increases in speed would be possible, but a different cooling technology would have to be used. For example, decreasing the temperature to around -100°C would enable the speed to be doubled.

The technology, which has been patented, uses standard refrigerator parts. The compressor uses an environmentally friendly refrigerant gas and the refrigerant unit is designed to sit under the PC case. A cooler unit is plugged into the processor socket on the motherboard, and then the processor sits in this. A cooler block with the same gas circulating is placed over the processor to ensure the temperature is maintained over the whole of the processor.

Some of the heat extracted from the processor itself is returned to the PC case. This is done to ensure that condensation does not form in the case and cause failures due to moisture formation.

The current technology is well proven and is being used in a variety of products. However, development is ongoing and in a recent announcement a link with another company, MMR Technologies, has been made. Their expertise is with lower temperature refrigeration (down to -123°C) and this will enable further improvements in performance to be obtained.

New I.C. Package

Many forms of i.c. package are now reaching their limits. The requirements for the increased number of connections combined with improved heat dissipation are forcing designers to look for new ideas. Most applications do not require the same amount of heat to be dissipated as in the case of a processor, but even so improvements over existing packages are required.

A new package called a polymer stud grid array (p.s.g.a.) has been produced. Looking like a cross between a conventional pin grid array and a ball grid array it consists of a plastic injection moulded body with a cavity for mounting the chip. The pins which make contact with the p.c.b. are arranged around the cavity and are made of a polymer/metal combination. The pins are referred to as studs and consist of a plastic base with a metallic coating. They measure 400µm in diameter; they are 500µm long; and they are on a 1mm pitch.

The advantage of this type of stud is that it causes less thermal mismatch between the package and the board. This creates less stress between the package and the board that may lead to a reduction in reliability.

The package has a metallised back. This distributes the heat from the chip, giving an improved heat dissipation figure over many existing packages. If further improvements in heat dissipation are required then a full metal insert can be placed into the package moulding onto which the die is placed.

Surface Mount Power Transistors

It is not only in the field of i.c.s that new methods of heat dissipation need to be investigated. With the increasing trend towards surface mount technology, new difficulties are being encountered and overcome, enabling these small components to dissipate much larger amounts of heat.

In view of the reduced size of surface mount components new development is required to enable some of the medium power transistors, or their equivalents, to be transferred to this technology. In past years, the TO220 package has been very popular for transistors and other devices including the famous 78xx series of voltage regulators. Whilst these are still available for the home experimenter or construction enthusiast, surface mount equivalents are required for mass production.

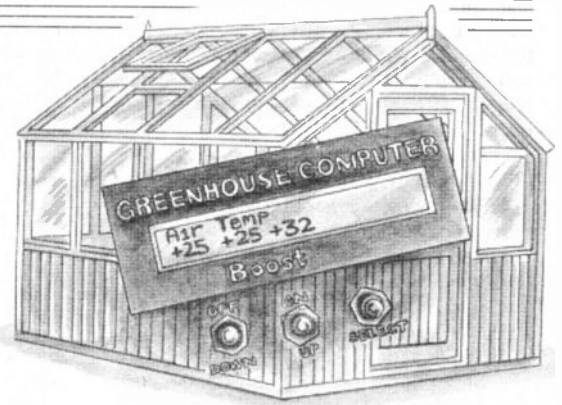
One of the first transistor packages to address this market was the Motorola D²PAK which was introduced in the early 1990s. This provided a replacement for many devices contained in the TO220 package but only allowed dissipation levels up to about 2.5 watts.

Dissipation levels are being pushed upwards as are the die sizes which require mounting in the packages. As a result of these requirements Motorola developed a new package. Known as their D³PAK, it had a number of advantages over previous offerings. It was a true surface mount package and enabled easier soldering using infra-red reflow and other processes.

The package was targeted at housing power MOSFETs but was equally well suited for a host of other devices including bipolar power transistors, IGBTs and rectifiers.

Unlike many other packages, it can handle high voltages, up to 1kV, and is able to dissipate powers up to four watts when mounted on an ordinary fibreglass board. By using other techniques, including the use of intermetallic substrate materials, the power dissipation can be increased four-fold. However, for normal use the power dissipation can be increased by increasing the p.c.b. copper thickness and/or the area of copper through which heat can be dissipated.

GREENHOUSE COMPUTER



COLIN MEIKLE

Part 1

Pamper your plants (and yourself) with microcontrolled heating and watering, includes Radio Link.

THIS greenhouse computer was designed to control and monitor a small greenhouse, conservatory or similar. The controller's main function is to attend to the heating and watering requirements of the plants.

An additional feature of this controller is that it has the option of a radio link to a remote display unit, so you can view and log the status of the greenhouse from the comfort of your home.

FEATURES

A typical setup for the main components of the system is shown in Fig.1. Here a heating cable is used to heat a bed of sand, which in turn heats seed trays, pots, etc. The temperature of the sand is monitored and controlled by the microcontroller.

The watering feature is intended for use with plants that require frequent watering, such as tomato plants. This function is separate from the heating. Watering is controlled by measuring the soil moisture, therefore ensuring accurate watering. (Most commercial systems use a timer - which is an inaccurate technique.)

There are two separate temperature sensors, one for monitoring air temperature and one for monitoring soil temperature. Both temperatures, along with the associated minimum and maximum values, are displayed on the l.c.d. separately.

The air temperature is for information purposes only. The soil temperature controls a relay which can switch a soil heating cable on or off, to maintain a constant soil temperature. The temperature at which the heater is switched on and off is user-definable, via a setup menu.

Rather than controlling a soil heating cable, you may wish to control an electric heater to heat the whole greenhouse. Here you could use one temperature channel (previously the soil channel) to control the greenhouse temperature. The other channel would be spare; you could use it to monitor the outside temperature.

The controller has an optional 2-level heating setting (Normal and Boost). For example, you could have a "normal"

setting for your heater, say 15°C and a higher "boost" level, say 20°C.

Under normal circumstances, the heating will be maintained at a minimum of 15°C. However, if you temporarily want to boost the temperature to the higher level (20°C), you simply press the Boost On button on the front panel.

This feature saves the trouble of having to alter the temperature setting between two common values. This can be useful if you want to boost the soil temperature for seed germination, or the lower temperature could be a frost prevention level. The Setup section explains how to implement this.

A separate power supply unit contains all the mains voltages and the switching relays. This keeps the potentially dangerous voltages away from the control box, which contains the user interfaces.

Specification

- Two separate channels for monitoring temperature
- Current, minimum and maximum temperature display
- 2-level thermostatic heater control
- Soil moisture monitoring
- Automatic plant watering
- Monitoring of water reservoir level
- 2-line 20-character liquid crystal display
- Optional Radio Link to remote display unit

The power supply box also contains the battery back-up pack, so the controller is unaffected by temporary power loss.

SOIL MOISTURE AND WATERING

Soil moisture monitoring plus automatic plant watering is very useful if you have thirsty plants such as tomatoes.

Two probes placed in the soil monitor its moisture and a number between zero

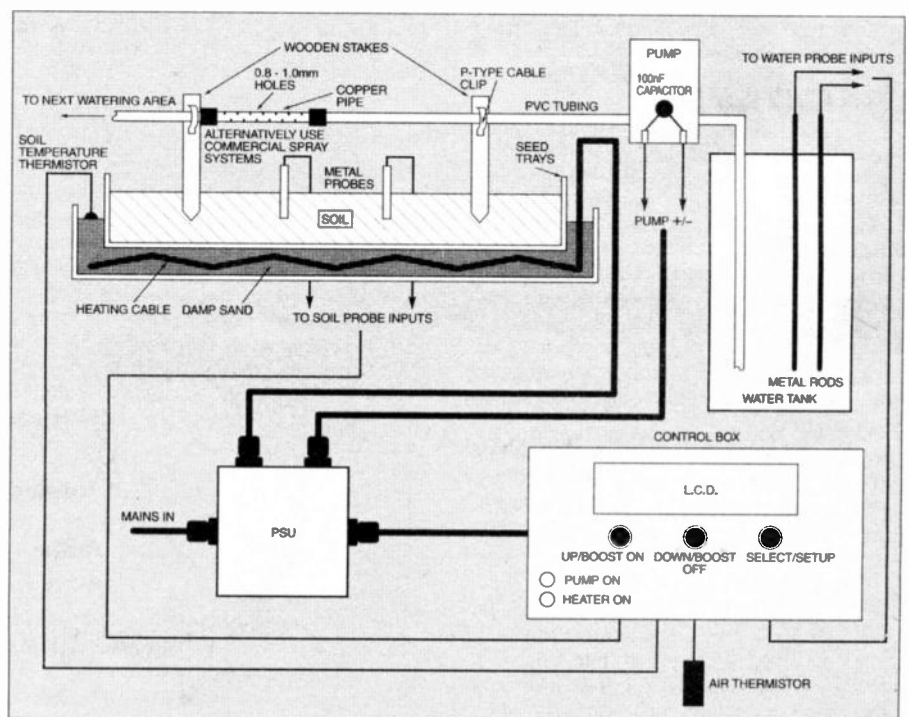


Fig.1. Typical Greenhouse monitoring system setup for the controller.

and 100 is displayed on the l.c.d. to give an indication of the dryness. The higher the number, the drier the soil. The actual value displayed will vary depending on the conditions, e.g. soil type and distance between the probes. Once set up, you will soon be able to relate the number displayed to a moisture level.

When the soil dries out to a preset level, the controller turns on a relay, which in turn can drive a pump or valve to water the plants. The length of time the relay, and hence the pump, is on for is variable, set via the setup procedure. This allows the amount of water delivered in any one watering to be controlled. Once the watering cycle has been activated, it is

The uploaded information is stored in a file along with date and time data. The file can be loaded into a spreadsheet, where the information can be graphed.

The receiver's small size allows for it to be portable, so it does not have to have a fixed location. It can even be battery powered if required.

SPARE CHANNELS

The system has been designed with flexibility in mind. There are three input channels to the analogue-to-digital converter (ADC). Two are spare and could be used for other temperature sensors or a light sensor. The third channel could be used to monitor the input voltage.

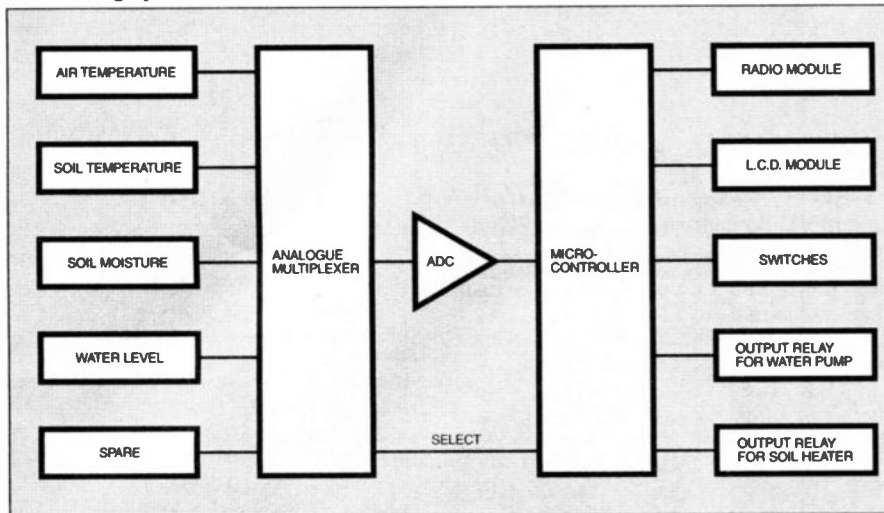


Fig.2. Greenhouse Computer system block diagram.

disabled for four hours, this stops the plants being drowned if a fault occurs.

Water will normally be drawn from a large water storage tank, with a probe in the tank to detect when the water level is low; a warning will be displayed when this occurs.

Note that there is only one watering channel on the controller. As a result, this feature is really only suitable for watering plants with similar watering needs. You can compensate to some extent by using adjustable watering nozzles.

RADIO LINK

A radio link (to be described in the final part) allows you to monitor the status of your greenhouse from another location.

The main controller board has an option to plug in a low power radio module. This module operates on a frequency of 418MHz and is license-exempt in the UK and most of Europe (433MHz in Europe). These small modules require no setting-up or any special r.f. knowledge.

The Transmitter sends the data from the Greenhouse Computer every 10 seconds. This information is picked up by the Receiver, decoded and displayed on the l.c.d. The link has a range of 50 to 100 metres which (for most gardens) is sufficient to transmit from the greenhouse to a nearby house.

The Receiver consists of a small processor board with an RS232 port and an l.c.d. It logs the temperatures into on-board EEPROM at preset intervals, e.g. every 30 minutes. This information can then be periodically uploaded to a PC-computer via the RS232 port, e.g. once a week/month.

When the mains is supplying the PSU, the output voltage will be 14V to 16V d.c. If the mains supply fails, the battery will take over and this voltage will be lower, at 12V. Therefore, by monitoring this channel mains failure could be detected.

These functions are only supported in hardware and the software does not support them. However, the software could be easily changed to make use of the functions, although this would be at the expense of existing functionality, as the available code space has been fully used.

HOW IT WORKS

A block diagram of how the circuit works is shown in Fig.2 and the main Greenhouse Computer circuit (excluding the power supply) is shown in Fig.5.

An Atmel AT89C2051 microcontroller (IC1) is at the heart of the system. This device is a member of the 8051 family of processors (discussed in *EPE* June '98 issue). It has 2K bytes of EEPROM, 128 bytes of RAM and a serial port. Fitting all the functions of the Greenhouse Computer into 2K of ROM was a tight squeeze however, and a few compromises had to be made.

IC1's clock rate is set by a 12MHz crystal, X1, in conjunction with capacitors C4 and C5. On power-up, IC1 is briefly reset by the pulse generated across capacitor C3 and resistor R30.

The main points of the circuit are as follows:

Soil Moisture Monitoring

The principle behind measuring the soil moisture is simple, although its implementation is slightly more complex. To measure the moisture level we simply measure the resistance of the soil; as the soil dries out its resistance will increase. If we use the soil in a simple potential divider, as shown in Fig.3, we can use the output voltage as a measure of the soil moisture.

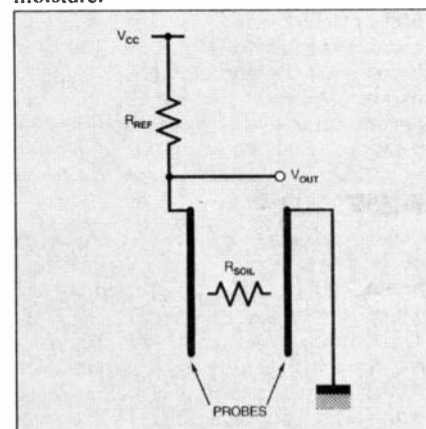
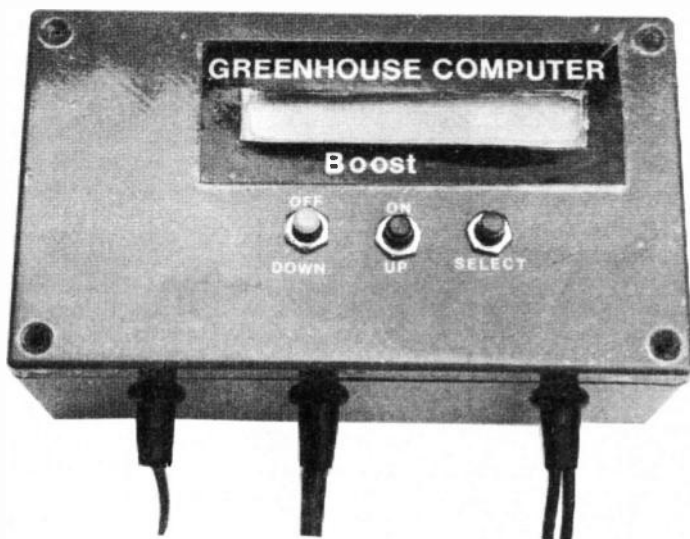


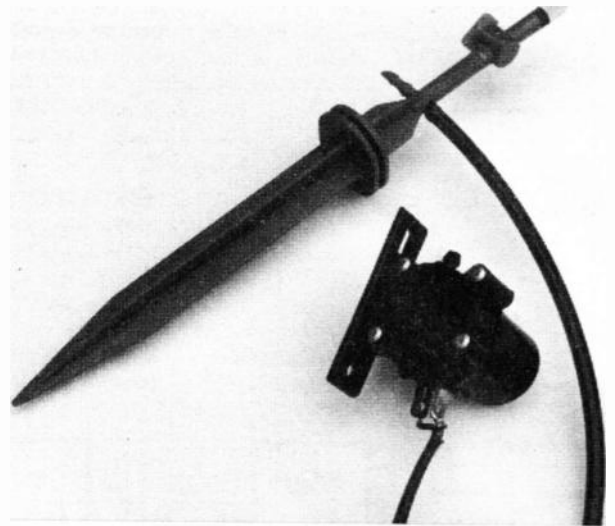
Fig.3. Using the soil in a potential divider network.



The three modules that make up the Greenhouse Computer, (left to right) mains power unit, radio link and greenhouse controller.



Display window on the completed control box.



Water dispenser and pump.

NON-CORROSIVE

The problem with the simple potential divider is that we are passing a direct current (d.c.) through the probes in the soil. Over time, one probe will gather deposits and the other will corrode away, which will give erratic results as well as limited probe life. To avoid this problem, an alternating current (a.c.) is used, which prevents the electrolysis effect. The equivalent circuit is shown in Fig.4.

The practical implementation of Fig.4 is the circuit around IC3a and IC3b in Fig.5. IC3a is configured as an oscillator whose frequency is set at about 4kHz by resistor R23 and capacitor C14.

The resulting a.c. signal is output to the soil moisture probes (P1) via R19 and C13. The value of resistor R19 sets one arm of the potential divider, the other arm being the soil resistance. Discussion of the best value for R19 takes place when setting up as described next month.

From the soil probes, the return signal is buffered by IC3b, rectified by Schottky diode D4, plus C16 and R25. The amplitude of the voltage appearing across C16 thus represents the soil resistance – high voltage when dry, low voltage when wet.

The output voltage is fed to the 8-way multiplexer IC2, into which the output voltages of the other sensors are also fed. The selection of which signal is routed to

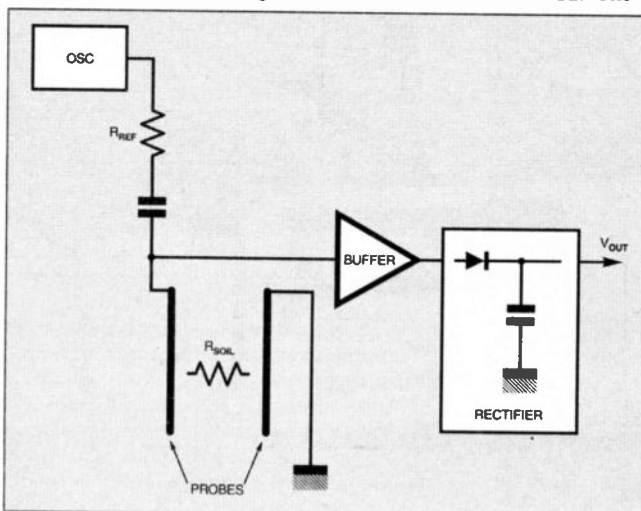


Fig.4. Using a.c. helps to prevent probe corrosion.

Table 1: Relationship between temperature, resistance, voltage and time.

TEMP	R(5K)	Voltage	Time/256	Lookup
-10	27520	3.67	34.2	136.7
-8	24663	3.56	33.2	132.7
-6	22140	3.44	32.1	128.4
-4	19906	3.33	31.0	124.1
-2	17926	3.21	29.9	119.7
0	16168	3.09	28.8	115.2
2	14604	2.97	27.7	110.7
4	13210	2.85	26.5	106.1
6	11967	2.72	25.4	101.6
8	10856	2.60	24.3	97.0
10	9862	2.48	23.1	92.6
12	8971	2.36	22.0	88.2
14	8171	2.25	21.0	83.8
16	7452	2.14	19.9	79.6
18	6805	2.02	18.9	75.5
20	6222	1.92	17.9	71.5
22	5696	1.81	16.9	67.7
24	5220	1.71	16.0	63.9
25	5000	1.67	15.5	62.1
26	4790	1.62	15.1	60.4
28	4400	1.53	14.2	57.0
30	4047	1.44	13.4	53.7

the microprocessor is determined by the code applied by IC1 to IC2's control pins A, B, C and INH.

Three switches (S1 to S3) are also connected to the same lines that IC1 uses to control IC2. The switches, though, are not intended to provide additional control over IC2. Rather, they are used to control and set up the various modes of operation via IC1. They have different functions depending on the mode selected, as discussed later. In the set-up procedure, the switch functions are displayed on the bottom line of the l.c.d.

Temperature Measurement

There are a number of devices on the market that can make temperature measure-

ment very simple. However, these devices are relatively expensive. In an application such as this, inexpensive ones are preferred as they could get damaged easily in a greenhouse.

The devices used here are NTC thermistors, R26 and R27; these small devices are cheap and reasonably accurate ($\pm 2\%$). The only drawback is that their resistance does not vary linearly with temperature. This is not a great problem, though, since the processor can easily calculate the temperature via a look-up table. The formula for calculating resistance is as follows:

$$RT1 = RT2e \times (B/T1 - B/T2)$$

where RT = resistance R at Temperature T (in °K), B = characteristic temperature for the thermistor (see comp. list) and e = exponential factor (i.e. 2.718282)

Table 1 shows the relationship between temperature, resistance, voltage and time for the thermistor specified. Column 2 shows the thermistor resistance for various temperatures shown in column 1. Column 3 shows the voltage input to the ADC, i.e. the result of the voltage divider.

Column 4 shows the time taken for the comparator to trip within the ADC function of IC1. A 16-bit timer measures this time, although only the upper eight bits of the timer are used, hence the time is divided by 256. The look-up value is that used by the software and is actually the previous time multiplied by four (this gives better resolution).

Water Level Monitoring

Monitoring of the water level in, say, a rain water butt, is based on a similar principle to soil moisture monitoring, except that only a d.c. voltage is needed across the probes (P2). The amount by which the probes are immersed in water will vary the resistance between them. This forms one arm of another potential divider, the other arm being resistor R9.

DIGITAL CONVERSION

The AT89C2051 microcontroller has built-in analogue processing facilities which make it ideal for use as a sort of analogue-to-digital converter when monitoring sensor voltages, although it is not really an ADC! It's more like a voltage-to-time converter and its operation is quite simple.

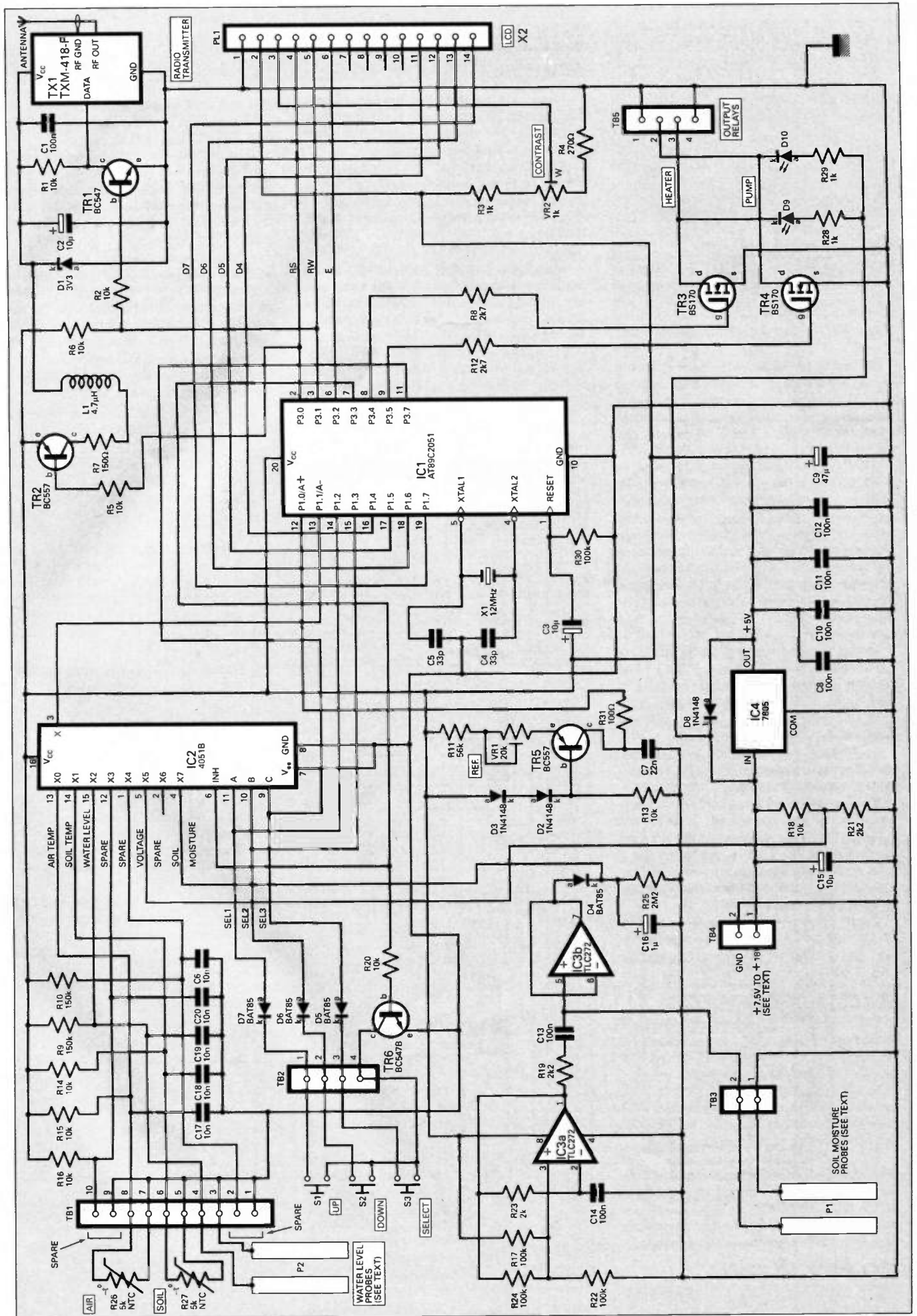


Fig.5. Complete circuit diagram, excluding power supply, for the Greenhouse Computer.

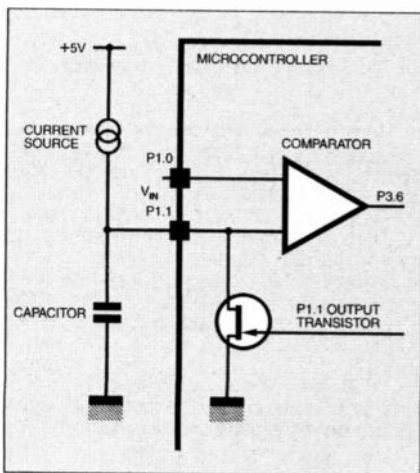


Fig. 6. Producing a "reference voltage".

Referring to Fig. 6, the voltage from the signal source (V_{in}) is applied to one input (P1.0) of the microcontroller's internal comparator. The other input (P1.1) is supplied by a current-limited reference voltage, which is also coupled to a capacitor.

To obtain a V_{in} voltage value, software first turns on the microcontroller's output transistor connected to P1.1, discharging the capacitor. It then turns off the transistor, allowing the capacitor to begin recharging. Now the software measures the time it takes the capacitor voltage to reach the same level as V_{in} (at which point the comparator output changes state). This time is proportional to the input voltage ($C = dv/dt$).

In Fig. 5, the reference voltage is set by the network around transistor TR5. The timing capacitor is C7, and preset VR1 is used to fine-tune the timing/reference rate.

L.C.D. INTERFACE

The display is shown on a 2-line 20-character intelligent l.c.d. (X2), connections to which are via PL1.

The interface will work with most intelligent l.c.d.s that operate off a single 5V supply. Due to the shortage of I/O lines on the processor, the l.c.d. is set up to use a 4-bit data bus rather than its full 8-bit bus. The contrast for the display is controlled by preset potentiometer VR2.

The l.c.d. must be of the single voltage (+5V) supply type, i.e. the type that does not need a negative voltage on its contrast pin.

RADIO INTERFACE

The radio interface uses the processor's serial port to output the current status and setting to the r.f. module. This design will be explained fully in the final part.

In a nut-shell, though, data is sent from the controller as a single block every 10 seconds. The link is one-way, so the control board cannot receive any messages.

The receiver decodes the data from processor and displays the information on the l.c.d. It also stores the data in non-volatile memory, so that it can be downloaded to a PC for further processing (e.g. temperature graphs can be generated).

POWER SUPPLY

The controller circuit has its own 5V regulator on board, as shown in Fig. 5. It can be fed at between 7.5V and 18V, which is attenuated to 5V by IC4.

Resistors R18 and R21 form a potential divider which supplies a reference voltage which could be read by the microcontroller via IC2, but is not implemented in the prototype.

Diode D8 protects the regulator when the power is removed (i.e. the bulk capacitors are discharged via the diode rather than through the regulator).

The controller can be supplied with power from any suitably rated d.c. power source, although the circuit illustrated in Fig. 7 is recommended. The control board consumes less than 100mA; the pump is likely to require between 1A and 3A.

Mains a.c. power is brought into transformer T1 whose dual 12V a.c. output is rectified by diodes D11 and D12, resulting in a d.c. voltage of about 18V at smoothing capacitor C21. This 18V is fed to the 5V regulator on the controller board. Additionally, a 5V6 Zener diode (D15) drops the 18V to 12-4V to supply the relays.

RELAYS

Also shown in Fig. 7 is the power circuit for the relays, RLA and RLB. These are responsible for switching the Heater and the Pump. They are controlled from IC1 via f.e.t. power transistors TR3 and TR4 (see Fig. 5). Their status is indicated by l.e.d.s D9 and D10.

Returning to Fig. 7, rechargeable NiCad batteries are used to provide the power for the pump. The mains power supply keeps the batteries topped up and provides power for the control board, it does not power the pump. The batteries also give backup to the controller, so you will not lose your setting during power interruptions.

Switch S4 is provided to give a choice of charge rates for the batteries. The low rate is set at approximately 7mA and the high rate at 20mA. These rates are controlled by resistors R33 and R32, respectively. If the watering function is not used, the low setting should be selected.

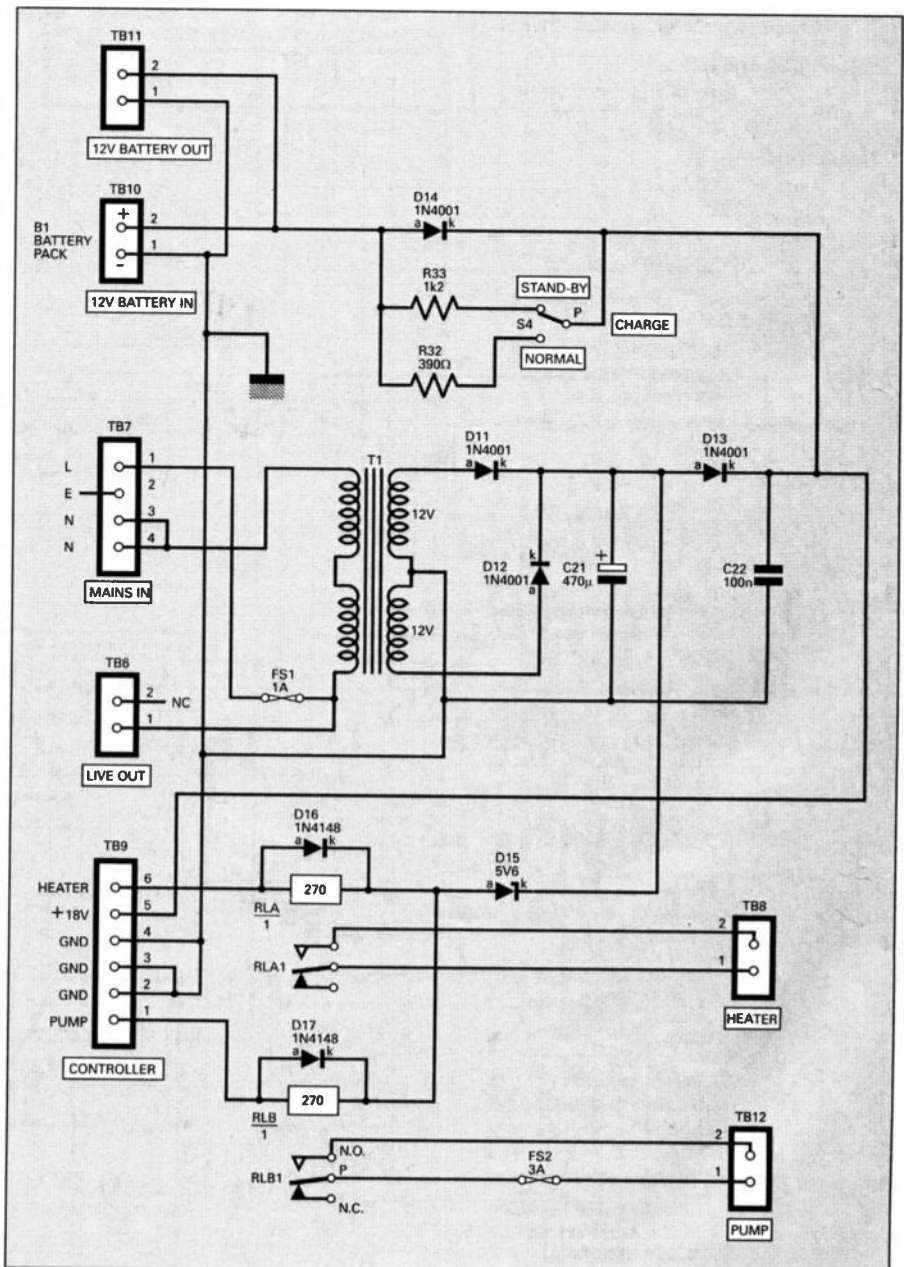


Fig. 7. Recommended power supply circuit diagram for the Greenhouse Controller. The legends around the relay contacts indicate the pole or moving contact (p), the normal open (n.o.) and the normal closed (n.c.) terminal.

COMPONENTS

Approx. Cost **£65**
Guidance Only

excluding transmitter and greenhouse hardware

X1 12MHz crystal
X2 2-line 20-character I.c.d. module (+5V supply - see text)

Resistors

- R1*, R2*, R5*, R6*, R13 to R16, R18, R20 10k (10 off)
- R3, R28, R29 1k (3 off)
- R4 270Ω
- R7* 150Ω
- R8, R12 2k7 (2 off)
- R9, R10 150k (2 off)
- R11 56k
- R17, R22, R24, R30 100k (4 off)
- R19 2k2 (see text)
- R21 2k2
- R23 2k
- R25 2M2
- R26, R27 NTC thermistor, 5k at 25°C, 300Ω at 100°C, B value 4100
- R31 100Ω
- R32 390Ω
- R33 1k2

All 0.25W 5% carbon film unless marked.

Potentiometers

- VR1 20k multitur, top adjust.
- VR2 1k multitur, top adjustable

Capacitors

- C1*, C8, C10 to C14, C22 100n ceramic disc (8 off)
- C2*, C3, C15 10μ elect. axial, 25V (3 off)
- C4, C5 33p ceramic disc (2 off)
- C6, C17 to C20 10n ceramic disc (5 off)
- C7 22n polystyrene
- C9 47μ elect. axial, 16V
- C16 1μ tantalum bead, 10V
- C21 470μ radial elect., 25V

Semiconductors

- D1* 3V3 Zener diode 400mW
- D2, D3, D8 1N4148 signal diode (3 off)
- D4 to D7 BAT85 Schottky diode (4 off)
- D9, D10 red I.e.d.
- D11 to D14 1N4001 rect. diode (4 off)
- D15 5V6 1W Zener diode
- D16, D17 1N4148 signal diode (2 off)
- TR1*, TR6 BC547B npn transistor (2 off)
- TR2*, TR5 BC557 npn transistor (2 off)
- TR3, TR4 BS170 MOSFET (2 off)
- IC1 AT89C2051 pre-programmed microcontroller (see text)
- IC2 4051B 1-of-8 analogue multiplexer
- IC3 TLC272 dual op. amp
- IC4 7805 5V 1A voltage reg.

Miscellaneous

- FS1 1A 20mm fuse, plus p.c.b. mounting clip
- FS2 3A 20mm fuse, plus p.c.b. mounting clip and cover
- L1 4.7μH inductor, bobbin or axial
- PL1 14-way IDC plug
- RLA, RLB s.p.d.t. relay, 12V 10A, p.c.b. mounting (2 off)
- S1 to S3 s.p. push-to-make switch (3 off)
- S4 s.p.d.t. min. slide switch, p.c.b. mounting
- T1 transformer, 12V-0-12V 3VA, p.c.b. mounting
- TB1 10-way terminal block, p.c.b. mounting, 0.2in. pitch
- TB2, TB5 4-way pin header, 0.1in. pitch (2 off)

Items marked * are for the Radio Transmitter Interface (see text).

- TB3, TB4, TB6, TB8, TB10 to TB12 2-way terminal block, p.c.b. mounting, 0.2in. pitch (7 off)
- TB7 4-way terminal block, p.c.b. mounting, 0.2in. pitch
- TB9 6-way pin header, 0.1in. pitch
- TX1 TXM-418-F transmitter module (see text)

Printed circuit boards, available from the EPE PCB Service, coded 197 (controller), 198 (power supply); 20-pin d.i.l. socket; 8-pin d.i.l. socket; 14-way IDC connector; plastic case, 154mm x 88mm x 58mm, waterproof; plastic case, 104mm x 104mm x 55mm, waterproof; 12V battery pack, AA-size rechargeable (1.2V cells, 10 off); cable gland, waterproof, locking (3 off); cable grommet, sleeved (3 off); miniature water pump, 12V, e.g. car windscreen washer pump; tubing to suit pump (e.g. 4mm for car washer pump); soil heating cable (see text); connecting wire; solder, etc.

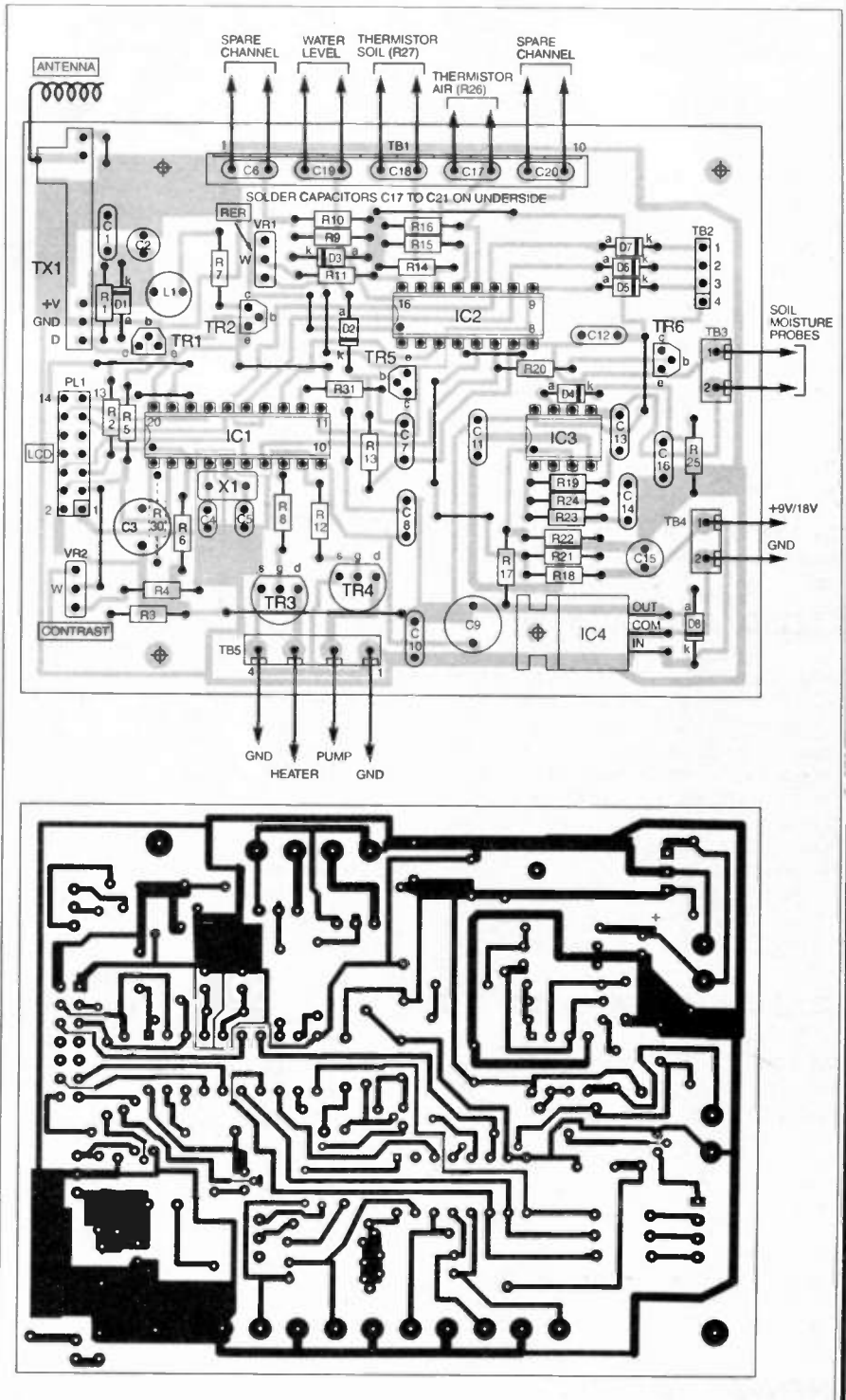


Fig.8. Printed circuit board component layout, wiring details and full size copper track master for the control board. Note R30 is soldered to underside.

CONSTRUCTION

Warning: parts of this circuit carry mains voltage. Take care when constructing and testing the design. If a heating cable is used, ensure it is one with an earth shield (i.e. one meant for this purpose). Remember that greenhouses can be wet, ensure that equipment is suitably protected. It is also advisable that all mains equipment in a greenhouse is protected by an earth leakage breaker (ELB or RCCB).

During assembly, if you have to desolder any components use the minimum amount of heat as tracks will lift easily.

There are two printed circuit boards (p.c.b.s), one for the main circuit and one for the power supply. Both boards are available from the *EPE PCB Service*, codes 197 and 198 respectively.

CONTROL BOARD

Start with the control board, layout and tracking details of which are shown in Fig.8. The usual order of links, resistors, diodes, capacitors etc. should be followed to simplify the assembly. There are a number of polarized components, take care to insert them correctly. Note that capacitors C17 to C21 and resistor R30 are soldered on the rear (trackside) of the board.

Transistors TR3 and TR4 are shown as BS170 MOSFETS, but in fact general purpose *npn* transistors can be used in their place, such as BC547 for example.

Inductor L1 is shown as a bobbin type, but you can use an axial one by standing it on its end. Regulator IC4 should be mounted face up, i.e. metal tab against the board.

Use d.i.l. sockets for IC1 and IC2. Use good quality sockets, especially if you are developing code yourself, as the processor may be in and out a few times. If you are developing your own code, use two sockets for the processor. When removing the processor, remove it in a socket, therefore if you damage a pin, it will be a socket pin, not a processor pin!

If you are going use the radio interface to be described in the last part, it would probably be best to populate all the components now, with the *exception* of the radio module and its antenna. If you are not intending to build it, omit the components associated with it.

All the off-board connections are made via connectors rather than directly soldering wires to the p.c.b. This adds a little to the cost but makes testing and installation much simpler.

Connection to the l.c.d. is made by a 14-way ribbon cable with an IDC connector at the control board end. The connection at the other end will depend on the l.c.d. used, you may be able to use an IDC connector at the other end too. Some l.c.d. connections are a single row of 14 rather than 2×7 , but in either case the connection numbering is the same.

PSU ASSEMBLY

For the power supply board (p.s.u.) follow the layout shown in Fig.9. Take care to ensure the diodes are inserted the correct way round.

Pin-outs for the transformer secondary vary between suppliers. The p.c.b. tracks have been laid out so that modifications can be made easily.

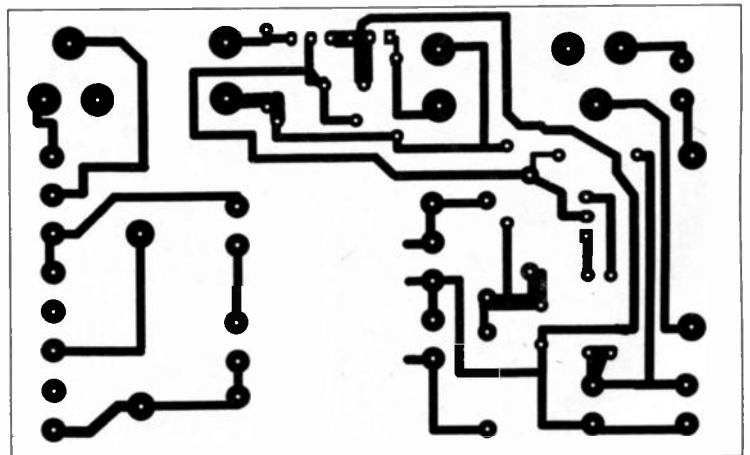
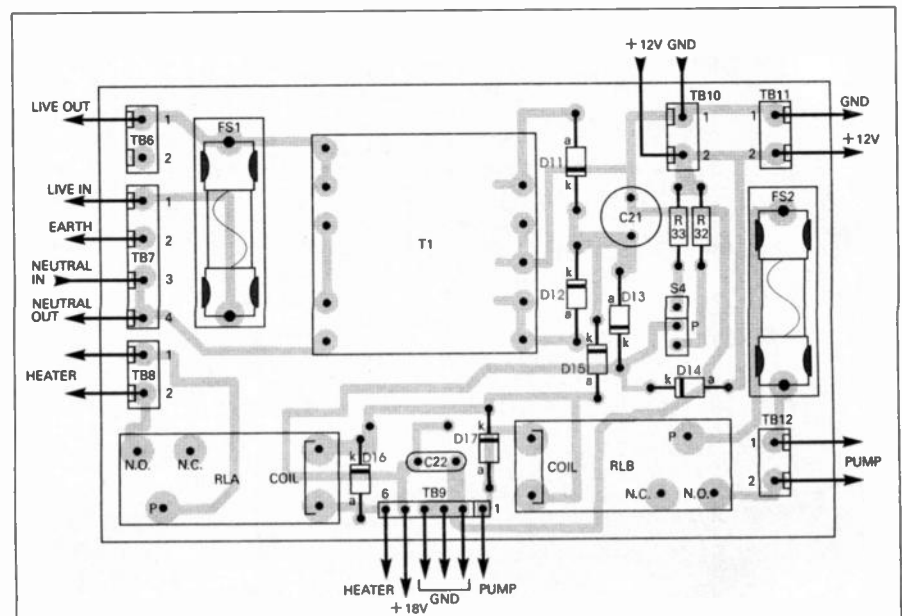
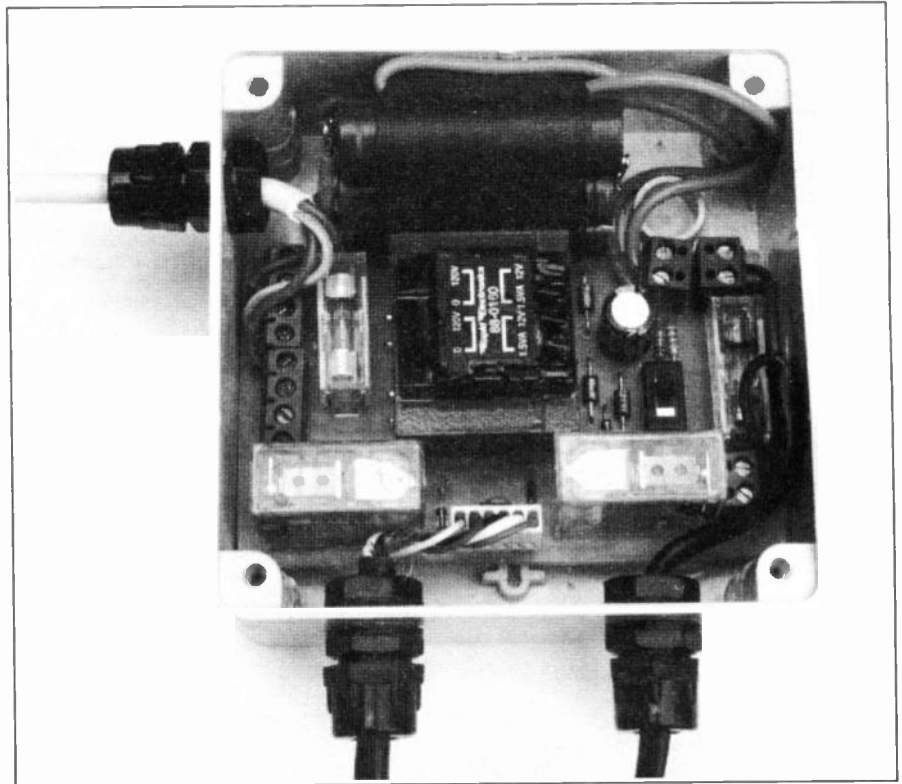


Fig.9. Power supply printed circuit board component layout, wiring details and full size copper foil track master. The completed p.s.u. is shown at the top.

It is suggested that ten rechargeable cells are used for battery back-up. These will produce a total output voltage of 12V to 13V (1.2V apiece). Most pumps will work between 11V and 14V.

For safety purposes, ensure the mains fuse (FS1) has a cover and is not an open type fuseholder.

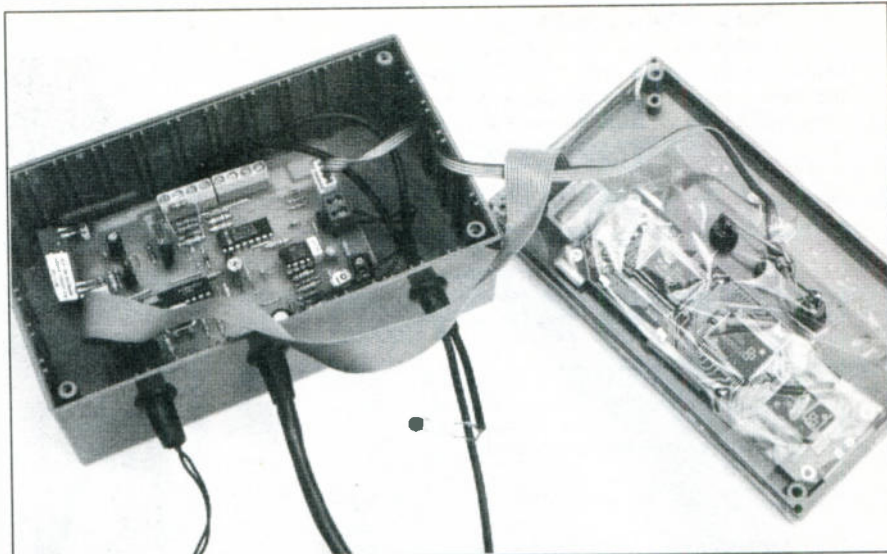
SOFTWARE

The software source code is written in C. The main reason for using C was for speed and maintainability (the original design was experimental and a number of changes were envisaged and implemented).

Despite being written in C, the code is very efficient (few library functions are used to make the code more efficient). Although writing the code in assembler might have resulted in slightly more efficient use of the ROM, the advantages of writing in a high level language often outweigh the disadvantages.

Because it is written in a high level language, the code is much more readable and, therefore, if you want to make changes you should find it reasonably simple (providing you have C facilities, of course).

However, if you want to make changes to the code, some functionality may have to be sacrificed, as every byte in the available code space is currently used! Note that if you do alter the code you *must* keep the variables in the same order if you want to use the Radio Interface.



Completed controller unit. The display module is mounted in the lid.

RESOURCES

Software for the Greenhouse Computer is available from the EPE Editorial Office on a 3.5 inch disk, order as PIC-Disk 1. See EPE PCB Service page for postage charges.

The software is also available free from our Web site:

<ftp://ftp.epemag.wimborne.co.uk/pub/8051/Greenhouse>

Controller IC1 is available as a pre-programmed device direct from the

author: Colin Meikle, 9 Coldstream Drive, Strathaven, Lanarkshire, ML10 6UD. Make cheques payable to him. The price, inclusive of UK postage is £12 (add £1 for overseas post).

You can also contact the author via E-mail at colin.meikle@virgin.net.

Next Month: We test each completed circuit board, complete final assembly and explain the software functions.

Electronic CAD

WINDRAFT
Schematics

WINBOARD
PCB Layout

cadence
SPECCTRA
Autorouter

IVEX
DESIGN
INTERNATIONAL

The complete, powerful schematic and PCB layout tools for Windows.

① Design your schematic with WinDraft...

- Choose from over 10,000 parts in WinDraft's complete library of components.
- All the utilities you need are included in the package from an Electrical Rules Checker to netlist output to printing and plotting outputs.
- Cut and Paste into other Windows applications such as Microsoft Word. Makes it easy to document your projects!

② Create the artwork for the PCB with WinBoard...

- Quickly route boards on up to 16 layers.
- Use SMD or through-hole components — or mix them for maximum flexibility.
- Unique pad-stack editor can create pads of virtually any size or shape.
- Rotate components in 0.01° increments.

③ Create a Gerber photoplot, NC Drill, pick and place, and other manufacturing outputs!

Tel 0181 926 1161

The PC Solution, 2a High Road Leyton, London, E15 2BP. Fax 0181 926 1160 <http://www.thepcsol.demon.co.uk>

Everyday Practical Electronics are pleased to be able to offer all readers these **ELECTRONICS CD-ROMS**

TWO APPLICATIONS ON ONE CD-ROM

ELECTRONIC CIRCUITS & COMPONENTS + THE PARTS GALLERY by Mike Tooley

ELECTRONIC CIRCUITS & COMPONENTS

Electronic Circuits & Components provides an introduction to the principles and application of the most common types of electronic components and shows how they are used to form complete circuits. The virtual laboratories, worked examples and pre-designed circuits allow students to learn, experiment and check their understanding as they proceed through the sections on the CD-ROM. Sections on the disk include:

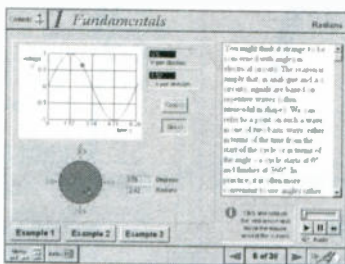
- Fundamentals:** units & multiples, electricity, electric circuits, alternating circuits.
- Passive Components:** resistors, capacitors, inductors, transformers.
- Semiconductors:** diodes, transistors, op.amps, logic gates.
- Passive Circuits**
- Active Circuits**

THE PARTS GALLERY

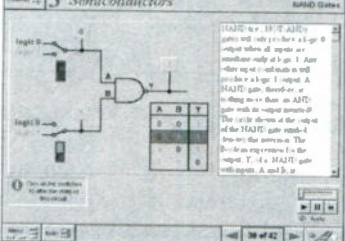
Many students have a good understanding of electronic theory but still have difficulty in recognising the vast number of different types of electronic components and symbols. *The Parts Gallery* helps overcome this problem; it will help students to recognise common electronic components and their corresponding symbols in circuit diagrams. Selections on the disk include:

- Components**
- Components Quiz**
- Symbols**
- Symbols Quiz**
- Circuit Technology**

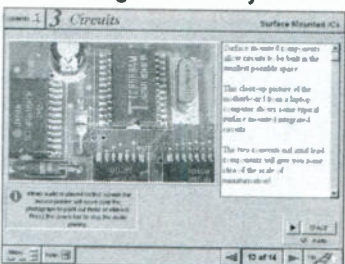
- Hobbyist/Student £34 inc VAT
 Institutional (Schools/HE/FE/Industry)£89 plus VAT
 Institutional 10 user (Network Licence) £169 plus VAT



Virtual laboratory – sinusoids



Logic laboratory

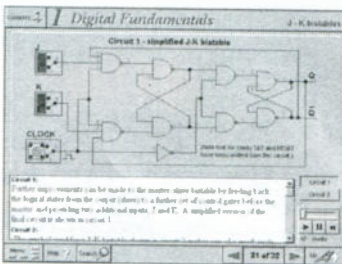


Circuit technology screen

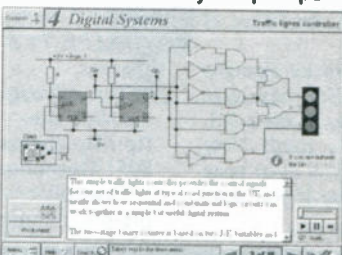
DIGITAL ELECTRONICS by Mike Tooley

NEW

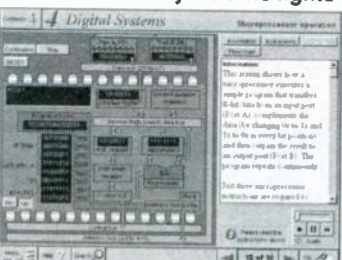
Digital Electronics builds on the knowledge of logic gates covered in *Electronic Circuits & Components*, and takes users through the subject of digital electronics up to the operation and architecture of microprocessors. The virtual laboratories allow users to operate many circuits on screen.



Virtual laboratory – flip-flops



Virtual laboratory – traffic lights



Microprocessor

- Hobbyist/Student £45 inc VAT
 Institutional (Schools/HE/FE Industry)£99 plus VAT
 Institutional 10 user (Network Licence) £199 plus VAT

FUNDAMENTALS

Fundamentals introduces the basics of digital electronics including binary and hexadecimal numbering systems, ASCII, basic logic gates and their operation, monostable action and circuits, and bistables – including JK and D-type flip-flops

COMBINATIONAL LOGIC

Multiple gate circuits, equivalent logic functions such as majority vote, parity checker, scrambler, half and full adders. Includes fully interactive virtual laboratories for all circuits

SEQUENTIAL LOGIC

Introduces sequential logic including clocks and clock circuitry, counters, binary coded decimal and shift registers.

DIGITAL SYSTEMS

A/D and D/A converters and their parameters, traffic light controllers, memories and microprocessors – architecture, bus systems and their arithmetic logic unit.

GALLERY

A catalogue of commonly used IC schematics taken from the 74xx and 40xx series. Also includes photographs of common digital integrated circuits and circuit technology.

CD-ROM ORDER FORM

Please send me:

- Electronic Circuits & Components + Parts Gallery
 Digital Electronics

Version required:

- Hobbyist/Student
 Institutional
 Institutional 10 user

Full name:.....

Address:.....

Post code:..... Tel. No:.....

Signature:.....

I enclose cheque/PO in £ sterling payable to WIMBORNE PUBLISHING LTD for £.....

Please charge my Visa/Mastercard: £ Card expiry date:.....

Card No:.....

ORDERING

Prices include UK postage

Student Version – price includes postage to most countries in the world
 EU residents outside the UK add £5 for airmail postage per order

OVERSEAS ORDERS: Institutional Versions – overseas readers add £5 to the basic price of each CD-ROM for airmail postage (do not add VAT unless you live in an EU country, then add 17½% VAT or provide your official VAT registration number).

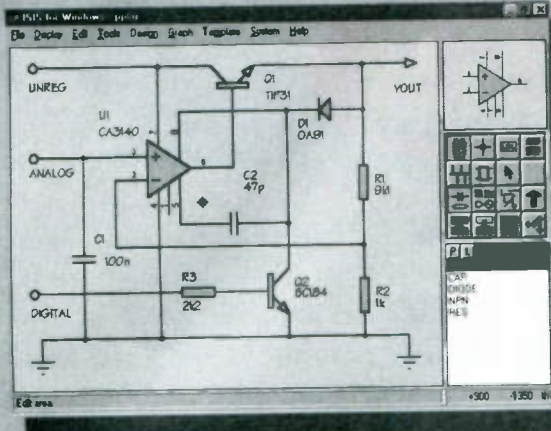
Send your order to: **Direct Book Service**
 33 Gravel Hill, Merley Wimborne
 Dorset BH21 1RW
 (Mail Order Only)

Direct Book Service is a division of Wimborne Publishing Ltd. To order by phone ring
01202 881749. Fax: 01202 841692
 We cannot reply to overseas orders by Fax
 CD-ROMs are normally sent within seven days

PROTEUS

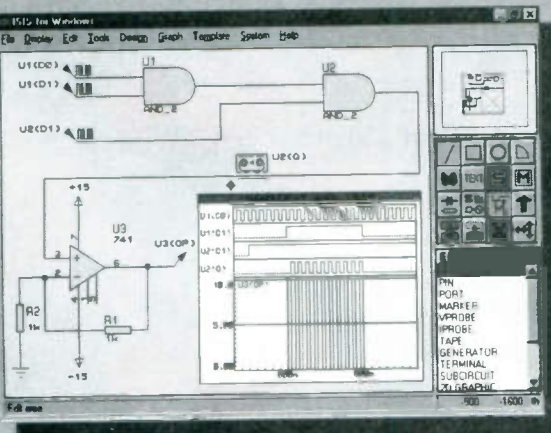
Schematic Capture

NEW Version IV



- Produces attractive schematics like you see in the magazines.
- Netlist, Parts List & ERC reports.
- Hierarchical Design.
- Full support for buses including bus pins.
- Extensive component/model libraries.
- Advanced Property Management.
- Seamless integration with simulation and PCB design.

Simulation



- Non-Linear & Linear Analogue Simulation.
- Event driven Digital Simulation with modelling language.
- Partitioned simulation of large designs with multiple analogue & digital sections.
- Graphs displayed directly on the schematic.

FREE
SOFTWARE
ISIS & ARES Lite
Schematic & PCB
Design

**SHAREWARE VERSIONS
AVAILABLE TO DOWNLOAD
FROM OUR WEBSITE**

<http://www.labcenter.co.uk>

labcenter
Electronics

The IVth Generation

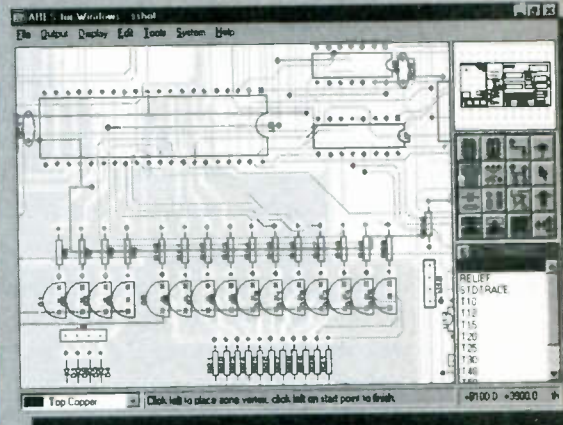
New Features

- Component Auto-Placer
- Pinswap/Gateswap Optimizer
- Background Regeneration of Power Planes
- Enhanced Autorouting with Tidy Pass
- Full Control of Schematic Appearance
- Extensive New Component Libraries

Available in 5 levels - prices from £295 to £1625 + VAT.
Call now for further information & upgrade prices.

PCB Design

NEW Version IV



- Automatic Component Placement.
- Rip-Up & Retry Autorouter with tidy pass.
- Pinswap/Gateswap Optimizer & Backannotation.
- 32 bit high resolution database.
- Full DRC and Connectivity Checking.
- Shape based gridless power planes.
- Gerber and DXF Import capability.

"PROTEUS
is particularly **good**
with its rip-up-and-retry **autorouter"**
EWW January 1997

Write, phone or fax for your free demo disk, or ask about our full evaluation kit.
Tel: 01756 753440. Fax: 01756 752857. EMAIL: info@labcenter.co.uk
53-55 Main St, Grassington, BD23 5AA. WWW: <http://www.labcenter.co.uk>

Fully interactive demo versions available for download from our WWW site.
Call for educational, multi-user and dealer pricing - new dealers always wanted.
Prices exclude VAT and delivery. All manufacturer's trademarks acknowledged.

Don't just test it, **ANALYSE IT!**

DCA50
Component Analyser

£59
FULLY INCLUSIVE



AS REVIEWED IN JULY EPE!

An incredibly versatile unit that will identify almost any transistor, MOSFET, diode or LED as well as identify pinouts! It will even measure transistor gain. Just apply the colour-coded gold plated test clips in any order and press the button. Fits in the palm of your hand. Supplied with battery and manual.

DTA30 Transistor Analyser

The user can connect any bipolar transistor to the three test clips in any configuration and the DTA30 will verify device operation and identify all three leads as well as the transistor type (NPN/PNP).

HMA20 MOSFET Analyser

A truly unique instrument that will verify the operation of MOSFETs. Of course, it will identify the three leads and the MOSFET type too.

DCH10 Diode Tester

A simple device that will test and identify the leads of diodes, zeners, LEDs and other semiconductor junctions. It will even illuminate an LED under test regardless of the connected orientation. The DCH10 can identify open, short and normal semiconductor junctions.

All units feature auto power-on and auto power-off and are supplied with an operation guide and long life battery. Replacement batteries available.

You can order by credit card, cheque or postal order, remember there's no VAT or P+P to add, what you see is what you pay! Goods are normally despatched within 24 hours and are guaranteed for 12 months following receipt of order. Government and educational establishments qualify for 30 days payment terms.

For delivery outside the UK please add £5.



See Our Web Site!
www.peakelec.co.uk

Want more info?

Data sheets are available free of charge, just telephone, fax or email for your free data pack. Alternatively, view extensive product data on our Web Site.

PEAK

Peak Electronic Design Limited

70 Nunsfield Road, Buxton,
Derbyshire, SK17 7BW

Tel. (01298) 700 12
Fax. (01298) 700 46

Web: www.peakelec.co.uk
Email: sales@peakelec.co.uk

READOUT

John Becker addresses some of the general points readers have raised. Have you anything interesting to say? Drop us a line!

Win a Peak DTA30 Transistor Analyser

The DTA30 will test and identify the type (*npn/pnp*) and the leads of any bipolar transistor connected to it.

Every month Peak Electronic Design Ltd will be giving a DTA30 to the author of the best *Readout* letter published.



TUT, TRIS AND TASM

Dear EPE,

Nice to see the *PIC Tutorial* in the mag, just what we've been waiting for. I have programmed a few 16C84s but some *EPE* projects have left me a little non-plussed! Like when I bought an l.c.d. module that met all the criteria stated in the *How to Use Intelligent L.C.D.s* article (Feb/Mar '97), but could I get it to work?!

Looking at the code on page 194 March '97, I now understand why this code never worked for me. Where, oh where, is the page switching code to drive and control Port B?

I very much welcome *PIC-Tutor*, I've already learned something from Part 1 as I didn't realise the significance of *PAGE* switching for port control and output. Keep up the good work chaps!

Incidentally, I have in fact been using *TASM* for many years to program the good old Z80 CPU, having developed and built a Z80 development system.

Mel Saunders, Leicester

Your l.c.d. might, perhaps, be failing to initialise correctly when power is first applied and the software run. I favour a different command sequence to that published in March '97 (there are several ways it can be done). Try the sequence published in the Tutorial Part 3.

It is unlikely that Paging is the cause. The use of TRIS in the March '97 code is an alternative to the PAGE instructions I discuss in the Tutorial, and having the same effect.

Command TRIS is one which I felt it best not to include in the Tutorial as Microchip recommend that, although it is available in the PIC16C84 set, it should not be used in order to maintain upward compatibility of code with later devices, which do not include the command.

Whilst I have not used TRIS as a command, the PIC Data Book says that "all Port pins have data direction bits (TRIS registers) which can configure these pins as output or input". The use of TRIS with a Port A or Port B address directly accesses these bits.

The March '97 code you refer to has the following statements (with revised comments from me):

```
CLRF 05 ; clear PORTA
CLRF 06 ; clear PORTB
MOVLW 0F8 ; load W with %11111000
TRIS 05 ; to set RA0 to RA2 as
; outputs
; and RA3, RA4 as inputs
MOVLW 00 ; load W with 0
TRIS 06 ; to set RB0 to RB7 as
; outputs
```

This seems to me to have the same effect as what I would write for the same function (having defined all names in the initialisation heading):

```
CLRF PORTA
CLRF PORTB
PAGE1
MOVLW %11111000
MOVWF TRISA
CLRF TRISB
PAGE0
```

I'm interested to learn of your use of TASM with other processors, it is a versatile assembler.

CHARACTER PIC

Dear EPE,

I am considering using a PIC to control a circuit which generates alphanumeric characters on segmented l.e.d.s. I need to have two digit select lines, six data inputs, eight outputs to l.e.d. segments and four outputs to the l.e.d. common electrodes, a total of 20 lines required to create characters from 0 to 9 and A to Z.

However, the PIC16C84 only has 13 I/O lines and is thus not suited to the design. The next device size up, the PIC16C57 I think, has two 8-bit ports and one 4-bit port, but you have not yet covered this PIC in the same detail as you have the '84 and I am not familiar with its use. Can you help? It would also be useful if you published a table of info on the various PICs.

John Gray,
London N10 2NU

First, unless many readers suggest otherwise, we cannot immediately see the benefit of covering non-EEPROM type PICs in the same detail as given to the '84. The '84 justified the coverage because of its ease of immediate reprogrammability. Other PICs are less easy to experiment with as they require time-consuming erasure by UV-light.

The information we gave in the '84 Tutorial, though, is basically applicable in terms of coding to other PIC members and anyone familiar with the '84 should be able to use other PICs in conjunction with their own data sheets. As far as physically programming them is concerned, it is advisable to use Microchip's MPASM/MPLAB hardware/software suite which covers all PIC devices.

Returning to your character drive problem, you are assuming that an '84's 13 lines cannot be used in your 20-line requirement. Not so!

Remember that each line can have its input/output direction changed from within a program, which thus provides you with the equivalent of 26 lines to play with, as

long as you take suitable precautions to prevent conflict between the devices on the lines when in bi-directional use. This may be as simple as simply using biasing or current limiting resistors, or may require the addition of external signal routing gates. Your imagination and a data book of logic devices should be used jointly for the latter!

Furthermore, you do not need to control external devices by parallel output data from the PIC. You could consider serial control using just two of the PIC's lines, one for Data, one for Clock. You might need a third as a Latch control, but that's still only three lines, leaving ten available.

This would allow SIPO (serial-in, parallel-out) shift registers to be used in series fed by data from the PIC with their outputs controlling the segments. Some of the other lines could be used to control common electrode multiplexing if desired. For the latter, three lines could control eight common electrodes via a 3-to-8 gate plus transistor drivers.

Obviously, 7-segment displays cannot be used for all the characters you want, but alphanumeric displays are readily available (Maplin, for example), as are matrixed multi-l.e.d. modules.

Regarding PIC info tables, you appear to have missed our giant PIC Data Chart given away free as part of the Jan '98 issue - we still have some back issues available (see Back Issues page).

Complete PIC data is available from Arizona Microchip Technology Ltd., Microchip House, 505 Eskdale Road, Winnersh Triangle, Woking, Berks RG41 5TU. Tel: 0118 921 5800. Fax 0118 921 4820. Web: <http://www.microchip.com>.

TEN CHEERS

Dear EPE,

I have just seen your web site support for PIC projects, and thanks very much!

Now I have ordered three PICs after studying many of your past PIC projects. I have electronics experience and some programming ability too, so, together with your excellent tutorial/intro projects and articles, am confident of many happy hours fiddling with PICs.

I also intend making your *Simple Dual Output TENS Unit* (March '97) for my sister and I appreciate the info you've put on your web site. I'll be directing her to the site to read for herself too.

Thanks very much, it's magazines like yours that keep electronics alive, may you be most successful.

David Vandenberg, via the Net

Thanks. PICs and TENS projects have proved incredibly popular.

★ LETTER OF THE MONTH ★

REVERSING THE TIDE

Dear EPE,

I sympathise with Mark McGuinness in his sadness over the (apparent) decline of electronics as a hobby (*Readout* April '98), but wonder whether his culprits (PC simulations and low cost consumer electronics products) are the whole of the reason. He has concentrated on the education of electronics, and there are a lot of hobbyists like me who only got interested in electronics after finishing formal education.

I followed an arts course at school, so I only had a rudimentary exposure to physics and that was in the early 1960s: I learned Ohm's Law, how to determine which magnetic pole would appear at which end of a coil when current was passed through it, and which way the current had to flow to electroplate something. All good stuff, but hardly a complete foundation for electronics.

What got me interested in electronics was an aunt buying me a build your own transistor radio kit for a Christmas present just after I left school. It was Medium Wave only, had only a handful of components and needed an aerial the length of a washing line for a reasonable reception, but it did have a circuit diagram as well as wiring instructions. I got curious about how these components could produce music, but only when they were wired up the way the instructions said.

At that time all the books in the public library and the hobby magazines available described valve circuits and, whilst I was interested, it was not until I encountered transistor circuits and discovered Veroboard that I constructed anything. It became a real challenge to lay out components on Veroboard within the limits of the wires on the components, yet cutting the least number of tracks.

I also learned to improvise on circuits provided for other purposes. When I slowed down an oscillator of a tone generator to one cycle a minute and used it to switch an SCR my battered Ford Cortina had an intermittent wipe facility!

Bigger and better things followed and I also learned Murphy's Law: that if there is a construction fault, the component ruined is either the most expensive or the most difficult to get a replacement for, and that the only dry joint in a circuit is the one you

forget to check. Computer simulations can't provide that sort of education!

The pinnacle of my hobby was probably the solid state room thermostat with 15 transistors to generate a variable mark/space ratio according to the temperature differential, and providing zero voltage switching of a SCR man enough for a 2kW electric fire.

Then suddenly everything published was using integrated circuits. Circuits became a few passive components surrounding a mystery with a dual-in-line pin layout, and they only make sense once it is established from data sheets whether "IC1" is a timer, a NAND gate, an op.amp or whatever. The hobbyist is provided with pre-designed circuit boards and is deprived of the underlying basic principles of a circuit and so the fascination is lost.

I can understand why interest in electronics might be waning: I have constructed very little recently. I can also understand why PIC projects have reversed the tide. I have been following the Tutorials avidly, because once again I can see, instruction by instruction, why a circuit works, and the potential for variants of the basic idea.

For the non-PIC projects, I have a suggestion. Patents and copyrights permitting, why not show one circuit occasionally with the equivalent of the resistor, transistor, capacitor internals of the i.c.s, so that it is possible to see both what a circuit does, and why it does it. And by building a component equivalent of an i.c., the hobbyist can not only appreciate the complexity inside an i.c. but can test voltages, currents, etc. at intermediate points to aid understanding. Chips with everything is not good for anyone.

J.F. Warren,
Bath

It is the fascination with "how and why things work" that has been the inspiration for many who have taken up electronics as a hobby and/or career. There does seem, though, to be a general malaise amongst the UK public in an apparent unwillingness to question or delve into the nature of such things. Indeed it almost seems to be a proud claim amongst some that they do not understand technology and have no wish to do so. I am frequently left fuming by some media personalities, and politicians, who seem to boast about having this attitude.

It is a lamentable outlook that is in danger of keeping us on the path towards becoming a mere service-providing nation rather than one that is a technological innovator and producer. Whatever has happened to the enquiring attitudes that prevailed in the days of Brunel, Stevenson, Babbage and Faraday, and even more recently with figures like Frank Whittle, Alan Turing, Clive Sinclair and Trevor Baylis? (Readers, who are your recent British heroes/notables in science and technology?)

To return to immediate practicalities, it is gratifying that the PIC Tutorials should provide you with insights that you have found missing. We do try to explain how things work in many other ways as well. However, the state of electronic technology has now reached the point at which demonstrating exactly how a modern device such as a simple logic chip or a complex microprocessor works in terms of individual transistors etc. has become impossible.

It would also be meaningless at the very least, and incomprehensible at the most (even if one could actually draw it on a large enough sheet of paper). The sheer quantities of transistor-like components in a modern digital chip (7.5 million in the Pentium II processor) prohibit simple illustration of current and voltage flows and their effects.

It's not like the days of the Eagle comic that I was brought up on in the 1950s - it used to show cut-away illustrations of how all sorts of things worked. You can't slice open a microprocessor to reveal how it works. Sometime, though, we might try to give a hint of the complexity - if we can find something simple enough!

To begin to understand modern electronics, you have to start well down the ladder of sophistication. To this end we publish such series as Teach-In and PIC Tutorials from which we hope readers will grasp the fundamentals, and can then begin to comprehend how the basic principles might be expanded to achieve such things as simple wipe devices at one end, to sophisticated microcontrolled marvels at the other.

Irrespective of what non-technophiles might believe, to me two things continue to remain clear: that technology is a fascinating subject, and that its basic principles can be understood if one has the inclination to look into them. Always encourage an enquiring mind!

CHARGING THE FENCE

Dear EPE,

I have been a reader and user of your top rate magazine for 15 years and have never seen a design for an electric fence charger/energiser. Have you a circuit diagram using, perhaps, an automobile coil for the charge oscillator?

Peter Thorpe, via the Net

Following our E-mailed reply to Peter that it was not something we had come across, he responded:

That's rather disappointing. I would have thought that a magazine with your

stature would have direct access to electronics engineers who could provide the relevant info.

Whilst we do have access to designers, the cost of supplying individual designs to meet the needs of readers is excessive, and an electric fence charger is not a project that would have wide appeal. When we have already published a design, then we can obviously supply information, but we cannot offer a design service.

However, if quite a few readers ask for a particular design, we do take steps to try and satisfy that need, suggesting

to some of our regular contributors that they might consider doing a project. It's up to them, though, as to whether or not they follow up our suggestion.

Also (and not many readers know this, perhaps), many larger reference libraries might well be able to help. Where a design concept and its possible solutions are within the public domain, the information is often available in published form and held at selected libraries (they tend to specialise in subjects). It's a facility well worth researching.

Returning to fences, can any readers help on this design problem?

PRACTICAL ELECTRONICS BACK ISSUES

We can supply back issues of *EPE* by post, most issues from the past five years are available. An index for the last five years is also available – see order form. Alternatively, indexes are published in the December issue for that year. Where we are unable to provide a back issue a photostat of any *one article* (or *one part* of a series) can be purchased for the same price.

DID YOU MISS THESE?

FEB '97

PROJECTS ● Pacific Waves ● How To Use Intelligent L.C.D.s, Part 1 ● PsiCom Experimental Controller ● Earth Resistivity Meter, Part 2 ● Theremin MIDI/CV Interface, Part 2.
FEATURES ● Ingenuity Unlimited ● Build Your Own Projects, Part 4 ● Circuit Surgery ● Interface ● Net Work – Internet News.

MARCH '97

PROJECTS ● Simple Dual-Output TENS Unit ● Video Negative Viewer ● Tri-Colour NiCad Checker ● How To Use Intelligent L.C.D.s – 2 ● Oil Check Reminder.
FEATURES ● Interface ● Ingenuity Unlimited ● Build Your Own Projects, Part 5 ● Digital TV – The Reality ● Circuit Surgery ● Net Work.

APRIL '97

PROJECTS ● 418MHz Remote Control System ● Midi Matrix ● Puppy Puddle Probe ● PIC-Agoras Wheelie Meter – 1.
FEATURES ● Interface ● Ingenuity Unlimited ● Digital TV and MPEG2 ● EDWin NC Software Review ● Circuit Surgery ● Net Work.

MAY '97

PROJECTS ● 2 Metre F.M. Receiver ● EPE PIC-A-Tuner ● Alarm Operated Car Window Winder ● Quasi-Bell Door Alert ● PIC-Agoras – 2.
FEATURES ● Ingenuity Unlimited ● Circuit Surgery ● Techniques – Actually Doing It ● Great Experimenters – 1 ● Type 7660 Voltage Converters ● Net Work.



JUNE '97

PROJECTS ● PIC Digilogue Clock ● Child Minder Protection Zone ● Pyrotechnic Controller ● Narrow Range Thermometer.
FEATURES ● Great Experimenters – 2 ● Circuit Surgery ● Interface ● Reactobot and Virtual Reality ● Ingenuity Unlimited ● Net Work.

JULY '97

PROJECTS ● Micro PESt Scarer ● Karaoke Echo Unit ● Infra-Red Remote Repeater ● Computer Dual User Interface ● Micropower PIR Detector – 1.
FEATURES ● Ingenuity Unlimited ● Techniques – Actually Doing It ● Circuit Surgery ● Great Experimenters – 3 ● Electronics Workbench V5.0 Review ● Net Work.

AUG. '97

PROJECTS ● Variable Bench Power Supply ● PIC-olo Music Maker ● Universal Input Amplifier ● Micropower PIR Detector – 2.
FEATURES ● Interface ● Ingenuity Unlimited ● Colossus Recreated ● Circuit Surgery ● Great Experimenters – 4 ● Net Work.

SEPT '97

PROJECTS ● PIC-Noughts & Crosses Game ● Ironing Safety Device ● Active Receiving Antenna ● Soldering Iron Controller ● Micropower PIR Detector – 3.
FEATURES ● Ingenuity Unlimited ● Raising the Pressure – RC4190 Switch-Mode I.C. ● Circuit Surgery ● Techniques – Actually Doing It ● Great Experimenters – 5 ● Net Work.

OCT '97

PROJECTS ● PIC Water Descaler ● Remote Control Finder ● Multi-Station Quiz Monitor ● Rechargeable Handlamp.
FEATURES ● Ingenuity Unlimited ● It's Probably Murphy's Law ● Interface ● Circuit Surgery ● Kanda PIC Explorer Review ● Network



NOV '97

PROJECTS ● Portable 12V PSU/Charger ● Case Alarm ● Auto-Dim Bedlight ● EPE Time Machine.
FEATURES ● Satellite Celebration ● Ingenuity Unlimited ● TEACH-IN '98 – An Introduction to Digital Electronics-1 ● Techniques – Actually Doing It ● Circuit Surgery ● Net Work ● Free Greenweld Catalogue.

DEC '97

PROJECTS ● Safe and Sound – Security Bleeper ● Active Microphone ● Car Immobiliser ● Mini Organ.
FEATURES ● TEACH-IN '98 – An Introduction to Digital Electronics-2 ● Circuit Surgery ● Interface ● B² Spice Review ● Ingenuity Unlimited ● Alternative and Future Technologies-1 ● Net Work – The Internet ● Free Giant Data Chart – Formulae.

JAN '98

PROJECTS ● Disco Lights Flasher ● Simple M.W. Radio ● EPE Virtual Scope-1 ● Surface Thermometer.
FEATURES ● TEACH-IN '98 – An Introduction to Digital Electronics-3 ● Circuit Surgery ● Ingenuity Unlimited ● Alternative and Future Technologies-2 ● Net Work – The Internet ● Free – Giant PIC Data Chart.

FEB '98

PROJECTS ● Water Wizard ● Kissometer ● Waa-Waa Effects Pedal ● EPE Virtual Scope – 2.
FEATURES ● TEACH-IN '98 – 4 ● Ingenuity Unlimited ● Techniques-Actually Doing It ● Circuit Surgery ● Net Work – The Internet ● Chip Special – HT7630 PIR Controller.



MAR '98

PROJECTS ● Lighting-Up Reminder ● The Handy Thing ● Switch-Activated Burglar Alarm ● Audio System Remote Controller.
FEATURES ● Teach-In '98 – 5 ● Ingenuity Unlimited ● Interface ● Stripboard Magic Review ● Circuit Surgery ● Net Work ● EPE PIC Tutorial Supplement 1

APRIL '98

PROJECTS ● Simple Metal Detector ● Single or Dual Tracking Power Supply ● Experimental Piezo-Cable Projects – Distributed Microphone – Vibration Alarm ● RC-Meter
FEATURES ● Ingenuity Unlimited ● Patent Your Invention ● Teach-In '98 – 6 ● Circuit Surgery ● Net Work ● Techniques – Actually Doing It ● EPE PIC Tutorial Supplement 2

MAY '98

PROJECTS ● Dice Lott ● Security Auto-Light ● Stereo Tone Control plus 20W Stereo Amplifier ● Improved Infra-Red Remote Repeater
FEATURES ● Teach-In '98 – 7 ● Net Work ● EPE PIC Tutorial Supplement 3

JUNE '98

PROJECTS ● EPE Mood Changer ● Simple SW Receiver ● Atmel AT89C2051/1051 Programmer ● Reaction Timer
FEATURES ● 8051-based EEPROM Microcontrollers ● Teach-In '98 – An Introduction to Digital Electronics – 8 ● Circuit Surgery ● Techniques – Actually Doing It ● Ingenuity Unlimited

BACK ISSUES ONLY £2.75 each inc. UK p&p.

Overseas prices £3.35 each surface mail, £4.35 each airmail.

We can also supply issues from earlier years: 1990 (except Jan., March, April, Oct. and Dec.), 1991 (except May, June, Aug., Sept. and Nov.), 1992 (except April and Dec.), 1993 (except Jan. to May and Dec.), 1994 (except April, May, June and Nov.), 1995 (except Jan., March, May, June, July, Aug., Sept., Nov. and Dec.), 1996 (except Feb., April, July, Aug., Nov.), 1997. Please note we are not able to supply copies (or 'stats of articles) of *Practical Electronics* prior to the merger of the two magazines in November 1992.

Where we do not have an issue a photostat of any *one article* or *one part* of a series can be provided at the same price.

ORDER FORM – BACK ISSUES – PHOTOSTATS – INDEXES

Send back issues dated

Send photostats of (article title and issue date)

Send copies of last five years indexes (£2.75 for five inc. p&p – Overseas £3.35 surface, £4.35 airmail)

Name

Address

I enclose cheque/P.O./bank draft to the value of £.....

Please charge my Visa/Mastercard £.....

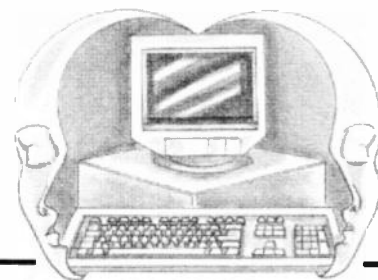
Card No. Card Expiry Date

Note: Minimum order for credit cards £5. Please supply name and address of cardholder if different from that shown above.
SEND TO: **Everyday Practical Electronics, Allen House, East Borough, Wimborne, Dorset BH21 1PF.**
Tel: 01202 881749. Fax: 01202 841692. (Due to the cost we cannot reply to overseas queries or orders by Fax.)
E-mail: editorial@epemag.wimborne.co.uk
Payments must be in £ sterling – cheque or bank draft drawn on a UK bank. Normally supplied within seven days of receipt of order.
Send a copy of this form, or order by letter if you do not wish to cut your issue.

M7/98

INTERFACE

Robert Penfold



TEAM QUIZ MONITORING VIA THE PRINTER PORT

I HAVE noticed over the years, that for every project you design there is always at least one reader who requires a slightly modified version. It could simply be that some *EPE* readers like being awkward, but the more likely reason is that most projects can be used in a variety of ways, and it is tempting to customise them to precisely match your requirements.

One of the main advantages of do-it-yourself electronics is that you can tinker with the designs in an attempt to make your ideal gadget. Sometimes a simple modification is all that is needed in order to make a project operate in the fashion required by the reader. In other cases a totally different approach is needed.

Pressing Needs

A recent reader's letter inquired about a quiz monitor. A conventional four-station device of this type was described in a recent issue of *EPE* (Oct '97), and a multi-station PC based system was featured some time ago in an *Interface* article. In both cases they were designed for standard television style quizzes where the first person to press their pushbutton switch gets the opportunity to answer the question.

The reader required something rather more sophisticated than this, with the monitor indicating who pressed first, second, third and fourth. Presumably, if the first contestant answered the question incorrectly, or was unable to answer it at all, whoever pressed second would be given a chance, then whoever pressed third and fourth.

This may seem to be simple enough, but it cannot be implemented as simply as a basic "first past the post" quiz monitor. Well, this is certainly true of the system based on conventional logic circuits, but it can be implemented quite simply using some form of computer-based system. The hardware can then be kept to the minimum, with the complexities being handled by the software.

The hardware for a PC-based system of this type can consist of little more than the four pushbutton switches themselves. The system I devised uses the ultra-simple circuit of Fig.1.

Four pushbutton switches (S1 to S4) are connected to data lines D0 to D3 (pins 2 to 5) of the PC printer port. The printer port must be capable of bi-directional operation because the data lines are used as inputs. Internal pull-up resistors take the inputs high under standby conditions, but operating one of the switches takes the relevant input low.

At switch-on, the data lines will default to the output mode. Protection resistors R1 to R4 provide current limiting if someone should operate one of the switches while data lines are in the output mode.

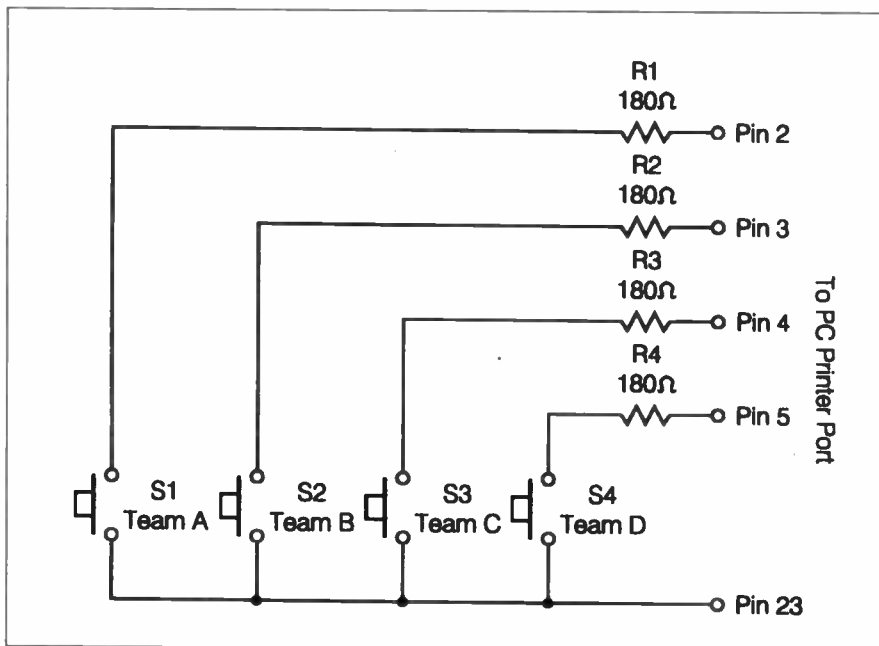


Fig.1. Circuit diagram for the Quiz Monitor interface.

Quiz monitors are mainly used for teams rather than individual competitors, and it will normally be more convenient to have an individual switch for each team member rather than just a single switch for each team. This is easily achieved, and it is just a matter of replacing the individual switches with banks of pushbutton switches wired in parallel.

The circuit diagram in Fig.2 shows how the single switch for team A can be replaced by a bank of four pushbutton switches. Operating any of these switches pulls the relevant data line low and activates the system. In theory at any rate, any number of switches can be used. Of course, all four stations would have to be modified in the same way.

The connections to the printer port are made by way of a 25-way male D-type connector (Fig.3). As this project uses

very few components there is probably no point in bothering with a circuit board. The four resistors can simply be hard wired to the D-connector.

The switches are mounted in individual cases, and a project of this type inevitably has a lot of cables. The most practical approach would probably be to have the printer port connected to a sort of junction box, with the switches connecting to the junction unit via something like 3.5mm jack plugs and sockets.

Software

The accompanying program listing will run under GW-BASIC or QBasic. Lines 20 and 30 set variables PORT1 and PORT2 at the appropriate values for the printer port addresses. Where appropriate, these addresses should be changed to &H378 and &H37A or

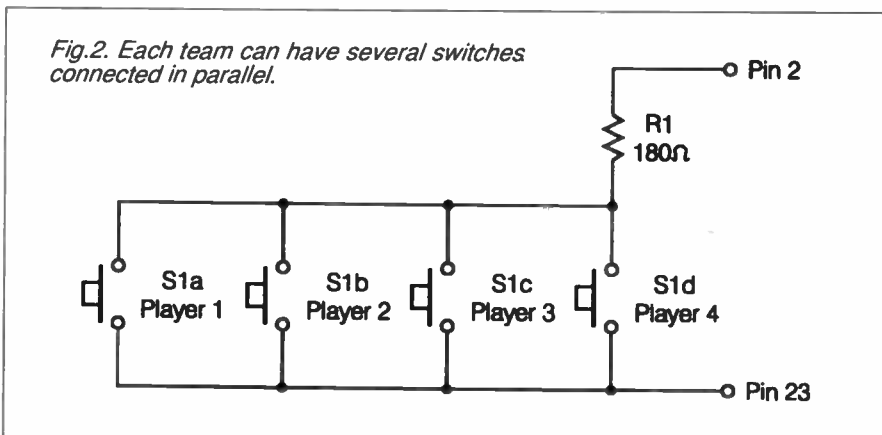


Fig.2. Each team can have several switches connected in parallel.

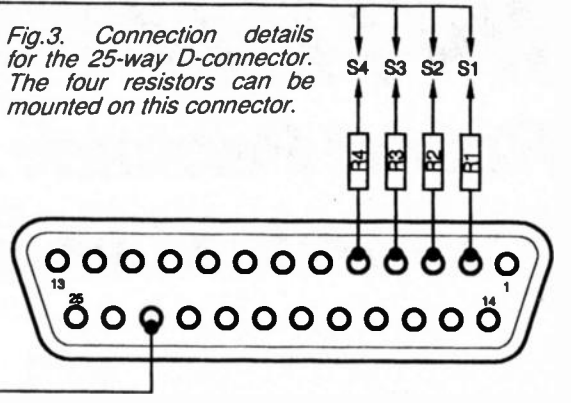
Listing 1

```

10 REM 1st, 2nd, 3rd, 4th Press Quiz Monitor Prog
20 PORT1 = &H278
30 PORT2 = &H27A
40 OUT PORT2,32
50 CLS
60 LOCATE 1,10
70 PRINT "PRESS R KEY TO RESET OR S KEY TO
STOP PROGRAM"
80 LOCATE 5,10
90 PRINT "FIRST TO PRESS IS"
100 LOCATE 10,10
110 PRINT "SECOND TO PRESS IS"
120 LOCATE 15,10
130 PRINT "THIRD TO PRESS IS"
140 LOCATE 20,10
150 PRINT "FOURTH TO PRESS IS"
160 A = 1
170 B = 1
180 C = 1
190 D = 1
200 P = 1
210 X = INP(PORT1)
220 IF (X AND 1) = 0 THEN GOSUB 290
230 IF (X AND 2) = 0 THEN GOSUB 380
240 IF (X AND 4) = 0 THEN GOSUB 470
250 IF (X AND 8) = 0 THEN GOSUB 560
260 IF INKEY$ = "r" THEN GOTO 80
270 IF INKEY$ = "s" THEN END
280 GOTO 210
290 IF A = 2 THEN RETURN
300 IF P = 1 THEN LOCATE 5,32
310 IF P = 2 THEN LOCATE 10,32
320 IF P = 3 THEN LOCATE 15,32
330 IF P = 4 THEN LOCATE 20,32
340 PRINT "TEAM A"
350 A = 2
360 P = P + 1
370 RETURN
380 IF B = 2 THEN RETURN
390 IF P = 1 THEN LOCATE 5,32
400 IF P = 2 THEN LOCATE 10,32
410 IF P = 3 THEN LOCATE 15,32
420 IF P = 4 THEN LOCATE 20,32
430 PRINT "TEAM B"
440 B = 2
450 P = P + 1
460 RETURN
470 IF C = 2 THEN RETURN
480 IF P = 1 THEN LOCATE 5,32
490 IF P = 2 THEN LOCATE 10,32
500 IF P = 3 THEN LOCATE 15,32
510 IF P = 4 THEN LOCATE 20,32
520 PRINT "TEAM C"
530 C = 2
540 P = P + 1
550 RETURN
560 IF D = 2 THEN RETURN
570 IF P = 1 THEN LOCATE 5,32
580 IF P = 2 THEN LOCATE 10,32
590 IF P = 3 THEN LOCATE 15,32
600 IF P = 4 THEN LOCATE 20,32
610 PRINT "TEAM D"
620 D = 2
630 P = P + 1
640 RETURN

```

Fig.3. Connection details for the 25-way D-connector. The four resistors can be mounted on this connector.



the variable is set at 2, thus ensuring that multiple operations of the routine are avoided.

Obviously the system will only perform correctly if the routines print the team identifications in the correct places on the screen, and variable P controls this function. Initially this is set at 1, but it is incremented by 1 each time a switch is operated and a message is printed on the screen. A series of conditional instructions print the message on the screen at a point that is dependent on the value of P.

For example, by the time the third switch is operated variable P will have been augmented to a value of 3. This results in the message being printed on line 15, to the right of the "THIRD TO PRESS" message.

Port Reading

The input port is read at line 210, and the next four lines check inputs D0 to D3, one-by-one. If a switch has been operated, the program branches to the appropriate subroutine, the correct response is printed on the screen, two of the variables are incremented, and the program then returns to the main loop.

Once the switches have been operated, pressing the "R" key resets the program. This is detected at line 260, and from here the program branches back to line 80. Lines 80 to 150 then return the screen to its original state by overwriting the appropriate areas with spaces. The variables are returned to their original values and the program functions as before.

Pressing the "S" key exits the program (line 270), or the usual CONTROL-BREAK combination has the same affect.

&H3BC and &H3BE (see *Interface May '98*). The next two lines set the printer port to input operation and clear the screen.

After this, some simple instructions are printed at the top of the screen. Below this, on separate lines and well spaced out, the program prints "FIRST TO PRESS IS", "SECOND TO PRESS IS", and so on. If team C is the first to respond to a question, the program will print "TEAM C" immediately after "FIRST TO PRESS IS". If team A is the next to respond, the program prints "TEAM A" immediately to the right of "SECOND TO PRESS IS", and so on.

One slight problem the software must overcome is that once a switch has been activated and read, it will not be released immediately. Therefore, once a switch has been read and the appropriate message has been printed on the screen, that switch must be ignored until another round of questioning is commenced. This is achieved by giving each switch a variable (variables A to D), and starting that variable with a value of 1.

The routines that write "TEAM A", etc. on the screen check that the appropriate variable is at 1, and only proceed if it is. At the end of the routine

EPE BINDERS

KEEP YOUR MAGAZINES SAFE – RING US NOW!

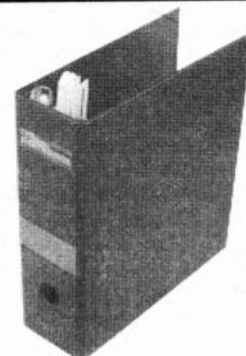
This ring binder uses a special system to allow the issues to be easily removed and reinserted without any damage. A nylon strip slips over each issue and this passes over the four rings in the binder, thus holding the magazine in place.

The binders are finished in hard-wearing royal blue p.v.c. with the magazine logo in gold on the spine. They will keep your issues neat and tidy but allow you to remove them for use easily.

The price is £5.95 plus £3.50 post and packing. If you order more than one binder add £1 postage for each binder after the initial £3.50 postage charge (overseas readers the postage is £6.00 each to everywhere except Australia and Papua New Guinea which costs £10.50 each).

Send your payment in £'s sterling cheque or PO (Overseas readers send £ sterling bank draft, or cheque drawn on a UK bank or pay by credit card), to Everyday Practical Electronics, Allen House, East Borough, Wimborne, Dorset BH21 1PF. Tel: 01202 881749. Fax: 01202 841692. E-mail: editorial@epemag.wimborne.co.uk. Web site: <http://www.epemag.wimborne.co.uk> (We cannot reply to queries or confirm orders by Fax.)

We also accept credit card payments. Mastercard or Visa (minimum credit card order £5). Send your card number and card expiry date plus cardholder's address (if different to the delivery address).



An Introduction to DIGITAL ELECTRONICS



Ian Bell, Rob Miles, Dr. Tony Wilkinson, Alan Winstanley

TEACH-IN is a series designed to support candidates following City and Guilds (C&G) 726 Information Technology, with reference to the following specific syllabuses: *7261/301 Introductory Digital Electronics, *726/321 Elementary Digital Electronics, *726/341 Intermediate Digital Electronics.

Even if you are not undertaking the City and Guilds syllabus, there is much to be learned from *Teach-In*.

Lab Work

Throughout *Teach-In*, attempts are made to involve the student with practical "Lab Work" experiments and demonstrations, and complex mathematics will be avoided unless really necessary – and even then, plenty of help is to hand! We make a point of identifying practical components in special sections of *Teach-In*, so that you will learn to recognise parts.

Part Nine: COUNTERS AND SHIFTERS

IN PART 8 we designed a number of 3-bit binary counters, both asynchronous and synchronous. We have used an intuitive approach (this means that we make up the designs as we go along) looking at the patterns of 1s and 0s in the binary count sequence to derive rules about how they changed and hence the logic we required.

A combination of intuition, reasoning and experience often serves a designer well, but there are always problems which due to their size, complexity or simple lack of obvious patterns defeat this approach. In such cases we need more systematic techniques if we are to obtain the circuit required. To illustrate this we will show how you can design a simple 3-bit counter using a systematic approach.

Recall our introduction to sequential logic in Part 6, where we described a traffic light control circuit in which combinational logic was used to work out what the next pattern of lights in the

sequence was to be. Fig.9.1 shows our counter drawn in the same form, and in fact any synchronous logic circuit can be drawn in a similar way.

We need to design the combination circuit which works out the next number in the count sequence from the current one. We can start by writing out the Truth Table for the "Next Value" in terms of the "Current Value". Each value has three bits in our counter so we effectively need three truth tables, one for each bit of the next value. We will label the current bits C2, C1 and C0 and the next value bits N2, N1 and N0. A combined truth table is given in Table 9.1.

Now we can use any combinational logic design technique we like to obtain the circuits for getting N2, N1 and N0 from C2, C1 and C0.

Looking at the truth tables it is obvious that $N_0 = C_0$ but N1 and N2 need a bit more work. We can use K-maps for N1 and N2 as shown in Fig.9.2.

Table 9.1 Truth table for next value logic for 3-bit binary up counter

CURRENT VALUE			NEXT VALUE		
C2	C1	C0	N2	N1	N0
0	0	0	0	0	1
0	0	1	0	1	0
0	1	0	0	1	1
0	1	1	1	0	0
1	0	0	1	0	1
1	0	1	1	1	0
1	1	0	1	1	1
1	1	1	0	0	0

From the K-maps for N1(a) we see two loops. Loop 1 is $\overline{C1} \cdot C_0$ and loop 2 is $C1 \cdot \overline{C0}$. So we get $N1 = \overline{C1} \cdot C_0 + C1 \cdot \overline{C0}$ which is the XOR function, i.e. $N1 = C1 \oplus C_0$. Experienced designers may have spotted the XOR function directly from the Truth Table or K-maps.

From the K-map for N2 (b) we see three loops. Loop 3 is $\overline{C2} \cdot C_0 \cdot C_1$, loop 2 is $C2 \cdot \overline{C0}$ and loop 1 is $C2 \cdot \overline{C1}$. So for N2 we get:

$$N2 = C2 \cdot \overline{C0} + C2 \cdot \overline{C1} + \overline{C2} \cdot C_0 \cdot C_1 \quad (1)$$

$$= C2 \cdot (\overline{C0} + \overline{C1}) + \overline{C2} \cdot (C_0 \cdot C_1) \quad (2)$$

$$= C2 \cdot (\overline{C0} \cdot \overline{C1}) + \overline{C2} \cdot (C_0 \cdot C_1) \quad (3)$$

$$= C2 \oplus (C_0 \cdot C_1) \quad (4)$$

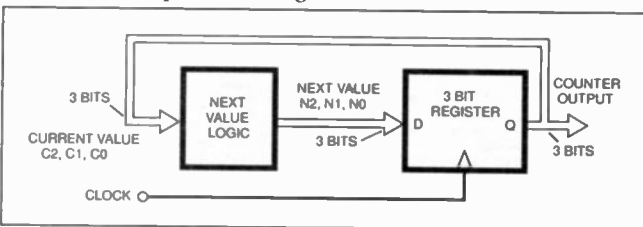


Fig.9.1 3 bit synchronous counter block diagram.

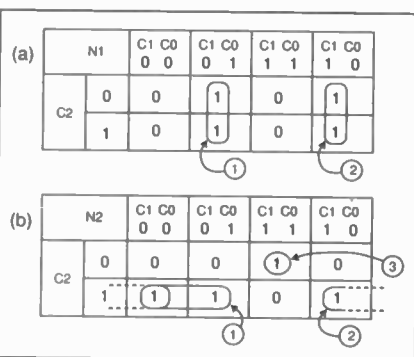
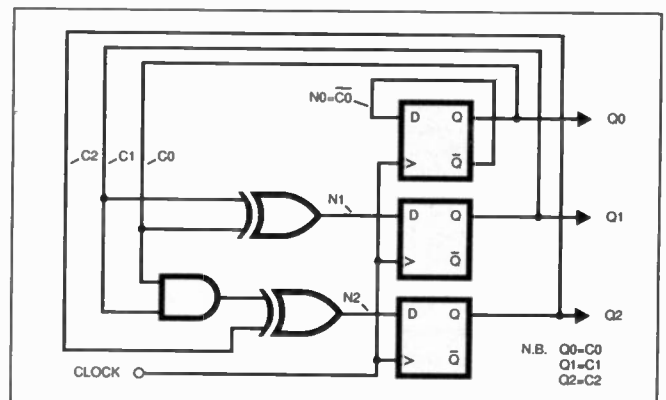


Fig.9.2 (left) K-maps for 3-bit binary synchronous up counter

Fig.9.3 (right) 3-bit binary synchronous up counter.



We could use any form of the N2 equation to build the circuit. The XOR form we derived above corresponds with Fig.8.16. The third version of the N2 equation corresponds with Fig.8.14. The final circuit developed from these equations is given in Fig.9.3.

Ups and Downs of Counters

So far all the counters have been 3-bit up counters which have served well to illustrate most of the design issues, but in reality we often need more bits and additional features such as count/inhibit controls. Perhaps one immediate question is how do we count *down*.

If we repeat our observation of patterns in the binary numbers we find that an asynchronous down counter is obtained simply by using positive edge clocks instead of negative. This is shown in Fig.9.4, in which the toggle flip flop can be either form as for the up counter shown in Fig.8.9 of the previous part.

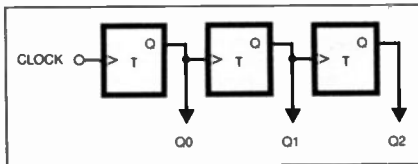


Fig.9.4. A 3-bit binary asynchronous down counter.

If availability of either positive and negative edge clocked flip-flops is limited the \bar{Q} outputs of the flip-flop can be used to give the same effect as the opposite clock edge. An inverter will also be needed at the input if the counter itself requires the opposite clock edge. The use of \bar{Q} and negative edge clocks to form a down counter is shown in Fig.9.5.

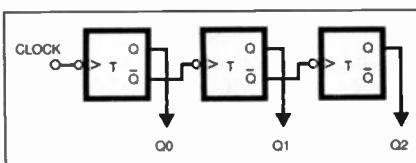


Fig.9.5. A 3-bit binary asynchronous down counter using negative edge triggered flip-flops.

We can use the fact that choosing between Q and \bar{Q} to drive the next clock alters the direction of counting to obtain an up/down counter. The circuit is shown in Fig.9.6 and consists of an asynchronous counter with a multiplexer to select the clock source for each flip-flop.

The circuit used in Fig.9.6 is actually rather difficult to use because the control logic is connected to the flip-flop clocks. Any glitches (tiny pulses caused by timing problems in the logic) on the up/down selector will clock part of the counter. Furthermore, simply changing direction may also cause unwanted changes in the counter's flip-flops.

Synchronous up/down counters do not suffer from this problem. To obtain a synchronous down counter we could either observe that a bit changes when all lesser bits are zero or use a systematic design technique. Either way we can arrive at the circuit shown in Fig.9.7.

You should be able to see the symmetry between Fig. 8.13 and Fig.9.7, noting that the control logic has shifted across to the \bar{Q} outputs. We can obtain a synchronous up/down counter by using multiplexers connected to the JK inputs which select between the up and down control logic.

Since the flip-flops are not clocked by the JK inputs glitches or changes in the up/down control cannot directly affect the state of the counters. The circuit is shown in Fig.9.8.

It's Size that Counts

How do we make counters larger than 3-bits? Basically it's more of the same. The

asynchronous counter is just a chain of flip-flops. You can make it as long as you like but you must remember the "ripple" delay and the intermediate outputs.

For a synchronous counter it is simply a matter of designing the next value logic, intuitively or systematically. However, from the patterns we have discussed so far it should be clear that a 4-bit counter requires a 3-input AND gate connected to the three least significant bits to control the fourth bit. By logical extension a 24-bit counter would require a 23-input AND gate for the most significant bit. This gets rather cumbersome but fortunately is not necessary.

We noted in Part 5 that a large AND or OR gate could be built from a set of smaller ones, and in the counter we already have the AND function for the previous stages. All we have to do is add a two input AND gate to add the next stage to the existing AND function. This is illustrated in Fig.9.9 which shows a five-bit synchronous up counter.

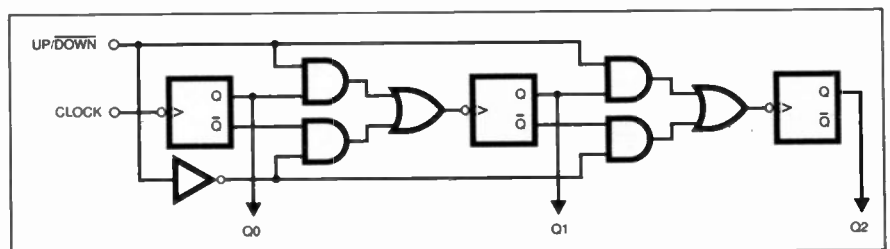


Fig.9.6. A 3-bit binary asynchronous up/down counter.

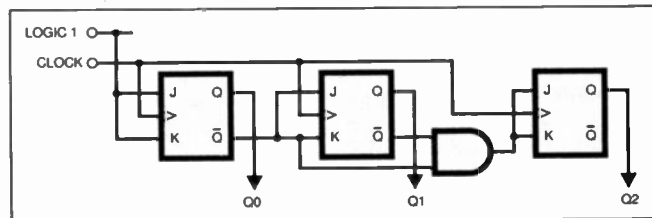


Fig.9.7. A 3-bit binary synchronous down counter.

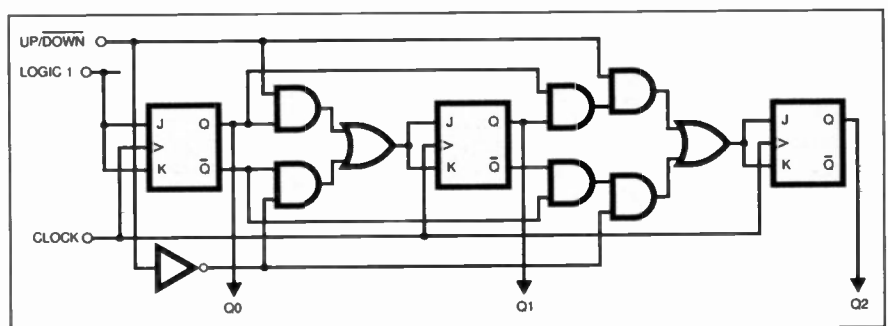


Fig.9.8. A 3-bit binary synchronous up/down counter.

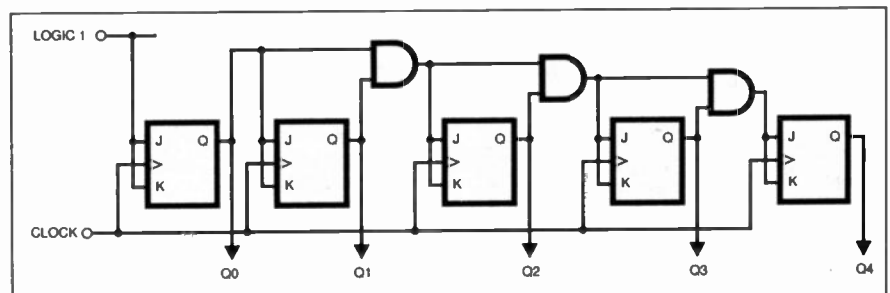


Fig.9.9. A 5-bit synchronous up counter.

If we extend the circuit in Fig.9.9 to a large number of stages we get a problem with the chain of AND gates slowing the circuit down. For example, the clock to a 24-bit counter would have to be slower than 23 gate delays plus one flip-flop delay.

A compromise between the multi-input AND and AND chain approaches provides the best solution. It also helps us build counter blocks which are readily cascaded to form larger counters.

You will find that 7400 and 4000 series synchronous counter i.c.s are often 4-bit but can be connected together to form larger counters. To form cascadable counter "blocks" we need to be able to inhibit the counter (so that a given counter block can stop subsequent blocks when required).

A synchronously controlled inhibit input is generally useful as it provides a means of stopping the counter without having to gate the clock (gating the clock is susceptible to glitches). We also need an output to indicate when the counter block has reached full count - which is when the next block needs to count.

A 4-bit counter with an inhibit (\overline{INH}) input and a terminal count (TC) output is shown in Fig.9.10. (Note that the terminal count is also called the carry-out on some counters). These four-bit counter blocks can be cascaded to form larger counters as shown in Fig.9.11.

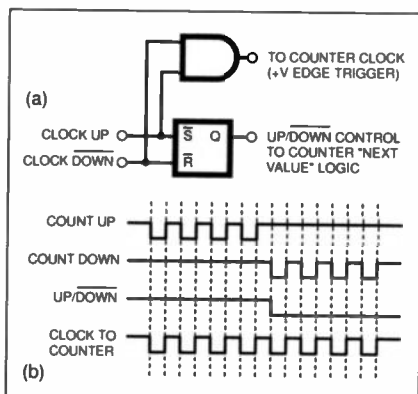
Synchronous Counter Chips

The 40163 and 74163 i.c.s are examples of 4-bit cascadable synchronous counters. The inhibit circuitry in these circuits is slightly different from that in Fig.9.10. These chips have two enable inputs, both of which must be high for the counter to count. One of the enables connects directly to the TC logic. The two inputs are ANDed together to provide control of the count.

This idea is illustrated in Fig.9.12a, but note this is not a full schematic of these chips (check the databooks for the full story). Fig.9.12b shows how these chips are cascaded.

The 74193 is a synchronous up/down counter which has two clocks - one for up and one for down. For the circuit to function correctly, the clock input which is not being used must be high.

For example, to count down the up clock is set high and the down clock is pulsed. The two clocks must never change at the same instant.



The circuitry used by the 74913 to achieve dual clocking is shown in Fig.9.13, this can be connected to an up/down counter like the one shown in Fig.9.8.

Loaded Counters

It is sometimes useful to be able to load a particular number into a counter, for example so that we can count down from any value to zero. To do this we need a presetable counter.

There are a couple of ways of doing this and we will be discussing this in

more detail in the context of shift registers later (the basic principles are the same). For the moment let's consider Fig.9.14, this shows a block diagram of a presetable counter.

The multiplexer (MUX) is used to select whether the count logic outputs or the data inputs are loaded into the counter's flip-flops when they are clocked. The 40163 and 74163 i.c.s are presetable using an active low load enable control which is independent of the count enables.

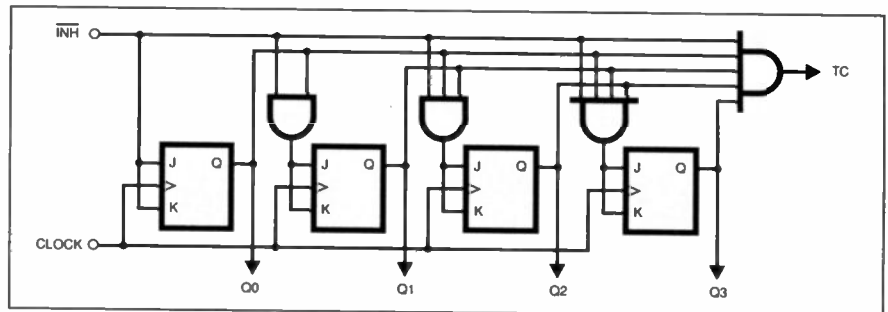


Fig.9.10. Cascadable 4-bit binary synchronous up counter.

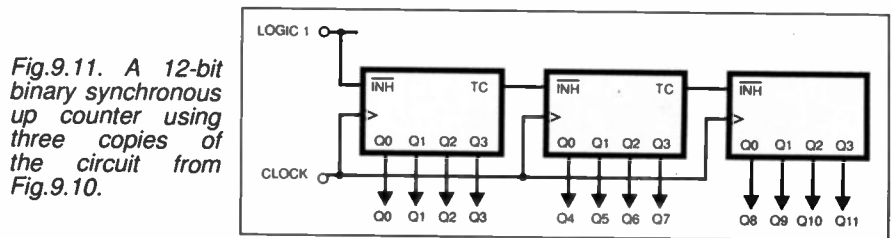


Fig.9.11. A 12-bit binary synchronous up counter using three copies of the circuit from Fig.9.10.

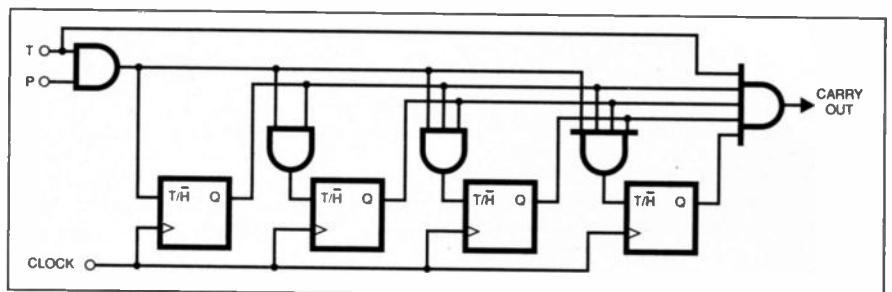


Fig.9.12a. Form of enable circuitry used in the 40163 and 74163.

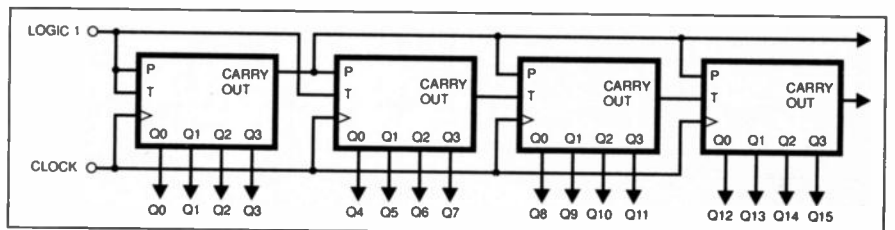


Fig.9.12b. Schematic for a 16-bit counter showing connection of cascade signals for 40163 and 74163 i.c.s. Not all the chip pins/functions are shown.

Fig.9.13 (left). Circuit to provide a dual clock for a synchronous up/down counter, (a) schematic and (b) timing diagram. As used in the 74193 i.c.

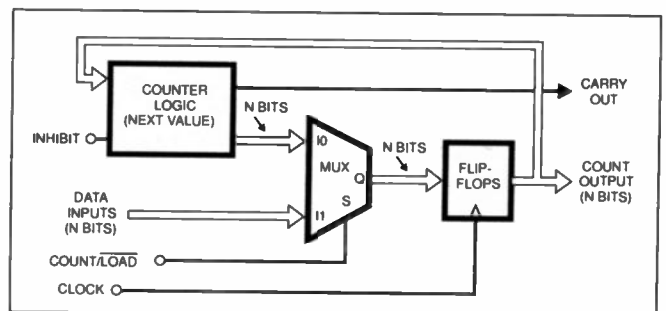


Fig.9.14. Block diagram of a presetable counter.

Any Number You Like

All the counters so far have been binary, but we may require other counter types, for example BCD (Binary Coded Decimal). A BCD counter has 4-bits and counts from 0000 (0) to 1001 (9) and then returns to 0.

There are a number of ways of achieving this. First, we can use a binary counter with a combinational circuit to detect when the counter's output is 10 (1010) and use this to activate the asynchronous reset. This is illustrated in Fig.9.15 together with its timing diagram.

The timing diagram illustrates the problem with this approach – the output of the counter is 10 briefly before the reset takes effect. This problem can be overcome by using a synchronously reset counter. Such a counter could use the synchronously resettable flip-flop described in the previous part.

The reset is applied when the count occurs and takes effect on the following clock pulse. The schematic and timing diagram are shown in Fig.9.16.

An alternative approach would be to use the systematic design technique described earlier and design the BCD counter from scratch. You could use this technique to design counters which not only count a limited range of numbers, but also circuits which produce output sequences other than straightforward binary counting.

For example, you could design a circuit to count in steps of three rather than one (why not have a go!). In fact with the appropriate logic in the "next value" box in Fig.9.14 or Fig.9.1 you can produce any arbitrary "count" sequence. Just write down the list of current and next values and churn out the circuits using K-maps.

Getting Into a State

At the start of our discussion on counters we showed you a state diagram for a 3-bit binary up counter (Fig.8.6). Diagrams like this become extremely useful when you want to display how control inputs can change the way that a counter behaves. They provide a good way of defining and visualising what the counter will do when it gets a clock pulse in any of its states.

For each state we draw a circle, with an arrow leaving that state for each possible next state. We can then label each arrow with the logical condition which will send it down that particular path. Fig.9.17 shows the behaviour of an up/down counter (a), a counter with a hold control (b) and a synchronously re-settable counter (c).

Serial Data

The registers we have met so far load all their bits simultaneously from a set of parallel inputs. Similarly, all bits are available in parallel at the outputs. To transfer data from one register to another we need one wire per bit.

This is simple, fast and very convenient, as long as the distances involved are not too great, so within chips and equipment we find parallel multi-bit buses as we have previously described. Over longer distances the cost of the cable becomes prohibitive and if we wanted to use radio we would have to use eight different channels (frequencies) to send 8-bit data.

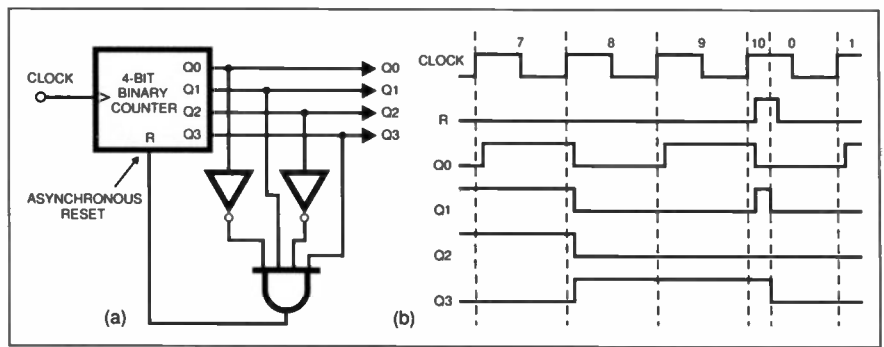


Fig.9.15. BCD Counter (a) schematic representation (b) timing diagram.

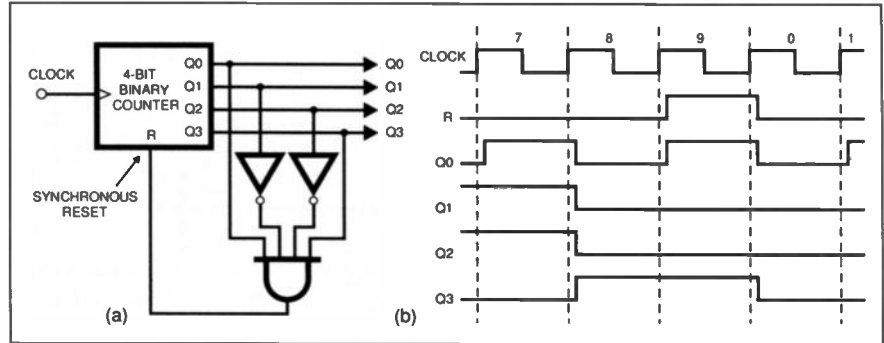


Fig.9.16. BCD Counter without false output (a) schematic (b) timing diagram.

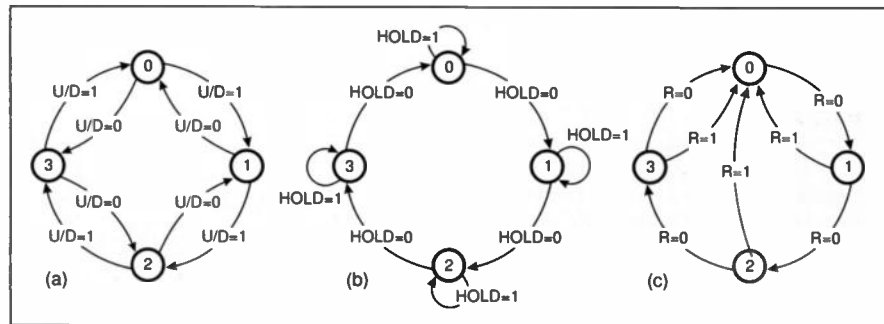


Fig.9.17. State diagrams for 2-bit binary counters: (a) up/down counter which counts up with $UD=1$ and down when $UD=0$ counter with enable/inhibit input. (b) Counts when $hold=0$ counter with synchronous reset. (c) When $R=1$ the counter is reset on the next clock edge.

Sending 32-bit values down phone lines in parallel would require 32 telephones! In such situations we must send the data one bit at a time in what is called serial data transfer. At any given instant the signal will reflect the state of one-bit of the parallel data you want to send. Parallel data is often converted into serial data for transmission, and then re-constructed at the receiving end.

One way of getting serial data from a parallel source is to use a multiplexer as in Fig.9.18a. A multiplexer lets you select one of several inputs as its output. The input that you want the multiplexer to send out is selected by a number of control lines. By selecting each input in turn the parallel data bits appear in sequence on the multiplexer's output as shown on the timing diagram in Fig.9.18b.

The select signals could be obtained from a two-bit binary counter synchronised to count through a complete cycle for each input data word. Each bit would be sent out in turn and received by a complementary circuit at the other end of the serial connection.

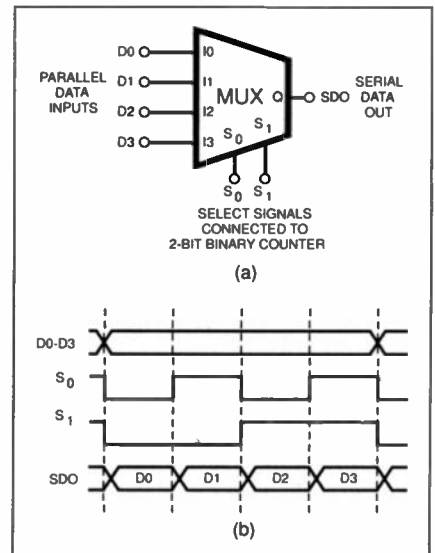


Fig.9.18a. Creating Serial Data with a multiplexer. (b) Timing diagram for data transfer.

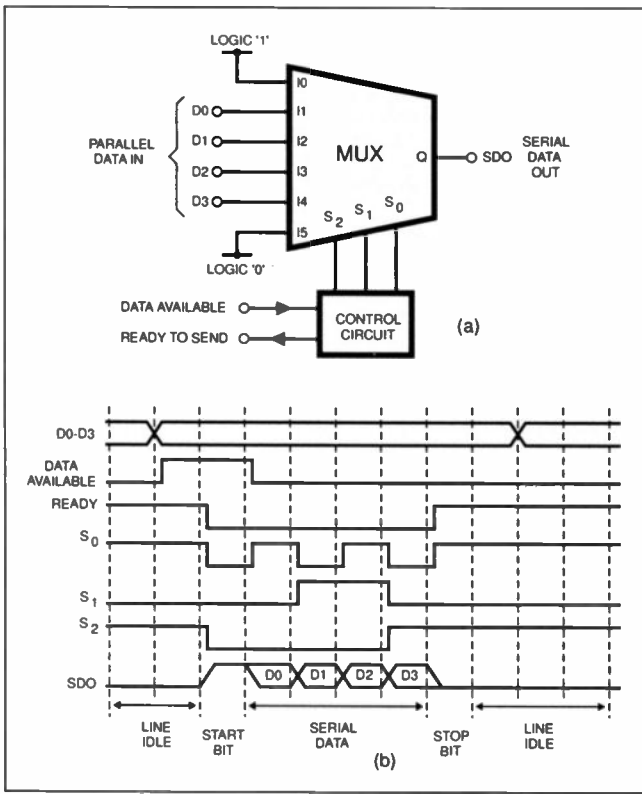


Fig.9.19. Improved serial multiplexer which adds start and stop bits needed for synchronous transfer. (a) schematic (note inputs 15 and 17 of 8-input multiplexer not used). (b) timing diagram.

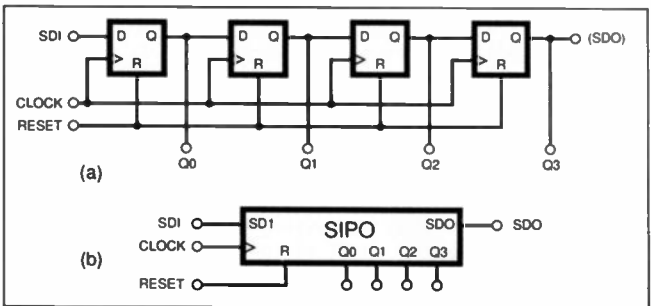


Fig.9.21 Serial In Parallel Out shift register.

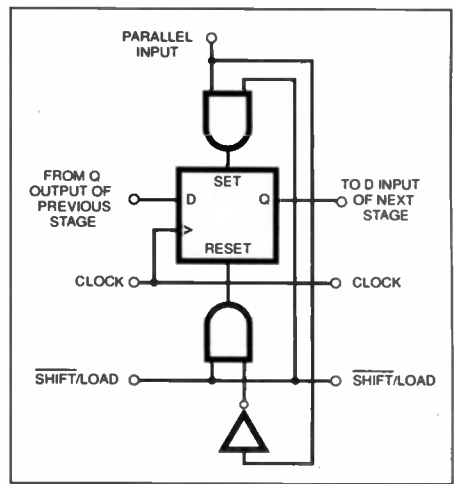


Fig.9.22. One stage of a parallel (PISO) load shift register.

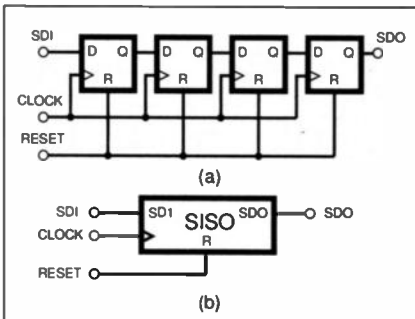


Fig.9.20. Shift Register implemented as a chain of flip-flops (a) schematic (b) symbol.

Package Deal

A problem with the circuit in Fig.9.18 is that it is impossible to know when one data word ends and the next starts simply by looking at the serial data. We need to send the S0 and S1 signals too. This means that the simple system in Fig.9.18 needs at least three signals (plus a ground) to transmit the data.

This problem is overcome by creating a recognisable start and end to each block of parallel data on the serial output. This forms what is called a *data packet*. The simplest way of doing this is to put an extra bit at each end, say a 1 at the start and a 0 at the end. These are called *start* and *stop* bits.

This is illustrated in Fig.9.19 which is similar to Fig.9.18a but with two extra inputs to the multiplexer. To convert the data from the parallel inputs to serial form, the multiplexer select lines count through the sequence from 0 to 5. This causes a 1 (start bit) to be output followed by 4 data bits and then a zero (the stop

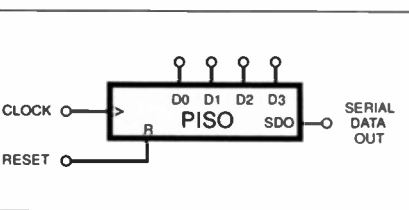
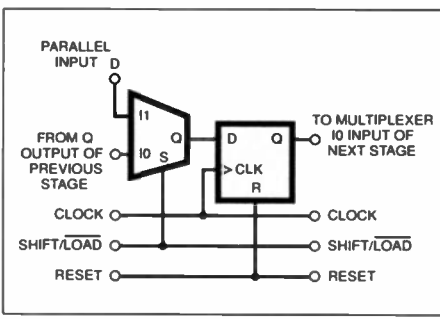


Fig.9.23 Alternative parallel load shift register and 4-bit PISO symbol.

bit). The select lines are then held at 5 until the next parallel data is to be transmitted so that the send line remains at 0.

The select lines connected to a control circuit are shown in Fig.9.19. This receives a signal indicating that parallel data is awaiting transmission. When it is ready the controller counts through 0 to 5 on the select lines as described. When it has finished it outputs a signal to indicate it is ready to send the next data packet.

With the lines at zero when no data is present the receiver simply looks for a 1 which will be the start bit of a packet. As long as the speed at which the data is sent (baud rate, in bits per second) is known at the receiver there is no need to transmit select signals or clocks.

All the receiver has to do is look for the start bit and wait the appropriate time before reading the data bits. The stop bit ensures that the line is idle for a short while so that the receiver can detect the 0 to 1 (in this case) transition which indicates the start of the next data packet, even if it follows immediately.

The fact that the transmitter and receiver have separate clocks which they use to send and receive the data (i.e. they

are not synchronised together) means that we refer to this form of data transfer as *asynchronous*.

Shifting Data with Shift Registers

To convert data from serial to parallel we could use a de-multiplexer and a set of independently controlled latches, however an alternative approach is to use a *shift register*, which can be loaded using serial data. We can also use shift registers to convert parallel data to serial by loading the data in parallel (as in a normal register) and shifting out in serial form.

The most basic form of the shift register is simply a "chain" of D-type flip-flops as shown in Fig.9.20. On each positive clock edge (in our example) data is passed from each flip-flop to the next one in the chain. The data in the final flip-flop is "lost" unless it is stored elsewhere.

The first flip-flop is connected to the *serial input* (labelled SDI - Serial Data In) in Fig.9.20, and the last flip-flop is the *serial output* (labelled SDO). This type of shift register is called a SISO (*Serial In Serial Out*) shift register.

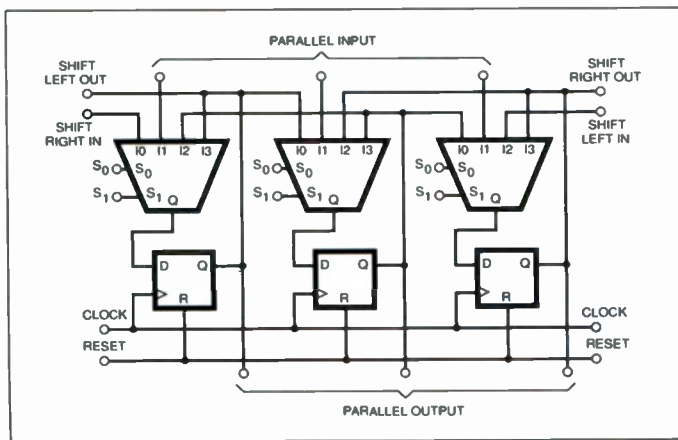


Fig.9.24. Three-stage (parallel/serial, in/out, left/right), four mode shift register.

It is easy to obtain a parallel output from a shift register simply by using the Q outputs from all of the flip-flops, giving us a Serial In Parallel Out or SIPO shift register. This is shown in Fig.9.21.

Shift registers may also have parallel inputs (so that we get PISO and PIPO shift registers), but this requires some extra circuitry. There are two basic approaches to this. The first is shown in Fig.9.22 which is one stage of a parallel-load shift register.

If the shift/load line is low the circuit acts as a shift register, shifting data on the clock edge. When the shift/load line is high the parallel input directly influences the asynchronous set/reset inputs of the flip-flops. On the negative transition of the shift/load the data at the parallel inputs is latched into the shift register irrespective of the state of the clock input.

Thus, for Fig.9.22 shift/load acts as an asynchronous parallel load clock. The 74165 8-bit shift register's internal circuitry is based on this design.

Multiplexed

Another approach to parallel loading, and that most commonly used in the 4000 and 7400 series of i.c.s is to use a multiplexer on the D input of each flip-flop. This is shown in Fig.9.23 where shift/load selects either the previous stage (when it is high) or the parallel input (when it is low) for connection to the flip-flop's input.

Unlike Fig.9.22 the load operation for Fig.9.23 is synchronous. When shift/load is low data is loaded on the clock edge. The internal circuitry of the 7495 and 4035 i.c.s (both 4-bit) are based on this approach. The TTL 7495 uses a logic gate (similar to Fig.5.4a) multiplexer and the 4035 uses transmission gates (similar to Fig.5.4b).

So far we have described all our shift registers as moving data in one direction (left to right across the page in our schematics). Sometimes we may want to shift in both directions using the same register. This is easily achieved by using an extension of the multiplexer arrangement used for parallel load in Fig.9.23. Three stages of a shift register which has four modes of operation are shown in Fig.9.24.

The four modes correspond to the four inputs of the multiplexers connected to the flip-flops' inputs. The multiplexer select inputs are all connected together but this is not drawn on the diagram to prevent crowding it too much. The modes of operation are as follows:

S0	S1	Operation	Multiplexer Input Used
0	0	Shift Right	I0
0	1	Parallel Load	I1
1	0	Shift Left	I2
1	1	Hold	I3

You should be able to confirm these operations by tracing the multiplexer input wires on the schematic. This type of multi-function shift register is sometimes called a *universal shift register*.

All the shift registers we have encountered so far have been made using D-type flip-flops. We can use JK flip-flops by connecting the Q of one stage to the J of the following stage and the Q to the K. This is shown in Fig.9.25.

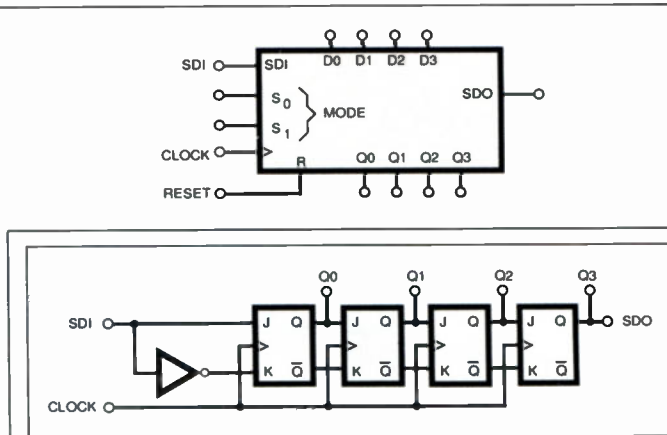


Fig.9.25. Shift register from JK Flip-Flops.

Shifting for Fun and Profit

We have described serial data transfer and this is obviously a potential use for the shift register, however they have many other uses. Shifting a binary number left and right by one bit is equivalent to multiplying or dividing it by two. Shift registers therefore find uses in arithmetic calculations. Most microprocessors have "shift" instructions allowing data to be shifted left or right.

If we are not dealing with a serial stream of input data the question arises as to what to shift into the register. In practice this may be a fixed "0" or "1" or we may loop the shift register back on itself (i.e. connect SDI to SDO) so that the data is re-circulated.

In the next *Teach-In* we ring the changes and look at ring counters, opto-electronics and serial comms (memories). Now have a look at the *Lab Work* section and build an 8-bit Synchronous Up/Down Counter demonstration circuit.

The *Teach-In* writers are delighted to receive your comments, feedback and queries. You can write to us at *Teach-In* c/o the Editorial address, or E-mail Teach_In98@epemag.demon.co.uk.

TEACH-IN MEET

A DAY OUT TO MEET THE EXPERTS!

Following on from the success of *Teach-In 98*, the University of Hull and EPE are organising a *Teach-In 98 Meet* which (subject to response) will take place early in September this year in Hull. Followers of the series will be able to meet up with the writers of *Teach-In*, including a special guest appearance of Lord Faversham Wills.

Hull will be presenting some *Teach-In* related material and making space in their hardware laboratories for you to "bring out your dead" in the form of labs which might not have worked quite right!

If you are interested in attending our *Teach-In Meet* send your name and address to:

Rob Miles
Department of Electronic Engineering
The University of Hull
Cottingham Road
HULL
HU6 7RX

Or you can register your interest via the *EPE* web page:
<http://www.epemag.wimborne.co.uk>



More than

0 0 2 5 8 5

Electronic

DESIGNERS

know how to get their

PROTOTYPE PCBs

from their **usual manufacturer** for a

FRACTION of the **COST!**

DO YOU ?

STOP WASTING YOUR MONEY!

CALL NOW: 00353 61 701170

Beta
LAYOUT
PCB-POOL®

get
connected
pcbpool@betalayout.ie
<http://www.pcb-pool.com>



☎ 00353 61 701170
FAX 701164

LAB WORK

9

Objectives: Build a clock pulse generator. Assemble an 8-bit up/down counter and parallel-load numbers into it. Cascade two 4-bit universal shift registers. Experiment with pseudo-random sequences.

Lab 9.1 Construct a Clock

INTRODUCING an interesting device: the 4046 chip. This is described as a "phase-locked loop" chip which is used for detecting the frequency of an applied signal, and "locking" on to it.

All we are interested in, though, is the voltage-controlled oscillator (VCO) built into a 4046. They can be used to generate a highly stable clock signal.

There are many other ways of generating a clock signal, including the venerable 555 timer i.e., and there is nothing preventing you using such an alternative if desired. All we want is a source of square wave clock signals.

A 4046 configured as a simple but highly stable clock pulse generator is shown in Fig.9.26. You can use any family of device, depending on price and availability. We tested with a cheap 4046 and with a very expensive 74HCT4046, without problems.

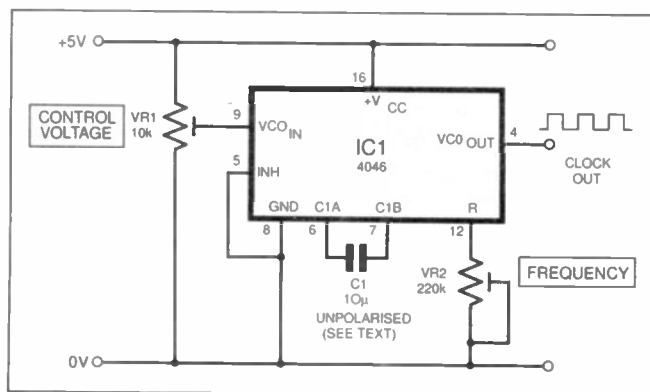


Fig.9.26. Clock pulse generator using a 4046 phase-locked loop i.e.

You Will Need

Resistors

- 330 ohm (10 off)
- 10k (4 off)
- All 0.25W 5% carbon film

Potentiometers

- 10k miniature enclosed preset (to fit breadboard)
- 220k miniature enclosed preset (to fit breadboard)

Capacitor

- 10µF non-polarised capacitor (see text)

Semiconductors

- 4046 or 74HCT4046 phase-locked loop
- 74LS193 4-bit synchronous up/down counter (2 off)
- 74LS04 or 74HCT04 hex inverter buffer
- 74LS194 4-bit universal shift register (2 off)
- 74LS86 quad XOR (optional)
- 3mm high-efficiency i.e.d. (10 off)

Miscellaneous

- Solderless breadboard; 5V d.c. regulated power supply unit (p.s.u.); hook-up wire.

(Check the size before you buy.) The timing capacitor C1 should preferably be a 10µF non-polarised type, although in this low energy circuit we used an ordinary electrolytic for 24 hours without any concerns. Test the circuit by applying an i.e.d. with series resistor to pin 4.

Adjusting the preset trimmers VR1 and VR2 will adjust the frequency of the clock pulses displayed by the i.e.d.

Lab 9.2 Programmable Counters

The 74LS193 is a synchronous up/down 4-bit counter chip. It is reversible, so it counts up or down and each of its internal flip-flops is clocked simultaneously, so this synchronous counter avoids any problems with glitches caused by delays rippling along the flip-flops.

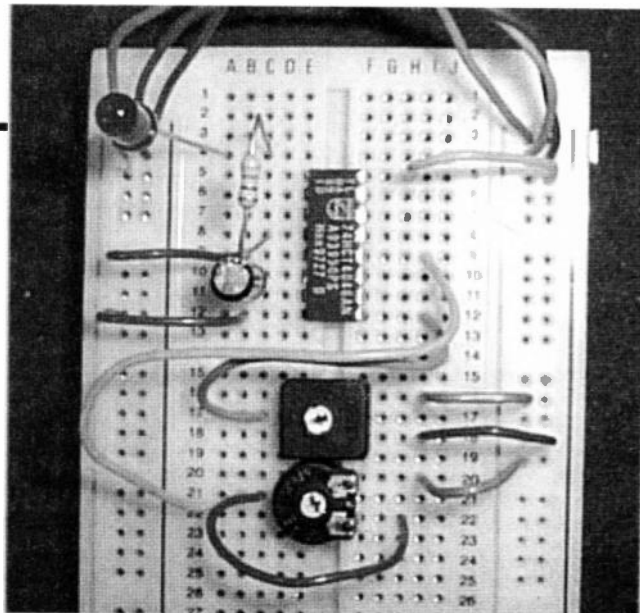
It also has a programmable input, where a 4-bit binary number can be applied to the pins D0-D3, and this will be loaded on to the corresponding outputs when the parallel load pin (11) goes low. The chip is designed to be cascaded and is good for up to 32MHz or so!

The chip has two clock inputs, for count up or for count down. The "unused" clock input is pulled high. The purpose of the next lab demonstration is to produce an 8-bit counter. IC1 and IC3 (Fig.9.27) are two 4-bit 74LS193 chips which have been cascaded together: pin 12 of IC1 (Terminal Count Up) drives the Clock Up of IC3, and the Terminal Count Down (pin 13) of IC1 causes IC3 to clock down instead.

The demo circuit of Fig 9.27 can be built on the remainder of the breadboard using 74LS193 chips (or equivalents from other families), and is driven by the clock circuit of Fig.9.26. You should be able to assemble this circuit without any problems (use fine-pointed pliers to grip wires).

The circuit will fill the rest of the breadboard and we found it best to use 3mm miniature high-efficiency i.e.d.s for the indicators to save space. Also, use pull-up resistors on the inputs of unused buffers on the 74LS04 inverter chip IC2.

Using the first 20 rows of contacts and observing the usual anti-static precautions, construct this circuit on the breadboard. The two variable resistors VR1 and VR2 are "trimmer" preset potentiometers which will push-fit directly onto the breadboard: these are used to alter the frequency.



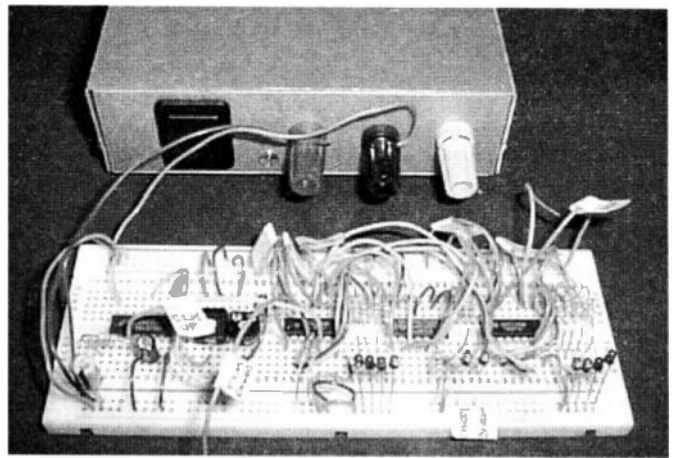
A clock circuit constructed from a 4046. Note the two trimmer resistors which fit directly onto the breadboard.

Each counter has two sets of data inputs (D0-D3) and these can simply be short flying leads, hooked to either the low or the high rails (or a mixture of both) with a total of eight jumper leads. We found it useful to label all the flying leads accordingly. Finally, the Reset/Clear (pin 14) is a flying lead which is taken low in order that the chips may count. When high, the counter output clears and resets to zero.

Connect the 4046 clock signal to the Clock Up input of the counter. A binary count sequence will appear across i.e.d.s D1 to D4, and after 1111 is displayed, the Carry i.e.d. D5 will blink, to signify a carry output from IC1 to IC3. D7 will light so the counter has now incremented to 10000 and will continue. Use the presets of the Clock circuit to adjust the clock speed as necessary.

- Notice that the duration of the carry i.e.d. D5 is the same length as the clock pulse's input. This is how synchronous counters maintain synchronisation – by using the same clock pulse through the entire circuit.

- As you can see, the 74LS193 can be cascaded very easily by feeding the Carry and Borrow outputs of one chip into the count-up (CPU) and count-down (CPD) inputs of the next.



An 8-bit synchronous counter with i.e.d. display, driven by the clock circuit of Fig.9.26.

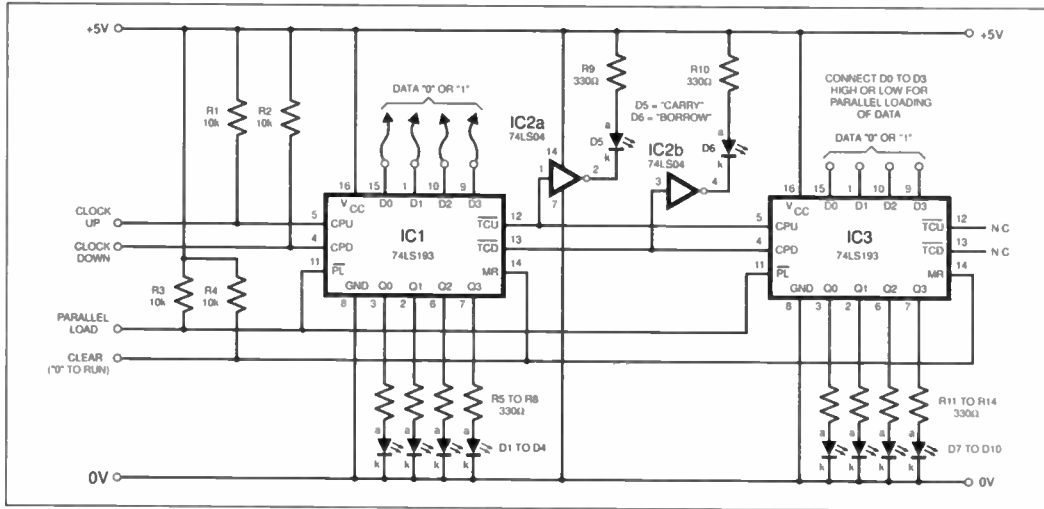


Fig.9.27. Demonstration circuit diagram for an 8-bit synchronous up/down counter. Diodes D5 and D6 (i.e.d.s) signify "carry" or "borrow". Take the "CLEAR" terminal low ("0") to run.

- If you have a logic probe (see the previous part of *Teach-In*), you can monitor the clock pulse audibly, whilst watching the display.

Watch the entire 8-bit sequence count up and repeat. Now put the clock signal on the Clock Down input instead, and the counter will count backwards from 11111111, this time with the "Borrow" i.e.d. pulsing to indicate an "underflow" into IC1.

With the clock input disconnected from the counter, briefly touch the parallel load wire (pin 11) to 0V. Notice that the combination of eight data inputs (both high and low) on the D0-D3 links has now been copied to or loaded onto the outputs on each counter. Unhook the reset (pin 14) from ground (0V) to clear the display again. You can load different numbers by re-configuring the eight jumper link wires from the data inputs to either the 5V rail or 0V as desired, then send the parallel load low again.

Lab 9.3 Universal Shift Register

A universal shift register is simply a series of latches or flip-flops, the

outputs of which can be "shifted" in a variety of ways, depending on the design of chip. The 74LS194 i.c. is described as a 4-bit bi-directional universal shift register.

Containing no less than 46 gates, each chip has parallel inputs (D0-D3) and parallel outputs (Q0-Q3), plus left-shift (pin 7) and right-shift (pin 2) serial inputs. Two "mode control" pins S0 and S1 determine how the shift register functions. A brief logic 0 on the reset pin (pin 1) clears the shift register to zero.

A demo circuit containing two '194 universal

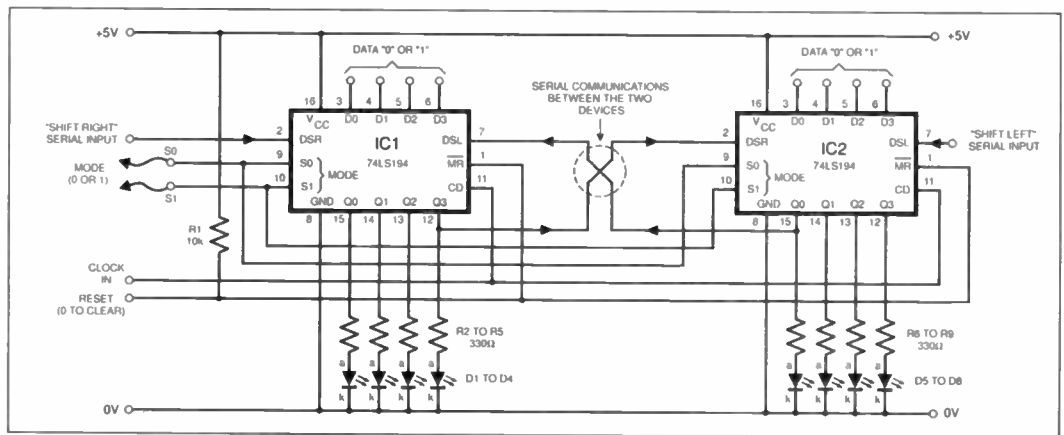
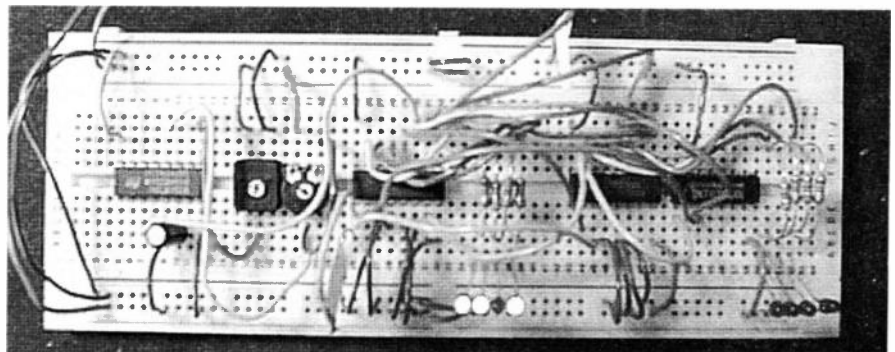


Fig.9.28. Universal shift-register demonstration of serial communications.



The universal shift register of Fig.9.28 with XOR chip included to create a pseudo-random sequence generator.

shift registers is depicted in Fig.9.28. It is easy to construct on the solderless bread-board.

Connect the clock circuit of Fig.9.26 to pin 11 of both chips. A binary number can be set on the parallel data inputs D0-3 of each chip as in the previous demonstration, using eight jumper wires as before. Build this circuit and explore its functions as follows (to reset the Q0-Q3 outputs to low, briefly touch reset input (pin 1) to 0V):

If S0 and S1 are *low*, the outputs will do nothing. The count is inhibited and the display will freeze.

If S0 and S1 are *high*, the shift register will parallel load (or "broadside" load), i.e. the binary number on the inputs D0-D3 will be loaded to the corresponding outputs Q0-Q3 on the next positive-going clock edge.

If S0 is high and S1 is low, the 74LS194 is set in "shift right" serial mode: with each successive positive clock input, the data on pin 2 (shift right serial input) is loaded onto Q0, Q0 is copied onto Q1, and Q2 is loaded onto Q3. This will be reflected in the pattern of l.e.d.s, until the display fills with logic 1s.

Finally, if S0 is low and S1 is high, the circuit is set in "shift left" serial mode. Q1 is copied onto Q0, Q2 is copied onto Q1, Q3 is copied onto Q2, and pin 7 (shift left serial input) is copied onto Q3.

• The "shift" operations between the two registers can be viewed as the essence

of serial communication, with one chip transmitting data serially to the other.

Lab 9.4 Pseudo-Random Sequences

This Lab experiment is for the more adventurous. By adding an EXOR gate between various output pins and the serial input of the shift register, a pseudo-random binary logic sequence can be generated, Fig.9.29 shows how.

Use an XOR (e.g. a 74LS86 i.c.) and connect to the universal shift registers as shown. Select S0 high and S1 low, so that the registers shift right.

However, we need to load a "1" somewhere into the register first, or the sequence will "stick" as a series of zeros and nothing will be seen. Simply parallel-load any number (except 00000000) by making S1 high. Then make S1 low, and a pseudo-random sequence will be generated. Increase the clock frequency as desired, and try to observe how many different patterns there are before the sequence repeats.

• Observing one l.e.d. in isolation helps highlight the pseudo-random nature of the sequence.

• You can change the length of the sequence by selecting different outputs from IC1 and/or IC2. A 3-input XOR gate (or a combination of XORs) would need to be used on Q4, Q5 and Q6 of the 8-bit sequence, to generate the maximum possible length of 255 steps.

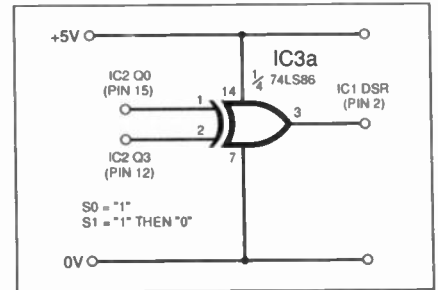


Fig.9.29. Adding XOR feedback to Fig.9.28 will generate pseudo-random sequences (see text).

• Pseudo-random sequencing is a fascinating area to explore. See if you can work out a simple Truth Table for all eight outputs, applying XOR feedback on selected outputs to generate the next digit of the serial input.

• Thought for the day: a 36-bit shift-register can generate a pseudo-random sequence of 68,000,000,000 steps before it repeats! By increasing the clock frequency greatly, a source of digital "noise" can be created.

In the next part of *Teach-In*, we delve further into the field of shift registers and their applications, also looking at data communications standards and a simple fibre-optical experiment.

In **Lab Work 10**: We look at optoelectronics and serial communications.

NEW SPECIAL OFFERS

Amiga genlock pcb (uncased) for titling videos it has a 23pin D lead to plug into the computer and pcb pins for composite video in and out. When no video input is connected the normal computer display is shown on the composite video out when the video input is added the white areas on the screen are replaced by the video image. The pcb is powered from the computer. £19.98

WATCH SLIDES ON TV "Lieegang diaty" automatic slide viewer with built in high quality colour tv camera, composite video output with a 60Hz plug in very good condition with few signs of use. £108.00

Board cameras all with 512x582 pixels 4.4x3.3mm sensor with composite video out. All need to be housed in your own enclosure and have fragile exposed surface mount parts and require 10 to 12vdc power supply. £50.00+vat=£58.75

MP size 39x38x23mm spy camera with a fixed focus pin hole lens for hiding behind a very small hole. £37.4vat=£38.98

40MC size 39x38x28mm camera for 'C' mount lens this gives a much clearer picture than with the small lenses. £68.79

Standard 'C' mount lens F1.6 16mm for 40MC camera. £28.43+vat=£31.06

Waterproof camera with stylish tilt & swivel case £92.76+vat=£109.00 or 10+£89.32+vat=£104.95

DTA30 Hand held transistor analyser it tells you which lead is the base, the collector and emitter and if it is NPN or PNP or faulty. HMA20 hand held MOSFET analyser identifies gate drain and source and if P or N channel DTA30 & HMA20. £38.34 each

DCA50 component analyser with lcd readout identifies transistors mosfets diodes & LEDs lead connections. £89.95

Speaker cabinets 2 way speaker systems with motorola tweeters

speaker dia	15"	12"	8"
power rating	25WRMS	175WRMS	100 WRMS
impedance	8ohm	8ohm	8ohm
freq range	40hz-20khz	45hz-20khz	60hz-20khz
sensitivity(1W/1M)	97dB	94dB	92dB
size in mm	500x720x340	450x460x345	315x460x230
weight	21.1kg	16.8kg	7.4kg

price each for black vinyl coating £139.95 £99.99 £54.94

grey felt coating £159.97 £119.97 £64.99

(* = not normally in stock allow 1 week for delivery)

Power amplifiers 19" rack mount with gain controls

STA150 2x160WRms (4ohm load)	14kg	£202.11
STA300 2x190WRms (4ohm load)	11kg	£239.00
STA900 2x490WRms (4ohm load)	15kg	£585.00

LEDs 3mm or 5mm red or green .. 7p each yellow 11p each cable ties 1p each £5.95 per 1000 £49.50 per 10,000

Rechargeable Batteries

AA(HP7) 500mAh	10.99	AA 500mAh with solder tags	£1.55
AA 950mAh	£1.75	CHP11 1.2AH	£2.20
C2AH with solder tags	£3.60	DHP21 1.2AH	£2.60
D 4AH with solder tags	£4.95	PP3 B 4V 110mAh	£4.95
1.2AA with solder tags	£1.55	Sub C with solder tags	£2.50
(HP16) 1800mAh	£1.75	1/3 AA with tags (philips)TV	£1.95

Nickel Metal Hydride AA cells high capacity with no memory. If charged at 100ma and discharged at 250ma or less 1300mAh capacity (lower capacity for high discharge rates).

Special offers please check for availability stick of 4 42x16mm nicad batteries 171mmx16mm dia with red & black leads 4.8v.....£5.95

5 button cell 6V 280mAh battery with wires (Varta 5x2500K).....£2.45

Orbitel 866 battery pack 12v 1.60AH contains 10 sub C cells with solder tags (the size most commonly used in cordless screwdrivers and drills 22 diax42mm tall) it is easy to crack open and was manufactured in 1994. £8.77 each or 110.50 per box of 14

BCI box 190x106x50mm with slots to house a pcb the lid contains an edge connector (12 way 8mm pitch) and screw terminals to connect in wires and 5 slide in cable blanks. £2.95

7segiment common anode led display 12mm.....£0.45

GaAs FET low leakage current S8873 £12.95 each £9.95 10x 7.95 100+ BCS47A transistor 20 for £1.00

SL952 UHF Limiting amplifier LC 16 surface mounting package with data sheet. £1.95

DC-DC converter Reliability model V12P5 12v in 5v 200ma out 300v input to output isolation with data.....£4.95 each or pack of 10 £39.50

Airpac A82903-C large stepping motor 14v 7.5 step 270hm 68mm dia body 6.3mm shaft. £8.95 or £200.00 for a box of 30

Polyester capacitors box type 22.5mm lead pitch 0.9uf 250vdc 18p each 14p 100+ 9p 1000+ 1uf 250Vdc 20p each 15p 100+ 10p 1000+ 1uf

Polypropylene 1uf 400vdc (Wima MKP10) 27.5mm pitch 32x29x17mm case 75p each 60p 100+

Philips 123 series solid aluminum axial leads 33uf 10v & 2.2uf 40v 40p each, 25p 100+

Solid carbon resistors very low inductance ideal for RF circuits 270hm 2W, 680hm 2W 25p each 15p each 100+, we have a range of 0.25w 0.5w 1w and 2w solid carbon resistors, please send SAE for list.

MX180 Digital multimeter 17 ranges 1000vdc 750vac 2Mhm 200mA transistor Hfe 9v and 1.5v battery test. £9.95

Hand held ultrasonic remote control. £3.95

CV2486 gas relay 30x10mm dia with 3 wire terminals will also work as a neon light. £3.95

20p each or £8.50 per 100

Verbatim R300NH Streamer tapes commonly used on nc machines and printing presses etc. it looks like a normal cassette with a slot cut out of the top ...£4.95 each (£3.75 100+)

Heatsink compound tube.....£0.95

HV3-2405 ES 5-24v 50mA regulator ic 18-25vdc input 8 pin DIL package.....£3.49 each (100+ 2.25)

All products advertised are new and unused unless otherwise stated. Wide range of CMOS TTL 74HC 74F Linear Transistors kits, rechargeable batteries, capacitors, tools etc always in stock.

Please add £1.95 towards P&P (orders from the Scottish Highlands, Northern Ireland Isle of Man, Isle of Wight and overseas may be subject to higher P&P for heavy items).VAT included in all prices.

JPG ELECTRONICS

276-278 Chatsworth Road

Chesterfield S40 2BH

Access/Visa Orders:

Tel: (01246) 211202 Fax: (01246)550959

Callers welcome 9.30am to 5.30pm

Monday to Saturday



DISTANCE LEARNING COURSES in:

Analogue and Digital Electronic Circuits, Fibres & Opto-Electronics Programmable Logic Controllers Mechanics and Mechanisms Mathematics

- Courses to suit **beginners** and those wishing to **update** their knowledge and practical skills
- Courses are delivered as self-contained kits
- No travelling or college attendance
- Learning is at your own pace
- Courses may have BTEC Certification and Tutoring

For information contact:
NCT Enterprises (Quote ref: EPE)
Barnfield Technology Centre
Enterprise Way, Luton LU3 4BU
Telephone 01582 569757 • Fax 01582 492928

NOISE CANCELLING UNIT



ROBERT PENFOLD

Enjoy your hi-fi without hearing the neighbours' music, lawnmower or children!

THE SUBJECT of electronic noise cancelling has been covered before (*Experimental Noise Cancelling Unit*, August 1994 issue), but the circuits featured in that article were somewhat of an experimental nature. The device featured here is fully tried and tested, and is primarily for those who prefer to make an exact copy of a project, rather than doing "their own thing" with some basic circuits.

Provided the specified microphones and headset are used the system should perform to quite high standards. Good results cannot be guaranteed if alternative microphones and (or) headphones are used.

The performance of the unit is to a large extent dependent on the quality of the microphones used, and it does not seem to be possible to obtain worthwhile results using inexpensive microphones. The quality of the headphones seems to be less important, but these must also be of reasonably high quality.

FAIR POINT

It is only fair to point out that a unit of this kind is not 100 per cent effective, and it is not just a matter of switching on and listening to total silence. When used in its normal mode the unit will provide a reasonably high degree of attenuation over the lower and middle parts of the audio spectrum.

It is difficult to make precise measurements on this type of equipment, but subjectively the estimated reduction in noise is around 20 to 30 decibels. In other words, the amplitude of the sound is reduced by a factor of around 10 to 30.

Performance at the extremes of the audio range tends to suffer due to inadequacies in the phase and frequency responses of the microphones and headphones. There will inevitably be some variations in performance over the middle frequency range where the unit performs well.

A second mode enables the unit to operate with very high efficiency, but only over a very narrow range of frequency. Obviously this mode is of little use when combating most sounds, but it can be very effective at dealing with something like an annoying whine from a computer's cooling fan.

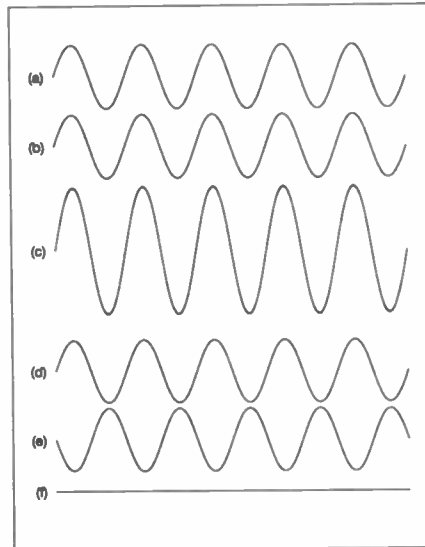


Fig.1. Mixing in-phase signals (a) and (b) gives a gain (c), and mixing identical out of phase signals (d) and (e) produces a zero (f).

Again, it is difficult to put a precise figure on the noise reduction obtained, but with careful adjustment it is certainly possible to obtain something like 40 decibels or more of attenuation at a single frequency in the middle part of audio range. This means the reduction is a factor of 100 or more.

The unit has stereo audio inputs so that it can be fed from a Walkman, TV, Hi-Fi System, etc. This enables the user to listen to music, television programmes, etc. while enjoying the noise reduction provided by the unit.

This is one of the primary advantages of electronic noise cancelling systems. With most mechanical means of combating noise such as earplugs, the user is prevented from hearing any sounds at all. With electronic noise cancelling it is possible for the user to listen to any sounds that can be fed into the system as an electronic signal.

TWO-PHASED

Electronic noise-cancelling systems rely on the use of so-called "anti-sound". In other words, the system generates sound that is equal to the sound that must be removed, but of opposite polarity to it.

We are not sure if polarity is the correct term in this case, but what we are talking about is using an increase in sound pressure to counteract a decrease, and vice versa. The effect of mixing together two equal-amplitude signals that are in-phase (top) and out of phase (bottom) is shown in Fig.1. It does not matter whether the signals are sound waves, electrical signals, or whatever, the same mixing action is always obtained.

The two signals add together, which in the case of the in-phase signals means that they produce an output signal that is double the amplitude of each input signal. The situation is very different with the two out of phase signals. As the upper waveform becomes more positive the lower waveform becomes more negative, and the signals are always equal but opposite. Adding them together therefore produces a result that is always zero.

In this example we are dealing with simple sinewaves, but the same principle applies no matter how complex or simple the signal. Provided the two signals are precisely out of phase and of equal amplitude they will always be cancelled out perfectly to produce zero output.

NO PROBLEM

This phase cancelling technique is commonly used in electronics, and at audio frequencies there is no problem in obtaining a high degree of cancelling. On the face of it, there should be no problem in making a sound cancelling device that produces a high level of attenuation, but in reality things are not that simple.

Electronically inverting the audio signal is extremely simple and simply connecting

the headphones "the wrong way round" gives the desired effect. An electronic inverter presents no technical problem anyway, and a signal inversion is a natural feature of many amplifiers.

ACOUSTIC PROBLEM

Obtaining a high degree of sound cancelling is not difficult from the electronic point of view, it is the acoustics that present the real problem. Audio circuits are not perfect, but using modern components it is possible to obtain extremely low levels of phase and amplitude distortion.

A virtually flat frequency response across the entire audio range is something we take for granted. The same is not true of audio transducers such as headphones and loudspeakers, which produce significant amounts of amplitude distortion and have far from flat frequency responses.

Also, they do not normally have linear phase responses. Thus, although the electronics may be very simple and provide almost perfect performance, a noise cancelling system will have very poor performance unless the transducers perform reasonably well.

Many inexpensive headphones seem to provide quite respectable levels of performance, and there would seem to be relatively little to gain by opting for up-market headphones. Using cheap microphones is a very different matter though, and all attempts at using inexpensive units of various types failed to give worthwhile results. In some cases no perceptible reduction in sound could be detected at all!

The microphones used in this sound cancelling system are quite expensive (see *Shoptalk*), but unless you are prepared to pay for microphones of this quality the unit is unlikely to give satisfactory results. A good quality electret microphone seems to be the minimum requirement for worthwhile performance.

Experiment with other types of microphone by all means, but please do not write to complain if you use inexpensive dynamic microphones and the unit fails to work at all.

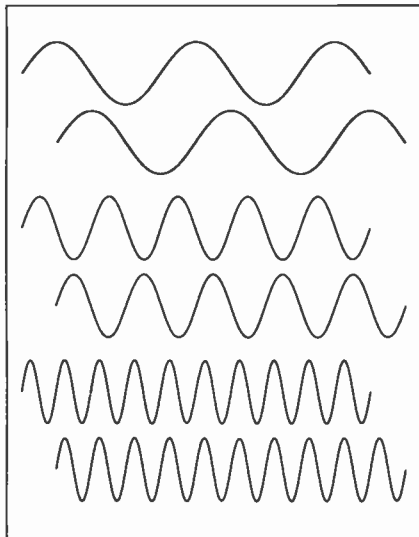


Fig.3. The effect of a delay on phasing is frequency dependent.

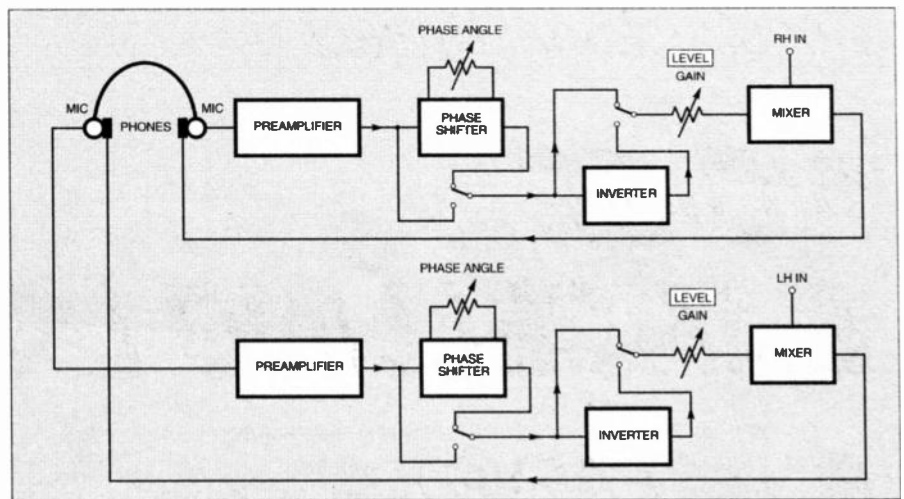


Fig.2. Block diagram for the sound cancelling system.

For reasons explained below, the microphones are mounted on the earphones. The unit is not very practical if you have to walk around with a large stick microphone perched on each ear! The specified microphones are extremely small and light, and it is the cables connected to them that represent the main encumbrance.

MIND THE GAP

The block diagram of Fig. 2 shows the general arrangement used in this Noise Cancelling Unit. The system is based on a pair of headphones which has a microphone mounted on each earphone.

It might seem better to base the system on a loudspeaker. This would certainly be more convenient for the user, but there are practical problems in doing so.

The headphone approach keeps things simple and efficient. Each ear is very close to the transducers that process the sound it receives. Using a loudspeaker inevitably places a significant amount of distance between the user's ears and loudspeaker itself. The salient point here is that sound does not travel instantly and effectively travels at approximately one metre every three milliseconds.

Even with a gap of just a metre or two between the loudspeaker and the user there would be a significant mismatch in the signal heard by the user and that produced by the loudspeaker. It has to be borne in mind here, that a delay of just 0.5ms is sufficient to bring a one kilohertz (1kHz) signal in-phase where it was previously precisely out of phase.

As can be seen from Fig. 3, the effect a delay has on the phasing of two signals depends on the signal frequency. In the upper waveform the signal frequency is relatively low, and the delay has left the two signals to some extent still in-phase. In the middle waveform the signal frequency is twice as high, and the delay has brought the signals precisely out of phase. The frequency in the bottom waveform is twice as high again, and the phase shift is now so great that it has brought the signals back in-phase once again.

The problem in using a system based on a loudspeaker is that the sounds and anti-sounds tend to end up in-phase at some frequencies and out of phase at others. A delay circuit can be used to compensate for the time taken for the sound to travel from the loudspeaker to the user, but this

complicates matters and does not seem to work very well in practice anyway.

One problem is that the sound from the loudspeaker will travel direct to the user, but is also likely to be reflected via the walls, ceiling, etc. The reflected sounds take longer to reach the user and will therefore be randomly phased with both the original sound and the anti-sound.

EAR EAR

Another problem in using a loudspeaker is that it does not allow for the fact that we have two ears, and that the sounds they receive are slightly different. Although any differences are usually quite small, this application requires such a high degree of precision that these small differences are very significant.

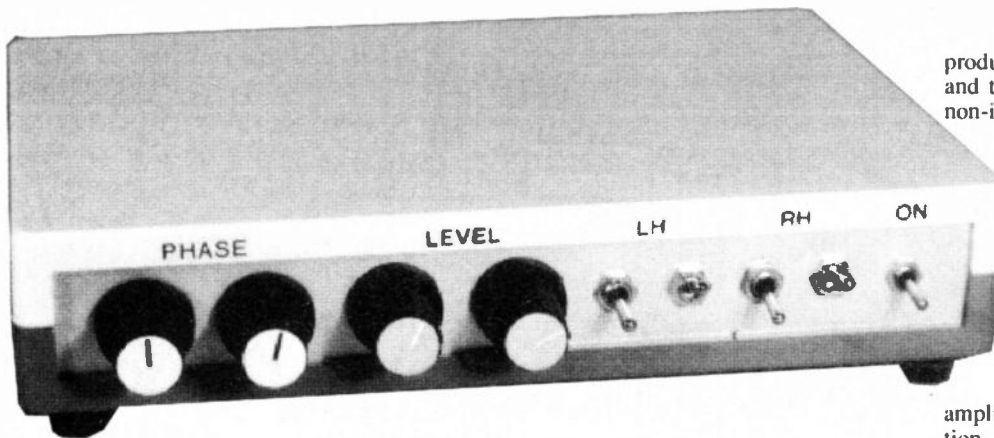
By using headphones it is possible to generate separate anti-sound for each ear, which seems to produce much better results than using the same in-between sound for both ears. By having the microphone and headphone very close together it is possible to generate very accurate anti-sound without having to resort to delay circuits. In order to avoid acoustic feedback and resultant oscillation there must still be some gap between the headphone and the microphone, but it seems to be possible to use a very small gap without any feedback problems occurring.

HOW IT WORKS

Returning to Fig. 2, there are two identical sets of signal processing stages, one for each ear. This description applies equally to each channel of the unit.

The output signal from the microphone will be at an extremely low level, and a low noise preamplifier is therefore used to boost the signal to a suitable amplitude. A phase shift circuit can be used to provide precise cancelling over a narrow band of frequencies, and a Phase Angle control enables the unit to be adjusted for optimum cancelling. This stage can be bypassed if the unit must operate over the widest possible frequency span.

The next stage is a simple inverter. The sound from the headphones might produce anti-sound, or it might produce sound that is in-phase with the normal sound, effectively making it louder rather than quieter. If necessary, the inverter can be switched into circuit so that the unit



Completed Noise Cancelling Unit showing pairing of front panel controls.

produces anti-sound and gives the required cancelling effect.

A Level control enables the volume from the headphones to be adjusted to match the sound being cancelled so that optimum results are obtained. Finally, a mixer stage drives the headphone and combines the anti-sound signal with an external signal source from a hi-fi system, personal stereo unit, etc.

CIRCUIT OPERATION

The full circuit diagram for the Noise Cancelling Unit is shown in Fig.4. The two channels are identical, and only the left-hand channel will be described here.

In this circuit the preamplifier is based on IC1, which is an operational amplifier that is specifically intended for use in low noise and distortion audio stages. It is used as a standard non-inverting amplifier having a close loop voltage gain of about 27.

The input circuit may look a little strange, but it is intended for use with an electret microphone that has a built-in preamplifier. Most microphones of this type have quite long cables together with a large jack plug that contains the battery to power the preamplifier.

In this application only a short microphone cable is required, and the bulk

of two long cables and two large plugs is best avoided. With the specified microphones there is an easy solution to the problem, and this is to cut the cables short and fit them with miniature 3.5mm jack plugs. The microphones' built-in preamplifiers are then powered from the main unit, and this is the purpose of resistors R1 to R3 and capacitor C2.

If you would prefer not to modify the microphones, which would almost certainly invalidate their guarantees, they can be left with their original plugs and can be powered from their own batteries. Resistors R1 to R3, R20 to R22 and capacitor C2 and C13 should then be omitted.

PHASE SHIFTER

The output from IC1 at pin 6 is coupled to a conventional phase shifter circuit based on IC2. This circuit is a modified version of an inverting mode amplifier. Resistors R8 and R12 form the negative feedback network, and they set the voltage gain at unity.

Capacitor C5 couples the input signal to the non-inverting input of IC2, but at low frequencies this has very little effect on the circuit which therefore operates as an ordinary inverting buffer stage. At higher input frequencies a stronger coupling is

produced due to the lower reactance of C5, and the circuit gradually switches over to non-inverting operation.

It therefore provides the phase shift that varies from 180 degrees to zero degrees as the input frequency is increased. The amount of phase shift produced at a given frequency can be varied by means of Phase control VR1.

The variable phase shifter circuit is followed by a straight-forward unity gain, inverting amplifier, which uses operational amplifier IC3 in the standard configuration. With IC3 switched into circuit the total phase shift is from 180 degrees to 360 degrees.

By switching the inverter in or out of circuit using switch S2 it is possible to obtain a phase shift of between zero and 360 degrees. When the phase shifter is not required it can be bypassed using switch S1.

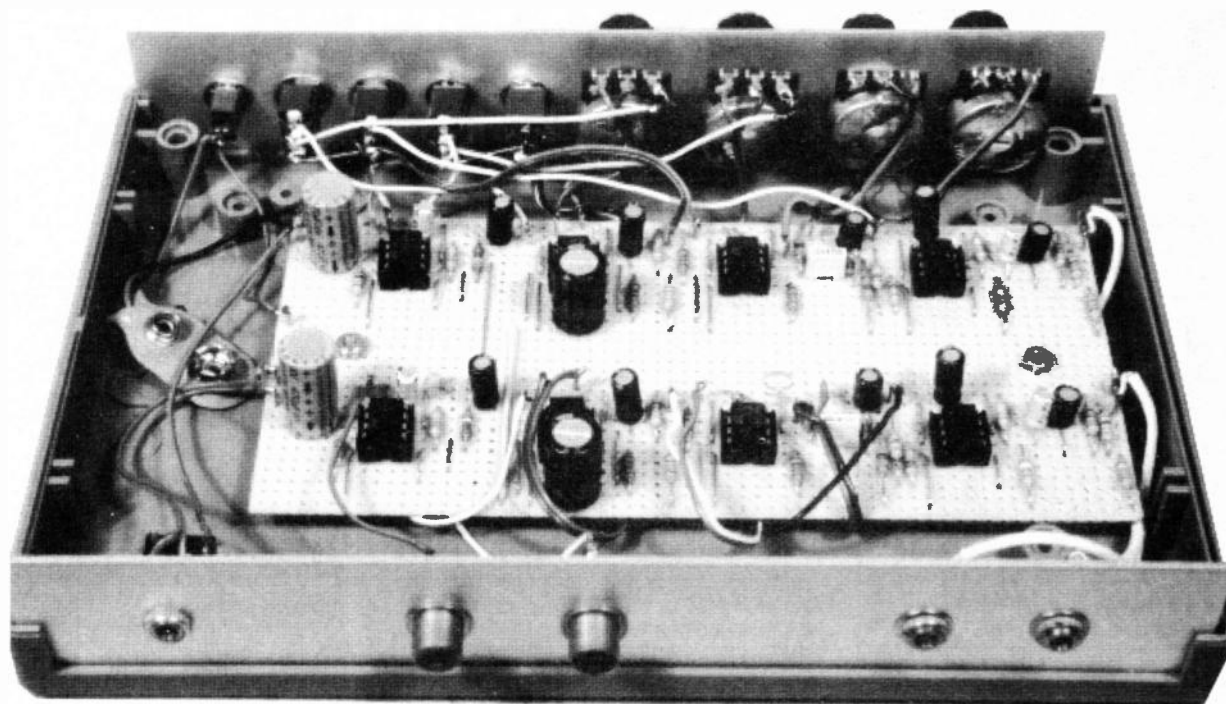
Potentiometer VR3 is the gain or Level control, and from here the signal is fed to a conventional summing mode mixer circuit based on IC4. This circuit is basically just an inverting mode amplifier, but it has two sets of input resistors so that it can accommodate two input signals.

The virtual earth formed at the non-inverting input (pin 3) of IC4 ensures that the two signal sources are totally isolated from one another. Capacitor C11 couples the output of IC4 to the headphones (via SK5) which must be a medium impedance type having an impedance of about 35 ohms.

The total current consumption for both channels of the circuit is about 18mA. In order to make the unit reasonably small and light it is preferable to use a small battery, such as a PP3 type. Due to the fairly high current consumption of the circuit it is preferable to use a *high power* type, as a "bog standard" PP3 could have a short operating life.

Alternatively, the unit can be powered from a battery pack consisting of six AA

Layout of components inside the low-profile case.



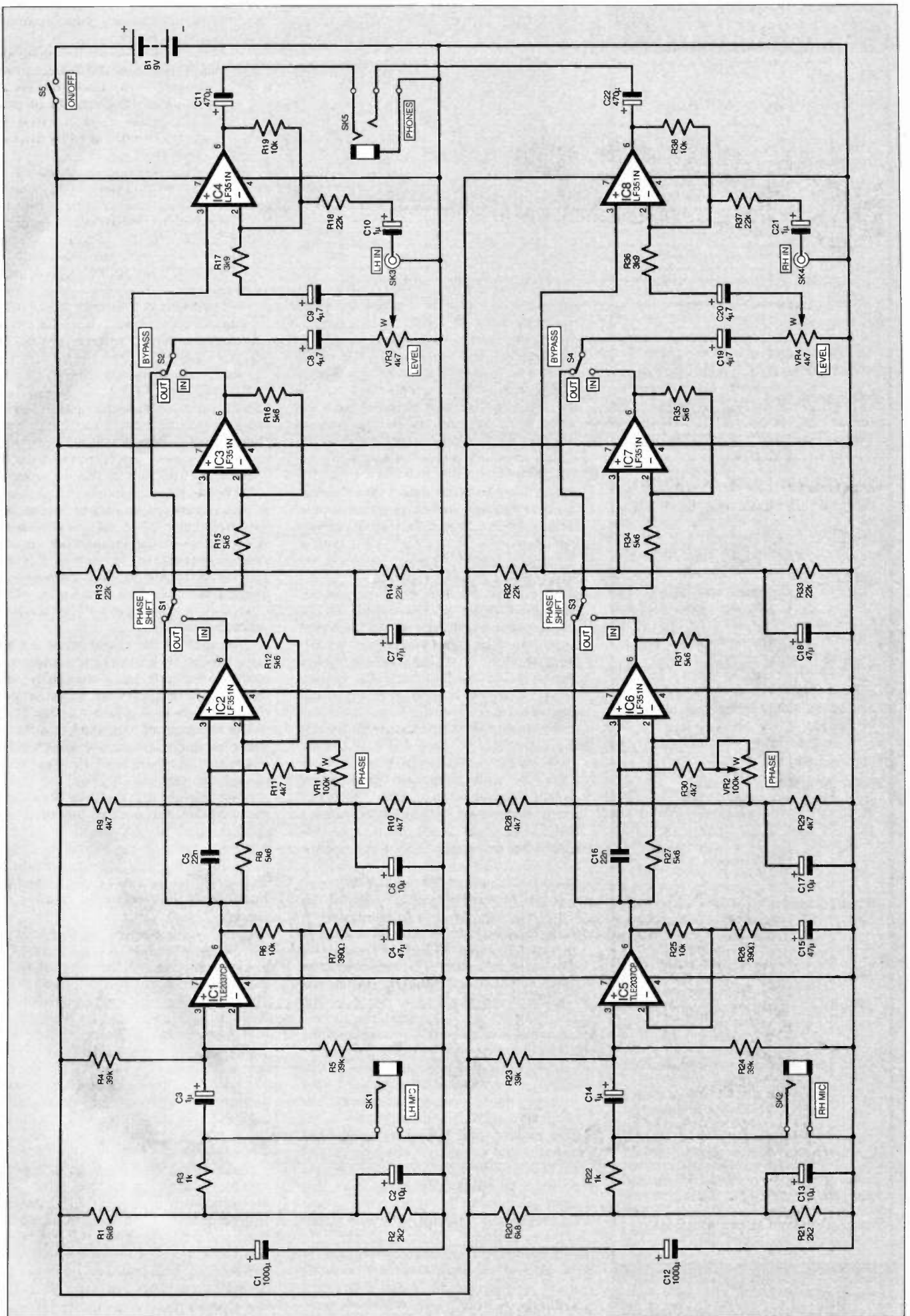


Fig.4. Complete circuit diagram for the Noise Cancelling Unit.

COMPONENTS

Resistors

R1, R20	6k8 (2 off)
R2, R21	2k2 (2 off)
R3, R22	1k (2 off)
R4, R5, R23,	
R24	39k (4 off)
R6, R19, R25,	
R38	10k (4 off)
R7, R26	390Ω (2 off)
R8, R12, R15,	
R16, R27,	
R31, R34,	
R35	5k6 (8 off)
R9, R10, R11,	
R28, R29,	
R30	4k7 (6 off)
R13, R14, R18,	
R32, R33,	
R37	22k (6 off)
R17, R36	3k9 (2 off)
All 0.25W 5% carbon film	

See
**SHOP
TALK**
Page

Potentiometers

VR1, VR2	100k, rotary carbon lin (2 off)
VR3, VR4	4k7, rotary carbon log (2 off)

Capacitors

C1, C12	1000μ, radial elect. 10V (2 off)
C2, C6, C13,	
C17	10μ, radial elect. 25V (4 off)
C3, C10, C14,	
C21	1μ, radial elect. 50V (4 off)
C4, C7, C15,	
C18	47μ, radial elect. 16V (4 off)
C5, C16	22n polyester, 5mm lead spacing (2 off)
C8, C9, C19,	
C20	4μ7 radial elect. 50V (4 off)
C11, C22	470μ, radial elect. 10V (2 off)

Semiconductors

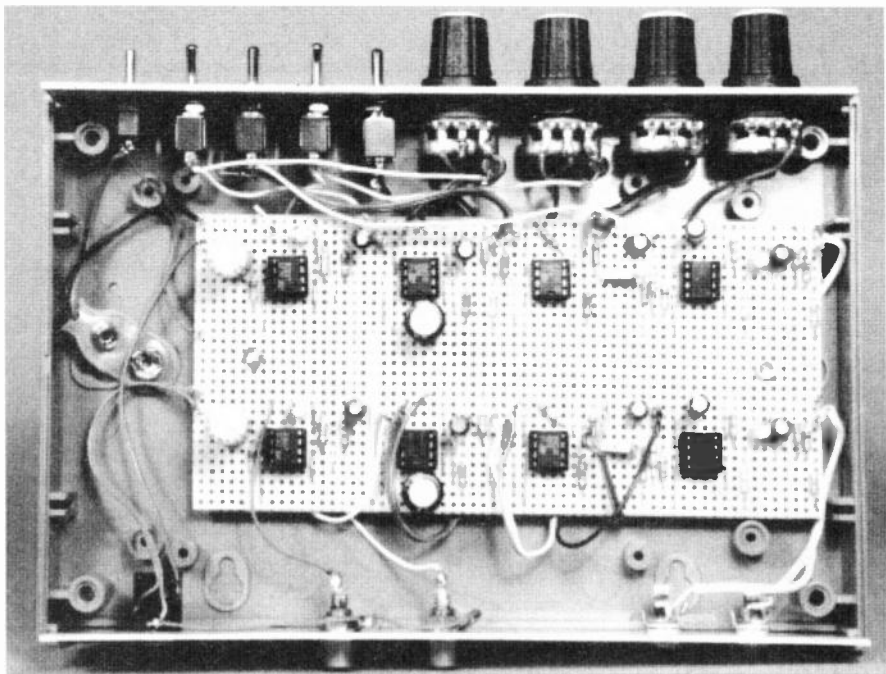
IC1, IC5	TLE2037CP low noise op.amp (2 off)
IC2, IC3, IC4,	
IC6, IC7,	
IC8	LF351N bifet op.amp (6 off)

Miscellaneous

MIC1, MIC2	min. electret microphone (Maplin 600 ohm ultra miniature or tie-clip type - see text) (2 off)
SK1, SK2	3.5mm mono jack socket - see text (2 off)
SK3, SK4	phono socket, chassis mounting (2 off)
SK5	3.5mm stereo jack socket
S1 to S4	s.p.d.t. min. toggle switch (4 off)
S5	s.p.s.t. min. toggle switch
B1	9V battery (PP3 size - see text)

Case, size about 200mm x 140mm x 45mm; 0.1 inch pitch stripboard having 62 holes by 29 strips; stereo headphones (22 to 32 ohm impedance), with headband; 8-pin d.i.l. socket (8 off); battery connector; control knob (4 off); multistrand connecting wire; single-sided solder pins; solder, etc.

Approx Cost
Guidance Only **£40**
excl. Microphones & Headphones



Internal wiring to front and rear mounted components.

size cells in a plastic holder. This option is much heavier and bulkier, but represents a much cheaper way of powering the unit.

CONSTRUCTION

A piece of 0.1 inch pitch stripboard, having 62 holes by 29 copper strips, accommodates both channels of the Noise Cancelling Unit. The component layout, together with wiring and details of the cuts required in the underside copper strips are shown in Fig.5. A board of the required size is easily cut from a standard board measuring 62 holes by 39 copper strips.

Once the breaks in the strips have been made drill the two 3.2mm diameter mounting holes for the board. These will accept either metric M3 or 6BA mounting bolts. Most plastic stand-offs do not work well with stripboard, and with a fairly large board such as this one it is probably better to use mounting bolts and spacers.

None of the integrated circuits are static-sensitive, but it is still advisable to fit them all in holders. This is especially important for the TLE2037CP used for IC1 and IC5, as this is not a particularly cheap device. Less expensive operational amplifiers can be used in place of the TLE2037CP, but this would almost certainly result in a *severe* degradation of the signal-to-noise ratio.

In most respects construction of the board is perfectly straightforward, but with any fairly complex stripboard layout it is essential to proceed very carefully making sure that every component is positioned correctly. Also, be careful not to omit any of the link-wires. There is no need to insulate the short links, but short circuits are likely to occur unless the longer link wires are fitted with pieces of p.v.c. sleeving.

In order to fit into this layout properly the electrolytic capacitors must be miniature printed circuit mounting types. Similarly, C5 and C16 must be miniature printed circuit mounting capacitors having 5mm lead spacing.

Fit single-sided solder-pins to the board at the numerous points where connections to the controls and sockets will be made. Note that electrolytic capacitors C8 and C19 are mounted directly on the controls and not on the circuit board. Do not forget to check their polarities.

ASSEMBLY

The width of the circuit board and the large number of controls and sockets preclude the use of a really small case. The unit can still be made quite small and neat if a low-profile case is used.

Due to lack of panel space, on the prototype the controls are mounted on the front panel and the sockets are relegated to the rear of the unit. The general layout of the unit is not unduly critical and any sensible layout can be used, see photographs.

Details of the interwiring are also provided in Fig.5. It is probably best to start by fitting the two capacitors and the few connections between the controls and sockets.

Probably, the best way to deal with the two electrolytic capacitors, C8 and C19, is to cut their leadout wires short and then mount them on controls VR3 and VR4. Their positive (+) leads can then be soldered to switches S2 and S4 using pieces of ordinary insulated connecting wire. It is not essential to use screened cable to connect jack sockets SK1 and SK2 to the circuit board, but this helps to minimise stray pickup of mains "hum" and other electrical noise.

HEADSET

Some types of headphone are better suited to this application than others, and experience would suggest that the best type to choose is the lightweight variety having an adjustable headband. The specified headphones (see *Shoptalk*) are quite inexpensive, and probably represent the cheapest headphones that will work well in this application.

If you have a pair of headphones of the correct type there is no harm in trying

NOISE CANCELLING UNIT

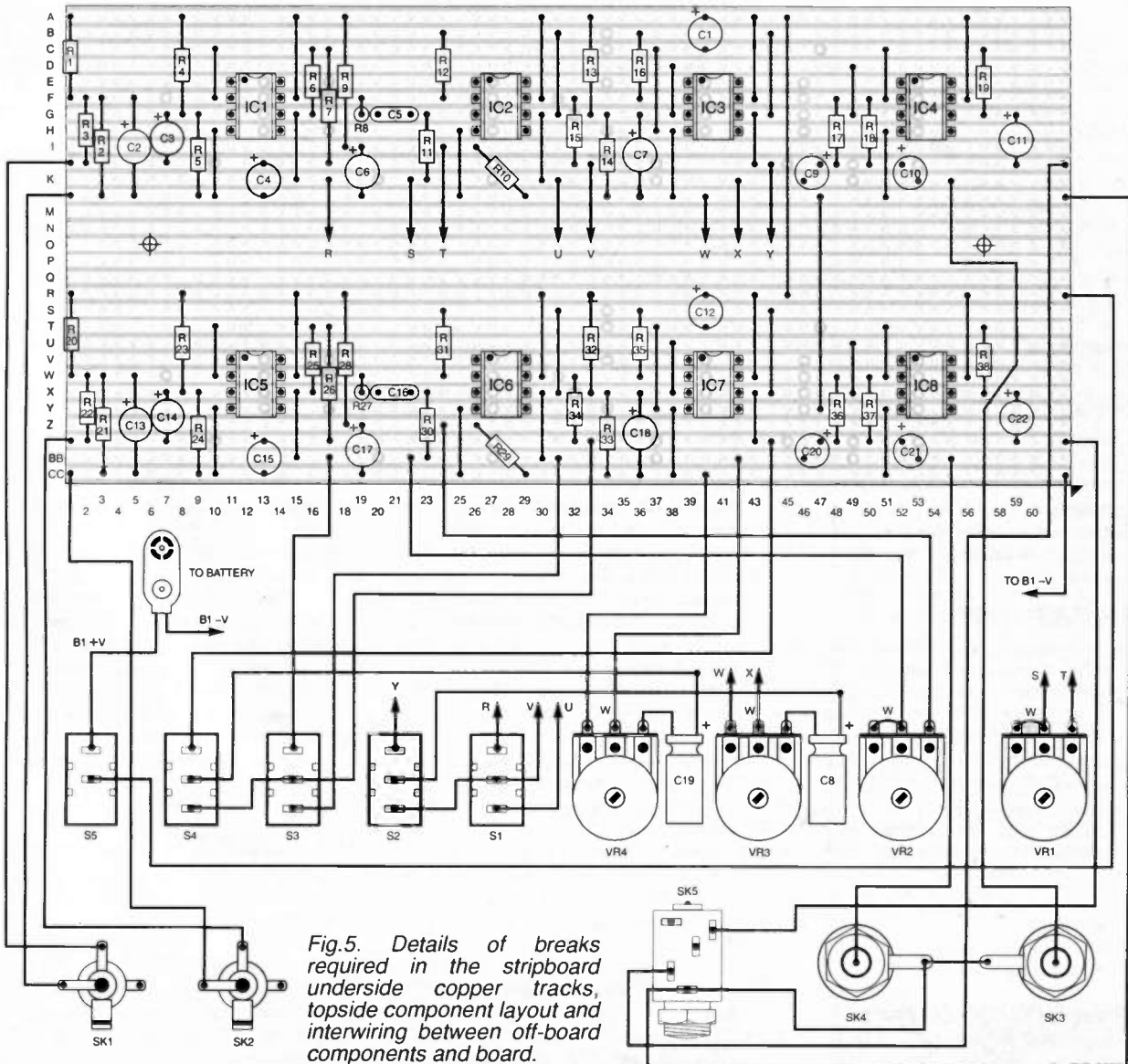
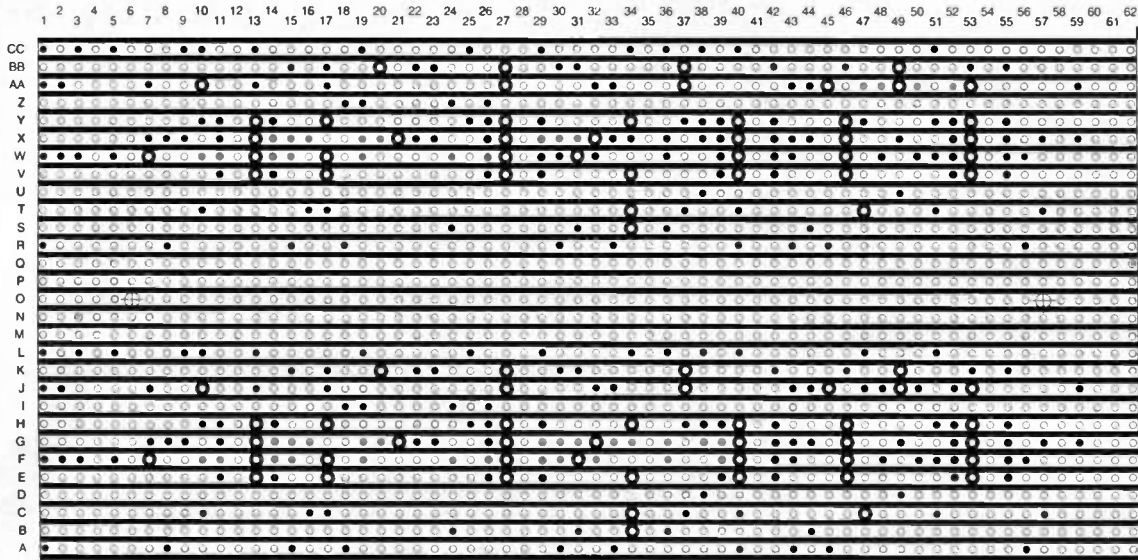
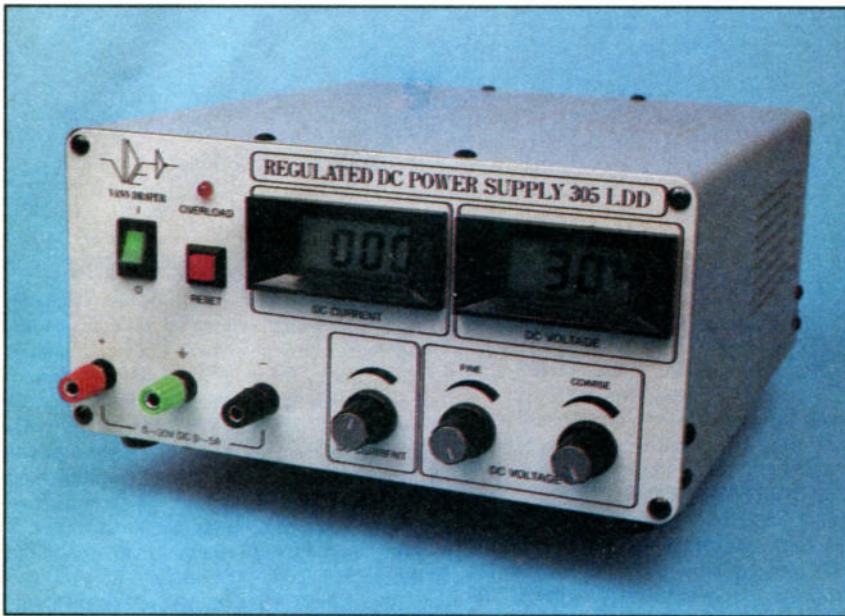


Fig.5. Details of breaks required in the stripboard underside copper tracks, topside component layout and interwiring between off-board components and board.

30% discount for EPE readers

on 30V 5A and 50V 3A power supplies



Features

- Twin 3·5 digit lcd displays
- Coarse & fine voltage control
- Over current alarm
- Floating outputs
- Low noise & ripple
- Rugged steel case
- 12 month guarantee
- Service manual available

305LDD 30V 5A £139 inc vat & delivery

503LDD 50V 3A £139 inc vat & delivery

Vann Draper is offering over 30% discount to readers of Everyday Practical Electronics on two of their digital display power supplies.

The 305LDD and 503LDD power supplies normally sell for £186.83 and are available to readers of EPE magazine for just £139 fully inclusive of vat and delivery.

Both power supplies are delivered ready to use complete with mains lead, operating manual and a 12 month guarantee.

To order simply post the coupon to Vann Draper Electronics Ltd at Unit 5, Premier Works, Canal St, South Wigston, Leicester LE18 2PL.
Alternatively tel 0116 2771400, or fax 0116 2773945.
E-mail sales@vanndraper.force9.co.uk

Key specifications

Output rating: 0-30V 5A (305LDD), 0-50V 3A (503LDD)

Output ripple: Typically 10mV

Load regulation: Typically 0·2%

Digital display: 2 × 3·5 digit, accuracy 0·1 decimal digit

Protection: Continuous short circuit, overload alarm

Size & weight: 310 × 260 × 120mm, 5·5kg

Power requirements: 220/240Vac 50/60Hz

Use this coupon for your order

Please supply me:

..... 305LDD power supply(s) at £139 inc vat & del

..... 503LDD power supply(s) at £139 inc vat & del

..... Service manual(s) at £15 inc vat & del

Name:

Address:

Tel no:

Total £.....

Cheques payable to Vann Draper Electronics Ltd

Or debit my visa, master, access or switch card:

Card type:

Card No:

Expiry date:

Switch iss no:

Signature:

Overseas readers can still obtain this discount but details vary accordingly to country. Please contact.

PIC16x84 TOOLKIT

JOHN BECKER

At last, TASM and MPASM compatibility for PIC16C84 and PIC16F84 users!

VERSATILITY and high speed were the two chief design objectives for this PIC16x84 Toolkit. It can be used in conjunction with both TASM and MPASM source codes and is three tools in one: a programmer, a program disassembler, and a bilingual translator between the two assembly languages.

The Toolkit is for use with PIC16C84 and PIC16F84 microcontrollers (jointly referred to as PIC16C84 within this text). The following options are available:

1. Configure PIC16C84 factors
2. Program PIC16C84 with TASM binary code
3. Program PIC16C84 with MPASM hex code
4. Translate MPASM hex code to TASM binary code
5. Translate TASM binary code to MPASM hex code
6. Disassemble PIC16C84 to TASM source code
7. Disassemble PIC16C84 to MPASM source code
8. Translate TASM source code to MPASM source code
9. Translate MPASM source code to TASM source code

All modes and external switching operations are controlled directly by a PC-compatible computer ('386 and above, with or without Windows). No manual intervention via hardware switches is needed. The computer must have either QBasic or QuickBASIC already installed.

The design may be used as a stand-alone unit, or interfaced with the *EPE PIC Tutorial* printed circuit board (March '98), replacing the latter's switches S1 to S4.

The software can be used directly with the Tutorial board without using the Toolkit board. In this case, though, setting of the program control switches S1 to S4 is still required to be done manually.

Alternatively, the software can be used on its own purely as a "language translator" (menu items 4, 5, 8 and 9), without the Toolkit or Tutorial boards.

MOTIVATION

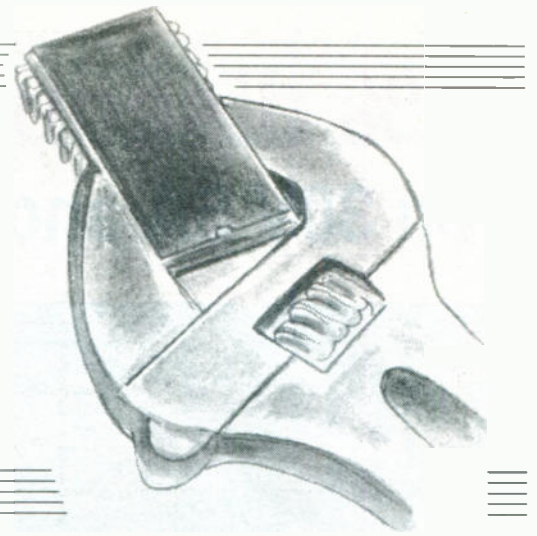
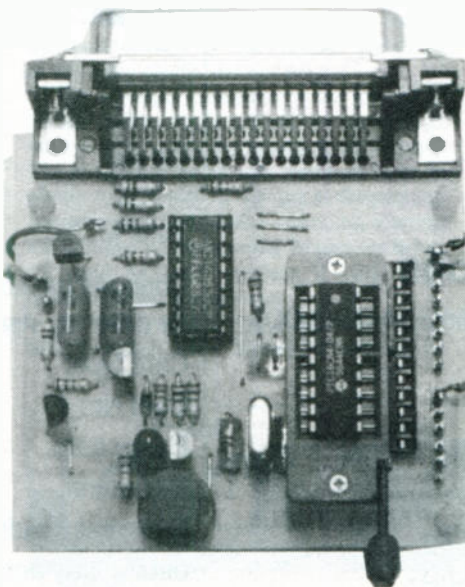
EPE's introduction to PIC16C84

microcontrollers was effectively in 1995 when Derren Crome offered us his *Simple PIC16C84 Programmer*, which we published in our February '96 issue. The information and the programming software which came with that design, the TASM and SEND programs, have helped open the eyes of many readers to the benefits of PIC microcontrollers.

The popularity of our PIC-based constructional projects has been immense. Even so, the resounding response to our three recent *EPE PIC Tutorial* Supplements (March to May '98) exceeded all expectations! Obviously, many readers want to know more about programming PICs for themselves.

In this context, the term *programming* can be split into two definitions: actually writing the software, and then downloading it into the PIC. The aim of the Toolkit is to simplify the latter.

Until now, though, we have been confronted by a compatibility problem, that of there being two principal languages in which the PIC program can be written – TASM and MPASM. Let's first explain this situation and its implications.



TASM ASSEMBLER

TASM is a "universal" Table Assembly language which originated as a shareware product through the Public Domain Shareware Library (PDSL). It is extremely easy to use and can be user-modified to assemble the source code for any microprocessor or microcontroller, translating it from "English-like" command structures into the binary or hexadecimal codes which the chosen micro can accept. It does not include facilities to send the assembled code to the micro.

To allow TASM to be used for programming the PIC16C84, a special table file and SEND program were written. The file (.OBJ) generated by TASM in this application is in a linear binary coded format suited to the SEND program. MPASM cannot use this file.

Nor can MPASM use the hex file (.HEX) which TASM can be instructed to produce (-h in the command line instead of -b) since the hex byte pairs are in the reverse order of those used by MPASM.

Operation of the *Simple PIC16C84 Programmer* is via switches. The simplicity of the programming technique is such that the few components involved can be designed into any other PIC16C84-based circuit, should the designer wish to do so (*EPE* has published several examples of this technique).

This basic switched programming control was used in the *EPE PIC Tutorial*, although two additional computer-isolating switches were also added. It is a very simple and straightforward technique to use. Indeed, an enormous benefit of both TASM and SEND is that they are so simple, and are far quicker to load and use than MPASM.

The SEND program, however, has four limitations that restrict its use by many PIC program designers: it can only accept a TASM binary file for sending to the PIC; it cannot verify the programmed code; it cannot disassemble the code from the PIC back into a source code structure; the use of manually operated switches can be an inconvenience.

Additionally, the programming algorithms used in SEND limit the speed at which the code can be loaded into the PIC (taking about one minute 20 seconds for a full 1024 byte transfer).

The Toolkit overcomes all four limitations, and speeds the transfer rate to about 12 seconds for 1024 bytes.

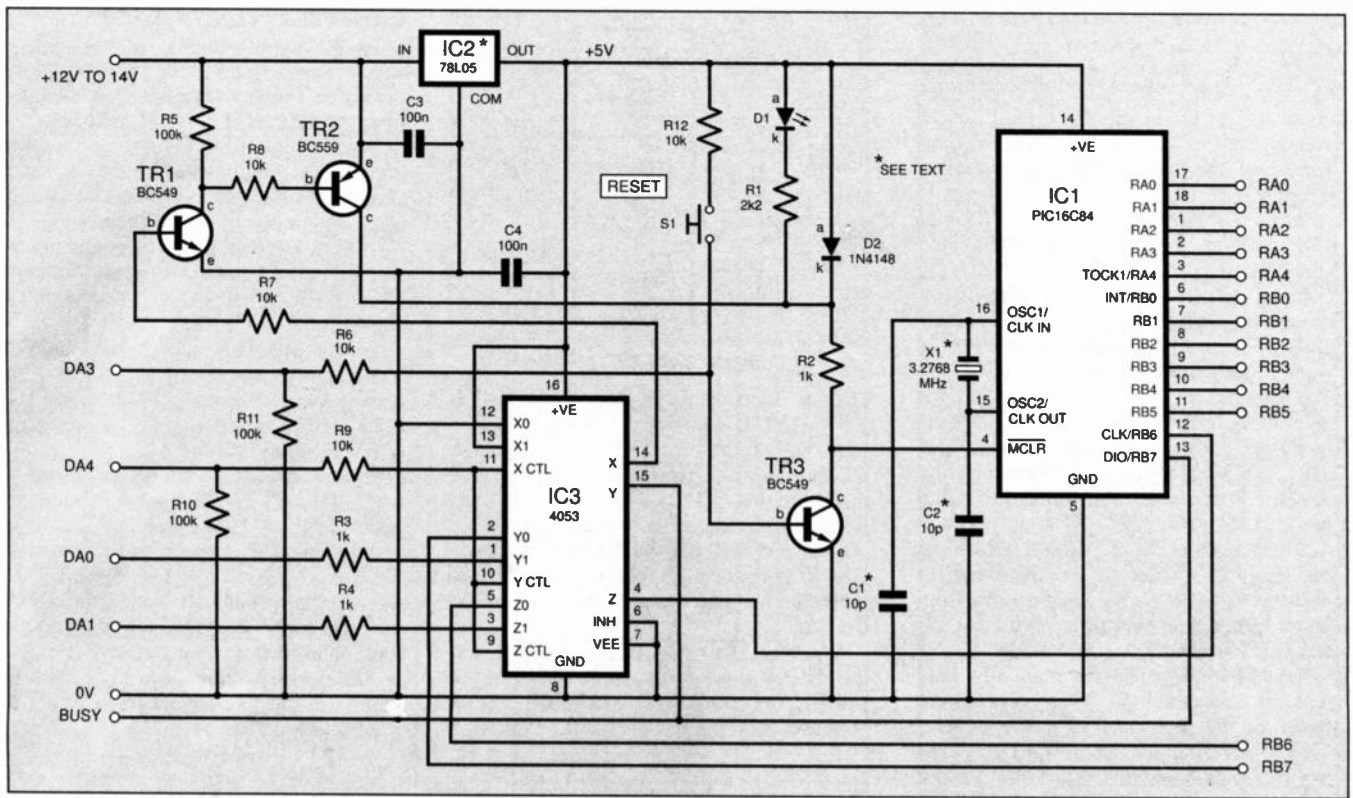


Fig.1. Complete circuit diagram for the PIC16x84 Toolkit.

MPASM ASSEMBLER

MPASM is the proprietary product of Arizona Microchip, the manufacturers of the PIC microcontrollers. In its full form, including MPLAB software and hardware, MPASM not only assembles source code, but also allows users to test, simulate and send code direct to the PIC. It handles the full range of PIC microcontrollers.

Whereas TASM generates a binary file (.OBJ), MPASM generates a hex code file (.HEX) which includes error checking and addressing values. The SEND program cannot use this file.

Whilst the facilities offered by MPASM and MPLAB far outreach those available with TASM, the author has found that, even with a 120MHz Pentium computer, getting in and out of MPASM takes considerably longer than getting in and out of TASM/SEND.

In this context, remember that when developing a PIC program, even if you use a simulator, sooner or later you probably have to keep swapping between a text editor for modifying the source code listing, and an assembler/sender for loading revised and re-assembled code into a PIC.

As a result, since integrating the Toolkit into his system, the author continues to use TASM as the assembling language in preference to MPASM. With the use of a suitable .BAT command file (discussed later), it is so easy to nip in and out between DOS EDIT, TASM and TOOLKIT.

WIDER APPEAL

On a wider front, though, we know that both MPASM and TASM have a loyal following. A great number of readers have TASM, having acquired it with our general software disk, or with our PIC-Tutor Disk.

It is interesting, though, that many of the PIC projects which we are offered for publication are written using one of the

several versions of MPASM. Of the PIC projects we've published, the split is about 50:50 between TASM and MPASM.

Consequently, we have recognised the need to publish our own software which allows easy translation between TASM and MPASM, in both directions. The Toolkit, therefore, includes this option as well.

The translation routines have been written to correct for the TASM/MPASM source code "grammar" differences associated with the PIC16C84 command codes as published in the *PIC16/17 Microcontroller Data Book* (from here on referred to as the *PIC Data Book*).

However, whilst TASM and MPASM can be used just as assembly programs, they are also languages in their own right and have programming structures which allow a variety of operations to be expressed in a type of shorthand. With a few exceptions, Toolkit cannot translate these structures and the user must correct any source code translation if they occur, referring to the TASM or MPASM documentation. A summary of MPASM's special structure commands is tabled later.

Interestingly, though, very few of the special commands have been used in any of the PIC-based projects published in *EPE*.

Details of how to obtain the software for Toolkit and the documentation for MPASM and TASM are given at the end.

TOOLKIT CIRCUIT

The complete circuit diagram of the PIC16x84 Toolkit is shown in Fig.1.

In essence, the circuit is very similar to the heart of the circuits used for the *Simple PIC16C84 Programmer* and *EPE PIC Tutorial*. The difference is that, whereas the latter two programs require manually switched setting of Program/Run switches, Toolkit's

switching is automatically controlled by the computer via a simple routing selection circuit, based around multiplexer IC3.

In Fig.1, IC1 represents the PIC microcontroller. As with the previous two circuits, the computer's parallel printer port supplies the required clock and data signals to the PIC. Printer port line DA0 supplies program data for IC1 pin RB7, and line DA1 supplies the clock signal for IC1 pin RB6.

The PIC's other I/O (input/output) lines, RA0 to RA4 and RB0 to RB5 are not used in the Toolkit circuit, but may be made use of if the circuit is connected as part of a test-bed in a development situation for other PIC-controlled circuits.

The circuit diagram shows the PIC under crystal control (X1) in association with capacitors C1 and C2. These three components are only required when the circuit is used as a test-bed – they may be omitted if the Toolkit is used purely as a programmer/disassembler. The value of 3.2768MHz for crystal X1 is a suggested value only, other values may be used to suit test bed requirements.

PIC16C84 devices require a programming supply of between 12V and 14V (henceforth referred to as 12V), and an operational supply of between 3V and 7V. For the latter supply, 5V is used here.

The 12V supply is brought in to IC2, a 5V 100mA voltage regulator. The resulting 5V output supplies power to the PIC and to the signal routing chip IC3.

The network around transistors TR1, TR2 and TR3 is responsible for switching the PIC's program control input, MCLR, between Program, Run and Reset modes.

Computer line DA4 (via IC3) is responsible for controlling transistor pair TR1 and TR2. When the base (b) of TR1 is set high (5V) by DA4, TR1 and TR2 are turned on, allowing the 12V supply to pass through TR2 and resistor R2 to the MCLR

pin (ignoring TR3 for the moment). This puts the PIC into Program mode.

Simultaneously, the same supply flows through resistor R1 and light emitting diode (l.e.d.) D1 to the 5V supply line (a voltage drop of 7V). The l.e.d. is turned on whenever the 12V supply is switched through TR2.

When line DA4 is low, both TR1 and TR2 are turned off. Pin MCLR is then supplied from the 5V line via diode D2 (which, as an unimportant side-effect, drops the voltage reaching this pin by about 0.6V). In this condition, the PIC is set into Run mode.

Computer line DA3 is responsible for controlling the PIC's Reset mode via transistor TR3. When DA3 is held low (0V), TR3 is turned off, allowing the selected Program or Run voltage to reach pin MCLR.

When DA3 is set high (5V), TR3 turns on, shorting MCLR to 0V. Resistor R2 prevents the 12V or 5V supply lines from being affected at this time. With MCLR low, the PIC is held in Reset mode.

The PIC may also be manually held reset by pushswitch S1. When pressed, S1 feeds the 5V line via R12 to the base of TR3, overriding the status of DA3. The use of S1 is beneficial when the Toolkit board is being used as a test bed, allowing programs to be reset at will. Resistor R6 prevents DA3 from being affected when S1 is pressed.

Note that l.e.d. D1 is unaffected when the PIC is in Reset mode, it will continue to glow whenever TR2 conducts the 12V supply, irrespective of the status of TR3.

There is also a connection between the PIC's RB7 pin and the printer port's BUSY line. This is the path along which the PIC's stored program data can be read and disassembled by the controlling software.

SELECTOR IC3

The purpose of IC3 is basically to separate the PIC's RB6 and RB7 pins from computer lines DA0 and DA1 when the PIC is in Run mode.

Regardless of whether the PIC is simply being programmed prior to insertion into another circuit, or is being used as part of a test-bed, as soon as it is put into Run mode, any program-controlled activity on RB6 and RB7 could, unless prevented, adversely affect lines DA0 and DA1, as well as themselves.

As you may have seen in other circuits, the problem can be limited by inserting a resistor in each of the two lines. However, although the computer's lines are protected in this instance, any other circuit connected to RB0 and RB1 could still be affected by the current flowing back to the computer via the resistors. The insertion of semiconductor gate IC3 prevents this.

Referring to Fig.2, IC3 is shown as a 3-pole changeover switch under control by computer line DA4. When DA4 is low (Run mode), RB7 is routed through path Y/Y0 from where it can be connected to any other circuit. Likewise, RB6 is routed through path Z/Z0, for the same reason. Simultaneously, the base of TR1 is held low via R7 and the X/X0 path to the 0V line. In this situation, DA0 and DA1 are isolated from RB6 and RB7.

When DA4 is high (Program mode),

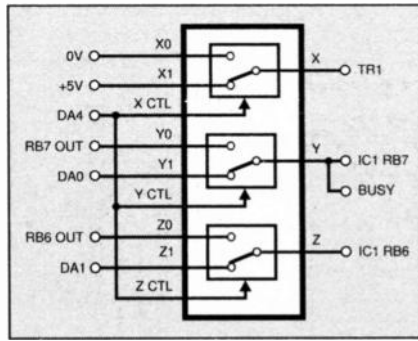


Fig.2. Equivalent circuit for IC3.

DA0 is connected via path Y1/Y to IC1 RB7, DA1 is connected via Z1/Z to IC1 RB6, and the base of TR1 is held high via R7 and the X/X1 path to the +5V line. In this situation IC1's RB6 and RB7 are isolated from any other external circuit.

Resistors R10 and R11 hold the respective DA connection points biased low when the computer is not connected to the Toolkit.

Whereas DA0 and DA1 are I/O lines, the BUSY line is an input-only to the printer port (control register bit 6), and its isolation from pin RB7 is not necessary.

CONSTRUCTION

Track layout details of the printed circuit board (p.c.b.) for the Toolkit are shown in Fig.3a. This board is available from the *EPE PCB Service*, code 196.

Two component layout and wiring illustrations are shown. The one in Fig.3b should be followed if the Toolkit is to be used on its own (i.e. independent of the *EPE PIC Tutorial* p.c.b. Components S1, X1, C1 and C2 may be omitted if there is no intention of using the Toolkit as part of a test-bed.

Sockets should be used for IC1 and IC3. It is strongly recommended that a ZIF (zero insertion force) socket should be used for IC1, allowing easy insertion and removal of the PIC.

If the Toolkit is to be connected to the *EPE PIC Tutorial* p.c.b., follow the details in Fig.4. Note that IC1, IC2, C1, C2 and X1 are not required in this situation. To save expense, it is recommended that the existing computer connector on the Tutorial board is desoldered and used for the Toolkit board (also see later).

Additionally shown in Fig.4 are the points on the Tutorial board to which the Toolkit should be connected.

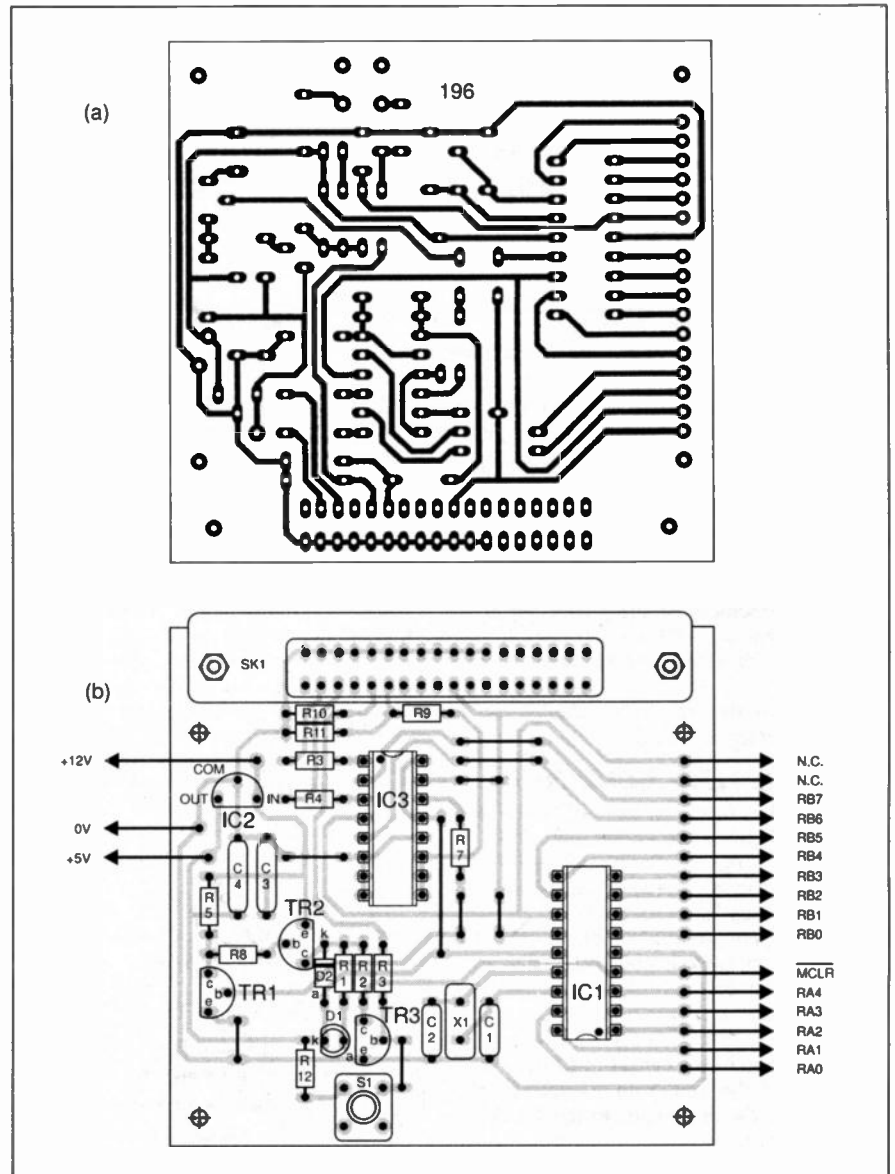


Fig.3. (a) Full size copper foil track master. (b) Complete component layout and termination points when using the Toolkit as an independent unit.

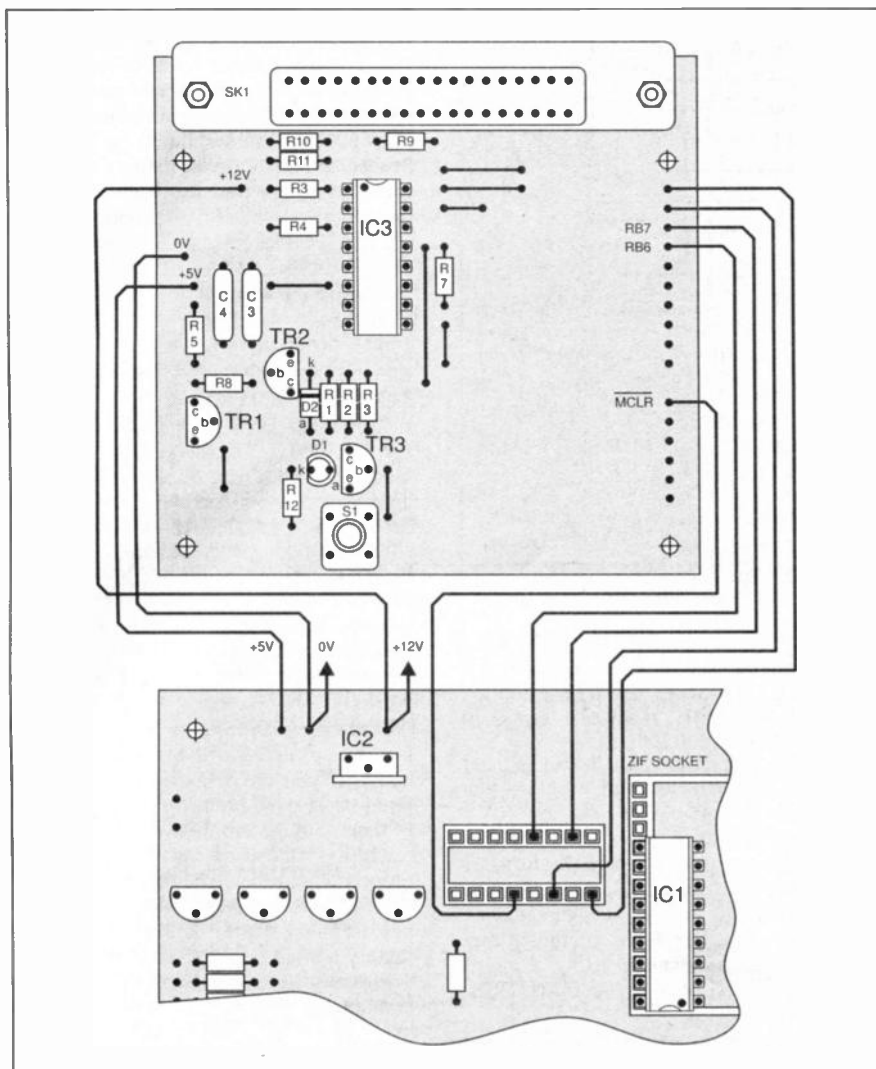


Fig. 4. Component layout and interconnections when Toolkit is used with the PIC Tutorial p.c.b.

The five wires shown connected to the switch (S1 to S4) position should be soldered to the trackside of the board, taking care to connect them to the correct points! If the switches are left in position, they should be switched off (up).

Assemble the Toolkit p.c.b. in any order you wish, but do not insert IC1 or IC3 until the correctness of the power supply has been confirmed (PIC16C84s can die if greater than 7V is present on their +VE pin 14).

Ensure that the transistors, diodes and IC2 are correctly orientated.

COMPUTER SOCKET

The Toolkit p.c.b. has been designed to accept a 36-pin p.c.b. mounting socket into which a standard (Centronics) parallel printer lead can be plugged. Most people probably already have such a lead. Those who do not, though, might prefer to avoid the expense of buying one and make up their own connector.

In this case, a 25-pin Centronics connector (male) is required for the computer end. Solder about two metres of 6-way ribbon cable to the connector as shown in Fig. 5. Solder the other ends to the Toolkit p.c.b. as shown.

This technique is potentially more prone to noise interference than with a proper printer lead, but the author has used it on many occasions without problems.

POWER SUPPLY

Power for the Toolkit may be supplied by any 12V to 14V d.c. source. Even a 12V car battery could be used. Alternatively, the power could be taken straight from the controlling computer.

Within a PC are one or more expansion sockets which are normally used for customised interface boards. Both 12V and 5V supplies are available via these sockets, as shown in Fig. 6 (check your computer manual for the orientation of the socket).

A piece of 0.1 inch grid stripboard (e.g. Veroboard) could be cut to suit the socket, and 0V/12V power leads

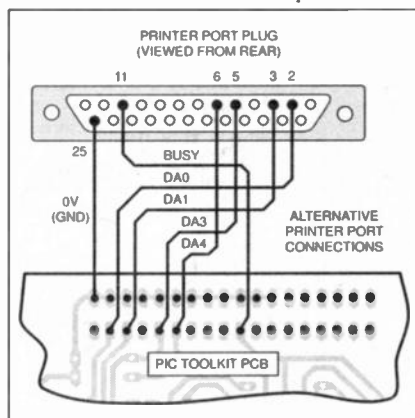


Fig. 5. Alternative computer interconnection method.

COMPONENTS

Resistors		See SHOP TALK Page
R1	2k2	
R2 to R4	1k (3 off)	
R5, R10,		
R11	100k (3 off)	
R6 to R9,		
R12	10k (5 off)	
Capacitors		
C1, C2	10p polystyrene (2 off) (see text)	
C3, C4	100n polyester (2 off)	
Semiconductors		
D1	red l.e.d.	
D2	1N4148 signal diode	
TR1, TR3	BC549 npn transistor (2 off)	
TR2	BC559 pnp transistor	
IC1	PIC16C84 or PIC16F84 microcontroller (see text)	
IC2	78L05 5V 100mA regulator (see text)	
IC3	4053 triple 2-channel analogue multiplexer	
Miscellaneous		
S1	s.p. pushswitch, p.c.b. mounting	
X1	3.2768MHz crystal (see text)	

Printed circuit board, available from the *EPE PCB Service*, code 196; 16-pin d.i.l. socket; 18-pin d.i.l. ZIF socket (see text); p.c.b. supports (4 off); 36-way Centronics female parallel printer connector, p.c.b. mounting (see text); connecting wire; solder, etc.

**Approx Cost
Guidance Only** **£16**

connected accordingly. A 5V lead could be connected as well, in which case regulator IC2 can be omitted.

The drawback of using the computer as the power source is that PICs cannot be inserted or removed from the Toolkit while the computer is switched on, unless an additional switch is included in the Toolkit power lines.

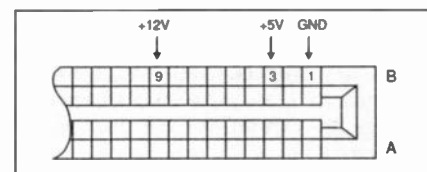


Fig. 6. Computer expansion connector showing d.c. power slots.

PRINTER PORT

Generally, PCs have their parallel printer port configured as LPT1, using register &H378 for data output and register &H379 for such control functions as handshakes, paper-out etc.

Full use of the Toolkit requires access to both registers, the control register being the one through which the PIC's data can be read back for verifying or disassembling, using the BUSY line.

It is possible, though, that individual computers may be configured to use one of two other pairs of registers instead of &H378 and &H379. The most likely pair is &H278 and &H279, although &H3BC and &H3BD might be used.

The Toolkit program has been written so that any of the three pairs can be selected for use. Towards the head of the Basic listing (TOOLKIT.BAS) are three statements equating the printer port register number, two preceded by an apostrophe:

```
portout% = &H378
'portout% = &H278
'portout% = &H3BC
```

The statement without the apostrophe is the one whose value will be used for printer port output by the rest of the program. As shown, &H378 is the chosen value. To select one of the others, delete its apostrophe and insert an apostrophe in front of the first line. Having done so, resave the program under the same file name.

The printer port's control register value is one greater than the output register. The program automatically allocates the correct number according to the selected output value. You need take no action in this respect.

The author has used the Toolkit in all its input/output modes on several computers. The validity of the three codes was confirmed by configuring a Dell Pentium to regard each of them as being LPT1 when instructed.

COMPAQ SNAG

However, a snag arose when trying to use it with a Compaq 386 machine. First, it was found that this was the only machine which did not use &H378 as the LPT1 output register, being configured for &H3BC.

This machine was purchased second-hand and without documentation. No amount of investigation revealed how it could be reconfigured to one of the other values. Furthermore, it was found that the control register's BUSY line (via &H3BD) could not be read. No solution was found.

It is suspected that this Compaq uses an interface card for printer control and that the card somehow prevents handshake data etc. from being read by the rest of the system. This, though, is pure conjecture.

The result is that, although this Compaq can be used to program PICs, it cannot be used to verify or disassemble them.

In the belief that other readers might have similarly uncooperative machines, a facility to prevent the Toolkit program from trying to verify and disassemble has been included.

A few lines further down from the program's register value selection is the statement that `verify% = 1`.

When `verify%` is set for 1, the Toolkit performs all functions. If your machine does not allow BUSY line reading, set `verify% = 0`. This inhibits the verify routine. It also prevents menu options 6 and 7 (disassembly) from being shown or selected. TOOLKIT.BAS should be resaved if you amend `verify%`.

If any reader can throw light on the Compaq problem, we would be pleased to hear from them.

PORT CHECKING

You may be able to check that the correct value has been set for the printer port output by either calling MSD through DOS, or through the printer port properties

LISTING 1 Port output register check routine

```
portout% = &H378
'portout% = &H278
'portout% = &H3BC

checkit:
OUT portout%,0
PRINT portout%, "All low"
GOSUB hold
OUT portout%,1
PRINT portout%, "DA0 high"
GOSUB hold
OUT portout%,2
PRINT portout%, "DA1 high"
GOSUB hold
OUT portout%,8
PRINT portout%, "DA3 high"
GOSUB hold
OUT portout%,16
PRINT portout%, "DA4 high"
GOSUB hold
GOTO checkit

hold:
IF INKEY$ = "" THEN GOTO hold
RETURN
```

display in Windows. Alternatively, key in and run the Basic program in Listing 1.

Provided that the correct output register value has been selected, this program first sets all printer port output lines low (0V). Each time you then press any key, individual output pins go high in turn, as shown. It then loops back to repeat the procedure.

At each step, the status of the printer port lines can be checked using a multimeter. You need only check DA0, DA1, DA3 and DA4.

If the meter shows no change at any step, select the next `portout%` value. Pressing CTRL/BREAK together stops the program to allow the value change.

There is no check for the BUSY line being readable until you try to verify or disassemble a programmed PIC.

If you do the above output check with the Toolkit p.c.b. connected and powered-up (with IC1 omitted), you can also check that the power supply is working. When the correct register value has been chosen, i.e.d. D1 should be on when DA4 is high, but off for any other output value.

Pin 4 of socket IC1 should be at about 4-4V when all outputs are low, and when DA0 or DA1 are high. It should be at 0V when DA3 is high, and at 12V when DA4 is high. This pin should always be at 0V when switch S1 is pressed.

Pin 14 of socket IC1 should always be at 5V.

You will have noticed that line DA2 is not used, even though it seems available. The prototype Toolkit was developed on a Dell Pentium and it was found that (for reasons unknown) the default level for DA2 when the computer is first powered up was high, but with all other DA pins low.

Consequently, it was decided to not use DA2 as a control line. Ironically, other computers have been found to set various other DA pins high as their default value. So much for PC compatibility!

The result is that in a test-bed situation, a circuit can be running correctly under test with the computer off and the printer port lead connected. But it might

then be disrupted (possibly held reset or in Program mode) when the computer is powered-up.

This can be avoided by removing the connecting lead until the computer has been powered up and the Toolkit program run as far as its menu display, by which time the printer port has been set with all outputs low.

INSTALLING SOFTWARE

Software for the Toolkit is on the EPE PIC-Disk 1. There are four files, TOOLKIT.BAS, TOOLKIT.COM, TOOLKIT.J and PK.BAT.

TOOLKIT.BAS is the Basic program for Toolkit. TOOLKIT.COM is the machine code program which is automatically loaded and accessed through TOOLKIT.BAS. Its source code (TOOLKIT.J) was written for the shareware assembler A86/D86. Program PK.BAT is a quick-loader "BATCH" command program that allows you to rapidly switch between DOS EDIT, TASM and TOOLKIT (PK stands for PicKit!).

Place the disk into the relevant drive. It is now assumed that your disk is in drive A and that you are working in DOS. Windows users must act according to the needs of their own system.

From DOS, copy the three TOOLKIT programs into the same directory in which your QBasic or QuickBASIC software is held. For example, if they are in a directory named QBASIC, use the following commands (pressing <enter> after each command):

```
c:
cd\qbasic
copy a:toolkit.*
```

Then copy PK.BAT into the root directory of drive C:

```
cd\
copy a:pk.bat
```

Program PK.BAT consists of the following commands:

```
cd\qbasic
qb/run toolkit/1
cd\pic
```

If the directory names given in the above (those following the `cd\` statement) differ, amend them to suit. To change the commands in PK.BAT, type the following command (while still in the root directory of drive C):

```
edit pk.bat
```

This loads the DOS EDIT program which then automatically loads and displays the text of PK.BAT.

Amend the statement in the first line to suit the directory in which your Basic is held.

If you are using QBasic, delete the `/1` statement in line 2 (becoming `qb/run toolkit`).

In the third line, substitute the directory name in which your PIC files (including TASM if you use it) are held.

Now resave PK.BAT to the root directory, and also save it to the directory in which your PIC files are held. This allows you to access PK.BAT from either the root or PIC directories.

When you type the command **pk** (do not type **.bat** as well) the actions called for in **PK.BAT** will be actioned in order. First of all your Basic software is loaded, which then loads **TOOLKIT.BAS** and runs it. On exit from Basic, the directory is changed back to **PIC** (or whatever you have chosen to name it).

From the latter directory, you have immediate use of **TASM** and **DOS EDIT**. This allows you to modify a **PIC** source code in **EDIT**, assemble it via **TASM**, and then re-enter **TOOLKIT** using the **pk** command.

A similar structure could be devised if you want to use **MPASM** (which can be made accessible from **DOS** or **Windows**).

FILES AND DIRECTORIES

The directories and extension codes used for file inputting and outputting are allocated within the body of the **TOOLKIT.BAS** program. They cannot be specified when you are asked for file names in the various program modes. Should you inadvertently enter an extension code (for example **.ASM** or **.OBJ**) the extension is stripped off and the allocated extension added instead.

All directories and extensions can be changed by stopping the program and amending the allocations to whatever you want (the choice of whether or not to re-save **TOOLKIT.BAS** is yours).

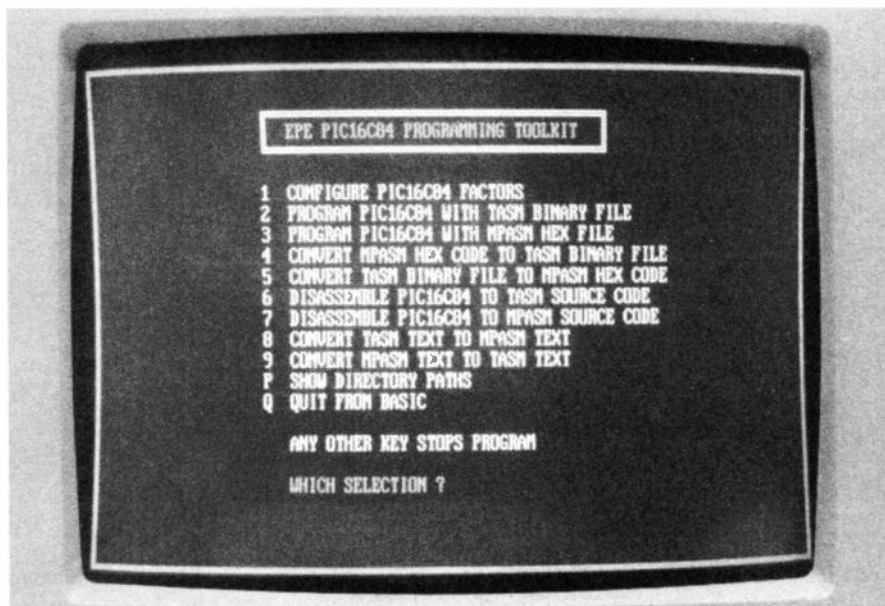
The allocated names supplied with **TOOLKIT.BAS** are shown in Table 1.

To change a directory or extension name, find the routing section near the beginning of the program (about line 34). Select the routine relating to the mode whose parameters you wish to change, and amend accordingly. For example, the relevant routine for Mode 4 is shown in Listing 2.

Here the source directory is stated as "C:\EPEPIC" (held in **dir\$(4)**) and its extension is ".HEX" (held in **dot\$(4)**). The destination directory is "C:\PIC\" (held in **destdir\$(4)**) and its extension is ".OBJ" (held in **destdot\$(4)**).

You may change any of the above four statements between quotes to whatever you wish.

The "xxx" statements play no active role and should not be changed, they simply



The main menu for the Toolkit.

indicate that the file name chosen when running will be inserted between the directory and extension names.

If a directory does not exist, you must create it from **DOS**. For example, to create the directory called **EPEPIC** on drive **C**, you would type:

```
c:
cd\
md epepic
```

These three statements ensure that you are (1) in the **C** drive, (2) set for the root directory, (3) have a new directory called **EPEPIC**.

The ability to search directories for file names and to automatically load them has not been included as it would have complicated the program (a lot of code went into doing it for the *EPE Virtual Scope* of Jan '98!).

If you need to search a directory, stop the program by pressing any non-menu key while the main menu is on display. Then press function key **F6** and search via the **Files** command. To restart the program, press **F5**.

KEYBOARD EASE

So far as is reasonable, the program has been written for ease of keyboard use, in particular allowing the use of the <enter> key to indicate that you wish to accept an offered action (it's tedious to have to search for character keys when your finger is already above the <enter> key!). In most cases, all you need to do is press <enter> in answer to any of the yes/no questions.

Note, though, that when you first enter a mode, pressing <enter> returns you to the main menu.

Table 1. Default directory paths

Mode	Source	Destination
2	C:\PIC\xxx.OBJ	PIC16C84
3	C:\EPEPIC\xxx.HEX	PIC16C84
4	C:\EPEPIC\xxx.HEX	C:\PIC\xxx.OBJ
5	C:\PIC\xxx.OBJ	C:\MPASMCNV\xxx.HEX
6	PIC16C84	C:\PIC\DECODE.ASM
7	PIC16C84	C:\MPASMCNV\DECODE.ASM
8	C:\PIC\xxx.ASM	C:\MPASMCNV\xxx.ASM
9	C:\PIC\xxx.ASM	C:\PIC\xxx.TSM

where xxx is the file name you supply when requested in the selected mode.

LISTING 2

Mode 4 file parameter statements

```
LOCATE 10, 20: PRINT "4 CONVERT MPASM HEX
CODE TO TASM BINARY FILE"
dir$(4) = "C:\EPEPIC": dot$(4) = ".HEX"
destdir$(4) = "C:\PIC": destdot$(4) = ".OBJ"
smid$(4) = "xxx": dmid$(4) = "xxx"
```

PROGRAM MODE 1

CONFIGURE PIC16C84 FACTORS

Program Mode 1 provides the standard facilities for configuring the **PIC**. From the main menu, press numeral key **1** to select it, whereupon the following menu will appear:

- 1 LP LOW POWER CRYSTAL 32kHz - 200kHz
- 2 XT MEDIUM SPEED CRYSTAL 100kHz - 4MHz
- 3 HS HIGH SPEED CRYSTAL 4MHz - 10MHz
- 4 RC RESISTOR-CAPACITOR OSCILLATOR

WHICH OSCILLATOR TYPE ?

Select the required timing mode by its number. Confirmation of the choice will then be displayed, e.g.:

XT SELECTED

Three questions are then asked in turn:

- ENABLE WATCHDOG TIMER Y/N (DEFAULT NO)
- ENABLE POWER-UP TIMER Y/N (DEFAULT YES)
- LOAD CONFIGURATION Y/N (DEFAULT YES)

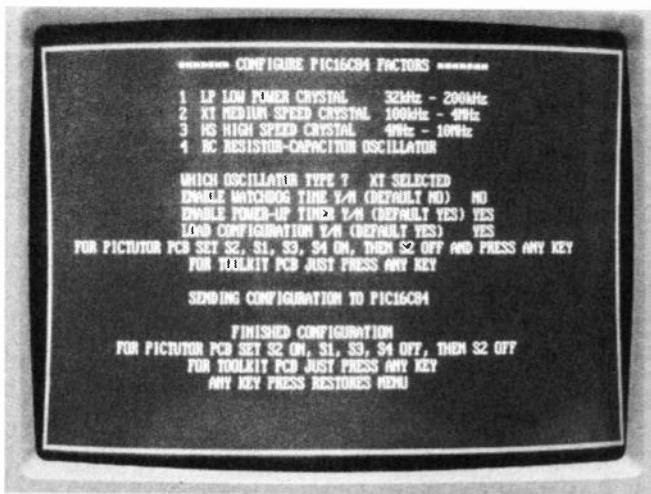
To each as it appears press the relevant **Y** or **N** key, or press <enter> to accept the default. Confirmation of the selection is displayed.

With the **LOAD** question, if **N** is selected, the configuration routine is abandoned and the display returns to the main menu. If **LOAD** is accepted, the following instructions appear:

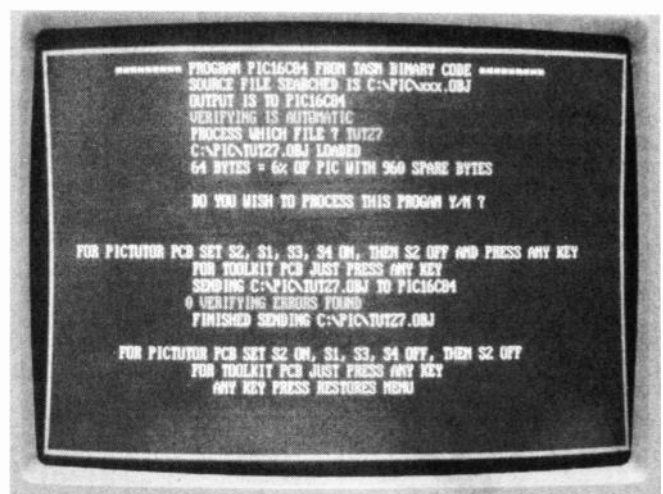
- FOR PICTUTOR PCB SET S2, S1, S3, S4 ON, THEN S2 OFF AND PRESS ANY KEY
- FOR TOOLKIT PCB JUST PRESS ANY KEY

If the software is being used with the **PIC Tutorial** board and without the **Toolkit** board, follow the switching instructions.

If the **Toolkit** board is in use (with or without the **Tutorial** board) pressing any key will start the down-loading procedure and this confirmation line will appear:



Typical screen display for Mode 1.



Typical screen display for Mode 2.

SENDING CONFIGURATION TO PIC16C84

to be followed on completion of the code being sent (about 12 seconds maximum for 1024 bytes) by:

FINISHED CONFIGURATION

FOR PICTUTOR PCB SET S2 ON, S1, S3, S4 OFF, THEN S2 OFF
FOR TOOLKIT PCB JUST PRESS ANY KEY
ANY KEY PRESS RESTORES MENU

Follow the appropriate instructions to return to the main menu.

As part of the configuration procedure, the Code Protection option (see *PIC Data Book*) is disabled, allowing code to be disassembled whenever required.

The act of configuring a PIC, however, automatically erases all previous data, replacing it with code that disassembles back as ADDLW 17.

PROGRAM MODE 2

PROGRAM PIC16C84 WITH TASM BINARY FILE

From the main menu, pressing numeral key 2 allows the PIC to be programmed by a TASM-created .OBJ file. On selection, the display confirms the menu choice and advises which directory path is being used (this advice is given in each mode from two to nine).

If the verifying mode is active (verify% = 1) the statement that VERIFYING IS AUTOMATIC is shown. This statement is omitted if verify% = 0.

You are then asked which file you want to process (send to the PIC). Having entered the file name, the program attempts to load it. If you have given a file name that does not exist, you are told so (on screen and by a "beep") and offered the choice to enter another name.

Should you choose not to send a file after all (you might have gone into Mode 2 by mistake) just press <enter> to return to the main menu.

When the chosen file has been loaded into the computer's memory, you are advised of the number of bytes to be sent to the PIC, the percentage of PIC space used and the number of bytes that will still be free. You are also offered the choice of whether or not to send the code. From here, the procedure is the same as with Mode 1 at

the same point, with the same sending and closing instructions being displayed.

There is a slight difference in the conclusion statements though. If Verify is active, a verification check is automatically made by the program after the code has been sent to the PIC. The results of this check are then displayed.

In reality, the author has never experienced an incorrectly programmed PIC, nonetheless, the inclusion of a verification process seemed preferable.

It is likely that the only time when you are told that verification errors have been found is if you have forgotten to connect the printer port lead. In this case the number of errors reported will be close to the maximum number of bytes sent. The same will apply if you are trying to program a dead PIC (yes, they can die - but probably only if you power them at a voltage greater than 7V. The author has done it once!).

Note, though, that in the above instances, the reported error number is likely to be smaller than the total byte count since an unconnected BUSY line, or one that is connected to a dead PIC, could be read as zero, matching any zero which occurs in the file code stored in the computer's memory.

There is a minor bug in the machine code that assesses the verification (and the author can't find it!): sometimes an error count of one is reported - ignore it.

If an error count of greater than one is found, the computer "beeps" at you.

PROGRAM MODE 3

PROGRAM PIC16C84 WITH MPASM HEX FILE

From the main menu, pressing numeral key 3 allows the PIC to be programmed by an MPASM-created .HEX file. On selection, the display messages are the same as with Mode 2.

During processing of the MPASM code, the software automatically decodes the hex file and converts it into binary, which is then sent to the PIC in the same way as a TASM binary file is sent.

PROGRAM MODE 4

CONVERT MPASM HEX CODE TO TASM BINARY FILE

In Mode 4, an MPASM hex code file is translated and output to disk as a TASM binary file. This file may then be sent to a

PIC via Mode 2, or via the original *EPE SEND* program.

The translation takes into account any .ORG address jumps which have occurred in the MPASM code, adding NOP padding to the binary file where necessary.

The following is an example line taken from a typical MPASM .HEX file:

```
:08002000792011288E0B1C2829
```

it takes the coded format:

```
:nnaaarrrxxxxxyxyxycc
```

where:

:	= record start character
nn	= data byte quantity in line as hex value
aaaa	= address of first byte in hex
rr	= record type in hex (00 except for last record which is 01)
xyxy	= data bytes in hex
cc	= checksum in hex
tt	= line terminator (carriage return, line feed)

The checksum is defined by first of taking the sum as:

```
SUM = byte count + address high + address low + record type + (sum of all data bytes)
```

then the checksum (cc) = (-SUM) AND 255.

With colon and line terminator discarded, imagine the example line split as:

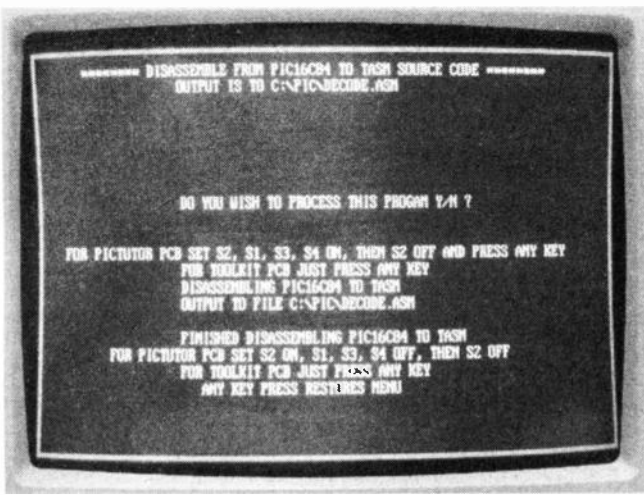
```
08 0020 00 79 20 11 28
nn aaaa rr xx yy xx yy
8e 0b 1c 28 29
xx yy xx yy cc
```

where:

nn	= hex 08 (decimal 8) data bytes to be translated from hex into binary
aaaa	= hex 0020 (decimal 32) is the address within the PIC at which the first of these bytes is to be placed
rr	= 00 indicating that this is not the last line to be processed
cc	= hex 29 (decimal 41), being the checksum for this line

The eight xx/yy bytes (quantity as indicated by nn) are the only values which are to be put into the binary code file. Their decimal values are:

121, 32, 17, 40, 142, 11, 28, 40



Typical screen display for Mode 6.

The Toolkit software does not make a checksum calculation, but had it done so the addition total for the SUM would be calculated as:

$$nn + aa + aa + rr + (\text{sum of all } xx + yy \text{ values}) = 40 + 431 = 471$$

Checksum therefore = $(-471) \text{ AND } 255 = 41$, which equals the value of cc. In other words, there has been no corruption of the data on the disk and the checksums match for this line.

We now come to a difference between MPASM and TASM. With MPASM/MPLAB, the xx/yy bytes are held in hex code files in the opposite order to those in the TASM binary files (and TASM hex files).

Consequently, when translating from MPASM hex to TASM binary (and vice versa), the MPASM byte pairs have to be swapped, as is done by the machine code software.

On entry into Mode 4, you are asked for the name of the MPASM file (.HEX) to be translated into TASM (.OBJ). The same file name is used for the translation, but with a .OBJ extension instead of .HEX. As with other modes so far, if the named file does not exist, you are told so.

PROGRAM MODE 5

CONVERT TASM BINARY CODE TO MPASM HEX FILE

The routine of Mode 5 performs the opposite action of Mode 4. A named TASM binary file (.OBJ) is translated into an MPASM hex file (.HEX). The software calculates the nn, aaaa, rr, xxyy and cc values, formatting them correctly. The chosen default xxyy byte count (nn) for a complete line is 16 decimal (10 hex).

On entry into Mode 5, you are asked for the name of the TASM file to be translated into MPASM. The same file name is used for the translation, but with a .HEX extension instead of .OBJ. If the named file does not exist, you are told so.

PROGRAM MODE 6

DISASSEMBLE PIC16C84 TO TASM SOURCE CODE

On entry into Mode 6, you are given the option to exit this mode or proceed with reading the contents of the PIC, and creating a source code file formatted for

TASM. There is no choice of file name, it is automatically allocated as DECODE.ASM. Any existing file of the same name is overwritten.

The entire 1024 bytes of the PIC are read during disassembly. Consequently, if the PIC has been programmed before, it may not be immediately obvious where the end of the most recent program occurs – intelligent inspection may be needed!

Be aware that any PIC which has its Code Protection enabled cannot have its code disassembled. It is not possible to turn off Code Protection without erasing the PIC's contents.

The data is output from the PIC as serial data via the BUSY line. It is formatted in software to become 8-bit bytes. A look-up table is used to establish what source code details should be allocated to it.

In the unlikely event that a code is not recognised, the code is noted as such in the created source code file (and a screen announcement is also made at the end of disassembly).

Any addresses indicated in CALL and GOTO commands are noted and destination addresses are prefixed with their numerical value as a Label. Details of how the data is evaluated are too complex for discussion here. For more information, study the program's data statements, the *Simple PIC16C84 Programmer* article, and the PIC16C84 programming specifications section of the *PIC Data Book*.

The disassembled source code file is headed by an identity statement, e.g.:

```
; DISASSEMBLY FROM PIC16C84 TO
TASM ON 02-15-1998 AT 01:16:14
```

It is then prefixed by various equational statements such as:

```
.AVSYM
INDF: .EQU $00
TMR0: .EQU $01
PCL: .EQU $02
STATUS: .EQU $03
FSR: .EQU $04
PORTA: .EQU $05
PORTB: .EQU $06
```

As shown in the example in Listing 3, the disassembled source code commences from PIC address 4, the Interrupt vector address, which in this case holds the command to jump to address 367 (GOTO JMP367). The program itself starts at address 5 (JMP5), the reset vector address.

Listing 3 Example of disassembled PIC16C84 code.

```
.ORG 4
GOTO JMP367
.ORG 5
JMP5: CLRF PORTA
      CLRF PORTB
      BSF STATUS,5
      MOVLW 15 ; %00001111 $0F ""
      MOVLW 5 ; %00000101 $05
      CLRF PORTB
      MOVLW 5 ; %00000101 $05
      MOVWF TMR0
      BCF STATUS,5
      GOTO JMP37
JMP15: ADDWF PCL,F
      RETLW 77 ; %01001101 $4D "M"
      RETLW 50 ; %00110010 $32 "2"
      RETLW 44 ; %00101100 $2C ","
      RETLW 6 ; %00000110 $06
```

These two vector addresses are integral to the PIC16C84's operational requirements. When an Interrupt occurs, the PIC automatically jumps to address 4 and follows any instruction (if any) at that address, such as a GOTO command.

The Reset vector at address 5 is that to which the PIC jumps when first powered-up or reset. The command to jump to address 5 is actually held in address 0 and is automatically placed there when a PIC is being programmed. The contents of addresses 0 to 3 are not disassembled to the source code listing (note that addresses 1 to 3 are not available for data programming use – see *PIC Data Book*).

In the main source code statements, any numerical values are given in decimal. Values which do not represent register bit numbers (e.g. BCF STATUS,5) are also interpreted as binary (% prefix), hex (\$ prefix), and ASCII values where appropriate (enclosed in double-quotes). They are shown as comments following a semicolon.

Having disassembled the PIC to source code, it is up to the user to examine and further notate the code (the purpose of each routine cannot be assessed through the software, of course). The numerical "comments" may help in this.

PROGRAM MODE 7

DISASSEMBLE PIC16C84 TO MPASM SOURCE CODE

In Mode 7, PIC disassembly operates in the same way as with Mode 6, except that certain formats are changed to suit MPASM (more about TASM/MPASM source code differences later).

As with Mode 6, the destination file is also named DECODE.ASM (but may be in a different directory).

PROGRAM MODE 8

CONVERT TASM TEXT TO MPASM TEXT

Mode 8 translates a TASM source code file to one which can be recognised by MPASM. This file can then be used to create an MPASM.HEX file. The purpose of this mode is to allow users to modify an original TASM source code and tailor it to their own MPASM needs.

The MPASM file retains the same name as the TASM file, complete with .ASM extension (the two files can be held in

different directories, so there need be no conflict here).

PROGRAM MODE 9

CONVERT MPASM TEXT TO TASM TEXT

Mode 9 fulfils the same purpose as Mode 8, but in the opposite direction: translation of MPASM source code to TASM source code.

The two files retain the same name, but a different extension can be given to the TASM file. TASM can be told to accept any extension instead of .ASM in its assembly command line – the following is legitimate, for example:

```
tasm -I684 -b decode.tsm
```

Note that the only .ORG statements allowed by TASM (and hence in any conversion from MPASM to TASM), are those at addresses 4 and 5. Any others in an MPASM text must be removed by the user prior to conversion. In this case, of course, the MPASM text must be rewritten to no longer need any additional ORG statements.

PROGRAM MODE P

SHOW DIRECTORY PATHS

Mode P shows the file names, plus source and destination paths set for Modes 2 to 9. Amendment of these names and paths was discussed earlier.

Also shown is the printer port output register number in use.

PROGRAM MODE Q

QUIT FROM PROGRAM

The intended use of Mode Q is to exit from the program back to the directory stated in program PK.BAT (or the directory from which TOOLKIT.BAS was called if PK.BAT is not used).

For it to work correctly, the program must first have been called and run through the allocated PK.BAT call (see later). Secondly, no modifications or re-saving of the program must have occurred.

If any of these conditions are not met, the program remains in Basic with the screen displaying the message "Press any key to continue". Pressing any key then drops the program into Basic's edit mode.

This is a limitation imposed by both QBasic and QuickBASIC and has nothing to do with the Toolkit program itself.

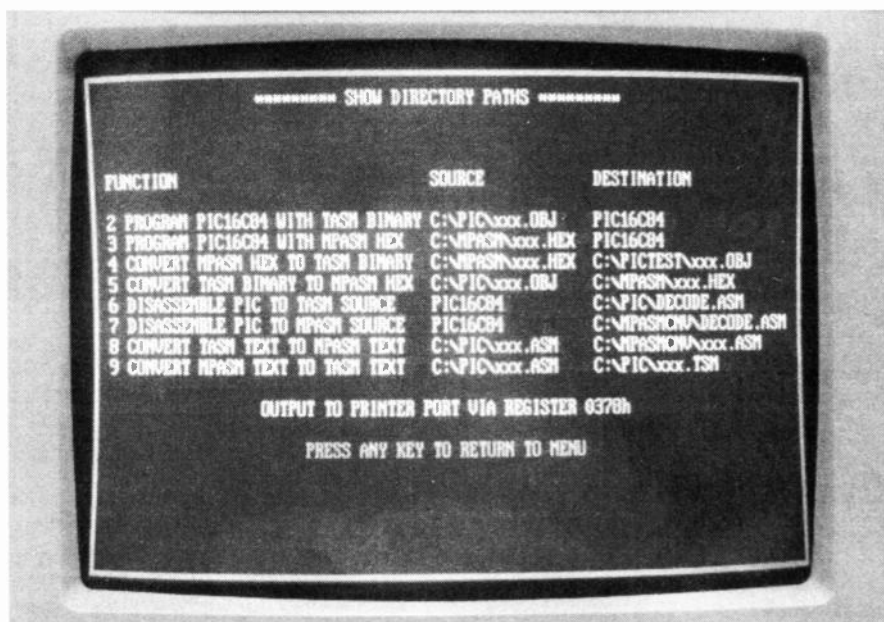
TASM AND MPASM DIFFERENCES

The information given in this section is an expansion on that given in the *EPE PIC Tutorial*, Part 3.

The mnemonic codes as published in the *PIC Data Book* for the PIC16C84 are common to both TASM and MPASM. Differences exist, though, in the way in which numerical values are expressed. Additionally, MPASM has a few idiosyncrasies whose equivalents do not exist with TASM.

First, note that different versions of MPASM exist, having been introduced over several years. The comments here relate to the latest version, V01.40. Some may (unintentionally) also relate to earlier versions, but we cannot be specific about this.

To find out more about MPASM, refer to



Typical display for Mode P, showing the user-selected directory paths for Modes 2 to 9.

Microchip's current *MPASM User's Guide*.

NUMERICAL FORMATS

TASM requires the numerical formats as shown in the following examples:

```
Decimal:      153
Hexadecimal:  $2B
Binary:       %10010110
ASCII:        'C'
```

Decimal requires no prefix, hex and binary need \$ and % prefixes respectively, ASCII requires enclosing in "right-handed" single quotes (').

MPASM, though, uses styles that (usually) require both prefix letters and enclosing "right-handed" quotes:

```
Decimal:      D'153'
Hexadecimal:  H'2B'
Binary:       B'10010110'
ASCII:        'C' or A'C'
Octal:        0'777'
```

Note the choice of two equivalent styles for ASCII, and that TASM has no equivalent for the Octal expression.

A significant difference for MPASM is that the user may choose to express decimal, hex or binary values without the use of a prefix and enclosing quotes, defining this requirement in an initialisation line which is prefixed with the statement "list".

The term *radix* is used in this respect, and the radix is then equated to be in decimal, hex or binary, according to the user's needs. This same line also states the processor for which the code is to be assembled. For example, the following line tells MPASM that the code is to be assembled for the PIC16C84 (p=16c84) and that the radix is decimal (r=dec):

```
list p = 16c84, r = dec
```

Having specified the radix, any un-prefixed value encountered by MPASM during assembly will be taken to be in that notation. Thus if the radix is decimal (r=dec), 10 will be taken as decimal ten. If the chosen radix is hex (r=hex), then 10 will be taken as \$10 (decimal 16). For a

binary radix (r=bin), 10 will be interpreted as %00000010 (decimal 2).

If no radix statement is made, the default radix is hexadecimal. Toolkit is programmed to look for the radix.

OTHER LIST OPTIONS

Several other equational statements may occur following the "list" statement. These control the format process when MPASM is assembling the source code. They have no relevance to TASM and can be ignored in any translation. The options you might encounter are shown in Table 2 (taken from the *MPASM User's Guide*, Chapter 3, Table 3.2).

In MPASM listings, all options are evaluated as decimal numbers.

LABELS AND DOTS

Whereas TASM's labels need to be followed by colon (:), MPASM's do not (although MPASM seems to accept them).

A decimal point prefix is required by TASM, but not MPASM, in the following instances:

TASM	MPASM
.EQU	EQU
.ORG	ORG
.END	END

Additionally, note that MPASM allows ORG statements to set code to start at a variety of addresses and that these addresses may not be in numerical order. TASM does not allow this option; all source codes must follow in strict numerical address sequence from address 5 onwards.

The use of #DEFINE is common to both TASM and MPASM, e.g.:

```
#DEFINE PAGE0 BCF 3,5 (TASM) and
#DEFINE PAGE0 BCF H'03',5
(MPASM)
```

MPASM SHORTHAND

MPASM permits routines to be defined as "macros", allowing them to be stored as library routines which can be called by name and processed during assembly run-time. Calls to these macros are made through the MPASM source code using the "#include" prefix.

Table 2. MPASM List Directive Options

Option	Default	Description
b = nnn	8	Set tab spaces
c = nnn	132	Set column width
f = <format>	INHX8M	Set the hex file output
free	FIXED	Use free-format parser – backward compatibility only
fixed	FIXED	Use fixed-format parser
mm = ON/OFF	ON	Print memory map in file list
n = nnn	60	Set lines per page
p = <type>	None	Set processor type; for example, PIC16C54
r = <radix>	Hex	Set default radix: hex, dec, oct
st = ON/OFF	ON	Print symbol table in hex file
t = ON/OFF	OFF	Truncate lines of listing (otherwise wrap)
w = 0/1/2	0	Set message level (see MPASM User's Guide)
x = ON/OFF	ON	Turn macro expansion on or off

Table 3. MPASM Special Instruction Mnemonics recognised by Toolkit

Mnemonic	Description	Equivalent
ADDCf f,d	Add Carry to File	BTFSK 3,0 INCF f,d
ADDDCF f,d	Add Digit Carry to File	BTFSK 3,1 INCF f,d
B k	Branch	GOTO k
BC k	Branch on Carry	BTFSK 3,0 GOTO k
BDC k	Branch on Digit Carry	BTFSK 3,0 GOTO k
BNC k	Branch on No Carry	BTFSK 3,0 GOTO k
BNDC k	Branch on No Digit Carry	BTFSK 3,1 GOTO k
BZ k	Branch on Zero	BTFSK 3,2 GOTO k
CLRC	Clear Carry	BCF 3,0
CLRDC	Clear Digit Carry	BCF 3,1
CLRZ	Clear Zero	BCF 3,2
MOVFW f	Move File to W	MOVF f,0
NEGf f,d	Negate File	COMF f,1 INCF f,d
SETC	Set Carry	BSF 3,0
SETDC	Set Digit Carry	BSF 3,1
SETZ	Set Zero	BSF 3,2
SKPC	Skip on Carry	BTFSK 3,0
SKPDC	Skip on Digit Carry	BTFSK 3,1
SKPZ	Skip on Zero	BTFSK 3,2
SUBCF f,d	Subtract Carry from File	BTFSK 3,0 DECF f,d
SUBDCF f,d	Subtract Digit Carry from File	BTFSK 3,1 DECF f,d
TSTF f	Test File	MOVF f,1

Where:
d = destination (0 or 1 – W or F)
f = file
k = literal value

Right: prototypes of the Toolkit and PIC Tutorial p.c.b.s interconnected.

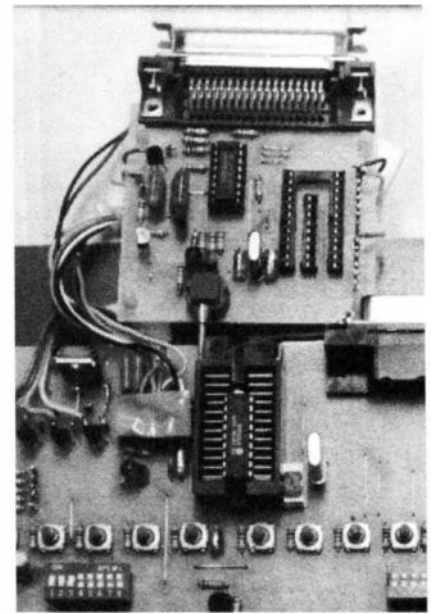


Table 4. MPASM Directive Summary

BADRAM	EQU *	NOEXPAND
CBLOCK *	ERROR	NOLIST
CONFIG	ERRORLEVEL	ORG *
CONSTANT	EXITM	PAGE
DATA	EXPAND	PROCESSOR
DB	FILL	RADIX
DE	IDLOCS	RES
#DEFINE *	IF	SET
DT	IFDEF	SPACE
DW	IFNDEF	SUBTITLE
ELSE	#INCLUDE	TITLE
END *	LIST *	#UNDEFINE
ENDC *	LOCAL	VARIABLE
ENDIF	MACRO	WHILE
ENDM	MAXRAM	
ENDW	MESSG	

* = terms recognised by Toolkit

terms CBLOCK, #DEFINE, END, ENDC, EQU, LIST and ORG, Toolkit does not recognise them. The full list supported by MPASM is shown in Table 4. It is expanded in the *MPASM User's*

listings) are available from various leading component suppliers, or from Arizona Microchip Technology Ltd., Microchip House, 505 Eskdale Road, Winnersh Triangle, Woking, Berks RG41 5TU. Tel: 0118 921 5800. Fax: 0118 921 4820.

The contents of the books, plus the software for MPASM and MPLAB are also on the *Microchip Technical Library* CD-ROM, available from Microchip and their agents. If you have a CD-ROM drive, we strongly recommend you obtain a copy of this CD-ROM – you will find it invaluable.

The contents of the CD-ROM are also available for download through Microchip's Web site: <http://www.microchip.com>.

Other Microchip internet sites are at: <http://www.microchip2.com/wwwsites.htm> (Microchip links to related Web sites). <http://www.microchip2.com/enth.htm> (Microchip links to enthusiasts pages). <http://www.arizona.co.uk/arizona> (Microchip UK sales rep). techdesk@arizona.co.uk (E-mail, Arizona UK Tech Desk).

The Public Domain Shareware Library (PDSL) can be contact at: PDSL, Dept EPE, Winscombe House, Beacon Road, Crowborough, E.Sussex TN6 1UJ. Tel: 01892 663298. Fax: 01892 667473.

If you have any queries about the PIC16x84 Toolkit, you can contact John Becker at the Editorial office, by phone, mail or E-mail:

editorial@epemag.wimborne.co.uk □

TASM also allows macro use, as described in the text file supplied with it – TASM.DOC.

Note, though, that Toolkit cannot translate any macros. Consequently, before converting MPASM or TASM source codes, macros should be amended by the user to fully expanded lines of source code.

You may also encounter mnemonics in MPASM source codes that are not included in the standard PIC command set but which are recognised by MPASM as legitimate commands during code assembly. They are a form of "definition" allowing one statement to be translated as one or more other statements. In other words, they are a form of shorthand, as shown in Table 3 (taken from the *MPASM User's Guide*, Appendix D, Table 11).

Toolkit recognises all the terms in Table 3.

In addition to the terms shown in Table 3, MPASM recognises another group of terms which are referred to as the "Directive Language". With the exception of the

Guide, Chapter 3, Table 3.1.

Any terms not recognised by Toolkit will be copied into the conversion file as found. Their presence will be reported when the code is assembled.

RESOURCES

Software for the Toolkit is available from the Editorial office on a 3.5 inch disk which also contains the TASM documentation. See the *EPE PCB Service* page for details of how to order the disk, plus the postage charges.

The software is also available free via our Web site:

<ftp://ftp.epemag.wimborne.co.uk/pub/PICS/PICtoolkit> for the Toolkit and

<ftp://ftp.epemag.wimborne.co.uk/pub/PICS/TASM> for TASM.

The *PIC16/17 Microcontroller Data Book*, *MPASM User's Guide* and *Embedded Control Handbook* (which gives PIC applications notes and example program

PEAK DCA50 COMPONENT ANALYSER



ANDY FLIND

A unit for automatic analysis of discrete semiconductors

THE Peak DCA50 Component Analyser is designed to provide rapid testing and identification of many types of discrete semiconductor, including diodes, I.e.d.s, bipolar transistors and MOSFETs. First impressions are of a very neat and professional-looking instrument. It is housed in a matt black plastic case, enhanced by attractive purple and gold metallic lettering. Three colour-coded leads terminated with gold-plated crocodile clips are provided for connection to the component on test, and the only control is a single blue pushbutton which initiates the testing process.

Information about the component appears on an alphanumeric I.c.d. display with two lines of sixteen characters. The instrument is very compact and can be easily slipped into a pocket where portable use is intended.

CONSTRUCTION

The front of the DCA50's case simply unclips for easy replacement of the single PP3 battery. The printed circuit board can then be seen, with the pushbutton plus an intelligent I.c.d. display module attached to it by four pillars and screws. This simply plugs into the main board, suggesting easy replacement would be possible should this ever become necessary.

For those with an inquisitive turn of mind the removal of four self-tapping screws releases the whole assembly. The board is a top-quality double-sided fibreglass product, on the underside of which are some surface-mount components. At centre-stage a 44-pin PIC16C64 is obviously the prime mover of the circuit. The p.c.b. is shown in the photograph on the next page.

In general it would be hard to fault the design and construction of the instrument. About the only criticism the author has to make is that the croc. clips provided are difficult to attach to small transistors. Miniature test probes would be better. How-

ever it is appreciated that the makers need to supply the unit with robust connectors and most users will have no difficulty in making a set of suitable adapter leads if necessary.

OPERATION

Operation could not be more simple. The three leads (or any two in the case of single diodes) are clipped onto the component in any order and the button is pressed. The legend "Peak Electronic Design Limited" appears briefly, rapidly followed by a couple of seconds of "DCA50 Component Analyser" whilst the instrument carries out a series of tests. Component details are then shown for a period before automatic switch-off takes place.

The upper display line indicates the type of component, such as "NPN Transistor", whilst the lower line shows which colour lead is connected to which component terminal. For bipolar transistors a figure is given for the current gain. The information continues to be displayed for over a minute

and a useful feature is that it continues for this period even when the component is disconnected.

In the event of the component being faulty or the DCA50 being unable to identify it the message "No valid part found" is displayed for a slightly shorter period and interestingly, should the user still be watching, this is followed by a brief display of the designer's name plus the date and version of the firmware.

Pairs of diodes with a common connection can be tested in any configuration, the display then flashes between the two anode-cathode connections. This allows three-terminal packages containing two diodes to be tested, and with a little ingenuity it is also possible to test and identify the connections of bridge rectifiers.

The anodes and cathodes of most Zeners can be identified, although of course there is no indication of voltage rating. The unit is especially useful for testing I.e.d.s, since in addition to indicating anode and cathode it flashes the I.e.d. on test during the timeout period.

OTHER COMPONENTS

The author could not resist trying the unit with various components it is not intended to test! In most cases, with triacs for ex-



The DCA50 together with its simple operating instructions.

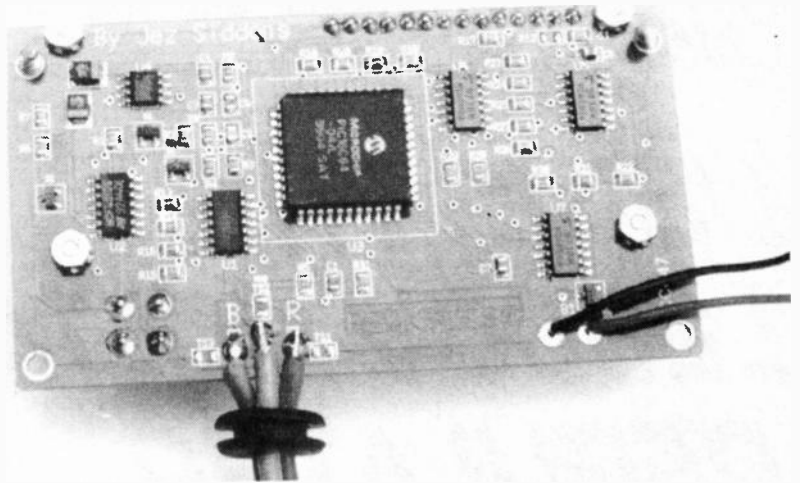
ample, the result is "No valid component detected" but a 2N3819 junction f.e.t. was identified as being two diodes, which of course it is when tested in this way!

An extensive selection of assorted transistors was tried, ranging from ancient OC45 and OC71 germanium types to an MPSA14 silicon Darlington device and valid results were obtained for all of them. With Darlington's the gain is likely to exceed 1000. Where this happens the DCA50 will give its maximum gain reading of 995 together with a "greater than" (>) sign, so the user will be aware that the actual gain is higher. A couple of TO3-cased power transistors with unfamiliar numbers turned out to be *npn* types with gains of several hundred, suggesting they may also be Darlington types. Further examination of these will be taking place shortly!

INDISPENSABLE

So, is it worth purchasing one? The answer depends on how many transistors and diodes the buyer intends to test. For checking just the occasional one or two it is probably not worthwhile. However, for those people who buy large bags of cheap surplus devices this instrument will rapidly become indispensable. Experimenters and circuit designers will probably also find it invaluable.

The author uses transistors and i.c.d.s of many types and frequently cannot remember which lead is which. Tedious reference must then be made to data sheets, or in the case of i.c.d.s it is necessary to locate a suitable series resistor and fiddle about with



The high quality surface-mount construction of the DCA50.

the bench power supply to determine the anode and cathode through trial and error.

The DCA50 eliminates all this, providing the information in seconds, together with the bonus of a full functional check and a guide to the gain of bipolars so it is well worth keeping on hand. Another area where it will probably find many devotees is in the service industry, where portability is often essential. At around £60 the instrument represents very good value for money and probably won't make a significant dent in the budget, even for hobbyists.

The author would like to end with a couple of suggestions for Peak. The concept of really simple operation with just a test button and an i.c.d. display is excellent and could be extended to all kinds of similar test equipment.

Might the ability of future models of the DCA50 be extended to include junction f.e.t.s, with an indication of mutual conductance for these and MOSFETs? Best of all, how about a passive component analyser, displaying the values of L, C and R of anything connected to it? If such an instrument could be produced at the right price it would undoubtedly find a huge market. So how about it, Peak?

The DCA50 is available for £59 including VAT and p&p from Peak Electronic Design Ltd., 70 Nunsfield Road, Buxton, Derbyshire, SK17 7BW. Tel. 01298 70012, Fax 01298 70046. E-mail sales@peakelec.co.uk.

(☎ 01992 576107). The merits of the Receiver modules will be discussed when the Radio Link option is published.

The two printed circuit boards are available from the *EPE PCB Service*, codes 197 (Controller) and 198 (Power Supply) respectively.

Software for the Greenhouse Computer is available from the *EPE Editorial Office* on a 3.5 inch disk, order as PIC-Disk 1. See *EPE PCB Service* page for postage charges.

The software is also available free from our Web site:

<ftp://ftp.epemag.wimborne.co.uk/pub/8051/Greenhouse>

Controller IC1 is available as a pre-programmed device direct from the author: **Colin Meikle, 9 Coldstream Drive, Strathaven, Lanarkshire, ML10 6UD**. Make cheques payable to him. The price, inclusive of UK postage is £12 (add £1 for overseas post).

You can also contact the author via E-mail at colin.meikle@virgin.net.

Noise Cancelling Unit

The main concern regarding the intriguing *Noise Cancelling Unit* project will be the choice of the microphones and headphones. The mics. used in this system are quite expensive, but unless you are prepared to pay for good quality types the project is unlikely to give satisfactory results.

Good quality electret microphones seem to be the minimum requirement for acceptable results. The ones used with the model came from **Maplin** and are from their lapel or tie-clip range, code YW71N. An alternative, less expensive, tie-clip electret mic from the same company is coded LB69A. These are the only two microphones that have been tested with the model.

The specified headphones are rated at 22 ohms to 32 ohms and also came from **Maplin**, they are their lightweight type, code RJ96E. They also stock the low-profile Vero 2000 series case, code LL05F or alternatively a slightly higher version, code LL06G.

It is best to stick with the TLE2037CP low-noise op.amp as the use of cheaper alternatives will result in a marked degradation of the signal-to-noise ratio. This op.amp was purchased from the above, code CP87U.

Low Battery Indicator

All components called up for the *Low Battery Indicator* project should be readily available items from nearly all our component advertisers. However, when purchasing the transistors be sure to specify the suffix L for the BC184L type.

This one has its collector (c) lead in the centre of the pinout line-up. Other types have a different pinout arrangement and you would need to bend their leads to suit the stripboard layout.

SHOP TALK

with David Barrington

PIC16x84 Toolkit

It is strongly recommended that a ZIF (zero insertion force) socket is used for accommodating the PIC on the *PIC16x84 Toolkit* printed circuit board. The price of these sockets is not cheap in comparison with standard i.c. sockets, but is well worth the investment.

The rest of the components for the Toolkit, including 16C84/16F84 PICs and Centronics connector, should be readily available. We understand that **Magenta Electronics** (☎ 01283 565435, E-mail: Magenta_Electronics@compuserve.com) are putting together a kit of parts, excluding a ZIF socket, for the sum of £13.99 (£21.99 built and tested), add £3 for p&p.

The printed circuit board for the Toolkit is available from the *EPE PCB Service*, code 196 (see page 548). The software is also available from the Editorial Offices on a 3.5 inch PC-compatible disk, which also contains the TASM documentation, order as PIC-Disk 1. See *EPE PCB Service* page for postage charges. Alternatively, if you are an internet user, it is available free from our FTP site: <ftp://ftp.epemag.wimborne.co.uk/pub/PIC/PICtoolkit>

Greenhouse Computer

With most of the components for the *Greenhouse Computer* mounted on one of two printed circuit boards, it is inevitable that parts will have to be selected with care if they are to fit on the boards. In the light of this, we shall be guided by the author's sourcing experiences.

Starting with the mains transformer. This was purchased from **Rapidelec** (☎ 01206 751166 or E-mail: sales@rapidelec.co.uk), code 88-0160. They also supplied the specified 12V 270 ohm coil relay, with 10A contacts (code 60-0165), and the disc NTC thermistor, code 61-0310. It is quite possible that most disc thermistors with a rating of 5k at 25°C will function here.

We have been unable to trace *waterproof* boxes to the exact dimensions given for the prototype models, so we suggest readers select one from the range stocked by **Maplin**. For the power supply you could use the small version (code YM90X) and for the controller the medium size (code YM91Y).

If you are contemplating the addition of the *Radio Link*, the Transmitter (code TXM-418-F) module is available from **Radio-Tech**

USING THE L200CV VOLTAGE REGULATOR

ANDY FLIND

Over-voltage, over-current and thermal shutdown protection serve to make the L200 voltage regulator an easy-to-use chip for the experimenter.

THE L200CV voltage regulator is a 3V to 36V, 2A adjustable regulator. In addition to simple voltage setting it features an easy-to-use and highly accurate current limiting circuit which makes it ideal for the construction of simple power supplies.

Over-voltage, over-current and thermal shutdown protection serve to make it practically bomb-proof, enhancing its usefulness for experimenters. The basic technical details for the regulator chip are shown in the specification panel.

REGULAR CIRCUIT

Pin connections and a standard application circuit for the L200CV are shown in Fig.1, with values to give a 12V output limited to 1A. The 220nF capacitor C1 and

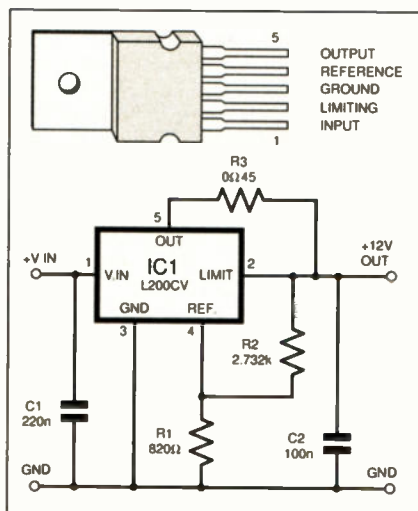


Fig.1: Standard application circuit diagram and pinout details for the L200CV Voltage Regulator.

Specification

L200CV	
Input Voltage range:	5V to 40V
Quiescent Current:	4.2mA
Output Voltage Range:	2.85V to 36V
Output Current:	2A max
Short Circuit Current:	2.5A
Line Regulation:	0.03% typical
Load Regulation:	0.1% typical
Ripple Rejection:	70dB typical
Output Resistance:	1.5mΩ
Output Noise Voltage:	80μV

100nF C2 are specified by the manufacturers and should be placed as close to the pins as possible to ensure stability, though it has to be said that this is not a "difficult" chip to use in this respect, the author never having experienced any stability problems even in untidy breadboard layouts.

Most circuits will also have electrolytic capacitors in parallel with these two. The one on the input side should be large enough to keep power supply ripple within reasonable limits, but the one on the output can be small as the L200CV will compensate for variations here.

The output voltage is calculated from:

$$V_{out} = 2.77 \left(1 + \frac{R2}{R1} \right) \text{ Volts} \quad (1)$$

A value of 820 ohms is often shown for resistor R1 in application notes. This probably provides the right impedance for the reference feedback input at pin 4, so the best method of setting voltage is to calculate the appropriate value of R2 to go with the value shown for R1, using the formula:

$$R2 = \left(\frac{V_{out}}{2.77} - 1 \right) \times 820 \text{ Ohms} \quad (2)$$

In practice a preset potentiometer, wired as a variable resistor, is often used in series with a fixed resistor in this position to provide some output voltage adjustment. The action of this adjustment is linear, which can prove useful in some applications.

CURRENT AFFAIRS

Readers used to the vague limiting action of the old "723" type of regulator will find the limiting action of this i.c. something of a revelation as it is clean, sharp and accurate.

The maximum output current is set by the value of resistance used for R3. The value required is calculated from formula:

$$R3 = \frac{0.45}{I_{MAX} \text{ (Amps)}} \quad (3)$$

for amps (A); or

$$R3 = \frac{450}{I_{MAX} \text{ (mA)}} \quad (4)$$

for milliamps (mA).

Note that the full output current flows through R3 so where this is likely to be fairly high a resistor capable of carrying it should be chosen. Resistor R3 will also dissipate some heat, about 0.5W at 1A and 1W at 2A. However, high currents require very low resistance values for R3, which will then usually be either a wirewound type or consist of several resistors in parallel which will share the current and heat dissipation.

If current limiting is not required, it is possible to ignore pin 2 and take the output directly from pin 5 as shown in Fig.2 for an even simpler circuit. Another option is to use the device purely as a current source, with a single resistor to set the current.

The circuit for this is shown in Fig.3, where both pins 3 and 4 are connected to "ground" (0V) supply. As demonstrated earlier, the output current is set by selecting the value of resistor R3 using either formula (3) for amps (A), or (4) for milliamps (mA).

It must be borne in mind that a supply of at least 6V is required to operate the i.c. in this mode, but it still requires only 2V of differential between input and output. So, with a 6V supply, loads developing up to 4V at full current can be driven.

It should be possible to design very simple and versatile NiCad chargers with this circuit, which has none of the high-frequency instability problems sometimes associated with transistor current-generating circuits.

DUE CONSIDERATION

Mounting requirements are fairly simple, especially as two versions of the i.c. are available. So far, this article has referred to the device having a CV suffix which has pins arranged for vertical mounting. There is also a CH version which – you've guessed it! – has angled pins for horizontal mounting.

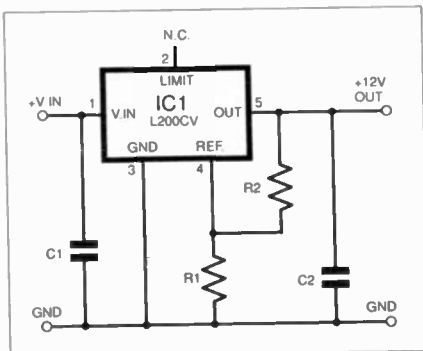


Fig.2. Where no current limiting is needed this simple circuit can be employed.

Consideration must be given to the maximum amount of heat the device may be called upon to dissipate. Basically this is calculated by subtracting the minimum expected output voltage from the maximum input voltage and multiplying this difference by the maximum current. A suitable heatsink can then be selected to cope with this dissipation wattage.

The mounting tab on the device is internally connected to pin 3, the negative

(0V) supply connection. In many circuits this corresponds to the potential on a metal chassis or case, so it might prove possible to dissipate the heat by bolting it directly to one of these.

The simplicity of the L200CV, coupled with its versatility and robust nature, makes it an ideal choice for many projects and experiments, so hopefully this explanation of its use will enable readers to employ it in future designs of their own.

A good example of using the L200 regulator chip is to be found in the circuit for the *Float Charger* appearing in next month's issue.

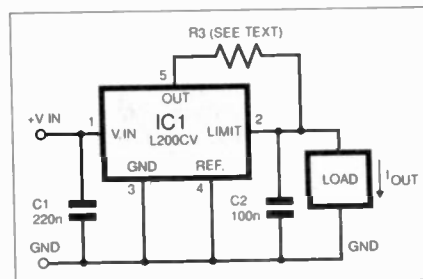
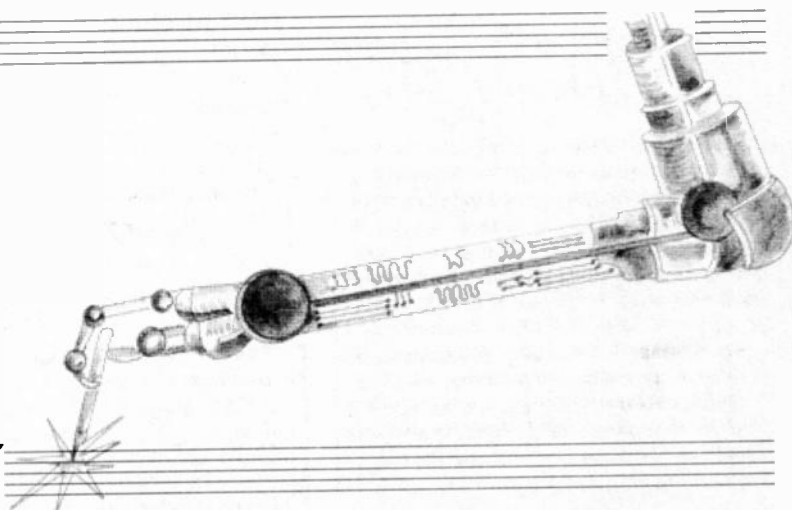


Fig.3. Circuit diagram for using the L200-regulator purely as a constant current source.

Regular Clinic

CIRCUIT SURGERY

ALAN WINSTANLEY



Advice on digital resets and "hot on the trail" of a mains power unit to help test HGV trailer lights.

With the help of the Dept. of Electronic Engineering at the University of Hull, we start this month's round-up of readers' queries and questions with a couple of problems related to digital reset signals.

I tried to design a lamp which increases in brightness in five-minute intervals to make awakening in dark winter mornings less severe. My circuit uses a 4017 counter which controls a mains power controller/dimmer i.c. in several stages; this then drives a mains lamp directly. The problem is that my sequence sometimes starts in random order, rarely in the correct order, so the bulb is driven erratically. Could you shed some light on this – pardon the pun!

**Alister Bottomley,
Strathblane, Nr. Glasgow.**

You are using a 555 to generate a clock pulse, which you are passing to a 4017 divide-by-ten counter. This counts up and

drives four transistor buffers, each transistor powering a relay which applies a resistor to a dimmer chip. The problem is that after powering up, the 4017 is not starting from the same count each time, so the sequence does not progress in the right order.

You need a power-on reset (POR) which sets the 4017 to a known state when the circuit is first triggered. A simple RC network using an inverter connected to pin 15 (reset) will hopefully do the trick. Note that when a 4017 chip is reset (pin 15 high), the output "0" is actually high because this is a 1-of-10 counter. The following question will also be of interest, Alister!

Resets Cause Upsets!

The next query was sent by a reader following our *Teach-In '98* series – *An Introduction to Digital Electronics*.

I would appreciate some help with an

item I saw in Teach-In 98, in the April 98 issue (Fig. 6.19). This relates to using an inverter gate as a Power-On Reset circuit, with an RC network connected to the input. Is there a formula to calculate the time delay of this network, as the "suck it and see" approach is a bit hit and miss?

Also, could I drive a piezo sounder instead of an l.e.d. without damage? Finally, will the 74LS14 work from a 9V battery, as I do not yet have a variable power supply. Hope you can help me with my experiments.

Clive Conroy via CompuServe.

The circuit you referred to is a demo from *Lab Work*, Part 6 (see Fig. 1). The big problem is this: the time taken for the Schmitt inverter to switch over is strictly related to the "threshold" voltage of a particular gate. This parameter varies from one example to another. My Texas Instruments data book quotes the "positive-going threshold voltage" for the 74LS14 as

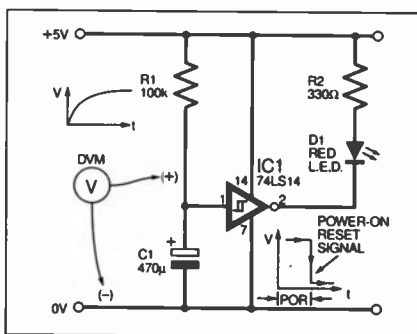


Fig.1. The Power-On Reset (POR) circuit from Teach-In 98 – Lab Work 6, Fig.6.19.

anything from 1.4V to 1.9V, so there is quite a tolerance to begin with.

Ian Bell of the University of Hull explains the problem: the real answer requires the use of the classic exponential capacitor charging equation, rearranged to produce a value of RC from a given period, says Ian. Assuming the capacitor is discharged on power-up, the RC value required to generate a power-on reset pulse of duration t with a supply rail voltage of V_{DD} and a logic threshold voltage of V_{LT} is given by the following equation:

$$RC = \frac{-t}{\ln \left[1 - \frac{V_{LT}}{V_{DD}} \right]} \quad \ln = \text{natural log}$$

By "logic threshold" we mean the voltage on the capacitor when the Schmitt trigger switches, in order to end the POR pulse. As an example, if the gate switches at 1.3V on a 5V supply and we require a 10ms pulse, the value of RC is 0.033. So values of $R = 100k$ and $C = 0.33\mu F$ would do.

If we assume the logic threshold is a fixed fraction of the supply voltage then we can simplify the equation quite a lot. If, for example, we assume that the threshold is one third of the supply, then the formula becomes:

$$RC = \frac{t}{0.41} \quad \text{or} \quad RC = 2.47t$$

As the exact length of the pulse is probably not important, then $RC = 2.5t$ would do. For a 10ms pulse we get $R = 100k$ and $C = 0.25\mu F$, which is not much different from before. Note that if V_{LT}/V_{DD} is 0.63 (63%) then we get $RC = t$, the "standard" period associated with an RC delay. In an application like this, it's perfectly acceptable to use a rule of thumb, because that's all that is needed to calculate an approximate time delay.

It is also worth remembering the fact that the timing components (especially electrolytic capacitors) can have huge tolerances, as well as an awful leakage current which contributes to the inaccuracy, and you are in any case restricted by what values are available off the shelf, so choose the capacitor first then calculate the resistor. Incidentally, we dealt with RC-related equations back in *Circuit Surgery*, August 1996 issue, where we explained why a capacitor can never reach the supply voltage rail when charging through a series resistor. If you wanted a more precise delay, choose the good old 555 or another timer chip.

To answer your other queries, the maximum output sink current of a 74LS14 is 8mA which isn't a lot for driving external

loads (more than adequate for high-efficiency l.e.d.s though). Remember that TTL is better at sinking current rather than sourcing it.

If you can obtain a low-power piezo sounder which consumes only a few milliamps, the 74LS14 would drive it without problem. Remember too that you need a self-contained sounder (with built-in driver oscillator), not a piezo disc or "element".

Finally, you couldn't run a 74LS14 chip from a 9V battery (not twice, anyway). The absolute maximum rating is 5.5V. We described a cheap way of adding a 5V regulator onto a very cheap mains adaptor, back in the foundation parts of *Teach-In 98*.

• Would you like to meet everyone at the Teach-In Team? Subject to confirmation of numbers, we plan to hold a Teach-In "Meet" in the Department of Electronic Engineering at the University of Hull during September, when you can bring along any demos which you struggled with (if any). Entry is by invitation only, so register in advance! In order that we can gauge the likely turnout, please let us know as soon as possible if you are interested – check the announcement on page 513. We hope to see you there! A.R.W.

Trailing the Light Fantastic

Here's a query related to truck trailer lighting – or at least, how to test them when you don't have half a ton of truck batteries handy.

My friend repairs the lighting circuits on articulated trucks and small trailers. I've been asked to make him a control box to test the trailer lights, using the mains supply. I need a 24V d.c. 6A output and a 12V 6A output too. Nothing too elaborate!

J. Waby, Lincoln.

Our solution to this intriguing problem, a simple power supply with a difference, see Fig.2. Because of the high currents required, this calls for some serious smoothing of a rectified d.c. supply. Truck repair shops have lorry batteries galore (trucks use 24V d.c.), so instead of using enormous and expensive capacitors, how about the twin 12V output supply of Fig. 2? It uses two lead-acid batteries on each output, to serve as "reservoirs".

Each supply provides about 12V and needs a 72VA transformer winding (144VA in total for transformer T1). To obtain 24V, place a heavy duty link as shown to wire the batteries in series. All terminals and components must be suitably rated, and two thermal cut-outs or fuses as near to the battery positive terminals as possible, are recommended. Wires should be as short as possible and rated for 10A or more.

Lead-acid batteries have enormous capacity to provide several hundred amperes peak (a car starter motor draws some 200A-300A) and must be treated with respect. It will be perfectly safe provided you observe

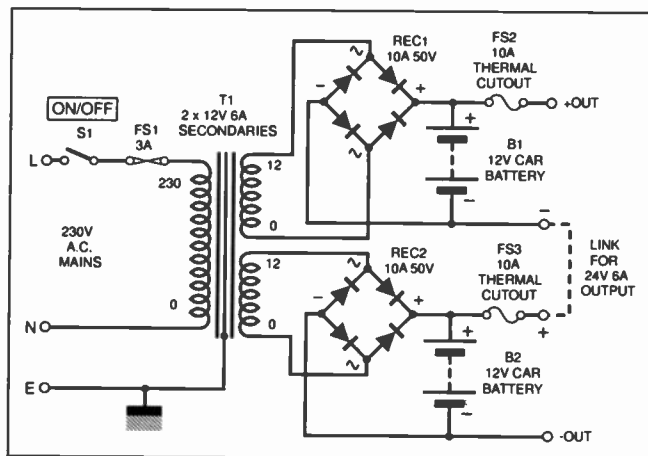
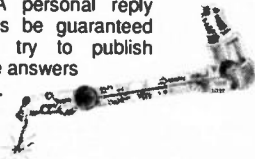


Fig.2. Circuit for a 12V/24V Trailer Light Tester for workshop use.

CIRCUIT THERAPY

Circuit Surgery is your column. If you have any queries or comments, please write to: Alan Winstanley, *Circuit Surgery*, Wimborne Publishing Ltd., Allen House, East Borough, Wimborne, Dorset, BH21 1PF, United Kingdom. E-mail alan@epemag.demon.co.uk. Please indicate if your query is not for publication. A personal reply cannot always be guaranteed but we will try to publish representative answers in this column.



the usual safety rules concerning these types of battery.

If you don't like the idea of using 12V batteries, then find some ex-computer power supply capacitors, e.g. 10,000µF 25V and use those instead, correctly polarised: they will make as big a mess as any car battery, if mistreated, so handle everything with due respect.

Ingenuous Neon Torch

I do a lot of mountain walking and often find myself returning after dark. The "Neon Torch" by the Rev. Thomas Scarborough (Ingenuity Unlimited, February 1998) looks a great idea to save myself a few spare batteries, but I can't find any of those "green fluorescent glow lamps" the Rev. used in his design. Can you help?

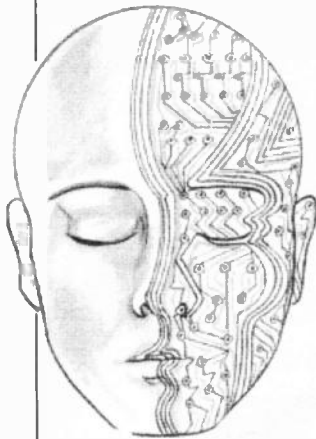
Frederick Armour-Brown, Clwyd, Wales.

I too am stuck on this one. An ordinary neon bulb uses two electrodes and "strikes" when a voltage of roughly 60V to 70V or so is applied, to produce the characteristic orange glow. They are suitable as mains-powered indicators if a voltage-dropper resistor is used, though the preferred way nowadays is to use an l.e.d. on the low-voltage side.

The only such "green" neon-type lamp I have ever come across was used in my desktop "Ion Prism" ioniser, as a power indicator: the green glow matched the green printing of the artwork! I think the tube used a phosphorescent coating (like that of a fluorescent tube) to provide a coloured glow, but I am unsure what gas is used. They must be available somewhere!

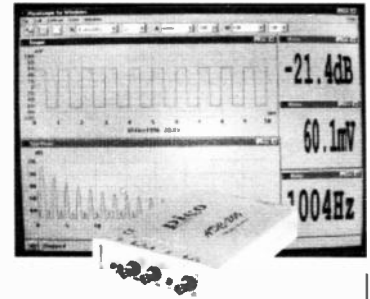
I've sent your details on to Thomas who has promised to mail you one, all the way from South Africa. Meantime, can any readers "shed some light" on this glow-lamp?

INGENUITY UNLIMITED



Our regular round-up of readers' own circuits. We pay between £10 and £50 for all material published, depending on length and technical merit. We're looking for novel applications and circuit tips, not simply mechanical or electrical ideas. Ideas *must be the reader's own work* and **not have been submitted for publication elsewhere**. The circuits shown have NOT been proven by us. *Ingenuity Unlimited* is open to ALL abilities, but items for consideration in this column should preferably be typed or word-processed, with a brief circuit description (between 100 and 500 words maximum) and full circuit diagram showing all relevant component values. **Please draw all circuit schematics as clearly as possible.**

Send your circuit ideas to: Alan Winstanley, *Ingenuity Unlimited*, Wimborne Publishing Ltd., Allen House, East Borough, Wimborne, Dorset BH21 1PF. They could earn you some real cash and a prize!



WIN A PICO PC BASED OSCILLOSCOPE

- 50MSPS Dual Channel Storage Oscilloscope
- 25MHz Spectrum Analyser
- Multimeter
- Frequency Meter
- Signal Generator

If you have a novel circuit idea which would be of use to other readers then a Pico Technology PC based oscilloscope could be yours.

Every six months, Pico Technology will be awarding an ADC200-50 digital storage oscilloscope for the best IU submission. In addition, two single channel ADC-40s will be presented to the runners up.

Electronic Dice – A Logical Choice

THE CIRCUIT presented in Fig.1 is an Electronic Dice in which seven l.e.d.s are arranged to represent the face of a dice. Circuits performing a similar job have been designed before, several kits are available and even a dedicated i.c. However, I wanted to design a version that does not rely on hardwired OR gates, usually associated with circuits of this kind, and my design illustrates the versatility of the JK flip-flop.

The l.e.d.s run through the six possible combinations at high speed, leaving one combination displayed when a pushswitch, S2, is released. Only three chips are used, a quad 2-input NOR gate (IC1, 4001B) and two dual-input JK flip-flops (IC2 and IC3, 4027B). These inexpensive devices are widely available and they enable the circuit to be powered by a 9V battery.

A common clock signal is provided by an oscillator comprising two NOR gates IC1a and IC1b, with resistor R3 and capacitor C1 providing a frequency of approximately 20Hz when the pushbutton switch S2 is pressed. All four clock inputs of the flip-flops are connected together, and the condition of the J and K inputs will determine the state of the flip-flop after the clock pulse.

The first flip-flop IC2a, which controls the central l.e.d. "A" (D1), has the J and K inputs held high; this is toggle mode, which means that the output state will change with every clock pulse and provide the necessary odd/even effect. (See Teach-In '98 Part 7 and Lab Work 7 in the May 98 edition, for more background information on JK flip-flops. A.R.W.) The three remaining flip-flops of IC2 and IC3 each control pairs of l.e.d.s which must be "set" in turn when the central l.e.d. extinguishes. For example, after the number "1" has been displayed the clock pulse will cause the central l.e.d. to extinguish and l.e.d. pair "B" (D2 and D3) to light up.

A JK flip-flop will set, following a clock pulse, whenever the J input is high and the K input is low. The J input to IC2b is derived from the output controlling the central l.e.d., so a "set" condition will follow a clock pulse when the central l.e.d. is on.

The flip-flop IC3a controlling l.e.d. pair "C" (D4 and D5) will be set following a clock pulse, with both the central l.e.d. and l.e.d. pair "B" switched on. In this case the display would be showing number "3". This is achieved by the J input being the result of

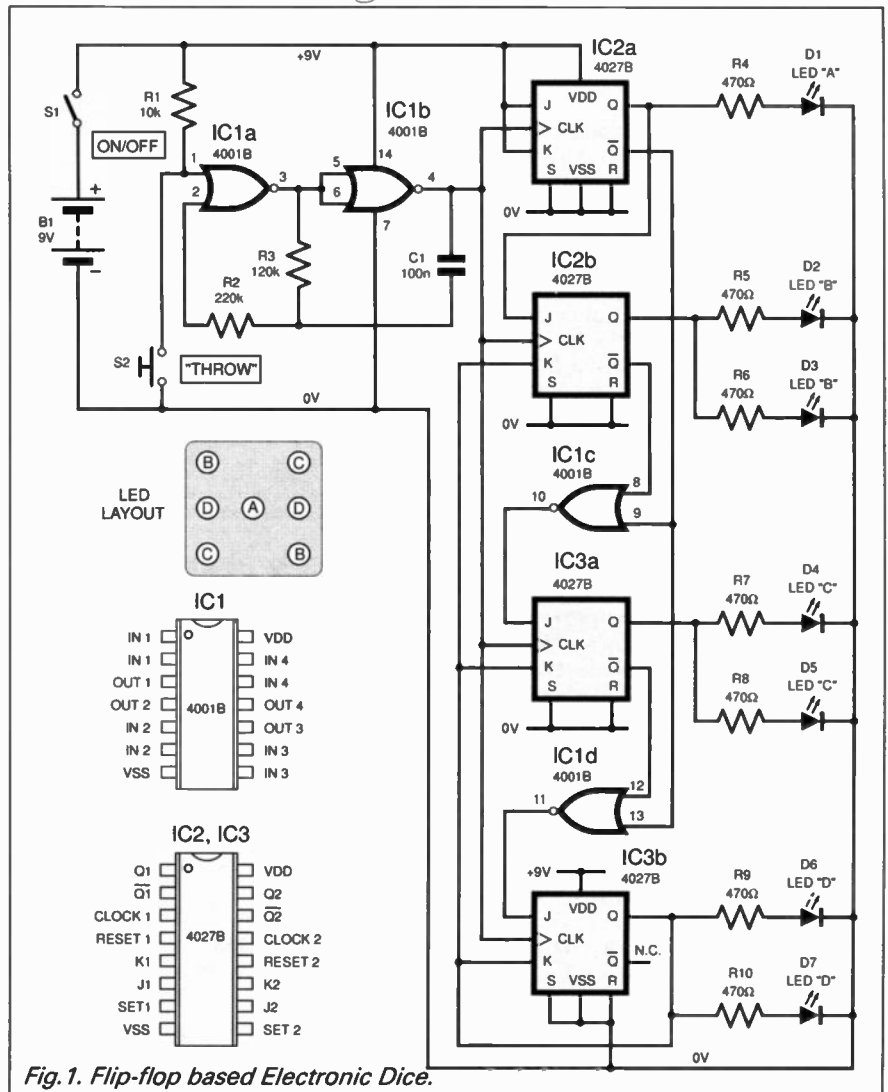


Fig. 1. Flip-flop based Electronic Dice.

an AND operation of the two l.e.d. outputs concerned. IC3b controls the l.e.d. pair "D" (D6 and D7), this time the J input depends upon the state of l.e.d. pair "C" and the central l.e.d.; another AND operation occurs in much the same way as for IC3a.

When number "6" is displayed the K input to the last three flip-flops will be made high, the effect being that on the next clock

pulse, all three flip-flops will reset and extinguish the corresponding l.e.d.s. The central l.e.d. will re-light and display number "1".

When power is first applied, the state of the flip-flops is unpredictable, and may cause an illegal display, this is rectified within a few clock pulses. The whole circuit operates from a 9V PP3-type battery.

Steve Teal,
Witney, Oxon.

Linear Regulator Performance Monitor – Check the Regs.

A NOVEL circuit which will help to determine the performance of a linear regulator which uses an external MOSFET pass transistor is shown in Fig.2. It functions by checking if the pass element "bottoms out" even on a ripple trough, hence the inclusion of capacitor C1. If the regulator is bottoming out, the output voltage must start to fall and the l.e.d. will extinguish. If the pass element is shorted due to failure, or driven hard due to an open feedback loop, then an over-voltage condition will exist and the l.e.d. will also extinguish.

The circuit, with values shown, is suitable for negative *n*-channel FET linear regulators and has been built and tested on my *Versatile Linear Regulator* published in *Ingenuity Unlimited*, July 1997.

Gerard La Rooy,
Christchurch, New Zealand.

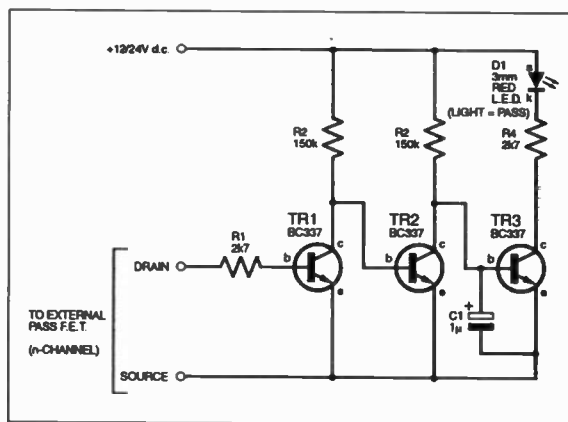


Fig.2. Linear Regulator Performance Monitor.

Generating Short Pulses With Ripple Counters – Repetitive

THE 4060 ripple counter represents a cheap method of providing system clocking for many digital circuits because of its built-in clock generator and multiple outputs. However, if low duty cycle pulses are needed, the combinational logic needed on the outputs can be difficult to design, and propagation delay glitch problems can set in (for further background reading, see *Teach-In '98 Part 6*, page 288 – A.R.W.).

The circuit of Fig. 3 generates an output waveform with pulse width set by the clock and a repetition frequency set by the divisor. IC1 is a 4060 ripple counter with internal clock, the frequency of operation of which is determined by an external RC network (R1, R2 and C1). The output at pin 9 sets the clock output pulse width, whilst the divisor sets the repetition rate (e.g. pin 1 is divide by twelve). IC2 is a 4013 dual flip-flop of which one half is used as a latch. The output is taken from the Q output, pin 1 and sample waveforms are also given.

Gerard La Rooy,
Christchurch, New Zealand.

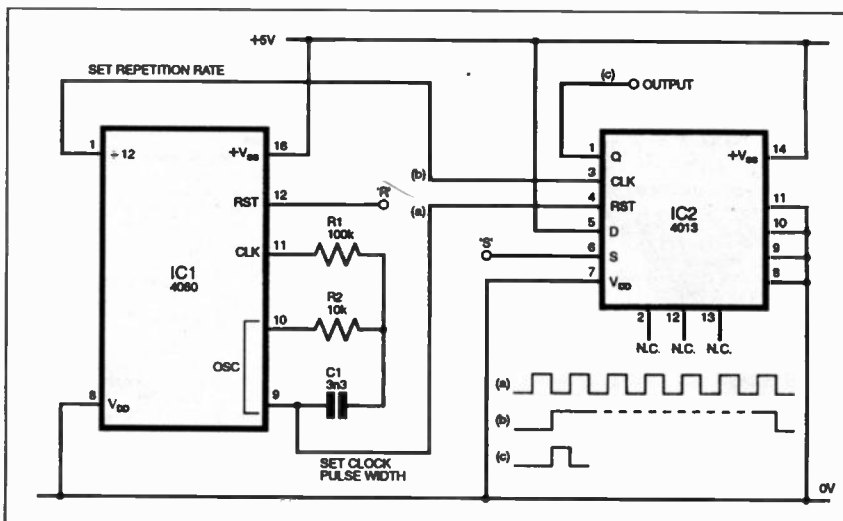


Fig.3. Generating short pulses with ripple counters.

Novice Enthusiast's Radio – For First-Time Hams

THE CIRCUIT shown in Fig.4 is my attempt at constructing a simple radio receiver with just a handful of components. It is hoped that this will appeal to novices who have never experienced the thrill of listening to a home-brew radio receiver for the first time.

The radio signal received induces a weak radio frequency signal across L1b, which is wound on a ferrite rod and forms a "tank circuit" in conjunction with the tuning control, VC1. PNP transistors TR1 and TR2 are in Darlington configuration and their associated components form an amplitude modulation (a.m.) detector and amplifier.

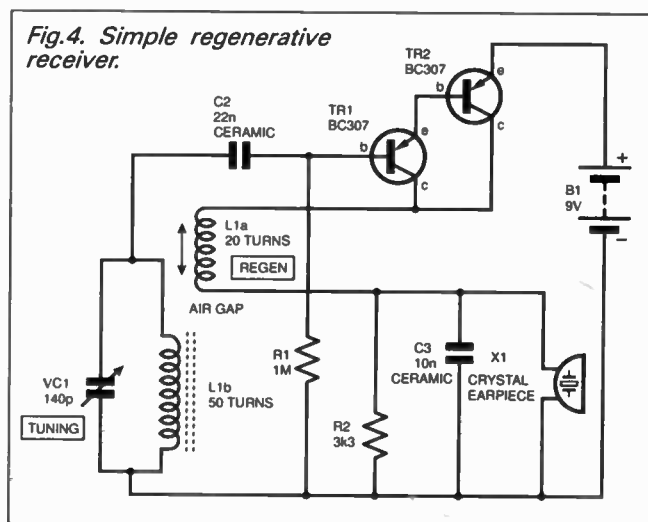
The amplified signal is fed across coil L1a to provide some "regeneration". The audio frequency developed across resistor R2 is decoupled by capacitor C3 and can be heard over a crystal earpiece, X1. Note that L1a is not on the aerial rod is magnetically coupled over an air gap.

Place the two coils close together initially, then attempt to tune in any "whistles" using tuning capacitor VC1. Slowly separate L1a away from L1b and the whistles will hopefully suddenly become clear audio. Reverse the wires to L1a if you cannot hear the oscillation. The entire circuit runs from a 9V PP3-style battery.

Michael Robertson,
Chasetown.

(I do indeed know the thrill of listening to one's first home-made radio, Michael: my first crystal set used a motley mixture of standard r.f. parts duly cobbled together. An aerial made from 20 feet of zip wire was dangled out of my upstairs bedroom window, the radio was earthed to a copper stake in Dad's flowerbed and I fed the output into my brother's Grundig tape recorder when he wasn't looking. I immediately tuned in to a live transmission from Nashville, Tennessee! I still have the tape in my attic. A.R.W.)

Fig.4. Simple regenerative receiver.



INGENUITY UNLIMITED

BE INTERACTIVE

IU is your forum where you can offer other readers the benefit of your Ingenuity. Share those ideas and earn some cash and a prize!



PINHOLE CAMERA MODULE WITH AUDIO! Superb board camera with on board sound! extra small just 28mm square (including microphone) ideal for covert surveillance. Can be hidden inside anything... even a matchbox! Complete with 15 metre cable, psu and tv/cv connectors. £73.95 ref CC6

BBC SELECTORS WITH SMART CARD SLOT AND VIDEO CRYPT Interesting new item in this week is this Selector. Originally made for the BBC to send encrypted video films to your VCR at night time. The project seems to have failed. Very complex units consisting of a smart card slot in the front plus several switches and an IR receiver. Fully cased and measuring 230 x 430 x 90mm, new and boxed. On the back of the unit is a smart socket plus a UHF input and output. A channel tuning control numbered 28 to 40 and an IR socket. Inside is a comprehensive tuner section, smart card reader mechanism and control electronics plus a power supply section. These units are sold as strippers but we imagine you could use one to convert a monitor into a TV or maybe use the videocryst side of things for something else. Supplied complete with manual and mains lead. Clearance price just £9.95 ref BBC1X

IN-LINE RCB UNITS This in line miniature earth leakage unit instantly shut off the mains supply in the event of any current flowing between live and earth thus preventing a potentially lethal shock. IEC plug one end, socket the other, fitted in seconds, reset button. The ultimate safety aid when working on electronic equipment, computers etc. As these units are fitted with an in-line IEC plug on one end and socket on the other than could even be used to extend standard IEC computer leads. Pack of 3 £9.99 ref LOTS4

THE ULTIMATE ENCLOSURE for your projects must be one of these! Well made ABS screw together beige case measuring 120 x 150 x 50mm. Already fitted with rubber feet and front mounted LED. Inside is a pcb fitted with other bits and pieces you may find useful. Sold either as a pack of five for £10 ref MD1, pack of 20 for £19.95 ref MD2

17 WATT 12V SOLAR PANEL A solar panel designed to give a nominal 12v. The solar cells are laminated within a high quality resin material which offers excellent protection against UV and moisture. Mounted on tempered glass in an aluminium frame. The panel is ideal for charging sealed lead acid batteries and a protection diode in the circuit prevents reversed current flow. Mounting is by four adjustable hooks and connection is by screw terminals. Max power 17 watts, 35 cells, 17vdc peak, 433x402x15mm, 1000mA max. 1.9kg. Solar panel £115 ref SOL4

SOLAR POWERED AM/FM RADIO A compact, AM/FM mono radio complete with earphone and a solar panel that recharges the built-in battery when placed in direct sunlight or under a strong lamp. It features a rotary Volume/On/Off control (which must be set to 'Off' for recharging), AM/FM selector switch, rotary tuning control, metal belt clip and socket for external 3V DC supply. Solar Radio £7.95 ref 3R23

MOTOR CYCLISTS RADAR DETECTOR New in is the Whistler 1560 Laser/Radar detector complete with a speaker for motorcycle helmets. Super wide band covering X, K and Ka plus lasers at 950nm +/- 10nm. 360 deg total perimeter protection, detects laser, radar and VG-2 wherever they come from. £159.95 ref RD4

MAGIC EAR Unlike previous 'sound-magnifiers' we have offered, Magic Ear fits unobtrusively behind the ear itself. Magic Ear's micro technology is very advanced; its built-in microphone is extremely sensitive and there's also a volume control to help you adjust to all conditions. In use, Magic Ear is startlingly effective. It'll help you to follow every word of conversation even at a distance, and enjoy theatre, cinema or live music with stunning new sound. Comes fitted with 3 long life batteries, a free travel pouch, plus a choice of 3 different ear pieces designed to fit all shapes of ear. Magic ear £16.99 ref MAGE3

RADIO METER Perhaps the best of the scientific knock-knocks of the past and well overdue for revival! Fascinating, soothing and educational. In the vacuum inside the inverted bulb like container the vanes revolve, driven round by light particles alone (each vane is black on one side white on the other). Radiometer £9.99 ref SC1208

SATELLITE NAVIGATION £119 THE GARMIN - GPS 38 - is the one navigational tool for the great outdoors that offers big features in a small, lightweight package - all at a truly affordable price. Mark your favorite fishing spot, tree stand or camp site. Or retrace your steps back to the safety of your starting point using our all - new TracBack feature. The GPS 38 shows you exactly where you are, where you've been and where you're going. The GPS 38 features easy, one-thumb operation and weighs only 255g. There's a resettable trip odometer, graphic compass and highway steering guidance. And it provides up to 20 hours of use on a set of 4 AA batteries. THE GARMIN GPS 38. The affordable way to bring you back £119 ref GPS1

DIFFERENTIAL THERMOSTAT KIT An electronic self assembly kit designed for use in solar heating systems, heat recovery systems etc. The principle of the kit is that it has two thermistors that are placed on the items to be measured (typically a solar panel and a water storage tank) the controller then operates a relay all the time one temperature is higher than the other. The temperature difference is adjustable. A typical use would be to operate a pump all the time a solar panel was at a higher temperature than the water storage tank. Differential thermostat kit £29 ref LOT83

10 WATT SOLAR PANEL Amorphous silicon panel fitted in a anodized aluminium frame. Panel measures 3' by 1' with screw terminals for easy connection. One of these panels will run our solar water pump in full sunlight although we would recommend that for optimum performance two panels would be preferable. 3' x 1' solar panel £55 ref MAG45

12V SOLAR POWERED WATER PUMP Perfect for many 12V DC uses, ranging from solar fountains to hydroponics! Small and compact yet powerful. Will work direct from our 10 watt solar panel in bright sunlight. Max head: 17 ft. Max flow rate: 8.1 pm Current: 1.5A (Ref ACB) £18.99

BOOST CELL PHONE RECEPTION ON THE MOVE! Compared to high-powered carbonphones, hand-portable mobile phones don't always work too well in moving vehicles. Sometimes the signal 'drops out' during a call, other times there's too much interference to get through at all. However, the affordable Cell Patch provides a major improvement, dramatically boosting signal reception without wires or batteries. The 9.5 x 9.5cm (3.7" x 3.3") microthin antenna adheres to your car window sunvisor, ideally within 61-122cm (2-4') of the handset, or can be carried in a pocket. Works with all types of portable cellular phone. Cell Patch £11.99 ref CEL1

CAT SCARER produces a blanket of high sonic and low ultrasonic sound, which is inaudible to humans, birds and fish - so it's ideal where you want to protect your bird table or fish pond against feline predators. It will deter cats from your garden and other protected areas. It will also deter foxes, minks, otters, 10 m of cable. Running cost will be approximately 1 p per day. Garden watcher £42.45 ref GW2

VIDEO PROCESSOR UNITS?/6v 10AH BATT/24V 8A

TX Not too sure what the function of these units is but they certainly make good strippers! Measures 390x320x120mm, on the front are controls for scan speed, scan delay, scan mode, loads of connections on the rear. Inside 2 x 6v 10AH sealed lead acid batts, pcb's and a 8A? 24v toroidal transformer (mains in). sold as seen, may have one or two broken knobs etc due to poor storage. £9.95 ref VP2X

SOLAR MOTORS Another new line for us are these tiny motors which run quite happily on voltages from 3-12vdc. We have tried one on our 6v amorphous 6" panels and you can run them from the sun! 32mm dia 20mm thick. £1.50 each

TELEPHONES Just in this week is a huge delivery of telephones, all brand new and boxed. Two piece construction with the following features- illuminated keypad, nice clear easy to use keypad, tone or pulse (switchable), recall, redial and pause, high/low and off ringer switch and quality construction. Each telephone is finished in a smart off white colour and is supplied with a standard international lead (same as US or modern card sockets) if you wish to have a BT lead supplied to connect the phones these are also available at £1.55 each ref BTLX Phones £4.99 each ref PH2

INFRARED CAR PHONE KIT £7.99 interesting box of goodies! this kit was designed to convert car phones to enable hands free dialling, the kit contains the following items. 1) A keypad designed to mount in the centre of the steering wheel, it requires a 9v PP3 battery and transmits the numbers using three on board high power infra red LEDs. 140 x 120mm. 2) An infra red receiver module containing a IR photo diode, IR filter and control electronics. 60 x 30 x 15mm (cased). 3) Control box (nice case) 100 x 170 x 35mm which we understand is the interface between the infra red and the car phone, it is also supposed to adjust the volume of your car stereo at the same time made for Philips car phones (but we don't know the model) Complete kit is £7.99 ref CP1

Hi power 12v xenon strobe variable rate flasher modules and tubes £6.95 useful 12v PCB fitted with control electronics and a powerful Xenon tube! just apply 12v DC to the input and the tube will flash. On the board is a small potentiometer which can be used to vary the flash rate! PCB measures just 70x 55mm and could be incorporated into many interesting projects! £6 ref FLS1 Pack of 10 is £49 ref FLS2

WANT TO MAKE SOME MONEY? Stuck for an idea? We have collated 140 business manuals that give you information on setting up different businesses, you peruse these at your leisure using the text editor on your PC. Also included is a certificate enabling you to reproduce the manuals as much as you like! £14 ref EP74

TALKING WATCH Yes, it actually tells you the time at the push of a button. Also features a voice alarm that wakes you up and tells you what the time is! Lithium cell included. £8.99 ref EP26A

POWERBEAM INFRA RED Lamp. All this lamp gives out is infra red light, and loads of it! perfect for supplementing night sight and surveillance equipment. Most mono CCTV video cameras are infra red sensitive so used in conjunction with this lamp would greatly enhance their operating performance. Water resistant case and rubber covered switch make this unit perfect for all weathers. Krypton bulb. 4 cells required. Powerbeam lamp £29 ref PB1

GIANT SCREEN VIEWER Turn your TV picture into a supesize screen! This high precision Fresnel lens converts even the smallest screen up to a massive 26", giving a crystal clear picture at a fraction of the cost of a big TV. Easily fitted in minutes! Also ideal for PC monitors etc £26.95 ref SVGA2

NOGALIGHT NIGHT VISION £129 Open up a new world of adventures and experiences. Wildlife enthusiasts and adventurers in the wilderness, amateur astronomers, hunters, wargamers, private eyes on surveillance, all find Nightvision indispensable for their use. Nightvision's unique features include a special tube protection device, to eliminate over exposure, and infrared illuminator used in total darkness, such as in cave exploration and operations in dark rooms. The Nightvision is light and hand held, or can be mounted on a standard tripod. It uses two standard AA batteries and can be operated by left or right hand users, with or without optical glasses. Optical Magnification: X 1.7 Field of View, 10 Degrees Focusing Range: 25cm to infinity objective Focal Length 50 mm F/N. 1.6 Diopter Range. +/- 3 Mechanical Length: 182 mm Width: 65mm Height 100 mm Weight 700 g. Electrical: Power Source: 3 VDC, 2AA batteries Battery Life: 40 hours Infra-red Illuminator built-in Imaging Device: Night Vision Image Intensifier Tube. £129 ref NOGA

STEREO MICROSCOPES BACK IN STOCK Russian, 200x complete with lenses, lights, filters etc etc very comprehensive microscope that would normally be around the £700 mark, our price is just £289 (full money back guarantee) full details in catalogue

SECOND GENERATION NIGHT SIGHTS FROM £748

RETRON Russian night sight, 1.8x, infra red lamp, 10m-irf, standard M42 lens, 1.1kg. £349 ref RET1

MAINS MOTORS 180 RPM 90x70mm, 50X5mm 50x5mm output shaft, start cap included. £22 ref MGM1

PC POWER SUPPLIES, CUSTOMER RETURNS, ALL FAN COOLED, OUR CHOICE, BARGAIN AT 8 PSU'S FOR £9.99 REF XX17

LOW COST CORDLESS MIC 500' range, 90 - 105mhz, 115g, 193 x 26 x 38mm, 9v PP3 battery required. £17 ref MAG15P1

JUMBO LED PACK 15 10mm bicolor LEDs, plus 5 giant (55mm) seven segment displays all on a pcb £8 ref JUM1. Pack of 30 55mm seven seg displays on pcbs is £19 ref LED4, pack of 50 £31 ref LED50

12VDC 40MM FANS MADE BY PANAFLO, NEW. £4. REF FAN12

ELECTRONIC SPEED CONTROLLER KIT For the above motor is £19 ref MAG17. Save £5 if you buy them both together. 1 motor plus speed controller rrp is £41, offer price £36 ref MOT5A

RUSSIAN 900X MAGNIFICATION ZOOM MICROSCOPE metal construction, built in light, mirror etc. Russian shrimp farm, group viewing screen, lots of accessories. £29 ref ANAYLT.

AA NICAD PACK. Pack of 4 tagged AA nicads £2.99 ref BAR34

RUSSIAN NIGHTSIGHTS Model TZS4 with infra red illuminator, views up to 75 metres in full darkness in infrared mode, 150m range, 45mm lens, 13 deg angle of view, focussing range 1.5m to infinity. 2AA batteries required. 950g weight. £199 ref BAR61. 1 years warranty

LIQUID CRYSTAL DISPLAYS Bargain prices, 20 character 2 line, 83x19mm £3.99 ref SMC2024A

16 character 4 line, 62x25mm £5.99 ref SMC1640A

TAL-1, 110MM NEWTONIAN REFLECTOR TELESCOPE Russian. Superb astronomical 'scope, everything you need for some serious star gazing up to 169x magnification. Send or fax for further information. 20kg, 885x800x1650mm ref TAL-1, £249

YOUR HOME COULD BE SELF SUFFICIENT IN ELECTRICITY Comprehensive plans with loads of info on designing systems, panels, control electronics etc £7 ref PV1

PHOTOMULTIPLIER TUBES Boxed and unused straight from the ministry of defence. Made by EMI with a MOD part no of 10CV/5114 and packed almost 30 years ago. I Do you have a use? do you want to count light particles? They would look nice on the mantle piece! Offered to you at £15 each (we think the MOD paid more than this is 1958! £15 each ref PM3

CLOCK CAMERA WITH AUDIO Discreetly monitor living rooms, reception, office, tills or any other area. Fully working clock houses an invisible spy camera complete with audio. Complete setup includes clock, camera, microphone, clock battery, 15 metres of cable, power supply, adapter for either scart or phono. Everything you need, no soldering required. Full instructions included. Easily installed in just a few minutes. Plugs straight into VCR or TV (scart or phono) Clock camera with audio £89.95 ref CC5

AUTO RECORD KIT This automatic system will instruct your VCR to start recording when movement is detected via the PIR. Recording will stop 30 seconds after your visitor has left which saves hours of tapes as the video only records what you want to see. Complete system with PIR, will work with all remote control video recorders. £89 ref CVC2

TELEPHONE VOICE CHANGER Changes your voice to a new or unfamiliar one. Simply place over the telephone mouth piece and speak into the changer. Fully adjustable for different voices. Supplied complete with batteries, ready to go. Unit measures 90 x 60 x 20mm Telephone voice changer £14.95 ref CC3

EXTERNAL CAMERA Introducing the Bulldog model 4 vandal resistant camera in heavy steel case for interior or exterior use. Top quality case housing a 420 line camera module. Each camera is supplied with a 15m cable terminating in Scart and phono plugs. Multi angle bracket for easy installation in any situation. A 12vdc psu is also included. Easily installed in a few minutes, plugs straight into VCR or TV (phono or scart). Bargain price £89.95 ref CC1

GIANT INSULATORS Just in this week are some giant ceramic insulators, each one measures 130mm high and about 170mm diameter. Finished in a high gloss brown and black glaze. In the base of each insulator is a threaded hole approx 1" diameter, rather like a mop/broom head thread. If you are into shortwave radio, crystal sets or high voltage experiments then these are for you. (We've got one as a door stop) Not too sure what their original purpose was, all we know is they were made for export about 25 years ago, never exported and been in store since then. Price is £8 each ref INSX

NATO RADIATION MONITORS Interesting new line! These are small modules that strap on your wrist (strap supplied) and monitor radiation. We have stripped one apart and they contain a small piece of "crystal" this could be something like Naphthalene or any other rare radiation sensitive crystal. When radiation strikes the crystal, it scintillates and a small amount of light is produced in the crystal in reaction to the radiation exposure. That light is then picked up by a micro pv cell measuring about 2mm square! Also in the unit is a sheet of foil, a circular metal plate (insulation between the two) and a small pair of additional parallel metal plates. NATO part no is 8665-99-225-2314 any information gratefully received! Alternatively if you wish to buy one they are just £3 each ref NATOX

WE HAD 38,000 'HITS'
ON OUR WEB SITE
IN FEBRUARY '98.....
BULL-ELECTRICAL.COM
See our live camera!

Register with us at
www.bull-electrical.com
for your free e-mail
NEWSLETTERS!

DRILL OPERATED PUMP Fits to any drill in seconds, uses standard garden hose, will pump up to 40 gallons per hour! £8.99 ref DRL3

BULL ELECTRICAL
250 PORTLAND ROAD, HOVE, SUSSEX.
BN3 5QT. (ESTABLISHED 50 YEARS).

MAIL ORDER TERMS: CASH, PO OR CHEQUE
WITH ORDER PLUS £3.50 P&P PLUS VAT.
24 HOUR SERVICE. £5.00 PLUS VAT.

OVERSEAS ORDERS AT COST PLUS £3.50
(ACCESS, VISA, SWITCH, AMERICAN EXPRESS)
phone orders : 01273 203500

FAX 01273 323077

Sales@bull-electrical.com

Everyday Practical Electronics Books



ELECTRONIC PROJECTS - BOOK 1
Published by *Everyday Practical Electronics* in association with *Magenta Electronics*.
Contains twenty of the best projects from previous issues of EE each backed with a kit of components. The projects are: Seashell Sea Synthesiser, EE Treasure Hunter, Mini Strobe, Digital Capacitance Meter, Three Channel Sound to Light, BBC 16K Sideways Ram, Simple Short Wave Radio, Insulation Tester, Stepper Motor Interface, Eprom Eraser, 200MHz Digital Frequency Meter, Infra Red Alarm, EE Equaliser Ioniser, Bat Detector, Acoustic Probe, Mains Tester and Fuse Finder, Light Rider - (Lapel Badge, Disco Lights, Chaser Light), Musical Doorbell, Function Generator, Tilt Alarm, 10W Audio Amplifier, EE Buccaneer Induction Balance Metal Detector, BBC Midi Interface, Variable Bench Power Supply, Pet Scarer, Audio Signal Generator.
128 pages (A4 size) **Order code EP1** **£2.45**

ELECTRONICS TEACH-IN 88/89 - INTRODUCING MICROPROCESSORS
Mike Tooley BA (published by *Everyday Practical Electronics*)
A complete course that can lead successful readers to the award of a City and Guilds Certificate in Introductory Microprocessors (726/303). The book contains everything you need to know including full details on registering for assessment, etc. Starting with basic terminology, integrated circuits, logic families and numbering systems the text builds in stages, with revision and assessments built in, up to programming, languages, flow charts, etc. The course is ideal for the newcomer to the subject.
80 pages (A4 size) **Order code TI-88/89** **£2.45**

TEACH-IN No. 7 plus FREE Software ANALOGUE AND DIGITAL ELECTRONIC COURSE
(Published by *Everyday Practical Electronics*)
Alan Winstanley and Keith Dye
B.Eng(Tech)AMIEE
The highly acclaimed *Teach-In* series, which included the construction and use of the *Mini Lab* and *Micro Lab* test and development units, has been put together in book form. Additionally EPT Educational Software have developed a GCSE Electronics software program to complement the course and a FREE DISC covering the first two parts of the course is included with the book.

An interesting and thorough tutorial series aimed specifically at the novice or complete beginner in electronics. The series is designed to support those undertaking either GCSE Electronics or GCE Advanced Levels, and starts with fundamental principles.

If you are taking electronics or technology at school or college, this book is for you. If you just want to learn the basics of electronics then this is for you. If you are teaching electronics or technology you must make sure you see it. *Teach-In No. 7* will be invaluable if you are considering a career in electronics or even if you are already training in one. The *Mini Lab* and software enable the construction and testing of both demonstration and development circuits. These learning aids bring electronics to life in an enjoyable and interesting way: you will both see and hear the electron in action! The *Micro Lab* microprocessor add-on system will appeal to higher level students and those developing microprocessor projects.
152 pages (A4 size) **Order code T17** **£3.95**

DIRECT BOOK SERVICE

The books listed have been selected by *Everyday Practical Electronics* editorial staff as being of special interest to everyone involved in electronics and computing. Books are supplied by mail order direct to your door. Full ordering details are given on the last book page.

For another selection of books see the next two issues of EPE.

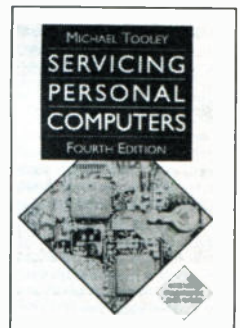
Testing and Test Gear

HOW TO USE OSCILLOSCOPES AND OTHER TEST EQUIPMENT

R. A. Penfold
This book explains the basic function of an oscilloscope, gives a detailed explanation of all the standard controls, and provides advice on buying. A separate chapter deals with using an oscilloscope for fault finding on linear and logic circuits, plenty of example waveforms help to illustrate the control functions and the effects of various fault conditions. The function and use of various other pieces of test equipment are also covered, including signal generators, logic probes, logic pulsers, and crystal calibrators.
104 pages **Order code BP267** **£3.50**

SERVICING PERSONAL COMPUTERS - 4th Edition

Mike Tooley BA
The revised and enlarged fourth edition has been completely re-written to cover the latest technology, such as 32-bit microprocessors and serial communications servicing. It includes a diagnostic disk offer. Essential for anyone concerned with the maintenance of personal computer equipment or peripherals, whether professional service technician, student or enthusiast.
387 pages Hardback **Order code NE15** **£3.00**



Computers and Computing

MULTIMEDIA ON THE PC

Ian R. Sinclair
In this book, you'll find out what a CD ROM is, how it works, and why it is such a perfect add-on for a PC, allowing you to buy programmes, text, graphics and sound on a CD. It also describes the installation of a CD ROM drive and a sound card, pointing out the common problems that arise, and then shows how to use them to create a complete multimedia presentation that contains text, photos, a soundtrack with your own voice recorded as a commentary, even animation and edited video footage.
184 pages **Order code PC112** **£11.95**

A CONCISE INTRODUCTION TO MS-DOS

N. Kantaris
(Revised Edition Covers Version 6.2)
This guide is written with the non-expert, busy person in mind and, as such, it has an underlying structure based on "what you need to know first, appears first". Nevertheless, the guide is also designed to be circular, which means that you don't have to start at the beginning and go to the end. The more experienced user can start from any section.
176 pages **Order code BP232** **£4.99**

UNDERSTANDING PC SPECIFICATIONS

R. A. Penfold (Revised Edition)
If you require a microcomputer for business applications, or a high quality home computer, an IBM PC or compatible is often the obvious choice. They are competitively priced, and are backed up by an enormous range of applications programs, hardware add-ons, etc. The main difficulty for the uninitiated is deciding on the specification that will best suit his or her needs. PCs range from simple systems of limited capabilities up to complex systems that can happily run applications that would have been considered beyond the abilities of a microcomputer not so long ago. It would be very easy to choose a PC system that is inadequate to run your applications efficiently, or one which goes beyond your needs and consequently represents poor value for money.

This book explains PC specifications in detail, and the subjects covered include the following: Differences between types of PC (XT, AT, 80386, etc.); Maths co-processors; Input devices (keyboards, mice, and

digitisers); Memory, including both expanded (EMS) and extended RAM; RAM disks and disk caches; Floppy disk drive formats and compatibility; Hard disk drives (including interleave factors and access times); Display adaptors, including all standard PC types (CGA, Hercules, Super VGA, etc); Contains everything you need to know if you can't tell your EMS from your EGA!
128 pages **Order code BP282** **£4.95**

PROJECTS FOR RADIO AMATEURS AND S.W.L.S.

R. A. Penfold
This book describes a number of electronic circuits, most of which are quite simple, which can be used to enhance the performance of most short wave radio systems.

The circuits covered include: An aerial tuning unit; A simple active aerial; An add-on b.f.o. for portable sets; A wavetrap to combat signals on spurious responses; An audio notch filter; A parametric equaliser; C.W. and S.S.B. audio filters; Simple noise limiters; A speech processor; A volume expander.

Other useful circuits include a crystal oscillator, and RTTY/C.W. tone decoder, and a RTTY serial to parallel converter. A full range of interesting and useful circuits for short wave enthusiasts.
92 pages **Order code BP304** **£3.95**

AN INTRODUCTION TO AMATEUR RADIO

I. D. Poole
Amateur radio is a unique and fascinating hobby which has attracted thousands of people since it began at the turn of the century.

This book gives the newcomer a comprehensive and easy to understand guide through the subject so that the reader can gain the most from the hobby. It then remains an essential reference volume to be used time and again. Topics covered include the basic aspects of the hobby, such as operating procedures, jargon and setting up a station. Technical topics covered include propagation, receivers, transmitters and aerials etc.
150 pages **Order code BP257** **£4.99**

Radio, TV, Satellite

SIMPLE SHORT WAVE RECEIVER CONSTRUCTION

R. A. Penfold
Short wave radio is a fascinating hobby, but one that seems to be regarded by many as an expensive pastime these days. In fact it is possible to pursue this hobby for a minimal monetary outlay if you are prepared to undertake a bit of d.i.y., and the receivers described in this book can all be built at low cost. All the sets are easy to construct, full wiring diagrams etc. are provided, and they are suitable for complete beginners. The receivers only require simple aerials, and do not need any complex alignment or other difficult setting up procedures.

The topics covered in this book include: The broadcast bands and their characteristics; The amateur bands and their characteristics; The propagation of radio signals; Simple aerials; Making an earth connection; Short wave crystal set; Simple t.r.f. receivers; Single sideband reception; Direct conversion receiver.

Contains everything you need to know in order to get started in this absorbing hobby.
88 pages **Order code BP275** **£3.95**

Our postage is the same no matter how many books you buy - just £1.50 in the UK.

Theory and Reference

Bebop To The Boolean Boogie

By Clive (call me Max)
Maxfield
ORDER CODE BEB1
£24.95

470 pages. Large format

**Specially imported by EPE –
Excellent value**

An Unconventional Guide to
Electronics Fundamentals,
Components and Processes

This book gives the "big picture" of digital electronics. This indepth, highly readable, up-to-the-minute guide shows you how electronic devices work and how they're made. You'll discover how transistors operate, how printed circuit boards are fabricated, and what the innards of memory ICs look like. You'll also gain a working knowledge of Boolean algebra and Karnaugh maps, and understand what Reed-Muller logic is and how it's used. And there's much, MUCH more (including a recipe for a truly great seafood gumbo!). Hundreds of carefully drawn illustrations clearly show the important points of each topic. The author's tongue-in-cheek British humor makes it a delight to read, but this is a REAL technical book, extremely detailed and accurate. A great reference for your own shelf, and also an ideal gift for a friend or family member who wants to understand what it is you do all day....

DIGITAL ELECTRONICS – A PRACTICAL APPROACH

With FREE Software: Number One Systems – EASY-PC Professional XM and Pulsar (Limited Functionality)

Richard Monk

Covers binary arithmetic, Boolean algebra and logic gates, combination logic, sequential logic including the design and construction of asynchronous and synchronous circuits and register circuits. Together with a considerable practical content plus the additional attraction of its close association with computer aided design including the FREE software.

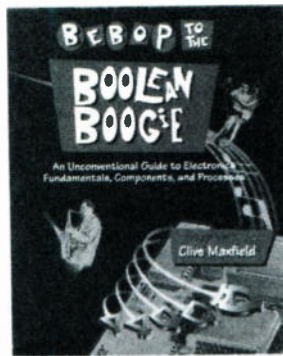
There is a 'blow-by-blow' guide to the use of EASY-PC Professional XM (a schematic drawing and printed circuit board design computer package). The guide also conducts the reader through logic circuit simulation using Pulsar software. Chapters on p.c.b. physics and p.c.b. production techniques make the book unique, and with its host of project ideas make it an ideal companion for the integrative assignment and common skills components required by BTEC and the key skills demanded by GNVQ. The principal aim of the book is to provide a straightforward approach to the understanding of digital electronics.

Those who prefer the 'Teach-In' approach or would rather experiment with some simple circuits should find the book's final chapters on printed circuit board production and project ideas especially useful.

250 pages

Order code NE28

£16.99



Bebop Bytes Back

By Clive "Max" Maxfield
and Alvin Brown

ORDER CODE BEB2
£29.95

Over 500 pages. Large
format

**Specially imported by
EPE – Excellent value**

An Unconventional Guide
To Computers

Plus FREE CD-ROM which includes:
Fully Functional Internet-Ready
Virtual Computer with Interactive
Labs

This follow-on to *Bebop to the Boolean Boogie* is a multimedia extravaganza of information about how computers work. It picks up where "Bebop I" left off, guiding you through the fascinating world of computer design . . . and you'll have a few chuckles, if not belly laughs, along the way. In addition to over 200 megabytes of mega-cool multimedia, the accompanying CD-ROM (for Windows 95 machines only) contains a virtual microcomputer, simulating the motherboard and standard computer peripherals in an extremely realistic manner. In addition to a wealth of technical information, myriad nuggets of trivia, and hundreds of carefully drawn illustrations, the book contains a set of lab experiments for the virtual microcomputer that let you recreate the experiences of early computer pioneers. If you're the slightest bit interested in the inner workings of computers, then don't dare to miss this one!

DIGITAL GATES AND FLIP-FLOPS

Ian R. Sinclair

This book, intended for enthusiasts, students and technicians, seeks to establish a firm foundation in digital electronics by treating the topics of gates and flip-flops thoroughly and from the beginning.

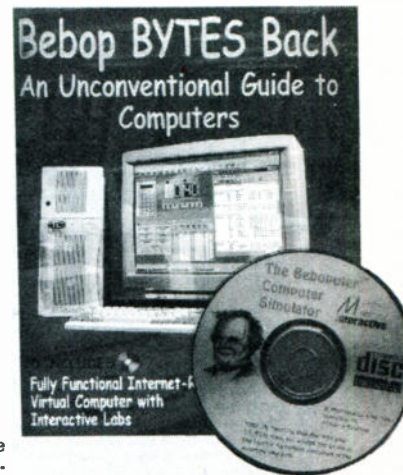
Topics such as Boolean algebra and Karnaugh mapping are explained, demonstrated and used extensively, and more attention is paid to the subject of synchronous counters than to the simple but less important ripple counters.

No background other than a basic knowledge of electronics is assumed, and the more theoretical topics are explained from the beginning, as also are many working practices. The book concludes with an explanation of microprocessor techniques as applied to digital logic.

200 pages

Order code PC106

£8.95



Audio and Music

AN INTRODUCTION TO LOUDSPEAKERS AND ENCLOSURE DESIGN

V. Capel

This book explores the various features, good points and snags of speaker designs. It examines the whys and wherefores so that the reader can understand the principles involved and so make an informed choice of design, or even design loudspeaker enclosures for him- or herself. Crossover units are also explained, the various types, how they work, the distortions they produce and how to avoid them. Finally there is a step-by-step description of the construction of the Kapellmeister loudspeaker enclosure.

148 pages

Order code BP256

£3.99

ACOUSTIC FEEDBACK – HOW TO AVOID IT

V. Capel

Feedback is the bane of all public address systems. While feedback cannot be completely eliminated, many things can be done to reduce it to a level at which it is no longer a problem.

Much of the trouble is often the hall itself, not the equipment, but there is a simple and practical way of greatly improving acoustics. Some microphones are prone to feedback while others are not. Certain loudspeaker systems are much better than others, and the way the units are positioned can produce a reduced feedback. All these matters are fully explored as well as electronic aids such as equalizers, frequency-shifters and notch filters.

The special requirements of live group concerts are considered, and also the related problem of instability that is sometimes encountered with large set-ups. We even take a look at some unsuccessful attempts to cure feedback so as to save readers wasted time and effort duplicating them.

Also included is the circuit and layout of an inexpen-

sive but highly successful twin-notch filter, and how to operate it.

92 pages

Order code BP310

£4.99

PREAMPLIFIER AND FILTER CIRCUITS

R. A. Penfold

This book provides circuits and background information for a range of preamplifiers, plus tone controls, filters, mixers, etc. The use of modern low noise operational amplifiers and a specialist high performance audio preamplifier i.c. results in circuits that have excellent performance, but which are still quite simple. All the circuits featured can be built at quite low cost (just a few pounds in most cases). The preamplifiers (low impedance, high impedance, and crystal). Magnetic cartridge pick-up preamplifiers with R.I.A.A. equalisation. Crystal/ceramic pick-up preamplifier. Guitar pick-up preamplifier. Tape head preamplifier (for use with compact cassette systems).

Other circuits include: Audio limiter to prevent overloading of power amplifiers. Passive tone controls. Active tone controls. PA filters (highpass and lowpass). Scratch and rumble filters. Loudness filter. Audio mixers. Volume and balance controls.

92 pages

Order code BP309

£4.99

COMPUTERS AND MUSIC – AN INTRODUCTION

R. A. Penfold

Computers are playing an increasingly important part in the world of music, and the days when computerised music was strictly for the fanatical few are long gone.

If you are more used to the black and white keys of a synth keyboard than the QWERTY keyboard of a computer, you may be understandably confused by the jargon and terminology bandied about by computer buffs.

But fear not, setting up and using a computer-based music making system is not as difficult as you might think.

This book will help you learn the basics of computing, running applications programs, wiring up a MIDI system and using the system to good effect, in fact just about everything you need to know about hardware and the programs, with no previous knowledge of computing needed or assumed. This book will help you to choose the right components for a system to suit your personal needs, and equip you to exploit that system fully.

174 pages

Order code PC107

£8.95

ELECTRONIC PROJECTS FOR GUITAR

R. A. Penfold

This book contains a collection of guitar effects and some general purpose effects units, many of which are suitable for beginners to project building. An introductory chapter gives guidance on construction.

Each project has an introduction, an explanation of how it works, a circuit diagram, complete instructions on stripboard layout and assembly, as well as notes on setting up and using the units. Contents include: Guitar tuner; Guitar preamplifier; Guitar head-phone amplifier; Soft distortion unit; Compressor; Envelope waa waa; Phaser; Dual tracking effects unit; Noise gate/expander; Treble booster; Dynamic treble booster; Envelope modifier; Tremolo unit; DI box.

110 pages

Order code PC110

£8.95

HIGH POWER AUDIO AMPLIFIER CONSTRUCTION

R. A. Penfold

Practical construction details of how to build a number of audio power amplifiers ranging from about 50 to 300/400 watts r.m.s. includes MOSFET and bipolar transistor designs.

96 pages

Temporarily out of print

Circuits, Data and Design

PRACTICAL ELECTRONIC FILTERS

Owen Bishop

This book deals with the subject in a non-mathematical way. It reviews the main types of filter, explaining in simple terms how each type works and how it is used.

The book also presents a dozen filter-based projects with applications in and around the home or in the constructor's workshop. These include a number of audio projects such as a rhythm sequencer and a multi-voiced electronic organ.

Concluding the book is a practical step-by-step guide to designing simple filters for a wide range of purposes, with circuit diagrams and worked examples.

88 pages **Order code BP299** £4.99

ELECTRONIC HOBBYISTS DATA BOOK

R. A. Penfold

This book should tell you everything you are ever likely to want to know about hobby electronics, but did not know where to ask or refer. Comprehensive contents pages makes it easy to quickly locate the data you require.

The subjects covered include: Common circuits, and related data (including helpful graphs and tables of values); Colour codes for resistors, capacitors and inductors; Pinout details for a wide range of CMOS and TTL devices, plus basic data on the various logic families; Pinout details and basic data for a wide range of operational amplifiers; Data and leadout information for a wide range of transistors, FETs, power FETs, triacs, thyristors, diodes, etc.; General data including MIDI message coding, radio data, ASCII/Baudot coding, decibel ratios, etc.

242 pages **Order code BP396** £5.95



50 SIMPLE LED CIRCUITS

R. N. Soar

Contains 50 interesting and useful circuits and applications, covering many different branches of electronics, using one of the most inexpensive and freely available components - the light-emitting diode (LED). Also includes circuits for the 707 common anode display.

64 pages **Order code BP42** £2.99

BOOK 2 50 more I.e.d. circuits.

50 pages

Order code BP87 £2.99

CIRCUIT SOURCE BOOK 1

A. Penfold

Written to help you create and experiment with your own electronic designs by combining and using the various standard "building block" circuits provided. Where applicable, advice on how to alter the circuit parameters is given.

The circuits covered in this book are mainly concerned with analogue signal processing and include: Audio amplifiers (op.amp and bipolar transistors); audio power amplifiers; d.c. amplifiers; highpass, lowpass, bandpass and notch filters; tone controls; voltage controlled amplifiers and filters; triggers and voltage comparators; gates and electronic switching; bargraphs; mixers; phase shifters, current mirrors, hold circuits, etc.

Over 150 circuits are provided, which it is hoped will be useful to all those involved in circuit design and application, be they professionals, students or hobbyists.

182 pages **Order code BP321** £4.99

A BEGINNER'S GUIDE TO TTL DIGITAL ICs

R. A. Penfold

This book first covers the basics of simple logic circuits in general, and then progresses to specific TTL logic integrated circuits. The devices covered include gates, oscillators, timers, flip/flops, dividers, and decoder circuits. Some practical circuits are used to illustrate the use of TTL devices in the "real world"

142 pages **Order code BP332** £4.95

HOW TO USE OPAMPS

E. A. Parr

This book has been written as a designer's guide covering many operational amplifiers, serving both as a source book of circuits and a reference book for design calculations. The approach has been made as non-mathematical as possible.

160 pages **Order code BP88** £3.99

CIRCUIT SOURCE BOOK 2

R. A. Penfold

This book will help you to create and experiment with your own electronic designs by combining and using the various standard "building blocks" circuits provided. Where applicable, advice on how to alter the circuit parameters is provided.

The circuits covered are mainly concerned with signal generation, power supplies, and digital electronics.

The topics covered in this book include: 555 oscillators; sine-wave oscillators; function generators; CMOS oscil-

lators; voltage controlled oscillators; radio frequency oscillators; 555 monostables; CMOS monostables; TTL monostables; precision long timers; power supply and regulator circuits; negative supply generators and voltage boosters; digital dividers; decoders, etc.; counters and display drivers; D/A and A/D converters; opto-

isolators, flip/flops, noise generators, tone decoders, etc.

Over 170 circuits are provided, which it is hoped will be useful to all those involved in circuit design and application, be they professionals, students or hobbyists.

192 pages **Order code BP322** £4.99

Project Building

ANDROIDS, ROBOTS AND ANIMATRONS

John Lovine

Build your own working robot or android using both off-the-shelf and workshop constructed materials and devices. Computer control gives these robots and androids two types of artificial intelligence (an expert system and a neural network). A lifelike android hand can be built and programmed to function doing repetitive tasks. A fully animated robot or android can also be built and programmed to perform a wide variety of functions.

The contents include an Overview of State-of-the-Art Robots; Robotic Locomotion; Motors and Power Controllers; All Types of Sensors; Tilt; Bump; Road and Wall Detection; Light; Speech and Sound Recognition; Robotic Intelligence (Expert Type) Using a Single-Board Computer Programmed in BASIC; Robotic Intelligence (Neural Type) Using Simple Neural Networks (Insect Intelligence); Making a Lifelike Android Hand; A Computer-Controlled Robotic Insect Programmed in BASIC; Telepresence Robots With Actual Arcade and Virtual Reality Applications; A Computer-Controlled Robotic Arm; Animated Robots and Androids; Real-World Robotic Applications.

224 pages **Order code MGH1** £19.99

ELECTRONIC PROJECTS FOR EXPERIMENTERS

R. A. Penfold

Many electronic hobbyists who have been pursuing their hobby for a number of years seem to suffer from the dreaded "seen it all before" syndrome. This book is fairly and squarely aimed at sufferers of this complaint, plus any other electronics enthusiasts who yearn to try something a bit different. No doubt many of the projects featured here have practical applications, but they are all worth a try for their interest value alone.

The subjects covered include:- Magnetic field detector, Basic Hall effect compass, Hall effect audio isolator, Voice scrambler/descrambler, Bat detector, Bat style echo location, Noise cancelling, LED stroboscope, Infrared "torch", Electronic breeze detector, Class D power amplifier, Strain gauge amplifier, Super hearing aid.

138 pages **Order code BP371** £4.95

PRACTICAL FIBRE-OPTIC PROJECTS

R. A. Penfold

While fibre-optic cables may have potential advantages over ordinary electric cables, for the electronics enthusiast it is probably their novelty value that makes them worthy of exploration. Fibre-optic cables provide

an innovative interesting alternative to electric cables, but in most cases they also represent a practical approach to the problem. This book provides a number of tried and tested circuits for projects that utilize fibre-optic cables.

The projects include:- Simple audio links, F.M. audio link, P.W.M. audio links, Simple d.c. links, P.W.M. d.c. link, P.W.M. motor speed control, RS232C data links, MIDI link, Loop alarms, R.P.M. meter.

All the components used in these designs are readily available, none of them require the constructor to take out a second mortgage.

132 pages **Order code BP374** £4.95

ELECTRONIC PROJECT BUILDING FOR BEGINNERS

R. A. Penfold

This book is for complete beginners to electronic project building. It provides a complete introduction to the practical side of this fascinating hobby, including the following topics:

Component identification, and buying the right parts; resistor colour codes, capacitor value markings, etc; advice on buying the right tools for the job; soldering; making easy work of the hard wiring; construction methods, including stripboard, custom printed circuit boards, plain matrix boards, surface mount boards and wire-wrapping; finishing off, and adding panel labels; getting "problem" projects to work, including simple methods of fault-finding.

In fact everything you need to know in order to get started in this absorbing and creative hobby.

135 pages **Order code BP392** £4.95

A BEGINNER'S GUIDE TO MODERN ELECTRONIC COMPONENTS

R. A. Penfold

The purpose of this book is to provide practical information to help the reader sort out the bewildering array of components currently on offer. An advanced knowledge of the theory of electronics is not needed, and this book is not intended to be a course in electronic theory. The main aim is to explain the differences between components of the same basic type (e.g. carbon, carbon film, metal film, and wire-wound resistors) so that the right component for a given application can be selected. A wide range of components are included, with the emphasis firmly on those components that are used a great deal in projects for the home constructor.

166 pages **Order code BP285** £4.99

BOOK ORDERING DETAILS

Our postage price is the same no matter how many books you order, just add £1.50 to your total order for postage and packing (overseas readers add £3 for countries in the EEC, or add £6 for all countries outside the EEC, surface mail postage) and send a PO, cheque, international money order (£ sterling only) made payable to Direct Book Service or credit card details, Visa or Mastercard - minimum credit card order is £5 - to: **DIRECT BOOK SERVICE, 33 GRAVEL HILL, MERLEY, WIMBORNE, DORSET BH21 1RW (mail order only).**

Books are normally sent within seven days of receipt of order, but please allow 28 days for delivery (more for overseas orders). Please check price and availability (see latest issue of Everyday Practical Electronics) before ordering from old lists.

For a further selection of books see the next two issues of EPE.

DIRECT BOOK SERVICE IS A DIVISION OF WIMBORNE PUBLISHING LTD. Tel 01202 881749

Fax 01202 841692. Due to the cost we cannot reply to overseas orders or queries by Fax.

E-mail:editorial@epemag.wimborne.co.uk

BOOK ORDER FORM

Full name:

Address:

..... Post code: Telephone No:

Signature:

I enclose cheque/PO payable to WIMBORNE PUBLISHING LTD for £

Please charge my Visa/Mastercard £ Card expiry date

Card Number

Please send book order codes:.....

.....

.....

Please continue on separate sheet of paper if necessary

VIDEOS ON ELECTRONICS

A range of videos (selected by EPE editorial staff) designed to provide instruction on electronics theory. Each video gives a sound introduction and grounding in a specialised area of the subject. The tapes make learning both easier and more enjoyable than pure textbook or magazine study. Each video uses a mixture of animated current flow in circuits plus text, plus cartoon instruction etc., and a very full commentary to get the points across. The tapes originate from VCR Educational Products Co, an American supplier. (All videos are to the UK PAL standard on VHS tapes.)

BASICS

VT201 to VT206 is a basic electronics course and is designed to be used as a complete series, if required.

VT201 54 minutes. Part One; D.C. Circuits. This video is an absolute must for the beginner. Series circuits, parallel circuits, Ohms law, how to use the digital multimeter and much more.

Order Code VT201

VT202 62 minutes. Part Two; A.C. Circuits. This is your next step in understanding the basics of electronics. You will learn about how coils, transformers, capacitors, etc are used in common circuits.

Order Code VT202

VT203 57 minutes. Part Three; Semiconductors. Gives you an exciting look into the world of semiconductors. With basic semiconductor theory. Plus 15 different semiconductor devices explained.

Order Code VT203

VCR MAINTENANCE

VT102 84 minutes: Introduction to VCR Repair. Warning, not for the beginner. Through the use of block diagrams this video will take you through the various circuits found in the NTSC VHS system. You will follow the signal from the input to the audio/video heads then from the heads back to the output.

Order Code VT102

VT103 35 minutes: A step-by-step easy to follow procedure for professionally cleaning the tape path and replacing many of the belts in most VHS VCR's. The viewer will also become familiar with the various parts found in the tape path.

Order Code VT103

DIGITAL

Now for the digital series of six videos. This series is designed to provide a good grounding in digital and computer technology.

VT301 54 minutes. Digital One; Gates begins with the basics as you learn about seven of the most common gates which are used in almost every digital circuit, plus Binary notation.

Order Code VT301

VT302 55 minutes. Digital Two; Flip Flops will further enhance your knowledge of digital basics. You will learn about Octal and Hexadecimal notation groups, flip-flops, counters, etc.

Order Code VT302

VT303 54 minutes. Digital Three; Registers and Displays is your next step in obtaining a solid understanding of the basic circuits found in today's digital designs. Gets into multiplexers, registers, display devices, etc.

Order Code VT303

VT304 59 minutes. Digital Four; DAC and ADC shows you how the computer is able to communicate with the real world. You will learn about digital-to-analogue and analogue-to-digital converter circuits.

Order Code VT304

VT305 56 minutes. Digital Five; Memory Devices introduces you to the technology used in many of today's memory devices. You will learn all about ROM devices and then proceed into PROM, EPROM, EEPROM, SRAM, DRAM, and MBM devices.

Order Code VT305

VT306 56 minutes. Digital Six; The CPU gives you a thorough understanding in the basics of the central processing unit and the input/output circuits used to make the system work.

Order Code VT306



RADIO

VT401 61 minutes. A.M. Radio Theory. The most complete video ever produced on a.m. radio. Begins with the basics of a.m. transmission and proceeds to the five major stages of a.m. reception. Learn how the signal is detected, converted and reproduced. Also covers the Motorola C-QUAM a.m. stereo system.

VT402 58 minutes. F.M. Radio Part 1. F.M. basics including the functional blocks of a receiver. Plus r.f. amplifier, mixer oscillator, i.f. amplifier, limiter and f.m. decoder stages of a typical f.m. receiver.

Order Code VT402

VT403 58 minutes. F.M. Radio Part 2. A continuation of f.m. technology from Part 1. Begins with the detector stage output, proceeds to the 19kHz amplifier, frequency doubler, stereo demultiplexer and audio amplifier stages. Also covers RDS digital data encoding and decoding.

Order Code VT403

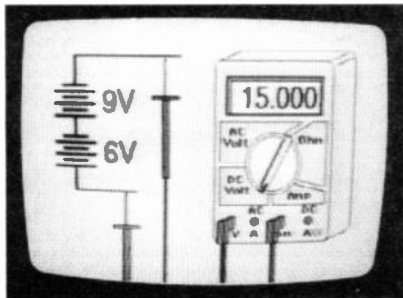
MISCELLANEOUS

VT501 58 minutes. Fibre Optics. From the fundamentals of fibre optic technology through cable manufacture to connectors, transmitters and receivers.

Order Code VT501

VT502 57 minutes. Laser Technology A basic introduction covering some of the common uses of laser devices, plus the operation of the Ruby Rod laser, HeNe laser, CO₂ gas laser and semiconductor laser devices. Also covers the basics of CD and bar code scanning.

Order Code VT502



VT204 56 minutes. Part Four; Power Supplies. Guides you step-by-step through different sections of a power supply.

Order Code VT204

VT205 57 minutes. Part Five; Amplifiers. Shows you how amplifiers work as you have never seen them before. Class A, class B, class C, op.amps. etc.

Order Code VT205

VT206 54 minutes. Part Six; Oscillators. Oscillators are found in both linear and digital circuits. Gives a good basic background in oscillator circuits.

Order Code VT206

£34.95 each
inc. VAT & postage

Order 8 or more get one extra FREE
Order 16 get two extra FREE

VIDEO ORDER FORM

Full name:

Address:

Post code: Telephone No.....

Signature:

I enclose cheque/PO payable to WIMBORNE PUBLISHING LTD

Please charge my Visa/Mastercard: Card expiry date

Card No:

Please send video order codes:

Please continue on a separate sheet of paper if necessary.

ORDERING: Price includes postage to anywhere in the world.

OVERSEAS ORDERS: We use the VAT portion of the price to pay for airmail postage and packing, wherever you live in the world. Just send £34.95 per tape. All payments in £ sterling only (send cheque or money order drawn on a UK bank).

Send your order to:

Direct Book Service, 33 Gravel Hill,
Merley, Wimborne, Dorset BH21 1RW
(Mail Order Only)

Direct Book Service is a division of Wimborne
Publishing Ltd.

Tel: 01202 881749 Fax: 01202 841692

Videos are normally sent within seven days of
receipt of order.

E22

PCB SERVICE

Printed circuit boards for certain EPE constructional projects are available from the PCB Service, see list. These are fabricated in glass fibre, and are fully drilled and roller tinned. All prices include VAT and postage and packing. Add £1 per board for airmail outside of Europe. Remittances should be sent to **The PCB Service, Everyday Practical Electronics, Allen House, East Borough, Wimborne, Dorset BH21 1PF.** Tel: 01202 881749; Fax 01202 841692 (NOTE, we cannot reply to orders or queries by Fax); E-mail: editorial@epemag.wimborne.co.uk. Cheques should be crossed and made payable to *Everyday Practical Electronics* (Payment in £ sterling only).

NOTE: While 95% of our boards are held in stock and are dispatched within seven days of receipt of order, please allow a maximum of 28 days for delivery – overseas readers allow extra if ordered by surface mail.

Back numbers or photostats of articles are available if required – see the *Back Issues* page for details.

Please check price and availability in the latest issue.

Boards can only be supplied on a payment with order basis.

PROJECT TITLE	Order Code	Cost
B.F.O. and Bat Band Converter Versatile PIR Detector Alarm Mind machine Mk III – Tape Controller Midi Analyser Countdown Timer (Teach-In '96)	MAY'96 984a/b 988 989 992 993	£5.80 £6.76 £6.70 £6.74 £9.44
Sarah's Light Home Telephone Link *PulStar VU Display and Alarm	JUNE'96 996 997 (pr) 998 999	£7.17 £10.72 £6.60 £7.02
Ultra-Fast Frequency Generator and Counter – Oscillator/L.C.D. Driver Timed NiCad Charger Single-Station Radio 4 Tuner Twin-Beam Infra-Red Alarm – Transmitter/Receiver *Games Compendium	JULY'96 994/995 (pr) 100 101 102/103 (pr) 104	£12.72 £6.99 £7.02 £10.50 £6.09
Mono "Cordless" Headphones – Transmitter/Receiver Component Analyser (double-sided p.t.h.) Garden Mole-Ester Mobile Miser Bike Speedo	AUG'96 990/991 (pr) 105 106 107 108	£10.16 £12.18 £6.07 £6.36 £6.61
*PIC-Tock Pendulum Clock Power Check Analogue Delay/Flanger Draught Detector Simple Exposure Timer	SEPT'96 109 110 111 112 113	£6.31 £6.42 £7.95 £6.22 £6.63
Video Fade-to-White Direct Conversion 80m Receiver Vehicle Alert 10MHz Function Generator – Main Board – PSU	OCT'96 114 116 117 118 119	£6.98 £7.52 £6.55 £7.33 £5.39
Tuneable Scratch Filter *Central Heating Controller D.C. to D.C. Converters – Negative Supply Generator – Step-Down Regulator – Step-Up Regulator	NOV'96 115 120 122 123 124	£7.83 £7.85 £5.96 £6.01 £6.12
EPE Elysian Theremin (double-sided p.t.h.) *PIC Digital/Analogue Tachometer Stereo Cassette Recorder Playback/PSU Record/Erase	DEC'96 121 127 128 129	£22.00 £7.23 £7.94 £9.04
*Earth Resistivity Meter Current Gen. – Amp/Rect. Theremin MIDI/CV Interface (double-sided p.t.h.) Mains Failure Warning	JAN'97 131/132 (pr) 130 (set) 126	£12.70 £40.00 £6.77
Pacific Waves PsiCom Experimental Controller	FEB'97 136 137	£9.00 £6.78
Oil Check Reminder Video Negative Viewer Tri-Colour NiCad Checker Dual-Output TENS Unit (plus Free TENS info.)	MAR'97 125 135 138 139	£7.16 £6.75 £6.45 £7.20
*PIC-Agoras – Wheelie Meter 418MHz Remote Control – Transmitter – Receiver Puppy Puddle Probe MIDI Matrix – PSU – Interface	APRIL'97 141 142 143 145 147 148	£6.90 £5.36 £6.04 £6.10 £5.42 £5.91
Quasi-Bell Door Alert 2M F.M. Receiver *PIC-A-Tuner Window Closer – Trigger – Closer	MAY'97 133 144 149 150 151	£6.59 £7.69 £7.83 £4.91 £4.47
Child Minder Protection Zone – Transmitter – Receiver Pyrotechnic Controller *PIC Digilogue Clock Narrow Range Thermometer	JUN'97 153 154 155 156 158	£6.58 £6.42 £6.93 £7.39 £6.37
Micropower PIR Detector – 1 Infra-Red Remote Control Repeater (Multi-project P.C.B.) Karaoke Echo Unit – Echo Board – Mixer Board Computer Dual User Interface *PEsT Scarer	JULY'97 932 159 160 161 162	£6.69 £3.00 £6.40 £6.75 £6.70 £6.60

PROJECT TITLE	Order Code	Cost
Variable Bench Power Supply Universal Input Amplifier Micropower PIR Detector – 2 Controller *PIC-OLO	AUG'97 932 146 163 164	£3.00 £6.55 £6.72 £7.02
Active Receiving Antenna Soldering Iron Controller *PIC Noughts & Crosses Game Micropower PIR Detector – 3 Alarm Disarm/Reset Switch Ironing Safety Device	SEPT'97 140 157 165 166 167	£5.59 £6.63 £7.82 £5.72 £5.12
Remote Control Finder Rechargeable Handlamp *PIC Water Descaler	OCT'97 168 169 170	£6.32 £6.23 £6.90
*EPE Time Machine Auto-Dim Bedlight Portable 12V PSU/Charger	NOV'97 171 172 173	£8.34 £6.63 £6.61
Car Immobiliser Safe and Sound (Security Bleeper)	DEC'97 175 179	£7.00 £7.32
Surface Thermometer Disco Lights Flasher	JAN'98 174 178	£7.64 £8.30
Waa-Waa Pedal (Multi-project PCB) *Virtual Scope – Digital Board Analogue Board (per board) *Water Wizard Kissometer	FEB'98 932 176 177 180 181	£3.00 £14.49 £7.34 £7.69 £7.67
*EPE PIC Tutorial The Handy Thing (Double-Sided) Lighting-Up Reminder *Audio System Remote Controller – PSU Main Board	MAR'98 182 183 184 185 186	£7.99 £6.58 £5.90 £7.05 £8.29
Simple Metal Detector (Multi-project PCB) Single or Dual-Tracking Power Supply *RC-Meter	APR'98 932 187 188	£3.00 £7.90 £7.66
Security Auto-Light Stereo Tone Control plus 20W Stereo Amplifier Tone Control 20W Amplifier *Dice Lott	May'98 189 190 191 192	£8.10 £7.78 £8.58 £8.05
EPE Mood Changer *AT89C2051/1051 Programmer Main Board Test Board *Reaction Timer Software only	JUNE'98 193 194 195 –	£7.75 £8.50 £8.69 –
*PIC16x84 Toolkit *Greenhouse Computer Control Board PSU Board	JULY'98 196 197 198	£6.96 £9.08 £8.10

EPE SOFTWARE

Software programs for EPE projects are available on 3.5 inch PC-compatible disks or via our Internet site. Those marked with a single asterisk * are all on one disk, order code PIC-DISK1, this disk also contains the *Simple PIC16C84 Programmer* (Feb '96). The *EPE PIC Tutorial* (**) files are on their own disk, order code PIC-TUTOR. The disks are obtainable from the *EPE PCB Service* at £2.75 each (UK) to cover our admin costs (the software itself is free). Overseas (each): £3.35 surface mail, £4.35 airmail. All files can be downloaded free from our Internet FTP site: <ftp://ftp.epemag.wimborne.co.uk>.

EPE PRINTED CIRCUIT BOARD SERVICE

Order Code Project Quantity Price

Name.....

Address.....

I enclose payment of £..... (cheque/PO in £ sterling only) to:

Everyday Practical Electronics
Access (MasterCard) or Visa No.
Minimum order for credit cards £5

Signature..... Card Exp. Date.....

Please supply name and address of cardholder if different from the address shown

NOTE: You can order p.c.b.s via our Internet site on a secure server:
<http://www.epemag.wimborne.co.uk>

SURFING THE INTERNET NET WORK

ALAN WINSTANLEY



NET WORK is the page specially written for readers having access to the Internet, and for anything related to the *EPE* Internet presence, either on our popular web site www.epemag.wimborne.co.uk or our FTP file area at [ftp.epemag.wimborne.co.uk](ftp://ftp.epemag.wimborne.co.uk). New on the web site is the "Teach-In Meet" page (at [Teach_In.htm](#)), where you can register your interest in our proposed September meeting at the University of Hull. New additions to the FTP site are this month's project files, available for free access by FTP at [pub/8051/Greenhouse](#) and [pub/PICS/PICtoolkit](#).

More on FTP from DOS

Last month we saw how to initiate a command-line FTP session using the `open` command, then how to navigate to the required target on the FTP site in question. You usually start in the `/pub` directory of the remote FTP site. Now some more Unix commands:

- `asc` sets ASCII file transfers (pure text files only)
- `bin` sets binary transfers (images, programs, word processor documents etc.)
- `type` displays the currently set file type (ASCII or binary)
- `cd PICS/Reaction.Timer` takes you to the sub-directory containing the Reaction Timer files
- `cd#.` takes you back up to a higher level directory (the `#` is a space)
- `dir` displays the contents and all the file data of the present working directory
- `ls` lists the current files and folder names of the current directory
- `ls#-R` gives a recursive listing of the files and directories (the `#` is a space) – avoid on a large FTP site!
- `pwd` (print working directory) prompts you with your current directory name
- `cd` (change directory) takes you back to the login root
- `get filename` will fetch a file onto your system
- `mget filenames` fetches multiple files

However, not all commands or variations work on every FTP site: it depends on the server software. Once at the target directory, use `get` to fetch the file, remembering to select either binary or ASCII by typing `bin` or `ascii` at the prompt: Windows 95 defaults to ASCII file type. The command `mget` is used to fetch multiple files in one batch, rather than individually. It can be used with wildcards (`*` or `?`) to fetch several files in one batch.

In directories you will often see a string of letters adjacent to file names. Ever wondered what they mean? A typical example might be: `drwxr-xr-x 26 ftpuser ftpusers 512 Apr 1 22:16 PICS`.

The ten characters at the start tell you about the "ownership" of the file or directory. The first character will either be a `d` for directory (as in this example), or it will be a dash, indicating it is a file or program. The remaining nine characters are sub-divided into three groups of three, to indicate the permissions or rights available to the user. These denote the "owner" of the file or directory, then others from the same group, and finally other users anywhere else (e.g. anonymous FTP'ers). In this example the letters signify:

- `d` directory (a `-` would signify a file)
- `rw` the owner has permission to read, write and execute the file
- `r-x` others in the same group can read or execute, but not write to that file or directory
- `r-x` everybody else can also read or execute the file/directory, but not write to it.

Let's navigate to the "PIColo" project folder held in our PICS directory. A `dir` command reveals the following screen dump:

```
ftp> cd PIColo
250 "/pub/PICS/PIColo" is new cwd.
```

```
ftp> dir
```

```
200 PORT command successful.
```

```
150 Opening ASCII mode data connection for /bin/ls.
```

```
-rw-r--r-- 1 ftpuser ftpusers 496 Jul 4 1997 piccolo.txt
```

```
-rw-r--r-- 1 ftpuser ftpusers 9856 Jul 4 1997 piccolo56.asm
```

```
-rw-r--r-- 1 ftpuser ftpusers 472 Jul 4 1997 piccolo56.obj
```

There are three files, as signified by the dash at the start of each permission. As an anonymous user, you can read them all, as denoted by the final three characters, `r--`.

The only other thing of interest is the file size in bytes, and of course the filename. Unix allows case sensitive names, and sometimes you may need to edit the name on the fly, in order to save it to your local system in a format recognised by your operating system. For large files (say 1MB or more) it is better to use software which allows you to re-commence (or "reget") an FTP session if the transfer fails halfway through, instead of having to repeat the transfer from scratch. A typical sign of bandwidth famine is where an FTP transfer slowly grinds to a halt, until you decide to abandon it. At times like that, having a "reget" function available is extremely valuable, and is one reason why an interruptible FTP client rather than web-style browser transfer is sometimes preferable.

As you will imagine, FTP at the command line is not to the liking of Joe Public, but the ability to recognise basic Unix commands is useful. With the widespread acceptance of graphical user interfaces, the process of FTP has been simplified to the point where it takes just a few mouse clicks to execute a file transfer. Macintosh and Windows users can utilise popular FTP programs including WS_FTP Pro (www.ipswitch.com) and Vicom's FTP Client for Mac (www.vicomtech.com). Both support the "reget" function.

Latest News

A roundup of the latest news: Demon Internet Services of London has been acquired by Scottish Telecom; rumours you now need a "Macintosh" to dial-in via Demon were soon "scotched"! Hopefully ST will knock some rough edges off this renegade pioneer of "all you can eat for a tenner-a-month". Whether the same price regime will continue, remains to be seen. Version 4 of Demon's Turnpike access software for Windows has been released in beta, which now at last includes multiple POP3 mailbox support. Presently for W95 users only, check www.turnpike.com.

At the time of writing, Microsoft continues to slug it out with the Department of Justice anti-trust moves over the incorporation of Internet Explorer into the forthcoming Windows 98. Bill Gates is indignant at this supposed "stifling of innovation" yet Microsoft spectacularly failed to anticipate the impact of the Internet from the start, while everybody else (e.g. Netscape) was busily innovating without them. Remember MSN? Attempting to include an MSN "handle" in its desktop OS (e.g. Windows 95 has several blatant plugs for signing up to the Microsoft Network) crystallises fears that Microsoft is attempting to use its OS to corner the market, but in the event the Internet turns out to be bigger than Microsoft. Judging by my Internet address book containing probably a thousand addresses or more, exactly six of them end in msn-dot-com.

Macintosh owners will (maybe) cheer to hear that Apple have finally recognised that if nothing else, IBM-compatible PC technology offers bucketloads of cheap upgrade paths including PCI local bus, AGP graphics and the USB serial bus, and Apple are finally set to buy these in.

Don't forget to check the *Net Work* page of the *EPE* web site for my latest suggested links for you to try. My E-mail address is alan@epemag.demon.co.uk.

PRACTICAL

ELECTRONICS

Everyday Practical Electronics reaches nearly twice as many UK readers as any other independent monthly hobby electronics magazine, our audited sales figures prove it. We have been the leading independent monthly magazine in this market for the last thirteen years.


If you want your advertisements to be seen by the largest readership at the most economical price our classified and semi-display pages offer the best value. The prepaid rate for semi-display space is £8 (+VAT) per single column centimetre (minimum 2.5cm). The prepaid rate for classified adverts is 30p (+VAT) per word (minimum 12 words).

All cheques, postal orders, etc., to be made payable to Everyday Practical Electronics. VAT must be added. Advertisements, together with remittance, should be sent to Everyday Practical Electronics Advertisements, Mill Lodge, Mill Lane, Thorpe-le-Soken, Essex CO16 0ED. Phone/Fax (01255) 861161.

For rates and information on display and classified advertising please contact our Advertisement Manager, Peter Mew as above.

RCS VARIABLE VOLTAGE D.C. BENCH POWER SUPPLY
Up to 20 volts d.c. at 1 amp continuous, 1.5 amps peak, fully variable from 1 to 20 volts. Twin Voltage and Current meters for easy read-out. 240 volt a.c. input. Fully smoothed, size 23cmx14cmx8cm.

£45 inc. VAT
Post £4



RADIO COMPONENT SPECIALISTS
337 WHITEHORSE ROAD, CROYDON
SURREY, CR0 2HS. Tel: 0181-684 1665

Lots of transformers, high volt caps, valves, output transformers, speakers, in stock. Phone or send your wants list for quote.

**BTEC ELECTRONICS
TECHNICIAN TRAINING**

GNVQ ADVANCED ENGINEERING (ELECTRONIC) - PART-TIME
HND ELECTRONICS - FULL-TIME
B.Eng FOUNDATION - FULL-TIME

Next course commences
Monday 14th September 1998
FULL PROSPECTUS FROM

LONDON ELECTRONICS COLLEGE
(Dept EPE) 20 PENYWERN ROAD
EARLS COURT, LONDON SW5 9SU
TEL: 0171-373 8721


ELECTRONIC KITS

- ◆ 88-108MHz FM transmitters from under £5
- ◆ Many educational and hobby electronic kits covering all technical abilities, from beginners' circuits to MCU/MPU designs
- ◆ Low cost PCB services and equipment
- ◆ Send 4x1st class stamps for catalogue

**DTE MICROSYSTEMS, 112 SHOBNALL ROAD,
BURTON-ON-TRENT, STAFFS DE14 2BB**
PHONE OR FAX: 01283 542229
<http://www.btinternet.com/~dtemicrosystems>

COAST ELECTRONICS

12-BIT PRINTER PORT A/D INTERFACE WITH WINDOWS 95 SOFTWARE 2V5 INPUT RANGE USES 10x SCOPE PROBE TO GIVE 25V RANGE 40MHZ SAMPLE RATE MIN (PENTIUM) COMES WITH SCOPE METER DATA LOGGER/SPECTRUM ANALYSER SOFTWARE ON CD-ROM £80



COAST ELECTRONICS
48 SUNDRIDGE DRIVE
WALDERSLADE
KENT ME5 9HT
TEL: 01634 660157
FAX: 01634 672093

Carriage £2.50, next day £10. VAT is added to total of goods and carriage. Phone/fax/write us (list@coastel.demon.co.uk) for current stock list. We also offer design/PCB layout/device programming services.

**THE BRITISH AMATEUR
ELECTRONICS CLUB**

exists to help electronics enthusiasts by personal contact and through a quarterly Newsletter.

For membership details, write to the Secretary:

**Mr. J. F. Davies, 70 Ash Road, Cuddington,
Northwich, Cheshire CW8 2PB.**

Space donated by Everyday Practical Electronics

Miscellaneous

BRAND NEW SINCLAIR SPECTRUM & QL PARTS

ZX MICRODRIVES £15, INTERFACE ONE £20, CARTRIDGES 10 FOR £15, 50 FOR £50.

QL BOARDS 5, 6 & 7, POPULATED WITH JS ROMS, £30; UNPOPULATED, £12; MICRODRIVES £10 EACH. TOP & BOTTOM CASES £15, MEMBRANES £15.

THE P.C., MAC and QL's "Little Friend"
MAC LINK £10 - P.C. LINK £25 - QL LINK £12

**CAMBRIDGE Z88 A4 NOTEBOOK
COMPUTER AVAILABLE AGAIN £99,
RECONITONEO £80**

ONLY 1" THICK, 4xAAA BATTs. 20 HOURS WORK. LCD SCREEN, 72 Crs, 6 LINES, 32K RAM, EXTRA RAMS & EPROMS, 9 pin D SERIAL PORT, ROM HAS BBC BASIC, W/PROCESSOR, SPREADSHEET, DATA BASE, IMP/EXPORT TO PC etc, V52 TERMINAL.

W.N. RICHARDSON & CO.
PHONE/FAX 01494 871319
6 RAVENSMEAD, CHALFONT ST PETER,
BUCKS, SL9 0NB.

DVMs PSUs & BATTERIES

Digital Multimeters. All ranges up to 600V, 2Mohm, 20A peak, 10A norm. Real value £14.73. Temperature probe +£2.34. Plug PSUs, multi voltage 300mA only £3.71, 750mA only £5.68. Batteries at trade prices, i.e. 3.6Ah cells, same weight as standard sub C. Nicad cells of only 1.2Ah capacity, 57mmx15mm dia. - the most incredible cells our company has ever sourced. Only £8.71.

For more details phone A.C.E. on
(01754) 890567 or Fax (07070) 710613

Fog Machines We make these. Phone for details. Trade distributor required.

THE BARGAIN MASTERS

FREE MOBILE PHONES

You just pay £17.50 for the hire rental, this includes £5.00 worth of call time free - about 45 minutes worth, then you pay for the call time by the second, 40p peak, 12p off peak, and that is it.

SPECIAL OFFER
FREE ACCESSORY PACK AND NO CONNECTION CHARGE IF PAID BY VISA OR DIRECT DEBIT

Accessories include personal hands-free kit, in-car holder, desktop stand, £20 accessory voucher, loan phone, warranty, in-car charger, carry case, rapid charger, also free delivery.

PHONE (free) (0800) 783 3161
All we ask is that you quote this advert 15324

PRINTED CIRCUIT BOARDS - QUICK SERVICE. Prototype and Production. Artwork raised from magazines or draft designs at low cost. PCBs also designed from schematics. Production assembly also undertaken. For details send to P. Agar, Unit 5, East Belfast Enterprise Park, 308 Alberthridge Road, Belfast, BT5 4GX, or phone/fax 01232 738897.

HIGH POWER AUDIO AMPLIFIER. 500W-plus into 8 ohms, ideal professional disco, PA, installation etc. High quality p.c.b. and plans £15.00 or s.a.e. for more info. Bruce Omond Audio, 34A Craiglockhart Avenue, Edinburgh EH14 1LX.

ANYONE REPAIRING TOYOTA/other engine management control units, car spares marketing/distribution company seeks supplier. Malcolm Jackson, Phone/Fax 0181 467 6671.

VALVE ENTHUSIASTS: Capacitors and other parts in stock. For free advice/lists please ring. Geoff Davies (Radio), Tel. 01788 574774.

PROTOTYPE PRINTED CIRCUIT BOARDS one offs and quantities, for details send s.a.e. to B. M. Ansbro, 38 Poynings Drive, Hove, Sussex BN3 8GR, or phone Brighton 883871, fax 01273 706670.

G.C.S.E. ELECTRONIC KITS, at pocket money prices. S.A.E. for FREE catalogue. SIR-KIT Electronics, 52 Severn Road, Clacton, CO15 3RB.

CD-ROM massive servicing and troubleshooting "Technical Encyclopaedia 1997", learn to repair everything electronic and electrical, computers, monitors, printers to TV, VCR, Hi-Fi, domestic appliances and copiers, over 200 volumes on one CD. RRP £99, bargain £20. 01633 283371.

EXPLORE THE (4th) DIMENSION, hear eerie sounds generated on Earth/in space/from UFOs. Special scientific receiver converts carrier emissions, 10Hz to 14kHz into audio. A.E. for info: P.O. Box 694, Saint Helier, JE4 9PZ, Jersey, Channel Islands (UK).

88-108MHz MINIATURE FM TRANSMITTER KITS: Range 1000m, size only 15mm x 15mm. Please send cheques/POs for £11 (includes p&p), payable to BESS, 42 Torfrida Drive, Bourne, Lincolnshire, PE10 9QF.

OSCILLOSCOPE, Hitachi V-302 dual beam, 30MHz, excellent condition, £135. Tel: Evenings 01929 471291.

100 WATT AMPLIFIER PANELS, heat-sinks and controls attached, leads, glass p.c.b., ex-equipment, £7.00. K.I.A., 1 Regent Road, Ilkley, LS29 9EA.

FOR SALE: Wavetek 171 synthesiser, 0-1Hz to 2MHz, £170; AVO transistor tester, TT169 (new), £55; Level transistor tester TM12 (new), £60; RS logic probe (new), £20; RS logic pulser (new), £20; Thandar TG102 function generator, £50; Black Star Meteor 100 frequency counter, 5-100MHz, £45; Wayne Kerr Midge Thermo-Meter, -150°C +150°C, £40. Telephone 01296 748763 (Bucks).

PROJECT KITS at reasonable prices: Voice Changer, £10.95; Sound Activated Switch, £9.95; Solar Energy Kit, £7.95; many more, s.a.e. for list. Postage/packing £1.50 (no VAT). Trax Controls, PO Box 419, Norwich NR1 3BZ.

EPE NET ADDRESSES

EPE FTP site: <ftp://ftp.epemag.wimborne.co.uk>
Access the FTP site by typing the above into your web browser, or by setting up an FTP session using appropriate FTP software, then go into quoted sub-directories:

PIC-project source code files: /pub/PICS
PIC projects each have their own folder; navigate to the correct folder and open it, then fetch all the files contained within. Do not try to download the folder itself!

EPE text files: /pub/docs
Basic Soldering Guide: solder.txt
EPE TENS Unit user advice: tens.doc and tens.txt
Ingenuity Unlimited submission guidance: ing_unlit.txt
New readers and subscribers info: epe_info.txt
Newsgroups or Usenet users advice: usenet.txt
Ni-Cad discussion: nicadfaq.zip and nicad2.zip
UK Sources FAQ: uksource.zip
Writing for EPE advice: write4us.txt

Ensure you set your FTP software to ASCII transfer when fetching text files, or they may be unreadable.

TRAIN TODAY FOR A BETTER FUTURE

Now you can get the skills and qualifications you need for career success with an ICS Home Study Course. Learn in the comfort of your own home at the pace and times that suit you. ICS is the world's largest, most experienced home study school. Over the past 100 years ICS have helped nearly 10 million people to improve their job prospects. Find out how we can help YOU. Post or phone today for FREE INFORMATION on the course of your

Electrical Contracting & Installation
 Electrical Engineering
 C&G Basic Electronic Engineering
 C&G Basic Mechanical Engineering
 TV and Video Servicing
 Radio and Hi-Fi Servicing
 Refrigeration Heating & Air Conditioning
 Motorcycle Maintenance

FREEPHONE 0500 581 557

Or write to: International Correspondence Schools, FREEPOST 882, 8 Elliot Place, Clydeaway SkyPark, Glasgow, G3 8BR. Tel. 0500 581 557 or Tel/Fax: Ireland 01 285 2533.

Please send me my Free Information on your Electronics Courses.

Mr/Mrs/Ms/Miss
 (BLOCK CAPITALS PLEASE) _____ Date of Birth / / _____

Address _____

Postcode _____

Occupation _____ Tel. No. _____

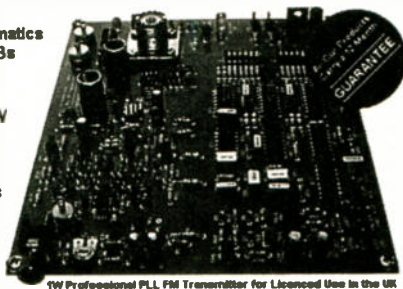
From time to time, we permit other carefully screened organisations to write to you about products and services. If you would prefer not to hear from such organisations please tick box Dept. ZET14050898

Professional 88-108MHz FM Broadcasting Kits

All Our Kits Include
 Detailed Instructions with Schematics
 High Quality Screen Printed PCBs
 High Quality Components

Our Product Range Includes
 Transmitters from 0.05W to 220W
 FM Stereo Coders
 Audio Compressor Limiters
 Antennas RF Power Amps
 Link Transmitters and Receivers

Our Kits Are Also Available
 Fully Assembled And Tested



1W Professional PLL FM Transmitter for Licensed Use in the UK

MasterCard VISA
 WE DELIVER WORLD-WIDE AND
 ACCEPT MAJOR CREDIT CARDS

Contact Us Now For A Free Brochure

Tel 01274 883434 Fax 01274 816200

email veronica@legend.co.uk
 www.legend.co.uk/~veronica/

19 Victoria St, Queensbury
 Bradford, BD13 1AR



Service Manuals

Available for most equipment, from the earliest Valve Wireless to the latest Video Recorder, Television, Computer Monitor, Test Equipment, Satellite, all Audio, Amateur Radio, etc., etc. If you need a Service Manual give us a call or check out the full stock list now on our web site. For your FREE PC Disc catalogue of Technical Books and repair guides - plus details of our manuals on CD-ROM send 4 x first class stamps.

MAURITRON TECHNICAL SERVICES

8 Cherry Tree Road, Chinnor, Oxon, OX9 4QY

Tel: 01844-351694. Fax: 01844-352554.

E-mail: enquiries@mauritron.co.uk

Web site at: http://www.mauritron.co.uk/mauritron/

PINHOLE SPY CAMERAS WITH FREE AUDIO - SEE AND HEAR! ONLY £49.95

AS USED BY POLICE FORCES, DETECTIVES, SHOPS, PUBS AND PARENTS THIS TINY CAMERA CAN BE HIDDEN INSIDE JUST ABOUT ANYTHING CLOCKS, PICTURES, SMOKE DETECTORS, EVEN A MATCHBOX COMPLETE WITH 50FT. FLEX, POWER SUPPLY, SCART/PHONO CONNECTIONS PLUGS INTO ANY TV/VIDEO AND CAN BE WORKING WITHIN MINUTES

COMPLETE RANGE OF CCTV, COVERT SYSTEMS, AUTO-RECORD SYSTEMS, HOUSINGS, DUMMY CAMERAS AND SURVEILLANCE KITS AVAILABLE

ORDER TODAY - DELIVERED TOMORROW



STORM CPS

30 STANHOPE GROVE
 MIDDLESBROUGH, CLEVELAND TS5 7SG
 01642 281158



N. R. BARDWELL LTD (EPE)

100	Signal diodes 1N4148	£1.00	200	Assd. disc ceramic capacitors	£1.00
75	Rectifier Diodes 1N4001	£1.00	50	Assd. SMD Presets (sm, stand, cement)	£1.00
50	Rectifier Diodes 1N4007	£1.00	50	Assd. RF chokes (inductors)	£1.00
10	W01 Bridge Rectifiers	£1.00	50	Assd. grommets	£1.00
10	555 Timer I.C.s	£1.00	80	Assd. solder tags, p/cons, terminals	£1.00
4	741 Op Amps	£1.00	10	Assd. crystals - plug in	£1.00
5	Assorted Zener Diodes 400mW	£1.00	24	Assd. coil formers	£1.00
12	Assorted 7-segment Displays	£1.00	8	Assd. oil switches	£1.00
25	5mm l.e.d.s, red, green or yellow	£1.00	20	Miniature slide switches sp/co	£1.00
25	3mm l.e.d.s, red, green or yellow	£1.00	10	Standard slide switches dp/dt	£1.00
50	Axial l.e.d.s, 2mcd red Diode Package	£1.00	30	Assd. if transformers	£1.00
25	Assd. High Brightness l.e.d.s, var coils	£1.00	100	Assd. beads (ceramic, teflon, fish spine)	£1.00
20	BC182L Transistors	£1.00	80	Assd. small stand offs, throughs etc	£1.00
25	BC212L Transistors	£1.00	30	Assd. oil sockets up to 40 way	£1.00
30	BC237 Transistors	£1.00	10	TV coax plugs, plastic	£1.00
20	BC327 Transistors	£1.00	20	Small spring loaded terminals	£1.00
30	BC328 Transistors	£1.00	40	metres very thin connecting wire, red	£1.00
30	BC547 Transistors	£1.00	20	1in. glass reed switches	£1.00
30	BC548 Transistors	£1.00	20	Magnetic ear pipe with lead and plug	£1.00
30	BC549 Transistors	£1.00	100	Any one value 1/4W 5% cf resistors range 1R to 10M	£0.45
25	BC557 Transistors	£1.00			
30	BC558 Transistors	£1.00			
30	BC559 Transistors	£1.00			
20	2N3904 Transistors	£1.00			
100	50v wkg Axial Capacitors 1nF	£1.00			
100	50v wkg Axial Capacitors 4n7	£1.00			
100	50v wkg sub-miniature Capacitors 33nF	£1.00			
12	1uf 250v encapsulated radial plastic cased capacitors	£1.00			
80	Assd capacitors electrolytic	£1.00			
80	Assd capacitors 1nF to 1µF	£1.00			

Prices include VAT, postage £1.25 3tp stamp for Lists

288 Abbeydale Road, Sheffield S7 1FL
 Phone (0114) 2552886 Fax (0114) 2500689

E-mail Bardwells@compuserve.com
 Web site: http://www.world.compuserve.com/homepages/BARDWELLS

TECHNICAL INFORMATION SERVICES

76 Church St, Larkhall, Lanarks, ML9 1HE

Tel: 01698 883334/884585 Fax: 01698 884825

PHONE NOW FOR YOUR FREE QUOTE

We have the World's Largest Collection of

SERVICE MANUALS

Why not join Europe's fastest growing
 "Information Library Service"

Buy ANY Service Manual for £10.00 and return any
 manual no longer needed for a £5.00 credit

CALLWRITE NOW FOR FURTHER DETAILS

Initial joining fee of £65 : Thereafter £20 Yearly

Join Now: Get your first Manual FREE!

FML ELECTRONICS

SPECIAL £1 PACKS ★ EACH PACK ONLY £1 ★ SPECIAL £1 PACKS

2	CA3080E Transconductive Op.amps	1	40673 RCA N-Channel JFET
4	LM301AN Low Input Current Op.amp	2	BA102 20V 50mA Signal Diodes
1	LM382N Low Noise Dual Pre-amp	20	8-pin DIL Sockets
1	SN7601N 1 Watt 8 ohm 12V Audio Amp	20	3-3µF/63V Radial Electrolytics
5	4001B CMOS Quad 2 Input NOR Gate	5	33µF/160V Radial Electrolytics
5	4070B CMOS Quad Exclusive OR Gate	15	330µF/10V Radial Electrolytics
5	4077B CMOS Quad Exclusive NOR Gate	5	47µF/63V Axial Electrolytics
4	7401N TTL Quad 2 Input NAND Gate	4	47µF/100V Axial Electrolytics
3	7451N TTL Dual AND/OR Gate	3	220µF/63V Axial Electrolytics
2	7475N TTL Quad B-stable Latch	4	1000µF/15V Axial Electrolytics
1	7498N TTL 4 Bit Shift Register	2	2200µF/16V Axial Electrolytics
4	78L05 100mA +5V Voltage Regulators	25	0-047µF 250V C280 Radial Polyester
2	78M18 0-5A +18V Voltage Regulators	1	0-33µF 250V C280 Radial Polyester
4	7905 1A -5V Voltage Regulators	30	10,000 pF 63V 20/80% Sub-Min Ceramics
4	IC0881 2-5A 100V Thyristors (T0202)	12	500mA 20mm Quick Blow Fuses
2	AF138 Low Power pnp Ge RF Transistors	2	SPST 3A 125V Ultra Min Toggle Switches
5	BC142 Medium Power npn Si Transistors	2	DPTD 3A 125V Medium Toggle Switches
6	BC1718 Low Power npn Si Transistors	5	3-5mm Mono Plastic Lina Sockets
4	BC303-5 Medium Power pnp Si Transistors	3	2-pin DIN Switched Chassis Sockets
4	BC413 Low Power npn Si RF Transistors	2	PL259 UHF RF Plugs
4	BD237 High Power npn Si Transistors	2	SC259 UHF Square Sockets
3	BF438 Low Power pnp Si RF Transistors	15	PPC 9V Battery Connectors
5	ZXT109 Low Power npn Si Transistors		See LASTNEXT MONTH for more £1 SPECIALS.
6	ZXT212 Low Power pnp Si Transistors		UK P&P only £1 per order, No VAT.
5	ZXT302 Low Power npn Si Transistors		Please send large S.A.E. for FREE Lists.
5	ZXT502 Low Power pnp Si Transistors		Official Orders Govt., Schools etc. Welcome.
2	2N3933 Medium power npn Si Transistors		Cheques or POs with order please to
2	2N5485 N-Channel JFET		FML ELECTRONICS, FREEPOST NE36227, BEDALE, NORTH YORKSHIRE, DL8 2BR.

NEW COMPONENTS

ORDERS OF £10 AND OVER RECEIVE A FURTHER 25%
 WORTH OF YOUR CHOICE FREE

250	mrad value 0-25W metal/carbon film resistors	£1	50	1N5401 100V 3A diode	£1
100	mrad ceramic plate/disc capacitors	£1		Security Alarm System, consists wire loop, pressure	
4	7805 1.5A 5V Pos. voltage regulators	£1		ped, piezo alarm sounder, key switch in small plastic	
4	7812 1A 12V Pos. voltage regulators	£1		case, needs PP3 battery	£4.50
4	2A in-line 50V bridge rectifiers	£1		VALVE ASSOCIATED ITEMS	
20	4-7 40V 40V radial elec. caps	£1	32	+32µ capacitors, 350V wkg	2 for £7
30	10 50V radial elec. caps	£1		Valve holders, Octal, B8A, B7G	Any 5 for £2
30	22 16V radial elec. caps	£1		MES dial bulbs, 6-3V, 0-3A	Box of 10 £2.95
25	22 50V radial elec. caps	£1		Vintage one watt carbon resistors,	
25	4-7 63V radial elec. caps	£1		50 useful values	£2.95
12	330 10V radial elec. caps	£1		0-1 µ 1,000V wkg, mixed dielectric, wire ended	5 for £3
20	100 50V axial elec. caps	£1		0-088 µ 800V Mylar	5 for £3
10	10 50V axial elec. caps	£1		0-5 µ Metallapack, 350V wkg, wire ended	5 for £3
30	5mm red l.e.d.s	£1			
30	3mm red l.e.d.s	£1			
30	BC1212B transistors	£1			
25	BC548 transistors	£1			
25	BC557 transistors	£1			
25	Assorted value horiz. preset resistors	£1			
2	TV to Video 1 metre leads	£1			
2	PL259 to Phono 1 metre leads	£1			
15	100 ohms 3W 3W resistors	£1			

Please add £1.25 per order p&p
 Callers welcome at our shop - address below

DEPT. (E) CHEVET SUPPLIES LTD
 157 Dickson Road, Blackpool FY1 2EU
 Tel: (01253) 751858

Fax: 01253 302979

N. R. BARDWELL LTD (EPE)

100	Signal diodes 1N4148	£1.00	200	Ass'd disc ceramic capacitors	£1.00
75	Rectifier Diodes 1N4001	£1.00	50	Ass'd Sial Presets (sm. stand. cermet)	£1.00
50	Rectifier Diodes 1N4007	£1.00	50	Ass'd RF chokes (inductors)	£1.00
10	W01 Bridge Rectifiers	£1.00	50	Ass'd solder tags, p/cons, terminals	£1.00
4	555 Timer I.C.s	£1.00	10	Ass'd crystals - plug in	£1.00
741	Op Amps	£1.00	24	Ass'd coil formers	£1.00
50	Assorted Zener Diodes 400mW	£1.00	5	Ass'd di switches	£1.00
12	Assorted 7-segment Displays	£1.00	20	Miniature slide switches sp/co	£1.00
25	5mm I.e.d.s. red, green or yellow	£1.00	10	Standard slide switches dp/dt	£1.00
25	3mm I.e.d.s. red, green or yellow	£1.00	30	Ass'd if transformers	£1.00
50	Axial I.e.d.s. 2mcd red Diode Package	£1.00	100	Ass'd beads (ceramic, teflon, fish spine)	£1.00
25	Ass'd. High Brightness I.e.d.s. var cols	£1.00	50	Ass'd. small stand offs, I'troughs etc	£1.00
20	BC182 Transistors	£1.00	30	Ass'd. di sockets up to 40 way	£1.00
25	BC212L Transistors	£1.00	10	TV coax plugs, plastic	£1.00
30	BC237 Transistors	£1.00	20	Small spring loaded terminals	£1.00
20	BC327 Transistors	£1.00	40	metres very thin connecting wire, red	£1.00
30	BC328 Transistors	£1.00	20	1in glass reed switches	£1.00
30	BC547 Transistors	£1.00	20	Magnetic ear pipe with lead and plug	£1.00
30	BC548 Transistors	£1.00	100	Any one value 1/4W 5% CI resistors range 1R to 10M	£0.45
30	BC549 Transistors	£1.00			
25	BC557 Transistors	£1.00			
30	BC558 Transistors	£1.00			
30	BC559 Transistors	£1.00			
20	2N3904 Transistors	£1.00			
100	50v wkg Axial Capacitors 1nF	£1.00			
100	50v wkg Axial Capacitors 4n7	£1.00			
100	50v wkg sub-miniature Capacitors 33nF	£1.00			
12	1uf 250v encapsulated radial plastic case	£1.00			
80	Ass'd capacitors electrolytic	£1.00			
80	Ass'd capacitors 1nF to 1µF	£1.00			

Prices include VAT, postage £1.25. 31p stamp for Lists
288 Abbeydale Road, Sheffield S7 1FL
Phone (0114) 2552886 Fax (0114) 2500689

E-mail Bardwells@compuserve.com

Web site: <http://ourworld.compuServe.com/homepages/BARDWELLS>

Millions of quality components at lowest ever prices!

Plus anything from bankruptcy - theft recovery - frustrated orders - over production etc.

NO VAT to add on.

Send 45p stamped self addressed label or envelope for clearance lists.

Brian J Reed

**6 Queensmead Avenue, East Ewell
Epsom, Surrey KT17 3EQ**

Tel: 0181-393 9055 Mail order UK only.

Lists are updated and only 40 are sent out every 2 weeks. This normally ensures that orders can be fulfilled where only a few thousand of an item is available. (Payment is returned if sold out. I do not deal in credit notes). This will sometimes entail a delay of up to eight weeks - but the prices will be worth the wait!

COVERT VIDEO CAMERAS

Black and White Pin Hole Board Cameras with Audio. Cameras in P.I.R., Radios, Clocks, Briefcases etc. Transmitting Cameras with Receivers (Wireless). Cameras as above with colour.

Audio Surveillance Kits and Ready Built Units, Bug Detector etc.

A.L. ELECTRONICS

Please phone **0181 203 0161** for free catalogue.
Fax **0181 201 5359**

New DTI approved Video Transmitters and Receivers (Wireless)

SHERWOOD ELECTRONICS

FREE COMPONENTS

Buy 10 x £1 Special Packs and choose another one FREE

SP1	15 x 5mm Red Leds	SP130	100 x Mixed 0.5W C.F. resistors
SP2	12 x 5mm Green Leds	SP131	2 x TL071 Op amps
SP3	12 x 5mm Yellow Leds	SP132	2 x TL082 Op amps
SP10	100 x 1N4148 diodes	SP133	20 x 1N4004 diodes
SP11	30 x 1N4001 diodes	SP134	15 x 1N4007 diodes
SP12	30 x 1N4002 diodes	SP136	3 x BFY50 transistors
SP18	20 x BC182 transistors	SP137	4 x W005 1-5A bridge rectifiers
SP20	20 x BC184 transistors	SP138	20 x 2-2/63V radial elect. caps.
SP21	20 x BC212 transistors	SP140	3 x W04 1-5A bridge rectifiers
SP22	20 x BC214 transistors	SP142	2 x Cmos 4017
SP23	20 x BC549 transistors	SP144	3 x TIP31A transistors
SP24	4 x Cmos 4001	SP145	6 x ZTX300 transistors
SP25	4 x 555 timers	SP146	10 x 2N3704 transistors
SP26	4 x 741 Op.amps	SP147	5 x Stripboard 9 strips x 25 holes
SP28	4 x Cmos 4011	SP151	4 x 8mm Red Leds
SP29	4 x Cmos 4013	SP152	4 x 8mm Green Leds
SP33	4 x Cmos 4081	SP153	4 x Yellow Leds
SP36	25 x 10/25V radial elect. caps.	SP154	15 x BC548 transistors
SP37	15 x 100/35V radial elect. caps.	SP156	3 x Stripboard, 14 strips x 27 holes
SP39	10 x 470/16V radial elect. caps.	SP160	10 x 2N3904 transistors
SP40	15 x BC237 transistors	SP161	10 x 2N3906 transistors
SP41	20 x Mixed transistors	SP165	2 x LF351 Op.amps
SP42	200 x Mixed 0.25W C.F. resistors	SP167	6 x BC107 transistors
SP46	20 x 400mW zener diodes	SP168	6 x BC108 transistors
SP47	5 x Min. PB switches	SP175	20 x 1/63V radial elect. caps.
SP102	20 x 8-pin DIL sockets	SP177	10 x 1A 20mm quick blow fuses
SP103	15 x 14-pin DIL sockets	SP182	20 x 4-7/50V radial elect. caps.
SP104	15 x 16-pin DIL sockets	SP183	20 x BC547 transistors
SP105	5 x 74LS00	SP187	15 x BC239 transistors
SP109	15 x BC557 transistors	SP191	3 x Cmos 4023
SP112	4 x Cmos 4093	SP192	3 x Cmos 4066
SP115	3 x 10mm Red Leds	SP193	20 x BC213 transistors
SP116	3 x 10mm Green Leds	SP194	10 x OA90 diodes
SP118	2 x Cmos 4047	SP195	3 x 10mm Yellow Leds
SP120	3 x 74LS93	SP197	6 x 20 pin DIL sockets
SP121	6 x Rectangular Red Leds 5x2mm	SP198	5 x 24 pin DIL sockets
SP122	6 x Rectangular Green Leds 5x2mm		

RESISTOR PACKS - C.Film

RP3	5 each value - total 365 0-25W	£2.80
RP7	10 each value - total 730 0-25W	£4.00
RP10	1000 popular values 0-25W	£5.80
RP4	5 each value-total 365 0-5W	£3.75
RP8	10 each value-total 730 0-5W	£6.35
RP11	1000 popular values 0-5W	£8.10

1998 Catalogue £1 inc. P&P or FREE with first order.

P&P £1.25 per order. NO VAT.

Orders to:

**Sherwood Electronics,
7 Williamson St., Mansfield,
Notts. NG19 6TD.**

ADVERTISERS INDEX

A.L. ELECTRONICS	552
N. R. BARDWELL	551
BETA LAYOUT	514
B.K. ELECTRONICS	Cover (iii)
BRIAN J. REED	552
BULL ELECTRICAL	Cover (ii)/543
CHEVET SUPPLIES	551
COMPELEC	552
CROWNHILL ASSOCIATES	475
DISPLAY ELECTRONICS	474
EPT EDUCATIONAL SOFTWARE	490
ESR ELECTRONIC COMPONENTS	482
FML ELECTRONICS	551
GREENWELD	477
ICS	551
JPG ELECTRONICS	517
LABCENTER ELECTRONICS	501
MAGENTA ELECTRONICS	480/481
MAPLIN ELECTRONICS	Cover (iv)
MAURITRON	551
NATIONAL COLLEGE OF TECH.	517
NUMBER ONE SYSTEMS	486
PC SOLUTION	499
PEAK ELECTRONIC DESIGN	502
PICO TECHNOLOGY	479
QUICKROUTE SYSTEMS	489
RADIO-TECH	476
SEETRAX CAE	476
SHERWOOD ELECTRONICS	552
SQUIRES	476
STEWART OF READING	477
STORM CPS	551
SUMA DESIGNS	478
TECHNICAL INFORMATION SERVICES	551
VANN DRAPER ELECTRONICS	525
VERONICA KITS	551

ADVERTISEMENT MANAGER: PETER J. MEW

ADVERTISEMENT OFFICES:

EVERYDAY PRACTICAL ELECTRONICS, ADVERTISEMENTS,
MILL LODGE, MILL LANE, THORPE-LE-SOKEN,
ESSEX CO16 0ED.

Phone/Fax: (01255) 861161

For Editorial address and phone numbers see page 483.

OMP MOS-FET POWER AMPLIFIERS
HIGH POWER, TWO CHANNEL 19 INCH RACK

THOUSANDS PURCHASED BY PROFESSIONAL USERS



THE RENOWNED MXF SERIES OF POWER AMPLIFIERS
FOUR MODELS:- MXF200 (100W + 100W) MXF400 (200W + 200W)
MXF600 (300W + 300W) MXF900 (450W + 450W)

ALL POWER RATINGS R.M.S. INTO 4 OHMS, BOTH CHANNELS DRIVEN
FEATURES: * Independent power supplies with two toroidal transformers * Twin L.E.D. Vu meters * Level controls * Illuminated on/off switch * XLR connectors * Standard 775mV inputs * Open and short circuit proof * Latest Mos-Fets for stress free power delivery into virtually any load * High slew rate * Very low distortion * Aluminium cases * MXF600 & MXF900 fan cooled with D.C. loudspeaker and thermal protection.

USED THE WORLD OVER IN CLUBS, PUBS, CINEMAS, DISCOS ETC.

SIZES:- MXF200 W19"xH3 1/2" (2U)xD11"
MXF400 W19"xH5 1/4" (3U)xD12"
MXF600 W19"xH5 1/4" (3U)xD13"
MXF900 W19"xH5 1/4" (3U)xD14 1/2"



PRICES:- MXF200 £175.00 MXF400 £233.85
MXF600 £329.00 MXF900 £449.15
SPECIALIST CARRIER DEL. £12.50 EACH

OMP X03 STEREO 3-WAY ACTIVE CROSS-OVER



Advanced 3-Way Stereo Active Cross-Over, housed in a 19" x 1U case. Each channel has three level controls: bass, mid & top. The removable front fascia allows access to the programmable DIL switches to adjust the cross-over frequency: Bass-Mid 250/500/800Hz, Mid-Top 1.8/3/5KHz, all at 24dB per octave. Bass invert switches on each bass channel. Nominal 775mV input/output. Fully compatible with OMP rack amplifier and modules.

Price £117.44 + £5.00 P&P

STEREO DISCO MIXER SDJ3400S * ECHO & SOUND EFFECTS *

STEREO DISCO MIXER with 2 x 7 band L & R graphic equalisers with bar graph LED Vu meters. MANY OUTSTANDING FEATURES:- including Echo with repeat & speed control, DJ Mic with talk-over switch, 6 Channels with individual faders plus cross fade, Cue Headphone Monitor, 8 Sound Effects. Useful combination of the following inputs:- 3 turntables (mag), 3 mics, 5 Line for CD, Tape, Video etc.

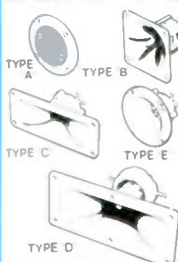


Price £144.99 + £5.00 P&P

SIZE: 482 x 240 x 120mm

PIEZO ELECTRIC TWEETERS - MOTOROLA

Join the Piezo revolution! The low dynamic mass (no voice coil) of a Piezo tweeter produces an improved transient response with a lower distortion level than ordinary dynamic tweeters. As a crossover is not required these units can be added to existing speaker systems of up to 100 watts (more if two are put in series. FREE EXPLANATORY LEAFLETS ARE SUPPLIED WITH EACH TWEETER.



TYPE 'A' (KSN1036A) 3" round with protective wire mesh. Ideal for bookshelf and medium sized Hi-Fi speakers. Price £4.90 + 50p P&P.
TYPE 'B' (KSN1005A) 3 1/2" super horn for general purpose speakers, disco and P.A. systems etc. Price £5.99 + 50p P&P.
TYPE 'C' (KSN1016A) 2 1/2" wide dispersion horn for quality Hi-Fi systems and quality discos etc. Price £6.99 + 50p P&P.
TYPE 'D' (KSN1025A) 2" x 6" wide dispersion horn. Upper frequency response retained extending down to mid-range (2KHz). Suitable for high quality Hi-Fi systems and quality discos. Price £9.99 + 50p P&P.
TYPE 'E' (KSN1038A) 3 3/4" horn tweeter with attractive silver finish trim. Suitable for Hi-Fi monitor systems etc. Price £5.99 + 50p P&P.
LEVEL CONTROL Combines, on a recessed mounting plate, level control and cabinet input jack socket. 85x85mm. Price £4.10 + 50p P&P.

IBI FLIGHT CASED LOUDSPEAKERS

A new range of quality loudspeakers, designed to take advantage of the latest speaker technology and enclosure designs. Both models utilize studio quality 12" cast aluminium loudspeakers with factory fitted grilles, wide dispersion constant directivity horns, extruded aluminium corner protection and steel ball corners, complimented with heavy duty black covering. The enclosures are fitted as standard with top hats for optional loudspeaker stands.



POWER RATINGS QUOTED IN WATTS RMS FOR EACH CABINET FREQUENCY RESPONSE FULL RANGE 45Hz - 20KHz

ibi FC 12-100WATTS (100dB) PRICE £159.00 PER PAIR
ibi FC 12-200WATTS (100dB) PRICE £175.00 PER PAIR
SPECIALIST CARRIER DEL. £12.50 PER PAIR
OPTIONAL STANDS PRICE PER PAIR £49.00
Delivery £6.00 per pair

IN-CAR STEREO BOOSTER AMPS



PRICES: 150W £49.99 250W £99.99
400W £109.95 P&P £2.00 EACH

THREE SUPERB HIGH POWER CAR STEREO BOOSTER AMPLIFIERS

150 WATTS (75 + 75) Stereo, 150W Bridged Mono
250 WATTS (125 + 125) Stereo, 250W Bridged Mono
400 WATTS (200 + 200) Stereo, 400W Bridged Mono
ALL POWERS INTO 4 OHMS
Features:
* Stereo, bridgable mono * Choice of high & low level inputs * L & R level controls * Remote on-off * Speaker & thermal protection.

OMP MOS-FET POWER AMPLIFIER MODULES SUPPLIED READY BUILT AND TESTED.

These modules now enjoy a world-wide reputation for quality, reliability and performance at a realistic price. Four models are available to suit the needs of the professional and hobby market i.e. Industry, Leisure, Instrumental and Hi-Fi etc. When comparing prices, NOTE that all models include toroidal power supply, integral heat sink, glass fibre P.C.B. and drive circuits to power a compatible Vu meter. All models are open and short circuit proof.

THOUSANDS OF MODULES PURCHASED BY PROFESSIONAL USERS



OMP/MF 100 Mos-Fet Output power 110 watts R.M.S. into 4 ohms, frequency response 1Hz - 100KHz -3dB, Damping Factor > 300, Slew Rate 45V/uS, T.H.D. typical 0.002%, Input Sensitivity 500mV, S.N.R. -110 dB. Size 300 x 123 x 60mm.
PRICE £40.85 + £3.50 P&P

OMP/MF 200 Mos-Fet Output power 200 watts R.M.S. into 4 ohms, frequency response 1Hz - 100KHz -3dB, Damping Factor > 300, Slew Rate 50V/uS, T.H.D. typical 0.001%, Input Sensitivity 500mV, S.N.R. -110 dB. Size 300 x 155 x 100mm.
PRICE £64.35 + £4.00 P&P

OMP/MF 300 Mos-Fet Output power 300 watts R.M.S. into 4 ohms, frequency response 1Hz - 100KHz -3dB, Damping Factor > 300, Slew Rate 60V/uS, T.H.D. typical 0.001%, Input Sensitivity 500mV, S.N.R. -110 dB. Size 330 x 175 x 100mm.
PRICE £81.75 + £5.00 P&P

OMP/MF 450 Mos-Fet Output power 450 watts R.M.S. into 4 ohms, frequency response 1Hz - 100KHz -3dB, Damping Factor > 300, Slew Rate 75V/uS, T.H.D. typical 0.001%, Input Sensitivity 500mV, S.N.R. -110 dB, Fan Cooled, D.C. Loudspeaker Protection, 2 Second Anti-Thump Delay. Size 385 x 210 x 105mm.
PRICE £132.85 + £5.00 P&P

OMP/MF 1000 Mos-Fet Output power 1000 watts R.M.S. into 2 ohms, 725 watts R.M.S. into 4 ohms, frequency response 1Hz - 100KHz -3dB, Damping Factor > 300, Slew Rate 75V/uS, T.H.D. typical 0.002%, Input Sensitivity 500mV, S.N.R. -110 dB, Fan Cooled, D.C. Loudspeaker Protection, 2 Second Anti-Thump Delay. Size 422 x 300 x 125mm.
PRICE £259.00 + £12.00 P&P

NOTE: MOS-FET MODULES ARE AVAILABLE IN TWO VERSIONS: STANDARD - INPUT SENS 500mV, BAND WIDTH 100KHz. PEC (PROFESSIONAL EQUIPMENT COMPATIBLE) - INPUT SENS 775mV, BAND WIDTH 50KHz. ORDER STANDARD OR PEC.

LOUDSPEAKERS

LARGE SELECTION OF SPECIALIST LOUDSPEAKERS AVAILABLE, INCLUDING CABINET FITTINGS, SPEAKER GRILLES, CROSS-OVERS AND HIGH POWER, HIGH FREQUENCY BULLETS AND HORNS, LARGE (A4) S.A.E. (60p STAMPED) FOR COMPLETE LIST.



McKenzie and Fane Loudspeakers are also available.

EMINENCE- INSTRUMENTS, P.A., DISCO, ETC

ALL EMINENCE UNITS B OHMS IMPEDANCE
8" 100 WATT R.M.S. ME8-100 GEN. PURPOSE, LEAD GUITAR, EXCELLENT MID, DISCO. RES. FREQ. 72Hz, FREQ. RESP. TO 4KHz, SENS 97dB. PRICE £32.71 + £2.00 P&P
10" 100 WATT R.M.S. ME10-100 GUITAR, VOCAL, KEYBOARD, DISCO, EXCELLENT MID. RES. FREQ. 71Hz, FREQ. RESP. TO 7KHz, SENS 97dB. PRICE £33.74 + £2.50 P&P
10" 200 WATT R.M.S. ME10-200 GUITAR, KEYBOARD, DISCO, VOCAL, EXCELLENT HIGH POWER MID. RES. FREQ. 65Hz, FREQ. RESP. TO 3.5KHz, SENS 99dB. PRICE £43.47 + £2.50 P&P
12" 100 WATT R.M.S. ME12-100LE GEN. PURPOSE, LEAD GUITAR, DISCO, STAGE MONITOR. RES. FREQ. 49Hz, FREQ. RESP. TO 6KHz, SENS 100dB. PRICE £35.64 + £3.50 P&P
12" 100 WATT R.M.S. ME12-100LT (TWIN CONE) WIDE RESPONSE, P.A., VOCAL, STAGE MONITOR. RES. FREQ. 42Hz, FREQ. RESP. TO 10KHz, SENS 98dB. PRICE £36.67 + £3.50 P&P
12" 200 WATT R.M.S. ME12-200 GEN. PURPOSE, GUITAR, DISCO, VOCAL, EXCELLENT MID. RES. FREQ. 58Hz, FREQ. RESP. TO 6KHz, SENS 98dB. PRICE £46.71 + £3.50 P&P
12" 300 WATT R.M.S. ME12-300GP HIGH POWER BASS, LEAD GUITAR, KEYBOARD, DISCO ETC. RES. FREQ. 47Hz, FREQ. RESP. TO 5KHz, SENS 103dB. PRICE £70.19 + £3.50 P&P
15" 200 WATT R.M.S. ME15-200 GEN. PURPOSE BASS, INCLUDING BASS GUITAR. RES. FREQ. 46Hz, FREQ. RESP. TO 5KHz, SENS 99dB. PRICE £50.72 + £4.00 P&P
15" 300 WATT R.M.S. ME15-300 HIGH POWER BASS, INCLUDING BASS GUITAR. RES. FREQ. 39Hz, FREQ. RESP. TO 3KHz, SENS 103dB. PRICE £73.34 + £4.00 P&P

EARBENDERS- HI-FI, STUDIO, IN-CAR, ETC

ALL EARBENDER UNITS B OHMS (Except EB8-50 & EB10-50 which are dual impedance tapped @ 4 & 8 ohm)
BASS, SINGLE CONE, HIGH COMPLIANCE, ROLLED SURROUND
8" 50watt EB8-50 DUAL IMPEDANCE, TAPPED 4/8 OHM BASS, HI-FI, IN-CAR. RES. FREQ. 40Hz, FREQ. RESP. TO 7KHz SENS 97dB. PRICE £8.90 + £2.00 P&P
10" 50watt EB10-50 DUAL IMPEDANCE, TAPPED 4/8 OHM BASS, HI-FI, IN-CAR. RES. FREQ. 40Hz, FREQ. RESP. TO 5KHz, SENS. 99dB. PRICE £13.65 + £2.50 P&P
10" 100WATT EB10-100 BASS, HI-FI, STUDIO. RES. FREQ. 35Hz, FREQ. RESP. TO 3KHz, SENS 96dB. PRICE £30.39 + £3.50 P&P
12" 100WATT EB12-100 BASS, STUDIO, HI-FI, EXCELLENT DISCO. RES. FREQ. 26Hz, FREQ. RESP. TO 3 KHz, SENS 93dB. PRICE £42.12 + £3.50 P&P
FULL RANGE TWIN CONE, HIGH COMPLIANCE, ROLLED SURROUND
5 1/4" 60WATT EB5-60TC (TWIN CONE) HI-FI, MULTI-ARRAY DISCO ETC. RES. FREQ. 63Hz, FREQ. RESP. TO 20KHz, SENS 92dB. PRICE £9.99 + £1.50 P&P
6 1/4" 60WATT EB6-60TC (TWIN CONE) HI-FI, MULTI-ARRAY DISCO ETC. RES. FREQ. 38Hz, FREQ. RESP. TO 20KHz, SENS 94dB. PRICE £10.99 + 1.50 P&P
8" 60WATT EB8-60TC (TWIN CONE) HI-FI, MULTI-ARRAY DISCO ETC. RES. FREQ. 40Hz, FREQ. RESP. TO 18KHz, SENS 89dB. PRICE £12.99 + £1.50 P&P
10" 60WATT EB10-60TC (TWIN CONE) HI-FI, MULTI ARRAY DISCO ETC. RES. FREQ. 35Hz, FREQ. RESP. TO 12KHz, SENS 98dB. PRICE £16.49 + £2.00 P&P

TRANSMITTER HOBBY KITS

PROVEN TRANSMITTER DESIGNS INCLUDING GLASS FIBRE PRINTED CIRCUIT BOARD AND HIGH QUALITY COMPONENTS COMPLETE WITH CIRCUIT AND INSTRUCTIONS
3W TRANSMITTER 80-108MHz. VARICAP CONTROLLED PROFESSIONAL PERFORMANCE. RANGE UP TO 3 MILES. SIZE 38 x 123mm. SUPPLY 12V @ 0.5AMP. PRICE £14.85 + £1.00 P&P
FM MICRO TRANSMITTER 100-108MHz. VARICAP TUNED, COMPLETE WITH VERY SENS FET MIC. RANGE 100-300m. SIZE 56 x 46mm. SUPPLY 9V BATTERY. PRICE £8.80 + £1.00 P&P

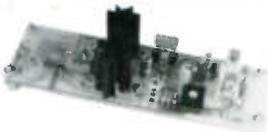


PHOTO: 3W FM TRANSMITTER

PROJECTS

SENTINEL FAN FAILURE ALERT

FEATURES

- ★ Automatic detection of expensive CPU cooling fan failure
- ★ No special connections or mounting required



- ★ Suitable for beginners
- ★ Clear audible warning
- ★ Compatible with most PCs
- ★ Plugs into PC power supply
- ★ Accessibility option

APPLICATIONS

- ★ CPU overheat protection
- ★ Power supply protection
- ★ Other fan cooled equipment

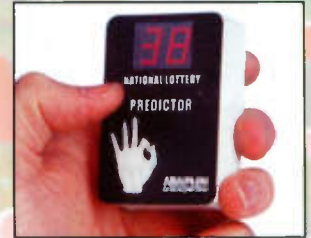
LU73Q Fan Failure Alert Kit

£16.99

NATIONAL LOTTERY PREDICTOR

FEATURES

- ★ Ideal beginners project
- ★ Generates random numbers
- ★ Simple to use - one switch operation
- ★ Automatic switch off saves batteries
- ★ Full source code available



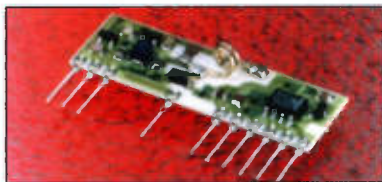
APPLICATIONS

- ★ Use to choose your lottery numbers!
- ★ Excellent introduction to microcontrollers
- ★ Produce random numbers for games

LU61R Lottery Predictor Kit

£9.99

MODULES



418MHZ AM TRANSMITTER AND RECEIVER MODULES

APPLICATIONS

- ★ Pagers
- ★ Car alarms

FEATURES

- ★ **TRANSMITTER (GT39N)**
- ★ Transmitting range up to 100 metres
- ★ SAW controlled frequency stability
- ★ No adjustable components
- ★ Only two connections

- ★ Domestic alarms
- ★ Garage door openers
- ★ Nurse-call systems

RECEIVER (CR75S)

- ★ RF sensitivity typically -105 dBm
- ★ Extremely high accuracy laser trimmed inductor
- ★ Receiving range 30 metres typically

NW43W 418MHz AM TxRx pair

£14.99



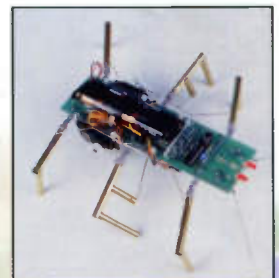
STAMP BUG KIT

FEATURES

- ★ Fully autonomous
- ★ Collision detection and avoidance
- ★ Fully illustrated construction manual
- ★ Approximate size 200x50x150mm when completed

APPLICATIONS

- ★ Educational - robotics and simple
- ★ Hobbyist - great introduction to embedded control and robotics
- ★ Novelty - thrill friends and family



NW34M	Stamp Bug	£86.95
NW23A	Dev Kit 1	£98.70
NW25C	Dev Kit 2	£122.20
NW32K	Basic Stamp 1	£32.90
NW33L	Basic Stamp 2	£51.70



1.3GHZ SUPERVISION VIDEO LINK

FEATURES

- ★ Easy connection
- ★ Low power consumption
- ★ Automatic control of video
- ★ Learns video commands
- ★ Optional PIR activation
- ★ Licence exempt

APPLICATIONS

- ★ Remote security surveillance
- ★ Covert surveillance
- ★ Building security

NW24B	Videolink	£199.99
NW20W	Case	£25.99
NW39N	Antenna	£6.99

ORDER NOW!