

**EVERYDAY**

JUNE 1995

With **PRACTICAL**

# ELECTRONICS

INCORPORATING ELECTRONICS MONTHLY

FULLY S.O.R. £2.25

## EPE HiFi VALVE AMPLIFIER

Valve sound  
hifi at a  
reasonable  
price



## PIC LIGHT CHASER

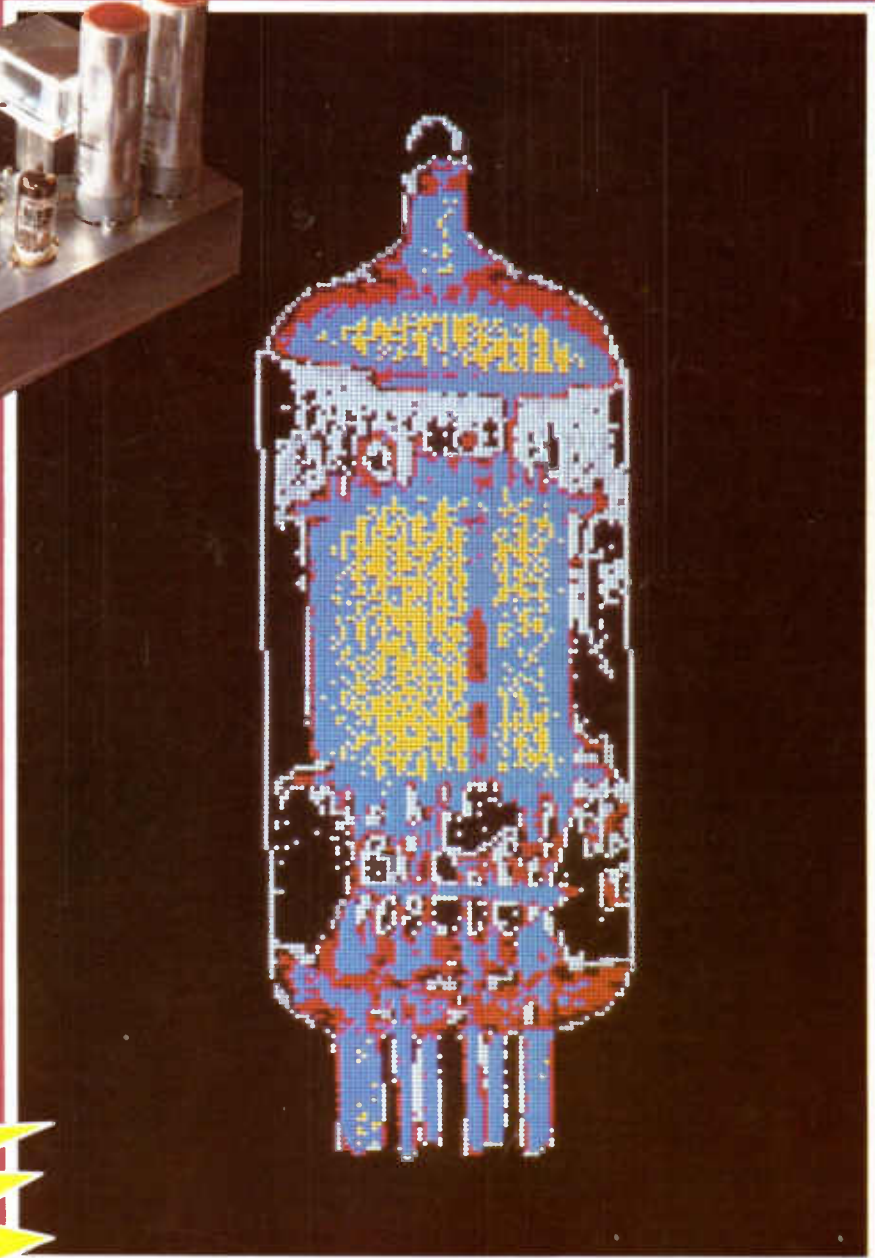
Generate your own  
light patterns

## AA TO PP3 BATTERY CONVERTER

Save money on  
battery costs

## SMART CARDS

Barry Fox investigates



**FREE** WITH THIS ISSUE  
**THE BUDGET**  
**CD & TAPE Co.**  
**CATALOGUE**  
UK issues only

THE No. 1 INDEPENDENT  
MAGAZINE FOR  
ELECTRONICS TECHNOLOGY  
& COMPUTER PROJECTS





**NEW BULL ELECTRONICS STORE IN  
WOLVERHAMPTON  
55A WORCESTER ST. - TEL: 01902 22039**

**A4 DTP MONITORS** Brand new, 300 DPI. Complete with diagram but no interface details (so you will have to work it out!) Bargain at just £12.99 each!!!!

**OPD MONITORS** 9" mono monitor, fully cased complete with raster board, switched mode psu etc. CGAT/TTL input (15way D). IEC mains. £15.99 ref DEC23. Price including kit to convert to composite monitor for CCTV use etc is £21.99 ref DEC24

**PC CONTROLLED 4 CHANNEL TIMER** Control (on/off times etc) up to 4 items (8A 240v each) with this kit. Complete with Software, relays, PCB etc £25.99 Ref 95/26

**COMPLETE PC 300 WATT UPS SYSTEM** Top of the range UPS system providing protection for your computer system and valuable software against mains power fluctuations and cuts. New and boxed, UK made. Provides up to 5 mins running time in the event of complete power failure to allow you to run your system down correctly. **SALE PRICE** just £118.00.

**RACAL MODEM BONANZA!** 1 Racal MPS1223 1200/75 modem, telephone lead, mains lead, manual and comms software, the cheapest way onto the net! all this for just £13 ref DEC13

**HOW LOW ARE YOUR FLOPPIES?** 3 5" (144) unbranded. We have sold 100,000+ so ok! Pack of 50 £24.99 ref DEC16

**BRITISH TELECOMM MULTIMETERS SA9083** These are 'returns' so they may have faults but look ok. Complete with new leads and leather case. Price for two meters & 1 case is £10 ref DEC89

**6mw LASER POINTER.** Supplied in kit form, complete with power adjuster, 1.5mw, and beam divergence adjuster. Runs on 2AAA batteries. Produces thin red beam ideal for levelling, gun sights, experiments etc. Cheapest in the UK! just £39.95 ref DEC49

**SHOP WOBBLERS!** Small assemblies designed to take D size batteries and 'wobble' cardboard model signs about in shop windows! £3.99 Ref SEP42

**RADIO PAGES** Brand new, UK made pocket pagers clearance price is just £4.99 each 100x40x15mm packed with bits! Ref SEP5

**BULL TENS UNIT** Fully built and tested TENS (Transcutaneous Electrical Nerve Stimulation) unit, complete with electrodes and full instructions. TENS is used for the relief of pain etc. up to 70% of sufferers. Drug free pain relief, safe and easy to use. can be used in conjunction with analgesics etc. £49 Ref TEN/1

**COMPUTER RS232 TERMINALS. (LIBERTY)** Excellent quality modem units, (like wyse 50.s) 2xRS232, 20 function keys, 50 thro to 38,400 baud, menu driven port, screen, cursor, and keyboard setup menus (18 menus) £29.99 Ref NOV4

**OMRON TEMPERATURE CONTROLLERS (E6C2).** Brand new controllers, adjustable from -50 deg C to +1,200 deg C using graduated dial, 2% accuracy, thermocouple input, long life relay output, 3A 240v o/p contacts. Perfect for exactly controlling a temperature. Normal trade £50+, ours £15 Ref E5C2

**ELECTRIC MOTOR BONANZA! 110x60mm.** Brand new precision, cap start (or spin to start), virtually silent and features a moving outer case that acts as a flywheel. Because of their unusual design we think that 2 of these in a tube with some homemade fan blades could form the basis for a wind tunnel etc. Clearance price is just £4.99 FOR A PAIR!! (note: these will have to be wired in series for 240v operation Ref NOV1

**MOTOR NO 2 BARGAIN 110x90mm.** Similar to the above motor but more suitable for mounting vertically (ie turntable etc). Again you will have to wire 2 in series for 240v use. Bargain price is just £4.99 FOR A PAIR!! Ref NOV3

**OMRON ELECTRONIC INTERVAL TIMERS.**  
Miniature adjustable timers, 4 pole c/o output 3A 240v,  
HY1230S, 12vDC adjustable from 0-30 secs £9.99  
HY1210M, 12vDC adjustable from 0-10 mins £9.99  
HY1260M, 12vDC adjustable from 0-60 mins £9.99  
HY2460M, 24vAC adjustable from 0-60 mins £5.99  
HY241S, 24vAC adjustable from 0-1 secs £5.99  
HY2460S, 24vAC adjustable from 0-60 secs, £5.99  
HY243H, 24vAC adjustable from 0-3 hours £8.99  
HY2401S, 240v adjustable from 0-1 secs £9.99  
HY2405S, 240v adjustable from 0-5 secs £9.99  
HY24060M, 240v adjustable from 0-60 mins £12.99

**PC PAL VGA TO TV CONVERTER** Converts a colour TV into a basic VGA screen. Complete with built in psu, lead and sware. £49.95. Ideal for laptops or a cheap upgrade. We also can supply this in kit form for home assembly at £34.95 ref EF54

**DRINKING BIRD** Remember these? hook onto wine glass (supplied) and they drink, stand up, drink, stand up ETC! £4 each Ref EF1

**EMERGENCY LIGHTING UNIT** Complete unit with 2 double bulb floodlights, built in charger and auto switch. Fully cased 6v 8AH lead acid req'd. (secondhand) £4 ref MAG4P11

**GUIDED MISSILE WIRE.** 4,200 metre reel of ultra thin 4 core insulated cable, 28lbs breaking strain, less than 1mm thick! Ideal alarms, intercoms, fishing, dolls house's etc £14.99 ref MAG15P5  
**300v PANEL METER 70X60X50MM.** AC, 90 degree scale. Good quality meter. £5.99 ref MAG 6P14. Ideal for monitoring mains etc  
**ASTEC SWITCHED MODE PSU BM41012 GIVES +5 @ 3.75A, +12 @ 1.5A, -12 @ 4A, 230/110, cased, BM41012.** £5.99 ref AUC6P3  
**TORRODIAL TX 30-0-30 480VA.** Perfect for Mosfet amplifiers etc. 120mm dia 55mm thick £18.99 ref APR19

**AUTO SUNCHARGER** 155x300mm solar panel with diode and 3 metre lead fitted with a ogar plug, 12v 2watt £9.99 ea ref AUG10P3  
**FLOPPY DISCS** DSDD Top quality 5.25" discs, these have been written to once and are unused. Pack of 20 is £4 ref AUG4P1

**ECLATRON FLASH TUBE** As used in police car flashing lights etc, full spec supplied, 60-100 flashes a min £9.99 ref APR10P5  
**24v AC 96WATT** Cased power supply. New. £13.99 ref APR14

**MILITARY SPEC GEIGER COUNTERS** Unused and straight from Her Majesty's forces. £50 ref MAG 50P3

**STETHOSCOPE** Fully functioning stethoscope, ideal for listening to hearts, pipes, motors etc. £6 ref MAR6P6

**OUTDOOR SOLAR PATH LIGHT** Captures sunlight during

the day and automatically switches on a built in lamp at dusk. Complete with sealed lead acid battery etc. £19.99 ref MAR20P1

**ALARM VERSION** Of above unit comes with built in alarm and pir to deter intruders. Good value at just £24.99 ref MAR25P4

**CARETAKER VOLUMETRIC Alarm,** will cover the whole of the ground floor against forced entry. Includes mains power supply and integral battery back up. Powerful internal sander, will take external bell if req'd. Retail £150+, ours? £49.99 ref MAR50P1

**TELEPHONE CABLE** White 6 core 100m reel complete with a pack of 100 clips. Ideal 'phone extns etc £7.99 ref MAR8P3

**MICRODRIVE STRIPPER** Small cased tape drives ideal for stripping, lots of useful goodies including a smart case, and lots of components. £2 each ref JUN2P3

**SOLAR POWER LAB SPECIAL** You get TWO 6"x6" 6v 130mA solar cells, 4 LEDs, wire, buzzer, switch plus 1 relay or motor Superb value kit just £5.99 REF: MAG6P8

**SOLID STATE RELAYS** Will switch 25A mains. Input 3-5-26V DC 57x43x21mm with terminal screws £3.99 REF MAG4P10

**BUGGING TAPE RECORDER** Small voice activated recorder, uses micro cassette complete with headphones. £28.99 ref MAR29P1

**ULTRAMINI BUGHIC** 6mmx3.5mm made by AKG, 5-12v electret condenser. Cost £12 ea. Ours? just four for £9.99 REF MAG10P2

**RGB/CGA/EGA/TTL COLOUR MONITORS 12"** in good condition. Back anodised metal case. £79 each REF JUN79

**ANSWER PHONES** Returns with 2 faults, we give you the bits for 1 fault, you have to find the other yourself! BT Response 200's £18 ea REF MAG18P1 PSU £5 ref MAG5P12

**SWITCHED MODE PSU** ex equip, 60w +5v @ 5A, -5v @ 5A, +12v @ 2A, -12v @ 5A, 120/220v cased 245x88x55mm IEC input socket £6.99 REF MAG7P1

**PLUG IN PSU 9V 200mA DC** £2.99 each REF MAG3P9

**PLUG IN ACORN PSU 19v AC 14w.** £2.99 REF MAG3P10

**POWER SUPPLY** fully cased with mains and o/p leads 17v DC 900mA output. Bargain price £5.99 ref MAG6P9

**ACORN ARCHIMEDES PSU +5v @ 4.4A** on/off sw uncased, selectable mains input, 145x100x45mm 7 REF MAG7P2

**GEIGER COUNTER KIT** Low cost professional twin tube, complete with PCB and components. Now only £19 REF AUG19

**9v DC POWER SUPPLY** Standard plug in type 150mA 9v DC with lead and DC power plug price for two is £2.99 ref AUG3P4

**AA NICAD PACK** encapsulated pack of 8 AA nicad batteries (tagged) ex equip 55x32x32mm £3 a pack REF MAG3P11

**13.8V 1.9A** psu cased with leads. Just £9.99 REF MAG10P3

**PPCMODEM CARDS** These are high spec plug in cards made for the Amstrad laptop computers, 2400 baud dial up unit complete with leads. Clearance price is £5 REF: MAG5P1

**INFRA RED REMOTE CONTROLLERS** Originally made for hi spec satellite equipment but perfect for all sorts of remote control projects. Our clearance price is just £2 REF: MAG2

**200 WATT INVERTER** Converts 10-15v DC into either 110v or 240v AC. Fully cased 115x36x156mm, complete with heavy duty power lead, cigar plug, AC output socket, Auto overload shutdown, auto short circuit shut down, auto input over voltage shutdown, auto input under voltage shut down (with audible alarm), auto temp control, unit shuts down if overheated and sounds audible alarm. Fused reversed polarity protected, output frequency within 2%, voltage within 10%. A extremely well built unit at an excellent price. Just £64.99 ref AUG65

**UNIVERSAL SPEED CONTROLLER KIT** Designed by us for the C5 motor but ok for any 12v motor up to 30A. Complete with PCB etc. A heat sink may be required. £17.00 REF: MAG17

**MAINS CABLE** Precut black 2 core 2 metre lengths ideal for repairs, projects etc. 50 metres for £1.99 ref AUG27

**COMPUTER COMMUNICATIONS PACK** Kit contains 100m of 6 core cable, 100 cable clips, 2 line drivers with RS232 interfaces and all connectors etc. Ideal low cost method of communicating between PC's over a long distance. Complete kit £8.99

**MINICYCLOPS PIR** 52x62x40mm runs on P33 battery complete with shrill sander. Cheap protection at only £5.99 ref MAR6P4

**ELECTRIC MOTOR KIT** Comprehensive educational kit includes all you need to build an electric motor. £9.99 ref MAR10P4

**VIEWDATA SYSTEMS** made by Philips, complete with internal 1200/75 modem, keyboard, psu etc. RGB and composite outputs, menu driven, autodialler etc. £18 each Ref EF88

**BOOMERANG** High tech, patented poly propylene, 34cm wing span. Get out and get some exercise for £4.99 ref EF83

**AIR RIFLES.** 22As used by the Chinese army for training purposes, so there is a lot about! £39.95 Ref EF78. 500 pellets £4.50 ref EF80

**PEANUT TREE** Complete kit to grow your own peanuts! full instructions supplied. £3 Ref EF45

**PLUG IN POWER SUPPLYS** Plugs in to 13A socket with output lead. Three types available, 9vdc 100mA £2 ref EF58, 9vdc 200mA £2.50 ref EF59, 6.5vdc 500mA £3 ref EF61

**VIDEO SENDER UNIT.** Transmits both audio and video signals from either a video camera, video recorder, TV or Computer etc to any standard TV set in a 100' range! (tune TV to a spare channel) 12v DC op. Price is £15 REF: MAG15 12v psu is £5 extra REF: MAG5P2

**\*FM CORDLESS MICROPHONE** Small hand held unit with a 500 range 2 transmit power levels. Refs P33 9v battery. Tuneable to any FM receiver. Price is £15 REF: MAG15P1

**LOW COST WALKIE TALKIES** Pair of battery operated units with a range of about 200' ideal for garden use or as an educational toy. Price is £8 a pair REF: MAG 8P1 2 x PP3 req'd.

**\*MINATURE RADIO TRANSCEIVERS** A pair of walkie talkies

\*SOME OF OUR PRODUCTS MAY BE UNLICENSEABLE IN THE UK

**BULL ELECTRICAL**  
250 PORTLAND ROAD HOVE SUSSEX  
BN3 5QT (ESTABLISHED 50 YEARS)  
MAIL ORDER TERMS: CASH PO or CHEQUE  
WITH ORDER PLUS £3.00 POST PLUS VAT.  
PLEASE ALLOW 7 - 10 DAYS FOR DELIVERY  
TELEPHONE ORDERS WELCOME  
TEL: 01273 203500  
FAX: 01273 323077

with a range of up to 2km in open country. Units measure 22x52x155mm. Including cases and ear/pics. 2xPP3 req'd. £30.00 pr. REF: MAG30

**COMPOSITE VIDEO KIT.** Converts composite video into separate H sync, V sync, and video. 12v DC. £8.00 REF: MAG8P2

**LQ3600 PRINTER ASSEMBLIES** Made by Amstrad they are entire mechanical printer assemblies including printhead, stepper motors etc etc in fact everything bar the case and electronics, a good stripped £5 REF: MAG5P3 or 2 for £8 REF: MAG8P3

**LED PACK** of 100 standard red 5m leads £5 REF MAG5P4

**UNIVERSAL PC POWER SUPPLY** complete with flyleads, switch, fan etc. Two types available 150w at £15 REF: MAG15P2 (23x23x23mm) and 200w at £20 REF: MAG20P3 (23x23x23mm)

**GYROSCOPE** About 3" high and an excellent educational toy for all ages! Price with instruction booklet £6 REF EF15.

**FUTURE PC POWER SUPPLIES** These are 295x135x60mm, 4 drive connectors 1 mother board connector, 150watt, 12v fan, lec inlet and on/off switch. £12 Ref EF6

**VENUS FLYTRAP KIT** Grow your own carnivorous plant with this simple kit £3 ref EF34

**PC POWER SUPPLIES** (returns) These are 140x150x90mm, o/ps are +12, -12, +5 and -5v. Built in 12v fan. These are returns so they may well need repairing! £3.50 each ref EF42

**\*FM TRANSMITTER KIT** housed in a standard working 13A adapter! the bug runs directly off the mains so lasts forever! why pay £700? or price is £15 REF: EF62 Transmits to any FM radio, (this is in kit form with full instructions.)

**\*FM BUG KIT** New design with PCB embedded coil for extra stability. Works in any FM radio. 9v battery req'd. £5 REF: MAG5P5

**\*FM BUG BUILT AND TESTED** superior design to kit. Supplied to detective agencies. 9v battery req'd. £14 REF: MAG14

**TALKING COINBOX STRIPPER** originally made to retail at £79 each, these units are designed to convert an ordinary phone into a payphone. The units have the locks missing and sometimes broken hinges. However they can be adapted for their original use or used for something else?? Price is just £3 REF: MAG3P1

**TOP QUALITY SPEAKERS** Made for Hi Fi televisions these are 10 watt 4R Jap made 4" round with large shielded magnets. Good quality £2 each REF: MAG2P4 or 4 for £6 REF: MAG6P2

**TWEETERS** 2" diameter good quality tweeter 140R (ok with the above speaker) 2 for £2 REF: MAG2P5 or 4 for £3 REF: MAG3P4

**AT KEYBOARDS** Made by Apricot these quality keyboards need just a small motor to run on any AT, they work perfectly but you will have to put up with 1 or 2 foreign keycaps! Price £6 REF: MAG6P3

**HEADPHONES** Ex Virgin Atlantic. 8 pairs for £2 REF: MAG2P8

**DOS PACK** Microsoft version 3.3 or higher complete with all manuals or price just £5 REF: MAG5P8 Worth it just for the very comprehensive manual! 5.25" only

**GASHOBS** Brand new made by Optimus, basic three burner suitable for small flat etc bargain price just £29.95 ref EF73

**GAT AIR PISTOL PACK** Complete with pistol, darts and pellets £12.95 Ref EF82 extra pellets (500) £4.50 ref EF80

**CHRISTMAS TREE KIT** Start growing it now! £3 ref EF53

**DOS PACK** Microsoft version 5 Original software but no manuals hence only £5.99 3 5" only

**PIR DETECTOR** Made by famous UK alarm manufacturer these are hi spec, long range internal units. 12v operation. Slight marks on case and unboxed (although brand new) £8 REF: MAG8P5

**MOBILE CARPHONE** £5.99 Well almost! complete in carphone excluding the box of electronics normally hidden under seat. Can be made to illuminate with 12v also has built in light sensor so display only illuminates when dark. Totally convincing! REF: MAG6P6

**ALARM BEACONS** Zenon strobe made to mount on an external bell box but could be used for caravans etc. 12v operation. Just connect up and it flashes regularly! £5 REF: MAG5P11

**6"x12" AMORPHOUS SOLAR PANEL** 12v 155x310mm 130mA. Bargain price just £5.99 ea REF MAG6P12

**FIBRE OPTIC CABLE BUMPER PACK** 10 metres for £4.99 ref MAG3P13 ideal for experimenters! 30m for £12.99 ref MAG13P1

**HEATSINKS** (fined) TO220, designed to mount vertically on a pcb 50x40x25mm you can have a pack of 4 for £1 ref JUN1P11.

**STROBE LIGHT KIT** Adjustable from 1 hz right up to 60hz! (electronic assembly kit with full instructions) £16 ref EF28.

**ROCK LIGHTS** Unusual things these, two pieces of rock that glow when rubbed together believed to cause rain! £3 a pair Ref EF29.

**NEW HIGH POWER LASERS**  
15mW, Helium neon, 3 switchable wavelenghts 63um, 1 15um, 3.39um (2 of them are infrared) 500 1p dazner built in so good for holography. Supplied complete with mains power supply, 790x65mm. Use with EXTREME CAUTION AND QUALIFIED GUIDANCE. £349+Vat.

**WE BUY SURPLUS STOCK FOR CASH**  
**FREE CATALOGUE**

**1995 100 PAGE CATALOGUE NOW AVAILABLE, 45P STAMP OR FREE WITH ORDER.**

**PORTABLE RADIATION DETECTOR WITH NEW COMPUTER INTERFACE. £59.00**

A Hand held personal Gamma and X Ray detector. This unit contains two Geiger Tubes, has a 4 digit LCD display with a Piezo speaker, giving an audio visual indication. The unit detects high energy electromagnetic quanta with an energy from 30K eV to over 1.2M eV and a measuring range of 5-9999 UR/h or 10-99990 Nr/h. Supplied complete with handbook. Ref. NO918.

ISSN 0262 3617

PROJECTS ... THEORY ... NEWS ...  
COMMENT ... POPULAR FEATURES ...

VOL. 24 No. 6 JUNE 1995

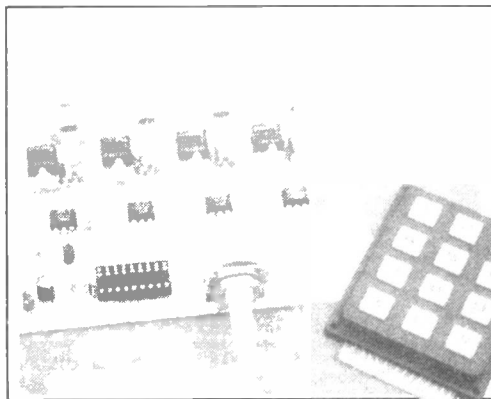
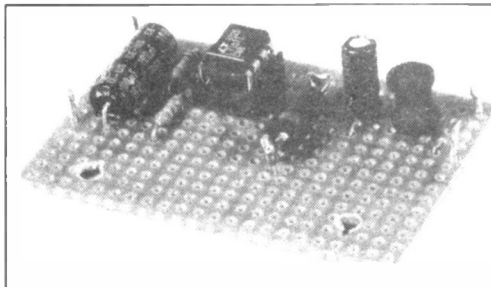
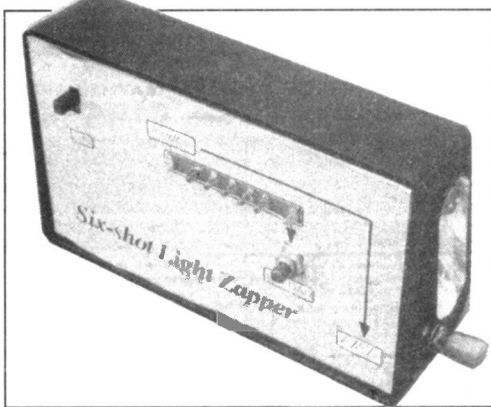
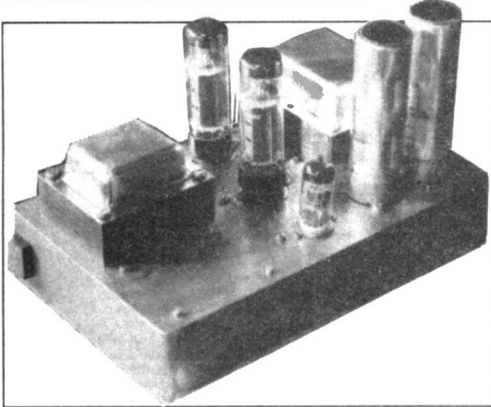
EVERYDAY

With PRACTICAL

# ELECTRONICS

INCORPORATING ELECTRONICS MONTHLY

The No. 1 Independent Magazine for Electronics,  
Technology and Computer Projects



## Projects

- EPE HiFi VALVE AMPLIFIER - 1** by Jake Rothman **434**  
A brand new hybrid design that retains that unique "valve sound"
- NAME OF THE GAME - 4 • Star-Struck! • Six-Shot Zapper** **446**  
• **Wander Wands** by Roy Bebbington  
Easy-build modules to enhance your quiz and party games
- PIC-DATS - 2 4-Channel Light Chaser** by Mark Stuart **465**  
Take your PIC and create your very own light show. Demonstration project to show how easy it is to program your PICs
- AA TO PP3 CONVERTER** by Robert Penfold **476**  
Step up the power of your AA's with this low-cost d.c. to d.c. converter
- R.F. SIGNAL GENERATOR - 2** by Steve Knight **487**  
Final construction of this high performance piece of test gear

## Series

- CIRCUIT SURGERY** by Alan Winstanley **472**  
Voxbox upgrade, diodes and current flow
- ELECTRONICS FROM THE GROUND UP - 9** **480**  
by Mike Tooley B.A.  
Concluding article - Further reading extends the range of *Electronics Workbench*
- INTERFACE** by Robert Penfold **484**  
The page for computer enthusiasts - Model train control
- AMATEUR RADIO** by Tony Smith G4FAI **500**  
Hobby or Politics; No DXCC Status; Young Amateur of the Year; Story of the Key

## Features

- EDITORIAL** **433**
- INNOVATIONS** **442**  
Everyday news from the world of electronics
- NEW TECHNOLOGY UPDATE** by Ian Poole **444**  
The latest developments in memory storage
- OHM SWEET OHM** by Max Fidling **453**  
Max investigates strange "goings on" in the attic
- SMART CARDS** by Barry Fox **454**  
What they are, how they work, are they secure?
- BACK ISSUES** Did you miss these? **460**
- SHOPTALK** with David Barrington **478**  
Component buying for EPE projects
- ELECTRONICS VIDEOS** **492**  
Our range of educational videos
- DIRECT BOOK SERVICE** **495**  
A wide range of technical books available by mail order
- PRINTED CIRCUIT BOARD SERVICE** **499**  
PCBs for EPE projects
- ADVERTISERS INDEX** **504**

**FREE**

**THE BUDGET CD & TAPE CO. CATALOGUE**

*Banded to UK copies*

© Wimborne Publishing Ltd 1995. Copyright in all drawings, photographs and articles published in EVERYDAY with PRACTICAL ELECTRONICS is fully protected, and reproduction or imitations in whole or in part are expressly forbidden.

Our July '95 issue will be published on Friday, 2 June 1995. See page 423 for details.

**Readers Service • Editorial and Advertisement Departments 433**

Cover photo: Alfred Pasieka/Science Photo Library



Surplus always wanted for cash!

# THE ORIGINAL SURPLUS WONDERLAND!

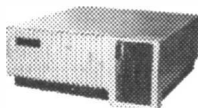
THIS MONTH'S SELECTION FROM OUR VAST EVER CHANGING STOCKS

Surplus always wanted for cash!

LOW COST PC's - ALL EXPANDABLE - ALL PC COMPATIBLE

## SPECIAL BUY AT 286

40Mb HD + 3Mb Ram



LIMITED QUANTITY only of these 12Mhz HI GRADE 286 systems Made in the USA to an industrial specification, the system was designed for total reliability. The compact case houses the motherboard, PSU and EGA video card with single 5 1/4" 1.2 Mb floppy disk drive & Integral 40Mb hard disk drive to the front. Real time clock with battery backup is provided as standard. Supplied in good used condition complete with enhanced keyboard, 640k + 2Mb RAM, DOS 4.01 and 90 DAY Full Guarantee. Ready to Run!

Order as HIGRADE 286 **ONLY £149.00 (E)**  
CALL FOR QTY DISCOUNTS

Optional Fitted extras: VGA graphics card	£29.00
1.4Mb 3 1/2" floppy disk drive (instead of 1.2 Mb)	£24.95
NE2000 Ethernet (thick, thin or twisted) network card	£49.00

## FLOPPY DISK DRIVES 3 1/2" - 8"

5 1/4" from £22.95 - 3 1/2" from £24.95

Massive purchases of standard 5 1/4" and 3 1/2" drives enables us to present prime product at industry beating low prices! All units (unless stated) are BRAND NEW or removed from often brand new equipment and are fully tested, aligned and shipped to you with a 90 day guarantee and operate from standard voltages and are of standard size. All are IBM-PC compatible (if 3 1/2" supported on your PC).

3 1/2" Panasonic JU363/4 720K or equivalent	£24.95(B)
3 1/2" Mitsubishi MF355C-L. 1.4 Meg. Laptops only *	£36.95(B)
3 1/2" Mitsubishi MF355C-D. 1.4 Meg. Non laptop	£29.95(B)
5 1/4" Teac FD-55GFR 1.2 Meg	£29.95(B)
5 1/4" BRAND NEW Mitsubishi MF501B 360K	£22.95(B)
* Data cable included in price	
Shugart 800/801 8" SS refurbished & tested	£195.00(E)
Shugart 851 8" double sided refurbished & tested	£250.00(E)
Mitsubishi M2894-63 8" double sided NEW	£275.00(E)
Mitsubishi M2896-63-02U 8" DS slimline NEW	£285.00(E)
Dual 8" drives with 2 mbte capacity housed in a smart case with built in power supply. Ideal as exterior drives!	£499.00(F)

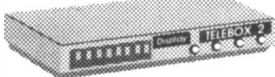
## HARD DISK DRIVES

End of line purchase ecoop! Brand new NEC D2246 8" 85 Mbyte of hard disk storage! Full industry standard SMD Interface. Ultra hi speed data transfer and access time, replaces Fujitsu equivalent model. complete with manual. Only

3 1/2" FUJII FK-309-26 20mb MFM I/F RFE	£59.95(C)
3 1/2" CONNER CP3024 20 mb IDE I/F (or equiv) RFE	£89.95(C)
3 1/2" CONNER CP3044 40mb IDE I/F (or equiv) RFE	£89.00(C)
3 1/2" RODIME R03057S 45mb SCSI I/F (Mac & Acorn)	£99.00(C)
3 1/2" MINISCRIBE 3425 20mb MFM I/F (or equiv) RFE	£49.95(C)
5 1/4" SEAGATE ST 128R 30 mb RLL I/F Refurb	£89.95(C)
5 1/4" CDC 94205-51 40mb HH MFM I/F RFE tested	£89.95(C)
8" FUJITSU M2322K 160mb SMD I/F RFE tested	£195.00(E)
Hard disc controllers for MFM, IDE, SCSI, RLL etc. from	£16.95

## THE AMAZING TELEBOX

Converts your colour monitor into a QUALITY COLOUR TV!!



TV SOUND & VIDEO TUNER!

The TELEBOX consists of an attractive fully cased mains powered unit, containing all electronics ready to plug into a host of video monitors made by makers such as MICROVITEC, ATARI, SANYO, SONY, COMMODORE, PHILIPS, TATUNG, AMSTRAD etc. The composite video output will also plug directly into most video recorders, allowing reception of TV channels not normally receivable on most television receivers (TELEBOX MB). Push button controls on the front panel allow reception of 8 fully tuneable 'off air' UHF colour television channels. TELEBOX MB covers virtually all television frequencies VHF and UHF including the HYPERBAND as used by most cable TV operators. A composite video output is located on the rear panel for direct connection to most makes of monitor or desktop video systems. For complete compatibility - even for monitors without sound - an integral 4 watt audio amplifier and low level Hi Fi audio output are provided as standard.

TELEBOX ST for composite video input type monitors	£34.95
TELEBOX STL as ST but with integral speaker	£37.50
TELEBOX MB Multiband VHF-UHF-Cable-Hyperband Tuner	£69.95
For overseas PAL versions state 5.5 or 6mhz sound specification.	
*For cable / hyperband reception Telebox MB should be connected to cable type service. Shipping code on all Teleboxes is (B)	

## FANS & BLOWERS

MITSUBISHI MMF-D6D12DL 80 x 25 mm 12v DC	£4.95 10 / £42
MITSUBISHI MMF-09B12DH 92 x 25 mm 12v DC	£5.95 10 / £53
PANCAKE 12-3.5 92 x 18 mm 12v DC	£7.95 10 / £69
EX-EQUIP 120 x 38mm AC fans - tested specify 110 or 240 v	£6.95
EX-EQUIP 80 x 38mm AC fans - tested specify 110 or 240 v	£5.95
VERO rack mount 1U x 19" fan tray specify 110 or 240v	£45.95 (B)
IMHOF B26 1900 rack mnt 3U x 19" Blower 110/240v New	£79.95
Shipping on all fans (A), Blowers (B). 50,000 Fans Ex Stock CALL	

## IC's - TRANSISTORS - DIODES

OBsolete - SHORT SUPPLY - BULK

5,000,000 items EX STOCK

For MAJOR SAVINGS - SAE or CALL FOR LATEST LIST

## PC SCOOP COMPLETE COLOUR SYSTEM ONLY £99.00



A massive bulk purchase enables us to bring you a COMPLETE ready to run colour PC system at an unheard of price! The Display Electronics PC99 system comprises of fully compatible and expandable XT PC with 256k of RAM, 5 1/4" 360k floppy disk drive, 12" CGA colour monitor, standard 84 key keyboard, MS DOS and all connecting cables - just plug in and go!! Ideal students, schools or anybody wishing to learn the world of PC's on an ultra low budget. Don't miss this opportunity. Fully guaranteed for 90 Days.

Optional Fitted extras: 640k RAM	£29.00
2nd floppy drive, specify 5 1/4" 360k or 3 1/2" 720k	£29.95
Above prices for PC99 offer ONLY.	

## VIDEO MONITOR SPECIALS

One of the highest specification monitors you will ever see - At this price - Don't miss it!!

Mitsubishi FA3415ETKL 14" SVGA Multisync monitor with fine 0.28 dot pitch tube and guaranteed resolution of 1024 x 768. A variety of inputs allows connection to a host of computers including IBM PC's in CGA, EGA, VGA & SVGA modes, BBC, COMMODORE (including Amiga 1200), ARCHIMEDES and APPLE. Many features: Etched faceplate, text switching and LOW RADIATION MPR specification. Full 90 day warranty. Supplied in EXCELLENT little used condition.

Order as MITS-SVGA	Only £139 (E)
Titl & Swivel Base	£8.00
Leads for IBM PC	£8.95 (A)
External Cables for other computers	£ CALL

PHILIPS HCS35 (same style as CM8833) attractively styled 14" colour monitor with both RGB and standard composite 15.625 KHz video inputs via SCART socket and separate phono jacks. Integral audio power amp and speaker for all audio visual uses. Will connect direct to Amiga and Atari BBC computers. Ideal for all monitoring / security applications with direct connection to most colour cameras. High quality with many features such as front concealed fan controls, VCR correction button etc. Good used condition - fully tested with a 90 day guarantee. Dimensions: W14" x H12 3/4" x 15 1/2" D.

Order as MITS-SVGA	Only £99 (E)
Special Offer save £16.95 - Order TELEBOX ST & HCS35 together - giving you a quality colour TV & ST system for	Only £122.50 (E)

KME 10" high definition colour monitors. Nice tight 0.28" dot pitch for superb clarity and modern styling. Operates from any 15.625 khz sync RGB video source, with RGB analog and composite sync such as Atari, Commodore Amiga, Acorn Archimedes & BBC. Measures only 13 1/2" x 12" x 11". Only £125 (E). Good used condition. 90 day guarantee.

KME 10" as above for PC EGA standard £145.00 (E)

PHILIPS HCS31 Ultra compact 9" colour video monitor with standard composite 15.625 KHz video input via SCART socket. Ideal for all monitoring / security applications. High quality, ex-equipment fully tested with a 90 day guarantee (possible minor screen burn). In attractive square black plastic case measuring W10" x H10" x 13 1/2" D. Mains powered. Limited Quantity - Only £79.00 (D)

20" 22" and 26" AV SPECIALS

Superbly made UK manufacture. PIL all solid state colour monitors, complete with composite video & optional sound inputs. Attractive teak style case. Perfect for Schools, Shops, Disco, Clubs, etc. In EXCELLENT little used condition with full 90 day guarantee.

20" ....£135	22" ....£155	26" ....£185 (F)
--------------	--------------	------------------

DC POWER SUPPLIES

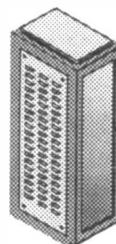
Virtually every type of power supply you can imagine. Over 10,000 power supplies Ex Stock Call for info / list.

## SPECIAL INTEREST

Zeta 3220-05 A0 4 pen HPGL RS232c fast drum plotter	£1950
3M VDA - Video Distribution Amps. 1 in 32 out	£375
Trio 0-18 vdc bench PSU, 30 amps. New	£470
Fujitsu M3041 600 LPM band printer	£1950
VG Electronics 1095 TELEXIT Decoding Margin Meter	£3750
Andrews LARGE 3.1 m Satellite Dish + mount (For Voyager!)	£950
RED TOP IR Heat seeking missile (not armed!!)	£250
KNS EMC / Line interference tester NEW	£1200
Thurley LA 1608 logic analyser	£375
INTEL SBC 486/133SE Multibus 486 system. 8Mb Ram	£1200
GEC 1.5kw 115v 60hz power source	£950
Brush 2TK 400 Hz 3 phase frequency converter	£850
Anton Piller 75 kW 400 Hz 3 phase frequency converter	POA
Newton Derby 70 kW 400 Hz 3 phase frequency converter	POA
COMPONEEDX T1000 Portable TELEX tester NEW	£250
Sekonic SD 150H 18 channel digital Hybrid chart recorder	£1995
HP 7580A A1 8 pen HPGL high speed drum plotter	£1850
Computer MCA1613APC 16mm auto iris lenses "C" mount	£125
Seaward PAT 200 dual voltage computerised PAT tester	£585
Densel MUD 0185AH 1KVA UPS system with batte NEW	£575

## 19" RACK CABINETS

Superb quality 6 foot 40U Virtually New, Ultra Smart Less than Half Price!

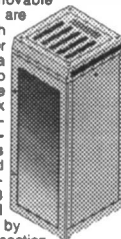


Top quality 19" rack cabinets made in UK by Optima Enclosures Ltd. Units feature designer, smoked acrylic lockable front door, full height lockable full louvered back door and removable side panels. Fully adjustable internal fixing struts, ready punched for any configuration of equipment mounting plus ready mounted integral 12 way 13 amp socket switched mains distribution strip make these racks some of the most versatile we have ever sold. Racks may be stacked side by side and therefore require only two side panels to stand singly or in bays.

Overall dimensions are: 77 1/2" H x 32 1/2" D x 22" W. Order as:  
OPT Rack 1 Complete with removable side panels. £335.00 (G)  
OPT Rack 2 Rack. Less side panels £225.00 (G)

## 32U - High Quality - All steel cabinet

Made by Eurocraft Enclosures Ltd to the highest possible spec, rack features all steel construction with removable side, front and back doors. Front and back doors are hinged for easy access and all are lockable with five secure 5 lever barrel locks. The front door is constructed of double walled steel with a 'designer style' smoked acrylic front panel to enable status indicators to be seen through the panel, yet remain unobtrusive. Internally the rack features full slotted reinforced vertical fixing members to take the heaviest of 19" rack equipment. The two movable vertical fixing members (extras available) are pre punched for standard 'cage nuts'. A mains distribution panel internally mounted to the bottom rear, provides 8 IEC 3 pin Euro sockets and 1 x 13 amp 3 pin switched utility socket. Overall ventilation is provided by fully louvered back door and double skinned top section with top and side louvres. The top panel may be removed for fitting of integral fans to the sub plate etc. Other features include: fitted castors and floor levelers, prepunched utility panel at lower rear for cable / connector access etc. Supplied in excellent, slightly used condition with keys. Colour Royal blue. External dimensions 64" H x 25" D x 23 3/4" W.



Sold at LESS than a third of makers price !!

A superb buy at only £195.00 (G)

Over 1000 racks in all sizes 19" 22" & 24" 3 to 44 U. Available from stock !! Call with your requirements.

## TOUCH SCREEN SYSTEM

The ultimate in 'Touch Screen Technology' made by the experts - MicroTouch - but sold at a price below cost !! System consists of a flat translucent glass laminated panel measuring 29.5 x 23.5 cm connected to a PCB with on board sophisticated electronics. From the board comes a standard serial RS232C or TTL output. The output continuously gives simple serial data containing positional X & Y co-ordinates as to where a finger is touching the panel - as the finger moves, the data instantly changes. The X & Y information is given at an incredible matrix resolution of 1024 x 1024 positions over the screen size !!! So, no position, however small fails detection. A host of available transition software enables direct connection to a PC for a myriad of applications including: control panels, pointing devices, POS systems, controllers for the disabled or computer un-trained etc. Imagine using your finger in 'Windows' instead of a mouse !! (a driver is indeed available!) The applications for this amazing product are only limited by your imagination!! Supplied as a complete system including Controller, Power Supply and Data at an incredible price of only: £145.00 (B)

RFE. Full Software Support Available - Fully Guaranteed

## LOW COST RAM & CPU'S

INTEL 'ABOVE' Memory Expansion Board. Full length PC-XT and PC-AT compatible card with 2 Mbytes of memory on board. Card is fully selectable for Expanded or Extended (286 processor and above) memory. Full data and driver disk supplied. In good used condition fully tested and guaranteed. Windows compatible. Order as: ABOVE CARD £59.95 (A1)

Half length 8 bit memory upgrade cards for PC AT XT expands memory either 256k or 512k in 64k steps. May also be used to fill in RAM above 640k DOS limit. Complete with data. Order as: XT RAM UG. 256K. £32.95 or 512k £38.95 (A1)

## SIMM OFFERS

1 MB x 9 SIMM 9 chip 120ns only	£19.50 (A1)
1 MB x 9 SIMM 9 chip 80 ns	£23.50 70ns
1 MB x 9 SIMM 9 chip 80 ns	£22.50 70ns
1 MB x 70ns 72 pin SIMM module only	£125.00 (A1)
SPECIAL INTEL 486-DX33 CPU	£79.90 (A1)

## NO BREAK UNINTERRUPTIBLE PSU'S

EMERSON ACCUCARD UPS, brand new 8 Bit half length PC compatible card for all IBM XT/AT compatibles. Card provides DC power to all internal system components in the event of power supply failure. The Accusaver software provided uses only 6k of base RAM and automatically copies all system, expanded and video memory to the hard disk in the event of loss of power. When power is returned the machine is returned to the exact status when the power failed!! The unit features full self diagnostics on boot and is supplied brand new, with full, easy fitting instructions and manual. Normally £189.00 NOW! £69.00 or 2 for £120 (B)

Issue 13 of Display News now available - send large SAE - PACKED with bargains!



LONDON SHOP  
Open Mon - Sat 9:00 - 5:30  
215 Whitehorse Lane  
South Norwood  
On 68A Bus Route  
N. Thornton Heath &  
Selhurst Park SR Rail Stations

ALL MAIL & OFFICES  
Open Mon-Fri 9.00-5:30  
Dept EE. 32 Biggin Way  
Upper Norwood  
LONDON SE19 3XF

DISTEL © The Original  
FREE On line Database  
Info on 1000's of items  
V21, V22, V22 BIS  
0181 679 1888

ALL ENQUIRIES  
0181 679 4414  
FAX 0181 679 1927

All prices for UK Mainland. UK customers add 17.5% VAT to TOTAL order amount. Minimum order £10. Bona Fide account orders accepted from Government, Schools, Universities and Local Authorities - minimum account order £50. Cheques over £100 are subject to 10 working days clearance. Carriage charges (A)=£3.00, (B)=£4.00, (C)=£5.50, (D)=£12.00, (E)=£15.00, (F)=£18.00, (G)=CALL. Allow approx 6 days for shipping - faster CALL. Scotland surcharge CALL. All goods supplied to our Standard Conditions of Sale and unless stated guaranteed for 90 days. All guarantees on a return to base basis. All rights reserved to change prices / specifications without prior notice. Orders subject to stock. Discounts for volume. Top CASH prices paid for surplus goods. All trademarks etc acknowledged. © Display Electronics 1995. E & O E. 4/5



# WINDICATOR

*A reasonably accurate, inexpensive and easy to build anemometer. This unit employs an electric motor to dispense with complicated bearings, shafts and transducers. It will indicate windspeed from 10 to 75 m.p.h. on an l.e.d. bargraph or moving dot readout.*



# AUTOMATIC CURTAIN WINDER

*Automatically opens and closes curtains at preset light levels. Can be used with almost any corded system. An infra-red remote control transmitter and receiver will also be described and the unit could be interfaced to a computer control system if so desired.*

# RAMP GENERATOR

*A professional quality ramp generator aimed at the intermediate to advanced constructor. This high quality design has a multitude of uses including: oscilloscope calibrator, plotter timebase, curve tracer, frequency response analyser and spectrum analyser.*

★ *Plus all the regular features.*

★ *Don't miss out place an order with your newsagent or take out a subscription NOW!*

EVERYDAY

With **PRACTICAL**

# ELECTRONICS

JULY ISSUE ON SALE FRIDAY, JUNE 2

THE NEXT MONTH

# SURVEILLANCE PROFESSIONAL QUALITY KITS

## No. 1 for Kits

Whether your requirement for surveillance equipment is amateur, professional or you are just fascinated by this unique area of electronics SUMA DESIGNS has a kit to fit the bill. We have been designing electronic surveillance equipment for over 12 years and you can be sure that all our kits are very well tried, tested and proven and come complete with full instructions, circuit diagrams, assembly details and all high quality components including fibreglass PCB. Unless otherwise stated all transmitters are tuneable and can be received on an ordinary VHF FM radio.

**Genuine SUMA kits available only direct from Suma Designs. Beware inferior imitations!**

**UTX Ultra-miniature Room Transmitter**  
Smallest room transmitter kit in the world! Incredible 10mm x 20mm including mic. 3-12V operation. 500m range.....£16.45

**MTX Micro-miniature Room Transmitter**  
Best-selling micro-miniature Room Transmitter  
Just 17mm x 17mm including mic. 3-12V operation. 1000m range.....£13.45

**STX High-performance Room Transmitter**  
Hi performance transmitter with a buffered output stage for greater stability and range. Measures 22mm x 22mm including mic. 6-12V operation, 1500m range.....£15.45

**VT500 High-power Room Transmitter**  
Powerful 250mW output providing excellent range and performance. Size 20mm x 40mm. 9-12V operation. 3000m range.....£16.45

**VXT Voice Activated Transmitter**  
Triggers only when sounds are detected. Very low standby current. Variable sensitivity and delay with LED indicator. Size 20mm x 67mm. 9V operation. 1000m range.....£19.45

**HVX400 Mains Powered Room Transmitter**  
Connects directly to 240V AC supply for long-term monitoring. Size 30mm x 35mm. 500m range.....£19.45

**SCRX Subcarrier Scrambled Room Transmitter**  
Scrambled output from this transmitter cannot be monitored without the SCDM decoder connected to the receiver. Size 20mm x 67mm. 9V operation. 1000m range.....£22.95

**SCLX Subcarrier Telephone Transmitter**  
Connects to telephone line anywhere, requires no batteries. Output scrambled so requires SCDM connected to receiver. Size 32mm x 37mm. 1000m range.....£23.95

**SCDM Subcarrier Decoder Unit for SCRKX**  
Connects to receiver earphone socket and provides decoded audio output to headphones. Size 32mm x 70mm. 9-12V operation.....£22.95

**ATR2 Micro Size Telephone Recording Interface**  
Connects between telephone line (anywhere) and cassette recorder. Switches tape automatically as phone is used. All conversations recorded. Size 16mm x 32mm. Powered from line.....£13.45

**UTLX Ultra-miniature Telephone Transmitter**  
Smallest telephone transmitter kit available. Incredible size of 10mm x 20mm! Connects to line (anywhere) and switches on and off with phone use. All conversation transmitted. Powered from line. 500m range.....£15.95

**TLX700 Micro-miniature Telephone Transmitter**  
Best-selling telephone transmitter. Being 20mm x 20mm it is easier to assemble than UTLX. Connects to line (anywhere) and switches on and off with phone use. All conversations transmitted. Powered from line. 1000m range.....£13.45

**STLX High-performance Telephone Transmitter**  
High performance transmitter with buffered output stage providing excellent stability and performance. Connects to line (anywhere) and switches on and off with phone use. All conversations transmitted. Powered from line. Size 22mm x 22mm. 1500m range.....£16.45

**TKX900 Signalling/Tracking Transmitter**  
Transmits a continuous stream of audio pulses with variable tone and rate. Ideal for signalling or tracking purposes. High power output giving range up to 3000m. Size 25mm x 63mm. 9V operation.....£22.95

**CD400 Pocket Bug Detector/Locator**  
LED and piezo bleeper pulse slowly, rate of pulse and pitch of tone increase as you approach signal. Gain control allows pinpointing of source. Size 45mm x 54mm. 9V operation.....£30.95

**CD600 Professional Bug Detector/Locator**  
Multicolour readout of signal strength with variable rate bleeper and variable sensitivity used to detect and locate hidden transmitters. Switch to AUDIO CONFORM mode to distinguish between localised bug transmission and normal legitimate signals such as pagers, cellular, taxis etc. Size 70mm x 100mm. 9V operation.....£50.95

**QTX180 Crystal Controlled Room Transmitter**  
Narrow band FM transmitter for the ultimate in privacy. Operates on 180 MHz and requires the use of a scanner receiver or our QRX180 kit (see catalogue). Size 20mm x 67mm. 9V operation. 1000m range.....£40.95

**QLX180 Crystal Controlled Telephone Transmitter**  
As per QTX180 but connects to telephone line to monitor both sides of conversations. 20mm x 67mm. 9V operation. 1000m range.....£40.95

**QSX180 Line Powered Crystal Controlled Phone Transmitter**  
As per QLX180 but draws power requirements from line. No batteries required. Size 32mm x 37mm. Range 500m.....£35.95

**QRX180 Crystal Controlled FM Receiver**  
For monitoring any of the 'Q' range transmitters. High sensitivity unit. All RF section supplied as a pre-built and aligned module ready to connect on board so no difficulty setting up. Output to headphones. 60mm x 75mm. 9V operation.....£60.95

**A build-up service is available on all our kits if required.**

UK customers please send cheques, POs or registered cash. Please add £1.50 per order for P&P. Goods despatched ASAP allowing for cheque clearance. Overseas customers send sterling bank draft and add £5.00 per order for shipment. Credit card orders welcomed on 0827 714476.

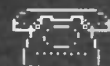
**OUR LATEST CATALOGUE CONTAINING MANY MORE NEW SURVEILLANCE KITS NOW AVAILABLE. SEND TWO FIRST CLASS STAMPS OR OVERSEAS SEND TWO IRCS.**

### ★★★ Specials ★★★

**DLTX/DLRX Radio Control Switch**  
Remote control anything around your home or garden, outside lights, alarms, paging system etc. System consists of a small VHF transmitter with digital encoder and receiver unit with decoder and relay output, momentary or alternate, 8-way di1 switches on both boards set your own unique security code. TX size 45mm x 45mm. RX size 35mm x 90mm. Both 9V operation. Range up to 200m.  
Complete System (2 kits).....£50.95  
Individual Transmitter DLTX.....£19.95  
Individual Receiver DLRX.....£37.95

**MBX-1 Hi-Fi Micro Broadcaster**  
Not technically a surveillance device but a great idea! Connects to the headphone output of your Hi-Fi, tape or CD and transmits Hi-Fi quality to a nearby radio. Listen to your favourite music anywhere around the house, garden, in the bath or in the garage and you don't have to put up with the DJ's choice and boring waffle. Size 27mm x 60mm. 9V operation. 250m range.....£20.95

**DEPT. EE**  
**THE WORKSHOPS, 95 MAIN ROAD,**  
**BAXTERLEY. NEAR ATHERSTONE,**  
**WARWICKSHIRE CV9 2LE**  
VISITORS STRICTLY BY APPOINTMENT ONLY



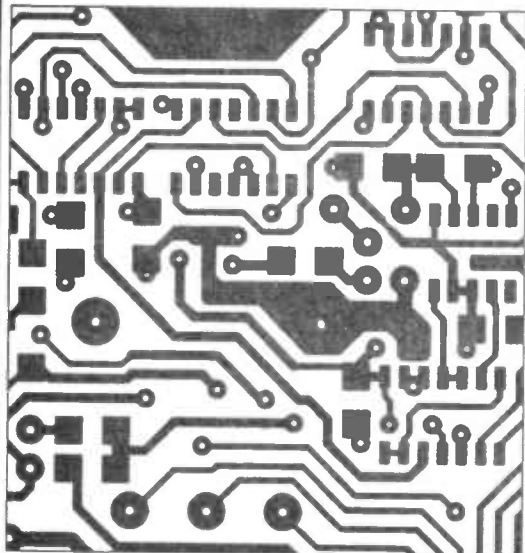
**Tel/Fax:**  
**01827 714476**

**SUMA  
DESIGNS**



# EASY-PC, Schematic and PCB CAD

Over 18,000 Installations  
in 80 Countries World-wide!



- Runs on:- PC/XT/AT/ 286/ 386/ 486 with Hercules, CGA, EGA or VGA display and many DOS emulations.
- Design:- Single sided, Double sided and Multi-layer (8) boards.
- Provides full Surface Mount support.
- Standard output includes Dot Matrix / Laser / Ink-jet Printer, Pen Plotter, Photo-plotter and N.C. Drill.
- Tech Support - free.
- Superbly easy to use.

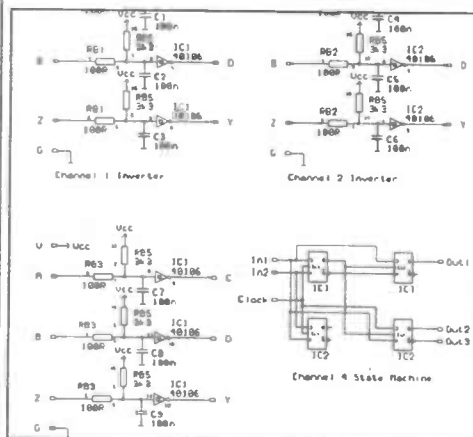
**Still  
Only  
£98.00!**

Plus P&P+VAT

**BRITISH  
DESIGN**

**AWARD**

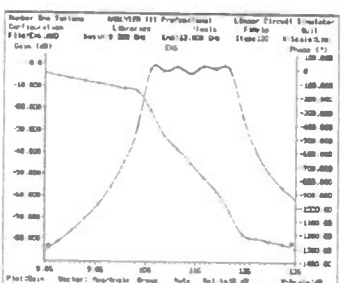
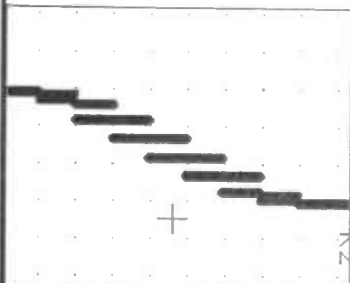
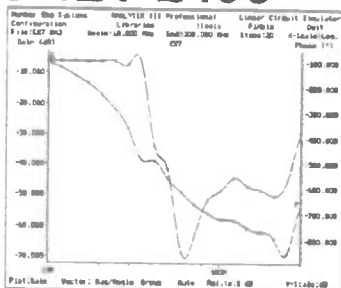
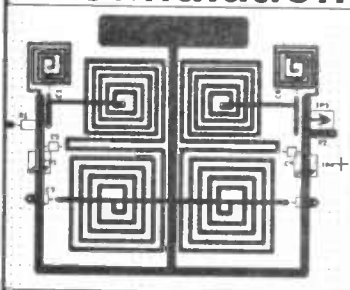
**1989**



Options:-500 piece Surface Mount Symbol Library £48,  
1000 piece Symbol Library £38, Gerber Import facility £98.

## Electronic Designs Right First Time?

### ELECTRO-MAGNETIC Simulation ONLY £495



### Affordable Electronics CAD

LAYAN: NEW, Electro-magnetic Layout Simulator. Includes the effects of the PCB LAYOUT into your simulation. Links to EASY-PC Professional XM and ANALYSER III Professional.	£495.00
STOCKIT: NEW, Comprehensive Stock Control program for the small or medium sized business	£145.00
EASY-PC Professional: Schematic Capture and PCB CAD. Links to ANALYSER III and PULSAR.	From £195.00
PULSAR / PULSAR Professional: Digital Circuit Simulators	From £98.00
ANALYSER III / ANALYSER III Professional: Linear Analogue Circuit Simulators	From £98.00
Z-MATCH for Windows: Smith Chart based problem solving program for R.F. Engineers	£245.00
FILTECH/ FILTECH Professional: Active and Passive Filter design programs.	From £145.00
EASY-PC: Entry level PCB and Schematic CAD	£98.00

Prices exclude P&P and VAT.

For full information, please write, phone or fax:-

## Number One Systems

UK/EEC: Ref. EVD, HARDING WAY, ST.IVES, CAMBS., ENGLAND, PE17 4WR.

Telephone UK: 01480 461778 (7 lines) Fax: 01480 494042

USA: Ref. EVD, 386 Foxborough Drive, Mountain View, CA 94041

Telephone/Fax: (415) 968-9306

International +44 1480 461778

MASTERCARD, VISA, DELTA, SWITCH Welcome.

- TECHNICAL SUPPORT FREE FOR LIFE
- PROGRAMS NOT COPY PROTECTED.
- SPECIAL PRICES FOR EDUCATION.





# LOADS MORE SUPER SURPLUS OFFERS!

## HIGH VOLT CAPS

X3216 33µF 250V size 25x16 5/£1.00  
 X3191 100µF 160V size 40x25 3/£1.00  
 X3189 100µF 400V size 31x25 DP 3 89 £2.00  
 X3221 150µF 385V size 48x38 DP 3 88 £2.00  
 X3190 470µF 350V size 51x30 DP 6 00 £3.00

## AERIAL REEL



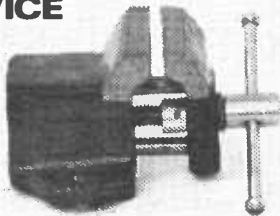
T1048A 10m co-axial aerial extension lead on a compact wind-on reel. Reel contains a built-in TV/radio splitter. Usually £5.95. NOW £3.50

## IONIZER



B047E A compact, stylish ionizer and air purifier designed specifically for car, truck and bus use with a coverage volume of 14m<sup>3</sup>. Removes unpleasant smells, airborne dust, bacteria, tobacco smoke, etc. Supplied with a double-sided self adhesive pad. Power 12Vdc 1.8W. Dims: 110x65mm. Price £2.95

## VICE



YO10AC Cast steel miniature bench vice. 65mm jaws open to 80mm. Two bolt fixing to bench. Red enamel finish. Dims 100x65x70mm. Only £4.95

## MICROPHONE



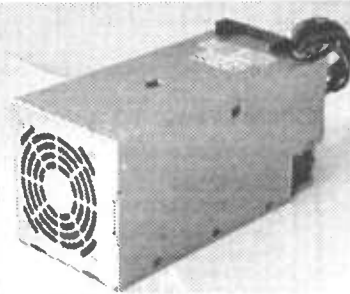
Z6964 Auxil HM230S/Tact UDM100 professional dynamic mic with on/off switch and cardoid characteristics. 5m lead with XLR skt fitted mic end. Impressive spec! Supplied with clip and adaptor, individually boxed. List price £44.08. Our Price £19.95

## 99P CLOCK



Z3873 Super Offer! A complete clock in a 40x25mm module. 9V operation with sleep & snooze, 24hr alarm, PM, colon and alarm indicators. Simple fast/slow setting controls. 5 display modes. 12/24hr selectable, display brightness control. Full info supplied. All this for 99p!

## POWER SUPPLIES



Z9157 One of the best power supplies we've seen for the money - this 397 watt switch mode beauty is one of the highest quality, made by Delta Electronics Inc. Removed from equipment, but in excellent condition (less than a year old!) the unit is totally enclosed in a steel case 340x152x152mm. It has an IEC mains inlet with suppressor fitted and on/off mains rocker switch, and all outputs are on leads with power connectors. Now for the spec: Inputs: 100-120V @ 10A or 200-240V @ 6A. Outputs -5V @ 40A; +12V @ 15A; -5V @ 1A; -12V @ 1A switchable on front panel. A 12Vdc 120x120mm fan is fitted at the rear of the case. Current distributor price of a unit of this ilk would be around £400. Save 92%

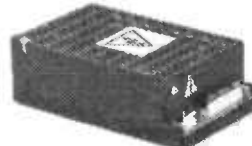
**Our Price £29.95**

+ This Month! FREE one year subscription to Greenweld Guardian

Another fine selection of SMPSUs recently arrived. These are all ex-equip, but in perfect working order. All are 115/230 Vac input. Do not exceed maximum wattage when loading outputs.



Z59561 Astec AC9232 50W unit. +12V 2.5A, +5V 6A, 5V 0.5A, 12V 0.5A. £12.95



Z5956 Farnell N055P210 55W unit. +5V 2.5A; +12V 1A. £4.95



Z5963 Hitron HSG40-31 40W unit +5V 3A, +12V 0.5A, -12V 0.5A. £14.95



Z5967 Astec SA40-1304 44W unit. +5V 5A; +12V 2A; -12V 0.2A. £4.95



X9007 Superb BRAND NEW 200W Farnell PSU - their list price over £200! +5V 28.5A, +24V 0.5A, +12V 3A; -12V 1A. £18.95



Z5968 Astec SA30-1305 30W unit. +5V 2A; +12V 2A; -12V 0.3A. £3.95

Ring, write, fax or call in for our scintillating NEW 64 page Spring Supplement, listing stacks of surplus stock at super prices!

Our 1995 Catalogue, 192 pages of regular stock is just £2 post paid. NEW! - The Budget CD & Tape Catalogue - 48 pages of tapes (mostly £1.99) and CDs (mostly £2.99). Much of our surplus stock is never included in these ads - the only way to be 'in the know' is to become a Subscriber. This privileged group of customers receive The Greenweld Guardian every month with details of all our new surplus stocks. Don't miss the Bargains (and there are plenty) - become a Subscriber today! There's a free prize draw every month, the occasional free gift and the odd competition, too. All for just £6 a year (£10 o'seas) - or become a GOLD Subscriber with the additional benefit of 5% discount on all goods\* + half price postage\*\* for £12 (£20 o'seas). \*Not bulk or sale prices \*\*not o'seas

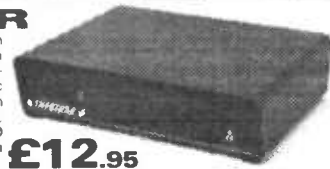
## GUTTED! IBM PS2 PC



X9006 This PC is! The hard disk, floppy and all boards have been taken out, leaving only a 12V fan, speaker, 6V lithium battery and a very nice totally enclosed 94 watt power supply with the following spec. -12V@410mA, +12V@2A, +5V@2A. So all we're asking for this magnificent lump of machinery is just £12.95

## MULTIPLEXER

X9009 Two part instrument case 445x330x105mm in blue aluminium containing a multiplexer PCB 290x195mm with Z80B + 7 support chips, 27C512 and 8x41258-12DRAMs all in sockets; also 25+ LS chips, 6MHz xtal osc etc. There are also 10x32 way DIN sockets, 6 with matching plugs. Three others have V24 interface panels, each containing 4x1489 ICs and terminating in a 25way D socket. There's a 50W switch mode PSU, too - and a 60x60x25mm 12V fan. What a lot you get! - all for just



**£12.95**

Phone Nos: SALES 01703 236363; Technical 325999; Accounts 231003; Fax (All depts) 236307; FaxOnDemand 236315\*

\*To obtain latest lists, info etc, just dial 01703 236315 from any fax machine and follow instructions. Single prices in this advert include VAT; Quantity prices don't. P&P £3 per order (£9.50 next day). Min Credit Card £12; Official



Orders welcome from Education - min invoice charge £15. Payment accepted by cheque, PO, cash, book tokens, Switch, Access, Visa, Connect. Our stores (over 10,000 sq ft) have enormous stocks. We are open from 8-5.30 Mon-Sat. Come and see us!

27D Park Road Southampton SO15 3UQ

## TIE IN A TINI



Z5820 The story behind these is that they were going to be sent to Metal Box shareholders to try and stave off a bid. However, before they could be posted, a takeover was announced - so now we've got them. The metal box measures 200x135x45mm and is finished in an attractive blue and gold pattern. Inside, the tie is English made 100% pure silk in royal blue (sample of material on request) with a small discreet logo (ideal if BM or MB are your initials). Tin + tie for just £3.95

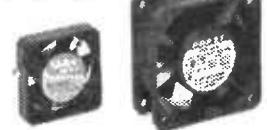
## NICAD CHARGER



X6098 6V Constant current ni-cad charger for up to 4 1.2V cells. Red LED indicates charging at 100mA and after 14 hrs, the green LED illuminates and charging stops.

**Great Value at £3.95**

## FANS

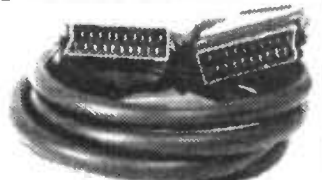


Some ex-equip axial flow fans, all in good working order at substantial savings over new models.

Z3855 Smallest fan we've seen! 42x42 by just 10mm thick! Made by Nitec, model TA1500C. Rated 12V DC 0.11A. Only £3.00  
 X6016 Papst (mostly) 612L 60x60x25mm 12V dc (6-15V) 0.7W fans. List is 27.47.  
 Our price £3.00

We're always looking for new parcels of surplus goods - send details to the address below

## SCART LEAD



CSL20 Great offer on SCART leads! These are 1.5m long with all pins connected. Super Price! Just £2.00

## CD-ROMs

Just taken delivery of a great new collection of software on CD-ROM. Prices start from £6.95 for individual offers, but there's even a better deal on offer at present - 11 CD-ROMs for just £29.95.

This collection from Softkey includes the following titles:  
 CNN Newsroom,  
 TIME Almanac,  
 Key Clip Art (5000 TIFF images),  
 Key Fonts,  
 Key Gourmet,  
 MPC Wizard,  
 Sport Image - World Cup 1994,  
 UFO (spooky!),  
 Slobe Zone 3D,  
 Video Cube and  
 Game Empire (over 250 games)  
 Send for our latest lists which gives full details of everything available!

# MAILTECH

## ELECTRONIC COMPONENTS

**PROJECT BOXES** A range of high quality boxes moulded in black high impact ABS, easily drilled or punched to produce a professional looking end product

TYPE	W	L	H	PRICE
T2	75	56	25	£0.77
T4	111	57	22	£0.92
MB1	79	61	40	£1.35
MB2	100	76	41	£1.47
MB3	118	98	45	£1.71
MB4	216	130	85	£5.19
MB5	150	100	60	£2.35
MB6	220	150	64	£3.95
MB7	177	120	83	£3.42
MB8	150	80	50	£2.22

All sizes are in millimetres

**MICRO SWITCH** roller arm operation spdt 40p each  
**MINIATURE TOGGLE SWITCHES**

spdt	60p each	spdt 3 position c/off	70p each
dpdt	70p each	dpdt 3 position c/off	80p each
spdt biased	60p each	spdt 3 position c/off biased both ways	70p each
		dpdt 3 position c/off biased one way	80p each

**METAL CLAD HIGH WATTAGE WIREWOUND RESISTORS**  
0-12 Ohm 5W 30p each  
0-10 Ohm 25W 80p each  
1-00 Ohm 50W £1.00 each  
2-20 Ohm 50W £1.00 each  
3-9 Ohm 50W £1.00 each  
10-00 Ohm 100W £2.00 each  
2-2 kOhm 50W £1.00 each

**BULK LEADS OFFER**  
500 5mm round  
RED LEADS  
£25.85

**MINIATURE PUSH TO MAKE SWITCH**

**DIL RELAYS** 5 volt dp/changeover 12 volt dp/changeover  
**RELAY** 10 amp contacts sp/changeover 12 volt coil  
**CAR HORN RELAY** in metal can with fixing lug, s/pole on 10 amp contacts £1.00 each 6 for £5.00  
**20 AMP RELAY** dp on 12 volt coil £1.50 each 4 for £5.00

**REED RELAY** 12 volt 50p each 10 for £4.00  
**240 VOLT AC RELAY** 3-pole c/o 10 amp contacts £1.50 each 4 for £5.00

**'D' CONNECTORS**

	plug	socket	cover
9 pin	30p	30p	35p
15 pin	40p	40p	35p
25 pin	50p	50p	40p

**SEMICONDUCTORS - TRANSISTORS - ICs - DIODES - REGULATORS - ETC**

**VOLTAGE REGULATORS**  
1 amp 7805/7812/7815 all 33p each. 7905/7912/7915 all 39p each  
2 amp 78505/785212 54p each  
100mA 78L05/78L12/78L15 all 26p each. 79L05/79L12/79L15 all 29p each  
Adjustable LM317T 70p each. LM723 29p each. L200 £1.28 each  
Transistors TIP2955 70p each. TIP 3055 70p each  
2N3053 29p each. 2N3055 70p each. 2N4403 28p each. 2N3819 40p each  
**MICRO IC'S** - Z80A CPU £1.20. Z80A PIO £1.50. Z80B SIO-1 £4.00; SAB80C535-N £1.15; PCB80C31BH-16P £2.35.

**SPECIAL OFFER PROJECT BOX**  
In white  
high impact ABS  
50 x 70 x 25mm  
60p each 10 for £5.00

**OPTO DEVICES - LEADS - ETC**

5mm rnd red/yellow/green/amber 10p each 12 for £1.00 any mix  
5mm rnd high brightness red/green 20p each 6 for £1.00 any mix  
5mm rnd flashing red 60p each, yellow/green 70p each  
5mm rnd bi-colour 35p each, tri-colour 45p each  
LED mounted in chrome bezel red, yellow or green 30p each, 4 for £1  
LED mounted in a black bezel red only 25p each, 5 for £1.00  
**PLASTIC BEZEL** for 5mm rnd leds 10 for 40p  
High brightness bi-colour i.e.d., rectangular, red/green, two leads 40p each

**TEMPERATURE PROBE**

High quality probe precision temperature sensor. Mounted in a plastic covered probe with a 1 meter coiled lead. Temp. range -40 to 150°C. Resistance at: 150°C 188.3 ohms; 25°C 10.0 kohm and at -40°C 336.5 kohm. The original price of these probes was over £24.00. **OUR PRICE £3.76 with data**

**UNIVERSAL BELL TIMER**

10 or 20 minute bell cut off +ve or -ve trigger\* timed relay contacts. £4.96

**ALARM CONTROL UNIT**

Single zone alarm control unit built into a domestic light switch box. Ideal for home, caravan, boat, garage, shed etc.  
Facilities: - Normally closed loop for pir sensors, door/window contacts etc. Normally open loop for pressure mats. 24-hour loop for personal attack button Visual indication that the system is operational. Automatic entry/exit delay. Automatic system reset. Alarm output cmos logic level.

**SIREN**  
12 volt dc for external use 115db £8.95

**PRICE COMPLETE WITH FULL INSTRUCTIONS £8.95**

**SUB-MINIATURE PASSIVE INFRA-RED SENSOR ONLY £7.95**

Brand new passive infra-red sensor, measures only 33mW x 24mmH x 29mmD. Logic level output. Full data and application notes supplied.

**EX INSTALLATION PASSIVE INFRA-RED SENSORS TESTED WORKING!**

**NEW LOWER PRICES!**

Type 1. Measures 130 x 70 x 50mm with walk test led, relay output and tamper protection. 12 volt dc supply required £6.50 each  
Type 2. As above but a smaller unit 90 x 75 x 50mm £8.50 each  
Type 3. Ceiling mounting passive, infra red sensor 360° detection, 12V d.c. supply relay output, tamper circuit and pulse count option. Data supplied. £11.75 each

Please note: There may be variations in the size of the above passive infra red sensors depending on stock at the time of ordering. But the unit will certainly be within the stated sizes.

**DOOR/WINDOW CONTACTS**  
Surface or flush mounting, white £1.10 each  
**JUNCTION BOX**  
white 6 way 60p

**DUAL TECH SENSOR** Microwave and passive infra-red combined. Separate led indication for each function. Measures 120 x 75 x 50mm. 12 volt d.c. supply. Relay output. Tamper protection. £21.15 each

**CCD CAMERA**

PCB CCD CAMERA. Mounted in a plastic dome. 12V d.c. supply. Composite video output. Fitted with a 2.9mm lens. Mono. 0.5 lux. £98.70

**BREADBOARDS - CAPACITORS - SOLAR CELLS - HEATSHRINK - ETC**

**SOLAR CELL** 2 volt 150mA max, size 60 x 100mm £1.35 each 5 for £6  
**BNC SOCKETS** 50 ohm single hole fixing 50p each 10 for £4.00

**MERCURY TILT SWITCH**  
Standard on/off £1.00 each  
4 Contact (Directional) £1.50 each  
**PIEZO VIBRATION SENSOR**  
with data sheet £1.00 each

**BREADBOARD**  
173 X 65mm 840TP £5.25 each  
**TEXTPOOL ZIP SOCKET**  
28 pin zero insertion socket £5.95 each

**EPROMS 27C256 - 30.** Once programmed but never used eprom. Mounted on a plastic carrier, can easily be removed from the carrier or used with a low insertion force socket. **27C256** £1.00 each 6 for £5.00  
Suitable low insertion force socket 28 pin 40p each 3 for £1.00  
**MULTITURN PRESETS** 20mm RECT, 1K, 5K, 10K, 20K, 50K, 100K 1MO. 40p each, 3 for £1.00

**100db PIEZO SOUNDER**

2KHz note, 3-12V d.c. 40Ma, 45mm dia. x 26mm £1.76 each  
**SOUND BOMB** Two tone alarm sounder incorporating four piezo elements in white plastic box. 100db 12V D.C. £5.99  
**MINIATURE HORN SIREN** 100db two-tone Piezo siren 12V D.C. £5.17

**VIBRATION SENSITIVE ALARM BOARD WITH PIEZO SOUNDER**

Originally a bike alarm. There is a short delay after activation then the piezo sounder operates for a preset period. £3.76 each  
or the above alarm board with custom designed case, fixing clip and keyswitch £9.95  
**INFRA-RED BREAK BEAM** Transmitter and receiver p.c.b. with 2 lens assemblies. 12V d.c. supply. These are ex-installation units and are not guaranteed to be working. £4.96 pair  
**FLOURESCENT LIGHT INVERTOR.** Drives an 8 watt tube directly from 6V d.c. Data supplied £4.50 each

**£1.00 BARGAIN PACKS**

**SUB-MINIATURE TOGGLE SWITCHES**

P.C.B. Mounting

- BO1 S.P. on 4 for £1.00
- BO2 D.P. on 3 for £1.00
- BO3 3 x D.P. 3 pos. centre off
- BO04 DIL SWITCHES 4-way S.P. on 3 for £1.00
- BO05 DIL SWITCHES 8-way S.P. on 2 for £1.00
- BO06 DIL SWITCHES 12-way 90° sp on 2 for £1.00
- BO07 12 x PP3 BATTERY SNAPS
- BO08 1 x CAPACITOR 1 FARAD 5.5 VOLT 20mm dia. x 7mm high
- BO09 INSTRUMENT KNOBS (0.25" SHAFT) High quality grey plastic knob, collet fixing 15mm dia. 5 for £1.00
- BO10 as above but 29mm dia. 3 for £1.00
- BO11 4 x MAGNETIC EARPIECE 8 ohm with 3.5mm plug
- BO12 4 x 28-WAY TURNED PIN DIL SOCKET
- BO13 15 x 12 VOLT WIRE-ENDED LAMPS
- BO14 8 x 2 PIN DIN PLUGS screw terminal connection
- BO15 2 x LIGHT DEPENDENT RESISTOR Less than 200 ohms in daylight, greater than 10 megohms in darkness
- BO16 1 x KEYPAD 20-key in 5 x 4 matrix bubble type switch contacts
- BO17 2 x PIEZO BUZZERS approx 3 to 20 volt d.c.
- BO18 5 x 78M12 VOLTAGE REGULATORS positive 12V 500mA
- BO19 4 x TL082CP bi-fet op-amps
- BO20 20 x ASSORTED LEADS full spec. various shapes and sizes
- BO21 3 x INFRA-RED DIODE TX/RX PAIRS made by Honeywell(no info)
- BO22 4 x CONSTANT CURRENT LED 5mm round, red 2-18V d.c. or a.c. nominal 14mA
- BO23 50 x IN4148 diode
- BO24 2 x INFRA-RED TRANSISTOR FPT5133
- BO25 5 x DIACS
- BO26 3 BD133C 10 amp 100V npn transistor
- BO27 12 x 2N3702 Transistor
- BO28 12 x 2N3904 Transistor
- BO29 12 x BC337 Transistor
- BO31 2 x MAN6610 2 digit 0.6" 7 segment display Com anode, amber
- BO32 3 x PHONO TO PHONO LEAD 63cm long
- BO33 15 x RECTANGULAR RED LEADS 6 x 6 x 2mm stackable
- BO34 1 x PHOTO SENSITIVE SCR mounted on a PCB, data sheet supplied
- BO35 4 x IEC Panel Mounting Mains Plug Snap fix
- BO36 5 x ASSORTED PIEZO TRANSDUCERS
- BO37 5 LENGTHS OF HEATSHRINK SLEEVING 8mm dia. 400mm long
- BO38 25 x CERAMIC DISC CAPACITORS 0.1 mfd 63V
- BO39 15 x MONOLITHIC CERAMIC CAPACITORS 0.1 mfd 63V, in a dil package
- BO40 25 x ASSORTED ELECTROLYTIC CAPACITORS PCB mounting useful values
- BO41 25 ASSORTED PRE-SET RESISTORS
- BO42 6 x 3.5mm LINE JACK SOCKETS (mono)
- BO43 6 x 3.5mm JACK PLUG (mono)
- BO44 8 x 3.5mm CHASSIS SOCKET (mono)
- BO45 2 x TRIACS 800 volt 8 amp
- BO46 12 x BC213L Transistor
- BO47 12 x MIN SLIDE SWITCH dpdt
- BO48 15 x MIN CERMET TRIMMER POTS (good range of values)
- BO49 1 x PCB WITH TWO LARGE LEADS 15mm square, one red and one green
- BO50 1 x 12V DC RELAY 4-pole c/o with plug in base
- BO51 4 x LM324 quad op-amps
- BO52 4 x 555 Timer
- BO53 5 x 741 op-amp
- BO54 25 x IN4001 diode
- BO55 20 x IN4007 diode
- BO56 1 x SLOTTED OPTO
- BO57 1 x DAC08 Digital to analogue convertor with data
- BO58 4 x OPTO ISOLATOR
- BO60 3 x C106D Thyristor
- BO61 5 x 78M05 VOLTAGE REGULATORS positive 5 volt 500mA
- BO62 10 x TACTILE SWITCHES
- BO63 25 x 0-01MFD 50V CERAMIC DISK CAPACITORS
- BO64 7 CMOS 4001B IC's
- BO65 6 CMOS 4011B IC's
- BO66 15 x VARIOUS LOW PROFILE DIL SOCKETS
- BO67 15 VARIOUS TANTALUM BEAD CAPACITORS
- BO68 30 VARIOUS POLYESTER CAPACITORS

Please use order code when ordering the bargain packs.  
Please make cheques and postal orders payable to Mailtech.  
All prices include VAT. Please add £1.00 postage to all orders.  
Telephone enquiries between 10a.m. and 5 p.m.  
Tuesday to Thursday.  
Fax and answerphone at other times on 0158 474475.

Dept EE, Mailtech  
PO Box 16 Ludlow  
Shropshire SY8 4NA

Tel/Fax: 0158 474475

NOTE: From 17th May our telephone Number will change to 01584 831475



## HART AUDIO KITS – YOUR VALUE FOR MONEY ROUTE TO ULTIMATE HI-FI

HART KITS give you the opportunity to build the very best engineered hifi equipment there is, designed by the leaders in their field, using the best components that are available.

Every HART KIT is not just a new equipment acquisition but a valuable investment in knowledge, giving you guided hands-on experience of modern electronic techniques.

In short HART is your 'friend in the trade' giving you, as a knowledgeable constructor, access to better equipment at lower prices than the man in the street.

You can buy the reprints and construction manual for any kit to see how easy it is to build your own equipment the HART way. The FULL cost can be credited against your subsequent kit purchase. Our list will give you full details of all our Audio Kits, components and special offers.

### INTRODUCING

#### The Hart "Chiara"

##### Single-Ended Class "A" Headphone Amplifier.

Most modern high fidelity amplifiers either do not have a headphone output facility, or this may not be up to the highest standard.

The new Hart "Chiara" has been introduced as an add-on unit to remedy this situation, and will provide two ultra high quality headphone outlets. This is the first unit in our 2000 Range of modules to be introduced through the year. Housed in the neat, black finished, Hart Minibox it features the wide frequency response, low-distortion and "musicality" that one associates with designs from the renowned John Linsley Hood.

Both outputs will drive any standard high quality headphones with an impedance greater than 30 ohms and the unit is ideal for use with the Sennheiser range. A signal link-through makes it easy to incorporate into your system and two extra outputs, one at output level and one adjusted by the Volume control are available on the back panel. The high level output also makes a very useful long-line driver where remote mounted power amplifiers are used. Power requirements are very simple and can be provided by either of our new "Andante" power supplies. Use the K3565 to drive the "Chiara" on its own, K3550 if driving other modules as well.

Volume and Balance controls are provided and as befits any unit with serious aspirations to quality these are the ultra high quality Alps "Blue Velvet" components.

Very easily built, even by beginners, since all components fit directly on the single printed circuit board and there is no conventional wiring whatsoever. The kit has very detailed instructions, and even comes with a roll of Hart audiograde silver solder. It can also be supplied factory assembled and tested.

Selling for less than the total cost of all the components, if they were bought separately, this unit represents incredible value for money and makes an attractive and harmonious addition to any hifi system.

**K2100** The total cost of a complete set of all components to build this unit is £126.37. Our special discount price for all parts bought together as a kit is.....**£109.50**

**K2100SA** Series Audiophile, with extra selected components.....**£112.48**

#### HART TC1D Triple Purpose TEST CASSETTE

Now available again and even better than before! Our famous triple purpose test cassette will help you set up your recorder for peak performance after fitting a new record/play head. This quality precision Test Cassette is digitally mastered in real time to give you an accurate standard to set the head azimuth, Dolby/VU level and tape speed, all easily done without test equipment.

TC1D Triple Purpose Test Cassette.....**£9.99**

Send or 'phone for your copy of our FREE List of these and many other Kits & Components. Enquiries from Overseas customers are equally welcome, but PLEASE send 2 IRCs if you want a list sent surface post, or 5 for Airmail.

Ordering is easy. Just write or telephone your requirements to sample the friendly and efficient HART service. Payment by cheque, cash or credit card. A telephoned order with your credit card number will get your order on its way to you THAT DAY.

Please add part cost of carriage and insurance as follows:—INLAND Orders up to £20 - £1.50, Orders over £20 - £3.50. Express Courier, next working day £10.

OVERSEAS - Please see the ordering information with our lists.

### NEW BOOK

#### "Audio Electronics"

And now, hot off the press, yet another classic from the pen of John Linsley Hood. Following the ongoing enormous success of his "Art of Linear Electronics" the latest offering is the all-new edition of "Audio Electronics", now entirely re-written by the master himself.

Underlying audio techniques and equipment is a world of electronics that determines the quality of sound. For anyone involved in designing, adapting or using digital or analogue audio equipment understanding electronics leads to far greater control over the reproduced sound.

The subjects covered include tape recording, tuners, power output stages, digital audio, test instruments and loudspeaker crossover systems. John's lifetime of experience and personal innovation in this field allow him to apply his gift of being so familiar with his subject that he can write clearly about it and make it both interesting and comprehensible to the reader.

Containing 240 pages and over 250 line illustrations this new book represents great value for money at only £18.99 plus £2.50 postage. Send or telephone for your personal copy now.

#### ALPS "Blue Velvet"

##### Precision Audio Controls



To fulfil the need for ultra high quality controls we import a special range of precision audio pots in values to cover most quality amplifier applications. All in 2-gang stereo format, with 20mm long 6mm diam. steel shafts, except for the 50K Log which is 25mm x 6mm. Overall size of the manual pot is 27W x 24H x 27Deep, motorised versions are 72.4mm Deep from the mounting face. Mounting bush for both types is 8mm diameter.

Now you can throw out those noisy ill-matched carbon pots and replace with the real hi-fi components only used selectively in the very top flight of World class amplifiers. The improvement in track accuracy and matching really is incredible giving better tonal balance between channels and rock solid tone stability.

The motorised versions use a 5V DC motor coupled to the normal control shaft with a friction clutch so that the control can be operated manually or electrically. The idea of having electrically operated pots may seem odd, archaic even, but it is in fact the only way that remote control can be applied to any serious Hi-Fi system without loss of quality. The values chosen are the most suitable available for a low loss passive volume and balance control system, allowing armchair control of these two functions.

Our prices represent such super value for pots of this quality due to large purchases for our own kits.

#### MANUAL POTENTIOMETERS

2-Gang 100K Lin.....**£15.67**  
2-Gang 10K, 50K or 100K Log.....**£16.40**  
2-Gang 10K Special Balance, zero crosstalk and zero centre loss.....**£17.48**

#### MOTORISED POTENTIOMETERS

2-Gang 20K Log Volume Control.....**£26.20**  
2-Gang 10K RD Special Balance, zero crosstalk and less than 10% loss in centre position.....**£26.98**

#### REEL TO REEL HEADS

999R 2/4 R/P 100mH.....**£16.84**  
We have a few erase heads to suit which can only be supplied when 2 R/P heads are purchased **£36.80**

#### TAPE RECORDER CARE PRODUCTS

DEM1 Mains Powered Tape Head Demagnetizer, prevents noise on playback due to residual head magnetisation.....**£4.08**  
DEM115 Electronic, Cassette Type, demagnetizer.....**£8.61**

#### LINSLEY HOOD 'SHUNT FEEDBACK' RIAA MOVING COIL & MOVING MAGNET PICKUP PREAMPLIFIERS



The HART K1450 Magnetic pickup preamplifier kit features a totally discrete component implementation with a specially designed low input impedance front end and the superior sound of the Shunt Feedback circuitry. High quality components fitting to an advanced double-sided printed circuit board make this a product at the leading edge of technology that you will be proud to own. Nevertheless with our step by step instructions it is very easy and satisfying to assemble. The higher current consumption of this unit means that it is best powered by our new **Andante** Audio Power Supply, itself an advanced piece of technology in a matching case. This supplies the superbly smoothed and stabilised supply lines needed by any sensitive preamplifier and features a fully potted Hi-grade toroidal transformer along with a special limited shift earth system for hum free operation. The K1450 is suitable for all moving coil and moving magnet transducers this unit is especially recommended for, and will extract the very best from the modern generation of low output high quality moving coil transducers.

**K1450** Kit, complete with all parts ready to assemble inside the fully finished 228mm x 134mm x 63mm case. Kit includes full, easy to follow, assembly instructions as well as the Hart Guide to PCB Construction, we even throw in enough Hart Audiograde Silver Solder to construct your kit!

.....**£111.58**  
**K1450SA** Series Audiophile version with selected components.....**£133.94**

#### HIGH QUALITY REPLACEMENT CASSETTE HEADS



Do your tapes lack treble? A worn head could be the problem. For top performance cassette recorder heads should be replaced every 1,500 hours. Fitting one of our high quality replacement heads could restore performance to better than new! Standard inductances and mountings make fitting easy on nearly all machines (Sony are special dimensions, we do not stock) and our TC1 Test Cassette helps you set the azimuth spot on. As we are the actual importers you get prime parts at lower prices, compare our prices with other suppliers and see! All our heads are suitable for use with any Dolby system and are normally available ex-stock. We also stock a wide range of special heads for home construction and industrial users.

**HC80** NEW RANGE High Beta Permalloy Stereo head. Modern space saver design for easy fitting and lower cost. Suitable for chrome, metal and ferric tapes, truly a universal replacement head for everything from hi-fi decks to car players and at an incredible price too!.....**£11.70**  
**HRP373** Downstream monitor combi head.....**£62.59**  
**HQ551A** 4-Track R/P.....**£8.75**  
**HQ551S** Sony Mount 4-Tr. R/P.....**£14.90**  
**HQR560** Rotary Base 12.5mm R/P/E.....**£21.90**  
**HQR570** Rotary Base 15mm R/P/E.....**£22.59**  
**HQR580** Rotary Base 12.5mm R/P.....**£14.29**

#### HART Classical CD's.

Top quality. Full Digital (DDD), over 100 titles from only **£1.99!** Ring or send for your list!

#### TECHNICAL BOOKSHELF

We stock a good range of books of interest to the electronics and audio enthusiast, including many reprinted classics from the valve era. Some were in last months advertisement, but see our list for the full range.

New this month is the GEC Valve designs book at **£18.95**, and the VTL Book, a modern look at valve designs, **£17.95**.



QUALITY  
AUDIO KITS

24 hr. SALES LINE  
(01691) 652894

ALL PRICES  
INCLUDE  
UK/EC VAT



**SHOP OPEN 9-5 MON-FRI. CLOSED SAT --- OFFICIAL ORDERS WELCOME**

### EPE MICROCONTROLLER P.I. TREASURE HUNTER

The latest MAGENTA DESIGN - highly stable & sensitive - with  $\mu C$  control of all timing functions and advanced pulse separation techniques.

- New circuit design 1994
- High stability drift cancelling
- Easy to build & use
- No ground effect, works in seawater



- Detects gold, silver, ferrous & non-ferrous metals

- Efficient quartz controlled microcontroller pulse generation.
- Full kit with headphones & all hardware

**KIT 847.....£63.95**

### DIGITAL LCD THERMOSTAT

A versatile thermostat using a thermistor probe and having an I.C.D. display. MIN/MAX memories,  $\pm 10$  to 110 degrees celsius, or can be set to read in Fahrenheit. Individually settable upper and lower switching temperatures allow close control, or alternatively allow a wide "dead band" to be set which can result in substantial energy savings when used with domestic hot water systems. Ideal for greenhouse ventilation or heating control, aquaria, home brewing, etc. Mains powered. 10A SPCO relay output. Punched and printed case.

**KIT 841.....£29.95**

### PORTABLE ULTRASONIC PEST SCARER

A powerful 23kHz ultrasound generator in a compact hand-held case. MOSFET output drives a special sealed transducer with intense pulses via a special tuned transformer. Sweeping frequency output is designed to give maximum output without any special setting up.

**KIT 842.....£22.56**

### DIGITAL CAPACITANCE METER

A really professional looking project. Kit is supplied with a punched and printed front panel, case, p.c.b. and all components. Quartz controlled accuracy of 1%. Large clear 5 digit display and high speed operation. Ideal for beginners - as the  $\mu F$ , nF and pF ranges give clear unambiguous read out of marked and unmarked capacitors from a few pF up to thousands of  $\mu F$ .

**KIT 493.....£39.95**

### ACOUSTIC PROBE

A very popular project which picks up vibrations by means of a contact probe and passes them on to a pair of headphones or an amplifier. Sounds from engines, watches, and speech travelling through walls can be amplified and heard clearly. Useful for mechanics, instrument engineers, and nosey parkers!

**KIT 740.....£19.98**



### 1000V & 500V INSULATION TESTER

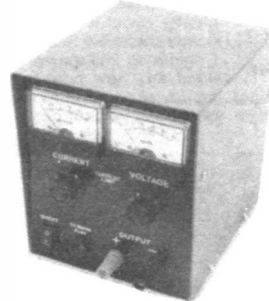
Superb new design. Regulated output, efficient circuit. Dual-scale meter, compact case. Reads up to 200 Megohms. Kit includes wound coil, cut-out case, meter scale, PCB & ALL components.

**KIT 848.....£32.95**

### MOSFET MkII VARIABLE BENCH POWER SUPPLY 0-25V 2.5A.

Based on our MkI design and preserving all the features, but now with switching pre-regulator for much higher efficiency. Panel meters indicate Volts and Amps. Fully variable down to zero. Toroidal mains transformer. Kit includes punched and printed case and all parts. As featured in April 1994 EPE. An essential piece of equipment.

**KIT 845.....£64.95**



### ULTRASONIC PEST SCARER

Keep pets/pests away from newly sown areas, fruit, vegetable and flower beds, children's play areas, patios etc. This project produces intense pulses of ultrasound which deter visiting animals.

- KIT INCLUDES ALL COMPONENTS, PCB & CASE
- EFFICIENT 100V TRANSDUCER OUTPUT
- COMPLETELY INAUDIBLE TO HUMANS

**KIT Ref. 812.....£14.81**

### 'COMSTEP' P.C. COMPUTER STEPPING MOTOR INTERFACE

An exciting project supplied with two 200 step motors, interface board, and easy to use P.C. software. Allows independent control of both motors - speed, direction, number of steps, and half/full step mode. Connects to computer parallel port. Requires 12V 1A D.C. supply and printer lead.

**KIT 846 (with 2 motors) .....£67.00 (Printer lead £5.00)**

### IONISER

A highly efficient mains powered Negative Ion Generator that clears the air by neutralising excess positive ions. Many claimed health benefits due to the ioniser removing dust and pollen from the air and clearing smoke particles. Costs virtually nothing to run and is completely safe in operation. Uses five point emitters.

**KIT 707.....£17.75**

### BAT DETECTOR

An excellent circuit which reduces ultrasound frequencies between 20 and 100 kHz to the normal (human) audible range. Operating rather like a radio receiver the circuit allows the listener to tune-in to the ultrasonic frequencies of interest. Listening to Bats is fascinating, and it is possible to identify various different types using this project. Other uses have been found in industry for vibration monitoring etc.

**KIT 814.....£21.44**



### SPACEWRITER

An innovative and exciting project. Wave the wand through the air and your message appears. Programmable to hold any message up to 16 digits long. Comes pre-loaded with "MERRY XMAS". Kit includes PCB, all components & tube + instructions for message loading.

**KIT 849.....£16.99**



### 12V EPROM ERASER

A safe low cost eraser for up to 4 EPROMS at a time in less than 20 minutes. Operates from a 12V supply (400mA). Used extensively for mobile work - updating equipment in the field etc. Also in educational situations where mains supplies are not allowed. Safety interlock prevents contact with UV.

**KIT 790.....£28.51**

### MOSFET 25V 2.5A POWER SUPPLY

High performance design has made this one of our classic kits. Two panel meters indicate Volts and Amps. Variable from 0-25 Volts and current limit control from 0-2.5A. Rugged power MOSFET output stage. Toroidal mains transformer.

**KIT 769.....£56.82**

### INSULATION TESTER

A reliable and neat electronic tester which checks insulation resistance of wiring and appliances etc., at 500 Volts. The unit is battery powered, simple and safe to operate. Leakage resistance of up to 100 Megohms can be read easily. A very popular college project.

**KIT 444.....£22.37**

### DIGITAL COMBINATION LOCK

Digital lock with 12 key keypad. Entering a four digit code operates a 250V 16A relay. A special anti-tamper circuit permits the relay board to be mounted remotely. Ideal car immobiliser, operates from 12V. Drilled case, brushed aluminium keypad.

**KIT 840.....£19.86**

### E.E. TREASURE HUNTER P.I. METAL DETECTOR MKI

Magenta's highly developed & acclaimed design. Quartz crystal controlled circuit MOSFET coil drive. D.C. coupled amplification. Full kit includes PCB, handle, case & search coil.

- KIT INC. HEADPHONES
- EFFICIENT CMOS DESIGN
- POWERFUL COIL DRIVE

- DETECTS FERROUS AND NON-FERROUS METAL - GOLD, SILVER, COPPER ETC.
- 190mm SEARCH COIL
- NO 'GROUND EFFECT'

**KIT 815.....£45.95**



### HAMEG HM303 30 MHz DUAL TRACE OSCILLOSCOPE & COMPONENT CHECKER

Western Europe's best selling oscilloscope - now improved. It now features 30MHz bandwidth, triggering to 100MHz and 2mV/div sensitivity.

Sharp bright display on 8 x 10cm screen with internal graticule. Special component tester built in - allows capacitors, resistors, transistors, diode, and many other components to be checked at a glance.

As with its predecessor, the QUALITY OF THIS INSTRUMENT IS OUTSTANDING. It is supported with a two year warranty covering parts and labour. If you are buying an oscilloscope, this is the one it costs a fraction more than some others, but it is far far superior. Supplied with test probes, mains lead, and manual.

**£392.00 + £68.60 VAT** Includes FREE Next-day delivery  
(Cheques must be cleared)

### EDUCATIONAL BOOKS & PACKS

#### ADVENTURES WITH ELECTRONICS

The classic book by Tom Duncan used throughout schools. Very well illustrated, ideal first book for age 10 on. No soldering. Uses an S.DEC breadboard.

**Book & Components £28.95, Book only £7.25**

#### FUN WITH ELECTRONICS

An Usborne book, wonderfully illustrated in colour. Component pack allows 6 projects to be built and kept. Soldering is necessary. Age 12 on, or younger with adult help. **Book & Components £20.88, Book only £2.95**

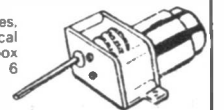
#### 30 SOLDERLESS BREADBOARD PROJECTS

A more advanced book to follow the others. No soldering. Circuits cover a wide range of interests. **Book & Components £30.69, Book only £2.95**

### DC MOTOR/GEARBOXES

Ideal for robots, buggies, and many other mechanical projects. Min plastic gearbox with 1.5-4.5V DC motor. 6 ratios can be set up.

**Small type MGS....£4.77**



### STEPPING MOTORS

For computer control via standard 4 pole unipolar drivers

**MD38 - miniature 48 steps per rev.....£9.15**

**MD35 1/2 - standard 48 steps per rev.....£12.99**



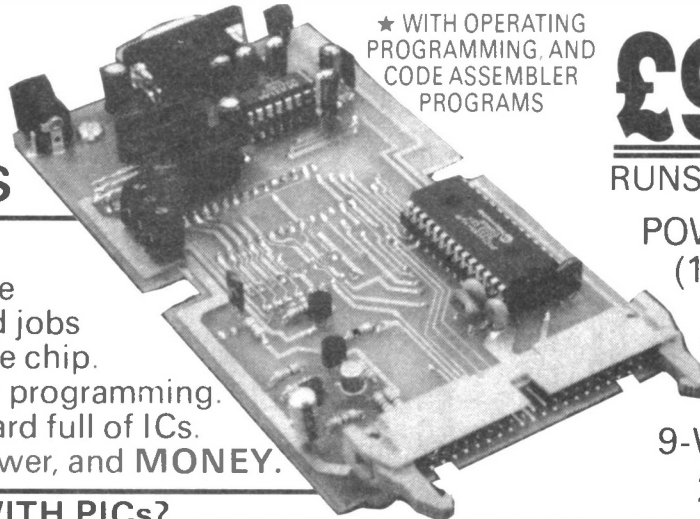
# PIC

# DEVELOPMENT & TRAINING SYSTEM

# PIC

**YOUR KEY TO ANOTHER NEW AGE OF ELECTRONICS**

PICs are being used more and more because they allow complicated jobs to be done with a single chip. All the work is done by programming. One PIC replaces a board full of ICs. Saving time, space, power, and MONEY.



★ WITH OPERATING PROGRAMMING, AND CODE ASSEMBLER PROGRAMS

**£99** INCLUDING VAT

RUNS WITH ANY PC

POWER SUPPLY (12V at 200mA)

**£8.99**

PC LEADS

9-WAY **£6.00**

25-WAY **£7.00**

## HOW DO I START WITH PICs?

- STEP 1** – Buy the PIC-DATS Development & Training System
- STEP 2** – Follow May & June '95 EPE Series – showing how to program for practical applications
- STEP 3** – Start writing and testing your own programs

## PIC PROJECT – LIGHT CONTROLLER DEVELOPMENT SYSTEM

A real-world application for a PIC microchip. This project can be made to do just what you chose if you write your own software. OR works as a 4-Channel hard fired – zero volt switching – Light Chaser. Kit includes programmed PIC, software disk and all components (less case).

Kit 855.....£39.95

## Motors and Controllers

A range of kits and components for motion control and computer interfacing. Ideal for Design and Technical projects, and a whole range of up to the minute 'Home Automation' applications.

### Comstep PC Computer Interface and Driver board

Drives two motors from PC parallel port. Supplied with comprehensive software. Needs 12Volt 1A supply

With 2-200 Step Motors

Kit 846.....£67.00

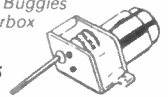
### PC Joystick Interface for Comstep

Software for operating Comstep from a standard PC Joystick. Allows two Axis control with acceleration, speed and X-Y position control. Stores co-ordinates

Kit 852.....£28.95

### DC Motor/Gearboxes

Our Popular and Versatile DC motor/Gearbox sets. Ideal for Models, Robots, Buggies etc. 1:5 to 4:5V Multi ratio gearbox gives wide range of speeds



LARGE TYPE – MGL £5.95  
SMALL – MGS – £4.77

### Power Booster for Comstep

Adds to Comstep and allows motors up to 4 Amps to be driven. Two boosters drive two motors from a single Comstep. Uses standard Comstep software

With MD24 Motors

Kit 850.....£39.95

### Stand-Alone Stepping motor Driver/Interface

A Stand alone interface giving full control in all modes. Pushbutton operation with adjustable acceleration and speed. Ideal for demo and setting up. Then connect to computer port for full control

Kit 843.....£39.95

### Stepping Motors



MD38...Mini 48 step...£8.65  
MD35...Std 48 step...£12.98  
MD200...200 step...£16.80  
MD24...Large 200 step...£22.95

### PC Communications Protocol for Comstep

An interface board adding four switched inputs to the Comstep + All the code to develop your applications. Files in C, BASIC, FORTRAN & ASSEMBLER + demo.

Kit 851.....£26.98

### Versatile Stepping motor Interface

A Magenta design, gives Half and Full-Wave drive. Up to 1Amp and 24Volts CMOS inputs. Drive from logic or computer port. Needs power supply

Kit 816.....£9.82

### More Information:

All listed items come with data and instructions. For more information, including reprints of the appropriate magazine articles, send an SAE + £1.00 per kit – or phone and use Mastercard/Visa etc

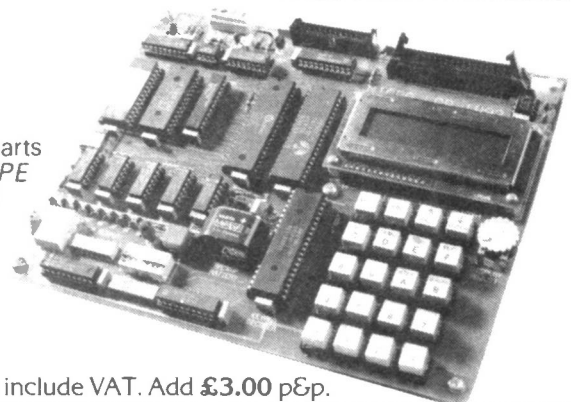
## Mini-Lab & Micro Lab Electronics Teach-In 7

As featured in EPE and now published as Teach-In 7. All parts are supplied by Magenta. Teach-In 7 is £3.95 from us or EPE. Full Mini Lab Kit – £119.95 – Power supply extra – £22.55. Full Micro Lab Kit – £155.95. Built Micro Lab – £189.95

# MAGENTA

Tel: 01283 565435 Fax: 01283 546932

All prices include VAT. Add £3.00 p&P.





# EVERYDAY With PRACTICAL ELECTRONICS

INCORPORATING ELECTRONICS MONTHLY

**VOL. 24 No. 6**

**JUNE '95**

**Editorial Offices:**  
EVERYDAY with PRACTICAL ELECTRONICS EDITORIAL  
ALLEN HOUSE, EAST BOROUGH, WIMBORNE  
DORSET BH21 1PF  
Phone: Wimborne (01202) 881749  
Fax: (01202) 841692. DX: Wimborne 45314  
**Due to the cost we cannot reply to orders or queries  
by Fax.**

See notes on **Readers' Enquiries** below – we regret lengthy  
technical enquiries cannot be answered over the telephone.

**Advertisement Offices:**  
EVERYDAY with PRACTICAL ELECTRONICS  
ADVERTISEMENTS  
HOLLAND WOOD HOUSE, CHURCH LANE  
GREAT HOLLAND, ESSEX CO13 0JS  
Phone/Fax: (01255) 850596

## PRICE HIKE

Wandering around an Antiques Fair over the Easter weekend, my attention was captured by a working Bakelite cased radio, an unusual, rather ugly, design with pushbutton tuning – it was obviously from the early Fifties and turned out to be of American origin (115V a.c.). The most interesting feature was the price – just over £200! I am told that some early radios, those made by Marconi in the very early days of radio, can cost thousands of pounds.

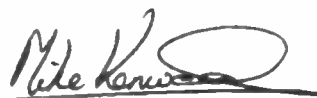
I started to wonder if any item of modern equipment might command such interest in forty years' time. It seems doubtful that many of our present day products could be refurbished to full working order as any custom chips, microcontrollers and programmed memory would be difficult to reproduce. However, if you look at some mundane items which are now becoming collectable, it makes you wonder if we should be hoarding personal cassette players, radios, etc. No doubt the most interesting working designs of such things will become collectors items, possibly made more valuable because of the difficulty in repairing them in the future.

## COLLECTABLE

Jake Rothman, who has designed our *EPE HiFi Valve Amplifier* admits to having a weakness for old transistor radios, of the type that Bush put out in the Seventies. Jake has bought and restored a number of these and is threatening us with an article on how it's done – anyone interested? I guess we should all start collecting and restoring now so we can retire on the proceeds in years to come! Incidentally we expect to publish a *High Voltage Capacitor Reformer* project next month – very useful to anyone refurbishing valve equipment.

The specialist knowledge and ingenuity needed to refurbish items using "blown" chips can, of course, be gained by the hobbyist and, providing a replacement "blank" chip is available, it is not beyond the ability of the enthusiast to write new software from a knowledge of the operation and circuitry of the original product and thus blow a new device.

Our *PIC-DATS* (last month) and follow up *PIC Light Chaser* articles will give you an excellent start in this rewarding operation. So, perhaps we should also be hoarding some of the most popular programmable chips for future use too!



Editor: MIKE KENWARD

Secretary: PAM BROWN

Deputy Editor: DAVID BARRINGTON

Technical Editor: JOHN BECKER

Business Manager: DAVID J. LEAVER

Subscriptions: MARILYN GOLDBERG

Editorial: Wimborne (01202) 881749

Advertisement Manager:

PETER J. MEW, Frinton (01255) 850596

Advertisement Copy Controller:

DEREK NEW, Wimborne (01202) 882299

## READERS' ENQUIRIES

We are unable to offer any advice on the use, purchase, repair or modification of commercial equipment or the incorporation or modification of designs published in the magazine. We regret that we cannot provide data or answer queries on articles or projects that are more than five years old. Letters requiring a personal reply *must* be accompanied by a **stamped self-addressed envelope or a self-addressed envelope and international reply coupons**. **Due to the cost we cannot reply to queries by Fax.**

All reasonable precautions are taken to ensure that the advice and data given to readers is reliable. We cannot, however, guarantee it and we cannot accept legal responsibility for it.

## COMPONENT SUPPLIES

**We do not supply electronic components or kits for building the projects featured, these can be supplied by advertisers.**

We advise readers to check that all parts are still available before commencing any project in a back-dated issue.

**We regret that we cannot provide data or answer queries on projects that are more than five years old.**

## ADVERTISEMENTS

Although the proprietors and staff of EVERYDAY with PRACTICAL ELECTRONICS take reasonable precautions to protect the interests of readers by ensuring as far as practicable that advertisements are *bona fide*, the magazine and its Publishers cannot give any undertakings in respect of statements or claims made by advertisers, whether these advertisements are printed as part of the magazine, or in inserts.

The Publishers regret that under no circumstances will the magazine accept liability for non-receipt of goods ordered, or for late delivery, or for faults in manufacture. Legal remedies are available in respect of some of these circumstances, and readers who have complaints should first address them to the advertiser.

## TRANSMITTERS/BUGS/TELEPHONE EQUIPMENT

We advise readers that certain items of radio transmitting and telephone equipment which may be advertised in our pages cannot be legally used in the UK. Readers should check the law before buying any transmitting or telephone equipment as a fine, confiscation of equipment and/or imprisonment can result from illegal use or ownership. The laws vary from country to country; overseas readers should check local laws.

## SUBSCRIPTIONS

Annual Subscriptions for delivery direct to any address in the UK: £24. Overseas: £30 (£47.50 airmail). Cheques or bank drafts (in £ sterling only) payable to *Everyday with Practical Electronics* and sent to EPE Subscriptions Dept., Allen House, East

Borough, Wimborne, Dorset BH21 1PF. Tel: 01202 881749. Subscriptions start with the next available issue. We accept Access (MasterCard) or Visa.

## BINDERS

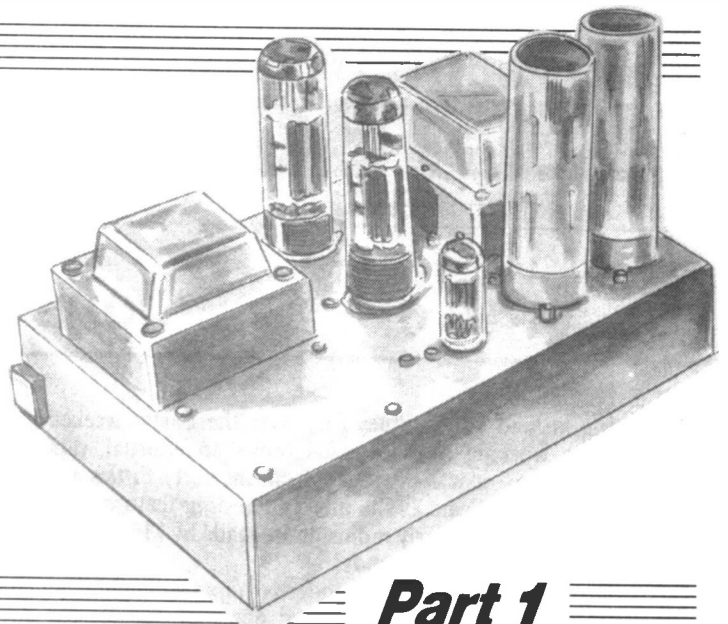
Binders to hold one volume (12 issues) are now available from the above address. These are finished in blue p.v.c., printed with the magazine logo in gold on the spine. Price £5.95 plus £3.50 post and packing (for overseas readers the postage is £6.00 to everywhere except Australia and Papua New Guinea which cost £10.50). *Normally sent within seven days but please allow 28 days for delivery – more for overseas orders.*

**Payment in £ sterling only please. Visa and Access (MasterCard) accepted, minimum credit card order £5. Send or phone your card number and card expiry date with your name, address etc.**





# EPE HiFi VALVE AMPLIFIER



JAKE ROTHMAN

Part 1

Riding on the wave of the "valve revival", Jake presents his own design so that constructors can create the valve sound, without suffering "antique dealer" prices!

- 30W r.m.s. into 8 ohms • 20Hz to 20kHz,  $\pm 0.2$ dB
- Input Sens. 300mV for full output • less than 0.1% t.h.d. at 15W into 8 ohms • Hybrid design for minimum valve count • Monoblock design (two required for stereo)
- Optimised for use with CD •

HERE, at last, is the promised EPE HiFi Valve Amplifier. Designed to sound at least as good as the Quad II power-amp described in the February 1994 issue.

The design is not a rehashed 1950s circuit. It is based around a brand new hybrid topology combining the positive attributes of vacuum and solid-state technologies. This amp enables the valve sound to be obtained without suffering "antique dealer" prices.

## IN COMPARISON

In terms of "pounds-per-watt" valve amplifiers cost around five to twenty times more than equivalent power solid-state designs, so why use valves? The answer lies in the type of distortion produced, generally valve type distortion sounds subjectively better, even if it is much higher on the "spec sheet."

Audio distortion is a complex subject, inevitably intertwined with psychoacoustics. The human ear produces its own distortion which tends to increase smoothly with level and comprises mainly low-order harmonics.

It does not seem surprising therefore that studies have shown distortions very dissimilar to this are much more noticeable, humans may prefer to hear distortions they are familiar with! Unfortunately the distortions produced by standard Class-AB solid-state designs are almost the opposite to that of the human hearing, tending to suffer increasing distortion at low-levels and hard clipping at overload.

Often distortion is at a minimum just before clipping and the harmonics

produced tend to be high and of an odd-order such as 5th and 7th. This tends to manifest itself as a lack of clarity in the top end and low-level reverberation. Characteristic distortion curves for the two different technologies are shown in Fig. 1 and Fig. 2.

## SYSTEM SYNERGY

More astute readers may have realised that the transistor amplifier distortion curve in Fig. 1 is very similar to that produced by digital recording media. CDs

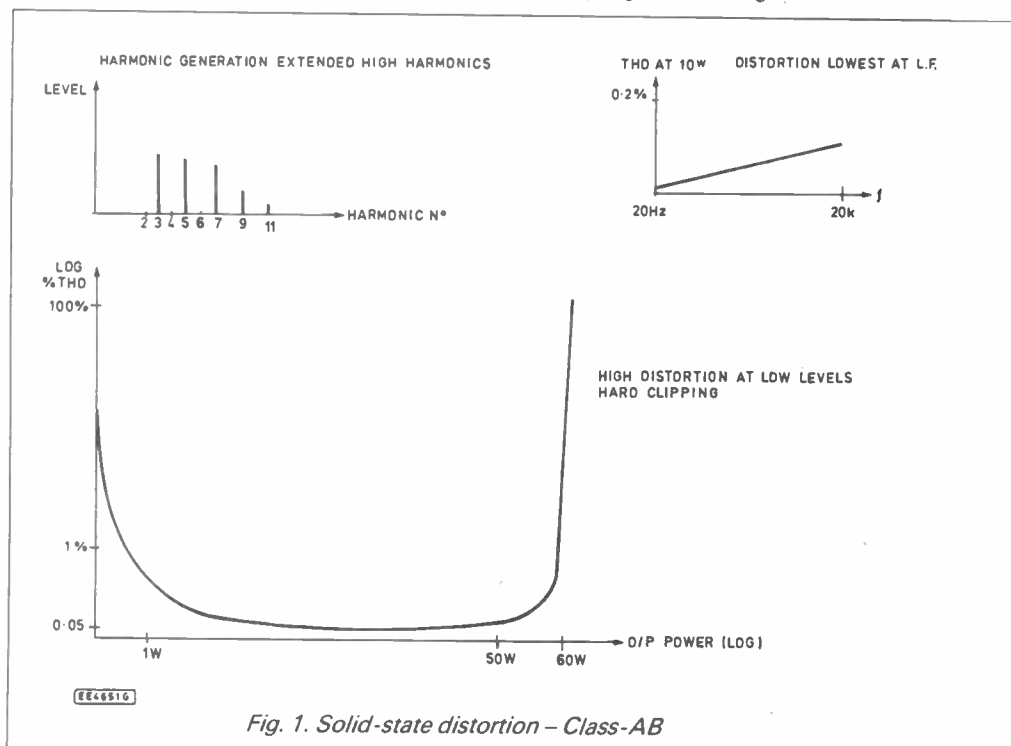


Fig. 1. Solid-state distortion - Class-AB

exhibit a distortion rise at low levels simply because there are fewer bits to convey the information.

One could be excused for thinking this means there is no point in using a valve amplifier with CDs. There is – because for some unknown reason, the distortion curve of the valve amplifier seems to hide that of the CD player and make the system sound better.

What matters is the overall distortion pattern (with regard to harmonics and level) and the frequency response of the complete hi-fi system. This effect of hi-fi components complementing each other is known as synergy. This effect has also been used in studios for many years, where valve condenser microphones and guitar processors are common place, complementing digital recording and sampling. A few years ago a CD player was introduced that had valves following the DAC!

## NEGATIVE FEEDBACK

Another aspect to amplifier sound is the use of negative feedback. Feedback is necessary to reduce distortion and flatten frequency response.

Where a lot of feedback is used clipping tends to be much harder and sudden. The distortion harmonics although much reduced, are pushed up to higher orders. Soft clipping or gradual overload is subjectively less unpleasant and is akin to the effect of hitting a string or soundboard harder.

There is a school of thought in hi-fi that believes that any feedback is bad. This aim is very difficult to achieve in practice, since the only amplifying devices linear enough to not need feedback are a select few triode valves.

Generally speaking the less linear an amplifying device is, the more feedback is required. Phase shift limits the amount of feedback that can be applied before oscillation occurs. Valve amplifiers generally employ coupling capacitors and output transformers which limit the amount of feedback to a maximum of around 20dB (open-loop gain reduced by  $\times 10$ ).

## OUTPUT IMPEDANCE

The output impedance of valve amplifiers is generally higher than transistor amps because of the smaller amount of negative feedback used, the high output impedance of valves themselves and the resistance in the transformer windings. A high output impedance means that the loudspeaker damping factor is lower, often giving the impression of better bass.

This often makes small closed-box speakers sound better. The BBC designed LS3/5a is such a design and is often seen partnered with Quads (synergy again).

Table 1 compares the linearity of various output devices. It is interesting to note that MOSFETs are the least linear, it even says in the Hitachi data book that a MOSFET output stage produces ten times more distortion than a comparable bipolar stage.

Fortunately, MOSFETs have such a high bandwidth that massive amounts of negative feedback can be used to give acceptable distortion.

## A BETTER CLASS OF AMPLIFIER

Another reason for the good sound of valve amplifiers is not that they use valves *per se*, but that they are usually Class-A designs. Class-A amplifiers run at full power even with no signal, with the output devices never out of conduction throughout the whole cycle. This means there is no low-level or crossover distortion.

Valves are very effective at dissipating heat so it is simple to run them in Class-A. With solid-state devices massive heatsinks and thermal stabilisation are needed, so Class-A is rarely used.

## HOW IT WORKS

The block diagram of the EPE HiFi Valve Amplifier, with an op.amp based phase-splitter followed by a triode driver stage feeding an ultra-linear EL34 output stage, is shown in Fig. 3. The ultra-linear output stage is based on the Mullard 5-20 design.

Table 1: Linear comparison of output devices

Device	Note
Triode	Most linear, least distortion, lowest efficiency. e.g. 2A3, 300B
Beam Tetrode (in ultra-linear mode)	Slightly more distortion but almost as efficient as pentodes. e.g. 6L6, KT66, EL34, 5881. Used in 5-20 and Williamson design.
Pentode (in ultra-linear mode)	Used in Leak Stereo 20. Distortion between triode and pentode. e.g. EL84
Pentode	Good for guitar amps. Third harmonic distortion predominates. e.g. Vox AC30 using EL84s.
Bipolar Transistor	Cheapest. Difficult to use in Class-A due to thermal runaway risk. Most efficient. e.g. 2N3055.
MOSFET	Most reliable, best h.f. response but least linear. e.g. 2SK135 and 2SJ50.

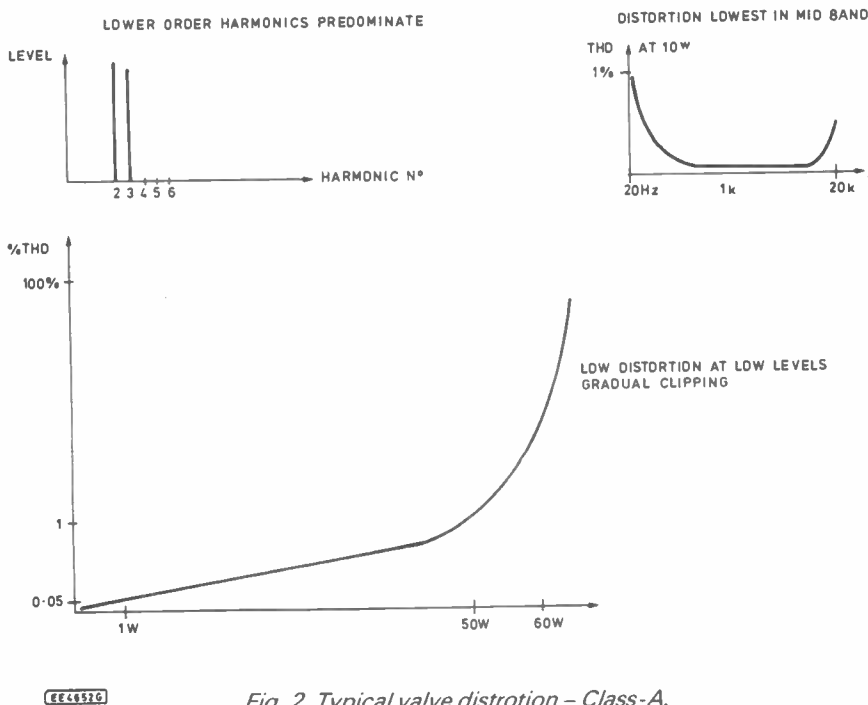


Fig. 2. Typical valve distortion - Class-A.

## Phase-splitter

A phase-splitter is always necessary in push-pull valve amplifiers because complementary valves are not available. All valves are like *n.p.n.* devices, so unless someone can invent a positron emitting electrode using some kind of anti-matter, the *p.n.p.* valve is a long way off.

## Single-ended vs Push-pull operation

Single-ended valve amplifier designs do not need a phase-splitter at all and have a nicer sound because the second harmonic distortion is not cancelled, which can leave remaining third harmonics exposed, as with push-pull amplifiers. The drawback with the single-ended approach is that the output transformer is a pig to design because there is a net d.c. current flow.

In push-pull, the d.c. current flows of both output valves are in opposite directions cancelling any generated steady-state flux in the transformer core. In single-ended designs a gap is required in the core to prevent saturation which makes good inductance figures hard to achieve.

The end result is that single-ended output transformers start at four times the price of an equivalent push-pull type. If cost is no object, single-ended triode designs give the

niciest sound, but a push-pull ultra-linear amp gives most of the attributes of valve sound for the lowest cost.

## Op.amp Phase-splitter

The op.amp phase-splitter was chosen because it is more stable, avoiding the drift that occurs with valve based designs. Since it operates at low levels, it operates in Class-A and clips long after the output valves clip, avoiding any solid-state type sonic signatures. It also provides a low impedance balanced input of the type used in top studio technology to avoid hum pick-up (most valve amplifier inputs are very high impedance and unbalanced).

Since the amplifier is intended to be used with CD players, which almost invariably use 5532 op.amp i.c.s in their output filters, it is felt from an engineering point of view that one extra will not be perceived. Incidentally, 80 per cent of top selling albums are mixed on SSLs which use at least thirty 5534s in the signal path.

A pair of differential op.amp stages with their inputs wired in parallel anti-phase form the basis of the phase-splitter. This configuration was popularised by Ted Fletcher of the Alice mixer company to obtain an equal impedance on both inputs, since the standard single differential amp has unequal impedances, which impairs the common mode rejection ratio. The circuit also gives additional anti-phase output making it ideal for use as a phase-splitter.

## CIRCUIT DESCRIPTION

Looking at the phase-splitter circuit in more detail, the full circuit diagram of the EPE HiFi Valve Amplifier is shown in Fig. 4. The phase-splitter circuit has a gain of four times, sufficient to fully drive the valves, but not so high that it clips with full CD level signals.

To ensure maximum headroom the rail voltage is 33V to 36V. The differential stages are band limited to 40kHz by capacitors C3 and C5. These also serve to prevent r.f. breakthrough.

Both op.amps are biased to half-rail (16.5V) for single-rail operation. This necessitates the use of blocking capacitors C1 and C4 at the input and C7 and C8 at the output.

## DRIVER STAGE

An ECC83 triode valve (V1) is used to amplify the outputs of the op.amps to over 25V r.m.s. to fully drive the output stage. Using a 400V h.t., anode resistors R26 and R29 and cathode resistors R15/R16 and R11/R12, the ECC83 sections deliver almost their maximum gain of around 50 times.

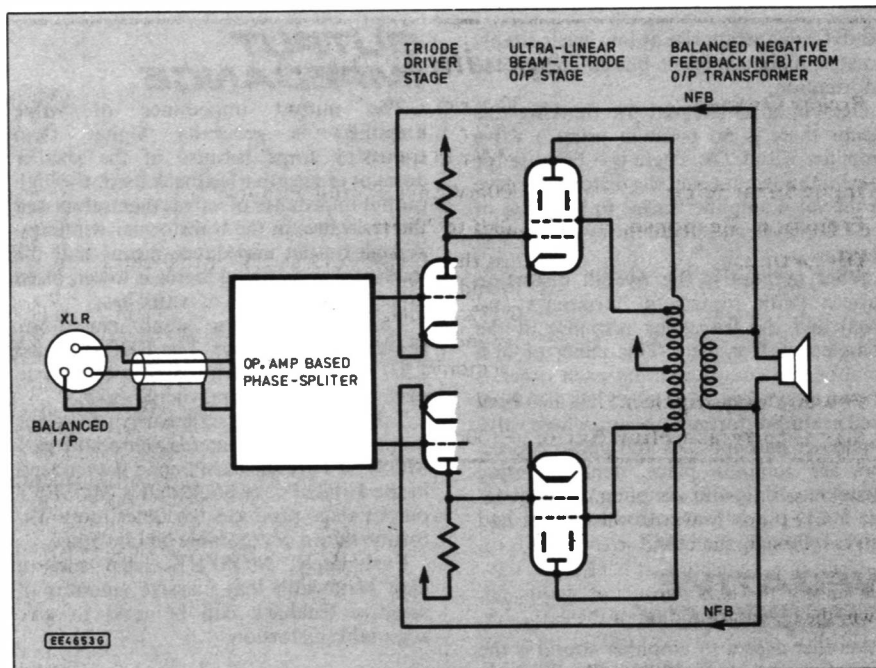


Fig. 3. Block diagram of the EPE HiFi Valve Amplifier.

To prevent oscillation the grids (pins 2 and 7) are fed by stopper resistors R25 and R28. The grids are held at 0V potential by pull-down resistors R24 and R27. Negative feedback is applied in a balanced fashion from the output transformer secondary to cathode resistors R16 and R12.

To make up the total 2.2 kilohm cathode resistance required for correct biasing at 2V, two kilohm resistors R15 and R11 are included in series with R16 and R12. These resistors are bypassed by capacitors C11 and C9 to ensure maximum open-loop gain.

Finally, the output of the driver valves are fed via capacitors C15 and C17 to the output stage. Since the ECC83 anodes (pins 1 and 6) sit at 205V it is essential that low-leakage 400V capacitors, such as polycarbonate or polypropylene, be used here.

The ECC83 valve was chosen for its high gain and availability. More adventurous constructors may wish to use a higher power valve such as the 6SL7, or better still the 12BH7, to get lower distortion.

## OUTPUT STAGE

A pair of EL34 valves (V2, V3) in the standard Mullard ultra-linear configuration will give around 20W at 0.8 per cent total harmonic distortion (t.h.d.) open-loop. The valves operate in pure Class-A up to around 15W and after that point the system operates to some extent in Class-B and this is given the classification AB1.

The maximum output power just before clipping into 8 ohms is 24W r.m.s. Only when the amp is driven beyond clipping are the valves pushed to full cut-off. This point is visible on the 'scope and it looks like a crossover kink in the middle of the waveform when the amp is clipped hard.

When this occurs the output valves are being driven into "grid current". Grid current flows when the grid is driven more positive than the cathode, causing it to act like an anode picking up some of the electron stream. In the case of the EL34 the cathode voltage is around 32V so the input voltage would have to exceed this figure to give rise to grid current.

Grid current can cause problems in that it tends to charge up the coupling capacitors which, because of their long time constant in association with the discharge paths, can cause slow shifts in the d.c. bias. This can manifest itself as "speaker pumping" when the amp is driven hard with pulsed signals.

To prevent parasitic oscillations, resistors R35 and R31 are used as grid stoppers on the control grids of the output valves. Resistors R34 and R30 hold V2 and V3 grids (pin 5) at ground potential. Their value is the highest allowable to reduce loading on the driver stage.

The ultra-linear taps on the output transformer are connected via resistors R37 and R33 to the suppressor grids, pin 4. These help maintain linearity at high levels and are also wired close to the valve socket to help act as grid stoppers.

## BIASING

The cathode resistors R32 and R36 have to dissipate high power and thus MUST be a high power type. These resistors generate the necessary bias for the output valves by making the cathode positive with respect to the grid, which has the same effect as making the grid negative with respect to the cathode.

Indeed, some amplifiers employ a separate negative power supply for the grid bias. This system of biasing is called "fixed bias" as opposed to cathode bias and can be used to obtain higher continuous power ratings.

## SAFETY WARNING

### This project is NOT for beginners

Not only is there mains voltage in this amplifier, there is also 450V h.t. which is even more dangerous because it is d.c., which means that muscles may "freeze". Always use well insulated probes when testing and always check if switched off.

It should be pointed out that the i.e.d. is extinguished when the h.t. fuse has blown, this means that the bleeding function is also disabled and the capacitors could still be holding a lethal charge. The same applies if the amplifier is operated with the phase-splitter board removed.



## Specification...

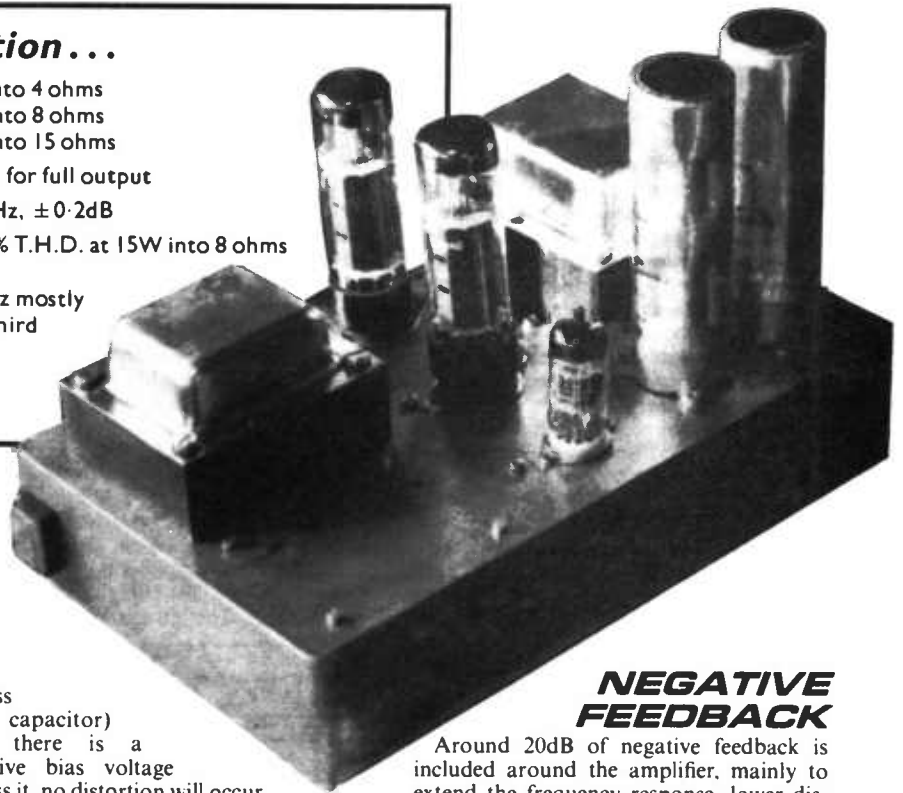
<b>Power Output:</b>	30W r.m.s. into 4 ohms 24W r.m.s. into 8 ohms 17W r.m.s. into 15 ohms
<b>Input Sensitivity:</b>	300mV r.m.s. for full output
<b>Frequency Response:</b>	20Hz to 20kHz, $\pm 0.2$ dB
<b>Distortion:</b>	less than 0.1% T.H.D. at 15W into 8 ohms in midband. 0.25% at 50Hz mostly second and third harmonic
<b>Power Consumption:</b>	95W
<b>Signal-to-Noise/Hum Ratio:</b>	-100dB

For pulsed type music signals found in hi-fi applications however, the power advantage is insignificant and so only tends to be found in guitar amps. It is also less reliable since if the bias power rail should go down, the direct grounding of the cathodes would allow a huge current to flow through the output valves and transformer, possibly resulting in expensive failures.

To prevent localised negative feedback stopping the output valves being fully driven, the cathode resistors are bypassed with electrolytic capacitors C16 and C18. Proponents of fixed bias would no doubt argue that the elimination of these electrolytics would be beneficial. However, as with all electrolytics used in audio signal positions, if the value is made big enough (so no signal voltage appears

across the capacitor) and there is a positive bias voltage across it, no distortion will occur.

It is possible to use a single cathode resistor and capacitor common to both valves, as used in the Quad, but this is a false economy since it means matched valves then have to be used.



## NEGATIVE FEEDBACK

Around 20dB of negative feedback is included around the amplifier, mainly to extend the frequency response, lower distortion to below around 0.1 per cent and help mitigate the effects of any valve mismatching. The feedback is taken from the output transformer secondary and applied in a balanced form to the driver stage

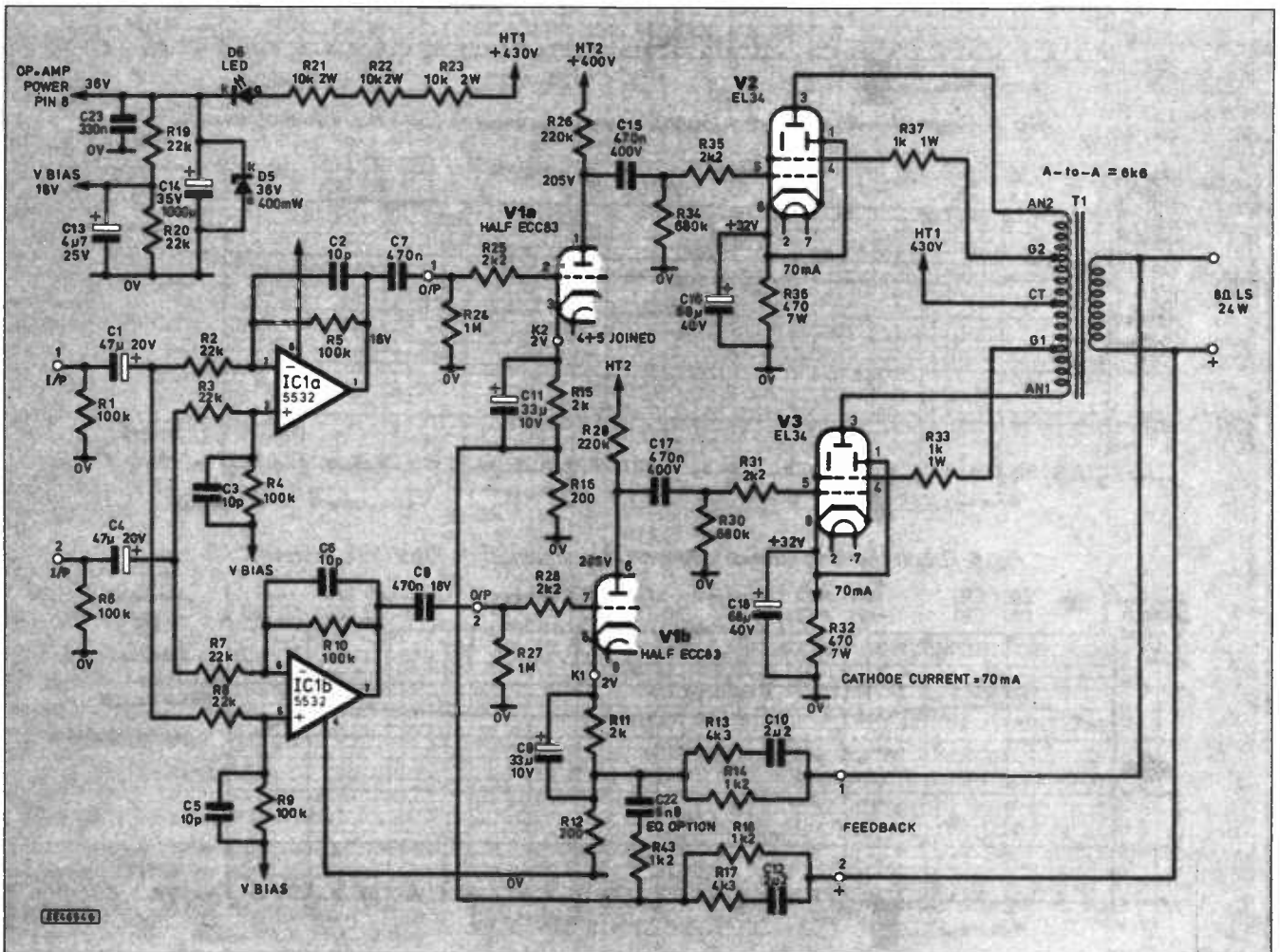


Fig. 4. Circuit diagram for the phase-splitter and power output stages for the HiFi Valve Amplifier. Note that capacitor C22 and resistor R43 are optional, see text.

where it is developed across R12 and R16, the unbypassed cathode resistors in the driver stage. It was not considered desirable to include the op.amp in the overall feedback loop, since this would have made the open-loop gain too high, resulting in hard clipping.

The level of feedback is set by resistors R14 and R18, with optional low frequency compensation provided by the RC networks comprising resistors R13 and R17 and capacitors C10 and C12. The total feedback resistance must not be reduced below one kilohm or there is a risk of low frequency instability setting in.

High frequency compensation was not found to be necessary, but it could easily be included using the p.c.b. positions occupied by R14, C10, R17 and C12. Another option is afforded by C22 and R43 which allow a little high frequency boost to be included if desired. Note that these components are such a rare option that there are no holes for them on the p.c.b., they will have to be soldered across the ends of resistors R14 and R18.

The open-loop frequency response of the amplifier, which exhibits -1dB points at 30Hz and 15kHz, is shown in Fig. 5. With negative feedback the response is flat from 20Hz to 20kHz as shown in Fig. 6.

The feedback network can be used to provide a degree of frequency response manipulation to compensate for speaker deficiencies etc. Fig. 7 shows such a curve where a little boost at 50Hz and 12kHz has been applied to give a better balance with a pair of small bookshelf speakers.

In this case capacitors C10 and C12 were made 470n while C22 was 6n8 and R43 was given a value of 1.6 kilohms. To avoid excessive lift at extreme l.f., the phase-splitter input coupling capacitors C1 and C4 were reduced to 1µF.

## POWER SUPPLY

It was mainly the power requirements of valves compared to transistors that led to their demise in the 1960s. The power consumption of this amplifier is very high, with 21W (3.3A at 6.3V) being used for heater power alone. The h.t. current is 140mA at

430V or 60W, giving a total of around 95W including transformer losses! This is even when the amplifier is just idling since it is basically Class-A.

The complete power supply circuit diagram, based around Maplin's "High Power Valve Mains Transformer", is given in Fig. 8. This transformer was used in Maplin's valve amp design to power two stereo channels. In the authors opinion it ran much too hot for long-term reliability, so in this design, an individual transformer should be used for each channel. This allows the amplifiers to be constructed as monoblocks (two for stereo), simplifying "earth loop" and crosstalk considerations.

Original power supplies for valve amplifiers used valve rectifiers and smoothing chokes. A valve rectifier was abandoned in favour of silicon since they are expensive, wear out like any valve and consume extra heater power. Another advantage of the silicon rectifier is that it is easy to use as a bridge.

Most valve rectifiers are of the double diode type which needs a centre-tapped

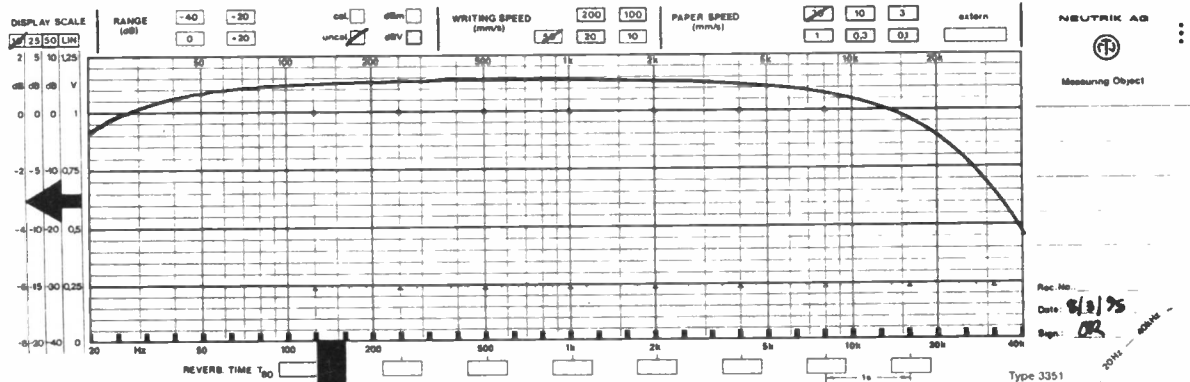


Fig. 5. Graph showing the open-loop frequency response at 15V r.m.s. into 8 ohms.

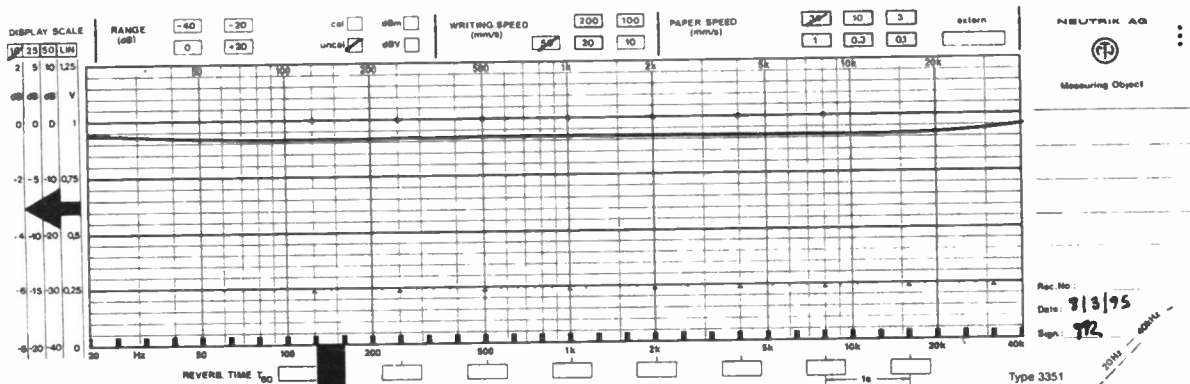


Fig. 6. Graph showing closed-loop with l.f. compensation (15V r.m.s. 8 ohms).

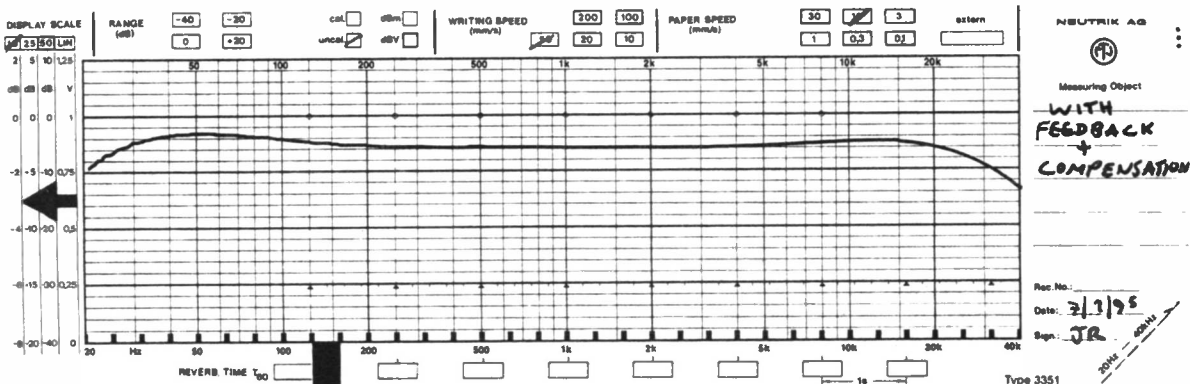


Fig. 7. Graph showing the closed-loop with response equalisation.





Cheap valves from Eastern Europe usually work well, Chinese tubes do not seem to last as long. Using original Mullard types is not cost effective because of inflated collector's prices. The EL34B is slightly stronger than the EL34S.

## CONSTRUCTION

Traditional chassis construction is used for the bulk of the amplifier (many TV service engineers discovered that power output valves soon burnt their way through printed circuit boards!) However, a p.c.b. is used for the op.amp phase-splitter and feedback components in view of their small size.

## COMPONENTS

### Resistors

R1, R4, R5, R6, R9, R10	100k (6 off)
R2, R3, R7, R8, R19, R20	22k (6 off)
R11, R15	2k (2 off)
R12, R16	200 (2 off)
R13, R17	4k3 (2 off)
R14, R18	1k2 (2 off)
R43	1k2 optional
All 0.25W 1% metal film (for p.c.b.)	
R24, R27	1M (2 off)
R25, R28, R31, R35	2k2 (4 off)
R26, R29	220k (2 off)
R30, R34	680k (2 off)
R40	12 (depends on lamp LP1 current)
All full-size 0.5W 1% metal film	
R33, R37, R41	1k (3 off)
R38	18k
All 1W 5% carbon film or 2% metal oxide FP1	
R21, R22, R23	10k (3 off) (can be replaced with single 33k 7W WW)
All 2W 5% carbon film or 2% metal oxide FP2	
R32, R36	470 (2 off)
R39	68
All 7W 5% wirewound Welwyn W22	
R42	CZ6 Brimistor (thermistor) – see text

### Capacitors

C1, C4	47µ axial tantalum, 20V (2 off)
C2, C3, C5, C6	10p polystyrene 2.5% (4 off)
C7, C8	470n 5mm polyester 10% (2 off)
C9, C11	33µ tantalum or solid aluminium, 10V (2 off)
C10, C12	2µ2 polyester 20%, 63V (2 off)
C13	4µ7 tantalum bead, 25V
C14	1000µ radial elect. 35V
C15, C17	470n 400V axial polycarbonate or polypropylene, 10% Wima MKB3 (see text) (2 off)
C16, C18	68µ axial solid aluminium (type 123), 40V (2 off)
C19	47µ 450V axial
C20	68µ to 220µ 450V
C21	68µ to 220µ 500V
C22	6n8 polyester (eq. option)
C23	330n polyester

### Valves

V1	ECC83 triode
V2, V3	EL34 beam tetrode (2 off)

### Semiconductors

D1 to D4	BYX84 or 1N4007 1000V p.i.v. 1A rec. diode (4 off)
D5	36V or 33V 400mW Zener diode
D6	5mm red diffused l.e.d. 20mA
IC1	NE5532N dual low noise op.amp

### Miscellaneous

T1	Valve output transformer, primary anode-to-anode impedance 6k6
T2	240V a.c. mains transformer, with 350V 250mA secondary and 6.3V 7.5V centre-tapped valve heater winding
SK1	filtered mains IEC socket
S1	d.p.d.t. mains toggle switch, with indicator lamp
FS1	3A cartridge fuse, with panel fuseholder
FS2	315mA quick-blow 20mm fuse, with panel fuseholder

Diecast box, size 273mm x 172mm x 51mm; printed circuit board (phase-splitter) available from *EPE PCB Service*, code 941; 8-pin d.i.l. socket; chassis-mounted B9A valve holder; chassis-mount octal valve holder (2 off); 3-pin XLR chassis socket; loudspeaker terminals; l.e.d. holder; 2-pin Molex assembly (4 off); 3-pin Molex assembly (2 off); 6-way tag strip, plus two "earth" mounting tags; 2-way tag strip, plus three "earth" mounting tags; capacitor clips (2 off); small cable ties (3 off); stick-down plastic cable tie mounts (3 off); p.c.b. mounting pillars plus bolts (4 off); multistrand connecting wire, 7/0.1 for Molex connectors; 3-core mains lead; mains wire 7/0.2 for valve heaters; approx. 250mm length twin-screened cable; 102mm length 16 s.w.g. tinned copper wire; 102mm 22 s.w.g. tinned copper wire; one metre silicone sleeving; M4 nuts, bolts and washers (8 off); M3 nuts, bolts and washers (9 off); screw locking compound; solder etc.

Approx cost  
guidance only

**£110**

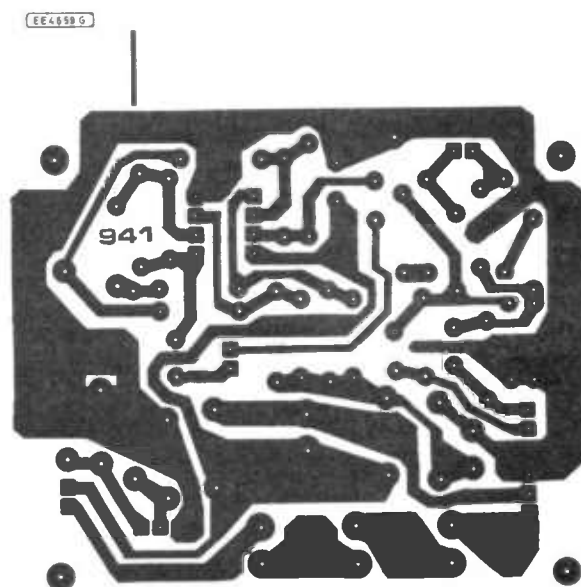
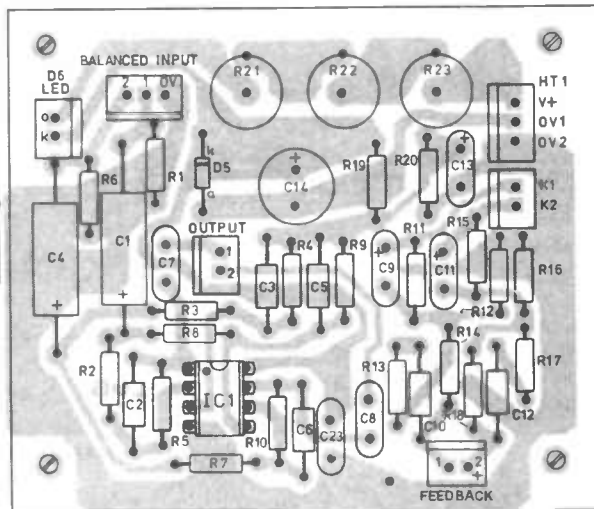


Fig. 9. Phase-splitter printed circuit board component layout and full size underside copper foil master.

Before we undertake the traditional task of "chassis bashing" associated with valve work, we can first tackle the more familiar operation of constructing the printed circuit board (p.c.b.). The top side component layout and full size underside copper foil master pattern are shown in Fig. 9. This board is available from the *EPE PCB Service*, code 941.

Commence construction of the Phase-splitter p.c.b. by mounting components in height order starting with resistors first, but leave the semiconductors until last. Be especially careful to get the polarities of the electrolytic capacitors, Zener diode and the op.amp i.c. the right way round on the board.

The dropper resistors R21, R22 and R23 should be soldered in a clamped fashion onto the track by firmly bending the lead over. This is because components that "run" hot put additional thermal stress on the soldered joints. The resistors should also be spaced away from the p.c.b. by ceramic beads, if possible, to prevent scorching.

Make sure that the straight pin p.c.b. connectors are soldered on the board with

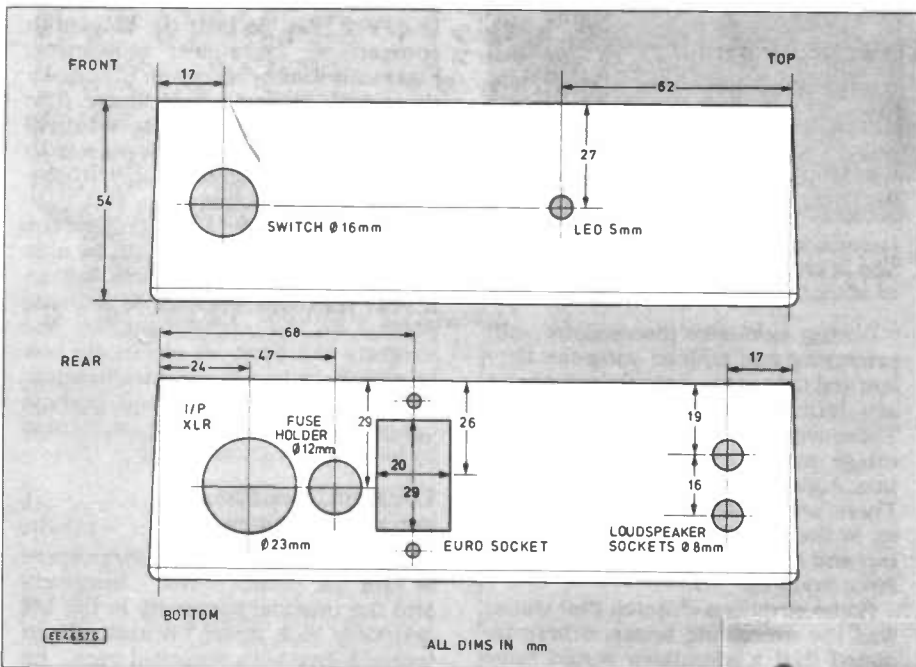
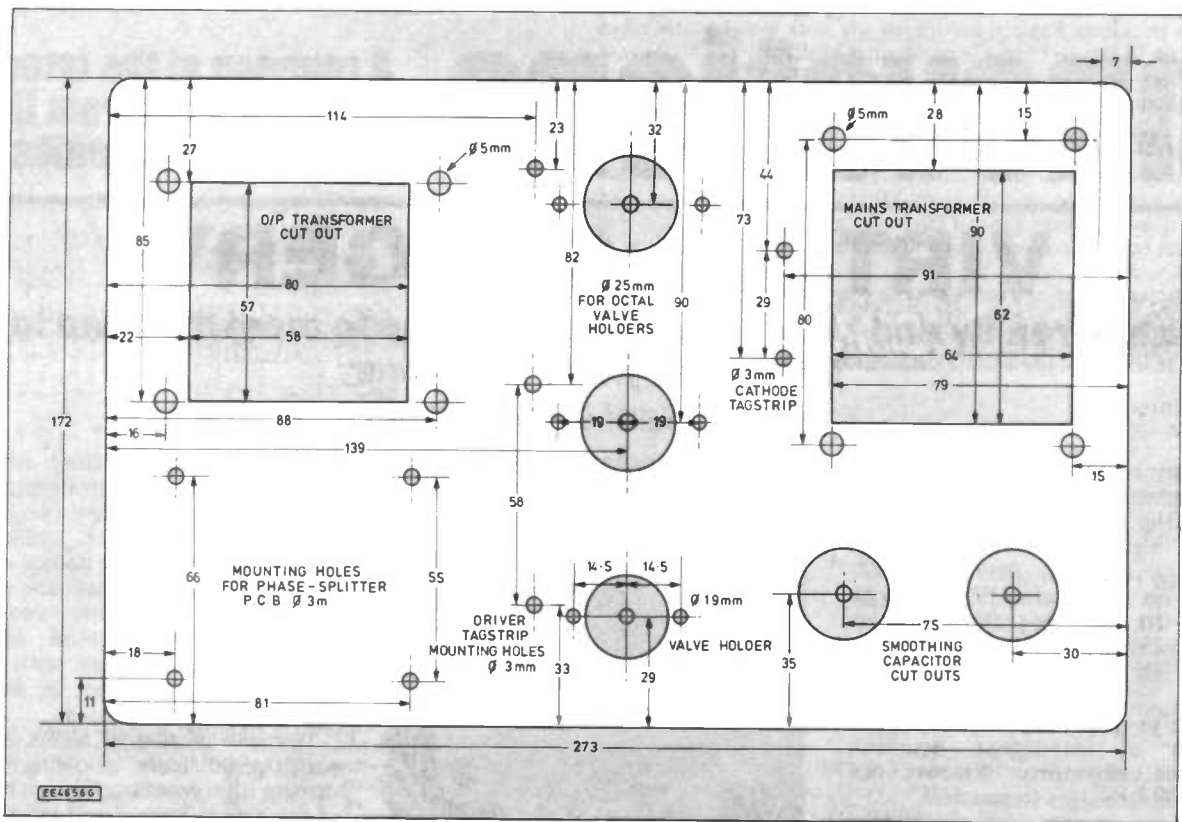


Fig. 10. Chassis top, front and rear component layout, drilling details and dimensions.

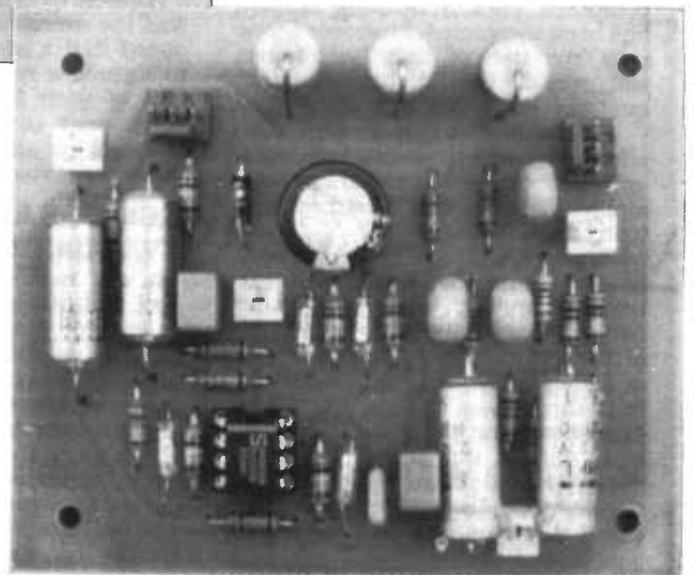
their locating "friction lock" headers correctly positioned. see Fig. 9. The make up of the interconnecting plugs is shown next month.

Once the Phase-splitter board has been constructed it should be put to one side until the diecast box chassis drilling has been completed.

## CHASSIS CONSTRUCTION

A diecast box is used for the chassis because they have nice looking rounded edges and are easy to drill. Do not use steel for the chassis since this will spread the magnetic field of the mains transformer around.

*The completed Phase-splitter board showing the component layout. Note the high wattage resistors are stood on-end and have ceramic beads keeping the resistor bodies clear of the p.c.b.*



Chassis layout dimensions and drilling details, with the position of all the components having been worked out to ease the wiring, minimise hum and prevent undesirable coupling, are shown in Fig. 10. One of the basic considerations to minimise hum is that the two transformers have been placed as far apart as possible with their cores at right angles to each other. Another is that the low-level part of the circuit, the phase-splitter, has been placed as far away as possible from the power transformer.

The smoothing electrolytics are away from the drying heat of the output valves and the output wiring is kept separate from the input wiring by running each on opposite sides of the case. Since it is desirable for aesthetic reasons to have all the connecting leads coming out of the rear of the chassis the main input lead has to be a screened cable, since it runs near the power supply electrolytics.

**Next Month:** We conclude with all the interwiring and final testing.

## VIRTUAL SURGERY

Virtual reality and l.c.d. holography combine to meet the need for training keyhole surgeons

— by Hazel Cavendish

**U**RGENT need for a method of training "keyhole surgeons" in conducting laser operations has opened up a world of medical opportunity to Professor Bob Stone's Virtual Reality (VR) team at Salford. He has recently taken on the role of Director of Virtual Reality Studies for the North of England Wolfson Centre for Minimally Invasive Therapy, and heads the VR Division of Intelligent Systems Solutions (formerly known as Advanced Robotics Research).

In recent months the media has drawn attention to public anxiety about key-hole surgery, leading to a call for action in improving the training of surgeons graduating from conventional open surgery to the more remote techniques of laser telesurgery.

### OPERATIONAL RESEARCH

Because live animal-based training is prohibited by UK regulations, primary key-hole surgical experience is presently fostered through the remote handling of "dolly mixtures", grapes, raw chicken tissue, plastic tubing and foam-mounted balloons. It is now realised that provision of even a basic virtual human simulator will help to develop specific surgical skills.

VR has the potential to reproduce the natural and fluidic characteristics of human anatomy, requiring only a re-setting of the host computer, once a training session has been completed. Professor Stone says the use of their techniques will provide the "flight simulator" qualities surgeons are demanding — the ability to generate cost-effective *what-if* scenarios, such as insufflation failures, anatomical ambiguities, patient distress and instrument failure.

With support from the Department of Health and the Wolfson Foundation, a project was initiated at Salford University integrating the skills and talents of a number of academic and small company teams from throughout the UK, backed by know-how from the VR team. In the early part of the project the team observed and recorded the work of the surgeon by visiting operating theatres and using video and digital endoscopy.



*Laparoscopic Cholecystectomy operation in progress. Courtesy of University of Manchester.*

During extensive discussions with practising and trainee surgeons they learned that medics would not accept any form of head-mounted displays. These were deemed unacceptable for image quality, in-theatre communication, ergonomic and hygiene reasons. There was a 50-50 split in opinions as to the need for stereoscopic viewing and the importance of tactile and force feedback.

Some surgeons claimed that vision was the overriding sense; others insisted that a simulator would have to include a reasonable representation of such features as elasticity, instrument constraints within the body cavity, and varying degrees of movement "viscosity".

### HOLOGRAPHIC EVALUATION

It was necessary to adopt a display technology which did not require any form of head or face-mounted peripheral to achieve the necessary stereoscopic effect. A solution was offered by the Richmond Holographics autostereoscopic display system which uses conventional l.c.d.s combined with Holographic Optical Elements (HOEs).

HOEs are devices made using similar techniques to those used

for making holograms, and are recordings of the interference pattern which results when two or more laser beams intersect. Unlike ordinary holograms, they do not contain an image: instead they are used to bend, focus and otherwise modulate light in unusual and frequently complex ways, with optical properties that cannot be achieved with conventional optics.

The use of special HOEs make it easy to fabricate a display which directs light from one image into one of the viewer's eyes and light from a second image into the other eye. Both images can be displayed on one l.c.d. The HOE permits the display to compensate for viewer movement; binocular fusion occurs to produce a three-dimensional whole image. The Richmond Holographics system will allow Wolfson Centre researchers to evaluate the necessity for three-dimensional endoscopy.

In due course the VR system means that a practice operation will be able to be carried out in the same way as a real one, but instead of a living patient on the operating table, the surgeon will have an electronic box in which to insert his instruments. Then, as in a conventional keyhole operation, surgery will be performed by looking at a TV monitor.

### OVERCOMING SCEPTICISM

Yet Professor Stone declares there is still an uphill battle: "Surgeons and the medical fraternity in the UK generally look upon VR and related technologies with sceptical eyes," he says. "Also, for some reason (and with one notable exception), the larger VR hardware and software companies in Britain seem to have written-off the medical area as being a non-lucrative market.

At present, the cost of VR technologies is totally unjustifiable for medical training; up to £150,000 for the computing platform alone. Nevertheless, rapid advances are being made in the development of much cheaper, high-performance graphics processors for PC platforms. It is highly likely that computers delivering the performance required by the medical fraternity will become available at a more realistic in-hospital price within two to four years.

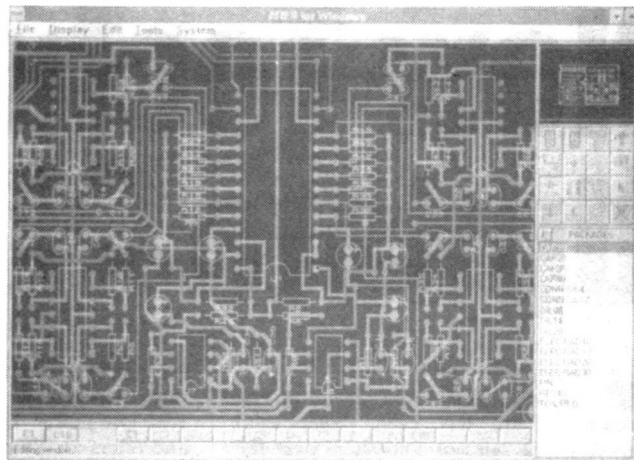


## WINDOWS P.C.B. PACKAGES

CADPAK and PROPAK for Windows have recently been introduced into the Labcenter range of software products. CADPAK for Windows includes both schematic drawing and p.c.b. drafting tools but as an entry level product, there is no netlist link between them. CADPAK is especially suited to hobby, educational and small scale schematic and p.c.b. design. PROPAK for Windows adds netlist based integration, automatic power plan generation and a powerful auto-router.

Both of these packages for Windows are based on well proven existing Labcenter products (which run from DOS). At the same time, the new products make full use of Windows features such as on-line help. PROPAK autorouting runs as a true 32-bit application - making it faster than 16-bit products.

CADPAK and PROPAK for Windows are priced at £149 and £495 respectively. Contact Labcenter Electronics, 53-55 Main St., Grassington, N. Yorks BD23 5AA. Tel: 01756 753440, Fax: 01756 752857 for more details of these products and upgrades from existing Labcenter products.



## EVENTS

### ON AIR

The Amateur Radio, Electronics and Computer Club (AREC Club) of Malta are organising an "on the air" activity to mark Victory in Europe Day. The call sign is 9H50VE and operation, on a 24 hour basis, will continue during May 6th, 7th and 8th. Frequencies, subject to interference and propagation, will be 3-775MHz, 7-044MHz, 14-225MHz, 21-25MHz and 28-55MHz SSB.

AREC Club, PO Box 114, Valletta CMROI Malta.

### CLACTON

CLPK have joined forces again with Sharward Promotions (the Shows and Exhibitions Division of Sharward Services) to undertake the organisation of The East Coast Amateur Radio and Computer Rally, which this year will be held on August Bank Holiday Sunday, 27th August. The venue is the Clacton Leisure Centre, Vista Road, Clacton-on-Sea, Essex.

Major suppliers and manufacturers of radio equipment, computers and computer software, accessories, antennas and secondhand gear will be at the Rally. There will also be a "Bring and Buy" sale.

The show runs from 10.30 a.m. to 4.00 p.m., with the bar and cafeteria available from 11.00 a.m. There is a Free car park.

For further details please contact the organisers: Sharward Promotions, Upland Centre, 2 Upland Rd., Ipswich IP4 5BT. Tel: 01473 272002, Fax: 01473 272008.

Also organised by the same company is the Ipswich Computer Show, Saturday May 20, 10 a.m. to 4 p.m. At Willis

Carroun Sports and Social Club, The Street, Rushmere St. Andrew, Ipswich.

### LONGLEAT

The 38th Longleat Amateur Radio Rally is at Longleat House (not the Safari Park) on Sunday 25th June from 9.30 a.m. to 5 p.m. Further information from Gordon Lindsay GOKGL, 66 Jubilee Crescent, Mangotsfield, Bristol. Tel/Fax: 0117 940 2950.

### VINTAGE

The fourth National Vintage Communications Fair will take place in the Pavilions Hall of the NEC in Birmingham on Sunday, May 14 and will feature thousands of rare and collectable vintage technology items with special emphasis on early radios, television receivers, gramophones, telephones and classic 1950s hi-fi. In attendance will be over 300 specialist dealers from the UK, the Continent and the USA. For the seasoned collector, it's the event of the year.

The fair is presented annually by the *Sound and Vision Yearbook* which is a comprehensive reference guidebook to over one hundred sound and vision collecting hobbies from Amateur Radio through Classic Audio, Theatre, Cinema and other Organs TV and Radio Related Collectables etc., to Vintage Wireless. For early arrivals at this year's Fair, the £5 admission price includes - while stocks last - a free copy of the latest edition of the Yearbook.

More information and copies of this fascinating little Yearbook (£3.50 post free) are available from Sunrise Press, 2-4 Brook St., Bampton, Devon EX16 9LY. Tel: 01398 331532.

## SCHOOLS ONLINE

A pilot scheme to help more secondary schools get on-line to Internet was recently launched by Tim Eggar, Minister for Industry and Energy with £250,000 of DTI backing.

"We are working with the information technology and communications industries who are going to "adopt" local schools, providing equipment, line connection and training. Industry will be contributing about £350,000, over half the total cost. DTI will provide a help desk and project management, and will ensure that suitable educational material is available," said Mr. Eggar.

"The companies are close to identifying the 50 schools who will participate in the project. These are either near the companies' own plants or are amongst those who have been ringing asking to be involved.

"If the pilot stage is a success, and if enough schools sign up to the initiative, then the scheme will be extended with DTI committing another £750,000 for a full programme in 1996."

The companies involved have come together to form a "National Information Infrastructure (NII) Task Force". Based on the Federation of the Electronics Industry, these companies include GPT, IBM, and Lucas Systems as well as a number of smaller companies such as Softwright Systems, the independent software company.

Ian Taylor, the DTI Technology Minister responsible for coordinating multimedia matters, has recently established a Multimedia Industry Advisory Group. "The Group will monitor progress of the Online project", said Mr Taylor, "and assess its contributions to education.

"We are aware of concerns about information on the Internet. It will obviously be important to provide adequate protection against undesirable material, and this issue is under consideration by members of the Schools Online Project."

## VIRTUAL PA

A digital answerphone which can also store faxes, operate as a high speed modem and automatically forward messages is now available from Andest Ltd.

The Virtual PA (V.PA) can be accessed from anywhere in the world to retrieve voice messages or redirect faxes to any fax machine. The standard unit contains 1Mbyte of memory, enough to store 20 minutes of voice or approximately 50 fax pages, but this can be expanded to 8Mbytes if needed.

The unit can be easily programmed using the built in five button key pad and l.c.d. screen or it can be linked to a PC. The standard version operates at 2400bps for data and 19200bps for fax and costs £399.

Contact Andest Ltd., Chancery Court, Lincoln Rd., High Wycombe. Tel: 01494 429309, Fax: 01494 538598, Bulletin Board - Fax Back Service: 01494 510560.



# New Technology Update

Ian Poole investigates the intense development of flash and ferro-electric memories which promises enhanced endurance, speed and density, while cavities replace gutters in research to improve silicon purity.

**M**EMORIES are one of the most important areas for development at the moment. There has been phenomenal growth in the sales of computers over the last ten years. This has resulted in a greater need for smaller and more portable systems, which in turn has meant that the requirements being placed on memories are becoming even greater.

## In a Flash

One development to hit the market in recent years has been the flash memory. This provides many improvements over other memories which are available at the moment because the technology consumes less power and has a very high density.

Some manufacturers are even using these memories to make replacements for disk drives. Although they are more expensive than a standard disk drive they offer the advantage of being far more robust, and much smaller.

There are many other uses for these devices and as a result a large number of manufacturers are entering the market. This increased competition has forced the development of these devices ahead. Intel now manufacture a 16Mbit device and no doubt other companies will follow suit in due time.

Another area of development of flash memories is in increasing their life time. The memories have a limited number of write/erase cycles and some of the first devices to hit the market only had a lifetime of about a thousand cycles or so. Now development has improved their performance quite considerably and most devices will offer an endurance of 100,000 cycles, and there is a growing trend for figures of 1,000,000 cycles to be quoted.

Obviously cost is an important factor. Current flash devices are roughly three times the cost of an equivalent EPROM. This reduces sales and Intel are currently working towards making flash the cheapest form of memory on the market. This will ensure that it is in a commanding position for the next few years.

## Ferro-Electric Memory

Despite the enormous interest in flash technology and the great amount of coverage it is receiving in the electronics press it is not the only new memory technology about. Over ten years ago a company called Ramtron put forwards the idea for a ferro-electric memory. Now they have over forty patents granted for the idea and a number of others pending.

Supporters of this type of memory describe it as the ideal solution for portable

equipment. It combines many of the features required by today's designers. It is very low power, high density, high speed, and offers an almost unlimited number of write/erase cycles.

The technology uses the property of certain crystals in which magnetic dipoles align in different directions according to the electric field which is applied. When the electric field is removed the dipoles stay in place and the data is stored almost permanently. The other advantage of ferro-electric memories is that the life of the cells is measured in hundreds of millions of write/erase cycles instead of around a million for flash memories.

Another advantage is that their power requirement is around ten times less than an equivalent flash memory. This is a distinct advantage for portable applications where many of these memories are likely to be used.

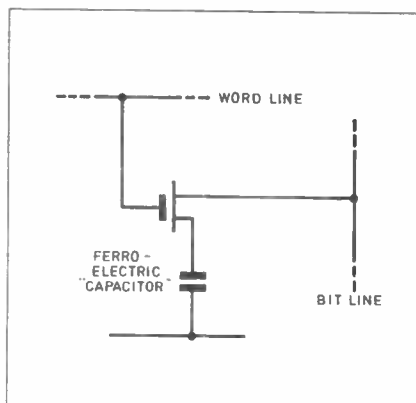


Fig. 1. A cell in a "ferro-electric" memory.

Despite these advantages, ferro-electrics still have a way to go before they catch up with flash. One of the main areas where they are behind is in their density. It is expected that the first 256K devices will be made this year and there are rumours to be plans for 1Mbit memories sometime in the future, although no dates are known. This is a far cry from the 16Mbit flash devices which are currently being manufactured by Intel. Nevertheless ferro-electric development is forging ahead.

For the long term, ferro-electrics appear to provide many exciting possibilities. However, the technology is still very much in its infancy and we will have to wait a few more years to see if they come up with the goods.

## Purer Silicon

One of the key features which has enabled today's semiconductor technology to progress as far as it has is the purity of the semiconductors. The main reason why

f.e.t.s were not introduced any earlier was simply the fact that it was not possible to produce silicon which was pure enough to enable them to work reliably.

Now with feature sizes many orders of magnitude smaller and much more stringent demands being placed on the device performances, semiconductor material of the highest grade has to be used. Often when yields fall and devices do not come up to their specification the reason is that the base semiconductor was not pure enough. Even very low levels of impurity can have a marked effect.

In preparation of the basic silicon for semiconductor crystals a technique known as zone refining is used. This removes most of the impurities, but even though this method has been improved it is still not always capable of reducing impurity levels by the degrees necessary.

Impurities can be wide ranging, and a scheme called "guttering" is commonly used to reduce their levels. To perform this an unused portion of the wafer, normally the back or underside is roughened using a coarse etch. This breaks up the crystal lattice creating many sites for the impurities to lodge as metal silicides. As the chosen portion of the wafer is unused they can remain here without any ill effects on the remainder of the chip.

The process works reasonably well but as demands on the purity of silicon increase, it is not sufficient for many of the latest processes. It does not remove all the impurities and the silicides sometimes form in areas where they are not wanted. Copper, one of the most troublesome impurities can be reduced to much lower levels by a process in which some microscopic cavities are created just below the surface of the wafer.

The cavities are formed by implanting helium atoms into the wafer. The wafer is then heated forcing out the helium atoms but leaving microscopic cavities or voids which have nanometre dimensions. These serve to trap the copper by forming areas where the copper atoms can migrate. Once the copper atoms have migrated into the voids they become bonded to the silicon. As in the guttering process the voids are formed in areas of the silicon not used for the active circuitry.

The use of these voids has a number of advantages. Once within the voids the copper is held more firmly than if guttering had been used. In fact the voids are stable to temperatures over 1100°C; sufficiently far above most of the temperatures which would be needed in any of the subsequent processes. In addition to this the voids are capable of holding a relatively large number of copper atoms, making the process useful when impurity levels are high.

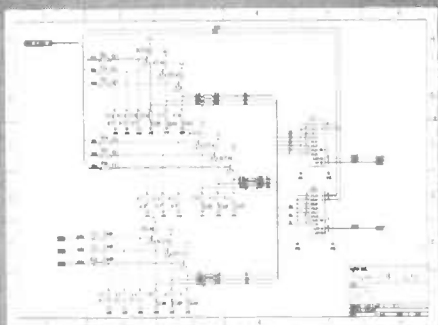
**Is your PCB design package not quite as "professional" as you thought? Substantial trade-in discounts still available.**

## Board Capture

*Schematic Capture Design Tool*

- Direct netlist link to BoardMaker2
- Forward annotation with part values
- Full undo/redo facility (50 operations)
- Single-sheet, multi-paged and hierarchical designs
- Smooth scrolling
- Intelligent wires (automatic junctions)
- Dynamic connectivity information
- Automatic on-line annotation
- Integrated on-the-fly library editor
- Context sensitive editing
- Extensive component-based power control
- Back annotation from BoardMaker2

**£395**



## Board Maker

*BoardMaker1 - Entry level*

- PCB and schematic drafting
- Easy and intuitive to use
- Surface mount and metric support
- 90, 45 and curved track corners
- Ground plane fill
- Copper highlight and clearance checking

**£95**

*BoardMaker2 - Advanced level*

- All the features of BoardMaker1
- Full netlist support- BoardCapture, OrCad, Schema, Tango, CadStar
- Full Design Rule Checking both mechanical and electrical
- Top down modification from the schematic
- Component renumber with back annotation
- Report generator- Database ASCII, BOM
- Thermal power plane support with full DRC

**£395**

## Board Router

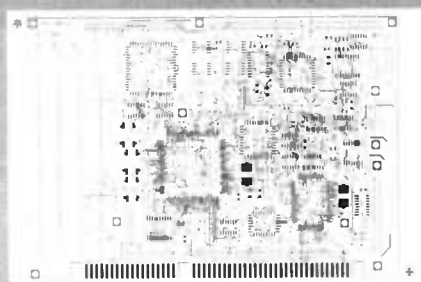
*Gridless re-entrant autorouter*

- Simultaneous multi-layer routing
- SMD and analogue support
- Full interrupt, resume, pan and zoom while routing

**£200**

*Output drivers - Included as standard*

- Printers - 9 & 24 pin Dot matrix, HPLaserjet and PostScript
- Penplotters - HP, Graphtec & Houston
- Photoplotters - All Gerber 3X00 and 4X00
- Excellon NC Drill and Annotated drill drawings (BM2)



*For further information contact*

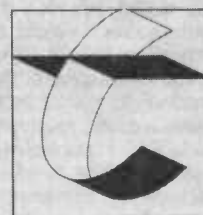
*Tsien (UK) Limited  
Aylesby House*

*Wenny Road, Chatteris  
Cambridge, PE16 6UT*

*Tel 01354 695959*

*Fax 01354 695957*

*E-mail Sales@tsien.demon.co.uk*



**tsien**

# THE NAME OF THE GAME STAR-STRUCK!



ROY BEBBINGTON

PART 4

**T**HE Name of the Game is a series of electronics projects based on party games or TV quiz games. Featuring something old, something new, there are electronic versions of popular, well-established TV games such as *Countdown* and *Catchword* with alphanumeric

displays, new games employing electronic word-making, and games of skill.

In the final part this month, we aim for the stars with both *Star-Struck!* and *Six-Shot Light Zapper*, and find hidden attraction with a touch of wander-lust.

**I**N this game, a large star displaying six tri-colour light emitting diodes (l.e.d.s) at its points is mounted on a board. To its sides are two smaller stars, one painted red and one painted green. The smaller stars are the targets and their six points are fitted with pushbutton switches.

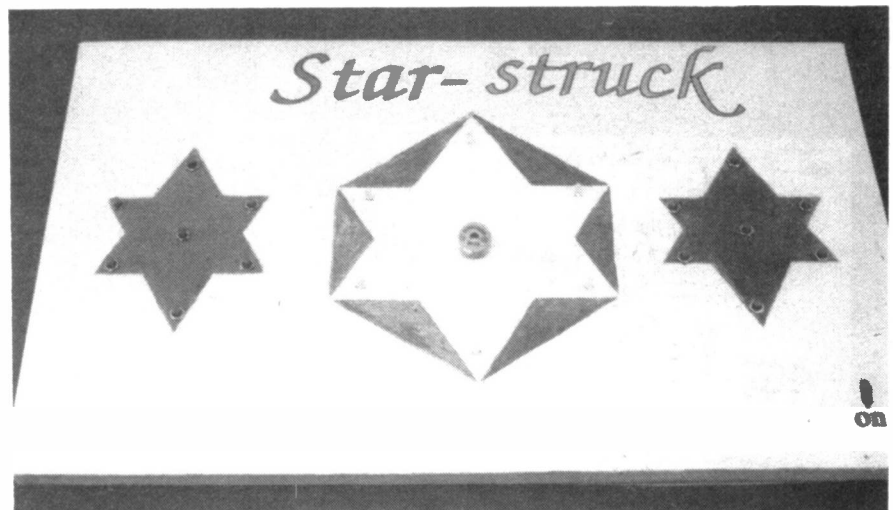
Initially, the central star displays three red l.e.d.s and three green ones. During play, the red and green contestants stand in front of the board and simultaneously throw soft rubber balls at the pushbuttons of their star. As each switch is hit, the l.e.d. at the same point on the large star changes colour according to which star has been struck. The aim is to make all six l.e.d.s change to the same colour: a red team contestant aims to get an all-red star, and his green opponent aims to get an all-green one.

## BATTLE STABLES

The tri-colour l.e.d.s are activated by six bistable (flip-flop) circuits, which can be reset by a central pushbutton switch on each of the target stars to display three red l.e.d.s and three green ones. This switch also offers a bonus target during play to enable a player to recapture three l.e.d.s at once.

In the heat of battle, it may not be obvious when one player has succeeded in turning all six l.e.d.s on to the same colour, especially if one (or more) of the l.e.d.s is almost immediately reversed by the opponent. A useful addition is an optional "six-light indicator" buzzer circuit, which sounds immediately l.e.d.s are displayed as either all red or all green. The buzzer signals the end of the round, or the end of the game if there are only two contestants.

As seen in Fig. 1, the *Star-Struck!* circuit mainly consists of the six identical bistable multivibrators, or flip-flops as they are commonly called. As the name implies, a **bistable** has two stable but opposite output states: when one output is high, the other is low and vice versa. Each time a bistable is suitably triggered, its outputs change to their opposite states.



For the purposes of this game, two switches are used to trigger each bistable, and a tri-colour l.e.d. indicates its output states. Although bi-colour l.e.d.s are available, in this circuit the author found that tri-colour l.e.d.s were easier to use because of their common cathodes. The author also preferred to use flip-flops designed around transistors rather than using integrated circuit flip-flops. (Designer's "spares" boxes often have discrete components which can be used in place of more sophisticated devices!)

## FLIPPING FLOPS

Taking the circuit formed around transistors TR1, TR2, and their associated components as an example, the operation of a transistorised flip-flop is as follows: At power switch-on, depending on circuit parameters, component tolerances etc., one of the transistors will switch on in preference to the other. If TR1 is on, current from resistor R1 flows from its collector (c) to its emitter (e) and then through the "red" anode (a) to the cathode (k) of l.e.d. D1, so turning it on.

The collector of TR1 is connected via resistor R2 to the base (b) of TR2. Thus, when the collector of TR1 is low so too is the base of TR2, consequently the latter transistor is held off, and its associated l.e.d. D1 "green" is inactive. In this stable state of the flip-flop, pressing switch S8, which takes the base of TR2 to the 0V line, will have no effect as the base is already low.

Pressing switch S1, however, will now take the base of TR1 low, so switching off this transistor. As a result, l.e.d. D1 (red) is turned off. The collector of transistor TR1 is now held high and current passes via resistors R1 and R2 to the base of TR2, so turning on both it and its associated l.e.d. D1 (green).

The operation of the other five flip-flops (TR3/TR4, TR5/TR6, TR7/TR8, TR9/TR10 and TR11/TR12) is basically identical to that of flip-flop TR1/TR2. The three flip-flops around TR1 to TR6 are considered as "Green's" flip-flops, whilst "Red's" are those around TR7 to TR12. Both groups of flip-flops can be reset to their "home" colours by switches S7 and S14 respectively.



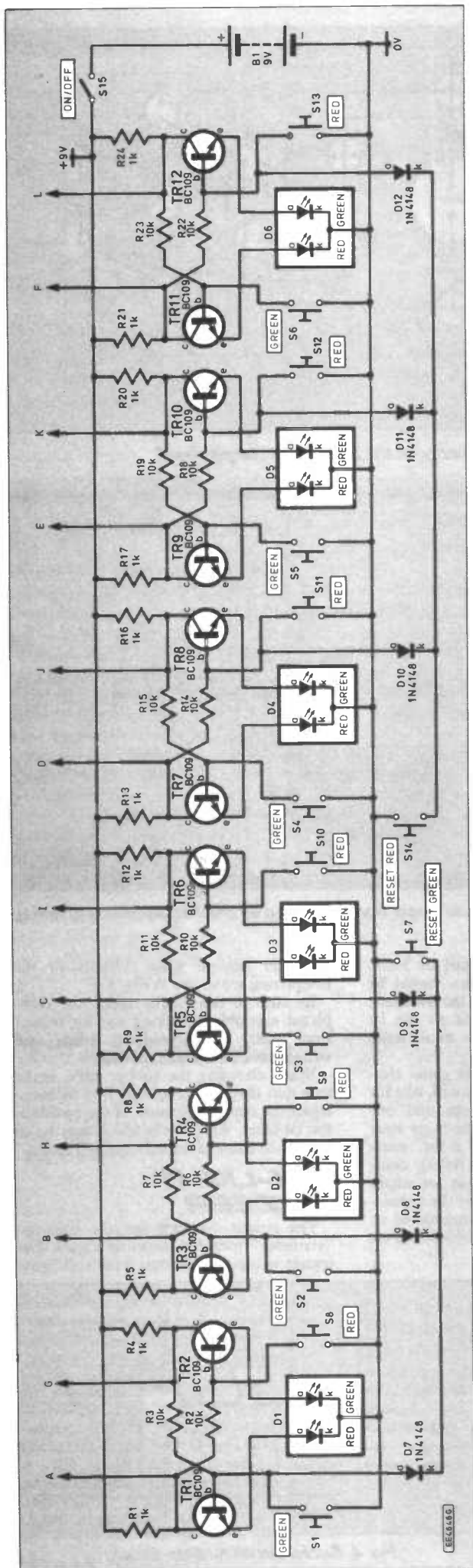


Fig. 1. Circuit diagram for the six flip-flop stages of the Star-Struck! game.

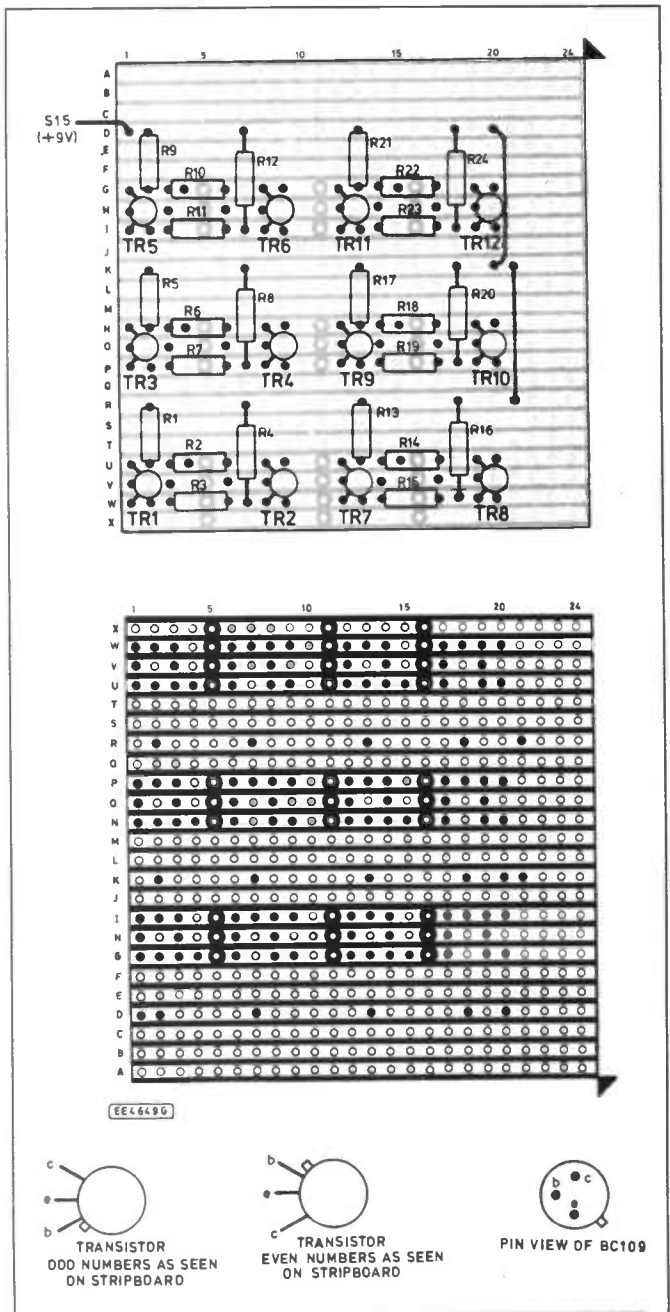
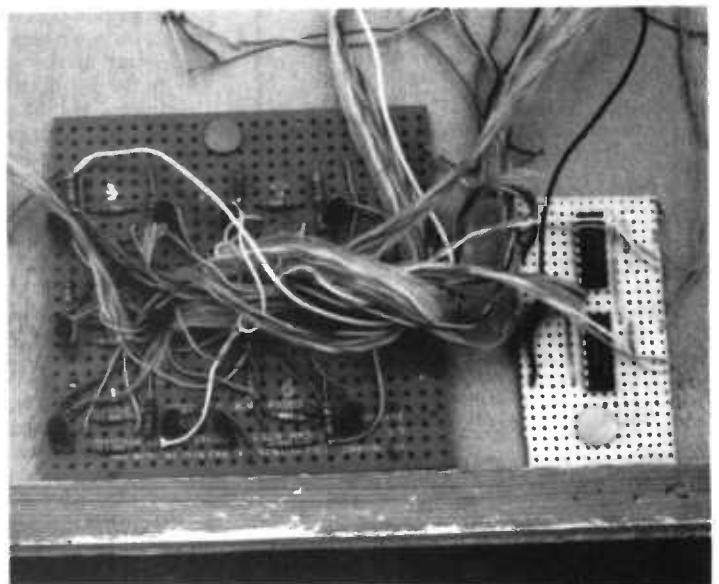


Fig. 2. Topside component layout and underside stripboard track cuts and solder joints for the Star-Struck! game.



Assembled stripboard modules for Star-Struck! and its optional buzzer circuit mounted on the back of the target board.

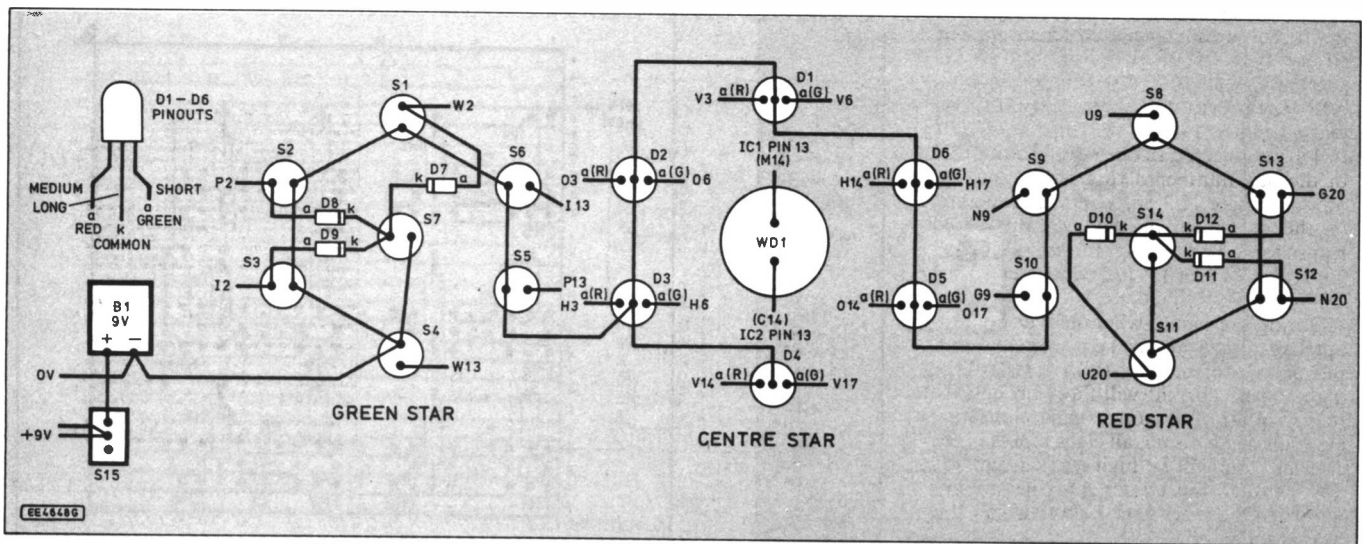
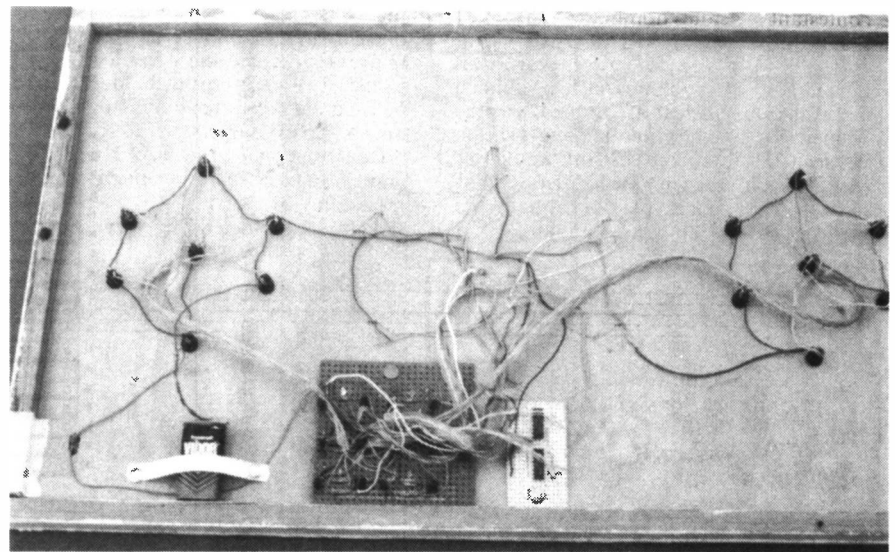


Fig. 3. Wiring details for the components mounted directly on the Star-Struck! target board.

Pressing the "Reset Green" switch S7 takes to ground the bases of TR1, TR3 and TR5, via diodes D7, D8 and D9. This action bypasses switches S1, S2 and S3 but has a similar effect to pressing all three together, causing the three flip-flops to switch to the state in which the green l.e.d.s of D1, D2 and D3 are turned on. Pressing the "Reset Red" switch S14 has a similar effect on the other three flip-flops, turning on the red l.e.d.s of D4, D5 and D6.

## STARRING CONSTRUCTION

The Star-Struck! game was built on a sheet of 3-ply plywood measuring 15in. x 24in. (381mm x 610mm), but the base material and its size can be varied according to individual requirements. For stability, and to protect the components



Rear view of the Star-Struck! target board showing all the components and wiring in their relative positions.

## COMPONENTS

### STAR STRUCK!

See  
**SHOP  
TALK**  
Page

#### Resistors

R1, R4, R5, R8,  
R9, R12, R13,  
R16, R17, R20,  
R21, R24 1k (12 off)  
R2, R3, R6, R7,  
R10, R11, R14,  
R15, R18, R19,  
R22, R23 10k (12 off)  
All 0.25W 5% carbon film.

#### Semiconductors

D1 to D6 l.e.d., tri-colour (6 off)  
D7 to D12 1N4148 signal diode  
(6 off)  
TR1 to  
TR12 BC109 or similar npn  
transistor (12 off)  
IC1, IC2 4068B 8-input NAND  
gate (2 off) (see text)

#### Miscellaneous

S1 to  
S14 s.p. push-to-make switches  
(14 off - see text)  
S15 s.p.s.t. min. toggle switch  
WD1 piezo buzzer (see text)  
Stripboard 0.1in. pitch (see text);  
plywood panel (see text); wood battens  
for frame (see text); R6 size 1.5V cells  
(6 off) and battery box; single-core and  
stranded connecting wire; solder, etc.

Approx cost  
guidance only

**£18**  
excl. wood

behind it, the board was edged by 5/8in. (16mm) square battens. Holes should be drilled in the board to suit the switches, l.e.d.s and the buzzer. The l.e.d.s can be mounted via a row of three small holes drilled for their lead-out wires.

The author constructed his game electronics on two pieces of stripboard, one for the circuit of the six flip-flops and one for the buzzer circuit. The flip-flops were constructed on a piece of 0.1in. pitch stripboard (24 strips x 24 holes), component layout assembly details for which are shown in Fig. 2. Note that the transistors need their pins to be re-orientated so that they correspond with the notations on the stripboard layout.

## INTER- STELLAR

Connections between the l.e.d.s and the pushbutton switches of the stars are best made using rigid wire which, providing care in positioning it is observed, need not be insulated. Connections back to the stripboard should then be made using stranded and

insulated flexible wires. Details of the interwiring are shown in Fig. 3.

Be sure to thoroughly check the completed assemblies, looking out for missed track cuts, badly soldered joints and wrongly orientated components.

When choosing the rubber balls, make sure that they are sufficiently firm to counteract the contact pressure of the pushbutton switches. Avoid balls which may be so hard as to damage the switches and l.e.d.s.

## SIX-LIGHT BUZZER

The circuit diagram for the optional "six-light" buzzer is shown in Fig. 4. The circuit is used to announce that all lights

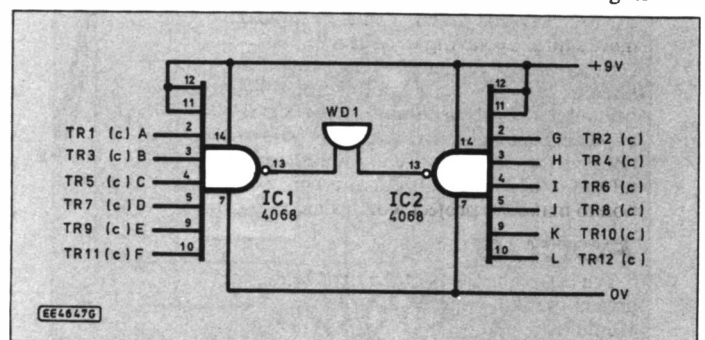


Fig. 4. Buzzer circuit for Star-Struck!

of one colour have been switched on. The circuit consists of two 8-input NAND gates, IC1 and IC2, one for each colour, both feeding to the same non-polarised piezo sounder, WD1. Six inputs of gate IC1 are connected to each of the collectors of the odd-numbered transistors, and six inputs of gate IC2 are connected to each of the collectors of the even-numbered transistors. The two spare inputs of each gate (pins 11 and 12) are connected to the +9V line.

During the game, when neither contestant has gained all six l.e.d.s *on*, the output pins 13 of both NAND gates will be high and no current will flow through the buzzer WD1. As soon as one contestant gains all six l.e.d.s *on*, all eight inputs of the relevant gate will be high and current will flow through the buzzer into the still-low output of the other gate. Consequently, the buzzer will buzz!

Usually, when the buzzer sounds the display will immediately show which contestant's colour dominates. In a fast moving game, though, it is possible that balls may continue to hit the switches immediately after the buzzer has sounded and it may be unclear as to who really is the winner. To avoid potential aggravation between players, the circuit could be modified so that each gate is fitted with its own buzzer, each possibly having a different tone, or being mounted far

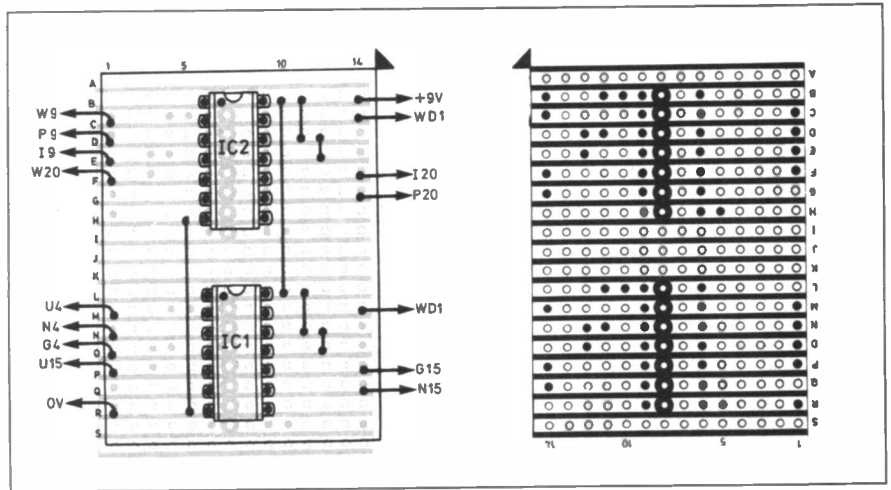


Fig. 5. Stripboard assembly details for the Star-Struck! buzzer circuit.

enough apart so that direction will verify the winner's identity. In this case one lead of each buzzer is connected to pin 13 of its relevant gate, and the other lead is taken to the +9V line. This technique may also be used if readers have difficulty locating non-polarised buzzers.

Construction of the buzzer circuit was made on a piece of 0.1-inch pitch stripboard measuring 20 strips  $\times$  15 holes. The assembly layout details for this board are

shown in Fig. 5. Both circuits may, of course, be assembled on a single piece of stripboard. Be sure, though, to cut the tracks between the two circuits.

It is preferable that sockets should be used for the two CMOS NAND gates, IC1 and IC2. The current consumption of the piezo sounder WD1 should not exceed 10mA, the maximum output current available from the CMOS 4068 NAND gates.

# SIX-SHOT LIGHT ZAPPER

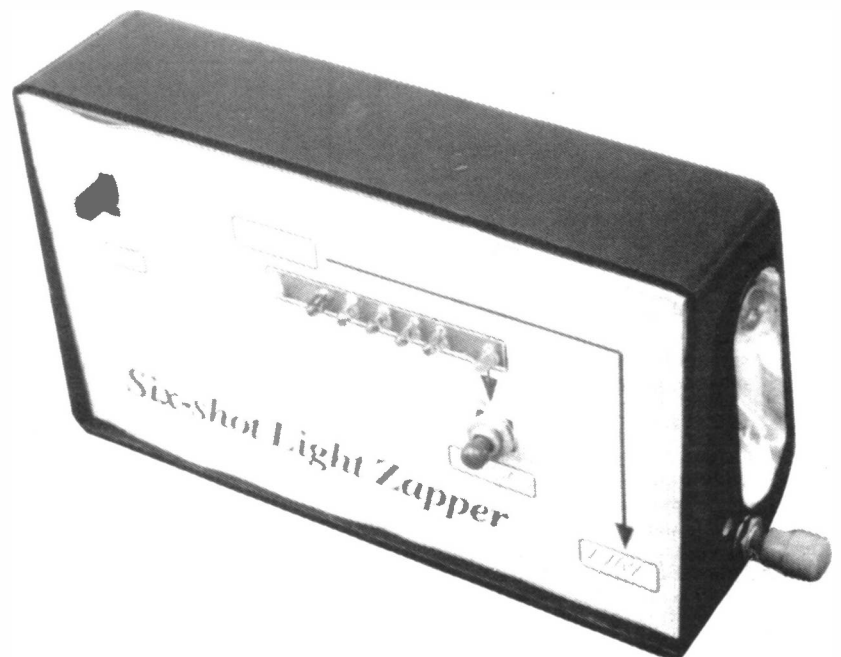
*Throwing light on the war-games count-down.*

**T**HIS project is basically a light gun that can be used for games either having light-dependent resistors (l.d.r.s) as targets or that can be adapted for them. For instance, the Star-Struck! project previously described could be easily modified to use l.d.r.s instead of the pushbutton targets; i.e. the targets would be "beamed" instead of "struck". In this case, because of the spread of the light beam, it would be better to space out the l.d.r.s to make the game more skilful by having to re-aim.

Other ideas for using this zapper are referred to later. The idea of aiming a light beam to fire at a target is particularly appealing as light rays travel in straight lines. However, there are a few fundamental technical points to take into consideration to make the project worthwhile.

## FOCUS

The better the focus of the light beam, the greater the skill required to strike the target. If a diffused light beam is used to direct on to the target l.d.r. then the intensity may not be sufficient to activate whatever sensor is



# COMPONENTS

## LIGHT ZAPPER - MAIN UNIT

### Resistors

R1	100k
R2	5k6
R3, R6	10k (2 off)
R4	120k
R5, R7	1k (2 off)
All 0.25W 5% carbon film.	

See  
**SHOP  
TALK**  
Page

### Capacitors

C1	4 $\mu$ 7 axial elect. 10V
C2	10n disc ceramic

### Semiconductors

TR1	BC109 n.p.n. transistor
D1	I.e.d. yellow 3mm or 5mm
D2 to D7	I.e.d. red 3mm or 5mm (6 off)
IC1	555 timer
IC2	4017BE decade counter/divider

### Miscellaneous

S1, S2 s.p. push-make switch (2 off)  
S3 s.p.s.t. min. toggle switch  
Plastic box to suit torch used (see text), 6V torch assembly (see text); stripboard 0.1 inch pitch (11 strips x 25 holes); 6V battery; connecting wire, solder, etc.

Approx cost  
guidance only

**£10**

excl/ torch and case

of about 0.5 seconds. To reduce the pulse length, reduce the value of either, or both, of these components.

Between them, capacitor C2 and resistors R2 and R4 shape the short initial trigger

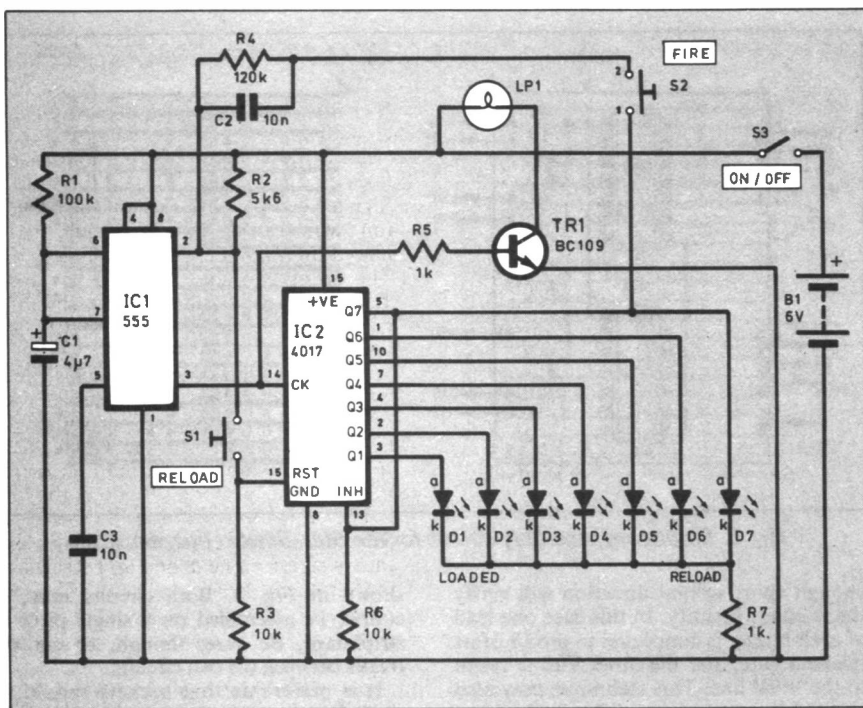


Fig. 1. Circuit diagram details for the Six-Shot Light Zapper.

used, e.g. to trigger the bistable in the Star-Struck! project. Also, as less skill is required the game will lose its appeal. A suitable lens is therefore essential to narrow the beam of light. The easiest way is probably to press into service an old spotlight torch, just using its bulb and lens holder.

## TRIGGERED LOADING

In the interests of skill, it is important that the trigger action is controlled. Using an ordinary torch as a light gun has other drawbacks as well as its diffused area of light. After switching on, it is all too easy to locate the target by using the beam to correct the angle - what might be called "spraying the target".

For this reason, when triggered the light gun should ideally give one flash for a fixed period independent of the length of time for which the trigger is pressed. The light gun described here gives a fixed flash of about 0.5 seconds, but the circuit parameters can be changed to suit individual requirements. If you're a John Wayne and quick on the trigger, then split-second timing is a must!

To make the game competitive all marksmen and markswomen need to have the same number of "shots in their lockers", and to hold with tradition, this light gun has been designed as a six-shooter. It gives a visual indication of the number of shots fired and will not fire any more shots after the sixth, unless the Reload switch is pressed.

## CIRCUIT DIAGRAM

Circuit diagram details for the Six-shot Light Zapper are shown in Fig.1. To obtain six, and only six pulses all of the same length when the light gun is fired, the circuit employs a 555 timer (IC1) in monostable mode and a 4017 decade counter (IC2) limited to seven outputs.

Referring to timer IC1, output pin 3, discharge pin 7 and threshold pin 6 are normally pulled low internally and timing capacitor C1 is held discharged. When the Fire pushbutton switch S2 is pressed, logic 0 is applied from IC2 output pin 5 to IC1 input pin 2, and as a result IC1 output

pin 3 is triggered high. The monostable is now in its unstable state.

Capacitor C1 now starts to charge up via resistor R1. When C1 has charged to approximately two-thirds of the supply voltage, IC1 pin 6 and pin 7 are triggered low. This discharges C1 again and also sets IC1 output pin 3 to its low state. IC1 has now been returned to its stable state and is ready to receive the next trigger pulse.

The stated values for capacitor C1 and resistor R1 give an output pulse length

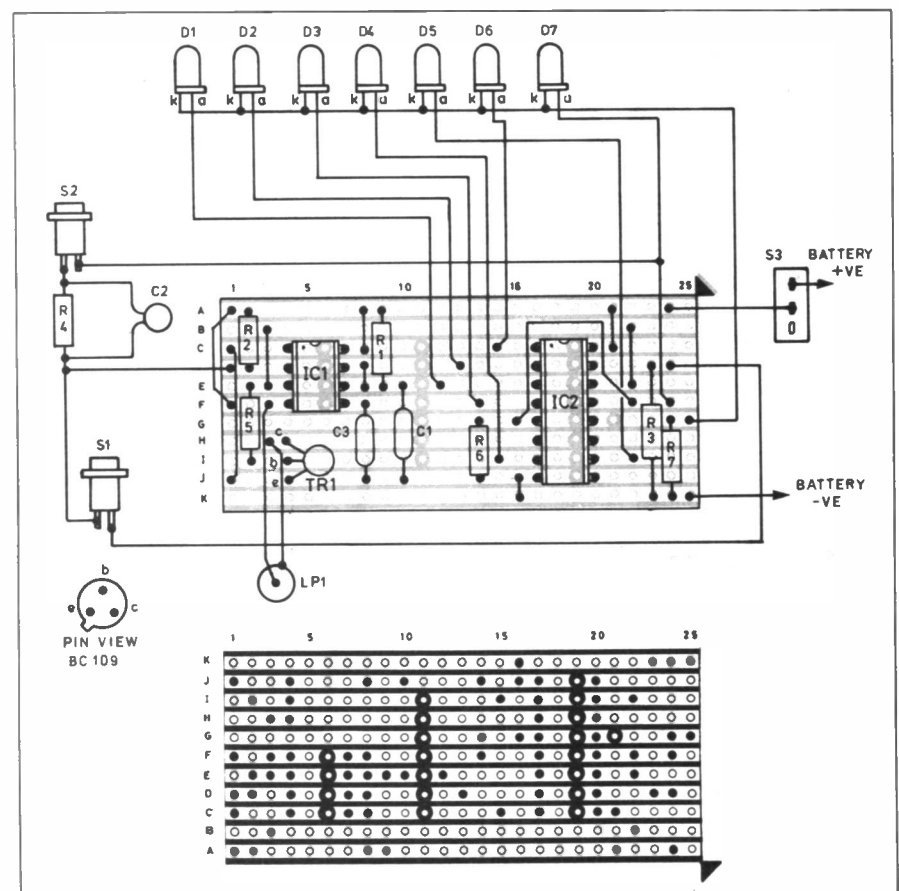
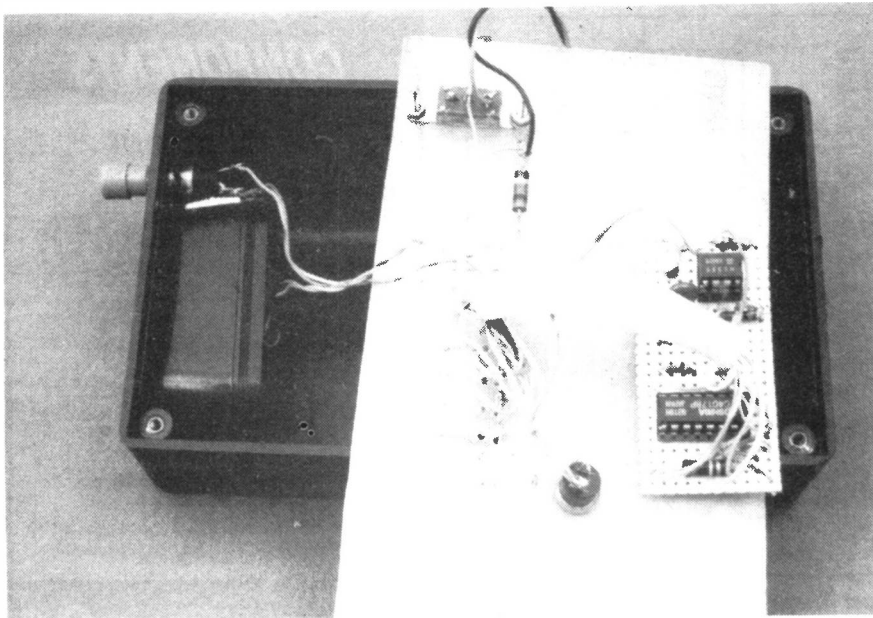


Fig. 2. Stripboard component layout, wiring and track cutting details for the Six-Shot Light Zapper.





Interior detail of the assembled and cased Six-Shot Light Zapper.

pulse required by IC2 when the *Fire* switch S2 is pressed. In this way, the flash has the same duration no matter how long S2 is held down. (The trigger pulse to IC1 must be shorter than the output pulse timing.) Resistor R4 in parallel with C2 provides a discharge path across it, allowing S2 to be rapidly re-fired.

This fixed-length output pulse from IC1 pin 3 serves two purposes: via resistor R5 it provides a "one-shot" base current to transistor TR1, turning it on and so lighting lamp LP1 for the duration of the pulse. Secondly, it triggers decade counter IC2 via its clock input pin 14. Each of the first seven outputs of IC2 is connected to a light emitting diode (i.e.d.), D1 to D7.

Each time the *Fire* switch S2 is pressed, the resulting output pulse from IC1 sequentially triggers high the outputs of IC2 in turn, causing the respective i.e.d. to be switched on. As each output goes high, the preceding one goes low. The display thus advances from D1 (*Loaded* position) through to D7 (*Reload* position). Resistor R7 limits the current through the i.e.d.s.

The *Reload* i.e.d. D7 is turned on by the logic 1 on IC2 output pin 5 when triggered after the sixth shot. Simultaneously, switch S2 pin 1 is held at logic 1 by IC2 pin 5 and so the switch cannot generate a negative-going pulse with which to trigger timer IC1. A further connection is taken from IC2 pin 5 to IC2 clock enable pin 13. The high logic on this pin now holds the counter inhibited and i.e.d. D7 stays on.

Counter IC2 remains inhibited until the *Reload* switch S1 is pressed, an action which connects the +9V rail to IC2 reset pin 15, so resetting the counter to zero. The now-active "zero" output on IC2 pin 3 lights the "*Loaded*" i.e.d. D1 making the circuit ready for the next six shots.

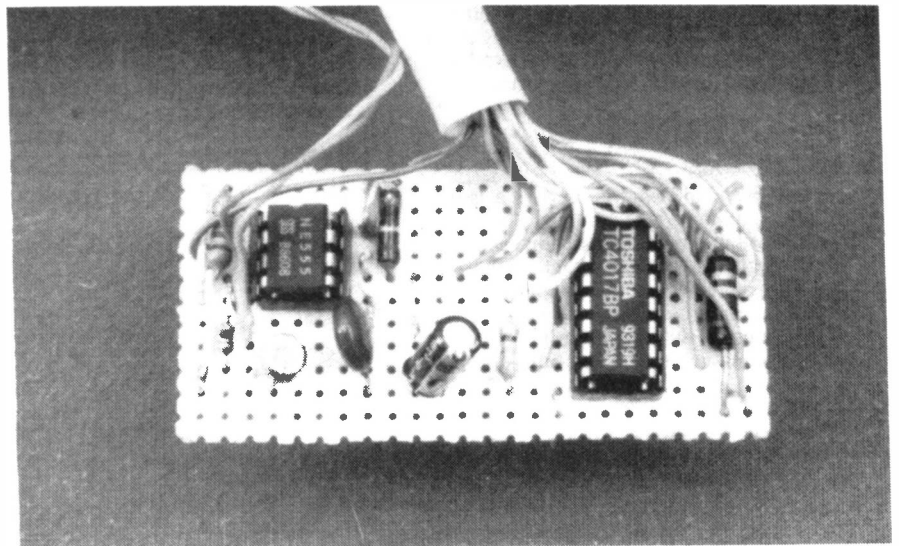
## CONSTRUCTION

The circuit is built on a piece of 0.1 inch pitch stripboard which carries IC1, IC2 and their associated components. The layout of the two sides of the stripboard showing components, connections, track cuts and solder points are shown in Fig.2. Normal precautions to protect the i.c.s from static should be observed and d.i.l. sockets for them are recommended. The i.c.s themselves should be fitted last after the wiring and soldering has been thoroughly checked.

With a little ingenuity, the light zapper could look like a futuristic space-gun complete with sights. In the prototype, as shown in the photograph, the bulb-holder and lens of a 6V torch were fitted to one end of a small plastic case. The seven i.e.d.s were mounted in line on the front panel, together with the *On/off* and *Reload* switches, S3 and S1. The *Fire* switch S2 was mounted below the lens at the end of the box, in a convenient position for the trigger finger.

Although the photo shows the case to have a sloped front, in reality, any case shape or size will do provided it can have the torch assembly and small stripboard mounted in it. The layout of the front panel is not critical. The panel can be labelled with rub-down lettering and protected under a clear plastic cover.

The quiescent current is only about 10mA, but the bulb used will dictate the current consumed during the flash period. Suitable 6V m.e.s. bulbs are readily available with a current consumption of only 40mA. The use of a lower voltage bulb is not recommended. The unit should be powered by a 6V battery, preferably a long-life type. It may be powered by a 9V battery if the bulb voltage rating is increased accordingly.



Close-up details of the stripboard assembly of the Six-Shot Light Zapper.

## ZAPPING IDEAS

As a suggestion for a game with the Six-Shot Light Zapper, a very simple target could be made by wiring up just one of the "Star-Struck!" project's bistable circuits (see its Fig.1), e.g. TR1, TR2 and associated components. Each of the pushbutton switches S1 and S8 should be replaced by a light dependent resistor (l.d.r.). The l.d.r.s can then be used as targets. To encourage re-aiming, these should be widely spaced either side of a tri-colour i.e.d.

An interesting variation on this idea is to make individual "zapper targets" that can be attached to a gaming participant like a badge. The Aim of the Game, so to speak, is for people in a team to get zapped! For instance, in subdued lighting the Light Zapper can be aimed by a member of one team at the red glows of six opponents, each wearing an i.e.d. and an l.d.r., aiming to change the glows to green (or vice versa). There are endless possibilities, but a suggested circuit for another zapper target is given in Fig.3.

This circuit is a further variation on the Star-Struck! bistable. Here switch S1 is replaced by an l.d.r. (R5), switch S2 is the same as S8 in the original circuit. Tri-colour i.e.d. D1 has its twin anodes (a)

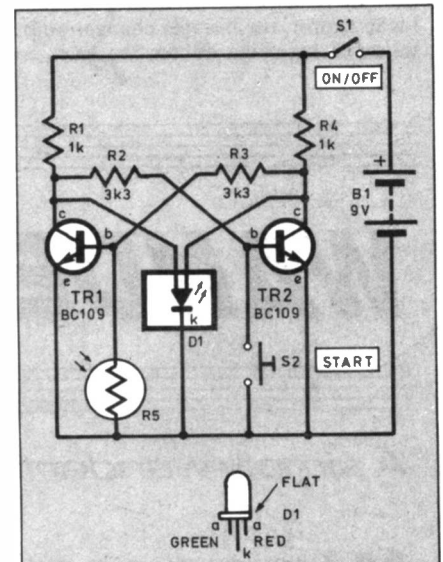


Fig. 3. Suggested circuit for a "Target Badge".

# COMPONENTS

## TARGET BADGE

### Resistors

R1, R4 1k (2 off)  
R2, R3 3k3 (2 off)  
R5 ORP12  
(or similar)  
l.d.r.

See  
**SHOP  
TALK**  
Page

### Semiconductors

D1 l.e.d. tri-colour  
TR1, TR2 BC109 (2 off)

### Miscellaneous

S1 s.p.s.t. min. slide switch  
S2 s.p. push-make switch  
Stripboard 0.1in. pitch (7 strips x 16 holes), rigid badge material (see text).

Approx cost  
guidance only

**£4**

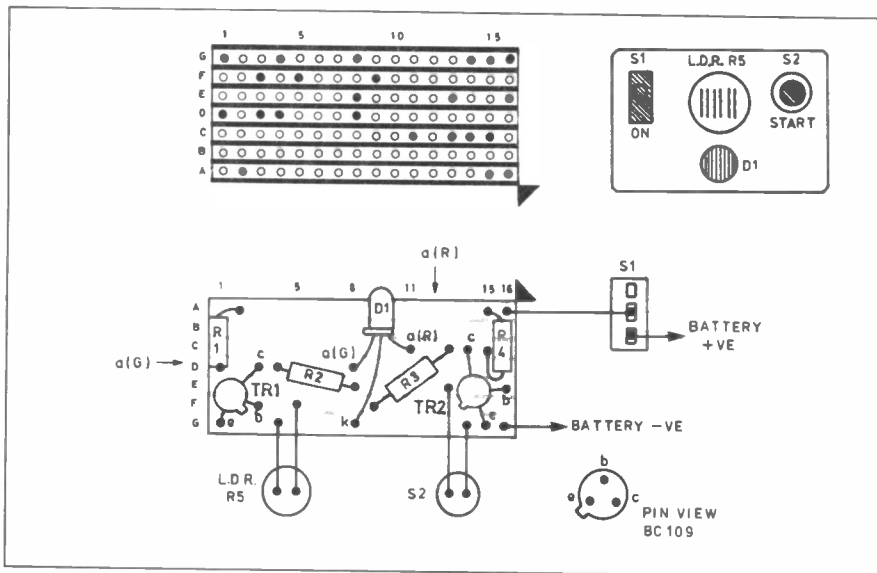


Fig. 4. Stripboard layout details for the "Target Badge" circuit. The inset shows a possible "Badge" layout.

connected respectively to the collectors of transistors TR1 and TR2. As before, the common cathode (k) is grounded.

To start the game, switch S2 is pressed to bring on the red l.e.d. within D1. When l.d.r. R5 is "zapped" by a correctly aimed Light Zapper, the bistable changes output states, so switching off the red l.e.d. and

switching on the green one. The starting and "zapping" colours can be changed by swapping over the two anode connections of D1.

The suggested stripboard layout for the small circuit is shown in Fig.4. There are no track cuts required on this board. Be sure to observe the correct polarities of

l.e.d. D1 and transistors TR1 and TR2. A suggested "Target Badge" layout and its wiring detail is shown in Fig. 4. The badge can be made from any rigid material sized to your choice. This sub-circuit can be powered by a 9V battery.

# WANDER WANDS

*A simply wonderful way to keep the party colourful.*

**W**ANDER WANDS can be used to "break the ice" at children's parties. No, they are not pick-axes: they look like small white batons which arriving guests will be curious to find out what they are. They serve as a talking point and are something to hold in the hand, but in fact they are much more than that!

## WANDERING INSIDE

Each Wander Wand comprises a length of plastic tubing which contains a bi-colour light emitting diode (l.e.d.) at one end, two small batteries, a reed switch, a current limiting resistor, and a permanent magnet. The circuit diagram of the Wander Wand tube is shown in Fig.1. Its equivalent schematic physical layout is shown in Fig.2.

In Fig. 1, resistor R1 limits the current through the bi-colour l.e.d. D1. The stated value for R1, 150 ohms, gives an l.e.d. current of about 20mA. When the magnet of another Wander Wand is held near reed switch S1, the switch contacts close and one of the two l.e.d.s within D1 is turned on. With the battery polarity connected as

shown, current will flow through the red l.e.d.

Turning the battery polarity round the other way will cause the current to flow through the green l.e.d. Alternatively, the l.e.d. polarity can be changed at the constructional stage. When the l.e.d. is not energised, it is impossible to tell whether it is connected for a red or a green display.

## CONSTRUCTION

The plastic case for the Wander Wand

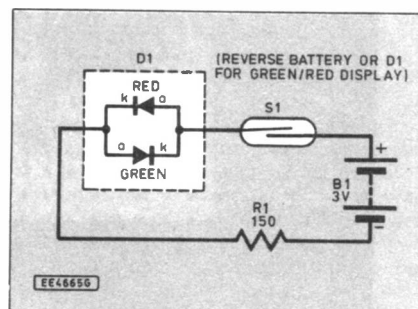


Fig. 1. Circuit diagram for the Wander Wand.

can vary in shape or size, largely depending on the type of batteries used. The author's prototype, which was powered by two AAA-size batteries, was cut from a length of white, half-inch diameter plastic tubing of a type obtainable at most d.i.y. stores.

As shown in Fig. 2, the batteries were held under tension from their negative end by a small spring soldered to the point of a drawing pin pushed through a small slice of dowel. Similarly, dowelling and a drawing pin were also used for the positive battery contact.

The AAA-size batteries were a fairly tight fit in the tube, but there was sufficient space for a single length of enamelled copper wire to link the far end of the two batteries via resistor R1 to one side of the l.e.d. The point of the drawing pin, from the positive end of the batteries, was soldered to one terminal of the reed switch. The other reed switch terminal was soldered to the other side of the l.e.d.

The two legs of the l.e.d. were fed through two small holes drilled in another piece of dowel, which was a push-fit in the end of the tube. Finally, a small bar magnet was located in the other end and secured by a fourth piece of dowel.

# COMPONENTS

## WANDER WAND

**Resistor**  
R1 150 0-25W 5%  
carbon film

**Semiconductor**  
D1 l.e.d. bi-colour (red/green)

### Miscellaneous

S1 reed switch  
Battery, AAA-size (2 off); plastic tube  
(see text); dowelling; small spring;  
drawing pin (2 off); small bar magnet;  
connecting wire; solder etc.

Approx cost  
guidance only

**£3**

excl. batteries

See  
**SHOP  
TALK**  
Page

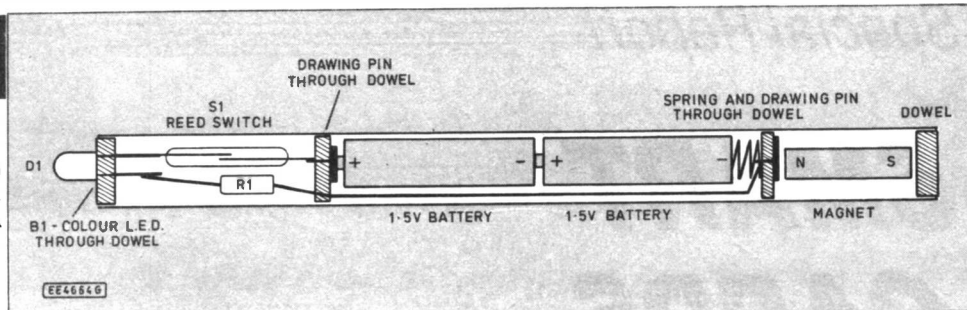


Fig. 2. How the Wander Wand components are assembled inside the tube.

team colour they belong: touch the l.e.d. (reed switch) end of one wand against the magnet end of another wand and it will glow either red or green, as appropriate. Wands can also be used as batons in team games and relay races, e.g. a baton must first be made to glow before the next team member can proceed.

Charts or lists of questions placed around the room are useful as party starters, e.g. magazine clippings of famous personalities to identify, adverts to recognise, etc. These can have a magnet secreted somewhere behind them: point to the right answer and the wand will glow to score a point for that team colour.

A quiz board could even have its own

indicator display, using the same circuit as shown in Fig. 1. In this case, the magnet end of the wand would be used to activate the reed switch, or switches if several circuits are used.

A firm favourite at parties is searching for treasure on a large map. Small magnets can be secreted behind the map at strategic places. Copies of the treasure map can be distributed with clues to help players search out and sense these hidden magnets. An adult can keep a tally of the number of green or red wands activated when the treasure is located.

No doubt other games with Wander Wands will come to mind once several have been built. □

## WAYS WITH WANDS

There are countless ways in which the Wander Wands can be used. Here are some of the more obvious ones:

On arrival, guests can be armed with a wand and first of all establish to which

# Ohm Sweet Ohm

## Max Fidling

### Plumb Crazy

Being a bit of a do-it-yourselfer, there's not much in the Fidling household which has escaped the attention of my handyman activities. Not content with my multi-purpose screwdriver set which has seen me through many a scrape, I recently added a set of pliers and wire cutters which I spotted on a market stall.

I think it was possibly the colour of the hot-dipped plastic handles which most attracted me to them, since I like to colour co-ordinate everything like the professionals do, and generally impress my friends. If they do actually "ply" or cut wire, then that's a bit of a bonus as far as I'm concerned! As I was to discover, much to my dismay, they neither plied nor cut... I'd hoped for much better at £1.49 the pair.

One spring morning I happened to be ferreting around in the attic, in the general vicinity of the cold water tank. Strange rusty-looking ring-like patterns had started to appear in the freshly applied white emulsion of the ceiling down below, and I had been summoned to investigate. If I hadn't recently painted the ceiling, I pondered, it would probably not have happened, and obviously my five litres of vinyl silk had tempted fate too far.

The attic is the one place I know where Piddles won't enter (pity, because we have a mouse or two and so the moggie could do some good for a change) so he was sat at the bottom of the step ladder peering up into the loft entrance and waiting for events to unfurl.

Staring through the gloom using my faltering plastic torch, I soon saw the problem - the water tank's level had risen too far and so it had started to drain through the overflow pipe. This pipe had

recently been refitted by yours truly after I thought I would try my hand at plumbing. No problem except that sadly, the overflow itself had, er, a slight gap where I'd joined it to another pipe, and so water was dribbling out and ruining the ceiling below!

Back at the workshop, I started thumbing through my comprehensive library of ancient electronics magazines, looking for inspiration. I had in mind a water level alarm or moisture detector which could warn me when the water tank level was getting too high.

Not the most earth-shattering application of electronics, but one which even I should be able to implement without doing too much damage! Anyway, having repaired the paintwork I was still in "hot water" with the Boss so I needed to make a few smart moves, so eventually I designed a simple unit which was a conglomeration of several published designs.

### A foot too far

I'd pressed a 555 timer chip into service, since I always had these littered around the place. Using an old telephone earpiece as a loudspeaker, an audio oscillator was soon soldered together on some stripboard, running from some old pen-cell batteries. Add a transistor switch and two old wire coat hangers with a terminal block, and voila!

When the two coat hangers were dipped into water, a mechanical hum emanated from the earpiece, not dissimilar to a G.P.O. dialling tone, actually. It wasn't quite loud enough, so I adopted plan B which was to jack up the supply voltage until either something blew up or threshold of pain sound level was reached, whichever came first...



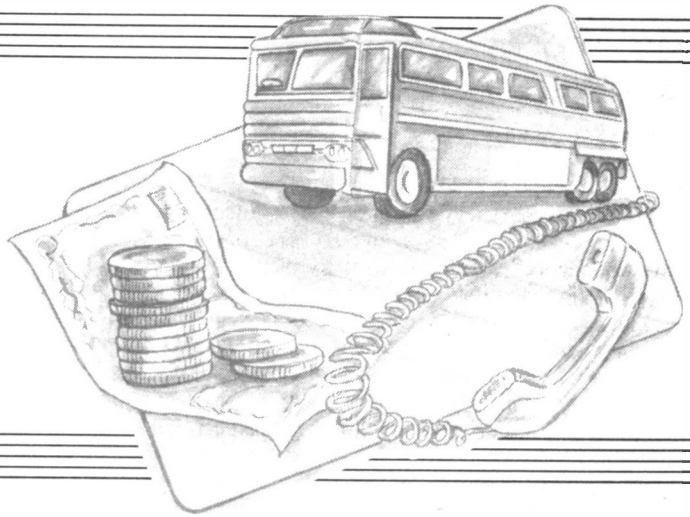
Piddles accompanied me back to the step ladder and I clambered up into the attic, carrying my latest brainchild, with its battery hanging loosely on the end of a PP3 clip. I perched precariously astride two rafters, and started to beaver away happily, humming a tune. Unfortunately, the wire coat hanger "probes" proved too long and so I needed to bend them to shape and shorten them to just-above-water level.

Looking in my toolbox, my eyes lighted on my new chromium-plated Pliers & Wire Cutter Set ("Qty. # 2 pcs.", as it said on the pack) so now would be the acid test. Grabbing the wire cutters, I set about the wire coat hangers gleefully, with all the skill of an electronics hobbyist who's also not very good at plumbing.

Much to my dismay, the quality of the old wire coat hangers seemed to excel that of the wire cutters, as one jaw pinged off, ricocheted off the wooden roof beams and plopped into the water tank! This rather caught me by surprise and I pirouetted deftly before temporarily losing my balance - worse was yet to come as I accidentally raised one foot and shoved it straight through the newly re-painted ceiling below! Now I really was in deep water! Typically, through the gaping hole I could see a certain cat peering up at me, tail swishing and looking not at all surprised.

# SMART CARDS

**BARRY FOX**



*What they are, how they work, where they are going, are they secure? Before long most of us will be using Smart Cards of one type or another, in this feature Barry looks at the present and future Smart Card scene paying particular attention to security.*

**T**HE Smart Card or cashless society is coming. Westminster Bank is testing Mondex, a system that replaces traditional magnetic stripe credit cards with an electronic purse that looks like a stripe card but incorporates a microprocessor chip and memory to store and process cash data.

Shell petrol stations have stopped giving drivers paper tokens for Air Miles (without telling us how to convert them into travel) and are now giving us smart cards which store electronic Air Miles (unfortunately still without telling us what exactly to do with them). The government's plans for health and identity cards all rely on smart card technology.

## Smart Move

British Telecom will soon start converting all its payphones from optical to smart card working. This is a massive commitment. BT introduced the optical phonecard in 1981 and now has a network of 35,000 card phones. "We have taken the technology as far as we can go", says Les King of BT. "Moving to smart card technology gives us freedom for future development".

All existing optical card phones will be replaced with smart card readers and new payphones will be designed to read smart cards as well as credit cards. The cards will not be rechargeable and BT has "no plans yet" to collect old cards and recycle them.

The new phone cards will cost customers the same as existing cards even though it is far more expensive to produce smart cards than optical cards. But the volume in which BT will buy smart cards (from Gemplus and GPT) to sell through 50,000 retail outlets across the UK, will drive the manufacturing costs down to similar levels.

Magnetic cards will not disappear overnight, but they are likely to be used only where the data is secured by a magnetic watermark or vetted by online checking every time the card is used. For added security the two technologies may be combined.

All this paves the way for a cashless society, where electronic credits are transferred instead of cash. Because smart cards have a far greater memory capacity than magnetic cards, an "electronic purse" can double as an identity card. Inevitably there will be objections from those who see it as an intrusion into personal liberty and privacy. Criminals will see it as an opportunity to earn even more from fraud. For hackers the smart card society represents a new challenge.

To get a handle on the debate, it pays to understand the technologies involved.

The use of plastic cards as a replacement for cash dates back to the early 50s when the Diners' Club and American Express Company in the US started to issue members with cards which vouched for their creditworthiness. European banks started

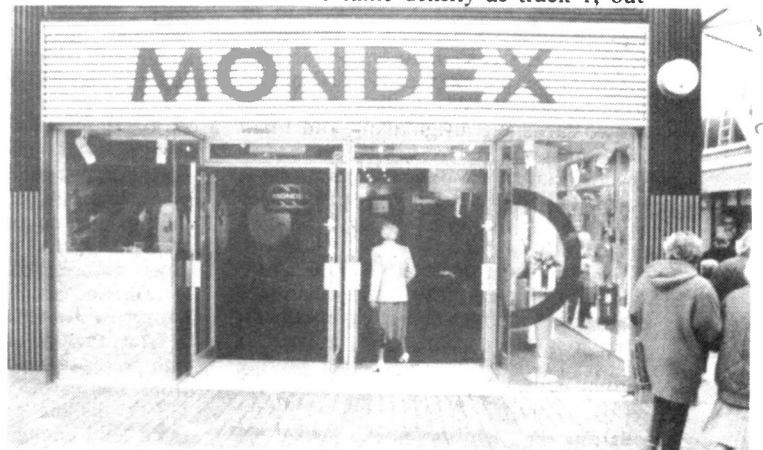
issuing cards in the 60s, with Barclaycard and Visa from Barclays, and Access from Lloyds, National Westminster and the Midland banks.

The banks then started installing ATMs (automatic teller machines), popularly known as "hole-in-the-wall" cash dispensers. This followed a technical specification set by ISO the International Organisation for Standardisation (this is correct full name, not International Standards Organisation). The ISO 7810 series of standards ensure that any card with a magnetic stripe can physically be read by any check-out till or ATM, anywhere in the world.

## Security

The banks have traditionally refused to discuss any aspect of security, on the grounds that it helps criminals. But with even the bankers' own trade body, the Association for Payment Clearing Services (APACS), generating publicity for the wildfire spread of card fraud, it is clear that criminals already know all they need to know about card technology. Prisoners in jail pass on the secrets, and at least one DIY manual on card fraud has been circulated. The banks are now reluctant to discuss security because they do not want to trigger a rush of claims from customers who say they have lost money through technology loopholes.

The stripe on a magnetic card is divided into three parallel tracks, like a three channel stereo sound recording. Tracks one and two contain data, written or pre-recorded on the card prior to issue. The data on track one is more tightly packed (at 210 bits/inch) than the data on track two (at 75 bits/inch). Track three stores data at the same density as track 1, but



*At the Mondex Centre in Swindon's shopping centre, cardholders can transfer funds from their bank account directly "into" their Mondex card using special BT phones.*



allows the card reader to record data on the card as well as read it.

The banks use mainly track two, which is in the centre of the stripe. Track three is used to carry a number which checks against the personal identification number or PIN, which only the legitimate owner of the card should know. Critics of bank security argue that up until two years ago, it was possible for anyone with expert knowledge, for instance an ex-bank employee, to decode the PIN from a stolen card (much as it is possible to decode a driver's sex and birth date from the innocent-looking number at the top of their driving licence) and then use the PIN to draw cash from an ATM.

The banks' formal line is that this is, and always has been, impossible, and that there has never been sufficient code on a card to allow extraction of the *full* PIN. The banks claim that the PIN can only be derived from data which is securely stored by the bank.

Although some members of staff will have access to PIN data, the banks' policy is to restrict the number of staff with access to a carefully selected few. The source of any breach of security can immediately be narrowed to a very small group of employees. The theory then is that this group will work together to identify any one of their members who has stolen data.

But critics say that service engineers working with ATMs, and system programmers working on the bank's computers, may have access to PIN data.

### **Skim Head**

Because all magnetic cards follow the ISO standard, anyone can easily obtain blanks. They are given away by Supermarkets and Petrol Stations, for customer loyalty schemes. Any data on the card is just wiped off with an ordinary magnet. Criminals can then buy the card readers and writers which are sold for legitimate business use.

It is not even necessary to know how to decode a PIN from supposedly secret data. An expert witness in a recent card fraud case told a Court in Suffolk how he had personally manufactured a card, using data obtained from a discarded ATM transaction slip and a PIN observed over the card owner's shoulders.

Although many ATMs have now stopped printing out card details, fraudsters have in the past used binoculars to collect PINs, and then matched them by time of transaction to discarded slips. More recently criminals have stolen PINs at mock auctions, by persuading cardholders to swipe them through a reader, and enter their PINs into a keypad with hidden memory.

There are also several ways to transfer owner identification data from a borrowed or stolen card to a blank. If two magnetic tapes are sandwiched together and pressed with a hot iron, the magnetic pattern on one will transfer to the other. But the more elegant solution is to use a device called a "skimmer" which any electronics enthusiast can build from standard components, costing only a few pounds.

A skimmer has two magnetic heads, like those in a tape recorder. One head can read the magnetic field from a card and the other can generate a magnetic field and so write to a card. The two heads are connected together by an amplifier.

Two cards, one original and one blank, are laid side-by-side on the surface of the skimmer and then by hand moved as a pair over the two heads. As the read head picks up data from the original card, the record head writes it to the blank card. Skimming a card takes literally seconds, and produces a perfect copy of the original.

### **Audit Trail**

There is no need for today's cards to be so insecure. The ISO standard allows for the reader to write to the third track and so record a code which identifies the last ATM at which the card was used. When the card is next used, this code is read by the ATM before a new code is written. This gives the bank the chance to build an audit trail of where a card has been used and should thus let the bank know immediately whether disputed transactions have been made by a customer's own

card, or a skimmed copy.

The banks have been cagey about discussing this valuable security check. One explanation could be that the audit trail will in some cases prove that the bank's security has been breached; another is that some banks have been slow to invest in the system modifications needed to exploit the track three write option.

Although Mercury uses magnetic cards for its payphones, a clever system of on-line checking stops people playing the obvious trick and using a skimmer to add new units to an expired card. When the caller puts a card in a Mercury payphone, the system checks its previous usage with an on-line database, and rejects any card that has mysteriously increased in value instead of decreasing. A similar system could, if the banks wished to implement it, sound an alarm as soon as anyone tried to use a stolen card in an ATM.

### **Hot Number**

Although the banks have now tried to make cards more secure by embossing a hologram patch in the surface, enterprising criminals have now found a way round this trick too. They collect stolen cards and use heat or solvents to flatten out the embossed details of the legitimate owner. Then they use an embossing tool to imprint details of a new owner. These details are readily available from credit card transaction slip copies and carbons which owners discard or which restaurants and shops throw in their dustbins.

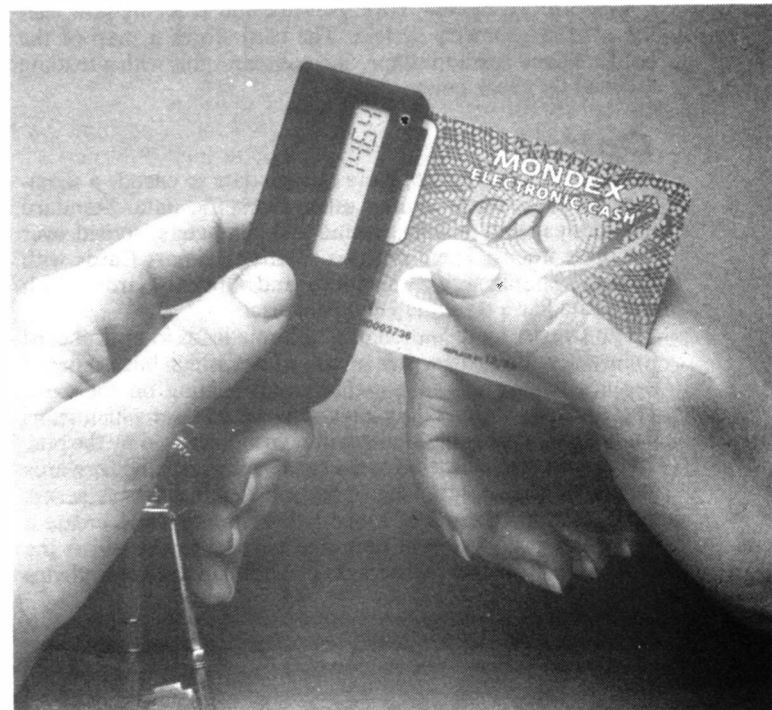
Criminals without their own embossing tools can now simply telephone orders to the new wave of copy shops in the Far East which make cards to order. The legitimate card owner only finds out that their card has been copied when they get their next bill.

These cards need not even have valid magnetic data in their stripes. The magnetic stripe on legitimate cards often wears, or becomes de-magnetized, so staff in shops and restaurants are not surprised to find that some customers' cards refuse to work in a reader. Even if they phone for approval, the embossed details on the card will be correct so the transaction will be authorised.

In the early 90s APACS had found that 75 per cent of all card fraud was taking place at the point of sale. Criminals do not waste time buying groceries, or cinema tickets, with stolen cards, they use them to buy VCRs, camcorders and computers which can quickly be re-sold for cash.

One trick is to swipe a stolen card through a credit card payphone and see if it is accepted. If it is, then the card is not yet registered as "hot" and can safely be used in a shop. A new variation on this trick is for people who run shady premium service phone lines (like sex lines) to run up bills on stolen cards by dialing the service and leave the phone off the hook. BT then has to pay the service a percentage of the charged amount.

*The pocket size Mondex card reader.*



Cardowners are often their own worst enemies. When choosing a PIN, people take a simple number, like a birthdate, to make it easier to remember. The first thing a thief with a stolen wallet does is look for a note of the owners' birthday and try it with any credit cards. Some cardholders choose a long number but then, because they cannot remember it, write it on a piece of paper in the same wallet, or even the back of the card.

Two years ago, at a conference organised by trade body the Radio, Electrical and Television Retailers Association, John Carnegie-Brown, of Barclays Merchant Services, told dealers "The cost of putting photographs on cards is greater than the fraud it eliminates. We do not feel we can cope with it at this time". But TSB and The Royal Bank of Scotland think it is worthwhile and have now been using photo-cards.

### **Biometric Technique**

The major banks are more interested in biometric techniques. The card stores a template which it checks against the carrier. In its simplest form this template can be a passport photograph, which is checked against a video image shot at the checkpoint.

Every human eye has a characteristic pattern of blood vessels in the retina. The card can store a map of this pattern which is checked by asking the cardholder to peer into the lens on a video camera at the check point. Although suitable for the military, eye checks at the Supermarket would not be popular.

The card can also store a voice print, which logs the frequency content of the holder's speech. But this is unreliable. A common cold changes the human voice drastically.

Electronically sensing signatures is more attractive, and the new generation of Personal Digital Assistants, like Apple's Newton, are already designed to convert handwriting into electronic signals. But signatures vary, not just from day to day but from hour to hour. Rolls Royce and the British Technology Group have separately worked out their own ways of tracking these changes, but even the cleverest technology cannot cope when shoppers have to sign on a crowded counter at an awkward angle.

Surprisingly the best bet may prove to be the most secure identification system of all, finger printing. At the point of sale, cardholders put their fingers on a pad, which optically scans the tips of the fingers with a laser, similar to the scanners now widely used to read bar codes on Supermarket goods.

Low key market research by the banks suggests that only around two per cent of cardholders have strong objections, preferring finger printing to loss of money through fraud. But the few people who do object, do so vehemently. They also object to the idea of being photographed, or having their signatures electronically recorded. So no bank will dare make biometric identification mandatory. Also, manual workers often have unreadable fingerprints.

Two airports in New York, Newark and JFK, are now testing a hand geometry system. The card stores a map of the holder's hand size and shape, and compares this with a reading taken at the check point.

### **Optics**

Magnetic cards cannot store enough data to encode a signature, or fingerprint, or any other biometric data. Standard memory capacity is only around 200 characters, spread over the three tracks. There are two solutions, Smart Cards with built-in computer chip memories and Optical Cards which store data like a stationary compact disc.

The Drexler Corporation of California leads in optical card technology. The card writer houses a laser which burns lines of five micrometre pits into a thin metal coating on the card. These pits are then read by a lower powered laser which scans the surface, sensing the changes in reflection caused by the pits.

Precision mechanics move the card backwards and forwards under the laser optics. The optics must step sideways across the card in increments of around 10 micrometres to create a horizontal grid of several thousand parallel tracks across the card width. Together these tracks can hold up to six megabytes

of data in digital code, equivalent to four high density computer floppy discs.

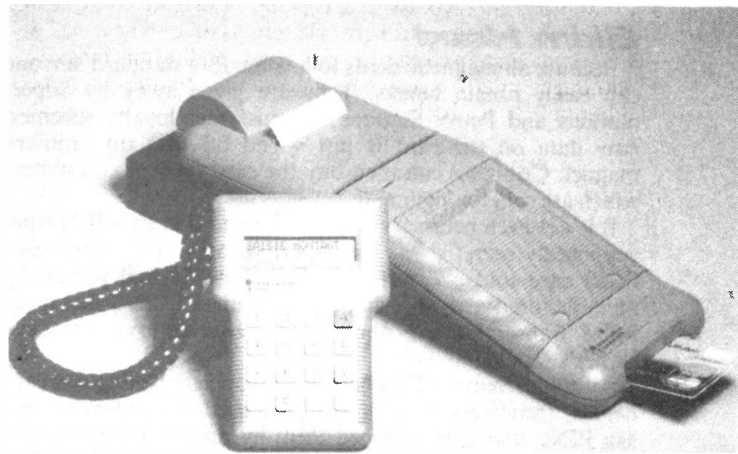
The optical card is relative cheap (under \$5 in bulk). It is secure in that data cannot be altered or copied or read. But if the card surface is scuffed it may become unreadable. And the reader must be expensive, costing several hundred dollars.

British Telecom has been testing Drexler cards as a means of storing medical records for expectant mothers attending the West London and Chelsea and Westminster Hospitals in London. US Government agencies are now using optical megabyte cards for storing sensitive information.

### **French Innovatron**

The favourite technology for the future, however, remains the Smart or IC (integrated circuit) card which was invented and patented by French journalist Roland Moreno and his company Innovatron, in the early 70s. Innovatron then licensed Bull, Schlumberger and Philips to develop working cards. The difficulty of building a microprocessor and solid state memory into a credit card which is only 0.76mm thick and is sufficiently flexible to be sat on, should not be underestimated.

The French government has backed smart card technology, seeing it as a national asset and means of modernising the country's telephone and banking systems. Since 1992 all bank cards in France have been smart. The ISO 7816 series of standards ensures compatibility between cards and readers.



*The very latest card reader terminal from the inventors of Smart Cards, Innovatron of Paris, France.*

Cost is kept down because not all cards are equally smart. The standard card contains an 8-bit microprocessor, and then a wide range of memory options. This has let designers launch new systems with cards which use the bare essentials of memory and intelligence, then use more intelligence and memory as the system demands it.

This is what has happened with satellite broadcaster BSkyB. The scrambling system for the movie channels uses a smart card to authorise decoding. Each new issue of cards has been progressively smarter, and more expensive, as hackers have discovered new ways of breaching the security of the entry level system.

Memory capacity ranges from 1 to 64 kilobytes, in a mix of ROM (Read Only Memory) and EPROM (Electrically Programmable Read Only Memory) which is pre-programmed to store the control codes for the microprocessor, RAM (Random Access Memory) which acts as a temporary buffer when the card is powered by a reader and EEPROM (Electrically Erasable Programmable Read Only Memory) which stores data written into the card by the reader, without the need for battery back-up.

Smart IC cards fall into two broad types; those with a cluster of electrical contacts which make direct connection with mating contacts in the reader, and contactless cards which rely on wireless communication.

Contact cards are cheap, now costing a dollar or so each in bulk, with the reader hardware costing only a few dollars

more. Contact cards are only suitable for use where the card remains in the reader most of the time e.g. in a satellite decoder, and there is no risk of the contacts getting too dirty for the contacts in the reader to wipe clean.

Where cards are intended to be carried by the owner, dropped in the mud, and used in a variety of readers to pay for goods or services, they must work without contacts. The connection is then made by radio link. The reader emits a signal which the card converts into power and uses to transmit data back to the reader.

### **Travel Cards**

The power and frequency of the reader's signal determine the range of operation. For some applications, short range connection is essential, for instance to prevent one passenger's travel card paying for another passenger's journey. British company GEC is making the contactless cards which London Transport is now trialling on buses working in Harrow, North London. The same technology is used in Manchester.

The Harrow test involves contactless cards on nineteen bus routes. London Transport has equipped 200 vehicles with smart card readers and around 25,000 passengers are now regularly using cards to pay for journeys. The cards work like ordinary travel cards, but store time information to give free travel for a week or a month. When passengers get on a bus they wipe the card over a reader. If the time has expired, a light warns the driver.

If the trials are successful LT plans to extend the system throughout London's bus network, and use the same cards to pay for station car parking and buy from vending machines.

Although middle-aged passengers still fumble, school-children no longer bother even to take the cards out of their pockets. They just brush their jacket pocket against the reader.

LT has had to delay the second phase of its trial, which expands the scheme to stored-value fare cards. These will work like an electronic purse, storing £10 worth of travel units which the reader sucks out in return for a ticket. Around 200 shops in Harrow already have the equipment needed to re-charge cards in return for cash.

LT blames "mundane" reasons for the delay. The first cards were not strong enough. Whereas people treat their credit cards carefully, they put travel tickets in a back pocket and sit on them. Also bus gearboxes often vibrate when waiting at a bus stop. This has been fooling the reader. When this happens the travel cards can be checked visually, like ordinary cards. But the purse cards only work electronically.

Similar trials are underway in Bolton. If successful the Greater Manchester Transport Executive will extend the scheme county-wide to buses, trains and trams, with passengers able to use the same cards to buy goods.

Some 2500 people are now using smart cards on 120 of Bolton's buses. The Greater Manchester Passenger Transport Authority plans to extend the scheme across the whole county, over the next three years. The GMPTA cards already work as electronic purses, storing a number of flat rate concessionary fare payments. Each time a passenger uses a card the reader sucks out another 30p. Cardholders can then go to re-chargers installed at Supermarkets, Schools and Bolton Town Hall to pay cash for an electronic top-up.

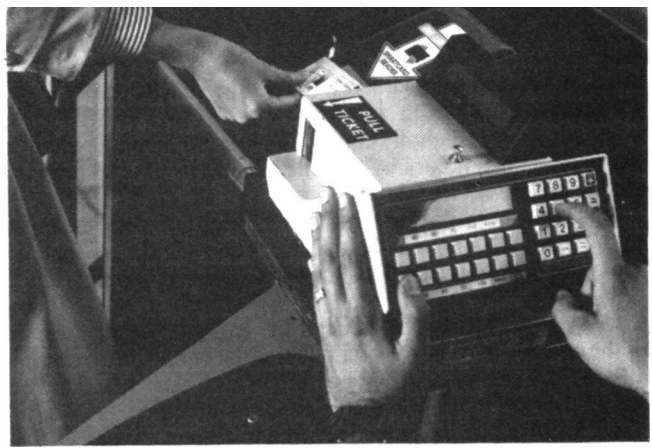
"The main complaint", say the organisers "is from people who get on buses which do not yet have a card reader".

The long-term plan is to encourage local shopkeepers, and sandwich bars, to install readers and so let cardholders pay for goods with their travel cards.

### **Call for SIM**

The new digital cellphones now available for Mercury's One-to-One and Hutchison's Orange networks (and on Cellnet and Vodafone's new GSM services) rely on similar (but sometimes cut-down) cards called Subscriber Identification Modules. Without a SIM, the cellphone cannot be used to make or receive calls. Once the SIM is plugged in, the phone springs to life, making calls which are billed to the SIM-owner's account.

The card also stores a library list of the telephone numbers which the subscriber most frequently calls. If an Orange sub-



*On entering the bus, passengers wipe their "contactless" card across the reader and the driver verifies a valid card.*

scriber gives Hutchison a written list of numbers, an operator will key them into a transmitter which sends them to the phone where they are stored in the SIM. When the SIM is plugged into another cellphone it can immediately read the library list of numbers, make calls on the SIM-owner's account and receive calls dialled to the SIM-owner's number. If a cellphone goes wrong, the owner just slots the SIM in a replacement, which behaves just as if it were the original.

### **SmartCard**

French payphones use smartcards, 70 million of them a year, even though telephone services in most other countries cut overheads by using cheap magnetic or holographic cards from which credits are erased or burned away by the payphone reader.

Most French salaries are paid by the month into a bank. So virtually everyone has a bank account. In France all cards are debit cards, and the Groupe Cartes Banqueres (comparable to the Association for Payment Clearing Services in the UK) represents all the banks which issue the cards, and runs a scheme whereby each bank honours every other banks cards for all transactions. Any French national using a bank card must now use a smart card. This has cut fraud inside France to almost non-existent levels.

The GCB estimates are that at least half this fraud occurred because the electronic point of sale, EPOS, equipment worked "off line". It collected information on all transactions during the day and sent it to the bank for processing at night.

All 21 million bank cards in France are now smart. Direct "on line" connections with the banks let the EPOS terminals check a smartcard's validity, against a personal identification number or PIN entered by the customer, in under two seconds. If the PIN does not match the card, the reader displays a message to the shop staff, telling them to pick up and keep the card. Soon the readers will be able to send a signal into a suspect card to make it useless.

The only fraud on French cards now is abroad, where people travel to other countries where there are no smart card readers, and use the cards like conventional credit cards. This is possible because French smart cards also have magnetic stripes like ordinary credit cards.

### **Smart World**

AT and T, Bull, Hitachi, Mitsubishi, Motorola, Philips, Schlumberger, Siemens and Thomson now all make smartcard chips and cards. Most countries are running tests to find out what else the technology can do, and how reliable they are.

A test in Helsinki lets travellers use the same smart card to pay for bus or taxi travel. Dublin Bus is testing contact cards as part of a research project funded by the European Commission. The same card can be used in Irish car parks and payphones.

The Japanese Government is storing the medical records of 300 mothers and young children on smart cards, in Awaji Island, Hyogo Prefecture. The British Department of Health is comparing different card types for storing patients' medical details.

In the US President Clinton's plans for health care and the electronic delivery of benefits to replace food stamp coupons has excited companies which smell the market potential. The

State of Wyoming looks likely to be the first to experiment with smart card health records. Hughes Aircraft will soon start transmitting digitally coded TV entertainment, direct into North American homes by satellite. Viewers will need a smart card to decode the signal.

In the UK, Wessex Water has been testing smart cards in the city of Bath. The householder has a Water Card and charges it with cash credits at a local shop or water company office. When the card is slotted into a household meter, it opens the valve to pass water to the value of the credits. The intelligence of the card lets it run up a small debt if the credits run out over a Bank Holiday weekend. When the householder next pays to top up the card the debt is settled at the same time.

British Gas has developed a similar system, called Quantum, for charging its customers for gas. The householder slots a card into the Quantum meter to load it with credits and pass gas. At the same time the meter loads information about the householder's gas use into the card. When the cardholder takes it to a retailer, a card reader displays an estimate of how much it will cost to charge up the card for another month of similar use. At the same time the reader can relay a message from the meter which warns the retailer if the meter has been tampered with. The meter also sucks enough extra credits from the card to pay the quarterly standing charge.

At least fifteen countries around the world, including Denmark, Switzerland and Taiwan are planning or testing electronic purse systems which rely on the extra storage capacity and intelligence of a smart card to control cash debits and credits. Britain's National Westminster Bank has proposed the most ambitious scheme of all, Mondex.

### ***Ambitious Mondex***

Mondex will allow two cardholders to exchange cash units directly, without clearance through a central control system, just as if they were five pound notes. As one purse at a shop check-out gains credits, another, from a customer's wallet, loses them. The cardholder can then fill up the card again by slotting it into an automatic teller machine which delivers electronic credits instead of cash, while debiting the holder's bank account. The credits can also be sucked into the card down a telephone line by calling the bank. Or the credits can be sent down the line into someone else's card.

Because the Mondex card stores cash credits, anyone can use it to make a purchase from any shop which has a Mondex reader. So losing the card is the same as losing cash. Security comes with an electronic wallet, like a pocket organiser, which locks the card's memory with a PIN.

The Mondex card will be loaded with credits at an ATM or by connection to a phone line. So Mondex immediately becomes a target for criminals who will want to get money out of a card without it losing value, or get money into a card without debiting an account, or make copies of cards to spend the same money several times over. Westminster's security experts are confident that Mondex will resist these attacks.

*The Mondex personal wallet.*



### ***Liberty***

Liberty, formerly the National Council for Civil Liberties, has so far lobbied successfully against the Government's plans to use smart cards as a weapon against football hooliganism. The idea, which came from Margaret Thatcher while she was Prime Minister, was for football grounds to install turnstiles that opened only when a spectator waved a valid smart card. The card would store identity details along with any black mark for bad behaviour.

The organisation was particularly worried because the cards would have to be contactless, to work reliably in all weathers, and after dropping into the mud. So a powerful reader could have secretly interrogated a card while still in the owner's pocket. Although Liberty's policies and position come across as rather muddled, the organisation does have a loud voice.

Says Atiya Lockwood, of Liberty, "We don't mind cards for specific uses. But we don't want to see too much information stored on one card, because then it becomes an identity card. You may be quite happy for a doctor to get details of your medication or allergies from a card, but you would not want your doctor to be able to read about your criminal record from the same card."

### ***Watermark***

Thorn EMI's Central Research Laboratories has been watching the collapse of confidence in magnetic card technology, and the trend to smart cards, with special interest. It is now 25 years since CRL developed a method of watermarking magnetic tape. The original intention was to distinguish between original and pirate music recordings, but the record industry was not interested. In 1978 Swedish banks started using the system to distinguish between genuine and copy magnetic bank cards. Since 1980, every banking transaction in Sweden has been unambiguously tied to the card used for that transaction. But outside Sweden no-one was interested.

"The idea was too early for its time", says Hugh Tarrant, Managing Director of Thorn Secure Science International, a new company formed in Swindon to make watermarked tape which card makers bond to ISO cards.

Tarrant has watched the explosion of fraud on all types of magnetic card change attitudes. In 1986 South Korea adopted watermarking to stop an explosion of fraud when people found out how to clone telephone cards. The same system is used in Australia to control poker gaming by phone line and by the House of Commons, Windsor Castle and the Ministry of Defence to control access to secure areas. The door locks are triggered by magnetic cards that look for the watermark and reject any counterfeit copy. TSSI now sells enough tape for a thousand million bank, phone and identity cards each year.

In addition to the standard three ISO tracks, watermarked magnetic cards have an extra track, numbered zero, nearest the edge of the card. So a watermarked card is recognisable by its wider than usual magnetic stripe.

TSSI reveals that at least one major bank tried and rejected the system ten years ago, even though the price of watermarking is only around 10 US cents per card. Card fraud was then still a rarity.

The National Westminster and Barclays banks have since last October been quietly running consumer tests in Northampton, with Visa International, now the largest consumer payment system. The two banks have each issued 15,000 watermarked cards and a Safeway store and 12 ATMs have been equipped with readers which can trap anyone attempting to use a copy card.

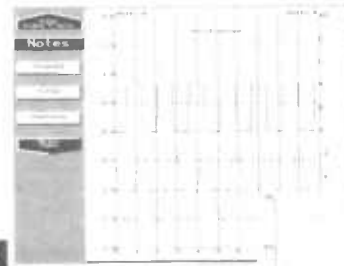
Hugh Tarrant has an interesting view of the future. He acknowledges that magnetic cards can never have enough memory capacity to serve as electronic purses. But he also believes that smart card technology will prove a lot less secure than some of its proponents promise.

"But a system that combines both watermarked magnetic stripe and an embedded chip, would give a mix of analogue, chemical and digital technology," says Tarrant. "Now that would be the most secure system of all". □

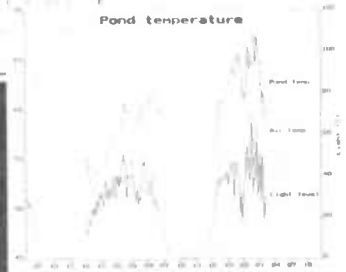


# Pico Releases PC Potential

Pico's Virtual Instrumentation enable you to use your computer as a variety of useful test and measurement instruments or as an advanced data logger.



**PicoScope**  
'Virtual instrument' software.



Hardware and software are supplied together as a package - no more worries about incompatibility or complex set-up procedures. Unlike traditional 'plug in' data acquisition cards, they simply plug into the PC's parallel or serial port, making them ideal for use with portable PC's.

**Call for your Guide on 'Virtual Instrumentation'.**

**PicoLog**  
Advanced data logging software.

## New from Pico TC-08 Thermocouple to PC Converter 8 channel Thermocouple Amplifier

- Connects to your serial port - no power supply required.
- Supplied with PicoLog datalogging software for advanced temperature processing, min/max detection and alarm.
- 8 Thermocouple inputs (B,E,J,K,R,S and T types)
- Resolution and accuracy dependant on thermocouple type. For type K the resolution is better than 0.1°C and accurate to ±0.1°C over -270°C to +1300°C.

**TC-08 £ 199**

complete with PicoLog, software drivers and connecting cable. A range of thermocouple probes is available.



## SLA-16 Logic Analyser Pocket sized 16 channel Logic Analyser

- Connects to PC serial port.
- Up to 50MHz sampling.
- Internal and external clock modes.
- 8K Trace Buffer.



**SLA-16**  
with software, power supply and cables £ 219

## ADC-100 Virtual Instrument Dual Channel 12 bit resolution

- Digital Storage Scope
- Spectrum Analyser
- Frequency Meter
- Chart Recorder
- Data Logger
- Voltmeter



The ADC-100 offers both a high sampling rate (100kHz) and a high resolution. It is ideal as a general purpose test instrument either in the lab or in the field. Flexible input ranges (±200mV to ±20V) allows the unit to connect directly to a wide variety of signals.

**ADC-100 with PicoScope £199**  
**with PicoScope & PicoLog £209**

## ADC-10 1 Channel 8 bit

- Lowest cost in the Pico range
- Up to 22kHz sampling
- 0 -5V input range



The ADC-10 gives your computer a single channel of analog input. Simply plug into the parallel port.

**ADC-10 with PicoScope £49**  
**PicoScope & PicoLog £59**

Carriage UK free, Overseas £9 Oscilloscope Probes (x1, x10) £10

**PICO TECHNOLOGY**



Pico Technology Ltd. Broadway House, 149-151 St Neots Rd, Hardwick, Cambridge. CB3 7QJ  
Tel: 01954 - 211716 Fax: 01954 - 211880



Phone or FAX for sales, ordering information, data sheets, technical support. All prices exclusive of VAT

**EVERYDAY**  
With **PRACTICAL**  
**ELECTRONICS**

# BACK ISSUES

We can supply back issues of *EPE* by post, most issues from the past five years are available. An index for each year is also available – see order form. Alternatively, indexes are published in the December issue for that year. Where we are unable to provide a back issue a photostat of any *one article* (or *one part* of a series) can be purchased for the same price.

## DID YOU MISS THESE?

### JAN. '94

**PROJECTS** • Autolight (automatic nightlight) • Timer and NiCad Capacity Checker • 250W/600W Inverter and Uninterruptible Power Supply, Part 2 • Multi-Purpose Audio System, Part 4 • Pond Heater Thermostat  
**FEATURES** • Safety First, Part 2 • Calculation Corner, Part 1 • Electronics Testing and Fault Diagnosis, Course Review.

### FEB. '94

**PROJECTS** • Whistle Controlled Light Switch • Reviving the Valve Sound (rebuilding the Quad II power amp) • Introduction to Microcontrollers – Timeout • Battery To Mains Inverter and Uninterruptible Power Supply, Part 3 • Multi-Purpose Audio System, Part 5.  
**FEATURES** • Calculation Corner, Part 2 • Safety First, Part 3 • European International Audio & Video Fair.

### MARCH '94

**PROJECTS** • Smart-Key Immobiliser • Audio/R.F. Monitor • CCD TV Camera, Part 1 • Visual Doorbell • Three-Phase Generator.  
**FEATURES** • Safety First, Part 4 • Calculation Corner, Part 3 • Free Wall Chart – Electronics Formulae 1.

### APRIL '94

**PROJECTS** • MOSFET Variable Bench Power Supply • *EPE* Soundac PC sound output board • CCD TV Camera, Part 2/Frame Grab • Impulse Clock Master Unit • Telephone Ring Detector.  
**FEATURES** • Best of British, Part 1 • Calculation Corner, Part 4 • Electronics Workbench Review • Free Wall Chart – Electronics Formulae 2.

### MAY '94

**PROJECTS** • Simple TENS Unit (transcutaneous pain relief) • Capacitance/Inductance Meter • L.E.D. Matrix Message Display, Part 1 • Stereo Noise Gate • Dual Stepping Motor Driver for PCs.  
**FEATURES** • Calculation Corner, Part 5 • Best of British, Part 2.



### JUNE '94

**PROJECTS** • Microcontroller P.I. Treasure Hunter • Digital Water Meter • Microprocessor Smart Switch • Advanced TENS Unit (transcutaneous pain relief) • L.E.D. Matrix Message Display, Part 2.  
**FEATURES** • Best of British, Part 3 • Calculation Corner, Part 6.

### JULY '94

**PROJECTS** • Voxbox Voice Recording Board • Simple NiCad Charger • Watering Wizard (automatic garden watering) • Pocket Print Timer • Stereo HiFi Controller, Part 1.  
**FEATURES** • Best of British, Part 4 • Calculation Corner, Part 7.

### AUG. '94

**PROJECTS** • Experimental Noise Cancelling Unit • Dancing Fountains, Part 1 • Charged-Up (PC battery tip) • 6802 Development Board • TV Camera Update • Stereo HiFi Controller, Part 2.  
**FEATURES** • Calculation Corner, Part 8 • Best of British, Part 5 • I'll Be Seeing You (multimedia communications)

### SEPT. '94

**PROJECTS** • Protector Plus Car Alarm • Greenhouse Watering System • Experimental Seismograph, Part 1 • Three-Channel Lamp Controller • Dancing Fountains, Part 2.  
**FEATURES** • Calculation Corner, Part 9 • The Invisible Force (magnetic force).

### OCT. '94

**PROJECTS** • Digilogue Clock • Visual/Audio Guitar Tuner • Hobby Power Supply • Audio Auxilexer • Experimental Seismograph, Part 2.  
**FEATURES** • Electronics from the Ground Up, Part 1 with Free PC Software • Calculation Corner, Part 10.



### NOV. '94 Photostats Only (see below)

**PROJECTS** • 1000V/500V Insulation Tester • Video Modules, Part 1 (Simple Fader, Improved Fader, Video Enhancer) • Active Guitar Tone Control • Power Controller • TV Off-er.  
**FEATURES** • Electronics from the Ground Up, Part 2 • Consumer Electronics Show.

### DEC. '94

**PROJECTS** • Spacewriter Wand • *EPE* Fruit Machine • Universal Digital Code Lock • Video Modules, Part 2 (Horizontal Wiper, Vertical Wiper, Audio Mixer) • Rodent Repeller.  
**FEATURES** • Electronics from the Ground Up, Part 3 • Embedded Controllers • Index for Volume 23.

### JAN. '95

**PROJECTS** • Magnetic Field Detector • Moving Display Metronome • Model Railway Track Cleaner • Beating the Christmas Lights • *EPE* Fruit Machine, Part 2 • Video Modules, Part 3 (Dynamic Noise Limiter, System Mains Power Supply).  
**FEATURES** • Electronics from the Ground Up, Part 4 • Electromagnetic Compatibility • Checking Transistors.



### FEB. '95

**PROJECTS** • 12V 35W PA Amplifier • Foot-Operated Drill Controller • The Ultimate Screen Saver • MIDI Pedal Board • Model Railway Signals.  
**FEATURES** • Electronics from the Ground Up, Part 5 • Transformerless Power Supplies • Quickroute 3.0 Review.

### MARCH '95

**PROJECTS** • Multi-Purpose Thermostat • Name of the Game-1 Counterspell • Sound Activated Switch • Audio Amplifier • Light Beam Communicator.  
**FEATURES** • Electronics from the Ground Up, Part 6 • Understanding PIC Microcontrollers • Visio Graphics Software Review. **FREE** Multi-Project PCB with this issue.

### APRIL '95

**PROJECTS** • National Lottery Predictor • Auto-Battery Charger • Light-Activated Switch • Switch On/Off Timer • Continuity Tester • Name of the Game-2 Counterspin.  
**FEATURES** • Electronics from the Ground Up, Part 7 • Circuit Surgery • The Hard Cell (Mobile Telephones).

### MAY '95

**PROJECTS** • PIC-DATS-1 (PIC Development and Training System) • R.F. Signal Generator • MIDI Pedal • Club Vote Totaliser • Name of the Game-3, On Your Marks and Games Timer.  
**FEATURES** • Electronics from the Ground Up, Part 8 • Las Vegas Show Report.

## BACK ISSUES ONLY £2.50 each inc. UK p&p. Overseas prices £3.10 each surface mail, £4.10 each airmail.

We can also supply the following issues from earlier years: 1989 (except March, June and Nov.), 1990 (except March), 1991 (except Aug., Sept. and Nov.), 1992 (except April and Dec.), 1993 (except Jan., Feb. and March), 1994 (except Nov.). Please note we are not able to supply copies (or 'stats of articles) of *Practical Electronics* prior to the merger of the two magazines in November 1992.

Where we do not have an issue a photostat of any *one article* or *one part* of a series can be provided at the same price.

### ORDER FORM – BACK ISSUES – PHOTOSTATS – INDEXES

Send back issues dated .....

Send photostats of (article title and issue date) .....

Send copies of last five years indexes (£2.50 for five inc. p&p – Overseas £3.10 surface, £4.10 airmail)

Name .....

Address .....

I enclose cheque/P.O./bank draft to the value of £ .....

Please charge my Visa/Mastercard £ .....

Card No. .... Card Expiry Date .....

Note. Minimum order for credit cards £5. Please supply name and address of cardholder if different from that shown above.

SEND TO: Everyday with Practical Electronics, Allen House, East Borough, Wimborne, Dorset BH21 1PF.

Tel: 01202 881749. Fax: 01202 841692.

Send a copy of this form, or order by letter if you do not wish to cut your issue.

M6/95

# MIXED-MODE SIMULATION. THE POWER OF VERSION 4.

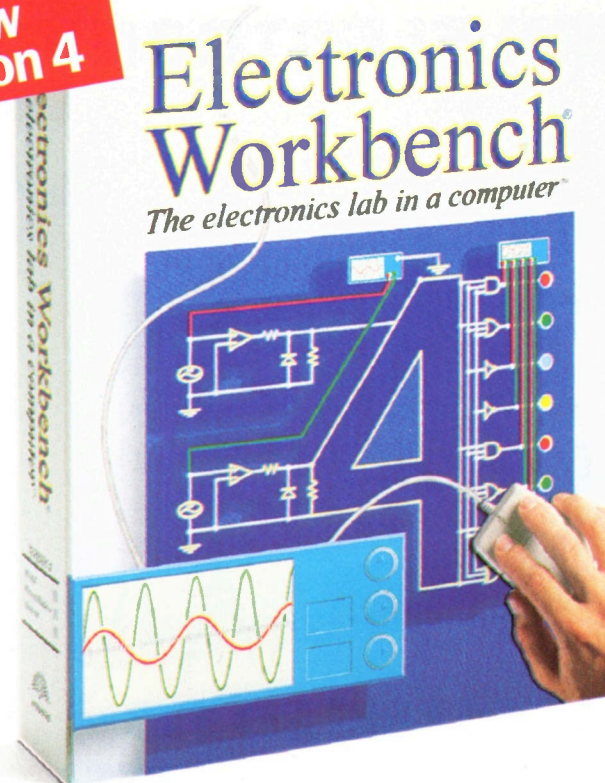
**New  
Version 4**

## Analog, Digital & Mixed Circuits

Electronics Workbench® Version 4 is a fully integrated schematic capture, simulator and graphical waveform generator. It is simple to mix analog and digital parts in any combination.

## Design and Verify Circuits... Fast!

Electronics Workbench's simple, direct interface helps you build circuits in a fraction of the time. Try 'what if' scenarios and fine tune your designs painlessly.



## More Power

Simulate bigger and more complex circuits. Faster. On average, Electronics Workbench Version 4 is more than 5 times faster than Version 3.

## More Parts

Multiple parts bins contain over twice the components of Version 3.

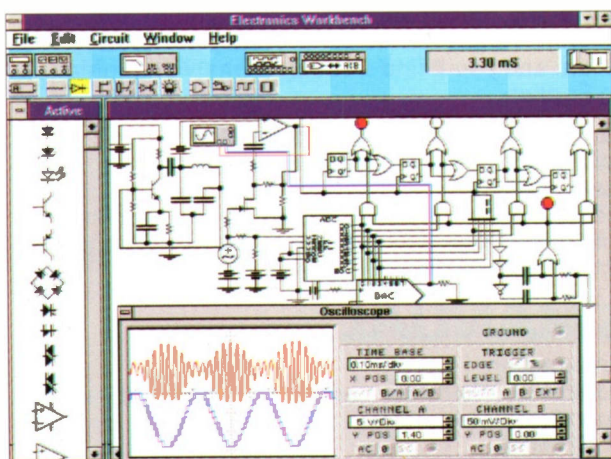
## More Models

Over 350 real world analog and digital models are included free with Electronics Workbench. And, if you need more, an additional 2,000 models are available.

## Incredibly Powerful. Incredibly Affordable.

If you need mixed-mode power at a price you can afford, take a look at this simulator and graphical waveform generator that mixes analog and digital with ease.

With over 20,000 users world-wide, Electronics Workbench has already been tried, tested and accepted as an invaluable tool to design and verify analog and digital circuits. With Version 4 true mixed-mode simulation is now a reality with incredible simplicity.



True mixed-mode simulation: Simultaneous AM transmission, digitization and pulse-code modulation of a signal.

**Electronics Workbench™**  
*The electronics lab in a computer™*

**Order Now! Just £199\***

**44-(0)1203-233-216**

**RM Robnson Marshall (Europe) Plc**

Nadella Building, Progress Close,  
Leofric Business Park,  
Coventry, Warwickshire CV3 2TF  
Fax: 44 (0)1203 233-210  
E-mail: [rme@cityscape.co.uk](mailto:rme@cityscape.co.uk)

Shipping charges UK £5.99. All prices are plus VAT.  
All trade marks are the property of their respective owners.  
Electronics Workbench is a trademark of Interactive Image Technologies Ltd., Toronto, Canada.  
\* 30 Day money-back guarantee.



Australia: 2-519-3933 • Brazil: 11-453-5588 • Cyprus: 262-1068 • Denmark: 33-25-0017 • Finland: 0-297-5033 • France: 14-908-9000 • Germany: 711-62-7740 • Greece: 1-524-9981  
Hungary: 1-215-0082 • India: 11-544-1343 • Israel: 3-647-5613 • Italy: 11-437-5549 • Japan: 3-3382-3136 • Malaysia: 3-42189 • Mexico: 5-396-3075 • Netherlands: 18-031-7666  
New Zealand: 9-267-1756 • Norway: 22-1670-45 • Portugal: 1-814-6609 • Singapore: 462-0006 • Slovenia: 61-317-830 • South Africa: 331-6-8309 • South Korea: 2-2-222-3431  
Spain: 1-553-3234 • Sri Lanka: 1-86-5970 • Sweden: 87-40-5500 • Thailand: 66-2-398-6952 • United Kingdom: 203-23-3216



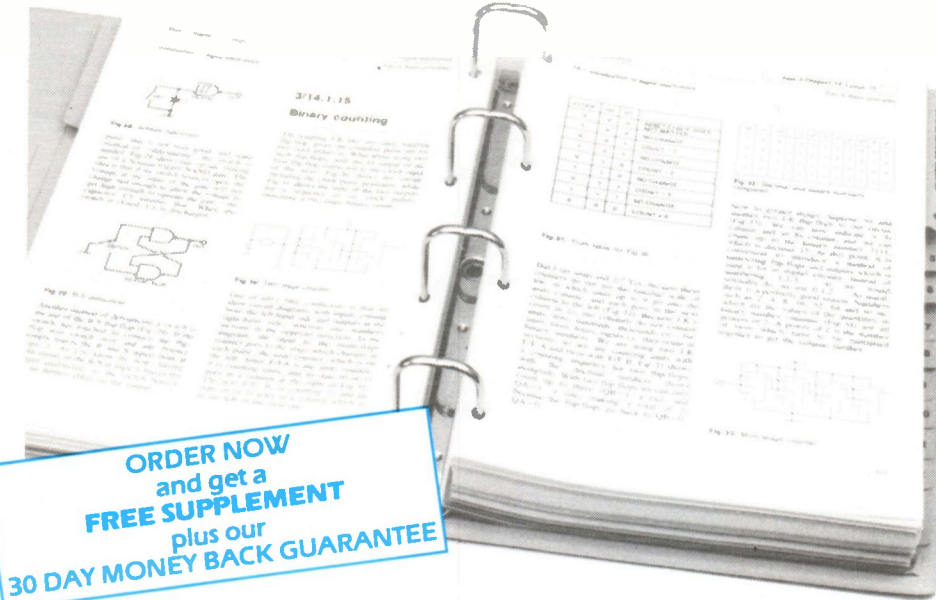


**WHETHER ELECTRONICS IS YOUR HOBBY  
OR YOUR LIVELIHOOD . . .  
YOU NEED THE MODERN ELECTRONICS MANUAL  
and the ELECTRONICS SERVICE MANUAL**

# THE MODERN ELECTRONICS MANUAL

## The essential reference work

- Easy-to-use format
- Clear and simple layout
- Comprehensive subject range
- Regular Supplements
- News of developments
- Sturdy ring-binder
- Projects to build
- Detailed assembly instructions
- Ready-to-transfer PCBs
- Full components checklists
- Extensive data tables
- Detailed supply information
- Professionally written



**ORDER NOW  
and get a  
FREE SUPPLEMENT  
plus our  
30 DAY MONEY BACK GUARANTEE**

## EVERYTHING YOU NEED TO KNOW ABOUT ELECTRONICS!

The revised edition of the Modern Electronics Base Manual contains practical, easy-to-follow information on the following subjects:

**BASIC PRINCIPLES:** Symbols, components and their characteristics, active and passive component circuits, power supplies, acoustics and electroacoustics, the workshop, principles of metrology, measuring instruments, digital electronics, analogue electronics, physics for electronics.

**CIRCUITS TO BUILD:** There's nothing to beat the satisfaction of creating your own project. From basic principles to circuit-building, the Modern Electronics Manual and its Supplements describe clearly, with appropriate diagrams, how to assemble radios, loudspeakers, amplifiers, car projects, computer interfaces, measuring instruments, workshop equipment, security systems, etc.

**REPAIRS AND MAINTENANCE:** Basic circuit operation for radio, television, audio/hi-fi, telephones, computers.

**ESSENTIAL DATA:** Extensive tables on diodes, transistors, thyristors and triacs, digital and linear i.c.s, microprocessors.

**EXTENSIVE GLOSSARY:** Should you come across a technical word, phrase or abbreviation you're not familiar with, simply turn to the glossary included in the Manual and you'll find a comprehensive definition in plain English.

The Manual also covers **Safety, Specialist Vocabulary with Abbreviations** and **Suppliers**.

The most comprehensive reference work ever produced at a price you can afford, the revised edition of **THE MODERN ELECTRONICS MANUAL** provides you with all the essential information you need.

## THE MODERN ELECTRONICS MANUAL

**Revised Edition of Basic Work:** Now contains over 1,000 pages of information.

**Regular Supplements:** Approximately 160-page Supplements of additional information which are forwarded to you immediately on publication. These are billed separately and can be discontinued at any time.

**Presentation:** Durable looseleaf system in large A4 format (297mm × 210mm)

**Price of the Basic Work:** £39.95 + £5.50 p&p (to include a recent Supplement free).

## GUARANTEE

Our 30 day money back guarantee gives you **complete peace of mind**. If you are not entirely happy with either Manual, for whatever reason, simply return it to us in good condition within 30 days and we will make a **full refund of your payment** – no small print and no questions asked.

(Overseas buyers do have to pay the overseas postage charge).

Wimborne Publishing Ltd., Allen House, East Borough, Wimborne, Dorset BH21 1PF. Tel: 01202 881749. Fax: 01202 841692



# ELECTRONICS SERVICE MANUAL

NEW

## EVERYTHING YOU NEED TO KNOW TO GET STARTED IN REPAIRING AND SERVICING ELECTRONIC EQUIPMENT:

**SAFETY:** Be knowledgeable about Safety Regulations, Electrical Safety and First Aid.

**UNDERPINNING KNOWLEDGE:** Specific sections enable you to Understand Electrical and Electronic Principles, Active and Passive Components, Circuit Diagrams, Circuit Measurements, Radio, Logic Gates, Computers, Microprocessors, Valves and Manufacturers' Data, etc.

**PRACTICAL SKILLS:** Learn how to Identify Electronic Components, Avoid Static Hazards, Assemble a Toolkit, Set Up a Workshop, Carry Out Soldering and Wiring, Remove and Replace Components.

**TEST EQUIPMENT:** How to Choose and Use Test Equipment, and Get the Most out of your Multimeter and Oscilloscope, etc.

**SERVICING TECHNIQUES:** The regular Supplements will include vital guidelines on how to Service Audio Amplifiers, Radio Receivers, TV Receivers, Cassette Recorders, Video Recorders, Personal Computers, etc.

**TECHNICAL NOTES:** Commencing with the IBM PC, PC-XT, PC-AT, this section and the regular Supplements will deal with a very wide range of specific types of equipment.

**REFERENCE DATA:** Detailing vital parameters for Diodes, Small-Signal Transistors, Power Transistors, Thyristors, Triacs and Field Effect Transistors. Supplements will include Operational Amplifiers, Logic Circuits, Optoelectronic Devices, etc

The essential work for servicing and repairing.

- Easy-to-use format
- Clear and simple layout
- Regular Supplements
- Sturdy ring binder
- Vital safety precautions
- Troubleshooting techniques
- Fundamental principles
- Active and passive components
- Choosing and using test equipment
- Professionally written
- Servicing techniques
- Reference data

## ELECTRONICS SERVICE MANUAL

**TOTALLY NEW Basic Work:** Contains around 900 pages of information. Edited by Mike Tooley BA.

**Regular Supplements:** Approximately 160-page Supplements of additional information which are forwarded to you immediately on publication. These are billed separately and can be discontinued at any time

**Presentation:** Durable looseleaf system in large A4 format (297mm x 210mm).

**Price of the Basic Work:** £39.95 + £5.50 p&p.

### ORDER BOTH MANUALS TOGETHER AND SAVE OVER £15!

A mass of well-organised and clearly explained information is brought to you by expert editorial teams whose combined experience ensure the widest coverage

Regular Supplements to these unique publications, each around 160 pages, keep you abreast of the latest technology

#### REGULAR SUPPLEMENTS

Unlike a book or encyclopedia, these Manuals are living works – continuously extended with new material. Supplements are sent to you approximately every two to three months. Each Supplement contains around 160 pages – all for only £23.50 +

£2.50 p&p. You can of course return any Supplement (within ten days) which you feel is superfluous to your needs.

#### RESPONDING TO YOUR NEEDS

We are able to provide you with the most important and popular, up to date, features

in our Supplements. Our unique system is based on readers requests for new information. Through this service you are able to let us know exactly what information you require in your Manuals. You can also contact the editors directly in writing if you have a specific technical request or query relating to the Manuals.

**PLEASE** send me

- THE MODERN ELECTRONICS MANUAL plus a FREE SUPPLEMENT  
 ELECTRONICS SERVICE MANUAL

I enclose payment of £45.45 (for one manual) or £75.45 for both manuals (saving over £15 by ordering both together). I shall also receive the appropriate Supplements several times a year. These are billed separately and can be discontinued at any time. Should I decide not to keep the Manual/s I will return it/them to you within 30 days for a full refund.

FULL NAME .....  
(PLEASE PRINT)

ADDRESS.....

..... POSTCODE .....

SIGNATURE.....

- I enclose cheque/PO payable to Wimborne Publishing Ltd.  
 Please charge my Visa/Mastercard (Access)

Card No. .... Card Exp. Date .....

#### ORDER FORM

Simply complete and return the order form with your payment to the following address:

**Wimborne Publishing Ltd, Allen House,  
East Borough, Wimborne, Dorset BH21 1PF**

**We offer a 30 day MONEY BACK GUARANTEE**  
– if you are not happy with the Manual simply return it to us in good condition within 30 days for a full refund.

Overseas buyers do have to pay the overseas postage – see below.

**OVERSEAS ORDERS:** All overseas orders must be prepaid and are supplied under a money-back guarantee of satisfaction. If you are not entirely happy with the Manual return it within a month for a refund of the purchase price (you do have to pay the overseas postage). SEND £39.95 (or £64.45 for both manuals) PLUS THE POSTAGE SHOWN BELOW for EACH Manual:

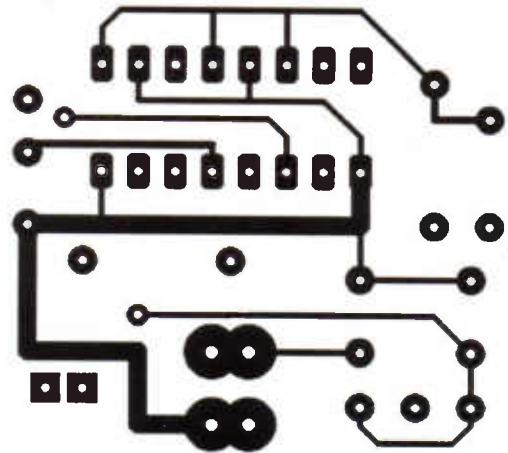
EIRE	AIR MAIL ONLY £11
EUROPE (E.E.C. Countries)	AIR MAIL ONLY £20
EUROPE (non E.E.C.)	SURFACE MAIL £20, AIR MAIL £26
U.S.A. & CANADA	SURFACE MAIL £25, AIR MAIL £32
FAR EAST & AUSTRALIA	SURFACE MAIL £31, AIR MAIL £33
REST OF WORLD	SURFACE MAIL £25, AIR MAIL £44

Note surface mail can take over 10 weeks to some parts of the world. Each manual weighs around 4kg when packed.

All payments must be made in £'s Sterling payable to Wimborne Publishing Ltd. We accept Mastercard (Access) and Visa credit cards.

# PROFESSIONAL SCHEMATIC CAPTURE AND PCB SOFTWARE FOR WINDOWS *NEW!*

At last, professional schematic and PCB design software for Microsoft Windows is available at prices that won't break the bank. CADPAK for Windows offers entry level schematic and PCB drafting whilst PROPAK for Windows adds netlist integration, multi-sheet schematics, highly effective autorouting, power plane generation and much more.



**ISIS Illustrator**

*ISIS Illustrator was the first schematic drawing package for Windows and it's still the best. Illustrator's editing features will enable you to create circuit diagrams as attractive as the ones in the magazines.*

- Runs under Windows 3.1.
- Full control of drawing appearance including line widths, fill styles, fonts, colours and more.
- Automatic wire routing and dot placement.
- Fully automatic annotator.
- Comes complete with component libraries; edit your own parts directly on the drawing.
- Full set of 2D drawing primitives + symbol library for logos etc.
- Exports diagrams to other applications via the clipboard.

**ARES for Windows**

*ARES for Windows provides all the functionality you need to create top quality PCB layouts under Microsoft's GUI. Combining the best of our DOS based PCB layout technology with the best of Windows, this package is our most powerful and easy to use PCB design tool to date.*

- True 32 bit application under Windows 3.1.
- Advanced route editing allows modification or deletion of any section of a track.
- Unlimited number of named pad/track styles.
- Comprehensive package library for both through hole and SMT parts.
- Full imperial & metric support including all dialogue forms.
- Gerber, Excellon and DXF outputs as well as output via Windows drivers. Also includes Gerber viewer.
- Multi-strategy autorouter gives high completion rates; power plane generator creates ground planes with ease.

## LOW PRICES!

CADPAK for Windows	£149
CADPAK for DOS	£79
PROPAK for Windows	£495
PROPAK for DOS	£395

**labcenter**  
**E l e c t r o n i c s**

Prices exclude postage (£5 for UK) and VAT. All manufacturers trademarks acknowledged.

Call us today on 01756 753440 or else fax 01756 752857 for a demo pack - please state DOS or Windows as these products are available for both platforms.

53-55 Main St. Grassington, N. Yorks. BD23 5AA



# PIC-DATS 4-CHANNEL LIGHT CHASER

MARK STUART

Part 2

Highlighting the PIC microcontroller, Mark Stuart channels your attention onto how its elegant development system can be used to good effect.

**I**N Part One of the PIC-DATS article last month, the PIC microcontroller was introduced and the principles of its use and programming described. This second part follows on, introducing the practical operation of the PIC-DATS system and demonstrating its use in the development of a typical hardware project.

The project chosen is a 4-Channel Light Chaser controller. The main reason for the choice is that such a project demonstrates how to read switch (digital) and potentiometer (analogue) inputs, and how to control low voltage and mains power devices. The programming described involves timing loops and demonstrates timed control of the outputs, which is necessary for "Zero Volt Switching" of the mains power devices.

## OTHER APPLICATIONS

Although the originally intended use of the project is as a Light Chaser, it can also be used for many other general purpose applications where computer control of mains powered devices is needed. For example, random switching of house lights and appliances for security purposes, central heating control and greenhouse watering systems.

It can also be modified to provide low voltage control outputs for operating model motors, solenoids, and other motion control devices. Inputs from other types of sensor may also be applied instead of switches, allowing a wide range of "stand alone" applications to be developed.

The design is such that program development and simulation can be done without any mains voltage being applied. There is also total mains isolation so that the system may also be operated and further developed with mains power applied, **provided due care is taken.**

As the main purpose of this article is to cover PIC programming and the PIC-DATS system, the description of the hardware and construction of the project will be kept to a minimum. The circuitry is all on a single printed circuit board (p.c.b.), but any mechanical construction, casing, etc. is left to the user.

## MAINS POWER SECTION

The circuit diagram for the complete 4-Channel Light Chaser is shown in Fig. 1. The circuit is divided into two parts: the Mains Power section, and the low voltage Control section. Between the two circuits there is complete electrical isolation.

Mains power is controlled by four triacs, CSR1 to CSR4. These devices can switch up to 600 volts and five amps (provided they are fitted with heatsinks and there is adequate ventilation). Each channel is provided with a fuse, which will protect the circuit in the event of an overload or "short". It is unlikely that the fuse will protect the triac, however, as the short time it takes to blow a triac is a lot less than the time needed to blow a fuse.

The triacs are switched on by applying a voltage between their MT1 and Gate (g) terminals. This voltage is supplied by transformer T2, rectified by REC2 and smoothed by capacitor C6. Although it is a low voltage, one side must be connected to Mains Live (so that current can flow between MT1 and Gate) and so it **MUST be treated as**

**Mains Voltage.** Resistor R18 is used to link the low voltage supply to the Mains.

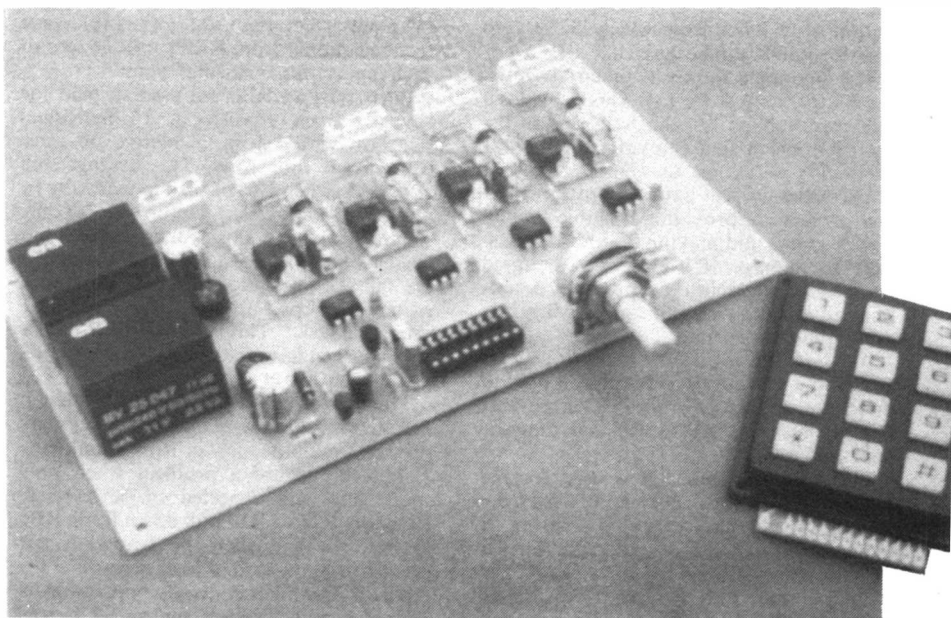
Gate voltage is applied to the triacs via opto-isolators IC2 to IC5. Each opto-isolator has a phototransistor at its output and an I.e.d. at its input. Light from the I.e.d. makes the phototransistor conduct. Resistor R14 limits the gate current to CSR1, and R19 reduces the sensitivity of the triac to spurious electrical pulses and interference that may be carried on the incoming mains supply. Resistors R15 to R17, and R20 to R22 do the same for the other triacs.

A separate fuse, FS1, is provided in the supply to the two mains transformers.

As the only path through the opto-isolators is for light, there is no electrical connection, and so the input I.e.d.s are free of mains voltage.

## CONTROL SECTION

The Control section of the circuit is powered by a second mains transformer, T1. The low voltage output is rectified by REC1 and smoothed by capacitor C1. Diode D1 is added so that an unsmoothed



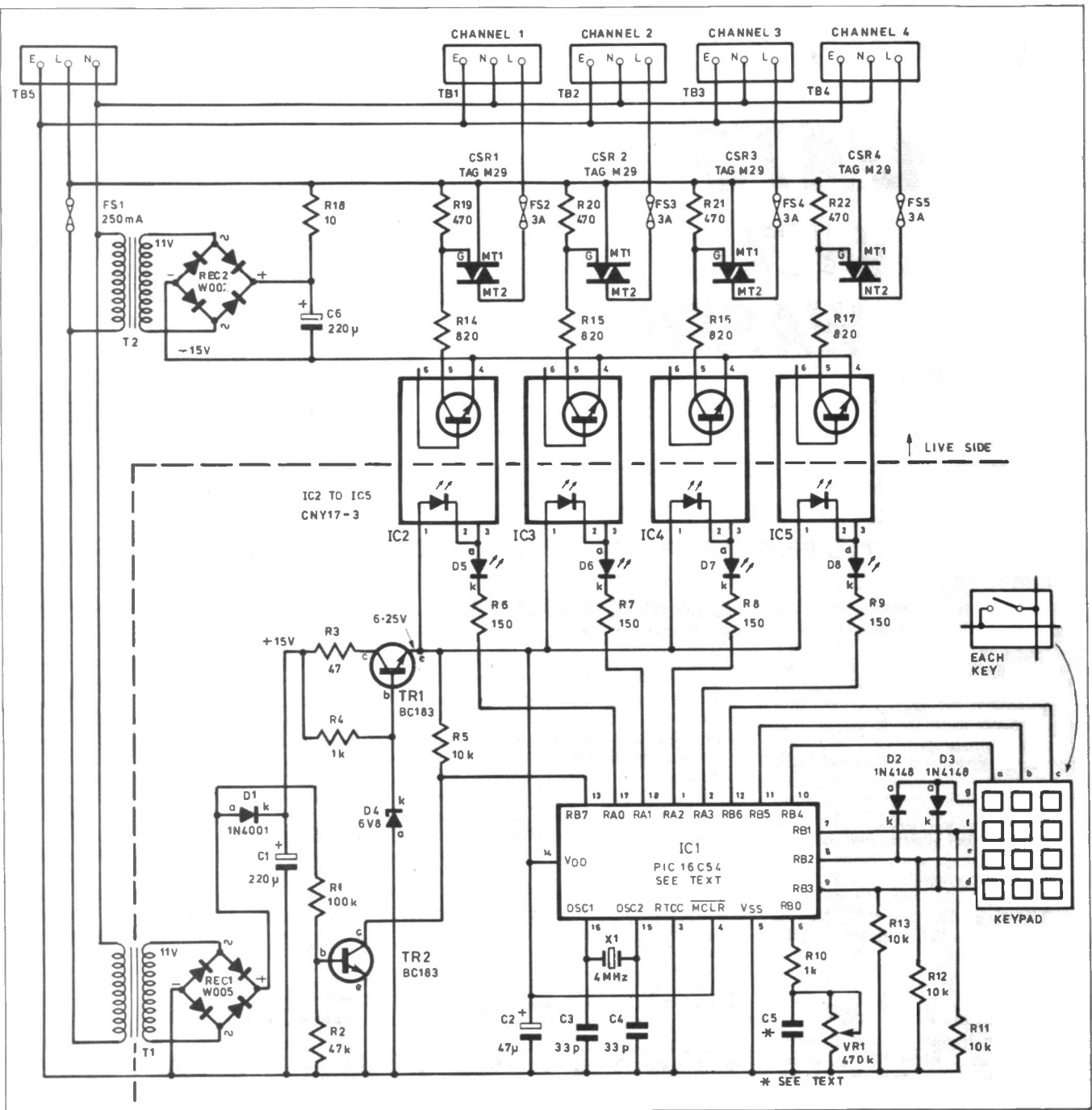


Fig. 1. Circuit diagram for the complete PIC-DATS 4-Channel Light Chaser.

output is available from which mains zero crossing points can be derived.

The smoothed output is taken via resistor R4 to Zener diode D4. This provides a reference voltage for the base of transistor TR1, which acts as a voltage regulator producing 6.25V on its emitter. Resistor R3 provides current limiting and short circuit protection, providing a stable limited power source and making it almost impossible to damage IC1 even if it is fitted backwards. Capacitor C2 provides decoupling to maintain a clean supply when IC1 draws pulses of current.

IC1 is a PIC16C54 microcontroller. Its 4-bit Input Output (I/O) Port RA is used to drive the opto-isolator l.e.d.s via current limiting resistors R6 to R9 and monitor l.e.d.s D5 to D8.

The 8-bit I/O Port RB is used for the remaining functions. Port RB0 senses the setting of potentiometer VR1, using it along with resistor R10 and capacitor C5 as a simple analogue to digital converter (ADC) circuit. Port RB7 picks up pulses from the collector of TR2, which is turned

off briefly when the unsmoothed full wave rectified supply from REC1 falls to zero at each mains "zero crossing" point.

Ports RB1 to RB6 are used to read the keypad which consists of 12 individual switches arranged in a matrix of three columns of four rows. This arrangement allows 12 switches to be read individually by only seven connections. Unfortunately, only six are available in this circuit, and so it has been necessary to use a trick and add diodes D2 and D3. These diodes give the top row of switches (g) pull-up lines from d and e simultaneously. This allows them to be distinguished from the other keys which pull up only one line at a time.

The drawback to this method is that it can give false Row g outputs if keys are pressed simultaneously in Row d and Row e, but this is not a problem when only single keys are expected to be pressed. Resistors R11 to R13 pull down Ports RB1 to RB3 so that when the keypad is not pressed all three read as logic zeros.

All of the microcontroller operation is carried out at a speed determined by the

on-chip clock oscillator. The frequency is determined by resonator or crystal X1. C3 and C4 provide the correct capacitive loading for the oscillator circuit.

## CONSTRUCTION

The circuit is built on a single printed circuit board, which is available from the *EPE PCB Service*, code 942. This board can be assembled to different levels as required. For basic program development it is necessary only to fit the components around IC1.

The opto-isolators can be omitted if their pins 1 and 2 are shorted together to provide a current path to light l.e.d.s D5 to D8. The power supply section T1, D4 etc. can also be omitted, and instead of mains power, a 6V battery (easily provided by four AA cells in a holder) can be connected across C2.

Leave resistor R5 in position so that Port RB7 is always pulled up to a logic 1 level. This is the ideal set-up whilst first experimenting as it is completely safe and allows simple programs to be checked with ease. The battery may also be used if the



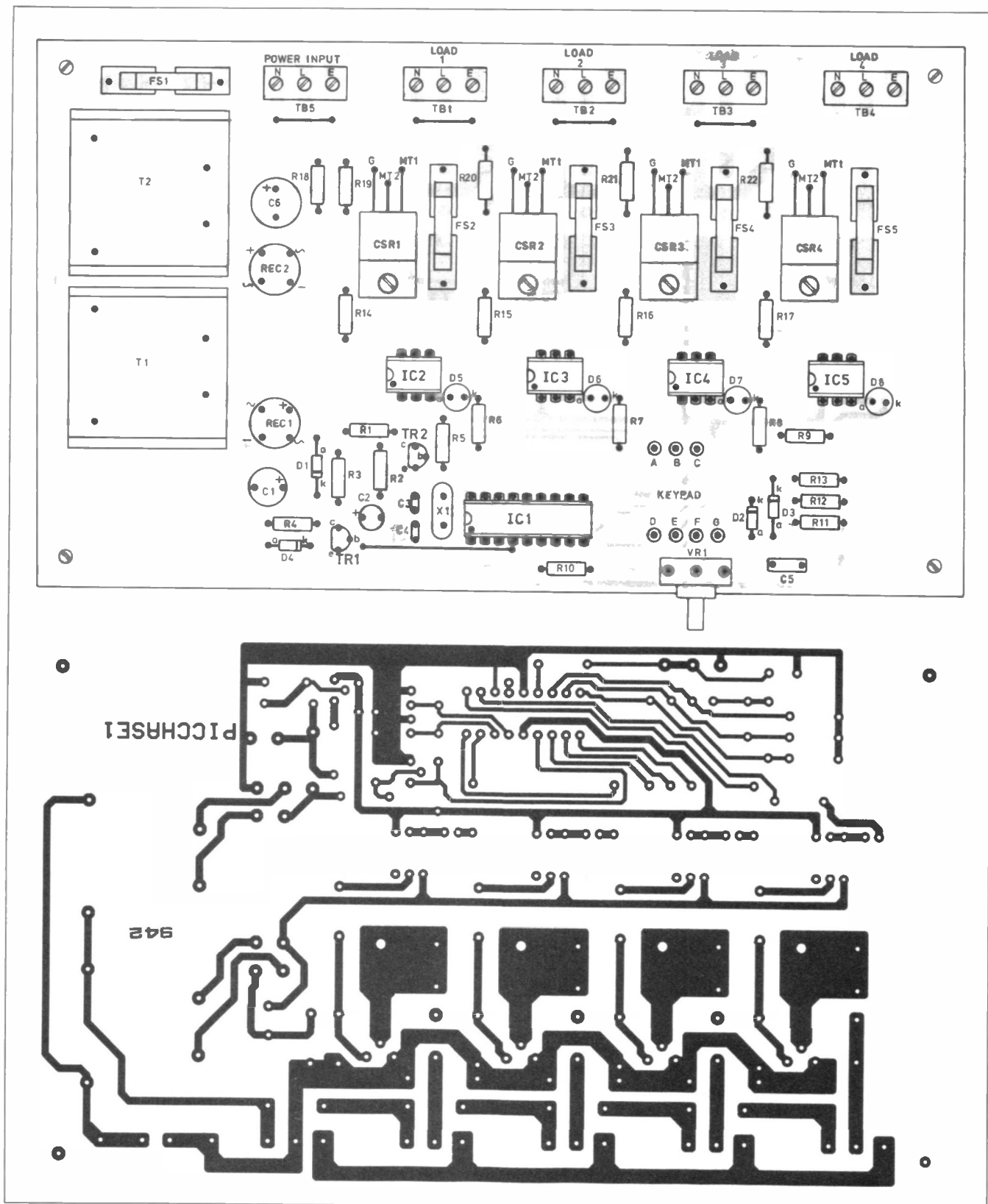


Fig. 2. Component layout and full size copper foil track master for the PIC-DATS 4-Channel Light Chaser.

power supply section has been assembled, **provided the mains input is unplugged.**

All of the components are fitted as shown on the component layout drawing in Fig. 2. **DO NOT** use sockets for opto-isolators IC2 to IC5 as the distance between the socket pins is less than that between the pins of the opto-isolators and would reduce the clearance distance below that required for safe isolation. Opto-isolators are reliable anyway, and so there is no reason to have them in sockets – but do make sure before soldering that they are fitted the right way round!

The socket for IC1 can be a turned pin type or an ordinary one. Turned pin sockets are more durable.

Assembly of the mains side of the circuit is conventional. Use a nut and bolt to hold each triac tab down to the board, and take care to keep all of the soldering tidy to avoid accidental track bridges.

Insulated wire links are needed to join the Mains Neutral connections across to all of the output terminals. These should be made with 16 0.2 wire insulated with sleeving.

It helps alignment when fitting the

fuseholders if a fuse is clipped into them before soldering.

### TESTING

It is essential to make checks for solder bridges, dry joints, and incorrectly fitted components before applying power to the board. If battery power is being used, connect a 6V supply across capacitor C2. This is best done by soldering a pair of 7/0.2 connecting wires to the track side of the board where the pins of C2 are fitted. Do not yet insert IC1.

Using a short length of connecting wire,

# COMPONENTS

## Resistors

R1	100k
R2	47k
R3	47
R4, R10	1k (2 off)
R5, R11	to R13 10k (4 off)
R6 to R9	150 (4 off)
R14 to	
R17	820 (4 off)
R18	10
R19 to	
R22	470 (4 off)

See  
**SHOP  
TALK**  
Page

## Potentiometer

VR1	470k rotary carbon lin.
-----	-------------------------

## Capacitors

C1, C6	220µ radial elect. 16V (2 off)
C2	47µ radial elect. 10V
C3, C4	33p 2.5mm ceramic (2 off)
C5	see text

## Semiconductors

D1	1N4001 rectifier diode
D2, D3	1N4148 signal diode (2 off)
D4	6V8 400mW Zener diode
D5 to D8	3mm red l.e.d., standard diffused
REC1,	
REC2	W005 bridge rectifier (2 off)
TR1, TR2	BC183 npn transistor (2 off)
CSR1 to	
CSR4	TAG M29 triac, isolated tab
IC1	PIC16C54 microcontroller (see text)
IC2 to	
IC5	CNY17-3 opto-isolator (4 off)

## Miscellaneous

X1	4MHz crystal or resonator
FS1	250mA fuse, 20mm
FS2 to	
FS5	3A fuse, 20mm (4 off)
T1, T2	11V 0.8VA transformer, p.c.b. mounting, Magenta TX0811 (2 off)

Printed circuit board, available from the *EPE PCB Service*, code 942; 20mm fuse clips, p.c.b. mounting (5 off); 3-way terminal block, p.c.b. mounting, mains rated (5 off); mains connectors, to suit application (5 off); case, to suit application (see text); 18-way d.i.l. socket; insulating pillars and screws (4 off); keypad, 4 x 3 matrix; connecting cable; wire; solder, etc.

Approx cost  
guidance only

**£40**

link pin 5 of the i.c. socket in turn to pins 1, 2, 17, and 18. This should light the corresponding l.e.d.s D5 to D8 and will be activating the opto-isolators if they have been fitted. If the l.e.d.s do not light, check their polarity, and that of the opto-isolators.

If a fully built mains powered circuit is being built, the above battery test can still be used before applying the mains.

**FOR TESTING UNDER MAINS POWER, BE EXTREMELY CAREFUL. MAINS CIRCUITS MUST ONLY BE CONNECTED BY FULLY COMPETENT USERS. IF IN ANY DOUBT - DO NOT APPLY MAINS POWER: TEST THE CIRCUIT UNDER BATTERY POWER ONLY.**

If you are competent to use the mains powered version, it is strongly recommended that the p.c.b. is screwed down to a substantial piece of wood before testing. This holds

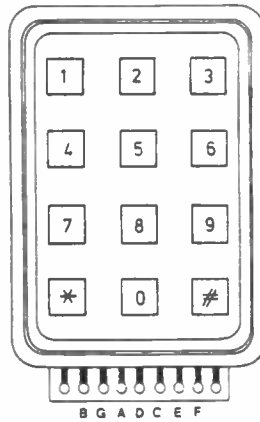
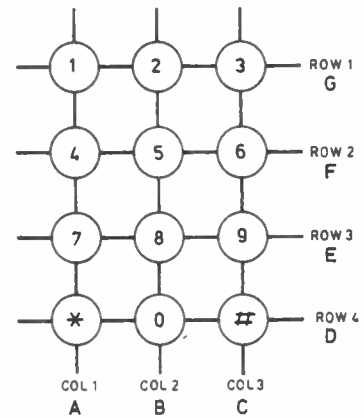


Fig. 3. Keypad connections and keying logic.



it in place, and takes away the temptation to pick it up with bare hands. Use an insulated test bench, and plug in to a circuit powered via an RCCB (residual current circuit breaker). An RCCB is essential for this and other electronics work using mains power and greatly reduces any hazard.

Once mains power is applied, check the regulated supply from the emitter of TR1, which should be close to 6.25V. Check the operation of l.e.d.s D5 to D8 as before, and that the triacs are being triggered when the l.e.d.s are lit. This is best done using a low wattage lamp as a load on each output.

Once this has been done, and power has been switched off, the circuit is ready for the PIC chip to be inserted. First, though, it has to be programmed!

## PIC OPERATION

The PIC program can range from simple to very complicated. To make an easy introduction, the PIC-DATS will first be used with some very simple examples, starting with a program to turn on just one of the outputs in response to the pressing of one key on the keypad.

The program will then be extended in several small stages until a simple light sequencing program is developed. This procedure will have supplied the basic tools - further programming development is left to the individual to exercise his or her mind. Those new to PICs will be surprised at the ease with which simple working programs can be written, and how simple steps can be combined into larger programs.

All of the programs shown, and some more complicated ones, are supplied on the disk referred to last month, and in this month's *Shop Talk*.

## CONNECTING UP

The outputs from the PIC SIM system, described last month, are connected to a 40-way IDC plug on the end of the board. Most of the connections are not used, but it is difficult to fit individual wires, and so a 300mm length of 40-way rainbow (colour coded) ribbon cable should be used. The pins required are:

DATS PIN	FUNCTION	ICI PIN
39	Ground	Target pin 5
40	Ground	Target pin 5
15	PORT RB0	Target pin 6
17	PORT RB1	Target pin 7
19	PORT RB2	Target pin 8
21	PORT RB3	Target pin 9
22	PORT RB4	Target pin 10
20	PORT RB5	Target pin 11

OUTPUT ARRANGEMENT		
OUTPUT PIN No.	SYMBOL	
1		
B	2	COL 2
G	3	ROW 1
A	4	COL 1
D	5	ROW 4
C	6	COL 3
E	7	ROW 3
F	8	ROW 2
9		

18	PORT RB6	Target pin 12
16	PORT RB7	Target pin 13
23	PORT RC0	Target pin 17
25	PORT RC1	Target pin 18
27	PORT RC2	Target pin 1
29	PORT RC3	Target pin 2

Port RC is being used since Port RA is not available on the PIC-DATS. It is, however, a simple matter to change over when programming the final chip so that Port RA is used.

The ends of the ribbon cable must now be connected to the Light Chaser board. As this board is the one for which the final code is being developed, it is referred to as the "target system". The lead connecting the PIC-DATS to the target system is known as the "probe connecting lead" and the connector used to make contact with the socket of IC1 is the "target probe".

The ideal means of connecting the ribbon cable to the socket of IC1 is to use an 18-way d.i.l. (dual-in-line) header which is an IDC connector whose pins plug directly into an 18-way i.c. socket.

There is a difficulty with this, though: the ribbon cable from the PIC-DATS is not in the correct order to fit directly. To overcome this, either solder the wires individually to the d.i.l. header pins, taking care not to melt the plastic connector body, or fit a separate ribbon cable into the d.i.l. header and make individual soldered and sleeved joints between the appropriate wires.

Alternative probe arrangements are possible, including the simple but effective method of soldering the ribbon cable directly to the track side of the p.c.b. underneath the socket for IC1. If this method is used, take care to unplug the 40-way

connector from the PIC-DATS when the time comes to fit a programmed PIC into the socket.

For the PIC-DATS simulation control of this target circuit, **DO NOT** connect the PIC-DATS control cable to pins 3, 4, 14, 15 or 16 of the socket for IC1.

Once the target probe connections are made, and have been double checked, plug in the 40-way connector, connect the PIC-DATS power supply and power up the target system using a 6V battery.

## PROGRAMMING

One of the best aspects of the PIC-DATS software is the way it is able to switch to and from the Text Editor and Cross Assembler programs. To achieve this it is necessary to edit a simple file called PICSIM.INI which indicates the directories and paths through which to access the two programs.

The file can be changed easily if necessary using a word-processor. If the PIC-DATS program has been loaded in the standard way, and assuming it is to be run from a hard disk on drive C, the first line will read:

```
C:\PIC\MPASM.EXE
```

The second line is the path to the Text Editor. The prototype was developed using a word-processor package called PCWrite which uses the command ED.EXE to start. It is located in a directory called PCW1. The second line reads:

```
C:\PCW1\ED.EXE
```

Users who only have floppy disk drives will need to make alternative entries, but provided the disk capacity is sufficient the system can be run successfully. It is useful to have a compact word-processor as the programs need to be written in very simple ASCII code.

Assuming the software has been correctly loaded and the serial lead is connected between connector PL2 and the computer, enter the PIC directory, and run PICSIM5X. Remember to enter PICSIM5X 2 if the serial lead has been connected to the COM 2 port of the PC instead of COM 1.

If all is well, the PIC-DATS will sign on and the COMMAND prompt will appear. If not, check the lead and power supply. If necessary switch off the PIC-DATS power, and then switch on again to reset.

Once in Command mode, experiment with some commands to see their effect. The manual supplied with the software gives full details of each command, and only the bare essentials are provided here:

ORG	0X00	indicates where the next line of code should be loaded
MOVLW	0X00	loads the value 00 to W, which is the working register
TRIS	07	copies the value in W to the Port RC control register - which determines whether the port bits are inputs or outputs loading 00 sets all Port RC bits to output
MOVWF	0X07	loads the value 00 into Port RC setting all lines LOW
MOVLW	0XFF	loads the value FF into W
MOVWF	0X07	loads the value FF into Port RC setting all lines HIGH
GOTO	START	sends the PIC back to the first line so that the program loops
ORG	1FF	indicates where the next line of code should go
GOTO	START	located at 1FF. This is the first thing the PIC reads and so it immediately jumps to START which is at address 00 and begins running the instructions from there

Listing 2. Explanation of the commands used in Listing 1.

Key B switches alternately between decimal and hex numbering. Hex is the more usual system for programming and should be selected.

Key M switches through the range of processors covered. Select 16C54.

Key P steps through the available register file pages, this should be set for page 0.

Key W allows the watchdog timer to be enabled - the watchdog timer is an independent counter that automatically resets the PIC if the program runs away due to an unforeseen programming bug. Its use can be complicated, and it is not necessary in the current application so set function W to "disabled".

The other commands are either obvious, such as Q for Quit, or are better explained by example as programming proceeds.

## PROGRAM FILES

As with all types of programming, there are rules that must be obeyed, and commands that will only be recognised in the correct places. The MPASM Cross Assembler that is being used is not unfriendly, but cannot work if it does not understand the programmer's intentions. The easiest way to start is to modify a known working program - some simple examples of which are supplied on the software disk.

The first lines in a PIC program are to tell the MPASM Cross Assembler program which type of PIC the program is for, which numbering system is being used (Hex, Decimal, Binary etc.) and where to locate the code in memory.

A simple program which sets Port RC to operate as an output port and then switch the eight outputs alternately between logic 0 and logic 1 is shown in Listing 1.

This file, PICA1.ASM, is included on the software disk, but should be typed in as an exercise to show how the system works.

The name of the file in which the re-typed program is stored is not important, but it must have the suffix ".ASM" (pronounced "dot A-S-M") and be in pure ASCII code, that is, it must not contain any printer control or other non-text codes. Most word-processors are able to work in this mode without difficulty.

Take note of the columns used for the various statements in the .ASM file, in particular the way that the label "START" begins in column one. Note also the semi-colons (;) which indicate that the following words on that line are comments.

Line by line the program works as described in Listing 2.

The two ORG statements are very important as they determine the starting address (ORiGin) for the code. The main part of the code starts from 0000, but the PIC16C54 always starts at 01FF following switch on or Reset so a simple command is written and inserted directing the PIC to the label START for its next instruction.

The use of a label allows a particular piece of code to be found by the program no matter where it is in the memory. START could be at location 00FC and the program would still find it correctly. Note also that the word BANANA or any other word (apart from a few reserved words such as LIST that would cause confusion) made from up to six letters and numbers, could be used instead of START.

The .ASM program cannot be run directly as it is, but must first be "Assembled" into the correct form to be loaded into the PIC chip. This is done by the MPASM.EXE program. It takes the .ASM file and produces two other main files, one is a listing file (suffix .LST) which contains all of the original information and adds the addresses and PIC instruction codes.

The other is the code file for programming into the PIC processor (suffix .HEX). If there are errors in the original .ASM file which cannot be converted into code, a third file is produced with the suffix .ERR containing details of each error and the reason it cannot be interpreted.

The listing file generated from the .ASM file in Listing 1 is shown in Listing 3. It contains in columns one and two details of the location and contents of the code that would be loaded into the PIC processor. For example, memory location 0000 will contain the code 0C00, and so on.

These codes are the "machine code" equivalents of the statements entered in the .ASM file. The listing file also shows the amount of memory used, the date and time of assembly and a table of labels and their addresses. If errors have been made in the .ASM file, these will be shown in the .LST file with details that help with their correction.

PROCESSOR 16C55

RADIX HEX

TITLE "PICA1.ASM"

LIST

```

START  ORG    0X00
        MOVLW 0X00      ;LOAD W WITH 00 (BINARY 00000000)
        TRIS  07        ;COPY W INTO TRIS C SET PORT C AS O/P
        MOVWF 0X07      ;COPY W INTO PORT C TO SET ALL 0s
        MOVLW 0XFF      ;LOAD W WITH FF (BINARY 11111111)
        MOVWF 0X07      ;COPY W INTO PORT C TO SET ALL 1s
        GOTO  START     ;LOOP BACK TO BEGINNING

        ORG    1FF      ;RESET ADDRESS
        GOTO  START     ;GO TO START POINT
END
```

Listing 1. PICA1.ASM: simple program which sets Port RC to operate as an output port.

The PICA1.LST file:

MPASM 01.02 Released C:\PICA\PICA 4-16-1995 20:20:10 PAGE 1

PICA1.ASM

```
ADDRESS CODE LINE SOURCE TEXT
0001 PROCESSOR 16C55
0002 RADIX HEX
0003 TITLE "PICA1.ASM"
0004
0006
0007 ORG 0X00
0000 0C00 0008 START MOVLW 0X00 ;LOAD W WITH 00 (BINARY 00000000)
0001 0007 0009 TRIS 07 ;COPY W INTO TRIS C SET PORT C AS O/P
0002 0027 0010 MOVWF 0X07 ;COPY W INTO PORT C TO SET ALL 0s
0003 0CFF 0011 MOVLW 0XFF ;LOAD W WITH FF (BINARY 11111111)
0004 0027 0012 MOVWF 0X07 ;COPY W INTO PORT C TO SET ALL 1s
0005 0A00 0013 GOTO START ;LOOP BACK TO BEGINNING
0014
0015
0016 ORG 1FF ;RESET ADDRESS
01FF 0A00 0017 GOTO START ;GO TO START POINT
0018 END
0019
0020
```

MPASM 01.02 Released C:\PICA\PICA 4-16-1995 20:20:10 PAGE 2

PICA1.ASM

SYMBOL TABLE

LABEL	VALUE
START	0000

MEMORY USAGE MAP ("X" = Used, "-" = Unused)

```
0000 : XXXXXX-----
0040 : -----
0180 : -----
01C0 : -----X
```

All other memory blocks unused.

Errors : 0  
Warnings : 0  
Messages : 0

Listing 3. The Listing file generated for the program in Listing 1.

The .HEX file is much shorter, and is practically unreadable except by the PIC programming software. Thus the PICA1.HEX file would read:

```
:08000000000C07002700FF0CB3
:040008002700000AC3
:0203FE00000AF3
:00000001FF
```

This file contains the code that will be loaded into the PIC when it is programmed, and other information giving the memory locations to be used, and a checksum so that any errors in the file can be detected as it is downloaded.

## PROGRAM FILES

Program .ASM files can be written with almost any text editor (word-processor) software. The file can then be assembled by running MPASM.EXE to produce .LST and .HEX files (and a .ERR file if there are errors). This arrangement can be used without PIC-DATS itself and is useful for checking program ideas and learning the basic rules for the .ASM files.

The PIC-DATS system is much more effective for code development, however, as it allows the code to be run and developed in hardware as well as software. Provided the PICSIM.INI file has been set up correctly, the PIC-DATS program allows easy access to and from the text editor and assembler.

To write a .ASM file from the PIC-DATS software environment, press E and then select the file from the list provided. If a new file is to be written press "Esc" and the text editor program will start up as usual. When the file is complete, save in the usual way and exit. A single keypress will then return to the PIC-DATS system.

To run the cross assembler, press XA and select the .ASM file from the menu. The MPASM program will run, and report any errors. A single keypress will again return to the PIC-DATS. If there are errors, press E and enter the file name with suffix .ERR to see the error report. Alternatively, enter a .LST suffix and find the errors in the listing file. The error explanations and their solutions are often simple, but the more complicated ones will need some thought and reference to the PIC data sheets (supplied with the PIC-DATS kit).

Once the code is correct, return to the PIC-DATS program and use the L command to load the assembled .HEX file from the menu.

## STEPPED MONITORING

Now the real fun begins! Assuming the target system is connected to the PIC-DATS and powered, the code can be stepped through one instruction at a time using the S command. As the state of the I/O ports is changed, the l.e.d.s on the target system will turn on and off. Note that in this circuit, the l.e.d.s are turned on by a logic 0 and off by a logic 1.

Press Q to end the single stepping, and then press T. The program will now run on its own and the l.e.d.s will appear to be constantly lit, although they are actually flashing on and off very quickly. The speed at which the program is now running is much slower than the final speed of the PIC device. This is because the PC computer has to operate the PIC-DATS via a serial link, and update the screen after each instruction. For testing programs, however, it is fast enough, provided there are no time

```
PROCESSOR 16C55
RADIX HEX
TITLE "PICA_B.ASM"
LIST
ORG 0X00
START MOVLW 0X00 ;LOAD W WITH 00 (BINARY 00000000)
TRIS 07 ;COPY W INTO TRIS C SET PORT C AS O/P
MOVWF 0X07 ;COPY W INTO PORT C TO SET ALL 0s
CHASE MOVLW B"11111110" ;LOAD CHASE PATTERN 1 INTO W
MOVWF 0X07 ;COPY W INTO PORT C TO SET OUTPUTS
MOVLW B"11111101" ;LOAD CHASE PATTERN 2 INTO W
MOVWF 0X07 ;COPY W INTO PORT C TO SET OUTPUTS
MOVLW B"11111011" ;LOAD CHASE PATTERN 3 INTO W
MOVWF 0X07 ;COPY W INTO PORT C TO SET OUTPUTS
MOVLW B"11110111" ;LOAD CHASE PATTERN 4 INTO W
MOVWF 0X07 ;COPY W INTO PORT C TO SET OUTPUTS
GOTO CHASE ;LOOP BACK TO BEGINNING OF CHASE
ORG 1FF ;RESET ADDRESS
GOTO START ;GO TO START POINT
END
```

Listing 4. Program listing for PICA\_B.ASM, which generates a simple chase lighting sequence.



```

PROCESSOR 16C55
RADIX HEX
TITLE "PICA_C.ASM"

LIST

ORG 0X00

START MOVLW 0X00 ;LOAD W WITH 00 (BINARY 00000000)
      TRIS 07 ;COPY W INTO TRIS C SET PORT C AS O/P

      MOVLW B"10001111" ;LOAD W WITH BINARY 10001111
      TRIS 06 ;COPY W INTO TRIS B TO SET PORT
              ;B6, B5, AND B4 AS O/P OTHERS AS I/P

      MOVLW 0X00 ;LOAD W WITH 00
      MOVWF 0X07 ;COPY W INTO PORT C TO SET ALL 0s
      MOVWF 0X06 ;COPY W INTO PORT B TO SET ALL 0s

      ;CHECK THE SWITCHES IN COLUMN A
      SWCOL1 BSF 0X06,4 ;SET BIT 4 OF PORT B TO LOGIC 1
             BTFSS 0X06,3 ;TEST BIT 3 OF PORT B
             GOTO TNOFF ;IF IT IS 0 GO TO TURN OFF CODE
             BCF 0X07,0 ;IF IT IS 1 PREVIOUS LINE IS SKIPPED
             ;AND SET C0 TO 0 TO TURN ON LED
             GOTO SWCOL1 ;LOOP

      TNOFF BSF 0X07,0 ;BUTTON IS NOT PRESSED SET C0 TO 1
            GOTO SWCOL1 ;TO TURN OFF LED
            ;LOOP

      ORG 1FF ;RESET ADDRESS
      GOTO START ;GO TO START POINT
      END

```

Listing 5. Program to read the hash key and operate Channel 1 i.e.d.

critical applications, or long delay loops which will cause tedious boredom!

Modify the .ASM file so that 0XF1 is loaded instead of 0XFF, run the XA program again, then press L to reload, and again repeatedly press S to single step through the new code. This time only one of the four i.e.d.s will turn on and off. Try other changes, possibly including some deliberate errors and see the codes generated in the .ERR file.

## PROGRAM INSTRUCTIONS

The codes such as MOVLW are instructions that the PIC16C54 carries out. There are only 33 of these, but as almost one million can be executed in one second (using a 4MHz clock speed), they can be made into powerful combinations.

This article is intended only to illustrate some of the basic options so that the PIC-DATS system can be operated, and code can be written, assembled, corrected (debugged) and run. The real work of learning the instructions, their limitations and applications, is down to the user.

Having produced a program which turns the outputs on and off, its development into one which produces a simple chase sequence is relatively simple, as is illustrated by the program PICA\_B.ASM, shown in Listing 4.

The listing file .LST is not printed here to save space, but it can be produced by running MPASM as before.

A program which reads the # (hash) key on the unit's keypad and then switches the Channel 1 i.e.d. as necessary is illustrated by PICA\_C.ASM, shown in Listing 5.

This uses BSF and BCF instructions to set (make logic 1) and clear (make logic 0), respectively. It also uses the BTFSS instruction, which tests the state of an I/O port line and skips one instruction if the I/O line is set to logic 1.

By following these examples, and those on the software disk, it will be possible to

increasingly understand the nature of the programs and how they are built up. With the PIC-DATS system it is possible to experiment with the whole range of instructions and so build up a working knowledge in an efficient and easy manner.

The other keys on the unit's keypad are read in a similar way, as is the Zero Volt Crossing signal. The reading of the setting of potentiometer VR1 is more complicated, however. This is done by first setting Port RB0 as an output port and charging capacitor C5 to +5V, the logic 1 level. RB0 is then programmed as an input port and read by the software. At first it reads a logic 1 as C5 is fully charged, but gradually C5 discharges at a rate determined by VR1 until RB0 reads as logic 0. The time for this to happen indicates the setting of VR1.

In the Chaser Lights application, the time is used directly to set the chase speed, but the setting of VR1 could be used for other purposes in different programs. This process is only a simple and not very accurate analogue to digital converter (ADC), but it's cheap!

## PROGRAMMING CHOICES

The PIC-DATS system comes with a built-in programmer. This allows the code which has been developed, or any other .HEX code files, to be programmed into any of the chips in the PIC16C5x family of microcontrollers.

The low-cost versions of the PIC16C5x chips are fully enclosed plastic devices and although they contain EPROM, cannot be erased. This makes them One Time Programmable devices (OTP). However, an alternative UV-Erasable type is available, and it is highly recommended that at least one of these is obtained. Such devices are not very expensive and are essential for serious programming where the cost of wasted OTPs with out-of-date programs could soon build up. (It should be noted that the PIC-DATS system cannot pro-

gram the PIC16C84 electronically erasable (EEPROM) devices.)

To operate the programming part of PIC-DATS, first Quit the PICSIM5X program, and run the PICPROG program. As with PICSIM5X if Com 2 port is being used, it is necessary to type PICPROG 2.

Once running, the PICPROG program produces a screen display which has a number of self explanatory functions which can be selected by mouse or cursor keys. The commands can be explored one by one to see their effect (without using the "program" option).

There are several "CONFIGURATION" settings to be made. These allow the type of oscillator to be set up - normally select XT for 4MHz crystal or resonator operation, and the Watchdog timer to be Enabled or Disabled - set this to Disable.

The Code Protection option, if selected, makes it impossible for the code to be read out of the chip once it has been programmed. It is an important security feature, but when code is being developed it is useful to Disable the protection so that the code can be checked and identified. It is possible to Enable just the Code Protection later on, once a prototype has been tested.

Before using the PIC-DATS as a programmer it is essential to disconnect any other hardware by removing the 40-way IDC header connector. This must be done before inserting any devices into the programming sockets.

## PROGRAMMING THE PIC

To program a PIC chip, first insert the device into the appropriate socket - taking care to put it the right way round. Then set up the required configuration and select the wanted file. The file is found in the same way that PICSIM5X finds its files and so is dependant upon the correct setting of the .INI file.

The device being programmed is not powered until the program or read commands have been entered. Up until then the socket is "cold" and the chip can be inserted or removed without danger of damage (provided normal anti-static handling precautions are observed).

Downloading the program into the chip is fast and is indicated by an i.e.d. (D2) next to the programming sockets. The screen display shows the result of the programming.

When program downloading has been completed, make sure the target system is switched off, and plug in the programmed PIC device. Switch on, and if all is well the hardware will come to life and operate as a stand alone system.

After many years experience in the use of microcontrollers, it still delights (and sometimes surprises!) the author when a Target System suddenly takes on its own new personality and springs to life.

It is hoped that this same satisfaction will be achieved by all readers who are prepared to put in the necessary time and effort.

## CORRECTION

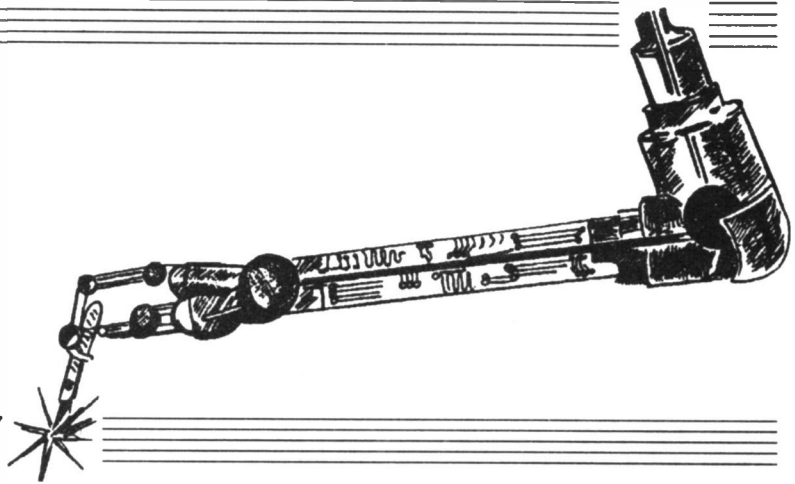
In Fig. 4 last month the pin notations for transistors TR1 and TR3 should read in order of b, c, e (top to bottom).

## Resource

See *Shop Talk* page for details on how to obtain a complete kit, the software programs and pre-programmed PIC microcontroller for this project.

# CIRCUIT SURGERY

ALAN WINSTANLEY



*Our two-way "Surgery" of readers' questions and comments looks at a "message reminder" function for the popular Voxbox project. We also take the lid off diode terminals with some typical diode applications. Finally, the Surgery gets wired and goes on the Internet!*

WELCOME to this month's *Circuit Surgery*, our two-way column full of advice, hints and general info. to share amongst the readership. Let's dip straight into the post-bag with this enquiry from *Barry Timms* of Vermillion, South Dakota, USA who posed a couple of questions to the Surgery.

## Voxbox Upgrade

I have two technical questions and would be grateful if you could supply a response to both. Firstly, concerning the Voxbox project of July 1994. It's mentioned that the addition of an l.e.d. to the circuit could indicate that a message is stored. I'm building this project and wondered if you could tell me where to connect the l.e.d. to provide this function.

Secondly, could you clarify why you designate the terminals of a standard diode the way you do? I know that the polarities of most diodes and small rectifiers are indicated by a band marked around the cathode (k). Current flows through the diode from anode to cathode, but most textbook definitions of the cathode and anode electrodes seem to me to imply that current actually flows in the opposite direction!

Your *Voxbox* "Message Waiting" Indicator query first. This highly popular project was designed jointly by GEC-Plessey Telecomms engineers \*Guy Dance and Jeremy Austin as their excellent contribution to the *Technology in Action Day* event, which aims to encourage engineering disciplines in British schools.

To recap, *Voxbox* is a fully solid-state recording unit which stores up to 20 seconds' worth of speech – a kind of talking memo pad! It uses the ISD1016 (16 seconds) or the ISD1020 (20 seconds) integrated circuit at its heart: the latter has a lower frequency sampling rate, so reproduction isn't quite as good.

The idea of a "jogger" l.e.d. to warn that a message is stored, might appeal to those who've already built this project. The authors' initial idea for an l.e.d. reminder was to simply use an on-

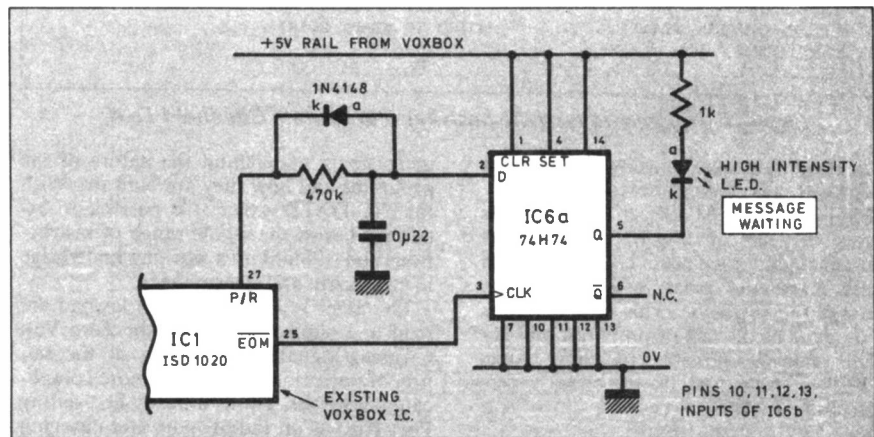


Fig. 1. *Voxbox* "Message Waiting" indicator modification. (Courtesy Guy Dance and Jeremy Austin).

off switch and an l.e.d., arranged to illuminate when the switch was in the "on" position.

What they had in mind was that the user would record a message and switch on the l.e.d. as a reminder to others to play it back. The recipient switches it off again after inwardly digesting the *Voxbox*'s pithy comments!

A high-efficiency l.e.d. could be used to reduce current consumption. Alternatively, you could try building a separate l.e.d. flasher circuit based on something like the LM3909 custom l.e.d. oscillator chip, driven by a separate 1.5V cell for economy.

Our project designers have subsequently proposed an "automatic" version which illuminates an l.e.d. when you record a message, and extinguishing it after it's been listened to. They suggested using a single D-type latch for this idea, see Fig. 1. The logic state of the record buttons is loaded into the latch when the "End of Message" (EOM) pulse is generated. In record mode, the EOM signal is initiated by the release of the Record button.

An RC network adds a short delay in the signal to allow the latch to catch the record signal. Thus, starting the recording mode will clock a Logic 0 into

the latch and light the l.e.d., playback clocks a Logic 1 and extinguishes it again. The authors tried this idea and it seems to work OK, they say, but it's only intended for *single* messages since the l.e.d. indicator circuit obviously resets itself as soon as the first message is played back.

Looking at the mechanical side, the constructor could use half of a 74HC74 dual D-type flip-flop to implement this idea. The "extra" chip can be grafted into the circuit by mounting it on, say, a small piece of stripboard and simply soldering the connections over to the main p.c.b. using hook-up wire to connect to the copper track side.

It's best to link any unused inputs (e.g. on the unused half of the logic chip) to 0V for safety, rather than leave them floating. Again, try a high-efficiency l.e.d. for improved performance. Incidentally, the *Voxbox* printed circuit board is available from the *EPE PCB Service*, Code 885 £6.90 – see our *PCB* page elsewhere in this issue. My thanks to Guy and Jeremy for helping out.

\*Guy was recently presented with a special award at the Young Engineers Awards to Industry in recognition of the active support and help he has given to the Young Engineers Club at Poole Grammar School.

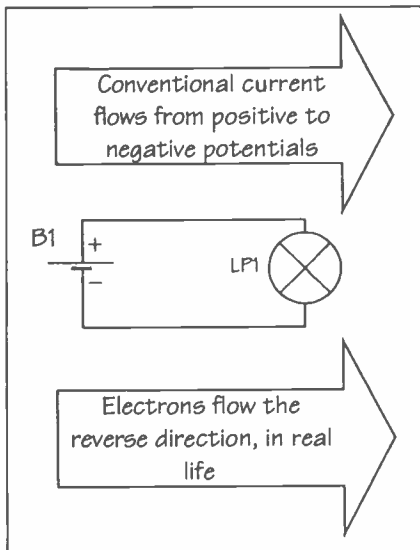


Fig. 2. Conventional current and electron flow.

### Darned Diodes!

Turning to Barry's second question on diode markings, this highlights a common dilemma facing those involved with other science disciplines such as physics or chemistry. Just which way *does* electric current flow?

Consider a battery powered flashlight bulb, see Fig. 2. You can be forgiven for thinking that electric current flows from positive to negative. You might, however, be aware that in *real life*, current actually flows the other way, from the negative to the positive terminal of the battery.

Perhaps the pioneers seemed to assume from "Day One" that current flowed from the positive to negative poles. This has left us with a problem – the fact that what happens in our circuit diagrams is exactly the *reverse* of what a chemist or a physicist would expect!

Without delving too deeply into the physics, we now know that electrons *hold* a negative charge, and so they will flow out of the *negative* terminal and through the bulb *towards* the positive terminal (to which negative electrons are attracted). So, electric current flows towards the most positively-charged electrode, in real life. We call this "true life" current *electron flow*.

In our own context, though, it's only in such disciplines as atomic physics or electrochemistry that we would start to worry about real-time electron flow. Everybody in electronics still talks generally in what we call "conventional current flow" terms, where old-fashioned conventions have it that current is deemed to flow from positive to negative potentials. In other words, we're all fooling ourselves in electronics because in reality, electrons flow in the *opposite* direction, but this doesn't affect our use of components or our understanding of electronics at all.

**Stop Press!** Mr. Timms subsequently advised by Internet (see later) that he'd succeeded with the *Voxbox* add-on as illustrated. He replaced the l.e.d. with a flashing type to achieve a noticeable visual signal for the message recipient.

One interesting way of looking at this is to compare the semiconductor diode and also its thermionic valve (vacuum tube) predecessor, see Fig. 3. In the case of an old-fashioned thermionic diode valve – probably easier to understand than a semiconductor one – what happens is that when heat is applied to the cathode by the heater filament, negative electrons "boil off" the cathode. These free electrons will be attracted towards the anode if a suitable *positive* "bias voltage" is applied to the anode; then, an *electron flow* is carried from cathode to anode. However, by tradition we would deem the *conventional current* to be flowing through the valve the other way, from anode to cathode.

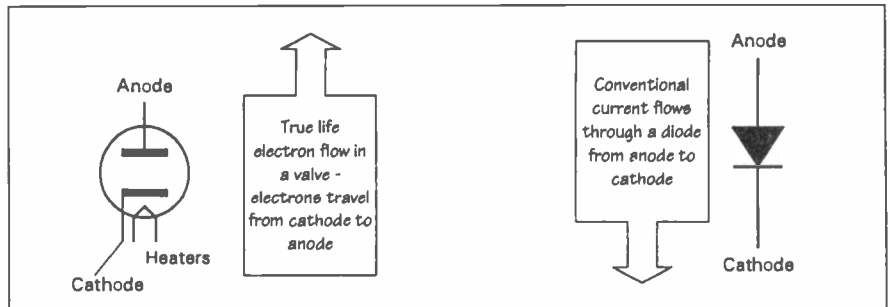


Fig. 3. Current flow through a thermionic diode valve and a semiconductor diode.

Any semiconductor physics book will tell you in more detail how current is carried by "holes" and electrons gathered within a semiconductor diode device, and how to bias them into operation correctly. As you probably know, it's necessary for the anode to be about 0.6V more positive than the cathode, before (conventional!) current can flow through a silicon diode at all.

Which way, and how, to mark the terminals of a diode, is perhaps a bit subjective. At one time – years ago now – we did mark the cathode terminal with a + symbol, but now we letter each pin-out with "a" and "k", to help the novice to remember which terminal is which. Perhaps it was too confusing when the cathode was marked as positive – since the direction of conventional current flow implies that this is the "negative" electrode.

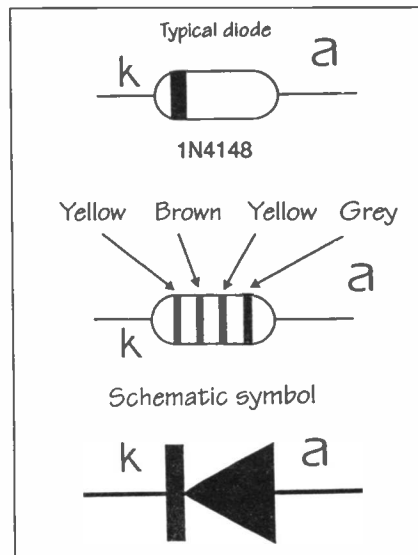


Fig. 4. Diode identification diagram.

### On your marks . . .

Our standard markings for diodes and rectifiers are summarised in Fig. 4. Nearly always, the cathode is readily identifiable by a band or stripe at the cathode lead-out.

Occasionally, you see diodes marked with a series of stripes – a real nuisance if you're not familiar with them! A common striped component is the faithful 1N4148 diode, which may arrive colour-coded Yellow/ Brown/ Yellow/ Grey. This actually borrows from the resistor colour code for "4148" and the first *yellow* stripe indicates the *cathode*.

As an aside, when I was putting the finishing touches to a construc-

tional project – actually a prototype "Windicator" Wind Speed Indicator (*to appear next month – Ed.*) – one light-emitting diode resolutely refused to light. It turned out that the l.e.d. (a standard 0.2in. type) had in fact been moulded wrongly, and the cathode identifying "notch" was actually next to the anode! Has that ever happened to any reader?

If you come across an unusual l.e.d. such as a special-shape type, you can often identify the cathode by peering through the body of the l.e.d. and examining the l.e.d. chip assembly (if its body is transparent). You'll see that the light-emitting chip is mounted onto a tiny saucer-shaped reflector. The lead connected to this is the *cathode*. Look even closer, and you'll possibly just see a very fine wire jumping from the anode termination over to the l.e.d. chip in the reflector.

### Clip Joint

Yes, my sub-titles get worse. My thanks to *Mr. Charles Hill* of Carmarthen, Wales who dropped us a line with the following question, again concerning the application of diodes. Mr. Hill sketched a typical demodulator circuit as depicted in Fig. 5.

*I often see a reverse-connected diode used in a circuit but don't quite understand why it's necessary. I assume that the diode D1 is a form of rectifier, but why the reverse-biased diode D2. Could you shed some light on this, please?*

Certainly – thanks for the letter. Everyone will have seen a diode reverse-connected across an inductive load such as a relay. This acts against the reverse voltage spike ("back e.m.f.") generated by the relay coil when it switches out of circuit.

The pulse can easily be *several hundred volts* instantaneous peak, which will

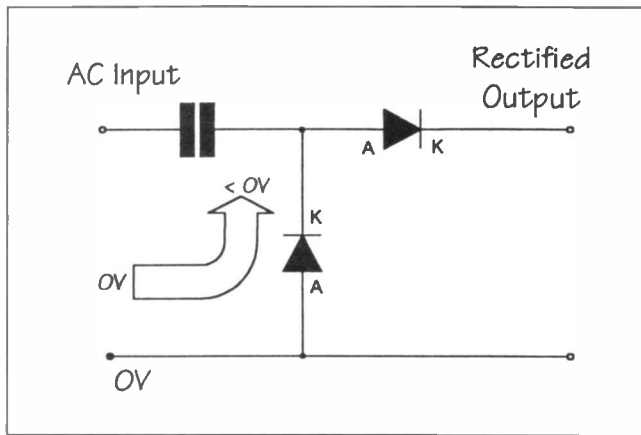


Fig. 5. Diode demodulator circuit.

destroy any sensitive semiconductors on the same circuit, so the diode shunts this away before any harm can arise. Anyone who followed our *Teach-In* series (featuring the *Mini Lab* and *Micro Lab*) might recall the back e.m.f. graphs we managed to capture on a storage C.R.O. (oscilloscope) and print out (*Teach In '93*, December 1992 issue showed a peak 300V reverse voltage generated by a 12V relay!)

In your circuit, Mr. Hill, diode D1 will rectify the signal and if the input signal then falls *below* 0V the "redundant" diode D2 will swing into action. The 0V rail is then in effect more positive than the signal voltage, so eventually the diode will become forward biased and clip the signal away.

Obviously this can only happen once a sufficient forward voltage has been reached. It might be included just

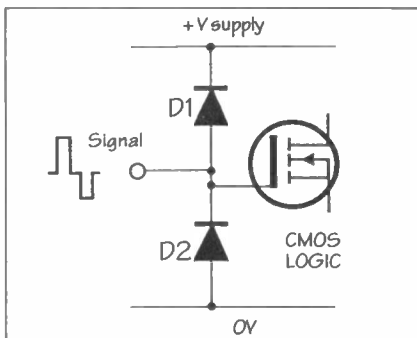


Fig. 6. CMOS Input protection diodes.

as a safety precaution to prevent any transistors or i.c.s from receiving a reversed input voltage, or there could be a particular need to clip or detect the signal this way.

Exactly the same protection principle is utilised by CMOS i.c. manufacturers. Constructors will be aware of the well-known dangers of excess static electricity accumulation, since this can damage CMOS circuits, the electrostatic discharge punching a hole straight into the metal-oxide silicon chip and permanently killing it (I recently killed a small MOSFET this way, when I forget to use the anti-static wrist strap!). CMOS circuits mainly incorporate an *input protection diode* circuit on the input circuit which guards against excess electrostatic voltages.

For example, two diodes may be used in an arrangement which I simplified in Fig. 6. D1 would conduct if the input voltage exceeds the supply rail, whilst D2 will shunt away any input voltages which fall below the 0V rail. Under normal circumstances, neither diode would conduct. They're not foolproof "catch-alls", though, and you still need the usual anti-static precautions.

### alan@ Internet

As I type this month's column into my PC, ready to download the article to "Headquarters", I'm pleased to announce the introduction of a new E-mail/Internet connection. This will be especially welcomed by many of our overseas readers. Now anyone with an E-mail connection can post queries to *Circuit Surgery* via the Internet.

You need a PC (or Mac, Amiga, Archimedes, etc.) which is fitted with a suitably compatible modem (these are dropping in price all the time: a decent BAPT-Approved 14.4K type is less

than £100 now) and a connection to an ordinary phone line. Users need to sign up with a service provider if they don't already have access via a workplace, college or University. There are several providers available in the UK and many more across Europe and the United States. Preferably choose one having a dial-in hub in your "local" phone area, so you only pay for cheap local rate calls.

*Circuit Surgery* is playing its modest part on the Internet, helping out with queries posted into various electronics UseNet newsgroups: these are open discussion areas where anyone can chip in with information, in answer to a query or comment. It's often a rewarding experience – recently a simple query brought forth replies and friendly help and advice from folks at the U.S. Johnson Space Center (NASA), not to mention Hewlett Packard, IBM and several Universities around the world! For our own part, for example, we solved an electronics query in Canada and received an enthusiastic "thank you" from a highly delighted student over there!

Here's the bit you've maybe been waiting for: you can now E-mail *Circuit Surgery* on [alan@epemag.demon.co.uk](mailto:alan@epemag.demon.co.uk). Whilst the speed of your message may be instantaneous (almost), *please* don't expect an *immediate* reply from your hard-pressed scribe, who does his best! Watch this space for news of future developments.

If you have any queries or questions which you would like us to investigate, or any advice, hints and tips which you think other readers would appreciate, you can now contact *Circuit Surgery* by writing to: Alan Winstanley, *Circuit Surgery*, Wimborne Publishing Ltd., Allen House, East Borough, Wimborne, Dorset, BH21 1PF; or by E-mail/Internet, as above.

The usual conditions apply – as always, we cannot guarantee an individual reply unless material is to be published in this column though we'll always try our best to help.

**Next time:** an investigation of a precision rectifier with *no* forward voltage drop! Also, more news from our Internet feed. See you soon!

## DON'T MISS OUT – ORDER YOUR COPY NOW!

EVERYDAY

With **PRACTICAL**

**ELECTRONICS**

INCORPORATING ELECTRONICS MONTHLY

### NEWSAGENTS ORDER FORM

Please reserve/deliver a copy of *Everyday with Practical Electronics* for me each month.

*Everyday with Practical Electronics* is published on the first Friday of each month and distributed by Seymour.

Make sure of your copy of EPE each month – cut out or photostat this form, fill it in and hand it to your newsagent.

Signed .....

Name and Address .....  
(BLOCK CAPITALS PLEASE)

.....

.....



**"moving from schematic to layout could not be easier"**

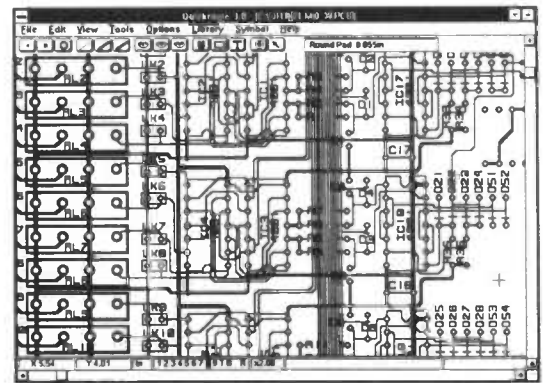
Electronics World & Wireless World Jan 1995

**NEW  
Extended  
Library  
Pack Just  
£39.00!**

Time is money. That is why Quickroute 3.0 for Windows 3.1 was designed from the start to be as easy to use as possible, without sacrificing the power professional engineers need to get the job done. Available with Schematic Capture, support for busses & power rails, 1-8 layer auto-routing, and our new extended libraries (surface mount, CMOS, etc). Network versions of Quickroute are available for larger installations, and all versions include comprehensive on-line help.

## quickroute 3.0

**Integrated Schematic and PCB  
Design for Windows 3.1**



### DESIGNER £99

\*Schematic & PCB Drawing \*1/2 layer auto-router  
\*Supports Windows printers/plotters \*Full set of  
libraries \*Clipboard support \*Designer Special (manual  
on disk) also available.

### PRO £199

\*Schematic & PCB Design \*Schematic Capture  
\*Integrated Rats-Nest Generation \*1-8 layer Auto-router  
(faster than Designer) \*Net-List Export \*Supports  
Windows printers/plotters \*CAD-CAM outputs.

### PRO+ £299

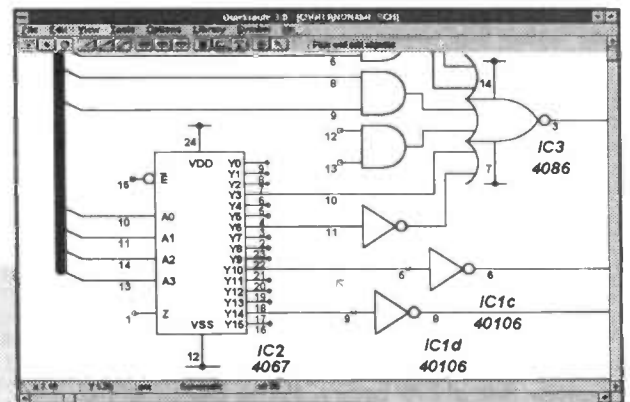
As the PRO but also includes \*Advanced Schematic  
Capture (Busses, Power rails, etc) \*Larger Schematic &  
PCB Designs \*Gerber file IMPORT for File Exchange  
\*Extended libraries including SMT, CMOS, etc.

*\*Prices exclude P+P and V.A.T. VISA/MasterCard  
Accepted \*Network versions available.*

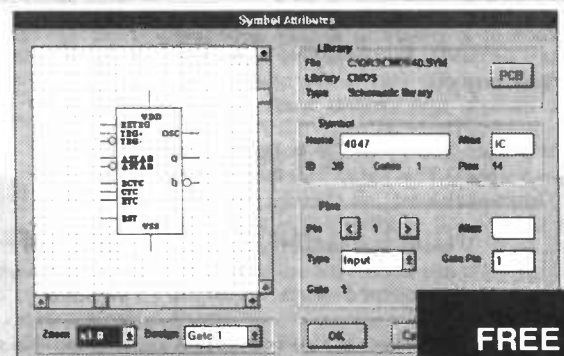
**POWERware, 14 Ley Lane, Marple  
Bridge, Stockport, SK6 5DD, U.K.**

**Tel/Fax 0161 449 7101**

**email [info@powrware.demon.co.uk](mailto:info@powrware.demon.co.uk)**



**Busses and Power rails handled easily  
using Global Nets on PRO+**



**Design your own Schematic  
and PCB symbols**

**FREE  
Demo Pack  
Available.**

# AA TO PP3 CONVERTER

ROBERT PENFOLD

A low voltage d.c.-to-d.c. converter that provides a 9V output from one or two AA cells.

THE humble PP3 battery has for many years been a popular method of powering electronic projects. It represents a safe means of powering small electronic gadgets, and at one time it also represented a very inexpensive way of powering circuits that required only modest amounts of current (up to about 8mA).

Whereas electronic gadgets have tended to become more complex but relatively inexpensive over the last twenty years or so, the batteries to power them have become ever more expensive. In "real terms" batteries are probably no more expensive now than they were in the past, but relative to the devices they power, most batteries are now much more expensive.

This has led to circuit designers looking for lower cost methods of providing battery power. This has resulted in the increased use of AA (HP7) size cells in electronic gadgets.

Many radio sets, personal stereos, etc. now use low voltage circuits powered from two or three AA size cells. AA batteries provide a given amount of power much more cheaply than PP3s, or any of the other 9V layer type batteries.

In terms of amp/hour capacity an AA size cell typically has about five times more capacity than a PP3 battery, but at one sixth of the output voltage. A single AA cell therefore has slightly less capacity than a PP3 size battery, but is generally about 75 per cent to 80 per cent cheaper than an equivalent PP3 battery.

## STEPPING UP

Where it is practical, simply designing circuits to operate on low supply voltages is the best method. This is not always possible though, and circuits must then be powered from a 9V battery, or a 9V supply derived from a 1.5V or 3V battery via a step-up circuit. This second method incurs the additional cost of the d.c. to d.c. converter circuit which provides the boost from 1.5V/3V to 9V, but due to the reduced running costs this additional outlay should be more than recouped in the medium term.

There are a number of small switching regulator integrated circuits which, on the face of it, would be ideal for this application. However, a careful look at the specifications of some common switching

regulator chips reveals that few are capable of operating with an input voltage as low as 3V, and none can operate with an input voltage of around 1V to 1.5V. Fortunately, there are now a few switching regulator devices that are specifically designed for operation with an input provided by one or two 1.5V batteries.

## REGULATED STEPS

The step-up regulator featured here is based on the LT1073CN8 switch mode regulator chip. It will operate with a 1.5V supply provided by a single AA cell, or a 3V supply provided by two AA cells in series.

The circuit is exactly the same in either case, with the regulator action of the device ensuring that the output voltage remains at about 9V regardless of which input voltage is used. The circuit will operate with output currents of up to about 15mA or so, even if the power source is only a single cell.

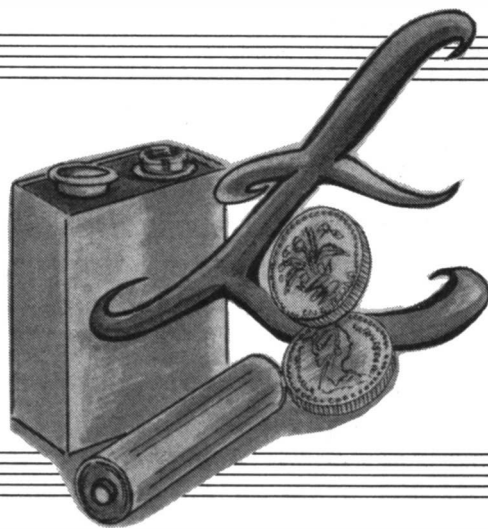
Bear in mind though, that the voltage step-up is obtained at the expense of a current step-down. Using a 1.5V input there is a voltage step-up by a factor of six.

When the input voltage falls somewhat due to ageing of the battery, the output voltage is maintained at about 9V due to the regulator action of the circuit. This gives an actual voltage step-up by a factor of about seven. Due to losses through the circuit the input current is likely to be closer to ten times the output current.

An output current of 15mA could therefore result in an input current of around 150mA, which would not give a very long operating life from even a "high power" AA battery. For output currents of more than about 7mA it is better to use two AA cells in series to provide an input potential of 3V (and a current step-down of only about five times), or to use a higher capacity cell such as a C-type or D-type.

## STEP-UP BASICS

A d.c. voltage step-up is effectively achieved by converting the input signal to an a.c. type, feeding it through a step-up transformer, and then rectifying the output of the transformer to obtain a boosted d.c. output voltage. In most practical d.c. to d.c. converters the input signal is converted to what is really a "chopped" d.c. signal



rather than a true a.c. type, and the step-up is often provided by a simple inductor rather than some form of transformer.

There is no obvious way in which a simple inductor can provide a voltage step-up, but it is actually possible. The point to bear in mind here is that a high reverse voltage is generated across an inductor if the current flowing through it is suddenly removed. This is caused by the rapidly decaying magnetic lines of force moving through the turns of wire on the inductor. It is the same effect that causes a high voltage to be produced across a relay coil when it is de-energised, necessitating the use of a protection diode.

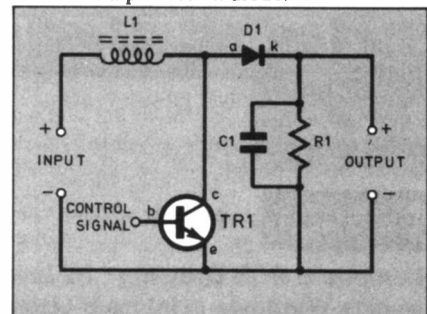


Fig. 1. Basic step-up switch mode circuit diagram.

The reverse voltage generated can be many times higher than the forward voltage used to energise the inductor, and a tenfold step-up is easily produced. Of course, you do not get something for nothing, and like a voltage step-up through a transformer, the boost in voltage is gained at the expense of reduced output current.

## BACK TO BASICS

The basic configuration for a switch mode power supply that provides a voltage step-up is shown in Fig. 1. Transistor TR1 is the electronic switch, and the control signal is normally a squarewave signal, or something not too far removed from a squarewave signal.

The operating frequency of the circuit is generally much higher than the 50Hz mains frequency, and is typically about 20kHz. This relatively high operating frequency makes it easier to obtain high efficiency, and also enables a small inductor to be used.

However, the inductor must be a type intended for operation at about 20kHz. An r.f. choke will not give a worthwhile level of performance, and neither will an inductor intended for operation at the 50Hz mains frequency.

# COMPONENTS

## Resistors

R1 390k  
R2 10k  
0.25W 5% carbon film

See  
SHOP  
TALK  
Page

## Capacitors

C1 47 $\mu$  radial elect. 16V  
C2 100 $\mu$  axial elect. 10V

## Semiconductors

D1 1N5822 Schottky rec. diode  
IC1 LT1073CN8 switch mode  
d.c. to d.c. adj. regulator

## Miscellaneous

L1 100 $\mu$ H min. radial inductor  
S1 min. s.p.s.t. toggle switch  
(see text)  
B1 1.5V or 3V battery (see text)  
Stripboard 0.1 in. matrix, size 22 holes  
x 14 copper strips; 8-pin d.i.l. socket;  
battery holder; single-sided solder pins;  
multistrand connecting wire; case to  
choice; solder etc.

Approx cost  
guidance only

**£10**

When transistor TR1 is switched on, inductor L1 is effectively short circuited across the input supply, and the current flowing through L1 rapidly rises. A high reverse voltage is generated across L1 when TR1 switches off. The left hand terminal of L1 is then negative, and the right hand terminal is positive. The voltage across L1 is therefore in series with the input supply, and is added to it.

With TR1 being repeatedly switched on and off at high speed, a rapid succession of high voltage pulses are generated at the collector (c) of TR1. These are fed to C1, which is a smoothing capacitor at the output of the circuit. Diode D1 couples the voltage pulses to C1, but it also ensures that TR1 does not short circuit the output during its "on" periods.

circuits that will work efficiently at such a low voltage.

Despite this the LT1073CN8 will operate with good efficiency at supply voltages as low as one volt. Consequently, it will work properly using a single 1.5V cell as the power source.

Furthermore, it will continue to work properly even when the battery is nearing exhaustion, and its actual output voltage is only about 1.2V. C1 is a decoupling capacitor on the input supply to IC1.

The regulator (IC1) has built-in current limiting at the input, and there is provision for a discrete current limiting resistor between pins 1 and 2. This facility is not used in this circuit though.

Pins 3 and 4 connect to the electronic switch, which is driven by an internal oscil-

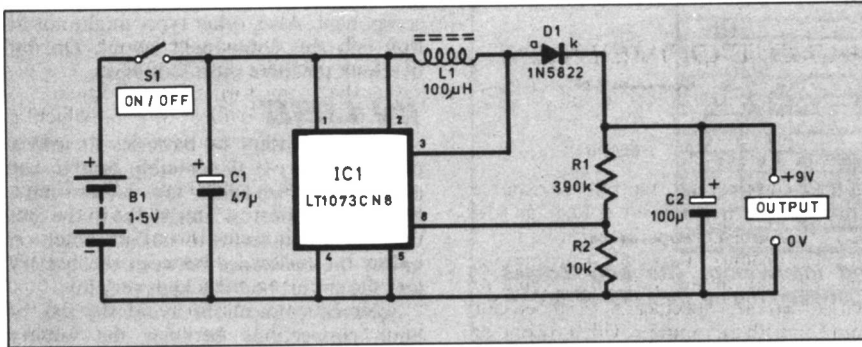


Fig. 2. Complete diagram for the AA to PP3 Converter.

With this basic configuration the output voltage is dependent on a number of factors, such as the input voltage, the switching frequency, and the precise characteristics of inductor L1. Practical switch mode power supplies are almost invariably based on integrated circuits which include a regulator circuit that provides a more predictable output voltage.

Regulator R1 is a load resistor, and it is not an essential part of the basic step-up circuit. It is required with many practical switch mode power supplies in order to ensure that there is always sufficient output current to keep the series regulator working properly. Often this resistance is provided by a feedback circuit, which is likely to be part of the internal circuit in the case of a fixed voltage regulator.

## CONVERTER CIRCUIT

The full circuit diagram for the AA To PP3 Converter is shown in Fig. 2. B1 is shown as being a 1.5V battery but, as explained previously, the circuit will work just as well with a 3V supply. S1 is the On/Off switch of the unit in which the converter is used, and the addition of the converter will obviously necessitate rewiring of this switch.

The on/off switch could simply be left on the output side of the unit, since the quiescent current consumption of the circuit is under 200 $\mu$ A. However, this would result in some reduction in battery life, and it is safer to have the circuit switched off when it is not in use.

The LT1073CN8 device used for IC1 is a switch mode regulator which is specifically designed for this application. It is difficult to produce semiconductor circuits that will work at all on supply voltages as low as 1.5V, and even more difficult to produce

lator circuit at frequency of between 15kHz and 23kHz. Inductor L1 and diode D1 are the equivalents of L1 and D1 in Fig. 1.

In order to obtain good efficiency it is important that D1 is a high speed device, and that it has a low forward voltage drop. A Schottky rectifier diode is therefore used for D1.

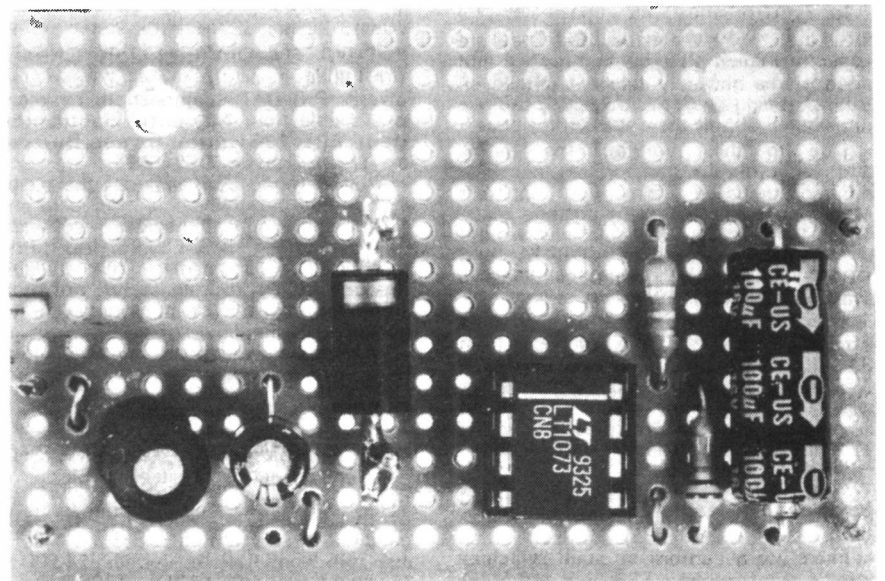
The circuit will work using an ordinary rectifier such as a 1N4002, but with greatly reduced efficiency. On the face of it, a Schottky signal diode would be adequate in this circuit, as it is only operating with low output currents. In practice though, a Schottky rectifier such as the 1N5822 gives significantly better efficiency.

## OUTPUT

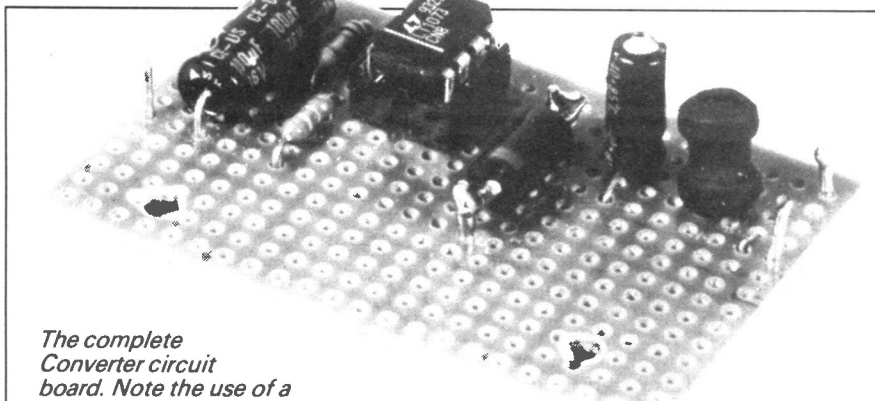
Smoothing of the output signal is provided by capacitor C2. A value of 100 $\mu$ F is more than adequate as the maximum output current is quite low, and the ripple frequency is relatively high. Resistors R1 and R2 provide a load across the output under quiescent conditions, and they are also the feedback network for the regulator circuit.

The output voltage is typically a little under 9V with the specified values, but there will obviously be some variation in the output voltage from one unit to another due to the component tolerances. If necessary, the output voltage can be boosted slightly by increasing the value of resistor R1 to 430 kilohms.

The built-in regulator is very efficient, and variations in output loading have very



Layout of components on the stripboard. The extra board space at the top is so that it can easily be mounted, on spacers, in a small plastic box.



The complete Converter circuit board. Note the use of a i.c. socket for the d.c. to d.c. adjustable regulator.

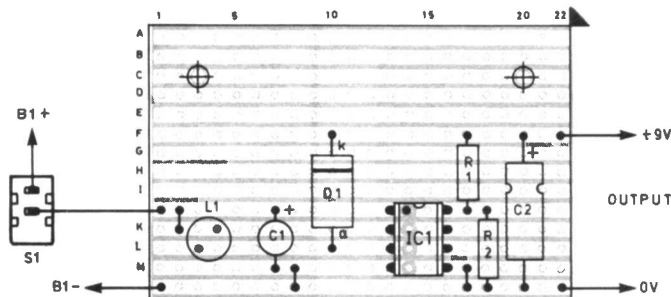


Fig. 3. Stripboard component layout and interwiring. The only breaks required in the underside copper tracks are between the i.c. pins at points J14 to M14.

little effect on the output voltage. In fact the output voltage is more stable than that from a real PP3 battery.

## CONSTRUCTION

This simple circuit is easily built on a small piece of stripboard, and a suitable topside component layout and the four underside breaks in the copper strips is shown in Fig. 3. This layout is based on a board which has 22 holes by 14 copper strips.

Construction of the board is not difficult, but there are a few points which must be borne in mind.

The 1N5822 rectifier diode used for D1 has exceptionally heavy gauge leadout wires. These are presumably designed to aid a very low voltage drop when the device is used at high currents, but they simply make the component a bit awkward to deal with in this case. D1's leadout wires are too thick to go through the holes in the stripboard!

One possible solution would be to enlarge the appropriate two holes, but it was found easier to fit these holes with single-sided pins, and then connect D1 to the pins. This does not give particularly neat results, but it works well, and is risk-free.

The choice of component for IC1 must be a plain LT1073CN8, and *not* an LT1073CN8-5 (which has a fixed output potential of 5V). IC1 is not a static sensitive component, but it is not a particularly cheap type either. Therefore, it is strongly recommended that an i.c. holder be used for this component.

It is also recommended that only the specified inductor be used for L1 (see *Shop Talk*). The circuit should operate well using any 100µH inductor that is suitable for operation at around 20kHz and has a reasonably low resistance, but the circuit has only been tested using the specified component. Also, other types might not fit well into this component layout. Do not overlook the three short link-wires.

## IN USE

The AA battery or batteries fit into a plastic holder. It is probably best to use a holder that has solder tags rather than a PP3 style connector. This is due to the fact that the circuit seems to stall at switch-on unless the resistance between the battery and the circuit board is kept very low.

Soldered connections avoid the risk of poor connections between the battery holder and the battery clip. The terminals which connect to the battery or batteries must be kept reasonably clean and free from corrosion.

This device should work well with most projects that require a 9V supply at no more than a few milliamps. It is less than ideal for use with radio equipment though, or any sensitive circuits that could be adversely affected by the signal that is inevitably radiated due to the switching action of the step-up circuit. □

# SHOP TALK

with David Barrington

## EPE Valve HiFi Amplifier

It is most important that constructors undertaking the *EPE Valve HiFi Amplifier* adhere to the correct ratings of the resistors listed in the components box. Brimistors are now considered obsolete technology and are not now generally available. However, Brian J. Reed (☎ 0181 393 9055) can, we understand, supply them at a surplus price.

Due to their weight, the mains and valve output transformers are best ordered/purchased from your nearest Maplin shop to save on the postage costs. These transformers were specially wound by Danbury Electronics (DB424 and DB425) for Maplin, codes DM54J (Valve Mains) and DM35H (O/P Trans.).

The "chassis" diecast box and solid aluminium capacitors were purchased from Farnell Electronic Services (01279 626777). Solid aluminium capacitors are also stocked by many of our component advertisers. Electro Supplies (☎ 0761 477 9272) can supply high voltage capacitors.

The purchase of the valves can be a bit tricky as prices will depend on where you make your purchase and it is probably wise to ring round our advertisers, such as Greenweld, Cirkit, Mauritron, ESR, Bull and M&B Electrical. One of the cheapest appears to be Colomor (☎ 0181 743 0899). Ham radio rallies are also a good source, but don't buy

from specialist HiFi suppliers unless you have a large trust fund.

The Phase-Splitter p.c.b. is available from the *EPE PCB Service*, code 941.

## PIC-DATS 4-Channel Light Chaser

A full kit of parts for the *4-Channel Light Chaser*, PIC-DATS demonstration project, is available from Magenta Electronics, Dept. EPE, 135 Hunter Street, Burton-on-Trent, Staffs., DE14 2ST.

The kit (code 855) includes the p.c.b., a "one time programmable" PIC chip and a disk containing all necessary software. The cost of the kit is £39.95 (less case), plus £3 for post and carriage. Also available separately is the disk containing the basic software and development programs for the sum of £3.99, including p&p.

The printed circuit board is available from the *EPE PCB Service*, code 942.

## R.F. Signal Generator

Several components needed for the *R.F. Signal Generator* can be classed as special items and may not be available locally.

The first and probably most expensive of these is the Jackson type-O twin-gang air-spaced tuning capacitor. This is available from Maplin (code FF40T) or Electrovalue, (☎ 01784 442253), code 5250/2. The epicyclic reduction drive unit and pointer were purchased from Maplin, codes RX42V and HB47B respectively.

The presets should be as specified or they will not fit on the p.c.b. These were obtained through Electromail, (☎ 01536 204555), code 186-750. The neon LP1 was also ordered from the same source and is the "slim-line" type, code 576-614.

The only listing we have found for the high frequency f.e.t. type 2N5486 has also been Electromail, code 641-910. The 3VA mains transformer has twin 15V secondaries and came from the above source, code 210-796.

Capacitor C19 **MUST** be a type rated for continuous operation across the mains supply. These are usually classified as class-X or class-Y types and are stocked by most component suppliers.

The p.c.b.s are available from the *EPE PCB Service*, code 936 (R.F./Mod.) and 937a/b (Coil and Power Supply - pair).

## AA to PP3 Converter

For best results it is recommended that only the specified components be used in the *AA to PP3 Converter* project.

The switch mode adjustable voltage regulator IC1 must be a plain LT1073CN8, and not one with a suffix-5 added to the type number. This device was purchased from Electromail (☎ 01536 204555), code 265-364.

It is important that the 1N5822 Schottky rectifier diode be used in this circuit. This was purchased from Maplin, code GX30H. The circuit will work with an ordinary rectifier diode, such as the 1N4002, but with greatly reduced efficiency.

The 100µH radial inductor is listed by Maplin code AH32K and Electromail, code 240-624.



# ELECTRONICS SOFTWARE

If you are looking for a means of improving your knowledge of the basics of electronics then this software is for you.

## ELECTRONICS PRINCIPLES 2.0

- ★ Insulators, Conductors, Resistance ★ D.C. Circuits
- ★ Capacitance and Inductance ★ A.C. Series Circuits
- ★ A.C. Parallel Circuits ★ Reactance and Impedance
- ★ A.C. and D.C. Power ★ Frequency and Tuned Circuits
- ★ Using Numbers ★ Complex Numbers, Phase Angles
- ★ P.N. Junction Diode ★ Bi-polar and MOSFET Transistors
- ★ Operational Amplifiers ★ Logic Gates ★ Digital Number Systems
- ★ Combinational Logic ★ Flip Flops ★ Counters and Shift Registers
- ★ Memory ★ Microcomputer operation

*Electronics Principles 2.0* is a major revision of the successful original version currently used by electronics hobbyists, schools, colleges, and for training within industry throughout the UK and overseas. A fully interactive electronics program where the user selects from over 200 analogue and digital topics. Circuit diagrams, wave forms, phase angles, voltages and currents or logic states are shown, drawn to scale, in full colour. Formulae are given demonstrating all the calculation steps, exactly as in a textbook, using your input values.

An 'on screen' electronics package including circuit theory to enable a learning through doing approach to encourage experimentation. For the young student, mature hobbyist or the engineer that just needs to keep up-to-date in an easy and enjoyable way.

*Having reviewed a dozen, or more, educational software packages designed to "teach" electronics, I was more than a little sceptical when I first heard about Electronics Principles: there seemed to be little that could be done that has not been done elsewhere. When I started to use the package my views changed. Indeed, I was so impressed with it that I quickly came to the conclusion that readers should have an opportunity to try the package out for themselves! - MIKE TOOLEY B.A. Dean of Faculty of Technology, Brooklands Technical College.*

Complete package **Only £49.95**

## ELECTRONICS PC TOOLBOX VERSION 2.0

An extended and improved version of the popular Toolbox software. Presents commonly used formulae in a way that makes calculations easier thus encouraging experimentation in circuit design.

Covers D.C. Calculations from Ohm's Law to Loading a Potential Divider; Further D.C. Calculations from Power Ratio Decibels to Kirchhoff's Laws; A.C. Calculations from Average Peak Current to Filters and Admittance; Capacitance Calculations from Values to RC Time Constants; Inductance Calculations from Values to Selectivity; Binary Calculations from Addition to 2's Complement; Numbers and Phase Angles from Addition to Polar to Rectangular; Operational Amplifiers from Inverting Op.Amp to Op.Amp Differentiator.

**Only £19.95**

These programs require a PC (or fully compatible system) running DOS or Windows with an 80286 or better processor and VGA (ideally colour) graphics. In addition you must have 4Mb of hard disk space, a high density (1.44Mb) floppy drive and at least 640K of RAM. We also recommend the use of a mouse. Site licences are available - please enquire.

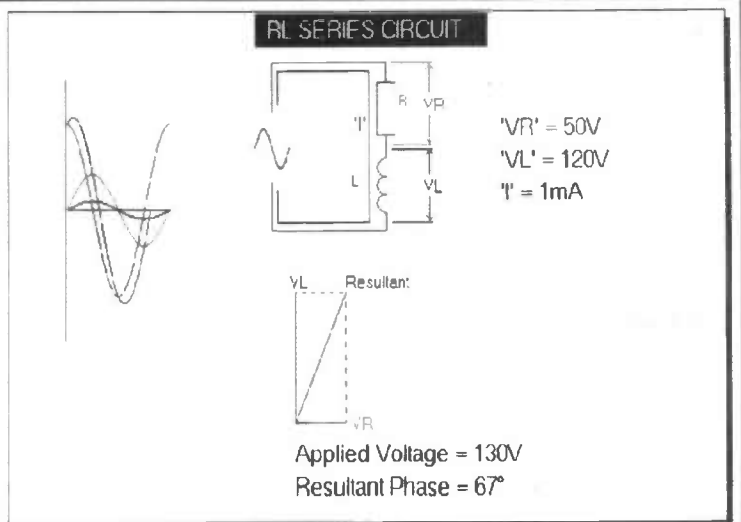
Available from

EPT Educational Software, Pump House, Lockram Lane, Witham, Essex. UK. CM8 2BJ. Tel: 01376 514008.

Add £2 per order for UK post and packing. Make cheques payable to EPT Educational Software.

Visa and Mastercard orders accepted - please give card number, expiry date and cardholders address if different from the delivery address.

OVERSEAS ORDERS: Add £2.50 postage for countries in the E.E.C. Overseas readers, outside the E.E.C. countries add £3.50 for airmail postage.



## GCSE ELECTRONICS VERSION 2.0

Designed to complement the *EPE Teach-In* No. 7 publication, which contains a complete electronics course aimed at GCSE and A Level students, this software can also be used as a stand alone learning package for everyone interested in electronics. From simple d.c. current flow and Ohm's Law it covers the whole GCSE syllabus including a.c., semiconductors, op.amps, digital electronics, radio and fibre optic communications, digital numbering systems and goes on to look at microprocessor c.p.u.s, 6502 addressing modes and instruction sets. It even produces a program listing, which can be saved or retrieved from hard disk, when any of the instructions from the listed instruction set are input, thus allowing the user to monitor the registers for each of the addressing modes.

The original version is now widely used in schools and colleges throughout the UK.

An interactive, user friendly medium which assists learning in an enjoyable and interesting way.

**Only £39.95**

For more information call us on  
 01376 514008

## GCSE MATHS

A series of programs covering all the major topics required by the school syllabus. Designed to be user friendly enabling you to study or revise in what we believe is an interesting and enjoyable way. There are nearly one hundred and fifty menu driven screens with interactive graphics, enabling a "learning through doing" approach to encourage experimentation. Now being used in many schools throughout the UK.

**Only £49.95**

# Electronics from the Ground Up

Mike Tooley, BA

Part 9

**E**LECTRONICS from the Ground Up is designed to provide you with a comprehensive and up-to-date introduction to the world of electronics. The series is based on *Electronics Workbench*, a remarkable software package that lets you use your PC to build and test a wide range of circuits.

In this final instalment we round-off the series by taking a brief look back at the earlier parts and suggesting some further reading for those wishing to explore the full potential of *Electronics Workbench*.

Back issues of earlier parts of this series are available – see *Back Issues* page.

## A BRIEF RESUMÉ

Part One of *Electronics from the Ground Up* provided you with a brief introduction to electricity and electronics. Its five practical assignments aimed to familiarize you with the techniques for constructing simple circuits and making measurements with the basic test instruments provided in *Electronics Workbench (EWB)*.

Part Two dealt with d.c. and a.c. circuits and also described the use of the oscilloscope for measuring waveforms. This part also introduced capacitors and inductors and their use in a.c. and d.c. circuits.

Semiconductor diodes were introduced in Part Three. We investigated the behaviour of half-wave and full-wave rectifiers and developed these into complete power supply circuits incorporating smoothing and voltage regulation.

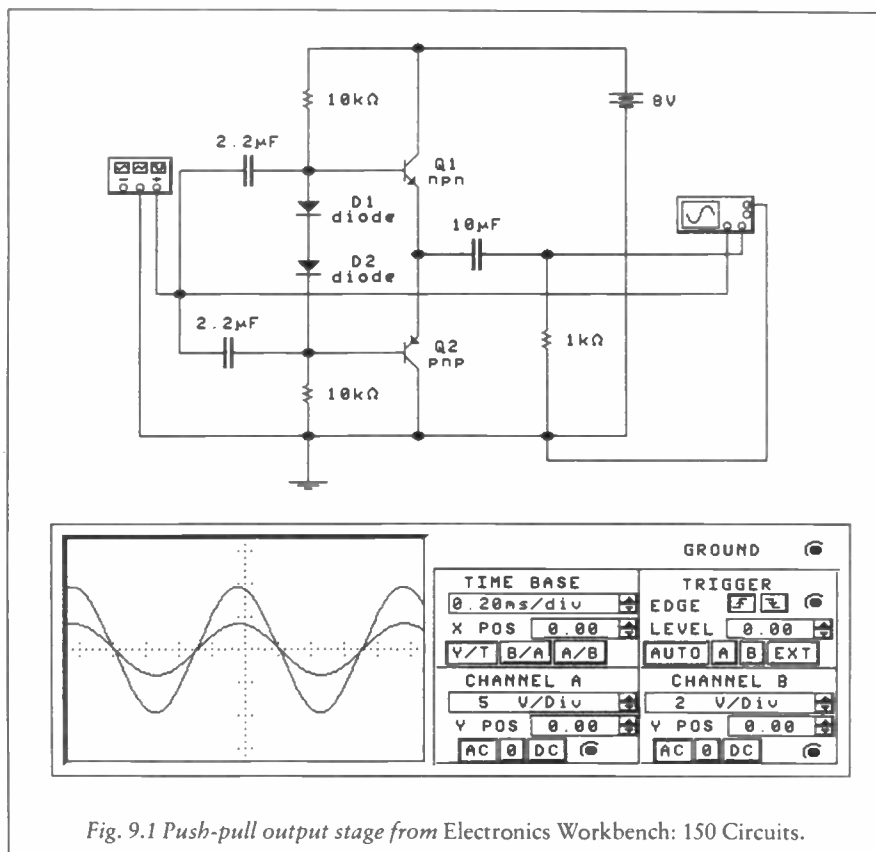
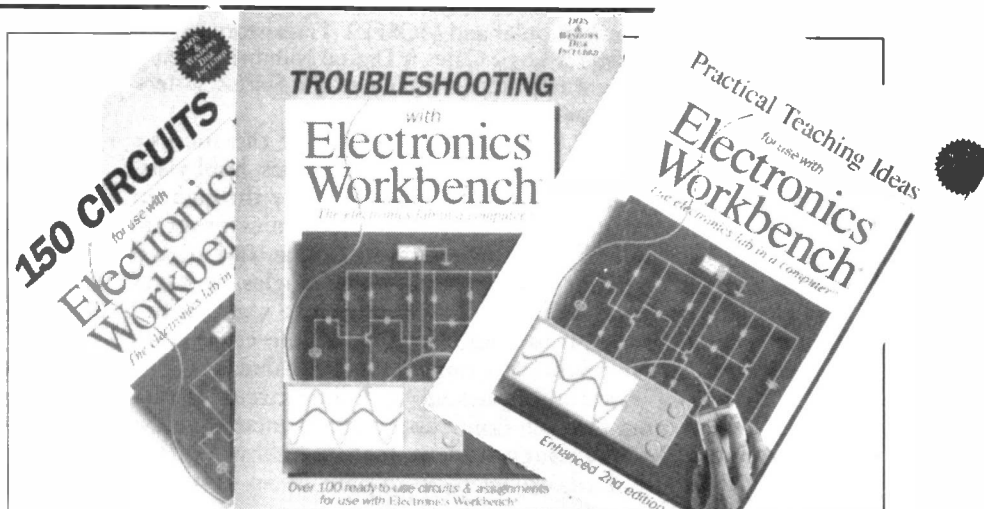


Fig. 9.1 Push-pull output stage from *Electronics Workbench: 150 Circuits*.

Transistors featured in Part Four where we also introduced the concept of gain and amplification. Understanding transistor operation is crucial to understanding most analogue circuits and it is worth revisiting this part if you intend to work with transistor circuits in the future (note that, to keep things simple, we did not cover field effect devices).

Integrated circuit operational amplifiers were explained in Part Five. We looked at a variety of circuit applications for operational amplifiers (op.amps) and showed how it was possible to design circuits to provide specific amounts of gain as well as an accurately defined frequency response.

Oscillators were described in Part Six where we investigated the behaviour of a variety of oscillator circuits including sinusoidal, pulse and square-wave types. Part Seven was devoted to logic gates, digital circuits, truth tables and Boolean algebra. Finally, Part Eight featured bistable elements and we illustrated their use in counters and shift registers. These last two parts are essential for those intending to work primarily with digital circuits.

## FURTHER READING

Readers wishing to explore electronics further will be pleased to know that *EWB* is well supported with three books that provide information on extending the use of the package. Each book is supported with a disk containing circuit files for loading into *EWB*.

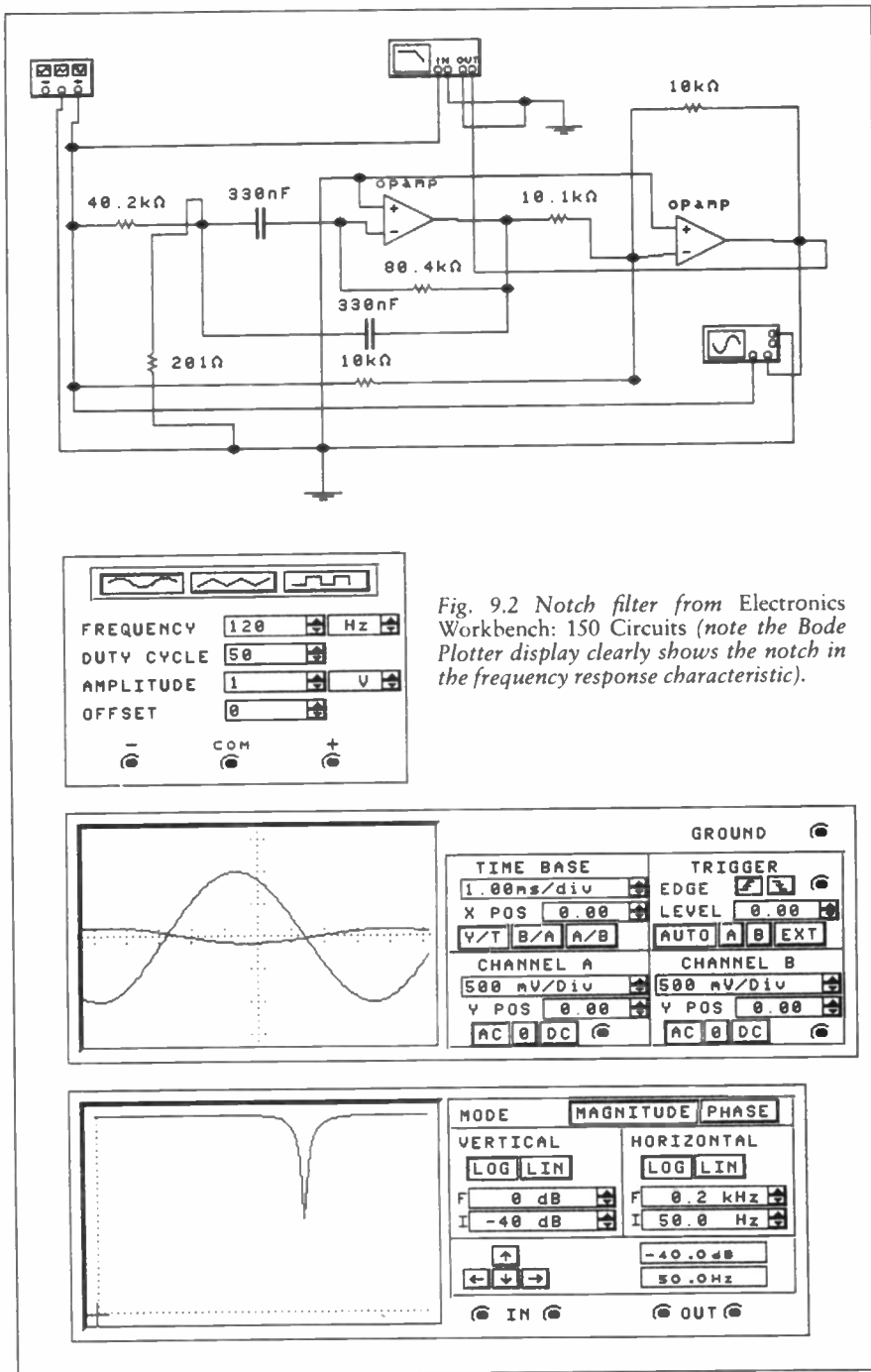
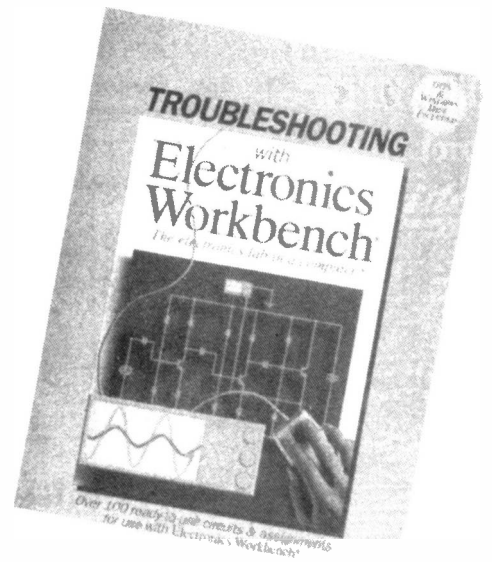


Fig. 9.2 Notch filter from Electronics Workbench: 150 Circuits (note the Bode Plotter display clearly shows the notch in the frequency response characteristic).



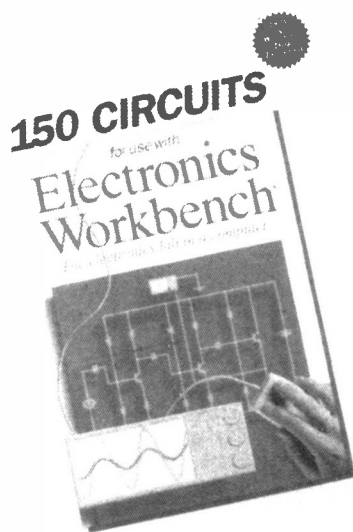
Troubleshooting with Electronics Workbench. ISBN 0-921862-27-X.

a real circuit. *Troubleshooting with Electronics Workbench* introduces the learner to troubleshooting techniques and, most important, it develops the logical thinking process that results in rapid and efficient fault finding.

Finally, *Electronics Workbench: Practical Teaching Ideas* by Allan Souder (published by Interactive, ISBN 0-921862-22-9) contains a teacher's perspective on the use of *EWB* in the classroom. Allan Souder shares his experiences with readers in the form of exercises, examples and assignments. Teachers will find this a particularly useful book as it shows how several important principles and concepts can be brought to life with the aid of *EWB*.

### UPGRADING

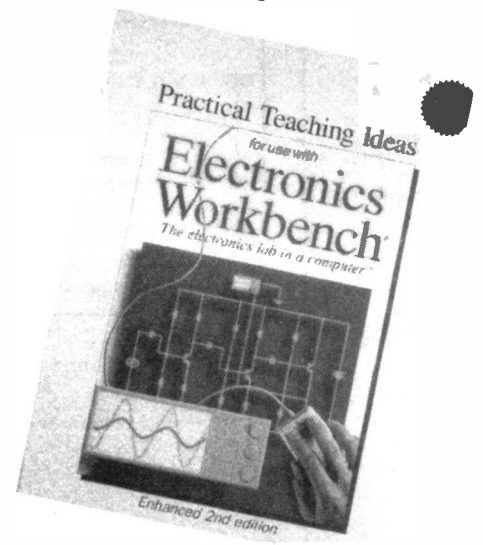
If you intend to make further use of *EWB* you should seriously consider upgrading to the full package. The full package will provide you with a full range of test equipment (including Bode Plotter and Logic Converter that were not included in the cut-down version) and an unlimited Parts Bin. The package also comes with some additional support materials, "on-line" help, and an excellent User's Guide which includes tutorials, a reference section and troubleshooting information. A



*Electronics Workbench: 150 Circuits*. ISBN 0-921862-24-5.

*Electronics Workbench: 150 Circuits* (published by Interactive, ISBN 0-921862-24-5) contains 150 of the most frequently-used electronic circuits. The book contains a typical screen shot of each circuit as supplied on the accompanying floppy disk. Test equipment settings and displays also feature as does a brief written explanation of each circuit together with some further suggestions for experimentation. In many respects, this book begins where *Electronics from the Ground Up* ends and provides enormous scope for further experimentation.

If you are interested in servicing or fault-finding, *Troubleshooting with Electronics Workbench* by Don Browning (published by Interactive, ISBN 0-921862-27-X) is just for you! This book contains more than 100 ready-to-use circuits and assignments. However, unlike *Electronics Workbench: 150 Circuits*, the circuit files in this book are not working! Instead, you are left to determine the cause of the fault using the test equipment exactly as you would on



*Electronics Workbench: Practical Teaching Ideas*: ISBN 0-921862-22-9.

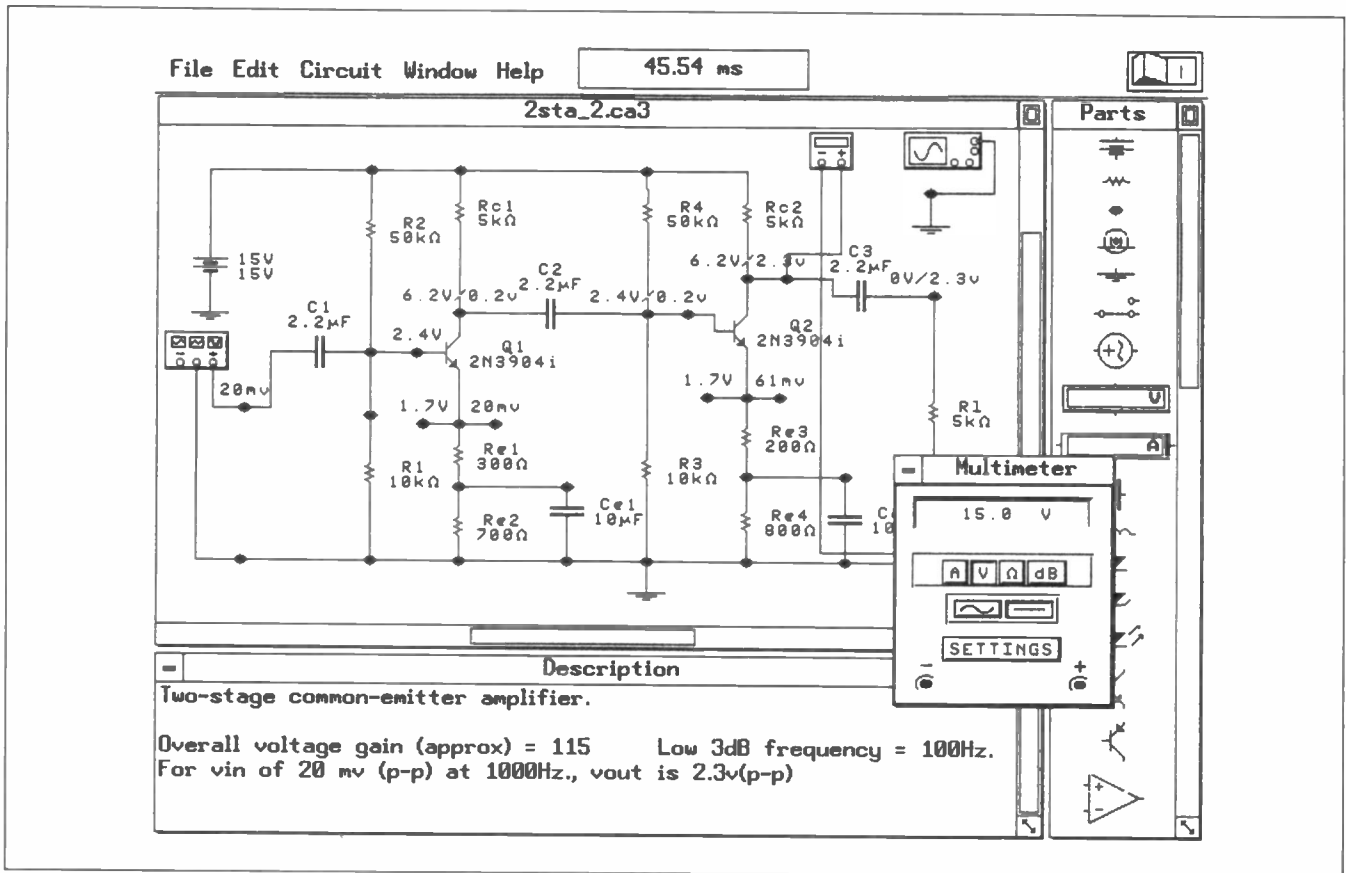


Fig. 9.3 Fault-finding a two-stage common-emitter amplifier with Troubleshooting with Electronics Workbench.

"Quick Reference Card" is also supplied. You can use this to get started, or simply keep it by you for reference.

Interactive demonstrations are included on the disk that comes with the package. These examples give you a quick overview of EWB and show you how to build and test circuits. Sample circuits (also supplied on

the disk) include approximately 20 typical analogue and digital circuits. You can examine, test and modify them or use them as building blocks for your own circuits.

Tutorials are included within the User's Guide. These are invaluable for those who may be unfamiliar with a graphical user interface or who may have had little or

no experience of building and testing electronic circuits. For registered users, there is the User Support "help-line". A Bulletin Board Service (BBS) is also available to provide the latest product information. Users can leave questions for answer via the BBS and circuits may be down or up-loaded for sharing with other users.

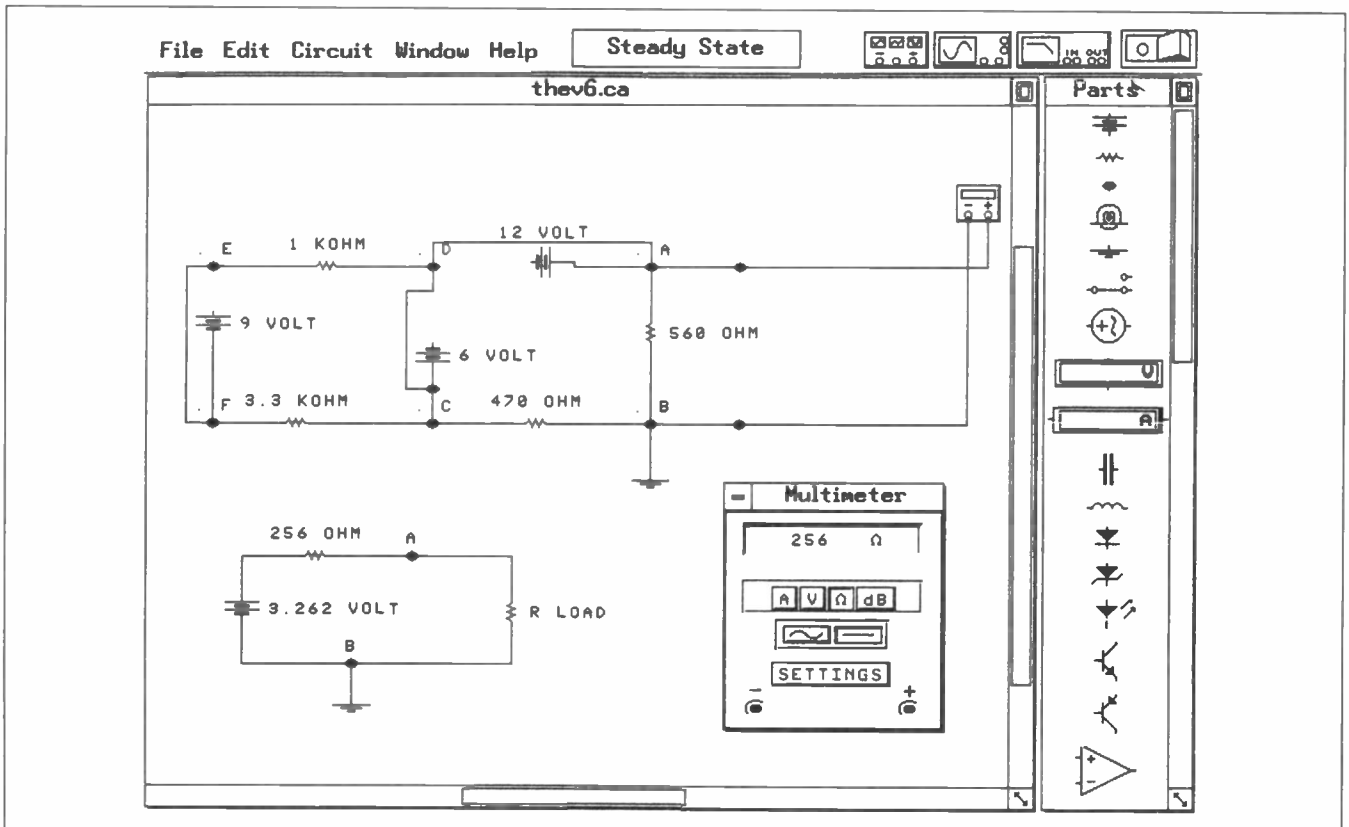


Fig. 9.4 An example of Thevenin's Theorem in Electronics Workbench: Practical Teaching Ideas.



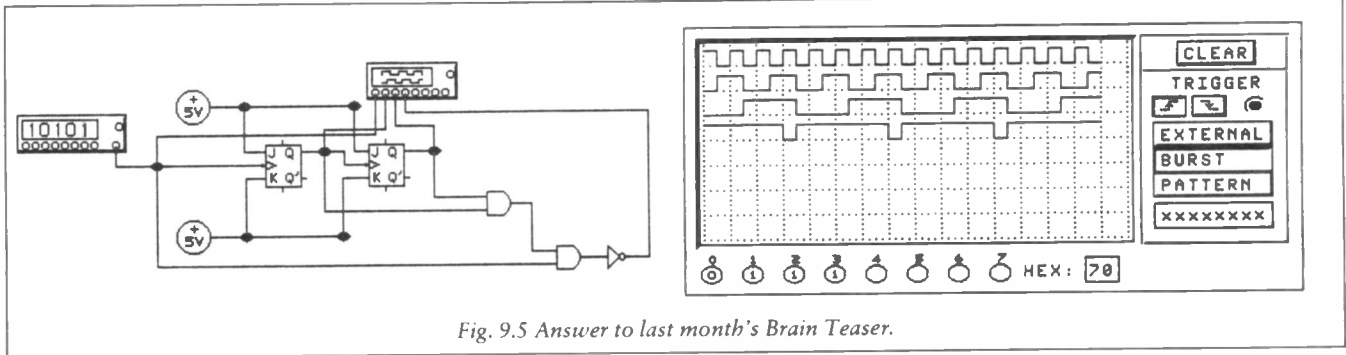


Fig. 9.5 Answer to last month's Brain Teaser.

The full version of *EWB* offers a wide choice of printing facilities. You can print the current display (exactly as it appears on your computer's screen) or print out circuit descriptions, component lists, parameters associated with the component models, circuit diagrams, and test equipment displays. You can also convert your display into a PCX file for loading into one of many popular paint, graphics, CAD or DTP packages.

Finally, it is important to note that the full version of *EWB* is copy protected and must be uninstalled if you wish to move the software to a different platform. However, if you want to use *EWB* at two different locations (for example, at work and at home), you need not delete all of the *EWB* files when uninstalling, just the authorization code.

### CIRCUIT DESIGN

One of the questions asked by several readers relates to what else you can do with *EWB* once you have finished using it as a learning aid. One of the advantages of the package as far as the hobbyist and

enthusiast is concerned is that it permits breadboarding of circuits before laying them out for final prototype construction. There are several stages to this process:

1. Sketch the basic circuit design and identify component values
2. Select the required components from the Parts Bin and place them within the breadboard area
3. Change the component values (from their default values to those that you require)
4. Select the appropriate models for the active components used in the circuit
5. Connect the circuit
6. Select the instruments that you require to test the circuit (often you will start with the multi-range meter in order to check supplies and bias voltages, etc.)
7. Place the test instruments on the breadboard and select appropriate ranges
8. Refine the circuit layout (i.e., move the components and test instruments so that the symbols, component legends, and wiring all fit neatly and logically within the breadboard area)

9. Test the circuit and, where necessary modify component values as appropriate
10. Evaluate the circuit and check against specification
11. Print out the circuit diagram and components list (don't forget to save the circuit for future reference!)

### Answer to last month's Brain Teaser

Last month's Brain Teaser involved the design of a logic circuit arrangement that would generate a waveform with a ratio of high to low period of 7:1. Fig. 9.5 shows the solution arrived at using the full version of *EWB* together with the logic analyser display (the output waveform is the lowest trace).

**OBTAINING EWB**

More information about *Electronics Workbench* and its associated books can be obtained from: **Robinson Marshall (Europe) PLC, Nadella Building, Progress Close, Leofric Business Park, Coventry CV3 2TF. Tel: 01203 233216.**

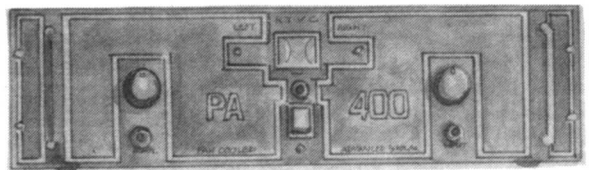
**THE ONLY COMPANY ON FIRST NAME TERMS WITH THE NOISE POLLUTION AGENCY!**

# RTVC

## PA 400 AMPLIFIER £139.99

- INPUT 0.75V-1.2V
- INPUT IMPEDANCE 47Kohms
- OUTPUT POWER 2 x 200 WATT MAX (4ohms)
- RMS OUTPUT POWER 2 x 125W RMS/MAX
- FREQUENCY RESPONSE 14Hz-26kHz (3db)
- S/N RATIO 10db
- SEPARATION 70db
- DIMS 482mm|308mm|132mm 3U
- WEIGHT 8.4kg

**STANDARD FEATURES: BOTH AMPS HAVE INDEPENDENT LEFT/RIGHT VOLUME CONTROLS, VU METERS, AND ARE FAN COOLED.**



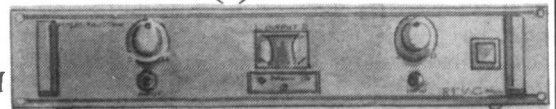
**BRITISH MADE**

## PA 700 BEEFY 700 WATT AMPLIFIER ONLY £204.95

- ★ ● INPUT 0.75V-1.2V VIA 1/4" (6.35mm) JACK SOCKETS
- ★ ● CHANNEL SEPARATION 85db
- ★ ● SIGNAL TO NOISE RATIO 100db
- ★ ● FREQUENCY RESPONSE 20Hz-30kHz
- ★ ● OUTPUT MAX 2 x 350W (4 ohms) VIA 3-PIN XLR FM
- ★ ● OUTPUT RMS 2 x 230W
- ★ ● SIZE 438mm (W) x 87mm (H) x 268mm (D) 2U
- WEIGHT 7.65kg (8.25kg boxed)

**UTILISES 8 TO3 MOSFETS WITH DUAL TOROID TRANSFORMER P.S.U.**

**AUTHORISED DEALERS IN:- EMINENCE & RCF SPEAKERS, VESTAX, KAM, GEMINI & HW MIXERS, STANTON, ORTOFON, & SHURE CARTRIDGES.**



# RTVC

376 EDGWARE ROAD LONDON W2 1EB Tel: 0171-723 8432/0171-723 3462 Fax 0171-723 3467  
2 mins. from Edgware Road Tube Station.

# INTERFACE

Robert Penfold



A COMPUTER operated model train controller of the pulsed variety can be quite a complex set up. Such a system can be based on a conventional pulse width modulation (p.w.m.) controller, with the control voltage being provided from an output port of the computer via a digital to analogue converter. This involves quite a lot of hardware, and is relatively expensive, but it does have a significant advantage.

The speed of the train is controlled by simply outputting suitable values to the output port. High values give fast speeds, and low values give slow speeds or stop the model train. This method of control is not particularly taxing on the computer, which can therefore be a slow machine running a slow programming language. The demands on the computer are so low that there will still be plenty of computing time left for other tasks, such as controlling signals, or providing some sort of graphics display.

## On The Pulse

There is an alternative approach that requires far less hardware, and this is to use a software routine to generate a suitable pulse signal on a digital output line. The signal is then used to drive the train via an amplifier and a buffer stage. This method is quite simple to implement in theory, since the pulsed output signal is an extremely simple type.

To drive the train at half power a squarewave signal is used. With its one-to-one mark-space ratio the average output voltage squarewave is half the supply potential. Using a higher mark-space ratio gives an output signal that is high for a greater proportion of the time. This gives a higher average output voltage, and more power is fed to the motor in the train. Using a lower mark-space ratio give a lower average output voltage, and less power to the motor in the engine.

Although one might reasonably expect the pulsed signal to interfere with the correct operation of the motor, this does not actually happen. In fact a pulsed signal gives better low speed performance, with less likelihood of stalling. Pulsed control also gives more realistic starting, with no jump-starts. Very low pulse speeds must be avoided as they would result in the motor operating intermittently.

High pulse rates are also unsuitable, as they can result in strong radio frequency interference being radiated from the tracks. Also, the motor provides a highly inductive load which could have a high impedance at high frequencies. This would give an inadequate current flow. In practice, any frequency from around 50Hz to 500Hz or so is usually satisfactory.

In days gone by, this software based method was not possible using an ordinary BASIC language due to the slow operating speed of an interpreted BASIC. Producing an output signal having a suitable range of mark-space ratios was possible, but not at a high enough frequency to give good results.

However, modern computers are much faster than the 8-bit machines of about ten years ago. A few experiments using a 33MHz 80386 based PC running GW BASIC and Q BASIC programs showed that it is possible to obtain quite good results using a software generated pulse signal. Results should be at least as good using a faster PC, but it might not be worthwhile using anything less than an 80386SX based PC running at about 20 or 25MHz.

the reference level, and the output of IC1 goes low. Transistor TR1 is an emitter follower buffer stage at the output of IC1. This is a high gain power Darlington device, and although the drive current from IC1 is only a few milliamps, TR1 can drive the motor with output currents of up to two amps. Resistor R4 provides TR1 with a load resistance when the output of the controller is left unconnected. Diodes D1 and D2 suppress any high voltage transients that are generated across the inductive load provided by a small d.c. motor.

Switch S1 is the forward/reverse switch, and this can be a set of d.p.d.t. relay contacts if direction control via the computer is required. Fig. 2 shows the circuit diagram for a suitable relay driver. The relay can be any 12

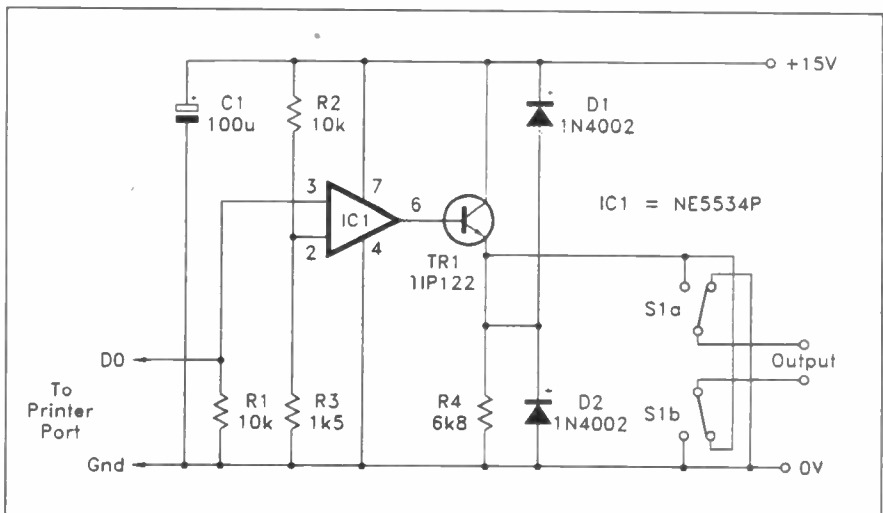


Fig. 1. Circuit diagram for the pulsed controller interface.

## Hardware

The circuit diagram for the pulsed controller interface is shown in Fig. 1. IC1 is an operational amplifier, but in this circuit it is used as a voltage comparator. IC1 must be a device that can operate properly with low input voltages. The NE5534P (and NE5534AN) are suitable, but most other operational amplifiers will not work in this circuit.

Resistors R2 and R3 provide a reference potential of between 1.5 and two volts to IC1's non-inverting input. In other words, a voltage that is between the valid logic 0 and logic 1 levels. IC1's non-inverting input is fed from the digital output of the computer. Obviously any latching output will do, but it will be assumed here that the interface is driven from D0 of printer port one (LPT1).

When the digital output is high, IC1's non-inverting input is taken above the reference level, and the output of IC1 goes high. When the digital output is low, IC1's non-inverting input (pin 3) is taken below

volt type which has a coil resistance of about 250 ohms or more, and d.p.d.t. contacts of adequate rating. Again, this circuit can be driven from any latching digital output, but we will proceed on the assumption that it is driven from the "Initialise"

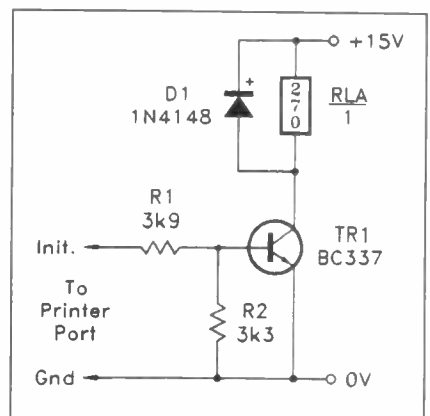


Fig. 2. Direction control relay driver.

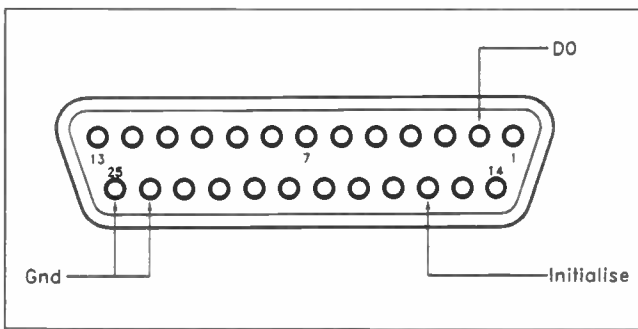


Fig. 3. Printer port connections for the pulsed train controller.

output of LPT1. Fig. 3 provides details of the connections to the printer port for both the pulse controller interface and the relay driver.

Both circuits require a 15 volt supply which must be reasonably stable and ripple-free. The maximum output voltage from the controller is about 12 volts due to the voltage losses introduced by IC1 and TR1. For small gauge trains a maximum supply current of one amp is adequate, and the mains power supply circuit of Fig. 4 can then be used. Transformer T1 should have a secondary rating of at least two amps, and FS1 should be an "anti-surge" or "time-delay" fuse.

The same circuit can be used for larger gauge locomotives that require up to two amps, but transformer T1 must then have a secondary rating of at least four amps, and fuse FS1 should have a rating of two amps. Also, diodes D1 to D4 should be 1N5402 rectifiers, and IC1 should be a 78S15 regulator (which is available from RS/Electromail). The normal safety precautions should be observed when building and using the power supply. Beginners should not undertake construction of a mains powered circuit such as this.

Transistor TR1 and regulator IC1 in the power supply must be fitted with heatsinks. For a one amp controller a couple of bolt-on heatsinks having a rating of about 10 or 12 degrees Centigrade per watt will suffice. For a two amp version it would be advisable to use larger heatsinks having a rating of about six to seven degrees Centigrade per watt. Note that the heat-tab of TR1 connects internally to its collector terminal. The heat-tab of the voltage regulator connects internally to its common terminal.

### Software

The GW BASIC/Q BASIC program shown in the software listing provides speed control, and direction control as well if the relay driver circuit is included in the controller.

The first part of the program simply clears the screen and provides on-screen instructions on how to control the program. Lines from 90 to 160 produce the output waveform on output D0 of the printer port. Two FOR...NEXT delay loops set the high and low output times. The number of loops performed in each of these, and hence the mark and space times, are controlled by variables "M" and "S". They are each given an initial value of 50, giving a one-to-one mark-space ratio. Other values can be used at lines 90 and 100, but the two values must total 100.

The GOTO instruction at line 190 continuously loops the relevant part of the program. However, lines 170 and 180 detect key presses, and take the program into the subroutine starting at line 200. If the "A" key is pressed, "M" is increased by one, and "S" is decreased by one, giving increased output power. Pressing the "B" key has the opposite effect, with "M" being decremented by one, and "S" being incremented by one. This produces reduced output power.

Operating the "E" key brings the program to a halt at line 220. Lines 230 and 240 provide forward/reverse switching if the relay driver circuit is included. These lines detect presses of the "R" and "F" keys respectively, and set the "Initialise" output high or low. The purpose of lines 250 to 280 is to keep the values of "M" and "S" within acceptable limits.

Although the hardware and software are both pretty basic, the system provides excellent control, with smooth acceleration and deceleration. Results would probably be a bit slow and jerky using a slow PC. Using a fast 80486 or Pentium based PC it might be necessary to use higher values in the FOR...NEXT loops. Otherwise acceleration and deceleration might be too rapid. At minimum power the motor is not completely switched off, and it is still fed with very brief pulses. The power fed to the motor should be far too low to be of any practical significance though.

### Software listing for generating pulses for Model Train Controlling.

```

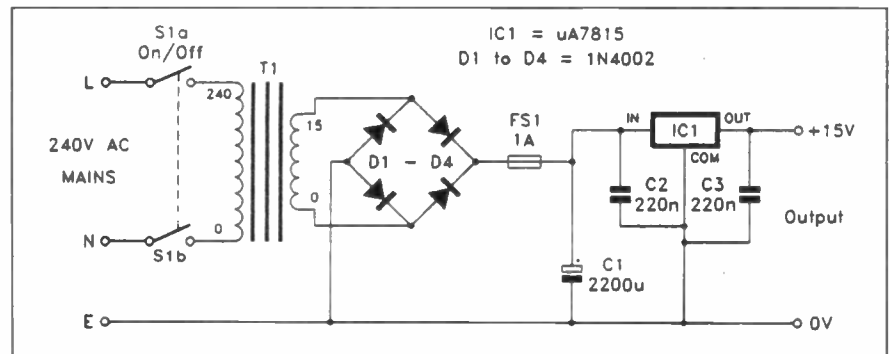
10 REM SOFTWARE GENERATED
   PULSE TRAIN CONTROLLER
   PROGRAM
20 OUT &H378, 0
30 CLS
40 PRINT "PRESS 'A' TO ACCELERATE"
50 PRINT "PRESS 'B' TO BRAKE"
60 PRINT "PRESS 'E' TO END"
70 PRINT "PRESS 'F' FOR FORWARDS"
80 PRINT "PRESS 'R' FOR REVERSE"
90 M = 50

100 S = 50
110 OUT &H378, 1
120 FOR HIGH = 1 TO M
130 NEXT HIGH
140 OUT &H378, 0
150 FOR LOW = 1 TO S
160 NEXT LOW
170 A$ = INKEY$
180 IF LEN(A$) = 1 THEN GOSUB 200
190 GOTO 110

200 IF ASC(A$) = 97 THEN M = M + 1
205 IF ASC(A$) = 97 THEN S = S - 1
210 IF ASC(A$) = 98 THEN S = S + 1
215 IF ASC(A$) = 98 THEN M = M - 1
220 IF ASC(A$) = 101 THEN END
230 IF ASC(A$) = 114 THEN OUT
   &H37A, 4
240 IF ASC(A$) = 102 THEN OUT
   &H37A, 0
250 IF M > 100 THEN M = 100
260 IF M < 1 THEN M = 1
270 IF S > 100 THEN S = 100
280 IF S < 1 THEN S = 1
290 RETURN

```

Fig. 4 (below). Circuit diagram for the 15V mains power supply unit.



## RING BINDERS FOR EPE

This ring binder uses a special system to allow the issues to be easily removed and reinserted without any damage. A nylon strip slips over each issue and this passes over the four rings in the binder, thus holding the magazine in place.

The binders are finished in hard wearing royal blue p.v.c. with the magazine logo in gold on the spine. They will keep your issues neat and tidy but allow you to remove them for use easily.

The price is £5.95 plus £3.50 post and packing. If you order more than one binder add £1 postage for each binder after the initial £3.50 postage charge, (for overseas readers the postage is £6.00 each to everywhere except Australia and Papua New Guinea which costs £10.50 each).

Send your payment in £'s sterling cheque or PO (Overseas readers send £ sterling bank draft, or cheque drawn on a UK bank or pay by credit card), to Everyday with Practical Electronics, Allen House, East Borough, Wimborne, Dorset BH21 1PF. Tel: 01202 881749. Fax: 01202 841692 (We cannot reply to overseas queries or confirm orders by fax due to the high costs).

We also accept credit card payments. Mastercard (Access) or Visa (minimum credit card order £5). Send your card number and card expiry date plus cardholders address (if different to the delivery address).



Mini FM transmitter, very high gain preamp, supplied complete with FET electret microphone. Designed to cover 88-108 Mhz but it is easy to change it to cover 63-130Mhz. Works with a common 9v (PP3) battery. 0.2W RF. £8.22 Kit no 1001.



Electronic siren kit with an impressive 5 watt power output. Ideal for car/bike alarms etc. 6-12vdc, max current 1A, tone frequency 1.2kHz. £7.05 Kit no 1003.



3-30v Power supply, variable, stabilized power supply for laboratory use. Shortcircuit protected, suitable for professional or amateur applications. 24v 3A transformer is also needed to complete the kit. £16.45 Kit 1007.



Powerful 1 watt FM transmitter supplied complete with piezoelectric microphone. 8-30vdc. At 25-30v you will get nearly 2 watts! £14.10 Kit no 1009.



FM/AM Scanner, well not quite you have to turn the knob yourself but you will hear things on this radio (even TV) that you would not hear on an ordinary radio! Receiver covers 50-160Mhz both AM and FM. Built in 5 watt amplifier. £17.62 Kit no 1013.



Mosquito repeller, modern way to keep midges at bay! Runs for about a month on a 1.5v battery. £8.22 Kit no 1015.



3 channel wireless sound to light system, mains operated, separate sensitivity adjustment for each channel, 1,200 watt power handling. Microphone included. £16.45 Kit no 1014.



Motorbike/cycle trembler alarm, adjustable sensitivity, preset alarm time, auto reset. Could be connected to bikes horn etc. £14.10 Kit no 1011



0-5 minute timer, adjustable from 0 to 5 mins. will switch up to 2A mains. Perfect for alarms, photographic laboratories etc. 12vdc. £8.22 Kit no 1020.



4 watt FM transmitter, small but powerful transmitter, 3 RF stages, microphone and an audio preamp include in kit. £23.50 Kit no 1028.



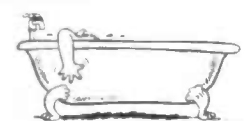
25 watt FM transmitter 4 RF stages, preamp required (our kit 1068 is suitable). Due to the complexity of the transmitter it is supplied in built up form only. £92.82 Kit no 1031.



Strobe light, adjustable frequency from 1- to 60 Hz (a lot faster than conventional strobes) mains operated. £18.80 Kit no 1037.



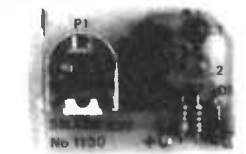
Ultrasonic radar Ideal as a movement detector with a range of about 10 metres, automate your cat flap! 12v operation no ideal for cars, caravans etc. £16.45 Kit 1049.



Liquid level detector useful for detecting fluid levels in tanks, fishponds, baths or as a rain or leak alarm. Will switch 2A mains. £5.87 Kit no 1081.



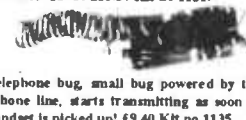
Combination lock 9 key, easily programmable, will switch 2A mains. Complete with keypad. 9v operation. £11.75 Kit 1114.



Phone bug detector, this device will warn you if somebody is eavesdropping on your phone line. £7.05 Kit no 1130.



Robot voice, interesting circuit that distorts your voice! adjustable, answer the phone with a different voice! 12vdc £10.57 Kit no 1131.



Telephone bug, small bug powered by the telephone line, starts transmitting as soon as the handset is picked up! £9.40 Kit no 1135.



function generator, produces sinusoidal, saw tooth and square waves adjustable from 20hz-20khz, separate level controls for each shape. Will produce all 3 together. 24vac £17.62 Kit no 1008.



3 Channel light chaser, 800 watts per channel, speed and direction controls supplied with 12 leds and mains track, so you can use mains light bulbs if you want. 9-15vdc £19.97 Kit no 1026.



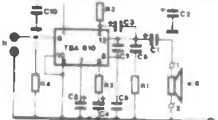
12v fluorescent. A useful kit that will enable you to light 4' fluorescent tubes from your car battery! (you will also need a 9v 2A transformer, not supplied) £9.40 Kit no 1069.



VOX switch, sound activated switch ideal for turning tape recorders on and off when sounds are heard. Makes the tape last a lot longer! adjustable sensitivity, built in delay. £9.40 Kit 1073.



Incar sound to light. Put some atmosphere in your car with this mini 3 channel sound to light. Each channel has 6 leds. £11.75 Kit no 1086.



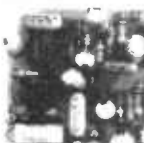
7 watt Hi Fi power amplifier useful, powerful, ideal for intercomms, audio systems, car use etc. 12-18vdc 500mA. £8.22 Kit No 1025.



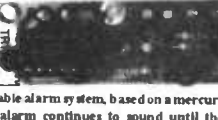
Phone call relay, useful device that operates a relay when ever the 'phone rings, could be used to operate more bells or signalling lights etc. Will switch mains at 2A. £11.75 Kit no 1122.



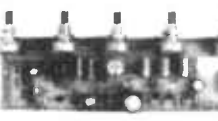
Lead acid charger, two automatic charging rates, visual indication of battery state, ideal for alarm systems, emergency lighting etc. 100mA 12vdc. £14.10 Kit no 1095.



Car alarm system, works on voltage drop and/or vibration, entry and exit delays plus adjustable alarm duration. Good for cars, caravans etc. £14.10 Kit no 1019.



Portable alarm system, based on a mercury switch. The alarm continues to sound until the unit is disabled by the owner. Buzzer included. £12.92 Kit no 1150.



Preamp mixer, 3 input mono mixer, separate bass and treble controls plus independent level controls. 18vdc, input sens 150mv. 100mA. £17.62 Kit no 1052.

Mini metal detector, suitable for locating pipes in walls etc, range 15-20 cm, complete with case. 9v operation. £9.40 Kit no 1022.



800 watt single channel sound to light kit, mains operated, add rhythm to your party for only £9.40 Kit no 1006.



Sound effects generator, produce sounds ranging from bird chips to sirens, complete with speaker, add sound effects to your projects for just £10.57 Kit no 1045.



Guitar preamp with tone controls, small enough to fit inside any guitar, based on TL082 IC, 9-12vdc, 50mA. £9.40 Kit no 1091.



15 watt FM transmitter, 4 stage high power, preamp required. 12-18vdc. Can use either ground plane, open dipole, or Yagi. Supplied in built form only at £81.07 Kit 1021.



Telephone amplifier, Very sensitive amplifier which uses a 'phone pickup coil (supplied) will let you follow a conversation without holding the phone. £12.92 Kit no 1059.

**TOP 10 BEST SELLING KITS CORNER**

1. Variable speed control kit for 12v DC motors up to 30A! (you may need a heat sink for 30A) £19.97.
2. Composite video kit, converts composite signals into separate Hsync, Vsync and video £9.40.
3. Celger counter kit, contains everything you need to build a working counter £22.32.
4. Solar energy kit, contains a solar panel, motor, buzzer and cable for experiments £8.22.
5. Electronic acupuncture kit, may help with migraines, poor circulation, backache etc. £8.22.
6. Electrifying apparatus kit, produces a weak adjustable high tenston of 80-300v from a 9v battery, ideal for catching worms etc! £9.40.
7. Adapter bug kit, contains everything you need to build a professional bug built inside a standard 13A mains adapter! the bug is mains powered so it operates all the time the adapter is plugged in. Price is £16.45 for the complete kit including adapter. Hand tools and glue required.
8. Nicad charger kit automatic charger for cells from 1.2v to 15v, 7 settings 50600mA, transformer required 18-20v 600mA. £9.40.
- 9&10. Inverter kits, produce 240vac from a 12vdc supply, two versions are available a 15w one at £14.10, and an 80w version at £23.50.

**EXPRESS COMPONENTS**

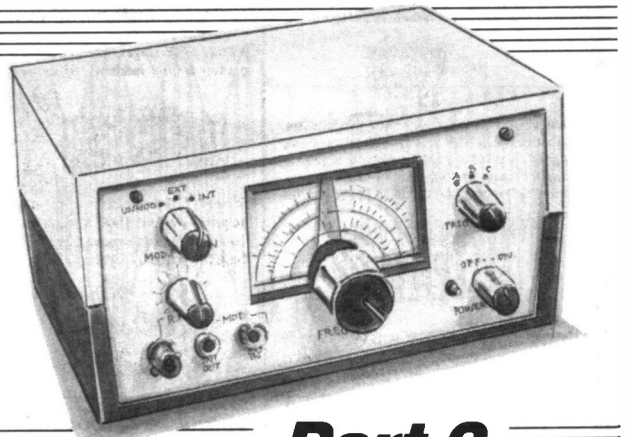
how to order.....  
Remember to add £1.50 p&p.  
By phone with a credit card.  
By post with either a cheque, postal order or credit card details.  
By fax with credit card details.  
EXPRESS COMPONENTS, PO BOX 517 HOVE SUSSEX BN3 5QZ. DEPT EE  
TEL 01273 771156  
FAX 01273 206875  
Overseas orders please add £3.50 post and packing.



# R.F. SIGNAL GENERATOR

STEVE KNIGHT

Part 2



A high performance, relatively low cost design that covers the range 1.5MHz to 30MHz in three switched bands.

**S**O FAR we have described the Signal Generator circuits, fabrication of the component mounting chassis and construction of the three p.c.b.s. We have also covered the drilling of the front panel and the mounting of the completed r.f. board, together with the coil bracket, on the large L-shaped mounting chassis.

Before we move on to mounting the power supply board on the case rear panel and conclude with the calibration, we should like to refer back to the front panel drilling details (Fig. 9) given last month. The distance measurement from the left-hand edge to holes "D", the chassis mounting holes, should be 22mm and not 12.5mm as shown.

## POWER BOARD

The power supply unit is fitted to the back panel of the case. This panel, like the front one, can be completely removed to make life easier, and the positioning and fixing of the board is a simple job. Provision is also made here for the entry of the mains cable and the fuseholder FS1.

Holes for these should be drilled to suit the components you have; the mains lead can be brought directly through a grommeted hole, but must be adequately anchored down on the inner surface. If you use an appropriate plug and socket system, such anchoring is unnecessary.

Again, you have the choice here. Fig. 17 shows the board position, interwiring and suitable places for the fuseholder and mains lead entry points.

## PANEL COMPONENTS

Some of the panel components, switches S1, S2 and S3, and the output potentiometer VR3 are mounted on the rear mounting chassis. The remaining pieces, two 4mm sockets, the BNC output connector and the neon indicator LP1 go onto the front panel proper.

When the panels are finally brought together, these front panel parts project through the corresponding holes in the rear mounting panel for internal connections to be made later. This is where accurate alignment of the holes is vital, but any slight deviations can be corrected with a round file.

What follows now applies to those constructors who are using the printed scale provided (see Fig. 15); this should be accurate enough for general purpose use assuming that the coils have been carefully wound to specification. For those purists who would wish to do their own calibration, suitable methods will be given later on.

Mount first of all those parts which go on the rear back mounting panel: switches S1, S2 and S3 and the output control VR3. The rotary switches have small locating lugs which when used will prevent the switch bodies rotating in use.

It is wise (but not absolutely essential) to use this facility by drilling 3mm ( $\frac{1}{8}$ " ) holes positioned about 10mm ( $\frac{3}{8}$ " ) from the centre of the main fixing hole as Fig. 13 illustrates; when the switches are fitted, these holes should accept the locating lug snugly. Using these holes also prevents unnecessary over-tightening of the locking nuts.

## LINK-UP

Now, for the time being, wire up internally the coil outlets to switch S1, adjusting the wire lengths as necessary (but not tight); bring two leads from the poles of this switch down to the two nearest solder pin points on the main board (P6 and P7), and connect the "tag" common connection from the coil board to the appropriate pin (P5) on the main p.c.b. (see Fig. 17).

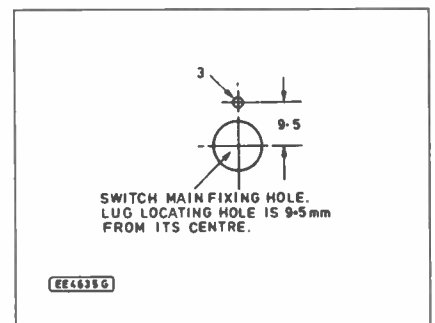
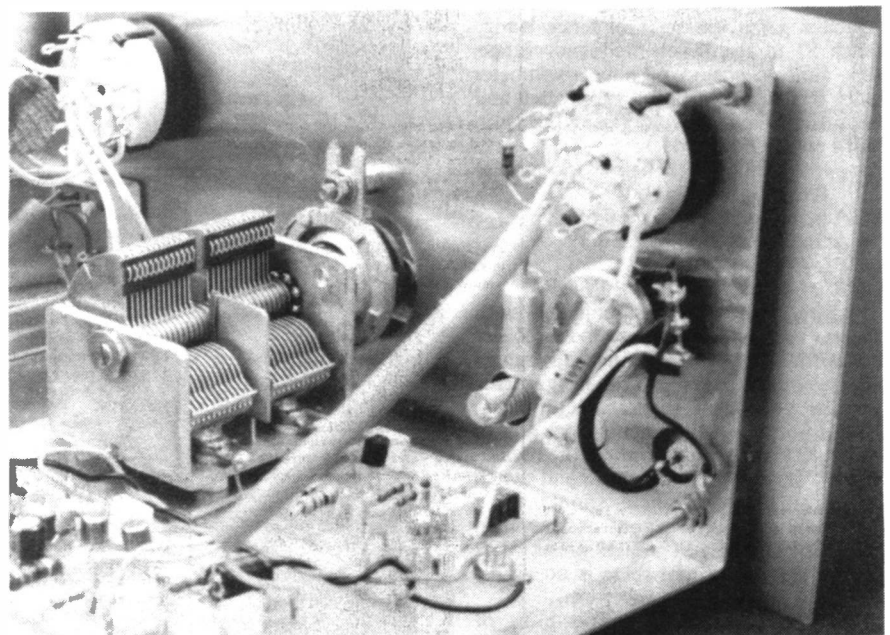


Fig. 13. To stop the rotary switches rotating during use their locating lugs are secured in small holes adjacent their main fixing holes.



The input and output sockets are mounted on the front panel and protrude through holes in the L-shaped mounting chassis so that they can be wired to the Function switch and the R.F. Level control potentiometer. Note the capacitors wired directly between the switch tags and the 4mm sockets.

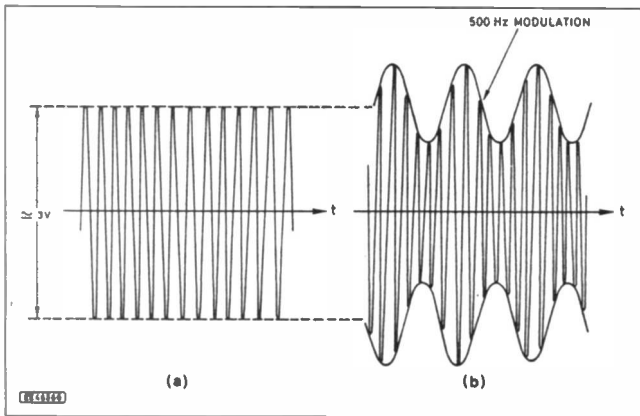


Fig. 14. Oscilloscope display of the output as unmodulated and as modulated carrier. In the modulated case the high frequency signal is not seen as individual waves.

Connect also two leads from the power supply unit to the r.f. board input pins P4 and P8, making sure of the correct polarity. This then completes the temporary wire-up needed for test and calibration purposes.

Keep the power unit in the background by using longish connections; you cannot then touch it accidentally when doing the checks. In this condition, both testing and calibration can be completed *before* the front panel and its components are fitted to the rear mounting chassis.

Due to the presence of mains voltages on the power supply p.c.b., and also from the mains input socket and fuseholder on the back panel, extreme care **MUST** be taken when testing and calibrating the sub-assemblies. In fact, apart from "keeping the power panel in the background", it might be wise to also put it in a temporary box for additional safety.

## TESTING

For comprehensive testing of the R.F. Signal Generator you will need, as mentioned earlier, a voltmeter (digital or analogue), an oscilloscope and, if you are doing your own calibration later on, a frequency meter.

Set the preset potentiometers VR1 and VR2 to mid-travel, close the tuning capacitor gang, set the Frequency Range switch S1 to the lowest frequency range, (fully anticlockwise), and have a voltmeter ready. Switch on the power supply unit and check the following voltages at the main board points indicated:

P4: About 18V (if below 16V reduce R18 in value slightly)

Across diode D1: 15V ± 0.5V

Across diode D3: 7.5V ± 0.5V

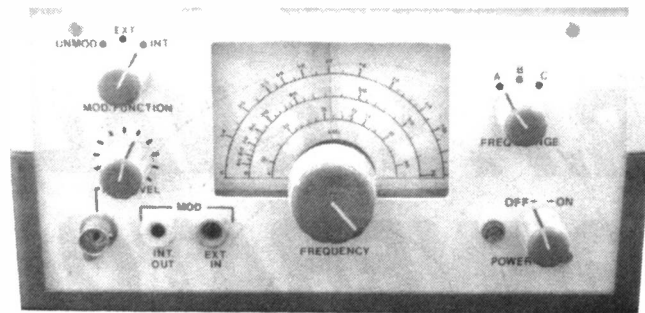
P5: About 4V ± 0.5V

P10 (collector of TR2): 13V ± 1V

Interpret these measurements with respect to the tolerances of the Zener diodes for example; very *small* differences outside of the ranges given can be ignored.

If the voltages seem satisfactory and there is no sign of discontent from any of the board components, connect the oscilloscope to the output point pin P9 and switch to a fast timebase; there should be a continuous sinewave output as shown in Fig. 14. If necessary, adjust preset VR2 carefully to ensure that there is no visible distortion of the output waveform.

Check now on all three positions of Range switch S1 and all rotations of the tuning capacitor. There will probably be small variations in the amplitude of the waveform throughout these checks but the oscillation should not collapse.



Lettering and layout of components on the front panel of the completed R.F. Signal Generator.

The amplitude on the upper range particularly may well be seen to diminish as the tuning is adjusted, but this is most likely to be due to the falling response of the oscilloscope to frequencies above some 20MHz. If you can use the scope to measure the wave amplitude, this should be about 3V peak-to-peak (1.07V r.m.s.).

Now connect together, with a short piece of wire, the points P1 and P2. This will enable the 500Hz oscillator/modulator section. Check with the scope switched to a relatively slow timebase that there is a sinusoidal output at the collector of TR5, point P3. This wave should be about 4V amplitude peak-to-peak (1.4V r.m.s.) and approximately 500Hz in frequency, though the exact value is not important; more important is that there should be no distortion.

Transfer the scope to the output P9 again and with the same timebase setting adjust preset VR1 carefully to give you a modulated output signal rather as shown in Fig. 14b. VR1 controls the depth of modul-

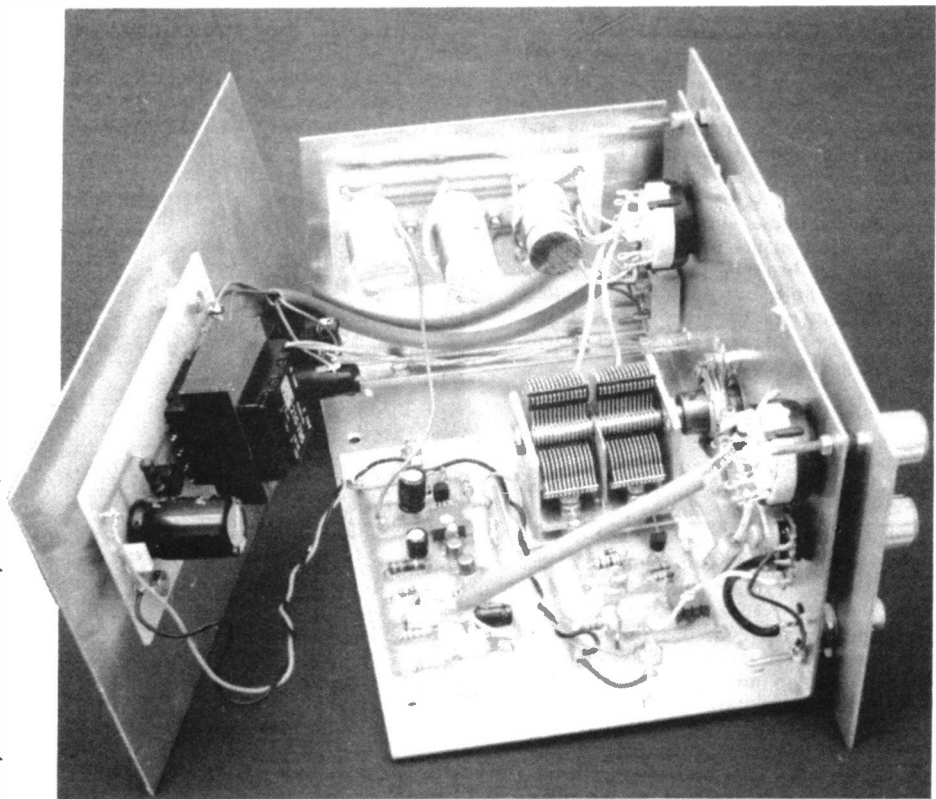
ation and any "unbalance" or distortion in the modulation envelope. You should finish up with about 30 per cent modulation depth as the figure indicates but again, within reason, this is not a critical point.

If all the above checks are satisfactory, the tuning scale can now be fitted (if this is your choice) before the final assembly construction is undertaken.

## FITTING THE SCALE

There are three choices available here regarding the calibration of the R.F. Signal Generator: you can use the ready prepared scale, shown in Fig. 15; you can prepare your own scale in the same form; or you can use a frequency meter connected to the generator and forgo the central paper scale altogether. In this last case, as mentioned earlier, the scale cutout will have been omitted from the front panel.

If you use the ready prepared scale, its actual accuracy will essentially depend



The positioning of the power supply p.c.b. fuseholder and mains input socket must be located on the case rear panel such that they do not short out on the coil board when they are finally brought together in the case.

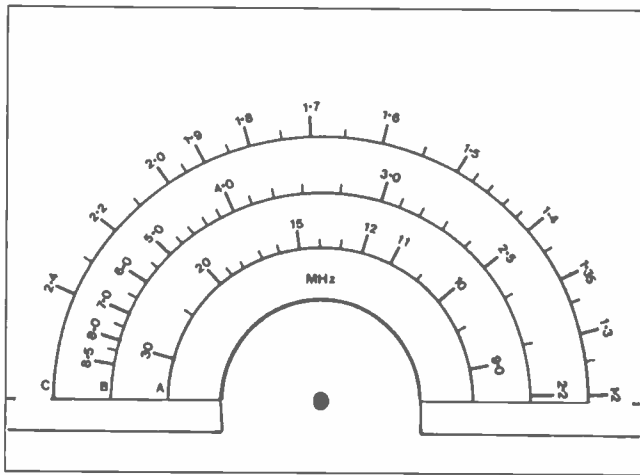


Fig. 15. Full size tuning scale with frequency markings.

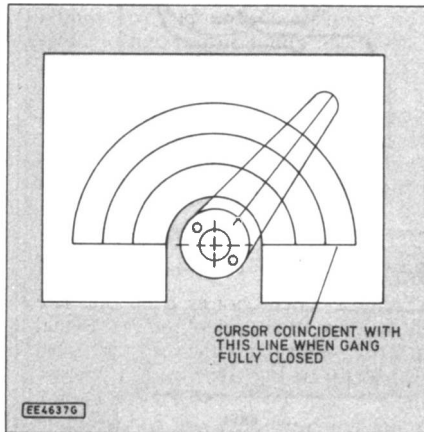


Fig. 16. How the scale is situated relative to the position of the ball-drive flange and spindle.

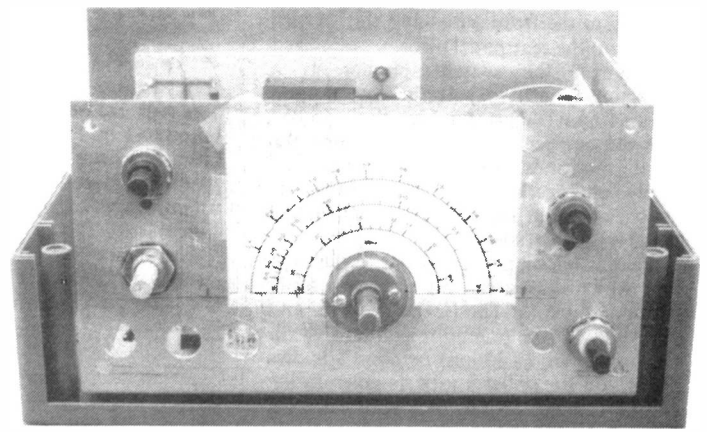
upon the care taken over the winding of the coils. The tuning capacitor may also contribute some slight error to the tracking but this will be small in the worst case, and the accuracy obtained will almost certainly be attributable to the inductances.

To check on this point, three sets of the coils were constructed and the error against the scale calibration done with the first set did not amount to more than about one millimetre of scale position with the other two. Averaged out, this does not make the calibration worse than  $\pm 3$  per cent which is comparable with commercial instruments in the lower price ranges.

If you decide to use this scale (Fig. 15), don't cut the copy from the magazine as there will be a tendency for the back print to show through when it is glued in position. Get a photocopy made on to a piece of good quality paper, and trim this to the outline indicated in the diagram.

Glue the scale (or edge tape it carefully) to the face of the rear, front panel mounting chassis so that the circular cut-out is positioned centrally to the projecting ball-drive flange and the bottom scale line in effect passes "through" the centre of the drive spindle. Fig. 16 should make these points clear.

Next, cut the Perspex pointer to 57mm (2¼") in overall length and screw it with a couple of short 8BA screws to the flange face. Unlock the rear gang spindle grub screws so that the ball-drive does not rotate the gang (vanes), close the gang fully, and turn the ball-drive until the pointer cursor line is exactly in coincidence with the bottom scale line on the right-hand side.



The tuning scale is glued or taped to the face of the mounting chassis centrally above the ball-drive spindle – see opposite and Fig. 16.

Now retighten the gang spindle grub screws and check that the pointer travels over the scale without rubbing against it and finishes up along the bottom scale line of the left-hand side. There may be a slight overshoot here but ignore this as there is a "dead" patch over a few degrees when the capacitor vanes are fully disengaged.

### FRONT PANEL

The completion of the work is now in sight (did I hear somebody somewhere make a comment?) but first the front panel has to be finished off with the appropriate legends and the fixing of a piece of Perspex or other transparent material over the scale cutout.

Before lettering, the front panel may be sprayed a light colour, say, white or very pale blue, if black letters are used, and black or a dark blue if white letters are used. If the panel is not unduly marked from the hole cutting earlier, it may be left in its natural brushed aluminium finish. In all cases, make quite sure that the surface is free of grease.

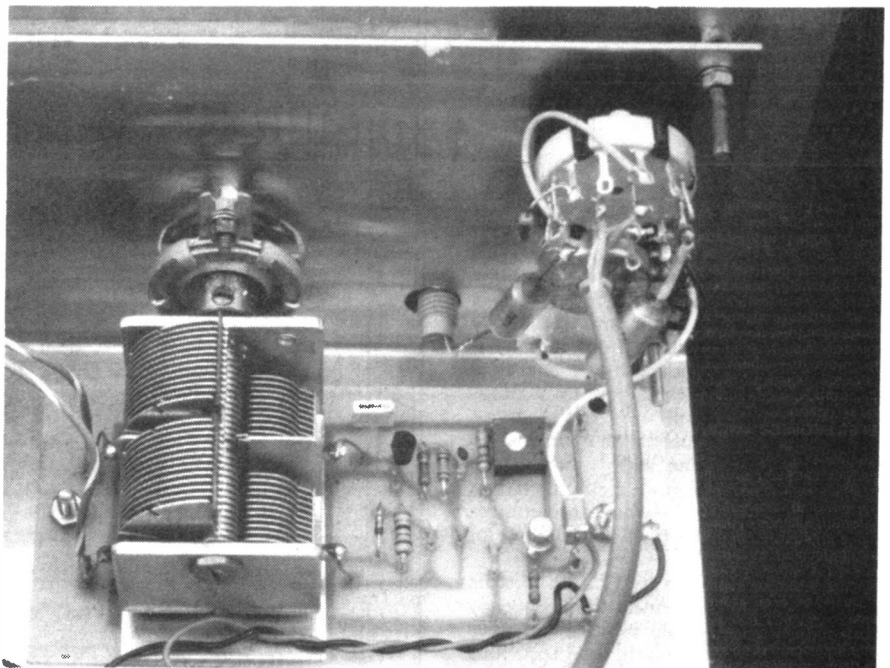
The required front panel marking, using rub-off lettering and assuming that the specified control knob sizes are used, can

be seen in the photographs. The size of the letters should not be more than 8-point (2mm) as room is at a premium on this panel, but you can decide for yourself if you feel that in some places a 10-point (2.5mm) or larger style might be more attractive or help legibility. When the lettering is completed a thin coat of protective lacquer will make the legends resistant to scratching.

It now remains to glue a piece of thin Perspex, say, 2mm (1/16") thickness (or any other transparent sheet) over the scale cutout; this, of course, goes behind the front panel. This sheet will need a clearance hole for the drive spindle and an overlap of about 6mm (1/4") at the top and sides; it should not overlap at the bottom edge by more than 3mm (1/8") or it might foul the 4mm socket located below it. These points can best be judged when you are doing the work rather than my pouring out long sermons of explanation.

### FINAL ASSEMBLY

The final assembly is quite straightforward. The remaining panel components, neon indicator LPI, the BNC output socket and the two 4mm sockets can now



The ball-drive links the tuning capacitor to the front panel tuning cursor and knob. One of the two spindle grub-screws can be clearly seen.

be fitted to the front panel and this in turn secured to the rear panel piece.

Trim off the switch spindles to a projecting length to suit the knobs used (about 10mm (3/8") is suitable), fit the knobs with the correct orientation to match the panel markings where necessary, and finally check that everything turns or switches without scraping against the panel or the frequency scale.

There is one important point to mention here which can save you spending more than you have to. The Lorlin switches and the output level potentiometer are available with 1/8 in. (6.35mm) or 6mm spindles and if you use collet knobs as given in the parts list, make certain that you order the right size to suit the spindles you have.

Also, some switches have a flat on the spindle to accommodate grub screw fixing, but if such a method is used here, the orientation of the switches must be such that the knob pointer marks match up to those on the front panel. If you use collet type knobs this problem does not arise, hence it is advisable to get the 6mm spindle types as well as minus the flat.

## WIRING-UP

The internal connections can now be made from the main board to the various panel sockets and switches; these are leads from board points *P1*, *P2* and *P3* to Mod. Function switch *S2* with returns by way of capacitor *C9*, *C10*/*R17* to the 4mm sockets; a lead from point *P9* to the output R.F. Level potentiometer *VR3* and a short length of screened lead down to the BNC output socket with a return to the main board "earth" line at *P11*. The placing of these wires is not critical but keep them as neat as possible.

The front panel can now be slid into the base part of the case; the back panel with the power supply board can be similarly placed in position and connections made for the positive and negative rails to board points *P4* and *P5* respectively. The mains lead is taken by way of the fuse *FS1* to the On-Off switch *S3* and returned to the transformer input pads on the power supply board.

The box top can now be finally screwed into position. A short appendix follows for those who wish to do their own calibration or use a Frequency Meter directly for readout.

## APPENDIX: Own Calibration

If you decide to do your own scale calibration, this can be carried out in one of two ways: either against a radio receiver which has a.m. medium and shortwave bands (a good communications receiver is really best for this purpose), or against a Frequency Counter which goes up as far as 30MHz as a minimum.

The first method, used with care, enables the work to be done with a fair degree of accuracy; the second method enables the calibration over the whole three ranges to be accomplished with a high degree of accuracy.

If you prefer to do away with a scale altogether, you can connect the Frequency Counter (or a suitable module) as your readout. As mentioned in the text, this method provides complete accuracy and saves the metal work needed for the front panel scale cutout. We will briefly examine these methods in turn.

## CALIBRATION POINTER

If you are to calibrate your own scale you will need a blank copy of the scale based on Fig. 15 and a "half" pointer. This latter if fabricated from a second Perspex pointer as given in the parts list and sawing it (with great care!) to the shape shown in Fig. 18.

The cursor line now forms a calibration "edge" when the half pointer is fitted over the scale blank.

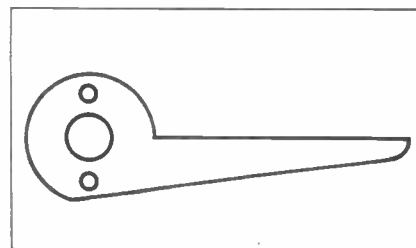


Fig. 18. Adapting a pointer for calibration purposes.

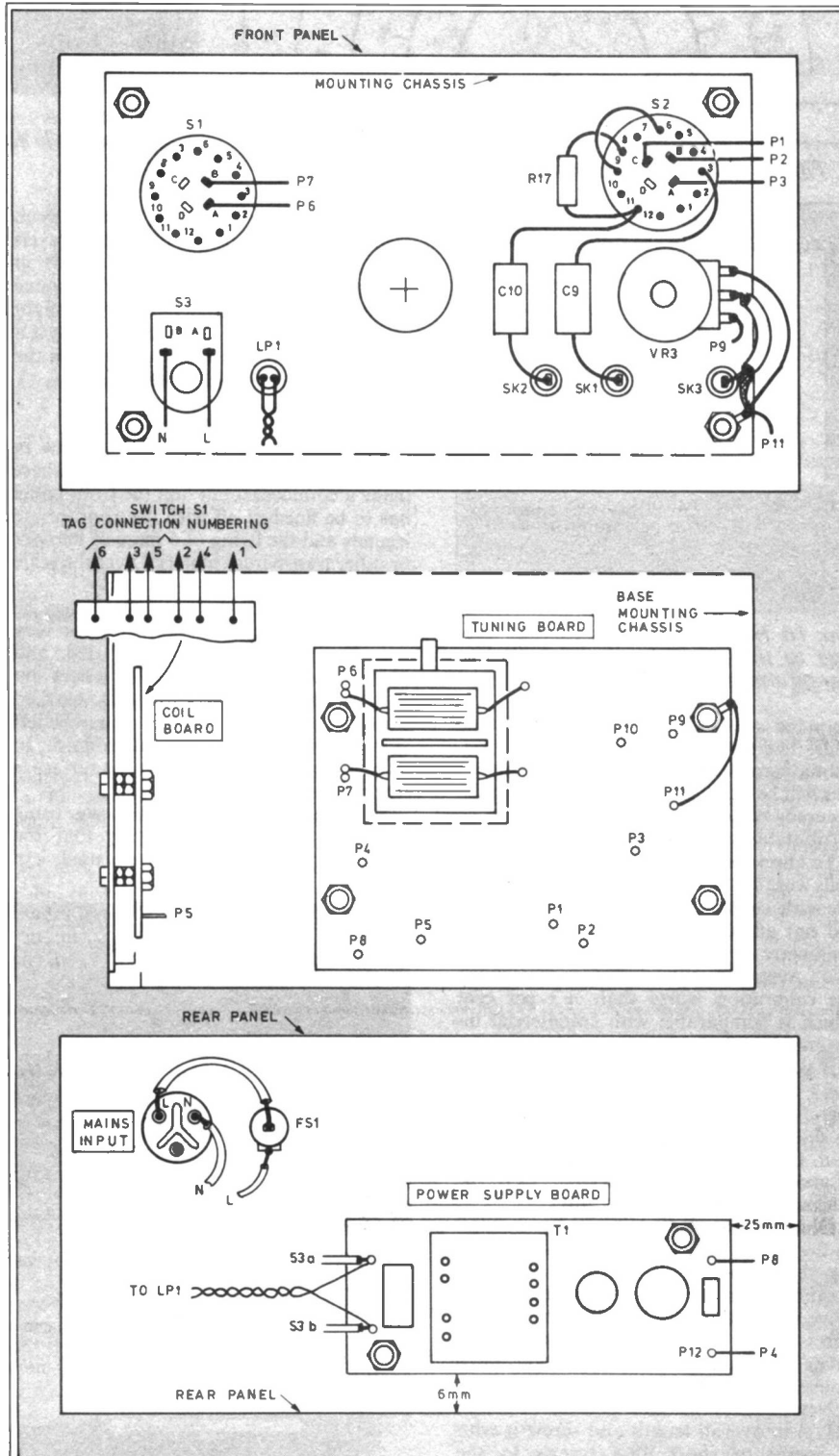


Fig. 17. The front and rear panels laid flat to show the interwiring and main circuit board connecting points. Positioning of the power supply board, mains input socket and fuse are fairly critical as they could possibly foul the coil board when the sections are brought together in the case.





# VIDEOS ON ELECTRONICS

A range of videos designed to provide instruction on electronics theory. Each video gives a sound introduction and grounding in a specialised area of the subject. The tapes make learning both easier and more enjoyable than pure textbook or magazine study. They should prove particularly useful in schools, colleges, training departments and electronics clubs as well as to general hobbyists and those following distance learning courses etc.

**VT201 to VT206 is a basic electronics course and is designed to be used as a complete series, if required.**

**VT201** 54 minutes. Part One; D.C. Circuits. This video is an absolute must for the beginner. Series circuits, parallel circuits, Ohms law, how to use the digital multimeter and much more.  
**Order Code VT201**

**VT202** 62 minutes. Part Two; A.C. Circuits. This is your next step in understanding the basics of electronics. You will learn about how coils, transformers, capacitors, etc are used in common circuits.  
**Order Code VT202**

**VT203** 57 minutes. Part Three; Semiconductors. Gives you an exciting look into the world of semiconductors. With basic semiconductor theory. Plus 15 different semiconductor devices explained.  
**Order Code VT203**

**VT204** 56 minutes. Part Four; Power Supplies. Guides you step-by-step through different sections of a power supply.  
**Order Code VT204**

**VT205** 57 minutes. Part Five; Amplifiers. Shows you how amplifiers work as you have never seen them before. Class A, class B, class C, op.amps. etc.  
**Order Code VT205**

**VT206** 54 minutes. Part Six; Oscillators. Oscillators are found in both linear and digital circuits. Gives a good basic background in oscillator circuits.  
**Order Code VT206**

By the time you have completed VT206 you have completed the basic electronics course and should have a good understanding of the operation of basic circuit elements.

## VCR MAINTENANCE

**VT102** 84 minutes: Introduction to VCR Repair. Warning, not for the beginner. Through the use of block diagrams this video will take you through the various circuits found in the NTSC VHS system. You will follow the signal from the input to the audio/video heads then from the heads back to the output.  
**Order Code VT102**

**VT103** 35 minutes: A step-by-step easy to follow procedure for professionally cleaning the tape path and replacing many of the belts in most VHS VCR's. The viewer will also become familiar with the various parts found in the tape path.  
**Order Code VT103**

Each video uses a mixture of animated current flow in circuits plus text, plus cartoon instruction etc., and a very full commentary to get the points across. The tapes are imported by us and originate from VCR Educational Products Co, an American supplier.

(All videos are to the UK PAL standard on VHS tapes)

**Now for the digital series of six videos. This series is designed to provide a good grounding in computer technology.**

**VT301** 54 minutes. Digital One; Gates begins with the basics as you learn about seven of the most common gates which are used in almost every digital circuit, plus Binary notation.  
**Order Code VT301**

**VT302** 55 minutes. Digital Two; Flip Flops will further enhance your knowledge of digital basics. You will learn about Octal and Hexadecimal notation groups, flip-flops, counters, etc.  
**Order Code VT302**

**VT303** 54 minutes. Digital Three; Registers and Displays is your next step in obtaining a solid understanding of the basic circuits found in today's digital designs. Gets into multiplexers, registers, display devices, etc.  
**Order Code VT303**

**VT304** 59 minutes. Digital Four; DAC and ADC shows you how the computer is able to communicate with the real world. You will learn about digital-to-analogue and analogue-to-digital converter circuits.  
**Order Code VT304**

**VT305** 56 minutes. Digital Five; Memory Devices introduces you to the technology used in many of today's memory devices. You will learn all about ROM devices and then proceed into PROM, EPROM, EEPROM, SRAM, DRAM, and MBM devices.  
**Order Code VT305**

**VT306** 56 minutes. Digital Six; The CPU gives you a thorough understanding in the basics of the central processing unit and the input/output circuits used to make the system work.  
**Order Code VT306**

By now you should have a good understanding of computer technology and what makes computers work. This series is also invaluable to the computer technician to understand the basics and thus aid troubleshooting.

**VT401** 61 minutes. A.M. Radio Theory. The most complete video ever produced on a.m. radio. Begins with the basics of a.m. transmission and proceeds to the five major stages of a.m. reception. Learn how the signal is detected, converted and reproduced. Also covers the Motorola C-QUAM a.m. stereo system.  
**Order Code VT401**

**VT402** 58 minutes. F.M. Radio Part 1. F.M. basics including the functional blocks of a receiver. Plus r.f. amplifier, mixer oscillator, i.f. amplifier, limiter and f.m. decoder stages of a typical f.m. receiver.  
**Order Code VT402**

**VT403** 58 minutes. F.M. Radio Part 2. A continuation of f.m. technology from Part 1. Begins with the detector stage output, proceeds to the 19kHz amplifier, frequency doubler, stereo demultiplexer and audio amplifier stages. Also covers RDS digital data encoding and decoding.  
**Order Code VT403**

**VT501** 58 minutes. Fibre Optics. From the fundamentals of fibre optic technology through cable manufacture to connectors, transmitters and receivers.  
**Order Code VT501**

**ORDERING:** Add £1.50 p&p per order for UK orders. **OVERSEAS ORDERS:** Add £3 postage for countries in the EEC. Overseas orders outside the EEC countries add £3 per tape airmail postage (or £6 per order surface mail postage).

All payments in £ sterling only (send cheque or money order drawn on a UK bank).

Visa and Mastercard orders accepted - please give card number, card expiry date and cardholder's address if different from the delivery address.

Orders are normally sent within seven days but please allow a maximum of 28 days - longer for overseas orders.

Send your order to: Direct Book Service, 33 Gravel Hill, Merley, Wimborne, Dorset BH21 1RW (Mail Order Only)

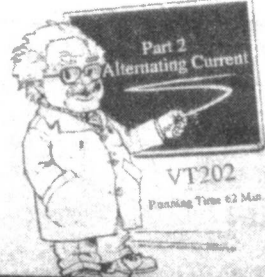
Direct Book Service is a division of

Wimborne Publishing Ltd.,

Tel: 01202 881749. Fax: 01202 841692

**£29.95**  
each inc. VAT

**UCANDO**  
VCR EDUCATIONAL PRODUCTS COMPANY  
PRESENTS

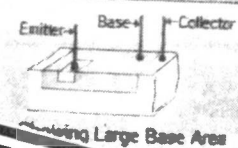


**UCA**  
VCR EDUCATIONAL PRODUCTS COMPANY

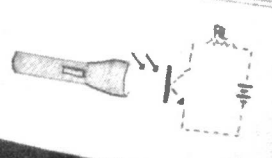


**ORDER EIGHT OR MORE TOGETHER - GET ONE FREE (or order 16 together and get TWO FREE)**

**PHOTOTRANSISTOR**



**PHOTOTRANSISTOR**



## £1 BARGAIN PACKS

You get another FREE if you order 10 of the same number.

- 1 x 12V Stepper Motor. 7.5 degree. Order Ref: 910.
- 1 x 10 pack Screwdrivers. Order Ref: 909.
- 2 x 5 amp Pull-Cord Ceiling Switches. Brown. Order Ref: 921.
- 5 x Reels Insulation Tape. Order Ref: 911.
- 2 x 14mm Bull-races. Order Ref: 912.
- 2 x Cord Grip Switch Lamp Holders. Order Ref: 913.
- 1 x DC Voltage Reducer. 12V-6V. Order Ref: 916.
- 1 x 10 amp 40V Bridge Rectifier. Order Ref: 889.
- Lightweight Stereo Headphones. Moving coil so superior sound. Order Ref: 896.
- 2 x 25W Crossovers. For 4ohm loudspeakers. Order Ref: 22.
- 2 x NiCad Constant Current Chargers. Easily adaptable to charge almost any NiCad battery. Order Ref: 30.
- 18V-0V-18V 10VA mains transformer. Order Ref: 813.
- 2 x White Plastic Boxes. With lids, approx. 3" cube. Lid has square hole through the centre so these are ideal for light-operated switch. Order Ref: 132.
- 2 x Reed Relay Kits. You get 8 reed switches and 2 coil sets. Order Ref: 148.
- 12V-0V-12V 6A mains transformer, p.c.b. mounting. Order Ref: 938.
- 1 x Big Pull Solenoid. Mains operated. Has 1/2" pull. Order Ref: 871.
- 1 x Big Push Solenoid. Mains operated. Has 1/2" push. Order Ref: 872.
- 1 x Mini Mono Amp. 3W into 4 ohm speaker or 1W into 8 ohm. Order Ref: 495.
- 1 x Mini Stereo 1W Amp. Order Ref: 870.
- 15V DC 150mA p.s.u., nicely cased. Order Ref: 942.
- 1 x In-Flight Stereo Unit is a stereo amp. Has two most useful mini moving coil speakers. Made for BOAC passengers. Order Ref: 29.
- 1 x 0-1mA Panel Meter. Full vision face 70mm square. Scaled 0-100. Order Ref: 756.
- 2 x Lithium Batteries. 2.5V penlight size. Order Ref: 874.
- 2 x 3m Telephone Leads. With BT flat plug. Ideal for 'phone extensions, fax, etc. Order Ref: 552.
- 1 x 12V Solenoid. Has good 1/2" pull or could push it modified. Order Ref: 232.
- 4 x In-Flex Switches. With neon on/off lights, saves leaving things switched on. Order Ref: 7.
- 2 x 6V 1A Mains Transformers. Upright mounting with fixing clamps. Order Ref: 9.
- 5 x 13A Rocker Switch. Three tags so on/off, or changeover with centre off. Order Ref: 42.
- Mini Cassette Motor, 9V. Order Ref: 944.
- 1 x Suck or Blow-Operated Pressure Switch. Or it can be operated by any low pressure variation such as water level in tanks. Order Ref: 67.
- 1 x 6V 750mA Power Supply. Nicely cased with mains input and 6V output lead. Order Ref: 103A.
- 2 x Stripper Boards. Each contains a 400V 2A bridge rectifier and 14 other diodes and rectifiers as well as dozens of capacitors, etc. Order Ref: 120.
- 12 Very Fine Drills. For PCB boards etc. Normal cost about 80p each. Order Ref: 128.
- 5 x Motors for Model Aeroplanes. Spin to start so needs no switch. Order Ref: 134.
- 6 x Microphone Inserts. Magnetic 400 ohm, also act as speakers. Order Ref: 139.
- 6 x Neon Indicators. In panel mounting holders with lens. Order Ref: 180.
- 1 x In-Flex Solderstat. Keeps your soldering iron etc always at the ready. Order Ref: 196.
- 1 x Mains Solenoid. Very Powerful, 1/2" pull, or could push if modified. Order Ref: 199.
- 1 x Electric Clock. Mains operated. Put this in a box and you need never be late. Order Ref: 211.
- 4 x 12V Alarms. Makes a noise about as loud as a car horn. All brand new. Order Ref: 221.
- 2 x (8" x 4") Speakers. 16 ohm 5 watts, so can be joined in parallel to make a high wattage column. Order Ref: 243.
- 1 x Panostat. Controls output of boiling ring from simmer up to boil. Order Ref: 252.
- 2 x Oblong Push Switches. For bell or chimes, these can switch mains up to 5A so could be footswitch if fitted in pattress. Order Ref: 263.
- 50 x Mixed Silicon Diodes. Order Ref: 293.
- 1 x 6 Digit Mains Operated Counter. Standard size but counts in even numbers. Order Ref: 28.
- 2 x 6V Operated Reed Relays. One normally on, other normally closed. Order Ref: 48.
- 1 x Cabinet Lock. With two keys. Order Ref: 55.
- 6 1/2" 6W 5 Watt Speaker. Order Ref: 824.
- 1 x Shaded-Pole Mains Motor. 3/4" stack, so quite powerful. Order Ref: 85.
- 2 x 5 Aluminium Fan Blades. Could be fitted to the above motor. Order Ref: 86.
- 1 x Case, 3 1/2" x 2 1/4" x 1 1/4" with 13A socket pins. Order Ref: 845.
- 4 x Luminous Rocker Switches. 10A mains. Order Ref: 793.
- 4 x Different Standard V3 Microswitches. Order Ref: 340.
- 4 x Different Sub Min Microswitches. Order Ref: 313.

## BARGAINS GALORE

**British Telecom Multimeter.** It is a 20,000 OPV with a full vision scale, nicely cased, measuring approximately 6" x 4" x 2 1/2" deep. Has six D.C. volt ranges up to 250V, five A.C. ranges up to 1000V, five D.C. current ranges up to 1A and three resistance ranges, one low resistance, one medium and the other up to one Megohm. All ranges are selected by one central control switch. Price complete with leads £8.50, Order Ref: 8.5P3. Carrying case with handle available and space for small tools, £2 extra.

**Infra Red Controller.** Made for Thorn TV sets but suitable for other control purposes. Fully built and ready to operate, real bargain, £21, Order Ref: 2P304.

**Hall Effect.** Give positive or negative pulses when magnet passes over it. Mounted on small PCB, £1, Order Ref: 1032.

**Digital Multi-Tester.** 30 range, model no. 3800, normal price £40, our price £25, Order Ref: 25P14. Brand new and guaranteed.

**Water Pump with spindle** for operation by portable drill, £5, Order Ref: 5P240.

**Mains Klaxon Type Alarm.** Very loud output but adjustable. Completely encased, shelf or wall mounting, £5, Order Ref: 5P226.

**Speed Controller for 12V DC Motors.** Suitable for motors with horse powers up to one third and drawing currents up to 30A. Gives very good control of speed. Uses MOS-FETS and is based on a well tried circuit which appeared in the *Model Engineer* some time ago. The complete kit with case and on/off switch, price £18, Order Ref: 18P8.

**Figure-8 Flex.** Figure-8 flat white pvc lead, flexible with 4sq.mm cores. Ideal for speaker extensions and bell circuits. Also adequately insulated for mains lighting. 50m coil, £2. Order Ref: 2P345, 12m coil, £1, Order Ref: 1014.

**Friedland Underdone Bell.** Their ref: 792. A loud ringer but very neat, 3" diameter, complete with wall fixing screws, £5, Order Ref: 5P232.

**Flashing Beacon.** Ideal as a warning light, the fire alarm, etc. Xenon tube produces intense pulse of light. Operates from 12V DC and is supplied complete with mounting base. Price £7.50, Order Ref: 7.5P13.

**12V 10A Switch Mode Power Supply.** For only £9.50 and a little bit of work because you have to convert our 135W PSU. Modifications are relatively simple - we supply instructions. Simply order PSU Ref: 9.5P2 and request modification details, price still £9.50.

**Medicine Cupboard Alarm.** Or it could be used to warn when any cupboard door is opened. The light shining on the unit makes the bell ring. Completely built and neatly cased, requires only a battery, £3, Order Ref: 3P155.

**Don't Let it Overflow!** Be it bath, sink, cellar, sump or any other thing that could flood. This device will tell you when the water has risen to the pre-set level. Adjustable over quite a useful range. Neatly cased for wall mounting, ready to work when battery fitted, £3, Order Ref: 3P156.

**Very Powerful Mains Motor.** With extra long (2 1/2") shafts extending out each side. Makes it ideal for a reversing arrangement for, as you know, shaded-pole motors are not reversible, £3, Order Ref: 3P157.

**45A Double-Pole Mains Switch.** Mounted on a 6" x 3 1/2" aluminium plate, beautifully finished in gold, with pilot light. Top quality, made by MEM, £2, Order Ref: 2P316.

**Lamp Dimmer.** Suitable for up to 250W, on standard plate so fits directly in place of existing switch. Coloured red, blue, yellow or green but will take emulsion paint, £2 each. Order Ref: 2P380.

**LCD 3 1/2 Digit Panel Meter**  
This is a multi-range voltmeter/ammeter using the A-D converter chip 7106 to provide five ranges each of volts and amps. Supplied with full data sheet. Special snip price of £12, Order Ref: 12P19.

**12V/24V DC Solenoid.** The construction of this is such that it will pull or push. With 24V this is terrifically powerful but is still quite good at 12V. £1, Order Ref: 877.

**Don't Stand Out In The Cold.** Our 12m telephone extension lead has a flat BT socket one end and flat BT plug other end, £2, Order Ref: 2P338.

**20 W's 4 Ohm Speaker.** Mounted on baffle with front grille, £3, Order Ref: 3P145. Matching 4 ohm 20W tweeter on separate baffle, £1.50, Order Ref: 1.5P9.

**Telephone Extension Wire,** 4-core correctly colour coded, intended for permanent extensions, 25m coil, £2, Order Ref: 2P339.

**High Power Switch Mode PSU.** Normal mains input, three outputs: +12V at 4A, +5A at 16A and -12V at 1/2A. Completely enclosed in plated steel case, Brand new. Our special offer price of £9.50, Order Ref: 9.5P1.

**Phillips 9" High Resolution Monitor.** Black and white in metal frame for easy mounting. Brand new, still in maker's packing, offered at less than price of tube alone, only £15, Order Ref: 15P1.

**3/8" Rubber Grommets** for insulation through panel. Packet of 100, £1, Order Ref: 181.

**Mains Transformer 6V-0V-6V 6VA.** £1, Order Ref: 330.

**Ceramic Wave Change Switch,** 12-pole, 3-way with 1/4" spindle, £1, Order Ref: 303.

**Luminous Rocker Switches.** Packet of 3, £1, Order Ref: 373.

**Cased Mains Power Supply** with leads, ideal to operate doorbell, £1, Order Ref: 102.

**High Current A.C. Mains Relay.** This has a 230V coil and changeover switch rated at 15A with PCB mounting with clear plastic cover, £1, Order Ref: 965.

**Ultra Thin Drills,** actually 0.3mm. To buy these regular costs a fortune. However, these are packed in half dozens and the price to you is £1 per pack. Order Ref: 797B.

**You Can Stand On It!** Made to house GPO telephone equipment, this box is extremely tough and would be ideal for keeping your small tools in. Internal size approx. 10 1/2" x 4 1/2" x 6" high. Complete with carrying strap, price £2, Order Ref: 2P283B.

**Ultrasonic Transducers.** Two metal cased units, one transmits, one receives. Built to operate around 40kHz. Price £1.50 the pair. Order Ref: 1.5P4.

**Power Supply with Extras.** Mains input is fused and filtered and the 12V DC output is voltage regulated. Intended for high class equipment, this is mounted on a PCB and, also mounted on the board, but easily removed, are two 12V relays and Piezo sounder, £3, Order Ref: 3P80B.

**Mains 230V Fan.** Best make "PAPST", 4 1/4" square, metal blades, £8, Order Ref: 8P8.

## BARGAINS GALORE

**2MW Laser.** Helium neon by Philips, full spec. £30, Order Ref: 30P1. Power supply for this in kit form with case is £15, Order Ref: 15P16, or in larger case to house tube as well £18, Order Ref: 18P2. The larger unit, made up, tested and ready to use, complete with laser tube £88, Order Ref: 69P1.

**12V 8ohm speaker,** only £1.50 and waterproof.

**Solar Charger.** Holds 4AA NiCads and recharges these in eight hours, in very neat plastic case £6, Order Ref: 6P3.

**Ferrite Aerial Rod.** 8" long 3/8" diameter, made by Mullard. Complete with two coils, 2 for £1, Order Ref: 832P.

**Air-Spaced Trimmer Caps.** 2-20pF, ideal for precision tuning UHF circuits, 4 for £1, Order Ref: 818B.

**Modem Amstrad FM240.** As new condition but customer return, so you may need to fault find, £8, Order Ref: 8P34.

**Amstrad Power Unit.** 13-5V at 1-9A or 12V at 2A encased and with leads and output plug, normal mains input, £8, Order Ref: 6P23.

**80W Mains Transformer.** Two available, good quality, both with normal primaries and upright mounting, one is 20V 4A, Order Ref: 3P106, the other 40V 2A, Order Ref: 3P107, only £3 each.

**Project Box.** Size approx. 8" x 4" x 4 1/2" metal, sprayed grey, louvred ends for ventilation otherwise undrilled. Made for GPO so best quality, only £3 each. Order Ref: 3P74.

**Sintinel Component Board.** Amongst hundreds of other parts, this has 15 ICs, all plug-in so do not need desoldering. Cost well over £100, yours for £4, Order Ref: 4P67.

**Sinclair 9V 2-1A Power Supply.** Made to operate the 138K Spectrum Plus 2, cased with input and output leads. Originally listed at around £15, are brand new, our price is only £3, Order Ref: 3P151.

**15W 8 Ohm 8" Speaker & 3" Tweeter.** Made for a discontinued high quality music centre, gives real hi-fi and only £4 per pair. Order Ref: 4P57.

**Water Pump.** Very powerful, mains operated, £10, Order Ref: 10P74.

**0-1mA Full Vision Panel Meter.** 2 1/2" square, scaled 0-100 but scale easily removed for re-writing, £1, each. Order Ref: 756.

**Amstrad Keyboard Model KB5.** This is a most comprehensive keyboard, having over 100 keys including, of course, full numerical and qwerty. Brand new, still in maker's packing, £5, Order Ref: 5P202.

**Unusual Solenoid.** Solenoids normally have to be energised to pull in and hold the core, this is a disadvantage where the appliance is left on for most of the time. We now have magnetic solenoids which hold the core until a voltage is applied to release it, £2, Order Ref: 2P327.

**Mains Filter.** Resin impregnated, nicely cased, p.c.b. mounting, £2, Order Ref: 2P315.

**0V-20V DC Panel Meter.** This is a nice size 65mm sq. It is ideal if you are making a voltage variable instrument or battery charger. Price £3, Order Ref: 3P188.

**Another 12V-0V-12V Transformer** is a 50VA and is suitable for dropping through the chassis or as it is fitted with four pillars it can be mounted above the chassis. Also should you want a 12V 4A transformer then this one should be quite suitable, you use just one half of the secondary. Price £3.50, Order Ref: 3.5P7.

**15W 8" 8 Ohm Speaker and 3" Tweeter.** Amstrad, made for their high quality music centre, £4 per pair. Order Ref: 4P57.

**Insulation Tester with Multimeter.** Internally generates voltages which enables you to read insulation directly in megohms. The multimeter has four ranges, AC/DC volts, 3 ranges milliamps, 3 ranges resistance and 5 amp range. These instruments are ex-British Telecom but in very good condition, tested and guaranteed OK, probably cost at least £50, yours for only £7.50 with leads, carrying case £2 extra, Order Ref: 7.5P4.

**We Have Some** of the above testers but slightly faulty, not working on all ranges, should be repairable, we supply diagram, £3, Order Ref: 3P176.

**Clock Module.** 2" LCD display, requires 1.5V battery, goes back to zero when switched off so ideal for timing operations, £2, Order Ref: 2P307.

**Field Telephones.** Ex-GPO, reconditioned, just join together with almost any length twin wire, £15 each, Order Ref: 15P62.

**Heavy Duty Time Switch (Smiths).** Will switch on up to 100A, ex-electricity board, reconditioned, £10, Order Ref: 10P14.

**Lead Lamp.** Ideal for motorists, normal handgrip and hanging hook, takes 60W bulb protected by glass cover, £4, Order Ref: 4P31.

**Ultrasonic Car or House Alarm.** Operates from its own battery, nicely cased, is reasonably loud and can be coupled to external horn, £10, Order Ref: 10P76.

**Clock Module.** 2" LCD display, requires 1.5V battery, goes back to zero when switched off so ideal for timing operations, £2, Order Ref: 2P307.

**Quartz Clock Mechanisms.** Complete with 2 sets of hands, modern or period, made up ready to work, £3, Order Ref: 3P111.

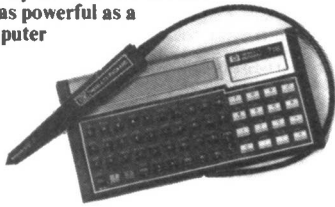
**12V-6V Reducer.** Plugs into car socket to work radio, etc. £2, Order Ref: 2P318.

Prices include VAT. Send cheque/postal order or ring and quote credit card number. Add £3 post and packing. Orders over £25 post free.

**M & B ELECTRICAL SUPPLIES LTD**  
Pilgrim Works (Dept. E.E.)  
Stairbridge Lane, Bolney,  
Sussex RH17 5PA  
Telephone: 01444 881965  
(Also fax but phone first)  
Callers to 12 Boundary Road,  
Hove, Sussex.

## HEWLETT PACKARD HP71B

As easy to use as a calculator  
but as powerful as a  
computer



### BARCODE READER Smart wand

— Automatically  
recognises and  
decodes all major  
bar-code standards.

● A powerful set of basic functions, statements, and operators – over 230 in all – many larger computers don't have a set of basic instructions this complete.

● Advanced statistics functions enabling computations on up to 15 independent variables.

● Recursive subprograms and user defined functions.

● An advanced internal file system for storing programs and data – The HP71 has continuous memory – when you turn the computer off it retains programs and data.

● A keyboard that can be easily customised for your specific application.

● HP-1L Interface pre-installed to create a system that can print, plot, store, retrieve and display information. Control or read instruments or speak to other computers, 5000 bytes/sec.

Built in ROM includes 46 separate commands, Interface to HP-1L, HP-1B, RS232C, GPIO or series 80. Includes connection cables.

These are second users systems, ex NHS, are fully tested and working but have no programming (THAT IS UPTO YOU).

HP71B.....£29.95

Bar-code Reader.....£12.95

A.C. Power Supply.....£4.95  
(Works from batteries normally)

Keyboard Overlay.....£1.00  
(Limited quantities)

(Unknown Program – Memory  
Modules (2 different types).....£3.00  
(Limited quantities)

Complete kit of HP71B, Bar-code Reader  
and power supply.....£39.50

(Prices include VAT –

Delivery Next day £3.00)

(Currently selling in US for over £500!)

#### INTERCONNECTIONS LTD

Unit 41, InShops, Wellington Centre  
Aldershot, Hants, GU11 5DB  
Tel: (01252) 341900 Fax: (01293) 822786

Please rush me

HP71B Powerful Calc Computer (a £29.95)

Bar-code Reader (a £12.95)

Power Supply (a £4.95)

Keyboard overlay (a £1.00)

Memory module (a £3.00)

Complete kit of HP71B, Bar-code Reader

and Power Supply (a £39.50)

Total payment £..... + £3 delivery = £..... Tel.....

We accept Mastercard, Visa, Cheques or money orders – please post the above form to us.  
or Fax it, or Telephone with a verbal credit card order.

Please debit credit card

No..... Exp.....

Name.....

Address.....

.....

.....

..... Postcode.....



## NEWMARKET TRANSFORMERS LTD.



Unit 15, Craven Way Industrial Est., Newmarket, Suffolk. CB8 0AP  
Telephone: (01638) 662989 Facsimile: (01683) 660799

### TOROIDAL TRANSFORMER MANUFACTURERS 220/240V ANY Two Secondaries

VA	Price	Dimensions
30	£11.30	70 x 35mm
50	£12.40	80 x 45mm
80	£13.90	90 x 35mm
120	£14.80	90 x 45mm
160	£18.95	110 x 45mm
225	£21.75	110 x 50mm
300	£23.80	110 x 60mm
500	£29.85	140 x 60mm
625	£34.70	140 x 70mm
800	£39.80	125 x 65mm
1000	£45.70	160 x 70mm

Prices include VAT & Carriage

For further information and quantity discounts, contact Michael Dornan

Phone: 01638 662989 Fax: 01638 660799

## N. R. BARDWELL LTD (EPE)

200 Signal diodes 1N4148.....£1.00	25 3mm red l.e.d.s.....£1.00
75 Rectifier Diodes 1N4001.....£1.00	25 Asstd. high brightness l.e.d.s.....£1.00
50 Rectifier Diodes 1N4007.....£1.00	50 Axial l.e.d.s (Diode package).....£1.00
25 Rectifier Diodes 1N5401.....£1.00	12 Asstd. 7-segment displays.....£1.00
10 NE555 Timer I.C.s.....£1.00	2 ORP12 light dependant resistors.....£1.00
50 Asstd. Zener Diodes.....£1.00	30 Asstd. IF transformers.....£1.00
30 BC212L Transistors.....£1.00	48 Asstd. coil formers.....£1.00
30 BC213L Transistors.....£1.00	100 Asstd. RF chokes (inductors).....£1.00
20 BC327 Transistors.....£1.00	30 Asstd. connectors edge.d.i.l., sil etc.....£1.00
30 BC328 Transistors.....£1.00	30 Asstd. d.i.l. sockets up to 40-pin.....£1.00
30 BC337 Transistors.....£1.00	200 Asstd. disc ceramic capacitors.....£1.00
30 BC478 Transistors.....£1.00	80 Asstd. capacitors 1nF to 1µF.....£1.00
30 BC546 Transistors.....£1.00	80 Asstd. electrolytic capacitors.....£1.00
30 BC547 Transistors.....£1.00	10 4P3W MBB min. rotary switches.....£1.00
30 BC548 Transistors.....£1.00	20 Min. SP/CO slide switches.....£1.00
30 BC549 Transistors.....£1.00	20 1" glass reed switches.....£1.00
30 BC550 Transistors.....£1.00	200 4N7 mini axial capacitors.....£1.00
25 BC557 Transistors.....£1.00	24 24-pin d.i.l. wire wrap i.c. skts.....£1.00
30 BC558 Transistors.....£1.00	1 12V motorised volume control 50k.....£1.00
30 BC559 Transistors.....£1.00	50 Grommets 6.3mm id. 9.5mm od.....£1.00
25 BC840 Transistors.....£1.00	100 c/w 1/4W 5% resistors any one value, E24, range 1R to 10M.....£0.45
30 MPSA42 Transistors.....£1.00	
30 MPSA92 Transistors.....£1.00	
20 2N3702 Transistors.....£1.00	
20 2N3904 Transistors.....£1.00	
10 78M08 8V 500mA Pos Regulators.....£1.00	
10 79M08 8V 500mA Neg Regulators.....£1.00	
30 5mm red l.e.d.s.....£1.00	

Prices include VAT, postage £1.25. Stamp for Lists

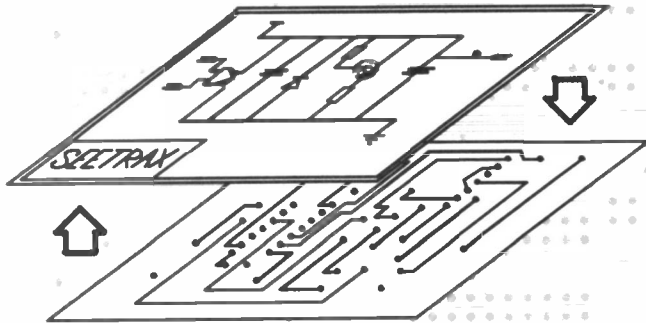
288 Abbeydale Road, Sheffield S7 1FL

Phone (0114) 2552886 Fax (0114) 2500689

# SEETRAX CAE - RANGER - PCB DESIGN

## Ranger1 £100

- \* Schematic capture linked to PCB
- \* Parts and wiring list entry
- \* Outline (footprint) library editor
- \* Manual board layout
- \* Full design rule checker
- \* Back annotation (linked to schematic)
- \* Power, memory and signal autorouter - £50



All systems upward compatible. Trade-in deals available.

Call **Seetrax CAE** for further information/demo packs.  
Tel 0705 591037 Fax 0705 599036

Seetrax CAE, Hinton Daubnay House, Broadway Lane,  
Lovedean, Hampshire, PO8 0SG

All trademarks acknowledged.

## Ranger2 £599

- All the features of Ranger1 plus
- \* Gate & pin swapping (linked to schematic)
- \* Track highlighting
- \* Auto track necking
- \* Copper flood fill
- \* Power planes (heat-relief & anti-pads)
- \* Rip-up & retry autorouter

## Ranger3 £3500

- All the features of Ranger2 plus
- \* UNIX or DOS versions
- \* 1 Micron resolution and angles to 1/10th degree
- \* Hierarchical or flat schematic
- \* Unlimited design size
- \* Any-shaped pad
- \* Split power planes
- \* Optional on-line DRC
- \* 100% rip-up & retry, push & shove autorouter

## Outputs to:

- \* 8/9 and 24 pin dot-matrix printers
- \* HP Desk/Laser Jet, Canon BJet, Postscript (R3 only)
- \* HP-GL, Houston Instruments plotters
- \* Gerber photoplotters
- \* NC Drill Excellon, Sieb & Meyer
- \* AutoCAD DXF



# Direct Book Service

The books listed have been selected by *Everyday with Practical Electronics* editorial staff as being of special interest to everyone involved in electronics and computing. They are supplied by mail order direct to your door. Full ordering details are given on the last book page. For another selection of books see next month's issue.

## Everyday with Practical Electronics Books

### ELECTRONIC PROJECTS - BOOK 1

Published by *Everyday Electronics* in association with Magenta Electronics.  
Contains twenty of the best projects from previous issues of EE each backed with a kit of components. The projects are: Seashell Sea Synthesiser, EE Treasure Hunter, Mini Strobe, Digital Capacitance Meter, Three Channel Sound to Light, BBC 16K Sideways Ram, Simple Short Wave Radio, Insulation Tester, Stepper Motor Interface, Eprom Eraser, 200MHz Digital Frequency Meter, Infra Red Alarm, EE Equaliser Ioniser, Bat Detector, Acoustic Probe, Mains Tester and Fuse Finder, Light Rider - (Lapel Badge, Disco Lights, Chaser Light), Musical Doorbell, Function Generator, Tilt Alarm, 10W Audio Amplifier, EE Buccaneer Induction Balance Metal Detector, BBC Midi Interface, Variable Bench Power Supply, Pet Scarer, Audio Signal Generator.  
128 pages (A4 size) **Order code EPI** £2.45

### ELECTRONICS TEACH-IN 88/89 - INTRODUCING MICROPROCESSORS

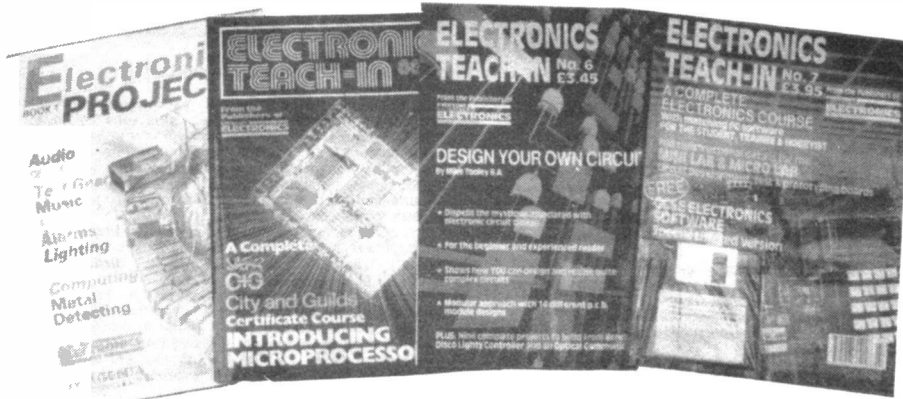
Mike Tooley BA (published by *Everyday Electronics*)  
A complete course that can lead successful readers to the award of a City and Guilds Certificate in Introductory Microprocessors (726/303). The book contains everything you need to know including full details on registering for assessment, etc. Starting with basic terminology, integrated circuits, logic families and numbering systems the text builds in stages, with revision and assessments built in, up to programming, languages, flow charts, etc. The course is ideal for the newcomer to the subject.  
80 pages (A4 size) **Order code TI-88-89** £2.45

### ELECTRONICS TEACH-IN No. 6 DESIGN YOUR OWN CIRCUITS

(Published by *Everyday with Practical Electronics*)  
Mike Tooley BA  
This book is designed for the beginner and experienced reader alike, and aims to dispel some of the mystique associated with the design of electronic circuits. It shows how even the relative newcomer to electronics can, with the right approach, design and realise quite complex circuits.  
Fourteen individual p.c.b. modules are described which, with various detailed modifications, should allow anyone to design and construct a very wide range of different projects. Nine "hands-on" complete DIY projects have also been included so readers can follow the thinking behind design, assembly, construction, testing and evaluation, together with suggested "mods" to meet individual needs. The practical projects have each been designed to stand on their own as complete items of equipment. P.C.B.s for all the modules and projects are available by mail order.  
The subjects covered in each chapter of the book are: Introduction and Power Supplies; Small Signal Amplifiers; Power Amplifiers; Oscillators; Logic Circuits; Timers; Radio; Power Control; Optoelectronics.  
The nine complete constructional projects are: Versatile Bench Power Supply; Simple Intercom; Bench Amplifier/Signal Tracer; Waveform Generator; Electronic Die; Pulse Generator; Radio Receiver; Disco Lights Controller; Optical Communications Link.  
136 pages (A4 size) **Order code T16** £3.45

### TEACH-IN No. 7 plus FREE Software ANALOGUE AND DIGITAL ELECTRONIC COURSE

(Published by *Everyday with Practical Electronics*)  
Alan Winstanley and Keith Dye  
B. Eng(Tech)AMIEE  
The highly acclaimed *Teach-In* series, which included the construction and use of the *Mini Lab* and *Micro Lab* test and development units, has been put together in book form. Additionally EPT Educational Software have developed a GCSE Electronics software program to compliment the course and a FREE DISC covering the first two parts of the course is included with the book.  
An interesting and thorough tutorial series aimed specifically at the novice or complete beginner in electronics. The series is designed to support those undertaking either GCSE Electronics or GCE Advanced Levels, and starts with fundamental principles.  
If you are taking electronics or technology at school or college, this book is for you. If you just want to learn the basics of electronics then this is for you. If you are teaching electronics or technology you must make sure you see it. *Teach-In No. 7* will be invaluable if you are considering a career in electronics or even if you are already training in one. The *Mini Lab* and software enable the construction and testing of both demonstration and development circuits. These learning aids bring electronics to life in an enjoyable and interesting way; you will both see and hear the electron in action! The *Micro Lab* microprocessor add-on system will appeal to higher level students and those developing microprocessor projects.  
152 pages (A4 size) **Order code T17** £3.95



## Computers and Computing

### HOW TO CHOOSE A SMALL BUSINESS COMPUTER SYSTEM

D. Weale  
This book is for anyone intending to buy an IBM compatible computer system, whether it is their first system or a replacement. There are sections on hardware, application and systems programs and how to actually make your choice as well as sections on the law, ergonomics and a glossary of common terms.  
The text contains many useful tips and some warnings (which could save much effort and expense).  
114 pages **Order code BP223** £4.95

### MAKING MS-DOS WORK FOR YOU (covers version 6.2)

N. Kantaris & P. R. M. Oliver  
This book was written with the busy person in mind and, as such, it has an underlying structure based on "what you need to know first, appears first". Nonetheless, the book has also been designed to be circular, which means that you don't have to start at the beginning and go to the end.  
The book explains. How to write customised batch files which allow you to display what you want on your screen, and in the form and order you want it, instead of being forced to use the DOS prompt on a blank screen. How to design and set up a fast interactive and professional looking menu system, so that you or anyone else can run utility applications or commercial software packages easily. How the ANSI SYS display and keyboard commands can be used to position the cursor on any part of the screen, change the intensity of the displayed characters or change their colour. How the Edit screen editor or the Edlin line editor can be used to enter ESCape (ANSI.SYS) commands into simple ASCII files to allow control of both your screen display and your printer. How to control the operation of the two main types of printers in use today, Epson compatible dot matrix and HP compatible laser printers. How to use several routines, such as moving and finding files, protecting files from accidental erasure,

a simplified backup process, a screen saver, and a disc cataloguing system.  
The Debug program and how it can be used to create, see and change the contents of any file, including those of programs written in assembler code. This includes how to find your way around the names and tasks of the CPU registers and the meaning of some simple assembler mnemonics.  
182 pages **Order code BP319** £4.95

### MULTIMEDIA ON THE PC

Ian R. Sinclair  
In this book, you'll find out what a CD ROM is, how it works, and why it is such a perfect add-on for a PC, allowing you to buy programmes, text, graphics and sound on a CD. It also describes the installation of a CD ROM drive and a sound card, pointing out the common problems that arise, and then shows how to use them to create a complete multimedia presentation that contains text, photos, a soundtrack with your own voice recorded as a commentary, even animation and edited video footage.  
184 pages **Order code PC112** £11.95

### A CONCISE INTRODUCTION TO MS-DOS

N. Kantaris  
This guide is written with the non-expert, busy person in mind and, as such, it has an underlying structure based on "what you need to know first, appears first". Nevertheless, the guide is also designed to be circular, which means that you don't have to start at the beginning and go to the end. The more experienced user can start from any section.  
The guide covers versions 3.0, 3.1 and 3.2 of both PC-DOS and MS-DOS as implemented by IBM and other manufacturers of "compatible" microcomputers.  
64 pages **Order code BP232** £2.95

### UNDERSTANDING PC SPECIFICATIONS

R. A. Penfold  
If you require a microcomputer for business applications, or a high quality home computer, an IBM PC or compatible is often the obvious choice. They are competitively priced, and are backed up by an enormous range of applications programs, hardware add-ons, etc. The main difficulty for the uninitiated is deciding on the specification that will best suit his or her needs. PCs range from simple systems of limited capabilities up to complex systems that can happily run applications that would have been considered beyond the abilities of a microcomputer not so long ago. It would be very easy to choose a PC system that is inadequate to run your applications efficiently, or one which goes beyond your needs and consequently represents poor value for money.  
This book explains PC specifications in detail, and the subjects covered include the following: Differences between types of PC (XT, AT, 80386, etc.); Maths co-processors; Input devices (keyboards, mice, and digitisers); Memory, including both expanded (EMS) and extended RAM; RAM disks and disk caches; Floppy disk drive formats and compatibility; Hard disk drives (including interleave factors and access times); Display adaptors, including all standard PC types (CGA, Hercules, Super VGA, etc.); Contains everything you need to know if you can't tell your EMS from your EGA!  
104 pages **Order code BP282** £4.95

### AN INTRODUCTION TO 6800 ASSEMBLY LANGUAGE

R. A. & J. W. Penfold  
Obtain a vast increase in running speed by writing programs for 6800 based micros such as the Commodore, Amiga, Atari ST range or Apple Macintosh range etc., in assembly language. It is not as difficult as one might think and this book covers the fundamentals.  
112 pages **Order code BP184** £2.95

## Testing and Test Gear

### HOW TO USE OSCILLOSCOPES AND OTHER TEST EQUIPMENT

R. A. Penfold

This book explains the basic function of an oscilloscope, gives a detailed explanation of all the standard controls, and provides advice on buying. A separate chapter deals with using an oscilloscope for fault finding on linear and logic circuits, plenty of example waveforms help to illustrate the control functions and the effects of various fault conditions. The function and use of various other pieces of test equipment are also covered, including signal generators, logic probes, logic pulsers, and crystal calibrators.

104 pages

Order code BP267

£3.50

## Theory and Reference

### ELECTRONIC HOBBYISTS HANDBOOK

R. A. Penfold

Provides an inexpensive single source of easily located information that the amateur electronics enthusiast is likely to need for the day-to-day pursuit of this fascinating hobby. Covers common component colour codes. Details the characteristics and pinouts of many popular semiconductor devices, including various types of logic i.c.s, operational amplifiers, transistors, FETs, unijunctions, diodes, rectifiers, SCRs, diacs, triacs, regulators and SMDs, etc. Illustrates many useful types of circuits, such as timers and oscillators, audio amplifiers and filters, as well as including a separate section on power supplies. Also contains a multitude of other useful data.

88 pages

Order code BP233

£4.95

### FROM ATOMS TO AMPERES

F. A. Wilson

Explains in crystal clear terms the absolute fundamentals behind electricity and electronics. Really helps you to discover and understand the subject, perhaps for the first time ever.

Have you ever: Wondered about the true link between electricity and magnetism? Felt you could never understand the work of Einstein, Newton, Boltzmann, Planck and other early scientists? Just accepted that an electron is like a little black ball? Got mixed up with e.m.f. and p.d.? Thought the idea of holes in semiconductors is a bit much?

Then help is at hand with this inexpensive book, in as simple a way as possible and without too much, complex mathematics and formulae.

244 pages

Temporarily out of print

### ELECTRONICS - A "MADE SIMPLE" BOOK

G. H. Olsen

Electronic devices surround us on all sides and their numbers are increasing without mercy. Ours is the problem therefore in keeping up with this relentless expansion. Unfortunately we cannot know it all and most of us do not wish to afford the cost of large reference books which explain many concepts in fair detail. Here is an answer, an inexpensive reference guide which explains briefly (but we hope, well) many of the underlying electronics features of practical devices, most of which, to a certain extent, control our lives.

This book is in effect more than just a dictionary of practical electronics terms, it goes a stage further in also getting down to fundamentals. Accordingly the number of terms

## Project Building

### HOW TO GET YOUR ELECTRONIC PROJECTS WORKING

R. A. Penfold

We have all built projects only to find that they did not work correctly, or at all, when first switched on. The aim of this book is to help the reader overcome just these problems by indicating how and where to start looking for many of the common faults that can occur when building up projects.

96 pages

Order code BP110

£2.95

### HOW TO DESIGN AND MAKE YOUR OWN P.C.B.S.

R. A. Penfold

Deals with the simple methods of copying printed circuit board designs from magazines and books and covers all aspects of simple p.c.b. construction including photographic methods and designing your own p.c.b.s.

80 pages

Order code BP121

£2.50

### A BEGINNER'S GUIDE TO MODERN ELECTRONIC COMPONENTS

R. A. Penfold

The purpose of this book is to provide practical information to help the reader sort out the bewildering array of components currently on offer. An advanced knowledge of the theory of electronics is not needed, and this book is not intended to be a course in electronic theory. The main aim

## Audio and Music

### PRACTICAL MIDI HANDBOOK

R. A. Penfold

The Musical Instrument Digital Interface (MIDI) is surrounded by a great deal of misunderstanding, and many of the user manuals that accompany MIDI equipment are quite incomprehensible to the reader.

The Practical MIDI Handbook is aimed primarily at musicians, enthusiasts and technicians who want to exploit the vast capabilities of MIDI, but who have no previous knowledge of electronics or computing. The majority of the book is devoted to an explanation of what MIDI can do and how to exploit it to the full, with practical advice on connecting up a MIDI system and getting it to work, as well as deciphering the technical information in those manuals.

128 pages

Order code PC101

£6.95

### AN INTRODUCTION TO LOUSPEAKERS AND ENCLOSURE DESIGN

V. Capel

This book explores the various features, good points and snags of speaker designs. It examines the whys and wherefores so that the reader can understand the principles involved and so make an informed choice of design, or even design loudspeaker enclosures for him or herself. Crossover units are also explained, the various types, how they work, the distortions they produce and how to avoid them. Finally there is a step-by-step description of the construction of the *Kapellmeister* loudspeaker enclosure.

148 pages

Order code BP256

£2.95

### ACOUSTIC FEEDBACK - HOW TO AVOID IT

V. Capel

Feedback is the bane of all public address systems. While feedback cannot be completely eliminated, many things can be done to reduce it to a level at which it is no longer a problem.

Much of the trouble is often the hall itself, not the equipment, but there is a simple and practical way of greatly improving acoustics. Some microphones are prone to feedback while others are not. Certain loudspeaker systems are much better than others, and the way the units are positioned can produce or reduce feedback. All these matters are fully explored as well as electronic aids such as equalizers, frequency-shifters and notch filters.

The special requirements of live group concerts are considered, and also the related problem of instability that is sometimes encountered with large set-ups. We even take a look at some unsuccessful attempts to cure feedback so as to save readers wasted time and effort duplicating them.

Also included is the circuit and layout of an inexpensive but highly successful twin-notch filter, and how to operate it.

92 pages

Order code BP310

£3.95

### PREAMPLIFIER AND FILTER CIRCUITS

R. A. Penfold

This book provides circuits and background information for a range of preamplifiers, plus tone controls, filters, mixers, etc. The use of modern low noise operational amplifiers and a specialist high performance audio preamplifier i.c. results in circuits that have excellent performance, but which are still quite simple. All the circuits featured can be built at quite low cost (just a few pounds in most cases).

The preamplifier circuits featured include: Microphone preamplifiers (low impedance, high impedance, and crystal). Magnetic cartridge pick-up preamplifiers with R.I.A.A. equalisation. Crystal/ceramic pick-up preamplifier. Guitar pick-up preamplifier. Tape head preamplifier (for use with compact cassette systems).

Other circuits include: Audio limiter to prevent overloading of power amplifiers. Passive tone controls. Active tone controls. PA filters (highpass and lowpass). Scratch and rumble filters. Loudness filter. Audio mixers. Volume and balance controls.

92 pages

Order code BP309

£3.95

### COMPUTERS AND MUSIC - AN INTRODUCTION

R. A. Penfold

Computers are playing an increasingly important part in the world of music, and the days when computerised music was strictly for the fanatical few are long gone.

If you are more used to the black and white keys of a synth keyboard than the QWERTY keyboard of a computer, you may be understandably confused by the jargon and terminology bandied about by computer buffs. But fear not, setting up and using a computer-based music making system is not as difficult as you might think.

This book will help you learn the basics of computing, running applications programs, wiring up a MIDI system and using the system to good effect, in fact just about everything you need to know about hardware and the programs, with no previous knowledge of computing needed or assumed. This book will help you to choose the right components for a system to suit your personal needs, and equip you to exploit that system fully.

174 pages

Order code PC107

£8.95

### ELECTRONIC PROJECTS FOR GUITAR

R. A. Penfold

This book contains a collection of guitar effects and some general purpose effects units, many of which are suitable for beginners to project building. An introductory chapter gives guidance on construction.

Each project has an introduction, an explanation of how it works, a circuit diagram, complete instructions on strip-board layout and assembly, as well as notes on setting up and using the units. Contents include: Guitar tuner; Guitar preamplifier; Guitar headphone amplifier; Soft distortion unit; Compressor; Envelope wasa wasa; Phaser; Dual tracking effects unit; Noise gate/expander; Treble booster; Dynamic treble booster; Envelope modifier; Tremolo unit; DI box.

110 pages

Order code PC110

£8.95

### HIGH POWER AUDIO AMPLIFIER CONSTRUCTION

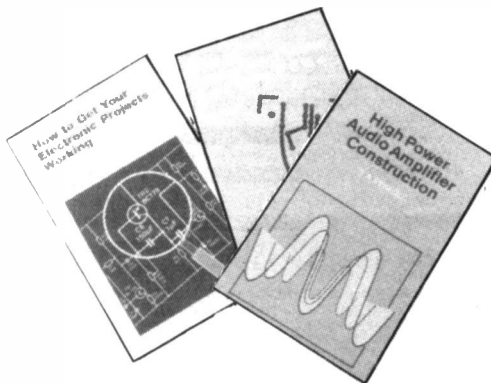
R. A. Penfold

Practical constructional details of how to build a number of audio power amplifiers ranging from about 50 to 300/400 watts r.m.s. Includes MOSFET and bipolar transistor designs.

96 pages

Order code BP277

£3.95



may be limited but the explanations of the many which are included are designed to leave the reader more competent and satisfied - and this is without the use of complicated mathematics which often on first reading can be confusing.

For those who also wish to get right down to the root of the matter, there is a second volume entitled *A Reference Guide to Basic Electronics Terms* (BP286), each of the books referring to its companion as necessary.

A reference guide for practically everybody concerned with electronics.

432 pages

Order code BP287

£6.95

### ELECTRONIC MODULES AND SYSTEMS FOR BEGINNERS

Owen Bishop

This book describes over 60 modular electronic circuits, how they work, how to build them, and how to use them. The modules may be wired together to make hundreds of different electronic systems, both analogue and digital. To show the reader how to begin building systems from modules, a selection of over 25 electronic systems are described in detail, covering such widely differing applications as timing, home security, measurement, audio (including a simple radio receiver), games and remote control.

200 pages

Temporarily out of print

is to explain the differences between components of the same basic type (e.g. carbon, carbon film, metal film, and wire-wound resistors) so that the right component for a given application can be selected. A wide range of components are included, with the emphasis firmly on those components that are used a great deal in projects for the home constructor.

166 pages

Order code BP285

£3.95

### ELECTRONICS SIMPLIFIED - CRYSTAL SET CONSTRUCTION

F. A. Wilson, C.G.I.A., C.Eng., F.I.E.E., F.I.E.R.E., F.B.I.M.

Especially written for those who wish to participate in the intricacies of electronics more through practical construction than by theoretical study. It is designed for all ages upwards from the day one can read intelligently and handle simple tools.

80 pages

Order code BP92

£1.75

### DESIGN YOUR OWN CIRCUITS

See the first page of books - ELECTRONICS TEACH-IN No. 6 - for full details.

### ELECTRONICS PROJECT BOOK

Published by *Everyday Electronics* in association with *Magenta Electronics*.

See the first page of books for full details.

# Circuits and Design

## PRACTICAL ELECTRONIC FILTERS

Owen Bishop

This book deals with the subject in a non-mathematical way. It reviews the main types of filter, explaining in simple terms how each type works and how it is used.

The book also presents a dozen filter-based projects with applications in and around the home or in the constructor's workshop. These include a number of audio projects such as a rhythm sequencer and a multi-voiced electronic organ.

Concluding the book is a practical step-by-step guide to designing simple filters for a wide range of purposes, with circuit diagrams and worked examples.

88 pages **Order code BP299** £4.95

## ELECTRONIC ALARM CIRCUITS MANUAL

R. M. Merston

One hundred and forty useful alarm circuits, of a variety of types, are shown in this volume. The operating principle of each one is explained in concise but comprehensive terms, and brief construction notes are given where necessary.

Aimed at the practical design engineer, technician and experimenter, as well as the electronics student and amateur.

124 pages **Order code NE11** £13.95

## DIGITAL GATES AND FLIP-FLOPS

Ian R. Sinclair

This book, intended for enthusiasts, students and technicians, seeks to establish a firm foundation in digital electronics by treating the topics of gates and flip-flops thoroughly and from the beginning.

Topics such as Boolean algebra and Karnaugh mapping are explained, demonstrated and used extensively, and more attention is paid to the subject of synchronous counters than to the simple but less important ripple counters.

No background other than a basic knowledge of electronics is assumed, and the more theoretical topics are explained from the beginning, as also are many working practices. The book concludes with an explanation of microprocessor techniques as applied to digital logic.

200 pages **Order code PC106** £8.95

## ELECTRONIC CIRCUITS FOR THE COMPUTER CONTROL OF ROBOTS

Robert Penfold

Robots and robotics offer one of the most interesting areas for the electronics hobbyist to experiment in. Today the mechanical side of robots is not too difficult, as there are

robotics kit and a wide range of mechanical components available. The microcontroller is not too much of a problem either, since the software need not be terribly complex and many inexpensive home computers are well suited to the task.

The main stumbling block for most would-be robot builders is the electronics to interface the computer to the motors, and the sensors which provide feedback from the robot to the computer. The purpose of this book is to explain and provide some relatively simple electronic circuits which bridge this gap.

92 pages **Order code BP179** £2.95

## ELECTRONIC POWER SUPPLY HANDBOOK

Ian R. Sinclair

This book covers the often neglected topic of electronic power supplies. All types of supplies that are used for electronics purposes are covered in detail, starting with cells and batteries and extending by way of rectified supplies and linear stabilisers to modern switch-mode systems, i.e. switch-mode regulators, DC-DC converters and inverters.

The devices, their operating principles and typical circuits are all dealt with in detail. The action of rectifiers and the reservoir capacitor is emphasised, and the subject of stabilisation is covered. The book includes some useful formulae for assessing the likely hum level of a conventional rectifier reservoir supply.

136 pages **Order code PC108** £7.95

## 50 SIMPLE LED CIRCUITS

R. N. Soar

Contains 50 interesting and useful circuits and applications, covering many different branches of electronics, using one of the most inexpensive and freely available components – the light-emitting diode (LED). Also includes circuits for the 707 common anode display.

64 pages **Order code BP42** £1.95

## BOOK 2 50 more l.e.d. circuits.

50 pages **Order code BP87** £1.95

## CIRCUIT SOURCE BOOK 1

A. Penfold

Written to help you create and experiment with your own electronic designs by combining and using the various standard "building block" circuits provided. Where applicable, advice on how to alter the circuit parameters is given.

The circuits covered in this book are mainly concerned with analogue signal processing and include: Audio

amplifiers (op.amp and bipolar transistors); audio power amplifiers; d.c. amplifiers; highpass, lowpass, bandpass and notch filters; tone controls; voltage controlled amplifiers and filters; triggers and voltage comparators; gates and electronic switching; bargraphs; mixers; phase shifters, current mirrors, hold circuits, etc.

Over 150 circuits are provided, which it is hoped will be useful to all those involved in circuit design and application, be they professionals, students or hobbyists.

182 pages **Order code BP321** £4.95

## CIRCUIT SOURCE BOOK 2

R. A. Penfold

This book will help you to create and experiment with your own electronic designs by combining and using the various standard "building blocks" circuits provided. Where applicable, advice on how to alter the circuit parameters is provided.

The circuits covered are mainly concerned with signal generation, power supplies, and digital electronics.

The topics covered in this book include: 555 oscillators; sine wave oscillators; function generators; CMOS oscillators; voltage controlled oscillators; radio frequency oscillators; 555 monostables; CMOS monostables; TTL monostables; precision long timers; power supply and regulator circuits; negative supply generators and voltage boosters; digital dividers; decoders, etc.; counters and display drivers; D/A and A/D converters; opto-isolators, flip/flops, noise generators, tone decoders, etc.

Over 170 circuits are provided, which it is hoped will be useful to all those involved in circuit design and application, be they professionals, students or hobbyists.

192 pages **Order code BP322** £4.95

## HOW TO USE OP.AMPS

E. A. Parr

This book has been written as a designer's guide covering many operational amplifiers, serving both as a source book of circuits and a reference book for design calculations. The approach has been made as non-mathematical as possible.

160 pages **Order code BP88** £2.95

## A BEGINNER'S GUIDE TO TTL DIGITAL ICs

R. A. Penfold

This book first covers the basics of simple logic circuits in general, and then progresses to specific TTL logic integrated circuits. The devices covered include gates, oscillators, timers, flip/flops, dividers, and decoder circuits. Some practical circuits are used to illustrate the use of TTL devices in the "real world".

142 pages **Order code BP332** £4.95

# Radio, TV, Satellite

## PROJECTS FOR RADIO AMATEURS AND S.W.L.S.

R. A. Penfold

This book describes a number of electronic circuits, most of which are quite simple, which can be used to enhance the performance of most short wave radio systems.

The circuits covered include:- An aerial tuning unit; A simple active aerial; An add-on b.f.o. for portable sets; A wavetraper to combat signals on spurious responses; An audio notch filter; A parametric equaliser; C.W. and S.S.B. audio filters; Simple noise limiters; A speech processor; A volume expander.

Other useful circuits include a crystal oscillator, and RTTY/C.W. tone decoder, and a RTTY set to parallel converter. A full range of interesting and useful circuits for short wave enthusiasts.

92 pages **Order code BP304** £3.95

## AN INTRODUCTION TO AMATEUR RADIO

I. D. Poole

Amateur radio is a unique and fascinating hobby which has attracted thousands of people since it began at the turn of the century.

This book gives the newcomer a comprehensive and easy to understand guide through the subject so that the reader can gain the most from the hobby. It then remains an essential reference volume to be used time and again. Topics covered include the basic aspects of the hobby, such as operating procedures, jargon and setting up a station. Technical topics covered include propagation, receivers, transmitters and aerials etc.

150 pages **Order code BP257** £3.50

## AERIAL PROJECTS

R. A. Penfold

The subject of aerials is vast but in this book the author has considered practical aerial designs, including active, loop and ferrite aerials which give good performances and are relatively simple and inexpensive to build. The complex theory and mathematics of aerial design have been avoided.

Also included are constructional details of a number of aerial accessories including a pre-selector, attenuator, filters and a tuning unit.

96 pages **Order code BP105** £2.50

## SIMPLE SHORT WAVE RECEIVER CONSTRUCTION

R. A. Penfold

Short wave radio is a fascinating hobby, but one that seems to be regarded by many as an expensive pastime these days. In fact it is possible to pursue this hobby for a minimal monetary outlay if you are prepared to undertake a bit of d.i.y., and the receivers described in this book can all be built at low cost. All the sets are easy to construct, full wiring diagrams etc. are provided, and they are suitable for complete beginners. The receivers only require simple aerials, and do not need any complex alignment or other difficult setting up procedures.

The topics covered in this book include: The broadcast bands and their characteristics; The amateur bands and their

characteristics; The propagation of radio signals; Simple aerials; Making an earth connection; Short wave crystal set; Simple t.r.f. receivers; Single sideband reception; Direct conversion receiver.

Contains everything you need to know in order to get started in this absorbing hobby.

88 pages **Order code BP275** £3.95

## AN INTRODUCTION TO AMATEUR COMMUNICATIONS SATELLITES

A. Pickford

Communications and broadcast satellites are normally inaccessible to individuals unless they are actively involved in their technicalities by working for organisations such as British Telecom, the various space agencies or military bodies. Even those who possess a satellite television receiver system do not participate in the technical aspects of these highly technological systems.

There are a large number of amateur communications satellites in orbit around the world, traversing the globe continuously and they can be tracked and their signals received with relatively inexpensive equipment. This equipment can be connected to a home computer such as the BBC Micro or IBM compatible PCs, for the decoding of received signals.

This book describes several currently available systems, their connection to an appropriate computer and how they can be operated with suitable software.

102 pages **Order code BP290** £3.95

## INTERNATIONAL RADIO STATIONS GUIDE

P. Shore

Provides the casual listener, amateur radio DXer and the professional radio monitor with an essential reference work designed to guide him or her around the ever more complex radio bands. This new edition has been completely revised and rewritten and incorporates much more information which is divided into the following sections:

Listening to Short Wave Radio; Choosing a Short Wave Radio Receiver; How to Use the IRSG; Abbreviations; County Codes; Worldwide Short Wave Radio Stations; European, Middle Eastern and African Long Wave Radio Stations; European, Near and Middle Eastern and African Medium Wave Radio Stations; Canadian Medium Wave Radio Stations; USA Medium Wave Radio Stations; Broadcasts in English; Programmes for DXers and Short Wave Listeners; UK FM Radio Stations; Time Differences From GMT; Wavelength/Frequency Conversion.

226 pages **Order code BP255** £5.95

## DIRECT BOOK SERVICE ORDERING DETAILS

Please state the title and order code clearly, print your name and address and add the required postage to the total order.

Add £1.50 to your total order for postage and packing (overseas readers add £3 for countries in the EEC, or add £6 for all countries outside the EEC, surface mail postage) and send a PO, cheque, international money order (£ sterling only) made payable to **Direct Book Service** or credit card details (including card expiry date), Visa or Mastercard (Access) – minimum credit card order is £5 – quoting your name and address, the order code and quantities required to **DIRECT BOOK SERVICE, 33 GRAVEL HILL, MERLEY, WIMBORNE, DORSET BH21 1RW (mail order only).**

Although books are normally sent within seven days of receipt of your order, please allow a maximum of 28 days for delivery. Overseas readers allow extra time for surface mail post.

Please check price and availability (see latest issue of *Everyday with Practical Electronics*) before ordering from old lists.

For a further selection of books see next month's issue.

**DIRECT BOOK SERVICE IS A DIVISION OF WIMBORNE PUBLISHING LTD.**

the new

# CRICKLEWOOD Electronics

Very Interesting CATALOGUE

## ASTRONOMICAL RANGE AT DOWN TO EARTH PRICES

- TRANSISTORS+ICs+SEMICONDUCTORS
  - RESISTORS+CAPACITORS+INDUCTORS
  - SURVEILLANCE+SECURITY+SECURITY
  - PLUGS+SOCKETS+LEADS+CONNECTS
  - TV & VIDEO SPARES (inc Video Heads)
  - HI-FI+DISCO+HI-FI GADGETS+SPEAKERS
  - AUDIOPHILE COMPONENTS (inc Capacitors)
  - IN CAR AUDIO+SPEAKERS (inc Bass tubes)
  - COMPUTER ACCESSORIES+BOARDS
  - TOOLS+TEST EQUIPMENT+BENCHWARE
- & much much much more (over 10,000 lines).*

SEND TODAY FOR THE VERY INTERESTING CATALOGUE

Pay by PO, Cheque, Credit Card or tape Coins to Paper

Please send me .....copies of the 1995 Cricklewood Catalogue. I enclose £2.50 per copy (UK & Europe). £5.00 overseas

Name.....

Address.....

.....

.....

.....

Please Charge my Credit Card.no.....

Expiry Date.....Tel no.....PEE

Cricklewood Electronics Ltd, 40-42 Cricklewood Broadway

London NW2 3ET Tel 0181 450 0995 Fax 0181 208 1441

**HIGH QUALITY LOW COST C.C.T.V. CAMERA**  
 LOW LIGHT LEVEL 0.03 LUX @ F1.4  
 AUTO ELECTRONIC SHUTTER.  
 COMPOSITE VIDEO OUT VIA BNC PLUG.  
 SMALL DISCRETE SIZE.  
 CAN BE USED WITH PC DIGITISER.



This super quality CCD camera can be connected into your existing TV or video using the AV channel and can be used for discrete surveillance or observing your property externally using a suitable weatherproof housing. Can accommodate lighting levels ranging from daylight to street lighting using its built in electronic shutter. Excellent when using with an infra red source. Built in wide angle fixed focus lens the camera has a resolution of 380 TVL. Can be housed inside an empty floodlight case. (extra).

Special offer price of only: **£79.95 Plus VAT (P&P £2.50)**

For full range of CCTV products send SAE to:  
Direct CCTV Ltd., Dept. PE27., Unit 6, Carrick Court, Forrest Grove Business Park, Middlesbrough, TS2 1QE.

### KITS

**TIMER KIT.** Controls 4 outputs at preset times over a 7 day cycle. LED display. Easily programmed via keyboard. **£65.95**

**ELECTRONIC LOCK KIT.** Over 38,000 possible combinations. Alarm sounds after 3-9 failed guesses and locks out keyboard for preset time. **£25.50**

**SUPER SENSITIVE FM MICROBUG.** Runs off a 9V battery, fits in a match box, listen in on any FM radio. **£10.25**

**STROBE KIT.** Can be triggered by external voltage e.g. loudspeaker or as a slave flash for photographic purposes. **£21.85**

**10 BEGINNERS PROJECTS** **£19.95**

Plus many many more. Including all TK Kits.

For full details send your SAE now.

### COMPONENTS

We have a full range of electrical components at competitive prices. Send an SAE for price lists.

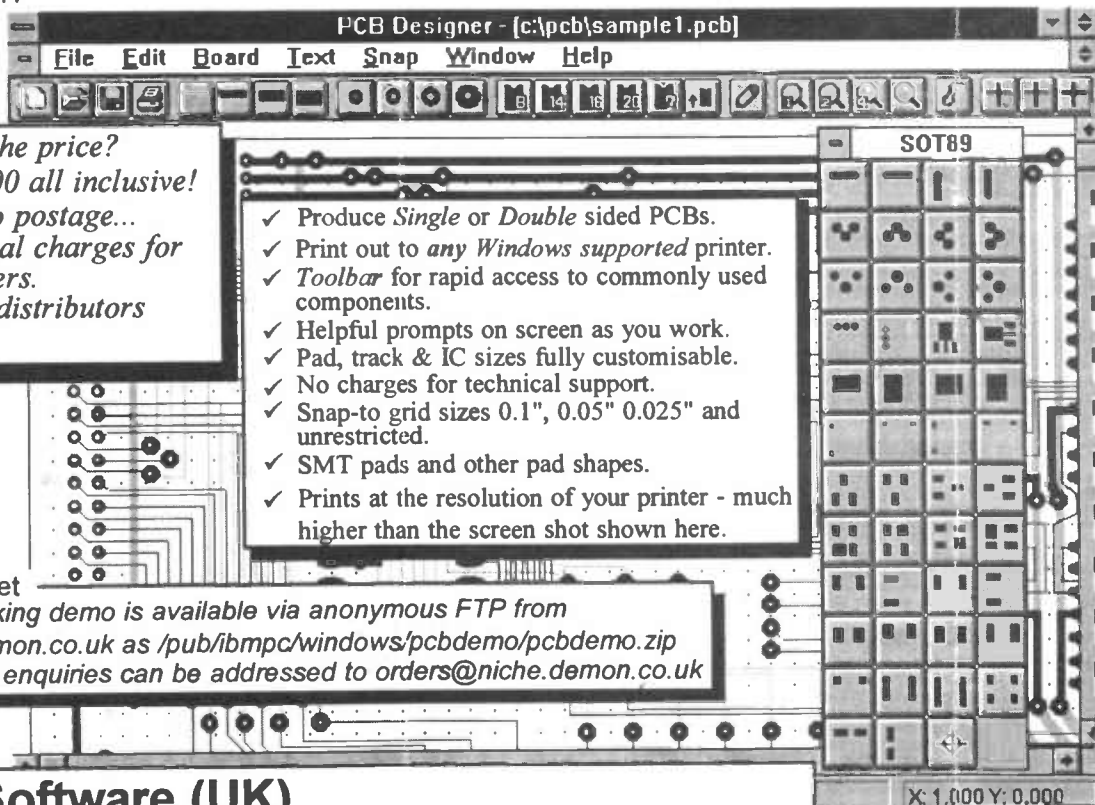
**GATS**  
ELECTRONICS

149 The Vale, Acton W3 7HR  
Tel: 0181 932 0144  
Fax: 0181 932 0145

# PCB Designer

For Windows 3.1

Runs on any PC running Windows 3.1 in standard or enhanced mode with 2MB RAM  
Will work with any Windows supported printer and monitor



Looking for the price?  
 It's just £49.00 all inclusive!  
 ...no VAT...no postage...  
 ...no additional charges for  
 overseas orders.  
 Dealers and distributors  
 wanted.

- ✓ Produce Single or Double sided PCBs.
- ✓ Print out to any Windows supported printer.
- ✓ Toolbar for rapid access to commonly used components.
- ✓ Helpful prompts on screen as you work.
- ✓ Pad, track & IC sizes fully customisable.
- ✓ No charges for technical support.
- ✓ Snap-to grid sizes 0.1", 0.05" 0.025" and unrestricted.
- ✓ SMT pads and other pad shapes.
- ✓ Prints at the resolution of your printer - much higher than the screen shot shown here.

Internet  
 A working demo is available via anonymous FTP from  
[ftp.demon.co.uk](ftp://ftp.demon.co.uk) as /pub/ibmpc/windows/pcbdemo/pcbdemo.zip  
 e-mail enquiries can be addressed to [orders@niche.demon.co.uk](mailto:orders@niche.demon.co.uk)

## Niche Software (UK)

22 Tavistock Drive, Belmont, Hereford, HR2 7XN.

Phone (01432) 355 414

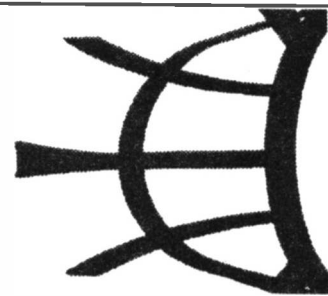






# REPORTING

# AMATEUR RADIO



**Tony Smith G4FAI**

## HOBBY OR POLITICS?

In 1992, an amateur station with the callsign 1B1NCC came on the air from the Turkish Republic of Northern Cyprus (TRNC) and worked several thousand other amateur stations worldwide. Enthusiasts in the TRNC had been promoting amateur radio and some UK-licensed amateurs donated transmitting equipment to help get the station established.

1B1NCC was subject to extensive and deliberate interference from other stations, mostly in Cyprus and Greece, and the Ministry of Communications of the Republic of Cyprus issued a statement asking that "under no circumstances should contact be made with this station".

Since that time, 1B1NCC has become the club station of the TRNC Amateur Radio Society and four more stations, with suffixes AA, AB, AC and AD (Class A) and one in Class B, 1B2AA, have come on the air.

The situation described arises from the division of Cyprus, following the Turkish invasion of 1974, which has been the subject of several United Nations resolutions calling for a peaceful solution to the problem and the re-creation of a united country.

Northern Cyprus has been unable to join the United Nations or its agencies, including the International Telecommunications Union (ITU), and the only country that recognises it is Turkey. Because it is not recognised by the ITU there is no legal callsign series for TRNC to use so it has taken the 1B prefix from the non-allocated list of ITU callsigns beginning with 1 or 0.

Although their stations have no international status, the TRNC ARS has persuaded its own government to amend its Radio & Telegraphy Act to cover amateur radio operation. The regulations are based on CEPT licensing requirements and IARU band plans, and licences are issued to any TRNC national who passes an amateur radio examination and a Morse test. Temporary licences are also issued to foreign nationals equivalent to their home licences.

The Cyprus Amateur Radio Society protested to the Executive Committee of the International Amateur Radio Union, Region 1, about the operation of amateur radio stations in Northern Cyprus. The EC expressed the opinion that the ITU regulations should be adhered to and that IARU Societies should inform their members that amateur radio stations should not contact stations with prefixes not issued by the ITU.

## NO DXCC STATUS

In the USA, the DX Advisory Committee of the American Radio Relay League (ARRL) rejected a proposal that the TRNC be granted separate country status for DXCC purposes. Such status, if

approved, would have enabled contacts with stations in Northern Cyprus to count for scoring in the prestigious DXCC Award programme, and in most contests, irrespective of the furor about them.

The TRNC ARS says that no stations have refused to work them because of the IARU recommendation, and that they take particular care to keep all of their contacts strictly non-political and relative to amateur matters.

The fact remains, however, that at present amateur stations in Northern Cyprus do not conform with international regulations, and the IARU has recommended that other amateur stations should not contact them.

The situation is complicated by the fact that radio amateurs are proud of their ability to communicate with each other on non-controversial matters irrespective of differences between their political masters. Some countries occasionally forbid contacts with specified other countries, but even at the height of the cold war it was possible to have friendly personal contacts between East and West.

The controversy over the TRNC amateur stations is clearly a symbol of the deep differences between Greek and Turkish Cypriots and there seems little possibility of amateur radio contacts between them. Amongst the rest of the world's amateur radio community there are divided opinions.

Some do take note of the views of the IARU and will not work TRNC stations. Others, because there has been no formal prohibition, feel they should be free to talk to either party without hindrance. Much as we would like to think otherwise, amateur radio is not immune to the stresses of international politics after all!

## YOUNG AMATEUR OF THE YEAR

Details of the Young Amateur of the Year Award 1995 have been announced by the Radiocommunications Agency. It is offered by the Agency in conjunction with the Radio Society of Great Britain and is open to anyone under 18 who has an interest in radio.

Applicants need not be licensed amateurs but the following areas of activity will be taken into account when assessing their applications. DIY radio construction; operation of radio; community service (e.g., assisting in emergency communications); encouraging others (e.g., through the amateur radio novice licence scheme), and school projects.

The prize for the most outstanding achievement between 1st August 1994 and 31st July 1995 will be £300 cash and the runner-up will receive £50. There may well be additional prizes for both winners provided by the radiocommunications industry. Both winners will

also be invited to visit the Agency's Radio Monitoring Station at Baldock in Hertfordshire.

Further details can be obtained from the Radio Society of Great Britain, Lambda House, Cranborne Road, Potters Bar, Herts EN6 3JE, to whom applications should be sent not later than 31st July 1995.

## THE STORY OF THE KEY

Many radio amateurs, and others, collect Morse keys. It is a fascinating hobby since the keys come in a variety of types, ranging from simple hand keys to modern complex electronic keyers. In some cases they go back long before radio, to the time when the electric telegraph, using a single wire and an earth return, was the "wonder of the age" spanning continents with ease.

Of interest to established collectors, and to those just thinking about starting, *Morsum Magnificat*, the Morse Magazine has just published "The Story of the Key", a reprint from the magazine of an authoritative six part series by Louise Moreau W3WRE. This covers the development of the key, beginning with Alfred Vail's "Correspondent", used on Samuel F.B. Morse's triumphant Baltimore to Washington demonstration of 1844.

It outlines the first attempts to increase sending speed (and at the same time alleviate "telegrapher's paralysis" or "glass arm") leading to the "Double Speed Key", or "Sideswiper" of 1888. It goes on to tell the amazing story of the Vibroplex semi-automatic key, which first appeared in 1904, involving legal battles by the company with its many imitators and the eventual "licensing" of the so-called "bastard bugs" to permit their use professionally.

Finally it tells how, with the advent of wireless, the landline straight key was adapted for "spark" use, and was later modified again when the power of the spark was no longer a problem.

The book also includes an alphabetical list of American Telegraph Instrument Makers from 1837 to 1900, with their addresses, dates of operation and a broad indication of the types of instruments they produced.

Originally intended for existing readers of *Morsum Magnificat*, the final result is a book which will have a much wider appeal. With over 75 indexed photographs of the keys described in the text, coupled with the information available in the list of makers, it will be an invaluable and entertaining source of reference for both key collectors and today's key users.

"The Story of the Key" has 60 pages x A5 soft-cover format. It is obtainable by post direct from G. C. Arnold Partners, 9 Wetherby Close, Broadstone, Dorset BH18 8JB, price £3.95 post free (UK), or £4.25 overseas by surface mail. Please mention *EPE* when ordering a copy.

**WE HAVE THE WIDEST CHOICE OF USED OSCILLOSCOPES IN THE COUNTRY**

**TEKTRONIX 7000 SERIES OSCILLOSCOPES Available from £200 - PLUG-IN'S SOLD SEPARATELY**

TEKTRONIX 2465 4 Channel 300MHz Delay Sweep Cursors	£1750
TEKTRONIX 2246A 4 Channel 100MHz Cursors Voltmeter etc	£1250
TEKTRONIX 2245A 4 Channel 100MHz Cursors etc	£1000
TEKTRONIX 465 Dual Trace 350MHz Delay Sweep	£750
TEKTRONIX 475A Dual Trace 250MHz Delay Sweep	£500
TEKTRONIX 465 Dual Trace 100MHz Delay Sweep	£350
TEKTRONIX SC50A Dual Trace 80MHz in TMS03	£400
TEKTRONIX 2215 Dual Trace 60MHz Delay Sweep	£400
TEKTRONIX 2215 Dual Trace 50MHz	£350
KIKUSUI CD55060T3 3 Channel 60MHz Delay Sweep	£350
TEKTRONIX 455 Dual Trace 50MHz Delay Sweep	£300
PHILIPS PM5217 Dual Trace 50MHz Delay Sweep	£240
GOLLE 011000 Dual Trace 30MHz Delay Sweep	£240
HITACHI V2233 Dual Trace 20MHz Delay Sweep	£240
BECKMAN 9020 Dual Trace 20MHz Delay Sweep	£240
HAMEG 412 Dual Trace 20MHz Delay Sweep	£240
WATSU SS5702 Dual Trace 20MHz	£200
TRO CS1566A Dual Trace 20MHz	£200
CROTECH 3132 Dual Trace 20MHz	£150
HITACHI V6045 Dual Trace 100MHz Dig Storage Cursors 40MS	£1100
PHILIPS PM335 4 Trace 100MHz Digital Storage	£850
GOLLE OS4000 Dual Trace 100MHz Digital Storage	£850
TEKTRONIX 464 Dual Trace 100MHz Analogue Storage	£850
HP 1741A Dual Trace 100MHz Analogue Storage	£800

**THIS IS JUST A SAMPLE - MANY OTHERS AVAILABLE**

EATON ALTECH 380K11 Synthesised Sig Gen 1MHz-2000MHz with PM1502 AM FM Phase Mod	£1900
HP 8655A Synthesised AM/FM Sig Gen 100kHz-990MHz	£1900
MARCONI 2019 Synthesised AM/FM Sig Gen 80kHz-1040MHz	£1250
MARCONI 2022 AM/FM Sig Gen 10kHz-1000MHz	£1250
MARCONI 2018 Synthesised AM/FM Sig Gen 80kHz-520MHz	£800
HP 8013B Pulse Gen 1Hz-50MHz	£400
WAVEFORM 801 Pulse Gen 50MHz	£300
MARCONI TF2337 Automatic Distortion Meter	£150
HAMEG 21331 Distortion Meter 0.1% 20kHz-20kHz 0.06%	£1700
MARCONI TF935B Audio Power Meter Signal	£100
MARCONI TF2163 Attenuator DC-1GHz	£100
HP 8495B Attenuator DC-18GHz 0dB-1dB in 1dB Steps	£350
HATFIELD 2105 Attenuator 50 Ohm	£75
TEKTRONIX TDR152	£1250
R & S Video Noise Meter UPSF2 with UPSF2E2	£750
R & S Noise Tester SHFP2 0.4kHz-1000MHz	£1250

**BRUNEL & ROOPE EQUIPMENT AVAILABLE PLEASE ENQUIRE**

**SPECTRUM ANALYSERS**

FRA7730 Synthesised 1GHz	£4000
HP 8565A 0.015GHz-22GHz	£4500
ANDOC AC8281 with AC8211 1700MHz	£1500
POLARAD G41-1 10MHz-18GHz	£1000
HP 142 with 8553B 100MHz-1500MHz	from £1500
HP 1411 with 8553A & 8552B 10MHz-18GHz	£1700
HP 1411 with 8554B & 8552B 500kHz-1250MHz	£1200
HP 1411 with 8553B & 8552A 1kHz-110MHz	£800
HP 1411 Main Frames Only, Good Cables	£225
MARCONI TF2370 30kHz-110MHz	£1000
TEKTRONIX 712 with Main Frame 10kHz-1900MHz	£1200
TEKTRONIX 712 with Main Frame 20MHz-5MHz	£1000

**Used Equipment - Guaranteed. Manuals supplied if possible.**  
 This is a VERY SMALL SAMPLE OF STOCK. SAE or telephone for lists. Please check availability before ordering. CARRIAGE all units £16. VAT to be added to Total of Goods and Carriage

**STEWART OF READING**  
 110 WYKEHAM ROAD, READING, BERKS RG6 1PL  
 Tel: 01734 268041 Fax: 01734 351696

**revised edition**

# TRANSMITTERS

**AT LAST.** A comprehensive, easy to follow guide to building short range transmitters and surveillance devices. Packed with useful information and circuits.

★ Only **£3.95** inc p&p.

(Some of the circuits included cannot be used legally in the UK)

**RADIO KITS**

All kits come with pre-drilled PCBs and high spec. components.

**MICRO FM TRANSMITTER (a).** 1km range, 80-100MHz preset inc. mic., very small (2 x 3cm) **£6.95**

**MICRO FM TRANSMITTER (b).** Variable mic. sens., tunable 90-110MHz. 1km range **£7.95**

**FM TRACKER.** Transmits an audio tone for direction finding, tracking etc. 80-110MHz **£8.50**

**ULTRA MINIATURE FM TRANSMITTER.** Runs off watch battery (inc), only 1x2cm, 200mtrs range. 80-100MHz **£8.95**

**FM RECEIVER (a).** Tiny high quality FM radio. Will drive headphones direct (not inc) **£10.90**

**FM RECEIVER (b).** As (a) but with 3 watt audio output and tuning LED **£13.50**

**CRYSTAL RADIO.** Includes tuner, earphone, ferrite aerial, etc. **£7.50**

**AM RADIO.** Single chip radio for headphones (not inc.) **£8.90**

**AUDIO KITS**

**AUDIO POWER AMPS**

**800mS Digital Delay Kit Only £24.95**

**15 WATT** General purpose upgrade **£8.95**

**40 WATT** High quality, HD 0-003%, switch on mute ideal for compact disc **£15.50**

**150 WATT** Rugged and powerful MOSFET design, PA/sound systems **£22.95**

**PREAMPS ETC**

**GENERAL PURPOSE PREAMP.** Variable gain 9-25V 40mV max in **£4.00**

**ULTRA LOW NOISE.** For high quality mixers, mics etc 9-25V **£4.50**

**ACTIVE TONE.** 12dB c/b bass and treble with variable gain **£8.95**

**7 BAND EQ.** 150Hz-18kHz for EQ units and tone control, includes on-board preamp and pots. Variable gain **£12.95**

**NOISE GATE.** Dynamic noise reduction system. Variable input and cut off level. Will accept instruments, tape decks etc **£15.95**

**MUSIC KITS.** Full range of on-board units for guitars and other instruments. Tone boosters, active circuits, delay lines, transducers. Send for list. Prices include P&P. **Mail Order Only.** Make cheques and postal orders payable to:

**JCG**  
 PO Box HP79, Woodhouse Street, Leeds LS6 3XN

**VARIABLE VOLTAGE TRANSFORMERS**

INPUT 220V/240V AC 50/60  
 OUTPUT 0V-260V

Price	P & P
0.5KVA 2.5 amp max	£31.90 £6.00
(£44.53 inc VAT)	
1KVA 5 amp max	£41.15 £7.00
(£56.58 inc VAT)	
2KVA 10 amp max	£59.40 £8.50
(£79.78 inc VAT)	
3KVA 15 amp max	£78.65 £8.50
(£102.40 inc VAT)	
5KVA 25 amp max	£139.15

(Plus Carriage)

Buy direct from the Importers. Keenest prices in the country

**COMPREHENSIVE RANGE OF TRANSFORMERS-LT-ISOLATION & AUTO**

110V-240V Auto transfer either cased with American socket and mains lead or open frame type. Available for immediate delivery

**WIDE RANGE OF XENON FLASH TUBES**  
 Write/Phone your enquiries

**ULTRA VIOLET BLACK LIGHT FLUORESCENT TUBES**

4ft 40 watt £14.00 (callers only)	(£16.45 inc VAT)
2ft 20 watt £9.00 (callers only)	(£10.58 inc VAT)
12in 8 watt £4.80 + 75p p&p	(£5.52 inc VAT)
9in 6 watt £3.96 + 50p p&p	(£4.24 inc VAT)
6in 4 watt £3.96 + 50p p&p	(£4.24 inc VAT)

**230V AC BALLAST KIT**  
 For either 6in, 9in or 12in tubes £6.05 + £1.40 p&p  
 (£8.75 inc VAT)

The above Tubes are suitable for Forged Bank Note detection, security marking etc  
 Other Wavelengths of U.V. TUBE available please telephone your enquiries

**400 WATT UV LAMP**  
 Only £38.00 + £4.00 p&p (£49.35 inc VAT)

**160 WATT SELF-BALLASTED BLACK LIGHT MERCURY BULB**  
 Available with E5 fitting  
 Price inc VAT & p&p £26.55

**12V D.C. BILGE PUMPS**  
 500 GPH 15ft head 3 amp £19.98  
 1750 GPH 15ft head 9 amp £34.65  
 Also now available  
 24V D.C. 1750 GPH 15ft head  
 5 amp £36.55  
 All designed to be used submerged.  
 PRICES INCLUDE P&P & VAT

**SUPER HY-LIGHT STROBE KIT**  
 Designed for Disco, Theatrical use etc  
 Approx 16 joules Adjustable speed £50.00 + £3.00 p&p  
 (£62.28 inc VAT)

Case and reflector £24.00 + £3.00 p&p (£31.73 inc VAT)  
 SAE for further details including Hy-Light and Industrial Strobe Kits

**SERVICE TRADING CO**  
 57 BRIDGMAN ROAD, CHISWICK, LONDON W4 5BB  
 TEL: 0181-995 1560 FAX: 0181-995 0549  
 ACCOUNT CUSTOMERS MIN. ORDER £10

# COMPAC ELECTRONICS

3L WEYLONG ROAD, DAGENHAM, ESSEX RM8 3AB  
 Tel: 0181 984 0831

**REMOTE CONTROLS**

Amstrad, Toshiba, from £5.  
 Ferguson, Philips, ITT, Sony from £10.  
 Universal Remote Control, operates TV, Video, Satellite, with Teletext buttons, £16.99 or non-Text £10.99.

We repair Philips hand sets. £5.00.  
 Pinch Rollers from £2.99  
 Video Fig. 8 Mains Lead, Telefunken type, £1.  
 R.F. Video leads, 50p.  
 SCART to SCART leads, £1.75.  
 SCART to SCART leads, all pins connected, £2.33.  
 Aerial R.F. cable, RG62, 30p per mtr.  
 Aerial R.F. male plugs, 30p each.  
 TV on/off switches, from £1.95, most types.  
 Halogen Lamps, 240V 500W, for outdoor floodlights, £1.75.  
 Miniature Tool Kit, comprises: side-cutters, knife, screwdrivers, £7.00  
 Varta, p.c.b. mounting rechargeable batteries, oval type Ni-Cad. Suitable for CMOS and NMOS systems. 2-4V 100mAh, 99p.  
 Ferguson TX90 tube bases, £2.  
 Ferguson TX100 SCART panels, £2.  
 Indoor amplified antenna, wide band, UHF/VHF, £1.99 plus £3. post & carr.  
 Philips K30 colour brightness controls, front draw etc, £2.  
 TV Loudspeakers, 6"x4", 16 ohms, £1.50 each.  
 Power Supply AC adapters, universal 300mA, £4.99, 750mA, £7.99.  
 Philips Krypton Torches, £1.50.  
 Philips Television G11 line output panel, complete, £5 plus £2. post & carr.  
 Philips Soldering Iron, 240V, 25W, £5.99.  
 Voltage Regulators, LM340T, 44p.

I.C.s: SAA3010P £3.40; TDA3651S1 £1.10; TDA3654 £1.85; TDA3651A £2.85; TDA3652A £2.85; TDA2600 £5.73; TDA2578 £3.43; TDA2579 £2.86; TDA2030 £2.28; TDA3653 £3.43; TDA3651 £2.29; TDA3652 £3.44; TDA 3564 £4.69; TDA4500 £3.43; TDA8180 £5.48; TDA8190 £3.43; TDA8361 £1.99; STK4793 £9.00.  
 DIODES: Type RH1, £2.00.  
 TRANSISTORS: BU208A £1.20; BU508AF £1.75; BU11AF 55p; BC327 10p; BC337 10p; BC338 10p; BC548 10p; BC549 10p.  
 CAPACITORS ELECTROLYTIC: 0.22u 50V 5p; 1u 50V 5p; 2.2u 50V 6p; 4.7u 25V 10p; 47u 100V 20p; 470u 25V 20p; 680u 63V 60p; 2.20u; 40V 60p; 3.30u; 25V 80p.

**SATELLITE**

Satellite Finder Kit, Meter etc £29.99.  
 Marconi Blue Cap, ex-rental, £5 plus £2 post & carr.  
 Amstrad Compact Black Cap, LNB, voltage switching, 1dB, special price £23.95 plus £2 post & carr.  
 Satellite dishes, Black Mesh 60cm, £26.99 plus £5 post & carr.  
**SPECIAL OFFER, satellite owners upgrade to Astra 1D with our ADX frequency extender, £26.99.** Can be used with standard or enhanced LNB.  
 Satellite cable, high quality copper screen, 30p mtr., 100 mtr. roll £27 plus £5 post & carr.  
 F. Connectors, 40p each.  
 MASPRO LNB FSS, 1.3dB max., £13.33.  
 NOKIA LNB FSS 1.3, £11.99.  
 NOKIA Feed Horns, for offset antenna, £8.  
 NOKIA Electromagnetic, Polarizers, £10. While stocks last.

**VIDEO**

Head Cleaners, £2.99.  
 Amstrad Universal remote controls, £6.00.  
 Periswitch SCART switching box, automatically switches between VCR, Satellite and TV. Expensive unit! Originally priced at £99.95. OUR PRICE £9.99. These units require an additional 12V d.c. adaptor at £4.99 and 3 SCART leads at £6. Technical details on request. £4 post & carr.

**AUDIO**

**CONNECTORS:** Phono to Phono connectors, 40p each; Phono plugs, red or black, 50p each; Phono sockets, red or black, 50p each. Philips Audio Cassette Head Cleaning Splicing Kit, £2.  
 High quality loudspeaker cable, 50p per mtr. Servicing Sprays £3.00 most types.  
 Ceramic Tube Pulse Capacitors, 20 for £1.  
 Ferguson surround sound extension TV speakers, with stand, £26 a pair, plus £5 post & carr.

**SPECIAL OFFER THIS MONTH**  
 PYE Stereo Cassette/Radio, FM/AM, New, Boxed, £25.99 plus £5 post & carr.

**L.O.P.T. TRANSFORMERS - WIDE RANGE AVAILABLE. PHILIPS, FERGUSON etc.**

This is just a small sample of components available, please phone with your requirements. Please add £1.00 postage & packing, except where stated otherwise. No VAT charged.

# EVERYDAY CLASSIFIED

With **PRACTICAL**

# ELECTRONICS

Everyday with Practical Electronics reaches nearly twice as many UK readers as any other independent monthly hobby electronics magazine, our audited sales figures prove it. We have been the leading independent monthly magazine in this market for the last ten years

If you want your advertisements to be seen by the largest readership at the most economical price our classified and semi-display pages offer the best value. The prepaid rate for semi-display space is £8 (+VAT) per single column centimetre (minimum 2.5cm). The prepaid rate for classified adverts is 30p (+VAT) per word (minimum 12 words).

All cheques, postal orders, etc., to be made payable to Everyday with Practical Electronics. **VAT must be added.** Advertisements, together with remittance, should be sent to Everyday with Practical Electronics Advertisements, Holland Wood House, Church Lane, Great Holland, Essex CO13 0JS. Phone/Fax (01255) 850596.

For rates and information on display and classified advertising please contact our Advertisement Manager, Peter Mew as above.

**THE BUG CONSTRUCTOR'S MANUAL**  
All you will ever need to know about Bugs. Over 40 Bug circuits for every application. Telephone, High Power, Crystal Controlled, and UHF Bugs and many pages of useful information. Many previously unavailable circuits. This is the very latest book, and the "ONLY" book of its kind in the UK. A valuable asset for the hobbyist and professional. Introductory offer price only **£9.95** inc. P&P.  
For immediate despatch, send cheque or P.O.'s payable to:  
**GAINSFORD ELECTRONICS,**  
71 Gainsford Road, Southampton SO19 7AW.

**YUGA ENTERPRISE**  
BA, LA, LB, LC, UPA,  
UPB, UPC, TA,  
TBA, TDA, TEA,  
2SA, 2SB, 2SC,  
2SJ, 2SK, SAA,  
STA, STK, STR,  
HA, AC, KA, KIA,  
IX, LM, MN, PA

Buy & Sell  
Japanese  
ICs & Transistors

TEL: (65) 741 0300  
FAX: (65) 749 1048  
705 Sims Drive #03-09  
Shun Li Industrial Complex,  
Singapore 1438.

**SURVEILLANCE KITS**  
MTX MICRO TRANSMITTER 18 x 45mm including sensitive electret mic., tuneable 70-115MHz, 500m range. KIT £5.95. ASSEMBLED £9.95.  
TTX TELEPHONE TRANSMITTER 15 x 45mm, powered from line, transmits all conversations, 500m range, 90MHz-105MHz. KIT £5.95. ASSEMBLED £10.95.  
Supplied with all components & high quality PCB's. Prices include P&P. Send 2 x 1st class stamps for our kits and publications catalogue. Cheques/P.O.'s payable to:  
**QUASAR ELECTRONICS**  
(Dept. EPE) Unit 14 Sunningdale  
Bishops Stortford Herts CM23 2PA

**FRASER ELECTRONICS**  
NEW CATALOGUE/PRICE LIST  
NOW AVAILABLE - 76 PAGES  
3000 items at competitive prices!  
Batteries • Buzzers • Cable • Displays  
Capacitors • Cases • Connectors • LDR  
CMOS • Crystals • Data switches • Diodes  
Displays • Fuses • Integrated circuits  
Knobs • LEDs • Loudspeakers • Relays  
Resistors • Solder equipment • Switches  
Transformers • Transistors • Triacs • etc  
For your copy, send your name and address, with 50p (stamp) towards cost of carriage to:  
**FRASER ELECTRONICS**  
42 Elm Grove, Southsea, Hants PO5 1JG

**BTEC ELECTRONICS TECHNICIAN FULL-TIME TRAINING**  
THOSE ELIGIBLE CAN APPLY FOR E.T. GRANT SUPPORT AN EQUAL OPPORTUNITIES PROGRAMME  
O.N.C., O.N.D. and H.N.C.  
Next course commences  
**Monday 18th September 1995**  
FULL PROSPECTUS FROM

**LONDON ELECTRONICS COLLEGE**  
(Dept EPE) 20 PENYVERN ROAD  
EARLS COURT, LONDON SW5 9SU  
TEL: 0171-373 8721

**RCS VARIABLE VOLTAGE D.C. BENCH POWER SUPPLY**  
1 to 24 volts up to 1/2 amp, 1 to 20 volts up to 1 amp, 1 to 18 volts up to 1 1/2 amps d.c. Fully stabilised. Twin panel meters for instant voltage and current readings. Overload protection  
Fully variable.  
Operates from 240V a.c.  
Compact unit.  
Size 9 x 5 1/2 x 3in.  
NEW MODEL. Up to 38volts d.c. at 8 amps. 10 amps peak. Fully variable Twin panel meters. Size 14 1/2 x 11 x 4 1/2in. £99 inc VAT Carr £6.

**£45 inc. VAT**  
+ Post and insurance £4

**RADIO COMPONENT SPECIALISTS**  
337 WHITEHORSE ROAD, CROYDON  
SURREY, U.K. Tel: 0181-684 1665  
Lots of transformers, high volt caps, valves, speakers, in stock.  
Phone or send your wants list for quote.

**THE BRITISH AMATEUR ELECTRONICS CLUB**  
exists to help electronics enthusiasts by personal contact and through a quarterly Newsletter.  
For membership details, write to the Secretary:  
**Mr. J. F. Davies, 70 Ash Road, Cuddington, Northwich, Cheshire CW8 2PB.**  
Space donated by Everyday with Practical Electronics

This 2 1/2cm space in  
Everyday with  
Practical Electronics  
Would ONLY cost you  
**£20** + VAT

## Miscellaneous

**PROTOTYPE PRINTED CIRCUIT BOARDS** one offs and quantities, for details send s.a.e. to B. M. Ansbro, 38 Poynings Drive, Hove, Sussex BN3 8GR, or phone Brighton 883871.

**G.C.S.E. ELECTRONICS KITS**, at pocket money prices. S.A.E. for FREE catalogue. SIR-KIT Electronics, 70 Oxford Road, Clacton, CO15 3TE.

**PLDs AND EPROMS** copied or programmed. We supply logic devices/convert discrete logic to PLDs. Also PCBs designed. Send for details to PO Box 1561 Bath (01225 444467).

**VALVE ENTHUSIASTS:** Capacitors and other parts in stock. For free advice/lists please ring, Geoff Davies (Radio), Tel: 01788 574774.

**CAPACITORS WANTED**, axial, 350V and above, polyester, polypropylene and electrolytic. Geoff Davies (Radio), Tel: 01788 574774.

**MIDI LIGHTING MODULE**, eight 500W channels, 64 levels, 127 presets, assembled and tested. Requires 20V AC supply and case. Cheques for £59, made payable to Technology Direct, 27 Hartland Grove, Priestfield, Middlesbrough, Cleveland TS3 0HL.

**60 WATT AMPLIFIERS**, £5.00, 50V module and heatsink, ex-equipment!! Catalogue and samples and 12V P.S.U., £1.00 P&P. K.I.A., 1 Regent Road, Ilkley.

**ELECTRONICS AND COMPUTER** accessories, tools, etc. Free lists from Spiral Solutions Ltd., 37 Wilmot Road, London, N17 6LH.

**LASER POINTERS 5mW 670nm (RED)**. German quality, £69.50 post paid. Also complete He-Ne Laser systems from £85.00. Telephone 01925 575848 for details. Cheques or PO to, English Scientific, 12 Orford Avenue, Warrington, Cheshire, WA2 7QL.

**PLASTIC INJECTION MOULDING** at prices you can afford. Very low cost (sometimes free) tooling. Small quantities speciality. 01685 (Aberdare) 874763.

**ELECTRONIC HOBBYIST** giving up has many items equipment, kits and instruments at low prices. Send SAE for list to: David Holland, "Hollycliffe", 3 Pottersfield, Darley, Harrogate, HG3 2PG or ring 01423 780669 anytime.

**EVERYDAY** With **PRACTICAL**

# ELECTRONICS

**SUBSCRIPTION ORDER FORM**

Annual subscription rates (1995):  
UK £24.00.  
Overseas £30.00 surface mail,  
£47.50 airmail.

To:  
Everyday with Practical Electronics,  
Allen House, East Borough, Wimborne,  
Dorset BH21 1PF  
Tel: 01202 881749 Fax: 01202 841692

Name .....

Address .....

.....

.....

I enclose payment of £.....

(cheque/PO in £ sterling only, payable to Everyday with Practical Electronics). Alternatively send Access or Visa number and card expiry date.

Signature .....

Please supply name and address of cardholder if different from the subscription address shown above. Subscriptions can only start with the next available issue. For back numbers see the Editorial page.

M6/95



## MAKE YOUR INTERESTS PAY!

Over the past 100 years more than 10 million students throughout the world have found it worth their while! An ICS home-study course can help you get a better job, make more money and have more fun out of life! ICS has over 100 years experience in home-study courses, and is the largest correspondence school in the world. You learn at your own pace, when and where you want under the guidance of expert 'personal' tutors. Find out how we can help YOU. Post or phone today for **FREE INFORMATION** on the course of your choice. (Tick one box only!)

GCSE/A' LEVEL over 20 examination subjects to choose from. Ask for details.

Electronics <input type="checkbox"/>	TV, Video & Hi-Fi Servicing <input type="checkbox"/>
C & G Basic Electronic Engineering <input type="checkbox"/>	Refrigeration & Air Conditioning <input type="checkbox"/>
Electrical Engineering <input type="checkbox"/>	PC Repair <input type="checkbox"/>
Electrical Contracting/Installation <input type="checkbox"/>	Computer Programming <input type="checkbox"/>

Mr/Mrs/Miss/Ms

Address \_\_\_\_\_

P Code \_\_\_\_\_

**ICS** International Correspondence Schools, Dept ECS 65, 312/314 High Street, Sutton, Surrey SM1 1PR Tel: 0141-221 7373 (24 hours) Fax: 0141-221 8151

VISA



## Cooke International

SUPPLIER OF QUALITY USED TEST INSTRUMENTS

ANALYSERS, BRIDGES, CALIBRATORS, VOLTMETERS, GENERATORS, OSCILLOSCOPES, POWER METERS, ETC. ALWAYS AVAILABLE

ORIGINAL SERVICE MANUALS FOR SALE  
COPY SERVICE ALSO AVAILABLE

EXPORT, TRADE AND U.K. ENQUIRIES WELCOME  
SEND LARGES A.E. (50p POSTAGE) FOR LISTS OF EQUIPMENT & MANUALS  
ALL PRICES EXCLUDE VAT AND CARRIAGE  
DISCOUNT FOR BULK ORDERS SHIPPING ARRANGED

OPEN MONDAY TO FRIDAY 9AM-5PM

Unit Four, Fordingbridge Site, Main Road, Barnham, Bognor Regis,  
West Sussex, PO22 0EB

Tel (+ 44) 01243 545111/2 Fax (+ 44) 01243 542457

EQUIPMENT & ACCESSORIES PURCHASED

## INFOTECH & STREE

76 Church St, Larkhall, Lanarks, ML9 1HE

Phone (01698) 883334/888343 or Fax (01698) 884825

Remember: Not only do we have every sheet ever produced, but we also have

### The World's Largest Collection of SERVICE MANUALS & CIRCUITS

We are now successfully running a *Library Service* which allows you to borrow any manual you want for as long as you want, and when you need another manual, just return the one you have, plus a £4.95 exchange fee and tell us what you want next.

*Borrow any Service Manual for £4.95  
regardless of its size or normal cost*

The cost of this service is a yearly subscription fee of only £59.95. Join now & get a free 'Data Ref Guide'.

## SHERWOOD ELECTRONICS

\*\*\*\*\*  
**SPECIAL OFFER - for limited period only**

CHOOSE 3 x £1 packs **FREE** with every 15 purchased

SP1 15 x 5mm Red Leds	SP42 200 x Mixed 0.25W C.F. resistors
SP2 15 x 5mm Green Leds	SP47 5 x Min. push button switches
SP3 12 x 5mm Yellow Leds	SP102 20 x 8 pin DIL sockets
SP4 10 x 5mm Amber Leds	SP103 15 x 14 pin DIL sockets
SP6 15 x 3mm Red Leds	SP104 15 x 16 pin DIL sockets
SP10 100 x 1N4148 diodes	SP112 5 x Cmos 4093
SP11 30 x 1N4001 diodes	SP118 2 x Cmos 4047
SP12 30 x 1N4002 diodes	SP125 10 x 1000/16V radial elect caps
SP18 20 x BC182 transistors	SP130 100 x Mixed 0.5W C.F. resistors
SP19 20 x BC183 transistors	SP135 6 x Min. slide switches
SP20 20 x BC184 transistors	SP137 4 x W005 bridge rectifiers
SP21 20 x BC212 transistors	SP138 20 x 2/250V rad elect caps
SP22 20 x BC214 transistors	SP142 2 x Cmos 4017
SP23 20 x BC549 transistors	SP147 5 x Stripboard 9 strips/25 holes
SP28 5 x Cmos 4011	SP151 4 x 8mm Red Leds
SP29 4 x Cmos 4013	SP156 3 x Stripboard 14 strips/27 holes
SP33 5 x Cmos 4081	SP165 2 x LF351 op amps
SP36 25 x 10/25V radial elect caps	SP173 10 x 220/25V rad elect caps
SP37 15 x 100/35V radial elect caps	SP175 20 x 1/63V rad elect caps
SP40 15 x BC237 transistors	SP183 20 x BC547 transistors

RESISTOR PACKS - 0.25W C Film	
RP3 5 each value - total 365	£2 60
RP7 10 each value - total 730	£3 95
RP10 1000 popular values	£5 30

Catalogue £1 or **FREE** with first order.  
P&P £1.25 per order. NO VAT.

Orders to: Sherwood Electronics,  
7 Williamson St., Mansfield, Notts. NG19 6TD.

# SERVICE MANUALS

We have what is probably the largest range of Service Information available anywhere.

From the Earliest Valve Wireless to the Latest Video Recorders. Colour Televisions, Test Gear, Audio, Computers, Amateur Radio in fact practically anything.

Write, Fax or Phone for immediate Quote.  
Originals or Photostats as available.

Also available. Our **FREE** catalogue detailing Hundreds of Technical Books and Repair Guides available.

### STOP PRESS

Now Available. Our Service Manuals Index on P.C. Disc (3.5") for use on your Computer. Just £3.50 with **FREE** everlasting Updates. Order MP-285.

**MAURITRON TECHNICAL SERVICES (EPE)**,  
8 Cherry Tree Road, Chinnor, Oxon, OX9 4QY.

Tel:- 01844-351694. Fax:- 01844 352554.

Please forward your latest catalogue for which I enclose 2 x 1st Class Stamps. or £3.50 for the Technical Books Catalogue plus Manuals Index on PC Disc(s).

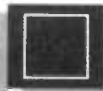
NAME \_\_\_\_\_

ADDRESS \_\_\_\_\_

POSTCODE \_\_\_\_\_

If you do not wish to cut your magazine photocopy this coupon or use a separate sheet

BTEC  
Certificated



TUTOR  
Supported

N A T I O N A L  
C O L L E G E O F  
T E C H N O L O G Y

### DISTANCE LEARNING COURSES

The National College of Technology offer a range of packaged learning short courses for study at home or in an industrial training environment which carry modular BTEC awards leading to a higher BTEC certificate. Study can commence at any time and at any level enabling you to create a study routine to fit around existing commitments. Courses on offer include:

**Analogue Electronics**  
**Digital Electronics**  
**Fibre/Optoelectronics**  
**Mechanics & Mechanisms**  
**Programmable Logic Controllers**  
**Electronic Testing & Fault Diagnosis**

Tutor support and BTEC certification are available as options with no travelling or college attendance required. These very popular courses which are ideal for vocational training contain workbooks, audio cassette lectures, PCB's, instruments, tools, components and leads as necessary to support the theoretical and practical training. Whether you are a newcomer to electronics or have some experience and simply need an update or certification, there is probably a distance learning course ready for you. Write or telephone for details to:

**National College of Technology**  
**NCT Ltd., PO Box 11**  
**Wendover, Bucks**  
**Tel: (01296) 624270**

Mixed metal/carbon film resistors 1/4W E12 series 10 ohms to 1 Megohm	2p
Carbon Film resistors 1/4W 5% E24 series 0.51 R to 10M0	1p
100 off per value - 75p, even hundreds per value totalling 1000	£6.00p
Metal Film resistors 1/4W 10R to 1 MO 5% E12 series - 1/4p, 1% E24 series	2p
Mixed metal/carbon film resistors 1/4W E24 series 1R0 to 10M0	1 1/2p
1 watt mixed metal/Carbon Film 5% E12 series 4R7 to 10 Megohms	5p
Linear Carbon pre-sets 100mW and 1/4W 100R to 2M2 E6 series	7p
<b>Miniature polyester capacitors 250V working for vertical mounting</b>	
015, 022, 033, 047, 068-4p 0.1 - 5p, 0.12, 0.15, 0.22 - 6p, 0.47 - 8p, 0.68 - 8p, 1.0 - 12p	
<b>Mylar (polyester) capacitors 100V working E12 series vertical mounting</b>	
1000p to 8200p - 3p, 0.1 to 0.68 - 4p, 0.1 - 5p, 0.12, 0.15, 0.22 - 6p 0.47/50V - 8p	
<b>Submini ceramic plate capacitors 100V wkg vertical mountings, E12 series</b>	
2% 1.8pf to 47pf - 3p, 2% 56pf to 330pf - 4p, 10% 390p-4700p	4p
Disc/plate ceramics 50V E12 series 1P0 to 1000P, E6 Series 1500P to 47000P	2p
<b>Polystyrene capacitors 63V working E12 series long axial wires</b>	
10pf to 820pf - 5p, 1000pf to 10,000pf - 6p, 12,000pf	7p
741 Op Amp - 20p, 555 Timer - 20p, LM3900	80p
CMOS 4001 - 20p, 4011 - 22p, 4017 - 40p, 4069UB unbuffered	20p
DIL holders, 8-pin 9p; 14-, 16-, 18-pin 12p; 24-pin 18p; 28-pin 20p; 40-pin 25p	
<b>ALUMINIUM ELECTROLYTICS (Mfda/Volts)</b>	
1/50, 2.2/50, 4.7/50, 10/25, 10/50	5p
22/16, 22/25, 22/50, 33/16, 47/16, 47/25, 47/50	6p
100/16, 100/25 7p, 100/50	12p
220/16 8p, 220/25, 220/50 10p; 470/16, 470/25	11p
1000/25 25p; 1000/35, 2200/25 35p; 4700/25	70p
<b>Subminiature, tantalum bead electrolytics (Mfda/Volts)</b>	
0.1, 0.22, 0.47, 1.0, 2.2, 3.3 @ 35V - 4.7/16, 6.8/10, 10/6, 10p; 6.8/35, 12p	
4.7/25, 6.8/16, 10/6, 11p; 15/16, 22/6, 33/10, 15p; 10/25, 16p; 10/35, 22/16, 20p	
47/10, 20p; 47/16, 25p; 47/20, 30p; 47/35, 32p; 100/3, 18p; 100/6, 220/6, 20p	
<b>VOLTAGE REGULATORS</b>	
1A + or - 5V, 8V, 12V, 15V, 18V & 24V - 55p, 100mA, 5.8, 12, 15, V +	30p
<b>DIODES (piv/amperes)</b>	
75/25mA 1N4148 2p, 800/1A 1N4006 4 1/2p, 400/3A 1N5404 14p, 115/15mA OA91	8p
100/1A 1N4002 3 1/2p, 1000/1A 1N4007 5p, 60/1.5A S1M1 5p, 100/1A bridge	25p
400/1A 1N4004 4p, 1250/1A BY 127 10p, 30/150mA OA47 gold bonded	18p
Zener diodes E24 series 3V3 to 33V 400mW - 6p, 1 watt	10p
Battery snaps for PP3 - 7p for PP9	12p
L.E.D.'s 3mm, & 5mm, Red, Green, Yellow - 10p, Grommets 3mm - 2p, 5mm	50p
Red flashing L.E.D.'s require 9-12V supply only, 5mm	10p
Mains indicator neons with 220k resistor	6p
20mm fuses 100mA to 5A, O. blow 6p, A/surge 10p, Holders, chassis, mounting	15.00p
High speed pc drill 0.8, 1.0, 1.3, 1.5, 2.0mm - 40p, Machines 12V dc	£15.00
HELPING HANDS 6 ball joints and 2 croc clips to hold awkward jobs	£4.50
AA/HP7 Nicad rechargeable cells 90p each, Universal charger unit	£6.50
AA/HP7 zinc/carbon batteries in packs of 4	£1.10 per pack
Glass reed switches with single pole make contacts - 8p, Magnets	20p
0 1" Stripboard 2 1/2" x 1" 9 rows 25 holes - 25p, 3 1/4" x 2 1/2" 24 rows 37 holes	70p
Jack plugs 2.5 & 3.5mm - 14p; Sockets Panel Mtg, 2.5 & 3.5mm	10p
Ear pieces 2.5 & 3.5mm, dynamic - 20p, 3.5mm crystal	£1.50
Multi core solder, 22G - 8p yard 18G - 14p yard	
<b>TRANSISTORS</b>	
BC107/8/9 - 12p, BC547/8/9 - 8p, BC557/8/9 - 8p, BC182, 182L, BC183, 183L	
BC184, 184L, BC212, 212L - 10p	
BC327, 337, 337L - 12p, BC727, 737 - 12p, BD135/6/7/8/9 - 25p, BCY70 - 18p	
BFY50/51/52 - 20p	
BFX88 - 15p, 2N3055 - 55p, TIP31, 32 - 30p, TIP41, 42 - 40p, BU208A - £1.50, BF195, 197 - 12p	
Ionisers with seven year guarantee, 240V AC, list price £16.95 or more	£12.50

Do not add VAT. Postage 30p (free over £5). Stamp for list.

## THE CR SUPPLY CO

127 Chesterfield Rd., Sheffield S8 0RN Tel: 01742 557771 Return posting

## Millions of quality components at lowest ever prices!

Plus Tools, Watches, Fancy Goods, Toys.  
Mail order UK only.

All inclusive prices -  
**NO VAT** to add on.

Send 43p stamped self addressed label or envelope for catalogue/clearance list.

At least 2,100 offers to amaze you.

**Brian J Reed**  
**6 Queensmead Avenue, East Ewell**  
**Epsom, Surrey KT17 3EQ**  
**Tel: 0181-393 9055**

## ADVERTISERS INDEX

N. R. BARDWELL	494
B. K. ELECTRONICS	Cover (iii)
BRIAN J. REED	504
BULL ELECTRICAL	Cover (ii)
CHATWIN GUITARS (JCG)	501
CIRKIT DISTRIBUTION	426
COMPAC ELECTRONICS	501
COMPELEC	504
COOKE INTERNATIONAL	503
CRICKLEWOOD ELECTRONICS	498
CR SUPPLY COMPANY	504
DIRECT CCTV	498
DISPLAY ELECTRONICS	422
EPT EDUCATIONAL SOFTWARE	479
ESR ELECTRONIC COMPONENTS	432
EXPRESS COMPONENTS	486
FRASER ELECTRONICS	502
GATS ELECTRONICS	498
GREENWELD ELECTRONICS	427
HART ELECTRONIC KITS	429
ICS	503
INFOTECH & STREE	503
INTERCONNECTIONS	494
JPG ELECTRONICS	426
LABCENTER	464
MAGENTA ELECTRONICS	430/431
MAILTECH	428
MAPLIN ELECTRONICS	Cover (iv)
MAURITRON	503
M&B ELECTRICAL SUPPLIES	493
NATIONAL COLLEGE OF TECHNOLOGY	503
NEWMARKET TRANSFORMERS	494
NICHE SOFTWARE	498
NUMBER ONE SYSTEMS	425
OMNI ELECTRONICS	426
PICO TECHNOLOGY	459
POWERWARE	475
RT-VC	483
ROBINSON MARSHALL	461
SEETRAX CAE	494
SERVICE TRADING	501
SHERWOOD ELECTRONICS	503
STEWART OF READING	501
SUMA DESIGNS	424
TSIEN	445
YUGA ENTERPRISE	502

**ADVERTISEMENT MANAGER:**  
PETER J. MEW

**ADVERTISEMENT OFFICES:**  
EVERYDAY with PRACTICAL ELECTRONICS,  
ADVERTISEMENTS,  
HOLLAND WOOD HOUSE, CHURCH LANE,  
GREAT HOLLAND, ESSEX CO13 0JS.  
Phone/Fax: (01255) 850596

For Editorial address and phone numbers see page 433.

15 Amstrad Games	£5.00*
15 Spectrum Games	£5.00*
<b>£1 PACKS</b>	
50 BC547A; 20 BS107; 20 BSS92;	
10 2N2907A; 20 2N5086;	
50 2N5551; 3 BD145; 10 BD237;	
10 BD239A; 5 BFW43; 10 BFX30;	
3 BSX59; 10 VN2010-L; 20 ZTX304;	
20 ZTX311; 20 ZTX510; 20 ZTX551;	
5.5V d.i.l. relays; 10 21-10MHz	
crystals; 10 811MHz filters; 50 6-way	
i.c. skts.; 50 14-way d.i.p. hors;	
20 TO18 heatsinks; 20 T05 heatsinks;	
200 T05 mounting pads; 200 TO18	
mountings pads; 2 100Ω LOPT Tx;	
5 12-way terminal blocks; 10 silver	
control knobs; 10 95V V.D.R.; 3 12V	
counters; 25 3-5mm jack plugs;	
10 PCB MT microswitch; 10 6-way	
d.i.l. switch; 10-1 pole 3-way rotary	
switch; 25 slide switches; 5 3A 250V	
power toggle switch; 50 4-7pF 25V	
caps; 15 2200µF 25V caps;	
10 0.047µF suppression caps;	
25 neons; 10 1µF 250V polyesters.	
5 1/4" to 3 1/2" floppy converter	
leads. £1.50 ea*	
STC p.s.u. 240V Input; 5V 6A	
Output, (converts to 12V 3A,	
details supplied). £5.95	
Temperature probes, with	
data. £3.95*	
Universal Timer (10 min. delay and	
20 min. cut-off functions). £3.95*	
12V 400mW Zeners. 100 off £1*	
3AMP mains filters. £1.00 ea*	
40 Character x 1-line dot	
matrix display. £4.95 ea*	
Car Dashboard Display (shows	
lights, indicators, doors,	
on picture of car). £4.95*	
4-digit clock display. £2.50*	
4-digit l.c.d. with 7211 driver. £3.50*	
17-digit v.f. display. £2.95*	
Giant 2-digit v.f. display. £2.95*	
12V stepper motors, 48 steps	
per rev., 7-3" step angle. £3.95*	
250 off mixed electrolytic	
caps. £4.95*	
250 off polyester caps. £4.95*	
1000 off mixed resistors 1/4W. £4.95*	
100 off phono plugs. £2.95*	
50 off mixed terminal blocks. £2.50*	
25 off buzzers & sounders. £3.50*	
25 off mixed relays. £4.95*	
50 off mixed switches. £7.50*	
250 off i.c. sockets. £3.95*	
1000 off Ceramic caps. £7.50*	
5 off 3V Lithium memory	
back-up batteries. £2.00*	
100 off 2200µF 25V caps. £8.00*	
3lb mixed component pack. £4.95	
Jumbo component pack. £10	
Crystal oscillators 10/12MHz. £1 ea	
5V DPCO D.I.L. relay. 60p ea*	
5V SPCO S.I.L. reed relay. 40p ea*	
12V Piezoelectric Sounders. 50p ea	
DIL Switches 3/4/6 and	
12-way. 35p ea*	
3-5mm jack plugs. 10 for £1	
100 off Zener diodes, mixed. £2*	
21-piece mini screwdriver set. £3.95*	
Universal test lead kit. £3.95*	
10 crocodile clip leads. £3.50*	
20 off mixed R.F. Filters.	
Crystals, etc. £4.95*	
100m P.V.C. sleeving. £4.50*	
<b>VALVES</b>	
QQV0310, £10*; QQV0320A, £10*;	
QQV0640A, £20*; ECC 82, £3*;	
ECH 81, £2*; PCL 805, £3*;	
ORP 11, £3; ORP 40, £3; CV 4004,	
4005, 4006, 4007, 4014, 4020,	
4024, 4043, 4055, 4064, 5042,	
5080, ALL £5 each*	
<b>QUANTITY DISCOUNTS</b>	
<b>AVAILABLE PLEASE RING.</b>	
We also buy all forms of electronic	
components, p.s.u.'s, disk drives etc.	
Lists to below address.	
<b>ALL PRICES INCLUDE V.A.T.</b>	
<b>PLEASE ADD £2.00 p&amp;p EXCEPT</b>	
<b>ITEMS MARKED* WHICH ARE 50P.</b>	
<b>SAE FOR BULK BUYING LIST</b>	
<b>PAYMENT WITH ORDER TO:</b>	
<b>Dept EE, COMPELEC,</b>	
<b>14 Constable Road,</b>	
<b>St. Ives, Huntingdon,</b>	
<b>Cams PE17 6EQ</b>	
<b>Tel/Fax: 01480 300819</b>	

Published on approximately the first Friday of each month by Wimborne Publishing Ltd., Allen House, East Borough, Wimborne, Dorset BH21 1PF. Printed in England by Benham & Co. Ltd, Colchester, Essex. Distributed by Seymour, Windsor House, 1270 London Road, Norbury, London SW16 4DH. Sole Agents for Australia and New Zealand-Gordon & Gotch (Asia) Ltd., South Africa Central News Agency Ltd. Subscriptions INLAND £24 and OVERSEAS £30 (£47.50 airmail) payable to "Everyday with Practical Electronics" Subs Dept, Allen House, East Borough, Wimborne, Dorset BH21 1PF. EVERYDAY with PRACTICAL ELECTRONICS is sold subject to the following conditions, namely that it shall not, without the written consent of the Publishers first having been given, be lent, resold, hired out or otherwise disposed of by way of Trade at more than the recommended selling price shown on the cover, and that it shall not be lent, resold, hired out or otherwise disposed of in a mutilated condition or in any unauthorised cover by way of Trade or affixed to or as part of any publication or advertising, literary or pictorial matter whatsoever.



**OMP MOS-FET POWER AMPLIFIERS**  
HIGH POWER. TWO CHANNEL 19 INCH RACK

**THOUSANDS PURCHASED BY PROFESSIONAL USERS**



**THE RENOWNED MXF SERIES OF POWER AMPLIFIERS**  
FOUR MODELS:- MXF200 (100W + 100W) MXF400 (200W + 200W)  
MXF600 (300W + 300W) MXF900 (450W + 450W)  
ALL POWER RATINGS R.M.S. INTO 4 OHMS, BOTH CHANNELS DRIVEN

**FEATURES:** ★Independent power supplies with two toroidal transformers ★ Twin L.E.D. Vu meters ★ Level controls ★ Illuminated on/off switch ★ XLR connectors ★ Standard 775mV inputs ★ Open and short circuit proof ★ Latest Mos-Fets for stress free power delivery into virtually any load ★ High slew rate ★ Very low distortion ★ Aluminium cases ★ MXF600 & MXF900 fan cooled with D.C. loudspeaker and thermal protection.

**USED THE WORLD OVER IN CLUBS, PUBS, CINEMAS, DISCOS ETC.**

**SIZES:-** MXF200 W19 xH3 1/2 (2U)xD11"  
MXF400 W19 xH5 1/4 (3U)xD12"  
MXF600 W19 xH5 1/4 (3U)xD13"  
MXF900 W19 xH5 1/4 (3U)xD14 1/4"

**PRICES:-** MXF200 £175.00 MXF400 £233.85  
MXF600 £329.00 MXF900 £449.15  
SPECIALIST CARRIER DEL. £12.50 EACH

**OMP X03 STEREO 3-WAY ACTIVE CROSS-OVER**

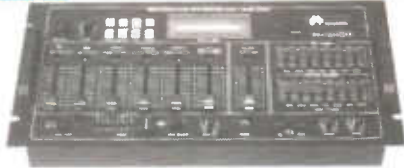


Advanced 3-Way Stereo Active Cross-Over, housed in a 19" x 1U case. Each channel has three level controls: bass, mid & top. The removable front fascia allows access to the programmable DIL switches to adjust the cross-over frequency Bass-Mid 250/500/800Hz, Mid-Top 1.8/3/5KHz, all at 24dB per octave. Bass invert switches on each bass channel. Nominal 775mV input/output. Fully compatible with OMP rack amplifier and modules.

**Price £117.44 + £5.00 P&P**

**STEREO DISCO MIXER 4DJ3400SE ★ ECHO & SOUND EFFECTS ★**

**STEREO DISCO MIXER** with 2 x 7 band L & R graphic equalisers with bar graph LED Vu meters. **MANY OUTSTANDING FEATURES:-** including Echo with repeat & speed control, DJ Mic with talk-over switch, 6 Channels with individual faders plus cross fade, Cue Headphone Monitor, 8 Sound Effects. Useful combination of the following inputs:- 3 turntables (mag), 3 mics, 5 Line for CD, Tape, Video etc.



**Price £144.99 + £5.00 P&P**

**SIZE: 482 x 240 x 120mm**

**PIEZO ELECTRIC TWEETERS - MOTOHOLA**

Join the Piezo revolution! The low dynamic mass (no voice coil) of a Piezo tweeter produces an improved transient response with a lower distortion level than ordinary dynamic tweeters. As a crossover is not required these units can be added to existing speaker systems of up to 100 watts (more if two are put in series). **FREE EXPLANATORY LEAFLETS ARE SUPPLIED WITH EACH TWEETER.**

**TYPE 'A'** (KSN1036A) 3" round with protective wire mesh. Ideal for bookshelf and medium sized Hi-Fi speakers. Price £4.90 + 50p P&P.  
**TYPE 'B'** (KSN1005A) 3 1/2" super horn for general purpose speakers, disco and P.A. systems etc. Price £5.99 + 50p P&P.  
**TYPE 'C'** (KSN1016A) 2 x 5" wide dispersion horn for quality Hi-Fi systems and quality discos etc. Price £6.99 + 50p P&P.  
**TYPE 'D'** (KSN1025A) 2 x 6" wide dispersion horn. Upper frequency response retained extending down to mid-range (2KHz). Suitable for high quality Hi-Fi systems and quality discos. Price £9.99 + 50p P&P.  
**TYPE 'E'** (KSN1038A) 3 1/4" horn tweeter with attractive silver finish trim. Suitable for Hi-Fi monitor systems etc. Price £5.99 + 50p P&P.  
**LEVEL CONTROL** Combines, on a recessed mounting plate, level control and cabinet input jack socket. 85x85mm. Price £4.10 + 50p P&P.

**IBI FLIGHT CASED LOUDSPEAKERS**

A new range of quality loudspeakers designed to take advantage of the latest speaker technology and enclosure designs. Both models utilize studio quality 12" cast aluminium loudspeakers with factory fitted grilles, wide dispersion constant directivity horns, extruded aluminium corner protection and steel ball corners, complemented with heavy duty black covering. The enclosures are fitted as standard with top hats for optional loudspeaker stands.



**POWER RATINGS QUOTE IN WATTS RMS FOR EACH CABINET**  
**FREQUENCY RESPONSE FULL RANGE 45Hz - 20KHz**

**ibi FC 12-100WATTS (100dB) PRICE £159.00 PER PAIR**  
**ibi FC 12-200WATTS (100dB) PRICE £175.00 PER PAIR**

SPECIALIST CARRIER DEL. £12.50 PER PAIR

**OPTIONAL STANDS PRICE PER PAIR £49.00**  
Delivery £5.00 per pair

**IN-CAR STEREO BOOSTER AMPS**



**PRICES: 150W £49.99 250W £99.99**  
**400W £109.95 P&P £2.00 EACH**

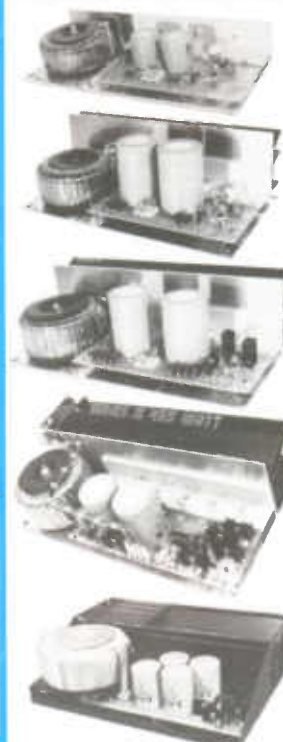
**THREE SUPERB HIGH POWER CAR STEREO BOOSTER AMPLIFIERS**  
150 WATTS (75 + 75) Stereo, 150W Bridged Mono  
250 WATTS (125 + 125) Stereo, 250W Bridged Mono  
400 WATTS (200 + 200) Stereo, 400W Bridged Mono  
**ALL POWERS INTO 4 OHMS**  
**Features:**  
★ Stereo, bridgable mono ★ Choice of high & low level inputs ★ L & R level controls ★ Remote on-off ★ Speaker & thermal protection.

**OMP MOS-FET POWER AMPLIFIER MODULES**

**SUPPLIED READY BUILT AND TESTED.**

These modules now enjoy a world-wide reputation for quality, reliability and performance at a realistic price. Four models are available to suit the needs of the professional and hobby market i.e. Industry, Leisure, Instrumental and Hi-Fi etc. When comparing prices, NOTE that all models include toroidal power supply, integral heat sink, glass fibre P.C.B. and drive circuits to power a compatible Vu meter. All models are open and short circuit proof.

**THOUSANDS OF MODULES PURCHASED BY PROFESSIONAL USERS**



**OMP/MF 100 Mos-Fet** Output power 110 watts R.M.S. into 4 ohms, frequency response 1Hz - 100KHz -3dB, Damping Factor >300, Slew Rate 45V/uS, T.H.D. typical 0.002%, Input Sensitivity 500mV, S.N.R. -110 dB. Size 300 x 123 x 60mm.  
**PRICE £40.85 + £3.50 P&P**

**OMP/MF 200 Mos-Fet** Output power 200 watts R.M.S. into 4 ohms, frequency response 1Hz - 100KHz -3dB, Damping Factor >300, Slew Rate 50V/uS, T.H.D. typical 0.001%, Input Sensitivity 500mV, S.N.R. -110 dB. Size 300 x 155 x 100mm.  
**PRICE £64.35 + £4.00 P&P**

**OMP/MF 300 Mos-Fet** Output power 300 watts R.M.S. into 4 ohms, frequency response 1Hz - 100KHz -3dB, Damping Factor >300, Slew Rate 60V/uS, T.H.D. typical 0.001%, Input Sensitivity 500mV, S.N.R. -110 dB. Size 330 x 175 x 100mm.  
**PRICE £81.75 + £5.00 P&P**

**OMP/MF 450 Mos-Fet** Output power 450 watts R.M.S. into 4 ohms, frequency response 1Hz - 100KHz -3dB, Damping Factor >300, Slew Rate 75V/uS, T.H.D. typical 0.001%, Input Sensitivity 500mV, S.N.R. -110 dB, Fan Cooled, D.C. Loudspeaker Protection, 2 Second Anti-Thump Delay. Size 385 x 210 x 105mm.  
**PRICE £132.85 + £5.00 P&P**

**OMP/MF 1000 Mos-Fet** Output power 1000 watts R.M.S. into 2 ohms, 725 watts R.M.S. into 4 ohms, frequency response 1Hz - 100KHz -3dB, Damping Factor >300, Slew Rate 75V/uS, T.H.D. typical 0.002%, Input Sensitivity 500mV, S.N.R. -110 dB, Fan Cooled, D.C. Loudspeaker Protection, 2 Second Anti-Thump Delay. Size 422 x 300 x 125mm.  
**PRICE £259.00 + £12.00 P&P**

**NOTE: MOS-FET MODULES ARE AVAILABLE IN TWO VERSIONS: STANDARD - INPUT SENS 500mV, BAND WIDTH 100KHz. PEC (PROFESSIONAL EQUIPMENT COMPATIBLE) - INPUT SENS 775mV, BAND WIDTH 50KHz. ORDER STANDARD OR PEC.**

**LOUDSPEAKERS**



**LARGE SELECTION OF SPECIALIST LOUDSPEAKERS AVAILABLE, INCLUDING CABINET FITTINGS, SPEAKER GRILLES, CROSS-OVERS AND HIGH POWER, HIGH FREQUENCY BULLETS AND HORNS, LARGE (A4) S.A.E. (60p STAMPED) FOR COMPLETE LIST.**

McKenzie and Fane Loudspeakers are also available.

**EMINENCE:- INSTRUMENTS, P.A., DISCO, ETC**

**ALL EMINENCE UNITS 8 OHMS IMPEADENCE**  
B 100 WATT R.M.S. ME8-100 GEN. PURPOSE. LEAD GUITAR, EXCELLENT MID, DISCO. PRICE £32.71 + £2.00 P&P  
RES. FREQ. 72Hz, FREQ. RESP. TO 4KHz, SENS 97dB.  
10 100 WATT R.M.S. ME10-100 GUITAR, VOCAL, KEYBOARD, DISCO. EXCELLENT MID. PRICE £33.74 + £2.50 P&P  
RES. FREQ. 71Hz, FREQ. RESP. TO 7KHz, SENS 97dB.  
10 200 WATT R.M.S. ME10-200 GUITAR, KEYB'D, DISCO, VOCAL, EXCELLENT HIGH POWER MID. PRICE £43.47 + £2.50 P&P  
RES. FREQ. 65Hz, FREQ. RESP. TO 3.5KHz, SENS 99dB.  
12 100 WATT R.M.S. ME12-100LE GEN. PURPOSE. LEAD GUITAR, DISCO, STAGE MONITOR. PRICE £35.84 + £3.50 P&P  
RES. FREQ. 49Hz, FREQ. RESP. TO 6KHz, SENS 100dB.  
12 100 WATT R.M.S. ME12-100LT (TWIN CONE) WIDE RESPONSE, P.A., VOCAL, STAGE MONITOR. RES. FREQ. 42Hz, FREQ. RESP. TO 10KHz, SENS 98dB. PRICE £36.67 + £3.50 P&P  
12 200 WATT R.M.S. ME12-200 GEN. PURPOSE, GUITAR, DISCO, VOCAL, EXCELLENT MID. PRICE £46.71 + £3.50 P&P  
RES. FREQ. 58Hz, FREQ. RESP. TO 5KHz, SENS 98dB.  
12 300 WATT R.M.S. ME12-300P HIGH POWER BASS, LEAD GUITAR, KEYBOARD, DISCO ETC. PRICE £70.19 + £3.50 P&P  
RES. FREQ. 47Hz, FREQ. RESP. TO 5KHz, SENS 103dB.  
15 200 WATT R.M.S. ME15-200 GEN. PURPOSE BASS, INCLUDING BASS GUITAR. PRICE £50.72 + £4.00 P&P  
RES. FREQ. 46Hz, FREQ. RESP. TO 5KHz, SENS 98dB.  
15 300 WATT R.M.S. ME15-300 HIGH POWER BASS, INCLUDING BASS GUITAR. PRICE £73.34 + £4.00 P&P  
RES. FREQ. 39Hz, FREQ. RESP. TO 3KHz, SENS 103dB.

**EARBENDERS:- HI-FI, STUDIO, IN-CAR, ETC**

**ALL EARBENDER UNITS 8 OHMS (Except EB8-50 & EB10-50 which are dual impedance tapped @ 4 & 8 ohm)**  
BASS, SINGLE CONE, HIGH COMPLIANCE, ROLLED SURROUND  
B 50watt EB8-50 DUAL IMPEDENCE, TAPPED 4/8 OHM BASS, HI-FI, IN-CAR. PRICE £8.90 + £2.00 P&P  
RES. FREQ. 40Hz, FREQ. RESP. TO 7KHz SENS 97dB.  
10 50WATT EB10-50 DUAL IMPEDENCE, TAPPED 4/8 OHM BASS, HI-FI, IN-CAR. PRICE £13.65 + £2.50 P&P  
RES. FREQ. 40Hz, FREQ. RESP. TO 5KHz, SENS 99dB.  
10 100WATT EB10-100 BASS, HI-FI, STUDIO. PRICE £30.39 + £3.50 P&P  
RES. FREQ. 35Hz, FREQ. RESP. TO 3KHz, SENS 98dB.  
12 100WATT EB12-100 BASS, STUDIO, HI-FI, EXCELLENT DISCO. PRICE £42.12 + £3.50 P&P  
RES. FREQ. 26Hz, FREQ. RESP. TO 3KHz, SENS 93dB.  
**FULL RANGE TWIN CONE, HIGH COMPLIANCE, ROLLED SURROUND**  
5 1/4 60WATT EB5-60TC (TWIN CONE) HI-FI, MULTI-ARRAY DISCO ETC. PRICE £9.99 + £1.50 P&P  
RES. FREQ. 63Hz, FREQ. RESP. TO 20KHz, SENS 92dB.  
6 1/2 60WATT EB6-60TC (TWIN CONE) HI-FI, MULTI-ARRAY DISCO ETC. PRICE £10.99 + 1.50 P&P  
RES. FREQ. 38Hz, FREQ. RESP. TO 20KHz, SENS 94dB.  
8 60WATT EB8-60TC (TWIN CONE) HI-FI, MULTI-ARRAY DISCO ETC. PRICE £12.99 + £1.50 P&P  
RES. FREQ. 40Hz, FREQ. RESP. TO 18KHz, SENS 89dB.  
10 60WATT EB10-60TC (TWIN CONE) HI-FI, MULTI ARRAY DISCO ETC. PRICE £16.49 + £2.00 P&P  
RES. FREQ. 35Hz, FREQ. RESP. TO 12KHz, SENS 98dB.

**TRANSMITTER HOBBY KITS**

**PROVEN TRANSMITTER DESIGNS INCLUDING GLASS FIBRE PRINTED CIRCUIT BOARD AND HIGH QUALITY COMPONENTS COMPLETE WITH CIRCUIT AND INSTRUCTIONS**

**3W TRANSMITTER 80-108MHz. VARICAP CONTROLLED PROFESSIONAL PERFORMANCE. RANGE UP TO 3 MILES. SIZE 38 x 123mm. SUPPLY 12V @ 0.5AMP. PRICE £14.85 + £1.00 P&P**

**FM MICRO TRANSMITTER 100-108MHz. VARICAP TUNED. COMPLETE WITH VERY SENS FET MIC. RANGE 100-300m. SIZE 56 x 46mm. SUPPLY 9V BATTERY. PRICE £8.80 + £1.00 P&P**



PHOTO: 3W FM TRANSMITTER

**B.K. ELECTRONICS**

**UNITS 1 & 5 COMET WAY, SOUTHOEND-ON-SEA, ESSEX. SS2 6TR.**  
Tel.: 01702-527572 Fax.: 01702-420243

POSTAL CHARGES PER ORDER £1.00 MINIMUM. OFFICIAL ORDERS FROM SCHOOLS, COLLEGES, GOVT. BODIES, PLCs ETC. PRICES INCLUSIVE OF V.A.T. SALES COUNTER, VISA AND ACCESS ACCEPTED BY POST, PHONE OR FAX.



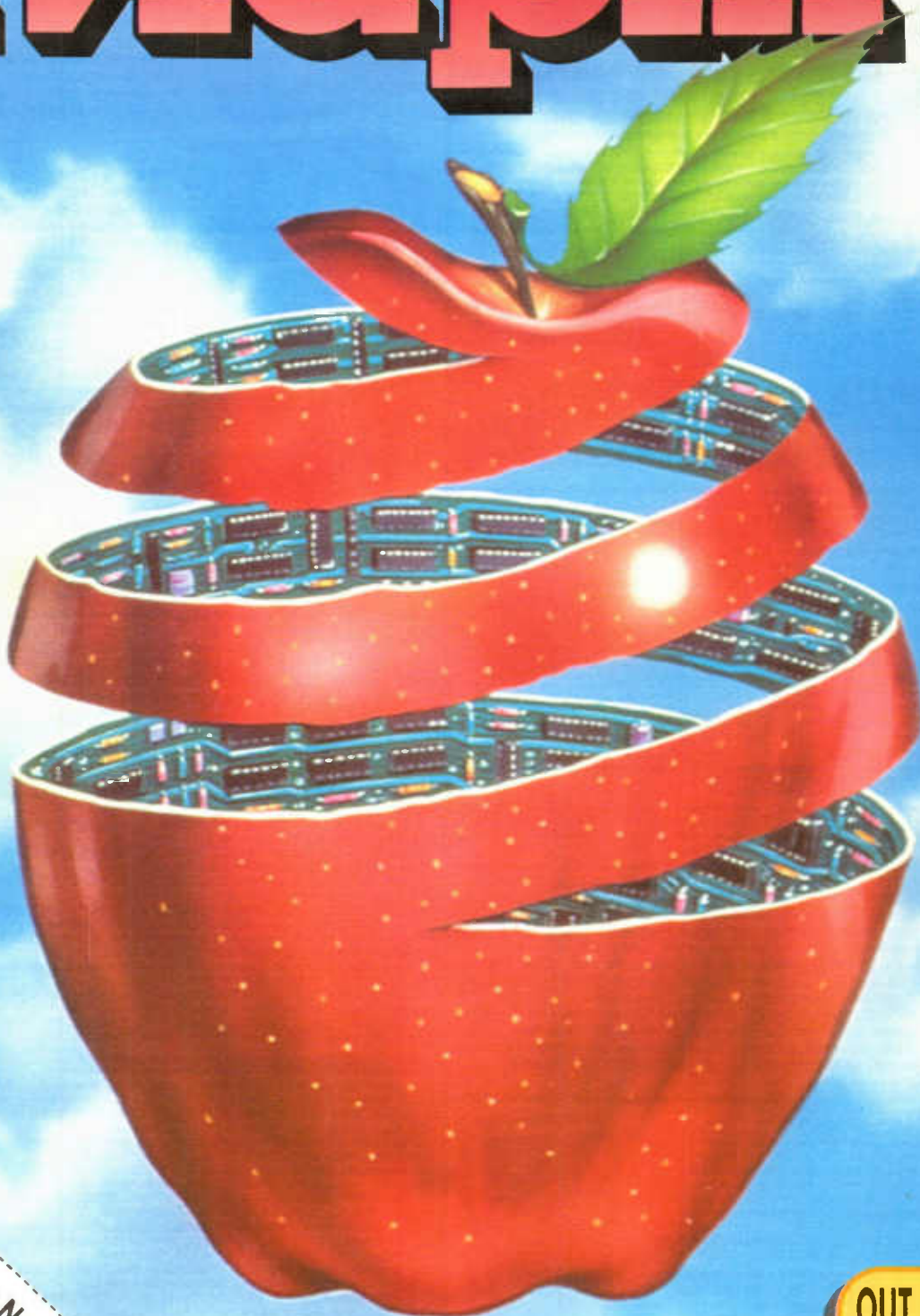


**NEW**

# FULL COLOUR GUIDE TO ELECTRONIC PRODUCTS

Sept 1994–Aug 1995

# Maplin



BS 5750  
Part 2 1987

Level B:  
Quality Assurance  
RS12750

**Order your copy of the New MAPLIN Catalogue on sale NOW!**  
Pick up a copy from any branch of WHSMITH, branches of John Menzies in Scotland ONLY, Eason & Son in N. Ireland ONLY, and Maplin stores nationwide for just £3.45 or post this coupon now to receive your copy for just £3.95 inc. p&p. If you live outside the U.K. send £7.30 or 18 IRCs for Airmail in Europe (including Republic of Ireland); £6.50 or 16 IRCs for surface mail outside Europe; or £12.30 or 30 IRCs for Airmail outside Europe.  
I enclose £3.95/£7.30/£6.50/£12.30 (delete as applicable).

Name .....  
Address .....  
Post Code .....  
Send to Maplin Electronics,  
P.O. Box 3, Rayleigh,  
Essex, England  
SS6 8LR

Over 800 colour packed pages  
with hundreds of Brand New  
Products at Super Low Prices.

**OUT OF THIS WORLD  
ON SALE NOW  
ONLY  
£3.45**

Available from all branches of WHSMITH, John Menzies in Scotland ONLY, Eason & Son in N. Ireland ONLY, and Maplin stores nationwide.  
The Maplin Electronics 1995 Catalogue – **OUT OF THIS WORLD!**