

EVERYDAY

MARCH 1994

WITH **PRACTICAL**

ELECTRONICS

INCORPORATING ELECTRONICS MONTHLY

FULLY S.O.R. £1.95

FREE INSIDE!
ELECTRONIC FORMULAE
WALL CHART



**CCD TV CAMERA
AND COMPUTER INTERFACE**

SMART KEY IMMOBILISER

AUDIO/RF MONITOR



THE No. 1 INDEPENDENT MAGAZINE for ELECTRONICS, TECHNOLOGY and COMPUTER PROJECTS

AMSTRAD DMP4000 Entire printer assemblies including printhead, platen, cables, stepper motors etc. Everything bar the electronics and case. Good stripper! Clearance price just £5 REF: MAG5 or 2 for £8 REF: MAG8

VIEWDATA SYSTEMS Brandnew units made by TANDATA complete with 1200/75 built in modem, infra red remote controlled keyboard. BT approved, Prestel compatible, Centronice printer port, RGB colour and composite output (works with any TV) complete with power supply and fully cased. Price is just £20 REF: MAG20 Also some customer returned units available at £10 each REF: MAG10

PPC MODEM CARDS These are high spec plug in cards made for the Amstrad laptop computers. 2400 baud dial up unit complete with leads. Clearance price is £5 REF: MAG5P1

INFRA RED REMOTE CONTROLLERS Originally made for hi spec satellite equipment but perfect for all sorts of remote control projects. Our clearance price is just £2 REF: MAG2

TOWERS INTERNATIONAL TRANSISTOR GUIDE. A very useful book for finding equivalent transistors, leadouts, specs etc. £20 REF: MAG20P1

SINCLAIR C6 MOTORS We have a few left without gearboxes. These are 12v DC 3,300rpm 6"x4", 14" OP shaft. £25 REF: MAG25

UNIVERSAL SPEED CONTROLLER KIT Designed by us for the above motor but suitable for any 12v motor up to 30A. Complete with PCB etc. A heat sink may be required. £17.00 REF: MAG17

VIDEO SENDER UNIT. Transmits both audio and video signals from either a video camera, video recorder, TV or Computer etc to any standard TV set in a 100' range (tune TV to a spare channel) 12v DC op. Price is £15 REF: MAG15 12v suis £5 extra REF: MAG5P2

***FM CORDLESS MICROPHONE** Small hand held unit with a 500' range! 2 transmit power levels. Reqs PP3 9v battery. Tuneable to any FM receiver. Price is £15 REF: MAG15P1

LOW COST WALKIE TALKIES Pair of battery operated units with a range of about 200'. Ideal for garden use or as an educational toy. Price is £8 a pair REF: MAG8P1 2 x PP3 req'd.

***MINIATURE RADIO TRANSCIVERS** A pair of walkie talkies with a range of up to 2 kilometres in open country. Units measure 22x5x21x55mm. Complete with cases and earpieces. 2x PP3 req'd. £30.00 pair REF: MAG30.

COMPOSITE VIDEO KIT. Converts composite video into separate H sync, V sync, and video, 12v DC operation. £8.00 REF: MAG8P2.

LQ3600 PRINTER ASSEMBLIES Made by Amstrad they are entire mechanical printer assemblies including printhead, stepper motors etc in fact everything bar the case and electronics, a good stripper! £5 REF: MAG5P3 or 2 for £8 REF: MAG8P3

PHILIPS LASER 2MW helium neon tube. Brand new full spec £40 REF: MAG40. Mains power supply kit £20 REF: MAG20P2. Fully built and tested unit £75 REF: MAG75.

SPEAKER WIRE Brown two core, 100 foot hank £2 REF: MAG2P1

LED PACK of 100 standard red 5mm leds £5 REF: MAG5P4

JUG KETTLE ELEMENTS good general purpose heating element (about 2kw) Ideal for all sorts of heating projects etc. 2 for £3 REF: MAG3

UNIVERSAL PC POWER SUPPLY complete with flyleads, switch, fan etc. Two types available 150w at £15 REF: MAG15P2 (23x23x23mm) and 200w at £20 REF: MAG20P3 (23x23x23mm)

OZONE FRIENDLY LATEX 250ml bottle of liquid rubber, sets in 2 hours. Ideal for mounting PCB's, fixing wires etc £2 each REF: MAG2P2

***FM TRANSMITTER** housed in a standard working 13A adapter! the bug runs directly off the mains so lasts forever! why pay £700? or price is £26 REF: MAG26 Transmits to any FM radio.

***FM BUG KIT** New design with PCB embedded coil for extra stability. Transmits to any FM radio. 9v battery req'd. £5 REF: MAG5P5

***FM BUG BUILT AND TESTED** superior design to kit, as supplied to detective agencies etc. 9v battery req'd. £14 REF: MAG14

TALKING COINBOX STRIPPER originally made to retail at £79 each, these units are designed to convert an ordinary phone into a payphone. The units we have generally have the locks missing and sometimes broken hinges. However they can be adapted for their original purpose or used for something else?? Price is just £3 REF: MAG3P1

100 WATT MOSFET PAIR Same spec as 2SK343 and 2SJ413 (8A, 140v, 100w) 1 N channel and 1 P channel, £3 a pair REF: MAG3P2

VELCRO 1 metre length of each side 20mm wide (quick way of fixing for temporary jobs etc) £2 REF: MAG2P3

MAGNETIC AGITATORS Consisting of a cased mains motor with lead. The motor has two magnets fixed to a rotor that spin round inside. There are also 2 plastic covered magnets supplied. Made for remotely stirring liquids! you may have a use? £3 each REF: MAG3P3 2 for £5 REF: MAG5P8

TOP QUALITY SPEAKERS Made for Hi Fi televisions these are 10 watt 4R Jap made 4" round with large shielded magnets. Good quality general purpose speaker. £2 each REF: MAG2P4 or 4 for £6 REF: MAG6P2

TWEETERS 2" diameter good quality tweeter 140R (would be good with the above speaker) 2 for £2 REF: MAG2P5 or 4 for £3 REF: MAG3P4

AT KEYBOARDS Made by Apricot these quality keyboards need just a small modification to run on any AT, they work perfectly but you will have to put up with 1 or 2 foreign keycaps! Price £6 REF: MAG6P3

XT KEYBOARDS Mixed types, some returns, some good, some foreign etc but all good for spares! Price is £2 each REF: MAG2P8 or 4 for £6 REF: MAG6P4

PC CASES Again mixed types so you take a chance next one off the pile! £12 REF: MAG12 or two identical ones for £20 REF: MAG20P4 component pack bargain 1,000 resistors + 1,000 capacitors (all same value) £2.50 a pack. REF: MAG2P7

**1994 CATALOGUE
OUT SOON**

BULL'S BULLETIN BOARD

MASSIVE WAREHOUSE CLEARANCE FANTASTIC £20.00 REDUCTION

REFURBISHED PC BASE UNITS
COMPLETE WITH KEYBOARD

FROM ONLY **£29.00**

AMSTRAD 1512 BASE UNITS GUARANTEED PERFECT WORKING ORDER.

A LOW COST INTRODUCTION TO THE HOME COMPUTER MARKET.

AMSTRAD 1512SD

1512 BASE UNIT, 5.25" FLOPPY DRIVE AND
KEYBOARD. ALL YOU NEED IS A MONITOR AND
POWER SUPPLY. WAS £49.00

NOW ONLY **£29.00**

REF: MAG29

AMSTRAD 1512DD

1512 BASE UNIT AND KEYBOARD AND TWO
5.25" 360K DRIVES. ALL YOU NEED IS A MONITOR
AND POWER SUPPLY. WAS £59.00

NOW ONLY **£39.00**

REF: MAG39

SOLAR POWER PANELS

3FT X 1FT 10WATT GLASS PANELS

14.5v/700mA

NOW AVAILABLE BY MAIL ORDER

£33.95

(PLUS £2.00 SPECIAL PACKAGING CHARGE)

TOP QUALITY AMORPHOUS SILICON CELLS HAVE ALMOST A TIMELESS LIFESPAN WITH AN INFINITE NUMBER OF POSSIBLE APPLICATIONS, SOME OF WHICH MAY BE CAR BATTERY CHARGING, FOR USE ON BOATS OR CARAVANS, OR ANYWHERE A PORTABLE 12V SUPPLY IS REQUIRED. REF: MAG34

ALSO 1FT X 1FT GLASS SOLAR PANELS 12v 200mA
ONLY £15.00. REF: MAG15P3

FREE SOFTWARE!

Brand new, UNUSED top quality *Famous brand* licensed software discs. Available in 5.25" DSD or 5.25" HD only. You buy the disk and it comes with free BRAND NEW UNUSED SOFTWARE. We are actually selling you the floppy disc for your own "MEGA CHEAP" storage facilities, if you happen to get software that you want/need/like as well..... you get a "MEGA BARGAIN" too!
DSD PKT10 £2.99 REF: MAG37 PKT100 £16.00 REF: MAG16
HD PKT10 £3.99 REF: MAG4P3 PKT100 £26.00 REF: MAG26P1

LARGER QUANTITY PRICES AVAILABLE ON APPLICATION

*****WE BUY SURPLUS STOCK*****

TURN YOUR SURPLUS STOCK INTO CASH.
IMMEDIATE SETTLEMENT. WE WILL ALSO QUOTE FOR
COMPLETE FACTORY CLEARANCE
COMING SOON

1994 CATALOGUE.

PLEASE SEND 42P, A4 SIZED SAE FOR YOUR FREE COPY.
MINIMUM GOODS ORDER £5.00 TRADE ORDERS FROM GOVERNMENT, SCHOOLS,
UNIVERSITIES & LOCAL AUTHORITIES WELCOME. ALL GOODS SUPPLIED SUBJECT TO
OUR CONDITIONS OF SALE AND UNLESS OTHERWISE STATED GUARANTEED FOR 30
DAYS RIGHTS RESERVED TO CHANGE PRICES & SPECIFICATIONS WITHOUT PRIOR
NOTICE. ORDERS SUBJECT TO STOCK. QUOTATIONS WILLINGLY GIVEN FOR QUANTITIES
HIGHER THAN THOSE STATED

*SOME OF OUR PRODUCTS MAY BE UNLICENSABLE IN THE UK

BULL ELECTRICAL
250 PORTLAND ROAD HOVE SUSSEX
BN3 5QT

MAIL ORDER TERMS: CASH PO OR CHEQUE
WITH ORDER PLUS £3.00 POST PLUS VAT.

PLEASE ALLOW 7 - 10 DAYS FOR DELIVERY

TELEPHONE ORDERS WELCOME

TEL: 0273 202500

FAX: 0273 222077



COMMODORE MICRODRIVE SYSTEM mini storage device for C64's 4 times faster than disc drives, 10 times faster than tapes. Complete unit just £12 REF: MAG12P1

SCHOOL STRIPPERS We have quite a few of the above units which are 'returns' as they are quite comprehensive units they could be used for other projects etc. Let us know how many you need at just 50p a unit (minimum 10).

HEADPHONES 16P These are ex Virgin Atlantic. You can have 8 pairs for £2 REF: MAG2P8

PROXIMITY SENSORS These are small PCB's with what look like a source and sensor LED on one end and lots of components on the rest of the PCB. Complete with flyleads. Pack of 5 £3 REF: MAG: 3P5 or 20 for £8 REF: MAG8P4

FIBRE OPTIC CABLE Made for Hewlett Packard so pretty good stuff! you can have any length you want (min5m) first 5m £7 REF: MAG7 thereafter £1 a metre (ie 20m is £27). REF: MAG1 Max length 250m.

SNOOPERS EAR? Original made to clip over the earpiece of telephone to amplify the sound-it also works quite well on the cable running along the wall Price is £5 REF: MAG5P7

DOS PACKS Microsoft version 3.3 or higher complete with all manuals or price just £5 REF: MAG5P8 Worth it just for the very comprehensive manual! 5.25" only.

DOS PACK Microsoft version 5 Original software but no manuals hence only £3 REF: MAG3P8 5.25" only.

FOREIGN DOS 3.3 German, French, Italian etc £2 a pack with manual. 5.25" only. REF: MAG2P9

MONO VGA MONITOR Made by Amstrad, refurbished £49 REF: MAG49

CTM644 COLOUR MONITOR Made to work with the CPC464 home computer. Standard RGB input so will work with other machines. Refurbished £59.00 REF: MAG59

JUST A SMALL SELECTION of what we have to see more get our 1994 catalogue (42p stamp) or call in Mon-Sat 9-5.30

HAND HELD TONE DIALLERS Ideal for the control of the Response 200 and 400 machines. £5 REF: MAG5P9

PIR DETECTOR Made by famous UK alarm manufacturer these are hi spec long range internal units. 12v operation. Slight marks on case and unboxed (although brand new) £8 REF: MAG8P5

WINDUP SOLAR POWERED RADIO AM/FM radio complete with hand charger and solar panel £14 REF: MAG14P1

COMMODORE 64 Customer returns but ok for spares etc £12 REF: MAG12P2 Tested and working units are £69.00 REF: MAG69

COMMODORE 64 TAPE DRIVES Customer returns at £4 REF: MAG4P9 Fully tested and working units are £12 REF: MAG12P5

COMPUTER TERMINALS complete with screen, keyboard and RS232 input/output. Ex equipment. Price is £27 REF: MAG27

MAINS CABLES These are 2 core standard black 2 metre mains cables fitted with a 13A plug on one end, cable the other. Ideal for projects, low cost manufacturing etc. Pack of 10 for £3 REF: MAG3P8 Pack of 100 £20 REF: MAG20P5

SURFACE MOUNT STRIPPER Originally made as some form of high frequency amplifier (main chip is a TSA5511T 1.3GHz synthesiser) but good stripper value, an excellent way to play with surface mount components £1.00 REF: MAG1P1.

MICROWAVE TIMER Electronic timer with relay output suitable to make enlarger timer etc £4 REF: MAG4P4

PLUG 4207 showing your age? pack of 10 with leads for £2 REF: MAG2P11

MOBILE CAR PHONE £5.99 Well almost complete in car phone excluding the box of electronics normally hidden under seat. Can be made to illuminate with 12v also has built in light sensor so display only illuminates when dark. Totally convincing! REF: MAG6P6

ALARM BEACONS Zenon strobe made to mount on an external bell box but could be used for caravans etc. 12v operation. Just connect up and it flashes regularly! £5 REF: MAG5P11

FIRE ALARM CONTROL PANEL High quality metal cased alarm panel 350x165x80mm. Comes with electronics but no information. £15 REF: MAG15P4

SUPER SIZE HEATSINK Superb quality aluminium heatsink. 365 x 183 x 61mm. 15 fins enable high heat dissipation. No holes! £9.99 REF: MAG10P1P

REMOTE CONTROL PCB These are receiver boards for garage door opening systems. You may have another use? £4 ea REF: MAG4P5

LOPTX Line output transformers believed to be for hi res colour monitors but useful for getting high voltages from low ones! £2 each REF: MAG2P12 bumper pack of 10 for £12 REF: MAG12P3.

PORTABLE RADIATION DETECTOR

£49.99

A Hand held personal Gamma and X Ray detector. This unit contains two Geiger Tubes, has a 4 digit LCD display with a Piezo speaker, giving an audio visual indication. The unit detects high energy electromagnetic quanta with an energy from 30KeV to over 1.2MeV and a measuring range of 5-9999 UR/h or 10-99990 Nr/h. Supplied complete with handbook.

REF: MAG50

EVERYDAY WITH PRACTICAL ELECTRONICS

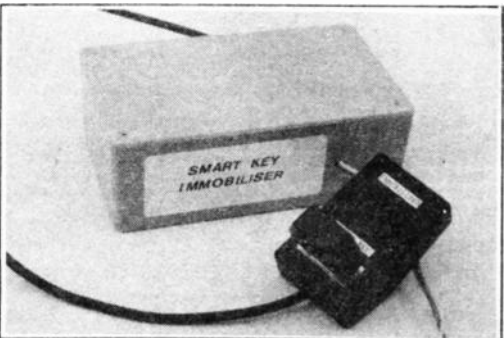
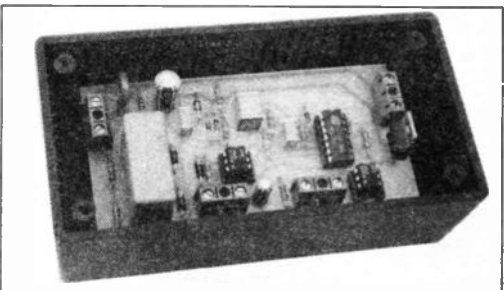
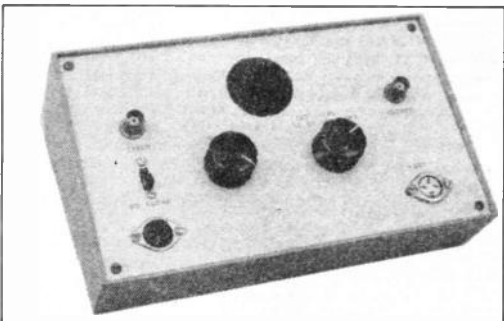
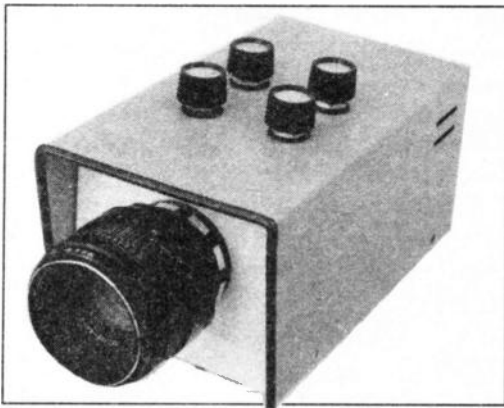
INCORPORATING ELECTRONICS MONTHLY

VOL. 23 No. 3 MARCH 1994

The No. 1 Independent Magazine for Electronics,
Technology and Computer Projects

ISSN 0262 3617

PROJECTS... THEORY... NEWS...
COMMENT... POPULAR FEATURES...



© Wimborne Publishing Ltd 1994. Copyright in all drawings, photographs and articles published in EVERYDAY with PRACTICAL ELECTRONICS is fully protected, and reproduction or imitations in whole or in part are expressly forbidden.

Our April '94 issue will be published on Friday,
4 March 1994. See page 179 for details.

Everyday with Practical Electronics, March, 1994

Projects

- SMART-KEY IMMOBILISER** by Nicholas Watkins 190
Your chance to confuse the criminal – prevents "hot" wiring
- AUDIO/R.F. MONITOR** by Ian Hickman 198
Low cost signal monitor for the workshop
- CCD TV CAMERA** by John Becker 210
State-of-the-Art, black and white closed-circuit camera, with computer interface
- VISUAL DOORBELL** by Andy Flind 222
Visual aid for people with hearing difficulties
- THREE-PHASE GENERATOR** by R. T. Irish 230
A simple circuit that can be used with power amplifiers to drive three-phase equipment

Series

- CIRCUIT SURGERY** by Alan Winstanley 202
Checking unmarked semiconductors; More on fuses; Build a Mains Lamp Dimmer
- SAFETY FIRST – 4** by T. R. de Vaux Balbirnie 206
Highlighting possible fire risks in low-voltage supplies
- CALCULATION CORNER – 3** by Steve Knight 219
Removing the fear from circuit design calculations
- INTERFACE** by Robert Penfold 226
The page for computer enthusiasts
- TECHNIQUES – ACTUALLY DOING IT** by Robert Penfold 234
Soldering – Making the right connection
- AMATEUR RADIO** by Tony Smith G4FAI 244
Morse Survey Results; Band Changes; Phase 3 Satellites; European DX Council

Features

- EDITORIAL** 189
- INNOVATIONS** 194
Everyday news from the world of electronics
- NEW TECHNOLOGY UPDATE** by Ian Poole 196
Latest research into light communications, hifi sound improvements and i.c. cooling techniques
- SHOPTALK** with David Barrington 225
Component buying for EPE projects
- ELECTRONICS SOFTWARE PRINCIPLES** 228
A software service for those studying electronics
- ELECTRONICS VIDEOS** 229
Our range of educational videos to complement your studies
- FOX REPORT** by Barry Fox 236
Kodak Picture Exchange; Shocking
- HOME BASE** by Terry Pinnell 238
Jottings of an electronics hobbyist
- DIRECT BOOK SERVICE** 239
A wide range of technical books available by mail order
- PRINTED CIRCUIT BOARD SERVICE** 242
PCBs for EPE projects – some at half price!
- ADVERTISER'S INDEX** 248
- FREE WALL CHART**
Electronics Formulae – 1

Readers Service • Editorial and Advertisement Departments 189

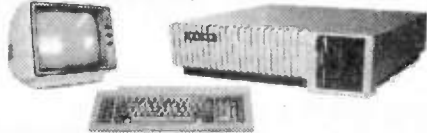
Surplus always wanted for cash!

THE ORIGINAL SURPLUS WONDERLAND!

Surplus always wanted for cash!

LOW COST PC SPECIALISTS - ALL EXPANDABLE - ALL PC COMPATIBLE

8088 XT - PC99



- 256k RAM - expandable to 640k
- 4.7 Mhz speed
- 360k 5-1/4" floppy
- 2 serial & 1 parallel ports
- MS-DOS 4.01
- Factory burnt-in
- Standard 84 key keyboard
- 12" green screen included
- In good used condition

Optional FITTED extras: 640k RAM £39. 12" CGA colour monitor with card £39. 2nd 5-1/4" 360k floppy £29.95. 20 mbyte MFM hard drive £99.

Only £99.00 (F)

FLOPPY DISK DRIVES

5 1/4" from £22.95 - 3 1/2" from £21.95!

Massive purchases of standard 5 1/4" and 3 1/2" drives enables us to present prime product at industry beating low prices! All units (unless stated) are removed from often brand new equipment and are fully tested, aligned and shipped to you with a 90 day guarantee and operate from standard voltages and are of standard size. All are IBM-PC compatible (if 3 1/2" supported).

- 3.5" Panasonic JU363/4 720K or equivalent £29.95(B)
- 3.5" Mitsubishi MF355C-L. 1.4 Meg. Laptops only £29.95(B)
- 3.5" Mitsubishi MF355C-D. 1.4 Meg. Non laptop £29.95(B)
- 5.25" EXTRA SPECIAL BRAND NEW Mitsubishi MF501B 360K. Absolutely standard fits most computers £22.95(B)

* Data cable included in price.

- Shugart 800/801 SS refurbished & tested £175.00(E)
- Shugart 851 double sided refurbished & tested £275.00(E)
- Mitsubishi M2894-63 double sided switchable hard or soft sectors- BRAND NEW £250.00(E)

Dual 8" drives with 2 mbyte capacity housed in a smart case with built in power supply! Ideal as exterior drives! £499.00(F)

End of line purchase scoop! Brand new NEC D2246 8" 85 megabyte of hard disk storage! Full CPU control and industry standard SMD interface. Ultra hi speed transfer and access time leaves the good old ST506 interface standing. In mint condition and comes complete with manual. Only £299(E)

THE AMAZING TELEBOX!

Converts your colour monitor into a QUALITY COLOUR TV!!



TV SOUND & VIDEO TUNER!

The TELEBOX consists of an attractive fully cased mains powered unit, containing all electronics ready to plug into a host of video monitors made by manufacturers such as MICROVITEC, ATARI, SANYO, SONY, COMMODORE, PHILIPS, TATUNG, AMSTRAD and many more. The composite video output will also plug directly into most video recorders, allowing reception of TV channels not normally receivable on most television receivers (TELEBOX MB). Push button controls on the front panel allow reception of 8 fully tuneable "off air" UHF colour television or video channels. TELEBOX MB covers virtually all television frequencies VHF and UHF including the HYPERBAND as used by most cable TV operators. Composite and RGB video outputs are located on the rear panel for direct connection to most makes of monitor. For complete compatibility - even for monitors without hi-fi audio output are provided as standard.

- Telexbox ST for composite video input monitors £32.95
- Telexbox STL as ST but with integral speaker £36.50
- Telexbox MB as ST with Multiband tuner VHF-UHF-Cable. & hyperband For overseas PAL versions state 5.5 or 6mhz sound specification. £69.95
- Telexbox RGB for analogue RGB monitors (15khz) £69.95

Shipping code on all Teleboxes is (B)

RGB Telexbox also suitable for IBM multisync monitors with RGB analog and composite sync. Overseas versions VHF & UHF call. SECAM / NTSC not available.

No Break Uninterruptable PSU's

Brand new and boxed 230 volts uninterruptable power supplies from Densel. Model MUK 0565-AJAF is 0.5 kva and MUD 1085-AHB1 is 1 kva. Both have sealed lead acid batteries. MUK are internal, MUD has them in a matching case. Times from interrupt are 5 and 15 minutes respectively. Complete with full operation manuals.....MUK.....£249 (F) MUD.....£525 (G)

286 AT - PC286



- 640k RAM expandable with standard SIMMS
- 12 Mhz Landmark speed
- 20 meg hard disk
- 1.2 meg 5-1/4" floppy
- 1.4 meg 3-1/2" floppy
- EGA driver on board
- 2 serial & 1 parallel ports
- MS-DOS 4.01
- Co-processor socket
- Enhanced 102 key keyboard
- Clock & calendar with battery back up

BRAND NEW AND BOXED!

Only £249.00 (F)

The Philips 9CM073 is suggested for the PC286 and the CM8873 for the PC386. Either may use the SVGA MTS-9600 if a suitable card is installed. We can fit this at a cost of £49.00 for the PC286 and £39.00 for the PC386.

POWER SUPPLIES

Power One SPL200-5200P 200 watt (250 w peak) Semi open frame giving +5v 35a, -5v 1.5a, +12v 4a (8a peak), -12v 1.5a, +24v 4a (6a peak). All outputs fully regulated with over voltage protection on the +5v output. AC input selectable for 110/240 vac. Dims 13" x 5" x 2.5". Fully guaranteed RFE. £85.00(B)

Power One SPL130. 130 watts. Selectable for 12v (4A) or 24v (2A). 5v @ 20A. ±12v @ 1.5A. Switch mode. New. £59.95(B)

Astec AC-8151 40 watts. Switch mode. +5v @ 2.5a, +12v @ 2a, -12v @ 0.1a, 6-1/4" x 4" x 1-3/4". New £22.95(B)

Greendale 19AB0E 60 watts switch mode. +5v @ 6a±12v @ 1a, +15v @ 1a. RFE and fully tested. 11 x 20 x 5.5cms. £24.95(C)

Conver AC130. 130 watt hi-grade VDE spec. Switch mode. +5v @ 15a, -5v @ 1a±12v @ 6a±7 x 12.5 x 6.5cms. New. £49.95(C)

Boshert 13090. Switch mode. Ideal for drives & system. +5v @ 6a, +12v @ 2.5a, -12v @ 0.5a, -5v @ 0.5a. £29.95(B)

Farnell G6/40A. Switch mode. 5v @ 40a. Encased £95.00(C)

Farnell G24/5S. As above but 24v @ 5a. £65.00(C)

BBC Model B APM Board



£100 CASH FOR THE MOST NOVEL DEMONSTRATABLE APPLICATION!

BBC Model B type computer on a board. A major purchase allows us to offer you the PROFESSIONAL version of the BBC computer at a parts only price. Used as a front end graphics system on large networked systems the architecture of the BBC board has so many similarities to the regular BBC model B that we are sure that with a bit of experimentation and ingenuity many useful applications will be found for this board! It is supplied complete with a connector panel which brings all the I/O to 'D' and BNC type connectors - all you have to do is provide +5 and ±12 v DC. The APM consists of a single PCB with most major ic's socketed. The ic's are too numerous to list but include a 6502, RAM and an SAA5050 teletext chip. Three 27128 EPROMS contain the custom operating system on which we have no data. On application of DC power the system boots and provides diagnostic information on the video output. On board DIP switches and jumpers select the ECONET address and enable the four extra EPROM sockets for user software. Appx. dims: main board 13" x 10". I/O board 14" x 3". Supplied tested with circuit diagram, data and competition entry form.

Only £29.95 or 2 for £53 (B)

SPECIAL INTEREST

- Trio 0-18 vdc bench PSU. 30 amps. New £ 470
- Fujitsu M3041 600 LPM band printer £2950
- DEC LS/02 CPU board £ 150
- Rhode & Schwarz SBUF TV test transmitter 25-1000mhz. Complete with SBTFT2 Modulator £6500
- Calcomp 1036 large drum 3 pen plotter £ 650
- Thurby LA 160B logic analyser £ 375
- 1.5kw 115v 60hz power source £ 950
- Anton Pillar 400 Hz 3 phase frequency converter 75Kw POA
- Newton Derby 400 Hz 70 Kw converter POA
- Nikon PL-2 Projection lens meter/scope £750
- Sekonic SD 150H 18 channel Hybrid recorder £2000
- HP 7580A A1 8 pen high speed drum plotter £1850
- Kenwood DA-3501 CD tester, laser pickup simulator £ 350

BRAND NEW PRINTERS

- Microline 183. NLQ 17x17 dot matrix. Full width. £139 (D)
- Hyundai HDP-920. NLQ 24x18 dot matrix full width. £149 (D)
- Qume LetterPro 20 daisy. Qume QS-3 interface. £39.95 (D)
- Centronics 152-2 9 x 7 dot matrix. Full width. £149 (D)
- Centronics 159-4 9 x 7 dot matrix. Serial. 9-1/2" width £ 99 (D)

386 AT - PC386



- 2 meg RAM expanded by slots
- 20 Mhz with 32k cache. Expandable to 64k
- 40 meg hard disk
- 1.2 meg 5-1/4" floppy
- VGA card installed
- 2 serial & 1 parallel ports
- MS-DOS 4.01
- Co-processor socket
- Enhanced 102 keyboard
- Kwik Disk Accelerator Software - FREE

BRAND NEW AND BOXED!

Only £425.00 (F)

MONITORS



14" Forefront Model MTS-9600 SVGA multisync with resolution of 1024 x 768. 0.28 pitch. "Text" switch for word processing etc. Overscan switch included. Ideal for the PC-386 or PC-286 with SVGA card added. Also compatible with BBC, Amiga, Atari (including the monochrome high resolution mode), Archimedes etc. In good used condition (possible minor screen bums). 90 day guarantee. 15" x 14" x 12". Only £159(E)



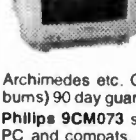
14" Philips Model CM8873 VGA multisync with 640 x 480 resolution. CGA, EGA or VGA, digital/analog, switch selectable. Sound with volume control. There is also a special "Text" switch for word processing, spreadsheets and the like. Compatible with IBM PC's, Amiga, Atari (excluding the monochrome high resolution mode), BBC,



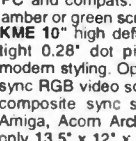
Archimedes etc. Good used condition (possible minor screen bums) 90 day guarantee. 15" x 14" x 12". Only £139(E)



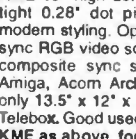
Philips 9CM073 similar (not identical) to above for EGA/CGA PC and compats. 640 x 350 resolution. With Text switch with amber or green screen selection. 14" x 12" x 13-1/2". £99(E)



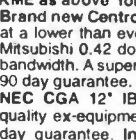
KME 10" high definition colour monitors. Nice tight 0.28" dot pitch for superb clarity and modern styling. Operates from any 15.625 khz sync RGB video source, with RGB analog and composite sync such as Atari, Commodore Amiga, Acorn Archimedes & BBC. Measures only 13.5" x 12" x 11". Also works as quality TV with our HGB



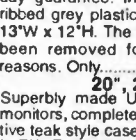
Telebox. Good used condition. 90 day guarantee. Only £125 (E)



KME as above for PC EGA standard.....£145 (E)



Brand new Centronic 14" monitor for IBM PC and compatibles at a lower than ever price! Completely CGA equivalent. Hi-res Mitsubishi 0.42 dot pitch giving 669 x 507 pixels. Big 28 Mhz bandwidth. A super monitor in attractive style moulded case. Full 90 day guarantee. Only £129 (E)



NEC CGA 12" IBM-PC compatible. High quality ex-equipment fully tested with a 90 day guarantee. In an attractive two tone ribbed grey plastic case measuring 15" x 13" x 12". The front cosmetic bezel has been removed for contractual £69 (E) reasons. Only £145 (E)



20", 22" and 26" AV SPECIALS



Superbly made UK manufacture. PIL all solid state colour monitors, complete with composite video & sound inputs. Attractive teak style case. Perfect for Schools, Shops, Disco, Clubs. In EXCELLENT little used condition with full 90 day guarantee. 20"....£135 22"....£155 26"....£185 (F)



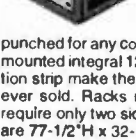
CALL FOR PRICING ON NTSC VERSIONS!



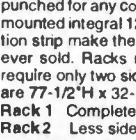
Superb Quality 6 foot 40u



19" Rack Cabinets



Massive Reductions



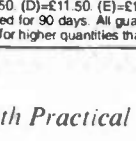
Virtually New, Ultra Smart!



Less Than Half Price!



Top quality 19" rack cabinets made in UK by Optima Enclosures Ltd. Units feature designer, smoked acrylic lockable front door, full height lockable half louvered back door and removable side panels. Fully adjustable internal fixing struts, ready punched for any configuration of equipment mounting plus ready mounted integral 12 way 13 amp socket switched mains distribution strip make these racks some of the most versatile we have ever sold. Racks may be stacked side by side and therefore require only two side panels or stand singly. Overall dimensions are 77-1/2" H x 32-1/2" D x 22" W. Order as:



Rack 1 Complete with removable side panels.....£275.00 (G)
Rack 2 Less side panels.....£145.00 (G)

1992 Winter Issue of Display News now available - send large SAE - PACKED with bargains!

DISPLAY

MAIL ORDER & OFFICES
Open Mon-Fri 9.00-5.30
Dept EE, 32 Biggin Way,
Upper Norwood,
London SE19 3XF.

LONDON SHOP
Open Mon-Sat 9.50-5.30
Thursday till 9.00pm
215 Whitehorse Lane,
South Norwood,
London, SE25.

DISTEL © The Original
Free dial-up database!
1000's of items+info on line
V21, V22 & V22 bis
081-679-1888

ALL ENQUIRIES
081-679-4414
Fax- 081-679-1927



-ELECTRONICS-

All prices for UK Mainland. UK customers add 17.5% VAT to TOTAL order amount. Minimum order £10. PO orders from Government, Universities, Schools & Local Authorities welcome-minimum account order £30. Carriage charges (A)-£2.00. (A1)-£3.75. (B)-£5.50. (C)-£8.50. (D)-£11.50. (E)-£14.00. (F)-£18.00. (G)-Call. Scotland surcharge: call. All goods supplied subject to our standard Conditions of Sale and unless otherwise stated guaranteed for 90 days. All guarantees on a return to base basis. Rights reserved to change prices & specifications without prior notice. Orders subject to stock. Quotations willingly given for higher quantities than those stated. Bulk surplus always wanted for cash.

EPE SOUNDAC

Put your beep to sleep and astound with sound or (if you want to be really corny), the art of cheap noise!

Since its introduction the IBM compatible PC has improved in so many ways – in terms of speed, ease of use, and smaller yet faster boxes.

One area that has been slow to develop is sound, and even now few PC's are capable of anything more than a "beep". Commercial sound cards are readily available, but are still fairly expensive. These fall into two categories – pure f.m. synthesis such as the Ad-Lib card, and those with digital to analogue conversion (DAC), for example the Sound Blaster.

Microsoft Windows requires the latter type since it makes extensive use of digitally sampled sound files. These have the extension ".WAV" and consist basically of a short header indicating playback speed and length, followed by a stream of 8-bit sampled data. The most effective WAV files are unusual sound effects, such as breaking glass and explosions, or running water!

One disadvantage of a commercial board is that it isn't easily shared between two PC's – and what if you own a laptop which doesn't take expansion cards?

This project describes a simple, high quality unit which sounds just like a £100 commercial card, yet costs very little and simply plugs into the PC's printer port.

Your computer will be dumbstruck if you miss it!



Our second Electronics Formulae wall chart – just like the first one in this issue but with different formulae – honest!

FRAME GRAB

Add a gear box interface to a PC-compatible computer for high speed analogue data collection and distribution.

The Frame Grab is a two-way interface unit which enables high speed analogue data to be processed by a PC compatible computer. It was designed principally for use with the CCD TV Camera in this issue, but it can also be used for other analogue data interfacing purposes.

The camera generates live data at a rate faster than the software run on most PC compatible computers can handle directly. The purpose of the Frame Grab, therefore, is to act as "gear box" slowing down the data to a more readily accessible rate.

The Frame Grab consists of a high speed analogue to digital converter (ADC) whose output data is recorded by a 128Kb memory at half the full output transmission rate of the camera. When the memory has been filled, its contents can be read and processed by the computer at a slower rate suitable to the software.

MOSFET VARIABLE BENCH POWER SUPPLY MkII

Based on the highly popular design published in our February 1988 issue. The MkII version has been completely redesigned with more components on the p.c.b. thus reducing off-board wiring to the bare minimum. The radical new design incorporates a low frequency switching pre-regulator which reduces the voltage before the main MOSFET. This results in much lower heat generation and much lower power losses – so much so that the heatsink is no longer required.

Like the original the MkII provides 0-25V with adjustable current limit of 0-2.5A, it has twin panel meters to display volts and amps plus a current limit mode i.e.d. indicator. A punched, painted and printed case will be available to provide a professional finish to this essential piece of test gear.

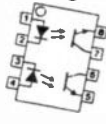
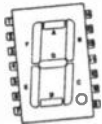
EVERYDAY
WITH PRACTICAL
ELECTRONICS

APRIL ISSUE ON SALE FRIDAY MARCH 4th 1994

OMNI ELECTRONICS

174 Dalkeith Road, Edinburgh EH16 5DX ★ 031 667 2611

The supplier to use if you're looking for:-

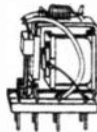


★ A WIDE RANGE OF COMPONENTS AIMED AT THE HOBBYIST ★

★ COMPETITIVE VAT INCLUSIVE ★ PRICES

★ MAIL ORDER – generally by ★ RETURN OF POST

★ FRIENDLY SERVICE ★



OPEN:

Monday-Thursday 9.15 - 6.00

Friday 9.15-5.00

Saturday 9.30-5.00



THIS IS THE COUPON

that brings the 1993-94

CATALOGUE

140 pages, A4, copiously illustrated, bang up to date and with bonus vouchers. Send cheque/PO for £1.50.



that brings the SERVICE

with choice of very wide ranges of famous-name quality electronic components and associated gear sent promptly on receipt of your order. A service

that **ElectroValue**

have been providing constructors with continuously since 1965. With *this* Catalogue, you will find our service the best ever. Send for your copy **NOW!**

ELECTROVALUE LTD., UNIT 3, CENTRAL TRADING ESTATE, STAINES, MIDDIX TW18 4UX
Tel: 0784 442253 Fax: 0784 460320

I enclose Cheque/PO/Credit Card No.
Value £1.50 for your 1993-94 Catalogue

Name

Address

Post Code

Ep 1



AMPLIFIERS from



UK Distributor for the complete ILP Audio Range



BIPOLAR AMPLIFIER MODULES

Encapsulated amplifiers with integral heatsink.

HY30P	15W Bipolar amp	£9.95
HY60	30W Bipolar amp	£12.62
HY6060	30W Stereo Bipolar amp	£26.46
HY124	60W Bipolar amp (4 ohm)	£20.69
HY128	60W Bipolar amp (8 ohm)	£20.69
HY244	120W Bipolar amp (4 ohm)	£27.38
HY248	120W Bipolar amp (8 ohm)	£27.38
HY364	180W Bipolar amp (4 ohm)	£42.86
HY368	180W Bipolar amp (8 ohm)	£42.86

MOSFET AMPLIFIER MODULES

Encapsulated amplifiers with integral heatsink.

SMOS60	30W Mosfet amp	£23.15
SMOS6060	30W Stereo Mosfet amp	£39.95
SMOS128	60W Mosfet amp	£30.95
SMOS248	120W Mosfet amp	£42.50

CLASS A AMPLIFIER MODULE

Encapsulated Class A amplifier with integral heatsink

HCA40	20W Class A amp	£36.60
-------	-----------------	--------

POWER SUPPLIES

Full range of transformers and DC boards available for the above amplifiers.

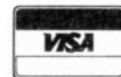
100 VOLT LINE TRANSFORMERS

Full range of speech and music types for amplifiers from 30 watt to 180 watt

PREAMPLIFIER MODULE

General purpose preamplifier for a wide range of applications.

Prices include VAT and carriage



Quantity prices available on request

Write, phone or fax for free Data Pack

Jaytee Electronic Services

143 Reculver Road, Herne Bay, Kent CT6 6PL
Telephone: (0227) 375254 Fax: 0227 365104

A SELECTION OF NEW SURPLUS LINES FROM OUR MASSIVE STOCKS!

WATERPROOF SPEAKERS

Super quality & value!

£2.95 each
25 + 1.70
100 + 1.20



MIXER - SAMPLER - VOICE CHANGER

A free standing or rack mounting audio mixer with a big range of facilities!

- 8 stereo inputs with 2 mic sockets
- 8 second digital sampler with pitch control
- Sound effect panel with volume and pitch
- Voice changer on DJ mic input
- Cross fader and full cueing facilities
- Supplied with 12V ac PSU
- Rack mounting brackets

SUPER PRICE
£179.95



SUPER TRANSFORMERS

12V @ 2A - 16V @ 2A

Price - **£3.50** each
Box of 20 - **£50**
100 + **£2.00**
1000 + **£1.65**



Overall size 64 x 53 x 65mm

Memory Back-up Capacitors

Miniature large capacitance type

SPEC:

47,000 µF 5.5V
Discharge time (5 -2V)
23 hrs @ 3µA.

Made by NEC. Size 8x11.5mmØ

Current list price **£1.77** each

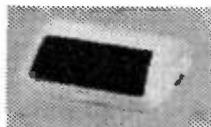
Our Special low prices:

£2.00
Z3144 pack of 3
25 + 0.55
100 + 0.35
1000 + 0.27



Air Purifier & Ionizer

A compact, stylish ionizer and air purifier designed specifically for car, truck and bus use with a coverage volume of 14m³. Removes unpleasant smells, airborne dust, bacteria, tobacco smoke, etc. Supplied with a double sided self adhesive pad.



Power 12Vdc 1.8W
Dims 110 x 110 x 65mm

Normal Price **£9.95**
Price **£6.95**

MINI STROBE



Top quality mini strobe with a very high light intensity for its size. Flash rate adjustable up to 15 flashes per second. Steel case with adjustable mounting bracket.

Flash rate 15 per second max.
Max tube power

Power 15W @ 15 flashes/second
220/240Vac 50Hz
Dims 125 x 85 x 55mm

Normal Price **£22.95**
Price **£18.90**

SUPER MOTOR OFFER!



Spec: RPM: 15,000 no load
Size: 25x20x15mm Current: 50mA
Volts: 12V Spindle: 8.5 x 2Ø

4 for £1
100 + 0.14 1000 + 0.10

ECLIPSE



ELECTRONIC ANTI-DAZZLE MIRROR

THE MIRROR THAT DIPS BY ITSELF

Reduces eye strain & tiredness

Automatic operation

Safety glass

Easily fitted

Uses internal or car battery

Made in the UK

Removes headlight dazzle from behind

Dips in 1/10 second

Sensitivity selector

Battery operated, easily fitted

Complete with accessories

Order Code: Z5693

HEADPHONES OFFER



CD04 - Neat rectangular style CD Headphones, compact design with extremely good sound. These retail for up to £19.95 (depending on how posy the store is!). Spec: 16-22,000Hz Somarium cobalt transducers. Gold plated 3.5mm plug & adaptor. 32R impedance

SUPER PRICE **£4.95**

SUPER NEW PARCEL JUST ARRIVED!!

of interest to Manufacturers, Distributors, Retailers & Hobbyists

12 Million components from a VCR manufacturer. Pack of samples **£2 post free.**

Includes 60+ types of Capacitor, R's, Inductors, Plastic Film Presets, Transistors, Diodes & IC's.

JUST PURCHASED 300,000 Top Quality LED's

All sorts in here - mostly 3mm & 5mm round, red, yellow & green - lots of high intensity types!!

Ring/write/fax for full list

Phone Nos: **SALES 0703 236363; Technical 325999;**
Accounts 231003; Fax (All depts) 236307; FaxOnDemand 236315*

*To obtain latest lists, info etc, just dial 0703 236315 from any fax machine and follow instructions.

GREENWELD
ELECTRONIC COMPONENTS

All 1 off and pack prices include VAT, qty prices do not. P&P £3 per order (£9.50 next day). Min Credit Card £12: Official Orders welcome from Education - min invoice charge £15. Payment accepted by cheque, PO, cash, book tokens, Access, Visa, Connect. Our stores (over 10,000 sq ft) have enormous stocks. We are open from 9-5.30 Mon-Sat. Come and see us!

27D Park Road Southampton SO1 3TB

Plastic Briefcases



W89 Black plastic briefcase 400x270x90mm has many uses - sample case, documents, tools, hobbybox, sewing box - even lunch box! Comfortable carrying handle and secure fastenings

SUPER PRICE **£3.95**



W68 A smaller more compact version - this case measures 270x175x50mm, and has a moulded-in handle and snap shut catch.

SUPER PRICE **£1.95**

12V 30AH SEALED LEAD ACID BATTERIES

Order Code: Z9186 Sealed lead acid battery by panasonic (Matsushita), Suberb quality & value. Constant voltage charge 12V 17Ah size 182 x 167 x 75mm. Voltage regulation :- Cycle Use 14.6-15V - Standby Use 13.6-13.8V.

Initial current - less than 6.8A. These look brand new & have been checked & charged by us prior to despatch. Use our A116 charger for re-charging. Bolt terminals.



LIST PRICE
OVER £50!!
OUR PRICE
£20

MDR20 - Personal stereo headphones. Again, top quality using somarium cobalt transducers. Spec as CD04 alongside. Attractively packaged with spare covers

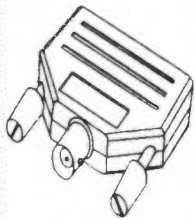
SUPER PRICE **£3.95**

Low cost data acquisition for IBM PCs & compatibles...

A unique range of low cost data acquisition products for IBM PCs and compatibles. Installed in seconds they simply plug directly into either the serial or parallel port. They are completely self contained, require no external power supply and take up no expansion slots.

Each device comes with an easy to use software package (PicoScope, PicoLog or both). C, Pascal, and Basic drivers are supplied for those who want to develop their own software, as is a manual giving full details of the hardware and software. All software supplied on 3.5" disk.

ADC-10



Up to 24kHz sampling rate from a 386/33MHz machine
0-5V Input range
BNC input connector allows use of standard scope probes
30V overload protection
Parallel port connection
Includes PicoScope software

Single Channel 8 bit ADC

£49

ADC-16

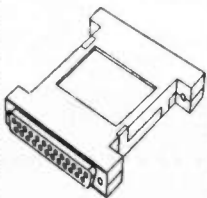


Software selectable single ended or differential inputs
Resolution programmable between 8 and 16 bits + sign
 $\pm 2.5V$ input range
5V reference output
Connects to serial port
Includes PicoLog software

8 Channel 16 bit + sign ADC

£99

ADC-11

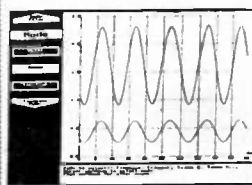


15K samples per second
0-2.5V Input range
Digital output
D25 input connector
30V overload protection
Parallel port connection
Includes both PicoScope and PicoLog software

11 Channel 10 bit ADC

£75

PicoScope

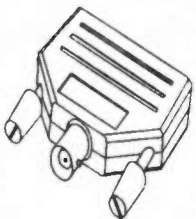


Scope, voltmeter, spectrum analyser

'Virtual instrument' software package for the ADC-10, ADC-11 and ADC-12.

Storage oscilloscope with trigger and timebase. Traces can be printed and saved. Multiple meters onscreen. Real time spectrum analysis.

ADC-12

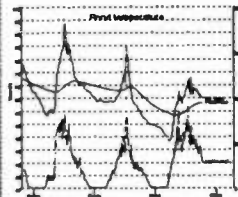


Up to 18kHz sampling rate
0-5V Input range
BNC input connector allows use of standard scope probes
30V overload protection
Parallel port connection
Includes both PicoScope and PicoLog software

Single Channel 12 bit ADC

£85

PicoLog



Advanced data logging software

Collect samples from 1 per ms to one per day. Scale samples linearly, by equation or by table look-up. Graphical (against time or XY) and text reports can be displayed, printed or exported.

Picolog is also available for the ADC-10: call for details.

Typical application	ADC-10	ADC-11	ADC-12	ADC-16
Oscilloscope	●	●	●	
Voltmeter	●	●	●	●
Spectrum analyser	●	●	●	
Audio sampling	●		●	
Chart recorder emulation		●		●
Temperature measurement	●	●	●	●
Pressure measurement	●	●	●	●
Chromatography				●
Automotive monitoring		●		●
Medical research		●	●	●
Education	●	●	●	●

PICO BENEFITS

- 30 day no quibble money back policy
- Full 1 year guarantee
- 1 year's free software upgrades
- Free technical support
- Free user newsletter
- Same day dispatch



Pico Technology Ltd. Broadway House, 149-151 St Neots Road, Hardwick, Cambridge. CB3 7QJ.

TEL: 0954-211716 FAX: 0954-211880

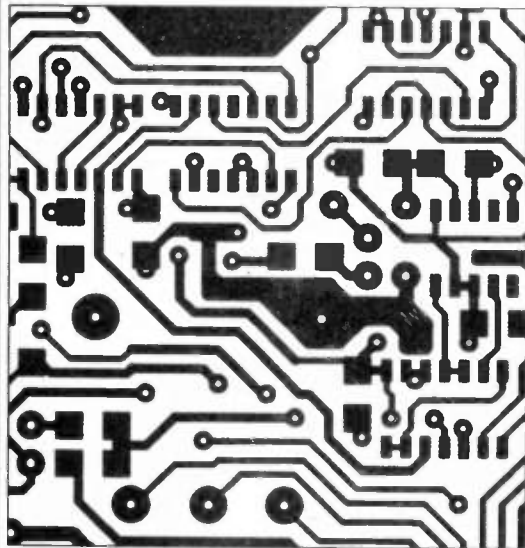


Phone or FAX for sales, ordering information, data sheets, technical support. All prices exclusive of VAT.

PICO TECHNOLOGY

EASY-PC, Schematic and PCB CAD

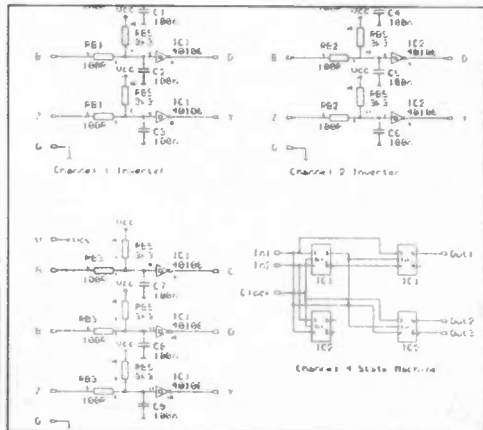
Over 17,000 Installations
in 70 Countries World-wide!



- Runs on:- PC/XT/AT/286/386/486 with Hercules, CGA, EGA or VGA display and many DOS emulations.
- Design:- Single sided, Double sided and Multi-layer (8) boards.
- Provides full Surface Mount support.
- Standard output includes Dot Matrix / Laser / Ink-jet Printer, Pen Plotter, Photo-plotter and N.C. Drill.
- Tech Support - free.
- Superbly easy to use.

**Still
Only
£98.00!**
Plus P&P+VAT

**BRITISH
DESIGN
AWARD
1989**

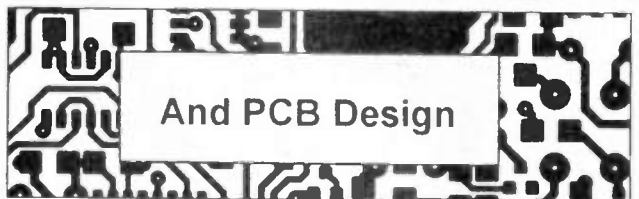
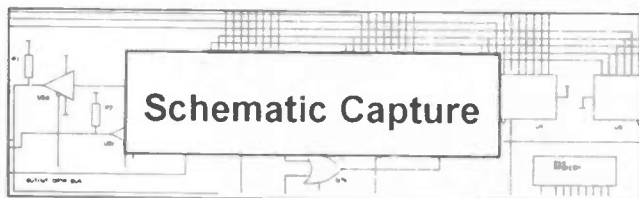


Options:-500 piece Surface Mount Symbol Library £48,
1000 piece Symbol Library £38, Gerber Import facility £98.

Electronic Designs Right First Time?

See us on Stand 1119 CAD/CAM Show, NEC 8-10 March

Integrated Electronics CAD



Affordable Electronics CAD

EASY-PC: Entry level PCB and Schematic CAD.	\$195.00	£98.00
EASY-PC Professional: Schematic Capture and PCB CAD. Links directly to ANALYSER III and PULSAR.	\$375.00	£195.00
PULSAR: Digital Circuit Simulator ~ 1500 gate capacity.	\$195.00	£98.00
PULSAR Professional: Digital Circuit Simulator ~ 50,000 gate capacity.	\$375.00	£195.00
ANALYSER III: Linear Analogue Circuit Simulator ~ 130 node capability	\$195.00	£98.00
ANALYSER III Professional: Linear Analogue Circuit Simulator ~ 750 node capability.	\$375.00	£195.00
Z-MATCH for Windows: NEW Windows based Smith-Chart program for RF Engineers.	\$475.00	£245.00
We operate a no penalty upgrade policy. You can upgrade at any time to the professional version of a program just for the difference in price.		US\$ prices include Post and Packing
		UK£ prices exclude P&P and VAT

Prices from UK£195 / US\$375

For full information, please write, phone or fax:-

Number One Systems

UK/EEC: Ref. EVD, HARDING WAY, ST. IVES, CAMBS., ENGLAND, PE17 4WR.

Telephone UK: 0480 461778 (7 lines) Fax: 0480 494042 International +44 480 461778

USA: Ref. EVD, 1795 Granger Avenue, Los Altos, CA 94024

Telephone: (415) 968 9306

- TECHNICAL SUPPORT FREE FOR LIFE
- PROGRAMS NOT COPY PROTECTED.
- SPECIAL PRICES FOR EDUCATION.

ACCESS, AMEX, MASTERCARD, VISA Welcome.

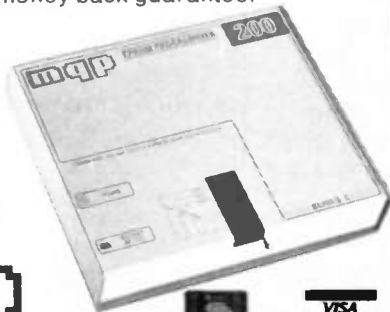
SYSTEM 200 DEVICE PROGRAMMER

SYSTEM: Programs 24, 28, 32 pin EPROMS, EE-PROMS, FLASH and Emulators as standard, quickly, reliably and at low cost.

Expandable to cover virtually any programmable part including serial E², PALS, GALS, EPLD's and microcontrollers from all manufacturers.

DESIGN: Not a plug in card but connects to the PC serial or parallel port; it comes complete with powerful yet easy to control software, cable and manual.

SUPPORT: UK design, manufacture and support. Same day dispatch, 12 month warranty. 10 day money back guarantee.



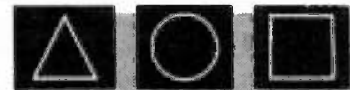
ASK FOR FREE
INFORMATION
PACK



MQP ELECTRONICS Ltd.
Unit 2, Park Road Centre,
Malmesbury, Wiltshire, SN16 0BX UK
TEL. 0666 825146 FAX. 0666 825141

GERMANY 089/4602071
NORWAY 0702-17890
ITALY 02 92 10 3554
FRANCE (1)69.41.28.01
Also from VEROSPEED UK

BTEC
Certificated



TUTOR
Supported

N A T I O N A L
C O L L E G E O F
T E C H N O L O G Y

DISTANCE LEARNING COURSES

The National College of Technology offer a range of packaged learning short courses for study at home or in an industrial training environment which carry national BTEC awards. Study can commence at any time and at any level enabling you to create a study routine to fit around existing commitments. Courses on offer include:

Analogue Electronics
Digital Electronics
Fibre/Optoelectronics
Programmable Logic Controllers
Electronic Testing & Fault Diagnosis

Tutor support and BTEC certification are available as options with no travelling or college attendance required. These very popular courses which are ideal for vocational training contain workbooks, audio cassette lectures, PCB's, instruments, tools, components and leads as necessary to support the theoretical and practical training. Whether you are a newcomer to electronics or have some experience and simply need an update or certification, there is probably a distance learning course ready for you. Write or telephone for details to:

National College of Technology
NCT Ltd., PO Box 11
Wendover, Bucks
Tel: (0296) 624270

PCB DESIGN SOFTWARE

LOW
COST

RANGER 1 XT/AT PC Circuit — PCB

From Circuit Design
Through to Artwork
In One Package!

£100

Fully Integrated
AutoRouter

£50

Exchange your easy PC
For a free AutoRouter

NEW

RANGER 2 XT/AT + 386 PC

It has all the features you will ever need
at an outstanding price. But now with a new 2
layer 386 Ripup & Retry AutoRouter

£599

Option Pack 100% Router
Simultaneous 6 layer Ripup & Retry
AutoRouter with via Minimisation.
Autocad DXF in & out. GERBER in.

£350



Call us for details & demo disk on 0705 591037

SEETRAX
CAE



Seetrax CAE. Hinton Daubnay House, Broadway Lane, Lovedean, Hants. PO8 0SG
Tel: 0705 591037 — Fax 0705 599036

HART

HART AUDIO KITS – YOUR VALUE FOR MONEY ROUTE TO ULTIMATE HI-FI

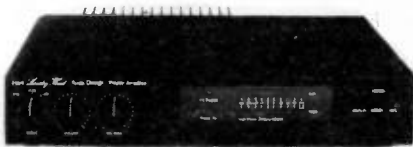
HART KITS give you the opportunity to build the very best engineered hifi equipment there is, designed by the leaders in their field, using the best components that are available.

Every HART KIT is not just a new equipment acquisition but a valuable investment in knowledge, giving you guided hands-on experience of modern electronic techniques.

In short HART is your 'friend in the trade' giving you, as a knowledgeable constructor, access to better equipment at lower prices than the man in the street.

You can buy the reprints and construction manual for any kit to see how easy it is to build your own equipment the HART way. The FULL cost can be credited against your subsequent kit purchase. Our list will give you fuller details of all our Audio Kits, components and special offers.

AUDIO DESIGN 80 WATT POWER AMPLIFIER.



This fantastic John Linsley Hood designed amplifier is the flagship of our range, and the ideal powerhouse for your ultimate hifi system. This kit is your way to get £K performance for a few tenths of the cost! Featured on the front cover of 'Electronics Today International' this complete stereo power amplifier offers World Class performance allied to the famous HART quality and ease of construction. John Linsley Hood's comments on seeing a complete unit were enthusiastic: "The external view is that of a thoroughly professional piece of audio gear, neat elegant and functional. This impression is greatly reinforced by the internal appearance, which is redolent of quality, both in components and in layout." Options include a stereo LED power meter and a versatile passive front end giving switched inputs using ALPS precision, low-noise volume and balance controls. A new relay switched front end option also gives a tape input and output facility so that for use with tuners, tape and CD players, or indeed any other 'flat' inputs the power amplifier may be used on its own, without the need for any external signal handling stages. 'Slave' and 'monobloc' versions without the passive input stage and power meter are also available. All versions fit within our standard 420 x 260 x 75mm case to match our 400 Series Tuner range. ALL six power supply rails are fully stabilised, and the complete power supply, using a toroidal transformer, is contained within a heavy gauge aluminium chassis/heatsink fitted with IEC mains input and output sockets. All the circuitry is on professional grade printed circuit boards with roller tinned finish and green solder resist on the component ident side, the power amplifiers feature an advanced double sided layout for maximum performance. All wiring in this kit is pre-terminated, ready for instant use!

RLH11 Reprints of latest articles.....£1.80
K1100CM HART Construction Manual.....£5.50

LINSLEY HOOD 1400 SERIES ULTRA HIGH-QUALITY PREAMP

Joining our magnificent 80 Watt power amplifier now is the most advanced preamplifier ever offered on the kit, or indeed made-up marketplace. Facilities include separate tape signal selection to enable you to listen to one programme while recording another, up to 7 inputs, cross recording facilities, class A headphone amplifier, cancellable 3-level tone controls and many other useful functions, all selected by high quality relays. For full details see our list.

Send or 'phone for your copy of our List (50p) of these and many other Kits & Components. Enquiries from Overseas customers are equally welcome, but PLEASE send 2 IRCs if you want a list sent surface post, or 5 for Airmail.

Ordering is easy. Just write or telephone your requirements to sample the friendly and efficient HART service. Payment by cheque, cash or credit card. A telephoned order with your credit card number will get your order on its way to you THAT DAY.

Please add part cost of carriage and insurance as follows:—INLAND Orders up to £20 - £1.50,

Orders over £20 - £3.50. Express Courier, next working day £10.

OVERSEAS - Please see the ordering information with our lists.

LINSLEY HOOD 'SHUNT FEEDBACK' R.I.A.A. MOVING COIL & MOVING MAGNET PICKUP PREAMPLIFIERS



Modern, ultimate sound systems are evolving towards built-in preamplifiers within or near the turntable unit. This keeps noise pickup and treble loss to a minimum. We now offer two units, both having the sonically preferred shunt feedback configuration to give an accurate and musical sound, and both having the ability to use both moving magnet and moving coil cartridges.

Kit K1500 uses modern integrated circuits to achieve outstanding sound quality at minimal cost. The very low power requirements enable this unit to be operated from dry batteries and the kit comes with very detailed instructions making it ideal for the beginner. K1500 Complete kit with all components, printed circuit board, full instructions and fully finished case.....£67.99
Instructions only.....£2.80

Kit K1450 is a fully discrete component implementation of the shunt feedback concept and used with the right cartridge offers the discerning user the ultimate in sound quality from vinyl disks. Can be fitted inside our 1400 Preamp, used externally or as a standalone unit. It has a higher power requirement and needs to be powered from our 1400 Series preamplifier or its own dedicated power supply. K1450 Complete Discrete Component RIAA Phono Preamp.....£109.58
Factory Assembled and Tested.....£159.58
K1565 Matching Audio Grade Power Supply with potted toroidal transformer and limited shift earthing system.....£79.42
Factory Assembled and Tested.....£118.42
U1115 Power Interconnect Cable.....£7.29

SPECIAL OFFER

PRECISION Triple Purpose TEST CASSETTE TC1DD.

Are you sure your tape recorder is set up to give its best? Our latest triple purpose test cassette checks the three most important tape parameters without test equipment. Ideal when fitting new heads. A professional quality, digitally mastered test tape at a price anyone can afford.

Test Cassette TC1DD..... Our price only £10.99

DISK-COUNT Classical CD's.

Top quality, Full Digital (DDD) Compact Disks of the great classical favourites. Like everyone else we didn't like the idea of paying silly prices for CD's. After a long search we have now located a source of top quality classical recordings at prices that make you suspect the quality - until you try them! Send for our list of titles.

CD Roms

Like music CDs these have been overpriced for some time but with the low prices of CD Rom drives the multimedia revolution is with us now. Send for our list of titles. Most popular up to now have been "Too Many Typefonts" with 514 TrueType fonts along with 393 ATM and lots of others. "Shareware Overload" with over 6100 programs extending to 550MB and "Kodak Photo CD Access". The first two are only £12.95, the Kodak only £24.

TECHNICAL BOOKSHELF

Modern Books. Selected to represent the state of the art today.

"THE ART OF LINEAR ELECTRONICS", John Linsley Hood.

Just Out! Hot Off the Press, the definitive electronics and audio book by the renowned John Linsley Hood. This 300+ page book will give you an unparalleled insight into the workings of all types of audio circuits. Learn how to read circuit diagrams and understand amplifiers and how they are designed to give the best sound. The virtues and vices of passive and active components are examined and there are separate sections covering power supplies and the sources of noise and hum. As one would expect from this writer the history and derivation of audio amplifier circuitry have an entire chapter, as does test and measurement equipment.

Copiously illustrated this book is incredible value for the amount of information it contains on the much neglected field of linear, as opposed to digital, electronics. Indeed it must be destined to become the standard reference for all who work, or are interested in, this field.

SPECIAL OFFER. With each book purchased you may request a FREE extended index, written by the Author, exclusively from HART.

0-7806-0868-4.....£16.95

Don't forget most of our kits have reprints of articles by John Linsley Hood that you can purchase separately.

"THE ART OF SOLDERING", R. Brewster.

Absolutely essential reading for anyone who ever picks up a soldering iron. Written from knowledge gained in a lifetime in the field, this is the first book ever solely devoted to this essential and neglected skill for all electronic enthusiasts. Covers everything from the correct choice of soldering iron and solder to the correct procedures to follow with many illustrations and practical exercises.

0-85935-324-3.....£3.95

"AUDIO", F.A. Wilson, 320 pages. 178 x 111. Publ. 1985.

BP111 "AUDIO" by F.A. Wilson.....£3.95

"AN INTRODUCTION TO LOUDSPEAKERS & ENCLOSURE DESIGN", V. Capel, 160 pages. 178 x 111. Publ. 1988.

BP256.....£2.95

"LOUDSPEAKERS FOR MUSICIANS", V. Capel, 176 pages. 178 x 111. Publ. 1991.

BP297.....£3.95

"HOW TO USE OSCILLOSCOPES & OTHER TEST EQUIPMENT", R.A. Penfold, 112 pages. 178 x 111. Publ. 1989.

BP267.....£3.50

Classics from the "Golden Age"

"THE WILLIAMSON AMPLIFIER", D.T.N. Williamson. In April 1947, Williamson's power amplifier, using excellent-quality push/pull output valves, a special output transformer, and a highly filtered power supply, became an overnight success. The author takes the reader deep into his design considerations, offering practical advice on how to build the units plus concise instructions on setting up the new amp. A cult classic.

1947, Reprinted 1990. 40 Pages.

0-9624-1918-4.....£4.95

LOUDSPEAKERS; THE WHY AND HOW OF GOOD REPRODUCTION, G.A. Briggs.

This easy-to-read classic, last revised in 1949, introduces the reader to concepts such as Impedance, phons and decibels, frequency response, response curves, volume and watts, resonance and vibration, cabinets and baffles, horns, room acoustics, transients, crossovers, negative feedback, Doppler and phase effects, and much more. A provocative survey of the right questions about sound reproduction.

1949, Reprinted 1990. 88 Pages. 215 x 140.

0-9624-1913-3.....£6.95

COMPUTER TITLES

"A CONCISE ADVANCED USERS GUIDE TO MS DOS", N. Kantaris, 144 pages. 198 x 130. Publ. 1992.

BP264.....£3.95

"A CONCISE USERS GUIDE TO MS DOS 5", N. Kantaris, 144 pages. 198 x 130. Publ. 1992.

BP318.....£4.95

"MAKING MS DOS WORK FOR YOU", N. Kantaris & P.R.M. Oliver, 160 pages. 198 x 130. Publ. 1993.

BP319.....£4.95

"A CONCISE USERS GUIDE TO WINDOWS 3.1", N. Kantaris, 160 pages. 198 x 130. Publ. 1992.

BP325.....£4.95

QUALITY
AUDIO KITS

24 hr. SALES LINE
(0691) 652894

ALL PRICES
INCLUDE
UK/EC VAT

HART
HART ELECTRONIC KITS LTD
6 PENYLAN MILL
OSWESTRY, SHROPSHIRE
SY10 9AF

SHOP OPEN 9-5 MON-FRI. CLOSED SAT --- OFFICIAL ORDERS WELCOME

E.E. TREASURE HUNTER P.I. METAL DETECTOR

Magenta's highly developed & acclaimed design. Quartz crystal controlled circuit MOSFET coil drive. D.C. coupled amplification. Detects 10p coin at 20 cm. Full kit includes PCB, handle, case & search coil.



- KIT INC. HEADPHONES
- EFFICIENT CMOS DESIGN
- POWERFUL COIL DRIVE

- DETECTS FERROUS AND NON-FERROUS METAL - GOLD, SILVER, COPPER ETC.
- 190mm SEARCH COIL
- NO 'GROUND EFFECT'

KIT 815.....£45.95

DIGITAL LCD THERMOSTAT

A versatile thermostat using a thermistor probe and having an l.c.d. display. MIN/MAX memories, -10 to 110 degrees celsius, or can be set to read in Fahrenheit. Individually settable upper and lower switching temperatures allow close control, or alternatively allow a wide 'dead band' to be set which can result in substantial energy savings when used with domestic hot water systems. Ideal for greenhouse ventilation or heating control, aquaria, home brewing, etc. Mains powered, 10A SPCO relay output. Punched and printed case.

KIT 841.....£29.95

4 CHANNEL LIGHT CHASER

A 1000W per channel chaser with Zero Volt Switching, Hard Drive, and full inductive load capability. Built-in mic. and sophisticated 'Beat Seeker' circuit - chase steps to music, or auto when silent. Variable speed and mic. sensitivity control, i.e.d. mimic on front panel. Switchable for 3 or 4 channels. P552 output socket. Suits Rope Lights, Pin Spots, Disco, and Display lighting.

KIT 833.....£32.13

SUPERHET LW MW RADIO

At last an easy to build SUPERHET AM radio kit. Covers Long and Medium waves. Built in loudspeaker with 1 Watt output. Excellent sensitivity and selectivity provided by ceramic IF filter. Simple alignment and tuning without special equipment. Supplied with pre-drilled transparent front panel and dial, for interesting see-through appearance.

KIT 835.....£17.16

ACOUSTIC PROBE

A very popular project which picks up vibrations by means of a contact probe and passes them on to a pair of headphones or an amplifier. Sounds from engines, watches, and speech travelling through walls can be amplified and heard clearly. Useful for mechanics, instrument engineers, and nosy parkers!

KIT 740.....£19.98

KIT HIGHLIGHT

DIGITAL CAPACITANCE METER KIT 493

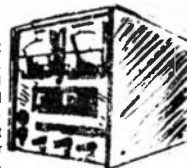
This has been one of Magenta's best ever kits. It provides clear readings of capacitance values from a few pF up to thousands of µF. It is ideal for beginners as there is no confusion over the placing of the decimal point, and it allows obscurely marked components to be identified quickly and easily. Quartz controlled accuracy of 1%, large clear 5 digit display and high speed operation make it a very useful instrument for production and testing departments. The kit is now supplied with a punched and printed front panel as well as the case, all components and top quality printed circuit board. When assembled it looks a really professional job. For a limited time this kit is offered at a new low price.



PRICE
£39.95

MOSFET VARIABLE BENCH POWER SUPPLY 25V 2.5A

Our own high performance design. Variable output Voltage from 0 to 25V and Current limit from 0 to 2.5A. Capable of powering almost anything. Two panel meters indicate Voltage and Current. Fully protected against short-circuits. The variable Current limit control makes this supply ideal for constant current charging of NICAD cells and batteries. A Power MOSFET handles the output for exceptional ruggedness and reliability. Uses a toroidal mains transformer.



KIT 769.....£56.82

ULTRASONIC PeST SCARER

Keep pets/pests away from newly sown areas, fruit, vegetable and flower beds, children's play areas, patios etc. This project produces intense pulses of ultrasound which deter visiting animals.



- KIT INCLUDES ALL COMPONENTS, PCB & CASE
- EFFICIENT 100V TRANSDUCER OUTPUT
- LOW CURRENT DRAIN

- COMPLETELY INAUDIBLE TO HUMANS
- UP TO 4 METRES RANGE

KIT Ref. 812.....£14.81

IONISER

A highly efficient mains powered Negative Ion Generator that clears the air by neutralising excess positive ions. Many claimed health benefits due to the ioniser removing dust and pollen from the air and clearing smoke particles. Costs virtually nothing to run and is completely safe in operation. Uses five point emitters.

KIT 707.....£17.75

BAT DETECTOR

An excellent circuit which reduces ultrasound frequencies between 20 and 100 kHz to the normal (human) audible range. Operating rather like a radio receiver the circuit allows the listener to tune-in to the ultrasonic frequencies of interest. Listening to Bats is fascinating, and it is possible to identify various different types using this project. Other uses have been found in industry for vibration monitoring etc.

KIT 814.....£21.44

12V EPROM ERASER

A safe low cost eraser for up to 4 EPROMS at a time in less than 20 minutes. Operates from a 12V supply (400mA). Used extensively for mobile work - updating equipment in the field etc. Also in educational situations where mains supplies are not allowed. Safety interlock prevents contact with UV.

KIT 790.....£28.51

EE TREASURE HUNTER

Our own widely acclaimed design. This sensitive Pulse Induction metal detector picks up coins and rings etc up to 20cm deep. Negligible 'ground effect' means that the detector can even be used with the head immersed in sea water. Easy to use, circuit requires only a minimum of setting up as a Quartz crystal provides all of the critical timing. Kit includes search-head, handle, case, PCB and all components.

KIT 815.....£45.95

INSULATION TESTER

A reliable and neat electronic tester which checks insulation resistance of wiring and appliances etc., at 500 Volts. The unit is battery powered, simple and safe to operate. Leakage resistance of up to 100 Megohms can be read easily. A very popular college project.

KIT 444.....£22.37

3 BAND SHORT WAVE RADIO

Covers 1.6 to 30MHz in three bands using modern miniature plug-in coils. Audio output is via a built-in loudspeaker. Advanced stable design gives excellent stability, sensitivity and selectivity. Simple to build battery powered circuit. Receives a vast number of stations at all times of the day.

KIT 718.....£30.30

DIGITAL COMBINATION LOCK

Digital lock with 12 key keypad. Entering a four digit code operates a 250V 16A relay. A special anti-tamper circuit permits the relay board to be mounted remotely. Ideal car immobiliser, operates from 12V. Drilled case, brushed aluminium keypad.

KIT 840.....£19.86

PORTABLE ULTRASONIC PeST SCARER

A powerful 23kHz ultrasound generator in a compact hand-held case. MOSFET output drives a special sealed transducer with intense pulses via a special tuned transformer. Sweeping frequency output is designed to give maximum output without any special setting up.

KIT 842.....£22.56

LIGHT RIDER DISCO LIGHTS

A six channel light driver that scans from left to right and back continuously. Variable speed control. Up to 500 watts per channel. Housed in a plastic box for complete safety. Built on a single printed circuit board.

KIT 560.....£22.41

LIGHT RIDER 9-12V CHASER LIGHTS

A low voltage DC powered end-to-end type chaser that can be set for any number of lights between 3 and 16. The kit is supplied with 16 l.e.d.s but by adding power transistors it is possible to drive filament bulbs for a larger brighter display. Very popular with car customisers and modellers. L.e.d.s can be randomly positioned and paired to give twinkling effects.

KIT 559.....£15.58

HAMEG HM203-7 20 MHz DUAL TRACE OSCILLOSCOPE & COMPONENT TESTER

Western Europe's best selling oscilloscope - It is RELIABLE, HIGH PERFORMANCE, & EASY TO USE. Sharp bright display on 8 x 10cm screen with internal graticule. A special extra feature is the built-in component tester which allows capacitors, resistors, transistors, diodes and many other components to be checked. The quality of this instrument is outstanding, and is supported by a two year parts and labour warranty. If you are buying an oscilloscope - this is the one - It costs a fraction more than some other 20 MHz scopes but it is far superior. Supplied with test probes, mains lead, and manual.

£362.00 + £63.35 VAT Includes FREE Next-day delivery

EDUCATIONAL BOOKS & PACKS

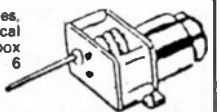
ADVENTURES WITH ELECTRONICS
The classic book by Tom Duncan used throughout schools. Very well illustrated, ideal first book for age 10 on. No soldering. Uses an S.DEC breadboard.
Book & Components £28.95, Book only £8.99

FUN WITH ELECTRONICS
An Usborne book, wonderfully illustrated in colour. Component pack allows 6 projects to be built and kept. Soldering is necessary. Age 12 on, or younger with adult help. Book & Components £20.88, Book only £2.95

30 SOLDERLESS BREADBOARD PROJECTS
A more advanced book to follow the others. No soldering. Circuits cover a wide range of interests.
Book & Components £30.68, Book only £2.95

DC MOTOR/GEARBOXES

Ideal for robots, buggies, and many other mechanical projects. Min. plastic gearbox with 1.5-4.5V DC motor. 6 ratios can be set up.
Small type MGS.....£4.77
Large type MGL.....£5.58



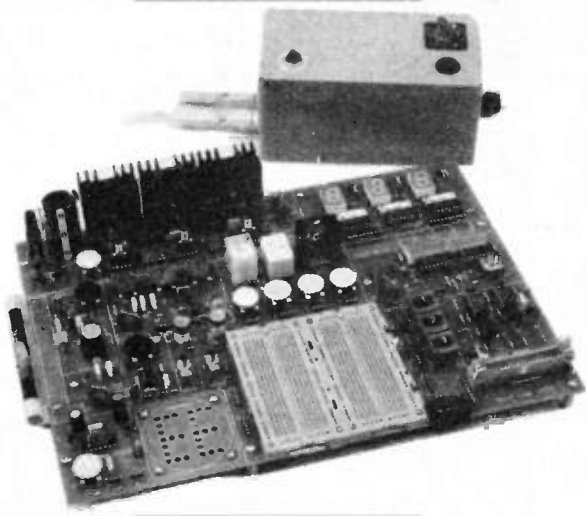
STEPPING MOTORS

For computer control via MD35 1/4 - standard 48 standard 4 pole unipolar steps per rev.....£12.99 drivers.
MD38 - miniature 48 MD200 - miniature 200 steps per rev.....£9.15 steps per rev.....£17.10

MAGENTA

ELECTRONICS LTD

Teach-In '93



MINI LAB KITS

ALL COMPONENTS TO ASSEMBLE
THE EPE MINI LAB.

Follow this exciting educational series as
featured in EPE through 1993.

Full set of reprints£4.60

Components are supplied in packs to keep
ordering simple.

A full MINI LAB consists of ML1, ML3, ML5,
ML6. These are available at a special
combined price of.....£114.99

or less the p.c.b.

ML2, ML3, ML5, ML6 at.....£104.99

The transformer unit ML4 is also needed....£21.45

KIT ML1 MINI-LAB P.C.B. + all components
inclusive of breadboard for
Part 1 (Nov. '92).....£49.95

KIT ML2 All Components for Part 1 less
p.c.b.....£39.95

KIT ML3 Power Supply components.....£19.95

KIT ML4 Transformer unit.....£21.45

KIT ML5 L.E.D. Voltmeter, signal
generator, audio amplifier and
555 timer.....£33.95

KIT ML6 Logic probe, display, radio
tuner.....£17.95

(Note: batteries not included)

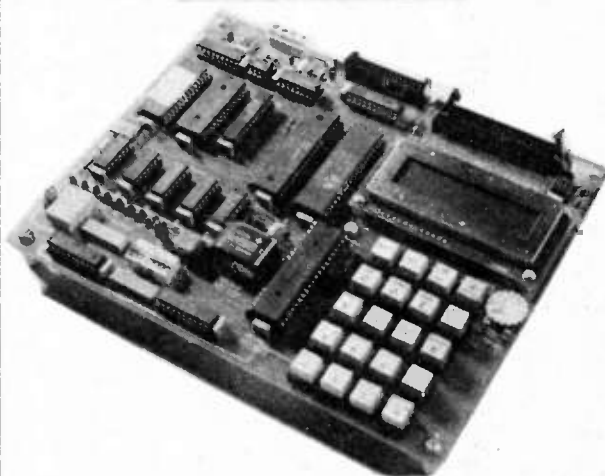
All prices include V.A.T. Add £3.00 p&g.

Tel: 0283 65435 Fax: 0283 46932

MAGENTA

ELECTRONICS LTD

Teach-In '93



MICRO LAB KITS

ALL COMPONENTS TO ASSEMBLE
THE EPE MICRO LAB.

A 6502 Microprocessor trainer with many
features. Accompanied by an excellent set
of tutorial articles and a manual.

Repair/fault-finding help assured when you
buy your kit from us.

Full MICRO LAB kit including PC Board,
EPROM, PAL, & Manual.

MIC 1£149.95

(Also available less PCB etc. if required).

Full set of reprints.....£3.00

BUILT & TESTED

Full MICRO LAB AS MIC1 (above)
MIC1B.....£179.95

Professionally assembled, inspected,
cleaned and tested. Full back-up service,
spares, etc available.

All prices include V.A.T. Add £3.00 p&g.

Tel: 0283 65435 Fax: 0283 46932



ESR ELECTRONIC COMPONENTS

Station Road, Cullercoats,
Tyne & Wear NE30 4PQ
Tel. 091 251 4363 Fax. 091 252 2296

74LS Series		4000 Series		TRANSISTORS				LINEAR ICs				SOLDERING IRONS		RF CONNECTORS	
74LS00	£0.14	4000	£0.17	2N1613	£0.31	BC186	£0.33	B0534	£0.47	CA311E	£0.28	Antex Soldering Irons		BNC Solder Plug 50R	£0.93
74LS01	£0.14	4001	£0.21	2N1711	£0.26	BC204C	£0.72	B0535	£0.48	CA324	£0.35	M 12 Watt	£8.18	BNC Solder Plug 75R	£0.96
74LS02	£0.14	4002	£0.17	2N1893	£0.29	BC206B	£0.72	B0536	£0.65	CA355	£0.22	C 15 Watt	£8.18	BNC Crimp Plug 50R	£0.68
74LS03	£0.14	4006	£0.32	2N2218A	£0.28	BC207C	£0.72	B0646	£0.52	CA741CE	£0.28	G 18 Watt	£8.41	BNC Crimp Plug 75R	£0.68
74LS04	£0.14	4007	£0.17	2N2219A	£0.25	BC208E	£0.72	B0648	£0.52	CA747CE	£0.35	CS 17 Watt	£8.41	BNC Solder Skt	£1.08
74LS05	£0.14	4008	£0.31	2N2222A	£0.18	BC209A	£0.72	B0650	£0.53	CA3046	£0.37	XS 25 Watt	£2.97	BNC Chassis Skt	£0.80
74LS08	£0.14	4009	£0.19	2N2646	£0.80	BC212	£0.08	B0707	£0.42	CA3080	£0.72	ST4 Stand	£11.58	PL259 11mm	£0.62
74LS09	£0.14	4010	£0.23	2N2904A	£0.25	BC212L	£0.08	B0807	£0.80	CA3130	£0.98	35Watt Gas Iron	£15.25	RND UHF socket	£0.68
74LS10	£0.14	4011	£0.16	2N2905A	£0.23	BC212L8	£0.08	B0832	£1.78	CA3130E	£0.98	'Gascat' Gas Iron	£3.90	SOR UHF socket	£0.45
74LS107	£0.23	4012	£0.16	2N2907	£0.20	BC213	£0.08	B0X33C	£0.49	CA3140	£0.56	Low Cost 15 Watt Iron	£3.90	F Plug RG58	£0.30
74LS109	£0.21	4013	£0.21	2N2926	£0.16	BC213LC	£0.08	B0X34C	£0.50	LM3349N	£0.31	22SWG 0.5kg Solder	£7.40	N Plug RG6	£0.27
74LS11	£0.14	4014	£0.30	2N3053	£0.27	BC214	£0.08	B0X53C	£0.47	LM3921	£1.70	18SWG 0.5kg Solder	£6.60	N Socket RG8	£1.60
74LS112	£0.21	4015	£0.31	2N3054	£0.90	BC214L	£0.08	B0X54C	£0.50	LM3932	£0.43	1mm 3 yds Solder	£0.62	BNC Crimp Pliers	£15.50
74LS113	£0.21	4016	£0.18	2N3055	£0.62	BC2378	£0.09	B180	£0.31	LM3933	£0.96				
74LS114	£0.21	4017	£0.27	2N3440	£0.50	BC238C	£0.09	B182	£0.31	LM3934	£0.26				
74LS12	£0.14	4018	£0.27	2N3702	£0.09	BC239C	£0.10	B185	£0.31	LM3935	£0.41				
74LS122	£0.31	4019	£0.19	2N3703	£0.10	BC251	£0.13	B194	£0.19	LM3936	£0.36				
74LS123	£0.31	4020	£0.31	2N3704	£0.10	BC252	£0.13	B195	£0.19	LM3937	£0.31				
74LS125	£0.31	4021	£0.31	2N3705	£0.10	BC2618	£0.24	B244	£0.35	LM358N	£0.27				
74LS126	£0.31	4022	£0.32	2N3706	£0.10	BC2628	£0.24	B2827	£0.33	LM377	£2.57				
74LS13	£0.14	4023	£0.16	2N3771	£1.44	BC2678	£0.30	B2829	£0.33	LM3801	£1.12				
74LS132	£0.21	4024	£0.21	2N3772	£1.61	BC307	£0.10	B337	£0.36	LM3802	£2.70				
74LS133	£0.18	4025	£0.16	2N3773	£1.79	BC308	£0.10	B355	£0.38	LM386	£0.48				
74LS136	£0.16	4027	£0.18	2N3819	£0.40	BC327	£0.10	B423	£0.13	LM387	£1.60				
74LS138	£0.24	4028	£0.22	2N3904	£0.10	BC337	£0.10	B451	£0.19	LM392N	£0.79				
74LS139	£0.25	4029	£0.36	2N3905	£0.10	BC338	£0.10	B459	£0.29	LM393N	£0.28				
74LS14	£0.14	4030	£0.17	2N3906	£0.10	BC414C	£0.13	B4829	£0.29	LM748CN	£0.26				
74LS145	£0.56	4031	£0.70	2N4036	£0.41	BC441	£0.40	B4834	£0.31	LM3900	£0.72				
74LS147	£1.28	4032	£0.56	2N4526	£0.57	BC461C	£0.40	B4835	£0.32	LM3914	£2.70				
74LS148	£0.70	4033	£0.56	2N4527	£0.57	BC463	£0.29	B4836	£0.50	LM3915	£2.70				
74LS15	£0.14	4034	£0.24	2N4528	£0.60	BC478	£0.32	B4837	£0.50	LM3916	£0.60				
74LS151	£0.25	4040	£0.29	2N4529	£0.30	BC479	£0.32	B4838	£0.28	NE531	£1.56				
74LS153	£0.25	4041	£0.31	2N4530	£0.30	BC490	£0.24	B5107	£0.21	NE556N	£0.36				
74LS155	£0.25	4042	£0.22	2N4531	£0.28	BC498	£0.10	B5170	£0.21	NE567N	£0.47				
74LS156	£0.36	4043	£0.28	2N4532	£0.45	BC517	£0.20	B5W66	£1.35	NE567Z	£0.80				
74LS157	£0.25	4044	£0.31	2N4533	£0.45	BC527	£0.20	B6U26	£1.70	NE567ZC	£0.66				
74LS158	£0.25	4046	£0.31	2N4534	£0.31	BC528	£0.20	B6U25	£1.82	TBA120S	£0.90				
74LS160	£0.32	4048	£0.31	2N4535	£0.29	BC537	£0.20	B6U28A	£1.73	TBA810S	£0.68				
74LS161	£0.32	4049	£0.20	2N4536	£0.19	BC546C	£0.08	B6U326A	£1.80	TBA820M	£0.39				
74LS162	£0.32	4050	£0.20	2N4537	£0.19	BC547C	£0.09	B6U327	£2.32	TBA820P	£1.36				
74LS163	£0.32	4050	£0.20	2N4538	£0.19	BC548C	£0.08	B6U308A	£1.76	TBA820M	£1.36				
74LS164	£0.26	4051	£0.36	2N4539	£0.15	BC549C	£0.10	B6U526	£2.24	TLO62	£0.42				
74LS165	£0.48	4052	£0.25	2N4540	£0.13	BC550C	£0.08	B6U806	£1.36	TLO64	£0.46				
74LS167	£0.48	4053	£0.25	2N4541	£0.14	BC556A	£0.08	BUX84	£0.78	TLO71C	£0.32				
74LS170	£0.30	4054	£0.56	2N4542	£0.16	BC557C	£0.08	BUX84	£1.80	TLO72CP	£0.34				
74LS173	£0.24	4055	£0.34	2N4543	£0.17	BC558C	£0.08	IRF740	£1.63	TLO74CN	£0.48				
74LS174	£0.24	4056	£0.48	2N4544	£0.17	BC560B	£0.09	MJ11015	£2.11	TLO81	£0.33				
74LS175	£0.24	4057	£0.29	2N4545	£0.41	BC563	£0.21	MJ2501	£1.60	TLO82CP	£0.34				
74LS176	£0.24	4058	£0.18	2N4546	£0.41	BC568	£0.21	MJ3001	£1.52	TLO84CN	£0.46				
74LS180	£0.25	4063	£0.29	2N4547	£0.18	BC570	£0.21	MJ340	£0.40	ULN2004	£0.48				
74LS181	£0.24	4067	£1.91	2N4548	£0.36	BC570	£0.21	MJ350	£0.42	ULN2004	£0.48				
74LS182	£0.42	4068	£0.16	2N4549	£0.36	BC570	£0.21	MPSA13	£0.12	ZN425E	£4.68				
74LS193	£0.24	4069	£0.20	2N4550	£0.36	BC570	£0.21	MPSA42	£0.17	ZN427E	£8.82				
74LS195	£0.24	4070	£0.17	2N4551	£0.36	BC570	£0.21	MRF475	£2.28	ZN428E	£6.12				
74LS196	£0.24	4071	£0.20	2N4552	£0.36	BC570	£0.21	MRF475	£2.28	ZN428E	£6.12				
74LS197	£0.24	4072	£0.17	2N4553	£0.36	BC570	£0.21	MRF475	£2.28	ZN428E	£6.12				
74LS198	£0.24	4073	£0.17	2N4554	£0.36	BC570	£0.21	MRF475	£2.28	ZN428E	£6.12				
74LS201	£0.14	4075	£0.17	2N4555	£0.36	BC570	£0.21	MRF475	£2.28	ZN428E	£6.12				
74LS21	£0.14	4076	£0.30	2N4556	£0.36	BC570	£0.21	MRF475	£2.28	ZN428E	£6.12				
74LS22	£0.14	4077	£0.17	2N4557	£0.36	BC570	£0.21	MRF475	£2.28	ZN428E	£6.12				
74LS24	£0.32	4081	£0.14	2N4558	£0.12	BD100	£0.24	TIP137	£0.46	ZN428E	£6.12				
74LS241	£0.32	4082	£0.17	2N4559	£0.12	BD150C	£0.82	TIP142	£1.08	ZN428E	£6.12				
74LS242	£0.32	4083	£0.16	2N4560	£0.12	BD150C	£0.82	TIP147	£1.12	ZN428E	£6.12				
74LS243	£0.32	4084	£0.26	2N4561	£0.16	BD166	£0.18	TIP225	£0.35	ZN428E	£6.12				
74LS244	£0.32	4086	£0.55	2N4562	£0.16	BD187	£0.39	TIP29C	£0.31	ZN428E	£6.12				
74LS245	£0.33	4093	£0.18	2N4563	£0.11	BD201	£0.40	TIP305S	£0.63	ZN428E	£6.12				
74LS247	£0.32	4094	£0.31	2N4564	£0.16	BD202	£0.40	TIP30C	£0.31	ZN428E	£6.12				
74LS248	£0.32	4095	£0.56	2N4565	£0.13	BD203	£0.40	TIP31C	£0.32	ZN428E	£6.12				
74LS251	£0.24	4096	£0.20	2N4566	£0.18	BD204	£0.40	TIP32C	£0.32	ZN428E	£6.12				
74LS257	£0.24	4097	£0.28	2N4567	£0.18	BD222	£0.40	TIP33C	£0.72	ZN428E	£6.12				
74LS258	£0.24	4098	£0.38	2N4568	£0.18	BD225	£0.42	TIP41A	£0.36	ZN428E	£6.12				
74LS26	£0.14	4099	£0.38	2N4569	£0.17	BD232	£0.38	TIP42C	£0.38	ZN428E	£6.12				
74LS266	£0.14	4502	£0.38	2N4570	£0.38	BD237	£0.32	TIP47	£0.48	ZN428E	£6.12				
74LS27	£0.14	4503	£0.30	2N4571	£0.38	BD238	£0.32	TIP48	£0.62	ZN428E	£6.12				
74LS273	£0.32	4508	£0.90	2N4572	£0.38	BD240B	£0.37	TIP50	£0.53	ZN428E	£6.12				
74LS279	£0.25	4510	£0.26	2N4573	£0.38	BD243B	£0.50	VN10KM	£4.64	ZN428E	£6.12				
74LS30	£0.14	4512	£0.32	2N4574	£0.38	BD244A	£0.53	VN66AF	£1.50	ZN428E	£6.12				
74LS32	£0.14	4514	£0.77	2N4575	£0.38	BD246	£1.06	ZTX300	£0.16	ZN428E	£6.12				
74LS365	£0.21	4515	£0.98	2N4576	£0.38	BD441	£0.41	ZTX500	£0.16	ZN428E					

EVERYDAY WITH PRACTICAL ELECTRONICS

INCORPORATING ELECTRONICS MONTHLY

VOL. 23 No. 3

MARCH '94

CHART

It's many years since we gave away a wall chart. At one time these were often part of the magazine, usually carrying semiconductor data of one type or another, but these days this is rather pointless as many suppliers give all the necessary information in their catalogues. We have, however, recently been asked for the various electronics formulae in an easy to refer to form and the wall charts seem to meet this need rather well. Next month's issue will also contain a similar chart which gives more useful formulae.

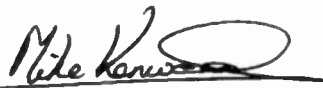
The charts also provide a nice back-up to *Calculation Corner* which has proved to be a very popular series. It still has another seven parts to go so, as you can see, it will cover quite a lot of ground. We hope you find both the series and the charts helpful either for "revision" or as in introduction to circuit calculations.

DIGITAL CAMERA

This month's major project is also a bit different being a *CCD TV Camera*. Once again it is many years since a TV camera has been published and nowadays the ability to interface to a PC adds a new range of possible uses. The cost of this project can be kept down by using a slightly sub-standard CCD chip and a "second-hand lens".

The "Frame Grab" interface gives you the ability to get pictures into a computer where they can be modified, coloured, saved to disc, printed to paper, etc. So, not only is this an interesting and useful project in its own right, it can also greatly expand the versatility of a PC.

We have a number of other unusual and (for the hobbyist) innovative projects lined up for the next few months so keep reading these pages.



SUBSCRIPTIONS

Annual subscriptions for delivery direct to any address in the UK: £22. Overseas: £28 (£45.50 airmail). Cheques or bank drafts (in £ sterling only) payable to Everyday with Practical Electronics and sent to EPE Subscriptions Dept., 6 Church Street, Wimborne, Dorset BH21 1JH. Tel: 0202 881749. **Subscriptions start with the next available issue.** We accept Access (MasterCard) or Visa payments, minimum credit card order £5.

BACK ISSUES

Certain back issues of EVERYDAY ELECTRONICS, PRACTICAL ELECTRONICS and EVERYDAY with PRACTICAL ELECTRONICS (from Nov '92 onwards) are available price £2.20 (£3 overseas surface mail) inclusive of postage and packing per copy - £ sterling only please. Visa and Access (MasterCard) accepted, minimum credit card order £5. Enquiries with remittance, made payable to Everyday with Practical Electronics, should be sent to Post Sales Department, Everyday with Practical Electronics, 6 Church Street, Wimborne, Dorset BH21 1JH Tel: 0202 881749. In the event of non-availability one article can be photostatted for the same price. *Normally sent within seven days but please allow 28 days for delivery.* We have sold out of Jan, Feb, Mar, Apr, May, June, Oct, & Dec 88, Mar, May & Nov 89, Mar 90, April, Aug & Sept 91 Everyday Electronics, and can only supply back issues from Jan 92 to Aug 92 (excluding Mar 92) of Practical Electronics. Dec 92, Jan, Feb and March 93 Everyday with Practical Electronics are also unavailable.

BINDERS

New style binders to hold one volume (12 issues) are now available from the above address for £5.95 plus £3.50 post and packing (for overseas readers the postage is £6.00 to everywhere except Australia and Papua New Guinea which cost £10.50). *Normally sent within seven days but please allow 28 days for delivery.*

Payment in £ sterling only please. Visa and Access (MasterCard) accepted, minimum credit card order £5. Send card number and card expiry date with your name and address etc.



Editorial Offices:

EVERYDAY with PRACTICAL ELECTRONICS EDITORIAL,
6 CHURCH STREET, WIMBORNE,
DORSET BH21 1JH

Phone: Wimborne (0202) 881749

Fax: (0202) 841692. DX: Wimborne 45314.

See notes on Readers' Enquiries below - we regret that lengthy technical enquiries cannot be answered over the telephone. Due to the high cost we cannot reply to overseas readers queries by Fax.

Advertisement Offices:

EVERYDAY with PRACTICAL ELECTRONICS
ADVERTISEMENTS,

HOLLAND WOOD HOUSE, CHURCH LANE,
GREAT HOLLAND, ESSEX CO13 0JS.

Phone/Fax: (0255) 850596

Editor: MIKE KENWARD

Secretary: PAM BROWN

Deputy Editor: DAVID BARRINGTON

Business Manager: DAVID J. LEAVER

Subscriptions: MARILYN GOLDBERG

Editorial: Wimborne (0202) 881749

Advertisement Manager:

PETER J. MEW, Frinton (0255) 850596

Advertisement Copy Controller:

DEREK NEW, Wimborne (0202) 882299

READERS' ENQUIRIES

We are unable to offer any advice on the use, purchase, repair or modification of commercial equipment or the incorporation or modification of designs published in the magazine. We regret that we cannot provide data or answer queries on articles or projects that are more than five years old. Letters requiring a personal reply must be accompanied by a stamped self-addressed envelope or a self-addressed envelope and international reply coupons. Due to the high cost we cannot reply to overseas readers queries by Fax.

All reasonable precautions are taken to ensure that the advice and data given to readers is reliable. We cannot however guarantee it and we cannot accept legal responsibility for it.

COMPONENT SUPPLIES

We do not supply electronic components or kits for building the projects featured, these can be supplied by advertisers.

We advise readers to check that all parts are still available before commencing any project in a back-dated issue.

We regret that we cannot provide data or answer queries on projects that are more than five years old.

ADVERTISEMENTS

Although the proprietors and staff of EVERYDAY with PRACTICAL ELECTRONICS take reasonable precautions to protect the interests of readers by ensuring as far as practicable that advertisements are *bona fide*, the magazine and its Publishers cannot give any undertakings in respect of statements or claims made by advertisers, whether these advertisements are printed as part of the magazine, or are in the form of inserts.

The Publishers regret that under no circumstances will the magazine accept liability for non-receipt of goods ordered, or for late delivery, or for faults in manufacture. Legal remedies are available in respect of some of these circumstances, and readers who have complaints should first address them to the advertiser.

TRANSMITTERS/BUGS/TELEPHONE EQUIPMENT

We would like to advise readers that certain items of radio transmitting and telephone equipment which may be advertised in our pages cannot be legally used in the UK. Readers should check the law before using any transmitting or telephone equipment as a fine, confiscation of equipment and/or imprisonment can result from illegal use. The laws vary from country to country; overseas readers should check local laws.

SMART KEY IMMOBILISER

NICHOLAS WATKINS



A simple but very effective car immobiliser. The unit is difficult to fool and has built in prevention for "hot wiring" the vehicle.

IN THE the UK approximately 25 cars are stolen every 15 minutes. Living in an inner city area, you have a 1 in 10 chance of having your car stolen. Auto crime accounts for nearly 30 per cent of all nationwide crime.

With statistics like this, it makes sense to install some sort of car alarm/immobiliser. Commercial anti-theft devices can range from £10 to £1000. Top of the range devices feature sophisticated micro-processor control with anti-scan circuitry, (due to devices available to thieves which send out a high speed random bit "scanning" pattern). Also a changing encryption pattern is used - where each time the alarm is set - the deactivate code changes.

The design featured here, is a coded "Smart Key" Immobiliser, which features anti-scan circuitry; fuel pump cut-off; ignition cut-off and a facility which prevents "Hot Wiring" (Bypassing the keyswitch with jumper leads).

This design is also suitable for boats/lorries/vans, the only ammendment required being a suitable voltage relay i.e. 24V for lorries.

CIRCUIT DESCRIPTION

The heart of this design is the Smart Key, which has three "useful" connections. A

short circuit across pins one and two and a pre-determined resistor across pins three and two. See Fig. 1. Various values of R1 can be used - see Fig. 2.

When the key is inserted into the socket, the circuit positive supply is made "live" (Fig. 3). This starts capacitor C3 charging

via resistor R8. When the voltage across C3 reaches the level set by resistor R9 and resistor R11 (i.e. $+V_e/2$) the op.amp saturates and goes high, switching transistor TR2 on (resistor R12 limiting current drawn by TR2).

With TR2 on, the gate of thyristor CSR1 is held low and cannot now be turned on. Thus if the thyristor is not already on it CANNOT be turned on whatever the value of resistor R1, hence providing the anti-scan circuitry i.e. a variable resistor (potentiometer) cannot be attached and just varied until the thyristor latches. To Reset, the smart key must be removed and C3 given time to discharge before the key can be re-inserted.

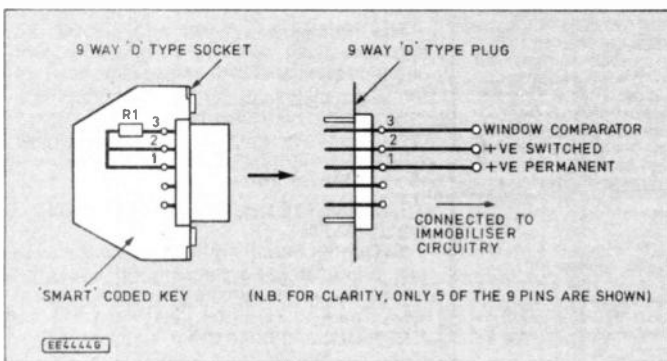
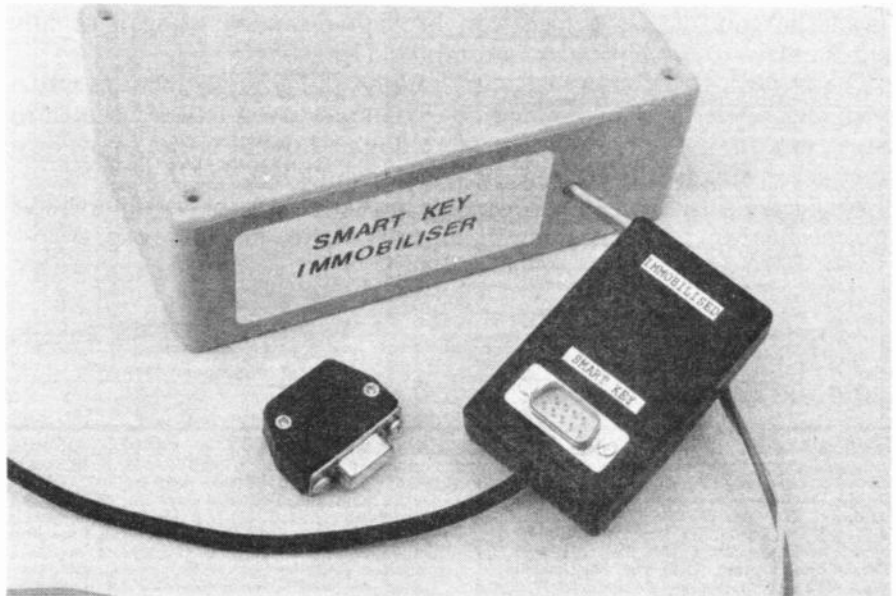


Fig. 1. "Smart Key" connections using a 9-pin D-type plug and socket.

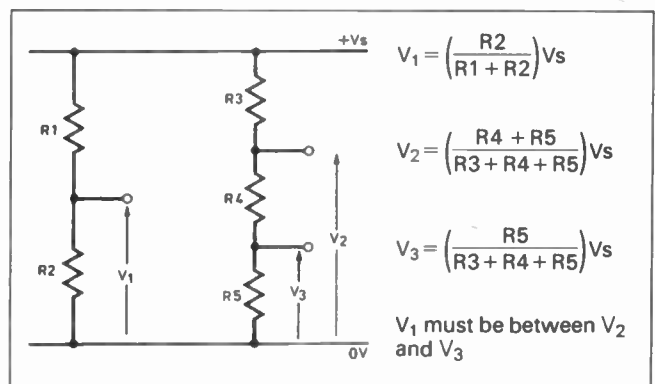


Fig. 2. Calculation of resistor values for R1 to R5. This allows various values of R1 to be used.

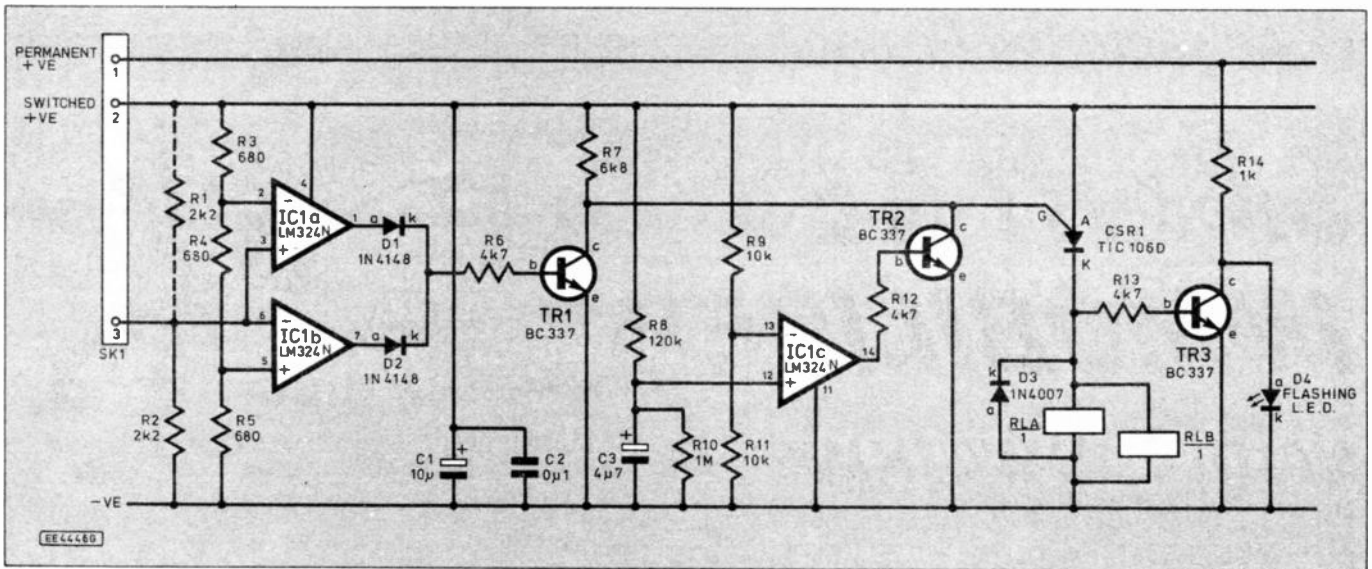


Fig. 3. Complete diagram of the Smart Key Immobiliser. R1 is housed in the "key".

The smart key resistor R1 forms a potential divider circuit with R2. This value is fed into the window comparator IC1a and IC1b, with high and low reference values set by resistors R3, R4 and R5.

If the input value falls within the set window, then IC1a and IC1b outputs will be low, hence transistor TR1 is off (TR1 acting as an inverter). With TR1 off, the input to the thyristor CSR1 is high through resis-

tor R7. Note: this is assuming that TR2 is off, i.e. time lock-out has not occurred.

When CSR1 receives a gate signal, it is forced into conduction and hence activates relays RLA and RLB. Diode D3 is included to stop the relay coils back e.m.f. destroying the thyristor.

With CSR1 off, there is no bias voltage for transistor TR3 so it is also off - allowing current to flow through resistor R14 to supply the flashing l.e.d. D4, signifying immobilisation. When CSR1 turns on the cathode (k) becomes high, turning on TR3. With TR3 on, R14 is shorted down to "ground" hence turning off D4.

normal closed (n.c.) and normal open (n.o.) contacts on the relays RLA and RLB. See Fig. 4.

Note: If while the car is immobilised, the thief tries to use connector leads to bypass the keyswitch and make the ignition coil/fuel pump/starter motor "live" then he will effectively be shorting the battery out. This means that an in-line fuse MUST be, installed in the battery + Ve side - See Fig. 7. If this condition is realised, a very large current will be drawn hence blowing the fuse very quickly - and causing negligible damage to the cars wiring due to the very small time involved.

For the more adventurous, here are two novel ways of disabling a car:

1 - Carburettor with auto choke: By removing the voltage supply from the heater element on the autochoke, the butterfly flap will never open fully - hence causing an excessively rich mixture, which will cause the engine to cut out and not re-start.

COMPONENTS

Resistors

R1, R2	2k2 (2 off)	} see Fig. 2.
R3, R4, R5	680 (3 off)	
R6, R12,		
R13	4k7 (3 off)	
R7	6k8	
R8	120k	
R9, R11	10k (2 off)	
R10	1M	
R14	1k	
All 0-25W 5% carbon film		

See
SHOP
TALK
Page

Capacitors

C1	10µ axial elect. 25V
C2	0µ1 ceramic
C3	4µ7 radial elect. 25V

Semiconductors

D1, D2	1N4148 signal diode (2 off)
D3	1N4007 1A 1000V rec. diode
D4	5mm flashing red l.e.d.
TR1 to TR3	BC337 npn silicon transistor (3 off)
CSR1	TIC106D 400V 5A thyristor
IC1	LM324N quad op.amp

Miscellaneous

RLA, RLB	12V 30A car relay
SK1/PL1	9-pin D-type plug and socket (see text)

Stripboard 0.1 inch matrix, size 31 holes x 17 strips; ABS plastic case, size 150mm x 90mm x 55mm; 14-pin d.i.l. socket; in-line fuseholder, with 30A fuse; small dashboard plastic box for "smart key"; size to choice; l.e.d. mounting clip; 5-core screened cable; auto connecting wire; fixing nuts and bolts; solder etc.

Approx cost
guidance only

£13

IMMOBILISATION

There are a number of ways of immobilising a car, these include: 1 - Disable Starter Motor; 2 - Disconnect Ignition Circuit and 3 - Disconnect Fuel Pump Circuit (if applicable - some cars have engine driven mechanical fuel pumps). These functions are achieved by using the

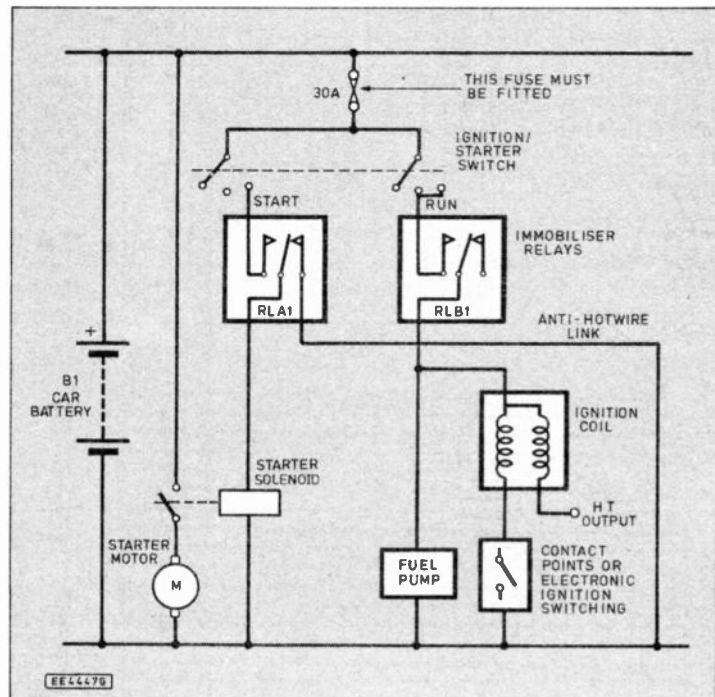


Fig. 4. Wiring of RLA1 and RLB1 to disconnect the starter solenoid, fuel pump and ignition circuit.

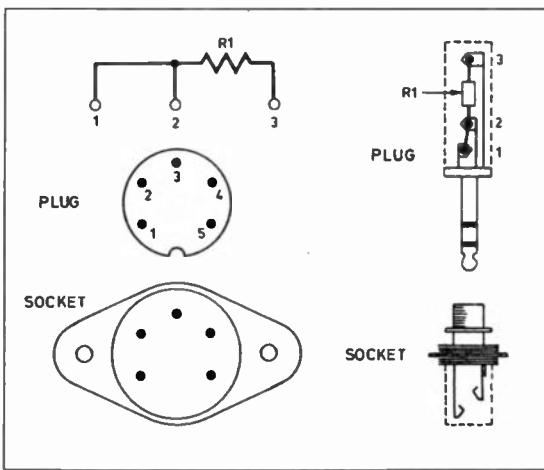


Fig. 5. Using a DIN, or an insulated jack, connector in place of the D-type plug and socket.

2 - Fuel injection with fifth injector for cold start/acceleration enrichment. By feeding the fifth injector (4-cylinder engines) with battery +Ve (via a diode) the engine will very quickly flood with excess fuel, cut out and not restart (until the fuel has evaporated which can take some hours!)

It should be pointed out that in vehicles still under warranty that adding or modifying the vehicles' wiring or electrical/fuel systems can invalidate such warranties.

SOCKETS

It cannot be stressed enough that the more unique the installation the longer it will take the thief to fathom it out.

One of the easiest ways to do this is to change the smart key socket type and configuration. This design is based around the 9-pin D-type plugs and sockets.

Note since only three connections are used, there are many different possibilities available. For example, see Fig. 5. It is possible to select connectors with a greater

number of pins than three, so the dummy pins present another source of confusion to the would be thief.

CONSTRUCTION

Construction of the smart key immobiliser is based on a circuit panel made from a piece of 0.1 inch matrix stripboard, size 17 strips by 31 holes. The topside component layout and details of breaks required in the underside copper tracks is shown in Fig. 6.

Construction of the circuit board should commence with the insertion of the wire links and the i.c. holder for IC1. This should be followed by the resistors, diodes and capacitors.

Finally, the transistors and thyristor should be soldered in place. Before soldering the transistors and CSR1 in place, double check that the devices are the correct way round. Also, double check the polarities of the diodes and the two electrolytic capacitors C1 and C3.

A fuse of approximately 30A must be fitted between the battery positive (+Ve)

and the relay/circuit (+Ve) connections. See Fig. 7.

CASE

Case size is unimportant, the relays can be mounted inside or outside the case. For ultimate security it would be worth mounting the relays inside the case, connect all the wiring, then fill the box with potting compound - making the unit waterproof and tamperproof.

However, the socket MUST BE MOUNTED AWAY FROM THE MAIN UNIT e.g. on the dashboard or say in the centre console. The main unit should be mounted in one of the least accessible places in the car e.g. deep behind the dashboard. Remember, the easier it is for you to install the unit, the easier it will be for the thief to find it!

The deterrent - a flashing l.e.d. which indicates the car is immobilised, should obviously be mounted in a visible place in the car. For instance, this could be in the dashboard by the front windscreen. □

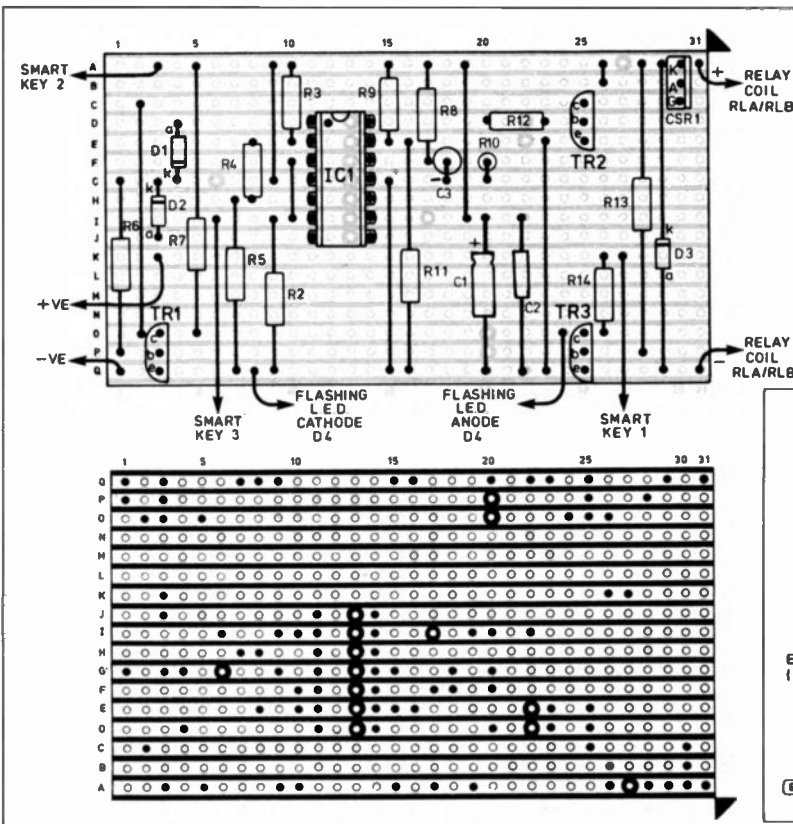
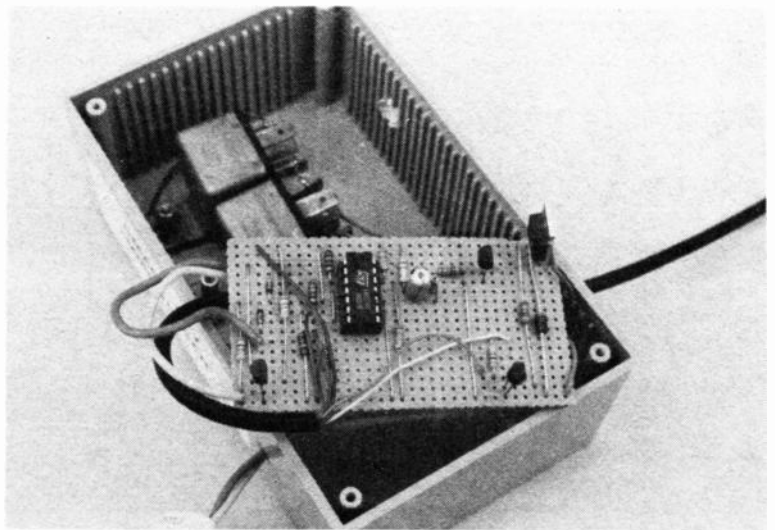
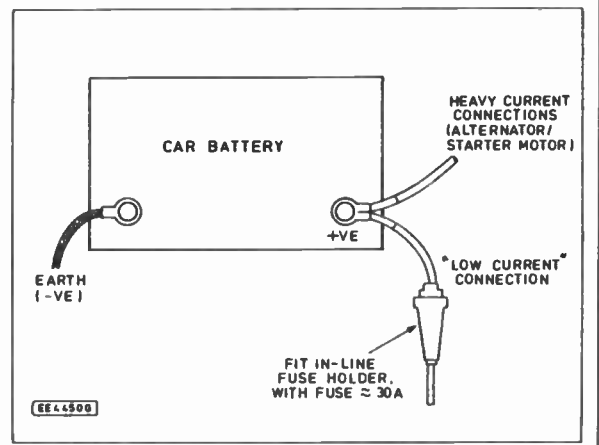


Fig. 6. (left) Stripboard layout and wiring for the Smart Key Immobiliser. All wiring to the car must be heavy duty car type wire and employ grommets where it passes through body panels etc.

Fig. 7. (below) An in line fuse must be fitted in the permanent supply connection.



At last, a fully functional upgradeable PCB CAD system to suit any budget. Substantial trade-in discounts are available against other "professional" PCB design packages ...

... call now for details.

Board Capture

Schematic Capture Design Tool

£395

- Direct netlist link to BoardMaker2
- Forward annotation with part values
- Full undo/redo facility (50 operations)
- Single-sheet, multi-paged and hierarchical designs
- Smooth scrolling
- Intelligent wires (automatic junctions)
- Dynamic connectivity information
- Automatic on-line annotation
- Integrated on-the-fly library editor
- Context sensitive editing
- Extensive component-based power control
- Back annotation from BoardMaker2

BoardMaker

BoardMaker1 - Entry level

£95

- PCB and schematic drafting
- Easy and intuitive to use
- Surface mount and metric support
- 90, 45 and curved track corners
- Ground plane fill
- Copper highlight and clearance checking

BoardMaker2 - Advanced level

£295

- All the features of BoardMaker1 +
- Full netlist support - BoardCapture, OrCad, Schema, Tango, CadStar and others
- Full Design Rule Checking both mechanical and electrical
- Top down modification from the schematic
- Component renumber with back annotation
- Report generator + Database ASCII, BOM
- Thermal power plane support with full DRC

NEW

Board Router

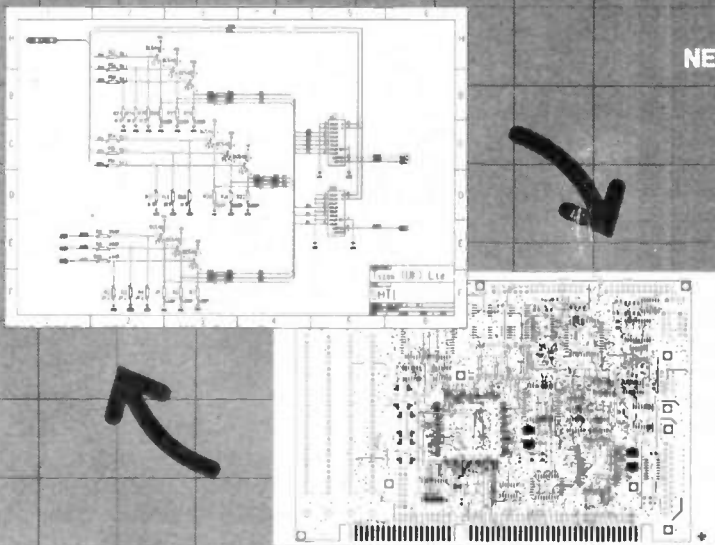
Gridless re-entrant autorouter

£200

- Simultaneous multi-layer routing
- SMD and analogue support
- Full interrupt, resume, pan and zoom while routing

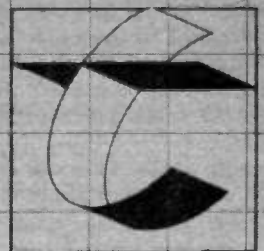
Output drivers - Included as standard

- Printers - 9 & 24 pin Dot matrix, HPLaserjet and PostScript
- Penplotters - HP, Graphtec & Houston
- Photoplotters - All Gerber 3X00 and 4X00
- Excellon NC Drill and Annotated drill drawings (BM2)



Call, write or fax for more information or a full evaluation kit

Tsien (UK) Limited
Aylesby House
Wenny Road, Chatteris
Cambridge
PE16 6UT
Tel (0354) 695959
Fax (0354) 695957



tsien

YOUNG INVENTORS

The 1994 Duracell Science & Technology UK Schools Competition is up and running for the second year and registrations are expected to exceed last year's figure of 1000. In the first instance students are invited to submit a written entry form giving details of an original battery-powered invention or device by 15 March 1994. Of those entries, 75 will be selected for final judging, at which point the devices themselves must be submitted. Ownership of the devices remains with the students.

Designed to link directly into the national curriculum for science and technology, the competition aims to encourage 15 to 17 year-olds to pursue these subjects into further education and beyond, by showing science and technology can be both fun and rewarding.

Professor Ian Fells of Newcastle University and one of the panel of judges said, "By challenging students to use their skills in a creative and practical way, this competition is giving secondary science and technology education a wonderful boost."

PRIZES

This year the prizes have been increased. The five first prize winning entries will receive £250 for the student, or team of students, and £1,000 for the school. Ten runners up will receive £50 for the student or team and £250 for the school. Of the five first prize winning entries, the device showing outstanding imagination and creativity will win, for the student or team of students and their teacher, an all expenses paid trip to the USA.

Last year, Leo Currie of Hilpark Secondary School, Glasgow, who submitted an automatic bath filler which filled a bath to a preset level and temperature, won the coveted USA trip. Leo said, "Inventing gadgets is enormous fun. I was really excited to win the competition and to travel to the USA. The competition is a great idea because, as well as being fun and giving you an opportunity to win some money, even if you don't win, the work still forms part of your exam course work."

Heads of Science and Technology Departments in all UK secondary schools and sixth form colleges have been mailed with an information leaflet. On registration for the competition a resource pack is mailed and up to ten entries per department will be accepted.

Mike Amos, Duracell's Director of Human Resources for Europe said "Duracell was delighted with the interest the competition attracted in its first year and we hope to increase the registrations above the 1000 received last year. Duracell is aware of the necessity to encourage students to pursue science and technology into further education. To maintain any

country's research base and to enable its industry to keep up to date in a highly competitive world, an adequate supply of people with specialist scientific and technical skills is essential."

So come on kids get inventing!

ROBERTS RADIO OOPS!

We must apologise for putting the wrong price against the excellent 4 Band Radio – the R309 from Roberts Radio – mentioned last month. The £17.99 price tag belongs to the RP3 model which is an f.m., l.w., m.w. portable in a similar style case to the R309 shown last month. The highly specified R309 in fact costs £54.99, we apologise for any inconvenience caused to readers.

Roberts Radio Co. Ltd., Dept EPE, 127 Molesey Ave., West Molesey, Surrey, KT8 2RL.

The Ultimate Phone!

For the business man who has everything – the *Inmarsat M* portable terminal called the Saturn MiniPhone provides world-wide communication. Claimed to be the worlds smallest satellite telephone for voice, fax and data communication the complete unit is housed in a 9kg briefcase.

It can operate on any power source from 10 to 34 volt d.c. or 90 to 276 volt a.c. The operation of the terminal is similar to a mobile telephone, where all functions are handled from keypads on the handset.

Full operational flexibility is provided by integration of the antenna and the radio-frequency electronics in the detachable weatherproof lid. This allows easy remote location of the antenna. A three-metre cable is included in the set, but by the use of an extension cable the antenna can be placed up to 100 metres away.

Providing worldwide contact from places without ordinary communication services, the unit can be helpful to rescue units in disaster areas, mineral and oil exploration crews, field engineers and construction contractors, foresters, newspaper and radio reporters, as well as business people on the move.

The services provided are digitally coded voice, fax at 2400 bits/s and data communication at 2400 bits/s by means of an RS232 Hayes-compatible PC interface.

Inmarsat M provides advantages over the now congested Inmarsat A system as to both availability and price for voice communication. The capacity of Inmarsat M will be more than five times that of the Inmarsat A system, and traffic charges for Inmarsat M can be lower than those for international telephone calls from hotels. The Saturn MiniPhone is available from ABB Nera Satellite Division (Dept. EPE), PO Box 91, N-1361 Billingstad, Norway.

DRY CELLS AGAIN

Our thanks to reader Jon Aldridge from Purley who has sent us an advert that has appeared in the American magazine *Popular Science* for a few months. The advert is from Rayovac for their Renewal battery system, this is a recharging system for the Renewal alkaline batteries.

Rayovac say that their cells can be reused up to 25 times or more without problems caused by "old-fashioned" rechargeables – presumably they mean NiCads. The Renewal batteries also hold their charge for up to five years which makes them suitable for applications like powering clocks where NiCads cannot be used.

So much for the UK battery manufacturers claims that it should not be done, our *Dry Cell Charger* (Sept '91) and the various commercial chargers now available make it possible and the idea now appears to have the backing of a major US battery manufacturer. If the UK manufacturers go on burying their heads in the ground surely they will soon be loosing out heavily.



SMART SECURITY

X-SECURE, a UNIX Security Card (USC) which allows users to protect their personal workstation from access by unauthorised persons has been introduced by Orga Card Systems UK. Standard UNIX log-in procedures are replaced by a PIN (Personal Identification Number) check and authentication of the chip card by the system. The functions of the application environment which are relevant to security can be protected by means of an access protection using the USC.

Paul Hill, Marketing Director for Orga said: "The Smart Card is an ideal authentication medium for UNIX systems. It provides the user with a mobile key which can only be used by one person. Even if other people know the PIN, only the current owner can use the card. In addition, the same Smart Card can also have other functions such as a company ID card, a key to the building, a payment card in the canteen, an ID card for the telephone and as a key to EDP."

Orga Card Systems (UK) Ltd., Dept EPE, Nobel House, 6 Greys Rd., Henley-on-Thames, Oxfordshire, RG9 1RY.

SERVICE!

The Edition 18 Catalogue of Technical Books has recently been published by Mauritron Technical Services. The catalogue lists everything from a CB Radio Circuits Manual through diagnostic PC software to Military Surplus service data and even a Telephone Code Location Guide – look up the dialling code and it tells you the town.

If you want unusual servicing information – or any service information come to that – then this might not be a bad place to start looking.

Mauritron Technical Services, Dept EPE, 47A High St., Chinnor, Oxfordshire OX9 4DJ.

EXHIBITIONS

Two dates for your diary:

National Computer Shopper Show, March 24 to 27th at the NEC Birmingham.

Spring All Micro Show, Radio Rally & Electronics Fair, April 16th. Bingley Hall, Staffordshire Showground, Stafford.

There have been two Computer Shopper Shows a year recently with a claimed annual attendance of over 60,000 visitors, with the newly launched National Computer Show now taking place in Birmingham, to meet the demand in the Midlands, that figure is expected to rise.

For further details contact the organisers Blenheim, Exhibitions and Conferences Ltd., Dept EPE, 630 Chiwick High Rd., London W4 5BG. Tel: 081 742 2828, Fax: 081 742 3182.

The AMS (its short for All Micro Show, Radio Rally and Electronics Fair) is in its sixth consecutive year at Bingley Hall. This is the first Spring Show following requests by both traders and the public.

Last year's Autumn Show saw over 70 trade stands covering the computing spectrum, including – PC, Amiga ST and Atari 8-bit; plus accessories, software, books, components, shareware, media, hardware, radio, satellite and a huge electronics bring and buy stall.

The entrance price has stayed the same, at £2 from the very first show 7 years ago – proving some things are inflation proof!

As usual the show is supporting local charity stalls, has free parking, licenced bar from 11a.m., plus refreshments, meals, catereria etc.

For further details and advance/fast lane tickets contact the organisers Sharward Services, Dept. EPE, Upland Cente, 2 Upland Rd., Ipswich IP4 5BT. Tel: 0473 272002, Fax: 0473 272008.

SOLDERING ON

Be quick and you can just catch this special offer on the SK5 soldering Iron Kit from Maplin. If you are new to electronics this month's *Techniques* article covers soldering, if you are an "old hand" this might offer a good opportunity to upgrade your present iron.

The kit comprises the 17W 240V, Type CS soldering iron for light electronic work, a soldering iron stand type ST4 with tip cleaning sponge and a coil of solder. All neatly packaged with full instructions on how to use the iron plus some additional hints on the art of soldering.

The present reduced price is £11.95 including VAT but this special offer price will end on Feb. 28th 1994. Available from Maplin stores nationwide or by mail order from Maplin Electronics, (Dept EPE), P.O. Box 3, Rayleigh, Essex, SS6 8LR. Tel. 0702 554161. The order code for this kit is FY68Y (CS Kit SK5).



FREQUENCY COUNTER/FINDER

A high sensitivity pocket sized frequency counter/finder has been introduced by Quantek Electronics. The model FC2000 is capable of measuring frequencies from 1MHz to 2.4GHz.

Conventional frequency counters typically have a specified sensitivity of 10mV, the sensitivity of the FC2000 is less than 1mV between 10MHz and 850MHz and is typically 225µV at 150MHz, this enables the FC2000 to be used for measuring transmitted radio frequency signals as well as for laboratory bench measurements.

The compact and rugged design of the FC2000 makes it ideally suited for use by field service engineers, other users include radio amateurs, scanning receiver owners for frequency finding, and counter surveillance operatives.

The FC2000 costs £119 plus £5 post and packing and is available direct from the manufacturer Quantek electronics, Dept EPE, 3 Houldey Rd., Birmingham B31 3HL.

SPICE IT UP!

Users of TopSPICE, the popular low cost SPICE simulator, can now enter information graphically using TopNET, a new optional Schematic Capture package that follows SPICE rules when generating a netlist file. TopNET costs just £149 but is also available FREE of charge together with TopSPICE in a 20 component evaluation version to anyone who sends a 1.44Mb PC formatted 3.5 inch DS HD disk to: TopNET Offer, Dept. EPE, CRaG Systems, 8 Shakespeare Road, Thatcham, Newbury, Berkshire, RG13 4DG.

TopNET transparently generates complete SPICE circuit files and includes full support for SPICE macromodels. Users can include SPICE simulation commands, models, elements or comments in a separate command file which is automatically added to the SPICE netlist file. SPICE node numbers can be displayed on the schematic and node names may be given to wires or pins by placing a label close by. TopNET is fully integrated with the TopSPICE control shell. "Zip mode" allows the user to save, make the SPICE netlist, exit and start the simulation using a single keystroke.

TopNET provides an easy to use graphical interface with all commands available through pull-down and pop-up menus as well as through the keyboard. The package includes symbols for all SPICE circuit elements including digital parts and sophisticated voltage and current sources. Users can also easily create new symbols and add them to the library using an ASCII text editor. Most symbols can be mirrored and/or flipped and symbols are based on geometric operation rather than raster images. A snap-to-grid mode makes for easy placement of parts and wiring connections. Complete edit commands include cut, paste, move, rotate, mirror, flip and change attribute. Double-clicking enables editing of any object.

TopNET runs on IBM XT/AT/PS2 or compatible PCs with at least 640K of RAM, MS-DOS 3.3 or later, hard disk and at least VGA graphics.

New Technology Update

Ian Poole investigates the latest research developments in light communications, liquid crystal displays, hifi sound and i.c. cooling techniques

A VARIETY of different developments this month. With the need for better displays for use in today's computerised equipment higher definition displays are now needed. Also a look at an idea which could revolutionise hi-fi systems. Methods of removing heat from i.c.s are very important with the ever increasing size and complexity of chips and there are new ideas to help overcome these problems. But to start a look at developments in data communications.

Light Communications

Optical and infrared data transmission is becoming increasingly popular as a means of communication over short distances. It enables high data rates to be obtained over distances of a few hundred metres. Whilst its use is increasing, more traditional forms of radio communication still maintain advantages in some areas. In particular radio can be used more easily for communications between moving stations.

Traditionally optical forms of communication have used very narrow beam widths and this has meant that accurate alignment of the transmitter and receiver is needed. Now a company in Israel, called Jerusalem Optical Link Technologies has developed a scanning system capable of transmitting signals over an angle of 35 degrees and receiving them over a range of 60 degrees.

To achieve this performance a unique autoscanning system has been developed. Initially the system scans over a wide field of view and then once the link is set up a narrow field is used. Once data is flowing the actual angle is sufficient to allow movement at either end of the link without the scanning system losing the signal before it can re-align itself.

Using the small field of view allows the performance to be optimised. In this way the transmitter power and receiver gain are maximised to give sufficient distances. With current prototypes distances of around 200 metres can be obtained although atmospheric conditions naturally affect this figure somewhat.

The system can handle very high data rates of up to 125Mbits per second. On its own the basic autoscanning system would not be able to provide sufficient bandwidth to allow this because the capacitance in the system is the limiting factor. To achieve the performance further development work was needed to produce some specialised ultralow capacitance circuitry. This is now in the process of having patents approved.

The new system promises to find a wide variety of applications. It has been suggested that it will be ideal for use in road

toll collection, general vehicle short range communications, and it could even prove ideal for aircraft manoeuvring at airports.

Liquid Crystal Display

High definition l.c.d.s are becoming more common these days. Whereas a few years ago people had to be content with low resolution displays this is no longer the case. To demonstrate this fact Matsushita have developed a 1.25 inch liquid crystal display containing nearly a third of a million pixels in a 496 x 656 matrix.

To achieve this high resolution the engineers at Matsushita have had to overcome a number of problems associated with the drive circuitry. As a result of the increase in the number of pixels, the drive circuitry which is multiplexed has had to cope with an increase in duty cycle. The new circuitry is able to handle the increase whilst still being able to maintain its very tight constraints on size.

The new display is expected to find uses in a wide variety of applications from domestic to professional equipment. Particular areas at which it is aimed include TV games, professional test equipment, and graphic displays.

Sound Improvements

Sound reproduction has long been a subject of great interest to electronics enthusiasts. In an attempt to be able to recreate the original sound more accurately tremendous improvements have been made in the past few years.

With the introduction of the CD just over ten years ago, and now the Digital Compact Cassette and Sony Minidisc enormous strides forwards have been achieved. Noise levels have been reduced to almost nothing, frequency responses are much flatter and distortion levels considerably improved.

Even with all these developments many people still feel that there is room for improvement. Recordings do not reproduce the spacial effects of live sound as accurately as might be desired. Even a stereo system set up in ideal conditions cannot completely recreate the original sound in terms of its spacial effects.

To overcome this problem, engineers at Thorn EMI have started to employ some of the latest digital signal processing hardware in experimental audio systems. Using 24 and 32 bit processors together with some specially written and patented software tremendous improvements have been made.

Now they are able to recreate the positional information of the sounds far more accurately than before. In fact this can be accomplished using a standard CD player, amplifier and a pair of loudspeakers.

The system involves the use of a specialised microphone which replicates the head. The signals are then passed into the digital signal processor where complicated algorithms are used to compensate for the features which make the sound appear unnatural when played back over standard speakers. Characteristics including the phase, delays, and crosstalk between the ears are all included.

The new system is a major step in creating a virtual reality sound system for the home. It is probably one of the most important developments to hit the hi-fi scene since the introduction of stereo.

Cooler I.C.s

One problem which i.c. designers hit time and again is that of removing heat from the more current hungry areas of a chip. With i.c.s becoming larger and more complicated, this criterion is often the factor which limits the size of an i.c. As a result there are many research projects concentrating purely on methods of removing heat from hot spots. Possibly one of the most interesting and novel solutions to be revealed in recent months is the use of a coolant inside the chip itself.

Staff at a Texas University have succeeded in developing a process where minute pipes are embedded into the silicon. A coolant is then added to the pipes which are about 80µm in diameter so that heat can be carried away from the hot spots. In this way heat is removed far more efficiently and quickly than before.

It is found that the coolant boils in the hottest areas and then travels down the pipes to cooler regions where it condenses and releases its heat. The evaporation and condensing cycles produce a pressure along the pipes which ensure that there is a continuous movement around the chip. This guarantees that the heat is evenly distributed and can be removed into the substrate far more easily.

Heat Analysis

Along with the new methods of removing heat from the i.c.s new computer aided methods of producing thermal models of complicated i.c.s are now being used. The new Intel Pentium processor has been analyzed by a thermal analysis company called Flowmerics. Using their Flowtherm software, computational fluid dynamics techniques have been developed to characterise the temperature profile. It uses a knowledge of the heat characteristics in the chip as well as the air flow outside it.

An accurate picture of the temperature is needed because the chip dissipates around 15 watts which is not at all easy to remove.

SURVEILLANCE PROFESSIONAL QUALITY KITS

No. 1 for Kits

Whether your requirement for surveillance equipment is amateur, professional or you are just fascinated by this unique area of electronics SUMA DESIGNS has a kit to fit the bill. We have been designing electronic surveillance equipment for over 12 years and you can be sure that all our kits are very well tried, tested and proven and come complete with full instructions, circuit diagrams, assembly details and all high quality components including fibreglass PCB. Unless otherwise stated all transmitters are tuneable and can be received on an ordinary VHF FM radio.

Genuine SUMA kits available only direct from Suma Designs. Beware inferior imitations!

UTX Ultra-miniature Room Transmitter

Smallest room transmitter kit in the world! Incredible 10mm x 20mm including mic. 3-12V operation. 500m range.....£16.45

MTX Micro-miniature Room Transmitter

Best-selling micro-miniature Room Transmitter
Just 17mm x 17mm including mic. 3-12V operation. 1000m range.....£13.45

STX High-performance Room Transmitter

Hi performance transmitter with a buffered output stage for greater stability and range. Measures 22mm x 22mm including mic. 6-12V operation, 1500m range.....£15.45

VT500 High-power Room Transmitter

Powerful 250mW output providing excellent range and performance. Size 20mm x 40mm. 9-12V operation. 3000m range.....£16.45

VXT Voice Activated Transmitter

Triggers only when sounds are detected. Very low standby current. Variable sensitivity and delay with LED indicator. Size 20mm x 67mm. 9V operation. 1000m range...£19.45

HVX400 Mains Powered Room Transmitter

Connects directly to 240V AC supply for long-term monitoring. Size 30mm x 35mm. 500m range.....£19.45

SCRX Subcarrier Scrambled Room Transmitter

Scrambled output from this transmitter cannot be monitored without the SCDM decoder connected to the receiver. Size 20mm x 67mm. 9V operation. 1000m range.....£22.95

SC LX Subcarrier Telephone Transmitter

Connects to telephone line anywhere, requires no batteries. Output scrambled so requires SCDM decoder connected to receiver. Size 32mm x 37mm. 1000m range.....£23.95

SCDM Subcarrier Decoder Unit for SCR X

Connects to receiver earphone socket and provides decoded audio output to headphones. Size 32mm x 70mm. 9-12V operation.....£22.95

ATR2 Micro Size Telephone Recording Interface

Connects between telephone line (anywhere) and cassette recorder. Switches tape automatically as phone is used. All conversations recorded. Size 16mm x 32mm. Powered from line.....£13.45

UTLX Ultra-miniature Telephone Transmitter

Smallest telephone transmitter kit available. Incredible size of 10mm x 20mm! Connects to line (anywhere) and switches on and off with phone use. All conversation transmitted. Powered from line. 500m range.....£15.95

TLX700 Micro-miniature Telephone Transmitter

Best-selling telephone transmitter. Being 20mm x 20mm it is easier to assemble than UTLX. Connects to line (anywhere) and switches on and off with phone use. All conversations transmitted. Powered from line. 1000m range.....£13.45

STLX High-performance Telephone Transmitter

High performance transmitter with buffered output stage providing excellent stability and performance. Connects to line (anywhere) and switches on and off with phone use. All conversations transmitted. Powered from line. Size 22mm x 22mm. 1500m range.....£16.45

TKX900 Signalling/Tracking Transmitter

Transmits a continuous stream of audio pulses with variable tone and rate. Ideal for signalling or tracking purposes. High power output giving range up to 3000m. Size 25mm x 63mm. 9V operation.....£22.95

CD400 Pocket Bug Detector/Locator

LED and piezo bleeper pulse slowly, rate of pulse and pitch of tone increase as you approach signal. Gain control allows pinpointing of source. Size 45mm x 54mm. 9V operation.....£30.95

CD600 Professional Bug Detector/Locator

Multicolour readout of signal strength with variable rate bleeper and variable sensitivity used to detect and locate hidden transmitters. Switch to AUDIO CONFORM mode to distinguish between localised bug transmission and normal legitimate signals such as pagers, cellular, taxis etc. Size 70mm x 100mm. 9V operation.....£50.95

QTX180 Crystal Controlled Room Transmitter

Narrow band FM transmitter for the ultimate in privacy. Operates on 180 MHz and requires the use of a scanner receiver or our QRX180 kit (see catalogue). Size 20mm x 67mm. 9V operation. 1000m range.....£40.95

QLX180 Crystal Controlled Telephone Transmitter

As per QTX180 but connects to telephone line to monitor both sides of conversations. 20mm x 67mm. 9V operation. 1000m range.....£40.95

QSX180 Line Powered Crystal Controlled Phone Transmitter

As per QLX180 but draws power requirements from line. No batteries required. Size 32mm x 37mm. Range 500m.....£35.95

QRX180 Crystal Controlled FM Receiver

For monitoring any of the 'Q' range transmitters. High sensitivity unit. All RF section supplied as a pre-built and aligned module ready to connect on board so no difficulty setting up. Output to headphones. 60mm x 75mm. 9V operation.....£60.95

A build-up service is available on all our kits if required.

UK customers please send cheques, POs or registered cash. Please add £1.50 per order for P&P. Goods despatched ASAP allowing for cheque clearance. Overseas customers send sterling bank draft and add £5.00 per order for shipment. Credit card orders welcomed on 0827 714476.

OUR LATEST CATALOGUE CONTAINING MANY MORE NEW SURVEILLANCE KITS NOW AVAILABLE. SEND TWO FIRST CLASS STAMPS OR OVERSEAS SEND TWO IRCS.

★★★ Specials ★★★

DLTX/DL RX Radio Control Switch

Remote control anything around your home or garden, outside lights, alarms, paging system etc. System consists of a small VHF transmitter with digital encoder and receiver unit with decoder and relay output, momentary or alternate, 8-way di1 switches on both boards set your own unique security code. TX size 45mm x 45mm. RX size 35mm x 90mm. Both 9V operation. Range up to 200m.

Complete System (2 kits).....£50.95
Individual Transmitter DLTX.....£19.95
Individual Receiver DL RX.....£37.95

MBX-1 Hi-Fi Micro Broadcaster

Not technically a surveillance device but a great ideal Connects to the headphone output of your Hi-Fi, tape or CD and transmits Hi-Fi quality to a nearby radio. Listen to your favourite music anywhere around the house, garden, in the bath or in the garage and you don't have to put up with the DJ's choice and boring waffle. Size 27mm x 60mm. 9V operation. 250m range.....£20.95

DEPT. EE

THE WORKSHOPS, 95 MAIN ROAD,
BAXTERLEY, NEAR ATHERSTONE,
WARWICKSHIRE CV9 2LE

VISITORS STRICTLY BY APPOINTMENT ONLY

**SUMA
DESIGNS**

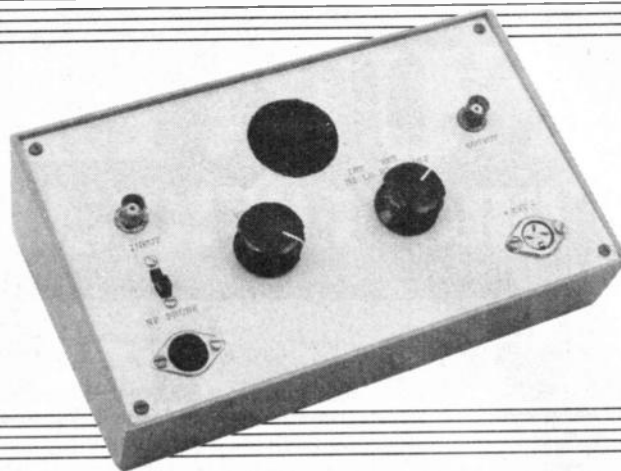


Tel/Fax:
0827 714476

AUDIO/R.F. MONITOR

IAN HICKMAN

With its high audio sensitivity and facility for monitoring r.f. signals, this monitor will prove a useful addition to any home laboratory.



THIS project started life when the writer wanted to monitor the i.f. output from a TV tuner with which he was starting to experiment. A quick lash-up with a detector diode and a rather elderly lab. amplifier was only partially successful, due among other things to mains hum – the lab. amplifier was mains powered.

A small self-contained battery operated amplifier, specifically designed to operate with a matching r.f. detector probe was therefore designed and built. It seemed sensible at the same time to construct the amplifier so that it was also suitable for monitoring audio signals directly, over a wide range of amplitudes, and the resulting instrument is described here.

HOW IT WORKS

The monitor is designed to handle an exceptionally wide range of input signal amplitudes, which requires the use of both amplifiers and attenuators. This is best explained with reference to the simplified block diagram of Fig. 1.

A switch selects either a direct Audio input, or the audio recovered from a modulated signal by an r.f. probe. In the former case, the signal can either be applied to the first amplifier stage A1 (which has a gain of 30dB or about times thirty) direct, or after

having been attenuated by 60dB, i.e. to one thousandth of its amplitude.

The output of A1 is applied to amplifier A2, which has a switchable gain that can be set to either 30dB, or 0dB (i.e. a gain of unity). The output of A2 is applied to another amplifier (A3) with a gain of 30dB, via a volume control. The latter can either pass the signal unattenuated, or attenuate it by up to 40dB or more.

The output of A3 is applied to the output amplifier A4. Although this has a voltage gain of unity, it supplies considerable power gain, being used as a buffer to drive a 64 ohm loudspeaker.

With suitable settings of the various controls, this monitor can provide full output from an input signal as small as 50 microvolts r.m.s., whilst accepting a signal of 50V r.m.s. or larger without overloading. Thus with suitable settings of the controls, you can hear signals as small as five microvolts or less, or monitor the signal from the largest "hairiest" power amplifier directly at its output.

CIRCUIT DESCRIPTION

The full circuit diagram for the Audio/R.F. Monitor is shown in Fig. 2. The functions of the two multi-way rotary switches S1 and S2 are also shown.

The audio input is applied via screened socket SK2, a BNC type being employed on the prototype. The input is d.c. blocked by capacitor C1 and connected, via a 10k resistor (R2), to position 1 of slide switch S1b, then via R3 to position 2 and thence via R4 to "ground".

In position 1, the input is effectively connected directly to the non-inverting input of op.amp IC1a, whereas in position 2 it is attenuated by 60dB first. In the direct connection, damage to op.amp IC1a could result from the inadvertent application of too large a signal, so S1a introduces clamping diodes D1 and D2 as a safety measure – they will not introduce any distortion since full output results from a mere 1.5mV input signal.

However, with the 60dB attenuator formed by resistors R3 and R4 switched in, the signal at the junction of R2 and R3 could be very large, so the diodes are then switched out of circuit. They are not needed either in position 3 of S1, where the R.F. Probe is brought into circuit.

In this case, the input signal is the detected output produced by the probe, which consists of a capacitor C2, diode D3 and resistor R18, connected to the amplifier via the R.F. Probe input socket SK1. This socket has in fact five pins as it also serves other functions, covered later. Diode D3 is a "hot carrier" type which will thus operate up to u.h.f. and beyond. To increase its sensitivity, it is slightly forward biased by the bias current from the non-inverting (+) input of IC1a. This has a *pn*p input stage, the bias current of which flows via resistor R18 and the diode to ground.

The r.f. is d.c. restored negative going by the diode and the resulting mean value – the audio – picked off by the lowpass filter formed by R18 and the capacitance of the screened lead – about 70cm of miniature screened cable.

NEGATIVE FEEDBACK

The audio input from whichever source is amplified by 30dB in IC1a, the gain of which at d.c. is however unity, since the presence of capacitor C3 results in 100 per cent negative feedback at 0Hz. This is important, otherwise with the R.F. Probe in use, the standing volt drop across the diode would be amplified by a factor of 30, overloading IC1a and causing its output to sit at the positive rail.

The output of IC1a is applied, d.c. blocked by capacitor C5, to IC1b. This stage amplifies the audio signal by a further 30dB if switch S2a is in the Hi gain position, or unity (0dB) in the Lo posi-

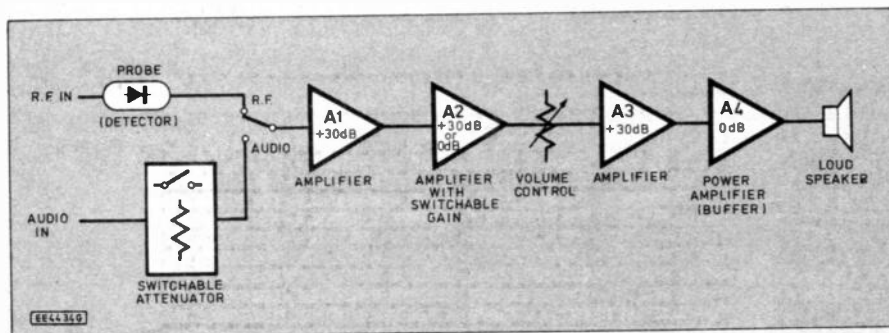


Fig. 1. Block diagram of the Audio/R.F. Monitor

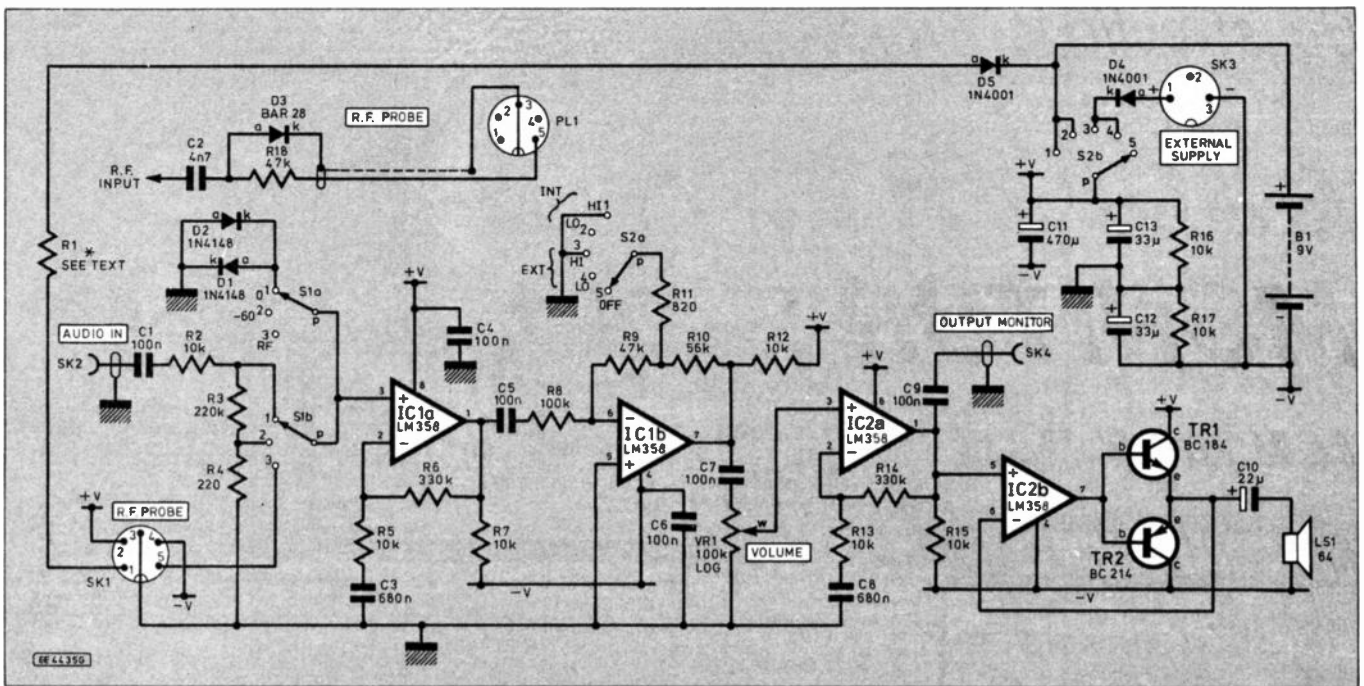


Fig. 2. Complete circuit diagram of the Audio/R.F. Monitor

tion, the gain at 0Hz being zero in either case, due to the a.c. coupling via capacitor C5. The gain reduction is brought about by switching in resistor R11, turning IC1b's negative feedback resistor into a "T"-attenuator.

The output of IC1b is a.c. coupled via capacitor C7 to the Volume control VR1, the signal at its wiper being applied to the non-inverting input of IC2a. This provides a further 30dB of gain and its output is made available (d.c. blocked by C9) at a BNC monitor socket SK4 labelled Output on the front panel. This enables the amplifier to also be used as a high gain preamplifier in conjunction with other instruments, e.g. an oscilloscope.

The other half of IC2, is used as the output buffer to drive the loudspeaker, via the *pn*p and *np*n complementary emitter follower pair transistors, TR1 and TR2. The standing current drawn by this output stage is virtually zero, as there is no forward bias applied to the transistors, which therefore work in pure class-B.

Distortion is avoided, however, since the whole of the open loop gain of IC2b is available to force its inverting input, and thus the voltage across the loudspeaker, to follow that at the non-inverting input. For the same reason, there is no need to select a matched pair for TR1 and TR2.

POWER SUPPLY

Capacitor C11 decouples the 9V supply, whilst resistors R16 and R17, in conjunction with capacitors C12 and C13, provide a supply centre tap, used as

"circuit ground", with a low impedance to audio frequencies. Note that only low level signals flow in the ground line, due to the loudspeaker LS1 being returned to the negative rail. Current through the loudspeaker is drawn directly between the supply rails on positive half cycles of the output, when TR1 conducts, and from the stored charge in C10 on negative half cycles, when TR2 conducts.

Resistors R7, R12 and R15 perhaps call for some comment. When an op.amp such as the LM358 is called upon to provide 30dB of gain across the whole audio band, crossover distortion can appear, since internally the device's output stage operates in class-B. At lower demanded gains, there is sufficient loop gain left (loop gain equals open-loop gain minus demanded gain) to prevent the occurrence of this distortion, but when demanding 30dB of gain, the crossover distortion can

become very noticeable at the higher audio frequencies.

This distortion can be avoided, as here, by tying a load (resistors R7, R12 and R15) from the op.amp's output to one or other supply rail, causing the output stage to run in a single-ended class-A mode. In the prototype, an LM358 was used as IC1 and an RC4556 as IC2, but another LM358 may be used here too.

CONSTRUCTION

The prototype unit was constructed on a piece of stripboard, size 13 strips \times 29 holes, and mounted together with all the other components (except the battery) on the rear of the front panel of one of the popular small sloping front instrument cases available from various suppliers. The circuit board topside component layout and details of breaks required in the underside copper tracks is shown in Fig. 3.

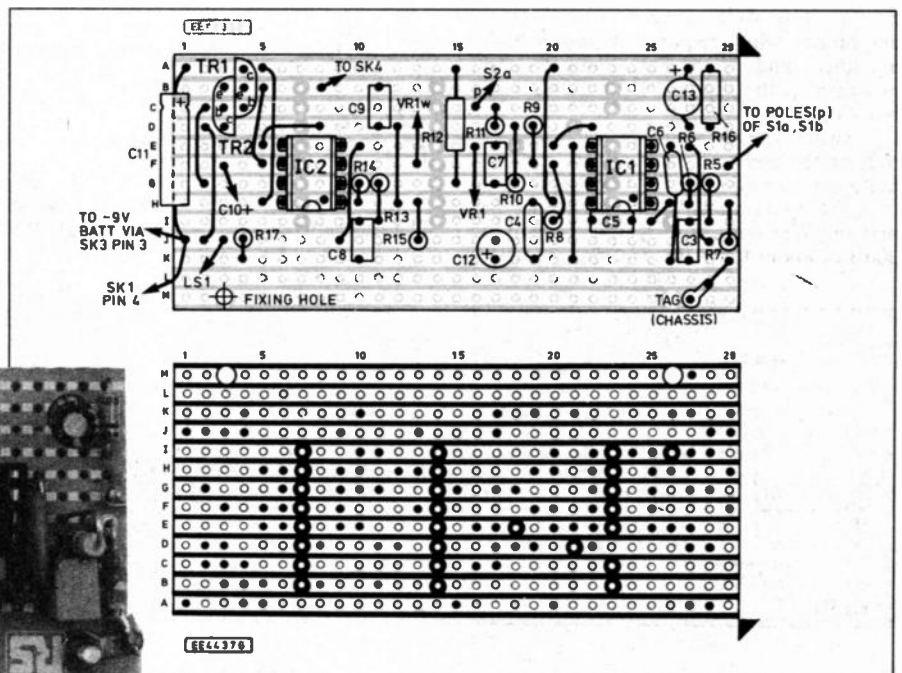


Fig. 3. Stripboard layout and wiring.

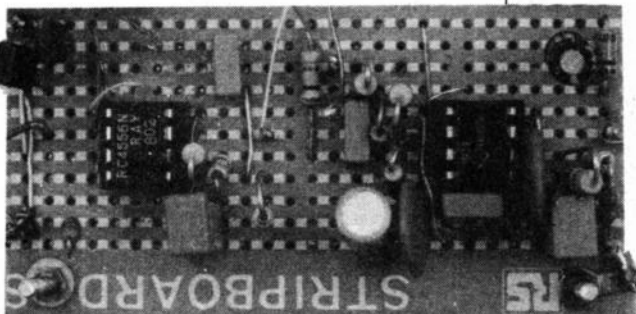
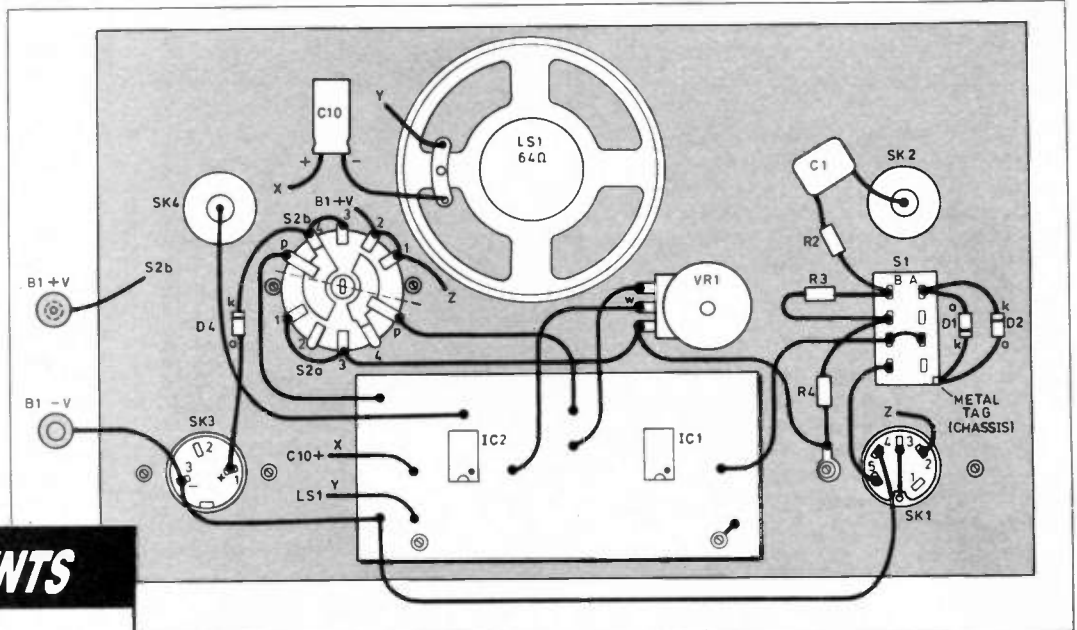


Fig. 4. Interwiring for the complete Monitor. The metal panel is at 0V. Note that one of the circuit board fixing nuts also links the 0V track to the metal panel, completing the 0V line.



COMPONENTS

Resistors

R1	see text
R2, R5, R7, R12,	
R13, R15 to R17	10k (8 off)
R3	220k
R4	220
R6, R14	330k (2 off)
R8	100k
R9, R18	47k (2 off)
R10	56k
R11	820

All 0.25W 5% carbon film

Potentiometer

VR1	100k rotary carbon, log.
-----	--------------------------

Capacitors

C1, C4 to C7, C9	100n polyester, 63V (6 off)
C2	4n7 polyester, 63V
C3, C8	680n polyester, 63V (2 off)
C10	22μ radial elect. 16V
C11	470μ axial elect. 16V
C12, C13	33μ radial elect. 16V

Semiconductors

D1, D2	1N4148 signal diode (2 off)
D3	BAR28 Schottky diode
D4, D5	1N4001 50V 1A rec. diode (2 off)
TR1	BC184L npn signal transistor
TR2	BC214L pnp signal transistor
IC1	LM358 dual op.amp
IC2	LM358 or RC4556 dual op.amp

Miscellaneous

SK1/PL1	5-way 270° DIN socket and plug
SK2, SK4	BNC coaxial chassis mounting socket (2 off)
SK3	3-way 270° DIN socket
S1	2-pole 3-way slide switch
S2	2-pole 5-way rotary wafer switch
LS1	64 ohm 65mm dia. or larger (to suit case) loudspeaker

Plastic ABS console case (with sloping metal front panel), size 215mm x 130mm x 78/47mm; 0.1 inch matrix stripboard, size 13 strips x 29 holes; 8 pin d.i.l. socket (2 off); plastic knobs (2 off); speaker grille material; PP7 or PP9 battery (see text), with clips; multistrand connecting wire; screened cable; adhesive; solder etc.

See
**SHOP
TALK**
Page

Take care to space the two dual op.amps well apart, keeping the components associated with each nearby. Remember, there is in excess of 90dB of gain in the circuit, so poor layout can result in oscillation. For the same reason, do not try to use a single package quad op.amp in place of the two duals - you would never keep it stable!

The use of BNC sockets was adopted for the Audio In and monitor Output sockets, with DIN sockets for the connection of the R.F. Probe and an External Power Supply. The latter socket, SK3, was a 3-pin 180 degree DIN type, the external supply being connected to pins 1 and 3 of the mating plug; pin 1 being positive (Fig. 4).

To avoid any possibility of reverse supply connection, diode D4 is connected between pin 1 and the Ext. supply positions of switch S2b. Separate Ext. and Int. supply positions on S2 prevent the external supply from ever being bridged across the internal battery, an event which could have unfortunate consequences.

The plug on the probe lead connects to the unit via a 5-pin 270 degree DIN socket; it cannot accidentally be plugged into the Ext

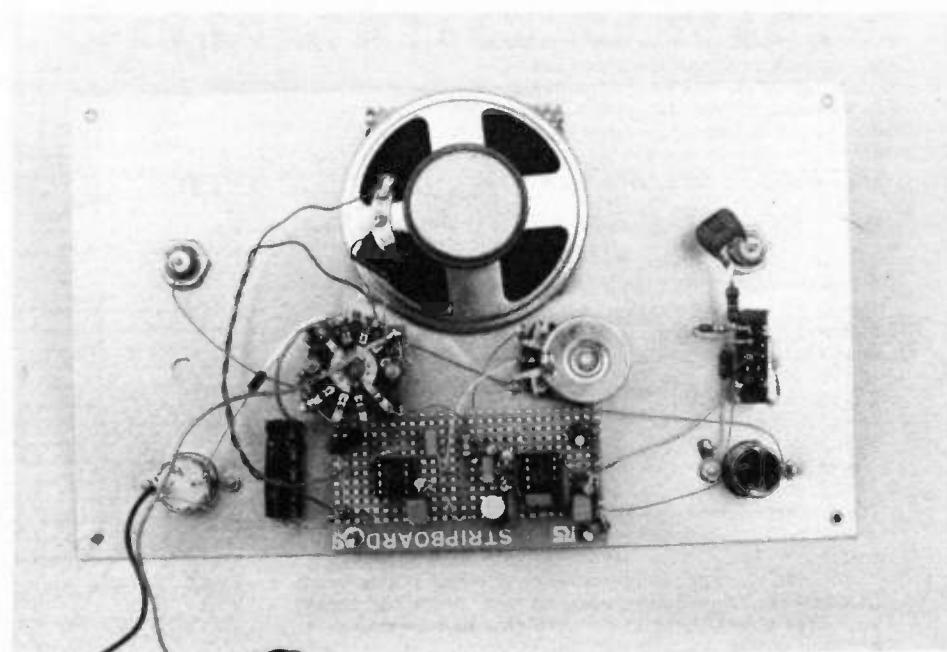
power socket, or vice versa. The probe head was constructed in a scrap of copper tubing 3.5cm in length, with capacitor C5 almost projecting from one end so that its lead, shortened to 6mm formed the probe tip.

Diode D3 and resistor R18 were connected to the other end of C5 and housed within the tube, which was connected to the cathode (k) of D3 and the outer of the screened lead. The self capacitance of the latter should be about 300pF.

The R.F. Probe connection uses only two of the pins of SK1, pin 3 (also connected to the metal shell of the socket) being ground and pin 5 signal. Pins 2 and 4 make the positive and negative supply rails available, so that if the unit is being used while developing, say, a small preamplifier or whatever, the R.F. Probe socket of the Audio/R.F. Monitor can also be used as a convenient supply, to power the circuit under development, either from the internal battery or via the unit from the external supply.

BATTERY SUPPLY

If using a dry battery for the internal supply, it pays handsomely to use the



Approx cost
guidance only

£18
excl. battery

largest possible size. For example, the large PP9 9V battery will last over twenty times as long as the ubiquitous little PP3.

There was no room in the case of the prototype for a PP9, so the next largest size, a PP7, was used and this will last about nine times as long as a PP3. If there isn't room even for a PP7, the next choice could be a PP6 which will last about three and a half times as long as a PP3.

Bear in mind that there is little difference in price between any of the battery types mentioned!

At a higher initial cost but a much lower running cost thereafter, a NiCad battery can be used. In this case, a suitable resistor R1 (see Fig. 2) can be fitted so that the battery can be recharged without removal from the unit, via a plug mating with SK1. (Additional leads for charging or using the internal battery may be connected to the pins of the R.F. Probe plug and left coiled up out of the way when not in use, so that an extra 5-way 270 degree DIN plug is not required. The additional leads should be terminated in an insulated terminal strip to prevent them shorting.) The charging resistor should be such as to supply the NiCad battery with the recommended C/10 charging current, taking into account the voltage of the charging source.

The fitting of a "silly ass" diode D5 is, as usual, a wise precaution. Another wise precaution would be to line the inside of the plastic case with aluminium foil and to arrange that when the front panel is fitted, it is in contact with it.

This will reduce any stray hum pick-up, which is always a possibility, given the very high sensitivity of the circuit at maximum gain. To minimize this possibility, all wiring associated with the input facilities should be neatly dressed down to run snugly up against the front panel.

FREQUENCY RESPONSE

The time constants associated with capacitors C1, C3, C5, C7 and C8 are all such that the corresponding -3dB points are less than 25Hz, so the frequency

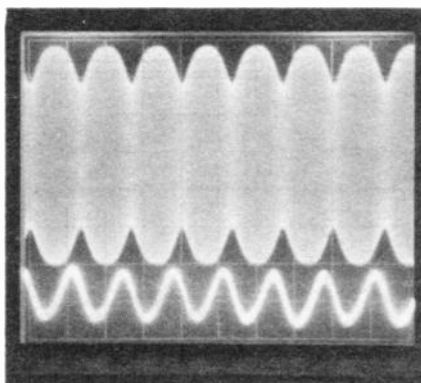


Fig. 5. Demodulated a.m. signal.

response of the unit, in the bass region, will be very well maintained at the Monitor output socket. To permit the use of a compact case, the prototype included a 65mm diameter speaker which will limit the frequencies reproduced to those above about 300Hz.

The circuit is never going to be in the hifi league, but if a more extended bass response is desired, a larger case – incidentally permitting the use of a PP9 battery – will be required, so that a larger speaker can be used. Speakers designed for compact hifi systems have notoriously low efficiency and so are not suitable for use with this design, in view of the limitations of the output stage, but if a 64 ohm speaker of 100mm diameter or more can be found, it would be well worth using it for the extended bass response. Capacitor C10 should then be increased to 100µF and C11 to 2200µF.

USING THE MONITOR

For general audio monitoring, the Audio Input socket SK2 is used, preferably with a screened lead to connect the signal under test. Screening will be essential to avoid electrostatic (high impedance) hum pick-up when using one of the higher gain settings, unless the source is of very low impedance. Given the monitor's very high sensitivity,

hum due to "earth loops" is another point to watch out for.

Take care to keep the signal levels in the circuitry to sensible levels. For instance, it would be silly to try and cope with a signal approaching 1V r.m.s. by setting switch S1 to 0dB, S2 to Lo. gain and winding the Volume control VR1 right down; IC1a would be overloaded.

For such large signals, the 60dB input attenuator should be used. In general, the Volume control should be kept near maximum, though some reduction will reduce the background hiss in the high gain positions.

The input circuitry is almost bomb-proof, since the audio input is either connected via a 60dB attenuator, or – if direct – clamp diodes downstream of resistor R2 are in circuit. Given a suitable voltage rating for C1, the unit would even survive momentary accidental connection across the mains: Extended connection would burn out R2 since it would dissipate about six watts.

R.F. MONITORING

For r.f. monitoring, the R.F. Probe will demodulate a.m. signals, as shown in the photograph (Fig. 5) In many instances it will also allow f.m. signals to be heard; for example by off-tuning a receiver slightly, the amplitude of an f.m. signal will vary in sympathy with its frequency variations, allowing "slope detection" by the R.F. Probe. It can thus be traced through the various stages of an f.m. receiver.

An h.f. choke with a high reactance at the frequency of interest, connected between the probe tip and case, can be useful in avoiding electrostatic hum pick-up.

Watch out for earth loops when using the R.F. Probe; these can be particularly troublesome, resulting in hum components at 50Hz, 100Hz and/or 150Hz, when a number of mains powered items such as a signal generator, external modulation oscillator, oscilloscope are all in use together. In this case, a search coil of a few turns of wire in place of the h.f. choke may prove better, enabling the signal of interest to be picked up by r.f. coupling, with no direct metallic connection to the equipment under test. □

RING BINDERS FOR EPE

This ring binder uses a special system to allow the issues to be easily removed and reinserted without any damage. A nylon strip slips over each issue and this passes over the four rings, thus holding the magazine in place (see photo).

The binders are finished in hard wearing royal blue p.v.c. with the magazine logo in gold on the spine. They will keep your issues neat and tidy but allow you to remove them for use easily.

The price is £5.95 plus £3.50 post and packing. If you order more than one binder add £1 postage for each binder after the initial £3.50 postage charge, (for overseas readers the postage is £6.00 each to everywhere except Australia and Papua New Guinea which costs £10.50 each).

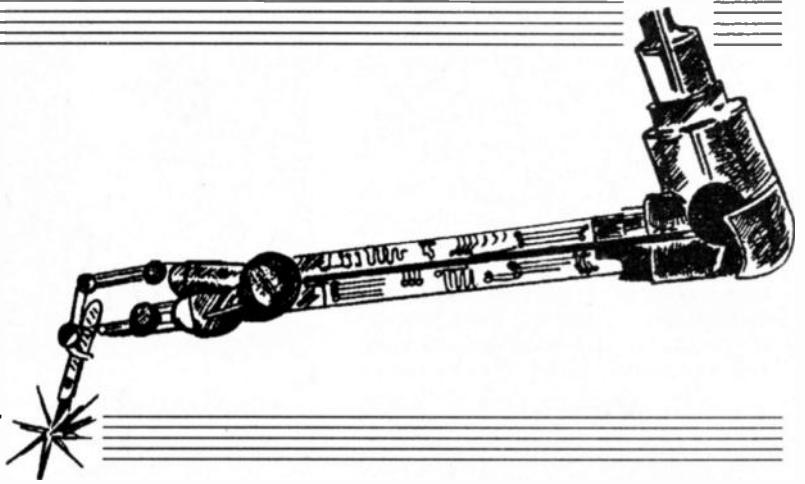
Send your payment in £'s sterling cheque or PO (Overseas readers send £'s sterling bank draft, or cheque drawn on a UK bank or pay by credit card), to Everyday with Practical Electronics, 6 Church Street, Wimborne, Dorset BH21 1JH. Tel: 0202 881749. Fax: 0202 841692 (We cannot reply to overseas queries by fax due to the high costs).

We also accept credit card payments. Mastercard (Access) or Visa (minimum credit card order £5). Send your card number and card expiry date plus cardholders address (if different to the delivery address).



CIRCUIT SURGERY

ALAN WINSTANLEY



Circuit Surgery is our column specially written to try to help out with general queries related to electronics where we attempt to explain topical matters or answer readers questions. In other words, we share problems and pass on circuit suggestions and tips we feel may be of interest to fellow constructors.

The wide scope of readers' queries means that sooner or later there will be something which appeals to you. This is your chance to talk to us, so why not write to Alan at the address given at the end of this month's Surgery!

Bulk Bargain?

An interesting question which I guarantee will send many constructors running for their multimeters, came from a regular *Circuit Surgery* correspondent. *Mark McGuinness* of Tallaght, Co. Dublin in Ireland asks a "testing" question related to checking out dubious transistors:

I recently purchased a large quantity of surplus transistors but I do not know how many of these devices are actually working. They are a mixture of npn and pnp types. Could you describe a simple way of testing them, say with my multimeter?

Certainly! There are several tests which you can perform with an ordinary moving-coil multimeter which will help you to identify good from bad. As you probably know, it's possible to buy multimeters with built-in transistor testing functions. I own several meters including such a tester, but to be honest I rarely need to use it for checking troublesome transistors. Instead, it's quite easy to obtain "go-no-go" results with an ordinary multimeter set to a resistance (Ohms) range.

To start with, it's worth looking briefly at the fundamentals of diode and transistor physics. Bipolar transistors consist of *npn* and *pnp* semiconductor material, usually based on silicon.

The "bipolar" or "two polarities" tag refers specifically to the fact that electric charge is carried in these transistors by *two* types of charge carrier – negatively-charged *electrons* and positive "holes". A semiconductor which has plenty of free electrons is termed "*n*-type", so "*p*-type" material has a surplus of those positively-charged holes instead.

By joining the two semiconductor types together and hooking up a connecting wire at either end, you form a basic *pn-junction diode*, whose familiar symbol is shown in Fig. 1. Current will flow one way only, in the direction of the arrow head from anode (a) to cathode (k). With silicon diodes such as the 1N4148 or the 1N4001, the anode must be about 0.7V more positive than the cathode for current to flow. Under these circumstances the diode is said to be *forward biased*. The anode and cathode are *p*-type and *n*-type material respectively, as shown.

Bipolar transistors contain in effect *two* of these junction diodes. Fig. 2(a) shows how two *pn*-junction diodes form a *pnp* transistor. You will see that the three terminals connected to a *p-n-p* semiconductor are emitter (e), base (b) and collector (c) respectively with the base being common to both diodes. Similarly Fig. 2(b) shows how the diode

polarities are reversed, so the terminals are connected to *n-p-n* material. Hence, *pnp* and *npn* transistors are formed.

To test a suspect transistor, we could maybe start by checking the individual diodes' function with an ordinary multimeter. Note that not all of the following experiments may work with a *digital* multimeter (DMM). These contain extra input amplifiers which are not present in ordinary moving coil multimeters, and may give misleading results. A modest moving coil meter will be just fine! If you use a DMM, select the *Diode check* range instead (when the DMM might display the diode's actual forward voltage).

Diode dilemma . . .

Multimeters have an internal battery which provides a current source for testing resistance. It's important to note that this test current comes out of the *negative* terminal of most multimeters (though a digital multimeter such as my AVO type may source current from the *positive* terminal instead). When testing an intact diode, you're looking for a fairly *low* resistance (say five kilohm – 5k – or so) in the "forward" direction and a *very high* resistance in the "reverse" direction.

To demonstrate, first test any available diode by checking its resistance with

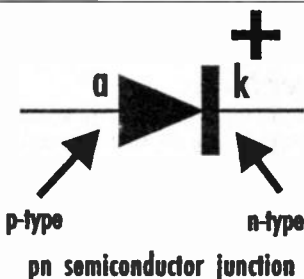


Fig. 1. Basic pn-junction diode

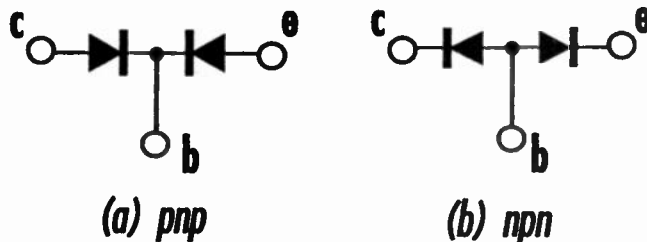


Fig. 2. Transistors formed from two pn-junction diodes

a moving-coil meter set to a middle resistance range. Note the reading then reverse the connections to the diode.

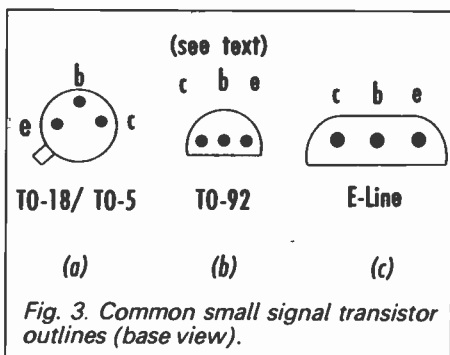
A *high* resistance in *both* directions indicates that the diode is probably open-circuit and therefore useless. A *low* resistance in *both* directions suggests a short circuit – equally useless.

When you note a reading of say 5k to 10k, then the diode is forward biased and is carrying current supplied by the meter's internal battery. This current flows out of the negative socket so the diode terminal connected there must be the *anode (a)*. This is the key to testing your transistors, Mark.

...and transistor trials

Some common pin-outs for small signal transistors is shown in Fig. 3, and supplier's catalogues contain a wealth of extra data so check there too. Fig. 3(b) for the TO-92 case might not be much help because there are several different arrangements produced so you might need to experiment or refer to data.

If you're stuck then you can use the following method as a guide to separate *npn* from *pnp*. It should at least identify the base but may not determine which is the collector or emitter because they both seem to behave the same way in this test.



With Fig. 2 and Fig. 3 in mind, connect the negative meter lead to one of the transistor's pins and test the resistance of the other two pins. Change to another pin if necessary until you suddenly note a low reading (several kilohms) – you've hit on one of the "cathodes" of the internal diodes. A *pnp* transistor has one cathode (the common base) and two anodes (emitter and collector). The reverse is true for a *npn* device which will appear to contain two cathodes and one common anode (base) instead.

Hopefully using this technique you can go around the pins to determine the polarity of the transistors, their pinouts and whether they are serviceable or "bin-worthy." Having selected the fully functional devices, we can now try to grade the devices according to two parameters: *leakage* and *gain*.

First, the parameter I_{CEO} measures how "leaky" a transistor is: it's the "leakage current" between emitter and collector with the base open (unconnected). Connect the negative lead of your Ohmmeter to the collector (*npn*) or emitter (*pnp*) and hook the remaining emitter or collector to the +socket as shown in Fig. 4(a). Leave the base open circuit.

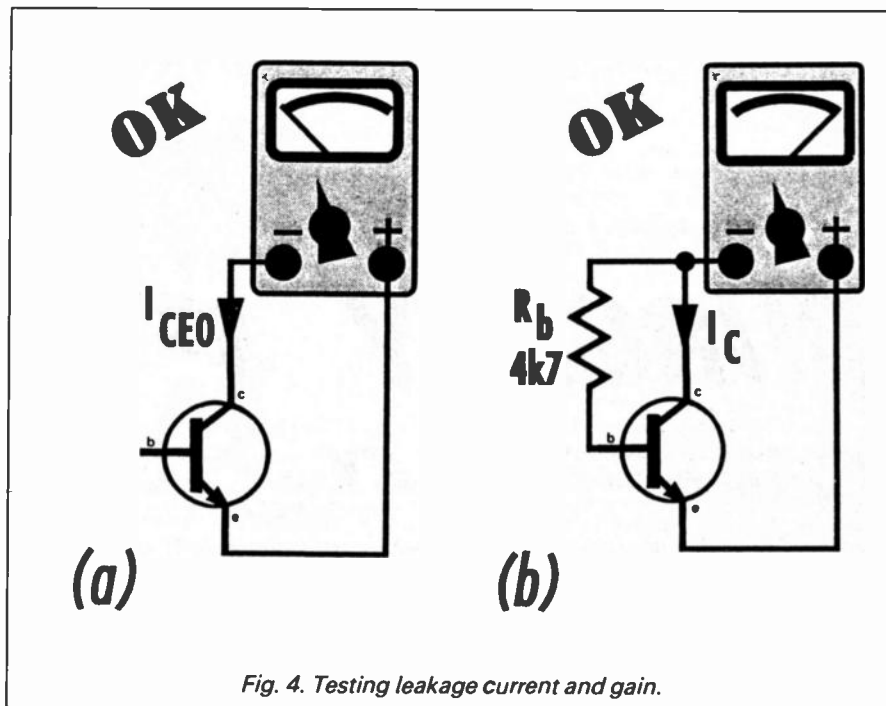


Fig. 4. Testing leakage current and gain.

There should be *no* meter deflection at all on a good silicon transistor. Any meter reading proves that leakage current is flowing between emitter and collector: the higher the deflection, the worse the leakage. A leaky transistor is definitely suspicious: germanium types are much worse in this respect.

As another experiment, you might care to sacrifice a transistor or two when monitoring I_{CEO} , by heating it up with a hot air gun or soldering iron, then letting it cool. The leakage current will slowly but surely rise with temperature, until eventually the effect becomes irreversible after which the transistor has been damaged. A silicon device is rated up to 150 degrees Celsius maximum – so watch what happens to the I_{CEO} reading on the meter scale when the transistor loses its cool!

The final test involves monitoring the *small signal gain* h_{fe} of the transistor. It's a very basic *qualitative* test which involves applying some "forward bias" to the transistor base while checking the leakage current. The bias current is again supplied by the Ohmmeter's battery.

For a *npn* device, add a small resistor (say 4k7 to 10k) between collector and base as shown in Fig. 4(b). A *pnp* transistor base should be shunted to the emitter instead.

There should now be a large deflection on the meter scale because the transistor should be biased into conduction rather than just "leaking". The better the gain, the larger the deflection. A *small deflection* is a sign of a poor transistor.

So, hopefully you can now sort out your *npn* and *pnp* transistors and then grade them for both leakage and gain. Isn't it amazing what a simple multimeter will tell you?

Fuse fundamentals

From *Mr. S. A. Wohlert* of Ashford came a letter regarding an earlier *Circuit Surgery* topic – fuses.

Could I return to the subject of fuses which you discussed in December's Circuit

Surgery? I recall that many old stagers as well as newcomers to electronics regard a fuse as being a zero resistance link in a circuit. In fact a fuse of "zero" resistance would never rupture because this "ideal" component would not dissipate any power whatsoever, even under extreme overload conditions.

Thus when using a multimeter, particularly a digital type to check a fuse, one should always anticipate a resistance reading commensurate with the fuse rating. I recall taking measurements on a quantity of 60mA fuses of reputable manufacture, and each was found to be approximately 24 ohms!

You are quite correct, of course – a fuse inherently possesses an electrical resistance, and is calculated to dissipate excessive power when subjected to an overload. This produces an I^2R heating effect which after a predetermined "time factor" results in the fuselink melting, interrupting the circuit. Fuses do *not* have zero resistance otherwise it would be impossible for them to dissipate power as you rightly say, and a fuse resistance of several tens of ohms may not be unusual.

Nearly always, if testing a suspect fuse then all we need is a go-no-go indication, so regardless of which meter range you select, it should be easy to distinguish between a low (near zero) resistance and infinity. It's rather like the simple experiments we described earlier for the transistors, when all we wanted was a simple *qualitative* "yes or no" test result, rather than *quantitative* readings of what the gain or leakage actually were.

Power Mad

Mr. S. Conway of Gateshead raised some interesting issues in a recent letter:

Could you design a suitable thyristor or triac-based circuit to control a specialised incandescent lamp rated at 240V a.c. 1000 Watts. The dimmer circuit needs a variable resistor to adjust the brightness level.

As a regular reader of Circuit Surgery, could I also add that suggested circuits are

only ever given in circuit diagram form, but if you could also give stripboard layouts like the projects in the rest of the magazine, many constructional errors would be avoided and assembly itself would be far more simple.

Your circuit query first. By far the neatest, simplest and therefore safest way of dimming a lamp is to use a complete power controller i.c. which is specially designed for this type of application.

I'm afraid it isn't the cheapest method but if ease of assembly and safety are more important than cost considerations then I strongly recommend using an i.c. rather than using individual discrete components which may all be working at mains potential. Either way, the following project though quite simple, is definitely NOT intended FOR BEGINNERS due to the risks involved with mains voltages – so please take care.

Lamp Dimmer

You require at least a 6A "phase controlled, a.c. mains power regulator" device to control a 1kW lamp. I suggest the RS 300-344 or the Farnell 170-630, see Fig. 5. They can withstand peak switch-on surges of typically 100A or more.

All you do is hook up a potentiometer with standard hook-up mains-rated wiring and then connect the load (lamp) via a fuse using 13A mains-rated wire for safety (through a 13A socket if you wish), as denoted by the thicker lines in the circuit diagram. Neatly solder the three leads to the i.c. pins. The mounting tab of the device is electrically isolated and requires fixing to a heatsink rated at between 7 to 8°C/W. You must ensure that the enclosure you use is "fully Earthed", and that absolutely every connection in the circuit is fully insulated from the user so that there is no possibility of exposure to electric shock.

These types of "phase control" circuits are similar to traditional domestic dimmer-switches, and are notorious for producing r.f. interference. If this is likely to be a problem, use a ready-made

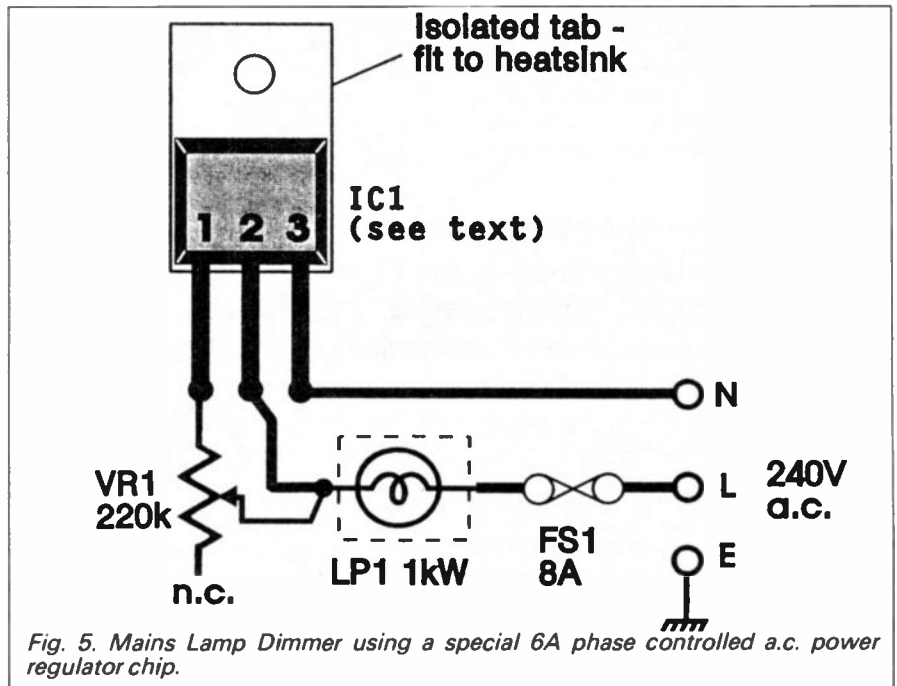


Fig. 5. Mains Lamp Dimmer using a special 6A phase controlled a.c. power regulator chip.

mains-voltage suppressor rated at 5A 250V a.c. or more. I have used can-type combined inductance and delta-capacitor suppressors to great effect in similar circuits. Again, I am afraid that they are not terribly cheap – expect to pay around £10 or so.

Turning to your second point, *Circuit Surgery* is of necessity limited in page space, and if I included stripboard or p.c.b. layouts then there would be less to distinguish the column from the constructional projects we already publish, and there would be less space to publish readers' letters too. On the down side, regrettably it means that some readers' ideas cannot be accommodated in this column, because they're too complex or there just isn't the space to do them justice.

In the case of the Lamp Dimmer, although it's a simple circuit to follow, this suggested circuit is specifically aimed at more experienced users who are

fully confident about the assembly of mains voltage equipment. Otherwise *Circuit Surgery* encourages readers to experiment for themselves or pass on their experiences, based on the information and circuit diagrams given.

Don't despair: as Ed. says, we're a two-way magazine and we welcome your ideas for potential constructional projects.

Next Month: I will be investigating back-up battery systems again, this time by popular request, incorporating the ICL7673 i.c. with rechargeable batteries for the reserve. Also I take the lid off astable and monostable multivibrators constructed from logic gates.

If you have any suggestions, queries or comments for possible inclusion in this column, then write to me: c/o *Circuit Surgery*, 6 Church Street, Wimborne, Dorset BH21 1JH. I cannot promise an individual reply but I do read every letter and will try to help if possible.

EVERYDAY WITH PRACTICAL ELECTRONICS

SUBSCRIPTION ORDER FORM

Annual subscription rates (1993/4): UK £22.00.
Overseas £28 (surface mail) £45.50 (airmail)

To: Everyday with Practical Electronics,
6 Church Street, Wimborne, Dorset BH21 1JH

Name

Address

..... Post code.....

I enclose payment of £ (cheque/PO in £ sterling only),

payable to Everyday with Practical Electronics

Access or Visa No.

VISA

Signature.....

Card Ex. Date

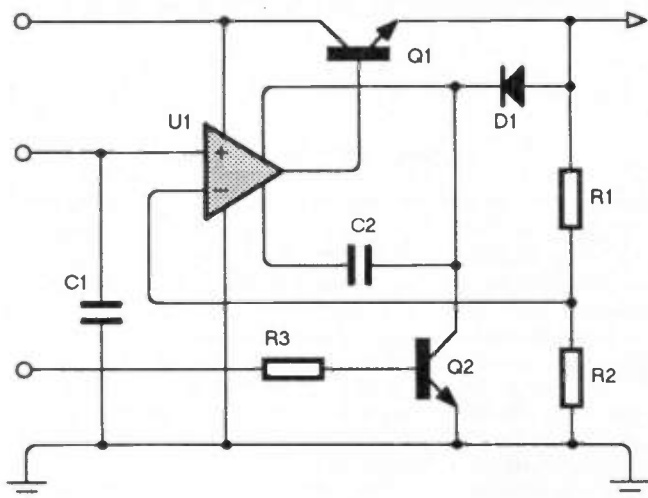
Please supply name and address of card-holder if different from the subscription address shown below. Subscriptions can only start with the next available issue. For back numbers see the Editorial page.

NEW VERSION 2
NOW SHIPPING

SCHEMATIC DRAWING FOR WINDOWS

NEW
LOW PRICES

ISIS ILLUSTRATOR combines the high functionality of our DOS based ISIS products with the graphics capabilities of Windows 3. The result is the ability to create presentation quality schematics like you see in the magazines. ILLUSTRATOR gives you full control of line widths, fill styles, fonts, colours and much more. When the drawing is complete, transferring it your WP or DTP program is simply a matter of cutting and pasting through the Windows Clipboard.



Features

- Full control of drawing appearance including line widths, fill styles, fonts, colours and more.
- Curved or angular wire corners.
- Automatic wire routing and dot placement.
- Fully automatic annotator
- Comes complete with component libraries.
- Full set of 2D drawing primitives + symbol library for logos etc.
- Output to Windows printer devices including POSTSCRIPT and colour printers.
- ILLUSTRATOR+ adds netlist generation, bill of materials etc. and is compatible with most popular CAD software for DOS & Windows.

From
£99

CADPAK - Two Programs for the Price of One.

ISIS SUPERSKETCH

A superb schematic drawing program for DOS offering Wire Autorouting, Auto Dot Placement, full component libraries, export to DTP and much more.

Only
£79

Exceptionally easy and quick to use. For example, you can place a wire with just two mouse clicks - the wire autorouter does the rest.

PCB II

High performance manual PCB layout package for DOS. Many advanced features including curved tracks, auto track necking, DXF export, Gerber and NC file generation, Gerber viewing and more.

Graphical User Interface with intuitive "point and do" operation gives unparalleled ease of use.

ISIS and ARES for DOS - The Professional's Choice

ISIS

from £275

ISIS DESIGNER+ forms the ideal front end of your CAD system, providing schematic capture, netlisting, bill of materials and electrical rules checks. Advanced features include automatic annotation, hierarchical design and an ASCII data import facility. Put simply, DESIGNER+ is one of the easiest to learn and most powerful schematics packages available for the PC.

ARES

from £275

The ARES range of advanced PCB design products links with ISIS (DOS or Windows) and other schematics programs. Working from a netlist, ARES helps you get it right first time with each connection automatically verified against the schematic.

ARES AUTOROUTE adds multi-strategy autorouting, whilst for the ultimate in performance, ARES 386 goes up to 400% faster with unlimited design capacity.

Labcenter
Electronics



Call us today on 0274 542868 or
fax 0274 481078 for a demo pack.
Combination, multi-copy and
educational discounts available.

14 Marriner's Drive, Bradford, BD9 4JT.

SAFETY FIRST!

T.R. de VAUX-BALBIRNIE **Part Four**

Staying alive with electrical equipment

THIS is the fourth and final article in a short series concerned with household electrical safety. We shall continue last month's work by looking at a few situations where the use of low-voltage power supplies (batteries and mains-operated) brings a risk of fire.

We shall then look at some chemical hazards associated with the use of modern components and materials used in electronics. Those working in industry and education are reminded of the need to seek specific guidance and overseas readers should check their own national safety regulations.

LIGHTING CIRCUITS

One common cause of fire touched upon last month is a high-current appliance being operated from a household lighting circuit. It used to be fairly common to use an adaptor so that an electric iron could be plugged into a hanging lampholder together with the lamp itself. This, presumably, was effective in keeping the wire out of the way of the ironing board and so prevented rubbing and consequent damage to the insulation.

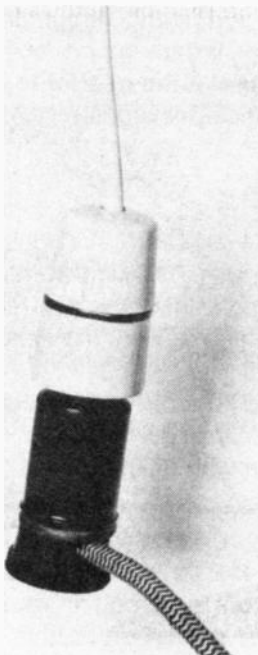
However, this practice is dangerous for two reasons. Firstly, it overloads the circuit as we shall see in a moment and, secondly, there is no earthing provided to the metal

case of the iron by the lamp holder. In the event of a fault developing where the live wire touched the case inside the appliance, an *earth-loop* shock could result when someone touched it. Readers who have not been following the series should note that this type of shock was discussed in some detail in Part 2.

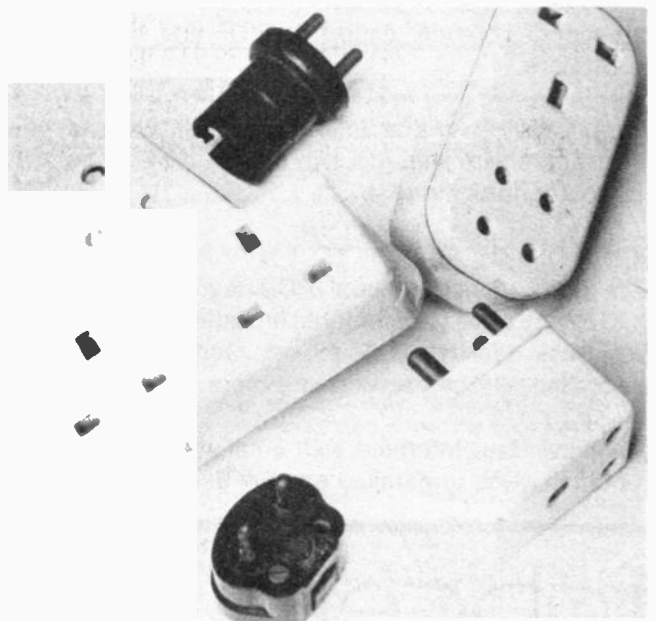
Normally a mains lighting circuit is rated at 5A maximum and fused at the main fuse-box with this value. When a high-current appliance is connected to such a circuit the combined current of this, together with some lighting, will be sufficient to blow the fuse (an electric iron is typically rated at 1000W-1200W corresponding to 4A to 5A on 240V mains).

This is where the foolish householder uprates the fuse to prevent it from blowing. However, the fixed cable serving the lighting circuit is only capable of carrying the small current for which it was designed and it may now over-heat, melt the p.v.c. insulation and cause a fire.

Very high current appliances such as electric cookers and shower units must be wired up with thick wire rated appropriate to the current being drawn. Using ordinary ring-main type cable would overheat and possibly cause a fire. An immersion heater must have its own circuit - this will have a 15A fuse at the main fuse-box.



Never use a high-current appliance in a hanging lighting lampholder.



A selection of various adaptors - these should only be used if no other solution exists. All 3-pin round types should have been rewired and replaced by now with standard 13A wiring, plugs and sockets.

It has been known for amateur electricians to add a shower unit to the immersion heater circuit. When the shower is switched on, the system is overloaded because this requires some 30A. The fuse will blow but if it is upgraded, the cable will overheat with a consequent risk of fire.

BATTERY HAZARD

Mains electricity is not the only cause of fire. Certain batteries are able to deliver a very large current in the event of a short-circuit and pose a significant risk. To understand this, it is necessary to have some knowledge of *internal resistance*. This is the resistance of the material inside the battery or cell due to its structure.

Consider the 6V battery shown in Fig. 1a. This is connected to a 10 ohm resistor (the internal resistance – in this case five ohms – is shown as an external resistor within the dotted box). The battery voltage pushes current through the circuit and on its way it passes through both the internal and external resistances. Since the total resistance of the circuit (that is the sum of internal and external resistances) is 15 ohms, Ohm's Law predicts that the current flowing will be:

$$I = V/R = 6/15 = 0.4A$$

Suppose the battery were to have its ends connected together by a short piece of wire of negligible resistance – that is, a *short-circuit* is produced – see Fig. 1b. The current will now be limited by the internal resistance only and in this case will be:

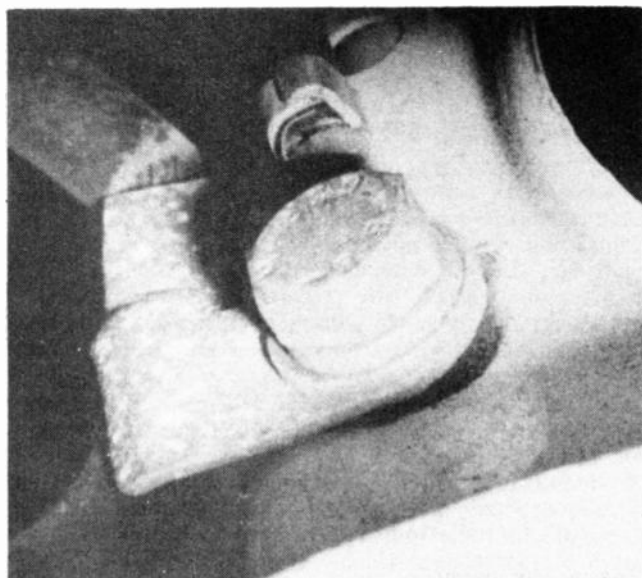
$$I = V/R = 6/5 = 1.2A$$

Certain types of battery have an exceptionally low internal resistance. Chief among these is the *lead-acid accumulator* used as a car battery and in miniature form as a back-up power supply for a burglar alarm, etc. This type of battery has a typical internal resistance of 50mΩ (that is, 0.05 ohms) or less. Applying Ohm's Law it follows that, under short-circuit conditions, a 12V lead-acid battery will deliver at least 240 amps.

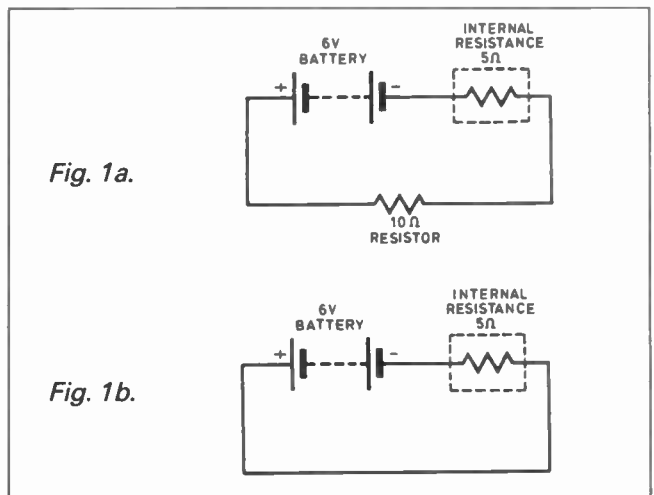
This is an enormous current and will cause even fairly thick wire to become red hot very quickly. Furthermore, a large-capacity battery (such as a car battery) could keep this up for several minutes. If there was any combustible material nearby there could be a major fire and, in the case of a car system, the vehicle could be totally burnt out within minutes.

NEGATIVE EARTH

Of course, no sensible person would ever short-circuit such a battery on purpose – it is likely to damage it



Car "earth" terminal (battery negative) is bolted directly to the metalwork (chassis) via a thick wire.



anyway but it can happen by accident especially in a car electrical system. It is standard practice to connect the negative terminal of the battery direct to the car chassis through a thick wire (see photograph). In this way, any metal in the vehicle structure is at battery negative voltage. The reason for this is that accessories may be connected by a single wire to the positive battery terminal (via a suitable switch and fuse) with the circuit completed via the car bodywork. This saves on copper wire and reduces weight and cost.

Suppose the battery positive terminal was being tightened using a spanner (see photograph) and the handle at the other end touched a metal part. This would constitute a short-circuit. The car body and spanner both have little resistance so the current would be limited largely by the internal resistance of the battery – thus hundreds of amps could flow. (For this reason the negative (earth) lead should always be connected or disconnected first when this is necessary.)

There would be violent sparking and the end of the spanner could be melted off. Burns may be caused and pieces of metal thrown into the eyes. If the circuit was completed through a finger ring, a very nasty burn would result. *This is why it is essential to disconnect and remove the battery before working on a car electrical system, but make sure this will not affect coded stereo equipment or engine management computers on some vehicles which might need expensive resetting.*

During charging the battery can also produce explosive gasses and any sparks caused can result in the battery exploding – see the information on this under The Big Bang section.



When tightening the battery positive clamp, the spanner MUST NOT TOUCH ANY METALWORK – see text.

HIGH-POWERED ACCESSORIES

Automotive wiring is very different from household wiring. In a car, wires often pass through holes drilled in metal. Such a hole will always be protected by a rubber grommet so that the insulation is not cut through and cause a short-circuit with the metal body.

When a car accessory is wired up, it is essential to follow the same practice. Also, the insulation on any wire must be thick enough to withstand the rigours of use especially the pulling and vibration found in a car. In practice, this means using special multi-strand auto-type wire. Household wire is totally unsuitable.

Readers who have been following the series will remember last month's calculation which showed that high-powered car accessories require very high currents – 1A for each 12W of power. It is essential, therefore, not only to use proper auto-type wire with adequate insulation but to select its current rating according to the load.

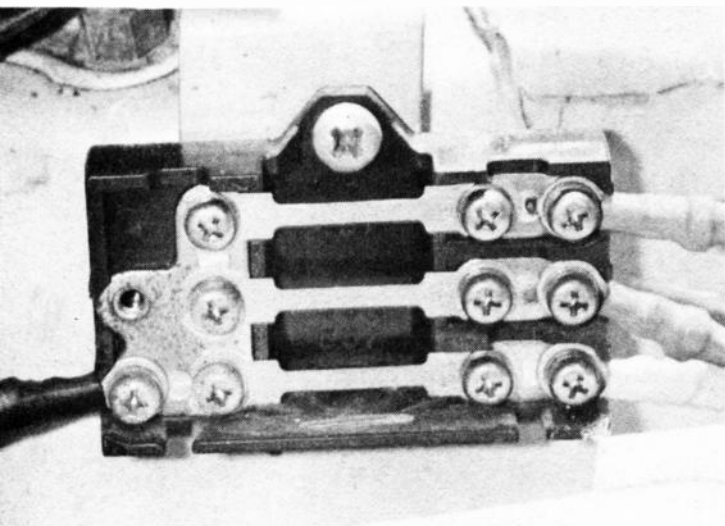
It is particularly dangerous to make a *direct* connection to the car battery positive terminal perhaps by using a crocodile clip. This is because there is then no fuse to protect the circuit. In the event of a short-circuit a very high current would flow with consequent problems of burning insulation. If there were petrol fumes around, a major fire could result. It is best to connect new circuits to the spare fused outlets provided at the fuse-box.

Manufacturers now fit *fusible links* to their cars – these are just “last resort” fuses and are placed first in the battery positive feed wire (see photograph). The only device not powered through a fusible link is the starter motor since this requires a very heavy current. Fusible links are designed to blow with a current of around 50A. This is higher than should normally exist even with all accessories switched on and will only blow under a vast overload – usually short-circuit conditions. Although useful, fusible links will not provide protection if a circuit derives its positive feed direct from the positive battery terminal or the starter motor feed wire at the solenoid unit.

BURNT FINGERS

Other types of rechargeable battery in common use also have a very low internal resistance. These can also provide a high current when short-circuited and can pose a hazard – at least in the form of burnt fingers.

Like a car battery, *nickel-cadmium* cells have a very low internal resistance and a short-circuit at their terminals can cause connecting wires to become red hot and cause injury or fire. For this reason, it is probably better not to use such batteries for experimental work.



Manufacturers now fit “fusible links”, designed to blow at about 50A, in car electrics.

If there is an accidental short-circuit on, for example, a circuit panel and the circuit is connected to a nickel-cadmium battery pack for testing, the offending section of track will probably melt, perhaps cause a burn, and ruin the p.c.b. If nickel-cadmium batteries cannot be avoided in this type of work, include a suitable fuse in the positive feed wire.

Even alkaline batteries (such as Duracell) can, when new, supply a current of several amps under short-circuit conditions. This can make thin wire become red hot and cause burns. Also, such a cell will become hot if one member of a pack is placed in the holder the wrong way round this can burn the fingers and could cause the cell to explode..

Manufacturers of standard (non-rechargeable) batteries advise against attempts to recharge them since this may cause overheating and, possibly, an explosion due to the release of gases. This is sound advice unless a properly designed and constructed circuit is used for the purpose. Such devices are commercially available now, also such a device, *Dry Cell Charger* was described in EPE (September, 1991).

MAINS-DERIVED SUPPLIES

Where a low-voltage supply is derived from the mains using a transformer and rectifier, there is a fire risk unless it is correctly rated for the purpose and properly fused. There should be no problems with a good commercial unit providing, of course, any fuses have not been uprated.

Mains-derived low voltage supplies used as part of a home-constructed project may involve some risk unless properly constructed. The transformer secondary has a very low resistance and so can deliver a very high current under short-circuit conditions (a similar situation to the car battery mentioned earlier). The design will specify a fuse in the secondary circuit to protect against such short-circuits and inadvertent overload. *This must not be uprated under any circumstances for example, in an attempt to increase the output current.*

There will also be a fuse in the primary circuit. This may be a separate one situated inside the case or may simply be the existing one in the mains plug. The value must be correct as specified. Including a *thermal fuse* in such equipment (see later for information on this type of fuse) would also be a good idea.

Sub-miniature mains transformers, of the type built into compact equipment, often become warm during use. However, there is a chance of overheating if there are insufficient ventilation holes (or these are covered over). It is wise to use a transformer having a generous current rating perhaps double what is required. Not only will it remain cooler but it will have more stable operating characteristics too. Of course, using a larger transformer is sometimes impossible on grounds of size, cost or weight.

THERMAL FUSES

Thermal fuses (see photograph) are widely used in industrial equipment and certain household appliances. These are effective in preventing fire due to overheating. A thermal fuse, unlike an ordinary fuse, does not “blow” due to the current flowing through it but with direct overheating. Thermal fuses, therefore, do not have a current rating as such but do have a stated maximum current capacity which must not be exceeded.

This is typically 15A for a large one and 3A to 5A for the smaller variety. However, their main specification is the *temperature* at which they blow. The available range is from around 72°C to 250°C.

A thermal fuse may be incorporated in any equipment where unexpected overheating could cause a problem. Care must be taken when installing one because some types have a metal case which becomes live in operation so it is essential that it does not touch any metal part. An electric iron often contains a thermal fuse – this will remain intact unless the thermostat fails, the contacts stick

together and the temperature rises above the maximum operating value. This used to be a common cause of fire.

One practical point is that thermal fuses should never be soldered into a circuit – this is likely to blow them due to heat from the soldering iron conducting along the connecting leads. To avoid this, the connections should be crimped in place or screw terminals used. Thermal fuses are non-resettable and must be replaced if they ever do blow. It may not be possible to obtain a replacement locally but they are stocked by all major mail-order suppliers.

THE BIG BANG

Where electrolytic capacitors are used for smoothing or other purposes it is essential that they are used correctly. In practice, this means that they must always be connected the correct way around in the circuit (the polarity is marked on the body). It also means that they must never be used in alternating current (a.c.) circuits.

A further point is that the working voltage (marked on the body together with the value) must never be exceeded even slightly. In fact, it is wise to choose a capacitor having a working voltage perhaps 50 per cent higher than required to allow a safety margin. If these precautions are not observed, the capacitor may explode violently throwing pieces of aluminium can and chemicals over a wide area and this may cause eye injury.

There are at least two chemical hazards arising from the use of car batteries and other types of lead-acid accumulator. Thankfully, these have been reduced to some extent by the modern type of sealed-for-life unit. The traditional battery with removable caps is more dangerous but any lead-acid battery must be treated with respect.

The liquid inside consists of reasonably strong sulphuric acid. This is a very harmful and corrosive substance. If it gets on to the skin or clothing, copious amounts of water must be used to remove it. If it splashes into the eyes, it must be similarly washed out thoroughly and medical attention sought immediately. The metalwork around a car battery is often rusted – witness to these corrosive fumes.

When a car-type battery is fully charged, further current supplied cannot charge it further. The energy now splits the water content of the acid into its chemical constituents – hydrogen and oxygen. That is, *electrolysis* takes place. The products are both gases and, in the traditional form of battery, escape harmlessly through the small vent holes provided in the caps.

However, if there are any sparks due to poor electrical contact nearby or if a flame is used – perhaps to light a gas soldering iron, the mixture of gases can explode very violently. This can easily split the battery case into many sharp fragments and these, together with the flying sulphuric acid, are very dangerous indeed. Even the sealed-type of battery is not totally immune from this possibility so beware!

CHEMICAL NASTIES

There are several rather nasty chemical substances used in the manufacture of electronic components and in the servicing of equipment. An example is mercury. This is used in such items as mercury tilt switches and, of course, thermometers. Mercury is liquid at normal room temperature and, because it conducts electricity, is excellent for these purposes. However, it is poisonous and should not be touched. Spilled mercury slowly releases vapour which if breathed over a period of time can cause serious long-term health problems.

It is essential that tilt switches and certain types of relay and thermostats containing mercury are not broken open to examine the contents. Chemical compounds of mercury; which are particularly poisonous, appear in certain types of cell – notably button cells used in some watches, test equipment, small microphones, etc. These must similarly be left intact and disposed of sensibly.

For measuring temperatures in experimental work, it is best to use an *electronic* thermometer to avoid the possible breakage of a mercury one. Alternatively, use a thermometer containing the much safer coloured *alcohol* as the working liquid. These are available to cover the range of a traditional “laboratory thermometer” i.e. -10°C to 110°C .

Dead nickel-cadmium batteries should not be broken open since there is cadmium and potassium hydroxide inside, both decidedly nasty substances. Care should also be taken with certain materials used in the production of printed circuit panels. Sodium hydroxide (caustic soda) solution, used as a developer for sensitised boards, must be kept off the skin.

When sodium hydroxide is dissolved in water a lot of heat is liberated, spitting can take place and the solution can splash into the eyes. For this reason, rubber gloves and safety goggles should always be worn when using it. If sodium hydroxide does enter the eyes it must be washed out with copious amounts of water and medical attention sought immediately.

Ferric chloride is used as an etchant for p.c.b. panels and should also be treated with respect. This also liberates heat when dissolved in water and can splash into the eyes. Again, the use of safety goggles is advised.

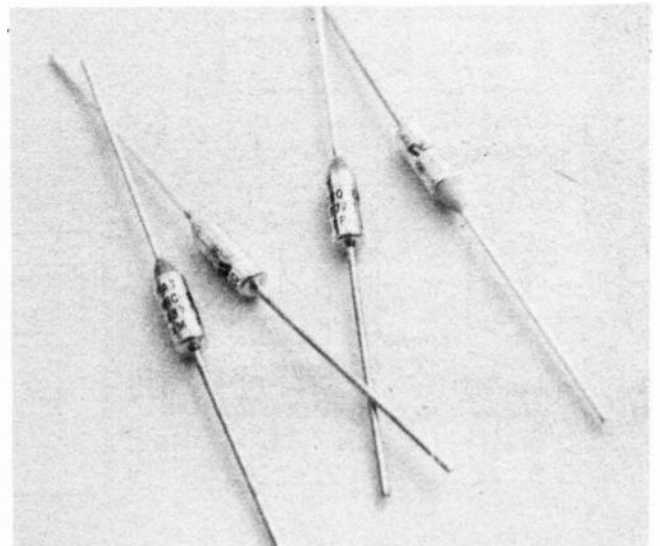
Some old heatproof wiring – perhaps inside an electric fire – contains asbestos. Care must be taken not to breathe any of the fibres released from this since it could pose a serious health risk. It is best to dispose of any such equipment. It is *not* a good idea to cut open any electronic components as a number of them, particularly semiconductors, contain hazardous chemicals.

NO SMOKE WITHOUT FIRE

This series would not be complete if we did not sing the praises of the smoke detector. Recommended by fire brigades everywhere and by all concerned with household safety, it is surprising how few people use them especially in view of their low cost.

By detecting smoke, a warning is given before flames develop and cause a large-scale fire. This provides valuable time to tackle the fire or to get out of the house. Smoke is lethal – especially when it comes from modern plastic materials such as those used for wiring insulation, equipment cases, etc. One smoke detector is rarely sufficient – use several units sited in key areas to provide the maximum protection.

That's the end of the series. Electronics is very enjoyable but safety aspects must always be taken seriously. Hopefully, the information given over the past few months will help in avoiding accidents or at least to reduce their frequency.

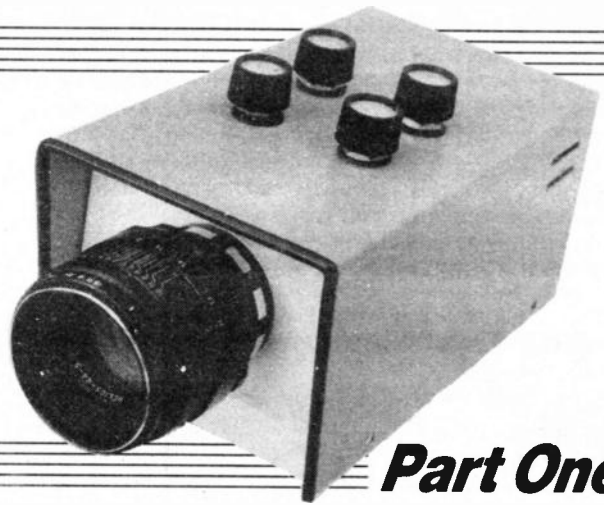


A selection of “thermal” fuses – effective in preventing equipment fires due to overheating.

CCD TV CAMERA

JOHN BECKER

Part One



Give an eye to your computer or neighbourhood watch with this money-saving monochrome monitor.

THIS monochrome closed-circuit television camera was originally designed as a low cost unit for inputting live visual images into a PC-compatible computer for graphical and general amusement purposes. However, following a spate of crimes in the author's locality, its potential as a security camera was recognised and the circuit was expanded to also allow live and recorded image interfacing with a cheap monochrome TV receiver.

The cost of the author's camera was kept low by using a lens from an old 35mm camera, and by the use of an image sensor inexpensively purchased as a slightly sub-standard manufacturing test sample.

In this constructional article, the camera circuitry and its TV receiver interface are described. A follow-up article will describe a PC-compatible computer interface, the "Frame Grab", which allows live images from the TV camera to be output to

the computer, where it can be displayed, modified, coloured, stored on disc, printed to paper, or output back to the TV screen via the camera unit. Also, programming examples will be included.

The camera can be used on its own without a computer, and the Frame Grab can be used without the camera for other data gathering purposes.

The block diagram for the camera and its interface options is shown in Fig. 1.

IMAGE SENSOR

The camera is designed around the Philips solid-state CCD (charge coupled device) monochrome image sensor chip type FT800P. The chip consists of four active sections, image sensor, storage area, horizontal output register and amplifier. Fig. 2 shows a simplified functional schematic diagram for the image sensor.

The image sensor has 580 rows and 774 columns of light sensitive pixel elements. Light falling on the pixels causes an electrical charge to build up on them relative to the light intensity. The pixels are internally connected in a matrix controlled by a set of four-phase clock signals supplied via lines AX1 to AX4.

Fifty times a second, the charges on the complete block of pixels are rapidly transferred into the matrixed storage area, which is insensitive to light and is controlled by a second set of four-phase clock signals, supplied via lines BX1 to BX4.

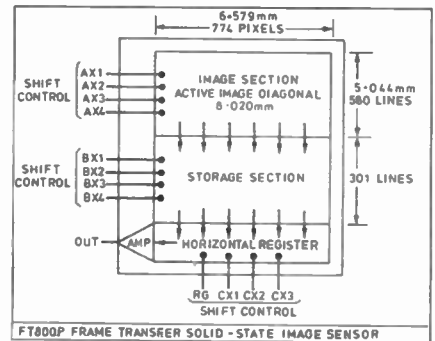


Fig. 2. Simplified functional schematic diagram for the Philips image sensor.

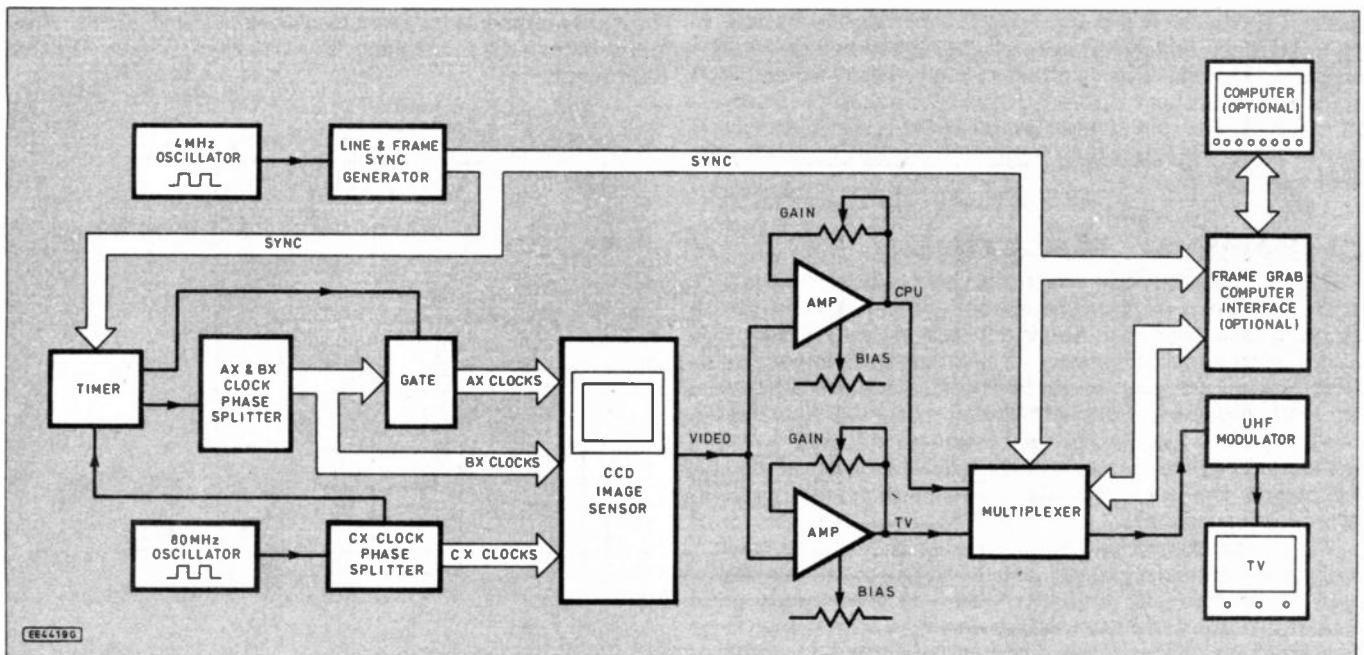


Fig. 1. Block diagram for the CCD TV Camera and its interface options.

During transfer, the AX and BX clock sets are synchronously interlocked.

At the end of the transfer, the AX clocks are stopped, allowing the sensor pixels to acquire a fresh set of light-related charges. The BX clock set, however, now proceeds to shift each line of pixel charges individually into the horizontal shift register.

After each stored line has been transferred, the BX clocks stop while the horizontal register shifts each separate pixel charge into the output amplifier register. The output shifting is controlled by the three-phase CX clock set, accompanied by the RG clock signal which resets the output register between pixels.

After all pixels of one line have been output, the BX clocks shift the next line into the horizontal register. The process continues until all the stored lines have been output, after which the next block of pixel data is transferred to the storage area.

How the four-phase clocks shift the electrical charges across pixels is illustrated in Fig. 3. The principle is similar to the bucket-brigade technique used in audio echo-control chips. More AX, BX and CX waveform data will be shown later when circuit testing is discussed.

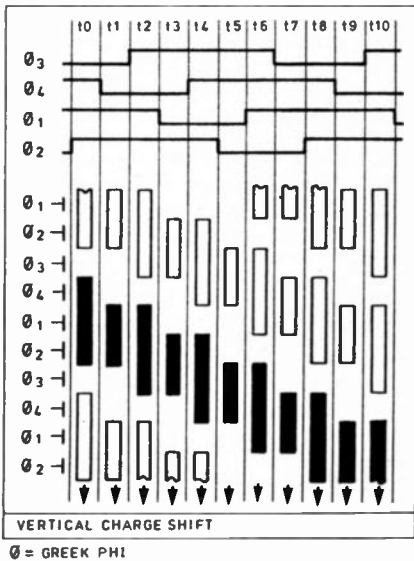


Fig. 3. Image sensor vertical charge shift sequence.

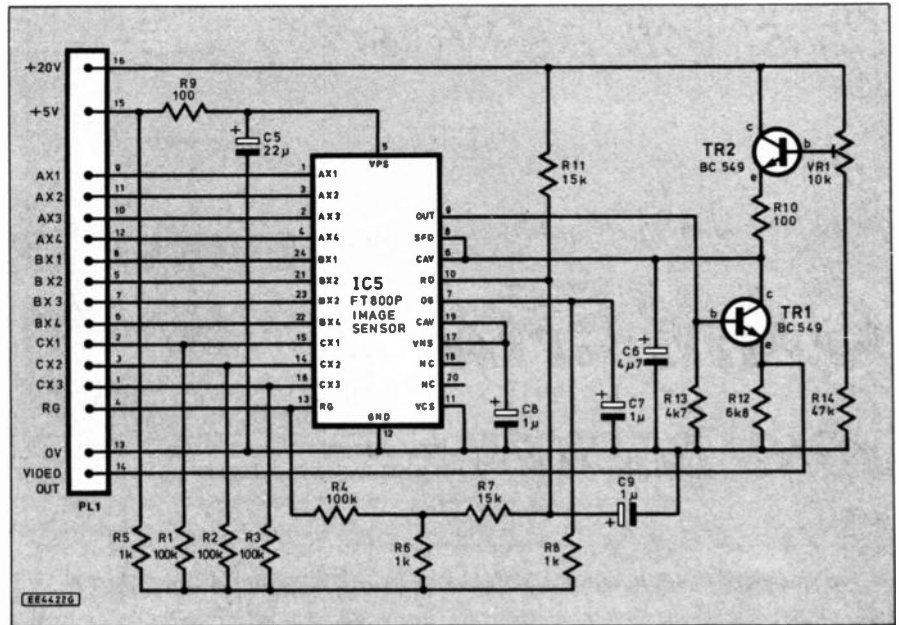


Fig. 4. Circuit diagram of the image sensor section of the camera.

IMAGE SENSING CIRCUIT

The sensor's clock input points and biasing circuit details, which are based upon the manufacturer's recommendations, is shown in the image circuit diagram Fig. 4.

The power supply sources will be discussed later, as will the voltages to be expected at selected points. At present, note only that transistor TR2 and preset VR1 set the bias voltage required by the video output stage, a level which is not critical, and that transistor TR1 buffers the video output signal.

SYNC GENERATOR

It had been hoped to derive all synchronisation signals from one master crystal-controlled oscillator of between 80MHz and 85MHz, the primary frequency range from which the sensor's clock waveforms are generated. Regrettably, a suitable crystal at a reasonable price could not be found. Consequently, it was decided to use a 4MHz crystal oscillator to set the

more critical sync timings required by the TV receiver, and to use for sensor clock generation a separate 80MHz oscillator built using CMOS inverters.

In Fig. 5, the line and frame sync generator circuit, IC7 is the 4MHz crystal oscillator feeding into IC8 which divides the signal down to three sub-frequencies. Output Q7 produces 15625Hz, the TV line sync frequency. Output Q6 produces 31250Hz which is further divided by IC9 and the AND gate around IC10a and IC10b, to produce a 50Hz pulse (TV frame sync rate) at IC10a pin 6. IC8 output Q8 is used later in the generation of a +20V supply line for the sensor chip IC5.

The 50Hz and 15625Hz signals have their pulse lengths modified by the dual monostable IC18 to suit TV receiver needs. Preset VR3 adjusts the line sync output pulse length.

Positive-going pulses from Q1 and Q2 of IC18 are combined by the OR gate IC6a, whose output is used for TV and Frame Grab synchronisation. Negative-going pulses from Q1 and Q2 of IC18 control the image sensor AX/BX transfer timings.

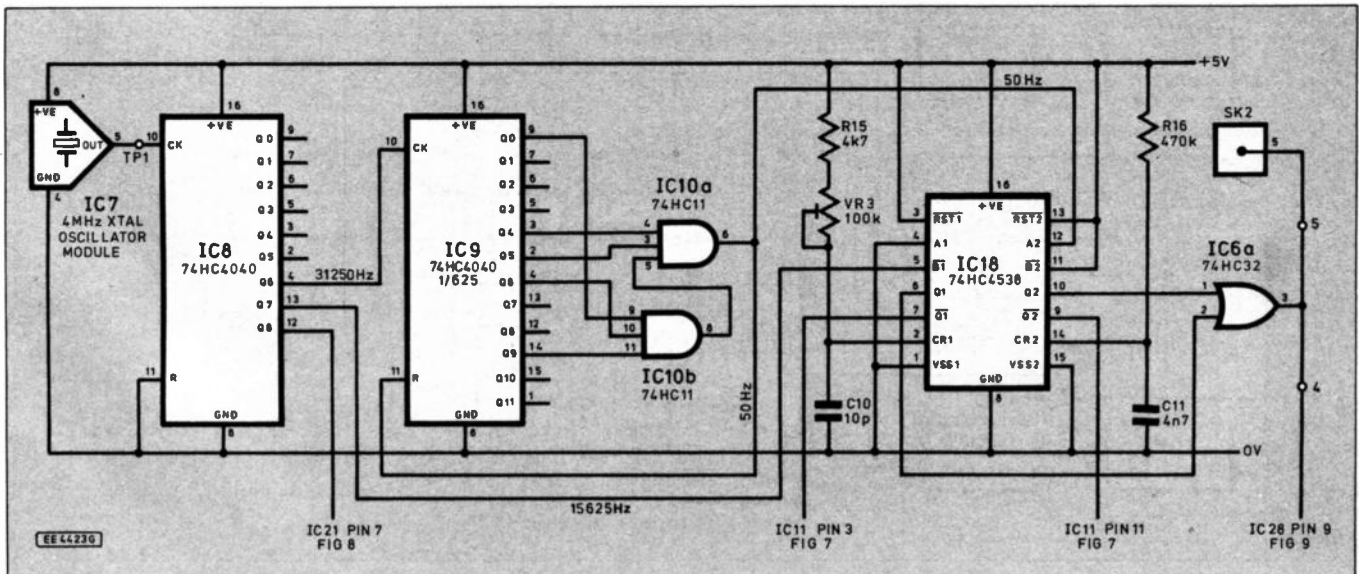


Fig. 5. Circuit diagram of the line and frame sync generator stage for the CCD TV camera.

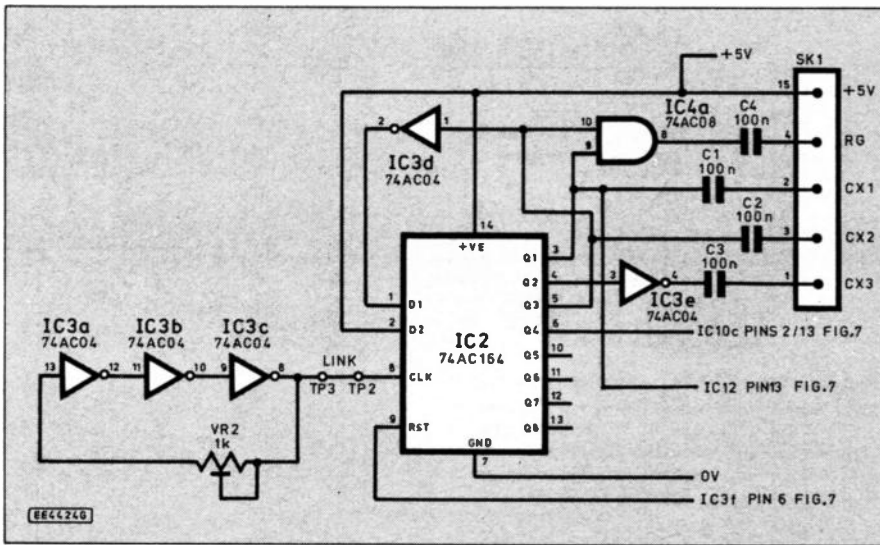


Fig. 6. Circuit diagram of the 80MHz clock generation and CX clock control.

CX CLOCK GENERATION

The CX clock generator circuit is shown in Fig. 6. It is driven by the 80MHz oscillator formed around the three inverters IC3a, IC3b and IC3c and tuned by preset control VR2.

Clocked by IC3c, shift register IC2 generates the three-phase CX waveforms in conjunction with inverter IC3d. Each clock pulse shifts the data on the Q outputs along by one output place.

Since Q3 is inversely connected back to IC2 D1 (data input), via IC3d, the shift register behaves as a divide-by-six counter

with a different phase state on each output. The register is synchronised with the image transfer sequence by being reset via IC3f in Fig. 7.

The CX1 and CX2 waveforms are tapped from Q1 and Q2 outputs respectively, and the CX3 waveform is the Q2 signal inverted by IC3e. The RG waveform is the combination of the Q1 and Q3 outputs ANDed by IC4a. All four waveforms are coupled to the sensor chip IC5 via capacitors C1 to C4, respectively.

Output Q4 is not part of the CX control but is used as a clock source for the Frame Grab. The Frame Grab project will be covered in the follow-up article.

Graph D in the "Testing" section illustrates the waveforms. See Fig. 16 (next month).

Only the AC (Advanced CMOS) versions of IC3 (74AC04) and IC4 (74AC08) can be used in the circuit of Fig.6. It is best that IC2 should also be the AC version (74AC164), although at a pinch the 74F164 could be used, but with loss of picture quality. The HC (High speed CMOS) versions are too slow for this part of the camera circuit.

IMAGE TRANSFER TIMING

Output Q1 from IC2 pin 3 is additionally used as the clock source for the image transfer control circuit shown in Fig. 7. The clock signal is first slowed down by counter IC12b whose QB1 output delivers a divided-by-four frequency to the two AND gates IC4b and IC4c. The AND gates are further controlled by the QA and QB outputs of the dual flip-flop IC11.

The AX/BX image transfer routine is initiated by the positive-going edge of the 50Hz pulse from IC18 Q2 in Fig. 5. This pulse triggers IC11b so that its QB output goes high, so allowing the clock from IC12b QB1 to pass through AND gate IC4c to OR gate IC6b and on to the clock input of counter IC12a.

The counter (IC12) outputs QA0, QA1 and QA2 will be cycled through their normal binary divider sequence for as long as input CA is being clocked. Output QA3, though, is connected back to the RA reset input, so effectively IC12a only produces an 8-bit repetitive sequence.

The reset pulse also triggers a counter, IC19, which in conjunction with NAND gate IC20, monitors the number of times

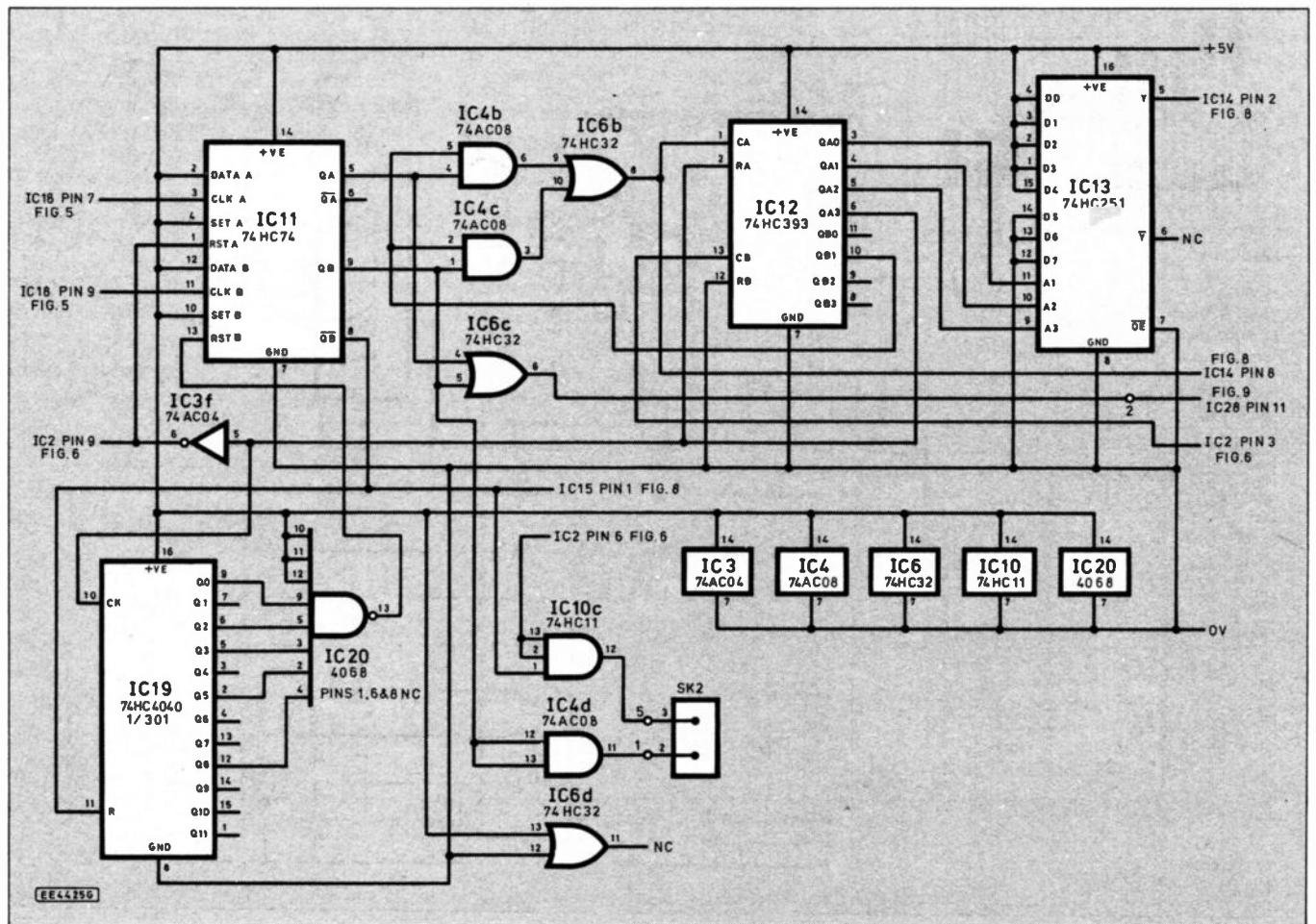


Fig. 7. Image transfer control circuit diagram.

IC12a has performed its 8-bit cycle. After 301 cycles (the quantity required for the full AX/BX transfer operation) following IC11b being triggered, IC20 pin 13 goes low and resets IC11b. As a result, AND gate IC4c is closed, IC12a stops counting, and IC19 is reset by IC11b QB.

The cycle sequence of IC12a is also controlled by the 15625Hz line sync pulse from IC18 Q1 (Fig. 5). The positive-going pulse edge triggers IC11a so that its QA output goes high, allowing AND gate IC4b to pass through clock pulses from IC12b QB1. From IC4b the clock pulses pass through IC6b to IC12a.

In this mode, when IC12a QA3 goes high, it resets IC11a via inverter IC3f so that the counter stops counting immediately on the eighth pulse. The reset pulse from IC3f also resets IC2 in Fig.6. During the 50Hz transfer mode, the effect of IC11a is over-riden.

Additionally, IC11 QA and QB outputs are combined by OR gate IC6c to provide Frame Grab video sync pulses at the amplifier stage. IC11b QB and QB are used for other Frame Grab sync timings, via IC4d and IC10c.

AX AND BX PHASE SPLITTER

While IC12a is cycling through its 8-bit sequence, the QA0, QA1 and QA2 outputs are controlling multiplexer IC13, cycling its Y output through the logic sequence set on the D0 to D7 inputs. The sequence is set so that the Y output is high for five clock pulses on IC12a, and low for three clock pulses. It is from this data that the AX and BX clock phases are derived.

Output Y from IC13 pin 5 is fed to data input D2 (pin 2) of the shift register IC14 in Fig. 8. IC14's clock source is the same as that driving counter IC12a in Fig. 7. The resulting four-phase waveforms output from IC14 will be seen later in Graphs B and C (Fig. 16) next month.

Since the BX clocks are required in both the AX/BX and BX/CX transfer modes, they are taken directly to the level converter IC21. This raises the BX peak amplitude from the basic +5V to +10V as required by the image sensor. IC22 is used as a buffer to meet the sensor's input loading demands.

The AX clocks are only needed during the AX/BX transfer mode and so are taken first via the control gate IC15, and then to level converter IC16 and buffer IC17.

During the BX/CX transfer mode, a control signal from IC11 QB takes high IC15 pin 1, the Select input. This switches IC15

to route the logic levels on the B0 to B3 inputs to the Y0 to Y3 outputs, so holding the sensor's AX lines at the required static logic level.

VOLTAGE CONVERTER

Generation of the +20V supply level needed by the sensor chip is shown as part of Fig. 8. The Q8 output of IC8 in Fig. 5 (which has a frequency of half the TV line sync frequency, to minimise screen interference) has its peak level increased to +10V by IC21c. This is then buffered by IC22c in parallel with IC22d, so increasing the output drive power.

In standard voltage-doubling fashion, the clock signal is passed through capacitor C12, to which approximately 11.4V d.c. is added via diode D1. The combined signal level is rectified by diode D2 and smoothed by electrolytic capacitor C13.

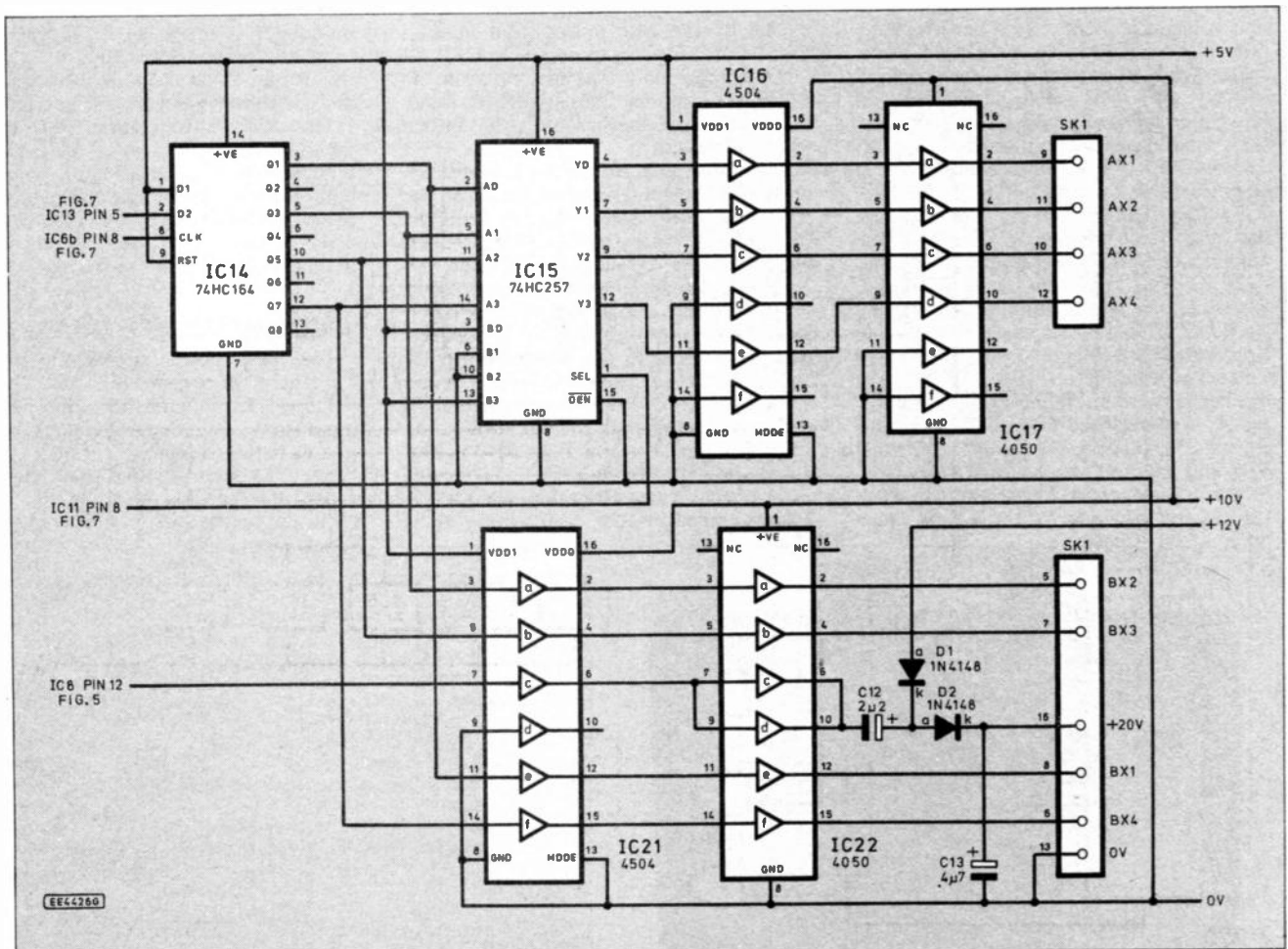


Fig. 8. Circuit diagram for the AX and BX clock control stages of the camera.

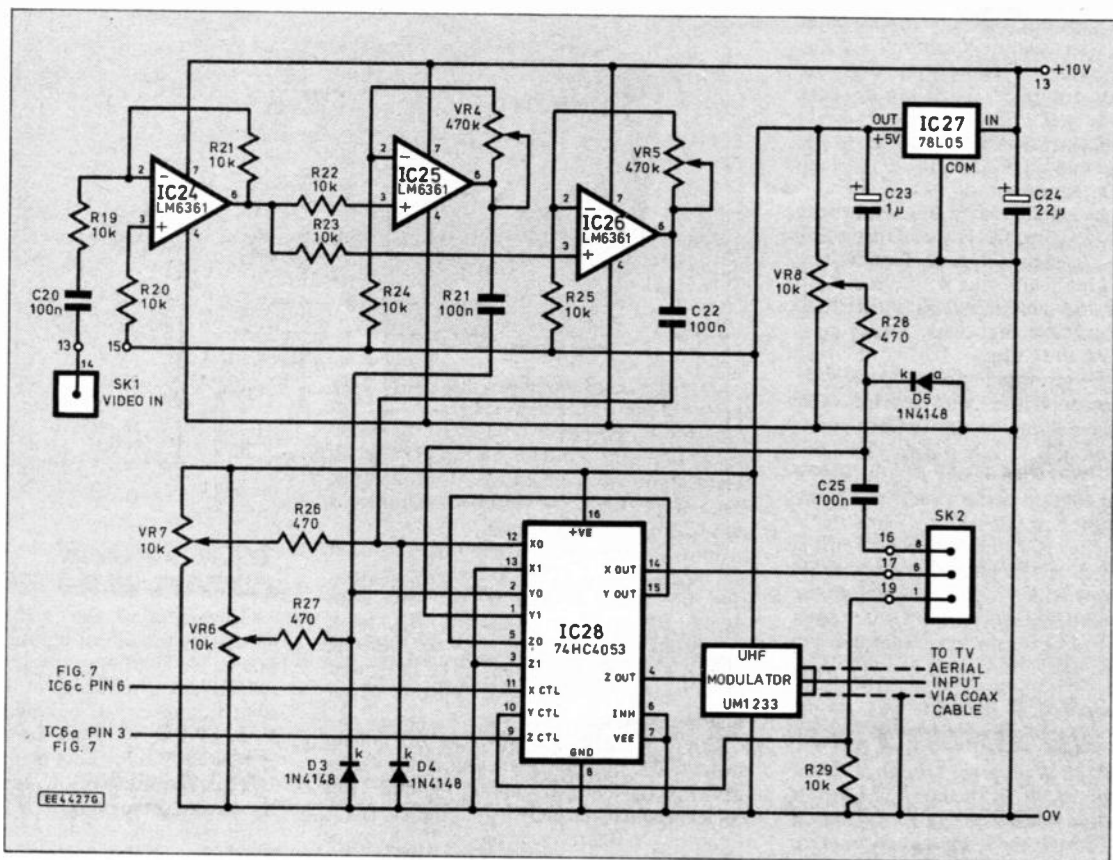


Fig. 9. Circuit diagram for the camera amplifier and a single i.c. multiplex stage.

AMPLIFIER CIRCUIT

Connection of the sensor's control clocks and voltages is made via socket SK1 and plug PL1, which has been designed as an integral part of the Sensor printed circuit board (p.c.b.). The video output signal is also connected via SK1/PL1 and is taken to the simple amplifier circuit shown in Fig. 9.

From SK1, the signal is brought via a screened cable to capacitor C20. Op.amp IC24 then buffers, inverts and doubles the signal level, sending it equally to the amplifier circuits formed around IC25 and IC26. The two amplifiers are identical and are used to separately modify the signals routed individually to the TV and the Frame Grab.

Panel potentiometers VR4 and VR5 adjust the gains of the amplifiers. Both output signals are referenced to ground by the inclusion of C21, C24, D3 and D4. Controls VR6 and VR7 are used to force a d.c. bias level onto the signals, which serves to alter the effective brilliance of the TV or computer screen displays.

Both video signals are taken to the multiplexer IC28. The signal destined for the Frame Grab is taken to input X0, while the X1 input is grounded. Controlled by the sync pulses from IC6c in Fig. 7 and applied to input X CTL, X OUT is repeatedly switched between the X0 and X1 inputs. This places an easily detectable sync marker onto the Frame Grab video line.

The video signal for the TV is first taken to input Y0. Input Y1 is connected to the processed video signal returned from the Frame Grab via capacitor C25 and biased by the network around VR8, R28 and D5. Normally, the signal routing is from Y0 to Y OUT, though a logic-high control signal from the Frame Grab to input Y CTL can switch the route to the Y1/Y OUT path. Output Y OUT is routed to input Z0, and input Z1 is grounded. The signal from the selected Y0 or Y1 path is modulated by the TV sync pulses sent from IC6a pin 3 in Fig. 5 and applied to input Z CTL. In the absence of the Frame Grab, input Y CTL is held grounded by R29, so forcing a Y0/Y OUT routing.

From output Z OUT, the sync-modulated signal goes to the UHF Modulator which superimposes onto it the carrier signal for UHF TV Channel 36. The UHF modulator is pre-tuned by the manufacturer and requires no setting up. Connection to the TV is via normal coaxial cable and suitable plugs.

The UHF Modulator used in the author's unit is type UM1233, a monochrome-only modulator. Although not verified, it seems likely that the UHF colour modulator type UM1286 could be used instead (but still producing a monochrome image).

POWER SUPPLIES

The basic power supply for the TV Camera is shown in Fig. 10. Through socket SK3, the basic 12V supply can be input from a mains operated power supply unit or battery adaptor, or from a 12V car battery. Alternatively, the computer's 12V supply line can be input via the Frame Grab and socket SK2. Switch S1 selects the supply input route.

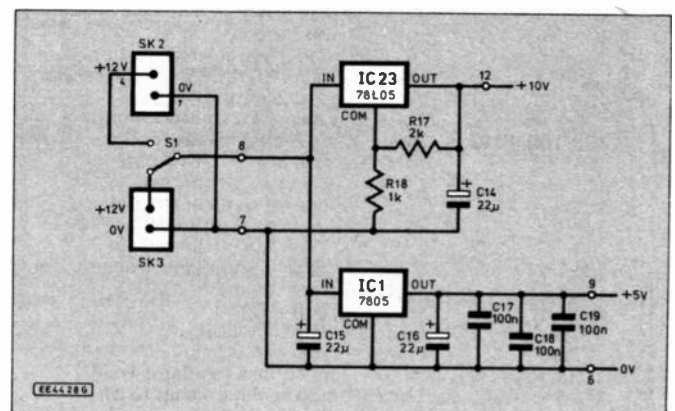


Fig. 10. Circuit diagram for the basic power supply.

The total current consumption is about 165mA. IC1 regulates the 12V supply down to 5V, and IC23 drops the 12V down to 10V with the aid of level-setting resistors R17 and R18.

The 10V line is required by IC16, IC17, IC21 and IC22 in Fig.8. It is also the power source for the op.amps of the amplifier circuit in Fig.9. In that circuit an additional +5V line is produced from the 10V line via regulator IC27. This provides a reference bias for the amplifiers, and the source supply for IC28 and the UHF Modulator. The use of IC27 as a second +5V source (instead of using the output of IC1) reduces noise levels on the amplifier board.

The 20V supply generation circuit was described earlier.

TEST CIRCUIT

The simple test circuit in Fig.11 is intended to help make this TV camera a unit which can be constructed by any reader who is familiar with the basic principles of electronics, has constructed a few projects before, but may not have much in the way of test gear. Admittedly, readers who have an oscilloscope will find checking the circuit much easier than

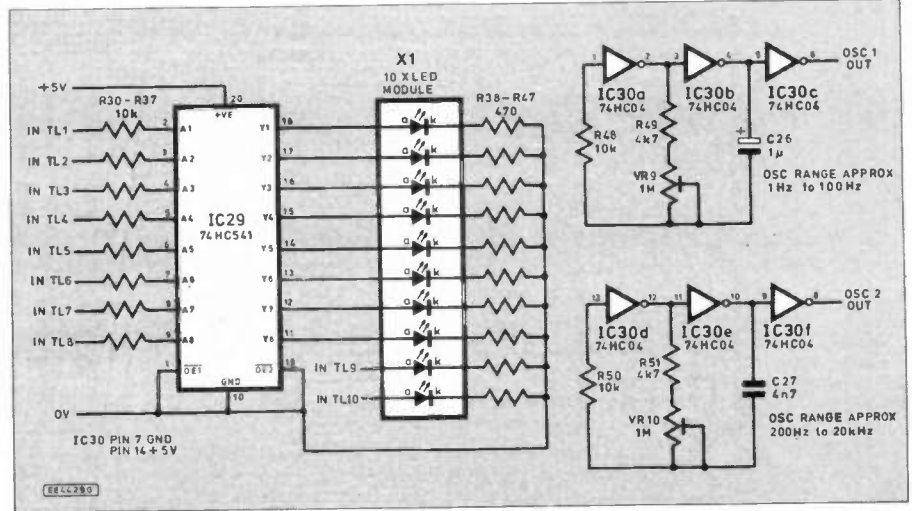


Fig. 11. Circuit diagram for the simple i.e.d. test board.

those who do not. However, exploratory trials with the test circuit seem to confirm its usefulness.

The circuit consists of 10 i.e.d.s in a single module, and two oscillators. Eight of the i.e.d.s are buffered by resistors R30 to

R37 and IC29. Any of the buffered i.e.d.s can be temporarily wired to any point on the logic circuitry, including points which have a +10V peak level. The unbuffered i.e.d.s should only be connected to points which do not exceed +5V.

COMPONENTS

Approx cost
guidance only

£110
(sub-spec. sensor)

TV CAMERA

Resistors

R1 to R4	100k (4 off)	R14	47k
R5, R6, R8, R18	1k (4 off)	R16	470k
R7, R11	15k (2 off)	R17	2k
R9, R10	100 (2 off)	R19 to R25, R29	10k (8 off)
R12	6k8	R26 to R28	470 (3 off)
R13, R15	4k7 (2 off)		
All 0.25W 5% carbon film or better			

Potentiometers

VR1	10k min. round cermet preset
VR2	1k min. round cermet preset
VR3	100k min. round cermet preset
VR4, VR5	470k rotary carbon, linear (2 off)
VR6 to VR8	10k rotary carbon, linear (3 off)

Capacitors

C1 to C4, C17 to C22, C25	100n polyester (11 off)
C5, C14 to C16, C24	22µ radial elect. 16V (5 off)
C6, C13	4µ7 radial elect. 16V (2 off)
C7 to C9, C23	1µ radial elect. 63V (4 off)
C10	10p polystyrene
C11	4n7 polystyrene
C12	2µ2 radial elect. 63V

Semiconductors

D1 to D5	1N4148 signal diode (5 off)
TR1, TR2	BC549 npn transistor (2 off)
IC1	7805 +5V 1A regulator
IC2	74AC164 or 74F164 8-bit SIPO shift register (see text)
IC3	74AC04 Hex inverter
IC4	74AC08 quad 2-input AND gate
IC5	FT800P Philips CCD B&W image sensor
IC6	74HC32 quad 2-input OR gate
IC7	4MHz 8-pin crystal oscillator module
IC8, IC9, IC19	74HC4040 12-stage binary counter (3 off)
IC10	74HC11 triple 3-input AND gate
IC11	74HC74 dual D-type flip-flop
IC12	74HC393 dual 4-stage binary counter
IC13	74HC251 tri-state 8-input data selector
IC14	74HC164 8-bit SIPO shift register
IC15	74HC257 quad 2-input data selector
IC16, IC21	4504 Hex level changer (2 off)
IC17, IC22	4050 Hex buffer (2 off)
IC18	74HC4538 dual monostable
IC20	4068 8-input NAND gate
IC23, IC27	78L05 +5V 100mA regulator (2 off)
IC24 to IC26	LM6361 high speed op.amp (3 off)
IC28	74HC4053 triple 2-channel multiplexer

See
**SHOP
TALK**
Page

Miscellaneous

S1	s.p.d.t. min. toggle switch
SK1	16-way 0.1 inch edge connector, p.c.b. mounting
SK2	8-way 0.1 inch edge connector, p.c.b. mounting
SK3	3.5mm mono jack socket (or power supply socket)
PL3	3.5mm mono jack plug (or power supply plug) (PL1, PL2 are part of p.c.b. tracking)
Plugs to suit UHF Modulator and TV aerial sockets (one of each).	

Printed circuit boards available from the *EPE PCB Service*, codes 865 (Control - double-sided p.t.h.) and 866 (combined Video Sens., Video Output, Test and Extension Plug); 8-pin d.i.l. socket (3 off); 14-pin d.i.l. socket (10 off); 16-pin d.i.l. socket (11 off); 24-pin d.i.l. socket, with 0.7inch pitch pin spacing for image sensor IC5 (see text); metal box, size 7.8 inch x 3.5 inch x 4 inch (L x H x W), with angled front; UHF Modulator type UM1233 (see text); lens and lens mount (see text); knobs (5 off); p.c.b. mounting supports, with screw hole base (4 off); self-adhesive p.c.b. support pillars (4 off); coaxial cable, length to suit application, screened cable, about half metre; 24 s.w.g. tinned copper wire (see text); multistrand coloured connecting wire; cable ties (4 or 5 off); 1mm terminal solder pins (about 35 off); solder and desolder braid (optional) to correct any erroneous solder shorts.

TEST CIRCUIT

Resistors

R30 to R37, R48, R50	10k (10 off)
R38 to R47	470 (10 off)
R49, R51	4k7 (2 off)

Potentiometers

VR9, VR10	1M min round cermet preset (2 off)
-----------	------------------------------------

Capacitors

C26	1µ radial elect. 63V
C27	4n7 polystyrene

Semiconductors

IC29	74HC541 octal buffer
IC30	74HC04 Hex inverter
X1	10 x i.e.d. module

Miscellaneous

Printed circuit board available from *EPE PCB Service*, code 866 (combined board - see Control Board list); 20-pin d.i.l. i.c. socket (2 off)

OPTIONAL COMPONENT DELETIONS

If the Frame Grab Computer Interface will not be used, the following components can be omitted: R25, R26, R28, C24, D4, IC26, VR5, VR7, VR8, SK2, 8-pin d.i.l. i.c. socket, knobs (3 off).

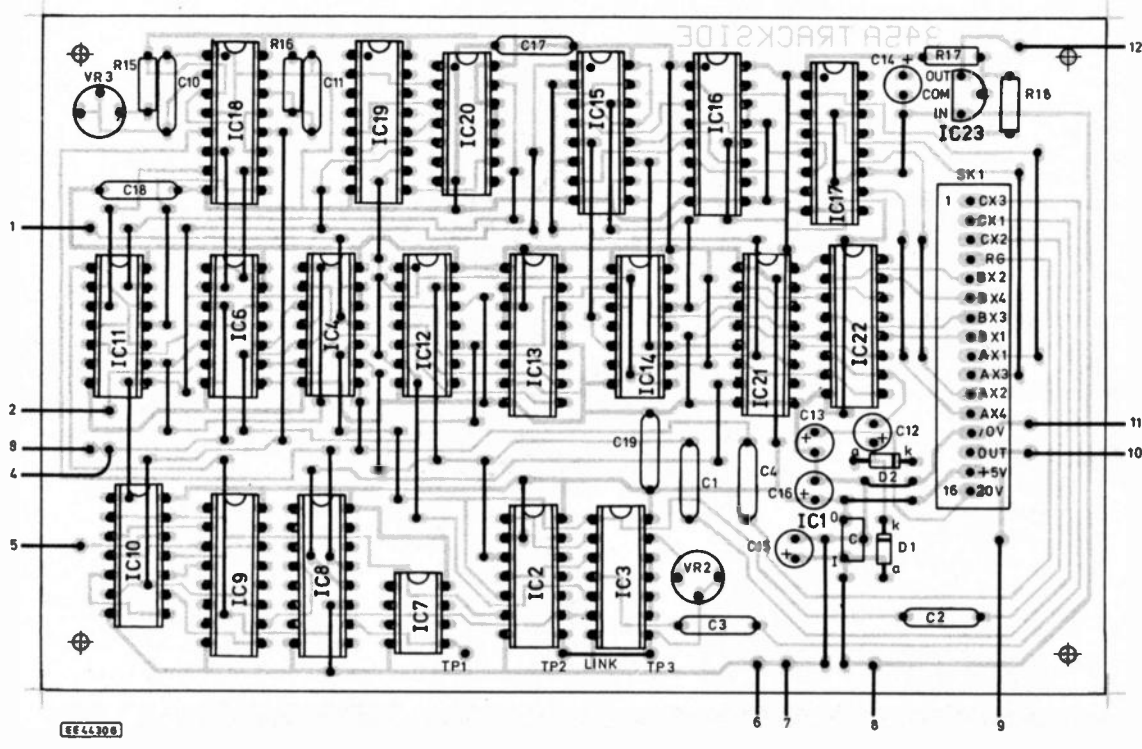
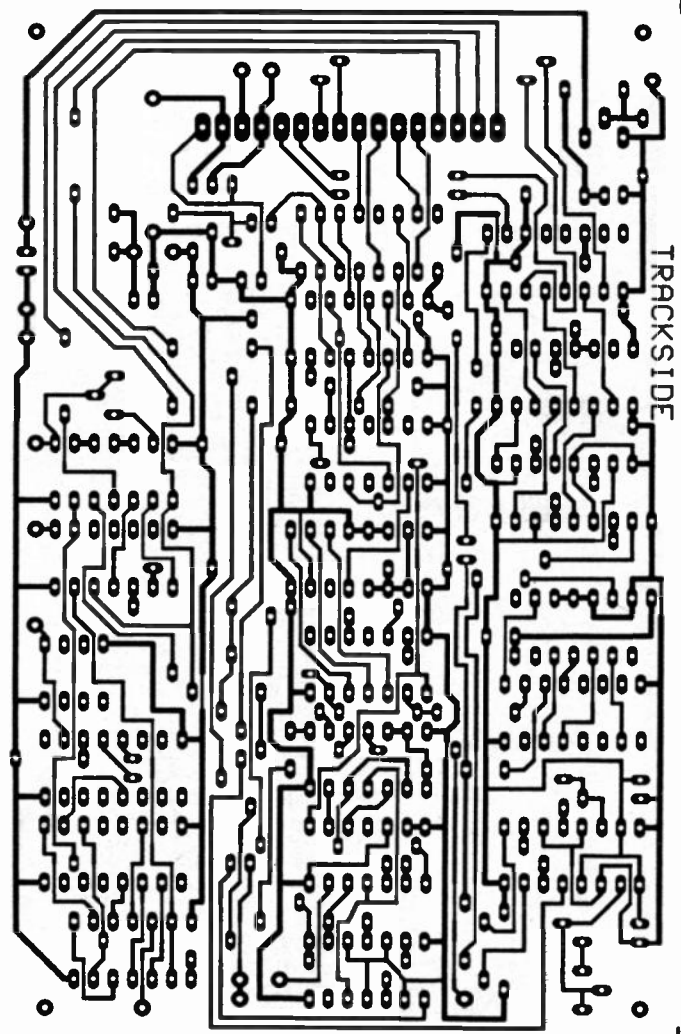
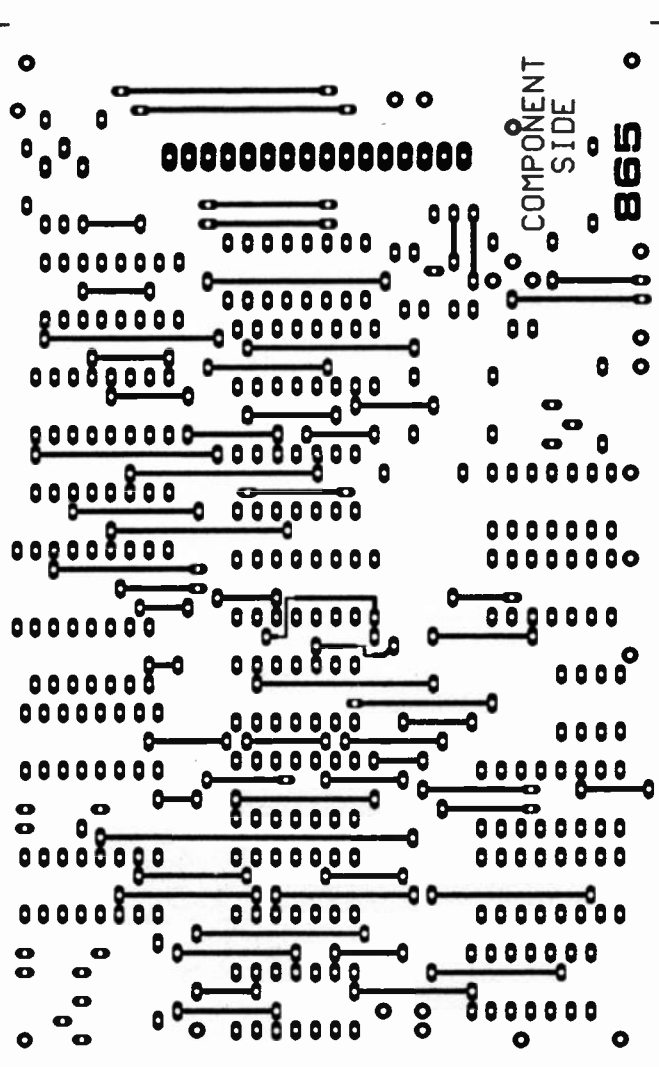


Fig. 12. Printed circuit board component layout for the Control Board. The topside view shown above is for a single-sided version and includes all necessary link wires, some of which have to be inserted under the i.c. holders. The component layout for the double-sided version is identical, without all the link wires. The full size top and bottom copper foil master patterns for the recommended double-sided, plated-through-hole, version are shown below.



The oscillators can be substituted for the 4MHz and 80MHz oscillators and set for much slower frequency rates, allowing the l.e.d.s to show monitored logic levels at a leisurely rate. The majority of the control logic can be checked in this way. The exceptions are logic transitions which occur at a naturally fast rate, such as Reset pulses.

LENS CHOICE

The lens from an old 35mm camera was used with the author's unit. It was secured to the box using sections of a lens-extension tube set. Ideally, a proper lens mounting ring should have been bought and fixed to the box.

Lenses from other sizes of camera can be used if they have focus and aperture controls. Experiments with a cheap disposable camera produced unsatisfactory results because of the lack of these controls.

Note that since the sensor has an active diagonal of 8mm, only a proportion of the field covered by the lens from a 35mm camera will be used.

CONSTRUCTION-CONTROL BOARD

All chips except the regulators and op.amps are CMOS devices and the usual handling precautions should be observed. Touch a grounded (earth) point before handling them to discharge any static electricity from your body.

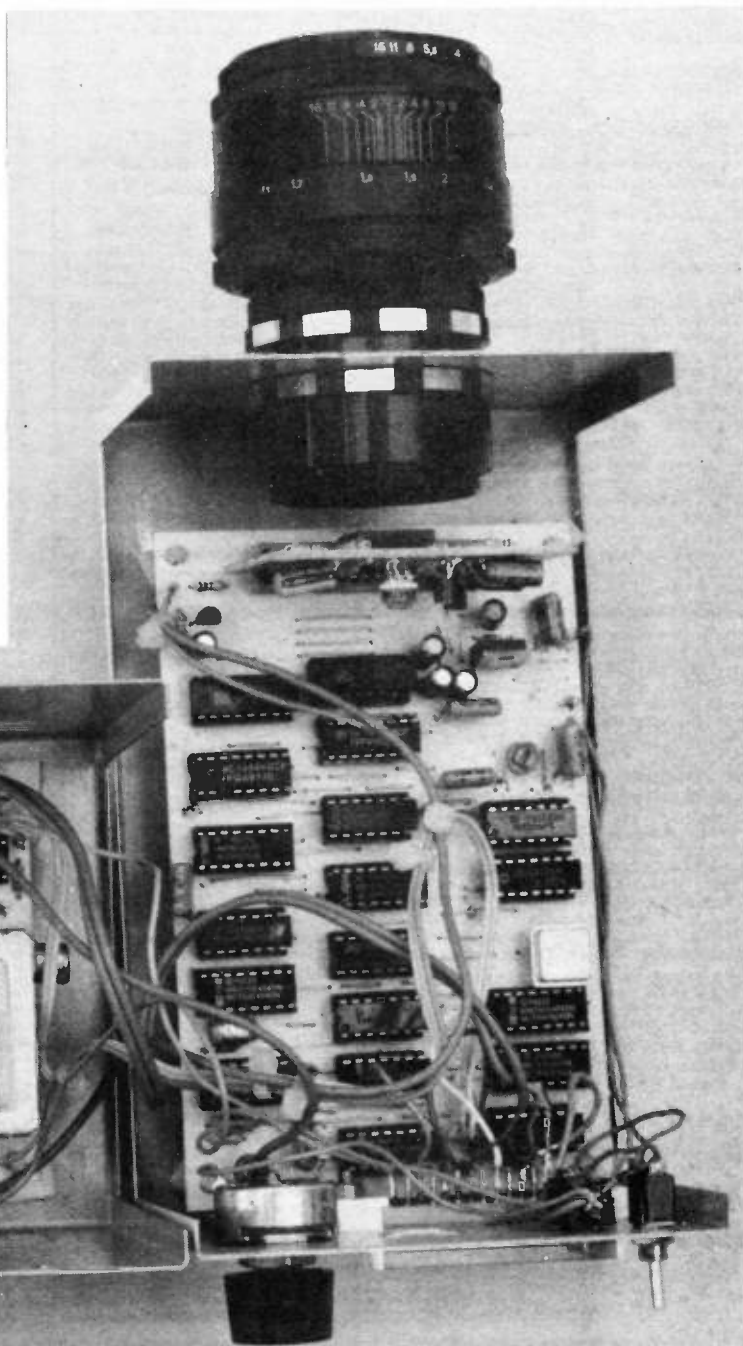
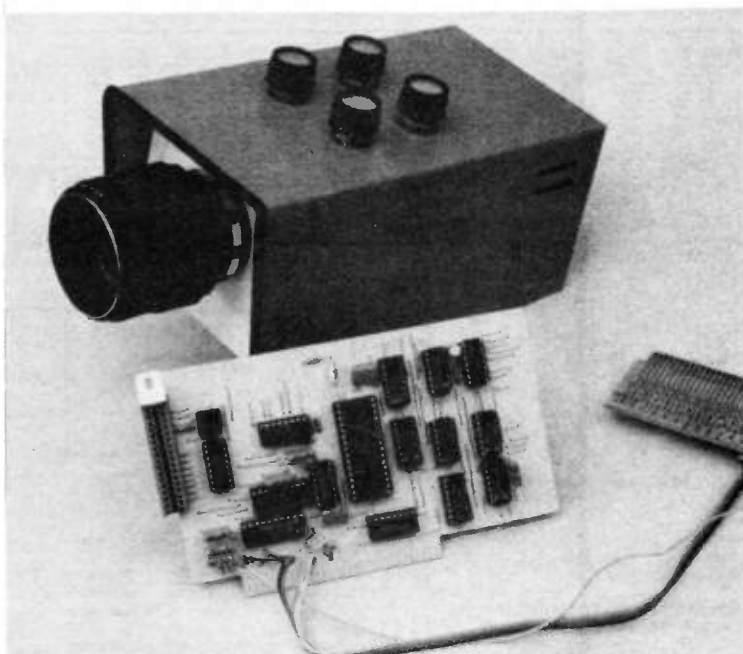
Due to the very nature of this project and the desire to ensure a quality finished product, it was decided that the use of a double-sided, "plated-through-hole (PTH)", board would be the best approach likely to give constructors the most chance of consistent results. We have included a single-sided topside component layout showing all the required link wires for guidance only. With the exception of the link between test points TP2 and TP3, none of the links shown in the topside view are required as they have already been made on the recommended PTH board.

The printed circuit board (p.c.b.) topside components layout for the Control Board and full size underside copper foil master pattern is shown in Fig. 12. This p.c.b. is a double-sided board and the additional topside tracking is also given in Fig. 12. (This board is available from the *EPE PCB Service*, code 865).

If you are attempting to make a single-sided board, then all the link wires shown in Fig. 12 *must* be soldered in position and double-checked before mounting any other components. The use of 24 s.w.g. tinned copper wire is recommended for the links.

Next Month: Sensor board, video output board, test circuit board and the Frame Grab Interface details.

(Above right) The completed camera and next month's prototype Frame Grab interface board. (Below) Layout of all the camera boards inside the metal case.



MAILTECH

ELECTRONIC COMPONENTS

PROJECT BOXES A range of high quality boxes moulded in black high impact ABS, easily drilled or punched to produce a professional looking end product

TYPE	W	L	H	PRICE
T2	75	56	25	£0.77
T4	111	57	22	£0.92
MB1	79	61	40	£1.35
MB2	100	76	41	£1.47
MB3	118	98	45	£1.71
MB4	216	130	85	£5.19
MB5	150	100	60	£2.35
MB6	220	150	64	£3.95
MB7	177	120	83	£3.42
MB8	150	80	50	£2.22

All sizes are in millimetres

MICRO SWITCH roller arm operation spdt 40p each
MINIATURE TOGGLE SWITCHES

spdt	60p each	spdt 3 position c/off	70p each
dpdt	70p each	dpdt 3 position c/off	80p each
spdt biased	60p each	spdt 3 position c/off biased both ways	70p each
		dpdt 3 position c/off biased one way	80p each

MINIATURE PUSH TO MAKE SWITCH

DIL RELAYS 5 volt dp/changeover 60p 10 for £5.00
12 volt dp/changeover 80p 10 for £6.00

RELAY 10 amp contacts sp/changeover 12 volt coil £1.50 each 4 for £5.00
CAR HORN RELAY in metal can with fixing lug, s/pole on 10 amp contacts £1.00 each 6 for £5.00
20 AMP RELAY dp on 12 volt coil 50p each 10 for £4.00

REED RELAY 12 volt 50p each 10 for £4.00
240 VOLT AC RELAY 3-pole c/o 10 amp contacts £1.50 each 4 for £5.00

SEMICONDUCTORS - TRANSISTORS - ICS - DIODES - REGULATORS - ETC

VOLTAGE REGULATORS
1 amp 7805/7812/7815 all 33p each. 7905/7912/7915 all 39p each
2 amp 7805/7812/7815 all 26p each. 79L05/79L12/79L15 all 29p each
Adjustable LM317T 47p each. LM723 29p each. L200 £1.28 each
Transistors TIP2955 70p each. TIP 3055 70p each
2N3053 29p each. 2N3055 70p each. 2N4403 28p each. 2N3819 40p each
MICRO ICS - Z80A CPU £1.20. Z80A PIO £1.50. Z80B SIO-1 £4.00

OPTO DEVICES - LEDS - ETC
5mm rnd red/yellow/green/amber 10p each 12 for £1.00 any mix
5mm rnd high brightness red/green 20p each 6 for £1.00 any mix
5mm rnd flashing red 60p each, yellow/green 70p each
5mm rnd bi-colour 35p each, tri-colour 45p each
LED mounted in chrome bezel red, yellow or green 30p each, 4 for £1
LED mounted in a black bezel red only 25p each, 5 for £1.00
PLASTIC BEZEL for 5mm rnd leds 10 for 40p
High brightness bi-colour i.e. d., rectangular, red/green, two leads 40p each

TEMPERATURE PROBE
High quality probe made for the medical profession. Consists of a resistive sensor mounted in a plastic covered probe with a 1 meter curled lead. Temp. range -40 to 150°C. Resistance at 150°C 188.3 ohms; -40°C 336.5 kohm; 25°C 10.0 kohm ± 70 ohms. The original price of these probes was over £24.00. Full data supplied. **OUR PRICE £3.76**

RESET TIMER PCB
Gives a timed relay closure following a momentary input. Requires 12V d.c. supply SP c/o relay output LED indication. 19 different time intervals from 25sec to 35min 20sec. £5.98 each.

UNIVERSAL BELL TIMER
10 or 20 minute bell cut off +ve or -ve trigger* timed relay contacts. £4.96

ALARM CONTROL UNIT
Single zone alarm control unit built into a domestic light switch box. Ideal for home, caravan, boat, garage, shed etc.

Facilities: - Normally closed loop for pir sensors, door/window contacts etc. Normally open loop for pressure mats. 24-hour loop for personal attack button Visual indication that the system is operational. Automatic entry/exit delay. Automatic system reset. Alarm output cmos logic level.

PRICE COMPLETE WITH FULL INSTRUCTIONS

SUB-MINIATURE PASSIVE INFRA-RED SENSOR ONLY £7.95
Brand new passive infra-red sensor, measures only 33mmW x 24mmH x 29mmD. Logic level output. Full data and application notes supplied.

EX INSTALLATION SENSORS tested working.
Type 1. Measures 180 x 112 x 70mm with walk test led, relay output and tamper protection. 12 volt dc supply required £8.50 each
Type 2. As above but a smaller unit 123 x 62 x 50mm £11.75 each
Type 3. Ceiling mounting passive, Infra red sensor 360° detection, 12V d.c. supply relay output, tamper circuit and pulse count option. Data supplied. £15.70 each

Please note: There may be variations in the size of the above passive infra red sensors depending on stock at the time of ordering. But the unit will certainly be within the stated sizes.

DUAL TECH SENSOR Microwave and passive infra-red combined. Separate led indication for each function. Measures 120 x 75 x 50mm. 12 volt d.c. supply. Relay output. Tamper protection. £29.95 each

ALARM CONTROL PANEL ST3000

Wire free alarm control panel, detectors communicate with the panel by means of radio transmitters. Speech synthesis for programming and general operating guidance*. Built in user programmable telephone dialler*. Up to 32 transmitters can be used*. Programmable exit/entry and bell timers*. Programmable user codes*. Full installation data supplied, the only thing that has to be handwired is the output to the siren/bell unit (not supplied)*. These control panels cost over £300.00. Yours for only £59.95.

Suitable **PASSIVE INFRA SENSOR/TX £25.85**
Battery operated, available in 8m range, 10m range or 25m range.

UNIVERSAL TX
For connection of normally open or closed contacts e.g. door/window switches, pressure mats etc. £17.63

CRYSTAL OSCILLATORS

4.0 mhz	ALL
7.5 mhz	£1.50 each
12.0 mhz	OR
18.432 mhz	4 FOR
33.33 mhz	£5.00

'D' CONNECTORS

	plug	socket	cover
9 pin	30p	30p	35p
15 pin	40p	40p	35p
25 pin	50p	50p	40p

SPECIAL OFFER PROJECT BOX

In white high impact ABS 50 x 70 x 25mm 60p each 10 for £5.00

BREADBOARDS - CAPACITORS - SOLAR CELLS - HEATSHRINK - ETC

SOLAR CELL 2 volt 150mA max, size 60 x 100mm £1.35 each 5 for £6
BNC SOCKETS 50 ohm single hole fixing 80p each 10 for £4.00

MERCURY TILT SWITCH
Standard on/off £1.00 each
4 Contact (Directional) £1.50 each
PIEZO VIBRATION SENSOR
with data sheet £1.00 each

BREADBOARD
173 x 65mm 840TP £5.25 each
TEXTLOO ZIF SOCKET
28 pin zero Insertion socket £5.95 each

6 VOLT NI-CAD PACK 5AA NI-CADS, fast charge type £3.95
CAPACITOR 10,000 mfd 25 volt with fixing clip 60p each
EPROMS 27C256 - 30 27C512 - 25. Once programmed but never used eprom. Mounted on a plastic carrier, can easily be removed from the carrier or used with a low insertion force socket.
27C256 £1.00 each 6 for £5.00 27C512 £1.20 each 5 for £5.00
Suitable low insertion force socket 28 pin 40p each 3 for £1.00
MULTITURN PRESETS 20mm RECT, 500R, 1K, 5K, 10K, 20K, 50K, 100K 1MO. 40p each, 3 for £1.00

CAR CIGAR LIGHTER ADAPTER (DUAL SIZE)
mounted on two metres of cable £2.00 each
100db PIEZO SOUNDER
2KHz note, 3-12V d.c. 40Ma, 45mm dia. x 26mm £1.76 each
VIBRATION SENSITIVE ALARM BOARD WITH PIEZO SOUNDER
Originally a bike alarm. There is a short delay after activation then the piezo sounder operates for a preset period. £3.76 each
or the above alarm board with custom designed case, fixing clip and keyswitch £9.95

INFRA-RED BREAK BEAM Transmitter and receiver p.c.b. with 2 lens assemblies. 12V d.c. supply. These are ex-installation units and are not guaranteed to be working. £4.96 pair
RECHARGEABLE BATTERIES
AA (HP7) 600 mA £1.02 each C (HP11) 1200 mA £2.29 each
D (HP2) 1200 mA £2.40 each PP3 8.4V 100 mA £4.77 each
FLOURESCENT LIGHT INVERTOR. Drives an 8 watt tube directly from 6V d.c. Data supplied £4.50 each

£1.00 BARGAIN PACKS

SUB-MINIATURE TOGGLE SWITCHES

P.C.B. Mounting

- BO1 S.P. on 4 for £1.00
- BO2 D.P. on 3 for £1.00
- BO3 3 x D.P. 3 pos, centre off
- BO04 DIL SWITCHES 4-way S.P. on 3 for £1.00
- BO05 DIL SWITCHES 8-way S.P. on 2 for £1.00
- BO06 DIL SWITCHES 12-way 90° sp on 2 for £1.00
- BO07 12 x PP3 BATTERY SNAPS
- BO08 1 x CAPACITOR 1 FARAD 5.5 VOLT 20mm dia. x 7mm high
- BO09 INSTRUMENT KNOBS (0.25" SHAFT) High quality grey plastic knob, collet fixing 15mm dia. 5 for £1.00
- BO10 as above but 29mm dia, 3 for £1.00
- BO11 4 x MAGNETIC EARPIECE 8 ohm with 3.5mm plug
- BO12 4 x 28-WAY TURNED PIN DIL SOCKET
- BO13 15 x 12 VOLT WIRE-ENDED LAMPS
- BO14 8 x 2 PIN DIN PLUGS screw terminal connection
- BO15 2 x LIGHT DEPENDENT RESISTOR Less than 200 ohms in daylight, greater than 10 megohms in darkness
- BO16 1 x KEYPAD 20-key in 5 x 4 matrix bubble type switch contacts
- BO17 2 x PIEZO BUZZERS approx 3 to 20 volt d.c.
- BO18 5 x 78M12 VOLTAGE REGULATORS positive 12V 500mA
- BO19 4 x TL082CP bi-fet op-amps
- BO20 20 x ASSORTED LEDS full spec various shapes and sizes
- BO21 3 x INFRA-RED DIODE TX/RX PAIRS made by Honeywell (no info)
- BO22 4 x CONSTANT CURRENT LED 5mm round, red 2-18V d.c. or a.c. nominal 14mA
- BO23 50 x IN4148 diode
- BO24 2 x INFRA-RED TRANSISTOR FPT5133
- BO25 5 x DIACS
- BO26 3 BDX33C 10 amp 100V npn transistor
- BO27 12 x 2N3702 Transistor
- BO28 12 x 2N3904 Transistor
- BO29 12 x BC337 Transistor
- BO30 4 x LM317T Variable regulator mounted on a small heatsink
- BO31 2 x MAN6610 2 digit 0.6" 7 segment display Com anode, amber
- BO32 3 x PHONO TO PHONO LEAD 63cm long
- BO33 15 x RECTANGULAR RED LEDS 6 x 6 x 2mm stackable
- BO34 1 x PHOTO SENSITIVE SCR mounted on a PCB, data sheet supplied
- BO35 4 x IEC Panel Mounting Mains Plug Snap fix
- BO36 5 x ASSORTED PIEZO TRANSDUCERS
- BO37 5 LENGTHS OF HEATSHRINK SLEEVING 8mm dia. 400mm long
- BO38 25 x CERAMIC DISC CAPACITORS 0.1 mfd 63V
- BO39 15 x MONOLITHIC CERAMIC CAPACITORS 0.1 mfd 63V, in a dil package
- BO40 25 x ASSORTED ELECTROLYTIC CAPACITORS PCB mounting useful values
- BO41 25 ASSORTED PRE-SET RESISTORS
- BO42 6 x 3-5mm LINE JACK SOCKETS (mono)
- BO43 6 x 3-5mm JACK PLUG (mono)
- BO44 8 x 3-5mm CHASSIS SOCKET (mono)
- BO45 2 x TRIACS 800 volt 8 amp
- BO46 12 x BC213L Transistor
- BO47 12 x MIN SLIDE SWITCH dpdt
- BO48 15 x MIN CERMET TRIMMER POTS (good range of values)
- BO49 1 x PCB WITH TWO LARGE LEDS 15mm square, one red and one green
- BO50 1 x 12V DC RELAY 4-pole c/o with plug in base
- BO51 4 x LM324 quad op-amps
- BO52 4 x 555 Timer
- BO53 5 x 741 op-amp
- BO54 25 x IN4001 diode
- BO55 20 x IN4007 diode
- BO56 1 x SLOTTED OPTO
- BO57 1 x DAC08 Digital to analogue converter with data
- BO58 4 x OPTO ISOLATOR
- BO60 3 x C106D Thyristor
- BO61 5 x 78M05 VOLTAGE REGULATORS positive 5 volt 500mA

Please use order code when ordering the bargain packs.

Please make cheques and postal orders payable to Mailtech.

All prices include VAT.

Please add £1.00 postage to all orders.

At the moment it is not possible to have a full telephone answering service. But we will have the phone definitely manned on Tuesdays, Wednesdays and Thursdays between 10am and 4pm.

Dept EE, Mailtech
PO Box 16 Ludlow
Shropshire SY8 4NA
Tel/Fax: 058 474475

CALCULATION CORNER

Work, Energy and Power

STEVE KNIGHT

Part Three



This series is designed to help you make your way, at your own pace, through the often imagined fears of mathematics, as this is applied to electronic and electrical engineering matters.

WE ARE all familiar with those days when we get out of bed and complain of having no energy to face the day – we don't feel like doing a day's work. Anything (or anybody) capable of doing work possesses energy. The form of energy which will be of interest to us here is not muscle orientated but comes in the form of electrical energy. By using the appropriate equipment, electrical energy may be converted into other forms of energy, such as mechanical energy from an electric motor, light energy from an electrical bulb or heat energy from a coil of resistance wire through which a current is passing.

Work and energy are often confused, but it is enough for our purpose here to say that *work* is done when a force is applied to something and moves that something from one position to another – like lifting a mass against gravity, for example. *Energy* is simply a measure of the *ability* to do work, and the amount of work done is a measure of the energy used.

Both work and energy are measured by the same unit, the **Joule (J)**. The joule is defined as the work done when a mass of 1 kilogram is moved through a distance of 1 metre. This is in terms of mechanical work. In the electric circuit, although there may not appear to be any connection to the mechanical interpretation of work, we have an electromotive force which acts to move an electric charge through a potential difference, hence work must be done by the passage of an electric current.

If 1 coulomb of electricity flows in a conductor at an e.m.f. of 1 volt, then the amount of work done is 1 joule. So mathematically we can write

work done (W) = quantity moved (Q) × potential difference (volts) and since work done is equal to the energy consumed we have

$$\text{energy consumed} = W = Q \times V \text{ joules}$$

Now we know that $Q = It$ coulombs, so if we substitute It for Q into the equation we get $W = I \times V \times t$ joules. Further Ohm's law tells us that $V = IR$, so by substituting IR in place of V in this last equation we get $W = I(IR)t = I^2Rt$ joules. We now have a number of useful formulae for electrical energy.

HEATING EFFECT OF A CURRENT

When a current flows in a conductor there is resistance to the flow and the energy that is expended in overcoming the resistance is converted into heat, a point which must have been apparent to many of us on a great number of occasions!

From the above equation we can deduce that the heat energy generated is directly proportional to the resistance (R), the time (t) and the square of the current (I^2). Hence, if the current is doubled, the heat energy goes up four times. Make sure when using these formulae that you express the parts in the proper units: ohms, seconds and amperes. Here is an easy example:

1. An electric heater of 25Ω resistance is connected to a 200V d.c. supply. What quantity of heat is generated per minute?

$$\text{The current flowing } I = \frac{V}{R} = \frac{200}{25} = 8 \text{ A}$$

Then we may use either $W = IVt$ or I^2Rt

$$\begin{aligned} \text{Using the first of these we get } W &= 8 \times 200 \times 60 \\ &= 96,000 \text{ J or } 96 \text{ kJ} \end{aligned}$$

Check on this result by using the second formula.

POWER

Power is the *rate of doing work*: a powerful electric motor will do a given amount of work a lot quicker than a less powerful motor. So time enters into things and we have:

$$\text{Power } P = \frac{\text{work done (J)}}{\text{time taken (t)}} \text{ J/s or Watts}$$

So the power of a system is 1 watt if work is done at the rate of 1J per second. Another name for the joule is the **watt-second**.

Using our two formulae for work done above, we get

$$P = \frac{IVt}{t} = IV \text{ watts}$$

or

$$P = \frac{I^2Rt}{t} = I^2R \text{ watts}$$

In many electronic systems the watt is a large unit, so the usual sub-units are introduced:

$$1 \text{ milliwatt (mW)} = \frac{1}{1,000,000} \text{ W} = 0.001 \text{ W} = 10^{-3} \text{ W}$$

$$1 \text{ microwatt } (\mu\text{W}) = \frac{1}{0.0000001} \text{ W} = 0.001 \text{ W} = 10^{-6} \text{ W}$$

while for other purposes, like the disco hall, there is the kilowatt (kW) = 1,000 or 10^3 W .

POWER RATINGS

Power in resistors is dissipated as heat and, unless we are deliberately generating heat, this is wasted power. In electronics, the power rating of resistors (quite distinct from their ohmic values) must always be selected to suit the expected power dissipation, otherwise the resistor will burn out or, at best, probably malfunction. It is *not* good practice to work at the extremes of the rating; always allow a rating margin which is at least one-and-a-half to twice the calculated dissipation.

It is time now to demonstrate a few worked examples on the topics so far discussed.

2. A 240V lamp has a hot resistance of 520Ω. What current is taken and what is the power rating of the lamp?

$$\text{Current } I = \frac{V}{R} = \frac{240}{520} = 0.46\text{A}$$

$$\text{Power } P = VI = 240 \times 0.46 = 110\text{W}$$

3. A 5.6kΩ resistor carries a current of 15mA. What power rating would you choose for this component?

$$\text{Here } R = 5,600\Omega \text{ and } I = 0.015\text{A}$$

$$\text{Then using } P = I^2R \text{ watts we have}$$

$$P = (0.015)^2 \times 5,600 = 1.26\text{W}$$

The choice here would be a resistor of 2W rating.

4. A battery of e.m.f. 13.7V and internal resistance 0.18Ω is connected to a load resistance of 15Ω. What power is wasted in the battery?

$$\text{Here the total circuit resistance} = 15 + 0.18 = 15.18\Omega$$

$$\therefore \text{the circuit current} = \frac{13.7}{15.18} = 0.9\text{A}$$

and the power dissipated in the battery = $I^2 \times$ (internal resistance)

$$= (0.9)^2 \times 0.18 = 0.146\text{W or } 146\text{mW}$$

5. Two resistors of 10Ω and 20Ω are connected first in series and then in parallel across a 9V supply. Find the power dissipated in each case.

Firstly, in series, the total resistance = 30Ω

$$\therefore \text{circuit current } I = \frac{V}{R} = \frac{9}{30} = 0.3\text{A}$$

Then the power dissipated = $V \times I = 9 \times 0.3 = 2.7\text{W}$

Notice that this result is the *total* power dissipated by both resistors. Each resistor here dissipates a different power; we can find these powers by using I^2R ; the current of 0.3A is the same through each resistor so the individual power dissipations are:

$$\text{For the } 10\Omega \text{ resistor } P = (0.3)^2 \times 10 = 0.9\text{W}$$

$$\text{For the } 20\Omega \text{ resistor } P = (0.3)^2 \times 20 = 1.8\text{W}$$

These powers, of course, add up to the total power of 2.7W.

When the resistors are paralleled we have a total resistance of 6.67Ω (verify this for yourself), hence $I = 9/6.67 = 1.35\text{A}$ and the *total* power dissipation $P = V \times I = 9 \times 1.35 = 12.15\text{W}$.

To find the individual powers this time we could first find the current division between the two branches and use the I^2R formula. But it is easier to find a third expression for power by substituting Ohm's law form of $I = V/R$ into $W = V \times I$ from which we get

$$P = V \times \frac{V}{R} = \frac{V^2}{R} \text{ watts}$$

$$\text{Then for the } 10\Omega \text{ resistor } P = \frac{9^2}{10} = 8.1\text{W}$$

$$\text{and for the } 20\Omega \text{ resistor } P = \frac{9^2}{20} = 4.05\text{W}$$

Again, these sum to the total power of 12.15W.

We summarise the three important formulae for power:

$$P = V \times I \quad P = I^2R \quad P = \frac{V^2}{R}$$

Remember how to *derive* the second two of these from the first. This way is a lot better than trying to memorise the whole string of formulae. There is a diagram, shown in Fig. 3.1, which is supposed to show the relationship between power, current and voltage. By covering the quantity you want with a finger tip, the position of the other two will tell you which calculation to carry out, i.e. $P = VI$, $V = P/I$ or $I = P/V$. I never advocate the use of such diagrams (there is a similar one for Ohm's Law); what do you do if you know I and R or V and R , for instance? R doesn't appear on the diagram. All right, remember the $P = VI$ relationship, then make the Ohm's law substitutions for the other forms of power formula as we did above.

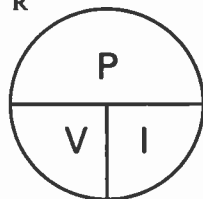


Fig. 3.1. Relationship between power (P), current (I) and voltage (V).

RESISTOR COMBINATIONS

The last worked example above has shown us that if we connect two *unequal* resistors in series or in parallel for the purpose, perhaps, of making up a required single value of resistance that is not a

preferred value, the power dissipation is *not* equally distributed between the resistors. By calculating the individual powers in the way illustrated, the resistor ratings can be selected to suit the situation.

If *equal* valued resistors are used the problem is eased slightly. The required power ratings are the same and the total power dissipation is simply the sum of the individual ratings: For example, two 0.5W resistors in series *or* in parallel will produce an equivalent resistance of 1W rating. So if you want, say, a 10kΩ resistor rated at 2W, two 5.1kΩ resistors rated 1W wired in series will do the job.

Now here are two more worked examples before you are flung into the deep end on your own:

6. A model motor draws 200mA at 6V. If it is to be operated from a 9V battery, what series resistor will be required and what power will be dissipated in this resistor?

We need to drop (or "loose") 3V at a current of 200mA (0.2A)

$$\text{The required resistance then is } R = \frac{V}{I} = \frac{3}{0.2} = 15\Omega$$

The power dissipated in this resistance $P = I^2R = (0.2)^2 \times 15 = 0.6\text{W}$ A 1W rated resistor would be used for this job.

7. Two p.c.b. drilling motors are connected in parallel and take a total current of 0.85A from an 18V supply. The power expended in one of the motors is 8.2W. What power is expended in the other? What is the effective resistance of each motor?

As 0.85A is flowing at 18V, the total power expended is $V \times I = 0.85 \times 18 = 15.3\text{W}$, hence if one motor expends 8.2W the other expends $(15.3 - 8.2) = 7.1\text{W}$.

Knowing the power expended by each motor and the voltage across them, the resistance of each can be found from

$$P = \frac{V^2}{R} \quad \text{or, rearranging, } R = \frac{V^2}{P}$$

$$\text{So for the } 8.2\text{W motor } R = \frac{18^2}{8.2} = 39.5\Omega$$

$$\text{and for the } 7.1\text{W motor } R = \frac{18^2}{7.1} = 45.6\Omega$$

There is one final important point about power which should be borne in mind at all times. There is a tendency to treat I^2R as representing heat; this is quite wrong. I^2R represents the *rate* at which heat and light energy are produced in a lamp or the *rate* at which mechanical energy is turned out by a motor.

Now here are this month's self-assessment problems, followed by last month's answers.

1. A current of 47mA flows through a 270Ω resistor. What power is dissipated and what power rating would you choose for this resistor?
2. When a p.d. of 2.8V exists across a certain resistor, the power dissipated is 0.4W. What is the value of the resistor?
3. Another name for the Watt is the joule-second. True or false?
4. Deduce that a kilowatt-hour is equivalent to $3.6 \times 10^6\text{J}$.
5. A cell has an e.m.f. of 2V and an internal resistance of 0.1Ω. Find (a) the current flowing in a 5Ω external load, (b) the terminal p.d. of the cell, (c) the energy wasted in the cell when it operates for ½-hour.
6. A 12V, 15W soldering iron is fed from a 12.5V battery through a pair of leads which each have a resistance of 0.7Ω. What is the voltage acting at the terminals of the iron? What power is lost in the connecting wires?
7. Two lamps, (A) 6V, 1.8W, and (B) 6V, 7.2W, are wired in series across a 12V battery. What current will flow through the lamps? Explain why the lamps are not working under their proper conditions with this arrangement. What resistance would you parallel with lamp (A) so that each lamp gets its correct working current and what power is dissipated by this resistor?
9. Three resistors are wired in parallel across a 6V supply. One resistor dissipates 3W and the second 4.5W. The total energy used by the whole circuit in 10 minutes is 9kJ. What is the resistance of the third resistor and what current flows in each branch?

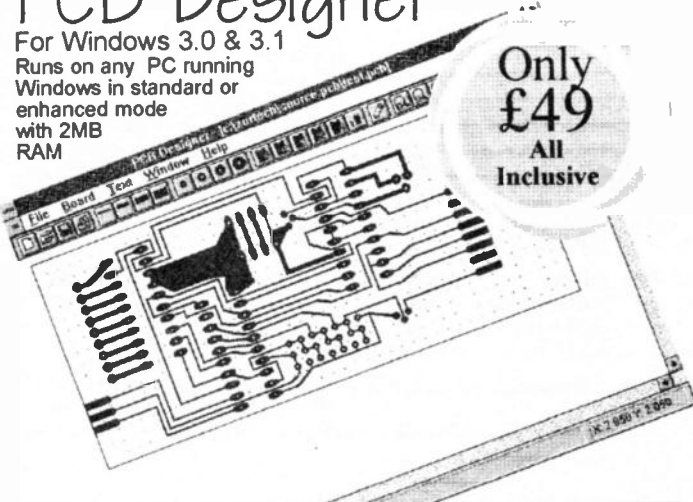
Last month's answers: 1. 5.14Ω; 2. 37.5Ω, 5.4V; 4. 20Ω; 5. Five; 6. True; 7. 4.6V; 8. 30Ω; 9. 30Ω, 0.08A in 30Ω, 0.12A in 20Ω, 0.2A in 18Ω; 10. 1.31V, 3.75Ω.

FREE WALL CHART

This issue carries the first of two wall charts designed to back up *Calculation Corner* and provide an instant reference to a wide range of electronics formulae. We can supply extra charts for schools, colleges etc - contact the editorial office. - See Editorial page.

PCB Designer

For Windows 3.0 & 3.1
Runs on any PC running
Windows in standard or
enhanced mode
with 2MB
RAM



Only
£49
All
Inclusive

'...at that price many users will find it (PCB Designer) preferable to the freeware competition, or the more expensive commercial alternatives...'

'...I must have tried over a dozen PCB design programs in the last few years and PCB Designer is certainly the easiest to learn and use...'

R A Penfold

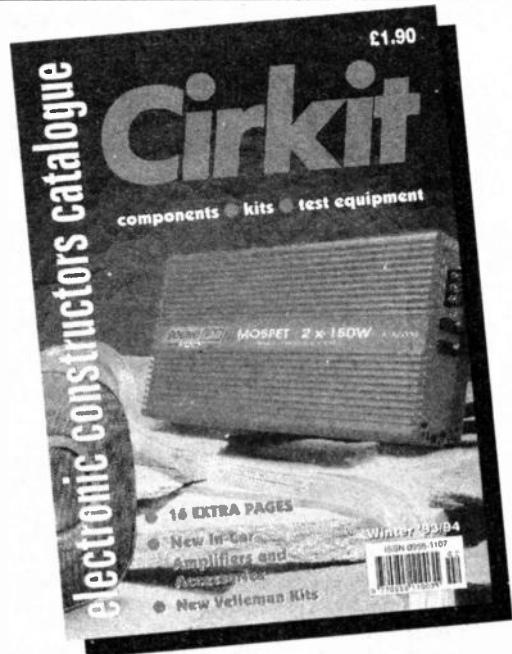
Everyday with Practical Electronics

Niche Software

22 Tavistock drive, Belmont, Hereford, HR2 7XN
Phone (0432) 264 800, FAX (0432) 264 800

Please Note: Since PCB designer is so easy to use, and to keep costs down, PCB Designer has an On-Line manual, in Windows Help format. A tutorial is also supplied online.

WINTER 1993/94 CATALOGUE



The new enlarged Catalogue is out now!

- New direct phone lines for prompt service
- 16 more pages
- £££'s worth of discount vouchers
- 100's new products
- 240 pages, 26 sections, over 4000 products
- New section of entertainment and accessories including disco equipment, audio mixers, car amplifiers, crossovers, speakers and boosters
- Complete range of Velleman kits now stocked
- The latest scanning receivers and accessories
- New Ni-cad batteries and chargers
- New range of telephone equipment and accessories
- Published December 1993
- Available from most large newsagents or direct from Cirkit
- **Send for your copy today!**

£1.90
+ 30p p&p



CIRKIT DISTRIBUTION LTD

Park Lane · Broxbourne · Hertfordshire · EN10 7NQ
Telephone (0992) 448899 · Fax (0992) 471314

Chelmer Valve Company for High Grade Audio Valves

Major Brands e.g. Mullard, Brimar, Philips, GE (UK), GE (USA), etc.

A 2900 GEC.....£12.00	GZ34 Mullard.....£10.00
E80F Philips.....£10.00	GZ37 Mullard.....£7.00
ECC81/CV4024 Mullard.....£6.00	6CA7 EL34 GE.....£9.50
ECC82/CV4003 Mullard.....£6.00	6L6GA Sylvania.....£7.00
ECC88 Mullard.....£6.00	6SN7GT Brimar.....£4.50
E88CC Mullard.....£8.50	6V6GT Brimar.....£4.00
EF86/CV4085 Mullard.....£8.50	12AT7WC Sylvania.....£6.00
EL84 Mullard.....£6.00	6146B GE.....£15.00
EL84 GE (USA).....£5.00	6550A GE.....£15.00
GZ32 Mullard.....£8.00	7581A GE.....£12.00
GZ33 Mullard.....£8.00	

CVC PREMIUM: Our own BRAND from selected worldwide sources, processed in our special facility to provide low noise/hum/microphony Pre-Amp Valves and Power Valves burnt-in for improved stability and reliability.

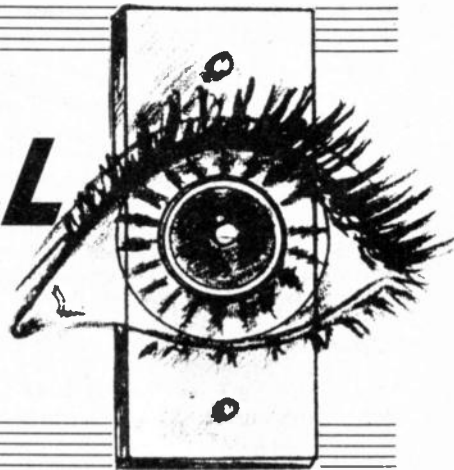
PRE-AMP VALVES	POWER VALVES - contd.
ECC81/12AT7.....£5.00	E84L/7189A.....£5.10
ECC82 12AU7.....£4.00	KT66.....£9.20
ECC83/12AX7.....£5.00	KT88.....£12.50
ECC85.....£4.00	KT88 (GOLD Q).....£18.50
ECC88.....£5.00	6L6GC.....£6.50
EF86.....£4.00	6L6WGC/5881.....£8.00
E81CC (GOLD PIN).....£6.00	6V6GT.....£5.00
E82CC (GOLD PIN).....£6.00	6146B.....£10.20
E83CC (GOLD PIN).....£6.00	6336A.....£30.00
E88CC (GOLD PIN).....£7.00	6550A.....£11.00
E80F.....£9.00	RECTIFIERS
E83F.....£5.50	GZ33.....£4.50
6SL7GT.....£4.00	GZ34/5AR4.....£5.00
6SN7GT.....£4.20	5U4G.....£5.00
POWER VALVES	5Y3GT.....£3.20
2A3 (OCTAL) or (4 PIN).....£14.00	5Z4GT.....£3.50
211.....£22.00	SOCKETS
300B.....£50.50	B9A (PCB).....£1.60
811A.....£9.50	B9A (CHASSIS).....£1.60
845.....£29.90	OCTAL (CHASSIS).....£1.75
EL34 6CA7.....£7.50	4 PIN (UX4).....£3.00
EL84 6BQ5.....£4.00	4 PIN (for 211).....£11.00

The above is a small selection of items stocked.
Add £1.00 per valve for matching if required.
Plus Post & Packing £3.00 + VAT at 17.5% for UK/Europe.
Send/Fax order with cheque or credit card details to:-
Chelmer Valve Co., 130 New London Road, Chelmsford, Essex CM2 0RG
Tel: (0245) 265865 Fax: (0245) 490064

VISUAL DOORBELL INDICATOR

ANDY FLIND

An easy-to-build answer to alert people with hearing difficulties that callers are at the door. Will drive up to five 100W light bulbs



THIS project arose when the author was asked by a colleague to complete a half-finished device intended for his mother, a lady somewhat hard-of-hearing. Apparently she often failed to hear callers at her door, so the project's originator had come up with the idea of strategically-placed flashing lights, activated with the bell, to alert the lady visually.

Unfortunately the original designer had moved on before the project was complete, so the author was handed a plastic case and components including two standard 555 timers and a relay, with some scribbled notes. From these it appeared that the circuit was to be powered by a PP3 battery. The expected life of this, supplying two 555's and a relay, wasn't specified!

A fresh start seemed the best option. Mains power, rather than batteries, was the obvious choice for a continuously operating circuit, and substitution of a triac in place of the relay would eliminate possible contact problems. A further improvement, enabled by the use of the triac, was "zero-crossing" switching action to extend the life of the lamps connected to the unit and reduce the generation of interference. With these points in mind, the new design took shape.

HOW IT WORKS

Before a full description of the circuit is given, a simplified drawing of part of it should make it easier to follow. Fig. 1 shows a simple oscillator built from two inverting gates, an arrangement often used where an a.c. signal is required and a couple of spare inverters are available.

The output of the first inverter is connected to the input of the second, so for a given input both inverted and non-inverted outputs are present. The positive feedback applied through capacitor C1 and negative feedback through resistor R2 turns the circuit into an oscillator having a squarewave output, with frequency determined mainly by the capacitor and resistor.

The function of resistor R1 may not be obvious. With each change of state, the input to the first gate is driven beyond the appropriate supply rail voltage, according to the direction of the change. Most CMOS logic gates have inbuilt protection in the

form of diodes between the input and supply pins which conduct if the input exceeds the supply voltages. This could adversely affect the performance of this oscillator, but the inclusion of the series resistance in the input circuit virtually eliminates the problem.

Wired as shown, the two inverters form a circuit with one input and two outputs. These can be replaced by the "Data", "Q" and "Q" connections of a CMOS 4013B "D-type" flip-flop, as shown in Fig. 2. However, the output from this can only change state with positive edges of a signal applied to the "clock" input, allowing the changes of state to coincide with those of another frequency.

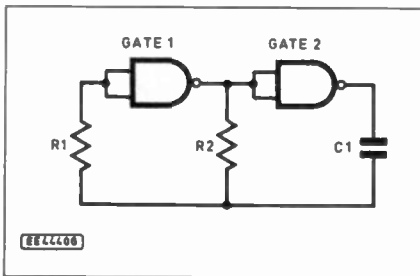


Fig. 1. Simplified oscillator circuit.

In this case it is synchronised to the zero-crossing points of the a.c. mains supply, because switching the lamps on and off at these points eliminates the generation of mains-borne interference noise. It also helps to prolong the life of the lamps used, and the "reset" input of the flip-flop can be used to start and stop the oscillator.

CIRCUIT DESCRIPTION

In the full circuit diagram shown in Fig. 3, low voltage d.c. power for the electronics is obtained from the mains with a "capacitive dropper" circuit. Current taken directly from the mains is limited to about 35mA by capacitor C1, half-wave rectified by diodes D1 and D2 and smoothed by capacitor C3.

The output voltage is limited by Zener D4 to 12 volts. In this circuit it is arranged to be negative of the neutral rail, because

the output is required to drive a triac (CSR1), and the particular triac used has been found to operate more satisfactorily when driven by negative gate current.

Resistors R2 and R3 discharge capacitor C1 when power is disconnected, removing the possibility of an unpleasant shock from stored charge in this capacitor. Resistor R1 limits the destructive instantaneous surge current that would result if the circuit were switched on at the peak of the supply voltage waveform. VDR1 is a voltage limiting device which clips high voltage spikes from the mains supply to protect C1 and the triac. Capacitive supply voltage droppers of this type are cheaper and more compact than transformer circuits and do not generate heat or hum.

Current flowing through the capacitor but not actually used by the circuit is "reactive", leading the mains voltage by ninety degrees, and as such does not register on the electricity meter or the bill. However, the low voltage side must be treated as "live" and hazardous at all times, which can complicate testing and external connections.

The "clock" signal to synchronise oscillator switching with zero-crossings is obtained from the live rail with resistors R5 and R6 and clamping diodes D5 and D6. The output from this resembles a 12 volts peak-to-peak squarewave, synchronised with the mains, which is applied to both "clock" inputs of IC2.

The two resistors R5 and R6 are used because the mains voltage exceeds the rating for a single resistor. Suitably rated single components are harder to obtain and are larger and more expensive than two

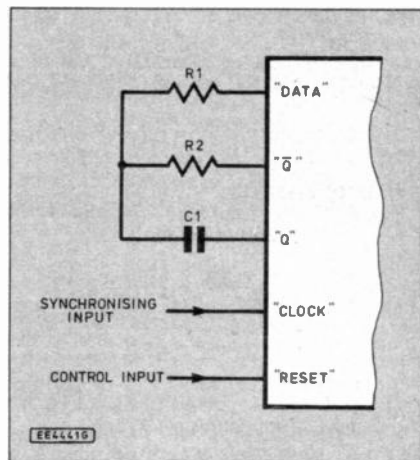


Fig. 2. Oscillator circuit using one half of a 4013B D-type flip-flop.

standard components. The same reasoning applies to R2 and R3.

FLASH RATE

The 4013 integrated circuit, IC2, contains two "D-type" flip-flops, the first of which generates the flashing function. When the doorbell is operated, the voltage applied to it is also connected to the i.e.d. input of the opto-isolator IC1. Both a.c. and d.c. bell supplies may be used, as a.c. will be half-wave rectified by diode D3.

When the i.e.d. is energised it turns on the transistor in IC1, which discharges capacitor C6. This takes the "reset" input of IC2 low, allowing oscillation to start. The oscillator is formed from C4, R8 and R7, and operates in the way shown in the simplified circuit of Fig. 2.

So long as the input voltage from the bell is present, it will continue running. When the input is removed capacitor C6 will receive a charging current from diode D7 and resistor R9 each time Q goes positive. After a dozen or so cycles the voltage across this capacitor becomes high enough to operate "reset", and oscillation stops with Q high and Q low. This arrangement provides a reasonable period of lamp flashing even if the bell is pressed only briefly.

COMPONENTS

Resistors

R1	100
R2, R3,	
R5, R6,	
R9	470k (5 off)
R4	470
R7	330k
R8	1M
R10	10k
R11	1k5
R12	2k2

All 0.6W 1% metal film

Capacitors

C1	470n/250V, interference suppression type. (Suitable for direct connection across Mains voltage)
C2, C5	100n polyester layer (2 off)
C3	470µ radial elect. 16V
C4	1µ polyester layer
C6	10µ radial elect. 50V

Semiconductors

D1, D2,	
D3	1N4007 1A 1000V rec. diode (3 off)
D4	BZY88C12 12V 1.3W Zener diode
D5, D6,	
D7	1N4148 signal diode (3 off)
CSR1	C206D 4A 400V triac
IC1, IC3	opto-isolator (2 off)
IC2	CMOS 4013B dual D-type flip-flop

Miscellaneous

VDR1	transient suppressor for 250V operation
TB1 to TB4	p.c.b. screw terminal blocks, 2-way 10mm spacing (4 off)

Printed circuit board available from the EPE PCB Service, code 863; ABS plastic box, size 130mm x 68mm x 46mm; 8-pin i.c. socket (2 off); 14-pin i.c. socket; connecting wire; solder etc.

Approx cost guidance only

£12

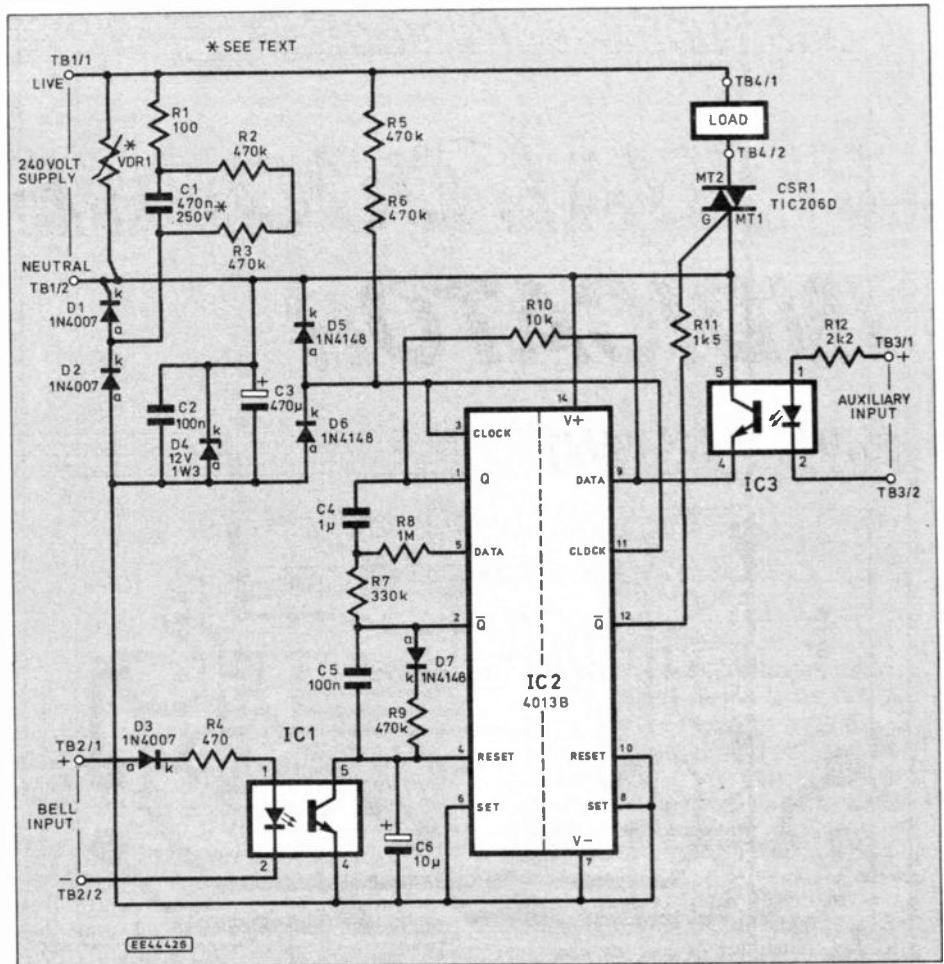


Fig. 3. Complete circuit diagram for the Visual Doorbell Indicator.

The oscillator output is connected to the "data" input of the second flip-flop. When it is high, the next clock positive edge causes Q of this stage to go low, turning the triac on. When it is low, the next positive edge removes the triac gate current. When the first stage reset is high, its low Q output ensures the triac remains turned off.

AUXILIARY INPUT

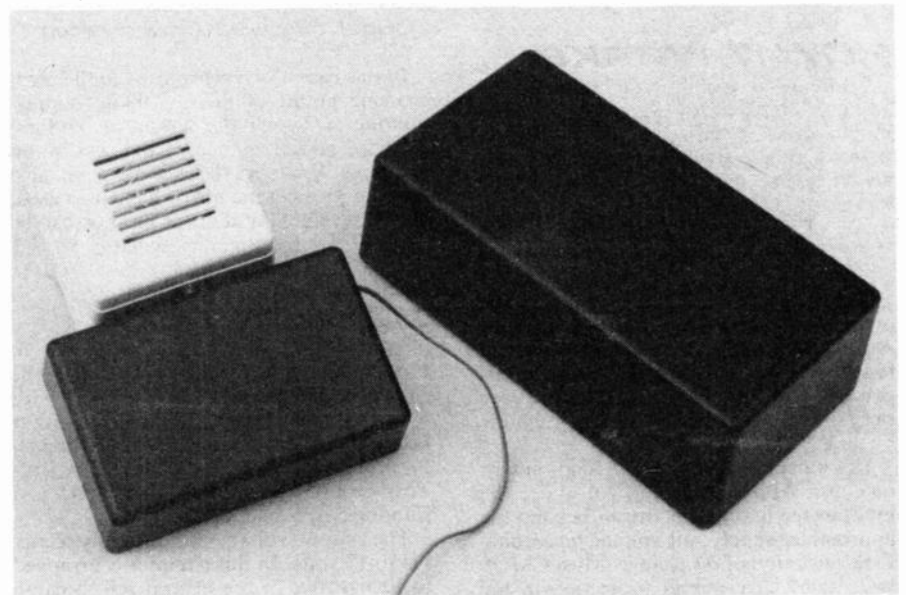
Resistor R10 in the path from the oscillator output allows the input to the second flip-flop to be forced high by the transistor

in the second opto-isolator IC3, overriding the normal input signal. Other signals can then be applied via this auxiliary input.

The lights will follow the pattern of such signals, making it particularly suitable for use with the "burr-burr" pattern of a ringing telephone. This is not as daft as it sounds, as nowadays a range of specialised telephones are available for the hard-of-hearing.

These range from amplified handsets and inductive couplers for hearing aids, to an audio-coupled device with keyboard

The completed Visual Doorbell (right) and the telephone ring detector (next month) module.



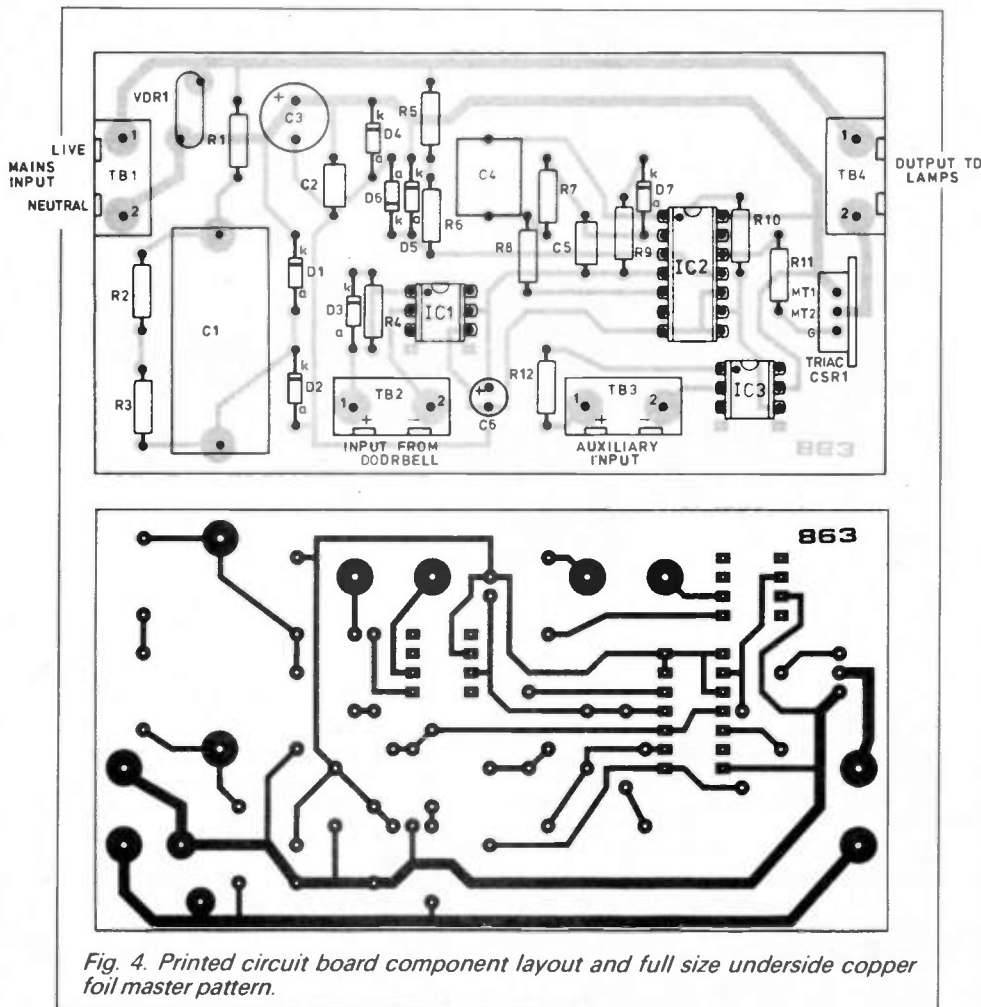


Fig. 4. Printed circuit board component layout and full size underside copper foil master pattern.

and alphanumeric display for visual communication between totally deaf users. As technology is continually advancing, the availability of devices like these can be expected to increase.

SAFETY FIRST

Extreme care must be taken when building this project as mains voltages are present on some of the underside copper tracks of

the circuit board. It is recommended that the published p.c.b. design is adhered to.

The components of this project are all mounted on a single p.c.b. with a fairly widely spaced layout, as shown in Fig. 4. The reason for this is the need to maintain adequate spacing between "live" and "safe" areas of track on the board, but it also makes for easy construction.

It could be just built and tried, but most constructors will probably prefer to test in stages as construction proceeds. As stated previously, a problem with a circuit supplied by a capacitive voltage dropper is that everything has to be treated as "live", so testing of this circuit *MUST* be carried out with due care and precautions for safety.

In most cases, it is best to connect the test meter to the appropriate points with the *mains* supply *disconnected*, then power up to take the reading and switch off again *before* removing the test connections.

One hazard that may not be immediately apparent arises from the metal tab on the triac CSR1. When the output is connected to the load but not energised, this will be at mains "live" voltage potential.

CONSTRUCTION

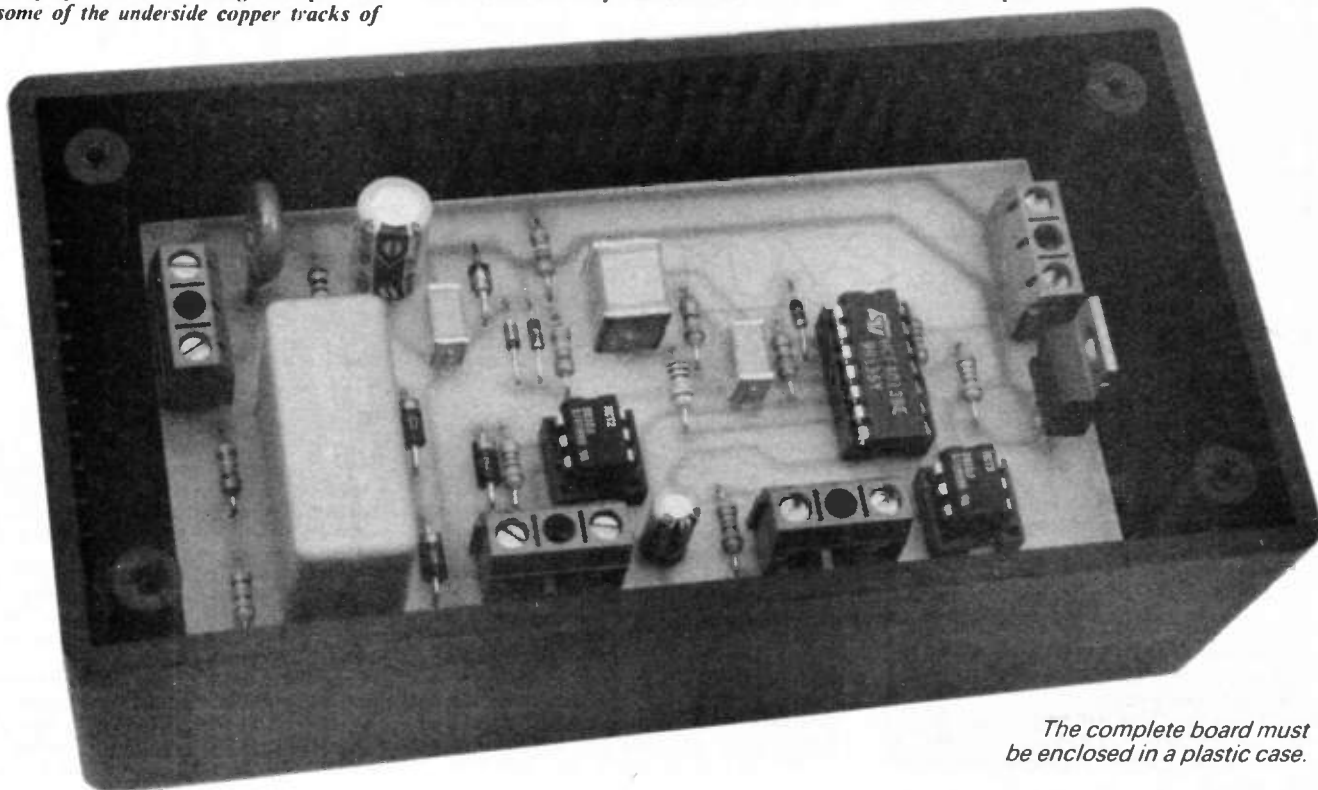
The printed circuit board (p.c.b.) topside component layout and full size underside copper foil master pattern is shown in Fig. 4. This board is available from the *EPE PCB Service*, code 863.

Construction should commence with the fitting of all components except the three i.c.s. Sockets are recommended for these as they simplify testing and trouble-shooting later. If the auxiliary input is not required, resistor R12 and IC3 could be omitted, but if the resistor and a socket are fitted then future upgrading will require only the insertion of the i.c.

The first test is of the low-voltage supply. A d.c. meter should be connected across pins 7 (negative) and 14 (positive) of the socket for IC2, the board can then be powered and presence of the 12-volt supply checked.

Next, an a.c. voltmeter can be used to look for the presence of the "clock" signal at pin 3 of IC2 socket. This should be around 7V, though the actual reading will depend to some extent on the loading imposed by the meter and it's response to the shape of the waveform. Most DVM's should give a fairly accurate indication.

The average d.c. level at the same point should be about 6V. Both these readings are with respect to negative, taken from IC2 socket pin 7.



The complete board must be enclosed in a plastic case.

Following this, the i.c.s can be fitted and a mains lamp and power connected. Note the position of IC1 and IC3 in their sockets, these are six-pin chips, but eight-pin sockets have been used as six-pin types are difficult to find.

When first powered, the lamp will probably flash as capacitor C6 charges. Whether this happens on subsequent power-ups depends on whether C6 has had time to discharge, or if an applied input has discharged it.

With the unit connected, a 9V supply of correct polarity connected across the input should start the lamp flashing action. A momentary application of the input should produce ten to twelve flashes. If IC3 is fitted, the same voltage applied to the auxiliary input, again observing correct polarity, should turn the lamp on continuously for as long as it is applied.

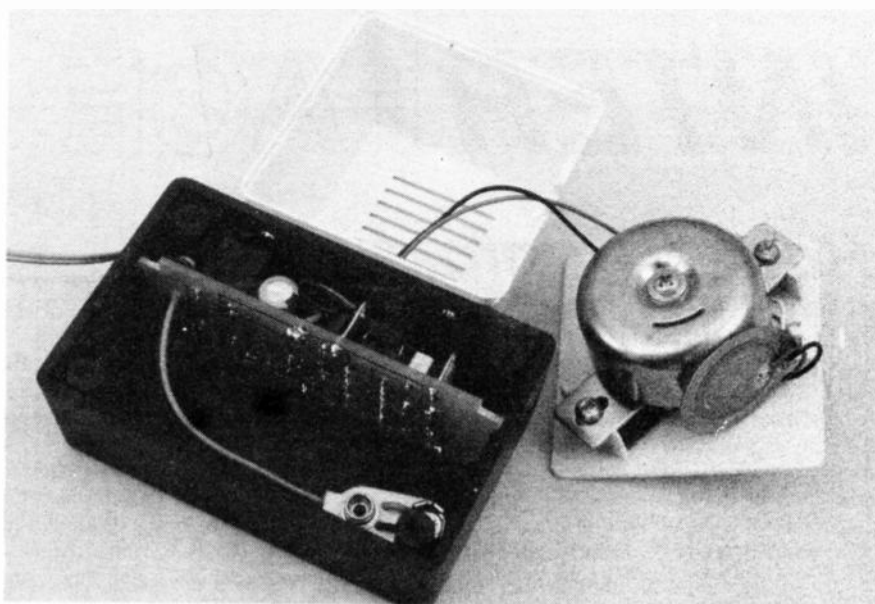
CASE

The completed unit must be housed in an insulated enclosure such as an ABS plastics box. Although a fuse is not fitted to the prototype, for installations where the circuit is not protected by a low-value plug fuse a fuseholder should be fitted to the box.

For simplicity, connections to the board are made with screw terminals (TB1 to TB4). It is suggested that the unit be mounted somewhere close to the lamp(s) to be driven, as the doorbell can be connected to it with cheap and inconspicuous wire such as bell flex. Connections to both

inputs are *isolated* by the opto-couplers and are therefore quite safe to handle, and may be connected to their sources with low-voltage cable.

The output power is limited mainly by the lack of a heatsink for the triac CSR1. The unit can quite safely drive up to five 100-watt light bulbs, which can be strategically placed so that they will be very difficult to miss when all flashing together. □



NEXT MONTH: An additional circuit – see above – will be described for operating this unit *legally* from a BT telephone ringing signal, to extend it's usefulness. For increased versatility this will also be able to operate other devices, such as extension bells, by itself.

Audio/R.F. Monitor

Only two problems seem likely to cause concern and prompt further comment when checking the list for the *Audio/R.F. Monitor*.

The first item is the 2-pole 5-way rotary switch. A 5-way type seems non-existent and you will have to purchase a 2-pole 6-way type and set the stop for 5 positions.

The only listing we have found for the BAR28 Schottky diode is from **Maplin** (☎ 0702 554161), code QQ13P.

Three-Phase Generator

We cannot foresee any component buying problems arising for anyone building the *Three-Phase Generator*. The glass-encapsulated bead thermistor rated as 5k at 20°C, or one with almost identical ratings, should be carried by stockists like **Greenweld**, **Circuit**, **Electrovalue**, **Bull Electrical**, **Maplin**, **Cricklewood** and many others.

The printed circuit board is available from the *EPE PCB Service*, code 861 (page 243).

Circuit Surgery

This month's *Circuit Surgery* is straightforward with the exception of the *Mains Lamp Dimmer* project. This is rated at up to 1,000 watts (1kW) and is definitely not intended for beginners.

The circuit diagram is very simple, and as always it is left to the constructor to use his own initiative to assemble the project, working from the circuit and information given as a guide.

You require at least a 6A phase controlled, a.c. mains power regulator i.c. to control a 1kW lamp. The mounting tab of the regulator i.c. is electrically isolated and requires fixing to a suitable heatsink rated at about 7° to 8°C/W. Most of our advertisers should be able to offer a heatsink to meet these requirements.

The fully integrated power controller i.c. was supplied by **Electromail** (☎ 0536 204555), code 300-344. Apart from a Farnell device, we were unable to find an alternative source of supply.

You must heed the author's warning: The circuit must be soundly constructed with suitably-rated mains cable, all solder joints be fully insulated with sleeving and the case **must be Earthed** to protect users.

SHOP TALK

with David Barrington

CCD TV Camera

It seems only yesterday that we carried a news item on a Philips camera that used a new "image sensor" device, type FT800P. Now, thanks to the efforts of John Becker, we are able to offer a closed-circuit, black and white, *CCD TV Camera* constructional project, using this "state-of-the-art" chip, which can be used with a TV or linked to your computer.

Using a "Frame Grab" circuit card, to be described next month, you can capture the "live" pictures and feed them to the computer, where it can be displayed, modified, coloured, stored on disc or even printed to paper.

Obviously, with a project like this some components are special and not generally available. As the article explains two versions of the image sensor chip are available and this is reflected in the price of the project.

However, a kit of all electronic components for the camera including hardware, but excluding cables, p.c.b.s and sensor chip, is available from the author for the sum of £77. The image sensor is only available as a separate item in two versions: sub-spec FT800P (as used by the author) for the sum of £25 and a "full-spec" version of the FT800P will cost £97. **John Becker, Dept. EPE, 8 Finucane Drive, Orpington, Kent, BR5 4ED.**

It was decided that with a project of this quality and nature, that for the most consistent results we should make the Control printed circuit board, and the future Frame Grab board, a "plated-through-hole" double-sided job. The Control board is available from the *EPE PCB Service*, code 845 (see page 243).

The camera lens will have to come from an old discarded camera (see article) or purchased from a photographic store.

Smart-Key Immobiliser

Having just read of the power contained in a car battery in the *Safety First* feature in this issue, caution and only use the specified parts is the byword when constructing the *Smart-Key Immobiliser* project.

It is imperative that an in-line fuseholder and fuse be installed as indicated and that auto-type cable be used on the relay contacts. The heavy duty 12V 30A relays used in the model were purchased from a motor spares garage/shop. Some of our advertisers list an auto type relay, but most of these seem to be rated at 16A and have not been tried in the model.

The choice and size of small box for the dashboard key and flashing l.e.d. is left to the individual. The rest of the components are standard off-the-shelf items.

Visual Doorbell Indicator

Most of the comments reserved for the *Visual Doorbell Indicator* concern the actual choice of components. Most parts are readily available from advertisers, but they must be rated as specified in the "comps list".

The "mains dropper capacitor" used in the prototype is a Siemens item, but most advertisers will be able to offer an interference suppression type capable of *direct* connection across the mains. The voltage dependent resistor, also directly across the mains, should be a stock item but if difficulties do arise it is stocked by **Maplin**, code HW13P.

When ordering the screw-terminal blocks be sure to quote the 10mm spacing types. The small printed circuit board is available from the *EPE PCB Service*, code 863.

Finally, you must be careful when testing this project as mains voltages appear on some tracks of the p.c.b. Beware of the metal tab on the triac as this is "live" also.

INTERFACE



Robert Penfold

CONTINUING our look at EPROM programming, Fig.1 shows the circuit diagram for a d.c. to d.c. converter that will provide a 12.5 volt programming voltage from a standard five volt supply. A circuit of this type is essential if you wish to power the EPROM programmer from the host computer rather than using a separate mains power supply.

The five volt supply must be stepped-up by a factor of 2.5, and an output current of about 50 milliamps is required. This requires the use of a proper switch mode circuit, and this one is based on the TL497 integrated circuit. This is a fairly basic switch mode device, but it is inexpensive, quite efficient, and perfectly adequate for this application.

Stepping Up

The TL497 can operate in three modes, which are the step-down, step-up, and negative supply generator modes. In this case it is used in a straightforward step-up mode circuit. Operation of the circuit is dependent on inductor L1 providing the voltage boost. First the right hand end of this component is connected to the negative supply, and L1 is then (more or less) connected across the input supply. This produces a strong current flow and a magnetic field is generated around L1.

Next the right hand end of L1 is connected to the output of the supply. L1 is now de-energised, and as the magnetic field around it collapses a high reverse voltage is generated. This process is repeated at high speed under the control of a clock oscillator, generating a series of high reverse voltage pulses.

These reverse voltage pulses are added to the 5 volt input, giving a greatly boosted output voltage. However, IC1 includes a regulator circuit which is used to limit the

output voltage to the required figure of 12.5 volts.

Resistors R2, R3, and preset VR1 are the negative feedback network in the regulator circuit. VR1 is adjusted to give an output potential of precisely 12.5 volts. The output potential (in volts) is approximately equal to the total resistance (in kilohms) through the feedback circuit. The output from IC1 is a pulsed signal, but it is smoothed to a reasonably ripple-free d.c. signal by C4 and C5.

Resistor R1 is part of the current limiting circuit at the input of IC1. This protects IC1 by limiting the input current to no more than about 500 milliamps. C3 is the timing capacitor for the oscillator which controls the built-in electronic switch. C1 and C2 are decoupling capacitors.

The output current to the EPROM is about 50 milliamps, but due to the voltage step-up the input current is much higher than this. With 100 per cent efficiency the output input current would be about 125 milliamps. In practice the circuit is likely to achieve no more than about 70 per cent efficiency, which means that the input current will be something approaching 200 milliamps.

21V EPROMs

EPROMs that require a 21 volt programming voltage are now obsolete, but if you should wish to program some of these the circuit is quite capable of producing a 21 volt output at about 50 milliamps. It is merely necessary to increase the value of R3 to 15k, and adjust VR1 for an output potential of 21 volts. Note that this higher output voltage will produce a correspondingly higher input current. The actual figure will be about 350 milliamps or so with the output loaded at 50 milliamps.

A very important point to note is that L1 must be an inductor which is intended for operation at low frequencies, and it *must not be* a simple r.f. choke. Also, it must have a reasonably low coil resistance (around one ohm or less), and be capable of handling the input currents involved here. At one time an inductor of this type had to be home-wound on a pot-core assembly. This is not particularly difficult, but tends to be quite expensive.

These days there are plenty of ready-made low frequency inductors available at comparatively low prices. Probably the cheapest type that will give good results in this circuit is the Maplin 330µH miniature radial lead inductor (order code AH35Q). Any inductor having similar characteristics should work just as well here, but I have only tested the circuit using this particular component.

Next month we will continue our look at EPROM programming with a step-by-step description of the programming process, verification, etc.

Impulse Buy

I have received various pieces of PC software for review in the last 12 months, and most of these have been printed circuit design programs. One exception is the "IMP" demonstration program. The "IMP" name is derived from the purpose of this software, which is Impulse response Measurement and Processing.

The demonstration program has some facilities disabled, but it is supplied with some sample data files which can be loaded and processed. The real program is used with a fair amount of hardware, and its purpose is testing the frequency response of loudspeakers. It can also provide other information such as phase responses.

Systems for automatically testing the frequency responses of loudspeakers have been around for many years, and they were originally based on audio sweep oscillators. More recent systems have used pulse analysis techniques. The basic setup is to feed a short pulse to the loudspeaker via a power amplifier.

The pulse of sound from the loudspeaker is picked up by a high quality microphone which feeds into a 12-bit digitiser. The samples from the digitiser are stored in the PC's memory, and then analysed by the program which uses some advanced number crunching.

Although one might expect this method to produce only some rather approximate results, it can apparently produce very accurate and detailed frequency response measurements, plus other useful information. The sample data provided with the "IMP" demonstration program certainly

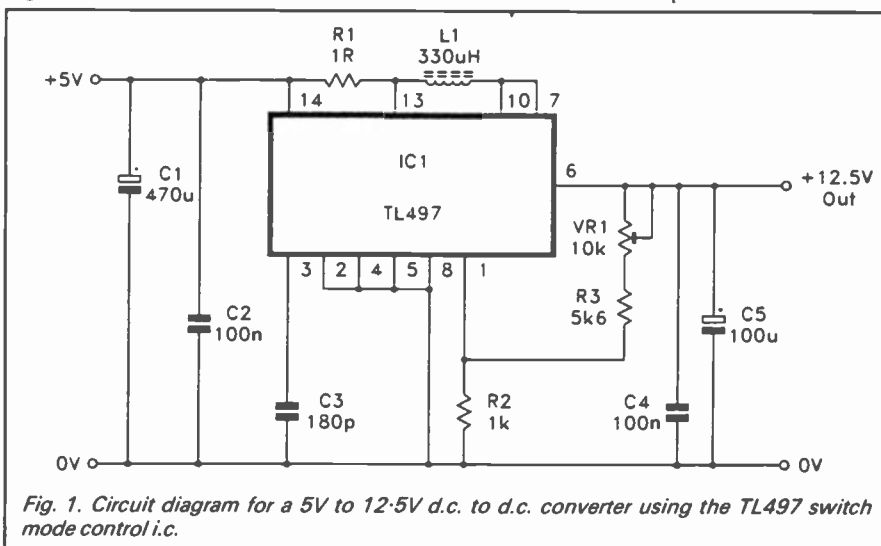


Fig. 1. Circuit diagram for a 5V to 12.5V d.c. to d.c. converter using the TL497 switch mode control i.c.

produces some intricate frequency response charts.

The program is quite easy to use, and it does not require a particularly advanced PC. Virtually any PC with 640K of RAM and running MSDOS 3.1 or higher will suffice. However, an E.G.A., V.G.A., or Hercules display is required (C.G.A. displays are not supported). Some aspects of the program seem to require a fair amount of specialist knowledge, but it is quite easy to produce basic response charts if that is all you need.

Full Program

The fully working program costs £47-70 including VAT and postage, but a substantial amount of hardware is needed in order to use it. A hardware kit of parts plus the software has a fully inclusive price of £192, but this does not include the amplifier, microphone, case, power supply, or minor odds and ends such as nuts and bolts. The system is probably too expensive for most amateur audio enthusiasts, but for those who really need a system of this type it offers a relatively low cost approach.

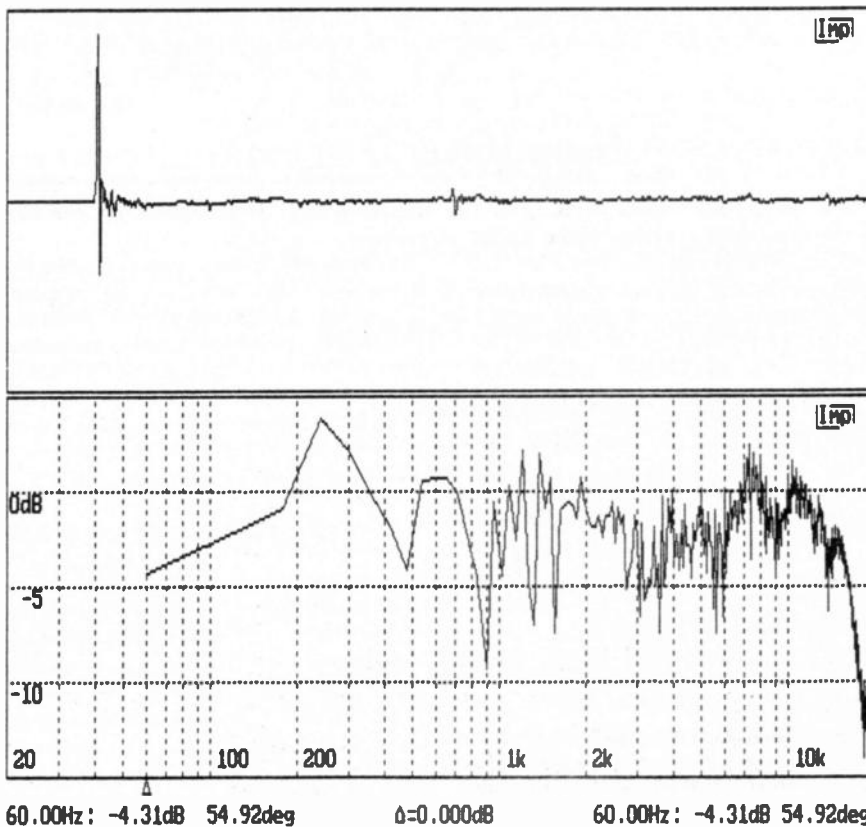
I must point out that I have not tested a fully working system, and cannot vouch for the accuracy of a complete "IMP" setup. If you need a system of this type though, the "IMP" system would certainly seem to be worth further investigation. The demonstration program is on a high density 3.5 inch disk and costs £2-35 plus 38p postage.

For further details contact Falcon Acoustics Ltd., Dept EPE, Tabor House, Norwich Road, Mulbarton, Norwich, Norfolk, NR14 8JT (Tel. 0508 78272, Fax 0508 70986).

2:SIZE 3:RATE 4:INPUT 5:MKR1 6:MKR2 7:WINDW 8:GAIN DATA
1024 61.2kHz MIC 1 1 NONE 0.00dB NEWTH
20:46:11 1/ 5/1994

IMP ANALYZER DEMO

ready!



IMP sample printout (300 d.p.i. laser). The top trace is the digitised pulse, the lower one is the calculated frequency response.

BUILD YOUR OWN PC

Using our low cost component parts or we can assemble for you for only £25

MOTHERBOARDS With VESA Local Bus-2 Slots & Pentium P24T Socket.

386SX-33MHz	£65
386DX-40MHz	128k Cache £90
486SX-25MHz	256k Cache £149
486DX-33MHz	256k Cache £279
486DX-40MHz	256k Cache £299
486DX2-50MHz	256k Cache £333
486DX-50MHz	256k Cache £369
486DX2-66MHz	256k Cache £389
486DX-33MHzEISA	256k Cache £380
486DX-40MHz EISA	256k Cache £390
486DX2-50MHz EISA	256k Cache £410
486DX-50MHz EISA	256k Cache £460
486DX2-66MHz EISA	256k Cache £489

HARD DISK DRIVES

130MB	IDE 10ms	£133
170MB	IDE 15ms	£155
213MB	IDE 15ms	£169
250MB	IDE 12ms	£179
330MB	IDE 12ms	£225
420MB	IDE 12ms	£380
540MB	IDE 12ms	£430
1GB	SCSI-2 9ms	£699
2G4B	SCSI-2 10ms	£980
Hard Disk Mounting Brackets		£5

FLOPPY DISK DRIVES

3½" 1.44Mb Floppy Disk Drive	£33
3½" 1.44Mb Floppy with 5¼" Frame	£36
5¼" 1.2Mb Floppy Disk Drive	£35

MONITOR

14" Mono VGA	£89
14" SVGA Colour (Interlaced) (0.28mm)	£175
14" SVGA Colour (Non Interlaced)(0.28mm)	£199
17" High Resolution (0.28mm)	£840

MEMORY

256k x 9 Simm 70ns	£13
1m x 9 Simm 70ns	£36
4m x 9 Simm 70ns	£125

DISPLAY CARDS

Oak 16-Bit SVGA Card 256k	£25
Oak 16-Bit SVGA Card 512k	£30
Oak 16-Bit SVGA Card 1MB	£45
Trident 8900CL 16Bit SVGA Card1MB	£45
VESA Local Bus SVGA 1MB	£55
VESA Local Bus SVGA 2MB	£99
VESA Local Bus S3 Windows Accel 1MB	£110
VESA Local Bus S3 Windows Accel 2MB	£139



KEYBOARDS

102 Key Standard	£22
102 Key Deluxe	£27

ADD-ON CARDS

I/O Card 2S/1P/1G	£12
IDE Card 2HD/2FD with Cables	£12
IDE I/O Card 2HD/2FD/2S/1P/1G with cables	£16
VL-Bus IDE I/O card as above	£29
VL-Bus IDE Caching controller 4HD/2FD	£129
VL-Bus fast SCSI-2 card	£129
SCSI-2 card with software	£89
16-bit Ethernet card (NE2100 compatible)	£59

OTHER ITEMS

Microsoft Compatible Mouse	£12
Deluxe Desktop Case (200W PSU)	£55
Mini Tower Case (200W PSU)	£59
Tower Case (250W PSU)	£89
MS-DOS 6.0	£39
Windows 3.1	£35

CD ROM DRIVES

Mitsumi CD-ROM Drive interface card	£129
Panasonic CR-562B Double speed CD-ROM	£159
Toshiba SM3401 Double Speed SCSI CD-ROM	£289

Eurocom International Ltd

Telephone (035 388) 325

The Old School, Prickwillow, Ely, Cambridgeshire, CB7 4UN.

Call for free catalogue or send cheque with order. Carriage £15.00 per order. All prices exclude VAT please add at current rate to total order.

ELECTRONICS PRINCIPLES SOFTWARE

from E.P.T. Educational Software (Tel: 0376 514008)

If you are looking for a means of improving your knowledge of the basics of electronics then this software is for you.

Electronics Principles covers:

- ★ Insulators, Conductors, Resistance
- ★ D.C. Circuits
- ★ Capacitance and Inductance
- ★ A.C. Series Circuits
- ★ A.C. Parallel Circuits
- ★ Reactance and Impedance
- ★ A.C. and D.C. Power
- ★ Frequency and Tuned Circuits
- ★ Using Numbers
- ★ Complex Numbers, Phase Angles
- ★ P.N. Junction Diode
- ★ Transistors
- ★ Operational Amplifiers
- ★ Logic Gates
- ★ Digital Number Systems
- ★ Combinational Logic
- ★ Flip Flops
- ★ Counters and Shift Registers
- ★ Memory

Over 200 menu driven screens with interactive graphics enabling a learning by doing approach to encourage experimentation.

Complete package
Only £49.95 inc. VAT.

PC TOOLBOX

A wide range of electronics formulae for circuit calculations on screen. Insert your own values and get instant results. Takes all the hard work out of electronics calculations and helps students to understand the applications.

Only £14.95 inc. VAT

GCSE MATHS

Covers all the major topics of the GCSE mathematics syllabus with worked examples in textbook form on screen so that students have a complete *interactive* learning package. Adds a new dimension to studying or revising for GCSE maths.

Only £49.95 inc. VAT

These programs require a PC (or fully compatible system) running DOS with an 80286 or better processor and VGA (ideally colour) graphics. In addition you must have 4Mb of hard disk space, a high density (1.44Mb) floppy drive and at least 640K of RAM. We also recommend the use of a mouse.

Add £1 per order for UK post and packing

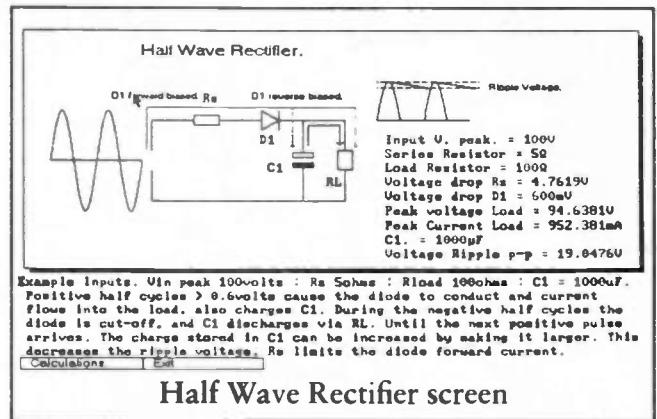
Distributed by Direct Book Service, 33 Gravel Hill, Merley, Wimborne, Dorset, BH21 1RW. (Mail Order Only).

Direct Book Service is a division of Wimborne Publishing Ltd. publishers of *Everyday with Practical Electronics*.

Tel: 0202 881749. Fax: 0202 841692.

Visa and Mastercard orders accepted (minimum credit card order £5 – please give card number, card expiry date and cardholders address if different to the delivery address.

OVERSEAS ORDERS: Add £2 postage for countries in the E.E.C. Overseas readers, outside the E.E.C. countries add £3 for airmail postage.



Having reviewed a dozen, or more, educational software packages designed to "teach" electronics, I was more than a little sceptical when I first heard about Electronics Principles: there seemed to be little that could be done that has not been done elsewhere. When I started to use the package my views changed. Indeed, I was so impressed with it that I quickly came to the conclusion that Everyday with Practical Electronics readers should have an opportunity to try the package out for themselves!

MIKE TOOLEY B.A.
Dean of Faculty of Technology,
Brooklands Technical College

Demonstration disk available
Electronic Principles or GCSE Maths
(state which)
send £2 (Overseas orders
send £3) – includes P&P

VIDEOS ON ELECTRONICS

A range of videos designed to provide instruction on electronics theory. Each video gives a sound introduction and grounding in a specialised area of the subject. The tapes make learning both easier and more enjoyable than pure textbook or magazine study. They should prove particularly useful in schools, colleges, training departments and electronics clubs as well as to general hobbyists and those following distance learning courses etc.

VT201 to VT206 is a basic electronics course and is designed to be used as a complete series, if required.

VT201 54 minutes. Part one; D.C. Circuits. This video is an absolute must for the beginner. Series circuits, parallel circuits, Ohms law, how to use the digital multimeter and much more. **Order Code VT201**

VT202 62 minutes. Part two; A.C. Circuits. This is your next step in understanding the basics of electronics. You will learn about how coils, transformers, capacitors, etc are used in common circuits. **Order Code VT202**

VT203 57 minutes. Part three; Semiconductors. Gives you an exciting look into the world of semiconductors. With basic semiconductor theory. Plus 15 different semiconductor devices explained. **Order Code VT203**

VT204 56 minutes. Part four; Power Supplies. Guides you step by step through different sections of a power supply. **Order Code VT204**

VT205 57 minutes. Part five; Amplifiers. Shows you how amplifiers work as you have never seen them before. Class A, class B, class C, op.amps. etc. **Order Code VT205**

VT206 56 minutes. Part six; Oscillators. Oscillators are found in both linear and digital circuits. Gives a good basic background in oscillator circuits. **Order Code VT206**

By the time you have completed VT206 you have completed the basic electronics course and should have a good understanding of the operation of basic circuit elements.

Now for the digital series of six videos. This series is designed to provide a good grounding in computer technology.

VT301 56 minutes. Digital One begins with the basics as you learn about seven of the most common gates which are used in almost every digital circuit, plus Binary notation. **Order Code VT301**

VT302 55 minutes. Digital Two will further enhance your knowledge of digital basics. You will learn about Octal and Hexadecimal notation groups, flip-flops, counters, etc. **Order Code VT302**

VT303 56 minutes. Digital Three is your next step in obtaining a solid understanding of the basic circuits found in today's digital design. Gets into multiplexers, registers, display devices, etc. **Order Code VT303**

VT304 57 minutes. Digital Four shows you how the computer is able to communicate with the real world. You will learn about digital to analogue and analogue to digital converter circuits. **Order Code VT304**

VT305 56 minutes. Digital Five introduces you to the technology used in many of today's memory devices. You will learn all about ROM devices and then proceed into PROM, EPROM, EEPROM, SRAM, DRAM, and MBM devices. **Order Code VT305**

VT306 56 minutes. Digital Six gives you a thorough understanding in the basics of the central processing unit and the input/output circuits used to make the system work. **Order Code VT306**

By now you should have a good understanding of computer technology and what makes computers work. This series is also invaluable to the computer technician to understand the basics and thus aid troubleshooting.

VCR MAINTENANCE

VT102 84 minutes: Introduction to VCR Repair. Warning, not for the beginner. Through the use of block diagrams this video will take you through the various circuits found in the VHS system. You will follow the signal from the input to the audio/video heads then from the heads back to the output. **Order Code VT102**

VT103 35 minutes: A step-by-step easy to follow procedure for professionally cleaning the tape path and replacing many of the belts in most VHS VCR's. The viewer will also become familiar with the various parts found in the tape path. **Order Code VT103**

NEW **VT401** 61 minutes. A.M. Radio Theory. The most complete video ever produced on a.m. radio. Begins with the basics of a.m. transmission and proceeds to the five major stages of a.m. reception. Learn how the signal is detected, converted and reproduced. Also covers the Motorola C-QUAM a.m. stereo system. **Order Code VT401**

Each video uses a mixture of animated current flow in circuits plus text, plus cartoon instruction etc., and a very full commentary to get the points across. The tapes are imported by us and originate from VCR Educational Products Co, an American supplier.
(All videos are to the UK PAL standard on VHS tapes)

ORDERING: Add £1 p&p per order for UK orders. **OVERSEAS ORDERS:** Add £2 postage for countries in the EEC. Overseas orders outside the EEC countries send £24.44 per tape (price less VAT) plus £3 per tape airmail postage (or £3 per order surface mail postage). All payments in £ sterling only (send cheque or money order drawn on a UK bank. Visa and Mastercard orders accepted - please give card number, card expiry date and cardholders address if different to the delivery address. Send your order to: **Direct Book Service, 33 Gravel Hill, Merley, Wimborne, Dorset BH21 1RW (Mail Order Only)**

Direct Book Service is a division of Wimborne Publishing Ltd., publishers of *Everyday with Practical Electronics*. Tel: 0202 881749. Fax: 0202 841692

£29.95
each inc. VAT

PHOTOTRANSISTOR

Emitter Base Collector



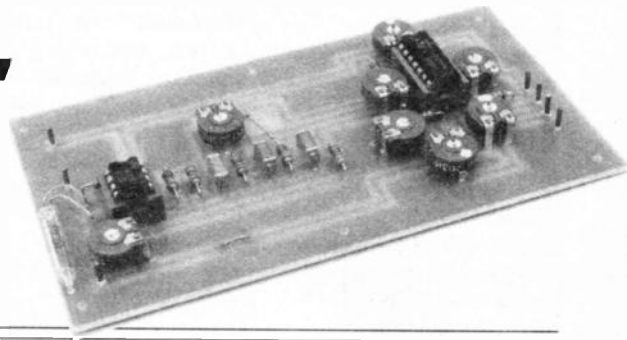
Showing Large Base Area

ORDER EIGHT OR MORE TOGETHER - GET ONE FREE

PHOTOTRANSISTOR



THREE-PHASE GENERATOR



R. T. IRISH

A simple circuit that can be used with power amplifiers to drive many items of three-phase equipment, including aircraft equipment.

THE USE of three-phase supplies to run induction motors and other apparatus is well established. Unfortunately, the man in the street does not have general access to such supplies and therefore has to forego the advantages which they offer.

Instructional establishments also often experience some difficulty in obtaining suitable three-phase supplies for demonstrations and experiments. This design enables a low-power consumption, accurate, three-phase supply to be generated at any frequency from a circuit consisting of just two i.c.s and a few discrete components.

PRINCIPLE OF OPERATION

The design uses the familiar 3-CR oscillator, stabilised by a thermistor. It is well known that the equal C, equal R circuit produces phase shifts within it which are far from the 120 degrees required. This design uses equal valued capacitors but differing valued resistors – as indicated in Fig. 1.

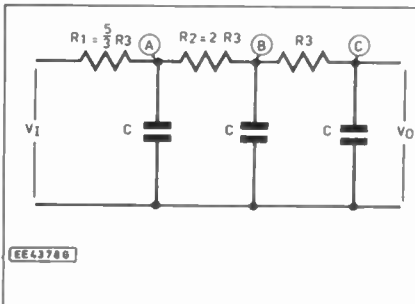


Fig. 1. The 3-CR circuit for three phase generation.

Careful analysis of this circuit shows that the output voltage (V_0) is in antiphase with the input voltage (V_1) at an operating frequency of

$$f = \frac{\sqrt{3}}{2\pi CR_3} \dots \dots \dots 1$$

At this frequency, the voltages at A, B and C are each at 60 degrees to each other.

It is only necessary to invert the voltage at B to achieve the appropriate 120 degrees between each voltage.

Under these conditions the voltages in the circuit are:

$$V_1 = 35V_0, V_A = 10V_0 \text{ and } V_B = 2V_0.$$

CIRCUIT DETAILS

As may be seen from the circuit diagram of the complete generator (Fig. 2) it consists of two parts, each associated with separate functions. IC1 is the 3-CR oscillator and IC1b provides the principal gain element, giving a voltage gain of -17.8. IC1a gives a nominal gain of 2, but its principal action is to stabilise the amplitude of the oscillations using the thermistor (TH1) in its feedback path.

The voltages at A and C are already at 120 degrees to each other and IC2a and IC2d simply amplify them both to a level equal to the output from IC1b. Op.amp IC2b buffers the voltage at B so that the subsequent processing does not effect the frequency, and IC2c inverts it, now making it at 120 degrees to both the voltages at A and at C and brings it up to the voltage level of the output from IC1b.

The potentiometers VR5, VR6 and VR7 are included across the outputs from each phase op.amp to provide an adjustment of the amplitudes fed to the "drive".

CIRCUIT DESIGN PROCEDURE

The calculation of the necessary values for C (C1 to C3), R1, R2 and R3 is quite straightforward and the simple example below should clarify any possible problems:

Design for a three-phase, 400Hz generator (to run aircraft equipment):

i) Select C. Initially chosen as 0.047μ (47n)

ii) Calculate R3 from equation 1:
 $R_3 = \sqrt{3/(2\pi C f)} = \sqrt{3/(2\pi \cdot 0.047 \cdot 10^{-6} \cdot 400)} = 14.66k\Omega$

If R3 is lower than about 10 kilohms, it is recommended that the value of C should be reduced to the next lower preferred value until R3 does lie above this value.

iii) Calculate R2 = 2.R3 = 29.32kΩ

iv) Calculate R1 = 5.R3/3 = 24.44kΩ

Usually, a small tolerance in the actual frequency is acceptable and it is therefore recommended that resistor R1 is made equal to the nearest preferred value – in this case 24 kilohms.

Recalculation of R2 and R3 and f give:

$$R_2 = 28.8k\Omega$$

$$R_3 = 14.4k\Omega$$

and f = 407Hz (less than two per cent error).

Resistor R2 hence consists of a 27kΩ resistor in series with a 2.2kΩ or a 4.7kΩ preset trimmer and resistor R3 consists of a 13kΩ resistor in series with a 2.2kΩ preset trimmer.

COMPONENTS

Resistors

R1	24k	} SEE TEXT
R2	28k8	
R3	14k4	
R4	10k	
R5	5k6	
R6	100k	
R7, R8, R9	82k (3 off)	} See SHOP TALK Page
All 0.6W 1% metal film		

Potentiometers

VR1, VR3,	
VR5 to VR7	10k sub-min. enclosed carbon preset, lin. (5 off)
VR2	100k sub-min. enclosed carbon preset, lin.
VR4	5k sub-min. enclosed carbon preset, lin.

Capacitors

C1 to C3	47n polyester layer (3 off)
----------	-----------------------------

Semiconductors

IC1	TL082 dual j.-f.e.t. op.amp
IC2	TL084 quad j.-f.e.t. op.amp

Miscellaneous

TH1	RA53 glass bead thermistor, (res. 5k @ 20°C, min. res 80Ω)
-----	--

Printed circuit board available from EPE PCB Service, code 861; 8-pin d.i.l. socket; 14-pin d.i.l. socket; solder terminal pins; wire links; solder, etc.

Approx cost guidance only

£12

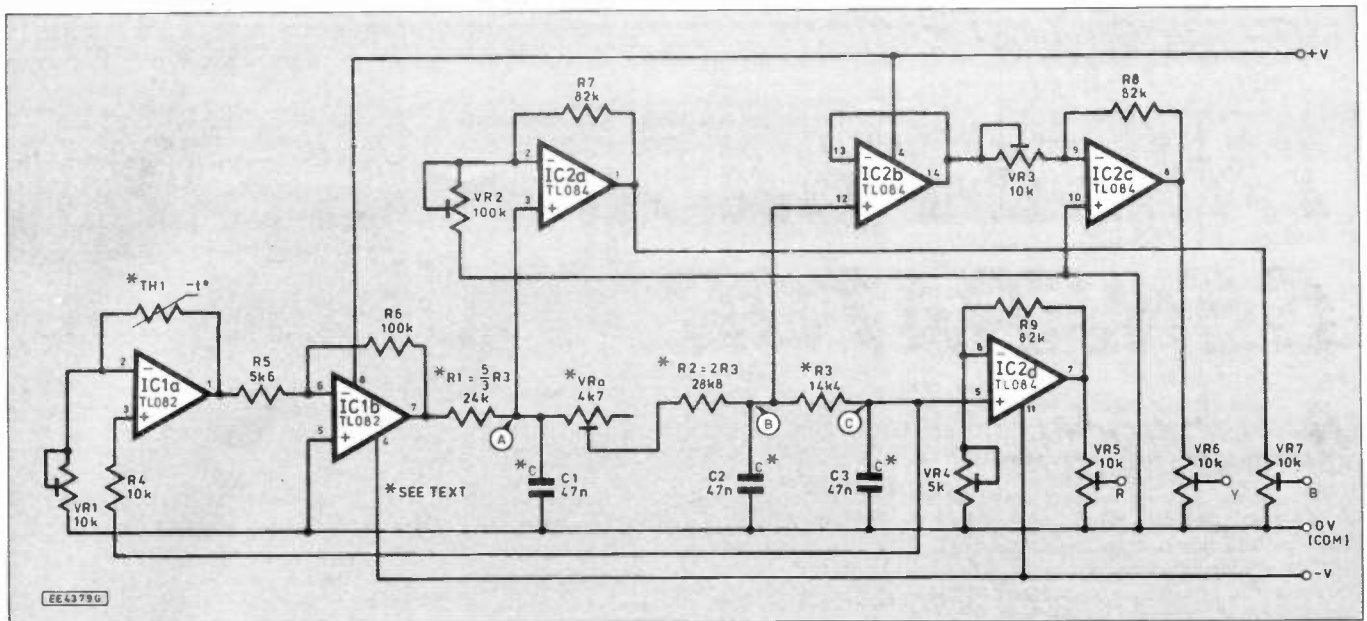


Fig. 2. Complete circuit diagram of the Three-Phase Generator.

CONSTRUCTION

The circuit is best built on the printed circuit board designed for it, although several successful generators such as this have been built on stripboard and matrix board bases. The printed circuit board component layout and underside full size copper foil master pattern is shown in Fig. 3. This board is available from the *EPE PCB Service*, code 861.

No particular difficulties should be experienced constructing the circuit, but it is recommended that sockets should be used for the i.c.s. Three holes have been incorporated in the printed circuit board for each of the RC network capacitors to facilitate the use of components with differing pin spacings. All of the fixed resistors are 0.6W, metal film types.

Small-valued potentiometers (VRa, VRb) are included in series with resistors R2 and R3 to facilitate the accurate realisation of the total resistance needed in these positions. They should be set up, using the most accurate ohmmeter available, with the integrated circuits removed from their sockets. Happily, the circuit is quite tolerant of any small errors in setting these and, if high accuracy is not required, they may be omitted (if this is done, they must be "short circuited" on the p.c.b. with wire links, as shown for VRb).

SETTING UP THE CIRCUIT

The circuit is very straightforward to set up. Connect the d.c. voltages to the unit – these may lie anywhere between +2V and +18V but either +10 or +12V is recommended. Too low a supply voltage will limit the maximum amplitude of the output voltage available.

Monitor the output of IC1b and adjust preset VR1 until the circuit just oscillates. Then ad-

vance its setting a little so that changes in the ambient temperature do not affect the thermistor (TH1) so much that oscillations stop – a particularly important point if the generator is to be included in a case with a power amplifier.

Note the amplitude of the wave at the output of IC1b and adjust presets VR2, VR3 and VR4 so that the outputs from IC2a, IC2c and IC2d are all equal and slightly less in amplitude than the output from IC1b.

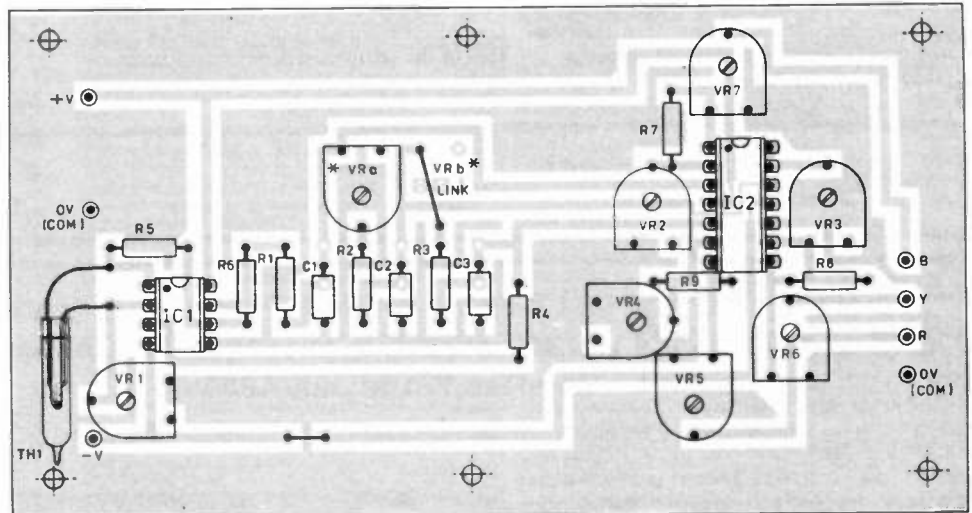
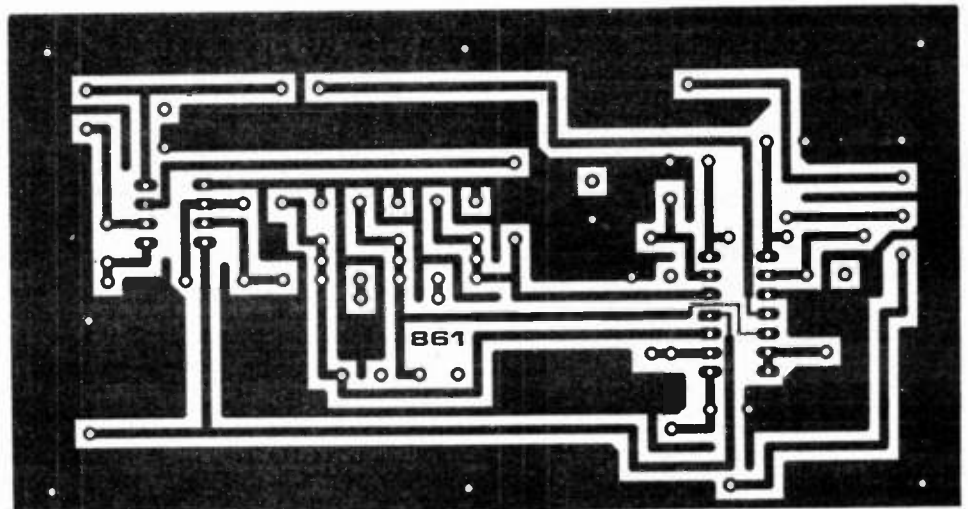


Fig. 3. P.C.B. for the Three Phase Generator.



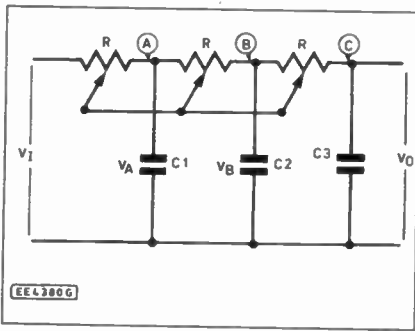


Fig. 4. Modification to provide variable frequency generation.

APPLICATION OF THE CIRCUIT

This circuit has been used very successfully to generate a wide range of frequencies and has usually been employed in conjunction with three power amplifiers to drive the equipment concerned. The Maplin range of power amplifiers, from 1W output power to 150W (or even 1kW!) are particularly suitable.

The 150W MOSFET power amplifiers will run appropriate motors up to 1/2 horsepower well. If a 240V (phase) supply is required, then the outputs from the power amplifiers may be stepped up using appropriate transformers.

Three-phase motors, gyroscopes and a wide range of other equipment have been easily driven using three power amplifiers, fed directly from this three-phase generator. Note:- The specification of three-phase equipment always quotes

the LINE voltage. To obtain the appropriate PHASE voltage necessary from the amplifiers' outputs, this should be divided by $\sqrt{3}$. For example, a three-phase motor, rated at 200 volts should be driven with the amplifiers' outputs set to $200/\sqrt{3} \text{ V} = 115\text{V}$.

A further, interesting application would be to extend the circuit to form a variable-frequency, three-phase generator. This is readily achieved by making the three resistors in the frequency-determining network equal and variable (mechanically ganged

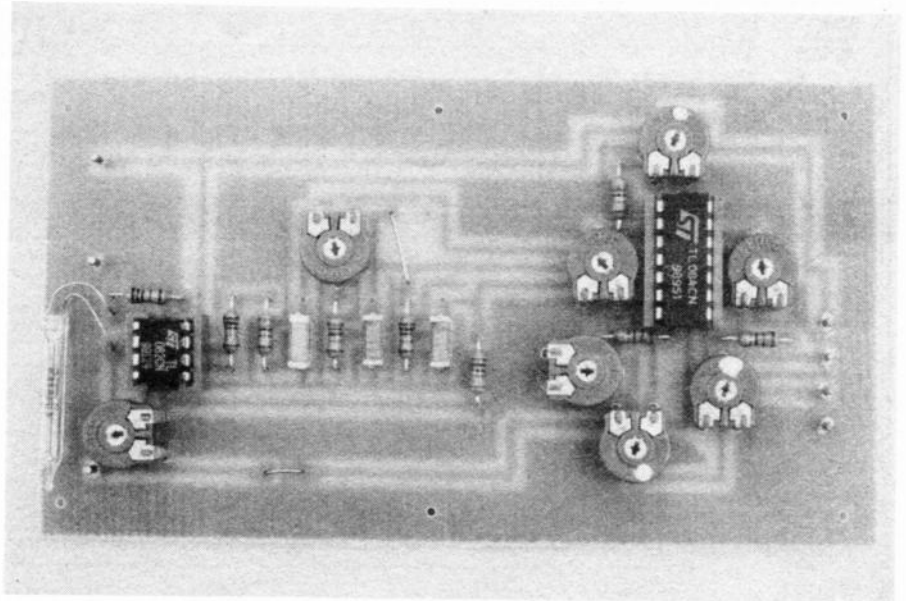
(linked) linear slider resistors could be used). A diagram showing this arrangement is given in Fig. 4.

Under these conditions the relevant equations are:

$$f = \frac{\sqrt{3}}{2\pi C_3 R}$$

$$V_1 = 26 V_0, V_A = 7 V_0 \text{ and } V_B = 2 V_0$$

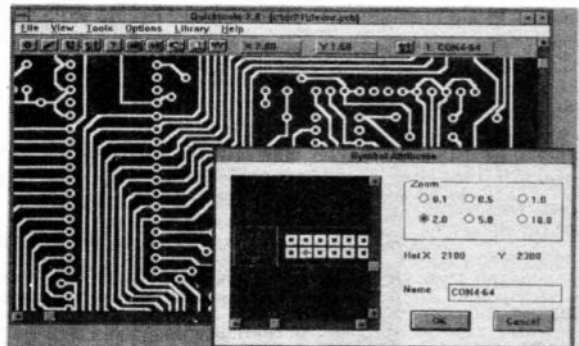
with $C_1 = 12.C_3/7$
and $C_2 = 3.C_3/2$



"... there is no doubt that running under *Windows* puts it ahead of the field and makes it a visually attractive package." *Electronics World + Wireless World* July 1993

High Quality PCB and Schematic Design for Windows 3/3.1 and DOS

- Supports over 150 printers/plotters including 9 or 24 pin dot-matrix, DeskJet, LaserJet, Postscript, and HPGL. Professional Edition imports GERBER files, and exports GERBER and NC-DRILL files.
- Up to 200,000 pads/track nodes depending on memory. Simple auto-router and schematic capture tools with SPICE compatible net-list output.
- Low cost DOS version (reduced features) also available. Ring for full details!



"Quickroute provides a comprehensive and effective introduction to PCB design which is a pleasure to use" *Radio Communication* May 1993.



POWERware, Dept EE, 14 Ley Lane, Marple Bridge, Stockport, SK6 5DD, UK.
Ring us on 061 449 7101 or write, for a full information pack.

Quickroute is available for Windows 3/3.1 in Professional (£99.00) and Standard (£59.00) editions, and for DOS with reduced features (£49.00). All prices inclusive. Add £5 P+P outside UK.

Quickroute

from
£49

SOME POPULAR BARGAINS

MOTORS - BATTERY 1-12V

3 DIFFERENT MODEL MOTORS, £1, Order Ref. 35.
 SPIN TO START 3V DC MOTORS for model aircraft etc. 5 for £1, Order Ref. 134.
 CASSETTE MOTOR 1.5-12V, powerful, speed increases with voltage, £1, Order Ref. 224.
 MINI CASSETTE MOTOR, 6-9V working, £1, Order Ref. 944.
 HIGH EFFICIENCY MOTOR for solar cell working, £1, Order Ref. 643.
 12V MOTOR, ex BSR record player, £1, Order Ref. 687.
 9V CASSETTE MOTOR, brushless, £1.50, Order Ref. 1.5P14.
 1/10HP 12V DC MOTOR, Smiths, £4, Order Ref. 4P22.
 1/8HP 12V MOTOR, Smiths, £8, Order Ref. 6P1.
 1/8HP 12V MOTOR, Smiths, £8, Order Ref. 8P14.
 1/3HP MOTOR, (Sinclair C5), £15, Order Ref. 15P8.

MAINS MOTORS WITH GEARBOXES

5RPM 60W, £5, Order Ref. 5P54.
 25RPM 60W, £8, Order Ref. 6P35.
 40RPM 100W, £8, Order Ref. 6P21.
 50RPM 60W, £5, Order Ref. 5P168.
 60RPM 60W, £8, Order Ref. 6P36.
 110RPM 60W, £5, Order Ref. 5P172.
 150RPM 60W, Order Ref. 5P169.
 200RPM 60W, £5, Order Ref. 5P216.
 500W MOTOR with gearbox & variable speed selector, 100rpm upwards, £5, Order Ref. 5P220.
 1 REV PER 24 HRS 2W MOTOR, £1, Order Ref. 89.
 1 REV PER 12 HRS 2W MOTOR, £1, Order Ref. 90.
 1 REV PER 4 HRS 2W MOTOR, £2, Order Ref. 2P239.
 1 REV PER HOUR 2W EXTRA SMALL MOTOR, 2 for £1, Order Ref. 500.
 1/2RPM MINI MOTOR, £3, Order Ref. 3P64.
 1RPM MINI MOTOR, £2, Order Ref. 2P328.
 4RPM 2W MOTOR, £1, Order Ref. 446.
 15RPM 2W MOTOR, £2, Order Ref. 2P321.
 25RPM 2W MOTOR, £2, Order Ref. 2P322.
 200RPM 2W MOTOR, £1, Order Ref. 175.
 250RPM 2W MOTOR, £1, Order Ref. 750.

MAINS MOTORS

1/2 STACK MOTOR with 1/4" spindle, £1, Order Ref. 85.
 MOTOR 1 1/2" STACK with good length spindle from each side, £2, Order Ref. 2P55.
 MOTOR 1 1/2" STACK with 4" long spindle, £2, Order Ref. 2P203.
 MOTOR BY CROMPTON .06HP but little soiled, £3, Order Ref. 3P4.
 JAP MADE PRECISION MOTOR balanced rotor reversible, 1500rpm, £2, Order Ref. 2P12.
 TAPE MOTOR BY EMI, 2 speed & reversible, £2, Order Ref. 2P70.
 VERY POWERFUL MAINS MOTOR, with extra long (2 1/2") shafts extending out each side. Makes it ideal for a reversing arrangement for, as you know, shaded pole motors are not reversible, £3, Order Ref. 3P157.

MOTORS - STEPPER

MINI MOTOR BY PHILIPS, 12V-7.5 degree step, quite standard, data supplied, only £1, Order Ref. 910.
 MEDIUM POWERED Jap made 1.5 degree step, £3, Order Ref. 3P162.
 VERY POWERFUL MOTOR by American Philips 10-14V 7.5 degree step, £5, Order Ref. 5P81.

LOUDSPEAKERS

2" ROUND 50 OHM COIL 1/2W, 2 for £1, Order Ref. 908.
 2 1/2" 8 OHM, 2 for £1, Order Ref. 454.
 2 1/2" 35 OHM, 2 for £1, Order Ref. 514.
 3 1/2" 8 OHM, 2 for £1, Order Ref. 682.
 6 1/2" 4 OHM WITH TWEETER, £1, Order Ref. 895.
 6 1/2" 8 OHM, £1, Order Ref. 896.
 6 1/2" 8 OHM WITH TWEETER, £1, Order Ref. 897.
 8" x 4" 4 OHM, £1, Order Ref. 242.
 5" x 5" 15 OHM, £1, Order Ref. 906.
 5" x 3" 18 OHM, £1, Order Ref. 725.
 6" x 4" 18 OHM, 2 for £1, Order Ref. 684.
 6" 15 OHM AUDAX, £1, Order Ref. 504.
 9" x 3" 8 OHM 5", £1, Order Ref. 138.
 3" 4 OHM TWEETER, £1, Order Ref. 433.
 GOODMANS 8 1/2" 10W 4 OHM, £2, Order Ref. 2P27.
 HORN SPEAKER, 4 1/2" 8 OHM, £3, Order Ref. 3P82.
 20W 5" BY GOODMAN, £3, Order Ref. 3P145.
 20W 4" OHM TWEETER, £1.50, Order Ref. 1.5P9.
 AMSTRAD 6" 15W 8 OHM with matching tweeter, £4, Order Ref. 4P57.
 CASED PAIR OF STEREO SPEAKERS BY BUSH, 4 ohm, £5 per pair, Order Ref. 5P141.
 DOUBLE WOUND VOICE COIL, 25W ITT, with tweeter and crossover, £7, Order Ref. 7P12.
 BULKHEAD SPEAKER metal cased, £10, Order Ref. 1043.
 25W 2 WAY CROSSOVER, 2 for £1, Order Ref. 22.
 40W 3 WAY CROSSOVER, £1, Order Ref. 23.

MONITORS AND BITS

PHILIPS 9" HIGH RESOLUTION MONITOR, £15, Order Ref. 15P1.
 METAL CASE for the above Philips monitor, £12, Order Ref. 12P3.
 PHILIPS 9" HIGH RESOLUTION TUBE, ref. M24 306W, £12, Order Ref. 12P7.
 6" ELECTROSTATIC MONITOR TUBE, ref. SE5J31, £10, Order Ref. 10P104.
 MINI SCOPE TUBE face size, 2" x 2 1/2", electrostatic 3V heater, 1KV, in mu metal shield, £10, Order Ref. 10P73.

250W LIGHT DIMMERS, on standard switch plate so would simply replace existing switch. Available in colours: green, red, blue and yellow or could be emulsified if colour not suitable, £2.50 each, Order Ref. 2.5P9.

LCD 3 1/2" DIGIT PANEL METER, this is a multi range voltmeter/ammeter using the A-D converter chip 7106 to provide 5 ranges each of volts and amps. Supplied with full data sheet. Special snip price of £12. Order Ref. 12P19.

12V-0-12V 8VA PCB MOUNTING MAINS TRANSFORMER, normal 230V primary and conventional open winding construction, £1, Order Ref. 938.

AMSTRAD 3" DISK DRIVE brand new. Standard replacement or why not have an extra one? £20, Order Ref. 20P28.

THIS COULD SAVE YOU EXPENSIVE BATTERIES, an in car unit for operating 6V radio, cassette player, etc. from car lighter socket, £2, Order Ref. 2P318.

MEDICINE CUPBOARD ALARM, or it could be used to warn when any cupboard door is opened, built and neatly cased, requires only a battery. £3, Order Ref. 3P155.

FULLY ENCLOSED MAINS TRANSFORMER, on a 2M 3-core lead terminating with a 13A plug. Secondary rated at 6V 4A. Brought out on a well insulated 2-core lead terminating with insulated push on tags, £3, Order Ref. 3P152. Ditto but 8A, £4, Order Ref. 4P69.

DON'T LET IT OVERFLOW, be it bath, sink, cellar, sump or any other thing that could flood. This device will tell you when the water has risen to the pre-set level. Adjustable over quite a useful range. Neatly cased for wall mounting, ready to work when battery fitted. £3, Order Ref. 3P158.

DIGITAL MULTI TESTER MG3800, single switching covers 30 ranges including 20A AC and DC, 10 MEG input impedance, 3 1/2" LCD display. Complete with lead. Currently advertised by many dealers at nearly £40, our price only £25, Order Ref. 25P14.

ANALOGUE TESTER, input impedance 2K ohms per volt. It has 14 ranges, AC volts 0-500 DC volts 0-500, DC current 50 micro amps at 250 milliamper, resistance 0-1meg-ohm, decibels 20 56dB. Fitted diode protection, overall size 90 x 60 x 30mm. Complete with test prods, £7.50, Order Ref. 7.5P8.

LCD CLOCK MODULE, 1-5V battery operated, fits nicely into our 50p project box, Order Ref. 876. Only £2, Order Ref. 2P307.

SENTINEL COMPONENT BOARD, amongst hundreds of other parts this has 15 ICs all plug in so don't need desoldering. Cost well over £100, yours for £4, Order Ref. 4P67.

AMSTRAD KEYBOARD MODEL K85, this is a most comprehensive keyboard, having over 100 keys including of course full numerical and qwerty. Brand new still in maker's packing, £5, Order Ref. 5P202.

SOLAR PANEL BARGAIN gives 3V at 200mA, £2, Order Ref. 2P324.

INSULATION TESTER WITH MULTIMETER, internally generates voltages which enable you to read insulation directly in megohms. The multimeter has four ranges, AC/DC volts, 3 ranges DC milliamps, 3 ranges resistance and 5 amps. These instruments are ex-British Telecom but in very good condition, tested and guaranteed OK, yours for only £7.50 with leads, carrying case £2 extra. Order Ref. 7.5P4.

MAINS ISOLATION TRANSFORMER stops you getting "to earth" shocks, 230V in and 230V out. 150 watt upright mounting, £7.50, Order Ref. 7.5P5 and a 250W toroidal isolation, £10, Order Ref. 10P97.

MINI MONO AMP, on pcb. Size 4" x 2" with front panel holding volume control and with spare hole for switch or tone control. Output is 4W into 4 ohm speaker using 12V or 1W into 8 ohm using 9V. Brand new and perfect, only £1 each, Order Ref. 495.

EXPERIMENTING WITH VALVES don't spend a fortune on a mains transformer, we can supply one with standard mains input and secs. of 250V-0V-250V at 75mA and 6-3V at 3A, £5, Order Ref. 5P167.

0-1MA FULL VISION PANEL METER 2 1/2" square, scaled 0-100 but scale easily removed for re-writing, £1 each, Order Ref. 756.

PCB DRILLS, 12 assorted sizes between .75 and 1.5mm, £1 the lot, Order Ref. 128.

12V AXIAL FAN, for only £1, ideal for equipment cooling, brand new made by West German company. Brushless so virtually everlasting. Supplied complete with a circuit diagram of transistor driver, £1, Order Ref. 918.

PC OPERATING SYSTEMS, fully user documented and including software, MS-DOS 3.20, with 5" disk, £5, Order Ref. 5P2076; MS-DOS 3.3 with 3 1/2" disk, £5, Order Ref. 5P208, or with 5" disk, £5, Order Ref. 5P208/5; MS-DOS 4.01 with 3 1/2" disk, £10, Order Ref. 10P99.

45A DOUBLE POLE MAINS SWITCH. Mounted on a 6 x 3 1/2" aluminium plate, beautifully finished in gold, with pilot light. Top quality, made by MEM, £2, Order Ref. 2P316.

SOLAR ENERGY EDUCATIONAL KIT. It shows how to make solar circuits and electrical circuits, how to increase voltage or current, to work a radio, calculator, cassette player and to charge NiCad batteries. The kit comprises 8 solar cells, one solar motor, fan blades to fit motor and metal frame to hold it to complete a free-standing electric fan. A really well written instruction manual. £8, Order Ref. 8P42B.

POWER SUPPLIES - SWITCH MODE

(all 230V mains operated)
 ASTEC REF. BS1052 with outputs +12 .5A, -12V .1A, +5V 3A, +10V .05A, +5V .02A unboxed on pcb size 180 x 130mm, £5, Order Ref. 5P188.
 ASTEC REF. BM4 1004 with outputs +5V 3 1/2A, +12V 1.3A, -12V .2A, £5, Order Ref. 5P199.
 ASTEC No. 12530 +12V 1A, -12V .1A, +5V 3A, uncased on pcb size 160 x 100mm, £3, Order Ref. 3P14.
 ASTEC No. BM41001 110W 38V 2.5A, 25.1V 3A part metal cased with instrument type main input socket & on/off dp rocker switch size 354 x 118 x 84mm, £8.50, Order Ref. 8.5P2.
 ASTEC MODEL No. BM135-3302 +12V 4A, +5A 16A, -12V 0.5A totally encased in plated steel with mains input plug, mains output socket & double pole on/off switch size 400 x 130 x 65mm, £9.50, Order Ref. 9.5P4.

POWER SUPPLIES - LINEAR

(all cased unless stated)
 4-5V DC 150mA, £1, Order Ref. 104.
 5V DC 2 1/2A psu with filtering & volt regulation, uncased, £4, Order Ref. 4P63.
 6V DC 700mA, £1, Order Ref. 103. Ⓢ
 6V DC 200mA output in 13A case, £2, Order Ref. 2P112.
 6-12V DC for models with switch to vary voltage and reverse polarity, £2, Order Ref. 2P3.
 9V DC 150mA, £1, Order Ref. 762.
 9V DC 2-1A by Sinclair £3, Order Ref. 3P151.
 9V DC 100mA, £1, Order Ref. 733.
 12V DC 200mA output in 13A case, £2, Order Ref. 2P114.
 12V DC 500mA on 13A base, £2.50, Order Ref. 2.5P4.
 12V 1A filtered & regulated on pcb with relays & Piezo sounder, uncased, £3, Order Ref. 3P80.
 AMSTRAD 13-5V DC at 1-8A or 2V DC at 2A, £8, Order Ref. 6P23.
 24V DC at 200mA twice for stereo amplifiers, £2, Order Ref. 2P4.
 9-5V AC 600mA made for BT, £1.50, Order Ref. 1.5P7.
 15V 500mA AC on 13A base, £2, ref. 2P281.
 AC OUT 9-8V at 60mA & 15-3V at 150mA, £1, Order Ref. 751.
 BT POWER SUPPLY UNIT 206AS, charges 12V battery and cuts off output should voltage fall below pre-set, £16, Order Ref. 16P6.
 SINCLAIR MICROVISION PSU, £5, Ref. 5P148.

LASERS & LASER BITS

2MW LASER, Helium neon by Philips, full spec. £30, Order Ref. 30P1.
 POWER SUPPLY for this in kit form with case is £15, Order Ref. 15P16, or in larger case to house tube as well, £16, Order Ref. 18P2.
 THE LARGER UNIT, made up, tested and ready to use, complete with laser tube, £89, Order Ref. 69P1.

HEATING UNITS

LINEAR QUARTZ GLASS TUBES 360W, 2 in series for mains, £1, Order Ref. 907.
 1000W SPIRAL ELEMENTS for repairing fires etc. 3 for £1, Order Ref. 223.
 1000W PENCIL ELEMENTS, 2 for £1, Ref. 376.
 1-2KW MINI TANGENTIAL HEATER, ideal for under desk etc. £5, Order Ref. 5P23.
 2KW TANGENTIAL HEATER, £8, Order Ref. 6P30.
 3KW TANGENTIAL HEATER, £8, Order Ref. 8P24.
 WATER-PROOF HEATING WIRE, 60 ohms per metre, 15M is right length for connecting to mains, £5, Order Ref. 5P109.

The above prices include VAT but please add £3 towards our packing and carriage if your order is under £50. Send cheque or postal orders or quote credit card number.

M & B ELECTRICAL SUPPLIES LTD
 Pilgrim Works (Dept. E.E.)
 Stairbridge Lane,
 Bolney,
 Sussex RH17 5PA
 Telephone: 0444 881965
 (Also fax but phone first)
 Callers to 12 Boundary Road,
 Hove, Sussex.

Techniques

ACTUALLY DOING IT!

by Robert Penfold

IT IS some time since the all-important topic of soldering was covered in this feature. I think it is fair to say that soldering is something which puts off a number of would-be electronic project builders. This is a pity, because soldering is not really that difficult, and it is a skill that virtually anyone can master.

You are unlikely to produce really neat and professional looking soldered joints right from the start. Indeed, you may never produce really neat looking results.

Being practical about matters though, it does not really matter whether or not a finished project is built to professional standards. Provided the joints are mechanically and electrically sound, the project will work, which is all that really counts. If you progress to the point where you produce really professional looking results, so much the better.

TOOL FOR THE JOB

Some of the tools needed for electronic project construction are to be found in many household tool chests. However, suitable soldering equipment is something that you will almost certainly have to buy specially. There are plenty of very expensive soldering iron stations available, offering variable temperature control, thermostatic control, etc., etc.

Fortunately, for project construction a basic iron costing about ten pounds is perfectly adequate. I have used irons of this type to build what must be in excess of a thousand projects, and have never found the need for anything a bit more up-market.

On the other hand, I could not recommend very cheap soldering irons.

These might not be particularly long lived, and in my experience they usually produce too little heat. If you try to complete several joints in rapid succession the bit soon "freezes" to one of the joints. Some of these irons barely reach a high enough temperature to melt solder!

Modern project building tends to involve large numbers of very small soldered joints, and for this type of thing an iron having a rating of about 15 to 18 watts is ideal. The Antex model C and CS irons are available from most component retailers, and either of these should give many years of trouble-free use. The two Antex irons I currently use were bought so long ago that I could only guess at their ages!

BIT SIZE

Small electric soldering irons are normally supplied with a bit of about 2.3 millimetres in diameter. This is suitable for most project building, but when working on intricate circuit boards you might find it easier to use a bit having a diameter of only about one millimetre.

Spare bits of various sizes and shapes are readily available for the popular soldering irons, and changing the bit is a very simple task. Note that over a period of time the end of the bit will corrode away, and a new bit will eventually have to be fitted.

A matching soldering iron stand is an *essential* piece of equipment, and it should only cost a few pounds. These usually consist of a plastic base section on which a sort of large metal spring is mounted. The bit and shaft of the iron fit into the spring, which provides a safe resting place for the hot iron, as well as helping to remove excess heat

from the bit and element when the iron is not in use.

The base section of the stand is usually fitted with a sponge which can be used to clean the bit of the iron. The bit should only be cleaned on the sponge if the latter is moist. Otherwise the hot bit will simply burn the sponge, and the bit will probably end up dirtier rather than cleaner.

I have never found the sponge to be particularly useful for cleaning the bit. Cleaning blocks and other types of tip cleaner seem to be more efficient, and do not need to be kept wet.

STATE OF FLUX

The correct solder for electronic work is a 60/40 tin/lead multi-core type. This type of solder should be available from any component retailer, and will probably be the only type of solder that they sell. It is normally available in two thicknesses - 22 s.w.g. (0.71mm) and 18 s.w.g. (1.22mm). 22 s.w.g. solder is the best choice for modern project construction, but it is useful to have a small amount of 18 s.w.g. solder for the odd occasion when some large joints must be tackled.

It is advisable to buy the 22 s.w.g. solder in one of the larger size packs, or even as a 500g reel. Buying solder in small amounts is likely to be very expensive, and you will probably keep running out with projects 90 percent finished!

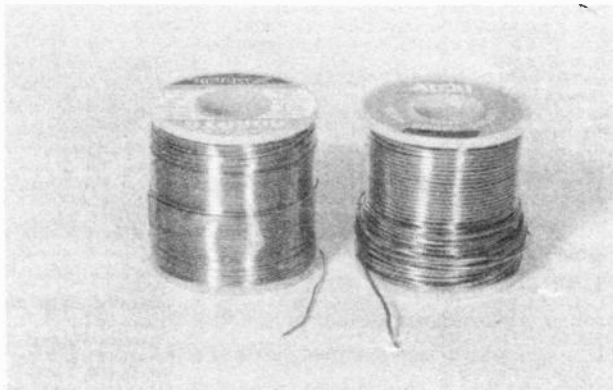
The cores in the solder are made of flux. This helps the solder to flow nicely over each joint. Flux also removes any slight corrosion or thin films of dirt on the surfaces to be joined. At one time dirt and corrosion on leads was a major problem, and it was necessary to clean the ends of leads before making each connection. Modern production line methods have led to the development of improved solders and wires which make this practice unnecessary.

You may occasionally be faced with a component that has been in storage for some time, and which has dirty or corroded leadout wires or tags. With such a component it is definitely advisable to clean the leads or tags. This is easily done with something like a piece of fine grade sandpaper, or by scraping the affected areas using the small blade of a penknife.

Provided you are using some form of ready-made printed circuit board it is unlikely that there will be any problems



A 15 to 18 watt iron plus stand should cost about £14, and last many years.



Multicore solder reels. 22 s.w.g. solder (left) and 18 s.w.g. solder (right). 22 s.w.g. is best for most project building.

with dirt or corrosion on the copper side of the board. Virtually all ready-made boards are coated with a thin protective film which also acts as a flux. However, if there should be any signs of dirt or corrosion on a circuit board it is a good idea to thoroughly clean the entire copper side of the board.

Special printed circuit polishing blocks can be obtained, but wire-wool or a piece of scouring pad (such as "Brillo" pad) used *gently* will also do the job well. Home-made printed circuit boards should always be cleaned in this way prior to fitting the components.

WHILE THE IRON'S HOT

Do not worry if a new iron produces a certain amount of smoke when it is first switched on. There are usually protective coatings on the element and bit which will burn off as the iron heats up. There may also be a certain amount of dust on the element which will burn away.

Once the iron is hot enough it is important to "tin" the bit with a small amount of solder. In other words, simply melt a small amount of solder onto the tip of the bit, so that it is fully coated with solder.

It is important that the bit is "tinned" soon after it reaches a high enough temperature. Waiting too long can result in the bit failing to "tin" properly, with the solder simply falling off the bit. Once this happens, it seems to be almost impossible to get the bit into proper working order.

In use the tip of the bit should always have a thin coating of fresh solder. The bit will therefore need to be wiped clean periodically, and given a fresh "tinning". This ensures that there will be good thermal contact between the bit and the two pieces of metal that are being joined. This is an important factor, and good quality joints will only be produced if both pieces of metal are properly heated up.

SEQUENCE

When producing soldered joints the most important thing is to work through the sequence of events in the right order. When soldering components onto some form of printed circuit board this means fitting the first component in place, and then trimming

the leads to length on the underside of the board. Use proper wire cutters for this, and leave about three millimetres of wiring protruding on the underside of the board.

Soldering is a two-handed job, so something must be used to hold the component in place while it is soldered to the board. Special printed circuit assembly frames are available, but some Bostik "Blue-Tack" provides a simple and inexpensive means of holding components in place.

Alternatively the component leads can be bent over slightly to hold the component, but this does make it more difficult to remove the component later if necessary. Most constructors soon devise their own pet ways of handling this problem.

Next the tip of the bit should be applied simultaneously to the copper pad and the end of the leadout wire. It is very important that the bit is applied *before* the solder, so that the surfaces to be joined have time to heat up before the solder is fed in. This helps to ensure that the solder will flow properly and produce a good joint. The wire and copper pad will heat up very rapidly when the iron is applied, so only wait about half a second before feeding in the solder.

ENOUGH SOLDER

Apply enough solder to give a good covering over the surfaces to be joined. A certain amount of smoke will be produced, but this is just the flux burning away. Do not make the classic beginners mistake of applying solder to the bit and then trying to pour this onto the joint.

If you do this the flux will largely burn away before the solder reaches the leadout wire and pad. Also, the solder will not flow properly onto the cold metal surfaces. The "pour it on" method more or less guarantees a high percentage of bad joints, or "dry" joints as they are usually termed.

If you get everything right, a completed joint should be volcano-shaped, with the end of the leadout wire protruding through the "crater". If the joint is obviously non-symmetrical, it is not necessarily a bad one, but this is not a good sign.

If the lopsidedness is due to a lack

of solder, this should be fairly obvious, since parts of the wire and copper pad will still be visible. It is then just a matter of applying the iron and the solder again, to complete the joint.

If too much solder has been used, this should also be fairly obvious. In some cases the solder will flow across to another joint, producing a bridge of solder. In other cases there will be a large blob of solder extending upwards from the joint. In either event it is best to remove the solder and redo the joint or joints.

The best low cost tool for removing solder is a desolder pump of the type which has a spring-loaded piston. These only cost a few pounds, but they are easy to use and very effective. These days, a desoldering tool is just as essential as a soldering iron and solder. However expert you become, you will still produce some solder bridges from time to time.

Occasionally the solder may not flow over the joint properly. This can give a joint which is quite strong physically, but which does not provide a proper electrical contact. There may be no immediately obvious signs that a "dry" joint has been produced, but in most cases there will be some outward signs of trouble.

A "dry" joint is often globular in appearance, and the surface of the solder tends to have a dull appearance instead of the normal shiny metallic finish. There may also be a lot of partially burnt flux on and around the joint.

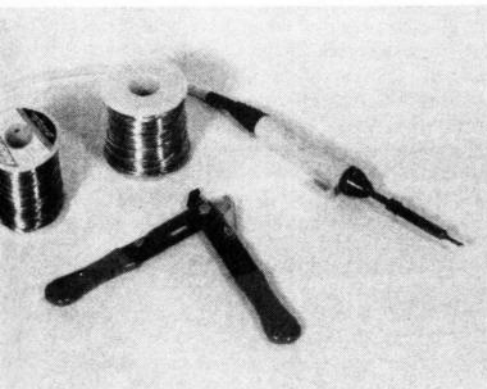
PRACTICE MAKES PERFECT

It would be unrealistic to expect perfect results the first time you try your hand at soldering. It is a good idea to practise soldering using a piece of stripboard, some wire, a few resistors, and a couple of d.i.l. integrated circuit holders. Start by soldering the resistors to the board, together with some link-wires.

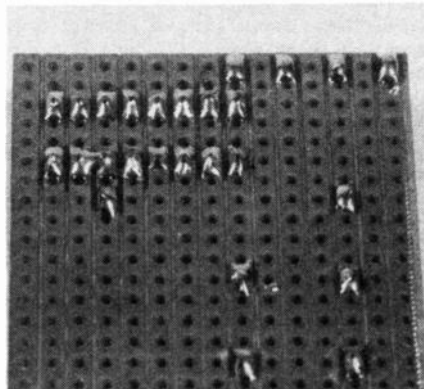
Once you have become reasonably proficient, try fitting the integrated circuit holders. These are slightly more difficult due to the rows of closely spaced connections. Try to avoid solder bridges, then deliberately produce a few so that you practise removing them.

Although most interconnections are carried via the circuit board, virtually all projects involve a certain amount of hard wiring (i.e. wires soldered between pairs of component tags or pins). You can practise this type of thing by fitting a few solder pins onto the piece of stripboard. Then try wiring pairs of pins together. There is probably no point in trying to produce ultra-neat results with this type of wiring. Loop the end of the wire around the top of the pin so that it is loosely held in place, and then apply plenty of solder.

Practising on a "dummy" circuit board might seem to be a bit wasteful, but it is time and money well spent. Having become reasonably proficient at soldering, your chances of success with your first project are very high.



The basic soldering equipment combined with wire clippers/strippers.



These solder joints are sound, but spot the "solder bridge".

FOX REPORT by Barry Fox



KODAK PICTURE EXCHANGE

When visiting Eastman Kodak's Headquarters in Rochester, NY State recently, I got the chance to try KPX, the new Kodak Picture Exchange. Since the end of November 1993 this has been providing newspapers, magazines and TV stations a 24 hour a day, one stop access service to 17 of the world's leading stock picture agencies.

With KPX, picture editors need no longer phone round several agencies, searching for the right picture to illustrate an article. Instead they can use a personal computer and electronic mail modem to search through a master index of pictures from all agencies, digitally stored in the central Kodak database. The editor can then call up low resolution images of his likely choices before making a final selection.

Picture agencies stock up to 6 million pictures each, and currently charge between \$75 and \$150 to search out a selection of pictures to fit a client's order. They then charge \$15 to send paper prints by courier for approval. Magazines pay a penalty of up to \$1500 for any picture not returned. All this is before negotiating a copyright fee for any picture published. If an editor puts the same request to three agencies, the basic search cost is tripled.

"We are offering a brokerage service", says Roger Hansen, Marketing Manager for KPX. "We put people who want to buy images in contact with those who want to sell them".

Kodak uses a high resolution scanner to convert an agency's images into digital code and then store them on magnetic disc at its Rochester base. Each image is indexed, by key words, to describe the content. A magazine pays a one-off charge of \$400 for software which lets a personal computer dial the KPX database at a fixed search rate of \$1.42 a minute.

The searcher enters a string of key words and the screen displays a list of all pictures that fit the bill. I tried "trumpet" and "jazz" and got a long list. Refining the search to "Louis Armstrong" shortened the list to a few that looked hopeful. The KPX digital store then sends low resolution images of the short list down the telephone line, for display on the PC screen. These images show what the picture depicts (e.g. Louis on stage, in mug shot and at home) but are deliberately not of good enough resolution for the magazine to use.

On average it takes around 15 minutes of search time, costing \$20, for a magazine picture editor to find an image that fits the bill. KPX levies a fee of \$16 for each thumbnail image sent down the line. When the searcher makes a choice,

the KPX alerts the agency which then phones to negotiate a fee and send a full resolution print by courier.

The original image is scanned into the KPX computer store using the same technology that Kodak uses to scan Photo CD images for storage on a compact disc. The print or transparency is scanned in a raster of 2048 x 3072 picture points or pixels, with red, green and blue colour content at each pixel converted into 12-bit digital code. This generates a data package of 27 Megabytes, which is compressed to around 4.5 Megabytes for storage. At this resolution, all the detail in the original picture is captured, making KPX futureproof.

It is not usually feasible to send full resolution images by phone line. A conventional line and EMAIL modem supports a data rate of only around 10 kilobits/second and a full resolution image requires at least 35 Megabits of data (4.5 Mbytes). So one picture would take an hour to send.

COPYRIGHT

Technology is not the only reason why the picture libraries still prefer to send out prints or transparencies. ISDN lines would speed delivery to a few minutes. "The agencies are nervous about copyright" explains Hansen. If KPX sends a full resolution image in digital code down a telephone line, anyone who receives that image is free to copy it as many times as they wish, as easily as copying computer text.

Kodak charges agencies between \$2 and \$5 per image scanned, depending on picture size, around \$3 per image for indexing and a storage fee of \$1 per image per year. But the agency will no longer have to publish expensive colour catalogues annually.

Already 17 international agencies including the Hulton-Deutsch Collection, Animals/Earth Scenes and EMPICS of Nottingham, have signed up and are storing images in the KPX. Access is so far available only in the US, but Kodak plans to offer the service in Europe during 1994.

The next generation of KPX technology will offer thumb nail movie sequences, so that TV and film producers can choose stock footage from film and video libraries. The MPEG compression system used to store Full Motion Video on a CD-I disc, needs a data stream of just over 1 Megabit/second for VHS quality video. Modern modems can support 15 or 20 kilobit/s, which should give picture quality good enough for film and TV producers to select stock sequences.

SHOCKING

My report on last year's Berlin Show mentions a nasty gadget which puts up to 175,000 volts through anyone unlucky enough to get in its way. Although ostensibly for self-defence, the opportunities it offers muggers are obvious. So, I should have thought, were the risks.

Anyone who has got a belt from the 25,000 volts or so on the sparking plug leads of a car will know how nasty high voltage shocks can be, even when the current flow is low. So I phoned the British Medical Association for some expert opinion.

The BMA does not itself give opinions, but has a database of experts who will. It took the BMA twenty-four hours, and a reminder, to come up with an expert on electric shock. He was a retired professor of medicine and after phoning him I began to understand why gadgetry like this can get onto the market. In the Professor's own words he wanted to "dissect the problem".

Was I an electrical engineer? Was I a doctor? So I was a journalist then? Yes.

He then explained to me what I had already explained to him, namely that the current flow would be low and depend on whether the electrodes were prodded against clothing, or bare skin, either wet or dry. In Berlin the demonstrator had boasted that the device would "work even through leather clothing".

My concern, I kept saying, is what might happen if someone used one of these devices against an elderly person with a weak heart, or a child.

"Well, it all depends," the Prof would then say and go off on yet another ramble and lecture.

"So are you prepared to say it is not dangerous?" I asked.

"Oh no, you are not going to catch me like that," he came back, and started off on another ramble.

Fortunately the BMA had given me two other names of doctors who specialised in electric shock. And both saw the risk immediately. Said Dr. Tar-Ching Aw of the Institute of Occupational Health in Birmingham. "I would most certainly worry about someone using 175,000 volts as a weapon, especially on someone with a weak heart or worse, a pacemaker."

Said Dr. Julian Kenyon of the Centre for the Study of Complementary Medicine in Southampton. "It sounds potentially lethal."

I was left uncharitably wondering how the retired professor will feel if he is one day mugged by someone with a 175 kilovolt shocker. I suspect he will very quickly stop wanting to dissect the problem and recognise the risk.

OUT NOW!!

HENRY'S
NEW
1994
COLOUR
CATALOGUE
TRADE • EDUCATION
RETAIL • MAIL ORDER
EXPORT



Open 6 days a week - CALLERS WELCOME

HENRY'S

404 Edgware Road, London W2 1ED

Components Telephone: 071-723 1008

Security • Communications Telephone: 071-724 0323

Audio and Test Instruments Telephone: 071-724 3564

Trade/Quantity Telephone: 071-258 1831 Fax: 071 724 0322

RETAIL - MAIL ORDER VERSION

With price lists, special offers and purchase vouchers. Send PO/Cheque £4.00 (UK) £6.00 (EC) £10.00 (Non EC) Callers £2.00.

Education, trade, quantity purchasers

Post or fax letterhead for **FREE** copy with trade/quantity price list (UK).

Overseas prices as above.

N. R. BARDWELL LTD (EPE)

200	Signal diodes 1N4148.....	£1.00
75	Rectifier Diodes 1N4001.....	£1.00
50	Rectifier Diodes 1N4007.....	£1.00
56	Rectifier Diodes 1N5401.....	£1.00
100	Asstd. Zeners.....	£1.00
10	NE555 Timer ICs.....	£1.00
30	BC478 Transistors.....	£1.00
8	BFY51 Transistors.....	£1.00
30	BC558 Transistors.....	£1.00
30	MPSA42 Transistors.....	£1.00
30	5mm red l.e.d.s.....	£1.00
25	Asstd. high brightness l.e.d.s.....	£1.00
24	Miniature red l.e.d.s 3mm dia.....	£1.00
50	Axial l.e.d.s (Diode package) wide angle l.e.d.s.....	£1.00
12	Asstd. seven segment displays.....	£1.00
30	Asstd. IF transformers.....	£1.00
48	Asstd. coil formers.....	£1.00
100	Asstd. RF chokes (inductors).....	£1.00
30	Asstd. connectors edge-dit-sil etc.....	£1.00
10	4P-3W MBB min. rotary switches.....	£1.00
20	1 inch Glass reed switches.....	£1.00
20	Magnetic ear pips plus lead & plug.....	£1.00
30	Min SP/CO slide switches.....	£1.00
30	Asstd. d.i.l. sockets up to 40 pin.....	£1.00
20	24-way turned pin IC sockets.....	£1.00
24	24 pin d.i.l. wire wrap IC sockets.....	£1.00
2	ORP12 light dependant resistors.....	£1.00
50	5mm plastic l.e.d. holders (for tapered l.e.d.s).....	£1.00
200	Asstd. disc ceramic capacitors.....	£1.00
80	Asstd. capacitors 1nf to 1uf.....	£1.00
80	Asstd electrolytic capacitors.....	£1.00
80	10UF 16V Radial electrolytics.....	£1.00
80	4.7UF 16V Radial electrolytics.....	£1.00
75	4.7UF 50V Radial electrolytics.....	£1.00
80	10UF 16V Radial electrolytics.....	£1.00
50	10UF 50V Radial electrolytics.....	£1.00
40	22UF 25V Radial electrolytics.....	£1.00
60	33UF 25V Radial electrolytics.....	£1.00
80	100UF 10V Radial electrolytics.....	£1.00
50	220UF 16V Radial electrolytics.....	£1.00
60	470UF 10V Radial electrolytics.....	£1.00
20	1000UF 10V Axial electrolytics.....	£1.00
12	1000UF 25V Axial electrolytics.....	£1.00
1	1 Farad 5.5V memory back up capacitor.....	£1.00
100	4N7 Mini Axial capacitors.....	60p
1	10 watt Stereo amplifier, 4 controls plus data.....	£2.95

Prices include VAT postage £1.25. Stamp for Lists 288 Abbeydale Road, Sheffield S7 1FL Phone (0742) 552886 Fax (0742) 500689

revised edition

TRANSMITTERS

AT LAST. A fully comprehensive, easy to follow guide to building short range micro transmitters. Packed with useful information and circuits.

- ★ How to build micro surveillance devices.
- ★ Radio mics.
- ★ Tracking and signaling transmitters.
- ★ Only **£3.95** inc p&p.

(Some of the circuits included can not be used legally in the UK)



KITS

MICRO FM TRANSMITTER. 1 mile range, very small including mic. Pick up on any FM radio. **£6.95**

TRACKING FM. Transmits a constant pulse tone that can be used for direction finding, tracking cars or animals etc. **£8.50**

AM RADIO. Tuner and power amp that make a tiny AM radio. Will drive a small pair of headphones. Easy to make and fun to use. **£8.50**

INFRA RED REMOTE CONTROL. Simple but effective remote control of relay switch up to 10 metres. Ideal for car alarms, light switches etc. Includes 240V relay. **£10.50**

MUSIC KITS

PREAMPS

POWER AMPS

Full range of on board units for guitars etc. - active tone controls/boosters, wah wah and other effects kits - send for list.

Prices include P&P. Mail order only.

Make cheques and postal orders payable to:

JCG

3 Bainbridge Road, Headingley, Leeds LS6 3AD.

4 SIMMS from £24.99

Convert redundant, or reclaimed, DIL (Dual In Line) DRAM into modern 30 Pin SIMMS suitable for most PC motherboards. Kit includes plated through PCB and filter capacitors. Requires soldering of your memory modules to complete.

256K 3 Chip, requires 2 off 256Kx4, 1 off 256Kx1 £6.95, £24.99 for 4
 1M 3 Chip, requires 2 off 1Mx4, 1 off 1Mx1 £8.95, £31.50 for 4
 256K 9 Chip, requires 9 off 256Kx1 (1.5"x3.5") £6.95, £24.99 for 4
 1M 9 Chip, requires 9 off 1Mx1 (1.5"x3.5") £8.95, £31.50 for 4
 Prices exclude Postage and Packing (£1.50) and VAT



SUSSEX COMPUTER SUPPLIES

Call 0444 415136

Fax 0444 440467

or send SAE for more details.

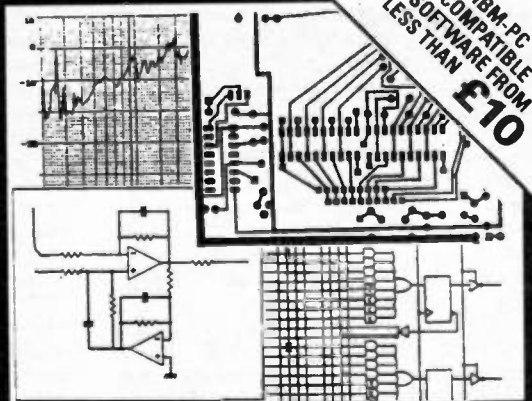
PO Box 283
 Haywards Heath
 Sussex
 RH17 5FT

- **SCHEMATICS** ■ **CIRCUIT ANALYSIS**
 - **PCB DESIGN** ■ **BUSINESS PACKAGES**
 - **TRY-BEFORE-YOU-BUY SOFTWARE**
- WITH OUR SHAREWARE/PD DISTRIBUTION SETS!

Ask for our latest Catalogue.

PROFILE ELECTRONICS

100-102 WOODHOUSE ROAD, LEYTONSTONE, LONDON E11 3NA. TEL. 081 470 2038 (24 Hours)



Home Base

Jottings of an electronics hobbyist – Terry Pinnell

What do you Mean, Mean?

I wouldn't say I was penny-pinching (well, I wouldn't, would I?) In fact, if pressed (not very hard) I'd modestly admit to thinking of myself as a generous sort of chap. So why do I get so much pleasure out of making things from junk?

Saving money is part of it of course, but I think it's mainly about the creative spirit. Salvaging cast-off materials and turning them to good purpose appeals to the inventive streak in me. (By the way, searching just now for another word for "creative", the built-in thesaurus in my word processor, Microsoft's Works for Windows package, suggested the strange synonyms: lovely, poetic, elegant, artistic, beautiful, decorative and musical. It's normally pretty good, but it's way off target with all seven of those!)

Anyway, returning to my theme, I definitely get some satisfaction out of rescuing domestic flotsam and jetsam and putting it to good effect in my electronics.

Making the Case

Improvising cases for projects is a particularly fruitful area. There are so many common-or-garden items that can make useful housings for electronics gadgets. It helps to be a bit of a hoarder of course, a trait which I have admitted earlier in *Home Base*, because you then have a large potential source of raw materials. You don't necessarily have to save everything in sight. After a while you develop a sense of what is likely to be useful and what will for ever remain just junk – although on the evidence of my loft, this skill can take a decade or two to acquire!

Although there are nowadays (thankfully) a tiny fraction of the pipe-smokers around compared with when I started this hobby, it may well still be easy to get hold of empty tobacco tins. Having kicked the

habit some years earlier, I wrote to a tobacco manufacturer and they kindly sent me a gross. (I suppose in these modern metricated times they would send a 100! Surely not 10?)

The two ounce tins make excellent cases for small projects, particularly small pieces of test equipment and such like. They are well-screened against r.f. interference (both incoming and outgoing) and are easy to finish smartly, readily taking spray-on cellulose or enamel paint or transfer lettering (or both).

You can also get a PP3 battery neatly inside, holding it tight with either a piece of sponge or a specially shaped tin or aluminium bracket. I've made a couple of dozen projects inside such tins, and a few others with "double-decker" versions, such as in my Electronic Mousetrap which I rambled on about in this column a few months ago.

Guttered

A less common source of cases is plastic guttering of the kind in the attached photograph. Actually, that Buzz-Bar project for a young relative illustrates a couple of other examples of improvising junk too. I see that an old coathanger from the local dry-cleaners was pressed into service in the star role of Bar, and a tubular piece of plastic from a pen formed the probe. Even the two chunky toggle switches were probably courtesy of some dark surplus components shop or mail-order outfit, for a few pence each.

But coming back to the square-section guttering itself, it has some nice advantages for cases. Apart from being strong and good looking and accepting transfers easily, it can be cut to any length, so you can tailor it for your particular project. It also holds a PP9 battery as if it was made for it, like a bullet in a rifle, and you can get easy access to that or the electronics via the push-fit end pieces. These also serve to raise the whole case above the surface,

avoiding scratching and allowing self-tapping screws or nuts and bolts to be used if necessary on the bottom.

Marley certainly had no more intention of this purpose for their rain guttering than Benson & Hedges did for their tobacco tins, but they both do the job splendidly in the right circumstances.

Watch Out

The second photograph shows examples of two small cases made from other surplus items. Both are plastic presentation boxes of the sort that you normally either throw away as soon as you get the item home or else stick in a draw to await that unpredictable return-to-maker if something ever goes wrong.

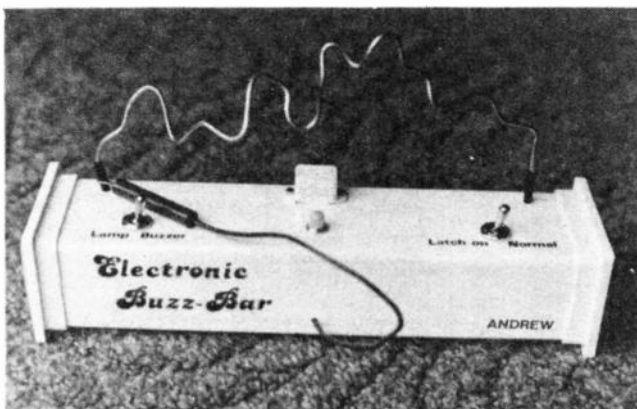
The flat rectangular one initially held a watch and proved ideal for a small metal detector. I recall that I was struck with a rare attack of d.i.y. but decided to first seek out safe bits of wall before launching out wildly with my Black & Decker.

Its radiating coil was mounted flushly at one end and the case just held a PP3 battery as well as the circuit board. It can't be seen too well in the photograph, but there is a small knob to adjust the circuit to equilibrium, so that the green l.e.d. is just off when there is no metal in the immediate vicinity, and it lights up as soon as the coil is about 100mm or less from metal (and that includes the copper of a mains wire of course). Despite having a strongly sprung lid (as is usually true with jewellery and watches) a single screw was used to keep it closed.

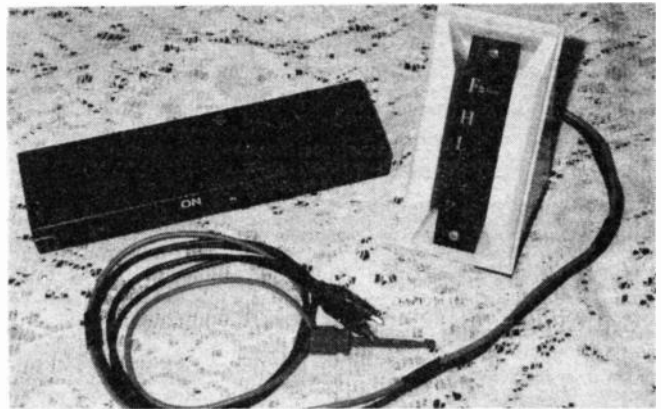
The light-coloured, wedge-shaped case also originally held a watch. With a bit of fiddling, removing unwanted innards, and the addition of a small strip of plastic, I made a useful logic probe from it. The power supply is taken from the CMOS circuit under test and the three l.e.d.s show High, Low or Pulses, with a "Floating" condition indicated when none of them are on. Because of its shape, the l.e.d.s are much easier to see than if a conventional flat case had been used.

One snag was that, being so light and having such a small base, it tended to slide around a bit. But a couple of strips of self-adhesive window draught excluder stopped that, and it has been in regular use on my bench for many years now.

Junk or a potential project? Hang onto it, just in case.



Buzz-Bar project housed in a section of plastic guttering.



A metal detector and a logic probe housed in different types of watch cases.



ELECTRONICS TEACH-IN 88/89 - INTRODUCING MICROPROCESSORS
 Mike Tooley BA (published by *Everyday Electronics*)
 A complete course that can lead successful readers to the award of a City and Guilds Certificate in Introductory Microprocessors (726/303). The book contains everything you need to know including full details on registering for assessment, etc.
 Sections cover Microcomputer Systems, Micro-processors, Memories, Input/Output, Interfacing and Programming. There are various practical assignments and eight Data Pages covering the most popular microprocessors.
 An excellent introduction to the subject even for those who do not wish to take the City and Guilds assessment.
 80 pages (A4 size) **Order code T1-88-89 £2.45**

ELECTRONIC PROJECTS BOOK 1
 Published by *Everyday Electronics* in association with *Magenta Electronics*.
 Contains twenty of the best projects from previous issues of EE each backed with a kit of components. The projects are: Seashell Sea Synthesiser, EE Treasure Hunter, Mini Strobe, Digital Capacitance Meter, Three Channel Sound to Light, BBC 16K sideways Ram, Simple Short Wave Radio, Insulation Tester, Stepper Motor interface, Eprom Eraser, 200MHz Digital Frequency Meter, Infra Red Alarm EE Equaliser Isolator, Bat Detector, Acoustic Probe, Mainstater and Fuse Finder, Light Rider - (Lapel Badge, Disco Lights, Chaser Light), Musical Doorbell, Function Generator, Tilt Alarm, 10W Audio Amplifier, EE Buccaneer Induction Balance Metal Detector, BBC MIDI interface, Variable Bench Power Supply, Pet Scanner, Audio Signal Generator.
 128 pages (A4 size) **Order code EPT1 £2.45**

ELECTRONICS TEACH-IN No. 3 - EXPLORING ELECTRONICS (published by *Everyday Electronics*)
 Owen Bishop
 Another EE value for money publication aimed at students of electronics. The course is designed to explain the workings of electronic components and circuits by involving the reader in experimenting with them. The book does not contain masses of theory or formulae but straightforward explanations and circuits to build and experiment with.
 Exploring Electronics contains more than 25 useful projects, assumes no previous knowledge of electronics and is split into 28 easily digestible sections.
 88 pages (A4 size) **Order code T13 £2.45**

ELECTRONICS TEACH-IN No. 4 INTRODUCING DIGITAL ELECTRONICS (published by *Everyday Electronics*)
 Michael J. Cockcroft
 Although this book is primarily a City & Guilds Introductory level course (726/301), approximately 80% of the information forms a very basic introduction to electronics in general, it therefore provides an excellent introductory text for beginners and a course and reference book for GCSE students.
 Full details on registering for C&G assessment, details of assessment centres, components required and information on the course in general are given.
 The City & Guilds introduction to module 726/301 reads: "A candidate who satisfactorily completes this module will have a competence to identify basic components and digital integrated circuits and connect them together to form simple working circuits and logic units." This provides an excellent introduction to the book.
 112 pages (A4 size) **Order code T14 £2.96**

ELECTRONICS TEACH-IN No.5 GUIDE TO BUILDING ELECTRONIC PROJECTS
 Published by *Everyday Electronics*
 Due to the demand from students, teachers and hobbyists we have put together a range of articles from past issues of *Everyday Electronics* that will assist those involved with the construction of electronic projects.
 The book contains the complete *Project Development for GCSE* series.
 Contents: Features - First Steps in Project Building; Building with Verob; Project Development for GCSE; Getting your Projects Working; Guide to Printed Circuit Boards; Choosing and Using Test Equipment - The Multimeter, The Oscilloscope, P.S.U.s, Logic Probes, Digital Frequency Meters, Signal Generators, etc.; Data - Circuit Symbols; Component Codes; Resistors; Identifying Components; Capacitors; Actually Doing It - Understanding the Circuit Diagram, Component Codes, Mounting circuit boards and controls, Understanding Capacitors; Projects - Lie Detector; Personal Stereo Amplifier; Digital Experiments' Unit; Quizmaster; Siren Effects Unit; UV Exposure Unit; Low-cost Capacitance Meter; Personal Radio.
 88 pages (A4 size) **Order code T15 £2.95**

ELECTRONICS TEACH-IN No. 6 DESIGN YOUR OWN CIRCUITS
 (Published by *Everyday with Practical Electronics*)
 Mike Tooley B.A.
 This book is designed for the beginner and experienced reader alike, and aims to dispell some of the mystique associated with the design of electronic circuits. It shows how even the relative newcomer to electronics can, with the right approach, design and realise quite complex circuits.
 Fourteen individual p.c.b. modules are described which, with various detailed modifications, should allow anyone to design and construct a very wide range of different projects. Nine "hands-on" complete DIY projects have also been included so readers can follow the thinking behind design, assembly, construction, testing and evaluation, together with suggested "mods" to meet individual needs. The practical projects have each been designed to stand on their own as complete items of equipment. P.C.B.s for all the modules and projects are available by mail order.
 The subjects covered in each chapter of the book are: Introduction and Power Supplies; Small Signal Amplifiers; Power Amplifiers; Oscillators; Logic Circuits; Timers; Radio; Power Control; Optoelectronics.
 The nine complete constructional projects are: Versatile Bench Power Supply; Simple Intercom; Bench Amplifier/Signal Tracer; Waveform Generator; Electronic Die; Pulse Generator; Radio Receiver; Disco Lights Controller; Optical Communications Link.
 136 pages **Order code T16 £3.45**

DIRECT BOOK SERVICE

The books listed have been selected by *Everyday with Practical Electronics* editorial staff as being of special interest to everyone involved in electronics and computing. They are supplied by mail order direct to your door. Full ordering details are given on the last book page. For another selection of books see next month's issue

PRACTICAL ELECTRONICS HANDBOOK - Third Edition
 Ian Sinclair
 A completely updated and revised third edition of this popular title. It still contains a carefully selected collection of standard circuits, rules-of-thumb, and design data for professional engineers, students and enthusiasts involved in radio and electronics, but is now over one hundred pages bigger...
 The book covers many areas not available elsewhere in such a handy volume, and this new edition now includes chapters on: Microprocessors and microprocessor systems; The instruction register, Clocking, Memory, Read-write memory. The buses, Reading and writing actions, Three-state control, The control bus, Timing and bus control, The PC register and addressing, Addressing methods, Interrupts, Inputs and outputs, Port, Keyboard interfacing, Video interfacing, Digital-analogue conversions; Analogue-to-digital conversion, Sampling and conversion, Digital-to-analogue conversion, Current addition methods, Conversion problems, Bitstream methods, Computer plug-in boards. Computer aids in electronics: The computer, Linear circuit analysis by computer, The menu, Circuits and nodes, PCB layouts, Circuit diagrams, The Public Domain Software Library, Hardware components and practical work: Hardware, Video connectors, Control knobs and switches, Switches, Cabinets and cases, Packages for semiconductors, Integrated circuit packages, Constructing circuits, Surface mounting, testing and trouble-shooting, Practical work on microprocessing equipment, Instruments for digital servicing work, Logic analysers.
 Other chapters cover Passive Components, Active Discrete Components, Discrete Component Circuits, Linear ICs, Digital ICs, Transferring Digital Data and Computer Aids in Electronics
 338 pages **Order code NE19 £14.95**

ELECTRONIC TEST EQUIPMENT HANDBOOK
 Steve Monev
 The principles of operation of the various types of test instrument are explained in simple terms with a minimum of mathematical analysis. The book covers analogue and digital meters, bridges, oscilloscopes, signal generators, counters, timers and frequency measurement. The practical uses of the instruments are also examined.
 Everything from Audio oscillators, through R, C & L measurements (and a whole lot more) to Waveform Generators and testing Zeners.
 206 pages **Order code PC109 £8.95**

A REFERENCE GUIDE TO BASIC ELECTRONICS TERMS
 F. A. Wilson
 The wonders of electronics multiply unceasingly and electronic devices are creeping relentlessly into all walks of

TESTING, THEORY AND REFERENCE
 modern life. As with most professions, ours too has a language of its own, ever expanding and now encompassing several thousands of terms. This book picks out and explains some of the more important fundamental terms (over 700), making the explanations as easy to understand as can be expected of a complicated subject and avoiding high-level mathematics.
 Through its system of references, each term is backed up by a list of other relevant or more fundamental terms so that a chosen subject can be studied to any depth required.
 472 pages **Order code BP286 £5.95**

GETTING THE MOST FROM YOUR MULTIMETER
 R. A. Penfold
 This book is primarily aimed at beginners and those of limited experience of electronics. Chapter 1 covers the basics of analogue and digital multimeters, discussing the relative merits and the limitations of the two types. In Chapter 2 various methods of component checking are described, including tests for transistors, thyristors, resistors, capacitors and diodes. Circuit testing is covered in Chapter 3, with subjects such as voltage, current and continuity checks being discussed.
 In the main little or no previous knowledge or experience is assumed. Using these simple component and circuit testing techniques the reader should be able to confidently tackle servicing of most electronic projects.
 96 pages **Order code BP239 £2.96**

MORE ADVANCED USES OF THE MULTIMETER
 R. A. Penfold
 This book is primarily intended as a follow-up to BP239, (see above), and should also be of value to anyone who already understands the basics of voltage testing and simple component testing. By using the techniques described in chapter 1 you can test and analyse the performance of a range of components with just a multimeter (plus a very few inexpensive components in some cases). Some useful quick check methods are also covered.
 While a multimeter is supremely versatile, it does have its limitations. The simple add-ons described in chapter 2 extended the capabilities of a multimeter to make it even more useful.
 84 pages **Order code BP265 £2.96**

THE ILLUSTRATED DICTIONARY OF ELECTRONICS - 5th Edition
 Rufus P. Turner and Stan Gibilisco
 With more than 27,000 terms used in electronics today, this collection is THE most comprehensive dictionary available. Including all practical electronics and computer

terms, it is as up-to-date as the latest advances in the field itself! Tables and data on subjects most often consulted for projects and experiments are included. Other conversion tables include English/metric and metric/English conversions for units of energy, power and volume, and Fahrenheit/Celsius temperature conversion charts.
 Setting this edition apart from other electronic dictionaries is its emphasis on illustration. Featuring more than complete definitions, this fourth edition includes over 450 drawings and diagrams. (An American book).
 720 pages **Order code T2500 £23.95**

ELECTRONICS-BUILD AND LEARN
 R. A. Penfold
 The first chapter gives full constructional details of a circuit demonstrator unit that is used in subsequent chapters to introduce common electronic components - resistors, capacitors, transformers, diodes, transistors, thyristors, fets and op amps. Later chapters go on to describe how these components are built up into useful circuits, oscillators, multivibrators, bistables and logic circuits.
 At every stage in the book there are practical tests and experiments that you can carry out on the demonstrator unit to investigate the points described and to help you understand the principles involved. You will soon be able to go on to more complex circuits and tackle fault finding logically in other circuits you build.
 120 pages **Order code PC103 £6.95**

ELECTRONICS - A "MADE SIMPLE" BOOK
 G. H. Olsen
 This book provides excellent background reading for our *Introducing Digital Electronics* series (Teach-In No.4 above) and will be of interest to everyone studying electronics. The subject is simply explained and well illustrated and the book assumes only a very basic knowledge of electricity.
 330 pages **Order code NE10 £8.95**

PRACTICAL ELECTRONICS CALCULATIONS AND FORMULAE
 F. A. Wilson, C.G.I.A., C.Eng., F.I.E.E., F.I.E.R.E., F.B.I.M.
 Bridges the gap between complicated technical theory, and "cut-and-try" methods which may bring success in design but leave the experimenter unfulfilled. A strong practical bias - tedious and higher mathematics have been avoided where possible and many tables have been included.
 The book is divided into six basic sections: Units and Constants, Direct-current Circuits, Passive Components, Alternating-current Circuits, Networks and Theorems, Measurements.
 256 pages **Order code BP53 £3.96**

INTERFACING PCs AND COMPATIBLES

R. A. Penfold

Once you know how, PC interfacing is less involved than interfacing many eight-bit machines, which have tended to use some unusual interfacing methods.

This book gives you: A detailed description of the lines present on the PC expansion bus. A detailed discussion of the physical characteristics of PC expansion cards. The I/O map and details of the areas where your add-on card can be fitted. A discussion of address decoding techniques. Practical address decoder circuits. Simple TTI 8-bit input and output ports. Details of using the 8255 parallel interface adaptor. Digital to analogue converter circuits. Analogue to digital converter circuits. In fact everything you need to know in order to produce successful PC add-ons.
80 pages **Order code BP272** £3.95

HOW TO CHOOSE A SMALL BUSINESS COMPUTER SYSTEM

D. Weale

This book is for anyone intending to buy an IBM compatible computer system, whether it is their first system or a replacement. There are sections on hardware, application and systems programs, and how to actually make your choice as well as sections on the law, ergonomics and a glossary of common terms. The text contains many useful tips and some warnings (which could save much effort and expense). After having read this book you should have a better idea of what is suitable for your needs, how to obtain it and how to ensure that the system is operated with the minimum of difficulty.
144 pages **Order code BP323** £4.95

HOW TO EXPAND, MODERNISE AND REPAIR PCs AND COMPATIBLES

R. A. Penfold

Not only are PC and compatible computers very expandable, but before long most users actually wish to take advantage of that expandability and start upgrading their PC systems. Some aspects of PC upgrading can be a bit confusing, but this book provides advice and guidance on the popular forms of internal PC expansion, and should help to make things reasonably straightforward and painless. Little knowledge of computing is assumed. The only assumption is that you can operate a standard PC of some kind (PC, PC XT, PC AT, or a 80386 based PC).

The subjects covered include: PC overview; Memory upgrades; Adding a hard disk drive; Adding a floppy disk drive; Display adaptors and monitors; Fitting a maths co-processor; Keyboards; Ports; Mice and digitisers;

Maintenance (including preventative maintenance) and Repairs, and the increasingly popular subject of d.i.y. PCs.
156 pages **Temporarily out of print**

THE PRE-BASIC BOOK

F. A. Wilson, C.G.I.A., C.ENG., F.I.E.E., F.I.E.R.E., F.B.I.M.

Another book on BASIC but with a difference. This one does not skip through the whole of the subject and thereby leave many would-be programmers floundering but instead concentrates on introducing the technique by looking in depth at the most frequently used and more easily understood computer instructions. For all new and potential micro users.
192 pages **Order code BP146** £2.95

AN INTRODUCTION TO 6502 MACHINE CODE

R. A. & J. W. Penfold

No previous knowledge of microprocessors or machine code is assumed. Topics covered are: assembly language and assemblers, the register set and memory, binary and hexadecimal numbering systems, addressing modes and the instruction set, and also mixing machine code with BASIC. Some simple programming examples are given for 6502-based home computers like the VIC-20, ORIC-1/Atmos, Electron, BBC and also the Commodore 64.
112 pages **Order code BP147** £2.95

A CONCISE USER'S GUIDE TO WINDOWS 3.1

N. Kantonis

If you are a PC user and want to get to grips with Microsoft's Windows 3.1, then this book will teach you how to do just that in the shortest and most effective way.

The book is written with the non-expert, busy person in mind, and as such, it has an underlying structure based on "what you need to know first, appears first". However, the more experienced user can start from any section, as the sections are self contained.

The book explains: what hardware requirements you need in order to run Windows 3.1 successfully, and how to install, customise and fine-tune the program, and how to optimise your system resources. How to manipulate Windows screens and how to run Windows and DOS applications under the Windows Graphical User Interface (GUI) environment. How to use the Windows triple Management system; Program Manager, File Manager and Print Manager to

advantage. How to use the word processor accessory Write to type, edit, format, print and save documents.

How to use Paintbrush and its tools to draw and edit drawings, and how to set up, sort and search a Cardiff database and exploit its autodial feature. How to use the Windows Calendar to enter appointments, add special times and alarms. How to use the Terminal accessory to connect to remote systems, specify terminal emulation preferences, communications setting, telephone number and prepare files for transfer. How to use the Notepad, Macro Recorder, PIF Editor and Calculator.
138 pages **Order code BP325** £4.95

SERVICING PERSONAL COMPUTERS -

3rd EDITION

Mike Tooley BA

The revised and enlarged third edition contains a new chapter on servicing 68,000 based microcomputers. It has been updated throughout and includes many new photos and diagrams. It is essential for anyone concerned with the maintenance of personal computer equipment or peripherals, whether professional service technician, student or enthusiast.
240 pages **Order code NE15** £25

A CONCISE USER'S GUIDE TO MS-DOS 5

N. Kantonis

If you are a PC user and want to get the most out of your computer in terms of efficiency and productivity, then you must learn the intricacies of its MS-DOS operating system. With this book you will learn to do just that in the shortest and most effective way.

The book explains: The enhancements to be found in MS-DOS version 5, over previous versions of the operating system. How the DOS operating system is structured so that you can understand what happens when you first switch on your computer. How directories and subdirectories can be employed to structure your hard disc for maximum efficiency. How to use the DOS Shell program (a menu-driven graphical interface) to perform various house-keeping operations on your disc. How to manage disc files, and how to use the MS-DOS Editor to fully configure your system by writing your own CONFIG.SYS and AUTOEXEC.BAT files. How to optimise your system by either increasing its conventional memory or increasing its speed. How to write batch files to automate the operation of your system.

A summary of all DOS commands, illustrated with examples, is given in the penultimate chapter, which turns it into a useful reference guide.
124 pages **Order code BP318** £4.95

CIRCUITS AND DESIGN

REMOTE CONTROL HANDBOOK

Owen Bishop

Remote control systems lend themselves to a modular approach. This makes it possible for a wide range of systems, from the simplest to the most complex, to be built up from a number of relatively simple modules. The author has tried to ensure that, as far as possible, the circuit modules in this book are compatible with one another. They can be linked together in many different configurations to produce remote control systems tailored to switch a table lamp on and off, or to operate an industrial robot. This book should provide the circuit you require.
226 pages **Temporarily out of print**

COIL DESIGN AND CONSTRUCTION MANUAL

B. B. Babani

A complete book for the home constructor on "how to make" RF, IF, audio and power coils, chokes and transformers. Practically every possible type is discussed and calculations necessary are given and explained in detail. Although this book is now rather old, with the exception of toroids and pulse transformers little has changed in coil design since it was written.
96 pages **Order code 160** £2.50

30 SOLDERLESS BREADBOARD PROJECTS - BOOK 1

R. A. Penfold

Each project, which is designed to be built on a "Verobloc" breadboard, is presented in a similar fashion with a brief circuit description, circuit diagram, component layout diagram, components list and notes on construction and use where necessary. Whenever possible, the components used are common to several projects, hence with only a modest number of reasonably inexpensive components, it is possible to build in turn, every project shown. Recommended by BICC-Verobloc.
160 pages **Order code BP107** £2.95

AUDIO IC CIRCUITS MANUAL

R. M. Marston

A vast range of audio and audio-associated i.c.s. are readily available for use by amateur and professional design engineers and technicians. This manual is a guide to the most popular and useful of these devices, with over 240 diagrams. It deals with i.c.s. such as low frequency linear amplifiers, dual pre-amplifiers, audio power amplifiers, charge coupled device delay lines, bar-graph display drivers, and power supply regulators, and shows how to use these devices in circuits ranging from simple signal conditioners and filters to complex graphic equalizers, stereo amplifier systems, and echo/reverb delay line systems etc.
168 pages **Order code NE13** £13.95

50 CIRCUITS USING GERMANIUM SILICON AND ZENER DIODES

R. N. Soar

Contains 50 interesting and useful circuits and applications, covering many different branches of electronics, using one of the most simple and inexpensive of components - the diode. Includes the use of germanium and silicon signal diodes, silicon rectifier diodes and Zener diodes, etc.
64 pages **Order code BP36** £1.95

A BEGINNERS GUIDE TO CMOS DIGITAL ICs

R. A. Penfold

Getting started with logic circuits can be difficult, since many of the fundamental concepts of digital design tend to seem rather abstract, and remote from obviously useful applications. This book covers the basic theory of digital electronics and the use of CMOS integrated circuits, but does not lose sight of the fact that digital electronics has numerous "real world" applications.

The topics covered in this book include: the basic concepts of logic circuits; the functions of gates, inverters and other logic "building blocks"; CMOS logic i.c. characteristics, and their advantages in practical circuit design; oscillators and monostables (timers); flip/flops, binary dividers and binary counters; decade counters and display drivers.

The emphasis is on a practical treatment of the subject, and all the circuits are based on "real" CMOS devices. A number of the circuits demonstrate the use of CMOS logic i.c.s in practical applications.
119 pages **Order code BP333** £4.95

TIMER/GENERATOR CIRCUITS MANUAL

R. M. Marston

This manual is concerned mainly with waveform generator techniques and circuits. Waveform generators are used somewhere or other in most types of electronic equipment, and thus form one of the most widely used classes of circuit. They may be designed to produce outputs with sine, square, triangle, ramp, pulse, staircase, or a variety of other forms. The generators may produce modulated or unmodulated outputs, and the outputs may be of single or multiple form.

Waveform generator circuits may be built using transistors, op-amps, standard digital ICs, or dedicated waveform or "function" generator ICs.

The manual is divided into eleven chapters, and presents over 300 practical circuits, diagrams and tables. The subjects covered include: Basic principles; Sine wave generators; Square wave generators; Pulse generator circuits; "Timer IC"; generator circuits; Triangle

and sawtooth generators; Multi-waveform generation; Waveform synthesizer ICs; Special waveform generators; Phaselocked loop circuits; Miscellaneous "555" circuits.
267 pages **Order code NE18** £13.95

OPTOELECTRONICS CIRCUITS MANUAL

R. M. Marston

A useful single-volume guide to the optoelectronics device user, specifically aimed at the practical design engineer, technician, and the experimenter, as well as the electronics student and amateur. It deals with the subject in an easy-to-read, down-to-earth, and non-mathematical yet comprehensive manner, explaining the basic principles and characteristics of the best known devices, and presenting the reader with many practical applications and over 200 circuits. Most of the i.c.s. and other devices used are inexpensive and readily available types, with universally recognised type numbers.
182 pages **Order code NE14** £13.95

POPULAR ELECTRONIC CIRCUITS - BOOK 1

R. A. Penfold

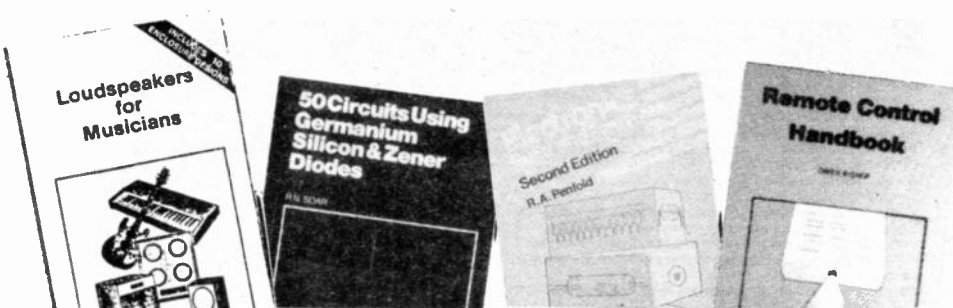
Provides a wide range of designs for electronic enthusiasts who are capable of producing working projects from just a circuit diagram without the aid of detailed construction information. Any special setting-up procedures are described.
160 pages **Order code BP80** £2.95

CMOS CIRCUITS MANUAL

R. M. Marston

Written for the professional engineer, student or enthusiast. It describes the basic principles and characteristics of these devices and includes over 200 circuits.

All the circuits have been designed, built and fully evaluated by the author; all use inexpensive and internationally available devices.
187 pages **Order code NE12** £13.95



PROJECT CONSTRUCTION

POPULAR ELECTRONIC PROJECTS

R. A. Penfold

Included in this book are a collection of the most popular types of projects which, we feel sure, will provide many designs to interest all electronics enthusiasts. All the circuits utilise modern, inexpensive and freely available components. The 27 projects selected cover a very wide range and are divided into four basic areas: Radio Projects, Audio Projects, Household Projects and Test Instruments. An interesting addition to the library of both the beginner and more advanced constructor.

135 pages **Order code BP49** £2.50

TEST EQUIPMENT CONSTRUCTION

R. A. Penfold

This book describes in detail how to construct some simple and inexpensive but extremely useful, pieces of test equipment. Stripboard layouts are provided for all designs, together with wiring diagrams where appropriate, plus notes on construction and use.

AUDIO AND MUSIC

LOUDSPEAKERS FOR MUSICIANS

Vivian Capel

This book contains all that a working musician needs to know about loudspeakers; the different types, how they work, the most suitable for different instruments, for cabaret work, and for vocals. It gives tips on constructing cabinets, wiring up, when and where to use wadding, and when not to, what fittings are available, finishing, how to ensure they travel well, how to connect multi-speaker arrays and much more.

Ten practical enclosure designs with plans and comments are given in the last chapter, but by the time you've read that far you should be able to design your own!

164 pages **Order code BP297** £3.95

MAKE MONEY FROM HOME RECORDING

Clive Brooks

Now that you've spent a fortune on all that recording gear, MIDI and all, wouldn't it be nice to get some of it back? Well here's the book to show you how.

It's packed with money making ideas, any one of which will recoup the price of the book many times over. Whether you have a fully fledged recording studio at home, or just a couple of stereo cassette recorders and a microphone, you'll be able to put the ideas in this book into practice and make money.

105 pages **Order code PC104** £6.95

INTRODUCTION TO DIGITAL AUDIO

(Second Edition)

Ian Sinclair

Digital recording methods have existed for many years and have become familiar to the professional recording engineer, but the compact disc (CD) was the first device to bring digital audio methods into the home. The next step is the appearance of digital audio tape (DAT) equipment.

All this development has involved methods and circuits that are totally alien to the technician or keen amateur who has previously worked with audio circuits. The principles and practices of digital audio owe little or nothing to the traditional linear circuits of the past, and are much more comprehensible to today's computer engineer than the older generation of audio engineers.

This book is intended to bridge the gap of understanding for the technician and enthusiast. The principles and methods are explained, but the mathematical background and theory is avoided, other than to state the end product.

128 pages **Order code PC102** £7.95

SYNTHESIZERS FOR MUSICIANS

R. A. Penfold

Modern synthesizers are extremely complex, but they mostly work on principles that are not too difficult to understand. If you want to go beyond using the factory presets or the random poking of buttons, this is the book for you.

It covers the principles of modern synthesis - linear arithmetic as used by Roland, phase distortion (Casio),

The following designs are included:-

AF Generator, Capacitance Meter, Test Bench Amplifier, AF Frequency Meter, Audio Millivoltmeter, Analogue Probe, High Resistance Voltmeter, CMOS Probe, Transistor Tester, TTL Probe.

The designs are suitable for both newcomers and more experienced hobbyists.

104 pages **Order code BP248** £2.95

HOW TO DESIGN AND MAKE YOUR OWN P.C.B.s

R. A. Penfold

Deals with the simple methods of copying printed circuit board designs from magazines and books and covers all aspects of simple p.c.b. construction including photographic methods and designing your own p.c.b.s.

80 pages **Order code BP121** £2.50

HOW TO GET YOUR ELECTRONIC PROJECTS WORKING

R. A. Penfold

We have all built projects only to find that they did not work correctly, or at all, when first switched on. The aim of this

Yamaha's frequency modulation, and sampling - and then describes how the instruments are adjusted to produce various types of sound - strings, brass, percussion, etc. The theoretical side of synthesis is treated in an easy to understand way - the technical information being restricted to what you need to know to use your instrument effectively.

168 pages **Order code PC105** £6.95

AUDIO

F. A. Wilson, C. G. I. A., C. Eng., F.I.E.E., F.I.E.R.E., F.B.I.M.

Analysis of the sound wave and an explanation of acoustical quantities prepare the way. These are followed by a study of the mechanism of hearing and examination of the various sounds we hear. A look at room acoustics with a subsequent chapter on microphones and loudspeakers then sets the scene for the main chapter on audio systems - amplifiers, oscillators, disc and magnetic recording and electronic music.

320 pages **Order code BP111** £3.95

DATA

PRACTICAL ELECTRONIC DESIGN DATA

Owen Bishop

This book is a comprehensive ready-reference manual for electronics enthusiasts of all levels, be they hobbyists, students or professionals. A helpful major section covers the main kinds of component, including surface-mounted devices. For each sort, it lists the most useful and readily available types, complete with details of their electronic characteristics, pin-outs and other essential information. A special feature of this section are the easily followed charts and tables which advise the reader on how to select the best type of component for any particular purpose.

Basic electronic units are defined, backed up by a compendium of the most often required formulae, fully explained. There are five more extensive sections devoted to circuit design, covering analogue, digital, radio, display, and power supply circuits. Over 150 practical circuit diagrams cover a broad range of functions. The reader is shown how to adapt these basic designs to a variety of applications. Many of the circuit descriptions include step-by-step instructions for using most of the standard types of integrated circuit such as operational amplifiers, comparators, filters, voltage converters and switched-mode power supply devices, as well as the principal logic circuits.

328 pages **Order code BP316** £4.95

INTERNATIONAL TRANSISTOR EQUIVALENTS GUIDE

A. Michaels

Helps the reader to find possible substitutes for a popular selection of European, American and Japanese transistors. Also shows material type, polarity, manufacturer and use.

320 pages **Order code BP85** £3.95

book is to help the reader overcome just these problems by indicating how and where to start looking for many of the common faults that can occur when building up projects.

96 pages **Order code BP110** £2.95

AUDIO AMPLIFIER CONSTRUCTION

R. A. Penfold

The purpose of this book is to provide the reader with a wide range of preamplifier and power amplifier designs that will, it is hoped, cover most normal requirements.

The preamplifier circuits include low noise microphone and RIAA types, a tape head preamplifier, a guitar preamplifier and various tone controls. The power amplifier designs range from low power battery operation to 100W MOSFET types and also include a 12 volt bridge amplifier capable of giving up to 18W output.

All the circuits are relatively easy to construct using the p.c.b. or stripboard designs given. Where necessary any setting-up procedures are described, but in most cases no setting-up or test gear is required in order to successfully complete the project.

100 pages **Order code BP122** £2.95

BEGINNER'S GUIDE TO BUILDING ELECTRONICS PROJECTS

R. A. Penfold

Shows the complete beginner how to tackle the practical side of electronics, so that he or she can confidently build the electronic projects that are regularly featured in magazines and books. Also includes examples in the form of simple projects.

112 pages **Order code 227** £1.95

RADIO/TV

SETTING UP AN AMATEUR RADIO STATION

I. D. Poole

The aim of this book is to give guidance on the decisions which have to be made when setting up an amateur radio or short wave listening station. Often the experience which is needed is learned by one's mistakes, however, this can be expensive. To help overcome this, guidance is given on many aspects of setting up and running an efficient station. It then proceeds to the steps that need to be taken in gaining a full transmitting licence.

Topics covered include: The equipment that is needed; Setting up the shack; Which aerials to use; Methods of construction; Preparing for the licence.

An essential addition to the library of all those taking their first steps in amateur radio

86 pages **Order code BP300** £3.95

EXPERIMENTAL ANTENNA TOPICS

H. C. Wright

Although nearly a century has passed since Marconi's first demonstration of radio communication, there is still research and experiment to be carried out in the field of antenna design and behaviour.

The aim of the experimenter will be to make a measurement or confirm a principle, and this can be done with relatively fragile, short-life apparatus. Because of this, devices described in this book make liberal use of cardboard, cooking foil, plastic bottles, cat food tins, etc. These materials are, in general, cheap to obtain and easily worked with simple tools, encouraging the trial-and-error philosophy which leads to innovation and discovery.

Although primarily a practical book with text closely supported by diagrams, some formulae which can be used by straightforward substitution and some simple graphs have also been included.

72 pages **Order code BP278** £3.50

NEWNES SHORTWAVE LISTENING HANDBOOK

Joe Pritchard G1UQW

Part One covers the "science" side of the subject, going from a few simple electrical "first principles", through a brief treatment of radio transmission methods to simple receivers. The emphasis is on practical receiver designs and how to build and modify them, with several circuits in the book.

Part Two covers the use of sets, what can be heard, the various bands, propagation, identification of stations, sources of information, QSLing of stations and listening to amateurs. Some computer techniques, such as computer morse decoding and radio teletype decoding are also covered.

224 pages **Order code NE16** £15.95

DIRECT BOOK SERVICE ORDERING DETAILS

Please state the title and order code clearly, print your name and address and add the required postage to the total order.

Add £1 to your total order for postage and packing (overseas readers add £2 for countries in Europe, or add £5 for all countries outside Europe, surface mail postage) and send a PO, cheque, international money order (£ sterling only) made payable to Direct Book Service or credit card details (including card expiry date), Visa or Mastercard (Access) - minimum credit card order is

£5 - quoting your name and address, the order code and quantities required to DIRECT BOOK SERVICE, 33 GRAVEL HILL, WIMBORNE, DORSET BH21 1RW (mail order only).

Although books are normally sent within seven days of receipt of your order, please allow a maximum of 28 days for delivery. Overseas readers allow extra time for surface mail post.

Please check price and availability (see latest issue of *Everyday with Practical Electronics*) before ordering from old lists.

For a further selection of books see next month's issue

DIRECT BOOK SERVICE IS A DIVISION OF WIMBORNE PUBLISHING LTD.

BABANI BOOKS

We now supply *all* the books published by Bernard Babani (Publishing) Ltd. We have always supplied a selected list of Babani books and you will find many of them described on the previous pages or in next months issue of *Everyday with Practical Electronics* (the books with a BP prefix to the order code are Babani books).

Many readers have asked us to also supply various other Babani books, which have a reputation for value for money. Our customers tell us they appreciate our speedy service and low postage charge and they

would like to be able to purchase all the books from us and thus keep the postage charge to an absolute minimum (£1 for UK p&p no matter how many books you buy). We are pleased to be able to respond; with the aid of Michael Babani (M.D.) we are now able to meet all your requirements for their books. *If it's Babani and in print we can supply it.* Babani presently list over 180 different technical titles those *not* described in detail on the previous *Direct Book Service* pages or in next months issue are listed below:

Code	Title	Price	Code	Title	Price	Code	Title	Price
BP28	Resistor Selection Handbook	£0.60	BP193	LOGO for Beginners	£2.95	BP283	A Concise Introduction to SmartWare II	£4.95
BP37	50 Projects using Relays, SCRs and TRIACs	£2.95	BP196	BASIC & LOGO in Parallel	£2.95	BP284	Programming in QuickBASIC	£4.95
BP39	50 (FET) Field Effect Transistor Projects	£2.95	BP197	An Introduction to the Amstrad PC's	£5.95	BP287	A Reference Guide to Practical Electronics Terms	£5.95
BP44	IC 555 Projects	£2.95	BP198	An Introduction to Antenna Theory	£2.95	BP288	A Concise Introduction to Windows 3.0	£3.95
BP48	Electronic Projects for Beginners	£1.95	BP230	A Concise Introduction to GEM	£2.95	BP291	A Concise Introduction to Ventura	£3.95
BP49	Popular Electronic Projects	£2.50	BP243	BBC BASIC86 on the Amstrad PC's and IBM Compatibles - Book 1: Language	£3.95	BP292	Public Address Loudspeaker Systems	£3.95
BP56	Electronic Security Devices	£2.50	BP244	BBC BASIC86 on the Amstrad PC's and IBM Compatibles - Book 2: Graphics and Disk Files	£3.95	BP293	An Introduction to Radio Wave Propagation	£3.95
BP74	Electronic Music Projects	£2.95	BP245	Digital Audio Projects	£2.95	BP294	A Concise Introduction to Microsoft Works	O.O.P.
BP76	Power Supply Projects	£2.50	BP246	Musical Applications of the Atari ST's	£5.95	BP298	A Concise Introduction to the Mac System & Finder	£3.95
BP78	Practical Computer Experiments	£1.75	BP247	More Advanced MIDI Projects	£2.95	BP302	A Concise Users Guide to Lotus 1-2-3 Release 3.1	£3.95
BP84	Digital IC Projects	£1.95	BP249	More Advanced Test Equipment Construction	£3.50	BP303	Understanding PC Software	£4.95
BP90	Audio Projects	£2.50	BP250	Programming in FORTRAN 77	£4.95	BP306	A Concise Introduction to AmiPro 3	£4.95
BP94	Electronic Projects for Cars and Boats	£1.95	BP251	Computer Hobbyists Handbook	£5.95	BP307	A Concise Introduction to QuarkXPress	£4.95
BP95	Model Railway Projects	£2.95	BP258	Learning to Program in C	£4.95	BP311	An Introduction to Scanners and Scanning	£4.95
BP97	IC Projects for Beginners	£1.95	BP259	A Concise Introduction to UNIX	£2.95	BP312	An Introduction to Microwaves	£3.95
BP122	Audio Amplifier Construction	£2.95	BP260	A Concise Introduction to OS/2	£2.95	BP313	A Concise Introduction to Sage	£3.95
BP125	25 Simple Amateur Band Aerials	£1.95	BP261	A Concise Introduction to Lotus 1-2-3 (Revised Edition)	£3.95	BP314	A Concise Introduction to Quattro Pro	£4.95
BP126	BASIC & PASCAL in Parallel	£1.50	BP262	A Concise Introduction to Wordperfect (Revised Edition)	£3.95	BP315	An Introduction to the Electromagnetic Wave	£4.95
BP132	25 Simple SW Broadcast Band Aerials	£1.95	BP264	A Concise Advanced User's Guide to MS-DOS	£3.95	BP322	Circuits Source Book 2	£4.95
BP136	25 Simple Indoor and Window Aerials	£1.75	BP269	An Introduction to Desktop Publishing	O.O.P.	BP324	The Art of Soldering	£3.95
BP137	BASIC & FORTRAN in Parallel	£1.95	BP270	A Concise Introduction to Symphony	£3.95	BP328	Sage Explained	£5.95
BP138	BASIC & FORTH in Parallel	£1.95	BP272	Interfacing PC's & Compatibles	£3.95	BP329	Electronic Music Learning Project	£5.95
BP144	Further Practical Electronics Calculations & Formulae	£4.95	BP273	Practical Electronic Sensors	£4.95	BP330	A Concise user's Guide to Lotus 1-2-3 Release 2.4	£4.95
BP145	25 Simple Tropical and MW Band Aerials	£1.75	BP274	A Concise Introduction to SuperCal5	O.O.P.	BP331	A Beginners Guide to MIDI	£4.95
BP148	Computer Terminology Explained	£1.95	BP276	Short Wave Superhet Receiver Construction	£2.95	BP334	Magic Electronics Projects	£4.95
BP171	Easy Add-on Projects for Amstrad CPC 464, 684, 6128 and MSX Computers	£2.95	BP279	A Concise Introduction to Excel	£3.95	BP336	A Concise Users Guide to Lotus 1-2-3 Release 3.4	£5.95
BP182	MIDI Projects	£2.95	BP280	Getting the Most From Your PC's Hard Disc	£3.95	BP339	A Concise Introduction to WordPerfect 5.2 for Windows	£5.95
BP187	A Practical Reference Guide to Word Processing on the Amstrad PCW8256 and PCW8512	£5.95						
BP190	More Advanced Electronic Security Projects	£2.95						
BP192	More Advanced Power Supply Projects	£2.95						

IF NO PRICE IS SHOWN THE BOOK IS OUT OF PRINT (O.O.P.)
SEE PREVIOUS PAGE FOR FULL ORDERING DETAILS

PCB SERVICE

Printed circuit boards for certain EPE constructional projects are available from the PCB Service, see list. These are fabricated in glass fibre, and are fully drilled and roller tinned. All prices include VAT and postage and packing. Add £1 per board for airmail outside of Europe. Remittances should be sent to The PCB Service, *Everyday with Practical Electronics*, 6 Church Street, Wimborne, Dorset BH21 1JH. Cheques should be crossed and made payable to *Everyday with Practical Electronics* (Payment in £ sterling only).

NOTE: While 95% of our boards are now held in stock and are dispatched within seven days of receipt of order, please allow a maximum of 28 days for delivery - overseas readers allow extra if ordered by surface mail.

Back numbers or potostats of articles are available if required - see the Editorial page for details.

Please check price and availability in the latest issue.

Boards can only be supplied on a payment with order basis.

All p.c.b.s on THIS page only, reduced to

1/2 PRICE

(Just send half the price shown, while stocks last.)
PCBS ON OPPOSITE PAGE PRICES AS SHOWN

PROJECT TITLE	Order Code	Cost
Video Guard Alarm	FEB '87 556	£3.80
Multi-Chan Remote Light Dim Relay/Decoder	JUNE '88 601	£4.86
Power Supply	603	£3.00
Tea Tune Thermostat	AUG '88 609	£3.00
Suntan Timer	610	£3.07
Car Alarm	615	£3.12
Eprom Eraser	OCT '88 620	£4.07
Doorbell Delay	NOV '88 616	£3.56
Sound-to-Light Interface	MAR '89 637	£6.24
Midi Pedal	639	£7.00
Midi Merge	640	£3.00
Audio Lead Tester	641	£5.77

PROJECT TITLE	Order Code	Cost
Light Sentinel: Main Board	APR '89 632	£9.20
4-Channel Auto-Fader Interface	642	£6.80
Electronic Spirit Level	AUG '89 649	£3.85
Distance Recorder	651	£5.23
Music on Hold	OCT '89 646	£3.85
Power Supplies - 25V 700mA	656	£4.35
EE Seismograph - Control board only	658	£4.08
Wash Pro	NOV '89 643	£3.83
Logo/lego & Sepctrum Interface	664	£5.60
Biofeedback Signal Generator	JAN '90 666	£4.08
Quick Cap Tester	FEB '90 668	£3.92
Superhet Receiver/Tuner/Amp	MAR '90 679/680	£4.22
Stereo Noise Generator	APR '90 681	£4.24
Amstrad Speech Synthesiser	MAY '90 689	£4.68
Mains Appliance Remote Control	AUG '90 697	£4.55
Mains ON/OFF Decoder	697	£4.55
Hand Tally: Main Bd and Display Bd	SEP '90 699, 700	£10.95
Ghost Waker	OCT '90 703	£4.32
Frequency Meter	704	£5.25
Freq. Meter/Tachometer	NOV '90 705	£3.98
Spatial Power Display	JAN '91 714	£5.33
Amstrad PCW Sound Generator	715	£5.03
Pocket Tone Dialler	MAR '91 729	£4.36
Simple Basic Alarm	731	£4.50
Humidity Tester	APR '91 716	£4.97
Model Train Controller (double-sided)	736	£9.75
Digital LCD Thermostat	MAY '91 740	£4.05
- Control Board	741	£3.76
- Power Relay Board		£5.00
Control and Power Relay Boards together		
Digilogue Car Tachometer	JUN '91 744	£5.63
Modular Disco Lights - Simple Chaser	745	£5.00
Sweeper Module	746	£5.17
Automatic Light Control - PSU Board	747	£4.88
Logic Board	748	£5.17
Modular Disco Lights - Masterlink	JULY '91 752	£6.36
Ultrasonic Proximity Meter		
Display Unit (753) & Sensor Unit (754)	753/754	£7.06

PROJECT TITLE	Order Code	Cost
Mod. Disco Lights – Pattern Gen AUG'91	760	£6.79
Capacitance Meter SEP'91	751	£5.17
Modular Disco Lights – Dimmer Interface	765	£8.17
Mod. Disco Lights OCT'91		
VU Sound Module (Double-sided)	767	£8.68
UV Exposure Unit	768	£4.63
PC-Scope Interface – Main Board	769	£6.95
Expansion Plug (Double-sided)	770	£5.96
Mod. Disco Lights NOV'91		
Superchaser (Double-sided)	771	£6.91
Supersweep (Double-sided)	772	£8.26
Bicycle Alarm	773	£5.01
Knockerbox DEC'91	775	£5.35
Signal Generator – Main Board	776	£7.46
Mind Machine – Main Board	778	£7.00
Auto Nightlight	779	£5.03
Mind Machine – Programmer Board JAN'92	780	£7.39
Transistor Checker	781	£4.63
Stepping Motor Driver/Interface	782	£10.39
Micro-Sense Alarm	783	£5.42
Telesound FEB'92	784	£4.66
Programmable Timer	785	£4.63
Auto Garage Light MAR'92	786	£6.10
Versatile BBC Computer Interface	787	£11.59
Economy Seven Timer	788	£5.20
Sonic Continuity Tester APR'92	789	£4.79
Telephone Ringer	790	£5.46
Experimental Weighing Scale MAY'92	792	£5.17
12V Drill Charger/PSU (both boards)	793	£5.31
Digital Servo Interface JUNE'92	791	£4.73
Tie Pulsar	794	£5.19
CCD Reverb Unit	795	£6.39
Switch-Mode Power Supply	796	£7.01
UV Exposure Timer JULY'92	797	£5.33
Cricket Game	798	£6.77
Quick Prom	799	£5.61
Gas Alarm AUG'92	800	£5.47
Dual Metronome	801	£6.74
Ultrasonic Tape Measure SEP'92	802	£6.06
Quicktest	803	£4.82
Extended Range Capacitance Meter OCT'92	804	£5.63
Traffic Lights System	806	£5.04
Mini Lab NOV'92	MINI LAB	£14.95
EPE Altimet (Altimeter)	807	£6.30
Personal Stereo Amplifier	808	£6.47
Universal Infra-Red Remote Control DEC'92	811T/811R	£6.56
Combination Switch	812	£5.68
Christmas Lights Colour Spectrum	813	£5.97
TV/UHF Aerial Amp (double-sided) JAN'93	814	£7.23
Continuously Variable Balanced Power Supply	815	£5.65
Emergency Lighting Unit	816	£6.77
Biomet Pulse Monitor FEB'93		
Sensor	817	£6.30
Display	818	£6.30
Biomet Pulse Monitor MAR'93		
– ADC Interface (double-sided)	819	£7.11
Car Electric Window Enhancer	821	£5.00
Simplify Atari STFM Interface	822	£5.55
Personal Stereo Amp. Add-On	823	£3.90
Electronic Fire APR'93	820	£4.84
Mind Machine MkII – Signal Generator	824	£5.57
Ventilation Fan Timer	825	£4.70
Universal Data Logger	826	£5.88
Mind Machine MkII – Magic Lights MAY'93	827	£6.58
Superhet Radio Control Receiver	828	£5.93
Guitar Preamp and Distortion Unit	829	£5.46
Linear Clock – Timing Board	830	£8.00
Display Board	831	£7.00
Universal Alarm Module	9070	£3.00
Electronic Snooker Scoreboard JUNE'93	832	£9.17
Mind Machine MkII JULY'93		
– Computer Interface	833	£6.39
Xenon Strobe	834	£5.84

PROJECT TITLE	Order Code	Cost
Electronic Gong JULY'93	835	£7.50
Micro Lab – p.c.b., EPROM, PAL and booklet	MICRO	£35.00
Bike Odometer (pair of boards) AUG'93	836/7	£7.00
Amstrad PCW A to D Converter(double sided)	838	£9.85
Experimental Electronic Pipe Descaler	B39	£5.50
Sound Activated Camera Trigger SEP'93	840	£5.34
L.E.D. Sandglass OCT'93		
Main and Display boards	841/2	£7.30
Kettle Alert	843	£5.19
Linear Power Supply (double-sided)	844	£9.77
Multi-Purpose Audio System		
Six Channel Stereo Mixer	845	£11.98
Multi-Purpose Audio System NOV'93		
Microphone Pre-Amp module	846	£4.88
RIAA Pre-Amp module	847	£5.11
20 Metre Receiver	848	£6.63
Multi-Purpose Audio System DEC'93		
Tone Control and 1W Stereo Amplifier	849	£6.09
Tone Control	850	£5.12
1W Stereo Amplifier	851	£4.88
Three-Way Christmas Tree Lights Flasher	853	£5.65
Auto Alarm	854	£5.49
250W/600W Battery to Mains Inverter	855	£13.92
Multi-Purpose Audio System JAN'94		
10W + 10W Stereo Power Amplifier		
Amplifier	852a	£5.65
Power Supply	852b	£5.49
Pond Heater Thermostat	856	£5.77
Timer/NiCad Capacity Checker	857	£6.30
Multi-Purpose Audio System FEB'94		
Balanced Microphone Preamplifier	858	£5.30
Balanced Microphone Power Supply	859	£5.14
Whistle Controlled Light Switch	860	£5.19
Battery To Mains Inverter – U.P.S. charger board	862	£7.38
Three-Phase Generator MAR'94	861	£5.95
Visual Doorbell	863	£5.80
CCD TV Camera – Control Board		
(double-sided, plated-through-hole)	865	£15.00

EPE PRINTED CIRCUIT BOARD SERVICE

Order Code Project Quantity Price

Name.....

Address.....

I enclose payment of £..... (cheque/PO in £ sterling only to



**Everyday with
Practical Electronics)
Access (MasterCard) or
Visa No. Minimum order
for credit cards £5**



--	--	--	--	--	--	--	--	--	--

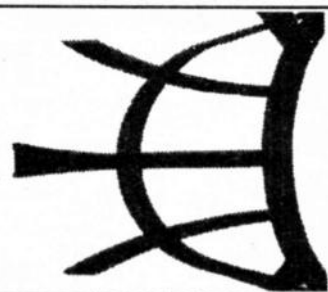
Signature..... Card Ex. Date.....

Please supply name and address of card-holder if different from the address shown

BLOCK CAPITALS PLEASE

REPORTING

AMATEUR RADIO



Tony Smith G4FAI

MORSE SURVEY RESULTS

The results of the Radio Society of Great Britain's consultation exercise, on behalf of the Radiocommunications Agency, on the subject of a Morse-free licence for amateur radio operation below 30MHz, have been announced by the RSGB.

A total of 1499 replies were received, with 67.5 per cent voting "NO" to a code-free licence, and 32.5 per cent voting "YES". The report, published in *Radio Communication*, journal of the RSGB, comments "No doubt this topic should be reviewed by the RSGB Council from time to time to see if opinion changes."

Prepared by the RSGB's H.F. Committee, it stresses that the views expressed in the survey do not represent RSGB policy regarding a code-free H.F. licence. At the same time it mentions the recent decision of the IARU Region One Conference in favour of retaining the Morse requirement and states, "Council's current opinion is in agreement with the Region One decision but recognises that the situation may change in the next 5 to 10 years."

BAND PLAN CHANGES

The amateur H.F. band plans, designed to keep different operating modes apart, which might otherwise interfere with each other, were changed at the IARU Region One conference to allow more space for digital modes, now designated "Digimode". The revised frequencies for digimode are mainly shared with CW (Morse) and include, in some cases, international QRP (low power) and UK Novice frequencies; also some 'phone frequencies and frequencies used by the International Beacon Project.

The new "Digimode" sub-bands are: 1.838 to 1.842MHz; 3.580 to 3.620MHz; 7.035 to 7.045MHz; 10.140 to 10.150MHz; 14.070 to 14.112MHz; 18.101 to 18.109MHz; 21.080 to 21.120MHz; 24.920 to 24.929MHz; and 28.050 to 28.150MHz.

A typographical error in *Radio Communication*, indicating that in the 80m band the digimode section began at 3.560MHz (an international QRP frequency), nearly caused a revolution among QRP and Novice operators as such an allocation would have made the popular 80m frequencies frequented by these operators very difficult to use.

It was subsequently confirmed that the correct lower frequency is, in fact, 3.580MHz and not 3.560MHz. There is still concern, however, about the extension of digimode operation in other H.F. bands, sharing frequencies previously allocated for CW, including other QRP and Novice frequencies, but the possibility of mass resignations from the RSGB by QRP operators has probably now been averted.

PHASE 3 SATELLITES

Last month I described some of the new amateur satellites recently launched, also the work of AMSAT-UK in co-ordinating amateur satellite activity in the UK. Even more exciting, is the forthcoming 400kg "Phase 3D" satellite, which is possibly the most challenging project the international amateur radio community has ever attempted.

Phase 3 refers to the class of amateur satellites built to relay broad bands of amateur frequencies in real time from high elliptical orbits to provide worldwide coverage. Phase one satellites carried only beacons and were designed to last only a few weeks. Phase two satellites are built to last for a period of a year or more and, flying in a relatively low orbit, provide limited time access and restricted coverage.

The Phase 3 programme began in the 1970's and aimed to alleviate these limitations. The first Phase 3 craft was lost in an *Ariane* launch failure in 1980, but others followed.

The first successful one became *Oscar-10*, which still supports amateur communication, although now unable to provide optimum service due to on-board computer failure caused by radiation damage. A further Phase 3 satellite, *Oscar-13*, launched in 1988, is still working, but is slowly de-orbiting and is forecast to re-enter the earth's atmosphere in about four years' time.

The launch of the fourth Phase 3 satellite (*Phase 3D*) is expected to coincide with the demise of *Oscar-13*, but the new "bird" will be much more than a mere replacement for currently operating satellites. Its highly elliptical orbit will cause it to rise rapidly in the sky and appear to hang almost stationary for several hours at about the same time every other day and it will be possible to work through it with quite simple equipment.

Through a combination of higher power transmitters and higher gain receivers which, unlike *Oscar-10* and *Oscar-13*, will point earthward during the entire orbit, it will offer improved signal strengths on downlinks and require much less power on its uplinks. Designed to last for 10 to 15 years, and providing much longer operating periods, these features are specifically designed to bring satellite operation within the reach of many more amateurs around the world.

There is a worldwide fund-raising effort to meet the cost of building and launching Phase 3D, which even with volunteer labour is estimated to be about £3.25 million. In this country, donations will be gratefully received by AMSAT-UK, Dept EPE, 94 Herongate Road, London E12 5EQ. Cheques, etc, should be payable to AMSAT-UK, and crossed "A/C Payee Only". (Information from AMSAT-UK and other satellite groups, and the *W5YI Report*).

EUROPEAN DX COUNCIL

I often mention shortwave broadcast listening in this column as it can easily represent the first step towards taking up amateur radio. The serious listener obtains a good quality receiver, possibly of the worldband radio continuous coverage type, and this is soon found to be capable of picking up a lot more than broadcast stations from around the world. Amateur stations are heard, and the first glimmerings of interest are stirred!

With this as a background, I was interested to come across some information about the European DX Council (EDXC) recently. This is an umbrella organisation for DX clubs across Europe, representing over 30,000 listeners who are interested in many aspects of communication, including shortwave, medium wave, FM/VHF, TV DXing, satellite reception, amateur radio and computers.

A monthly magazine *Euro DX*, published by the EDXC, contains news from member clubs and from EDXC "observer" clubs in other parts of the world; news about international broadcasting; technological developments; previews of new receivers; publications, and so on.

Every year it holds a conference (with English as the working language) in a different European location. Over three days, broadcasters and listeners from around the world meet to discuss matters of mutual interest. Talks on many aspects of short wave listening are given and visits are made to places of local interest.

The next conference will be in Paris, France, on 20th to 23rd May 1994, and is open to anyone interested in attending. Details can be obtained from EDXC, address below.

Apart from *Euro DX*, EDXC has a number of publications available to assist SWLs in their hobby. Particularly useful is a "Reporting Guide" which offers useful advice on how to send reception reports to ensure a better than average chance of obtaining a QSL card or other acknowledgement, and includes a selection of appropriate phrases in various languages.

A "Radio Countries" list enables listeners to keep track of all countries heard; and an EDXC "Club List" gives details of listeners clubs around the world, with information about their publications, membership fees and activities.

A number of these clubs have their own programmes "on-the-air", in different languages, via the established DX programmes of HCJB Ecuador, Radio Prague, Radio Sweden, Radio Austria International, etc. Also, EDXC has its own monthly "European Report", in English, as part of the "DX Partyline" programme from HCJB, Ecuador.

There's a lot more than these brief notes can cover, and further information can be obtained by sending an s.a.e. to Michael Murray, Secretary-General EDXC, Dept EPE, PO Box 4, St Ives, Huntingdon, Cambs PE17 4FE.

PD/SHAREWARE FOR THE PC

Let us share our knowledge with YOU!

★★★★ ELECTRONICS ★★★★★ From Beginner to Teacher

- E01 ELECTRON electrical & electronic calculators res codes calcs & more
- E06 LSYSTEM universal digital logic simulator
- E07 PC-TECH electronics tutor + electro8 calculator
- E09 RESISTOR GUIDE easy program color code to value - value to code + Tutorial
- E10 AUTOSKEM schematics drawing program + 40 electric symbols many features

OUR LOW PRICE £1.95 per DISK (STATE DISK SIZE)
ALL ABOVE PRICE £5.95 INCLUSIVE

★★★★ SATELLITES & ASTRONOMY ★★★★★ SPACE OBSERVER & MISSIONS

- WEFAX Display weather pic. on screen
- WXRRD22 Weather Radar receiving program
- PCT214a General Purpose Satellite Tracking
- Marsobsv NASA Presskit Mars Observer Mission
- 1010 Satellite items plus USAT & Scanner Freq. Database
- ORBIT23 Locate satellites in orbit
- USAT92B2 Satellite tracking program. With QBASIC source.

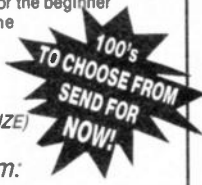
OUR LOW PRICE £1.95 per DISK (STATE DISK SIZE)
ALL ABOVE PRICE £6.95 INCLUSIVE

★★★★ AMATEUR RADIO ★★★★★ From Novice to Experienced HAM

- H01 Enjoy Packet Radio without a TNC - Dutch Program - Not for the beginner
- H03 Decode Morse code with a Sound Blaster and a microphone
- H07 Novice/Tech/General/Adv./Extra Ham Radio exams
- H10 Amateur radio logbook program (w/BAS)
- MACHINE: Morse code training program in BASIC
- MORSE BAS: Learn Morse Code

OUR LOW PRICE £1.95 per DISK (STATE DISK SIZE)
ALL ABOVE PACK £7.95

Hundreds of software disks to choose from:
Phone or send now for FREE Disk Catalogue (STATE DISK SIZE)



P.C.L. (Software) Ltd, 1 Silvey Grove,
Spondon, Derby DE21 7GH.

Tel: 0332 678713



CAMBRIDGE COMPUTER SCIENCE LIMITED

- Borland C++ 2.0 for DOS & Windows complete with mouse. £45.00
- LCD modules.....16 char by 1: £4.00, 20 char by 2: £6.00, 40 char by 1: £6.00
- 3.5" 720K Diskette Drives..... £25.00 each
- Used hard disk drives, 112MByte £110, 70MByte £75, 40MByte £45, 20MByte £29, 10MByte £14, Limited quantities, phone before ordering
- Used PC memory/IO card AST six pack with 584K RAM..... £19.00 each
- Used IBM PC hard disk controller, 8 bit MFM..... £5.00 each
- Used Tseng labs, multi I/O + mono video card for PCs..... £10.00 each
- Used Compaq Enhanced Colour Graphics Card..... £5.00 each
- 1 Lucky Dip PC cards, untested, no warranty, various types..... £1.00 each
- 5.25" Disk Drives, 1.2MByte Slimline PC..... £19.00 each
- 5.25" Disk Drives, 80 Tk, DSDD..... £7.00 each
- 5.25" Disk Drives, 80 Tk, DSDD Used, No Wty..... £7.00 each
- (The £7.00 drives are sold on a strictly "as is" basis)
- 5.25" Disks, DSDD, 48tpi, boxes of 10..... £2.00/box
- Digital multimeter, 14 ranges, inc. leads & manual..... £9.00 each
- Apricot Disk drive PSU 5V @ 2.5A, 12V @ 2A..... £10.00 each
- 5V @ 6A PSU..... £4.00 each
- 5V @ 10A PSU..... £5.00 each
- Disk Drive Data lead BBC Micro to Disk Drives..... Single 2.00 Dual £4.00 each
- Disk Drive Power lead BBC Micro to Disk Drives..... Single 2.00 Dual £4.00 each
- 68000 CPUs 8MHz..... £2.50 each
- 8086 CPU chips..... £2.00 each
- Z80A CPU, CTC, PIO..... £1.20each; DMA £2.00; £4.50 all 4
- 74LS TTL, pick and mix, buy 10 or more for..... £0.12 each
- Types available: '00' '02' '04' '08' '10' '11' '12' '13' '14' '15' '20' '24' '26' '27' '30' '32' '33' '37' '38' '42' '74' '85' '86' '96' '107' '109' '122' '125' '132' '136' '138' '139' '145' '151' '153' '157' '158' '160' '162' '163' '164' '165' '174' '191' '193' '240' '253' '257' '260' '298' '353' '365' '366' '373' '385' '390' '399' '670' '682
- 27428 EPROMS (Ex equipment)..... £1.20 each or £5.00/5
- 27128 EPROMS..... £1.20 each
- 27C256 EPROMS (Ex Equipment)..... £1.40 each
- 27256 EPROMS..... £2.60 each
- 27C256-25 EPROMS..... £3.50 each
- 27C512 EPROMS (Ex Equipment)..... £1.40 each
- 256K DRAM (Ex Equipment)..... £0.40 each
- 1MBIT-10 DRAM (Ex Equipment)..... £1.40 each
- 6116 2K Byte SRAM..... £1.10 each
- 6264-12 8K Byte SRAM..... £3.80 each
- 62256-10 32K Byte SRAM..... £5.00 each
- 65256 32K Byte rams..... £4.00 each
- 8K Byte NV ram chips..... £3.00 each or £10.00 four
- 16, 18 & 20 pin dll low profile IC sockets 0.3" wide..... £0.40/10; £3.00/100
- 22 & 24 pin dll low profile IC sockets 0.4" wide..... £0.40/10; £3.00/100
- 24, 28, 32, 40 & 48 pin dll low profile IC sockets 0.6" wide..... £0.40/10; £3.00/100
- Circuit tester, finds faults in TTL & CMOS logic circuits, inc leads..... £6.00 each
- Metal project boxes drilled & painted but unused 28 x 32.5 x 5cm..... £4.00 each
- Eurocard Racks..... £10.00 each
- Smoke detectors..... £4.00 each
- Used computer cards many useful components (large ones socketed)
- Wini controller (WD HDC chip)..... £1.00 each
- CPU card (8088, Z80 & EPROMS)..... £3.00 each
- Keyboards, Full Qwerty, number pad and LCD..... £8.00 each
- Desktop computer case with 200W mains PSU (used)..... £19.00 each
- Used IBM PC Cases with PSU..... £30.00 each

Prices include postage. Add £1 (plus VAT) to orders below £5.00. All items new unless stated.
Add 17.5% VAT to all prices. Send an SAE for our latest list or for more info.
Dept EE, 374 Milton Road, Cambridge CB4 1SU
Tel: 0223 424602, 0831 430496 or 0831 430552 (Mail order only)

SERVICE MANUALS

We have what is probably the largest range of Service Information available anywhere.

From the Earliest Valve Wireless to the Latest Video Recorders. Colour Televisions, Test Gear, Audio, Computers, Amateur Radio in fact practically anything.

Originals or Photostats as available.

Also available. Our FREE catalogue detailing Hundreds of Technical Books and Repair Guides available.

Send 2 x 1st class stamps for your copy TODAY.

Mauritron Technical Services (EPE),
47A High Street,
Chinnor,
Oxfordshire,
OX9 4DJ.

Tel: 0844 351694. Fax: 0844 352554.



- Inverter toroidal transformers 225VA 10-5-0-10-5V primary 0-260-285V secondary..... £28.95
- LEDs 3mm or 5mm red or green 6p each, yellow 11p each. High intensity red, green or yellow, 5mm 30p each
- Cable Ties 1p each, £5.95 per 1000, £49.50 per 10 000
- Small stepping motor 4-phase 12V 7.5' step 50 ohms..... £8.95
- SAAI1027 stepping motor driver chip..... £4.95
- High quality photo resist copper clad epoxy glass boards

Dimensions	single-sided	double-sided
3x4 inches	£0.95	£1.07
4x8 inches	£2.40	£2.68
6x12 inches	£6.37	-
12x12 inches	£10.84	-

- RECHARGEABLE BATTERIES

 - AA (HPT) 500mAh..... £0.99
 - AA 700mAh..... £1.95
 - C 2AH with solder tags..... £3.60
 - D 4AH with solder tags..... £4.95
 - 1/2AA with solder tags..... £1.55
 - AAA (HP16) 180mAh..... £1.20
 - AA 600mAh with solder tags..... £1.55
 - C (HP11) 1-BAH..... £2.75
 - D (HP2) 1-2AH..... £2.60
 - PP3 8-V 110mAh..... £4.95
 - Sub C with solder tags..... £2.50
 - 1/3 AA with tags (Philips CTV)..... £1.95
 - Standard charger, charges 4 AA cells in 5 hours or 4Cs or Ds in 12 to 14 hours + 1xPP3 (1, 2, 3 or 4 cells may be charged at a time)..... £5.95
 - High power charger, as above but charges the Cs and Ds in 5 hours; AAs, Cs and Ds must be charged in twos or fours..... £10.95
 - SPECIAL OFFERS - PLEASE CHECK FOR AVAILABILITY

 - F cells 32dia. x 87mm..... £3.95
 - F cell with solder tags, 1-2V..... £4.30
 - 42mm x 16mm dia. 1-2V..... £1.46
 - Stick of 4 171mm x 16mm dia., with red and black leads 4-8V..... £5.95
 - 4 cell battery 94mm x 25mm dia (1/2C cells)..... £3.50
 - Computer grade capacitors with screw terminals. 3800uF 20V £2.60; 8700uF 10V £1.95; 8800uF 15V £2.95; 10000uF 18V £1.60; 58000uF 60V £4.95
 - 7-segment common anode i.e.d. display, 12mm..... £0.45
 - LM231AT 5.0 low drop out 5V regulator TO220 package..... £0.85
 - 7812 and 7812 12V 1A regulators..... £20.00 per 100
 - LM337K TO3 case variable regulator..... £1.60
 - 100 + £1.10 each
 - GeAs F.E.T. low leakage current S8873 £12.95
 - BS250 p-channel MOSFET..... 45p
 - BC559 transistor..... £3.95 per 100
 - 74LS05 Hex inverter..... £10.00 per 100
 - Used 8748 Microcontroller..... £3.60
 - SL952 UHF Limiting amplifier, LC 16 surface mounting package with data sheet..... £1.95
 - AM27502..... £1.25 each, 90p 100 + CD4007UB..... 10p 100 +, 6p 1000 +
 - Sinclair light gun terminated with a jack plug and PP3 clip gives a signal when pointed at 50Hz flickering light, with output waveform chart..... £3.95
 - DC-DC converter, Reliability model, V12P5, 12V in 5V 200mA out, 300V input to output regulation, with data..... £4.95 each or pack of 10 - £39.50
 - Hour counter used 7 digit 240V a.c. 50Hz..... £1.45
 - QWERTY keyboard, 58 key good quality switches, new..... £5.00
 - Airpax AB2903-C large stepping motor 14V 7.5' step, 27 ohm, 68mm dia, body, 6.3mm shaft..... £8.95 or £200.00 for a box of 30
 - Polyester capacitors, box type, 22.5mm lead pitch 0.5uF 250V d.c. 18p each, 14p 100 +, 8p 1000 + 1uF 250V d.c. 20p each, 15p 100 +, 10p 1000 + 2.2uF 250V d.c. 30p each, 20p 100 +, 15p 1000 + 3.3uF 100V d.c. 30p each, 20p 100 +, 15p 1000 + 1uF 50V bipolar electrolytic axial leads, 15p each, 7.5p 1000 +
 - 0.22uF 250V polyester axial leads, 15p each, 100 + 7.5p each
 - Philips 123 series solid aluminium axial leads. 33uF 10V & 2.2uF 40V 40p each, 25p 100 +
 - Philips 108 series 22uF 63V axial..... 30p each, 15p 1000 +
 - Multilayer AVX ceramic capacitors, all 5mm pitch, 100V 100uF, 150pF, 220pF, 10,000pF (10n) 10p each, 5p 100 +, 3.5p 1000 +
 - 5000P compression trimmer..... 80p
 - 40uF 370V a.c. motor start capacitor (dialectrol type containing no p.c.b.s.)..... £5.95 or £49.80 for 10
 - Wetwyn W23 9W 120 ohm 35p each, 20p 100 + 680 ohm 2W metal film resistor..... 4p 100 +, 2p 1000 +
 - Solid carbon resistors, very low inductance, ideal for r.f. circuits, 27ohm 2W, 68ohm 2W 25p each, 15p each 100 +
 - we have a range of 0.25W, 0.5W, 1W and 2W solid carbon resistors - please send SAE for list
 - Intelligent 4-digit alphanumeric (5x7 dot 0-145') red LED display, 12 pin 0-6 inch wide package, Siemens type DLR1414 £2.50 each, £2.00 30 + data sheets £1.00
 - AM20 27256-3 EPROMS £2.00 each, £1.25 100 +
 - DIL switch 3PCD 12 pin (ERG SDC-3-023) 80p each, 40p 100 +
 - Disk Drive Boxes for a 5-25 disk drive, with room for a power supply, light-grey plastic 67mm x 268mm x 247mm..... £7.95 or £49.50 for 10
 - Handheld Ultrasonic remote control..... £3.95
 - CV2486 gas relay 30mm x 10mm dia. with 3 wire terminals, will also work as a neon light..... 20p each, £5.60 per 100
 - A23 12V battery for car alarms or lighters..... £7.00 100 + 75p each

JPG ELECTRONICS
276-278 Chatsworth Road
Chesterfield S40 2BH
Access/Visa Orders:
(0246) 211202
Callers welcome

EVERYDAY WITH PRACTICAL ELECTRONICS

CLASSIFIED

Everyday with Practical Electronics reaches twice as many UK readers as any other independent monthly hobby electronics magazine, our audited sales figures prove it. We have been the leading independent monthly magazine in this market for the last nine years

If you want your advertisements to be seen by the largest readership at the most economical price our classified and semi-display pages offer the best value. The prepaid rate for semi-display space is £8 (+VAT) per single column centimetre (minimum 2.5cm). The prepaid rate for classified adverts is 30p (+VAT) per word (minimum 12 words).

All cheques, postal orders, etc., to be made payable to Everyday with Practical Electronics. VAT must be added. Advertisements, together with remittance, should be sent to Advertisements, Everyday with Practical Electronics, Holland Wood House, Church Lane, Great Holland, Essex CO13 0JS. Phone/Fax (0255) 850596.

For rates and information on display and classified advertising please contact our Advertisement Manager, Peter Mew as above.

NEWMARKET TRANSFORMERS LTD
Mail Order Transformer Specialists.
Toroidal and Laminated Transformers,
3VA to 1kVA.
Fast delivery. Competitive prices.
Quality guaranteed.
Phone: Michael Dornan
on 0638 662989 for Immediate Quote

RCS VARIABLE VOLTAGE D.C. BENCH POWER SUPPLY
1 to 24 volts up to 1/2 amp, 1 to 20 volts up to 1 amp, 1 to 16 volts up to 1 1/2 amps d.c. Fully stabilised. Twin panel meters for instant voltage and current readings. Overload protection.
Fully variable.
Operates from 240V a.c. Compact unit.
Size 9 x 5 1/2 x 3 in.
NEW MODEL. Up to 38volts d.c. at 6 amps, 10 amps peak. Fully variable. Twin panel meters. Size 14 1/2 x 11 x 4 1/2 in. £99 inc VAT. Carr £8.



£45 inc. VAT
+ Post and insurance £4

RADIO COMPONENT SPECIALISTS
337 WHITEHORSE ROAD, CROYDON
SURREY, U.K. Tel: 081-684 1665

Visa

List. Large SAE. Delivery 7 days. Callers welcome. Closed Wednesday

BTEC ELECTRONICS TECHNICIAN FULL-TIME TRAINING
THOSE ELIGIBLE CAN APPLY FOR E.T. GRANT SUPPORT AN EQUAL OPPORTUNITIES PROGRAMME
O.N.C., O.N.D. and H.N.C.
Next course commences
Monday 25th April 1994
FULL PROSPECTUS FROM

LONDON ELECTRONICS COLLEGE
(Dept EPE) 20 PENYVERN ROAD
EARLS COURT, LONDON SW5 9SU
TEL: 071-373 8721

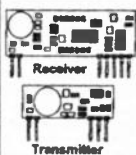
Typefit
The Typesetting programme for all your Typesetting needs.
If you need typesetting for your Adverts, Brochures, etc. Typefit can help you.
Please telephone 0202 882299

StripCAD
StripCAD is a unique electronics CAD package for designing schematic circuits and stripboard layouts. Electronics symbol library and component profile library are included. Drawings can be output to Epson compatible dot-matrix printers.
Price is only £30 (inc. p&p) from
Milverton Systems,
Milverton East, Appletree Lane, Corbridge, Northumberland, NE45 5DN.

INTERNATIONAL HOME STUDY DEGREE COURSES
Earn your Degree entirely by correspondence through Earlscroft University:
★ Liberal Arts & Sciences
★ Tailor-Made Programmes
★ Credits for Life Experience & Prior Learning
★ Bachelors, Masters, Doctorates
★ Entry at any time
Details: Dr. J. East, E.U.I.
Redgrove House, 393 Lordship Lane, Dulwich, London SE22 8JN

SURVEILLANCE KITS
MICRO TRANSMITTER, tuneable 70-115MHz, 500M range, 40mm x 20mm including microphone, 3-12V. Kit £5.95, Assembled £9.95. Order Code KT1.
TELEPHONE TRANSMITTER, 30mm x 10mm, powered from line, transmits both sides of conversation, 500M range, 88-130MHz. Kit £7.95, Assembled £12.95. Order Code KT3.
3 WATT TRANSMITTER, 80-110MHz, 12-15V, adjustable input sensitivity, varicap controlled, several miles range. Kit £15.95, Assembled £25.95. Order Code KT4.
All prices include p&p.
Credit card orders telephone 021 486 3092.
Send 2x1st class stamps for Catalogue. Cheques/P.O. a payable to:
C.E.C.
(Dept. EPE), 615A Bristol Road, Birmingham B29 6AU

Transmitter & Receiver Modules
418MHz FM Transmitter and Receiver modules. DTI Approved. Legal & Licence Exempt. Typical 50m range in-building, 200m range outside. Low power, 5Kbps data rate. Ideal for home automation, security, car alarm, paging systems, robotics, elderly person/child alarm, nurse call, PC "wireless" networks. Complete with data. FULL application notes and FREE Evaluation PCBs
£39.50 per pair inclusive VAT P&P etc.
Catalogue (£1.00) details other radio/remote control kits/modules
Please enclose Cheque/PO with order (Sorry no Credit Cards)
Please allow 14 days for delivery. (Mail Order only)
nitkam electronics ltd West End Gardens Fairford Glos GL7 4JB
Tel/Fax: 0285 713862



THE BRITISH AMATEUR ELECTRONICS CLUB
exists to help electronics enthusiasts by personal contact and through a quarterly Newsletter.
For membership details, write to the Secretary
Mr. J. F. Davies, 70 Ash Road, Cuddington, Northwich, Cheshire CW8 2PB.
Space donated by Everyday with Practical Electronics

Miscellaneous

PROTOTYPE PRINTED CIRCUIT BOARDS one offs and quantities, for details send s.a.e. to B. M. Ansbroy, 38 Poyning's Drive, Sussex BN3 8GR, or phone Brighton 883871.

G.C.S.E. ELECTRONICS KITS, at pocket money prices. S.A.E. for FREE catalogue. SIR-KIT Electronics, 70 Oxford Road, Clacton, CO15 3TE.

TO CLEAR. Hundreds of resistors, capacitors, semiconductors, i.c. sockets, plastics boxes etc. Retail value over £100. Only £19.95. Joe Karajos, 42 West Parade, Peterborough, PE3 6BD.

WANTED BY RETAILER OF ELECTRONIC AND SECURITY EQUIPMENT:- test instruments, receivers, electrical accessories, cables, lighting, speakers, audio, circuits, transformers, security devices and systems, tools etc. Single items, large or small quantities. New, used, surplus or whatever. Instant cash awaits. Tel: (0524) 414146 day or evenings.

SURVEILLANCE KITS, tuneable 88-108MHz, 500m range, detailed instructions, **MICRO TRANSMITTER:** sensitive microphone, 20 x 28mm, £8.95 assembled, kit £4.95. **TELEPHONE TRANSMITTER:** powered from line, transmits both sides of conversation, £11.95 assembled, kit £6.95. Cheques/PO's: Excel Products, (EPE3), Unit 14, Sunningdale, Bishop's Stortford, Herts CM23 2PA.

PLDs and EPROMS copied or programmed. We supply logic devices/convert discrete logic to PLDs. Also PCBs designed. Send for details to PO Box 1561 Bath (0225 444467). **1Mb EPROMS** - £2 each. Mitsubishi type 27C 101K-15. Standard Pinout. Used once, erased and tested. Tel: (081) 842 3862.

This 2 1/2 cm space in
Everyday with Practical Electronics
Would ONLY cost you
£20 + VAT

EVERYDAY WITH PRACTICAL ELECTRONICS

Name

Address

.....

.....

SUBSCRIPTION ORDER FORM

Annual subscription rates (1994):
UK £22.00. Overseas £28 (surface mail). £45.50 (airmail)

To:
Everyday with Practical Electronics,
6 Church Street, Wimborne,
Dorset BH21 1JH

Tel: 0202 881 749 Fax: 0202 841 692

I enclose payment of £.....

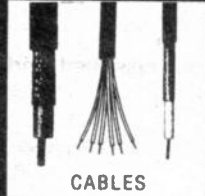
(cheque/PO in £ sterling only, payable to Everyday with Practical Electronics). Alternatively send Access or Visa number and card expiry date.

Signature

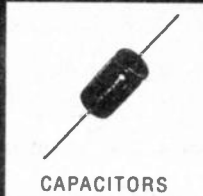
Please supply name and address of card-holder if different from the subscription address shown above. Subscriptions can only start with the next available issue.
For back numbers see the Editorial page.

M3/94

Call us now! We have the widest range of components available - At competitive prices!



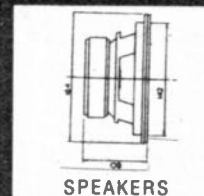
CABLES



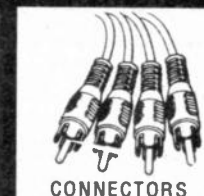
CAPACITORS



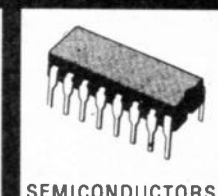
VIDEO HEADS



SPEAKERS



CONNECTORS



SEMICONDUCTORS

CRICKLEWOOD ELECTRONICS

Cricklewood Electronics Ltd. 40 Cricklewood Broadway, London NW2 3ET.
Telephone: 081 452 0161 Fax: 081 208 1441

All Major Credit Cards Accepted



COMPONENTS

For TV ★ Video
Audio ★ Computer

VIDEO SPARES

We can supply Pinch Rollers, Idlers, Belt Kits, Heads + many other Service & Specific parts for over 160 makes.

TV - SATELLITE AUDIO SPARES

Switches, Transformers, Semiconductors, etc. Large range available

EQUIPMENT MANUALS

Large selection of Manufacturers Service & User information available. Original manuals supplied if possible.

SEMICONDUCTORS

We can supply thousands of different Custom & Industry Standard devices.

BUS08A..... £1.50 TDA4601..... £3.25
LM748A..... £4.99 UC3884..... £8.95
LM733CN..... £2.43 UM6522..... £6.99
MAB8049H..... £5.17 UPC1378H..... £2.82
P8255A..... £2.85 UPC1397C..... £4.34
STK4141H..... £8.79 2SK301R..... £1.85
TA7289P..... £6.89 27C256-200..... £2.98

Order by Post or Phone. VISA, ACCESS, DELTA & SWITCH accepted with pleasure. Minimum P&P charge is £1.25 - Please then add extra 50p if ordering a Manual or LOPT.

All items subject to availability. Prices can change without notice.

WE CAN SUPPLY A VAST RANGE OF SPARES for many makes of TV, Video, Computer & Audio Equipment. WRITE (Encl. s.a.e. please) or PHONE FOR A 'PRICE & AVAILABILITY' on your requirements. **0452 526883**

COMPUTER SPARES

PHILIPS MONITORS

BM7513 Serv. Manual..... £3.49
CM8833 Serv. Manual..... £7.84
CM9073 O/S Switch..... £8.83
CM11342 Line O/P Tx..... £28.51

AMSTRAD

CPC464 User Manual..... £10.95
PCW 9512 Serv. Manual..... £14.99
AY38912..... £7.06
SED09420CAC..... £14.93

Most Amstrad parts available

FLYBACK TRANSFORMERS

DIGITAL VT320..... £28.05
IBM 8512 (State type)..... £49.93
We can supply over 300 types of L.O.P.T.s. Please enquire with info taken from part.

We only show a small sample of our range. Batteries, Leads, nibbons also stocked.

SPECIAL OFFER

Sinclair, Atari Commodore CHIPS

40054 ROM (+2)..... £11.69
TMS4532NL4 DRAM..... £0.99
ZX8002 ULA (QL)..... £6.49
ZX8401 ULA (Spec.)..... £5.44

CO25913 DMA (ST)..... £32.99
Keyboard CPU (ST)..... £23.50
PC713V (STE-P64)..... £2.89
PC900V/H113 (ST)..... £2.78

8569 VIC (C64)..... £19.95
8565 VIC (C64C)..... £18.85
MS81416-12 DRAM (C18)..... £4.49
Further savings for (5+) quantities. Please enquire.

COMMODORE

C64/64C Serv. Manual..... £14.99
C64C User Manual..... £4.49
906114-01 PLA (C64)..... £8.99
8372B (A3000)..... £44.19

Order by Post or Phone. VISA, ACCESS, DELTA & SWITCH accepted with pleasure. Minimum P&P charge is £1.25 - Please then add extra 50p if ordering a Manual or LOPT. All items subject to availability. Prices can change without notice.



MARAPET (EEC)
1 HORNBEAM MEWS
GLOUCESTER GL2 0UE

ANNEX SHAREWARE LIBRARY

PCB DESIGN & CAD

- E001 DROEGE (2 DISKS) General purpose CAD for layout of PCBs, up to 12 layers.
- E002 LAVO1 (3 DISKS) Fully featured vector based PCB design, up to 15 layers.
- E003 LASI (9 DISKS) CAD drawing for IC and device layout PCBs, Schematics & precision drawing.
- E005 PCB-CAD (1 DISK) PCB CAD package with autoroute, board viewer and board printer.
- E006 PC TRACE (2 DISKS) Circuit board design, 5/32" & D/3 boards autoroute, laser & desktop.
- E007 CIRCUITOUT (1 DISK) Powerful PCB or circuit design featuring 'rats nest' autorouting.

CIRCUIT DESIGN & ANALYSIS

- E011 ACIRAN Linear AC circuit analysis, Res, Cap, Inductor
- E012 ACNET Steady state analysis of R, L, C & Transformers
- E013 AC SOLVE Solves R, L, R, C, L, R, C networks AC & DC
- E014 PC ECAP Analysis, mag, phase, amp, VSWR etc.
- E015 SCAL Scattering parameters for HF RF Amps.
- E016 POWER Circuit designers utility for IC chips.
- E017 SWITCHERS MADE SIMPLE Design of switcher based regulators & invert regulators.

All circuit & design programs are 1 DISK for each program.

ELECTRONIC TUTORIALS

- E008 PC-TUTOR (1 DISK) A computer based training program in basic electrical and electronic concepts.
- E021 ELECTRONICS TUTORIAL 1 (2 DISKS) AC DC networks presented in graphical form on screen, includes schematic diagrams etc.
- E022 ELECTRONICS TUTORIAL 2 (2 DISKS) AC & DC current, R, L, C, Inductor theories some animated graphical circuits.

WE ALSO HAVE A QUANTITY OF HAM RADIO titles, antenna design etc. Send for list.

*** DISK PRICE £1.95 EACH ***
Per 5 titles including

OVERSEAS CUSTOMERS ADD £2.00 TO ORDER Programs supplied on 5 1/2" or 3 1/4" tech disks. Please state disk size when placing orders. Minimum order value £5.00

ANNEX SOFTWARE, PORT PENNINSIS FALMOUTH TR11 3KU
TELEPHONE (0326) 212187

ACCESS, VISA, MASTERCARD ACCEPTED
Telephone orders 9am to 6.30pm Mon - Sat



Cooke International

SUPPLIER OF QUALITY USED TEST INSTRUMENTS

ANALYSERS, BRIDGES, CALIBRATORS, VOLTMETERS, GENERATORS, OSCILLOSCOPES, POWER METERS, ETC. ALWAYS AVAILABLE

ORIGINAL SERVICE MANUALS FOR SALE
COPY SERVICE ALSO AVAILABLE

EXPORT, TRADE AND U.K. ENQUIRIES WELCOME
SEND LARGE S.A.E. (50p POSTAGE) FOR LISTS OF EQUIPMENT & MANUALS
ALL PRICES EXCLUDE VAT AND CARRIAGE
DISCOUNT FOR BULK ORDERS SHIPPING ARRANGED

REPAIRS & CALIBRATION UNDERTAKEN

OPEN MONDAY TO FRIDAY 9AM-5PM
Unit Four, Fordingbridge Site, Main Road, Barnham, Bognor Regis,
West Sussex, PO22 0EB
Tel (+ 44) 0243 545111/2 Fax (+ 44) 0243 542457
HIGH END EQUIPMENT PURCHASED

Most advertisements are legal, decent, honest and truthful. A few are not, and, like you, we want them stopped.

If you would like to know more about how to make complaints, please send for our booklet: 'The Do's and Don'ts of Complaining'. It's free.

The Advertising Standards Authority.

We're here to put it right. ✓

ASA Ltd., Dept. Z, Brook House, Torrington Place, London WC1E 7HN.
This space is donated in the interests of high standards of advertising.

Carbon Film resistors 1/4W 5% E24 series 0.51 R to 10MΩ	1p
100 off per value - 75p, even hundreds per value totalling 1000	£6.00p
Metal Film resistors 1/4W 10R to 1 MΩ 5% E12 series - 2p, 1% E24 series	3p
Mixed metal/carbon film resistors 1/4W E24 series 1R to 10MΩ	1 1/2p
1 watt mixed metal/Carbon Film 5% E12 series 4R7 to 10 Megohms	5p
Linear Carbon pre-sets 100mW and 1/4W 100R to 4M7 E6 series	7p
Minimum polyester capacitors 250V working for vertical mounting	
015, 022, 033, 047, 068-4p, 0.1 - 5p, 0.12, 0.15, 0.22 - 6p, 0.47 - 8p, 0.68 - 8p, 1.0 - 12p	
Mylar (polyester) capacitors 100V working E12 series vertical mounting	
1000p to 8200p - 3p, 0.1 to 0.68 - 4p, 0.1 - 5p, 0.12, 0.15, 0.22 - 6p, 0.47/50V - 8p	
Submin ceramic plate capacitors 100V wkg vertical mountings, E12 series	
2% 1.8pf to 47pf - 3p, 2% 56pf to 330pf - 4p, 10% 390p-4700p	4p
Disc/plate ceramics 60V E12 series 1 PΩ to 1000P, E6 Series 1500P to 47000P	2p
Polystyrene capacitors 63V working E12 series long axial wires	
10pf to 820pf - 5p, 1000pf to 10,000pf - 6p, 12,000pf	7p
741 Op Amp - 20p, 555 Timer - 20p, LM3900	80p
CMOS 4001 - 20p, 4011 - 22p, 4017 - 40p, 4069UB unbuffered	20p
DIL holders, 8-pin 9p; 14-, 16-, 18-pin 12p; 24-pin 18p; 28-pin 20p; 40-pin 25p.	
ALUMINIUM ELECTROLYTICS (Mfds/Volts)	
1/50, 2/2/50, 4/7/50, 10/25, 10/50	5p
100/16, 100/25 7p; 100/50	6p
220/16 8p; 220/25, 220/50 10p; 470/16, 470/25	11p
1000/25 25p; 1000/35, 2200/25 35p; 4700/25	70p
Submin, tantalum bead electrolytics (Mfds/Volts)	
0.1/35, 0.22/35, 0.47/35, 1.0/35, 3.3/16, 4.7/16	14p
2.2/35, 4.7/25, 4.7/35, 6.8/16 15p; 10/16, 22/6	20p
33/10, 47/6, 22/16 30p; 47/10 35p; 47/16 60p; 47/35	80p
VOLTAGE REGULATORS	
1A + or - 5V, 8V, 12V, 15V, 18V & 24V - 55p, 100mA, 5.8, 12, 15, V +	30p
DIODES (piv/amps)	
75/25mA 1N4148 2p, 800/1A 1N4006 4 1/2p, 400/3A 1N5404 14p, 115/15mA OA91	8p
100/1A 1N4002 3 1/2p, 1000/1A 1N4007 5p, 60/1.5A S1M1 5p, 100/1A bridge	25p
400/1A 1N4004 4p, 1250/1A BY 127 10p, 30/150mA OA47 gold bonded	18p
Zener diodes E24 series 3V3 to 33V 400mW - 8p, 1 watt	12p
Battery snaps for PP3 - 6p for PP9	12p
L.E.D.'s 3mm, & 5mm, Red, Green, Yellow - 10p, Grommets 3mm - 2p, 5mm	2p
Red flashing L.E.D.'s require 9-12V supply only	50p
Mains indicator neons with 220k resistor	10p
20mm fuses 100mA to 5A, O. blow 6p, A/surge 10p, Holders, chassis, mounting	6p
High speed pc drill 0.8, 1.0, 1.3, 1.5, 2.0mm - 40p, Machines 12V dc	£15.00
HELPING HANDS 6 ball joints and 2 croc clips to hold awkward jobs	£3.50
AA/HP7 Nicad rechargeable cells 90p each, Universal charger unit	£6.50
AA/HP7 zinc/carbon batteries in packs of 4	£1.10 per pack
Glass reed switches with single pole make contacts - 8p, Magnets	15p
0.1" Stripboard 2 1/2" x 1" 9 rows 25 holes - 25p, 3 1/4" x 2 1/2" 24 rows 37 holes	70p
Jack plugs 2.5 & 3.5mm - 14p; Sockets Panel Mtg. 2.5 & 3.5mm	10p
Ear pieces 2.5 & 3.5mm, dynamic - 20p; 3.5mm crystal	£1.50
Multi cored solder, 22G - 8p yard, 18G - 14p yard.	
TRANSISTORS	
BC107/8/9 - 12p, BC547/8/9 - 8p, BC557/8/9 - 8p, BC182, 182L, BC183, 183L, BC184, 184L, BC212, 212L - 10p.	
BC327, 337, 337L - 12p, BC727, 737 - 12p, BD135/6/7/8/9 - 25p, BCY70 - 18p.	
BFY50/51/52 - 20p.	
8FX88 - 15p, 2N3055 - 55p, TIP31, 32 - 30p, TIP41, 42 - 40p, 8U208A - £1.50, 8F195, 197 - 12p	
Ionisers with seven year guarantee, list price £16.95	£12.50
All prices are inclusive of VAT. Postage 30p (free over £5). Stamp for list.	
THE CR SUPPLY CO	
127 Chesterfield Rd., Sheffield S8 0RN Tel: 0742 557771 Return posting	

MAKE YOUR INTERESTS PAY!

Over the past 100 years more than 10 million students throughout the world have found it worth their while! An ICS home-study course can help you get a better job, make more money and have more fun out of life! ICS has over 100 years experience in home-study courses and is the largest correspondence school in the world. You learn at your own pace, when and where you want under the guidance of expert 'personal' tutors. Find out how we can help YOU. Post or phone today for **FREE INFORMATION** on the course of your choice. (Tick one box only!)

Electronics	<input type="checkbox"/>	TV, Video & Hi-Fi Servicing	<input type="checkbox"/>
Basic Electronic Engineering (City & Guilds)	<input type="checkbox"/>	Refrigeration & Air Conditioning	<input type="checkbox"/>
Electrical Engineering	<input type="checkbox"/>	Car Mechanics	<input type="checkbox"/>
Electrical Contracting/Installation	<input type="checkbox"/>	Computer Programming	<input type="checkbox"/>
GCSE / GCE / SCE over 40 examination subjects to choose from <input type="checkbox"/>			

Name _____ Address _____

ICS International Correspondence Schools Dept ECS 34
312/314 High Street, Sutton, Surrey SM1 1PR or 041-221 7373 (24 hours)

SHERWOOD ELECTRONICS

9 Lower Birchwood, Somercotes, Derbyshire DE55 4NG

£1 Special Packs - choose 1 pack **FREE** for every 10 purchased

SP1 15 x 5mm Red Leds	SP103 15 x 14 pin DIL sockets
SP2 15 x 5mm Green Leds	SP104 15 x 16 pin DIL sockets
SP3 12 x 5mm Yellow Leds	SP112 5 x Cmos 40B3
SP6 15 x 3mm Red Leds	SP113 12 x 1N5400 diodes
SP7 12 x 3mm Green Leds	SP118 2 x Cmos 4047
SP10 100 x 1N4148 diodes	SP130 100 x Mixed 0.5W C.F. resistors
SP11 30 x 1N4001 diodes	SP133 20 x 1N4004 diodes
SP18 20 x BC182 transistors	SP135 6 x Min. slide switches
SP23 20 x BC549 transistors	SP136 10 x OA90 diodes
SP25 5 x 555 timers	SP138 20 x 2.250V radial elect caps
SP26 5 x 741 Op-amps	SP142 2 x Cmos 4017
SP36 25 x 10/25V radial elect caps	SP145 3 x TIP32A transistors
SP37 15 x 100/35V radial elect caps	SP146 10 x 2N3704 transistors
SP42 200 x Mixed 0.25W C.F. resistors	SP151 4 x 8mm Red Leds
SP47 5 x Min push button switches	SP157 5 x BCY70 transistors
SP102 20 x 8 pin DIL sockets	SP164 2 x C106D thyristors

RESISTOR PACKS - 0.25W C.Film	
RP3 5 each value - total 365	£2.75
RP7 10 each value - total 730	£4.15
RP10 1000 popular values	£5.80

Catalogue available £1 or **FREE** with first order over £5

Cheques or P.O. to **NO VAT** Please add **£1.25 P&P** to all orders
SHERWOOD ELECTRONICS

400 watt IBM L-shaped p.s.u., 115-240V Input, Outputs +5V 45A, +12V 13A, -5V 0-5A, -12V 1A	£24.95
Everex network cards + software and manual	£29.95
Electret condenser mics	£1 ea 10 for £5*
5 1/4" to 3 1/2" floppy converter heads	£1.50 ea*
360K 5 1/4" customer returned disk drives	2 for £5
9-pin High Density VGA leads	£2.50*
10A 250V IEC leads	£1.50*
Spectrum 128K + 2 p.s.u.	£4.95
9V 2-1A	£4.95
STC p.s.u. 240V Input; 5V 6A Output, (converts to 12V 3A, details supplied)	£5.95
Temperature probes, with data	£3.95*
Universal Timer (10 min. delay and 20 min. cut-off functions)	£3.95*
Dictaphone cassette mech.	£2.00*
35mm Camera returns, with auto flash, wind on, etc.	£6 ea, 2 for £10
16 Character x 2-line dot matrix display + data	£4.95*
40 Character x 1-line dot matrix display	£4.95*
Car Dashboard Display (shows lights, indicators, doors, on picture of car)	£4.95*
4-digit clock display	£2.50*
4-digit l.c.d. with 7211 driver	£3.50*
17-digit v.f. display	£2.95*
Giant 2 digit v.f. display	£2.95
12V stepper motors, 48 steps per rev., 7-3" step angle	£3.95*
250 off mixed electrolytic caps	£4.95*
250 off polyester caps	£4.95*
1000 off mixed resistors	£4.95*
1/4W	£4.95*

100 off phono plugs	£2.95*
50 off mixed terminal blocks	£2.50*
25 off buzzers & sounders	£3.50*
25 off mixed relays	£4.95*
50 off mixed switches	£7.50*
250 off i.c. sockets	£3.95*
1000 off Ceramic caps	£7.50*
5 off 3V Lithium memory back-up batteries	£2.00*
100 off 2200µF 25V caps	£6.00*
100 off 4-7µF 25V caps	£2.50*
3lb mixed component pack	£4.95
Jumbo component pack	£10
Crystal oscillators	
10/12MHz	£1 ea
5V DPCO D.I.L. relay	60p ea*
5V SPCO S.I.L. reed relay	40p ea*
12V Piezoelectric Sounders	50p ea
D.I.L. Switches 3/4/6 and 12-way	35p ea*
UM1233 video modulators	£2*
3-5mm jack plugs	10 for £1*
16A BT surge arrestors	10 for £5*
100 off Zener diodes, mixed	£2*
21-piece mini screwdriver set	£3.95*
Universal test lead kit	£3.95*
10 crocodile clip leads	£3.50*

QUANTITY DISCOUNTS AVAILABLE PLEASE RING

We also buy all forms of electronic components, p.s.u.'s, disk drives etc. Lists to below address.

ALL PRICES INCLUDE V.A.T. PLEASE ADD £2.00 p&p EXCEPT ITEMS MARKED * WHICH ARE 50P. SAE FOR BULK BUYING LIST PAYMENT WITH ORDER TO:
Dept EE, COMPELEC, 14 Constable Road, St. Ives, Huntingdon, Cambs PE17 6EQ. Tel/Fax: 0480 300819

Millions of quality components at lowest ever prices!

Plus Tools, Watches, Fancy Goods, Toys. Mail order UK only.

All inclusive prices - **NO VAT** to add on.

Send 43p stamped self addressed label or envelope for catalogue/clearance list.

At least 2,100 offers to amaze you.

Brian J Reed

**6 Queensmead Avenue, East Ewell
Epsom, Surrey KT17 3EQ
Tel: 081-393 9055**

ADVERTISERS INDEX

ANNEX SOFTWARE.....	247
N. R. BARDWELL.....	237
B.K. ELECTRONICS.....	Cover (iii)
BRIAN J. REED.....	248
BULL ELECTRICAL.....	Cover (ii)
CAMBRIDGE COMP. SCIENCE.....	245
CHATWIN GUITARS (JCG).....	237
CHELMER VALVE CO.....	221
CIRKIT DISTRIBUTION.....	221
COMPELEC.....	248
COOKE INTERNATIONAL.....	247
CRICKLEWOOD ELECTRONICS.....	247
CR SUPPLY COMPANY.....	247
DISPLAY ELECTRONICS.....	178
ELECTROVALUE.....	180
ESR ELECTRONIC COMPONENTS.....	188
EUROCOM INTERNATIONAL.....	227
GREENWELD ELECTRONICS.....	181
HART ELECTRONIC KITS.....	185
HENRYS AUDIO ELECTRONICS.....	237
ICS.....	248
JAYTEE ELECTRONIC SERVICES.....	180
JPG ELECTRONICS.....	245
LABCENTER.....	205
MAGENTA ELECTRONICS.....	186/187
MAILTECH.....	218
MAPLIN ELECTRONICS.....	Cover (iv)
MARAPET.....	247
MAURITRON.....	245
M&B ELECTRICAL SUPPLIES.....	233
MQP ELECTRONICS.....	184
NATIONAL COLLEGE OF TECHNOLOGY.....	184
NICHE SOFTWARE.....	221
NUMBER ONE SYSTEMS.....	183
OMNI ELECTRONICS.....	180
PCL SOFTWARE.....	245
PICO TECHNOLOGY.....	182
POWERWARE.....	232
PROFILE ELECTRONICS.....	237
SEETRAX CAE.....	184
SHERWOOD ELECTRONICS.....	248
SUMA DESIGNS.....	197
SUSSEX COMPUTER SUPPLIES.....	237
TSIEN (UK).....	193

ADVERTISEMENT MANAGER:

PETER J. MEW

ADVERTISEMENT OFFICES:

EVERYDAY with PRACTICAL ELECTRONICS, ADVERTISEMENTS,

HOLLAND WOOD HOUSE, CHURCH LANE, GREAT HOLLAND, ESSEX CO13 0JS.

Phone/Fax: (0255) 850596

For Editorial address and phone numbers see page 189.

OMP MOS-FET POWER AMPLIFIERS HIGH POWER, TWO CHANNEL 19 INCH RACK

THOUSANDS PURCHASED BY PROFESSIONAL USERS



THE RENOWNED MXF SERIES OF POWER AMPLIFIERS

FOUR MODELS:- MXF200 (100W + 100W) MXF400 (200W + 200W) MXF600 (300W + 300W) MXF900 (450W + 450W)

ALL POWER RATINGS R.M.S. INTO 4 OHMS, BOTH CHANNELS DRIVEN

FEATURES: *Independent power supplies with two toroidal transformers * Twin L.E.D. Vu meters * Level controls * Illuminated on/off switch * XLR connectors * Standard 775mV inputs * Open and short circuit proof * Latest Mos-Fets for stress free power delivery into virtually any load * High slew rate * Very low distortion * Aluminium cases * MXF600 & MXF900 fan cooled with D.C. loudspeaker and thermal protection.

USED THE WORLD OVER IN CLUBS, PUBS, CINEMAS, DISCOS ETC.

SIZES:- MXF200 W19"xH3 1/2" (2U)xD11"
MXF400 W19"xH5 1/4" (3U)xD12"
MXF600 W19"xH5 1/4" (3U)xD13"
MXF900 W19"xH5 1/4" (3U)xD14 1/4"

PRICES:- MXF200 £175.00 MXF400 £233.85
MXF600 £329.00 MXF900 £449.15
SPECIALIST CARRIER DEL. £12.50 EACH



OMP X03 STEREO 3-WAY ACTIVE CROSS-OVER



Advanced 3-Way Stereo Active Cross-Over, housed in a 19" x 1U case. Each channel has three level controls: bass, mid & top. The removable front fascia allows access to the programmable DIL switches to adjust the cross-over frequency: Bass-Mid 250/500/800Hz, Mid-Top 1.8/3/5KHz, all at 24dB per octave. Bass invert switches on each bass channel. Nominal 775mV input/output. Fully compatible with OMP rack amplifier and modules.

Price £117.44 + £5.00 P&P

STEREO DISCO MIXER SDJ3400S

*** ECHO & SOUND EFFECTS ***

STEREO DISCO MIXER with 2 x 7 band L & R graphic equalisers with bar graph LED Vu meters. **MANY OUTSTANDING FEATURES:-** including Echo with repeat & speed control, DJ Mic with talk-over switch, 6 Channels with individual faders plus cross fade, Cue Headphone Monitor, 8 Sound Effects. Useful combination of the following inputs:- 3 turntables (mag), 3 mics, 5 Line for CD, Tape, Video etc.

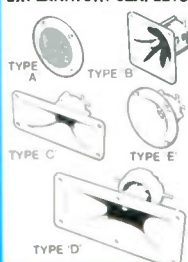
Price £144.99 + £5.00 P&P



SIZE: 482 x 240 x 120mm

PIEZO ELECTRIC TWEETERS - MOTOROLA

Join the Piezo revolution! The low dynamic mass (no voice coil) of a Piezo tweeter produces an improved transient response with a lower distortion level than ordinary dynamic tweeters. As a crossover is not required these units can be added to existing speaker systems of up to 100 watts (more if two are put in series). **FREE EXPLANATORY LEAFLETS ARE SUPPLIED WITH EACH TWEETER.**



TYPE 'A' (KSN1036A) 3" round with protective wire mesh. Ideal for bookshelf and medium sized Hi-Fi speakers. Price £4.90 + 50p P&P.
TYPE 'B' (KSN1005A) 3 1/2" super horn for general purpose speakers, disco and P.A. systems etc. Price £5.99 + 50p P&P.
TYPE 'C' (KSN1016A) 2" x 5" wide dispersion horn for quality Hi-Fi systems and quality discos etc. Price £6.99 + 50p P&P.
TYPE 'D' (KSN1025A) 2" x 6" wide dispersion horn. Upper frequency response retained extending down to mid-range (2KHz). Suitable for high quality Hi-Fi systems and quality discos. Price £9.99 + 50p P&P.
TYPE 'E' (KSN1038A) 3 1/2" horn tweeter with attractive silver finish trim. Suitable for Hi-Fi monitor systems etc. Price £5.99 + 50p P&P.
LEVEL CONTROL Combines, on a recessed mounting plate, level control and cabinet input jack socket. 85x85mm. Price £4.10 + 50p P&P.

IBI FLIGHT CASED LOUDSPEAKERS

A new range of quality loudspeakers, designed to take advantage of the latest speaker technology and enclosure designs. Both models utilize studio quality 12" cast aluminium loudspeakers with factory fitted grilles, wide dispersion constant directivity horns, extruded aluminium corner protection and steel ball corners, complimented with heavy duty black covering. The enclosures are fitted as standard with top hats for optional loudspeaker stands.



POWER RATINGS QUOTED IN WATTS RMS FOR EACH CABINET FREQUENCY RESPONSE FULL RANGE 45Hz - 20KHz

ibi FC 12-100WATTS (100dB) PRICE £159.00 PER PAIR

ibi FC 12-200WATTS (100dB) PRICE £175.00 PER PAIR

SPECIALIST CARRIER DEL. £12.50 PER PAIR

OPTIONAL STANDS PRICE PER PAIR £49.00
Delivery £6.00 per pair

IN-CAR STEREO BOOSTER AMPS



PRICES: 150W £49.99 250W £99.99
400W £109.95 P&P £2.00 EACH

THREE SUPERB HIGH POWER CAR STEREO BOOSTER AMPLIFIERS
150 WATTS (75 + 75) Stereo, 150W Bridged Mono
250 WATTS (125 + 125) Stereo, 250W Bridged Mono
400 WATTS (200 + 200) Stereo, 400W Bridged Mono
ALL POWERS INTO 4 OHMS

Features:
* Stereo, bridgable mono * Choice of high & low level inputs * L & R level controls * Remote on-off * Speaker & thermal protection.

OMP MOS-FET POWER AMPLIFIER MODULES

SUPPLIED READY BUILT AND TESTED.

These modules now enjoy a world-wide reputation for quality, reliability and performance at a realistic price. Four models are available to suit the needs of the professional and hobby market i.e. Industry, Leisure, Instrumental and Hi-Fi etc. When comparing prices, NOTE that all models include toroidal power supply, integral heat sink, glass fibre P.C.B. and drive circuits to power a compatible Vu meter. All models are open and short circuit proof.

THOUSANDS OF MODULES PURCHASED BY PROFESSIONAL USERS



OMP/MF 100 Mos-Fet Output power 110 watts R.M.S. into 4 ohms, frequency response 1Hz - 100KHz -3dB, Damping Factor >300, Slew Rate 45V/uS, T.H.D. typical 0.002%, Input Sensitivity 500mV, S.N.R. -110 dB. Size 80 x 123 x 60mm.
PRICE £40.85 + £3.50 P&P



OMP/MF 200 Mos-Fet Output power 200 watts R.M.S. into 4 ohms, frequency response 1Hz - 100KHz -3dB, Damping Factor >300, Slew Rate 50V/uS, T.H.D. typical 0.001%, Input Sensitivity 500mV, S.N.R. -110 dB. Size 300 x 155 x 100mm.
PRICE £64.35 + £4.00 P&P



OMP/MF 300 Mos-Fet Output power 300 watts R.M.S. into 4 ohms, frequency response 1Hz - 100KHz -3dB, Damping Factor >300, Slew Rate 60V/uS, T.H.D. typical 0.001%, Input Sensitivity 500mV, S.N.R. -110 dB. Size 330 x 175 x 100mm.
PRICE £81.75 + £5.00 P&P



OMP/MF 450 Mos-Fet Output power 450 watts R.M.S. into 4 ohms, frequency response 1Hz - 100KHz -3dB, Damping Factor >300, Slew Rate 75V/uS, T.H.D. typical 0.001%, Input Sensitivity 500mV, S.N.R. -110 dB, Fan Cooled, D.C. Loudspeaker Protection, 2 Second Anti-Thump Delay. Size 385 x 210 x 105mm.
PRICE £132.85 + £5.00 P&P



OMP/MF 1000 Mos-Fet Output power 1000 watts R.M.S. into 2 ohms, 725 watts R.M.S. into 4 ohms, frequency response 1Hz - 100KHz -3dB, Damping Factor >300, Slew Rate 75V/uS, T.H.D. typical 0.002%, Input Sensitivity 500mV, S.N.R. -110 dB, Fan Cooled, D.C. Loudspeaker Protection, 2 Second Anti-Thump Delay. Size 422 x 300 x 125mm.
PRICE £259.00 + £12.00 P&P

NOTE: MOS-FET MODULES ARE AVAILABLE IN TWO VERSIONS: STANDARD - INPUT SENS 500mV, BAND WIDTH 100KHz. PEC (PROFESSIONAL EQUIPMENT COMPATIBLE) - INPUT SENS 775mV, BAND WIDTH 50KHz. ORDER STANDARD OR PEC.

LOUDSPEAKERS

LARGE SELECTION OF SPECIALIST LOUDSPEAKERS AVAILABLE, INCLUDING CABINET FITTINGS, SPEAKER GRILLES, CROSS-OVERS AND HIGH POWER, HIGH FREQUENCY BULLETS AND HORNS, LARGE (A4) S.A.E. (60p STAMPED) FOR COMPLETE LIST.

McKenzie and Fane Loudspeakers are also available.

EMINENCE:- INSTRUMENTS, P.A., DISCO, ETC

ALL EMINENCE UNITS 8 OHMS IMPEDANCE
B' 100 WATT R.M.S. ME8-100 GEN. PURPOSE, LEAD GUITAR, EXCELLENT MID, DISCO. RES. FREQ. 72Hz, FREQ. RESP. TO 4KHz, SENS 97dB. PRICE £32.71 + £2.00 P&P
10" 100 WATT R.M.S. ME10-100 GUITAR, VOCAL, KEYBOARD, DISCO, EXCELLENT MID. RES. FREQ. 71Hz, FREQ. RESP. TO 7KHz, SENS 97dB. PRICE £33.74 + £2.50 P&P
10" 200 WATT R.M.S. ME10-200 GUITAR, KITS 'B'D, DISCO, VOCAL, EXCELLENT HIGH POWER MID. RES. FREQ. 65Hz, FREQ. RESP. TO 3.5KHz, SENS 99dB. PRICE £43.47 + £2.50 P&P
12" 100 WATT R.M.S. ME12-100LE GEN. PURPOSE, LEAD GUITAR, DISCO, STAGE MONITOR. RES. FREQ. 49Hz, FREQ. RESP. TO 6KHz, SENS 100dB. PRICE £35.64 + £3.50 P&P
12" 100 WATT R.M.S. ME12-100LT (TWIN CONE) WIDE RESPONSE, P.A., VOCAL, STAGE MONITOR. RES. FREQ. 42Hz, FREQ. RESP. TO 10KHz, SENS 98dB. PRICE £36.67 + £3.50 P&P
12" 200 WATT R.M.S. ME12-200 GEN. PURPOSE, GUITAR, DISCO, VOCAL, EXCELLENT MID. RES. FREQ. 58Hz, FREQ. RESP. TO 6KHz, SENS 98dB. PRICE £46.71 + £3.50 P&P
12" 300 WATT R.M.S. ME12-300GP HIGH POWER BASS, LEAD GUITAR, KEYBOARD, DISCO ETC. RES. FREQ. 47Hz, FREQ. RESP. TO 5KHz, SENS 103dB. PRICE £70.19 + £3.50 P&P
15" 200 WATT R.M.S. ME15-200 GEN. PURPOSE BASS, INCLUDING BASS GUITAR. RES. FREQ. 46Hz, FREQ. RESP. TO 5KHz, SENS 99dB. PRICE £50.72 + £4.00 P&P
15" 300 WATT R.M.S. ME15-300 HIGH POWER BASS, INCLUDING BASS GUITAR. RES. FREQ. 39Hz, FREQ. RESP. TO 3KHz, SENS 103dB. PRICE £73.34 + £4.00 P&P

EARBENDERS:- HI-FI, STUDIO, IN-CAR, ETC

ALL EARBENDER UNITS 8 OHMS (Except EB8-50 & EB10-50 which are dual impedance tapped @ 4 & 8 ohms) BASS, SINGLE CONE, HIGH COMPLIANCE, ROLLED SURROUND
B' 50WATT EB8-50 DUAL IMPEDANCE, TAPPED 4/8 OHM BASS, HI-FI, IN-CAR. RES. FREQ. 40Hz, FREQ. RESP. TO 7KHz, SENS 97dB. PRICE £8.90 + £2.00 P&P
10" 50WATT EB10-50 DUAL IMPEDANCE, TAPPED 4/8 OHM BASS, HI-FI, IN-CAR. RES. FREQ. 40Hz, FREQ. RESP. TO 5KHz, SENS. 99dB. PRICE £13.65 + £2.50 P&P
10" 100WATT EB10-100 BASS, HI-FI, STUDIO. RES. FREQ. 35Hz, FREQ. RESP. TO 3KHz, SENS 96dB. PRICE £30.39 + £3.50 P&P
12" 100WATT EB12-100 BASS, STUDIO, HI-FI, EXCELLENT DISCO. RES. FREQ. 26Hz, FREQ. RESP. TO 3 KHz, SENS 93dB. PRICE £42.12 + £3.50 P&P
FULL RANGE TWIN CONE, HIGH COMPLIANCE, ROLLED SURROUND
5 1/2" 60WATT EB5-60TC (TWIN CONE) HI-FI, MULTI-ARRAY DISCO ETC. RES. FREQ. 63Hz, FREQ. RESP. TO 20KHz, SENS 92dB. PRICE £9.99 + £1.50 P&P
6 1/2" 60WATT EB6-60TC (TWIN CONE) HI-FI, MULTI-ARRAY DISCO ETC. RES. FREQ. 38Hz, FREQ. RESP. TO 20KHz, SENS 94dB. PRICE £10.99 + 1.50 P&P
8" 60WATT EB8-60TC (TWIN CONE) HI-FI, MULTI-ARRAY DISCO ETC. RES. FREQ. 40Hz, FREQ. RESP. TO 18KHz, SENS 89dB. PRICE £12.99 + £1.50 P&P
10" 60WATT EB10-60TC (TWIN CONE) HI-FI, MULTI-ARRAY DISCO ETC. RES. FREQ. 35Hz, FREQ. RESP. TO 12KHz, SENS 98dB. PRICE £16.49 + £2.00 P&P

TRANSMITTER HOBBY KITS

PROVEN TRANSMITTER DESIGNS INCLUDING GLASS FIBRE PRINTED CIRCUIT BOARD AND HIGH QUALITY COMPONENTS COMPLETE WITH CIRCUIT AND INSTRUCTIONS

3W TRANSMITTER 80-108MHz, VARICAP CONTROLLED PROFESSIONAL PERFORMANCE, RANGE UP TO 3 MILES. SIZE 38 x 123mm. SUPPLY 12V @ 0.5AMP. PRICE £14.85 + £1.00 P&P

FM MICRO TRANSMITTER 100-108MHz, VARICAP TUNED, COMPLETE WITH VERY SENS FET MIC. RANGE 100-300m. SIZE 56 x 46mm, SUPPLY 9V BATTERY. PRICE £8.80 + £1.00 P&P



PHOTO: 3W FM TRANSMITTER

B.K. ELECTRONICS

UNITS 1 & 5 COMET WAY, SOUTHEND-ON-SEA, ESSEX. S52 6TR.

Tel.: 0702 - 527572 Fax.: 0702 - 420243

POSTAL CHARGES PER ORDER £1.00 MINIMUM. OFFICIAL ORDERS FROM SCHOOLS, COLLEGES, GOVT. BODIES, PLCs ETC. PRICES INCLUSIVE OF V.A.T. SALES COUNTER. VISA AND ACCESS ACCEPTED BY POST, PHONE OR FAX.



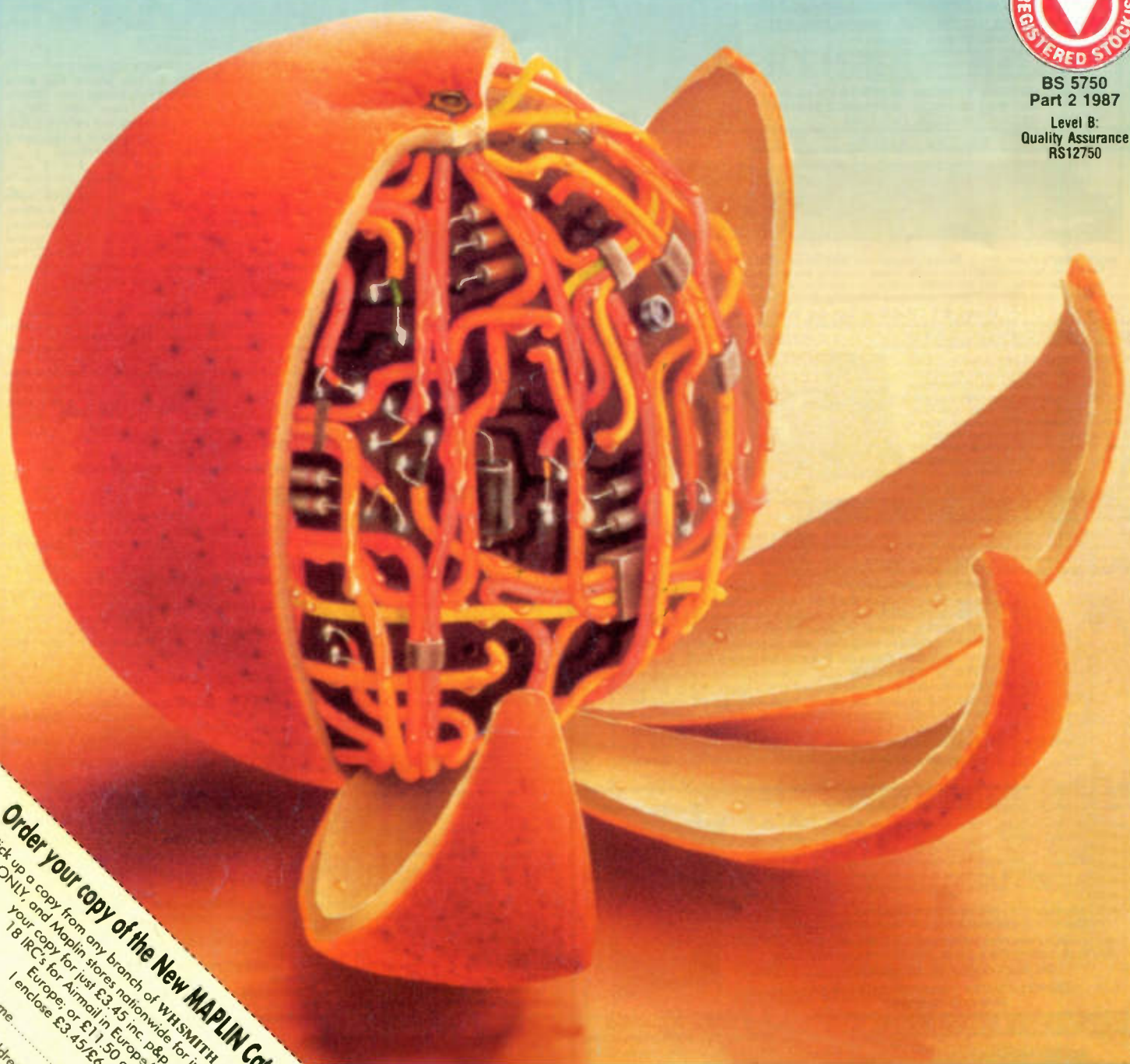
NEW

FULL COLOUR GUIDE TO ELECTRONIC PRODUCTS

Maplin



BS 5750
Part 2 1987
Level B:
Quality Assurance
RS12750



Order your copy of the New MAPLIN Catalogue on sale NOW!
Pick up a copy from any branch of WHSMITH, selected branches of RSMcoll in Scotland ONLY, and Maplin stores nationwide for just £2.95 or post this coupon now to receive your copy for just £3.45 inc. p&p. If you live outside the U.K. send £6.80 or 18 IRC's for Airmail in Europe/£5.20 or 13 IRC's for surface mail outside Europe; or £11.50 or 30 IRC's for Airmail outside Europe. I enclose £3.45/£6.80/£5.20/£11.50 (delete as applicable).

Name.....
Address.....
Post Code.....
Send to Maplin Electronics,
P.O. Box 3, Rayleigh,
Essex, England
SS6 8LR.
E894

Over 700 colour packed pages with hundreds of brand New Products at Super Low Prices, on sale now, **only £2.95.**

Available from all branches of WHSMITH, selected branches of RSMcoll in Scotland ONLY, and Maplin stores nationwide. The Maplin Electronics 1994 Catalogue – **UNIQUELY DIFFERENT!**
Southern Africa customers please contact Maplin (South Africa). Telephone (024) 51-5124

