


EVERYDAY
WITH PRACTICAL

FEBRUARY 1993

ELECTRONICS

INCORPORATING ELECTRONICS MONTHLY

FULLY S.O.R. £1.80



BIOMET
PROBE THE RHYTHM
OF LIFE WITH THIS
PULSE RATE MONITOR

SIMPLE RADIO CONTROL SYSTEM

RECHARGEABLE HAND LAMP

METRONOME



THE No. 1 INDEPENDENT MAGAZINE for ELECTRONICS, TECHNOLOGY and COMPUTER PROJECTS

MICROWAVE CONTROL PANEL. Mains operated, with touch switches. Complete with 4 digit display, digital clock, and 2 relay outputs one for power and one for pulsed power (programmable). Ideal for all sorts of precision timer applications etc. Now only £4.00 ref 4P151. Good experimenter's board.

FIBRE OPTIC CABLE. Stranded optical fibres sheathed in black PVC. Five metre length £7.00 ref 7P29R or £2 a metre.

12V SOLAR CELL. 200mA output ideal for trickle charging etc. 300 mm square. Our price £15.00 ref 15P42R. Gives up to 15v.

PASSIVE INFRA-RED MOTION SENSOR. Complete with daylight sensor, adjustable lights on timer (8 secs -15 mins), 50' range with a 90 deg coverage. Manual override facility. Complete with wall brackets, bulb holders etc. Brand new and guaranteed. Now only £19.00 ref 19P29

Pack of two PAR38 bulbs for above unit £12.00 ref 12P43R

VIDEO SENDER UNIT Transmit both audio and video signals from either a video camera, video recorder or computer to any standard TV set within a 100' range! (tune TV to a spare channel). 12v DC op £15.00 ref 15P39R Suitable mains adaptor £5.00 ref 5P191R. Turn your camcorder into a cordless camera!

FM TRANSMITTER housed in a standard working 13A adapter (bug is mains driven). £26.00 ref 26P2R. Good range device.

MINIATURE RADIO TRANSCEIVERS A pair of walkie talkies with a range of up to 2 kilometres. Units measure 22x52x155mm. Complete with cases and earpieces. £30.00 ref 30P12R

FM CORDLESS MICROPHONE. Small hand held unit with a 500' range! 2 transmit power levels. Reqs PP3 battery. Tuneable to any FM receiver. Our price £15 ref 15P42AR

12 BAND COMMUNICATIONS RECEIVER. 9 short bands, FM, AM and LW DX/Local switch, tuning 'eye' mains or battery. Complete with shoulder strap and mains lead. £19 ref 19P14R. Ideal for listening all over the world.

CAR STEREO AND FM RADIO. Low cost stereo system giving 5 watts per channel. Signal to noise ratio better than 45db, wow and flutter less than .35%. Neg earth. £19.00 ref 19P30

LOW COST WALKIE TALKIES. Pair of battery operated units with a range of about 200'. Our price £8.00 a pair ref 8P50R. Ideal for garden use or as an educational toy.

7 CHANNEL GRAPHIC EQUALIZER. plus a 60 watt power amp! 20-21KHz 4-8R 12-14v DC negative earth. Cased £25 ref 25P14R.

NCAD BATTERIES. Brand new top quality 4 x AA's £4.00 ref 4P44R. 2 x C's £4.00 ref 4P73R, 4 x D's £9.00 ref 9P12R, 1 x PP3 £6.00 ref 6P35R. Pack of 10 AAA's £4.00 ref 4P92R.

TOWERS INTERNATIONAL TRANSISTOR SELECTOR GUIDE. The ultimate equivalents book. New ed. £20.00 ref 20P32R.

GEIGER COUNTER KIT. Complete with tube, PCB and all components to build a battery operated geiger counter. £39.00 ref 39P1R

FM BUG KIT. New design with PCB embedded coil. Transmits to any FM radio. 9v battery req'd. £5.00 ref 5P158R. 35mm square.

FM BUG Built and tested superior 9v operation £14.00 ref 14P3R

COMPOSITE VIDEO KITS. These convert composite video into separate H sync, V sync and video. 12v DC. £8.00 ref 8P39R.

SINCLAIR C5 MOTORS 12v 29A (full load) 3300 rpm 6"x4" 1/4" O/P shaft. New. £20.00 ref 20P22R. Limited stocks.

As above but with fitted 4 to 1 1/2" In line reduction box (800rpm) and toothed nylon belt drive cog £40.00 ref 40P8R. 800 rpm.

ELECTRONIC SPEED CONTROL KIT for c5 motor. PCB and all components to build a speed controller (0-95% of speed). Uses pulse width modulation. £17.00 ref 17P3R. Potentiometer control.

SOLAR POWERED NICAD CHARGER. Charges 4 AA nicads in 8 hours. Brand new and cased £6.00 ref 6P3R. 2x c model £6.00.

ACORN DATA RECORDER ALF503 Made for BBC computer but suitable for others. Includes mains adapter, leads and book. £15.00 ref 15P43R

VIDEO TAPES. Three hour superior quality tapes made under licence from the famous JVC company. Pack of 10 tapes New low price £15.00 ref J15P4

PHILIPS LASER. 2MW HELIUM NEON LASER TUBE. BRAND NEW FULL SPEC £40.00 REF 40P10R. MAINS POWER SUPPLY KIT £20.00 REF 20P33R READY BUILT AND TESTED LASER IN ONE CASE £75.00 REF 75P4R.

12 TO 220V INVERTER KITS supplied it will handle up to about 15 w at 220v but with a larger transformer it will handle 80 watts. Basic kit £12.00 ref 12P17R. Larger transformer £12.00 ref 12P41R.

VERO EASI WIRE PROTOTYPING SYSTEM Ideal for designing projects on etc. Complete with tools, wire and reusable board. New low bargain price only £2.00 ref B2P1

25 WATT STEREO AMPLIFIER. STK043. With the addition of a handful of components you can build a 25 watt amplifier. £4.00 ref 4P69R (Circuit dia included).

BARGAIN NICADS AAA SIZE 200MAH 1.2V PACK OF 10 £4.00 REF 4P92R, PACK OF 100 £30.00 REF 30P16R

FRESNEL MAGNIFYING LENS 83 x 52mm £1.00 ref BD827R. 12V 19A TRANSFORMER Ex equipment £20 but OK.

ULTRASONIC ALARM SYSTEM. Once again in stock these units consist of a detector that plugs into a 13A socket in the area to protect. The receiver plugs into a 13A socket anywhere else on the same supply. Ideal for protecting garages, sheds etc. Complete system now only £19 !!!

POWER SUPPLIES Made for the Spectrum plus 3 give +5 @ 2A, +12 @ 700mA & -12 @ 50mA. £8 ref O8P3

UNIVERSAL BATTERY CHARGER. Takes AA's, C's, D's and PP3 nicads. Holds up to 5 batteries at once. New and cased, mains operated. £6.00 ref 6P36R.

IN CAR POWER SUPPLY. Plugs into cigar socket and gives 3, 4.5, 6, 7.5, 9, and 12v outputs at 800mA. Complete with universal resistor plug. £5.00 ref 5P167R.

RESISTOR PACK. 10 x 50 values (500 resistors) all 1/4 watt 2% metal film. £5.00 ref 5P170R.

QUICK CUPPA? 12v immersion heater with lead and cigar lighter plug £3.00 ref 3P92R. Ideal for tea on the move!

LED PACK. .50 red, .50 green, .50 yellow all 5mm £8.00 ref 8P52

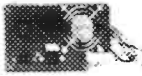
IBM PRINTER LEAD. (D25 to centronics plug) 2 metre parallel. £5.00 ref 5P186R. 3 metre version £6.00 ref 6P50.

COPPER CLAD STRIP BOARD 17" x 4" of 1" pitch 'vero' board. £4.00 a sheet ref 4P62R or 2 sheets for £7.00 ref 7P22R.

STRIP BOARD CUTTING TOOL £2.00 ref 2P352R.

WINDUP SOLAR POWERED RADIO! FM/AM radio takes rechargeable batteries. Complete with hand charger & solar panel 14P200R. Set of 2 AA nicads £2 ref L2P9

PC STYLE POWER SUPPLY Made by AZTEC 110v or 240v input. +5 @ 15A, +12 @ 5A, -12 @ 5A, -5 @ 3A Fully cased with fan, on/off switch, IEC inlet and standard PC fly-leads. £15.00 ref F15P4



AMSTRAD MP3

UHF/VHF TV RECEIVER/CONVERTER

CONVERTS COLOUR MONITOR INTO A TV!

£9.00

TELEPHONE HANDSETS
10 brand new handsets with mic and speaker only £3.00 ref 3P146R

BENCH POWER SUPPLIES
Superbly made fully cased (metal) giving 12v at 2A plus a 6V supply Fused and short circuit protected. For sale at less than the cost of the case! Our price is £4.00 ref 4P103R

SPEAKER WIRE
Brown twin core insulated cable 100 feet for £2.00 REF 2P79R

DISC DRIVES
Customer returned units mixed capacities (up to 1.44M) We have not sorted these so you just get the next one on the shelf. Price is only £7.00 ref 7P1R (worth it even as a stripper)

MICROSCOPE 1200X MAGNIFICATION
Brand new complete with shamp hatchery, shrimps, prepared slides, light etc. £29.00 ref J29P4.

LIGHT ALARM SYSTEM
Small cased alarms that monitor a narrow beam area for sudden changes in light level. Complete with siren that sounds for a preset time when unit is triggered. £7.00 ref J7P1

JOYBALLS
Back in stock popular Commodore/Atari equiv (replace standard joystick) £5.00 ref J5P8

AMSTRAD 1640DD BASE UNITS

BRAND NEW AND CASD

TWO BUILT IN 5 1/4" DRIVES

MOTHER BOARD WITH 640K MEMORY

KEYBOARD, MOUSE & MANUAL

OUR PRICE JUST

£79!!!!

CAR BATTERY CHARGER
Brand new units complete with panel meter and leads. 6 or 12v output £7.00 ref J7P2

CUSTOMER RETURNED SPECTRUM +2
Complete but sold as seen so may need attention £25.00 ref J25P1 or 2 for £40.00 ref J40P4

CUSTOMER RETURNED SPECTRUM +3
Complete but sold as seen so may need attention £25.00 ref J25P2 or 2 for £40.00 ref J40P5

SCART TO D TYPE LEADS
Standard Scart on one end, Hi density D type (standard VGA connector) on the other. Pack of ten leads only £7.00 ref 7P2R

OZONE FRIENDLY LATEX
250ml bottle of liquid rubber sets in 2 hours. Ideal for mounting PCB's fixing wires etc. £2.00 each ref 2P379R

VIEWDATA SYSTEMS
Brand new units made by TANDATA complete with 1200.75 built in modem infra red remote controlled qwerty keyboard BT approved Prestel compatible, Centronics printer port RGB colour and composite output (works with ordinary television) complete with power supply and fully cased. Our price is only £20.00 ref 20P1R

COMMODORE 64 COMPENDIUM Pack consisting of a Commodore 64 computer, power supply, data recorder and software. All for £69 ref O69P1

PPC MODEM CARDS Made for the Amstrad PPC1640/1512 range these are plug in modules that operate at 2400 baud. No data £15 ref Q15P5

AMSTRAD LQ3500 PRINTER ASSEMBLIES Entire mechanical assemblies including print head, platen, cables, stepper motors etc etc. In fact everything bar the electronics and case! Our price just £10 ref Q10P3

AMSTRAD DMP4000 PRINTER ASSEMBLIES Entire printer assemblies including print head, platen, cables, stepper motors etc. Everything bar the electronics and case. Our price just £20 ref Q20P2

TOROIDAL TRANSFORMER 146VA with tappings at 8v, 10v and 32v will give 50v at 3A or 32 at 4A etc. Centre tapped primary. £9 ref Q9P2. Fixing kit is £2 ref Q2P1

AERIAL BRACKETS Wall plate 7.5" sq complete with rawl bolts, 10" stand off brackets with standard tube clamps. Will take up to 2" mask. Substantial bracket (would take body weight). £7 ref O7P1

TV SOUND RECEIVERS Popular units that with the addition of a speaker act as a tv sound receiver. Ideal as a stand alone unit or for connecting into Hi Fi! £12 ref Q12P4

COMMODORE 64 COMPENDIUM Pack consisting of a Commodore 64 computer, power supply, data recorder and software. All for £69 ref O69P1

PPC MODEM CARDS Made for the Amstrad PPC1640/1512 range these are plug in modules that operate at 2400 baud. No data £15 ref Q15P5

AMSTRAD LQ3500 PRINTER ASSEMBLIES Entire mechanical assemblies including print head, platen, cables, stepper motors etc etc. In fact everything bar the electronics and case! Our price just £10 ref Q10P3

AMSTRAD DMP4000 PRINTER ASSEMBLIES Entire printer assemblies including print head, platen, cables, stepper motors etc. Everything bar the electronics and case. Our price just £20 ref Q20P2

TOROIDAL TRANSFORMER 146VA with tappings at 8v, 10v and 32v will give 50v at 3A or 32 at 4A etc. Centre tapped primary. £9 ref Q9P2. Fixing kit is £2 ref Q2P1

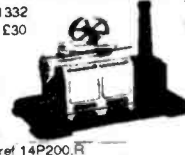
AERIAL BRACKETS Wall plate 7.5" sq complete with rawl bolts, 10" stand off brackets with standard tube clamps. Will take up to 2" mask. Substantial bracket (would take body weight). £7 ref O7P1

TV SOUND RECEIVERS Popular units that with the addition of a speaker act as a tv sound receiver. Ideal as a stand alone unit or for connecting into Hi Fi! £12 ref Q12P4

CAMERAS Customer returned units 3 for £10 ref L10P2

STEAM ENGINE Standard Mamod 1332 engine complete with boiler piston etc £30 ref 30P200

TALKING CLOCK
LCD display, alarm, battery operated. Clock will announce the time at the push of a button and when the alarm is due. The alarm is switchable from voice to a cock crowing £14.00 ref 14P200R



HANDHELD TONE DIALERS
Small units that are designed to hold over the mouth piece of a telephone to send MF dialling tones. Ideal for the remote control of answer machines. £5.00 ref 5P209R

AMAZING TALKING CONBOX!
Fully programmable talking, lockable conbox BT approved, retail price is £79 ours is just £29! ref J29P2.

ANSWER PHONES £15
Customer returned units with 2 faults one we tell you how to fix the other you do your self! £18 ref J18P2 or 4 for £60 ref J60P3 BT approved (retail price £79.95! each)

COMMODORE 64 MICRODRIVE SYSTEM
Complete cased brand new drives with cartridge and software 10 times faster than tape machines works with any Commodore 64 setup. The original price for these was £49.00 but we can offer them to you at only £25.00! Ref 25P1R

90 WATT MAINS MOTORS Ex equipment but ok. Good general purpose unit £9.00 ref F9P1

HI FI SPEAKER BARGAIN Originally made for TV sets they consist of a 4" 10 watt 4R speaker and a 2" 140R tweeter. If you want two of each plus 2 of our crossovers you can have the lot for £5.00 ref F5P2

EMERGENCY LIGHTING SYSTEM
Fully cased complete with 2 adjustable flood lights. All you need is a standard 6v lead acid battery. Our price is just £10 ref J10P29

AMSTRAD 464 COMPUTERS
Customer returned units complete with a monitor for just £35! These units are sold as faulty and are not returnable.

WOLSEY DMAC DECODERS
Made for installation in hotels etc as the main sat receiver no data but fully cased quality unit. £20 ref K20P1. Suitable psu £8 ref K8P3

SWITCHED MODE PSU
Fully cased unit 215mmx145mmx55mm giving +5, +12 and +20v well made case complete with leads. £8 ref K8P3

REMOTE CONTROLS
Brand new infra red CONTROLS originally made for controlling WOLSEY satellite receivers. £2 ea ref K2P1 or 20 for £19 ref K19P1

TELEPHONES
Modem 1 piece phones BT approved. Last no radial. £8 ref K6P1

386 TOWER SYSTEMS
Tower case 52cmx40cmx20cm 2 fans, speaker, 275w psu, IEC I/L and O/L. 386 m'board with onboard disc controller, ethernet, display driver, parallel and serial ports. There are several IC's missing from the m'board plus no data! £79 ref K79P1.

DOS PACKS
Complete set of PC discs with MS DOS 3.2. Locomotive basic, gemdesktop and gempaint. No manuals. 5 1/4" discs £10 ref K10P2

CORDLESS TIE CLIP MICROPHONE
transmits between 88-108MHz FM. 5.2cm x 2cm, uses LR44 watch battery. Complete with wire aerial & battery. £16 ref K16P1.

CHASSIS MOUNT TRANSFORMERS
240v primary, 12v secondary 20VA £2 ref K2P2
240v primary, 16v secondary 10A (split winding). £10 ref L10P1

100 RED LED PACK (5MM) £5 REF K5P2
-12V STEPPER MOTOR Ideal for models etc. 3" dia. £2 ref J2P14.

INFRA RED BEAM SWITCH 24V DC 5m range source & sensor housed in plastic case. £12 ref J12P1

CAPACITOR BARGAIN PACK 100 CERAMIC £2 REF J2P2.
SPECTRUM JOYSTICKS TWO FOR £5 REF J5P2.

AMSTRAD PC CASE, POWER SUPPLY AND 1.44MEG FLOPPY DRIVE ALL THIS FOR £44 REF L44P1

BUMPER PACK NO 1 10 of our popular £1 packs for just £5 our choice of contents

BUMPER PACK NO 2 25 of our popular £1 packs for just £12. Our choice of contents

LCD 1 X 32 DISPLAY Bargain price of just £3 complete with leads of data for a similar display. £3 ref L3P1

USEFUL POWER SUPPLIES. 18v 900mA dc output (regulated) fully cased with mains cable and DC out cable. £6 ref K6P1

UNCASD PC POWER SUPPLIES. Standard PC psu without case, fan etc. Good for spare or low cost PC! £4 ref L4P6

RADAR DETECTORS. Detects X and K bands (ie speed traps). Not legal in the UK so only available if you intend to 'export' it. £59 ref J59P1.

100 WATT MOSFET PAIR. Same spec as 2Sk343 and 2SJ413 (8A, 140v, 100w) 1 N channel and 1 P channel. £3 a pair ref J3P9.

LOW COST CAPS. 1,000 capacitors £3 (33uf, 25v) ref J3P10.

VELCRO. 1 metre length 20mm wide, blue. £2 ref J2P16.

JUG KETTLE ELEMENTS. Good general purpose heating element just £3 ea ref £3P8 or 5 for £10 ref J10P3.

VERY BIG MOTOR. 200v induction 1.1kw 1410 rpm 10"x7" GEC 1" keyed shaft. Brand new. £95 ref J95P1

BIG MOTOR. 220-240v 1425rpm 2.8A 5/8" keyed shaft GEC 6.5" x 8" complete with mounting plate. £38 ref J38P1

SMALL MOTOR. Electrolux 160 watt 3,000 rpm, 220-240v 5/8" shaft precision built £18 ref J18P1

EPROMS 27C64 PACK OF 10 £7 REF M7P1.
EPROMS 27C256 PACK OF 10 £9 REF M9P1.
EPROMS 27C512 PACK OF 10 £10 REF M10P1.

MODEMS FOR £1.25? These modems are suitable for stripping only hence they are only 4 for £5 ref J5P3

BULL ELECTRICAL

250 PORTLAND ROAD HOVE SUSSEX

BN3 5QT TELEPHONE 0273 203500

MAIL ORDER TERMS: CASH PO OR CHEQUE WITH ORDER PLUS £3.00 POST PLUS VAT.

PLEASE ALLOW 7 - 10 DAYS FOR DELIVERY

FAX 0273 323077

IN SUSSEX? CALL IN AND SEE US!

SOME OF OUR PRODUCTS MAY BE UNLICENSABLE IN THE UK

EVERYDAY WITH PRACTICAL ELECTRONICS

INCORPORATING ELECTRONICS MONTHLY



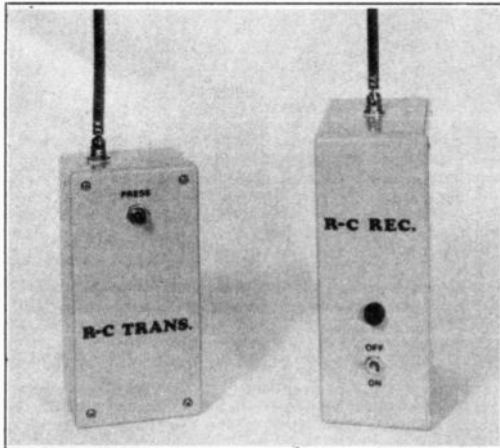
The No. 1 Independent Magazine for Electronics, Technology and Computer Projects

VOL. 22 No. 2 FEBRUARY 1993

ISSN 0262 3617

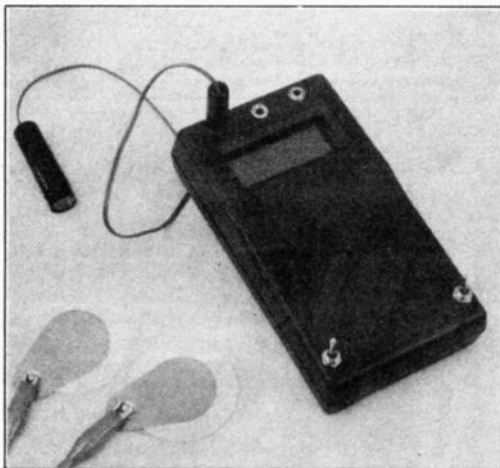
PROJECTS... THEORY... NEWS...
COMMENT... POPULAR FEATURES...

Projects



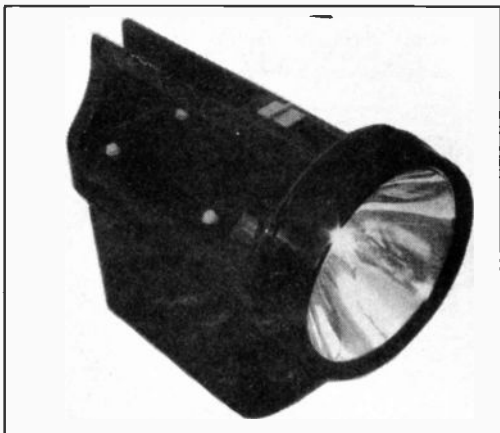
- SIMPLE RADIO CONTROL SYSTEM** by Robert Penfold 94
Low cost, short range, crystal controlled 27MHz transmitter and receiver
- AUTOMATIC PLANT WATERING SYSTEM** 104
by T. R. de Vaux-Balbirnie
Keep your houseplants healthy while away from home
- BIOMET PULSE RATE MONITOR -1** by John Becker 108
Probe the rhythm of life with John's mini heart monitor
- MINI LAB** by Alan Winstanley and Keith Dye 128
A signal generator is the subject for our prototyping board (Teach-In '93)
- METRONOME** by Robert Penfold 132
Improve your sense of timing
- RECHARGEABLE HANDLAMP** by Brian Cordingley 138
Long life for your Ever Ready

Series



- CIRCUIT SURGERY** by Mike Tooley 116
Clinic for constructors - your problems solved
- TEACH-IN '93 - 4** by Alan Winstanley and Keith Dye 118
Our series for everyone learning about electronics
- INTERFACE** by Robert Penfold 134
The page for computer enthusiasts
- DOWN TO EARTH** by George Hylton 136
Ohmmeter into Transistor Tester
- AMATEUR RADIO** by Tony Smith G4FAI 144
RAE Results; U5MIR for Shuttle; Amateur CB; International Agreement
- TECHNIQUES - ACTUALLY DOING IT** by Robert Penfold 147
Putting on a front

Features



- EDITORIAL** 93
- SHOPTALK** with David Barrington 99
Component buying for EPE projects
- INNOVATIONS - EVERYDAY NEWS** 100
News from the world of electronics - Office of the Future
- NEW TECHNOLOGY UPDATE** by Ian Poole 102
Power MOSFETs; six-channel surround sound; Doppler disc checks
- HOME BASE** by Terry Pinnell 127
Jottings of an electronics hobbyist
- ELECTRONICS VIDEOS** 150
Our range of educational videos
- DIRECT BOOK SERVICE** 151
Selected technical books
- FOX REPORT** by Barry Fox 154
Funny Old Stuff; More Magnetic M.P.G.; Sensitive North; Money Back
- READOUT** 155
A selection of readers letters
- PRINTED CIRCUIT BOARD SERVICE** 156
PCBs for EPE projects
- ADVERTISER'S INDEX** 160

© Wimborne Publishing Ltd 1993. Copyright in all drawings, photographs and articles published in EVERYDAY with PRACTICAL ELECTRONICS is fully protected, and reproduction or imitations in whole or in part are expressly forbidden.

Our March '93 issue will be published on Friday, 5 February 1993. See page 83 for details.

Readers Services • Editorial and Advertisement Departments 93

Surplus always wanted for cash!

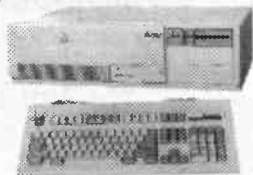
THE ORIGINAL SURPLUS WONDERLAND!

Surplus always wanted for cash!

COMPUTER SCOOPS

PC-AT 386 20-DX FULLY LOADED FOR £449!

- 20 Mhz DX processor
- 2 megs RAM. Exp 10 meg
- 40 meg hard drive
- 1.2 meg 5-1/4" floppy
- 32K cache exp. 64K
- Installed VGA card
- Enhanced 102 key k/board
- Complete with MS-DOS 4.01
- 2 serial 1 parallel ports
- 8 free slots- 6 off 16 bit!

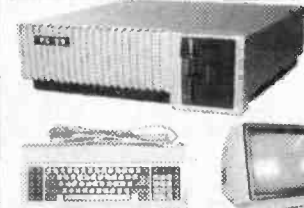


The MP386 quality made by Mitsubishi to last a lifetime! Brand new with all manuals and software plus Super PC-Quick Disk Accelerator for lightning disk access. **£449 (F)** Only.....

A COMPLETE IBM PC COMPAT SYSTEM FOR ONLY £99!!

Just plug in and go - fully expandable - the Display PC-99! System supplied complete with 12" mono monitor, 84 key keyboard, 360k 5-1/4" floppy disk drive, 256K RAM, 2 serial and 1 parallel port plus DOS with manual. Many other features include 7 slot backplane, all metal case, 150 watt PSU and US made motherboard. In very good used condition with 90 day guarantee. At the unique price of:

£99 (E) Optional FITTED extras: 640K RAM £39. 12" CGA colour monitor with card £89. 2nd 5-1/4" 360K floppy £29.95. 20 mbyte MFM hard drive £99. 31mbyte RLL hard drive £125.



MONITORS

MONOCHROME MONITORS

THIS MONTH'S SPECIAL!

There has never been a deal like this one! Brand spanking new & boxed monitors from NEC, normally selling at about £140! These are over-engineered for ultra reliability. 9" green screen composite input with etched non-glare screen plus switchable high/low impedance input and output for daisy-chaining. 3 front controls and 6 at rear. Standard BNC sockets. Beautiful high contrast screen and attractive case with carrying ledge. Perfect as a main or backup monitor and for quantity users!

£39.95 each (D) or 5 for £185 (G)



COLOUR MONITORS HI-DEFINITION COLOUR MONITORS

14" Philips Model CM8873 VGA multi-sync all the way up to 34KHz with 640 x 480 resolution. This one has everything! Two switches enable you to select CGA, EGA or VGA and digital/analog. Unusual for a professional monitor, sound is also provided, with a volume control. There is also a special "Text" switch for word processing, spreadsheets and the like. Compatible with virtually all computers including IBM PC's, Amiga, Atari, BBC, Archimedes etc. Good used condition (possible minor screen burns) 90 day guarantee. 15" x 14" x 12". Only.....**£139 (E)**

Philips 9CM073 similar (not identical) to above for EGA/CGA PC and compats. 650 x 350 resolution. With Text switch with amber or green screen selection. 14"W x 12"H x 13-1/2"D.....**£99 (E)**

KME 10" high definition colour monitors. Nice tight 0.28" dot pitch for superb clarity and modern styling. Operates from any 15.625 kHz sync RGB video source, with RGB analog and composite sync such as Atari, Commodore Amiga, Acorn Archimedes & BBC. Measures only 13.5" x 12" x 11". Also functions as quality TV with our RGB Telebox. Excellent used condition with 90 day guarantee case. Only.....**£145 (E)**

Brand new Centronic 14" monitor for IBM PC and compatibles at a lower than ever price! Completely CGA equivalent. Hi-res Mitsubishi 0.42 dot pitch giving 669 x 507 pixels. Big 28 Mhz bandwidth. A super monitor in attractive style moulded case. Full 90 day guarantee. Only.....**£129 (E)**

NEC CGA 12" IBM-PC compatible. High quality ex-equipment fully tested with a 90 day guarantee. In an attractive two tone ribbed grey plastic case measuring 15" x 13" x 12". The front cosmetic bezel has been removed for contractual reasons. Only.....**£69 (E)**

20", 22" and 26" AV SPECIALS Superbly made UK manufacture. PIL all solid state colour monitors, complete with composite video & sound inputs. Attractive teak style case. Perfect for Schools, Shops, Disco, Clubs. In EXCELLENT little used condition with full 90 day guarantee. **20".....£135 22".....£155 26".....£185 (F)**

CALL FOR PRICING ON NTSC VERSIONS! **Superb Quality 6 foot 40u 19" Rack Cabinets** Massive Reductions Virtually New, Ultra Smart! **Less Than Half Price!** Top quality 19" rack cabinets made in UK by Optima Enclosures Ltd. Units feature designer, smoked acrylic lockable front door, full height lockable half louvered back door and removable side panels. Fully adjustable internal fixing struts, ready punched for any configuration of equipment mounting plus ready mounted integral 12 way 13 amp socket switched mains distribution strip make these racks some of the most versatile we have ever sold. Racks may be stacked side by side and therefore require only two side panels or stand singly. Overall dimensions are 77-1/2"H x 32-1/2"D x 22"W. Order as:

- £ 470
- £2950
- £ 150
- £6500
- £ 650
- £ 375
- £ 950
- POA
- POA
- £2000
- £1850
- £ 350

COOLING FANS

3 inch	AC 1 1/2" thick	£ 8.50 (B)
92 mm	AC 230 v. 18mm thick	£12.95 (B)
3 1/2 inch	AC ETRI slimline. Only 1" thick.	£ 9.95 (B)
3 1/2 inch	AC 230 v 8 watts. Only 3/4" thick	£12.95 (A)
4 inch	AC 110/240v 1 1/2" thick.	£10.95 (B)
10 inch	AC round 3 1/2" thick. Rotron 110v	£12.95 (B)
60 mm	DC 1" thick. No.812 for 6/12v.814 24v.	£15.95 (A)
80 mm	DC 5 v. Papst B105G 4w. 38mm. RFE.	£19.95 (A)
92 mm	DC 12v. 18 mm thick. Denstiron.	£ 9.95 (A)
92mm	AC 230 v. Denstiron as previous	£10.25 (B)
4 inch	DC 12v. 12w 1 1/2" thick	£12.50 (A)
4 inch	DC 24v 8w. 1" thick.	£14.50 (B)

FLOPPY DISK DRIVES

5 1/4" from £22.95 - 3 1/2" from £21.95!

Massive purchases of standard 5 1/4" and 3 1/2" drives enables us to present prime product at industry beating low prices! All units (unless stated) are removed from often brand new equipment and are fully tested, aligned and shipped to you with a 90 day guarantee and operate from standard voltages and are of standard size. All are IBM-PC compatible (if 3 1/2" supported).

- 3.5" Panasonic JU363/4 720K* £21.95(B)
- 3.5" Mitsubishi MF355C-L. 1.4 Meg. Laptops only £29.95(B)
- 3.5" Mitsubishi MF355C-D. 1.4 Meg. Non laptop £29.95(B)
- 5.25" EXTRA SPECIAL BRAND NEW Mitsubishi MF501B 360K. Absolutely standard fits most computers £22.95(B)

* Data cable included in price. Shugart 800/801 SS refurbished & tested £175.00(E) Shugart 851 double sided refurbished & tested £275.00(E) Mitsubishi M2894-63 double sided switchable hard or soft sectors- BRAND NEW £250.00(E)

Dual 8" drives with 2 mbyte capacity housed in a smart case with built in power supply! Ideal as exterior drives! £499.00(F) End of line purchase scoop! Brand new NEC D2246 8" 85 megabyte of hard disk storage! Full CPU control and industry standard SMD Interface. Ultra hi speed transfer and access time leaves the good old ST506 interface standing. In mint condition and comes complete with manual. Only.....£299(E)

THE AMAZING TELEBOX!

Converts your colour monitor into a QUALITY COLOUR TV!!



TV SOUND & VIDEO TUNER!

The TELEBOX consists of an attractive fully cased mains powered unit, containing all electronics ready to plug into a host of video monitors made by manufacturers such as MICROVITEC, ATARI, SANYO, SONY, COMMODORE, PHILIPS, TATUNG, AMSTRAD and many more. The composite video output will also plug directly into most video recorders, allowing reception of TV channels not normally receivable on most television receivers (TELEBOX MB). Push button controls on the front panel allow reception of 8 fully tuneable "off air" UHF colour television or video channels. TELEBOX MB covers virtually all television frequencies VHF and UHF including the HYPERBAND as used by most cable TV operators. Composite and RGB video outputs are located on the rear panel for direct connection to most makes of monitor. For complete compatibility - even for monitors without sound - an integral 4 watt! audio amplifier and low level Hi Fi audio output are provided as standard.

- Telexbox ST for composite video input monitors £32.95
- Telexbox STL as ST but with integral speaker £36.50
- Telexbox MB as ST with Multiband tuner VHF-UHF-Cable. & hyperband For overseas PAL versions state 5.5 or 6mhz sound specification. £69.95
- Telexbox RGB for analogue RGB monitors (15khz) £69.95

Shipping code on all Teleboxes is (B) RGB Telexbox also suitable for IBM multisync monitors with RGB analog and composite sync. Overseas versions VHF & UHF call. SECAM / NTSC not available. **No Break Uninterruptable PSU's** Brand new and boxed 230 volts uninterruptable power supplies from Densel. Model MUK 0565-AUAF is 0.5 kva and MUD 1085-AHBH is 1 kva. Both have sealed lead acid batteries. MUK are internal, MUD has them in a matching case. Times from interrupt are 5 and 15 minutes respectively. Complete with full operation manuals.....MUK.....£249 (F) MUD.....£255 (G)

POWER SUPPLIES

Power One SPL200-5200P 200 watt (250 w peak). Semi open frame giving +5v 35a. -5v 1.5a. +12v 4a (8a peak). -12v 1.5a. +24v 4a (6a peak). All outputs fully regulated with over voltage protection on the +5v output. AC input selectable for 110/240 vac. Dims 13" x 5" x 2.5". Fully guaranteed RFE. £85.00 (B)

- Power One SPL130. 130 watts. Selectable for 12v (4A) or 24 v (2A). 5v @ 20A. ± 12v @ 1.5A. Switch mode. New. £59.95(B)
- Astec AC-8151 40 watts. Switch mode. +5v @ 2.5a. +12v @ 2a. -12v @ 0.1a. 6-1/4" x 4" x 1-3/4". New £22.95(B)
- Greendale 19AB0E 60 watts switch mode. +5v @ 6a. ±12v @ 1a. +15v @ 1a. RFE and fully tested. 11 x 20 x 5.5cm. £24.95(C)
- Conver AC130. 130 watt hi-grade VDE spec. Switch mode. +5v @ 15a. -5v @ 1a. ±12v @ 6a. 27 x 12.5 x 6.5cm. New. £49.95(C)
- Boshert 13090. Switch mode. Ideal for drives & system. +5v @ 6a. +12v @ 2.5a. -12v @ 0.5a. -5v @ 0.5a. £29.95(B)
- Farnell G6/40A. Switch mode. 5v @ 40a. Encased £95.00(C)
- Farnell G24/5S. As above but 24v @ 5a. £65.00(C)

BBC Model B APM Board

WIN £100 CASH!

£100 CASH FOR THE MOST NOVEL DEMONSTRABLE APPLICATION!

BBC Model B type computer on a board. A major purchase allows us to offer you the PROFESSIONAL version of the BBC computer at a parts only price. Used as a front end graphics system on large networked systems the architecture of the BBC board has so many similarities to the regular BBC model B that we are sure that with a bit of experimentation and ingenuity many useful applications will be found for this board! It is supplied complete with a connector panel which brings all the I/O to 'D' and BNC type connectors - all you have to do is provide +5 and ± 12 v DC. The APM consists of a single PCB with most major ic's socketed. The ic's are too numerous to list but include a 6502, RAM and an SAA5050 teletext chip. Three 27128 EPROMs contain the custom operating system on which we have no data. On application of DC power the system boots and provides diagnostic information on the video output. On board DIP switches and jumpers select the ECONET address and enable the four extra EPROM sockets for user software. Appx. dims: main board 13" x 10". I/O board 14" x 3". Supplied tested with circuit diagram, data and competition entry form.

Only £29.95 or 2 for £53 (B)

SPECIAL INTEREST

- Trilo 0-18 vdc bench PSU. 30 amps. New £ 470
- Fujitsu M3041 600 LPM band printer £2950
- DEC LS/02 CPU board £ 150
- Rhode & Schwarz SBUF TV test transmitter 25-1000mhz. Complete with SBTFF2 Modulator £6500
- Calcomp 1036 large drum 3 pen plotter £ 650
- Thurlby LA 160B logic analyser £ 375
- 1.5kw 115v 60hz power source £ 950
- Anton Pillar 400 Hz 3 phase frequency converter 75Kw POA
- Newton Derby 400 Hz 70 Kw converter POA
- Haefely Impulse Testers P6T and PEMI 12; good cond. £2000
- Sekonic SD 150H 18 channel Hybrid recorder £1850
- HP 7580A A1 8 pen high speed drum plotter £ 350
- Kenwood DA-3501 CD tester, laser pickup simulator

BRAND NEW PRINTERS

- Microline 183. NLO 17x17 dot matrix. Full width. £139 (D)
- Hyundai HDP-920. NLO 24x18 dot matrix full width. £149 (D)
- Qume LetterPro 20 daisy. Qume QS-3 Interface. £39.95 (D)
- Centronics 155-2-9 v 7 dot matrix. Full width. £149 (D)
- Centronics 159-4-9 v 7 dot matrix. Serial. 9-1/2" width £ 99 (D)

1992 Winter Issue of Display News now available - send large SAE - PACKED with bargains!

DISPLAY

MAIL ORDER & OFFICES
Open Mon-Fri 9.00-5.30
Dept EE, 32 Biggin Way,
Upper Norwood,
London SE19 3XF.

LONDON SHOP
Open Mon-Sat 9-5.30
215 Whitehorse Lane,
South Norwood,
London, SE25.

DISTEL © The Original
Free dial-up database!
1000's of items On Line
V21, V22 & V22 bis
081-679-1888

ALL ENQUIRIES

081-679-4414

Fax- 081-679-1927



All prices for UK Mainland. UK customers add 17.5% VAT to TOTAL order amount. Minimum order £10. PO orders from Government, Universities, Schools & Local Authorities welcome - minimum account order £30. Carriage charges (A)=£2.00, (A1)=£3.75, (B)=£5.50, (C)=£8.50, (D)=£11.50, (E)=£14.00, (F)=£18.00, (G)=Call. Scotland surcharge: call. All goods supplied subject to our standard Conditions of Sale and unless otherwise stated guaranteed for 90 days. All enquiries on a return to base basis. Rights reserved to change prices & specifications without prior notice. Orders subject to stock. Quotations willingly given for higher quantities than those stated. Bulk surplus always wanted for cash.

MICROPHONE COMPRESSOR

This compressor incorporates a microphone pre-amplifier and is designed for use with PA amplifiers. It takes the problems out of PA work – particularly where inexperienced users tend to shout into the mic or simply ignore it, moving backwards and forwards near it while they speak.

The compressor levels off the signal variations thus avoiding overloading the amplifier input which results in distortion.



FREE! **MARCO TRADING**
148 PAGE CATALOGUE BANDED TO THE ISSUE
Full of components, test gear, tools, bargains etc

DIGITAL AUDIO BROADCASTING

We look ahead about 10 to 15 years to a digital audio broadcasting system that will match the quality we have come to expect from digital hifi systems. The article investigates the problems and looks at the solutions now being employed in test transmissions.

ELECTRIC WINDOW ENHANCER

This unit will add a "one shot" facility to car electric windows enabling them to be moved to the fully open or fully closed position without having to keep the control switch pressed. It also adds a safety cut-out which switches off the motor if the window movement becomes obstructed.

EVERYDAY
WITH PRACTICAL
ELECTRONICS

MARCH ISSUE ON SALE FRIDAY FEBRUARY 5th

SPARKOMATIC 4 x 150 watt CAR AMPLIFIER



The SA3200 is our top of the line 4 Channel Amplifier which is extremely well specified. It is very powerful and versatile and features separate bass and treble controls which gives the user the possibility of reducing bass response to the front speakers and adding treble for better stereo imaging. The bass response can then be increased to the rear speakers which are usually larger and capable of offering better reproduction. The SA3200 features a bridge operation switch which offers the possibility of using the amplifier in 4, 3 or 2 channel mode. The 3 channel mode is ideal for installations where rear deck speakers are used in combination with a separate subwoofer.

● 4 x 150 Watts max ● 4 x 80 Watts into 4 Ohms at less than 0.5% THD ● 2 x 80 Watts plus 1 x 160 Watts at less than 0.5% THD ● 2 x 160 Watts into 4 Ohms at less than 0.5% THD ● Separate bass and treble controls for front and rear channels ● Separate sensitivity controls for front and rear channels ● 2, 3 or 4 channel operation ● Heavy duty power wires ● Glass blasted aluminium heatsink ● High current capacity

£251.65 plus £7 p&p

SPARKOMATIC 2 x 150 watt CAR AMPLIFIER

The SA1500 is a very highly specified 2 Channel Amplifier with built-in sub bass crossover. The SA 1500, which is ideal for powering medium sized subwoofers, will also operate in bridge mode as a 150 Watt mono amplifier.

● 2 x 150 Watts max. into 4 Ohms ● 2 x 70 Watts per channel at 0.5% THD ● Bridge mode operation ● Sensitivity adjustment ranging from 100mV to 1V ● Heavy duty power wires ● Built-in sub bass crossover ● Glass blasted aluminium heatsink ● High current capacity

£117.65 plus £6.50 p&p

SPARKOMATIC 80 watt CAR POWER AMPLIFIER

The AMP 7000 produces high power at low distortion. The amplifier accommodates low level, high level and high power radio speaker inputs. The response is linear and extends beyond the capability of all music sources. This compact unit mounts easily and its quick connect terminals accept RCA or straight wire input terminals. Power rating 2 x 40 watt per channel. MMP 2 x 20 watt at 10% THD response 20Hz-20kHz. Size 160mm x 130mm x 45mm.

£32.95 plus £3.50 p&p

11 BAND COMPONENT GRAPHIC EQUALIZER FOR CARS



This neat unit connects between the line output of your car stereo and your power amplifiers so that you are able to adjust the sound as in a studio compensating for soft furnishing and sound reflections from glass, also it has a sub-woofer output to drive a separate amplifier for that extra deep bass sound. FEATURES: 2 channel Inputs 4 channel outputs via phono sockets, CD input via 3.5mm jack 11 band graphic. SPECIFICATION RANGE 20Hz-60kHz THD 0.05% S/N RATIO 85dB. EQ FREQUENCIES 60Hz, 120Hz, 250Hz, 380Hz, 500Hz, 750Hz, 1kHz, 2kHz, 4kHz, 8kHz, 16kHz (boost out of ± 12 dB) SIZE 178mm x 25mm x 140mm.

£32.70 postage £1.80

EMINENCE 4Ω PROFESSIONAL USA MADE IN CAR CHASSIS SPEAKERS

All units are fitted with big magnets "Nomex" Voice coils NOT ALUMINIUM, "Nomex" is very light and can stand extremely high temperatures, this mixture makes for high efficiency and long lasting quality of sound.

V6 6 1/2" 200W Max Range 50Hz-3kHz £34.40
V6 8" 300W Max Range 45Hz-3kHz £39.35
V10 10" 400W Max Range 33Hz-4kHz £44.45
V12 12" 400W Max Range 35Hz-3kHz £45.95
BASS 15" 800W Max Range 35Hz-4kHz £79.90
KING 18" 1200W Max Range 20Hz-1kHz P.O.A.
Postage £3.85 per speaker.

Build your own Bazoooka sub woofer tube to suit Eminence car speakers. 10mm thick fibre supplied with grille and clamp terminals finished in black vinyl.

Eminence U10, Size 270mm x 700mm
£25.95 £3.50 p&p

Eminence U12 Size 320mm x 710mm
£29.95 £3.50 p&p

RTVC

No.	Qty.	per pack	
MO20	1	30W dome tweeter by Eagle/Japan Made size 90mm x 66mm	£1
MO21	1	60W HiFi tweeter made for Jamo UK size 90mm sq.	£1
MO22	2	30 watt 8 ohm HiFi chassis speakers. Made for Hitachi UK midi systems, size 125mm sq. with large 70mm magnet	£9.00 + £2.00 p&p
MO23	2	Pod Car Speakers. Moulded in black plastic with 15 watt 10cm Goodmans unit fitted	£4.95 + £2.50 p&p
MO23A	1 pr	40 watt Car Speakers made for Roadstar of Switzerland. Fitted with dual polypropylene cone and foam rubber surround. Big 70mm magnet for good base response. Supplied with grills fixing screws and cable. Size 13cm, weight 1.5Kg	£11.70 pair + £3.65 p&p or TWO pairs for £25.00 UK post paid
MO24	2	Audax JBL 40-100watt dome tweeters. High performance 10mm Ferrofluid cooled horn loaded unit for load distortion and high output. Supplied with 1st order crossover, spec. 40 watts at 3kHz, 100-watt at 8kHz; size 51mm x 51mm x 16.5mm. Ideal for car use	£7.50 + £1 p&p
MO25	2	33000µF 10V d.c. can type computer grade quality electrolytic UK made	£1
MO25A	1	47µF 385V d.c. can type electrolytic. Size 350mm x 250mm. UK made by Philips	£1.75
MO26	2	680µF 100V d.c. can type electrolytic size 45mm x 25mm	£1
MO27	3	2200µF 25V d.c. can type electrolytic size 45mm x 25mm	£1
MO28	1	15000µF 40V d.c. can type 23A electrolytic size 113mm x 50mm	£1
MO29	1	33000µF 16V 27A can type electrolytic size 113mm x 50mm	£1
MO30	20	Assorted Variable trimmers	£1
MO31	4	Tuning capacitors 2-gang dielectric type	£1
MO32	2	10k + 10k wirewound precision potentiometer	£1
MO33	8	Rotary potentiometers	£1
MO34	5	100k multturn Varicap type tuning potentiometer with knob size 45mm x 5mm	£1
MO35	200	Carbon resistors	£1
MO36	2	Large VU meters. Japan Made	£1
MO37	1	Large Tuning meter 125µA-0-125µA size 55mm x 47mm	£1.75
MO38	1	Dual VU meter 280µA f.s.d., size 80mm x 42mm x 15mm	£1.50
MO39	5	Coaxial Aerial Plugs, all metal type	£1
MO40	6	Fuseholders, chassis mounting for 20mm size fuses	£1
MO41	4	Fuseholders, in-line type for 20mm size fuses	£1
MO42	20	5 Pin Din 180° chassis mount sockets	£1
MO43	6	Double phono sockets	£1
MO44	5	6.35mm (1/4") Stereo Jack sockets	£1
MO45	4	6.35 (1/4") Mono Jack Plugs	£1
MO46	12	Coax Sockets chassis mount	£1
MO47	2	Case handles plated U-shape, size 97mm x 50mm	£1
MO48	30	Mixed control knobs	£1
MO49	1	Cassette tape transport mechanism, belt-drive, top loading, six piano key operation with knobs, stereo record/replay erase heads, heavy fly-wheel	£5.50 + £2.65 p&p
MO50	1	HiFi stereo pre-amp. module. Input for CD Tuner record player with diagram. Made by Mullard	£1
MO51	2	AM/FM tuner head modules. Made by Mullard	£1
MO52	3	AM I.F. modules. Made by Mullard	£1
MO53	1	FM stereo decoder module with diagram. Made by Mullard	£1
MO54	3	UHF Varicap tuned tuner heads unboxed, untested but complete. Made by Mullard	£1
MO55	1	25V d.c. 150mA Mains adaptor in neat plastic box, size 80mm x 55mm x 47mm	£1
MO55A	1	ETRI Brand new 80mm Cooling Fan. Five bladed A.C. impedance corrected motor on a cast aluminium chassis. Size 80mm x 40mm. Voltage 115V a.c. working, 130mA. Japanese made.	£5.95 + £1.40 p&p, TWO for £11.20 UK post paid
MO56	2	6V-0V-6V 4VA p.c.b. mount mains transformer 240V input, size 42mm x 33mm x 35mm. UK Made	£1
MO57	25	4 Volt miniature wire-ended bulbs	£1
MO57A	1	SRBP Copper Clad Printed Circuit Board. Size 410mm x 360mm x 2mm £3.65 + 75 p&p	£1
MO58	2	Mono cassette tape heads. Japan Made	£1
MO59	2	Sonotone stereo cartridge with 78 and LP Styl. Japan Made	£1
MO60	8	Bridge rectifiers 1amp 240V	£1
MO61	10	OC44 transistors. Remove paint from top and it becomes a photo electric cell (ORP12)	£1
MO63	6	14 watt output transistors. Three complimentary pairs in T066 case (replacement for AD161 + 162)	£1
MO64	5	5 watt Audio i.c. No. TBA800	£1
MO65	5	Motor Speed Control i.c.	£1
MO66	1	Digital DVM Meter i.c. Made by Plessey, with diagram	£1
MO67	4	7-Segment 0.3in I.e.d. display (red)	£1
MO68	1	Tape Deck i.c., with record replay switching. No. LM1818, with diagram	£1
MO69	2	Ferrite Rod. High grade with LW, SW & MW coils, size 140mm x 10mm	£1
MO70	1	Moving coil dynamic, handheld, ball microphone. Ross Electronics customers returns (no warranty)	£1

MAIL ORDER BARGAIN PACKS

No.	Qty.	per pack	
MO71A	1	Analogue Multimeter. Ross Electronics customers returns (no warranty)	£3.90 + 90p p&p
MO72	1	WW II EX WD headphone, A BIT OF NOSTALGIA, low impedance	£3.50 + £1.20 p&p
MO73	1	Koss Stereo Headphones on ear. Lightweight design, vari-fitting ear-cups with contour cushions, 36in. cord. 3.5mm + 6.35mm Jack plug adaptor	£3.50 + £1 p&p
MO74A	1	 Tone dialling keypad, use services that require DTMF tone signals for a rotary dial pulse phone, size 90mm x 55mm x 12mm	£6.95 + 70p p&p
MO75	1	100 yard roll of single screened quick splice cable, good quality British Made	£4.50 + £2 p&p
MO76	1	100 yard 3-core 3 amp cable, coded brown, blue and green/yellow	£4.20 + £2 p&p
MO80	2	Solar Powered Wooden Kits. Easy to build aeroplanes, with revolving propeller, and an old time gramophone with music chip. Supplied with glue, solar cells, electronics and pre-cut panels.	One of each for £12.00 + £1.50 p&p
MO81	1	Bump and Go Space Ship Kit with motor, wheels, p.c.b. wire and diagram. An ideal introduction for youngsters into the world of electronics and mechanics, goes all the way to the moon on two AA batteries	£8.95 + £1 p&p
MO82	1	Filofax Personal Organiser Radio/Calculator. This neat little unit simply fits inside your filofax so you can listen to AM Radio with earphone or use it as a solar powered 8-digit calculator. Punched with six holes to fit all personal organisers. UK Made under 1/2 price	£8.95 + £1 p&p
MO84	1	Multiband radio. Listen to air traffic control, aircraft, radar, public utilities VHF 54-176MHz + CB 1-80 with built in squelch control	£17.95 + £2 p&p
MO85	2	AM, FM, LW Ross Pushbutton Radio. With this neat unit you can easily tune in to five pre-set stations of your choice without fiddling or fuss, runs off six C-cell batteries or 240V mains. Output 400mW, volume and tone control. Size 230mm x 150mm x 65mm	£23.00 + £3.65 p&p £15.00 + £2.80 p&p
MO86	1	(As above)	
MO87	1	Amplifier Kit 30 + 30 Watt. An easy to build amplifier with a good specification. All components mount on single p.c.b. punched and back-printed for ease, case ready drilled finished in black vinyl with matching scale and knobs. Inputs for: CD/AUX tape 1; tape II; tuner and MC phono Controls: bass; treble; volume; balance; mode and power switch. Featured project in <i>Everyday Electronics</i> , April 1989 issue, reprint with kit	£40.00 + £3.65 p&p

All items prefixed with MO number MAIL ORDER only or can only be collected by prior appointment from address below. Where p&p not stated please add £3.65 per order for postage and carton charge.

RTVC

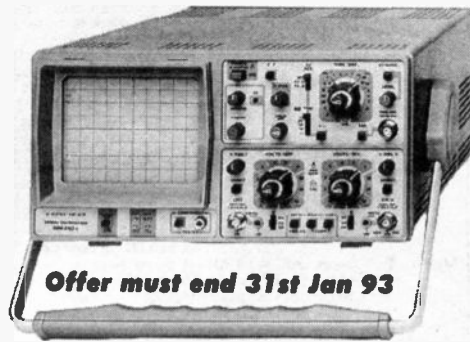
376 EDGWARE ROAD LONDON W2 1EB

MAIL ORDER TERMS, POSTAL ORDERS and/or CHEQUES with orders. Access & Visa accepted. Nett monthly accounts to Schools, Colleges and P.L.C. only. Overseas readers write for quote on delivery. Please cross all cheques and postal orders "Account Payee Only" and make payable to RTVC Ltd.

Phone 071 723 3462 Fax 071 723 3467

£30 off Europe's best selling oscilloscopes!

- Excellent quality, built to last a life time
- 2 year warranty
- Each 'scope supplied with 2 sets x10 probes, manual and mains lead.



Offer must end 31st Jan 93

PART NO.	DESCRIPTION	USUAL PRICE	OFFER PRICE
HM203-7	20MHz, dual channel	£397.15	£367.00
HM205-3	20MHz, storage 'scope	£716.75	£686.00
HM604	60MHz, dual channel	£716.75	£686.00
HM1005	100MHz, 3 channel	£930.60	£899.00



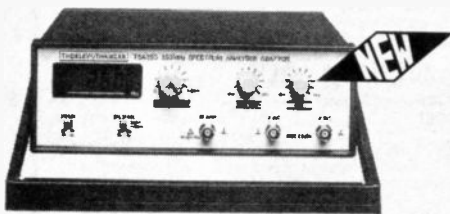
MULTIMETERS

The D-MM good value meters are now even D-MMer good value!!

The TM series of low cost meters, with 3½ digit LCDs, full overload protection, strong ABS cases and packed with features. Supplied with test leads, battery and manual.

Offer must end 31st Jan 93

PART NO.	DESCRIPTION	USUAL PRICE	OFFER PRICE
TM 5315	DC current (10A) continuity and diode test	£19.99	£19.25
TM 5365	Capacitance and frequency (200kHz) ranges	£36.50	£29.99
TM 5375	Frequency range (20MHz) and HFE test	£36.95	£31.49
TM 115	AC & DC current (10A), HFE and continuity test	£32.50	£30.99
TM 175	Freq. (15MHz), capacitance ranges with HFE, diode, continuity & LED test	£53.60	£45.00
TM 8020	3¼ digit display, freq. (4MHz) capacitance (40uF), AC+DC current to 20A	£54.76	£49.95
TM 8030	3¼ digit display, freq (4MHz), temp. (inc probe), AC+DC to 20A	£59.96	£55.49
7705	Capacitance meter, 1pF to 20,000uF	£39.82	£35.90



SPECTRUM ANALYSER ADAPTOR

- 400kHz to 250MHz frequency range
- LC display of centre frequency
- Calibration marker

The new TSA250 will adapt any conventional 'scope into a highly cost effective spectrum analyser. With numerous applications in RF design and development work, EMC investigations, and education.

TSA250 **£399.00**

OUT NOW!



The Brand New Circuit Electronic Constructors Catalogue Winter 92/93

- 192 pages
- £££'s worth discount vouchers
- 100s new products.....

Books - the latest titles.

Capacitors - new range ceramic discs, extended ranges electrolytic and polyester types.

Computers - new CAD PCB layout software.

Connectors - extended ranges of BNC, Jacks, XLR and PCB types.

Filters - new narrow band ceramic and low pass TV filters.

Hardware - additions include new range control knobs, cabinet hardware and heatsinks.

Inductors - more additions to our already extensive range.

Kits - new additions to the Velleman range.

Rigs - handheld 'CB' transceivers, wavemeters, scanning receiver accessories and aerials.

Semis - new linear ICs, transistors and a complete new range of LEDs including blue types.

Speakers - new radio mic systems.

Test Equipment - new hand-held frequency meter and satellite TV dish alignment system.

And much more besides.....

- Available at larger newsagents, from 12th November, or directly from Circuit.

£1.70
+ 30p p&p

All prices include VAT at 17.5%.

Postage and packing; standard £1.40, next day delivery £4.60.

Prices correct at time of going to press, but may change in line with exchange rate fluctuations.

Circuit

CIRKIT DISTRIBUTION LTD

Park Lane · Broxbourne · Hertfordshire · EN10 7NQ Telephone (0992) 444111 · Fax (0992) 464457

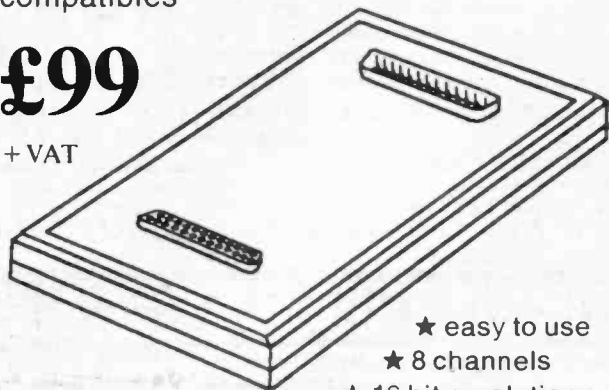


PICO ADC-16

ADC-16 high resolution data acquisition system with data logger software for IBM compatibles

£99

+ VAT



- ★ easy to use
- ★ 8 channels
- ★ 16 bit resolution
- ★ connects to serial port

ADC-10, 1 channel 8 bit with scope and voltmeter software **£49 + VAT**

ADC-11, 11-channel 10-bit with data logger software **£75 + VAT**

Pico Technology Limited

Broadway House, 149-151 St Neots Rd, Hardwick, Cambs CB3 7QJ

Tel. 0954 211716 Fax. 0954 211880



SERVICE MANUALS

Available for most equipment, TV, Video, Audio, Test, Amateur Radio, Kitchen, Computers etc. etc. We have probably the largest range of Service Information available anywhere. If you need a manual give us a call. Originals or photostats supplied as available.

MAURITRON SERVICES (EE)

8 Cherry Tree Road, ChInnor, Oxfordshire, OX9 4QY. Tel:- (0844) 351694. Fax:- (0844) 352554.

A selection from our vast range of Technical Books

Video Recorder Faults - Repair Guide for Beginners.....	£1.95
VHS Video Recorder Principles.....	£1.95
Transistor Equivalents and Testing Manual.....	£2.95
Transistor Radio Repair Guide.....	£1.50
Switch Mode PSU IC Type TDA-4600 Repair Guide.....	£4.95
Teletext Repair Manual for SAA range of IC's.....	£5.95
Citizens Band Radio Circuits Manual.....	£6.95
Power Supplies, Voltage Regulators & Stabilisers.....	£2.95
Telephone Code Reverse STD Location Guide.....	£3.95
Military Surplus Equipment. Giant 5 Volume Set.....	£39.95
Record Player Speed Disc.....	£0.95
SCART Euroconnector System.....	£1.49

Lots more shown in our FREE Catalogue including Valve Data, Military Circuits, Babani Books, Video Fault Guides etc.

SPECIAL OFFER

The Full Set of Books Shown Above for just **£49.95**. A MASSIVE saving of **£25.54** over the individual price. Use Order Code **MPTVSET**.

TV & VIDEO TRADE REFERENCE MANUALS

VIDEO RECORDER EQUIVALENTS. Lists all known models & their alternatives. Fully Cross referenced for fast and easy use. Order MP143.

TELEVISION CHASSIS GUIDE

Listing thousands of Models (Colour & Mono) & their Chassis Designations. Enables you to identify any chassis for any TV from the model number. Order MP18.

The above 2 books contain the most **COMPREHENSIVE REFERENCE DATA** available anywhere for the TV & Video Trade. Order yours today. Hundreds of other Technical Guides and Repair books available. Send A5 size SAE for your FREE catalogue today.

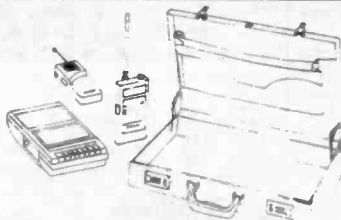
All orders please add £2.35 post & packing.

ONLY £5.00 each.

SURVEILLANCE

A SMALL SAMPLE OF OUR RANGE

	KIT	MODULE	PROF. FINISHED
ROOM TRANSMITTER RT1 An extremely sensitive miniature transmitter with long battery life. Dimensions: 20 x 20mm	9.95	13.75	19.00
MAINS TRANSMITTER MT4 Can be connected inside any equipment that is mains powered. Dimensions 35 x 20mm	19.75	31.50	45.00
TELEPHONE TRANSMITTER TTS Small enough to conceal within a telephone. Will transmit both sides of a conversation (series connection). Dimensions: 10 x 20mm	12.75	17.50	25.00
TELEPHONE TRANSMITTER TTP Similar to TTS will monitor all telephones on the line (parallel connection) Dimensions: 15 x 27mm	21.95	31.50	45.00
TELEPHONE SOCKET TRANSMITTER TSTS Replace your telephone socket with this one within which a transmitter has been concealed.	14.74	----	29.00
ROOM AND TELEPHONE TRANSMITTER RTT Operates as a room transmitter, then switches to telephone transmitter mode during telephone calls. Dimensions: 30 x 25mm	31.50	45.50	65.00
AUTOMATIC TELEPHONE RECORDER SWITCH TRS2 Record telephone conversations with this interface unit and your own tape recorder. Dimensions: 36 x 50mm	16.80	25.90	39.00
AUTOMATIC TELEPHONE RECORDER ATR1 Adapt the tape recorder included to record telephone calls automatically.	34.95	----	59.00
TELEPHONE TAP ALERT TTA1 Visual warning of any invasions of privacy on your telephone line. Dimensions: 38 x 52mm	21.95	31.50	45.00
RF DETECTOR RFD1 Highly sensitive hand-held detector. Range between 10Mhz and 600Mhz. Silent operation. Dimensions: 70 x 50mm	42.75	69.00	95.00
CAMERA DETECTOR CD8 Detects hidden video cameras (seven miniature CCD models). Dimensions: 63 x 38mm	69.00	89.00	125.00
RECORDING BRIEFCASE RBC1 Build your own discrete recording briefcase.	----	----	145.00
SHOTGUN MICROPHONE AMPLIFIER SMA Ideal for surveillance. The amplifier will pick up sounds from a long distance.	24.95	36.00	45.00
SIGNALLING TRANSMITTER SIGT Sends a continual audio pulse. Can be integrated into alarm, tracking or warning systems. Dimensions: 20 x 50mm	21.95	34.89	45.00
REMOTE SWITCHING SYSTEM RSS Transmitter/receiver set. Applications include car security and remote control of household appliances. Dimensions: Single channel transmitter: 45 x 35 x 12mm, Receiver: 50 x 60 x 25mm Double channel transmitter: 56 x 35 x 10mm, Receiver: 50 x 60 x 25mm		Single channel	39.00
		Double channel	49.00
TELEPHONE AMPLIFIER TAS Connected directly to the telephone, this unit will amplify both sides of a telephone call. Dimensions: 25 x 52mm	10.95	16.95	19.95
PROFESSIONAL SOUND TO LIGHT UNIT SK72 Custom built for disco or home use. Audio signal divided into bass, mid and treble bands, with internal microphone and spotlight option. Dimensions 210 x 45mm	21.95	32.49	44.95
1.5-12V POWER SUPPLY PSU Versatile low cost unit with variable or fixed voltage control (specify on ordering). Regulation better than 1%. Dimensions: 60 x 43mm	9.95	15.95	----
MICRO LIVE WIRE DETECTOR LWD Without actual connection will warn of the presence of AC mains live. Dimensions: 40 x 25mm	9.95	16.95	----
MICRO METAL DETECTOR MMD Detect the presence of ferrous and various non-ferrous metals Useful for all those DIY jobs. Dimensions: 40 x 25mm	9.95	16.95	----



Please add **£2.00 P & P** to all orders and **17.5% VAT** on all U.K. orders.

For full catalogue please send two 1st class stamps or 2 IRC'S

172 Caledonian Road

Dept EE

CANAL

London N1 0SG

BRIDGE AUDIO

071-837 4423



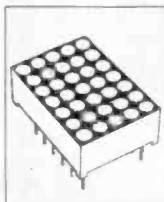
1993 CATALOGUE OUT NOW!!

160 Pages of regular lines + our famous Bargain List - 32 Pages of Surplus Bargains + First Class Reply Paid Order Form + Latest Offer Sheet - You can't afford to miss it!

**ONLY
£2.00**
Post Free!

OPTO OMNIPOTENCE!

A big parcel of opto product - everything from surface mount LED's to massive dot matrix LCD's has recently been purchased, offering you, the constructor, professional grade devices at Bargain List Prices! Full details in our lists, but see below for some tempting offers:

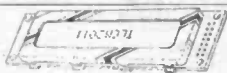


LED BLOCKS

Dot matrix LED displays in both CC and CA from 35-58mm in red, green and yellow. Full details in latest list

- Z5469 Green 35mm 5x8 CC £1.60
- Z5470 HE Red 35mm 5x8 CC £1.60
- Z5471 Yellow 51mm 5x7 CC £1.75
- Z5475 Green 51mm 5x7 CC £1.75
- Z5478 HE Red 51mm 5x7 CA £1.75
- Z5479 HE Red 51mm 5x7 CC £1.75
- Z5473 Yellow 58mm 8x8 CC £3.50
- Z5477 Green 58mm 8x8 CC £3.50
- Z5480 HE Red 58mm 8x8 CC £3.50

LIQUID CRYSTAL DISPLAYS



LCD dot matrix modules fitted with controller. All supplied with data. Application notes - 16 page book £2.00

- Z5481D 16x1, 5.73mm char.ht. £4.00
 - Z5482D 16x2, 4.27mm char.ht. £6.00
 - Z5484D 20x1, 5.2mm char.ht. £4.60
 - Z5485D 20x2, 4.85mm char.ht. £7.00
 - Z5486D 40x2, 5.2mm char.ht. £9.50
- All characters 5x7

JUMBO DISPLAY

LM225 Hitachi 640x200 dot LCD for PC's, WP's & ind. equip. Module size 270x150x13mm. Display area 239x104mm. Dot size 0.32x0.46; pitch 0.35x0.49mm. Uses 16xHD61100 & 4xHD61103 chips. With comprehensive data. £39.50

OPTO ISOLATORS

- Z2771 4N30 Darlington 8 for £2
 - Z2781 CNY48 600% Darlington 6 for £2
 - Z2798 H11B2 200% Darlington 8 for £2
 - Z2779 CNY47 Transistor 10 for £2
 - Z2794 H11AV1 4kV Transistor 10 for £2
 - Z2793 H11AG1 CMOS Tr. 300% 10 for £2
 - Z2776 CNY30 SCR 200V 6 for £2
 - Z2828 H11L3 Schmitt 5mA 3 for £2
 - Z2837 MOC3011 Triac 10mA 6 for £2
 - Z2840 MOC3021LP Triac 15mA 6 for £2
- Supplied with data sheet. Booklet giving data on about 50 types £2

PC SOFTWARE AT AMAZING PRICES!!

Words & Figures by Lifetree - combined spreadsheet, word processor and database with graphics. Needs PC with DOS 2+, 256k RAM, mono or colour display. Supports over 200 printers. 546 page manual, spread out menu and disks, all in library case. **Just look at the price!!**

Z5442 5 1/4" version
Z5443 3 1/2" version

£14.95

Z5444 PC-MIX Multitasking Interfacing Executive - enables up to 3 progs to be run simultaneously. 96 page handbook and 5 1/4" disk. **£4.95**

INDIVIDUAL TUTORS - boxed set with handbook and disk

- Z5445 5 1/4"; Z5446 3 1/2" Learn to type £3.95
- Z5448 5 1/4"; Z5449 3 1/2" Learn to use DOS £3.95
- Z5450 5 1/4" Learn to use your PC £3.95

SmartGuide for DOS

Z5452 On line reference guide to DOS commands, topics and procedures. Boxed set with handbook & 5 1/4" disk £4.95

Z5453 3 1/2" version £4.95

BURIED TREASURE

So easy to find with C-Scope Metal Detectors

Gold sovereigns, Roman coins, historic pots and medals - and lost current coinage! C-Scope Metal Detectors

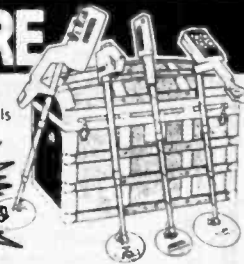
From just **£79.99**

C-SCOPE

Superior Metal Detectors

Full colour brochure on request - all models on view and demonstrated at our shop. Prices start from less than £80!

WE ARE ALSO EXCLUSIVE SUPPLIERS OF THE K9000 KIT!



OPTO PACKS

K539 LED's: Round and shaped, red, yellow, green, clear. Great mix 100 for **£6.50**

K806 LED's: Red only - round, square, rect from 2mm up. 100 for **£5.00**

K801 Seven seg LED's - Red/green/yellow, single, double, multiple digit. Sizes from 0.11 to 0.8" 20 for **£3.95**

KS106 Surface mount LED's - red, green, yellow, orange inc some dual types. Most SOT23 100 for **£8.95**

K845 Optocouplers, transistor up to 4kV 100%. 25 for **£2.95**

K846 Optocouplers, darlington up to 2.5kV 600%. 25 for **£3.95**

K847 Optocouplers, Triac/SCR up to 7.5kV & Vb 800V 25 for **£3.95**

3.5" DISK DRIVE



Model FD9A. Brand new and boxed, this cased 3.5" 720k unit comes complete with cables and instructions. Can be used with 1x86 & 2x86 "as is", and with 1512/1640 with mod. (Details supplied)

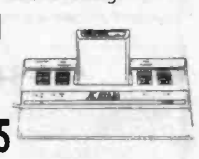
New Low Price £19.95

ATARI 2600 GAMES CONSOLE

Complete and boxed with joystick, power supply, TV lead and games cartridge (centipede). Not new, but fully checked and working

Special Price

£29.95



THE 'Greenweld Guardian' IS OUR MONTHLY NEWSLETTER FREE TO ALL BARGAIN LIST SUBSCRIBERS - ONLY £6 A YEAR FOR THE NEXT 12 ISSUES OF ALL OUR LISTS!!

CASIO

Casio have just introduced a range of personal stereos and portable audio equipment at very competitive prices:



- W880 Bass boost, auto stop, belt clip £8.99
- AS51R As above but with AM/FM radio £15.99
- AS500R As AS51R, but with auto reverse £23.50
- W120 As AS500R but with graphic equalizer £27.99

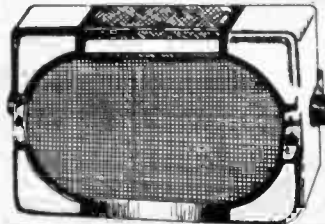


- CP80 Bass boost, AM/FM/LW radio, single cassette, 6W PMPO £32.95
- CP200 Bass boost, AM/FM/LW radio, twin cassette, hi-speed dubbing, graphic equalizer, 8WPMPO £42.95
- CD510 CD player, twin cassette, AM/FM/LW radio + lots of other features, 45W PMPO £159.95

FOREGROUND MUSIC SPEAKERS

High quality for pubs, clubs etc. Bass unit, mid and 2 tweeters. Moulded cabinet with adjustable bracket. Max power 80W. Size 275x170x125mm. 4R imp.

Less than half price!
£39.95 per pr!



INSULATION TEST UNIT

Y136C 500V tester that can be used with most digital meters. 2 ranges covering 100k-1999M. Supplied with leads, batts, instructions and carry case. Original trade price £34

£12.95

CAMERA CLEARANCE

110 & 35mm - all are returns, some have small parts missing, but great value for lenses, electronics etc (most have built in flash units)

5 for £10

GREENWELD
ELECTRONIC COMPONENTS
27D PARK ROAD, SOUTHAMPTON, SO1 3TB

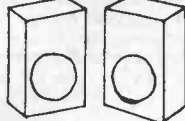
All 1 off and pack prices include VAT, qty prices do not P&P £2.75 per order (£9.50 next day) Min Credit Card £12. Official orders from Education welcome; min invoice charge £15. Payment is accepted by cheque, PO, cash (inc foreign currency banknotes), book tokens, Access, Visa, Connect. Our stores have enormous stocks - we are open from 9-5.30 Mon-Sat. Come and see us!
Tel: (0703) 236363
Fax: (0703) 236307

LOW COST CASSETTE MECH

Z5488 9V stereo. Record/replay & erase head + 6 push buttons - forward, reverse, play, record, pause and stop.

Only £2.95

SPEAKER CABINETS



Z9121 Veneered cabinet 330x217x116mm with 100mm 4R speaker. Ideal as extn spkrs for kitchen etc. £12.95/pr

CASSETTE MOTORS



Z5487 Mabuchi hi-torque 9V cassette motor 35mm dal x 25mm. £1.00 Box of 200 £65

RIBBON CABLE HALF CAT PRICE!

- Z9122 50 way grey 100ft reel £8.50
- Z9123 34 way grey 100ft reel £13.00



HART AUDIO KITS – YOUR VALUE FOR MONEY ROUTE TO ULTIMATE HI-FI

HART KITS give you the opportunity to build the very best engineered hi-fi equipment there is, designed by the leaders in their field, using the best components that are available.

Every HART KIT is not just a new equipment acquisition but a valuable investment in knowledge, giving you guided hands-on experience of modern electronic techniques.

In short HART is your 'friend in the trade' giving you, as a knowledgeable constructor, access to better equipment at lower prices than the man in the street.

You can buy the reprints and construction manual for any kit to see how easy it is to build your own equipment the HART way. The FULL cost can be credited against your subsequent kit purchase. Our list will give you fuller details of all our Audio Kits, components and special offers.

AUDIO DESIGN 80 WATT POWER AMPLIFIER.



This fantastic John Linsley Hood designed amplifier is the flagship of our range, and the ideal powerhouse for your ultimate hi-fi system. This kit is your way to get £K performance for a few tenths of the cost! Featured on the front cover of 'Electronics Today International' this complete stereo power amplifier offers World Class performance allied to the famous HART quality and ease of construction. John Linsley Hood's comments on seeing a complete unit were enthusiastic:- "The external view is that of a thoroughly professional piece of audio gear, neat elegant and functional. This impression is greatly reinforced by the internal appearance, which is redolent of quality, both in components and in layout." Options include a stereo LED power meter and a versatile passive front end giving switched inputs using ALPS precision, low-noise volume and balance controls. A new relay switched front end option also gives a tape input and output facility so that for use with tuners, tape and CD players, or indeed any other 'flat' inputs the power amplifier may be used on its own, without the need for any external signal handling stages. 'Slave' and 'monobloc' versions without the passive input stage and power meter are also available. All versions fit within our standard 420 x 260 x 75mm case to match our 400 Series Tuner range. ALL six power supply rails are fully stabilised, and the complete power supply, using a toroidal transformer, is contained within a heavy gauge aluminium chassis/heatsink fitted with IEC mains input and output sockets. All the circuitry is on professional grade printed circuit boards with roller tinned finish and green solder resist on the component ident side, the power amplifiers feature an advanced double sided layout for maximum performance. All wiring in this kit is pre-terminated, ready for instant use!

RLH11 Reprints of latest articles.....£1.80
K1100CM HART Construction Manual.....£5.50

LINSLEY HOOD 1400 SERIES ULTRA HIGH-QUALITY PREAMP

Joining our magnificent 80 Watt power amplifier now is the most advanced preamplifier ever offered on the kit, or indeed made-up marketplace. Facilities include separate tape signal selection to enable you to listen to one programme while recording another, up to 7 inputs, cross recording facilities, class A headphone amplifier, cancellable 3-level tone controls and many other useful functions, all selected by high quality relays. For full details see our list.

LINSLEY HOOD 'SHUNT FEEDBACK' R.I.A.A. MOVING COIL & MOVING MAGNET PICKUP PREAMPLIFIERS

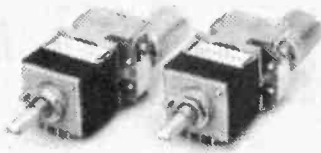


Modern, ultimate sound systems are evolving towards built-in preamplifiers within or near the turntable unit. This keeps noise pickup and treble loss to a minimum. We now offer two units, both having the sonically preferred shunt feedback configuration to give an accurate and musical sound, and both having the ability to use both moving magnet and moving coil cartridges.

Kit K1500 uses modern integrated circuits to achieve outstanding sound quality at minimal cost. The very low power requirements enable this unit to be operated from dry batteries and the kit comes with very detailed instructions making it ideal for the beginner. K1500 Complete kit with all components, printed circuit board, full instructions and fully finished case.....£67.99
Instructions only.....£2.80

Kit K1450 is a fully discrete component implementation of the shunt feedback concept and used with the right cartridge offers the discerning user the ultimate in sound quality from vinyl disks. Can be fitted inside our 1400 Preamp, used externally or as a standalone unit. It has a higher power requirement and needs to be powered from our 1400 Series preamplifier or its own dedicated power supply. K1450 Complete kit of board mounting parts for discrete component RIAA preamplifier.....£61.06
1500/2-8 Case to suit, including Hardware.....£39.52
K1565 Power Supply in matching case. Features shielded toroidal transformer and upgrade path to full preamp power supply.....£79.42

ALPS PRECISION LOW-NOISE STEREO POTS.



To fulfill the need for higher quality controls we are now importing an exciting new range of precision audio pots in values to cover most quality amplifier applications. All in 2-gang stereo format, with 20mm long 6mm dia. steel shafts. Now you can throw out those noisy ill-matched carbon pots and replace with the real hi-fi components only used selectively in the very top flight of World class amplifiers. The improvement in track accuracy and matching really is incredible giving better tonal balance between channels and rock solid image stability. Motorised versions have 5v DC Drive motor.

2-Gang 100K Lin.....£8.67
2-Gang 10K & 50K Log.....£9.40
2-Gang 10K Special Balance, zero crosstalk and zero centre loss.....£10.48
2-Gang 20K Log (Volume Control) MOTORISED.....£19.20
2-Gang 10K Special Balance, MOTORISED, zero crosstalk and <10% centre loss with near Log/Antilog Tracks).....£19.98

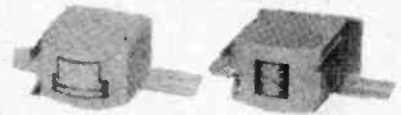
STUART REEL-TO-REEL TAPE RECORDER CIRCUITS

Complete stereo record, replay and bias circuit system for reel-to-reel recorders. These circuits will give studio quality with a good tape deck. Separate sections for record and replay give optimum performance and allows a third head monitoring system to be used where the deck has this fitted. Standard 250mV input and output levels. Ideal for bringing that old valve tape recorder back to life. Suitable stereo heads are in our head list. This basic kit is suitable for advanced constructors only. K900W Stereo Kit with Wound Coils and Twin Meter Drive.....£123.93
RJS1 Reprints of Original Descriptive Articles.....£3.60

LINSLEY-HOOD CASSETTE RECORDER CIRCUITS

Complete record and replay circuits for very high quality low noise stereo cassette recorder. Circuits are suitable for use with any high quality cassette deck. Switched bias and equalisation to cater for chrome and ferric tapes. Very versatile, with separate record and play circuits and easy to assemble on plug-in PCBs. Complete with full instructions. Complete Stereo Record/Play Kit.....£62.58
VU Meters to suit.....(Each) £3.99
RLH1 & 2 Reprints of original Articles.....£2.70

HIGH QUALITY REPLACEMENT CASSETTE HEADS



Do your tapes lack treble? A worn head could be the problem. For top performance cassette recorder heads should be replaced every 1,500 hours. Fitting one of our high quality replacement heads could restore performance to better than new! Standard inductances and mountings make fitting easy on nearly all machines (Sony are special dimensions, we do not stock) and our TC1 Test Cassette helps you set the azimuth spot on. As we are the actual importers you get prime parts at lower prices, compare our prices with other suppliers and see! All our heads are suitable for use with any Dolby system and are normally available ex stock. We also stock a wide range of special heads for home construction and industrial users. HC80 NEW RANGE High Beta Permalloy Stereo head. Modern space saver design for easy fitting and lower cost. Suitable for chrome metal and ferric tapes, truly a universal replacement head for everything from hi-fi decks to car players and at an incredible price too!.....£8.30
HS16 Sendust Alloy Stereo Head.....£21.49
HRP373 Downstream Monitor Stereo Combination Head.....£53.90
HC15 Special Offer of Standard Quality Stereo R/P Head with slight face scratches.....3 for Only £4.80
HQ551A 4-Track RECORD & Play Permalloy Head for auto-reverse car players or quadraphonic recording.....£8.75
HM120 Standard Mono R/P Head.....£3.44
H524 Standard Erase Head.....£1.90
H561 Hi Field Erase Head for METAL Tapes.....£3.49
SM150 2/2 (Double Mono) DC Erase Head.....£5.20
HQ751E 4/4 True 4-Track Erase Head.....£57.06

REEL TO REEL HEADS

999R 2/4 Record/Play 110mH. Suits Stuart Tape Circuits.....£13.34
998E 2/4 Erase Head 1mH. Universal Mount. Suits Stuart.....£11.96

TAPE RECORDER CARE PRODUCTS

DEM1 Mains Powered Tape Head Demagnetizer, prevents noise on playback due to residual head magnetisation.....£4.08
DEM115 Electronic, Cassette Type, demagnetizer.....£8.61

Send or 'phone for your copy of our List (50p) of these and many other Kits & Components. Enquiries from Overseas customers are equally welcome, but PLEASE send 2 IRCs if you want a list sent surface post, or 5 for Air mail.

Ordering is easy. Just write or telephone your requirements to sample the friendly and efficient HART service. Payment by cheque, cash or credit card. A telephoned order with your credit card number will get your order on its way to you THAT DAY.

Please add part cost of carriage and insurance as follows:- INLAND Orders up to £20 - £1.50
Orders over £20 - £3.50 Express Courier, next working day. £10 (For safety all computer parts are only sent by courier) OVERSEAS - Please see the ordering information with our lists.



QUALITY
AUDIO KITS

24 hr. SALES LINE
(0691) 652894

ALL PRICES
INCLUDE VAT
AT 17.5%



HART ELECTRONIC KITS LTD
6 PENYLAN MILL
OSWESTRY, SHROPSHIRE
SY10 9AF

MARCO '93

ELECTRONICS CATALOGUE

A simply outstanding selection of quality electronic components and equipment.

- **BEST VALUE • BEST SELECTION •**
- **BEST QUALITY • BEST YET •**

Essential reading for both amateur and professional.
132 fully illustrated pages with hundreds of special offers and free gifts.

**NORMALLY £2
FREE
WITH THIS
COUPON**

- BOOKS
- HOBBY BOXES
- IN-CAR EQUIPMENT
- PLUGS AND SOCKETS
- CORDLESS MICROPHONES
- HOBBY KITS
- TOOLS
- IC'S AND TRANSISTORS
- SOLDERING EQUIPMENT

MARCO TRADING,
THE MALTINGS, HIGH STREET, WEM,
SHROPSHIRE SY4 5EN.
Telephone: (0939) 232763
Fax: (0939) 233800

Please send me my **FREE** copy of
Marco 1993 Catalogue

Name

Address

Post Code

CAR, MOTORHOME, VAN ANTI-THEFT UNIT

Ready-Built

A brand new design and indeed a very clever device which gives 100% peace of mind to the vehicle owner and causes the would be car thief 100% frustration! This unit may also be used alongside an existing car alarm. So what's so special about this device?

Most alarms require the owner to activate them when exiting the vehicle, which can be easily overlooked or simply forgotten. The AT1 circuit overcomes this by activating the moment the ignition is switched on or the vehicle is 'Hot Wired', making it impossible to forget. From the moment the ignition is switched on the AT1 circuit starts timing. When the engine has started the unit **MUST BE DE-ACTIVATED** otherwise (this is the clever bit) the engine will cut out.

The method of activating the unit is set by the installer. We recommend wiring up one or more switches (i.e. rear window demist, wipers, interior light. etc). The choice is yours! You can of course wire up to a concealed switch. Therefore until the chosen switch or switches are 'switched' ON/OFF, the AT1 will NOT deactivate and the engine will stop after the pre-set time.

Every AT1 is pre-set at approximately 20 seconds, but this may be shortened or lengthened to suit your requirements up to 130 seconds before the engine cuts out!

The thief is then faced with the problem of not only the engine cutting out, but then failing to re-start. The thief will not hang around to 'repair' the vehicle - simple!

A red LED is supplied with the kit which may be fitted to the dashboard and will remain lit all the time acting as a visual deterrent to any would be thief.

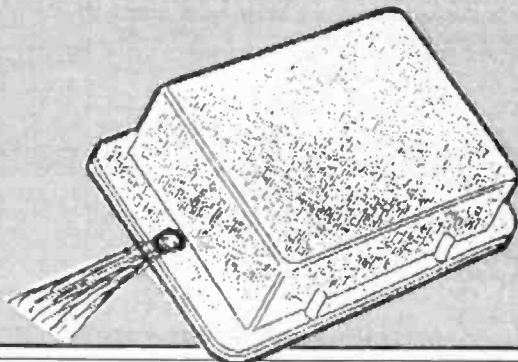
*Suitable for both Electronic and Non-Electronic Ignition cars.
Full fitting instructions are supplied.*

SUPPLIED READY-BUILT AND HOUSED

Order Code: COM/AT1

Price 1 + £25.99 10 + £24.00

All prices include 17½% VAT. Please add £3.00 p&p per order.





SHOP OPEN 9-5 Mon-Fri 9-2 Sat --- OFFICIAL ORDERS WELCOME --- KIT LIST - S.A.E

VERSATILE BBC INTERFACE

A comprehensive interface which allows the BBC computer to be connected safely to a wide range of input and output devices. Two leads connect the interface to the User Port and the Printer port. The interface connects to the 'real world' via standard screw terminal blocks. Up to 16 outputs (all via plug-in single pole change over relays - 8 supplied) and 8 fully protected inputs. L.e.d. status monitoring is provided on all input and output lines. The interface requires an independent 12 Volt supply.

KIT 844.....£51.95

STEPPING MOTOR DRIVER & INTERFACE

A single board stand-alone stepping motor driver with built in oscillator and speed control circuits. A computer is not required with this board which will drive most unipolar 4 phase motors. Variable Acceleration, Speed, and Direction, may be controlled in HALF STEP, FULL STEP, and ONE PHASE modes. Up to 35V and 1.5A per phase. L.e.d. mimic display. Connector is provided for a computer port. The Kit includes our MD35 motor.

KIT 843 £29.95 - BUILT £44.95

DIGITAL LCD THERMOSTAT

A versatile thermostat using a thermistor probe and having an i.c.d. display. MIN/MAX memories, -10 to 110 degrees celsius, or can be set to read in Fahrenheit. Individually settable upper and lower switching temperatures allow close control, or alternatively allow a wide 'dead band' to be set which can result in substantial energy savings when used with domestic hot water systems. Ideal for greenhouse ventilation or heating control, aquaria, home brewing, etc. Mains powered, 10A SPCO relay output. Punched and printed case.

KIT 841.....£29.95

4 CHANNEL LIGHT CHASER

A 1000W per channel chaser with Zero Volt Switching, Hard Drive, and full inductive load capability. Built-in mic. and sophisticated 'Beat Seeker' circuit - chase steps to music, or auto when silent. Variable speed and mic. sensitivity control, i.e.d. mimic on front panel. Switchable for 3 or 4 channels. P552 output socket. Suits Rope Lights, Pin Spots, Disco, and Display lighting.

KIT 833.....£32.13

SUPERHET LW MW RADIO

At last an easy to build SUPERHET AM radio kit. Covers Long and Medium waves. Built in loudspeaker with 1 Watt output. Excellent sensitivity and selectivity provided by ceramic IF filter. Simple alignment and tuning without special equipment. Supplied with pre-drilled transparent front panel and dial, for interesting see-through appearance.

KIT 835.....£17.16

ACOUSTIC PROBE

A very popular project which picks up vibrations by means of a contact probe and passes them on to a pair of headphones or an amplifier. Sounds from engines, watches, and speech travelling through walls can be amplified and heard clearly. Useful for mechanics, instrument engineers, and nosy parkers!

KIT 740.....£19.98

PEST SCARER

Produces high power ultrasound pulses. L.e.d. flashes to indicate power output. Battery powered 9 - 12V, or mains adaptor £2.00 EXTRA.

KIT812.....£14.81

KIT HIGHLIGHT

8 CHANNEL LIGHT SHOW PROGRAMMABLE SEQUENCER KIT 838

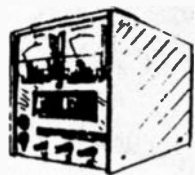
An advanced design using a pre-programmed microcontroller IC to generate over 100 light sequences. Additional battery backed RAM area to store your own sequences. Keypad control allows lamps to be controlled manually, sequences entered and selected, and sequence speed to be increased and decreased. ZERO VOLT SWITCHING. Programs include 3 and 4 channel versions so that existing lights can be used as well as 8 channel arrangements. Special output drive using a two winding transformer ensures foolproof operation with pin-spots and other difficult loads. This is a superbly finished kit with pre-drilled case and screen printed front panel. Full LED mimic. 2 P552 output sockets, 8 Amp isolated tab triacs with heatsink. Kit includes everything - down to the last nut and bolt. Tremendous Value.



**KIT PRICE
£64.89**

MOSFET VARIABLE BENCH POWER SUPPLY 25V 2.5A

Our own high performance design. Variable output Voltage from 0 to 25V and Current limit from 0 to 2.5A. Capable of powering almost anything. Two panel meters indicate Voltage and Current. Fully protected against short-circuits. The variable Current limit control makes this supply ideal for constant current charging of NICAD cells and batteries. A Power MOSFET handles the output for exceptional ruggedness and reliability. Uses a toroidal mains transformer.



KIT 769.....£56.82

DIGITAL CAPACITANCE METER

Provides clear readings of capacitance values from a few pF up to thousands of µF. Ideal for beginners. It allows obscurely marked components to be identified quickly and easily. Quartz controlled accuracy of 1%, and large clear 5 digit display. Kit is now supplied with a punched and printed front panel, case, all components and top quality printed circuit board. New low price.

KIT 493.....£34.95

BAT DETECTOR

An excellent circuit which reduces ultrasound frequencies between 20 and 100 kHz to the normal (human) audible range. Operating rather like a radio receiver the circuit allows the listener to tune-in to the ultrasonic frequencies of interest. Listening to Bats is fascinating, and it is possible to identify various different types using this project. Other uses have been found in industry for vibration monitoring etc.

KIT 814.....£21.44

QUICK CAPACITANCE TESTER

A low cost hand-held audio/visual unit which can identify short, open and working capacitors quickly and with a minimum of fuss. Also gives indication of leakage current. An ideal kit for beginners, built on a single printed circuit board which has large copper areas used as test pads. Only a minimum of wiring is needed. 2 l.e.d.s and a piezo transducer provide the output indication.

KIT 834.....£10.34

IONISER

A highly efficient mains powered Negative Ion Generator that clears the air by neutralising excess positive ions. Many claimed health benefits due to the ioniser removing dust and pollen from the air and clearing smoke particles. Costs virtually nothing to run and is completely safe in operation. Uses five point emitters.

KIT 707.....£17.75

ACTIVE I.R. BURGLAR ALARM

This alarm is useful where ordinary 'passive' (pir) detectors are not suitable. It works by detecting disturbances to its own short wave infra-red beam. Output is via mains rated relay contacts. Built in timer, and mains transformer.

KIT 700.....£40.74

12V EPROM ERASER

A safe low cost eraser for up to 4 EPROMS at a time in less than 20 minutes. Operates from a 12V supply (400mA). Used extensively for mobile work - updating equipment in the field etc. Also in educational situations where mains supplies are not allowed. Safety interlock prevents contact with UV.

KIT 790.....£28.51

EE TREASURE HUNTER

Our own widely acclaimed design. This sensitive Pulse Induction metal detector picks up coins and rings etc up to 20cm deep. Negligible 'ground effect' means that the detector can even be used with the head immersed in sea water. Easy to use, circuit requires only a minimum of setting up as a Quartz crystal provides all of the critical timing. Kit includes search-head, handle, case, PCB and all components.

KIT 815.....£45.95

INSULATION TESTER

A reliable and neat electronic tester which checks insulation resistance of wiring and appliances etc., at 500 Volts. The unit is battery powered, simple and safe to operate. Leakage resistance of up to 100 Megohms can be read easily. A very popular college project.

KIT 444.....£22.37

3 BAND SHORT WAVE RADIO

Covers 1.6 to 30MHz in three bands using modern miniature plug-in coils. Audio output is via a built-in loudspeaker. Advanced stable design gives excellent stability, sensitivity and selectivity. Simple to build battery powered circuit. Receives a vast number of stations at all times of the day.

KIT 718.....£30.30

DIGITAL COMBINATION LOCK

Digital lock with 12 key keypad. Entering a four digit code operates a 250V 16A relay. A special anti-tamper circuit permits the relay board to be mounted remotely. Ideal car immobiliser, operates from 12V. Drilled case, brushed aluminium keypad.

KIT 840.....£19.86

PORTABLE ULTRASONIC PEST SCARER

A powerful 23kHz ultrasound generator in a compact hand-held case. MOSFET output drives a special sealed transducer with intense pulses via a special tuned transformer. Sweeping frequency output is designed to give maximum output without any special setting up.

KIT 842.....£22.56

LIGHT RIDER DISCO LIGHTS

A six channel light driver that scans from left to right and back continuously. Variable speed control. Up to 500 watts per channel. Housed in a plastic box for complete safety. Built on a single printed circuit board.

KIT 560.....£22.41

LIGHT RIDER 9-12V CHASER LIGHTS

A low voltage DC powered end-to-end type chaser that can be set for any number of lights between 3 and 16. The kit is supplied with 16 l.e.d.s but by adding power transistors it is possible to drive filament bulbs for a larger brighter display. Very popular with car customisers and modellers. L.e.d.s can be randomly positioned and paired to give twinkling effects.

KIT 559.....£15.58

SEE OUR FULL RANGE OF KITS, BOOKS, TOOLS, AND COMPONENTS IN OUR CATALOGUE

HAMEG HM203-7 20 MHz DUAL TRACE OSCILLOSCOPE & COMPONENT TESTER

Western Europe's best selling oscilloscope - It is RELIABLE, HIGH PERFORMANCE, & EASY TO USE. Sharp bright display on 8 x 10cm screen with internal graticule. A special extra feature is the built-in component tester which allows capacitors, resistors, transistors, diodes and many other components to be checked. The quality of this instrument is outstanding, and is supported by a two year parts and labour warranty. If you are buying an oscilloscope - this is the one. - It costs a fraction more than some other 20 MHz scopes but it is far far superior. Supplied with test probes, mains lead, and manual. Includes FREE Next-day delivery
£338.00 + £59.15 VAT (Cheques must be cleared)

EDUCATIONAL BOOKS & PACKS

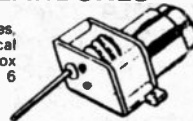
ADVENTURES WITH ELECTRONICS
The classic book by Tom Duncan used throughout schools. Very well illustrated, ideal first book for age 10 on. No soldering. Uses an S.DEC breadboard.
Book & Components £28.95, Book only £6.25

FUN WITH ELECTRONICS
An Usborne book, wonderfully illustrated in colour. Component pack allows 6 projects to be built and kept. Soldering is necessary. Age 12 on, or younger with adult help. Book & Components £20.88, Book only £2.95

30 SOLDERLESS BREADBOARD PROJECTS
A more advanced book to follow the others. No soldering. Circuits cover a wide range of interests.
Book & Components £30.69, Book only £2.95

DC MOTOR/GEARBOXES

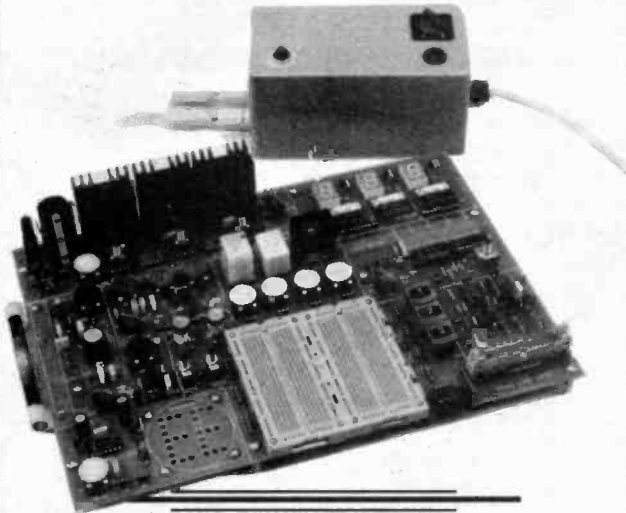
Ideal for robots, buggies, and many other mechanical projects. Min. plastic gearbox with 1.5-4.5V DC motor. 6 ratios can be set up.
Small type MGS....£4.77
Large type MGL....£5.58



STEPPING MOTORS

For computer control via standard 4 pole unipolar drivers.
MD35 1/4 - standard 48 steps per rev.....£12.99
MD38 - miniature 48 steps per rev.....£9.15
MO200 - miniature 200 steps per rev.....£17.10

Teach-In '93



MINI LAB KITS

ALL COMPONENTS TO ASSEMBLE THE EPE MINI LAB ARE AVAILABLE FROM MAGENTA.

The easy way to buy the correct parts to follow this exciting new educational series.

Components are supplied in packs to keep ordering simple.

A full MINI LAB consists of ML1, ML3, ML5, ML6. These are available at a special combined price of.....**£114.99**
or less the p.c.b.
ML2, ML3, ML5, ML6 at.....**£104.99**
The transformer unit ML4 is also needed....**£21.45**

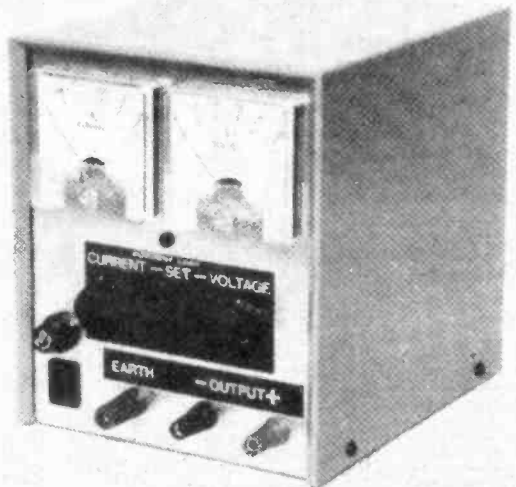
- KIT ML1 MINI-LAB P.C.B. + all components inclusive of breadboard for Part 1 (Nov. '92).....**£49.95**
- KIT ML2 All Components for Part 1 less p.c.b.....**£39.95**
- KIT ML3 Power Supply components.....**£19.95**
- KIT ML4 Transformer unit.....**£21.45**
- KIT ML5 L.E.D. Voltmeter, signal generator, audio amplifier and 555 timer.....**£33.95**
- KIT ML6 Logic probe, display, radio tuner.....**£17.95**

(Note: batteries not included)

All prices include V.A.T. Add **£2.00 p&p.**

Tel: 0283 65435 Fax: 0283 46932

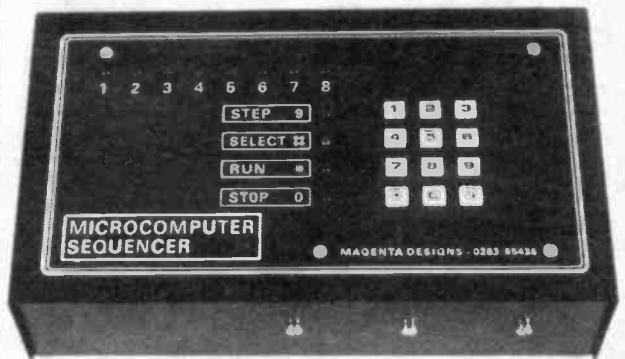
MOSFET VARIABLE BENCH POWER SUPPLY 25V 2.5A



Our own high performance design. Variable output Voltage from 0 to 25V and Current limit from 0 to 2.5A. Capable of powering almost anything. Two panel meters indicate Voltage and Current. Fully protected against short-circuits. The variable Current limit control makes this supply ideal for constant current charging of NICAD cells and batteries. A Power MOSFET handles the output for exceptional ruggedness and reliability. Uses a toroidal mains transformer.

KIT PRICE 769 **£56.82**

LIGHT SHOW 8 CHANNEL SEQUENCER PROGRAMMABLE



An advanced design using a pre-programmed microcontroller IC to generate over 100 light sequences. Additional battery backed RAM area to store your own sequences. Keypad control allows lamps to be controlled manually, sequences entered and selected, and sequence speed to be increased and decreased. ZERO VOLT SWITCHING. Programs include 3 and 4 channel versions so that existing lights can be used as well as 8 channel arrangements. Special output drive using a two winding transformer ensures foolproof operation with pin-spots and other difficult loads. This is a superbly finished kit with pre-drilled case and screen printed front panel. Full LED mimic. 2 P52 output sockets, 8 Amp isolated tab triacs with heatsink. Kit includes everything - down to the last nut and bolt. Tremendous Value.

KIT PRICE 838 **£64.89**

All prices include V.A.T. Add **£2.00 p&p.**

Tel: 0283 65435 Fax: 0283 46932



ESR ELECTRONIC COMPONENTS

Station Road, Cullercoats,
Tyne & Wear NE30 4PQ
Tel: 091 251 4363 Fax: 091 252 2296

74LS-Series 4000 Series TRANSISTORS LINEAR ICs SOLDERING IRONS RF CONNECTORS

74LS00 £0.14	4000 £0.17	2N1613 £0.31	BC186 £0.33	BD534 £0.47	CA311E £0.28	Antex Soldering irons	BNC Solder Plug 50R	£0.93
74LS01 £0.14	4001 £0.17	2N1711 £0.26	BC204C £0.72	BD535 £0.48	CA324 £0.23	C 15Watt	BNC Solder Plug 75R	£0.96
74LS02 £0.14	4002 £0.17	2N1893 £0.29	BC206B £0.72	BD536 £0.65	CA555 £0.22	G 18Watt	BNC Crimp Plug 50R	£0.68
74LS03 £0.14	4006 £0.32	2N2219A £0.25	BC208 £0.72	BD548 £0.52	CA741CE £0.18	CS 17Watt	BNC Crimp Plug 75R	£1.08
74LS04 £0.14	4007 £0.32	2N2222A £0.16	BC209A £0.72	BD650 £0.53	CA747CE £0.39	XS 25Watt	BNC Chassis Skt	£0.80
74LS08 £0.14	4009 £0.19	2N2646 £0.80	BC212 £0.08	BD707 £0.42	CA3080 £0.72	ST 4Stand	PL259 5.2mm	£0.68
74LS09 £0.14	4010 £0.23	2N2904A £0.26	BC212L £0.08	BD807 £0.80	CA3130 £0.98	35Watt Gas Iron	PL259 11mm	£0.82
74LS10 £0.14	4011 £0.16	2N2905A £0.23	BC212BL £0.08	BDX32 £1.78	CA3130E £0.98	Desolder Pump	RND UHF socket	£0.68
74LS107 £0.23	4015 £0.16	2N2907 £0.20	BC213 £0.08	BDX33C £0.46	CA3140 £0.56	Antistatic Pump	SOR UHF socket	£0.45
74LS109 £0.14	4013 £0.17	2N2926 £0.16	BC213CL £0.08	BDX34C £0.50	CA3240 £1.22	22SWG 0.5Kg Solder	F Plug RG58	£0.30
74LS11 £0.17	4014 £0.30	2N3053 £0.27	BC214 £0.08	BDX53C £0.47	ICL7621 £1.70	18SWG 0.5Kg Solder	P Plug RG6	£0.27
74LS112 £0.21	4015 £0.31	2N3054 £0.90	BC214L £0.08	BDX54C £0.50	ICM7555 £0.43	1mm 3yds Solder	N Plug RG8	£1.60
74LS113 £0.21	4016 £0.18	2N3055 £0.82	BC237B £0.09	BF180 £0.31	ICM7556 £0.96	Desolder Braid	N Socket RG8	£1.40
74LS114 £0.21	4017 £0.25	2N3440 £0.50	BC238C £0.09	BF182 £0.31	LM301A £0.25		BNC Crimp Pliers	£15.50
74LS12 £0.14	4018 £0.27	2N3702 £0.09	BC239C £0.10	BF185 £0.31	LM348N £0.31			
74LS122 £0.31	4019 £0.19	2N3703 £0.10	BC251 £0.13	BF194 £0.19	LF351N £0.36			
74LS125 £0.21	4021 £0.32	2N3705 £0.10	BC252 £0.13	BF195 £0.19	LF353 £0.41			
74LS126 £0.21	4022 £0.32	2N3706 £0.10	BC261B £0.24	BF244 £0.36	LM358N £0.27			
74LS13 £0.14	4023 £0.16	2N3771 £1.44	BC267B £0.30	BF259 £0.33	LM377 £0.57			
74LS132 £0.21	4024 £0.21	2N3772 £1.51	BC277 £0.10	BF307 £0.36	LM380N £1.12			
74LS133 £0.16	4025 £0.15	2N3773 £1.79	BC308 £0.10	BF335 £0.38	LM390 £0.72			
74LS136 £0.16	4026 £0.40	2N3819 £0.40	BC327 £0.10	BF423 £0.13	LM387 £0.48			
74LS138 £0.24	4027 £0.18	2N3820 £0.58	BC328 £0.10	BF451 £0.19	LM392N £1.60			
74LS139 £0.24	4028 £0.22	2N3904 £0.10	BC337 £0.10	BF459 £0.29	LM393N £0.38			
74LS14 £0.18	4029 £0.27	2N3905 £0.10	BC338 £0.10	BF469 £0.36	LM748CN £0.21			
74LS145 £0.56	4030 £0.17	2N4036 £0.31	BC341 £0.13	BF478 £0.29	LM1458 £0.26			
74LS147 £1.26	4031 £0.70	2N5296 £0.67	BC441 £0.40	BFX85 £0.39	LM3900 £0.72			
74LS148 £0.70	4034 £1.24	2N5321 £0.57	BC463 £0.29	BFY50 £0.29	LM3914 £2.70			
74LS15 £0.14	4035 £0.30	2N6107 £0.60	BC478 £0.32	BFY51 £0.26	MC3345 £2.70			
74LS151 £0.25	4040 £0.29	AC126 £0.30	BC479 £0.32	BFY62 £0.28	MC4558 £0.36			
74LS152 £0.25	4041 £0.19	2N116 £0.41	BC518 £0.27	BF190 £0.20	N531 £0.36			
74LS154 £0.70	4041 £0.31	AC128 £0.28	BC516 £0.22	BS170 £0.21	NE556N £0.36			
74LS155 £0.25	4042 £0.22	AC187 £0.37	BC517 £0.20	BSW66 £1.35	NE557 £0.80			
74LS156 £0.25	4044 £0.31	AC188 £0.37	BC527 £0.20	BU126 £1.70	NE553 £0.36			
74LS157 £0.25	4046 £0.31	ADY17 £3.84	BC528 £0.20	BU205 £1.82	NE5534 £0.66			
74LS158 £0.25	4047 £0.25	AD149 £1.67	BC537 £0.20	BU208A £1.73	TBA120S £0.77			
74LS160 £0.32	4048 £0.31	AD162 £0.92	BC546C £0.09	BU325A £1.90	TB810S £0.98			
74LS161 £0.32	4049 £0.20	AD162 £0.92	BC547C £0.09	BU500 £0.32	TB820M £0.39			
74LS162 £0.32	4050 £0.20	BC107 £0.14	BC548C £0.08	BU508A £1.76	TDA2030 £1.35			
74LS163 £0.32	4051 £0.25	BC107B £0.15	BC549C £0.10	BU526 £2.24	TLO61 £0.35			
74LS164 £0.26	4052 £0.25	BC108 £0.12	BC550C £0.08	BU806 £1.36	TLO62 £0.42			
74LS165 £0.48	4053 £0.26	BC109A £0.14	BC556A £0.08	BUX34 £0.77	TLO64 £0.46			
74LS170 £0.30	4054 £0.55	BC108C £0.14	BC557C £0.08	IRF540 £1.60	LO71CP £0.32			
74LS173 £0.24	4055 £0.30	BC109C £0.15	BC596C £0.08	IRF740 £1.63	LO72CP £0.34			
74LS174 £0.24	4056 £0.31	BC114 £0.41	BC599C £0.09	MPJ11015 £2.11	LO74CN £0.48			
74LS190 £0.25	4066 £0.18	BC115 £0.41	BC637 £0.21	MJ2501 £1.60	LO82CP £0.34			
74LS191 £0.24	4067 £1.91	BC118 £0.41	BC638 £0.21	MJ3001 £1.52	LO84CN £0.46			
74LS192 £0.24	4068 £0.16	BC132 £0.36	BC639 £0.20	MJ340 £0.36	N531 £0.36			
74LS193 £0.24	4069 £0.20	BC134 £0.36	BC640 £0.21	MJ350 £0.42	ULN2004 £0.48			
74LS195 £0.24	4070 £0.17	BC135 £0.36	BC671 £0.20	MPSA13 £0.12	ZN4142 £1.04			
74LS196 £0.24	4071 £0.20	BC140 £0.26	BC672 £0.20	MHF475 £6.21	ZN425E £2.61			
74LS197 £0.24	4072 £0.17	BC141 £0.27	BC673 £0.20	PI121 £0.35	ZN425E £2.61			
74LS20 £0.16	4073 £0.17	BC142 £0.31	BD136 £0.20	PI122 £0.37	ZN428E £6.12			
74LS21 £0.14	4075 £0.15	BC143 £0.34	BD137 £0.22	PI125 £0.37	ZN435E £5.31			
74LS22 £0.14	4076 £0.30	BC149 £0.12	BD138 £0.22	PI127 £0.37	ZN448E £7.92			
74LS221 £0.36	4077 £0.17	BC154 £0.36	BD139 £0.23	PI132 £0.46				
74LS240 £0.32	4081 £0.14	BC157 £0.12	BD140 £0.24	PI137 £0.46				
74LS241 £0.32	4082 £0.17	BC159 £0.12	BD150C £0.12	PI142 £0.42				
74LS242 £0.32	4085 £0.28	BC160 £0.28	BD165 £0.42	PI147 £1.12				
74LS243 £0.32	4086 £0.26	BC170 £0.16	BD166 £0.35	PI2955 £0.63	2716 £4.19			
74LS244 £0.32	4089 £0.55	BC170B £0.16	BD187 £0.39	PI29C £0.31	2732 £4.19			
74LS245 £0.33	4093 £0.15	BC171 £0.11	BD201 £0.40	PI3055 £0.63	2764-25 £3.05			
74LS247 £0.32	4094 £0.31	BC171B £0.16	BD202 £0.40	PI30C £0.31	2764-25 £2.70			
74LS251 £0.24	4095 £0.56	BC172 £0.12	BD203 £0.40	PI31C £0.32	27128-20 £3.15			
74LS257 £0.24	4097 £0.10	BC172B £0.13	BD204 £0.40	PI32C £0.32	27128-20 £2.88			
74LS258 £0.24	4098 £0.31	BC177 £0.17	BD222 £0.42	PI33C £0.72	27C128-20 £3.15			
74LS26 £0.14	4099 £0.38	BC178 £0.17	BD225 £0.42	PI41A £0.36	27C256-20 £2.88			
74LS266 £0.14	4502 £0.38	BC179 £0.17	BD232 £0.38	PI42C £0.38	27C256-20 £2.88			
74LS27 £0.14	4503 £0.31	BC182 £0.08	BD237 £0.32	PI47 £0.48	27512 £3.70			
74LS273 £0.14	4508 £0.90	BC182L £0.08	BD238 £0.32	PI48 £0.48	27512 £3.40			
74LS279 £0.25	4511 £0.29	BC182LB £0.08	BD240B £0.37	PI49 £0.53	27512 £3.40			
74LS30 £0.14	4512 £0.31	BC183 £0.08	BD243B £0.50	VN10KM £0.44	27010 £1.26			
74LS32 £0.14	4510 £0.26	BC183L £0.08	BD244A £0.53	VN66AF £1.50	6116-10 £4.60			
74LS365 £0.21	4514 £0.73	BC183LB £0.08	BD246 £1.06	ZTK300 £0.16	6264-10 £2.75			
74LS367 £0.21	4515 £0.78	BC184 £0.08	BD441 £0.41	ZTK500 £0.16	62556-10 £2.65			
74LS368 £0.21	4516 £0.31	BC184L £0.08	BD442 £0.41		4164-15 £1.60			
74LS37 £0.14	4518 £0.27				41256-10 £1.60			
74LS373 £0.32	4521 £0.62				511000-8 £4.20			
74LS374 £0.32	4526 £0.40				514256-8 £4.20			
74LS375 £0.34	4527 £0.39							
74LS377 £0.32	4528 £0.40							
74LS378 £0.62	4529 £0.44							
74LS38 £0.14	4532 £0.22							
74LS390 £0.25	4534 £2.24							
74LS393 £0.24	4536 £1.00							
74LS395 £0.26	4538 £0.37							
74LS399 £0.62	4541 £0.31							
74LS40 £0.14	4543 £0.46							
74LS42 £0.25	4555 £0.34							
74LS47 £0.42	4558 £0.34							
74LS51 £0.14	4560 £1.18							
74LS670 £0.69	4566 £1.96							
74LS73 £0.17	4572 £0.25							
74LS74 £0.19	4584 £0.24							
74LS78 £0.19	4585 £0.32							
74LS78 £0.25	4724 £0.70							
74LS83 £0.31	40106 £0.31							
74LS85 £0.35	40109 £0.50							
74LS86 £0.20	40163 £0.46							
74LS90 £0.23	40174 £0.34							
74LS92 £0.35	40175 £0.36							
74LS93 £0.25	40193 £0.60							

ENAMELLED COPPER WIRE

All 2oz Reels	
14 SWG	£0.63
16 SWG	£0.67
18 SWG	£0.67
20 SWG	£0.72
22 SWG	£0.76
24 SWG	£0.80
26 SWG	£0.89
28 SWG	£0.91
30 SWG	£0.93
32 SWG	£0.93
34 SWG	£0.99
36 SWG	£1.04
38 SWG	£1.10
40 SWG	£1.22

OPTO DEVICES

5mm Red LED	£0.09
5mm Green LED	£0.10
5mm Yellow LED	£0.10
5mm Orange LED	£0.10
3mm Red LED	£0.08
3mm Green LED	£0.12
3mm Yellow LED	£0.13
3mm Orange LED	£0.13
5mm Flashing Red	£0.50
5mm Flashing Green	£0.54
5mm Bi Colour	£0.36
5mm Tri Colour	£0.48
5mm Plastic Bezel	£0.04
3mm Plastic Bezel	£0.05
0.3" 7 Segment Display Red	£1.14
common anode	£1.14
common cathode	£1.14

EVERYDAY WITH PRACTICAL ELECTRONICS

INCORPORATING ELECTRONICS MONTHLY

VOL. 22 No. 1

JANUARY '93

TAKEN FOR GRANTED

It is easy to take things for granted when you have been involved in electronics for a number of years and sometimes, although we try to think about everything very carefully, we do not perhaps explain some points as well as readers would wish. Of course there are also occasions when we give a somewhat simplistic explanation to avoid getting bogged down in a lot of physics or maths or both.

If you find you don't understand something or possibly you don't agree with what has been said in one of our articles we will always try to sort things out. I hesitate to say it, because our postbag has been so full recently that we seem to be working flat out to keep up with the mail, but just drop us a line and put your point.

Since the merger of PE and EE our post and that going to Mike Tooley about *Circuit Surgery* has increased by about 50 per cent, so please bear with us if we take a few days to reply. Sometimes the production of the next issue must come first and letters have to be put to one side for a while. There are a dozen or so waiting for replies while I write this, but if I answered them you would have a blank page – possibly better than this rubbish you might think!

READOUT

Sometimes your letters give us the odd headache but we do like to keep in touch with readers and of course many of the comments are most encouraging or stimulating. We also try to provide a selection in *Readout* each month and presently we simply do not have enough space to fit in as many as we would like. As you can see from this month's letters we do get to a vast range of companies around the world and it is pleasing to know that EPE is avidly read by many professionals from Britain to Bulgaria to Bangkok.

READ IT

Can I just ask one thing, before you contact us, please make sure you have read the article and, if it's a component buying problem, also read *Shop Talk*. I can't tell you how many enquiries we get about where to buy components when full information has been given in the magazine. I know we are not fool proof and sometimes such questions arise that are not covered, but on occasions you could save yourself and us some time and effort.



SUBSCRIPTIONS

Annual subscriptions for delivery direct to any address in the UK: £20. Overseas: £26 (£43.50 airmail). Cheques or bank drafts (in £ sterling only) payable to Everyday with Practical Electronics and sent to EPE Subscriptions Dept., 6 Church Street, Wimborne, Dorset BH21 1JH. Tel: 0202 881749. Subscriptions start with the next available

issue. We accept Access (MasterCard) or Visa payments, minimum credit card order £5.

BACK ISSUES

Certain back issues of EVERYDAY ELECTRONICS and PRACTICAL ELECTRONICS are available price £2.00 (£2.50 overseas surface mail) inclusive of postage and packing per copy – £ sterling only please, Visa and Access (MasterCard) accepted, minimum credit card order £5. Enquiries with remittance, made payable to Everyday with Practical Electronics, should be sent to Post Sales Department, Everyday with Practical Electronics, 6 Church Street, Wimborne, Dorset BH21 1JH Tel: 0202 881749. In the event of non-availability one article can be photostatted for the same price. *Normally sent within seven days but please allow 28 days for delivery.* We have sold out of Jan, Feb, Mar, Apr, June, Oct, & Dec. 88, Mar & May 89 & Mar 90 Everyday Electronics and can only supply back issues from Jan 92 to Oct 92 of Practical Electronics.

BINDERS

Binders to hold one volume (12 issues) are available from the above address for £5.95 (£6.95 to European countries and £8.00 to other countries, surface mail) inclusive of post and packing. *Normally sent within seven days but please allow 28 days for delivery.*

Payment in £ sterling only please. Visa and Access (MasterCard) accepted, minimum credit card order £5. Send card number and card expiry date with your name and address etc.



Editorial Offices:
EVERYDAY with PRACTICAL ELECTRONICS EDITORIAL,
6 CHURCH STREET, WIMBORNE,
DORSET BH21 1JH

Phone: Wimborne (0202) 881749
Fax: (0202) 841692. DX: Wimborne 45314.

See notes on Readers' Enquiries below – we regret that lengthy technical enquiries cannot be answered over the telephone.

Advertisement Offices:
EVERYDAY with PRACTICAL ELECTRONICS
ADVERTISEMENTS,
HOLLAND WOOD HOUSE, CHURCH LANE,
GREAT HOLLAND, ESSEX CO13 0JS.
Phone/Fax: (0255) 850596

Editor: MIKE KENWARD

Secretary: PAM BROWN

Deputy Editor: DAVID BARRINGTON

Business Manager: DAVID J. LEAVER

Subscriptions: MARILYN GOLDBERG

Editorial: WIMBORNE (0202) 881749

Advertisement Manager:
PETER J. MEW, Frinton (0255) 850596

Classified Advertisements:
Wimborne (0202) 881749

READERS' ENQUIRIES

We are unable to offer any advice on the use, purchase, repair or modification of commercial equipment or the incorporation or modification of designs published in the magazine. We regret that we cannot provide data or answer queries on articles or projects that are more than five years old. Letters requiring a personal reply must be accompanied by a stamped self-addressed envelope or a self addressed envelope and international reply coupons.

All reasonable precautions are taken to ensure that the advice and data given to readers is reliable. We cannot however guarantee it and we cannot accept legal responsibility for it.

COMPONENT SUPPLIES

We do not supply electronic components or kits for building the projects featured, these can be supplied by advertisers.

We advise readers to check that all parts are still available before commencing any project in a back-dated issue.

We regret that we cannot provide data or answer queries on projects that are more than five years old.

ADVERTISEMENTS

Although the proprietors and staff of EVERYDAY with PRACTICAL ELECTRONICS take reasonable precautions to protect the interests of readers by ensuring as far as practicable that advertisements are *bona fide*, the magazine and its Publishers cannot give any undertakings in respect of statements or claims made by advertisers, whether these advertisements are printed as part of the magazine, or are in the form of inserts.

The Publishers regret that under no circumstances will the magazine accept liability for non-receipt of goods ordered, or for late delivery, or for faults in manufacture. Legal remedies are available in respect of some of these circumstances, and readers who have complaints should first address them to the advertiser.

TRANSMITTERS/BUGS/TELEPHONE EQUIPMENT

We would like to advise readers that certain items of radio transmitting and telephone equipment which may be advertised in our pages cannot be legally used in the UK. Readers should check the law before using any transmitting or telephone equipment as a fine, confiscation of equipment and/or imprisonment can result from illegal use. The laws vary from country to country; overseas readers should check local laws.

SIMPLE RADIO CONTROL SYSTEM

ROBERT PENFOLD

Low cost, short range, crystal controlled transmitter and receiver with many possible applications. Operates on the 27MHz model control frequency.

THIS extremely simple radio control system operates on the 27MHz band, and provides short range operation (up to about six metres). It provides simple on/off operation, with a relay in the receiver switching in sympathy with a pushbutton switch on the transmitter.

This equipment is suitable for the control of model cars, etc. used indoors (or outdoors provided the limited range is borne in mind), or an application such as the remote control of a camera which has an electric release socket. A future article will describe a more sophisticated superhet Receiver that will give much greater range.

SYSTEM OPERATION

The block diagram of Fig.1 helps to explain the way in which this system functions. Sophisticated radio control systems operate by having a complex form of modulation on the basic 27MHz carrier wave.

However, the system described here is designed to be as simple as possible and consequently it does not use any form of audio or pulse coded modulation. It operates on the basis of the relay at the receiver being activated when the carrier wave is switched on, and switched off when the carrier wave is absent. The transmitter is manually keyed on and off via a pushbutton switch.

The transmitter is very simple indeed, and it just consists of an oscillator which generates the basic 27MHz radio signal, and an r.f. amplifier which boosts the output slightly and "cleans-up" the output signal. This amplifier drives the aerial, which is a short telescopic type. As the boost provided by the r.f. amplifier is very small, and the output power is quite low, there is little risk of the unit causing interference to other radio users, even if the transmitter is less than perfectly aligned.

The receiver is slightly more complex than the transmitter. A short telescopic or simple wire aerial feeds into an r.f. amplifier. This includes a tuned circuit which selects the signal from the transmitter, but attenuates signals at other frequencies.

The basic gain of the r.f. amplifier is not very high, and neither is the selectivity. The selectivity of a receiver is its ability to respond to the correct signal while ignoring signals on nearby frequencies.

REGENERATION

Regeneration is used in order to improve both the selectivity and sensitivity of the receiver. Regeneration is a form of feedback, and it entails sending an in-phase signal from the output of the amplifier back to the input.

used to boost this signal to a level that can reliably operate the next stage. This is a simple relay driver which activates the relay if the output from the detector stage is large enough.

Of course, with the transmitter switched off there will be no output from the detector, and the relay will not be activated. Provided the system is used within its maximum operating range, the relay will therefore switch on and off in sympathy with operations of the pushbutton at the transmitter.

There is a drawback to this ultra-simple system in that it is very vulnerable to interference from any nearby radio control transmitters operating on the same channel. With the transmitter switched off, any strong signal on the same channel will hold the receiver in the "on" state.

In practice this is not a major problem since the receiver is not very sensitive, and only radio control transmitters in fairly

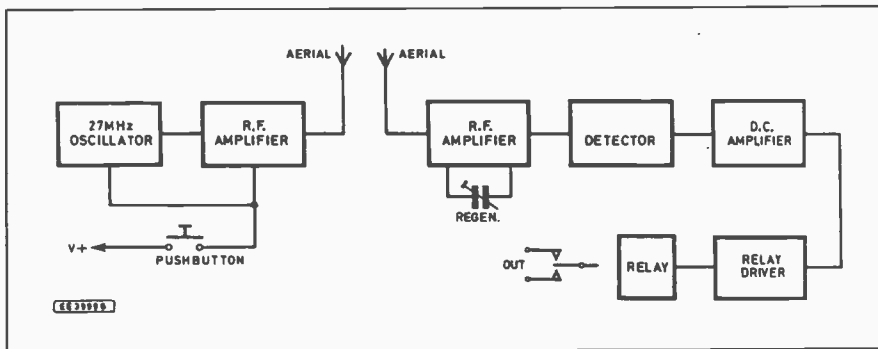


Fig.1. Block diagram for the Simple Radio Control System.

This feedback signal adds to and effectively boosts the input signal, giving a much stronger output signal. The feedback is greatest in the centre of the receiver's passband, and it consequently improves the selectivity.

There is a limit to the amount of feedback that can usefully be applied to the circuit. Excessive feedback results in the r.f. amplifier breaking into oscillation, and the receiver being held in the "on" state. For optimum results the regeneration level must be adjusted to a point just fractionally below that at which the amplifier breaks into oscillation.

A conventional diode detector circuit provides a d.c. output signal that is roughly proportional to the input signal level. The actual voltage produced is quite low even at very short ranges, and is unlikely to ever be more than a fraction of a volt.

A high gain d.c. amplifier is therefore

close proximity to the receiver could block operation of the system. However, it would obviously be advisable not to use the unit where there is a likelihood of interference from other radio control systems.

TRANSMITTER CIRCUIT

The transmitter circuit diagram appears in Fig.2. To ensure that the transmitter operates on the right frequency it must be crystal controlled. Quartz crystals enable accurate frequencies to be produced without the need for any adjustments.

Radio control crystals are invariably overtone types, and in most cases they are third overtone types. This simply means that their true resonant frequency is at about 9MHz, but in a suitable circuit they can be excited into oscillation at three times the fundamental frequency so that they provide a signal at around 27MHz.

Crystals having a 27MHz fundamental frequency could be produced, but they would be relatively expensive, and very fragile as well.

In order to get an overtone crystal to oscillate at its overtone frequency it is necessary to use a circuit which contains a conventional L-C tuned circuit at this frequency. This circuit uses a conventional overtone oscillator based on transistor TR1, and having capacitor C2 plus the main winding of r.f. transformer T1 as the tuned circuit. The adjustable core of T1 must be given a suitable setting in order to produce the correct resonant frequency, and oscillation from TR1.

There are six channels in the 27MHz radio control band with a channel spacing of 50kHz. The frequencies of these channels are as follows:

Channel 1	26.995MHz
Channel 2	27.045MHz
Channel 3	27.095MHz
Channel 4	27.145MHz
Channel 5	27.195MHz
Channel 6	27.245MHz

The prototype transmitter is fitted with a channel 6 crystal, but both the transmitter and the receiver can be adjusted to operate properly on any channel.

The secondary winding on T1 couples the output of the oscillator, via capacitor C3, to the input of a simple r.f. amplifier stage. This has a tuned load which is provided by the main winding of T2 and C6. There is a coupling winding on T2 which could be used to couple the output signal to the aerial, but a capacitive coupling via C5 from the collector of TR2 seems to provide a much stronger output signal.

Incidentally, the BC549 used for TR1 and TR2 is an audio transistor and not a radio frequency type. However, on trying various transistors in this circuit, BC549s and similar devices were found to work rather better than the more likely choices, some of which gave very little output at all.

The BC549 does actually have quite a high f_T figure of 300MHz, more than ten times higher than the frequency involved here. A definite advantage of BC549s is that they are much cheaper than most radio frequency transistors.

As the transmitter has only a modest output power it does not have a particularly high current consumption. In fact the typical current drain is only about 17mA.

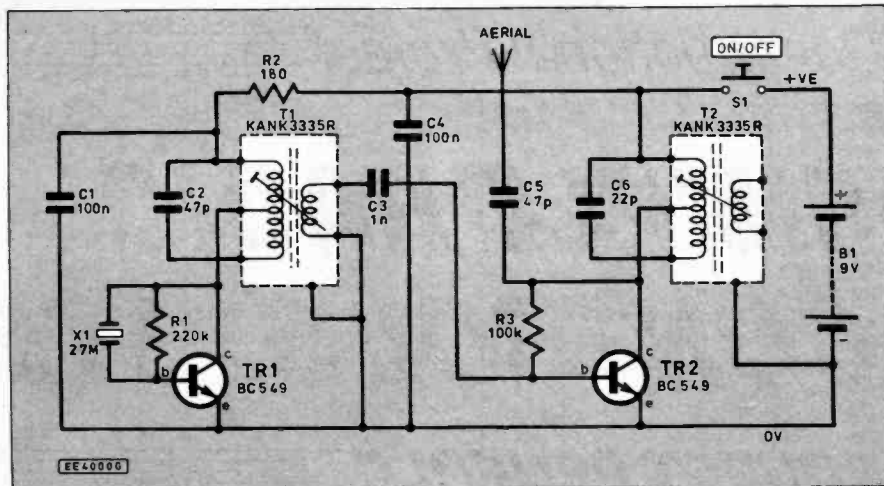


Fig.2. Circuit diagram for the handheld Transmitter. Transistor TR1 acts as the oscillator and TR2 is the r.f. amplifier. Notice the "grounding" of the transformer screening cases (cans) to the common 0V line.

Assuming the transmitter will only be activated briefly and intermittently, a small (PP3) size battery is adequate. If it will be switched on for longer periods of time a higher capacity battery (such as six HP7 size cells in a plastic holder) represent a more economic power source.

RECEIVER CIRCUIT

A dual gate MOSFET (TR1) is used as the r.f. amplifier in the receiver circuit (Fig.3). A dual gate MOSFET is used due to the relatively high performance it offers at 27MHz. The tuned circuit is comprised of capacitor C4 and the main winding of T1.

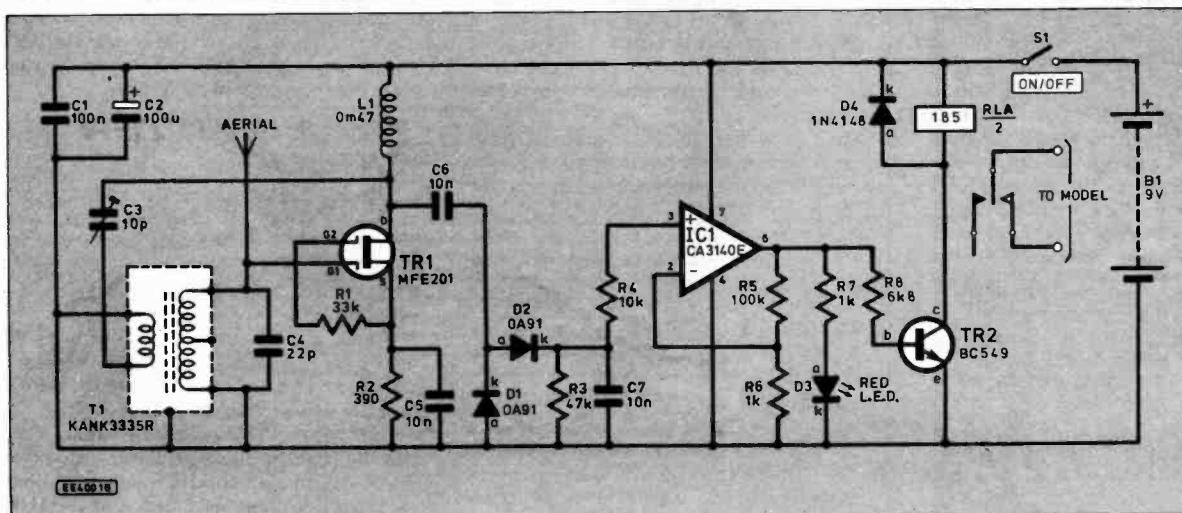
A MOSFET device has a very high input impedance, and it is therefore acceptable to directly couple the tuned circuit to the gate 1 terminal of TR1. The aerial can also be direct coupled to the tuned circuit as it will only be a short telescopic or wire type. There is no risk of this producing any major loading problems on the tuned circuit.

The gate 2 terminal of TR1 is not of major importance in this application, and it is simply given a suitable bias voltage from the source terminal via resistor R1. The r.f. choke coil L1 forms the drain load for TR1, and the trimmer capacitor C3 controls the regeneration.

This feedback from C3 is applied by way of a small winding on T1 to the tuned



Fig.3. Complete circuit diagram for the Receiver. The preset trimmer capacitor C3 controls the regeneration or feedback to the tuned circuit T1/C4.



circuit. This winding is connected with the right phasing for the required positive feedback.

Capacitor C6 couples the output from TR1 to a conventional diode detector circuit (D1, D2). IC1 is an operational amplifier which is used here as a non-inverting amplifier. The CA3140E used for IC1 is a type which can operate as a d.c. amplifier without the need for a negative supply. Note that other operational amplifiers are unlikely to operate properly in this circuit. Resistors R5 and R6 are the negative feedback circuit, and these set the closed loop voltage gain of IC1 at approximately one hundred times.

The output of IC1 (pin 6) drives an l.e.d. indicator D3 via current limiting resistor R7. This will not be of much help in normal use in most applications, but it is useful as a tuning indicator when initially getting everything set up correctly. In order to save battery drain, D3 can be disconnected once the receiver is set up properly and working well.

Transistor TR2 is the relay driver, and this is a simple common emitter switch which is turned on when the output of IC1 goes more than about one volt positive. It then activates the relay coil, which in turn activates the relay contacts and the controlled equipment. D4 is the usual protection diode which suppresses the reverse voltage spike that is generated when the relay coil is de-energised.

The current consumption of the Receiver circuit is only about five to six milliamps under standby conditions, but it will rise to around 40 milliamps when the relay is activated. A fairly high capacity 9V battery is therefore needed, such as six HP7 size cells in a plastic holder.

In some cases it might be possible to power the unit from the battery supply which is used for the controlled equipment.

However, this can easily lead to problems due to noise modulated onto the supply of the model (or whatever) which is being controlled. The safest option is to give the unit its own battery supply, which is guaranteed to be fully noise-free.

CONSTRUCTION -TRANSMITTER

The transmitter circuit is built on a piece of stripboard and the component layout and details of breaks required in the copper tracks are shown in Fig.4. The board has 25 holes by 19 strips, and this must be cut from one of the standard sizes in which the board is sold.

Stripboard is easily cut using a hacksaw, but as it is made from a fairly brittle material it needs to be worked quite carefully. The two mounting holes are 3.3 millimetres in diameter, and they will accept metric M3 or 6BA screws.

There are three components which are slightly awkward to fit onto the board. These are the transformers T1, T2, and crystal X1. With all these components it is not possible to fit them to the board directly because they have the wrong pin spacing and (or) pins that are too large to fit the holes in the board.

Fortunately there is an easy solution, and this is to first fit solder pins to the board at the positions indicated in Fig.4. If the tops of the pins and the pins of the components are then generously tinned with solder, there should be no difficulty in soldering the components onto the pins. Be careful not to overheat the components when soldering, be as quick as possible. Make quite sure that each pair of pins are properly connected together.

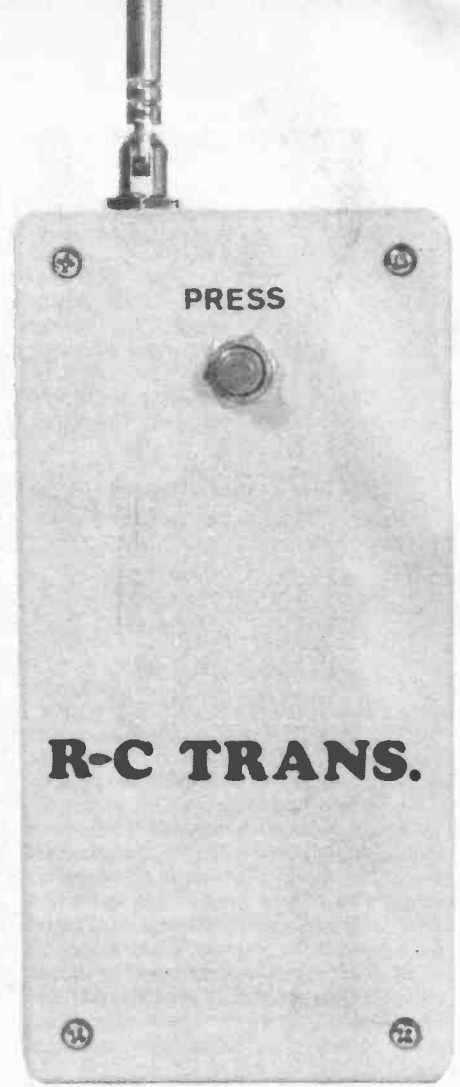
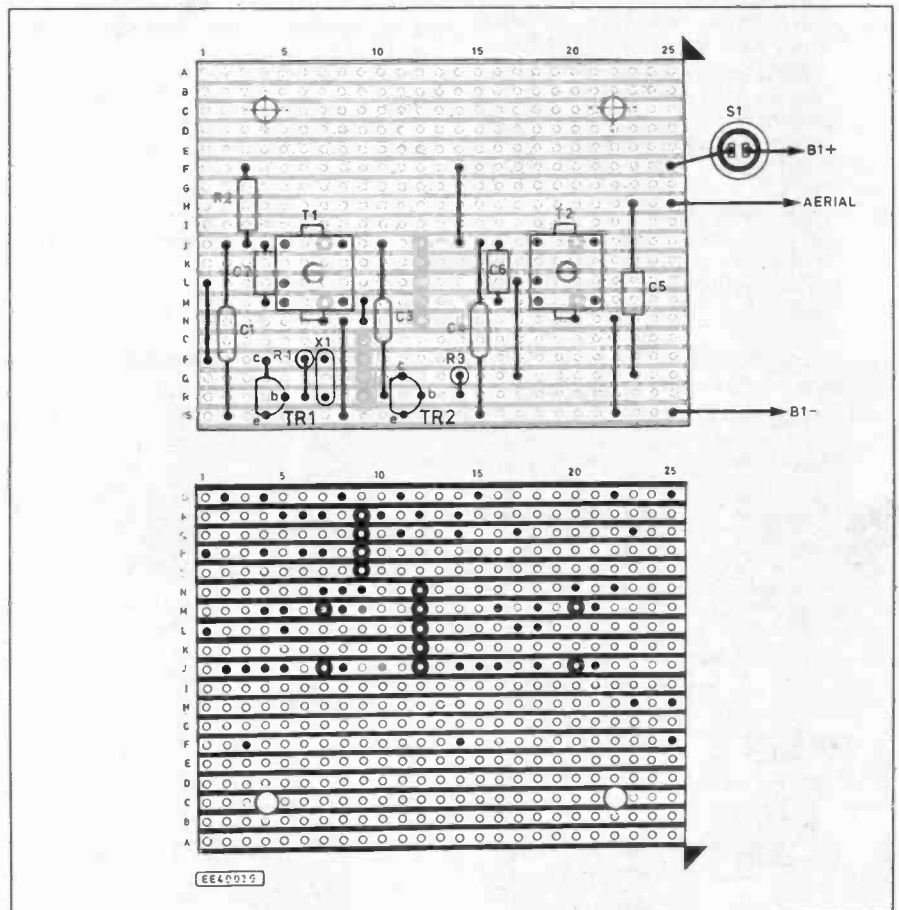


Fig.4. Transmitter stripboard component layout, wiring and details of breaks required in the underside copper tracks.



COMPONENTS

TRANSMITTER

Resistors

R1 220k
R2 180
R3 100k
All 0.25W 5% carbon film.

See
**SHOP
TALK**
Page

Capacitors

C1, C4 100n ceramic (2 off)
C2, C5 47p polystyrene or ceramic plate (2 off)
C3 1n Mylar
C6 22p polystyrene or ceramic plate

Semiconductors

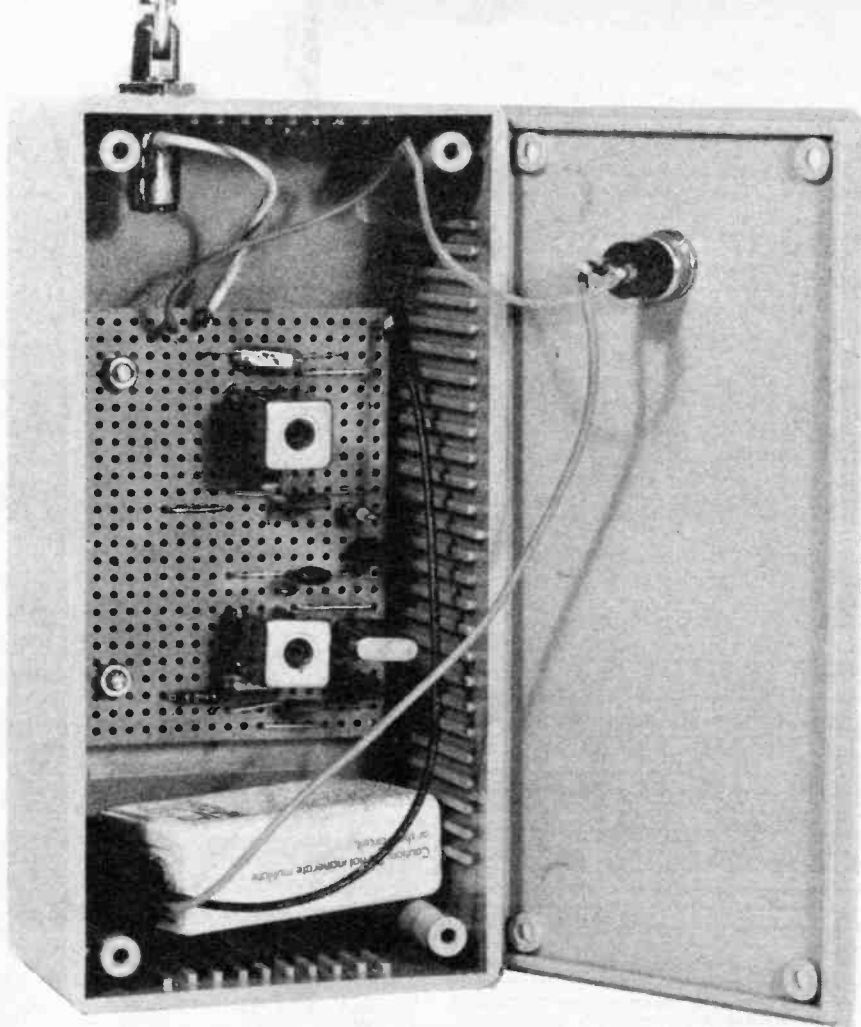
TR1, TR2 BC549 npn silicon (2 off)

Miscellaneous

T1, T2 r.f. transformer, type Toko KANK3335R (pink) (2 off)
X1 27MHz radio control crystal
B1 9V battery (PP3 size)
S1 Pushbutton switch; push-to-make, release-to-break
Plastic case, size approx. 128mm x 65mm x 44mm; 0.1 inch matrix stripboard panel, size 25 holes by 19 copper strips; telescopic aerial; battery connector; solder pins; connecting wire; solder, etc.

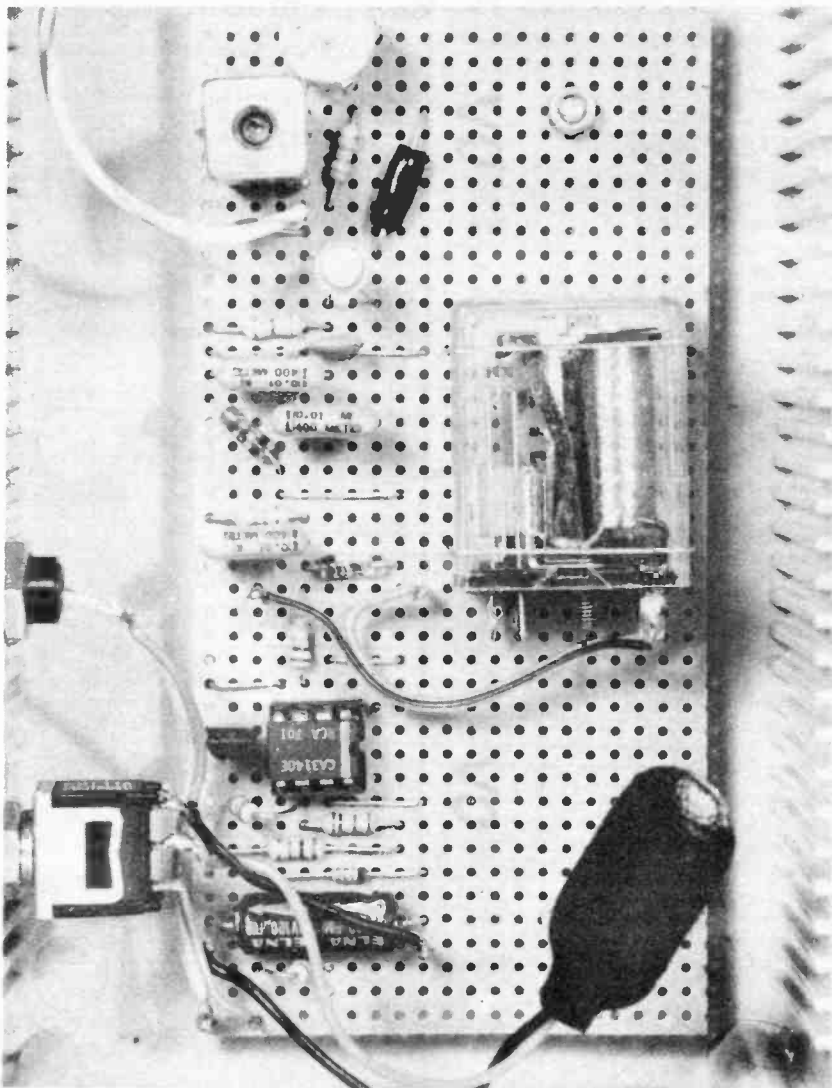
Approx cost
guidance only

£14



Layout of components inside the completed Transmitter unit.

The completed Receiver board showing the relay strapped in position.



It is possible the crystal X1 will be a wire-ended type which can be mounted directly onto the board. This is unlikely though, since most radio control crystals are of the plug-in variety so that the equipment can easily be changed to a different channel.

It would probably be possible to obtain a suitable crystal from a specialist crystal supplier, but this might prove to be expensive. It is almost certain to be cheaper if a pair of "off-the-shelf" radio control crystals are obtained from a general component supplier.

This may seem wasteful, since the receiver crystal is not needed for the receiver featured here. However, these pairs of crystals are quite cheap, and the receiver crystal will be there if you should build a superhet radio control receiver at some later date.

A small plastic case will comfortably accommodate everything, although a medium size case will be needed if the unit is powered from six HP7 cells. Also, if you use a telescopic aerial which fits inside the case or retracts into it, a larger case will be needed in order to accommodate it.

The general layout of the unit is not critical, but mount the circuit board in a position that will provide easy access to the cores of T1 and T2. Only a very small amount of hard wiring is needed, and this is included in Fig.4.

RECEIVER

The topside component layout and underside details of the receiver circuit board is shown in Fig.5. This is based on a stripboard which has 43 holes by 21 copper strips. The receiver is constructed in much the same way as the transmitter unit, and we will therefore concentrate here on some additional points which need to be borne in mind when constructing the receiver unit.

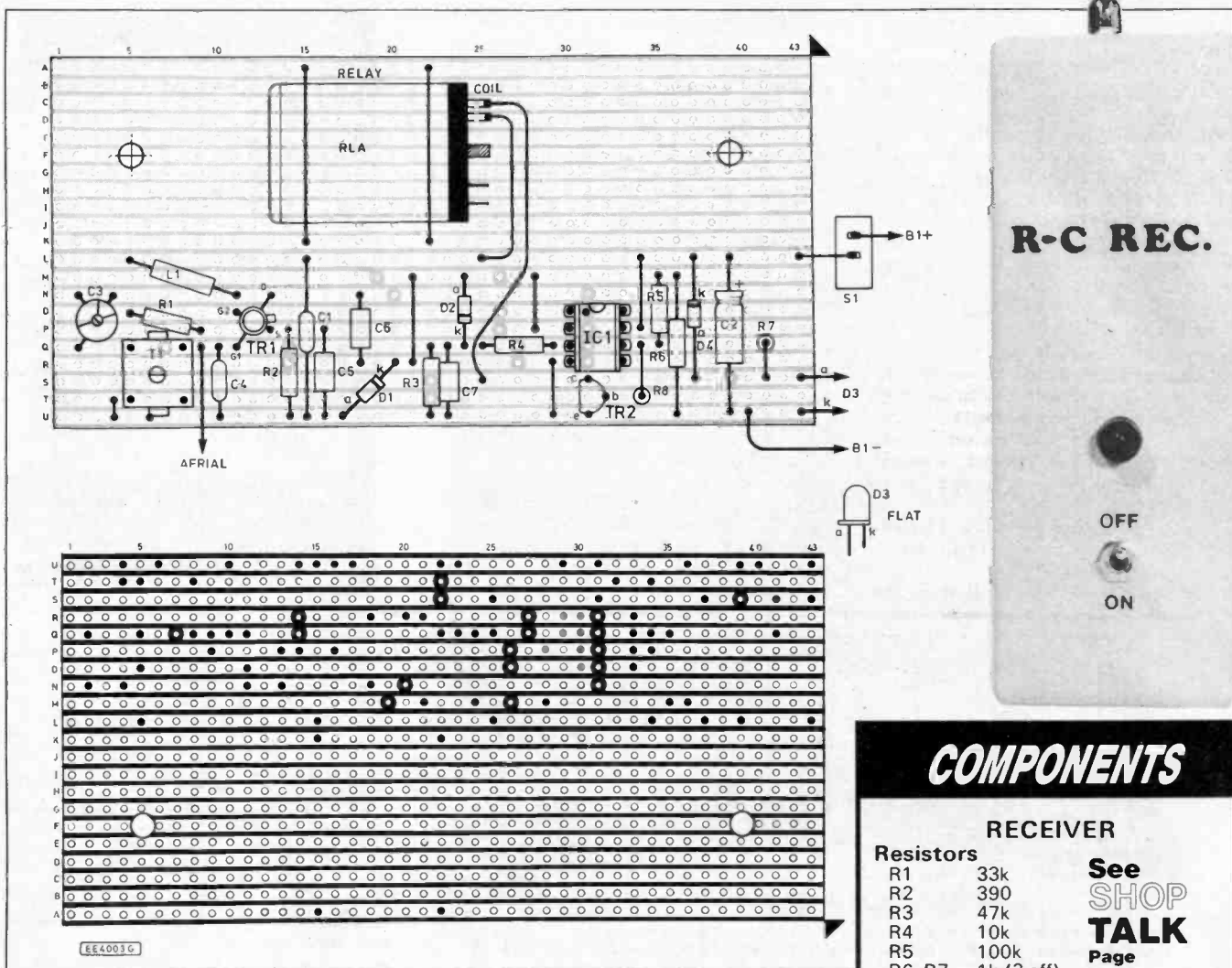
The first point to note is that TR1 and IC1 are both MOS devices, and that they therefore require the usual anti-static handling precautions. In the case of IC1 this means that it should be fitted in a holder, and that it should not be fitted into place until the unit is in all other respects finished. Handle this component as little as possible once it has been removed from the anti-static packaging.

Transistor TR1 must be soldered directly to the board, but this must be done using a soldering iron having an "earthed" bit. It should not be fitted on the board until the other components (except IC1) have been fitted. Like IC1, it should be handled as little as reasonably possible once it has been removed from the anti-static packaging.

The trimmer capacitor C3 and transformer T1 will not fit direct onto the board, but are easily fitted via solder pins (like T1, T2, and X1 in the transmitter). The relay must be a type that will operate reliably from about 7 volts, have a coil resistance of about 180 ohms or more, and have suitable contacts of adequate rating.

Unfortunately, most of the relays currently on offer that will operate reliably from a 7V coil voltage seem to have quite low coil resistances. Using one of these would give the unit a rather high current consumption, and could result in TR2 being destroyed by an excessive current flow.

Probably the best choice is a "continental" style relay having a 12V, 185 ohm coil, and



COMPONENTS

RECEIVER

- Resistors**
 R1 33k
 R2 390
 R3 47k
 R4 10k
 R5 100k
 R6, R7 1k (2 off)
 R8 6k8
 All 0.25W 5% carbon film

See
**SHOP
 TALK**
 Page

- Capacitors**
 C1 100n ceramic
 C2 100µ axial elect., 10V
 C3 10p min. film dielectric trimmer
 C4 22p polyester or ceramic plate
 C5, C6, C7 10n polyester (3 off)

- Semiconductors**
 D1, D2 OA91 germanium signal diode (2 off)
 D3 red panel l.e.d.
 D4 1N4148 silicon signal diode
 TR1 MFE201 dual gate MOSFET
 TR2 BC549 npn silicon
 IC1 CA3140E MOS input op.amp

- Miscellaneous**
 T1 r.f. transformer, type Toko KANK3335R (pink)
 RLA1 relay 185 ohm 6V coil, with 2-pole changeover contacts
 L1 0.47mH r.f. choke
 B1 9V battery pack (6 x HP7 size cells)
 S1 s.p.s.t. sub-min toggle
 Plastic case about 150mm x 90mm x 52mm; 0.1 inch stripboard, size 43 holes by 21 strips; battery connector; plastic battery holder for 6 x HP7 size cells; telescopic aerial; 8-pin d.i.l. i.c. holder; solder pins; connecting wire; solder, etc.

Approx cost guidance only **£16**

Fig. 5. Stripboard component layout, details of underside breaks in the copper tracks and off-board wiring for the Receiver. The relay RLA is held on the board by wire "straps" and the contacts wired to the board with insulated connecting wire.

twin changeover contacts. Although the coil has a nominal voltage rating of 12V, it will actually operate reliably on voltages as low as 5.5 volts, making it perfectly suitable for use in this circuit.

This relay does not have a base that is compatible with 0.1 inch pitch stripboard. One way of reliably fixing it to the board is to glue it in place, and to also secure it with a couple of wire "straps" soldered to the board. Once mounted on the board, the relay is hard wired to the circuit board and the controlled equipment.

If the receiver is to be used in an application such as a remote camera trigger, it can be mounted in a plastic case in the usual way, complete with a telescopic aerial. Connection to the relay can then be via a (say) a 2.5mm jack socket fitted on the case, plus a suitable lead to connect this socket to the camera.

If the receiver is to be fitted in a model it might be better not to bother with the case. It would just add to the cost of the system, add weight to the model, and probably serve no real purpose.

Where feasible it is best to use a telescopic aerial about a metre long, but it might be necessary to improvise a suitable aerial. Ideally the aerial should be about 0.6 to 1.2 metres long, and it can be made using anything from thin wire to thick metal rods or tubes. It is important that the aerial is not in electrical contact with anything other than the receiver circuit.

ADJUSTMENT

Alignment of the system starts with the Transmitter. Use a proper trimming tool when adjusting the cores of any of the r.f. transformers. Small screwdrivers can produce detuning effects when they are removed from a core, and their wedge shape can also cause damage to the brittle ferrite cores.

The core of T1 must be given a suitable setting or the oscillator will fail to operate. In practice a wide range of settings should give satisfactory results.

Use a multimeter to measure the current consumption of the transmitter circuit. It should be something under 20 milliamps if the oscillator is functioning, or around 35 to 40 milliamps if it is not. If a high reading is obtained, adjust the core of T1 until a suitably low reading is obtained.

Next the core of T2 must be adjusted for maximum output. Again using a multimeter to monitor the current consumption of the transmitter, adjust T2 for minimum current consumption.

There will probably be a wide range of settings that give very much the same level of current consumption, but at some point there should be a definite (although probably quite small) dip in the current reading. It is in this dip that maximum output is obtained.

With the aid of a suitable field strength meter, or a shortwave receiver fitted with a tuning or S-meter, it might be possible to

adjust the cores of T1 and T2 for slightly higher output. In particular, adjusting the core of T1 to maximise the output of the oscillator might give a boost in output power.

Note though, that the setting of T1's core will probably have to be backed-off somewhat from the setting that provides peak output. Otherwise the oscillator will almost certainly show a reluctance to start-up properly. Apparently this is quite normal for crystal oscillators. You may even find it necessary to detune T2 very slightly in order to obtain reliable keying of the transmitter.

Moving on to the Receiver, initially trimming capacitor C3 should be set near to minimum value (i.e. with the two sets of metal plates only slightly meshed together). With the transmitter and receiver circuits switched on, and close together, it should be possible to get the relay to operate by adjusting the core of T1.

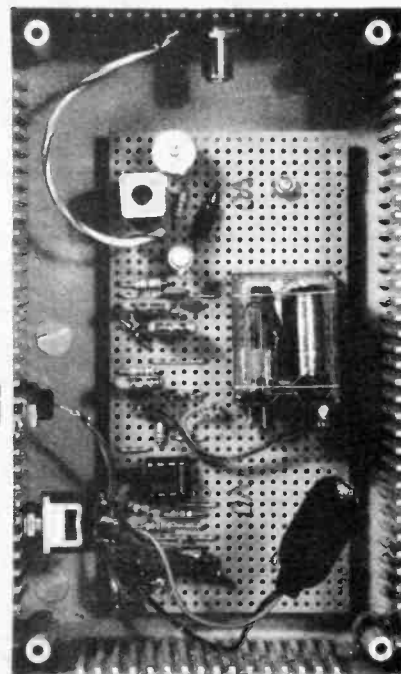
There should also be an indication from i.e.d. D3. Adjust the core of T1 for maximum brightness from D3.

By advancing C3 and readjusting the

core of T1 it should be possible to obtain improved sensitivity. As higher sensitivities are achieved, it is advisable to move the transmitter further away from the receiver. Otherwise D3 will be switched fully on at a small range of settings, preventing an accurate peak indication from being obtained.

The receiver will be held in the "on" state if C3 is advanced too far, and the signal from the transmitter will then have no effect on the receiver. Optimum sensitivity is obtained just below this point. It can be a bit tricky getting this type of circuit accurately setup, but with some persistent and very careful "tweaking" it should be possible to get the system operating reliably over a distance of around 6 metres or more.

It is only fair to point out that results can be slightly erratic when a system of this type is operated indoors. Reflected signals can produce standing waves which give strong signals well away from the transmitter, or "blind" spots quite close to it. If problems with "blind" spots should occur, simply moving the transmitter slightly will often effect a cure. □



SHOP TALK

with David Barrington

Mini Lab (Teach-In '93)

This month the space reserved on our *Mini Lab* printed circuit board (p.c.b.) is for a useful piece of "test equipment" called a Signal Generator. This circuit produces sine, square and triangle waveforms and is centred around the ICL8038 waveform generator i.c.

The waveform generator i.c. may prove difficult to source locally but it is currently listed by Cricklewood (☎ 081 452 0161), Viewcom (☎ 081 471 9338) and Electromail (☎ 0536 204555) code 305-844. Provided you make sure to specify the *plastic* 14-pin d.i.l. ICL8038CC version (not the more expensive ceramic BC type) it should work out to about £4 to £5.

The heatsink for Darlington transistor is one of the cheap TO-220 19°C/W "drop-in" type which should be available generally. The RS 401-863 (Electromail) and Farnell (☎ 0532 636317) 170-070 are suitable TO220 types and will fit the board directly (check for minimum order charges). Don't forget the transistor mounting kit.

If the loudspeaker is to fit directly on the p.c.b., the 50mm square "polyester" cone type should be ordered. The speaker was purchased from Electromail, code 250-277 (8 ohm), and is the flanged type. Other types of 8 ohm speakers can be used, but some form of mounting may need to be improvised.

A selection of kits for the *Mini Lab* has been put together by Magenta Electronics (☎ 0283 65435), including the single Eurobreadboard which replaces the two discontinued plug-in Veroblocs. The large printed circuit board is available from the *EPE PCB Service*, code Mini Lab.

Simple Radio Control System

Some of the items called up for the *Simple Radio Control System* may prove a little difficult to locate locally.

The MFE201 dual gate MOSFET transistor seems to be only listed by Cirkuit (☎ 0992 444117) and carries the stock code of 06-04201. As the same company are main stockists of Toko coils, the KANK3335R (pink) r.f. transformers can be ordered from the same source.

Looking around for the 4-7mH r.f. choke proved quite a task, expecting to find a range of chokes available it was surprising to find that most values were stocked *except* the 4-7mH

range. However, Maplin list one with the correct value and the stock code is UK80B. The miniature trimming capacitor used in the receiver was also purchased from Maplin, code WL69A.

The radio control crystals are normally sold in pairs and should be stocked by most of our component suppliers. Although only one is required it works out cheaper to purchase the pair. If you do experience any difficulty they are available from Maplin, code HX30H.

Turning to the telescopic aerials. Most of our components advertisers list a fairly wide range of aerials in their catalogues and it should be possible to select one to suit this application. The ones on the models are Maplin code YT20W.

The relay used in the receiver is a "continental" plug-in type rated at 12V and has a coil resistance of 185 ohms. This relay is claimed to work down to 5-5V, making it ideally suited to this circuit. This relay is available from Electromail, code 348-908.

Other relays will, of course, work in this circuit but most of those that will operate from about 7V seem to have a coil resistance less than that specified. Using one of these will increase the current consumption and could, in some cases, cause damage to transistor TR2.

Biomet Pulse Monitor

Items like the 3½ digit LCD, the light dependent resistor, some of the semiconductors and more general components needed to build the *Biomet Pulse Monitor* should be stocked by most component suppliers. The more specialised devices all seem to be only available from *Electromail*.

The following items, including their code numbers, are all available from the above mentioned source. The MF10 filter, code 302-407; H11AA1 opto-isolator, code 585-258; LM2917-8N tachometer, code 302-047; TSC7126 display driver, code 303-652; and finally the 3½ digit liquid crystal display, code 589-250.

The CA3306CE 6-bit flash ADC is available from Maplin, code CR23A. The printed circuit boards are obtainable from the *EPE PCB Service*, codes 817 (Sensor) and 818 (Display) - see page 156.

Automatic Plant Watering System

All the "electronic" components for the *Automatic Plant Watering System* should be readily

available from most of our component advertisers and not cause any problems. However, the TIP121 power Darlington transistor may be in short supply and it is suggested, by some stockists, that the TIP122 be used instead. This device has not been tried in the model.

You will have to take a trip down to your local car breakers yard or visit a local car accessory shop for the water pump. The one used in the model is a 12V car windscreen washer pump purchased from a Halford's store at a reasonable price. You may find your local garden centre can compete on price for a small pond pump.

Please note that this project **MUST** only be battery powered and don't forget to make provision for an "overflow" system in case of malfunction.

Rechargeable Handlamp

The power hand lantern used in the *Rechargeable Handlamp* is the Ever Ready R690 lamp. It should be stocked by most large electrical stores.

The 2V 2-5Ah Cyclon rechargeable sealed lead-acid cell (battery) appears to be special to RS Components and only available from a *bona fide* RS stockist or their mail order outlet, Electromail. When ordering quote stock number 591-461.

You will require a multimeter for setting this circuit up. If you do not have one, there are some very good offers around from our advertisers at the moment.

Simple Metronome

All the components required to build the *Simple Metronome* are standard "off-the-shelf" items and should be available from most of our advertisers. Note that the polyester capacitor should be a printed circuit board mounting type having a 10mm (0.4in.) lead spacing.

Please Note

Last month we carried a new advertisement (supplied by them) from Marco Trading for their new components catalogue. Unfortunately, all those readers who wanted a copy of this useful catalogue were disappointed - it did not include an address of where to send for copies.

Copies can be obtained from Marco Trading, Dept EPE, The Maltings, High Street, Wem, Shropshire, SY4 5EN.

Also last month in *Shoptalk*, we gave an incorrect code number for the p.c.b. mounting co-axial socket used in the *TV/UHF Aerial Amplifier*. The correct Cirkuit code is: 10-01200. We understand that they are out of stock at the moment but new supplies will arrive shortly.

We apologise for this slip and we will make every effort to ensure it does not happen again. This is, to our knowledge, the first time we have got an order code wrong, but it does show how important it is to send off for catalogues as soon as they are issued.

Innovations

A roundup of the latest Everyday News from the world of electronics

OFFICE OF THE FUTURE

Addressing the problem of the office of tomorrow, Prof. Peter Cochrane, Kim Fisher and Rob Taylor-Hendry from BT's research laboratories at Martlesham Heath, Suffolk, gave an intriguing insight to BT's future plans when they presented a paper entitled "The Office You Wish You Had".

THE EVOLUTION of technology during the past 60 years has now outstripped the rate of our biological evolution to cope with change. Moreover, our interface with technology has generally been designed for the convenience of the technology and is not intuitive or biologically matched to our abilities. If we are to change the office and the working environment significantly in the future, then these issues have to be addressed.

Computer and communications technologies now look ripe to introduce some radical and long overdue change. All the technology and know-how is available (in abundance) to revolutionise the office, the home and the place of work far beyond what we currently enjoy. In many respects we might now consider the modern office to be an unnatural and even hostile environment for most humans, they are not convenient, user friendly, or conducive to efficient and pleasant operation.

So here is a proposal for a method of breaking down these barriers in the office environment centred around the realisation of a "future desk". In Fig. 1 the desk is realised with currently available technology integrated to satisfy all of our known and well defined requirements, but with the inclusion of a set of human orientated interfaces.

Specific features of the desk include:

Fig. 1. The Futuredesk and electronic video whiteboard. (1) A4 portable write tablet. (2) Hardware storage. (3) Multi-format input. (4) Rolltop storage. (5) L.C.D. window/post-it board. (6) Teleconferencing screen. (7) Optical link and hands-in camera.

optical communication that is cordless and large bandwidth; built-in equipment and an active surface for document display, manipulation and cordless/active peripherals; multi-standard input and output devices; intelligent non-intrusive interfaces; software filing, summarising, and correlating; intuitive and ergonomic control systems; built-in recognisers for 'hot desking', with a secure data environment; teleconferencing with human scale interactive images; hi-fi acoustics; voice I/O and command. Let us look at some of these features in detail in the sections that follow.

OFFICE WIRING

One of the major limitations of present day office design and realisation is the necessity for hard wired desks. Even with the exciting optical fibre technology developments there still remains an underlying problem with the cabled office: getting fibre or cable to where you want it.

Optical wireless affords an important means of short-range, diffuse and line-of-sight fixed and mobile communication for inside the office without the regulatory or frequency restrictions of radio alternatives. Furthermore the bandwidth of the channel is potentially as broad as cable based optical fibre systems, thereby allowing broadband multi-channel services. The principle is directly analogous to radio.

Data can be omnidirectional radiated from a ceiling, desk or body mounted antenna and transceiver (Fig. 3).

So with optical wireless the office can have an omnipresent optical ether so that people and their desks can be mobile and still have broadband communication. People and equipment are thus free to roam within a building with no more data, printer, fax or telephone cables - only power is required.

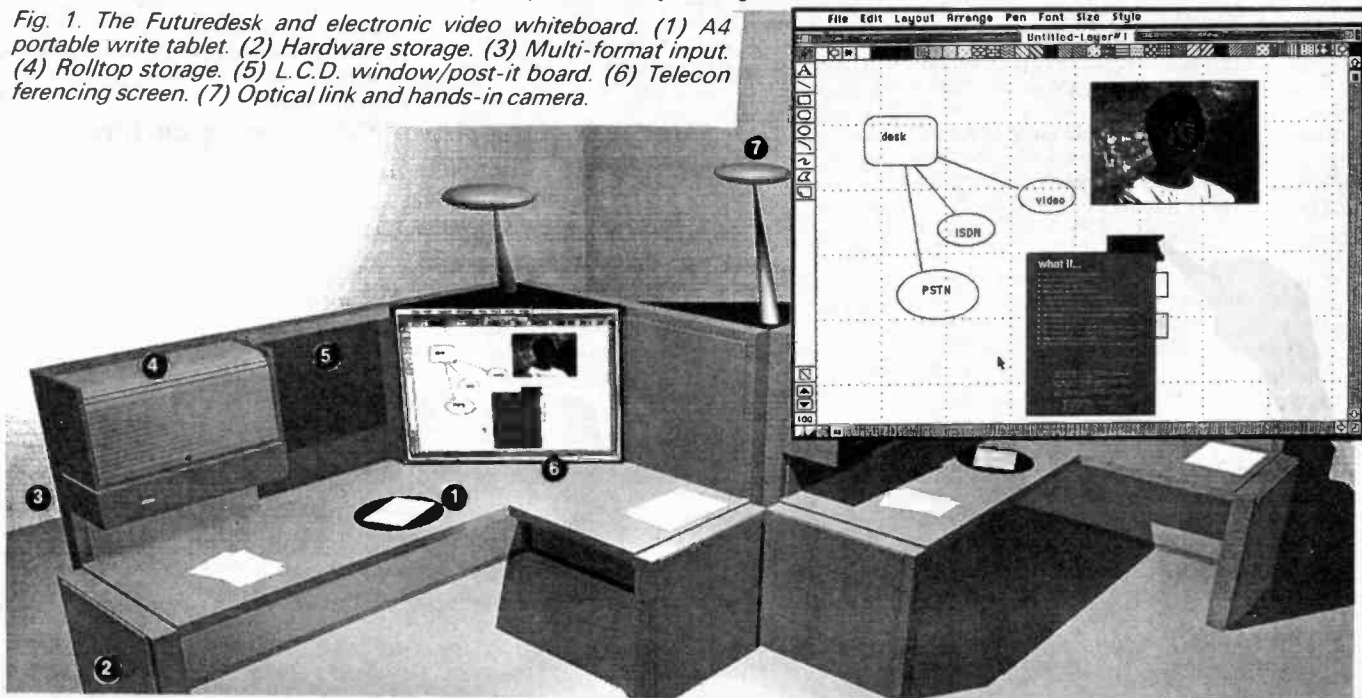
The optical ether also enables the use of a lightweight headset with microphone and earpiece to provide cordless communication. Furthermore, voice recognition software allows direct voice I/O with computer and communications systems.

With intelligence built into the cellular optical wireless system the headset can be tracked and automatic location and activity systems can be used to produce "who, where and when" activity databases.

Combining voice recognition and the location facility provides a secure method of "hot desk" operation anywhere in an office. Talk to any desk and it can check your identity and configure to your own personal definition using the broadband optical communication to access your virtual desk's facilities.

THE DESK

Today desks are passive objects on which we stack, and in which we store, things. Technology has made them a mass of wires, equipment boxes, keyboards, mice and phones; none of which easily work with each other and all with their own proprietary interfaces. The wiring alone causes configuration nightmares whilst the integration of diverse software and hardware is rapidly approaching the impossible.



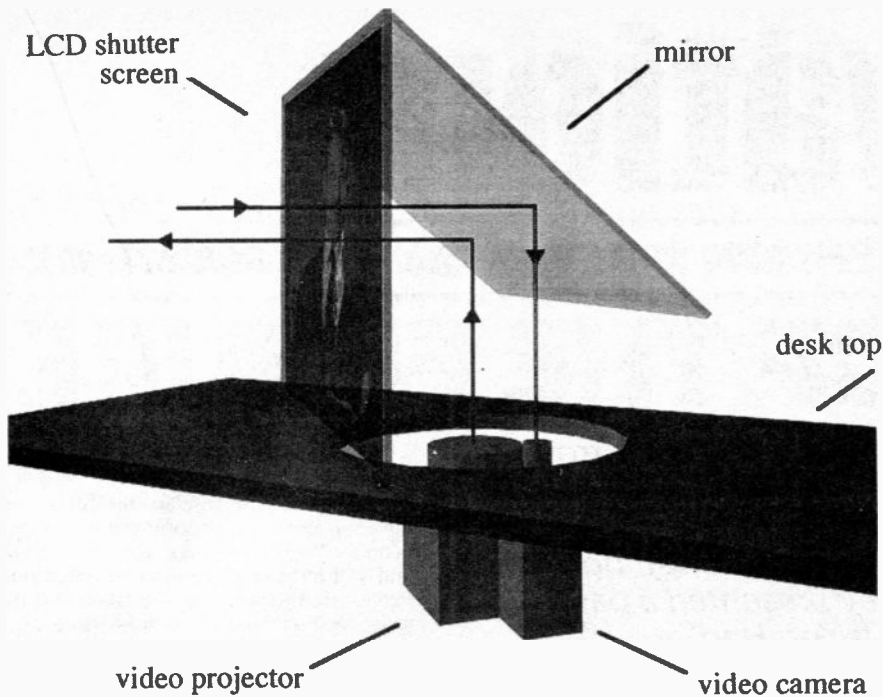


Fig. 2. HDTV video back-projection schematic.

One solution to this is an activity desk with: a built-in optical backplane; a partitioned structure used to house equipment; an inductive working surface to provide battery charging and communication to cordless peripherals; ergonomically built-in multiuse displays and input devices; radically new user interface such as "hands in the screen and eye plus voice tracking".

If optical wireless is used in the office, then cordless objects could be used instead of wired mice and keyboards. Inductive loops printed below the surface of the desk (like a car's heated rear window) would charge anything placed on its surface. A laptop or active organiser placed on the desk would be trickle charged at the same time as communicating with the desk allowing the full processing power of the desk to be instantly available without any physical connections.

VIDEO CONFERENCING

Video conferencing has the ability to radically reduce the need for people to travel. With the addition of telepresence hardware, a person can literally "be in two places at once". The constrained bandwidth available today for this human interface currently produces visual anomalies in the perception of the images and is detrimental to realising its full potential. To improve and humanise the limiting aspects of videoconferencing a different type of interface is proposed.

A large rear projected HDTV monitor can be ergonomically placed (Fig. 2) in the desk. This produces high definition life-size images in front of the user (in a natural face-to-face mode). By the use of an LCD shutter as the screen material a video camera can be aligned to be looking directly at the user through the screen. This enables a human sized image of your conversant with eye to eye contact and gaze awareness. Because of the large size of display the peripheral vision would be partially filled and create a feeling of "being there" rather than watching a picture.

As this display is High Definition, then it

can also be used as a computer monitor and in many applications allows the mixing of videoconferencing and computer generated data.

By using an infra red emitting pen the screen can also be turned into an electronic whiteboard via infrared sensing in the camera driving the cursor controls of the computer. This allows multiple videoconferencing participants to work together in the same electronic media space in real time.

HANDS IN THE SCREEN

The addition of an overhead camera, scanning the desk's surface, and producing a positional image of the user's hand ("or finger worn" 3D RF positioning sensors) allows the realisation of an economic "hands-in-the-screen" interface. This direct hand control and manipulation of objects is linked to the function of the computer and peripheral equipment. No keyboard or mouse control is necessary; just speak the text and then "grab it" and put it where you want it.

ELECTRONIC POST-IT

To ensure that the main working display is not crowded with buttons, icons and

electronic messages, another simple display with a touch sensitive surface and voice activation can be appropriately positioned. This can be used for telephone directory listings, "post it" pads and soft keys for all desk controls. For example this enables an up to date electronic directory to be displayed and a telephone call established whilst still being part of a video team working session.

PAPER

The user interface to electronic mail system can be radically improved if our human-oriented user interface is applied with a few minor enhancements. For example; the scanning of bar coded documents allows automatic logging, filing, abstraction and tracking. For example, the document arrived at 9:15am on 27th October. Rob and Phil were with you plus a visitor. The text correlator reads the central file copy and the key words are "Information Exchange" and "publication date". This related information, when automatically appended, enables single location filing and retrieval via sparse descriptors. This falls precisely in line with our abilities. As humans, we can vaguely remember the scenario: "Rob was with a visitor and it was in the morning". All the documents in this category, complete with a video snap of the visitor, can thus be recalled.

As we move to a multimedia environment then the ability to add colour, moving images, sound and interaction to documents will lead to paper being a less powerful medium. Electronic mail will then include video sequences, active directories and databases in a form that match your desk's personal 'sifter' and organiser.

MEMORY AND COMMUNICATION

In order to reduce the memory required, a process of (Hebbian) data decay is being investigated. Documents are reduced in data content with time as their perceived importance diminishes. Thus a document with full colour and voice annotation decays with time through to a monochrome document with low quality audio. Finally it is compressed with only contextual and retrieval information easily accessible. Regularly used or vitally important documents can remain uncompressed and complete.

FINAL REMARKS

All of the technology described is either available or currently under development. A decade from now could see it generally available in the work place.

Optical wireless in the office...ceiling satellite

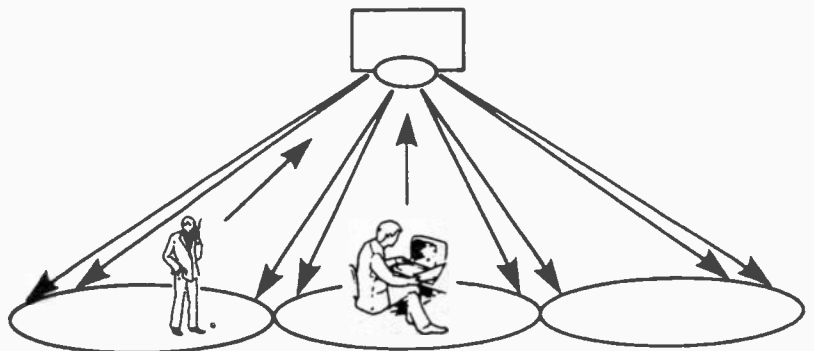


Fig. 3. Mobile communications using diffused infra-red light.

New Technology Update

Ian Poole reports on improved power MOSFETs, six-channel surround sound and Doppler disc checks.

A NEW development in i.c. technology now enables high power MOSFETs to be placed on the same chip as its low power controlling circuitry. This development by Harris Semiconductors uses a poly-silicon thin film transistor process.

So far only experimental models have been made but they have been capable of switching currents of up to 1A and voltages of 100V. Even so the process is capable of being extended further with no difficulty and it should be possible to control voltages up to 1000V and currents of 50A.

Isolated Power

The technique uses a thick oxide layer between the bulk silicon used for the basic i.c. and the high power thin film transistors. By having complete isolation in this way there is no compromise in the performance of either section. Currently the oxide layer gives an isolation of 500V although it is expected that this figure could be raised to 1000V or 1500V with little difficulty.

During manufacture the power FETs are fabricated after most of the basic i.c. is complete. The first step is to deposit the poly-silicon onto the layer of oxide and then a thin layer of oxide is grown onto the channel. When this process has been completed another layer of poly-silicon is deposited as shown in Fig. 1 to act as the gate for the devices.

In view of the large currents on the chip special care has to be taken to ensure the chip can withstand the heat generated. The manufacturers state that the chip can operate with a case temperature of up to 200°C. Beyond this there is an on-board circuit to shut the i.c. down before it is destroyed.

Whilst this chip may not find many uses within the amateur sphere of electronics, there are likely to be a number of spin-offs. These could be very useful because there are comparatively few high power i.c.s.

Sound Improvements

Today there are a tremendous number of developments taking place in the hi-fi and audio market place. CDs have long established their place and brought about the demise of the vinyl disc. Digital audio tapes or DATs are being used increasingly, albeit at the top end of the market. Digital compact cassettes are starting to appear and mini-discs are close on their heels.

All these new technologies use digital techniques, and give a far superior sound quality than the older analogue ones. However, very few changes have taken place to the basic hi-fi systems. Stereo is used in virtually all systems. Whilst quadraphonic systems did appear for a while in the 1970s they never really caught on.

Now Dolby Laboratories (inventors of the Dolby noise reduction system used on most

analogue cassette recorders these days) has teamed up with a company called Zoran Corporation to produce a new digital six-channel surround sound system. Operating at a data rate of 320K bits/second, it is stated that this new system gives tremendous clarity and spatial realism whilst not requiring excessive amounts of storage, space. Aimed initially at the professional market the system should soon be incorporated in domestic systems.

Within the partnership Dolby has devised the basic system and a new coding algorithm. Essentially, this compresses the data so that it can be transmitted and stored relatively easily and without taking up too much space. The other partner, Zoran will develop a single chip decoder in place of the five digital signal processors which are currently needed.

Initially the cost of these chips will be high, limiting their use to the top end of the market. Later developments are expected to be much cheaper and they should eventually cost around £15 to £20.

This means that they will be suitable for use in a much wider range of consumer hi-fi products. In fact it is hoped that the system could be applied to a wide range of products including compact discs, digital compact cassettes, mini-discs and video recorders.

Doppler Shift Improves Discs

Today's computer disc drives are very high precision pieces of equipment. They need to be designed and manufactured to exceedingly tight tolerances to be able to achieve the performances required of them.

Data transfer rates are very high as indeed are the storage capacities. To achieve these levels of performance the heads used for reading and writing the data have to "fly" just above the surface of the disc without actually touching it. In fact it is the

aerodynamics of the head which keeps a thin layer of air between them whilst the disc is rotating.

With the minute distances between the disc and the head it is absolutely critical that the surface of the disc is flat, and that there is a minimal amount of movement in the level of the surface of the disc. Whilst there will always be a small amount in any system, too much will cause the head to crash into the surface of the disc. This results in a very annoying loss of data and damage to the disc.

As a result of this manufacturers need to be able to determine any movement in the disc itself very accurately, and with the disc in situ. This is not very easy, particularly when the disc is rotating. However, an ingenious solution has been found by using the well known Doppler principle.

The system is built around a laser. This fires a minute spot of light, 10µm in diameter, at the disc. Reflections from this spot are detected by sensors. The results are then digitised and fed into a high speed PC where they are processed using digital signal processing techniques.

In the first instance, the data from the doppler shift gives information about the velocity of the disc relative to the laser sensing head. However, from a knowledge of the time and the velocity it is possible to calculate the movement or run-out of the disc.

Further information about the surface of the disc itself can also be obtained and this is very useful. Normally both sides of a disc can be measured and the results obtained in less than 15 seconds.

It is hoped that this new technique will greatly advance the development and test of disc systems. It will particularly help in locating problems with disc clamping as well as flatness.

By identifying these problems it should enable heads to be run even closer to the discs whilst increasing reliability. This should bring even higher storage densities and faster access speeds in the future.

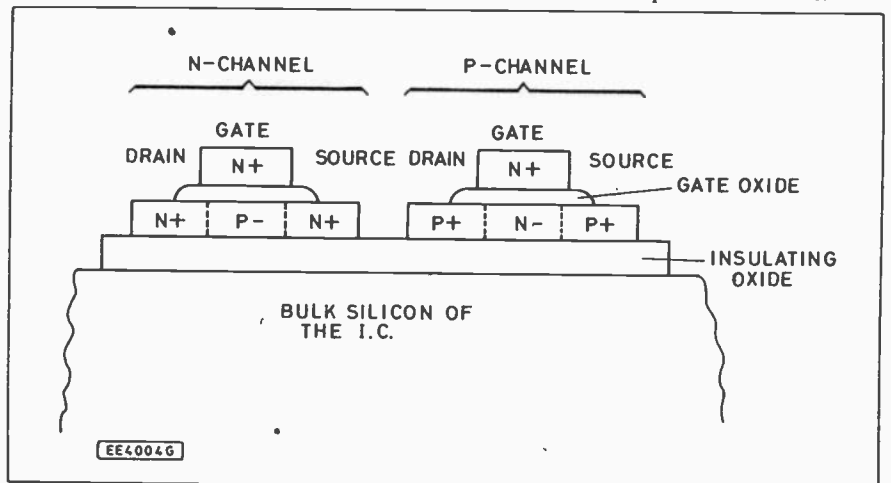


Fig. 1. Structure of the power MOSFET i.c.



**Electromail offers you
over 34,000 products – you could
read all about them, FREE.**



ELECTROMAIL 

Electromail is Europe's biggest electronic, electrical and mechanical components and equipment catalogue, full of information on more than 34,000 top quality products and tools. It's so packed, that it comes in 3 parts. Usually it would cost you £6.50 but when you spend £50 on your next order, we'll provide a full refund!

Electromail gives you access to the full RS Components range of carefully selected products, together with full specifications. The Electromail catalogue is your complete guide to the leading quality products available today: with over 2,000 full colour pages, it is the industry's premier reference work – no professional would be without it. So send for your copy now – it can be yours FREE. But hurry! The offer closes 26/2/93.

THE INDUSTRY'S TOP REFERENCE GUIDE

Electromail, PO Box 33, Corby, Northants NN17 9EL Tel. 0536 204555

ELECTROMAIL CATALOGUE OFFER

Electromail, PO Box 33, Corby, Northants NN17 9EL Tel. 0536 204555

Please send me the complete Electromail catalogue for which I enclose payment. I understand my payment will be refunded in full should my next purchase be over £50. This offer closes 26/2/93. Please allow 28 days for delivery. Offer applies in UK only. We ask you to use this coupon to qualify for the offer – photostated copies are acceptable.

Name: _____

Position: _____

Company: _____

Address: _____

Post Code: _____

Tel: _____ Fax: _____ * Please delete as applicable

I enclose a cheque/P.O.* for £6.50
I wish to pay by Access/Visa*. My Credit Card No. is _____ Expiry Date _____

Card Holder's Signature

EE 2,93

AUTOMATIC PLANT WATERING SYSTEM

T. R. de VAUX-BALBIRNIE

Houseplant care while you are away from home



THIS battery-powered automatic watering system was designed for the care of indoor plants. It operates on demand – water being delivered whenever probes in the compost sense a fall in the level of dampness. Water is then pumped from a container through narrow-bore tubing to the plants.

The pump used in the prototype unit was a 12V car windscreen washer pump. These may be bought from car accessory shops such as Halford's quite cheaply and have been proved effective and reliable over a test period.

The current requirement is quite high – up to 1A – but since the periods of operation are relatively short, the life of the battery pack will be several months in normal use. The standby current requirement is 15µA approximately which may be regarded as negligible.

The moisture-sensing probes are connected to the unit using a standard power-in type socket on the side of the unit. Note that the Automatic Plant Watering System is designed as a *battery-powered* circuit and on NO ACCOUNT should it be used with a mains-operated power supply.

CIRCUIT DESCRIPTION

The complete circuit diagram for the Automatic Plant Watering System is shown in Fig. 1. This works on the principle of water conducting electricity. Thus, probes A and B placed in the compost will have a certain resistance between them which depends on the water content. This resistance will be typically a few hundred kilohms or several megohms when almost dry and less than 100 kilohms when damp.

The power-in plug and socket PL1/SK1 connect the probes to the main unit. IC1 is a micro-power operational amplifier connected as a voltage comparator. Thus, if the voltage at the non-inverting (+) input, pin 3, exceeds that at the inverting (-) one, pin 2, the device is on with the output, pin 6, high (positive supply voltage). In other cases it is off with the output low.

The resistance between A and B, together with fixed resistor R2, form the top section of a potential divider. The lower part consists of resistor, R3. With on-off switch S1 on, a certain voltage will therefore exist at IC1 inverting input. The value of this voltage will depend on the degree of dampness as sensed by the probes – the damper the compost, the higher it will be.

Preset potentiometer, VR1 in conjunction with fixed resistor, R1, form a further potential divider connected across the supply. This imposes a certain voltage on IC1 non-inverting input, pin 3 – the value of which depends on the adjustment of VR1.

With VR1 correctly adjusted and with damp compost, the voltage at IC1 inverting input, pin 2, will exceed that at the non-inverting one, pin 3. The op.amp is then off with the output, pin 6, low. Under these conditions nothing further happens.

tors as the quality of the water and compost and the length and separation of the probes. VR1 will be adjusted at the end of construction to take account of these factors.

The resistors in the potential divider section have a very high value. This minimises the continuous current which flows through them from the battery.

Transistor, TR1 is really a Darlington device – it consists of two transistors in one package. This provides an exceptionally high current gain so that the small current flowing from IC1 pin 6 through resistor R5 into its base is amplified sufficiently to operate any pump. Note that

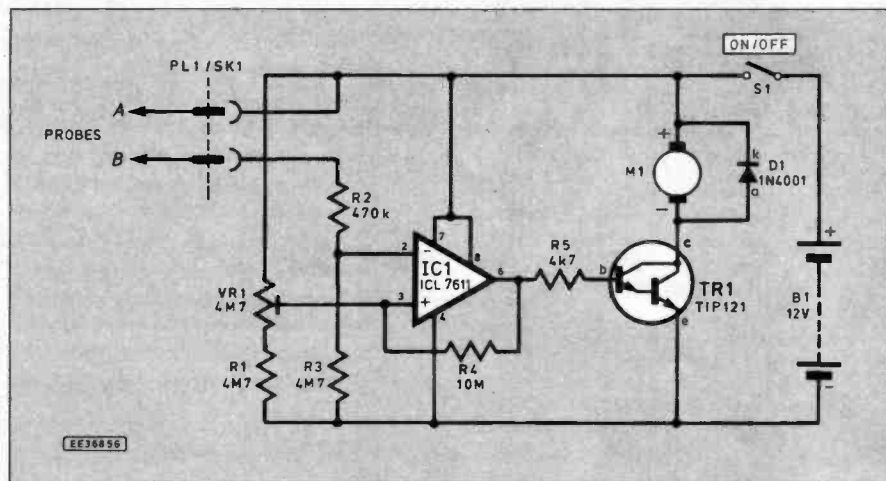


Fig. 1. Complete circuit diagram for the Automatic Plant Watering System. On no account must the system be run from a mains operated supply.

When the compost is dry, the resistance between the probes rises and the voltage at pin 2 consequently falls. At a certain point, this voltage falls below that at pin 3 and the op.amp switches on with pin 6 going high.

This allows current to flow into the base of transistor TR1 through current-limiting resistor, R5. Collector current then flows through motor, M1, which turns and operates the pump. This delivers water to the compost, the resistance between the probes now falls and the op.amp, TR1 and the pump switch off. This will happen every time the dampness falls below the predetermined level set by VR1.

MOISTURE CONTROL

It is necessary to provide an adjustment of the operating point since the level of dampness required is a matter of personal preference. Also, it depends on such fac-

TR1 does not need a heatsink in this application. IC1 is a CMOS op.amp which has been specially chosen for its exceptionally small quiescent current requirement. Diode D1 by-passes the reverse high-voltage pulse which may occur when the motor switches off – without this, semiconductor components could be destroyed.

POWER SUPPLY

A stabilised power supply is not needed for this circuit. This is because, as the battery ages and the supply voltage falls, the inputs to both op.amp inverting and non-inverting inputs will fall in like manner. The switching point will therefore remain unchanged.

A 12V battery supply capable of delivering at least 1A is needed to power this project. In the prototype unit, eight 1.5V "AA" size alkaline cells were used in an appropriate holder. This was mounted inside the case. An alternative idea would be

to use three type 1289 4.5V batteries connected in series but a larger case would be needed.

There would be no problem using a nominal 13.5V supply here. For heavy-duty use where, perhaps, several large plants are to be watered two PJ996 6V batteries connected in series or a 12V PPI battery (of the type often used for burglar alarm systems) mounted externally would provide excellent service.

FEEDBACK

Fixed resistor, R4, applies some positive feedback from IC1 output, pin 6, to the non-inverting input, pin 3. This provides a Schmitt trigger action and prevents excessive on-off switching of the motor near the critical point. Thus, when the level of dampness sensed by the probes is sufficient to switch the motor on, the pump then overruns to deliver rather more water than would otherwise be needed to switch it off again.

The value of R4 could be the subject of experiment later but the specified value gave good results in the prototype unit. This point will be mentioned again later.

CONSTRUCTION

Construction of the Automatic Plant Watering System is based on a circuit panel made from a piece of 0.1in. matrix stripboard, size 10 strips x 21 holes. Fig. 2 shows the topside component layout and details of breaks required in the underside copper tracks.

Begin by cutting the material to size and drilling the two mounting holes. Make the track breaks and inter-strip links then follow with the on-board components taking

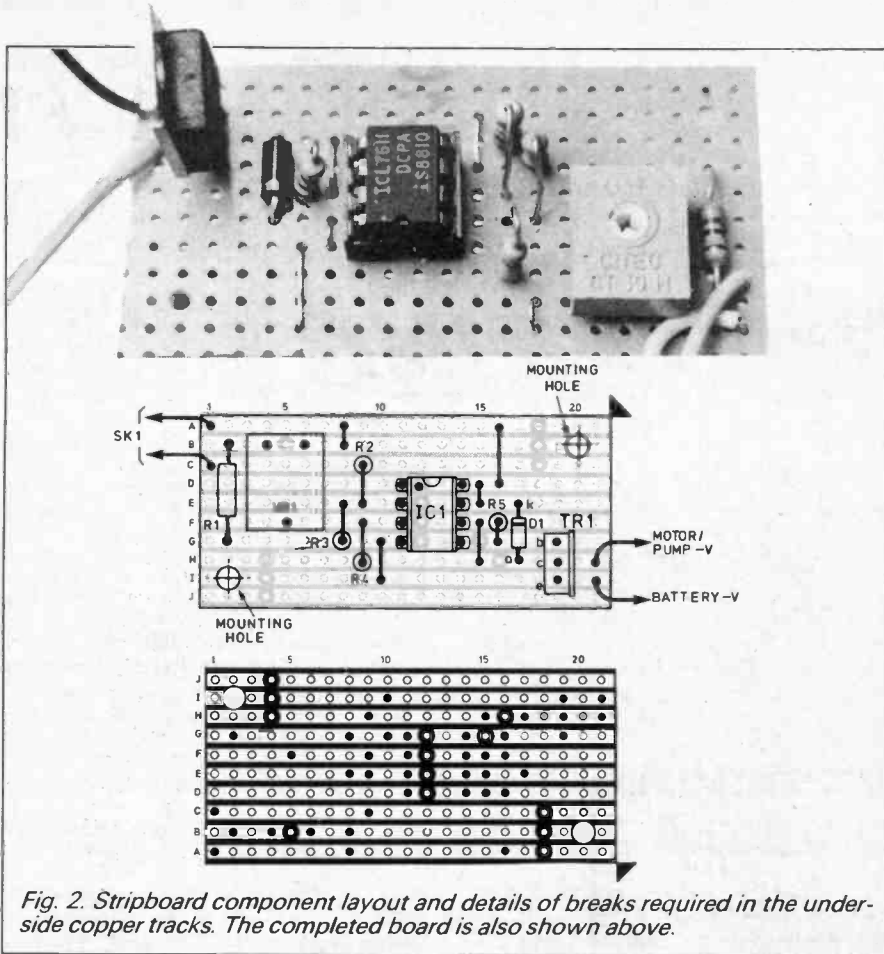


Fig. 2. Stripboard component layout and details of breaks required in the underside copper tracks. The completed board is also shown above.

care over the polarity of diode D1. Leave preset VR1 adjusted to approximately mid-track position.

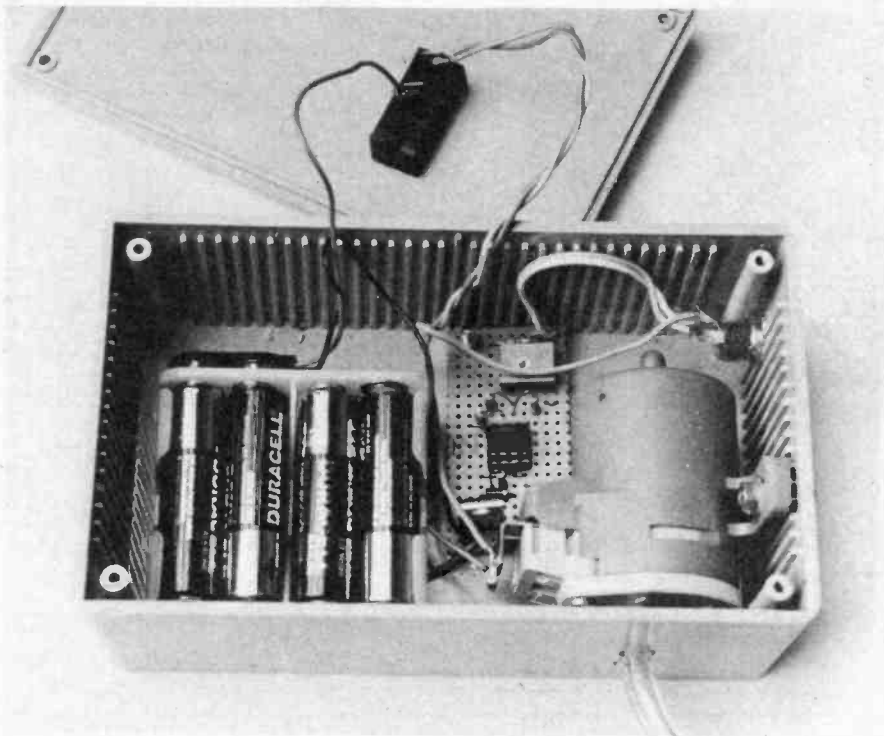
Solder 10cm pieces of stranded connecting wire to strip 1A and 1C on the left-hand side and to strip 21H on the right-hand side of the circuit panel as indicated. Connect the negative wire of the battery clip (or as appropriate to the battery being used) to strip 21I.

Prepare the case by drilling holes for on-off switch, S1 and for the power-in

socket SK1 used for connecting the probes. Drill holes in base of the box to align with those already made in the circuit panel (see photographs). Secure the battery pack to the case or provide wires for an external battery.

In the prototype unit, the pump was mounted inside the box in the position shown (see photographs) and this provides a convenient self-contained unit. Some readers will wish to mount the pump externally.

Layout of components inside the case showing the pump bolted to one side.



COMPONENTS

Resistors

R1, R3	4M7 (2 off)
R2	470k
R4	10M
R5	4k7

All 0.25W 5% carbon

See
**SHOP
TALK**
Page

Potentiometer

VR1	4M7 min. enclosed preset, horizontal
-----	--------------------------------------

Semiconductors

IC1	ICL7611 CMOS op.amp
TR1	TIP 121 npn Darlington power transistor
D1	1N4001 1A 50V rect. diode

Miscellaneous

S1	1A s.p.s.t. toggle or rocker switch
M1	12V windscreen washer pump (see text)
B1	12V battery pack, batteries and connector (see text)
PL1/SK1	2.1mm power-in plug and matching socket

Stripboard 0.1in. matrix, size 10 strips x 21 holes; plastic case, size 149.5mm x 90mm x 52.5mm external; 8-pin d.i.l. socket; material for probes (see text); stranded connecting wire; small fixings; solder etc.

Windscreen washer type plastic tubing, jets, T-pieces and connectors as required for the "watering system".

Approx cost
guidance only

£7

plus pump, tube and batt's

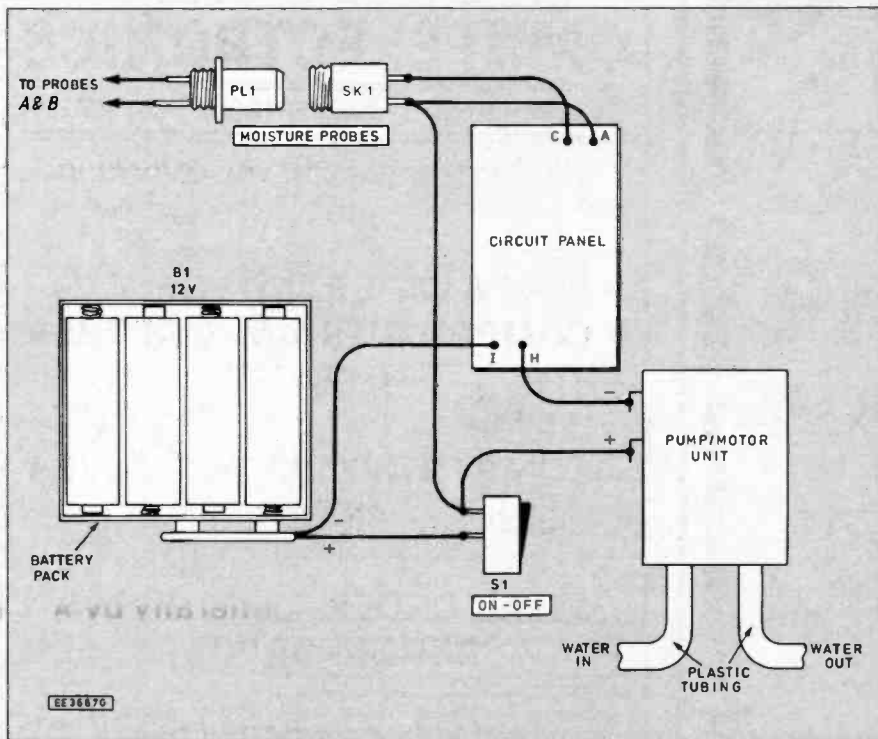


Fig. 3. Interwiring from the circuit panel to all off-board components. Make sure that the connections to the pump motor terminals are correct.

If mounting it inside the box, holes need to be drilled to secure the unit itself and also for the plastic tubing forming the water inlet and outlet. In the prototype, one of the pump plastic lugs having a mounting hole drilled in it had to be cut off to allow clearance for the lid of the box to be fitted. However, one fixing proved perfectly adequate to hold it securely in position. The exact arrangement will depend on the pump being used.

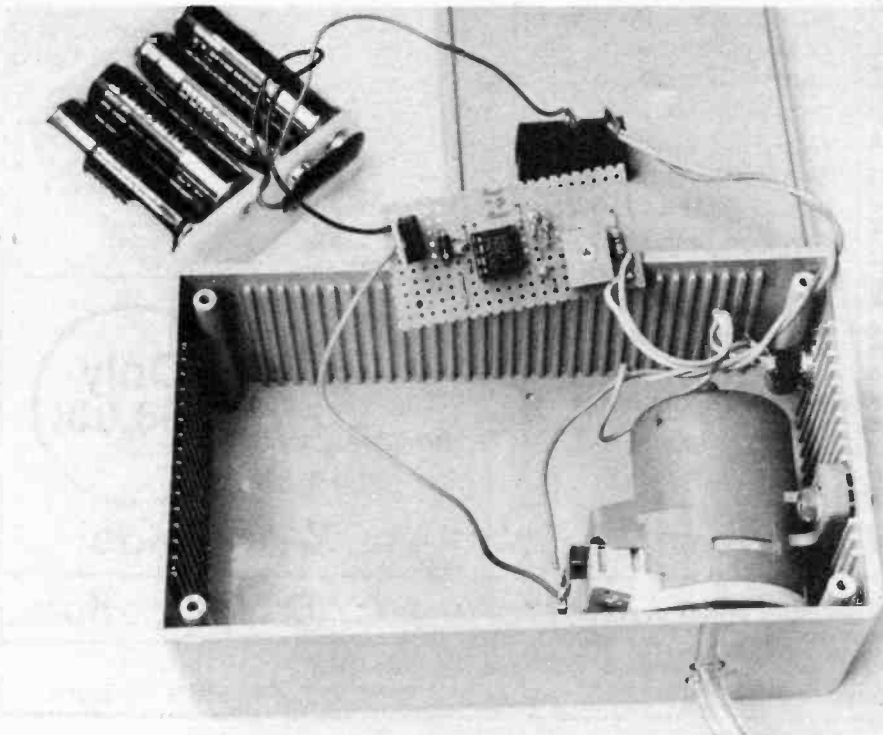
Referring to Fig. 3, complete the internal wiring using light-duty stranded connecting wire and mount the remaining com-

ponents. Make the pump electrical connections using push-on "spade" connectors or solder the wires directly in place. Note that the polarity of the motor should be observed. Switch S1 off and insert the batteries into their holder.

PROBES

In the prototype, the probes consisted of meter test prods with 1mm plugs on the end. These plugs were cut off and the wires connected to the power-in plug. This arrangement gave a good appearance to the finished unit and worked well.

The battery-pack, circuit board and lid removed from the case to show positions of the water pump and water feed tubes.



An alternative idea – perhaps more suited to long-term use – is to use gold plated contact wire of the type used for keyboard instruments. A piece of screw terminal block connector could then be used to make the connections.

Connect the probes to the unit and switch on S1 – the motor should be heard to operate. Touch the probes together – the motor should stop. If this basic test works correctly, the circuit is likely to be sound and only needs adjusting.

ADJUSTMENT

Water a plant "correctly" and push the probes into the compost. If using thin wires for the probes, make sure they do not touch. Adjust preset VR1 using a small screwdriver so that the motor is just off. This will give a basic setting.

You will find that VR1 has a little "backlash" where the "on" position is not quite the same as the "off" one. This is due to the feedback action of resistor R4.

Make up the plastic tubing of the required length(s) using T-pieces as necessary to make branches. Soften the tubing by holding the ends in hot water before pushing them into position. The tubes may terminate in single or double jets – all these parts are available as windscreen washer accessories. The inlet tube should dip into a water container of sufficient size for the job.

The exact way in which the plastic tubing and jets are arranged is left to the user but it will be found that a slow rate of flow generally gives good results. Sometimes best results are obtained simply by pushing the plain ends of the tubing lightly into the compost.

Check that the tubing makes watertight connections at the pump especially if this is sited inside the box. Any trace of water on the circuit panel caused by leaks could cause false triggering and possible damaging "short circuits" across copper tracks.

If several plants are to be watered, the probes should be placed in an "average" one. Over a trial period of several days, preset VR1 should be adjusted for best results.

If, after adjusting VR1, the pump over-runs more than it should so that the compost becomes too wet, resistor R4 should be increased in value. If the motor switches on and off excessively, it should be reduced. Since R4 already has the largest easily-obtained value (10M Ω), higher values are obtained by connecting more than one of these resistors in series.

It is advised that the plant pots be placed in such a position that should ever a catastrophic failure of the system occur, causing the pump to run continuously, it will not cause a problem with flooding – especially where a large water reservoir is used. □



Micro AMPS

8051

"C" COMPILER £125

BASIC COMPILER £99

ICE51 £225

ICE51 + £495

ICE751 £495

66 SMITHBROOK KILNS, CRANLEIGH,
SURREY GU6 8JJ, UK

VISA

Tel: +44(0)483 268999

Fax: +44(0)483 268397



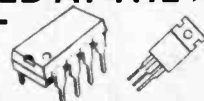
OMNI ELECTRONICS

174 Dalkeith Road, Edinburgh EH16 5DX ★ 031 667 2611

The supplier to use if you're looking for:-



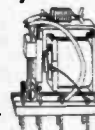
A WIDE RANGE OF
★ COMPONENTS AIMED AT THE ★
HOBBYIST



★ COMPETITIVE VAT INCLUSIVE ★
PRICES



★ MAIL ORDER - generally by ★
RETURN OF POST



★ FRIENDLY SERVICE ★

OPEN:

Monday-Thursday 9.15 - 6.00

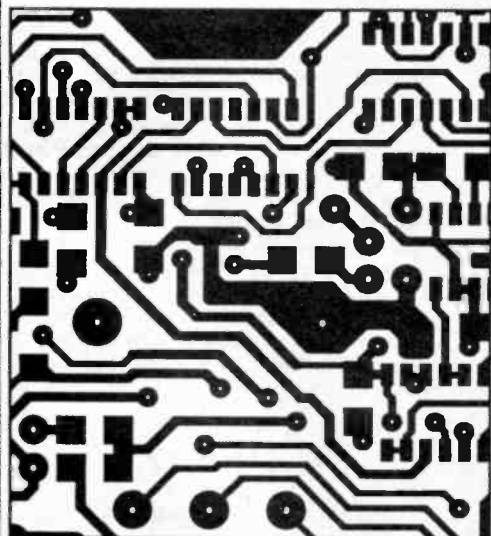
Friday 9.15-5.00

Saturday 9.30-5.00

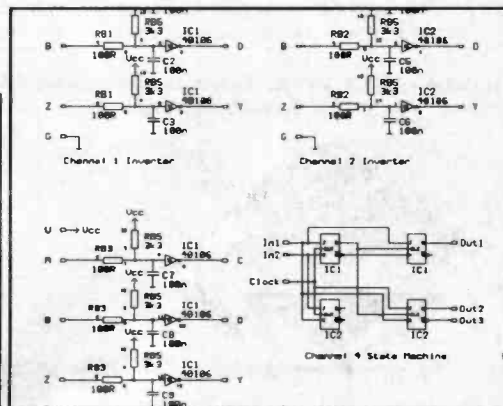


EASY-PC PCB and Circuit Diagram CAD

Forget using tapes and lightbox! Create your
Circuit Boards using CAD - like the professionals.



- Runs on PC/XT/AT etc. with Hercules, CGA, EGA or VGA display and many DOS emulations.
- Design Schematics Single and Double sided and Multilayer boards including Surface Mount.
- Standard output includes Dot Matrix / Laser / Inkjet Printer, Pen Plotter, Photo-plotter and N.C. Drill.
- Extremely powerful.
- Very easy to use.
- Not copy protected.



EASY-PC

Technical support
is free, for life!

Only
£98.00!
Plus P&P +VAT

Over 13,000 Installations in 70 Countries Worldwide!

For full info' please write, phone or fax:

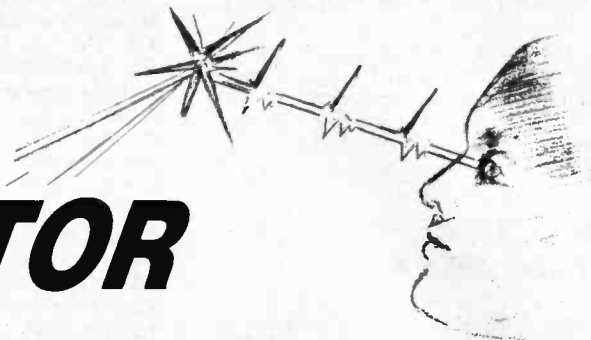
Number One Systems Ltd.

The Electronics CAD Specialists.

REF: EVD, HARDING WAY, ST.IVES, HUNTINGDON, CAMBS, PE17 4WR, ENGLAND.

Telephone: 0480 61778 (7lines) Fax: 0480 494042 ACCESS, AMEX, MASTERCARD and VISA Welcome.

BIOMET PULSE MONITOR



JOHN BECKER

Part One

Probe the rhythm of life with this mini heart monitor. Can be used on its own, with a liquid crystal display, or linked to a personal computer.

THE Biomet is a heart and pulse rate monitor which can be used on its own or in conjunction with a computer. The computer screen displays heart rhythm waveforms and pulse rates. Pulse rates are also shown on the Biomet's liquid crystal display screen.

The block diagram for the complete system is shown in Fig. 1. Alternative shorter versions may be built. Two types of monitoring probe are described, one simple, the other more sophisticated.

BOARD GROUPING

Three printed circuit boards are used in the complete Biomet Pulse Monitor. Throughout this article they are referred to as the *Sensor*, *Display* and *ADC* (analogue-to-digital converter) boards.

The Sensor board holds the high gain amplifier, 50Hz filter and test-waveform generator circuits, plus an opto-isolator which couples the sensor system to the

ADC board. The Display board holds a pulse-rate analyser and liquid crystal display (l.c.d.) circuits.

Both these boards are housed in a small handheld case. In this form, the system can be battery powered as a completely self-contained pulse rate monitor.

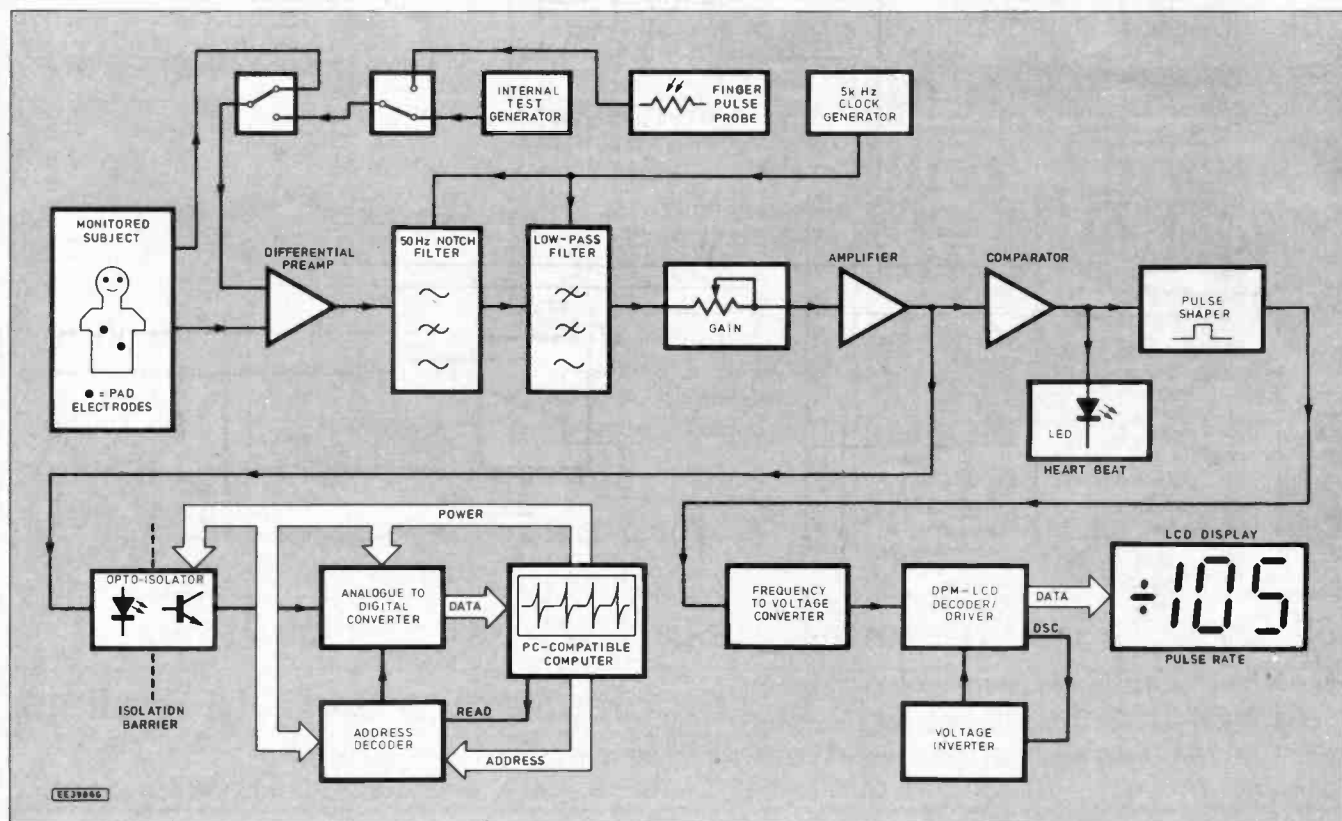
The ADC board is an interface which allows heart waveform signals from the Sensor board to be accessed and displayed by any computer which has a suitable parallel data input/output port. It includes an address decoding circuit for use with a PC-compatible computer. A PC-compatible software listing appears next month.

If the Biomet is to be used only with a computer, the Display board may be omitted.

MONITORING PROBES

Two forms of monitoring are available. With the first, the electrical impulses generated by the heart are sensed by

Fig. 1. Block diagram of complete Biomet Pulse Monitor system.



two monitoring electrodes attached to the chest. Conventionally, one probe is attached to the upper part of the right chest, and the other to the lower lefthand side of the rib cage.

In the second, less precise, method a finger or thumb is placed across a probe containing a light dependent resistor (LDR). The LDR detects small light level changes as the finger or thumb slightly swells and contracts in response to the blood pulsing through it.

PROBE AMPLIFIER

The circuit diagram for the probe amplifier, 50Hz filter, and computer isolation interface are shown in Fig. 2. The heart's very low amplitude electrical signals detected by the probes are fed into the differential amplifiers formed around IC1a, IC1b and IC1d.

The circuit has the dual function of amplifying the heart signals, while inhibiting noise jointly picked up by both probes. Such noise includes 50Hz mains hum and higher frequency interference from other electrical equipment, for example, radiated signals from nearby computer screens.

The two signal paths combine at IC1d and are balanced by adjustment of the preset VR1. Bias voltage for the amplifier and other parts of the Sensor board is supplied by the circuit around IC1c.

FILTER AND VARIABLE GAIN

From IC1d, the preamplified signal is passed to the dual switched-capacitor filter IC2. The first half of IC2 is configured as a notch filter which attenuates signals having a central frequency of about 50Hz. Other frequencies are amplified by about 10 times.

From IC2 pin 3, the notched signal is passed to the second half of IC2. This is configured as a low-pass filter, allowing through only those signals which have a frequency below 50Hz.

The clock generator which controls IC2 is formed around IC3b and has its output frequency fine-tuned by preset VR2. In this application a clock frequency of 5kHz is required to set the filter's signal frequency modes for 50Hz operation.

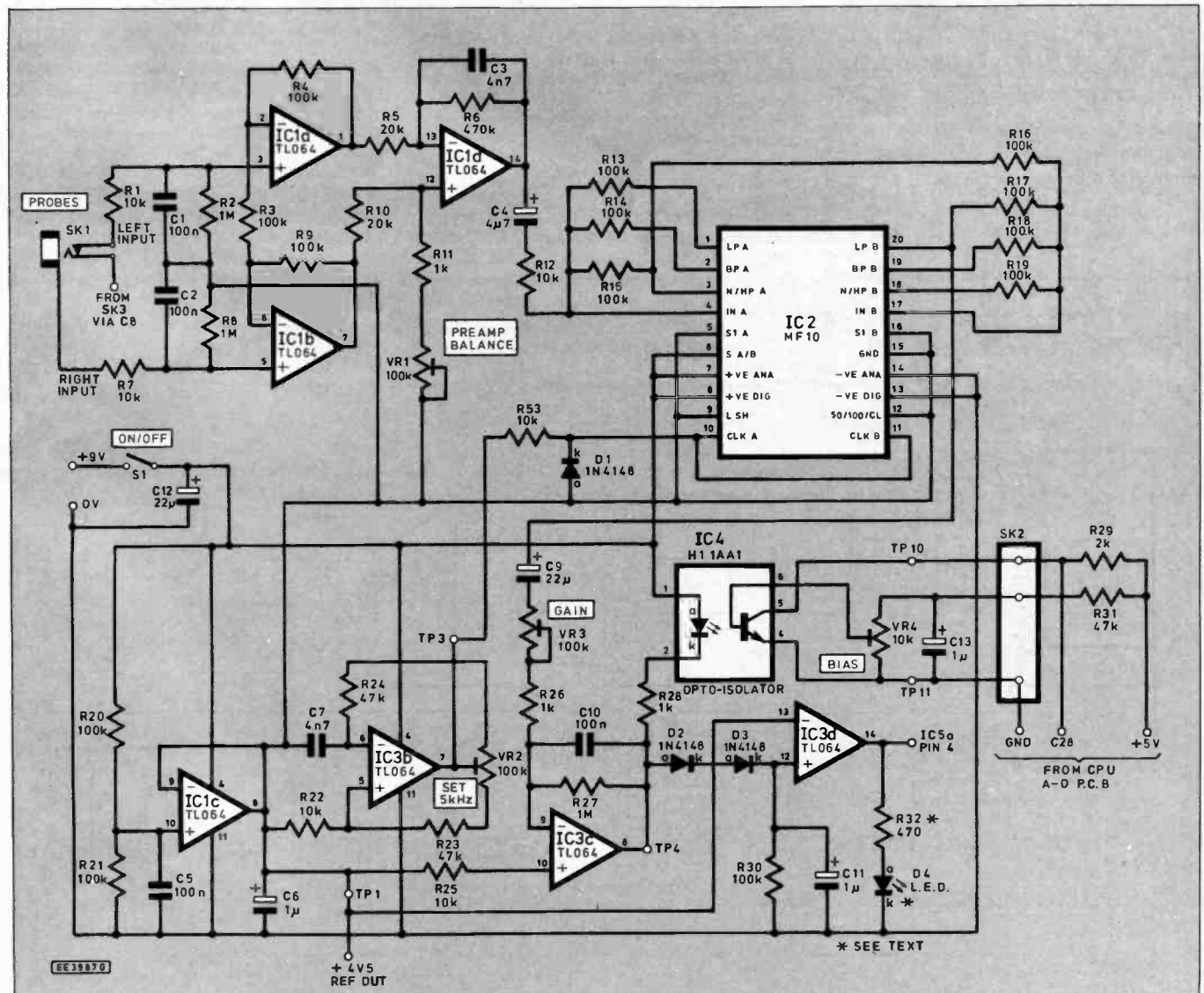
Following IC2 is a variable-gain stage formed around IC3c. The gain is controlled by VR3 and can be varied between x10 and x1000. Capacitor C10 filters out the residual 5kHz clocking frequency.

COMPUTER ISOLATION

At this point in the circuit, the signal is split into two directions. The first direction takes it to the opto-isolator IC4 which provides a safety interface between the Biomet and the ADC circuit connected to a



Fig. 2. Circuit diagram of the probe amplifier, 50Hz filter, test waveform generator and ADC isolation interface.



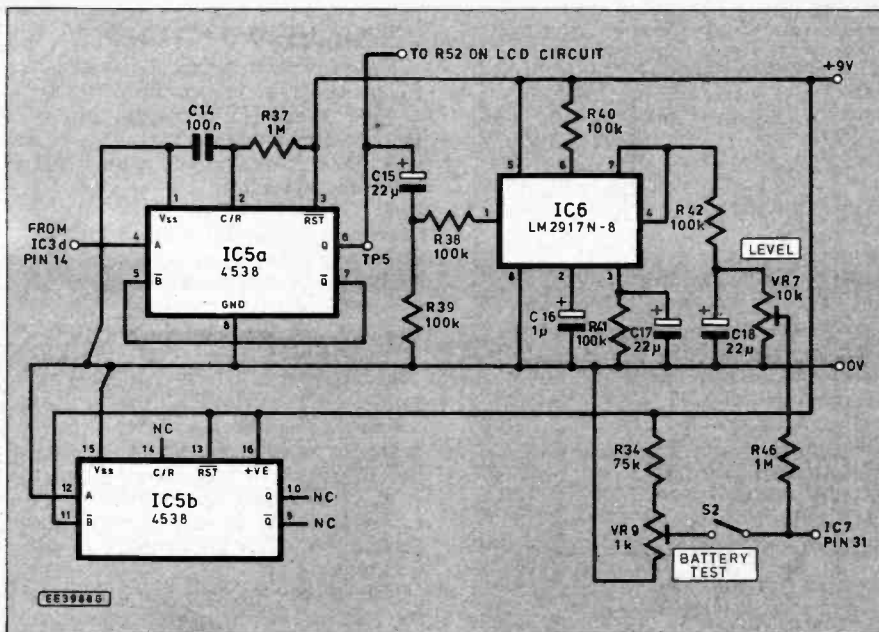


Fig. 3. Beats per minute converter and battery test circuit.

mains powered computer. Preset potentiometer VR4 sets the base bias of the isolator's output transistor.

The H11AA1 device used for IC4 has an isolation rating of 7500V a.c.

PULSE SHAPER

With the second route from IC3c, the signal is rectified across diodes D2, D3 and capacitor C11 and fed to the comparator circuit around IC3d. The use of two diodes raises the trigger threshold to about one volt above the reference voltage on IC3d pin 13. Adequately amplified heart beat signals cause the comparator output to be triggered high.

Optionally, the comparator output can be monitored by l.e.d. D4 in series with resistor R32, the l.e.d. flashing synchronously with detected heart beats. However, since the l.c.d. also displays heart beats, the l.e.d. can be omitted if preferred.

The positive-going output of IC3d is the trigger source which controls the beats-per-minute converter circuit IC5 – see Fig. 3.

Individual pulse lengths can vary irregularly from subject to subject and with the rates at which any subject's heart beats. Consequently, monostable IC5a is included as a pulse length standardiser.

When IC5a pin 4 is triggered by the positive-going pulse from IC3d, the Q output at IC5a pin 6 goes high for the duration set by R37 and C14. The feedback action between IC5a pins 5 and 7 inhibits the monostable from being re-triggered until after the timed period has ended.

PULSE RATE DISPLAY

Output Q of IC5a controls two functions, the first of which is to control the flashing of the pulse-beat monitoring symbol on the l.c.d., as will be seen shortly.

Secondly, it controls the tachometer chip IC8 (see Fig. 4). This converts input pulse rates into an equivalent output d.c. voltage which is fed via Level control VR7 and R46 to the next stage, the l.c.d. driver circuit shown in Fig. 4.

Digital panel meter (DPM) chip IC7 decodes the voltage from resistor R46 (Fig. 3) into an equivalent digital output format suitable for driving a 3-5 digit l.c.d. The data voltage is compared against a reference voltage set by VR7 to around one volt, resulting in a display increment of one digit for each millivolt increase in the sampled voltage.

Within IC7 is a clock generator which has its frequency sub-divided by internal counters to control the signal sampling rate and the l.c.d. backplane frequency. The clock frequency is set by resistor R43 and capacitor C19 to produce a sampling rate of about one sample every two or three seconds.

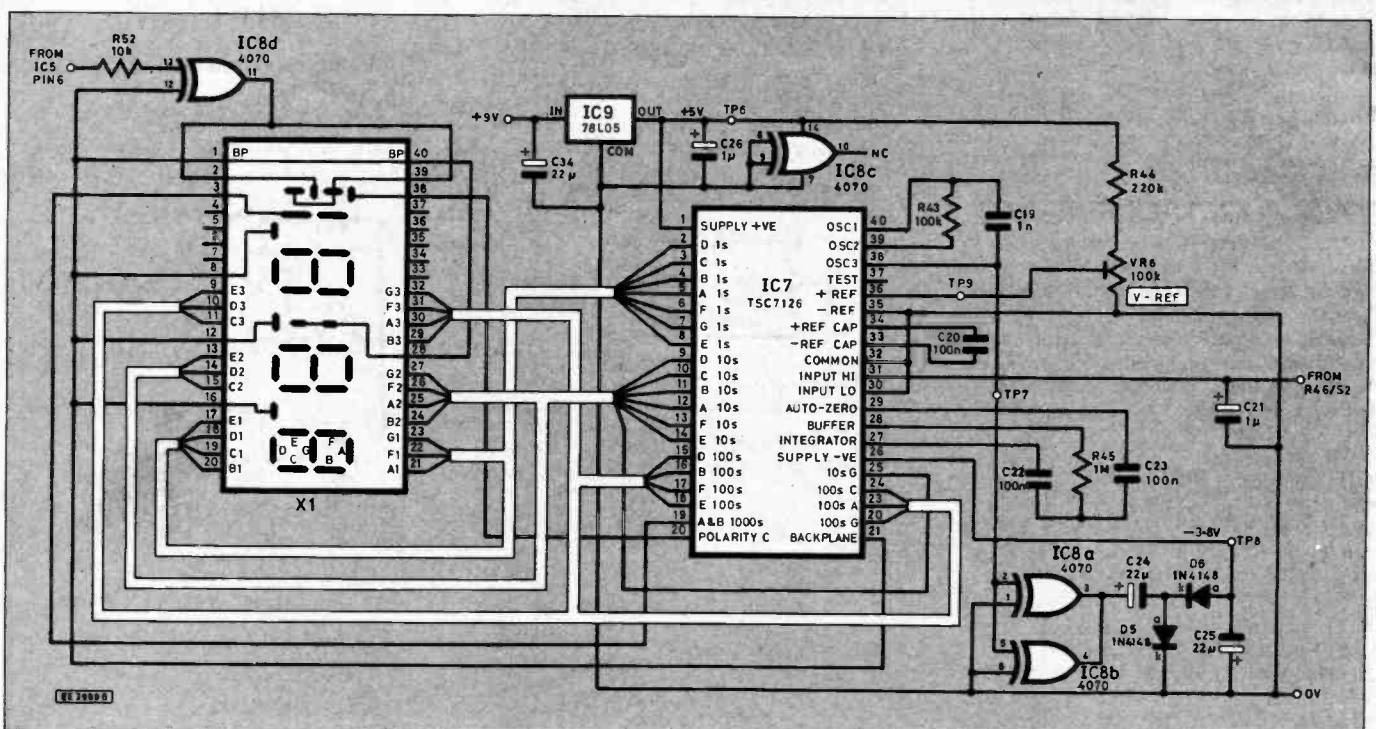
The positive power supply rail for IC7 is stabilised at +5V by the voltage regulator IC9. The negative supply, of about -3.8V, is generated from IC7's clock output at pin 38. The latter is buffered by the parallel gates IC8a and IC8b to provide sufficient current to drive the inverted rectifier circuit consisting of C24, D5, D6 and C25.

PULSE MARKING DISPLAY

The subject's monitored pulse rate is numerically displayed on the l.c.d. in terms of beats per minute. Each pulse beat also triggers the + (plus) symbol of the l.c.d. on and off, allowing immediate monitoring of the subject's uniformity of heart rate.

The on/off state of the symbol is determined by the phase of a clock signal supplied to it by the Exclusive-OR gate IC8d. One input of the gate is fed by the l.c.d.'s backplane clock. The other input is controlled by the Q output of IC5a (Fig. 3), which when high inverts the output clock phase of IC8d with respect to the phase of the l.c.d.'s backplane clock, so turning on the symbol.

Fig. 4. Pulse rate display circuit.



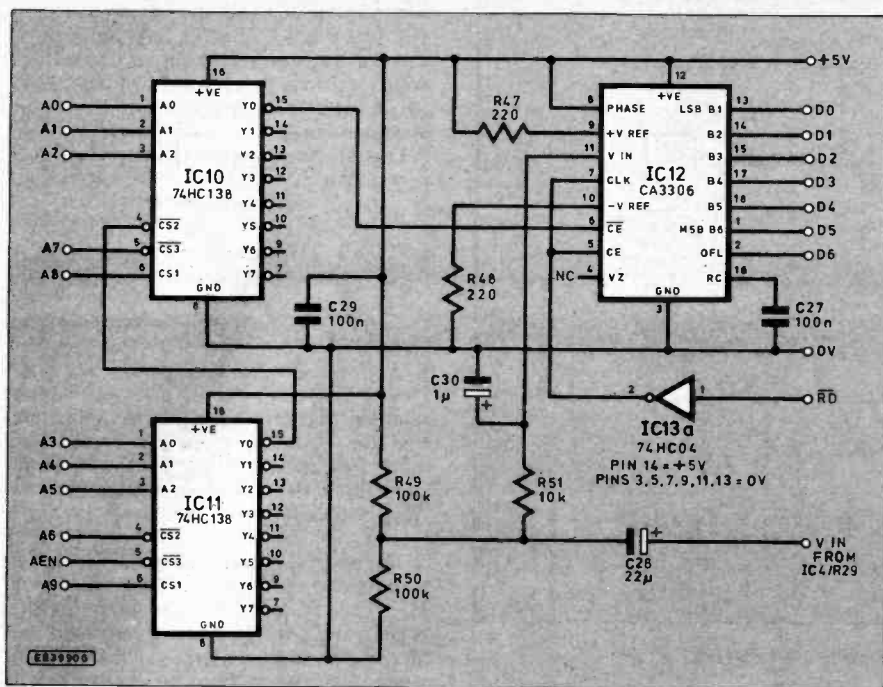


Fig. 5. PC-compatible ADC interface circuit.

ADC CIRCUIT

The analogue-to-digital converter (ADC) circuit diagram, which interfaces the Biomet to a suitable computer, is shown in Fig. 5. It consists principally of a 6-bit flash ADC chip, IC12, and two address decoding chips, IC10 and IC11. The latter allow the unit to be used with a PC-compatible computer.

Analogue data from the opto-isolator IC4 (Fig. 2) is brought to pin 11 of ADC IC12 via C28 and R51. Between them C30 and R51 filter out any high frequency noise which may be picked up in the connecting lead. Resistors R49 and R50 set the bias on IC4 pin 11 to approximately 2.5V.

Referring to IC12, when input CE is high, and \overline{CE} is low, each positive-going clock pulse on pin 7 causes the chip to convert the analogue data on pin 11 to an equivalent 6-bit binary code. The conversion range is determined by the reference currents through R47 and R48. The binary code is transferred, via an internal register, to the output lines B1 to B6. If either CE is low, or \overline{CE} is high, the output lines are set to a high impedance state and the conversion process is inhibited.

PC-ADDRESSING

Most PC-compatible computers usually have at least three expansion slots specifically intended for use with interface cards. The slots are connected to the computer's address and data buses and to a variety of other power and control lines. Cards housed in these slots are accessed from software by calling any address between decimal 768 and 799.

The wiring of the Y-outputs of IC10 and IC11 determines the address call to which the ADC board will respond. In ascending order from Y0 to Y7, the choice of output connections allows the required address call to be incremented by individual steps with IC10, and by steps of eight with IC11.

As shown in Fig. 5, the \overline{CE} input of IC12 is controlled by the Y0 output of IC10, which only goes low when a software call to address decimal 768 is made. Inputs CE

and CLK are both controlled by the computer's RD (Read) line via inverter IC13a. At the moment that software makes a Read call to address 768, the ADC performs its conversion and allows data to be read from its outputs.

TEST CIRCUIT

A test circuit to assist in the checking out of the Biomet is shown in Fig. 6. It is a slow-speed squarewave oscillator based around IC3a which produces an output pulse across C32. The pulse shape is not related to any known heart waveform.

The Rate preset VR5 can vary the frequency between about 30 and 300 pulses per minute. The pulse output is taken via the internal connections of socket SK3, through C33, Level control VR6 and C8 to SK1 in Fig. 2.

In this mode, the signal is only amplified by the path through IC1a. The path through IC1b is held at the static reference level.

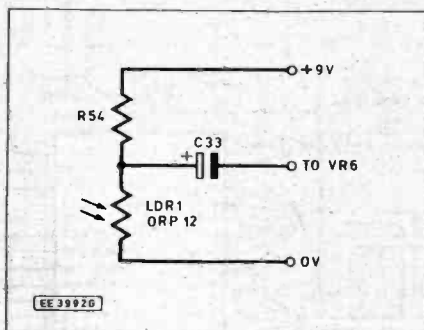


Fig. 7. Theoretical circuit of the finger probe.

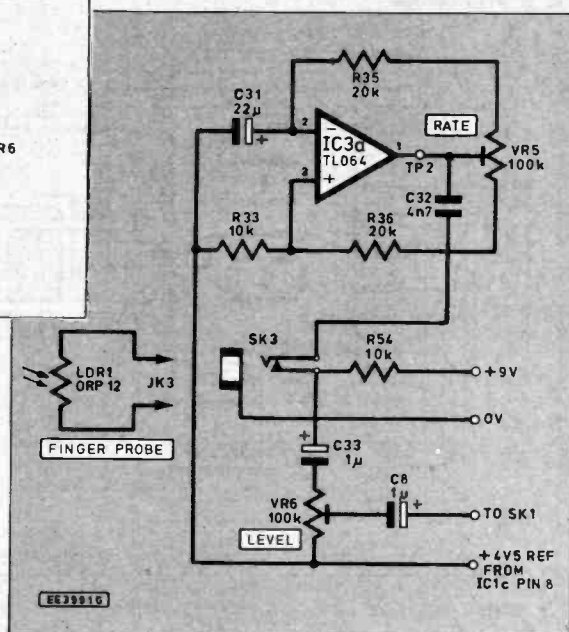


Fig. 6. Test oscillator and finger probe

FINGER PROBE

The finger probe circuit is shown fully in Fig. 6 and in a simpler theoretical form in Fig. 7. When JK3 is plugged into SK3, the test oscillator output is switched off and LDR1 is switched into series with R54 across the power lines.

The LDR's resistance varies with changes in the amount of light falling on it, so varying the voltage at the junction with R54 and C33. As with the test circuit, VR6 presets the effective signal level.

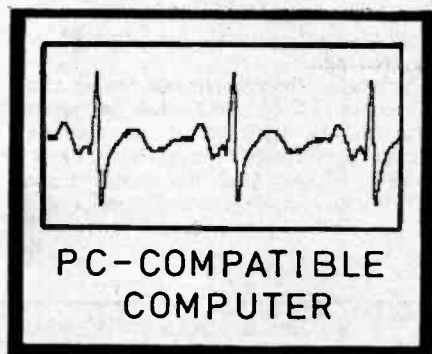
POWER SUPPLY

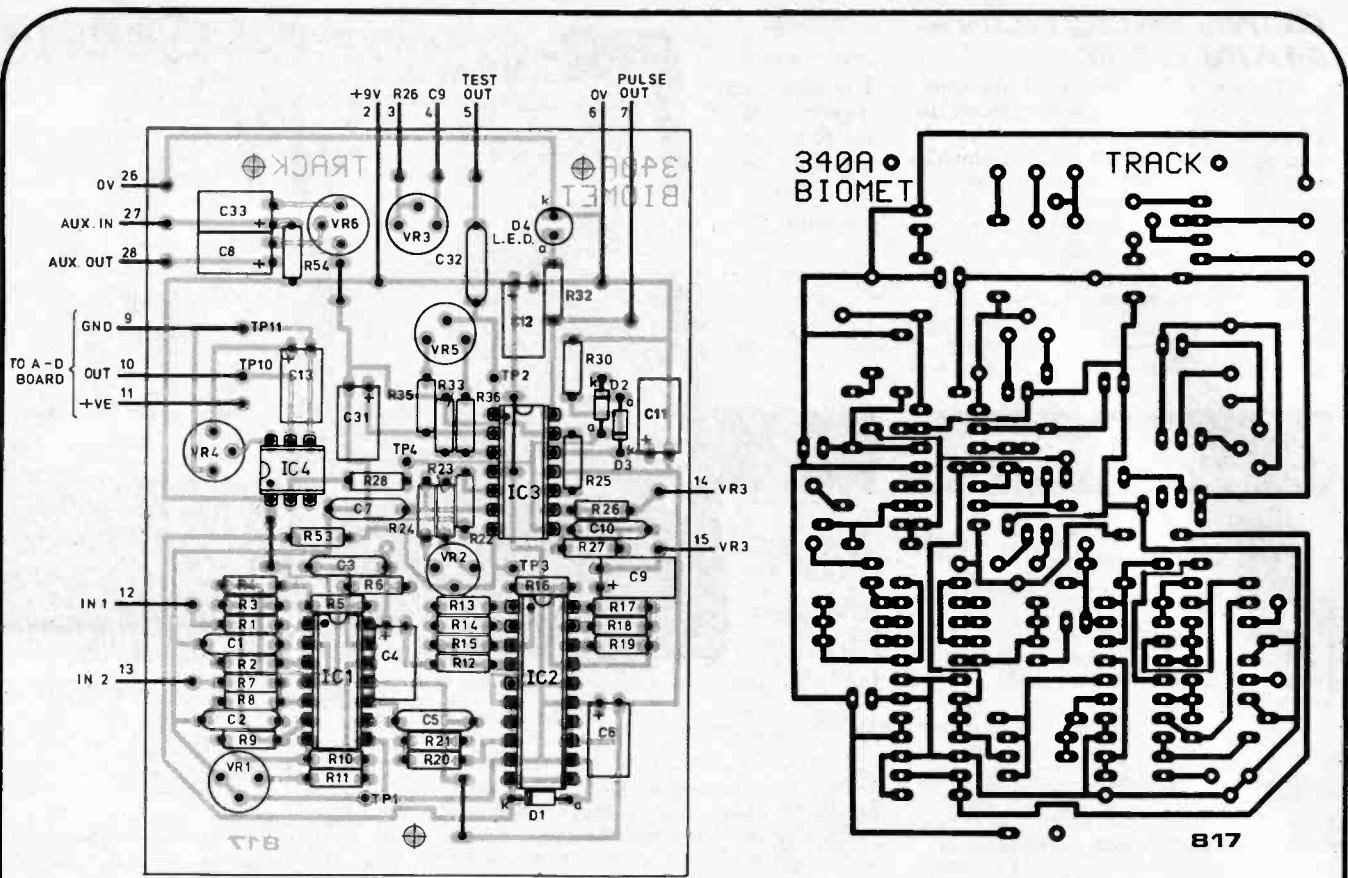
The Biomet has been designed to run from a PP3-type 9V battery enclosed within the handheld case. This provides 9V to the Sensor board at about 15mA, and to the Display board at about 8mA. The ADC board and the opto-isolator is supplied by 5V, at an average of about 2mA, directly from the computer to which it is connected.

If the Biomet is to be put to frequent use, it is recommended that a rechargeable battery is used. Alternatively, a mains adapter capable of delivering at least 25mA at 9V d.c. may be used. However, it is essential to ensure that the mains adapter is totally safe and that under no circumstances can it allow mains voltage to be applied to Biomet and the subject to whom the monitoring probes are connected.

A battery test circuit is shown in Fig. 3. It consists of R34 and VR9 connected directly across the 9V battery power line. VR9 presets an output voltage which when switched into circuit by S2, causes the l.c.d. to display an equivalent output number.

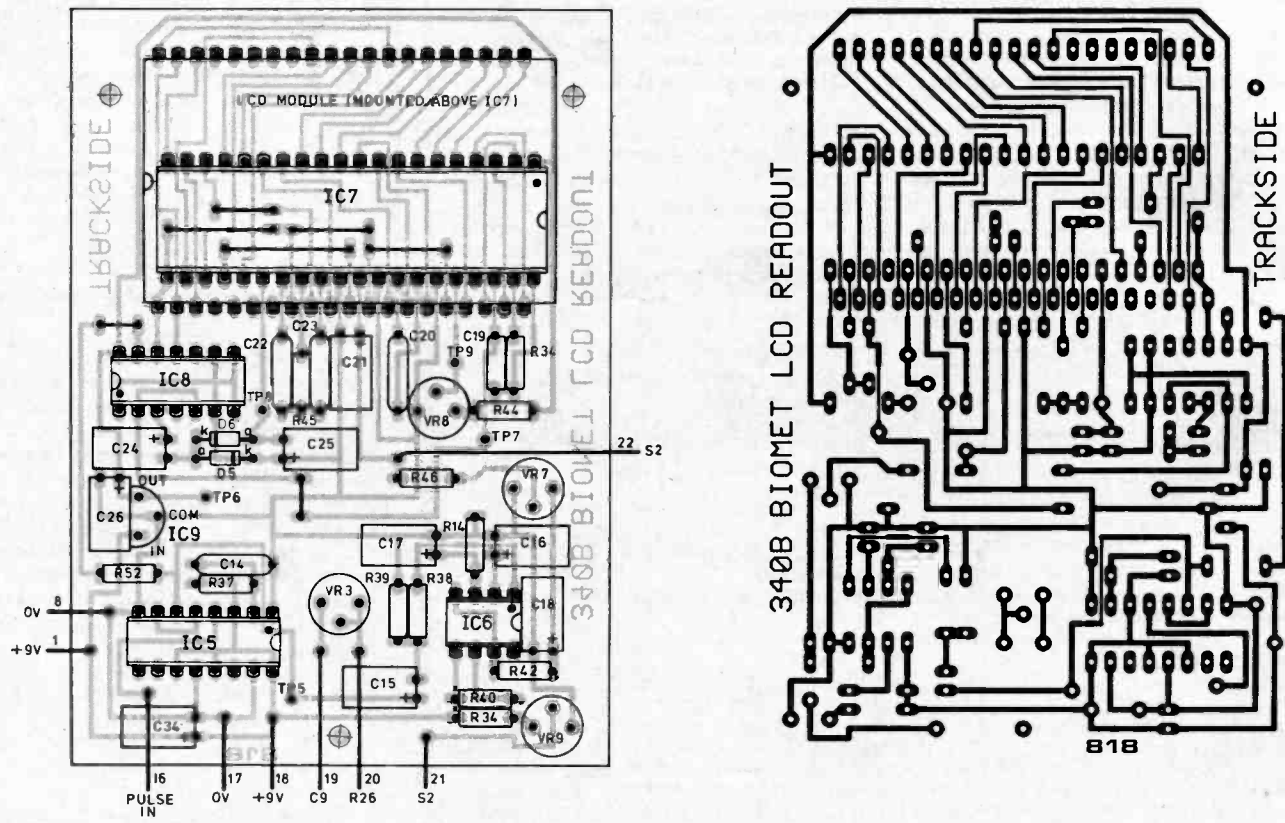
10-10-1992 PULSB RATE 69





EE39930

Fig. 8. Printed circuit board component layout and full size copper foil master pattern for the Sensor board. The l.e.d. and preset VR3 are only mounted on this p.c.b. if the LCD Display board is not used. All the radial electrolytic capacitors are mounted flat, see text. The 100n polyester (Phillips type) are also mounted flat, some covering other components.



EE39946

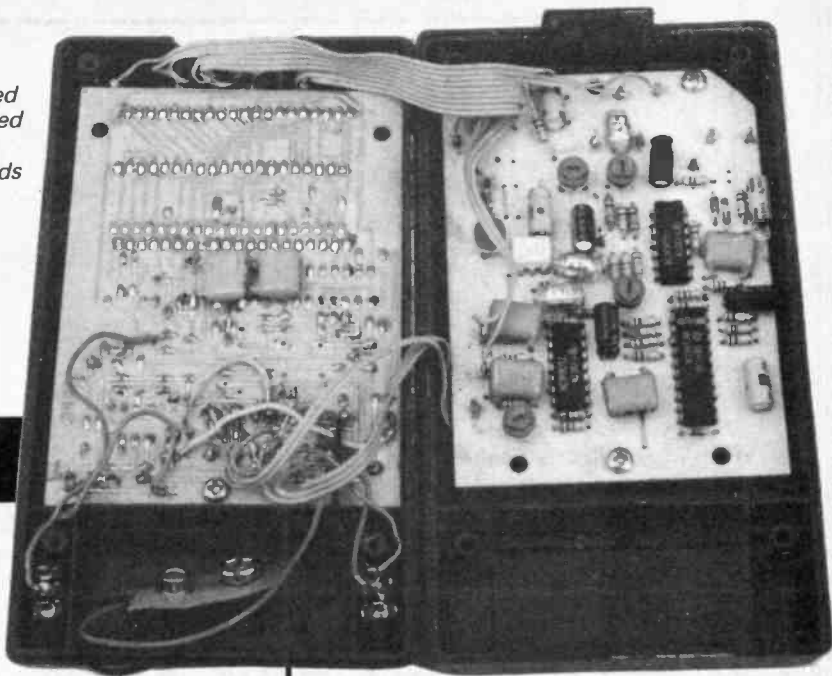
Fig. 9. Component layout and full size copper foil master pattern for the Display board. The radial electrolytics and the Phillips type polyester capacitors are mounted flat on the board, some covering other components. On the prototype, capacitors C20 and C23 were soldered on the trackside.

CONSTRUCTION- MAIN UNIT

Achieving a low profile of the components is important when assembling the Sensor and Display printed circuit boards (p.c.b.s). These boards are obtainable, from the *EPE PCB Service*, codes 817 (Sensor), 818 (Display). Details of the ADC board will be covered next month.)

The component layouts and full size copper foil master patterns for these boards are shown in Fig.8 and Fig.9 respectively. They have been designed to fit into the upper and lower sections of a handheld case measuring 80mm x 145mm x 35mm

The completed Biomet opened out to show the two boards mounted in the case.



COMPONENTS

Resistors

R1, R7, R12, R22, R25, R33, R51 to R54	10k (10 off)
R2, R8, R27, R37, R45, R46	1M (6 off)
R3, R4, R9, R13 to R21, R30, R38 to R43, R49, R50	100k (21 off)
R5, R10, R35, R36	20k (4 off)
R6	470k
R11, R26, R28	1k (3 off)
R23, R24, R31	47k (3 off)
R29	2k
R32	470
R34	75k
R44	220k
R47, R48	220 (2 off)
LDR1	ORP12 light dependent resistor

All 0.25W 5% carbon film or better, except for LDR1

Potentiometers

VR1 to VR3, VR5, VR6, VR8	100k (6 off)
VR4, VR7	10k (2 off)
VR9	1k

All sub-min cermet presets, 7mm diameter

Capacitors

C1, C2, C5, C10, C14, C20, C22, C23, C27, C29	100n polyester (10 off)
C3, C7, C32	4n7 polystyrene (3 off)
C4	4µ7 radial elect., 35V
C6, C8, C11, C13, C16, C21, C26, C30, C33	1µF radial elect., 63V (9 off)
C9, C12, C15, C17, C18, C24, C25, C28, C31, C34	22µF radial elect., 16V (10 off)
C19	1n polystyrene

Semiconductors

D1-D3	1N4148 signal diode (3 off)
D4	red l.e.d. (see text)
D5-D6	1N4148 signal diode (2 off)
IC1, IC3	TL064 quad low power f.e.t. op-amp (2 off)
IC2	MF10 dual switched-capacitor filter
IC4	H11AA1 opto-isolator
IC5	4538 dual monostable
IC6	LM2917-8N tachometer
IC7	TSC7126 l.c.d.-driving DPM
IC8	4070 quad exclusive-OR gate
IC9	78L05 5V 100mA regulator
IC10, IC11	74HC138 1-of-8 decoder/multiplexer (2 off)
IC12	CA3306CE 6-bit flash ADC
IC13	74HC04 hex inverter

Sockets

SK1, SK3	3.5mm mono jack socket (2 off)
SK2	3.5mm stereo jack socket
	8-pin dil socket, 14-pin dil socket (2 off), 16-pin dil socket (3 off), 18-pin dil socket, 40-pin dil socket (see text)

Miscellaneous

S1, S2	sub-min s.p.d.t. toggle (2 off)
X1	3½ digit liquid crystal display (LCD)
	Printed circuit boards available from <i>EPE PCB Service</i> , codes 817 (Sensor), 818 (Display); handheld plastic case, size 80mm x 145mm x 35mm, with l.c.d. viewing cutout; PP3 battery clip; 0.25 inch plastic jack plug (see text); 3.5mm plastic mono jack plug (2 off); 3.5mm plastic stereo jack plug; heart-monitoring electrode pads (see text - next month); miniature crocodile clips (2 off); terminal pins, connecting wire and cable; solder etc.

See
**SHOP
TALK**
Page

and will do so comfortably providing that the following points are observed:

First trim off the top corners of the Sensor board so that it avoids the internal pillars of the box. Solder in all resistors, diodes and polystyrene capacitors. Next solder in IC1, IC2, IC3, IC4, IC7 and IC9 but *do not* use i.c. sockets. You may use i.c. sockets for IC5, IC6 and IC8, which should be soldered in next.

A socket has to be used for the l.c.d. since it is mounted above IC7. As 40-pin sockets of l.c.d. width do not seem to be available, cut a normal 40-pin i.c. socket in half lengthwise to produce two 20-pin strips, and solder them into the board.

Using radial electrolytic capacitors (those which have both leads coming out of the same end), bend the connecting leads through ninety degrees so that the capacitors lie flat on the p.c.b.s. and solder them in place. Now solder in the sub-miniature preset potentiometers, which should have a diameter of about 7mm.

There is a choice of mounting position for the preamplifier Gain preset VR3. If you are building the Biomet just for use with a computer and do not want an l.c.d. readout facility, mount VR3 on the Sensor board. If you are using the l.c.d. facility, mount VR3 on the Display board.

The polyester capacitors are the familiar Philips miniature dipped case variety with a lead spacing of 10-16mm (0.4 inches). Straighten their crimped leads then bend the leads through ninety degrees so that the capacitors will lie flat when inserted into the board. Solder capacitors C20 and C23 to the back (trackside) of the Display board. The other polyester capacitors are mounted on the normal side of the board, but positioned so that they lie flat on top of any neighbouring resistors.

It is preferable to use terminal pins for the test (TP) and wiring points on the Sensor p.c.b. With the Display board, it is easier to solder connecting wires to their designated points on the track side of the board.

Thoroughly check your soldering with a close-up magnifying glass before proceeding further, paying special attention to soldered joints which have tracks running closely beside them. Make certain that the i.c.s, diodes and electrolytic capacitors are correctly orientated.

Approx cost
guidance only

£70

excluding
electrodes

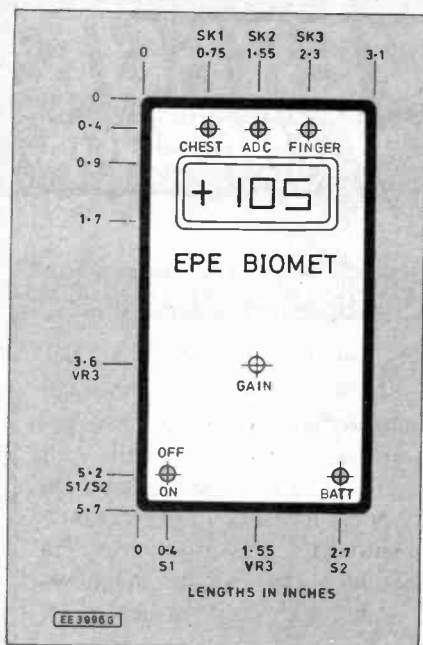


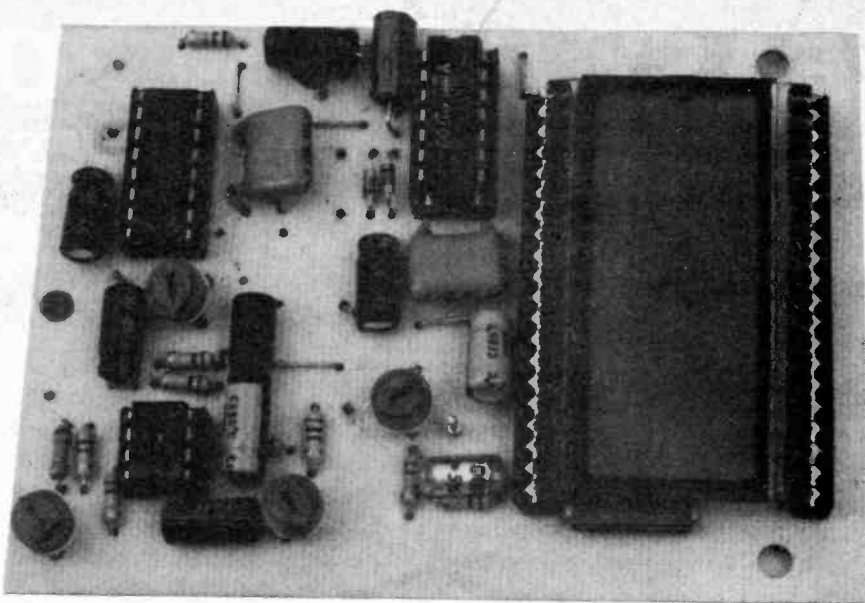
Fig. 10. Biomet case drilling details.

CASE AND INTERWIRING

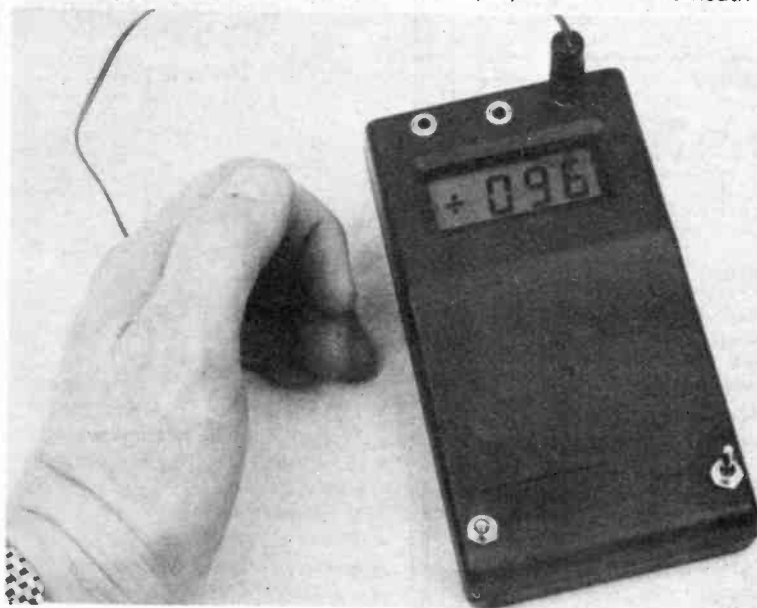
Drill out holes in the case lid for the switches and sockets, plus the hole below which preset VR3 is mounted for access by a small screwdriver. Fig.10 shows the measurements as used on the prototype unit. Since case dimensions may differ slightly between manufacturers, check that the measurements suit your case before drilling.

Using the thinnest flexible connecting wire conveniently available, wire-up the boards, switches and sockets as shown schematically in Fig. 11. Keep the wiring neat so that the two halves of the case can be closed without difficulty.

In the test model, the LDR of the finger probe was mounted across the end of the body of a plastic standard jack plug, with the rest of the plug discarded. Any other suitably sized plastic tube may be used. The connecting cable can be any reasonable length and does not need to be screened.

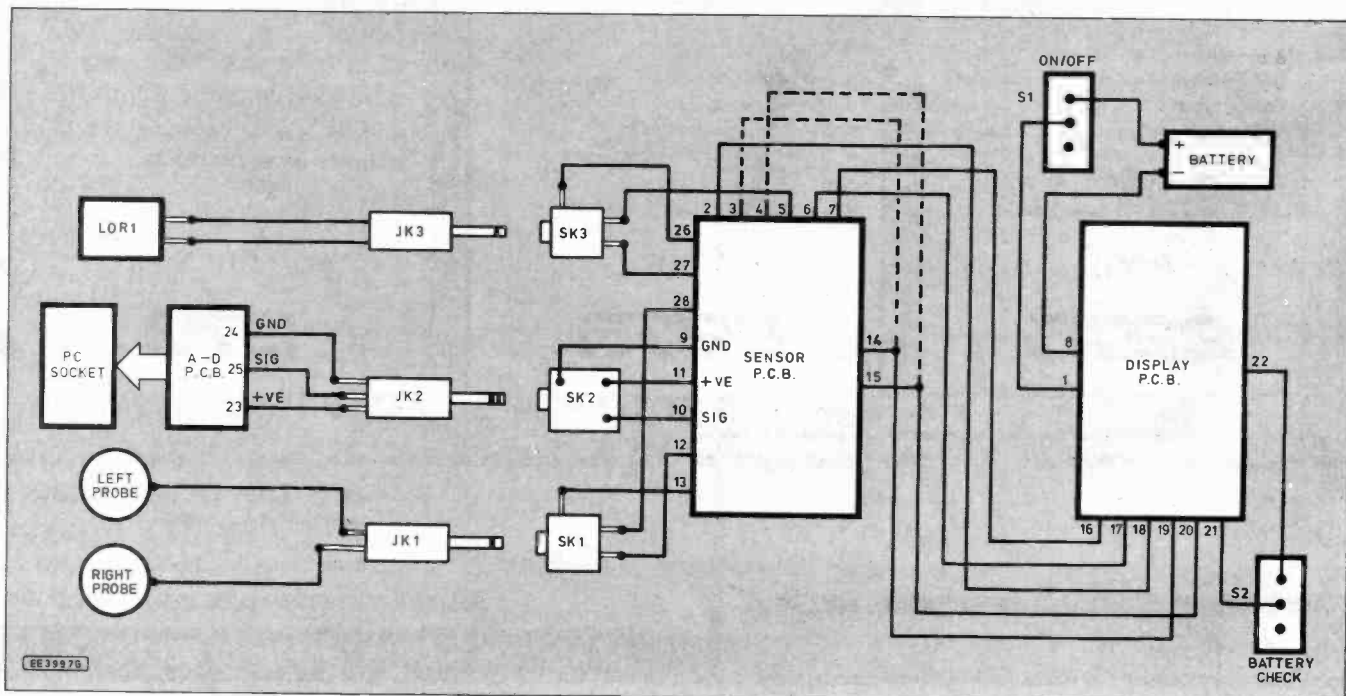


The completed display board. Note the display driver i.c. underneath the LCD.



Next Month: Details of the ADC computer interface board, setting-up and checking, software listing and using the Biomet Pulse Monitor.

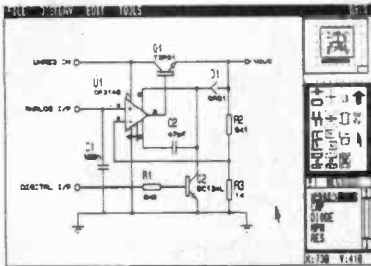
Fig. 11. Schematic wiring details. Links 3/14 and 4/15 only used if Display p.c.b. is NOT used.



EASY FAST & POWERFUL CAD SOFTWARE THAT GIVES YOU THE EDGE

ISIS - SCHEMATIC CAPTURE

Easy to use yet extremely powerful schematic entry system with all the features you need to create input for ARES or other CAD software. Now available in a super-fast 32 bit version capable of handling huge designs even on A0-sized sheets.



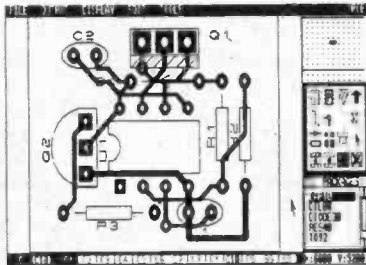
- Graphical User Interface gives exceptional ease of use - two mouse clicks will place & route a wire.
- Automatic wire routing, dot placement, label generation.
- 2D drawing capability with symbol library.
- Comprehensive device libraries.
- Heterogeneous devices (e.g. relay and coil) allowed in different places on the schematic.
- Special support for connector pins - put each pin just where you want it.
- Output to printers, plotters, Postscript.
- Export designs to DTP and WP packages.
- Netlist formats for most popular PCB & simulation software.
- Bill of Materials and Electrical Rules Check reports.
- Multi-sheet and hierarchical design support.
- Automatic annotation/packaging.
- ASCII data import database facility.

from

£275

ARES - PCB DESIGN

Advanced netlist based PCB layout software newly updated to version 2.5. Major new features include SMT library, real time snap (for those tricky SMT spacings), thermal relief power planes and enhanced autorouting.



- Graphical User Interface. Real time snap.
- Auto track necking.
- Curved, 45/90 or any angle tracks.
- Extensive through hole and SMT package libraries as standard.
- 2D drawing capability with symbol library.
- Connectivity highlight.
- Output to printers, plotters, Postscript, Gerber and NC.drill.
- Gerber View facility.
- Graphics export for DTP etc.
- Advanced netlist management with forward design modification.
- Component renumber and back-annotate to ISIS.
- Full physical and electrical design-rule checks.
- Autorouter handles single, double or multi-layer boards.
- Power plane generator.
- Strategy & DRC information loadable from ISIS.
- Gerber import utility available.

from

£275

ISIS ILLUSTRATOR

Schematic drawing for MS Windows 3.X - produces high quality schematics like you see in the magazines with your choice of line thicknesses, fill styles, fonts, colours etc. Once entered, drawings can be copied to most Windows software through the clipboard.

New version 1.10 includes library browser and export to WMF and EPS files.

just

£179

CADPAK - BUDGET PRICE CAD

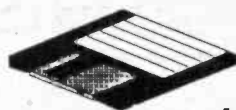
Two programs - ISIS SUPERSKETCH and PCB II - for the price of one.

CADPAK has everything you need to produce circuit diagrams and PCBs on your PC and is exceptionally easy to use. It also has many advanced features from ISIS & ARES, not normally found in entry level products.

only

£79

Labcenter
Electronics

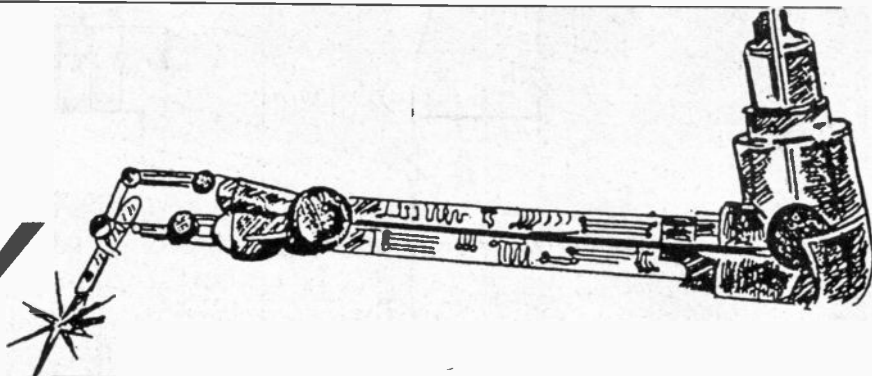


Call us today on 0274 542868 or fax 0274 481078 for a demo pack. Combination, multi-copy and educational discounts available. Prices exc P&P and VAT.

14 Marriner's Drive, Bradford, BD9 4JT.

CIRCUIT SURGERY

MIKE TOOLEY B.A.



Once again, welcome to Circuit Surgery, our regular clinic which deals with readers' problems. In this month's Surgery we shall be describing a simple L.E.D. Bargraph Indicator which can be used to measure the current supplied to a car battery. We also describe some simple methods of indicating and detecting the presence of an a.c. mains supply.

L.E.D. Bargraph Ammeter

Bill Blake has written from South Africa with an interesting request for a modified version of the bargraph meter described in Circuit Surgery for September 1992. Bill writes:

"Here in the back of beyond EPE is available but components are another story and instruments cost a King's ransom. An add-on to the bargraph meter display that would enable auto-electricians to check the charging of alternators (0 to 90A) without

disconnection would be a useful, interesting and educational article. Auto-electrics as a whole has a lot of scope not covered by any magazines that we see."

Thirteen years ago, a good friend of mine, David Whitfield, suggested that we should get together and design a range of solid-state car instruments based on a chip which had just become available, the LM3914 l.e.d. bargraph driver. The series was to include a battery condition indicator, tachometer (rev. counter), temperature gauge, dwell meter, and an ammeter.

This series gave us both a lot of fun and not a few headaches! The principal difficulty, in each case being involved with designing the circuitry and techniques used to sense the quantity being measured.

In the case of the ammeter, I decided to make use of the very small voltage drop

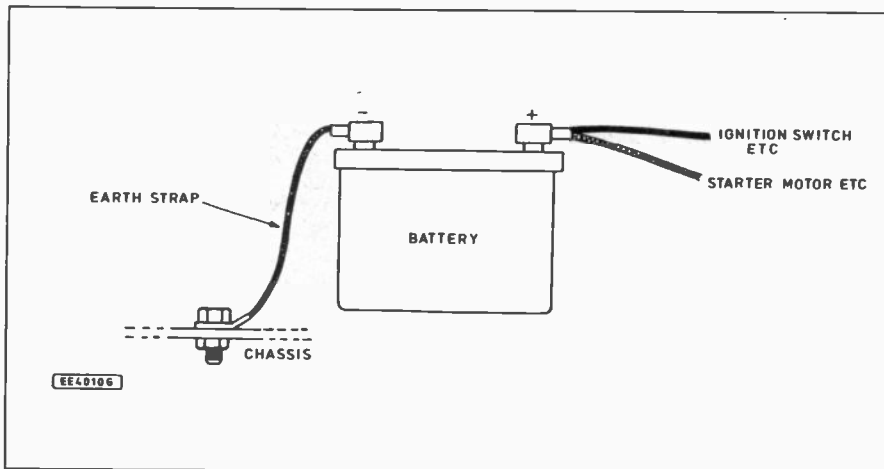


Fig. 1. Conventional car battery connections.

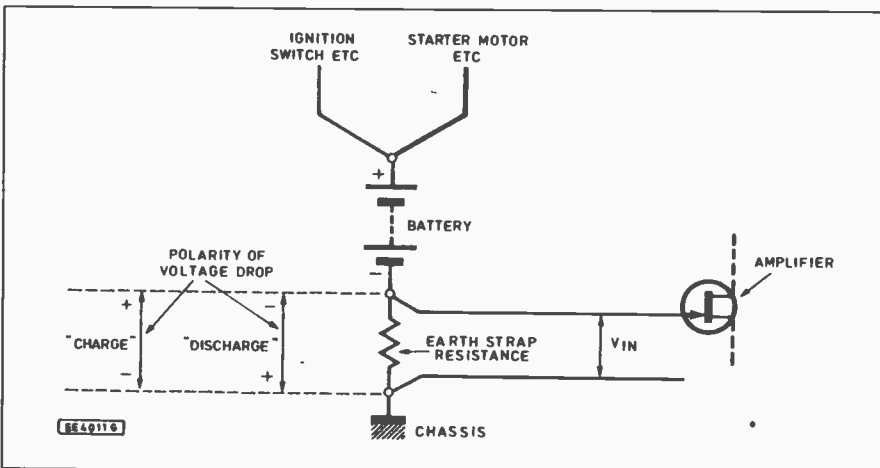


Fig. 2. Method of sensing the battery current.

COMPONENTS

Bargraph Ammeter

Resistors

R1	10k
R2	470k
R3, R4, R9	3k3 (3 off)
R5, R7	470 (2 off)
R6, R8	1k (2 off)
R10	2k2

All 0.25W 5% carbon

See
SHOP
TALK
Page

Potentiometers

VR1	4k7 miniature skeleton preset
VR2	220k miniature skeleton preset

Capacitors

C1, C2, C3	10µ elect. 16V
C4	47µ elect. 16V

Semiconductors

D1, D2	1N4148 signal diode (2 off)
D3	BZY88 C9V1 Zener diode 9.1V 500mW
D4, D15	BZY88 C5V6 Zener diode 5.6V 500mW (2 off)
D5 to D14	10-segment l.e.d. bargraph display
TR1, TR2	2N3819 n-channel field effect transistor
TR3	BFY50 npn silicon transistor
IC1	TL071 or TL081 operational amplifier
IC2	LM3914 linear bargraph driver

Miscellaneous

Small piece of 0.1in. matrix strip-board (size approx. 50mm x 70mm); plastic ABS case (to suit constructor's preference; 8-pin low-profile d.i.l. socket; 18-pin low-profile d.i.l. socket; solder/terminal pins (4 off); connecting wire; solder, etc.

Approx cost
guidance only

£11
excl. case

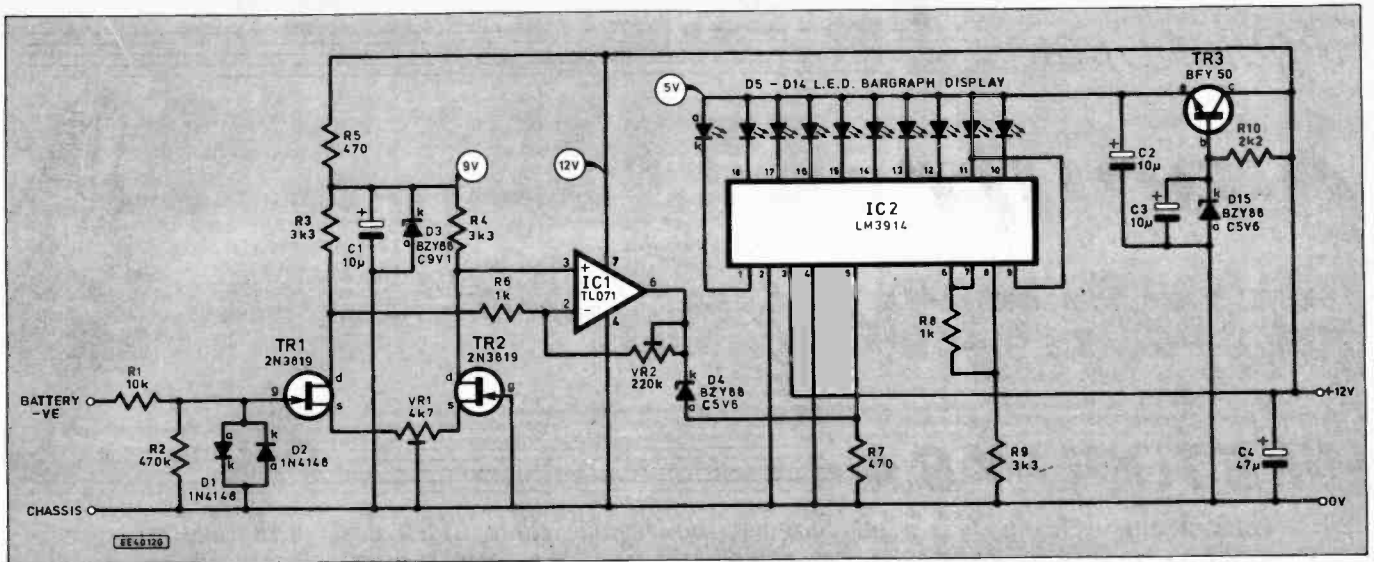


Fig. 3. Complete circuit of the L.E.D. Bargraph Ammeter.

which appears across the battery "earth strap". This connection (see Fig. 1) has a very low resistance (typically 0.002 ohm).

The voltage dropped across the earth strap resistance is directly proportional to the current flowing in it. Furthermore, the polarity of the voltage will depend upon the direction of current flow (as shown in Fig. 2). Hence it is possible to sense whether the battery is being charged or discharged.

The disadvantage of this technique is that the relatively small voltage dropped (typically 20mV for a current of 10A) will require amplification before it can be applied to the LM3914 which requires an input voltage in the range 0V to +5V.

The obvious solution is to make use of a high-gain operational amplifier. However, there is still a problem associated with the fact that the input voltage (developed across the earth strap) varies in polarity either side of 0V. This is overcome by means of a differential long-tailed pair based on two junction gate field effect transistors.

The complete circuit diagram of the L.E.D. Bargraph Ammeter is shown in Fig. 3. Diodes D1 and D2 provide input protection for the long-tailed pair formed by transistors TR1 and TR2. Preset VR1 provides a means of balancing the circuit and allows the display to be centre-zeroed.

The differential output from TR1 and TR2 is amplified by means of IC1. Preset VR2 allows the gain of this stage to be varied and this allows calibration of the ammeter. IC2 and associated components form a conventional bargraph driver arrangement.

When installed in the vehicle, VR1

should first be adjusted for a centre zero indication. Then VR2 should be adjusted for an appropriate indication as various electrical accessories are switched on. Calibration can be performed provided the power or current requirements of several items of electrical equipment are known.

If, for example, two headlights are illuminated, each rated at 60W, together with side and rear lights totalling a further 60W, the total load on the battery (engine not running) will be 120W and a current of 10A will be taken. Preset VR2 should then be adjusted to the corresponding position on the display, as required by the individual constructor.

L.E.D. mains indicator

D. Lee writes from Birkenhead:

"I would be grateful if you could advise me on how to calculate the value and component type to use so that an l.e.d. may be used as a 240V a.c. indicator."

Mr Lee has suggested the perfectly

functional circuit shown in Fig. 4. It is possible to use either a capacitor or a resistor in this circuit but, in either case, the component *must* be appropriately rated.

The l.e.d. will require an average current of around 7.5mA for a reasonably bright indication. This current can be achieved by means of a capacitor of 100nF or a 33 kilohm resistor when connected to a 240V 50Hz a.c. supply.

It is important to note that the capacitor should be rated for *continuous* mains operation (240V a.c.) whilst the resistor should be rated at 2W, or greater (note that a 2W resistor will run warm). To avoid the problems associated with heat dissipation, a capacitor is recommended in this circuit.

Mr Lee has also asked for some details of circuitry which can be used to sense the presence of a mains supply and provide a standard logic-compatible signal for a microcomputer. Fig. 5 shows a simple solution to this problem in which an opto-isolator is used to provide a very high degree of electrical isolation between the mains and the logic circuitry.

The output of the circuit is approximately 5V (logic 1) when the mains is off and 0V (logic 0) when the mains is on. Almost any opto-isolator can be used in this circuit.

Thanks

Finally, my sincere thanks to F. W. Yeates for sending me a genuine "red spot" transistor. I had almost forgotten what these looked like!

Next month: We show how a standard 74LS00 quad NAND gate can be configured to produce all of the other logical functions. We also offer some advice concerning the selection and use of batteries. For good measure, we also hope to take a peek (pun intended) at the increasingly popular *All Formats Computer Fairs* which never fail to provide a host of bargains for would-be experimenters!

In the meantime, if you have any comments or suggestions for inclusion in *Circuit Surgery*, please drop me a line at: Faculty of Technology, Brooklands College, Heath Road, Weybridge, Surrey, KT13 8TT. Please note that I *cannot* undertake to reply to individual queries from readers however I will do my best to answer all questions from readers through the medium of this column.

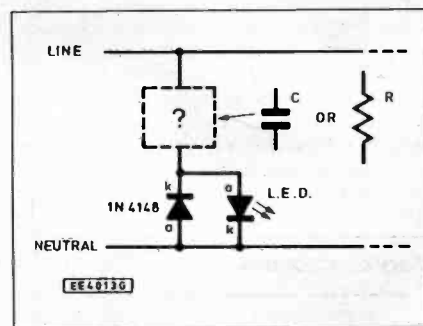


Fig. 4. Mr Lee's l.e.d. mains indicator circuit.

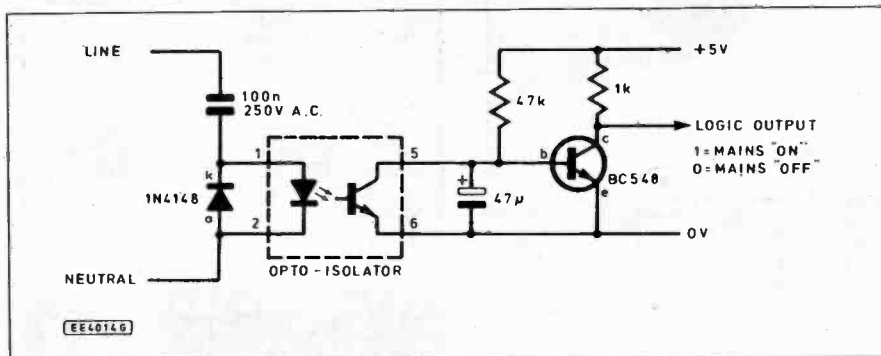


Fig. 5. Simple mains sensor based on an opto-isolator.

Teach-In '93

with Alan Winstanley
and Keith Dye B.Eng(Tech)AMIEE

Part 4

Teach-In '93 continues a tradition of offering an interesting and thorough tutorial series aimed specifically at the novice or complete beginner in electronics. The series is designed to support those undertaking either GCSE Electronics or GCE Advanced Levels.

SO FAR, we have examined the operation of a number of electronic components which behave in a certain way, often having certain unique characteristics. An "active" component has a degree of "intelligence" – like a transistor or an op-amp, which we can control and use at the heart of a process to modify signals. Conversely a "passive" component – like a resistor or a capacitor – has characteristics which cannot change.

ELECTRONIC SYSTEMS

A very simple system is illustrated in the block diagram of Fig. 4.1. In fact you have already constructed several systems on your *Mini Lab* – like the simple Thyristor Burglar Alarm system detailed last month. The input could be an alarm signal from the normally-closed protection loop: the process consists of the thyristor which, when triggered by the input, "latches" in an alarm condition. The output device could be a light-emitting diode or the *Mini Lab* buzzer.

Similarly the *Mini Lab* L.E.D. Voltmeter you constructed in Part Two is a *voltage-measuring system* which can readily be divided into simple building blocks, summarised like this:

SYSTEM PURPOSE:

To enable a voltage level to be measured and displayed clearly.

BUILDING BLOCKS:	FUNCTION WITHIN THE SYSTEM:	SUB-SYSTEM CONTENTS:
Input	Monitors the input voltage level	Range selector & Potential Dividers
Process	Measures the input voltage	LM3914 integrated circuits
Output	Displays the measured voltage	20 light-emitting diode scale

It is useful when designing or interpreting electronic circuits to split them into simple building blocks or "black boxes" which perform certain tasks within the system. It is then often easier to think about a block or "sub-system" rather than a number of components inside it. The lines which you

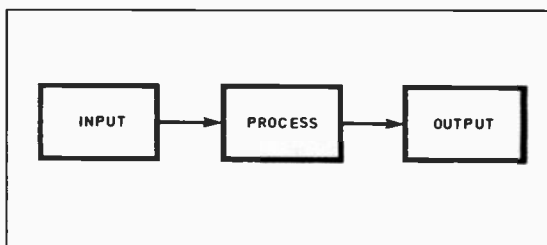


Fig. 4.1 Block diagram of a simple system. The lines connecting the blocks represent flows of information rather than electric current.

draw to interconnect the sub-systems of your Systems Diagram then represent a *transfer of information* rather than an actual current flowing through components. This is different to the lines we draw in circuit diagrams, which of course represent *conductors* connecting the circuit together.

Designing the system then becomes a matter of specifying the individual sub-systems, ensuring that the information which passes from one block to the next is in a suitable form which the subsequent sub-system can recognise. Ensuring that the information which is generated by one building block is compatible with the input requirements of the next, is called *interfacing*. We deal with other forms of interfaces in future topics.

TRANSDUCERS

A transducer is simply a device which converts one form of energy into another. An *input transducer* has a mechanical (i.e. non-electrical) input and is used to generate an *electrical output* which we can utilise as the input stage of a system. In other words, they convert physical forms such as heat, light, pressure or sound into an electrical signal. Input transducers often need additional electronic components to do this. Fig. 4.2 illustrates the appearance of some input transducers.

Looking at the other end of our system, an *output transducer* converts an electrical signal into a non-electrical form, such as light, sound or motion. You will recognise some output transducers shown in Fig. 4.3.

A method of using an input transducer to measure light levels is shown in Fig. 4.4(a). R1 is a pull-up resistor (see Part One) and R2 is a light-dependent resistor (l.d.r.), sometimes called a photo-conductive cell. Do you recognise the circuit as a potential divider?

Obtain a suitable l.d.r. such as the popular ORP12 type and then assemble this simple circuit on your *Mini Lab* breadboard, connecting to the Power Supply section as shown in Fig. 4.4(b). Note how one of the filament bulbs is used as a light source, and the +12V voltage supply is the supply rail for the transducer circuit.

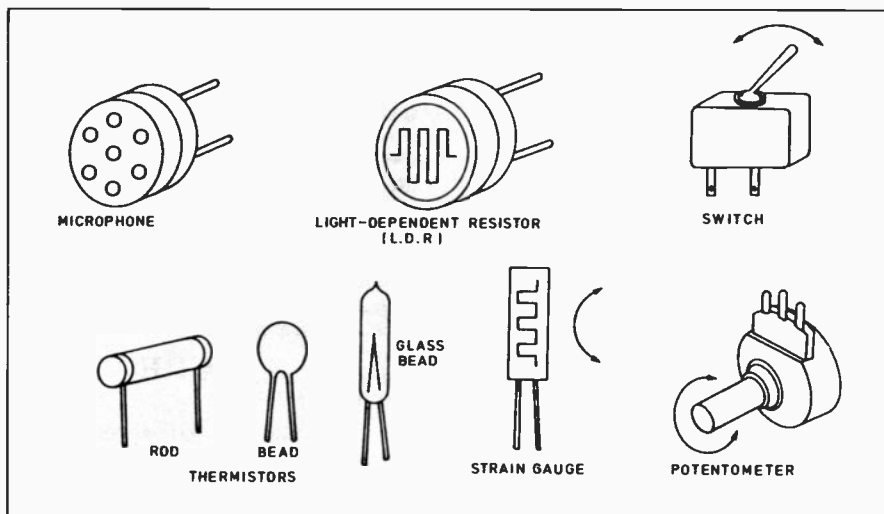


Fig. 4.2. Illustrating a selection of input transducers.

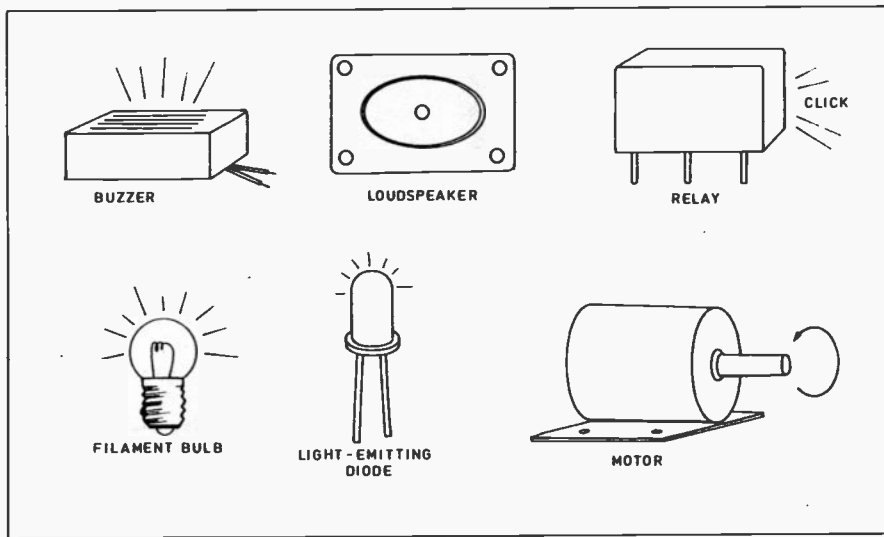


Fig. 4.3. A range of output transducers.

Position the l.d.r. so that it is pointing at the bulb. The L.E.D. Voltmeter is set for 5V f.s.d. and is connected to the junction of R1 and R2. (There's no need to hook up the 0V terminal of the voltmeter because this connection is always ready-made to 0V by the *Mini Lab* p.c.b.) Finally, switch on the Transformer Unit followed by the +5V and +12V rails. A small piece of cardboard is required next: place the cardboard in between the l.d.r. and the bulb - what happens to the voltmeter reading? Move the cardboard

Potential Divider action, so the voltage is seen to fall. Conversely when the l.d.r. is obscured, its resistance will rise, pushing the measured voltage towards the +12V rail.

LIGHT SENSITIVE UNIT

This simple technique forms the basis of a *light-sensitive* unit which is capable of converting ambient light levels into information in the form of a varying voltage. The output of the unit is taken from the junction of R1 and R2 as shown in Fig. 4.4(c).

their action, we recommend purchasing a budget-price bead or rod device, *not* a glass bead variety. Often, catalogues specify the resistance of the thermistor at 25 degrees C, so purchase one which is rated at roughly 5k at 25 degrees. Any general-purpose thermistor costing well under £1 will suffice.

The schematic symbol for a thermistor is detailed in Fig. 4.5(a). See if you can use the *Mini Lab* yourself to build this demonstration circuit in the same way as the light-sensitive unit described earlier. Simply connect the thermistor and fixed resistor across the +12V rail, mounting both devices on the breadboard. Don't forget to switch on the +5V supply for the L.E.D. Voltmeter.

Monitor the voltmeter reading and note down your reading below. Then hold the thermistor between finger and thumb in order to warm it up. What happens to the output voltage? The change won't be as dramatic as that of the l.d.r.!

Fig. 4.5(a)

L.E.D. VOLTMETER READING (VOLTS)

Thermistor at ambient room temperature

Thermistor warmed up between finger & thumb

We see how the output voltage *reduces* in this circuit when the temperature of the thermistor *increases*. This means that the thermistor's resistance falls when its

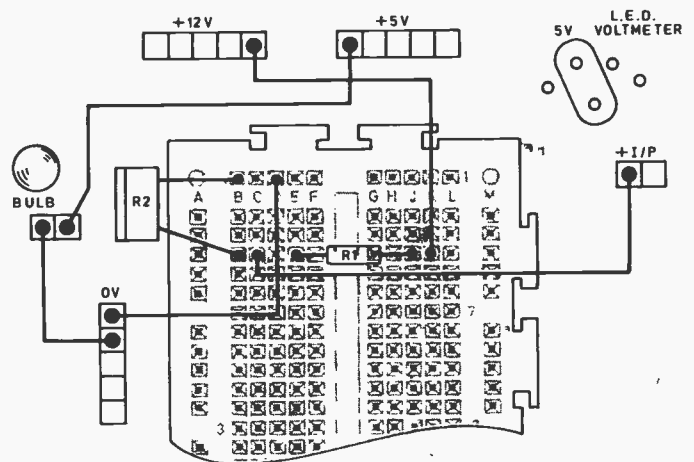
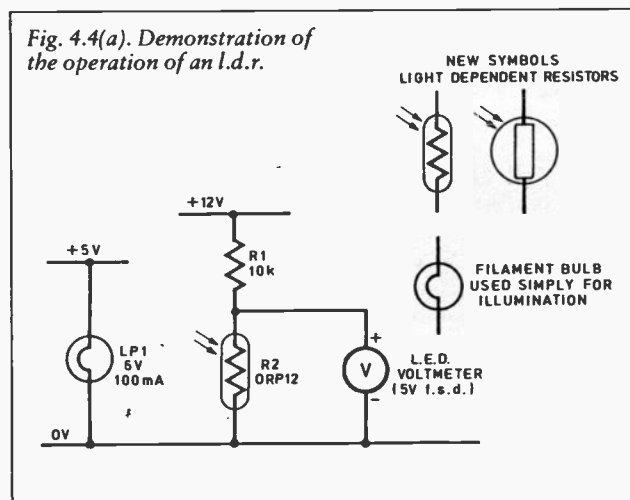


Fig. 4.4(b). Mini Lab connection for the l.d.r. demonstration. The 0V sockets near R2 are new: see constructional details.

around and observe the l.e.d. scale, and record your readings below.

Fig. 4.4(a)

L.E.D. VOLTMETER READING (VOLTS)

Cardboard in position (l.d.r. darkened)

Cardboard removed (l.d.r. illuminated)

Clearly, the voltage at the junction of R1 and R2 is *higher* when the l.d.r. is darkened, and when the card is removed, the l.d.r. is exposed to light and the measured voltage *reduces*. Can you work out what is happening to the resistance of the light-dependent resistor when the light level changes?

When the light falling on the l.d.r. *increases*, its resistance *decreases*. This causes the junction of R1 and R2 to be moved towards the 0V rail because of

If however we require a reverse effect, such that the output voltage *rises* when the light level increases, then the circuit of 4.4(d) could be used. The l.d.r. and resistor (now a "pull-down" resistor) are transposed. Build this on your *Mini Lab* and prove it.

A typical light-dependent resistor like the ORP12 may have a resistance of only 1 to 2k or less in bright light, possibly increasing to several megohms in total darkness (check it with the resistance range of your multimeter). Those who are mathematically inclined might thus be able to *calculate* the output voltages using the Potential Divider formula from Part One.

TEMPERATURE SENSOR

A thermistor is a temperature-sensitive resistor. Several different shapes and sizes are available including the relatively cheap and durable rod and bead types, as shown earlier in Fig. 4.2. In order to demonstrate

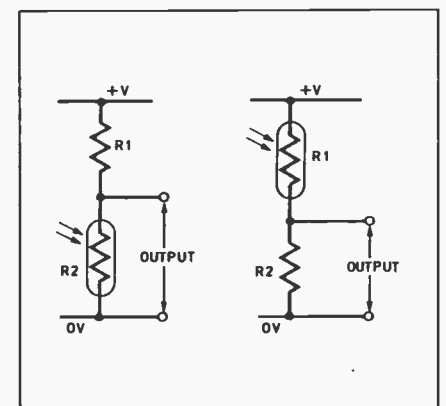


Fig. 4.4(c). (left) The output falls when the light level upon R2 rises. (right) Output rises when the light level rises.

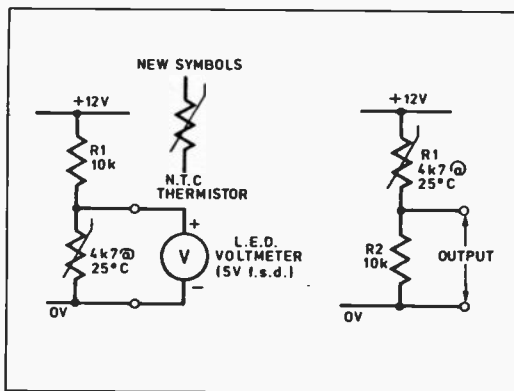


Fig. 4.5(a) (left) Thermistor demonstration circuit. (b) (right) Output rises when the thermistor temperature increases.

temperature rises – just like the l.d.r.'s resistance drops when the light level rises. The reverse effect will be observed if you assemble Fig. 4.5(b) on your *Mini Lab*.

The problem with these basic thermistors is that they can't respond instantly to temperature changes. You will have noticed that the reading on the L.E.D. Voltmeter doesn't really change much when the thermistor is warmed up, so the transducer is not particularly sensitive. Glass bead thermistors are more delicate than rod or bead types but respond much more quickly to temperature movements. And so they should – they cost ten times more!

Because the thermistor's resistance drops when the surrounding temperature rises, we say that it has a *negative temperature co-efficient*, abbreviated to *n.t.c. thermistor*. This characterises the most common types of thermistor, though positive temperature co-efficient (*p.t.c.*) thermistors are sometimes available too: they work in reverse.

TRANSISTOR SYSTEMS

We have now described two input units which utilise input transducers to respond to changes in ambient conditions: light levels and temperature. To make use of them, it's necessary to *interpret* the information they provide in the form of a varying voltage – i.e. an analogue signal – and process this information using a system, more of which shortly.

In 1948, three Americans (Bardeen, Brattain and – appropriately – Shockley) perfected a new component called a "transfer resistor" which was to totally change the face of electronics. It became known as the **Transistor**. It is a founder member of the class of semiconductors, and its purpose in life is extremely simple: when you feed it with a suitable small electrical signal, the transistor causes a larger "wiggle" to appear elsewhere in a higher voltage circuit. So in effect it *amplifies* small signals by making a larger voltage wiggle in sympathy.

In fact we will take a look at the amplifying characteristics of the transistor later on. Take a look at Fig. 4.6(a) which shows a transistor in a very simple circuit. TR1 is an *npn* transistor, type ZTX300 – a very cheap and common device which you can purchase from any electronics retailer. Buy some! Transistors come in two flavours – *npn* or *pnp*. Think of them as negative-positive-negative (*npn*) or vice-versa for *pnp* types. We'll be concentrating on the *npn* variety, because they're easier to understand and more popular.

As you can see from the circuit diagram, the transistor has three terminals: emitter, base and collector. Which one is which is clearly identified in the diagram, where we annotate each terminal with "e", "b" or "c" respectively. Firstly, you can see we have connected the emitter directly to 0V – that's O.K. because the arrowhead in the *npn* transistor symbol tells you that current can only flow out of the emitter (to 0V in this case), not into it. A bulb, LP1, is connected as a load between the collector terminal and the +5V supply.

remember that layout diagrams, where given, show an aerial (bird's eye) view of all components, including transistors. It is also common practice to show the underside view of transistor packages separately, so it is impossible (theoretically) to confuse the lead-outs. But we've all done it!

TRANSISTOR SWITCHES

In its simplest form, the transistor can be made to act as a *solid state switch* which, like a normal mechanical switch, is either on or off. When you are happy that everything is correctly and soundly constructed, switch on the 5V power supply – rotate VR1 to and fro – what happens to the bulb?

Your ZTX300 transistor is currently wired on the *Mini Lab* as a switch which can be made to drive a filament bulb. Now connect the +I/P terminal of the L.E.D. Voltmeter (2.5V f.s.d.) to the *base terminal* of TR1 on the breadboard. Rotate VR1 as before, watching the bulb dim or glow accordingly. What do you notice on the voltmeter?

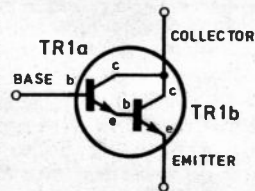
The bulb will *not* illuminate when the voltage at the base of the transistor is much less than roughly 0.7V. The base-

THE DARLINGTON TRANSISTOR

These semiconductor devices contain two transistors TR1a and TR1b in one package, interconnected as represented by their schematic symbol, see below. Thus TR1a provides the base current for TR1b. If the gain of each transistor is say 100, then the base current for TR1a is only 1/100th of its collector current; however this same collector current also forms the base current for TR1b and is only 1/100th of TR1b collector current.

The effect is that the gain of the *overall package* is equal to the h_{FE} of TR1a multiplied by that of TR1b – so the h_{FE} of this *npn* Darlington transistor TR1 would be **10,000**. This is much higher than the transistors we have utilised so far. It would also be possible to construct an equivalent circuit using two individual transistors like the ZTX300, but the combined package is clearly more convenient.

The other major difference is that there are *two* base-emitter junctions within the Darlington transistor, which means that the base must be about **1.4V** more positive than the emitter for the Darlington to conduct. Have a look in the Transistor Data section of a good catalogue and compare the h_{FE} ratings yourself against other types.



Finally, VR1 is a 4k7 preset wired across the 5V supply, its wiper connected through resistor R1 to the base terminal of TR1. You should now assemble this circuit on your *Mini Lab* in accordance with Fig. 4.6(b). Follow this diagram closely to ensure that you connect your transistor the right way round. We also show the underside view of the ZTX300 transistor, to help you orientate the leads.

In our experience, the biggest source of disappointment when studying electronics arises through wrongly connected transistors. They will only *function* correctly when they are *connected* correctly. You should

emitter junction of the transistor actually behaves like a diode. Remember that a silicon diode has to be forward-biased by 0.7V before it conducts. Likewise an *npn* transistor requires the base terminal to be 0.7V more positive than the emitter before current will flow through the transistor.

Rotating VR1 varies the voltage at TR1 base terminal and when it finally reaches 0.7V, current is then able to flow from collector to emitter, completing the circuit to the bulb which illuminates. This might not appear to be of much use, especially when there are simple mechanical switches which do the same job. However the transistor

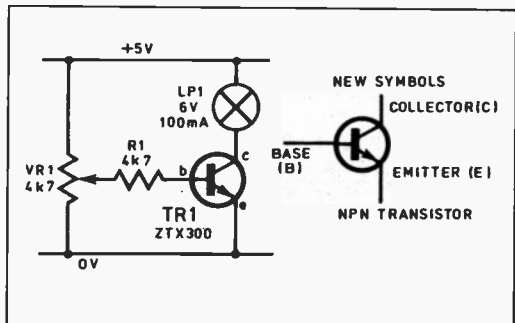


Fig. 4.6(a). Basic function of the npn transistor.

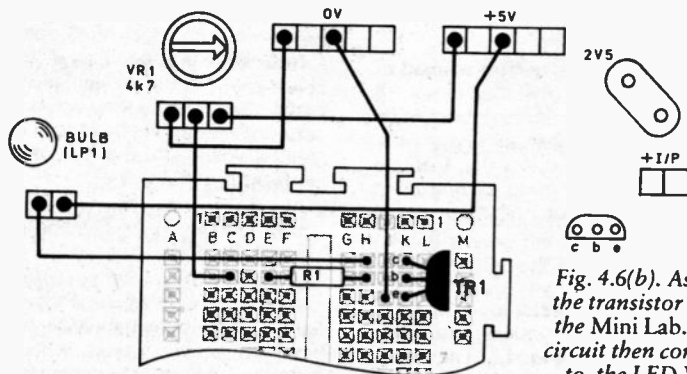


Fig. 4.6(b). Assembly of the transistor circuit on the *Mini Lab*. Build this circuit then connect TR1 to the LED Voltmeter.

has characteristics which enable them to process information provided by an input system, such as the light-sensing unit described earlier.

GAIN

For instance, transistors have an amplifying characteristic called *gain*. It is given the symbol h_{FE} and is determined by the formula:

$$h_{FE} = I_c / I_b$$

where I_c is the collector current and I_b is the base current.

In Fig. 4.6(a), the base current will be that flowing through the base resistor R1, whilst the collector current will be the current flowing through the bulb into TR1 collector terminal. Then both the base and the collector currents combine within the transistor and flow out of the emitter to become the *emitter current*. In fact, the base current is so small in comparison that we often ignore the fact that it's included with the much larger emitter current.

The h_{FE} parameter for our ZTX300 transistor is stated in the supplier's data to be about 150 when the collector current is 10mA. This means that if a collector current (I_c) of 10mA is flowing, then the base current (I_b) is only 150th of this – roughly 60 microamps. So only a small current is needed to flow into the base terminal for a larger current ($I_b \times h_{FE}$) to flow as collector current. The simple transistor switch used in Fig. 4.6(a) is therefore a current amplifier.

Let's analyse this circuit a little more. By rotating VR1 we are controlling the voltage at TR1 base. R1 is included as a precaution so that when VR1 is moved round to the +5V rail, the base current is limited to a safe value to prevent damage. The collector current we require in our transistor switch is 100mA, so the base current required is about 150th of this – 0.7mA roughly. (It's not necessary to be precise.)

Transistor TR1 will only switch on when the base is at 0.7V with respect to the emitter (itself at 0V here). So to turn on TR1, the base resistance has to waste $5V - 0.7V = 4.3V$. The required base current is 0.7mA, so we can easily work out the value of the base resistor using Ohm's Law:

$$R_b = 4.3 / 0.7\text{mA} = 6.1\text{k}$$

In fact, h_{FE} is not really a reliable specification, because it can vary enormously between individual transistors. Manufacturers often quote a *spread* of h_{FE} such as 100-500, or specify an h_{FE} at a particular collector current. You might observe that the bulb can be made to glow *dimly* but is only fully on once the base is at 0.7V or so. When we use transistors as simple "on-off" switches, it's best to ensure that they do indeed turn the load hard on, by allowing more base current to flow than the calculation for R_b above might suggest.

SATURATION

Hence we used a 4.7k resistor instead of 6.1k for R1 which ensures that plenty of base current flows when VR1 is set at +5V (but not so much as to damage the transistor). This is a safe way of ensuring that the transistor is hard on. The term *saturation* is used to describe a transistor which is turned fully on and which can't turn on any more. (Under these circumstances, the collector is almost at 0V and so the "saturation voltage" between emitter and collector is almost nil.)

Some of the most popular transistor packages are shown in Fig. 4.7. There's an endless list of transistors available in both

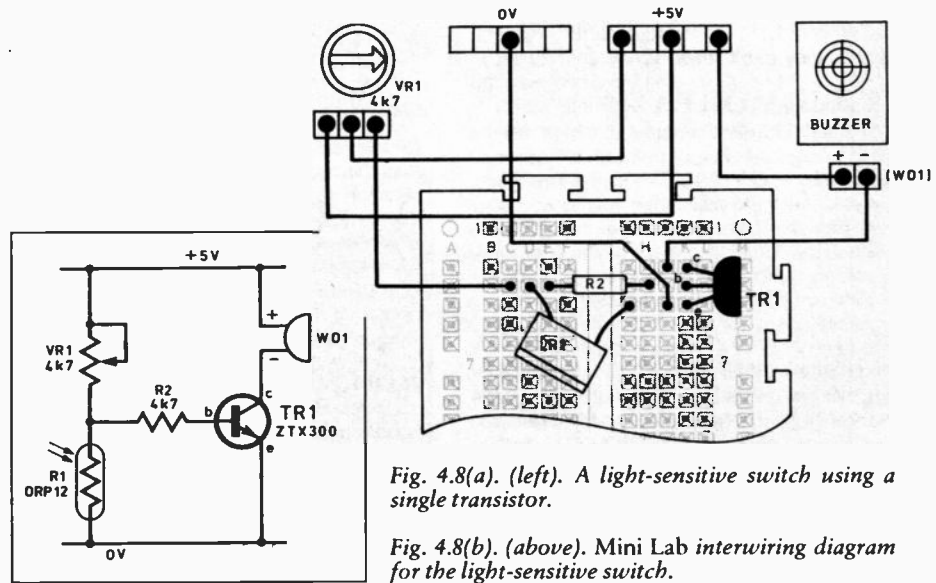
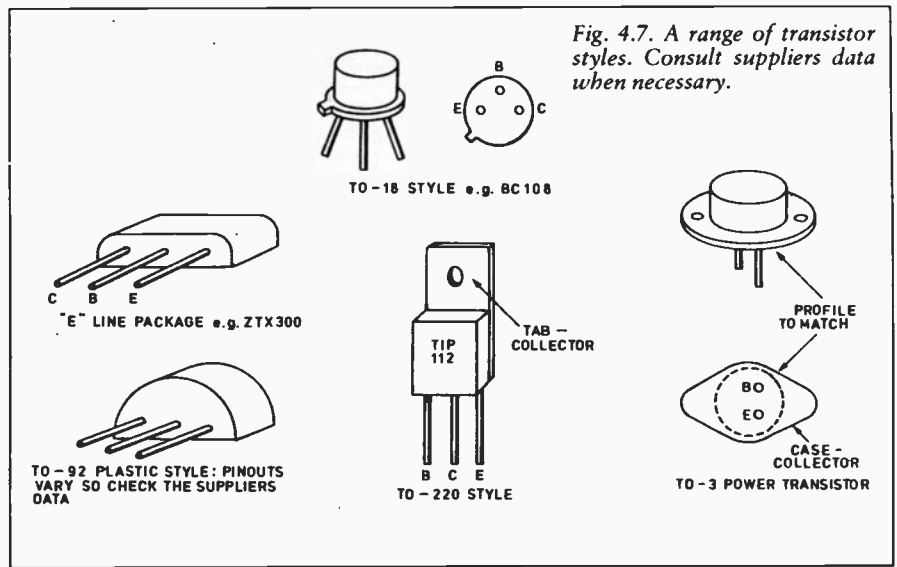


Fig. 4.8(a). (left). A light-sensitive switch using a single transistor.

Fig. 4.8(b). (above). Mini Lab interwiring diagram for the light-sensitive switch.

flavours; they all have individual and unique code numbers such as 2N3055, BC108, BD534 – or ZTX300. They are also made in a variety of sizes and shapes and although they might look different, or have different part numbers, you can often find a *substitute* for a particular transistor which will have the same characteristics and which will probably work successfully in your circuit.

ELECTRONIC SWITCH

You have now constructed your first *solid state switch* which can form the heart of a simple process capable of utilising any of the sensing units described earlier. Fig. 4.8 is the circuit diagram for a complete *light-sensitive switch* which uses an l.d.r. to detect ambient light and operate a buzzer at a certain level. Can you predict how the buzzer responds to bright light or to darkness?

Now assemble this circuit on the breadboard using the +5V rail, as shown in Fig. 4.8(b). The buzzer replaces the bulb in the collector circuit, and you should ensure that both the buzzer and the transistor are orientated correctly. Set VR1 to midway then switch on, and the buzzer may or may not sound. Illuminating the l.d.r. with a torch (or one of the *Mini Lab* bulbs) should silence it – experiment by adjusting VR1 as necessary.

How does it work? VR1 and R1 form a light-sensitive potential divider, the action of which we proved earlier. When R1 is subjected to a beam of light, its resistance falls

dramatically and this prevents the base of TR1 from reaching 0.7V, so the buzzer is silenced. When R1 is darkened, its resistance increases which pushes the base towards the +5V rail – so when it reaches 0.7V, the transistor will switch on and drive the buzzer. Can you think of any applications – perhaps a light-beam burglar alarm, or a "People Counter" at a turnstile?

The diagram of Fig. 4.9 is a similar circuit except the light-sensing unit is reversed. Also, a relay is used instead of the buzzer. Note how a back-e.m.f. protection diode D1 is necessary across the relay coil – this prevents the relay from damaging the transistor when it switches off – see Part Two. The diode should now already be built into the *Mini Lab* so you must connect the relay coil the right way round: a reverse connection might damage the transistor and the diode.

To refresh your memory on relay operation, we added a bulb which is switched by the normally-open contacts RLA1. Now, when torchlight falls onto R1, its resistance reduces and this causes the base voltage to rise – when it reaches 0.7V, TR1 turns on which completes the circuit to the relay. The contacts RLA1 closes and the bulb lights.

Check out the operation of this circuit after building it yourself on the *Mini Lab*, adjusting VR1 as required: it functions in reverse to the circuit of Fig. 4.8. You will increasingly find that we will not always show a *Mini Lab* layout diagram – you should by

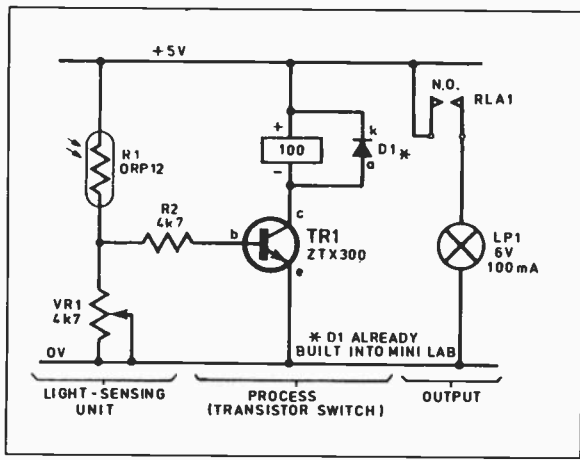


Fig. 4.9. Light-operated switch system.

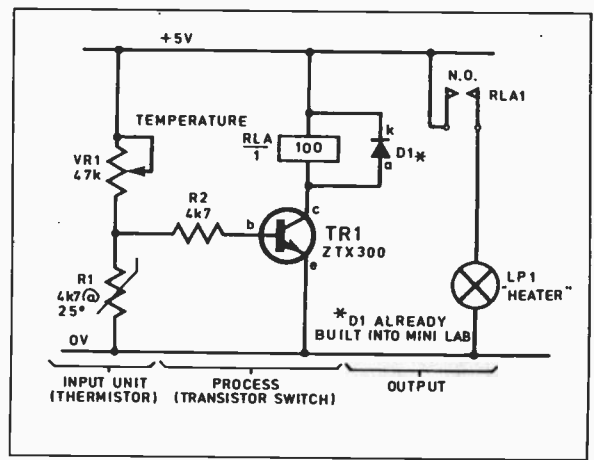


Fig. 4.10. An electronic thermostatic system.

now be able to work out the simple arrangements yourself, just referring to the circuit diagram. We will, of course, give you all the connection data you need to construct the circuit successfully.

THERMOSTAT

A very simple thermostat which uses a thermistor-based input unit with a 47k preset is shown in Fig. 4.10. When the thermistor cools down, its resistance increases which pushes the base towards +5V. TR1 will switch on when the base voltage reaches 0.7V. Imagine the bulb as a heater in the same room as the thermostat: it will turn on automatically when the thermistor has cooled down to a level determined by VR1. Then the "heater" will switch on and warm up the room and the thermistor, the resistance of which now lowers until eventually

where temperature is fed back to the thermistor input system, which is always "looking for" the desired temperature level at which point it will operate the heater accordingly. We investigate other forms of feedback in Part Five, when we look at analogue processing systems in greater depth.

This very basic circuit would require some further refinement to turn it into a truly practical thermostat. The main problems are the lack of sensitivity plus the slow transition times between the "on" and "off" states, which result in relay arcing and interference for several seconds when the relay switches. For best results, what's needed is a true "snap-action" circuit such as the *Schmitt Trigger* which we look at next month.

EMITTER FOLLOWER

Up to now, our simple transistor systems have used a transistor with the emitter grounded to 0V. Fig. 4.11 illustrates another useful configuration called the emitter follower. Here, the collector of TR1, an npn transistor, is connected to the positive supply whilst the emitter is now connected through an emitter resistor R1 to ground. As the emitter voltage is always 0.7V below the base voltage ($V_e = V_b - 0.7V$) then the emitter will simply follow the changes in the base voltage.

The emitter follower circuit has a higher input impedance (refer to the separate section on Impedance) than the output impedance, so this type of circuit is often used to match a system which has a high output impedance to a load which has a low input impedance. Refer to Part One and the section on "Potential Dividers" and the "Ten Per Cent Rule" for an explanation of these loading effects. This impedance-matching necessity is often called buffering a signal. For example, an input transducer

which has a high output impedance needs a low impedance (buffer) to drive a load impedance which could perhaps be the input stage of a hi-fi amplifier. The voltage across this load ($=V_e$) is nearly the same as the source output ($=V_b$) which appears across the 10k source impedance. Given that $V_e = V_b - 0.7V$, there's only a base-emitter drop of 0.7V difference between the source and load voltages.

However, a larger current flows in the emitter resistor R1 because it has a lower resistance than the source impedance. Thus, the voltage across the load is roughly equal to the voltage across the source, but a larger current is flowing. An emitter follower amplifies current, not voltage.

The formula

$$Z_{in} = (h_{FE} + 1) \cdot R_e = h_{FE} \cdot R_e \text{ (approximately)}$$

calculates the degree of buffering, and is the input impedance of the emitter follower transistor. A ZTX300 has an h_{FE} of roughly 150, so the input impedance of this stage would be 150k – so it won't load the source impedance of 10k. You can perhaps see how the impedance of the source is buffered so that it won't be shunted by the load: this helps to avoid any distortion or degeneration of the signal.

BIASING

The previous example of an emitter follower driven by a signal source will only work when the signal is positive with respect to ground. For a signal below 0.7V, the transistor will be turned off and so the output of the emitter follower will be at 0V, being pulled down by the emitter resistor.

A sine wave signal is shown in Fig. 4.13 where the input signal applied to an emitter

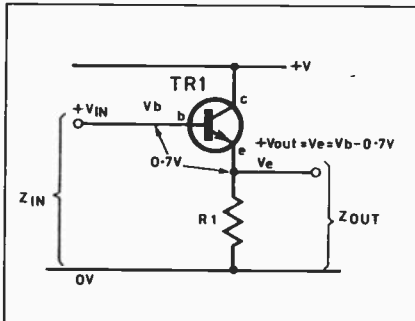


Fig. 4.11. Emitter follower transistor configuration. Also refer to the section on "Impedance".

TR1 and the "heater" turn off again. The circuit will cycle like this automatically, maintaining a temperature which can be controlled by adjusting VR1.

Go ahead and build this on the *Mini Lab* if you wish, but you will probably find that with the rod or bead thermistor used earlier, it is quite slow and insensitive in action. The only useful way of demonstrating its operation is to alternately spray the thermistor bead with a freezer aerosol, then warm it up between finger and thumb. The bulb switches on when R1 is cold, and switches off when it's warmed. You could reverse this action by transposing VR1 and R1, or by using the normally-closed contacts of RLA instead.

This automatic thermostat utilises the principle of feedback. The processing subsystem (TR1) demands information (feedback) so that it senses when the room is warm enough, in order that it can turn the heater off. Without this "knowledge", the heater would simply keep burning away uncontrollably. Feedback is an essential element in any control system such as this,

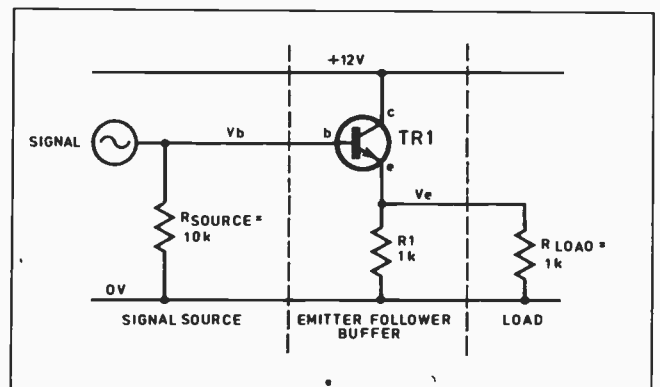


Fig. 4.12. Using an npn transistor as a buffer to prevent excessive loading of a signal.

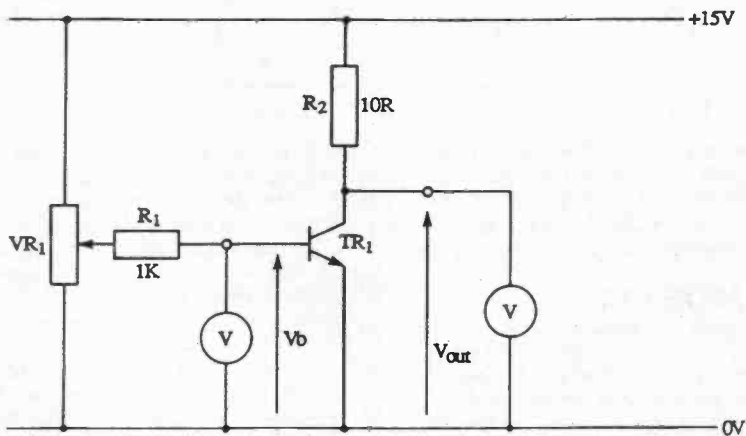
TEACH-IN GCSE QUESTIONS

A question from a past paper to test candidates' understanding of simple transistor systems, and offering more welcome mock-exam practice.

QUESTION © THE WELSH JOINT EDUCATION COMMITTEE

This question is taken from the GCSE Electronics Paper 2 Examination 1990, and is reproduced by kind permission of the Welsh Joint Education Committee. The answer is the work of the authors and may not represent the only possible solution.

The test circuit shown below was set up to investigate how a transistor behaves.



Complete the following sentences by filling in the gaps.

When a small current flows into the base of the transistor, the voltage at the base will be volts. A much larger will then flow into the terminal. All the current flows of the third terminal which is called the

With no base current flowing, the transistor will be switched and the output voltage V_{out} will be A large base current causes the transistor circuit to be which means that the transistor is fully The output voltage would then be almost

The base current and collector current were measured. The base current was 50 mA and the collector current was 1 A. This gives us a h_{FE} value of for the transistor.

follower is symmetrical around the 0V rail. The output voltage seen at the emitter will contain only the positive half of the sine wave, because the transistor cannot conduct when the base-emitter junction is reverse biased (i.e. when the emitter is more positive than the base). The output signal is said to have been clipped. (In fact transistors are damaged if the base-emitter junction is reverse biased by more than a few volts.)

To "see" the negative half of the sine wave signal at the emitter, we need to bias the input d.c. conditions to about halfway between the supply rails, as shown in the practical emitter follower of Fig. 4.14. The a.c. input signal is now level-shifted and can be seen at the buffer output (TR1 emitter) in its full glory! Let's examine this important circuit more closely.

If R_1 equals R_2 in value, then the voltage at TR1 base must be held firmly at +6V. The emitter will therefore be 0.7V less than this, i.e. 5.3V. Now there is room for both positive and negative voltage changes to be seen across the emitter resistor R_3 and the output voltage can now swing from a centre value of 5.3V. In fact the sine wave could be up to 10.6V peak-to-peak before clipping occurred. Work out why.

The values of R_1 and R_2 have to be chosen to hold the base at the required voltage whilst enabling the input to pull the base voltage up and down. If the resistors are too low in value then they will load the signal source undesirably – a case of mismatched impedances again. A rule of thumb is to set the impedance of the two resistors in parallel, to 1/10th the input impedance of the emitter follower stage. Using the formula $Z_{in} = h_{FE} R_e$ (see earlier), the input impedance is about 560k assuming an h_{FE} of 100. So the impedance of R_1 in parallel with R_2 should be about 1/10th of this or 56k.

Capacitor C_1 performs an important function: it couples the a.c. sine wave signal from the signal source to the emitter follower without upsetting the d.c. bias network of R_1 and R_2 . The capacitor blocks d.c. voltages but allows a.c. signals to pass through. The effectiveness of such a circuit is demonstrated in the next experiment.

The next section requires the use of the Mini Lab 8038 Signal Generator which is described in the constructional section of this issue. Access to an oscilloscope is also helpful for part of the demonstration.

EMITTER FOLLOWER EXERCISE

As an exercise, construct the simple emitter follower circuit of Fig. 4.14 utilising a general-purpose npn transistor such as the ZTX300. Try to work out the simple layout yourself, referring to the ZTX300 pin-outs given earlier. Use the +12V power supply, and also connect the Signal Generator Sine output to C_1 on the breadboard with a link wire. PLEASE NOTE: the Signal Generator could be damaged if the Sine or Triangle outputs are accidentally shorted to 0V for any length of time. Remember that all the 0V rails of the Mini Lab modules are interconnected, so strictly speaking all you need is one 0V connection to the circuit built on the breadboard.

Your oscilloscope should be set on a d.c. range, with its 0V input being connected with a test lead to the 0V rail of the Mini Lab. Switch on the +12V rail to power the circuit and Signal Generator, and use the C.R.O. to monitor the sine wave output of

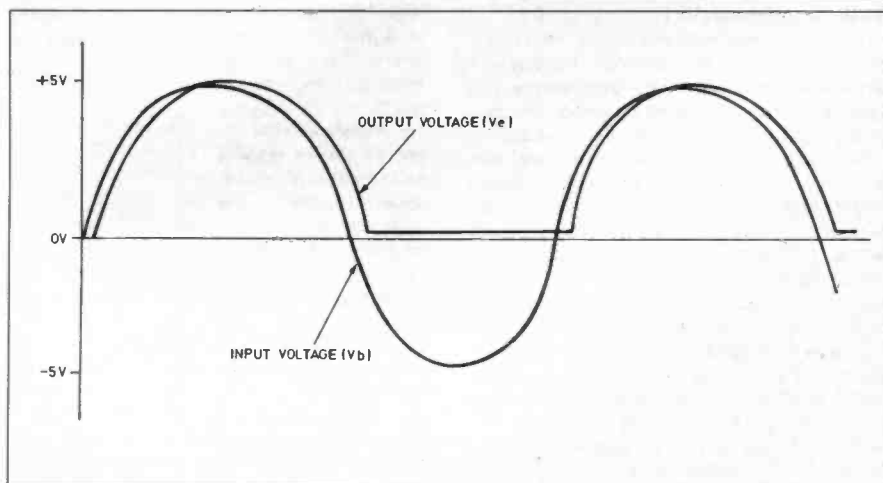


Fig. 4.13. How a signal may suffer clipping because of insufficient biasing.

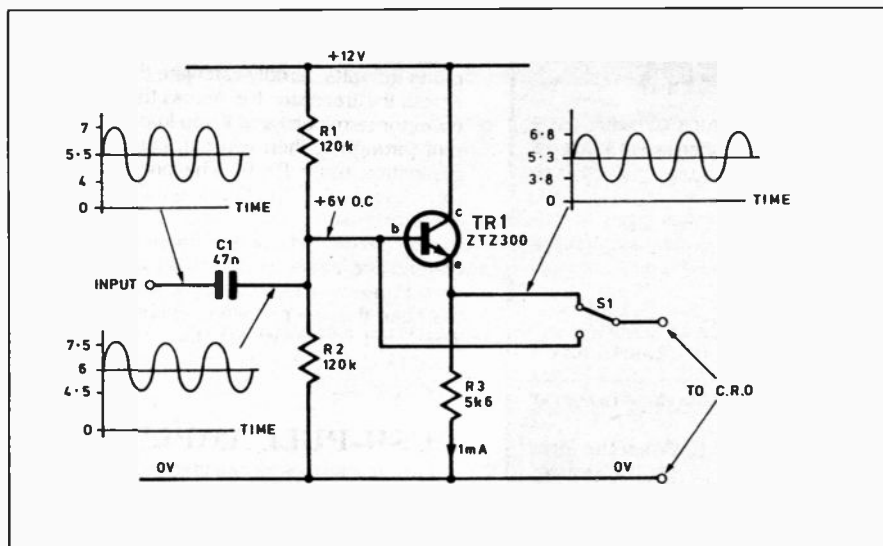


Fig. 4.14. A practical emitter follower transistor, with base biasing provided by R1 and R2, the waveforms shown are observed with an oscilloscope on a d.c. setting.

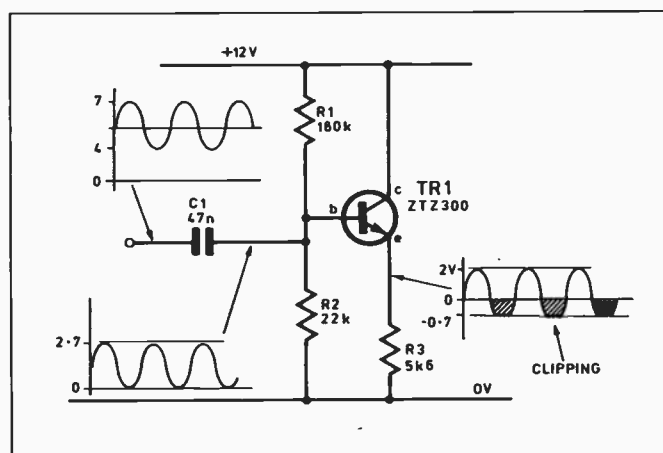


Fig. 4.15. The base is biased at too low a voltage, resulting in signal clipping.

the 8038. Select the 5kHz frequency range and adjust the Duty Cycle and the Distortion to roughly mid-way in order to generate a reasonably uniform sine wave.

You will observe how the 8038 output swings between roughly +4V and +7V, so it is a 3V peak-to-peak sine wave superimposed on approximately a 5.5V d.c. level. The coupling capacitor C1 removes this d.c. bias and superimposes the sine wave onto the bias network of R1 and R2, so C1 allows the 8038 output to be level-shifted to the transistor base voltage.

Using one of the handy s.p.d.t. toggle switches as shown in the circuit diagram enables you to switch the waveform displayed on your C.R.O. between the base signal and the output of the emitter follower. It's the next best thing to a dual beam oscilloscope! Notice how the emitter signal is the same as the base signal, but roughly 0.7V less, as depicted in the oscillographs.

Now try changing the base bias network by altering R1 to 180k and R2 to 22k, which biases the base at about 1.3V, see Fig. 4.15. It is now not possible for the emitter follower to conduct the negative portion of the sine wave, which will now be clipped as shown. This demonstrates how important it is to bias the base sufficiently so that clipping can be avoided.

COMMON EMITTER AMPLIFIER

All the previous circuits have exhibited current gains where the current in the collector/emitter circuit is much higher than the current into the base. A common emitter amplifier circuit is shown in Fig. 4.16 which resembles the emitter follower, but now a collector resistor R3 is included. Also, we have taken the output from the collector, not the emitter. What difference does this make?

The base is biased at 1.7V using R1 and R2, so the emitter "follows" this voltage minus the 0.7V base-emitter voltage drop, so under "stationary" or quiescent conditions the emitter voltage V_e is +1.0V. Using Ohm's Law, the emitter current is therefore $V_e/R_4 = 1\text{mA}$.

In effect, this current also flows through the collector resistor R3 and thus the voltage drop across R3 is $5k6 \times 1\text{mA} = 5.6$ volts. This means that the voltage at TR1 collector is $12 - 5.6 = 6.4\text{V}$ with respect to 0V. Also, note that 5.4V appears across the transistor between collector and emitter. These again are the quiescent operating conditions.

Now imagine a rising signal applied through a coupling capacitor C1 which increases TR1 base voltage. The emitter voltage will rise as described earlier, which increases the current through R4. This same increase in current also flows through R3; but R3 is about five times larger than R4, so a much larger voltage drop has to be produced across R3 than

will be produced across R4. The ratio of the resistors R3/R4 holds the key to the voltage gain of the common emitter amplifier, which can be proved by putting in some values.

If the base signal increases by 0.5V to 2.2V, the emitter voltage also rises to 1.5V due to emitter follower action. The current in R4 now increases to 1.5mA which also flows through R3. The voltage drop across R3 (previously 5.6V) is now 8.4 volts. The output voltage at the collector therefore has to lower from 6.4V to 3.6V.

The result is easily seen. An increase in base voltage of 0.5V will reduce the output voltage by 2.8 volts. The input signal has been inverted by the common emitter amplifier: a rise of input voltage reduces the output when it's taken from the collector, which is forced downwards towards 0V. In this circuit, gain is expressed as:

$$\text{Gain} = -V_{\text{out}}/V_{\text{input}}$$

and the negative symbol shows that the signal has been inverted. For this amplifier,

GCSE QUESTION (see previous page)

ANSWERS

When a small current flows into the base of the transistor, the voltage at the base will be 0.7 volts. A much larger current will then flow into the collector terminal. All the current flows out of the third terminal which is called the emitter.

With no base current flowing, the transistor will be switched off and the output voltage V_{out} will be +15V. A large base current causes the transistor circuit to be saturated which means that the transistor is fully switched on. The output voltage would then be almost 0V.

The base current and collector current were measured. The base current was 50mA and the collector current was 1A. This gives us an h_{FE} value of 20 for the transistor.

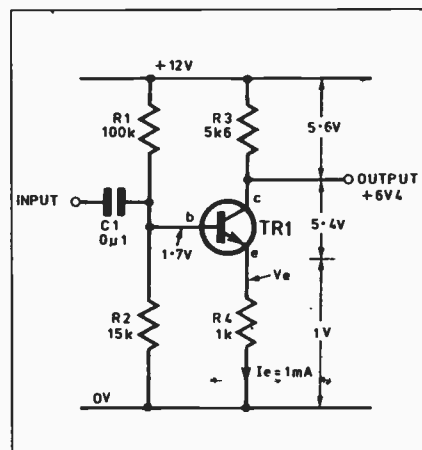


Fig. 4.16. Common emitter amplifier.

the voltage gain' is $-2.8/0.5 = -5.6$. We actually stated earlier that the ratio R3/R4 determines the voltage gain. It just so happens that $5k6/1k = 5.6$! This will work for both positive and negative swings, allowing a.c. signals to be voltage-amplified. You might also see simpler circuits with no emitter resistor (R4) at all - but they would still be classed as common emitter amplifiers.

POWER RATING

Note however that now the transistor is operating as an amplifier rather than just a simple saturated switch. A voltage now appears across the transistor, which means

ADVANCED LEVEL IMPEDANCE AND FILTERS

Impedance, symbol Z , is the term mainly used to describe the resistance of either components or complete circuits to a.c. signals. Circuits which have alternating currents flowing in them often contain capacitors and inductors (coils), the impedances of which vary with the frequency of the a.c. waveform – refer to Part Two. The more specific term **Reactance** means the “resistance of a capacitor or inductor” at a given frequency.

For a capacitor C (Farads) operating at a frequency f (Hertz), the capacitive reactance (Z_c) in ohms is:-

$$Z_c = 1/(2\pi \cdot f \cdot C)$$

which means that as the applied frequency increases, the reactance decreases. Prove it by calculating the reactance of a 100 μ F capacitor at 1Hz and 500Hz (1.6k and 3.2 ohms). It's a useful property which enables us to make a frequency-dependent voltage divider or filter.

Fig. 4.21 (a) shows a resistor load R connected to a series capacitor C . When the input voltage rises, the capacitor will charge with the current passing through the resistor, and is seen as a rising output voltage. Conversely when the input voltage drops, the capacitor starts to discharge and the voltage across the resistor falls. Provided that the input changes before the capacitor has fully charged or discharged, the input signal will be seen at the output.

Hence slowly changing input signals (low frequencies) are *attenuated* at the output, but fast signals pass through almost unchanged, as though the RC network doesn't have time to catch up. This arrangement forms a **high pass filter**, producing a **frequency response curve** like that in the graph. You could characterise it by comparing the ratio V_{out}/V_{in} to applied frequency. At lower frequencies, V_{out}/V_{in} is lower, so the high pass filter attenuates low frequencies. This makes sense if you recall that a capacitor blocks d.c. (zero frequency) altogether.

A **low pass filter** is shown in Fig 4.21 (b) where the RC network has been reversed. Now the capacitor is in parallel with the output, where it attenuates higher frequencies; at d.c., C has no effect and so no attenuation takes place. For *both* filters, the filter frequency response curve is characterised by the frequency f when the gain is 0.7. This frequency equates to $1/(2\pi \cdot RC)$.

Finally, GCE “A” Level Physics candidates might already know that a capacitor actually “resists” frequencies without producing any heating effect – a sort of “Watt-less” resistance, unlike a resistor which of course is subject to I^2R heating.

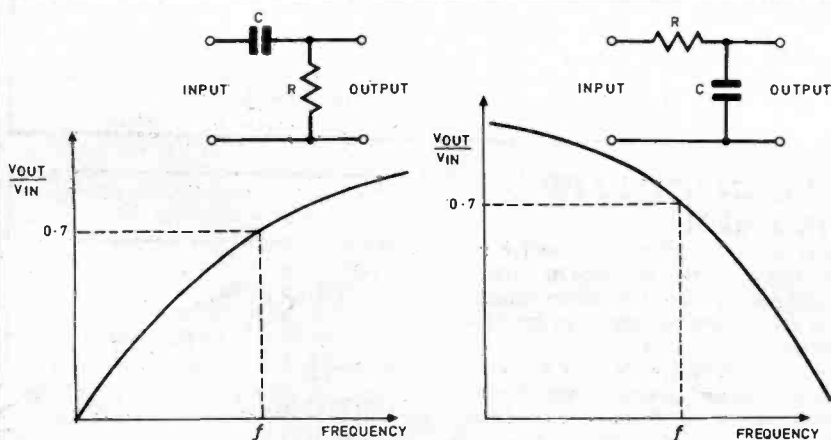


Fig. 4.21(a). A High pass filter attenuates lower frequencies but allows higher frequencies to pass through.

Fig. 4.21(b). A Low pass filter lets lower frequencies pass through whilst attenuating higher frequency bands.

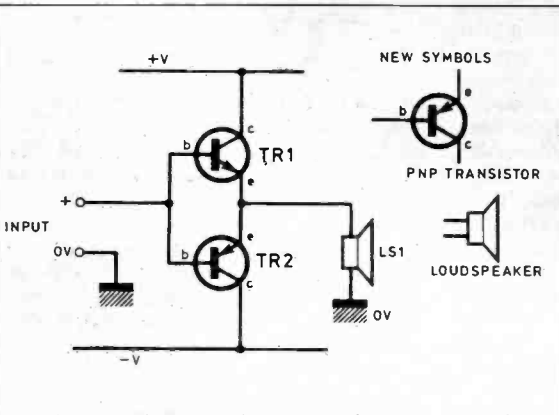


Fig. 4.17. A Push-Pull output stage using both an npn and pnp transistor – a “complementary pair”. Note the use of split supply rails.

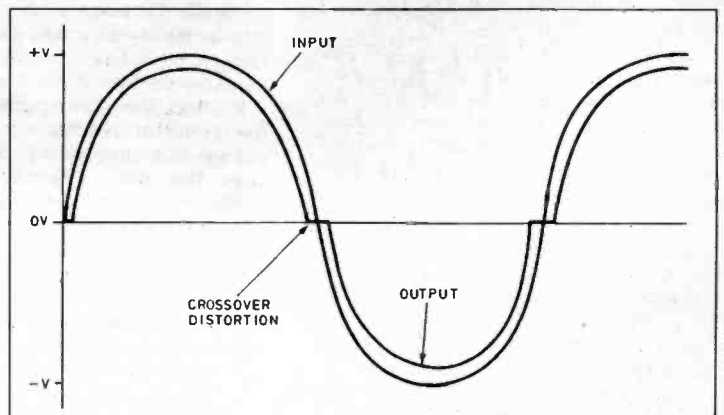


Fig. 4.18. Crossover distortion arising through the non-conduction of the transistors in the push-pull output stage.

that TR1 will dissipate power. The designation P_t is often seen in transistor data sheets to describe the device's maximum power rating in Watts. Simply calculate the voltage across the transistor (i.e. across the emitter/collector terminals) and if you know the current through it, then you can calculate the dissipation using $P=IV$. The price you will pay for exceeding the P_t rating will be that of a new transistor!

There are other considerations which are beyond the scope of *Teach In* which concern transistor design, and it should be emphasised that the preceding circuits are very basic and somewhat less than high-fidelity amplifiers! But they are still useful, as we shall soon see.

PUSH-PULL AMPLIFIER

Two transistors connected as a *push-pull amplifier* are shown in Fig. 4.17. Notice that this uses a *pnp* transistor in conjunction with an *nnp* transistor, and that a split or dual voltage supply is used. A *pnp* transistor operates in a fashion similar to the *nnp* type demonstrated so far, but it has different biasing requirements: for our purposes, all you need to know is that its base needs to be 0.7V less than the emitter in order to conduct, and that current flows into the emitter, as depicted by the arrowhead symbol. We don't need to investigate the *pnp* transistor in any more depth here – besides, the *nnp* device is easier to understand!

The push-pull amplifier overcomes any power dissipation problems which exist with the single-transistor emitter follower. The positive half of the signal is amplified by TR1 and the negative half by TR2 where current flows from 0V and through TR2 to the $-V$ rail. There is no steady current flowing through the load so no energy is wasted.

One problem is that small input signals cannot overcome the 0.7V base-emitter drop of both transistors, which could result in a condition called *cross-over distortion* where neither transistor conducts at times. This is illustrated by the sine wave shown in Fig. 4.18 and can be overcome with extra design effort in the bias circuit.

SIMPLE AMPLIFIER

The following section requires the Mini Lab loudspeaker and the Power Transistor – refer to the constructional section elsewhere in this issue for details.

It's now possible to use our basic knowledge of transistor amplifiers to construct a simple audio amplifier which

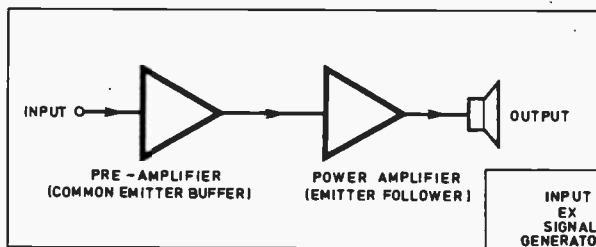
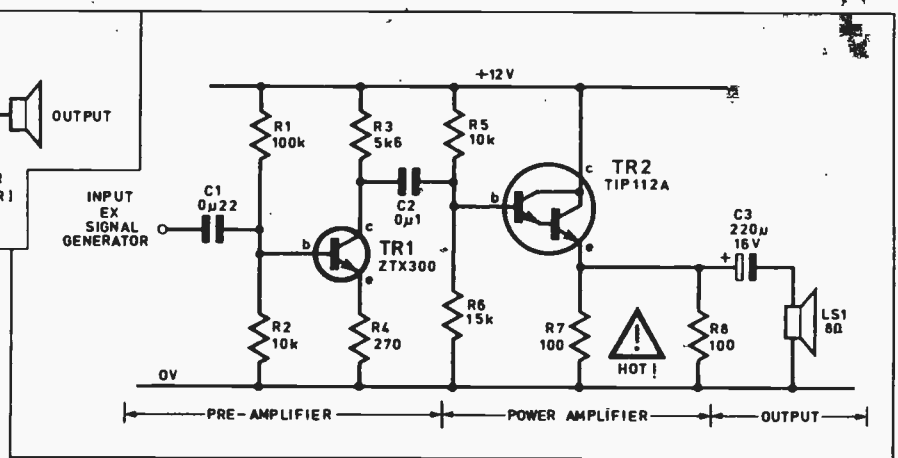


Fig. 19(a). Block diagram of an amplification system.

Fig. 4.19(b). (right). Complete circuit diagram of an audio amplifier to monitor the 8038 Signal Generator. Use ½W types for resistors R7 and R8.



firstly will be used to actually listen to the output of the Signal Generator. The 8038 is a low power device which is certainly not capable of driving a loudspeaker directly. It needs a simple amplification system such as that shown in block form in Fig. 4.19(a). A simple pre-amplifier provides a degree of voltage gain before the signal can be fed into a power amplifier which provides current amplification to drive a loudspeaker.

The circuit of Fig. 4.19(b) uses TR1 as a common emitter amplifier to provide voltage gain. The input signal passes through C1 which removes the d.c. content of the signal and ensures that the input bias conditions set by R1 and R2 are not adversely affected. The output of the common emitter amplifier is itself coupled through C2, which again permits the a.c. signal to flow straight through whilst not affecting any d.c. bias voltage set this time by R5 and R6. The voltage-amplified signal thus passes to the base of TR2, a Darlington Power Transistor (see the separate section on the Darlington) which acts as an emitter follower buffer or current amplifier to enable it to drive a loudspeaker LS1.

Transistor TR2 has much higher ratings (I_{FE} and collector current) than the smaller ZTX300 transistor we have employed so far, which enables it to handle the high currents flowing in the output stage of our simple amplifier. Note that the 'speaker is itself coupled by C3, a polarised electrolytic capacitor which prevents any direct current flowing whilst allowing the a.c. signal to pass through LS1 unhindered; this improves current consumption and decreases power dissipation in TR2.

"A" LEVEL EXERCISE

As an exercise we would now like GCE "A" Level candidates to source (locate) the parts shown and construct this unaided on the Mini Lab (but there's nothing to stop GCSE followers assembling it too!), making full use of the breadboard, and connecting to the +12V and 0V rails, loudspeaker and Power Transistor. Your earlier experience with a ZTX300 transistor switch will help, and the practice will help you to realise circuit diagrams in three dimensions. You should be grateful!

Give yourself plenty of room, ensure that both transistors are correctly connected and that no adjacent wires are shorting together. The terminations for the Darlington Transistor are clearly marked on the Mini Lab board. Do take your time and assemble the circuit neatly and methodically to avoid disappointment, using long-nose pliers to help insert wires if necessary. It should work first time. PLEASE NOTE: the Signal Generator could be damaged if the Sine or Triangle

outputs are shorted to 0V for any length of time.

With assembly complete, use the Signal Generator controls to listen to the varying frequency ranges of your 8038 generator. Be warned that some frequencies are ear-piercing and may cause discomfort at close range: please consider other people. (We don't think that the Editor ever recovered after we demonstrated this to him (Pardon? - Ed.)) The power transistor may become warm, which is why a heatsink is used. Expect R7 and R8 to become hot in normal operation.

MICROPHONE AMPLIFIER

A microphone is another input transducer and it converts sound pressure waves into an electrical signal. Different types exist, some being more sensitive than others. A crystal microphone has a very high impedance - 1M or more and has poor sensitivity; they rely on the piezoelectric effect where mechanical pressure applied to a crystal causes a tiny voltage to be generated.

A dynamic ("moving coil") microphone is more sensitive and, usefully, has a much lower impedance - say a few hundred ohms. The final experiment this month utilises such a microphone; you might possess an old cassette-recorder microphone or perhaps you can borrow one: otherwise purchase one (target price £2.50) for the following experiment. (You can use it in Part Five next month, too.)

These types of microphone are mostly terminated with two audio jack plugs. The smaller-diameter jack plug, where fitted, should be ignored. Improvise with a pair of test leads and connect the two terminals of the microphone jack plug both to the amplifier input (C1) and also 0V, in place of the Signal Generator. The results depend on the quality of your microphone, but the loudspeaker should at least reproduce any tapping sound which you make on the microphone. However, speech reproduction will probably be extremely poor. Quite a handicap for a microphone amplifier!

The problem is simple: as it stands the amplifier has insufficient gain. This can be overcome by adding another identical transistor stage based around the ZTX300, the circuit diagram of which is given in

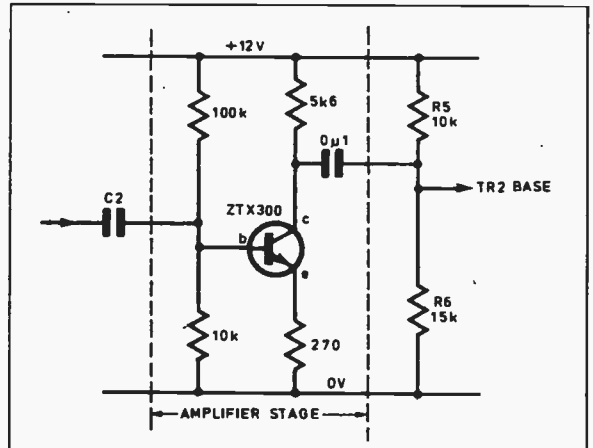


Fig. 4.20. Use this extra amplifier stage with the audio amplifier, to provide extra gain for the microphone.

Fig. 4.20. Simply build this extra stage separately on the breadboard and splice it into the amplifier as shown by the circuit schematic, remembering to switch off before making any modifications.

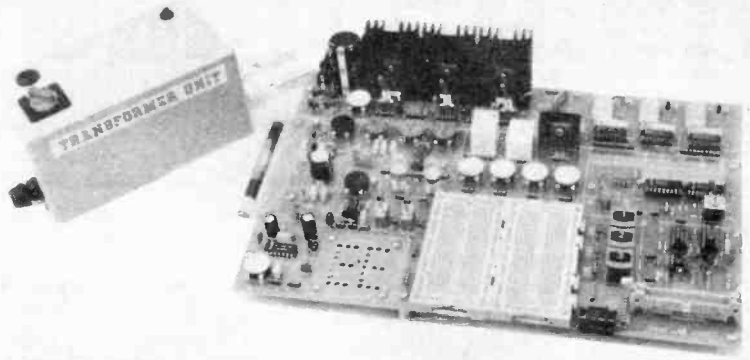
Even we were pleasantly surprised what a difference the extra amplifier stage made. Using just an old dynamic cassette-recorder microphone, speech was greatly amplified and quite clearly reproduced on the loudspeaker. The microphone amplified ticking watches and other barely audible sounds remarkably well.

FEEDBACK

Now try holding the microphone near to the loudspeaker: you will hopefully hear every pop musician's nightmare called "howlround" or feedback (not that it's different to the rest of the racket they make! - You're showing your age - Ed.), where sound from the speaker is picked up by the microphone, amplified and then reproduced over the speaker - which is picked up by the microphone and amplified... and so it goes round. Experiment further using the microphone to amplify the sound from a personal stereo earpiece - the audio signal should be reasonably discernible on the Mini Lab loudspeaker.

We hope you have enjoyed this introduction to transistor systems. Next month, we delve deeper into modern electronics, introducing integrated circuit operational amplifiers, accompanied as usual by plenty of interesting demonstrations for your Teach-In Mini Lab. We also build an "awesome amplifier" for your microphone which brilliantly demonstrates the Mini Lab Audio Amplifier. Silicon chips with every-thing!

MINI LAB



Alan Winstanley & Keith Dye B.Eng(Tech)AMIEE

The Everyday with Practical Electronics Mini Lab has been created to accompany Teach-In '93, and enables the reader to assemble demonstration circuits by following the clear instructions and diagrams contained in the main text, with every chance of it working first time.

THIS month a compact Signal Generator is assembled to fill one of the areas reserved on the *Mini Lab* p.c.b. The circuit diagram is shown in Fig. 1, and the impressively simple circuit is centred around a long-established signal generator chip IC1. This is an ICL8038 i.c. which is capable of offering sine, square and triangle waves from three separate outputs.

CIRCUIT OPERATION

A constant-current source provides a charging current for an external capacitor, the value of which (C2 to C5) is selected by an on-board selector plug. Because a constant-current source is used, the capacitor charges in a useful linear fashion rather than in an exponential curve (see *Teach-In* Part Two). This produces a linear ramp voltage which is utilised by the 8038 to create a triangle or square wave. Further internal circuitry converts the triangle wave into a reasonable sine wave, generated separately. The frequency range spans the low tens of Hertz to roughly 50kHz.

Note that the square wave has a pull up resistor R4, which means that the square wave is biased to +5V, either being at +5V or 0V. This waveform is utilised in digital circuits which are introduced in Part Six. Also, the sine wave consists of a 3V peak-to-peak sine superimposed on roughly a 6V d.c. level. It's often necessary to use a coupling capacitor to level-shift the sine wave to a circuit which is biased at a different voltage. You need to remember that the sine wave does *not* revolve around the 0V axis.

Potentiometer VR1 controls the frequency (the range of which is determined by the choice of timing capacitor), and VR2 adjusts the duty cycle (the percentage of time for which the square wave is "high" during the total time period). VR3 is useful for adjusting the symmetry of the sine wave, in order to produce a reasonable sine wave.

Finally, the circuit operates from the +12V rail of the *Mini Lab* Power Supply, so remember to switch this supply on when you wish to utilise the Signal Generator. Also switch on the +5V supply if you require the square wave.

CONSTRUCTION

The complete circuit is constructed on the clearly identified Signal Generator section

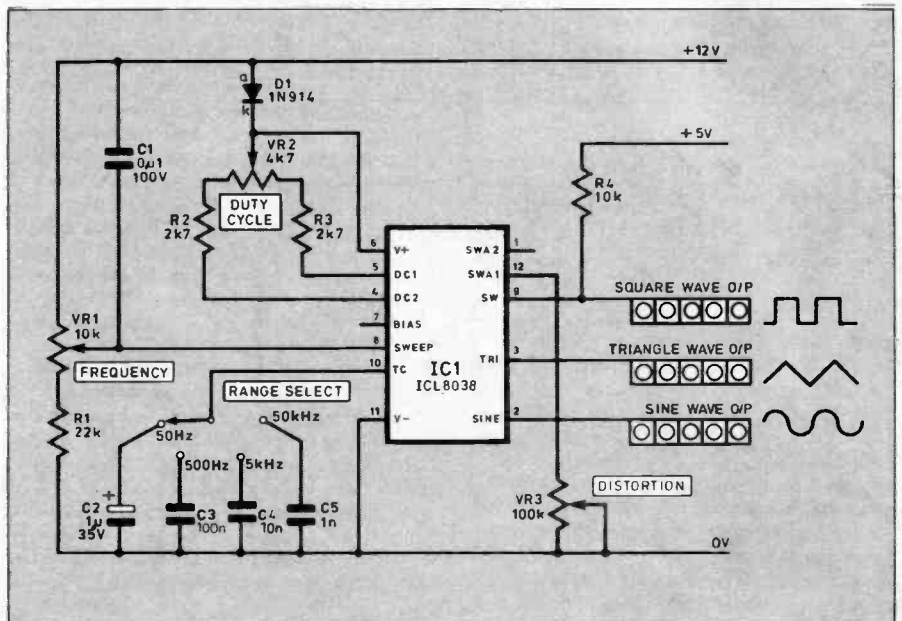


Fig. 1. Circuit diagram of the Mini Lab Signal Generator.

of the *Mini Lab* p.c.b., and will be seen to take up comparatively little space. Assembly is very straightforward, see Fig. 2 which illustrates the component layout. Once again, silk-screen printing on the board aids component location.

Start by inserting and soldering into position the five p.c.b. jack sockets, the turned pin s.i.l. sockets and the link wires. Do not overlook the link near the +12V socket strip between VR2 and VR3 – this connects the supply rail to the 8038 circuit. Also, it is strongly recommended that an i.c. socket is used to carry IC1, so that thermal damage will be avoided during soldering. Take great care not to apply excessive solder or you may short out adjacent pins. The green solder-resist coating of the *Mini Lab* will help in this respect. As always, do not overheat the solder pads of the p.c.b. or you may damage the board irreparably. It should take only 1.5 – 2 seconds to solder a perfect joint.

If possible, utilise preset potentiometers which have snap-on thumbwheels which enable adjustments to be made very easily without the use of screwdrivers. Complete the rest of the construction in accordance

with Fig. 2, observing the correct polarity of D1 and C2. Again, do not overheat D1 which, being a semiconductor, is sensitive to thermal damage when soldering.

INTEGRATED CIRCUIT

The main component IC1 is housed in a dual-in-line (d.i.l.) package. It is absolutely essential that you insert it the right way round into the d.i.l. socket, or damage may result. The device is not cheap, so take care to orientate the package correctly: one end has a distinct notch which identifies pin 1 as shown in the layout diagram.

Align the pins carefully with the d.i.l. socket and, because they tend to be splayed out when received, gently press one side of the i.c. down on a flat surface to bend the pins inwards a little so that each pin is aligned in its individual socket.

CHECKING

When the Signal Generator is completed, double check the polarity and location of all components, plug in and switch on the Transformer Unit, then switch on the +12V supply. It would be invaluable to monitor the

output waveforms on an oscilloscope if one is available: connect the 0V terminal of the C.R.O. to any of the 0V locations on the *Mini Lab* and check the waveforms of each output in turn using the 'scope probe. If you set the oscilloscope to the d.c. input function then you will clearly see the sine wave superimposed on a d.c. level.

Also check out the variable controls to see what effect they have on the waveforms. Normally the duty cycle and distortion controls can be set to mid-way. Alternatively monitor the output waveforms with the L.E.D. Voltmeter using the following interesting technique:

Select the 10V range and "DOT" mode on the voltmeter for best effect, and choose the 50Hz range on the Signal Generator, setting all controls to their mid-way positions. Connect the "SINE WAVE" output to the "+I/P" of the Voltmeter, then switch on the +5V and +12V rails. The middle five or six l.e.d.'s should be alight!

This illustrates the 3V peak-to-peak a.c. which is imposed on a 6V d.c. voltage. Reduce the frequency of the sine wave by turning the Signal Generator control anti-clockwise. You will now clearly see the l.e.d. display move sideways in sympathy with the rising and falling of the sine wave voltage. Slow it right down and see how the distortion and duty cycle controls affect the *symmetry* of the sine wave. Do the same with the triangle waveform.

Now try this for fun: set all the 8038 controls back to *mid-way* and hold the *Mini Lab* firmly so that the l.e.d. display is *vertical* - then move it from side to side, focussing your eyes *past* the *Mini Lab*. What do you see? A triangle wave in front of your very eyes! Try the sine wave again and convert your L.E.D. Voltmeter into a simple oscilloscope, using your arms as the timebase!

Finally, when using the Signal Generator take care that you *don't* short the sine wave or triangular waveform outputs to 0V, or damage to the 8038 may result.

POWER TRANSISTOR

The power transistor is installed on the *Mini Lab* as shown in Fig. 3. Firstly solder in three s.i.l. sockets for the base, collector and emitter connections. The Darlington transistor is bolted to a lightweight drop-in heatsink, using a TO-220 mounting kit (see last month). Use the recommended heatsink which is very economical and will fit the p.c.b. directly. However, *do not* try to solder the aluminium heatsink mounting lugs. The transistor will easily support the heatsink without further assistance.

LOUDSPEAKER

The *Mini Lab* accommodates an 8 ohm one Watt square-style loudspeaker with polyester cone, in the position shown on the p.c.b. where the "EE" logo acts as a grille, see Fig. 4. Use only the specified speaker to ensure a perfect fit, employing 4BA or M3 nuts and bolts. Two solder pins are pushed through from the topside at the locations marked "SP1" and the loudspeaker terminals are linked to these underneath using two short lengths of interconnecting wire. Ensure that you also solder the pins securely to the p.c.b. tracks.

Solder into place six s.i.l. sockets as shown, and then the speaker is ready for use. Note that two s.i.l. sockets are assigned to each loudspeaker terminal. Finally, at the same time we recommend adding two rows of five s.i.l. sockets which are handy 0V terminals positioned to the right of the loudspeaker. You will find these helpful in assembling this month's and future demonstration circuits.

Next Month: Audio Amplifier.

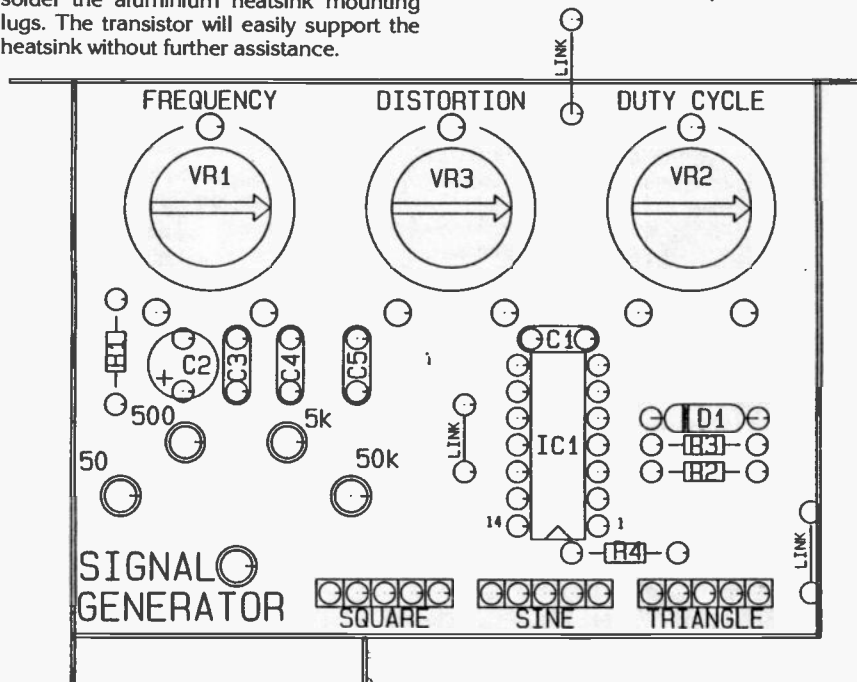


Fig. 2. Arrangement of components on the *Mini Lab* p.c.b.

MINI LAB COMPONENTS

<p>Resistors</p> <p>R1 22k R2, R3 2k7 (2 off) R4 10k All 1/4W 5% carbon film</p> <p>Potentiometers</p> <p>VR1 10k VR2 4k7 VR3 100k All 0.25W presets & thumbwheel</p> <p>Capacitors</p> <p>C1 100n polyester C2 1µ tantalum bead 35V C3 100n polyester C4 10n polyester C5 1n polyester</p> <p>Semiconductors</p> <p>IC1 ICL8038CCPD signal generator i.c., 14-pin plastic package D1 1N914 or 1N4148 silicon diode</p> <p>Miscellaneous</p> <p>14-pin d.i.l. socket; s.i.l. turned pin sockets (15 off); p.c.b. mounting "jacks" (5 off); 0.5in. insulated shorting link.</p> <p>POWER TRANSISTOR</p> <p>TR1 TIP112 npn Darlington transistor Drop-in TO-220 heatsink; TO-220 mounting kit; s.i.l. turned pin sockets (3 off).</p> <p>LOUDSPEAKER</p> <p>LS1 8 ohm 1W 50mm square Polyester cone-RS250-277 S.I.L. turned pin sockets (6 off); M3 or 4BA nuts & bolts; solder pins; wire, etc.</p>	<p style="font-size: 2em; font-weight: bold;">See SHOP TALK Page</p>
---	--

Price
£15
Approx

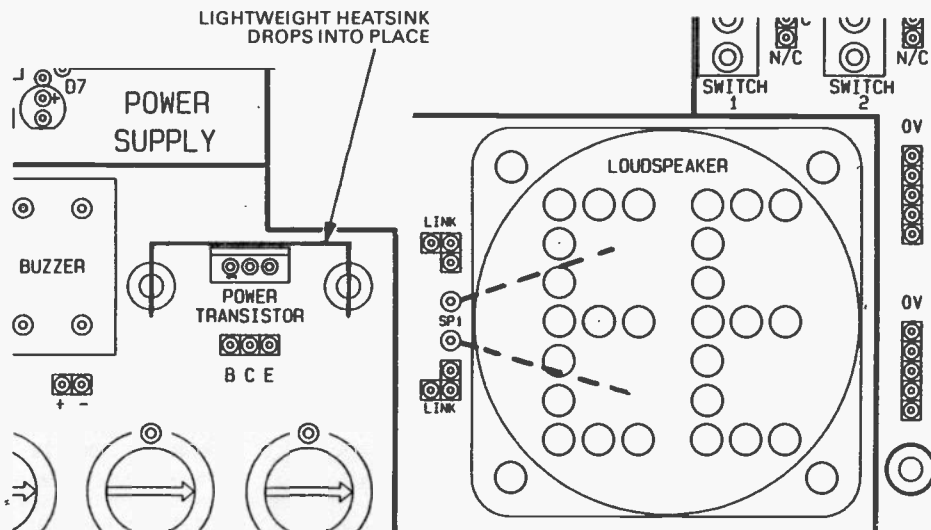


Fig. 3. Power Transistor location. The device supports a lightweight heatsink which is NOT soldered to the p.c.b.

Fig. 4. Position and connection of the *Mini Lab* loudspeaker.

MULTI ELECTRONIC COMPONENTS

MAINS TRANSFORMER Pri. 120V-0V, 120V-0V.

Sec. 0V-12V, 0V-12V, at 3VA

£2.62 each

PROJECT BOXES A range of high quality boxes moulded in black high impact ABS, easily drilled or punched to produce a professional looking end product

TYPE	W	L	H	PRICE
T2	75	56	25	£0.77
T4	111	57	22	£0.92
MB1	79	61	40	£1.35
MB2	100	76	41	£1.47
MB3	118	98	45	£1.71
MB4	216	130	85	£5.19
MB5	150	100	60	£2.35
MB6	220	150	64	£3.95
MB7	177	120	83	£3.42
MB8	150	80	50	£2.22

All sizes are in millimetres

MICRO SWITCH roller arm operation spdt 40p each

MINIATURE TOGGLE SWITCHES

spdt	60p each	spdt 3 position c/off	70p each
dpdt	70p each	dpdt 3 position c/off	80p each
spdt biased	60p each	spdt 3 position c/off biased both ways	70p each
		dpdt 3 position c/off biased one way	80p each

MINIATURE TOGGLE SWITCH pcb mounting 3pdt 50p each 10 for £4.00

MINIATURE PUSH TO MAKE SWITCH 50p each

DIL RELAYS 5 volt dp/changeover 60p 10 for £5.00

12 volt dp/changeover 80p 10 for £6.00

RELAY 10 amp contacts sp/changeover 12 volt coil £1.20 each

CAR HORN RELAY in metal can with fixing lug, s/pole on 10 amp contacts £1.00 each 6 for £5.00

20 AMP RELAY dp on 12 volt coil £1.50 each 4 for £5.00

REED RELAY 12 volt 50p each 10 for £4.00

240 VOLT AC RELAY. 3-pole c/o 10 amp contacts £1.50 each 4 for £5.00

DIL SKTS

8 pin	10 for	£0.60
14 pin	10 for	£0.90
16 pin	10 for	£1.00
18 pin	10 for	£1.00
20 pin	8 for	£1.00
24 pin	8 for	£1.00
28 pin	6 for	£1.00
40 pin	5 for	£1.00

'D' CONNECTORS

plug	socket	cover
9 pin	30p	35p
15 pin	40p	35p
25 pin	50p	40p

ALL COMPONENTS FULL SPECIFICATION DEVICES

SEMICONDUCTORS – TRANSISTORS – ICS – DIODES – REGULATORS – ETC

TIP31B	30p ea	VOLTAGE REGS	7812/7805/7912/7905
TIP 3055	90p ea		all 35p each, any 4 for £1.20
2N3055H	60p ea	AD592An	Temperature Sensor i.c.
2N3771	£1.20 ea		mounted on 1.5m screened
741 op-amp	25p ea		lead complete with data and
555 timer ic	30p ea		application notes £1.50 ea
LM324 quad op-amp	30p ea	LM3914/LM3915	Bargraph ics £2.95 ea

MICRO IC'S

Z80A CPU	£1.20
Z80A PIO	£1.50
Z80B SIO-1	£4.00

OPTO DEVICES – LEDS – ETC

SLOTTED OPTO £1.00 each

LEDS – LEDS – LEDS

5mm rnd red/yellow/green/amber	10p each 12 for £1.00 any mix
5mm rnd high brightness red/green	20p each 6 for £1.00 any mix
5mm rnd flashing	red 60p each, yellow/green 70p each
5mm rnd bi-colour	35p each, tri-colour 45p each
LED mounted in chrome bezel red, yellow or green	30p each, 4 for £1
LED mounted in a black bezel red only	25p each, 5 for £1.00
PLASTIC BEZEL for 5mm rnd leds	10 for 40p

SIREN AND ZENON STROBE PCB

12V d.c. supply, on board Ni-Cad battery, anti-tamper connection +ve or -ve triggering requires a 8ohm speaker for the siren output. £8.75 each.

RESET TIMER PCB

Gives a timed relay closure following a momentary input. Requires 12V d.c. supply SP c/o relay output LED indication. 19 different time intervals from 25sec to 35min 20sec. £5.98 each.

ALARM CONTROL UNIT

Single zone alarm control unit built into a domestic light switch box. Ideal for home, caravan, boat, garage, shed etc.

Facilities: - Normally closed loop for pir sensors, door/window contacts etc.

Normally open loop for pressure mats.

24-hour loop for personal attack button

Visual indication that the system is

operational.

Automatic entry/exit delay.

Automatic system reset.

Alarm output cmos logic level.

SIREN

12 volt dc for external use
115db £8.95

BELL BOX

A plastic bell box cover supplied with backplate. Red/yellow/white £6.95 each

PRICE COMPLETE WITH FULL INSTRUCTIONS £8.95

BELL/SIREN INTERFACE BOARD COMPLETE £3.95

PASSIVE INFRA-RED ALARM SENSORS

SUB-MINIATURE PASSIVE INFRA-RED SENSOR ONLY £5.95

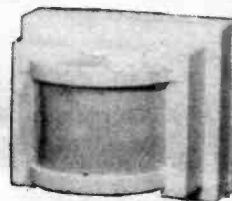
Brand new passive infra-red sensor, measures only 33mmW x 24mmH x 29mmD. Logic level output. Full data and application notes supplied.

EX INSTALLATION SENSORS tested working.

Type 1. Measures 180 x 112 x 70mm with walk test led, relay output and tamper protection. 12 volt dc supply required £8.50 ea

Type 2. As above but a smaller unit 123 x 62 x 50mm £11.75 ea

Type 3. Ceiling mounting passive, infra red sensor 360° detection, 12V d.c. supply relay output, tamper circuit and pulse count option. Data supplied. £15.70 each.



DOOR/WINDOW CONTACTS

Surface or flush mounting, white £1.10 ea

JUNCTION BOX

white 6 way 60p

Please note: There may be variations in the size of the above passive infra red sensors depending on stock at the time of ordering. But the unit will certainly be within the stated sizes.

DUAL TECH SENSOR Microwave and passive infra-red combined. Separate led indication for each function. Measures 120 x 75 x 50mm. Relay output 12 volt dc tamper protection £29.95 ea

BREADBOARDS – CAPACITORS – SOLAR CELLS – HEATSHRINK – ETC

SOLAR CELL 2 volt 150mA max, size 60 x 100mm £1.35 ea 5 for £6

BNC SOCKETS 50 ohm single hole fixing 50p ea 10 for £4.00

MIN BNC PLUG AND SOCKET 2 pairs for £1.50

MERCURY TILT SWITCH

Standard on/off £1.00 each
4 Contact (Directional) £1.50 each

PIEZO VIBRATION SENSOR

with data sheet £1.00 each

BREADBOARD

173 X 65mm 840TP £5.25 each

TEXTTOOL ZIF SOCKET

28 pin zero insertion socket £5.95 each

SOLID STATE RELAY

Switch mains up to 7 amp 12 or 5 volt control voltage both types £2.95 ea

6 VOLT NI-CAD PACK 5AA NI-CADS, fast charge type £3.95

CAPACITOR 10,000 mfd 25 volt with fixing clip 60p each

CAPACITOR 470 mfd 400 volt £1.50 each 4 for £5.00

EPROMS 27C256 – 30 27C512 – 25. Once programmed but never used eprom. Mounted on a plastic carrier, can easily be removed from the carrier or used with a low insertion force socket.

27C256 £1.00 each 6 for £5.00 **27C512** £1.20 each 5 for £5.00

Suitable low insertion force socket 28 pin 40p ea 3 for £1.00

MULTITURN PRESETS 20mm RECT, 500R, 1K, 5K, 10K, 20K, 50K, 100K 1MO. 40p ea, 3 for £1.00

SYS68K/CPU-2B 68000 HIGH PERFORMANCE VMEBUS BASED MICROCOMPUTER BOARD

6800 CPU (8MHz)
256K Dual ported RAM expandable to 1 mega byte
Up to 32 kbyte eeprom space
8 bit status register
Fast multi-protocol comms interface link (RS232 compatible)
VEMBUS INTERFACE
On-board single chip floppy disk controller
Real time clock
24-bit parallel I/O
Over 200 pages of data supplied
£88.50 each

VIBRATION SENSITIVE ALARM BOARD WITH PIEZO SOUNDER

Originally a bike alarm. There is a short delay after activation then the piezo sounder operates for a preset period.
£3.76 each.

ENCAPSULATED TOROIDAL TRANSFORMER

prim, 0-120, 0-120 V
sec, 0-15, 0-15 V 50VA
£7.85

MAINS FAN

230V a.c. 50/60 hz
80mm x 80mm x 25mm impedance protected
£7.05

ALARM CONTROL PANEL

- ★ Wire free alarm control panel, detectors communicate with the panel by means of radio transmitters
- ★ Speech synthesis for programming and general operating guidance
- ★ Built in user programmable telephone dialler
- ★ Up to 32 transmitters can be used
- ★ Programmable exit/entry and bell timers
- ★ Programmable user codes
- ★ Full installation data supplied, the only thing that has to be hardwired is the output to the siren/bell unit (not supplied). Please note we do not supply the transmitters but some information as to source of these will be included.
- ★ These control panels originally cost over £300.00 each. Yours for only **£49.92**.

INFRA-RED BREAK BEAM

Transmitter and receiver p.c.b. with 2 lens assemblies. 12V d.c. supply. These are ex-installation units and are not guaranteed to be working.
£4.96 pair

CRYSTAL OSCILLATORS

4.0 mhz	ALL
7.5 mhz	£1.50 each
12.0 mhz	OR
18.432 mhz	4 FOR
33.33 mhz	£5.00

30,000 SWITCHES TO CLEAR MIN TOGGLES, ROCKER, TAB, SLIDE, ETC.

45 ASSORTED SWITCHES FOR **ONLY £8.95**

EDGEWISE PANEL METER 0-5Ma made by Avo Ltd., scaled 2-30 metres (linear), complete with mounting plate **£2.95** each

ALUMINIUM DIE-CAST BOX 220mm x 145mm x 105mm deep **£7.64** each

RECHARGEABLE BATTERIES

AA (HP7) 600 mA	93p each
C (HP11) 1200 mA	£2.08 each
D (HP2) 1200 mA	£2.21 each
PP3 8.4V 100 mA	£4.77 each

LCD DOT MATRIX GRAPHICS DISPLAY

made by Hitachi part No. LM225
module size
270w x 150h x 13t (mm)
display area
239w x 104h
640 x 200 dots
data sheet supplied
ONLY £23.50

↓ £1.00 BARGAIN PACKS ↓

SUB-MINIATURE TOGGLE SWITCHES

P.C.B. Mounting

- BO1 S.P. on 4 for £1.00
- BO2 D.P. on 3 for £1.00

DIL SWITCHES

- BO04 4 way S.P. on 3 for £1.00
- BO05 8 way S.P. on 2 for £1.00
- BO06 12 way 90° sp on 2 for £1.00
- BO07 12 x PP3 BATTERY SNAPS
- BO08 1 x CAPACITOR 1 FARAD 5.5 VOLT
20mm dia. x 7mm high

INSTRUMENT KNOBS (0.25" SHAFT)

- BO09 High quality grey plastic knob, collet fixing 15mm dia, 5 for £1.00
- BO10 as above but 29mm dia, 3 for £1.00
- BO11 4 x MAGNETIC EARPIECE 8 ohm with 3.5mm plug
- BO12 4 x 28 WAY TURNED PIN DILL SOCKET
- BO13 15 x 12 VOLT WIRE ENDED LAMPS
- BO14 8 x 2 PIN DIN PLUGS screw terminal connection
- BO15 2 x LIGHT DEPENDENT RESISTOR Less than 200 ohms in daylight, greater than 10 megohms in darkness
- BO16 1 x KEYPAD 20 key in 5 x 4 matrix bubble type switch contacts
- BO17 2 x PIEZO BUZZERS approx 3 to 20 volt d.c.
- BO18 5 x 78M12 VOLTAGE REGULATORS positive 12V 500mA
- BO19 4 x TL082CP bi-fet op-amps
- BO17 4 x LM324 quad op-amp
- BO17 4 x 555 Timer
- BO18 5 x 741 op-amp
- BO19 25 x IN4001 diode
- BO20 20 x IN4007 diode
- BO20 20 x ASSORTED LEADS full spec. various shapes and sizes
- BO21 3 x INFRA-RED DIODE TX/RX PAIRS made by Honeywell (no info)
- BO22 4 x CONSTANT CURRENT LED 5mm round, red 2-18V d.c. or a.c. nominal 14mA
- BO23 50 x IN4148 diode
- BO24 2 x INFRA-RED TRANSISTOR FPT5133
- BO25 5 x DIACS
- BO26 3 BDY33C 10 amp 100V npn transistor
- BO27 12 x 2N3702 Transistor
- BO28 12 x 2N3904 Transistor
- BO29 12 x BC337 Transistor

- BO30 4 x LM317T Variable regulator mounted on a small heatsink
- BO31 2 x MAN6610 2 digit 0.6" 7 segment display Com anode, amber
- BO32 3 x PHONO TO PHONO LEAD 63cm long
- BO33 15 x RECTANGULAR RED LEADS 6 x 6 x 2mm stackable
- BO34 1 x PHOTO SENSITIVE SCR mounted on a PCB, data sheet supplied
- BO35 4 x IEC Panel Mounting Mains Plug Snap fix
- BO36 5 x ASSORTED PIEZO TRANSDUCERS
- BO37 5 LENGTHS OF HEATSHRINK SLEEVING 8mm dia. 400mm long
- BO38 25 x CERAMIC DISC CAPACITORS 0.1 mfd 63V
- BO39 15 x MONOLITHIC CERAMIC CAPACITORS 0.1 mfd 63V, in a dil package
- BO40 25 x ASSORTED ELECTROLYTIC CAPACITORS PCB mounting useful values
- BO41 25 ASSORTED PRE-SET RESISTORS
- BO42 8 x 3.5mm LINE JACK SOCKETS (mono)
- BO43 8 x 3.5mm JACK PLUG (mono)
- BO44 8 x 3.5mm CHASSIS SOCKET (mono)
- BO45 2 x TRIACS 800 volt 8 amp
- BO46 12 x BC213L Transistor
- BO47 12 x MIN SLIDE SWITCH dpdt
- BO48 15 x MIN CERMET TRIMMER POTS (good range of values)
- BO49 1 x PCB WITH TWO LARGE LEADS 15mm square, one red and one green
- BO50 1 x 12V DC RELAY 4 pole c/o with plug in base

Please use order code when ordering the bargain packs. Please make cheques and postal orders payable to Mailtech.

All prices include VAT.

Please add 75p postage to all orders.

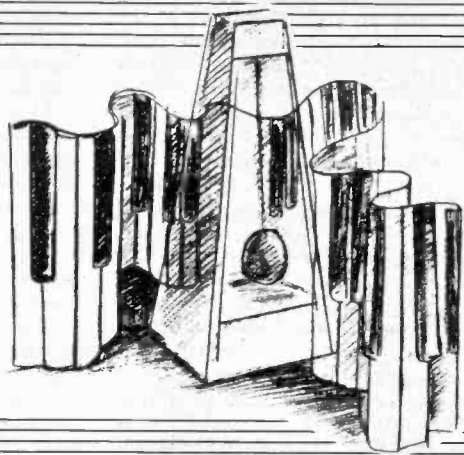
At the moment it is not possible to have a full telephone answering service. But we will have the phone definitely manned on Mondays and Thursdays between 10am and 5pm.

**Dept EE, Mailtech
PO Box 16 Ludlow
Shropshire SY8 4NA
Tel: 058 474475**

SIMPLE METRONOME

ROBERT PENFOLD

Set the tempo and improve your timing with this low-cost timer.



A TRADITIONAL metronome (Maelzel's metronome) is a purely mechanical device which gives a "click" sound at regular intervals. The beat rate can be adjusted via a calibrated control.

Some composers mark their scores with beat rates to accurately indicate the initial playing speed, plus any subsequent changes in tempo. A metronome can then be used to show the correct playing speeds.

Probably a more common use is where a music student has to learn to play a piece at a certain tempo. The metronome is set to the correct rate and the student then does his or her best to keep up!

These days metronomes are mostly electronic devices which mimic the sound of a traditional mechanical metronome. This very simple electronic metronome produces a reasonably loud "click" sound that can be adjusted to any rate between about 30 and 300 beats-per-minute.

CIRCUIT DESCRIPTION

In order to obtain the required "click" sounds the loudspeaker must be fed with a series of pulses. Long pulses produce a sort of "thud" sound - very short pulses give a "thin" and high pitched "click" sound. The ideal pulse duration for a good metronome sound seems to be roughly in the middle of these extremes, which equates to an actual pulse length of about 0.2ms to 0.5ms.

The full circuit diagram for the Simple Metronome is shown in Fig. 1. This is based on a 555 timer integrated circuit which is operated here in the standard astable (oscillator) mode. The 555 is a good choice for this application as it can provide the required pulsed output waveform, and it can also provide high enough output currents to drive a loudspeaker at good volume.

The basic action of the circuit is for timing capacitor C2 to first charge up to

two thirds of the supply voltage, via the series resistance of potentiometer VR1 and resistors R1, R2. It then discharges to one third of the supply potential via resistor R2 and an internal transistor of IC1. C2 is repeatedly charged and discharged in this way, giving a form of continuous oscillation.

Potentiometer VR1 is used to control the rate at which capacitor C2 charges, and it acts as the beat rate control. It provides an operating frequency of about 0.5Hz at maximum resistance, rising to 5Hz at minimum resistance. In terms of beats-per-minute this corresponds to the 30 to 300 beats per minute range mentioned previously.

In most applications, including the present one, it is not the signal in the timing circuit that is of interest. Pin 3 of IC2 provides a signal that goes high while C1 is charging, and low while it is discharging.

Since C2 discharges through the relatively low resistance of R2 and the insignificant resistance of IC1's internal switching transistor, the time for which pin 3 of IC1 goes low is comparatively short. In fact it goes low for roughly 0.5ms, which is at the high end of the acceptable duration range. A slightly lower value for resistor R2 might actually

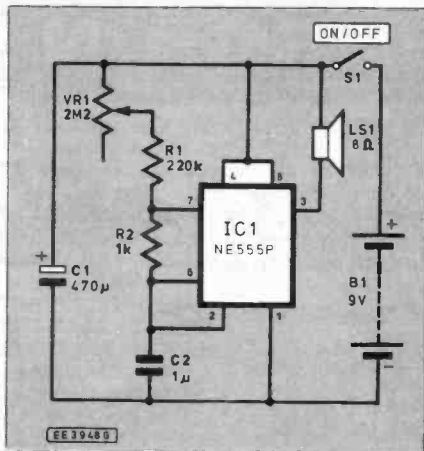
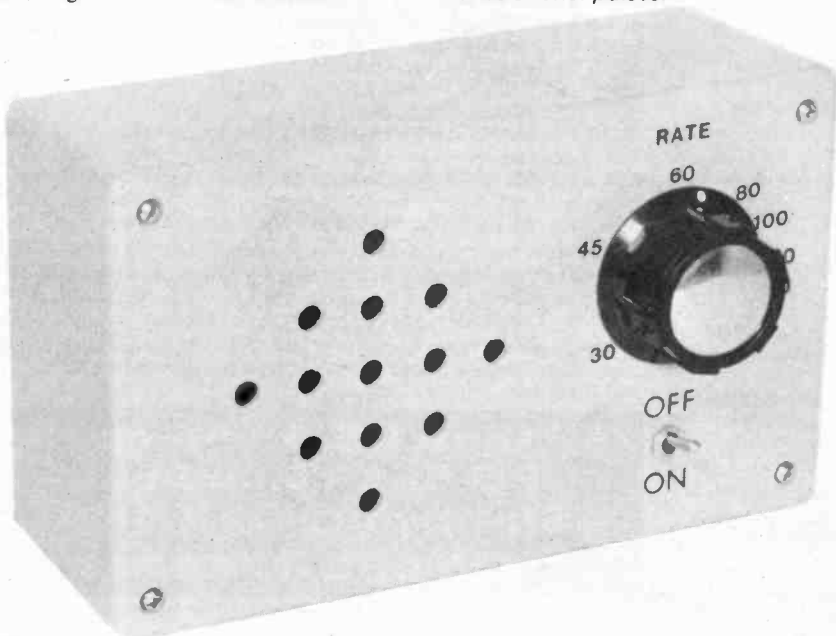


Fig. 1. Simple Metronome circuit diagram. IC1 drives the speaker with a series of brief pulses.



COMPONENTS

Resistors

R1 220k
R2 1k
All 0.25W 5% carbon film

See
**SHOP
TALK**
Page

Potentiometer

VR1 2M2 rotary carbon, linear

Capacitors

C1 470µ radial elect., 10V
C2 1µ polyester layer

Semiconductor

IC1 NE555P bipolar timer

Miscellaneous

S1 s.p.s.t. min. toggle switch
LS1 8 ohm, 76mm diameter
loudspeaker
B1 9V (PP3 size) battery, with
connector clips

Medium size plastic case; stripboard,
0.1in. matrix, size 21 holes by 14 strips;
control knob; 8-pin d.i.l. i.c. holder;
solder pins; connecting wire; solder, etc.

Approx cost
guidance only **£10.50**

give a better sound, but it might also reduce the volume to an inadequate level.

By connecting loudspeaker LS1 between the output of IC1 and the positive supply rail, it is driven with a large pulse of current each time the output (pin 3) of IC1 goes low. This gives the required "click" sounds.

The loudspeaker LS1 *must not* be connected between IC1's output and the negative supply rail. This would result in the loudspeaker being fed with a high current most of the time, with brief pauses each time IC1's output pulsed low. This would generate the "click" sounds, but would result in IC1 quickly overheating and being destroyed.

The large supply decoupling capacitor (C1) ensures that the large pulses of current can be supplied even when the battery is nearing exhaustion. The current consumption of the circuit is approximately 8mA. A PP3 battery is adequate as the power source, but a larger battery (such as a PP9 or six HP7 size cells in a holder) would be more practical if the unit will receive a lot of use.

The current consumption could be greatly reduced by using a low power version of the NE555P for IC1. However, it is not recommended as most low power versions of the 555 do not seem to drive low impedance loads very well. At best the volume would probably be very low, and at worst the unit would fail to work at all.

CONSTRUCTION

The Simple Metronome is built on a small piece of 0.1in matrix stripboard, size 21 holes by 14 copper strips. The topside component layout is shown in Fig. 2. Four breaks are required in the underside copper tracks between IC1 pins.

Start construction by cutting out a board of the appropriate size using a hacksaw, and then file the sawn edges to a smooth finish using a small flat file. Next drill the two 3.3mm diameter mounting holes and make the four breaks in the copper strips.

The board is now ready for the components, link wires, and solder pins to be added. Note that IC1 has the opposite orientation to normal (i.e. pin 1 is towards the bottom edge of the board). Be careful to fit the electrolytic capacitor C1 the right way round as well. Its polarity will be marked by "+" and (or) "-" signs on the body of the component. Getting either of these components the wrong way round could result in a large current flow and the component being ruined.

Capacitor C2 has quite a high value, but it must be a *non*-electrolytic type. The tolerances and leakage levels of electrolytics are too high to guarantee good results in a timing application of this type. In order to fit easily into this layout C2 must be a printed circuit mounting type having 10mm (0.4 inch) lead spacing.

CASE

Quite a small plastic box could be used as the case for this project provided a loudspeaker having a diameter of about 50mm or less is used for LS1. Trying to miniaturise the unit is not recommended though, as this seems to result in quite a low volume level. Much better volume seems to be obtained using a loudspeaker of around 76mm in

diameter, together with a suitably large case.

The component board is mounted on the rear panel (base) of the case using 6BA or metric M3 fixings. Switch S1, loudspeaker LS1, and rotary control VR1 are mounted on the front panel (lid), and it is advisable to fit VR1 with a fairly large control knob. It can then be calibrated with a large and reasonably accurate dial.

A grille is needed for the loudspeaker. Probably the easiest way of handling this is to drill a pattern of holes, about 5mm or so in diameter, in the case front panel.

This needs to be done carefully, since quite small errors in the positioning of the holes can produce some decidedly scrappy looking results. The best approach is to first drill some small guide holes as accurately as possible. These are then enlarged to about 3.5mm in diameter, and then to the final size of 5mm.

It is very unusual for small loudspeakers to have any provision for fixing screws. This means that the loudspeaker will almost certainly have to be glued in place behind the grille. Any good quality general purpose adhesive should be suitable. Apply a small amount of adhesive to the front rim of the loudspeaker, being careful not to smear any adhesive over the diaphragm.

To complete the unit the point-to-point wiring is added. This is shown in Fig. 3, which should be used in conjunction with Fig. 2. Use ordinary multi-strand p.v.c. insulated hook-up wire for these connections.

CALIBRATION

The finished Metronome will not be of much practi-

cal value unless the "Beat" control knob of VR1 is calibrated with a beats-per-minute scale. This can be done quite easily using rub-on transfers. Some trial and error is needed in order to find the calibration points, and this is likely to be quite time consuming if the unit is to be calibrated really accurately.

A worthwhile saving in time can be achieved by counting the number of beats in a fifteen second period and multiplying by four, rather than counting the number of beats in a one minute period. Provided this is done carefully it should give quite accurate results. □

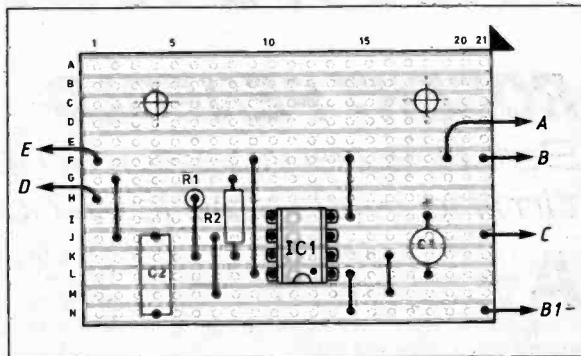


Fig. 2. Stripboard component layout. Note that four breaks are required in the copper tracks between the two rows of i.c. pins.

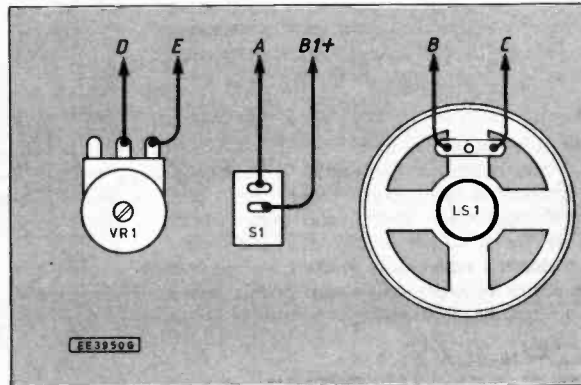
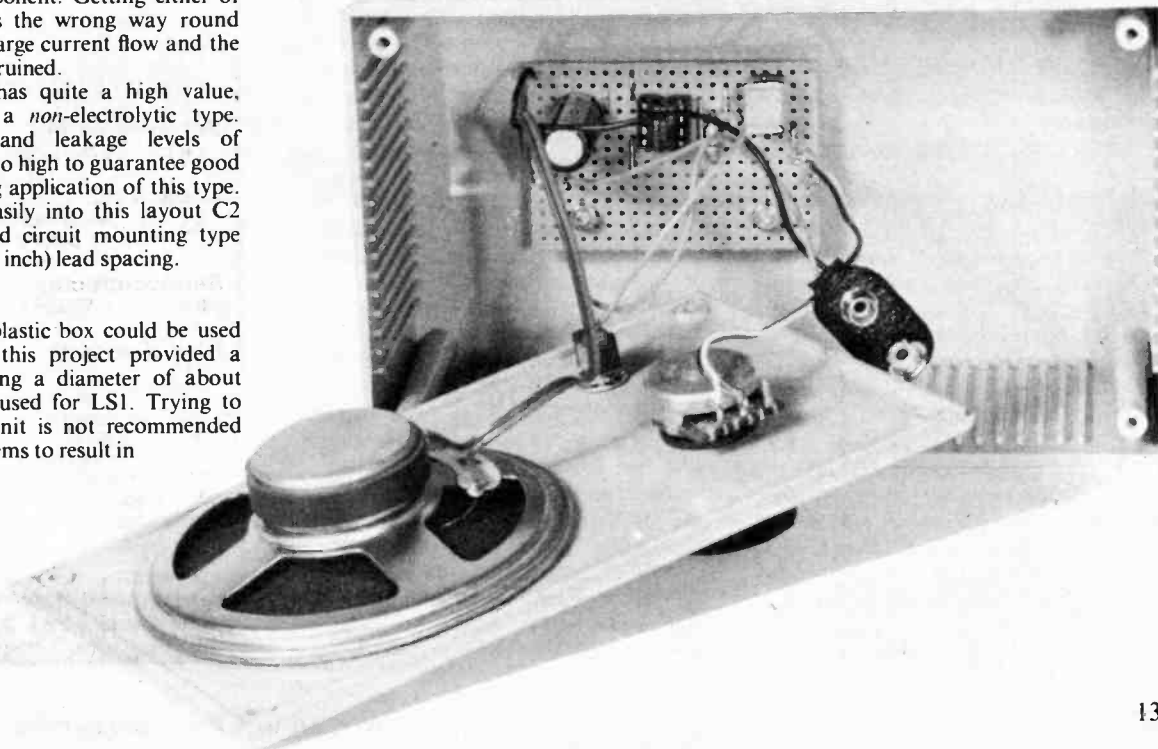


Fig. 3. Details of the wiring from the lid-mounted components to the circuit board. Use this diagram in conjunction with Fig. 2 above.



INTERFACE

Robert Penfold



A SPARE printer port offers what is potentially a very easy means of controlling relays, motors, l.e.d.s, etc. from a computer. A parallel printer port has eight main data outputs, plus two or three inputs/outputs for handshaking purposes, plus what can be as many as half a dozen other input and output lines which normally carry various error and status signals.

In practice many computers only have a single printer port, which is usually needed for a printer and is not free for connection to user add-ons. This problem can be overcome using a two-way printer switch-box so that the computer's output can be switched between the printer and the add-on circuits, but the cost of the switch-box and cables might be deemed too high for this to be worthwhile.

The situation is different with IBM compatibles, since many of these have two printer ports in the standard configuration. Even if only one port is fitted as standard, a very inexpensive printer card is all that is needed in order to add the second port.

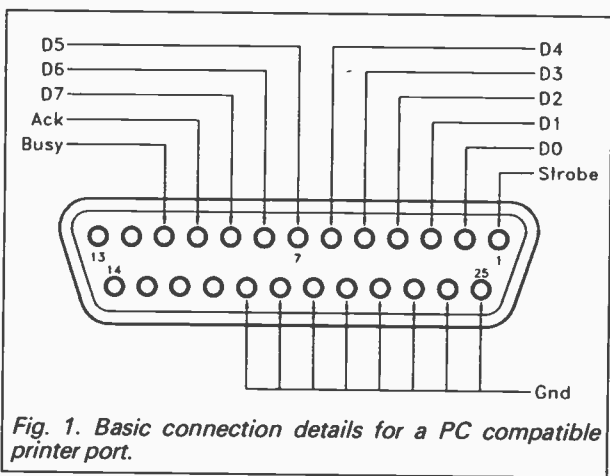


Fig. 1. Basic connection details for a PC compatible printer port.

Latching Data

A PC printer port connects to the outside world via a female 25-way DIN connector. Fig.1 provides basic connection details for a PC printer port. Only the data, ground, and handshake lines are included in Fig.1, and for the time being we will ignore lines that handle error signals and status information.

In normal use a byte of data is placed on the data outputs (D0 to D7) and the normally high "strobe" output is then pulsed low. There is normally an eight bit data latch at a printer's parallel input port, and the strobe signal returning to the high state latches fresh bytes of data into this circuit. The strobe pulse also indicates to the printer's control circuits that a new

byte of data is available and must be processed.

The "Ack" (acknowledge) and "Busy" lines are handshake inputs at the computer end of the system. If necessary, these can be used to provide a hold-off so that the flow of data can be temporarily halted. This prevents the computer from sending large amounts of data at such a high rate that the printer's data buffer becomes overloaded. Remember that even the most simple of parallel ports can send data at quite high rates. Rates of about one megabyte per second are quite possible, but bear in mind that the recommended cable length is only about two or three metres.

Busy

The "Busy" handshake line is the more simple of the two. The printer simply takes this line high when it is unable to accept more characters, and sets it low again when it is ready to receive more data. The "Ack" handshake line is normally high, and it is pulsed low by the printer to indicate a byte of data has been received and processed, and that the next byte can be sent.

On the face of it, in order to use a printer port as a simple eight bit output port it is merely necessary to have a latch circuit added on the eight data outputs. A 74LS273 octal D type flip/flop could be used to latch the data, with the strobe output providing the latching pulse to its "clock" input. In practice this does not seem to be necessary, and virtually all computer

printer ports have latching outputs. You can therefore use the data outputs themselves as latching outputs to directly operate relay drivers and the like.

Properly Addressed

From the software point of view there are two basic ways of accessing the printer port. One route is to use the support provided for the printer port by whatever programming language you are using. In BASIC this will be in the form of an LPRINT command, or an equivalent. This indirect route might be the best method of control if large amounts of data will be sent to the port, and handshaking must be used. In many cases though, handshaking will not be needed, and

direct access to the hardware of the printer port then represents a more simple and straightforward approach.

The PC's printer ports are placed in the input/output maps at addresses from &H378 to &H37F (port 1) and &H278 to &H27F (port 2). The data latches are at the base addresses, and in order to write data to printer port 1 it is therefore sent to address &H378 (address 888 in decimal). Data for printer port 2 is sent to address &H278 (address 632 in decimal). The data outputs are straightforward TTL compatible latching types, with no added inverters or other surprises.

Using GWBASIC or a compatible PC BASIC language, data can be written to a printer port using the OUT command. For example, the command—

```
OUT 888,15
```

would send a value of 15 to printer port 1. It would set D0 to D3 high, and D4 to D7 low. As one would expect, this direct method of accessing the printer ports does not generate a strobe pulse, but for many purposes a strobe pulse is unnecessary.

Obviously a basic 8-bit latching output port has its limitations. However, using a spare PC printer port in this way represents a very simple and inexpensive method of controlling motors, l.e.d.s, etc. Using the method described in previous *Interface* articles, you could have seven outputs to provide speed control of a model train, and the eighth bit to provide direction control. Even if your PC is already equipped with something like an 8255 PIO card, an extra eight outputs provided by a printer port could be more than a little useful.

Circuit Analysis

I have mentioned the "PSPICE" and "ACIRAN" circuit analysis programs in previous *Interface* articles. "PSPICE" is the industry standard program of this type, and it is, to say the least, a very complex piece of software. The full commercial package is also quite expensive.

The educational "PSPICE" program (which can be obtained from some shareware vendors) is a slightly cut down version, but it retains most of the facilities available on the full program. It cannot handle complex circuits, but it is adequate for most educational and hobbyist requirements. Its big attraction is that apart from the initial cost of the shareware disks, it is completely free.

The latest educational version is supplied on two high density disks, and it has been steadily updated from the original "free" version. The "PROBE" graphics printing program (which requires a maths

co-processor) now supports more output devices, the library of component models includes some additions such as Motorola power MOSFETs, and some super VGA cards are now supported. It is nice to see that the educational version of the program is being kept up to date with the "real thing".

It is only fair to point out that "PSPICE" is a complex program which you will not learn to use in a few minutes. It is a powerful and interesting program though, and one that probably justifies the effort needed in order to master it.

"ACIRAN" has also been steadily improved over the years. Enhancements include support for HP Laserjet and compatible printers, and for Postscript printers, plus better frequency scaling when using a logarithmic sweep. In common with many graphics programs which can accommodate logarithmic scaling, early versions of the program tended to give some extremely odd scale divisions which made it difficult to interpret results. The current version seems to automatically provide more sensible major scale divisions (Fig.2).

Windows

For Windows enthusiasts there is now a Windows version of "ACIRAN". It provides the same basic functions as the standard DOS version, and the menu structure is very similar. However, it is a proper Windows conversion, with graphs, etc. popping up in their own windows, plenty of dialogue boxes, etc. The data display has the usual scroll bars so that you can scroll up and down through the data.

The program will work with any Windows supported screens, printers, pointing devices, etc. The graph printouts (as in the example of Fig.3) are a bit basic compared with the on-screen graphs, but as this is a Windows program the screen graphs can be "pasted" into other graphics programs for enhancement and printing out.

Of the various circuit analyser programs I have tried, "ACIRAN" has always seemed to be the most straightforward

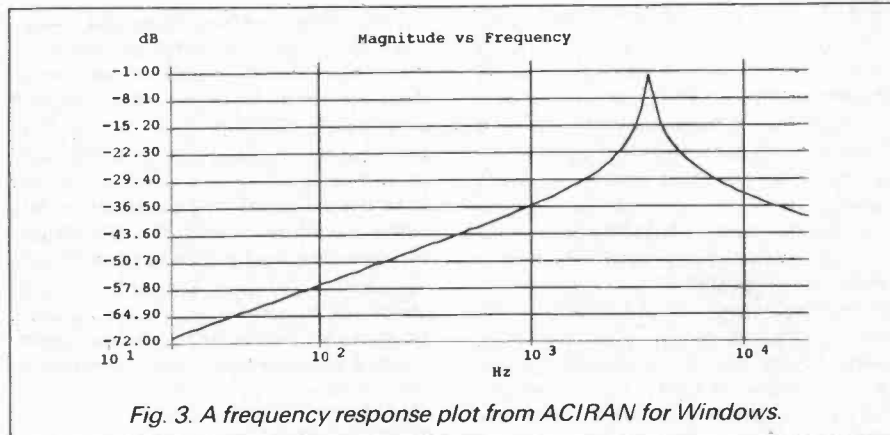


Fig. 3. A frequency response plot from ACIRAN for Windows.

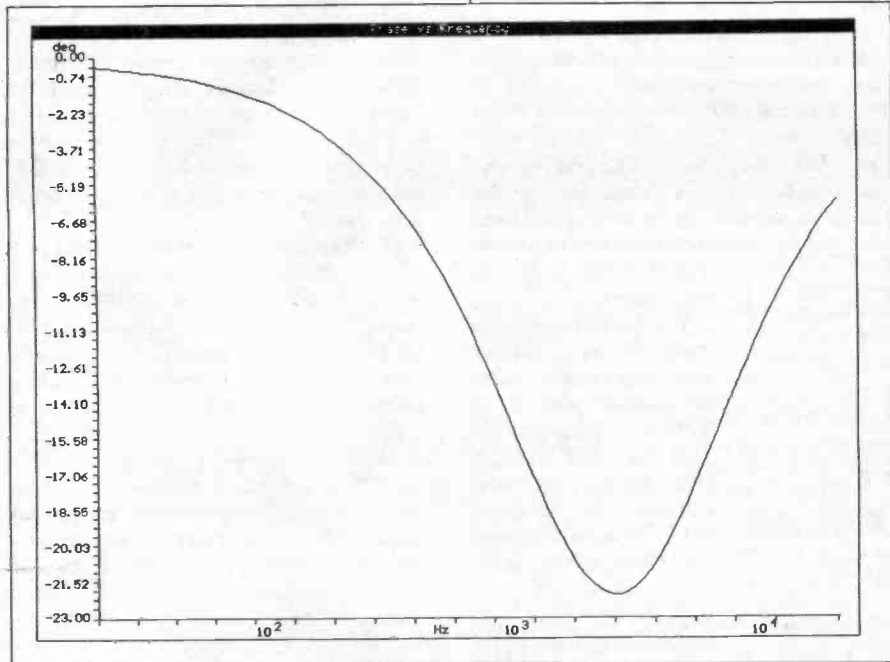


Fig. 2. An ACIRAN phase response graph.

to use. The Windows version has a proper "Install" program, which means that it can be loaded onto the hard disk and run within a few minutes. For anyone who is familiar with Windows programs it should then take no more than a few minutes to get the program working on the demonstration circuit files. Both versions of "ACIRAN" are shareware, but the registration fee of £65.00 is very reasonable indeed for circuit analyser software of this quality.

If you have a PC it is well worthwhile giving "ACIRAN" and "PSPICE" a try. These programs are available from The PDSL, Winscombe House, Dept EPE, Beacon Road, Crowborough, Sussex, TN6 1UL (Tel: 0892 663298). "PSPICE", "ACIRAN", and "ACIRAN" for Windows are on disks H035A/B, 3286, and 3511 (H035A/B are two high density disks). They are probably available from other PC shareware sources, but they will be under different catalogue numbers, and might not be the latest versions.

CONTROL PORT for PCs

This I/O Port follows the general approach of the 'INTERFACING to PCs' series in this mag, BUT allows user's prototype control circuitry to be set up and run OUTSIDE the PC.

The double sided pcb fits into an I/O slot, and a ribbon cable terminating in a D-25 plug allows the control of projects with little risk to the PC. On board facilities include: 8-bit A-D, 8-bit D-A, 8 inputs, 8 latched outputs, 3 strobes and 1 IRQ.

Available as:

- (a) Etched double sided board with full instructions for drilling/assembly/testing using BASIC.....£12.50
- (b) Complete I/O card with ribbon cable and BASIC test programs. (Built and tested).....£29.00

Also available: Test pod with D-25 socket providing analogue and digital test signals/outputs for the I/O card, with BASIC test programs on disc.....£17.00

(Please send large S.A.E. for more details)

All above prices include P&P. Mail Order only from:

R. BARTLETT
17 LIME TREE AVENUE, TILE HILL
COVENTRY CV4 9EY

N. R. BARDWELL LTD (EPE)

200 Signal diodes 1N4148.....	£1.00	200 Printed circuit board 20mm fuse clips.....	£1.00
75 Rectifier Diodes 1N4001.....	£1.00	200 Asstd. disc ceramic capacitors.....	£1.00
50 Rectifier Diodes 1N4007.....	£1.00	80 Asstd. electrolytic capacitors.....	£1.00
56 Rectifier Diodes 1N5401.....	£1.00	80 4.7UF 16V Radial electrolytics.....	£1.00
100 Asstd. Zeners.....	£1.00	75 4.7UF 63V Radial electrolytics.....	£1.00
10 NE555 Timer ICs.....	£1.00	80 10UF 16V Radial electrolytics.....	£1.00
8 C105D 400V 6 amp thyristors.....	£1.00	50 10UF 50V Radial electrolytics.....	£1.00
8 BC478 Transistors.....	£1.00	80 22UF 25V Radial electrolytics.....	£1.00
30 MPSA42 Transistors.....	£1.00	60 33UF 16V Radial electrolytics.....	£1.00
50 Rectangular red I.e.d.s.....	£1.00	50 47UF 50V Radial electrolytics.....	£1.00
25 Asstd. high brightness I.e.d.s.....	£1.00	80 100UF 10V Radial electrolytics.....	£1.00
24 Miniature red I.e.d.s 3mm dia.....	£1.00	50 220UF 16V Radial electrolytics.....	£1.00
50 Axial I.e.d.s (Diode package) wide angle I.e.d.s.....	£1.00	60 470UF 10V Radial electrolytics.....	£1.00
12 Asstd. seven segment displays.....	£1.00	40 1000UF 25V Axial electrolytics.....	£1.00
30 Asstd. IF transformers.....	£1.00	1 1 Farad 5.5V memory back up capacitor.....	£1.00
48 Asstd. coil formers.....	£1.00	1 Peltier effect heat pump.....	£1.95
100 Asstd. RF chokes (inductors).....	£1.00	1 10 watt Stereo amplifier, 4 controls plus data.....	£2.95
30 Asstd. connectors edge-dii-sll etc.....	£1.00		
10 4P 3W MBB min. rotary switches.....	£1.00		
20 1 inch Glass reed switches.....	£1.00		
20 Magnetic ear pips plus lead & plug.....	£1.00		
20 Min SP/CO slide switches.....	£1.00		
30 Asstd. d.i.l. sockets up to 40 pin.....	£1.00		
20 24-way turned pin IC sockets.....	£1.00		
16 40 pin d.i.l. wire wrap IC sockets.....	£1.00		
2 ORP12 light dependant resistors.....	£1.00		

Prices include VAT postage £1.25 Stamp for Lists

288 Abbeydale Road, Sheffield S7 1FL
Phone (0742) 552886 Fax (0742) 500689

DOWN TO EARTH

George Hyllon

Readers will no doubt be familiar with the use of an ohmmeter to make quick tests on bipolar (*npn* or *pnnp*) transistors. Measurements can indicate internal short-circuits, open-circuits and excessive leakage.

It is also possible to treat the transistor as a pair of diodes with the base as a common terminal. The base-emitter junction should read low resistance one way and high with the meter leads reversed, and the same for the base-collector junction.

PNP OR NPN?

This test can also show whether a transistor is *npn* or *pnnp*, but caution is necessary. When an ordinary analogue multimeter is used on an ohms range the "positive" lead actually goes to the negative terminal of the internal battery, and vice versa.

The polarity of the voltage applied to the junctions is therefore the reverse of the polarity of the meter terminals. When an *nnp* device is tested, conduction occurs when the "negative" meter lead goes to the base (Fig. 1) and the reverse for *pnnp*.

With most digital meters (and a very few analogue ones) the positive lead is really positive on ohms ranges, so the junctions behave as expected.

GAIN MEASUREMENT

While these tests are quick and useful for fault-finding they don't give any indication of how good a transistor is as a current amplifier. Some multimeters do incorporate special facilities for measuring the current amplification factor h_{FE} . But not many, and not mine.

When my proper transistor tester packed up I remembered reading somewhere that a general-purpose analogue multimeter can be adapted to transistor testing. Some pencil and paper work plus

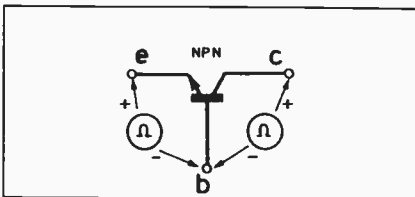


Fig. 1. Checking the base-emitter and base-collector junctions. With the meter leads as shown the junctions conduct when the transistor is *nnp*.

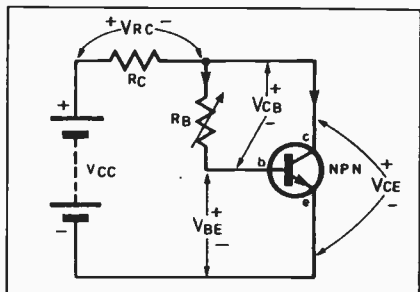


Fig. 2. When $V_{CB} = V_{RC}$ the h_{FE} of the transistor is very nearly R_B/R_C .

bench tests showed that, if you are stuck with an old-fashioned analogue multimeter with no h_{FE} measurement facility, you can still get a useful idea of transistor gain, provided that you have a suitable variable resistance, preferably calibrated. (The method probably won't work with digital multimeters.)

TEST CIRCUIT

The transistor circuit which lends itself to multimeter tests (Fig. 2) is the much used "auto bias" arrangement. Here the d.c. base current flows between collector and base, via a resistance R_B . The other resistance (R_C) is the d.c. collector load.

A certain voltage (V_{RC}) is dropped in R_C while another voltage (V_{CB}) appears across R_B . If R_B is adjusted so that $V_{RC} = V_{CB}$ then $R_B/R_C = h_{FE} + 1$. Since practical values of h_{FE} are quite high, the "+1" can be ignored and we can say that $h_{FE} = R_B/R_C$.

To make this h_{FE} measurement, all you need is a battery, a fixed resistor (R_C), a variable resistor R_B and some means of showing when $V_{RC} = V_{CB}$. An analogue multimeter with ohms ranges contains R_C (the range setting resistance), a battery, and a micro-ammeter (Fig. 3, left hand).

All that's now needed is a variable R_B and some system for making the pointer tell you when $V_{RC} = V_{CB}$. A simple calculation then gives h_{FE} .

RANGE RESISTANCE

If the base-emitter voltage of the transistor (V_{BE}) were zero there would be no problem. Having first zeroed the meter on an ohms range (pointer deflection full scale) the test leads would be applied (with the appropriate polarity) to the transistor and R_B adjusted to obtain a half-scale deflection, using any *linear* scale as an indicator. In this condition half the battery voltage is lost in R_C , so $V_{RC} = V_{CB}$. Then $h_{FE} = R_B/R_C$. Of course, R_C is the internal resistance of the ohmmeter, and you don't know it. But you can easily find it.

Again taking any convenient *linear* scale (volts, amps) find the half-scale point. Now note what value of resistance appears opposite this point on the *Ohms* scale. This value is R_C .

Naturally, you may have to multiply it by a scaling factor. If the mid-scale value is 40 ohms on the "Ohms $\times 1$ " range it must be 4000 ohms on the "Ohms $\times 100$ " range.

This value also gives another useful piece of information, the full-scale current. If, on a particular ohms range, the half-scale current resistance mark is 5k (kilohms), and the internal battery is 1.5 then the full-scale current is $1.5/5k = 300\mu A$.

Knowing this enables you to estimate the collector current at which you are measuring h_{FE} . Since h_{FE} varies with this current it's sometimes necessary to allow for the variation when comparing your

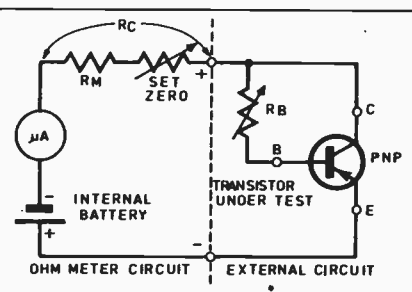


Fig. 3. A calibrated variable resistance R_B enables h_{FE} tests to be made with an ohmmeter.

measurement with the maker's data for the type of transistor under test.

Data sheets often specify a collector current at which h_{FE} peaks. At higher or lower currents h_{FE} is reduced.

The internal resistance changes as you switch from one resistance range to another so the test current also changes. This opens the possibility of selecting a collector current appropriate to the transistor type.

BASE-EMITTER VOLTAGE

However, I'm running ahead of the subject. With real transistors V_{BE} is not zero. It's likely, in this sort of test, to be round about 0.7V (for a silicon transistor). With an internal battery of only 1.5V this, in effect, reduces the test voltage to around 0.8V.

Clearly, this will produce large errors unless a correction can be made. Having zeroed the ohmmeter, connect to the transistor test circuit and set R_B to zero. This shorts collector to base and turns the transistor into a diode whose forward voltage is approximately V_{BE} . The position of the pointer now indicates a revised "zero": not the ohms zero, which is at full scale, but the maximum deflection obtained when the battery voltage is reduced by V_{BE} .

Estimate the mid-point of the segment of the scale between the pointer position and zero on any d.c. voltage or current scale. In other words find (and note) the reading (Fig. 4) where $x = y$. Adjust R_B to move the pointer to this reading. Then $h_{FE} = R_B/R_C$.

For germanium transistors, V_{BE} is quite low (0.1V to 0.3V) so the pointer deflection when $R_B = 0$ is closer to full scale than for silicon transistors. For all transistors, the $R_B = 0$ deflection varies from one resistance range to another.

There are several sources of error in the test circuit but the measurements I obtained are not wildly different from those of a commercial tester when differing collector currents are allowed for. If all you want is to match transistors or sort high-gain specimens from low-gain the error is unimportant.

Given a plug-in component board the test circuit can be quickly assembled whenever needed. Since h_{FE} is likely to be in the range 10-1000 the variable R_B should be 10-1000 times the mid-scale resistance (R_C).

NO RESISTANCE BOX

If no calibrated resistance is available for R_B use an uncalibrated one. Having set the pointer to the correct reading short base to emitter and take a resistance reading using an ohms scale. This gives R_B .

Erratic readings may be the result of high-frequency oscillation. This is quite likely when the current is high (i.e. a low resistance range is being used). Connecting a low-inductance capacitor between base and emitter often helps. Try 0.1 μF .

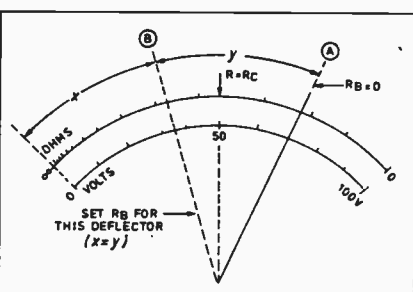


Fig. 4. Meter readings during transistor testing. A with $R_B = 0$; B when $x = y$ R_B is set for h_{FE} calculation.

electronize electronic kits

TOTAL ENERGY DISCHARGE ELECTRONIC IGNITION

A unique extended CDI system gives a super high power spark under conditions where the standard system just cannot cope. The contact breaker is retained for ease of fitting but operates only at low power.

EXTENDED CDI IGNITION parts kit £22.75 assembled £28.45

MICRO-PRESSURE CAR ALARM

A unique air pressure sensing system operates automatically without door switches etc. and is disarmed with the ignition key. Provides exit and entry delays with audible warning when triggered. Easily fitted with only three leads. A Power MOSFET output drives a siren or the car horn.

MICRO-PRESSURE CAR ALARM parts kit £15.95 assembled £22.35

VOLT DROP OPERATED CAR ALARM

A similar unit to the above but relying on the courtesy light operation and the well known volt drop detection system.

VOLT DROP CAR ALARM parts kit £14.90 assembled £20.95

MICRO PRESSURE TRIGGER

A small module to up-grade any volt drop alarm to Micro-Pressure sensing or combine the benefits of both systems.

MICRO PRESSURE TRIGGER parts kit £10.95 assembled £14.95

120dB PIEZO SIREN

A high intensity vehicle alarm siren for use with the above alarms.

120dB PIEZO SIREN assembled only £11.95

CODED INFRARED RECEIVER

A dash top mounted unit gives coded remote control of the above alarms. Includes a security chip with anti-scanning and 59,046 customer selectable combinations. Also has "Mega Bright" flashing LED to warn off intruders.

CODED IR RECEIVER parts kit £21.35 assembled £26.55

CODED INFRARED TRANSMITTER

A key ring code transmitter for the above with a range up to 5 metre.

CODED IR TRANSMITTER parts kit £13.95 assembled £17.95

All the above include cable, connectors and clear easy to follow instructions. All kits include case, PCB, everything down to the last washer, even solder. Prices are mail order discount, fully inclusive and apply for U.K. and export. Telephone orders accepted with VISA or ACCESS payment. Ask for detailed brochures or order direct (please quote EE2) from :-

ELECTRONIZE DESIGN Tel. 021 308 5877
2 Hillside Road, Four Oaks, Sutton Coldfield, B74 4DQ



DATING
ELECTRONICS LIMITED

Clayton Wood Close
West Park
Leeds LS16 6QE
Tel: 0532 744822
Fax: 0532 742872

For products you can rely upon to give amazing results

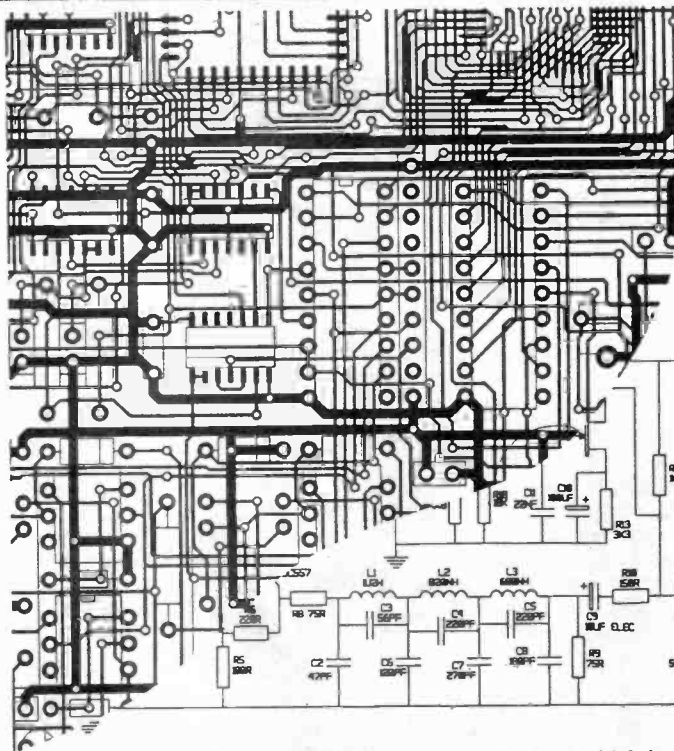
For information on **Active Antennas, RF Amplifiers, Converters, Audio Filters, the Morse Tutor and Speech Processors** send or telephone for a free catalogue and selective data sheets as required.

All our products are designed and made in Britain.

Orders can be despatched within 48 hours subject to availability.



— VISA AND ACCESS WELCOME —



Layo1 is priced at £99 up to £999 (ex. carriage & VAT) which includes: Layo1 Schematics, 90 days FREE updates and technical support.

What more do you need than a practical, easy to use and fast program to design your electronics in your own way? Layo1 is the ideal solution to do just that. Just ask the thousands of satisfied users!

Layo1

- > Netlist import via Project Manager from Layo1 Schematics
- > Also for OrCAD/SDT, Schema III, Tango etc.
- > Forward Annotation
- > Graphics netlist entry
- > Manual-, Interactive and Auto Routing
- > Design Rule Checking
- > SMD Support
- > Extensive component library
- > User definable Macro's

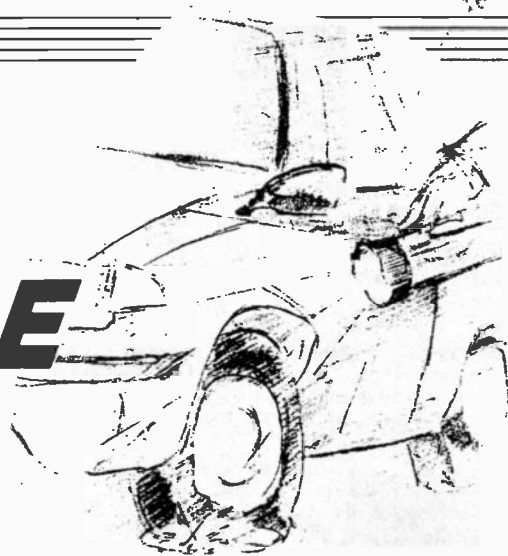
Powerfull output drivers for:

- > Gerber photoplotters
- > Excellon, Sieb&Meyer and HPGL drillingmachines
- > HPGL, DMPL compatible penplotters (with open pads)
- > Adobe 2.0 Postscript (with open pads and 10 greyscales)
- > HP-Laserjet, Deskjet and Epson compatible printers

Pentagram Electronic Designs
6, Pasture Close, Clayton, Bradford BD14 6LY
Phone: (0274) 882609 Fax: (0274) 882295

LAYO1

HEAVY-DUTY RECHARGEABLE HANDLAMP



BRIAN CORDINGLEY

Will provide a bright light for over four hours of continuous operation and retain its charge over a long period of storage.

THE Ever Ready R690 handlamp has proved popular over the years with those who required something superior to a standard torch. The handlamp in its original form is designed to take two PJ996 batteries. In this article details are given on how to convert this unit to run with sealed, maintenance-free, rechargeable lead-acid batteries.

The attractiveness of rechargeable torches has been recognised for some time. Many models are available from retail outlets, though nearly all of these will employ nickel-cadmium cells (NiCads).

Nickel-cadmium cells are offered to the consumer market as they can be charged by very simple circuits and no special precautions are required to prevent total

discharge of the cells. Their major drawback is their rapid rate of self discharge – it makes NiCads suitable only for applications where they are either left permanently connected to a charger or are used within a few weeks of being charged. They are not very practical, for example, for keeping in the car for emergencies as they are likely to have lost the major part of their charge before they are required for use.

Where NiCads are left permanently on charge the benefit of economy of rechargeable batteries is likely to be lost. The cost of maintaining the mains supply to a torch left on stand-by charge approaches that of replacing the batteries once a year – of course this cost is not conspicuous as it is lost in the total electricity bill.

LONG LIFE

The rechargeable lamp described in this article employs a sealed lead-acid rechargeable battery. The significant advantage of using lead-acid technology over that of nickel-cadmium for this application follows from the much lower rate of self discharge of the lead-acid battery. The cells specified for use in this project will still contain a useful charge a year after charging.

Lead-acid batteries require more complex charging circuits than do NiCads and also protection is required to prevent accidental total discharge of the cells. Nevertheless, given that these factors are borne in mind when specifying the circuitry, lead-acid batteries will give very good service over a period of many years.

LOW STATE OF CHARGE WARNING

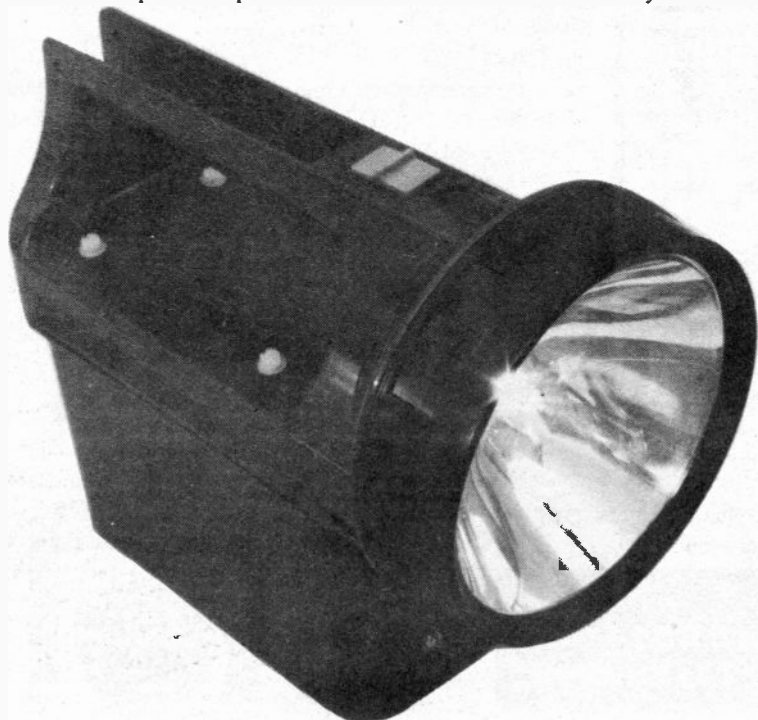
If you have used a nickel-cadmium torch you may well have been irritated by the fact that, when the lamp approaches the end of its stored charge, the bulb dims to extinction rapidly with little warning. In this project, the circuit designed to restrict depth of discharge is also used to give some warning that the lead-acid battery is nearly discharged – the bulb dims gradually as the discharged condition is approached.

EMERGENCY OPERATION

If the lamp is left on for an extended period the current to the bulb will be too low to provide any light. Some charge remains in the battery under these circumstances and provision is made to provide some further periods of light for emergency use.

PORTABILITY

The portability of the handlamp is facilitated by building the charger into the body of the unit. Portability is further enhanced by selecting a mains socket for the project of a type commonly available on domestic equipment. If this is done it will not be necessary to provide a dedicated lead for charging.



PRIMARY CONSIDERATIONS

Before proceeding with the details of construction for this project, it is helpful to recall the relative properties of some battery systems that could be employed in handlamps. For comparisons of operating times, it is assumed that the lamp is fitted with a 0.5A 6V bulb.

Primary Batteries (non-rechargeable)

The primary batteries most often used in torches are founded on zinc-carbon or zinc-chloride systems. These cells have a nominal voltage of 1.5V and, for a given size, have a higher amp-hour capacity than nickel-cadmium or lead-acid rechargeable batteries.

For example, two PJ996 batteries (each battery consisting of four series-connected cells) of six volts and parallel-connected could be expected to operate the R690 lamp for about 24 hours. During the latter part of their life these batteries would be operating at reduced voltage and their performance would be degraded.

These primary batteries have a long shelf life and could be expected to perform satisfactorily for two or three years if used infrequently. The total cost of two PJ996 batteries is currently about £7.

Secondary Batteries (rechargeable)

The most widely available maintenance-free secondary batteries are based on nickel-cadmium or lead-acid technology.

NiCads

Nickel cadmium cells have a nominal voltage of 1.2V and, were they to be used for this project, it would be reasonable to connect five industrial C-size cells in series. The battery formed would have a capacity of 2Ah and cost a total of about £19. It would be capable of keeping a 0.5A bulb glowing brightly for about four hours and could be recharged many hundred times.

Manufacturers claim a life of from five to seven years where, say, a couple of hundred charge and discharge cycles are employed. High-capacity NiCads, such as C-size cells, employ a sintered-plate construction and their ability to retain charge is poor. It is likely that little useful charge would be retained after about two months' storage.

NiCads have an advantage in that they can be charged by simple techniques and it is not essential to provide protection against deep discharge. The metal case of a sintered-plate NiCad is connected electrically to the negative electrode.

Lead-Acid

The nominal voltage of a lead-acid cell is 2V. The cells specified for this project are "Cyclon" cells of 2.5Ah capacity. Three series-connected cells are required to provide a 6V supply and they can be expected to cost a total of about £12. These lead-acid cells have good charge retention and can store a useful charge for more than a year.

The life of lead-acid cells depends on the charging cycle and is strongly dependent on the depth of discharge. As a consequence more complex charging techniques need to be employed than is the case with NiCads and also it is necessary to employ protection against deep discharge. Given these facilities, several hundred charge-discharge cycles can be expected with an overall battery life of up to ten years.

The Cyclon cells employ a separate negative electrode, the case being electrically neutral.

Common Features

The capacities of cells are not identical. When cells are charged and discharged in series there is a likelihood that the cell with the lowest capacity will become increasingly undercharged as cycling proceeds. An occasional sustained period of charging (sometimes called an equalising charge) counteracts this tendency both in lead-acid and NiCad rechargeable batteries.

It is a common feature of NiCads and lead-acid cells that the voltage remains fairly constant over the whole discharge period before dropping suddenly as stored charge approaches zero. This characteristic leads to an efficient use of the stored energy during the main discharge period but necessitates the provision of detection circuitry if advance warning of failure is to be provided.

CIRCUIT DESCRIPTION

The combined charge and discharge circuit diagram for the Heavy-Duty Rechargeable Handlamp is shown in Fig. 1.

Charging is accomplished by employing what is essentially a two-step constant-current source.

The mains transformer T1 should have a 12V secondary rated at 300mA or greater. In transformers containing more than one secondary winding rated at 12V, the design of the transformer will often permit parallel connection of these windings to achieve the required total current capability. Use, if possible, a transformer which employs a split-bobbin construction which is suitable for domestic appliances.

When the battery is in a low state of charge, IC1 limits the charging current to a maximum of about 200 milliamps. The voltage drop across resistor R2 resulting from the flow of this current is sufficient to forward bias the emitter-base junction of TR1 and cause this transistor to turn on.

The red l.e.d. (D5) is, as a consequence, illuminated and serves to indicate that charging current is flowing. A current of about 5mA to 10mA bypasses IC1 and flows in the circuit R1-D6-D7 and illuminates D6, the green l.e.d.

The state of charge of the battery is monitored at pin 4 on IC1. Preset VR1 is set so that the main charging current falls rapidly as battery voltage rises through 7.35V. The red l.e.d. extinguishes when the main charging current has been reduced to about 50 milliamps.

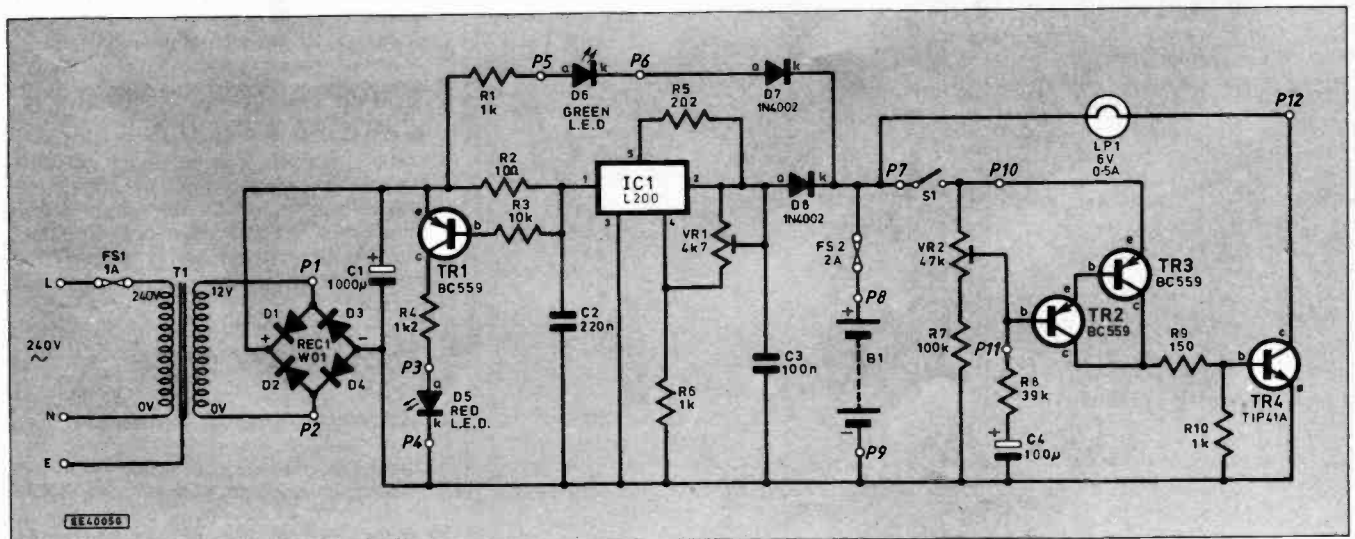
Further increase in battery voltage causes the main current flow to approach zero, though a trickle of charging current continues to flow through the green l.e.d. The purpose of this trickle charge is to provide equalisation of charge on the individual cells of the battery.

Split-rate constant current charging is accepted as one of the best methods of charging sealed lead-acid batteries. When the battery is in a low state of charge, charging is at a high rate. When the battery is nearly fully charged, charging is switched to a safe low rate.

The net benefit is that when the battery is discharged it may be recharged rapidly without the risk of damage through overcharging if it is left on charge for an extended period. A cut-off voltage of 7.35V is selected to provide excellent life combined with good energy storage.

It will be noticed from Fig. 1. that the charging circuit is permanently connected to the battery B1. The diodes D7 and D8

Fig. 1. Complete circuit diagram showing both charging circuit and discharge-protection circuit.



prevent the battery discharging through the charging circuit when the mains supply is disconnected.

The connection of the mains to the charger is accomplished via a socket incorporated into the body of the torch. In the prototype, a socket compatible with that found on an electric kettle was employed so ensuring that charging facilities were readily available.

The reader may prefer to select a socket which is compatible with some other item of domestic equipment, say one designed for use with a cassette player or radio. If no earth connection is provided on the socket then it will be necessary to use plastic or nylon nuts and bolts so that NO METAL PARTS will be exposed on the finished lamp.

A 2A fuse should be fitted in the mains plug if a lead dedicated to the lamp is employed. The fuse attached to the socket (FS1) provides protection when a lead containing a high-current mains fuse is used (for example, one designed to supply an electric kettle).

DISCHARGE CIRCUIT

Lead-acid rechargeable cells have a very low internal resistance and consequently a high fault current will flow on short circuit. The use of the 2A fuse, FS2, in the discharge circuit is to prevent damage in the case of a short circuit in the discharge path.

The bulb LPI is permanently connected to the battery and is switched on with transistor TR4. This switching technique is employed as it avoids the flow of significant current through the lamp's switch S1 and the consequential voltage drop across this component.

Transistor TR4 may appear at first sight to be overrated for this duty. However, a relatively high surge current flows in the bulb circuit when the lamp is first switched on and TR4 must be capable of withstanding this current.

The use of a high-current transistor for TR4 also results in a very low on-state voltage drop which improves circuit efficiency. With a 0.5A bulb the voltage drop across TR4 is typically less than 0.2V when this transistor is fully on.

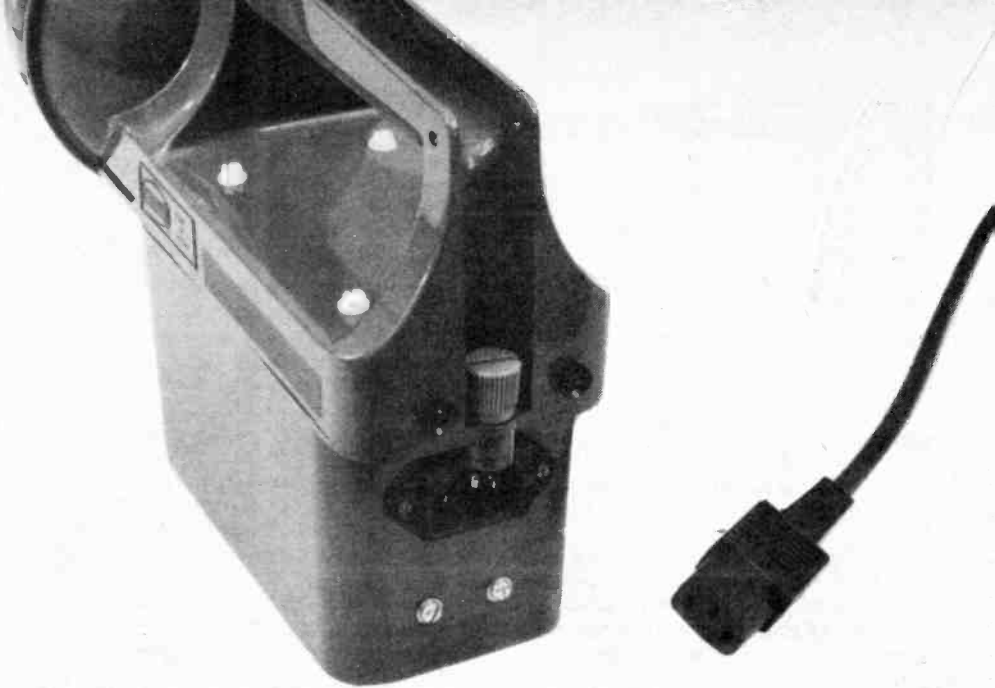
The battery voltage is sensed by the forward biased base-emitter junction of transistor TR2. The potentiometer, VR2, controls the current entering the base of TR2.

When the base-emitter junction of this transistor is near its threshold level current increases rapidly with battery voltage. This current is amplified by the Darlington-connected transistors, TR2-TR3, and if it is high enough, it drives TR4 into saturation and transfers the battery voltage across the load.

When the voltage across the battery approaches a level which corresponds to a low state of charge, the current flowing in the base of TR4 is reduced and the transistor starts to come out of saturation. The overall effect is that the collector-emitter voltage of TR4 rises and the bulb dims.

The circuit is adjusted so that the bulb starts to dim when the battery voltage is about 5.4V and gets dimmer as battery voltage falls. Eventually, with further fall of battery voltage, the voltage across TR4 exactly opposes that of the battery and current flow effectively ceases.

Under some circumstances, it may prove desirable to have a few seconds of light



from the lamp even though the battery is nearly exhausted. The inclusion of capacitor C4 and resistor R8 provides a boost of current to TR2 at first switch on and will cause TR4 to turn on for a few seconds as C4 charges. This "current boosting" will function even when the battery voltage is too low to maintain a continuous light output. Switching off for a few further seconds allows C4 to discharge so that the process may be repeated.

When the battery voltage has fallen to 5.4V virtually all the energy stored within the battery has been used. Restricting the depth of discharge ensures that the cells give long and trouble-free operation.

CONSTRUCTION

Before starting work, remove the bulb housing and cover the whole of the external surface of the lamp with masking tape. The body is plastic and is easily scratched during construction. Before mounting components on the control circuit board, some modifications need to be made to the handlamp itself.

LAMP MODIFICATION

The transformer, fuse FS1, and three cells together with the mains socket are contained within the battery compartment of the lamp. The transformer and cells are mounted on a strip of mild steel or aluminium cut to fit into the battery compartment with the transformer at the rear end.

After cutting, bend the metal so that it approximates the shape illustrated in Fig. 2. Mark the chassis so that front and rear-facing ends can be easily identified. Grooves are filed into the sides of the metal so that it fits neatly into the base of the lamp.

Drill four holes in the turned-up lips of the metal to take the 4BA fixing bolts. Place the stick-on feet at the base of the battery compartment but do not stick these to the chassis at this stage. Mark the positions of the fixing holes and drill four corresponding holes in the case.

Bind the three D-type cells together with

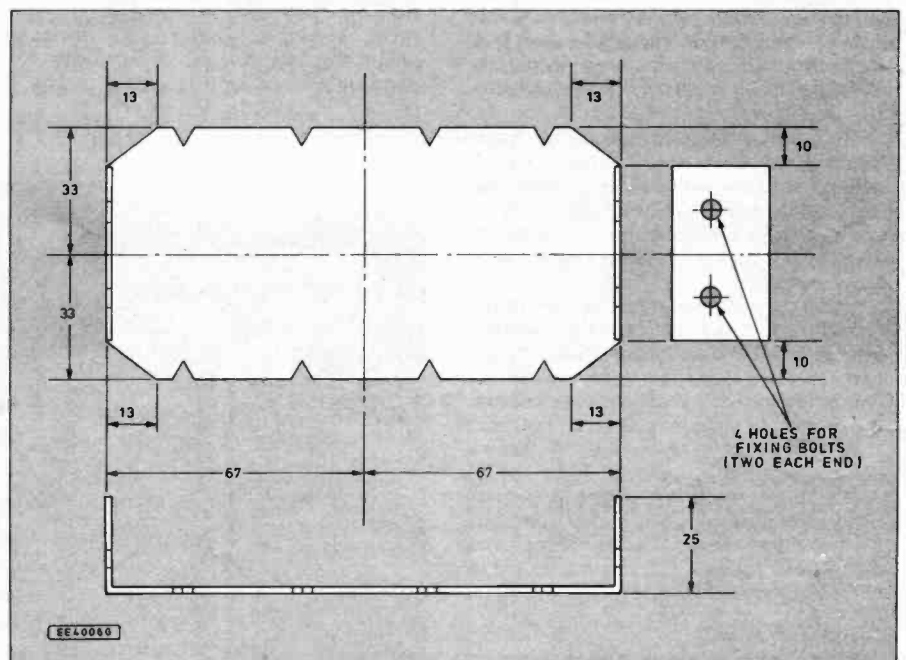


Fig. 2. Approximate shape of metal chassis which should be cut and drilled to fit into the battery compartment. Dimensions are in millimetres.

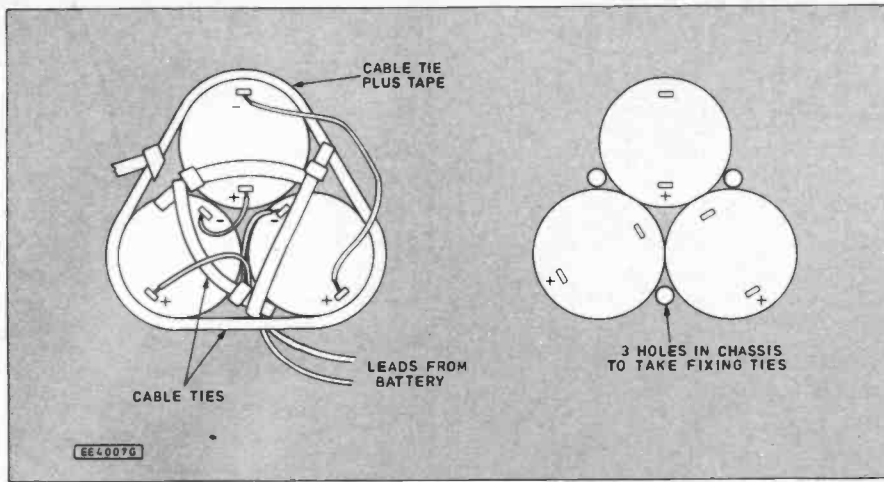


Fig. 3. Method of fixing cells. A cable tie and tape are used to bind the cells together and three cable ties are used to hold the battery to the chassis. Solder the wires to the cells before attaching to chassis, finally cover terminals with insulating tape.

sticky tape so that one terminal on each cell is as near as possible to the centre of the arrangement (see Fig. 3). Place a cable tie around the cells to reinforce the tape.

Remove the chassis plate and determine suitable positions for the transformer and cells, remembering to allow clearance for the mains socket and the attachment of the fixing nuts. The exact layout will depend on the size of the transformer and mains socket employed. The photograph opposite shows the layout used in the prototype. Mark the site of the fixing holes for the transformer.

BATTERY PACK

The D-cells are held in position by cable ties so mark three holes for these ties as illustrated in Fig. 3. Solder wires to connect the cells in series leaving the two free ends insulated. The wires should be soldered as near the body of the cells as possible and the excess terminal length removed with wire cutters. Note that the cells are supplied with significant charge and care must be taken to avoid shorting the terminals during construction.

Bolt the transformer, and solder tag for "earthing", to the chassis and attach the cells with cable ties. The ties should be adjusted so that the locking end fits neatly at the side of the cells rather than on top of them (see Fig. 3).

Cut holes in the lamp case for the mains input socket and its fixing bolts. Check that its position will not cause it to foul the transformer. It may be necessary to bend the extended leads on the socket to avoid the danger of possible contact with the transformer.

Solder connecting wires to the transformer and mains socket, Earth connections (if available) and fuse. Stick three or four feet to the chassis at convenient points. Remove the masking tape from the battery compartment and bolt the chassis in position. Next bolt the mains socket and fuse holder for FS1 in place.

If no earth connection is to be provided, it is essential to use plastic or nylon bolts for this duty. If metal bolts are employed they MUST be Earthed, use solder tags to provide points for the earth connections.

UPPER COMPARTMENT

Identify the brass connectors which are intended to connect to the outermost contacts of the disposable batteries. Remove

these after first disconnecting the terminal that joins them to the switch. Cut off this terminal and leave as long a length of wire as possible attached to the switch. Leave in position the brass strip that was designed to connect with the centre terminal of the dry cells and provides the connection to the centre terminal of the bulb.

Drill two holes in the rear of the upper compartment of the lamp to take the i.e.d.s. The positioning of components in the upper compartment is shown in the photographs.

Cut the component stripboard to size. This is most easily done by cutting along a row of holes with a hacksaw and filing down to the correct size. When working on the stripboard, remember that it is fairly brittle and do not subject it to too much stress.

The circuit board is held in position by four insulating bolts of about 4BA size. Drill the four holes for the fixing bolts. Mark the positions of four corresponding holes in the upper surface of the lid and drill these.

Check the alignment of the bolt holes with the corresponding holes in the lid of the lamp. If necessary, enlarge the fixing holes in the stripboard with a round file.

Clean part of the two brass contacts which connect with the bulb and solder in position two flexible lengths of wire

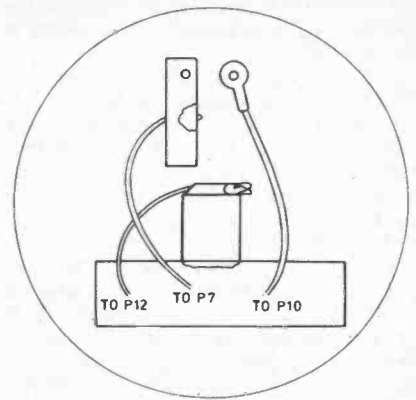


Fig. 4. Connections within bulb compartment.

(Fig. 4). Do this soldering operation as rapidly as possible to avoid conducted heat melting the plastic body of the lamp.

CIRCUIT BOARD

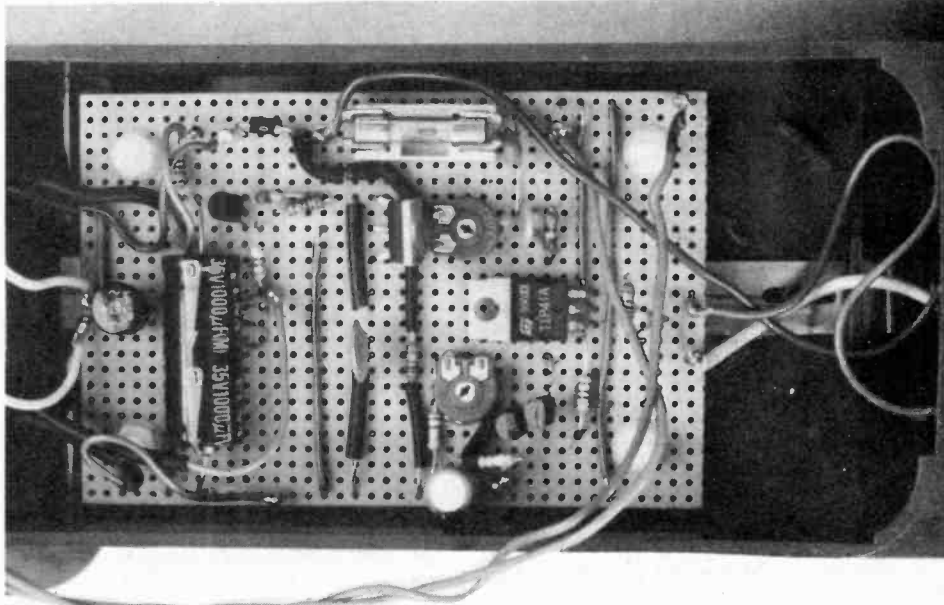
The lamp can now be put aside while we turn our attention to the charging/discharging control board. Commence construction of the board by cutting the breaks in the underside stripboard tracks. The positions of these cuts together with the topside component layout are shown in Fig. 5.

Fit the solder pins; designated as P-numbers. These may need pushing with a hot soldering iron to seat properly. Also, using insulated wire, add the wire links.

Fit the remainder of the components taking the usual care to ensure that the i.c., transistors, diodes and polarised capacitors are fitted with the correct orientation. Do not connect resistor R8 to pin P11 at this stage. Trim the wires and solder to the board.

Remove the masking tape from the lid. Loosely position the circuit board in the lid and confirm that the electronic components do not foul the mains socket or the cells. There should be enough room to use a nut as a spacer in the lid to ensure that the remaining brass strip in the lid does not connect with the underside of the board.

Check that the bulb switch is in the Off position and join the wires to the appropriate pins (except P11) observing correct polarity for the i.e.d.s. Replace the bulb and lamp compartment. The circuit is now ready for testing.



See
**SHOP
TALK**
Page

Resistors

R1, R6,	
R10	1k
R2	10, 0.5W
R3	10k
R4	1k2
R5	2Ω
R7	100k
R8	39k
R9	150

All 0.25W carbon film, unless specified. In addition a 150 ohm 1W resistor will be required for calibration.

Potentiometers

VR1	4k7 preset, linear
VR2	47k preset, linear

Capacitors

C1	1000μ axial elect., 35V
C2	220n ceramic
C3	100n ceramic
C4	100μ radial elect., 25V

Semiconductors

REC1	W01 bridge rectifier
D5	5mm red l.e.d.
D6	5mm green l.e.d.
D7, D8	1N4002 1A 100V rect. diode (2 off)
TR1 to TR3	BC559 <i>pnp</i> silicon transistor (3 off)
TR4	TIP41A <i>nnp</i> 6A silicon power transistor
IC1	L200 voltage and current regulator

Miscellaneous

LP1	Ever Ready R690 R-series heavy-duty handlamp
T1	Mains transformer, 300mA (4VA or greater): mains primary; 12V secondary.
FS1	1A fuse 20mm
FS2	2A fuse 20mm
B1	2V, 2.5Ah Cyclon sealed lead-acid cell (3 off)

Two 20mm fuse holders one p.c.b. mounting, one panel mounting; strip-board 0.1in matrix, size 39 holes by 26 strips; twelve single-ended 1mm p.c.b. solder pins; 4BA insulating mounting nuts, bolts and washers; metal strip, approximately 184mm x 66mm; mounting feet; four cable ties 280mm long, approx. 4.8mm wide; connecting wire; mains socket and plug.

Approx cost
guidance only

£35

processes fairly closely. A 150 ohm one watt "test" resistor is used to facilitate the adjustment of both presets VR1 and VR2.

The charge and discharge circuits are set under specific operating conditions, the characteristics of the circuits are then relied upon to ensure adequate performance under other conditions of operation.

Charging Circuit

Calibration of the charging circuit is achieved by replacing the battery with the resistor. Disconnect the battery and check that the lamp switch is in the off position. Connect the "test" resistor across pins P8 and P9.

Ensure that the multimeter is set to read up to 10V and connect this also across P8 and P9. Switch on the mains supply and adjust VR1 so that the voltage recorded is 7.35V.

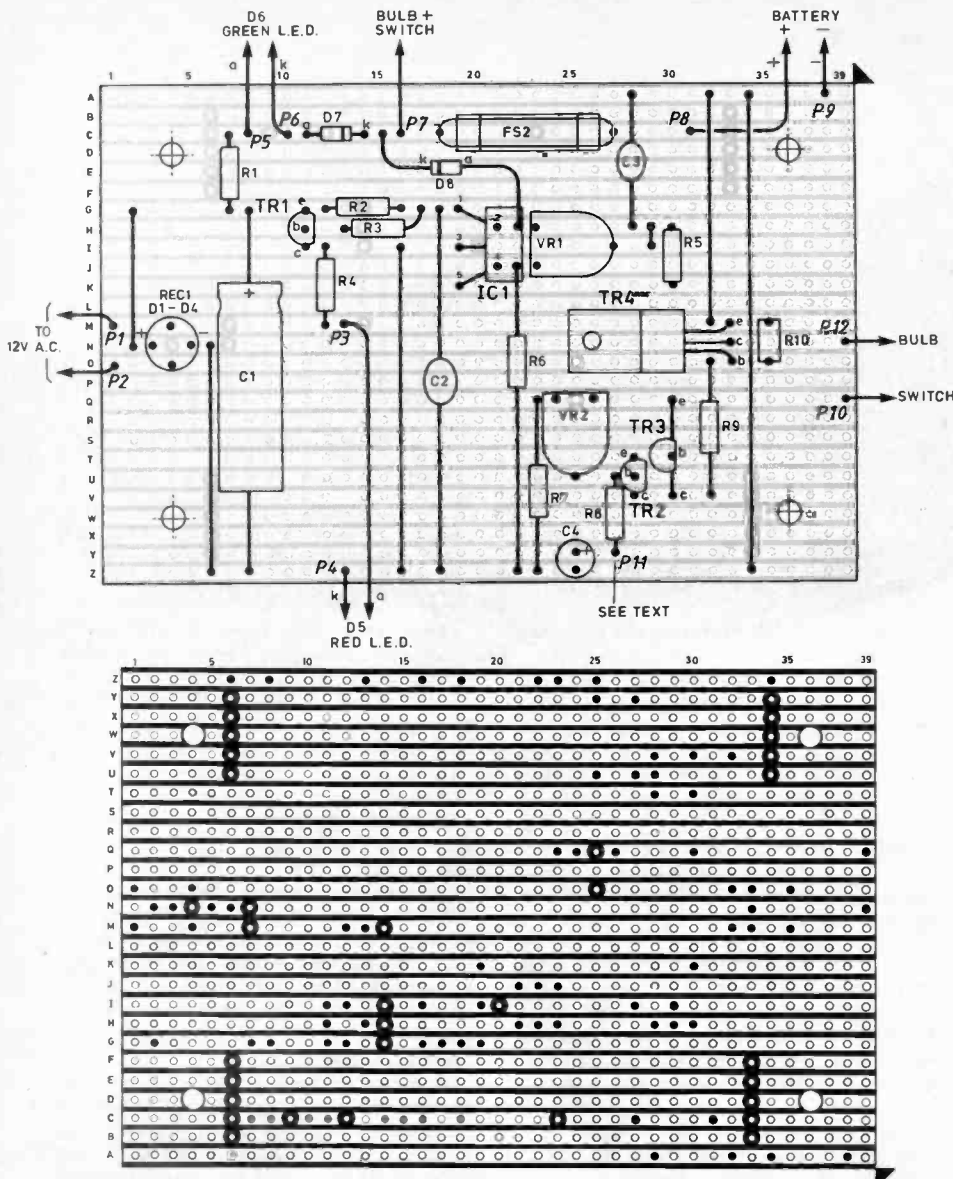


Fig. 5. Strip board component layout and details of breaks required in the underside copper tracks. The "P" numbers indicate the positions of the test pins and the points at which connections are made to other circuits.

INITIAL TESTS

Before beginning the calibration procedure check that the circuit is functioning correctly. If the circuit fails to operate as specified below then look for mistakes in construction or for faulty components.

Turn presets VR1 and VR2 fully anticlockwise. Ensure that the bulb supplied with the lamp has a current capability of 0.6A or less or, alternatively, its power rating is less than 3.6W. The voltage of the bulb should be between 5V and 6.5V.

CHARGE CIRCUIT

Warning: Due to mains voltages being present, extreme care should be exercised when carrying out work on the unit.

Connect the circuit to the mains and test that both red and green l.e.d.s illuminate. These indicate respectively that both main and trickle charging currents are flowing in the battery circuit. Adjust VR1, the red l.e.d. should go from on to off as the preset "wiper" is rotated clockwise.

Switch off the mains supply and examine the battery voltage. If it is below 6V turn VR1 fully anticlockwise again, reconnect the mains and leave the battery

to charge for a few hours before proceeding further.

DISCHARGE CIRCUIT

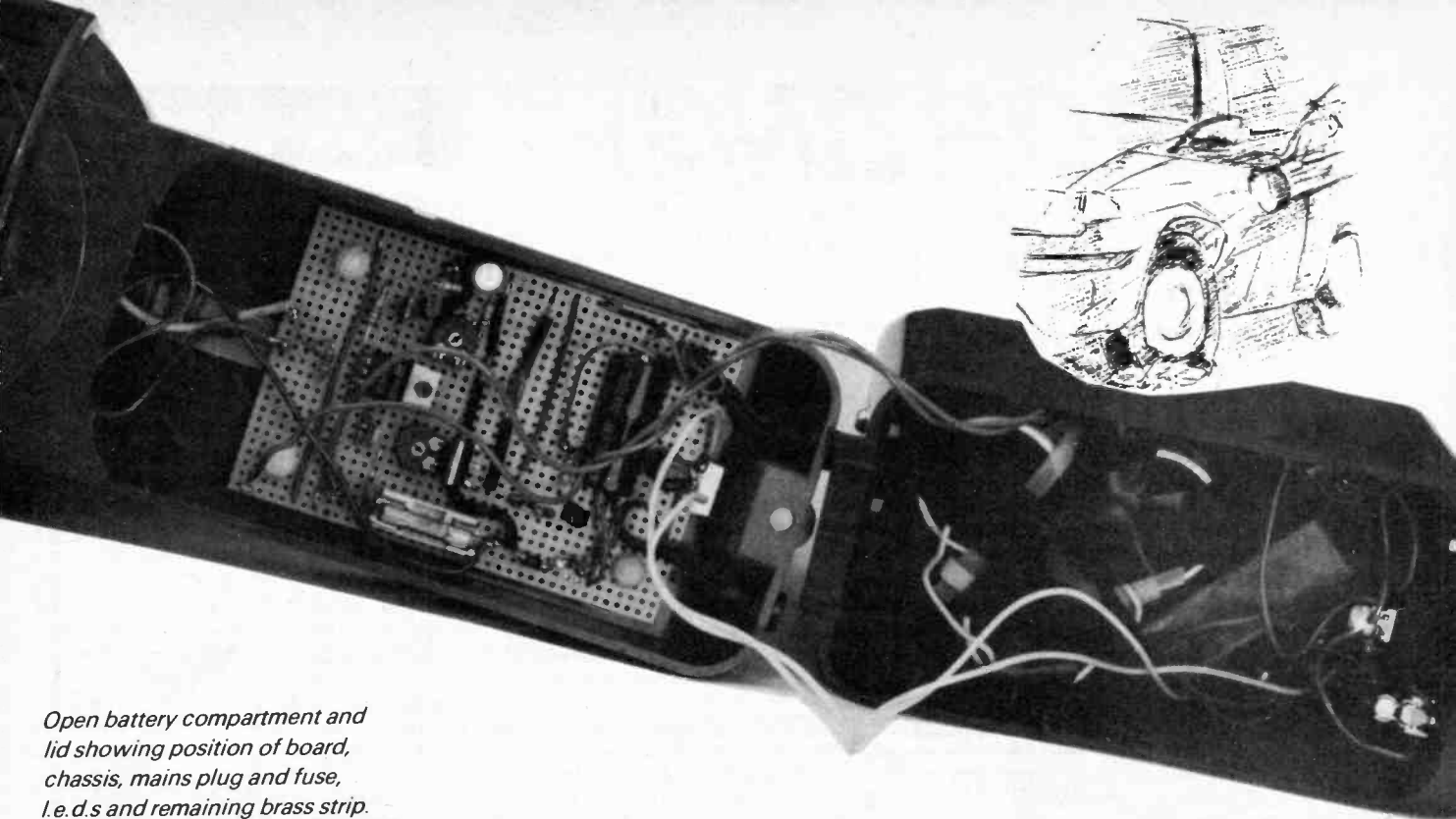
Switch on the lamp, and – with the mains supply disconnected – adjust VR2. As this preset is rotated clockwise the bulb should go from off to on with a narrow intermediate range where the bulb appears dimly lit.

It is important that no circuit fault causes the battery to discharge when the lamp is switched off. To examine the level of leakage, switch off the lamp and remove the fuse FS2.

Use a multimeter as an ammeter and connect it between pins P7 and P8. It should record negligible leakage current (significantly less than 20μA and probably zero on most meters). Replace fuse FS2.

CHARGE/DISCHARGE ADJUSTMENT

It was mentioned earlier in the text that for maximum battery life it is necessary to control both charge and discharge



Open battery compartment and lid showing position of board, chassis, mains plug and fuse, l.e.d.s and remaining brass strip.

After this adjustment the charging circuit will provide a charging current of the order of 200mA at battery voltages below 7.2V and a trickle charge of about 10mA at voltages greater than 7.5 volts. There is no need to test that the conditions in this paragraph are met.

Discharge Circuit

Switch off the mains, remove the fuse FS2 and move the 150 ohm resistor so that it is connected between solder pins P7 and P8. Connect the negative terminal of the voltmeter to pin P9 and the positive to pin P7. Reconnect the battery and switch on the lamp, the bulb will not glow under these conditions.

Adjust VR2 until the voltage recorded is 5.0V. Remove the resistor and voltmeter and replace FS2. The bulb should glow brightly. Switch off the lamp.

After conducting the above procedure, with the lamp switched on, the collector-emitter voltage across transistor TR4 should be less than 0.3V when the battery voltage is greater than 6V. If accidentally the torch is left switched on for an extended period the drain on the battery should be less than 2mA when its voltage is 4.8V.

This current drain will reduce further if the battery voltage continues to fall. Again there is no need to check these performances. The gain of the discharge circuit is affected by ambient temperature, the cut-off voltage increasing as temperature falls. The adjustment described above should be carried out at room temperature, that is between 20 degrees C and 25 degrees C, this circuit will then perform satisfactorily down to temperatures somewhat below freezing point.

After the outlined adjustments have been made, solder resistor R8 to P11. This part of the circuit is left disconnected during the calibration procedure as the time constant of R8-C4 makes the work of calibrating the discharge circuit difficult.

The circuit board may now be bolted into position. Insulating tape is placed over the individual cell terminals and the lamp reassembled. After a charge of about 20 hours the lamp will be ready for use.

A few notes on the effects of bulb specification may be of interest here.

BULB SELECTION AND LIGHT OUTPUT

The bulb supplied with the lamp is likely to be rated at about 5V and 0.5A. The manufacturer will have specified it to give a good performance when used in conjunction with a disposable battery which will spend much of its life yielding its power at somewhat less than six volts. The contact resistance of the switch in the original configuration is also likely to give a reduced voltage across the bulb.

The lead-acid battery used in this project will release most of its energy at a fairly constant voltage of 6V; further, the voltage drop across TR4 is likely to be less than that across the switch when it is required to conduct the full lamp current. In this circuit the mechanical switch only carries a few milliamps. The net result is that the bulb will be operated at a higher average voltage than if the lamp were to be used with disposable batteries.

The use of a 5V, 0.5A bulb with the converted lamp will give a bright light output but the life of the bulb will be relatively short. If you require a longer bulb life but not such a bright light then replace this bulb with one rated at 6V, 0.5A. A six volt halogen bulb rated at 3W or 0.5A is available and may be used if you feel that the extra light output justifies the greater cost of this bulb.

With a 0.5A bulb fitted, conventional or halogen, the fully-charged lamp will give a bright light for about four hours. If a longer period of illumination is required, albeit at reduced light output, then a bulb of lower current and power rating should be substituted.

The duration of full light output under continuous operation is approximately $2/I$ where I is the current rating of the bulb at 6V. The discharge circuit is designed and calibrated for bulbs rated at 0.5A or lower. It will not work well with bulbs of a significantly higher current rating.

OPERATION AND MAINTENANCE

When the lamp is first placed on charge both red and green l.e.d.s will illuminate. As the battery approaches its fully-charged state the red l.e.d. goes out though the green l.e.d. continues to glow, indicating that a trickle charge is flowing. This trickle charge flows the whole time the lamp is connected to the mains.

The Cyclon cells specified for this project are very robust, nevertheless, it is beneficial to avoid their being allowed to remain in a low state of charge for an extended period. If the lamp becomes discharged then it should be recharged as soon as possible. Recharging the lamp when it is already partially charged will cause no harm.

Charging from the discharged state takes somewhat less than 20 hours. The lamp should occasionally be left on charge for an extended period to equalise the charge in the cells. For example, leave on charge for a few days after every ten cycles or once a year if the lamp is used infrequently.

When the lamp is used it will give a bright light for a major part of its operating period. As the battery becomes discharged the bulb will gradually dim. However, even when the bulb is extinguished a bright light may be obtained for brief periods by occasionally switching the lamp off and on.

FLOAT CHARGING

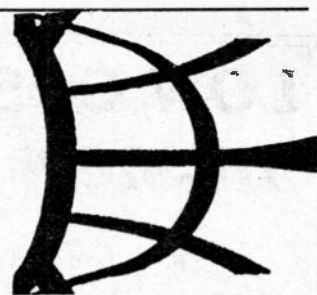
The ability of lead-acid cells to retain charge for long periods makes float charging unnecessary for many applications. If the lamp is to be left permanently on charge, then for optimum battery life, the main charging current should be interrupted at a battery voltage lower than that specified for periodic charging.

Preset VR1 should be adjusted to give 6.9V rather than 7.35V when calibrating the charging circuit with the 150 ohm resistor in place of the battery. The trickle charge rate should also be reduced to below 5mA by increasing resistor R1 from 1 kilohm to 2.2 kilohm. □

REPORTING

AMATEUR RADIO

Tony Smith G4FAI



RAE RESULTS

In the June 1992 City & Guilds of London examinations, 369 candidates sat the *Novice Radio Amateurs Examination* (NRAE) and 271 were successful, a pass rate of 73.4 per cent. In the May Radio Amateurs Examination (RAE), 1653 candidates were successful, a pass rate of 81.2 per cent. In the period of just over one year following the introduction of the Novice licence, 962 candidates have now passed the NRAE.

Each year several thousand new licences are issued but almost the same number lapse resulting in a marginal growth in the amateur population. One wonders why this is. Has amateur radio reached its natural level in the UK?

Are the attractions of other hobbies and activities that much greater? Is it seen to be too expensive? Is the need to study for an examination before being able to actually go on the air the main deterrent?

I would be interested to hear from any readers who have considered taking up amateur radio but for some reason decided against it. Within the hobby there is much discussion on why it is not continuing to grow as previously, but a view of the problem from within may be quite different to how it is seen from the outside. Write to me c/o the editor and let me know your views!

U5MIR FOR SHUTTLE

I previously told the story of how cosmonauts in the (ex) Soviet space station *Mir* took up amateur radio to help counteract the monotony and boredom associated with long spells in space.

According to a recent *W5YI Report*, two cosmonauts have been selected to fly on the US space shuttle next year. One of them, Sergei Krikalev, has the amateur call U5MIR, dating from his time on *Mir*, and will be first choice for the flight, with his colleague as a back-up. At the time of the report (October) it was not known, however, if U5MIR would be operating *SAREX* (Shuttle Amateur Radio Experiment) equipment during the flight.

The latest news on *SAREX* is that three space shuttle missions scheduled for Spring 1993 will have amateur radio operators aboard. STS-55, planned for February, will operate 2-meter f.m. voice and packet radio. STS-56 in March will operate slow and fast-scan TV in addition to voice and packet, and STS-57, in late April will also be a *SAREX* mission.

AN AMATEUR STARTED CB!

Without wishing to debate pros and cons, I think that in many ways Citizens Band radio is a good idea. It has given many thousands of people an interest in radio communications without the hassle of study and exams, and has led many

of them subsequently into amateur radio with its wider horizons and more serious approach to the subject.

I have sometimes wondered who started CB, and now I know. It was a radio amateur! The *W5YI Report* recently ran an interview with Al Gross, W8PAL, who was about to be honoured by the prestigious Radio Club of America for his technical contributions to two-way radio.

Al is best known as the inventor of the handheld radio and surface mount technology, ie, the printed circuit, and for his miniaturisation techniques. As early as 1939, he designed and built some very small handhelds and after publicity in an amateur magazine in 1942 was asked by the OSS to design and build a two-way system for aircraft-to-ground communications.

FROM CLANDESTINE RADIO

By 1944 his "Joan-Eleanor" equipment, which looked something like CB radio, and contained surface mount technology, was working on 250MHz, having a wire recorder attached to the transceiver installed in the aircraft. The code-name for the equipment on the ground was "Eleanor", and that in the aircraft was "Joan". These enabled OSS agents behind enemy lines to communicate directly with operators flying 30,000 feet above them, with a highly directional line-of-sight vertical cone-shaped signal making interception unlikely.

Towards the end of the war Al demonstrated his walkie-talkie to the Federal Communications Commission and discussed the possible uses of such a device for personal two-way radio after the war. At that time radio licences could only be granted to citizens of the United States aged 18 or over, so it was decided to call the proposed new service the Citizens Radiocommunication Service.

One of the FCC Commissioners was so impressed by Al Gross's equipment that he wrote an article "PHONE ME BY AIR" in the *Saturday Evening Post*, July 28, 1945. He described how American citizens, firms, groups and communities might, after the war, be able to transmit and receive short-range messages by radio; and he gave full credit to Al Gross for his work in developing the technology which would make this possible.

INTERNATIONAL AGREEMENT

After the war, the FCC allocated 460MHz to 470MHz for the new service, with the aim of using the band's line-of-sight propagation characteristics to restrict distances covered.

In 1947, Al demonstrated the forthcoming citizens radio at the World

Administrative Radio Conference in Atlantic City, and it was internationally agreed that 460MHz-470MHz would be a worldwide allocation for personal two-way radio.

In 1948 Al formed a company called the Citizens Radio Corporation to manufacture type approved two-way radios. According to him, his patented circuitry and technology for 460MHz caused difficulties for other manufacturers who also wanted to build low-cost two-way radios. To meet this problem, the FCC eventually (in 1958), allocated 27MHz for a new Citizens Radio Service.

FORECAST PROBLEMS

Not surprisingly, this was objected to by ARRL, America's national amateur radio organisation, since the new service took over the American 11-metre (26-960MHz to 27-230MHz) amateur band. According to Al, he was then blamed by ARRL for the loss and expelled from membership.

He says that he warned the FCC about the danger of opening up 27MHz to CB radio. He forecast that it would be used illegally, that "skip" would permit operation over distances far greater than was intended, and that the service would be misused in various ways. Much of what he predicted has happened and after the great CB boom in America of the 1970's it is now in decline, as it is in this country.

Al has been involved in a lot more than the original development of CB. He patented radio-paging and suggested spread spectrum techniques to the military. During the '60s he did highly classified work on the ICBM for the Defense Department.

Today, at 74, he continues to be ahead of his time. He is Senior Staff Engineer with Orbital Sciences Corporation in Arizona, heavily involved in aerospace physics. Among other things, he is working on the *OrbComm* project which is somewhat similar to personal two-way radio, using low Earth orbiting (LEO) satellites to retransmit v.h.f. radio messages back to ground.

He credits amateur radio with getting him started in his career. He is still an active amateur operator and gives talks to amateur clubs.

After his interview was published, ARRL dug down in their archives but were unable to find any record of his membership being formally terminated as he claimed. They suggest that whatever happened might have arisen from a disagreement between individuals. In a subsequent letter sent to Al, they say "regardless of what may have happened at the time... today you're welcome as a member, and we would value your support".

LOW COST RANGER 1 PCB DESIGN FROM SEETRAX

- Circuit Schematic
 - Circuit Capture
 - PCB Design
 - Host of Outputs
- All-In-One Design System**

£100

Fully Integrated Auto Router

£50

Ask Us About Trade-In Deals

Call Now For Demo Disk on 0705 591037

Seetrax CAE • Hinton Daubnay House
Broadway Lane • Lovedean • Hants • PO8 0SG
Tel: 0705 591037 • Fax: 0705 599036

REDUCED PRICE!

What The Press Said About RANGER 1
For most small users, Seetrax Ranger 1 provides a sophisticated system at an affordable price. It is better than EasyPC or Tsien's Boardmaker since it provides a lot more automation and takes the design all the way from schematic to PCB - other packages separate designs for both, that is, no schematic capture. It is more expensive but the ability to draw in the circuit diagram and quickly turn it into a board design easily makes up for this.

Source JUNE 1991
Practical Electronics

Pay by Visa or Access



WE HAVE THE WIDEST CHOICE OF USED OSCILLOSCOPES IN THE COUNTRY

TEKTRONIX 2356 Dual Trace 100MHz Delay Sweep Rugged	£1000
NWATSU 555711 Four Channel 100MHz Delay Sweep	£700
HITACHI 110505F Dual Trace 100MHz Dual TB with 4 Chn. Mode	£450
SCHLUMBERGER 5218 Dual Trace 200MHz Delay Sweep with Trig View	£375
PHILIPS PM3264 Four Channel 100MHz Delay Sweep with Trig View	£500
TEKTRONIX 475 Dual Trace 200MHz Delay Sweep	£350
TEKTRONIX 465 Dual Trace 100MHz Delay Sweep	£450
TEKTRONIX 2215 Dual Trace 60MHz Delay Sweep	£400
TEKTRONIX 2225 Dual Trace 50MHz Alternate TB Magnification	£450
PHILIPS PM3277 Dual Trace 50MHz Delay Sweep	£400
GOULD 05100 Dual Trace 30MHz	£160
GOULD 05300 Dual Trace 20MHz	£200
GOULD 05250B Dual Trace 15MHz	£125
HITACHI 1202F Dual Trace 20MHz	£225
KIKUSUI 5530 Dual Trace 30MHz	£300
TBO CS1720 Programmable 20MHz Dual Trace	£700
EQUIPMENT VS Differential Amplifier For DBS/DT5	£98
TELEQUIPMENT S1A Single Sweep Amplifier for DBS/DT5	£80
HAMEG 205.3 Dual Trace 20MHz Digital Storage	£400
GOULD 1421 Dual Trace 20MHz Digital Storage	£350
GOULD 1420 Dual Trace 20MHz Digital Storage	£275

PHILIPS PM3183 PROGRAMMABLE SYNTHESIZER/FUNCTION GENERATOR 0.1MHz-50kHz IEEE-488 As new

MARCONI 2610 True RMS Voltmeter	£800
FARNELL Synthesised Oscillator DSG1 0.0001Hz-99.999kHz	£275
MARCONI TP2015 AM/FM 10-520MHz Sig Gen with TP2171	£300
MARCONI TP2016 AM/FM 10kHz-120kHz with TP2171	£300
MARCONI TP2016 without Synthesiser TP2171	£150
MARCONI SANDERS Sig Sources Various models Covering 400kHz - 8.5GHz	from £200
RACAL Instrumentation Recorders Store 40 and Store 70	from £300
KETTLER 224 Programmable Current Source	£1000
FERRUGRAPH HS2 Recorder Test Set	from £200
GOULD BRIMATON K5300 Logic Analyser	£750
H.P. Pulse Generator type 2140	£300
RACAL/DANA 1991 Nanosecond Universal Counter	£800

FARNELL 550520 Synthesised Sig Gen 10-520MHz

FARNELL 550520 Synthesised Sig Gen 10-520MHz	£400
FARNELL TTS520 Transmitter Test Set consisting of RF/AF counters, RF Mod Meter, RF Power Meter, AF Voltmeter, AF Distortion Meter, AF Synthesiser	£750

SPECTRUM ANALYSERS

TEKTRONIX 494AP 10kHz-210kHz (B25GHz with additional meters)	£15000
HP 1411 8555A IF Plug-in 10kHz-10GHz	£2000
HP 1411 with 8554B & 8552B 500kHz-1250MHz	£1300
HP 1401 with 8554A & 8552A 500kHz-1250MHz	£1000
HP 1411 with 8555A & 8552B 20kHz-300kHz	£1000
HP 1401 with 8553 plus 8552A, 1kHz-110MHz	£900
MARCONI TP2370 30Hz-110MHz	£1500
HP 182C with 8558B 100kHz-1500MHz	£1500

Use Equipment - guaranteed. Manuals supplied if possible. This is a VERY SMALL SAMPLE OF STOCK. SAE or telephone for lists. Please check availability before ordering. CARRIAGE all units £16. VAT to be added to total of goods and carriage.

STEWART OF READING
110 WYKEHAM ROAD, READING, BERKS RG6 1PL
Tel: 0734 268041 Fax: 0734 351696

PHILIPS PM2534 Multi-Function DMM 3.5-6 digit	Only £450
THURBY PL3207-GP Bench PSU 0-30V 2 amp twice with GPIB	Only £350
HAND HELD MULTIMETERS 3.5 digit DM105 - 14 ranges DC-2 amp	Only £18
M2555 - 57 ranges AC/DC 10 amps Diode/Transistor Tester, Freq Counter etc.	Only £32.50

RACAL/DANA Syn Sig Gen 9048 0.01-104MHz	£900
RACAL/DANA RF Power Meter 9104	£800
RACAL/DANA 9341 Datalogger Automatic measurements of L.C.R. & Q	£350
WAYNE KERR 8424 RCL Meter LCD Display	£125
WAYNE KERR 4210 LCR Meter Accuracy 0.1%	£600
AVO AC/DC Breakdown Leakage & Ionisation Tester PM215L/2	£600

MARCONI DIGITAL FREQUENCY METERS

Type 2430A 10Hz-80MHz	£125
Type 2431A 10Hz-200MHz	£150

MARCONI UNIVERSAL COUNTER TIMERS

Type 2437 DC-100MHz	£175
Type 2438 DC-520MHz	£225

FARNELL PSU TV570MK2 70V 5A 30V 10A	£900
THORIN PSU 0-40V 0-50 amps metered	£800
FARNELL PSU H6025 0-60V 0-25 amps Metered	£400
FARNELL PSU L30E 0-30V 0-5 amps Metered	£30
TELEQUIPMENT C71 Curve Tracer	£250
MARCONI TP2700 Universal LCR Bridge Battery	from £125
MARCONI TP2337A Auto Distort Meter 400Hz/11kHz 0.01%	£175
RACAL 9915 Freq Counter 10Hz-520MHz (Crystal) Video	£150
AVO VALVE Characteristic Meter VCM 163	£300

AVO MULTIMETERS

Model 6 or 9 (whichever available)	£80 each
Test Set No 1: BX, 95X	from £50
8 Mk5 with Carrying Case	£90
8 Mk6 with Carrying Case	£120

ALL METERS SUPPLIED WITH BATTERIES AND LEADS

NEW EQUIPMENT

HAMEG OSCILLOSCOPE HM1005 Triple Trace 100MHz Delay Timebase	£847
HAMEG OSCILLOSCOPE HM604 Dual Trace 60MHz Delay Sweep	£653
HAMEG OSCILLOSCOPE HM205-7 Dual Trace 20MHz Component Tester	£362
HAMEG OSCILLOSCOPE HM205-3 Dual Trace 20MHz Digital Storage	£653

All other models available - all oscilloscopes supplied with 2 probes

BLACK STAR EQUIPMENT (P&P all units £5)

APOLLO 10-100MHz Counter Timer Ratio/Period/Time interval etc.	£222
APOLLO 100-100MHz Gas above with more functions	£325
METEC 100 FREQUENCY COUNTER 100MHz	£109
METEC 600 FREQUENCY COUNTER 600kHz	£135
METEC 1000 FREQUENCY COUNTER 10kHz	£178
JUPITOR 500 FUNCTION GEN 0.1Hz-500kHz Sine/Sqr/Tri	£110
ORION COLOUR BAR GENERATOR PAL/TV/Video	£229

All other Black Star equipment available
OSCILLOSCOPE PROBES Switched X1 X10 P&P £5R

VARIABLE VOLTAGE TRANSFORMERS

INPUT 220/240V AC 50/60	OUTPUT 0-260V	Price	P&P
0.5KVA 2.5 amp max		£29.00	£4.65
		(£39.54 inc VAT)	
1KVA 5 amp max		£37.40	£6.25
		(£51.29 inc VAT)	
2KVA 10 amp max		£54.00	£7.80
		(£72.62 inc VAT)	
3KVA 15 amp max		£71.50	£7.80
		(£93.18 inc VAT)	
5KVA 25 amp max		£126.50	
		(Plus Carriage)	

Buy direct from the Importers. Keenest prices in the country
COMPREHENSIVE RANGE OF TRANSFORMERS - ISOLATION & AUTO
(110-240V Auto transfer either cased with American socket and mains lead or open frame type. Available for immediate delivery.

ULTRA VIOLET BLACK LIGHT FLOURESCENT TUBES

4ft 40 watt £12.00 (callers only)	(£14.10 inc VAT)
2ft 20 watt £7.44 + £1.25 p&p	(£10.21 inc VAT)
13in 10 watt £5.80 + 75p p&p	(£7.70 inc VAT)
12in 8 watt £4.80 + 75p p&p	(£6.52 inc VAT)
9in 6 watt £3.96 + 50p p&p	(£5.24 inc VAT)
6in 4 watt £3.96 + 50p p&p	(£5.24 inc VAT)

230V AC BALLAST KIT

For either 6in, 9in or 12in tubes £5.50 + £1.15 p&p (£7.81 inc VAT)
For 13in tubes £6.00 + £1.35 p&p (£8.64 inc VAT)

400 WATT UV LAMP

Only £38.00 + £4.00 p&p (€49.35 inc VAT)
160 WATT SELF BALLASTED BLACK LIGHT MERCURY BULB
Available with B.C. or E.S. fitting
Price inc VAT £6 p&p £25.55

12V D.C. BILGE PUMPS

500 GPH 15ft head 3 amp £18.21
1750 GPH 15ft head 9 amp £31.73
Also now available:
24V D.C. 1750 GPH 15ft head
5 amp £32.90
All designed to be used submerged.
PRICES INCLUDE P&P & VAT

EPROM ERASURE KIT

Build your own EPROM ERASURE for a fraction of the price of a made-up unit. Kit of parts less case includes 12in 8 watt 2537 Angost Tube Ballast unit, pair of bi-pin leads, neon indicator, on/off switch, safety microswitch and circuit £14.00 + £2.00 p&p (€18.80 inc VAT)

SUPER HY-LIGHT STROBE KIT

Designed for Disco, Theatrical use etc.
Approx 16 joules. Adjustable speed £50.00 + £3.00 p&p (€52.28 inc VAT)
Case and reflector £24.00 + £3.00 p&p (€31.73 inc VAT)
SAE for further details including Hy-Light and industrial Strobe Kits.

"BOFFINS SPECIAL" - UNIQUE OFFER

Supliss Precision Medical Unit, internally in excellent condition. Designed primarily to eject a precise controllable amount of fluid from a medical syringe (latter not supplied). Contains the following removable components: Dual Micro Processor Boards and EPROMS, Escap Precision 12V DC Motor with 300:1 Gear Box and optical encoder coupled to a precision threaded drive mechanism. Mains supply with 6 x 1.5V Ni-Cad A.A. cells back-up. L.C.D. Digital read-out 17mm high with legends. Audible warning.
These are sold for the dismantling of the exceptional quality components. Request no Circuits available.
Ridiculously low price £16.00 + £4.00 p&p (€23.50 incl VAT)

WIDE RANGE OF XENON FLASH TUBES

Write/Phone your enquiries

12V D.C. GEARED MOTOR

12V D.C. Reversible precision-built Motor Output speeds no load approx. 12V-26 rpm; 3V-20 rpm; 6V-12 rpm. Will work at lower voltages and still retain a reasonable torque. Ideal for robotics etc. Size: L 40mm W 29 mm H 39mm Shaft 3mm dia x 10mm long Price: £8.00 + 50p p&p (€10.00 inc VAT)

TORIN CENTRIFUGAL BLOWER

230V AC, 2.800 RPM, 0.9 amp, 130mm diameter, impeller outlet 63 x 37mm, overall size 195 x 160 x 150mm long. Price £17.50 + £2.50 p&p (€23.50 inc VAT)

SOLID STATE RELAY

7 amp or 240V A.C. when mounted on suitable Heat-sink. Can be driven from TTL or Computer output between 3-10V D.C. Size: 24mm x 17mm x 15mm high. Fixing centres 30mm (2x3). Price: £3.00 + 40p p&p (€4.00 inc VAT)

GEARED MOTORS

71 RPM 20lb inch torque reversible 115V AC input including capacitor and transformer for 240V AC operation. Price inc VAT & p&p £27.73

SOLID STATE EHT UNIT

Input 230/240V A.C. Output approx 15KV. Producing 1000V spark. Built-in 10 sec timer. Easily modified for 20 sec. 30 sec to continuous. Designed for boiler ignition. Dozens of uses in the field of physics and electronics, eg supplying neon or argon tubes etc. Price less case £8.50 + £2.40 p&p (€12.81 inc VAT) NMS

SAVE POUNDS !!!

Build your own forged bank note detector. Can detect counterfeiters amongst a quantity of notes. Complete kit of parts less case. 270V a.c. including 6" µV black light tube, starter and holder, a pair, bi-pin tube holders. Total price including p&p & VAT only £13.06.

RHEOSTAT

50W 2 ohm 5 amp ceramic power rheostat. price inc VAT & p&p £10.61

MICROWITCH

Pye 15 amp changeover lever microswitch, type S171. Brand new, price 5 for £7.05 inc VAT & p&p

SERVICE TRADING CO
57 BRIDGMAN ROAD, CHISWICK, LONDON W4 5BB
TEL: 081-995 1560 FAX: 081-995 0549
ACCOUNT CUSTOMERS MIN. ORDER £10



SURVEILLANCE PROFESSIONAL QUALITY KITS

No. 1 for Kits

Whether your requirement for surveillance equipment is amateur, professional or you are just fascinated by this unique area of electronics SUMA DESIGNS has a kit to fit the bill. We have been designing electronic surveillance equipment for over 12 years and you can be sure that all of our kits are very well tried, tested and proven and come complete with full instructions, circuit diagrams, assembly details and all high quality components including fibreglass PCB. Unless otherwise stated all transmitters are tuneable and can be received on an ordinary VHF FM radio.

UTX Ultra-miniature Room Transmitter

Smallest room transmitter kit in the world! Incredible 10mm x 20mm including mic. 3-12V operation. 500m range.....£16.45

MTX Micro-miniature Room Transmitter

Best-selling micro-miniature Room Transmitter
Just 17mm x 17mm including mic. 3-12V operation. 1000m range.....£13.45

STX High-performance Room Transmitter

Hi performance transmitter with a buffered output stage for greater stability and range. Measures 22mm x 22mm including mic. 6-12V operation, 1500m range.....£15.45

VT500 High-power Room Transmitter

Powerful 250mW output providing excellent range and performance. Size 20mm x 40mm. 9-12V operation. 3000m range.....£16.45

VXT Voice Activated Transmitter

Triggers only when sounds are detected. Very low standby current. Variable sensitivity and delay with LED indicator. Size 20mm x 67mm. 9V operation. 1000m range...£19.45

HVX400 Mains Powered Room Transmitter

Connects directly to 240V AC supply for long-term monitoring. Size 30mm x 35mm. 500m range.....£19.45

SCRX Subcarrier Scrambled Room Transmitter

Scrambled output from this transmitter cannot be monitored without the SCDM decoder connected to the receiver. Size 20mm x 67mm. 9V operation. 1000m range.....£22.95

SC LX Subcarrier Telephone Transmitter

Connects to telephone line anywhere, requires no batteries. Output scrambled so requires SCDM connected to receiver. Size 32mm x 37mm. 1000m range.....£23.95

SCDM Subcarrier Decoder Unit for SCR X

Connects to receiver earphone socket and provides decoded audio output to headphones. Size 32mm x 70mm. 9-12V operation.....£22.95

ATR2 Micro Size Telephone Recording Interface

Connects between telephone line (anywhere) and cassette recorder. Switches tape automatically as phone is used. All conversations recorded. Size 16mm x 32mm. Powered from line.....£13.45

UTLX Ultra-miniature Telephone Transmitter

Smallest telephone transmitter kit available. Incredible size of 10mm x 20mm!
Connects to line (anywhere) and switches on and off with phone use.
All conversation transmitted. Powered from line. 500m range.....£15.95

TLX700 Micro-miniature Telephone Transmitter

Best-selling telephone transmitter. Being 20mm x 20mm it is easier to assemble than UTLX. Connects to line (anywhere) and switches on and off with phone use. All conversations transmitted. Powered from line. 1000m range.....£13.45

STLX High-performance Telephone Transmitter

High performance transmitter with buffered output stage providing excellent stability and performance. Connects to line (anywhere) and switches on and off with phone use. All conversations transmitted. Powered from line. Size 22mm x 22mm. 1500m range.....£16.45

TKX900 Signalling/Tracking Transmitter

Transmits a continuous stream of audio pulses with variable tone and rate. Ideal for signalling or tracking purposes. High power output giving range up to 3000m. Size 25mm x 63mm. 9V operation.....£22.95

CD400 Pocket Bug Detector/Locator

LED and piezo bleeper pulse slowly, rate of pulse and pitch of tone increase as you approach signal. Gain control allows pinpointing of source. Size 45mm x 54mm. 9V operation.....£30.95

CD600 Professional Bug Detector/Locator

Multicolour readout of signal strength with variable rate bleeper and variable sensitivity used to detect and locate hidden transmitters. Switch to AUDIO CONFORM mode to distinguish between localised bug transmission and normal legitimate signals such as pagers, cellular, taxis etc. Size 70mm x 100mm. 9V operation.....£50.95

QTX180 Crystal Controlled Room Transmitter

Narrow band FM transmitter for the ultimate in privacy. Operates on 180 MHz and requires the use of a scanner receiver or our QRX180 kit (see catalogue). Size 20mm x 67mm. 9V operation. 1000m range.....£40.95

QLX180 Crystal Controlled Telephone Transmitter

As per QTX180 but connects to telephone line to monitor both sides of conversations. 20mm x 67mm. 9V operation. 1000m range.....£40.95

QSX180 Line Powered Crystal Controlled Phone Transmitter

As per QLX180 but draws power requirements from line. No batteries required. Size 32mm x 37mm. Range 500m.....£35.95

QRX180 Crystal Controlled FM Receiver

For monitoring any of the 'Q' range transmitters. High sensitivity unit. All RF section supplied as a pre-built and aligned module ready to connect on board so no difficulty setting up. Outpt to headphones. 60mm x 75mm. 9V operation.....£60.95

A build-up service is available on all our kits if required.

UK customers please send cheques, POs or registered cash. Please add £1.50 per order for P&P. Goods despatched ASAP allowing for cheque clearance. Overseas customers send sterling bank draft and add £5.00 per order for shipment. Credit card orders welcomed on 0827 714476.

OUR LATEST CATALOGUE CONTAINING MANY MORE NEW SURVEILLANCE KITS NOW AVAILABLE. SEND TWO FIRST CLASS STAMPS OR OVERSEAS SEND TWO IRCS.

★★★ Specials ★★★

DLTX/DLRX Radio Control Switch

Remote control anything around your home or garden, outside lights, alarms, paging system etc. System consists of a small VHF transmitter with digital encoder and receiver unit with decoder and relay output, momentary or alternate, 8-way di1 switches on both boards set your own unique security code. TX size 45mm x 45mm. RX size 35mm x 90mm. Both 9V operation. Range up to 200m.

Complete System (2 kits).....£50.95

Individual Transmitter DLTX.....£19.95

Individual Receiver DLRX.....£37.95

MBX-1 Hi-Fi Micro Broadcaster

Not technically a surveillance device but a great idea! Connects to the headphone output of your Hi-Fi, tape or CD and transmits Hi-Fi quality to a nearby radio. Listen to your favourite music anywhere around the house, garden, in the bath or in the garage and you don't have to put up with the DJ's choice and boring waffle. Size 27mm x 60mm. 9V operation. 250m range.....£20.95

DEPT. EE

THE WORKSHOPS, 95 MAIN ROAD,
BAXTERLEY, NEAR ATHERSTONE,
WARWICKSHIRE CV9 2LE

VISITORS STRICTLY BY APPOINTMENT ONLY

**SUMA
DESIGNS**



0827 714476

Techniques

ACTUALLY DOING IT!

by Robert Penfold

IF YOU ask someone who remembers electronic project building in the 1960s about the biggest changes to the hobby over the years, they will probably tell you about the impact of semiconductors, and integrated circuits in particular. While I would not deny that integrated circuits are responsible for major changes in this hobby, I would suggest that there have been other equally major, if less spectacular changes.

CASE FOR CHANGE

One of these major changes is the switch from home-made to ready-made cases. In the past both metal bending and woodworking were essential parts of building many projects. Ready-made cases were available, but the choice was quite limited, and the prices were quite high.

In fact prices in general were fairly high, and you get some staggering results if you convert some sixties prices into their modern "real terms" equivalents. Who would buy BC109s at £5 each these days?

Things have changed, and if you consult any large component catalogue there are likely to be dozens of boxes and cases listed. Prices are low in comparison to those of the sixties, although case prices seem to have risen relatively fast over the past few years.

Some of the higher quality enclosures are starting to become quite expensive compared to the electronics they house. On a recent trip to my local electronics shop I spent about £11 on a small instrument case, which was nearly twice the cost of all the components (including the

battery and circuit board) that went inside it!

Despite the comparatively high cost of good quality cases I would be surprised if there was any large return to "do-it-yourself" case construction. Most constructors seem to be far more interested in the electronics than in the "nuts and bolts" side of things.

Probably the most popular solution is to simply settle for a low cost ready-made case, particularly for projects where the electronic components only cost a few pounds. Unfortunately, with project cases as with most things in life, you get what you pay for. Inexpensive cases do not usually have a standard of finish to rival expensive models, and in some cases they are very much of the "rough and ready" variety.

UP TO SCRATCH

Many inexpensive cases are made from aluminium, and as supplied they have a natural finish. Aluminium is a soft metal which marks and scratches easily. This is reflected in a fair number of marks and scratches on virtually all of these low cost aluminium boxes. Some of these marks seem to be an inevitable part of the manufacturing process, and are present on all cases of certain types.

Minor scratches and surface marks can be polished out using practically any metal polish. However, with anything like this always read the instructions first to see if there are any "banned substances".

Polishing aluminium will produce an attractive mirror-like finish. In some cases simply rubbing the aluminium panels quite hard using a piece of kitchen paper

will bring the panel to a good shiny finish.

The problem with a high-gloss natural aluminium finish is that it tends to tarnish quite rapidly. The case is likely to tarnish especially quickly anywhere you have touched it, which will eventually result in very obvious finger-marks all over the it.

A hot and humid atmosphere (such as in a kitchen) will also produce a very rapid deterioration in the finish of the case. A very bright and shiny case can look a real eyesore after a few weeks.

Spraying an aluminium case with a clear coating such as Scotch Sprayfix or Rowney Perfix will retain a good natural finish, and should totally avoid any discolouration even over a period of a few years. The sprayed panels will not have quite the same mirror finish as "raw" aluminium panels, but they will be far more practical and should still look good.

Any panel legends produced using rub-on transfers should be added to the panel before it is sprayed. If you try to add the labels after the panel has been sprayed it is more than likely that the lettering sheets will tend to stick to the panel.

This generally results in about ten letters randomly stuck to the panel for each letter you manage to get in the right place. After the panel legends have been added the panel should be carefully given a final polished before it is sprayed.

MELT DOWN

At one time I sprayed all cases with a clear lacquer after the panel legends had been added. This gives the transfers a useful degree of protection against abrasion and general wear and tear.

However, the lacquers seem to dissolve some plastics. Using them on a plastic case can sometimes have disastrous consequences.

Before using any paint or lacquer on a plastic case it is a good idea to try putting a small amount of it *inside* the case. If it should attack the plastic, the damage should be very minor and where it will not be seen anyway. If not, you can go ahead and spray the whole case with a minimal risk of any problems arising. No modern spray-on lacquers should give any problems with aluminium or other metal cases.



(Left) Rub-down lettering applied directly on the front panel, prior to final mounting of components. Gas Alarm (Aug '92).

(Below) Black rub-down lettering applied directly on the aluminium box and covered with protective, clear varnish - Soft Distortion Unit (Jan '93 issue).



(Above left) Using white and black lettering on a painted surface enhances the final appearance - Capacitance Meter (Oct '92).

(Left) The metal front panel was badly marked so a piece of "aluminium laminated veneer" has been glued over the marks and finished with rub-down lettering. - Personal Stereo Amp (Nov '92).

SKIN DEEP

As a simple alternative to spraying a panel you can cover it with a transparent self-adhesive material. This material is available in rolls from most stationers, etc., and it provides very good protective "skin" for the panel.

The thicker grades are probably best for the present purpose, but they seem to be difficult to obtain these days. The thin grades are quite good, but it can sometimes be difficult to avoid leaving the odd air bubble here and there when fitting this material. However, if a pin is used to burst the bubbles they should then press down into place without any difficulty.

If you add the transparent veneer after the legends have been marked on the panel the veneer will give really good protection to the transfers. This method will give a really professional finish.

Unfortunately, there is a slight snag in that it is essential to get it right first time when fitting the veneer. If you peel some of it back so that it can be relayed, some of the transfers will almost certainly come away on the veneer. If this happens you may well have to clean off the panel, redo most of the transfers, and fit a new piece of veneer.

MAKING YOUR MARK

With anything more than very minor scratches something beyond simple polishing will be required. An old ploy, but one which is still well worth trying, is to use a coarse grade of wire-wool to give a sort of brushed aluminium "hi-fi" effect. If you have problems obtaining wire-wool, a scouring pad (Brillo, etc.) will do the job quite well.

All you have to do is repeatedly run the pad of wire-wool along the full length of the panel, producing thousands of fine scratches. It is important to get the scratches running reasonably parallel to one another, or a rather scrappy looking effect might be produced. It is a good idea to practice first using a piece of scrap aluminium, or the reverse side of the panel.

Some very attractive finishes can be obtained by using various criss-cross and swirl patterns, but it requires a fair amount of skill to get this type of thing to look really neat. With fancy patterns you will certainly need a lot of practice before trying your hand at finishing a real front panel.

Once a panel has been given the brushed aluminium effect it should be polished using a soft cloth or a piece of kitchen paper. This will remove the aluminium dust generated by the "brushing" process, and will leave an attractive

finish. However, the panel will probably not look its best until it has been sprayed with clear lacquer.

PAINT JOB

Another method of hiding slight scratches is to paint the case. Few paints will stick well to aluminium (or other metals) even if they have a clean and grease-free finish. If you simply slap on a couple of coats of paint it will soon start to rub off again.

A useful first step is to give the panel the brushed aluminium effect just described, but do not bother about making it neat. This gives a mechanical key for the paint to adhere to.

After cleaning the panel it should be given a coat of metal primer. This primer should be one that is compatible with the paint you are using, or it could do more harm than good. The panel should then be given at least two coats of a tough, high quality paint, carefully following the manufacturers application instructions.

When painting anything you should take your time, and be meticulous about every stage of the process. Otherwise the finish of the paint-work is likely to be poor, and the paint may soon blister and start to peel off.

When painting plastic cases it is not normally necessary to use a primer. It is a good idea to use wire-wool or very fine sandpaper to produce the mechanical key for the paint, and the case should be clean and free from grease.

Bear in mind the warning given previously about paints, etc. attacking some plastics. Spray paints will usually give better results than the brush-on variety, but they must be used in accordance with the manufacturers recommendations.

I would advise against using spray paints indoors, because despite your best efforts the paint is likely to find its way into all the wrong places. It is best to wait for a calm day and do the job outdoors. Follow the manufacturers instructions precisely, and you should get good, even, and bubble-free results.

It is best not to attempt to paint cases that are made from p.v.c. or a similar semi-soft plastic. Most of these plastics are virtually paint-proof. In attempting to paint a case which is constructed from a semi-soft plastic you run a real risk of ruining it.

COVER UP

For really bad scratches there is no alternative to covering the panel with some sort of veneer. There are numerous self-adhesive plastic veneers available, but most of these are too fancy to be of

much use in the current context. However, if you can find a plain veneer of this type it will probably represent the quickest and easiest method of covering up the scratches.

With very bad scratches it is a good idea to go over them using some very fine sandpaper, which should flatten out any raised edges. Otherwise there is a definite risk of the scratches showing through a thin plastic veneer.

The best veneer I have come across is a self-adhesive aluminium laminate. It might be available elsewhere, but I have only seen it advertised in the Maplin catalogue.

This is much thicker than the usual self-adhesive materials, and it is very tough indeed. It has a superb "blushed" aluminium type finish. The only drawback of this veneer is that it is relatively expensive, although it still costs well under a pound to cover the average front panel with this material.

Probably the most simple method of using ordinary self-adhesive veneers is to first cut out and fit a slightly over-sized piece. This is then trimmed to a neat fit using scissors or a modelling knife.

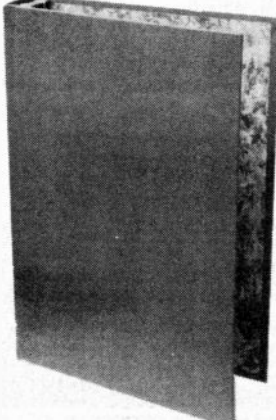
Being a fairly thick and tough material this method does not work too well with the aluminium laminate, which tends to be a bit difficult to trim to size. It seems to be better to cut a piece precisely to size, and then fit it in position as accurately as possible.

It can be cut to size using a very sharp modelling knife, a steel rule, and a lot of care. The adhesive is very powerful, but if you should happen to get the veneer and panel slightly out of alignment it is possible to slowly peel off the veneer and try again.

IN THE WOODS

There are plenty of real wood veneers available, and these are well suited to something like the outer casing of a hi-fi amplifier. These veneers are not well suited for use on front panels. They can be glued in place using any general purpose adhesive, and being real wood, the surface is then treated as such.

In the present context it is probably best to first gently sandpaper the surface to a very smooth finish using a *very* fine grade of paper, and to then give it a couple of coats of a good quality polyurethane varnish. If done carefully this can give quite a tough and extremely attractive finish. Unfortunately, the cost of real wood veneers is such that this is unlikely to be a particularly cheap way of enhancing an inexpensive case.

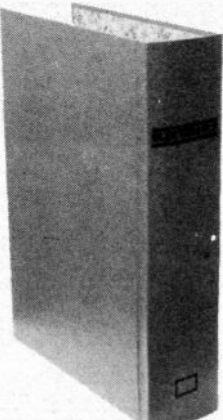


EPE Binders

Don't let your valuable issues of EPE get binned, burned or bitten (by the dog). Get one of our exquisite orange hard-back binders, slip each issue into it as you get them and you will always know where they are - we hope!

Binders to hold one volume (12 issues) are available from Everyday with Practical Electronics, 6 Church Steet, Wimborne, Dorset BH21 1JH for £5.95 (£6.95 to European countries and £8.00 to other countries, surface mail) inclusive of postage and packing. Payment in £ sterling only please.

Binders are normally sent within seven days of receipt of your order but please allow up to 28 days for UK delivery - more overseas.



BARGAINS – Many New Ones This Month

THIS MONTH'S SNIP is a 250 Watt Toroidal Transformer which has tapped mains input and 3 secondaries: 230V 1 amp 20V and 6V but if these voltages are not quite what you want it is very easy to add an extra winding, 4 turns adds or subtracts 1 volt. You can also use this as a 250 watt isolation. Price only £10 but it's heavy so please add £2 carriage if not collecting. Order Ref. 10P97.

INFRA RED RECEIVER CONTROLLER made by Thorn to channel switch their T.V. receivers. Mounted on panel with luminous channel indicator, mains on/off switch, leads and plugs all yours for £2, Order Ref. 2P304.

HIGH QUALITY KEY SWITCH single pole on/off or changeover through panel mounted by hexagonal nut. Complete with 2 keys. Regular price £3, our price £1.50, Order Ref. 1.5P12.

DIGITAL MULTI TESTER M3800 single switching covers 32 ranges including 20A a.c. and d.c. 10 meg input impedance, 3 1/2 LCD display. Complete with carrying case and lead. Currently advertised by many dealers at nearly £40, our price only £25, Order Ref. 25P14.

ANALOGUE TESTER. Input impedance 2K ohms per volt. It has 14 ranges, a.c. volts 0-500, d.c. volts 0-500, d.c. current 500 micro amps at 250 milliamp, resistance 0-1 meg-ohm, decibels 20 – +56dB. Fitted diode protection, overall size 90 x 60 x 30mm. Complete with test prods, price £7.50, Order Ref. 7.5P8.

2" 50 OHM LOUDSPEAKER replacement for pocket radio, baby alarm, etc. Also makes good pillow phone. 2 for £1, Order Ref. 905.

13A SWITCHED SOCKETS on standard switch plates but coloured. Ideal in workshop, cellar, etc. British made. Twin switched, £1.50, Order Ref. 1.5P13, single switched 75p, Order Ref. 75P1.

LCD CLOCK MODULE 1-5V battery-operated, fits nicely into our 50p project box, Order Ref. 876. Only £2, Order Ref. 2P307.

OPTICAL INSTRUMENTS KIT makes microscope and six other optical instruments, £15, Order Ref. 15P28.

SINTINEL COMPONENT BOARD amongst hundreds of other parts, this has 15 ICs all plug in so don't need de-soldering. Cost well over £100, yours for £4. Order Ref. 4P67.

9V 2-1A POWER SUPPLY made for Sinclair to operate their 128K Spectrum Plus 2. £3, Order Ref. 3P151.

LINEAR HEATING TUBES. Quartz glass. 360W 110V so you need 2 in series which would give you 720W. 2 for £1, Order Ref. 907.

12V 250 MILLIAMP SOLAR POWER. Could keep that 12V battery charged where there is no access to the mains. £15, Order Ref. 15P47.

EXTRA LIGHTWEIGHT STEREO HEADPHONES. Adjustable head-band. Suitable for use with all types of cassette players and radios, only £1 per pair, Order Ref. 898.

6-12V AXIAL FAN. Japanese-made 12V d.c. battery operated, brushless axial fan. 93mm square, its optimum is 12V but it performs equally well at only 6V and its current then is only 100mA, price only £4, Order Ref. 4P65. Mains power unit to operate this at variable speeds £2, Order Ref. 2P3.

ELECTRONIC BUMP & GO SPACESHIP sound and impact controlled responds to claps and shouts and reverses or diverts should it hit anything! Kit with really detailed instructions, will make ideal present for budding young electrician. Should be able to assemble but you may have to help with the soldering of the components on the PCB. Complete kit, £8.95, Order Ref. 9P9.

20W 4 OHM SPEAKER made by Goodmans for Ford, this is mounted on a panel and has an anodized cone protector cover but can be easily removed from this. It's a beautiful reproducer and the replacement price is nearly £20. Yours for only £3, Order Ref. 3P145.

20W 4 OHM TWEETER also made by Goodmans for Ford, mounted on a baffle but easily unscrewed from this. Yours for £1.50, Order Ref. 1.5P9.

1KW BLOW HEATER. Only 6" wide so ideal where space is limited – under a desk or similar – or can be made into a portable heater for defrosting pipes, etc. Complete little unit, although motorized, is virtually silent in operation. Price £5, Order Ref. 5P23.

WHERE YOU UNLUCKY during any of the cold spells? Did any of the pipes in your loft freeze and then burst? Some friends of ours were away at the time and had ceilings come down. It could be just as cold this winter but you can avoid pipes freezing by winding our waterproof heating wire around them. Operating cost, even without thermostat, is only a few pence per week. 15m length consumes about 25 watts. This is the length we recommend for the normal house and the cost is £5.00, Order Ref. 5P109. Or, if you want specified length, send 35p per metre.

AMSTRAD KEYBOARD MODEL KB5. This is a most comprehensive keyboard, having over 100 keys including, of course full numerical and qwerty. Brand new, still in maker's packing, £5, Order Ref. 5P202.

F.M. CORDLESS RADIO MIKE hand-held battery-operated professional model, has usual shaped body and head and is tuneable to transmit and be picked up on the F.M. band of any radio. Yours for only £8.50, Order Ref. 8.5P1.

4 MORE SPEAKERS: Order Ref. 1.5P11 is Japanese-made 6 1/2", 8 ohm, rated at 12W max. This is a very fine reproducer. The makers are SANYO. Yours for £1.50. Order Ref. 900 is another Far East made 6 1/2", 4 ohm, 12W max speaker. Very nicely made, using Japanese Hitachi tools and technique, only £1. Order Ref. 896 is 6 1/2", 6 ohm, 10W; exceptionally good sounder and yours for only £1.

Order Ref. 897 is another 8 ohm speaker rated at 5W but its unusual feature is that it has a built-in tweeter. Price still only £1.

MOVEMENT ALARM goes off with slightest touch, ideal to protect car, cycle, doorway, window, stairway, etc. etc. Complete with Plezo shrieker, ready to use. Only £2 (PP3 battery not supplied). Order Ref. 2P282.

SOLAR ENERGY EDUCATIONAL KIT an ideal present for electronics students. Kit comprises 8 solar cells, one solar motor, fan blades to fit motor and metal frame to hold it to complete a free-standing electric fan. A really well written instruction manual makes this a lovely little present. Price £8, Order Ref. 8P12B.

PROJECT BOX a first-class, Japanese two-part moulding size 95mm x 66mm x 23mm. Will hold a PP3 battery and a PCB and is ideal for many projects, nicely finished and very substantial. 2 for £1, Order Ref. 876.

12V 2A MAINS TRANSFORMER upright mounting with mounting clamp. Price £1.50, Order Ref. 1.5P8.

AM/FM RADIO CHASSIS with separate LCD clock module, complete with loudspeaker and ready to go, price is £3.50, Order Ref. 3.5P5.

2, 3 AND 4 WAY TERMINAL BLOCKS the usual grub screw types. Parcel containing a mixture of the 3 types, giving you 100 ways for £1, Order Ref. 875.

12/24V DC SOLENOID. The construction of this is such that it will push or pull as the plunger is a combined rod and piston. With 24V this is terrifically powerful but is still quite good at 12V and, of course, it can be operated by any intermediate voltage. Price £1, Order Ref. 877.

2M 3-CORE LEAD terminating with flat pin instrument socket, £1, Order Ref. 879. Ditto but with plug on the other end so that you could use this to extend an instrument lead. £1.50, Order Ref. 1.5P10.

MULTI-CORE CABLES all with 8A 230V cores so suitable for disco and other special lighting effects. With earthable woven screen and thick pvc outer. 3 core, 30p per metre, 16 core, 50p per metre, 18 core, 80p per metre, 25 core, £1 metre and 36 core, £1.50 per metre.

SAFETY LEADS curly so they contract but don't hang down. Could easily save a child from being scalded. 2 core, 5A, extends to 3m, £1, Order Ref. 846, 3 core, 13A, extends to 1m, £1 each, Order Ref. 847, 3 core, 13A, extends to 3m, £2 each, Order Ref. 2P290.

ULTRA SONIC TRANSDUCERS 2 metal cased units, one transmits, one receives. Built to operate around 40kHz. Price £1.50 the pair, Order Ref. 1.5P14.

100W MAINS TRANSFORMERS normal primaries 20-0-20 at 2.5A or 30V at 3.5A, £4, Order Ref. 4P24. 40V at 2.5A, £4, Order Ref. 4P59. 50V at 2A, £4, Order Ref. 4P60.

PHILIPS 9" HIGH RESOLUTION MONITOR black & white in metal frame for easy mounting, brand new still in maker's packing, offered at less than price of tube alone, only £15, Order Ref. 15P1.

16 CHARACTER 2-LINE DISPLAY screen size 85mm x 36mm, Alpha-numeric LCD dot matrix module with integral micro processor made by Epson, their Ref. 16027AR, £8, Order Ref. 8P48.

INSULATION TESTER WITH MULTIMETER internally generates voltages which enables you to read insulation directly in megohms. The multimeter has four ranges. AC/DC volts, 3 ranges DC milliamps, 3 ranges resistance and 5 amp range. These instruments are ex British Telecom but in very good condition, tested and guaranteed OK, probably cost at least £50 each, yours for only £7.50, with leads, carrying case £2 extra, Order Ref. 7.5P14.

MAINS 230V FAN best make "PAPST" 4 1/2" square, metal blades, £8, Order Ref. 8P8.

2MW LASER Helium neon by Philips, full spec. £30, Order Ref. 30P1. Power supply for this in kit form with case is £15, Order Ref. 15P16, or in larger case to house tube as well £18, Order Ref. 18P2. The larger unit, made up, tested and ready to use, complete with laser tube £69, Order Ref. 69P1.

1/3 HP 12V MOTOR – THE FAMOUS SINCLAIR C5 brand new, £15, Order Ref. 15P8.

SOLAR CHARGER holds 4 AA nicads and recharges these in 8 hours, in very neat plastic case, £6, Order Ref. 6P3.

FERRITE AERIAL ROD 8" Long x 3/8" diameter, made by Mullard. Complete with 2 coil formers. 2 for £1, Order Ref. 832B.

AIR SPACED TRIMMER CAPS 2-20 pf ideal for precision tuning UHF circuits, 4 for £1, Order Ref. 818B.

FIELD TELEPHONES just right for building sites, rallies, horse shows, etc., just join two by twin wire and you have two way calling and talking and you can join into regular phone lines if you want to. Ex British Telecom in very good condition, powered by batteries (not included) complete with shoulder slung carrying case, £9.50, Order Ref. 9.5P2.

MAINS ISOLATION TRANSFORMER stops you getting "to earth" shocks. 230V in and 230V out. 150watt upright mounting, £7.50, Order Ref. 7.5P15 and a 250W version is £10, Order Ref. 10P79.

MINI MONO AMP on PCB. Size 4" x 2" with front panel holding volume control and with spare hole for switch or tone control. Output is 4 watt into 4 ohm speaker using 12V or 1 watt into 8 ohm using 9V. Brand new and perfect, only £1 each, Order Ref. 495.

ATARI 65XE at 65K this is quite powerful, so suitable for home or business, unused and in perfect order but less PSU, only £19.50, Order Ref. 19.5P5B.

80W MAINS TRANSFORMERS two available, good quality, both with normal primaries and upright mounting, one is 20V 4A, Order Ref. 3P106 the other 40V 2A, Order Ref. 3P107, only £3 each.

PROJECT BOX size approx 8" x 4" x 4 1/2" metal, sprayed grey, louvred ends for ventilation otherwise undrilled. Made for GPO so best quality, only £3 each, Order Ref. 3P74.

EXPERIMENTING WITH VALVES don't spend a fortune on a mains transformer, we can supply one with standard mains input and secs. of 250-0-250V at 75mA and 6.3V at 3A. £5, Order Ref. 5P167.

15W 8 OHM 8" SPEAKER & 3" TWEETER made for a discontinued high quality music centre, gives real hi-fi, and only £4 per pair, Order Ref. 4P57.

WATER PUMP very powerful with twin outlets, an ideal shower controller, mains operated, £10, Order Ref. 10P74. Ditto but with a single outlet. Same price & order ref. Please specify which one you require.

0-1MA FULL VISION PANEL METER 2 3/4" square, scaled 0-100 but scale easily removed for re-writing, £1 each, Order Ref. 756.

PCB DRILLS 12 assorted sizes between .75 and 1.5mm, £1 the lot, Order Ref. 128.

LIMITED SUPPLY ITEMS

are only described in our newsletter. Many appear in our current issue. If you order something this month you will receive this and the next issue posted to you.

ASTEC 135 WATT P.S.U.

230V or 115V input with outputs of +12V at 4A, +5V at 16A and -12V at 1/2A completely enclosed in plated steel case. Brand new and yours for £9.50.

JUST ARRIVED

dimmer switch suitable for lamps or non-inductive loads of up to 750W. Fitted on a standard electrical plate so would replace normal wall switch. Price only £2, Order Ref. 2P309.

Prices include V.A.T. Send cheque/postal order or ring and quote credit card number. Add £3 post and packing. Orders over £50 post free.

M & B ELECTRICAL SUPPLIES LTD

12 Boundary Road, Hove,

Sussex BN3 4EH

Telephone (0273) 430380

Fax or phone (0273) 410142

VIDEOS ON ELECTRONICS

Everyday with Practical Electronics is pleased to announce the availability of a range of videos designed to provide instruction on electronics theory. Each video gives a sound introduction and grounding in a specialised area of the subject. The tapes make learning both easier and more enjoyable than pure textbook or magazine study. They should prove particularly useful in schools, colleges, training departments and electronics clubs as well as to general hobbyists and those following distance learning courses etc.

The first four videos available are:

- ★ **1** *Electronics And You – Part 1: D.C. Series and parallel circuits and the use of a digital multimeter. Running time approx. 51 mins.*
Order code VT1 **£29.95 inc. VAT**
- ★ **2** *Part 2: A.C. Coils, capacitors, transformers and other a.c. devices. Running time approx 62 mins.*
Order code VT2 **£29.95 inc. VAT**
- ★ **3** *Part 3: Semiconductors. Basic semiconductor theory plus fifteen different semiconductor devices explained. Running time approx. 57 mins.*
Order code VT3 **£29.95 inc. VAT**
- ★ **4** *Part 4: Power Supplies. A step by step look at how they work plus trouble shooting tips. Running time approx. 56 mins.*
Order code VT4 **£29.95 inc. VAT**

Each video uses a mixture of animated current flow in circuits plus text, plus cartoon instruction etc., and a very full commentary to get the points across. The tapes are imported by us and originate from VCR Educational Products Co, an American supplier.

To order see our Direct Book Service "Ordering Details" – the postage for tapes is the same as for our range of books and you can order tapes and books at the same time and pay only one lot of postage.

(All videos are to the UK PAL standard on VHS tapes)

£29.95
each



DIRECT BOOK SERVICE

The books listed have been selected by Everyday with Practical Electronics editorial staff as being of special interest to everyone involved in electronics and computing. They are supplied by mail order direct to your door. Full ordering details are given on the last book page. For another selection of books see next month's issue.

Special Everyday Electronics Books

ELECTRONICS TEACH-IN No.4 INTRODUCING DIGITAL ELECTRONICS (published by *Everyday Electronics*) Michael J. Cockcroft

Although this book is primarily a City & Guilds Introductory level course (726/301), approximately 80% of the information forms a very basic introduction to electronics in general, it therefore provides an excellent introductory text for beginners and a course and reference book for GCSE students.

Full details on registering for C&G assessment, details of assessment centres, components required and information on the course in general are given.

The City & Guilds introduction to module 726/301 reads: "A candidate who satisfactorily completes this module will have a competence to identify basic components and digital integrated circuits and connect them together to form simple working circuits and logic units." This provides an excellent introduction to the book.

112 pages (A4 size) **Order code TI4** £2.95

ELECTRONIC PROJECTS - BOOK 1 Published by *Everyday Electronics* in association with *Magenta Electronics*.

Contains twenty of the best projects from previous issues of EE each backed with a kit of components. The projects are: Seashell Sea Synthesiser, EE Treasure Hunter, Mini Strobe, Digital Capacitance Meter, Three Channel Sound to Light, BBC 16K Sideways Ram, Simple Short Wave Radio, Insulation Tester, Stepper Motor interface, Eprom Eraser, 200MHz Digital Frequency Meter, Infra Red Alarm, EE Equaliser Isolator, Bat Detector, Acoustic Probe, Mains Tester and Fuse Finder, Light Rider - (Lapel Badge, Disco Lights, Chaser Light), Musical Doorbell, Function Generator, Tilt Alarm, 10W Audio Amplifier, EE Buccaneer Induction Balance Metal Detector, BBC Midi Interface, Variable Bench Power Supply, Pet Scarer, Audio Signal Generator.

128 pages (A4 size) **Order code EP1** £2.45

ELECTRONICS TEACH-IN No.5 GUIDE TO BUILDING ELECTRONIC PROJECTS Published by *EVERYDAY ELECTRONICS*

Due to the demand from students, teachers and hobbyists we have put together a range of articles from past issues of *Everyday Electronics* that will assist those involved with the construction of electronic projects.

The book contains the complete *Project Development for GCSE* series.

Contents: Features - First Steps in Project Building; Building with Vero; Project Development for GCSE; Getting your Project Working; Guide to Printed Circuit Boards; Choosing and Using Test Equipment - The Multimeter, The Oscilloscope, P.S.U.s, Logic Probes, Digital Frequency Meters, Signal Generators, etc.; Data - Circuit Symbols; Component Codes; Resistors; Identifying Components; Capacitors; Actually Doing It - Understanding the Circuit Diagram, Component Codes, Mounting circuit boards and controls, Understanding Capacitors; Projects - Lie Detector; Personal Stereo Amplifier; Digital Experimenters' Unit; Quizmaster; Siren Effects Unit; UV Exposure Unit; Low-cost Capacitance Meter; Personal Radio.

88 pages (A4 size) **Order code TI5** £2.95

ELECTRONICS TEACH-IN 88/89 - INTRODUCING MICROPROCESSORS Mike Tooley BA (published by *Everyday Electronics*)

A complete course that can lead successful readers to the award of a City and Guilds Certificate in Introductory Microprocessors (726/303). The book contains everything you need to know including full details on registering for assessment, etc. Starting with basic terminology, integrated circuits, logic families and numbering systems the text builds in stages, with revision and assessments built in, up to programming, languages, flow charts, etc. The course is ideal for the newcomer to the subject.

80 pages (A4 size) **Order code TI-88/89** £2.45

EVERYDAY ELECTRONICS DATA BOOK

Mike Tooley BA (published by EE in association with PC Publishing) This book is an invaluable source of information of everyday relevance in the world of electronics. It contains not only sections which deal with the essential theory of electronic circuits, but also deals with a wide range of practical electronic applications.

It is ideal for the hobbyist, student, technician and engineer. The information is presented in the form of a basic electronic recipe book with numerous examples showing how theory can be put into practice using a range of commonly available "industry standard" components and devices.

A must for everyone involved in electronics!
256 pages **Order code DATA** £8.95

ELECTRONICS TEACH-IN No. 3 - EXPLORING ELECTRONICS (published by *Everyday Electronics*) Owen Bishop

Another EE value for money publication aimed at students of electronics. The course is designed to explain the workings of electronic components and circuits by involving the reader in experimenting with them. The book does not contain masses of theory or formulae but straightforward explanations and circuits to build and experiment with.

Exploring Electronics contains more than 25 useful projects, assumes no previous knowledge of electronics and is split into 28 easily digestible sections.

88 pages (A4 size) **Order code TI3** £2.45



Computers and Computing

HOW TO CHOOSE A SMALL BUSINESS COMPUTER SYSTEM

D. Weale
This book is for anyone intending to buy an IBM compatible computer system, whether it is their first system or a replacement. There are sections on hardware, application and systems programs and how to actually make your choice as well as sections on the law, ergonomics and a glossary of common terms.

The text contains many useful tips and some warnings (which could save much effort and expense).
114 pages **Order code BP323** £4.95

UNDERSTANDING PC SPECIFICATIONS

R. A. Penfold
If you require a microcomputer for business applications, or a high quality home computer, an IBM PC or compatible is often the obvious choice. They are competitively priced, and are backed up by an enormous range of applications programs, hardware add-ons, etc. The main difficulty for the uninitiated is deciding on the specification that will best suit his or her needs. PCs range from simple systems of limited capabilities up to complex systems that can happily run applications that would have been considered beyond the abilities of a microcomputer not so long ago. It would be very easy to choose a PC system that is inadequate to run your applications efficiently, or one which goes beyond your needs and consequently represents poor value for money.

This book explains PC specifications in detail, and the subjects covered include the following: Differences between types of PC (XT, AT, 80386, etc.); Maths co-processors; Input devices (keyboards, mice, and digitisers); Memory, including both expanded (EMS) and extended RAM; RAM disks and disk caches; Floppy disk drive formats and compatibility; Hard disk drives (including interleave factors and access times); Display adaptors, including all standard PC types (CGA, Hercules, Super VGA, etc.); Contains everything you need to know if you can't tell your EMS from your EGA!
104 pages **Order code BP282** £3.95

AN INTRODUCTION TO 68000 ASSEMBLY LANGUAGE

R. A. & J. W. Penfold
Obtain a vast increase in running speed by writing programs for 6800 based micros such as the Commodore Amiga, Atari ST range or Apple Macintosh range etc., in assembly language. It is not as difficult as one might think and this book covers the fundamentals.
112 pages **Order code BP184** £2.95

THE ART OF PROGRAMMING THE ZX SPECTRUM

M. James, B.Sc., M.B.C.S.
It is one thing to have learnt how to use all the Spectrum's commands and functions, but a very different one to be able to combine them into programs that do exactly what you want them to. This is just what this book is all about - teaching you the art of effective programming with your Spectrum.
144 pages **Order code BP119** £2.50

A CONCISE INTRODUCTION TO MS-DOS

N. Kantaris
This guide is written with the non-expert, busy person in mind and, as such, it has an underlying structure based on "what you need to know first, appears first". Nonetheless, the guide is also designed to be circular, which means that you don't have to start at the beginning and go to the end. The more experienced user can start from any section.

The guide covers versions 3.0, 3.1 and 3.2 of both PC-DOS and MS-DOS as implemented by IBM and other manufacturers of "compatible" microcomputers, including the AMSTRAD PC's. It covers both floppy disc-based systems and hard disc-based systems.
64 pages **Order code BP232** £2.95

A Z80 WORKSHOP MANUAL

E. A. Parr, B.Sc., DC.Eng., M.I.E.E.
This book is intended for people who wish to progress beyond the stage of BASIC programming to topics such as machine code and assembly language programming, or need hardware details of a Z80 based computer.
192 pages **Order code BP112** £3.95

MAKING MS-DOS WORK FOR YOU

N. Kantaris & P. R. M. Oliver **NEW**
This book was written with the busy person in mind and, as such, it has an underlying structure based on "what you need to know first, appears first". Nonetheless, the book has also been designed to be circular, which means that you don't have to start at the beginning and go to the end.

The book explains: How to write customised batch files which allow you to display what you want on your screen, and in the form and order you want it, instead of being forced to use the DOS prompt on a blank screen. How to design and set up a fast interactive and professional looking menu system, so that you or anyone else can run utility applications or commercial software packages easily. How the ANSI.SYS display and keyboard commands can be used to position the cursor on any part of the screen, change the intensity of the displayed characters or change their colour. How the Edit screen editor or the Edlin line editor can be used to enter ESCAPE (ANSI.SYS) commands into simple ASCII files to allow control of both your screen display and your printer. How to control the operation of the two main types of printers in use today, Epson compatible dot matrix and HP compatible laser printers. How to use several useful routines, such as moving and finding files, protecting files from accidental erasure, a simplified backup process, a screen saver, and a disc cataloguing system.

The Debug program and how it can be used to create, see and change the contents of any file, including those of programs written in assembly code. This includes how to find your way around the names and tasks of the CPU registers and the meaning of some simple assembler mnemonics.

The book is relevant to all versions of both MS-DOS and PC-DOS as implemented on IBM and other IBM-compatible PCs.

182 pages **Order code BP319** £4.95

Audio and Music

ACOUSTIC FEEDBACK - HOW TO AVOID IT

Feedback is the bane of all public address systems. While feedback cannot be completely eliminated, many things can be done to reduce it to a level at which it is no longer a problem.

Much of the trouble is often the hall itself, not the equipment, but there is a simple and practical way of greatly improving acoustics. Some microphones are prone to feedback while others are not. Certain loudspeaker systems are much better than others, and the way the units are positioned can produce or reduce feedback. All these matters are fully explored as well as electronic aids such as equalizers, frequency-shifters and notch filters.

The special requirements of live group concerts are considered, and also the related problem of instability that is sometimes encountered with large set-ups. We even take a look at some unsuccessful attempts to cure feedback so as to save readers wasted time and effort duplicating them.

Also included is the circuit and layout of an inexpensive but highly successful twin-notch filter, and how to operate it.

92 pages **Order code BP310** £3.95

PRACTICAL MIDI HANDBOOK

R. A. Penfold

The Musical Instrument Digital Interface (MIDI) is surrounded by a great deal of misunderstanding, and many of the user manuals that accompany MIDI equipment are quite incomprehensible to the reader.

The Practical MIDI Handbook is aimed primarily at musicians, enthusiasts and technicians who want to exploit the vast capabilities of MIDI, but who have no previous knowledge of electronics or computing. The majority of the book is devoted to an explanation of what MIDI can do and how to exploit it to the full, with practical advice on connecting up a MIDI system and getting it to work, as well as deciphering the technical information in those manuals.

128 pages **Order code PC101** £6.95

PREAMPLIFIER AND FILTER CIRCUITS

R. A. Penfold

This book provides circuits and background information for a range of preamplifiers, plus tone controls, filters, mixers, etc. The use of modern low noise operational amplifiers and a specialist high performance audio preamplifier i.c. results in circuits that have excellent performance, but which are still quite simple. All the circuits featured can be built at quite low cost (just a few pounds in most cases).

The preamplifier circuits featured include:- Microphone preamplifiers (low impedance, high impedance, and crystal). Magnetic cartridge pick-up preamplifiers with R.I.A.A. equalisation. Crystal/ceramic pick-up preamplifier. Guitar pick-up preamplifier. Tape head preamplifier (for use with compact cassette systems).

Other circuits include:- Audio limiter to prevent overloading of power amplifiers. Passive tone controls. Active tone controls. PA filters (highpass and lowpass). Scratch and rumble filters. Loudness filter. Audio mixers. Volume and balance controls

92 pages **Order code BP309** £3.95

AN INTRODUCTION TO LOUDSPEAKERS AND ENCLOSURE DESIGN

V. Capel

This book explores the various features, good points and snags of speaker designs. It examines the whys and wherefores so that the reader can understand the principles involved and so make an informed choice of design, or even design loudspeaker enclosures for him or herself. Crossover units are also explained, the various types, how they work, the distortions they produce and how to avoid them. Finally there is a step-by-step description of the construction of the *Kapellmeister* loudspeaker enclosure.

148 pages **Order code BP256** £2.95

COMPUTERS AND MUSIC - AN INTRODUCTION

R. A. Penfold

Computers are playing an increasingly important part in the world of music, and the days when computerised music was strictly for the fanatical few are long gone.

If you are more used to the black and white keys of a synth keyboard than the QWERTY keyboard of a computer, you may be understandably confused by the jargon and terminology bandied about by computer buffs. But fear not, setting up and using a computer-based music making system is not as difficult as you might think.

This book will help you learn the basics of computing, running applications programs, wiring up a MIDI system and using the system to good effect, in fact just about everything you need to know about hardware and the programs, with no previous knowledge of computing needed or assumed. This book will help you to choose the right components for a system to suit your personal needs, and equip you to exploit that system fully.

174 pages **Order code PC107** £8.95

ELECTRONIC PROJECTS FOR GUITARS

R. A. Penfold

This book contains a collection of guitar effects and some general purpose effects units, many of which are suitable for beginners to project building. An introductory chapter gives guidance on construction.

Each project has an introduction, an explanation of how it works, a circuit diagram, complete instructions on strip-board layout and assembly, as well as notes on setting up and using the units. Contents include: Guitar tuner; Guitar preamplifier; Guitar headphone amplifier; Soft distortion unit; Compressor; Envelope waa waa; Phaser; Dual tracking effects unit; Noise gate/expander; Treble booster; Dynamic treble booster; Envelope modifier; Tremolo unit; DI box.

110 pages **Order code PC110** £8.95

HIGH POWER AUDIO AMPLIFIER CONSTRUCTION

R. A. Penfold

Practical constructional details of how to build a number of audio power amplifiers ranging from about 50 to 300/400 watts r.m.s. Includes MOSFET and bipolar transistor designs.

96 pages **Order code BP277** £3.95

Theory and Reference

ELECTRONIC HOBBYISTS HANDBOOK

R. A. Penfold

Provides an inexpensive single source of easily located information that the amateur electronics enthusiast is likely to need for the day-to-day pursuance of this fascinating hobby. Covers common component colour codes. Details the characteristics and pinouts of many popular semiconductor devices, including various types of logic ICs, operational amplifiers, transistors, FETs, unijunctions, diodes, rectifiers, SCRs, diacs, triacs, regulators and SMDs, etc. Illustrates many useful types of circuits, such as timers and oscillators, audio amplifiers and filters, as well as including a separate section on power supplies. Also contains a multitude of other useful data.

88 pages **Order code BP233** £4.95

NEWNES ELECTRONICS POCKET BOOK

E. A. Parr

Newnes Electronics Pocket Book has been in print for over twenty years and has covered the development of electronics from valve to semiconductor technology and from transistors to LSI integrated circuits and microprocessors. To keep up to date with the rapidly changing world of electronics, continuous revision has been necessary. This new Fifth Edition takes account of recent changes and includes material suggested by readers of previous editions. New descriptions of op.amp. applications and the design of digital circuits have been added, along with a totally new chapter on computing, plus other revisions throughout.

315 pages (hard cover) **Order code NE02** £10.95

ELECTRONIC MODULES AND SYSTEMS FOR BEGINNERS

Owen Bishop

This book describes over 60 modular electronic circuits - how they work, how to build them, and how to use them. The modules may be wired together to make hundreds of different electronic systems, both analogue and digital. To show the reader how to begin building systems from modules, a selection of over 25 electronic systems are described in detail, covering such widely differing applications as timing, home security, measurement, audio (including a simple radio receiver), games and remote control.

200 pages **Order code BP266** £3.95

FROM ATOMS TO AMPERES

F. A. Wilson

Explains in crystal clear terms the absolute fundamentals behind electricity and electronics. Really helps you to discover and understand the subject, perhaps for the first time ever.

Have you ever: Wondered about the true link between electricity and magnetism? Felt you could never understand the work of Einstein, Newton, Boltzmann, Planck and other early scientists? Just accepted that an electron is like a little black ball? Got mixed up with e.m.f. and p.d.? Thought the idea of holes in semiconductors is a bit much?

Then help is at hand with this inexpensive book, in as simple a way as possible and without too much complex mathematics and formulae.

244 pages **Order code BP254** £3.50

PRACTICAL DIGITAL ELECTRONICS HANDBOOK

Mike Tooley (Published in association with *Everyday Electronics*)

The vast majority of modern electronic systems rely heavily on the application of digital electronics, and the *Practical Digital Electronics Handbook* aims to provide readers with a practically based introduction to this subject. The book will prove invaluable to anyone involved with the design, manufacture or servicing of digital circuitry, as well as to those wishing to update their knowledge of modern digital devices and techniques. Contents: Introduction to integrated circuits; basic logic gates; monostable and bistable devices; timers; microprocessors; memories; input and output devices; interfaces; microprocessor buses. Appendix 1: Data. Appendix 2: Digital test gear projects; tools and test equipment; regulated bench power supply; logic pulser; versatile pulse generator; digital IC tester; current tracer; audio logic tracer; RS-232C breakout box; versatile digital counter/frequency meter. Appendix 3: The oscilloscope. Appendix 4: Suggested reading. Appendix 5: Further study.

208 pages **Order code PC100** £6.95

ELECTRONICS - A "MADE SIMPLE" BOOK

G. H. Olsen

This book provides excellent background reading for our *Introducing Digital Electronics Teach-In Book* and will be of interest to everyone studying electronics. The subject is simply explained and well illustrated and the book assumes only a very basic knowledge of electricity.

330 pages **Order code NE10** £5.95

Project Building

HOW TO GET YOUR ELECTRONIC PROJECTS WORKING

R. A. Penfold

We have all built projects only to find that they did not work correctly, or at all, when first switched on. The aim of this book is to help the reader overcome just these problems by indicating how and where to start looking for many of the common faults that can occur when building up projects.

96 pages **Temporarily out of print**

HOW TO DESIGN AND MAKE YOUR OWN P.C.B.s

R. A. Penfold

Deals with the simple methods of copying printed circuit board designs from magazines and books and covers all aspects of simple p.c.b. construction including photographic methods and designing your own p.c.b.s.

80 pages **Order code BP121** £2.50



A BEGINNERS GUIDE TO MODERN ELECTRONIC COMPONENTS

R. A. Penfold

The purpose of this book is to provide practical information to help the reader sort out the bewildering array of components currently on offer. An advanced knowledge of the theory of electronics is not needed, and this book is not intended to be a course in electronic theory. The main aim is to explain the differences between components of the same basic type (e.g. carbon, carbon film, metal film, and wire-wound resistors) so that the right component for a given application can be selected. A wide range of components are included, with the emphasis firmly on those components that are used a great deal in projects for the home constructor.

166 pages **Order code BP285** £3.95

BEGINNER'S GUIDE TO BUILDING ELECTRONIC PROJECTS

R. A. Penfold

Shows the complete beginner how to tackle the practical side of electronics, so that he or she can confidently build the electronic projects that are regularly featured in magazines and books. Also include examples in the form of simple projects.

112 pages **Order code 227** £1.95

ELECTRONIC SCIENCE PROJECTS

O. Bishop

These projects range in complexity from a simple colour temperature meter to an infra-red laser. There are novelties such as an electronic clock regulated by a resonating spring, and an oscilloscope with solid-state display. There are scientific measuring instruments such as a pH meter and an electro-cardiometer. All projects have a strong scientific flavour. The way they work, and how to build and use them are fully explained.

144 pages **Temporarily out of print**

ELECTRONICS SIMPLIFIED - CRYSTAL SET CONSTRUCTION

F. A. Wilson, C.G.I.A., C.Eng., F.I.E.E., F.I.E.R.E., F.B.I.M.

Especially written for those who wish to participate in the intricacies of electronics more through practical construction than by theoretical study. It is designed for all ages upwards from the day one can read intelligently and handle simple tools.

80 pages **Order code BP92** £1.75

GUIDE TO BUILDING ELECTRONIC PROJECTS

Published by *Everyday Electronics*

See the first page of books - ELECTRONICS TEACH-IN No.5 - for full details.

ELECTRONICS PROJECT BOOK

Published by *Everyday Electronics* in association with Magenta Electronics.

See the first page of books for full details.

Testing and Test Gear

HOW TO USE OSCILLOSCOPES AND OTHER TEST EQUIPMENT

R. A. Penfold

This book explains the basic function of an oscilloscope, gives a detailed explanation of all the standard controls, and provides advice on buying. A separate chapter deals with using an oscilloscope for fault finding on linear and logic circuits. plenty of example waveforms help to illustrate the control functions and the effects of various fault conditions. The function and use of various other pieces of test equipment are also covered, including signal generators, logic probes, logic pulsers, and crystal calibrators.

104 pages **Order code BP267** £3.50

Circuits and Design

PRACTICAL ELECTRONIC BUILDING BLOCKS - BOOK 2

R. A. Penfold

This book is designed to aid electronic enthusiasts who like to experiment with circuits and produce their own projects, rather than simply following published project designs.

Contains: Amplifiers - low level discrete and op-amp circuits, voltage and buffer amplifiers including d.c. types. Also low-noise audio and voltage controller amplifiers. Filters - high-pass, low-pass, 6, 12, and 24dB per octave types. Miscellaneous - i.c. power amplifiers, mixers, voltage and current regulators, etc.

112 pages **Order code BP118** £1.95

PRACTICAL ELECTRONIC FILTERS

Owen Bishop

Filters play a vital part in almost all electronic circuits, yet many people believe that they are difficult to understand. This is probably because so many of the books on this topic are extremely mathematical. By contrast, this book deals with the subject in a non-mathematical way. It reviews the main types of filter, explaining in simple terms how each type works and how it is used.

The book also presents a dozen filter-based projects with applications in and around the home or in the constructor's workshop. These include a number of audio projects such as a rhythm sequencer and a multi-voiced electronic organ. Project descriptions include circuit diagrams, explanations of their operation, and detailed instructions for building them. A number of the projects are suitable to the beginner while others will be of interest to the more advanced constructor.

Concluding the book is a practical step-by-step guide to designing simple filters for a wide range of purposes, with circuit diagrams and worked examples.

192 pages **Order code BP299** £4.95

ELECTRONIC ALARM CIRCUITS MANUAL

R. M. Marston

One hundred and forty useful alarm circuits, of a variety of types, are shown in this volume. The operating principle of each one is explained in concise but comprehensive terms, and brief construction notes are given where necessary.

Aimed at the practical design engineer, technician and experimenter, as well as the electronics student and amateur.

124 pages **Temporarily out of print**

DIGITAL LOGIC GATES AND FLIP-FLOPS

Ian R. Sinclair

This book, intended for enthusiasts, students and technicians, seeks to establish a firm foundation in digital electronics by treating the topics of gates and flip-flops thoroughly and from the beginning. This is not a constructor's book in the sense of presenting circuits to build and use, it is for the user who wants to design and troubleshoot digital circuitry with considerably more understanding of principles.

Topics such as Boolean algebra and Karnaugh mapping are explained, demonstrated and used extensively, and more attention is paid to the subject of synchronous counters than to the simple but less important ripple counters.

No background other than a basic knowledge of electronics is assumed, and the more theoretical topics are explained from the beginning, as also are many working practices. The book concludes with an explanation of microprocessor techniques as applied to digital logic.

200 pages **Order code PC106** £8.95

ELECTRONIC CIRCUITS FOR THE COMPUTER CONTROL OF ROBOTS

Robert Penfold

Robots and robotics offer one of the most interesting areas for the electronics hobbyist to experiment in. Today the mechanical side of robots is not too difficult, as there are robotics kit and a wide range of mechanical components available. The micro controller is not too much of a problem either, since the software need not be terribly complex and many inexpensive home computers are well suited to the task.

The main stumbling block for most would-be robot builders is the electronics to interface the computer to the motors, and the sensors which provide feedback from the robot to the computer. The purpose of this book is to explain and provide some relatively simple electronic circuits which bridge this gap.

92 pages **Order code BP179** £2.95

ELECTRONIC POWER SUPPLY HANDBOOK

Ian R. Sinclair

This book covers the often neglected topic of electronic power supplies. All types of supplies that are used for electronic purposes are covered in detail, starting with cells and batteries and extending by way of rectified supplies and linear stabilisers to modern switch-mode systems, IC switch-mode regulators, DC-DC converters and inverters.

The devices, their operating principles and typical cir-

cuits are all dealt with in detail. The action of rectifiers and the reservoir capacitor is emphasised, and the subject of stabilisation is covered. The book includes some useful formulae for assessing the likely hum level of a conventional rectifier reservoir supply.

136 pages **Order code PC108** £7.95

HOW TO USE OP-AMPS

E. A. Parr

This book has been written as a designer's guide covering many operational amplifiers, serving both as a source book of circuits and a reference book for design calculations. The approach has been made as non-mathematical as possible.

160 pages **Order code BP88** £2.95

MICRO INTERFACING CIRCUITS - BOOK 1

MICRO INTERFACING CIRCUITS - BOOK 2

R. A. Penfold

Both books include practical circuits together with details of the circuit operation and useful background information. Any special constructional points are covered but p.c.b. layouts and other detailed constructional information are not included.

Book 1 is mainly concerned with getting signals in and out of the computer; Book 2 deals primarily with circuits for practical applications.

BOOK 1 112 pages **Order code BP130** £2.75

BOOK 2 112 pages **Order code BP131** £2.75

50 SIMPLE LED CIRCUITS

R. N. Soar

Contains 50 interesting and useful circuits and applications, covering many different branches of electronics, using one of the most inexpensive and freely available components - the light-emitting diode (LED). Also includes circuits for the 707 common anode display.

64 pages **Order code BP42** £1.95

BOOK 2 50 more l.e.d. circuits **Order code BP87** £1.95

CIRCUIT SOURCE BOOK 1

NEW

R. A. Penfold

Written to help you create and experiment with your own electronic designs by combining and using the various standard "building block" circuits provided. Where applicable, advice on how to alter the circuit parameters is given.

The circuits covered in this book are mainly concerned with analogue signal processing and include: Audio amplifiers (op-amp and bipolar transistors); audio power amplifiers; d.c. amplifiers; highpass, lowpass, bandpass and notch filters; tone controls; voltage controlled amplifiers and filters; triggers and voltage comparators; gates and electronic switching; bargraphs; mixers; phase shifters, current mirrors, hold circuits, etc.

Over 150 circuits are provided, which it is hoped will be useful to all those involved in circuit design and application, be they professionals, students or hobbyists.

182 pages **Order code BP321** £4.95

Radio, TV, Satellite

PROJECTS FOR RADIO AMATEURS AND S.W.L.S.

R. A. Penfold

This book describes a number of electronic circuits, most of which are quite simple, which can be used to enhance the performance of most short wave radio systems.

The circuits covered include:- An aerial tuning unit; A simple active aerial; An add-on b.f.o. for portable sets; A wavetrap for combat signals on spurious responses; An audio notch filter; A parametric equaliser; C.W. and S.S.B. audio filters; Simple noise limiters; A speech processor; A volume expander.

Other useful circuits include a crystal oscillator, and RTTY/C.W. tone decoder, and a RTTY serial to parallel converter. A full range of interesting and useful circuits for short wave enthusiasts.

92 pages **Order code BP304** £3.95

AN INTRODUCTION TO AMATEUR RADIO

I. D. Poole

Amateur radio is a unique and fascinating hobby which has attracted thousands of people since it began at the turn of the century.

This book gives the newcomer a comprehensive and easy to understand guide through the subject so that the reader can gain the most from the hobby. It then remains an essential reference volume to be used time and again. Topics covered include the basic aspects of the hobby, such as operating procedures, jargon and setting up a station. Technical topics covered include propagation, receivers, transmitters and aerials etc.

150 pages **Order code BP257** £3.50

SIMPLE SHORT WAVE RECEIVER CONSTRUCTION

R. A. Penfold

Short wave radio is a fascinating hobby, but one that seems to be regarded by many as an expensive pastime these days. In fact it is possible to pursue this hobby for a minimal monetary outlay if you are prepared to undertake a bit of d.i.y., and the receivers described in this book can all be built at low cost. All the sets are easy to construct, full wiring diagrams etc. are provided, and they are suitable for complete beginners. The receivers only require simple aerials, and do not need any complex alignment or other difficult setting up procedures.

The topics covered in this book include: The broadcast bands and their characteristics; The amateur bands and their characteristics; The propagation of radio signals; Simple aerials; Making an earth connection; Short wave crystal set; Simple t.r.f. receivers; Single sideband reception; Direct conversion receiver.

Contains everything you need to know in order to get started in this absorbing hobby.

88 pages **Order code BP275** £3.95

AN INTRODUCTION TO SATELLITE TELEVISION

F. A. Wilson

As a definitive introduction to the subject this book is presented on two levels. For the absolute beginner or anyone thinking about purchasing or hiring a satellite TV system, the story is told as simply as such a complex one can be in the main text.

For the professional engineer, electronics enthusiast, student or others with technical backgrounds, there are numerous appendices backing up the main text with additional technical and scientific detail formulae, calculations, tables etc. There is also plenty for the DIY enthusiast with practical advice on choosing and installing the most problematic part of the system - the dish antenna.

104 pages **Temporarily out of print**

AN INTRODUCTION TO AMATEUR COMMUNICATIONS SATELLITES

A. Pickford

Communications and broadcast satellites are normally inaccessible to individuals unless they are actively involved in their technicalities by working for organisations such as British Telecom, the various space agencies or military bodies, even those who possess a satellite television receiver system do not participate in the technical aspects of these highly technological systems.

There are a large number of amateur communications satellites in orbit around the world, traversing the globe continuously and they can be tracked and their signals received with relatively inexpensive equipment. This equipment can be connected to a home computer such as the BBC Micro or IBM compatible PCs, for the decoding of received signals.

This book describes several currently available systems, their connection to an appropriate computer and how they can be operated with suitable software.

102 pages **Order code BP290** £3.95

AERIAL PROJECTS

R. A. Penfold

The subject of aerials is vast but in this book the author has considered practical aerial designs, including active, loop and ferrite aerials which give good performances and are relatively simple and inexpensive to build. The complex theory and mathematics of aerial design have been avoided.

Also included are constructional details of a number of aerial accessories including a pre-selector, attenuator, filters and tuning unit.

96 pages **Order code BP105** £2.50

INTERNATIONAL RADIO STATIONS GUIDE

P. Shore

Provides the casual listener, amateur radio DXer and the professional radio monitor with an essential reference work designed to guide him or her around the ever more complex radio bands. This new edition has been completely revised and rewritten and incorporates much more information which is divided into the following sections:

Listening to Short Wave Radio; Choosing a Short Wave Radio Receiver; How to Use the IRSG; Abbreviations; Country Codes; Worldwide Short Wave Radio Stations; European, Middle Eastern and African Long Wave Radio Stations; European, Near and Middle Eastern and African Medium Wave Radio Stations; Canadian Medium Wave Radio Stations; USA Medium Wave Radio Stations; Broadcasts in English; Programmes for DXers and Short Wave Listeners; UK FM Radio Stations; Time Differences From GMT; Wavelength/Frequency Conversion.

226 pages **Order code BP255** £6.95

DIRECT BOOK SERVICE

ORDERING DETAILS

Please state the title and order code clearly, print your name and address and add the required postage to the total order.

Add £1 to your total order for postage and packing (overseas readers add £1.50 for countries in Europe, or add £3 for all countries outside Europe, surface mail postage) and send a PO, cheque, international money order, (£ sterling only) made payable to Direct Book Service or credit card details (including the card expiry date), Visa or Mastercard (Access) - minimum credit card order is £5 - quoting your name and address, the order code and quantities required to DIRECT BOOK SERVICE, 33 GRAVEL HILL, WIMBORNE, DORSET BH21 1RW (mail order only).

Although books are normally sent within seven days of receipt of your order, please allow a maximum of 28 days for delivery. Overseas readers allow extra time for surface mail post.

Please check price and availability (see latest issue of *Everyday with Practical Electronics*) before ordering from old lists.

Note - our postage charge is the same for one book or one hundred books!

MORE BOOKS NEXT MONTH

Direct Book Service is a division of Wimborne Publishing Ltd

FOX REPORT *by Barry Fox*



FUNNY OLD STUFF

Funny old stuff, this magnetism. You cannot see it, hear it, feel it or smell it. But its effects are very obvious. Just try putting two magnets together and feel the forces.

Over the years people have turned this to advantage. TDK used to sell magnetic pendants for people to hang round their necks, to improve health. There have been magnetic bracelets too, which are somehow supposed to be beneficial to the wearer. Hifi buffs buy "flux dumpers" which are said to soak up stray magnetic flux around an audio system, and improve its sound.

People selling these gadgets are often trading on auto-suggestion. Anyone who pays good money for a gadget which produces unmeasurable benefits will feel sure those benefits are real. To admit otherwise means admitting that it was a mistake to spend the money in the first place. And what better way to prove that the money was well spent than to persuade friends and neighbours to buy the gadgets too, and then hear them confirm the same benefits?

This is why the hifi world buys green felt pens with which to mark the edges of CDs. Who can say for sure that they don't improve the sound? That would need controlled scientific tests, with a "blind" listening panel and enough results to be statistically significant. Why spend the money on tests when sceptics can be written off as cloth-eared, or boring old closed minds.

Bear all this in mind when next a friend, or neighbour, or man you meet in the pub, offers to sell you a device, that costs £60, and is claimed to make your car run better, cut pollution from the exhaust and do more miles to the gallon.

Over the last year or so there have been several gadgets which made these claims. All rely on magnetism and none that I have seen yet comes with clear, independent documentary evidence of any real benefit, other than auto-suggested confidence.

MORE MAGNETIC M.P.G.

The latest device, called Posivlow, is made by McKeown Industries in Northern Ireland. Posivlow clamps four small bar magnets round the car's fuel pipe. This is claimed to give up to 20 per cent more miles per gallon and "up

to 50 per cent less exhaust gas emission", while making a car "sharper or nipper".

McKeown's "Go Green and Save" press release says baldly that "the unit is also guaranteed to improve a car's performance".

Says Norman McKeown, Company Chairman, "Posivlow excites fuel into flowing at a more positive rate". Perhaps it does. But so far the company has failed to offer any convincing explanation of why this should happen, or any independent proof that it does.

The gadget, like many products these days, is being sold by network or multilevel marketing. Would-be salesmen and women pay a registration fee of £25, for which they get a promotional video and printed sales literature. They then buy Posivlow devices from McKeown and sell them on at a profit to anyone, anywhere, they can.

McKeown has been running business opportunities meetings round the UK, with one "extravaganza" at the Hyde Park Hotel in London, hosted by a TV celebrity. "Stormin' Norman rallies the troops", says the official newsletter of Norman McKeown's company.

NOT ACCEPTED

Norman McKeown argues that Posivlow is different from all the previous devices, and said at a London press conference that its claims had been "accepted" by the Advertising Standards Authority. But the ASA confirmed that it was already investigating two complaints against Posivlow, even before its official launch, and that it had not accepted anything about Posivlow.

Although it is always hard to control what individual salesmen say, the ASA can investigate a company's sales literature. This explains that "Posivlow's unique co-axially aligned, powerful magnetic field acts on the molecular structure of fuel, altering it in such a way that, when mixed with air in your vehicle's engine, the fuel will burn more efficiently".

"Designed, made, tried and tested in the UK, Posivlow can save you up to 20 per cent of your annual fuel costs" promises the colour leaflet. "You'll also ... see an improvement in your vehicle's performance".

Ronald Gorman, inventor of Posiv-

low, says "The technology is on the edges of technology and science". But the company's technical data sheet tells that "the science used in the development of Posivlow is known as Magneto-hydrodynamics" and that Posivlow "brings about a change in the hydrogen molecules which causes the fuel, when atomised within the cylinder chamber and mixed with air, to form into a more explosive or easily burnt mixture".

"A unique arrangement of very special ceramic magnets (is) formulated in a special way ... a co-axially focussed uni-polar assembly whose focal centre is the middle of the fuel line to which the Posivlow is clamped. As the fuel flows through the highly concentrated magnetic field the hydrogen molecules are subjected to what is regarded to be molecular spin alignment and thus take on what is loosely termed a 'positive charge'".

The device comes as two bent metal bars, each with two small bar magnets on its surface, encapsulated in green plastics.

SENSITIVE NORTH

Gorman says that the South Pole of the ring of magnets is in the inside but the location of the North Pole is "commercially sensitive". He can offer no explanation as to why non-magnetic fluid fuel which has passed through the North pole of a magnetic field should burn better than identical fuel which has not.

However McKeown's data sheet also claims that "additional and ongoing testing confirms that applying the very powerful uni-polar magnetic field to fuel immediately before burning in an internal combustion engine does improve combustion efficiency ... Extensive trials with Posivlow, used in normal road conditions, confirm that fuel saving results - irrespective of whether the car runs on petrol or diesel; whether it runs on regular or un-leaded petrol or whether it is a new or old car. Every test was successful; the worst result producing a 15.16 per cent fuel saving, the best an outstanding 37 per cent fuel saving".

Chairman Norman McKeown is even more bullish. He talks of "an average of 20 per cent fuel saving, an average pollution reduction of 50 per cent and upgraded performance". McKeown's

promotional video has drivers talking of "feeling the difference".

But neither McKeown nor Gorman could cite any scientific evidence to back these very specific claims. They say they have commissioned independent tests but will not say who is doing them, only that they began in April/May 1992 and will be ready in April or May 1993.

MONEY BACK

In defence of marketing a device without either a scientific explanation of why it should work or independent tests to prove that it does work,

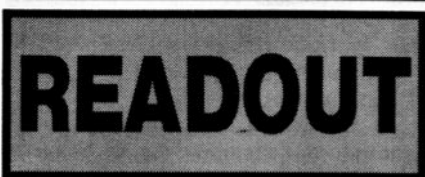
McKeown says that after a "pre-launch" in Northern Ireland earlier this year the company sold 25,000 devices worldwide and only 98 people claimed on the money-back guarantee. But McKeown's literature warns that there is a "running-in" or "stabilisation" period of up to 90 days and the guarantee promises money back only after the device has been fitted for three months (with up to 28 days more allowed for repayment).

McKeown confirms that the fact that the UK launch of Posivlow was held at the Society of Motor Manufacturers and Traders plush premises in London

should not be taken as official blessing of the device by the SMMT. As the Society's own publicity material makes clear, the premises are available for hire.

The Advertising Standards Authority says it will not be satisfied by the user testimonials which McKeown is distributing. The ASA wants to see detailed documentary evidence involving on-the-road tests with UK vehicles. The ASA will then ask its own independent consultants to vet the evidence. This is likely to take many months.

Until then my mind remains open and my wallet closed.



SPOT ON

Dear Ed.,

Mike Tooley's query in the December issue about remembering the "red spot" transistors of the 1950's, was nostalgic and coincidental.

Some time ago, in one of the occasional clearouts of the spares boxes, and piles of technical articles, I firstly discovered quite a few "red spot" transistors of the OC type.

A little later I came across an article from *Everyday Electronics* of March 1972, on the construction of a Signal Injector, employing a couple of OC44's with a 1.5V battery, and a few other components, all housed in a "Steradent" tube.

The temptation was too much to resist, and the project was soon completed. Testing confirmed that the injector produced a "square" wave of basic frequency 11KHz.

A fun exercise, but useful even so.

T. W. Cawte
Worthing

OFFENDED

Dear Ed.,

We feel very much offended by your author Mr Robert Penfold in your November '92 issue.

This because he dares to compare the Layo1 freeware apparently without having used it. He comes to all kinds of conclusions which are exactly the opposite of reality. He may be right that the 250 page manual may contain language errors, but that is all.

Even the other program (PADS) he did not use really, writing only about the demo inside of it.

Please ask your readers about the technical aspects of Layo1 and let them compare. They will confirm that this is the only usable professional PCB and router freeware in the entire world, permitting the creation of boards of some importance and allowing double-sided autorouting but also single-sided autorouting which is very important for your hobbyist.

In France we have over 30,000 users of this freeware and 6,000 users of extensions, Telecom, Philips, Motorola, Ti, Cerne-Geneva, all three armies, nuclear industries, and all universities, etc.

During the last two years over 20 full pages of editorial comments appeared (we can send you that on request) in five different magazines on electronics with no single line of criticism.

Comparison:

PADS Shareware: Maximum number of IC's to load, 30; Next upgrade for usable version, £1,200; Next upgrade including all options from the shareware like place, plot, £1,500.

LAYO1 Freeware: Maximum number of components to load, about 250; Maximum number of connections, about 300; Upgrade for version 4 x bigger, £140; Upgrade for version 10 x bigger, £290; Upgrade for version 20 x bigger, £470. Changing from one level to the next one you only pay the difference. No special options at costs.

Gerald J. Nefkens
Layo France SARL
Hyères, France

It might be as well to start with the "PADS-PCB" program. I ran the two demonstration programs, and although I am not normally a great fan of running demos, I found these very useful. They gave a very good idea of what the program can and cannot do, and the general way in which it is used. I then tried running the main programs, going through the various stages of board production, but not actually producing a "real" board. When I ran into the inevitable problems they were quickly sorted out by referring to the excellent on-disk documentation.

It could well be the case that the freeware "LAYO1" is more powerful than the freeware "PADS-PCB" but note that the maximum number of connections for PADS-PCB is around 300, and not the 30 as quoted by Mr Nefkens). Also, I accept that the commercial versions of "PADS-PCB" may well be too expensive for many potential users, although I have not checked the current UK prices. However, for most hobbyists and many educational users the free version of "PADS-PCB" will be perfectly adequate. Bear in mind that you can freely copy this program and use it as much as you like with no registration fee at all being required.

Having used "PADS-PCB" as much as the available time allowed, I moved on to "LAYO1" and tried to repeat the test process. The general impression I obtained was that "LAYO1" was a very powerful and stable program. I am quite willing to believe that it is as good as Mr Nefkens claims, and a good single-sided

auto-router would certainly be more than a little useful for the hobbyist. However, after spending a substantial amount of time on this program I made very little progress.

When I ran into difficulties it was often difficult to find a solution in the manual. It seems to be less well organised than the "PADS-PCB" manual, and contains numerous errors. This is not just a matter of odd syntax problems here and there. In many cases totally the wrong words seem to have been used, making it difficult to take the thing seriously. A well written manual is important with any software, but particularly with complex programs. I would certainly recommend that anyone interested in p.c.b. design programs for the PCs should try out both programs, which will hardly "break the bank". I still feel that many potential users of "LAYO1" will simply give up due to the inadequacies of the English manual. - Robert Penfold.

We understand a new manual is being produced. - Ed.

DOESN'T ADD UP

Dear Ed.,

For decades musicians have been telling electronics engineers that sounds do not add up properly in electronic organs both in the case of two notes pressed at the same time and in the case of two stops drawn at the same time and for decades electronics engineers have been trying to fathom out why this is. All kinds of way out explanations have been given.

In the case of octavely related notes in divider organs where the signals are in phase the real simple reason is that if the voltage applied to a loudspeaker is doubled the current through it is also doubled and the power is increased four times, that is the power from a loudspeaker is proportional to the voltage squared. For example sound A = 1 unit of C1 plus 1 unit of C2, sound B = 1 unit of C2 plus 1 unit of C3. Feed each to a separate loudspeaker and you get 1 unit of C1, 1 unit of C3 and 2 units of C2 which is correct. Mix these two signals electrically and feed the result to one loudspeaker and you get 1 unit of C1, 1 unit of C3 and 4 units of C2. The C2 signal is twice what it should be. Not only is the volume wrong but the ratio of C2 to C1 is wrong, that is the tone is also wrong.

By feeding signals to separate loudspeakers and comparing the sound with that from electrical mixing and feeding to one loudspeaker the truth of this explanation can be demonstrated.

J. H. Asbery
Wembley

PCB SERVICE

Printed circuit boards for certain EPE constructional projects are available from the PCB Service, see list. These are fabricated in glass fibre, and are fully drilled and roller tinned. All prices include VAT and postage and packing. Add £1 per board for airmail outside of Europe. Remittances should be sent to **The PCB Service, Everyday with Practical Electronics, 6 Church Street, Wimborne, Dorset BH21 1JH.** Cheques should be crossed and made payable to *Everyday with Practical Electronics* (Payment in £ sterling only).

NOTE: While 95% of our boards are now held in stock and are dispatched within seven days of receipt of order, please allow a maximum of 28 days for delivery – overseas readers allow extra if ordered by surface mail.

Please check price and availability in the latest issue.

Boards can only be supplied on a payment with order basis.

PROJECT TITLE	Order Code	Cost
Stereo Noise Generator APR 90	681	£4.24
Digital Experimenter's Unit – Pulse Generator	682	£4.46
Power Supply	683	£3.66
Enlarger Timer	684	£4.28
Weather Stn: Rainfall/Sunlight Display	685	£4.27
Rainfall Sen and Sunlight Sen	686/687	£4.16
Amstrad Speech Synthesiser MAY 90	689	£4.68
80 Metre Direct Conversion Radio JUN 90	691	£4.95
Mains Appliance Remote Control JUL 90		
Encoder Board A	694	£6.61
Encoder Board B	695	£4.78
The Tester	696	£4.15
Mains Appliance Remote Control AUG 90		
Mains ON/OFF Decoder	697	£4.55
(5 or more 697's ordered together £3.25 each)		
Simple Metronome	698	£3.94
Hand Tally: Main Bd and Display Bd SEP 90	699, 700	£10.95
Alarm Bell Time-Out	701	£4.10
Mains Appliance Remote Control		
Temperature Controller (p.c.b. only)	702	£5.20
Ghost Waker OCT 90	703	£4.32
Frequency Meter	704	£5.25
Freq. Meter/Tachometer NOV 90	705	£3.98
EE Musketeer (TV/Video/Audio)	706	£5.78
Microcontroller Light Sequencer DEC 90	708/709	£10.90
Versatile Bench Power Supply Unit	710	£4.24
Teach-In '91, Part 1 – L200 Module	711	£3.93
Dual Output Module	712	£4.13
LM723 Module	713	£4.21
Spatial Power Display JAN 91	714	£5.33
Amstrad PCW Sound Generator	715	£5.03
Teach-In '91, Part 2 – G.P. Transistor Amp	717	£3.77
Dual Op.Amp Module	718	£3.83
Intercom (Teach-In '91 Project 2)	719	£4.41
Analogic Test Probe	720	£3.24
MARC Phone-In FEB 91	721	£6.87
Teach-In '91 Part 3 – TBA820M Amplifier	723	£4.05
High Quality Power Amp	724	£4.93
Bench Amplifier (Teach-In '91 Project 3)	725	£4.45
Gingernut 80m Receiver		
R.F. section (726), Voltage Regulator (727)	726/7/8	£3.06
Audio Amplifier (728)		
	all 3 together	per board £8.16
Pocket Tone Dialler MAR 91	729	£4.36
Battery To Mains Inverter	730	£4.97
Simple Basic Alarm	731	£4.50
Car Code Lock (pair)	732a/b	£4.69
Teach-In '91 Part 4 – Sinusoidal Oscillator	733	£4.39
8038 Oscillator	734	£4.15
Waveform Generator (Teach-In '91 Project 4)	735	£4.72
Humidity Tester APR 91	716	£4.97
Model Train Controller (double-sided)	736	£9.75
Electronic Die (Teach-In '91 Project 5)	737	£4.93
Teach-In '91 Part 5 – Digital Counter Module	738	£4.35
Modular Disco Lighting System MAY 91		
Switched Power Output Module	739	£5.91
Digital LCD Thermostat-Control Board	740	£4.05
–Power/Relay Board	741	£3.76
Pulse Generator (Teach-In '91 Project 6)	742	£4.97
Teach-In '91 Part 6 – Timer Module	743	£4.62
Digilogue Car Tachometer JUN 91	744	£5.63
Modular Disco Lights – Simple Chaser	745	£5.00
Sweeper Module	746	£5.17
Automatic Light Control – PSU Board	747	£4.88
Logic Board	748	£5.17
Radio Receiver (Teach-In '91 Project 7)	749	£4.57
Teach-In '91 Part 7 – R.F. Amplifier Module	750	£4.23
Modular Disco Lights – Masterlink JULY 91	752	£6.36
Ultrasonic Proximity Meter		
Display Unit (753) & Sensor Unit (754)	753/754	£7.06
Disco Lights (Teach-In '91 Project 8)		
PSU and Pre-amplifier	755	£4.54
Low, Mid, High Filter/Triac (set of 3 boards)	756	£11.00
Teach-In '91 Part 8 – Solid State Switch Module	757	£4.24

PROJECT TITLE	Order Code	Cost
Mod. Disco Lights – Pattern Gen AUG 91	760	£6.79
Teach-In '91 Part 8 – Light Sensitive Switch	761	£4.74
Opto-Link (Teach-In '91 Project 9) – Transmitter	762	£4.85
Receiver	763	£4.88
764	£3.77	
Portable PEt Scarer		
Capacitance Meter SEP 91	751	£5.17
Modular Disco Lights – Dimmer Interface	765	£8.17
Mod. Disco Lights OCT 91		
VU Sound Module (Double-sided)	767	£8.68
UV Exposure Unit	768	£4.63
PC-Scope Interface – Main Board	769	£6.95
Expansion Plug (Double-sided)	770	£5.96
Mod. Disco Lights NOV 91		
Superchaser (Double-sided)	771	£6.91
Supersweep (Double-sided)	772	£8.26
Bicycle Alarm	773	£5.01
Darts Scorer	774	£7.90
Knockerbox DEC 91	775	£5.35
Signal Generator – Main Board	776	£7.46
PSU	777	£4.73
Mind Machine – Main Board	778	£7.00
Auto Nightlight	779	£5.03
Mind Machine – Programmer Board JAN 92	780	£7.39
Transistor Checker	781	£4.63
Stepping Motor Driver/Interface	782	£10.39
Micro-Sense Alarm	783	£5.42
Telesound FEB 92	784	£4.66
Programmable Timer	785	£4.63
Auto Garage Light MAR 92	786	£6.10
Versatile BBC Computer Interface	787	£11.59
Economy Seven Timer	788	£5.20
Sonic Continuity Tester APR 92	789	£4.79
Telephone Ringer	790	£5.46
Experimental Weighing Scale MAY 92	792	£5.17
12V Drill Charger/PSU (both boards)	793	£5.31
Digital Servo Interface JUNE 92	791	£4.73
Tie Pulser	794	£5.19
CCD Reverb Unit	795	£6.39
Switch-Mode Power Supply	796	£7.01
UV Exposure Timer JULY 92	797	£5.33
Cricket Game	798	£6.77
Quick Prom	799	£5.61
Gas Alarm AUG 92	800	£5.47
Dual Metronome	801	£6.74
Ultrasonic Tape Measure SEP 92	802	£6.06
Quicktest	803	£4.82
Extended Range Capacitance Meter OCT 92	804	£5.63
Traffic Lights System	806	£5.04
Mini Lab NOV 92	MINI LAB	£14.95
EPE Altimet (Altimeter)	807	£6.30
Personal Stereo Amplifier	808	£6.47
Inverter Daughter Board (for March '91 project)	809	£3.00
Universal Infra-Red Remote Control DEC 92	811T/811R	£6.56
Combination Switch	812	£5.68
Christmas Lights Colour Spectrum	813	£5.97
TV/UHF Aerial Amp (double sided) JAN 93	814	£7.23
Continuously Variable Balanced Power Supply	815	£5.65
Emergency Lighting Unit	816	£6.77
Biomet Pulse Monitor FEB 93		
Sensor	817	£6.30
Display	818	£6.30

EPE PRINTED CIRCUIT BOARD SERVICE

Order Code Project Quantity Price

Name.....

Address.....

I enclose payment of £..... (cheque/PO
in £ sterling only to
Everyday with Practical Electronics)
Access (MasterCard) or Visa No.
Minimum order for credit cards £5

VISA

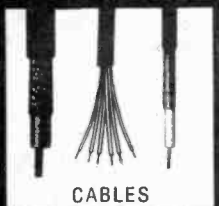


Signature..... Card Ex. Date.....

Please supply name and address of card-holder if different from the address shown

BLOCK CAPITALS PLEASE

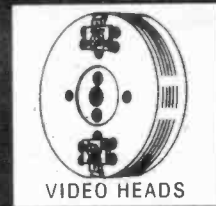
Call us now! We have the widest range of components available - At competitive prices!



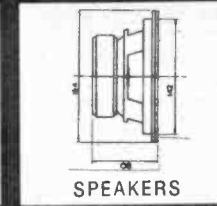
CABLES



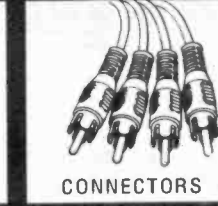
CAPACITORS



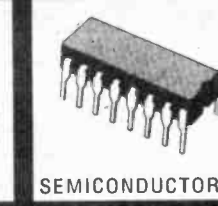
VIDEO HEADS



SPEAKERS



CONNECTORS



SEMICONDUCTORS

CRICKLEWOOD ELECTRONICS

Cricklewood Electronics Ltd, 40 Cricklewood Broadway, London NW2 3ET.
Telephone: 081 452 0161 Faxsimile: 081 208 1441

All Major Credit Cards Accepted



SHERWOOD ELECTRONICS

9 Lower Birchwood, Somercotes, Derbyshire DE55 4NG

£1 Special Packs - select 1 pack FREE for every 10 purchased

SP1	15 x 5mm Red Leds	SP42	200 x Mixed 0.25W C.Film resistors
SP2	15 x 5mm Green Leds	SP47	5 x Min. push button switches
SP3	12 x 5mm Yellow Leds	SP102	20 x 8 pin DIL sockets
SP6	15 x 3mm Red Leds	SP103	15 x 14 pin DIL sockets
SP7	12 x 3mm Green Leds	SP104	15 x 16 pin DIL sockets
SP8	10 x 3mm Yellow Leds	SP112	6 x Cmos 4093
SP10	100 x 1N4148 diodes	SP113	12 x 1N5400 diodes
SP11	30 x 1N4001 diodes	SP125	10 x 1000uf 16V radial elect caps
SP12	30 x 1N4002 diodes	SP129	5 x 5mm cylindrical Red Leds
SP18	20 x BC182 transistors	SP130	100 x Mixed 0.5W C.Film resistors
SP20	20 x BC184 transistors	SP131	2 x TL071 Op-amps
SP23	20 x BC549 transistors	SP132	2 x TL082 Op-amps
SP25	5 x 555 timers	SP133	20 x 1N4004 diodes
SP26	5 x 741 Op-amps	SP134	15 x 1N4007 diodes
SP28	6 x Cmos 4011	SP135	6 x Miniature slide switches
SP36	25 x 10/25V radial elect caps.	SP136	10 x 0A90 diodes
SP37	20 x 100/40V radial elect caps.	SP137	4 x W005 1.5A 50V bridge rect.

RESISTOR PACKS - 0.25W C.Film		
RP3	5 each value - total 365	£2.75
RP7	10 each value - total 730	£4.25
RP10	1000 popular values	£5.75

1993 Catalogue now available £1 or FREE with first order over £5

Cheques or P.O. to **SHERWOOD ELECTRONICS** NO VAT Please add £1 P&P to all orders

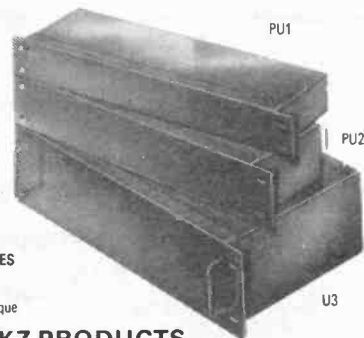
19" RACK MOUNTING EQUIPMENT CASES

This range of 19" rack cases features satin black finished 16SWG (1.5mm) steel front panels (no fixing holes visible), with the rear box assembly constructed from 20SWG (3mm) steel. The standard units are 10" (254mm) deep. 19" project cases only 4" (101mm) deep and are available in the following popular sizes

PROJECT CASES		
Type	Height	Price
PU1	1 1/2" (44mm)	£18.02
PU2	3 1/2" (88mm)	£20.07
PU3	5 1/2" (133mm)	£22.11
PU4	7" (178mm)	£24.16
PU6	10 1/2" (266mm)	£28.25

EQUIPMENT CASES		
Type	Height	Price
U1	1 1/2" (44mm)	£22.33
U2	3 1/2" (88mm)	£25.85
U3	5 1/2" (133mm)	£29.38
U4	7" (178mm)	£31.72

Delivery included (UK only).
All prices include VAT.
BLANKING PANELS, RACKING CONSOLES and RACK CABINETS are also available.
Please send SAE for details.
Tel: 0272 373983 for Access/Visa Sales or cheque with order to:



RACKZ PRODUCTS
PO Box 1402 Mangotsfield, Bristol, England, BS17 3RY

CAMBRIDGE COMPUTER SCIENCE LIMITED

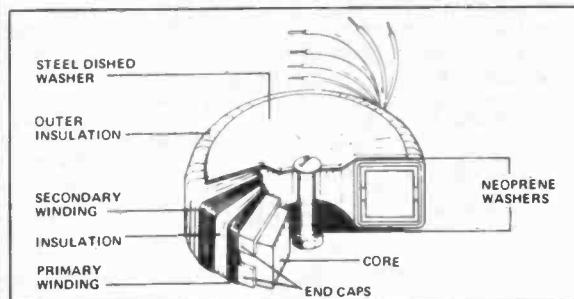
Borland C++ 2.0 for DOS & Windows complete with mouse.	£45.00
LCD modules..... 16 char by 1: £4.00, 20 char by 2: £6.00, 40 char by 1: £6.00	
3.5" 720K Diskette Drives.....	£25.00 each
Used hard disk drives, 112MByte £110, 70MByte £75, 40MByte £45,	
20MByte £29, 10MByte £14, Limited quantities, phone before ordering	
Used PC memory/I/O card AST six pack with 384K RAM.....	£15.00 each
Used IBM PC hard disk controller, 8 bit MFH.....	£5.00 each
Used Tseng labs, multi I/O + mono video card for PCs.....	£10.00 each
Used Compaq Enhanced Colour Graphics Card.....	£5.00 each
'Lucky Dip' PC cards, untested, no warranty, various types.....	£1.00 each
5.25" Disk Drives, 1.2MByte Slimline PC.....	£19.00 each
5.25" Disk Drives, 80 Tk, DSDD.....	£19.00 each
5.25" Disk Drives, 80 Tk, DSDD Used, No Wty.....	£7.00 each
(The £7.00 drives are sold on a strictly "as is" basis)	
5.25" Disks, DSDD, 48tpi, boxes of 10.....	£2.00/box
Digital multimeter, 14 ranges, inc. leads & manual.....	£9.00 each
Apricot Disk drive PSU 5V @ 2.5A, 12V @ 2A.....	£10.00 each
5V @ 6A PSU.....	£4.00 each
5V @ 10A PSU.....	£5.00 each
Disk Drive Data lead BBC Micro to Disk Drive(s).....	Single 2.00 Dual £4.00 each
Disk Drive Power lead BBC Micro to Disk Drive(s).....	Single 2.00 Dual £4.00 each
68000 CPU 6MHz.....	£2.50 each
8086 CPU chips.....	£2.00 each
280A CPU, CTC, PIO.....	£1.20 each; DMA £2.00; £4.50 all 4
74LS TTL, pick and mix, buy 10 or more for.....	£0.12 each
Types available: 00 02 04 08 10 11 12 13 14 15 20 21 26 27 30 32 35 37	
38 42 74 83 85 86 96 107 109 122 125 132 136 138 139 145 151 153	
157 158 160 162 163 164 165 174 191 193 240 253 257 260 298 353	
365 366 373 385 390 399 670 682	
27128 EPROMS (Ex equipment).....	£1.20 each or £5.00/5
27128 EPROMS.....	£2.50 each
27C256 EPROMS (Ex Equipment).....	£1.40 each
27256 EPROMS.....	£2.60 each
27C256-25 EPROMS.....	£3.50 each
27C512 EPROMS (Ex Equipment).....	£1.40 each
256K DRAM (Ex Equipment).....	£0.40 each
1MBit-10 DRAM (Ex Equipment).....	£1.40 each
6116 2K Byte SRAM.....	£1.10 each
6264-12 8K Byte SRAM.....	£3.80 each
62256-10 32K Byte SRAM.....	£5.00 each
65256 32K Byte rams.....	£4.00 each
8K Byte NV ram chips.....	£3.00 each or £10.00 four
16, 18 & 20 pin dill low profile IC sockets 0.3" wide.....	£0.40/10; £3.00/100
22 & 24 pin dill low profile IC sockets 0.4" wide.....	£0.40/10; £3.00/100
24, 28, 32, 40 & 48 pin dill low profile IC sockets 0.6" wide.....	£0.40/10; £3.00/100
Circuit tester, finds faults in TTL & CMOS logic circuits, inc leads.....	£6.00 each
Metal project boxes drilled & painted but unused 28 x 32.5 x 5cm.....	£4.00 each
Eurocard Racks.....	£10.00 each
Smoke detectors.....	£4.00 each
Used computer cards many useful components (large ones socketed)	
Wini controller (WD HDC chip).....	£1.00 each
CPU card (8088, 280 & EPROMS).....	£3.00 each
Keyboards, full Qwerty, number pad and LCD.....	£8.00 each
Desktop computer case with 200W mains PSU (used).....	£19.00 each
Used IBM PC Cases with PSU.....	£30.00 each

Prices include postage. Add £1 (plus VAT) to orders below £5.00. All items new unless stated.
Add 17.5% VAT to all prices. Send an SAE for our latest list or for more info.
Dept EE, 374 Milton Road, Cambridge CB4 1SU
Tel: 0223 424602, 0831 430496 or 0831 430552 (Mail order only)



The UK Distributor for
Standard Toroidal Transformers

* 106 types available from stock
* Sizes from 15VA to 625VA



Write or phone for free Data Pack

Jaytee Electronic Services

143 Reculver Road, Beltinge, Herne Bay, Kent CT6 6PL
Telephone: (0227) 375254

EVERYDAY WITH PRACTICAL ELECTRONICS

CLASSIFIED

Everyday with Practical Electronics reaches twice as many UK readers as any other independent monthly hobby electronics magazine, our audited ABC sales figures prove it. We have been the leading independent monthly magazine in this market for the last seven years

If you want your advertisements to be seen by the largest readership at the most economical price our classified and semi-display pages offer the best value. The prepaid rate for semi-display space is £8 (+VAT) per single column centimetre (minimum 2.5cm). The prepaid rate for classified adverts is 30p (+VAT) per word (minimum 12 words).

All cheques, postal orders, etc., to be made payable to Everyday with Practical Electronics. VAT must be added. Advertisements, together with remittance, should be sent to the Classified Advertisement Dept., Everyday with Practical Electronics, 6 Church Street, Wimborne, Dorset BH21 1JH. Tel: (0202) 881749.

For rates and information on display advertisements (1/8th page and larger spaces) please contact our Advertisement Manager, Peter Mew on 0255 850596.

LOW COST IBM SHAREWARE * HI QUALITY MEDIA
Vast technical experience and expertise is available through 1000's of powerful software tools both in the Public Domain and as shareware. By supplying sets of HD disks we can offer an unprecedented selection for your evaluation at a fraction of what you would pay a normal PD or shareware library for distribution.

Write NOW before you spend £££'s elsewhere!
* ELECTRONICS SIMULATION * PCB DESIGN * UTILS * TUTORIAL BUSINESS *

Electronics Design Competition
Our 1993 Electronics Design competition is open to individuals and school/college groups. Cash prizes, all entries to be submitted by 31st May 1992. Enquire for details and to receive an application form.

●●● SEMICONDUCTOR CLEARANCE ●●●
Our semiconductor clearance continues with low prices too numerous to advertise, e.g. 27C256 £1.61, Z80A-CPU £0.69, NE5532 £0.36, CA3140 £0.22 including VAT. Extensive lists £1

Profile Electronics (EPE)
100-102 Woodhouse Rd, Leytonstone, London E11 3NA. Tel: 081-470 2038
++ Educational Discount on all official orders ++

Typefit

The Typesetting programme for all your Typesetting needs.
If you need typesetting for your Adverts, Brochures, etc. Typefit can help you. Please telephone
0202 882299

PC TECHNICAL SHAREWARE
Would you like to see the best range of low cost technical and scientific public domain & shareware for IBM PC in the UK? HUGE RANGE includes:- PACKET, FAX, RY, TX control, PCB design, Circuit and ANTENNA analysis, QSO logging, CAD ELECTRONIC & MECH engineering, SCIENTIFIC, MATHS & STATS, MEDICAL, PROGRAMMING, SOURCE CODE, DATA, EDUCATIONAL, WINDOWS, BUSINESS and lots more
Write, phone or fax today for your free 124 page printed catalogue

The Public Domain Software Library
Winscombe House, Beacon Road
Crowborough, Sussex TN6 1UL
Tel: 0892 663298, Fax: 0892 667473

ASP Approved Vendor

Contact

HST for all your component needs.
Send for your free catalogue and details of special offers.

HST Ltd
Technology House
Prospect Road, Carlton
Nottingham NG4 6LA
Tel: 0602 587225. Fax: 0602 484530

RCS VARIABLE VOLTAGE D.C. BENCH POWER SUPPLY
1 to 24 volts up to 1/2 amp, 1 to 20 volts up to 1 amp, 1 to 16 volts up to 1 1/2 amps d.c. Fully stabilised. Twin panel meters for instant voltage and current readings. Overload protection.
Fully variable
Operates from 240V a.c.
Compact Unit.
Size 9 x 5 1/2 x 3in.
NEW MODEL. Up to 39volts d.c. at 6 amps. 10 amps peak. Fully variable Twin panel meters. Size 14 1/2 x 11 x 4 1/2in. £99 inc VAT. Carr £6

£45 inc. VAT
+ Post and insurance £4

RADIO COMPONENT SPECIALISTS
337 WHITEHORSE ROAD, CROYDON
SURREY, U.K. Tel: 081-684 1665

List. Large SAE. Delivery 7 days. Callers welcome. Closed Wednesday

BTEC ELECTRONICS TECHNICIAN FULL-TIME TRAINING

THOSE ELIGIBLE CAN APPLY FOR E.T. GRANT SUPPORT AN EQUAL OPPORTUNITIES PROGRAMME

O.N.C., O.N.D. and H.N.C.

Next course commences
Monday 11th January 1993
FULL PROSPECTUS FROM

LONDON ELECTRONICS COLLEGE
(Dept EE) 20 PENYVERN ROAD
EARLS COURT, LONDON SW5 9SU
TEL: 071-373 8721

IT PAYS TO ADVERTISE IN

EVERYDAY with PRACTICAL ELECTRONICS

Your advert will reach twice as many UK readers than with any other independent monthly hobby electronics magazine

N. R. BARDWELL LTD (EPE)
COMPONENT PACKS
Over 400 types of Capacitor packs
Over 150 types of Semiconductor packs
Over 40 types of LED packs
Over 40 types of Resistor packs
Over 115 types of Component packs
MANY OTHER ITEMS LARGE S.A.E. FOR LISTS
288 Abbeydale Road, Sheffield S7 1FL
Phone (0742) 552886. Fax (0742) 500689

THE BRITISH AMATEUR ELECTRONICS CLUB
exists to help electronics enthusiasts by personal contact and through a quarterly Newsletter.
For membership details, write to the Secretary
Mr J. S. Hind, 7 Carlyle Road
West Bridgford, Nottingham NG2 7NS
Space donated by Everyday with Practical Electronics

NEW VHF MICROTRANSMITTER KIT
Tunable 80-135MHz, 500 metre range, sensitive electret microphone, high quality PCB.
SPECIAL OFFER complete kit ONLY £5.95
Assembled and ready to use £9.95 post free.
Credit card orders telephone 021 411 1821. Fax 021 411 2355
Send 2x1st class stamps for Catalogue, Cheques/P.O.s payable to:
QUANTEK ELECTRONICS
Kits Dept. (EE), 3 Houldley Road, West Heath, Birmingham B31 3HL
SHOP NOW OPEN - CALLERS WELCOME

STUDY ELECTRONICS ON A PC
Over 80 fully interactive, menu driven, graphics screens, containing charts, graphs, circuit diagrams, formulae and theory. With user inputs and calculated outputs. Covers subjects from electron flow, through analysis of AC and DC circuits, to semi-conductors.

Send cheque or postal order for
£39.95 + £2.00 P&P
SAE for details:
E.P.T. Educational Software
Pump House, Lockram Lane
Witham, Essex CM8 2BJ

SOLAR PANELS
Special offer 12V nom (20V o/c) 80mA. 12"x6" pre-wired Amorphous Silicon panel £4.50 (5 for £18) includes P&P. Many other sizes, wind generators and other products.
Orders to (Catalogue 2 x 1st class stamps)
Robert Keyes, 4 Glanmor Crescent
Newport, Gwent NP9 8AX

Miscellaneous

G.C.S.E. ELECTRONICS KITS at pocket money prices. S.A.E. for FREE catalogue.
SIR-KIT ELECTRONICS, 70 Oxford Road, Clacton CO15 3TE.
PROTOTYPE PRINTED CIRCUIT BOARDS one offs and quantities, for details send s.a.e. to B. M. Ansbore, 38 Poynings Drive, Sussex BN3 8GR, or phone Brighton 720203.
THE HOMEBUILT DYNAMO (Plans). Reviewed 1989 in PE January and Model Engineer December 15th. Price £42 post paid airmail from Alfred Forbes, PO Box 3919, Auckland, New Zealand. Tel (09) 818-8967.
IF YOU LIVE in the Bedfordshire area and are looking for components, come and see our large stocks at reasonable prices. Surpluselectronics, 216 Leagrave Road, Luton. (Closed Wednesdays.)
HUNDREDS of unusual items cheap! Send 90p (coins/stamps) for interesting samples and lists. Grimsby Electronics, Lambert Road, Grimsby.
SOLAR POWER PRODUCTS. Portable lamps and torches, garden lights, security lights, water fountains, construction sets, radios, clocks, watches, solar cells and panels, inverters, battery chargers. Tried and tested in Britain's first solar power catalogue. Send £5 for your copy, includes £3 refund voucher on first order and quarterly newsletter (overseas addresses £10). Solar Products International Ltd, PO Box 438, Harrow, Middlesex HA2 9UT.
THE AMAZING GLOWTRON will illuminate 12in fluorescent tubes and neons without contact or wires. Looks as though you are electrified. Mystify your friends at parties etc. £38.75 + p&p £2.25. Write 32 Fairfield Approach, Wraysbury, nr Staines, Middx TW19 5DS. Phone 0784 482289.
ELECTRONIC organ components clearout, keyboards, stop tabs, etc. S.A.E. for list. Fred Wright, 23 Merriem Close, Sunderland, Tyne & Wear SR3 2QP.

Hesing Technology

Cromwell Chambers, 8 St. Johns Street, Huntingdon, Cambs. PE18 6DD
Tel: (0480) 433156 Fax: (0480) 413357

TEST EQUIPMENT

Supply
Maintenance
Commissioning

SYSTEM CONSULTANCY

Replacement Parts
Supply of Service &
Operators Manuals
Components

Distributors for:
WAUGH INSTRUMENTS, RAMTEST LTD., KRENZ ELECTRONICS, PANTHER

COMPONENTS For TV ★ Video Audio ★ Computer

WE CAN SUPPLY A VAST RANGE OF SPARES for many makes of TV, Video, Computer & Audio Equipment. WRITE (Encl. s.a.e. please) or PHONE FOR A 'PRICE & AVAILABILITY' on your requirements. **0452 526883**

VIDEO BELT KITS	
AMSTRAD VCR4600/4700/5200.....	£3.19
FISHER FVHP905/906/908.....	£3.03
JVC HR3300/3330/3660.....	£3.30
Large range of Pinch Rollers, Idlers, Heads, etc., from stock	
SERVICE MANUALS	
FIDELITY ZX3000 Chassis.....	£7.50
PHILIPS CST427/428.....	£4.99
TOSHIBA STU2/L Tuner.....	£6.99
SEMICONDUCTORS	
BU508A.....	£1.50
LM733CN.....	£2.43
P8255A.....	£2.85
STK0029.....	£6.69
STK1411H.....	£8.79
TA7280P.....	£6.88
TA8210H.....	£8.52

COMPUTER SPARES		
AMSTRAD/SINCLAIR	ATARI	
40028 G. Array.....	CO25913 DMA (ST).....	£33.24
PCW 9512 Serv. Manual.....	User Manual (STFM).....	£10.00
AY38912.....	PC9300/HT11L3 (ST).....	£2.88
SED9420CAC.....	ROM Basic (XEL).....	£4.58
STK7356.....	THERMISTOR (ST-PSU).....	£1.37
TEA2000.....	PC713V (STE-PSU).....	£2.94
TMS4532-NL4.....	25C2331 (ST-PSU).....	£1.59
COMMODORE		
ZTK650.....	17 7344MHz Xtal.....	£4.99
ZTK802(OL).....	64C User Manual.....	£4.25
ZK8401.....	C64 User Manual.....	£4.25
Spec. + 2 ROM.....	C64/C Service Manual.....	£15.00
Spec./OL Modulator.....	6510 CPU.....	£10.03
Spec. 48K Speaker.....	6526 CIA.....	£11.11
Spec. 48K Membrane.....	6569 VIC.....	£19.95
*128K Membrane.....	8520 Amiga.....	£12.35
QL Membrane.....	8565 VIC.....	£23.96
PHILIPS (CM8833)		
Service Manual - Mk 1.....	906114-01 PLA.....	£4.24
Line O/P TX - Mk 1.....	251641-02 PLA.....	£4.49
IC-TDA3505.....	MB81416-12 DRAM (C16).....	£4.99

Send £1.25 for our Selected Spares CATALOGUE. Includes voucher spendable on future orders.
Order by Post or Phone. We accept payment by VISA, ACCESS, DELTA, SWITCH, Cheque or P.O. Post & Packing is £1.20. No VAT to add on.
All items subject to availability. Prices can change without notice.



MARAPET (EEB)
1 HORNBEAM MEWS
GLOUCESTER GL2 0UE

Metal detector boards with Data has tuner, mode, discrimin, headphone jack, on/off volume & push button facilities.....	£7.95 ea*
35mm Camera returns with auto flash, wind on etc.....	£6 ea or 2 for £10
100K Lin. Joystick, mech.....	£1*
Dictaphone cassette, mech/record erase playback heads, 6V solenoid, motor, hall effect switch.....	£2.00 ea*
T.V./Printer stands.....	£3.95 ea
Bicc-Vero Easiwire construction kit.....	£4.95 ea*
Dot matrix LCD 10x2 lines.....	£3.75 ea*
40 characters x 1 line dot matrix LCD with data.....	£15.00*
2 digit 16 segment VF display with data.....	£2.95 ea*
4 digit intelligent dot matrix display.....	£6.00*
17 segment V.F. display with driver board and data.....	£2.99 ea*
8 digit liquid crystal display.....	£1.75 ea*
4 digit LCD with 7211 driver chip.....	£3.50 ea*
Digital clock display.....	£2.50*
11 key membrane keypad.....	£1.50 ea*
Keyboard 392mm x 180mm/100 keys on board + LCD + 74HC05/80C49 easily removable.....	£4.95
19" 3U sub rack enclosures.....	£8.95
12V stepper motor, 48 steps per rev, 7.3" step angle.....	£3.95 ea*
Stepper motor board with 2 slotted opto + 2 mercury tilt switches.....	£3.95 ea*
1000 mixed 1/4 watt 1% resistors.....	£4.95 ea
250 electrolytic axial + radial caps.....	£4.95 ea*
200 off mixed polyester caps.....	£7.95*
100 Mixed trimmer caps popular values.....	£4.95*
100 off Phono plugs (red/black/grey).....	£3.50*
50 Mixed terminal blocks.....	£2.95
25 off asst. buzzers & sounders.....	£4.95*
Cable box UHF modulator/video preamp/transmitter/R's + C's/leads.....	£6.95
1000 off mixed Multilayer Ceramic Caps.....	£7.95
Solar cell modules 0.45V 700mA.....	£2.95 ea*
B.B.C. Micro to disc drive lead.....	£1.50*
Car Burglar alarm vibration auto entry/exit delay.....	£5.95 ea*
Single zone alarm panel auto entry/exit delay housed in domestic light socket.....	£9.95 ea*
P.C. P.S.U. 50 watt 115-230V input + 5V 4A + 12V 2.5A output with built in fan, IEC inlet + on/off.....	£9.95 ea

STC P.S.U. 240V input 5V 6A output (converts to 12V 3A details available).....	£5.95 ea
240V input 5V 10A output (converts to 12V 5A no details).....	£5.95 ea
600Ω line output transformers.....	£1.25 ea
240V in 0-12V 0.75A out transformer.....	£1.75*
240V in 0-28V 62VA out transformer.....	£2.75
Transformer + PCB gives 2x7.5V 32VA with skt for 5 or 12V regulator, will power floppy drive.....	£3.75 ea
Ultrasonic transducers (transmit + receive).....	£1.50 pair
3 to 16V Piezoelectric sounders.....	50p*
9VDC electromechanical sounder.....	50p*
24V DC electromechanical sounder.....	50p*
2A 250V keyswitch 3 position key removable in two positions.....	£1.50*
DIL switches PCB MT 3/4/6 way.....	35p*
5V SPCO SIL reed relay.....	40p*
5V 2PCO DIL miniature relay.....	60p*
12V 2PCO or 4PCO continental relay.....	60p*
12V 10A PCB MT (to make contact) relay.....	95p*
3 to 12V electro magnetic acoustic transducer with data.....	75p*
2.4576/8.8329/21.10 MHz crystals.....	50p ea*
Bridges 25A 200V.....	£1.00*
2A 100V.....	50p*
31b Mixed components pack.....	£4.95
25 off mixed relays.....	£5.95*
40 off mixed toggle switches.....	£9.95*
50 off mixed switches, toggle, rocker, slide, micro.....	£9.95
Miniature axial chokes 0.1, 0.18, 0.12, 0.33, 0.39, 0.15, 1, 3.3UH.....	10p ea., 100 for £7.50*
250 off 16/22/24/40 way IC Skts.....	£4.95*
Crystal Oscillators 10/24/48 MHz.....	£1 ea*
Spider Plug Leads.....	75p ea*

QUANTITY DISCOUNTS AVAILABLE PLEASE RING

We also buy all forms of electronic components, p.s.u.s, disk drives etc. Lists to below address.

ALL PRICES INCLUDE V.A.T. PLEASE ADD £2.00 p&p EXCEPT ITEMS MARKED * WHICH ARE 50P. SAE FOR BULK BUYING LIST PAYMENT WITH ORDER TO:

Dept EE, COMPELEC,
14 Constable Road
St. Ives, Huntingdon,
Cambs PE17 6EQ
Tel/Fax: 0480 300819

Technical Information Services

76 CHURCH STREET, LARKHALL, LANARKSHIRE, ML9 1HE
Tel. (0698) 884585 Mon-Fri 8.30am - 5.00pm
Tel. (0698) 883334 Outwith business hours
FAX facility available all day on both lines



Write now with an SAE for your FREE QUOTE FREE VOUCHERS & FREE CATALOGUE

Remember, not only do we have EVERY service sheet ever produced, but we also have

THE WORLDS LARGEST COLLECTION OF SERVICE MANUALS

& WE ARE SOLE SUPPLIERS OF VARIOUS FAULT-FINDING GUIDES REPAIR MANUALS & TECHNICAL MANUALS

CTV, Video, CD, Hi-Fi, Camcorder, Satellites, Computers, Domestic Equip'...etc.

DATA REFERENCE MANUAL..... essential for the serious electrician" FREE updating and a 10% discount voucher only £5.95 Incorporates Unique Model Identification and Chassis Data

MAKE YOUR INTERESTS PAY!

Over the past 100 years more than 40 million students throughout the world have found it worth their while! An ICS home-study course can help you get a better job, make more money and have more fun out of life! ICS has over 100 years experience in home-study courses and is the largest correspondence school in the world. You learn at your own pace, when and where you want under the guidance of expert 'personal' tutors. Find out now we can help YOU. Post or phone today for FREE INFORMATION on the course of your choice. (Tick one box only)

Electronics	<input type="checkbox"/>	TV, Video & Hi-Fi Servicing	<input type="checkbox"/>
Basic Electronic Engineering (City & Guilds)	<input type="checkbox"/>	Refrigeration & Air Conditioning	<input type="checkbox"/>
Electrical Engineering	<input type="checkbox"/>	Car Mechanics	<input type="checkbox"/>
Electrical Contracting/Installation	<input type="checkbox"/>	Computer Programming	<input type="checkbox"/>
GCSE/GCE/SCE over 40 examination subjects to choose from <input type="checkbox"/>			

Name _____ Address _____

ICS International Correspondence Schools Dept ECS 23
312/314 High Street, Sutton, Surrey SM1 1PR or 041-221 7373 (24 hours).



UK DISTRIBUTOR AND STOCKIST FOR THE COMPLETE ILP RANGE

- ★ AMPLIFIER MODULES
- ★ PRE-AMPLIFIERS
- ★ 100V LINE TRANSFORMERS
- ★ TOROIDAL TRANSFORMERS
- ★ LIGHTING TRANSFORMERS

Write, phone or fax
for data and prices

Jaytee Electronic Services

143 Reculver Road, Beltinge, Herne Bay, Kent CT6 6PL
Telephone: (0227) 375254. Fax: (0227) 365104



**NATIONAL
COLLEGE OF
TECHNOLOGY**

DISTANCE LEARNING COURSES

The National College of Technology offer a range of packaged learning short courses for study at home or in an industrial training environment which carry national BTEC awards. Study can commence at any time and at any level enabling you to create a study routine to fit around existing commitments. Courses on offer include:

- Analogue Electronics
- Digital Electronics
- Fibre/Optoelectronics
- Programmable Logic Controllers

Tutor support and BTEC certification are available as options with no travelling or college attendance required. These very popular courses which are ideal for vocational training contain workbooks, audio cassette lectures, PCB's, instruments, tools, components and leads as necessary to support the theoretical and practical training. Whether you are a newcomer to electronics or have some experience and simply need an update or certification, there is probably a distance learning course ready for you. Write or telephone for details to:

National College of Technology
NCT Ltd., PO Box 11
Wendover, Bucks
Tel: (0296) 624270

Carbon Film resistors 1/4W 5% E24 series 0.51 R to 10MΩ	1p
100 off per value - 75p, even hundreds per value totalling 1000	£6.00p
Metal Film resistors 1/4W 10R to 1 MΩ 5% E12 series - 2p, 1% E24 series	3p
Mixed metal/carbon film resistors 1/4W E24 series 1R0 to 10MΩ	1 1/2p
1 watt mixed metal/carbon film 5% E12 series 4R7 to 10 Megohms	5p
Linear Carbon pre-sets 100mW and 1/4W 100R to 4M7 E6 series	7p
Miniature polyester capacitors 250V working for vertical mounting	
015, 022, 033, 047, 068-4p, 0.1 - 5p, 0.12, 0.15, 0.22 - 6p, 0.47 - 8p, 0.68 - 8p, 1.0 - 12p	
Mylar (polyester) capacitors 100V working E12 series vertical mounting	
1000p to 8200p - 3p, 0.1 to 0.68 - 4p, 0.1 - 5p, 0.12, 0.15, 0.22 - 6p, 0.47/50V - 8p	
Submin ceramic plate capacitors 100V wkg vertical mountings, E12 series	
2% 1.8p to 47p - 3p, 2% 56p to 330p - 4p, 10% 390p - 4700p	4p
Disc/plate ceramics 50V E12 series 1P0 to 1000P, E6 Series 1500P to 47000P	2p
Polystyrene capacitors 63V working E12 series long axial wires	
10p to 820p - 5p, 1000p to 10,000p - 6p, 12,000p	7p
741 Op Amp - 20p, 555 Timer	20p
cmos 4001 - 20p, 4011 - 22p, 4017	40p
ALUMINIUM ELECTROLYTICS (Mfds/Volts)	
1/50, 2.2/50, 4.7/50, 10/25, 10/50	5p
22/16, 22/25, 22/50, 33/16, 47/16, 47/25, 47/50	6p
100/16, 100/25 7p; 100/50 12p; 100/100	14p
220/16 8p; 220/25, 220/50 10p; 470/16, 470/25	11p
1000/25 25p; 1000/35, 2200/25 35p; 4700/25	70p
Submin. tantalum bead electrolytics (Mfds/Volts)	
0.1/35, 0.22/35, 0.47/35, 1.0/35, 3.3/16, 4.7/16	14p
2.2/35, 4.7/25, 4.7/35, 6.8/16 15p; 10/16, 22/16	20p
33/10, 47/16, 22/16 30p; 47/10 35p; 47/16 60p; 47/35	80p
VOLTAGE REGULATORS	
1A + or - 5V, 8V, 12V, 15V, 18V & 24V - 55p, 100mA 5.8, 12, 15, V +	30p
DIODES (piv/amps)	
75/25mA 1N4148 2p, 800/1A 1N4006 4 1/2p, 400/3A 1N5404 14p, 115/15mA OA91	8p
100/1A 1N4002 3 1/2p, 1000/1A 1N4007 5p, 60/1.5A 1M1 5p, 100/1A bridge	25p
400/1A 1N4004 4p, 1250/1A BY 127 10p, 30/15A OA47	10p
Zener diodes E24 series 3V3 to 33V 400mW - 8p, 1 watt	12p
Battery snaps for PP3 - 6p for PP9	12p
L.E.D.'s 3mm, & 5mm, Red, Green, Yellow - 10p, Grommets 3mm - 2p, 5mm	2p
Red flashing L.E.D.'s require 9-12V supply only	50p
Mains indicator neons with 220k resistor	10p
20mm fuses 100mA to 5A, O. blow 6p, A/surge 10p, Holders, chassis, mounting	6p
High speed pc drill 0.8, 1.0, 1.3, 1.5, 2.0mm - 30p, Machines 12V dc	£15.00
HELPING HANDS 6 ball joints and 2 croc clips to hold awkward jobs	£3.50
AA/HP7 Nicad rechargeable cells 90p each. Universal charger unit	£6.50
AA/HP7 zinc/carbon batteries in packs of 4	£1.10 per pack
Glass reed switches with single pole make contacts - 8p, Magnets	12p
0.1" Stripboard 2 1/2" x 1" 9 rows 25 holes - 25p, 3 1/2" x 2 1/2" 24 rows 37 holes	70p
Jack plugs 2.5 & 3.5m - 14p; Sockets Panel Mtg. 2.5 & 3.5m	10p
Ear pieces 2.5 & 3.5mm, dynamic - 20p; 3.5mm crystal	£1.50
MULTI CORED SOLDER, 22G - 8p yard, 18G - 14p yard.	
TRANSISTORS	
BC107/8/9 - 12p, BC547/8/9 - 8p, BC557/8/9 - 8p, BC182, 182L, BC183, 183L, BC184, 184L, BC212, 212L - 10p,	
BC327, 337, 337L - 12p, BC727, 737 - 12p, BD135/6/7/8/9 - 25p, BCY70 - 18p, BFY50/51/52 - 20p,	
BFX88 - 15p, 2N3055 - 50p, TIP31, 32 - 30p, TIP41, 42 - 40p, BU208A - £1.20, BF195, 197 - 12p	
Ionisers with seven year guarantee, list price £16.95	£12.50

All prices are inclusive of VAT. Postage 30p (free over £5). Stamp for list.

THE CR SUPPLY CO
127 Chesterfield Rd., Sheffield S8 0RN
Tel: 0742 557771 Return posting

ADVERTISERS INDEX

N. R. BARDWELL	135	MAGENTA ELECTRONICS	90/91
R. BARTLETT	135	MAILTECH	130/131
BK ELECTRONICS	Cover (iii)	MAPLIN ELECTRONICS	Cover (iv)
BRIAN J. REED	160	MARAPET	159
BULL ELECTRICAL	Cover (ii)	MARCO TRADING	89
CAMBRIDGE COMP.		MAURITRON	86
SCIENCE	157	M&B ELECT. SUPPLIES	149
CANAL BRIDGE AUDIO	86	MICRO AMPS	107
CIRKIT DISTRIBUTION	85	NATIONAL COLLEGE OF TECH 160	
COMPELEC	159	NUMBER ONE SYSTEMS	107
CRICKLEWOOD ELECT.	157	OMNI ELECTRONICS	107
CR SUPPLY COMPANY	160	PENTAGRAM ELECT.	
DATONG ELECTRONICS	137	DESIGNS	137
DISPLAY ELECTRONICS	82	PICO TECHNOLOGY	86
ELECTRONIZE DESIGN	137	RACKZ PRODUCTS	157
ESR ELECTRONIC COMP.	92	RADIO & TV COMPONENTS	84
GREENWELD ELECTRONICS	87	RS COMPONENTS	103
HART ELECTRONIC KITS	88	SEETEX CAE	145
HESING TECHNOLOGY	159	SERVICE TRADING CO.	145
ICS	159	SHERWOOD ELECTRONICS	157
JAYTEE ELECTRONIC SERVICES	157, 159	STEWART OF READING	145
JPG ELECTRONICS	160	SUMA DESIGNS	146
LABCENTER ELECTRONICS	115	TECHNICAL INFO. SERVICES	159
		TYPESETTING BUREAU	158

Millions of quality components at lowest ever prices!

Plus Tools, Watches, Fancy Goods, Toys. Mail order UK only.

All inclusive prices -

NO post, or VAT etc to add on.

Send 34p stamped self addressed label or envelope for catalogue/clearance list.

At least 2,100 offers to amaze you.

Brian J Reed

**6 Queensmead Avenue, East Ewell
Epsom, Surrey KT17 3EQ
Tel: 081-393 9055**

LEDs 3mm or 5mm red or green 6p each, yellow 11p each, high intensity red, green or yellow, 5mm 30p each.		Resistor jumbo pack 25000, 1/4 and 1/2W resistors our choice of values and size, will be mainly in boxes or rolls of 1000, 2000 and 5000 of one type	£26.00
Cable ties 1p each, £5.95 per 1000, £49.50 per 10,000.		Qwerty keyboard, 58 key good quality switches, new	£5.00
Stepping motor 4 phase 12V 7.5 step 50 ohms	£8.95	Qwerty keyboard with serial output, no data (used)	£6.00
SAA1027 stepping motor driver chip	£3.95	Polyester capacitors, box type, 22.5mm lead pitch 1µf 250V dc 20p each, 15p 100+, 10p 1000+ 2.2µf 250V dc 30p each, 20p 100+, 15p 1000+ 3.3µf 100V dc 30p each, 20p 100+, 15p 1000+ 1µf 50V bipolar electrolytic axial leads, 15p each, 7.5p 1000 for list	
FM Transmitter kit, good quality sound	£8.60	2.2µf 250V polyester axial leads, 15p each, 100+ & 7.5p each	
High quality photo resist copper clad epoxy glass boards		Philips 123 series solid aluminium axial leads, 33µf 10V & 2.2µf 40V 40p each, 25p 100+ Multilayer AVX ceramic capacitors, all 5mm pitch, 100V 100pf, 150pf, 220pf, 10,000pf (10n) 10p each, 5p 100+, 3.5p 1000+ Welwyn W23 9W 120 ohm 35p each, 20p 100+ 680 ohm 2W metal film resistor, 4p 100+, 2p 1000+ Solid carbon resistors, very low inductance, ideal for RF circuits, 270hm 2W, 680hm 2W 25p each, 15p each 100+, we have a range of 0.25W, 0.5w, 1w and 2w solid carbon resistors - please send SAE for list	
Dimensions	single sided	double sided	
3/4 inches	£1.07	£1.07	
4/8 inches	£2.40	£2.68	
6x12 inches	£5.37		
12x12 inches	£10.66		
Rechargeable Batteries			
AA (HP7) 500mAh	£0.99		
AA 700mAh	£1.95		
C 2AH with solder tags	£3.60		
D 4AH with solder tags	£4.95		
1/2AA with solder tags	£1.55		
AAA (HP16) 180mAh	£1.75		
AA 500mAh with solder tags	£1.55		
C (HP11) 1.8AH	£2.20		
D (HP2) 1.2AH	£2.60		
PP3 3.4V 110mAh	£4.95		
Sub C with solder tags	£2.50		
1/3 AA with tags (Philips CTV)	£1.95		
Standard charger, charges 4 AA cells in 5 hours or 4Cs or Ds in 12-14 hours + 1xPP3 (1, 2, 3 or 4 cells may be charged at a time)	£5.95		
High power charger, as above but charges the Cs and Ds in 5 hours; AAs, Cs and Ds must be charged in 2s or 4s	£10.95		
Special offers - please check for availability			
F cells 32dia x 87mm	£3.95		
F cell with solder tags, 1.2V	£4.30		
42mm x 16mm dia, 1.2V	£1.45		
Stick of a 171mm x 16mm dia, with red & black leads 4.8V	£5.95		
4 cell battery 94mm x 25mm dia, (1/2C cells)	£3.50		
Computer grade capacitors with screw terminals, 3800µf 20V £2.95; 87000µf 10V £1.95; 68000µf 15V £2.95; 10000µf 16V £1.50			
7 segment common anode led display, 12mm	£0.45		
LM2931 AT 5.0 low drop out 5V regulator TO220 package	£0.85		
7812 and 7912 12V 1A regulators	£2.00 per 100		
LM337K TO3 case variable regulator	£1.60 per 100 + £1.10		
BS250 P channel mosfet 45p, BC559 transistor	per 100 £3.95		
74LS05 hex inverter	£10.00 per 100		
Used 8748 Microcontroller	£3.50		
LS952 UHF Limiting amplifier, LC 16 surface mounting package with data sheet	£1.95		
AM27502	£1.25 each, 90p 100+		
CD4007UB	10p 100+, 6p 1000+		
TV Mains switch, 4A double pole with momentary contacts for remote control, pack of 10	£3.95		
DC-DC converter, Reliability model, V12PS, 12V in 5V 200mA out, 300V input to output, Isolation with data, £4.95 each or pack of 10 - £39.50			
Hour counter used 7 digit 240V ac 50Hz	£1.45		
Resistor pack 2500 resistors 1/8-2W 50 different values	£8.95		
		AMD 27256 - 3 Epioms £2.00 each, £1.25 100+ DIP switch 3PCQ 12 pin (ERG SDC-3-023) 60p each, 40p for list	
		Disk Drive Boxes for a 5.25 disk drive with room for a power supply light, grey plastic 67mm x 268mm x 247mm	£7.95 or £49.50 for 10
		Hand Held Ultrasonic remote control	£3.95
		Computer grade 5800µf 60V capacitors with screw terminals	£4.95
		CV2486 gas relay 30mm x 10mm dia with 3 wire terminals, will also work as a neon light	20p each, £7.50 per 100
		A23 12V car alarm remote control and lighter battery	75p each, £7.50 100+
		40µf 370V a.c. motor start capacitor (dielectric type containing no PCBs)	£5.95 each type £49.50 for 10

All products advertised are new and unused unless otherwise stated. Wide range of CMOS TTL 74HC 74F Linear Transistors kits, rechargeable batteries, capacitors, tools etc, always in stock. Please add 95p towards P&P VAT included in all prices

JPG ELECTRONICS
276-278 Chatsworth Road
Chesterfield S40 2BH
Access/Visa Orders:
(0246) 211202
Callers welcome

OMP MOS-FET POWER AMPLIFIERS HIGH POWER, TWO CHANNEL 19 INCH RACK

THOUSANDS PURCHASED BY PROFESSIONAL USERS



THE RENOWNED MXF SERIES OF POWER AMPLIFIERS

FOUR MODELS:- MXF200 (100W + 100W) MXF400 (200W + 200W)

MXF600 (300W + 300W) MXF900 (450W + 450W)

ALL POWER RATINGS R.M.S. INTO 4 OHMS, BOTH CHANNELS DRIVEN

FEATURES: ★ Independent power supplies with two toroidal transformers ★ Twin L.E.D. Vu meters ★ Level controls ★ Illuminated on/off switch ★ XLR connectors ★ Standard 775mV inputs ★ Open and short circuit proof ★ Latest Mos-Fets for stress free power delivery into virtually any load ★ High slew rate ★ Very low distortion ★ Aluminium cases ★ MXF600 & MXF900 fan cooled with D.C. loudspeaker and thermal protection.

USED THE WORLD OVER IN CLUBS, PUBS, CINEMAS, DISCOS ETC.

SIZES:- MXF200 W19" xH3½" (2U)xD11"
MXF400 W19" xH5¼" (3U)xD12"
MXF600 W19" xH5¼" (3U)xD13"
MXF900 W19" xH5¼" (3U)xD14¼"

PRICES:- MXF200 £175.00 MXF400 £233.85

MXF600 £329.00 MXF900 £449.15

SPECIALIST CARRIER DEL. £12.50 EACH



OMP VARISPEED TURNTABLE CHASSIS



★ Manual arm ★ Steel chassis ★ Electronic speed control 33 & 45 R.P.M. ★ Vari pitch control ★ High torque servo driven DC motor ★ Transit screws ★ 12" die cast platter ★ Neon strobe ★ Calibrated balance weight ★ Removable head shell ★ ½" cartridge fixings ★ Cue lever ★ 220/240V 50/60Hz ★ 390x305mm ★ Supplied with mounting cut-out template.

PRICE £61.30 + £3.70 P&P

OPTIONAL MAGNETIC CARTRIDGES

STANTON AL500mkII GOLDRING G950

PRICE £16.95 + 50p P&P PRICE £7.15 + 50p P&P

STEREO DISCO MIXER DJ6500

★ WITH ECHO ★

STEREO DISCO MIXER with 2 x 7 band L & R graphic equalisers with bar graph LED Vu meters. **MANY OUTSTANDING FEATURES:-** including Echo with repeat & speed control, DJ Mic with tone control & talk-over switch, 7 Channels with individual faders plus cross fade, Cue Headphone Monitor. Useful combination of the following inputs:- 3 turntables (mag), 3 mics, 5 Line for CD, Tape, Video etc.

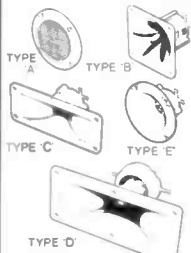


Price £134.99 + £5.00 P&P

SIZE: 482 x 240 x 120mm

PIEZO ELECTRIC TWEETERS - MOTOROLA

Join the Piezo revolution! The low dynamic mass (no voice coil) of a Piezo tweeter produces an improved transient response with a lower distortion level than ordinary dynamic tweeters. As a crossover is not required these units can be added to existing speaker systems of up to 100 watts (more if two are put in series. **FREE EXPLANATORY LEAFLETS ARE SUPPLIED WITH EACH TWEETER.**



TYPE 'A' (KSN1036A) 3" round with protective wire mesh. Ideal for bookshelf and medium sized Hi-Fi speakers. Price £4.90 + 50p P&P.
TYPE 'B' (KSN1005A) 3½" super horn for general purpose speakers, disco and P.A. systems etc. Price £5.99 + 50p P&P.
TYPE 'C' (KSN1016A) 2" x 5" wide dispersion horn for quality Hi-Fi systems and quality discos etc. Price £6.99 + 50p P&P.
TYPE 'D' (KSN1025A) 2" x 6" wide dispersion horn. Upper frequency response retained extending down to mid-range (2KHz). Suitable for high quality Hi-Fi systems and quality discos. Price £9.99 + 50p P&P.
TYPE 'E' (KSN1038A) 3¾" horn tweeter with attractive silver finish trim. Suitable for Hi-Fi monitor systems etc. Price £5.99 + 50p P&P.
LEVEL CONTROL Combines, on a recessed mounting plate, level control and cabinet input jack socket. 85x85mm. Price £4.10 + 50p P&P.

OMP LINNET LOUDSPEAKERS

THE VERY BEST IN QUALITY AND VALUE

Made especially to suit today's need for compactness with high output sound levels, finished in hard wearing black vinyl with protective corners, grille and carrying handle. Each unit incorporates a 12" driver plus high frequency horn for a full frequency range of 45Hz-20KHz. Both models are 8 Ohm Impedance. Size: H20" x W15" x D12".

CHOICE OF TWO MODELS

POWER RATINGS QUOTED IN WATTS RMS FOR EACH CABINET

OMP 12-100WATTS (100dB) PRICE £163.50 PER PAIR

OMP 12-200WATTS (200dB) PRICE £214.55 PER PAIR

SPECIALIST CARRIER DEL. £12.50 PER PAIR



IN-CAR STEREO BOOSTER AMPS



PRICES: 150W £49.99 250W £99.99 400W £109.95 P&P £2.00 EACH

THREE SUPERB HIGH POWER CAR STEREO BOOSTER AMPLIFIERS

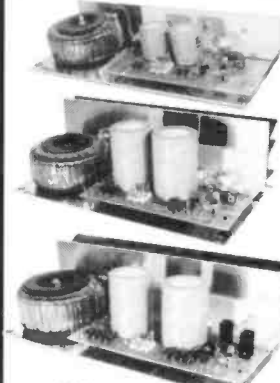
150 WATTS (75 - 75) Stereo, 150W Bridged Mono
250 WATTS (125 + 125) Stereo, 250W Bridged Mono
400 WATTS (200 + 200) Stereo, 400W Bridged Mono
ALL POWERS INTO 4 OHMS

Features: ★ Stereo, bridgable mono ★ Choice of high & low level inputs ★ L & R level controls ★ Remote on-off ★ Speaker & thermal protection.

OMP MOS-FET POWER AMPLIFIER MODULES SUPPLIED READY BUILT AND TESTED.

These modules now enjoy a world-wide reputation for quality, reliability and performance at a realistic price. Four models are available to suit the needs of the professional and hobby market i.e. Industry, Leisure, Instrumental and Hi-Fi etc. When comparing prices, NOTE that all models include toroidal power supply, integral heat sink, glass fibre P.C.B. and drive circuits to power a compatible Vu meter. All models are open and short circuit proof.

THOUSANDS OF MODULES PURCHASED BY PROFESSIONAL USERS



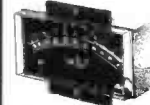
OMP/MF 100 Mos-Fet Output power 110 watts
R.M.S. into 4 ohms, frequency response 1Hz - 100KHz -3dB, Damping Factor >300, Slew Rate 45V/uS, T.H.D. typical 0.002%, Input Sensitivity 500mV, S.N.R. -110 dB. Size 300 x 123 x 60mm.
PRICE £40.85 + £3.50 P&P

OMP/MF 200 Mos-Fet Output power 200 watts
R.M.S. into 4 ohms, frequency response 1Hz - 100KHz -3dB, Damping Factor >300, Slew Rate 50V/uS, T.H.D. typical 0.001%, Input Sensitivity 500mV, S.N.R. -110 dB. Size 300 x 155 x 100mm.
PRICE £64.35 + £4.00 P&P

OMP/MF 300 Mos-Fet Output power 300 watts
R.M.S. into 4 ohms, frequency response 1Hz - 100KHz -3dB, Damping Factor >300, Slew Rate 60V/uS, T.H.D. typical 0.001%, Input Sensitivity 500mV, S.N.R. -110 dB. Size 330 x 175 x 100mm.
PRICE £81.75 + £5.00 P&P

OMP/MF 450 Mos-Fet Output power 450 watts
R.M.S. into 4 ohms, frequency response 1Hz - 100KHz -3dB, Damping Factor >300, Slew Rate 75V/uS, T.H.D. typical 0.001%, Input Sensitivity 500mV, S.N.R. -110 dB, Fan Cooled, D.C. Loudspeaker Protection, 2 Second Anti-Thump Delay. Size 385 x 210 x 105mm.
PRICE £132.85 + £5.00 P&P

NOTE: MOS-FET MODULES ARE AVAILABLE IN TWO VERSIONS: STANDARD - INPUT SENS 500mV, BAND WIDTH 100KHz. PEC (PROFESSIONAL EQUIPMENT COMPATIBLE) - INPUT SENS 775mV, BAND WIDTH 50KHz. ORDER STANDARD OR PEC.



Vu METER Compatible with our four amplifiers detailed above. A very accurate visual display employing 11 L.E.D.s (7 green, 4 red) plus an additional on/off indicator. Sophisticated logic control for very fast rise and decay times. Tough moulded plastic case, with acrylic tinted front. Size 84 x 27 x 45mm.
PRICE £8.70 + 50p P&P

LOUDSPEAKERS

LARGE SELECTION OF SPECIALIST LOUDSPEAKERS AVAILABLE, INCLUDING CABINET FITTINGS, SPEAKER GRILLES, CROSS-OVERS AND HIGH POWER, HIGH FREQUENCY BULLETS AND HORNS, LARGE (A4) S.A.E. (50p STAMPED) FOR COMPLETE LIST.

■ - From McKenzie Professional Series
■ - From McKenzie Studio Series

McKENZIE- INSTRUMENTS, P.A., DISCO, ETC

- ALL MCKENZIE UNITS 8 OHMS IMPEDANCE**
- 8" 100 WATT C8-100GP GEN. PURPOSE, LEAD GUITAR, EXCELLENT MID, DISCO. RES. FREQ. 80Hz. FREQ. RESP. TO 7KHz, SENS 96dB. PRICE £31.45 + £2.00 P&P
 - 10" 100WATT C10-100GP GUITAR, VOICE, KEYBOARD, DISCO, EXCELLENT MID. RES. FREQ. 72Hz. FREQ. RESP. TO 6KHz, SENS 97dB. PRICE £38.89 + £2.50 P&P
 - 10" 200WATT C10-200GP GUITAR, KEYB'D, DISCO, EXCELLENT HIGH POWER MID. RES. FREQ. 69Hz. FREQ. RESP. TO 5KHz, SENS 97dB. PRICE £53.21 + £2.50 P&P
 - 12" 100WATT C12-100GP HIGH POWER GEN. PURPOSE, LEAD GUITAR, DISCO. RES. FREQ. 49Hz. FREQ. RESP. TO 7KHz, SENS 98dB. PRICE £40.35 + £3.50 P&P
 - 12" 100WATT C12-100TC (TWIN CONE) HIGH POWER, WIDE RESPONSE, P.A., VOICE, DISCO. RES. FREQ. 45Hz. FREQ. RESP. TO 12KHz, SENS 97dB. PRICE £41.39 + £3.50 P&P
 - 12" 200WATT C12-200B HIGH POWER BASS, KEYBOARDS, DISCO, P.A. RES. FREQ. 45Hz. FREQ. RESP. TO 5KHz, SENS 99dB. PRICE £71.91 + £3.50 P&P
 - 12" 300WATT C12-300GP HIGH POWER BASS, LEAD GUITAR, KEYBOARDS, DISCO ETC. RES. FREQ. 49Hz. FREQ. RESP. TO 7KHz, SENS 100dB. PRICE £55.66 + £3.50 P&P
 - 15" 100WATT C15-100BS BASS GUITAR, LOW FREQUENCY, P.A., DISCO. RES. FREQ. 40Hz. FREQ. RESP. TO 5KHz, SENS 98dB. PRICE £59.05 + £4.00 P&P
 - 15" 200WATT C15-200BS VERY HIGH POWER BASS. RES. FREQ. 40Hz. FREQ. RESP. TO 3KHz, SENS 98dB. PRICE £80.57 + £4.00 P&P
 - 15" 250WATT C15-250BS VERY HIGH POWER BASS. RES. FREQ. 39Hz. FREQ. RESP. TO 4KHz, SENS 99dB. PRICE £90.23 + £4.50 P&P
 - 15" 400WATT C15-400BS VERY HIGH POWER, LOW FREQUENCY BASS. RES. FREQ. 40Hz. FREQ. RESP. TO 4 KHz, SENS 100dB. PRICE £105.46 + £4.50 P&P
 - 18" 500WATT C18-500BS EXTREMELY HIGH POWER, LOW FREQUENCY BASS. RES. FREQ. 27Hz. FREQ. RESP. TO 2KHz, SENS. 98dB. PRICE £174.97 + £5.00 P&P

EARBENDERS:- HI-FI, STUDIO, IN-CAR, ETC

- ALL EARBENDER UNITS 8 OHMS** (Except EB8-50 & EB10-50 which are dual impedance tapped @ 4 & 8 ohm)
- BASS, SINGLE CONE, HIGH COMPLIANCE, ROLLED SURROUND**
 - 8" 50watt EB8-50 DUAL IMPEDANCE, TAPPED 4/8 OHM BASS, HI-FI, IN-CAR. RES. FREQ. 40Hz. FREQ. RESP. TO 7KHz SENS 97dB. PRICE £8.90 + £2.00 P&P
 - 10" 50watt EB10-50 DUAL IMPEDANCE, TAPPED 4/8 OHM BASS, HI-FI, IN-CAR. RES. FREQ. 40Hz. FREQ. RESP. TO 5KHz, SENS. 99dB. PRICE £13.65 + £2.50 P&P
 - 10" 100watt EB10-100 BASS, HI-FI, STUDIO. RES. FREQ. 35Hz. FREQ. RESP. TO 3KHz, SENS 96dB. PRICE £30.39 + £3.50 P&P
 - 12" 100watt EB12-100 BASS, STUDIO, HI-FI, EXCELLENT DISCO. RES. FREQ. 26Hz. FREQ. RESP. TO 3 KHz, SENS 93dB. PRICE £42.12 + £3.50 P&P
 - FULL RANGE TWIN CONE, HIGH COMPLIANCE, ROLLED SURROUND**
 - 5½" 60watt EB5-60TC (TWIN CONE) HI-FI, MULTI-ARRAY DISCO ETC. RES. FREQ. 63Hz. FREQ. RESP. TO 20KHz, SENS 92dB. PRICE £9.99 + £1.50 P&P
 - 6½" 60watt EB6-60TC (TWIN CONE) HI-FI, MULTI-ARRAY DISCO ETC. RES. FREQ. 38Hz. FREQ. RESP. TO 20KHz, SENS 94dB. PRICE £10.99 + 1.50 P&P
 - 8" 60watt EB8-60TC (TWIN CONE) HI-FI, MULTI-ARRAY DISCO ETC. RES. FREQ. 40Hz. FREQ. RESP. TO 18KHz, SENS 98dB. PRICE £12.99 + £1.50 P&P
 - 10" 60watt EB10-60TC (TWIN CONE) HI-FI, MULTI ARRAY DISCO ETC. RES. FREQ. 35Hz. FREQ. RESP. TO 12KHz, SENS 98dB. PRICE £16.49 + £2.00 P&P

TRANSMITTER HOBBY KITS

PROVEN TRANSMITTER DESIGNS INCLUDING GLASS FIBRE PRINTED CIRCUIT BOARD AND HIGH QUALITY COMPONENTS COMPLETE WITH CIRCUIT AND INSTRUCTIONS

- 3W TRANSMITTER 80-108MHz. VARICAP CONTROLLED PROFESSIONAL PERFORMANCE, RANGE UP TO 3 MILES, SIZE 38 x 123mm, SUPPLY 12V @ 0.5AMP. PRICE £14.85 - £1.00 P&P
- FM MICRO TRANSMITTER 100-108MHz. VARICAP TUNED, COMPLETE WITH VERY SENS FET MIC, RANGE 100-300m, SIZE 56 x 46mm, SUPPLY 9V BATTERY. PRICE £8.80 - £1.00 P&P



PHOTO: 3W FM TRANSMITTER

B.K. ELECTRONICS

UNITS 1 & 5 COMET WAY, SOUTHEND-ON-SEA, ESSEX, SS2 6TR. Tel.: 0702 - 527572 Fax.: 0702 - 420243

POSTAL CHARGES PER ORDER £1.00 MINIMUM. OFFICIAL ORDERS FROM SCHOOLS, COLLEGES, GOVT. BODIES, P.L.C. ETC. PRICES INCLUSIVE OF V.A.T. SALES COUNTER, VISA AND ACCESS ACCEPTED BY POST, PHONE OR FAX.

BUYER'S GUIDE TO ELECTRONIC COMPONENTS 1993

Maplin



BS 5750
Part 2 1987

Level B:
Quality Assurance
RS12750

Order your copy of the New MAPLIN Catalogue on sale NOW!
Pick up a copy from any branch of WHSMITH or from our chain of shops for just £2.95 or
post this coupon now to receive your copy for just £3.45 inc. p&p. If you live outside the
U.K. send £5.50 or 14 IRC's for Airmail in Europe/surface mail outside Europe,
or £10.65 or 27 IRC's for Airmail outside Europe.
I enclose £3.45/£5.50/£10.65 (delete as applicable).

Name
Address
Post Code

Send to Maplin Electronics,
P.O. Box 3, Rayleigh,
Essex, England,
SS6 8LR.
E93

Over 700 product packed pages with
hundreds of brand new products.
On sale now, only £2.95

Available from all branches of WHSMITH and
Maplin shops nationwide. Hundreds of new
products at super low prices!